

**MP 305+SP/SPF**  
**(D259)**  
**Parts Catalog**

**Parts change information sample**

 **Add**

 **Update**

 **Delete**

Model	Product Code	PC Style
MP 305+SP MP 305+SPF	D259	3D
Paper Feed Unit PB1090	D794	3D
NFC Card Reader Type M13	D3B4	Traditional
Optional Counter Interface Unit Type M12	B870	Traditional
Bluetooth Interface Unit Type D	D566	Traditional
XPS Direct Print Option Type M15	D3B4	Traditional
SD Card for Fonts Type D	D641	Traditional
OCR Unit Type M13	D3AC	Traditional
Data Overwrite Security Unit Type I	D362	Traditional
Copy Data Security Unit Type G	D640	Traditional
Enhanced Security HDD Option Type M10	D792	Traditional
Fax Option Type M15	D3B3	Traditional
Fax Connection Unit Type M15	D3B4	Traditional
Smart Operation Panel	D259	Traditional

# Unit All



U001  
EXTERIOR



U002  
OPERATION



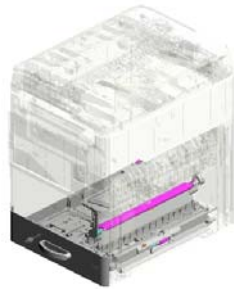
U003  
ADF



U004  
SCANNER



U005  
LASER UNIT



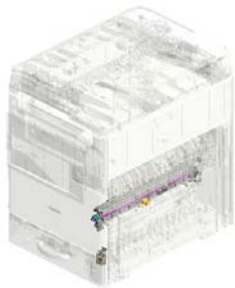
U006  
PAPER TRAY



U007  
DEVELOPMENT



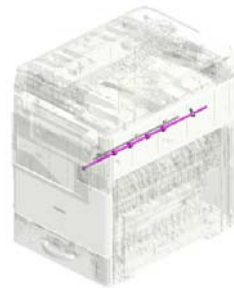
U008  
PCU



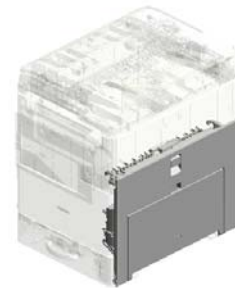
U009  
TRANSFER/SEPARATION



U010  
FUSING



U011  
PAPER EXIT

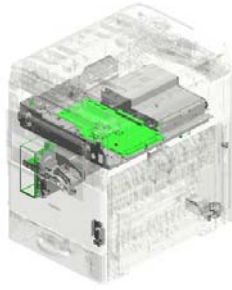


U012  
DUPLEX

# Unit All



U013  
MAIN DRIVE



U014  
ELECTRICAL



U015  
MAIN FRAME

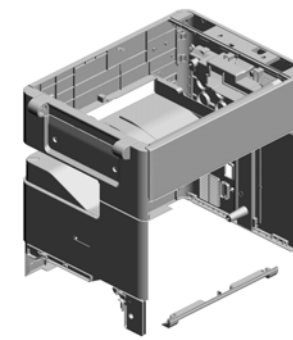


U016  
HEATER



U017  
OTHER SECTION

# U001 EXTERIOR



- 12.D2051230 COVER:RIGHT UPPER
- 6.AW010124 PHOTO REFLECTION SENSOR:GP2A200LCS0F
- 2.04543006Q TAPPING SCREW - M3X6
- 1.04533008N BINDING SELF TAPPING SCREW:3X8
- 17.D2051245 COVER:MIDDLE UPPER:FUSING

20.D2051252  
COVER:REAR UPPER

3.04543008N  
(x24)  
TAPPING SCREW:  
ROUND POINT:3X8

18.D2051250  
COVER:REAR

19.D2051251  
COVER:REAR OUTER

13.D2051231  
COVER:RIGHT LOWER:GRIP

4.04583010N  
(x2)  
HEXAGON HEAD TAPPING SCREW:3X10

15.D2051241  
COVER:LEFT UPPER

14.D2051240  
COVER:LEFT

10.D2051201  
COVER:FRONT

5.04593010N  
BINDING HEAD TAPPING SCREW:3X10

8.D1495883  
KEYTOP:MAIN SWITCH

9.D1495884  
COMPRESSION SPRING:KEYTOP

16.D2051243  
COVER:MAIN SWITCH

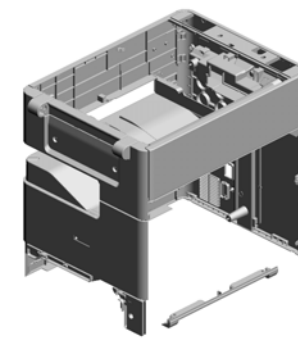
11.D2051211  
MAGNET CATCH:DOOR:FRONT

7.B3522650  
MAGNET CATCH - 5N

- 2.04543006Q (x 1)  
TAPPING SCREW - M3X6
- 4.04583010N (x 2)  
HEXAGON HEAD TAPPING SCREW:3X10

# U001 EXTERIOR

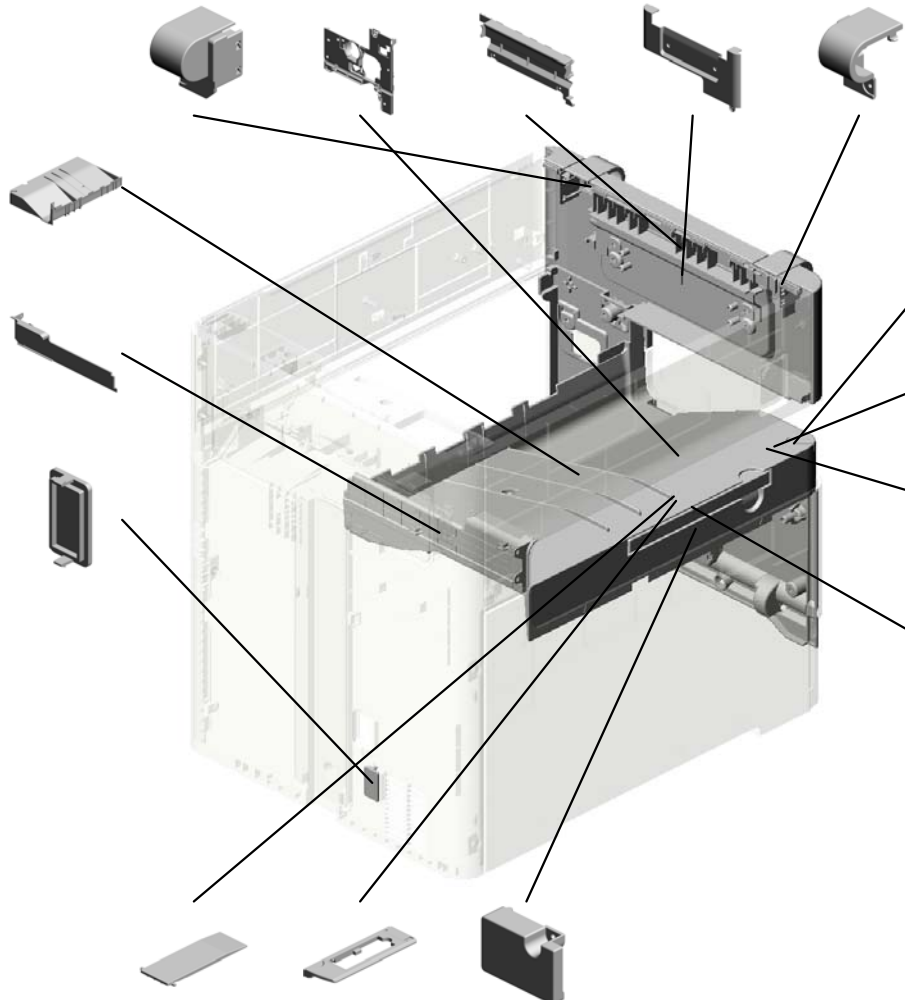
29.D2591201 COVER:HINGE:RIG  
HT  
 21.D2051260 INNER COVER  
 31.D2591213 COVER:FRONT UP  
PER:MIDDLE  
 30.D2591212 COVER:FRONT UP  
PER  
 28.D2591200 COVER:HINGE:LEF  
T



32.D2594451  
TRAY:EXIT

26.D2054457  
COVER:EXIT:INNE  
R BACK

23.D2051265  
CAP:SMALL



33.D2594452  
DIFFUSION PLATE:  
LED

34.D2594453  
HOLDER:LED

35.D2594454  
LED:BLUE:MINICT

24.D2054453  
HOUSING:EXTENS  
ION TRAY

25.D2054455 PAPER EXIT SUB-  
UNIT:EXTENSION  
TRAY:END FENCE  
 27.D2054464 PAPER EXIT SUB-  
UNIT:EXTENSION  
TRAY  
 22.D2051261  
INNER COVER:SM  
ALL

# U002.OPERATION

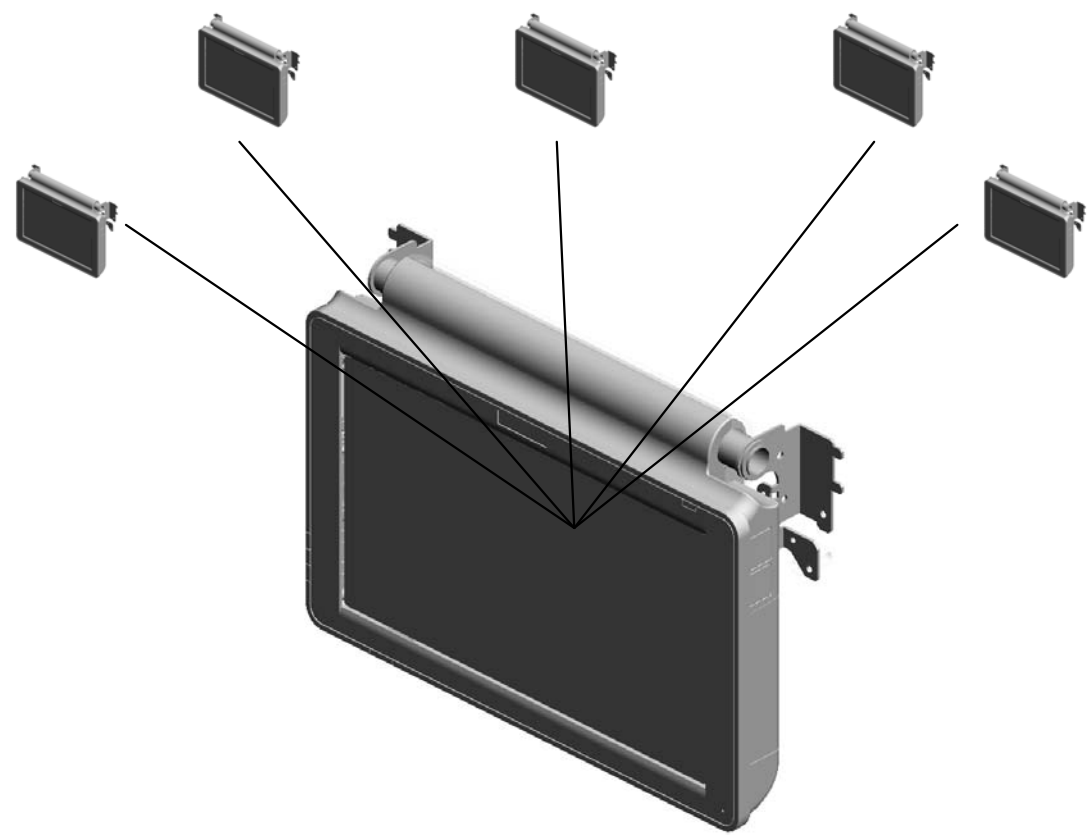
U002\_S001  
D2591446  
(EU/AA/NA/TWN):OPERATION SUB-UNIT:ASS'Y

U002\_S002  
D2591446  
(EU/AA/NA/TWN):OPERATION SUB-UNIT:ASS'Y

U002\_S003  
D2591446  
(EU/AA/NA/TWN):OPERATION SUB-UNIT:ASS'Y

U002\_S005  
D2591432  
(CHN):OPERATION SUB-UNIT:ASS'Y

U002\_S004  
D2591446  
(EU/AA/NA/TWN):OPERATION SUB-UNIT:ASS'Y



U001	<b>U002</b>	U003	U004	U005	U006	U007	U008	U009	U010	U011	U012	U013	U014	U015	U016	U017
------	-------------	------	------	------	------	------	------	------	------	------	------	------	------	------	------	------



# U002 OPERATION

7.D2591421  
COVER:HINGE:OP  
ERATION SUB-UNI  
T



4.11050529  
NYLON CLAMP-EM  
T-3N

- 1.04543006Q(x 1)  
TAPPING SCREW - M3X6
- 2.04543008N(x 7)  
TAPPING SCREW:ROUND POINT:3X8
- 3.04593010N(x 2)  
BINDING HEAD TAPPING SCREW:3X10

U002\_S001  
(EU/AA/NA/TWN):OPERATION SUB-UNIT:ASS'Y

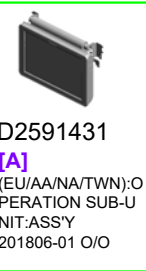


9:D2591446  
[A]  
(EU/AA/NA/TWN):O  
PERATION SUB-U  
NIT:ASS'Y  
201806-01 O/O

See 2D parts catalog  
for the components of  
the Smart Operation  
Panel.

8.Note

See 2D parts catalog  
for the components of  
the Smart Operation  
Panel.



D2591431

[A]  
(EU/AA/NA/TWN):O  
PERATION SUB-U  
NIT:ASS'Y  
201806-01 O/O

U001	U002	U003	U004	U005	U006	U007	U008	U009	U010	U011	U012	U013	U014	U015	U016	U017
------	------	------	------	------	------	------	------	------	------	------	------	------	------	------	------	------

U002\_S002  
(EU/AA/NA/TWN):OPERATION SUB-UNIT:ASS'Y



9:D2591446  
[A]  
(EU/AA/NA/TWN):O  
PERATION SUB-U  
NIT:ASS'Y  
201806-01 O/O

See 2D parts catalog  
for the components of  
the Smart Operation  
Panel.

8.Note

See 2D parts catalog  
for the components of  
the Smart Operation  
Panel.



D2591431  
[A]  
(EU/AA/NA/TWN):O  
PERATION SUB-U  
NIT:ASS'Y  
201806-01 O/O

U001	U002	U003	U004	U005	U006	U007	U008	U009	U010	U011	U012	U013	U014	U015	U016	U017
------	------	------	------	------	------	------	------	------	------	------	------	------	------	------	------	------

U002\_S003  
(EU/AA/NA/TWN):OPERATION SUB-UNIT:ASS'Y



9:D2591446  
[A]  
(EU/AA/NA/TWN):O  
PERATION SUB-U  
NIT:ASS'Y  
201806-01 O/O

See 2D parts catalog  
for the components of  
the Smart Operation  
Panel.

8.Note

See 2D parts catalog  
for the components of  
the Smart Operation  
Panel.



D2591431  
[A]  
(EU/AA/NA/TWN):O  
PERATION SUB-U  
NIT:ASS'Y  
201806-01 O/O

U001	U002	U003	U004	U005	U006	U007	U008	U009	U010	U011	U012	U013	U014	U015	U016	U017
------	------	------	------	------	------	------	------	------	------	------	------	------	------	------	------	------

U002\_S004  
(EU/AA/NA/TWN):OPERATION SUB-UNIT:ASS'Y



9:D2591446  
[A]  
(EU/AA/NA/TWN):O  
PERATION SUB-U  
NIT:ASS'Y  
201806-01 O/O

See 2D parts catalog  
for the components of  
the Smart Operation  
Panel.

8.Note

See 2D parts catalog  
for the components of  
the Smart Operation  
Panel.



D2591431  
[A]  
(EU/AA/NA/TWN):O  
PERATION SUB-U  
NIT:ASS'Y  
201806-01 O/O

U001	U002	U003	U004	U005	U006	U007	U008	U009	U010	U011	U012	U013	U014	U015	U016	U017
------	------	------	------	------	------	------	------	------	------	------	------	------	------	------	------	------

U002\_S005  
(CHN):OPERATION SUB-UNIT:ASS'Y



6.D2591432  
[A]  
(CHN):OPERATION  
SUB-UNIT:ASS'Y  
201605-01 X/O

See 2D parts catalog  
for the components of  
the Smart Operation  
Panel.

8.Note

See 2D parts catalog  
for the components of  
the Smart Operation  
Panel.

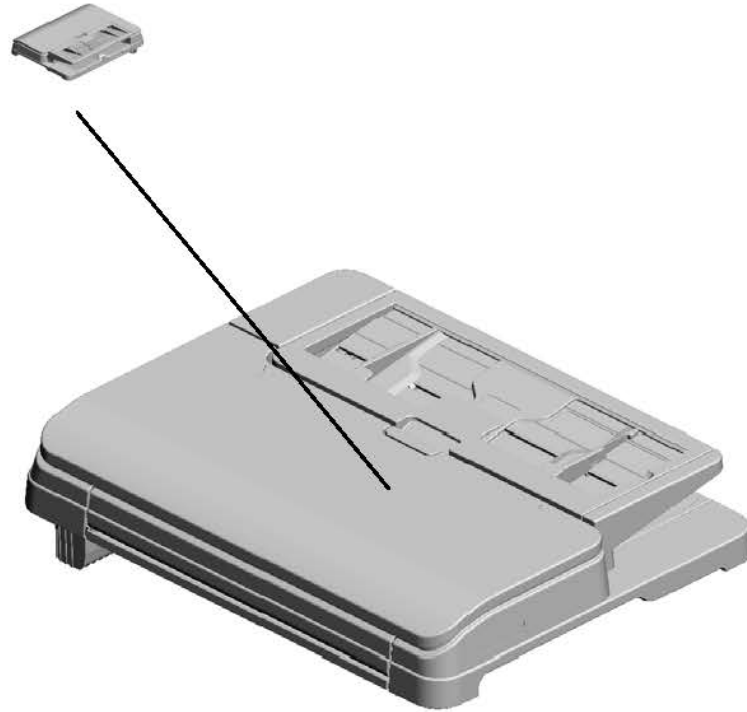


D2591412  
[A]  
(CHN):OPERATION  
PANEL:ASS'Y  
201605-01 X/O

U001	U002	U003	U004	U005	U006	U007	U008	U009	U010	U011	U012	U013	U014	U015	U016	U017
------	------	------	------	------	------	------	------	------	------	------	------	------	------	------	------	------

# U003.ADF

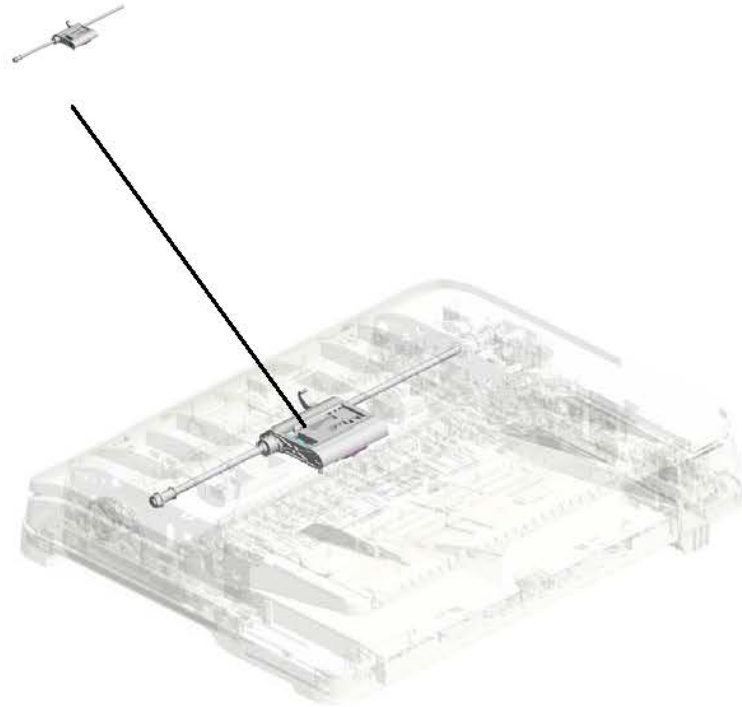
U003\_S001  
D2160014  
ARDF:ASSY



U001	U002	U003	U004	U005	U006	U007	U008	U009	U010	U011	U012	U013	U014	U015	U016	U017
------	------	------	------	------	------	------	------	------	------	------	------	------	------	------	------	------

# U003\_S001.ARDF:ASS'Y

U003\_S001\_S001  
D3B61500  
PAPER FEED UNIT:ASS'Y

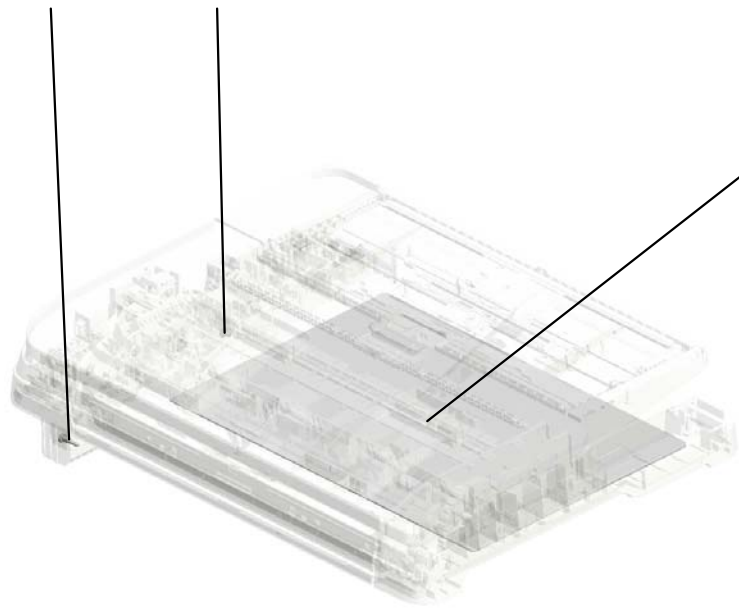


U001	U002	U003	U004	U005	U006	U007	U008	U009	U010	U011	U012	U013	U014	U015	U016	U017
------	------	------	------	------	------	------	------	------	------	------	------	------	------	------	------	------



U003  
ADF

129.D6060028 4.04543006Q  
SCREW:HINGE TAPPING SCREW -  
M3X6



110.D2164910  
PRESSURE PLATE

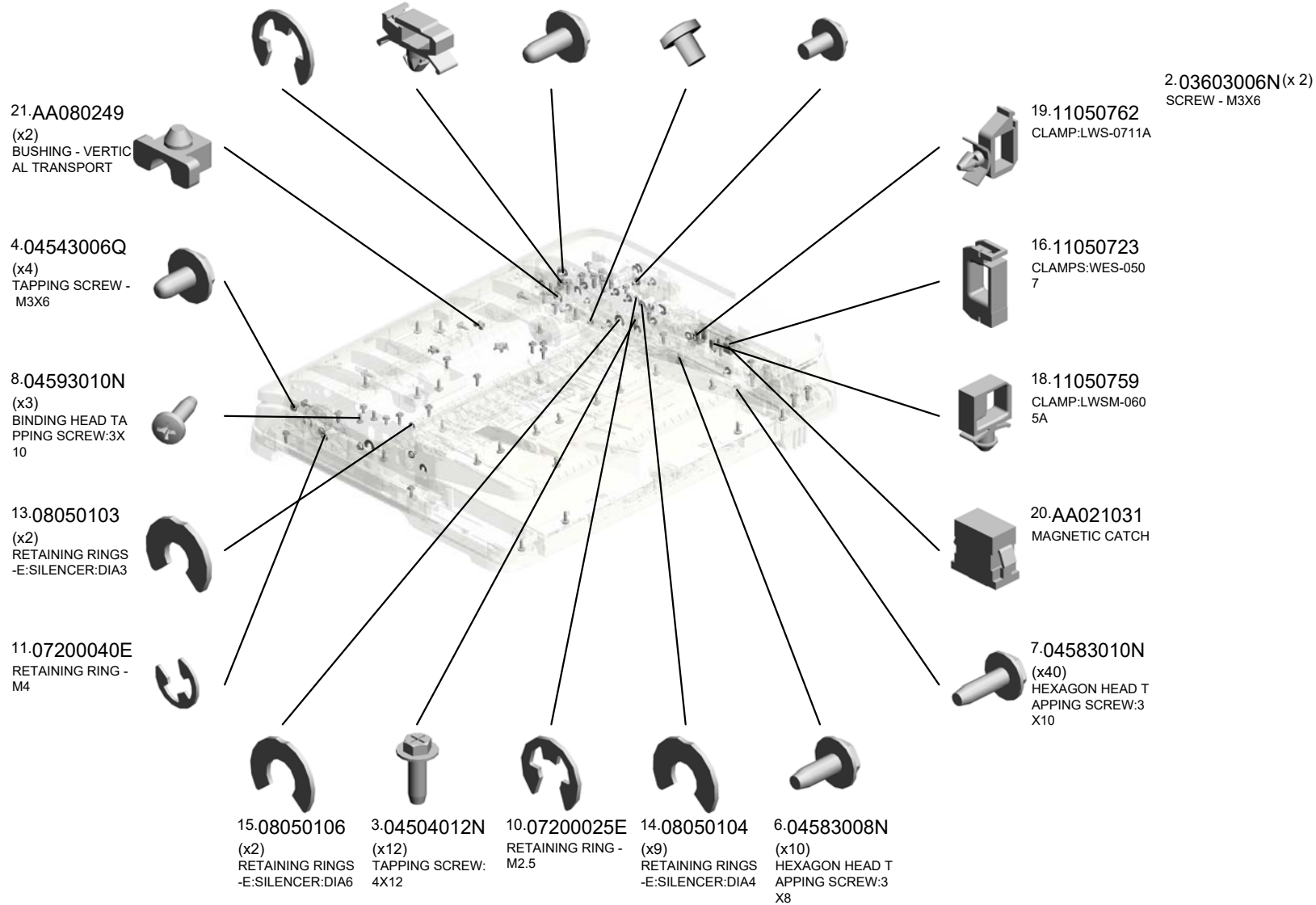
U001	U002	U003	U004	U005	U006	U007	U008	U009	U010	U011	U012	U013	U014	U015	U016	U017
------	------	------	------	------	------	------	------	------	------	------	------	------	------	------	------	------

U003\_S001  
ARDF:ASS'Y

- 12.07200060E (x2) RETAINING RING - M6
- 17.11050758 (x3) CLAMP:LWSM-030 6A
- 5.04543008Q (x3) TAPPING SCREW: 3X8
- 1.03530040N (x2) SCREW - M3X4
- 2.03603006N (x8) SCREW - M3X6



38.D2160014  
[A]  
ARDF:ASS'Y  
201603-01 O/O



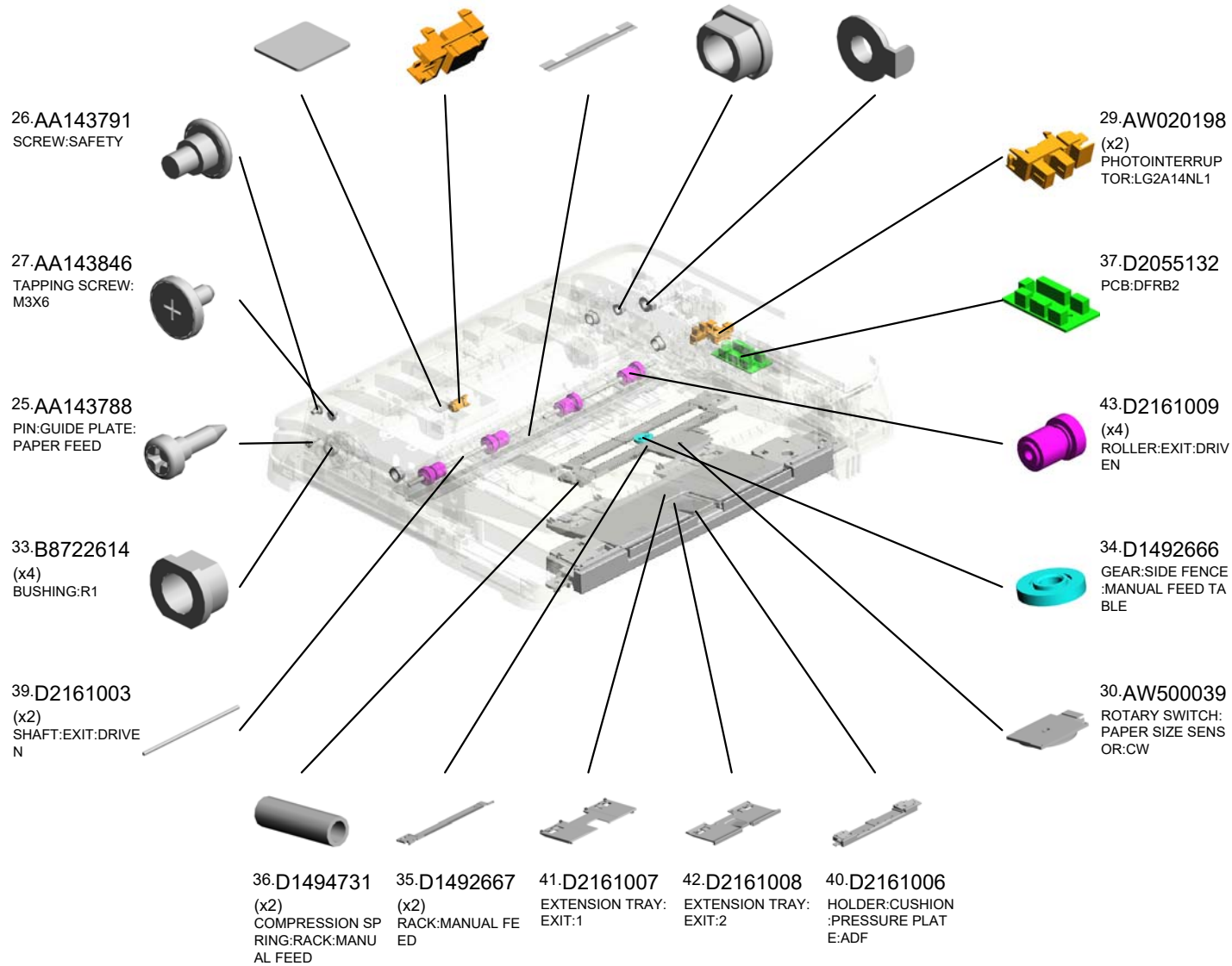
U001	U002	U003	U004	U005	U006	U007	U008	U009	U010	U011	U012	U013	U014	U015	U016	U017
------	------	------	------	------	------	------	------	------	------	------	------	------	------	------	------	------

U003\_S001  
ARDF:ASS'Y

- 45.D2161011 SEAL:REFLECTION POLARIZING PLATE:REGISTRATION SENSOR
- 28.AW010151 PHOTO REFLECTION SENSOR:PS122T L1-A
- 44.D2161010 HOLDER:COMPRESSION SPRING:EXIT ROLLER
- 23.AA082173 PLAIN SHAFT BEARING:6X10X6
- 31.B8722421 BUSHING:FEED



38.D2160014  
[A]  
ARDF:ASS'Y  
201603-01 O/O

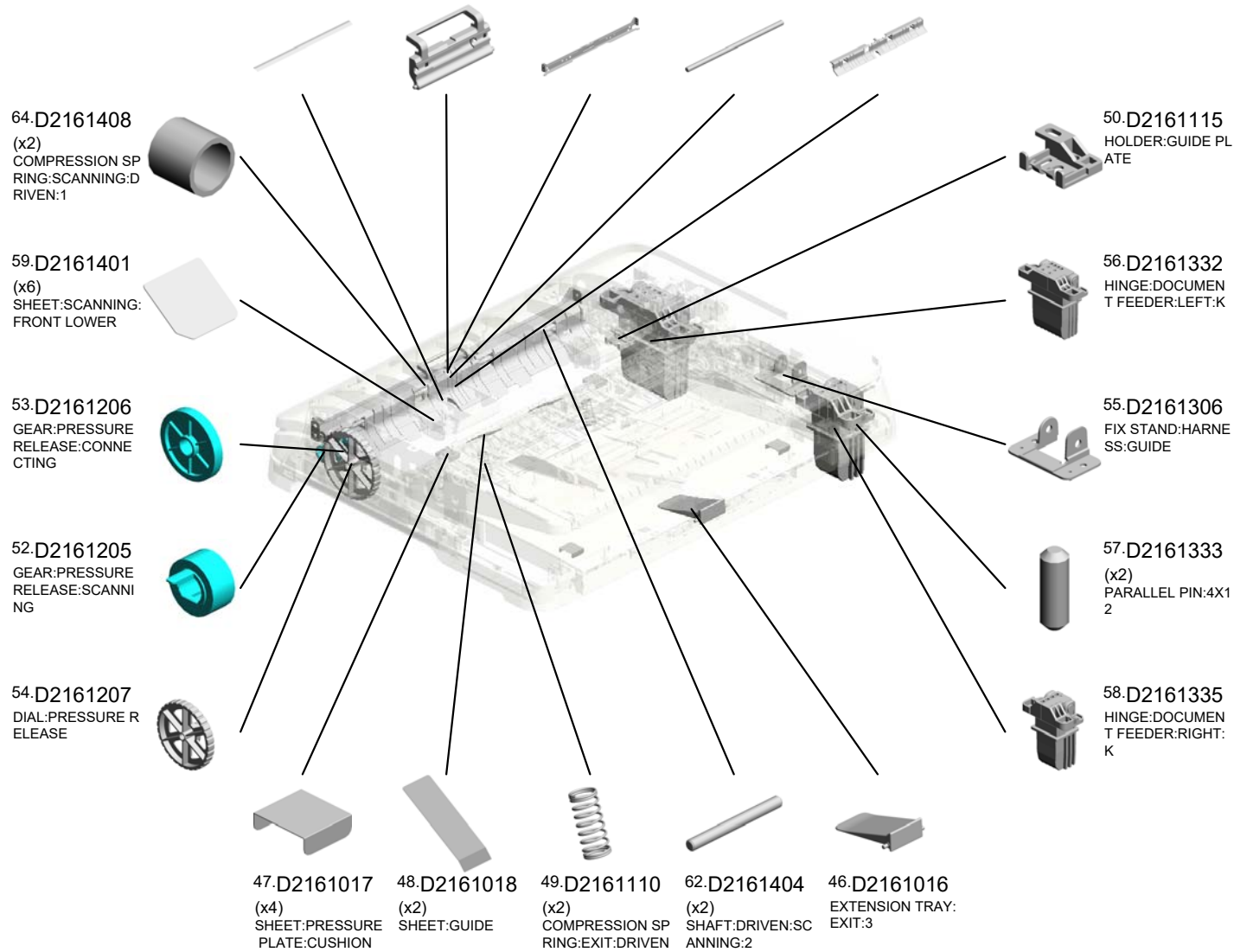


U003\_S001  
ARDF:ASS'Y

- 51.D2161120 SHEET:BASE:2
- 65.D2161410 LEVER:DRIVEN:SCANNING
- 60.D2161402 STAY:SCANNING
- 61.D2161403 SHAFT:DRIVEN:SCANNING:1
- 63.D2161407 GUIDE PLATE:SCANNING:FRONT LOWER



38.D2160014  
[A]  
ARDF:ASS'Y  
201603-01 O/O

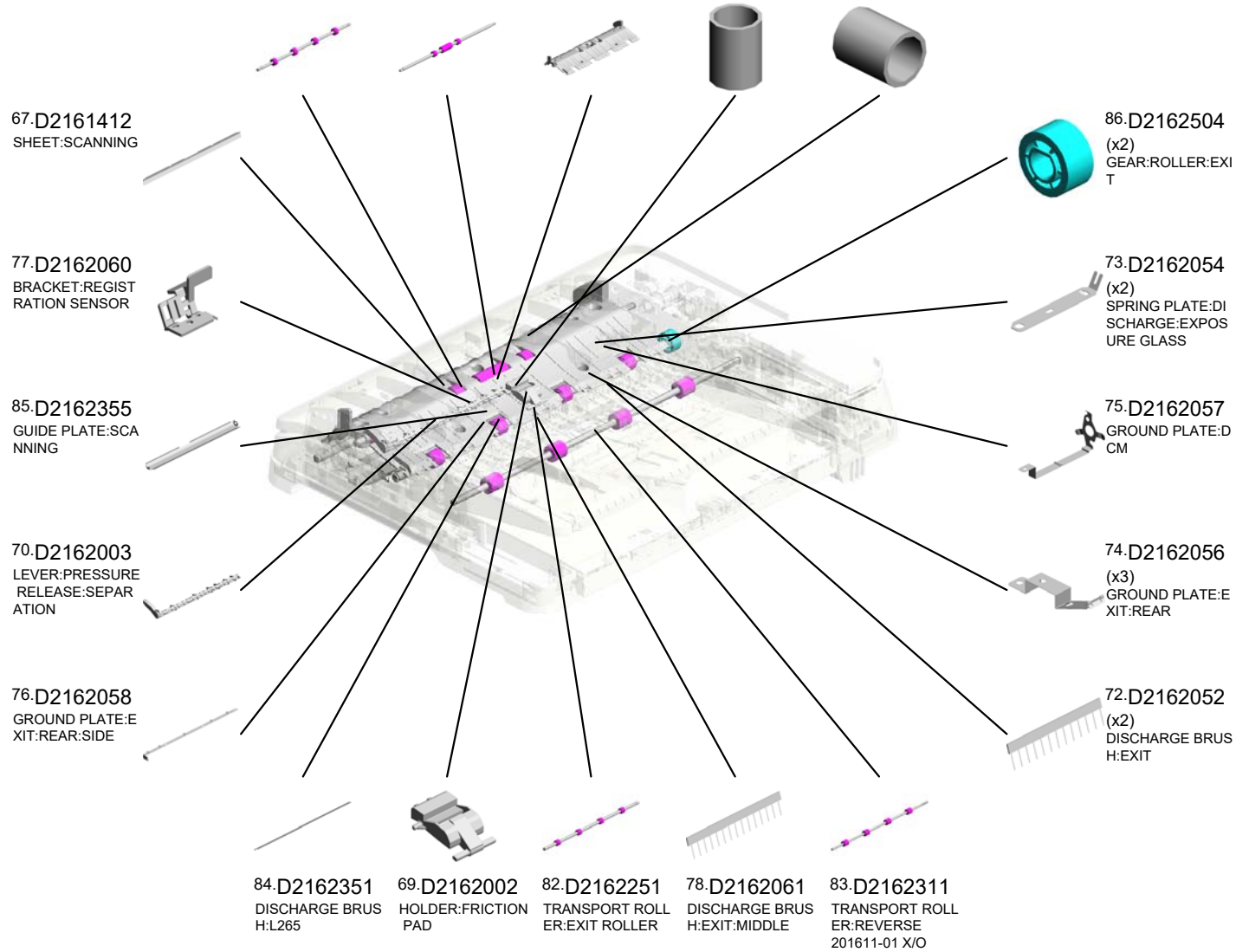


U003\_S001  
ARDF:ASS'Y

- 81.D2162201 TRANSPORT ROLLER:SCANNING
- 80.D2162151 TRANSPORT ROLLER:PULL OUT
- 79.D2162102 GUIDE PLATE:REVERSE
- 71.D2162005 COMPRESSION SPRING:SEPARATION
- 66.D2161411 (x4) COMPRESSION SPRING:SCANNING:DRIVEN:2



38.D2160014  
[A]  
ARDF:ASS'Y  
201603-01 O/O

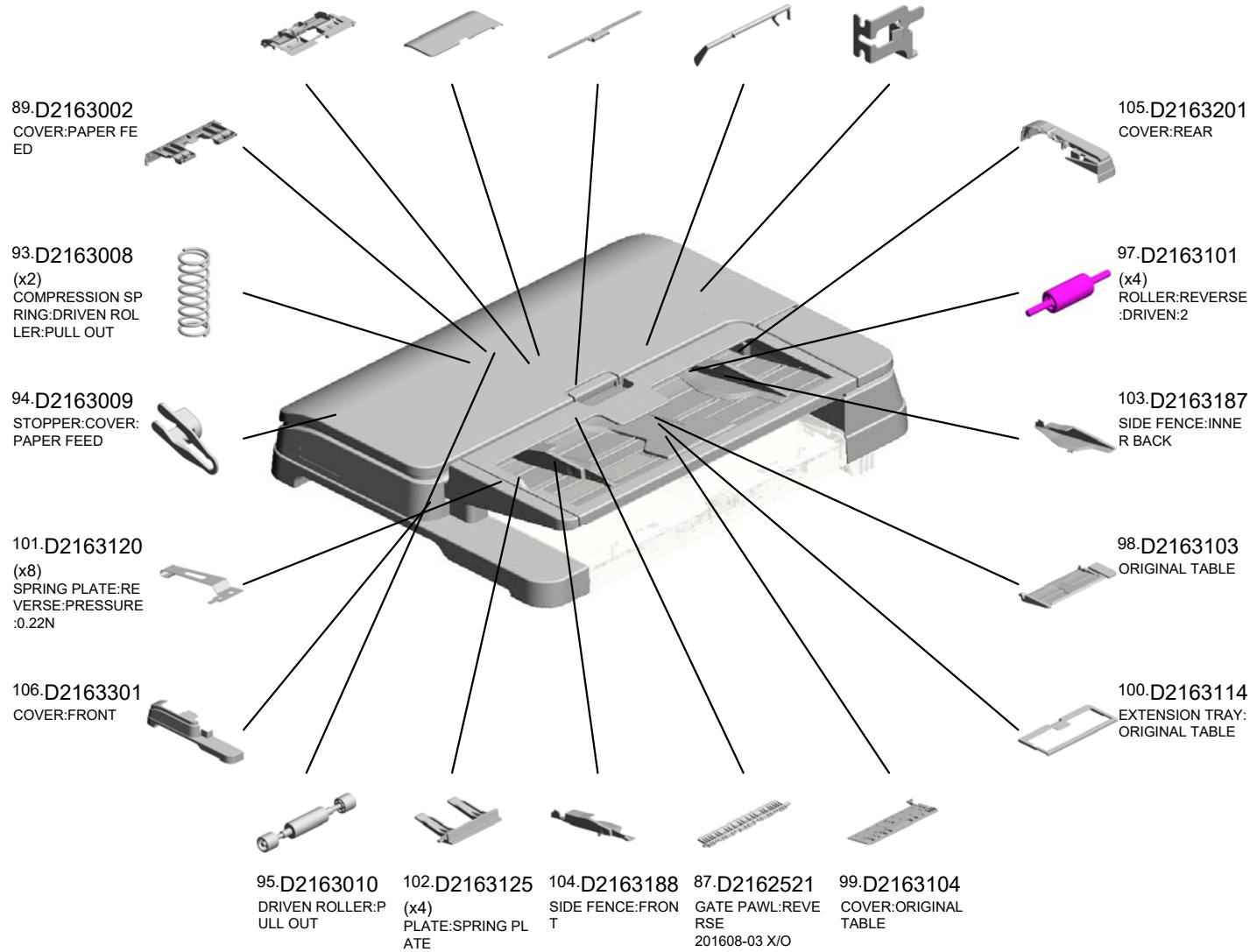


U003\_S001  
ARDF:ASS'Y

- 92.D2163005 COVER:PAPER FEED:MIDDLE
- 91.D2163004 COVER:PAPER FEED:UPPER
- 90.D2163003 LEVER:COVER:PA PER FEED
- 96.D2163012 FEELER:ORIGINAL SENSOR
- 88.D2162994 BRACKET:HEAT SI NK:SOLENOID



38.D2160014  
[A]  
ARDF:ASS'Y  
201603-01 O/O

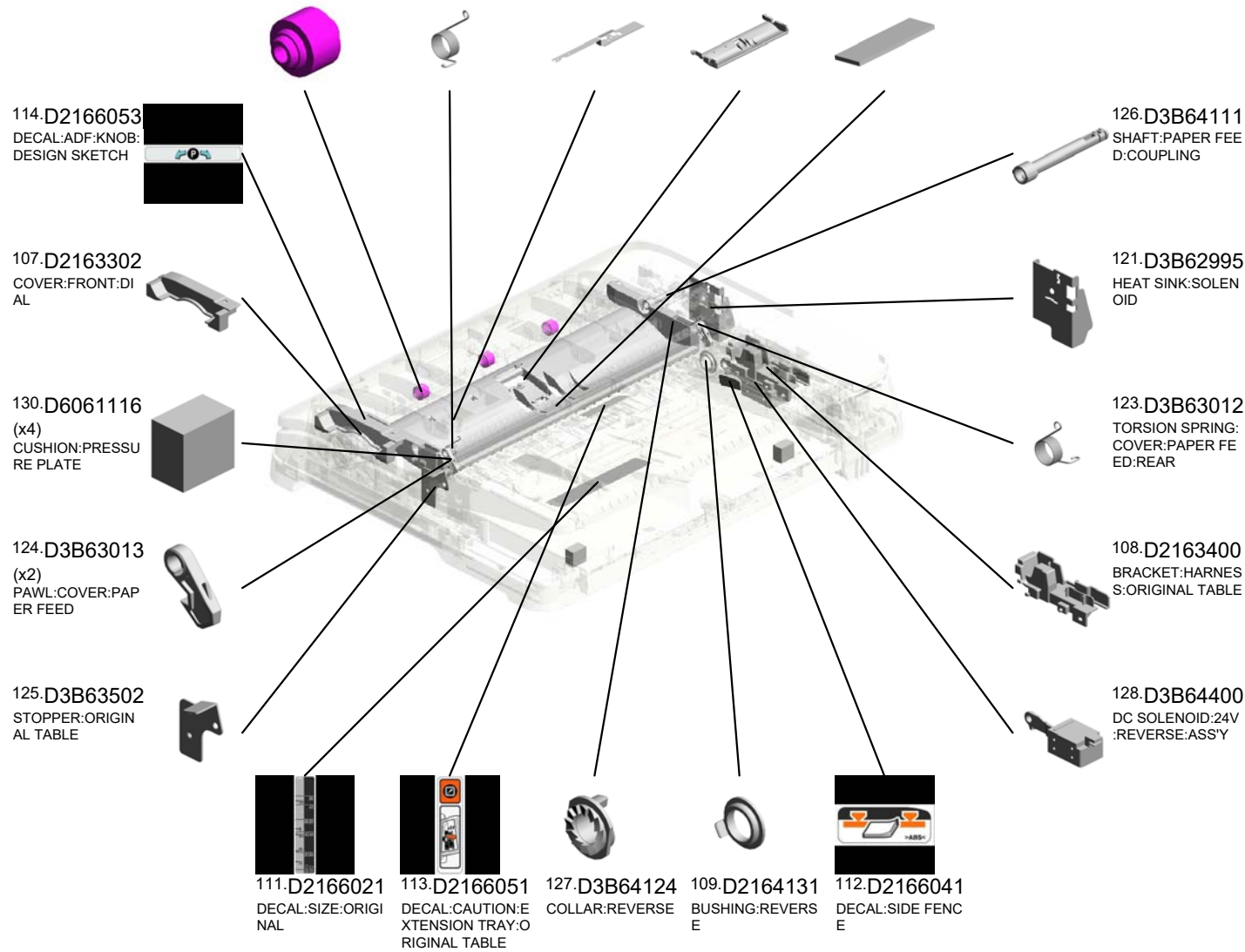


U003\_S001  
ARDF:ASS'Y

- 131.D6061415 (x4) ROLLER:DRIVEN:SCANNING
- 122.D3B63011 TORSION SPRING:COVER:PAPER FEED:FRONT
- 120.D3B62061 GROUND PLATE:REGISTRATION SENSOR
- 119.D3B62009 GUIDE PLATE:PAPER FEED
- 118.D3B62008 PAD:PICKUP



38.D2160014  
[A]  
ARDF:ASS'Y  
201603-01 O/O



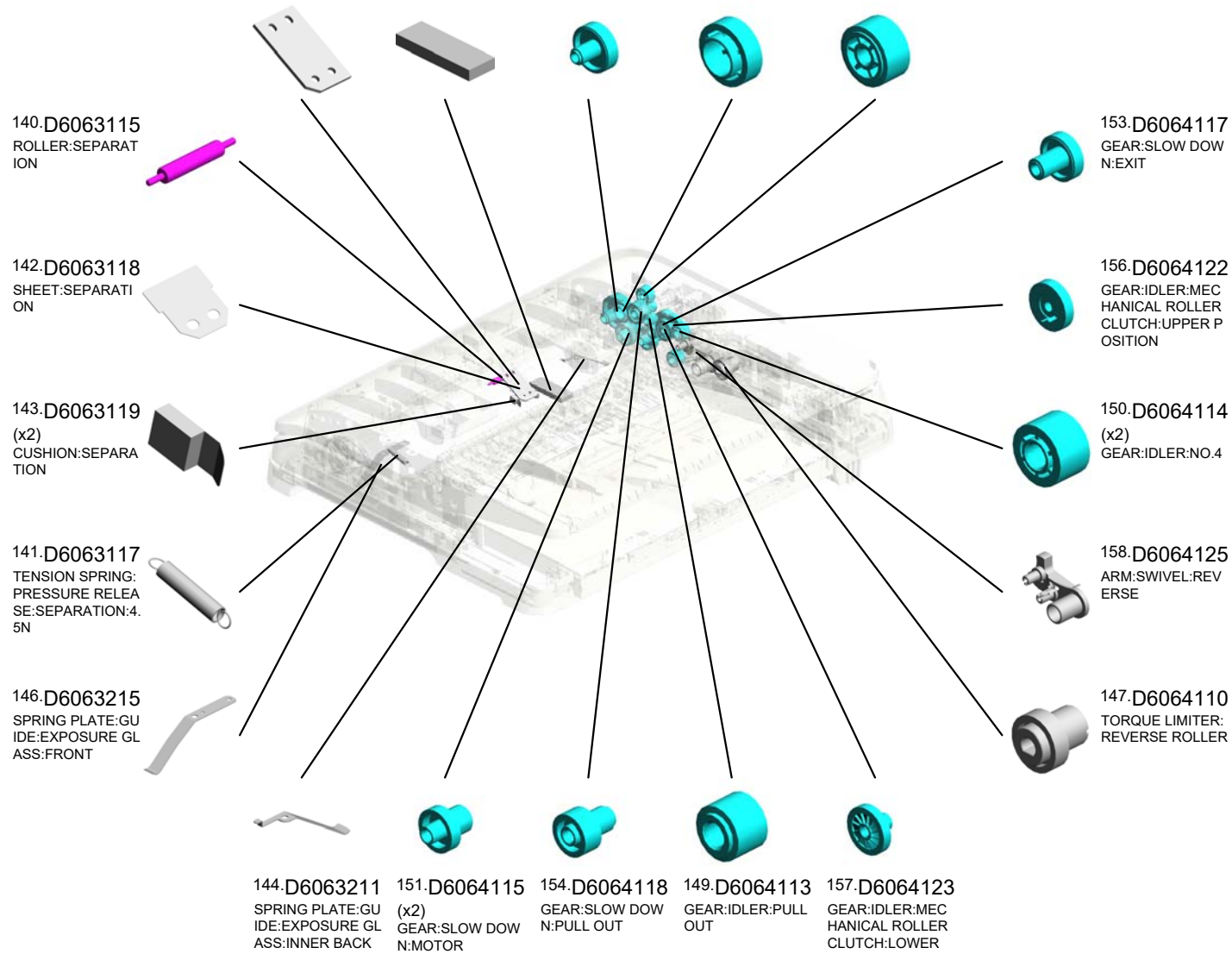
U001	U002	U003	U004	U005	U006	U007	U008	U009	U010	U011	U012	U013	U014	U015	U016	U017
------	------	------	------	------	------	------	------	------	------	------	------	------	------	------	------	------

U003\_S001  
ARDF:ASS'Y

- 139.D6063112 FRICTION PAD
- 145.D6063214 CUSHION:CORE
- 152.D6064116 GEAR:SLOW DOWN:SCANNING
- 155.D6064119 GEAR:ROLLER:PULL OUT
- 148.D6064112 GEAR:IDLER:SEPARATION SUB-UNIT



38.D2160014  
[A]  
ARDF:ASS'Y  
201603-01 O/O



U001	U002	U003	U004	U005	U006	U007	U008	U009	U010	U011	U012	U013	U014	U015	U016	U017
------	------	------	------	------	------	------	------	------	------	------	------	------	------	------	------	------

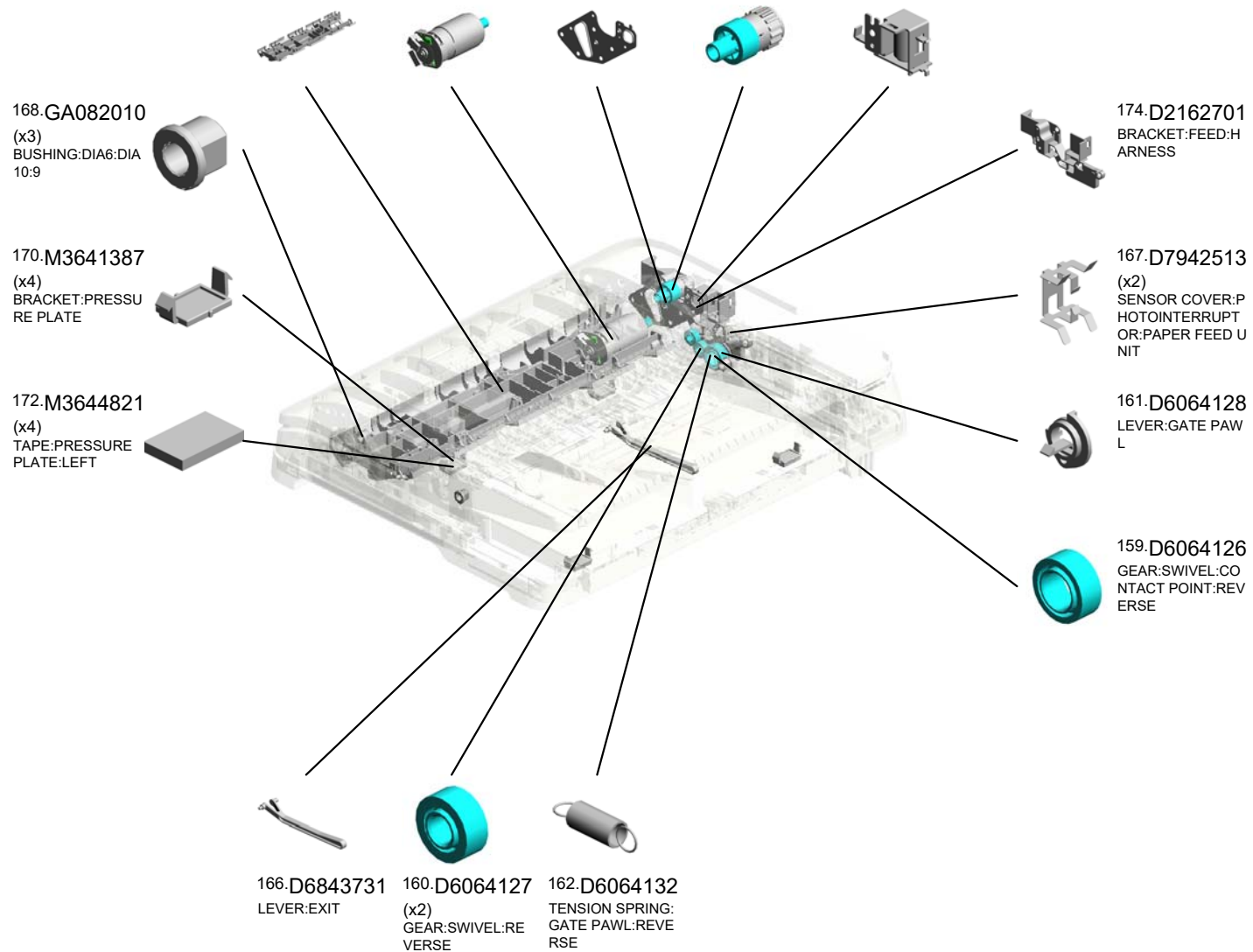


U003\_S001  
ARDF:ASS'Y

- 173.D2162069 GUIDE PLATE:TRANSPORT 201611-05 X/O
- 165.D6064370 DC MOTOR:S:ASS'Y
- 164.D6064310 BRACKET:DRIVE
- 163.D6064150 MECHANICAL SPRING CLUTCH:PAPER FEED:ASS'Y
- 169.GX110024 DC SOLENOID:MECHANICAL SPRING CLUTCH:PAPER FEED UNIT



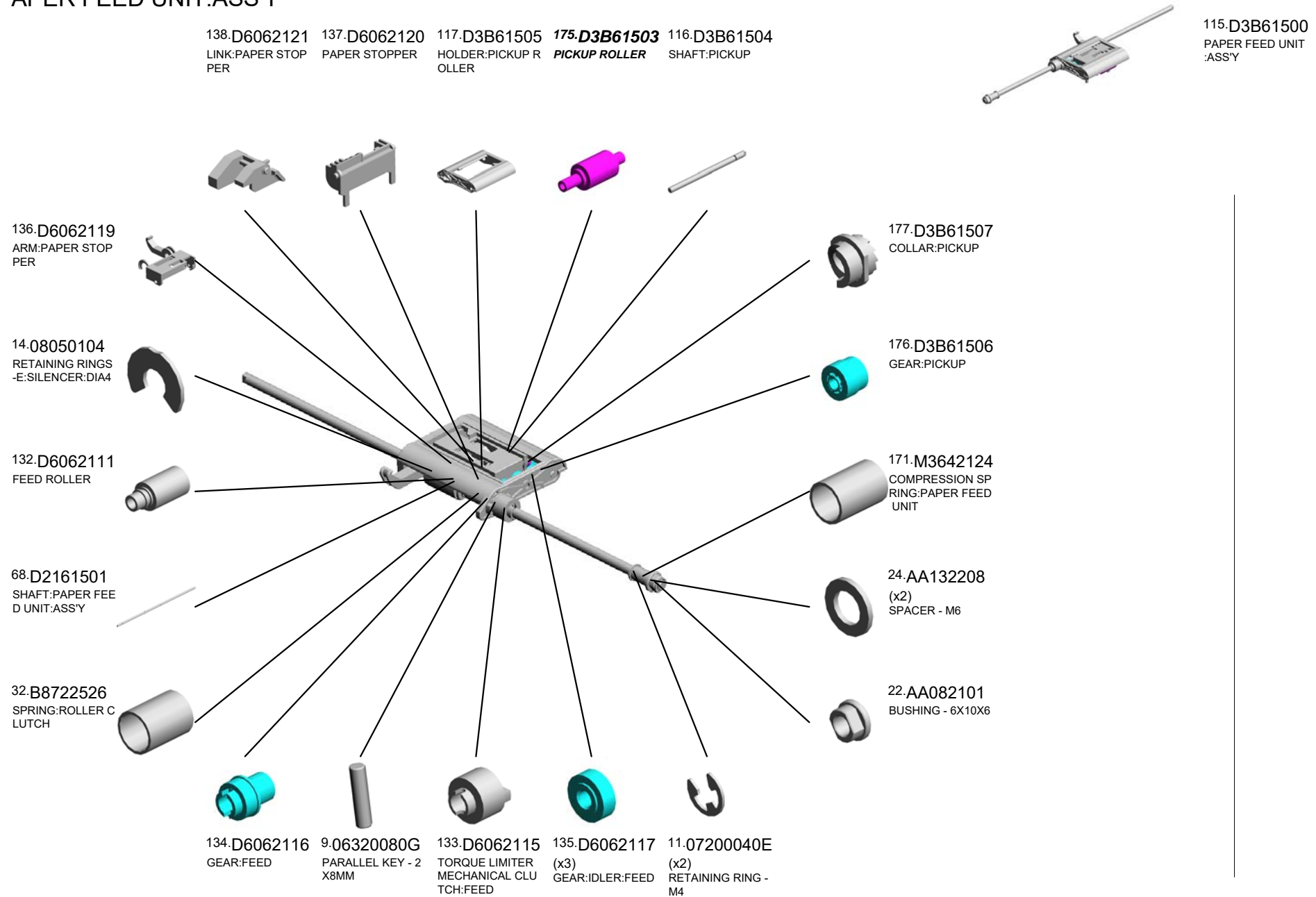
- 38.D2160014 [A] ARDF:ASS'Y 201603-01 O/O



D2160012  
[A]  
ARDF:ASS'Y  
201603-01 O/O

U001	U002	U003	U004	U005	U006	U007	U008	U009	U010	U011	U012	U013	U014	U015	U016	U017
------	------	------	------	------	------	------	------	------	------	------	------	------	------	------	------	------

U003\_S001\_S001  
PAPER FEED UNIT:ASS'Y



U001	U002	U003	U004	U005	U006	U007	U008	U009	U010	U011	U012	U013	U014	U015	U016	U017
------	------	------	------	------	------	------	------	------	------	------	------	------	------	------	------	------

# U004.SCANNER

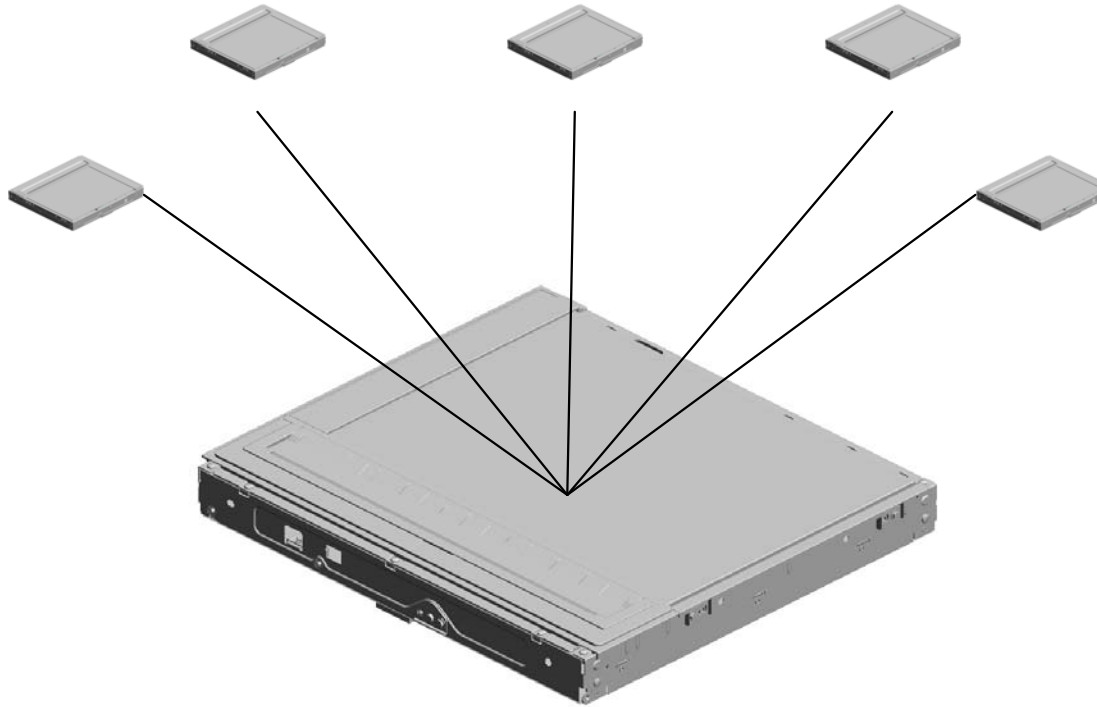
U004\_S001  
D2591617  
(NA):SCANNER:ASS'Y

U004\_S002  
D2051600  
(EU/AA/CHN/TWN):SCANNER:ASS'Y

U004\_S003  
D2051600  
(EU/AA/CHN/TWN):SCANNER:ASS'Y

U004\_S005  
D2051600  
(EU/AA/CHN/TWN):SCANNER:ASS'Y

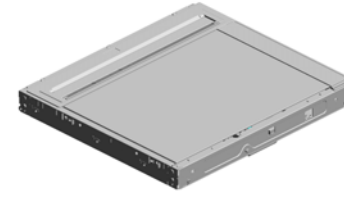
U004\_S004  
D2051600  
(EU/AA/CHN/TWN):SCANNER:ASS'Y



U001	U002	U003	<b>U004</b>	U005	U006	U007	U008	U009	U010	U011	U012	U013	U014	U015	U016	U017
------	------	------	-------------	------	------	------	------	------	------	------	------	------	------	------	------	------

U004  
SCANNER

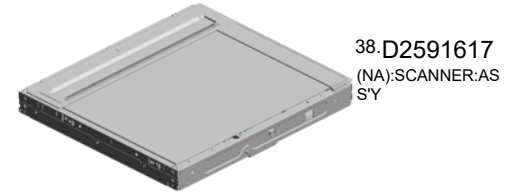
3-03603006N  
(x4)  
SCREW - M3X6



U001	U002	U003	U004	U005	U006	U007	U008	U009	U010	U011	U012	U013	U014	U015	U016	U017
------	------	------	------	------	------	------	------	------	------	------	------	------	------	------	------	------

U004\_S001  
(NA):SCANNER:ASS'Y

- 4.04583010N HEXAGON HEAD TAPPING SCREW:3 X10
- 20.D2051707 HOLDER:PULLEY:IDLER
- 10.AC013008 EXPOSURE GLASS:DOCUMENT FEEDER
- 15.D1171837 COIL SPRING:TENSION
- 2.03530060N (x7) BIND SCREW - M3 X6



11.AW020198  
PHOTOINTERRUPTOR:LG2A14NL1



6.08050104  
(x2)  
RETAINING RINGS -E:SILENCER:DIA4



18.D2051703  
(x2)  
FLANGE:TIMING PULLEY



14.D1171806  
PULLEY:IDLER



19.D2051704  
BRACKET:PULLEY:IDLER



8.16072525  
FERRITE CORE:K3  
FF 35.00X14.60X7.70X1.40

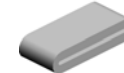
17.D2051700  
SYNCHRONOUS MOTOR

21.D2051721  
GUIDE:FFC

9.AC013007  
EXPOSURE GLASS:FB

7.11050758  
(x8)  
CLAMP:LWSM-0306A

5.07200025E  
RETAINING RING - M2.5



8.16072525  
FERRITE CORE:K3  
FF 35.00X14.60X7.70X1.40

13.D1171805  
GEAR:TIMING PULLEY:81-18



12.AX040296  
DC STEPPER MOTOR:NMB  
201608-02 X/O



3.03603006N  
(x12)  
SCREW - M3X6



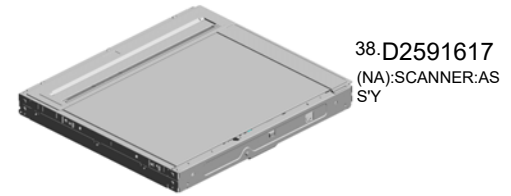
1.03530040N  
(x2)  
SCREW - M3X4



U001	U002	U003	U004	U005	U006	U007	U008	U009	U010	U011	U012	U013	U014	U015	U016	U017
------	------	------	------	------	------	------	------	------	------	------	------	------	------	------	------	------

U004\_S001  
(NA):SCANNER:ASS'Y

- 40.D2591766 (NA):SCALE:INNER BACK:ASS'Y
- 26.D2051738 GUIDE ROD:SCANNER:DIA6
- 25.D2051736 COVER:MOTOR
- 37.D2051826 GEAR:SLOW DOWN:53-19
- 36.D2051817 COVER:GEAR 201606-01 O/O



32.D2051770  
SEAL:PREVENTFENCE

39.D2591760  
(NA):SCALE:LEFT:ASS'Y

33.D2051780  
CONTACT IMAGE SENSOR:ASS'Y

34.D2051784  
CARRIAGE:ASS'Y

27.D2051739  
STAY:GUIDE ROD:SCANNER

41.G5701540  
(x2)  
RUBBER FOOT H=10

24.D2051733  
(x2)  
SHEET:DF

42.GW010011  
ORIGINAL SENSOR:31MM

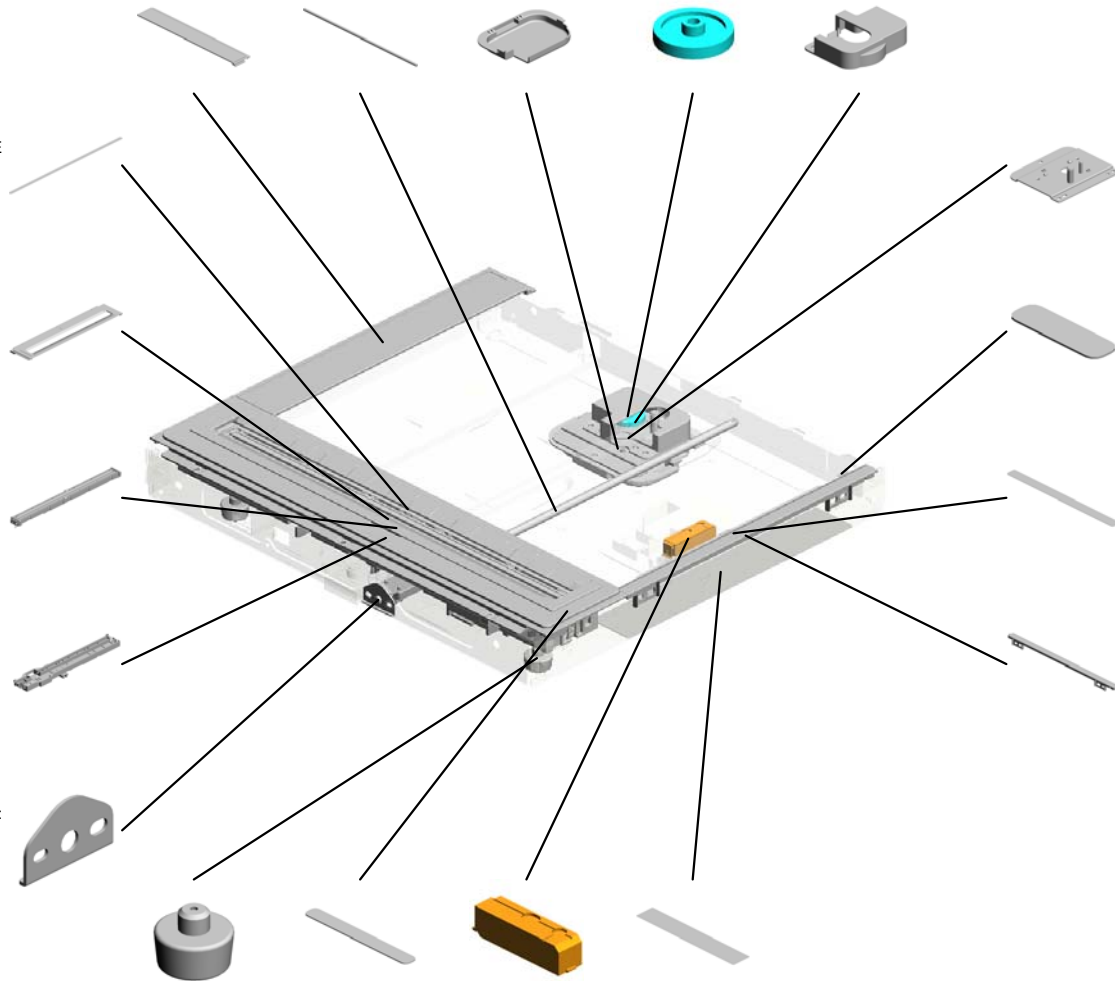
22.D2051731  
SHEET:FFC

35.D2051810  
BRACKET:MOTOR:ASS'Y

23.D2051732  
(x7)  
SHEET:FB

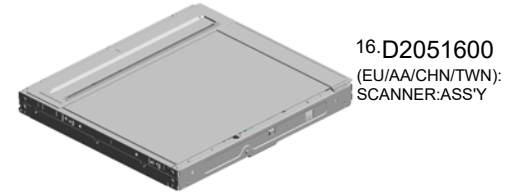
28.D2051748  
SHEET:FFC

31.D2051769  
COVER:SCANNER:FRONT



U004\_S002  
(EU/AA/CHN/TWN):SCANNER:ASS'Y

- 4.04583010N HEXAGON HEAD TAPPING SCREW:3 X10
- 20.D2051707 HOLDER:PULLEY:IDLER
- 10.AC013008 EXPOSURE GLASS:DOCUMENT FEEDER
- 15.D1171837 COIL SPRING:TENSION
- 2.03530060N (x7) BIND SCREW - M3 X6



16.D2051600  
(EU/AA/CHN/TWN):  
SCANNER:ASS'Y

11.AW020198  
PHOTOINTERRUPTOR:LG2A14NL1



6.08050104  
(x2)  
RETAINING RINGS  
-E:SILENCER:DIA4



18.D2051703  
(x2)  
FLANGE:TIMING PULLEY



14.D1171806  
PULLEY:IDLER



19.D2051704  
BRACKET:PULLEY:IDLER



8.16072525  
FERRITE CORE:K3  
FF 35.00X14.60X7.70X1.40

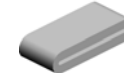
17.D2051700  
SYNCHRONOUS MOTOR

21.D2051721  
GUIDE:FFC

9.AC013007  
EXPOSURE GLASS  
:FB

7.11050758  
(x8)  
CLAMP:LWSM-0306A

5.07200025E  
RETAINING RING - M2.5



8.16072525  
FERRITE CORE:K3  
FF 35.00X14.60X7.70X1.40

13.D1171805  
GEAR:TIMING PULLEY:81-18



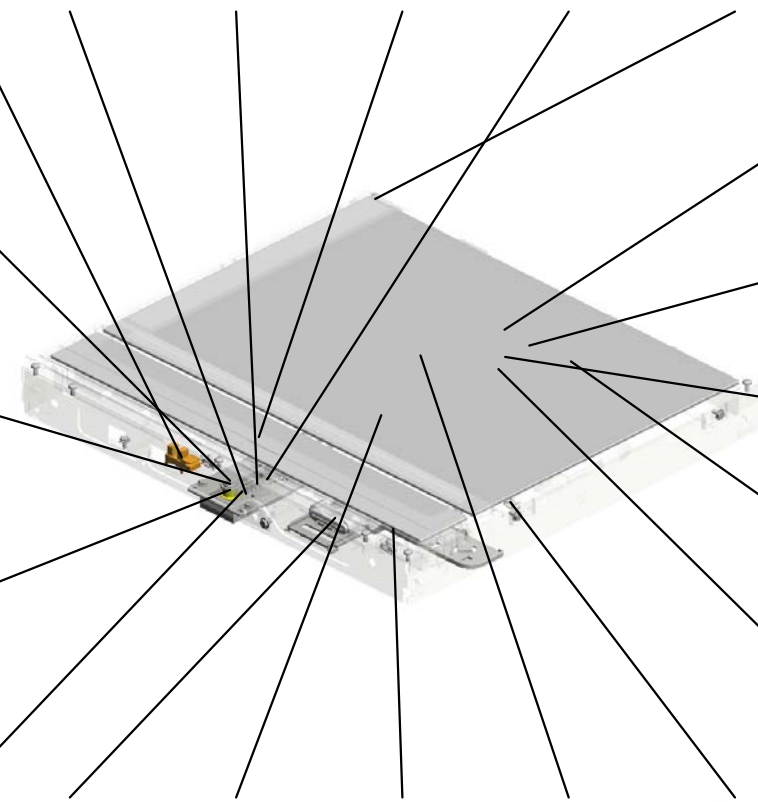
12.AX040296  
DC STEPPER MOTOR:NMB  
201608-02 X/O



3.03603006N  
(x12)  
SCREW - M3X6



1.03530040N  
(x2)  
SCREW - M3X4

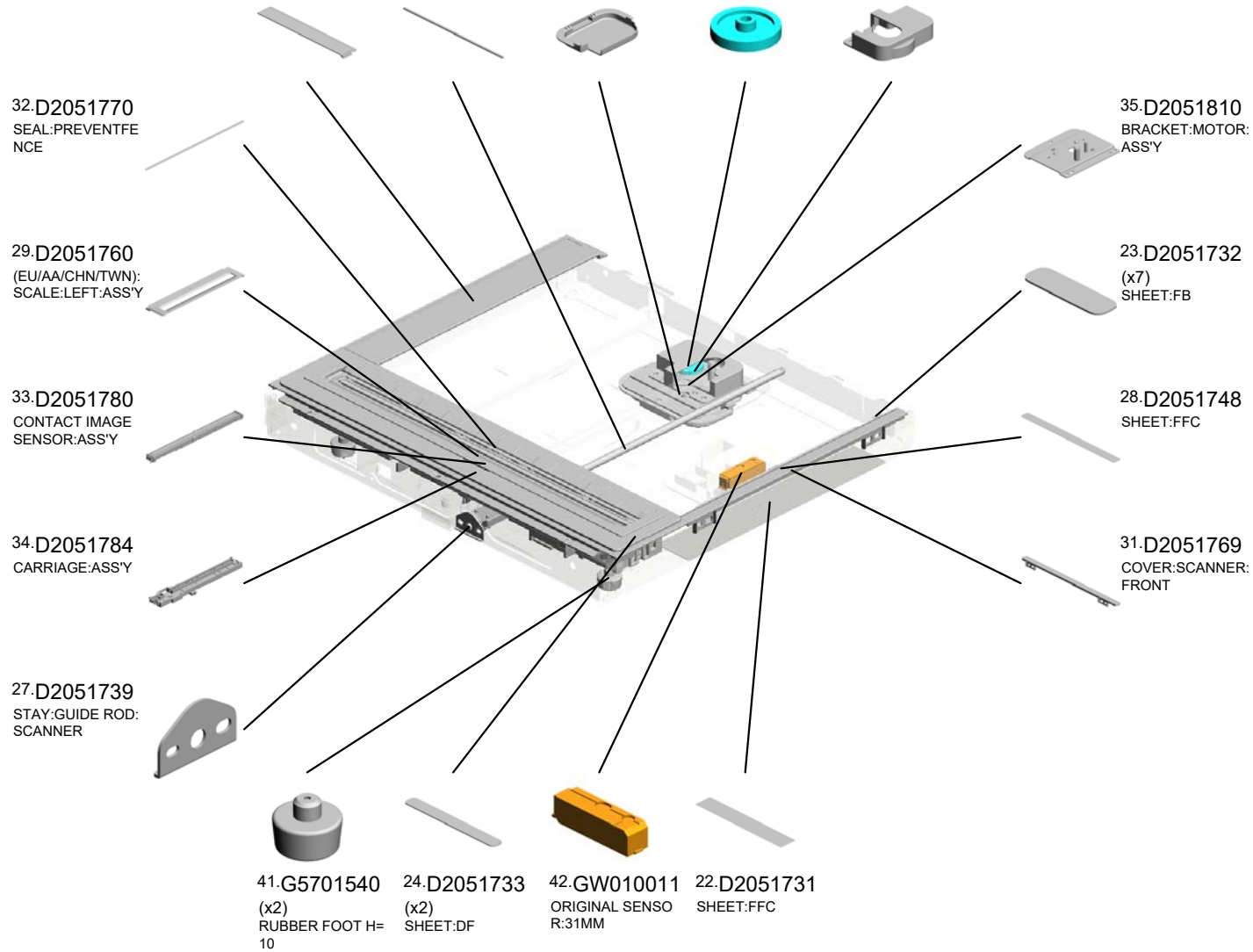


U004\_S002  
 (EU/AA/CHN/TWN):SCANNER:ASS'Y

- 30.D2051766 (EU/AA/CHN/TWN): SCALE:INNER BAC K:ASS'Y
- 26.D2051738 GUIDE ROD:SCAN NER:DIA6
- 25.D2051736 COVER:MOTOR
- 37.D2051826 GEAR:SLOW DOW N:53-19
- 36.D2051817 COVER:GEAR 201608-01 O/O



- 16.D2051600 (EU/AA/CHN/TWN): SCANNER:ASS'Y

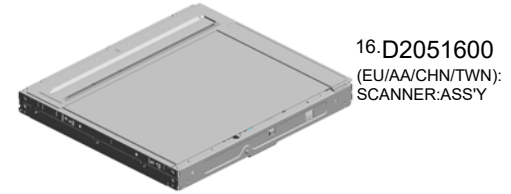


U001	U002	U003	U004	U005	U006	U007	U008	U009	U010	U011	U012	U013	U014	U015	U016	U017
------	------	------	------	------	------	------	------	------	------	------	------	------	------	------	------	------



U004\_S003  
(EU/AA/CHN/TWN):SCANNER:ASS'Y

- 4.04583010N HEXAGON HEAD TAPPING SCREW:3 X10
- 20.D2051707 HOLDER:PULLEY:IDLER
- 10.AC013008 EXPOSURE GLASS:DOCUMENT FEEDER
- 15.D1171837 COIL SPRING:TENSION
- 2.03530060N (x7) BIND SCREW - M3 X6



16.D2051600  
(EU/AA/CHN/TWN):  
SCANNER:ASS'Y

11.AW020198  
PHOTOINTERRUPTOR:LG2A14NL1



6.08050104  
(x2)  
RETAINING RINGS  
-E:SILENCER:DIA4



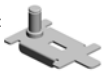
18.D2051703  
(x2)  
FLANGE:TIMING PULLEY



14.D1171806  
PULLEY:IDLER



19.D2051704  
BRACKET:PULLEY:IDLER



8.16072525  
FERRITE CORE:K3  
FF 35.00X14.60X7.70X1.40

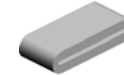
17.D2051700  
SYNCHRONOUS B  
ELT:40S2M610

21.D2051721  
GUIDE:FFC

9.AC013007  
EXPOSURE GLASS  
:FB

7.11050758  
(x8)  
CLAMP:LWSM-030  
6A

5.07200025E  
RETAINING RING -  
M2.5



8.16072525  
FERRITE CORE:K3  
FF 35.00X14.60X7.70X1.40

13.D1171805  
GEAR:TIMING PULLEY:81-18



12.AX040296  
DC STEPPER MOT  
OR:NMB  
201608-02 X/O



3.03603006N  
(x12)  
SCREW - M3X6



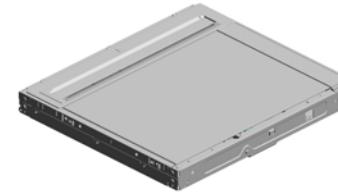
1.03530040N  
(x2)  
SCREW - M3X4



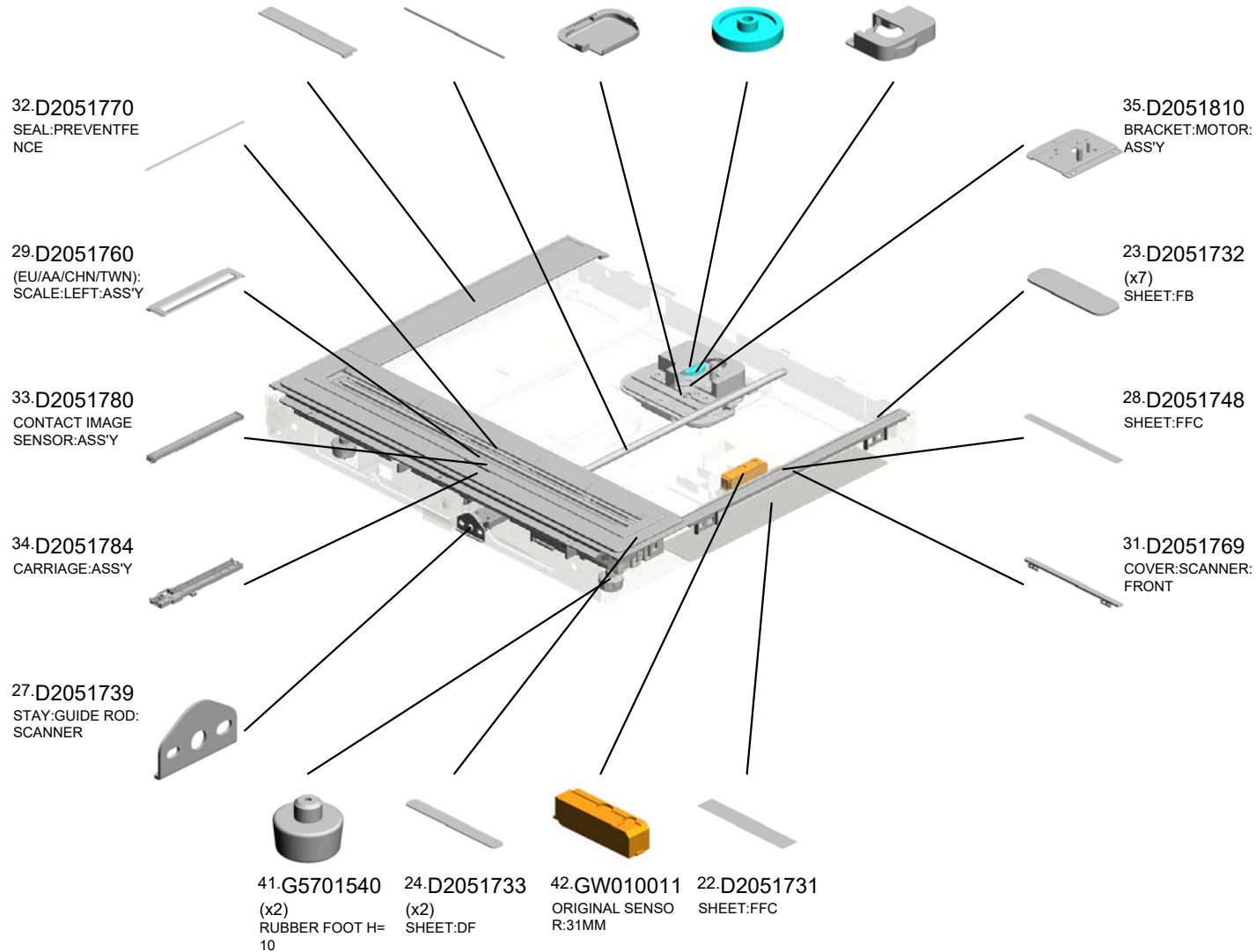
U001	U002	U003	U004	U005	U006	U007	U008	U009	U010	U011	U012	U013	U014	U015	U016	U017
------	------	------	------	------	------	------	------	------	------	------	------	------	------	------	------	------

U004\_S003  
(EU/AA/CHN/TWN):SCANNER:ASS'Y

- 30.D2051766 (EU/AA/CHN/TWN): SCALE:INNER BAC K:ASS'Y
- 26.D2051738 GUIDE ROD:SCAN NER:DIA6
- 25.D2051736 COVER:MOTOR
- 37.D2051826 GEAR:SLOW DOW N:53-19
- 36.D2051817 COVER:GEAR 201606-01 O/O

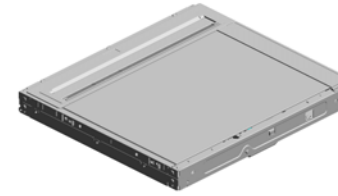


- 16.D2051600 (EU/AA/CHN/TWN): SCANNER:ASS'Y



U004\_S004  
(EU/AA/CHN/TWN):SCANNER:ASS'Y

- 4.04583010N HEXAGON HEAD TAPPING SCREW:3 X10
- 20.D2051707 HOLDER:PULLEY:IDLER
- 10.AC013008 EXPOSURE GLASS:DOCUMENT FEEDER
- 15.D1171837 COIL SPRING:TENSION
- 2.03530060N (x7) BIND SCREW - M3 X6



16.D2051600  
(EU/AA/CHN/TWN):  
SCANNER:ASS'Y

11.AW020198  
PHOTOINTERRUPTOR:LG2A14NL1



6.08050104  
(x2)  
RETAINING RINGS  
-E:SILENCER:DIA4



18.D2051703  
(x2)  
FLANGE:TIMING PULLEY



14.D1171806  
PULLEY:IDLER



19.D2051704  
BRACKET:PULLEY:IDLER



8.16072525  
FERRITE CORE:K3  
FF 35.00X14.60X7.70X1.40

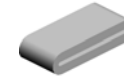
17.D2051700  
SYNCHRONOUS MOTOR

21.D2051721  
GUIDE:FFC

9.AC013007  
EXPOSURE GLASS  
:FB

7.11050758  
(x8)  
CLAMP:LWSM-0306A

5.07200025E  
RETAINING RING - M2.5



8.16072525  
FERRITE CORE:K3  
FF 35.00X14.60X7.70X1.40

13.D1171805  
GEAR:TIMING PULLEY:81-18



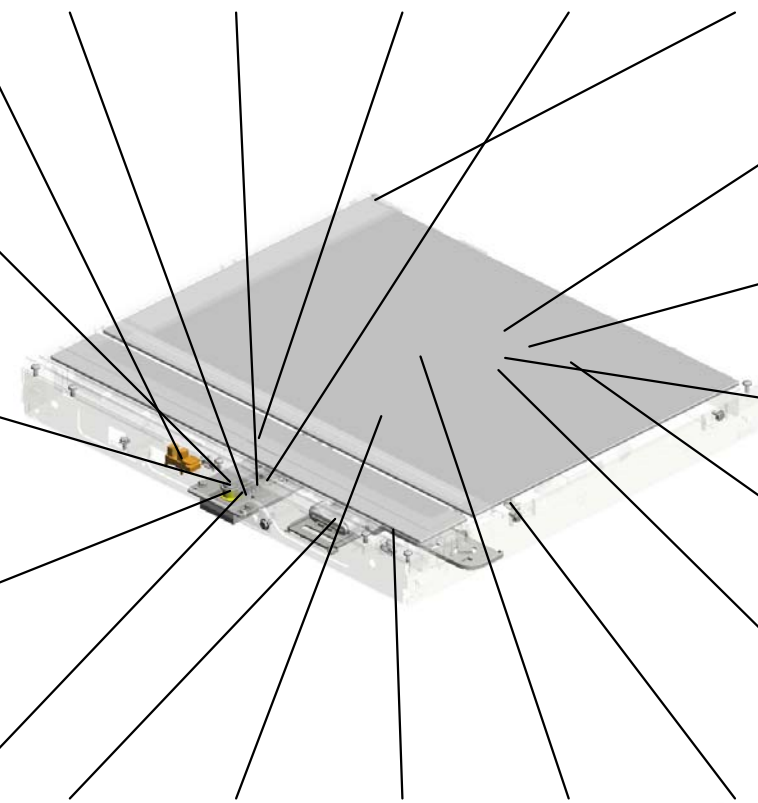
12.AX040296  
DC STEPPER MOTOR: NMB  
201608-02 X/O



3.03603006N  
(x12)  
SCREW - M3X6



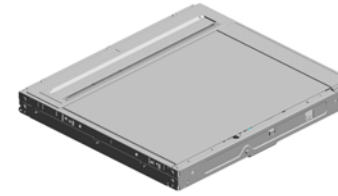
1.03530040N  
(x2)  
SCREW - M3X4



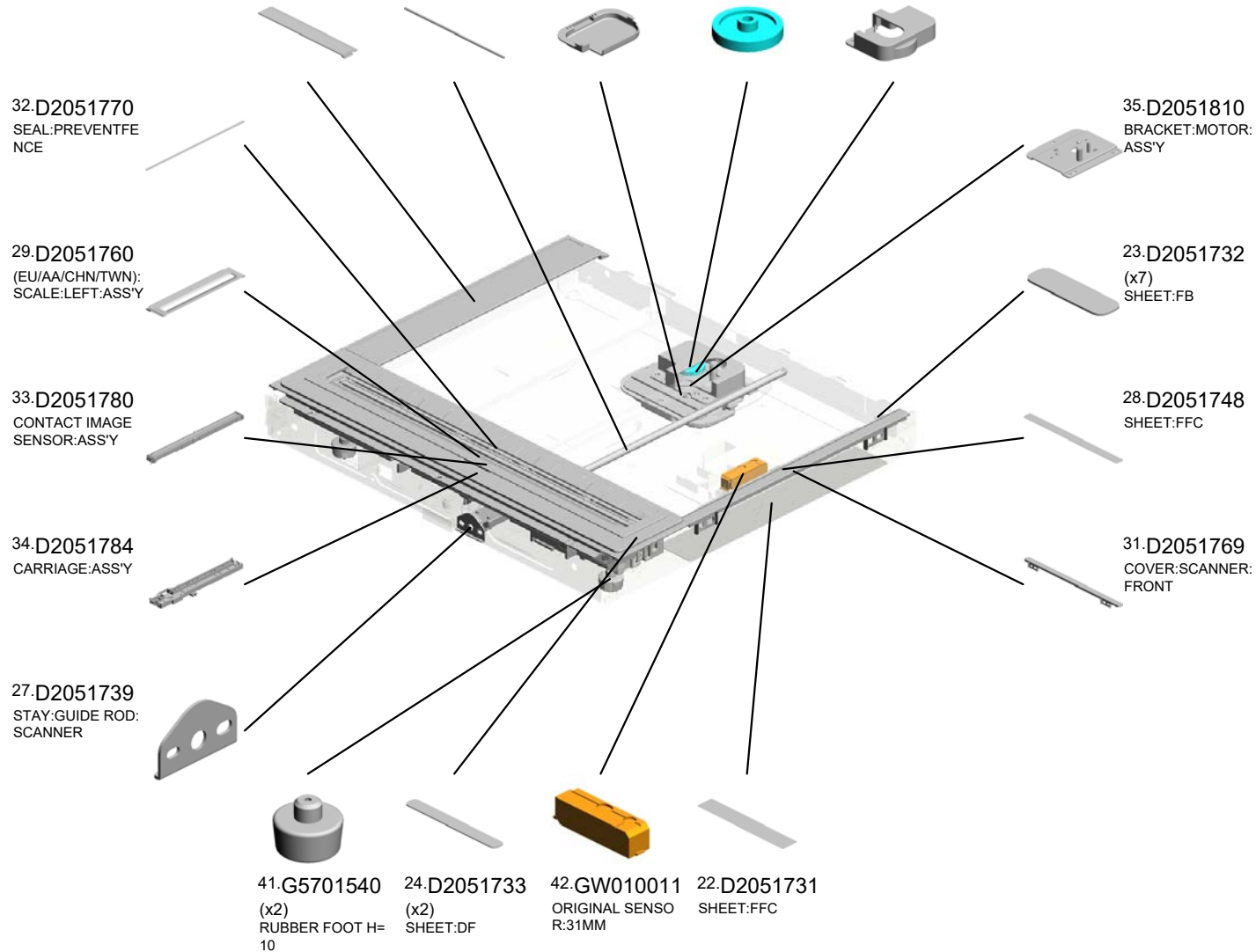
U001	U002	U003	U004	U005	U006	U007	U008	U009	U010	U011	U012	U013	U014	U015	U016	U017
------	------	------	------	------	------	------	------	------	------	------	------	------	------	------	------	------

U004\_S004  
(EU/AA/CHN/TWN):SCANNER:ASS'Y

- 30.D2051766 (EU/AA/CHN/TWN): SCALE:INNER BAC K:ASS'Y
- 26.D2051738 GUIDE ROD:SCAN NER:DIA6
- 25.D2051736 COVER:MOTOR
- 37.D2051826 GEAR:SLOW DOW N:53-19
- 36.D2051817 COVER:GEAR 201606-01 O/O

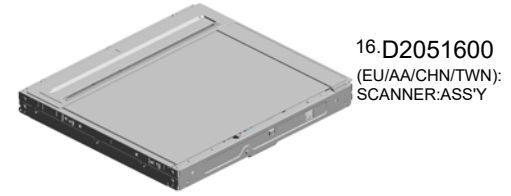


- 16.D2051600 (EU/AA/CHN/TWN): SCANNER:ASS'Y



U004\_S005  
(EU/AA/CHN/TWN):SCANNER:ASS'Y

- 4.04583010N HEXAGON HEAD TAPPING SCREW:3 X10
- 20.D2051707 HOLDER:PULLEY:IDLER
- 10.AC013008 EXPOSURE GLASS:DOCUMENT FEEDER
- 15.D1171837 COIL SPRING:TENSION
- 2.03530060N (x7) BIND SCREW - M3 X6



16.D2051600  
(EU/AA/CHN/TWN):  
SCANNER:ASS'Y

11.AW020198  
PHOTOINTERRUPTOR:LG2A14NL1



6.08050104  
(x2)  
RETAINING RINGS  
-E:SILENCER:DIA4



18.D2051703  
(x2)  
FLANGE:TIMING PULLEY



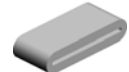
14.D1171806  
PULLEY:IDLER



19.D2051704  
BRACKET:PULLEY:IDLER



8.16072525  
FERRITE CORE:K3  
FF 35.00X14.60X7.70X1.40



17.D2051700  
SYNCHRONOUS MOTOR



21.D2051721  
GUIDE:FFC



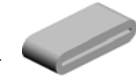
9.AC013007  
EXPOSURE GLASS  
:FB



7.11050758  
(x8)  
CLAMP:LWSM-0306A



5.07200025E  
RETAINING RING - M2.5



8.16072525  
FERRITE CORE:K3  
FF 35.00X14.60X7.70X1.40

13.D1171805  
GEAR:TIMING PULLEY:81-18



12.AX040296  
DC STEPPER MOTOR:NMB  
201608-02 X/O



3.03603006N  
(x12)  
SCREW - M3X6



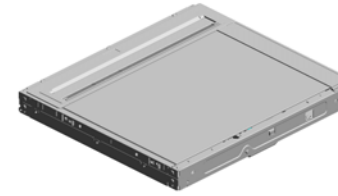
1.03530040N  
(x2)  
SCREW - M3X4



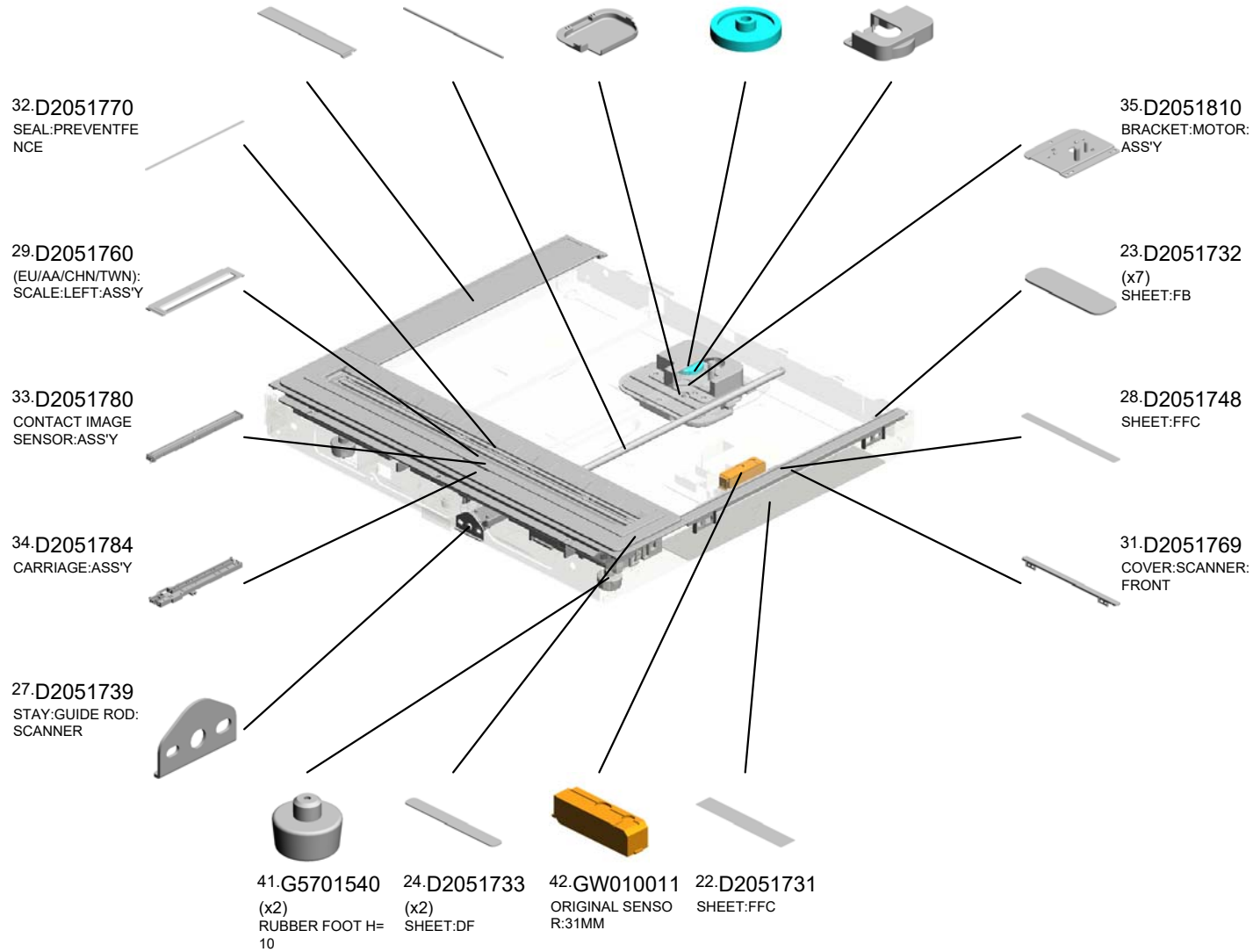
U001	U002	U003	U004	U005	U006	U007	U008	U009	U010	U011	U012	U013	U014	U015	U016	U017
------	------	------	------	------	------	------	------	------	------	------	------	------	------	------	------	------

U004\_S005  
(EU/AA/CHN/TWN):SCANNER:ASS'Y

- 30.D2051766 (EU/AA/CHN/TWN): SCALE:INNER BAC K:ASS'Y
- 26.D2051738 GUIDE ROD:SCAN NER:DIA6
- 25.D2051736 COVER:MOTOR
- 37.D2051826 GEAR:SLOW DOW N:53-19
- 36.D2051817 COVER:GEAR 201606-01 O/O



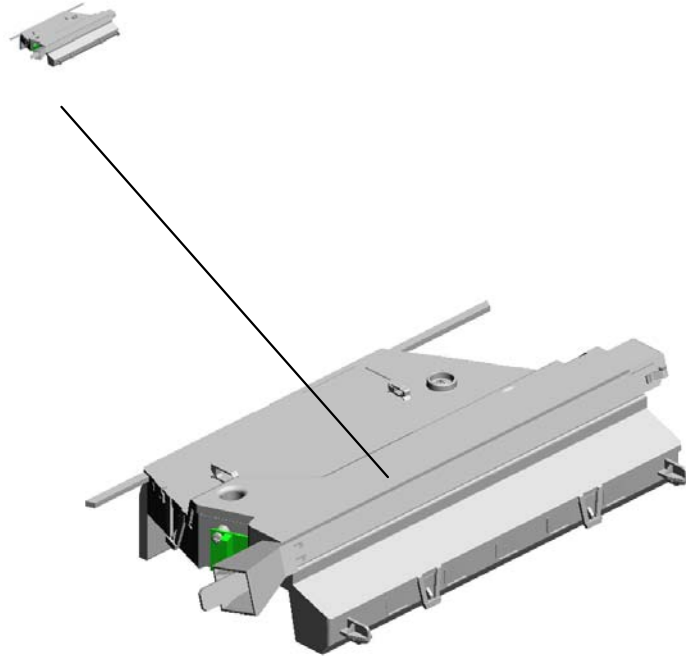
- 16.D2051600 (EU/AA/CHN/TWN): SCANNER:ASS'Y



U001	U002	U003	U004	U005	U006	U007	U008	U009	U010	U011	U012	U013	U014	U015	U016	U017
------	------	------	------	------	------	------	------	------	------	------	------	------	------	------	------	------

# U005.LASER UNIT

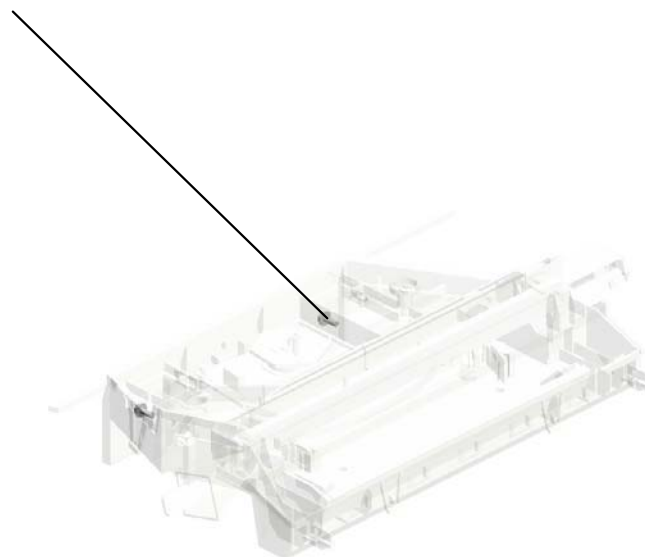
U005 S001  
D2051860  
OPTICAL WRITING UNIT:ASS  
Y



U001	U002	U003	U004	U005	U006	U007	U008	U009	U010	U011	U012	U013	U014	U015	U016	U017
------	------	------	------	------	------	------	------	------	------	------	------	------	------	------	------	------

U005  
LASER UNIT

1-03603008N  
(x2)  
SCREW:M3X8



U001	U002	U003	U004	<b>U005</b>	U006	U007	U008	U009	U010	U011	U012	U013	U014	U015	U016	U017
------	------	------	------	-------------	------	------	------	------	------	------	------	------	------	------	------	------



U005\_S001  
OPTICAL WRITING UNIT:ASS'Y

4.11050760  
CLAMP:LWSM-051  
1A

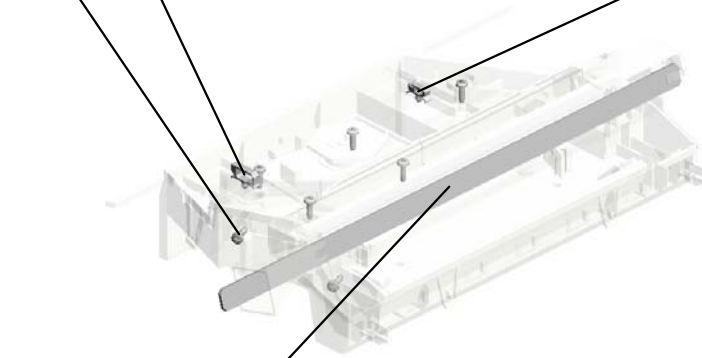


5.D2051860  
OPTICAL WRITING  
UNIT:ASS'Y

2.04593010N  
(x7)  
BINDING HEAD TA  
PPING SCREW:3X  
10



3.11050758  
CLAMP:LWSM-030  
6A



6.AC015064  
SHIELD GLASS

U001	U002	U003	U004	<b>U005</b>	U006	U007	U008	U009	U010	U011	U012	U013	U014	U015	U016	U017
------	------	------	------	-------------	------	------	------	------	------	------	------	------	------	------	------	------

# U006.PAPER TRAY

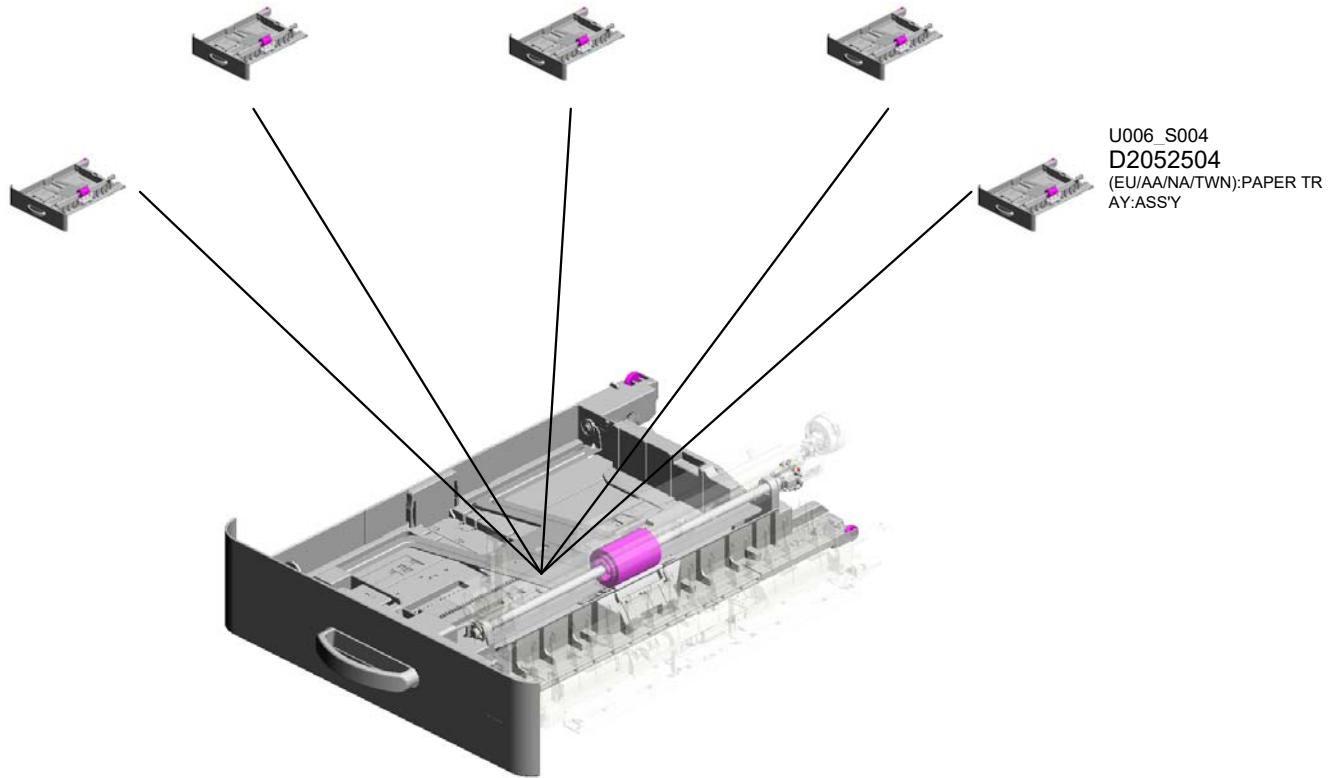
U006 S001  
D2052504  
(EU/AA/NA/TWN):PAPER TR  
AY:ASS'Y

U006 S002  
D2052504  
(EU/AA/NA/TWN):PAPER TR  
AY:ASS'Y

U006 S003  
D2052504  
(EU/AA/NA/TWN):PAPER TR  
AY:ASS'Y

U006 S005  
D2052590  
(CHN):PAPER TRAY:ASS'Y

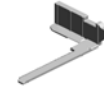
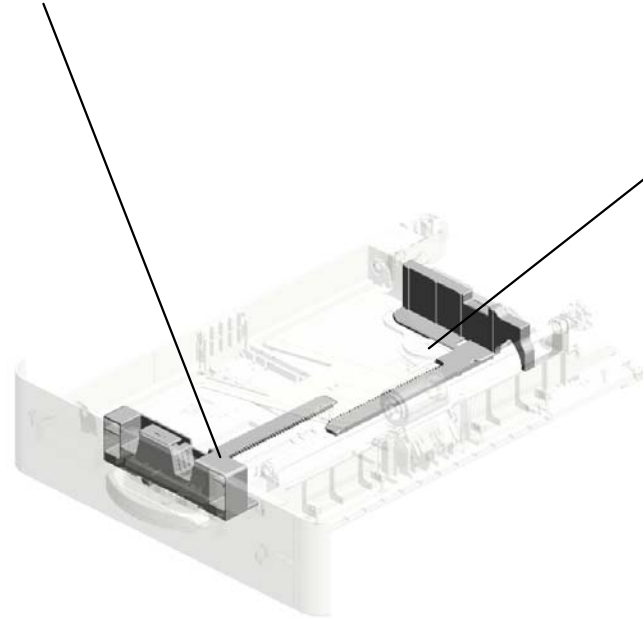
U006 S004  
D2052504  
(EU/AA/NA/TWN):PAPER TR  
AY:ASS'Y



U001	U002	U003	U004	U005	<b>U006</b>	U007	U008	U009	U010	U011	U012	U013	U014	U015	U016	U017
------	------	------	------	------	-------------	------	------	------	------	------	------	------	------	------	------	------

# U006\_S001.(EU/AA/NA/TWN):PAPER TRAY:ASS'Y

U006\_S001\_S001  
D2052521  
SIDE FENCE:FRONT:ASS'Y

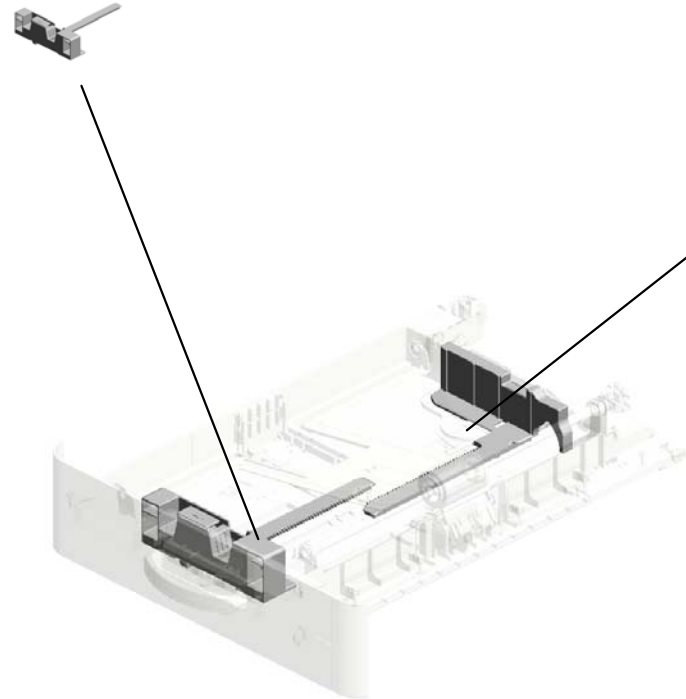


U006\_S001\_S002  
D2052529  
(EU/AA/NA/TWN):SIDE FENC  
E:REAR:ASS'Y

U001	U002	U003	U004	U005	<b>U006</b>	U007	U008	U009	U010	U011	U012	U013	U014	U015	U016	U017
------	------	------	------	------	-------------	------	------	------	------	------	------	------	------	------	------	------

# U006\_S002.(EU/AA/NA/TWN):PAPER TRAY:ASS'Y

U006\_S002\_S001  
D2052521  
SIDE FENCE:FRONT:ASS'Y

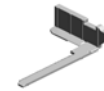
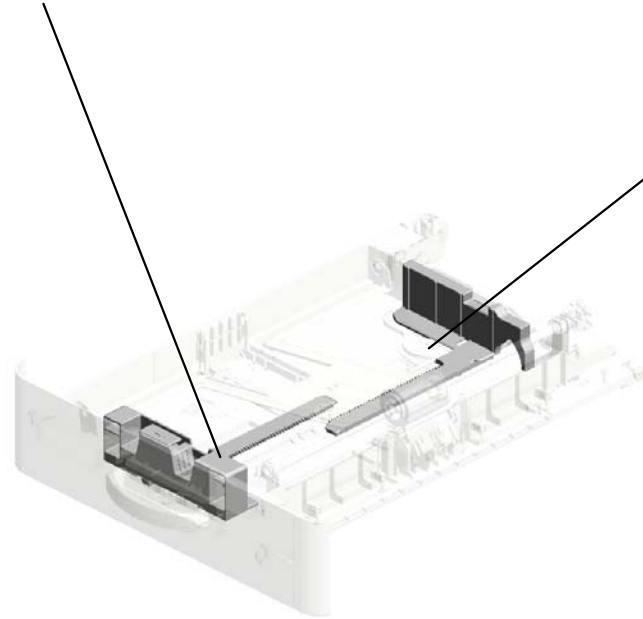
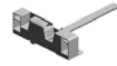


U006\_S002\_S002  
D2052529  
(EU/AA/NA/TWN):SIDE FENC  
E:REAR:ASS'Y

U001	U002	U003	U004	U005	<b>U006</b>	U007	U008	U009	U010	U011	U012	U013	U014	U015	U016	U017
------	------	------	------	------	-------------	------	------	------	------	------	------	------	------	------	------	------

# U006\_S003.(EU/AA/NA/TWN):PAPER TRAY:ASS'Y

U006 S003 S001  
D2052521  
SIDE FENCE:FRONT:ASS'Y

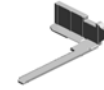
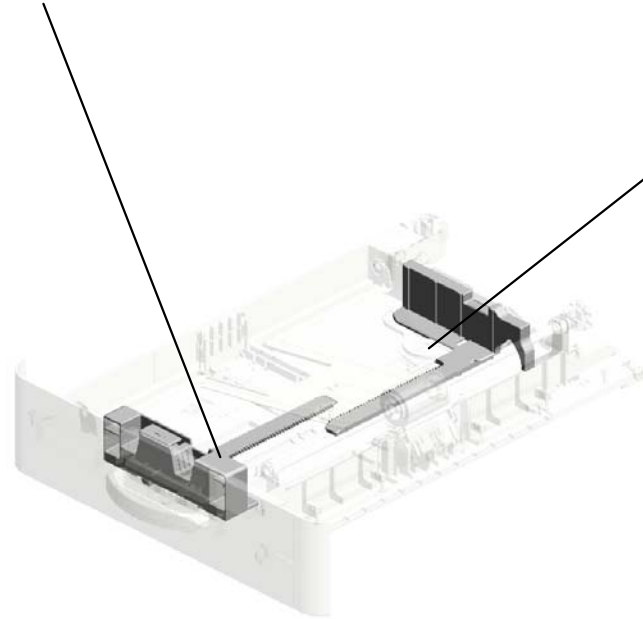


U006 S003 S002  
D2052529  
(EU/AA/NA/TWN):SIDE FENC  
E:REAR:ASS'Y

U001	U002	U003	U004	U005	<b>U006</b>	U007	U008	U009	U010	U011	U012	U013	U014	U015	U016	U017
------	------	------	------	------	-------------	------	------	------	------	------	------	------	------	------	------	------

# U006\_S004.(EU/AA/NA/TWN):PAPER TRAY:ASS'Y

U006 S004 S001  
D2052521  
SIDE FENCE:FRONT:ASS'Y

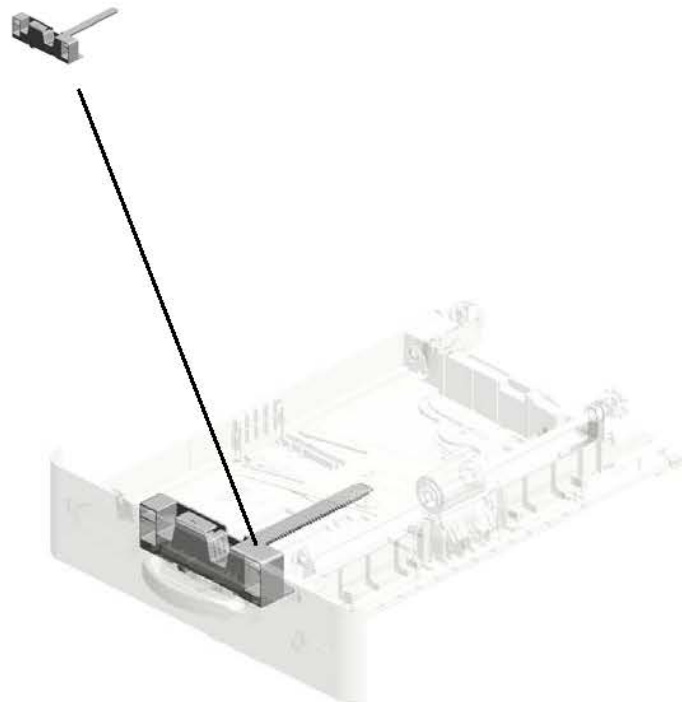


U006 S004 S002  
D2052529  
(EU/AA/NA/TWN):SIDE FENC  
E:REAR:ASS'Y

U001	U002	U003	U004	U005	<b>U006</b>	U007	U008	U009	U010	U011	U012	U013	U014	U015	U016	U017
------	------	------	------	------	-------------	------	------	------	------	------	------	------	------	------	------	------

# U006\_S005.(CHN):PAPER TRAY:ASS'Y

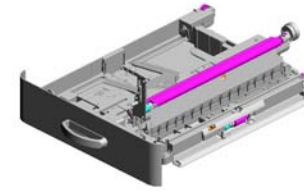
U006\_S005\_S001  
D2052521  
SIDE FENCE:FRONT:ASS'Y



U001	U002	U003	U004	U005	<b>U006</b>	U007	U008	U009	U010	U011	U012	U013	U014	U015	U016	U017
------	------	------	------	------	-------------	------	------	------	------	------	------	------	------	------	------	------

# U006 PAPER TRAY

- 59.D2052539 CUSHION:PAPER DETECTOR:FEELER
- 36.D2051081 (x2) TAPPING SCREW: 3X5
- 17.AF021089 REGISTRATION ROLLER:DRIVEN:DI A16
- 16.AF020822 REGISTRATION ROLLER:DRIVE
- 9.11050758 (x5) CLAMP:LWSM-030 6A



57.D2052537  
BRACKET:PAPER DETECTOR



49.D2052526  
PAPER DETECTOR



3.04543006Q  
(x9)  
TAPPING SCREW - M3X6



6.07200040E  
(x3)  
RETAINING RING - M4



4.04583010N  
(x6)  
HEXAGON HEAD TAPPING SCREW:3 X10



19.AW020198  
PHOTOINTERRUPTOR:LG2A14NL1



31.D1491397  
TORQUE LIMITER MECHANICAL CLUTCH:49MM:DIA14



5.06320080G  
PARALLEL KEY - 2 X8MM



26.B8722529  
COLLAR:PICKUP



18.AF033008  
(x2)  
FRICTION PAD:10X50



12.54472681  
SNAP RING



20.AX202690  
MAGNETIC CLUTCH:REGISTRATION



14.AA082173  
(x3)  
PLAIN SHAFT BEARING RING:6X10X6



7.08050104  
(x3)  
RETAINING RINGS -E.SILENCER:DIA4



11.52152713  
BOTTOM PLATE PAD

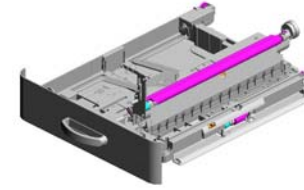


U001	U002	U003	U004	U005	U006	U007	U008	U009	U010	U011	U012	U013	U014	U015	U016	U017
------	------	------	------	------	------	------	------	------	------	------	------	------	------	------	------	------



# U006 PAPER TRAY

- 75.D2052615 BUSHING:REGISTRATION:DRIVE:FRONT
- 85.D2052632 GUIDE:REMOVE PAPER DUST:FRONT
- 70.D2052591 STOPPER:TRAY BOTTOM PLATE:RISE
- 80.D2052627 BRACKET:REMOVE PAPER DUST
- 78.D2052625 GUIDE:REMOVE PAPER DUST



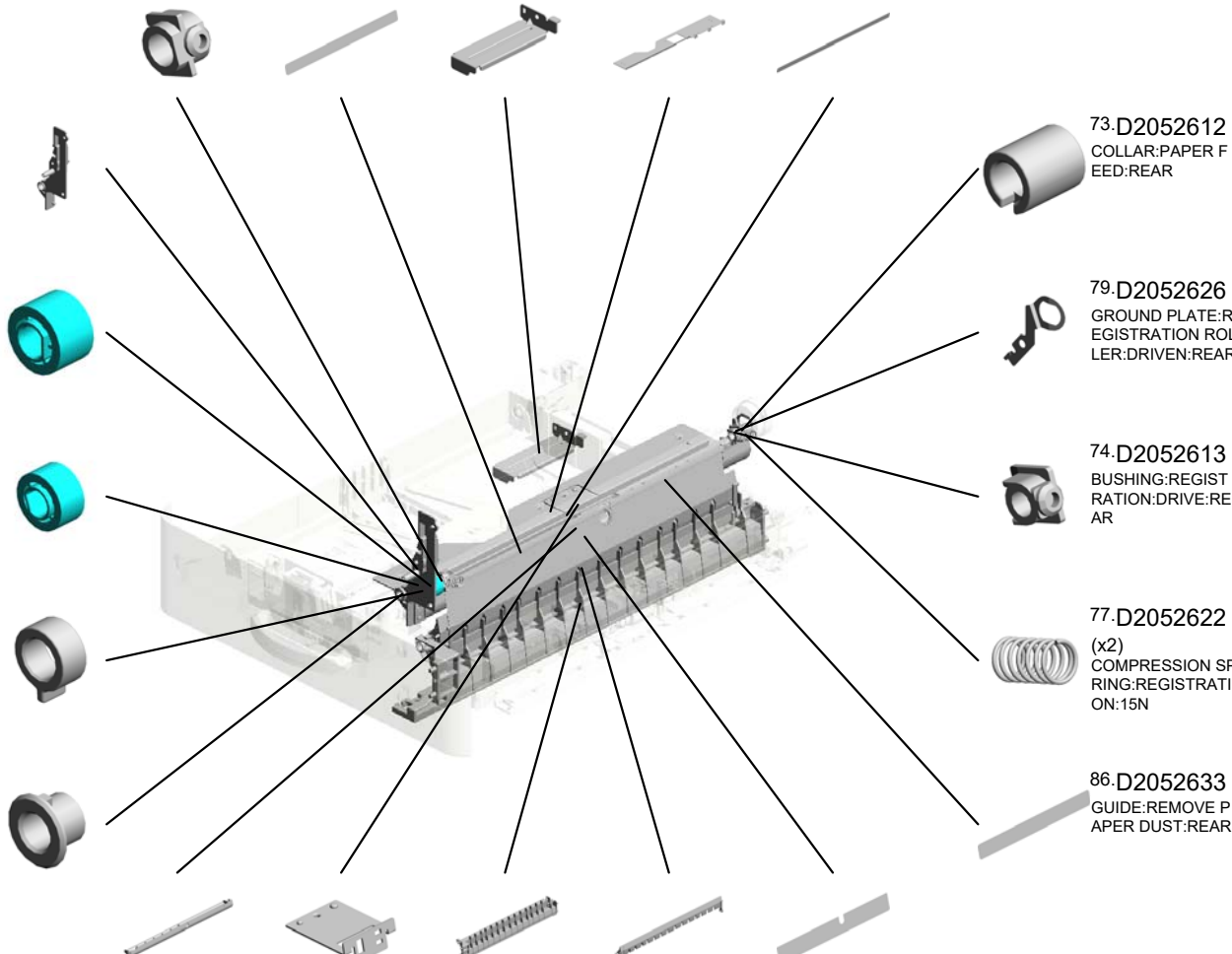
87.D2052634  
POSITIONING PLATE:REGISTRATION:FRONT

76.D2052616  
GEAR:Z19:DRIVE:REGISTRATION

83.D2052630  
GEAR:Z19:DRIVEN:REGISTRATION

72.D2052611  
COLLAR:PAPER FEED:FRONT

82.D2052629  
PLAIN SHAFT BEARING:REGISTRATION:FRONT



73.D2052612  
COLLAR:PAPER FEED:REAR

79.D2052626  
GROUND PLATE:REGISTRATION ROLLER:DRIVEN:REAR

74.D2052613  
BUSHING:REGISTRATION:DRIVE:REAR

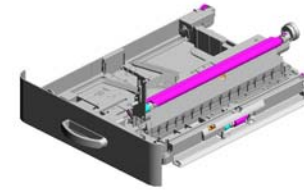
77.D2052622  
(x2)  
COMPRESSION SPRING:REGISTRATION:15N

86.D2052633  
GUIDE:REMOVE PAPER DUST:REAR

- 84.D2052631 CASE:REMOVE PAPER DUST
- 81.D2052628 BRACKET:REGISTRATION SENSOR
- 90.D2052643 RAIL:PAPER FEED:RIGHT
- 89.D2052642 GUIDE PLATE:VERTICAL TRANSPORT
- 88.D2052639 SHEET:GUIDE:VERTICAL TRANSPORT

# U006 PAPER TRAY

92.D2052645 CUSHION:GUIDE PLATE:VERTICAL TRANSPORT  
 97.D2052716 FEED ROLLER:DIA 15.9  
 106.D2052739 CUSHION:PICKUP ROLLER:MANUAL FEED  
 107.D2052741 COVER:MANUAL FEED UNIT  
 105.D2052738 TENSION SPRING: PICKUP:MANUAL FEED UNIT



93.D2052646 (x2) SHEET:PAPER FEED UNIT:GUIDE

110.D6062116 GEAR:FEED

94.D2052712 FEELER:PAPER END SENSOR:PAPER FEED

108.D2052759 COVER:MANUAL FEED UNIT:PAPER END

91.D2052644 ROLLER:RAIL:RIGHT

99.D2052722 COMPRESSION SPRING:LEVER

100.D2052726 HOLDER:MANUAL FEED

101.D2052731 HOLDER:PICKUP ROLLER

98.D2052721 GUIDE PLATE:MANUAL FEED

102.D2052732 SHAFT:PICKUP

104.D2052737 GROUND PLATE:SHAFT:MANUAL FEED UNIT

95.D2052713 LINK:PAPER STOPPER

103.D2052733 SHAFT:ASS'Y DRAWING

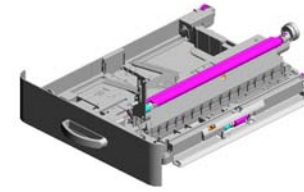
96.D2052724 PAPER STOPPER 201606-05 X/O

109.D6062113 PICKUP ROLLER

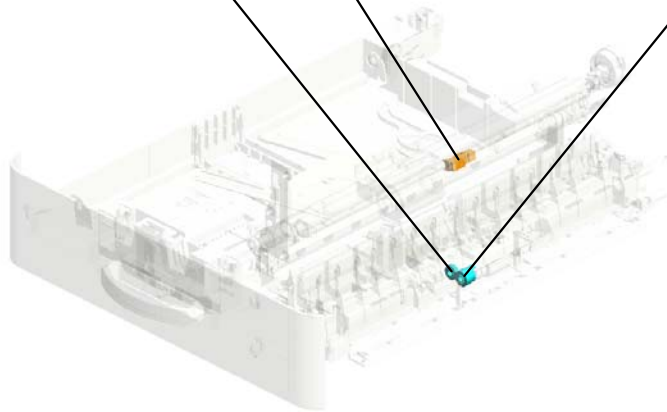
U001	U002	U003	U004	U005	<b>U006</b>	U007	U008	U009	U010	U011	U012	U013	U014	U015	U016	U017
------	------	------	------	------	-------------	------	------	------	------	------	------	------	------	------	------	------

# U006 PAPER TRAY

111.D6062117 113.GW010007  
GEAR:IDLER:FEED PHOTO REFLECTI  
ON SENSOR:EXIT



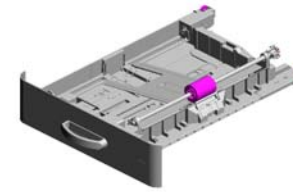
112.D6062118  
GEAR:PICKUP



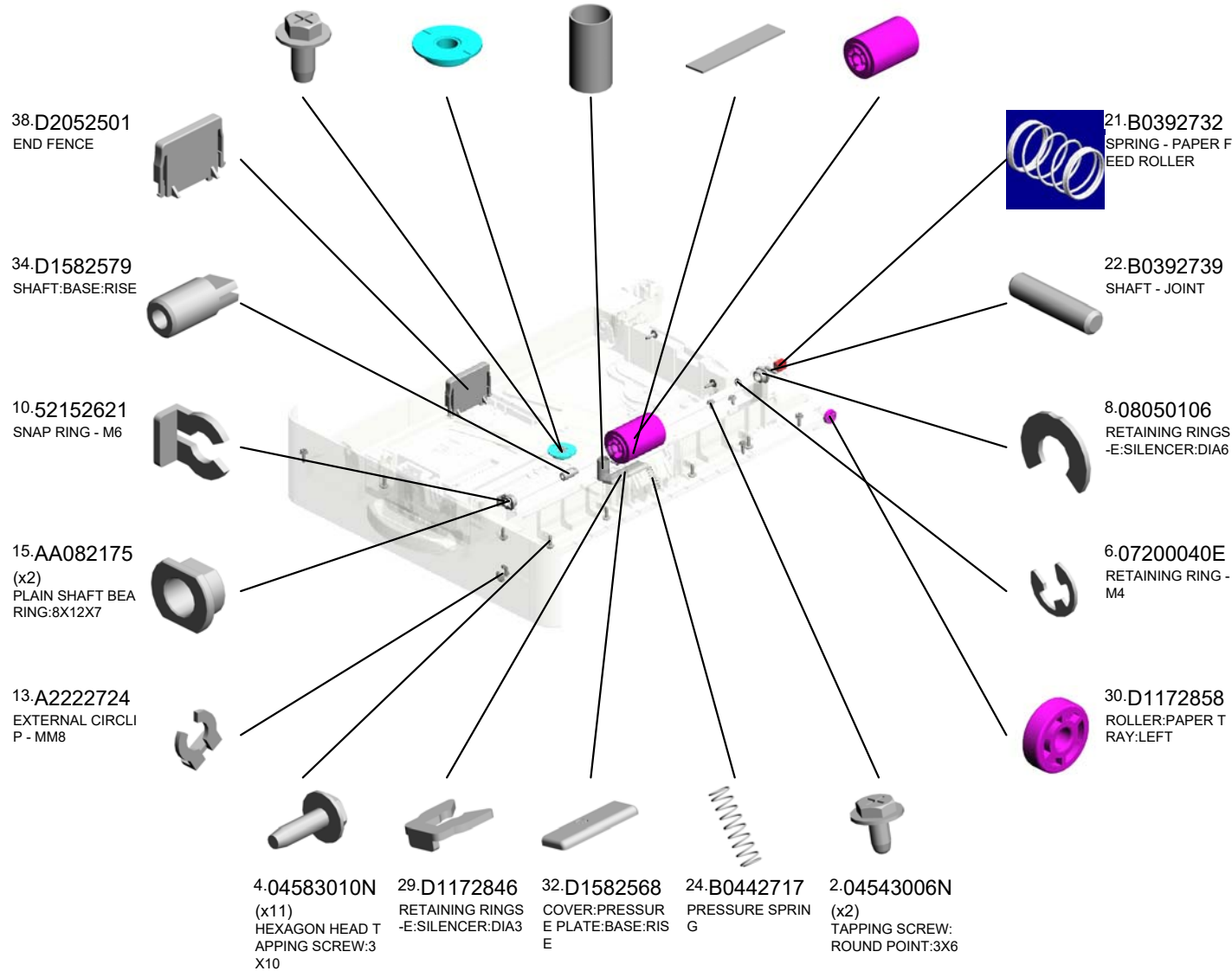
U001	U002	U003	U004	U005	<b>U006</b>	U007	U008	U009	U010	U011	U012	U013	U014	U015	U016	U017
------	------	------	------	------	-------------	------	------	------	------	------	------	------	------	------	------	------

U006\_S001  
(EU/AA/NA/TWN):PAPER TRAY:ASS'Y

- 1.04504008N TAPPING SCREW - M4X8
- 25.B2232936 GEAR - 16Z
- 28.D1172828 COMPRESSION SPRING:BASE:RISE:AU  
XILIARY
- 11.52152713 BOTTOM PLATE PAD
- 23.B0392740 PAPER FEED ROLLER



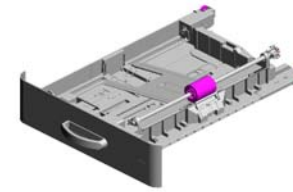
37.D2052504  
[A]  
(EU/AA/NA/TWN):P  
APER TRAY:ASS'Y  
201705-01 O/O



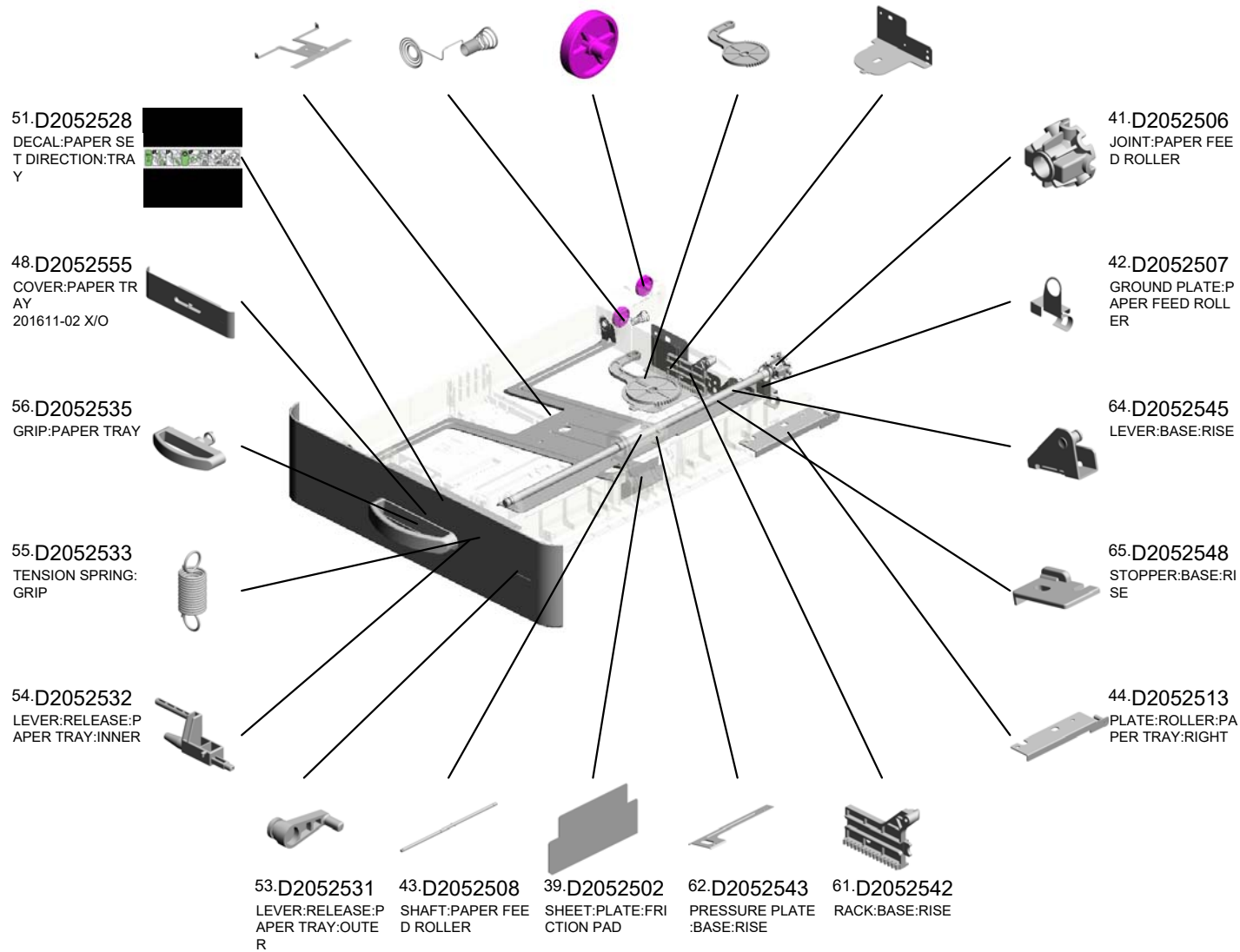
U001	U002	U003	U004	U005	U006	U007	U008	U009	U010	U011	U012	U013	U014	U015	U016	U017
------	------	------	------	------	------	------	------	------	------	------	------	------	------	------	------	------

U006\_S001  
(EU/AA/NA/TWN):PAPER TRAY:ASS'Y

- 47.D2052524 TRAY BOTTOM PLATE
- 40.D2052503 COIL SPRING:EAR TH:TRAY BOTTOM PLATE
- 58.D2052538 (x2) ROLLER:PAPER TRAY:DIA19
- 60.D2052541 LEVER:TRAY BOTTOM PLATE:RISE
- 63.D2052544 BRACKET:PINION



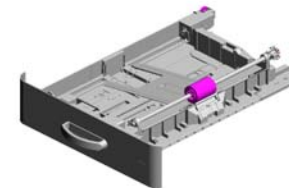
37.D2052504  
[A]  
(EU/AA/NA/TWN):PAPER TRAY:ASS'Y  
201705-01 O/O



U001	U002	U003	U004	U005	U006	U007	U008	U009	U010	U011	U012	U013	U014	U015	U016	U017
------	------	------	------	------	------	------	------	------	------	------	------	------	------	------	------	------

U006\_S001  
(EU/AA/NA/TWN):PAPER TRAY:ASS'Y

68.D2052568  
TENSION SPRING:  
BASE:RISE

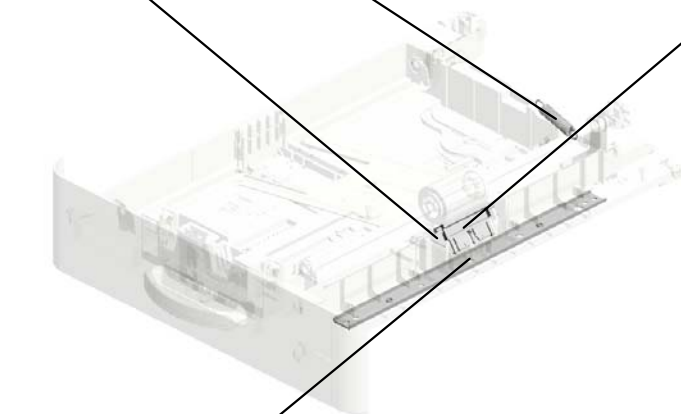


37.D2052504  
[A]  
(EU/AA/NA/TWN):P  
APER TRAY:ASS'Y  
201705-01 O/O

67.D2052554  
(x2)  
SHEET:PAPER FE  
ED SUB-UNIT



66.D2052552  
FRICTION PAD



71.D2052592  
SUPPORTING PLA  
TE:PAPER TRAY

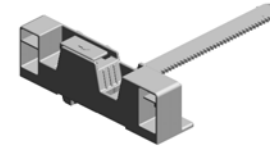


D2052500  
[A]  
(EU/AA/NA/TWN):P  
APER TRAY:ASS'Y  
201705-01 O/O

U001	U002	U003	U004	U005	<b>U006</b>	U007	U008	U009	U010	U011	U012	U013	U014	U015	U016	U017
------	------	------	------	------	-------------	------	------	------	------	------	------	------	------	------	------	------

U006\_S001\_S001  
SIDE FENCE:FRONT:ASS'Y

33.D1582576  
STOPPER:SIDE FE  
NCE:FRONT

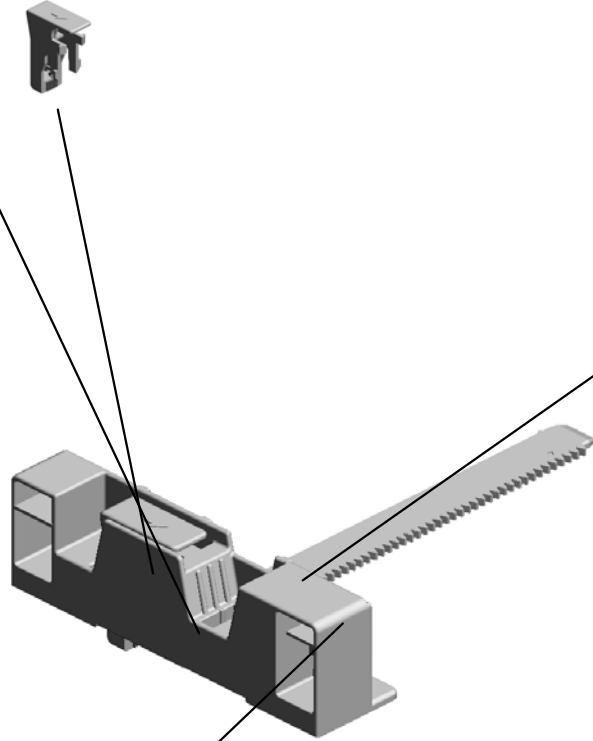


45.D2052521  
SIDE FENCE:FRON  
T:ASS'Y

35.D1582593  
COIL SPRING:STO  
PPER:SIDE FENCE  
:FRONT



46.D2052522  
SIDE FENCE:FRON  
T

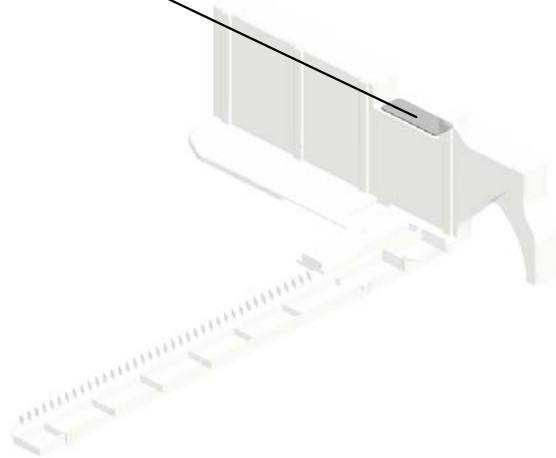
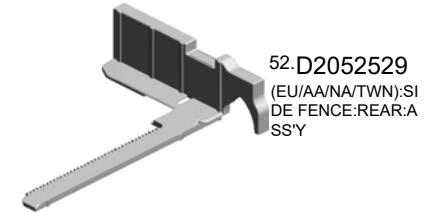


27.D0392823  
(x2)  
COMPRESSION SP  
RING:SIDE FENCE:  
PLATE:FRONT

U001	U002	U003	U004	U005	<b>U006</b>	U007	U008	U009	U010	U011	U012	U013	U014	U015	U016	U017
------	------	------	------	------	-------------	------	------	------	------	------	------	------	------	------	------	------

U006\_S001\_S002  
(EU/AA/NA/TWN):SIDE FENCE:REAR:ASS'Y

50.D2052527  
(EU/AA/NA/TWN):D  
ECAL:SIDE FENCE:  
REAR

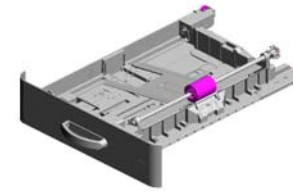


U001	U002	U003	U004	U005	<b>U006</b>	U007	U008	U009	U010	U011	U012	U013	U014	U015	U016	U017
------	------	------	------	------	-------------	------	------	------	------	------	------	------	------	------	------	------

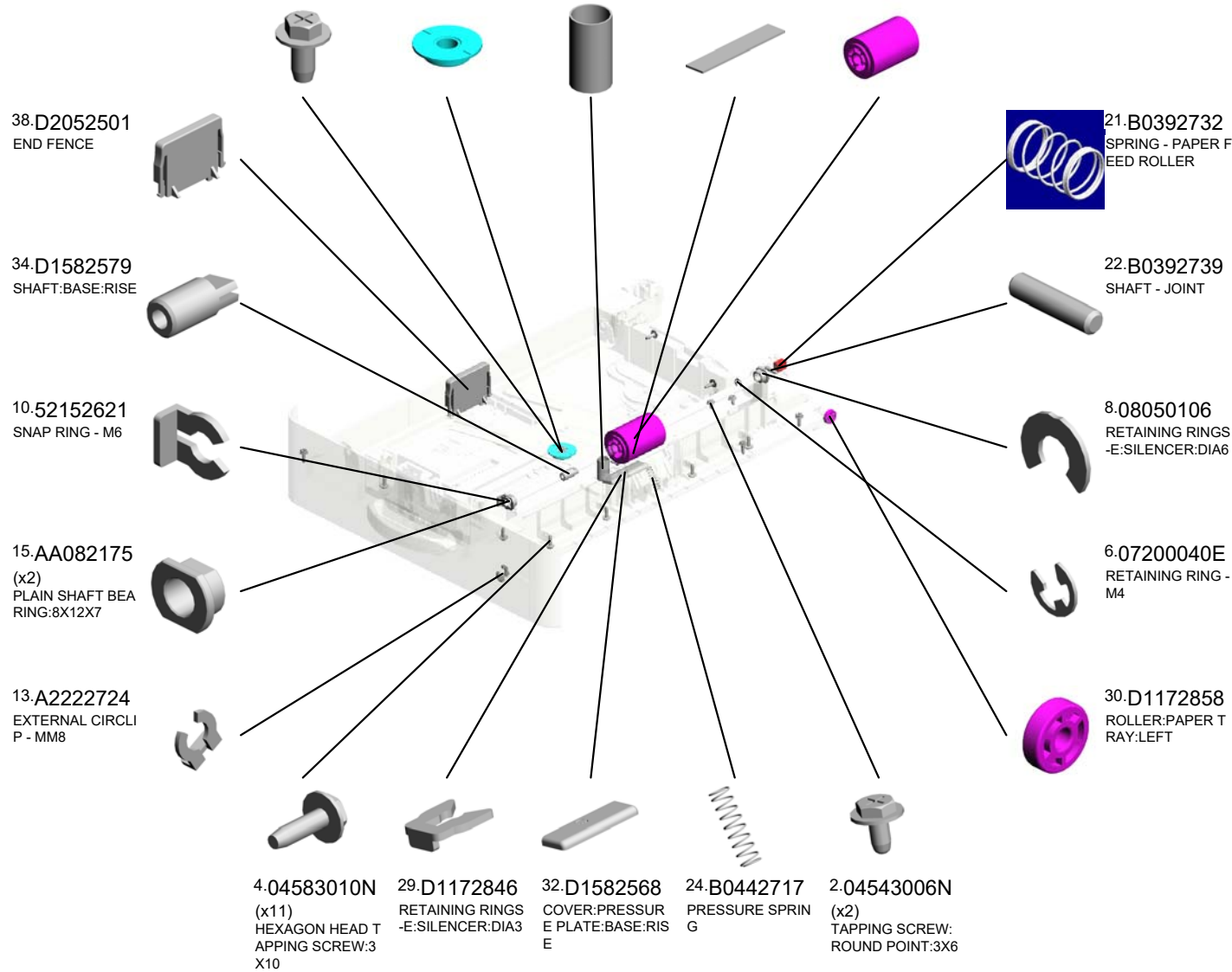


U006\_S002  
(EU/AA/NA/TWN):PAPER TRAY:ASS'Y

- 1.04504008N TAPPING SCREW - M4X8
- 25.B2232936 GEAR - 16Z
- 28.D1172828 COMPRESSION SPRING:BASE:RISE:AXILIARY
- 11.52152713 BOTTOM PLATE PAD
- 23.B0392740 PAPER FEED ROLLER



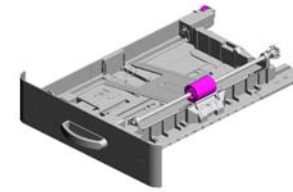
37.D2052504  
[A]  
(EU/AA/NA/TWN):PAPER TRAY:ASS'Y  
201705-01 O/O



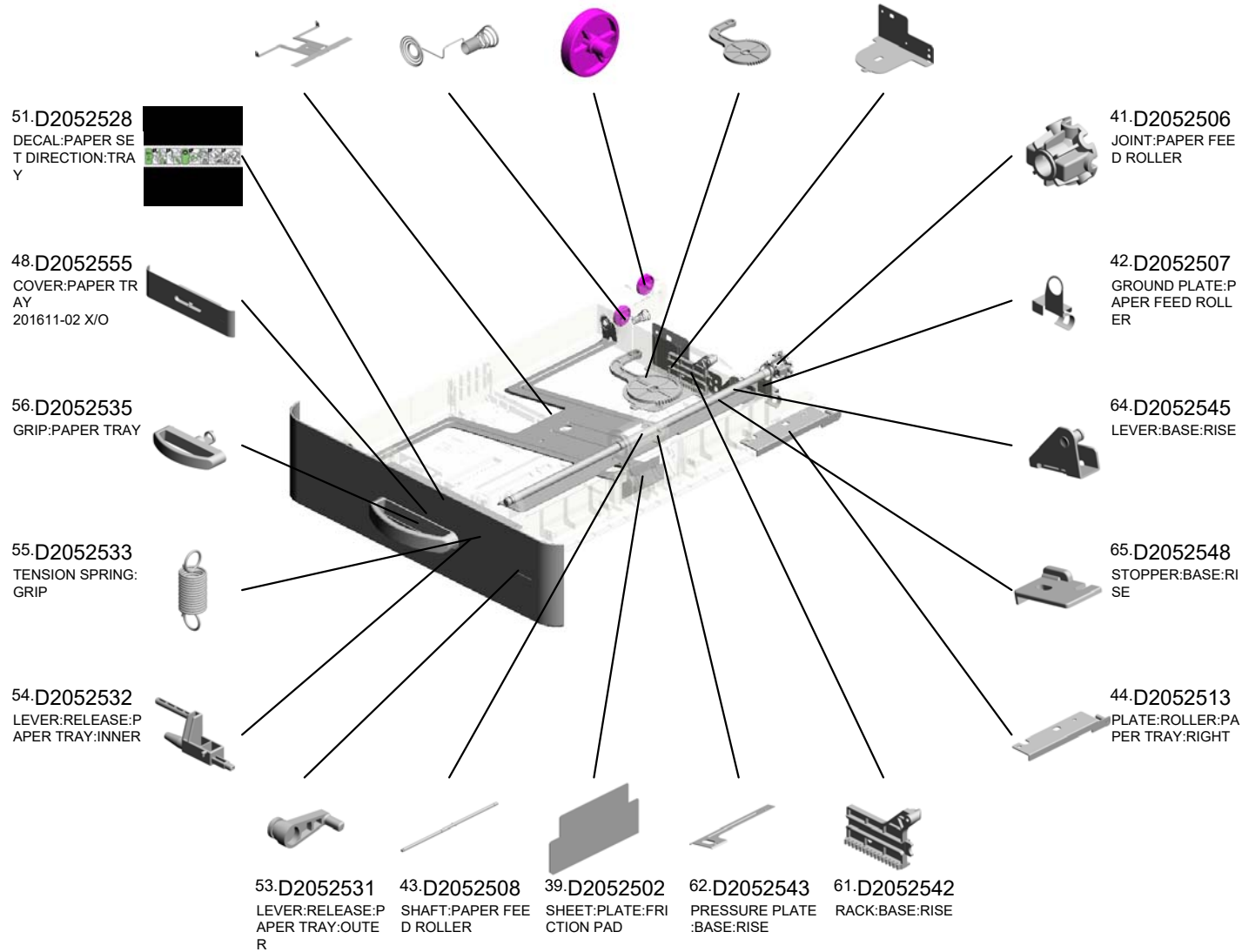
U001	U002	U003	U004	U005	U006	U007	U008	U009	U010	U011	U012	U013	U014	U015	U016	U017
------	------	------	------	------	------	------	------	------	------	------	------	------	------	------	------	------

U006\_S002  
(EU/AA/NA/TWN):PAPER TRAY:ASS'Y

- 47.D2052524 TRAY BOTTOM PLATE
- 40.D2052503 COIL SPRING:EAR TH:TRAY BOTTOM PLATE
- 58.D2052538 (x2) ROLLER:PAPER TRAY:DIA19
- 60.D2052541 LEVER:TRAY BOTTOM PLATE:RISE
- 63.D2052544 BRACKET:PINION



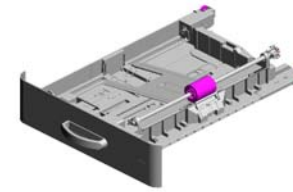
37.D2052504  
[A]  
(EU/AA/NA/TWN):PAPER TRAY:ASS'Y  
201705-01 O/O



U001	U002	U003	U004	U005	U006	U007	U008	U009	U010	U011	U012	U013	U014	U015	U016	U017
------	------	------	------	------	------	------	------	------	------	------	------	------	------	------	------	------

U006\_S002  
(EU/AA/NA/TWN):PAPER TRAY:ASS'Y

68.D2052568  
TENSION SPRING:  
BASE:RISE

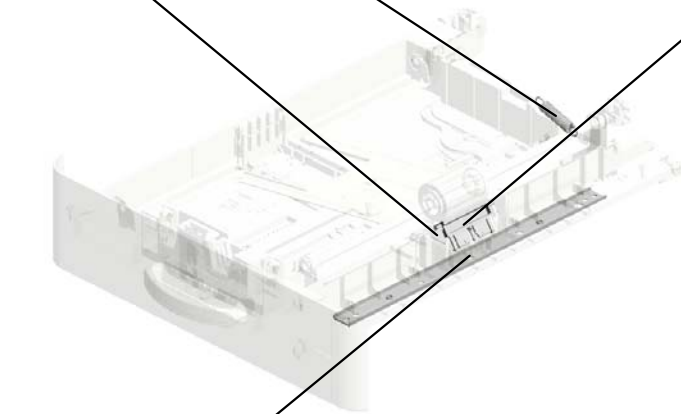


37.D2052504  
[A]  
(EU/AA/NA/TWN):P  
APER TRAY:ASS'Y  
201705-01 O/O

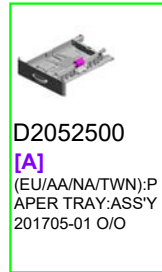
67.D2052554  
(x2)  
SHEET:PAPER FE  
ED SUB-UNIT



66.D2052552  
FRICTION PAD



71.D2052592  
SUPPORTING PLA  
TE:PAPER TRAY

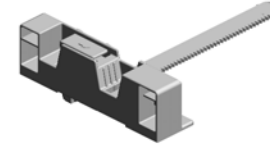


D2052500  
[A]  
(EU/AA/NA/TWN):P  
APER TRAY:ASS'Y  
201705-01 O/O

U001	U002	U003	U004	U005	<b>U006</b>	U007	U008	U009	U010	U011	U012	U013	U014	U015	U016	U017
------	------	------	------	------	-------------	------	------	------	------	------	------	------	------	------	------	------

U006\_S002\_S001  
SIDE FENCE:FRONT:ASS'Y

33.D1582576  
STOPPER:SIDE FE  
NCE:FRONT

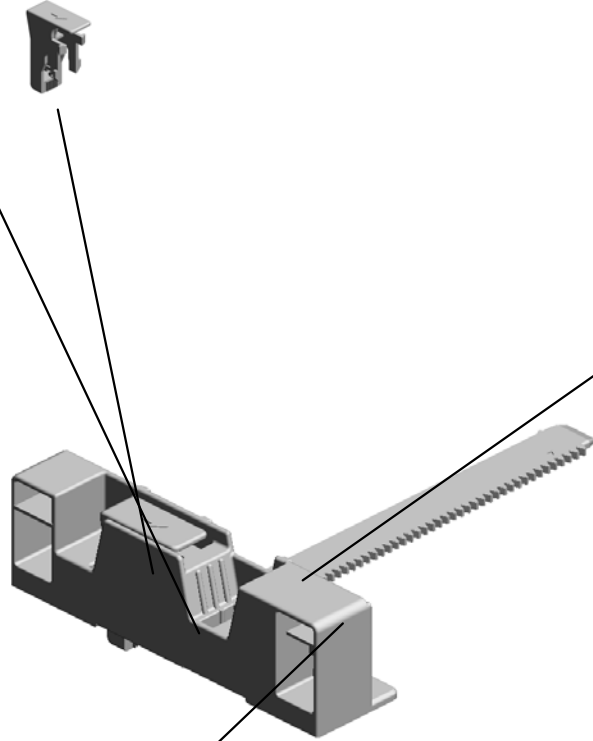


45.D2052521  
SIDE FENCE:FRON  
T:ASS'Y

35.D1582593  
COIL SPRING:STO  
PPER:SIDE FENCE  
:FRONT



46.D2052522  
SIDE FENCE:FRON  
T



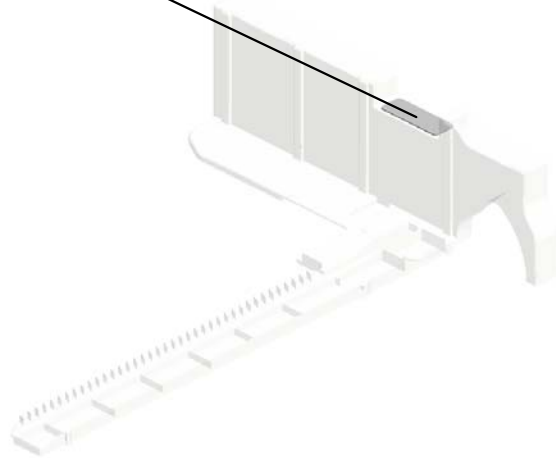
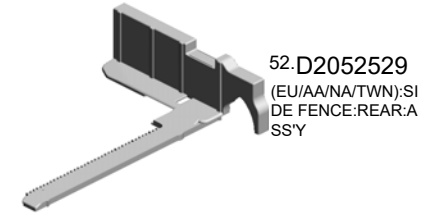
27.D0392823  
(x2)  
COMPRESSION SP  
RING:SIDE FENCE:  
PLATE:FRONT



U001	U002	U003	U004	U005	<b>U006</b>	U007	U008	U009	U010	U011	U012	U013	U014	U015	U016	U017
------	------	------	------	------	-------------	------	------	------	------	------	------	------	------	------	------	------

U006\_S002\_S002  
(EU/AA/NA/TWN):SIDE FENCE:REAR:ASS'Y

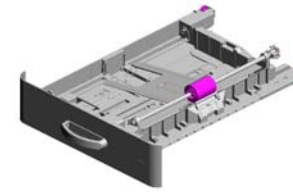
50.D2052527  
(EU/AA/NA/TWN):D  
ECAL:SIDE FENCE:  
REAR



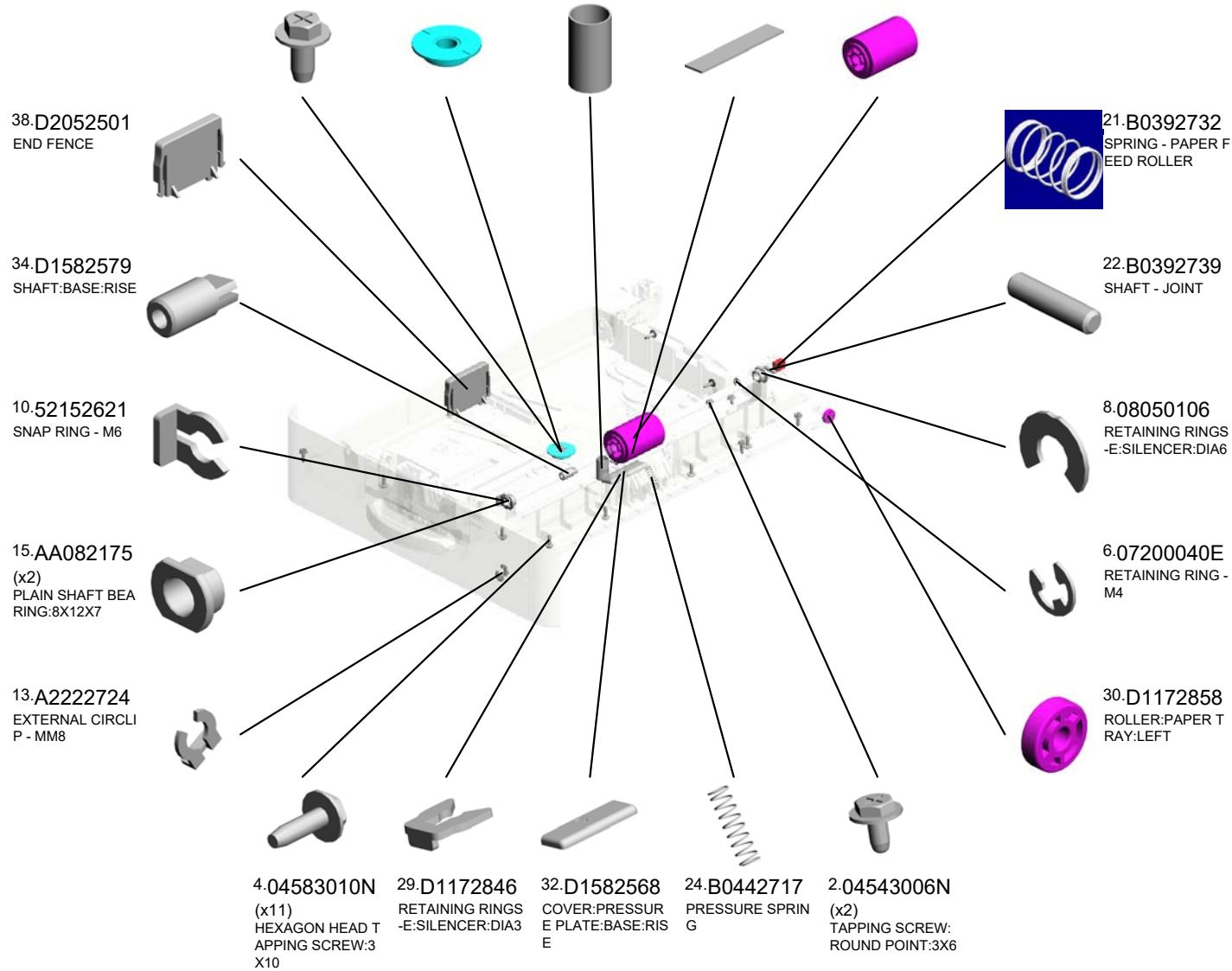
U001	U002	U003	U004	U005	<b>U006</b>	U007	U008	U009	U010	U011	U012	U013	U014	U015	U016	U017
------	------	------	------	------	-------------	------	------	------	------	------	------	------	------	------	------	------

U006\_S003  
(EU/AA/NA/TWN):PAPER TRAY:ASS'Y

- 1.04504008N TAPPING SCREW - M4X8
- 25.B2232936 GEAR - 16Z
- 28.D1172828 COMPRESSION SPRING:BASE:RISE:AUXILIARY
- 11.52152713 BOTTOM PLATE PAD
- 23.B0392740 PAPER FEED ROLLER



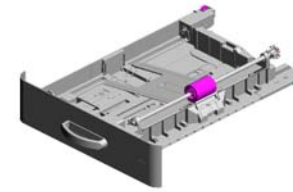
37.D2052504  
[A]  
(EU/AA/NA/TWN):PAPER TRAY:ASS'Y  
201705-01 O/O



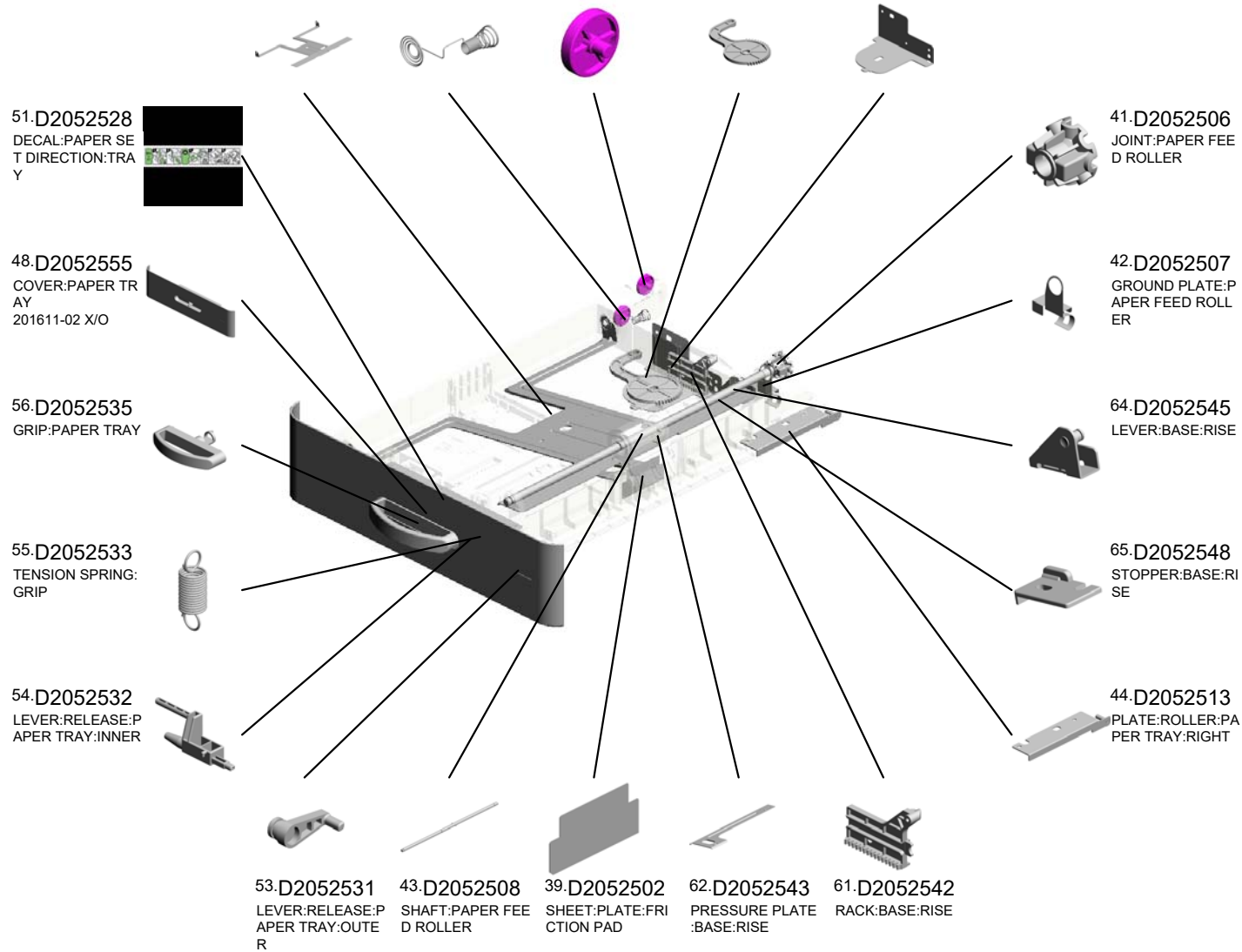
U001	U002	U003	U004	U005	U006	U007	U008	U009	U010	U011	U012	U013	U014	U015	U016	U017
------	------	------	------	------	------	------	------	------	------	------	------	------	------	------	------	------

U006\_S003  
(EU/AA/NA/TWN):PAPER TRAY:ASS'Y

- 47.D2052524 TRAY BOTTOM PLATE
- 40.D2052503 COIL SPRING:EAR TH:TRAY BOTTOM PLATE
- 58.D2052538 (x2) ROLLER:PAPER TRAY:DIA19
- 60.D2052541 LEVER:TRAY BOTTOM PLATE:RISE
- 63.D2052544 BRACKET:PINION



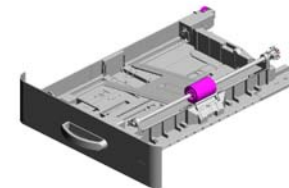
37.D2052504  
[A]  
(EU/AA/NA/TWN):PAPER TRAY:ASS'Y  
201705-01 O/O



U001	U002	U003	U004	U005	U006	U007	U008	U009	U010	U011	U012	U013	U014	U015	U016	U017
------	------	------	------	------	------	------	------	------	------	------	------	------	------	------	------	------

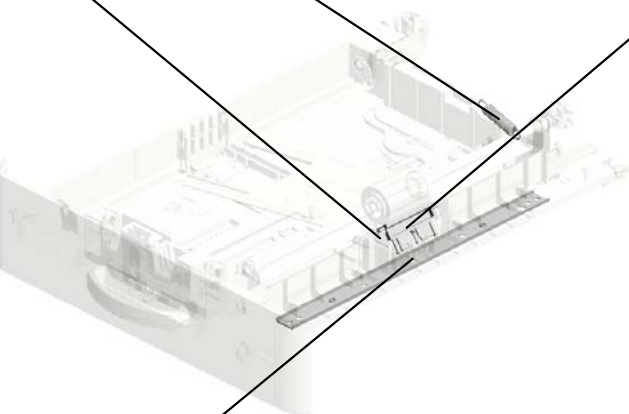
U006\_S003  
(EU/AA/NA/TWN):PAPER TRAY:ASS'Y

68.D2052568  
TENSION SPRING:  
BASE:RISE



37.D2052504  
[A]  
(EU/AA/NA/TWN):P  
APER TRAY:ASS'Y  
201705-01 O/O

67.D2052554  
(x2)  
SHEET:PAPER FE  
ED SUB-UNIT



66.D2052552  
FRICTION PAD



71.D2052592  
SUPPORTING PLA  
TE:PAPER TRAY



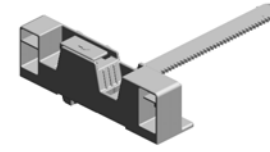
D2052500  
[A]  
(EU/AA/NA/TWN):P  
APER TRAY:ASS'Y  
201705-01 O/O

U001	U002	U003	U004	U005	<b>U006</b>	U007	U008	U009	U010	U011	U012	U013	U014	U015	U016	U017
------	------	------	------	------	-------------	------	------	------	------	------	------	------	------	------	------	------



U006\_S003\_S001  
SIDE FENCE:FRONT:ASS'Y

33.D1582576  
STOPPER:SIDE FE  
NCE:FRONT

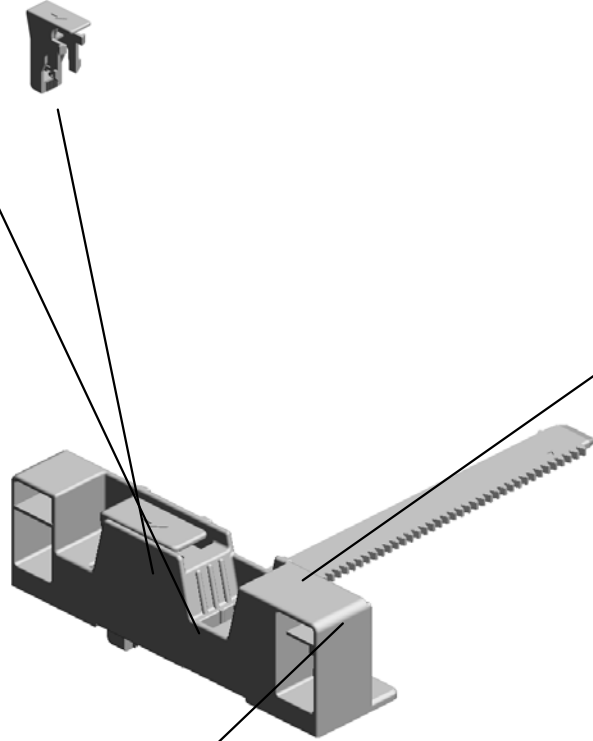


45.D2052521  
SIDE FENCE:FRON  
T:ASS'Y

35.D1582593  
COIL SPRING:STO  
PPER:SIDE FENCE  
:FRONT



46.D2052522  
SIDE FENCE:FRON  
T



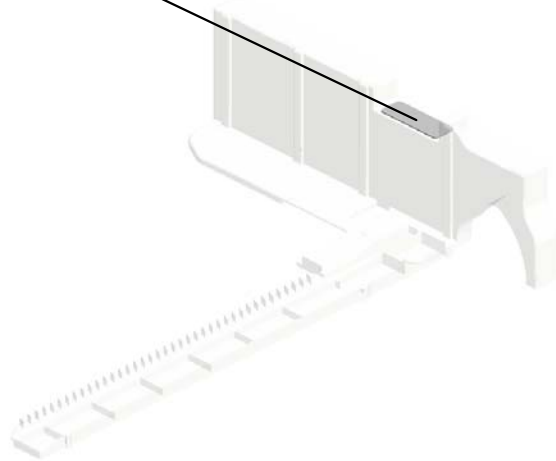
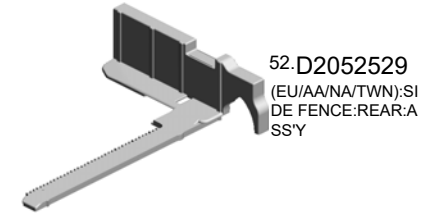
27.D0392823  
(x2)  
COMPRESSION SP  
RING:SIDE FENCE:  
PLATE:FRONT



U001	U002	U003	U004	U005	<b>U006</b>	U007	U008	U009	U010	U011	U012	U013	U014	U015	U016	U017
------	------	------	------	------	-------------	------	------	------	------	------	------	------	------	------	------	------

U006\_S003\_S002  
(EU/AA/NA/TWN):SIDE FENCE:REAR:ASS'Y

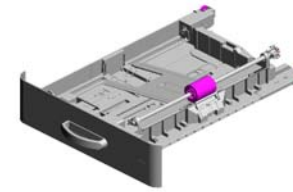
50.D2052527  
(EU/AA/NA/TWN):D  
ECAL:SIDE FENCE:  
REAR



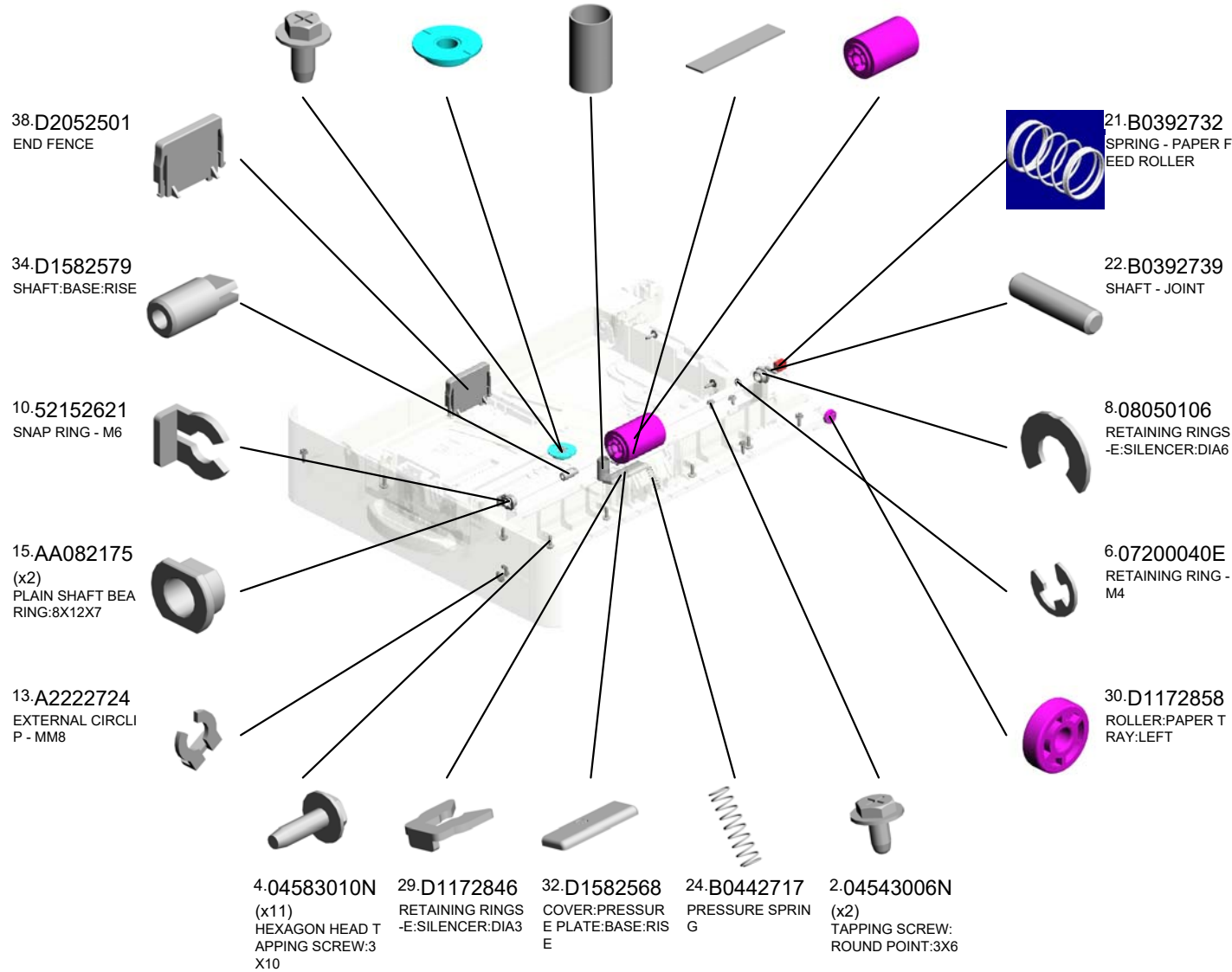
U001	U002	U003	U004	U005	<b>U006</b>	U007	U008	U009	U010	U011	U012	U013	U014	U015	U016	U017
------	------	------	------	------	-------------	------	------	------	------	------	------	------	------	------	------	------

U006\_S004  
(EU/AA/NA/TWN):PAPER TRAY:ASS'Y

- 1.04504008N TAPPING SCREW - M4X8
- 25.B2232936 GEAR - 16Z
- 28.D1172828 COMPRESSION SPRING:BASE:RISE:AUXILIARY
- 11.52152713 BOTTOM PLATE PAD
- 23.B0392740 PAPER FEED ROLLER



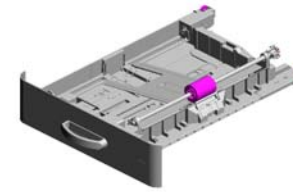
37.D2052504  
[A]  
(EU/AA/NA/TWN):PAPER TRAY:ASS'Y  
201705-01 O/O



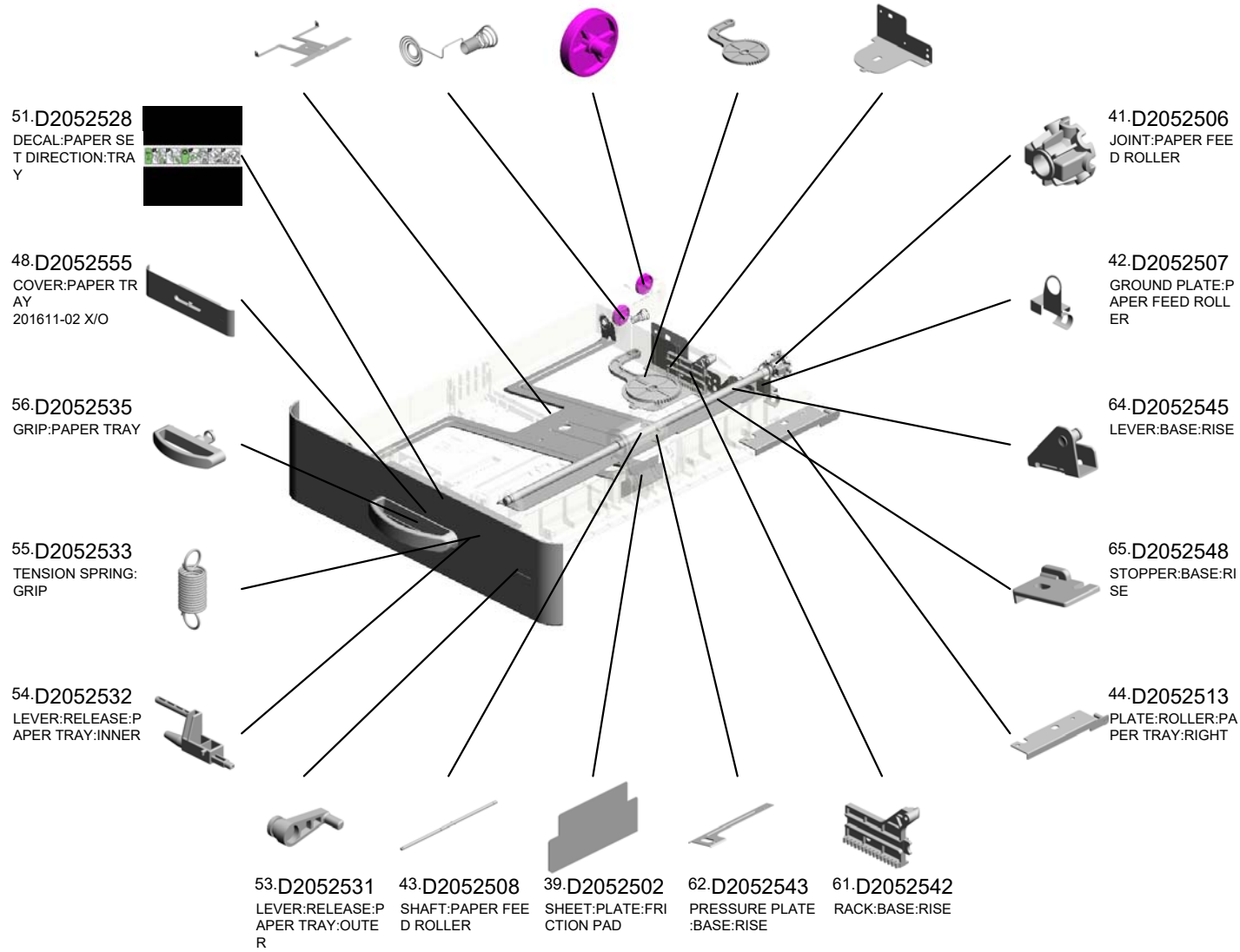
U001	U002	U003	U004	U005	U006	U007	U008	U009	U010	U011	U012	U013	U014	U015	U016	U017
------	------	------	------	------	------	------	------	------	------	------	------	------	------	------	------	------

U006\_S004  
(EU/AA/NA/TWN):PAPER TRAY:ASS'Y

- 47.D2052524 TRAY BOTTOM PLATE
- 40.D2052503 COIL SPRING:EAR TH:TRAY BOTTOM PLATE
- 58.D2052538 (x2) ROLLER:PAPER TRAY:DIA19
- 60.D2052541 LEVER:TRAY BOTTOM PLATE:RISE
- 63.D2052544 BRACKET:PINION



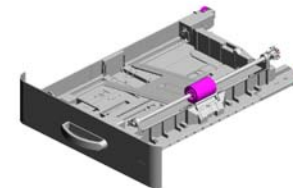
37.D2052504  
[A]  
(EU/AA/NA/TWN):PAPER TRAY:ASS'Y  
201705-01 O/O



U001	U002	U003	U004	U005	U006	U007	U008	U009	U010	U011	U012	U013	U014	U015	U016	U017
------	------	------	------	------	------	------	------	------	------	------	------	------	------	------	------	------

U006\_S004  
(EU/AA/NA/TWN):PAPER TRAY:ASS'Y

68.D2052568  
TENSION SPRING:  
BASE:RISE

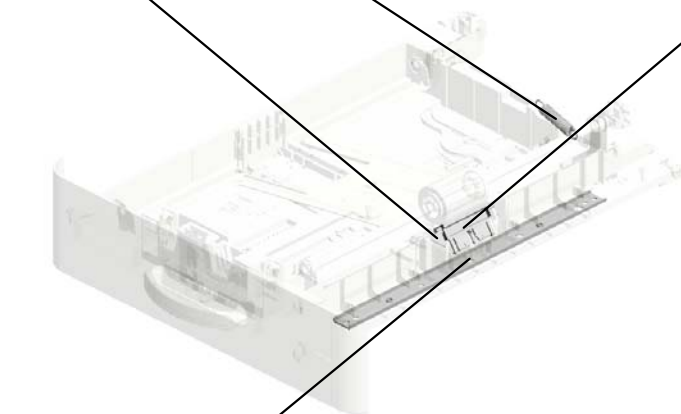


37.D2052504  
[A]  
(EU/AA/NA/TWN):P  
APER TRAY:ASS'Y  
201705-01 O/O

67.D2052554  
(x2)  
SHEET:PAPER FE  
ED SUB-UNIT



66.D2052552  
FRICTION PAD



71.D2052592  
SUPPORTING PLA  
TE:PAPER TRAY

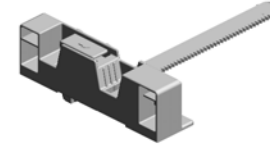


D2052500  
[A]  
(EU/AA/NA/TWN):P  
APER TRAY:ASS'Y  
201705-01 O/O

U001	U002	U003	U004	U005	U006	U007	U008	U009	U010	U011	U012	U013	U014	U015	U016	U017
------	------	------	------	------	------	------	------	------	------	------	------	------	------	------	------	------

U006\_S004\_S001  
SIDE FENCE:FRONT:ASS'Y

33.D1582576  
STOPPER:SIDE FE  
NCE:FRONT

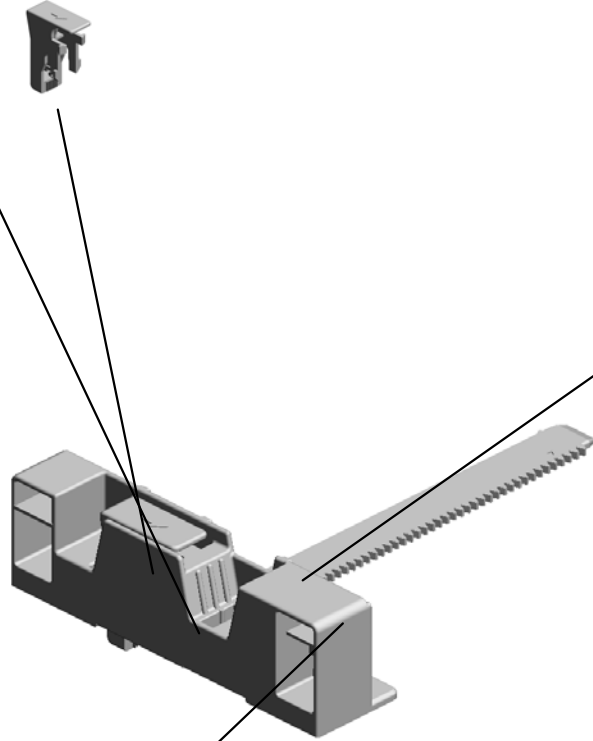


45.D2052521  
SIDE FENCE:FRON  
T:ASS'Y

35.D1582593  
COIL SPRING:STO  
PPER:SIDE FENCE  
:FRONT



46.D2052522  
SIDE FENCE:FRON  
T

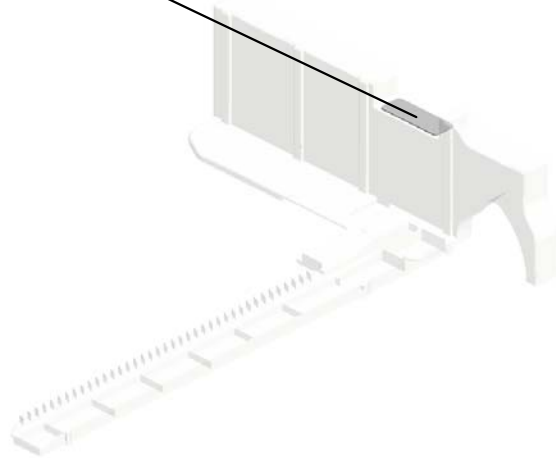
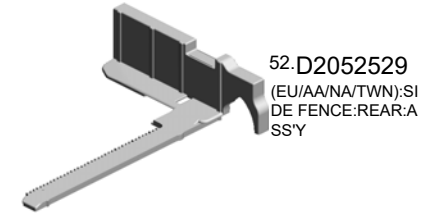


27.D0392823  
(x2)  
COMPRESSION SP  
RING:SIDE FENCE:  
PLATE:FRONT

U001	U002	U003	U004	U005	<b>U006</b>	U007	U008	U009	U010	U011	U012	U013	U014	U015	U016	U017
------	------	------	------	------	-------------	------	------	------	------	------	------	------	------	------	------	------

U006\_S004\_S002  
(EU/AA/NA/TWN):SIDE FENCE:REAR:ASS'Y

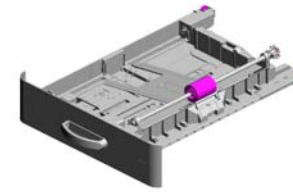
50.D2052527  
(EU/AA/NA/TWN):D  
ECAL:SIDE FENCE:  
REAR



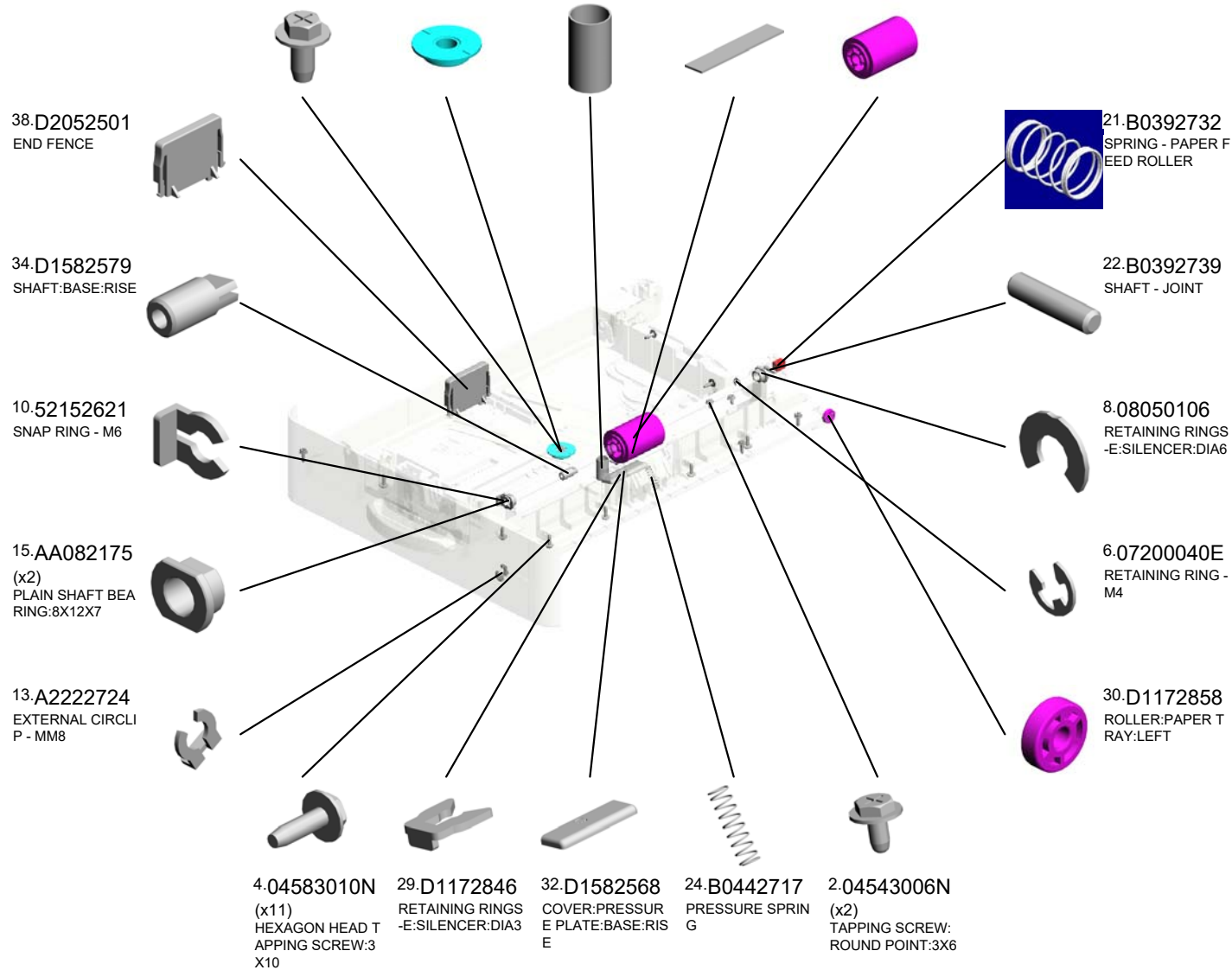
U001	U002	U003	U004	U005	<b>U006</b>	U007	U008	U009	U010	U011	U012	U013	U014	U015	U016	U017
------	------	------	------	------	-------------	------	------	------	------	------	------	------	------	------	------	------

U006\_S005  
(CHN):PAPER TRAY:ASS'Y

- 1.04504008N TAPPING SCREW - M4X8
- 25.B2232936 GEAR - 16Z
- 28.D1172828 COMPRESSION SPRING:BASE:RISE:AU  
XILIARY
- 11.52152713 BOTTOM PLATE PAD
- 23.B0392740 PAPER FEED ROLLER



69.D2052590  
(CHN):PAPER TRAY:ASS'Y

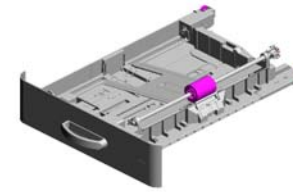


U001	U002	U003	U004	U005	U006	U007	U008	U009	U010	U011	U012	U013	U014	U015	U016	U017
------	------	------	------	------	------	------	------	------	------	------	------	------	------	------	------	------



U006\_S005  
(CHN):PAPER TRAY:ASS'Y

- 47.D2052524 TRAY BOTTOM PLATE
- 40.D2052503 COIL SPRING:EAR TH:TRAY BOTTOM PLATE
- 58.D2052538 (x2) ROLLER:PAPER TRAY:DIA19
- 60.D2052541 LEVER:TRAY BOTTOM PLATE:RISE
- 63.D2052544 BRACKET:PINION



69.D2052590  
(CHN):PAPER TRAY:ASS'Y

51.D2052528  
DECAL:PAPER SET DIRECTION:TRAY



48.D2052555  
COVER:PAPER TRAY  
201611-02 X/O



56.D2052535  
GRIP:PAPER TRAY



55.D2052533  
TENSION SPRING:GRIP



54.D2052532  
LEVER:RELEASE:PAPER TRAY:INNER



41.D2052506  
JOINT:PAPER FEED ROLLER



42.D2052507  
GROUND PLATE:PAPER FEED ROLLER



64.D2052545  
LEVER:BASE:RISE



65.D2052548  
STOPPER:BASE:RISE



44.D2052513  
PLATE:ROLLER:PAPER TRAY:RIGHT



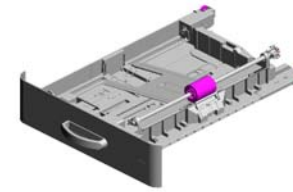
- 53.D2052531 LEVER:RELEASE:PAPER TRAY:OUTER
- 43.D2052508 SHAFT:PAPER FEED ROLLER
- 39.D2052502 SHEET:PLATE:FRICTION PAD
- 62.D2052543 PRESSURE PLATE:BASE:RISE
- 61.D2052542 RACK:BASE:RISE



U001	U002	U003	U004	U005	U006	U007	U008	U009	U010	U011	U012	U013	U014	U015	U016	U017
------	------	------	------	------	------	------	------	------	------	------	------	------	------	------	------	------

U006\_S005  
(CHN):PAPER TRAY:ASS'Y

68.D2052568  
TENSION SPRING:  
BASE:RISE

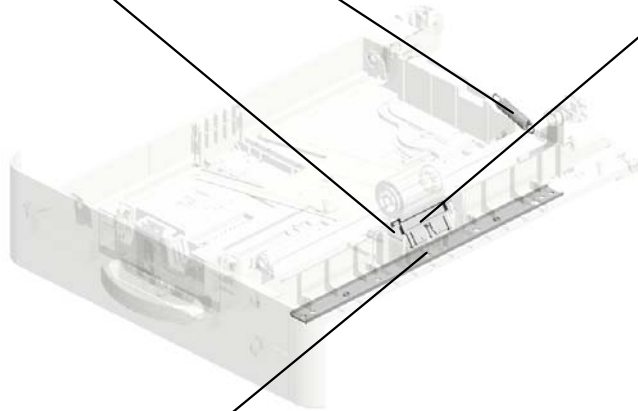


69.D2052590  
(CHN):PAPER TRAY:  
Y:ASS'Y

67.D2052554  
(x2)  
SHEET:PAPER FEED  
SUB-UNIT



66.D2052552  
FRICTION PAD

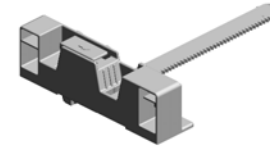


71.D2052592  
SUPPORTING PLATE:  
PAPER TRAY

U001	U002	U003	U004	U005	<b>U006</b>	U007	U008	U009	U010	U011	U012	U013	U014	U015	U016	U017
------	------	------	------	------	-------------	------	------	------	------	------	------	------	------	------	------	------

U006\_S005\_S001  
SIDE FENCE:FRONT:ASS'Y

33.D1582576  
STOPPER:SIDE FE  
NCE:FRONT

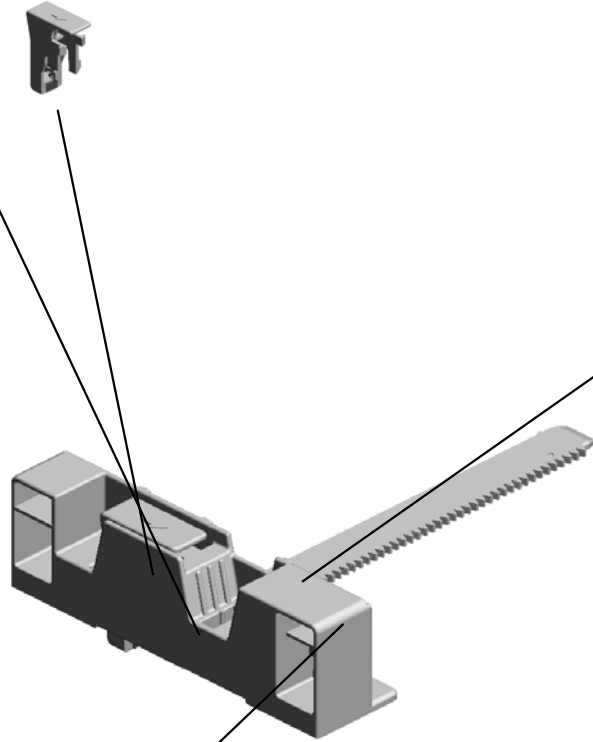


45.D2052521  
SIDE FENCE:FRON  
T:ASS'Y

35.D1582593  
COIL SPRING:STO  
PPER:SIDE FENCE  
:FRONT



46.D2052522  
SIDE FENCE:FRON  
T



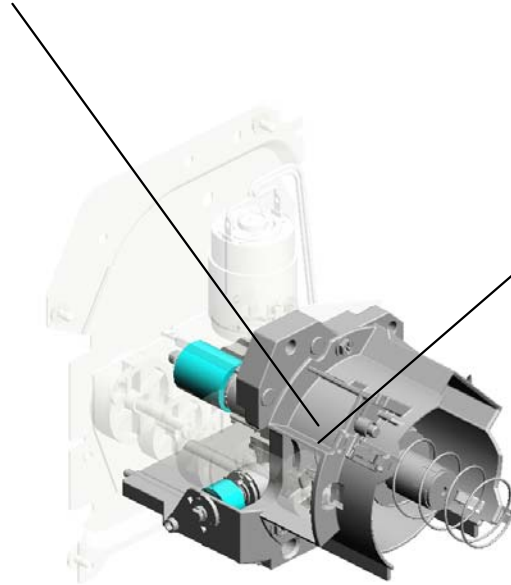
27.D0392823  
(x2)  
COMPRESSION SP  
RING:SIDE FENCE:  
PLATE:FRONT



U001	U002	U003	U004	U005	<b>U006</b>	U007	U008	U009	U010	U011	U012	U013	U014	U015	U016	U017
------	------	------	------	------	-------------	------	------	------	------	------	------	------	------	------	------	------

# U007.DEVELOPMENT

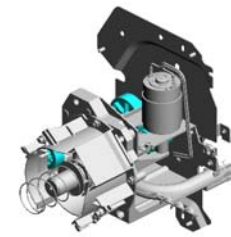
U007\_S002  
D2053212  
PIPE:TONER SUPPLY:ASS'Y



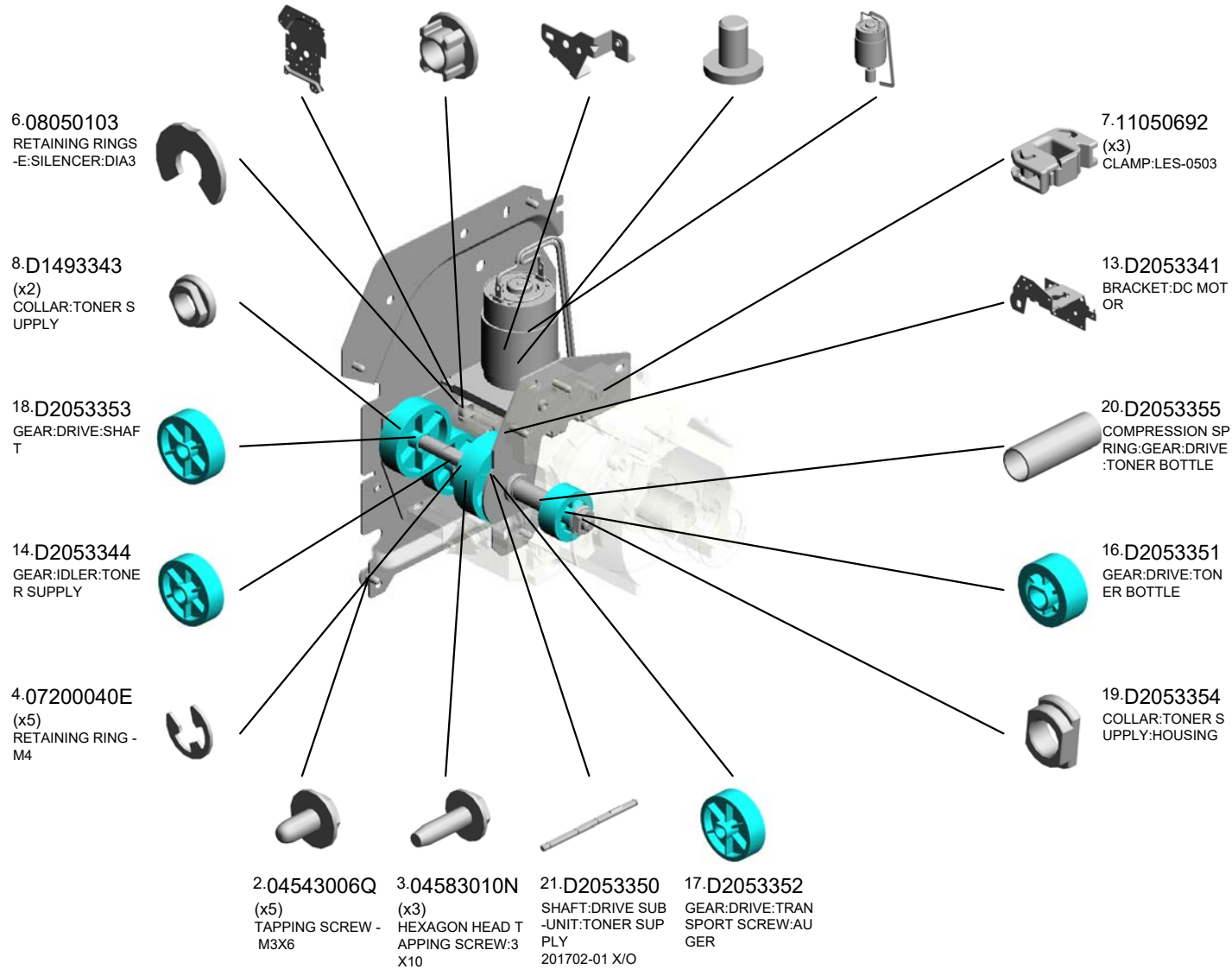
U007\_S001  
D2053310  
HOLDER:TONER SUPPLY:AS  
S'Y

U001	U002	U003	U004	U005	U006	U007	U008	U009	U010	U011	U012	U013	U014	U015	U016	U017
------	------	------	------	------	------	------	------	------	------	------	------	------	------	------	------	------

# U007 DEVELOPMENT



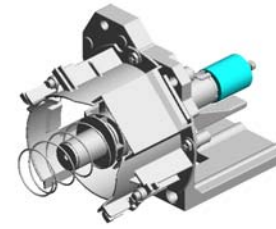
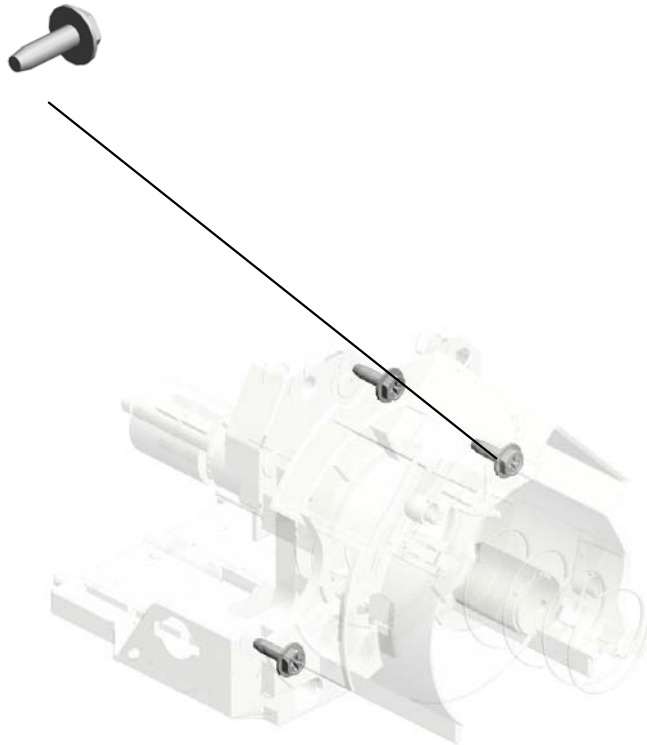
- 22.D2053361 COVER:TONER SUPPLY
- 12.D2053321 BUSHING:DIA5XDI A10X6
- 9.D2051028 BRACKET:BASE:POWER PACK:SUPPORT
- 5.08010240 (x2) BINDING HEAD SCREW:M2.6X4
- 15.D2053346 DC MOTOR:TONER SUPPLY:ASSY



U001	U002	U003	U004	U005	U006	U007	U008	U009	U010	U011	U012	U013	U014	U015	U016	U017
------	------	------	------	------	------	------	------	------	------	------	------	------	------	------	------	------

U007\_S001  
HOLDER:TONER SUPPLY:ASS'Y

3-04583010N  
(x3)  
HEXAGON HEAD TAPPING SCREW:3  
X10



11-D2053310  
HOLDER:TONER S  
UPPLY:ASS'Y

U001	U002	U003	U004	U005	U006	U007	U008	U009	U010	U011	U012	U013	U014	U015	U016	U017
------	------	------	------	------	------	------	------	------	------	------	------	------	------	------	------	------

U007\_S002  
PIPE:TONER SUPPLY:ASS'Y

1-03603006N  
SCREW - M3X6



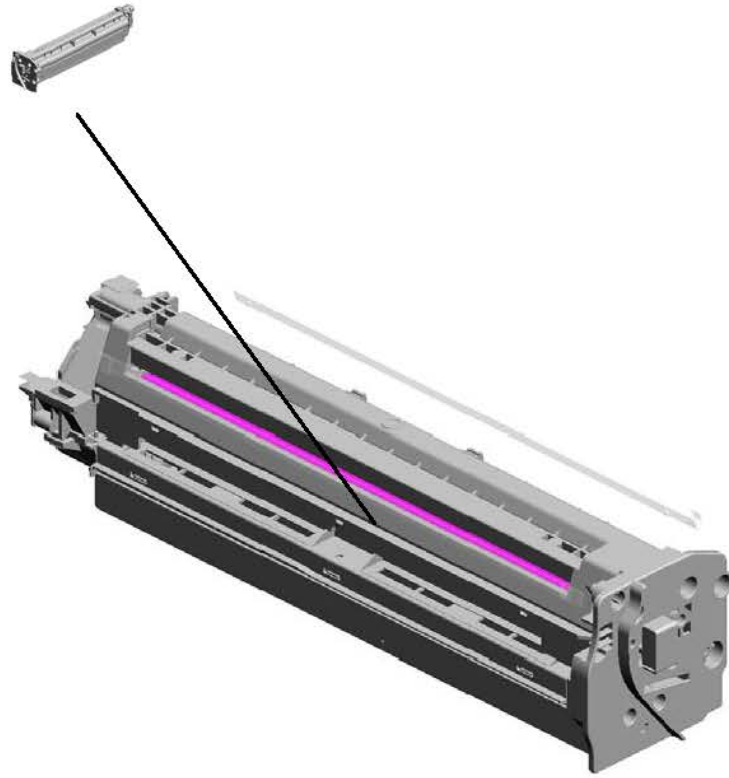
10.D2053212  
PIPE:TONER SUPP  
LY:ASS'Y



U001	U002	U003	U004	U005	U006	U007	U008	U009	U010	U011	U012	U013	U014	U015	U016	U017
------	------	------	------	------	------	------	------	------	------	------	------	------	------	------	------	------

# U008.PCU

U008\_S001  
D2052249  
PCU:ASS'Y



U001	U002	U003	U004	U005	U006	U007	U008	U009	U010	U011	U012	U013	U014	U015	U016	U017
------	------	------	------	------	------	------	------	------	------	------	------	------	------	------	------	------



U008  
PCU

11.D2052383  
DISCHARGE LAMP



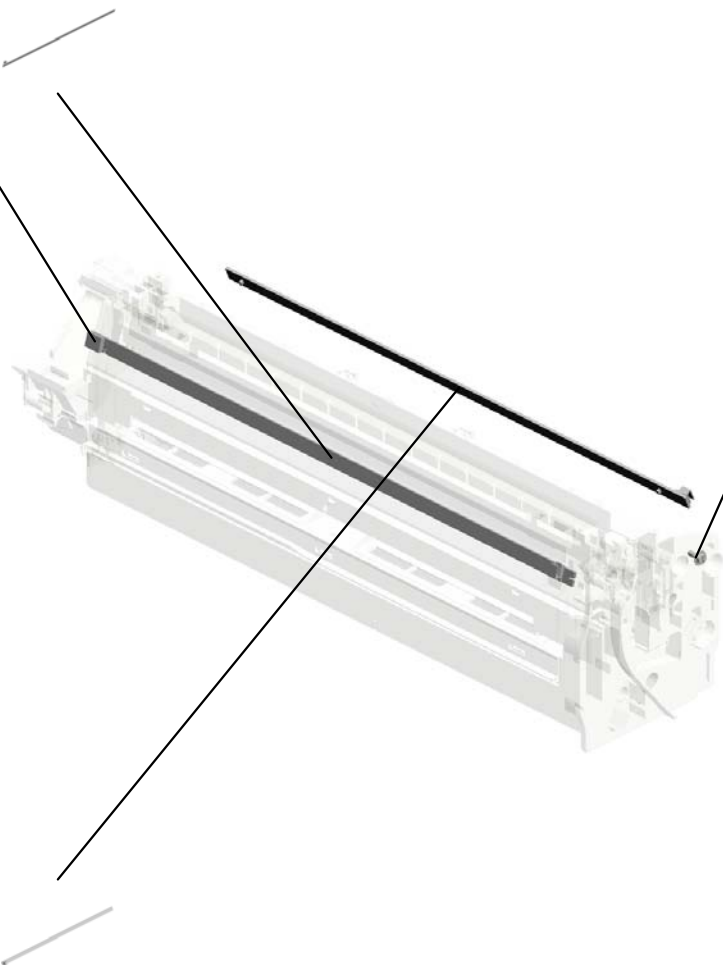
9.D2022382  
SEAL:DISCHARGE  
LAMP



2.04543008N  
TAPPING SCREW:  
ROUND POINT:3X8



12.D2052402  
DISCHARGE LAMP  
:PCL



U001	U002	U003	U004	U005	U006	U007	U008	U009	U010	U011	U012	U013	U014	U015	U016	U017
------	------	------	------	------	------	------	------	------	------	------	------	------	------	------	------	------

U008\_S001  
PCU:ASS'Y

3.04583010N (x4)  
HEXAGON HEAD TAPPING SCREW:3X10

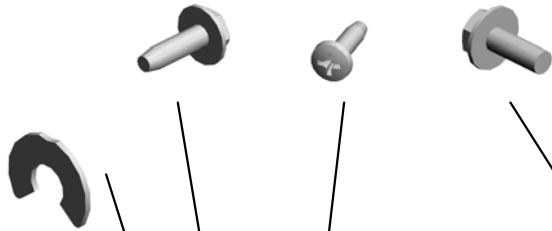
4.04593010N (x4)  
BINDING HEAD TAPPING SCREW:3X10

1.03603008N (x4)  
SCREW:M3X8



10.D2052249  
[A]  
PCU:ASS'Y  
201609-01 O/O

8.08050104  
RETAINING RINGS  
-E:SILENCER:DIA4



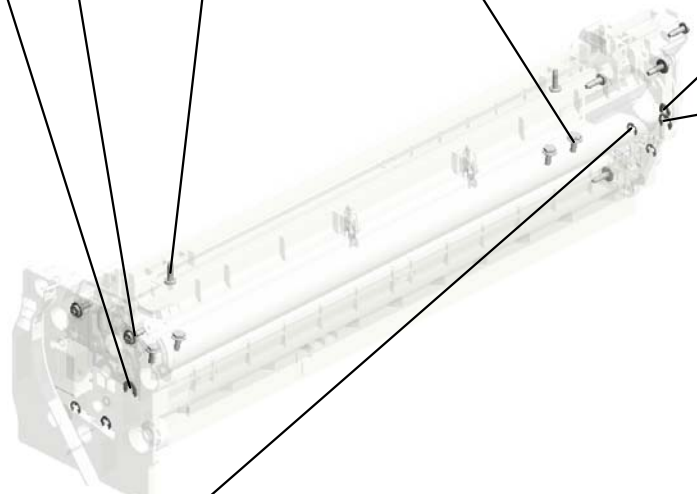
7.08050103  
RETAINING RINGS  
-E:SILENCER:DIA3



6.07200040E  
RETAINING RING - M4



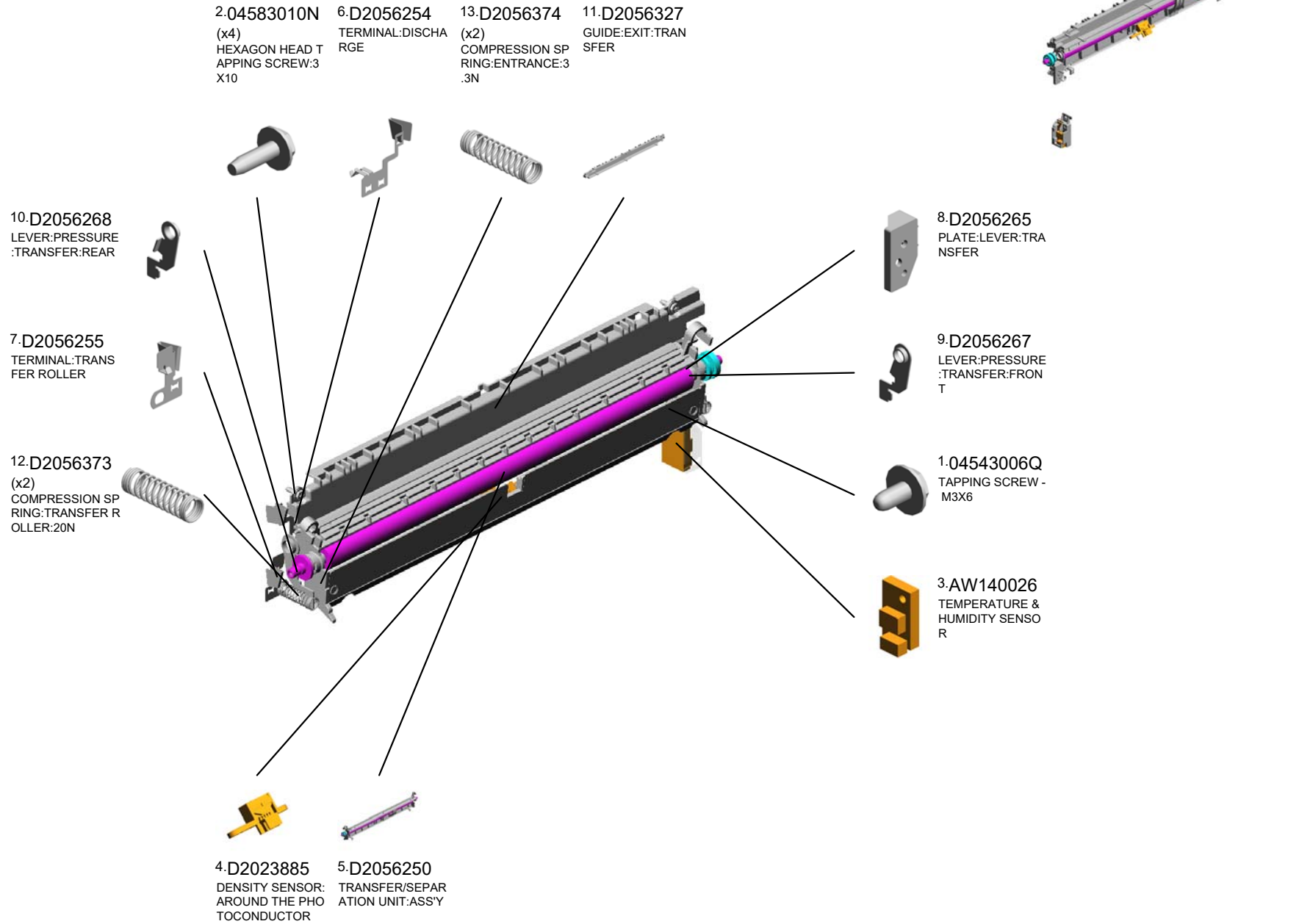
5.07200030E  
(x4)  
RETAINING RING - M3



D2052248  
[A]  
PCU:ASS'Y  
201609-01 O/O

U001	U002	U003	U004	U005	U006	U007	U008	U009	U010	U011	U012	U013	U014	U015	U016	U017
------	------	------	------	------	------	------	------	------	------	------	------	------	------	------	------	------

# U009 TRANSFER/SEPARATION



U001	U002	U003	U004	U005	U006	U007	U008	U009	U010	U011	U012	U013	U014	U015	U016	U017
------	------	------	------	------	------	------	------	------	------	------	------	------	------	------	------	------

# U010.FUSING

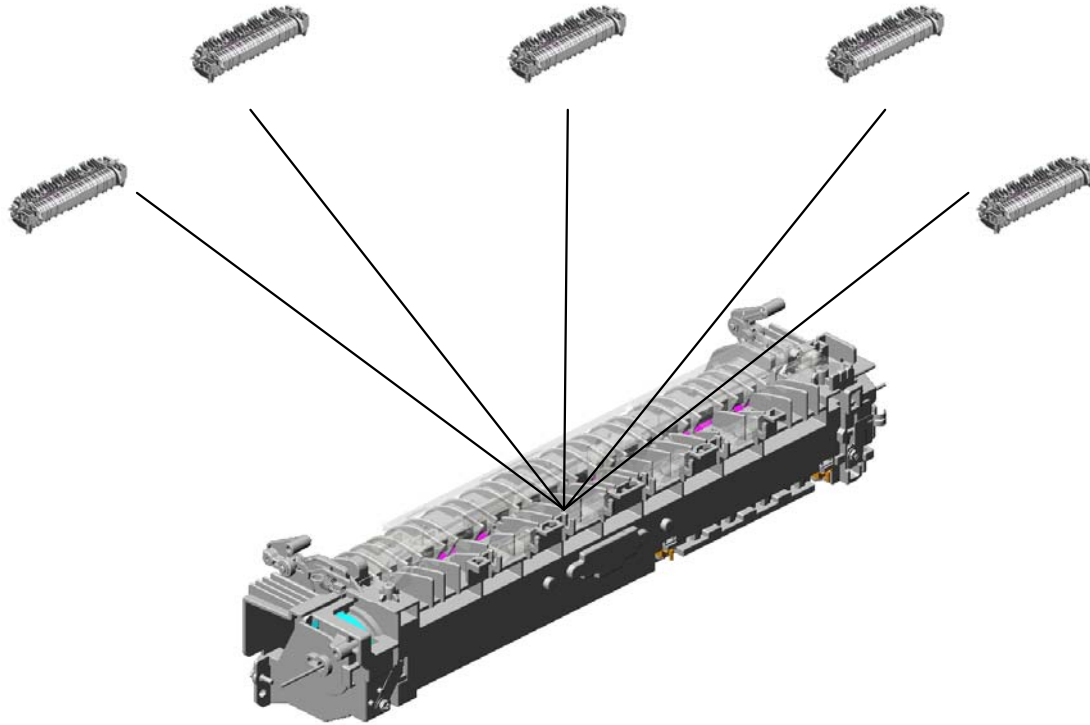
U010\_S001  
D2594058  
(NA):FUSING UNIT:INDIVIDU  
AL PACKAGING:ASS'Y

U010\_S002  
D2594059  
(EU/AA/CHN):FUSING UNIT:I  
NDIVIDUAL PACKAGING:ASS  
'Y

U010\_S003  
D2594059  
(EU/AA/CHN):FUSING UNIT:I  
NDIVIDUAL PACKAGING:ASS  
'Y

U010\_S005  
D2594050  
(TWN):FUSING UNIT:ASS'Y

U010\_S004  
D2594059  
(EU/AA/CHN):FUSING UNIT:I  
NDIVIDUAL PACKAGING:ASS  
'Y



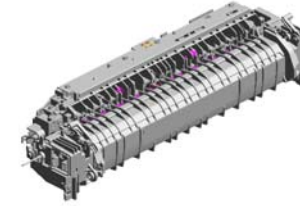
U001	U002	U003	U004	U005	U006	U007	U008	U009	U010	U011	U012	U013	U014	U015	U016	U017
------	------	------	------	------	------	------	------	------	------	------	------	------	------	------	------	------

# U010 FUSING

44.D2054418 (x2)  
ROLLER:MIDDLE:FUSING

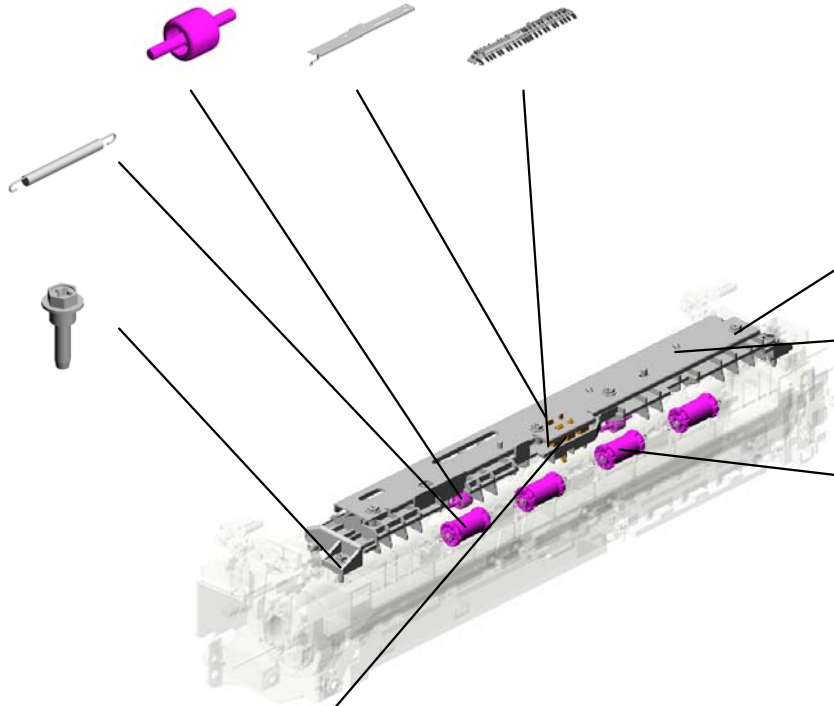
42.D2054413 SUPPORTING PLATE:EXIT:UPPER:GUIDE

45.D2054420 GUIDE:UPPER:EXIT



16.B0444154 (x4)  
EXIT SPRING

43.D2054415 (x2)  
STEPPED SCREW:M3:SECOND KIND:DRAWER



2.04583010N (x4)  
HEXAGON HEAD TAPPING SCREW:3X10

40.D2054316 (x2)  
HEXAGONAL BOLT:DOUBLE SCREW:M3X12

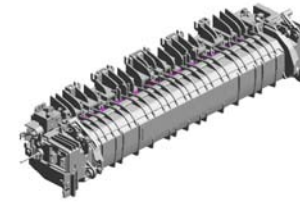
6.11050713 (x2)  
CLAMP:LWSM-030 6H GRAY

14.AF040588 (x4)  
EXIT ROLLER

41.D2054408  
PAPER FEED SENSOR

U001	U002	U003	U004	U005	U006	U007	U008	U009	U010	U011	U012	U013	U014	U015	U016	U017
------	------	------	------	------	------	------	------	------	------	------	------	------	------	------	------	------

U010\_S001  
(NA):FUSING UNIT:INDIVIDUAL PACKAGING:ASS'Y



46.D2594058  
[A]  
(NA):FUSING UNIT:  
INDIVIDUAL PACK  
AGING:ASS'Y  
201603-02 X/O

- 23.D2054111 ELECTRODE PLAT  
E:FRONT
- 25.D2054115 (x2)  
BRACKET:THERM  
OSTAT
- 19.D2054042 (NA):HEATER:117V  
:860W:ASS'Y
- 10.AE011134 HOT ROLLER:DIA3  
0
- 8.AA066637 (x5)  
STRIPPER PAWL S  
PRING

4.07200030E  
(x4)  
RETAINING RING -  
M3

5.08046123  
(x5)  
HEXAGONAL BOLT  
:W/WASHER:M3X8

22.D2054090  
HOLDER:HEATER:  
FRONT

18.D1584109  
DECAL:FUSING:GR  
IP

1.04583008N  
(x5)  
HEXAGON HEAD T  
APPING SCREW:3  
X8

15.AW100164  
THERMISTOR:FUSI  
NG

11.AE020232  
PRESSURE ROLLE  
R:DIA32

17.D1174263  
DECAL:H-TEMP W  
ARNING:FUSING

24.D2054114  
ELECTRODE PLAT  
E:REAR

13.AE044073  
(x5)  
STRIPPER PAWLS

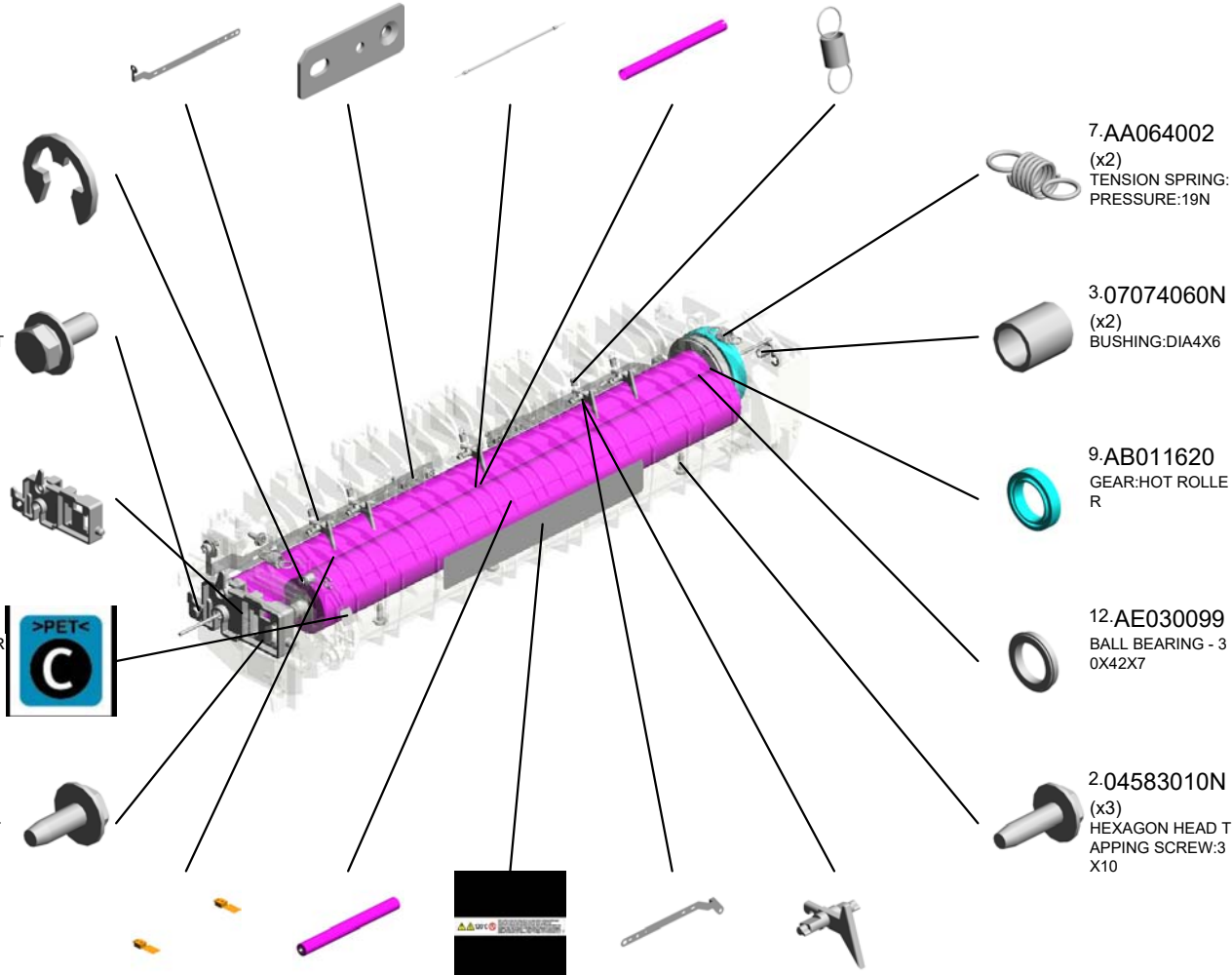
7.AA064002  
(x2)  
TENSION SPRING:  
PRESSURE:19N

3.07074060N  
(x2)  
BUSHING:DIA4X6

9.AB011620  
GEAR:HOT ROLLE  
R

12.AE030099  
BALL BEARING - 3  
0X42X7

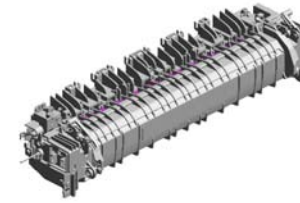
2.04583010N  
(x3)  
HEXAGON HEAD T  
APPING SCREW:3  
X10



U001	U002	U003	U004	U005	U006	U007	U008	U009	U010	U011	U012	U013	U014	U015	U016	U017
------	------	------	------	------	------	------	------	------	------	------	------	------	------	------	------	------

U010\_S001  
 (NA):FUSING UNIT:INDIVIDUAL PACKAGING:ASS'Y

- 29.D2054119 GROUND PLATE:EXIT
- 33.D2054134 LEVER:PRESSURE RELEASE:FRONT:ASS'Y  
201606-02 X/O
- 31.D2054129 LEVER:PRESSURE ROLLER:FRONT
- 37.D2054167 TORSION SPRING:PRESSURE:FRONT
- 30.D2054120 THERMOSTAT:ASS'Y



- 46.D2594058 [A]  
(NA):FUSING UNIT:INDIVIDUAL PACKAGING:ASS'Y  
201603-02 X/O

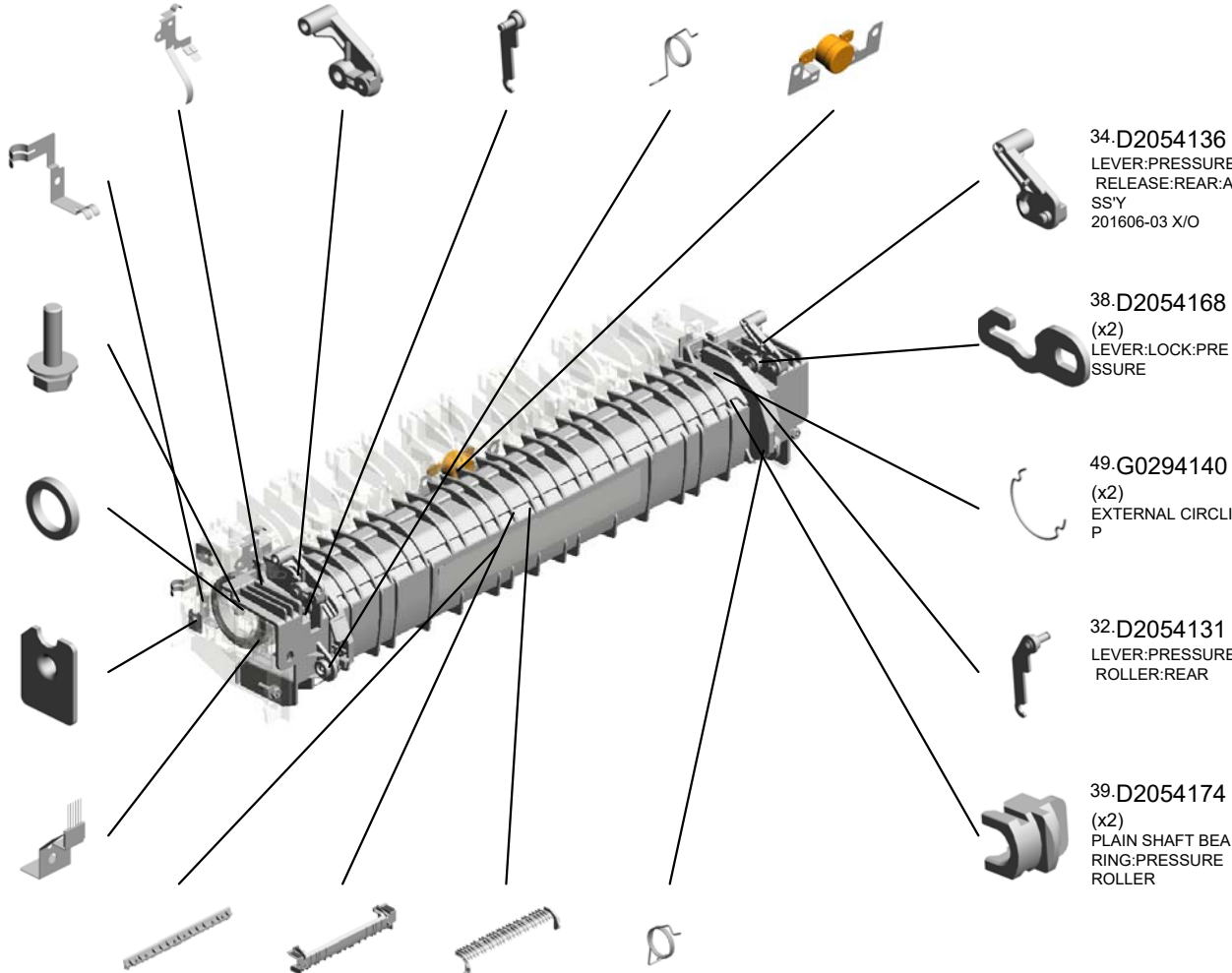
- 28.D2054118 GROUND PLATE:FUSING

- 40.D2054316 (x6) HEXAGONAL BOLT:DOUBLE SCREW:M3X12

- 50.G0524618 BEARING 30X42X7

- 51.M1874102 (x9) FLAT NUT:FRAME

- 27.D2054117 DISCHARGE BRUSH:FUSING



- 26.D2054116 FUSING ENTRANCE GUIDE PLATE
- 52.D2054086 FRAME:PRESSURE
- 35.D2054163 GUIDE PLATE:PRESSURE:DUPLIX
- 36.D2054166 TORSION SPRING:PRESSURE:REAR

- 34.D2054136 LEVER:PRESSURE RELEASE:REAR:ASS'Y  
201606-03 X/O

- 38.D2054168 (x2) LEVER:LOCK:PRESSURE

- 49.G0294140 (x2) EXTERNAL CIRCLIP

- 32.D2054131 LEVER:PRESSURE ROLLER:REAR

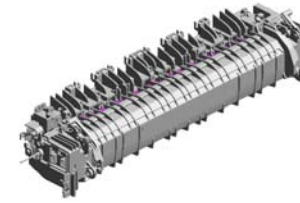
- 39.D2054174 (x2) PLAIN SHAFT BEARING:PRESSURE ROLLER

D2594048  
 [A]  
 (NA):FUSING UNIT:ASS'Y  
 201603-02 X/O

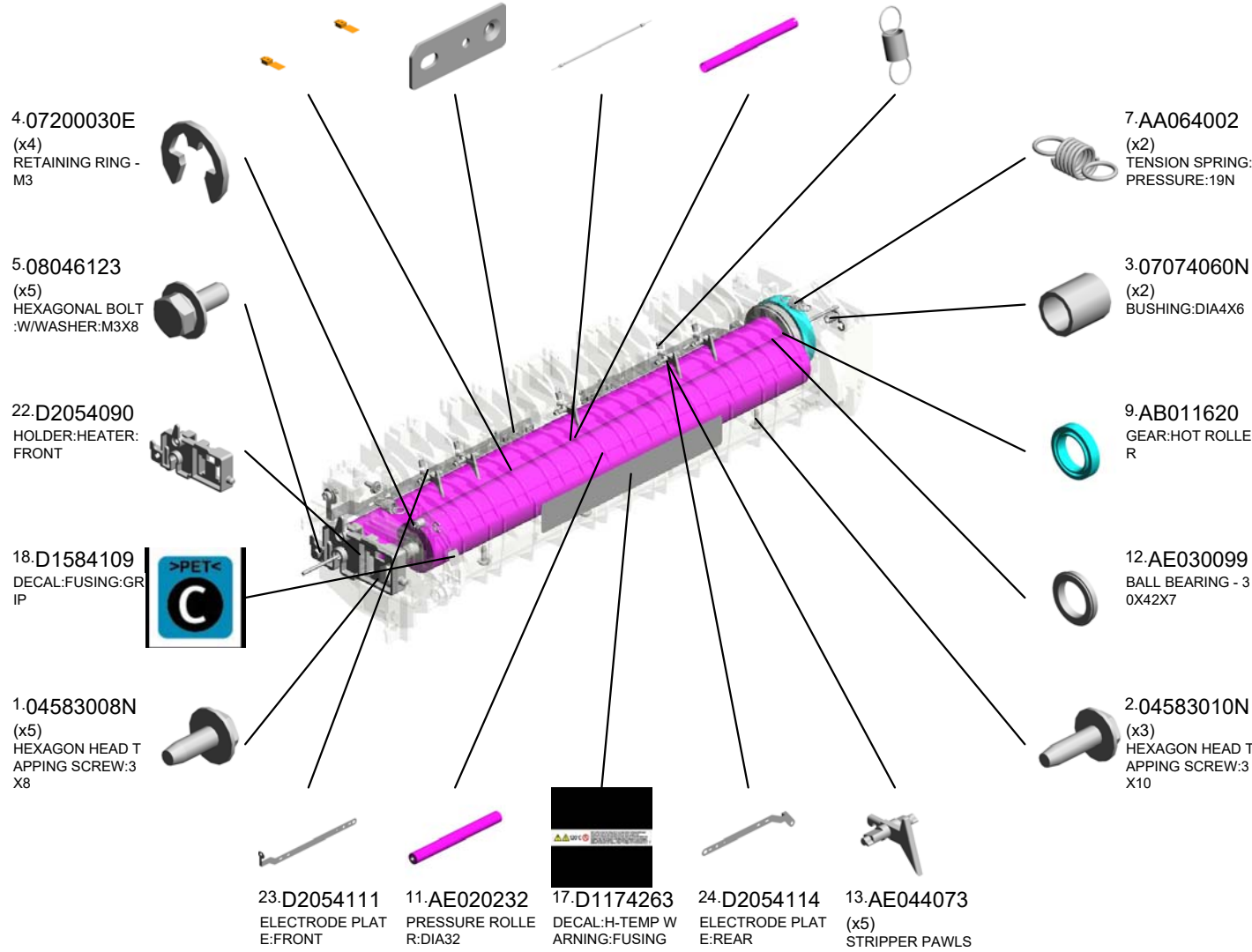
U001	U002	U003	U004	U005	U006	U007	U008	U009	U010	U011	U012	U013	U014	U015	U016	U017
------	------	------	------	------	------	------	------	------	------	------	------	------	------	------	------	------

U010\_S002  
(EU/AA/CHN):FUSING UNIT:INDIVIDUAL PACKAGING:ASS'Y

- 15.AW100164 THERMISTOR:FUSING
- 25.D2054115 (x2) BRACKET:THERMOSTAT
- 20.D2054043 (EU/AA/CHN):HEATER:117V:860W:ASSY
- 10.AE011134 HOT ROLLER:DIA30
- 8.AA066637 (x5) STRIPPER PAWLS PRING



47.D2594059  
[A]  
(EU/AA/CHN):FUSING UNIT:INDIVIDUAL PACKAGING:ASSY  
201603-03 X/O

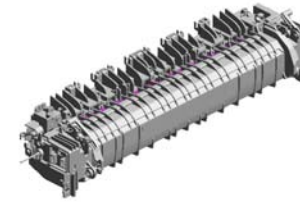


U001	U002	U003	U004	U005	U006	U007	U008	U009	U010	U011	U012	U013	U014	U015	U016	U017
------	------	------	------	------	------	------	------	------	------	------	------	------	------	------	------	------



U010\_S002  
 (EU/AA/CHN):FUSING UNIT:INDIVIDUAL PACKAGING:ASS'Y

- 29.D2054119 GROUND PLATE:EXIT
- 33.D2054134 LEVER:PRESSURE RELEASE:FRONT:ASS'Y  
201606-02 X/O
- 31.D2054129 LEVER:PRESSURE ROLLER:FRONT
- 37.D2054167 TORSION SPRING:PRESSURE:FRONT
- 30.D2054120 THERMOSTAT:ASS'Y



- 47.D2594059  
 [A]  
 (EU/AA/CHN):FUSING UNIT:INDIVIDUAL PACKAGING:ASS'Y  
 201603-03 X/O

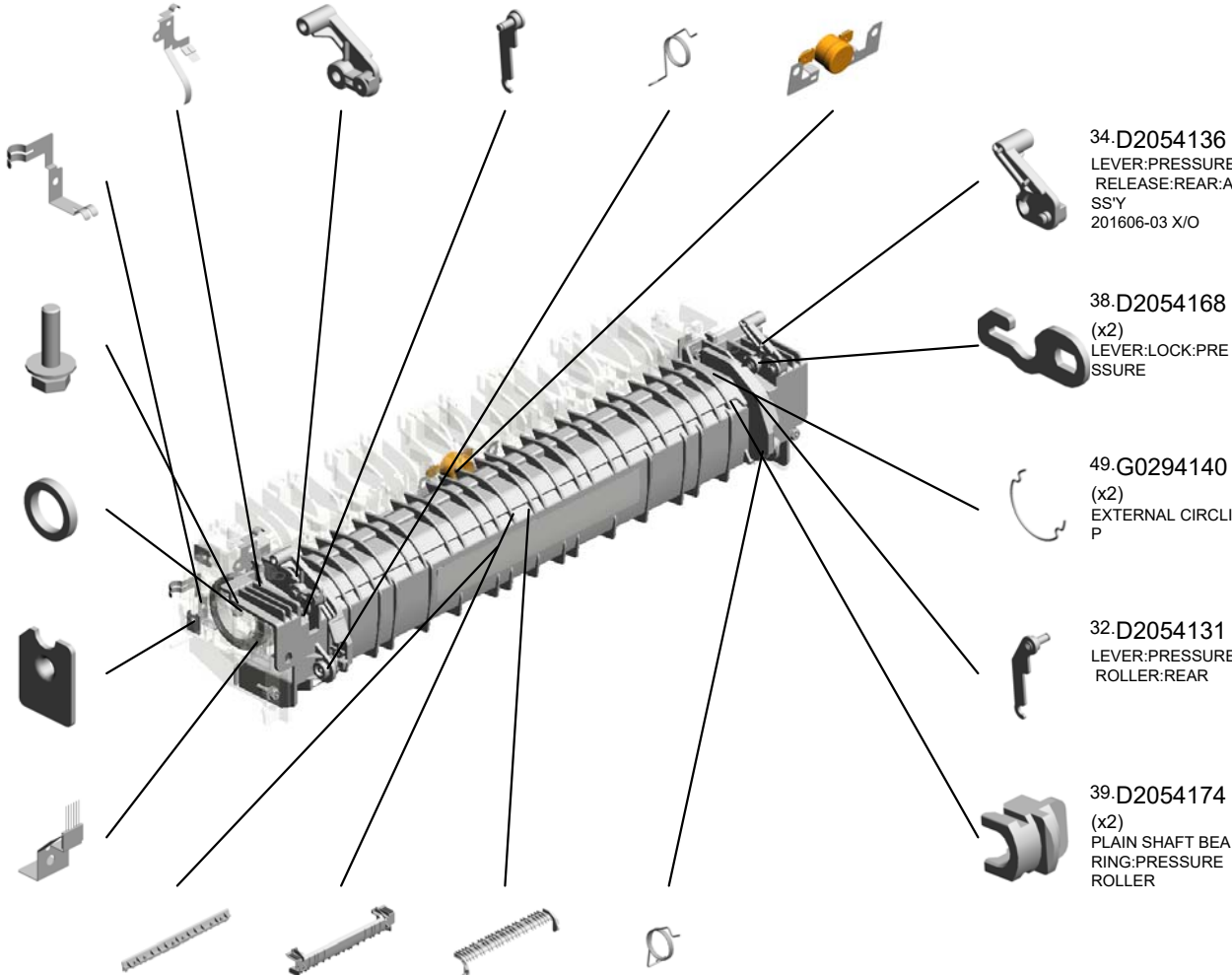
- 28.D2054118 GROUND PLATE:FUSING

- 40.D2054316 (x6) HEXAGONAL BOLT:DOUBLE SCREW:M3X12

- 50.G0524618 BEARING 30X42X7

- 51.M1874102 (x9) FLAT NUT:FRAME

- 27.D2054117 DISCHARGE BRUSH:FUSING



- 26.D2054116 FUSING ENTRANCE GUIDE PLATE
- 52.D2054086 FRAME:PRESSURE
- 35.D2054163 GUIDE PLATE:PRESSURE:DUPLIX
- 36.D2054166 TORSION SPRING:PRESSURE:REAR

- 34.D2054136 LEVER:PRESSURE RELEASE:REAR:ASS'Y  
201606-03 X/O

- 38.D2054168 (x2) LEVER:LOCK:PRESSURE

- 49.G0294140 (x2) EXTERNAL CIRCLIP

- 32.D2054131 LEVER:PRESSURE ROLLER:REAR

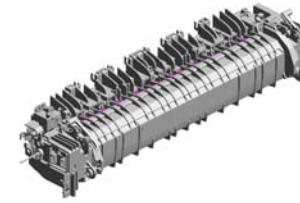
- 39.D2054174 (x2) PLAIN SHAFT BEARING:PRESSURE ROLLER

D2594049  
 [A]  
 (EU/AA/CHN):FUSING UNIT:ASS'Y  
 201603-03 X/O

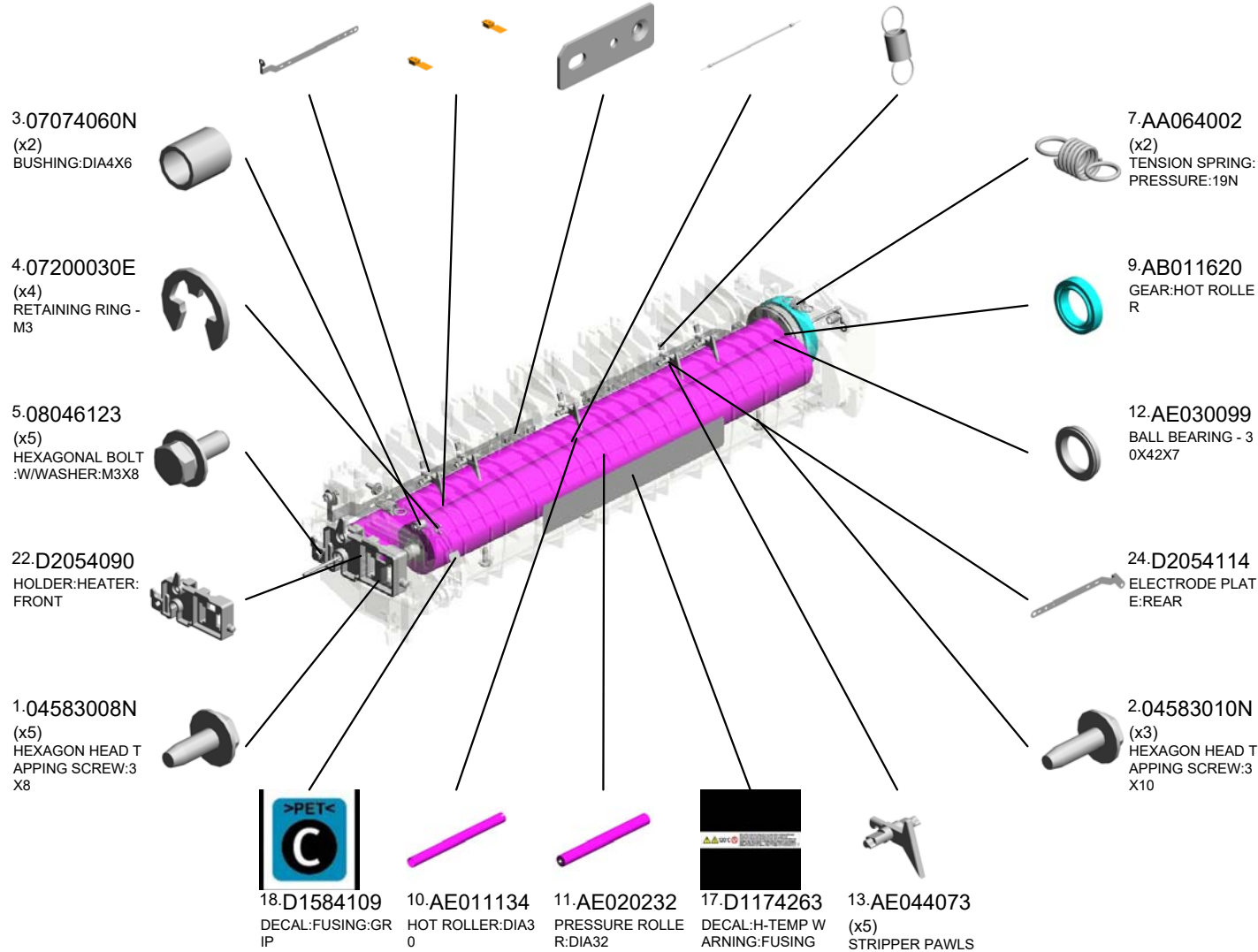
U001	U002	U003	U004	U005	U006	U007	U008	U009	U010	U011	U012	U013	U014	U015	U016	U017
------	------	------	------	------	------	------	------	------	------	------	------	------	------	------	------	------

U010\_S003  
(EU/AA/CHN):FUSING UNIT:INDIVIDUAL PACKAGING:ASS'Y

- 23.D2054111 ELECTRODE PLATE:FRONT
- 15.AW100164 THERMISTOR:FUSING
- 25.D2054115 (x2) BRACKET:THERMOSTAT
- 20.D2054043 (EU/AA/CHN):HEATER:117V:860W:ASS'Y
- 8.AA066637 (x5) STRIPPER PAWLS PRING



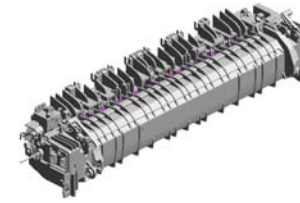
47.D2594059  
[A]  
(EU/AA/CHN):FUSING UNIT:INDIVIDUAL PACKAGING:ASS'Y  
201603-03 X/O



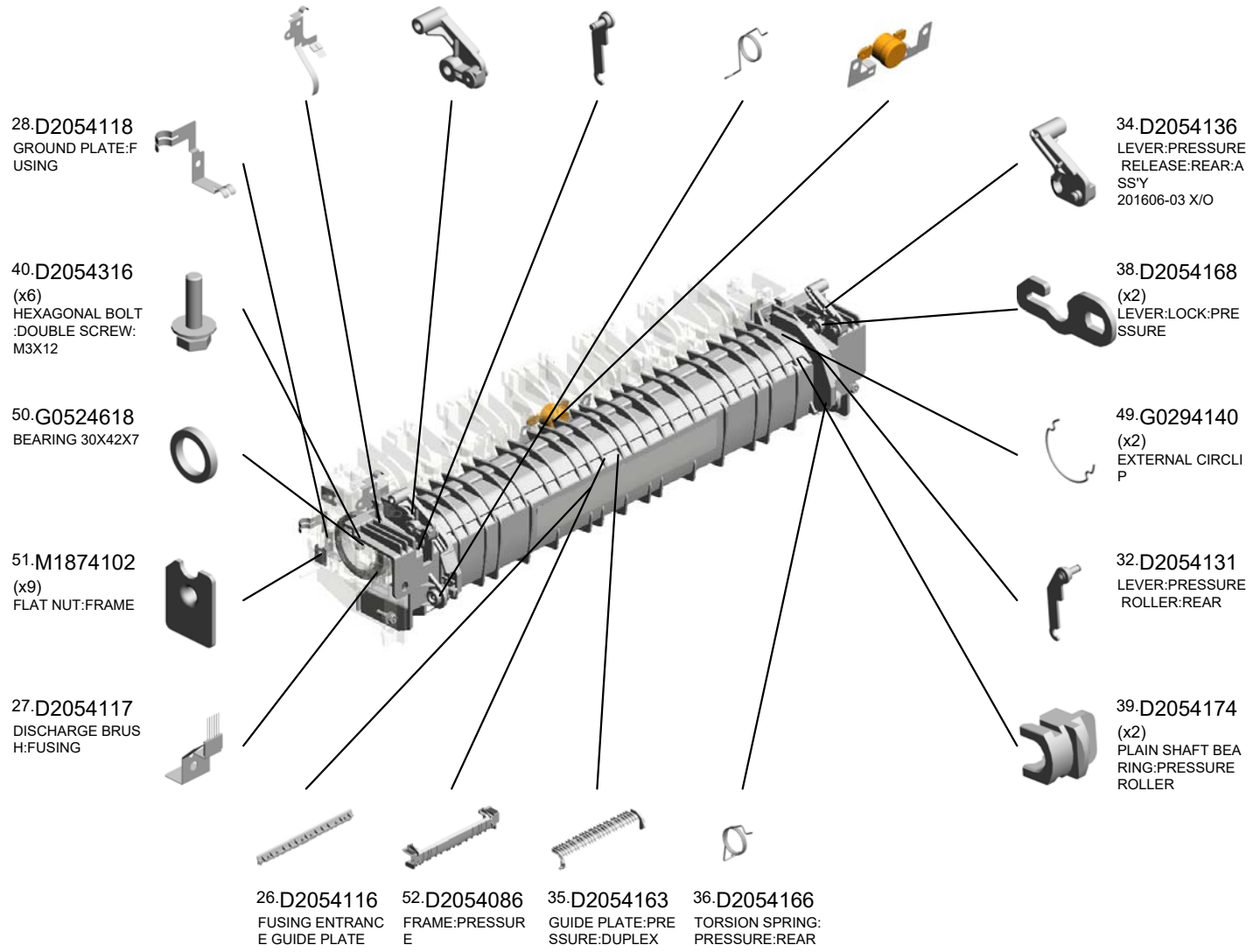
U001	U002	U003	U004	U005	U006	U007	U008	U009	U010	U011	U012	U013	U014	U015	U016	U017
------	------	------	------	------	------	------	------	------	------	------	------	------	------	------	------	------

U010\_S003  
 (EU/AA/CHN):FUSING UNIT:INDIVIDUAL PACKAGING:ASS'Y

- 29.D2054119 GROUND PLATE:EXIT
- 33.D2054134 LEVER:PRESSURE RELEASE:FRONT:ASS'Y  
201606-02 X/O
- 31.D2054129 LEVER:PRESSURE ROLLER:FRONT
- 37.D2054167 TORSION SPRING:PRESSURE:FRONT
- 30.D2054120 THERMOSTAT:ASS'Y



- 47.D2594059  
[A]  
 (EU/AA/CHN):FUSING UNIT:INDIVIDUAL PACKAGING:ASS'Y  
 201603-03 X/O

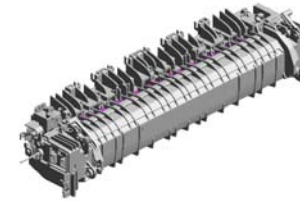


D2594049  
[A]  
 (EU/AA/CHN):FUSING UNIT:ASS'Y  
 201603-03 X/O

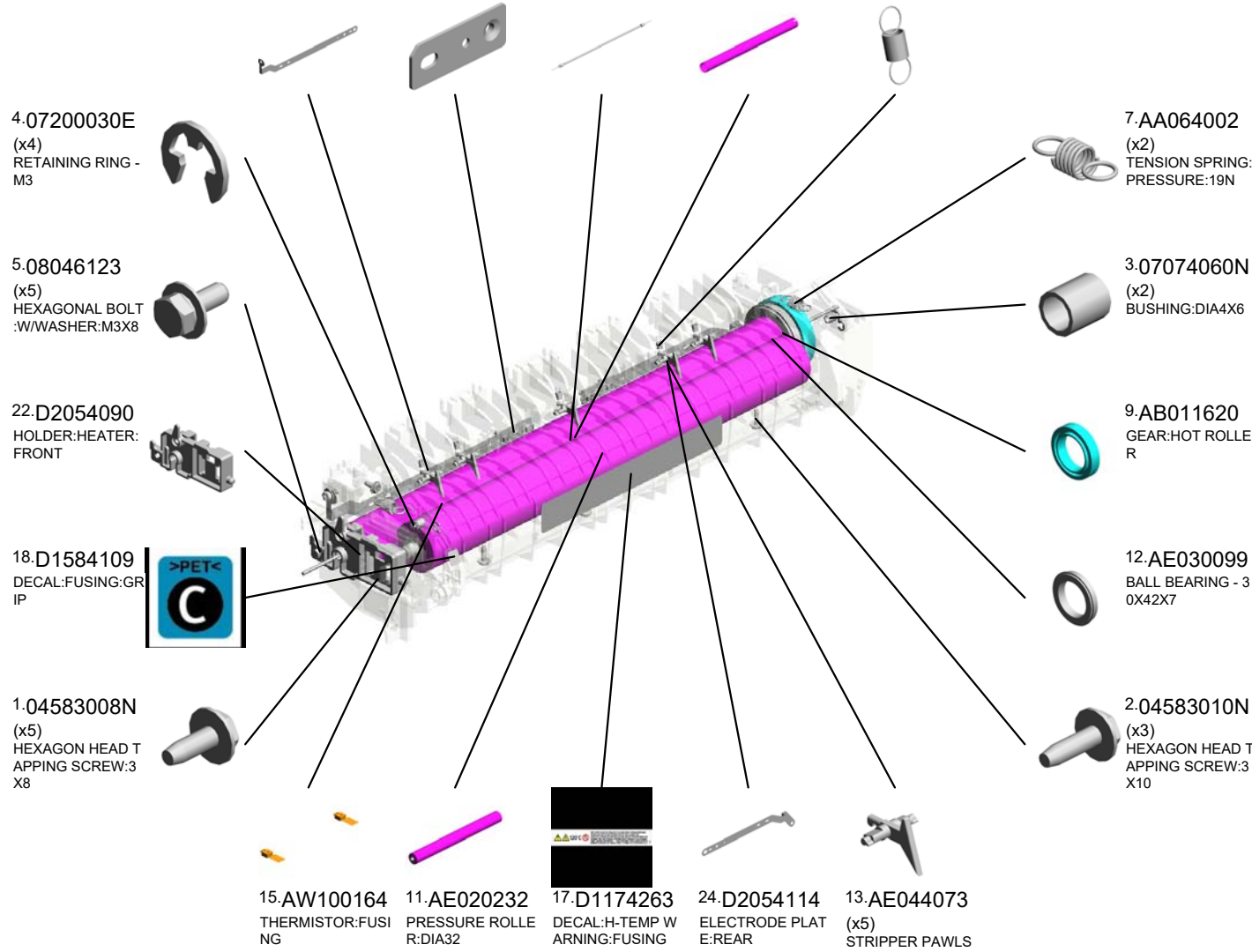
U001	U002	U003	U004	U005	U006	U007	U008	U009	U010	U011	U012	U013	U014	U015	U016	U017
------	------	------	------	------	------	------	------	------	------	------	------	------	------	------	------	------

U010\_S004  
(EU/AA/CHN):FUSING UNIT:INDIVIDUAL PACKAGING:ASS'Y

- 23.D2054111 ELECTRODE PLATE:FRONT
- 25.D2054115 (x2) BRACKET:THERMOSTAT
- 20.D2054043 (EU/AA/CHN):HEATER:117V:860W:ASSY
- 10.AE011134 HOT ROLLER:DIAMETER:30
- 8.AA066637 (x5) STRIPPER PAWLS



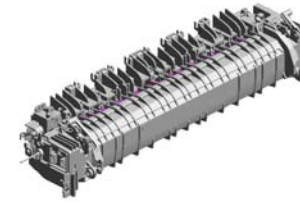
47.D2594059  
[A]  
(EU/AA/CHN):FUSING UNIT:INDIVIDUAL PACKAGING:ASSY  
201603-03 X/O



U001	U002	U003	U004	U005	U006	U007	U008	U009	U010	U011	U012	U013	U014	U015	U016	U017
------	------	------	------	------	------	------	------	------	------	------	------	------	------	------	------	------

U010\_S004  
 (EU/AA/CHN):FUSING UNIT:INDIVIDUAL PACKAGING:ASS'Y

- 29.D2054119 GROUND PLATE:EXIT
- 33.D2054134 LEVER:PRESSURE RELEASE:FRONT:ASS'Y  
201606-02 X/O
- 31.D2054129 LEVER:PRESSURE ROLLER:FRONT
- 37.D2054167 TORSION SPRING:PRESSURE:FRONT
- 30.D2054120 THERMOSTAT:ASS'Y



- 47.D2594059  
[A]  
 (EU/AA/CHN):FUSING UNIT:INDIVIDUAL PACKAGING:ASS'Y  
 201603-03 X/O

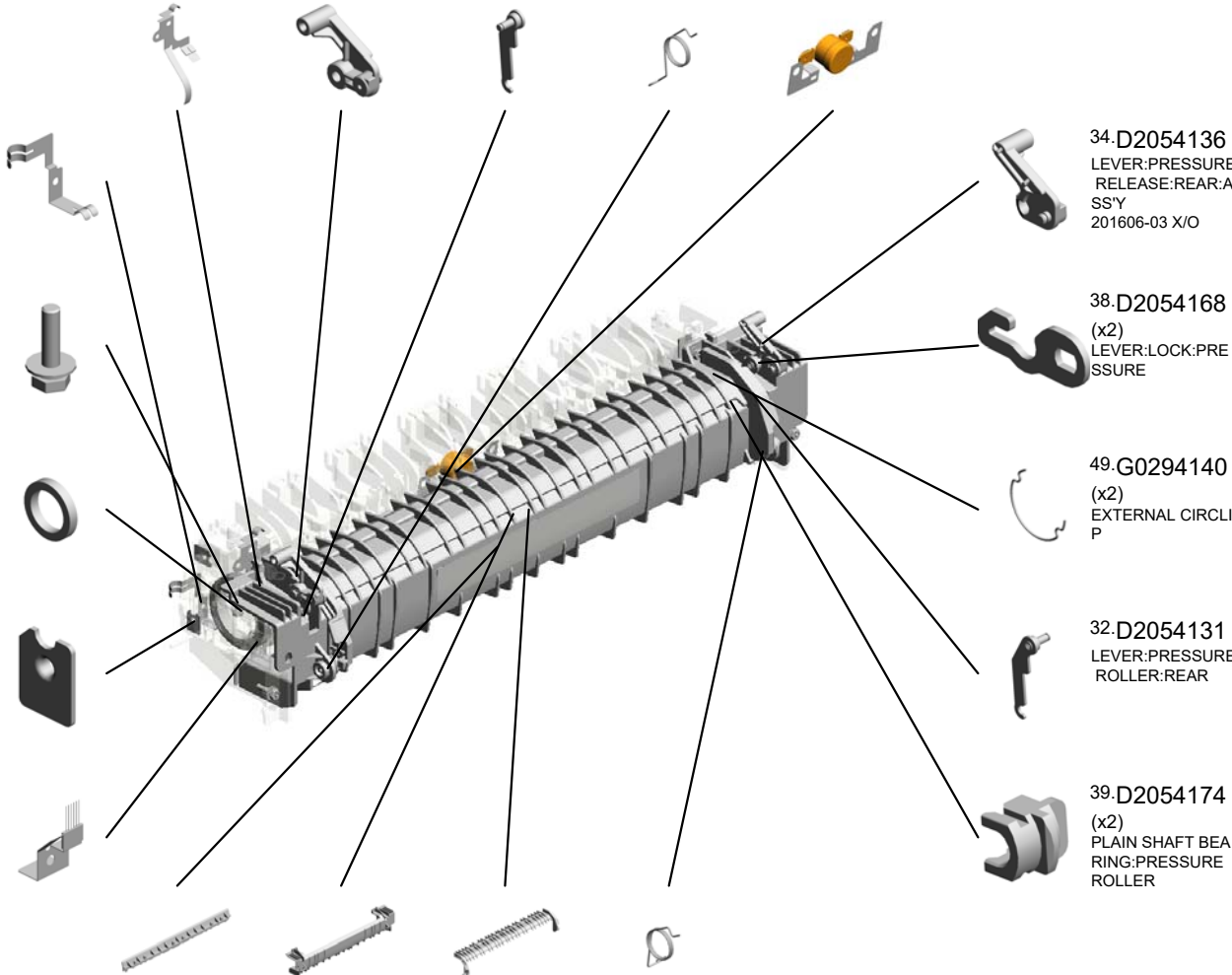
- 28.D2054118 GROUND PLATE:FUSING

- 40.D2054316 (x6) HEXAGONAL BOLT:DOUBLE SCREW:M3X12

- 50.G0524618 BEARING 30X42X7

- 51.M1874102 (x9) FLAT NUT:FRAME

- 27.D2054117 DISCHARGE BRUSH:FUSING



- 26.D2054116 FUSING ENTRANCE GUIDE PLATE
- 52.D2054086 FRAME:PRESSURE
- 35.D2054163 GUIDE PLATE:PRESSURE:DUPLIX
- 36.D2054166 TORSION SPRING:PRESSURE:REAR

- 34.D2054136 LEVER:PRESSURE RELEASE:REAR:ASS'Y  
201606-03 X/O

- 38.D2054168 (x2) LEVER:LOCK:PRESSURE

- 49.G0294140 (x2) EXTERNAL CIRCLIP

- 32.D2054131 LEVER:PRESSURE ROLLER:REAR

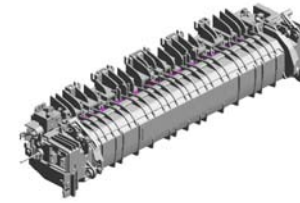
- 39.D2054174 (x2) PLAIN SHAFT BEARING:PRESSURE ROLLER

D2594049  
[A]  
 (EU/AA/CHN):FUSING UNIT:ASS'Y  
 201603-03 X/O

U001	U002	U003	U004	U005	U006	U007	U008	U009	U010	U011	U012	U013	U014	U015	U016	U017
------	------	------	------	------	------	------	------	------	------	------	------	------	------	------	------	------

U010\_S005  
(TWN):FUSING UNIT:ASS'Y

- 7.AA064002 (x2) TENSION SPRING: PRESSURE:19N
- 3.07074060N (x2) BUSHING:DIA4X6
- 13.AE044073 (x5) STRIPPER PAWLS
- 10.AE011134 HOT ROLLER:DIA30
- 21.D2054044 (TWN):HEATER:107V:860W:ASS'Y



48.D2594050  
(TWN):FUSING UNIT:ASS'Y

9.AB011620  
GEAR:HOT ROLLER



12.AE030099  
BALL BEARING - 30X42X7



8.AA066637 (x5)  
STRIPPER PAWLS SPRING



2.04583010N (x3)  
HEXAGON HEAD TAPPING SCREW:3X10



24.D2054114  
ELECTRODE PLATE:REAR



25.D2054115 (x2)  
BRACKET:THERMOSTAT



11.AE020232  
PRESSURE ROLLER:DIA32



23.D2054111  
ELECTRODE PLATE:FRONT



15.AW100164  
THERMISTOR:FUSING



1.04583008N (x5)  
HEXAGON HEAD TAPPING SCREW:3X8



17.D1174263  
DECAL:H-TEMP WARNING:FUSING



4.07200030E (x4)  
RETAINING RING - M3



18.D1584109  
DECAL:FUSING:GRIP



22.D2054090  
HOLDER:HEATER:FRONT



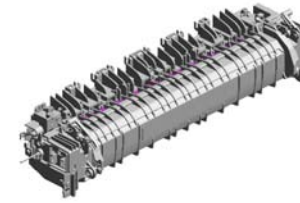
5.08046123 (x5)  
HEXAGONAL BOLT:W/WASHER:M3X8



U001	U002	U003	U004	U005	U006	U007	U008	U009	U010	U011	U012	U013	U014	U015	U016	U017
------	------	------	------	------	------	------	------	------	------	------	------	------	------	------	------	------

U010\_S005  
(TWN):FUSING UNIT:ASS'Y

- 34.D2054136 LEVER:PRESSURE RELEASE:REAR:ASS'Y 201606-03 X/O
- 38.D2054168 (x2) LEVER:LOCK:PRESSURE
- 26.D2054116 FUSING ENTRANCE GUIDE PLATE
- 52.D2054086 FRAME:PRESSURE
- 35.D2054163 (GUIDE PLATE:PRESSURE:DUPLEX



48.D2594050  
(TWN):FUSING UNIT:ASS'Y

32.D2054131  
LEVER:PRESSURE ROLLER:REAR



39.D2054174  
(x2)  
PLAIN SHAFT BEARING:PRESSURE ROLLER



36.D2054166  
TORSION SPRING:PRESSURE:REAR



49.G0294140  
(x2)  
EXTERNAL CIRCLIP



30.D2054120  
THERMOSTAT:ASS'Y



40.D2054316  
(x6)  
HEXAGONAL BOLT:DOUBLE SCREW:M3X12



28.D2054118  
GROUND PLATE:FUSING



27.D2054117  
DISCHARGE BRUSH:FUSING



51.M1874102  
(x9)  
FLAT NUT:FRAME



33.D2054134  
LEVER:PRESSURE RELEASE:FRONT:ASS'Y 201606-02 X/O



31.D2054129  
LEVER:PRESSURE ROLLER:FRONT



29.D2054119  
GROUND PLATE:EXIT



37.D2054167  
TORSION SPRING:PRESSURE:FRONT



50.G0524618  
BEARING 30X42X7



U001	U002	U003	U004	U005	U006	U007	U008	U009	U010	U011	U012	U013	U014	U015	U016	U017
------	------	------	------	------	------	------	------	------	------	------	------	------	------	------	------	------

U011  
PAPER EXIT

3-07200040E 1-03530040N 6-D2054422  
 RETAINING RING - M4 SCREW - M3X4 ROLLER:REVERSE  
 :EXIT



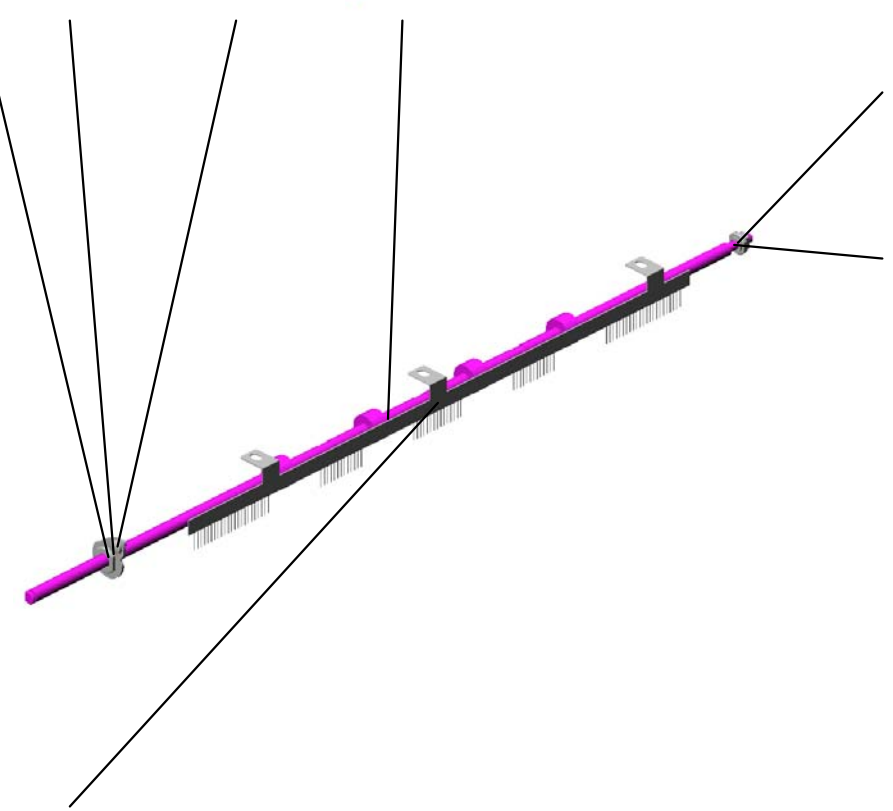
5-D2054411  
 BRACKET:EXIT RO  
 LLER:SIDE PLATE



4-AA082170  
 PLAIN SHAFT BEA  
 RING:DIA4XDIA8X5  
 :EG-1



2-07200030E  
 RETAINING RING -  
 M3



7-D2054432  
 DISCHARGE BRUS  
 H:EXIT:ASS'Y

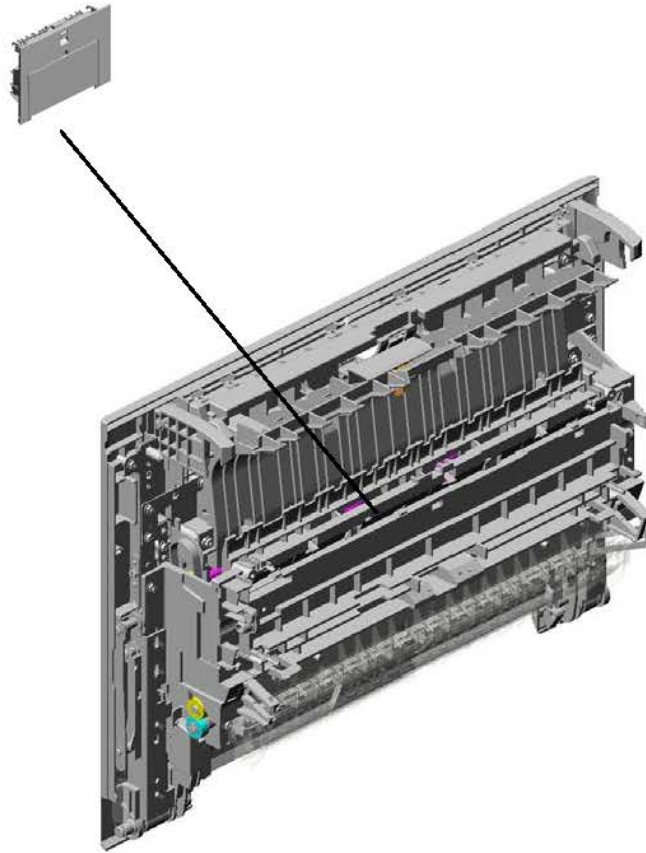


U001	U002	U003	U004	U005	U006	U007	U008	U009	U010	U011	U012	U013	U014	U015	U016	U017
------	------	------	------	------	------	------	------	------	------	------	------	------	------	------	------	------



# U012.DUPLEX

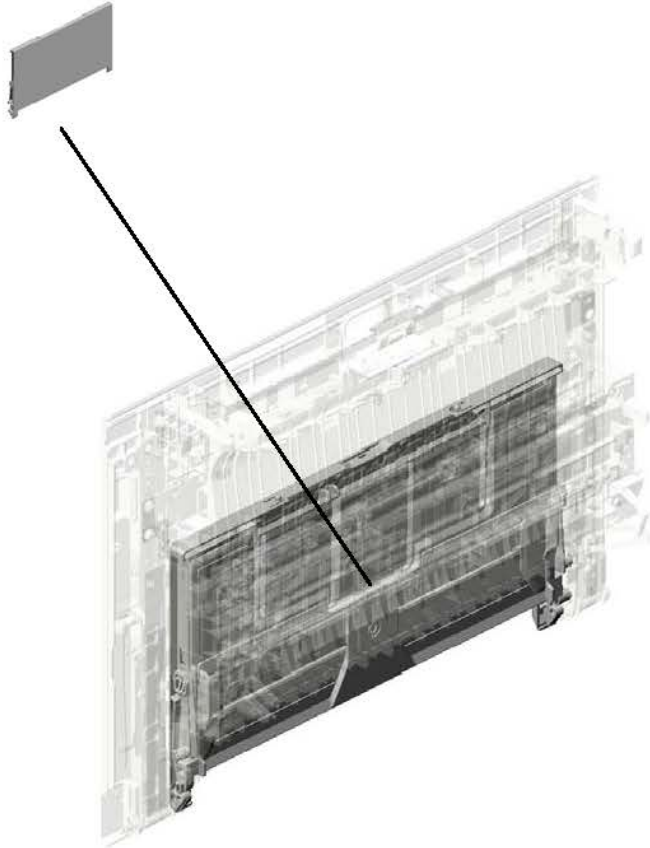
U012\_S001  
D2054500  
DUPLEX UNIT:ASSY



U001	U002	U003	U004	U005	U006	U007	U008	U009	U010	U011	U012	U013	U014	U015	U016	U017
------	------	------	------	------	------	------	------	------	------	------	------	------	------	------	------	------

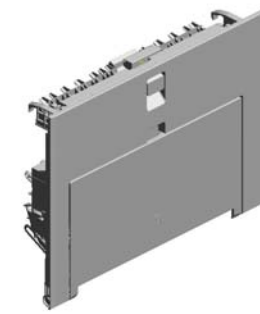
# U012\_S001.DUPLEX UNIT:ASS'Y

U012\_S001\_S001  
D2052705  
MANUAL FEED TABLE:ASS'Y



U001	U002	U003	U004	U005	U006	U007	U008	U009	U010	U011	U012	U013	U014	U015	U016	U017
------	------	------	------	------	------	------	------	------	------	------	------	------	------	------	------	------

# U012 DUPLEX



- 4.04583010N (x7)  
HEXAGON HEAD TAPPING SCREW:3X10
- 56.D2054672  
SHEET:EXIT:REGISTRATION:DUPLICATION:RIGHT REAR
- 30.D2052786 (CHN):DECAL:MANUAL FEED:FRONT
- 31.D2052791 (x4)  
(EU/AA/NA/TWN):DECAL:MANUAL FEED:FRONT



- 5.07200040E  
RETAINING RING - M4



- 26.D2052781 (x4)  
(EU/AA/NA/TWN):DECAL:SIDE FENCE:MANUAL FEED



- 27.D2052782 (CHN):DECAL:SIDE FENCE:MANUAL FEED



- 65.D2054697  
TENSION SPRING:HINGE:DUPLICATION



- 9.54472681  
SNAP RING



- 3.04543008N (x6)  
TAPPING SCREW:ROUND POINT:3X8



- 55.D2054671  
SHEET:EXIT:REGISTRATION:DUPLICATION:RIGHT FRONT



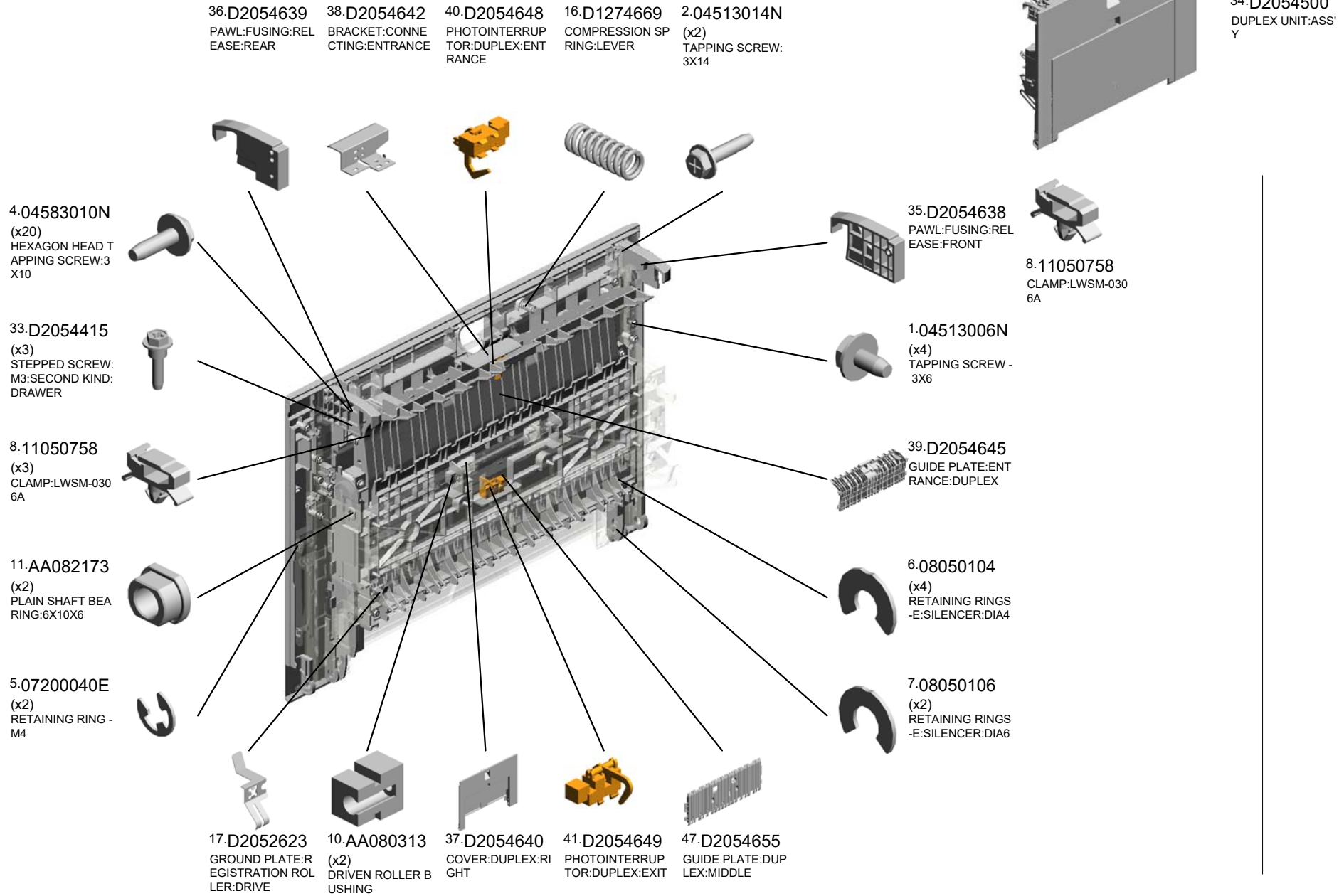
- 43.D2054651  
SHEET:EXIT:REGISTRATION:DUPLICATION:FRONT



- 44.D2054652  
SHEET:EXIT:REGISTRATION:DUPLICATION:REAR
- 42.D2054650  
GUIDE PLATE:DUPLICATION:EXIT:UPPER
- 45.D2054653  
GUIDE PLATE:DUPLICATION:EXIT:LOWER
- 46.D2054654  
SHEET:EXIT:DUPLICATION



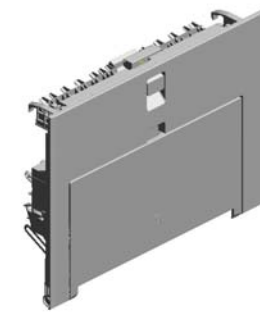
U012\_S001  
 DUPLEX UNIT:ASS'Y



U001	U002	U003	U004	U005	U006	U007	U008	U009	U010	U011	U012	U013	U014	U015	U016	U017
------	------	------	------	------	------	------	------	------	------	------	------	------	------	------	------	------

U012\_S001  
 DUPLEX UNIT:ASS'Y

- 54.D2054668 PULLEY:DRIVE ROLLER
- 53.D2054667 TRANSPORT ROLLER:DRIVE:DUPLEX
- 57.D2054675 LEVER:COVER
- 67.G0602641 TRANSPORT DRIVER ROLLER - MIDDLE
- 61.D2054689 COVER:CONNECTOR:DUPLEX



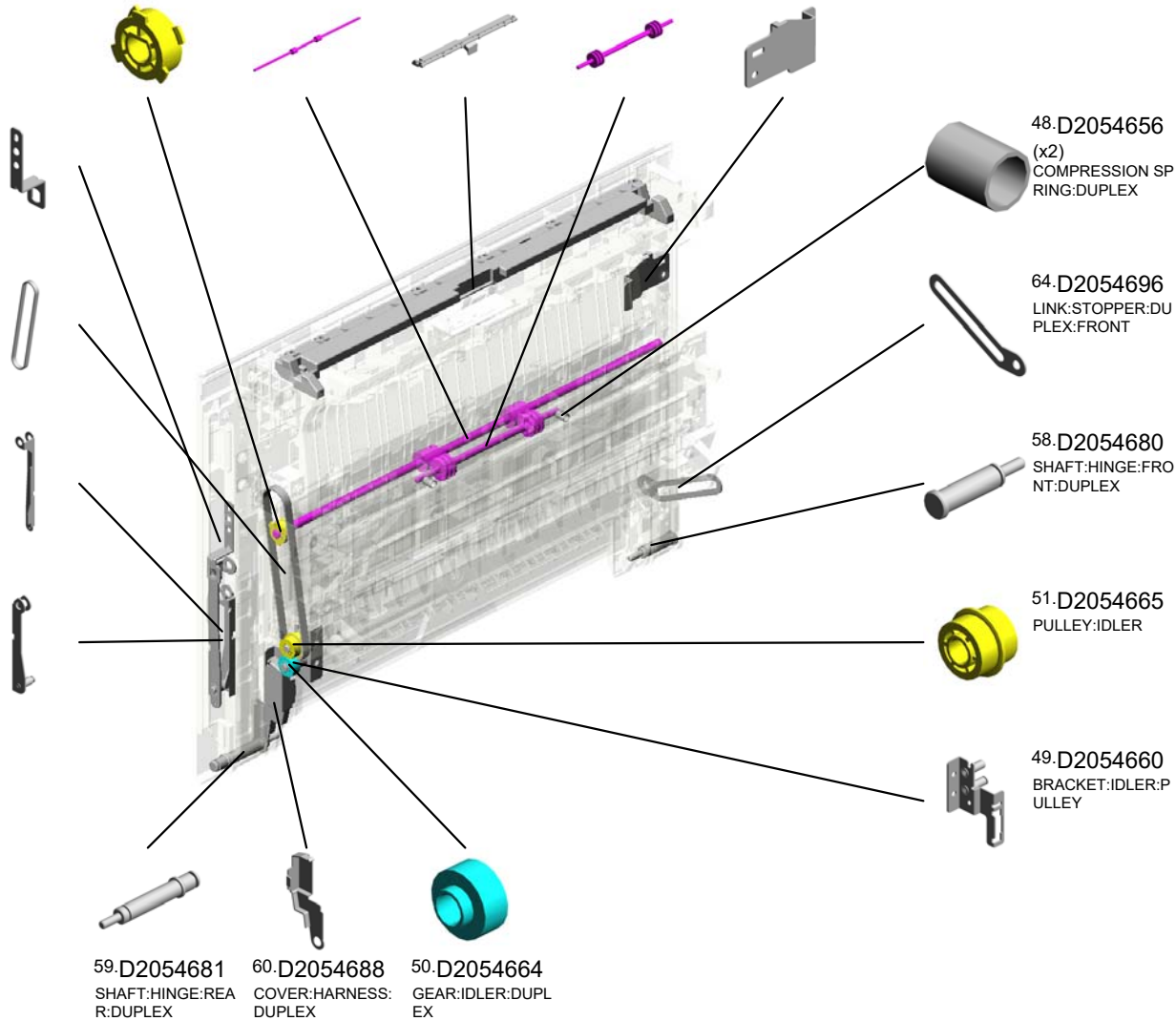
34.D2054500  
 DUPLEX UNIT:ASS'Y

66.D2054698  
 BRACKET:PROTECT:DUPLEX

52.D2054666  
 SYNCHRONOUS BELT:B138ST1.5-3.0

63.D2054694  
 STOPPER:ARM:DUPLEX

62.D2054691  
 STOPPER:ARM:MAIN



48.D2054656  
 (x2)  
 COMPRESSION SPRING:DUPLEX

64.D2054696  
 LINK:STOPPER:DUPLEX:FRONT

58.D2054680  
 SHAFT:HINGE:FRONT:DUPLEX

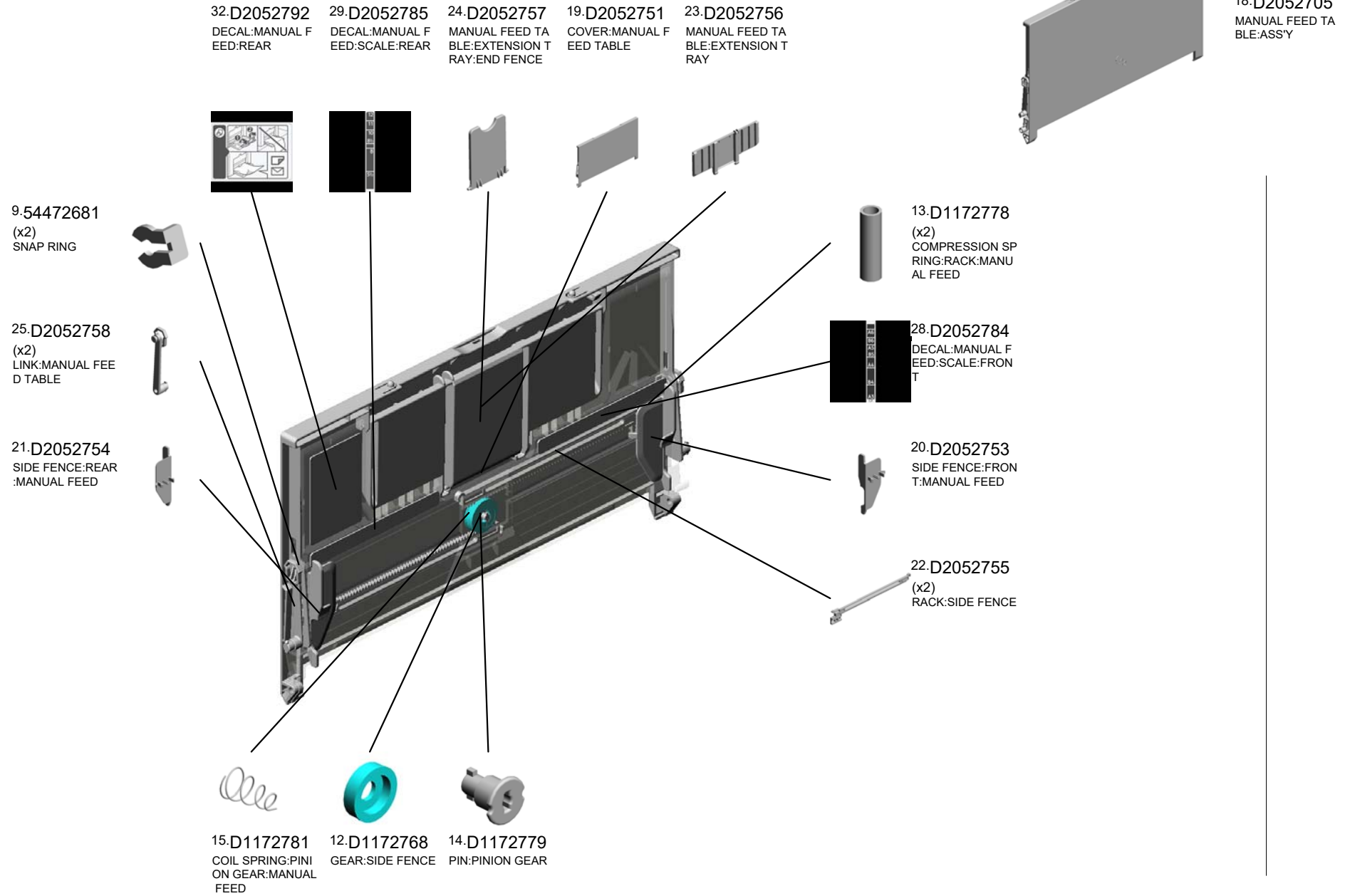
51.D2054665  
 PULLEY:IDLER

49.D2054660  
 BRACKET:IDLER:PULLEY

- 59.D2054681 SHAFT:HINGE:REAR:DUPLEX
- 60.D2054688 COVER:HARNES:DUPLEX
- 50.D2054664 GEAR:IDLER:DUPLEX

U001	U002	U003	U004	U005	U006	U007	U008	U009	U010	U011	U012	U013	U014	U015	U016	U017
------	------	------	------	------	------	------	------	------	------	------	------	------	------	------	------	------

U012\_S001\_S001  
MANUAL FEED TABLE:ASS'Y



U001	U002	U003	U004	U005	U006	U007	U008	U009	U010	U011	U012	U013	U014	U015	U016	U017
------	------	------	------	------	------	------	------	------	------	------	------	------	------	------	------	------

# U013 MAIN DRIVE



20.AB010414 GEAR:FUSING:EXIT:NO.3  
 5.06320120G PARALLEL PIN - 2X12  
 10.AA043704 SYNCHRONOUS BELT:30S1.5M139.5:EXIT  
 13.AA082146 BUSHING -6X10X4  
 6.07200040E RETAINING RING - M4

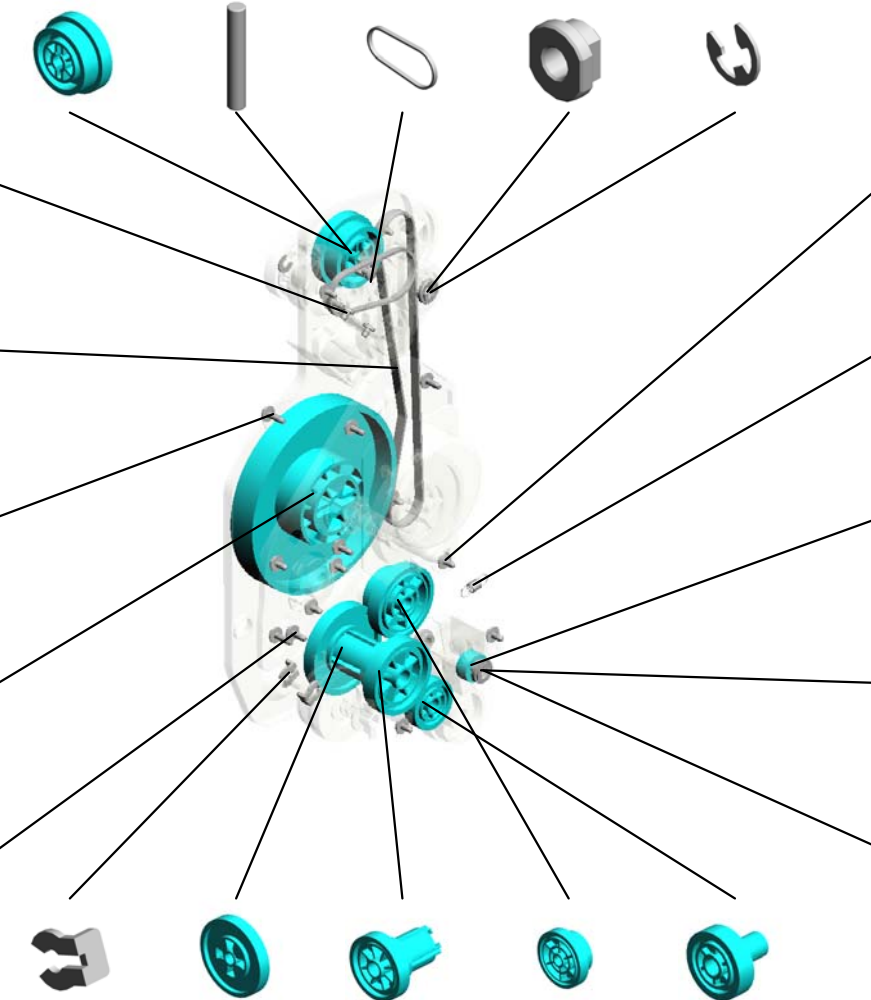
1.03530040N  
(x3)  
SCREW - M3X4

9.AA043703  
SYNCHRONOUS BELT:FUSING:DRIVE:50S2M364

4.04583010N  
(x3)  
HEXAGON HEAD TAPPING SCREW:3X10

14.AB010407  
GEAR:DRUM:DEVELOPMENT

3.04583008N  
(x4)  
HEXAGON HEAD TAPPING SCREW:3X8



8.54472681  
(x3)  
SNAP RING

16.AB010409  
GEAR:TRANSPORT:NO.3

17.AB010410  
GEAR:TRANSPORT:NO.4

15.AB010408  
GEAR:TRANSPORT:NO.2

18.AB010411  
GEAR:MANUAL FEED:DUPLIX:IDLER

2.04543006Q  
(x10)  
TAPPING SCREW - M3X6

11.AA061203  
TENSION SPRING:DRIVE:DUPLIX

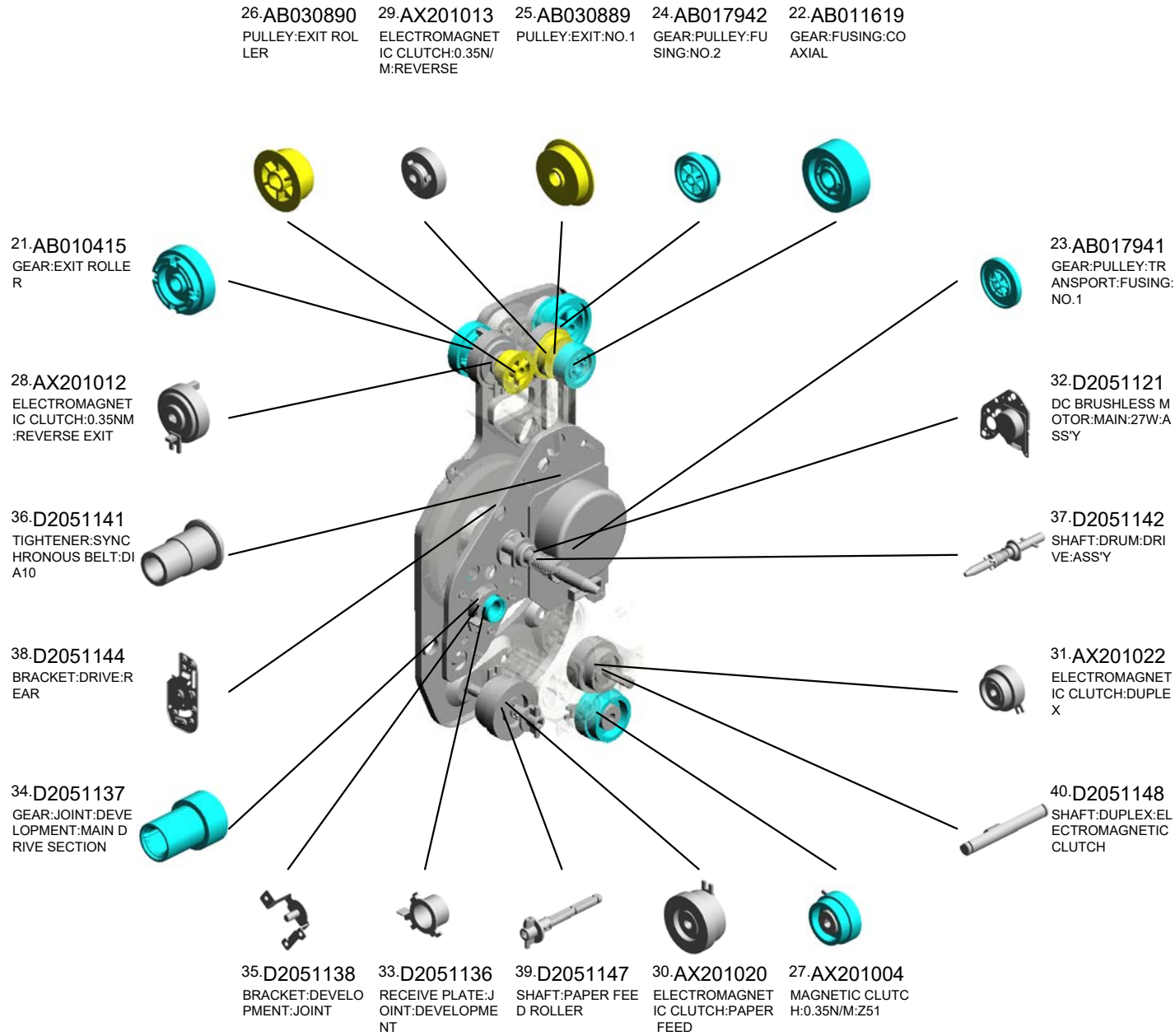
19.AB010412  
GEAR:DUPLIX:NO.1

12.AA080393  
(x2)  
PLAIN SHAFT BEARING:DIA6XDIA10X6

7.08050104  
(x3)  
RETAINING RINGS -E:SILENCER:DIA4

U001	U002	U003	U004	U005	U006	U007	U008	U009	U010	U011	U012	<b>U013</b>	U014	U015	U016	U017
------	------	------	------	------	------	------	------	------	------	------	------	-------------	------	------	------	------

# U013 MAIN DRIVE



U001	U002	U003	U004	U005	U006	U007	U008	U009	U010	U011	U012	<b>U013</b>	U014	U015	U016	U017
------	------	------	------	------	------	------	------	------	------	------	------	-------------	------	------	------	------



# U013 MAIN DRIVE



43.D2051152 45.D2051155  
 SPRING PLATE:FU SHAFT:FUSING:NO  
 SING:SWIVEL:0.4M .3  
 M

46.D2051157  
 BRACKET:DC SOL  
 ENOID:DRIVE



47.D2051158  
 DC SOLENOID:FUS  
 ING



44.D2051153  
 BRACKET:FUSING:  
 SWIVEL



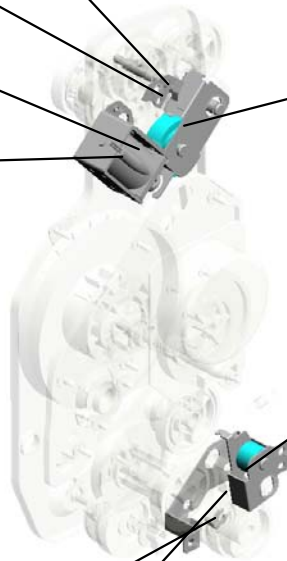
41.D2051149  
 BRACKET:DUPL  
 EX:SWIVEL



48.G0143291  
 SNAP RING - PICK  
 UP

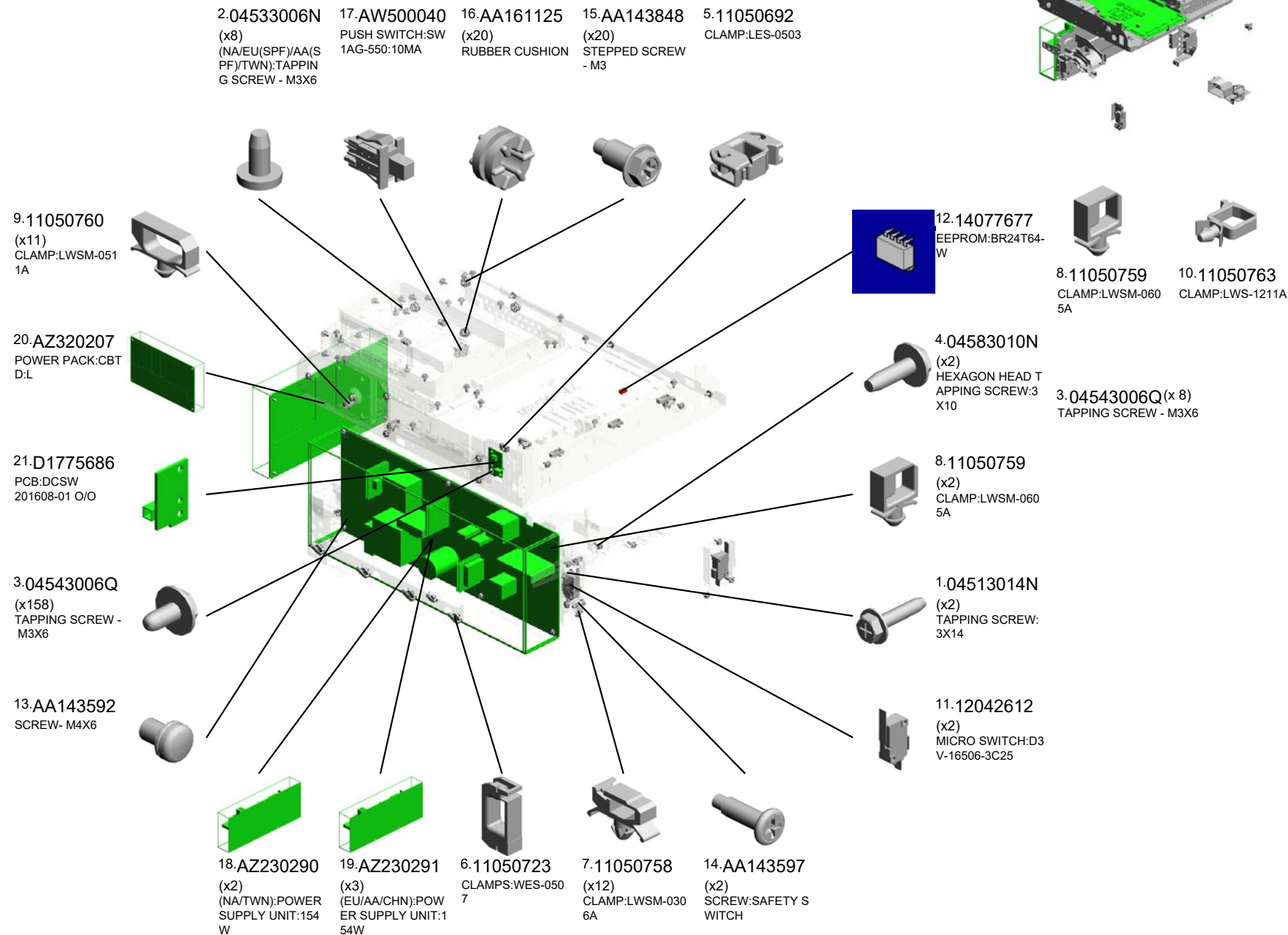


42.D2051151  
 BRACKET:DUPL  
 EX:MANUAL FEED



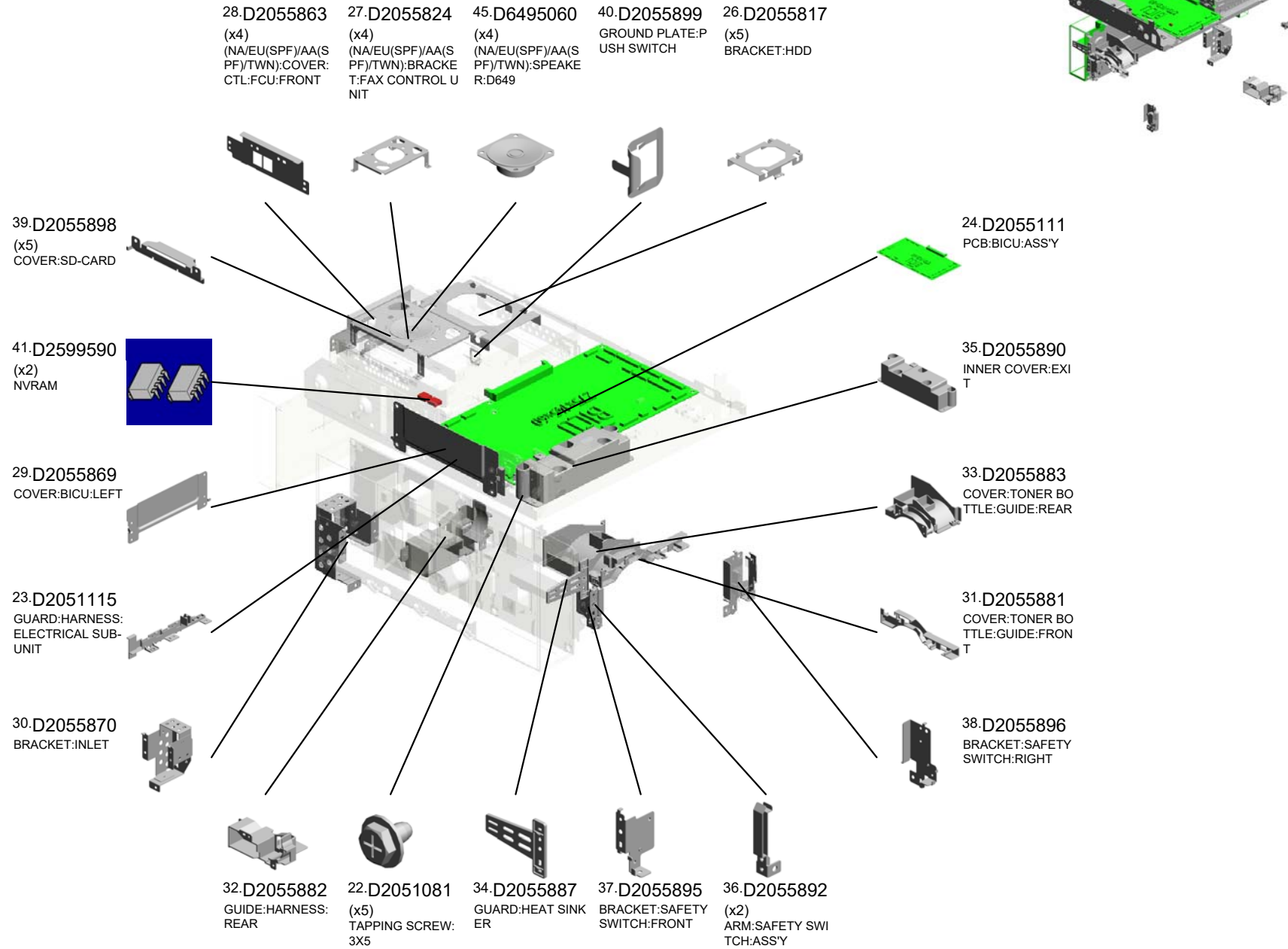
U001	U002	U003	U004	U005	U006	U007	U008	U009	U010	U011	U012	<b>U013</b>	U014	U015	U016	U017
------	------	------	------	------	------	------	------	------	------	------	------	-------------	------	------	------	------

# U014 ELECTRICAL



U001	U002	U003	U004	U005	U006	U007	U008	U009	U010	U011	U012	U013	<b>U014</b>	U015	U016	U017
------	------	------	------	------	------	------	------	------	------	------	------	------	-------------	------	------	------

# U014 ELECTRICAL



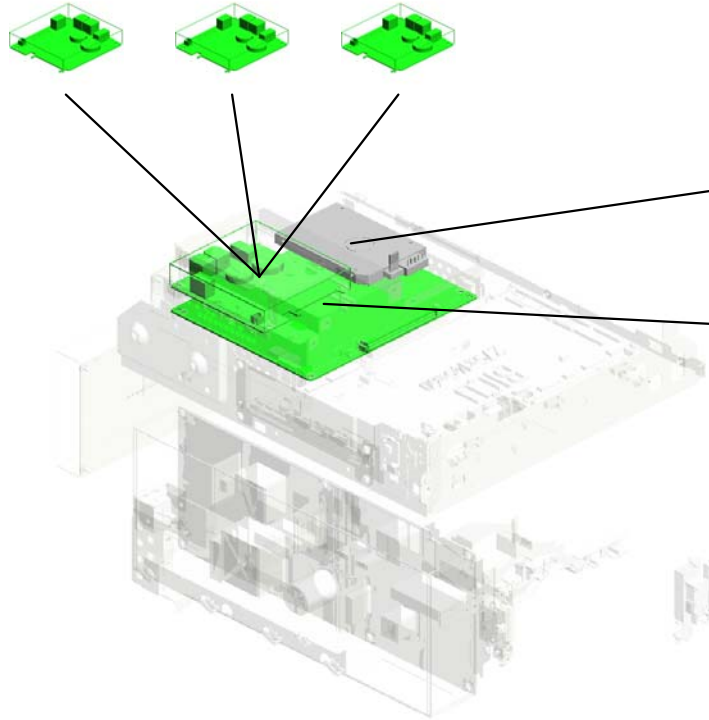
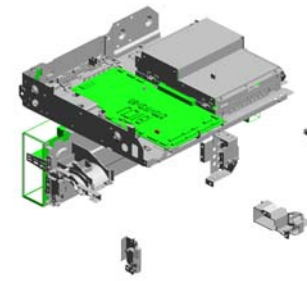
U001	U002	U003	U004	U005	U006	U007	U008	U009	U010	U011	U012	U013	U014	U015	U016	U017
------	------	------	------	------	------	------	------	------	------	------	------	------	------	------	------	------

# U014 ELECTRICAL

49.D3B35607 (x2)  
(EU(SPF)/AA(SPF)):  
KIT:FCU  
201805-01 X/O

50.D3B35608 (TWN):KIT:FCU  
201806-02 X/O

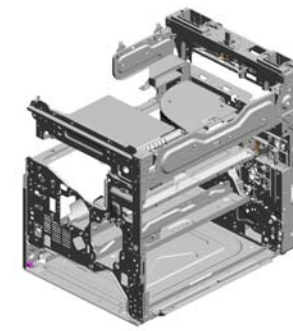
51.D3B35606 (NA):KIT:FCU  
201807-01 X/O



46.M4445201  
(x5)  
HDD:320GB:AQUA  
RIUS

48.D2595619  
(x5)  
PCB:CTL:SUB-ASS'  
Y  
201803-01 O/O

# U015 MAIN FRAME



- 11.11050758 (x24) CLAMP:LWSM-030 6A
- 12.11050759 (x6) CLAMP:LWSM-060 5A
- 3.04543006Q (x101) TAPPING SCREW - M3X6
- 9.11050721 CLAMP:LES-1808
- 4.04543008Q (x7) TAPPING SCREW: 3X8

19.AW020198  
(x2)  
PHOTOINTERRUPTOR:  
TOR:LG2A14NL1

5.04583008N  
(x7)  
HEXAGON HEAD TAPPING SCREW:3 X8

7.04593010N  
BINDING HEAD TAPPING SCREW:3X 10

10.11050724  
CLAMPS:WES-1210

14.11050761  
CLAMP:LWS-0511A

18.AH010010  
(x4)  
RUBBER FOOT:H5

15.11050763  
(x6)  
CLAMP:LWS-1211A

17.11060924  
BUSHING:JKR-40

8.11050692  
(x3)  
CLAMP:LES-0503

1.03603006N  
(x4)  
SCREW - M3X6

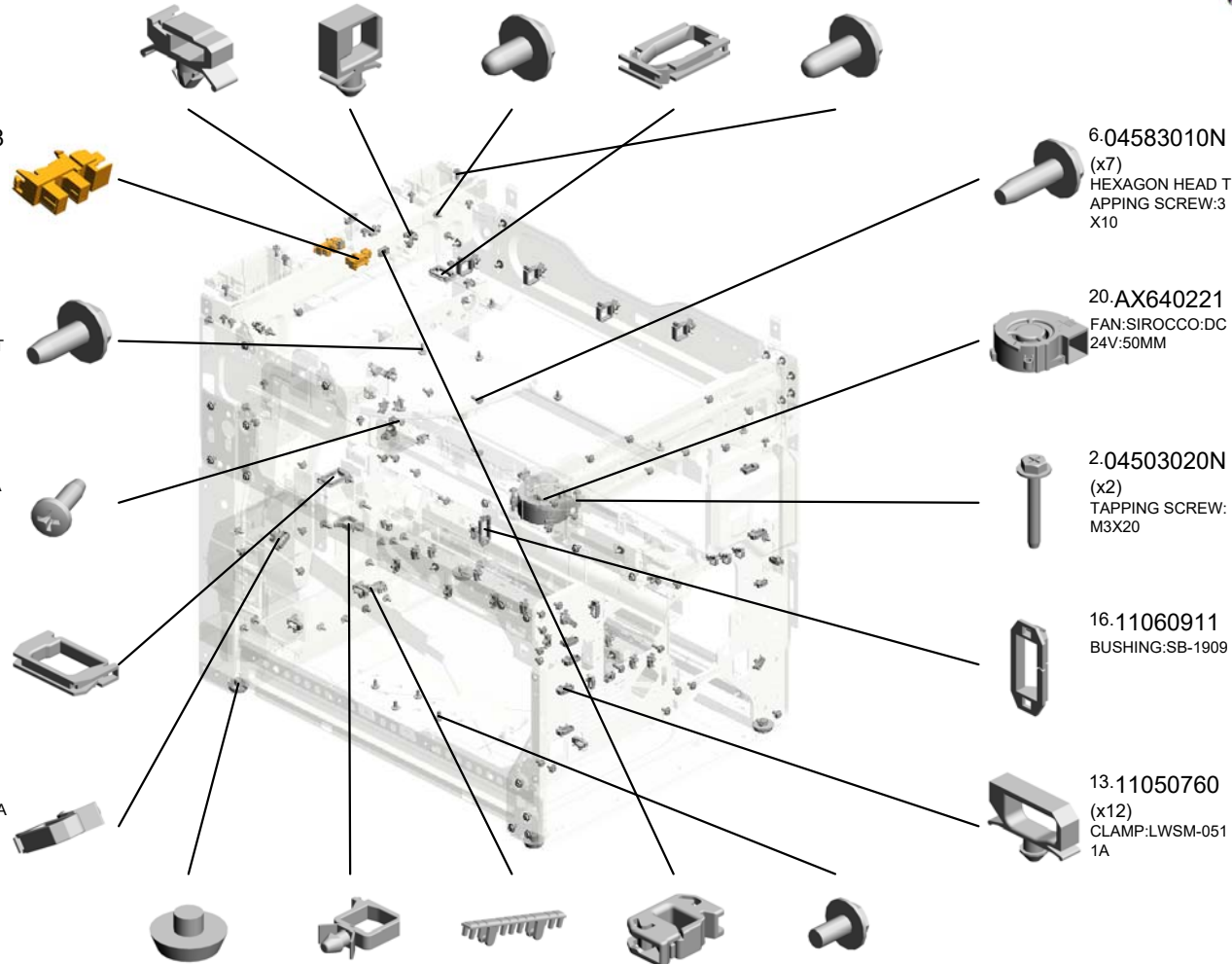
6.04583010N  
(x7)  
HEXAGON HEAD TAPPING SCREW:3 X10

20.AX640221  
FAN:SIROCCO:DC 24V:50MM

2.04503020N  
(x2)  
TAPPING SCREW: M3X20

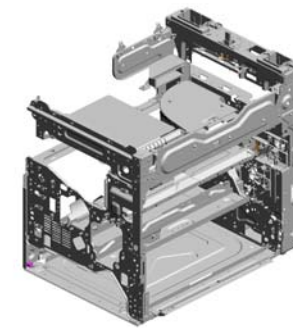
16.11060911  
BUSHING:SB-1909

13.11050760  
(x12)  
CLAMP:LWSM-0511A

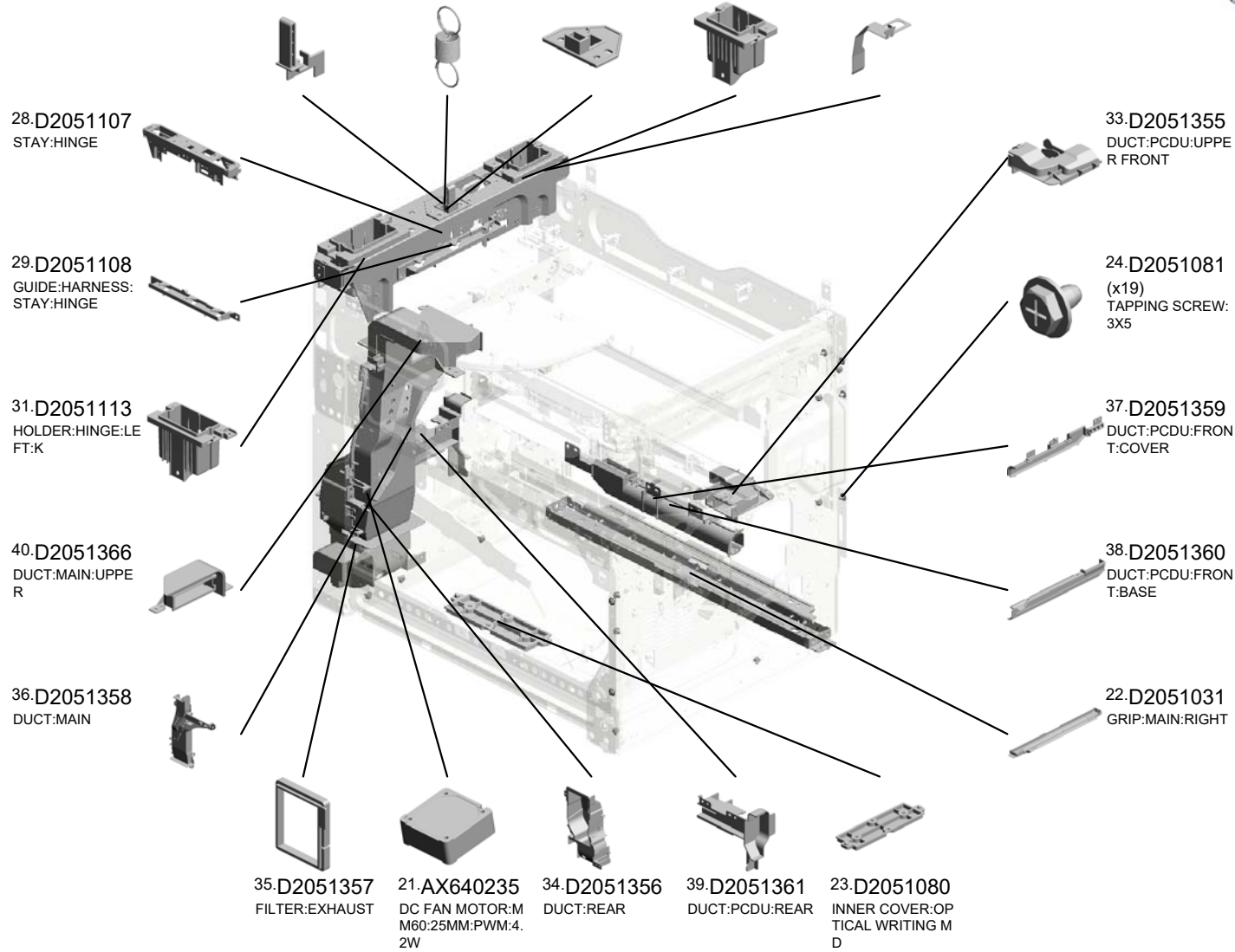


U001	U002	U003	U004	U005	U006	U007	U008	U009	U010	U011	U012	U013	U014	U015	U016	U017
------	------	------	------	------	------	------	------	------	------	------	------	------	------	------	------	------

# U015 MAIN FRAME

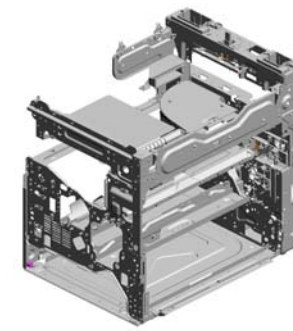


- 26.D2051105 FEELER:ON OFF DETECTOR
- 27.D2051106 TENSION SPRING:SENSOR:ON OFF DETECTOR
- 25.D2051104 HOLDER:FEELER:ADF:ON OFF DETECTOR
- 30.D2051111 HOLDER:HINGE:RIGHT
- 32.D2051114 (x2) GROUND PLATE:HINGE



U001	U002	U003	U004	U005	U006	U007	U008	U009	U010	U011	U012	U013	U015	U016	U017
------	------	------	------	------	------	------	------	------	------	------	------	------	------	------	------

# U015 MAIN FRAME



- 46.D2051390 THERMISTOR
- 44.D2051386 DUCT:FUSING:EXH AUST:BASE
- 48.D2052001 ELECTRODE PLAT E:TRANSFER
- 49.D2052002 ELECTRODE PLAT E:DISCHARGE

52.D2052009  
SPRING:TERMINAL  
:CHARGE

50.D2052003  
TERMINAL:DEVEL  
OPMENT VIAS

51.D2052008  
SEAL:BIAS:DEVEL  
OPMENT

47.D2051392  
DEODORIZE FILTE  
R

41.D2051367  
SEAL:DC FAN MOT  
OR:3MM

55.D2053251  
BASE:TONER BOT  
TLE:1

54.D2053222  
(x2)  
SHEET:BASE:TON  
ER BOTTLE

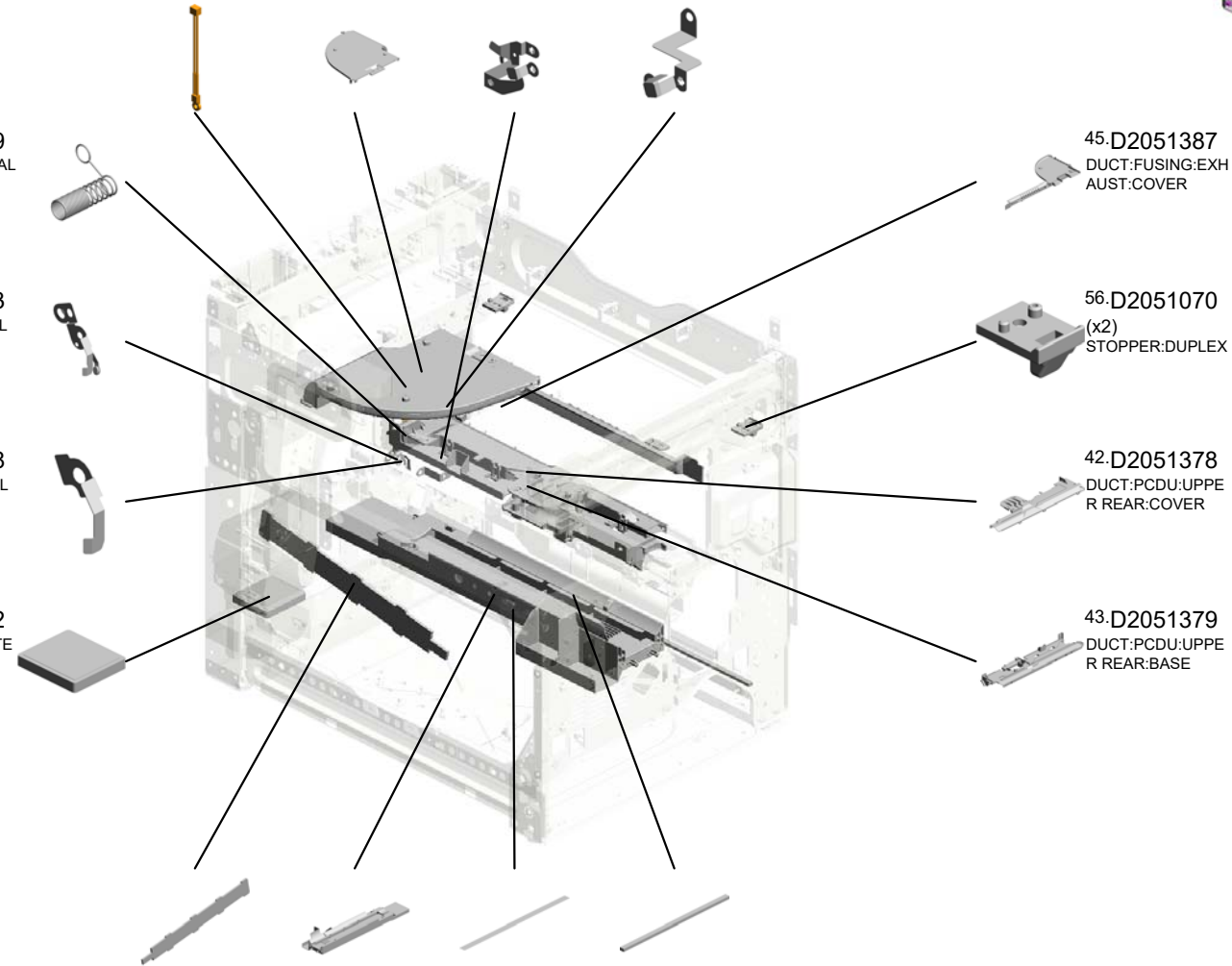
53.D2052723  
(x2)  
CUSHION:LOWER:  
MANUAL FEED

45.D2051387  
DUCT:FUSING:EXH  
AUST:COVER

56.D2051070  
(x2)  
STOPPER:DUPLEX

42.D2051378  
DUCT:PCDU:UPPE  
R REAR:COVER

43.D2051379  
DUCT:PCDU:UPPE  
R REAR:BASE



U001	U002	U003	U004	U005	U006	U007	U008	U009	U010	U011	U012	U013	U014	U015	U016	U017
------	------	------	------	------	------	------	------	------	------	------	------	------	------	------	------	------

# U016.HEATER

U016\_S001  
D2590508  
PCB:DHB:ASS'Y

U016\_S003  
D2590508  
PCB:DHB:ASS'Y

U016\_S005  
D2590508  
PCB:DHB:ASS'Y

U016\_S007  
D2590508  
PCB:DHB:ASS'Y

U016\_S009  
D2590508  
PCB:DHB:ASS'Y

U016\_S002  
D2592881  
(NA/TWN):HEAT SINK:HEATE  
R:ASS'Y

U016\_S004  
D2592891  
(EU/AA/CHN):HEAT SINK:HE  
ATER:ASS'Y

U016\_S006  
D2592881  
(NA/TWN):HEAT SINK:HEATE  
R:ASS'Y

U016\_S008  
D2592891  
(EU/AA/CHN):HEAT SINK:HE  
ATER:ASS'Y

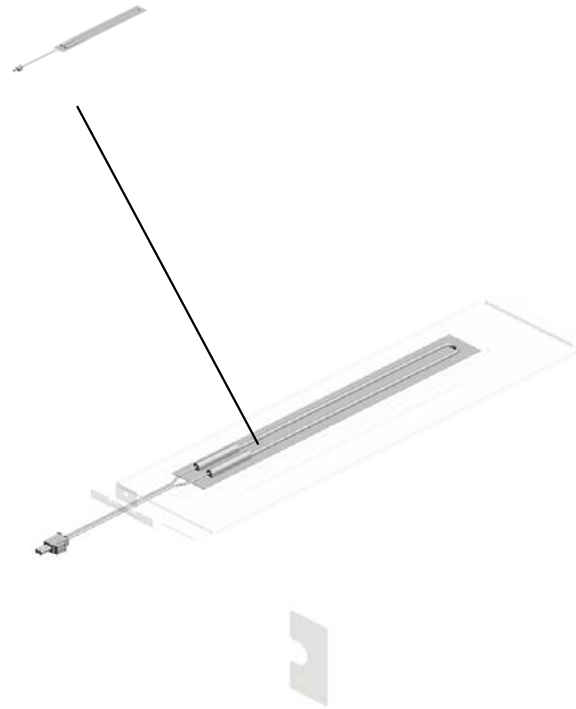
U016\_S010  
D2592891  
(EU/AA/CHN):HEAT SINK:HE  
ATER:ASS'Y

U001	U002	U003	U004	U005	U006	U007	U008	U009	U010	U011	U012	U013	U014	U015	U016	U017
------	------	------	------	------	------	------	------	------	------	------	------	------	------	------	------	------



# U016\_S002.(NA/TWN):HEAT SINK:HEATER:ASS'Y

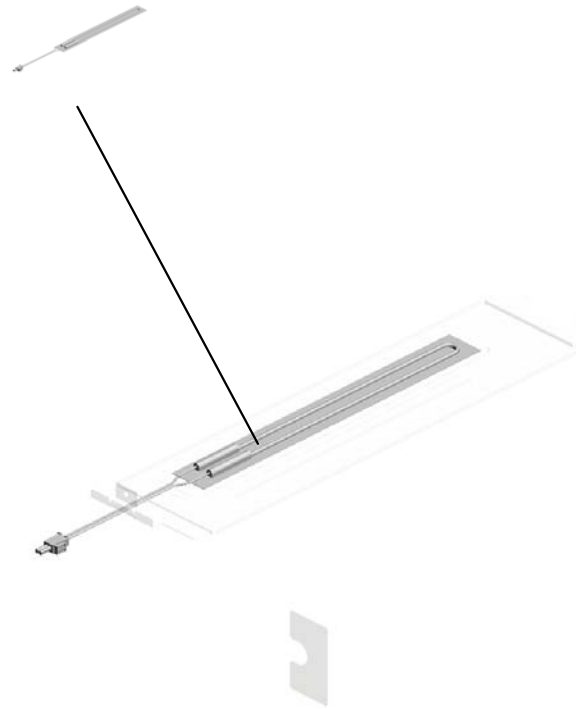
U016 S002 S001  
D2592885  
(NA/TWN):HEATER:120V:SU  
B-ASS'Y



U001	U002	U003	U004	U005	U006	U007	U008	U009	U010	U011	U012	U013	U014	U015	U016	U017
------	------	------	------	------	------	------	------	------	------	------	------	------	------	------	------	------

# U016\_S006.(NA/TWN):HEAT SINK:HEATER:ASS'Y

U016 S006 S001  
D2592885  
(NA/TWN):HEATER:120V:SU  
B-ASSY



U001	U002	U003	U004	U005	U006	U007	U008	U009	U010	U011	U012	U013	U014	U015	U016	U017
------	------	------	------	------	------	------	------	------	------	------	------	------	------	------	------	------

U016  
HEATER

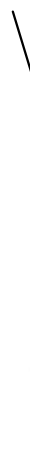
11.G8327900

(x5)

SCREW:SPRING W

ASHER:ROUND PO

INT:M4X10



U001	U002	U003	U004	U005	U006	U007	U008	U009	U010	U011	U012	U013	U014	U015	U016	U017
------	------	------	------	------	------	------	------	------	------	------	------	------	------	------	------	------

U016\_S001  
PCB:DHB:ASS'Y

8.D2055889  
BRACKET:HEATER  
:BASE

12.D2590508  
PCB:DHB:ASS'Y

1.04543006Q  
(x4)  
TAPPING SCREW -  
M3X6

2.11050758  
(x2)  
CLAMP:LWSM-030  
6A

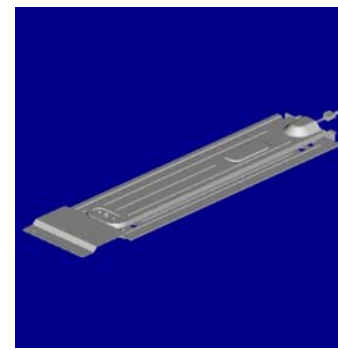
5.D2025185  
PCB:DHB

U001	U002	U003	U004	U005	U006	U007	U008	U009	U010	U011	U012	U013	U014	U015	U016	U017
------	------	------	------	------	------	------	------	------	------	------	------	------	------	------	------	------

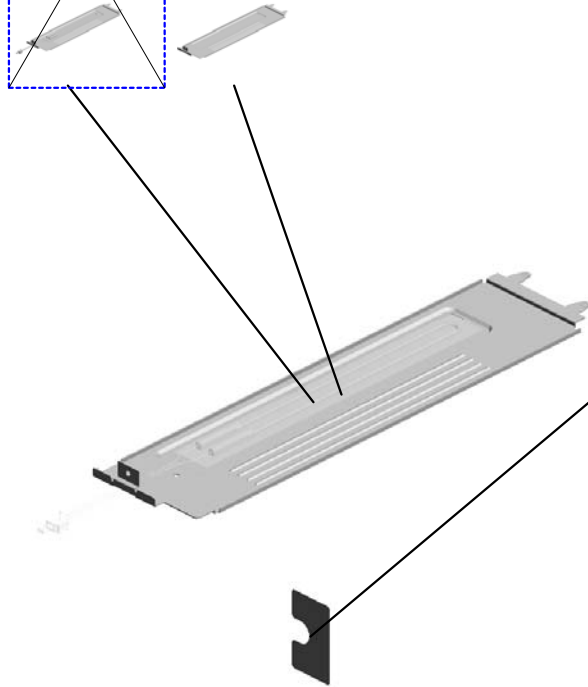
U016\_S002  
(NA/TWN):HEAT SINK:HEATER:ASS'Y

~~9.D2595083  
(NA/TWN):HEATER  
:ADHESION  
201808-01 O/O~~

15.D2052654  
HEAT SINK:HEATE  
R:PEEN



13.D2592881  
(NA/TWN):HEAT SI  
NK:HEATER:ASS'Y  
201607-01



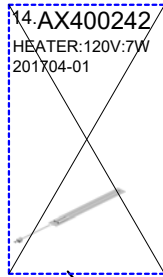
7.D2052653  
DECAL:H-TEMP W  
ARNING:HEATER



2.11050758  
CLAMP:LWSM-030  
6A

U001	U002	U003	U004	U005	U006	U007	U008	U009	U010	U011	U012	U013	U014	U015	U016	U017
------	------	------	------	------	------	------	------	------	------	------	------	------	------	------	------	------

U016\_S002\_S001  
(NA/TWN):HEATER:120V:SUB-ASS'Y



18.D2592885  
(NA/TWN):HEATER  
:120V:SUB-ASS'Y

U001	U002	U003	U004	U005	U006	U007	U008	U009	U010	U011	U012	U013	U014	U015	U016	U017
------	------	------	------	------	------	------	------	------	------	------	------	------	------	------	------	------

U016\_S003  
PCB:DHB:ASS'Y

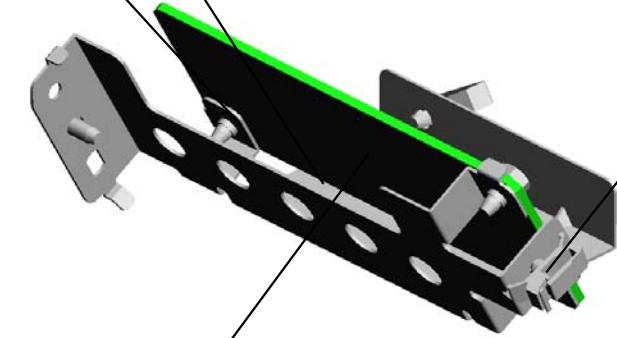
8.D2055889  
BRACKET:HEATER  
:BASE

12.D2590508  
PCB:DHB:ASS'Y

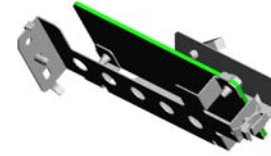
1.04543006Q  
(x4)  
TAPPING SCREW -  
M3X6



2.11050758  
(x2)  
CLAMP:LWSM-030  
6A



5.D2025185  
PCB:DHB

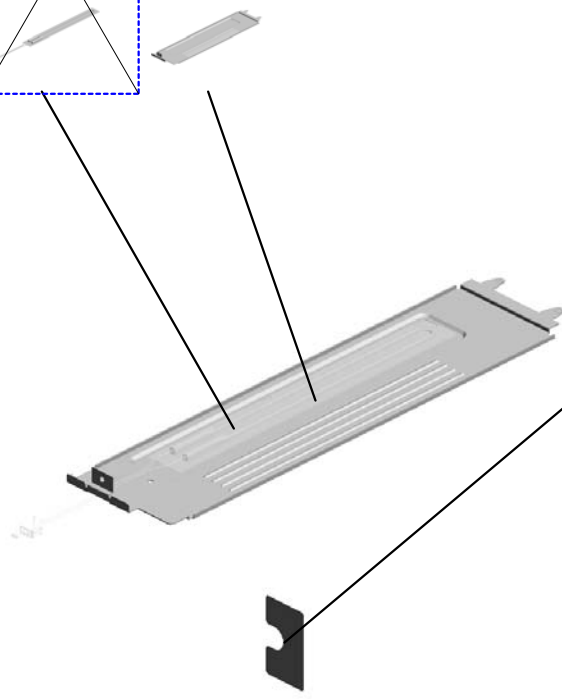


U001	U002	U003	U004	U005	U006	U007	U008	U009	U010	U011	U012	U013	U014	U015	U016	U017
------	------	------	------	------	------	------	------	------	------	------	------	------	------	------	------	------

U016\_S004  
 (EU/AA/CHN):HEAT SINK:HEATER:ASS'Y

~~17.AX400243  
 HEATER:230V:7W  
 201702-02 O/O~~

15.D2052654  
 HEAT SINK:HEATE  
 R:PEEN



17.D2052653  
 DECAL:H-TEMP W  
 ARNING:HEATER



2.11050758  
 CLAMP:LWSM-030  
 6A



10.D2592891  
 [A]  
 (EU/AA/CHN):HEAT  
 SINK:HEATER:AS  
 SY  
 201604-01 X/O

D2595081  
 [A]  
 (EU/AA/CHN):HEAT  
 ER:ADHESION  
 201604-01 X/O

U001	U002	U003	U004	U005	U006	U007	U008	U009	U010	U011	U012	U013	U014	U015	U016	U017
------	------	------	------	------	------	------	------	------	------	------	------	------	------	------	------	------



U016\_S005  
PCB:DHB:ASS'Y

8.D2055889  
BRACKET:HEATER  
:BASE

12.D2590508  
PCB:DHB:ASS'Y

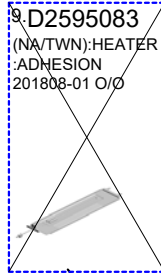
1.04543006Q  
(x4)  
TAPPING SCREW -  
M3X6

2.11050758  
(x2)  
CLAMP:LWSM-030  
6A

5.D2025185  
PCB:DHB

U001	U002	U003	U004	U005	U006	U007	U008	U009	U010	U011	U012	U013	U014	U015	U016	U017
------	------	------	------	------	------	------	------	------	------	------	------	------	------	------	------	------

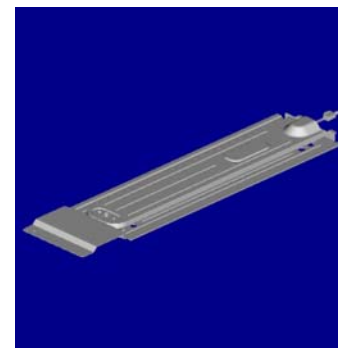
U016\_S006  
 (NA/TWN):HEAT SINK:HEATER:ASS'Y



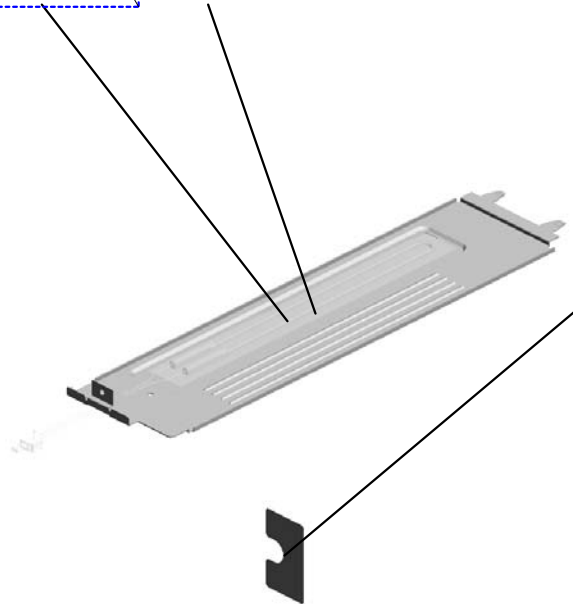
9.D2595083  
 (NA/TWN):HEATER  
 :ADHESION  
 201808-01 O/O



15.D2052654  
 HEAT SINK:HEATE  
 R:PEEN



13.D2592881  
 (NA/TWN):HEAT SI  
 NK:HEATER:ASS'Y  
 201607-01



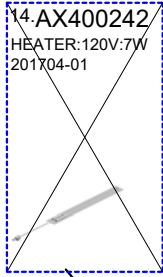
7.D2052653  
 DECAL:H-TEMP W  
 ARNING:HEATER



2.11050758  
 CLAMP:LWSM-030  
 6A

U001	U002	U003	U004	U005	U006	U007	U008	U009	U010	U011	U012	U013	U014	U015	U016	U017
------	------	------	------	------	------	------	------	------	------	------	------	------	------	------	------	------

U016\_S006\_S001  
(NA/TWN):HEATER:120V:SUB-ASS'Y



18.D2592885  
(NA/TWN):HEATER  
:120V:SUB-ASS'Y

U001	U002	U003	U004	U005	U006	U007	U008	U009	U010	U011	U012	U013	U014	U015	U016	U017
------	------	------	------	------	------	------	------	------	------	------	------	------	------	------	------	------

U016\_S007  
PCB:DHB:ASS'Y

8.D2055889  
BRACKET:HEATER  
:BASE

12.D2590508  
PCB:DHB:ASS'Y

1.04543006Q  
(x4)  
TAPPING SCREW -  
M3X6

2.11050758  
(x2)  
CLAMP:LWSM-030  
6A

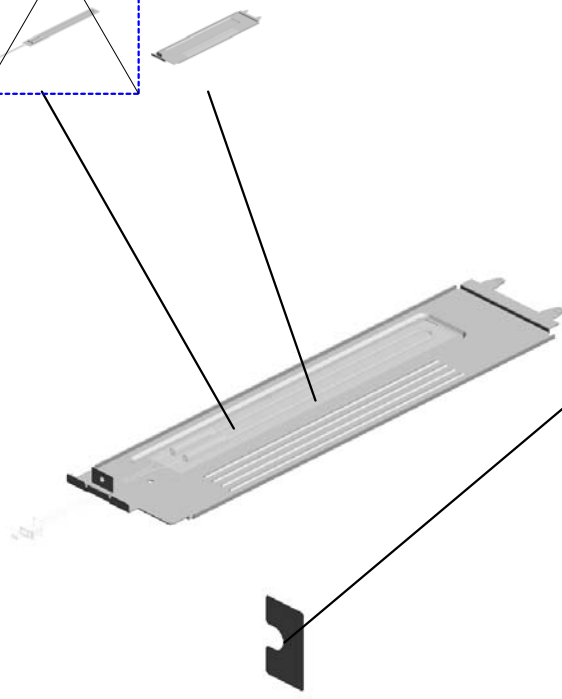
5.D2025185  
PCB:DHB

U001	U002	U003	U004	U005	U006	U007	U008	U009	U010	U011	U012	U013	U014	U015	U016	U017
------	------	------	------	------	------	------	------	------	------	------	------	------	------	------	------	------

U016\_S008  
 (EU/AA/CHN):HEAT SINK:HEATER:ASS'Y

~~17.AX400243  
 HEATER:230V:7W  
 201702-02 O/O~~

15.D2052654  
 HEAT SINK:HEATE  
 R:PEEN



17.D2052653  
 DECAL:H-TEMP W  
 ARNING:HEATER



2.11050758  
 CLAMP:LWSM-030  
 6A



10.D2592891  
 [A]  
 (EU/AA/CHN):HEAT  
 SINK:HEATER:AS  
 SY  
 201604-01 X/O

D2595081  
 [A]  
 (EU/AA/CHN):HEAT  
 ER:ADHESION  
 201604-01 X/O

U001	U002	U003	U004	U005	U006	U007	U008	U009	U010	U011	U012	U013	U014	U015	U016	U017
------	------	------	------	------	------	------	------	------	------	------	------	------	------	------	------	------

U016\_S009  
PCB:DHB:ASS'Y

8.D2055889  
BRACKET:HEATER  
:BASE

12.D2590508  
PCB:DHB:ASS'Y

1.04543006Q  
(x4)  
TAPPING SCREW -  
M3X6

2.11050758  
(x2)  
CLAMP:LWSM-030  
6A

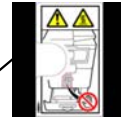
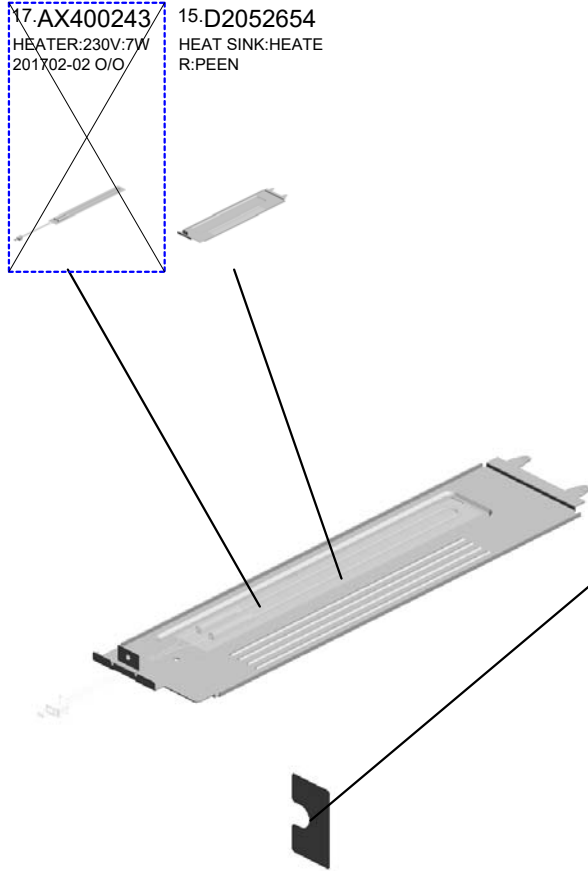
5.D2025185  
PCB:DHB

U001	U002	U003	U004	U005	U006	U007	U008	U009	U010	U011	U012	U013	U014	U015	U016	U017
------	------	------	------	------	------	------	------	------	------	------	------	------	------	------	------	------

U016\_S010  
(EU/AA/CHN):HEAT SINK:HEATER:ASS'Y

~~17.AX400243  
HEATER:230V:7W  
201702-02 O/O~~

15.D2052654  
HEAT SINK:HEATE  
R:PEEN



17.D2052653  
DECAL:H-TEMP W  
ARNING:HEATER



2.11050758  
CLAMP:LWSM-030  
6A

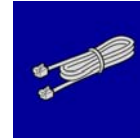


10.D2592891  
[A]  
(EU/AA/CHN):HEAT  
SINK:HEATER:AS  
SY  
201604-01 X/O

D2595081  
[A]  
(EU/AA/CHN):HEAT  
ER:ADHESION  
201604-01 X/O

U001	U002	U003	U004	U005	U006	U007	U008	U009	U010	U011	U012	U013	U014	U015	U016	U017
------	------	------	------	------	------	------	------	------	------	------	------	------	------	------	------	------

# U017.OTHER SECTION

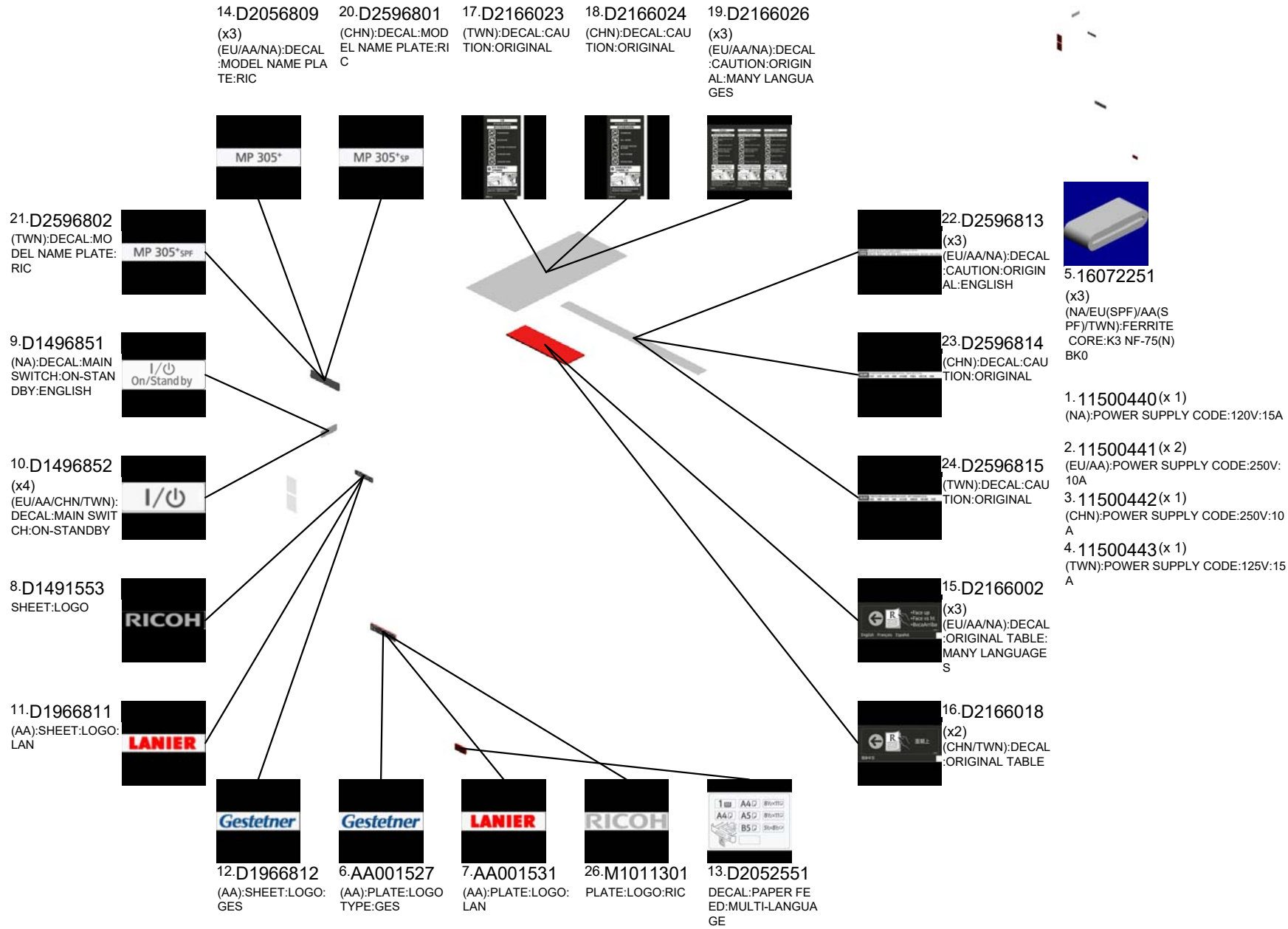


U017\_S001  
D6555350  
(NA):MODULER CORD:CORE

U001	U002	U003	U004	U005	U006	U007	U008	U009	U010	U011	U012	U013	U014	U015	U016	U017
------	------	------	------	------	------	------	------	------	------	------	------	------	------	------	------	------



U017  
OTHER SECTION

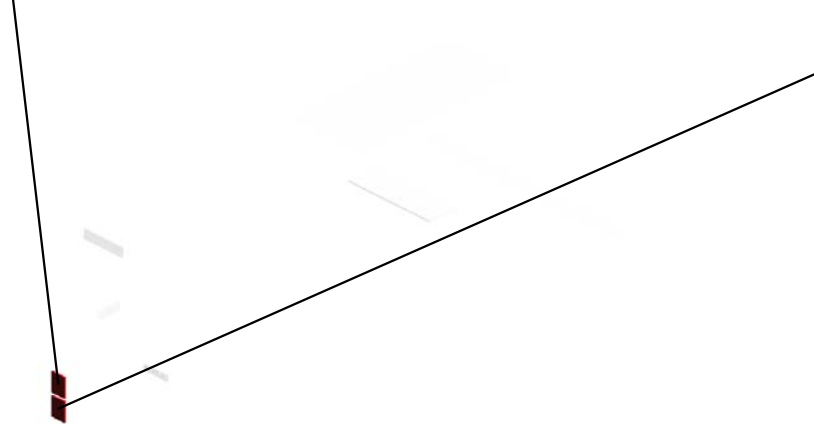


U017  
OTHER SECTION

27.D1961485  
IC:NFC\_TAG:MN63  
Y3212NB  
201611-03

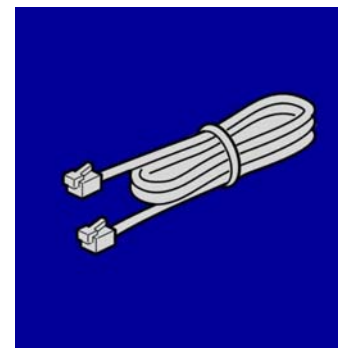


28.D2557798  
DECAL:BLUETOOT  
H:CHEETAH-G2  
201611-04

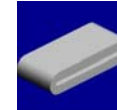


U001	U002	U003	U004	U005	U006	U007	U008	U009	U010	U011	U012	U013	U014	U015	U016	U017
------	------	------	------	------	------	------	------	------	------	------	------	------	------	------	------	------

U017\_S001  
(NA):MODULER CORD:CORE



25.D6555350  
(NA):MODULER CO  
RD:CORE



5.16072251  
(NA/EU(SPF)/AA(S  
PF)/TWN):FERRITE  
CORE:K3 NF-75(N)  
BK0

U001	U002	U003	U004	U005	U006	U007	U008	U009	U010	U011	U012	U013	U014	U015	U016	U017
------	------	------	------	------	------	------	------	------	------	------	------	------	------	------	------	------

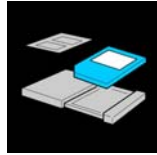
## SPECIAL TOOLS



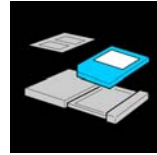
1.52039502  
Silicon Grease G-501



2.A2929500  
Test Chart S5S(10pcs/set)



3.B6455020  
SD-CARD:SERVICE:1GB:ASS'Y



4.B6455030  
SD-CARD:SERVICE PARTS:2GB:ASS'Y



5.VSSG9006  
Grease G-1077

## Exclusive Parts

Number	Part Name	Group	ID
52039502	Silicon Grease G-501	SPECIAL TOOLS	1
52152621	SNAP RING - M6	U006_S001	10
		U006_S002	10
		U006_S003	10
		U006_S004	10
		U006_S005	10
52152713	BOTTOM PLATE PAD	U006	11
		U006_S001	11
		U006_S002	11
		U006_S003	11
		U006_S004	11
54472681	SNAP RING	U006	12
		U012	9
		U012_S001_S001	9
		U013	8
A2222724	EXTERNAL CIRCLIP - MM8	U006_S001	13
		U006_S002	13
		U006_S003	13
		U006_S004	13
		U006_S005	13
A2929500	Test Chart S5S(10pcs/set)	SPECIAL TOOLS	2
AA001527	(AA):PLATE:LOGOTYPE:GES	U017	6
AA001531	(AA):PLATE:LOGO:LAN	U017	7
AA021031	MAGNETIC CATCH	U003_S001	20
AA043703	SYNCHRONOUS BELT:FUSING:DRIVE:50S2M364	U013	9
AA043704	SYNCHRONOUS BELT:30S1.5M13 9.5:EXIT	U013	10
AA061203	TENSION SPRING:DRIVE:DUPLEX	U013	11
AA064002	TENSION SPRING:PRESSURE:19N	U010_S001	7
		U010_S002	7
		U010_S003	7
		U010_S004	7
		U010_S005	7
AA066637	STRIPPER PAWL SPRING	U010_S001	8
		U010_S002	8
		U010_S003	8

Number	Part Name	Group	ID
		U010_S004	8
		U010_S005	8
AA080249	BUSHING - VERTICAL TRANSPORT	U003_S001	21
AA080313	DRIVEN ROLLER BUSHING	U012_S001	10
AA080393	PLAIN SHAFT BEARING:DIA6XDIA 10X6	U013	12
AA082101	BUSHING - 6X10X6	U003_S001_S001	22
AA082146	BUSHING -6X10X4	U013	13
AA082170	PLAIN SHAFT BEARING:DIA4XDIA 8X5:EG-1	U011	4
AA082173	PLAIN SHAFT BEARING:6X10X6	U003_S001	23
		U006	14
		U012_S001	11
AA082175	PLAIN SHAFT BEARING:8X12X7	U006_S001	15
		U006_S002	15
		U006_S003	15
		U006_S004	15
		U006_S005	15
AA132208	SPACER - M6	U003_S001_S001	24
AA143592	SCREW- M4X6	U014	13
AA143597	SCREW:SAFETY SWITCH	U014	14
AA143788	PIN:GUIDE PLATE:PAPER FEED	U003_S001	25
AA143791	SCREW:SAFETY	U003_S001	26
AA143846	TAPPING SCREW:M3X6	U003_S001	27
AA143848	STEPPED SCREW - M3	U014	15
AA161125	RUBBER CUSHION	U014	16
AB010407	GEAR:DRUM:DEVELOPMENT	U013	14
AB010408	GEAR:TRANSPORT:NO.2	U013	15
AB010409	GEAR:TRANSPORT:NO.3	U013	16
AB010410	GEAR:TRANSPORT:NO.4	U013	17
AB010411	GEAR:MANUAL FEED:DUPLEX:IDLER	U013	18
AB010412	GEAR:DUPLEX:NO.1	U013	19
AB010414	GEAR:FUSING:EXIT:NO.3	U013	20
AB010415	GEAR:EXIT ROLLER	U013	21
AB011619	GEAR:FUSING:COAXIAL	U013	22
AB011620	GEAR:HOT ROLLER	U010_S001	9

## Exclusive Parts

Number	Part Name	Group	ID
		U010_S002	9
		U010_S003	9
		U010_S004	9
		U010_S005	9
AB017941	GEAR:PULLEY:TRANSPORT:FUSING:NO.1	U013	23
AB017942	GEAR:PULLEY:FUSING:NO.2	U013	24
AB030889	PULLEY:EXIT:NO.1	U013	25
AB030890	PULLEY:EXIT ROLLER	U013	26
AC013007	EXPOSURE GLASS:FB	U004_S001	9
		U004_S002	9
		U004_S003	9
		U004_S004	9
		U004_S005	9
AC013008	EXPOSURE GLASS:DOCUMENT FEEDER	U004_S001	10
		U004_S002	10
		U004_S003	10
		U004_S004	10
		U004_S005	10
AC015064	SHIELD GLASS	U005_S001	6
AE011134	HOT ROLLER:DIA30	U010_S001	10
		U010_S002	10
		U010_S003	10
		U010_S004	10
		U010_S005	10
AE020232	PRESSURE ROLLER:DIA32	U010_S001	11
		U010_S002	11
		U010_S003	11
		U010_S004	11
		U010_S005	11
AE030099	BALL BEARING - 30X42X7	U010_S001	12
		U010_S002	12
		U010_S003	12
		U010_S004	12
		U010_S005	12
AE044073	STRIPPER PAWLS	U010_S001	13
		U010_S002	13
		U010_S003	13

Number	Part Name	Group	ID
		U010_S004	13
		U010_S005	13
AF020822	REGISTRATION ROLLER:DRIVE	U006	16
AF021089	REGISTRATION ROLLER:DRIVEN:DIA16	U006	17
AF033008	FRICTION PAD:10X50	U006	18
AF040588	EXIT ROLLER	U010	14
AH010010	RUBBER FOOT:H5	U015	18
AW010124	PHOTO REFLECTION SENSOR:GP2A200LCS0F	U001	6
AW010151	PHOTO REFLECTION SENSOR:PS122TL1-A	U003_S001	28
AW020198	PHOTOINTERRUPTOR:LG2A14NL1	U003_S001	29
		U004_S001	11
		U004_S002	11
		U004_S003	11
		U004_S004	11
		U004_S005	11
		U006	19
		U015	19
AW100164	THERMISTOR:FUSING	U010_S001	15
		U010_S002	15
		U010_S003	15
		U010_S004	15
		U010_S005	15
AW140026	TEMPERATURE & HUMIDITY SENSOR	U009	3
AW500039	ROTARY SWITCH:PAPER SIZE SENSOR:CW	U003_S001	30
AW500040	PUSH SWITCH:SW1AG-550:10MA	U014	17
AX040296	DC STEPPER MOTOR:NMB	U004_S001	12
		U004_S002	12
		U004_S003	12
		U004_S004	12
		U004_S005	12
AX201004	MAGNETIC CLUTCH:0.35N/M:Z51	U013	27
AX201012	ELECTROMAGNETIC CLUTCH:0.35NM:REVERSE EXIT	U013	28

## Exclusive Parts

Number	Part Name	Group	ID
AX201013	ELECTROMAGNETIC CLUTCH:0.35N/M:REVERSE	U013	29
AX201020	ELECTROMAGNETIC CLUTCH:PAPER FEED	U013	30
AX201022	ELECTROMAGNETIC CLUTCH:DUPLICATION	U013	31
AX202690	MAGNETIC CLUTCH:REGISTRATION	U006	20
AX640221	FAN:SIROCCO:DC24V:50MM	U015	20
AX640235	DC FAN MOTOR:MM60:25MM:PWM:4.2W	U015	21
AZ230290	(NA/TWN):POWER SUPPLY UNIT:154W	U014	18
AZ230291	(EU/AA/CHN):POWER SUPPLY UNIT:154W	U014	19
AZ320207	POWER PACK:CBTD:L	U014	20
B0392732	SPRING - PAPER FEED ROLLER	U006_S001	21
		U006_S002	21
		U006_S003	21
		U006_S004	21
		U006_S005	21
B0392739	SHAFT - JOINT	U006_S001	22
		U006_S002	22
		U006_S003	22
		U006_S004	22
		U006_S005	22
B0392740	PAPER FEED ROLLER	U006_S001	23
		U006_S002	23
		U006_S003	23
		U006_S004	23
		U006_S005	23
B0442717	PRESSURE SPRING	U006_S001	24
		U006_S002	24
		U006_S003	24
		U006_S004	24
		U006_S005	24
B0444154	EXIT SPRING	U010	16
B2232936	GEAR - 16Z	U006_S001	25

Number	Part Name	Group	ID
		U006_S002	25
		U006_S003	25
		U006_S004	25
		U006_S005	25
B3522650	MAGNET CATCH - 5N	U001	7
B6455020	SD-CARD:SERVICE:1GB:ASS'Y	SPECIAL TOOLS	3
B6455030	SD-CARD:SERVICE PARTS:2GB:ASS'Y	SPECIAL TOOLS	4
B8722421	BUSHING:FEED	U003_S001	31
B8722526	SPRING:ROLLER CLUTCH	U003_S001_S001	32
B8722529	COLLAR:PICKUP	U006	26
B8722614	BUSHING:R1	U003_S001	33
D0392823	COMPRESSION SPRING:SIDE FENCE:PLATE:FRONT	U006_S001_S001	27
		U006_S002_S001	27
		U006_S003_S001	27
		U006_S004_S001	27
		U006_S005_S001	27
D1171805	GEAR:TIMING PULLEY:81-18	U004_S001	13
		U004_S002	13
		U004_S003	13
		U004_S004	13
		U004_S005	13
D1171806	PULLEY:IDLER	U004_S001	14
		U004_S002	14
		U004_S003	14
		U004_S004	14
		U004_S005	14
D1171837	COIL SPRING:TENSION	U004_S001	15
		U004_S002	15
		U004_S003	15
		U004_S004	15
		U004_S005	15
D1172768	GEAR:SIDE FENCE	U012_S001_S001	12
D1172778	COMPRESSION SPRING:RACK:MANUAL FEED	U012_S001_S001	13
D1172779	PIN:PINION GEAR	U012_S001_S001	14
D1172781	COIL SPRING:PINION GEAR:MANUAL FEED	U012_S001_S001	15

## Exclusive Parts

Number	Part Name	Group	ID
D1172828	COMPRESSION SPRING:BASE:RISE:AUXILIARY	U006_S001	28
		U006_S002	28
		U006_S003	28
		U006_S004	28
		U006_S005	28
D1172846	RETAINING RINGS-E:SILENCER:DI A3	U006_S001	29
		U006_S002	29
		U006_S003	29
		U006_S004	29
		U006_S005	29
D1172858	ROLLER:PAPER TRAY:LEFT	U006_S001	30
		U006_S002	30
		U006_S003	30
		U006_S004	30
		U006_S005	30
D1174263	DECAL:H-TEMP WARNING:FUSING	U010_S001	17
		U010_S002	17
		U010_S003	17
		U010_S004	17
		U010_S005	17
D1274669	COMPRESSION SPRING:LEVER	U012_S001	16
D1491397	TORQUE LIMITER MECHANICAL CLUTCH:49MM:DI A14	U006	31
D1491553	SHEET:LOGO	U017	8
D1492666	GEAR:SIDE FENCE:MANUAL FEED TABLE	U003_S001	34
D1492667	RACK:MANUAL FEED	U003_S001	35
D1493343	COLLAR:TONER SUPPLY	U007	8
D1494731	COMPRESSION SPRING:RACK:MANUAL FEED	U003_S001	36
D1495883	KEYTOP:MAIN SWITCH	U001	8
D1495884	COMPRESSION SPRING:KEYTOP	U001	9
D1496851	(NA):DECAL:MAIN SWITCH:ON-STANDBY:ENGLISH	U017	9
D1496852	(EU/AA/CHN/TWN):DECAL:MAIN SWITCH:ON-STANDBY	U017	10
D1582568	COVER:PRESSURE PLATE:BASE:RISE	U006_S001	32
		U006_S002	32

Number	Part Name	Group	ID
		U006_S003	32
		U006_S004	32
		U006_S005	32
D1582576	STOPPER:SIDE FENCE:FRONT	U006_S001_S001	33
		U006_S002_S001	33
		U006_S003_S001	33
		U006_S004_S001	33
D1582579	SHAFT:BASE:RISE	U006_S001	34
		U006_S002	34
		U006_S003	34
		U006_S004	34
D1582593	COIL SPRING:STOPPER:SIDE FENCE:FRONT	U006_S001_S001	35
		U006_S002_S001	35
		U006_S003_S001	35
		U006_S004_S001	35
D1584109	DECAL:FUSING:GRIP	U010_S001	18
		U010_S002	18
		U010_S003	18
		U010_S004	18
D1775686	PCB:DCSW	U014	21
D1961485	IC:NFC_TAG:MN63Y3212NB	U017	27
D1966811	(AA):SHEET:LOGO:LAN	U017	11
D1966812	(AA):SHEET:LOGO:GES	U017	12
D2022382	SEAL:DISCHARGE LAMP	U008	9
D2023885	DENSITY SENSOR:AROUND THE PHOTOCONDUCTOR	U009	4
D2025185	PCB:DHB	U016_S001	5
		U016_S003	5
		U016_S005	5
		U016_S007	5
D2051028	BRACKET:BASE:POWER PACK:SUPLY	U007	9
D2051031	GRIP:MAIN:RIGHT	U015	22



## Exclusive Parts

Number	Part Name	Group	ID
D2051070	STOPPER:DUPLEX	U015	56
D2051080	INNER COVER:OPTICAL WRITING MD	U015	23
D2051081	TAPPING SCREW:3X5	U006	36
		U014	22
		U015	24
D2051104	HOLDER:FEELER:ADF:ON OFF DETECTOR	U015	25
D2051105	FEELER:ON OFF DETECTOR	U015	26
D2051106	TENSION SPRING:SENSOR:ON OFF DETECTOR	U015	27
D2051107	STAY:HINGE	U015	28
D2051108	GUIDE:HARNES:STAY:HINGE	U015	29
D2051111	HOLDER:HINGE:RIGHT	U015	30
D2051113	HOLDER:HINGE:LEFT:K	U015	31
D2051114	GROUND PLATE:HINGE	U015	32
D2051115	GUARD:HARNES:ELECTRICAL SUB-UNIT	U014	23
D2051121	DC BRUSHLESS MOTOR:MAIN:27W:ASSY	U013	32
D2051136	RECEIVE PLATE:JOINT:DEVELOPMENT	U013	33
D2051137	GEAR:JOINT:DEVELOPMENT:MAIN DRIVE SECTION	U013	34
D2051138	BRACKET:DEVELOPMENT:JOINT	U013	35
D2051141	TIGHTENER:SYNCHRONOUS BELT:DIA10	U013	36
D2051142	SHAFT:DRUM:DRIVE:ASSY	U013	37
D2051144	BRACKET:DRIVE:REAR	U013	38
D2051147	SHAFT:PAPER FEED ROLLER	U013	39
D2051148	SHAFT:DUPLEX:ELECTROMAGNETIC CLUTCH	U013	40
D2051149	BRACKET:DUPLEX:SWIVEL	U013	41
D2051151	BRACKET:DUPLEX:MANUAL FEED	U013	42
D2051152	SPRING PLATE:FUSING:SWIVEL:0.4MM	U013	43
D2051153	BRACKET:FUSING:SWIVEL	U013	44
D2051155	SHAFT:FUSING:NO.3	U013	45

Number	Part Name	Group	ID
D2051157	BRACKET:DC SOLENOID:DRIVE	U013	46
D2051158	DC SOLENOID:FUSING	U013	47
D2051201	COVER:FRONT	U001	10
D2051211	MAGNET CATCH:DOOR:FRONT	U001	11
D2051230	COVER:RIGHT UPPER	U001	12
D2051231	COVER:RIGHT LOWER:GRIP	U001	13
D2051240	COVER:LEFT	U001	14
D2051241	COVER:LEFT UPPER	U001	15
D2051243	COVER:MAIN SWITCH	U001	16
D2051245	COVER:MIDDLE UPPER:FUSING	U001	17
D2051250	COVER:REAR	U001	18
D2051251	COVER:REAR OUTER	U001	19
D2051252	COVER:REAR UPPER	U001	20
D2051260	INNER COVER	U001	21
D2051261	INNER COVER:SMALL	U001	22
D2051265	CAP:SMALL	U001	23
D2051355	DUCT:PCDU:UPPER FRONT	U015	33
D2051356	DUCT:REAR	U015	34
D2051357	FILTER:EXHAUST	U015	35
D2051358	DUCT:MAIN	U015	36
D2051359	DUCT:PCDU:FRONT:COVER	U015	37
D2051360	DUCT:PCDU:FRONT:BASE	U015	38
D2051361	DUCT:PCDU:REAR	U015	39
D2051366	DUCT:MAIN:UPPER	U015	40
D2051367	SEAL:DC FAN MOTOR:3MM	U015	41
D2051378	DUCT:PCDU:UPPER REAR:COVER	U015	42
D2051379	DUCT:PCDU:UPPER REAR:BASE	U015	43
D2051386	DUCT:FUSING:EXHAUST:BASE	U015	44
D2051387	DUCT:FUSING:EXHAUST:COVER	U015	45
D2051390	THERMISTOR	U015	46
D2051392	DEODORIZE FILTER	U015	47
D2051600	(EU/AA/CHN/TWN):SCANNER:ASSY	U004_S002	16
		U004_S003	16
		U004_S004	16
		U004_S005	16
D2051700	SYNCHRONOUS BELT:40S2M610	U004_S001	17
		U004_S002	17
		U004_S003	17

## Exclusive Parts

Number	Part Name	Group	ID
		U004_S004	17
		U004_S005	17
D2051703	FLANGE:TIMING PULLEY	U004_S001	18
		U004_S002	18
		U004_S003	18
		U004_S004	18
		U004_S005	18
D2051704	BRACKET:PULLEY:IDLER	U004_S001	19
		U004_S002	19
		U004_S003	19
		U004_S004	19
		U004_S005	19
D2051707	HOLDER:PULLEY:IDLER	U004_S001	20
		U004_S002	20
		U004_S003	20
		U004_S004	20
		U004_S005	20
D2051721	GUIDE:FFC	U004_S001	21
		U004_S002	21
		U004_S003	21
		U004_S004	21
		U004_S005	21
D2051731	SHEET:FFC	U004_S001	22
		U004_S002	22
		U004_S003	22
		U004_S004	22
		U004_S005	22
D2051732	SHEET:FB	U004_S001	23
		U004_S002	23
		U004_S003	23
		U004_S004	23
		U004_S005	23
D2051733	SHEET:DF	U004_S001	24
		U004_S002	24
		U004_S003	24
		U004_S004	24
		U004_S005	24
D2051736	COVER:MOTOR	U004_S001	25

Number	Part Name	Group	ID
		U004_S002	25
		U004_S003	25
		U004_S004	25
		U004_S005	25
D2051738	GUIDE ROD:SCANNER:DIA6	U004_S001	26
		U004_S002	26
		U004_S003	26
		U004_S004	26
		U004_S005	26
D2051739	STAY:GUIDE ROD:SCANNER	U004_S001	27
		U004_S002	27
		U004_S003	27
		U004_S004	27
		U004_S005	27
D2051748	SHEET:FFC	U004_S001	28
		U004_S002	28
		U004_S003	28
		U004_S004	28
		U004_S005	28
D2051760	(EU/AA/CHN/TWN):SCALE:LEFT:ASS'Y	U004_S002	29
		U004_S003	29
		U004_S004	29
		U004_S005	29
D2051766	(EU/AA/CHN/TWN):SCALE:INNER BACK:ASS'Y	U004_S002	30
		U004_S003	30
		U004_S004	30
		U004_S005	30
D2051769	COVER:SCANNER:FRONT	U004_S001	31
		U004_S002	31
		U004_S003	31
		U004_S004	31
		U004_S005	31
D2051770	SEAL:PREVENTFENCE	U004_S001	32
		U004_S002	32
		U004_S003	32
		U004_S004	32
		U004_S005	32
D2051780	CONTACT IMAGE SENSOR:ASS'Y	U004_S001	33

## Exclusive Parts

Number	Part Name	Group	ID
		U004_S002	33
		U004_S003	33
		U004_S004	33
		U004_S005	33
D2051784	CARRIAGE:ASS'Y	U004_S001	34
		U004_S002	34
		U004_S003	34
		U004_S004	34
D2051810	BRACKET:MOTOR:ASS'Y	U004_S001	35
		U004_S002	35
		U004_S003	35
		U004_S004	35
D2051817	COVER:GEAR	U004_S001	36
		U004_S002	36
		U004_S003	36
		U004_S004	36
D2051826	GEAR:SLOW DOWN:53-19	U004_S001	37
		U004_S002	37
		U004_S003	37
		U004_S004	37
D2051860	OPTICAL WRITING UNIT:ASS'Y	U005_S001	5
D2052001	ELECTRODE PLATE:TRANSFER	U015	48
D2052002	ELECTRODE PLATE:DISCHARGE	U015	49
D2052003	TERMINAL:DEVELOPMENT VIAS	U015	50
D2052008	SEAL:BIAS:DEVELOPMENT	U015	51
D2052009	SPRING:TERMINAL:CHARGE	U015	52
D2052249	PCU:ASS'Y	U008_S001	10
D2052383	DISCHARGE LAMP	U008	11
D2052402	DISCHARGE LAMP:PCL	U008	12
D2052501	END FENCE	U006_S001	38
		U006_S002	38
		U006_S003	38
		U006_S004	38
		U006_S005	38

Number	Part Name	Group	ID
D2052502	SHEET:PLATE:FRICTION PAD	U006_S001	39
		U006_S002	39
		U006_S003	39
		U006_S004	39
		U006_S005	39
D2052503	COIL SPRING:EARTH:TRAY BOTTOM PLATE	U006_S001	40
		U006_S002	40
		U006_S003	40
		U006_S004	40
		U006_S005	40
D2052504	(EU/AA/NA/TWN):PAPER TRAY:ASS'Y	U006_S001	37
		U006_S002	37
		U006_S003	37
		U006_S004	37
D2052506	JOINT:PAPER FEED ROLLER	U006_S001	41
		U006_S002	41
		U006_S003	41
		U006_S004	41
		U006_S005	41
D2052507	GROUND PLATE:PAPER FEED ROLLER	U006_S001	42
		U006_S002	42
		U006_S003	42
		U006_S004	42
		U006_S005	42
D2052508	SHAFT:PAPER FEED ROLLER	U006_S001	43
		U006_S002	43
		U006_S003	43
		U006_S004	43
		U006_S005	43
D2052513	PLATE:ROLLER:PAPER TRAY:RIGHT	U006_S001	44
		U006_S002	44
		U006_S003	44
		U006_S004	44
		U006_S005	44
D2052521	SIDE FENCE:FRONT:ASS'Y	U006_S001_S001	45
		U006_S002_S001	45
		U006_S003_S001	45
		U006_S004_S001	45

## Exclusive Parts

Number	Part Name	Group	ID
		U006_S005_S001	45
D2052522	SIDE FENCE:FRONT	U006_S001_S001	46
		U006_S002_S001	46
		U006_S003_S001	46
		U006_S004_S001	46
		U006_S005_S001	46
D2052524	TRAY BOTTOM PLATE	U006_S001	47
		U006_S002	47
		U006_S003	47
		U006_S004	47
		U006_S005	47
D2052526	PAPER DETECTOR	U006	49
D2052527	(EU/AA/NA/TWN):DECAL:SIDE FENCE:REAR	U006_S001_S002	50
		U006_S002_S002	50
		U006_S003_S002	50
		U006_S004_S002	50
D2052528	DECAL:PAPER SET DIRECTION:TRAY	U006_S001	51
		U006_S002	51
		U006_S003	51
		U006_S004	51
		U006_S005	51
D2052529	(EU/AA/NA/TWN):SIDE FENCE:REAR:ASS'Y	U006_S001_S002	52
		U006_S002_S002	52
		U006_S003_S002	52
		U006_S004_S002	52
D2052531	LEVER:RELEASE:PAPER TRAY:OUTER	U006_S001	53
		U006_S002	53
		U006_S003	53
		U006_S004	53
		U006_S005	53
D2052532	LEVER:RELEASE:PAPER TRAY:INNER	U006_S001	54
		U006_S002	54
		U006_S003	54
		U006_S004	54
		U006_S005	54
D2052533	TENSION SPRING:GRIP	U006_S001	55
		U006_S002	55
		U006_S003	55

Number	Part Name	Group	ID
		U006_S004	55
		U006_S005	55
D2052535	GRIP:PAPER TRAY	U006_S001	56
		U006_S002	56
		U006_S003	56
		U006_S004	56
		U006_S005	56
D2052537	BRACKET:PAPER DETECTOR	U006	57
D2052538	ROLLER:PAPER TRAY:DIA19	U006_S001	58
		U006_S002	58
		U006_S003	58
		U006_S004	58
		U006_S005	58
D2052539	CUSHION:PAPER DETECTOR:FEELE	U006	59
D2052541	LEVER:TRAY BOTTOM PLATE:RISE	U006_S001	60
		U006_S002	60
		U006_S003	60
		U006_S004	60
		U006_S005	60
D2052542	RACK:BASE:RISE	U006_S001	61
		U006_S002	61
		U006_S003	61
		U006_S004	61
		U006_S005	61
D2052543	PRESSURE PLATE:BASE:RISE	U006_S001	62
		U006_S002	62
		U006_S003	62
		U006_S004	62
		U006_S005	62
D2052544	BRACKET:PINION	U006_S001	63
		U006_S002	63
		U006_S003	63
		U006_S004	63
		U006_S005	63
D2052545	LEVER:BASE:RISE	U006_S001	64
		U006_S002	64
		U006_S003	64

## Exclusive Parts

Number	Part Name	Group	ID
		U006_S004	64
		U006_S005	64
D2052548	STOPPER:BASE:RISE	U006_S001	65
		U006_S002	65
		U006_S003	65
		U006_S004	65
		U006_S005	65
D2052551	DECAL:PAPER FEED:MULTI-LANG UAGE	U017	13
D2052552	FRICTION PAD	U006_S001	66
		U006_S002	66
		U006_S003	66
		U006_S004	66
		U006_S005	66
D2052554	SHEET:PAPER FEED SUB-UNIT	U006_S001	67
		U006_S002	67
		U006_S003	67
		U006_S004	67
		U006_S005	67
D2052555	COVER:PAPER TRAY	U006_S001	48
		U006_S002	48
		U006_S003	48
		U006_S004	48
		U006_S005	48
D2052568	TENSION SPRING:BASE:RISE	U006_S001	68
		U006_S002	68
		U006_S003	68
		U006_S004	68
		U006_S005	68
D2052590	(CHN):PAPER TRAY:ASS'Y	U006_S005	69
D2052591	STOPPER:TRAY BOTTOM PLATE: RISE	U006	70
D2052592	SUPPORTING PLATE:PAPER TRA Y	U006_S001	71
		U006_S002	71
		U006_S003	71
		U006_S004	71
		U006_S005	71
D2052611	COLLAR:PAPER FEED:FRONT	U006	72

Number	Part Name	Group	ID
D2052612	COLLAR:PAPER FEED:REAR	U006	73
D2052613	BUSHING:REGISTRATION:DRIVE: REAR	U006	74
D2052615	BUSHING:REGISTRATION:DRIVE:F RONT	U006	75
D2052616	GEAR:Z19:DRIVE:REGISTRATION	U006	76
D2052622	COMPRESSION SPRING:REGISTR ATION:15N	U006	77
D2052623	GROUND PLATE:REGISTRATION ROLLER:DRIVE	U012_S001	17
D2052625	GUIDE:REMOVE PAPER DUST	U006	78
D2052626	GROUND PLATE:REGISTRATION ROLLER:DRIVEN:REAR	U006	79
D2052627	BRACKET:REMOVE PAPER DUST	U006	80
D2052628	BRACKET:REGISTRATION SENSO R	U006	81
D2052629	PLAIN SHAFT BEARING:REGISTR ATION:FRONT	U006	82
D2052630	GEAR:Z19:DRIVEN:REGISTRATIO N	U006	83
D2052631	CASE:REMOVE PAPER DUST	U006	84
D2052632	GUIDE:REMOVE PAPER DUST:FR ONT	U006	85
D2052633	GUIDE:REMOVE PAPER DUST:RE AR	U006	86
D2052634	POSITIONING PLATE:REGISTRATI ON:FRONT	U006	87
D2052639	SHEET:GUIDE:VERTICAL TRANSP ORT	U006	88
D2052642	GUIDE PLATE:VERTICAL TRANSP ORT	U006	89
D2052643	RAIL:PAPER FEED:RIGHT	U006	90
D2052644	ROLLER:RAIL:RIGHT	U006	91
D2052645	CUSHION:GUIDE PLATE:VERTICA L TRANSPORT	U006	92
D2052646	SHEET:PAPER FEED UNIT:GUIDE	U006	93
D2052653	DECAL:H-TEMP WARNING:HEATE R	U016_S002	7
		U016_S004	7

## Exclusive Parts

Number	Part Name	Group	ID
		U016_S006	7
		U016_S008	7
		U016_S010	7
D2052654	HEAT SINK:HEATER:PEEN	U016_S002	15
		U016_S004	15
		U016_S006	15
		U016_S008	15
		U016_S010	15
D2052705	MANUAL FEED TABLE:ASS'Y	U012_S001_S001	18
D2052712	FEELER:PAPER END SENSOR:PAPER FEED	U006	94
D2052713	LINK:PAPER STOPPER	U006	95
D2052716	FEED ROLLER:DIA15.9	U006	97
D2052721	GUIDE PLATE:MANUAL FEED	U006	98
D2052722	COMPRESSION SPRING:LEVER	U006	99
D2052723	CUSHION:LOWER:MANUAL FEED	U015	53
D2052724	PAPER STOPPER	U006	96
D2052726	HOLDER:MANUAL FEED	U006	100
D2052731	HOLDER:PICKUP ROLLER	U006	101
D2052732	SHAFT:PICKUP	U006	102
D2052733	SHAFT:ASS'Y DRAWING	U006	103
D2052737	GROUND PLATE:SHAFT:MANUAL FEED UNIT	U006	104
D2052738	TENSION SPRING:PICKUP:MANUAL FEED UNIT	U006	105
D2052739	CUSHION:PICKUP ROLLER:MANUAL FEED	U006	106
D2052741	COVER:MANUAL FEED UNIT	U006	107
D2052751	COVER:MANUAL FEED TABLE	U012_S001_S001	19
D2052753	SIDE FENCE:FRONT:MANUAL FEED	U012_S001_S001	20
D2052754	SIDE FENCE:REAR:MANUAL FEED	U012_S001_S001	21
D2052755	RACK:SIDE FENCE	U012_S001_S001	22
D2052756	MANUAL FEED TABLE:EXTENSION TRAY	U012_S001_S001	23
D2052757	MANUAL FEED TABLE:EXTENSION TRAY:END FENCE	U012_S001_S001	24
D2052758	LINK:MANUAL FEED TABLE	U012_S001_S001	25

Number	Part Name	Group	ID
D2052759	COVER:MANUAL FEED UNIT:PAPER END	U006	108
D2052781	(EU/AA/NA/TWN):DECAL:SIDE FENCE:MANUAL FEED	U012	26
D2052782	(CHN):DECAL:SIDE FENCE:MANUAL FEED	U012	27
D2052784	DECAL:MANUAL FEED:SCALE:FRONT	U012_S001_S001	28
D2052785	DECAL:MANUAL FEED:SCALE:REAR	U012_S001_S001	29
D2052786	(CHN):DECAL:MANUAL FEED:FRONT	U012	30
D2052791	(EU/AA/NA/TWN):DECAL:MANUAL FEED:FRONT	U012	31
D2052792	DECAL:MANUAL FEED:REAR	U012_S001_S001	32
D2053212	PIPE:TONER SUPPLY:ASS'Y	U007_S002	10
D2053222	SHEET:BASE:TONER BOTTLE	U015	54
D2053251	BASE:TONER BOTTLE:1	U015	55
D2053310	HOLDER:TONER SUPPLY:ASS'Y	U007_S001	11
D2053321	BUSHING:DIA5XDIA10X6	U007	12
D2053341	BRACKET:DC MOTOR	U007	13
D2053344	GEAR:IDLER:TONER SUPPLY	U007	14
D2053346	DC MOTOR:TONER SUPPLY:ASS'Y	U007	15
D2053350	SHAFT:DRIVE SUB-UNIT:TONER SUPPLY	U007	21
D2053351	GEAR:DRIVE:TONER BOTTLE	U007	16
D2053352	GEAR:DRIVE:TRANSPORT SCREW:AUGER	U007	17
D2053353	GEAR:DRIVE:SHAFT	U007	18
D2053354	COLLAR:TONER SUPPLY:HOUSING	U007	19
D2053355	COMPRESSION SPRING:GEAR:DRIVE:TONER BOTTLE	U007	20
D2053361	COVER:TONER SUPPLY	U007	22
D2054042	(NA):HEATER:117V:860W:ASS'Y	U010_S001	19
D2054043	(EU/AA/CHN):HEATER:117V:860W:ASS'Y	U010_S002	20
		U010_S003	20
		U010_S004	20

## Exclusive Parts

Number	Part Name	Group	ID
D2054044	(TWN):HEATER:107V:860W:ASS'Y	U010_S005	21
D2054086	FRAME:PRESSURE	U010_S001	52
		U010_S002	52
		U010_S003	52
		U010_S004	52
		U010_S005	52
D2054090	HOLDER:HEATER:FRONT	U010_S001	22
		U010_S002	22
		U010_S003	22
		U010_S004	22
		U010_S005	22
D2054111	ELECTRODE PLATE:FRONT	U010_S001	23
		U010_S002	23
		U010_S003	23
		U010_S004	23
		U010_S005	23
D2054114	ELECTRODE PLATE:REAR	U010_S001	24
		U010_S002	24
		U010_S003	24
		U010_S004	24
		U010_S005	24
D2054115	BRACKET:THERMOSTAT	U010_S001	25
		U010_S002	25
		U010_S003	25
		U010_S004	25
		U010_S005	25
D2054116	FUSING ENTRANCE GUIDE PLATE	U010_S001	26
		U010_S002	26
		U010_S003	26
		U010_S004	26
		U010_S005	26
D2054117	DISCHARGE BRUSH:FUSING	U010_S001	27
		U010_S002	27
		U010_S003	27
		U010_S004	27
		U010_S005	27
D2054118	GROUND PLATE:FUSING	U010_S001	28
		U010_S002	28

Number	Part Name	Group	ID
		U010_S003	28
		U010_S004	28
		U010_S005	28
D2054119	GROUND PLATE:EXIT	U010_S001	29
		U010_S002	29
		U010_S003	29
		U010_S004	29
		U010_S005	29
D2054120	THERMOSTAT:ASS'Y	U010_S001	30
		U010_S002	30
		U010_S003	30
		U010_S004	30
		U010_S005	30
D2054129	LEVER:PRESSURE ROLLER:FRONT	U010_S001	31
		U010_S002	31
		U010_S003	31
		U010_S004	31
		U010_S005	31
D2054131	LEVER:PRESSURE ROLLER:REAR	U010_S001	32
		U010_S002	32
		U010_S003	32
		U010_S004	32
		U010_S005	32
D2054134	LEVER:PRESSURE RELEASE:FRONT:ASS'Y	U010_S001	33
		U010_S002	33
		U010_S003	33
		U010_S004	33
		U010_S005	33
D2054136	LEVER:PRESSURE RELEASE:REAR:ASS'Y	U010_S001	34
		U010_S002	34
		U010_S003	34
		U010_S004	34
		U010_S005	34
D2054163	GUIDE PLATE:PRESSURE:DUPLICATE	U010_S001	35
		U010_S002	35
		U010_S003	35
		U010_S004	35
		U010_S005	35

## Exclusive Parts

Number	Part Name	Group	ID
D2054166	TORSION SPRING:PRESSURE:REAR	U010_S001	36
		U010_S002	36
		U010_S003	36
		U010_S004	36
		U010_S005	36
D2054167	TORSION SPRING:PRESSURE:FRONT	U010_S001	37
		U010_S002	37
		U010_S003	37
		U010_S004	37
		U010_S005	37
D2054168	LEVER:LOCK:PRESSURE	U010_S001	38
		U010_S002	38
		U010_S003	38
		U010_S004	38
		U010_S005	38
D2054174	PLAIN SHAFT BEARING:PRESSURE ROLLER	U010_S001	39
		U010_S002	39
		U010_S003	39
		U010_S004	39
		U010_S005	39
D2054316	HEXAGONAL BOLT:DOUBLE SCREW:M3X12	U010	40
		U010_S001	40
		U010_S002	40
		U010_S003	40
		U010_S004	40
D2054408	PAPER FEED SENSOR	U010	41
D2054411	BRACKET:EXIT ROLLER:SIDE PLATE	U011	5
D2054413	SUPPORTING PLATE:EXIT:UPPER:GUIDE	U010	42
D2054415	STEPPED SCREW:M3:SECOND KIND:DRAWER	U010	43
		U012_S001	33
D2054418	ROLLER:MIDDLE:FUSING	U010	44
D2054420	GUIDE:UPPER:EXIT	U010	45
D2054422	ROLLER:REVERSE:EXIT	U011	6
D2054432	DISCHARGE BRUSH:EXIT:ASS'Y	U011	7
D2054453	HOUSING:EXTENSION TRAY	U001	24

Number	Part Name	Group	ID
D2054455	PAPER EXIT SUB-UNIT:EXTENSION TRAY:END FENCE	U001	25
D2054457	COVER:EXIT:INNER BACK	U001	26
D2054464	PAPER EXIT SUB-UNIT:EXTENSION TRAY	U001	27
D2054500	DUPLEX UNIT:ASS'Y	U012_S001	34
D2054638	PAWL:FUSING:RELEASE:FRONT	U012_S001	35
D2054639	PAWL:FUSING:RELEASE:REAR	U012_S001	36
D2054640	COVER:DUPLEX:RIGHT	U012_S001	37
D2054642	BRACKET:CONNECTING:ENTRANCE	U012_S001	38
D2054645	GUIDE PLATE:ENTRANCE:DUPLEX	U012_S001	39
D2054648	PHOTOINTERRUPTOR:DUPLEX:ENTRANCE	U012_S001	40
D2054649	PHOTOINTERRUPTOR:DUPLEX:EXIT	U012_S001	41
D2054650	GUIDE PLATE:DUPLEX:EXIT:UPPER	U012	42
D2054651	SHEET:EXIT:REGISTRATION:DUPLEX:FRONT	U012	43
D2054652	SHEET:EXIT:REGISTRATION:DUPLEX:REAR	U012	44
D2054653	GUIDE PLATE:DUPLEX:EXIT:LOWER	U012	45
D2054654	SHEET:EXIT:DUPLEX	U012	46
D2054655	GUIDE PLATE:DUPLEX:MIDDLE	U012_S001	47
D2054656	COMPRESSION SPRING:DUPLEX	U012_S001	48
D2054660	BRACKET:IDLER:PULLEY	U012_S001	49
D2054664	GEAR:IDLER:DUPLEX	U012_S001	50
D2054665	PULLEY:IDLER	U012_S001	51
D2054666	SYNCHRONOUS BELT:B138ST1.5-3.0	U012_S001	52
D2054667	TRANSPORT ROLLER:DRIVE:DUPLEX	U012_S001	53
D2054668	PULLEY:DRIVE ROLLER	U012_S001	54
D2054671	SHEET:EXIT:REGISTRATION:DUPLEX:RIGHT FRONT	U012	55



## Exclusive Parts

Number	Part Name	Group	ID
D2054672	SHEET:EXIT:REGISTRATION:DUPL EX:RIGHT REAR	U012	56
D2054675	LEVER:COVER	U012_S001	57
D2054680	SHAFT:HINGE:FRONT:DUPLEX	U012_S001	58
D2054681	SHAFT:HINGE:REAR:DUPLEX	U012_S001	59
D2054688	COVER:HARNESS:DUPLEX	U012_S001	60
D2054689	COVER:CONNECTOR:DUPLEX	U012_S001	61
D2054691	STOPPER:ARM:MAIN	U012_S001	62
D2054694	STOPPER:ARM:DUPLEX	U012_S001	63
D2054696	LINK:STOPPER:DUPLEX:FRONT	U012_S001	64
D2054697	TENSION SPRING:HINGE:DUPLEX	U012	65
D2054698	BRACKET:PROTECT:DUPLEX	U012_S001	66
D2055111	PCB:BICU:ASS'Y	U014	24
D2055132	PCB:DFRB2	U003_S001	37
D2055817	BRACKET:HDD	U014	26
D2055824	(NA/EU(SPF)/AA(SPF)/TWN):BRAC KET:FAX CONTROL UNIT	U014	27
D2055863	(NA/EU(SPF)/AA(SPF)/TWN):COVE R:CTL:FCU:FRONT	U014	28
D2055869	COVER:BICU:LEFT	U014	29
D2055870	BRACKET:INLET	U014	30
D2055881	COVER:TONER BOTTLE:GUIDE:FR ONT	U014	31
D2055882	GUIDE:HARNESS:REAR	U014	32
D2055883	COVER:TONER BOTTLE:GUIDE:R EAR	U014	33
D2055887	GUARD:HEAT SINKER	U014	34
D2055889	BRACKET:HEATER:BASE	U016_S001	8
		U016_S003	8
		U016_S005	8
		U016_S007	8
		U016_S009	8
D2055890	INNER COVER:EXIT	U014	35
D2055892	ARM:SAFETY SWITCH:ASS'Y	U014	36
D2055895	BRACKET:SAFETY SWITCH:FRON T	U014	37
D2055896	BRACKET:SAFETY SWITCH:RIGHT	U014	38
D2055898	COVER:SD-CARD	U014	39

Number	Part Name	Group	ID
D2055899	GROUND PLATE:PUSH SWITCH	U014	40
D2056250	TRANSFER/SEPARATION UNIT:AS S'Y	U009	5
D2056254	TERMINAL:DISCHARGE	U009	6
D2056255	TERMINAL:TRANSFER ROLLER	U009	7
D2056265	PLATE:LEVER:TRANSFER	U009	8
D2056267	LEVER:PRESSURE:TRANSFER:FR ONT	U009	9
D2056268	LEVER:PRESSURE:TRANSFER:RE AR	U009	10
D2056327	GUIDE:EXIT:TRANSFER	U009	11
D2056373	COMPRESSION SPRING:TRANSFE R ROLLER:20N	U009	12
D2056374	COMPRESSION SPRING:ENTRAN CE:3.3N	U009	13
D2056809	(EU/AA/NA):DECAL:MODEL NAME PLATE:RIC	U017	14
D2160014	ARDF:ASS'Y	U003_S001	38
D2161003	SHAFT:EXIT:DRIVEN	U003_S001	39
D2161006	HOLDER:CUSHION:PRESSURE PL ATE:ADF	U003_S001	40
D2161007	EXTENSION TRAY:EXIT:1	U003_S001	41
D2161008	EXTENSION TRAY:EXIT:2	U003_S001	42
D2161009	ROLLER:EXIT:DRIVEN	U003_S001	43
D2161010	HOLDER:COMPRESSION SPRING: EXIT ROLLER	U003_S001	44
D2161011	SEAL:REFLECTION POLARIZING P LATE:REGISTRATION SENSOR	U003_S001	45
D2161016	EXTENSION TRAY:EXIT:3	U003_S001	46
D2161017	SHEET:PRESSURE PLATE:CUSHI ON	U003_S001	47
D2161018	SHEET:GUIDE	U003_S001	48
D2161110	COMPRESSION SPRING:EXIT:DRI VEN	U003_S001	49
D2161115	HOLDER:GUIDE PLATE	U003_S001	50
D2161120	SHEET:BASE:2	U003_S001	51
D2161205	GEAR:PRESSURE RELEASE:SCAN NING	U003_S001	52

## Exclusive Parts

Number	Part Name	Group	ID
D2161206	GEAR:PRESSURE RELEASE:CONNECTING	U003_S001	53
D2161207	DIAL:PRESSURE RELEASE	U003_S001	54
D2161306	FIX STAND:HARNESS:GUIDE	U003_S001	55
D2161332	HINGE:DOCUMENT FEEDER:LEFT:K	U003_S001	56
D2161333	PARALLEL PIN:4X12	U003_S001	57
D2161335	HINGE:DOCUMENT FEEDER:RIGHT:K	U003_S001	58
D2161401	SHEET:SCANNING:FRONT LOWER	U003_S001	59
D2161402	STAY:SCANNING	U003_S001	60
D2161403	SHAFT:DRIVEN:SCANNING:1	U003_S001	61
D2161404	SHAFT:DRIVEN:SCANNING:2	U003_S001	62
D2161407	GUIDE PLATE:SCANNING:FRONT LOWER	U003_S001	63
D2161408	COMPRESSION SPRING:SCANNING:DRIVEN:1	U003_S001	64
D2161410	LEVER:DRIVEN:SCANNING	U003_S001	65
D2161411	COMPRESSION SPRING:SCANNING:DRIVEN:2	U003_S001	66
D2161412	SHEET:SCANNING	U003_S001	67
D2161501	SHAFT:PAPER FEED UNIT:ASS'Y	U003_S001_S001	68
D2162002	HOLDER:FRICTION PAD	U003_S001	69
D2162003	LEVER:PRESSURE RELEASE:SEPARATION	U003_S001	70
D2162005	COMPRESSION SPRING:SEPARATION	U003_S001	71
D2162052	DISCHARGE BRUSH:EXIT	U003_S001	72
D2162054	SPRING PLATE:DISCHARGE:EXPOSURE GLASS	U003_S001	73
D2162056	GROUND PLATE:EXIT:REAR	U003_S001	74
D2162057	GROUND PLATE:DCM	U003_S001	75
D2162058	GROUND PLATE:EXIT:REAR:SIDE	U003_S001	76
D2162060	BRACKET:REGISTRATION SENSOR	U003_S001	77
D2162061	DISCHARGE BRUSH:EXIT:MIDDLE	U003_S001	78
D2162069	GUIDE PLATE:TRANSPORT	U003_S001	173
D2162102	GUIDE PLATE:REVERSE	U003_S001	79

Number	Part Name	Group	ID
D2162151	TRANSPORT ROLLER:PULL OUT	U003_S001	80
D2162201	TRANSPORT ROLLER:SCANNING	U003_S001	81
D2162251	TRANSPORT ROLLER:EXIT ROLLER	U003_S001	82
D2162311	TRANSPORT ROLLER:REVERSE	U003_S001	83
D2162351	DISCHARGE BRUSH:L265	U003_S001	84
D2162355	GUIDE PLATE:SCANNING	U003_S001	85
D2162504	GEAR:ROLLER:EXIT	U003_S001	86
D2162521	GATE PAWL:REVERSE	U003_S001	87
D2162701	BRACKET:FEED:HARNESS	U003_S001	174
D2162994	BRACKET:HEAT SINK:SOLENOID	U003_S001	88
D2163002	COVER:PAPER FEED	U003_S001	89
D2163003	LEVER:COVER:PAPER FEED	U003_S001	90
D2163004	COVER:PAPER FEED:UPPER	U003_S001	91
D2163005	COVER:PAPER FEED:MIDDLE	U003_S001	92
D2163008	COMPRESSION SPRING:DRIVEN ROLLER:PULL OUT	U003_S001	93
D2163009	STOPPER:COVER:PAPER FEED	U003_S001	94
D2163010	DRIVEN ROLLER:PULL OUT	U003_S001	95
D2163012	FEELER:ORIGINAL SENSOR	U003_S001	96
D2163101	ROLLER:REVERSE:DRIVEN:2	U003_S001	97
D2163103	ORIGINAL TABLE	U003_S001	98
D2163104	COVER:ORIGINAL TABLE	U003_S001	99
D2163114	EXTENSION TRAY:ORIGINAL TABLE	U003_S001	100
D2163120	SPRING PLATE:REVERSE:PRESSURE:0.22N	U003_S001	101
D2163125	PLATE:SPRING PLATE	U003_S001	102
D2163187	SIDE FENCE:INNER BACK	U003_S001	103
D2163188	SIDE FENCE:FRONT	U003_S001	104
D2163201	COVER:REAR	U003_S001	105
D2163301	COVER:FRONT	U003_S001	106
D2163302	COVER:FRONT:DIAL	U003_S001	107
D2163400	BRACKET:HARNESS:ORIGINAL TABLE	U003_S001	108
D2164131	BUSHING:REVERSE	U003_S001	109
D2164910	PRESSURE PLATE	U003	110
D2166002	(EU/AA/NA):DECAL:ORIGINAL TABLE	U017	15

## Exclusive Parts

Number	Part Name	Group	ID
	LE:MANY LANGUAGES		
D2166018	(CHN/TWN):DECAL:ORIGINAL TABLE	U017	16
D2166021	DECAL:SIZE:ORIGINAL	U003_S001	111
D2166023	(TWN):DECAL:CAUTION:ORIGINAL	U017	17
D2166024	(CHN):DECAL:CAUTION:ORIGINAL	U017	18
D2166026	(EU/AA/NA):DECAL:CAUTION:ORIGINAL:MANY LANGUAGES	U017	19
D2166041	DECAL:SIDE FENCE	U003_S001	112
D2166051	DECAL:CAUTION:EXTENSION TRAY:ORIGINAL TABLE	U003_S001	113
D2166053	DECAL:ADF:KNOB:DESIGN SKETCH	U003_S001	114
D2557798	DECAL:BLUETOOTH:CHEETAH-G2	U017	28
D2590508	PCB:DHB:ASS'Y	U016_S001	12
		U016_S003	12
		U016_S005	12
		U016_S007	12
		U016_S009	12
D2591200	COVER:HINGE:LEFT	U001	28
D2591201	COVER:HINGE:RIGHT	U001	29
D2591212	COVER:FRONT UPPER	U001	30
D2591213	COVER:FRONT UPPER:MIDDLE	U001	31
D2591421	COVER:HINGE:OPERATION SUB-UNIT	U002	7
D2591432	(CHN):OPERATION SUB-UNIT:ASS'Y	U002_S005	6
D2591446	(EU/AA/NA/TWN):OPERATION SUB-UNIT:ASS'Y	U002_S001	9
		U002_S002	9
		U002_S003	9
		U002_S004	9
D2591617	(NA):SCANNER:ASS'Y	U004_S001	38
D2591760	(NA):SCALE:LEFT:ASS'Y	U004_S001	39
D2591766	(NA):SCALE:INNER BACK:ASS'Y	U004_S001	40
D2592881	(NA/TWN):HEAT SINK:HEATER:ASS'Y	U016_S002	13
		U016_S006	13
D2592885	(NA/TWN):HEATER:120V:SUB-ASS'Y	U016_S002_S001	18
		U016_S006_S001	18

Number	Part Name	Group	ID
D2592891	(EU/AA/CHN):HEAT SINK:HEATER:ASS'Y	U016_S004	10
		U016_S008	10
		U016_S010	10
D2594050	(TWN):FUSING UNIT:ASS'Y	U010_S005	48
D2594058	(NA):FUSING UNIT:INDIVIDUAL PACKAGING:ASS'Y	U010_S001	46
D2594059	(EU/AA/CHN):FUSING UNIT:INDIVIDUAL PACKAGING:ASS'Y	U010_S002	47
		U010_S003	47
		U010_S004	47
D2594451	TRAY:EXIT	U001	32
D2594452	DIFFUSION PLATE:LED	U001	33
D2594453	HOLDER:LED	U001	34
D2594454	LED:BLUE:MINICT	U001	35
D2595619	PCB:CTL:SUB-ASS'Y	U014	48
D2596801	(CHN):DECAL:MODEL NAME PLATE:RIC	U017	20
D2596802	(TWN):DECAL:MODEL NAME PLATE:RIC	U017	21
D2596813	(EU/AA/NA):DECAL:CAUTION:ORIGINAL:ENGLISH	U017	22
D2596814	(CHN):DECAL:CAUTION:ORIGINAL	U017	23
D2596815	(TWN):DECAL:CAUTION:ORIGINAL	U017	24
D2599590	NVRAM	U014	41
D3B35606	(NA):KIT:FCU	U014	51
D3B35607	(EU(SPF)/AA(SPF)):KIT:FCU	U014	49
D3B35608	(TWN):KIT:FCU	U014	50
D3B61500	PAPER FEED UNIT:ASS'Y	U003_S001_S001	115
D3B61503	PICKUP ROLLER	U003_S001_S001	175
D3B61504	SHAFT:PICKUP	U003_S001_S001	116
D3B61505	HOLDER:PICKUP ROLLER	U003_S001_S001	117
D3B61506	GEAR:PICKUP	U003_S001_S001	176
D3B61507	COLLAR:PICKUP	U003_S001_S001	177
D3B62008	PAD:PICKUP	U003_S001	118
D3B62009	GUIDE PLATE:PAPER FEED	U003_S001	119
D3B62061	GROUND PLATE:REGISTRATION SENSOR	U003_S001	120
D3B62995	HEAT SINK:SOLENOID	U003_S001	121
D3B63011	TORSION SPRING:COVER:PAPER	U003_S001	122

## Exclusive Parts

Number	Part Name	Group	ID
	FEED:FRONT		
D3B63012	TORSION SPRING:COVER:PAPER FEED:REAR	U003_S001	123
D3B63013	PAWL:COVER:PAPER FEED	U003_S001	124
D3B63502	STOPPER:ORIGINAL TABLE	U003_S001	125
D3B64111	SHAFT:PAPER FEED:COUPLING	U003_S001	126
D3B64124	COLLAR:REVERSE	U003_S001	127
D3B64400	DC SOLENOID:24V:REVERSE:ASS'Y	U003_S001	128
D6060028	SCREW:HINGE	U003	129
D6061116	CUSHION:PRESSURE PLATE	U003_S001	130
D6061415	ROLLER:DRIVEN:SCANNING	U003_S001	131
D6062111	FEED ROLLER	U003_S001_S001	132
D6062113	PICKUP ROLLER	U006	109
D6062115	TORQUE LIMITER MECHANICAL CLUTCH:FEED	U003_S001_S001	133
D6062116	GEAR:FEED	U003_S001_S001	134
		U006	110
D6062117	GEAR:IDLER:FEED	U003_S001_S001	135
		U006	111
D6062118	GEAR:PICKUP	U006	112
D6062119	ARM:PAPER STOPPER	U003_S001_S001	136
D6062120	PAPER STOPPER	U003_S001_S001	137
D6062121	LINK:PAPER STOPPER	U003_S001_S001	138
D6063112	FRICTION PAD	U003_S001	139
D6063115	ROLLER:SEPARATION	U003_S001	140
D6063117	TENSION SPRING:PRESSURE RELEASE:SEPARATION:4.5N	U003_S001	141
D6063118	SHEET:SEPARATION	U003_S001	142
D6063119	CUSHION:SEPARATION	U003_S001	143
D6063211	SPRING PLATE:GUIDE:EXPOSURE GLASS:INNER BACK	U003_S001	144
D6063214	CUSHION:CORE	U003_S001	145
D6063215	SPRING PLATE:GUIDE:EXPOSURE GLASS:FRONT	U003_S001	146
D6064110	TORQUE LIMITER:REVERSE ROLLER	U003_S001	147
D6064112	GEAR:IDLER:SEPARATION SUB-U	U003_S001	148

Number	Part Name	Group	ID
	NIT		
D6064113	GEAR:IDLER:PULL OUT	U003_S001	149
D6064114	GEAR:IDLER:NO.4	U003_S001	150
D6064115	GEAR:SLOW DOWN:MOTOR	U003_S001	151
D6064116	GEAR:SLOW DOWN:SCANNING	U003_S001	152
D6064117	GEAR:SLOW DOWN:EXIT	U003_S001	153
D6064118	GEAR:SLOW DOWN:PULL OUT	U003_S001	154
D6064119	GEAR:ROLLER:PULL OUT	U003_S001	155
D6064122	GEAR:IDLER:MECHANICAL ROLLER CLUTCH:UPPER POSITION	U003_S001	156
D6064123	GEAR:IDLER:MECHANICAL ROLLER CLUTCH:LOWER	U003_S001	157
D6064125	ARM:SWIVEL:REVERSE	U003_S001	158
D6064126	GEAR:SWIVEL:CONTACT POINT:REVERSE	U003_S001	159
D6064127	GEAR:SWIVEL:REVERSE	U003_S001	160
D6064128	LEVER:GATE PAWL	U003_S001	161
D6064132	TENSION SPRING:GATE PAWL:REVERSE	U003_S001	162
D6064150	MECHANICAL SPRING CLUTCH:PAPER FEED:ASS'Y	U003_S001	163
D6064310	BRACKET:DRIVE	U003_S001	164
D6064370	DC MOTOR:S:ASS'Y	U003_S001	165
D6495060	(NA/EU(SPF)/AA(SPF)/TWN):SPEAKER:D649	U014	45
D6555350	(NA):MODULER CORD:CORE	U017_S001	25
D6843731	LEVER:EXIT	U003_S001	166
D7942513	SENSOR COVER:PHOTOINTERRUPTOR:PAPER FEED UNIT	U003_S001	167
G0143291	SNAP RING - PICK UP	U013	48
G0294140	EXTERNAL CIRCLIP	U010_S001	49
		U010_S002	49
		U010_S003	49
		U010_S004	49
		U010_S005	49
G0524618	BEARING 30X42X7	U010_S001	50
		U010_S002	50
		U010_S003	50

## Exclusive Parts

Number	Part Name	Group	ID
		U010_S004	50
		U010_S005	50
G0602641	TRANSPORT DRIVEN ROLLER - MID DLE	U012_S001	67
G5701540	RUBBER FOOT H=10	U004_S001	41
		U004_S002	41
		U004_S003	41
		U004_S004	41
		U004_S005	41
G8327900	SCREW:SPRING WASHER:ROUND POINT:M4X10	U016	11
GA082010	BUSHING:DIA6:DIA10:9	U003_S001	168
GW010007	PHOTO REFLECTION SENSOR:EXIT	U006	113
GW010011	ORIGINAL SENSOR:31MM	U004_S001	42
		U004_S002	42
		U004_S003	42
		U004_S004	42
		U004_S005	42
GX110024	DC SOLENOID:MECHANICAL SPRING CLUTCH:PAPER FEED UNIT	U003_S001	169
M1011301	PLATE:LOGO:RIC	U017	26
M1874102	FLAT NUT:FRAME	U010_S001	51
		U010_S002	51
		U010_S003	51
		U010_S004	51
		U010_S005	51
M3641387	BRACKET:PRESSURE PLATE	U003_S001	170
M3642124	COMPRESSION SPRING:PAPER FEED UNIT	U003_S001_S001	171
M3644821	TAPE:PRESSURE PLATE:LEFT	U003_S001	172
M4445201	HDD:320GB:AQUARIUS	U014	46
Note	See 2D parts catalog for the components of the Smart Operation Panel.	U002_S001	8
		U002_S002	8
		U002_S003	8
		U002_S004	8
		U002_S005	8
VSSG9006	Grease G-1077	SPECIAL TOOLS	5

## Standard Parts



03530040N  
SCREW - M3X4



03530060N  
BIND SCREW - M3X6



03603006N  
SCREW - M3X6



03603008N  
SCREW:M3X8



04503020N  
TAPPING SCREW:M3X20



04504008N  
TAPPING SCREW - M4X8



04504012N  
TAPPING SCREW:4X12



04513006N  
TAPPING SCREW - 3X6



04513014N  
TAPPING SCREW:3X14



04533006N  
(NA/EU(SPF)/AA(SPF)/TWN):  
TAPPING SCREW - M3X6



04533008N  
BINDING SELF TAPPING SC  
REW:3X8



04543006N  
TAPPING SCREW:ROUND P  
OINT:3X6



04543006Q  
TAPPING SCREW - M3X6



04543008N  
TAPPING SCREW:ROUND P  
OINT:3X8



04543008Q  
TAPPING SCREW:3X8



04583008N  
HEXAGON HEAD TAPPING S  
CREW:3X8



04583010N  
HEXAGON HEAD TAPPING S  
CREW:3X10



04593010N  
BINDING HEAD TAPPING SC  
REW:3X10



06320080G  
PARALLEL KEY - 2X8MM



06320120G  
PARALLEL PIN - 2X12



07074060N  
BUSHING:DIA4X6



07200025E  
RETAINING RING - M2.5



07200030E  
RETAINING RING - M3



07200040E  
RETAINING RING - M4



07200060E  
RETAINING RING - M6



08010240  
BINDING HEAD SCREW:M2.6  
X4



08046123  
HEXAGONAL BOLT:W/WASH  
ER:M3X8



08050103  
RETAINING RINGS-E:SILENC  
ER:DIA3

## Standard Parts



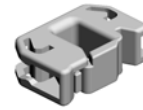
08050104  
RETAINING RINGS-E:SILENC  
ER:DIA4



08050106  
RETAINING RINGS-E:SILENC  
ER:DIA6



11050529  
NYLON CLAMP-EMT-3N



11050692  
CLAMP:LES-0503



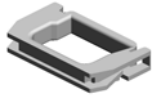
11050713  
CLAMP:LWSM-0306H GRAY



11050721  
CLAMP:LES-1808



11050723  
CLAMPS:WES-0507



11050724  
CLAMPS:WES-1210



11050758  
CLAMP:LWSM-0306A



11050759  
CLAMP:LWSM-0605A



11050760  
CLAMP:LWSM-0511A



11050761  
CLAMP:LWS-0511A



11050762  
CLAMP:LWS-0711A



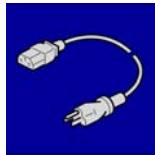
11050763  
CLAMP:LWS-1211A



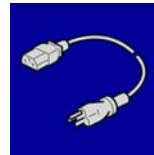
11060911  
BUSHING:SB-1909



11060924  
BUSHING:JKR-40



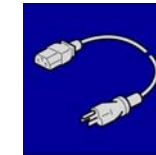
11500440  
(NA):POWER SUPPLY CODE:  
120V:15A



11500441  
(EU/AA):POWER SUPPLY CO  
DE:250V:10A



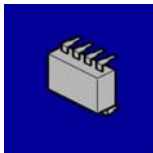
11500442  
(CHN):POWER SUPPLY COD  
E:250V:10A



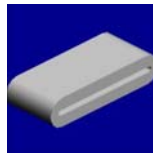
11500443  
(TWN):POWER SUPPLY COD  
E:125V:15A



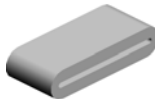
12042612  
MICRO SWITCH:D3V-16506-3  
C25



14077677  
EEPROM:BR24T64-W



16072251  
(NA/EU(SPF)/AA(SPF)/TWN):  
FERRITE CORE:K3 NF-75(N)  
BK0



16072525  
FERRITE CORE:K3 FF 35.00X  
14.60X7.70X1.40

## PM Part List

Number	Part Name	Num	Group	ID
D2052249	PCU:ASS'Y	1	U008_S001	10
D3B61503	PICKUP ROLLER	1	U003_S001_S001	175



## Design Change List

Number	Title	Set	Old Part		New Part		Index No.		Q'ty	Interchg		Reason	Cut-in S/N
			P/N	Name	P/N	Name	Group	ID		Indiv.	Set		
201808-01	1808 Modification	-	D2595083	(NA/TWN):HEATER:ADHESION			U016_S002	9	1	O/O		New part number D2592881,Int O/O	
			D2595083	(NA/TWN):HEATER:ADHESION			U016_S006	9	1	O/O			
201807-01	1807 Modification	-	D3B35601	(NA):FCU	D3B35606	(NA):KIT:FCU	U014	51	1	X/O			
201807-02	1807 Modification	-			D3B61503	PICKUP ROLLER	U003_S001_S001	175	1				
201807-03	1807 Modification	-			D3B61506	GEAR:PICKUP	U003_S001_S001	176	1				
201807-04	1807 Modification	-			D3B61507	COLLAR:PICKUP	U003_S001_S001	177	1				
201806-01	1806 Modification	-	D2591431	(EU/AA/NA/TWN):OPERATION SUB-UNIT:ASS'Y	D2591446	(EU/AA/NA/TWN):OPERATION SUB-UNIT:ASS'Y	U002_S001	9	1	O/O			
			D2591431	(EU/AA/NA/TWN):OPERATION SUB-UNIT:ASS'Y	D2591446	(EU/AA/NA/TWN):OPERATION SUB-UNIT:ASS'Y	U002_S002	9	1	O/O			
			D2591431	(EU/AA/NA/TWN):OPERATION SUB-UNIT:ASS'Y	D2591446	(EU/AA/NA/TWN):OPERATION SUB-UNIT:ASS'Y	U002_S003	9	1	O/O			
			D2591431	(EU/AA/NA/TWN):OPERATION SUB-UNIT:ASS'Y	D2591446	(EU/AA/NA/TWN):OPERATION SUB-UNIT:ASS'Y	U002_S004	9	1	O/O			
201806-02	1806 Modification	-	D3B35604	(TWN):KIT:FCU	D3B35608	(TWN):KIT:FCU	U014	50	1	X/O			
201805-01	1805 Modification	-	D3B35602	(EU(SPF)/AA(SPF)):FCU	D3B35607	(EU(SPF)/AA(SPF)):KIT:FCU	U014	49	1	X/O			
			D3B35602	(EU(SPF)/AA(SPF)):FCU	D3B35607	(EU(SPF)/AA(SPF)):KIT:FCU	U014	49	1	X/O			
201803-01	1803 Modification	-	D2055614	PCB:CTL:SUB-ASS'Y	D2595619	PCB:CTL:SUB-ASS'Y	U014	48	1	O/O			

## Design Change List

Number	Title	Set	Old Part		New Part		Index No.		Q'ty	Interchg		Reason	Cut-in S/N
			P/N	Name	P/N	Name	Group	ID		Indiv.	Set		
		-	D2055614	PCB:CTL:SUB-AS S'Y	D2595619	PCB:CTL:SUB-AS S'Y	U014	48	1	O/O			
		-	D2055614	PCB:CTL:SUB-AS S'Y	D2595619	PCB:CTL:SUB-AS S'Y	U014	48	1	O/O			
		-	D2055614	PCB:CTL:SUB-AS S'Y	D2595619	PCB:CTL:SUB-AS S'Y	U014	48	1	O/O			
		-	D2055614	PCB:CTL:SUB-AS S'Y	D2595619	PCB:CTL:SUB-AS S'Y	U014	48	1	O/O			
201803-02	1803 Modification	-			D2051070	STOPPER:DUPL EX	U015	56	2				
201801-01	1801 Modification	-			D2592885	(NA/TWN):HEATE R:120V:SUB-ASS' Y	U016_S002 _S001	18	1				
		-			D2592885	(NA/TWN):HEATE R:120V:SUB-ASS' Y	U016_S006 _S001	18	1				
201710-01	1710 Modification	-	D2055612	PCB:CTL:SUB-AS S'Y	D2055614	PCB:CTL:SUB-AS S'Y	U014	47	1	O/O			
		-	D2055612	PCB:CTL:SUB-AS S'Y	D2055614	PCB:CTL:SUB-AS S'Y	U014	47	1	O/O			
		-	D2055612	PCB:CTL:SUB-AS S'Y	D2055614	PCB:CTL:SUB-AS S'Y	U014	47	1	O/O			
		-	D2055612	PCB:CTL:SUB-AS S'Y	D2055614	PCB:CTL:SUB-AS S'Y	U014	47	1	O/O			
		-	D2055612	PCB:CTL:SUB-AS S'Y	D2055614	PCB:CTL:SUB-AS S'Y	U014	47	1	O/O			
201710-02	1710 Modification	-			AC015064	SHIELD GLASS	U005_S001	6	1				
201709-01	1709 Modification	-			D2162701	BRACKET:FEED: HARNESS	U003_S001	174	1				
201706-01	1706 Modification	-			D2054086	FRAME:PRESSU	U010_S001	52	1				

## Design Change List

Number	Title	Set	Old Part		New Part		Index No.		Q'ty	Interchg		Reason	Cut-in S/N
			P/N	Name	P/N	Name	Group	ID		Indiv.	Set		
		-				RE	U010_S002	52	1				
							U010_S003	52	1				
							U010_S004	52	1				
							U010_S005	52	1				
201705-01	1705 Modification	-	D2052500	(EU/AA/NA/TWN): PAPER TRAY:AS S'Y	D2052504	(EU/AA/NA/TWN): PAPER TRAY:AS S'Y	U006_S001	37	1	O/O			
			D2052500	(EU/AA/NA/TWN): PAPER TRAY:AS S'Y	D2052504	(EU/AA/NA/TWN): PAPER TRAY:AS S'Y	U006_S002	37	1	O/O			
			D2052500	(EU/AA/NA/TWN): PAPER TRAY:AS S'Y	D2052504	(EU/AA/NA/TWN): PAPER TRAY:AS S'Y	U006_S003	37	1	O/O			
			D2052500	(EU/AA/NA/TWN): PAPER TRAY:AS S'Y	D2052504	(EU/AA/NA/TWN): PAPER TRAY:AS S'Y	U006_S004	37	1	O/O			
201704-01	1704 Modification	-	AX400242	HEATER:120V:7 W			U016_S002	14	1				
							U016_S006	14	1				
201702-01	1702 Modification	-	D2053356	SHAFT:DRIVE S UB-UNIT:TONER SUPPLY	D2053350	SHAFT:DRIVE S UB-UNIT:TONER SUPPLY	U007	21	1	X/O			
201702-02	1702 Modification	-	AX400243	HEATER:230V:7 W			U016_S004	17	1	O/O		New part number: D2592891,Int:o/o	
			AX400243	HEATER:230V:7 W			U016_S008	17	1	O/O			
			AX400243	HEATER:230V:7 W			U016_S010	17	1	O/O			
201701-01	1701 Modification	-	D2055611	PCB:CTL:SUB-AS	D2055612	PCB:CTL:SUB-AS	U014	25	2	X/O			

## Design Change List

Number	Title	Set	Old Part		New Part		Index No.		Q'ty	Interchg		Reason	Cut-in S/N
			P/N	Name	P/N	Name	Group	ID		Indiv.	Set		
		-		S'Y		S'Y							
			D2055611	PCB:CTL:SUB-AS S'Y	D2055612	PCB:CTL:SUB-AS S'Y	U014	25	1	X/O			
			D2055611	PCB:CTL:SUB-AS S'Y	D2055612	PCB:CTL:SUB-AS S'Y	U014	25	1	X/O			
			D2055611	PCB:CTL:SUB-AS S'Y	D2055612	PCB:CTL:SUB-AS S'Y	U014	25	1	X/O			
201611-01	1611 Modification	-	D2162301	TRANSPORT RO LLER:REVERSE	D2162311	TRANSPORT RO LLER:REVERSE	U003_S001	83	1	X/O			
201611-02	1611 Modification	-	D2052525	COVER:PAPER T RAY	D2052555	COVER:PAPER T RAY	U006_S001	48	1	X/O			
							U006_S002	48	1				
							U006_S003	48	1				
							U006_S004	48	1				
							U006_S005	48	1				
201611-03	1611 Modification	-			D1961485	IC:NFC_TAG:MN 63Y3212NB	U017	27	1				
201611-04	1611 Modification	-			D2557798	DECAL:BLUETO OTH:CHEETAH- G2	U017	28	1				
201611-05	1611 Modification	-	D2162051	GUIDE PLATE:TR ANSPORT	D2162069	GUIDE PLATE:TR ANSPORT	U003_S001	173	1	X/O			
201610-01	1610 Modification	-	D2595080	(NA/TWN):HEATE R:ADHESION			U016_S002	9	1	X/O			
			D2595080	(NA/TWN):HEATE R:ADHESION			U016_S006	9	1	X/O			
201609-01	1609 Modification	-	D2052248	PCU:ASS'Y	D2052249	PCU:ASS'Y	U008_S001	10	1	O/O			
201608-01	1608 Modification	-	D1495686	PCB:DCSW	D1775686	PCB:DCSW	U014	21	1	O/O			
201608-02	1608 Modification	-	AX040292	DC STEPPER M OTOR:NMB	AX040296	DC STEPPER M OTOR:NMB	U004_S001	12	1	X/O			
			AX040292	DC STEPPER M	AX040296	DC STEPPER M	U004_S002	12	1	X/O			

## Design Change List

Number	Title	Set	Old Part		New Part		Index No.		Q'ty	Interchg		Reason	Cut-in S/N
			P/N	Name	P/N	Name	Group	ID		Indiv.	Set		
		-		OTOR:NMB		OTOR:NMB							
			AX040292	DC STEPPER M OTOR:NMB	AX040296	DC STEPPER M OTOR:NMB	U004_S003	12	1	X/O			
			AX040292	DC STEPPER M OTOR:NMB	AX040296	DC STEPPER M OTOR:NMB	U004_S004	12	1	X/O			
			AX040292	DC STEPPER M OTOR:NMB	AX040296	DC STEPPER M OTOR:NMB	U004_S005	12	1	X/O			
201608-03	1608 Modification	-	D2162511	GATE PAWL:REV ERSE	D2162521	GATE PAWL:REV ERSE	U003_S001	87	1	X/O			
201608-04	1608 Modification	-	D3B35603	(TWN):FCU	D3B35604	(TWN):KIT:FCU	U014	44	1	X/O			
201607-01	1607 Modification	-			D2592881	(NA/TWN):HEAT SINK:HEATER:A SS'Y	U016_S002	13	1				
					D2592881	(NA/TWN):HEAT SINK:HEATER:A SS'Y	U016_S006	13	1				
201606-01	1606 Modification	-	D2051814	COVER:GEAR	D2051817	COVER:GEAR	U004_S001	36	1	O/O			
							U004_S002	36	1				
							U004_S003	36	1				
							U004_S004	36	1				
							U004_S005	36	1				
201606-02	1606 Modification	-	D2054133	LEVER:PRESSU RE RELEASE:FR ONT:ASS'Y	D2054134	LEVER:PRESSU RE RELEASE:FR ONT:ASS'Y	U010_S001	33	1	X/O			
			D2054133	LEVER:PRESSU RE RELEASE:FR ONT:ASS'Y	D2054134	LEVER:PRESSU RE RELEASE:FR ONT:ASS'Y	U010_S002	33	1	X/O			
			D2054133	LEVER:PRESSU RE RELEASE:FR ONT:ASS'Y	D2054134	LEVER:PRESSU RE RELEASE:FR ONT:ASS'Y	U010_S003	33	1	X/O			

## Design Change List

Number	Title	Set	Old Part		New Part		Index No.		Q'ty	Interchg		Reason	Cut-in S/N
			P/N	Name	P/N	Name	Group	ID		Indiv.	Set		
		-	D2054133	LEVER:PRESSURE RELEASE:FRONT:ASS'Y	D2054134	LEVER:PRESSURE RELEASE:FRONT:ASS'Y	U010_S004	33	1	X/O			
		-	D2054133	LEVER:PRESSURE RELEASE:FRONT:ASS'Y	D2054134	LEVER:PRESSURE RELEASE:FRONT:ASS'Y	U010_S005	33	1	X/O			
201606-03	1606 Modification	-	D2054135	LEVER:PRESSURE RELEASE:REAR:ASS'Y	D2054136	LEVER:PRESSURE RELEASE:REAR:ASS'Y	U010_S001	34	1	X/O			
		-	D2054135	LEVER:PRESSURE RELEASE:REAR:ASS'Y	D2054136	LEVER:PRESSURE RELEASE:REAR:ASS'Y	U010_S002	34	1	X/O			
		-	D2054135	LEVER:PRESSURE RELEASE:REAR:ASS'Y	D2054136	LEVER:PRESSURE RELEASE:REAR:ASS'Y	U010_S003	34	1	X/O			
		-	D2054135	LEVER:PRESSURE RELEASE:REAR:ASS'Y	D2054136	LEVER:PRESSURE RELEASE:REAR:ASS'Y	U010_S004	34	1	X/O			
		-	D2054135	LEVER:PRESSURE RELEASE:REAR:ASS'Y	D2054136	LEVER:PRESSURE RELEASE:REAR:ASS'Y	U010_S005	34	1	X/O			
201606-04	1606 Modification	-	D2591411	(EU/AA/NA/TWN): OPERATION PANEL:ASS'Y	D2591431	(EU/AA/NA/TWN): OPERATION SUB-UNIT:ASS'Y	U002	5	1	X/O			
		-	D2591411	(EU/AA/NA/TWN): OPERATION PANEL:ASS'Y	D2591431	(EU/AA/NA/TWN): OPERATION SUB-UNIT:ASS'Y	U002	5	1	X/O			
		-	D2591411	(EU/AA/NA/TWN): OPERATION PANEL:ASS'Y	D2591431	(EU/AA/NA/TWN): OPERATION SUB-UNIT:ASS'Y	U002	5	1	X/O			

## Design Change List

Number	Title	Set	Old Part		New Part		Index No.		Q'ty	Interchg		Reason	Cut-in S/N
			P/N	Name	P/N	Name	Group	ID		Indiv.	Set		
		-	D2591411	(EU/AA/NA/TWN): OPERATION PAN EL:ASS'Y	D2591431	(EU/AA/NA/TWN): OPERATION SUB -UNIT:ASS'Y	U002	5	1	X/O			
201606-05	1606 Modification	-	D2052714	PAPER STOPPE R	D2052724	PAPER STOPPE R	U006	96	1	X/O			
201605-01	1605 Modification	-	D2591412	(CHN):OPERATI ON PANEL:ASS'Y	D2591432	(CHN):OPERATI ON SUB-UNIT:AS S'Y	U002_S005	6	1	X/O			
201604-01	1604 Modification	-	D2595081	(EU/AA/CHN):HE ATER:ADHESION	D2592891	(EU/AA/CHN):HE AT SINK:HEATER :ASS'Y	U016_S004	10	1	X/O			
			D2595081	(EU/AA/CHN):HE ATER:ADHESION	D2592891	(EU/AA/CHN):HE AT SINK:HEATER :ASS'Y	U016_S008	10	1	X/O			
			D2595081	(EU/AA/CHN):HE ATER:ADHESION	D2592891	(EU/AA/CHN):HE AT SINK:HEATER :ASS'Y	U016_S010	10	1	X/O			
201603-01	1603 Modification	-	D2160012	ARDF:ASS'Y	D2160014	ARDF:ASS'Y	U003_S001	38	1	O/O			
201603-02	1603 Modification	-	D2594048	(NA):FUSING UNI T:ASS'Y	D2594058	(NA):FUSING UNI T:INDIVIDUAL PA CKAGING:ASS'Y	U010_S001	46	1	X/O			
201603-03	1603 Modification	-	D2594049	(EU/AA/CHN):FU SING UNIT:ASS'Y	D2594059	(EU/AA/CHN):FU SING UNIT:INDIV IDUAL PACKAGI NG:ASS'Y	U010_S002	47	1	X/O			
			D2594049	(EU/AA/CHN):FU SING UNIT:ASS'Y	D2594059	(EU/AA/CHN):FU SING UNIT:INDIV IDUAL PACKAGI NG:ASS'Y	U010_S003	47	1	X/O			
			D2594049	(EU/AA/CHN):FU	D2594059	(EU/AA/CHN):FU	U010_S004	47	1	X/O			

## Design Change List

Number	Title	Set	Old Part		New Part		Index No.		Q'ty	Interchg		Reason	Cut-in S/N
			P/N	Name	P/N	Name	Group	ID		Indiv.	Set		
		-		SING UNIT:ASS'Y		SING UNIT:INDIVIDUAL PACKAGING:ASS'Y							



