

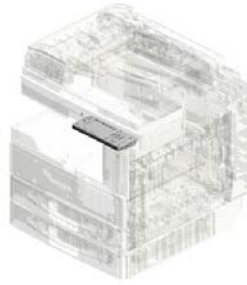
Digital Color Copiers
(D159-NA)
Parts Catalog

Model	Product Code	PC Style
Digital Copier	D159	3D
ARDF	D684	3D
Paper Feed Unit	D698	3D
Paper Feed Unit	D699	3D
1 Bin Tray	D697	3D

Unit All



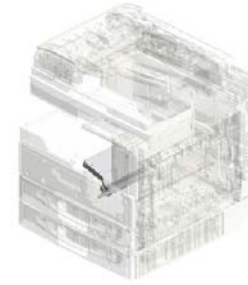
U001
EXTERIOR



U002
OPERATION



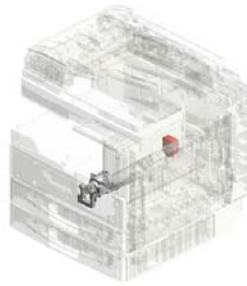
U003
SCANNER



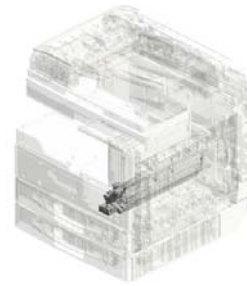
U004
LASER UNIT



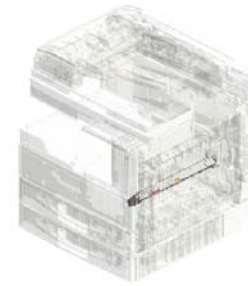
U005
PAPER FEED



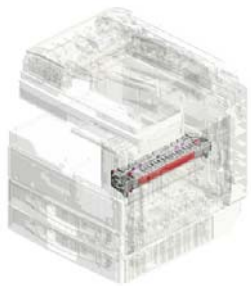
U006
TONNER SUPPLY



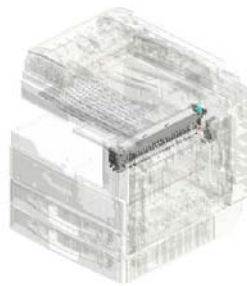
U007
PCU



U008
TRANSFER/SEPARATION



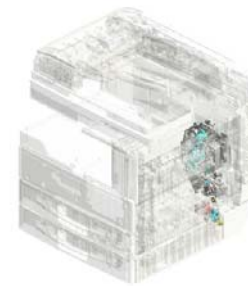
U009
FUSING



U010
PAPER EXIT

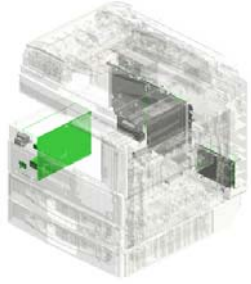


U011
DUPLEX



U012
MAIN DRIVE

Unit All



U013
ELECTRICAL



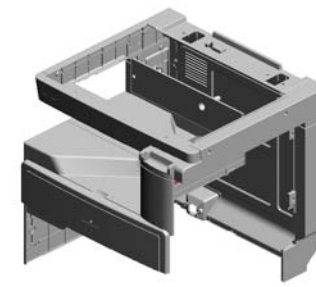
U014
MAIN FRAME



U015
ADF

U001 EXTERIOR

8.D1585899 COVER:COVER:REAR
16.D1591257 COVER:REAR:C
17.D1591258 COVER:MIDDLE R
15.D1591256 COVER:RIGHT RE
7.D1584464 SHEET:DISCHARG
E BRUSH:EXIT



3.04513006N
(x7)
TAPPING SCREW -
3X6

4.04513008N
(x24)
TAPPING SCREW -
M3X8

14.D1591255
WINDOW:FAN

13.D1591254
COVER:LEFT:C

19.D1591260
COVER:POWER S
UPPLY CORD

5.D1495884
COMPRESSION SP
RING:KEYTOP

10.D1591251
COVER:UPPER:EXI
T

6.D1584461
DISCHARGE BRUS
H:EXIT

11.D1591252
INNER COVER:FR
ONT

12.D1591253
COVER:DOOR

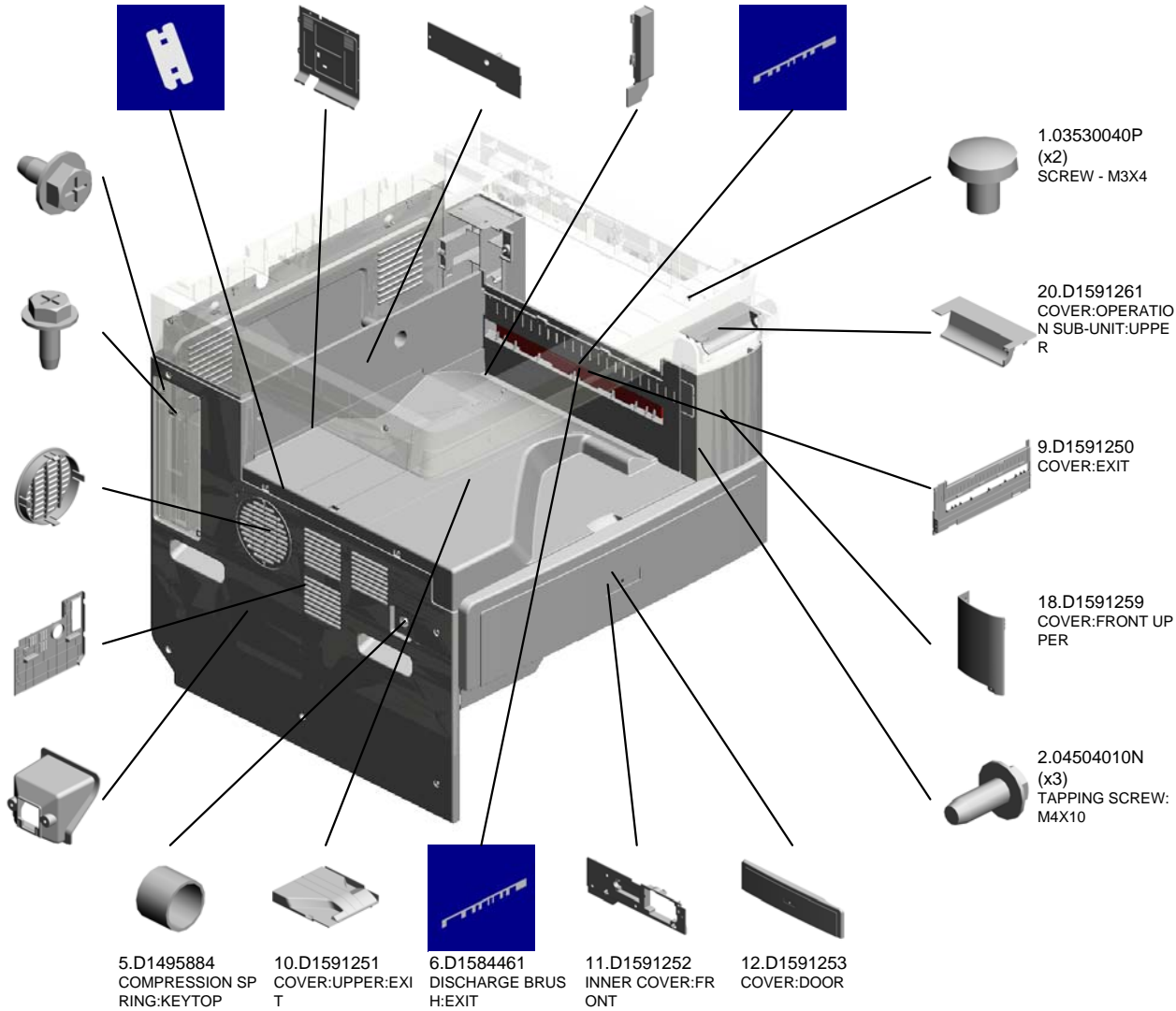
1.03530040P
(x2)
SCREW - M3X4

20.D1591261
COVER:OPERATIO
N SUB-UNIT:UPPE
R

9.D1591250
COVER:EXIT

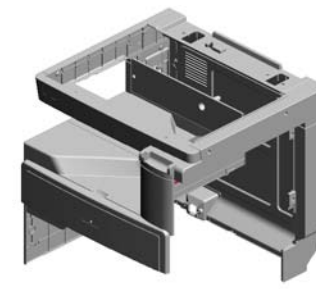
18.D1591259
COVER:FRONT UP
PER

2.04504010N
(x3)
TAPPING SCREW:
M4X10

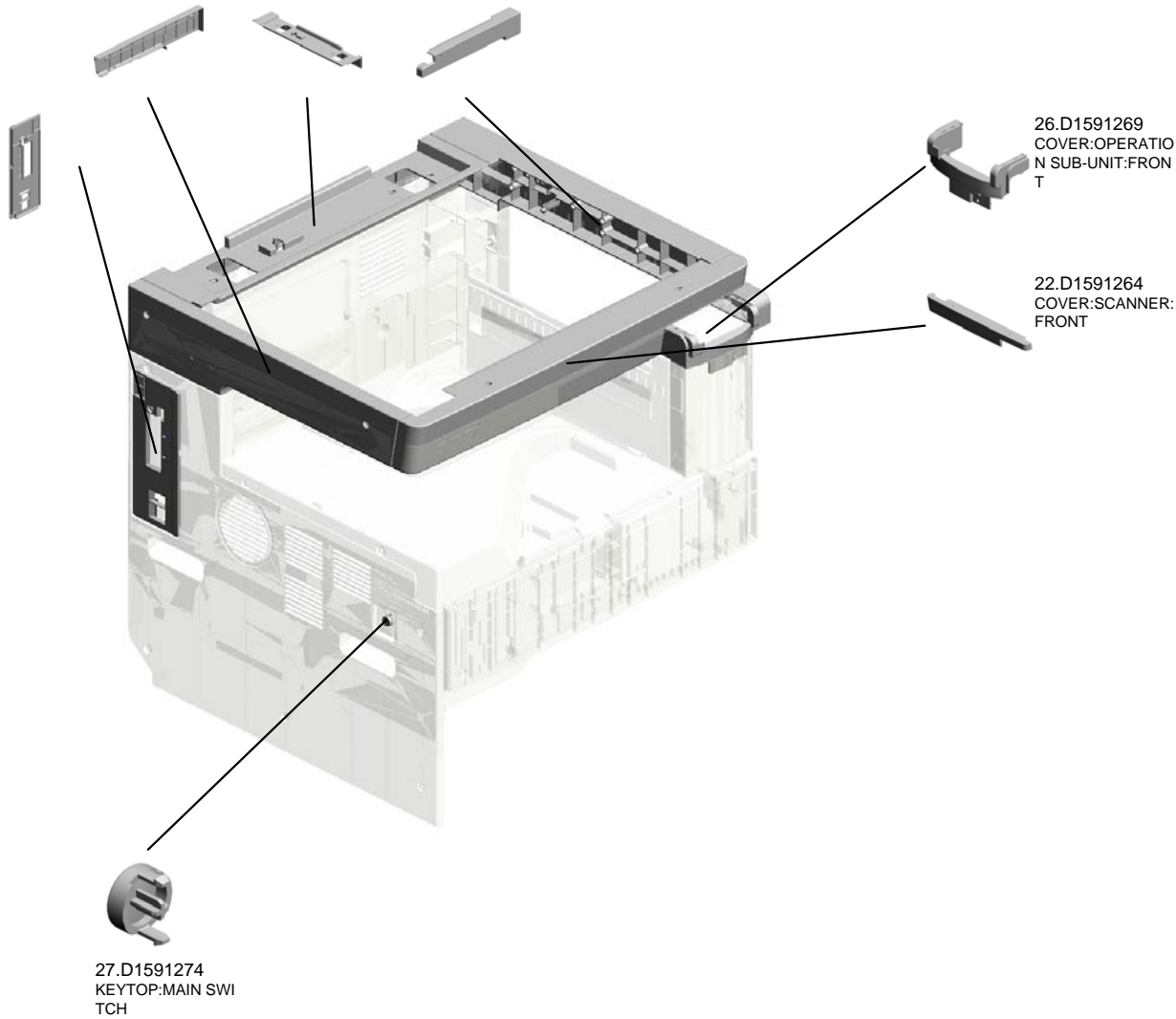


U001 EXTERIOR

24.D1591266 COVER:SCANNER:
LEFT
21.D1591263 COVER:REAR UP
PER
23.D1591265 COVER:SCANNER:
RIGHT



25.D1591268
COVER:CTL



U002.OPERATION

U002_S001
D1581411
OPERATION PANEL:NA/AP



U001	U002	U003	U004	U005	U006	U007	U008	U009	U010	U011	U012	U013	U014	U015
------	-------------	------	------	------	------	------	------	------	------	------	------	------	------	------

U002
OPERATION



U002_S001
OPERATION PANEL:NA/AP



36.D1581411
OPERATION PANE
L:NA/AP

- 12.D1171503 KEYTOP:HOME
- 20.D1171516 BRACKET:LCDC
- 10.D1171501 COVER:REAR
- 9.D1171489 CABLE:USB:IN
- 1.03520030N SCREW:M2X3

14.D1171505
KEYTOP:LEFT

6.D1171465
PCB:UWVGA:OP-L:
ASS'Y

18.D1171513
LENS:FRONT

7.D1171470
FPC:LED:ASS'Y

17.D1171511
KEYTOP:STOP

19.D1171514
SHAFT:CABLE

4.D1171459
GROUND WIRE:OP
U:GRIC1

8.D1171483
CABLE:FFC:OP-R

16.D1171510
KEYTOP:START

11.D1171502
COVER:HINGE

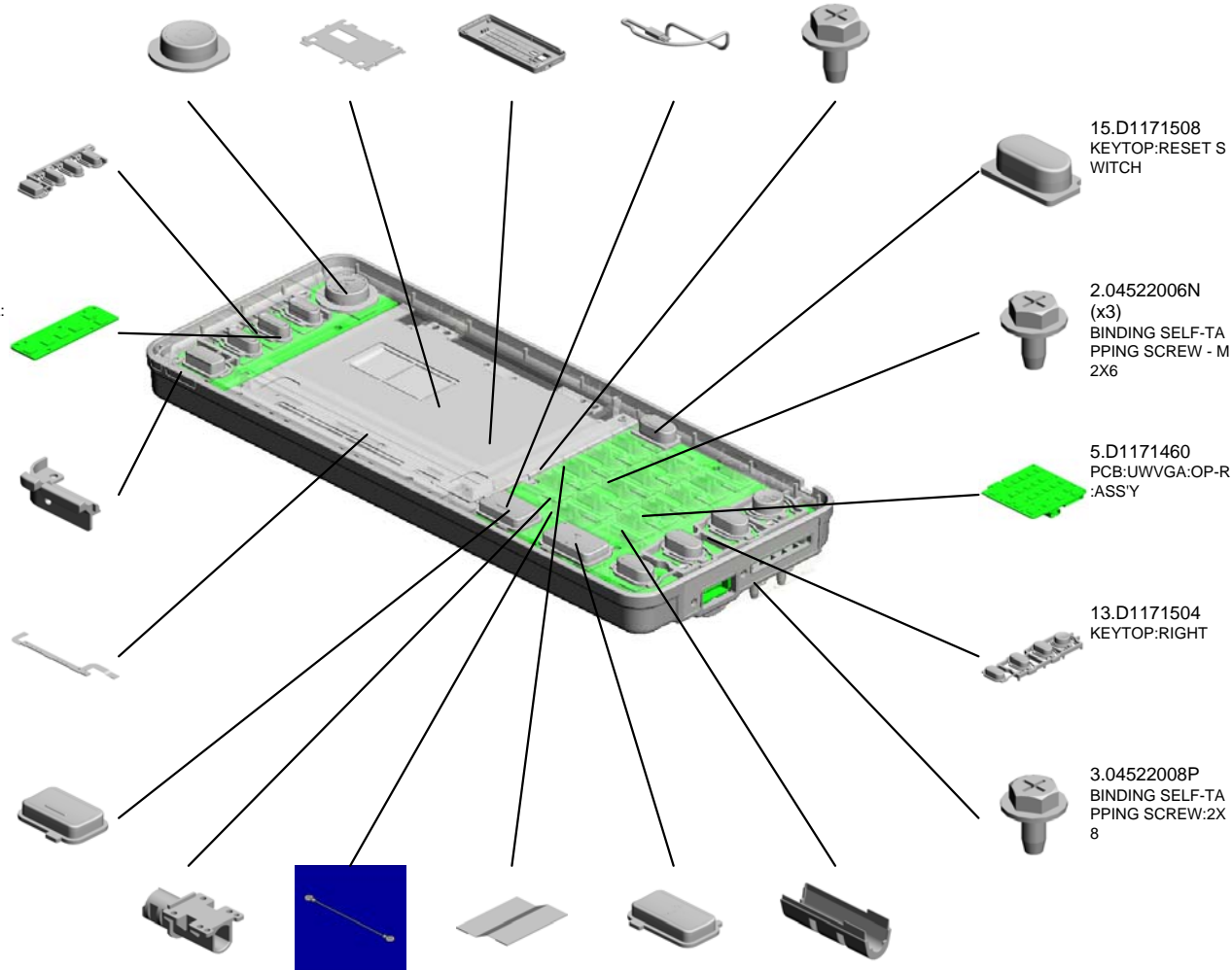
15.D1171508
KEYTOP:RESET S
WITCH

2.04522006N
(x3)
BINDING SELF-TA
PPING SCREW - M
2X6

5.D1171460
PCB:UWVGA:OP-R
:ASS'Y

13.D1171504
KEYTOP:RIGHT

3.04522008P
BINDING SELF-TA
PPING SCREW:2X
8



U002_S001
OPERATION PANEL:NA/AP



36.D1581411
OPERATION PANE
L:NA/AP

- 22.D1171518 SHADEING PLATE: TOUCH PANEL
- 23.D1171519 SHEET:LCDC
- 35.D1171551 COVER:FRONT:NA /AP
- 26.D1171523 (x4) GASKET:LCD
- 30.D1171530 (x2) SPACER:LCD

25.D1171521 SHEET:OPL

37.D1581431 PCB:LCDCARFT:ASSY

27.D1171524 DECAL:FAX:NA/AP

38.D1581463 CABLE:USB

31.D1171531 BRACKET:HINGE:LEFT

32.D1171533 HOLDER:HINGE:LEFT

24.D1171520 SHEET:OPR

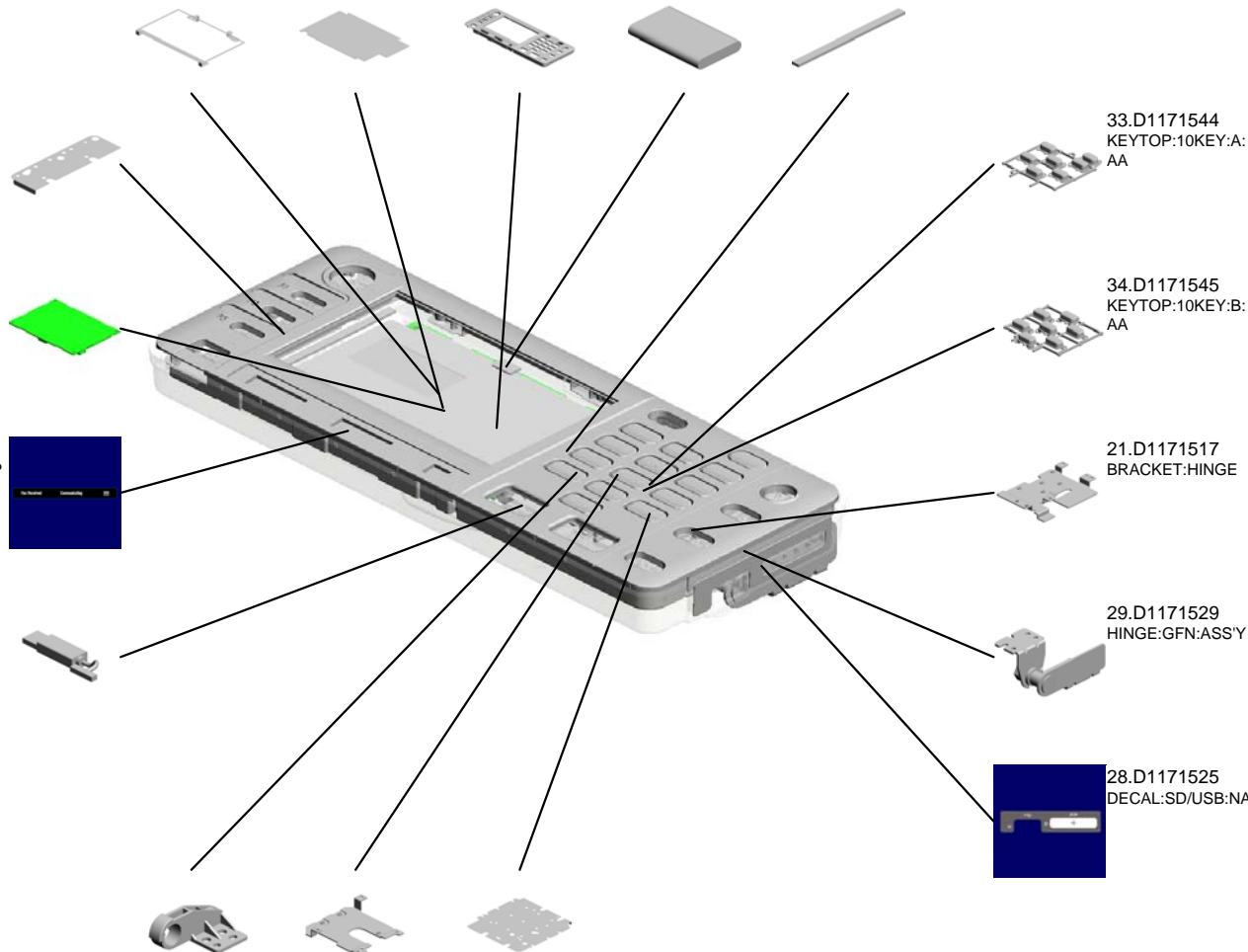
33.D1171544 KEYTOP:10KEY:A:AA

34.D1171545 KEYTOP:10KEY:B:AA

21.D1171517 BRACKET:HINGE

29.D1171529 HINGE:GFN:ASSY

28.D1171525 DECAL:SD/USB:NA



U003.SCANNER

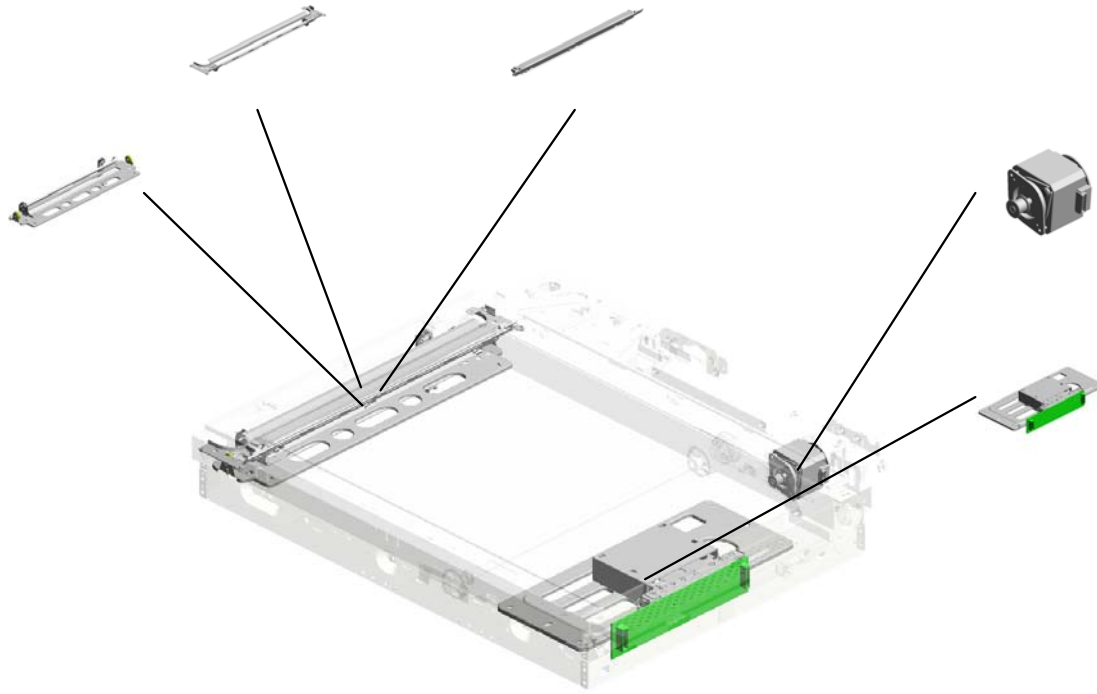
U003_S003
D1491730
CARRIAGE:NO.1:ASS'Y

U003_S004
D1581721
ILLUMINATION UNIT:LEDB:A
SS'Y

U003_S005
D1591740
CARRIAGE:NO.2:ASS'Y

U003_S001
D1491703
DC STEPPER MOTOR

U003_S002
D1491771
LENS:HOLDER:ASS'Y



U001	U002	U003	U004	U005	U006	U007	U008	U009	U010	U011	U012	U013	U014	U015
------	------	------	------	------	------	------	------	------	------	------	------	------	------	------

U003 SCANNER

13.11050759 CLAMP:LWSM-060 5A
 14.11050762 (x3) CLAMP:LWS-0711A
 12.11050758 (x5) CLAMP:LWSM-030 6A
 20.AW020207 PHOTOINTERRUP TOR:FLAT:PICH2M M:M4
 2.03140120N SCREW - M4X12



3.03530030N (x8) SCREW:M3X3

4.03530060N (x2) BIND SCREW - M3 X6

10.08050106 (x2) RETAINING RINGS -E:SILENCER:DIA6

16.AA082144 (x2) BUSHING - 8X12X7

24.D0291749 PULLEY:PROTECTION

15.A2501752 EXPOSURE GLASS

22.B2381806 (x4) IDLER PULLEY

21.AW020214 PHOTOINTERRUP TOR:LG248NL1A

19.AW010155 ORIGINAL SENSOR R:66MM:3.3V

8.08025312 (x3) TAPPING SCREW: WASHER:3X10

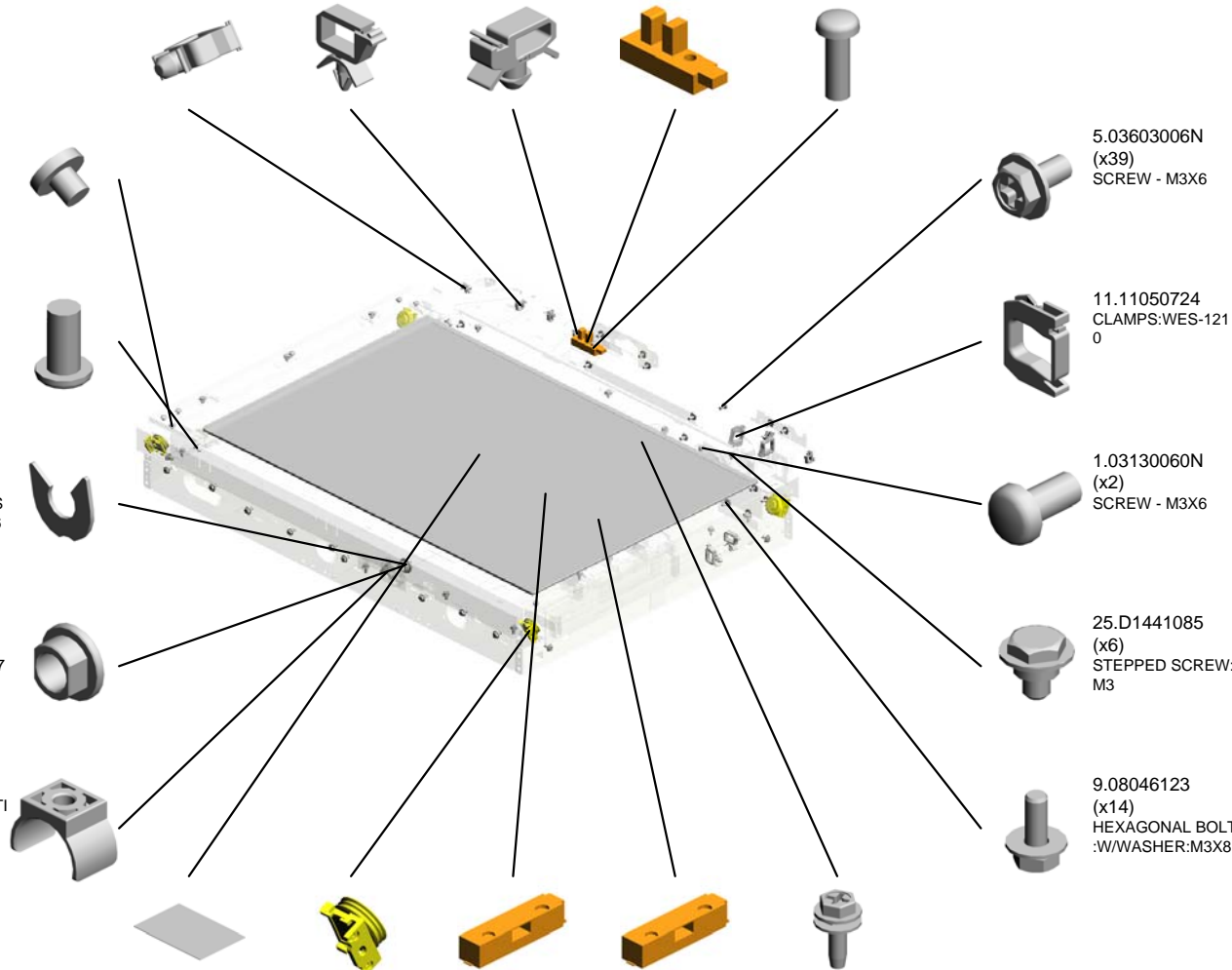
5.03603006N (x39) SCREW - M3X6

11.11050724 CLAMPS:WES-1210

1.03130060N (x2) SCREW - M3X6

25.D1441085 (x6) STEPPED SCREW: M3

9.08046123 (x14) HEXAGONAL BOLT :W/WASHER:M3X8



U003 SCANNER



- 27.D1471805 EXPOSURE GLASS
- 53.D1581793 SCALE:LEFT:NA:A
- 49.D1491798 (x2) SEAL:SHEET THR
- 40.D1491726 (x2) CLAMP:DRIVE WE
- 51.D1491816 DOCUMENT FEED



26.D1471750 SHEET:GAP:ASS'Y

50.D1491801 BRACKET:SCALE:L

35.D1491714 (x2) DRIVE WERE:DIA1

36.D1491715 PULLEY:DRIVE WE

39.D1491719 BRACKET:TENSIO

34.D1491711 SHAFT:SCANNER: DRIVE

37.D1491717 PULLEY:DRIVE WE

47.D1491780 INNER COVER

38.D1491718 BRACKET:TENSIO

28.D1491694 PLATE SEAL:APS: HARNESS

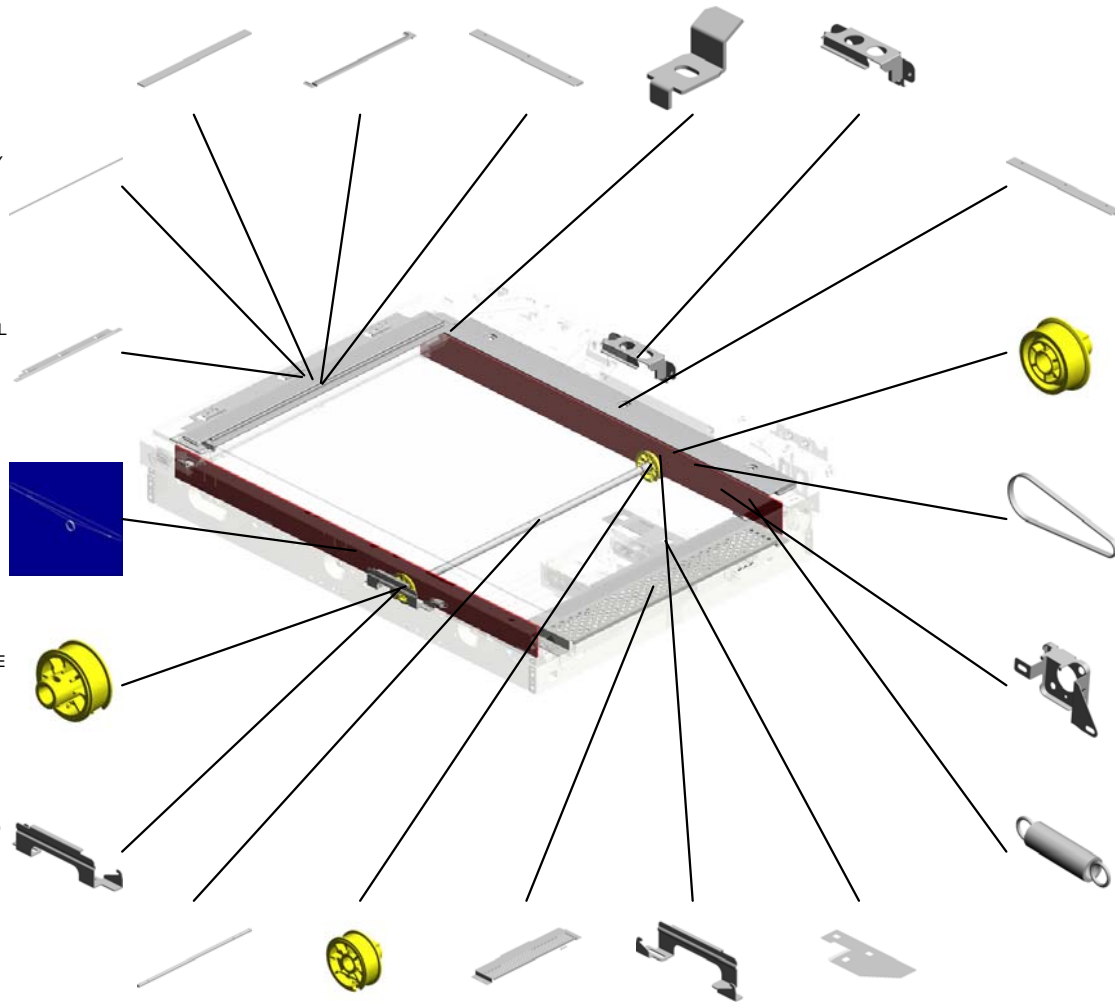
54.D1581795 SCALE:REAR:PRIN

33.D1491710 TIMING PULLEY:62

31.D1491706 SYNCHRONOUS B

30.D1491705 BRACKET:DC STE

32.D1491709 (x3) TENSION SPRING: TENSION:11.3N:30 MM



U003 SCANNER

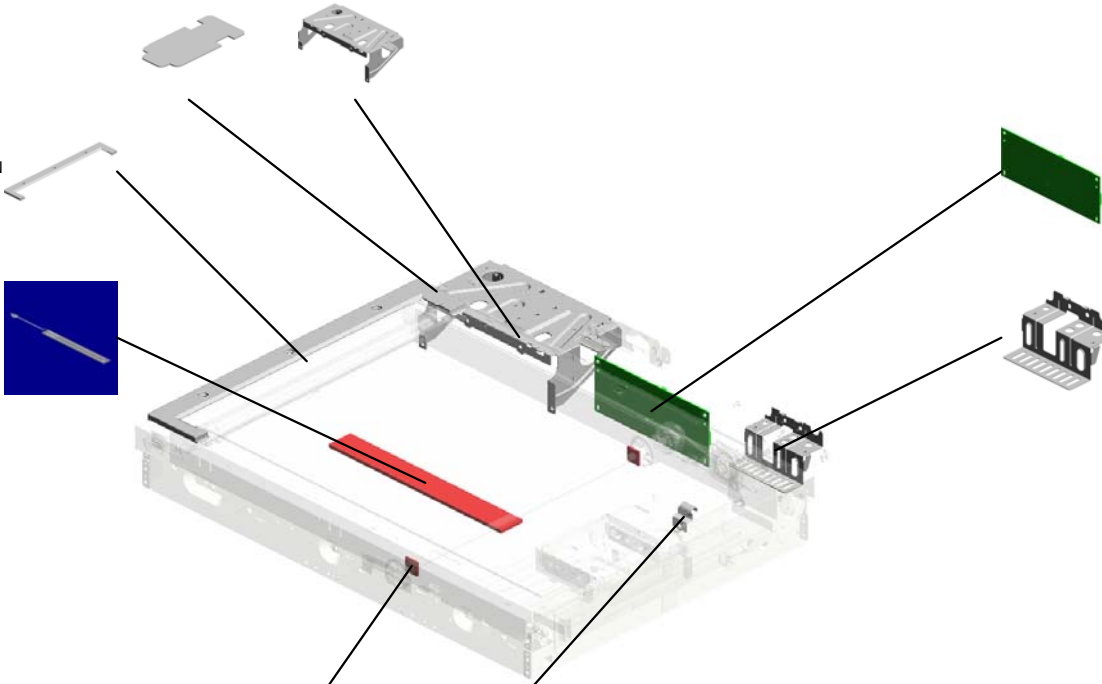
64.G5701225
SENSOR SHIELDIN
G PLATE

57.D1581816
BRACKET:DOCUM
ENT FEEDER:LEFT



55.D1581800
COVER:SHEET TH
ROUGH:DOCUMEN
T FEEDER

61.D1870071
HEATER:NA:ASS'Y



59.D1595138
PCB:SIO

56.D1581815
BRACKET:DOCUM
ENT FEEDER:RIGH
T

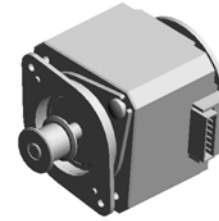
63.G5701160
(x2)
SPACER BUSHING

60.D1595301
INTERFACE CABL
E:SCANNER:LVDS:
ASS'Y

U001	U002	U003	U004	U005	U006	U007	U008	U009	U010	U011	U012	U013	U014	U015
------	------	------	------	------	------	------	------	------	------	------	------	------	------	------

U003_S001
DC STEPPER MOTOR

4.03530060N
(x2)
BIND SCREW - M3
X6



29.D1491703
DC STEPPER MOT
OR



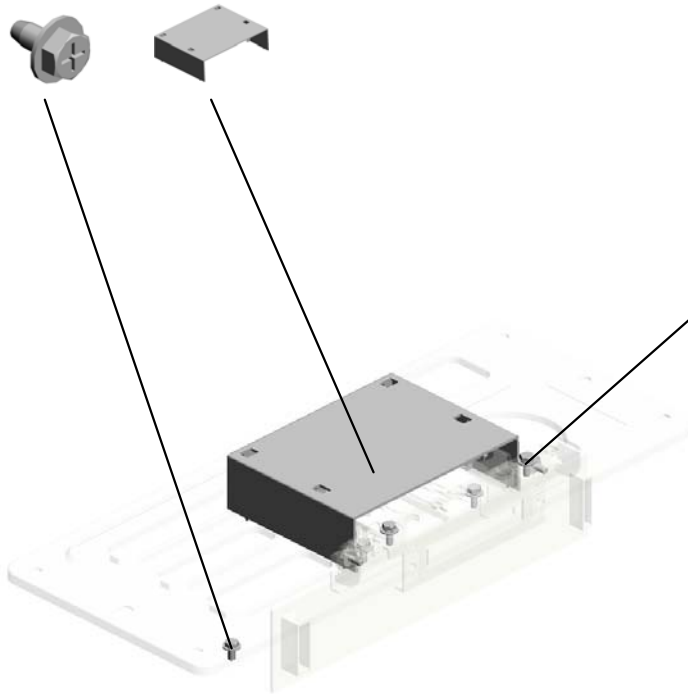
U001	U002	U003	U004	U005	U006	U007	U008	U009	U010	U011	U012	U013	U014	U015
------	------	------	------	------	------	------	------	------	------	------	------	------	------	------

U003_S002
LENS:HOLDER:ASS'Y

6.04513006N 48.D1491782
TAPPING SCREW - COVER:LENS



46.D1491771
LENS:HOLDER:AS
SY



9.08046123
(x12)
HEXAGONAL BOLT
:W/WASHER:M3X8

U001	U002	U003	U004	U005	U006	U007	U008	U009	U010	U011	U012	U013	U014	U015
------	------	------	------	------	------	------	------	------	------	------	------	------	------	------

U003_S003
CARRIAGE:NO.1:ASS'Y

42.D1491731
REFLECTOR:SCAN
NER



41.D1491730
CARRIAGE:NO.1:A
SS'Y

17.AC030169
MIRROR:NO.1



65.G5702730
(x4)
SLIDER - SCANNE
R

66.M0261815
(x2)
CLAMP:MIRROR:N
O.1

U001	U002	U003	U004	U005	U006	U007	U008	U009	U010	U011	U012	U013	U014	U015
------	------	------	------	------	------	------	------	------	------	------	------	------	------	------

U003_S004
ILLUMINATION UNIT:LEDB:ASS'Y

4.03530060N
(x3)
BIND SCREW - M3
X6



52.D1581721
ILLUMINATION UNI
T:LEDB:ASSY



U001	U002	U003	U004	U005	U006	U007	U008	U009	U010	U011	U012	U013	U014	U015
------	------	------	------	------	------	------	------	------	------	------	------	------	------	------

U003_S005
CARRIAGE:NO.2:ASS'Y

4.03530060N
BIND SCREW - M3
X6

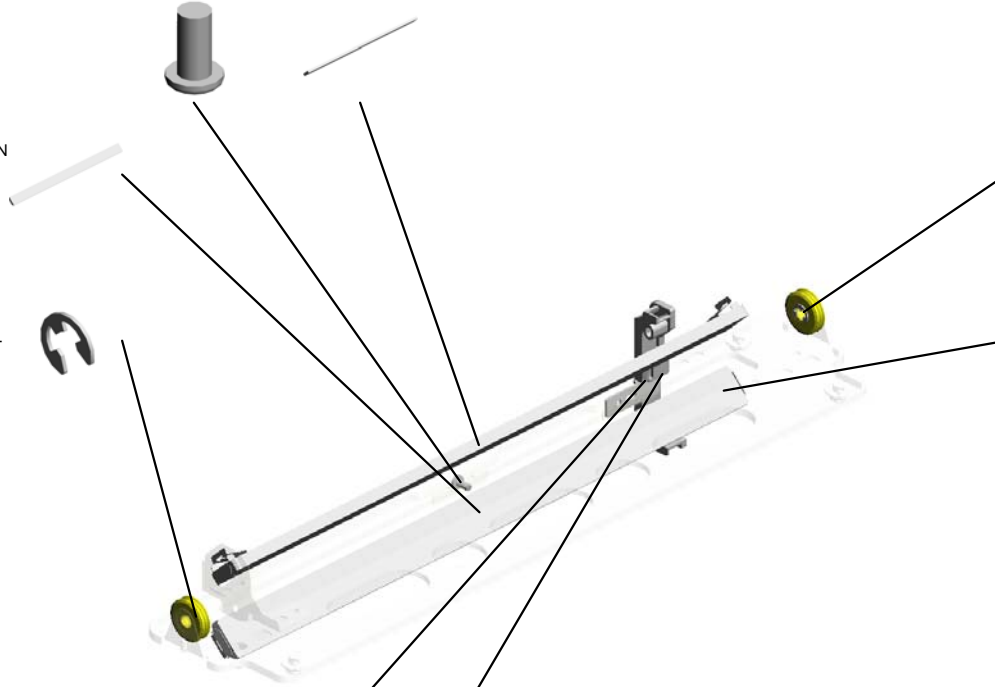
18.AC030210
MIRROR:NO.2:CON
CAVE



58.D1591740
CARRIAGE:NO.2:A
SS'Y

43.D1491749
MIRROR:NO.3:CON
VAX:C3

7.07200040E
(x2)
RETAINING RING -
M4



23.B2381807
(x2)
PULLEY

62.G4042810
(x4)
SPRING PLATE - 2
ND MIRROR

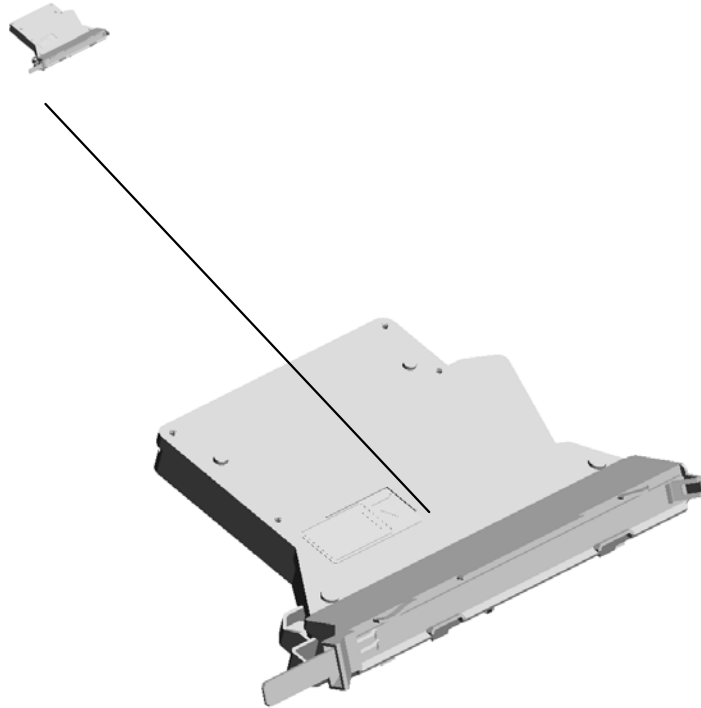
44.D1491754
GUIDE:FFC:CARRI
AGE:NO.2

45.D1491755
COVER:FFC:CARRI
AGE:NO.2

U001	U002	U003	U004	U005	U006	U007	U008	U009	U010	U011	U012	U013	U014	U015
------	------	------	------	------	------	------	------	------	------	------	------	------	------	------

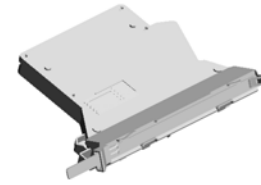
U004.LASER UNIT

U004_S001
D1581961
OPTICAL HOUSING:ASSY



U001	U002	U003	U004	U005	U006	U007	U008	U009	U010	U011	U012	U013	U014	U015
------	------	------	------	------	------	------	------	------	------	------	------	------	------	------

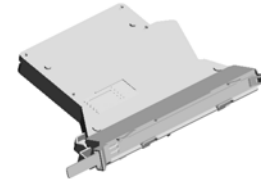
U004
LASER UNIT



U001	U002	U003	U004	U005	U006	U007	U008	U009	U010	U011	U012	U013	U014	U015
------	------	------	------	------	------	------	------	------	------	------	------	------	------	------

U004_S001
OPTICAL HOUSING:ASS'Y

1.AX060420
DC POLYGON MIR
ROR MOTOR



2.D1581961
OPTICAL HOUSIN
G:ASS'Y



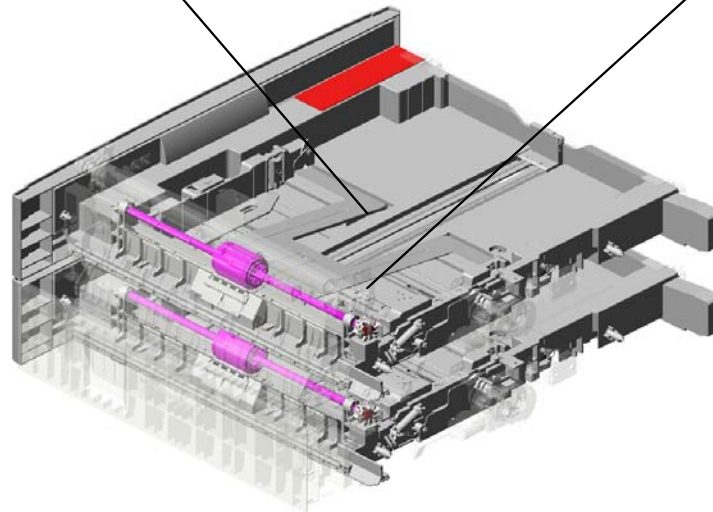
U001	U002	U003	U004	U005	U006	U007	U008	U009	U010	U011	U012	U013	U014	U015
------	------	------	------	------	------	------	------	------	------	------	------	------	------	------

U005.PAPER FEED

U005_S002
D1582526
PAPER TRAY:ASS'Y



U005_S001
D1582526
PAPER TRAY:ASS'Y



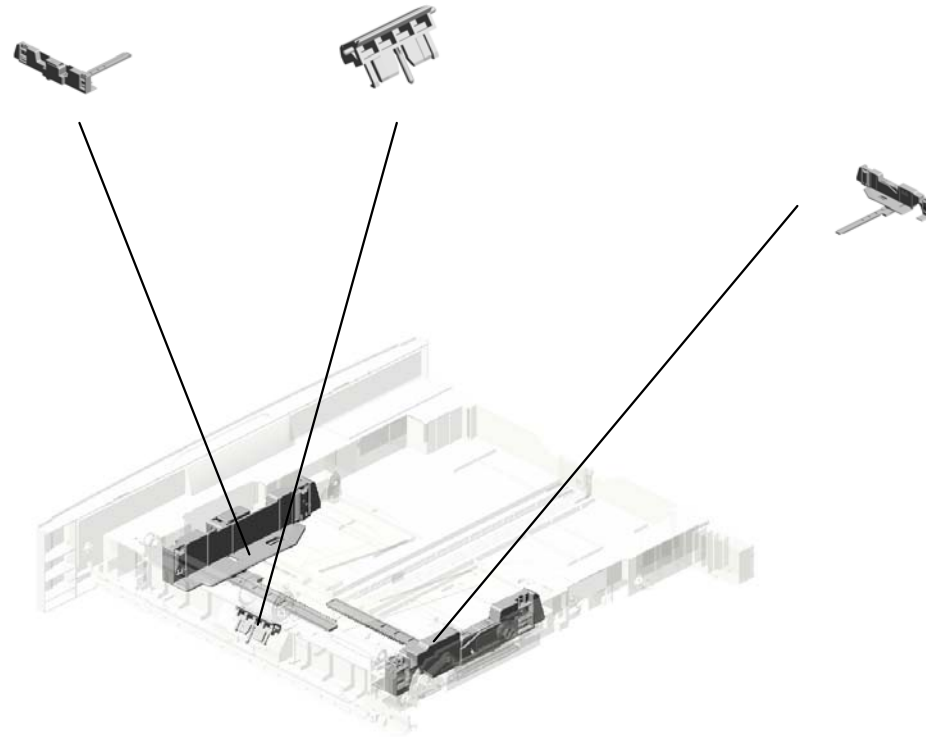
U001	U002	U003	U004	U005	U006	U007	U008	U009	U010	U011	U012	U013	U014	U015
------	------	------	------	------	------	------	------	------	------	------	------	------	------	------

U005_S001.PAPER TRAY:ASS'Y

U005_S001_S001
D1582559
SIDE FENCE:FRONT:ASS'Y

U005_S001_S003
D1582592
FRICTION PAD:ASS'Y

U005_S001_S002
D1582560
SIDE FENCE:REAR:ASS'Y



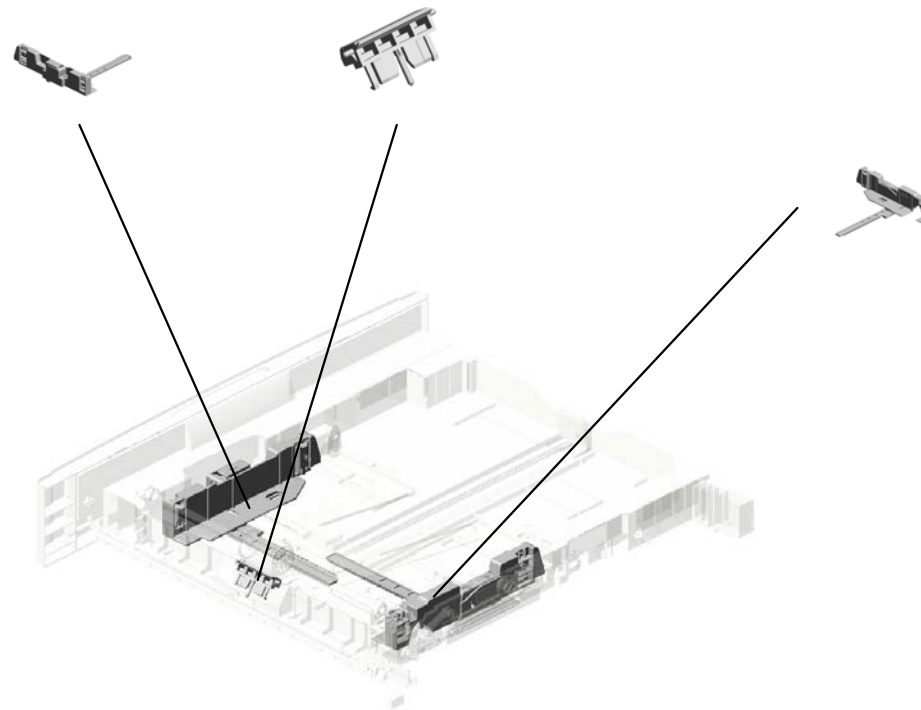
U001	U002	U003	U004	U005	U006	U007	U008	U009	U010	U011	U012	U013	U014	U015
------	------	------	------	------	------	------	------	------	------	------	------	------	------	------

U005_S002.PAPER TRAY:ASS'Y

U005_S002_S001
D1582559
SIDE FENCE:FRONT:ASS'Y

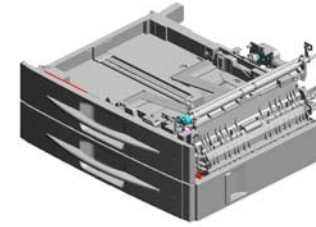
U005_S002_S003
D1582592
FRICTION PAD:ASS'Y

U005_S002_S002
D1582560
SIDE FENCE:REAR:ASS'Y



U001	U002	U003	U004	U005	U006	U007	U008	U009	U010	U011	U012	U013	U014	U015
------	------	------	------	------	------	------	------	------	------	------	------	------	------	------

U005 PAPER FEED



- 12.08050097 RING SEPARATOR
- 8.04583008N (x2) HEXAGON HEAD TAPPING SCREW:3 X8
- 20.AA066342 REGISTRATION SENSOR SPRING
- 26.AA140952 REGISTRATION ROLLER:DRIVEN:DI A16:C4
- 6.04543006Q (x13) TAPPING SCREW - M3X6

- 16.AA062254 (x2) REGISTRATION ROLLER SPRING

- 2.04503008N (x2) TAPPING SCREW - M3X8

- 10.07200040E (x3) RETAINING RING - M4

- 25.AA082184 (x3) PLAIN SHAFT BEARING: DIA6XDIA10X6

- 17.AA063334 (x2) SPRING - VERTICAL TRANSPORT

- 22.AA080252 BUSHING - M4

- 21.AA080249 (x2) BUSHING - VERTICAL TRANSPORT

- 24.AA082177 BUSHING: DIA8:22

- 13.52152621 (x2) SNAP RING - M6

- 1.03530030N (x4) SCREW: M3X3

- 4.04513006N (x17) TAPPING SCREW - 3X6

- 15.54472681 (x4) SNAP RING

- 5.04523008N (x4) TAPPING SCREW - M3X8

- 19.AA063701 (x2) COMPRESSION SPRING: RISING TRAY

- 23.AA080361 (x2) PLAIN SHAFT BEARING: CASE: RISING TRAY

U005 PAPER FEED

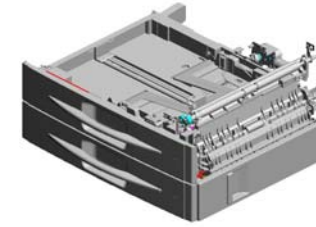
43.B0392575
BRACKET - REGIS
TRATION ROLLER

40.B0392558
DRIVEN ROLLER

45.B0392730
(x2)
PAPER END SENS
OR

41.B0392560
REGISTRATION CL
EANING MYLAR

42.B0392570
REGISTRATION FE
ELER



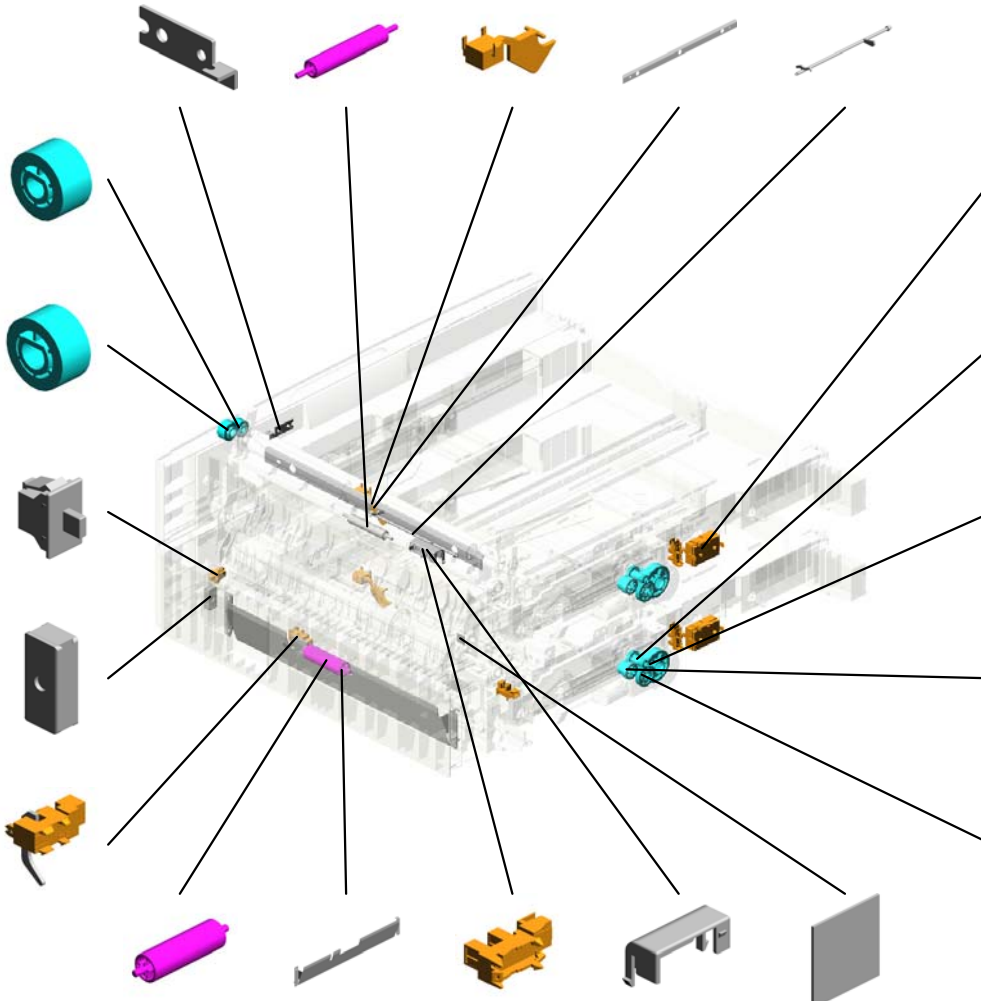
29.AB012312
GEAR - 16Z

28.AB012311
GEAR - 18Z

39.AW500040
PUSH SWITCH:SW
1AG-550:10MA

35.AG070514
MAGNET CATCH

36.AW020181
PAPER FEED SEN
SOR



38.AW500038
(x2)
PUSH SWITCH:PA
PER SIZE SENSOR

30.AB017834
(x2)
GEAR:RISING TRA
Y:2

27.AB011541
(x2)
GEAR:RISING TRA
Y:OUTPUT

31.AB017835
(x2)
GEAR:RISING TRA
Y:3

32.AB017899
(x2)
GEAR:RISING TRA
Y:1

49.B0406069
TRANSPORT DRIV
EN ROLLER

50.B0406071
GUIDE PLATE - VE
RTICAL TRANSPO
RT

37.AW020198
(x4)
PHOTOINTERRUP
TOR:LG2A14NL1

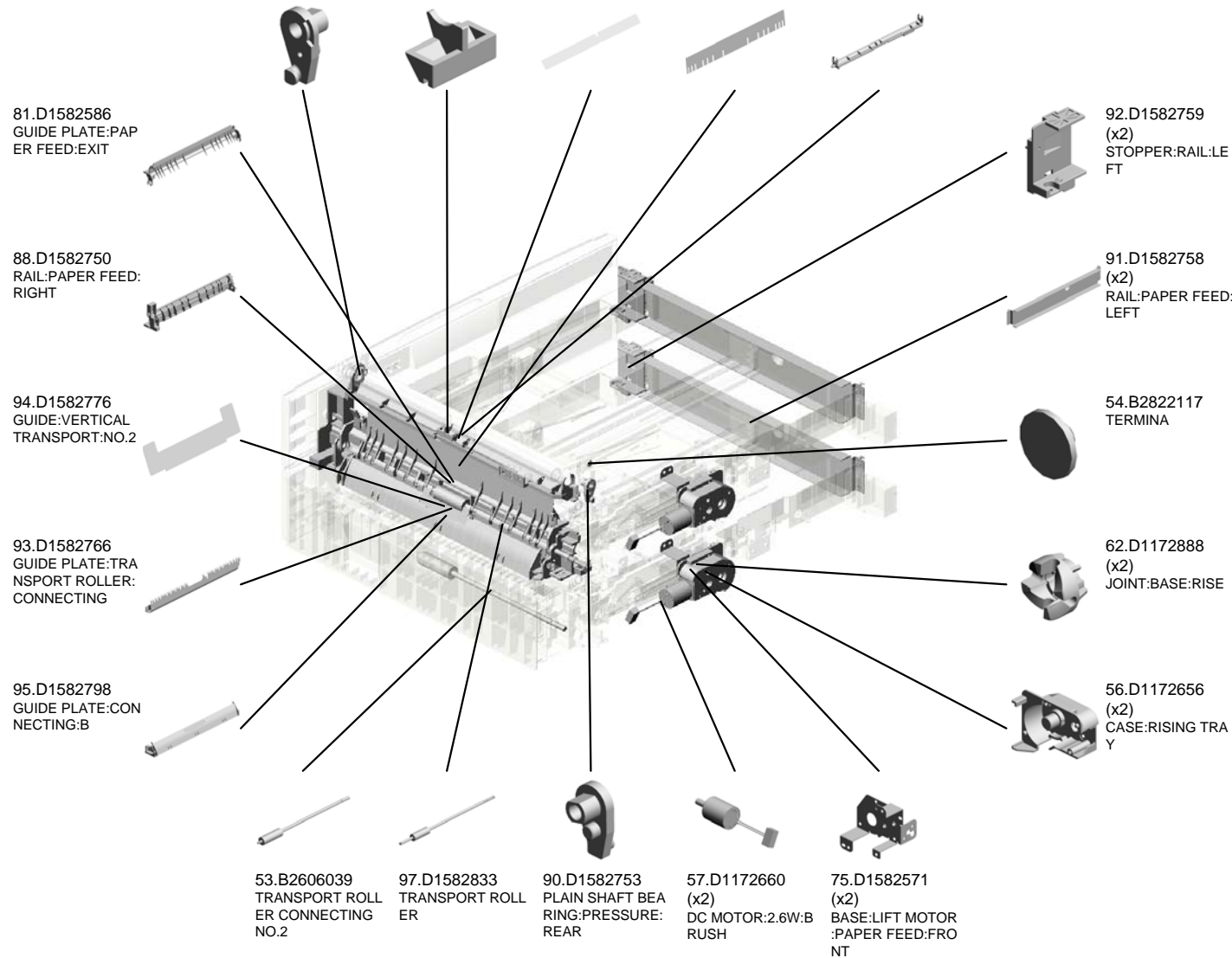
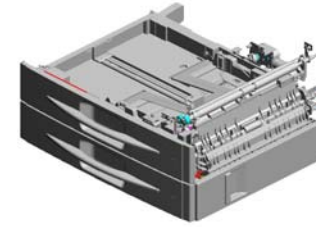
52.B2292606
COVER - REGISTR
ATION SENSOR

48.B0392835
SPACER:RAIL:PAP
ER FEED:RIGHT

U001	U002	U003	U004	U005	U006	U007	U008	U009	U010	U011	U012	U013	U014	U015
------	------	------	------	------	------	------	------	------	------	------	------	------	------	------

U005 PAPER FEED

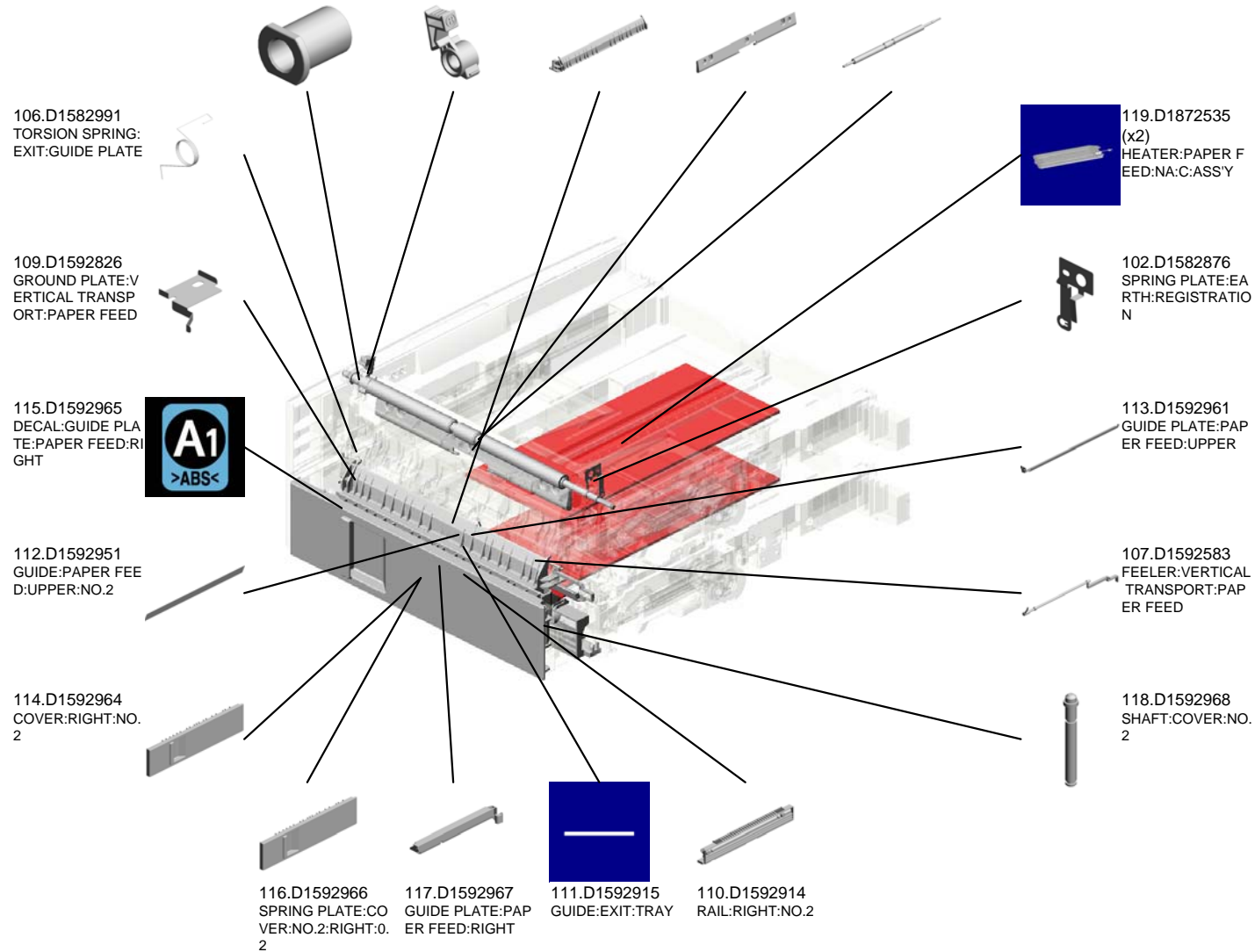
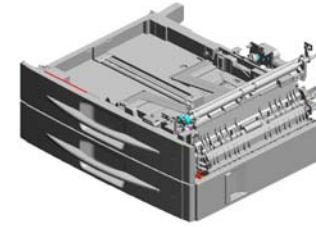
89.D1582752 BALIN SHAFT BEARING:PRESSURE:FRONT
 98.D1582854 SPACER:REGISTRATION GUIDE
 100.D1582869 GUIDE:REGISTRATION
 82.D1582587 GUIDE:PAPER TRAY
 99.D1582868 GUIDE PLATE:REGISTRATION:DRIVE



U001	U002	U003	U004	U005	U006	U007	U008	U009	U010	U011	U012	U013	U014	U015
------	------	------	------	------	------	------	------	------	------	------	------	------	------	------

U005 PAPER FEED

- 105.D1582891 PLAIN SHAFT BEARING: DIA8:18
- 103.D1582879 KNOB:REGISTRATION ROLLER
- 108.D1592798 GUIDE PLATE:CONNECTING:C
- 101.D1582872 GUIDE PLATE:REGISTRATION:DRIVEN
- 104.D1582885 REGISTRATION ROLLER:DRIVEN



U005_S001
PAPER TRAY:ASS'Y

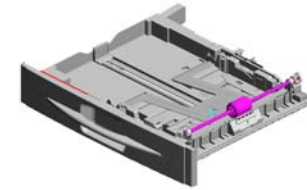
33.AF031084
PAPER FEED ROLL
ER MM36

14.52152713
BOTTOM PLATE P
AD

3.04504008N
TAPPING SCREW -
M4X8

51.B2232936
GEAR - 16Z

46.B0392732
SPRING - PAPER F
EED ROLLER



65.D1582526
PAPER TRAY:ASS'
Y

13.52152621
SNAP RING - M6



18.AA063629
SPRING - 2.8N



64.D1172896
SHEET:PLATE:FRI
CTION PAD



61.D1172846
RETAINING RINGS
-E:SILENCER:DIA3



55.D0392825
SUPPORTING PLA
TE:PAPER TRAY



2.04503008N
(x5)
TAPPING SCREW -
M3X8



44.B0392727
(x2)
BUSHING - 8X12X1
0



11.08050088
RETAINING RING -
M6



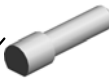
9.06230140E
SPRING PIN - 3X14
MM



47.B0392823
JOINT - PAPER FE
ED ROLLER



63.D1172894
SHAFT:PINION:BA
SE:RISE



60.D1172820
PINION:BASE:RISE



58.D1172808
STOPPER:GUIDE P
LATE:BASE:RISE



7.04543008Q
TAPPING SCREW:
3X8



59.D1172817
LEVER:BASE:RISE



U005_S001
PAPER TRAY:ASS'Y

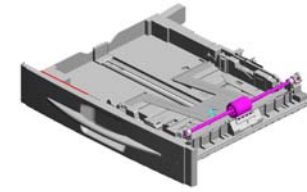
77.D1582577
GRIP:PAPER TRAY

71.D1582565
COVER:PAPER TRAY:NO.1

72.D1582567
PRESSURE PLATE:BASE:RISE

70.D1582564
TRAY BOTTOM PLATE

96.D1582820
DECAL:PAPER SELECTION DIRECTION

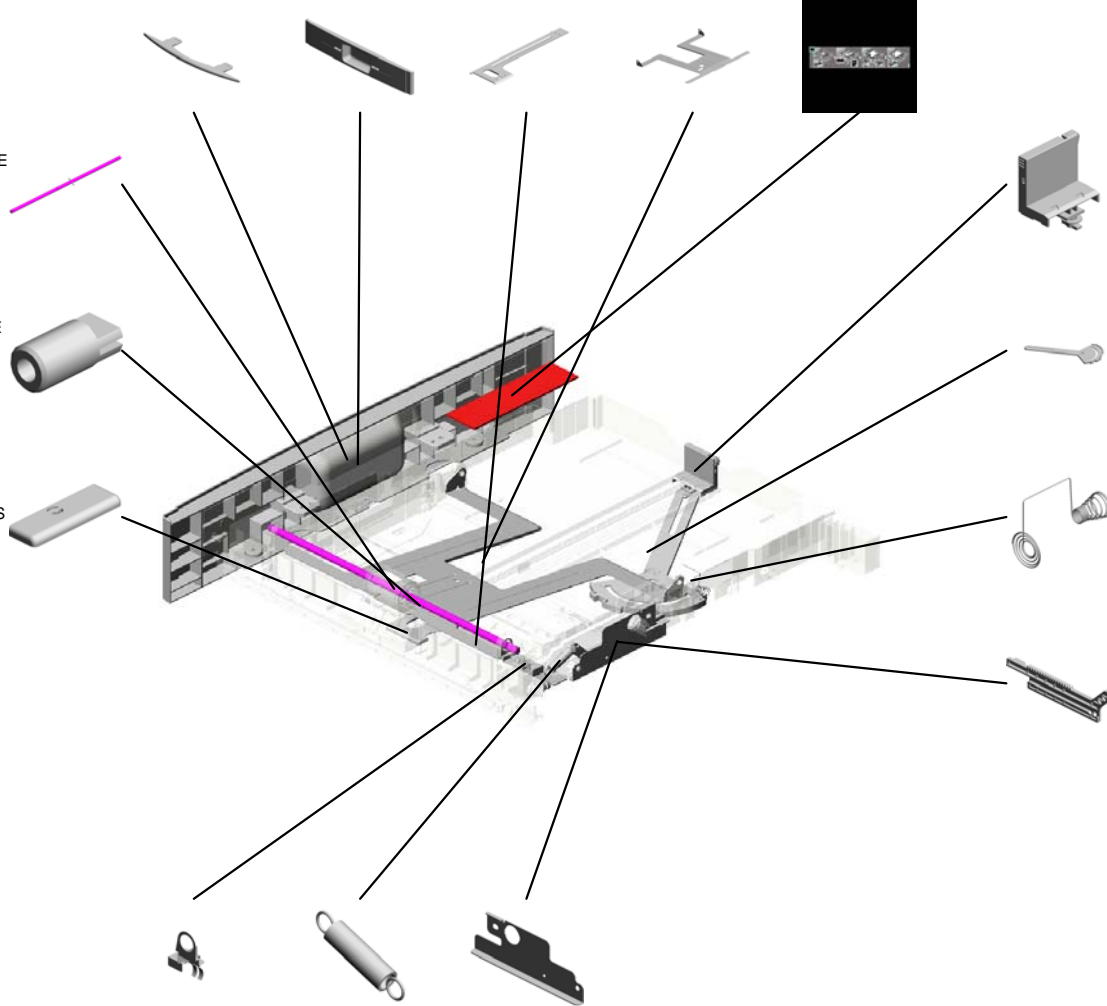


65.D1582526
PAPER TRAY:ASS'Y

66.D1582553
SHAFT:PAPER FEED ROLLER:ASS'Y

79.D1582579
SHAFT:BASE:RISE

73.D1582568
COVER:PRESSURE PLATE:BASE:RISE



67.D1582554
END FENCE:ASS'Y

120.G0702710
PAPER SIZE SENSOR LINK

84.D1582591
COIL SPRING:EAR TH:TRAY BOTTOM PLATE

78.D1582578
RACK:BASE:RISE

83.D1582588
GROUND PLATE:PAPER FEED ROLLER

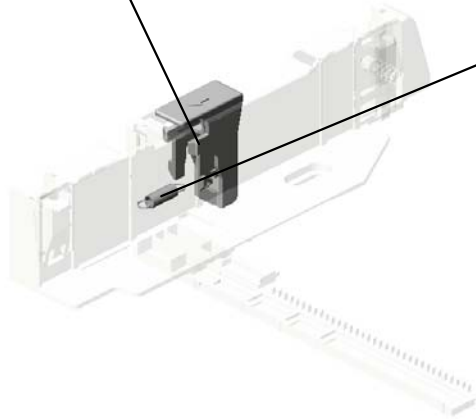
74.D1582569
TENSION SPRING:BASE:RISE

80.D1582580
BRACKET:PINION:BASE:RISE

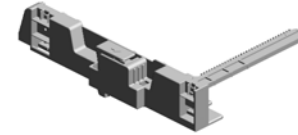
U001	U002	U003	U004	U005	U006	U007	U008	U009	U010	U011	U012	U013	U014	U015
------	------	------	------	------	------	------	------	------	------	------	------	------	------	------

U005_S001_S001
SIDE FENCE:FRONT:ASS'Y

76.D1582576
STOPPER:SIDE FE
NCE:FRONT



86.D1582593
COIL SPRING:STO
PPER:SIDE FENCE
:FRONT

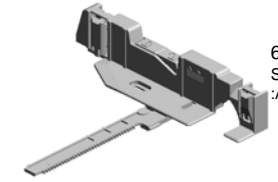


68.D1582559
SIDE FENCE:FRON
T:ASSY

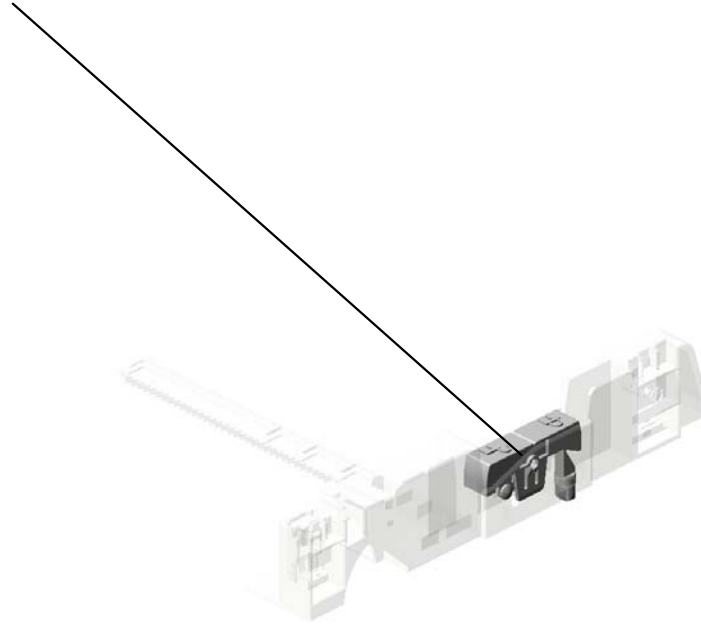
U001	U002	U003	U004	U005	U006	U007	U008	U009	U010	U011	U012	U013	U014	U015
------	------	------	------	------	------	------	------	------	------	------	------	------	------	------

U005_S001_S002
SIDE FENCE:REAR:ASS'Y

87.D1582595
LEVER:STOPPER:
REAR



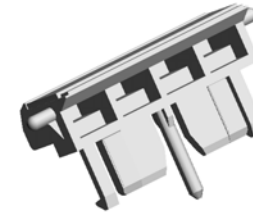
69.D1582560
SIDE FENCE:REAR
:ASS'Y



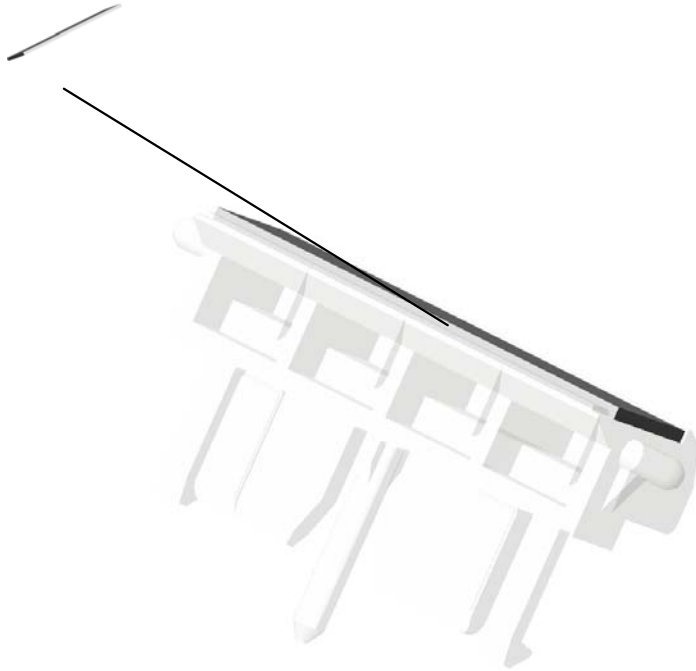
U001	U002	U003	U004	U005	U006	U007	U008	U009	U010	U011	U012	U013	U014	U015
------	------	------	------	-------------	------	------	------	------	------	------	------	------	------	------

U005_S001_S003
FRICTION PAD:ASS'Y

34.AF033008
FRICTION PAD:10X
50



85.D1582592
FRICTION PAD:AS
S'Y



U001	U002	U003	U004	U005	U006	U007	U008	U009	U010	U011	U012	U013	U014	U015
------	------	------	------	------	------	------	------	------	------	------	------	------	------	------

U005_S002
PAPER TRAY:ASS'Y

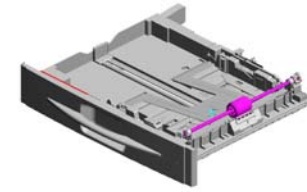
33.AF031084
PAPER FEED ROLL
ER MM36

14.52152713
BOTTOM PLATE P
AD

3.04504008N
TAPPING SCREW -
M4X8

51.B2232936
GEAR - 16Z

44.B0392727
(x2)
BUSHING - 8X12X1
0



65.D1582526
PAPER TRAY:ASS'
Y

13.52152621
SNAP RING - M6

18.AA063629
SPRING - 2.8N

64.D1172896
SHEET:PLATE:FRI
CTION PAD

61.D1172846
RETAINING RINGS
-E:SILENCER:DIA3

55.D0392825
SUPPORTING PLA
TE:PAPER TRAY

2.04503008N
(x5)
TAPPING SCREW -
M3X8

11.08050088
RETAINING RING -
M6

9.06230140E
SPRING PIN - 3X14
MM

47.B0392823
JOINT - PAPER FE
ED ROLLER

46.B0392732
SPRING - PAPER F
EED ROLLER

63.D1172894
SHAFT:PINION:BA
SE:RISE

60.D1172820
PINION:BASE:RISE

58.D1172808
STOPPER:GUIDE P
LATE:BASE:RISE

7.04543008Q
TAPPING SCREW:
3X8

59.D1172817
LEVER:BASE:RISE

U001	U002	U003	U004	U005	U006	U007	U008	U009	U010	U011	U012	U013	U014	U015
------	------	------	------	------	------	------	------	------	------	------	------	------	------	------

U005_S002
PAPER TRAY:ASS'Y

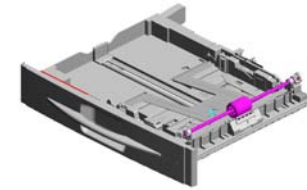
77.D1582577
GRIP:PAPER TRAY

71.D1582565
COVER:PAPER TRAY:NO.1

72.D1582567
PRESSURE PLATE:BASE:RISE

70.D1582564
TRAY BOTTOM PLATE

96.D1582820
DECAL:PAPER SELECTION DIRECTION

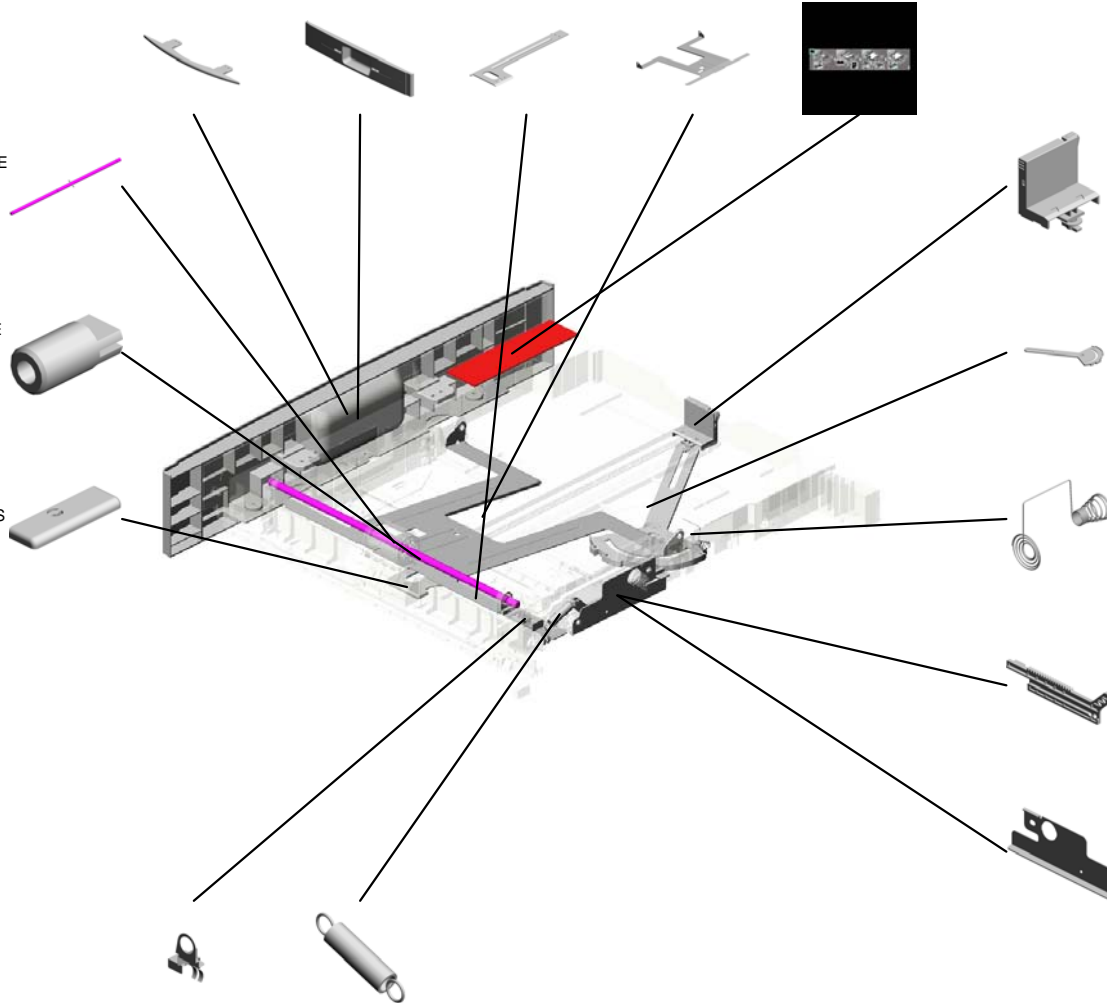


65.D1582526
PAPER TRAY:ASS'Y

66.D1582553
SHAFT:PAPER FEED ROLLER:ASS'Y

79.D1582579
SHAFT:BASE:RISE

73.D1582568
COVER:PRESSURE PLATE:BASE:RISE



67.D1582554
END FENCE:ASS'Y

120.G0702710
PAPER SIZE SENSOR LINK

84.D1582591
COIL SPRING:EAR TH:TRAY BOTTOM PLATE

78.D1582578
RACK:BASE:RISE

80.D1582580
BRACKET:PINION:BASE:RISE

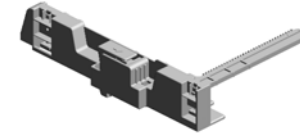
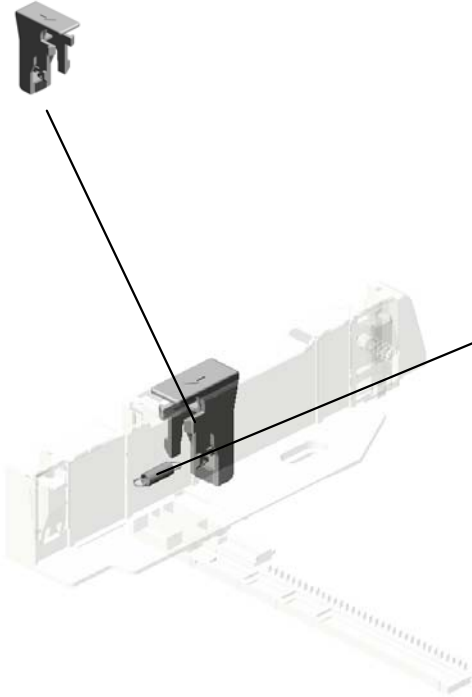
83.D1582588
GROUND PLATE:PAPER FEED ROLLER

74.D1582569
TENSION SPRING:BASE:RISE

U001	U002	U003	U004	U005	U006	U007	U008	U009	U010	U011	U012	U013	U014	U015
------	------	------	------	------	------	------	------	------	------	------	------	------	------	------

U005_S002_S001
SIDE FENCE:FRONT:ASS'Y

76.D1582576
STOPPER:SIDE FE
NCE:FRONT



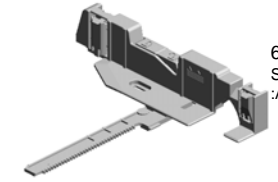
68.D1582559
SIDE FENCE:FRON
T:ASSY

86.D1582593
COIL SPRING:STO
PPER:SIDE FENCE
:FRONT

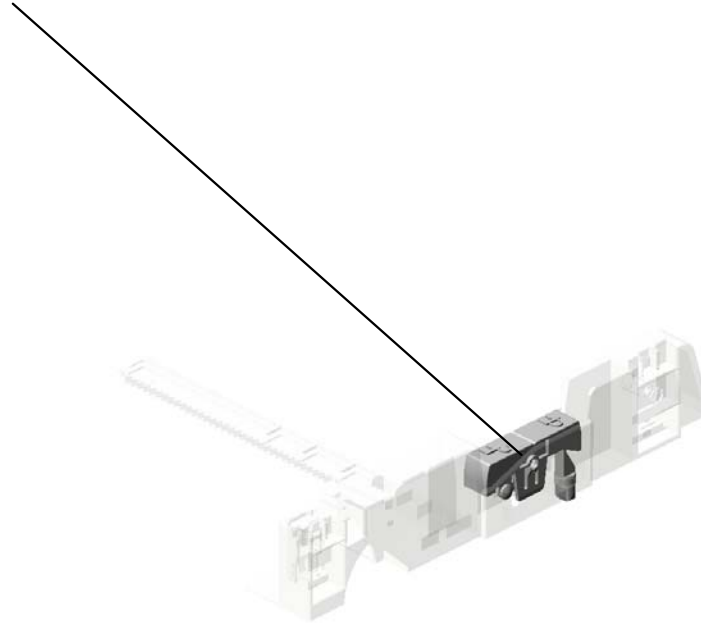
U001	U002	U003	U004	U005	U006	U007	U008	U009	U010	U011	U012	U013	U014	U015
------	------	------	------	------	------	------	------	------	------	------	------	------	------	------

U005_S002_S002
SIDE FENCE:REAR:ASS'Y

87.D1582595
LEVER:STOPPER:
REAR



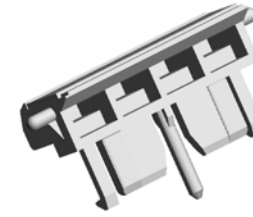
69.D1582560
SIDE FENCE:REAR
:ASS'Y



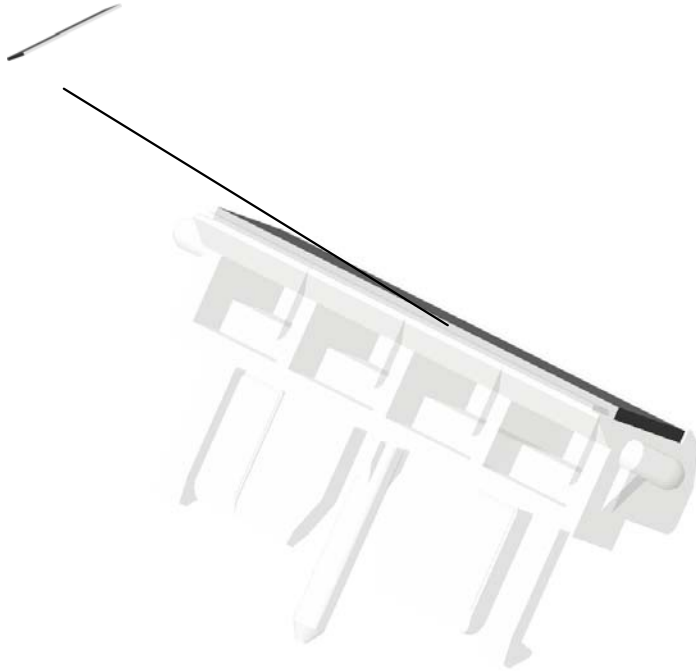
U001	U002	U003	U004	U005	U006	U007	U008	U009	U010	U011	U012	U013	U014	U015
------	------	------	------	-------------	------	------	------	------	------	------	------	------	------	------

U005_S002_S003
FRICTION PAD:ASS'Y

34.AF033008
FRICTION PAD:10X
50



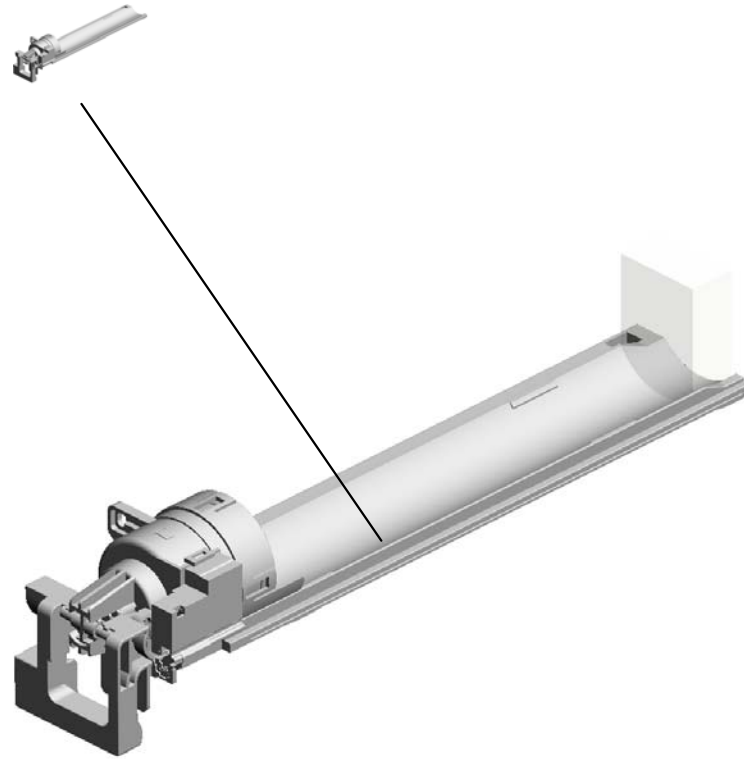
85.D1582592
FRICTION PAD:AS
S'Y



U001	U002	U003	U004	U005	U006	U007	U008	U009	U010	U011	U012	U013	U014	U015
------	------	------	------	------	------	------	------	------	------	------	------	------	------	------

U006.TONNER SUPPLY

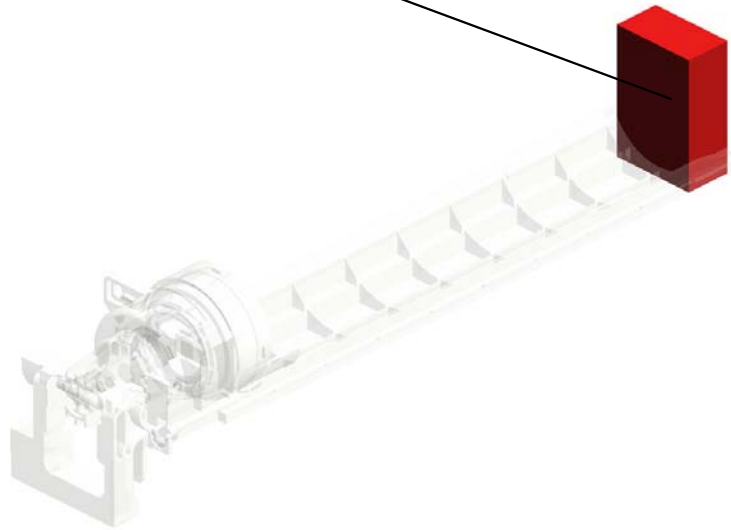
U006_S001
D1583032
TONER SUPPLY UNIT:C4:AS
SY



U001	U002	U003	U004	U005	U006	U007	U008	U009	U010	U011	U012	U013	U014	U015
------	------	------	------	------	-------------	------	------	------	------	------	------	------	------	------

U006
TONNER SUPPRY

7.D1583310
DC MOTOR:TONE
R BOTTLE:2.52W:B
RUSH



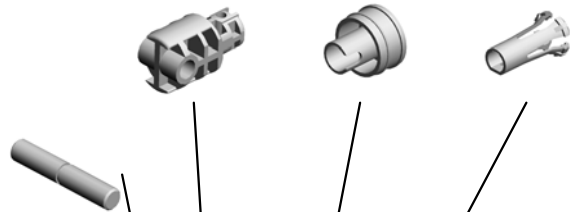
U001	U002	U003	U004	U005	U006	U007	U008	U009	U010	U011	U012	U013	U014	U015
------	------	------	------	------	-------------	------	------	------	------	------	------	------	------	------

U006_S001
TONER SUPPLY UNIT:C4:ASS'Y

2.A1843421 CHUCK SHAFT
9.G0203334 SLIDER ASS'Y
1.A1843420 BOTTLE CHUCK



5.B2593422
SHAFT:SLIDE



3.A2673556
CHUCK SPRING - T
ONNER BOTTLE

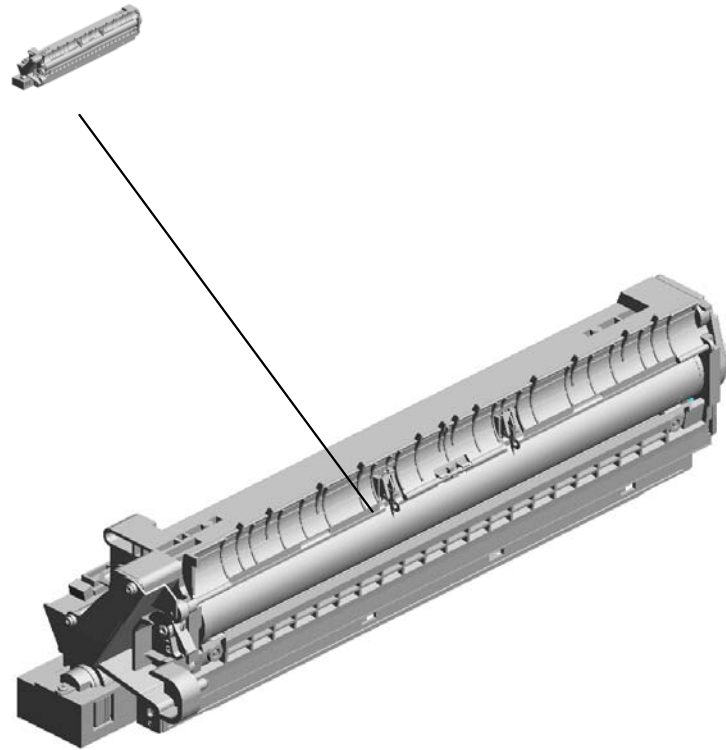
8.D1583381
COVER:TONER BO
TTLE:C4:ASS'Y

4.B0393360
CAM - HANDLE

U001	U002	U003	U004	U005	U006	U007	U008	U009	U010	U011	U012	U013	U014	U015
------	------	------	------	------	-------------	------	------	------	------	------	------	------	------	------

U007.PCU

U007_S001
D8490150
PCU:EXP

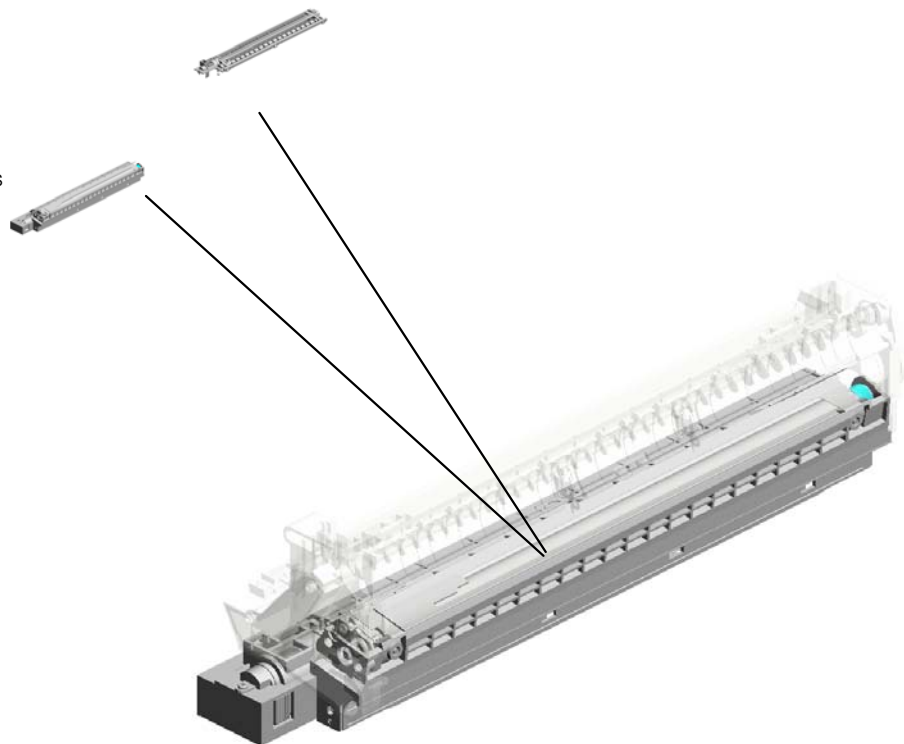


U001	U002	U003	U004	U005	U006	U007	U008	U009	U010	U011	U012	U013	U014	U015
------	------	------	------	------	------	------	------	------	------	------	------	------	------	------

U007_S001.PCU:EXP

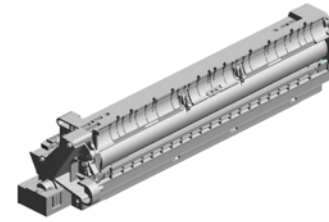
U007_S001_S002
D1583170
CASE:DEVELOPMENT:SUB-A
SS'Y

U007_S001_S001
D1583052
DEVELOPMENT ROLLER:AS
S'Y



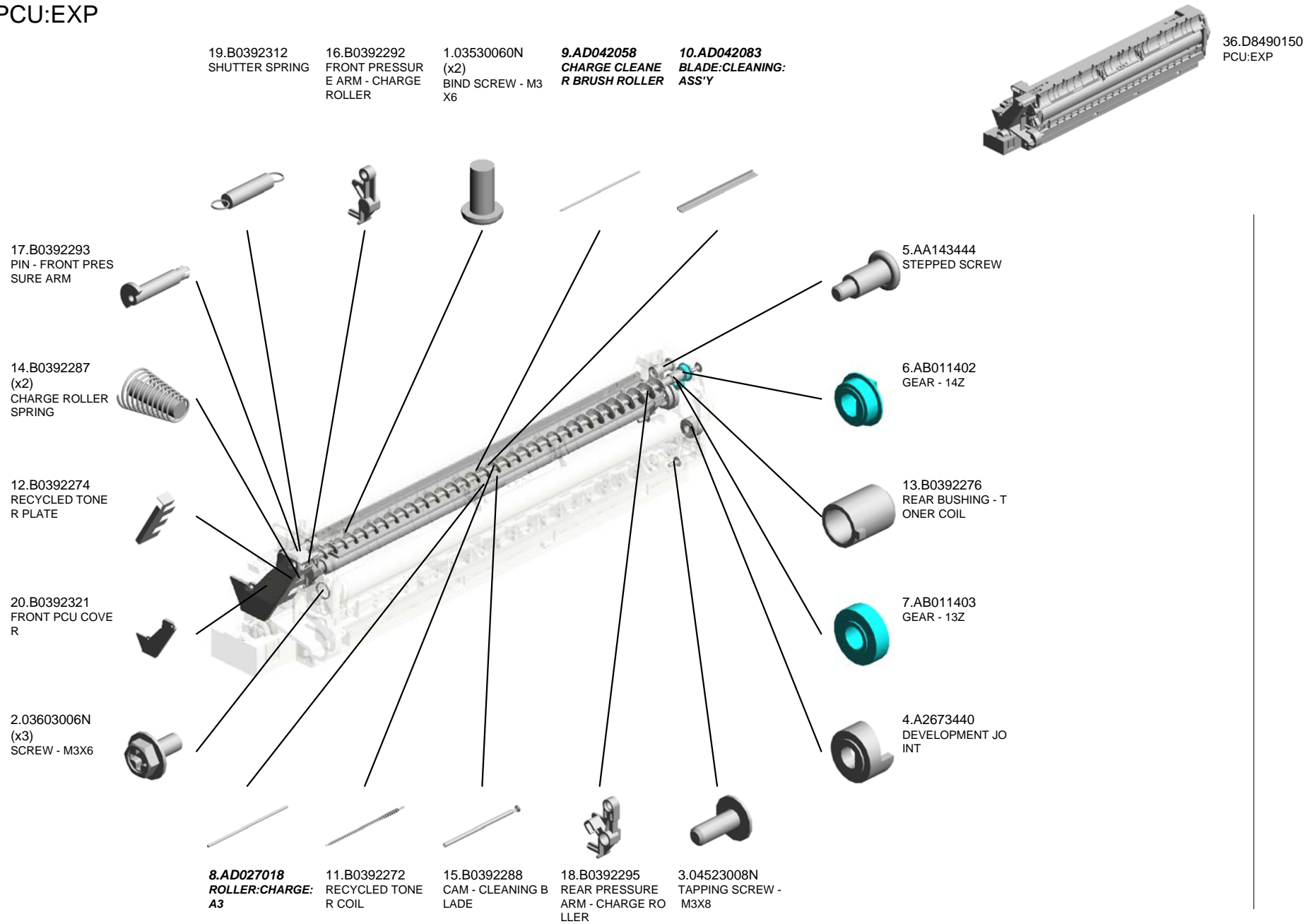
U001	U002	U003	U004	U005	U006	U007	U008	U009	U010	U011	U012	U013	U014	U015
------	------	------	------	------	------	------	------	------	------	------	------	------	------	------

U007
PCU



U001	U002	U003	U004	U005	U006	U007	U008	U009	U010	U011	U012	U013	U014	U015
------	------	------	------	------	------	------	------	------	------	------	------	------	------	------

U007_S001
PCU:EXP



U007_S001
PCU:EXP

28.B1212311
PCU TONER SUPP
LY SHUTTER

21.B0392329
(x2)
SPACER - M3

23.B0392350
CLIP - OPC DRUM

36.D8490150
PCU:EXP

29.B1212313
TONER SUPPLY S
EAL

30.D1582362
DRUM STAY:FRON
T

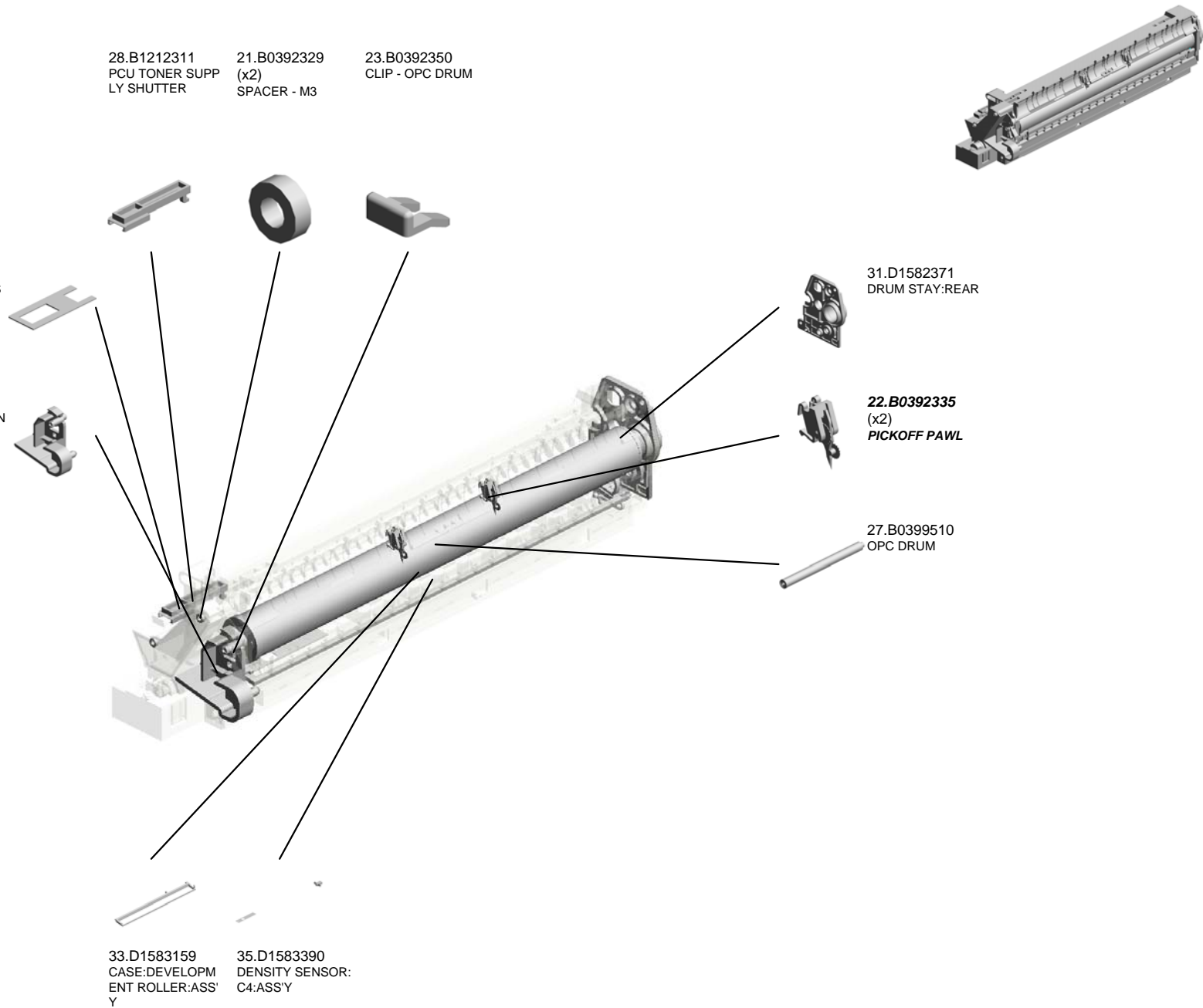
31.D1582371
DRUM STAY:REAR

22.B0392335
(x2)
PICKOFF PAWL

27.B0399510
OPC DRUM

33.D1583159
CASE:DEVELOPM
ENT ROLLER:ASS'
Y

35.D1583390
DENSITY SENSOR:
C4:ASS'Y



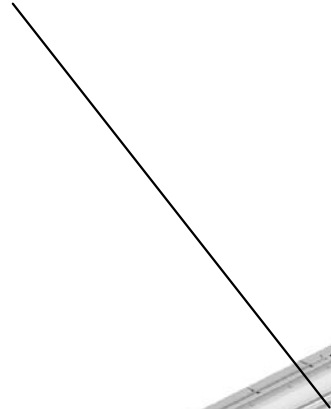
U001	U002	U003	U004	U005	U006	U007	U008	U009	U010	U011	U012	U013	U014	U015
------	------	------	------	------	------	------	------	------	------	------	------	------	------	------

U007_S001_S001
DEVELOPMENT ROLLER:ASS'Y

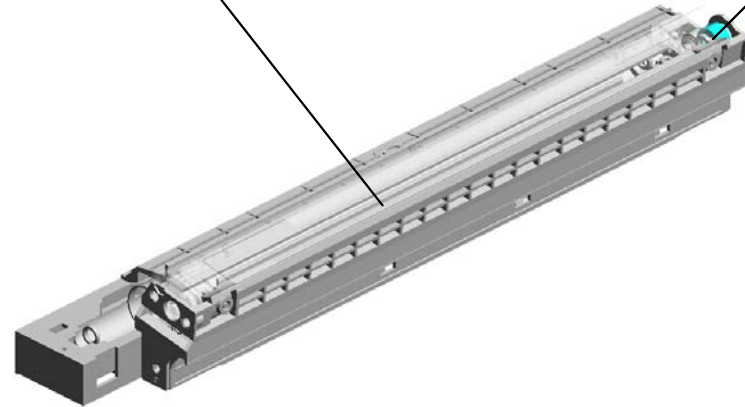
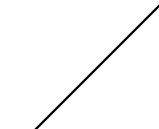
25.B0393062
IDLER GEAR - 16Z



32.D1583052
DEVELOPMENT R
OLLER:ASS'Y



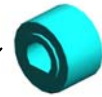
24.B0393060
DEVELOPMENT R
OLLER GEAR



U001	U002	U003	U004	U005	U006	U007	U008	U009	U010	U011	U012	U013	U014	U015
------	------	------	------	------	------	------	------	------	------	------	------	------	------	------

U007_S001_S002
CASE:DEVELOPMENT:SUB-ASS'Y

25.B0393062
IDLER GEAR - 16Z



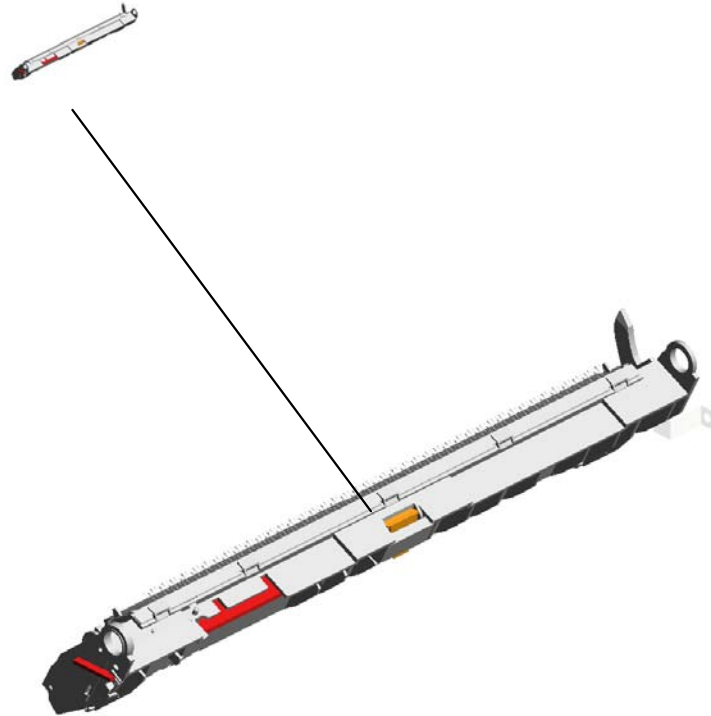
26.B0393245
(x2)
GEAR - 15Z



U001	U002	U003	U004	U005	U006	U007	U008	U009	U010	U011	U012	U013	U014	U015
------	------	------	------	------	------	------	------	------	------	------	------	------	------	------

U008.TRANSFER/SEPARATION

U008_S001
D1583804
TRANSFER UNIT



U001	U002	U003	U004	U005	U006	U007	U008	U009	U010	U011	U012	U013	U014	U015
------	------	------	------	------	------	------	------	------	------	------	------	------	------	------

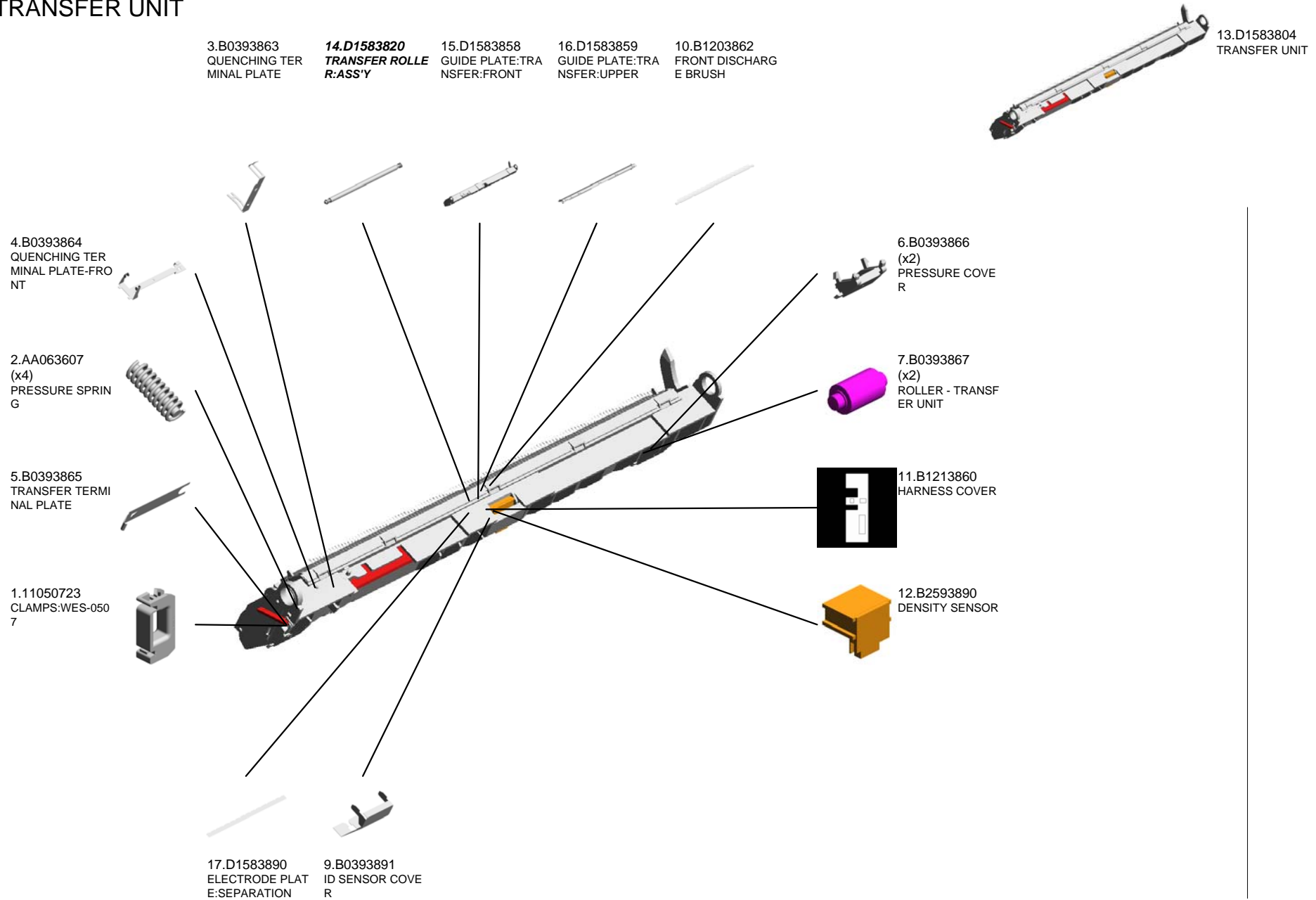
U008
TRANSFER/SEPARATION

8.B0393870
TERMINAL - TRAN
SFER



U001	U002	U003	U004	U005	U006	U007	U008	U009	U010	U011	U012	U013	U014	U015
------	------	------	------	------	------	------	-------------	------	------	------	------	------	------	------

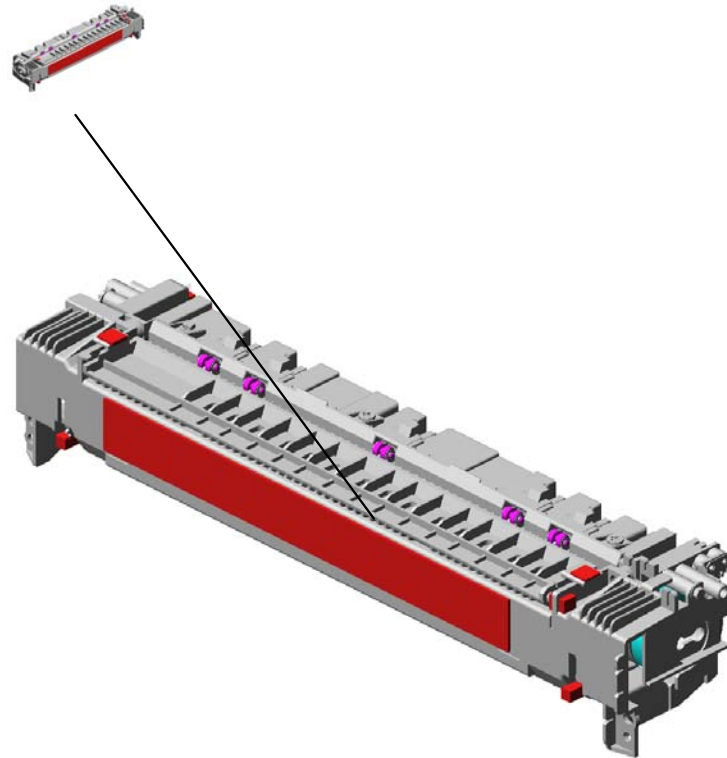
U008_S001 TRANSFER UNIT



U001	U002	U003	U004	U005	U006	U007	U008	U009	U010	U011	U012	U013	U014	U015
------	------	------	------	------	------	------	------	------	------	------	------	------	------	------

U009.FUSING

U009_S001
D1584003
FUSING UNIT:NA:ASS'Y

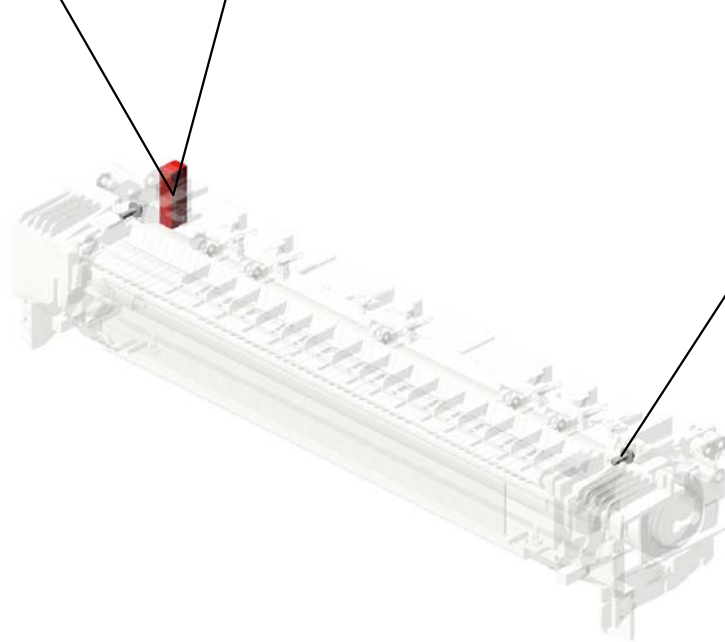
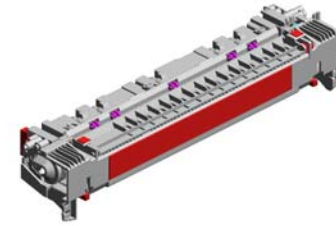


U001	U002	U003	U004	U005	U006	U007	U008	U009	U010	U011	U012	U013	U014	U015
------	------	------	------	------	------	------	------	------	------	------	------	------	------	------

U009 FUSING

19.B0394119
FUSING GROUNDING
HARNESS

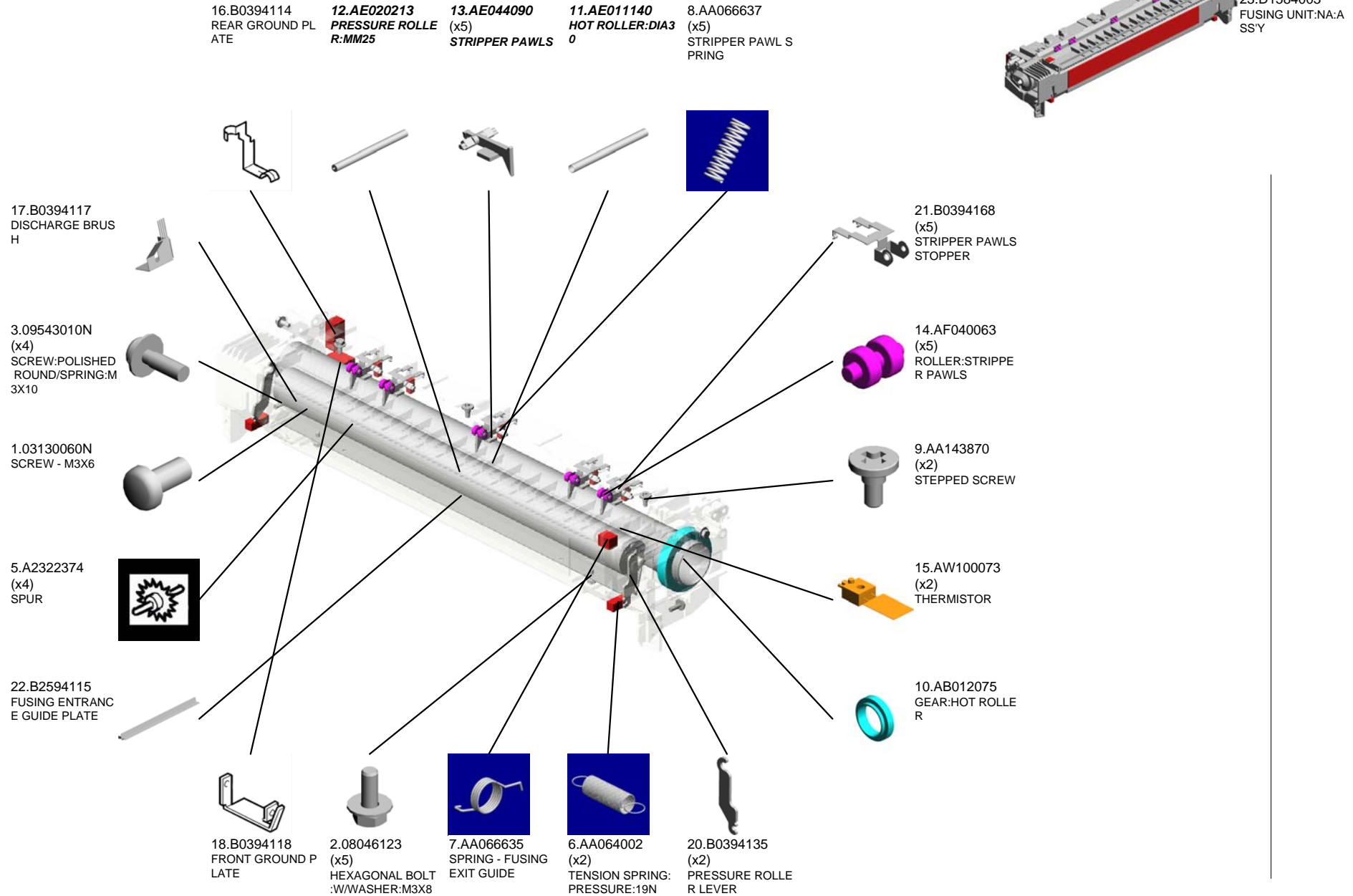
37.D1584460
GROUND PLATE:F
USING:DISCHARGE
BRUSH:MAIN



4.09544010N
(x2)
SCREW:POLISHED
ROUND/SPRING:M
4X10

U001	U002	U003	U004	U005	U006	U007	U008	U009	U010	U011	U012	U013	U014	U015
------	------	------	------	------	------	------	------	------	------	------	------	------	------	------

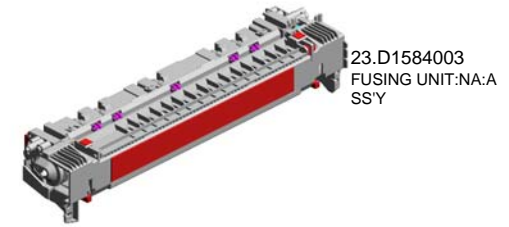
U009_S001
FUSING UNIT:NA:ASS'Y



U001	U002	U003	U004	U005	U006	U007	U008	U009	U010	U011	U012	U013	U014	U015
------	------	------	------	------	------	------	------	------	------	------	------	------	------	------

U009_S001
FUSING UNIT:NA:ASS'Y

- 30.D1584111 ELECTRODE PLATE:FRONT
- 28.D1584107 GUIDE PLATE:FUSING EXIT:OPEN AND CLOSE
- 31.D1584112 ELECTRODE PLATE:MIDDLE
- 27.D1584102 GUIDE PLATE:FUSING EXIT
- 33.D1584120 (x2) THERMOSTAT:ASS'Y



29.D1584109 (x2) DECAL:FUSING:GRIP



25.D1584090 HOLDER:HEATER:FRONT



24.D1584088 DECAL:FUSING:H-TEMP WARNING



32.D1584114 ELECTRODE PLATE:REAR



26.D1584091 HOLDER:HEATER:REAR



39.G0524618 (x2) BEARING 30X42X7

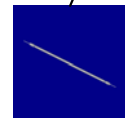
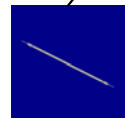
38.G0294140 (x2) EXTERNAL CIRCLIP



36.D1584215 HEATER:120V:650W:INFRARED

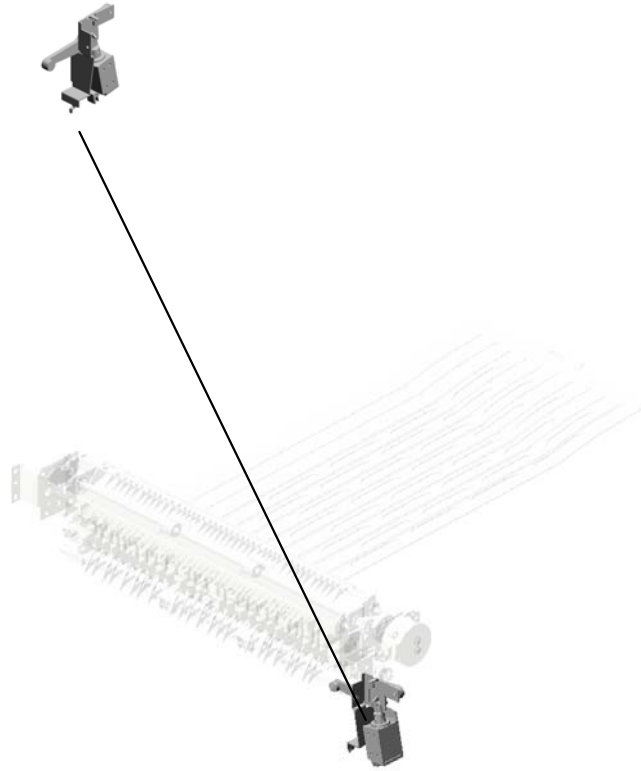
35.D1584210 HEATER:120V:600W:INFRARED

34.D1584174 (x2) PLAIN SHAFT BEARING:PRESSURE ROLLER



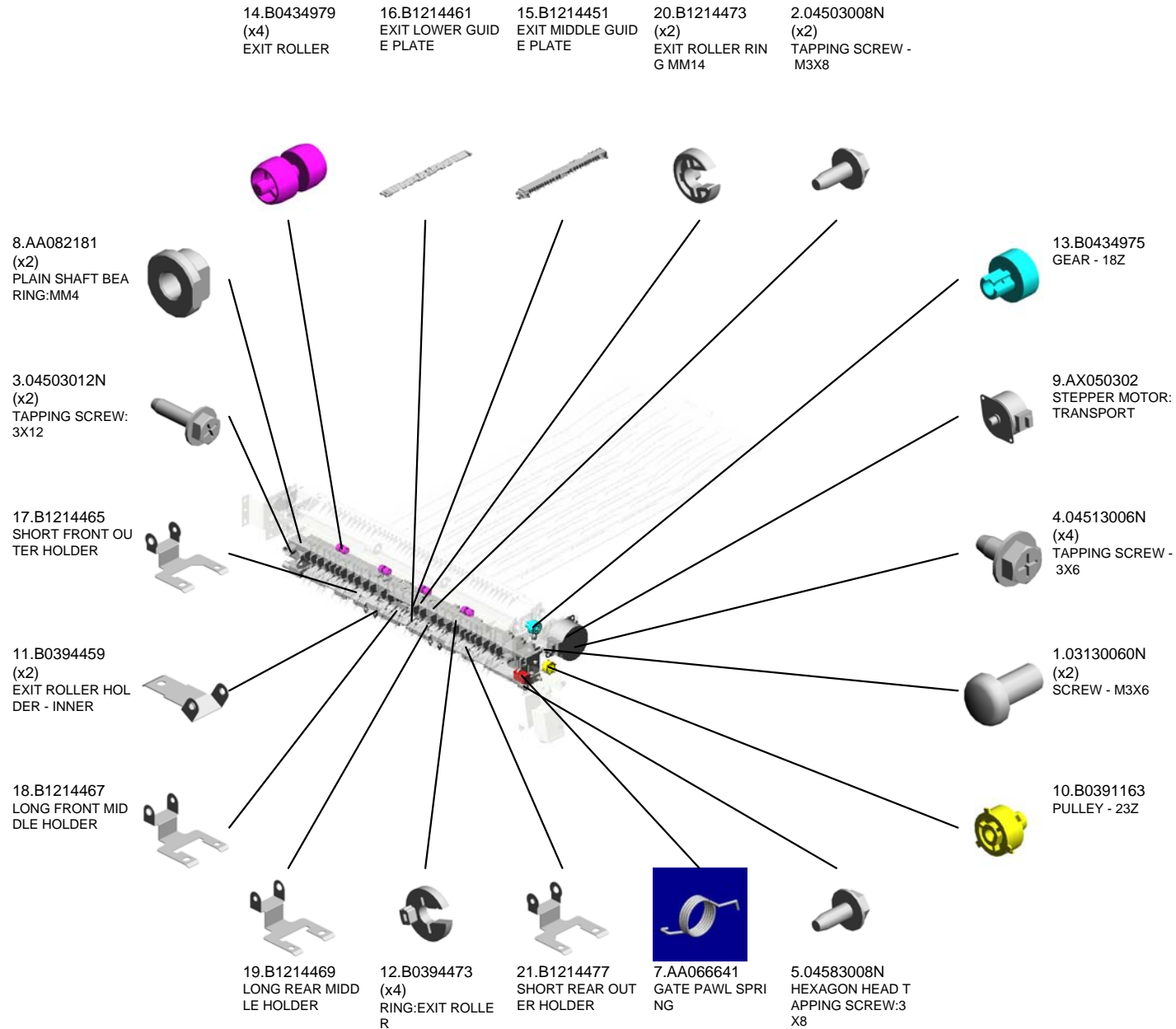
U010.PAPER EXIT

U010_S001
B2774984
DC SOLENOID:ASS'Y



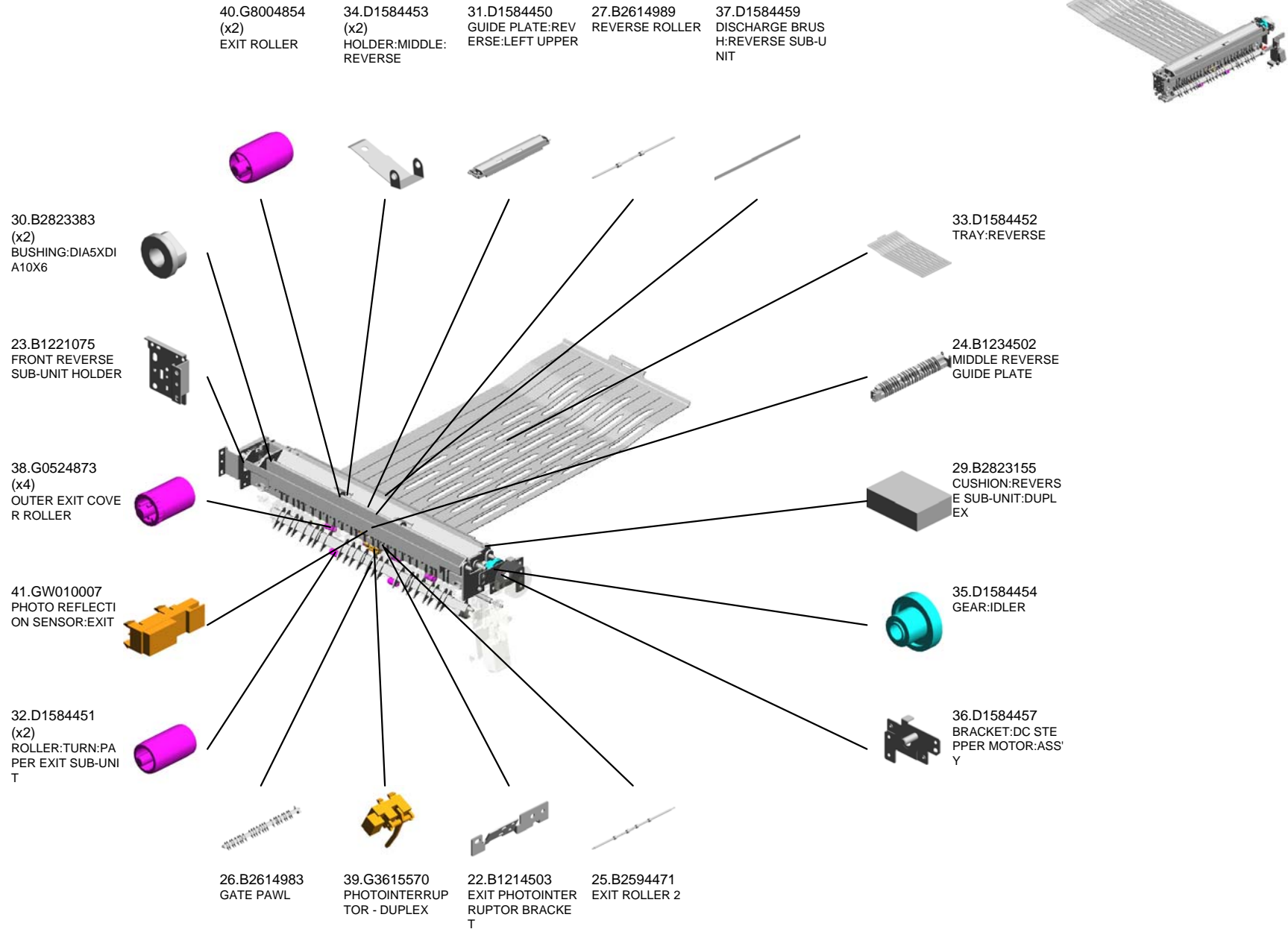
U001	U002	U003	U004	U005	U006	U007	U008	U009	U010	U011	U012	U013	U014	U015
------	------	------	------	------	------	------	------	------	------	------	------	------	------	------

U010 PAPER EXIT



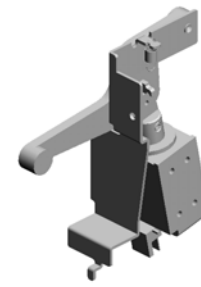
U001	U002	U003	U004	U005	U006	U007	U008	U009	U010	U011	U012	U013	U014	U015
------	------	------	------	------	------	------	------	------	------	------	------	------	------	------

U010 PAPER EXIT

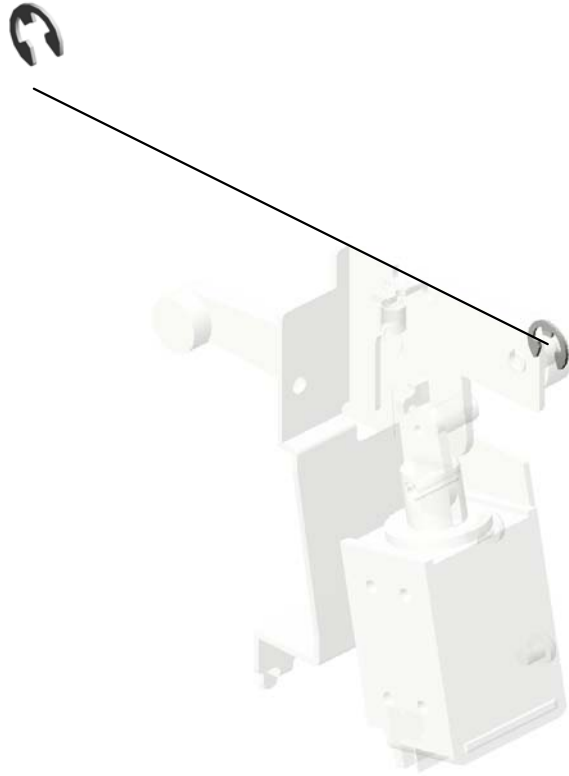


U010_S001
DC SOLENOID:ASS'Y

6.07200040E
RETAINING RING -
M4



28.B2774984
DC SOLENOID:ASS
Y



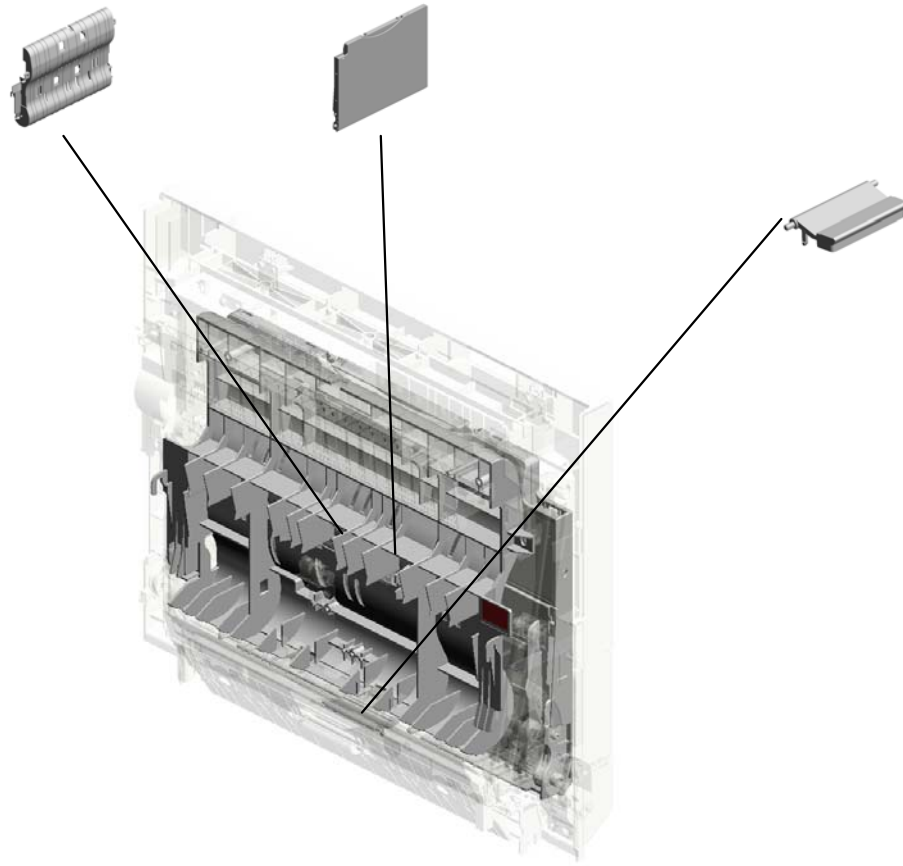
U001	U002	U003	U004	U005	U006	U007	U008	U009	U010	U011	U012	U013	U014	U015
------	------	------	------	------	------	------	------	------	------	------	------	------	------	------

U011.DUPLEX

U011_S003
D1584640
GUIDE PLATE:DUPLEX:DRIV
EN:ASSY

U011_S002
D1582634
MANUAL FEED TABLE:ASSY

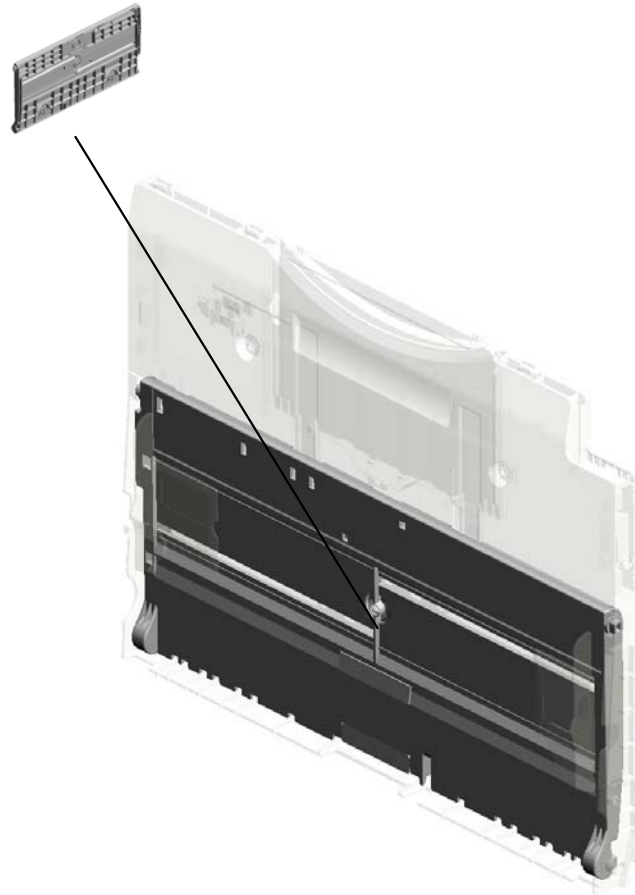
U011_S001
B2614650
SEPARATION PAD



U001	U002	U003	U004	U005	U006	U007	U008	U009	U010	U011	U012	U013	U014	U015
------	------	------	------	------	------	------	------	------	------	------	------	------	------	------

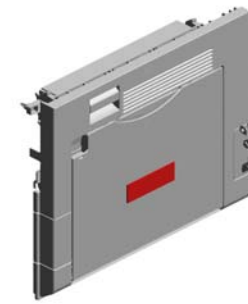
U011_S002.MANUAL FEED TABLE:ASS'Y

U011_S002_S001
D1582744
BASE:MANUAL FEED TABLE:
ASS'Y



U001	U002	U003	U004	U005	U006	U007	U008	U009	U010	U011	U012	U013	U014	U015
------	------	------	------	------	------	------	------	------	------	------	------	------	------	------

U011 DUPLEX



- 1.04330060N (x2) PAN SELF-TAPPING SCREW:3X6
- 8.07200040E (x4) RETAINING RING - M4
- 9.08050089 (x7) RETAINING RING - M4
- 12.11050623 (x8) CLAMP - LBWS-02 06S-V0
- 15.A2501388 SPRING

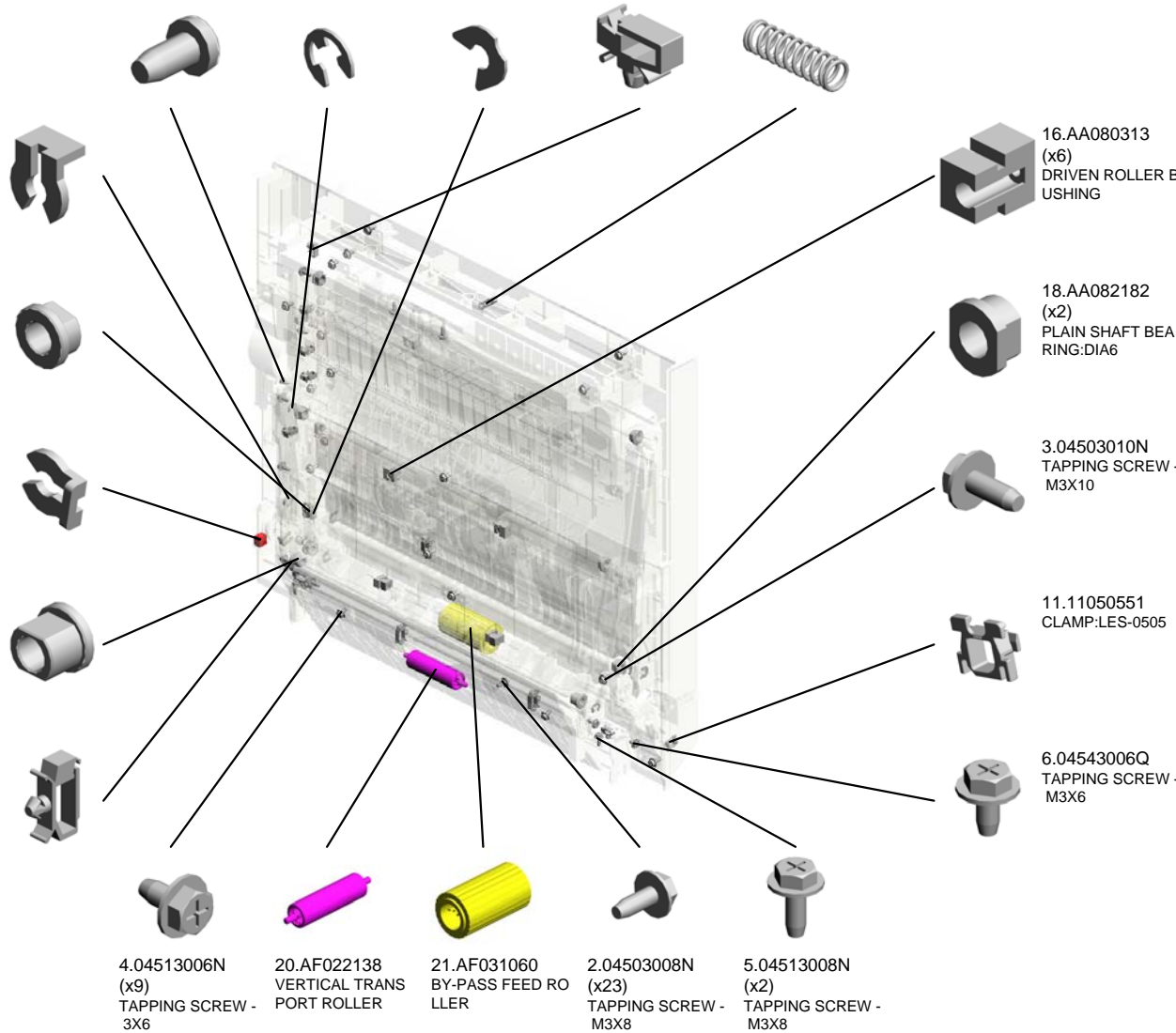
14.54472681 (x2) SNAP RING

19.AA082184 (x6) PLAIN SHAFT BEARING: DIA6X DIA10X 6

10.08050097 RING SEPARATOR

17.AA082180 (x2) PLAIN SHAFT BEARING: DIA6: DIA10: 9

13.11050760 (x5) CLAMP: LWSM-051 1A



4.04513006N (x9) TAPPING SCREW - 3X6

20.AF022138 VERTICAL TRANSPORT ROLLER

21.AF031060 BY-PASS FEED ROLLER

2.04503008N (x23) TAPPING SCREW - M3X8

5.04513008N (x2) TAPPING SCREW - M3X8

16.AA080313 (x6) DRIVEN ROLLER BEARING

18.AA082182 (x2) PLAIN SHAFT BEARING: DIA6

3.04503010N TAPPING SCREW - M3X10

11.11050551 CLAMP: LES-0505

6.04543006Q TAPPING SCREW - M3X6

U011 DUPLEX

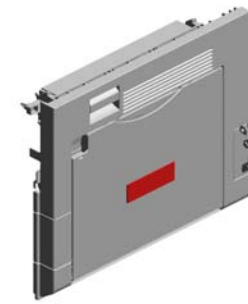
26.AX050302
STEPPER MOTOR:
TRANSPORT

31.B0434631
GEAR - 38Z

23.AW020181
(x2)
PAPER FEED SEN
SOR

33.B0434646
UPPER SPRING PL
ATE - DRIVEN ROL
LER

29.B0394480
(x2)
STEPPED SCREW
- M5



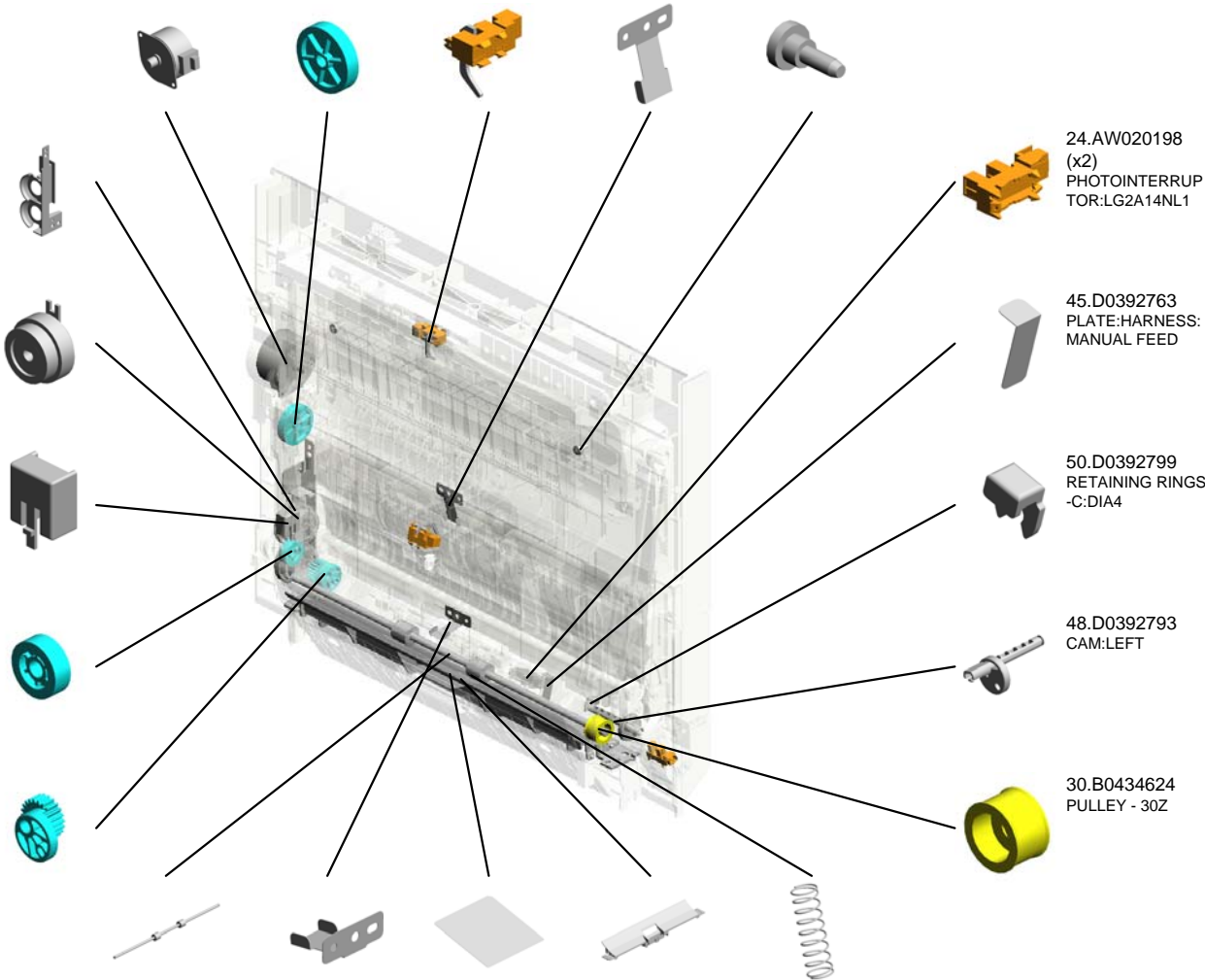
53.D1582609
INNER COVER:DU
PLEX:REAR:RIGHT

27.AX200365
(x2)
ELECTROMAGNET
IC CLUTCH:MANU
AL FEED

32.B0434642
STOPPER - GUIDE
PLATE

54.D1582611
GEAR:IDLER:18Z

38.D0392720
GEAR:CAM:RIGHT



24.AW020198
(x2)
PHOTOINTERRUP
TOR:LG2A14NL1

45.D0392763
PLATE:HARNESS:
MANUAL FEED

50.D0392799
RETAINING RINGS
-C:DIA4

48.D0392793
CAM:LEFT

30.B0434624
PULLEY - 30Z

36.B2614624
TRANSPORT ROLL
ER:DRIVE:DUPLEX
:EXIT

34.B0434647
LOWER SPRING P
LATE - DRIVEN RO
LLER

51.D1202614
SHEET:GUIDE PLA
TE:MANUAL FEED

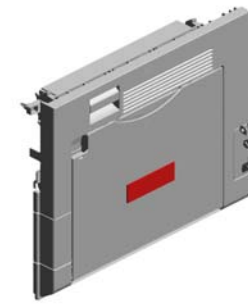
55.D1582613
GUIDE PLATE:MAN
UAL FEED UNIT:LO
WER

35.B0434685
SPRING - 2.8N

U001	U002	U003	U004	U005	U006	U007	U008	U009	U010	U011	U012	U013	U014	U015
------	------	------	------	------	------	------	------	------	------	------	------	------	------	------

U011 DUPLEX

81.D1584623 TRANSPORT ROLLER:DRIVE:DUPLEX:CONNECTING
 80.D1584617 GUIDE PLATE:DUPLEX:ENTRANCE
 79.D1584611 COVER:DUPLEX
 63.D1582651 DECAL:SCALE:MANUAL FEED
 60.D1582633 DECAL:CAUTION:CAM:MANUAL FEED



64.D1582665 LINK:DUPLEX:ASS'Y



59.D1582632 DECAL:SIDE FENCE:MANUAL FEED



66.D1582697 LINK:MANUAL FEED TABLE:REAR



74.D1582789 GEAR:CAM:RIGHT REAR



73.D1582786 SHAFT:DRIVE:MANUAL FEED UNIT



57.D1582626 GUIDE PLATE:MANUAL FEED UNIT:UPPER



77.D1582796 SHAFT:CAM:ASS'Y



68.D1582725 FEELER:MANUAL FEED



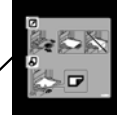
76.D1582791 TORSION SPRING:PAPER END SENSOR



78.D1584603 (x2) COMPRESSION SPRING:VERTICAL TRANSPORT



58.D1582630 DECAL:MANUAL FEED:INKJET



65.D1582696 LINK:MANUAL FEED TABLE:FRONT



67.D1582722 GEAR:CAM:LEFT REAR



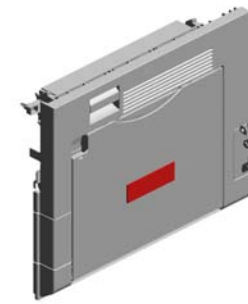
56.D1582620 (x2) GEAR:IDLER:MANUAL FEED:BASE



75.D1582790 GEAR:FEELER:LEFT



U011 DUPLEX



- 87.D1584645 (x2) COMPRESSION SPRING:DUPL
- 96.D1584673 COVER:PHOTOINTERRUPTOR:ENTRANCE
- 98.D1584677 GUIDE PLATE:EXIT:RIGHT UPPER
- 88.D1584651 LEVER:DOOR
- 82.D1584625 TRANSPORT ROLLER:DRIVE:DUPL

91.D1584661
INNER COVER:DUPL

101.D1584705
BRACKET:DC STEPPER MOTOR:ASSY

83.D1584632
GEAR:TWO STEP SPEED VARYING

95.D1584670
GUIDE PLATE:EXIT:RIGHT LOWER:ASSY

102.D1584714
GEAR:INPUT:MANUAL FEED

97.D1584675
BRACKET:CONNECTING:DUPL

99.D1584679
COVER:PHOTOINTERRUPTOR:EXIT

92.D1584662
GUIDE PLATE:VERTICAL TRANSPORT

93.D1584666
GUIDE:EXIT:LOWER:DUPL

94.D1584668 (x2)
PLAIN SHAFT BEARING RING:DIA4:VERTICAL TRANSPORT

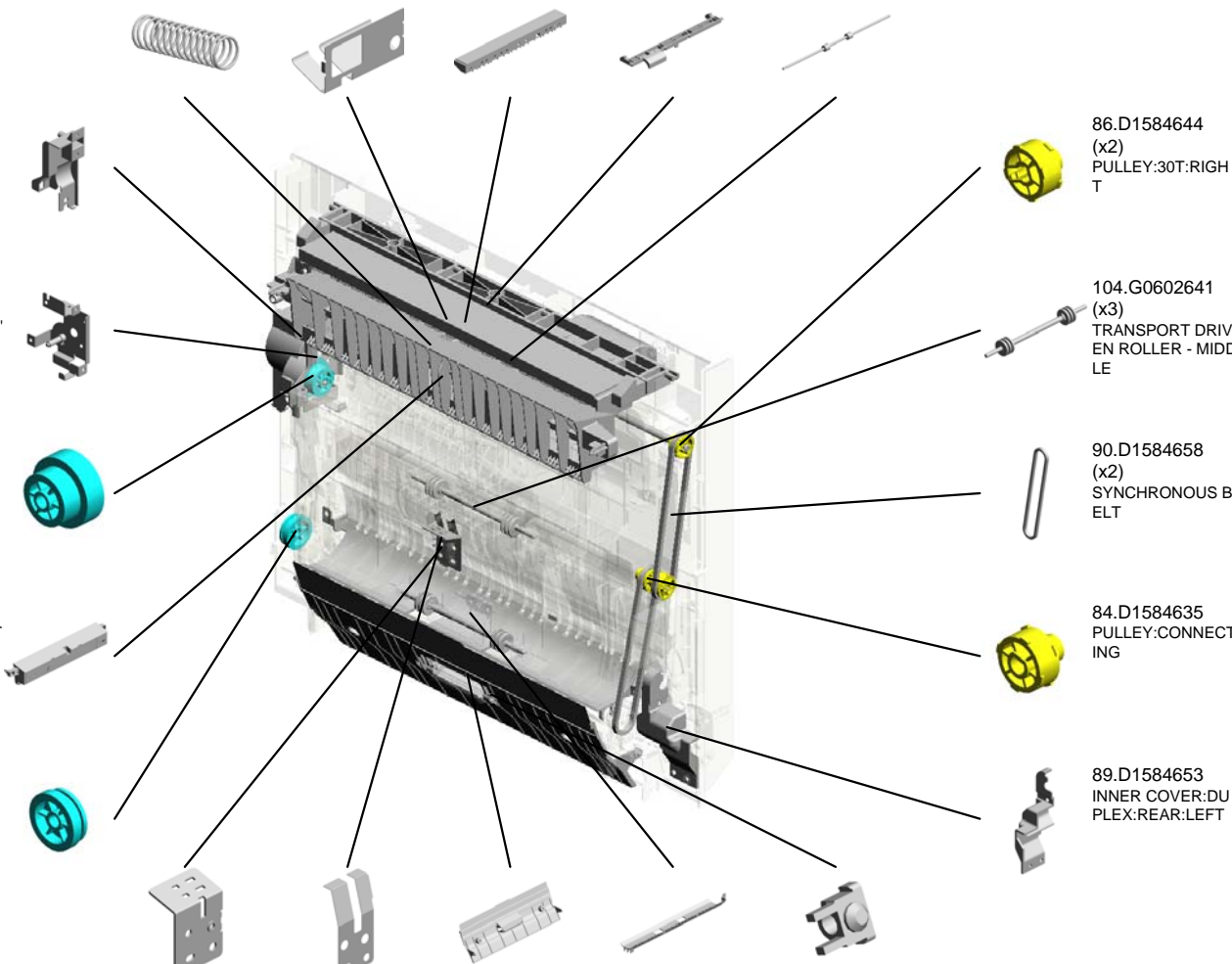
86.D1584644 (x2)
PULLEY:30T:RIGHT

104.G0602641 (x3)
TRANSPORT DRIVEN ROLLER - MIDDLE

90.D1584658 (x2)
SYNCHRONOUS BELT

84.D1584635
PULLEY:CONNECTING

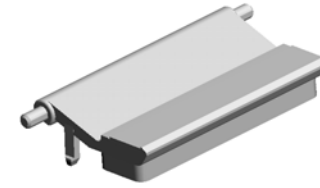
89.D1584653
INNER COVER:DUPL:REAR:LEFT



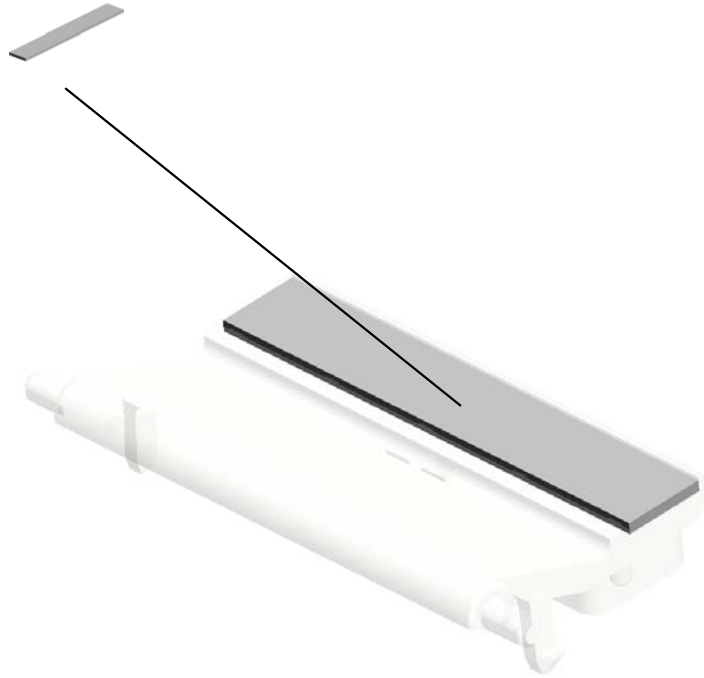
U001	U002	U003	U004	U005	U006	U007	U008	U009	U010	U011	U012	U013	U014	U015
------	------	------	------	------	------	------	------	------	------	------	------	------	------	------

U011_S001
SEPARATION PAD

103.G0302670
FRICTION PAD



37.B2614650
SEPARATION PAD



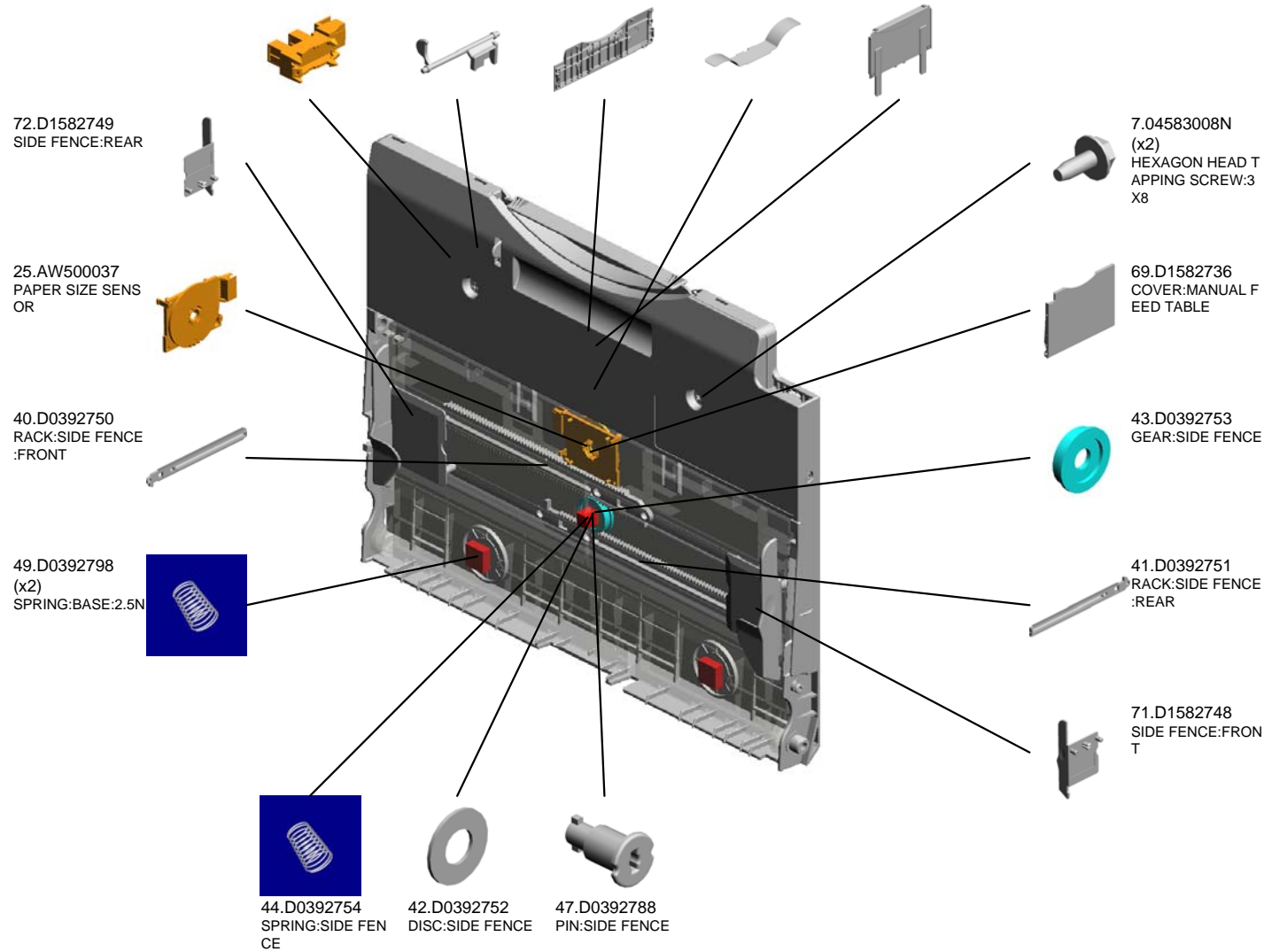
U001	U002	U003	U004	U005	U006	U007	U008	U009	U010	U011	U012	U013	U014	U015
------	------	------	------	------	------	------	------	------	------	------	------	------	------	------

U011_S002
 MANUAL FEED TABLE:ASS'Y

24.AW020198 PHOTOINTERRUPTOR:LG2A14NL1
 39.D0392737 FEELER:PAPER:TRAILING EDGE
 62.D1582637 COVER:PAPER:TRAILING EDGE
 46.D0392779 SPRING PLATE:EXTENSION TRAY
 52.D1202740 EXTENSION TRAY:MANUAL FEED



61.D1582634
 MANUAL FEED TABLE:ASS'Y



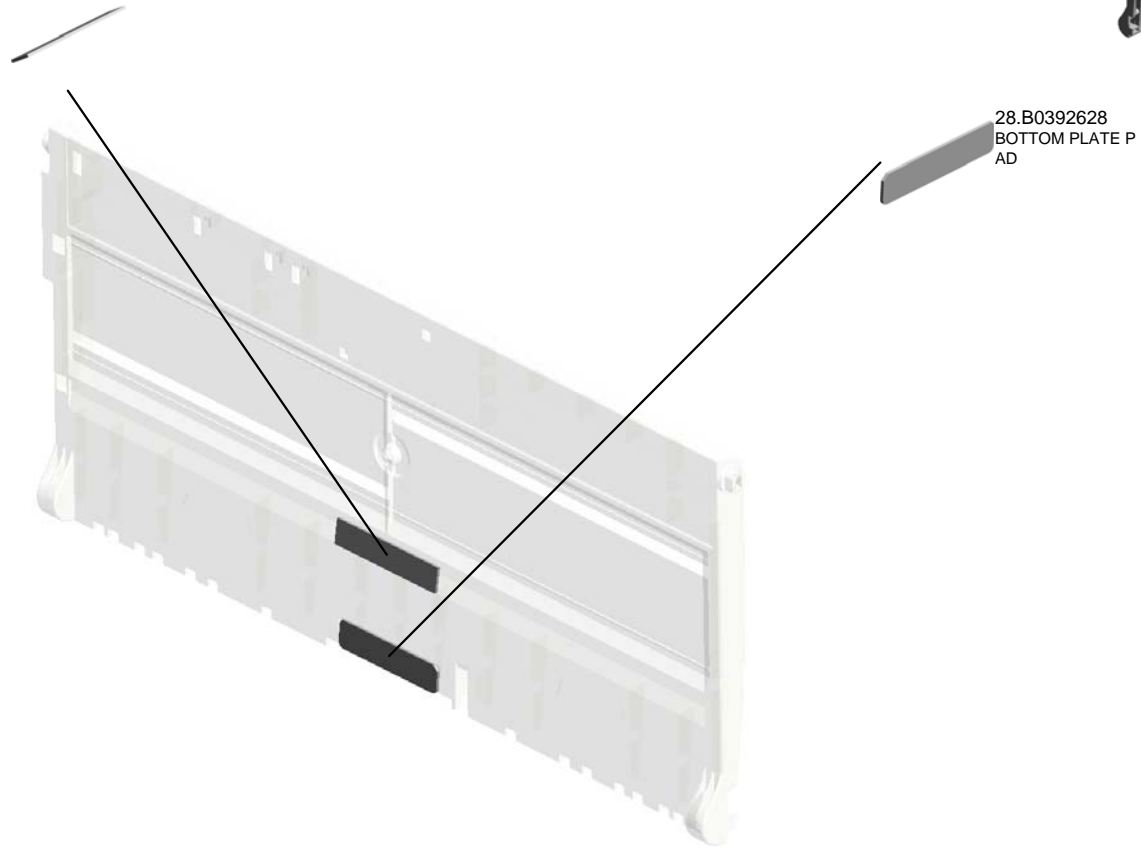
U001	U002	U003	U004	U005	U006	U007	U008	U009	U010	U011	U012	U013	U014	U015
------	------	------	------	------	------	------	------	------	------	------	------	------	------	------

U011_S002_S001
BASE:MANUAL FEED TABLE:ASS'Y

22.AF033008
FRICTION PAD:10X
50



70.D1582744
BASE:MANUAL FE
ED TABLE:ASS'Y

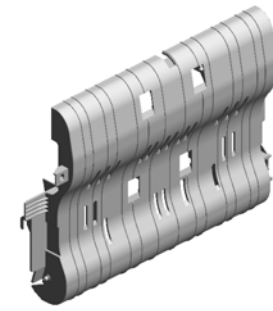


28.B0392628
BOTTOM PLATE P
AD

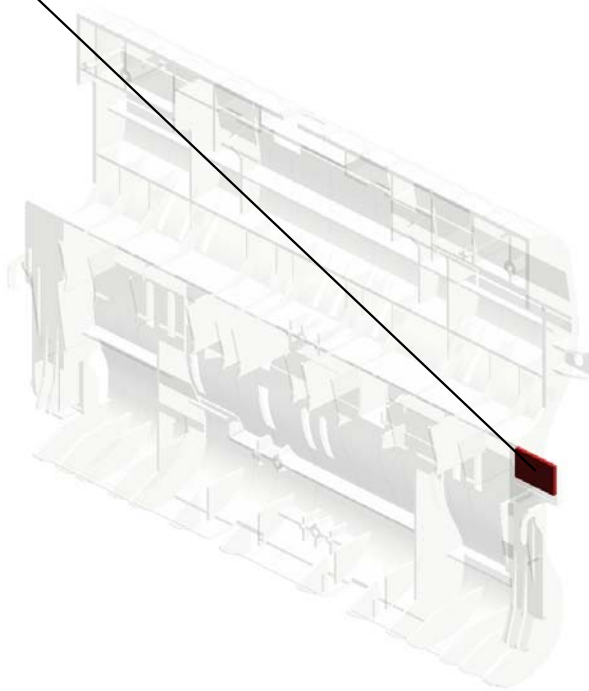
U001	U002	U003	U004	U005	U006	U007	U008	U009	U010	U011	U012	U013	U014	U015
------	------	------	------	------	------	------	------	------	------	------	------	------	------	------

U011_S003
GUIDE PLATE:DUPLEX:DRIVEN:ASS'Y

100.D1584692
DECAL:GRIP



85.D1584640
GUIDE PLATE:DUP
LEX:DRIVEN:ASS'Y



U001	U002	U003	U004	U005	U006	U007	U008	U009	U010	U011	U012	U013	U014	U015
------	------	------	------	------	------	------	------	------	------	------	------	------	------	------

U012.MAIN DRIVE

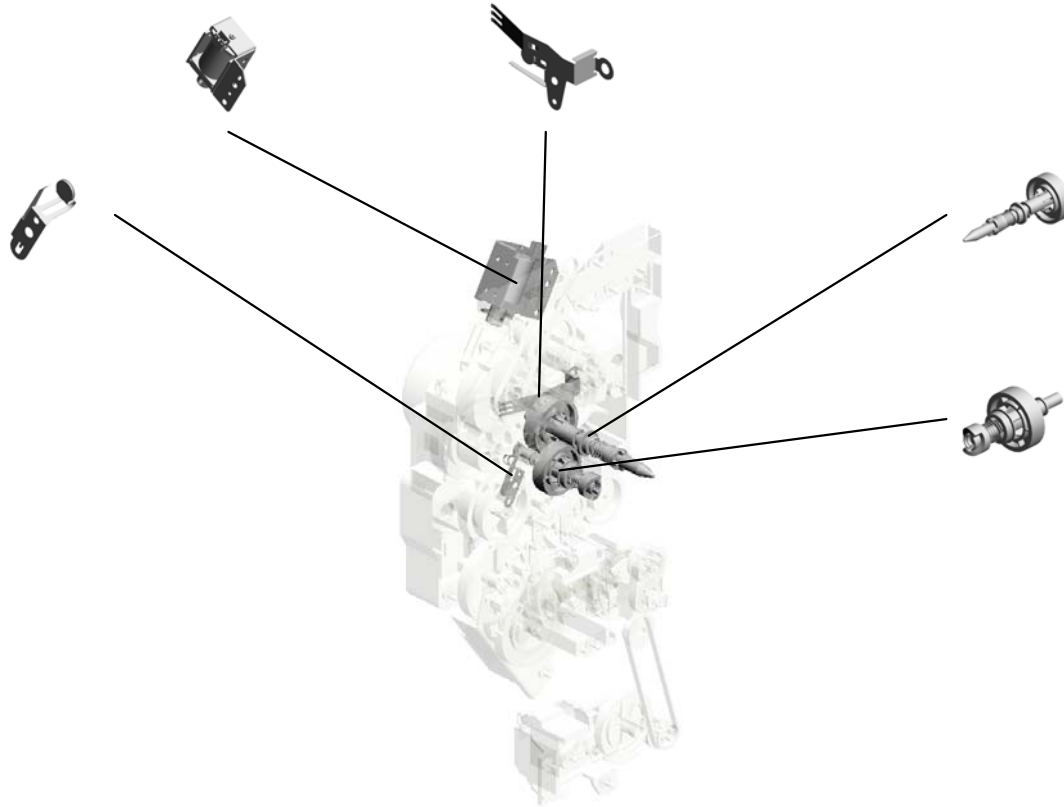
U012_S005
B2591135
DC SOLENOID ASS'Y

U012_S001
B2821128
GROUND

U012_S002
D1581156
ELECTRODE PLATE:DEVELOPMENT:ASS'Y

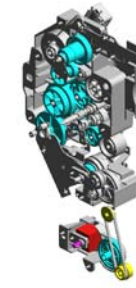
U012_S004
D1581172
DRUM SHAFT:OPC DRUM:ASS'Y

U012_S003
D1581039
SHAFT:DEVELOPMENT:DRIVE:ASS'Y



U001	U002	U003	U004	U005	U006	U007	U008	U009	U010	U011	U012	U013	U014	U015
------	------	------	------	------	------	------	------	------	------	------	------	------	------	------

U012 MAIN DRIVE



- 20.AB010500 GEAR:SLOW DOW N:DRUM:NO.1
- 13.AA043701 (x2) SYNCHRONOUS B ELT:S2M
- 18.AA082183 (x2) PLAIN SHAFT BEA RING:DIA6:DIA10:9
- 21.AB010501 GEAR:SLOW DOW N:DRUM:NO.2
- 3.04513006N (x6) TAPPING SCREW - 3X6

2.04504010N
(x3)
TAPPING SCREW:
M4X10

10.11050623
(x4)
CLAMP - LBWS-02
06S-V0

5.04583008N
(x11)
HEXAGON HEAD T
APPING SCREW:3
X8

11.11050760
CLAMP:LWSM-051
1A

12.54472681
(x4)
SNAP RING

14.AA080346
(x3)
BUSHING:FLANGE
TYPE:DIA6

22.AB011601
GEAR:IDLER:SHAF
T:PAPER FEED:NO
.1

16.AA080383
(x2)
PLAIN SHAFT BEA
RING:DIA6:2

4.04513008N
(x3)
TAPPING SCREW -
M3X8

15.AA080382
PLAIN SHAFT BEA
RING:DRIVE:CONN
ECTING

8.08050089
(x5)
RETAINING RING -
M4

19.AA145702
SHAFT:MANUAL F
EED:DRIVE

7.07200040E
(x3)
RETAINING RING -
M4

17.AA082101
BUSHING - 6X10X6

9.08050097
RING SEPARATOR

U012 MAIN DRIVE

- 28.AX060502 DC BRUSHLESS MOTOR:MAIN:24.7W
- 35.B0391155 GEAR/PULLEY - 61/34Z (11)
- 42.B0391173 GEAR - 78Z (06)
- 36.B0391156 COUPLED GEAR - 20/49Z (12)
- 40.B0391168 GEAR - 32Z (10)



34.B0391154
COUPLED GEAR -
37/97Z (05)



37.B0391165
COUPLED GEAR -
49/59/38Z (08)



39.B0391167
GEAR - 22Z (09)



38.B0391166
GEAR - 37Z (07)



41.B0391170
GEAR - 63Z



33.B0391141
SHAFT - PAPER FE
ED FRAME



29.AX200361
MAGNETIC CLUTC
H:Z49



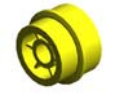
32.AX200364
MAGNETIC CLUTC
H:Z51



25.AB011606
GEAR:PAPER FEE
D:IDLER:F2



26.AB030869
TIMING PULLEY:G
EAR:PAPER FEED:
F2



30.AX200362
ELECTROMAGNET
IC CLUTCH:Z39



31.AX200363
ELECTROMAGNET
IC CLUTCH:Z30



23.AB011602
GEAR:MANUAL FE
ED SECTION



24.AB011605
GEAR:IDLER:CON
NECTING

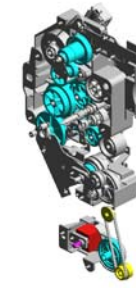


27.AB033869
TIMING PULLEY:D
RIVE:CONNECTIN
G:PAPER FEED:F2



U012 MAIN DRIVE

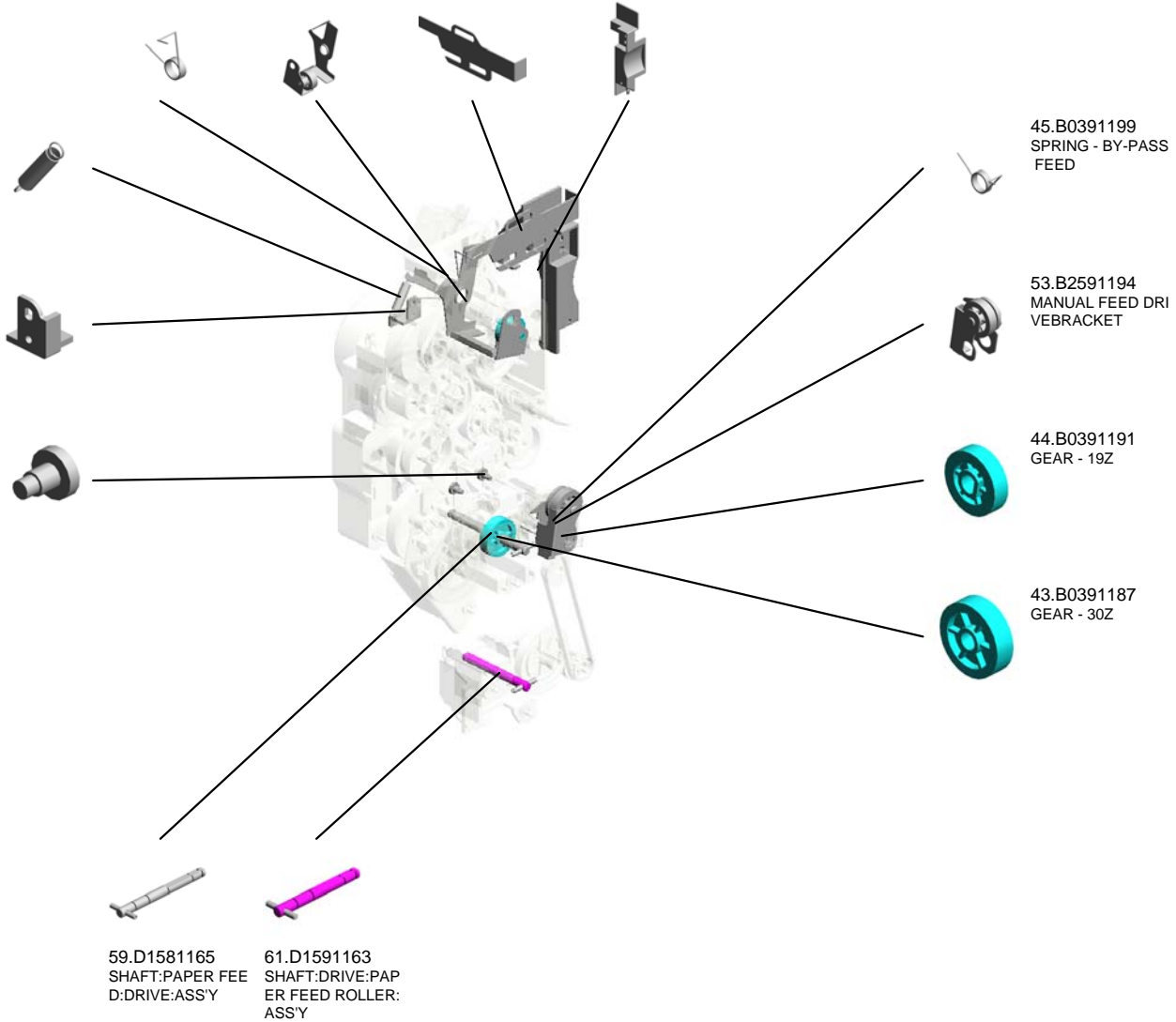
48.B1211161 LARGE SPRING
 52.B2591157 FUSING SWIVEL BRACKET
 46.B1211132 FUSING DRIVE RELEASE BRACKET
 57.D1581150 GUIDE:HARNESS



49.B1211162 SMALL SPRING

47.B1211145 HARNESS HOOK

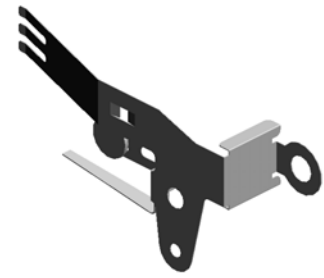
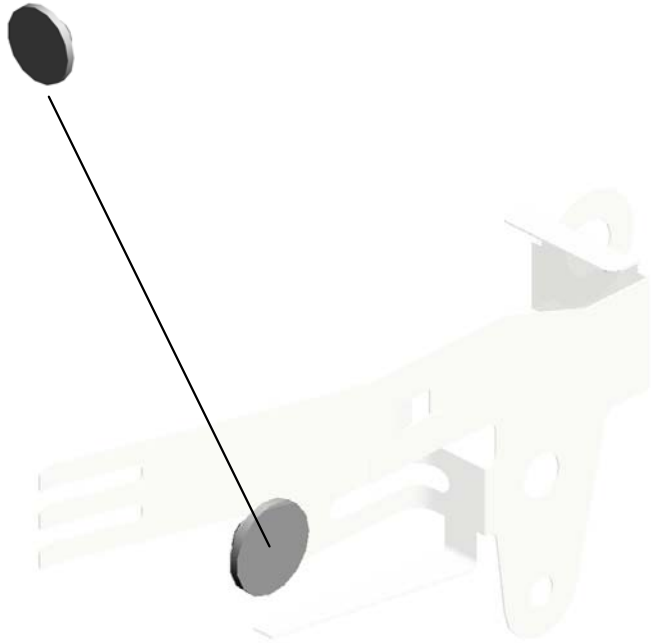
50.B2591131 (x2) SCREW:PCU



U001	U002	U003	U004	U005	U006	U007	U008	U009	U010	U011	U012	U013	U014	U015
------	------	------	------	------	------	------	------	------	------	------	------	------	------	------

U012_S001
GROUND

55.B2822117
TERMINA

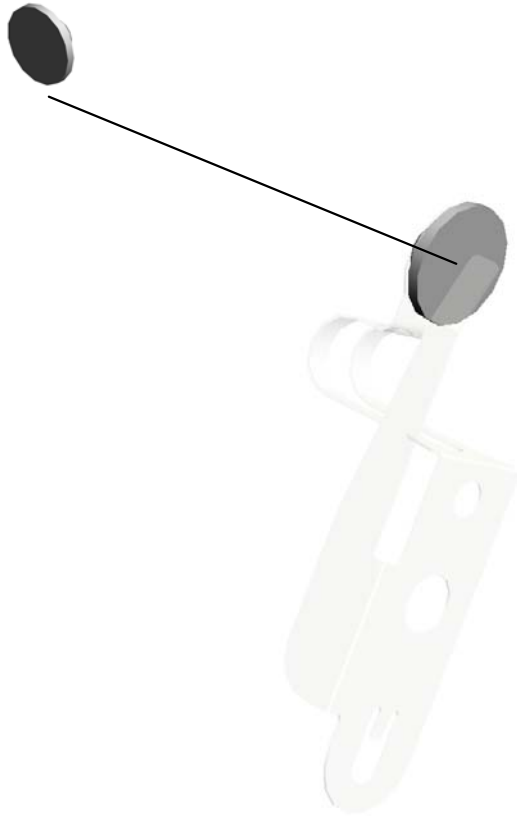


54.B2821128
GROUND

U001	U002	U003	U004	U005	U006	U007	U008	U009	U010	U011	U012	U013	U014	U015
------	------	------	------	------	------	------	------	------	------	------	------	------	------	------

U012_S002
ELECTRODE PLATE:DEVELOPMENT:ASS'Y

55.B2822117
TERMINA

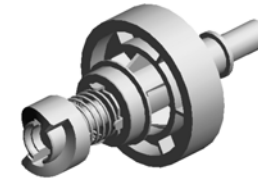


58.D1581156
ELECTRODE PLAT
E:DEVELOPMENT:
ASS'Y

U001	U002	U003	U004	U005	U006	U007	U008	U009	U010	U011	U012	U013	U014	U015
------	------	------	------	------	------	------	------	------	------	------	------	------	------	------

U012_S003
SHAFT:DEVELOPMENT:DRIVE:ASS'Y

6.06230140E
SPRING PIN - 3X14
MM



56.D1581039
SHAFT:DEVELOPM
ENT:DRIVE:ASS'Y



U001	U002	U003	U004	U005	U006	U007	U008	U009	U010	U011	U012	U013	U014	U015
------	------	------	------	------	------	------	------	------	------	------	------	------	------	------

U012_S004
DRUM SHAFT:OPC DRUM:ASS'Y

6.06230140E
SPRING PIN - 3X14
MM



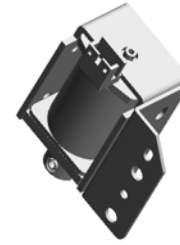
60.D1581172
DRUM SHAFT:OPC
DRUM:ASS'Y



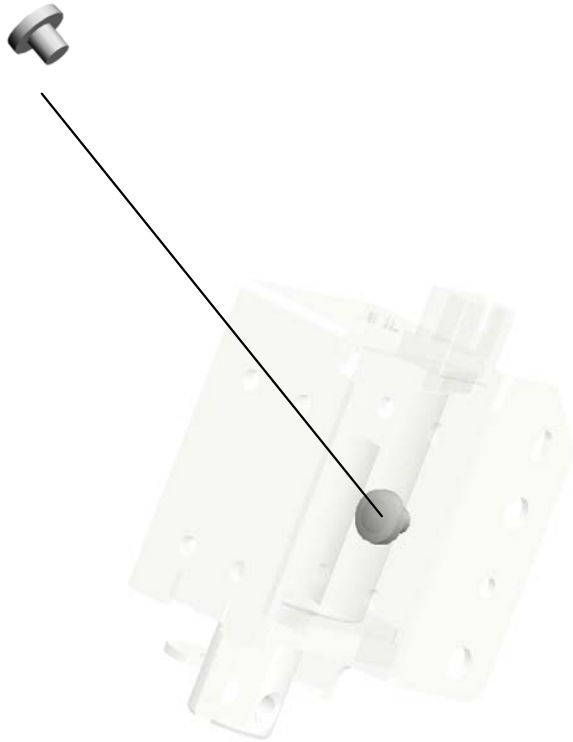
U001	U002	U003	U004	U005	U006	U007	U008	U009	U010	U011	U012	U013	U014	U015
------	------	------	------	------	------	------	------	------	------	------	------	------	------	------

U012_S005
DC SOLENOID ASS'Y

1.03530030N
(x2)
SCREW:M3X3



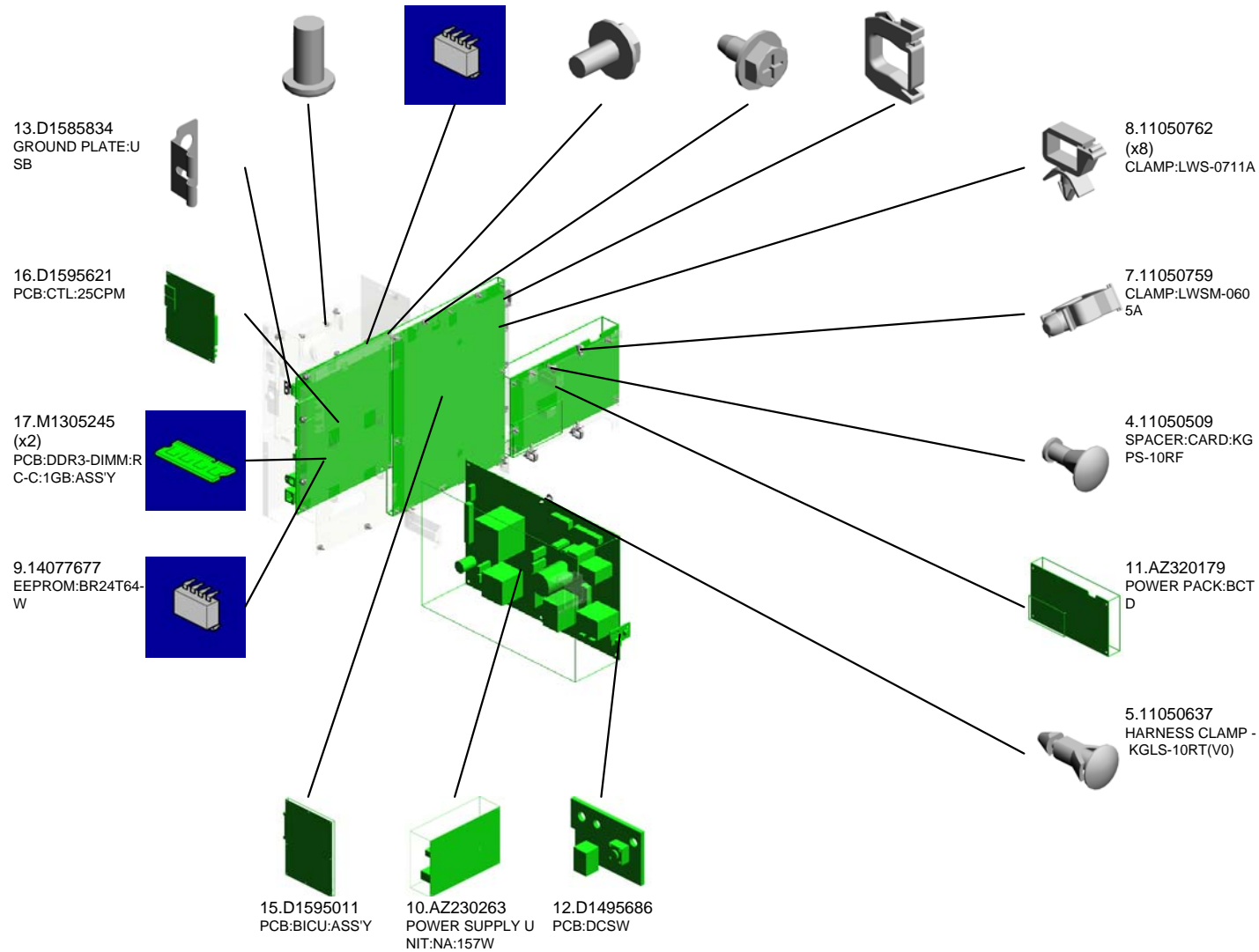
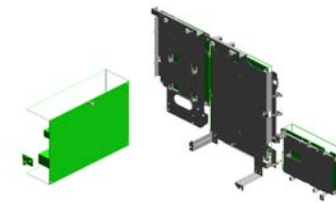
51.B2591135
DC SOLENOID ASS
Y



U001	U002	U003	U004	U005	U006	U007	U008	U009	U010	U011	U012	U013	U014	U015
------	------	------	------	------	------	------	------	------	------	------	------	------	------	------

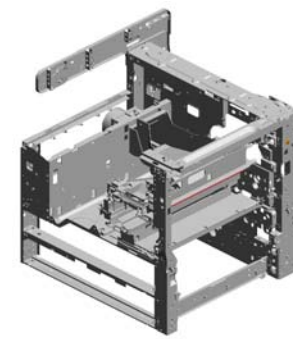
U013 ELECTRICAL

- 1.03530060N (x2) BIND SCREW - M3 X6
- 14.D1589590 NVRAM - ZERO CO UNTER
- 3.04533006N TAPPING SCREW - M3X6
- 2.04513006N (x28) TAPPING SCREW - 3X6
- 6.11050724 CLAMPS:WES-121 0



U001	U002	U003	U004	U005	U006	U007	U008	U009	U010	U011	U012	U013	U014	U015
------	------	------	------	------	------	------	------	------	------	------	------	------	------	------

U014 MAIN FRAME



- 11.11050723 CLAMPS:WES-050 7
- 5.04513030N (x2) TAPPING SCREW: 3X30
- 10.11050692 CLAMP:LES-0503
- 7.04583008N (x3) HEXAGON HEAD TAPPING SCREW:3 X8
- 18.AW500040 PUSH SWITCH:SW 1AG-550:10MA

- 12.11050759 (x3) CLAMP:LWSM-060 5A

- 3.04513006N (x92) TAPPING SCREW - 3X6

- 15.11050762 (x2) CLAMP:LWS-0711A

- 2.04503035N (x2) TAPPING SCREW: 3X35

- 1.03603006N (x7) SCREW - M3X6

- 14.11050761 (x5) CLAMP:LWS-0511A

- 6.04543006Q (x7) TAPPING SCREW - M3X6

- 8.11050509 SPACER:CARD:KG PS-10RF

- 9.11050623 (x25) CLAMP - LBWS-02 06S-V0

- 4.04513008N (x7) TAPPING SCREW - M3X8

- 13.11050760 (x17) CLAMP:LWSM-051 1A

- 19.B0391073 (x2) RIGHT DOOR STOPPER

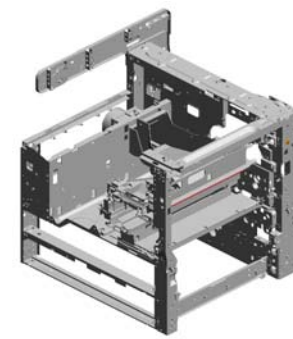
- 20.B0391082 DOOR SWITCH BRACKET

- 16.12042612 MICRO SWITCH:D3 V-16506-3C25

- 17.AH010010 (x4) RUBBER FOOT:H5

U014 MAIN FRAME

- 29.B0392382 QUENCHING LAMP TERMINAL
- 21.B0391088 SHEET - DUCT
- 28.B0391123 DOOR SWITCH LEVER - 8
- 27.B0391096 DOOR SWITCH LEVER - 7
- 26.B0391095 DOOR SWITCH LEVER - 6



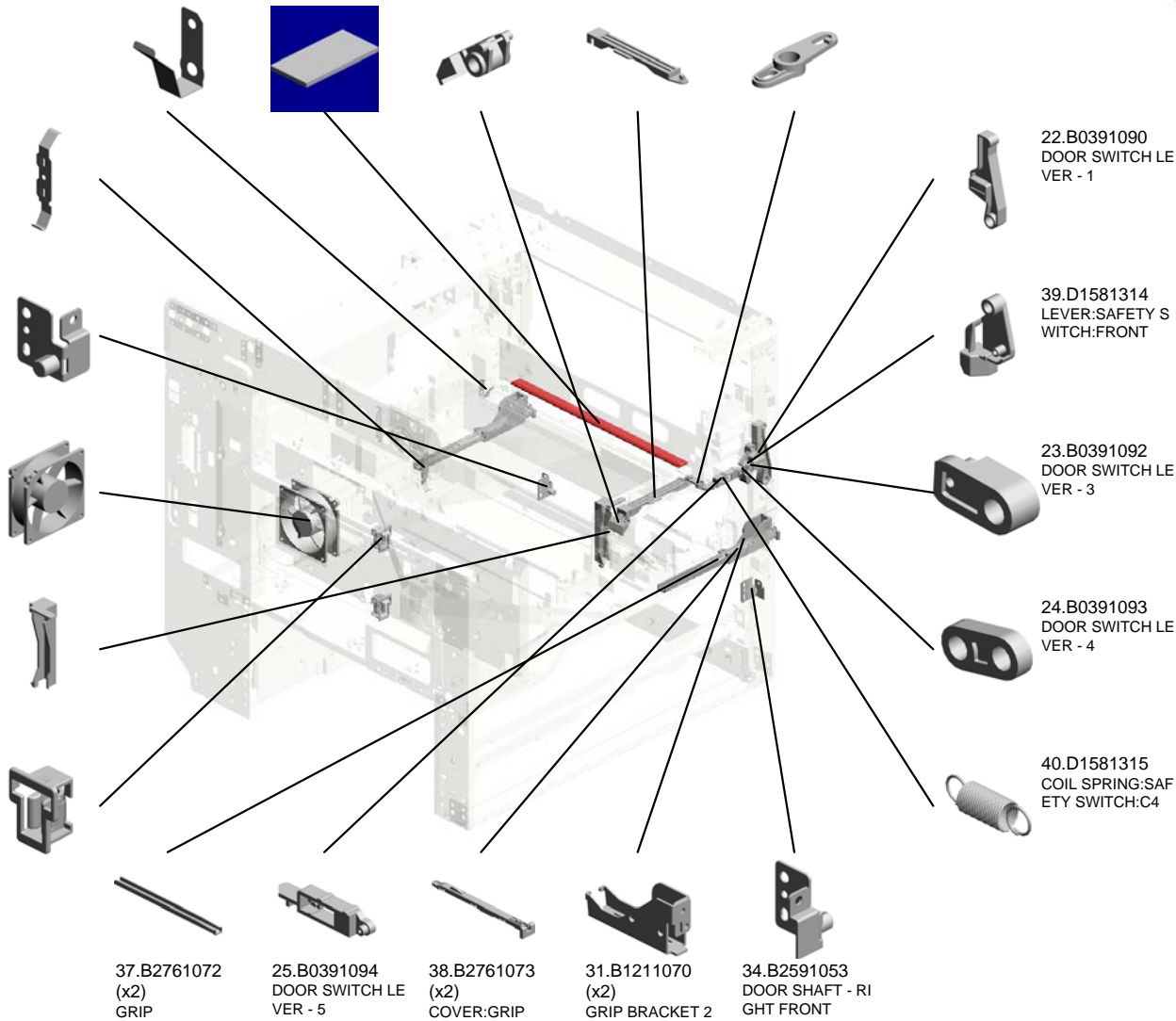
30.B0393395
GROUND PLATE -
TONER SUPPLY U
NIT

35.B2591058
DOOR SHAFT - RI
GHT REAR

36.B2591106
FAN MOTOR:MM80
:DC24V 3.6W

32.B1211084
HEATER WIRE CO
VER

33.B1802801
(x2)
HOLDER:PAPER T
RAY



37.B2761072
(x2)
GRIP

25.B0391094
DOOR SWITCH LE
VER - 5

38.B2761073
(x2)
COVER:GRIP

31.B1211070
(x2)
GRIP BRACKET 2

34.B2591053
DOOR SHAFT - RI
GHT FRONT

22.B0391090
DOOR SWITCH LE
VER - 1

39.D1581314
LEVER:SAFETY S
WITCH:FRONT

23.B0391092
DOOR SWITCH LE
VER - 3

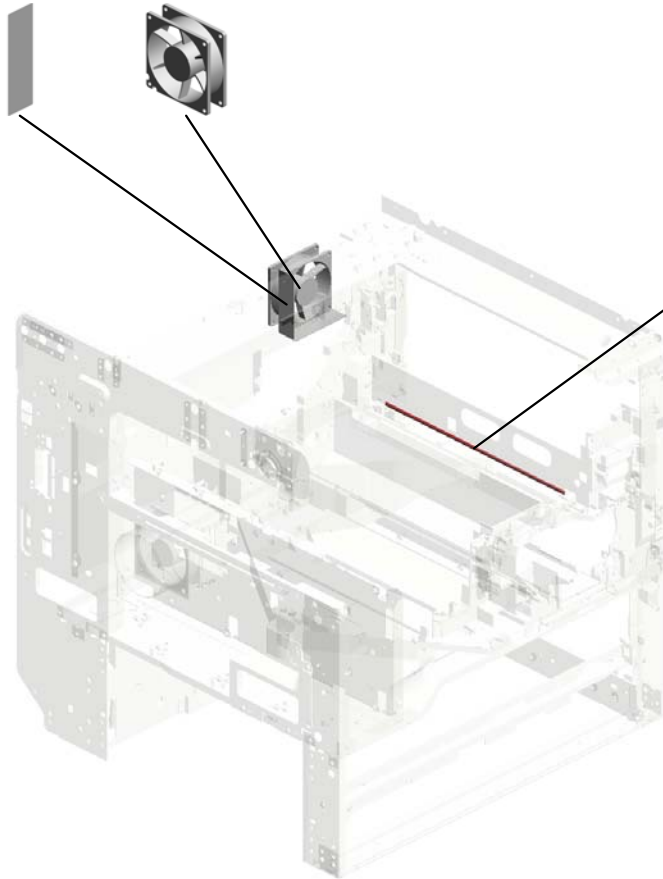
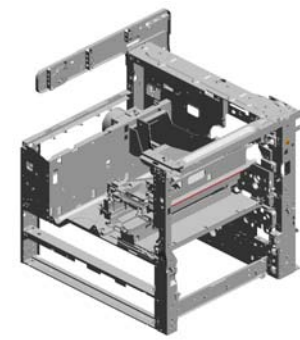
24.B0391093
DOOR SWITCH LE
VER - 4

40.D1581315
COIL SPRING:SAF
ETY SWITCH:C4

U014 MAIN FRAME

41.D1581368
(x2)
SHEET:FAN:REAR

43.GX645734
FAN MOTOR:MM80
DC24V 3.12W



42.D1582381
DISCHARGE LAMP
:QL

U001	U002	U003	U004	U005	U006	U007	U008	U009	U010	U011	U012	U013	U014	U015
------	------	------	------	------	------	------	------	------	------	------	------	------	------	------

U015.ADF

U015_S001
D6842100
PAPER FEED UNIT:ASS'Y

U015_S003
D6843121
TRANSPORT ROLLER:EXIT

U015_S004
D6843531
GUIDE PLATE:SCANNING:AS
S'Y

U015_S002
D6843111
TRANSPORT ROLLER:ENTR
ANCE

U001	U002	U003	U004	U005	U006	U007	U008	U009	U010	U011	U012	U013	U014	U015
------	------	------	------	------	------	------	------	------	------	------	------	------	------	------

U015 ADF

17.12042612
MICRO SWITCH:D3
V-16506-3C25

5.04513014N
(x2)
TAPPING SCREW:
3X14

18.52152621
SNAP RING - M6

4.04513006N
(x34)
TAPPING SCREW -
3X6

14.11050508
(x3)
HARNESS CLAMP -
LWS-0711



6.04514030N
TAPPING SCREW:
M4X30



13.08050089
(x5)
RETAINING RING -
M4



11.07200040E
(x9)
RETAINING RING -
M4



10.07200030E
(x2)
RETAINING RING -
M3



15.11050516
(x3)
CLAMP



7.04523008N
TAPPING SCREW -
M3X8



23.A8584671
(x8)
ROLLER DRIVEN



19.54472681
(x5)
SNAP RING



1.03530030N
(x4)
SCREW:M3X3



16.11050717
CLAMP:JDW-1S



3.04504010N
(x11)
TAPPING SCREW:
M4X10



21.A5486111
SCREW:POSITIONI
NG:HINGE



2.04503008N
(x15)
TAPPING SCREW -
M3X8



20.A3764599
SIDE FENCE PAD



8.04543006Q
TAPPING SCREW -
M3X6



U015 ADF

48.B7891241 (x2) COMPRESSION SPRING
 52.B7891942 PAPER SIZE SENSOR FEELER
 47.B7891231 SHAFT HINGE- LEFT
 30.AA082101 (x6) BUSHING - 6X10X6
 35.AG070513 (x3) MAGNET CATCH



34.AA143842 (x2) SCREW:DIA6:14.5: M4

38.AX210105 ELECTROMAGNETIC CLUTCH

45.B7043171 TIMING BELT:B40S 2M188

39.AX640170 FAN MOTOR - MM60 DC24V

28.A8597211 STEPPED SCREW

33.AA143788 (x3) PIN:GUIDE PLATE: PAPER FEED

46.B7145006 DC SOLENOID:TRANSMITTED RUBBER STAMP

44.B3872316 (x4) CUSHION:STOPPER PAWL

51.B7891322 (x2) SPRING PLATE - EXPOSURE GLASS

31.AA082144 (x2) BUSHING - 8X12X7

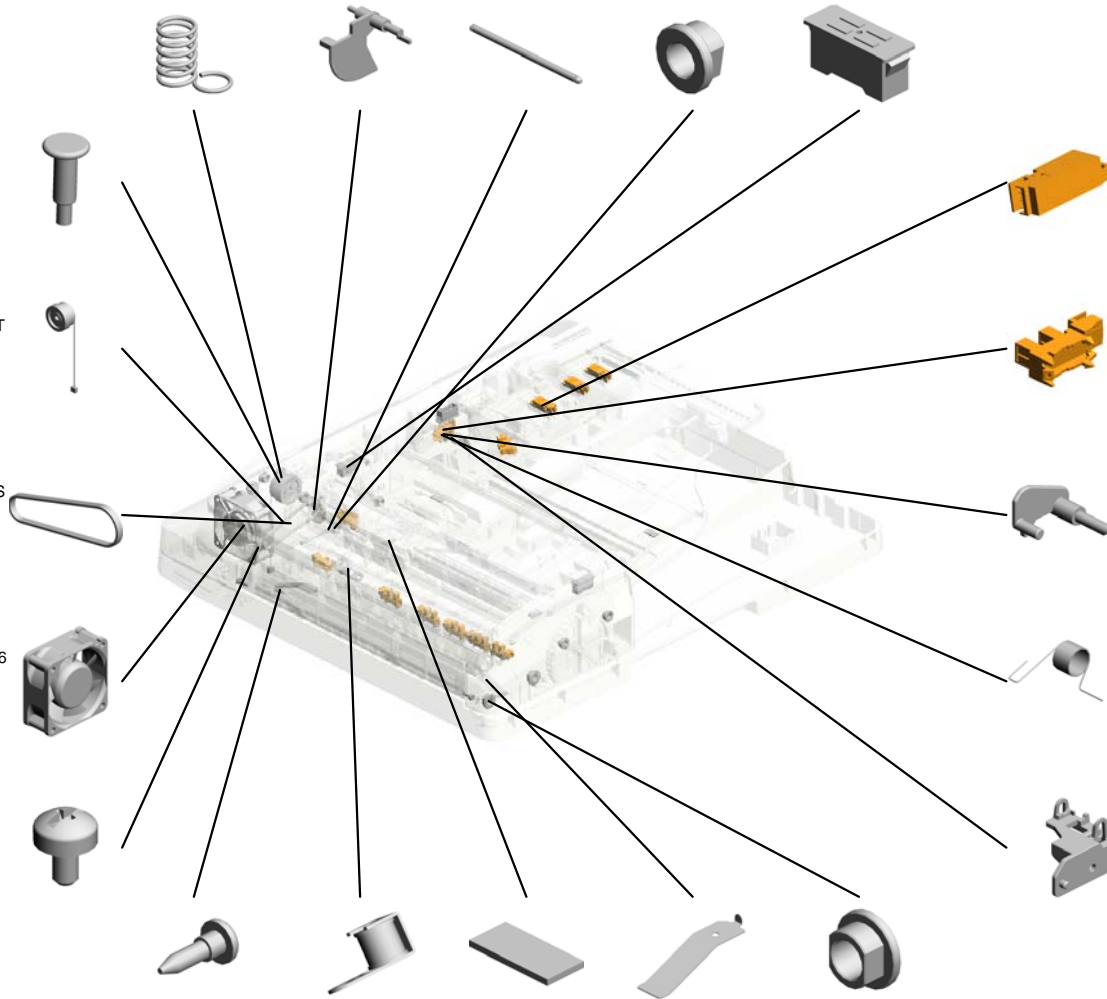
36.AW010150 (x3) PHOTO REFLECTIVE SENSOR:ORIGINAL TRAY

37.AW020198 (x9) PHOTO INTERRUPTOR:LG2A14NL1

50.B7891254 FEELER - ON/OFF DETECTOR

41.B3871951 (x2) SPRING - PAPER SIZE SENSOR

49.B7891253 FEELER HOLDER



U015 ADF

- 61.B7892365 RELEASE LEVER:STOPPER
- 74.B7894257 PULLEY FLANGE
- 79.B7894874 POSITIONING PLATE - REAR
- 64.B7892436 TENSION SPRING - STOPPER
- 73.B7893721 LEVER:GATE PAWL L:REVERSE



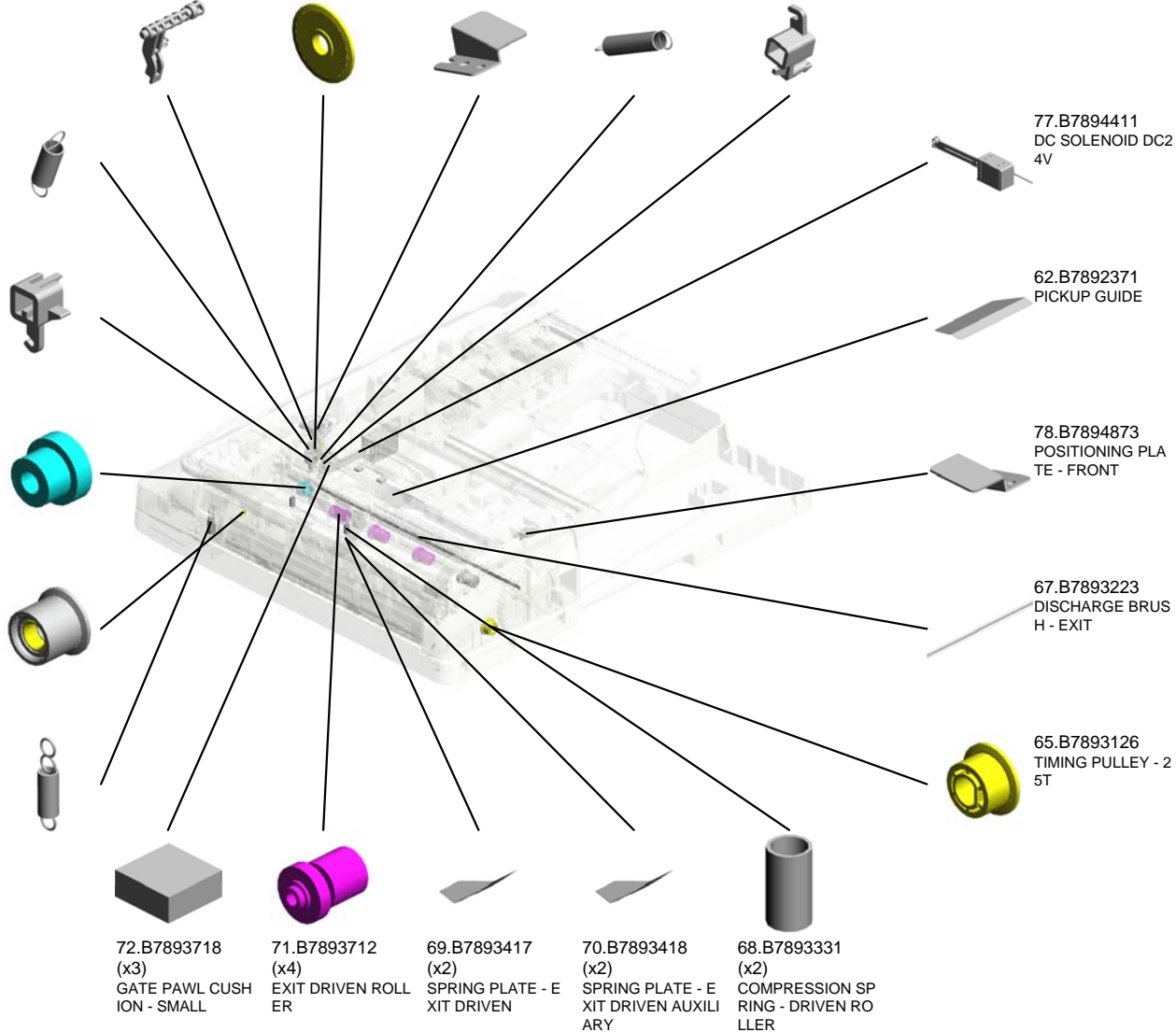
60.B7892357
TENSION SPRING - STOPPER

63.B7892431
ORIGINAL STOPPER HOOK

66.B7893136
GEAR - 20Z

76.B7894332
PULLEY - 34T

75.B7894329
TENSION SPRING - TIGHTENER



U015 ADF

85.D3664849 CUSHION - PICK-UP ARM
 102.D6842142 FEELER:ORIGINAL SENSOR
 84.D3664455 DC SOLENOID - PICK-UP
 90.D5784631 FEELER:ORIGINAL SENSOR:TRAILING EDGE
 91.D6841232 HINGE:RIGHT



80.B7896511 (x2)
CUSHION - REAR SMALL

92.D6841236 HINGE:LEFT

93.D6841336 GUIDE:HARNESS: ORIGINAL SENSOR

105.D6842210 SHAFT:REVERSE

81.B7896514 (x5)
DAMPING INSULATION - COVER

88.D5412241 REVERSE ROLLER :PAPER FEED

89.D5783213 (x5)
FEELER:PAPER SIZE SENSOR

95.D6841411 GUIDE PLATE:REVERSE:LOWER

96.D6841412 GUIDE PLATE:REVERSE:UPPER

94.D6841346 (x2)
GUIDE:HARNESS: PAPER SIZE SENSOR

97.D6841532 TRAY:EXIT:AUXILIARY

86.D5406121 (x2)
FULL DUG POINT SCREW:FIX:HINGE

98.D6841541 SLIDER:TRAY

82.B8024611 PRESSURE PLATE

83.B8303115 TIMING BELT - 40S 2M142

U015 ADF

113.D6842351
LEVER:PICKUP:DRIVE

120.D6843146
TORQUE LIMITER
MECHANICAL CLUTCH:REVERSE:T24

106.D6842216
STOPPER:SHAFT:RF

110.D6842317
(x4)
TORSION BAR SPRING:EXHAUST:UPPER:DRIVEN

107.D6842261
TORQUE LIMITER
MECHANICAL CLUTCH:SEPARATOR:ORVA



112.D6842331
(x4)
GUIDE:PULL OUT

127.D6843224
TORSION SPRING:
TRANSMITTED RUBBER STAMP

126.D6843222
TORSION SPRING:
EXIT:FEELER

123.D6843211
GUIDE PLATE:PULL OUT

121.D6843151
ROLLER:PULL OUT



108.D6842311
GUIDE PLATE:PAPER FEED

119.D6843141
REVERSE ROLLER:DRIVE

109.D6842312
COVER:REVERSE

116.D6843131
TRANSPORT ROLLER:EXIT

117.D6843133
KNOB:MISFEED REMOVAL

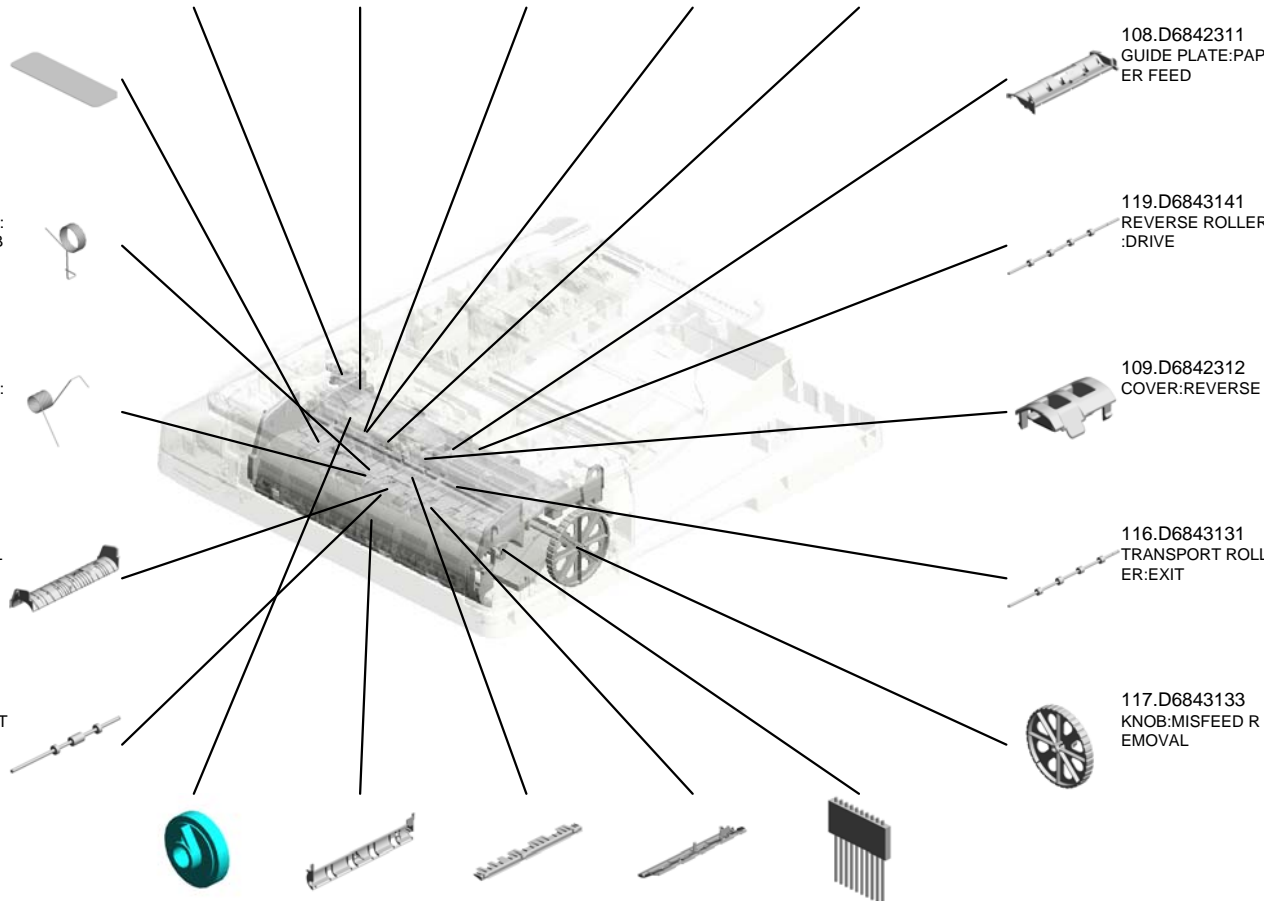
118.D6843137
GEAR:CAM:STOPPER:ORIGINAL

124.D6843219
GUIDE PLATE:ENTRANCE:UPPER

111.D6842322
GUIDE PLATE:REVERSE

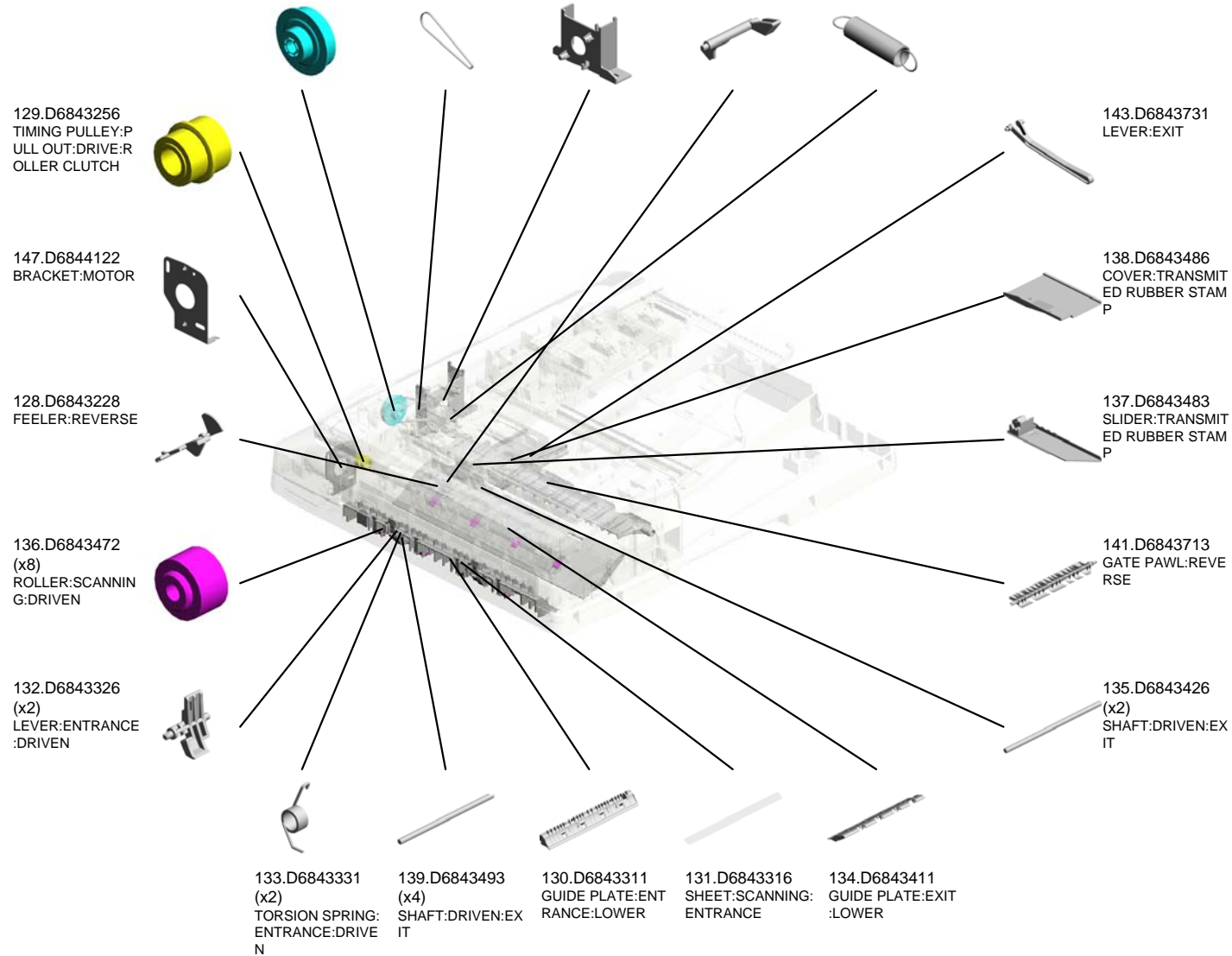
125.D6843221
GUIDE PLATE:EXIT:UPPER

122.D6843161
DISCHARGE BRUSH:L11



U015
ADF

148.D6844127 GEAR:TIMING PULLEY:OUT:DRIVE:ROLLER CLUTCH
 145.D6844113 TIMING BELT:187S T1.5-4.0
 144.D6844112 BRACKET:MOTOR:PAPER FEED
 146.D6844116 LEVER:TRANSMITTED RUBBER STAMP
 142.D6843716 TENSION SPRING:GATE PAWL



U015
ADF

158.D6844237 GEAR:PAPER FEE
D:REVERSE:DRIVE
157.D6844236 TIMING PULLEY:T3
4:S2M
155.D6844232 SHAFT:PAPER FEE
D:IDLER
156.D6844235 GEAR:PAPER FEE
D:MIDDLE
159.D6844238 TIMING BELT:40S2
M244



152.D6844215
SHAFT:MAGNETIC
CLUTCH:ASSY



153.D6844225
GEAR:TIMING PUL
LEY:SEPARATION



149.D6844143
TIMING BELT:110S
T1.5-4.0



151.D6844162
TIMING PULLEY:T
RANSPORT:SLOW
DOWN



150.D6844155
BRACKET:SLOW D
OWN:TRANSPORT
:ASSY



160.D6844325
TIGHTENER:TRAN
SPORT:ASSY



161.D6844341
TIMING BELT:134S
T1.5-8.0



154.D6844227
FLANGE:PULLEY



167.D6844631
COVER:LEFT



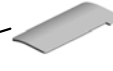
168.D6844641
BRACKET:DRIVEN
ROLLER:PULL OUT



164.D6844521
COVER:REAR



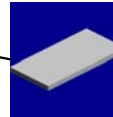
166.D6844621
COVER:PAPER FEE
D:UPPER



165.D6844611
COVER:PAPER FEE
D



162.D6844491
(x2)
DAMPING INSULAT
ION:GUIDE PLATE

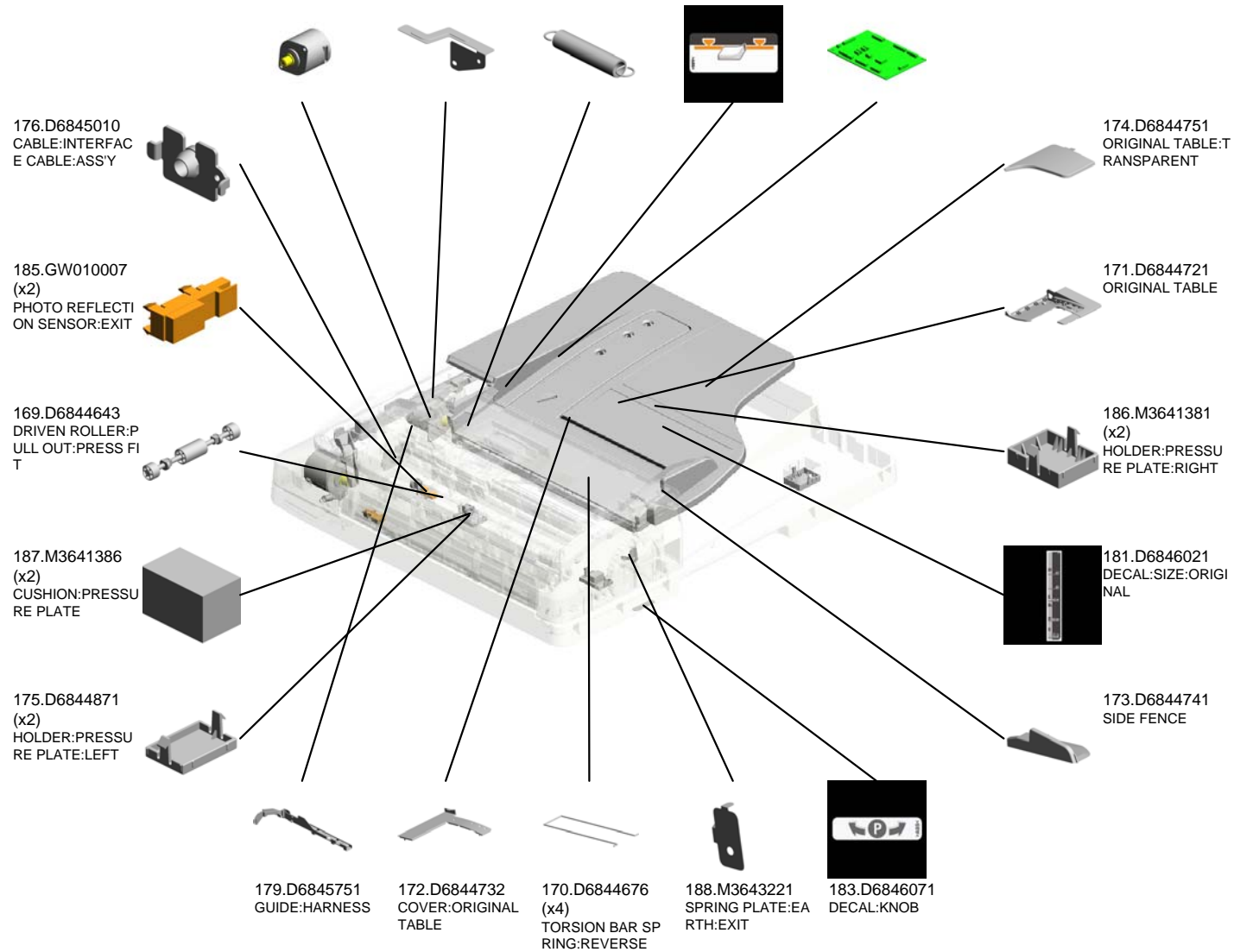


163.D6844511
COVER:FRONT



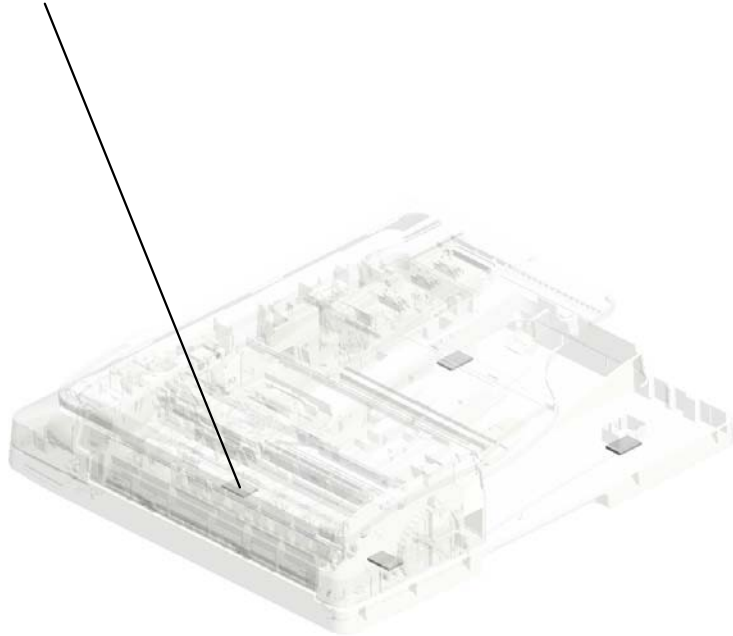
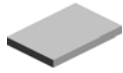
U015 ADF

- 178.D6845625 (x2) DC MOTOR:ASSY
- 180.D6845827 SPRING PLATE:ON OFF DETECTOR:P APER FEED
- 189.M3644341 (x2) TENSION SPRING: MOTOR
- 182.D6846041 DECAL:SIDE FENCE
- 177.D6845103 PCB:MAIN CONTR OL:COOK:ASSY

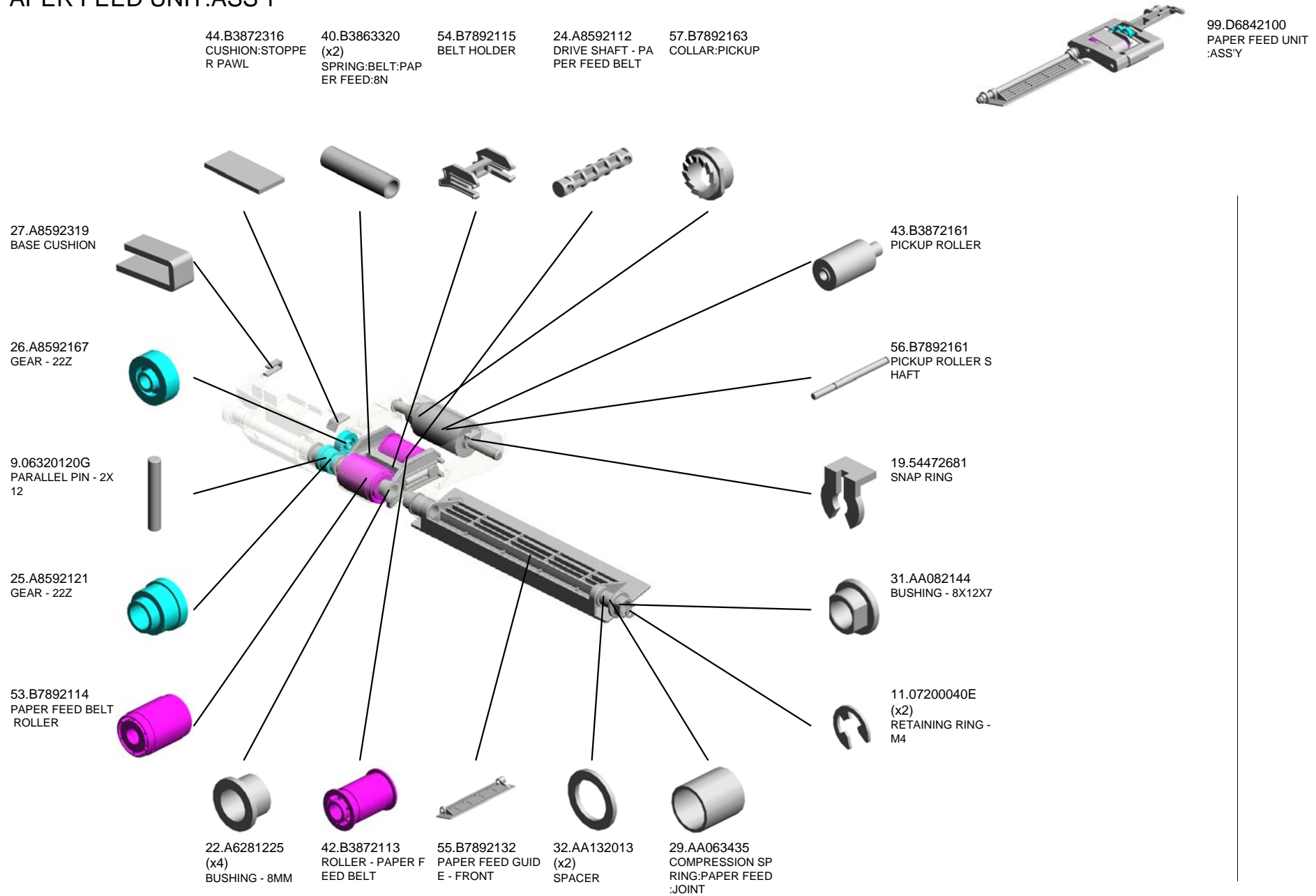


U015
ADF

190.M3644823
(x4)
TAPE:PRESSURE
PLATE



U015_S001 PAPER FEED UNIT:ASS'Y



U015_S001
PAPER FEED UNIT:ASS'Y

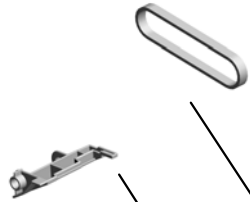
104.D6842163
SYNCHRONOUS B
ELT:40S2M122

58.B7892164
TIMING PULLEY:PI
CKUP:S2M



99.D6842100
PAPER FEED UNIT
:ASS'Y

101.D6842134
ARM:PICKUP



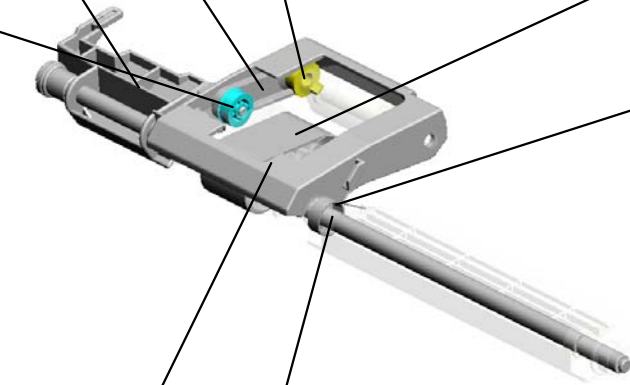
103.D6842151
HOLDER:PICKUP



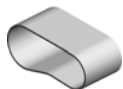
184.G4123831
PULLEY - 22Z



59.B7892181
TORSION SPRING
- PICKUP



87.D5412121
PAPER FEED BELT



100.D6842111
SHAFT:PAPER FEE
D:DRIVE



U001	U002	U003	U004	U005	U006	U007	U008	U009	U010	U011	U012	U013	U014	U015
------	------	------	------	------	------	------	------	------	------	------	------	------	------	------

U015_S002
TRANSPORT ROLLER:ENTRANCE

12.07433806
RADIAL BALL BEA
RING: DIA6X DIA13X
5

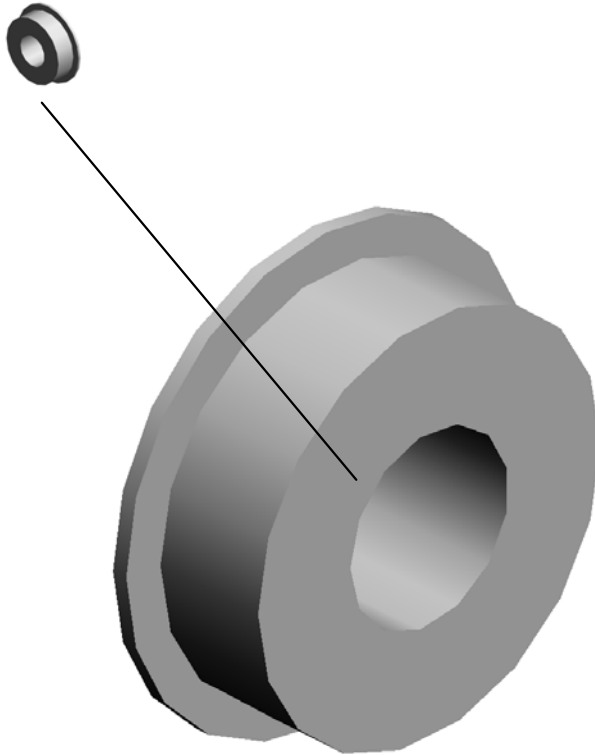


114.D6843111
TRANSPORT ROLL
ER:ENTRANCE

U001	U002	U003	U004	U005	U006	U007	U008	U009	U010	U011	U012	U013	U014	U015
------	------	------	------	------	------	------	------	------	------	------	------	------	------	------

U015_S003
TRANSPORT ROLLER:EXIT

12.07433806
RADIAL BALL BEA
RING:DIA6XDIA13X
5

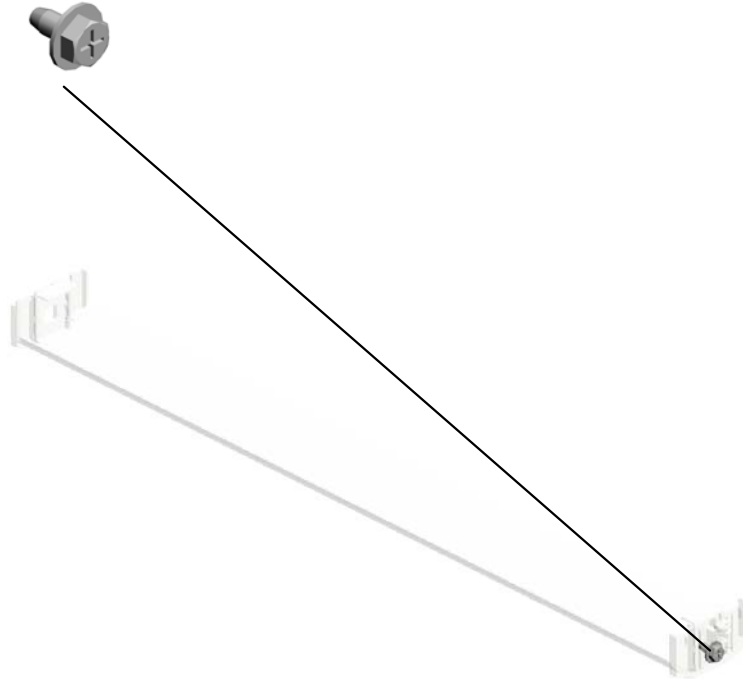


115.D6843121
TRANSPORT ROLL
ER:EXIT

U001	U002	U003	U004	U005	U006	U007	U008	U009	U010	U011	U012	U013	U014	U015
------	------	------	------	------	------	------	------	------	------	------	------	------	------	------

U015_S004
GUIDE PLATE:SCANNING:ASS'Y

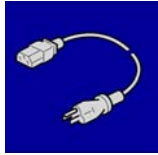
4.04513006N
TAPPING SCREW -
3X6



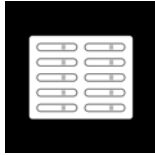
140.D6843531
GUIDE PLATE:SCA
NNING:ASS'Y

U001	U002	U003	U004	U005	U006	U007	U008	U009	U010	U011	U012	U013	U014	U015
------	------	------	------	------	------	------	------	------	------	------	------	------	------	------

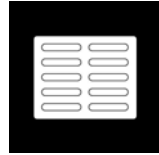
ACCESSORIES



1.11500427
POWER SUPPLY CODE:125V:15A:NA



2.D1171571
DECAL:FUNCTION:MULTI-LANGUAG
E:NA



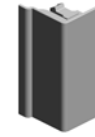
3.D1171573
DECAL:FUNCTION:BLANK:MULTI-LA
NGUAGE



4.D1496766
DECAL:CAUTION:ORIGINAL:ENGLIS
H



5.D1581310
PLATE:LOGOTYPE:RIC:V554R10



6.D1584664
INNER COVER:GRIP:FRONT:DUPL
X



7.D1584672
INNER COVER:GRIP:REAR:DUPL
EX



8.D1589640
DEVELOPER:K



9.D1596628
MODEL NAME PLATE:MP2501SP



10.D6846031
DECAL:ORIGINAL TABLE

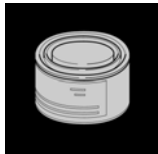


11.D6846061
DECAL::ORIGINAL:MANY LANGUAG
ES



12.GA003268
DECAL:PDF:I-GRAY:ABS

SPECIAL TOOLS



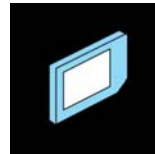
1.52039502
Silicon Grease G-501



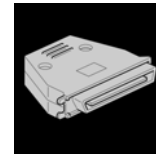
2.A0069104
Scanner Positioning Pin (4pcs/set)



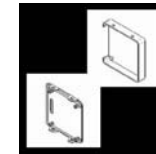
3.A2929500
Test Chart S5S(10pcs/set)



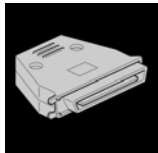
4.B6455010
SD-CARD:ASSY



5.B6795100
PLUG - IEEE1284 - TYPE C



6.D8498203
SPECIAL TOOL:SOFTWARE UPGR
ADE:ASSY



7.G0219350
Loop-Back Connector Parallel

Exclusive Parts

Number	Part Name	Group	ID
52039502	Silicon Grease G-501	SPECIAL TOOLS	1
52152621	SNAP RING - M6	U005	13
		U005_S001	13
		U005_S002	13
		U015	18
52152713	BOTTOM PLATE PAD	U005_S001	14
		U005_S002	14
54472681	SNAP RING	U005	15
		U011	14
		U012	12
		U015	19
		U015_S001	19
A0069104	Scanner Positioning Pin (4pcs/set)	SPECIAL TOOLS	2
A1843420	BOTTLE CHUCK	U006_S001	1
A1843421	CHUCK SHAFT	U006_S001	2
A2322374	SPUR	U009_S001	5
A2501388	SPRING	U011	15
A2501752	EXPOSURE GLASS	U003	15
A2673440	DEVELOPMENT JOINT	U007_S001	4
A2673556	CHUCK SPRING - TONNER BOTTLE	U006_S001	3
A2929500	Test Chart S5S(10pcs/set)	SPECIAL TOOLS	3
A3764599	SIDE FENCE PAD	U015	20
A5486111	SCREW:POSITIONING:HINGE	U015	21
A6281225	BUSHING - 8MM	U015_S001	22
A8584671	ROLLER DRIVEN	U015	23
A8592112	DRIVE SHAFT - PAPER FEED BELT	U015_S001	24
A8592121	GEAR - 22Z	U015_S001	25
A8592167	GEAR - 22Z	U015_S001	26
A8592319	BASE CUSHION	U015_S001	27
A8597211	STEPPED SCREW	U015	28
AA043701	SYNCHRONOUS BELT:S2M	U012	13
AA062254	REGISTRATION ROLLER SPRING	U005	16
AA063334	SPRING - VERTICAL TRANSPORT	U005	17
AA063435	COMPRESSION SPRING:PAPER FEED:JOINT	U015_S001	29
AA063607	PRESSURE SPRING	U008_S001	2

Number	Part Name	Group	ID
AA063629	SPRING - 2.8N	U005_S001	18
		U005_S002	18
AA063701	COMPRESSION SPRING:RISING TRAY	U005	19
AA064002	TENSION SPRING:PRESSURE:19N	U009_S001	6
AA066342	REGISTRATION SENSOR SPRING	U005	20
AA066635	SPRING - FUSING EXIT GUIDE	U009_S001	7
AA066637	STRIPPER PAWL SPRING	U009_S001	8
AA066641	GATE PAWL SPRING	U010	7
AA080249	BUSHING - VERTICAL TRANSPORT	U005	21
AA080252	BUSHING - M4	U005	22
AA080313	DRIVEN ROLLER BUSHING	U011	16
AA080346	BUSHING:FLANGE TYPE:DIA6	U012	14
AA080361	PLAIN SHAFT BEARING:CASE:RISING TRAY	U005	23
AA080382	PLAIN SHAFT BEARING:DRIVE:CONNECTING	U012	15
AA080383	PLAIN SHAFT BEARING:DIA6:2	U012	16
AA082101	BUSHING - 6X10X6	U012	17
		U015	30
AA082144	BUSHING - 8X12X7	U003	16
		U015	31
		U015_S001	31
AA082177	BUSHING:DIA8:22	U005	24
AA082180	PLAIN SHAFT BEARING:DIA6:DIA10:9	U011	17
AA082181	PLAIN SHAFT BEARING:MM4	U010	8
AA082182	PLAIN SHAFT BEARING:DIA6	U011	18
AA082183	PLAIN SHAFT BEARING:DIA6:DIA10:9	U012	18
AA082184	PLAIN SHAFT BEARING:DIA6XDIA10X6	U005	25
		U011	19
AA132013	SPACER	U015_S001	32
AA140952	REGISTRATION ROLLER:DRIVEN:DIA16:C4	U005	26
AA143444	STEPPED SCREW	U007_S001	5
AA143788	PIN:GUIDE PLATE:PAPER FEED	U015	33

Exclusive Parts

Number	Part Name	Group	ID
AA143842	SCREW:DIA6:14.5:M4	U015	34
AA143870	STEPPED SCREW	U009_S001	9
AA145702	SHAFT:MANUAL FEED:DRIVE	U012	19
AB010500	GEAR:SLOW DOWN:DRUM:NO.1	U012	20
AB010501	GEAR:SLOW DOWN:DRUM:NO.2	U012	21
AB011402	GEAR - 14Z	U007_S001	6
AB011403	GEAR - 13Z	U007_S001	7
AB011541	GEAR:RISING TRAY:OUTPUT	U005	27
AB011601	GEAR:IDLER:SHAFT:PAPER FEED: NO.1	U012	22
AB011602	GEAR:MANUAL FEED SECTION	U012	23
AB011605	GEAR:IDLER:CONNECTING	U012	24
AB011606	GEAR:PAPER FEED:IDLER:F2	U012	25
AB012075	GEAR:HOT ROLLER	U009_S001	10
AB012311	GEAR - 18Z	U005	28
AB012312	GEAR - 16Z	U005	29
AB017834	GEAR:RISING TRAY:2	U005	30
AB017835	GEAR:RISING TRAY:3	U005	31
AB017899	GEAR:RISING TRAY:1	U005	32
AB030869	TIMING PULLEY:GEAR:PAPER FE ED:F2	U012	26
AB033869	TIMING PULLEY:DRIVE:CONNECTI NG:PAPER FEED:F2	U012	27
AC030169	MIRROR:NO.1	U003_S003	17
AC030210	MIRROR:NO.2:CONCAVE	U003_S005	18
AD027018	ROLLER:CHARGE:A3	U007_S001	8
AD042058	CHARGE CLEANER BRUSH ROLL ER	U007_S001	9
AD042083	BLADE:CLEANING:ASS'Y	U007_S001	10
AE011140	HOT ROLLER:DIA30	U009_S001	11
AE020213	PRESSURE ROLLER:MM25	U009_S001	12
AE044090	STRIPPER PAWLS	U009_S001	13
AF022138	VERTICAL TRANSPORT ROLLER	U011	20
AF031060	BY-PASS FEED ROLLER	U011	21
AF031084	PAPER FEED ROLLER MM36	U005_S001	33
		U005_S002	33
AF033008	FRICTION PAD:10X50	U005_S001_S003	34
		U005_S002_S003	34

Number	Part Name	Group	ID
		U011_S002_S001	22
AF040063	ROLLER:STRIPPER PAWLS	U009_S001	14
AG070513	MAGNET CATCH	U015	35
AG070514	MAGNET CATCH	U005	35
AH010010	RUBBER FOOT:H5	U014	17
AW010150	PHOTO REFIECTION SENSOR:ORI GINAL TRAY	U015	36
AW010155	ORIGINAL SENSOR:66MM:3.3V	U003	19
AW020181	PAPER FEED SENSOR	U005	36
		U011	23
AW020198	PHOTOINTERRUPTOR:LG2A14NL 1	U005	37
		U011	24
		U011_S002	24
		U015	37
AW020207	PHOTOINTERRUPTOR:FLAT:PICH 2MM:M4	U003	20
AW020214	PHOTOINTERRUPTOR:LG248NL1 A	U003	21
AW100073	THERMISTOR	U009_S001	15
AW500037	PAPER SIZE SENSOR	U011_S002	25
AW500038	PUSH SWITCH:PAPER SIZE SENS OR	U005	38
AW500040	PUSH SWITCH:SW1AG-550:10MA	U005	39
		U014	18
AX050302	STEPPER MOTOR:TRANSPORT	U010	9
		U011	26
AX060420	DC POLYGON MIRROR MOTOR	U004_S001	1
AX060502	DC BRUSHLESS MOTOR:MAIN:24. 7W	U012	28
AX200361	MAGNETIC CLUTCH:Z49	U012	29
AX200362	ELECTROMAGNETIC CLUTCH:Z39	U012	30
AX200363	ELECTROMAGNETIC CLUTCH:Z30	U012	31
AX200364	MAGNETIC CLUTCH:Z51	U012	32
AX200365	ELECTROMAGNETIC CLUTCH:MA NUAL FEED	U011	27
AX210105	ELECTROMAGNETIC CLUTCH	U015	38
AX640170	FAN MOTOR - MM60 DC24V	U015	39
AZ230263	POWER SUPPLY UNIT:NA:157W	U013	10

Exclusive Parts

Number	Part Name	Group	ID
AZ320179	POWER PACK:BCTD	U013	11
B0391073	RIGHT DOOR STOPPER	U014	19
B0391082	DOOR SWITCH BRACKET	U014	20
B0391088	SHEET - DUCT	U014	21
B0391090	DOOR SWITCH LEVER - 1	U014	22
B0391092	DOOR SWITCH LEVER - 3	U014	23
B0391093	DOOR SWITCH LEVER - 4	U014	24
B0391094	DOOR SWITCH LEVER - 5	U014	25
B0391095	DOOR SWITCH LEVER - 6	U014	26
B0391096	DOOR SWITCH LEVER - 7	U014	27
B0391123	DOOR SWITCH LEVER - 8	U014	28
B0391141	SHAFT - PAPER FEED FRAME	U012	33
B0391154	COUPLED GEAR - 37/97Z (05)	U012	34
B0391155	GEAR/PULLEY - 61/34Z (11)	U012	35
B0391156	COUPLED GEAR - 20/49Z (12)	U012	36
B0391163	PULLEY - 23Z	U010	10
B0391165	COUPLED GEAR - 49/59/38Z (08)	U012	37
B0391166	GEAR - 37Z (07)	U012	38
B0391167	GEAR - 22Z (09)	U012	39
B0391168	GEAR - 32Z (10)	U012	40
B0391170	GEAR - 63Z	U012	41
B0391173	GEAR - 78Z (06)	U012	42
B0391187	GEAR - 30Z	U012	43
B0391191	GEAR - 19Z	U012	44
B0391199	SPRING - BY-PASS FEED	U012	45
B0392272	RECYCLED TONER COIL	U007_S001	11
B0392274	RECYCLED TONER PLATE	U007_S001	12
B0392276	REAR BUSHING - TONER COIL	U007_S001	13
B0392287	CHARGE ROLLER SPRING	U007_S001	14
B0392288	CAM - CLEANING BLADE	U007_S001	15
B0392292	FRONT PRESSURE ARM - CHARGE ROLLER	U007_S001	16
B0392293	PIN - FRONT PRESSURE ARM	U007_S001	17
B0392295	REAR PRESSURE ARM - CHARGE ROLLER	U007_S001	18
B0392312	SHUTTER SPRING	U007_S001	19
B0392321	FRONT PCU COVER	U007_S001	20
B0392329	SPACER - M3	U007_S001	21

Number	Part Name	Group	ID
B0392335	PICKOFF PAWL	U007_S001	22
B0392350	CLIP - OPC DRUM	U007_S001	23
B0392382	QUENCHING LAMP TERMINAL	U014	29
B0392558	DRIVEN ROLLER	U005	40
B0392560	REGISTRATION CLEANING MYLAR	U005	41
B0392570	REGISTRATION FEELER	U005	42
B0392575	BRACKET - REGISTRATION ROLLER	U005	43
B0392628	BOTTOM PLATE PAD	U011_S002_S001	28
B0392727	BUSHING - 8X12X10	U005_S001	44
		U005_S002	44
B0392730	PAPER END SENSOR	U005	45
B0392732	SPRING - PAPER FEED ROLLER	U005_S001	46
		U005_S002	46
B0392823	JOINT - PAPER FEED ROLLER	U005_S001	47
		U005_S002	47
B0392835	SPACER:RAIL:PAPER FEED:RIGHT	U005	48
B0393060	DEVELOPMENT ROLLER GEAR	U007_S001_S001	24
B0393062	IDLER GEAR - 16Z	U007_S001_S001	25
		U007_S001_S002	25
B0393245	GEAR - 15Z	U007_S001_S002	26
B0393360	CAM - HANDLE	U006_S001	4
B0393395	GROUND PLATE - TONER SUPPLY UNIT	U014	30
B0393863	QUENCHING TERMINAL PLATE	U008_S001	3
B0393864	QUENCHING TERMINAL PLATE-FRONT	U008_S001	4
B0393865	TRANSFER TERMINAL PLATE	U008_S001	5
B0393866	PRESSURE COVER	U008_S001	6
B0393867	ROLLER - TRANSFER UNIT	U008_S001	7
B0393870	TERMINAL - TRANSFER	U008	8
B0393891	ID SENSOR COVER	U008_S001	9
B0394114	REAR GROUND PLATE	U009_S001	16
B0394117	DISCHARGE BRUSH	U009_S001	17
B0394118	FRONT GROUND PLATE	U009_S001	18
B0394119	FUSING GROUNDING HARNESS	U009	19

Exclusive Parts

Number	Part Name	Group	ID
B0394135	PRESSURE ROLLER LEVER	U009_S001	20
B0394168	STRIPPER PAWLSSTOPPER	U009_S001	21
B0394459	EXIT ROLLER HOLDER - INNER	U010	11
B0394473	RING:EXIT ROLLER	U010	12
B0394480	STEPPED SCREW - M5	U011	29
B0399510	OPC DRUM	U007_S001	27
B0406069	TRANSPORT DRIVEN ROLLER	U005	49
B0406071	GUIDE PLATE - VERTICAL TRANSPORT	U005	50
B0434624	PULLEY - 30Z	U011	30
B0434631	GEAR - 38Z	U011	31
B0434642	STOPPER - GUIDE PLATE	U011	32
B0434646	UPPER SPRING PLATE - DRIVEN ROLLER	U011	33
B0434647	LOWER SPRING PLATE - DRIVEN ROLLER	U011	34
B0434685	SPRING - 2.8N	U011	35
B0434975	GEAR - 18Z	U010	13
B0434979	EXIT ROLLER	U010	14
B1203862	FRONT DISCHARGE BRUSH	U008_S001	10
B1211070	GRIP BRACKET 2	U014	31
B1211084	HEATER WIRE COVER	U014	32
B1211132	FUSING DRIVE RELEASE BRACKET	U012	46
B1211145	HARNESS HOOK	U012	47
B1211161	LARGE SPRING	U012	48
B1211162	SMALL SPRING	U012	49
B1212311	PCU TONER SUPPLY SHUTTER	U007_S001	28
B1212313	TONER SUPPLY SEAL	U007_S001	29
B1213860	HARNESS COVER	U008_S001	11
B1214451	EXIT MIDDLE GUIDE PLATE	U010	15
B1214461	EXIT LOWER GUIDE PLATE	U010	16
B1214465	SHORT FRONT OUTER HOLDER	U010	17
B1214467	LONG FRONT MIDDLE HOLDER	U010	18
B1214469	LONG REAR MIDDLE HOLDER	U010	19
B1214473	EXIT ROLLER RING MM14	U010	20
B1214477	SHORT REAR OUTER HOLDER	U010	21
B1214503	EXIT PHOTOINTERRUPTOR BRACKET	U010	22

Number	Part Name	Group	ID
	KET		
B1221075	FRONT REVERSE SUB-UNIT HOLDER	U010	23
B1234502	MIDDLE REVERSE GUIDE PLATE	U010	24
B1802801	HOLDER:PAPER TRAY	U014	33
B2232936	GEAR - 16Z	U005_S001	51
		U005_S002	51
B2292606	COVER - REGISTRATION SENSOR	U005	52
B2381806	IDLER PULLEY	U003	22
B2381807	PULLEY	U003_S005	23
B2591053	DOOR SHAFT - RIGHT FRONT	U014	34
B2591058	DOOR SHAFT - RIGHT REAR	U014	35
B2591106	FAN MOTOR:MM80:DC24V 3.6W	U014	36
B2591131	SCREW:PCU	U012	50
B2591135	DC SOLENOID ASS'Y	U012_S005	51
B2591157	FUSING SWIVEL BRACKET	U012	52
B2591194	MANUAL FEED DRIVEBRACKET	U012	53
B2593422	SHAFT:SLIDE	U006_S001	5
B2593890	DENSITY SENSOR	U008_S001	12
B2594115	FUSING ENTRANCE GUIDE PLATE	U009_S001	22
B2594471	EXIT ROLLER 2	U010	25
B2606039	TRANSPORT ROLLER CONNECTING NO.2	U005	53
B2614624	TRANSPORT ROLLER:DRIVE:DUPLEX:EXIT	U011	36
B2614650	SEPARATION PAD	U011_S001	37
B2614983	GATE PAWL	U010	26
B2614989	REVERSE ROLLER	U010	27
B2761072	GRIP	U014	37
B2761073	COVER:GRIP	U014	38
B2774984	DC SOLENOID:ASS'Y	U010_S001	28
B2821128	GROUND	U012_S001	54
B2822117	TERMINA	U005	54
		U012_S001	55
		U012_S002	55
B2823155	CUSHION:REVERSE SUB-UNIT:DUPLEX	U010	29
B2823383	BUSHING:DIA5XDIA10X6	U010	30

Exclusive Parts

Number	Part Name	Group	ID
B3863320	SPRING:BELT:PAPER FEED:8N	U015_S001	40
B3871951	SPRING - PAPER SIZE SENSOR	U015	41
B3872113	ROLLER - PAPER FEED BELT	U015_S001	42
B3872161	PICKUP ROLLER	U015_S001	43
B3872316	CUSHION:STOPPER PAWL	U015	44
		U015_S001	44
B6455010	SD-CARD:ASS'Y	SPECIAL TOOLS	4
B6795100	PLUG - IEEE1284 - TYPE C	SPECIAL TOOLS	5
B7043171	TIMING BELT:B40S2M188	U015	45
B7145006	DC SOLENOID:TRANSMITTED RUBBER STAMP	U015	46
B7891231	SHAFT HINGE- LEFT	U015	47
B7891241	COMPRESSION SPRING	U015	48
B7891253	FEELER HOLDER	U015	49
B7891254	FEELER - ON OFF DETECTOR	U015	50
B7891322	SPRING PLATE - EXPOSURE GLASS	U015	51
B7891942	PAPER SIZE SENSOR FEELER	U015	52
B7892114	PAPER FEED BELT ROLLER	U015_S001	53
B7892115	BELT HOLDER	U015_S001	54
B7892132	PAPER FEED GUIDE - FRONT	U015_S001	55
B7892161	PICKUP ROLLER SHAFT	U015_S001	56
B7892163	COLLAR:PICKUP	U015_S001	57
B7892164	TIMING PULLEY:PICKUP:S2M	U015_S001	58
B7892181	TORSION SPRING - PICKUP	U015_S001	59
B7892357	TENSION SPRING - STOPPER	U015	60
B7892365	RELEASE LEVER:STOPPER	U015	61
B7892371	PICKUP GUIDE	U015	62
B7892431	ORIGINAL STOPPER HOOK	U015	63
B7892436	TENSION SPRING - STOPPER	U015	64
B7893126	TIMING PULLEY - 25T	U015	65
B7893136	GEAR - 20Z	U015	66
B7893223	DISCHARGE BRUSH - EXIT	U015	67
B7893331	COMPRESSION SPRING - DRIVEN ROLLER	U015	68
B7893417	SPRING PLATE - EXIT DRIVEN	U015	69
B7893418	SPRING PLATE - EXIT DRIVEN AUXILIARY	U015	70

Number	Part Name	Group	ID
B7893712	EXIT DRIVEN ROLLER	U015	71
B7893718	GATE PAWL CUSHION - SMALL	U015	72
B7893721	LEVER:GATE PAWL:REVERSE	U015	73
B7894257	PULLEY FLANGE	U015	74
B7894329	TENSION SPRING - TIGHTENER	U015	75
B7894332	PULLEY - 34T	U015	76
B7894411	DC SOLENOID DC24V	U015	77
B7894873	POSITIONING PLATE - FRONT	U015	78
B7894874	POSITIONING PLATE - REAR	U015	79
B7896511	CUSHION - REAR SMALL	U015	80
B7896514	DAMPING INSULATION - COVER	U015	81
B8024611	PRESSURE PLATE	U015	82
B8303115	TIMING BELT - 40S2M142	U015	83
D0291749	PULLEY:PROTECTION	U003	24
D0392720	GEAR:CAM:RIGHT	U011	38
D0392737	FEELER:PAPER:TRAILING EDGE	U011_S002	39
D0392750	RACK:SIDE FENCE:FRONT	U011_S002	40
D0392751	RACK:SIDE FENCE:REAR	U011_S002	41
D0392752	DISC:SIDE FENCE	U011_S002	42
D0392753	GEAR:SIDE FENCE	U011_S002	43
D0392754	SPRING:SIDE FENCE	U011_S002	44
D0392763	PLATE:HARNESS:MANUAL FEED	U011	45
D0392779	SPRING PLATE:EXTENSION TRAY	U011_S002	46
D0392788	PIN:SIDE FENCE	U011_S002	47
D0392793	CAM:LEFT	U011	48
D0392798	SPRING:BASE:2.5N	U011_S002	49
D0392799	RETAINING RINGS-C:DIA4	U011	50
D0392825	SUPPORTING PLATE:PAPER TRAY	U005_S001	55
		U005_S002	55
D1171459	GROUND WIRE:OPU:GRIC1	U002_S001	4
D1171460	PCB:UWVGA:OP-R:ASS'Y	U002_S001	5
D1171465	PCB:UWVGA:OP-L:ASS'Y	U002_S001	6
D1171470	FPC:LED:ASS'Y	U002_S001	7
D1171483	CABLE:FFC:OP-R	U002_S001	8
D1171489	CABLE:USB:IN	U002_S001	9
D1171501	COVER:REAR	U002_S001	10
D1171502	COVER:HINGE	U002_S001	11
D1171503	KEYTOP:HOME	U002_S001	12

Exclusive Parts

Number	Part Name	Group	ID
D1171504	KEYTOP:RIGHT	U002_S001	13
D1171505	KEYTOP:LEFT	U002_S001	14
D1171508	KEYTOP:RESET SWITCH	U002_S001	15
D1171510	KEYTOP:START	U002_S001	16
D1171511	KEYTOP:STOP	U002_S001	17
D1171513	LENS:FRONT	U002_S001	18
D1171514	SHAFT:CABLE	U002_S001	19
D1171516	BRACKET:LCDC	U002_S001	20
D1171517	BRACKET:HINGE	U002_S001	21
D1171518	SHADEING PLATE:TOUCH PANEL	U002_S001	22
D1171519	SHEET:LCDC	U002_S001	23
D1171520	SHEET:OPR	U002_S001	24
D1171521	SHEET:OPL	U002_S001	25
D1171523	GASKET:LCD	U002_S001	26
D1171524	DECAL:FAX:NA/AP	U002_S001	27
D1171525	DECAL:SD/USB:NA	U002_S001	28
D1171529	HINGE:GFN:ASS'Y	U002_S001	29
D1171530	SPACER:LCD	U002_S001	30
D1171531	BRACKET:HINGE:LEFT	U002_S001	31
D1171533	HOLDER:HINGE:LEFT	U002_S001	32
D1171544	KEYTOP:10KEY:A:AA	U002_S001	33
D1171545	KEYTOP:10KEY:B:AA	U002_S001	34
D1171551	COVER:FRONT:NA/AP	U002_S001	35
D1171571	DECAL:FUNCTION:MULTI-LANGUA GE:NA	ACCESSORIES	2
D1171573	DECAL:FUNCTION:BLANK:MULTI-L ANGUAGE	ACCESSORIES	3
D1172656	CASE:RISING TRAY	U005	56
D1172660	DC MOTOR:2.6W:BRUSH	U005	57
D1172808	STOPPER:GUIDE PLATE:BASE:RIS E	U005_S001	58
		U005_S002	58
D1172817	LEVER:BASE:RISE	U005_S001	59
		U005_S002	59
D1172820	PINION:BASE:RISE	U005_S001	60
		U005_S002	60
D1172846	RETAINING RINGS-E:SILENCER:DI A3	U005_S001	61
		U005_S002	61
D1172888	JOINT:BASE:RISE	U005	62

Number	Part Name	Group	ID
D1172894	SHAFT:PINION:BASE:RISE	U005_S001	63
		U005_S002	63
D1172896	SHEET:PLATE:FRICTION PAD	U005_S001	64
		U005_S002	64
D1202614	SHEET:GUIDE PLATE:MANUAL FE ED	U011	51
D1202740	EXTENSION TRAY:MANUAL FEED	U011_S002	52
D1441085	STEPPED SCREW:M3	U003	25
D1471750	SHEET:GAP:ASS'Y	U003	26
D1471805	EXPOSURE GLASS:DOCUMENT F EEDER:APPLY	U003	27
D1491694	PLATE SEAL:APS:HARNESS	U003	28
D1491703	DC STEPPER MOTOR	U003_S001	29
D1491705	BRACKET:DC STEPPER MOTOR	U003	30
D1491706	SYNCHRONOUS BELT:138ST1.5-4. 0	U003	31
D1491709	TENSION SPRING:TENSION:11.3N: 30MM	U003	32
D1491710	TIMING PULLEY:62	U003	33
D1491711	SHAFT:SCANNER:DRIVE	U003	34
D1491714	DRIVE WERE:DIA1	U003	35
D1491715	PULLEY:DRIVE WERE:FRONT	U003	36
D1491717	PULLEY:DRIVE WERE:REAR	U003	37
D1491718	BRACKET:TENSION:REAR	U003	38
D1491719	BRACKET:TENSION:FRONT	U003	39
D1491726	CLAMP:DRIVE WERE	U003	40
D1491730	CARRIAGE:NO.1:ASS'Y	U003_S003	41
D1491731	REFLECTOR:SCANNER	U003_S003	42
D1491749	MIRROR:NO.3:CONVAX:C3	U003_S005	43
D1491754	GUIDE:FFC:CARRIAGE:NO.2	U003_S005	44
D1491755	COVER:FFC:CARRIAGE:NO.2	U003_S005	45
D1491771	LENS:HOLDER:ASS'Y	U003_S002	46
D1491780	INNER COVER	U003	47
D1491782	COVER:LENS	U003_S002	48
D1491798	SEAL:SHEET THROUGH:DOCUME NT FEEDER	U003	49
D1491801	BRACKET:SCALE:LEFT	U003	50
D1491816	DOCUMENT FEEDER:CABLE:BRA	U003	51

Exclusive Parts

Number	Part Name	Group	ID
	CKET		
D1495686	PCB:DCSW	U013	12
D1495884	COMPRESSION SPRING:KEYTOP	U001	5
D1496766	DECAL:CAUTION:ORIGINAL:ENGLISH	ACCESSORIES	4
D1581039	SHAFT:DEVELOPMENT:DRIVE:ASSY	U012_S003	56
D1581150	GUIDE:HARNESS	U012	57
D1581156	ELECTRODE PLATE:DEVELOPMENT:ASSY	U012_S002	58
D1581165	SHAFT:PAPER FEED:DRIVE:ASSY	U012	59
D1581172	DRUM SHAFT:OPC DRUM:ASSY	U012_S004	60
D1581310	PLATE:LOGOTYPE:RIC:V554R10	ACCESSORIES	5
D1581314	LEVER:SAFETY SWITCH:FRONT	U014	39
D1581315	COIL SPRING:SAFETY SWITCH:C4	U014	40
D1581368	SHEET:FAN:REAR	U014	41
D1581411	OPERATION PANEL:NA/AP	U002_S001	36
D1581431	PCB:LCD CARFT:ASSY	U002_S001	37
D1581463	CABLE:USB	U002_S001	38
D1581721	ILLUMINATION UNIT:LEDB:ASSY	U003_S004	52
D1581793	SCALE:LEFT:NA:ASSY	U003	53
D1581795	SCALE:REAR:PRINTING	U003	54
D1581800	COVER:SHEET THROUGH:DOCUMENT FEEDER	U003	55
D1581815	BRACKET:DOCUMENT FEEDER:RIGHT	U003	56
D1581816	BRACKET:DOCUMENT FEEDER:LEFT	U003	57
D1581961	OPTICAL HOUSING:ASSY	U004_S001	2
D1582362	DRUM STAY:FRONT	U007_S001	30
D1582371	DRUM STAY:REAR	U007_S001	31
D1582381	DISCHARGE LAMP:QL	U014	42
D1582526	PAPER TRAY:ASSY	U005_S001	65
		U005_S002	65
D1582553	SHAFT:PAPER FEED ROLLER:ASSY	U005_S001	66
		U005_S002	66
D1582554	END FENCE:ASSY	U005_S001	67
		U005_S002	67

Number	Part Name	Group	ID
D1582559	SIDE FENCE:FRONT:ASSY	U005_S001_S001	68
		U005_S002_S001	68
D1582560	SIDE FENCE:REAR:ASSY	U005_S001_S002	69
		U005_S002_S002	69
D1582564	TRAY BOTTOM PLATE	U005_S001	70
		U005_S002	70
D1582565	COVER:PAPER TRAY:NO.1	U005_S001	71
		U005_S002	71
D1582567	PRESSURE PLATE:BASE:RISE	U005_S001	72
		U005_S002	72
D1582568	COVER:PRESSURE PLATE:BASE:RISE	U005_S001	73
		U005_S002	73
D1582569	TENSION SPRING:BASE:RISE	U005_S001	74
		U005_S002	74
D1582571	BASE:LIFT MOTOR:PAPER FEED:FRONT	U005	75
D1582576	STOPPER:SIDE FENCE:FRONT	U005_S001_S001	76
		U005_S002_S001	76
D1582577	GRIP:PAPER TRAY	U005_S001	77
		U005_S002	77
D1582578	RACK:BASE:RISE	U005_S001	78
		U005_S002	78
D1582579	SHAFT:BASE:RISE	U005_S001	79
		U005_S002	79
D1582580	BRACKET:PINION:BASE:RISE	U005_S001	80
		U005_S002	80
D1582586	GUIDE PLATE:PAPER FEED:EXIT	U005	81
D1582587	GUIDE:PAPER TRAY	U005	82
D1582588	GROUND PLATE:PAPER FEED ROLLER	U005_S001	83
		U005_S002	83
D1582591	COIL SPRING:EARTH:TRAY BOTTOM PLATE	U005_S001	84
		U005_S002	84
D1582592	FRICTION PAD:ASSY	U005_S001_S003	85
		U005_S002_S003	85
D1582593	COIL SPRING:STOPPER:SIDE FENCE:FRONT	U005_S001_S001	86
		U005_S002_S001	86
D1582595	LEVER:STOPPER:REAR	U005_S001_S002	87
		U005_S002_S002	87

Exclusive Parts

Number	Part Name	Group	ID
D1582609	INNER COVER:DUPLEX:REAR:RIG HT	U011	53
D1582611	GEAR:IDLER:18Z	U011	54
D1582613	GUIDE PLATE:MANUAL FEED UNI T:LOWER	U011	55
D1582620	GEAR:IDLER:MANUAL FEED:BASE	U011	56
D1582626	GUIDE PLATE:MANUAL FEED UNI T:UPPER	U011	57
D1582630	DECAL:MANUAL FEED:INKJET	U011	58
D1582632	DECAL:SIDE FENCE:MANUAL FEE D	U011	59
D1582633	DECAL:CAUTION:CAM:MANUAL F EED	U011	60
D1582634	MANUAL FEED TABLE:ASS'Y	U011_S002	61
D1582637	COVER:PAPER:TRAILING EDGE	U011_S002	62
D1582651	DECAL:SCALE:MANUAL FEED	U011	63
D1582665	LINK:DUPLEX:ASS'Y	U011	64
D1582696	LINK:MANUAL FEED TABLE:FRON T	U011	65
D1582697	LINK:MANUAL FEED TABLE:REAR	U011	66
D1582722	GEAR:CAM:LEFT REAR	U011	67
D1582725	FEELER:MANUAL FEED	U011	68
D1582736	COVER:MANUAL FEED TABLE	U011_S002	69
D1582744	BASE:MANUAL FEED TABLE:ASS' Y	U011_S002_S001	70
D1582748	SIDE FENCE:FRONT	U011_S002	71
D1582749	SIDE FENCE:REAR	U011_S002	72
D1582750	RAIL:PAPER FEED:RIGHT	U005	88
D1582752	BALIN SHAFT BEARING:PRESSUR E:FRONT	U005	89
D1582753	PLAIN SHAFT BEARING:PRESSUR E:REAR	U005	90
D1582758	RAIL:PAPER FEED:LEFT	U005	91
D1582759	STOPPER:RAIL:LEFT	U005	92
D1582766	GUIDE PLATE:TRANSPORT ROLL ER:CONNECTING	U005	93
D1582776	GUIDE:VERTICAL TRANSPORT:NO .2	U005	94

Number	Part Name	Group	ID
D1582786	SHAFT:DRIVE:MANUAL FEED UNI T	U011	73
D1582789	GEAR:CAM:RIGHT REAR	U011	74
D1582790	GEAR:FEELER:LEFT	U011	75
D1582791	TORSION SPRING:PAPER END SE NSOR	U011	76
D1582796	SHAFT:CAM:ASS'Y	U011	77
D1582798	GUIDE PLATE:CONNECTING:B	U005	95
D1582820	DECAL:PAPER SET DIRECTION	U005_S001	96
		U005_S002	96
D1582833	TRANSPORT ROLLER	U005	97
D1582854	SPACER:REGISTRATION GUIDE	U005	98
D1582868	GUIDE PLATE:REGISTRATION:DRI VE	U005	99
D1582869	GUIDE:REGISTRATION	U005	100
D1582872	GUIDE PLATE:REGISTRATION:DRI VEN	U005	101
D1582876	SPRING PLATE:EARTH:REGISTRA TION	U005	102
D1582879	KNOB:REGISTRATION ROLLER	U005	103
D1582885	REGISTRATION ROLLER:DRIVE	U005	104
D1582891	PLAIN SHAFT BEARING:DIA8:18	U005	105
D1582991	TORSION SPRING:EXIT:GUIDE PL ATE	U005	106
D1583032	TONER SUPPLY UNIT:C4:ASS'Y	U006_S001	6
D1583052	DEVELOPMENT ROLLER:ASS'Y	U007_S001_S001	32
D1583159	CASE:DEVELOPMENT ROLLER:AS S'Y	U007_S001	33
D1583170	CASE:DEVELOPMENT:SUB-ASS'Y	U007_S001_S002	34
D1583310	DC MOTOR:TONER BOTTLE:2.52W :BRUSH	U006	7
D1583381	COVER:TONER BOTTLE:C4:ASS'Y	U006_S001	8
D1583390	DENSITY SENSOR:C4:ASS'Y	U007_S001	35
D1583804	TRANSFER UNIT	U008_S001	13
D1583820	TRANSFER ROLLER:ASS'Y	U008_S001	14
D1583858	GUIDE PLATE:TRANSFER:FRONT	U008_S001	15
D1583859	GUIDE PLATE:TRANSFER:UPPER	U008_S001	16
D1583890	ELECTRODE PLATE:SEPARATION	U008_S001	17

Exclusive Parts

Number	Part Name	Group	ID
D1584003	FUSING UNIT:NA:ASS'Y	U009_S001	23
D1584088	DECAL:FUSING:H-TEMP WARNIN G	U009_S001	24
D1584090	HOLDER:HEATER:FRONT	U009_S001	25
D1584091	HOLDER:HEATER:REAR	U009_S001	26
D1584102	GUIDE PLATE:FUSING EXIT	U009_S001	27
D1584107	GUIDE PLATE:FUSING EXIT:OPEN AND CLOSE	U009_S001	28
D1584109	DECAL:FUSING:GRIP	U009_S001	29
D1584111	ELECTRODE PLATE:FRONT	U009_S001	30
D1584112	ELECTRODE PLATE:MIDDLE	U009_S001	31
D1584114	ELECTRODE PLATE:REAR	U009_S001	32
D1584120	THERMOSTAT:ASS'Y	U009_S001	33
D1584174	PLAIN SHAFT BEARING:PRESSUR E ROLLER	U009_S001	34
D1584210	HEATER:120V:600W:INFRARED	U009_S001	35
D1584215	HEATER:120V:650W:INFRARED	U009_S001	36
D1584450	GUIDE PLATE:REVERSE:LEFT UP PER	U010	31
D1584451	ROLLER:TURN:PAPER EXIT SUB- UNIT	U010	32
D1584452	TRAY:REVERSE	U010	33
D1584453	HOLDER:MIDDLE:REVERSE	U010	34
D1584454	GEAR:IDLER	U010	35
D1584457	BRACKET:DC STEPPER MOTOR:A SS'Y	U010	36
D1584459	DISCHARGE BRUSH:REVERSE SU B-UNIT	U010	37
D1584460	GROUND PLATE:FUSING:DISCHA RGE BRUSH:MAIN	U009	37
D1584461	DISCHARGE BRUSH:EXIT	U001	6
D1584464	SHEET:DISCHARGE BRUSH:EXIT	U001	7
D1584603	COMPRESSION SPRING:VERTICA L TRANSPORT	U011	78
D1584611	COVER:DUPLEX	U011	79
D1584617	GUIDE PLATE:DUPLEX:ENTRANC E	U011	80
D1584623	TRANSPORT ROLLER:DRIVE:DUP	U011	81

Number	Part Name	Group	ID
	LEX:CONNECTING		
D1584625	TRANSPORT ROLLER:DRIVE:DUP LEX:ENTRANCE	U011	82
D1584632	GEAR:TWO STEP SPEED VARYIN G	U011	83
D1584635	PULLEY:CONNECTING	U011	84
D1584640	GUIDE PLATE:DUPLEX:DRIVEN:AS S'Y	U011_S003	85
D1584644	PULLEY:30T:RIGHT	U011	86
D1584645	COMPRESSION SPRING:DUPLEX: ENTRANCE	U011	87
D1584651	LEVER:DOOR	U011	88
D1584653	INNER COVER:DUPLEX:REAR:LEF T	U011	89
D1584658	SYNCHRONOUS BELT	U011	90
D1584661	INNER COVER:DUPLEX:REAR	U011	91
D1584662	GUIDE PLATE:VERTICAL TRANSP ORT	U011	92
D1584664	INNER COVER:GRIP:FRONT:DUPL EX	ACCESSORIES	6
D1584666	GUIDE:EXIT:LOWER:DUPLEX	U011	93
D1584668	PLAIN SHAFT BEARING:DIA4:VER TICAL TRANSPORT	U011	94
D1584670	GUIDE PLATE:EXIT:RIGHT LOWER :ASS'Y	U011	95
D1584672	INNER COVER:GRIP:REAR:DUPL X	ACCESSORIES	7
D1584673	COVER:PHOTOINTERRUPTOR:EN TRANCE	U011	96
D1584675	BRACKET:CONNECTING:DUPLEX	U011	97
D1584677	GUIDE PLATE:EXIT:RIGHT UPPER	U011	98
D1584679	COVER:PHOTOINTERRUPTOR:EXI T	U011	99
D1584692	DECAL:GRIP	U011_S003	100
D1584705	BRACKET:DC STEPPER MOTOR:A SS'Y	U011	101
D1584714	GEAR:INPUT:MANUAL FEED	U011	102
D1585834	GROUND PLATE:USB	U013	13

Exclusive Parts

Number	Part Name	Group	ID
D1585899	COVER:COVER:REAR	U001	8
D1589590	NVRAM - ZERO COUNTER	U013	14
D1589640	DEVELOPER:K	ACCESSORIES	8
D1591163	SHAFT:DRIVE:PAPER FEED ROLLER:ASS'Y	U012	61
D1591250	COVER:EXIT	U001	9
D1591251	COVER:UPPER:EXIT	U001	10
D1591252	INNER COVER:FRONT	U001	11
D1591253	COVER:DOOR	U001	12
D1591254	COVER:LEFT:C	U001	13
D1591255	WINDOW:FAN	U001	14
D1591256	COVER:RIGHT REAR:C	U001	15
D1591257	COVER:REAR:C	U001	16
D1591258	COVER:MIDDLE REAR	U001	17
D1591259	COVER:FRONT UPPER	U001	18
D1591260	COVER:POWER SUPPLY CORD	U001	19
D1591261	COVER:OPERATION SUB-UNIT:UPPER	U001	20
D1591263	COVER:REAR UPPER	U001	21
D1591264	COVER:SCANNER:FRONT	U001	22
D1591265	COVER:SCANNER:RIGHT	U001	23
D1591266	COVER:SCANNER:LEFT	U001	24
D1591268	COVER:CTL	U001	25
D1591269	COVER:OPERATION SUB-UNIT:FRONT	U001	26
D1591274	KEYTOP:MAIN SWITCH	U001	27
D1591740	CARRIAGE:NO.2:ASS'Y	U003_S005	58
D1592583	FEELER:VERTICAL TRANSPORT:PAPER FEED	U005	107
D1592798	GUIDE PLATE:CONNECTING:C	U005	108
D1592826	GROUND PLATE:VERTICAL TRANSPORT:PAPER FEED	U005	109
D1592914	RAIL:RIGHT:NO.2	U005	110
D1592915	GUIDE:EXIT:TRAY	U005	111
D1592951	GUIDE:PAPER FEED:UPPER:NO.2	U005	112
D1592961	GUIDE PLATE:PAPER FEED:UPPER	U005	113
D1592964	COVER:RIGHT:NO.2	U005	114

Number	Part Name	Group	ID
D1592965	DECAL:GUIDE PLATE:PAPER FEED:RIGHT	U005	115
D1592966	SPRING PLATE:COVER:NO.2:RIGHT:0.2	U005	116
D1592967	GUIDE PLATE:PAPER FEED:RIGHT	U005	117
D1592968	SHAFT:COVER:NO.2	U005	118
D1595011	PCB:BICU:ASS'Y	U013	15
D1595138	PCB:SIO	U003	59
D1595301	INTERFACE CABLE:SCANNER:LVDS:ASS'Y	U003	60
D1595621	PCB:CTL:25CPM	U013	16
D1596628	MODEL NAME PLATE:MP2501SP	ACCESSORIES	9
D1870071	HEATER:NA:ASS'Y	U003	61
D1872535	HEATER:PAPER FEED:NA:C:ASS'Y	U005	119
D3664455	DC SOLENOID - PICK-UP	U015	84
D3664849	CUSHION - PICK-UP ARM	U015	85
D5406121	FULL DUG POINT SCREW:FIX:HINGE	U015	86
D5412121	PAPER FEED BELT	U015_S001	87
D5412241	REVERSE ROLLER:PAPER FEED	U015	88
D5783213	FEELER:PAPER SIZE SENSOR	U015	89
D5784631	FEELER:ORIGINAL SENSOR:TRAILING EDGE	U015	90
D6841232	HINGE:RIGHT	U015	91
D6841236	HINGE:LEFT	U015	92
D6841336	GUIDE:HARNESS:ORIGINAL SENSOR	U015	93
D6841346	GUIDE:HARNESS:PAPER SIZE SENSOR	U015	94
D6841411	GUIDE PLATE:REVERSE:LOWER	U015	95
D6841412	GUIDE PLATE:REVERSE:UPPER	U015	96
D6841532	TRAY:EXIT:AUXILIARY	U015	97
D6841541	SLIDER:TRAY	U015	98
D6842100	PAPER FEED UNIT:ASS'Y	U015_S001	99
D6842111	SHAFT:PAPER FEED:DRIVE	U015_S001	100
D6842134	ARM:PICKUP	U015_S001	101
D6842142	FEELER:ORIGINAL SENSOR	U015	102

Exclusive Parts

Number	Part Name	Group	ID
D6842151	HOLDER:PICKUP	U015_S001	103
D6842163	SYNCHRONOUS BELT:40S2M122	U015_S001	104
D6842210	SHAFT:REVERSE	U015	105
D6842216	STOPPER:SHAFT:RF	U015	106
D6842261	TORQUE LIMITER MECHANICAL CLUTCH:SEPARATOR:ORVA	U015	107
D6842311	GUIDE PLATE:PAPER FEED	U015	108
D6842312	COVER:REVERSE	U015	109
D6842317	TORSION BAR SPRING:EXHAUST:UPPER:DRIVEN	U015	110
D6842322	GUIDE PLATE:REVERSE	U015	111
D6842331	GUIDE:PULL OUT	U015	112
D6842351	LEVER:PICKUP:DRIVE	U015	113
D6843111	TRANSPORT ROLLER:ENTRANCE	U015_S002	114
D6843121	TRANSPORT ROLLER:EXIT	U015_S003	115
D6843131	TRANSPORT ROLLER:EXIT	U015	116
D6843133	KNOB:MISFEED REMOVAL	U015	117
D6843137	GEAR:CAM:STOPPER:ORIGINAL	U015	118
D6843141	REVERSE ROLLER:DRIVE	U015	119
D6843146	TORQUE LIMITER MECHANICAL CLUTCH:REVERSE:T24	U015	120
D6843151	ROLLER:PULL OUT	U015	121
D6843161	DISCHARGE BRUSH:L11	U015	122
D6843211	GUIDE PLATE:PULL OUT	U015	123
D6843219	GUIDE PLATE:ENTRANCE:UPPER	U015	124
D6843221	GUIDE PLATE:EXIT:UPPER	U015	125
D6843222	TORSION SPRING:EXIT:FEELER	U015	126
D6843224	TORSION SPRING:TRANSMITTED RUBBER STAMP	U015	127
D6843228	FEELER:REVERSE	U015	128
D6843256	TIMING PULLEY:PULL OUT:DRIVE:ROLLER CLUTCH	U015	129
D6843311	GUIDE PLATE:ENTRANCE:LOWER	U015	130
D6843316	SHEET:SCANNING:ENTRANCE	U015	131
D6843326	LEVER:ENTRANCE:DRIVEN	U015	132
D6843331	TORSION SPRING:ENTRANCE:DRIVEN	U015	133
D6843411	GUIDE PLATE:EXIT:LOWER	U015	134

Number	Part Name	Group	ID
D6843426	SHAFT:DRIVEN:EXIT	U015	135
D6843472	ROLLER:SCANNING:DRIVEN	U015	136
D6843483	SLIDER:TRANSMITTED RUBBER STAMP	U015	137
D6843486	COVER:TRANSMITTED RUBBER STAMP	U015	138
D6843493	SHAFT:DRIVEN:EXIT	U015	139
D6843531	GUIDE PLATE:SCANNING:ASS'Y	U015_S004	140
D6843713	GATE PAWL:REVERSE	U015	141
D6843716	TENSION SPRING:GATE PAWL	U015	142
D6843731	LEVER:EXIT	U015	143
D6844112	BRACKET:MOTOR:PAPER FEED	U015	144
D6844113	TIMING BELT:187ST1.5-4.0	U015	145
D6844116	LEVER:TRANSMITTED RUBBER STAMP	U015	146
D6844122	BRACKET:MOTOR	U015	147
D6844127	GEAR:TIMING PULLEY:PAPER FEED:SLOW DOWN	U015	148
D6844143	TIMING BELT:110ST1.5-4.0	U015	149
D6844155	BRACKET:SLOW DOWN:TRANSPORT:ASS'Y	U015	150
D6844162	TIMING PULLEY:TRANSPORT:SLOW DOWN	U015	151
D6844215	SHAFT:MAGNETIC CLUTCH:ASS'Y	U015	152
D6844225	GEAR:TIMING PULLEY:SEPARATION	U015	153
D6844227	FLANGE:PULLEY	U015	154
D6844232	SHAFT:PAPER FEED:IDLER	U015	155
D6844235	GEAR:PAPER FEED:MIDDLE	U015	156
D6844236	TIMING PULLEY:T34:S2M	U015	157
D6844237	GEAR:PAPER FEED:REVERSE:DRIVE	U015	158
D6844238	TIMING BELT:40S2M244	U015	159
D6844325	TIGHTENER:TRANSPORT:ASS'Y	U015	160
D6844341	TIMING BELT:134ST1.5-8.0	U015	161
D6844491	DAMPING INSULATION:GUIDE PLATE	U015	162
D6844511	COVER:FRONT	U015	163

Exclusive Parts

Number	Part Name	Group	ID
D6844521	COVER:REAR	U015	164
D6844611	COVER:PAPER FEED	U015	165
D6844621	COVER:PAPER FEED:UPPER	U015	166
D6844631	COVER:LEFT	U015	167
D6844641	BRACKET:DRIVEN ROLLER:PULL OUT	U015	168
D6844643	DRIVEN ROLLER:PULL OUT:PRES S FIT	U015	169
D6844676	TORSION BAR SPRING:REVERSE	U015	170
D6844721	ORIGINAL TABLE	U015	171
D6844732	COVER:ORIGINAL TABLE	U015	172
D6844741	SIDE FENCE	U015	173
D6844751	ORIGINAL TABLE:TRANSPARENT	U015	174
D6844871	HOLDER:PRESSURE PLATE:LEFT	U015	175
D6845010	CABLE:INTERFACE CABLE:ASS'Y	U015	176
D6845103	PCB:MAIN CONTROL:COOK:ASS'Y	U015	177
D6845625	DC MOTOR:ASS'Y	U015	178
D6845751	GUIDE:HARNESS	U015	179
D6845827	SPRING PLATE:ON OFF DETECTOR:PAPER FEED	U015	180
D6846021	DECAL:SIZE:ORIGINAL	U015	181
D6846031	DECAL:ORIGINAL TABLE	ACCESSORIES	10
D6846041	DECAL:SIDE FENCE	U015	182
D6846061	DECAL::ORIGINAL:MANY LANGUAGES	ACCESSORIES	11
D6846071	DECAL:KNOB	U015	183
D8490150	PCU:EXP	U007_S001	36
D8498203	SPECIAL TOOL:SOFTWARE UPGRADE:ASS'Y	SPECIAL TOOLS	6
G0203334	SLIDER ASS'Y	U006_S001	9
G0219350	Loop-Back Connector Parallel	SPECIAL TOOLS	7
G0294140	EXTERNAL CIRCLIP	U009_S001	38
G0302670	FRICTION PAD	U011_S001	103
G0524618	BEARING 30X42X7	U009_S001	39
G0524873	OUTER EXIT COVER ROLLER	U010	38
G0602641	TRANSPORT DRIVEN ROLLER - MIDDLE	U011	104
G0702710	PAPER SIZE SENSOR LINK	U005_S001	120

Number	Part Name	Group	ID
		U005_S002	120
G3615570	PHOTOINTERRUPTOR - DUPLEX	U010	39
G4042810	SPRING PLATE - 2ND MIRROR	U003_S005	62
G4123831	PULLEY - 22Z	U015_S001	184
G5701160	SPACER BUSHING	U003	63
G5701225	SENSOR SHIELDING PLATE	U003	64
G5702730	SLIDER - SCANNER	U003_S003	65
G8004854	EXIT ROLLER	U010	40
GA003268	DECAL:PDF:I-GRAY:ABS	ACCESSORIES	12
GW010007	PHOTO REFLECTION SENSOR:EXIT	U010	41
		U015	185
GX645734	FAN MOTOR:MM80 DC24V 3.12W	U014	43
M0261815	CLAMP:MIRROR:NO.1	U003_S003	66
M1305245	PCB:DDR3-DIMM:RC-C:1GB:ASS'Y	U013	17
M3641381	HOLDER:PRESSURE PLATE:RIGHT	U015	186
M3641386	CUSHION:PRESSURE PLATE	U015	187
M3643221	SPRING PLATE:EARTH:EXIT	U015	188
M3644341	TENSION SPRING:MOTOR	U015	189
M3644823	TAPE:PRESSURE PLATE	U015	190

Standard Parts



03130060N
SCREW - M3X6



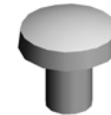
03140120N
SCREW - M4X12



03520030N
SCREW:M2X3



03530030N
SCREW:M3X3



03530040P
SCREW - M3X4



03530060N
BIND SCREW - M3X6



03603006N
SCREW - M3X6



04330060N
PAN SELF-TAPPING SCREW:
3X6



04503008N
TAPPING SCREW - M3X8



04503010N
TAPPING SCREW - M3X10



04503012N
TAPPING SCREW:3X12



04503035N
TAPPING SCREW:3X35



04504008N
TAPPING SCREW - M4X8



04504010N
TAPPING SCREW:M4X10



04513006N
TAPPING SCREW - 3X6



04513008N
TAPPING SCREW - M3X8



04513014N
TAPPING SCREW:3X14



04513030N
TAPPING SCREW:3X30



04514030N
TAPPING SCREW:M4X30



04522006N
BINDING SELF-TAPPING SC
REW - M2X6



04522008P
BINDING SELF-TAPPING SC
REW:2X8



04523008N
TAPPING SCREW - M3X8



04533006N
TAPPING SCREW - M3X6



04543006Q
TAPPING SCREW - M3X6



04543008Q
TAPPING SCREW:3X8



04583008N
HEXAGON HEAD TAPPING S
CREW:3X8



06230140E
SPRING PIN - 3X14MM



06320120G
PARALLEL PIN - 2X12

Standard Parts



07200030E
RETAINING RING - M3



07200040E
RETAINING RING - M4



07433806
RADIAL BALL BEARING: DIA6
XDIA13X5



08025312
TAPPING SCREW: WASHER: 3
X10



08046123
HEXAGONAL BOLT: W/WASH
ER: M3X8



08050088
RETAINING RING - M6



08050089
RETAINING RING - M4



08050097
RING SEPARATOR



08050106
RETAINING RINGS-E: SILENC
ER: DIA6



09543010N
SCREW: POLISHED ROUND/
SPRING: M3X10



09544010N
SCREW: POLISHED ROUND/
SPRING: M4X10



11050508
HARNESS CLAMP - LWS-071
1



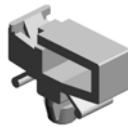
11050509
SPACER: CARD: KGPS-10RF



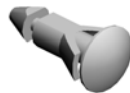
11050516
CLAMP



11050551
CLAMP: LES-0505



11050623
CLAMP - LBWS-0206S-V0



11050637
HARNESS CLAMP - KGLS-10
RT(V0)



11050692
CLAMP: LES-0503



11050717
CLAMP: JDW-1S



11050723
CLAMPS: WES-0507



11050724
CLAMPS: WES-1210



11050758
CLAMP: LWSM-0306A



11050759
CLAMP: LWSM-0605A



11050760
CLAMP: LWSM-0511A



11050761
CLAMP: LWS-0511A



11050762
CLAMP: LWS-0711A

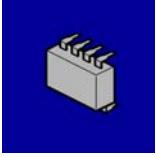


11500427
POWER SUPPLY CODE: 125V
:15A:NA



12042612
MICRO SWITCH: D3V-16506-3
C25

Standard Parts



14077677
EEPROM:BR24T64-W

PM Part List

Number	Part Name	Num	Group	ID
AD027018	ROLLER:CHARGE:A3	1	U007_S001	8
AD042058	CHARGE CLEANER BRUSH ROLLER	1	U007_S001	9
AD042083	BLADE:CLEANING:ASS'Y	1	U007_S001	10
AE011140	HOT ROLLER:DIA30	1	U009_S001	11
AE020213	PRESSURE ROLLER:MM25	1	U009_S001	12
AE044090	STRIPPER PAWLS	5	U009_S001	13
AF031084	PAPER FEED ROLLER MM36	2	U005_S001	33
			U005_S002	33
B0392335	PICKOFF PAWL	2	U007_S001	22
D1582592	FRICTION PAD:ASS'Y	2	U005_S001_S003	85
			U005_S002_S003	85
D1583820	TRANSFER ROLLER:ASS'Y	1	U008_S001	14
D1584174	PLAIN SHAFT BEARING:PRE SSURE ROLLER	2	U009_S001	34
D1589640	DEVELOPER:K	1	ACCESSORIES	8

