

Digital Color Copiers
(D170-NA)
Parts Catalog

Model	Product Code	PC Style
Digital Copier	D170	3D
ARDF	D684	3D
Paper Feed Unit	D698	3D
Paper Feed Unit	D699	3D
1 Bin Tray	D697	3D

Unit All



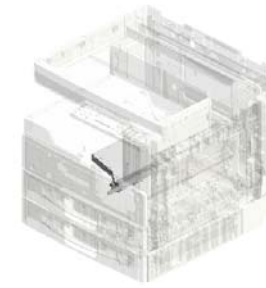
U001
EXTERIOR



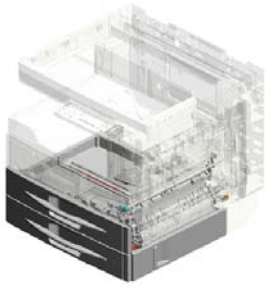
U002
OPERATION



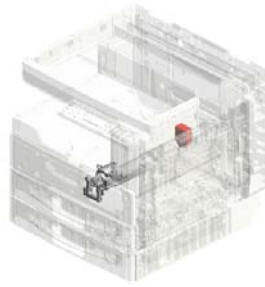
U003
SCANNER



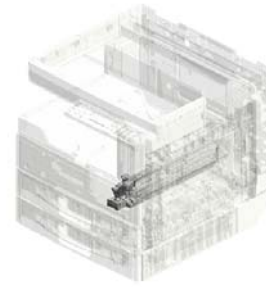
U004
LASER UNIT



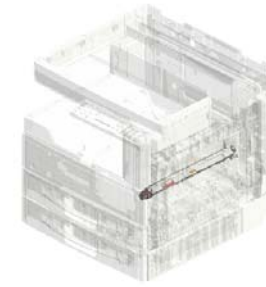
U005
PAPER FEED



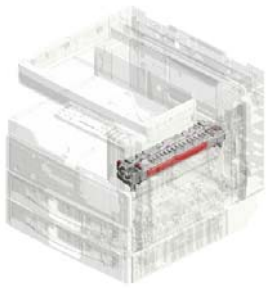
U006
TONNER SUPPLY



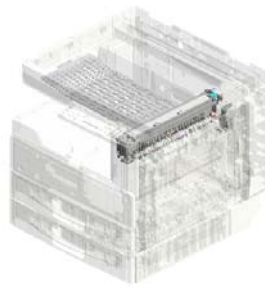
U007
PCU



U008
TRANSFER/SEPARATION



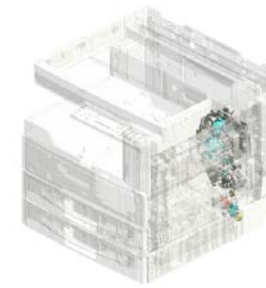
U009
FUSING



U010
PAPER EXIT

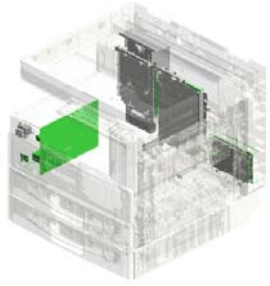


U011
DUPLEX

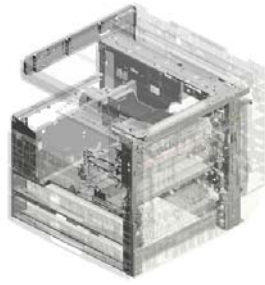


U012
MAIN DRIVE

Unit All

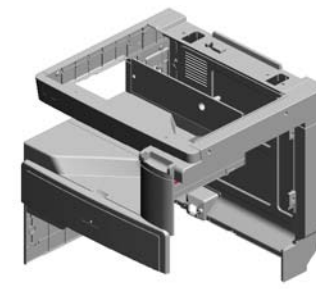


U013
ELECTRICAL



U014
MAIN FRAME

U001 EXTERIOR



5.D1581270
COVER:REAR:B

17.D1601263
COVER:REAR UPPER

13.D1591258
COVER:MIDDLE REAR

4.D1581256
COVER:RIGHT REAR:B

18.D1601265
COVER:SCANNER:RIGHT

2.04513006N
(x7)
TAPPING SCREW - 3X6

19.D1601266
COVER:SCANNER:LEFT

3.04513008N
(x24)
TAPPING SCREW - M3X8

8.D1585899
COVER:COVER:REAR

12.D1591255
WINDOW:FAN

14.D1591260
COVER:POWER SUPPLY CORD

15.D1601254
COVER:LEFT:BL

9.D1591251
COVER:UPPER:EXIT

10.D1591252
INNER COVER:FRONT

11.D1591253
COVER:DOOR

7.D1584464
SHEET:DISCHARGE BRUSH:EXIT

6.D1584461
DISCHARGE BRUSH:EXIT

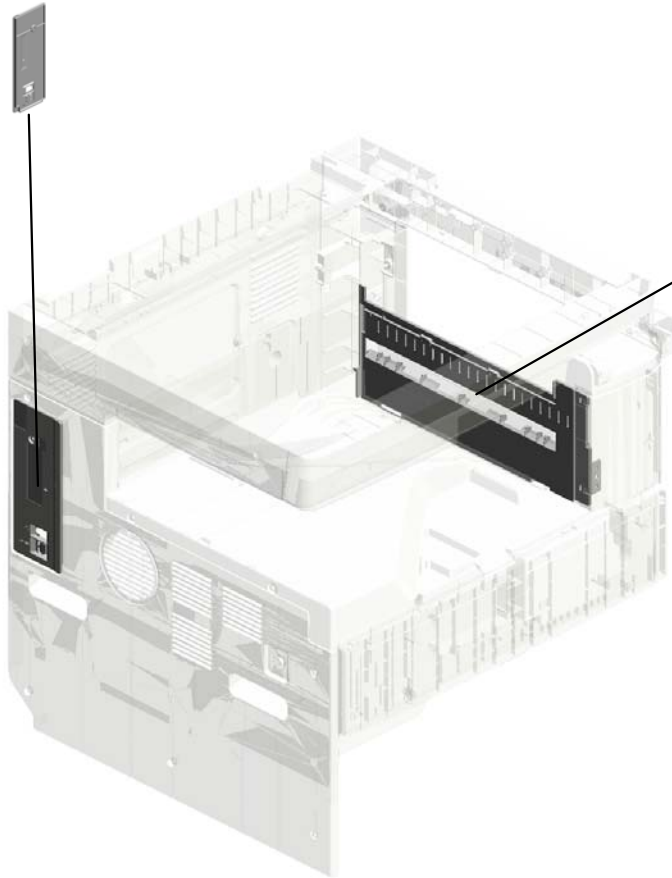
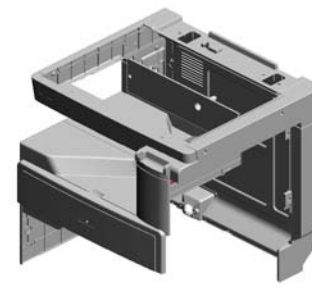
20.D1601631
COVER:SCANNER:FRONT

16.D1601259
COVER:FRONT UPPER

1.04504010N
(x3)
TAPPING SCREW: M4X10

U001
EXTERIOR

22.D1701268
COVER:CTL

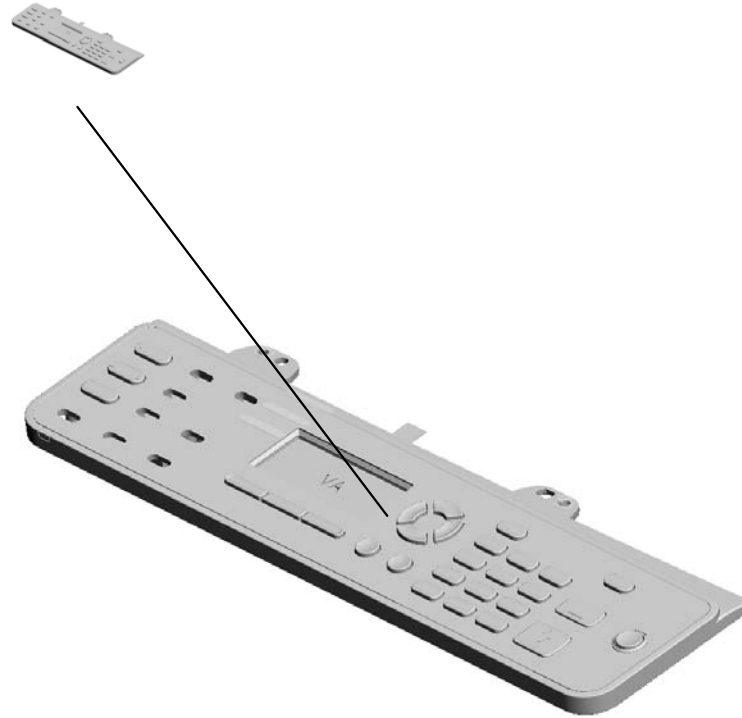


21.D1701250
COVER:EXIT

U001	U002	U003	U004	U005	U006	U007	U008	U009	U010	U011	U012	U013	U014
------	------	------	------	------	------	------	------	------	------	------	------	------	------

U002.OPERATION

U002_S001
D1701401
OPERATION PANEL:D170:NA
/AP:ASSY



U001	U002	U003	U004	U005	U006	U007	U008	U009	U010	U011	U012	U013	U014
------	-------------	------	------	------	------	------	------	------	------	------	------	------	------

U002
OPERATION

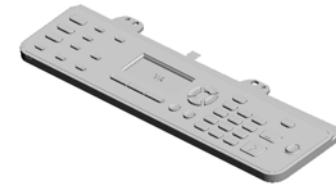


U002_S001
OPERATION PANEL:D170:NA/AP:ASS'Y

1.D1601457
KEYTOP:MIDDLE L
OWER

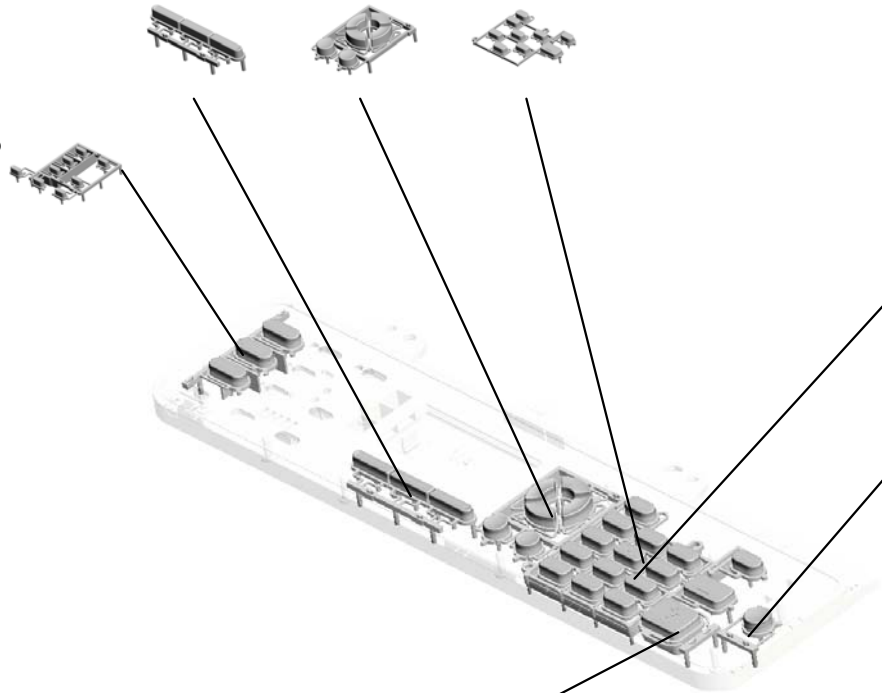
2.D1601458
KEYTOP:CURSOR

3.D1601459
KEYTOP:10KEY:A:
NA



7.D1701401
OPERATION PANE
L:D170:NA/AP:ASS'
Y

8.D1701456
KEYTOP:FUNCTION:
N:D170



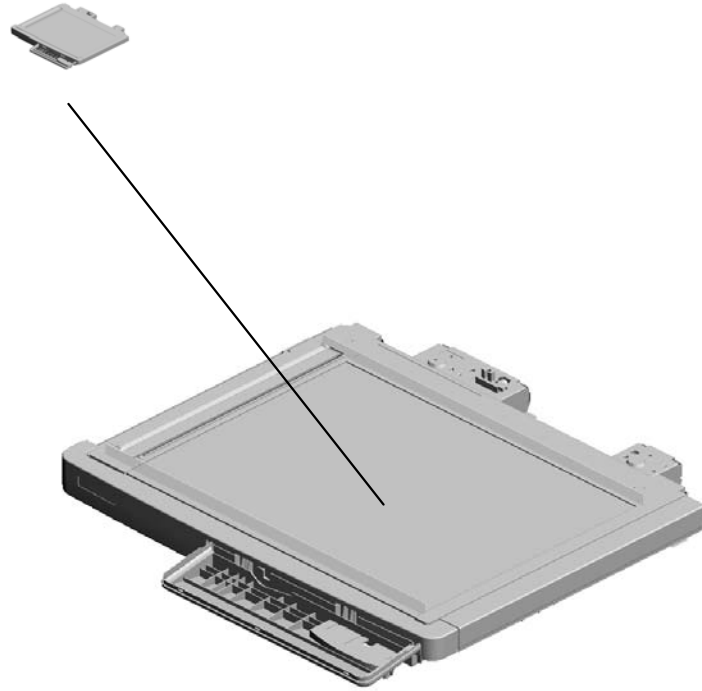
4.D1601460
KEYTOP:10KEY:B:
NA

6.D1601464
KEYTOP:POWER S
OURCE

5.D1601463
KEYTOP:START

U003.SCANNER

U003_S001
D1601625
SCANNER:NA/EU/AP:ASS'Y



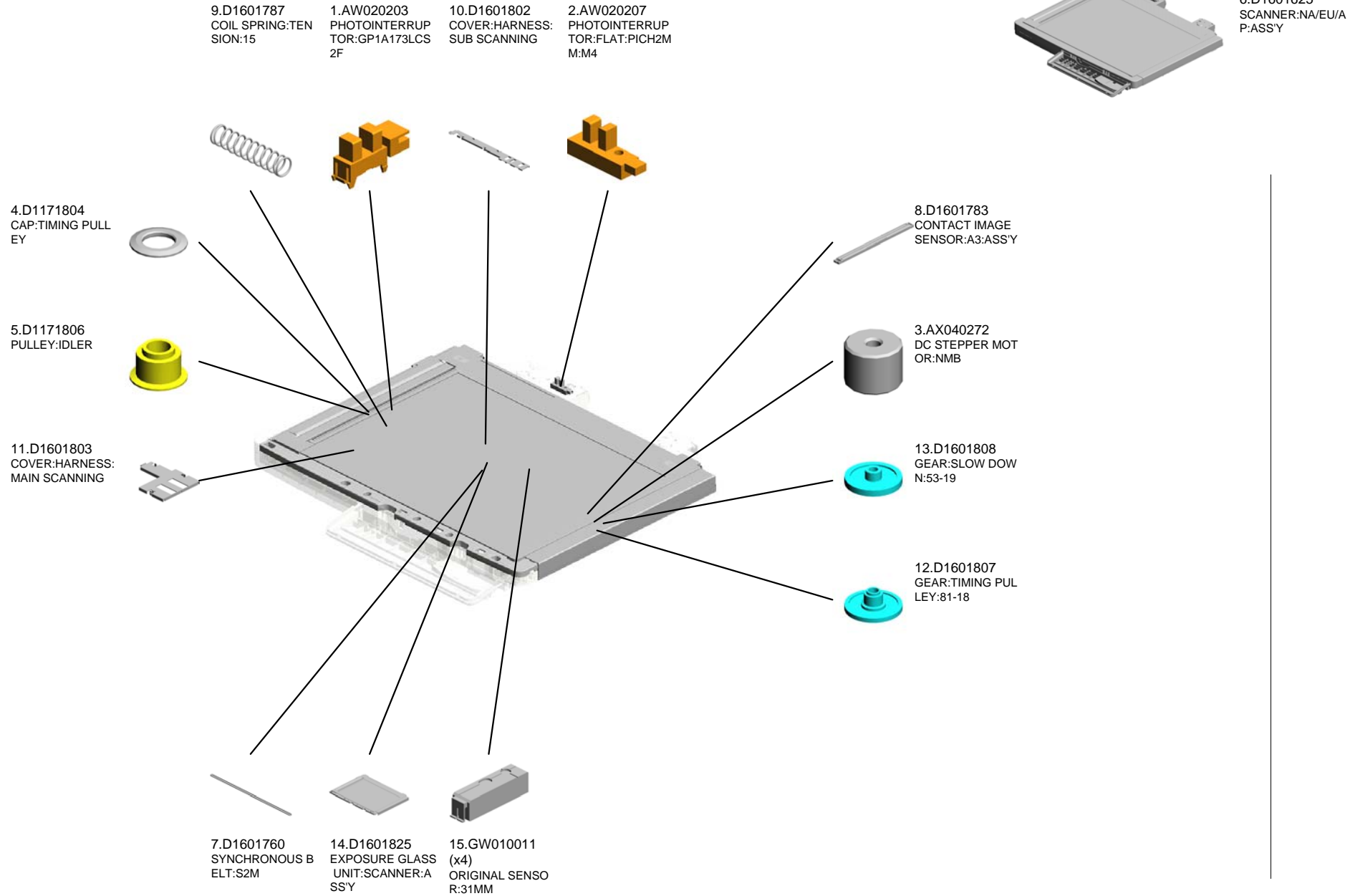
U001	U002	U003	U004	U005	U006	U007	U008	U009	U010	U011	U012	U013	U014
------	------	------	------	------	------	------	------	------	------	------	------	------	------

U003
SCANNER



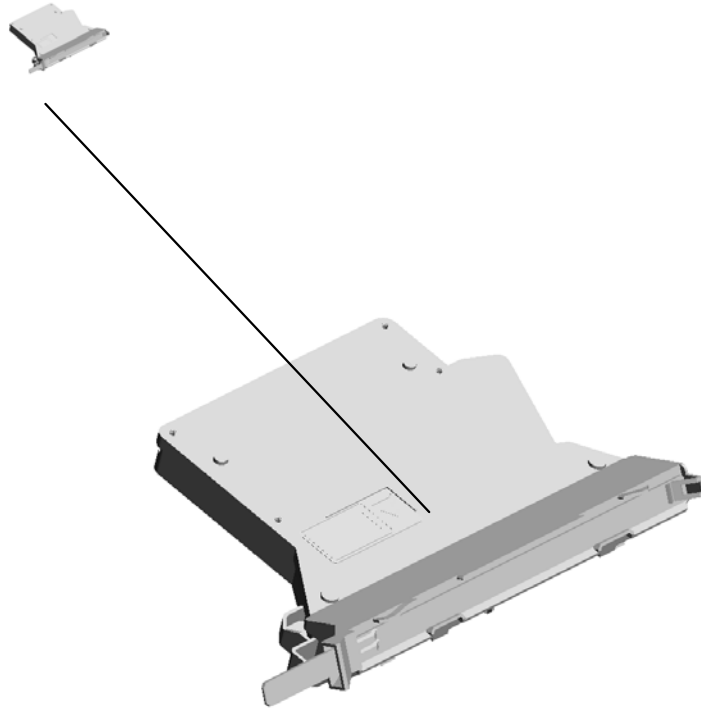
U001	U002	U003	U004	U005	U006	U007	U008	U009	U010	U011	U012	U013	U014
------	------	------	------	------	------	------	------	------	------	------	------	------	------

U003_S001
SCANNER:NA/EU/AP:ASS'Y



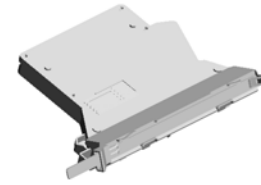
U004.LASER UNIT

U004_S001
D1581961
OPTICAL HOUSING:ASS'Y



U001	U002	U003	U004	U005	U006	U007	U008	U009	U010	U011	U012	U013	U014
------	------	------	------	------	------	------	------	------	------	------	------	------	------

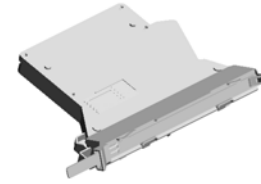
U004
LASER UNIT



U001	U002	U003	U004	U005	U006	U007	U008	U009	U010	U011	U012	U013	U014
------	------	------	------	------	------	------	------	------	------	------	------	------	------

U004_S001
OPTICAL HOUSING:ASS'Y

1.AX060420
DC POLYGON MIRROR MOTOR



2.D1581961
OPTICAL HOUSING:ASS'Y

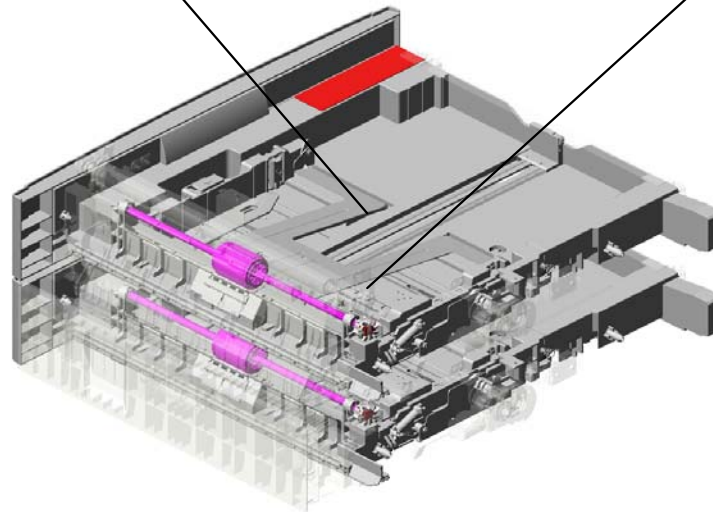
U001	U002	U003	U004	U005	U006	U007	U008	U009	U010	U011	U012	U013	U014
------	------	------	------	------	------	------	------	------	------	------	------	------	------

U005.PAPER FEED

U005_S002
D1582526
PAPER TRAY:ASS'Y



U005_S001
D1582526
PAPER TRAY:ASS'Y



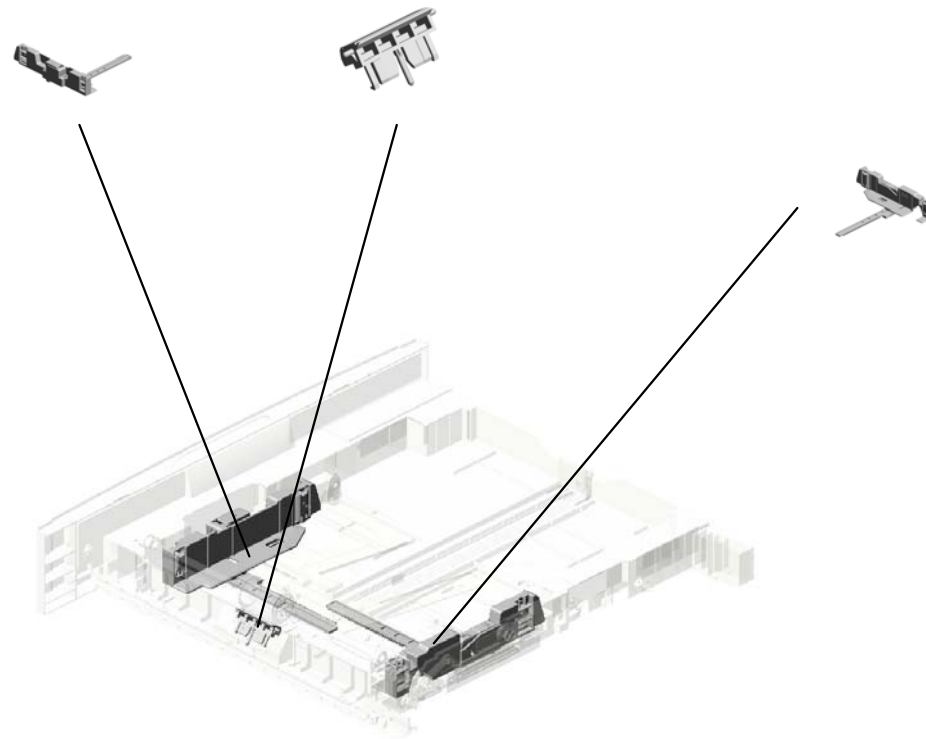
U001	U002	U003	U004	U005	U006	U007	U008	U009	U010	U011	U012	U013	U014
------	------	------	------	-------------	------	------	------	------	------	------	------	------	------

U005_S001.PAPER TRAY:ASS'Y

U005_S001_S001
D1582559
SIDE FENCE:FRONT:ASS'Y

U005_S001_S003
D1582592
FRICTION PAD:ASS'Y

U005_S001_S002
D1582560
SIDE FENCE:REAR:ASS'Y



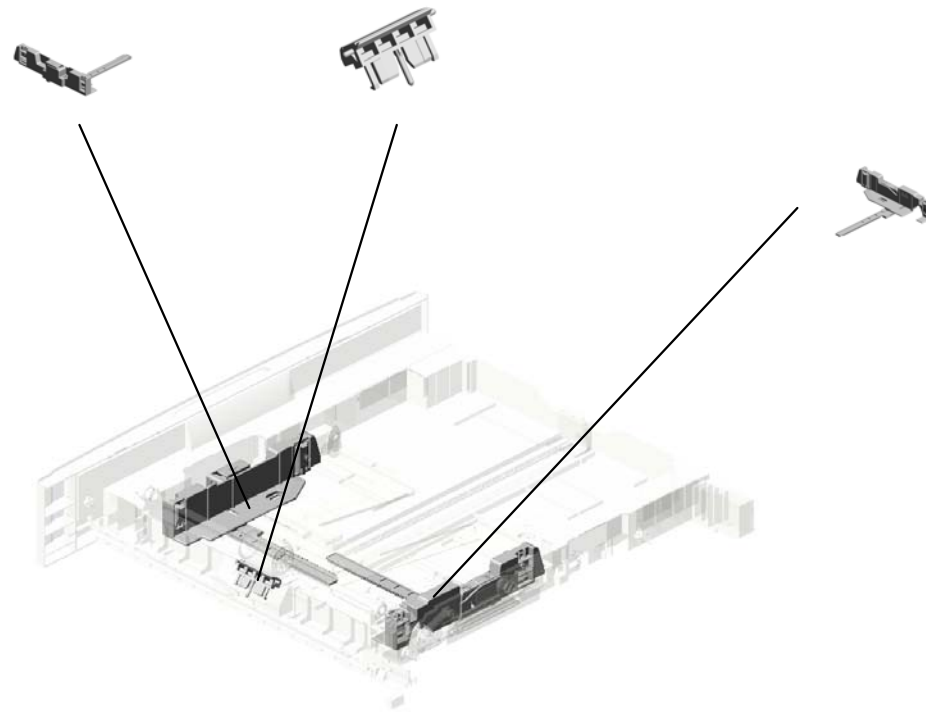
U001	U002	U003	U004	U005	U006	U007	U008	U009	U010	U011	U012	U013	U014
------	------	------	------	------	------	------	------	------	------	------	------	------	------

U005_S002.PAPER TRAY:ASS'Y

U005_S002_S001
D1582559
SIDE FENCE:FRONT:ASS'Y

U005_S002_S003
D1582592
FRICTION PAD:ASS'Y

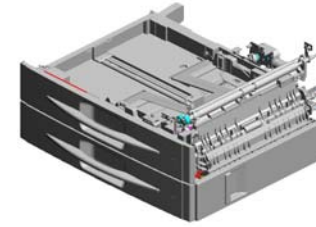
U005_S002_S002
D1582560
SIDE FENCE:REAR:ASS'Y



U001	U002	U003	U004	U005	U006	U007	U008	U009	U010	U011	U012	U013	U014
------	------	------	------	------	------	------	------	------	------	------	------	------	------

U005 PAPER FEED

12.08050097 RING SEPARATOR
 26.AB012312 GEAR - 16Z
 8.04583008N (x2) HEXAGON HEAD TAPPING SCREW:3 X8
 23.AA140952 REGISTRATION ROLLER:DRIVEN:DI A16:C4
 6.04543006Q (x13) TAPPING SCREW - M3X6



25.AB012311
GEAR - 18Z



16.AA062254
(x2)
REGISTRATION ROLLER SPRING



2.04503008N
(x2)
TAPPING SCREW - M3X8



10.07200040E
(x3)
RETAINING RING - M4



22.AA082184
(x3)
PLAIN SHAFT BEARING: DIA6XDIA10X6



19.AA066342
REGISTRATION SENSOR SPRING



21.AA082177
BUSHING: DIA8:22



13.52152621
(x2)
SNAP RING - M6



15.54472681
(x4)
SNAP RING



1.03530030N
(x4)
SCREW: M3X3



4.04513006N
(x17)
TAPPING SCREW - 3X6



5.04523008N
(x4)
TAPPING SCREW - M3X8



18.AA063701
(x2)
COMPRESSION SPRING: RISING TRAY



24.AB011541
(x2)
GEAR: RISING TRAY: OUTPUT



20.AA080361
(x2)
PLAIN SHAFT BEARING: CASE: RISING TRAY



U005 PAPER FEED

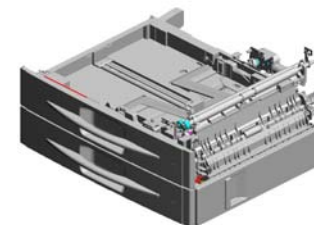
40.B0392730
(x2)
PAPER END SENS
OR

37.B0392570
REGISTRATION FE
ELER

32.AW020198
(x4)
PHOTOINTERRUP
TOR:LG2A14NL1

45.B2292606
COVER - REGISTR
ATION SENSOR

46.B2822117
TERMINA



38.B0392575
BRACKET - REGIS
TRATION ROLLER

36.B0392560
REGISTRATION CL
EANING MYLAR

35.B0392558
DRIVEN ROLLER

74.D1582586
GUIDE PLATE:PAP
ER FEED:EXIT

34.AW500040
PUSH SWITCH:SW
1AG-550:10MA

73.D1582583
FEELER:VERTICAL
TRANSPORT

43.B0392835
SPACER:RAIL:PAP
ER FEED:RIGHT

49.D1172660
(x2)
DC MOTOR:2.6W:B
RUSH

28.AB017835
(x2)
GEAR:RISING TRA
Y:3

67.D1582571
(x2)
BASE:LIFT MOTOR
:PAPER FEED:FRO
NT

33.AW500038
(x2)
PUSH SWITCH:PA
PER SIZE SENSOR

54.D1172888
(x2)
JOINT:BASE:RISE

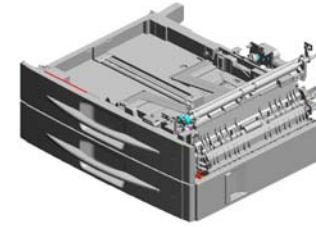
27.AB017834
(x2)
GEAR:RISING TRA
Y:2

48.D1172656
(x2)
CASE:RISING TRA
Y

29.AB017899
(x2)
GEAR:RISING TRA
Y:1

U005 PAPER FEED

91.D1582854 SPACER:REGISTRATION GUIDE
 93.D1582869 GUIDE:REGISTRATION
 92.D1582868 GUIDE PLATE:REGISTRATION:DRIVE
 94.D1582872 GUIDE PLATE:REGISTRATION:DRIVE
 97.D1582885 REGISTRATION ROLLER:DRIVE



96.D1582879 KNOB:REGISTRATION ROLLER



98.D1582891 PLAIN SHAFT BEARING: DIA8:18



82.D1582752 BALIN SHAFT BEARING: PRESSURE: FRONT



99.D1582991 TORSION SPRING: EXIT:GUIDE PLATE



75.D1582587 GUIDE: PAPER TRAY



87.D1582776 GUIDE:VERTICAL TRANSPORT:NO.2

88.D1582798 GUIDE PLATE:CONNECTING-B

81.D1582750 RAIL:PAPER FEED: RIGHT

86.D1582766 GUIDE PLATE:TRANSPORT ROLLER:CONNECTING

85.D1582759 (x2) STOPPER:RAIL:LEFT



84.D1582758 (x2) RAIL:PAPER FEED: LEFT



95.D1582876 SPRING PLATE:EA RTH:REGISTRATION



83.D1582753 PLAIN SHAFT BEARING: PRESSURE: REAR



90.D1582833 TRANSPORT ROLLER



U005_S001
PAPER TRAY:ASS'Y

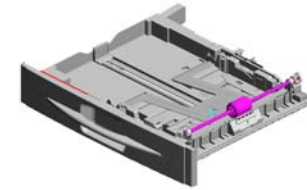
30.AF031084
PAPER FEED ROLL
ER MM36

14.52152713
BOTTOM PLATE P
AD

3.04504008N
TAPPING SCREW -
M4X8

44.B2232936
GEAR - 16Z

41.B0392732
SPRING - PAPER F
EED ROLLER



57.D1582526
PAPER TRAY:ASS'
Y

13.52152621
SNAP RING - M6

17.AA063629
SPRING - 2.8N

56.D1172896
SHEET:PLATE:FRI
CTION PAD

53.D1172846
RETAINING RINGS
-E:SILENCER:DIA3

47.D0392825
SUPPORTING PLA
TE:PAPER TRAY

2.04503008N
(x5)
TAPPING SCREW -
M3X8

39.B0392727
(x2)
BUSHING - 8X12X1
0

11.08050088
RETAINING RING -
M6

9.06230140E
SPRING PIN - 3X14
MM

42.B0392823
JOINT - PAPER FE
ED ROLLER

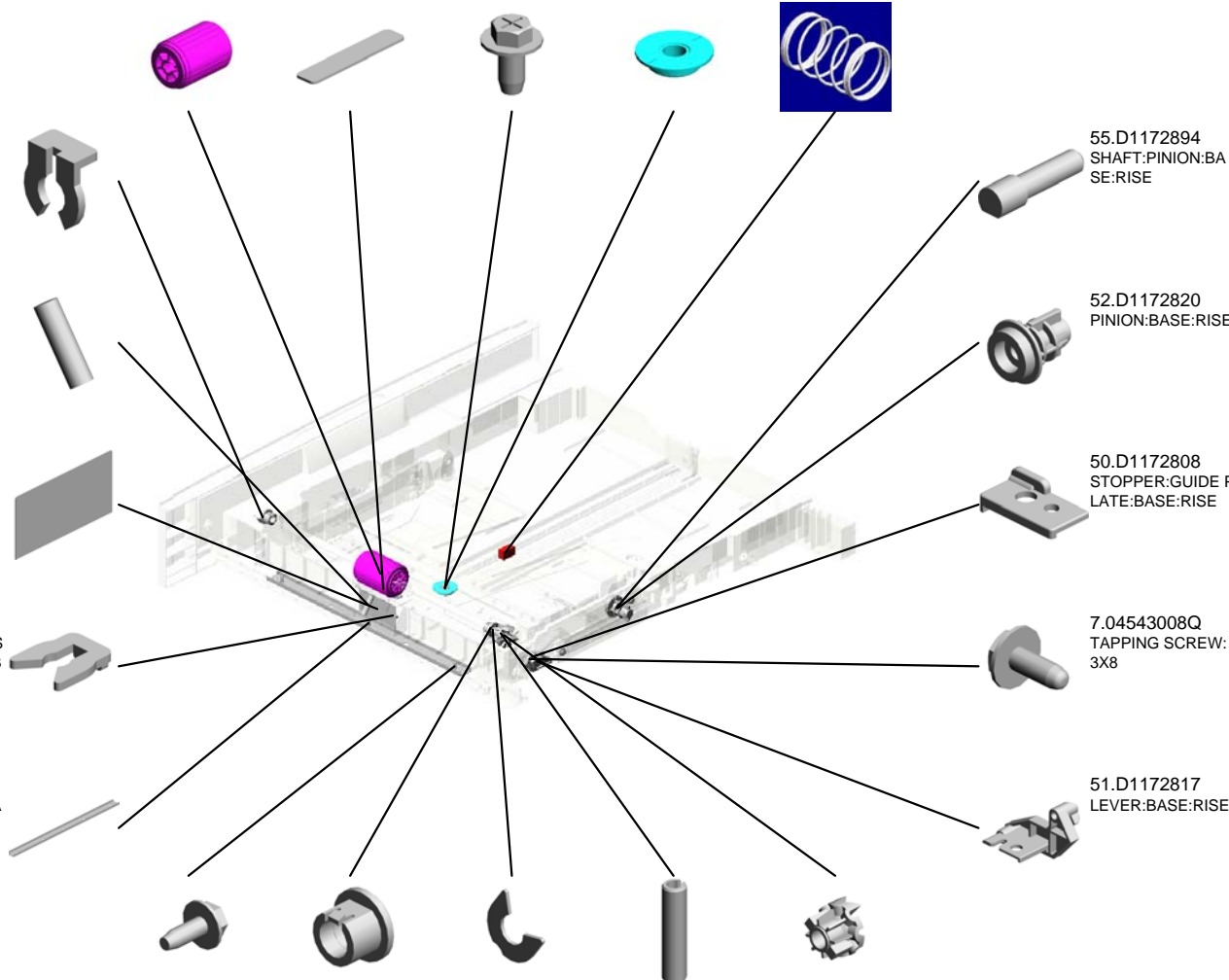
55.D1172894
SHAFT:PINION:BA
SE:RISE

52.D1172820
PINION:BASE:RISE

50.D1172808
STOPPER:GUIDE P
LATE:BASE:RISE

7.04543008Q
TAPPING SCREW:
3X8

51.D1172817
LEVER:BASE:RISE



U001	U002	U003	U004	U005	U006	U007	U008	U009	U010	U011	U012	U013	U014
------	------	------	------	------	------	------	------	------	------	------	------	------	------

U005_S001
PAPER TRAY:ASS'Y

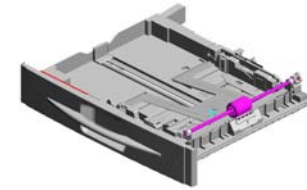
69.D1582577
GRIP:PAPER TRAY

63.D1582565
COVER:PAPER TRAY:NO.1

64.D1582567
PRESSURE PLATE:BASE:RISE

62.D1582564
TRAY BOTTOM PLATE

89.D1582820
DECAL:PAPER SET DIRECTION

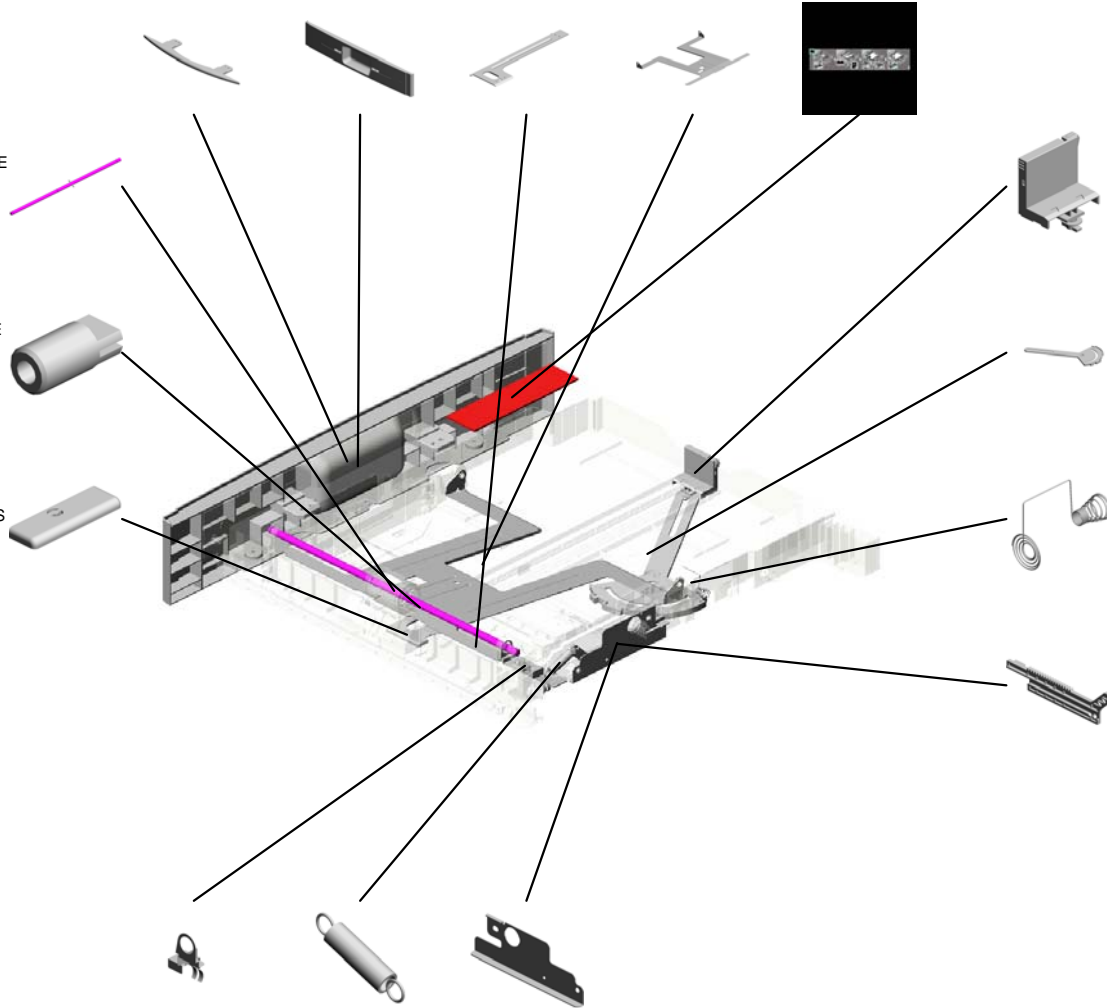


57.D1582526
PAPER TRAY:ASS'Y

58.D1582553
SHAFT:PAPER FEED ROLLER:ASS'Y

71.D1582579
SHAFT:BASE:RISE

65.D1582568
COVER:PRESSURE PLATE:BASE:RISE



59.D1582554
END FENCE:ASS'Y

100.G0702710
PAPER SIZE SENSOR LINK

77.D1582591
COIL SPRING:EAR TH:TRAY BOTTOM PLATE

70.D1582578
RACK:BASE:RISE

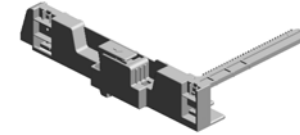
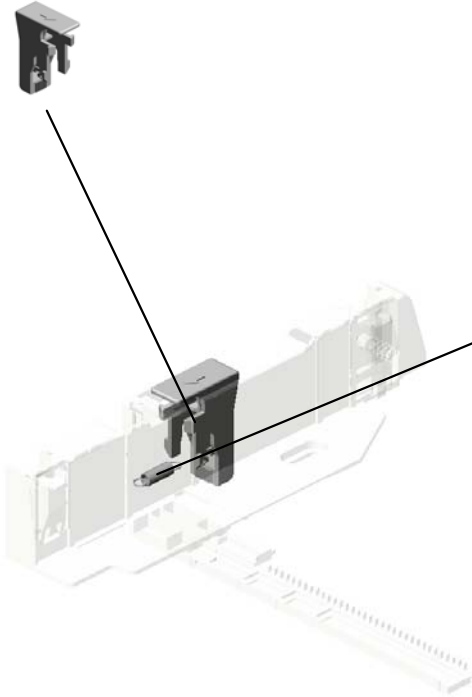
76.D1582588
GROUND PLATE:PAPER FEED ROLLER

66.D1582569
TENSION SPRING:BASE:RISE

72.D1582580
BRACKET:PINION:BASE:RISE

U005_S001_S001
SIDE FENCE:FRONT:ASS'Y

68.D1582576
STOPPER:SIDE FE
NCE:FRONT



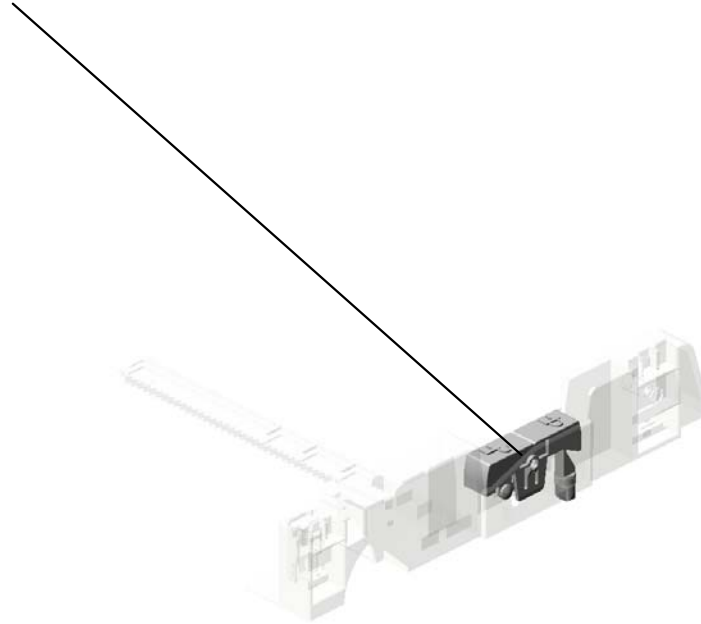
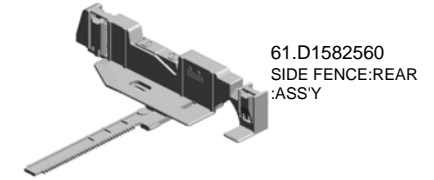
60.D1582559
SIDE FENCE:FRON
T:ASSY

79.D1582593
COIL SPRING:STO
PPER:SIDE FENCE
:FRONT

U001	U002	U003	U004	U005	U006	U007	U008	U009	U010	U011	U012	U013	U014
------	------	------	------	------	------	------	------	------	------	------	------	------	------

U005_S001_S002
SIDE FENCE:REAR:ASS'Y

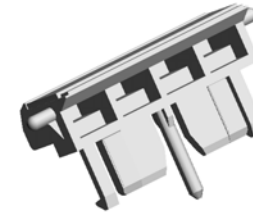
80.D1582595
LEVER:STOPPER:
REAR



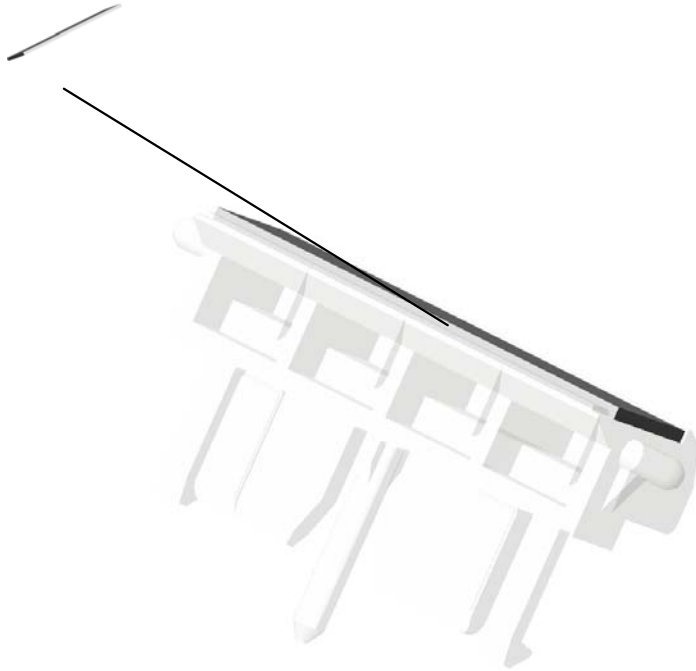
U001	U002	U003	U004	U005	U006	U007	U008	U009	U010	U011	U012	U013	U014
------	------	------	------	-------------	------	------	------	------	------	------	------	------	------

U005_S001_S003
FRICTION PAD:ASS'Y

31.AF033008
FRICTION PAD:10X
50



78.D1582592
FRICTION PAD:AS
S'Y



U001	U002	U003	U004	U005	U006	U007	U008	U009	U010	U011	U012	U013	U014
------	------	------	------	------	------	------	------	------	------	------	------	------	------

U005_S002
PAPER TRAY:ASS'Y

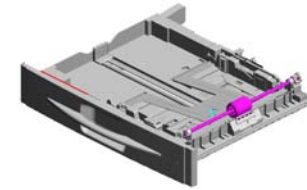
30.AF031084
PAPER FEED ROLL
ER MM36

14.52152713
BOTTOM PLATE P
AD

3.04504008N
TAPPING SCREW -
M4X8

44.B2232936
GEAR - 16Z

39.B0392727
(x2)
BUSHING - 8X12X1
0



57.D1582526
PAPER TRAY:ASS'
Y

13.52152621
SNAP RING - M6

17.AA063629
SPRING - 2.8N

56.D1172896
SHEET:PLATE:FRI
CTION PAD

53.D1172846
RETAINING RINGS
-E:SILENCER:DIA3

47.D0392825
SUPPORTING PLA
TE:PAPER TRAY

2.04503008N
(x5)
TAPPING SCREW -
M3X8

11.08050088
RETAINING RING -
M6

9.06230140E
SPRING PIN - 3X14
MM

42.B0392823
JOINT - PAPER FE
ED ROLLER

41.B0392732
SPRING - PAPER F
EED ROLLER

55.D1172894
SHAFT:PINION:BA
SE:RISE

52.D1172820
PINION:BASE:RISE

50.D1172808
STOPPER:GUIDE P
LATE:BASE:RISE

7.04543008Q
TAPPING SCREW:
3X8

51.D1172817
LEVER:BASE:RISE

U001	U002	U003	U004	U005	U006	U007	U008	U009	U010	U011	U012	U013	U014
------	------	------	------	------	------	------	------	------	------	------	------	------	------

U005_S002
PAPER TRAY:ASS'Y

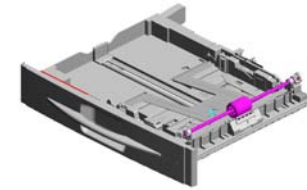
69.D1582577
GRIP:PAPER TRAY

63.D1582565
COVER:PAPER TRAY:NO.1

64.D1582567
PRESSURE PLATE:BASE:RISE

62.D1582564
TRAY BOTTOM PLATE

89.D1582820
DECAL:PAPER SELECTION DIRECTION

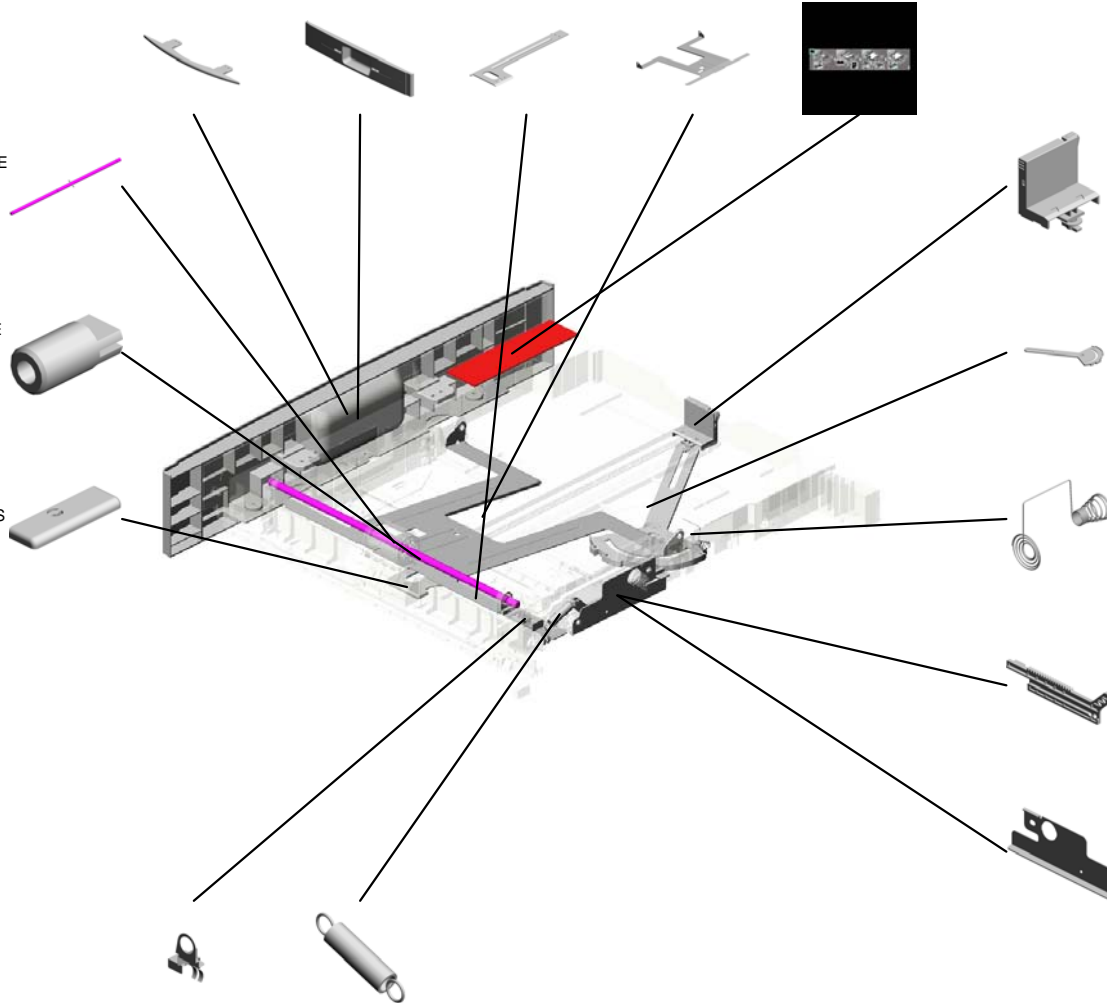


57.D1582526
PAPER TRAY:ASS'Y

58.D1582553
SHAFT:PAPER FEED ROLLER:ASS'Y

71.D1582579
SHAFT:BASE:RISE

65.D1582568
COVER:PRESSURE PLATE:BASE:RISE



59.D1582554
END FENCE:ASS'Y

100.G0702710
PAPER SIZE SENSOR LINK

77.D1582591
COIL SPRING:EAR TH:TRAY BOTTOM PLATE

70.D1582578
RACK:BASE:RISE

72.D1582580
BRACKET:PINION:BASE:RISE

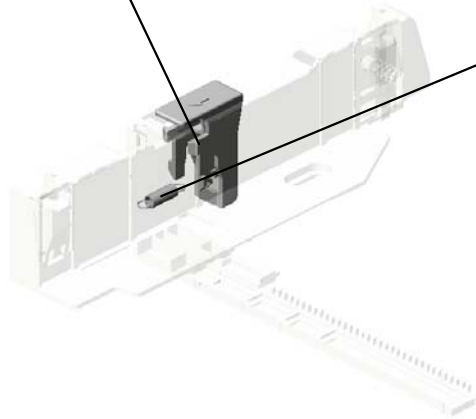
76.D1582588
GROUND PLATE:PAPER FEED ROLLER

66.D1582569
TENSION SPRING:BASE:RISE

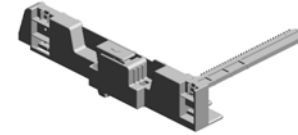
U001	U002	U003	U004	U005	U006	U007	U008	U009	U010	U011	U012	U013	U014
------	------	------	------	------	------	------	------	------	------	------	------	------	------

U005_S002_S001
SIDE FENCE:FRONT:ASS'Y

68.D1582576
STOPPER:SIDE FE
NCE:FRONT



79.D1582593
COIL SPRING:STO
PPER:SIDE FENCE
:FRONT

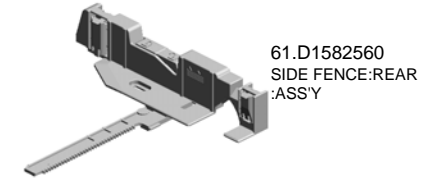


60.D1582559
SIDE FENCE:FRON
T:ASSY

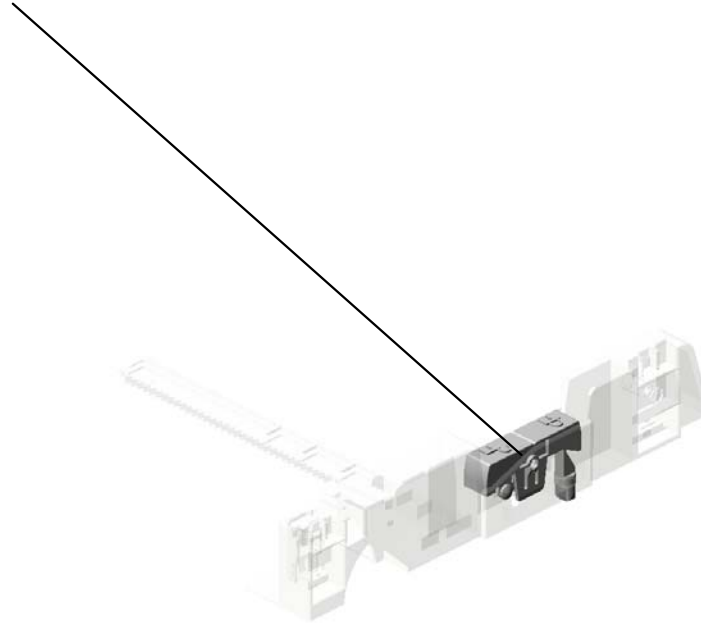
U001	U002	U003	U004	U005	U006	U007	U008	U009	U010	U011	U012	U013	U014
------	------	------	------	------	------	------	------	------	------	------	------	------	------

U005_S002_S002
SIDE FENCE:REAR:ASS'Y

80.D1582595
LEVER:STOPPER:
REAR



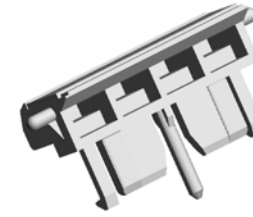
61.D1582560
SIDE FENCE:REAR
:ASS'Y



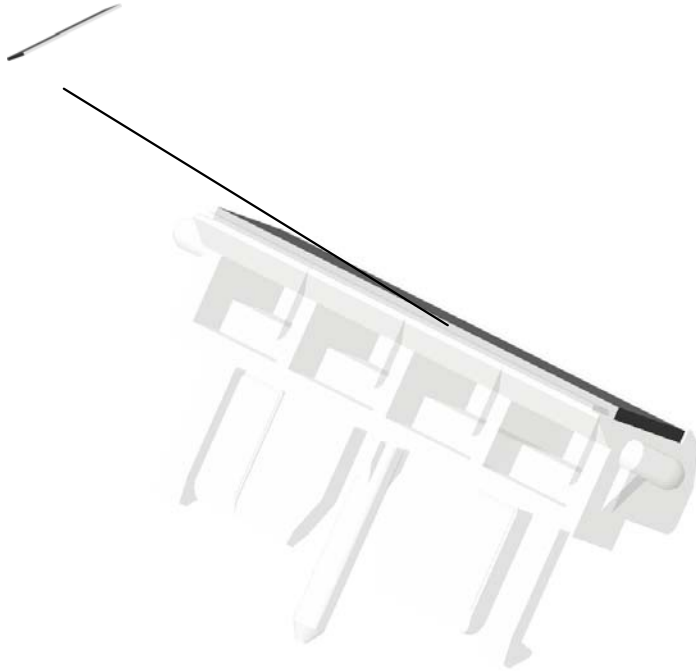
U001	U002	U003	U004	U005	U006	U007	U008	U009	U010	U011	U012	U013	U014
------	------	------	------	------	------	------	------	------	------	------	------	------	------

U005_S002_S003
FRICTION PAD:ASS'Y

31.AF033008
FRICTION PAD:10X
50



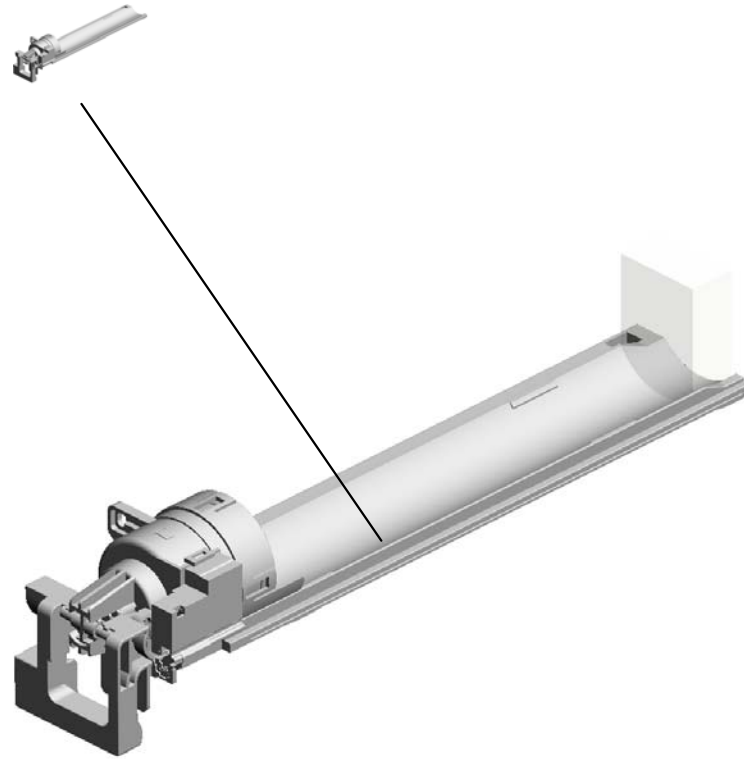
78.D1582592
FRICTION PAD:AS
S'Y



U001	U002	U003	U004	U005	U006	U007	U008	U009	U010	U011	U012	U013	U014
------	------	------	------	------	------	------	------	------	------	------	------	------	------

U006.TONNER SUPPLY

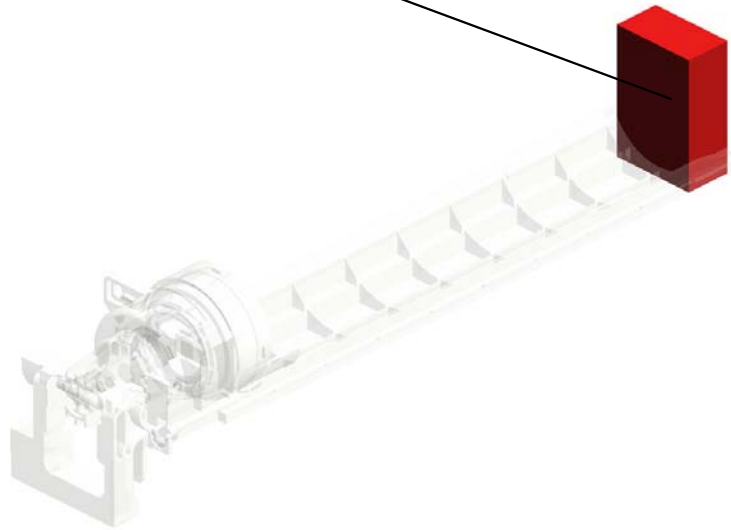
U006_S001
D1583032
TONER SUPPLY UNIT:C4:AS
SY



U001	U002	U003	U004	U005	U006	U007	U008	U009	U010	U011	U012	U013	U014
------	------	------	------	------	-------------	------	------	------	------	------	------	------	------

U006
TONNER SUPPRY

7.D1583310
DC MOTOR:TONE
R BOTTLE:2.52W:B
RUSH



U001	U002	U003	U004	U005	U006	U007	U008	U009	U010	U011	U012	U013	U014
------	------	------	------	------	-------------	------	------	------	------	------	------	------	------

U006_S001
TONER SUPPLY UNIT:C4:ASS'Y

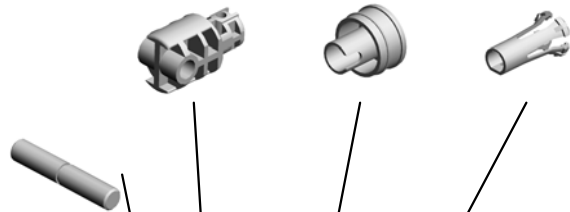
2.A1843421
CHUCK SHAFT

9.G0203334
SLIDER ASS'Y

1.A1843420
BOTTLE CHUCK



5.B2593422
SHAFT:SLIDE



3.A2673556
CHUCK SPRING - T
ONNER BOTTLE

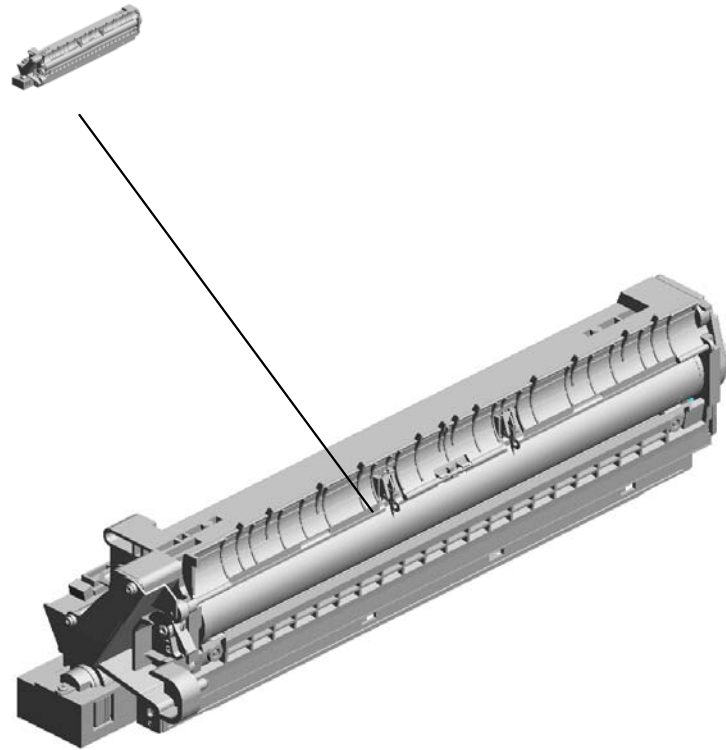
8.D1583381
COVER:TONER BO
TTLE:C4:ASS'Y

4.B0393360
CAM - HANDLE

U001	U002	U003	U004	U005	U006	U007	U008	U009	U010	U011	U012	U013	U014
------	------	------	------	------	-------------	------	------	------	------	------	------	------	------

U007.PCU

U007_S001
D8490150
PCU:EXP

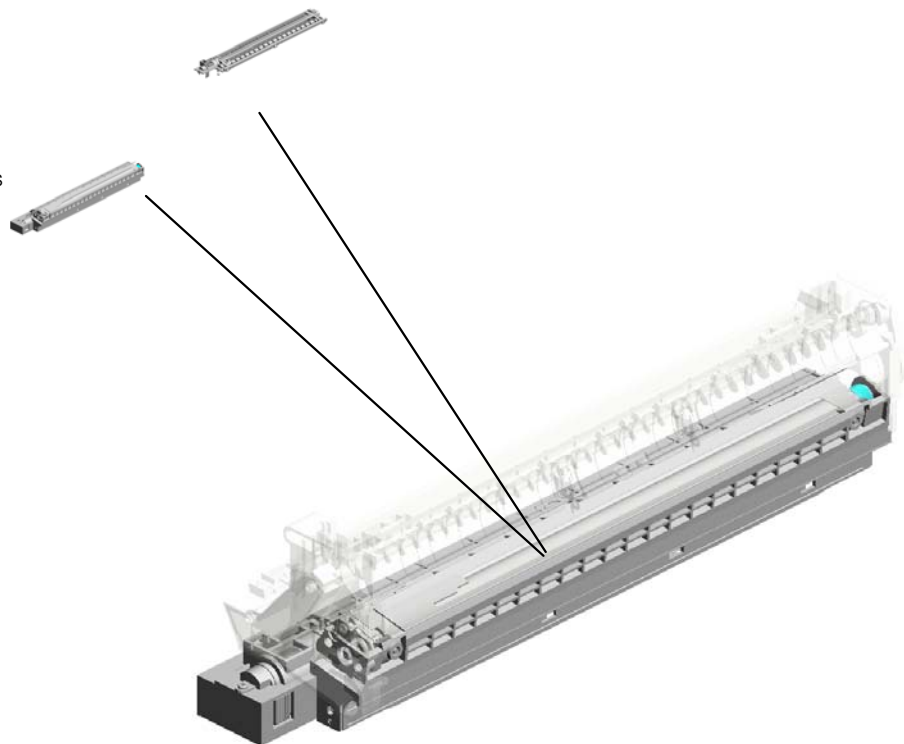


U001	U002	U003	U004	U005	U006	U007	U008	U009	U010	U011	U012	U013	U014
------	------	------	------	------	------	------	------	------	------	------	------	------	------

U007_S001.PCU:EXP

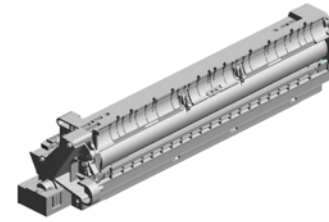
U007_S001_S002
D1583170
CASE:DEVELOPMENT:SUB-A
SS'Y

U007_S001_S001
D1583052
DEVELOPMENT ROLLER:AS
S'Y



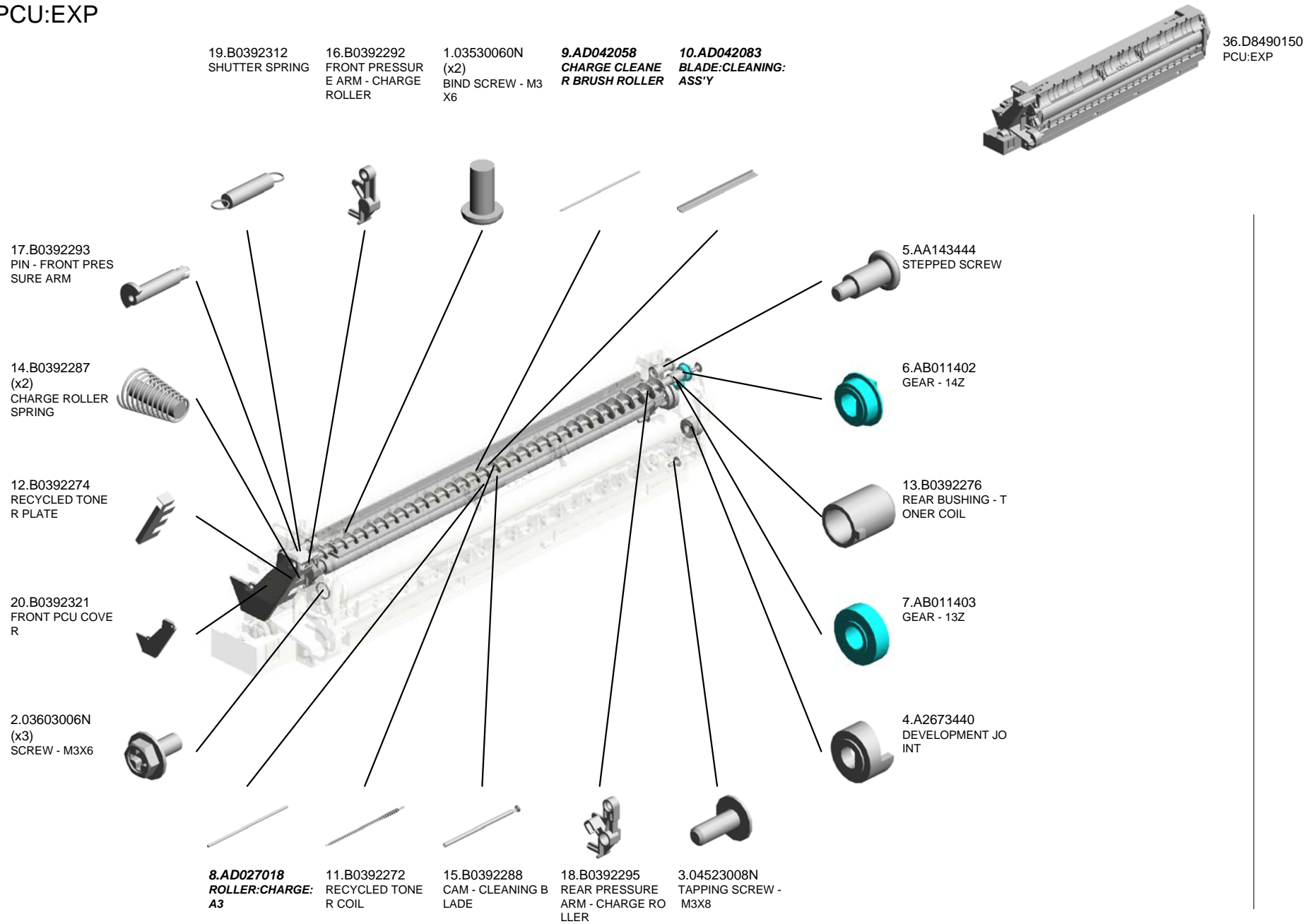
U001	U002	U003	U004	U005	U006	U007	U008	U009	U010	U011	U012	U013	U014
------	------	------	------	------	------	------	------	------	------	------	------	------	------

U007
PCU



U001	U002	U003	U004	U005	U006	U007	U008	U009	U010	U011	U012	U013	U014
------	------	------	------	------	------	------	------	------	------	------	------	------	------

U007_S001
PCU:EXP



U007_S001
PCU:EXP

28.B1212311
PCU TONER SUPPLY SHUTTER

21.B0392329
(x2)
SPACER - M3

23.B0392350
CLIP - OPC DRUM

36.D8490150
PCU:EXP

29.B1212313
TONER SUPPLY SEAL

30.D1582362
DRUM STAY:FRONT

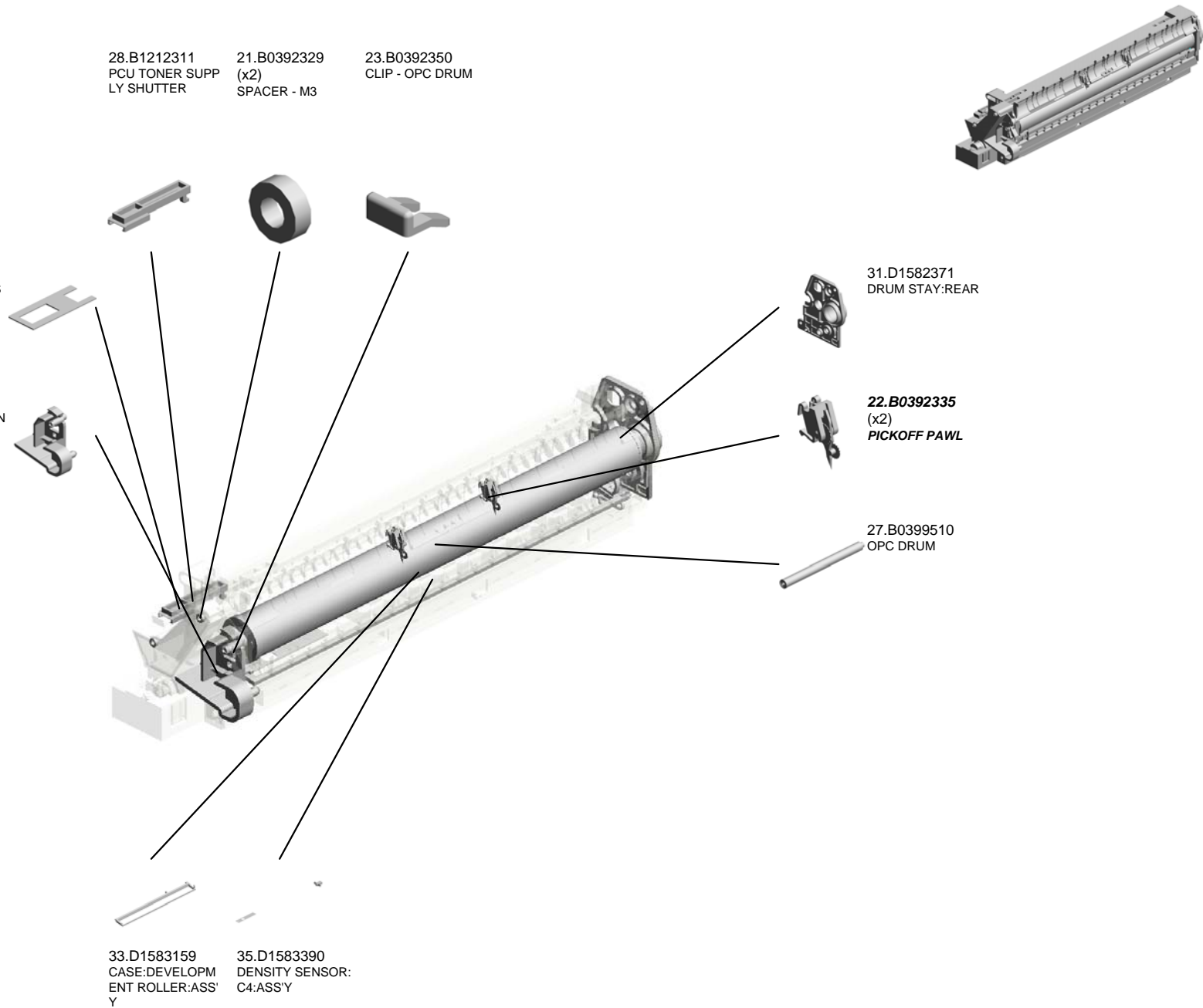
31.D1582371
DRUM STAY:REAR

22.B0392335
(x2)
PICKOFF PAWL

27.B0399510
OPC DRUM

33.D1583159
CASE:DEVELOPMENT ROLLER:ASSY

35.D1583390
DENSITY SENSOR:C4:ASSY



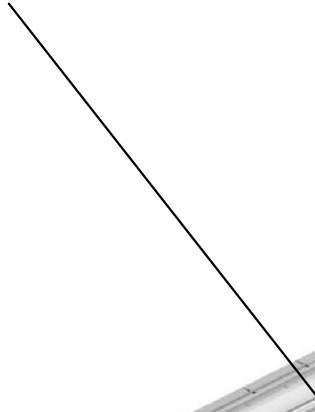
U001	U002	U003	U004	U005	U006	U007	U008	U009	U010	U011	U012	U013	U014
------	------	------	------	------	------	------	------	------	------	------	------	------	------

U007_S001_S001
DEVELOPMENT ROLLER:ASS'Y

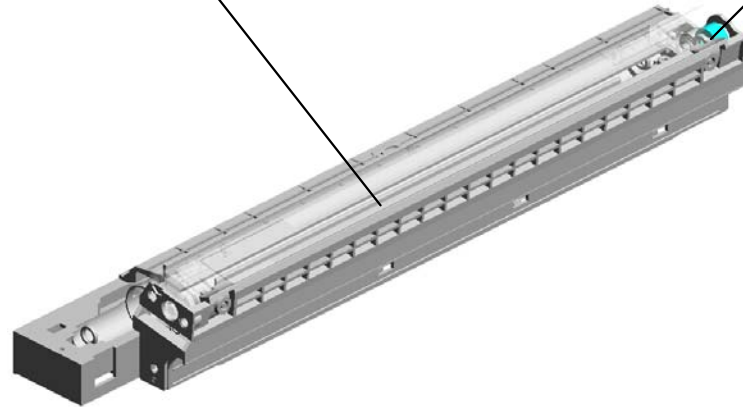
25.B0393062
IDLER GEAR - 16Z



32.D1583052
DEVELOPMENT R
OLLER:ASS'Y



24.B0393060
DEVELOPMENT R
OLLER GEAR



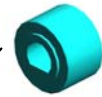
U001	U002	U003	U004	U005	U006	U007	U008	U009	U010	U011	U012	U013	U014
------	------	------	------	------	------	------	------	------	------	------	------	------	------

U007_S001_S002
CASE:DEVELOPMENT:SUB-ASS'Y

25.B0393062
IDLER GEAR - 16Z



34.D1583170
CASE:DEVELOPM
ENT:SUB-ASSY



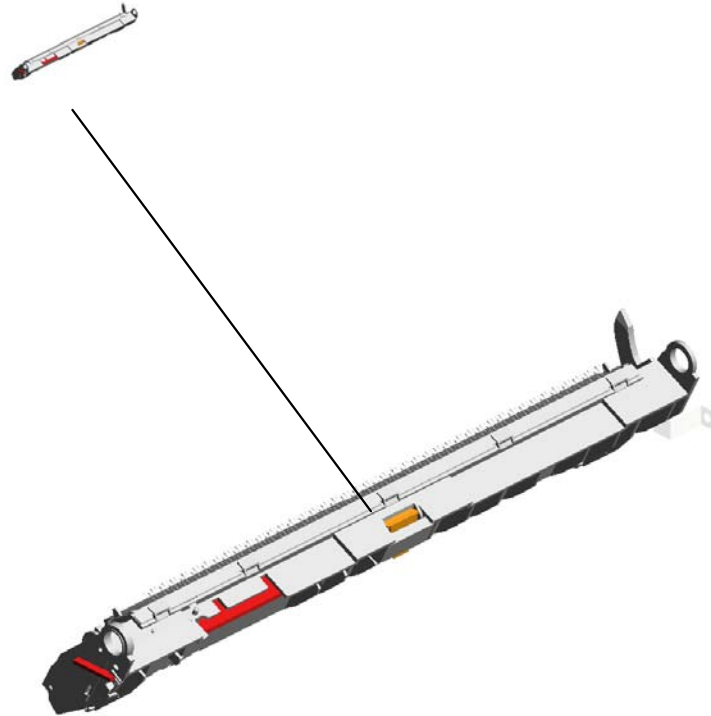
26.B0393245
(x2)
GEAR - 15Z



U001	U002	U003	U004	U005	U006	U007	U008	U009	U010	U011	U012	U013	U014
------	------	------	------	------	------	------	------	------	------	------	------	------	------

U008.TRANSFER/SEPARATION

U008_S001
D1583804
TRANSFER UNIT



U001	U002	U003	U004	U005	U006	U007	U008	U009	U010	U011	U012	U013	U014
------	------	------	------	------	------	------	------	------	------	------	------	------	------

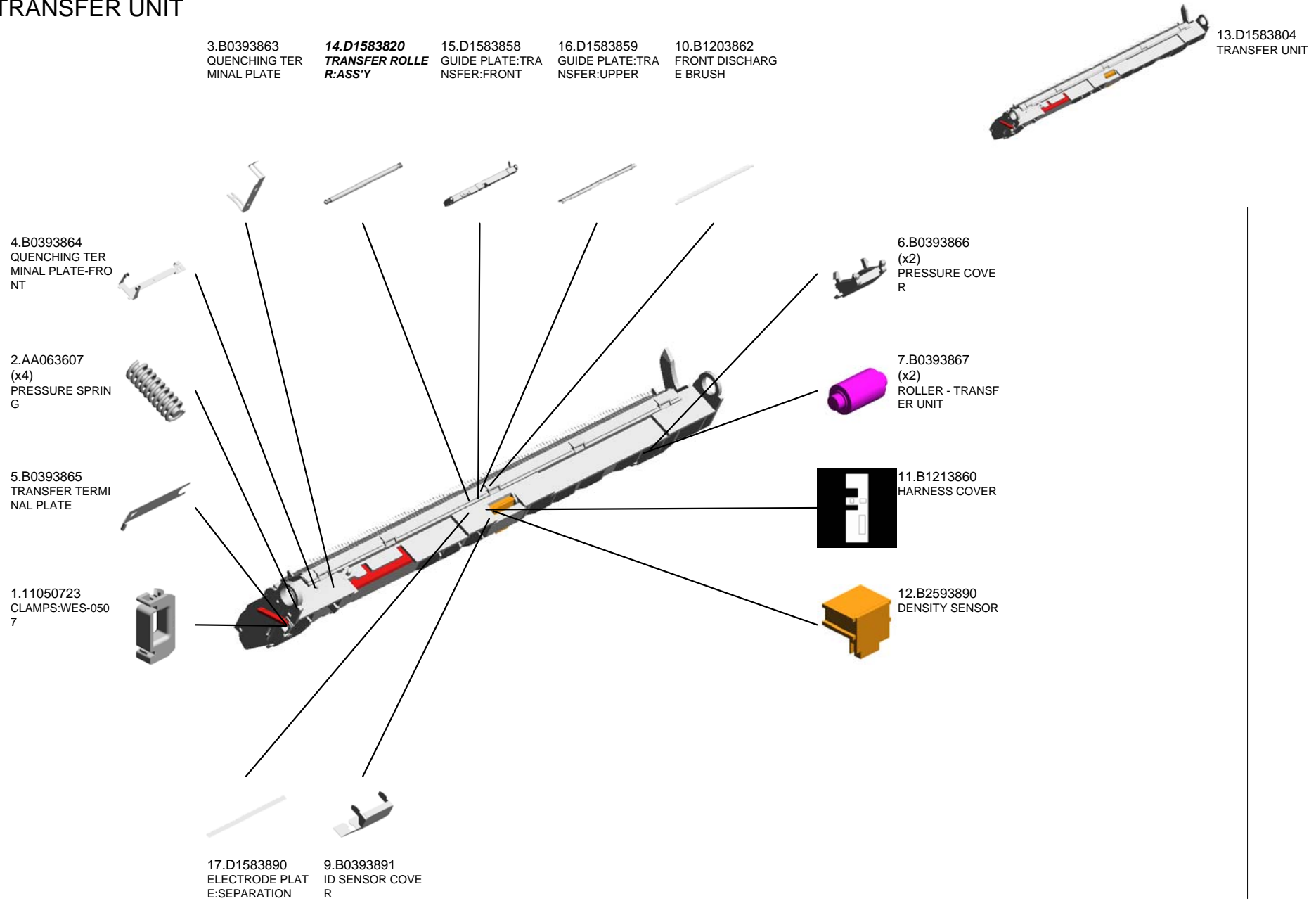
U008
TRANSFER/SEPARATION

8.B0393870
TERMINAL - TRAN
SFER



U001	U002	U003	U004	U005	U006	U007	U008	U009	U010	U011	U012	U013	U014
------	------	------	------	------	------	------	-------------	------	------	------	------	------	------

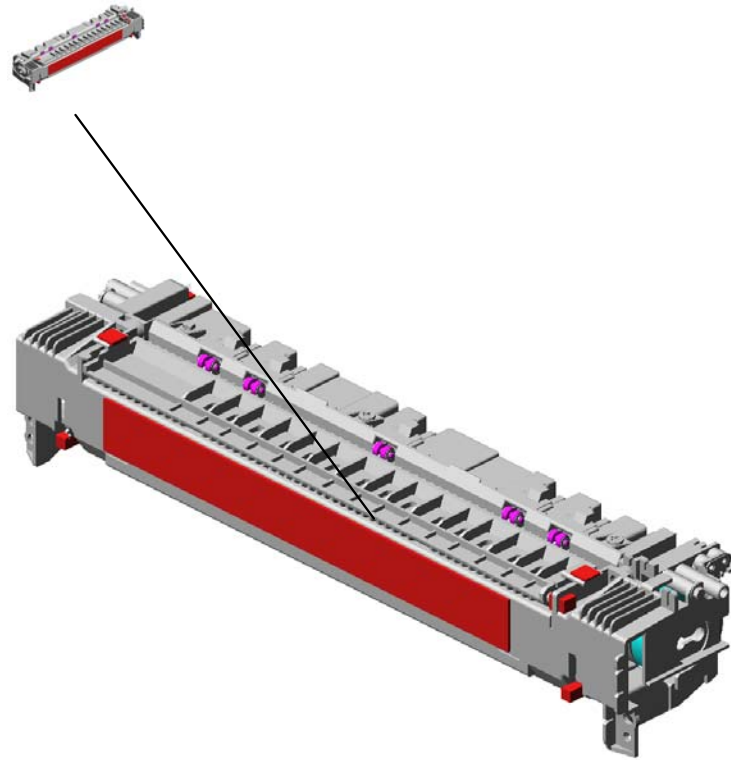
U008_S001 TRANSFER UNIT



U001	U002	U003	U004	U005	U006	U007	U008	U009	U010	U011	U012	U013	U014
------	------	------	------	------	------	------	------	------	------	------	------	------	------

U009.FUSING

U009_S001
D1584003
FUSING UNIT:NA:ASS'Y

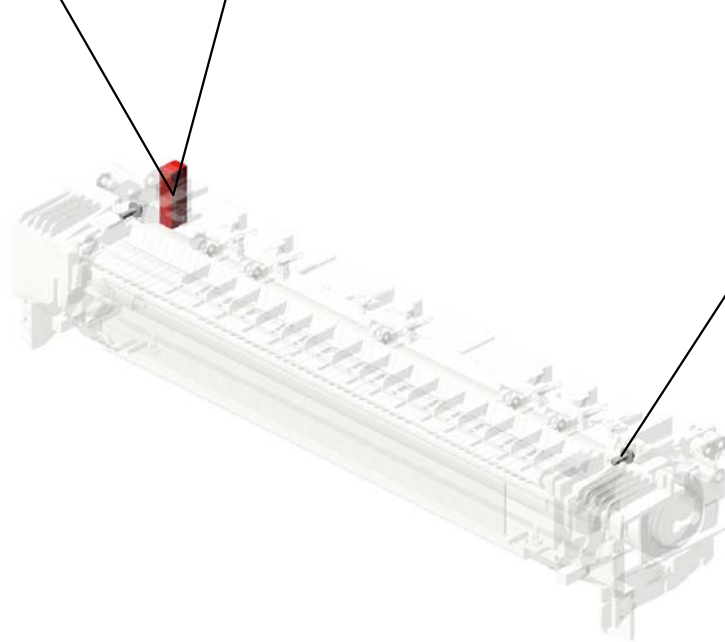
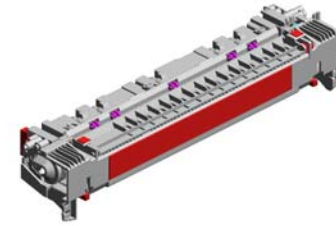


U001	U002	U003	U004	U005	U006	U007	U008	U009	U010	U011	U012	U013	U014
------	------	------	------	------	------	------	------	------	------	------	------	------	------

U009 FUSING

19.B0394119
FUSING GROUNDING
HARNESS

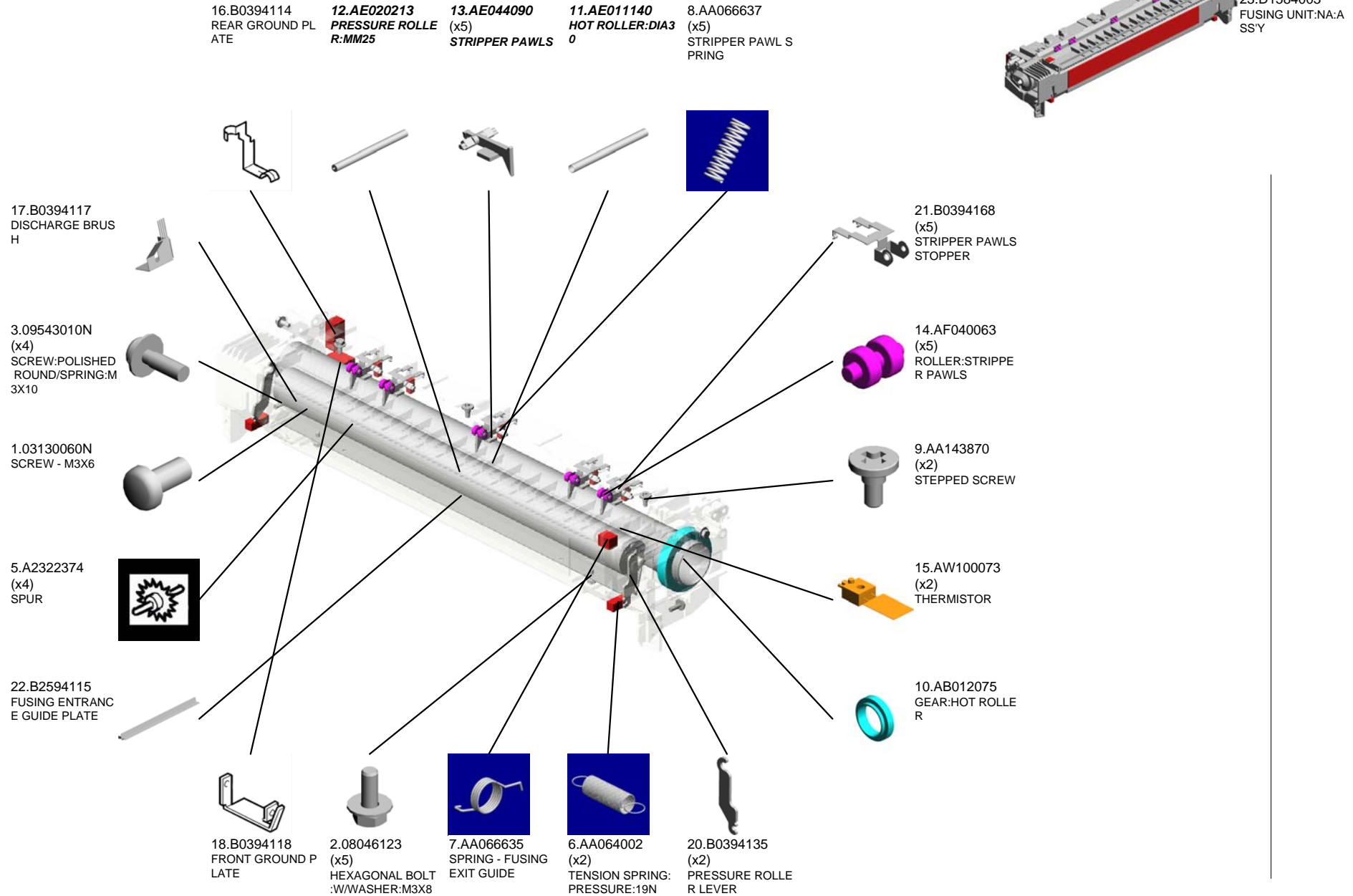
37.D1584460
GROUND PLATE:F
USING:DISCHARGE
BRUSH:MAIN



4.09544010N
(x2)
SCREW:POLISHED
ROUND/SPRING:M
4X10

U001	U002	U003	U004	U005	U006	U007	U008	U009	U010	U011	U012	U013	U014
------	------	------	------	------	------	------	------	------	------	------	------	------	------

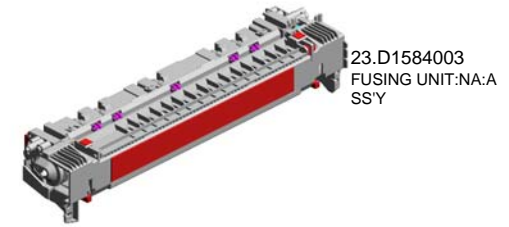
U009_S001
FUSING UNIT:NA:ASS'Y



U001	U002	U003	U004	U005	U006	U007	U008	U009	U010	U011	U012	U013	U014
------	------	------	------	------	------	------	------	------	------	------	------	------	------

U009_S001
FUSING UNIT:NA:ASS'Y

- 30.D1584111 ELECTRODE PLATE:FRONT
- 28.D1584107 GUIDE PLATE:FUSING EXIT:OPEN AND CLOSE
- 31.D1584112 ELECTRODE PLATE:MIDDLE
- 27.D1584102 GUIDE PLATE:FUSING EXIT
- 33.D1584120 (x2) THERMOSTAT:ASS'Y



29.D1584109 (x2) DECAL:FUSING:GRIP



25.D1584090 HOLDER:HEATER:FRONT



24.D1584088 DECAL:FUSING:H-TEMP WARNING



32.D1584114 ELECTRODE PLATE:REAR



39.G0524618 (x2) BEARING 30X42X7



38.G0294140 (x2) EXTERNAL CIRCULAR ROLLER



36.D1584215 HEATER:120V:650W:INFRARED

35.D1584210 HEATER:120V:600W:INFRARED

34.D1584174 (x2) PLAIN SHAFT BEARING:PRESSURE ROLLER



U010 PAPER EXIT



- 13.B1214461 EXIT LOWER GUIDE PLATE
- 12.B1214451 EXIT MIDDLE GUIDE PLATE
- 17.B1214473 (x2) EXIT ROLLER RING MM14
- 19.B1214503 (x2) EXIT PHOTOINTERRUPTOR BRACKET
- 20.B2594471 EXIT ROLLER 2

8.AA082181 (x2) PLAIN SHAFT BEARING:MM4

3.04503012N (x2) TAPPING SCREW: 3X12

14.B1214465 SHORT FRONT OUTER HOLDER

10.B0394459 (x2) EXIT ROLLER HOLDER - INNER

15.B1214467 LONG FRONT MIDDLE HOLDER

16.B1214469 LONG REAR MIDDLE HOLDER

2.04503008N (x2) TAPPING SCREW - M3X8

11.B0394473 (x4) RING:EXIT ROLLER

18.B1214477 SHORT REAR OUTER HOLDER

5.04583008N HEXAGON HEAD TAPPING SCREW:3X8

4.04513006N (x4) TAPPING SCREW - 3X6

1.03130060N (x2) SCREW - M3X6

9.B0391163 PULLEY - 23Z

7.AA066641 GATE PAWL SPRING

6.07200040E RETAINING RING - M4

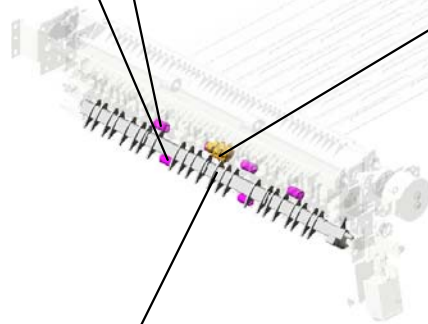
U001	U002	U003	U004	U005	U006	U007	U008	U009	U010	U011	U012	U013	U014
------	------	------	------	------	------	------	------	------	------	------	------	------	------

U010 PAPER EXIT

23.G0524873
(x4)
OUTER EXIT COVER
R ROLLER



22.D1584451
(x2)
ROLLER:TURN:PA
PER EXIT SUB-UNI
T



24.G3615570
PHOTOINTERRUP
TOR - DUPLEX



21.B2614983
GATE PAWL



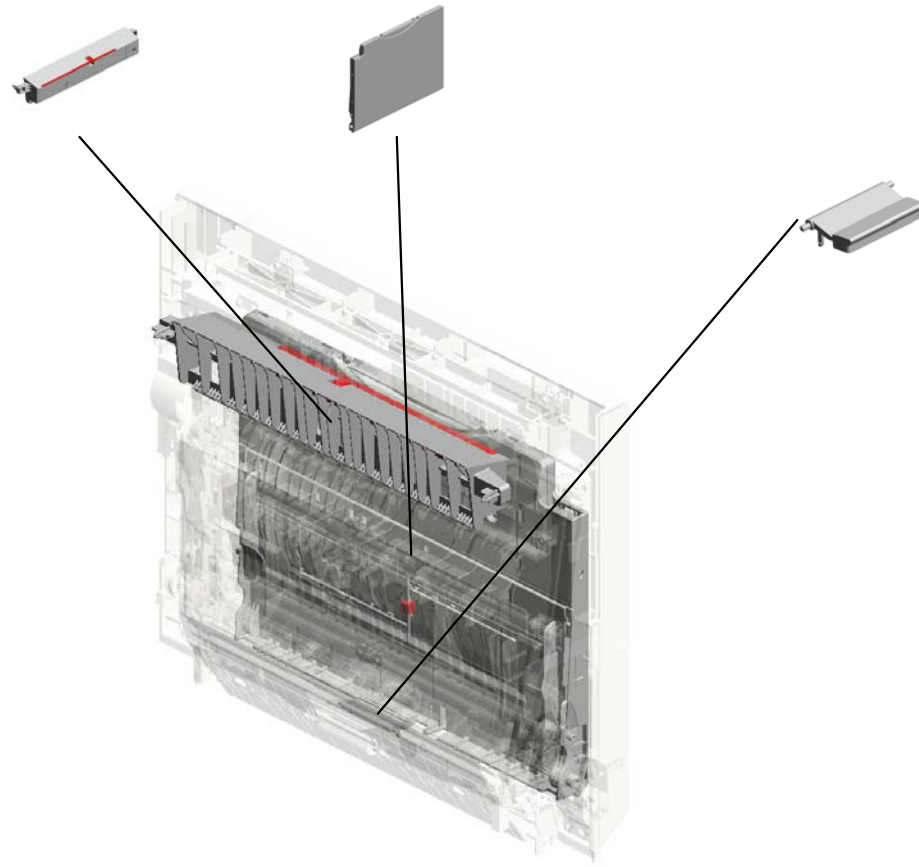
U001	U002	U003	U004	U005	U006	U007	U008	U009	U010	U011	U012	U013	U014
------	------	------	------	------	------	------	------	------	------	------	------	------	------

U011.DUPLEX

U011_S003
D1704670
GUIDE PLATE:EXIT:RIGHT L
OWER:ASS'Y

U011_S002
D1582634
MANUAL FEED TABLE:ASS'Y

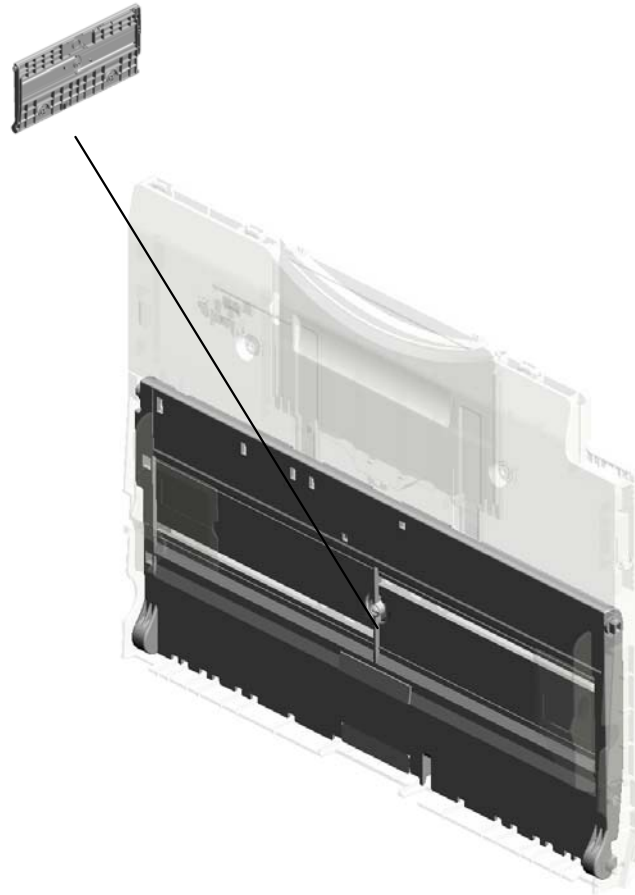
U011_S001
B2614650
SEPARATION PAD



U001	U002	U003	U004	U005	U006	U007	U008	U009	U010	U011	U012	U013	U014
------	------	------	------	------	------	------	------	------	------	------	------	------	------

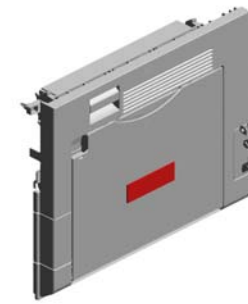
U011_S002.MANUAL FEED TABLE:ASS'Y

U011_S002_S001
D1582744
BASE:MANUAL FEED TABLE:
ASS'Y



U001	U002	U003	U004	U005	U006	U007	U008	U009	U010	U011	U012	U013	U014
------	------	------	------	------	------	------	------	------	------	------	------	------	------

U011 DUPLEX



- 7.07200040E (x4) RETAINING RING - M4
- 16.AA082184 (x6) PLAIN SHAFT BEARING: DIA6X DIA10X6
- 8.08050089 (x7) RETAINING RING - M4
- 11.11050623 (x8) CLAMP - LBWS-0206S-V0
- 14.A2501388 SPRING

13.54472681 (x2) SNAP RING

22.AX200365 (x2) ELECTROMAGNETIC CLUTCH: MANUAL FEED

9.08050097 RING SEPARATOR

12.11050760 (x5) CLAMP: LWSM-051A

3.04513006N (x9) TAPPING SCREW - 3X6

17.AF022138 VERTICAL TRANSPORT ROLLER

18.AF031060 BY-PASS FEED ROLLER

1.04503008N (x23) TAPPING SCREW - M3X8

20.AW020198 (x2) PHOTO INTERRUPTOR: LG2A14NL1

4.04513008N (x2) TAPPING SCREW - M3X8

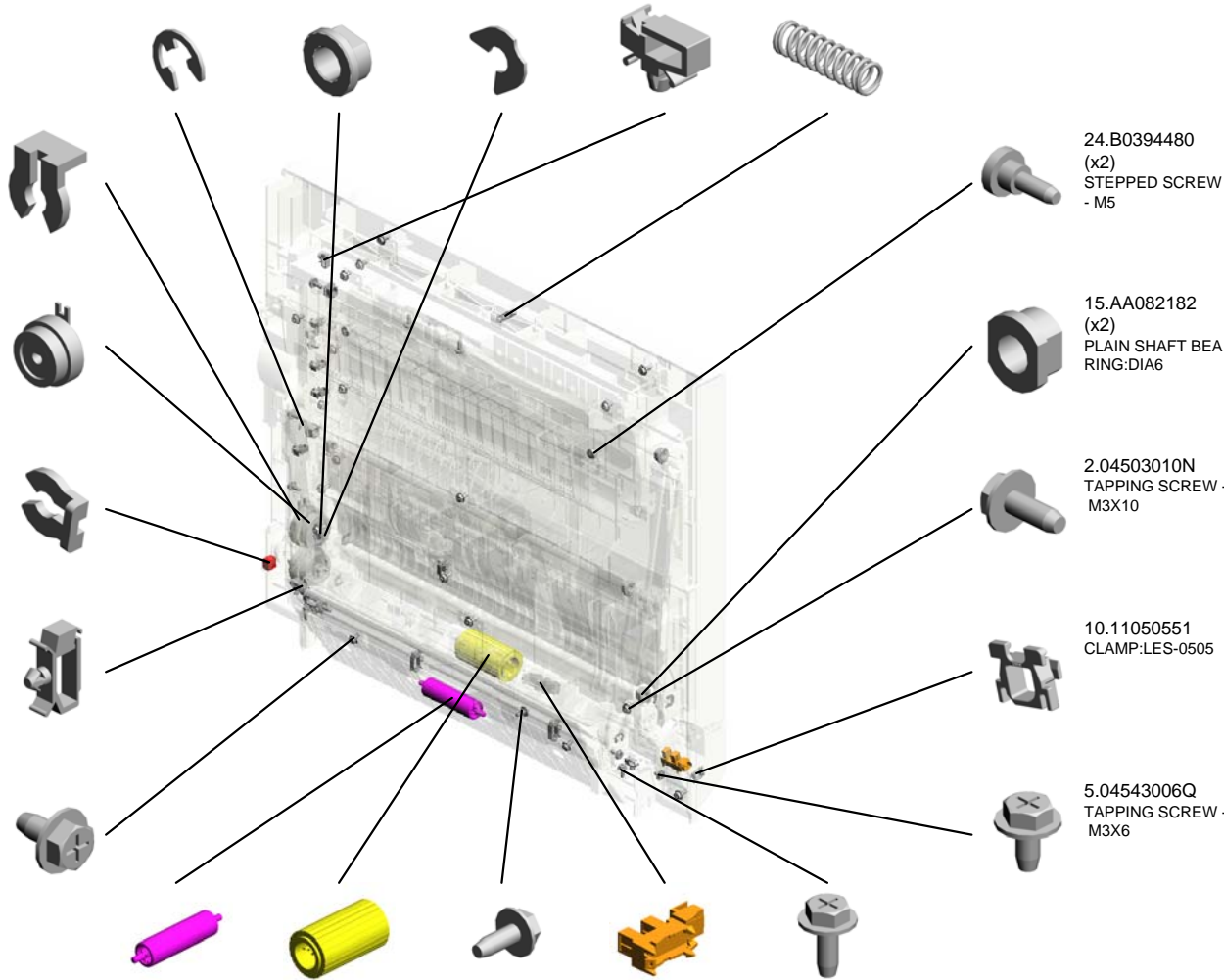
24.B0394480 (x2) STEPPED SCREW - M5

15.AA082182 (x2) PLAIN SHAFT BEARING: DIA6

2.04503010N TAPPING SCREW - M3X10

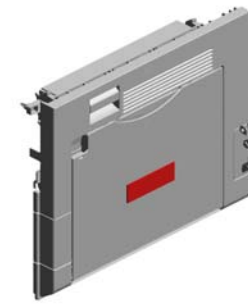
10.11050551 CLAMP: LES-0505

5.04543006Q TAPPING SCREW - M3X6



U001	U002	U003	U004	U005	U006	U007	U008	U009	U010	U011	U012	U013	U014
------	------	------	------	------	------	------	------	------	------	------	------	------	------

U011 DUPLEX



- 54.D1582665 LINK:DUPLEX:ASSY
- 49.D1582632 DECAL:SIDE FENCE:MANUAL FEED
- 47.D1582626 GUIDE PLATE:MANUAL FEED UNIT:UPPER
- 53.D1582651 DECAL:SCALE:MANUAL FEED
- 50.D1582633 DECAL:CAUTION:CAM:MANUAL FEED

43.D1582609
INNER COVER:DU
PLEX:REAR:RIGHT

56.D1582697
LINK:MANUAL FEE
D TABLE:REAR

25.B0434642
STOPPER - GUIDE
PLATE

44.D1582611
GEAR:IDLER:18Z

28.D0392720
GEAR:CAM:RIGHT

41.D1202614
SHEET:GUIDE PLA
TE:MANUAL FEED

45.D1582613
GUIDE PLATE:MAN
UAL FEED UNIT:LO
WER

26.B0434685
SPRING - 2.8N

35.D0392763
PLATE:HARNESS:
MANUAL FEED

40.D0392799
RETAINING RINGS
-C:DIA4

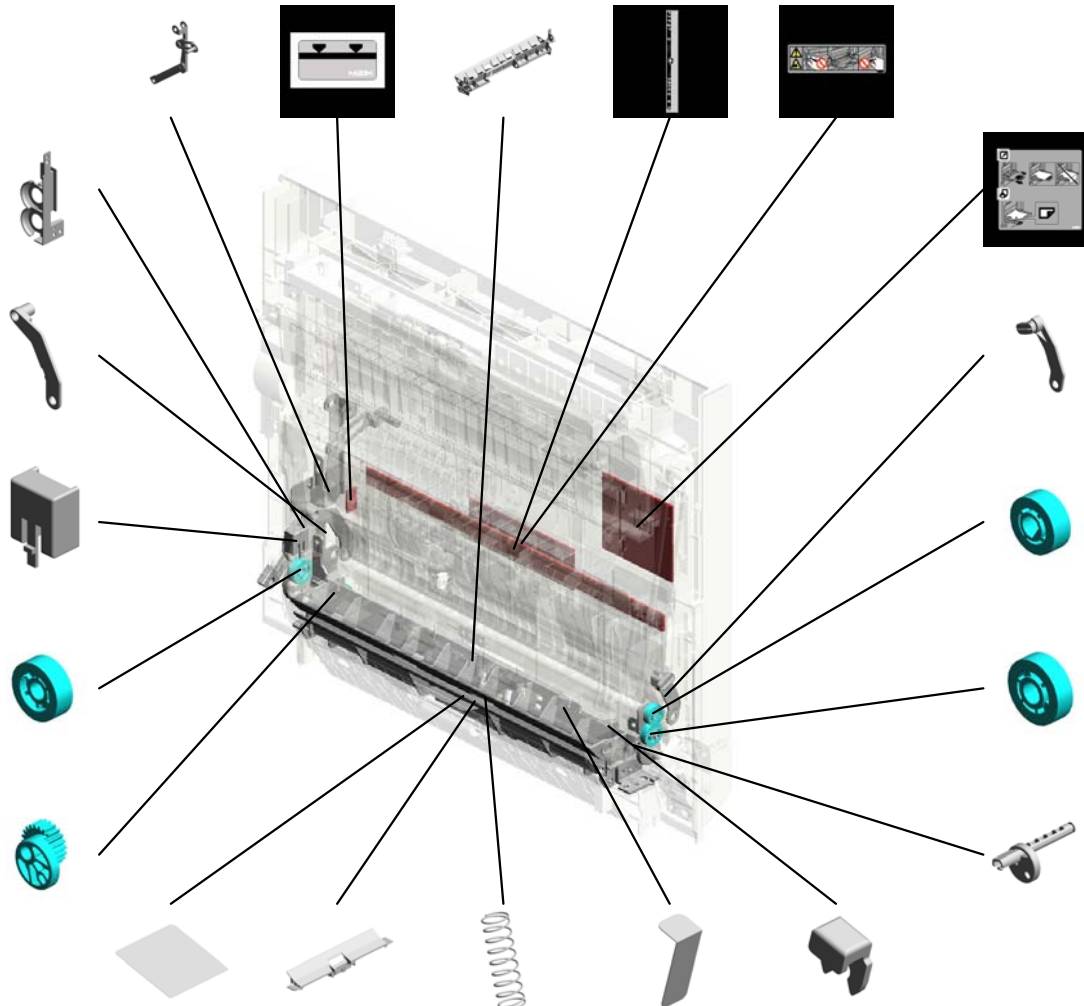
48.D1582630
DECAL:MANUAL F
EED:INKJET

55.D1582696
LINK:MANUAL FEE
D TABLE:FRONT

57.D1582722
GEAR:CAM:LEFT R
EAR

46.D1582620
(x2)
GEAR:IDLER:MAN
UAL FEED:BASE

38.D0392793
CAM:LEFT



U011 DUPLEX

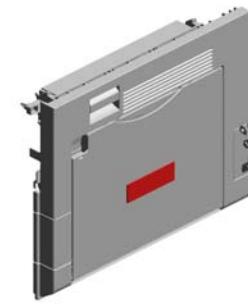
72.D1584661
INNER COVER:DU
PLEX:REAR

76.D1704640
GUIDE PLATE:DUP
LEX:DRIVEN:ASS'Y

67.D1582796
SHAFT:CAM:ASS'Y

70.D1584651
LEVER:DOOR

69.D1584611
COVER:DUPL



64.D1582789
GEAR:CAM:RIGHT
REAR



75.D1584714
GEAR:INPUT:MAN
UAL FEED



63.D1582786
SHAFT:DRIVE:MAN
UAL FEED UNIT



58.D1582725
FEELER:MANUAL
FEED



66.D1582791
TORSION SPRING:
PAPER END SENS
OR



65.D1582790
GEAR:FEELER:LEF
T



71.D1584653
INNER COVER:DU
PLEX:REAR:LEFT



73.D1584662
GUIDE PLATE:VER
TICAL TRANSPOR
T



74.D1584668
(x2)
PLAIN SHAFT BEA
RING:DIA4:VERTIC
AL TRANSPORT



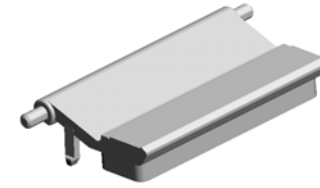
68.D1584603
(x2)
COMPRESSION SP
RING:VERTICAL T
RANSPORT



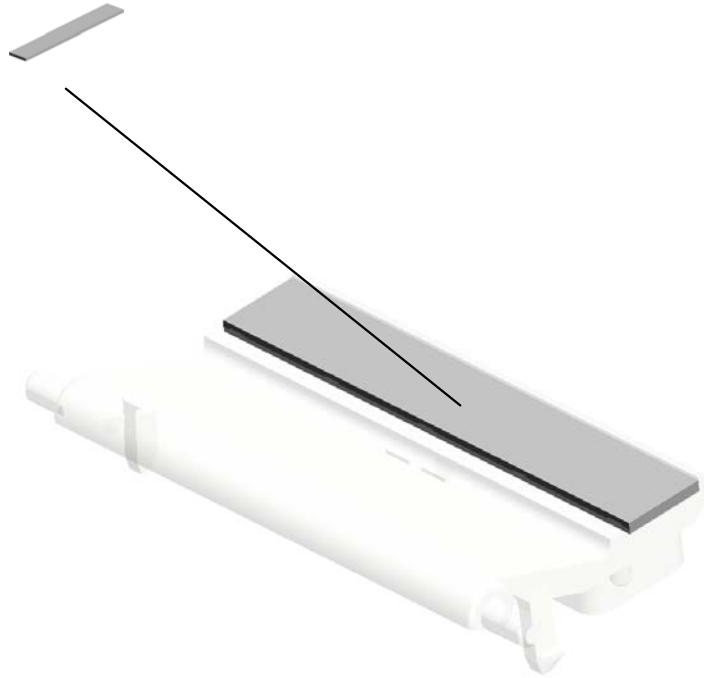
U001	U002	U003	U004	U005	U006	U007	U008	U009	U010	U011	U012	U013	U014
------	------	------	------	------	------	------	------	------	------	------	------	------	------

U011_S001
SEPARATION PAD

79.G0302670
FRICTION PAD



27.B2614650
SEPARATION PAD



U001	U002	U003	U004	U005	U006	U007	U008	U009	U010	U011	U012	U013	U014
------	------	------	------	------	------	------	------	------	------	------	------	------	------

U011_S002
MANUAL FEED TABLE:ASS'Y

20.AW020198
PHOTOINTERRUPTOR:LG2A14NL1

29.D0392737
FEELER:PAPER:TRAILING EDGE

52.D1582637
COVER:PAPER:TRAILING EDGE

36.D0392779
SPRING PLATE:EXTENSION TRAY

42.D1202740
EXTENSION TRAY:MANUAL FEED



51.D1582634
MANUAL FEED TABLE:ASS'Y

62.D1582749
SIDE FENCE:REAR

21.AW500037
PAPER SIZE SENSOR

30.D0392750
RACK:SIDE FENCE:FRONT

39.D0392798
(x2)
SPRING:BASE:2.5N

34.D0392754
SPRING:SIDE FENCE

32.D0392752
DISC:SIDE FENCE

37.D0392788
PIN:SIDE FENCE

6.04583008N
(x2)
HEXAGON HEAD TAPPING SCREW:3X8

59.D1582736
COVER:MANUAL FEED TABLE

33.D0392753
GEAR:SIDE FENCE

31.D0392751
RACK:SIDE FENCE:REAR

61.D1582748
SIDE FENCE:FRONT

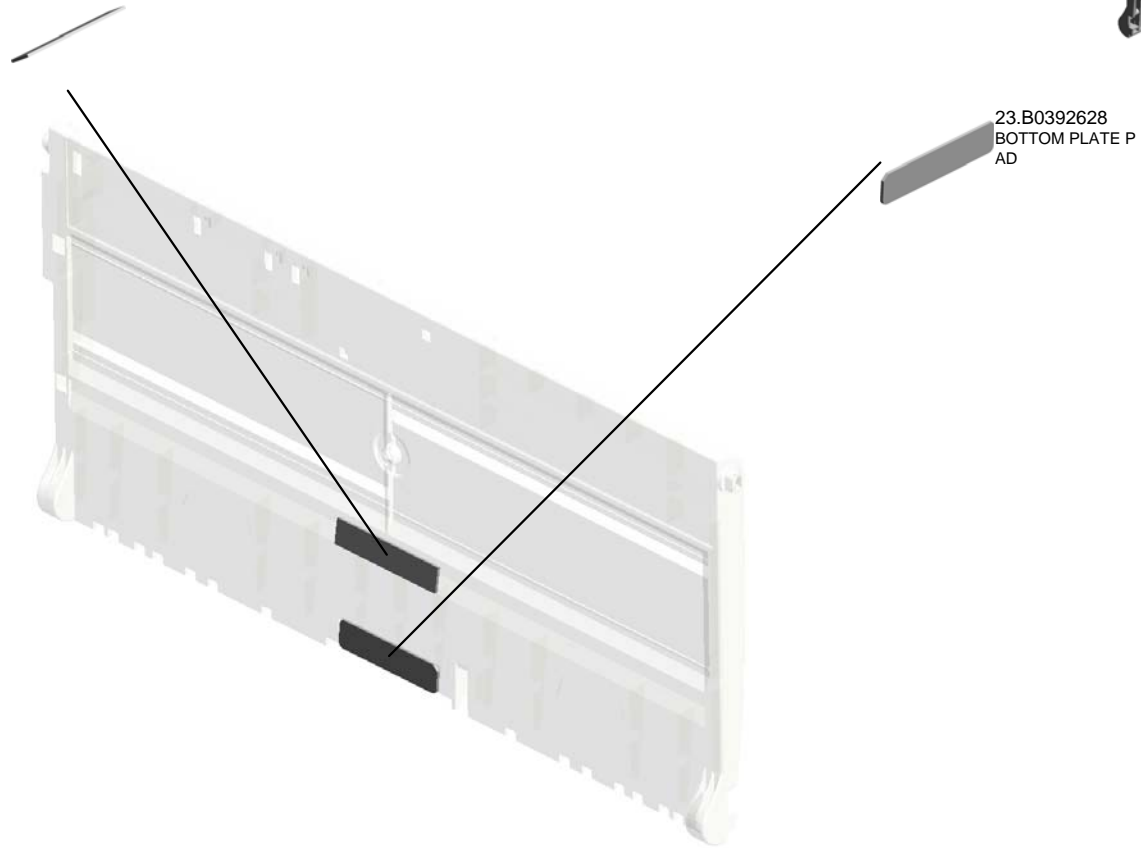
U001	U002	U003	U004	U005	U006	U007	U008	U009	U010	U011	U012	U013	U014
------	------	------	------	------	------	------	------	------	------	------	------	------	------

U011_S002_S001
BASE:MANUAL FEED TABLE:ASS'Y

19.AF033008
FRICTION PAD:10X
50



60.D1582744
BASE:MANUAL FE
ED TABLE:ASS'Y

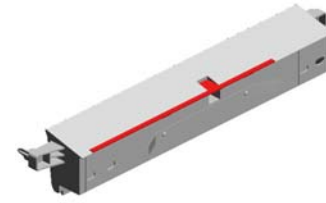


23.B0392628
BOTTOM PLATE P
AD

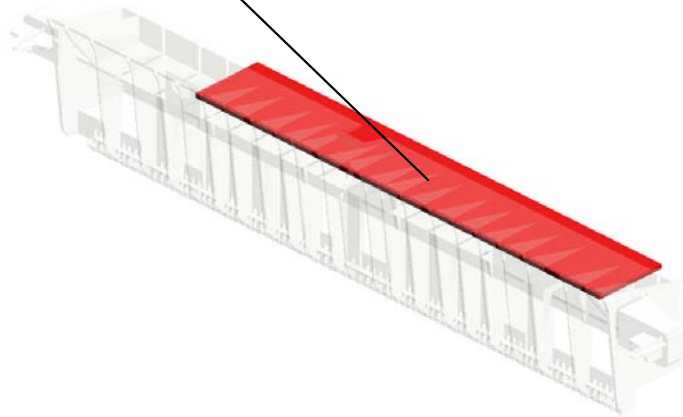
U001	U002	U003	U004	U005	U006	U007	U008	U009	U010	U011	U012	U013	U014
------	------	------	------	------	------	------	------	------	------	------	------	------	------

U011_S003
GUIDE PLATE:EXIT:RIGHT LOWER:ASS'Y

78.D1704691
DECAL:PICK-UP P
APER JAM:ONE SI
DE



77.D1704670
GUIDE PLATE:EXIT
:RIGHT LOWER:AS
SY



U001	U002	U003	U004	U005	U006	U007	U008	U009	U010	U011	U012	U013	U014
------	------	------	------	------	------	------	------	------	------	------	------	------	------

U012.MAIN DRIVE

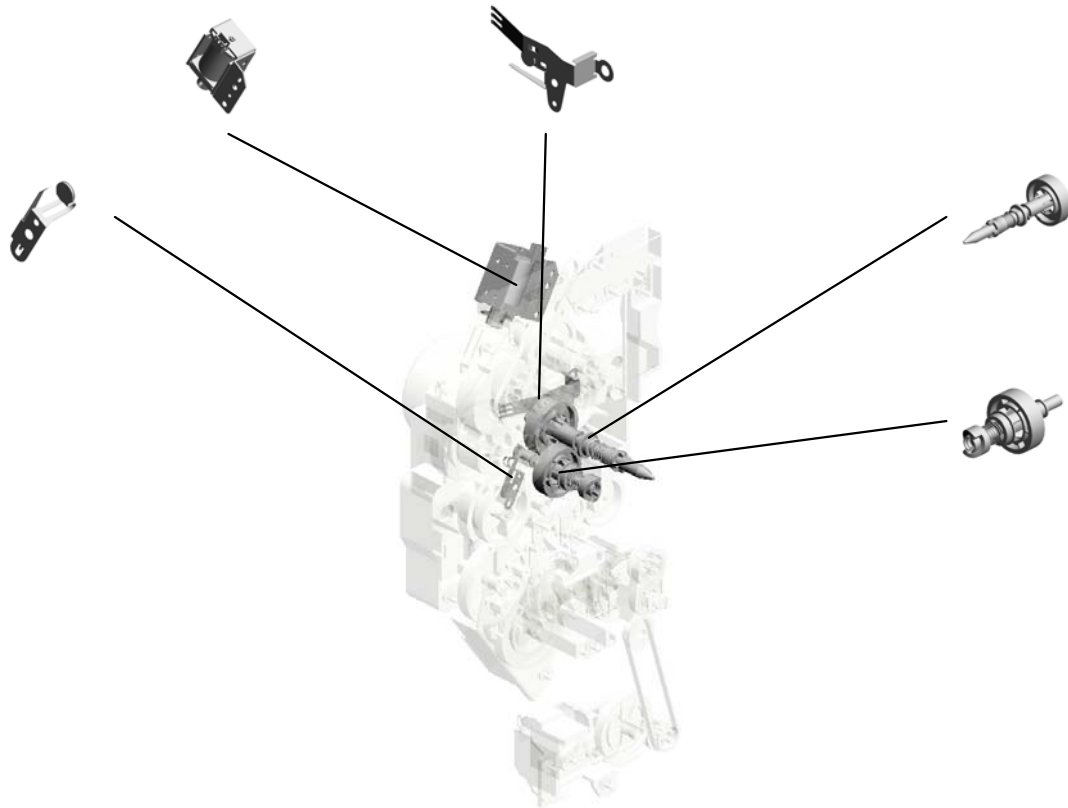
U012_S005
B2591135
DC SOLENOID ASS'Y

U012_S001
B2821128
GROUND

U012_S002
D1581156
ELECTRODE PLATE:DEVELOPMENT:ASS'Y

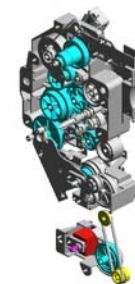
U012_S004
D1581172
DRUM SHAFT:OPC DRUM:ASS'Y

U012_S003
D1581039
SHAFT:DEVELOPMENT:DRIVE:ASS'Y



U001	U002	U003	U004	U005	U006	U007	U008	U009	U010	U011	U012	U013	U014
------	------	------	------	------	------	------	------	------	------	------	------	------	------

U012 MAIN DRIVE



- 20.AB010500 GEAR:SLOW DOW N:DRUM:NO.1
- 13.AA043701 (x2) SYNCHRONOUS B ELT:S2M
- 18.AA082183 (x2) PLAIN SHAFT BEA RING:DIA6:DIA10:9
- 21.AB010501 GEAR:SLOW DOW N:DRUM:NO.2
- 3.04513006N (x6) TAPPING SCREW - 3X6

2.04504010N
(x3)
TAPPING SCREW:
M4X10

10.11050623
(x4)
CLAMP - LBWS-02
06S-V0

5.04583008N
(x11)
HEXAGON HEAD T
APPING SCREW:3
X8

11.11050760
CLAMP:LWSM-051
1A

12.54472681
(x4)
SNAP RING

14.AA080346
(x3)
BUSHING:FLANGE
TYPE:DIA6

22.AB011601
GEAR:IDLER:SHAF
T:PAPER FEED:NO
.1

16.AA080383
(x2)
PLAIN SHAFT BEA
RING:DIA6:2

4.04513008N
(x3)
TAPPING SCREW -
M3X8

15.AA080382
PLAIN SHAFT BEA
RING:DRIVE:CONN
ECTING

8.08050089
(x5)
RETAINING RING -
M4

19.AA145702
SHAFT:MANUAL F
EED:DRIVE

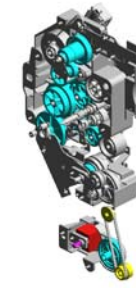
7.07200040E
(x3)
RETAINING RING -
M4

17.AA082101
BUSHING - 6X10X6

9.08050097
RING SEPARATOR

U012 MAIN DRIVE

- 25.AX060502 DC BRUSHLESS MOTOR:MAIN:24.7W
- 31.B0391155 GEAR/PULLEY - 61/34Z (11)
- 38.B0391173 GEAR - 78Z (06)
- 32.B0391156 COUPLED GEAR - 20/49Z (12)
- 42.B1211132 FUSING DRIVE RELEASE BRACKET



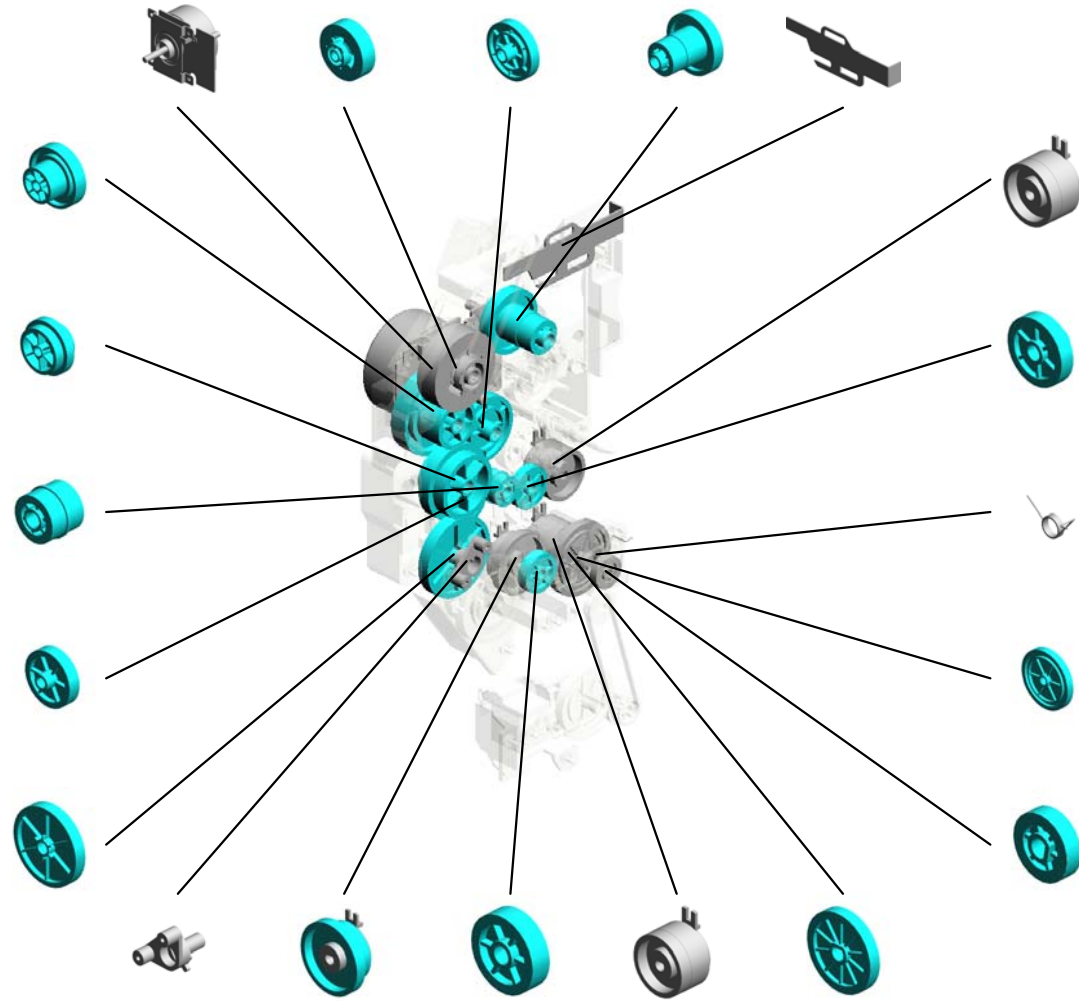
- 30.B0391154 COUPLED GEAR - 37/97Z (05)

- 33.B0391165 COUPLED GEAR - 49/59/38Z (08)

- 35.B0391167 GEAR - 22Z (09)

- 34.B0391166 GEAR - 37Z (07)

- 37.B0391170 GEAR - 63Z



- 27.AX200362 ELECTROMAGNET IC CLUTCH:Z39

- 36.B0391168 GEAR - 32Z (10)

- 41.B0391199 SPRING - BY-PASS FEED

- 24.AB011605 GEAR:IDLER:CONNECTING

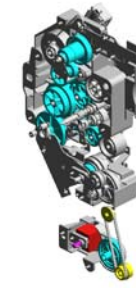
- 40.B0391191 GEAR - 19Z

- 29.B0391141 SHAFT - PAPER FEED FRAME
- 26.AX200361 MAGNETIC CLUTCH:Z49
- 39.B0391187 GEAR - 30Z
- 28.AX200363 ELECTROMAGNET IC CLUTCH:Z30
- 23.AB011602 GEAR:MANUAL FEED SECTION

U012 MAIN DRIVE

44.B1211161
LARGE SPRING

48.B2591157
FUSING SWIVEL B
RACKET



45.B1211162
SMALL SPRING



43.B1211145
HARNESS HOOK



53.D1581150
GUIDE:HARNESS



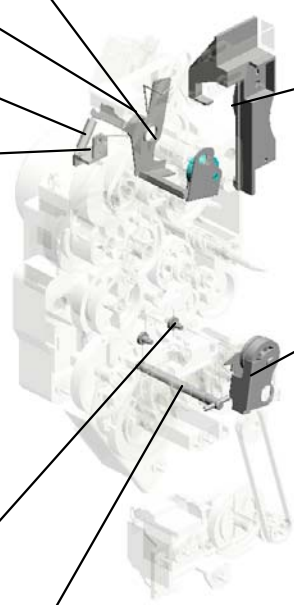
49.B2591194
MANUAL FEED DRI
VEBRACKET



46.B2591131
(x2)
SCREW:PCU



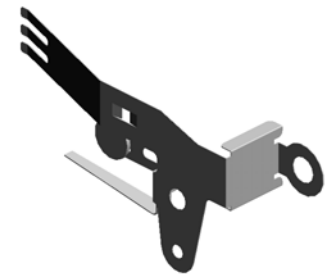
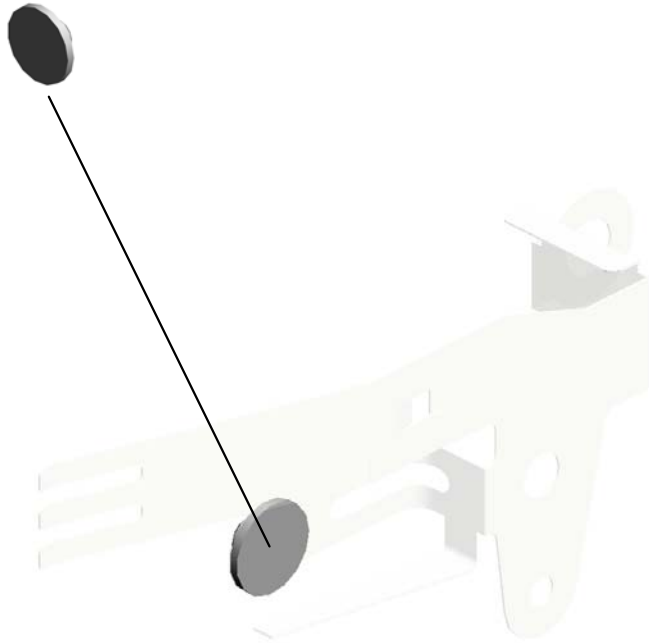
55.D1581165
SHAFT:PAPER FEE
D:DRIVE:ASS'Y



U001	U002	U003	U004	U005	U006	U007	U008	U009	U010	U011	U012	U013	U014
------	------	------	------	------	------	------	------	------	------	------	------	------	------

U012_S001
GROUND

51.B2822117
TERMINA

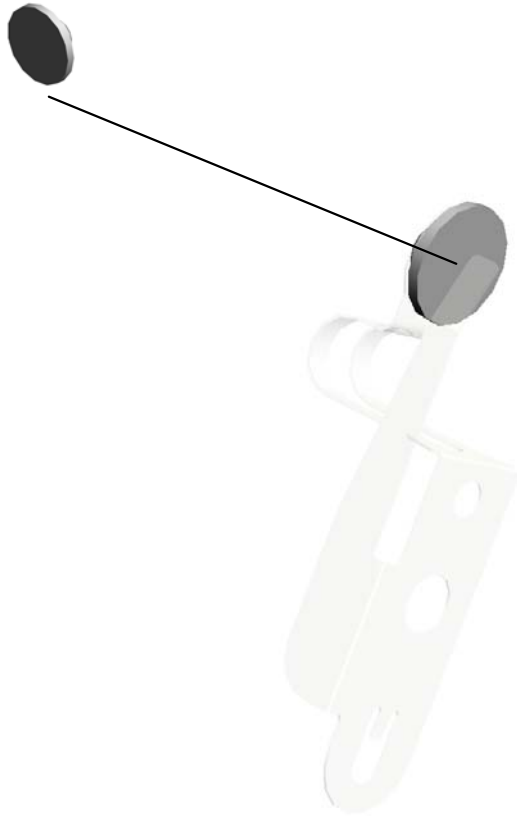


50.B2821128
GROUND

U001	U002	U003	U004	U005	U006	U007	U008	U009	U010	U011	U012	U013	U014
------	------	------	------	------	------	------	------	------	------	------	------	------	------

U012_S002
ELECTRODE PLATE:DEVELOPMENT:ASS'Y

51.B2822117
TERMINA

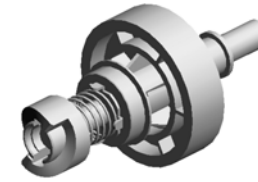


54.D1581156
ELECTRODE PLAT
E:DEVELOPMENT:
ASS'Y

U001	U002	U003	U004	U005	U006	U007	U008	U009	U010	U011	U012	U013	U014
------	------	------	------	------	------	------	------	------	------	------	------	------	------

U012_S003
SHAFT:DEVELOPMENT:DRIVE:ASS'Y

6.06230140E
SPRING PIN - 3X14
MM



52.D1581039
SHAFT:DEVELOPM
ENT:DRIVE:ASS'Y



U001	U002	U003	U004	U005	U006	U007	U008	U009	U010	U011	U012	U013	U014
------	------	------	------	------	------	------	------	------	------	------	------	------	------

U012_S004
DRUM SHAFT:OPC DRUM:ASS'Y

6.06230140E
SPRING PIN - 3X14
MM



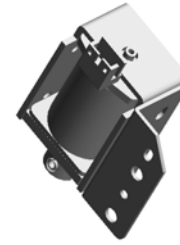
56.D1581172
DRUM SHAFT:OPC
DRUM:ASS'Y



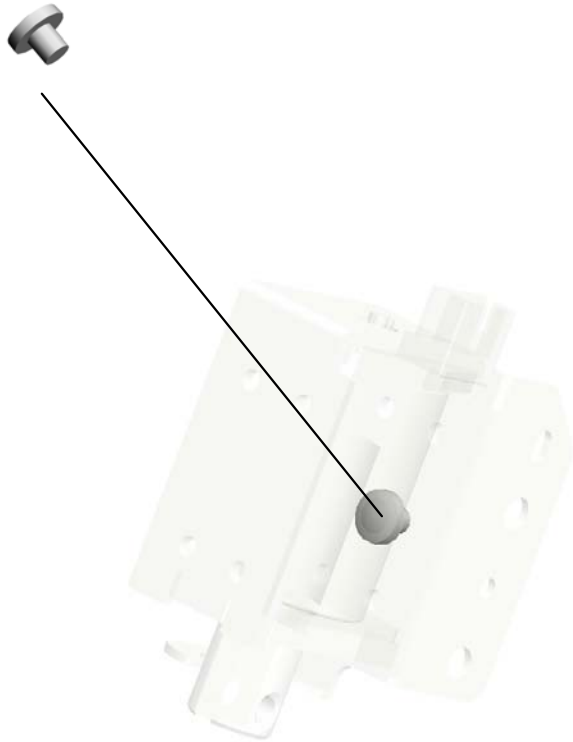
U001	U002	U003	U004	U005	U006	U007	U008	U009	U010	U011	U012	U013	U014
------	------	------	------	------	------	------	------	------	------	------	------	------	------

U012_S005
DC SOLENOID ASS'Y

1.03530030N
(x2)
SCREW:M3X3



47.B2591135
DC SOLENOID ASS
Y



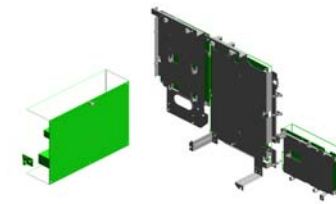
U001	U002	U003	U004	U005	U006	U007	U008	U009	U010	U011	U012	U013	U014
------	------	------	------	------	------	------	------	------	------	------	------	------	------

U013 ELECTRICAL

2.04513006N (x28)
TAPPING SCREW - 3X6

7.11050762 (x8)
CLAMP:LWS-0711A

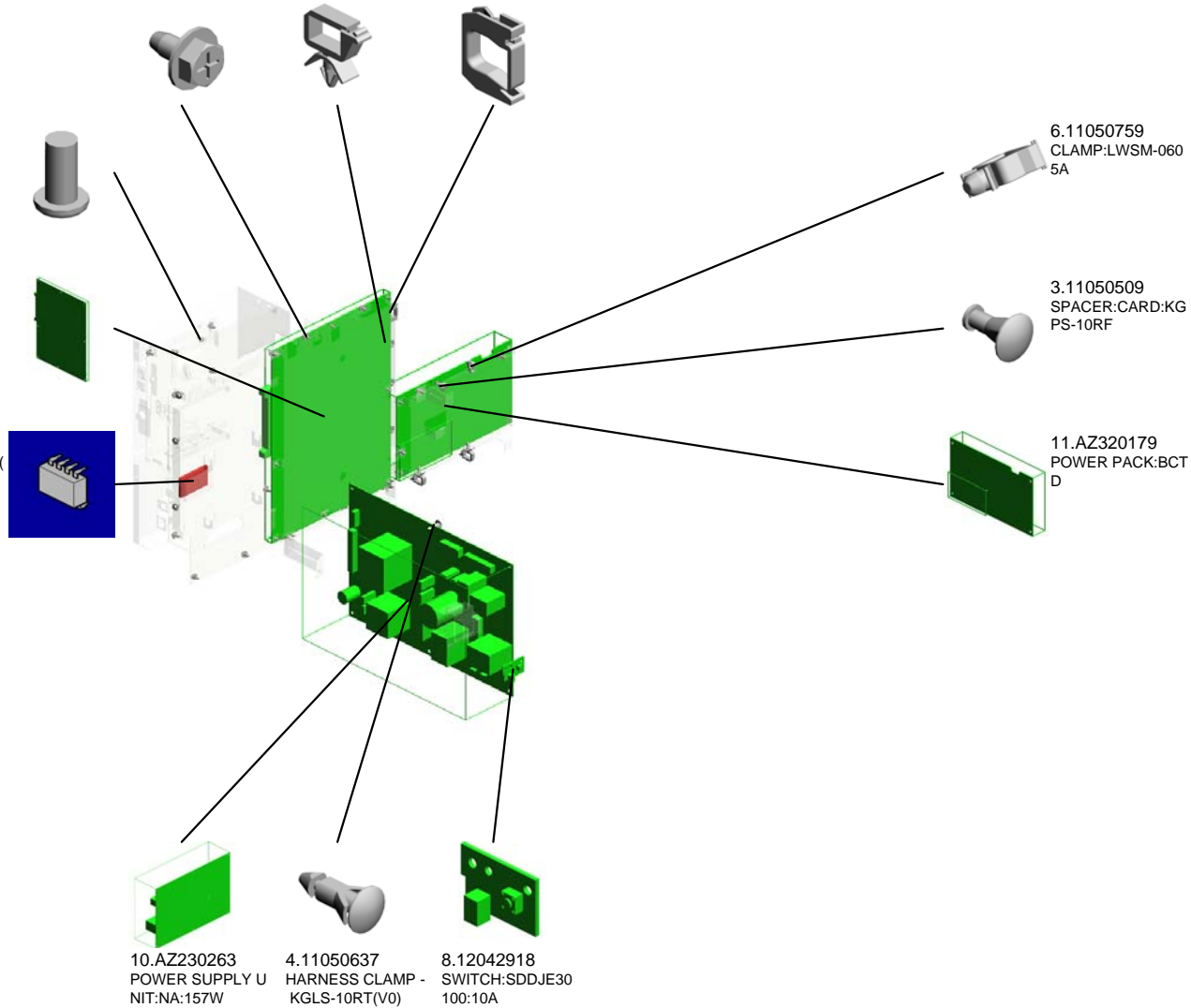
5.11050724
CLAMPS:WES-121 0



1.03530060N (x2)
BIND SCREW - M3 X6

12.D1705011
PCB:BICU:ASS'Y

9.14077818
RAM:FM1608B-PG(REV.AA)



U001	U002	U003	U004	U005	U006	U007	U008	U009	U010	U011	U012	U013	U014
------	------	------	------	------	------	------	------	------	------	------	------	-------------	------

U014 MAIN FRAME

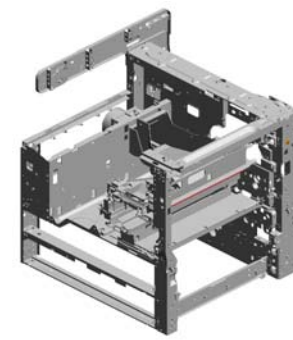
11.11050723
CLAMPS:WES-050
7

5.04513030N
(x2)
TAPPING SCREW:
3X30

10.11050692
CLAMP:LES-0503

7.04583008N
(x3)
HEXAGON HEAD T
APPING SCREW:3
X8

18.AW500040
PUSH SWITCH:SW
1AG-550:10MA



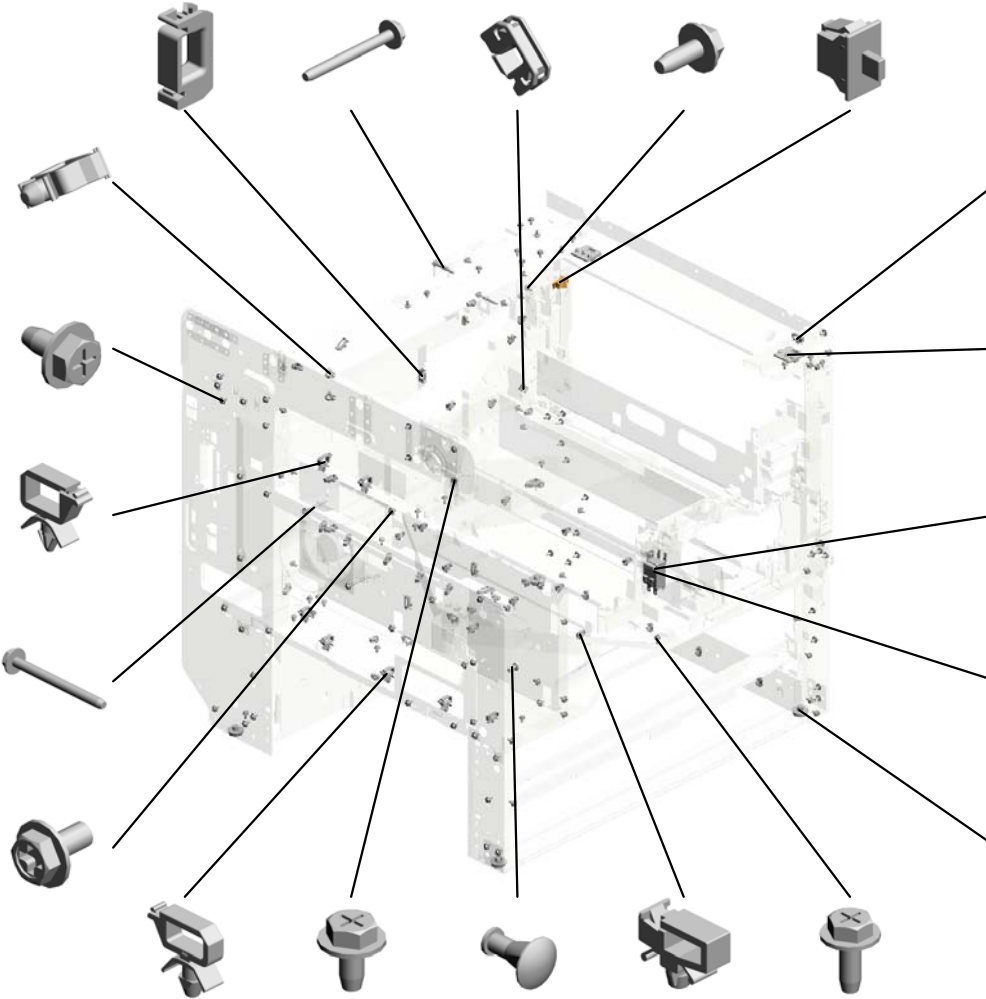
12.11050759
(x3)
CLAMP:LWSM-060
5A

3.04513006N
(x92)
TAPPING SCREW -
3X6

15.11050762
(x2)
CLAMP:LWS-0711A

2.04503035N
(x2)
TAPPING SCREW:
3X35

1.03603006N
(x7)
SCREW - M3X6



13.11050760
(x17)
CLAMP:LWSM-051
1A

19.B0391073
(x2)
RIGHT DOOR STO
PPER

20.B0391082
DOOR SWITCH BR
ACKET

16.12042612
MICRO SWITCH:D3
V-16506-3C25

17.AH010010
(x4)
RUBBER FOOT:H5

14.11050761
(x5)
CLAMP:LWS-0511A

6.04543006Q
(x7)
TAPPING SCREW -
M3X6

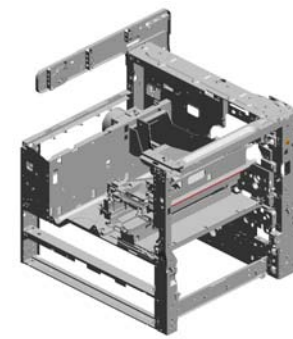
8.11050509
SPACER:CARD:KG
PS-10RF

9.11050623
(x25)
CLAMP - LBWS-02
06S-V0

4.04513008N
(x7)
TAPPING SCREW -
M3X8

U014 MAIN FRAME

- 29.B0392382 QUENCHING LAMP TERMINAL
- 21.B0391088 SHEET - DUCT
- 28.B0391123 DOOR SWITCH LEVER - 8
- 27.B0391096 DOOR SWITCH LEVER - 7
- 26.B0391095 DOOR SWITCH LEVER - 6



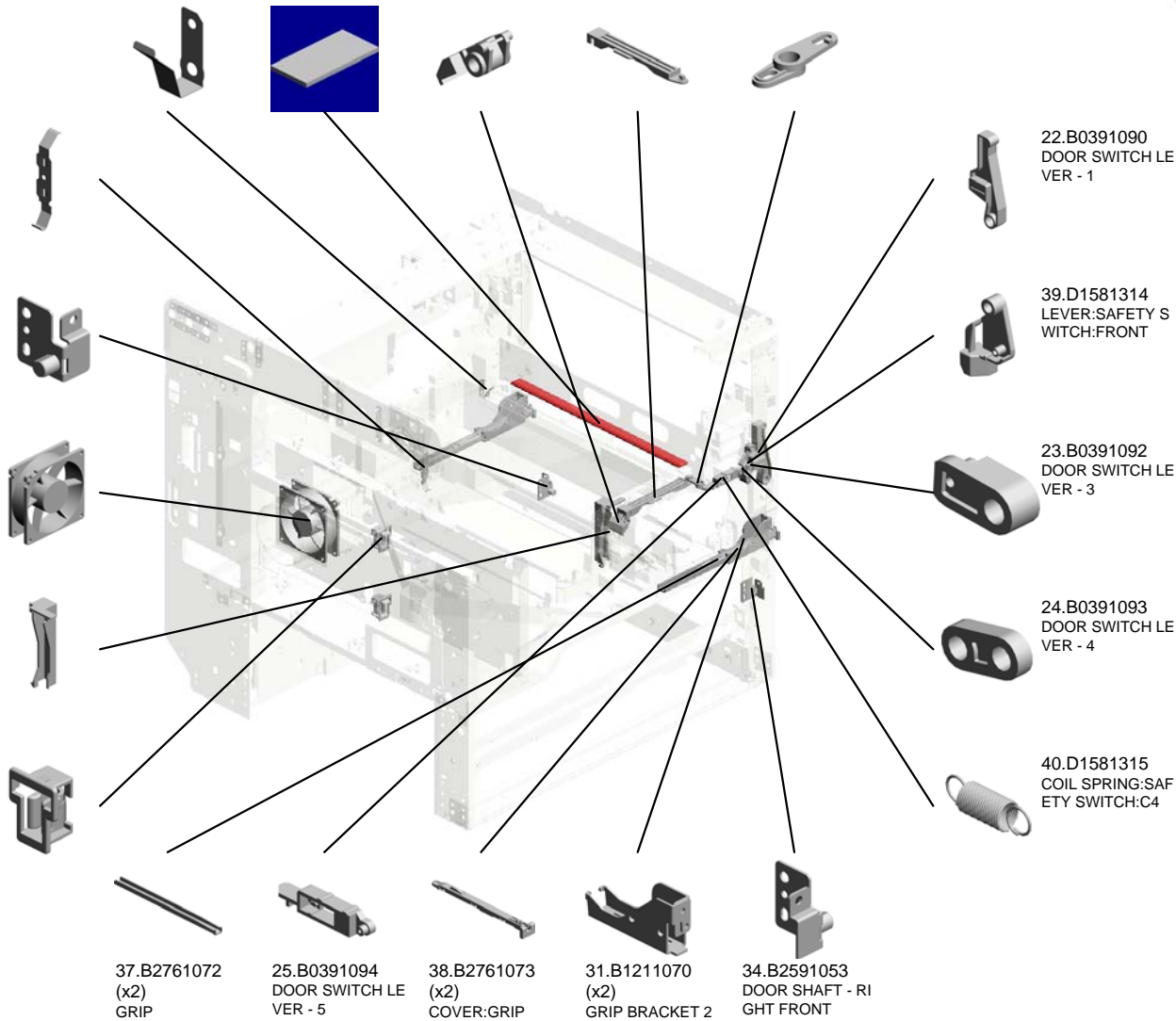
30.B0393395
GROUND PLATE -
TONER SUPPLY U
NIT

35.B2591058
DOOR SHAFT - RI
GHT REAR

36.B2591106
FAN MOTOR:MM80
:DC24V 3.6W

32.B1211084
HEATER WIRE CO
VER

33.B1802801
(x2)
HOLDER:PAPER T
RAY



37.B2761072
(x2)
GRIP

25.B0391094
DOOR SWITCH LE
VER - 5

38.B2761073
(x2)
COVER:GRIP

31.B1211070
(x2)
GRIP BRACKET 2

34.B2591053
DOOR SHAFT - RI
GHT FRONT

22.B0391090
DOOR SWITCH LE
VER - 1

39.D1581314
LEVER:SAFETY S
WITCH:FRONT

23.B0391092
DOOR SWITCH LE
VER - 3

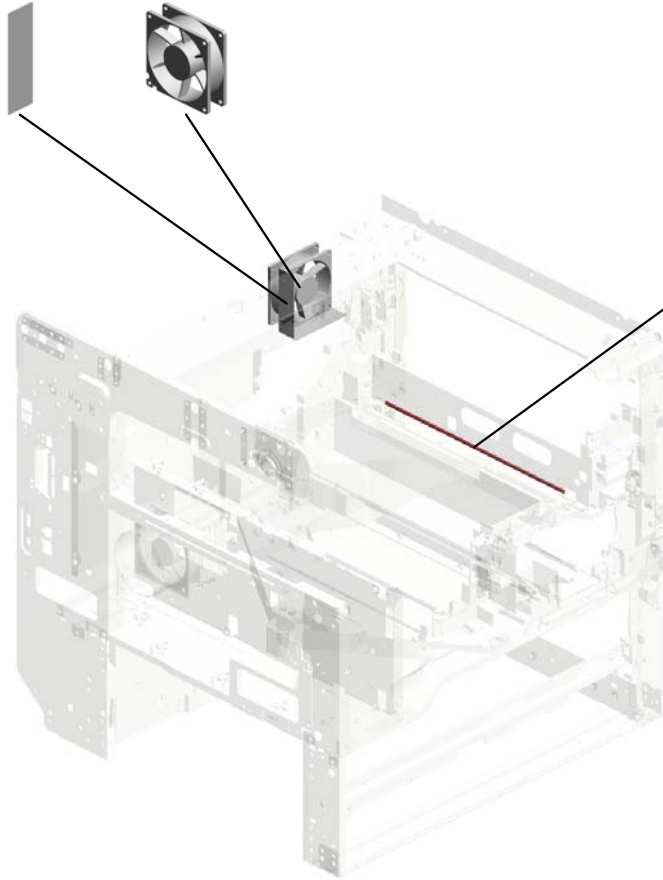
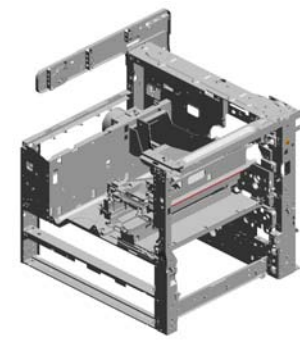
24.B0391093
DOOR SWITCH LE
VER - 4

40.D1581315
COIL SPRING:SAF
ETY SWITCH:C4

U014 MAIN FRAME

41.D1581368
(x2)
SHEET:FAN:REAR

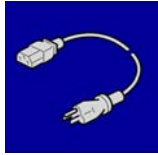
43.GX645734
FAN MOTOR:MM80
DC24V 3.12W



42.D1582381
DISCHARGE LAMP
:QL

U001	U002	U003	U004	U005	U006	U007	U008	U009	U010	U011	U012	U013	U014
------	------	------	------	------	------	------	------	------	------	------	------	------	------

ACCESSORIES



1.11500427
POWER SUPPLY CODE:125V:15A:NA



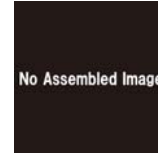
2.D1581310
PLATE:LOGOTYPE:RIC:V554R10



3.D1584664
INNER COVER:GRIP:FRONT:DUPL
X



4.D1584672
INNER COVER:GRIP:REAR:DUPL
X



5.D1589640
DEVELOPER:K



6.D1601280
DECAL:CAUTION:ORIGINAL:ENGL
H



7.D1602824
DECAL:PAPER:MULTI-LANGUAGE



8.D1706648
MODEL NAME PLATE:MP2001

SPECIAL TOOLS



1.52039502
Silicon Grease G-501



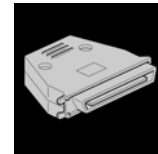
2.A0069104
Scanner Positioning Pin (4pcs/set)



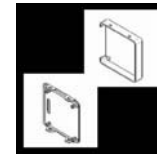
3.A2929500
Test Chart S5S(10pcs/set)



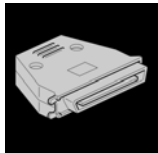
4.B6455010
SD-CARD:ASSY



5.B6795100
PLUG - IEEE1284 - TYPE C



6.D8498203
SPECIAL TOOL:SOFTWARE UPGR
ADE:ASSY



7.G0219350
Loop-Back Connector Parallel

Exclusive Parts

Number	Part Name	Group	ID
52039502	Silicon Grease G-501	SPECIAL TOOLS	1
52152621	SNAP RING - M6	U005	13
		U005_S001	13
		U005_S002	13
52152713	BOTTOM PLATE PAD	U005_S001	14
		U005_S002	14
54472681	SNAP RING	U005	15
		U011	13
		U012	12
A0069104	Scanner Positioning Pin (4pcs/set)	SPECIAL TOOLS	2
A1843420	BOTTLE CHUCK	U006_S001	1
A1843421	CHUCK SHAFT	U006_S001	2
A2322374	SPUR	U009_S001	5
A2501388	SPRING	U011	14
A2673440	DEVELOPMENT JOINT	U007_S001	4
A2673556	CHUCK SPRING - TONNER BOTTLE	U006_S001	3
A2929500	Test Chart S5S(10pcs/set)	SPECIAL TOOLS	3
AA043701	SYNCHRONOUS BELT:S2M	U012	13
AA062254	REGISTRATION ROLLER SPRING	U005	16
AA063607	PRESSURE SPRING	U008_S001	2
AA063629	SPRING - 2.8N	U005_S001	17
		U005_S002	17
AA063701	COMPRESSION SPRING:RISING TRAY	U005	18
AA064002	TENSION SPRING:PRESSURE:19N	U009_S001	6
AA066342	REGISTRATION SENSOR SPRING	U005	19
AA066635	SPRING - FUSING EXIT GUIDE	U009_S001	7
AA066637	STRIPPER PAWL SPRING	U009_S001	8
AA066641	GATE PAWL SPRING	U010	7
AA080346	BUSHING:FLANGE TYPE:DIA6	U012	14
AA080361	PLAIN SHAFT BEARING:CASE:RISING TRAY	U005	20
AA080382	PLAIN SHAFT BEARING:DRIVE:CONNECTING	U012	15
AA080383	PLAIN SHAFT BEARING:DIA6:2	U012	16
AA082101	BUSHING - 6X10X6	U012	17
AA082177	BUSHING:DIA8:22	U005	21

Number	Part Name	Group	ID
AA082181	PLAIN SHAFT BEARING:MM4	U010	8
AA082182	PLAIN SHAFT BEARING:DIA6	U011	15
AA082183	PLAIN SHAFT BEARING:DIA6:DIA10:9	U012	18
AA082184	PLAIN SHAFT BEARING:DIA6XDIA10X6	U005	22
		U011	16
AA140952	REGISTRATION ROLLER:DRIVEN:DIA16:C4	U005	23
AA143444	STEPPED SCREW	U007_S001	5
AA143870	STEPPED SCREW	U009_S001	9
AA145702	SHAFT:MANUAL FEED:DRIVE	U012	19
AB010500	GEAR:SLOW DOWN:DRUM:NO.1	U012	20
AB010501	GEAR:SLOW DOWN:DRUM:NO.2	U012	21
AB011402	GEAR - 14Z	U007_S001	6
AB011403	GEAR - 13Z	U007_S001	7
AB011541	GEAR:RISING TRAY:OUTPUT	U005	24
AB011601	GEAR:IDLER:SHAFT:PAPER FEED:NO.1	U012	22
AB011602	GEAR:MANUAL FEED SECTION	U012	23
AB011605	GEAR:IDLER:CONNECTING	U012	24
AB012075	GEAR:HOT ROLLER	U009_S001	10
AB012311	GEAR - 18Z	U005	25
AB012312	GEAR - 16Z	U005	26
AB017834	GEAR:RISING TRAY:2	U005	27
AB017835	GEAR:RISING TRAY:3	U005	28
AB017899	GEAR:RISING TRAY:1	U005	29
AD027018	ROLLER:CHARGE:A3	U007_S001	8
AD042058	CHARGE CLEANER BRUSH ROLLER	U007_S001	9
AD042083	BLADE:CLEANING:ASS'Y	U007_S001	10
AE011140	HOT ROLLER:DIA30	U009_S001	11
AE020213	PRESSURE ROLLER:MM25	U009_S001	12
AE044090	STRIPPER PAWLS	U009_S001	13
AF022138	VERTICAL TRANSPORT ROLLER	U011	17
AF031060	BY-PASS FEED ROLLER	U011	18
AF031084	PAPER FEED ROLLER MM36	U005_S001	30
		U005_S002	30
AF033008	FRICTION PAD:10X50	U005_S001_S003	31

Exclusive Parts

Number	Part Name	Group	ID
		U005_S002_S003	31
		U011_S002_S001	19
AF040063	ROLLER:STRIPPER PAWLS	U009_S001	14
AH010010	RUBBER FOOT:H5	U014	17
AW020198	PHOTOINTERRUPTOR:LG2A14NL 1	U005	32
		U011	20
		U011_S002	20
AW020203	PHOTOINTERRUPTOR:GP1A173L CS2F	U003_S001	1
AW020207	PHOTOINTERRUPTOR:FLAT:PICH 2MM:M4	U003_S001	2
AW100073	THERMISTOR	U009_S001	15
AW500037	PAPER SIZE SENSOR	U011_S002	21
AW500038	PUSH SWITCH:PAPER SIZE SENS OR	U005	33
AW500040	PUSH SWITCH:SW1AG-550:10MA	U005	34
		U014	18
AX040272	DC STEPPER MOTOR:NMB	U003_S001	3
AX060420	DC POLYGON MIRROR MOTOR	U004_S001	1
AX060502	DC BRUSHLESS MOTOR:MAIN:24. 7W	U012	25
AX200361	MAGNETIC CLUTCH:Z49	U012	26
AX200362	ELECTROMAGNETIC CLUTCH:Z39	U012	27
AX200363	ELECTROMAGNETIC CLUTCH:Z30	U012	28
AX200365	ELECTROMAGNETIC CLUTCH:MA NUAL FEED	U011	22
AZ230263	POWER SUPPLY UNIT:NA:157W	U013	10
AZ320179	POWER PACK:BCTD	U013	11
B0391073	RIGHT DOOR STOPPER	U014	19
B0391082	DOOR SWITCH BRACKET	U014	20
B0391088	SHEET - DUCT	U014	21
B0391090	DOOR SWITCH LEVER - 1	U014	22
B0391092	DOOR SWITCH LEVER - 3	U014	23
B0391093	DOOR SWITCH LEVER - 4	U014	24
B0391094	DOOR SWITCH LEVER - 5	U014	25
B0391095	DOOR SWITCH LEVER - 6	U014	26
B0391096	DOOR SWITCH LEVER - 7	U014	27
B0391123	DOOR SWITCH LEVER - 8	U014	28

Number	Part Name	Group	ID
B0391141	SHAFT - PAPER FEED FRAME	U012	29
B0391154	COUPLED GEAR - 37/97Z (05)	U012	30
B0391155	GEAR/PULLEY - 61/34Z (11)	U012	31
B0391156	COUPLED GEAR - 20/49Z (12)	U012	32
B0391163	PULLEY - 23Z	U010	9
B0391165	COUPLED GEAR - 49/59/38Z (08)	U012	33
B0391166	GEAR - 37Z (07)	U012	34
B0391167	GEAR - 22Z (09)	U012	35
B0391168	GEAR - 32Z (10)	U012	36
B0391170	GEAR - 63Z	U012	37
B0391173	GEAR - 78Z (06)	U012	38
B0391187	GEAR - 30Z	U012	39
B0391191	GEAR - 19Z	U012	40
B0391199	SPRING - BY-PASS FEED	U012	41
B0392272	RECYCLED TONER COIL	U007_S001	11
B0392274	RECYCLED TONER PLATE	U007_S001	12
B0392276	REAR BUSHING - TONER COIL	U007_S001	13
B0392287	CHARGE ROLLER SPRING	U007_S001	14
B0392288	CAM - CLEANING BLADE	U007_S001	15
B0392292	FRONT PRESSURE ARM - CHARG E ROLLER	U007_S001	16
B0392293	PIN - FRONT PRESSURE ARM	U007_S001	17
B0392295	REAR PRESSURE ARM - CHARGE ROLLER	U007_S001	18
B0392312	SHUTTER SPRING	U007_S001	19
B0392321	FRONT PCU COVER	U007_S001	20
B0392329	SPACER - M3	U007_S001	21
B0392335	PICKOFF PAWL	U007_S001	22
B0392350	CLIP - OPC DRUM	U007_S001	23
B0392382	QUENCHING LAMP TERMINAL	U014	29
B0392558	DRIVEN ROLLER	U005	35
B0392560	REGISTRATION CLEANING MYLA R	U005	36
B0392570	REGISTRATION FEELER	U005	37
B0392575	BRACKET - REGISTRATION ROLL ER	U005	38
B0392628	BOTTOM PLATE PAD	U011_S002_S001	23
B0392727	BUSHING - 8X12X10	U005_S001	39

Exclusive Parts

Number	Part Name	Group	ID
		U005_S002	39
B0392730	PAPER END SENSOR	U005	40
B0392732	SPRING - PAPER FEED ROLLER	U005_S001	41
		U005_S002	41
B0392823	JOINT - PAPER FEED ROLLER	U005_S001	42
		U005_S002	42
B0392835	SPACER:RAIL:PAPER FEED:RIGHT	U005	43
B0393060	DEVELOPMENT ROLLER GEAR	U007_S001_S001	24
B0393062	IDLER GEAR - 16Z	U007_S001_S001	25
		U007_S001_S002	25
B0393245	GEAR - 15Z	U007_S001_S002	26
B0393360	CAM - HANDLE	U006_S001	4
B0393395	GROUND PLATE - TONER SUPPLY UNIT	U014	30
B0393863	QUENCHING TERMINAL PLATE	U008_S001	3
B0393864	QUENCHING TERMINAL PLATE-FRONT	U008_S001	4
B0393865	TRANSFER TERMINAL PLATE	U008_S001	5
B0393866	PRESSURE COVER	U008_S001	6
B0393867	ROLLER - TRANSFER UNIT	U008_S001	7
B0393870	TERMINAL - TRANSFER	U008	8
B0393891	ID SENSOR COVER	U008_S001	9
B0394114	REAR GROUND PLATE	U009_S001	16
B0394117	DISCHARGE BRUSH	U009_S001	17
B0394118	FRONT GROUND PLATE	U009_S001	18
B0394119	FUSING GROUNDING HARNESS	U009	19
B0394135	PRESSURE ROLLER LEVER	U009_S001	20
B0394168	STRIPPER PAWLSSTOPPER	U009_S001	21
B0394459	EXIT ROLLER HOLDER - INNER	U010	10
B0394473	RING:EXIT ROLLER	U010	11
B0394480	STEPPED SCREW - M5	U011	24
B0399510	OPC DRUM	U007_S001	27
B0434642	STOPPER - GUIDE PLATE	U011	25
B0434685	SPRING - 2.8N	U011	26
B1203862	FRONT DISCHARGE BRUSH	U008_S001	10
B1211070	GRIP BRACKET 2	U014	31
B1211084	HEATER WIRE COVER	U014	32

Number	Part Name	Group	ID
B1211132	FUSING DRIVE RELEASE BRACKET	U012	42
B1211145	HARNESS HOOK	U012	43
B1211161	LARGE SPRING	U012	44
B1211162	SMALL SPRING	U012	45
B1212311	PCU TONER SUPPLY SHUTTER	U007_S001	28
B1212313	TONER SUPPLY SEAL	U007_S001	29
B1213860	HARNESS COVER	U008_S001	11
B1214451	EXIT MIDDLE GUIDE PLATE	U010	12
B1214461	EXIT LOWER GUIDE PLATE	U010	13
B1214465	SHORT FRONT OUTER HOLDER	U010	14
B1214467	LONG FRONT MIDDLE HOLDER	U010	15
B1214469	LONG REAR MIDDLE HOLDER	U010	16
B1214473	EXIT ROLLER RING MM14	U010	17
B1214477	SHORT REAR OUTER HOLDER	U010	18
B1214503	EXIT PHOTOINTERRUPTOR BRACKET	U010	19
B1802801	HOLDER:PAPER TRAY	U014	33
B2232936	GEAR - 16Z	U005_S001	44
		U005_S002	44
B2292606	COVER - REGISTRATION SENSOR	U005	45
B2591053	DOOR SHAFT - RIGHT FRONT	U014	34
B2591058	DOOR SHAFT - RIGHT REAR	U014	35
B2591106	FAN MOTOR:MM80:DC24V 3.6W	U014	36
B2591131	SCREW:PCU	U012	46
B2591135	DC SOLENOID ASS'Y	U012_S005	47
B2591157	FUSING SWIVEL BRACKET	U012	48
B2591194	MANUAL FEED DRIVEBRACKET	U012	49
B2593422	SHAFT:SLIDE	U006_S001	5
B2593890	DENSITY SENSOR	U008_S001	12
B2594115	FUSING ENTRANCE GUIDE PLATE	U009_S001	22
B2594471	EXIT ROLLER 2	U010	20
B2614650	SEPARATION PAD	U011_S001	27
B2614983	GATE PAWL	U010	21
B2761072	GRIP	U014	37
B2761073	COVER:GRIP	U014	38
B2821128	GROUND	U012_S001	50
B2822117	TERMINA	U005	46

Exclusive Parts

Number	Part Name	Group	ID
		U012_S001	51
		U012_S002	51
B6455010	SD-CARD:ASS'Y	SPECIAL TOOLS	4
B6795100	PLUG - IEEE1284 - TYPE C	SPECIAL TOOLS	5
D0392720	GEAR:CAM:RIGHT	U011	28
D0392737	FEELER:PAPER:TRAILING EDGE	U011_S002	29
D0392750	RACK:SIDE FENCE:FRONT	U011_S002	30
D0392751	RACK:SIDE FENCE:REAR	U011_S002	31
D0392752	DISC:SIDE FENCE	U011_S002	32
D0392753	GEAR:SIDE FENCE	U011_S002	33
D0392754	SPRING:SIDE FENCE	U011_S002	34
D0392763	PLATE:HARNESS:MANUAL FEED	U011	35
D0392779	SPRING PLATE:EXTENSION TRAY	U011_S002	36
D0392788	PIN:SIDE FENCE	U011_S002	37
D0392793	CAM:LEFT	U011	38
D0392798	SPRING:BASE:2.5N	U011_S002	39
D0392799	RETAINING RINGS-C:DIA4	U011	40
D0392825	SUPPORTING PLATE:PAPER TRAY	U005_S001	47
		U005_S002	47
D1171804	CAP:TIMING PULLEY	U003_S001	4
D1171806	PULLEY:IDLER	U003_S001	5
D1172656	CASE:RISING TRAY	U005	48
D1172660	DC MOTOR:2.6W:BRUSH	U005	49
D1172808	STOPPER:GUIDE PLATE:BASE:RISE	U005_S001	50
		U005_S002	50
D1172817	LEVER:BASE:RISE	U005_S001	51
		U005_S002	51
D1172820	PINION:BASE:RISE	U005_S001	52
		U005_S002	52
D1172846	RETAINING RINGS-E:SILENCER:DIA3	U005_S001	53
		U005_S002	53
D1172888	JOINT:BASE:RISE	U005	54
D1172894	SHAFT:PINION:BASE:RISE	U005_S001	55
		U005_S002	55
D1172896	SHEET:PLATE:FRICTION PAD	U005_S001	56
		U005_S002	56
D1202614	SHEET:GUIDE PLATE:MANUAL FEED	U011	41

Number	Part Name	Group	ID
D1202740	EXTENSION TRAY:MANUAL FEED	U011_S002	42
D1581039	SHAFT:DEVELOPMENT:DRIVE:ASS'Y	U012_S003	52
D1581150	GUIDE:HARNESS	U012	53
D1581156	ELECTRODE PLATE:DEVELOPMENT:ASS'Y	U012_S002	54
D1581165	SHAFT:PAPER FEED:DRIVE:ASS'Y	U012	55
D1581172	DRUM SHAFT:OPC DRUM:ASS'Y	U012_S004	56
D1581256	COVER:RIGHT REAR:B	U001	4
D1581270	COVER:REAR:B	U001	5
D1581310	PLATE:LOGOTYPE:RIC:V554R10	ACCESSORIES	2
D1581314	LEVER:SAFETY SWITCH:FRONT	U014	39
D1581315	COIL SPRING:SAFETY SWITCH:C4	U014	40
D1581368	SHEET:FAN:REAR	U014	41
D1581961	OPTICAL HOUSING:ASS'Y	U004_S001	2
D1582362	DRUM STAY:FRONT	U007_S001	30
D1582371	DRUM STAY:REAR	U007_S001	31
D1582381	DISCHARGE LAMP:QL	U014	42
D1582526	PAPER TRAY:ASS'Y	U005_S001	57
		U005_S002	57
D1582553	SHAFT:PAPER FEED ROLLER:ASS'Y	U005_S001	58
		U005_S002	58
D1582554	END FENCE:ASS'Y	U005_S001	59
		U005_S002	59
D1582559	SIDE FENCE:FRONT:ASS'Y	U005_S001_S001	60
		U005_S002_S001	60
D1582560	SIDE FENCE:REAR:ASS'Y	U005_S001_S002	61
		U005_S002_S002	61
D1582564	TRAY BOTTOM PLATE	U005_S001	62
		U005_S002	62
D1582565	COVER:PAPER TRAY:NO.1	U005_S001	63
		U005_S002	63
D1582567	PRESSURE PLATE:BASE:RISE	U005_S001	64
		U005_S002	64
D1582568	COVER:PRESSURE PLATE:BASE:RISE	U005_S001	65
		U005_S002	65
D1582569	TENSION SPRING:BASE:RISE	U005_S001	66
		U005_S002	66

Exclusive Parts

Number	Part Name	Group	ID
D1582571	BASE:LIFT MOTOR:PAPER FEED:FRONT	U005	67
D1582576	STOPPER:SIDE FENCE:FRONT	U005_S001_S001	68
		U005_S002_S001	68
D1582577	GRIP:PAPER TRAY	U005_S001	69
		U005_S002	69
D1582578	RACK:BASE:RISE	U005_S001	70
		U005_S002	70
D1582579	SHAFT:BASE:RISE	U005_S001	71
		U005_S002	71
D1582580	BRACKET:PINION:BASE:RISE	U005_S001	72
		U005_S002	72
D1582583	FEELER:VERTICAL TRANSPORT	U005	73
D1582586	GUIDE PLATE:PAPER FEED:EXIT	U005	74
D1582587	GUIDE:PAPER TRAY	U005	75
D1582588	GROUND PLATE:PAPER FEED ROLLER	U005_S001	76
		U005_S002	76
D1582591	COIL SPRING:EARTH:TRAY BOTTOM PLATE	U005_S001	77
		U005_S002	77
D1582592	FRICITION PAD:ASS'Y	U005_S001_S003	78
		U005_S002_S003	78
D1582593	COIL SPRING:STOPPER:SIDE FENCE:FRONT	U005_S001_S001	79
		U005_S002_S001	79
D1582595	LEVER:STOPPER:REAR	U005_S001_S002	80
		U005_S002_S002	80
D1582609	INNER COVER:DUPLEX:REAR:RIGHT	U011	43
D1582611	GEAR:IDLER:18Z	U011	44
D1582613	GUIDE PLATE:MANUAL FEED UNIT:LOWER	U011	45
D1582620	GEAR:IDLER:MANUAL FEED:BASE	U011	46
D1582626	GUIDE PLATE:MANUAL FEED UNIT:UPPER	U011	47
D1582630	DECAL:MANUAL FEED:INKJET	U011	48
D1582632	DECAL:SIDE FENCE:MANUAL FEED	U011	49
D1582633	DECAL:CAUTION:CAM:MANUAL FEED	U011	50

Number	Part Name	Group	ID
D1582634	MANUAL FEED TABLE:ASS'Y	U011_S002	51
D1582637	COVER:PAPER:TRAILING EDGE	U011_S002	52
D1582651	DECAL:SCALE:MANUAL FEED	U011	53
D1582665	LINK:DUPLEX:ASS'Y	U011	54
D1582696	LINK:MANUAL FEED TABLE:FRONT	U011	55
D1582697	LINK:MANUAL FEED TABLE:REAR	U011	56
D1582722	GEAR:CAM:LEFT REAR	U011	57
D1582725	FEELER:MANUAL FEED	U011	58
D1582736	COVER:MANUAL FEED TABLE	U011_S002	59
D1582744	BASE:MANUAL FEED TABLE:ASS'Y	U011_S002_S001	60
D1582748	SIDE FENCE:FRONT	U011_S002	61
D1582749	SIDE FENCE:REAR	U011_S002	62
D1582750	RAIL:PAPER FEED:RIGHT	U005	81
D1582752	BALIN SHAFT BEARING:PRESSURE:FRONT	U005	82
D1582753	PLAIN SHAFT BEARING:PRESSURE:REAR	U005	83
D1582758	RAIL:PAPER FEED:LEFT	U005	84
D1582759	STOPPER:RAIL:LEFT	U005	85
D1582766	GUIDE PLATE:TRANSPORT ROLLER:CONNECTING	U005	86
D1582776	GUIDE:VERTICAL TRANSPORT:NO.2	U005	87
D1582786	SHAFT:DRIVE:MANUAL FEED UNIT	U011	63
D1582789	GEAR:CAM:RIGHT REAR	U011	64
D1582790	GEAR:FEELER:LEFT	U011	65
D1582791	TORSION SPRING:PAPER END SENSOR	U011	66
D1582796	SHAFT:CAM:ASS'Y	U011	67
D1582798	GUIDE PLATE:CONNECTING:BACK	U005	88
D1582820	DECAL:PAPER SET DIRECTION	U005_S001	89
		U005_S002	89
D1582833	TRANSPORT ROLLER	U005	90
D1582854	SPACER:REGISTRATION GUIDE	U005	91
D1582868	GUIDE PLATE:REGISTRATION:DRIVE	U005	92

Exclusive Parts

Number	Part Name	Group	ID
	VE		
D1582869	GUIDE:REGISTRATION	U005	93
D1582872	GUIDE PLATE:REGISTRATION:DRIVE	U005	94
D1582876	SPRING PLATE:EARTH:REGISTRATION	U005	95
D1582879	KNOB:REGISTRATION ROLLER	U005	96
D1582885	REGISTRATION ROLLER:DRIVE	U005	97
D1582891	PLAIN SHAFT BEARING:DIA8:18	U005	98
D1582991	TORSION SPRING:EXIT:GUIDE PLATE	U005	99
D1583032	TONER SUPPLY UNIT:C4:ASS'Y	U006_S001	6
D1583052	DEVELOPMENT ROLLER:ASS'Y	U007_S001_S001	32
D1583159	CASE:DEVELOPMENT ROLLER:ASS'Y	U007_S001	33
D1583170	CASE:DEVELOPMENT:SUB-ASS'Y	U007_S001_S002	34
D1583310	DC MOTOR:TONER BOTTLE:2.52W:BRUSH	U006	7
D1583381	COVER:TONER BOTTLE:C4:ASS'Y	U006_S001	8
D1583390	DENSITY SENSOR:C4:ASS'Y	U007_S001	35
D1583804	TRANSFER UNIT	U008_S001	13
D1583820	TRANSFER ROLLER:ASS'Y	U008_S001	14
D1583858	GUIDE PLATE:TRANSFER:FRONT	U008_S001	15
D1583859	GUIDE PLATE:TRANSFER:UPPER	U008_S001	16
D1583890	ELECTRODE PLATE:SEPARATION	U008_S001	17
D1584003	FUSING UNIT:NA:ASS'Y	U009_S001	23
D1584088	DECAL:FUSING:H-TEMP WARNING	U009_S001	24
D1584090	HOLDER:HEATER:FRONT	U009_S001	25
D1584091	HOLDER:HEATER:REAR	U009_S001	26
D1584102	GUIDE PLATE:FUSING EXIT	U009_S001	27
D1584107	GUIDE PLATE:FUSING EXIT:OPEN AND CLOSE	U009_S001	28
D1584109	DECAL:FUSING:GRIP	U009_S001	29
D1584111	ELECTRODE PLATE:FRONT	U009_S001	30
D1584112	ELECTRODE PLATE:MIDDLE	U009_S001	31
D1584114	ELECTRODE PLATE:REAR	U009_S001	32
D1584120	THERMOSTAT:ASS'Y	U009_S001	33

Number	Part Name	Group	ID
D1584174	PLAIN SHAFT BEARING:PRESSURE ROLLER	U009_S001	34
D1584210	HEATER:120V:600W:INFRARED	U009_S001	35
D1584215	HEATER:120V:650W:INFRARED	U009_S001	36
D1584451	ROLLER:TURN:PAPER EXIT SUB-UNIT	U010	22
D1584460	GROUND PLATE:FUSING:DISCHARGE BRUSH:MAIN	U009	37
D1584461	DISCHARGE BRUSH:EXIT	U001	6
D1584464	SHEET:DISCHARGE BRUSH:EXIT	U001	7
D1584603	COMPRESSION SPRING:VERTICAL TRANSPORT	U011	68
D1584611	COVER:DUPLEX	U011	69
D1584651	LEVER:DOOR	U011	70
D1584653	INNER COVER:DUPLEX:REAR:LEFT	U011	71
D1584661	INNER COVER:DUPLEX:REAR	U011	72
D1584662	GUIDE PLATE:VERTICAL TRANSPORT	U011	73
D1584664	INNER COVER:GRIP:FRONT:DUPLEX	ACCESSORIES	3
D1584668	PLAIN SHAFT BEARING:DIA4:VERTICAL TRANSPORT	U011	74
D1584672	INNER COVER:GRIP:REAR:DUPLEX	ACCESSORIES	4
D1584714	GEAR:INPUT:MANUAL FEED	U011	75
D1585899	COVER:COVER:REAR	U001	8
D1589640	DEVELOPER:K	ACCESSORIES	5
D1591251	COVER:UPPER:EXIT	U001	9
D1591252	INNER COVER:FRONT	U001	10
D1591253	COVER:DOOR	U001	11
D1591255	WINDOW:FAN	U001	12
D1591258	COVER:MIDDLE REAR	U001	13
D1591260	COVER:POWER SUPPLY CORD	U001	14
D1601254	COVER:LEFT:BL	U001	15
D1601259	COVER:FRONT UPPER	U001	16
D1601263	COVER:REAR UPPER	U001	17
D1601265	COVER:SCANNER:RIGHT	U001	18

Exclusive Parts

Number	Part Name	Group	ID
D1601266	COVER:SCANNER:LEFT	U001	19
D1601280	DECAL:CAUTION:ORIGINAL:ENGLISH	ACCESSORIES	6
D1601457	KEYTOP:MIDDLE LOWER	U002_S001	1
D1601458	KEYTOP:CURSOR	U002_S001	2
D1601459	KEYTOP:10KEY:A:NA	U002_S001	3
D1601460	KEYTOP:10KEY:B:NA	U002_S001	4
D1601463	KEYTOP:START	U002_S001	5
D1601464	KEYTOP:POWER SOURCE	U002_S001	6
D1601625	SCANNER:NA/EU/AP:ASS'Y	U003_S001	6
D1601631	COVER:SCANNER:FRONT	U001	20
D1601760	SYNCHRONOUS BELT:S2M	U003_S001	7
D1601783	CONTACT IMAGE SENSOR:A3:ASS'Y	U003_S001	8
D1601787	COIL SPRING:TENSION:15	U003_S001	9
D1601802	COVER:HARNESS:SUB SCANNING	U003_S001	10
D1601803	COVER:HARNESS:MAIN SCANNING	U003_S001	11
D1601807	GEAR:TIMING PULLEY:81-18	U003_S001	12
D1601808	GEAR:SLOW DOWN:53-19	U003_S001	13
D1601825	EXPOSURE GLASS UNIT:SCANNER:ASS'Y	U003_S001	14
D1602824	DECAL:PAPER:MULTI-LANGUAGE	ACCESSORIES	7
D1701250	COVER:EXIT	U001	21
D1701268	COVER:CTL	U001	22
D1701401	OPERATION PANEL:D170:NA/AP:ASS'Y	U002_S001	7
D1701456	KEYTOP:FUNCTION:D170	U002_S001	8
D1704640	GUIDE PLATE:DUPLEX:DRIVEN:ASS'Y	U011	76
D1704670	GUIDE PLATE:EXIT:RIGHT LOWER:ASS'Y	U011_S003	77
D1704691	DECAL:PICK-UP PAPER JAM:ONE SIDE	U011_S003	78
D1705011	PCB:BICU:ASS'Y	U013	12
D1706648	MODEL NAME PLATE:MP2001	ACCESSORIES	8
D8490150	PCU:EXP	U007_S001	36
D8498203	SPECIAL TOOL:SOFTWARE UPGR	SPECIAL TOOLS	6

Number	Part Name	Group	ID
	ADE:ASS'Y		
G0203334	SLIDER ASS'Y	U006_S001	9
G0219350	Loop-Back Connector Parallel	SPECIAL TOOLS	7
G0294140	EXTERNAL CIRCLIP	U009_S001	38
G0302670	FRICTION PAD	U011_S001	79
G0524618	BEARING 30X42X7	U009_S001	39
G0524873	OUTER EXIT COVER ROLLER	U010	23
G0702710	PAPER SIZE SENSOR LINK	U005_S001	100
		U005_S002	100
G3615570	PHOTOINTERRUPTOR - DUPLEX	U010	24
GW010011	ORIGINAL SENSOR:31MM	U003_S001	15
GX645734	FAN MOTOR:MM80 DC24V 3.12W	U014	43

Standard Parts



03130060N
SCREW - M3X6



03530030N
SCREW:M3X3



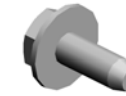
03530060N
BIND SCREW - M3X6



03603006N
SCREW - M3X6



04503008N
TAPPING SCREW - M3X8



04503010N
TAPPING SCREW - M3X10



04503012N
TAPPING SCREW:3X12



04503035N
TAPPING SCREW:3X35



04504008N
TAPPING SCREW - M4X8



04504010N
TAPPING SCREW:M4X10



04513006N
TAPPING SCREW - 3X6



04513008N
TAPPING SCREW - M3X8



04513030N
TAPPING SCREW:3X30



04523008N
TAPPING SCREW - M3X8



04543006Q
TAPPING SCREW - M3X6



04543008Q
TAPPING SCREW:3X8



04583008N
HEXAGON HEAD TAPPING S
CREW:3X8



06230140E
SPRING PIN - 3X14MM



07200040E
RETAINING RING - M4



08046123
HEXAGONAL BOLT:W/WASH
ER:M3X8



08050088
RETAINING RING - M6



08050089
RETAINING RING - M4



08050097
RING SEPARATOR



09543010N
SCREW:POLISHED ROUND/
SPRING:M3X10



09544010N
SCREW:POLISHED ROUND/
SPRING:M4X10



11050509
SPACER:CARD:KGPS-10RF



11050551
CLAMP:LES-0505



11050623
CLAMP - LBWS-0206S-V0

Standard Parts



11050637
HARNES CLAMP - KGLS-10
RT(V0)



11050692
CLAMP:LES-0503



11050723
CLAMPS:WES-0507



11050724
CLAMPS:WES-1210



11050759
CLAMP:LWSM-0605A



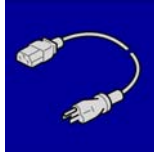
11050760
CLAMP:LWSM-0511A



11050761
CLAMP:LWS-0511A



11050762
CLAMP:LWS-0711A



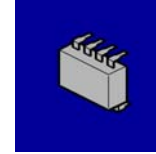
11500427
POWER SUPPLY CODE:125V
:15A:NA



12042612
MICRO SWITCH:D3V-16506-3



12042918
SWITCH:SDDJE30100:10A
C25



14077818
RAM:FM1608B-PG(REV.AA)

PM Part List

Number	Part Name	Num	Group	ID
AD027018	ROLLER:CHARGE:A3	1	U007_S001	8
AD042058	CHARGE CLEANER BRUSH ROLLER	1	U007_S001	9
AD042083	BLADE:CLEANING:ASS'Y	1	U007_S001	10
AE011140	HOT ROLLER:DIA30	1	U009_S001	11
AE020213	PRESSURE ROLLER:MM25	1	U009_S001	12
AE044090	STRIPPER PAWLS	5	U009_S001	13
AF031084	PAPER FEED ROLLER MM36	2	U005_S001	30
			U005_S002	30
B0392335	PICKOFF PAWL	2	U007_S001	22
D1582592	FRICTION PAD:ASS'Y	2	U005_S001_S003	78
			U005_S002_S003	78
D1583820	TRANSFER ROLLER:ASS'Y	1	U008_S001	14
D1584174	PLAIN SHAFT BEARING:PRE SSURE ROLLER	2	U009_S001	34
D1589640	DEVELOPER:K	1	ACCESSORIES	5

