

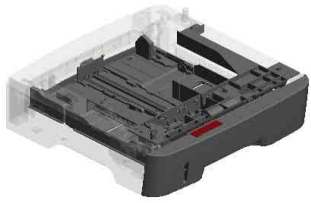
M355 : Paper Feed Unit TK 1080

M355_17

Parts Catalog

Model	Product Code	PC Style
B/W Printer	M016/M017	3D
Paper Feed Unit TK 1080	M335	3D

Unit All



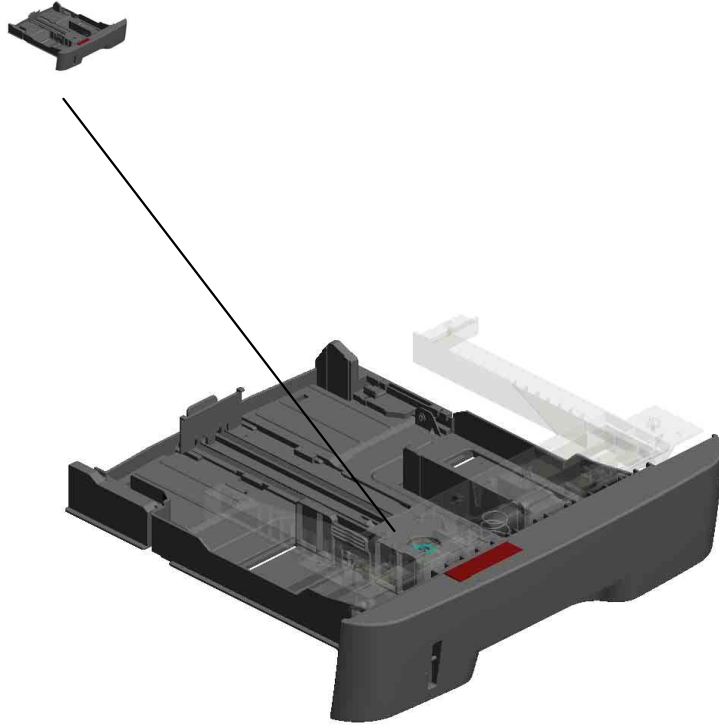
U001
PAPER FEED



U002
MAIN FRAME

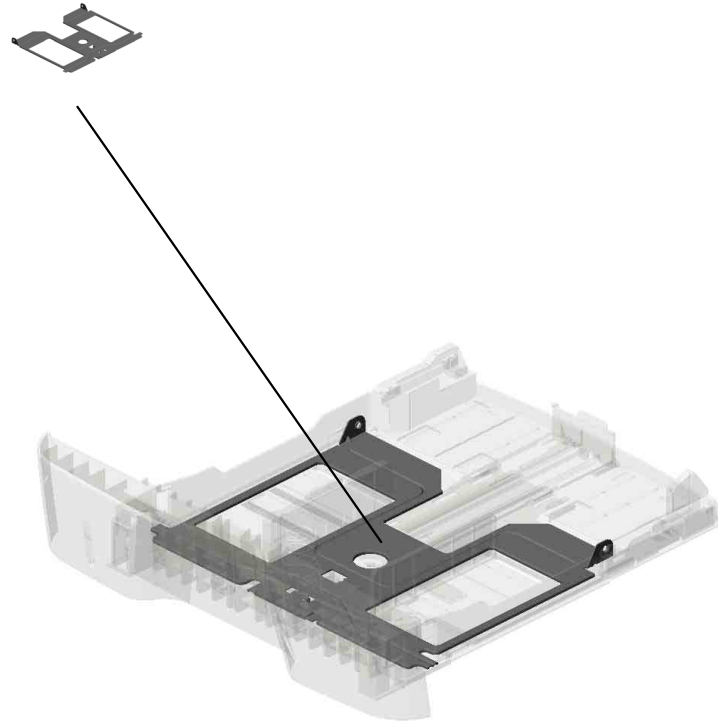
U001.PAPER FEED

U001 S001
M3552501
PAPER TRAY:ASSY



U001_S001.PAPER TRAY:ASS'Y

U001 S001 S001
M0122610
TRAY BOTTOM PLATE



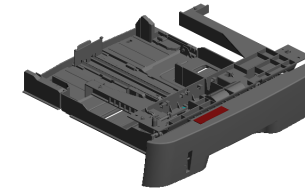
U001 U002

U001 PAPER FEED

22.M0122671
FEELER:PAPER E
ND SENSOR

9.GW020020
(x2)
PHOTOINTERRUP
TOR:LG248NL1

28.M3551140
SHAFT:PAPER FEE
D:ASS'Y



25.M3551114
FEELER:PAPER TR
AY



4.G0205626
PUSH SWITCH



2.04513006N
(x2)
TAPPING SCREW -
3X6



1.04503008N
(x2)
TAPPING SCREW -
M3X8



23.M3551110
FEELER:VERTICAL
TRANSPORT



24.M3551112
SPRING:FEELER:V
ERTICAL TRANSP
ORT



6.G1272627
PAPER FEED ROL
LER - MM32



5.G1272575
(x2)
BUSHING - 6X10X6

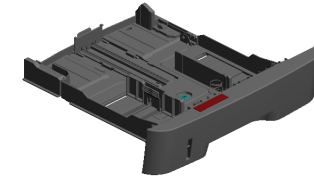


3.08050089
(x2)
RETAINING RING -
M4



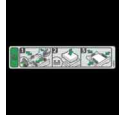
U001_S001
PAPER TRAY:ASS'Y

- | | | | |
|--|--------------------------------------|---|--------------------------------|
| 18.M0122613
COMPRESSION SPRING:SEPARATION | 14.M0122605
FRICTION PAD:ADHESION | 17.M0122612
COMPRESSION SPRING:TRAY BOTTOM PLATE | 11.M0122590
COIL SPRING:EAR |
|--|--------------------------------------|---|--------------------------------|



29.M3552501
PAPER TRAY:ASS'Y

21.M0122618
DECAL:PAPER TRAY:FRONT



27.M3551139
LEVER:PAPER VOLUME SENSOR



26.M3551138
COVER:FRONT



13.M0122604
SPRING:RELEASE:TRAY BOTTOM PLATE



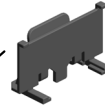
7.G8003133
SIDE FENCE GEAR



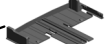
12.M0122603
STOPPER:BASE PLATE



15.M0122608
END FENCE



10.M0122589
PAPER TRAY:REAR



19.M0122614
SIDE FENCE:LEFT

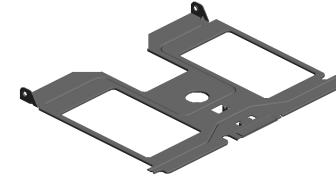
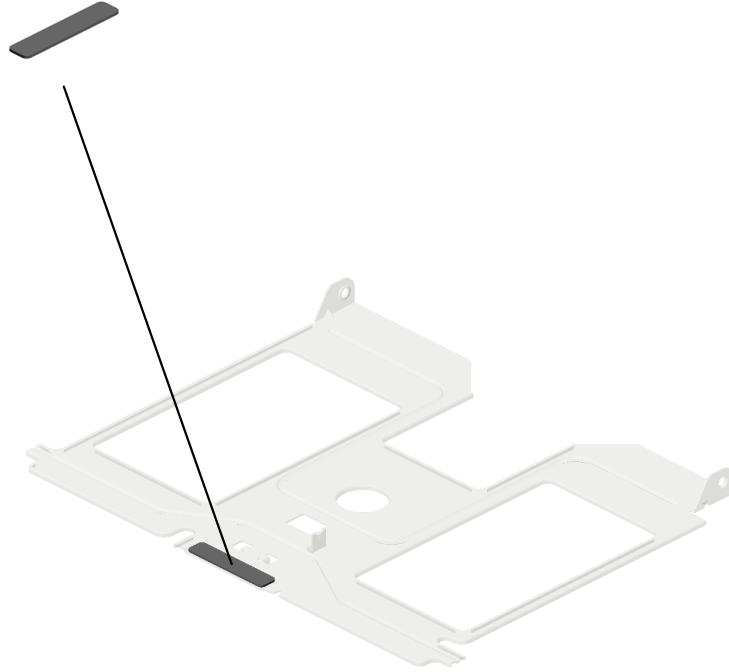


20.M0122615
SIDE FENCE:RIGHT



U001_S001_S001
TRAY BOTTOM PLATE

8.GF013001
BOTTOM PLATE P
AD



16.M0122610
TRAY BOTTOM PL
ATE

U002 MAIN FRAME

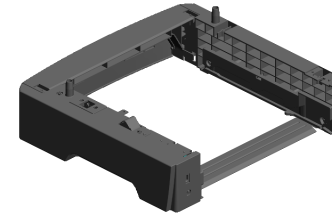
9.M0121370
COVER:REAR LOWER

16.M3551108
COVER:REAR:1

10.M0122672
RAIL:PAPER TRAY: LEFT

8.G3631095
UPPER GROUND PLATE

2.04513006N
(x11)
TAPPING SCREW - 3X6

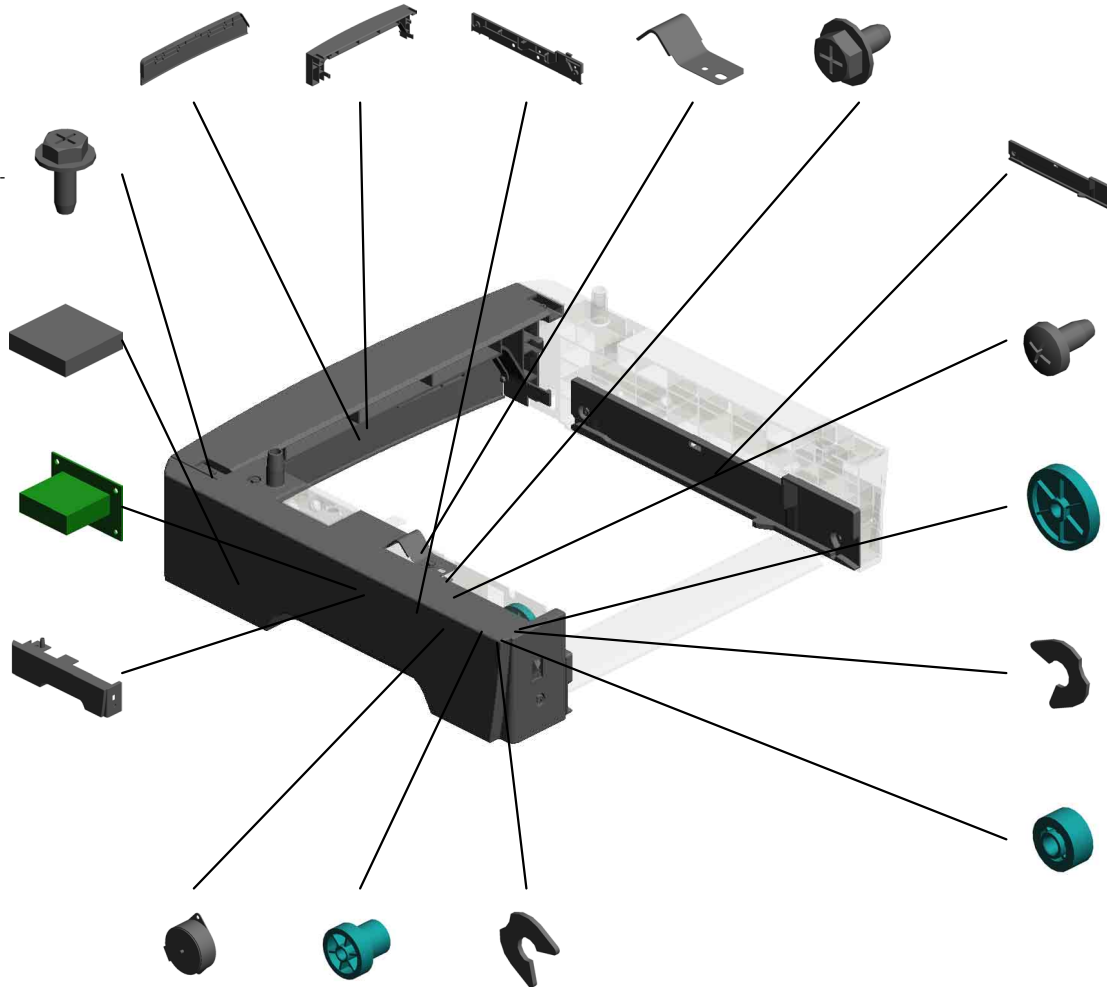


1.04503008N
(x4)
TAPPING SCREW - M3X8

7.G1161052
(x2)
RUBBER FOOT

17.M3555049
PCB:BANK-RP1

15.M3551107
COVER:LEFT



11.M0122673
RAIL:PAPER TRAY: RIGHT

3.04533006N
(x2)
TAPPING SCREW - M3X6

13.M3551102
GEAR:DRIVE:NO.3

4.08050089
RETAINING RING - M4

12.M3551101
GEAR:DRIVE:NO.1

6.AX050265
STEPPER MOTOR: DC24V 7.2W

14.M3551103
GEAR:DRIVE:NO.2

5.08050092
(x2)
RETAINING RING - 3M

Exclusive Parts

Number	Part Name	Group	ID
AX050265	STEPPER MOTOR:DC24V 7.2W	U002	6
G0205626	PUSH SWITCH	U001	4
G1161052	RUBBER FOOT	U002	7
G1272575	BUSHING - 6X10X6	U001	5
G1272627	PAPER FEED ROLLER - MM32	U001	6
G3631095	UPPER GROUND PLATE	U002	8
G8003133	SIDE FENCE GEAR	U001_S001	7
GF013001	BOTTOM PLATE PAD	U001_S001_S001	8
GW020020	PHOTOINTERRUPTOR:LG248NL1	U001	9
M0121370	COVER:REAR LOWER	U002	9
M0122589	PAPER TRAY:REAR	U001_S001	10
M0122590	COIL SPRING:EARTH	U001_S001	11
M0122603	STOPPER:BASE PLATE	U001_S001	12
M0122604	SPRING:RELEASE:TRAY BOTTOM PLATE	U001_S001	13
M0122605	FRICTION PAD:ADHESION	U001_S001	14
M0122608	END FENCE	U001_S001	15
M0122610	TRAY BOTTOM PLATE	U001_S001_S001	16
M0122612	COMPRESSION SPRING:TRAY BOTTOM PLATE	U001_S001	17
M0122613	COMPRESSION SPRING:SEPARATION	U001_S001	18
M0122614	SIDE FENCE:LEFT	U001_S001	19
M0122615	SIDE FENCE:RIGHT	U001_S001	20
M0122618	DECAL:PAPER TRAY:FRONT	U001_S001	21
M0122671	FEELER:PAPER END SENSOR	U001	22
M0122672	RAIL:PAPER TRAY:LEFT	U002	10
M0122673	RAIL:PAPER TRAY:RIGHT	U002	11
M3551101	GEAR:DRIVE:NO.1	U002	12
M3551102	GEAR:DRIVE:NO.3	U002	13
M3551103	GEAR:DRIVE:NO.2	U002	14
M3551107	COVER:LEFT	U002	15
M3551108	COVER:REAR:1	U002	16
M3551110	FEELER:VERTICAL TRANSPORT	U001	23
M3551112	SPRING:FEELER:VERTICAL TRANSPORT	U001	24
M3551114	FEELER:PAPER TRAY	U001	25
M3551138	COVER:FRONT	U001_S001	26

Number	Part Name	Group	ID
M3551139	LEVER:PAPER VOLUME SENSOR	U001_S001	27
M3551140	SHAFT:PAPER FEED:ASS'Y	U001	28
M3552501	PAPER TRAY:ASS'Y	U001_S001	29
M3555049	PCB:BANK-RP1	U002	17

Standard Parts



04503008N
TAPPING SCREW - M3X8



04513006N
TAPPING SCREW - 3X6



04533006N
TAPPING SCREW - M3X6



08050089
RETAINING RING - M4



08050092
RETAINING RING - 3M

