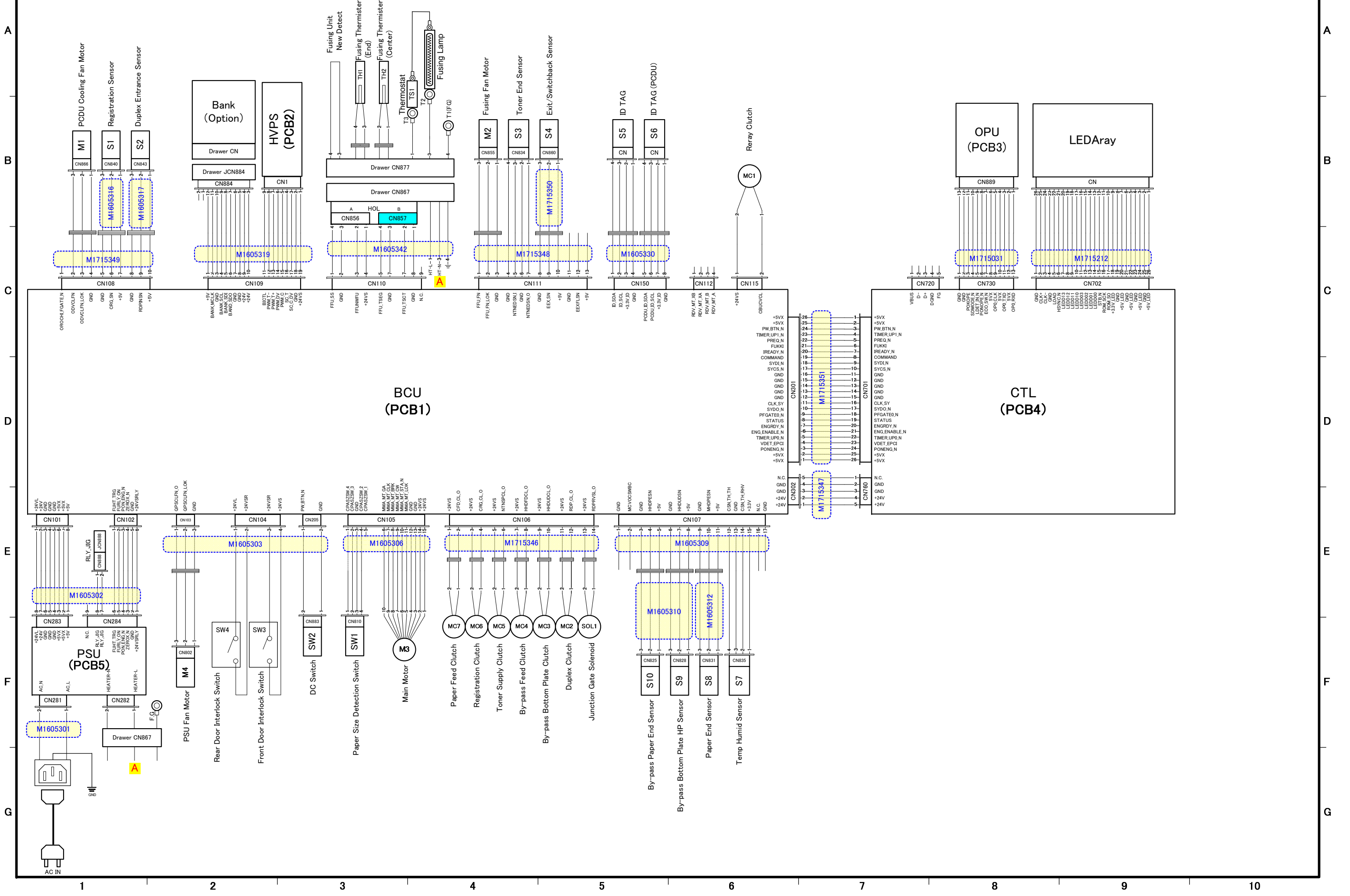
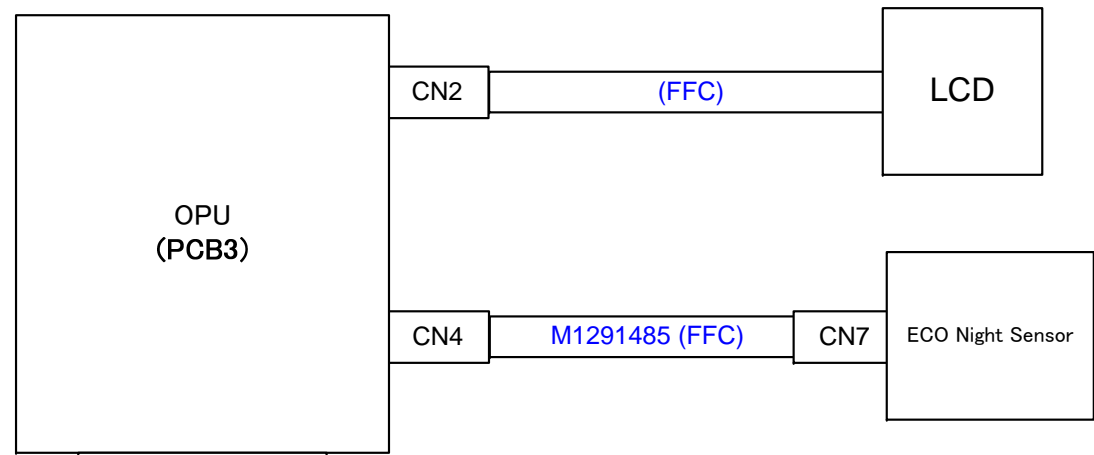


M171 POINT TO POINT DIAGRAM (1 / 2)

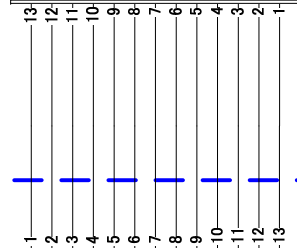


M171 POINT TO POINT DIAGRAM (2 / 2)

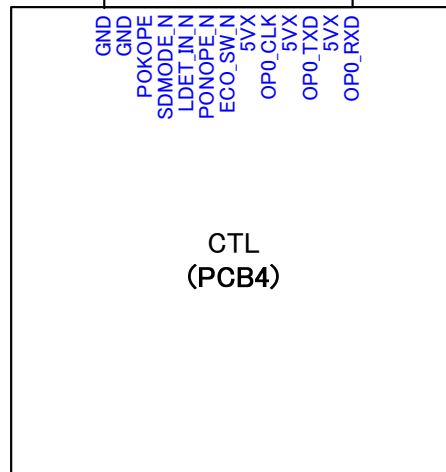
Operation Panel



CN1



CN730



M171 ELECTRICAL COMPONENT LAYOUT

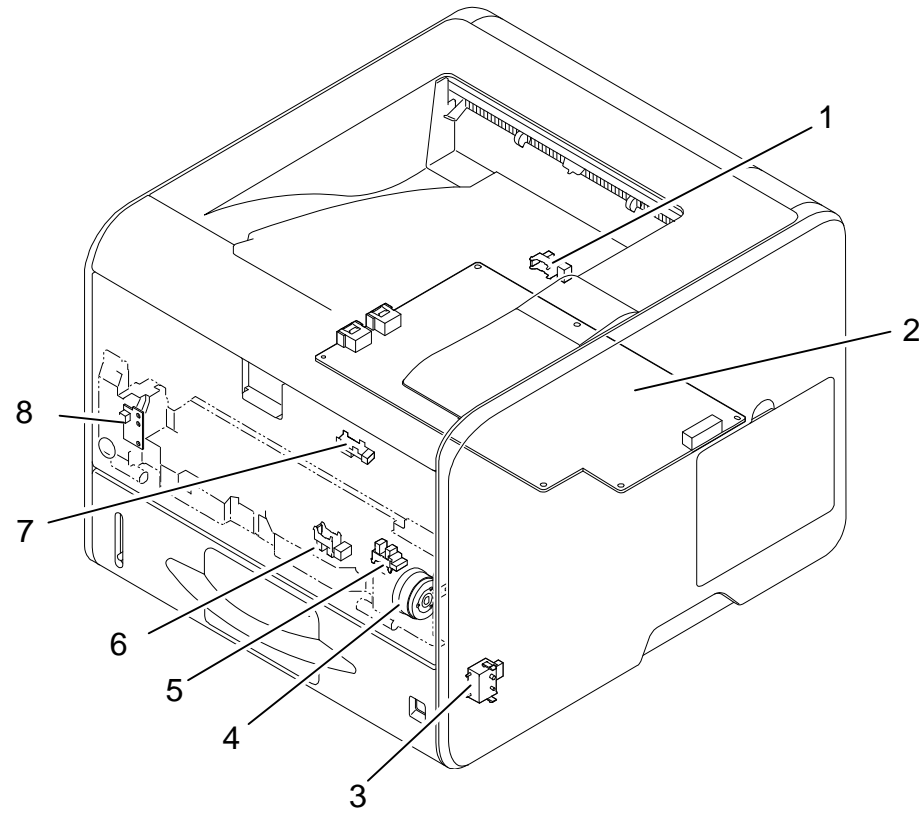


Fig. 1

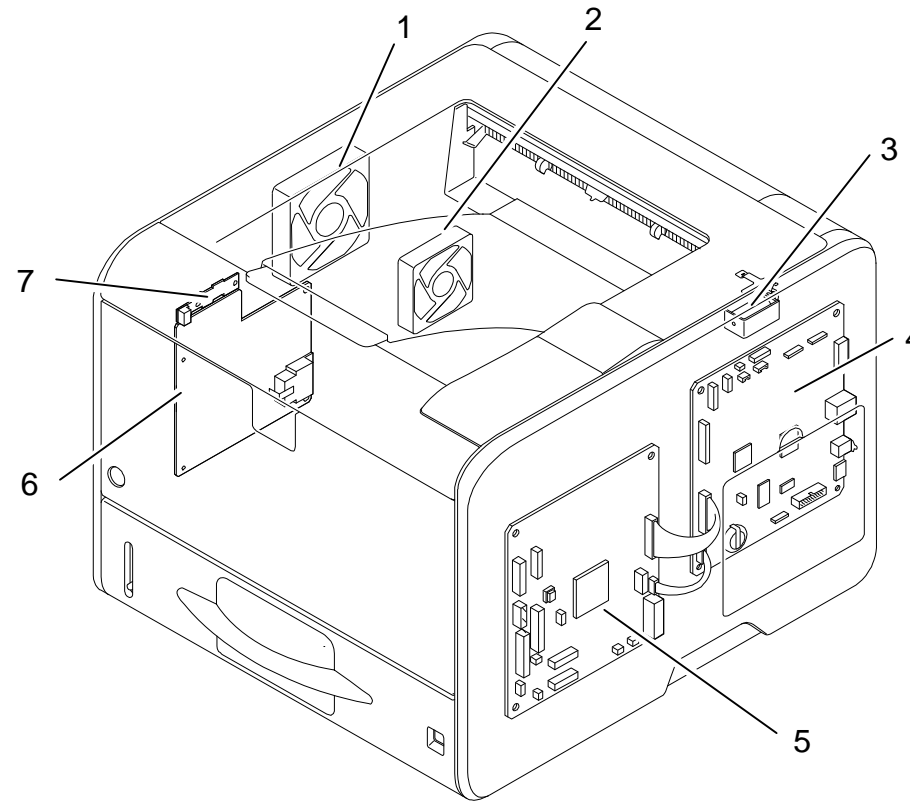


Fig. 2

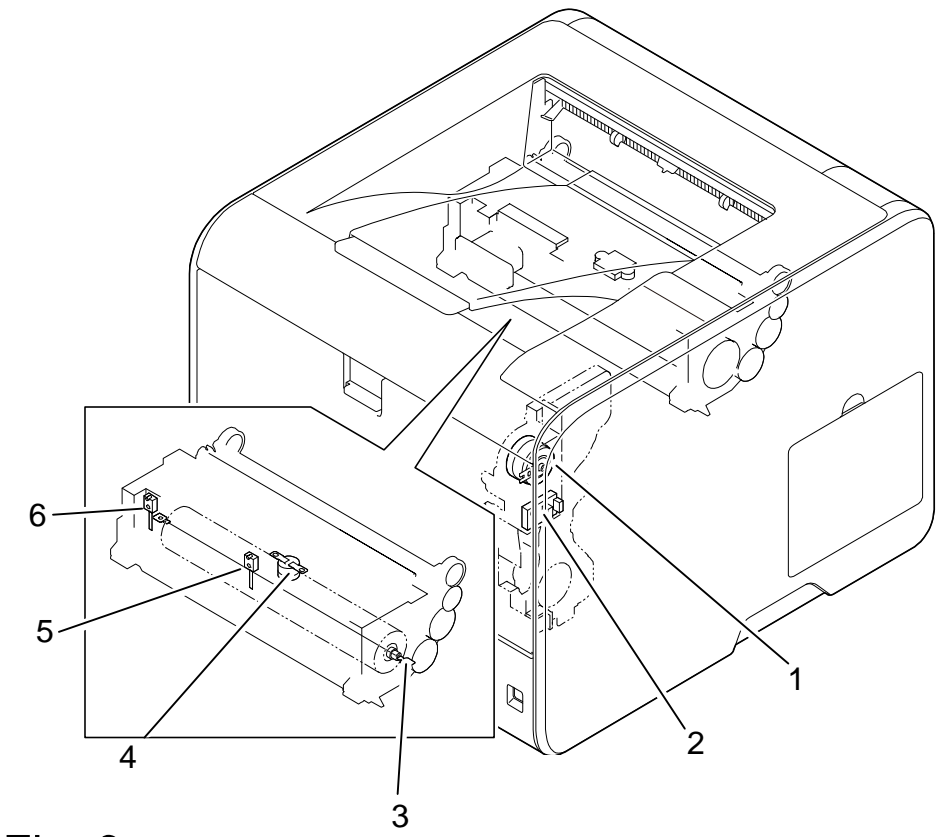


Fig. 3

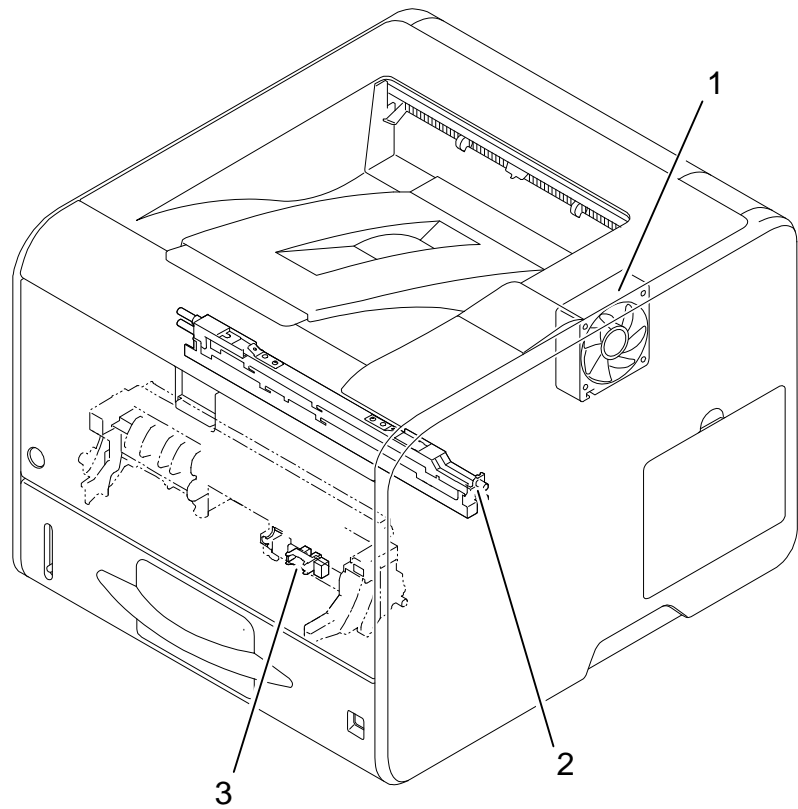


Fig. 4

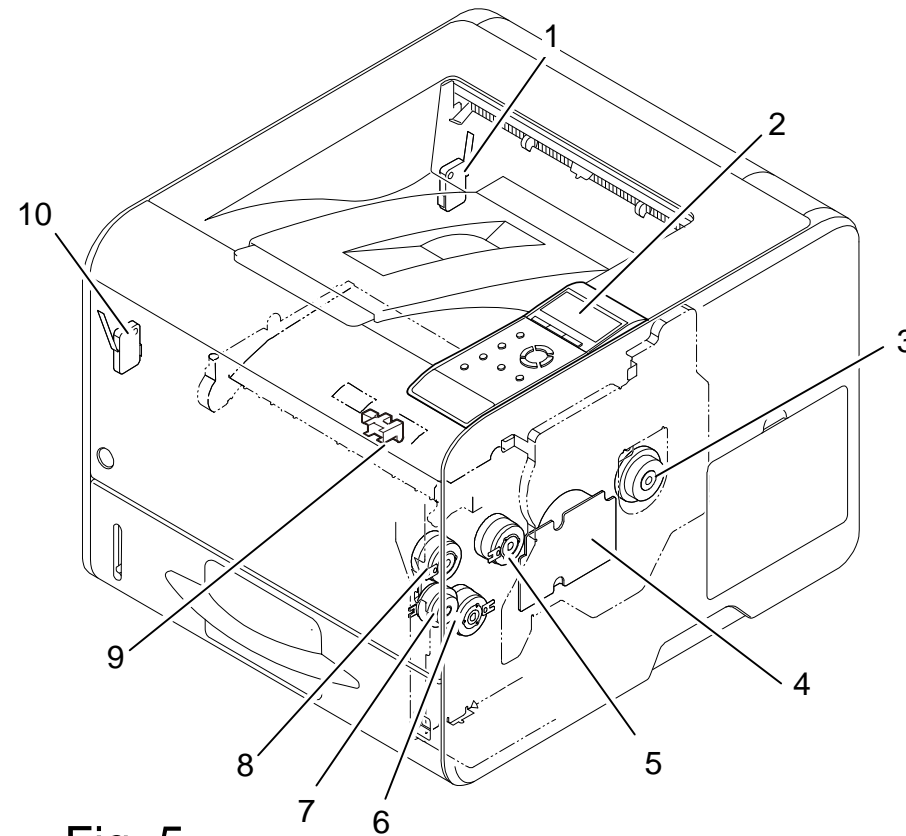


Fig. 5

