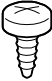
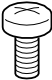





IM C530FB/C530F Paper Feed Unit PB1180 PARTS CATALOG

This catalog gives the numbers and names of parts on this machine.

1. Exterior 1 (IM C530FB)	2P
2. Exterior 2 (IM C530F)	4P
3. Exterior 3 (IM C530FB/C530F)	6P
4. Operation Panel 1 (IM C530FB/C530F)	8P
5. Operation Panel 2 (IM C530FB/C530F)	10P
6. ARDF and Scanner Section (IM C530FB/C530F)	12P
7. Paper Tray (IM C530FB/C530F)	14P
8. By-pass Feed 1 (IM C530FB/C530F)	16P
9. By-pass Feed 2 (IM C530FB/C530F)	18P
10. Paper Registration 1 (IM C530FB/C530F)	20P
11. Paper Registration 2 (IM C530FB/C530F)	22P
12. Toner Supply (IM C530FB/C530F)	24P
13. LED Head (IM C530FB/C530F)	26P
14. PCDU (IM C530FB/C530F)	28P
15. Image Transfer Belt Unit (IM C530FB/C530F)	30P
16. Fusing Drive Section (IM C530FB/C530F)	32P
17. Duplex Section (IM C530FB/C530F)	34P
18. Paper Exit Section (IM C530FB/C530F)	36P
19. Drive Section (IM C530FB/C530F)	38P
20. Electrical Section 1 (IM C530FB/C530F)	40P
21. Electrical Section 2 (IM C530FB/C530F)	42P
22. Electrical Section 3 (IM C530FB)	44P
23. Electrical Section 4 (IM C530F)	46P
24. Electrical Section 5 (IM C530FB/C530F)	48P
25. Electrical Section 6 (IM C530FB/C530F)	50P
26. Paper Feed Unit PB1180 1	52P
27. Paper Feed Unit PB1180 2	54P
28. Paper Feed Unit PB1180 3	56P
Parts Index	58P

Type	Shape	Index No.	Size
Screw for plastic Silver, tapping		ST6	M4 X 10
		ST20	M3 X 8
		ST21	M3 X 10
Screw for metal sheet Silver		SM1	M3 X 4
		SM3	M4 X 6
		SM18	M3 X 6
Screw for metal sheet Silver, with washer and plane washer		SM20	M3 X 8
Screw for metal sheet Silver, with an external tooth washer		SM5	M4 X 6
Ring-E		E2	D4
		E6	D6

Location of Units

Section 4, 5
 Operation Panel 1
 Operation Panel 2
 (IM C530FB/C530F)

Section 13
 LED Head
 (IM C530FB/C530F)

Section 25
 Electrical Section 6
 (IM C530FB/C530F)

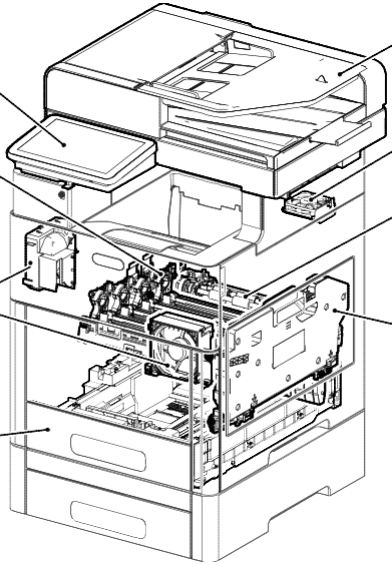
Section 7
 Paper Tray
 (IM C530FB/C530F)

Section 6
 ARDF and Scanner Section
 (IM C530FB/C530F)

Section 25
 Electrical Section 6
 (IM C530FB/C530F)

Section 10, 11
 Paper Registration 1
 Paper Registration 2
 (IM C530FB/C530F)

Section 14
 PCDU
 (IM C530FB/C530F)

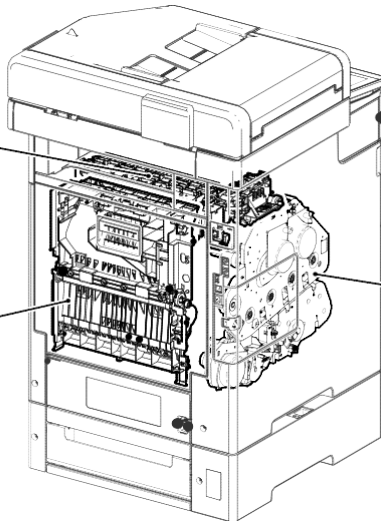


D0CS_L01

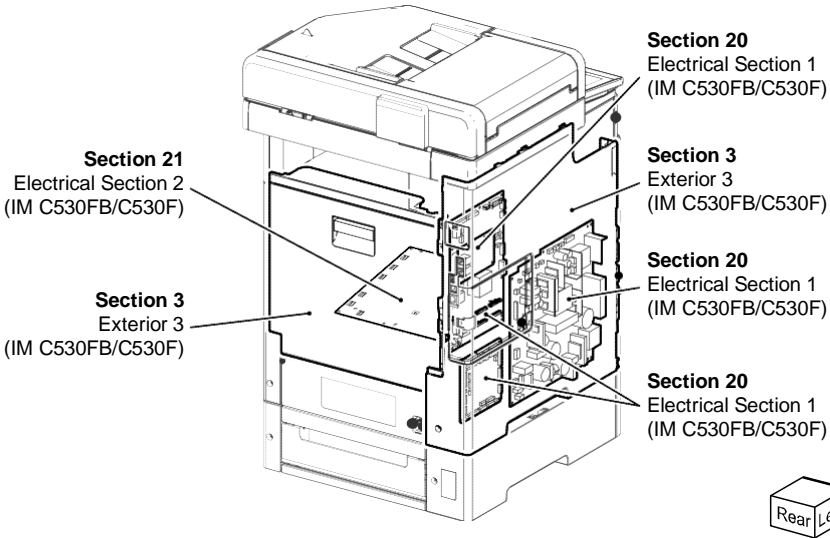
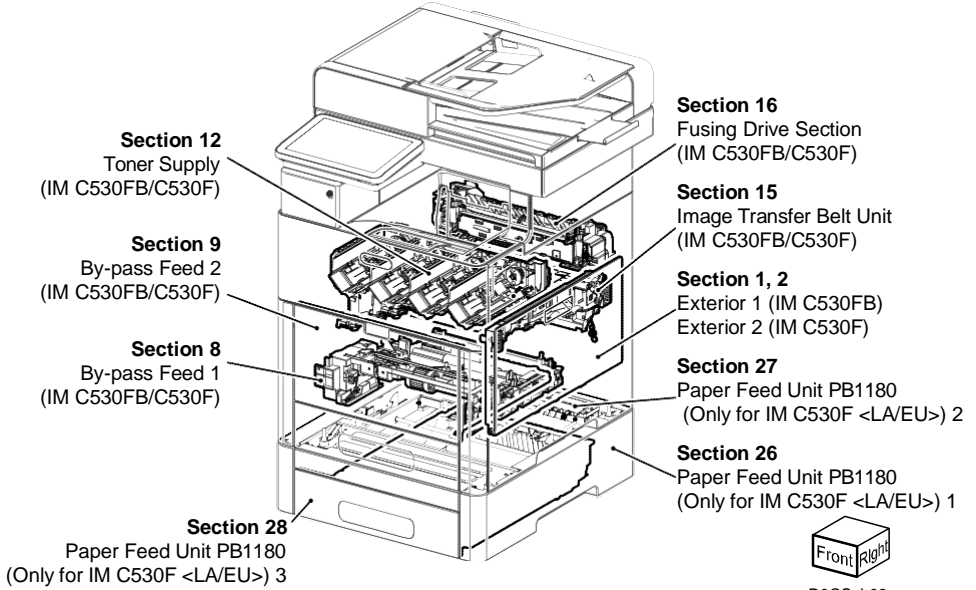
Section 18
 Paper Exit Section
 (IM C530FB/C530F)

Section 17
 Duplex Section
 (IM C530FB/C530F)

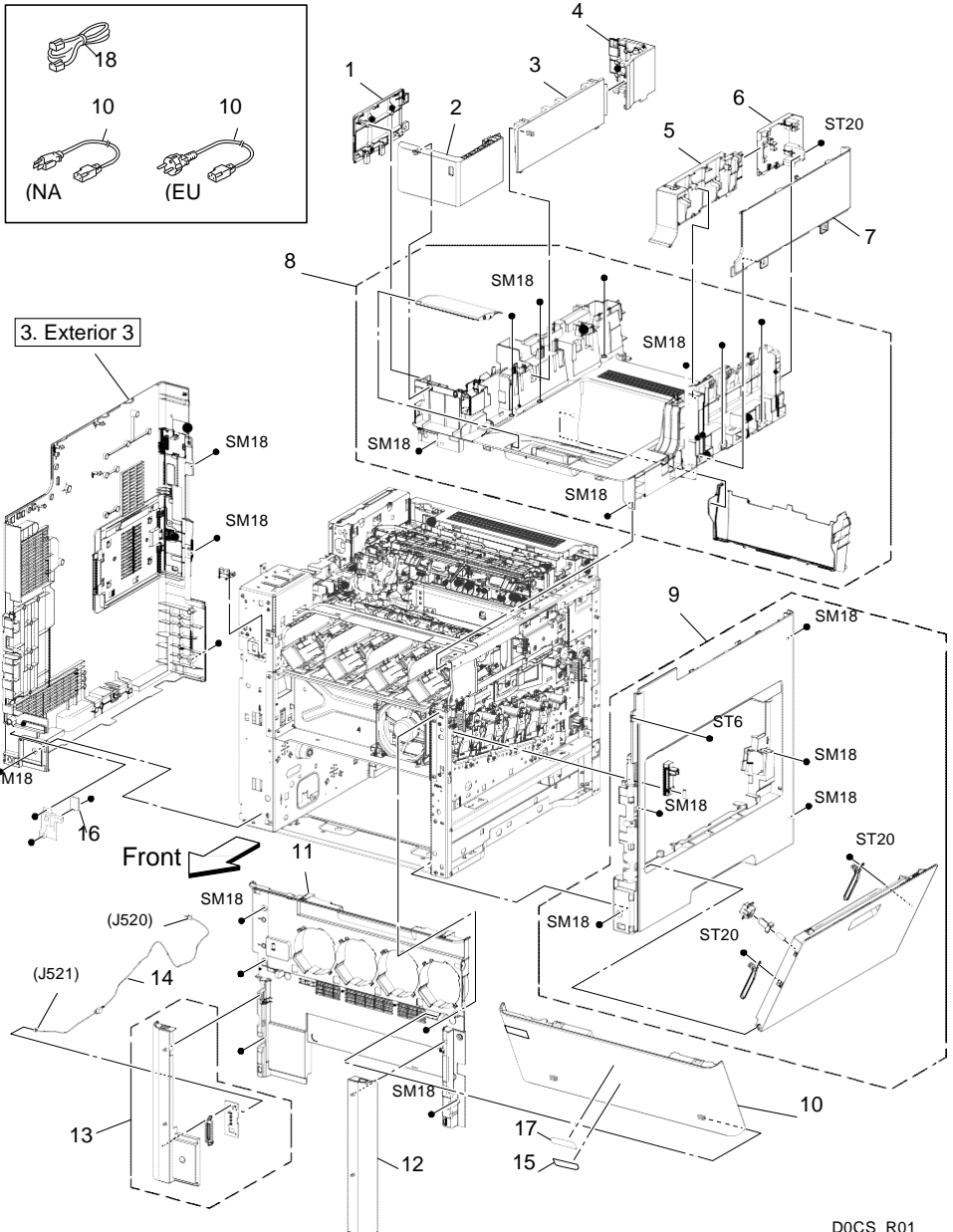
Section 19
 Drive Section
 (IM C530FB/C530F)



Location of Units



1. Exterior 1 (IM C530FB)



D0CS_R01

1. Exterior 1 (IM C530FB)

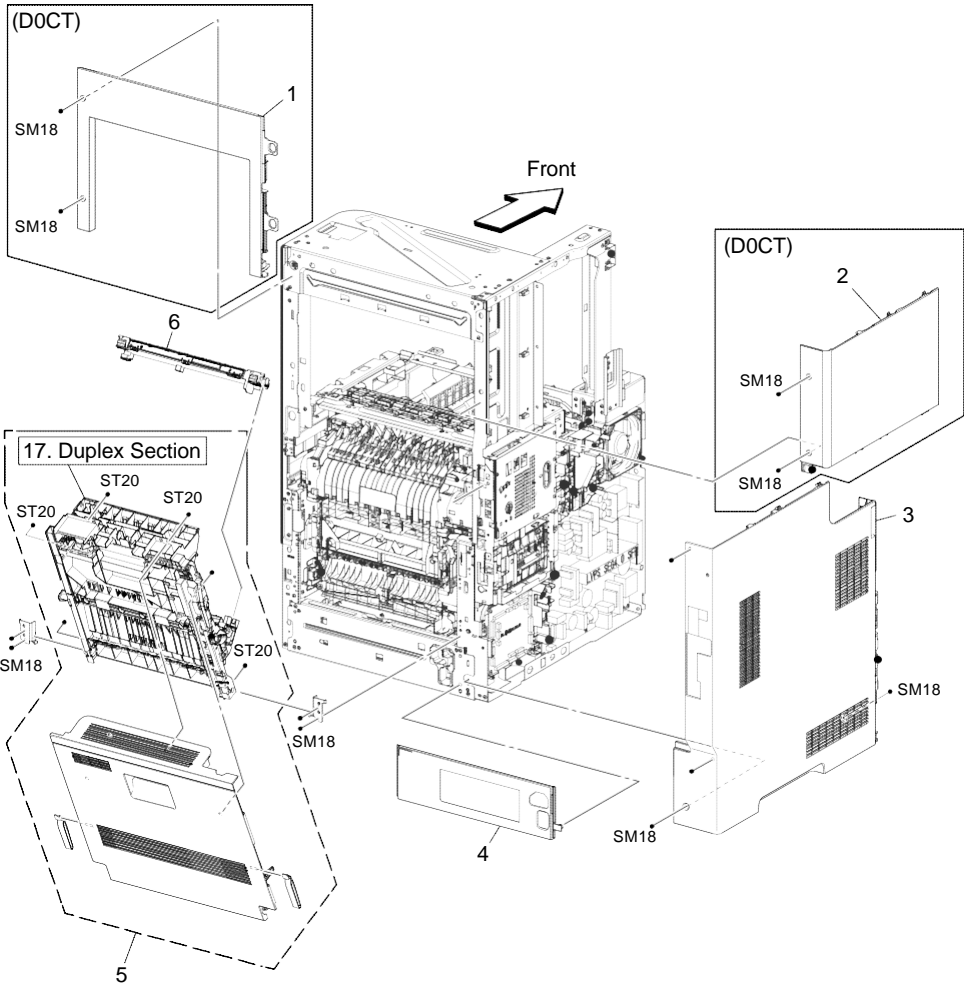
Rev. 12/08/2022

Index No.	Part No.	Description	Q'ty
1	D0CS1318	COVER SCANNER SIDE L (COVER LEFT SUB (IM C530FB))	1
2	D0CS1306	COVER ICCR SHORT (COVER IC-CARD (IM C530FB))	1
3	D0CS1307	COVER SCANNER INNER L (INNER COVER LEFT (IM C530FB))	1
4	D0CS1316	COVER SCANNER INNER L REAR (INNER COVER REAR LEFT (IM C530FB))	1
5	D0CS1309	FULL STUCK FEE (INNER COVER RIGHT (IM C530FB))	1
6	D0CS1319	COVER SCANNER INNER R REAR (INNER COVER REAR RIGHT)	1
7	D0CS1311	COVER SCANNER SIDER (COVER RIGHT UPPER (IM C530FB))	1
8	D0CS1235	COVER ASSY TOP SHORT (COVER TOP (IM C530FB))	1
9	D0CS1230	COVER ASSY SIDER (COVER RIGHT)	1
10	D0CS1225	COVER ASSY TONER (COVER TONER)	1
11	D0CS1320	COVER FRONT INNER (INNER COVER FRONT)	1
12	D0CS1303	COVER FRONT R (COVER FRONT RIGHT)	1
13	D0CS1220	COVER ASSY FRONT L (COVER FRONT LEFT)	1
14	D0CS5979	HARNESS ASSY POWER SWITCH	1
15	D0CS6802	PLATE:NAME PLATE:IM_C530FB	1
16	D2445730	PCB:DCSW (PCB7)	1
17	D0A41301	PLATE:LOGO:RIC	1
18	B7865040	MODULERCORD:6P2C	1
101		POWER SUPPLY CODE:125V:15A:NA	1
102	11500500	POWER SUPPLY CORD:250V:10A:EU:BARCODE	1
ST6	-----	Screw for plastic Silver, tapping (M4 X 10)	
ST20	-----	Screw for plastic Silver, tapping (M3 X 8)	
SM18	-----	Screw for metal sheet Silver (M3 X 6)	

2. Exterior 2 (IM C530F)

Index No.	Part No.	Description	Q'ty
1	D0CT1309	COVER ICCR TALL (COVER IC-CARD (IM C530F))	1
2	D0CT1310	COVER TALL FRONT (COVER FRONT UPPER)	1
3	D0CT1312	COVER TALL SIDE L SUB (COVER LEFT SUB (IM C530F))	1
4	D0CT1308	COVER TALL INNER L (INNER COVER LEFT (IM C530F))	1
5	D0CT1055	FRAME TALL (FRAME)	1
6	D0CT1307	COVER TALL INNER SIDE L (INNER COVER REAR LEFT (IM C530F))	1
7	D0CT1303	COVER TALL TOPEXIT (COVER TOPEXIT)	1
8	D0CT1314	OPTBLIND COVER	1
9	D0CT1235	COVER ASSY TOP TALL (COVER TOP (IM C530F))	1
10	D0CT1302	COVER TALL SIDE R CAP (CAP RIGHT UPPER)	1
11	D0CT1306	COVER TALL INNER R REAR (INNER COVER UPPER)	1
12	D0CT1305	COVER TALL SIDE R (COVER RIGHT UPPER (IM C530F))	1
13	D0CT1304	COVER TALL INNER R (INNER COVER RIGHT (IM C530F))	1
14	D0CS1230	COVER ASSY SIDE R (COVER RIGHT)	1
15	D0CS1225	COVER ASSY TONER (COVER TONER)	1
16	D0CS1320	COVER FRONT INNER (INNER COVER FRONT)	1
17	D0CS1303	COVER FRONT R (COVER FRONT RIGHT)	1
18	D0CS1220	COVER ASSY FRONT L (COVER FRONT LEFT)	1
19	D0CS5979	HARNESS ASSY POWER SWITCH	1
20	D0CT6802	PLATE:NAME PLATE:IM_C530F	1
21	B7865040	MODULERCORD:6P2C	1
22	D0A41301	PLATE:LOGO:RIC	1
23	D2445730	PCB:DCSW(PCB7)	1
101	11500481	POWERSUPPLY CODE:125V:15A:NA	1
102	11500500	POWERSUPPLY CORD:250V:10A:EU:BARCODE	1
ST6	-----	Screw for plastic Silver, tapping (M4 X 10)	
ST20	-----	Screw for plastic Silver, tapping (M3 X 8)	
SM18	-----	Screw for metal sheet Silver (M3 X 6)	

3. Exterior 3 (IM C530FB/C530F)

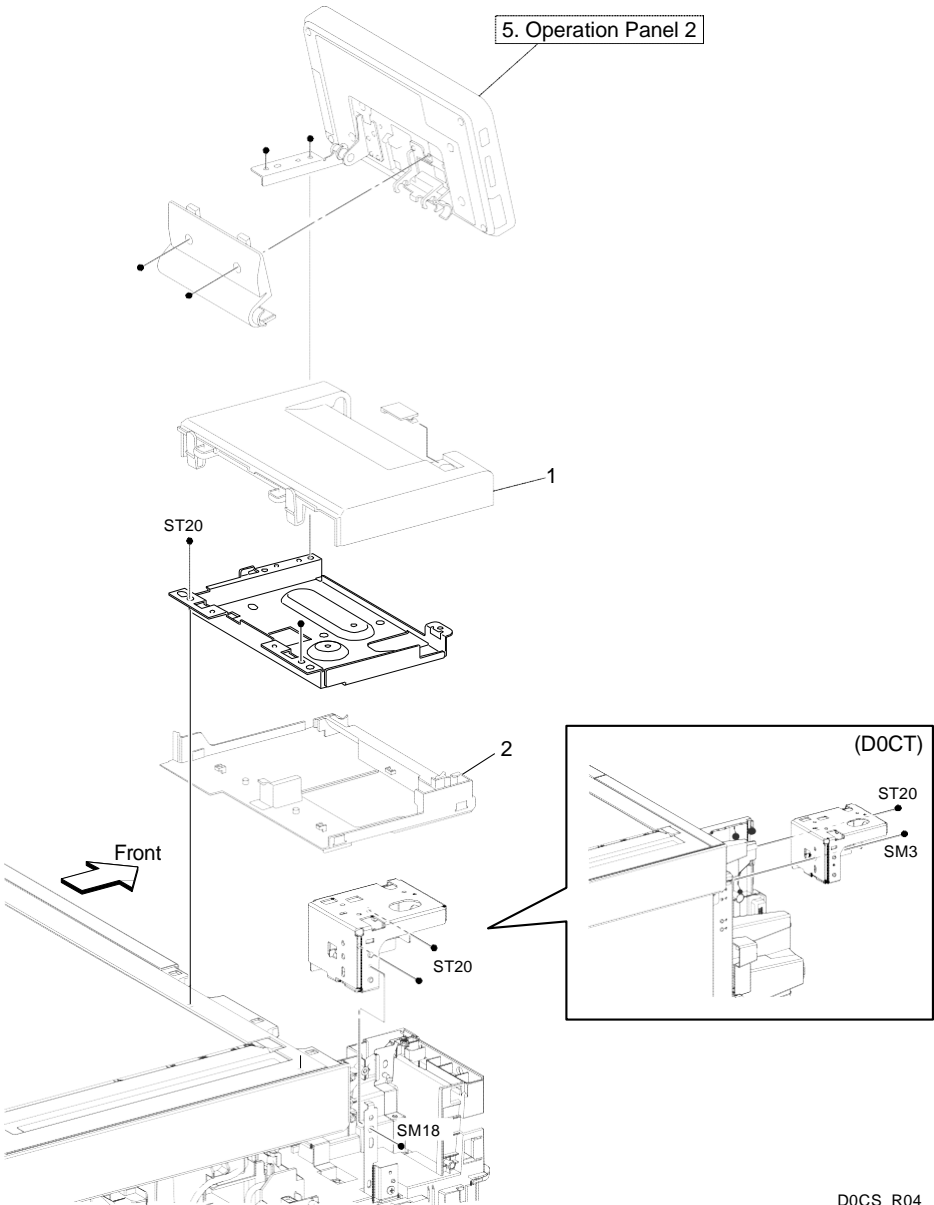


DOCS_R03

3. Exterior 3 (IM C530FB/C530F)

Index No.	Part No.	Description	Q'ty
1	D0CT1311	COVER TALL REAR (COVER REAR UPPER (IM C530F))	1
2	D0CT1313	COVER TALL SIDE L (COVER LEFT UPPER (IM C530F))	1
3	D0CS1315	COVER SIDE L (COVER LEFT)	1
4	D0CS1314	COVER REAR BOTTOM SHORT (COVER REAR BOTTOM (IM C530FB))	1
	D0CT1315	COVER REAR BOTTOM TALL (COVER REAR BOTTOM (IM C530F))	1
5	D0CS1240	COVER ASSY REAR MFP (COVER REAR)	1
6	D0CS6265	2ND BTR ROLL ASSY (PAPER TRANSFER ROLLER UNIT)	1
ST20	-----	Screw for plastic Silver, tapping (M3 X 8)	
SM18	-----	Screw for metal sheet Silver (M3 X 6)	

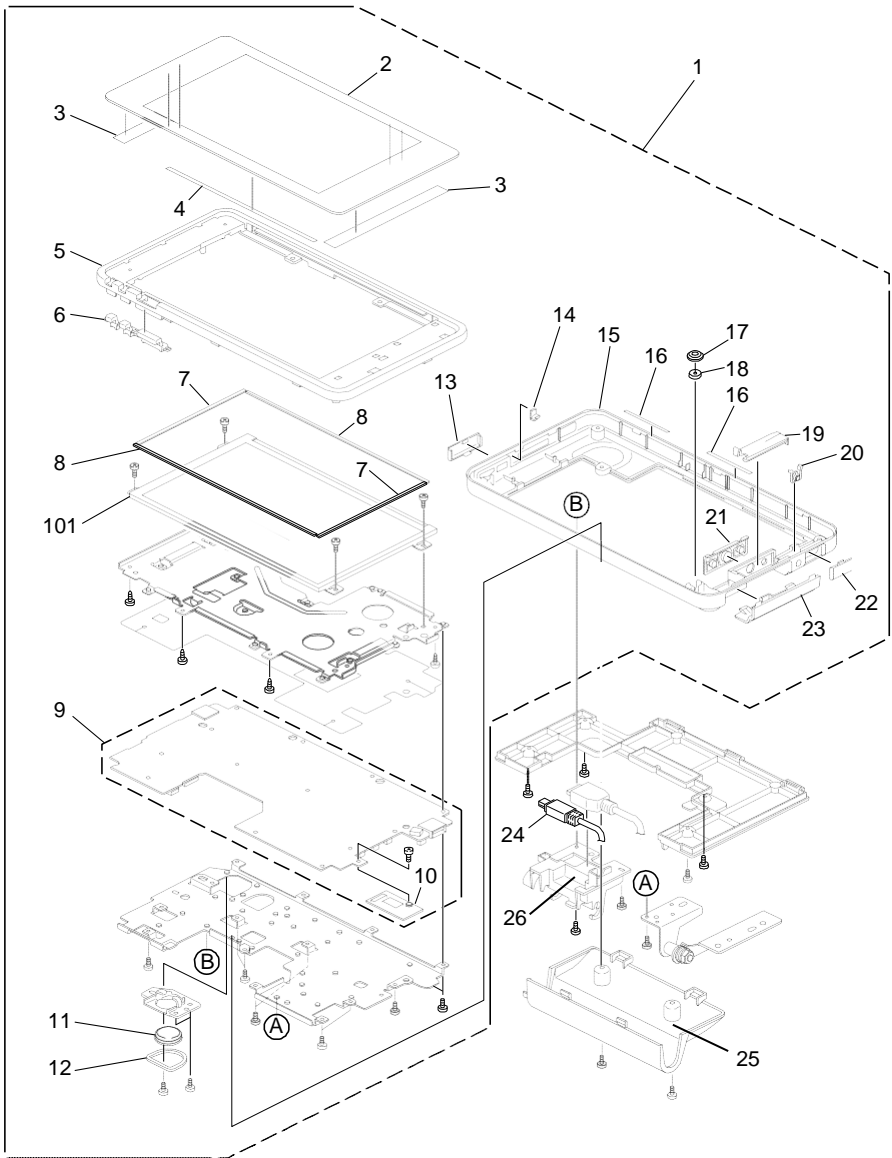
4. Operation Panel 1 (IM C530FB/C530F)



D0CS_R04

4. Operation Panel 1 (IM C530FB/C530F)

Index No.	Part No.	Description	Q'ty
1	D0CS1451	COVER UI UPPER (COVER OPERATION PANEL UPPER)	1
2	D0CS1452	COVER UI LOWER (COVER OPERATION PANEL LOWER)	1
SM3	-----	Screw for metal sheet Silver (M4 X 6)	
ST20	-----	Screw for plastic Silver, tapping (M3 X 8)	

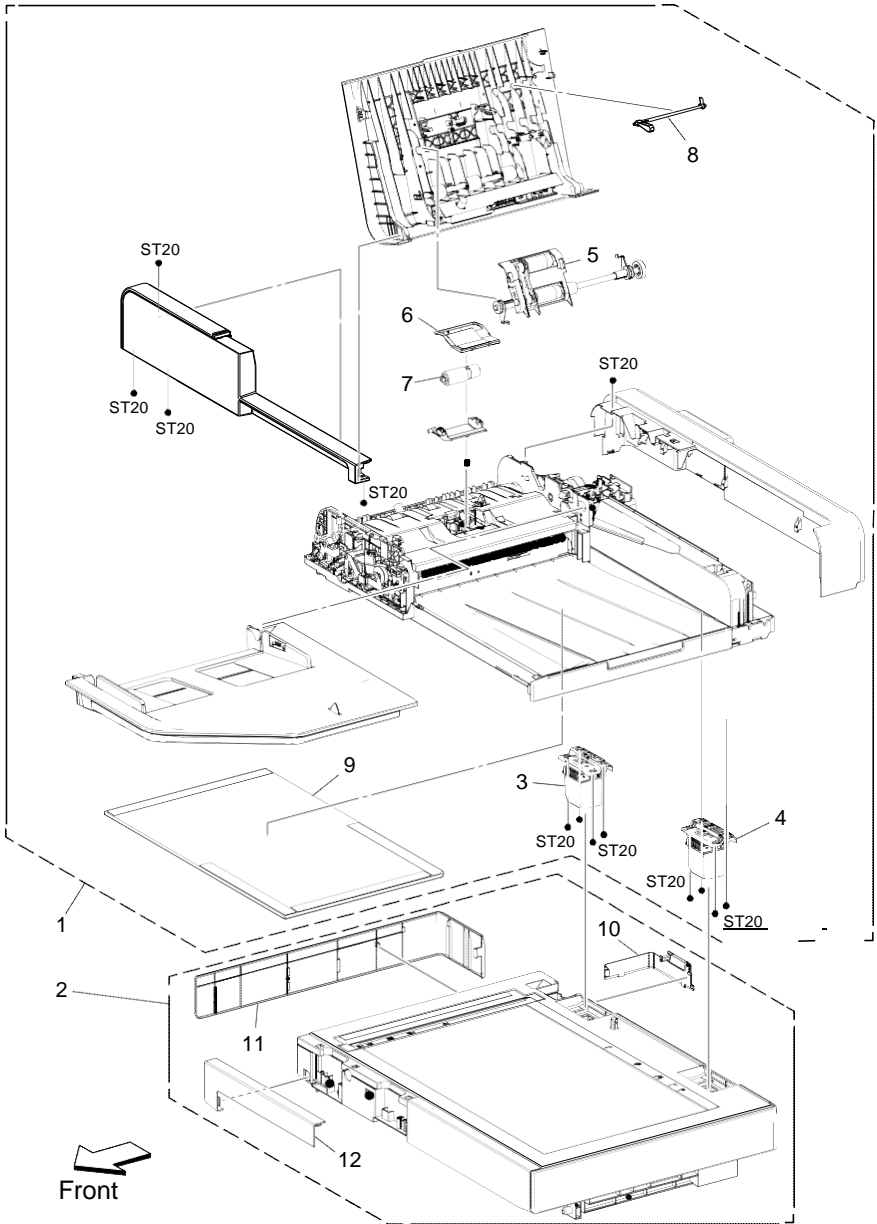


5. Operation Panel 2 (IM C530FB/C530F)

Rev. 07/19/2022

Index No.	Part No.	Description	Q'ty
1	D0CS1408	OPERATION SUB-UNIT:CT-7G2.5:ASS'Y	1
2	18320006	TOUCHPANEL:RTP-7:MV	1
3	D0B41582	DUAL FACES TAPE:TOUCH PANEL	2
4	D0B41581	DUAL FACES TAPE:TOUCH PANEL:SIDE	1
5	D0B41541	COVER:OPERATION SUB-UNIT:FRONT	1
6	D0B41542	LENS:OPERATIONSUB-UNIT:LEFTLOWER	1
7	D0B41583	CUSHION:OPERATIONSUB-UNIT:LIQUIDCRYSTAL:S	2
8	M0B01534	CUSHION:OPERATIONSUB-UNIT:LIQUIDCRYSTAL:L	2
9	D0CS1453	PCB:FA-MF1:7-CHEETAHG2.5:ASS'Y (PCB14)	1
10	D0BQ1420	PCB:W-LAN:TYPE1NX(PCB16)	1
11	D0BQ1432	SPEAKER:CHEETAH-G2.5	1
12	D0B41552	CUSHION:SPEAKER	1
13	D0B41543	COVER:OPERATIONSUB-UNIT:LEFTLOWER	1
14	D0B41540	LENS:OPERATION SUB-UNIT:SD	1
15	D0B41545	COVER:OPERATION SUB-UNIT:REAR	1
16	D0B41584	DUAL FACES TAPE:TOUCH PANEL:UPPER	2
17	E0A01549	CUSHION:MIKE	1
18	D2951554	MIKE:PVM-6018-C402G-7ZZ4	1
19	D0B41546	INNERCOVER:OPERATIONSUB-UNIT	1
20	D0B41549	KEYTOP:OPERATIONSUB-UNIT:RESETSWITCH	1
21	D0B41547	KEYTOP:OPERATION SUB-UNIT:SIDE	1
22	D0B41544	COVER:OPERATIONSUB-UNIT:RIGHTUPPER	1
23	D0B41548	COVER:OPERATION SUB-UNIT:SIDE:SW	1
24	D0CS5960	HARNESS ASSY UI SHORT (HARNESS OPERATION PANEL (IMC530FB))	1
	D0CT5960	HARNESS ASSY UI TALL (HARNESS OPERATION PANEL (IMC530F))	1
25	D0CS1562	COVER:HINGE:REAR	1
26	D0CS1553	GUIDE:OPERATION SUB-UNIT:HARNESS	1
101	18310004	LCD:TFT:WSVGA-7:LED:MV	1

6. ARDF and Scanner Section (IM C530FB/C530F)



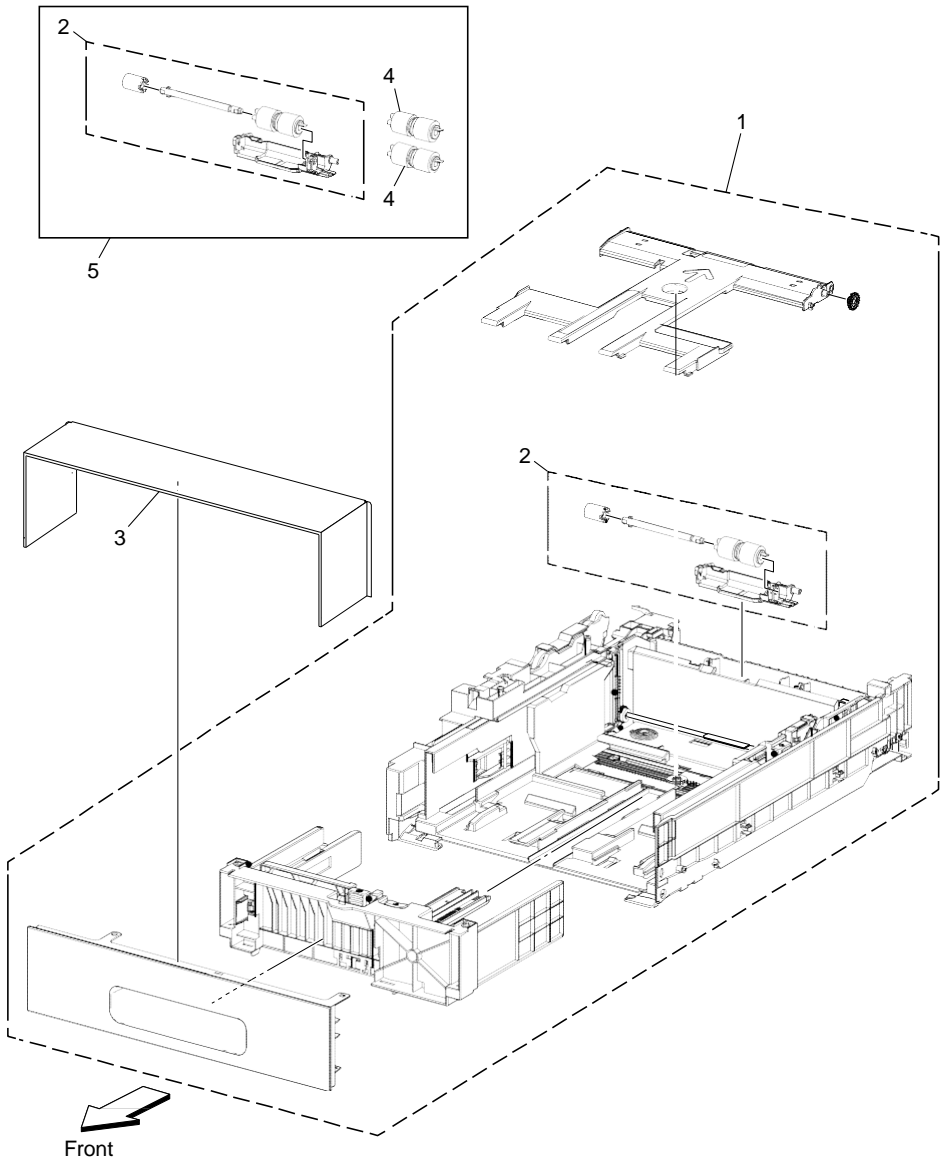
DOCS_R06

6. ARDF and Scanner Section (IM C530FB/C530F)

Rev. 07/09/2021

Index No.	Part No.	Description	Q'ty
1	D0CS6606	DADF ASSY SHORT (SPDF UNIT (IM C530FB)) (M11,CL8,CL9,S17,S18,S19,S20,S21,S22,S23,S24,PCB17)	1
	D0CT6605	DADF ASSY TALL (SPDF UNIT (IM C530F)) (M11,CL8,CL9,S17,S18,S19,S20,S21,S22,S23,S24,PCB17)	1
2	D0CS1605	SCANNER ASSY SHORT (SCANNER UNIT (IM C530FB)) (M10,M11,S13,S14,S15,S16)	1
2	D0CT1605	SCANNER ASSY TALL (SCANNER UNIT (IM C530F)) (M10,M11,S13,S14,S15,S16)	1
3	D0CS6640	COUNTERBALANCE ASSY L (HINGE LEFT)	1
4	D0CS6641	COUNTERBALANCE ASSY R (HINGE RIGHT)	1
5	D0CS6642	FEEDER ROLL DADF (FEEDER ROLLER SPDF)	1
6	D0CS6643	COVER ASSY SEPARATOR	1
7	D0CS6645	ROLL ASSY SEPARATOR DADF (ROLLER ASSY SEPARATOR SPDF)	1
8	D0CS6647	DADF ACTUATOR (SPDF FEELER)	1
9	D0CS6646	CUSION ASSY PLATEN	1
10	D0CS1575	COVER SCANNER LEFT CAP	1
11	D0CS1565	COVER SCANNER LEFT	1
12	D0CS1571	COVER FRONT SCANNER	1
ST20	-----	Screw for plastic Silver, tapping (M3 X 8)	

7. Paper Tray (IM C530FB/C530F)



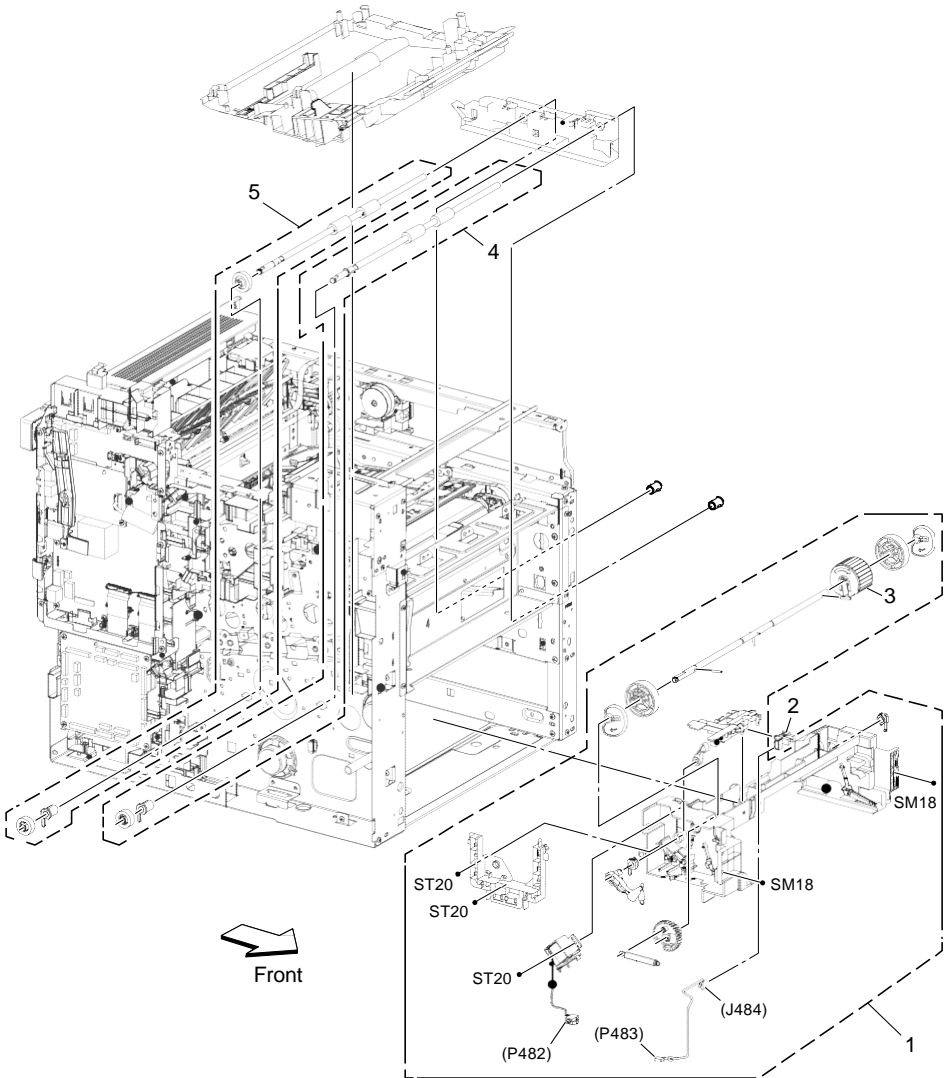
DOCS_R07

7. Paper Tray (IM C530FB/C530F)

Rev. 11/02/2021

Index No.	Part No.	Description	Q'ty
1	D0CS2510	CASSETTE ASSY 550 IOT (CASSETTE ASSY 550)	1
2	D0CS2520	HOLDER ASSY SEPARATOR CST (HOLDER ASSY SEPARATOR CASSETTE)	2
3	D0CS2583	DUST COVER 550	1
4	D0CS2710	ROLL ASSY FEED (PAPER FEED ROLLER)	2
5	See NOTE	FEED AND SEPARATOR ROLL ASSY	1
		D0CS2525 (Feed and Separator Roll Assembly) was discontinued due to a production reason.	
		<p>Note: Please order two D0CS2710 (ROLL ASSY FEED (PAPER FEED ROLLER) and D0CS2520 (HOLDER ASSY SEPARATOR CST (HOLDER ASSY SEPARATOR CASSETTE)) instead of D0CS2525.</p>	

8. By-pass Feed 1 (IM C530FB/C530F)

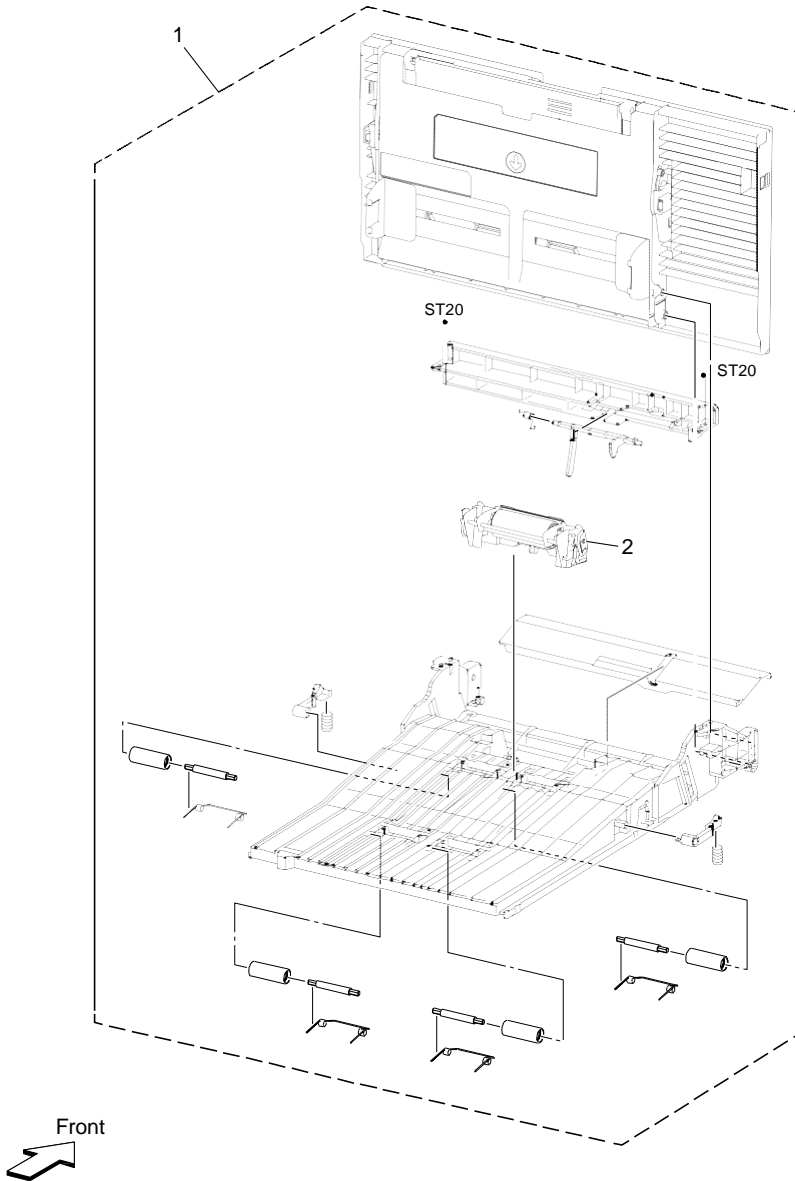


DOCS_R08

8. By-pass Feed 1 (IM C530FB/C530F)

Index No.	Part No.	Description	Q'ty
1	D0CS2540	FRAME ASSY MSI (BYPASS FEEDASSY) (S6,SOL2)	1
2	D0CS5952	SENSOR PHOTO INT (SENSOR PHOTO INTERRUPTOR) (S6)	1
3	D0CS2542	FEEDROLL MSI (FEED ROLLER BYPASS)	1
4	D0CS2544	MSI ROLL ASSY TA 1 (BYPASS TRANSPORT ROLLER 1)	1
5	D0CS2546	MSI ROLL ASSY TA 2 (BYPASS TRANSPORT ROLLER 2)	1
ST20	-----	Screw for plastic Silver, tapping (M3 X 8)	
SM18	-----	Screw for metal sheet Silver (M3 X 6)	

9. By-pass Feed 2 (IM C530FB/C530F)

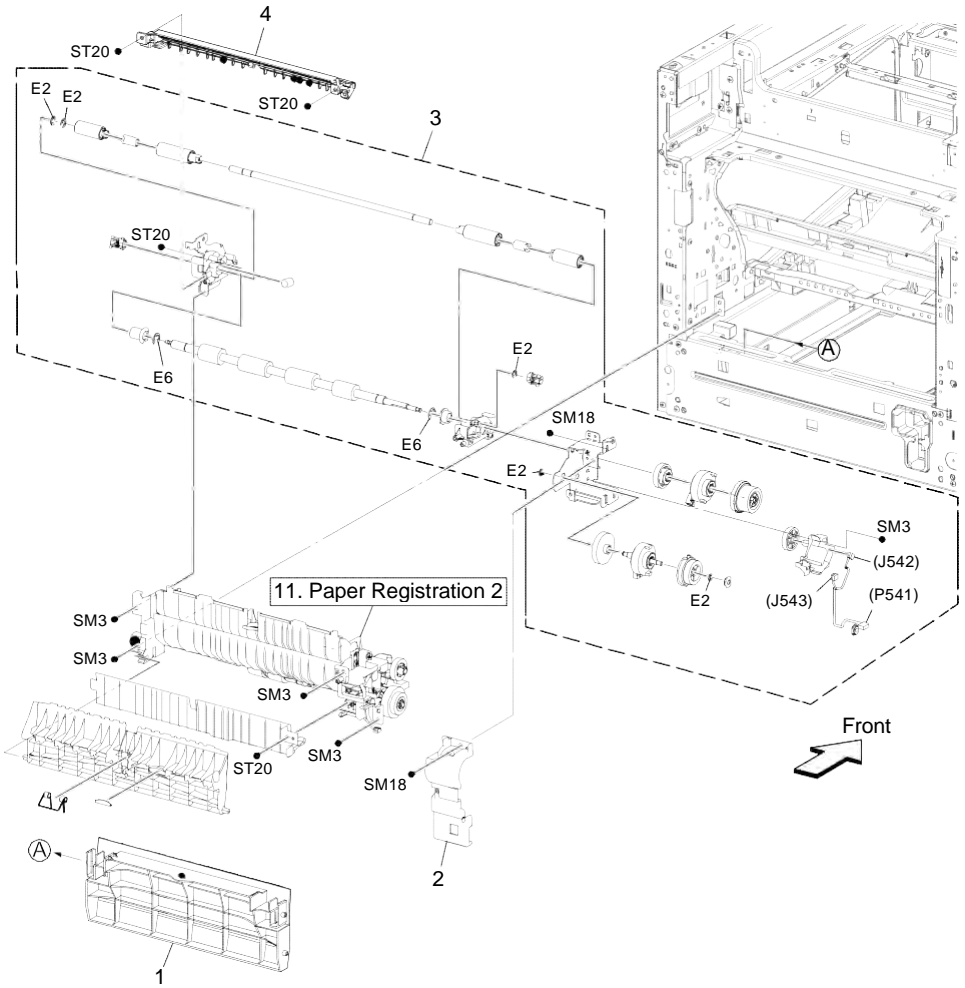


DOCS_R09

9. By-pass Feed 2 (IM C530FB/C530F)

Index No.	Part No.	Description	Q'ty
1	D0CS2548	TRAY ASSY MSIMAIN (BYPASS TRAY ASSY)	1
2	D0CS2550	HOLDERASSY SEPARATOR MSI (HOLDERASSY SEPARATOR BYPASS)	1
ST20	-----	Screw for plastic Silver, tapping (M3 X 8)	

10. Paper Registration 1 (IM C530FB/C530F)

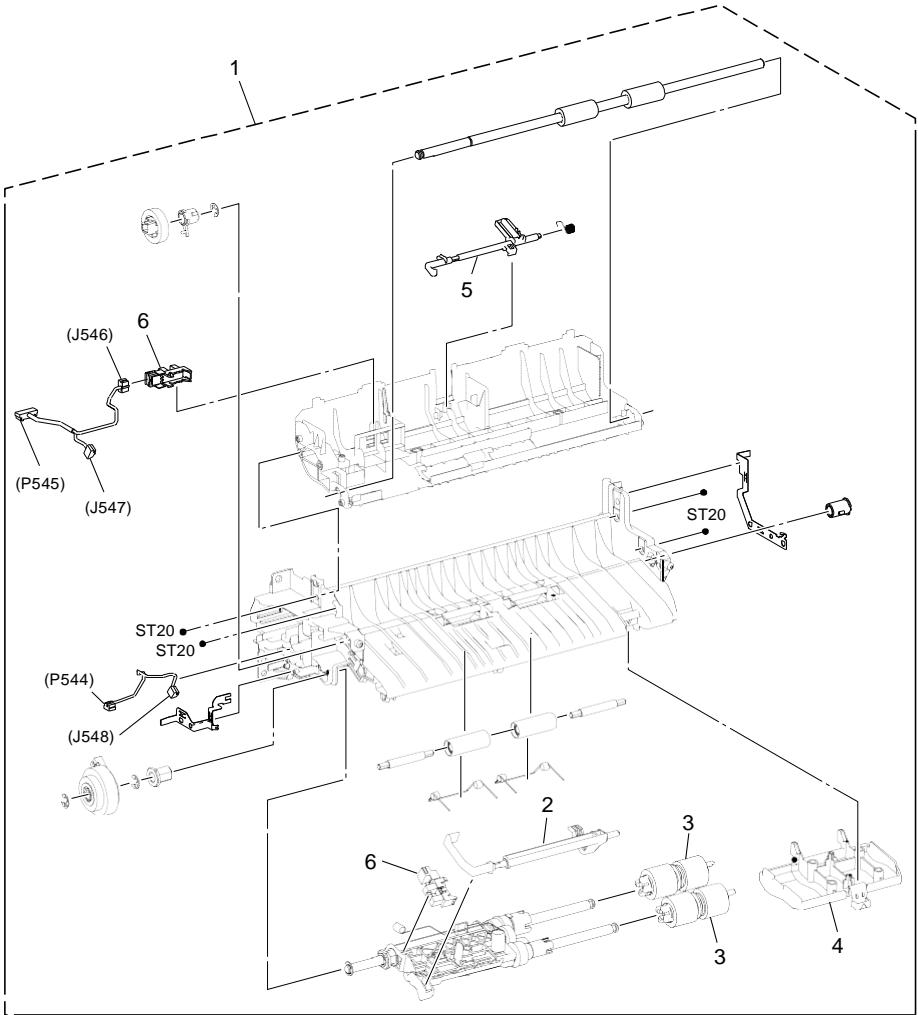


D0CS_R10

10. Paper Registration 1 (IM C530FB/C530F)

Index No.	Part No.	Description	Q'ty
1	D0CS2750	CHUTE OPT 550 (PAPER GUIDE OPTION FEED)	1
2	D0CS2751	COVER DUP GEAR (COVER DUPLEX GEAR)	1
3	D0CS2754	ROLL ASSY DUP REGI (ROLL ASSY DUPLEX REGISTRATION) (CL1,CL2)	1
4	D0CS2752	CHUTEDUPUPPER (UPPER PAPER GUIDE DUPLEX)	1
ST20	-----	Screw for plastic Silver, tapping (M3 X 8)	
SM3	-----	Screw for metal sheet Silver (M4 X 6)	
SM18	-----	Screw for metal sheet Silver (M3 X 6)	
E2	-----	Ring-E (D4)	
E6	-----	Ring-E (D6)	

11. Paper Registration 2 (IM C530FB/C530F)




 Front

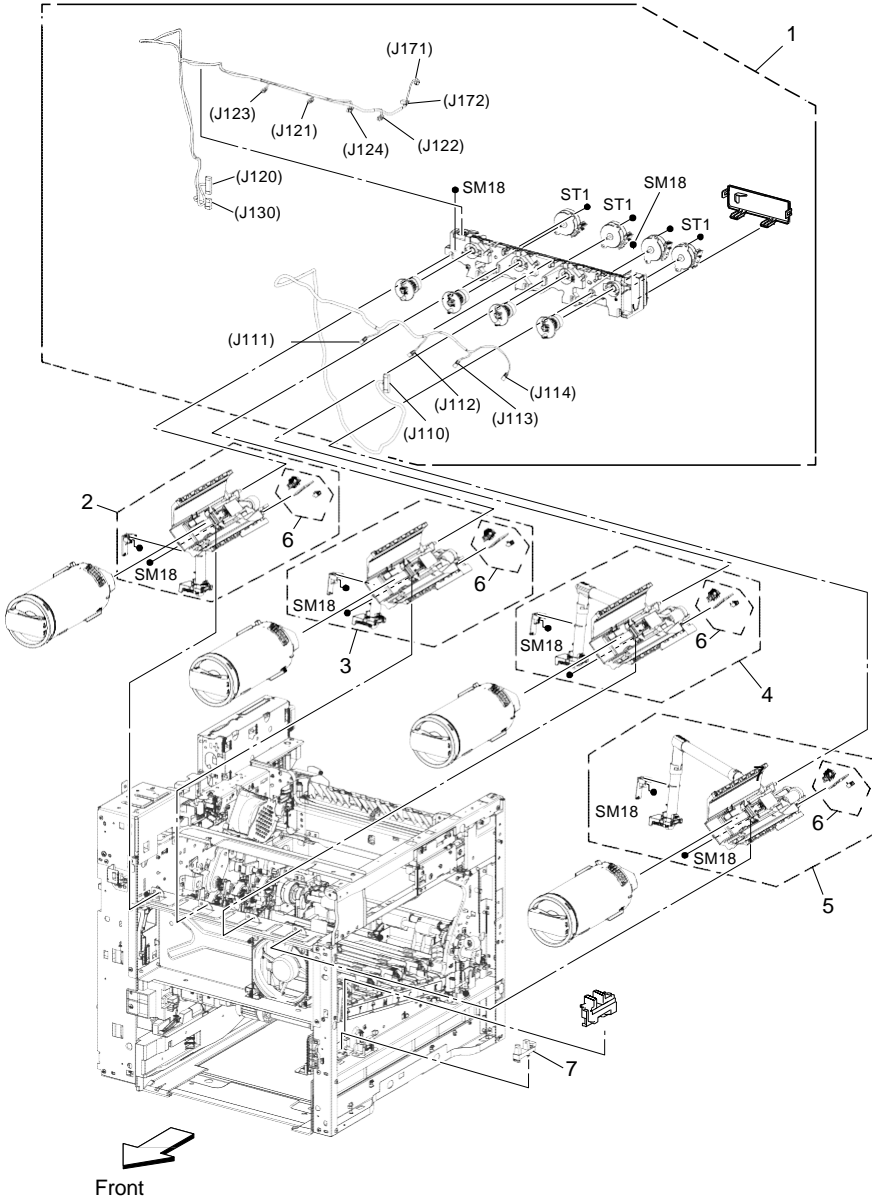
D0CS_R11

]

11. Paper Registration 2 (IM C530FB/C530F)

Index No.	Part No.	Description	Q'ty
1	D0CS2756	CHUTE ASSY REGI FEEDER (REGISTRATION FEEDER ASSY) (S1,S2,CL3)	1
2	D0CS2714	ACTUATOR NO PAPER (PAPER END FEELER)	1
3	D0CS2710	ROLL ASSY FEED (PAPER FEED ROLLER)	4
4	D0CS2587	CHUTE UPPER FEED (GUIDE PLATE UPPER FEED)	1
5	D0CS2758	ACTUATOR REGI (FEELER REGISTRATION)	1
6	D0CS5952	SENSOR PHOTO INT (SENSOR PHOTO INTERRUPTOR) (S1/S2)	2
ST20	-----	Screw for plastic Silver, tapping (M3 X 8)	

12. Toner Supply (IM C530FB/C530F)

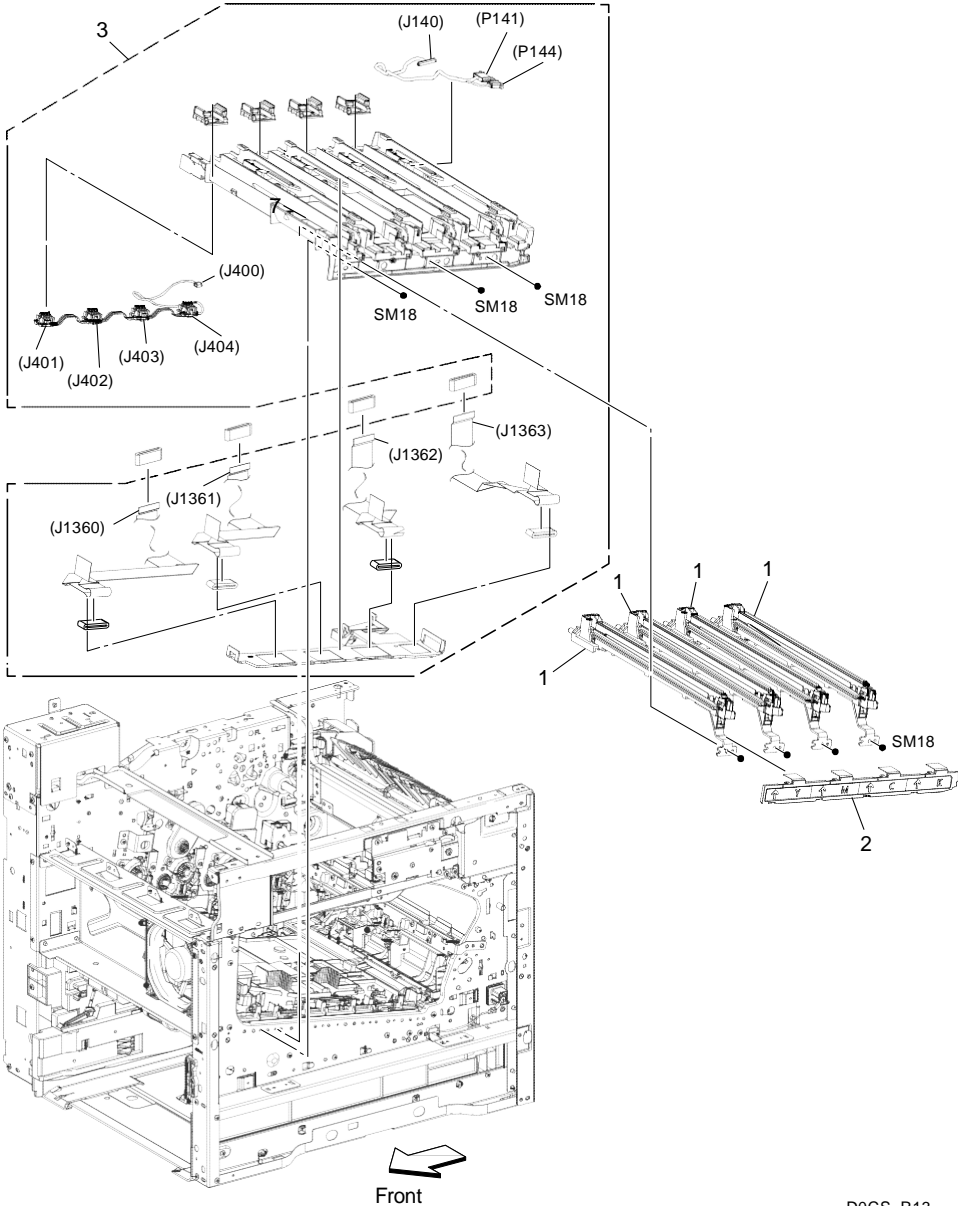


DOCS_R12

12. Toner Supply (IM C530FB/C530F)

Index No.	Part No.	Description	Q'ty
1	D0CS2228	DRIVE ASSY DISP(DRIVE ASSY TONER SUPPLY) (M6,M7,M8,M9)	1
2	D0CS2220	DISP ASSY Y (TONER SUPPLY ASSY Y)	1
3	D0CS2222	DISP ASSY M (TONER SUPPLY ASSY M)	1
4	D0CS2224	DISP ASSY C (TONER SUPPLY ASSY C)	1
5	D0CS2226	DISP ASSY K (TONER SUPPLY ASSY K)	1
6	D0CS5954	CONNECTOR ASSY CRUM TONER (CONNECTOR ASSY ID CHIPTONER)	4
7	D0CS5953	SENSOR TONER FULL (S7)	1
SM18	-----	Screw for metal sheet Silver (M3 X 6)	

13. LED Head (IM C530FB/C530F)

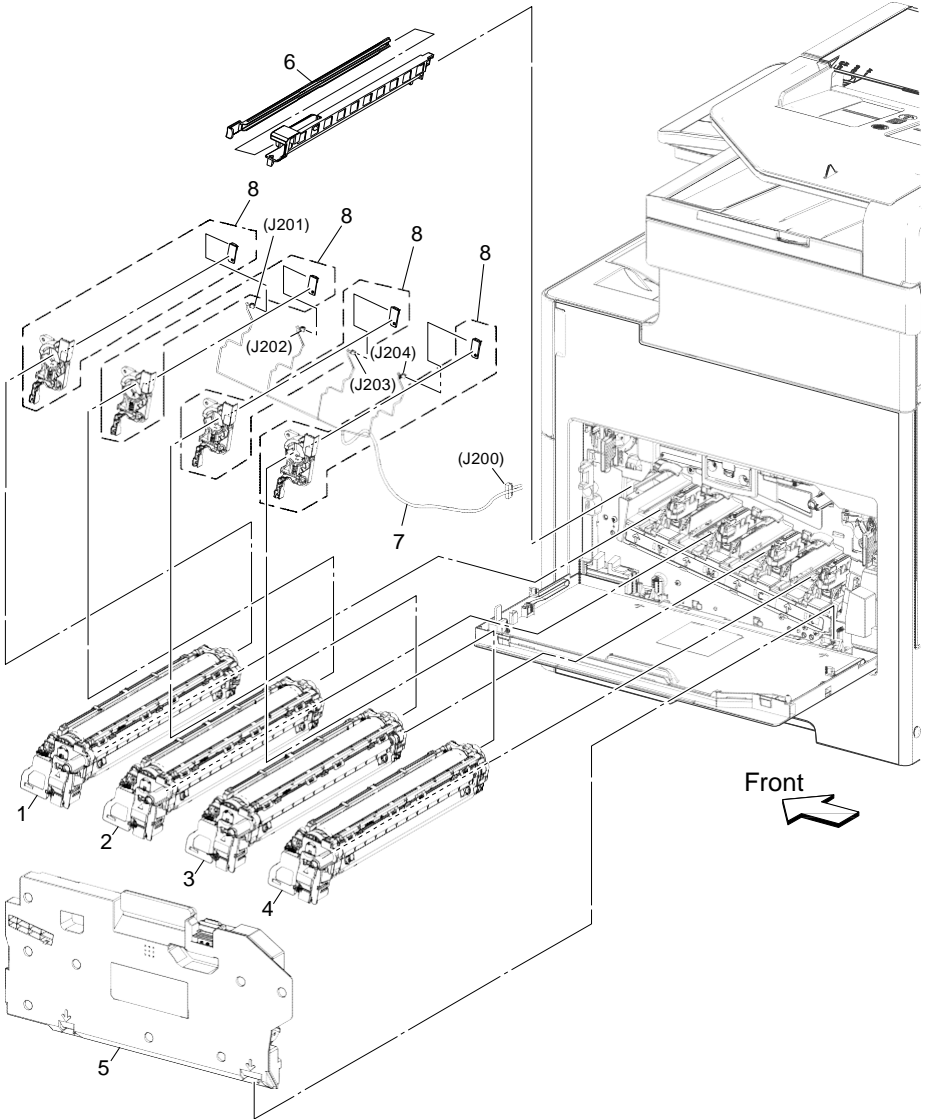


D0CS_R13

13. LED Head (IM C530FB/C530F)

Index No.	Part No.	Description	Q'ty
1	D0CS2210	HEAD ASSY LPH COLOR (LED HEAD ASSY)	4
2	D0CS2211	COVER ASSY GUIDE	1
3	D0CS2212	BASE LED HEAD ASSY	1
SM18	-----	Screw for metal sheet Silver (M3 X 6)	

14. PCDU (IM C530FB/C530F)

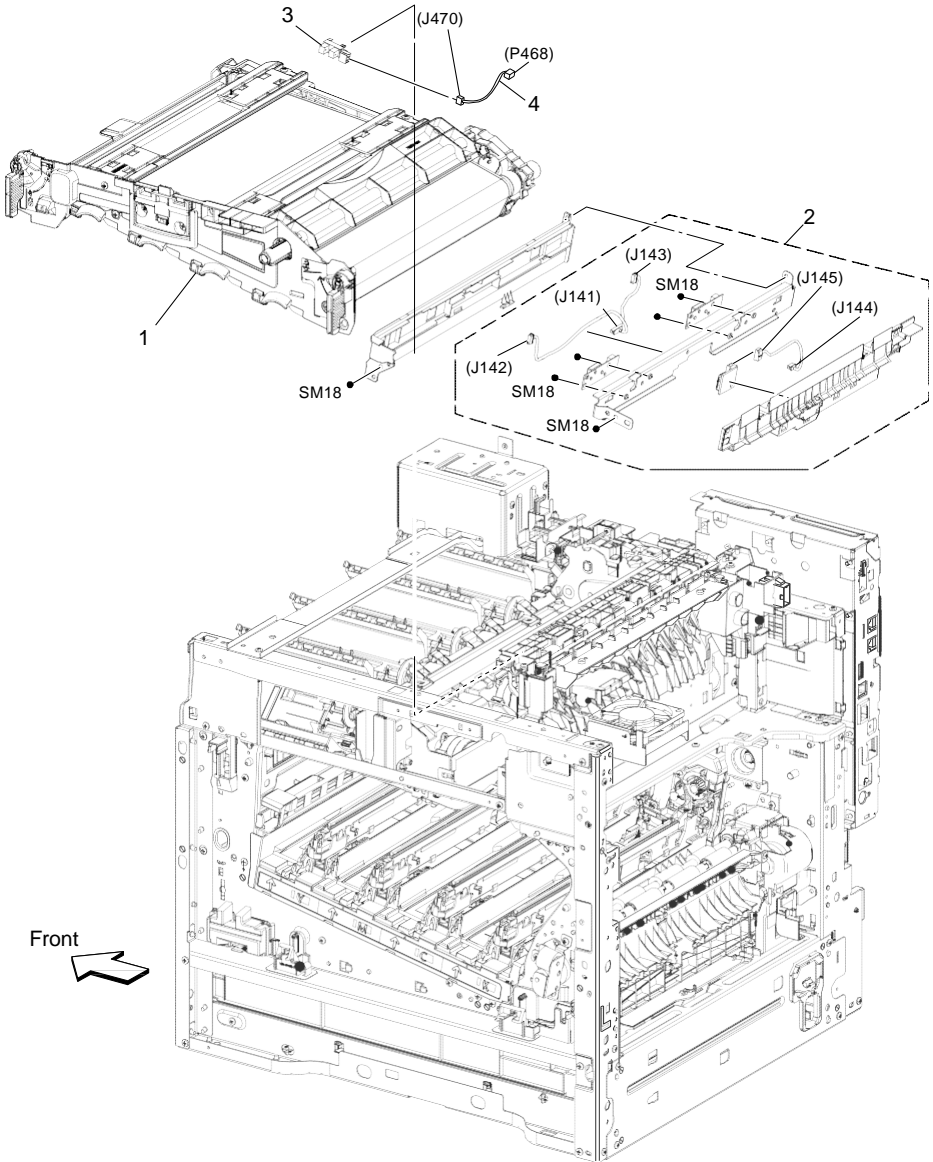


DOCS_R14

14. PCDU (IM C530FB/C530F)

Index No.	Part No.	Description	Q'ty
1	D0CS2280	PCDUY SERVICE PARTS	1
2	D0CS2282	PCDUM SERVICE PARTS	1
3	D0CS2284	PCDUC SERVICE PARTS	1
4	D0CS2286	PCDUK SERVICE PARTS	1
5	D0CS6540	COLLECTIONBOTTLE (WASTE TONERBOTTLE)	1
6	D0CS2265	LPH CLEANER ASSY (LED HEAD CLEANER ASSY)	1
7	D0CS2290	HARNESS ASSY ERASE-CF (HARNESS ASSY ERASE)	1
8	D0CS2292	ERASE LAMP ASSY (PCB8/PCB9/PCB10/PCB11)	4

15. Image Transfer Belt Unit (IM C530FB/C530F)

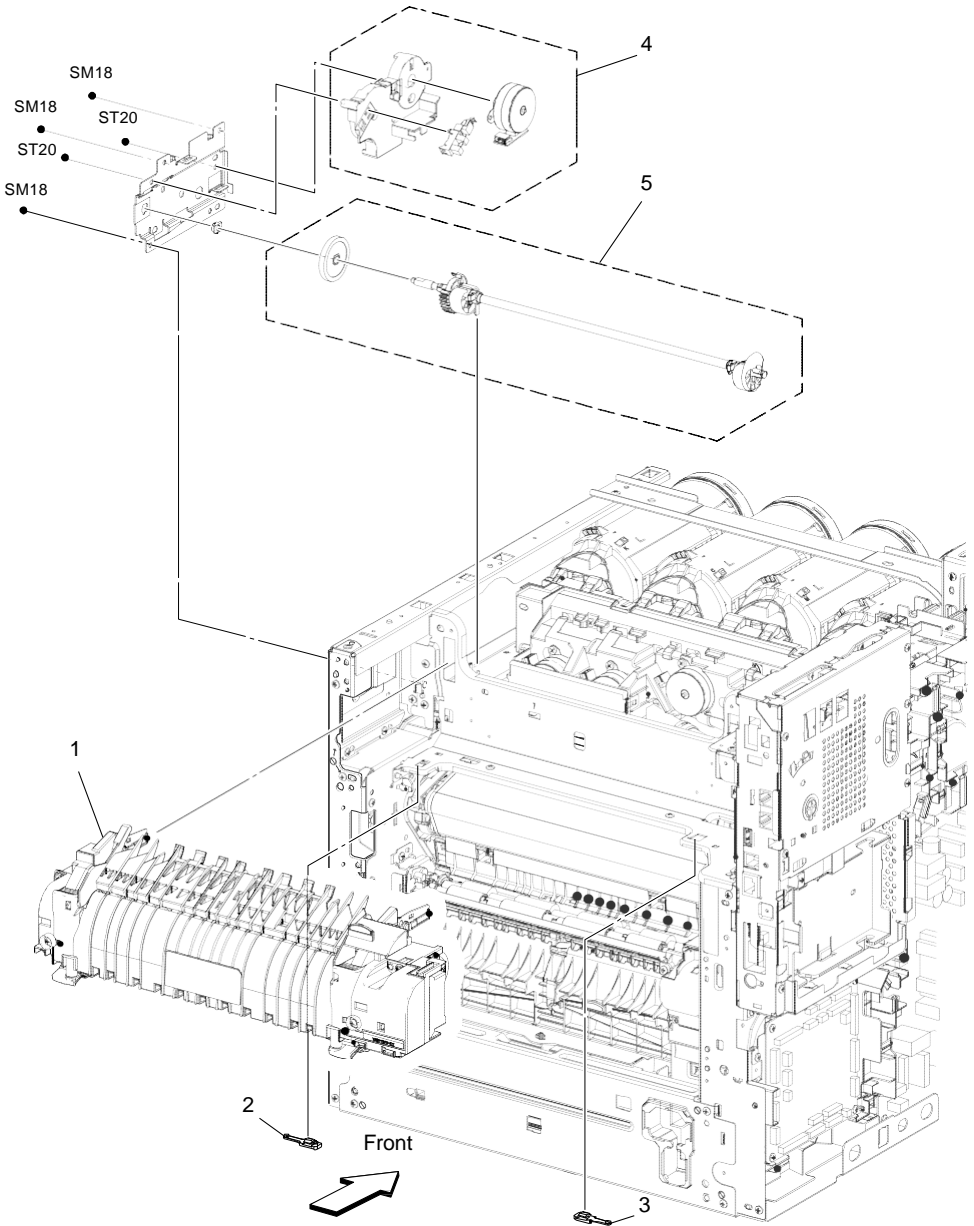


DOCS_R15

15. Image Transfer Belt Unit (IM C530FB/C530F)

Index No.	Part No.	Description	Q'ty
1	D0CS6010	IBT UNIT (ITB UNIT)	1
2	D0CS6012	SENSOR ASSY CTD (ID/MUSIC SENSOR ASSY) (S10,S11,S12)	1
3	D0CS5952	SENSOR PHOTO INT (SENSOR PHOTO INTERRUPTOR) (S3)	1
4	D0CS6014	HARNESS ASSY K-SNR-CF (HARNESS ASSY K MODE SENSOR)	1
SM18	-----	Screw for metal sheet Silver (M3 X 6)	

16. Fusing Drive Section (IM C530FB/C530F)

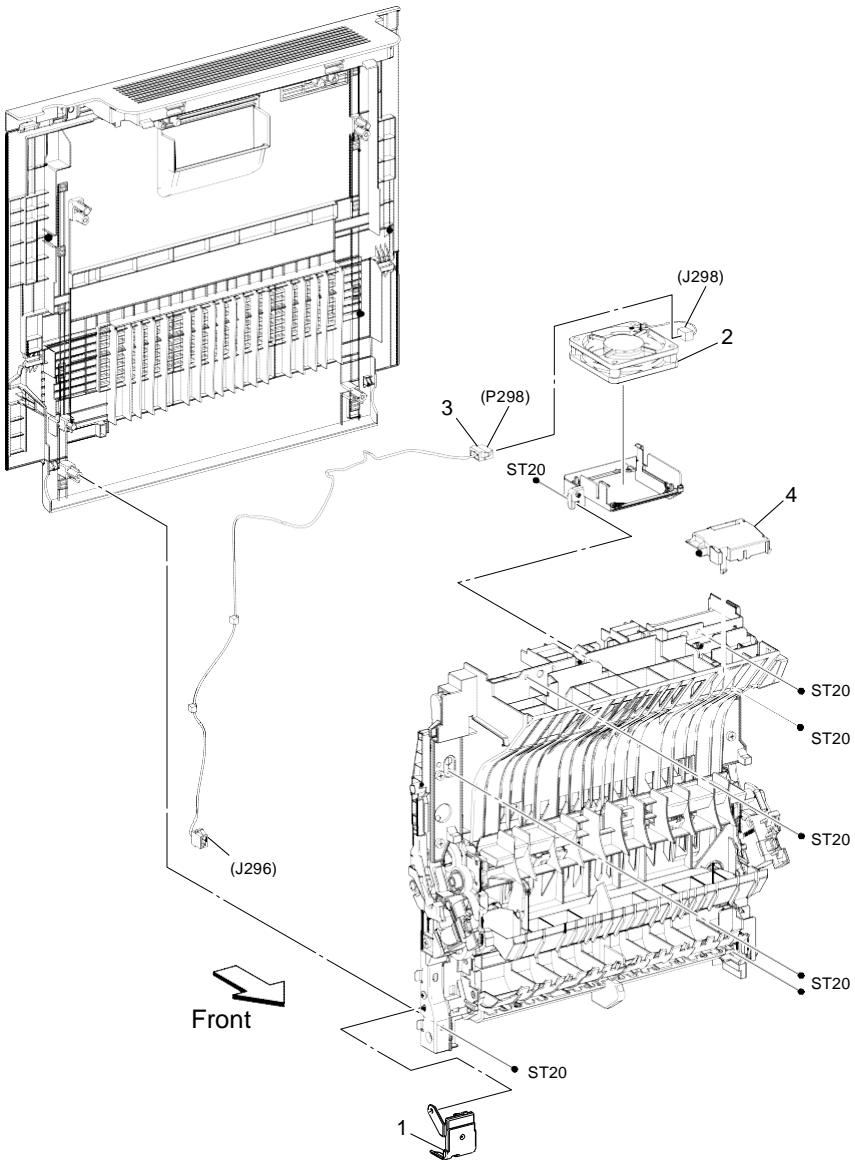


D0CS_R16

16. Fusing Drive Section (IM C530FB/C530F)

Index No.	Part No.	Description	Q'ty
1	D0CS4017	FUSING ASSY 110V (FUSING UNIT 110V) (TH1,TH2,TH3)	1
	D0CS4027	FUSING ASSY 220V (FUSING UNIT 220V) (TH1,TH2,TH3)	1
2	D0CS4030	GUIDE FUSING UNIT LEFT	1
3	D0CS4031	GUIDE FUSING UNIT RIGHT	1
4	D0CS4035	NIPRETRACT DRIVE ASSY (M5,S9)	1
5	D0CS4040	NIPRETRACT SHAFT ASSY	1
ST20	-----	Screw for plastic Silver, tapping (M3 X 8)	
SM18	-----	Screw for metal sheet Silver (M3 X 6)	

17. Duplex Section (IM C530FB/C530F)

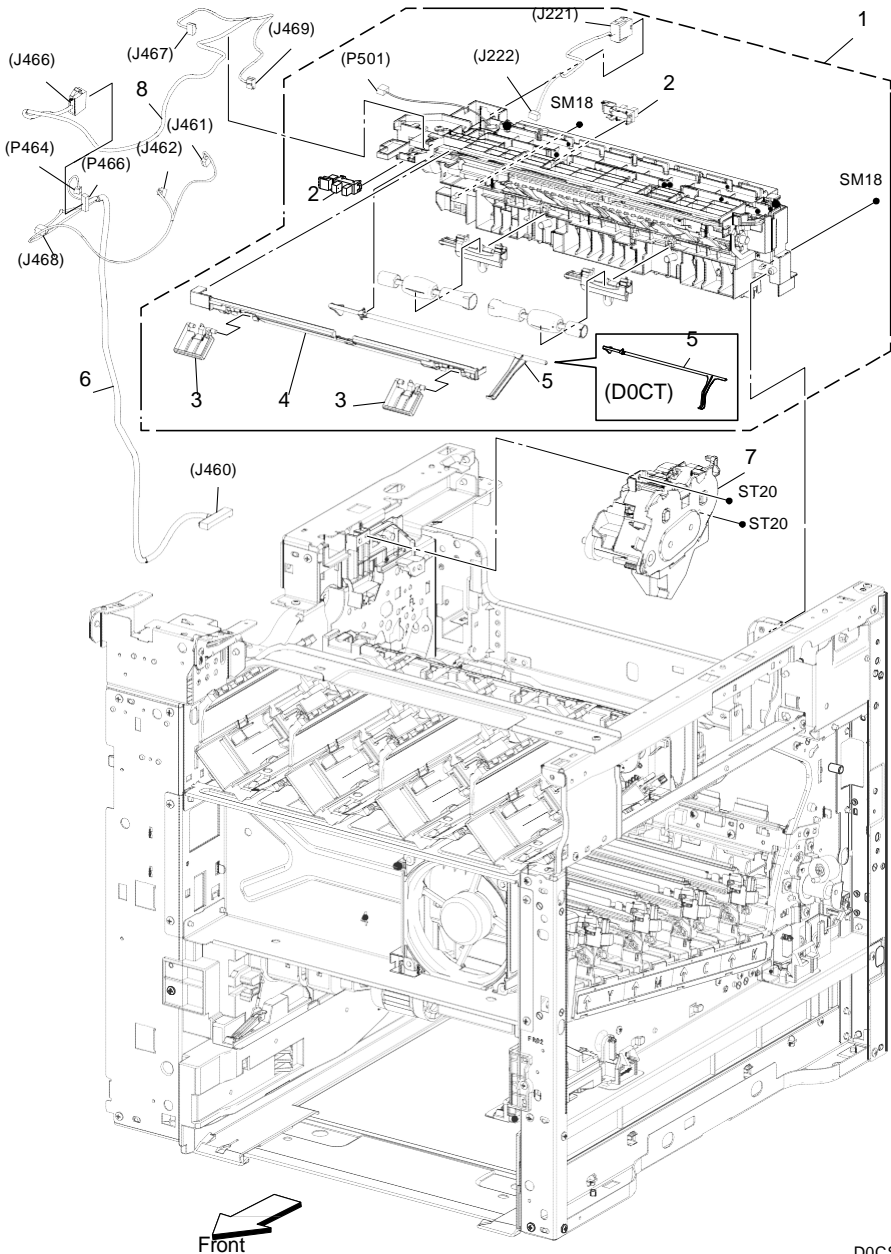


DOCS_R17

17. Duplex Section (IM C530FB/C530F)

Index No.	Part No.	Description	Q'ty
1	D0CS4621	COVER RELAY	1
2	D0CS5951	REAR FAN (FAN REAR) (FAN3)	1
3	D0CS4622	HARNESS ASSY REAR FAN1-MV (HARNESS ASSY REAR FAN)	1
4	D0CS4620	COVER REAR FAN HARNESS	1
ST20	-----	Screw for plastic Silver, tapping (M3 X 8)	

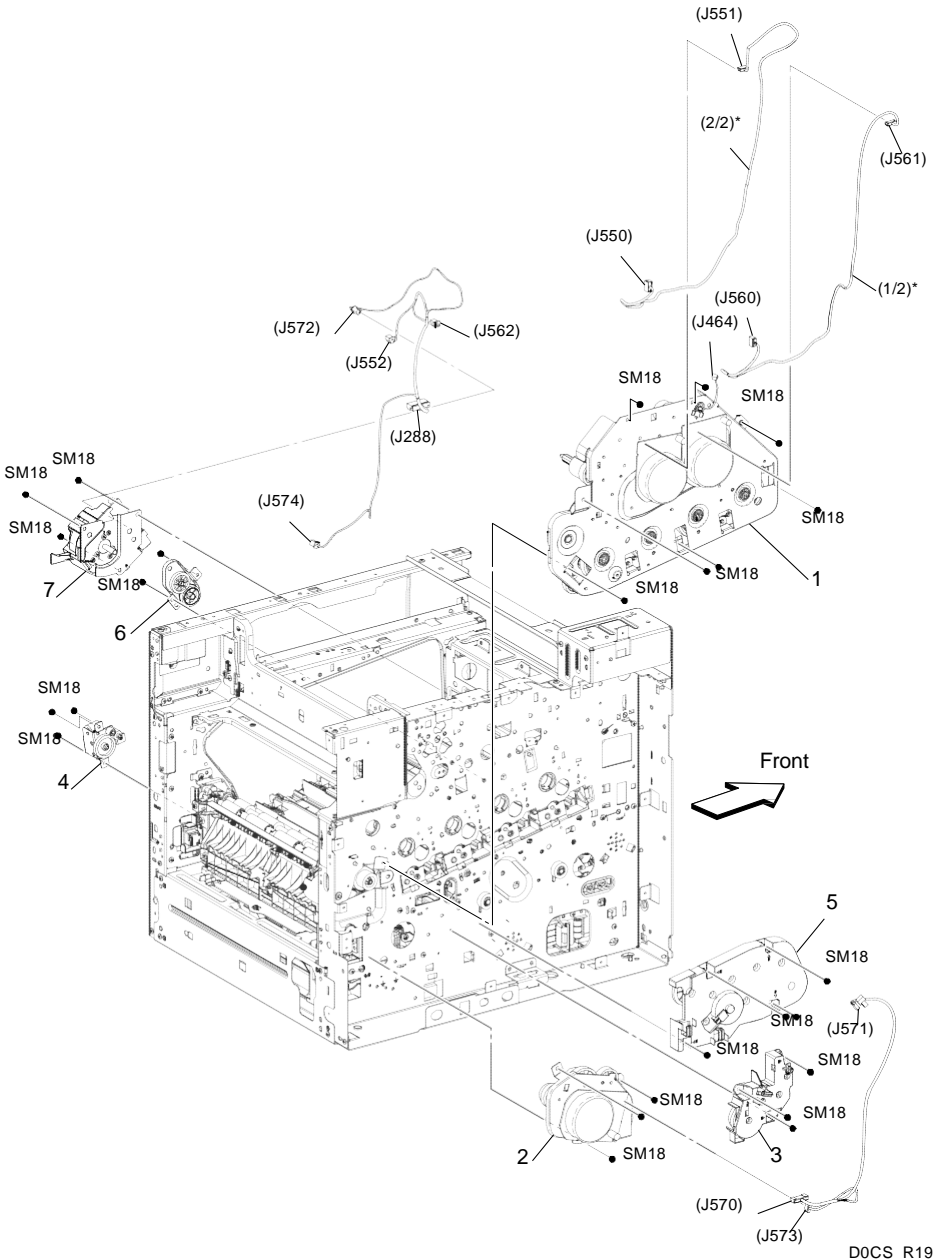
18. Paper Exit Section (IM C530FB/C530F)



18. Paper Exit Section (IM C530FB/C530F)

Index No.	Part No.	Description	Q'ty
1	D0CS4450	CHUTE ASSY EXIT SHORT (PAPER EXIT ASSY (IM C530FB)) (S4,S5,SOL1)	1
	D0CT4450	CHUTE ASSY EXIT TALL (PAPER EXIT ASSY (IM C530F)) (S4,S5,SOL1)	1
2	D0CS5952	SENSOR PHOTO INT (SENSOR PHOTO INTERRUPTOR) (S4/S5)	2
3	D0CS4476	CHUTE FLAPPER EXIT (GUIDE PLATE EXIT)	2
4	D0CS4475	COVER TOPEXIT LOWER	1
5	D0CS4460	ACTUATOR FULL STUCK SHORT (FEELER FULL STUCK (IM C530FB))	1
	D0CT4460	ACTUATOR FULL STUCK TALL (FEELER FULL STUCK (IM C530F))	1
6	D0CS4470	HARNESS ASSY DEVE-CF (HARNESS ASSY DEVELOPMENT)	1
7	D0CS4455	DRIVE ASSY EXIT MAIN (CL4,CL5)	1
8	D0CS4465	HARNESS ASSY FULL STUCK-MV (HARNESS ASSY FULL STUCK)	1
ST20	-----	Screw for plastic Silver, tapping (M3 X 8)	
SM18	-----	Screw for metal sheet Silver (M3 X 6)	

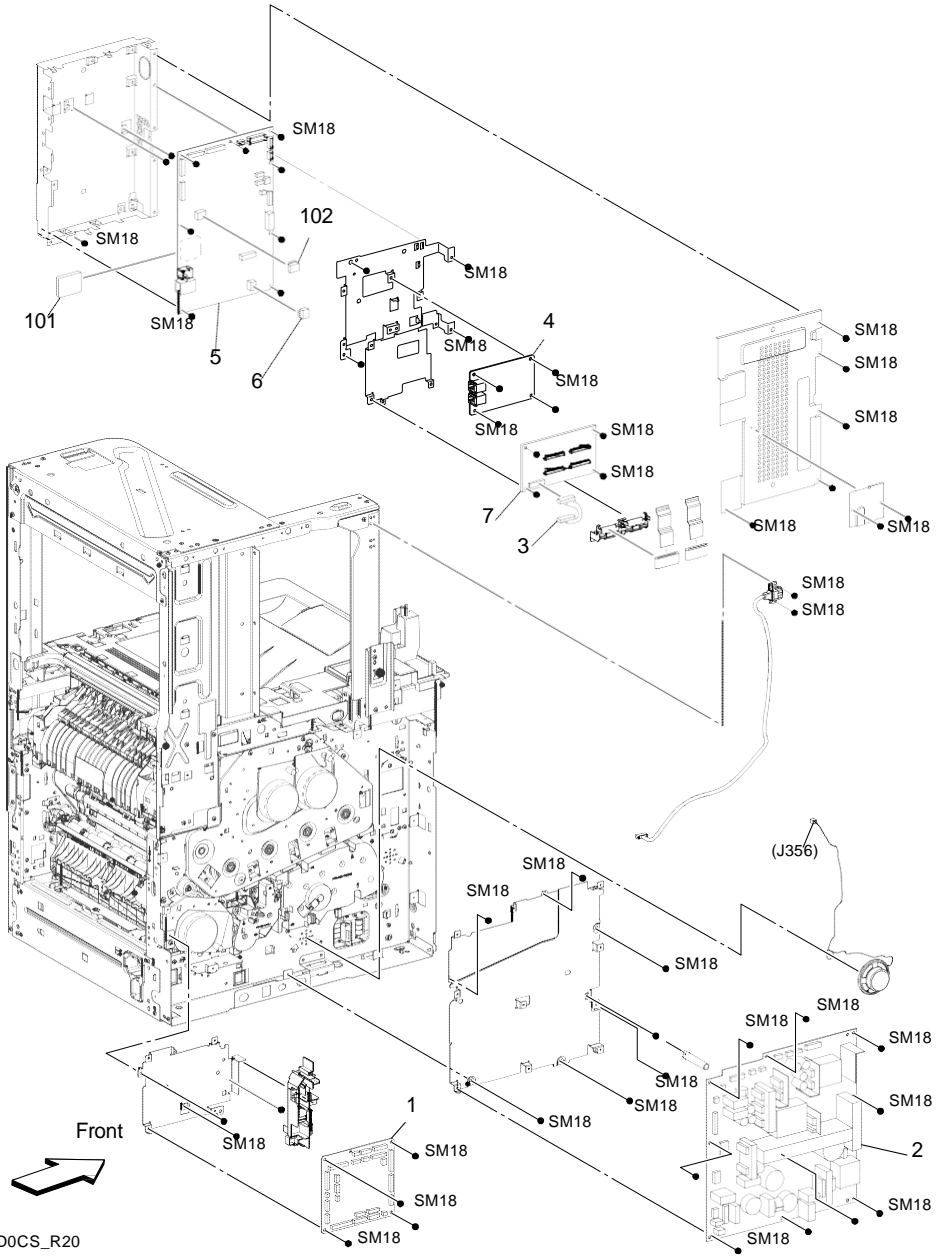
19. Drive Section (IM C530FB/C530F)



19. Drive Section (IM C530FB/C530F)

Index No.	Part No.	Description	Q'ty
1	D0CS1101	DRIVE ASSY MAIN (M3, M4, CL6)	1
2	D0CS1102	DRIVE ASSY MAIN 2 (M1)	1
3	D0CS1103	DRIVE ASSY MAIN 3	1
4	D0CS1105	DRIVE ASSY WASTE (DRIVE ASSY TONER COLLECTION)	1
5	D0CS1110	DRIVE ASSY MSI (DRIVE ASSY BYPASS) (CL7)	1
6	D0CS1115	COUPLING ASSY LINK	1
7	D0CS1120	DRIVE ASSY MOTOR (M2)	1
SM18	-----	Screw for metal sheet Silver (M3 X 6)	

20. Electrical Section 1 (IM C530FB/C530F)



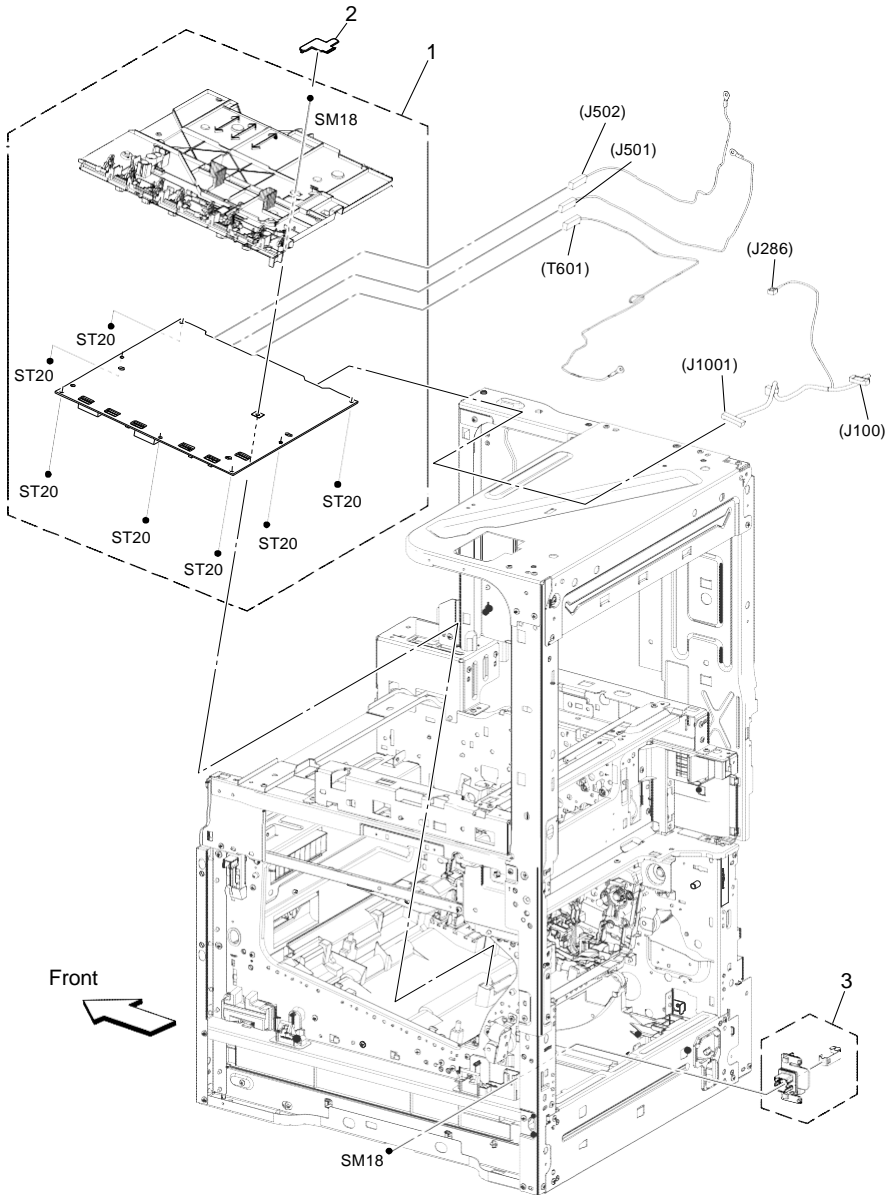
D0CS_R20

20. Electrical Section 1 (IM C530FB/C530F)

Rev. 03/08/2022

Index No.	Part No.	Description	Q'ty
1	D0CS5961	PCB ASSY MCU (PCB2)	1
2	D0CS5963	PCB ASSY LVPS (PCB4)	1
3	D0CS5962	HARNESS ASSY MCU-HT (HARNESS ASSY MCU)	1
4	D0A05232	PCB:SV-FAX:NA:ASS'Y (NA) (PCB6)	1
4	D0A05233	PCB:SV-FAX:EU:ASS'Y (EU) (PCB6)	1
5	D0CS5211	PCB:ICTL:ASS'Y (PCB1)	1
6	D0CS9590	NVRAM: ZERO COUNTER	1
7	D0CS5980	PCB ASSY IPU (PCB3)	1
101	14078476	ROM STORAGE:SDXC8GB	1
102	14077726	EEPROM:BR24T08-W	1
SM18	-----	Screw for metal sheet Silver (M3 X 6)	

21. Electrical Section 2 (IM C530FB/C530F)

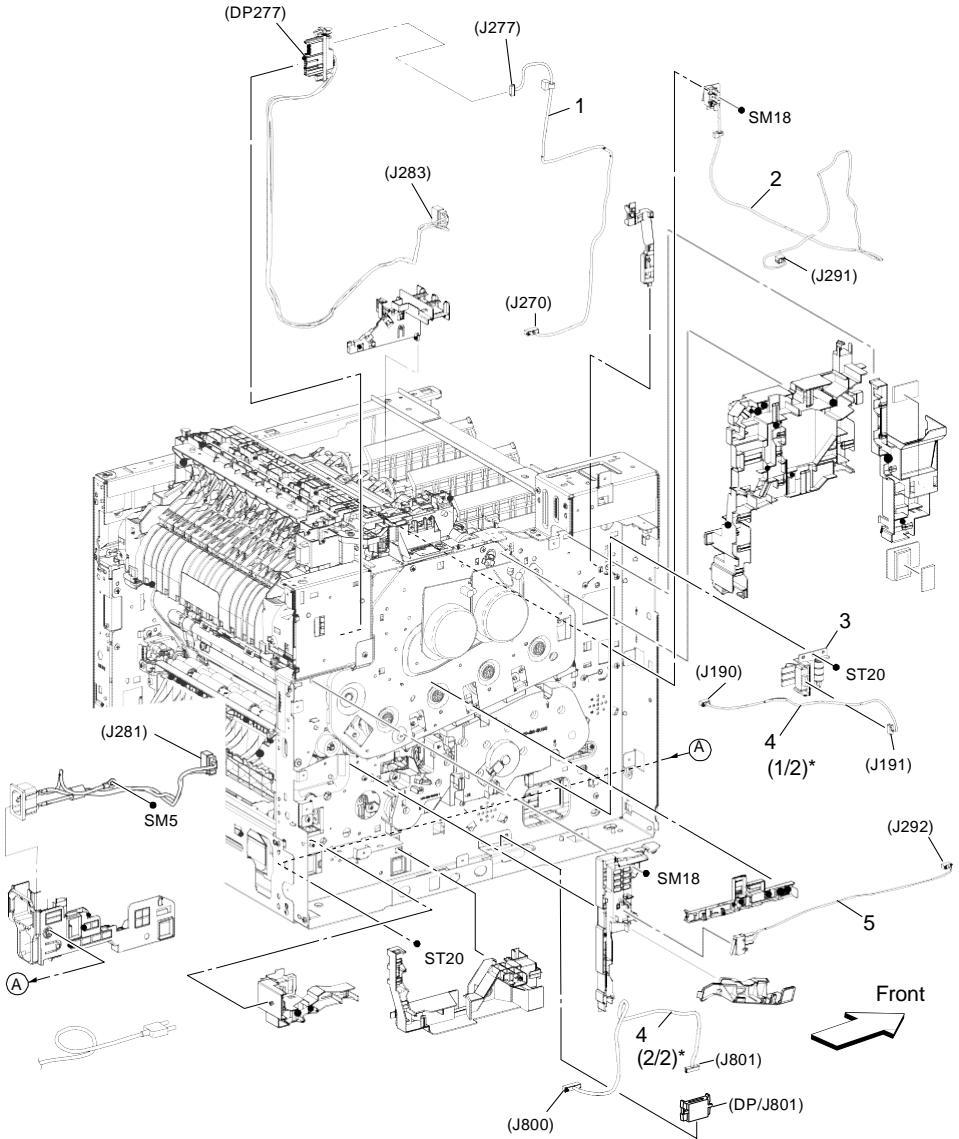


DOCS_R21

21. Electrical Section 2 (IM C530FB/C530F)

Index No.	Part No.	Description	Q'ty
1	D0CS5964	GUIDE ASSY HVPS	1
2	D0CS5965	COVER TONER HVPS (PCB5)	1
3	D0CS5966	HOUSING 2ND BTR (HOUSING PAPER TRANSFER ROLLER)	1
ST20	-----	Screw for plastic Silver, tapping (M3 X 8)	

22. Electrical Section 3 (IM C530FB)

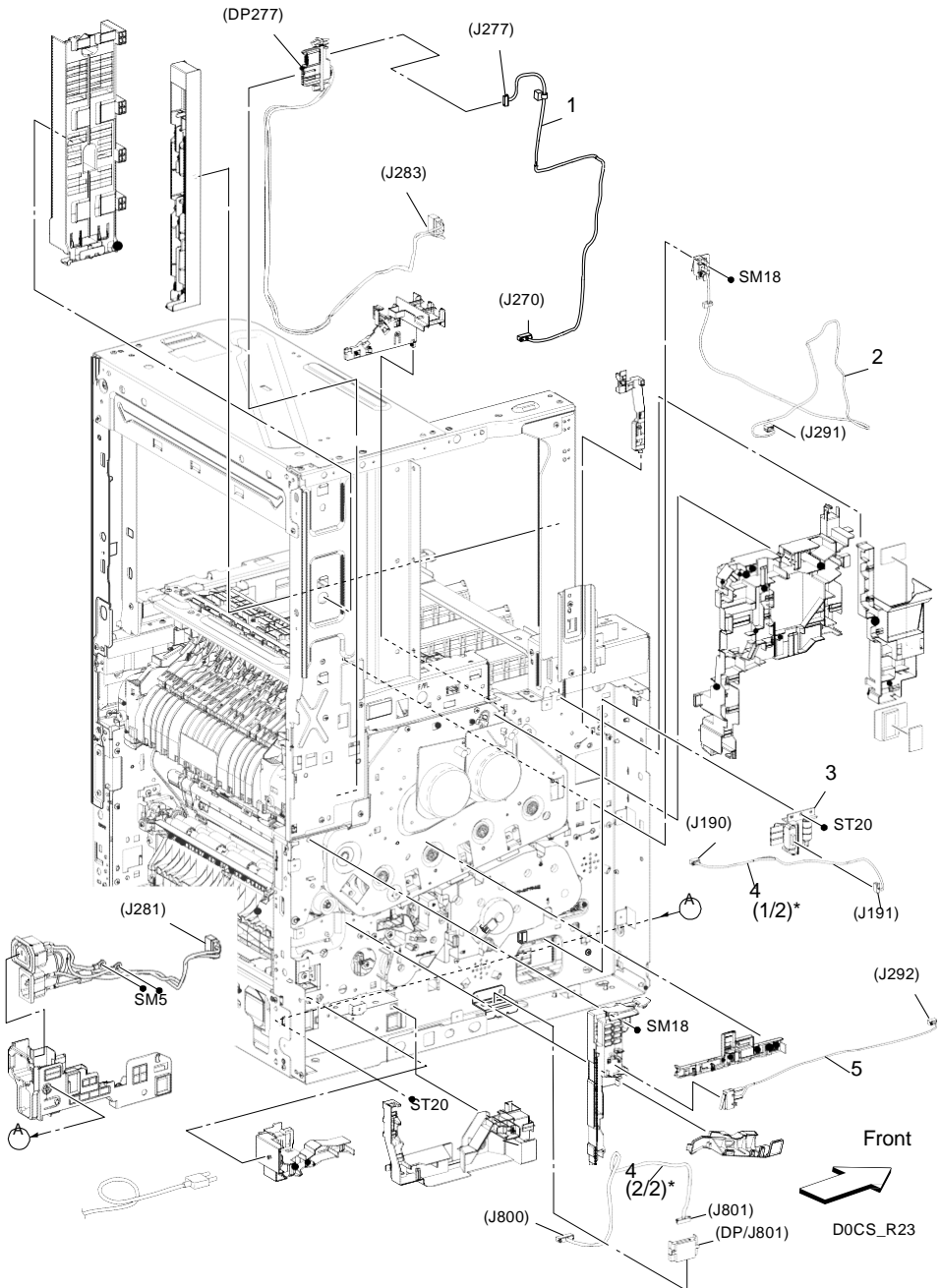


DOCS_R22

22. Electrical Section 3 (IM C530FB)

Index No.	Part No.	Description	Q'ty
1	D0CS5967	HARNESS ASSY FUSING DC-CF 100V (HARNESS ASSY FUSING 100V)	1
	D0CS5968	HARNESS ASSY FUSING DC-CF 200V (HARNESS ASSY FUSING 200V)	1
2	D0CS5972	HARNESS ASSY I/L SIDE-CF (HARNESS ASSY INTERLOCK SIDE)	1
3	D3GX2700	SWITCH ASSY SIZE (SW3)	1
4	D0CS5973	HARNESS ASSY MSI SIZE OPF-CF (HARNESS ASSY BYPASS SIZE OPTION FEEDER)	1
5	D0CS5971	HARNESS ASSY I/L REAR-CF (HARNESS ASSY INTERLOCK REAR)	1
ST20	-----	Screw for plastic Silver, tapping (M3 X 8)	
SM5	-----	Screw for metal sheet Silver, with an external tooth washer (M4 X 6)	
SM18	-----	Screw for metal sheet Silver (M3 X 6)	

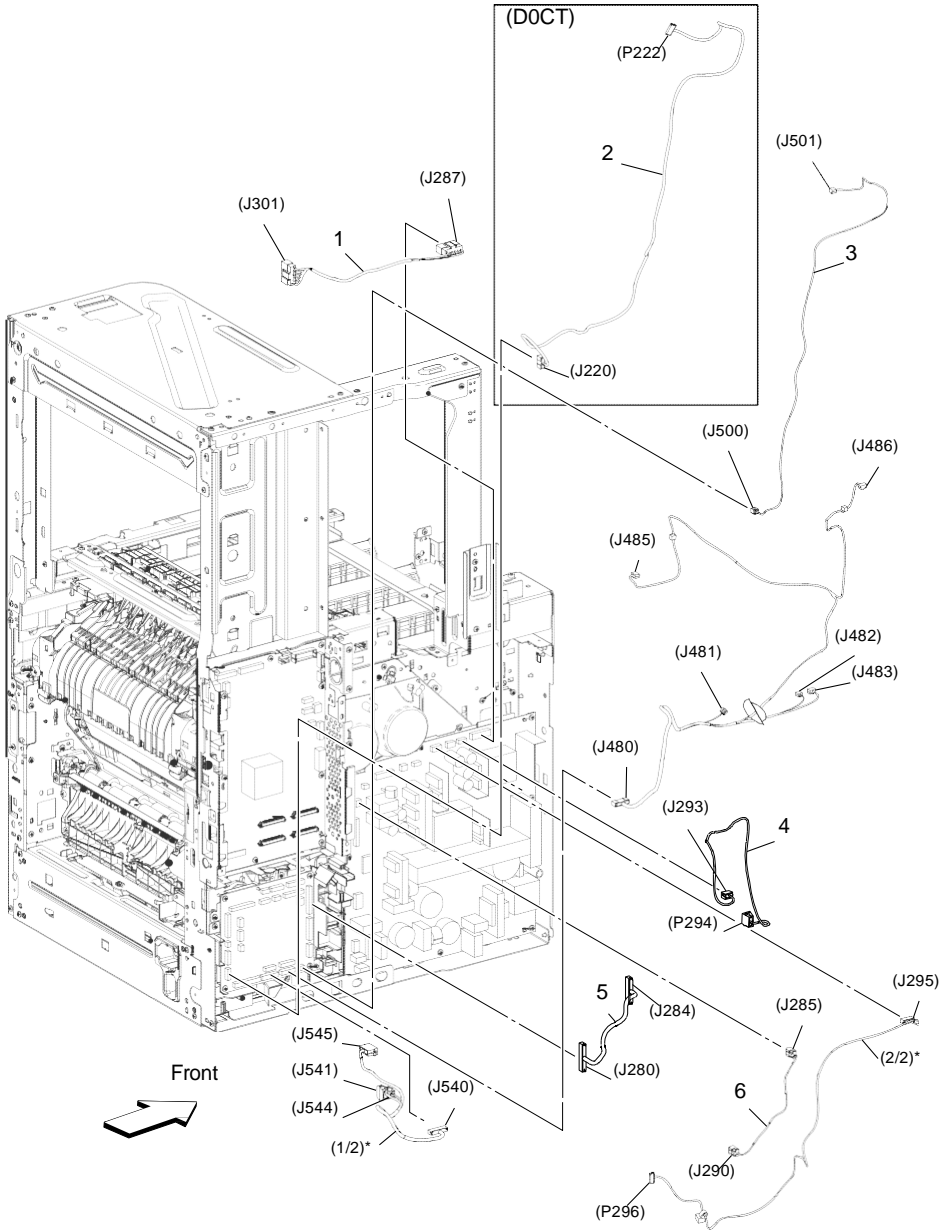
23. Electrical Section 4 (IM C530F)



23. Electrical Section 4 (IM C530F)

Index No.	Part No.	Description	Q'ty
1	D0CS5967	HARNESS ASSY FUSING DC-CF 100V (HARNESS ASSY FUSING 100V)	1
	D0CS5968	HARNESS ASSY FUSING DC-CF 200V (HARNESS ASSY FUSING 200V)	1
2	D0CS5972	HARNESS ASSY I/L SIDE-CF (HARNESS ASSY INTERLOCK SIDE)	1
3	D3GX2700	SWITCH ASSY SIZE (SW3)	1
4	D0CS5973	HARNESS ASSY MSI SIZE OPF-CF (HARNESS ASSY BYPASS SIZE OPTION FEEDER)	1
5	D0CS5971	HARNESS ASSY I/L REAR-CF (HARNESS ASSY INTERLOCK REAR)	1
ST20	-----	Screw for plastic Silver, tapping (M3 X 8)	
SM5	-----	Screw for metal sheet Silver, with an external tooth washer (M4 X 6)	
SM18	-----	Screw for metal sheet Silver (M3 X 6)	

24. Electrical Section 5 (IM C530FB/C530F)

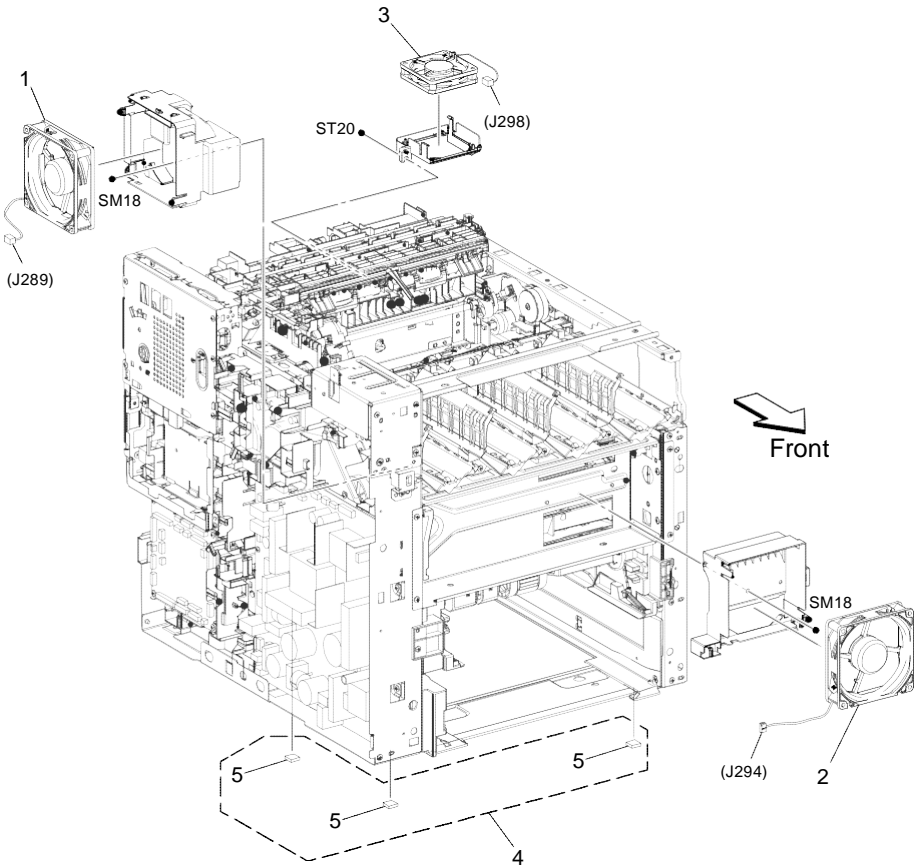


DOCS_R24

24. Electrical Section 5 (IM C530FB/C530F)

Index No.	Part No.	Description	Q'ty
1	D0CS5974	HARNESS ASSY ESS-PWR-CF (HARNESS ASSY ICTL)	1
2	D0CT5961	HARNESS ASSY FIN-MCU-CF (HARNESS ASSY FIN MCU)	1
3	D0CS5977	HARNESS ASSY GATE SOL-CF (HARNESS ASSY GATE SOL)	1
4	D0CS5978	HARNESS ASSY SUB FAN-CF (HARNESS ASSY SUB FAN)	1
5	D0CS5976	HARNESS ASSY LV MCU-CF (HARNESS ASSY LVPS MCU)	1
6	D0CS5975	HARNESS ASSY 24V-MCU-CF (HARNESS ASSY 24V MCU)	1

25. Electrical Section 6 (IM C530FB/C530F)



DOCS_R25

25. Electrical Section 6 (IM C530FB/C530F)

Index No.	Part No.	Description	Q'ty
1	D0CS5950	FAN MAIN (FAN1)	1
2	D0CS5950	FAN MAIN (FAN2)	1
3	D0CS5951	REAR FAN (FAN REAR) (FAN3)	1
4	D0CS1135	FOOTASSY	1
5	D0CS1130	RUBBERFOOT	3
ST20	-----	Screw for plastic Silver, tapping (M3 X 8)	
SM18	-----	Screw for metal sheet Silver (M3 X 6)	

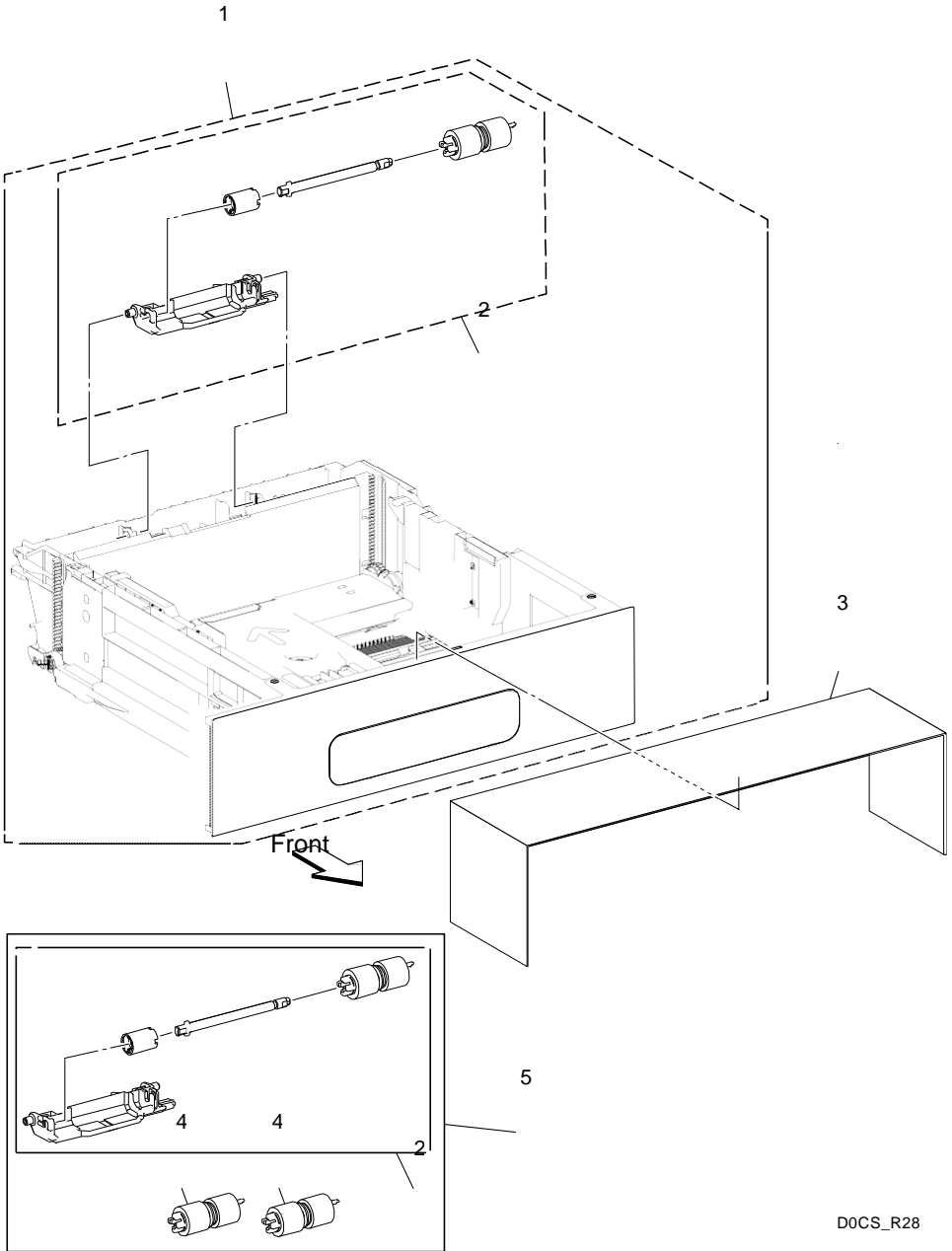
26. Paper Feed Unit PB1180 1

Index No.	Part No.	Description	Q'ty
1	D3GX1000	FEEDERASSY OPF 550 (FEEDER ASSY OPTION FEEDER 550)	1
2	D3GX2702	OPF FDR LED (OPTION FEEDER LED)	1
3	D0CS1130	RUBBER FOOT	4
4	D3GX2700	SWITCHASSY SIZE (SW30)	1
ST20	-----	Screw for plastic Silver, tapping (M3 X 8)	
SM18	-----	Screw for metal sheet Silver (M3 X 6)	

27. Paper Feed Unit PB1180 2

Index No.	Part No.	Description	Q'ty
1	D0CS2710	ROLL ASSY FEED (PAPER FEED ROLLER)	2
2	D0CS2587	CHUTE UPPER FEED (GUIDE PLATE UPPER FEED)	1
3	D0CS2712	ACTUATOR NO PAPER (PAPER END FEELER)	1
ST20	-----	Screw for plastic Silver, tapping (M3 X 8)	

28. Paper Feed Unit PB1180 3



D0CS_R28

28. Paper Feed Unit PB1180 3

Rev. 11/02/2021

Index No.	Part No.	Description	Q'ty
1	D0CS2510	CASSETTE ASSY 550 IOT (CASSETTE ASSY 550)	1
2	D0CS2520	HOLDER ASSY SEPARATOR CST (HOLDER ASSY SEPARATOR CASSETTE)	1
3	D0CS2583	DUST COVER 550	1
4	D0CS2710	ROLL ASSY FEED (PAPER FEED ROLLER)	2
5	See Note	FEED AND SEPARATOR ROLL ASSY	2
		D0CS2525 (Feed and Separator Roll Assembly) was discontinued due to a production reason.	
		<p>Note: Please order two D0CS2710 (ROLL ASSY FEED (PAPER FEED ROLLER) and D0CS2520 (HOLDER ASSY SEPARATOR CST (HOLDER ASSY SEPARATOR CASSETTE)) instead of D0CS2525.</p>	

Parts Index

Part No.	Description	Page and Index No.
B7865040	MODULER CORD:6P2C	2 - 18
B7865040	MODULER CORD:6P2C	4 - 21
D0A05232	PCB:SV-FAX:NA:ASS'Y (NA) (PCB6)	40 - 4
D0A05233	PCB:SV-FAX:EU:ASS'Y (EU) (PCB6)	40 - 4
D0A41301	PLATE:LOGO:RIC	2 - 17
D0A41301	PLATE:LOGO:RIC	4 - 22
D0B41540	LENS:OPERATION SUB-UNIT:SD	10 - 14
D0B41541	COVER:OPERATION SUB-UNIT:FRONT	10 - 5
D0B41542	LENS:OPERATION SUB-UNIT:LEFT LOWER	10 - 6
D0B41543	COVER:OPERATION SUB-UNIT:LEFT LOWER	10 - 13
D0B41544	COVER:OPERATION SUB-UNIT:RIGHT UPPER	10 - 22
D0B41545	COVER:OPERATION SUB-UNIT:REAR	10 - 15
D0B41546	INNER COVER:OPERATION SUB-UNIT	10 - 19
D0B41547	KEYTOP:OPERATION SUB-UNIT:SIDE	10 - 21
D0B41548	COVER:OPERATION SUB-UNIT:SIDE:SW	10 - 23
D0B41549	KEYTOP:OPERATION SUB-UNIT:RESET SWITCH	10 - 20
D0B41552	CUSHION:SPEAKER	10 - 12
D0B41581	DUAL FACES TAPE:TOUCH PANEL:SIDE	10 - 4
D0B41582	DUAL FACES TAPE:TOUCH PANEL	10 - 3
D0B41583	CUSHION:OPERATION SUB-UNIT:LIQUID CRYSTAL:S	10 - 7
D0B41584	DUAL FACES TAPE:TOUCH PANEL:UPPER	10 - 16
D0BQ1420	PCB:W-LAN:TYPE1NX (PCB16)	10 - 10
D0BQ1432	SPEAKER:CHEETAH-G2.5	10 - 11
D0CS1101	DRIVE ASSY MAIN (M3,M4,CL6)	38 - 1
D0CS1102	DRIVE ASSY MAIN 2 (M1)	38 - 2
D0CS1103	DRIVE ASSY MAIN 3	38 - 3
D0CS1105	DRIVE ASSY WASTE (DRIVE ASSY TONER COLLECTION)	38 - 4
D0CS1110	DRIVE ASSY MSI (DRIVE ASSY BYPASS) (CL7)	38 - 5
D0CS1115	COUPLING ASSY LINK	38 - 6
D0CS1120	DRIVE ASSY MOTOR (M2)	38 - 7
D0CS1130	RUBBER FOOT	50 - 5
D0CS1130	RUBBER FOOT	52 - 3
D0CS1135	FOOT ASSY	50 - 4
D0CS1220	COVER ASSY FRONT L (COVER FRONT LEFT)	2 - 13
D0CS1220	COVER ASSY FRONT L (COVER FRONT LEFT)	4 - 18

Part No.	Description	Page and Index No.
D0CS1225	COVER ASSY TONER (COVER TONER)	2 - 10
D0CS1225	COVER ASSY TONER (COVER TONER)	4 - 15
D0CS1230	COVER ASSY SIDE R (COVER RIGHT)	2 - 9
D0CS1230	COVER ASSY SIDE R (COVER RIGHT)	4 - 14
D0CS1235	COVER ASSY TOP SHORT (COVER TOP (IM C530FB))	2 - 8
D0CS1240	COVER ASSY REAR MFP (COVER REAR)	6 - 5
D0CS1303	COVER FRONT R (COVER FRONT RIGHT)	2 - 12
D0CS1303	COVER FRONT R (COVER FRONT RIGHT)	4 - 17
D0CS1306	COVER ICCR SHORT (COVER IC-CARD (IM C530FB))	2 - 2
D0CS1307	COVER SCANNER INNER L (INNER COVER LEFT (IM C530FB))	2 - 3
D0CS1309	FULL STUCK FEE (INNER COVER RIGHT (IM C530FB))	2 - 5
D0CS1311	COVER SCANNER SIDE R (COVER RIGHT UPPER (IM C530FB))	2 - 7
D0CS1314	COVER REAR BOTTOM SHORT (COVER REAR BOTTOM (IM C530FB))	6 - 4
D0CS1315	COVER SIDE L (COVER LEFT)	6 - 3
D0CS1316	COVER SCANNER INNER L REAR (INNER COVER REAR LEFT (IM C530FB))	2 - 4
D0CS1318	COVER SCANNER SIDE L (COVER LEFT SUB (IM C530FB))	2 - 1
D0CS1319	COVER SCANNER INNER R REAR (INNER COVER REAR RIGHT)	2 - 6
D0CS1320	COVER FRONT INNER (INNER COVER FRONT)	2 - 11
D0CS1320	COVER FRONT INNER (INNER COVER FRONT)	4 - 16
D0CS1406	OPERATION SUB-UNIT:CT-7G2.5:ASS'Y	10 - 1
D0CS1451	COVER UI UPPER (COVER OPERATION PANEL UPPER)	8 - 1
D0CS1452	COVER UI LOWER (COVER OPERATION PANEL LOWER)	8 - 2
D0CS1453	PCB:FA-MF1:7-CHEETAHG2.5:ASS'Y (PCB14)	10 - 9
D0CS1565	COVER SCANNER LEFT	12 - 11
D0CS1571	COVER FRONT SCANNER	12 - 12
D0CS1575	COVER SCANNER LEFT CAP	12 - 10
D0CS1605	SCANNER ASSY SHORT (SCANNER UNIT (IM C530FB)) (M10,M11,S13,S14,S15,S16)	12 - 2
D0CS2210	HEAD ASSY LPH COLOR (LED HEAD ASSY)	26 - 1
D0CS2211	COVER ASSY GUIDE	26 - 2
D0CS2212	BASE LED HEAD ASSY	26 - 3
D0CS2220	DISP ASSY Y (TONER SUPPLY ASSY Y)	24 - 2
D0CS2222	DISP ASSY M (TONER SUPPLY ASSY M)	24 - 3

Part No.	Description	Page and Index No.
D0CS2224	DISP ASSY C (TONER SUPPLY ASSY C)	24 - 4
D0CS2226	DISP ASSY K (TONER SUPPLY ASSY K)	24 - 5
D0CS2228	DRIVE ASSY DISP (DRIVE ASSY TONER SUPPLY) (M6,M7,M8,M9)	24 - 1
D0CS2265	LPH CLEANER ASSY (LED HEAD CLEANER ASSY)	28 - 6
D0CS2280	PCDU Y SERVICE PARTS	28 - 1
D0CS2282	PCDU M SERVICE PARTS	28 - 2
D0CS2284	PCDU C SERVICE PARTS	28 - 3
D0CS2286	PCDU K SERVICE PARTS	28 - 4
D0CS2290	HARNESS ASSY ERASE-CF (HARNESS ASSY ERASE)	28 - 7
D0CS2292	ERASE LAMP ASSY (PCB8/PCB9/PCB10/PCB11)	28 - 8
D0CS2510	CASSETTE ASSY 550 IOT (CASSETTE ASSY 550)	14 - 1
D0CS2510	CASSETTE ASSY 550 IOT (CASSETTE ASSY 550)	56 - 1
D0CS2520	HOLDER ASSY SEPARATOR CST (HOLDER ASSY SEPARATOR CASSETTE)	14 - 2
D0CS2520	HOLDER ASSY SEPARATOR CST (HOLDER ASSY SEPARATOR CASSETTE)	56 - 2
D0CS2525	FEED AND SEPARATOR ROLL ASSY	14 - 5
D0CS2525	FEED AND SEPARATOR ROLL ASSY	56 - 5
D0CS2540	FRAME ASSY MSI (BYPASS FEED ASSY) (S6,SOL2)	16 - 1
D0CS2542	FEED ROLL MSI (FEED ROLLER BYPASS)	16 - 3
D0CS2544	MSI ROLL ASSY TA 1 (BYPASS TRANSPORT ROLLER 1)	16 - 4
D0CS2546	MSI ROLL ASSY TA 2 (BYPASS TRANSPORT ROLLER 2)	16 - 5
D0CS2548	TRAY ASSY MSI MAIN (BYPASS TRAY ASSY)	18 - 1
D0CS2550	HOLDER ASSY SEPARATOR MSI (HOLDER ASSY SEPARATOR BYPASS)	18 - 2
D0CS2583	DUST COVER 550	14 - 3
D0CS2583	DUST COVER 550	56 - 3
D0CS2587	CHUTE UPPER FEED (GUIDE PLATE UPPER FEED)	22 - 4
D0CS2587	CHUTE UPPER FEED (GUIDE PLATE UPPER FEED)	54 - 2
D0CS2710	ROLL ASSY FEED (PAPER FEED ROLLER)	14 - 4
D0CS2710	ROLL ASSY FEED (PAPER FEED ROLLER)	22 - 3
D0CS2710	ROLL ASSY FEED (PAPER FEED ROLLER)	54 - 1
D0CS2710	ROLL ASSY FEED (PAPER FEED ROLLER)	56 - 4
D0CS2712	ACTUATOR NO PAPER (PAPER END FEELER)	54 - 3
D0CS2714	ACTUATOR NO PAPER (PAPER END FEELER)	22 - 2

Part No.	Description	Page and Index No.
D0CS2750	CHUTE OPT 550 (PAPER GUIDE OPTION FEED)	20 - 1
D0CS2751	COVER DUP GEAR (COVER DUPLEX GEAR)	20 - 2
D0CS2752	CHUTE DUP UPPER (UPPER PAPER GUIDE DUPLEX)	20 - 4
D0CS2754	ROLL ASSY DUP REGI (ROLL ASSY DUPLEX REGISTRATION) (CL1,CL2)	20 - 3
D0CS2756	CHUTE ASSY REGI FEEDER (REGISTRATION FEEDER ASSY) (S1,S2,CL3)	22 - 1
D0CS2758	ACTUATOR REGI (FEELER REGISTRATION)	22 - 5
D0CS4017	FUSING ASSY 110V (FUSING UNIT 110V) (TH1,TH2,TH3)	32 - 1
D0CS4027	FUSING ASSY 220V (FUSING UNIT 220V) (TH1,TH2,TH3)	32 - 1
D0CS4030	GUIDE FUSING UNIT LEFT	32 - 2
D0CS4031	GUIDE FUSING UNIT RIGHT	32 - 3
D0CS4035	NIP RETRACT DRIVE ASSY (M5,S9)	32 - 4
D0CS4040	NIP RETRACT SHAFT ASSY	32 - 5
D0CS4450	CHUTE ASSY EXIT SHORT (PAPER EXIT ASSY (IM C530FB)) (S4,S5,SOL1)	36 - 1
D0CS4455	DRIVE ASSY EXIT MAIN (CL4,CL5)	36 - 7
D0CS4460	ACTUATOR FULL STUCK SHORT (FEELER FULL STUCK (IM C530FB))	36 - 5
D0CS4465	HARNESS ASSY FULL STUCK-MV (HARNESS ASSY FULL STUCK)	36 - 8
D0CS4470	HARNESS ASSY DEVE-CF (HARNESS ASSY DEVELOPMENT)	36 - 6
D0CS4475	COVER TOP EXIT LOWER	36 - 4
D0CS4476	CHUTE FLAPPER EXIT (GUIDE PLATE EXIT)	36 - 3
D0CS4620	COVER REAR FAN HARNESS	34 - 4
D0CS4621	COVER RELAY	34 - 1
D0CS4622	HARNESS ASSY REAR FAN1-MV (HARNESS ASSY REAR FAN)	34 - 3
D0CS5210	PCB:ICTL:ASS'Y (PCB1)	40 - 5
D0CS5950	FAN MAIN (FAN1)	50 - 1
D0CS5950	FAN MAIN (FAN2)	50 - 2
D0CS5951	REAR FAN (FAN REAR) (FAN3)	34 - 2
D0CS5951	REAR FAN (FAN REAR) (FAN3)	50 - 3
D0CS5952	SENSOR PHOTO INT (SENSOR PHOTO INTERRUPTOR) (S6)	16 - 2
D0CS5952	SENSOR PHOTO INT (SENSOR PHOTO INTERRUPTOR) (S1/S2)	22 - 6
D0CS5952	SENSOR PHOTO INT (SENSOR PHOTO INTERRUPTOR) (S3)	30 - 3
D0CS5952	SENSOR PHOTO INT (SENSOR PHOTO INTERRUPTOR) (S4/S5)	36 - 2

Part No.	Description	Page and Index No.
D0CS5953	SENSOR TONER FULL (S7)	24 - 7
D0CS5954	CONNECTOR ASSY CRUM TONER (CONNECTOR ASSY ID CHIP TONER)	24 - 6
D0CS5960	HARNESS ASSY UI SHORT (HARNESS OPERATION PANEL (IM C530FB))	10 - 24
D0CS5961	PCB ASSY MCU (PCB2)	40 - 1
D0CS5962	HARNESS ASSY MCU-HT (HARNESS ASSY MCU)	40 - 3
D0CS5963	PCB ASSY LVPS (PCB4)	40 - 2
D0CS5964	GUIDE ASSY HVPS	42 - 1
D0CS5965	COVER TONER HVPS (PCB5)	42 - 2
D0CS5966	HOUSING 2ND BTR (HOUSING PAPER TRANSFER ROLLER)	42 - 3
D0CS5967	HARNESS ASSY FUSING DC-CF 100V (HARNESS ASSY FUSING 100V)	44 - 1
D0CS5967	HARNESS ASSY FUSING DC-CF 100V (HARNESS ASSY FUSING 100V)	46 - 1
D0CS5968	HARNESS ASSY FUSING DC-CF 200V (HARNESS ASSY FUSING 200V)	44 - 1
D0CS5968	HARNESS ASSY FUSING DC-CF 200V (HARNESS ASSY FUSING 200V)	46 - 1
D0CS5971	HARNESS ASSY I/L REAR-CF (HARNESS ASSY INTERLOCK REAR)	44 - 5
D0CS5971	HARNESS ASSY I/L REAR-CF (HARNESS ASSY INTERLOCK REAR)	46 - 5
D0CS5972	HARNESS ASSY I/L SIDE-CF (HARNESS ASSY INTERLOCK SIDE)	44 - 2
D0CS5972	HARNESS ASSY I/L SIDE-CF (HARNESS ASSY INTERLOCK SIDE)	46 - 2
D0CS5973	HARNESS ASSY MSI SIZE OPF-CF (HARNESS ASSY BYPASS SIZE OPTION FEEDER)	44 - 4
D0CS5973	HARNESS ASSY MSI SIZE OPF-CF (HARNESS ASSY BYPASS SIZE OPTION FEEDER)	46 - 4
D0CS5974	HARNESS ASSY ESS-PWR-CF (HARNESS ASSY ICTL)	48 - 1
D0CS5975	HARNESS ASSY 24V-MCU-CF (HARNESS ASSY 24V MCU)	48 - 6
D0CS5976	HARNESS ASSY LV MCU-CF (HARNESS ASSY LVPS MCU)	48 - 5
D0CS5977	HARNESS ASSY GATE SOL-CF (HARNESS ASSY GATE SOL)	48 - 3
D0CS5978	HARNESS ASSY SUB FAN-CF (HARNESS ASSY SUB FAN)	48 - 4
D0CS5979	HARNESS ASSY POWER SWITCH	2 - 14
D0CS5979	HARNESS ASSY POWER SWITCH	4 - 19
D0CS5980	PCB ASSY IPU (PCB3)	40 - 7

Part No.	Description	Page and Index No.
D0CS6010	IBT UNIT (ITB UNIT)	30 - 1
D0CS6012	SENSOR ASSY CTD (ID/MUSIC SENSOR ASSY) (S10,S11,S12)	30 - 2
D0CS6014	HARNESS ASSY K-SNR-CF (HARNESS ASSY K MODE SENSOR)	30 - 4
D0CS6265	2ND BTR ROLL ASSY (PAPER TRANSFER ROLLER UNIT)	6 - 6
D0CS6540	COLLECTION BOTTLE (WASTE TONER BOTTLE)	28 - 5
D0CS6605	DADF ASSY SHORT (SPDF UNIT (IM C530FB)) (M11,CL8,CL9,S17,S18,S19,S20,S21,S22,S23,S24,PCB17)	12 - 1
D0CS6640	COUNTERBALANCE ASSY L (HINGE LEFT)	12 - 3
D0CS6641	COUNTERBALANCE ASSY R (HINGE RIGHT)	12 - 4
D0CS6642	FEEDER ROLL DADF (FEEDER ROLLER SPDF)	12 - 5
D0CS6643	COVER ASSY SEPARATOR	12 - 6
D0CS6645	ROLL ASSY SEPARATOR DADF (ROLLER ASSY SEPARATOR SPDF)	12 - 7
D0CS6646	CUSION ASSY PLATEN	12 - 9
D0CS6647	DADF ACTUATOR (SPDF FEELER)	12 - 8
D0CS6802	PLATE:NAME PLATE:IM_C530FB	2 - 15
D0CS9590	NVRAM: ZERO COUNTER	40 - 6
D0CT1055	FRAME TALL (FRAME)	4 - 5
D0CT1235	COVER ASSY TOP TALL (COVER TOP (IM C530F))	4 - 9
D0CT1302	COVER TALL SIDE R CAP (CAP RIGHT UPPER)	4 - 10
D0CT1303	COVER TALL TOP EXIT (COVER TOP EXIT)	4 - 7
D0CT1304	COVER TALL INNER R (INNER COVER RIGHT (IM C530F))	4 - 13
D0CT1305	COVER TALL SIDE R (COVER RIGHT UPPER (IM C530F))	4 - 12
D0CT1306	COVER TALL INNER R REAR (INNER COVER UPPER)	4 - 11
D0CT1307	COVER TALL INNER SIDE L (INNER COVER REAR LEFT (IM C530F))	4 - 6
D0CT1308	COVER TALL INNER L (INNER COVER LEFT (IM C530F))	4 - 4
D0CT1309	COVER ICCR TALL (COVER IC-CARD (IM C530F))	4 - 1
D0CT1310	COVER TALL FRONT (COVER FRONT UPPER)	4 - 2
D0CT1311	COVER TALL REAR (COVER REAR UPPER (IM C530F))	6 - 1
D0CT1312	COVER TALL SIDE L SUB (COVER LEFT SUB (IM C530F))	4 - 3
D0CT1313	COVER TALL SIDE L (COVER LEFT UPPER (IM C530F))	6 - 2
D0CT1314	OPT BLIND COVER	4 - 8
D0CT1315	COVER REAR BOTTOM TALL (COVER REAR BOTTOM (IM C530F))	6 - 4
D0CT1605	SCANNER ASSY TALL (SCANNER UNIT (IM C530F)) (M10,M11,S13,S14,S15,S16)	12 - 2

Part No.	Description	Page and Index No.
D0CT4450	CHUTE ASSY EXIT TALL (PAPER EXIT ASSY (IM C530F)) (S4,S5,SOL1)	36 - 1
D0CT4460	ACTUATOR FULL STUCK TALL (FEELER FULL STUCK (IM C530F))	36 - 5
D0CT5960	HARNESS ASSY UI TALL (HARNESS OPERATION PANEL (IM C530F))	10 - 24
D0CT5961	HARNESS ASSY FIN-MCU-CF (HARNESS ASSY FIN MCU)	48 - 2
D0CT6605	DADF ASSY TALL (SPDF UNIT (IM C530F)) (M11,CL8,CL9,S17,S18,S19,S20,S21,S22,S23,S24,PCB17)	12 - 1
D0CT6802	PLATE:NAME PLATE:IM_C530F	4 - 20
D2445730	PCB:DCSW (PCB7)	2 - 16
D2445730	PCB:DCSW (PCB7)	4 - 23
D2951554	MIKE:PVM-6018-C402G-7ZZ4	10 - 18
D3GX1000	FEEDER ASSY OPF 550 (FEEDER ASSY OPTION FEEDER 550)	52 - 1
D3GX2700	SWITCH ASSY SIZE (SW3)	44 - 3
D3GX2700	SWITCH ASSY SIZE (SW3)	46 - 3
D3GX2700	SWITCH ASSY SIZE (SW3)	52 - 4
D3GX2702	OPF FDR LED (OPTION FEEDER LED)	52 - 2
E0A01549	CUSHION:MIKE	10 - 17
M0B01534	CUSHION:OPERATION SUB-UNIT:LIQUID CRYSTAL:L	10 - 8
11500481	POWER SUPPLY CODE:125V:15A:NA	2 - 101
11500481	POWER SUPPLY CODE:125V:15A:NA	4 - 101
11500500	POWER SUPPLY CORD:250V:10A:EU:BARCODE	2 - 102
11500500	POWER SUPPLY CORD:250V:10A:EU:BARCODE	4 - 102
14077726	EEPROM:BR24T08-W	40 - 102
14078476	ROM STORAGE:SDXC8GB	40 - 101
18310004	LCD:TFT:WSVGA-7:LED:MV	10 - 101
18320006	TOUCH PANEL:RTP-7:MV	10 - 2