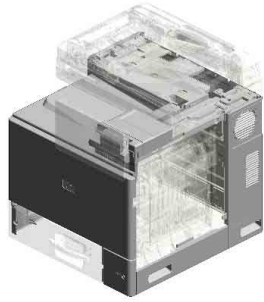


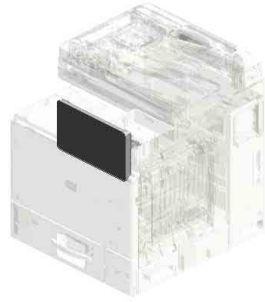
**IM C400F**  
**(D0C8-EU)**  
**Parts Catalog**

Model	Product Code	PC Style
IM C300	D0CA	3D
IM C300F	D0C9	3D
IM C400F	D0C8	3D
IM C400SRF	D0CB	3D
Paper Feed Unit PB1170	D3GQ	3D
1 Bin Tray BN1040	D574	3D
Fax Option Type M41	D0CK	Traditional
Fax Connection Unit Type M41	D0CK	Traditional
IEEE 1284 Interface Board Type M19	D3C0	Traditional
IEEE 802.11a/g/n Interface Unit Type M19	D3BR	Traditional
File Format Converter Type M19	D3BR	Traditional
Device Server Option Type M37	D3GF	Traditional
OCR Unit Type M13	D3AC	Traditional
VM CARD Type M37	D3GF	Traditional
Enhanced Security HDD Option Type M10	D792	Traditional
DataOverwriteSecurity Unit Type M19	D3BS	Traditional
Page Keeper Type M28	D3DQ	Traditional
Caster Table Type M41	D3GW	Traditional
Camera Direct Print Card Type M37	D3GF	Traditional
PostScript3 Unit Type M41	D0CJ	Traditional
XPS Direct Print Option Type M41	D0CJ	Traditional
NFC Card Reader Type M13	D3AC	Traditional
Optional Counter Interface Unit Type M12	B870	Traditional

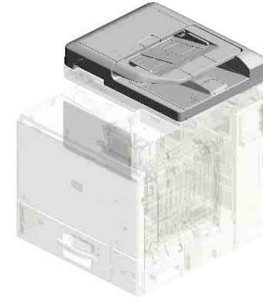
# Unit All



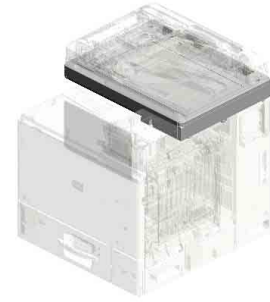
U001  
EXTERIOR



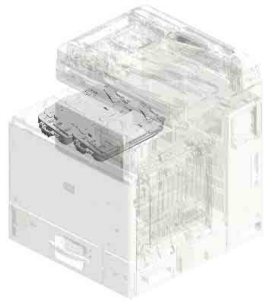
U002  
OPERATION



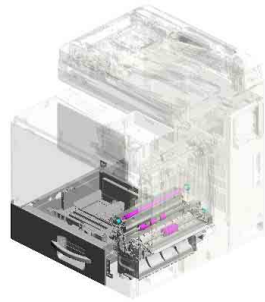
U003  
ADF



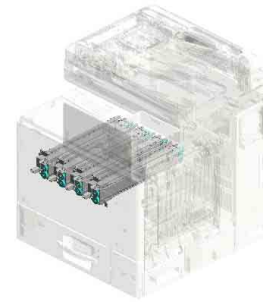
U004  
SCANNER



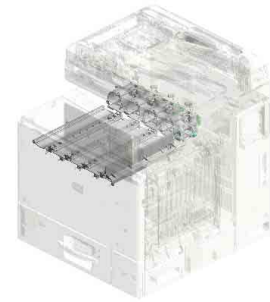
U005  
LASER UNIT



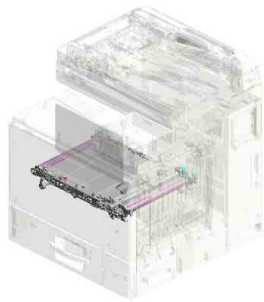
U006  
PAPER FEED



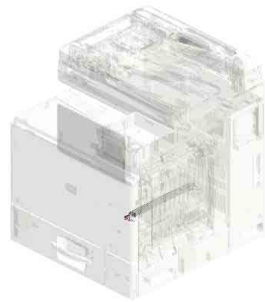
U007  
PCDU



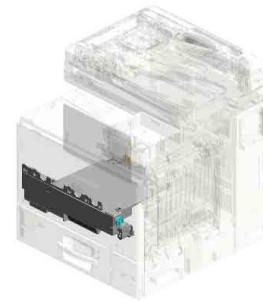
U008  
DEVELOPMENT



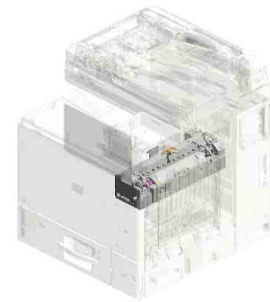
U009  
ITB UNIT



U010  
TRANSFER/SEPARATION

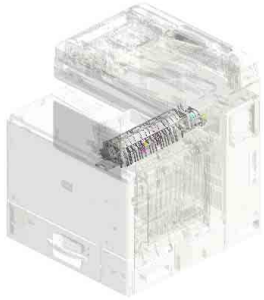


U011  
USED TONER

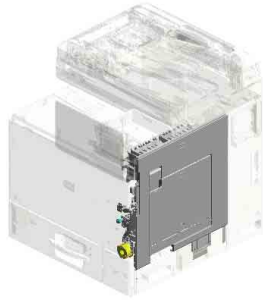


U012  
FUSING

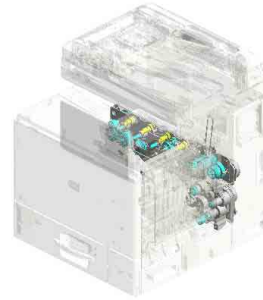
# Unit All



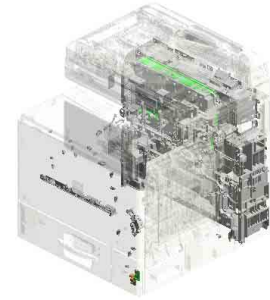
U013  
PAPER EXIT



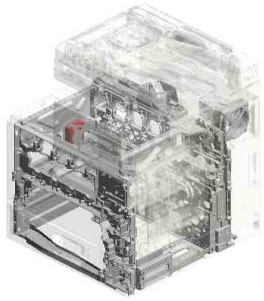
U014  
DUPLEX



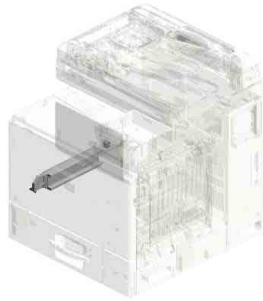
U015  
MAIN DRIVE



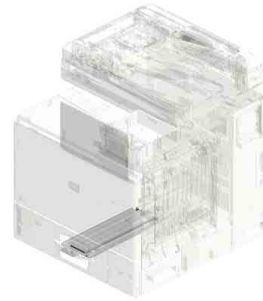
U016  
ELECTRICAL



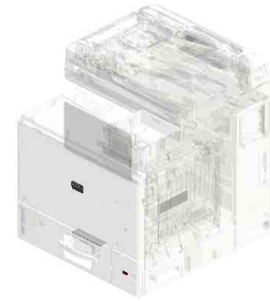
U017  
MAIN FRAME



U018  
Anti-condensation Heater (Mainframe)



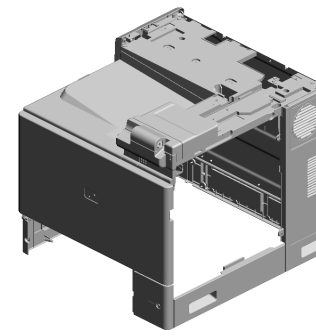
U019  
Anti-condensation Heater (Mainframe Paper Tray )



U020  
ACCESSORIES



# U001 EXTERIOR



- 16.D0C84496 END FENCE:EXIT
- 15.D0C84495 EXTENSION TRAY: EXIT
- 9.D0C81313 COVER:UPPER
- 14.D0C81372 COVER:UPPER LEFT:IDG
- 12.D0C81353 COVER:UPPER RIGHT:REAR

6.04583010N  
(x32)  
HEXAGON HEAD TAPPING SCREW:3 X10

7.AG070513  
MAGNET CATCH

20.D0CB1143  
SOUND PROOFING MATERIAL:COVER:LEFT:MIDDLE

13.D0C81354  
COVER:UPPER FRONT

4.04543008Q  
TAPPING SCREW:3X8

2.04513006N  
TAPPING SCREW - 3X6

8.D0391254  
SPRING PLATE:BASE

3.04543008N  
(x3)  
TAPPING SCREW: ROUND POINT:3X8

17.D0CB1139  
SOUND PROOFING MATERIAL:COVER:RIGHT LOWER

19.D0CB1142  
SOUND PROOFING MATERIAL:COVER:REAR LOWER:LEFT

5.04583008N  
(x8)  
HEXAGON HEAD TAPPING SCREW:3 X8

11.D0C81351  
COVER:SUPPORT:SCANNER:IDG

1.03603006N  
(x8)  
SCREW - M3X6

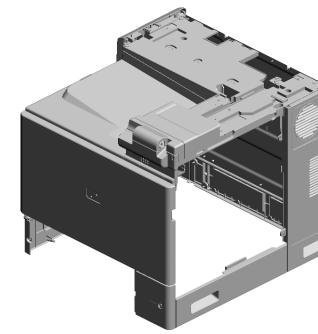
10.D0C81321  
COVER:RIGHT REAR:B

18.D0CB1141  
SOUND PROOFING MATERIAL:COVER:REAR LOWER:RIGHT

U001	U002	U003	U004	U005	U006	U007	U008	U009	U010	U011	U012	U013	U014	U015	U016	U017	U018	U019	U020
------	------	------	------	------	------	------	------	------	------	------	------	------	------	------	------	------	------	------	------

# U001 EXTERIOR

- 37.D1174498 STOPPER:END FENCE:EXIT
- 38.D1174499 COMPRESSION SPRING:END FENCE:EXIT
- 30.D0CB1331 COVER:LEFT:B
- 31.D0CB1352 COVER:UPPER RIGHT:FRONT
- 34.D0CB5854 COVER:REAR:IG



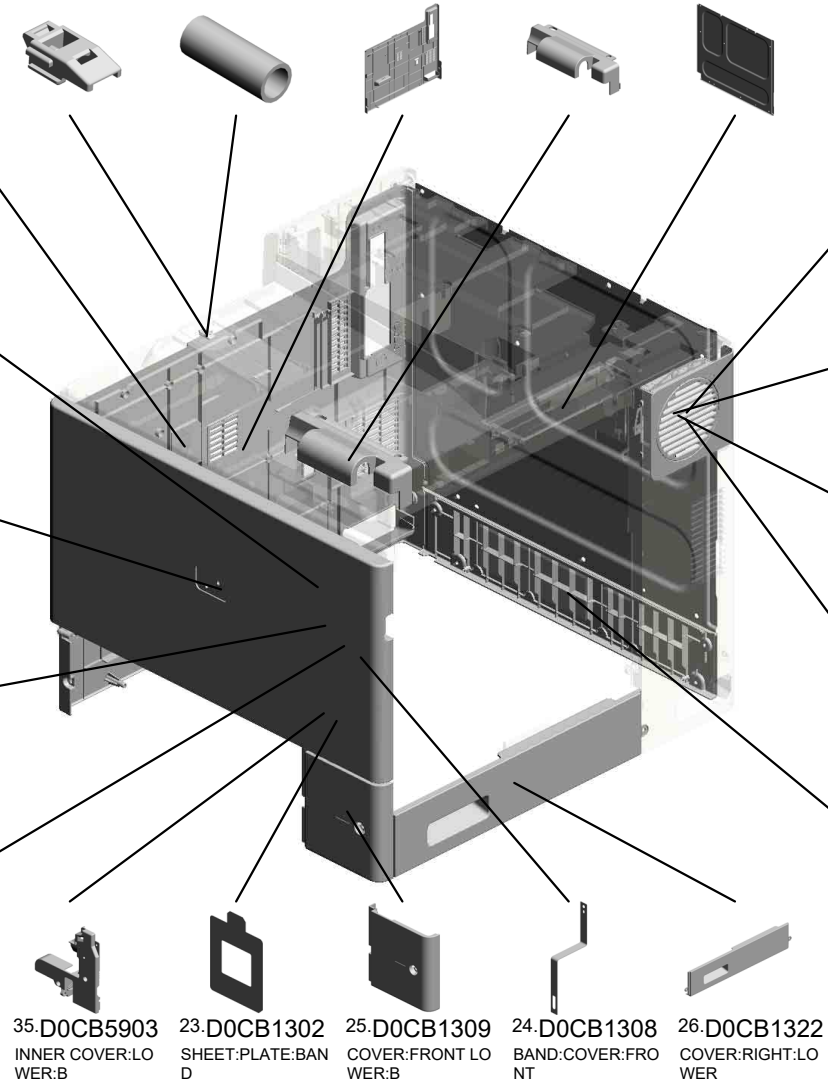
- 21.D0CB1144 SOUND PROOFING MATERIAL:COVER:LEFT:RIGHT

- 32.D0CB1361 INNER COVER:UPPER:B

- 22.D0CB1301 COVER:FRONT:B

- 36.D1171307 (x2) MAGNET CATCH:COVER:FRONT

- 39.D1175927 ACTUATOR:FRONT:SAFETY SWITCH



- 27.D0CB1324 COVER:DEODORIZE FILTER:IG

- 28.D0CB1325 LOUVER:COVER:RIGHT REAR

- 40.D1961323 DEODORIZE FILTER

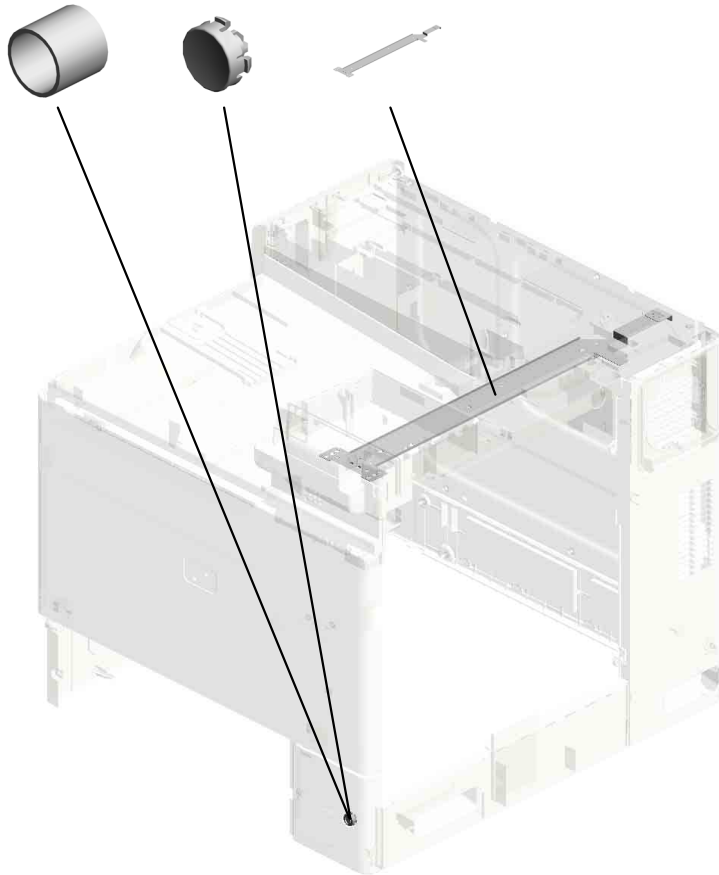
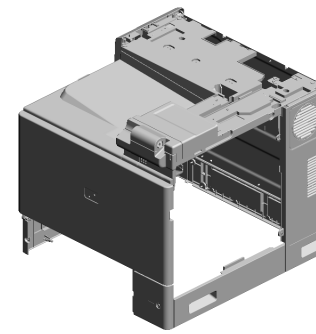
- 29.D0CB1326 LOUVER:DUCT:IG

- 33.D0CB1375 COVER:REAR:LOWER

- 35.D0CB5903 INNER COVER:LOWER:B
- 23.D0CB1302 SHEET:PLATE:BAND
- 25.D0CB1309 COVER:FRONT LOWER:B
- 24.D0CB1308 BAND:COVER:FRONT
- 26.D0CB1322 COVER:RIGHT:LOWER

U001  
EXTERIOR

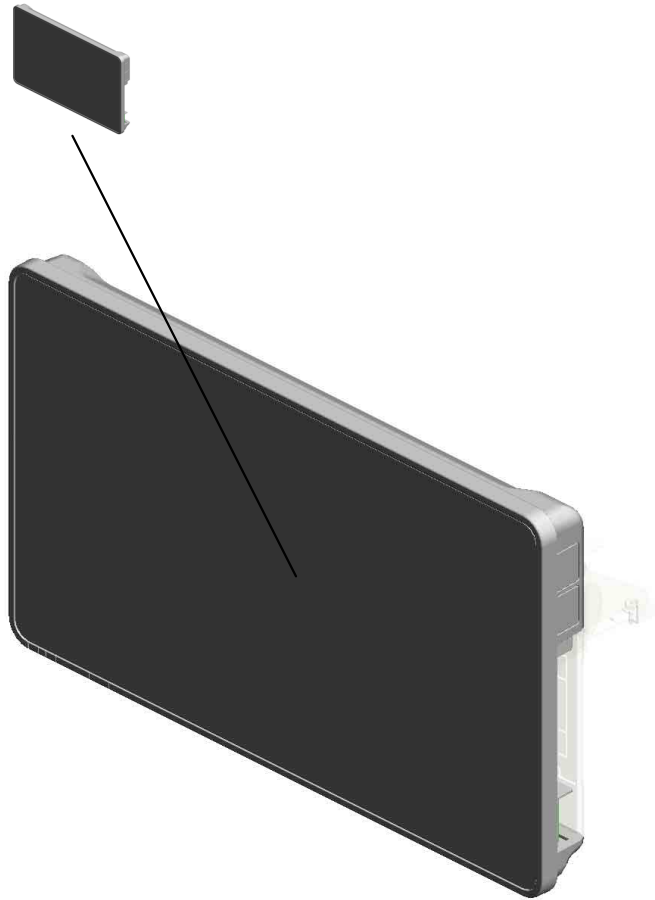
43.M1875823 42.M1875820 41.D2961358  
COIL SPRING:MAI BUTTON:MAIN SWI GROUND PLATE:U  
N SWITCH TCH PPER



U001	U002	U003	U004	U005	U006	U007	U008	U009	U010	U011	U012	U013	U014	U015	U016	U017	U018	U019	U020
------	------	------	------	------	------	------	------	------	------	------	------	------	------	------	------	------	------	------	------

# U002.OPERATION

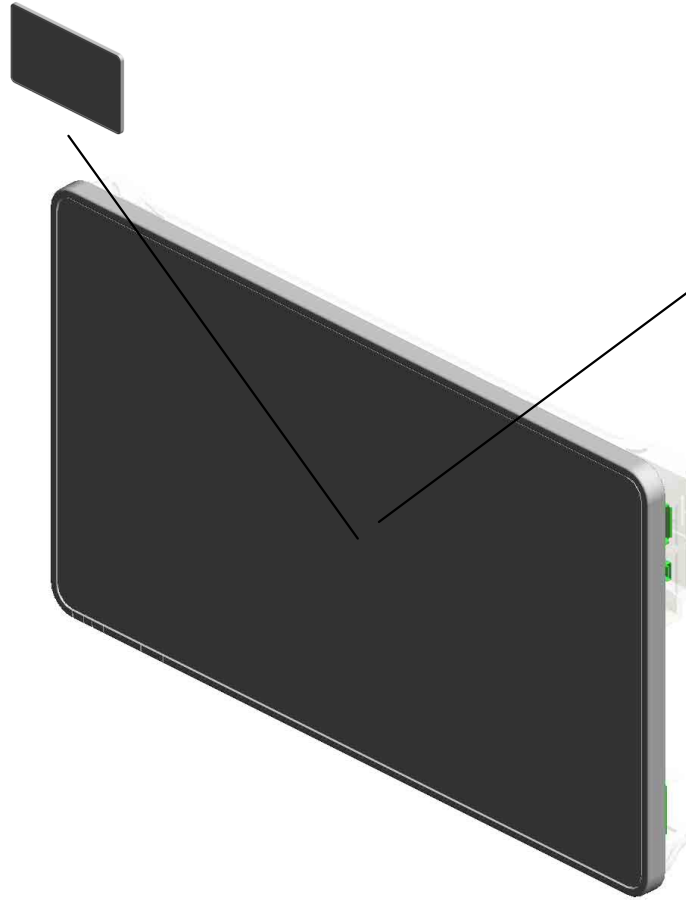
U002 S001  
D0CB1506  
(NA/EU/AA):OPERATION SUB  
-UNIT:COMMON:ASS'Y



U001	<b>U002</b>	U003	U004	U005	U006	U007	U008	U009	U010	U011	U012	U013	U014	U015	U016	U017	U018	U019	U020
------	-------------	------	------	------	------	------	------	------	------	------	------	------	------	------	------	------	------	------	------

# U002\_S001.(NA/EU/AA):OPERATION SUB-UNIT:COMMON:ASS'Y

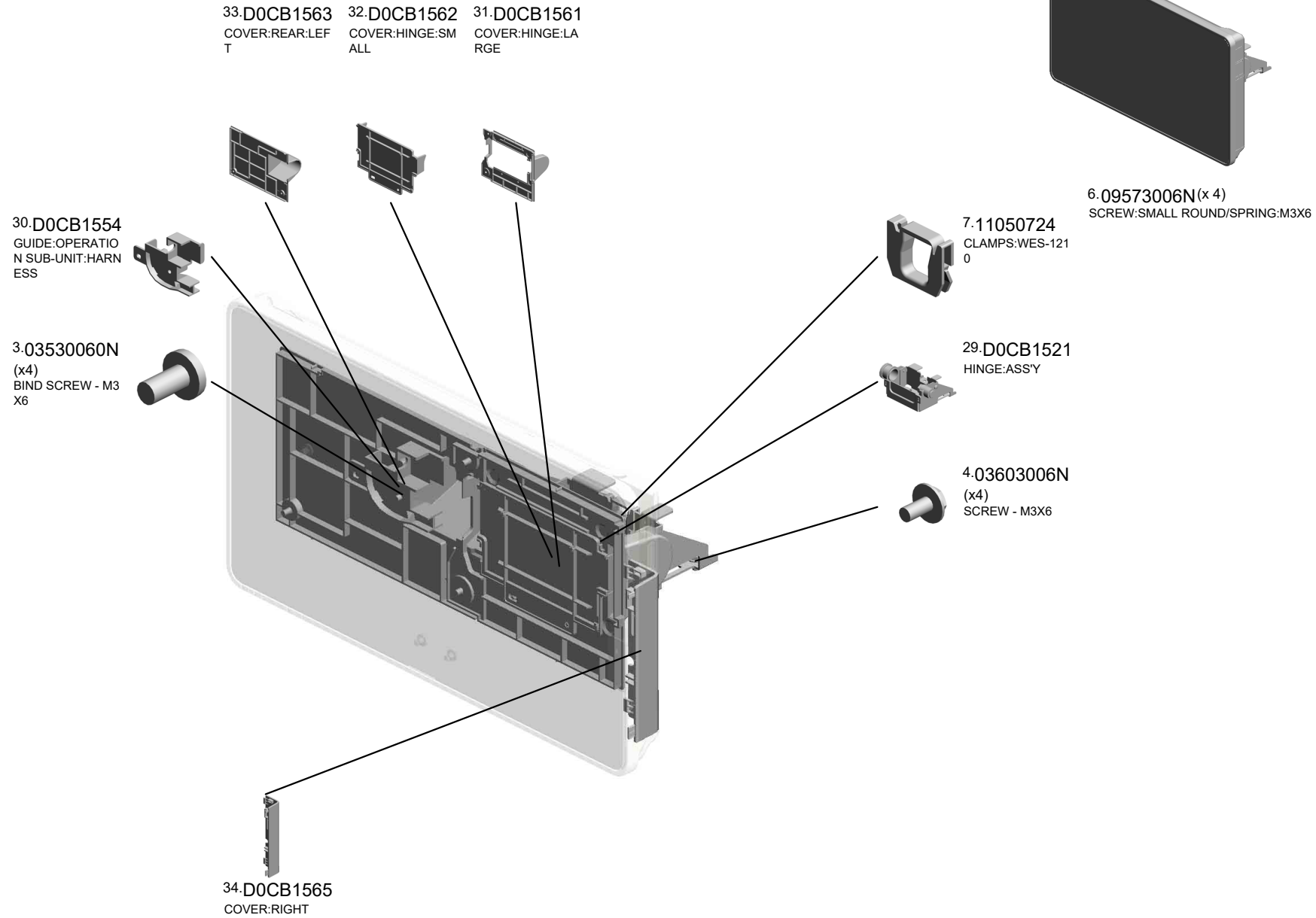
U002\_S001\_S001  
D0BQ1516  
TOUCH PANEL:ASS'Y



U002\_S001\_S002  
D0CB5620  
(NA/EU/AA):PCB:ASS'Y

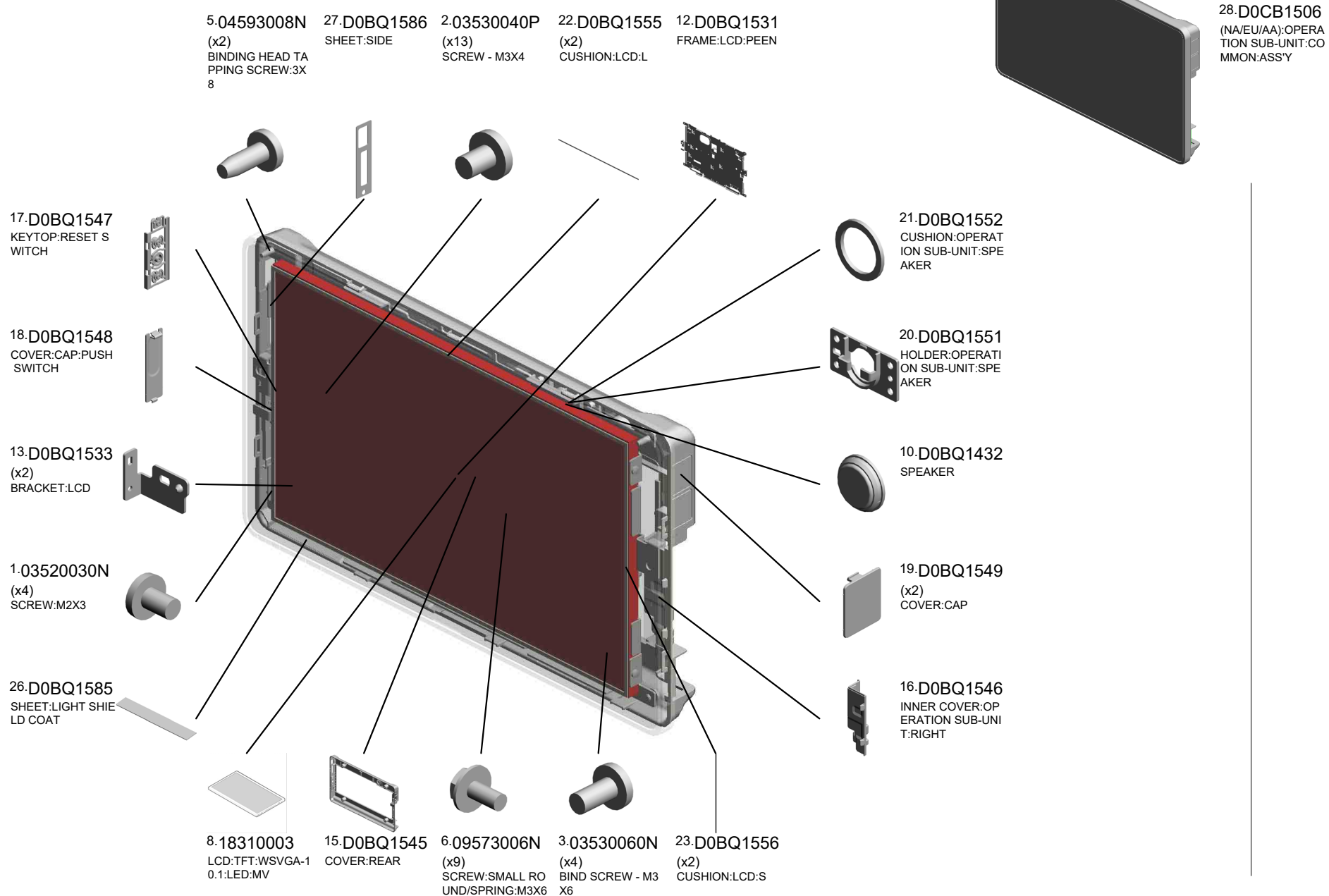
U001	U002	U003	U004	U005	U006	U007	U008	U009	U010	U011	U012	U013	U014	U015	U016	U017	U018	U019	U020
------	------	------	------	------	------	------	------	------	------	------	------	------	------	------	------	------	------	------	------

# U002 OPERATION



U001	<b>U002</b>	U003	U004	U005	U006	U007	U008	U009	U010	U011	U012	U013	U014	U015	U016	U017	U018	U019	U020
------	-------------	------	------	------	------	------	------	------	------	------	------	------	------	------	------	------	------	------	------

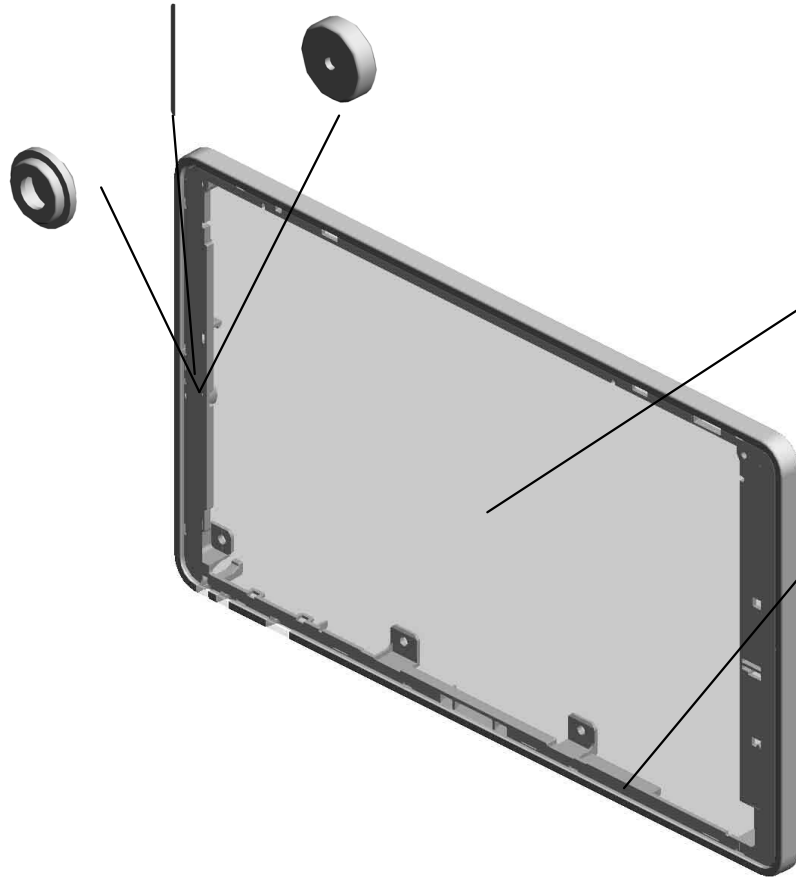
U002\_S001  
(NA/EU/AA):OPERATION SUB-UNIT:COMMON:ASS'Y



U002\_S001\_S001  
TOUCH PANEL:ASS'Y

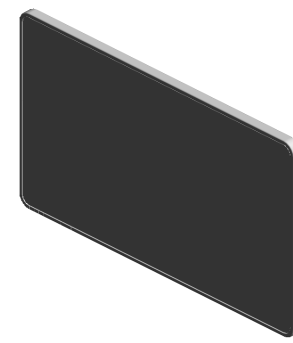
24.D0BQ1581 36.D2951554  
(x2) MIKE:PVM-6018-C4  
DUAL FACES TAPE 02G-7ZZ4  
:TOUCH PANEL:LE  
NGTHWISE

37.E0A01549  
CUSHION:MIKE



14.D0BQ1541  
COVER:FRONT

25.D0BQ1582  
(x3)  
DUAL FACES TAPE  
:TOUCH PANEL:SI  
DE

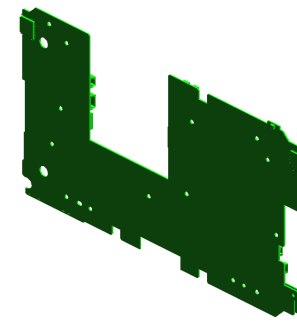


11.D0BQ1516  
TOUCH PANEL:AS  
SY

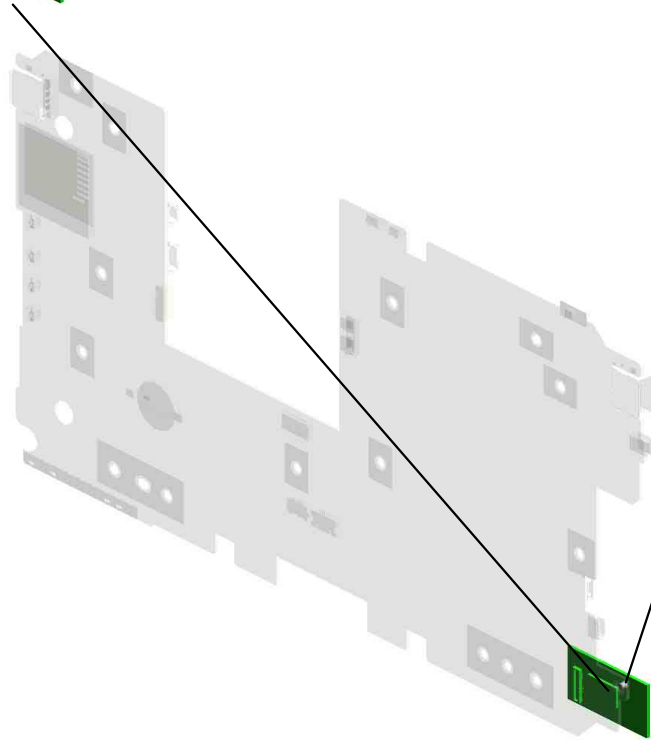
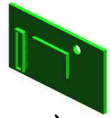


U002\_S001\_S002  
(NA/EU/AA):PCB:ASS'Y

9.D0BQ1422  
PCB:W-LAN:TYPE1  
NX



35.D0CB5620  
(NA/EU/AA):PCB:A  
SS'Y

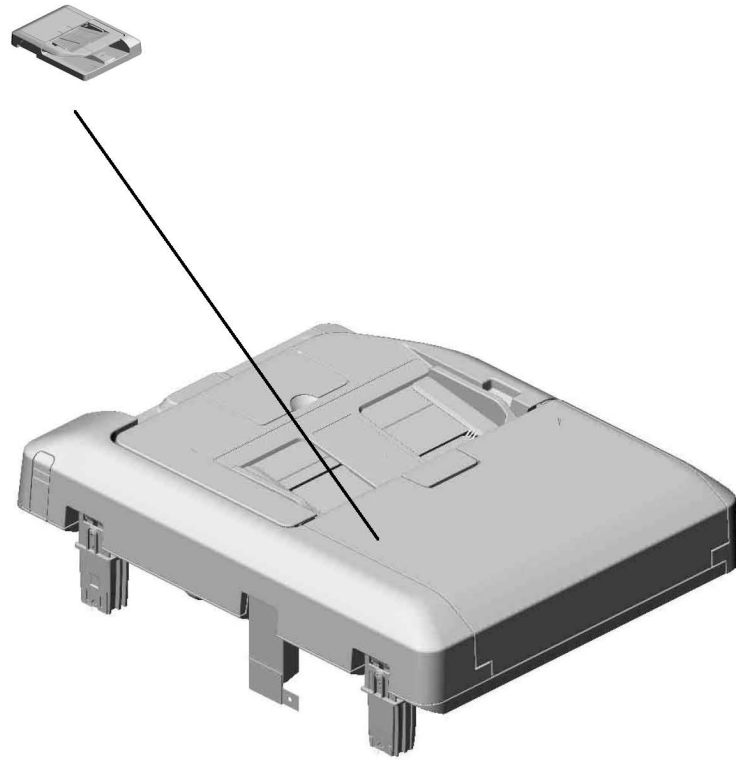


1.03520030N  
SCREW:M2X3

U001	<b>U002</b>	U003	U004	U005	U006	U007	U008	U009	U010	U011	U012	U013	U014	U015	U016	U017	U018	U019	U020
------	-------------	------	------	------	------	------	------	------	------	------	------	------	------	------	------	------	------	------	------

# U003.ADF

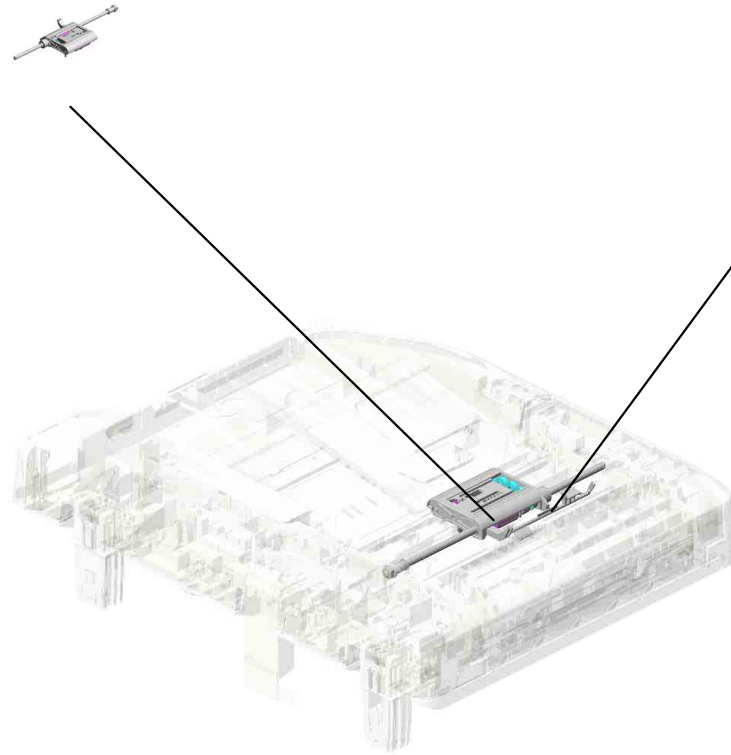
U003\_S001  
D0CB1801  
(NA/EU/AA):ADF:ASSY



U001	U002	U003	U004	U005	U006	U007	U008	U009	U010	U011	U012	U013	U014	U015	U016	U017	U018	U019	U020
------	------	------	------	------	------	------	------	------	------	------	------	------	------	------	------	------	------	------	------

# U003\_S001.(NA/EU/AA):ADF:ASS'Y

U003 S001 S001  
D0CB1821  
PAPER FEED UNIT:ASS'Y

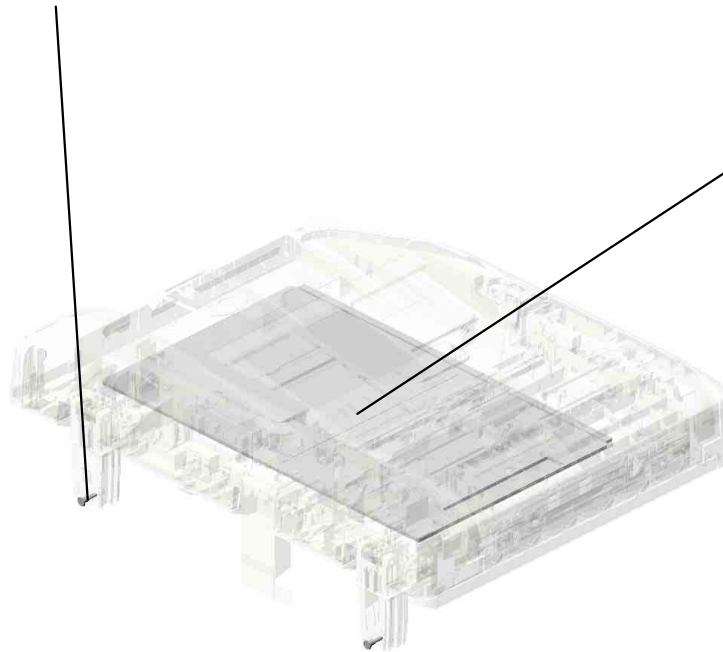


U003 S001 S002  
D3DJ4530  
FEELER:FEED:REAR:ASS'Y

U001	U002	U003	U004	U005	U006	U007	U008	U009	U010	U011	U012	U013	U014	U015	U016	U017	U018	U019	U020
------	------	------	------	------	------	------	------	------	------	------	------	------	------	------	------	------	------	------	------

U003  
ADF

179.D6060028  
(x2)  
SCREW:HINGE



69.D0CB1845  
PRESSURE PLATE  
:ASS'Y

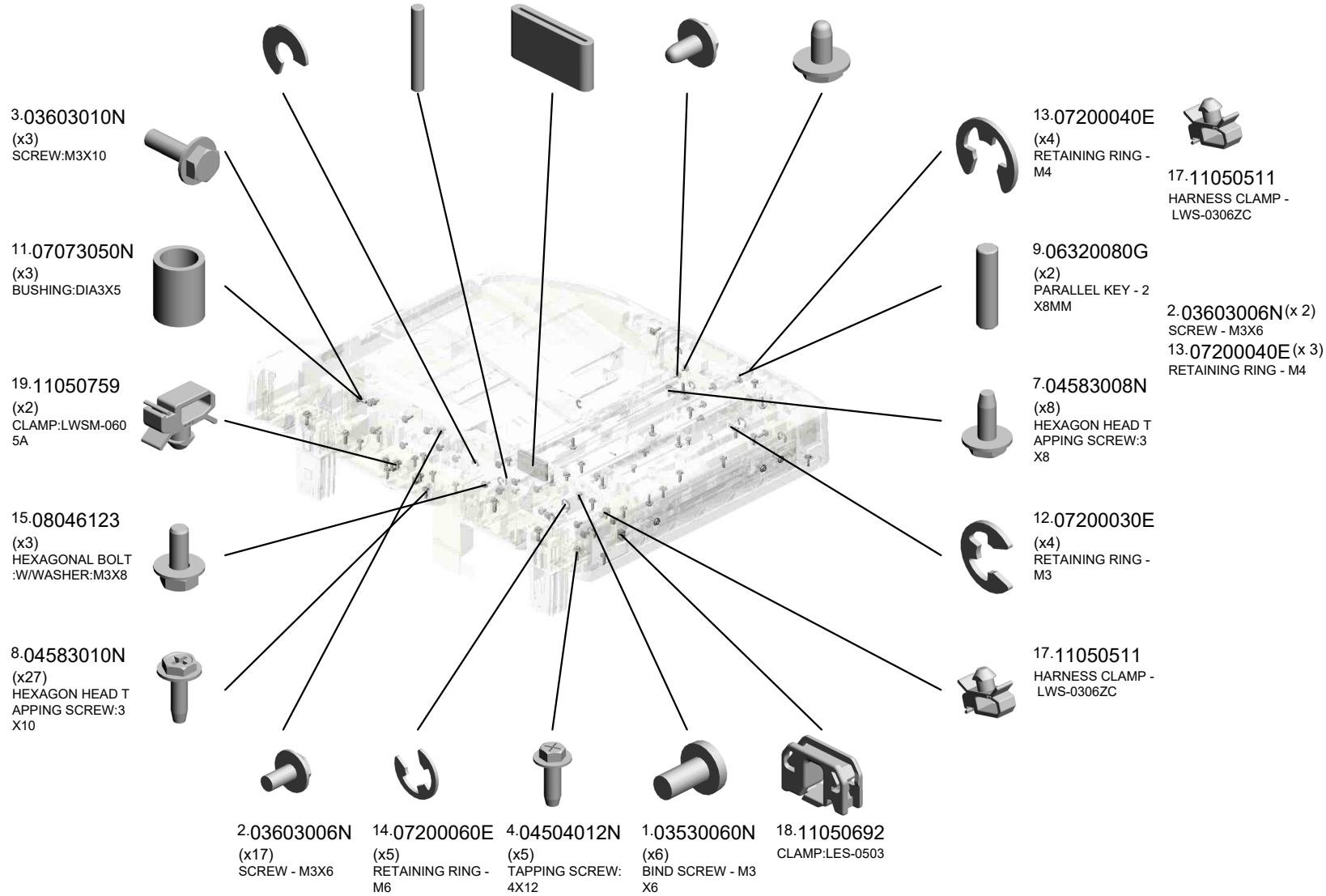
U001	U002	U003	U004	U005	U006	U007	U008	U009	U010	U011	U012	U013	U014	U015	U016	U017	U018	U019	U020
------	------	------	------	------	------	------	------	------	------	------	------	------	------	------	------	------	------	------	------

U003\_S001  
(NA/EU/AA):ADF:ASS'Y

- 16.08050104 (x3) RETAINING RINGS -E:SILENCER:DIA4
- 10.06320140G PARALLEL PIN
- 20.16072758 FERRITE CORE
- 5.04513006N (x2) TAPPING SCREW - 3X6
- 6.04543006Q (x7) TAPPING SCREW - M3X6



67.D0CB1801  
(NA/EU/AA):ADF:A  
SS'Y



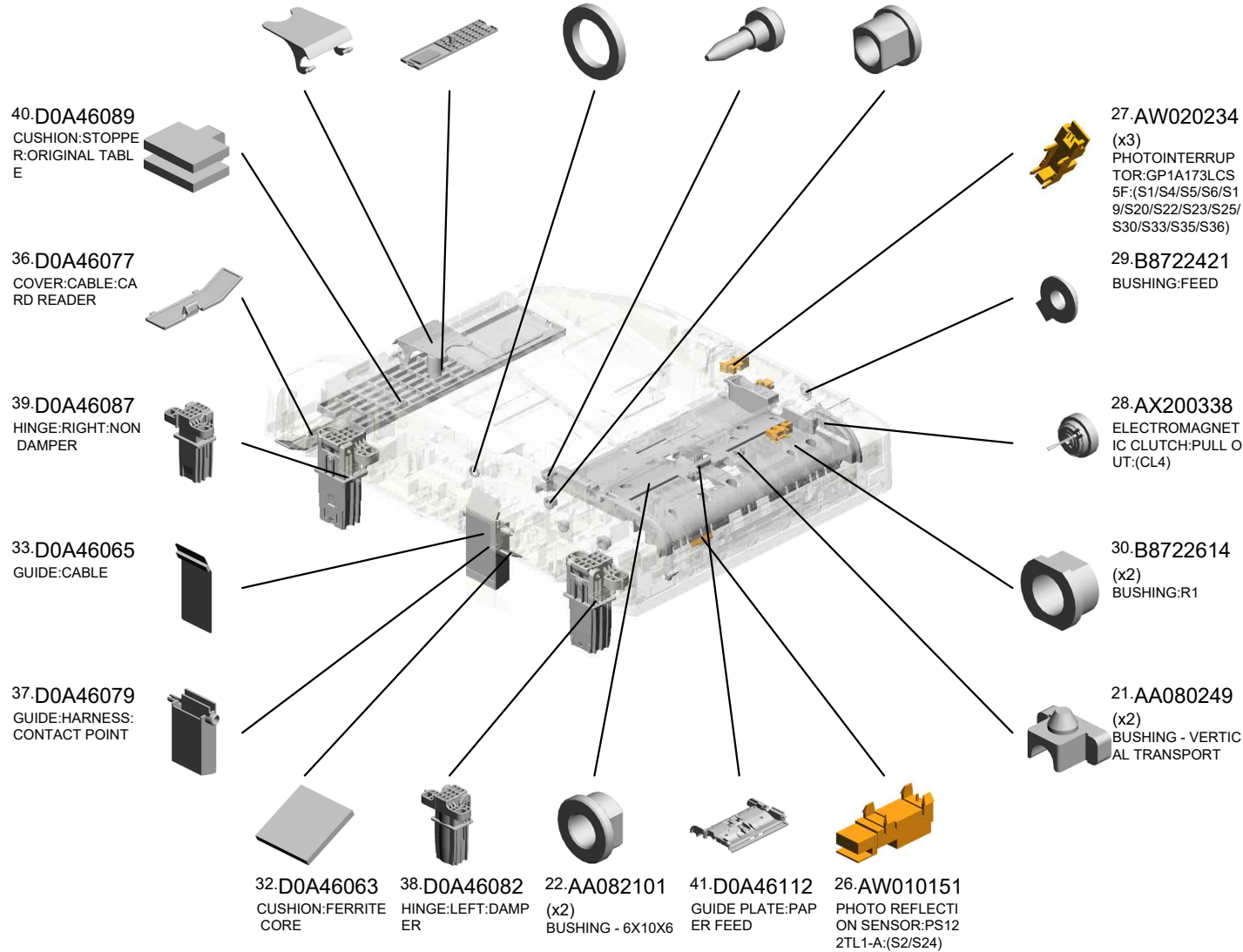
U001	U002	U003	U004	U005	U006	U007	U008	U009	U010	U011	U012	U013	U014	U015	U016	U017	U018	U019	U020
------	------	------	------	------	------	------	------	------	------	------	------	------	------	------	------	------	------	------	------

U003\_S001  
(NA/EU/AA):ADF:ASS'Y

- 34.D0A46073 TRAY:AUXILIARY
- 35.D0A46076 COVER:CARD READER
- 31.D0094511 SPACER:DIA8.0:1.5 MM
- 25.AA143788 (x3)  
PIN:GUIDE PLATE: PAPER FEED
- 23.AA082180 (x2)  
PLAIN SHAFT BEARING: DIA6: DIA10:9



67.D0CB1801  
(NA/EU/AA):ADF:ASS'Y

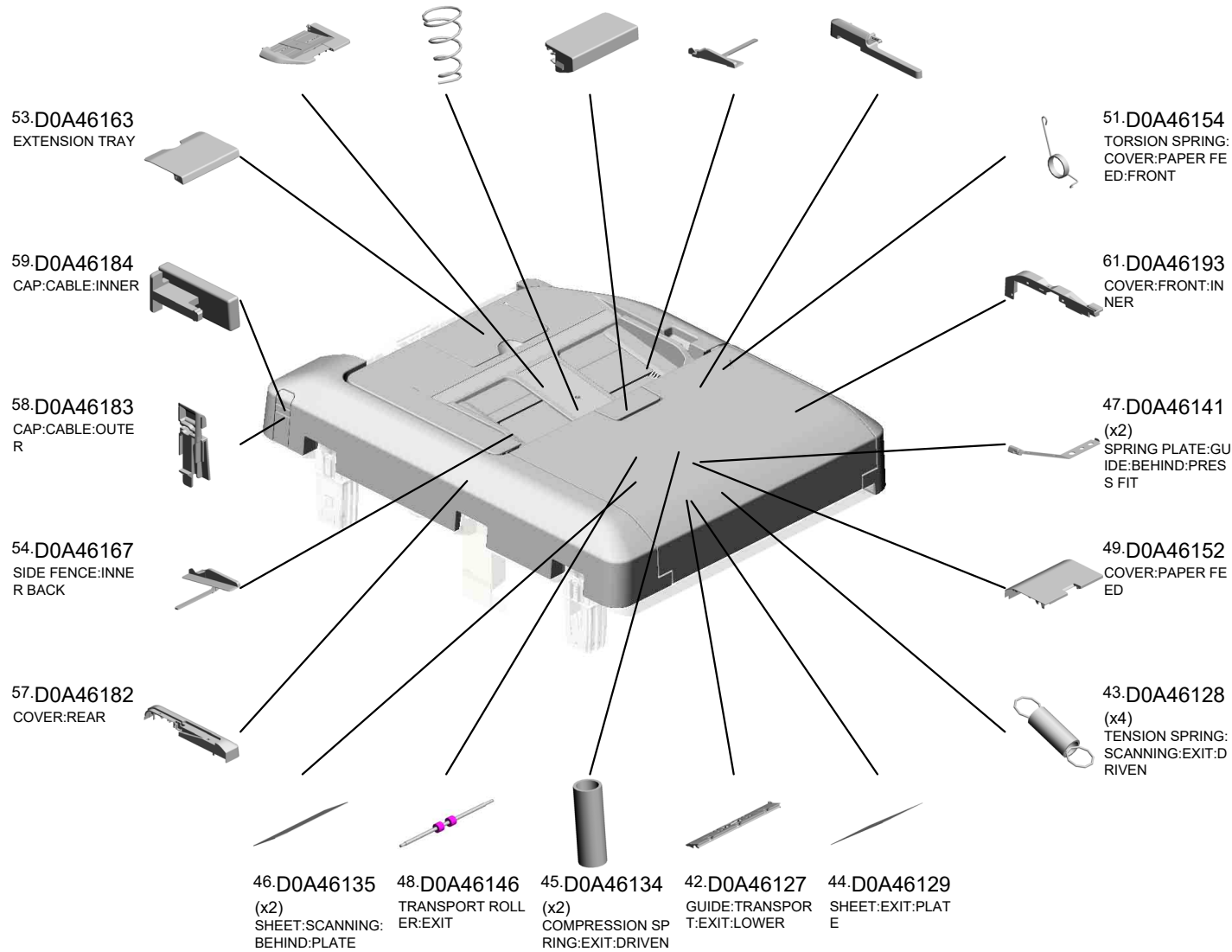


U003\_S001  
(NA/EU/AA):ADF:ASS'Y

- 52.D0A46162 ORIGINAL TABLE
- 56.D0A46169 COIL SPRING:SIDE FENCE:ARDF:16N
- 50.D0A46153 LEVER:COVER:PA PER FEED
- 55.D0A46168 SIDE FENCE:FRON T
- 60.D0A46192 COVER:FRONT



67.D0CB1801  
(NA/EU/AA):ADF:A SS'Y

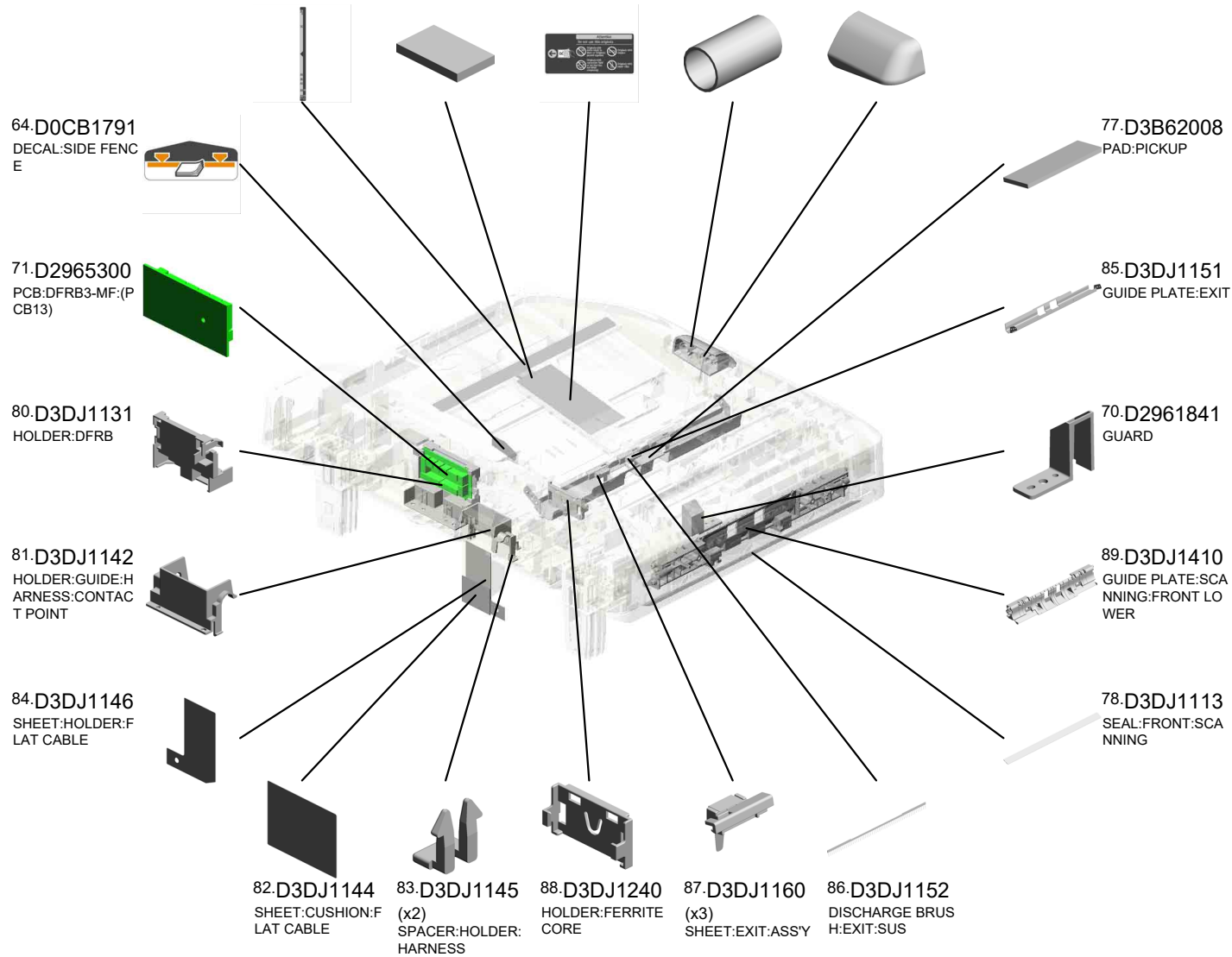


U003\_S001  
(NA/EU/AA):ADF:ASS'Y

- 65.D0CB1792 DECAL:ORIGINAL SCALE
- 79.D3DJ1114 (x2) TAPE:PRESSURE PLATE
- 66.D0CB1794 (NA/EU/AA):DECAL :ORIGINAL TABLE
- 63.D0A46195 COMPRESSION SPRING:STOPPER:ORIGINAL TABLE
- 62.D0A46194 BRACKET:STOPPER:ORIGINAL TABLE



67.D0CB1801  
(NA/EU/AA):ADF:ASS'Y



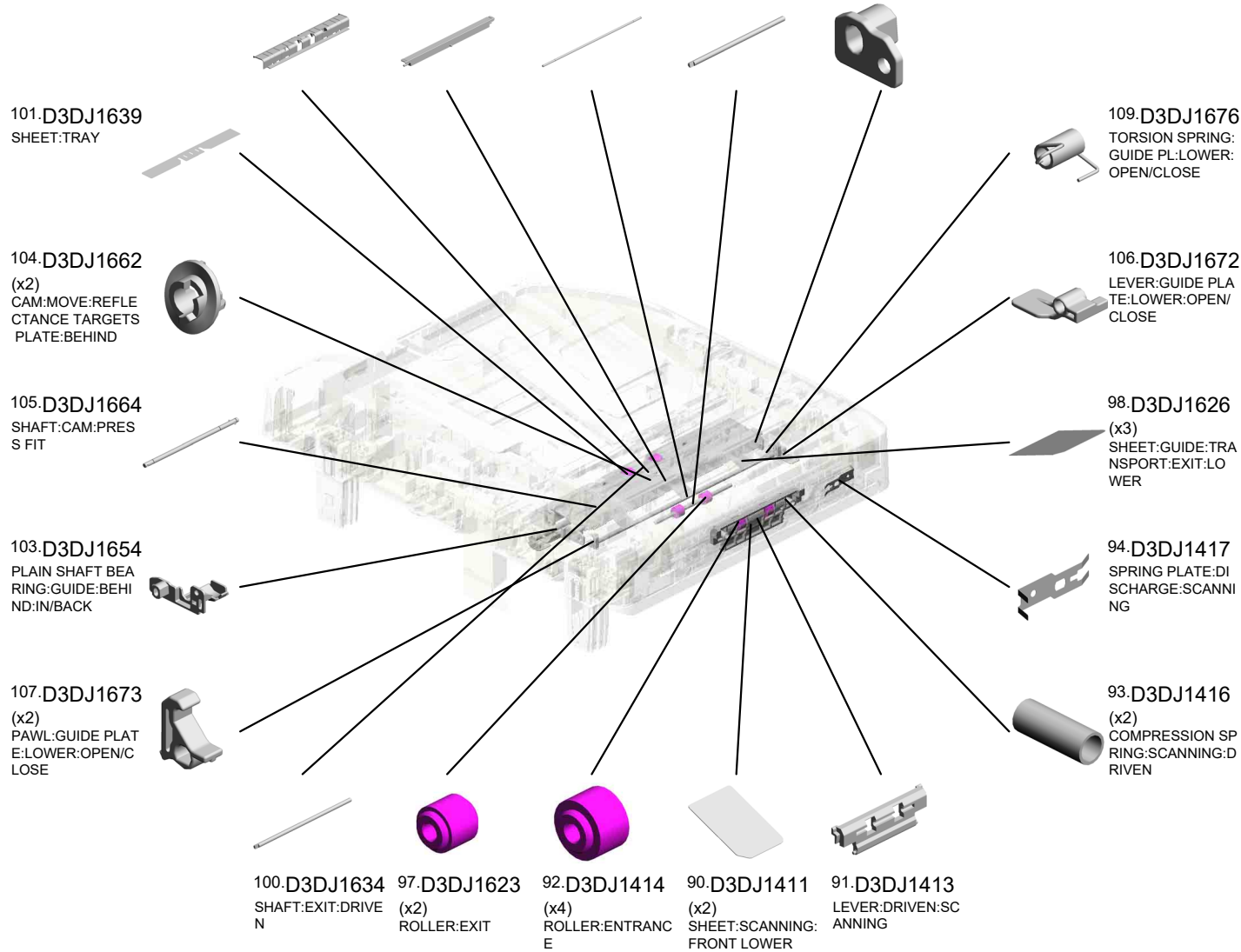


U003\_S001  
(NA/EU/AA):ADF:ASS'Y

- 99.D3DJ1631 GUIDE:EXIT:LOWER
- 95.D3DJ1606 GUIDE:REFLECTANCE TARGETS PLATE:BEHIND:ASS'Y
- 108.D3DJ1674 SHAFT:LEVER:GUIDE PL:LOWER:OPEN/CLOSE
- 96.D3DJ1622 SHAFT:SCANNING:EXIT:DRIVEN
- 102.D3DJ1653 PLAIN SHAFT BEARING:GUIDE:BEHIND:FRONT



67.D0CB1801  
(NA/EU/AA):ADF:ASS'Y



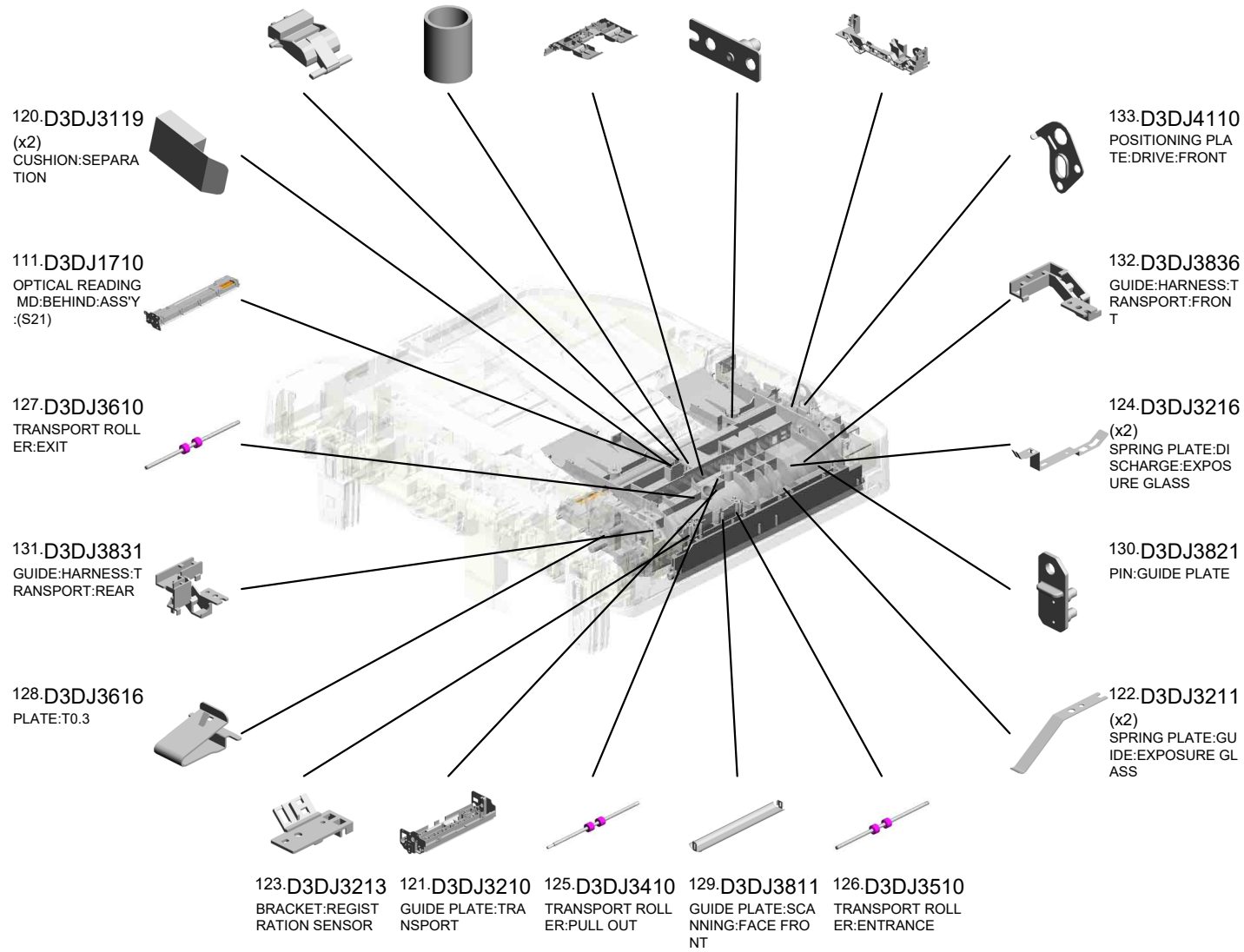
U001	U002	U003	U004	U005	U006	U007	U008	U009	U010	U011	U012	U013	U014	U015	U016	U017	U018	U019	U020
------	------	------	------	------	------	------	------	------	------	------	------	------	------	------	------	------	------	------	------

U003\_S001  
(NA/EU/AA):ADF:ASS'Y

- 113.D3DJ1814 HOLDER:FRIC  
PAD:COIL SPR  
:FIX
- 114.D3DJ1815 COMPRESSION SP  
RING:SEPARATIO  
N
- 115.D3DJ1833 COVER:PAPER FE  
ED:MIDDLE
- 110.D3DJ1681 PIN:GUIDE PLATE
- 112.D3DJ1810 BRACKET:SENSO  
R:FRONT



67.D0CB1801  
(NA/EU/AA):ADF:A  
SS'Y

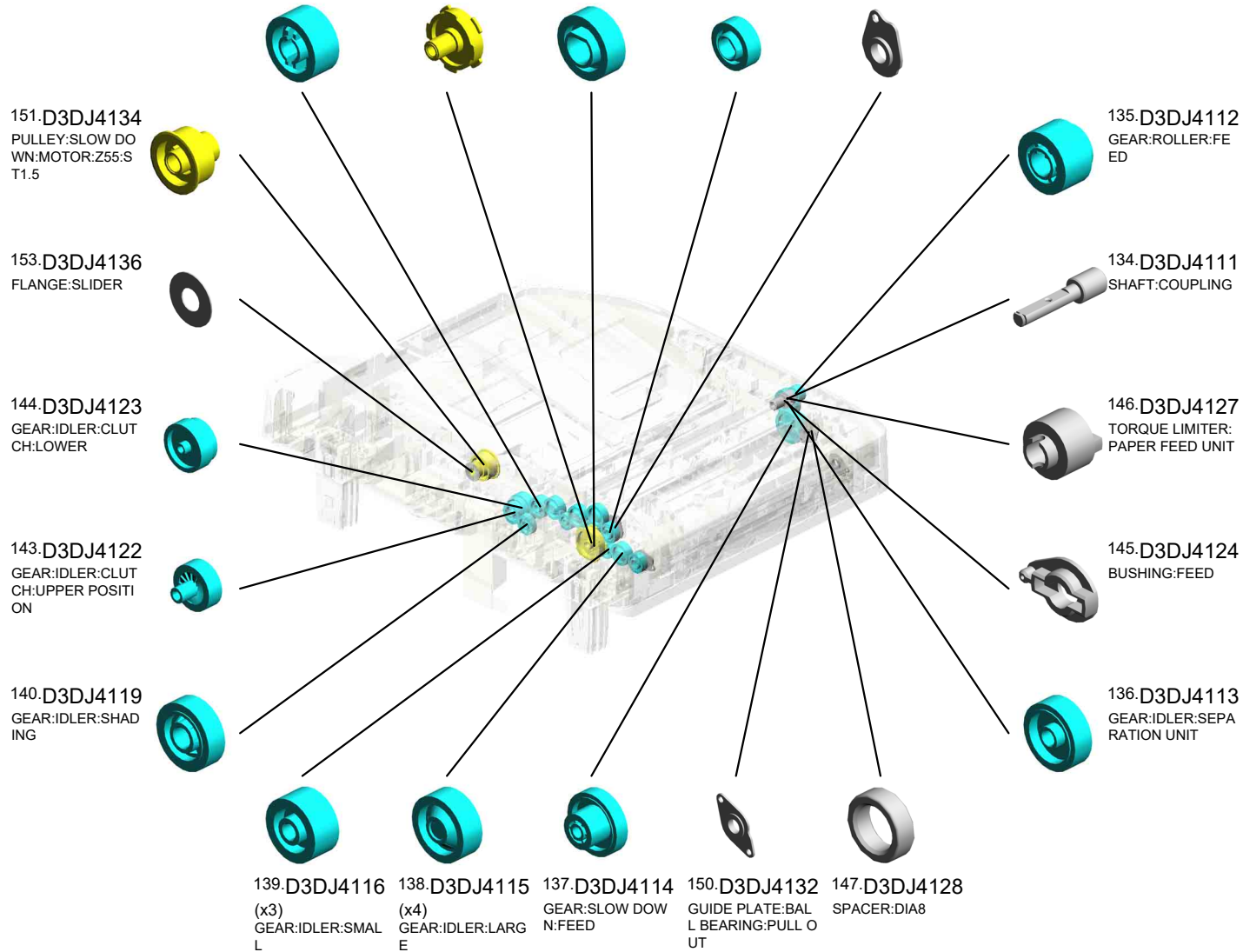


U003\_S001  
(NA/EU/AA):ADF:ASS'Y

- 142.D3DJ4121 GEAR:ROLLER:DI  
6
- 152.D3DJ4135 PULLEY:SLOW DO  
WN:MIDDLE
- 141.D3DJ4120 GEAR:ROLLER:DI  
8
- 148.D3DJ4129 (x2)  
GEAR:ROLLER:DI  
8
- 149.D3DJ4130 (x3)  
GUIDE PLATE:RAD  
IAL BALL BEARING



67.D0CB1801  
(NA/EU/AA):ADF:A  
SS'Y

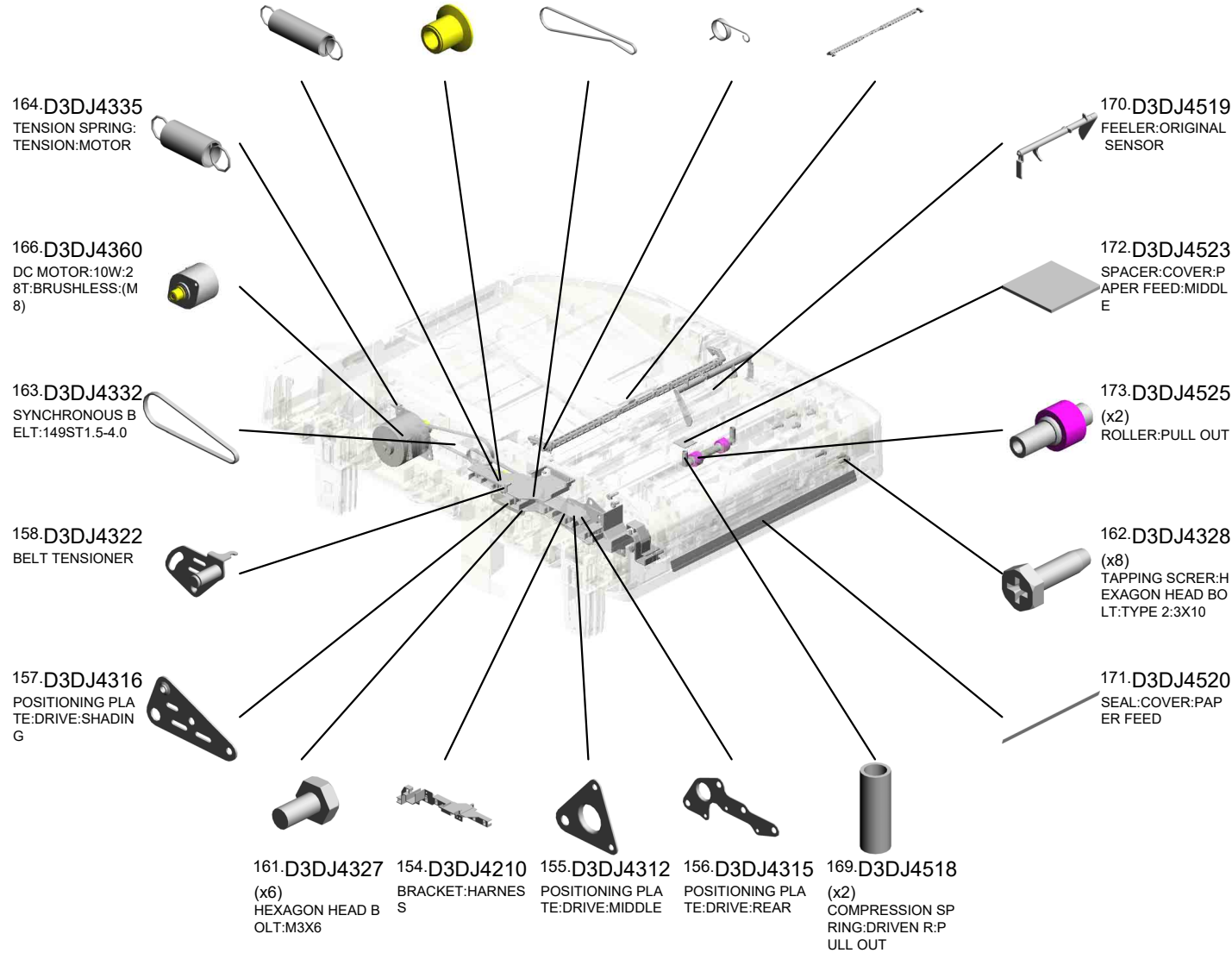


U003\_S001  
(NA/EU/AA):ADF:ASS'Y

160.D3DJ4326 TENSION SPRING: TENSION:MIDDLE  
 159.D3DJ4323 PULLEY:IDLER:DIA 10  
 165.D3DJ4344 SYNCHRONOUS BELT:252ST1.5-4.0  
 168.D3DJ4515 TORSION SPRING: COVER:PF:INNER BACK  
 167.D3DJ4512 SHAFT:LEVER:COVER:VER:PAPER FEED



67.D0CB1801  
(NA/EU/AA):ADF:ASS'Y

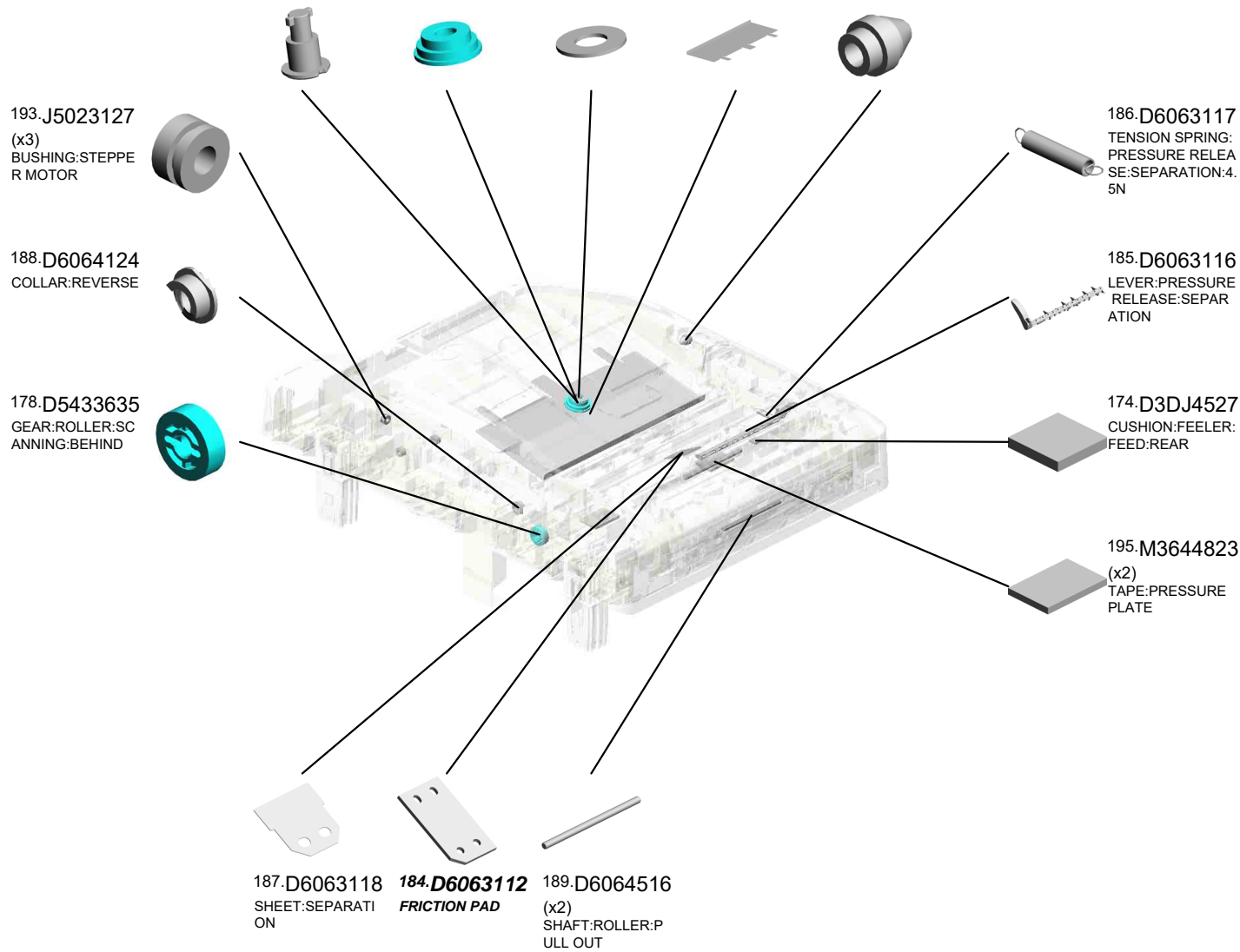


U003\_S001  
(NA/EU/AA):ADF:ASS'Y

191.D6064615 PIN:SIDE FENCE  
 190.D6064614 GEAR:SIDE FENCE  
 192.D6064616 DISC:SIDE FENCE  
 176.D3DJ4622 SHEET:ORIGINAL TABLE  
 177.D3DJ4811 STOPPER:ORIGINAL TABLE

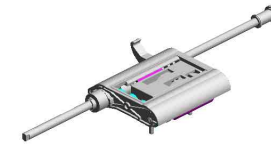


67.D0CB1801  
(NA/EU/AA):ADF:ASS'Y

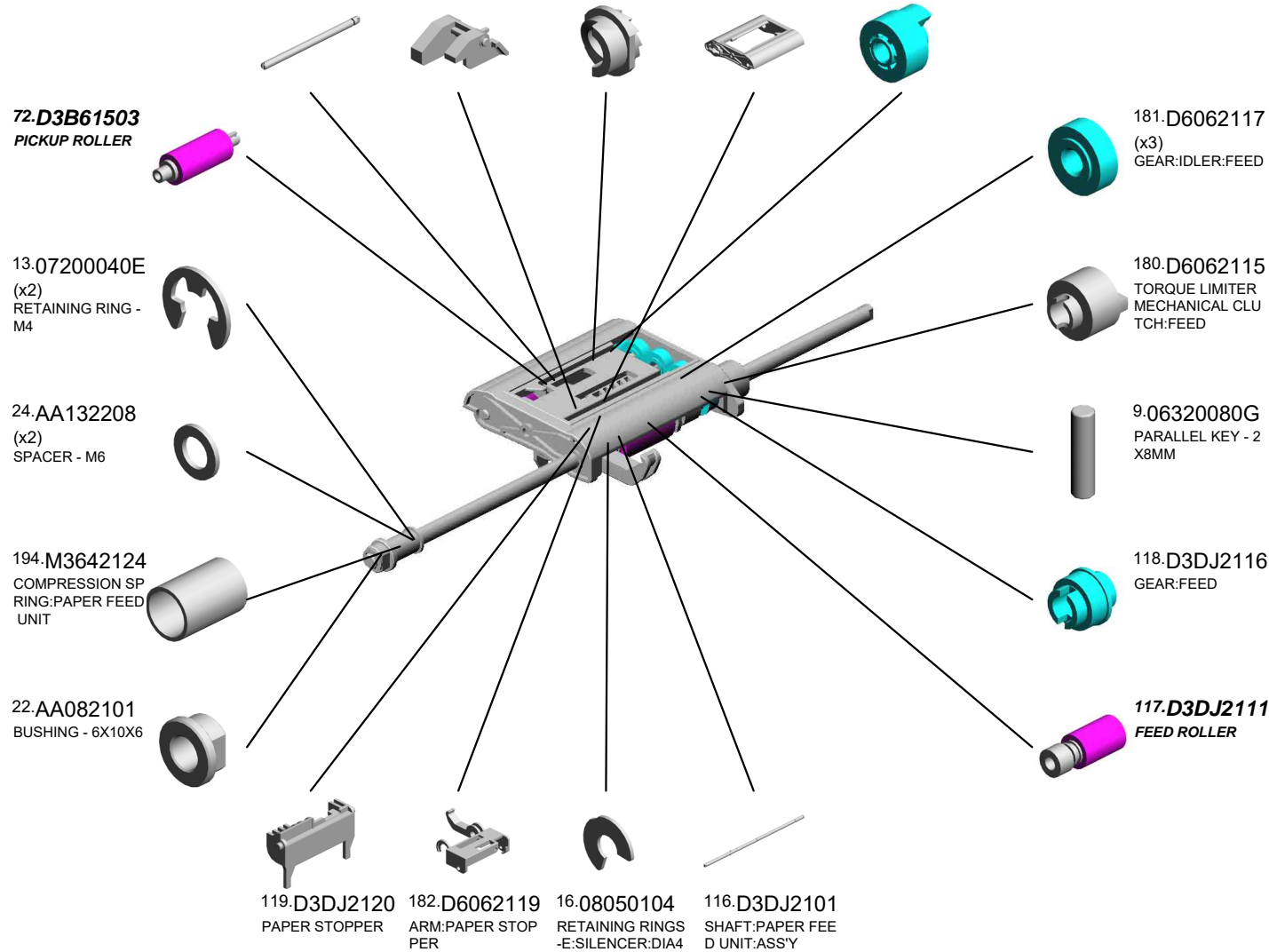


U003\_S001\_S001  
PAPER FEED UNIT:ASS'Y

73.D3B61504 SHAFT:PICKUP  
183.D6062121 LINK:PAPER STOP  
PER  
76.D3B61507 COLLAR:PICKUP  
74.D3B61505 HOLDER:PICKUP R  
OLLER  
75.D3B61506 GEAR:PICKUP



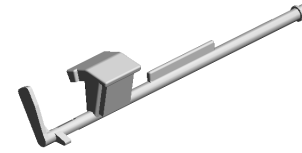
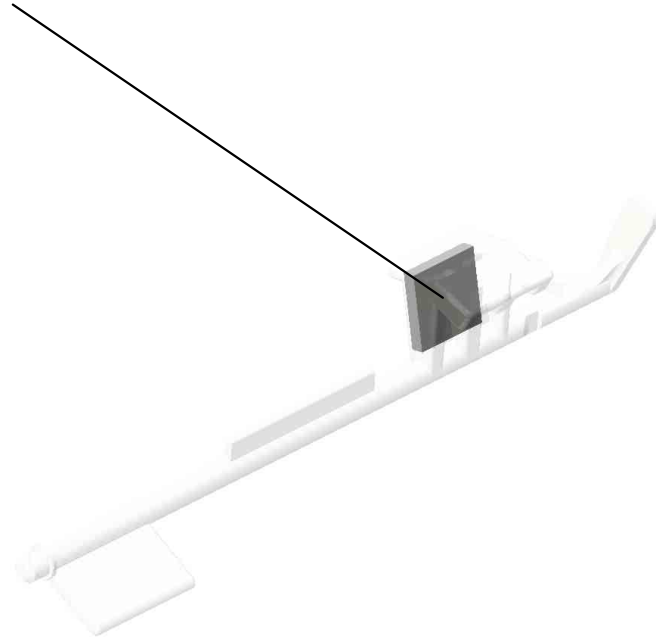
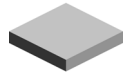
68.D0CB1821  
PAPER FEED UNIT  
:ASS'Y



U001	U002	U003	U004	U005	U006	U007	U008	U009	U010	U011	U012	U013	U014	U015	U016	U017	U018	U019	U020
------	------	------	------	------	------	------	------	------	------	------	------	------	------	------	------	------	------	------	------

U003\_S001\_S002  
FEELER:FEED:REAR:ASS'Y

174.D3DJ4527  
CUSHION:FEELER:  
FEED:REAR

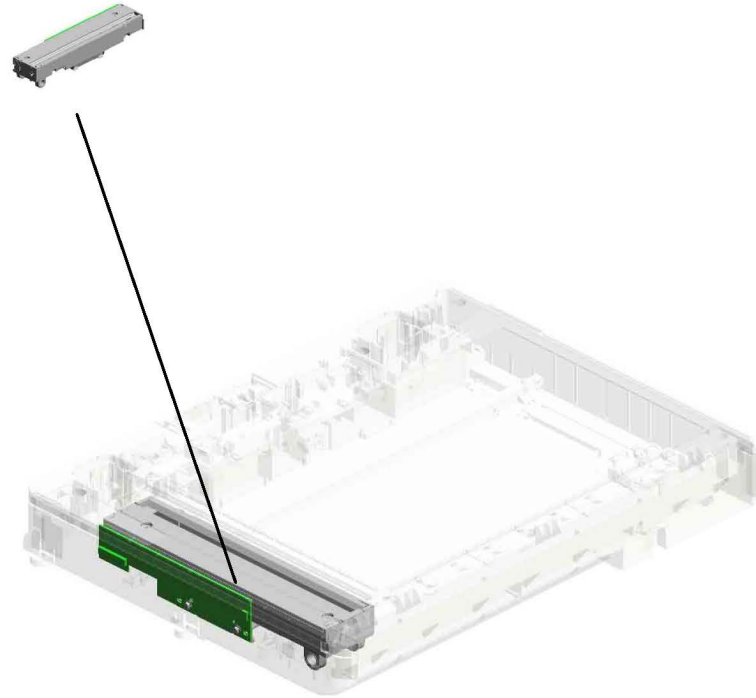


175.D3DJ4530  
FEELER:FEED:REA  
R:ASS'Y

U001	U002	U003	U004	U005	U006	U007	U008	U009	U010	U011	U012	U013	U014	U015	U016	U017	U018	U019	U020
------	------	------	------	------	------	------	------	------	------	------	------	------	------	------	------	------	------	------	------

# U004.SCANNER

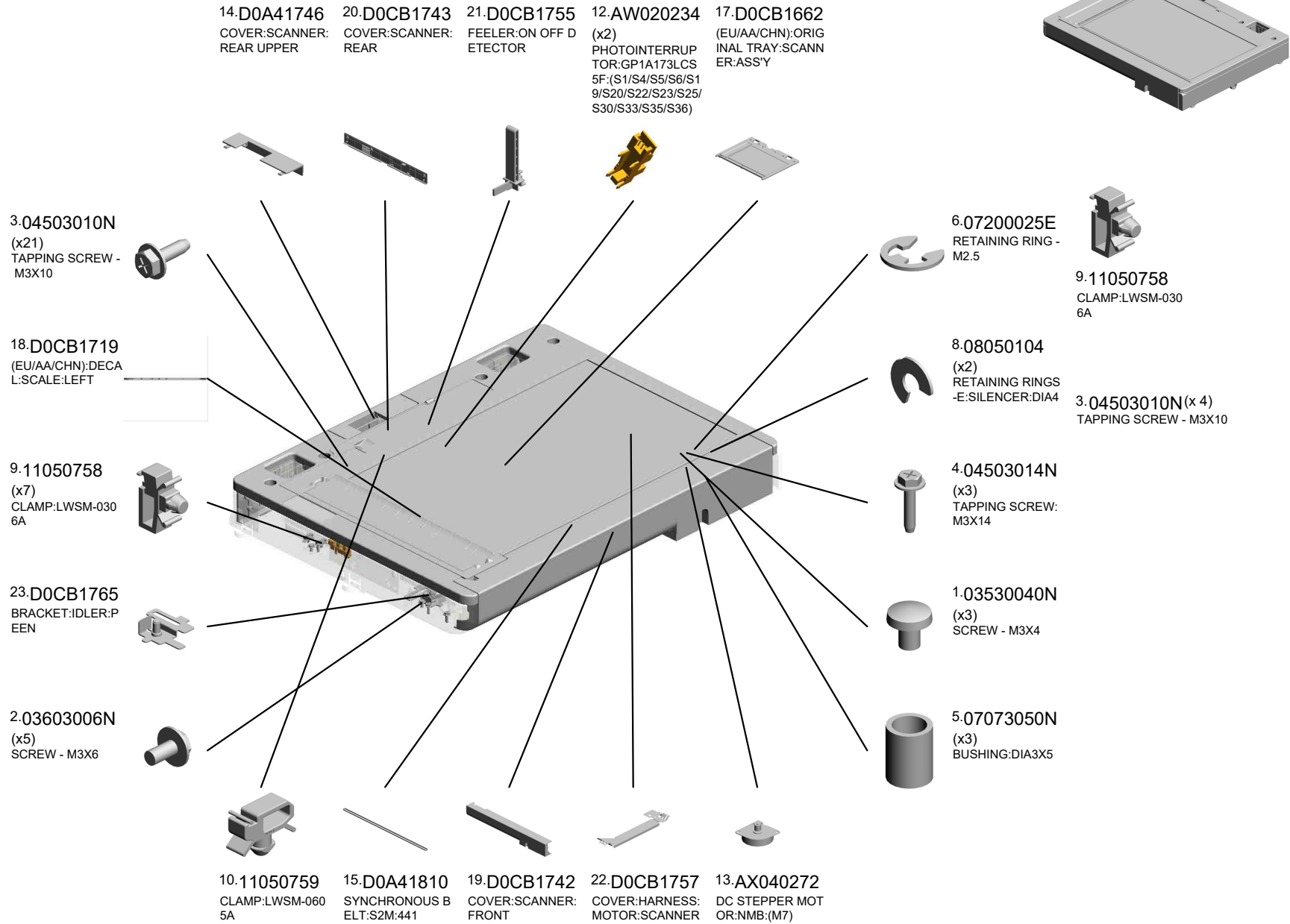
U004\_S001  
D0CB1651  
CARRIAGE:SCANNER:ASSY



U001	U002	U003	U004	U005	U006	U007	U008	U009	U010	U011	U012	U013	U014	U015	U016	U017	U018	U019	U020
------	------	------	------	------	------	------	------	------	------	------	------	------	------	------	------	------	------	------	------

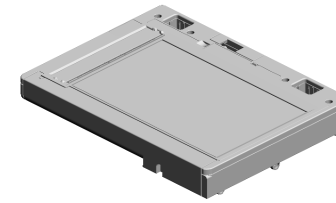


# U004 SCANNER



# U004 SCANNER

- 35.D2961759 GROUND PLATE:ON OFF DETECTOR:SPDF
- 34.D2961757 GROUND PLATE:B RACKET:CONNECTOR:SPDF
- 40.M0A05928 PCB:CNB
- 38.M0A01773 GROUND PLATE:BASE:FFC
- 36.M0A01754 TENSION SPRING:DOCUMENT FEEDER:ON OFF DETECTOR



24.D0CB1797  
DECAL:CLEANING:DOCUMENT FEEDER



39.M0A01798  
GROUND PLATE:SUPPORTER:BRACKET



33.D2961756  
GROUND PLATE:GUIDE ROD:RAIL



29.D1171806  
PULLEY:IDLER



30.D1171820  
(x3)  
BUSHING:BRACKET



27.D1171804  
(x2)  
CAP:TIMING PULLEY



31.D1171826  
GEAR:SLOW DOWN:53-19



28.D1171805  
GEAR:TIMING PULLEY:81-18



25.D1171756  
GROUND PLATE:GUIDE ROD



32.D1171837  
COIL SPRING:TENSION



37.M0A01768  
GROUND PLATE:LEFT FRONT:DOCUMENT FEEDER

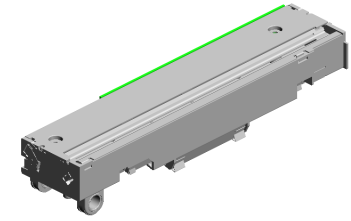


26.D1171801  
BRACKET:MOTOR

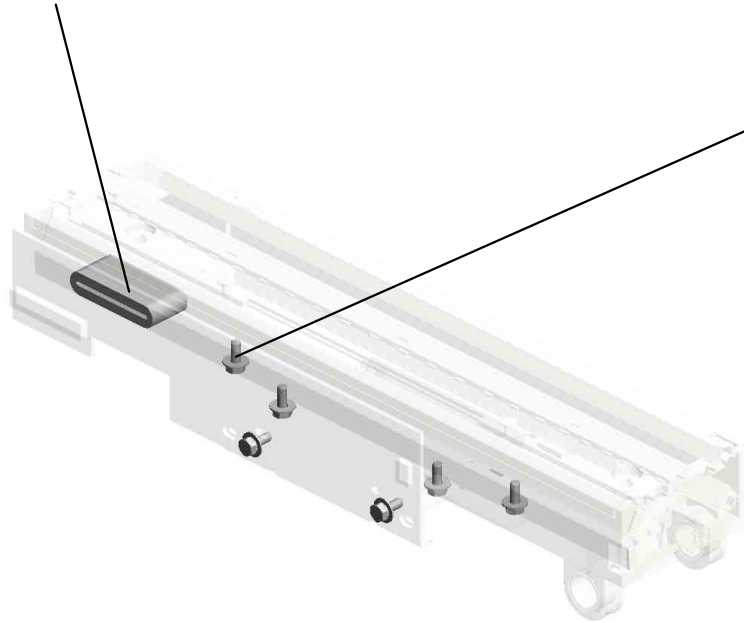
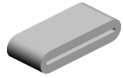


U004\_S001  
CARRIAGE:SCANNER:ASS'Y

11.16072525  
FERRITE CORE:K3  
FF 35.00X14.60X7.  
70X1.40



16.D0CB1651  
CARRIAGE:SCANN  
ER:ASS'Y



7.08046123  
(x6)  
HEXAGONAL BOLT  
:W/WASHER:M3X8

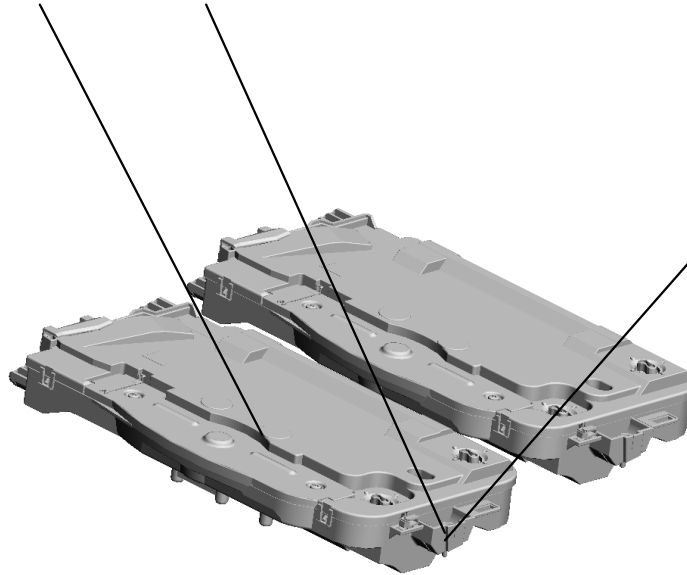
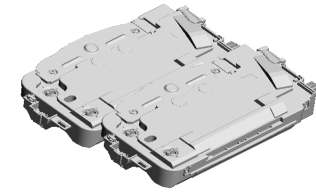


7.08046123  
(x2)  
HEXAGONAL BOLT  
:W/WASHER:M3X8

U001	U002	U003	U004	U005	U006	U007	U008	U009	U010	U011	U012	U013	U014	U015	U016	U017	U018	U019	U020
------	------	------	------	------	------	------	------	------	------	------	------	------	------	------	------	------	------	------	------

U005  
LASER UNIT

- 1.D0CB1860 (x2)  
OPTICAL WRITING  
UNIT:ASS'Y
- 3.D1171991 (x2)  
SPRING LOCK WA  
SHER:DIA6.4XDIA1  
1X1.5



- 2.D1171990 (x2)  
STEPPED SCREW

# U006.PAPER FEED

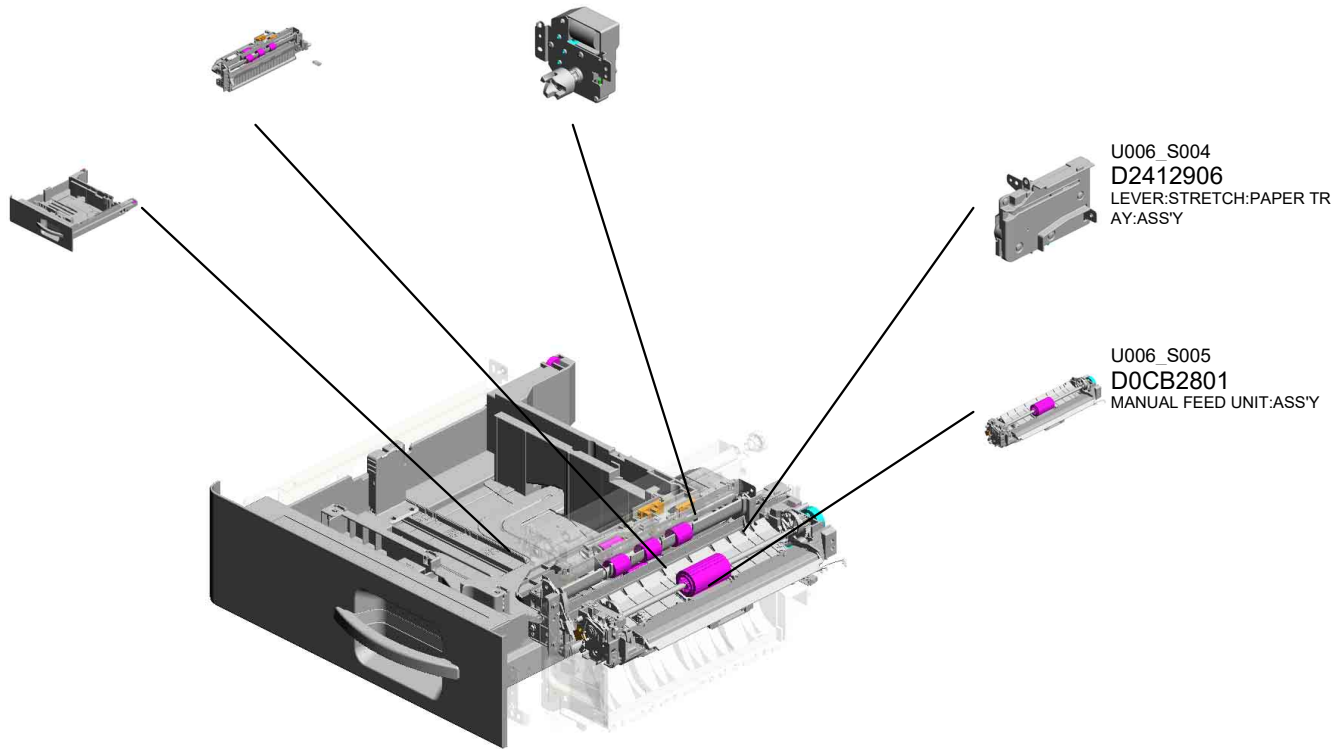
U006\_S002  
D0CB2701  
PAPER FEED UNIT:SUB-ASS'  
Y

U006\_S003  
AX040273  
DC MOTOR:RISING TRAY:AS  
S'Y:1.007W:BRUSH

U006\_S001  
D0CB2520  
PAPER TRAY:ASS'Y

U006\_S004  
D2412906  
LEVER:STRETCH:PAPER TR  
AY:ASS'Y

U006\_S005  
D0CB2801  
MANUAL FEED UNIT:ASS'Y



U001	U002	U003	U004	U005	<b>U006</b>	U007	U008	U009	U010	U011	U012	U013	U014	U015	U016	U017	U018	U019	U020
------	------	------	------	------	-------------	------	------	------	------	------	------	------	------	------	------	------	------	------	------

# U006\_S001.PAPER TRAY:ASS'Y

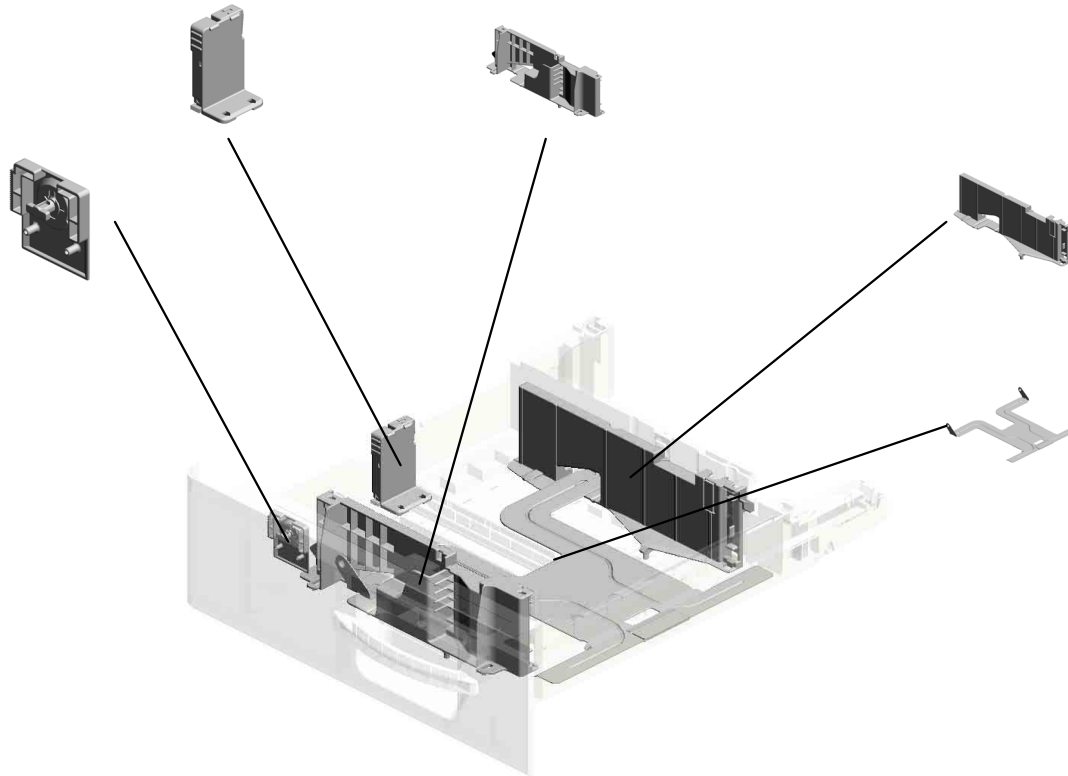
U006\_S001\_S001  
D0BQ2840  
END FENCE:PAPER TRAY:A  
SS'Y

U006\_S001\_S002  
D0CB2876  
SIDE FENCE:FRONT:SUB-AS  
S'Y

U006\_S001\_S004  
D0BQ2966  
STAY:END FENCE:ASS'Y

U006\_S001\_S003  
D0CB2881  
SIDE FENCE:REAR:SUB-ASS  
S'Y

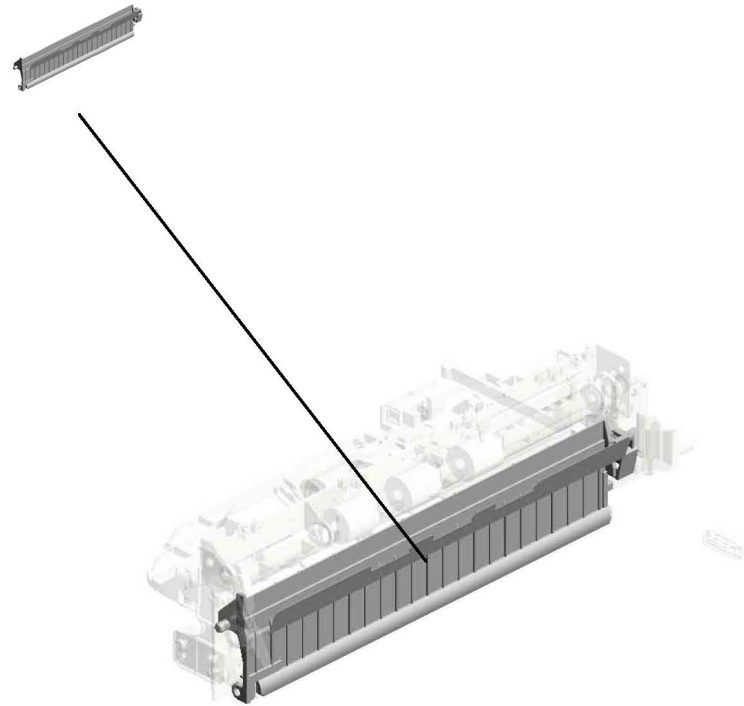
U006\_S001\_S005  
D0CB2873  
TRAY BOTTOM PLATE:ASS'Y



U001	U002	U003	U004	U005	<b>U006</b>	U007	U008	U009	U010	U011	U012	U013	U014	U015	U016	U017	U018	U019	U020
------	------	------	------	------	-------------	------	------	------	------	------	------	------	------	------	------	------	------	------	------

# U006\_S002.PAPER FEED UNIT:SUB-ASS'Y

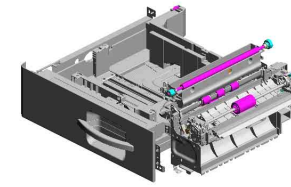
U006\_S002\_S001  
D0CB2725  
GUIDE PLATE:SWIVEL:ASS'Y



U001	U002	U003	U004	U005	<b>U006</b>	U007	U008	U009	U010	U011	U012	U013	U014	U015	U016	U017	U018	U019	U020
------	------	------	------	------	-------------	------	------	------	------	------	------	------	------	------	------	------	------	------	------

# U006 PAPER FEED

- 11.04583010N (x13) HEXAGON HEAD TAPPING SCREW:3 X10
- 67.D1172617 CASE:REMOVE PAPER DUST
- 68.D1172618 GUIDE:REMOVE PAPER DUST
- 27.AF021088 REGISTRATION ROLLER:DRIVEN
- 109.D1962626 GROUND PLATE:BACK RACKET:REMOVE PAPER DUST



117.G0205626  
PUSH SWITCH:(S34)



44.D0CB2619  
GUIDE PLATE:REGISTRATION ROLLER:DRIVEN



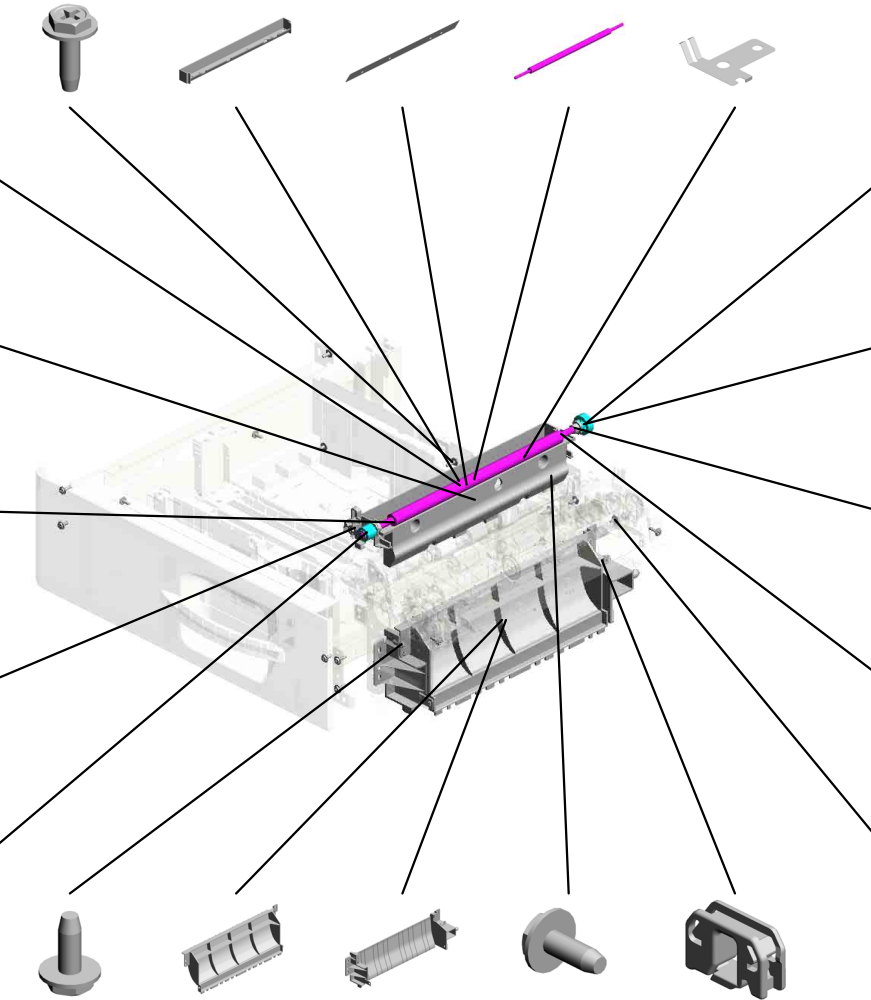
8.04543006Q  
(x6)  
TAPPING SCREW - M3X6



116.D2962642  
HOLDER:REGISTRATION



22.AB011537  
GEAR:REGISTRATION ROLLER:FRONT



- 10.04583008N (x2) HEXAGON HEAD TAPPING SCREW:3 X8
- 47.D0CB2722 GUIDE PLATE:CONNECTING:OPTION TRAY:RIGHT
- 48.D0CB2723 GUIDE PLATE:CONNECTING:OPTION TRAY:LEFT
- 5.04513008N (x2) TAPPING SCREW - M3X8
- 14.11050692 CLAMP:LES-0503

4.04513006N (x 1) TAPPING SCREW - 3X6  
9.04543008Q (x 8) TAPPING SCREW:3X8



42.D0CB1538  
GEAR:REGISTRATION ROLLER:INNER BACK:BACK



18.AA082161  
(x2)  
PLAIN SHAFT BEARING:REGISTRATION ROLLER



9.04543008Q  
(x9)  
TAPPING SCREW: 3X8



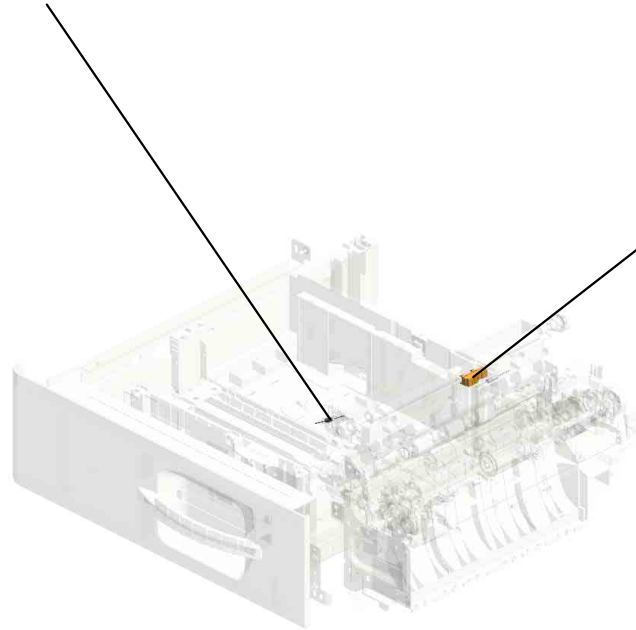
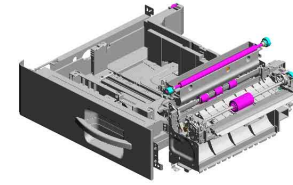
4.04513006N  
TAPPING SCREW - 3X6





U006  
PAPER FEED

120.M0963989  
(x2)  
RESISTOR:TRANS  
FER/SEPARATION

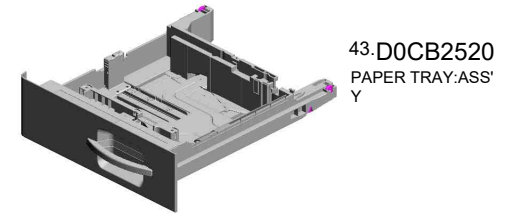


119.GW010007  
PHOTO REFLECTI  
ON SENSOR:EXIT:(  
S7/S31/S32)

U001	U002	U003	U004	U005	<b>U006</b>	U007	U008	U009	U010	U011	U012	U013	U014	U015	U016	U017	U018	U019	U020
------	------	------	------	------	-------------	------	------	------	------	------	------	------	------	------	------	------	------	------	------

U006\_S001  
PAPER TRAY:ASS'Y

104.D1492827 COMPRESSION SPRING:SIDE FENCE:POSITIONING  
 102.D1492824 LEVER:STOPPER:FRONT  
 11.04583010N (x2) HEXAGON HEAD TAPPING SCREW:3X10  
 99.D1492812 (x4) ROLLER:PAPER TRAY:DIA19

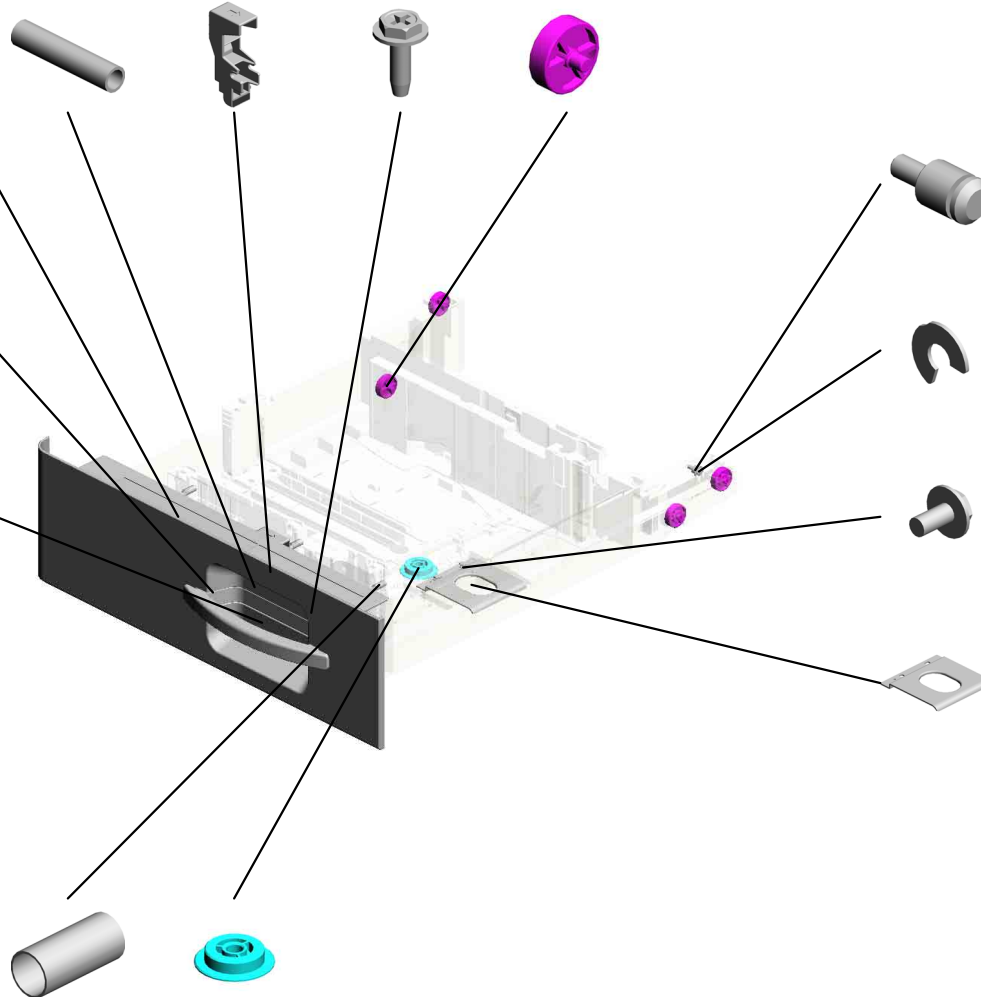


43.D0CB2520  
PAPER TRAY:ASS'Y

62.D0CB2843  
DECAL:PAPER SET DIRECTION:LEFT :B

63.D0CB2866  
COVER:PAPER TRAY:AY:B

61.D0CB2806  
GRIP:PAPER TRAY :B



100.D1492813  
PIN:STRETCH:TRAY

11.04583010N(x3)  
HEXAGON HEAD TAPPING SCREW:3X10

13.08050104  
RETAINING RINGS -E:SILENCER:DIA4

3.03603006N  
(x2)  
SCREW - M3X6

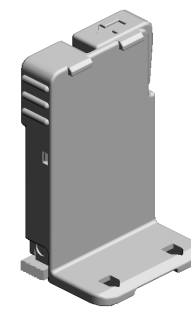
101.D1492818  
LEVER:RISE

103.D1492826 (x3) COMPRESSION SPRING:SIDE FENCE:PLATE:FRONT  
 105.D1492836 GEAR:Z20

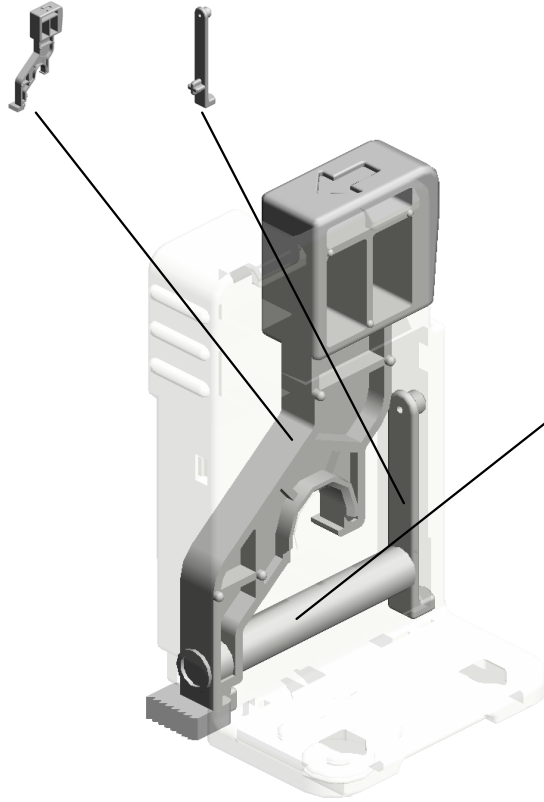
U001	U002	U003	U004	U005	<b>U006</b>	U007	U008	U009	U010	U011	U012	U013	U014	U015	U016	U017	U018	U019	U020
------	------	------	------	------	-------------	------	------	------	------	------	------	------	------	------	------	------	------	------	------

U006\_S001\_S001  
END FENCE:PAPER TRAY:ASS'Y

106.D1492842 107.D1492843  
LEVER:END FENC E CLICK:END FENCE



38.D0BQ2840  
END FENCE:PAPE R TRAY:ASS'Y

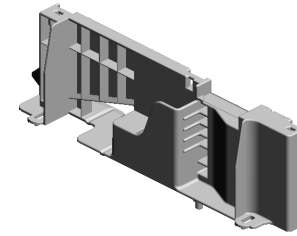


108.D1492845  
COMPRESSION SP RING:END FENCE: LEVER:5N

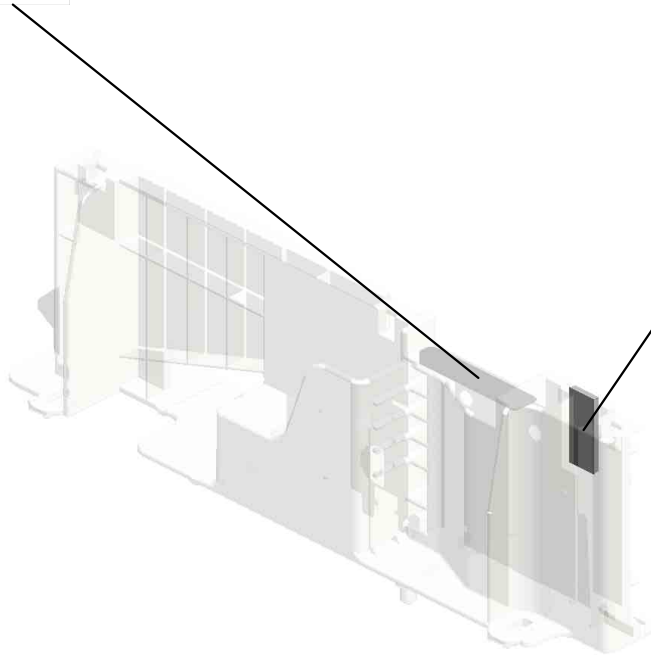
U001	U002	U003	U004	U005	<b>U006</b>	U007	U008	U009	U010	U011	U012	U013	U014	U015	U016	U017	U018	U019	U020
------	------	------	------	------	-------------	------	------	------	------	------	------	------	------	------	------	------	------	------	------

U006\_S001\_S002  
SIDE FENCE:FRONT:SUB-ASS'Y

40.D0BQ2959  
DECAL:SIDE FENC  
E:PAPER VOLUME:  
FRONT



65.D0CB2876  
SIDE FENCE:FRON  
T:SUB-ASS'Y

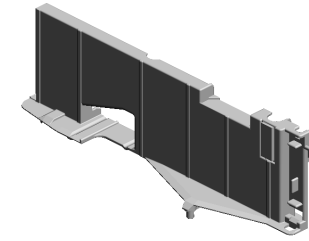


34.B2342864  
PAD:CLEANER

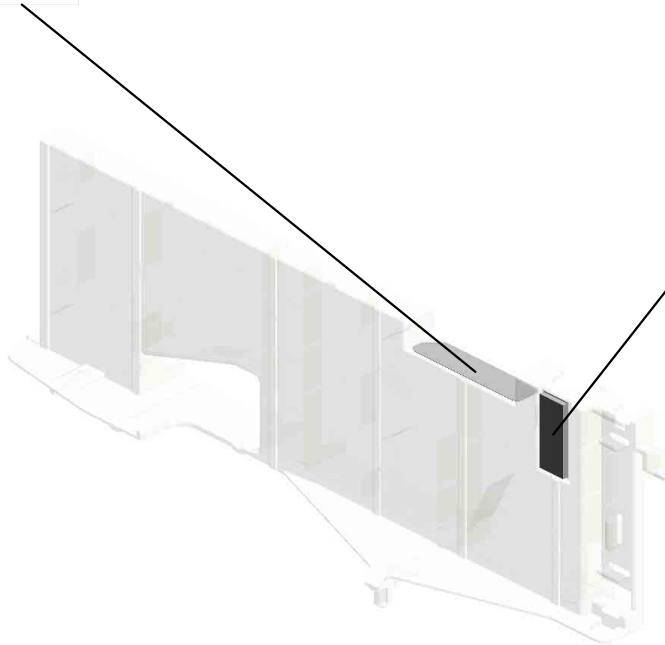
U001	U002	U003	U004	U005	<b>U006</b>	U007	U008	U009	U010	U011	U012	U013	U014	U015	U016	U017	U018	U019	U020
------	------	------	------	------	-------------	------	------	------	------	------	------	------	------	------	------	------	------	------	------

U006\_S001\_S003  
SIDE FENCE:REAR:SUB-ASS'Y

39.D0BQ2952  
DECAL:SIDE FENC  
E:PAPER VOLUME



66.D0CB2881  
SIDE FENCE:REAR  
:SUB-ASS'Y

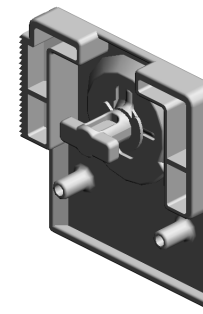


34.B2342864  
PAD:CLEANER

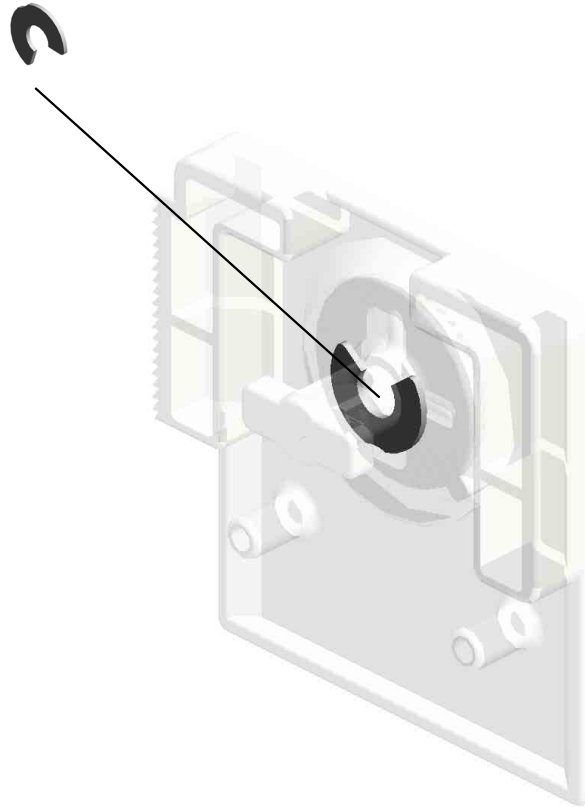
U001	U002	U003	U004	U005	<b>U006</b>	U007	U008	U009	U010	U011	U012	U013	U014	U015	U016	U017	U018	U019	U020
------	------	------	------	------	-------------	------	------	------	------	------	------	------	------	------	------	------	------	------	------

U006\_S001\_S004  
STAY:END FENCE:ASS'Y

13:08050104  
RETAINING RINGS  
-E:SILENCER:DIA4



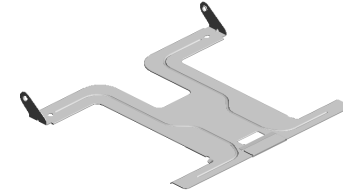
41:D0BQ2966  
STAY:END FENCE:  
ASS'Y



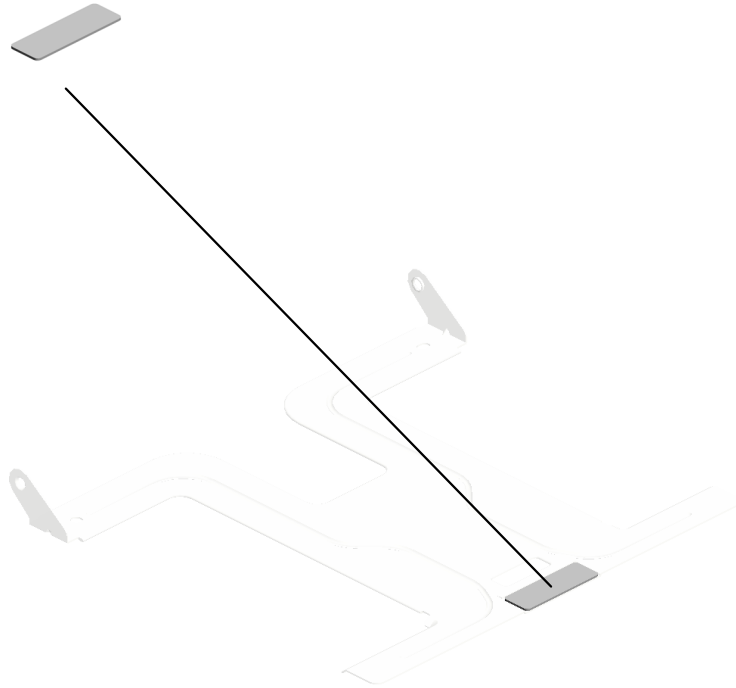
U001	U002	U003	U004	U005	<b>U006</b>	U007	U008	U009	U010	U011	U012	U013	U014	U015	U016	U017	U018	U019	U020
------	------	------	------	------	-------------	------	------	------	------	------	------	------	------	------	------	------	------	------	------

U006\_S001\_S005  
TRAY BOTTOM PLATE:ASS'Y

26.AF013019  
PAD:TRAY BOTTO  
M PLATE



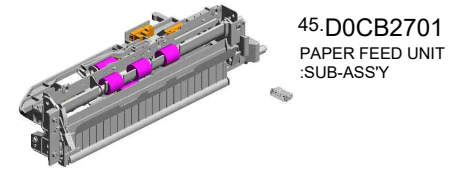
64.D0CB2873  
TRAY BOTTOM PL  
ATE:ASS'Y



U001	U002	U003	U004	U005	<b>U006</b>	U007	U008	U009	U010	U011	U012	U013	U014	U015	U016	U017	U018	U019	U020
------	------	------	------	------	-------------	------	------	------	------	------	------	------	------	------	------	------	------	------	------

# U006\_S002 PAPER FEED UNIT:SUB-ASS'Y

- 21.AA100014 (x2) RETAINING RING C - SEPARATE
- 28.AF030094 PAPER FEED ROLL ER:PICKUP
- 57.D0CB2778 FEELER:PAPER END
- 29.AF031085 PAPER FEED ROLL ER - FEED
- 35.B8303504 TIMING BELT - 40S 2M100



14.11050692 (x2) CLAMP:LES-0503

19.AA082173 PLAIN SHAFT BEARING:6X10X6

50.D0CB2752 LEVER:GUIDE:SWIVEL

51.D0CB2753 PRESSURE PLATE:SWIVEL:FRONT

53.D0CB2755 COMPRESSION SPRING:SWIVEL:FRONT:2N

31.AF032101 PAPER FEED ROLL ER:SEPARATE

20.AA082174 PLAIN SHAFT BEARING:6X10X9

56.D0CB2772 ARM:PICKUP

15.11050758 (x4) CLAMP:LWSM-030 6A

55.D0CB2759 TRANSPORT ROLLER:VERTICAL TRANSPORT:ASS'Y

37.D0BQ2785 PLAIN SHAFT BEARING:FEED

32.AW020234 (x2) PHOTO INTERRUPTOR:GP1A173LCS 5F:(S1/S4/S5/S6/S19/S20/S22/S23/S25/S30/S33/S35/S36)

10.04583008N (x4) HEXAGON HEAD TAPPING SCREW:3 X8

13.08050104 (x7) RETAINING RINGS -E:SILENCER:DIA4

4.04513006N (x11) TAPPING SCREW - 3X6

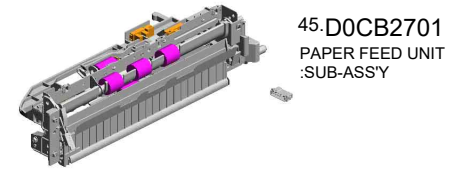
45.D0CB2701 PAPER FEED UNIT:SUB-ASS'Y

U001	U002	U003	U004	U005	U006	U007	U008	U009	U010	U011	U012	U013	U014	U015	U016	U017	U018	U019	U020
------	------	------	------	------	------	------	------	------	------	------	------	------	------	------	------	------	------	------	------



U006\_S002  
 PAPER FEED UNIT:SUB-ASS'Y

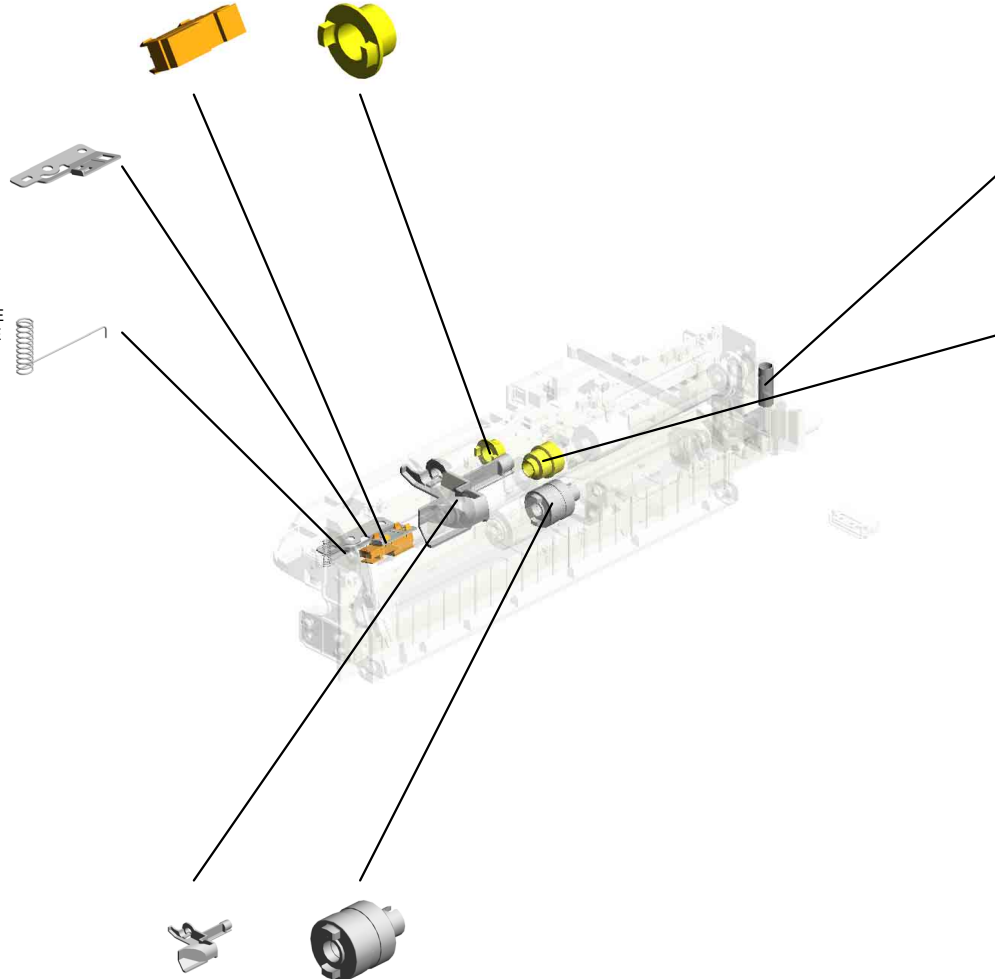
119.GW010007 95.D1492774  
 PHOTO REFLECTI PULLEY:IDLER:PIC  
 ON SENSOR:EXIT:( KUP  
 S7/S31/S32)



45.D0CB2701  
 PAPER FEED UNIT  
 :SUB-ASS'Y

98.D1492784  
 BRACKET:SENSO  
 R:PAPER FEED

97.D1492780  
 GROUND WIRE:SE  
 NSOR:PAPER FEE  
 D



96.D1492777  
 COIL SPRING:PRE  
 SSURE:PICKUP

94.D1492773  
 PULLEY:PICKUP:M  
 ECHANICAL ROLL  
 ER CLUTCH

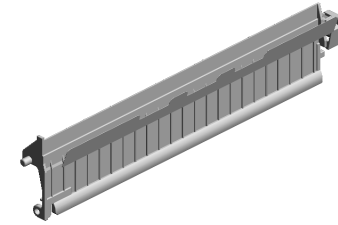
113.D2022791  
 GUIDE:FEED

114.D2412792  
 TORQUE LIMITER  
 MECHANICAL CLU  
 TCH:40MM:DIA18

U001	U002	U003	U004	U005	<b>U006</b>	U007	U008	U009	U010	U011	U012	U013	U014	U015	U016	U017	U018	U019	U020
------	------	------	------	------	-------------	------	------	------	------	------	------	------	------	------	------	------	------	------	------

U006\_S002\_S001  
GUIDE PLATE:SWIVEL:ASS'Y

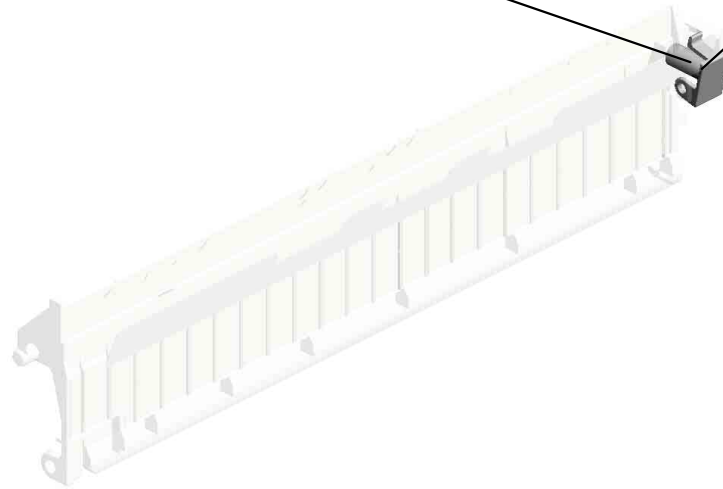
54.D0CB2757  
COMPRESSION SP  
RING:SWIVEL:REA  
R:2N



49.D0CB2725  
GUIDE PLATE:SWI  
VEL:ASS'Y



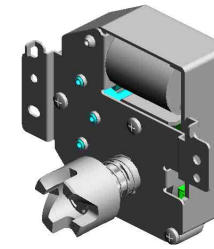
52.D0CB2754  
PRESSURE PLATE  
:SWIVEL:REAR



U001	U002	U003	U004	U005	<b>U006</b>	U007	U008	U009	U010	U011	U012	U013	U014	U015	U016	U017	U018	U019	U020
------	------	------	------	------	-------------	------	------	------	------	------	------	------	------	------	------	------	------	------	------

U006\_S003  
DC MOTOR:RISING TRAY:ASS'Y:1.007W:BRUSH

1.03530030N 36.D0812966  
(x2) DC MOTOR:ASS'Y:  
SCREW:M3X3 1.007W:BRUSH:(M  
15)

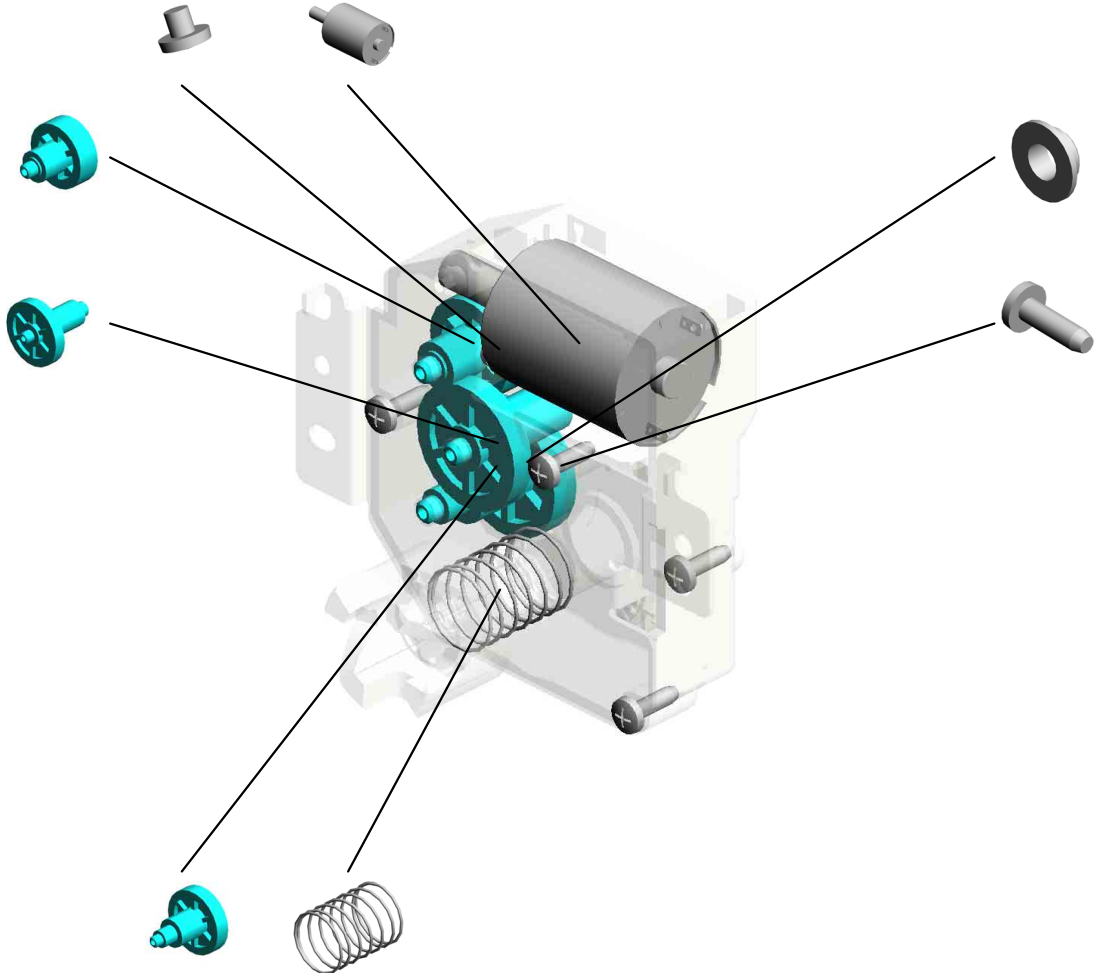


33.AX040273  
DC MOTOR:RISING  
TRAY:ASS'Y:1.007  
W:BRUSH

24.AB017783  
GEAR:RISING TRA  
Y:3



23.AB017782  
GEAR:RISING TRA  
Y:2



17.AA080361  
PLAIN SHAFT BEA  
RING:CASE:RISIN  
G TRAY



7.04523010N  
(x4)  
BINDING SELF-TA  
PPING SCREW:3X  
10



25.AB017899  
GEAR:RISING TRA  
Y:1



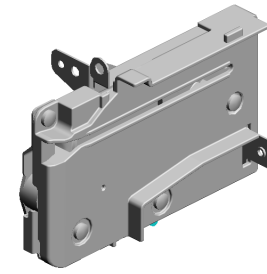
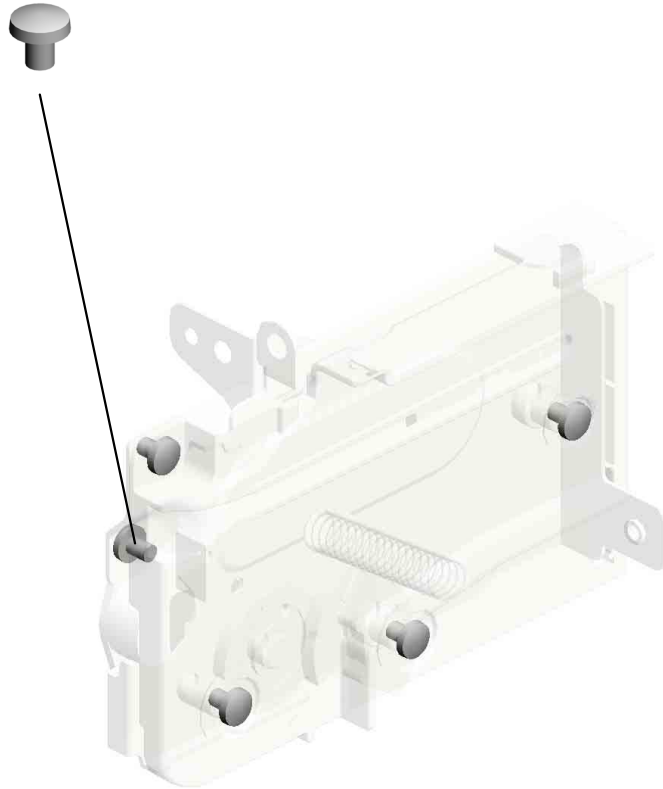
16.AA063701  
COMPRESSION SP  
RING:RISING TRAY



U001	U002	U003	U004	U005	<b>U006</b>	U007	U008	U009	U010	U011	U012	U013	U014	U015	U016	U017	U018	U019	U020
------	------	------	------	------	-------------	------	------	------	------	------	------	------	------	------	------	------	------	------	------

U006\_S004  
LEVER:STRETCH:PAPER TRAY:ASS'Y

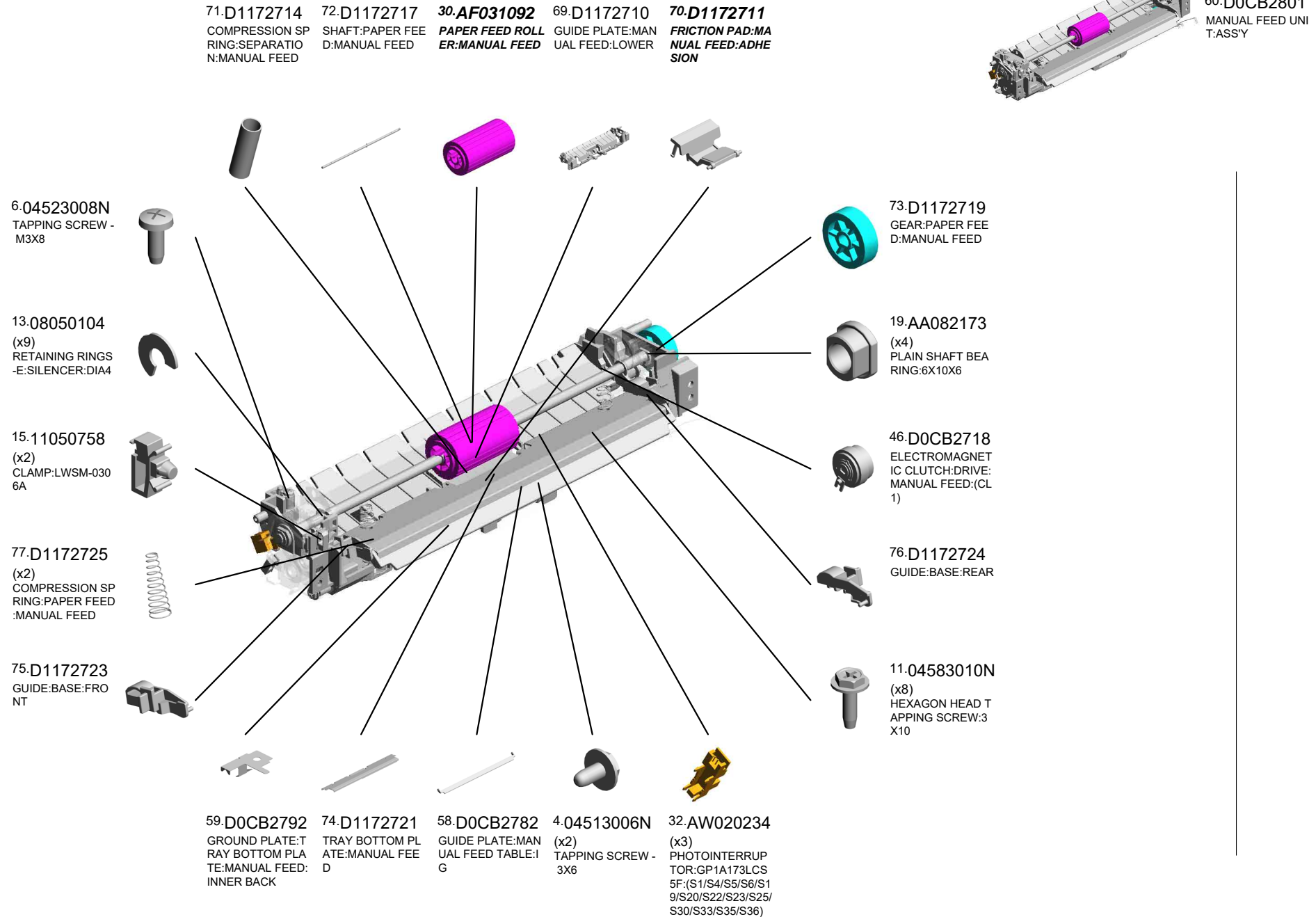
2-03530040N  
(x5)  
SCREW - M3X4



115.D2412906  
LEVER:STRETCH:  
PAPER TRAY:ASS'  
Y

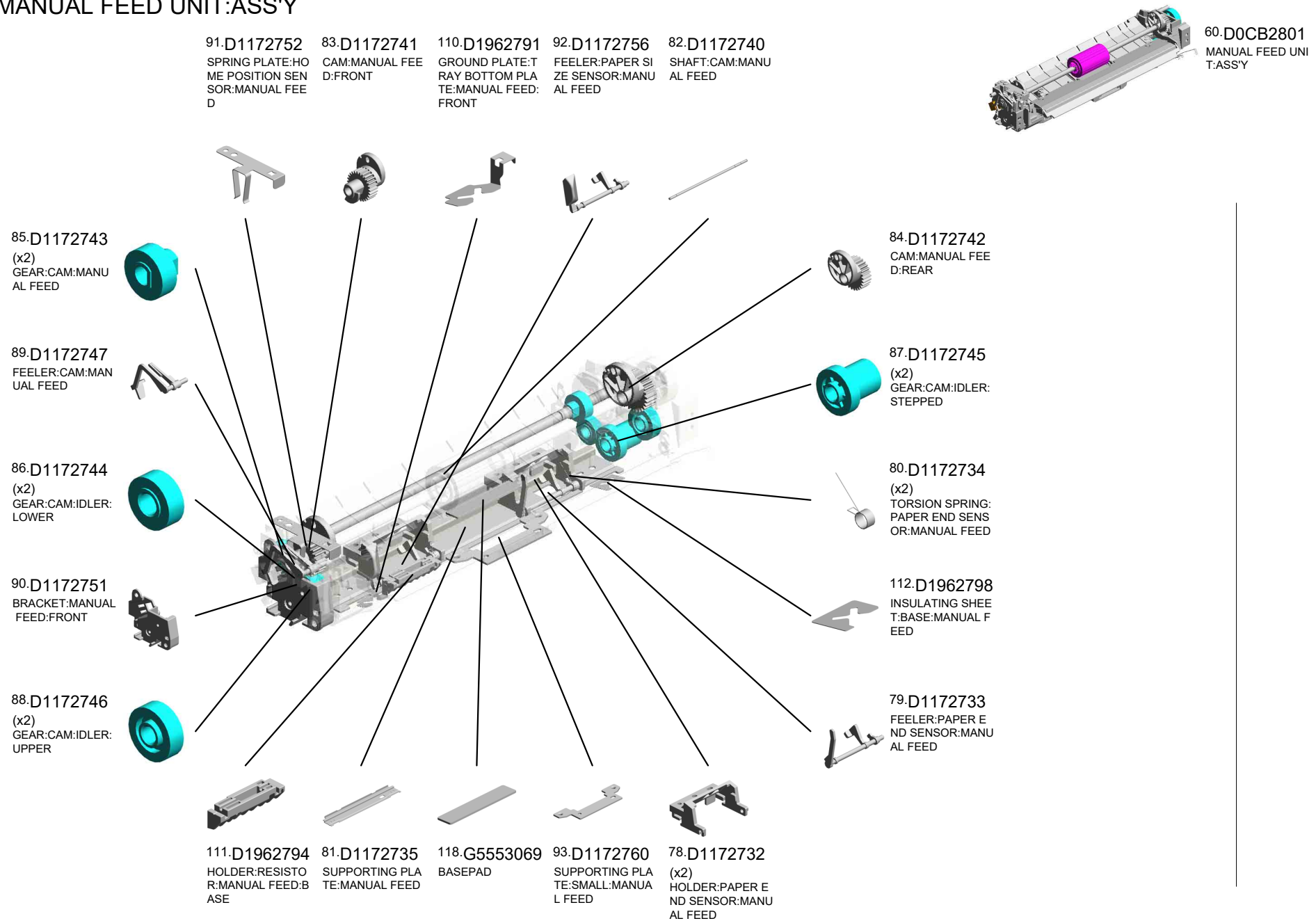
U001	U002	U003	U004	U005	<b>U006</b>	U007	U008	U009	U010	U011	U012	U013	U014	U015	U016	U017	U018	U019	U020
------	------	------	------	------	-------------	------	------	------	------	------	------	------	------	------	------	------	------	------	------

U006\_S005  
MANUAL FEED UNIT:ASS'Y



U001	U002	U003	U004	U005	U006	U007	U008	U009	U010	U011	U012	U013	U014	U015	U016	U017	U018	U019	U020
------	------	------	------	------	------	------	------	------	------	------	------	------	------	------	------	------	------	------	------

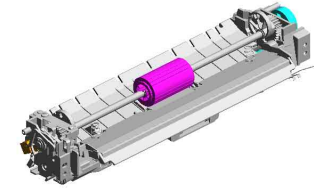
U006\_S005  
MANUAL FEED UNIT:ASS'Y



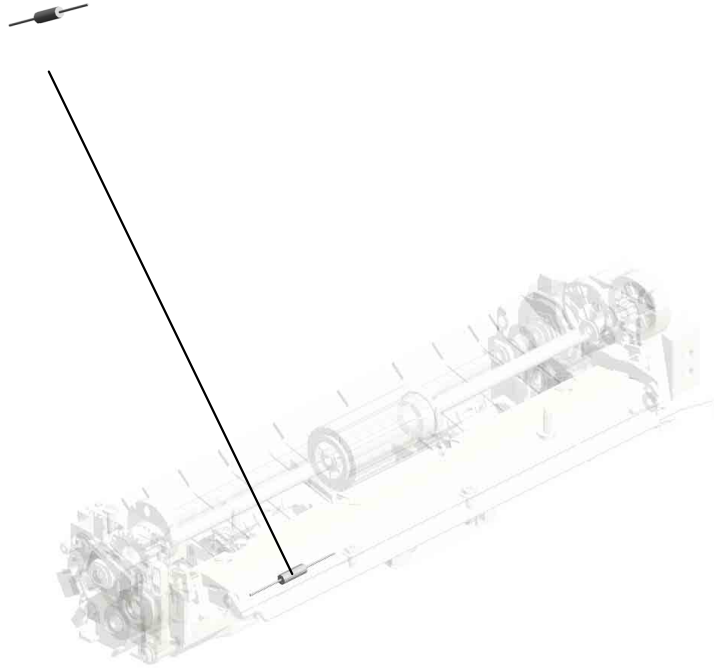
U001	U002	U003	U004	U005	U006	U007	U008	U009	U010	U011	U012	U013	U014	U015	U016	U017	U018	U019	U020
------	------	------	------	------	------	------	------	------	------	------	------	------	------	------	------	------	------	------	------

U006\_S005  
MANUAL FEED UNIT:ASS'Y

120.M0963989  
RESISTOR:TRANS  
FER/SEPARATION



60.D0CB2801  
MANUAL FEED UNI  
T:ASS'Y



U001	U002	U003	U004	U005	<b>U006</b>	U007	U008	U009	U010	U011	U012	U013	U014	U015	U016	U017	U018	U019	U020
------	------	------	------	------	-------------	------	------	------	------	------	------	------	------	------	------	------	------	------	------

# U007.PCDU

U007\_S003  
D0CB0123  
PCDU:M:SERVICE PARTS

U007\_S004  
D0CB0124  
PCDU:Y:SERVICE PARTS

U007\_S001  
D0CB0121  
PCDU:BK:SERVICE PARTS

U007\_S002  
D0CB0122  
PCDU:C:SERVICE PARTS

U001	U002	U003	U004	U005	U006	U007	U008	U009	U010	U011	U012	U013	U014	U015	U016	U017	U018	U019	U020
------	------	------	------	------	------	------	------	------	------	------	------	------	------	------	------	------	------	------	------

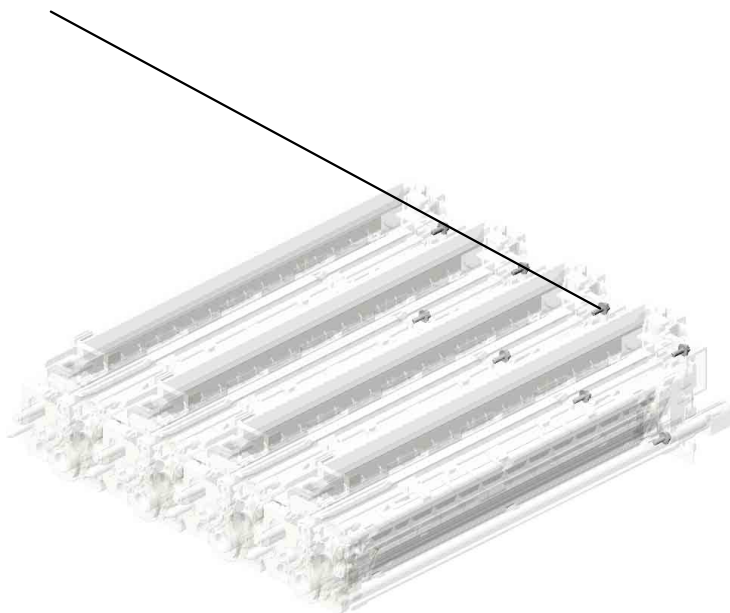
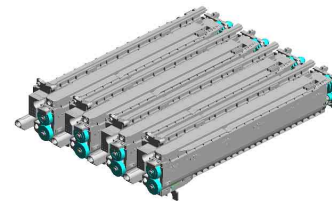


U007  
PCDU

8-08046128

(x8)

HEXAGONAL BOLT  
:DOUBLE SCREW:  
M3X10



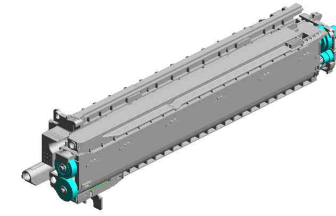
U001	U002	U003	U004	U005	U006	U007	U008	U009	U010	U011	U012	U013	U014	U015	U016	U017	U018	U019	U020
------	------	------	------	------	------	------	------	------	------	------	------	------	------	------	------	------	------	------	------

U007\_S001  
PCDU: BK: SERVICE PARTS

9.08050104 RETAINING RINGS  
-E:SILENCER:DIA4

3.04583008N (x2)  
HEXAGON HEAD TAPPING SCREW:3  
X8

1.03603006N (x2)  
SCREW - M3X6

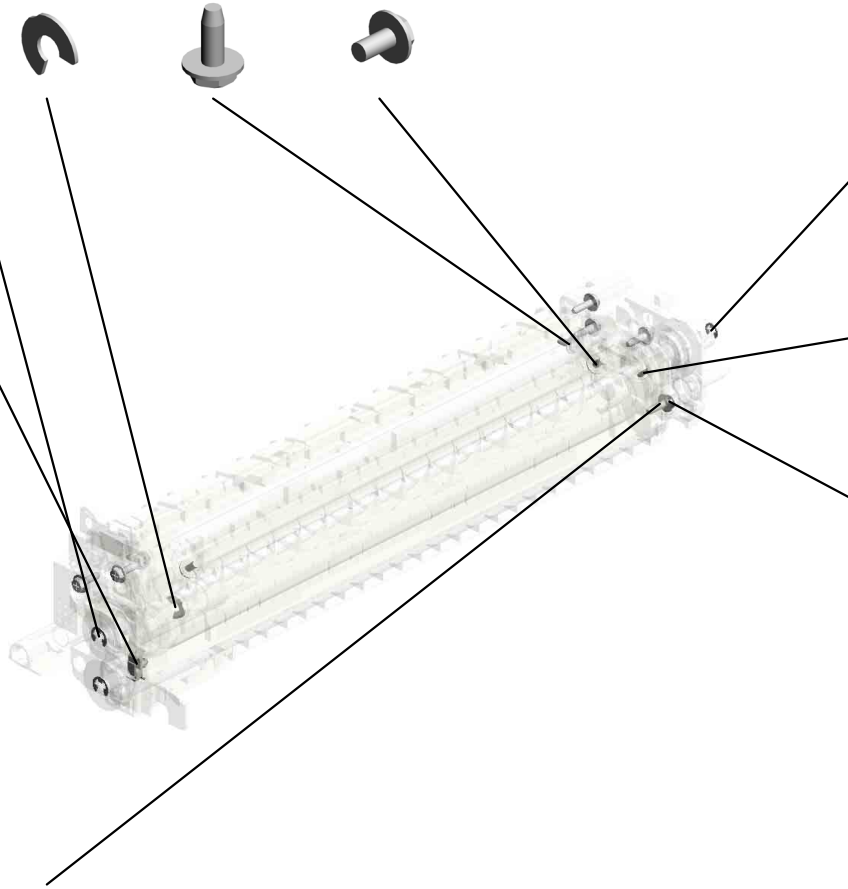


11.D0CB0121  
PCDU: BK: SERVICE PARTS

7.07200040E  
(x2)  
RETAINING RING - M4



10.11050511  
HARNESS CLAMP - LWS-0306ZC



6.07200030E  
RETAINING RING - M3



4.06320080G  
PARALLEL KEY - 2 X8MM



5.07200025E  
RETAINING RING - M2.5



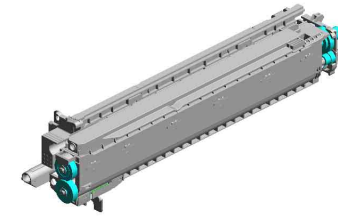
2.04503010N  
(x6)  
TAPPING SCREW - M3X10



U001	U002	U003	U004	U005	U006	U007	U008	U009	U010	U011	U012	U013	U014	U015	U016	U017	U018	U019	U020
------	------	------	------	------	------	------	------	------	------	------	------	------	------	------	------	------	------	------	------

U007\_S002  
PCDU:C:SERVICE PARTS

9.08050104 RETAINING RINGS  
-E:SILENCER:DIA4  
3.04583008N (x2)  
HEXAGON HEAD TAPPING SCREW:3  
X8  
1.03603006N (x2)  
SCREW - M3X6

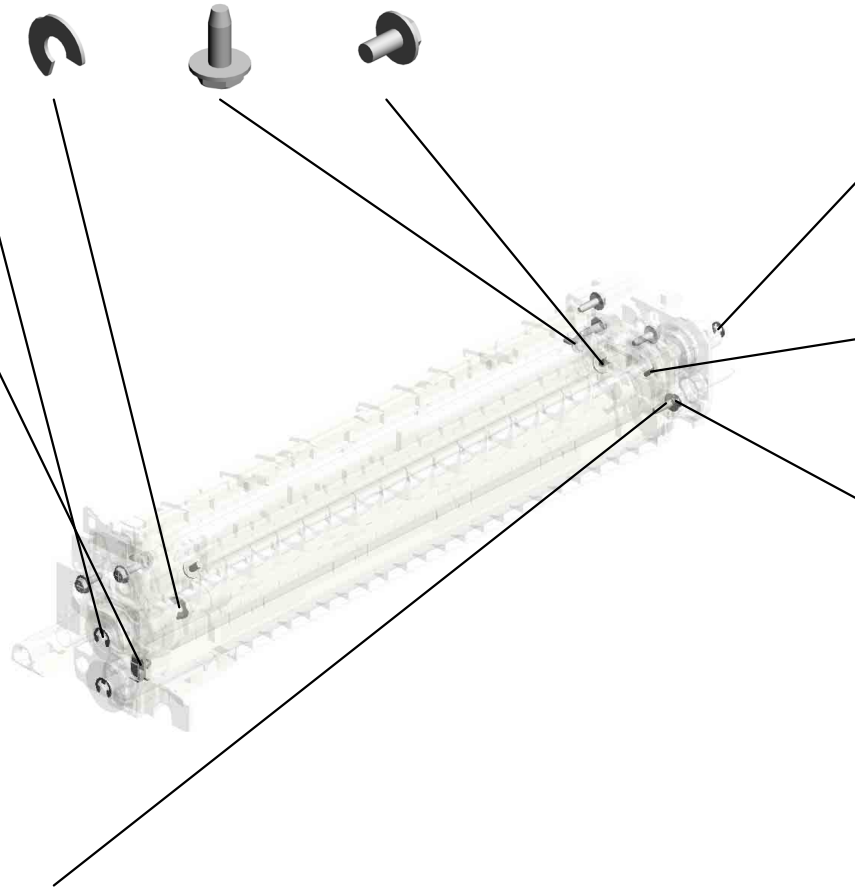


12.D0CB0122  
PCDU:C:SERVICE PARTS

7.07200040E  
(x2)  
RETAINING RING - M4



10.11050511  
HARNESS CLAMP - LWS-0306ZC



6.07200030E  
RETAINING RING - M3



4.06320080G  
PARALLEL KEY - 2 X8MM



5.07200025E  
RETAINING RING - M2.5



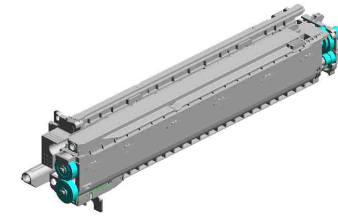
2.04503010N  
(x6)  
TAPPING SCREW - M3X10



U001	U002	U003	U004	U005	U006	U007	U008	U009	U010	U011	U012	U013	U014	U015	U016	U017	U018	U019	U020
------	------	------	------	------	------	------	------	------	------	------	------	------	------	------	------	------	------	------	------

U007\_S003  
PCDU:M:SERVICE PARTS

9.08050104 RETAINING RINGS  
-E:SILENCER:DIA4  
3.04583008N (x2)  
HEXAGON HEAD TAPPING SCREW:3  
X8  
1.03603006N (x2)  
SCREW - M3X6

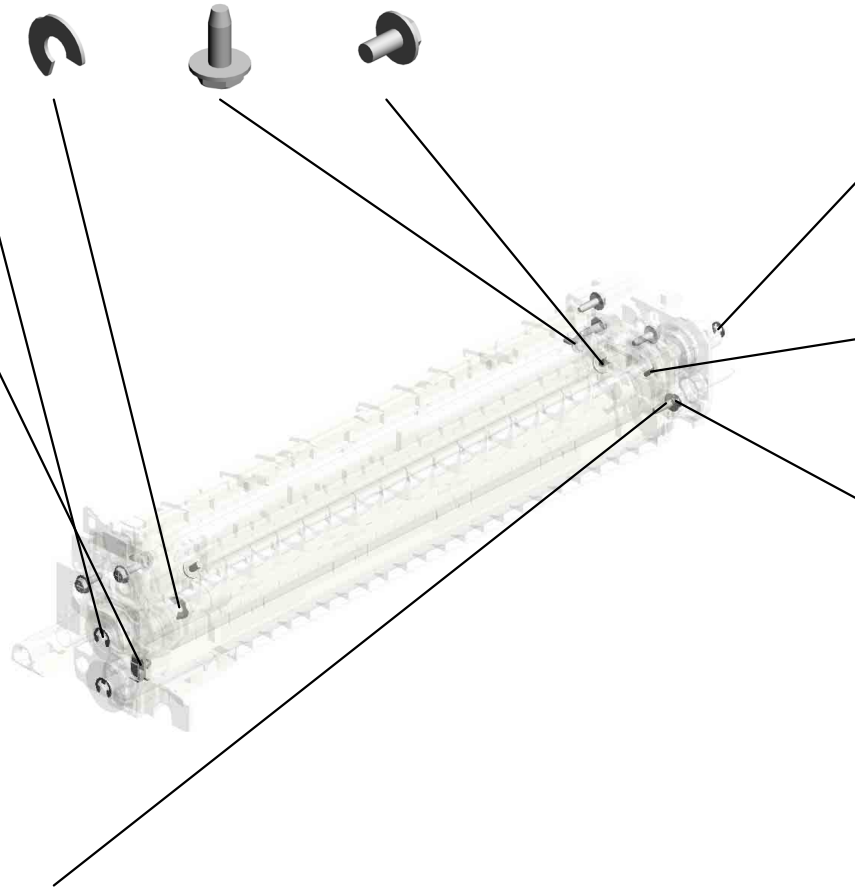


13.D0CB0123  
PCDU:M:SERVICE PARTS

7.07200040E  
(x2)  
RETAINING RING - M4



10.11050511  
HARNESS CLAMP - LWS-0306ZC



6.07200030E  
RETAINING RING - M3



4.06320080G  
PARALLEL KEY - 2 X8MM



5.07200025E  
RETAINING RING - M2.5



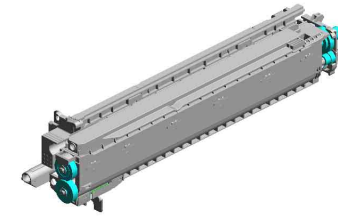
2.04503010N  
(x6)  
TAPPING SCREW - M3X10



U001	U002	U003	U004	U005	U006	U007	U008	U009	U010	U011	U012	U013	U014	U015	U016	U017	U018	U019	U020
------	------	------	------	------	------	------	------	------	------	------	------	------	------	------	------	------	------	------	------

U007\_S004  
PCDU:Y:SERVICE PARTS

9.08050104 RETAINING RINGS  
-E:SILENCER:DIA4  
3.04583008N (x2)  
HEXAGON HEAD TAPPING SCREW:3  
X8  
1.03603006N (x2)  
SCREW - M3X6

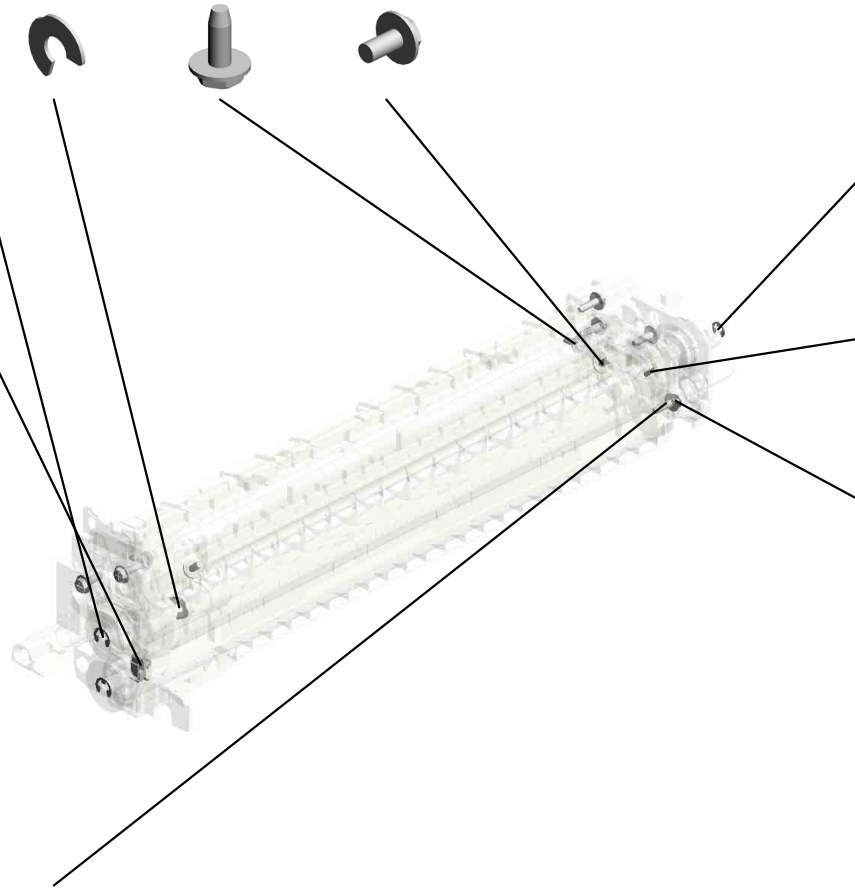


14.D0CB0124  
PCDU:Y:SERVICE PARTS

7.07200040E  
(x2)  
RETAINING RING - M4



10.11050511  
HARNESS CLAMP - LWS-0306ZC



6.07200030E  
RETAINING RING - M3



4.06320080G  
PARALLEL KEY - 2 X8MM



5.07200025E  
RETAINING RING - M2.5



2.04503010N  
(x6)  
TAPPING SCREW - M3X10



U001	U002	U003	U004	U005	U006	U007	U008	U009	U010	U011	U012	U013	U014	U015	U016	U017	U018	U019	U020
------	------	------	------	------	------	------	------	------	------	------	------	------	------	------	------	------	------	------	------

# U008.DEVELOPMENT

U008 S006  
D0CB3304  
DRIVE UNIT:TONER SUPPLY  
:ASS'Y

U008 S005  
D0CB3304  
DRIVE UNIT:TONER SUPPLY  
:ASS'Y

U008 S007  
D0CB3304  
DRIVE UNIT:TONER SUPPLY  
:ASS'Y

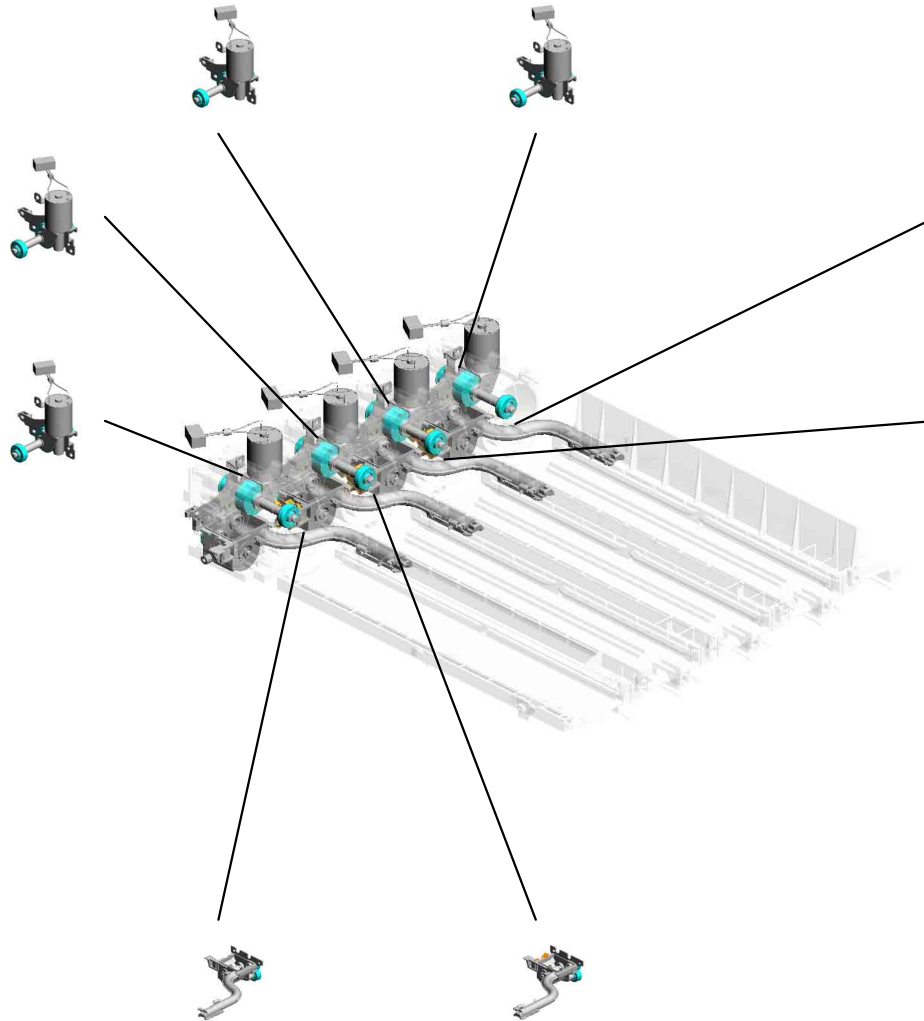
U008 S002  
D0CB3303  
TONER HOPPER:TONER SU  
PPLY:COL:ASS'Y

U008 S008  
D0CB3304  
DRIVE UNIT:TONER SUPPLY  
:ASS'Y

U008 S003  
D0CB3303  
TONER HOPPER:TONER SU  
PPLY:COL:ASS'Y

U008 S001  
D0CB3302  
TONER HOPPER:TONER SU  
PPLY:K:ASS'Y

U008 S004  
D0CB3303  
TONER HOPPER:TONER SU  
PPLY:COL:ASS'Y



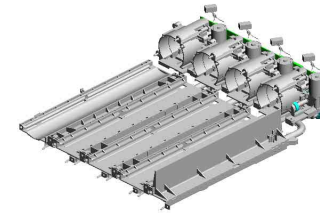
U001	U002	U003	U004	U005	U006	U007	U008	U009	U010	U011	U012	U013	U014	U015	U016	U017	U018	U019	U020
------	------	------	------	------	------	------	------	------	------	------	------	------	------	------	------	------	------	------	------

# U008 DEVELOPMENT

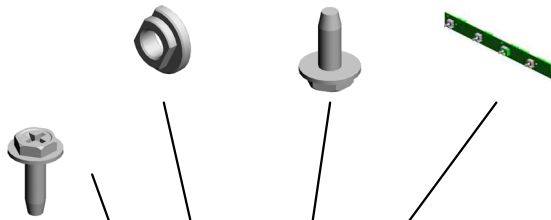
16.D1173354 (x4)  
COLLAR:TONER SUPPLY:HOUSING

3.04583008N (x17)  
HEXAGON HEAD TAPPING SCREW:3 X8

8.D0C85180 PCB:BRB:(PCB7)



4.04583010N (x8)  
HEXAGON HEAD TAPPING SCREW:3 X10



2.04503008N (x5)  
TAPPING SCREW - M3X8

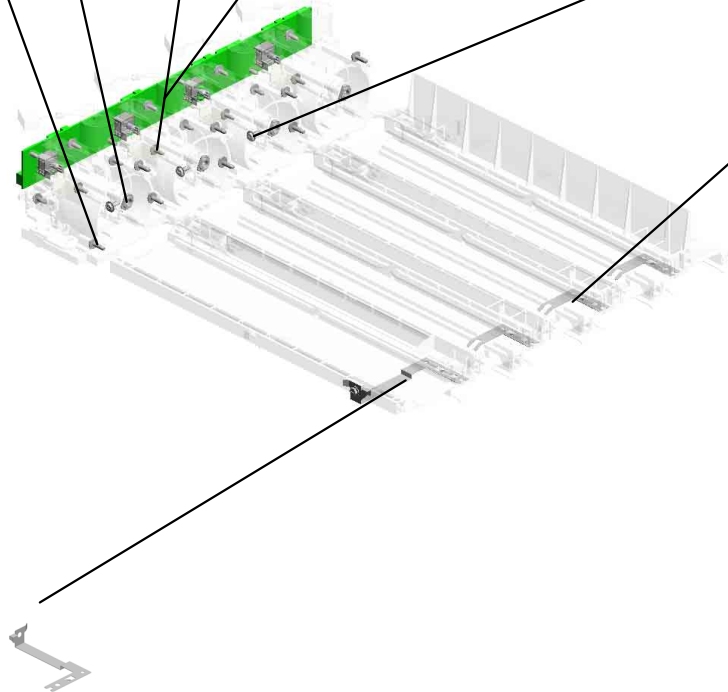
4.04583010N (x 8)  
HEXAGON HEAD TAPPING SCREW:3X10



17.D1173394 (x3)  
GROUND PLATE:R  
AIL:BASE



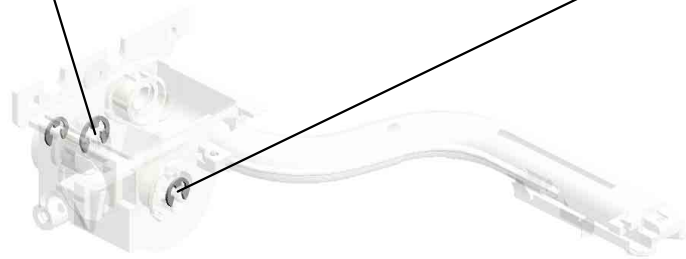
18.D1173395  
GROUND PLATE:R  
AIL:BASE:MAIN



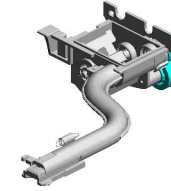
U001	U002	U003	U004	U005	U006	U007	U008	U009	U010	U011	U012	U013	U014	U015	U016	U017	U018	U019	U020
------	------	------	------	------	------	------	------	------	------	------	------	------	------	------	------	------	------	------	------

U008\_S001  
TONER HOPPER:TONER SUPPLY:K:ASS'Y

6.07200040E  
RETAINING RING -  
M4



5.07200030E  
(x2)  
RETAINING RING -  
M3



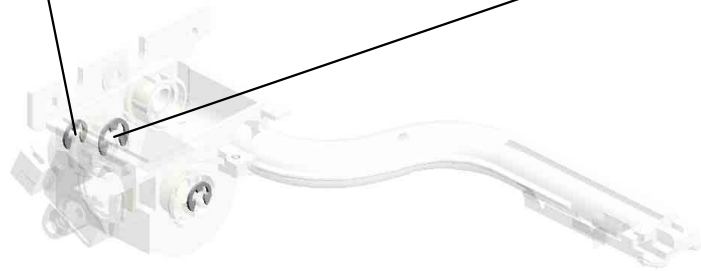
9.D0CB3302  
TONER HOPPER:T  
ONER SUPPLY:K:A  
SS'Y

U001	U002	U003	U004	U005	U006	U007	<b>U008</b>	U009	U010	U011	U012	U013	U014	U015	U016	U017	U018	U019	U020
------	------	------	------	------	------	------	-------------	------	------	------	------	------	------	------	------	------	------	------	------



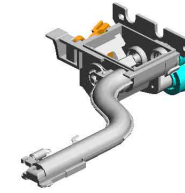
U008\_S002  
TONER HOPPER:TONER SUPPLY:COL:ASS'Y

5.07200030E  
(x2)  
RETAINING RING -  
M3



6.07200040E  
RETAINING RING -  
M4

3.04583008N(x 1)  
HEXAGON HEAD TAPPING SCREW:3X  
8

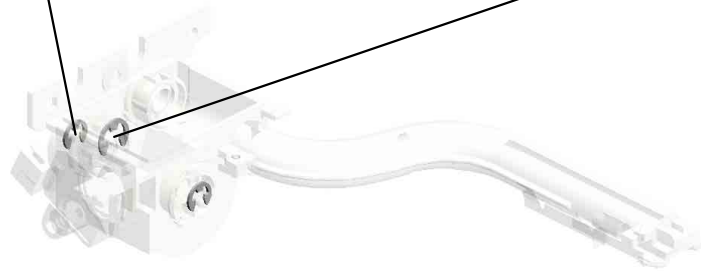


10.D0CB3303  
TONER HOPPER:T  
ONER SUPPLY:CO  
L:ASS'Y

U001	U002	U003	U004	U005	U006	U007	<b>U008</b>	U009	U010	U011	U012	U013	U014	U015	U016	U017	U018	U019	U020
------	------	------	------	------	------	------	-------------	------	------	------	------	------	------	------	------	------	------	------	------

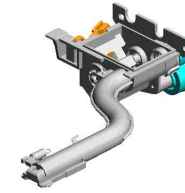
U008\_S003  
TONER HOPPER:TONER SUPPLY:COL:ASS'Y

5.07200030E  
(x2)  
RETAINING RING -  
M3



6.07200040E  
RETAINING RING -  
M4

3.04583008N(x 1)  
HEXAGON HEAD TAPPING SCREW:3X  
8

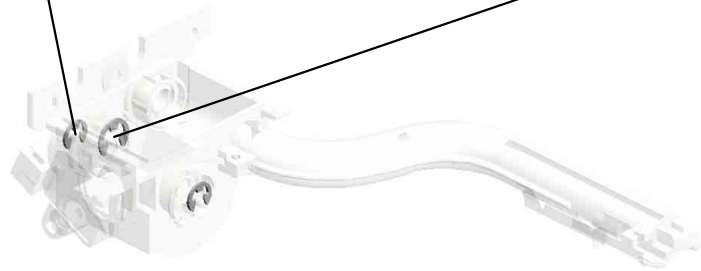


10.D0CB3303  
TONER HOPPER:T  
ONER SUPPLY:CO  
L:ASS'Y

U001	U002	U003	U004	U005	U006	U007	U008	U009	U010	U011	U012	U013	U014	U015	U016	U017	U018	U019	U020
------	------	------	------	------	------	------	------	------	------	------	------	------	------	------	------	------	------	------	------

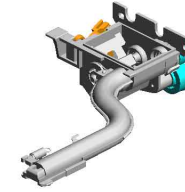
U008\_S004  
TONER HOPPER:TONER SUPPLY:COL:ASS'Y

5.07200030E  
(x2)  
RETAINING RING -  
M3



6.07200040E  
RETAINING RING -  
M4

3.04583008N(x 1)  
HEXAGON HEAD TAPPING SCREW:3X  
8

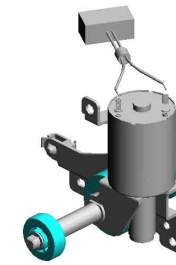


10.D0CB3303  
TONER HOPPER:T  
ONER SUPPLY:CO  
L:ASS'Y

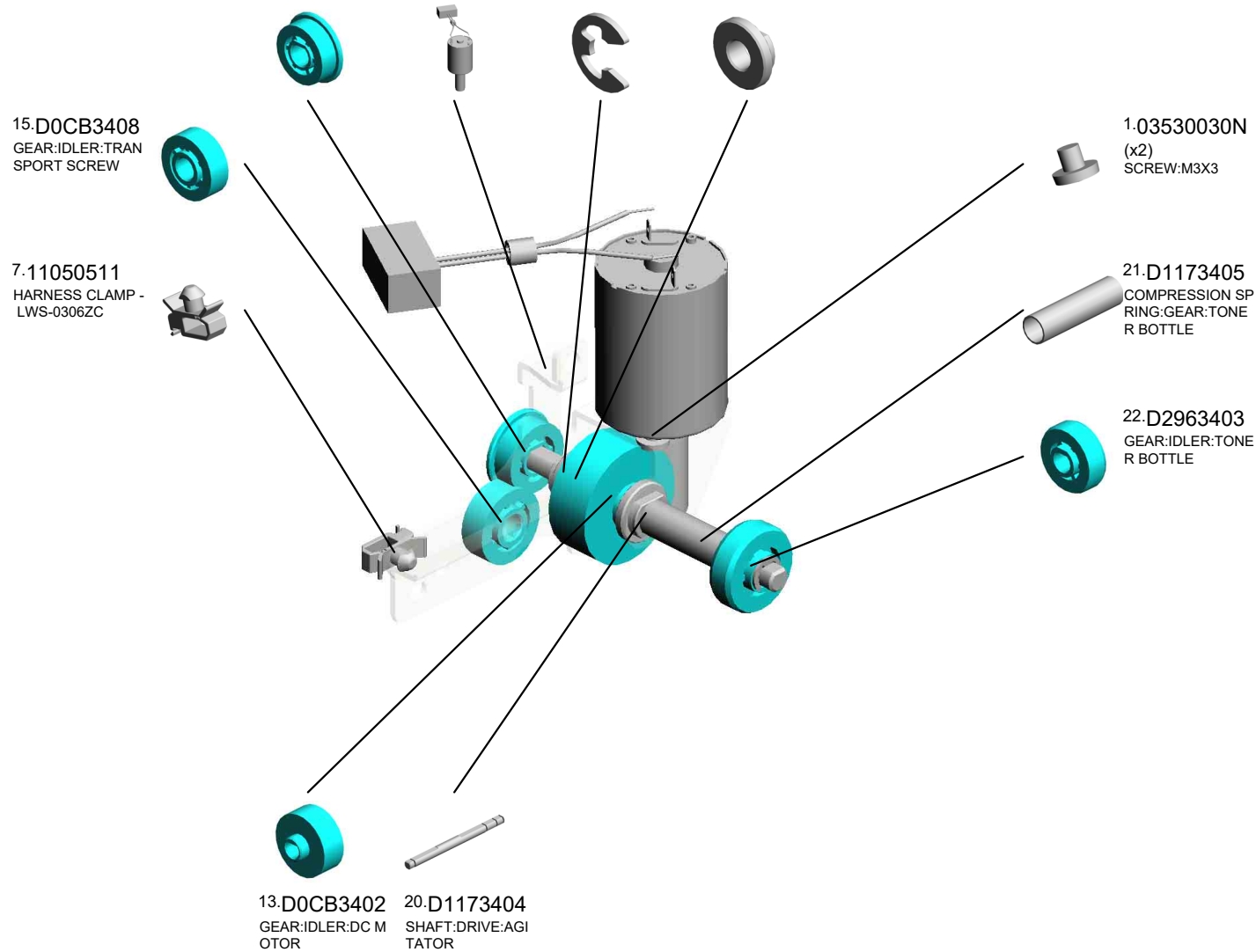
U001	U002	U003	U004	U005	U006	U007	U008	U009	U010	U011	U012	U013	U014	U015	U016	U017	U018	U019	U020
------	------	------	------	------	------	------	------	------	------	------	------	------	------	------	------	------	------	------	------

U008\_S005  
 DRIVE UNIT:TONER SUPPLY:ASS'Y

- 14.D0CB3407 GEAR:TONER HOP PER:DRIVE SUB-UNIT
- 12.D0CB3400 DC MOTOR:TONE R SUPPLY:ASS'Y:(M1/M2/M3/M4)
- 5.07200030E (x3) RETAINING RING - M3
- 19.D1173401 (x2) COLLAR:DRIVE:BRACKET



11.D0CB3304  
 DRIVE UNIT:TONE R SUPPLY:ASS'Y

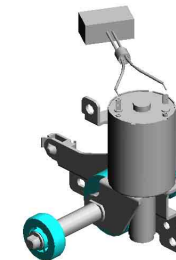


U001	U002	U003	U004	U005	U006	U007	U008	U009	U010	U011	U012	U013	U014	U015	U016	U017	U018	U019	U020
------	------	------	------	------	------	------	------	------	------	------	------	------	------	------	------	------	------	------	------

U008\_S006

DRIVE UNIT:TONER SUPPLY:ASS'Y

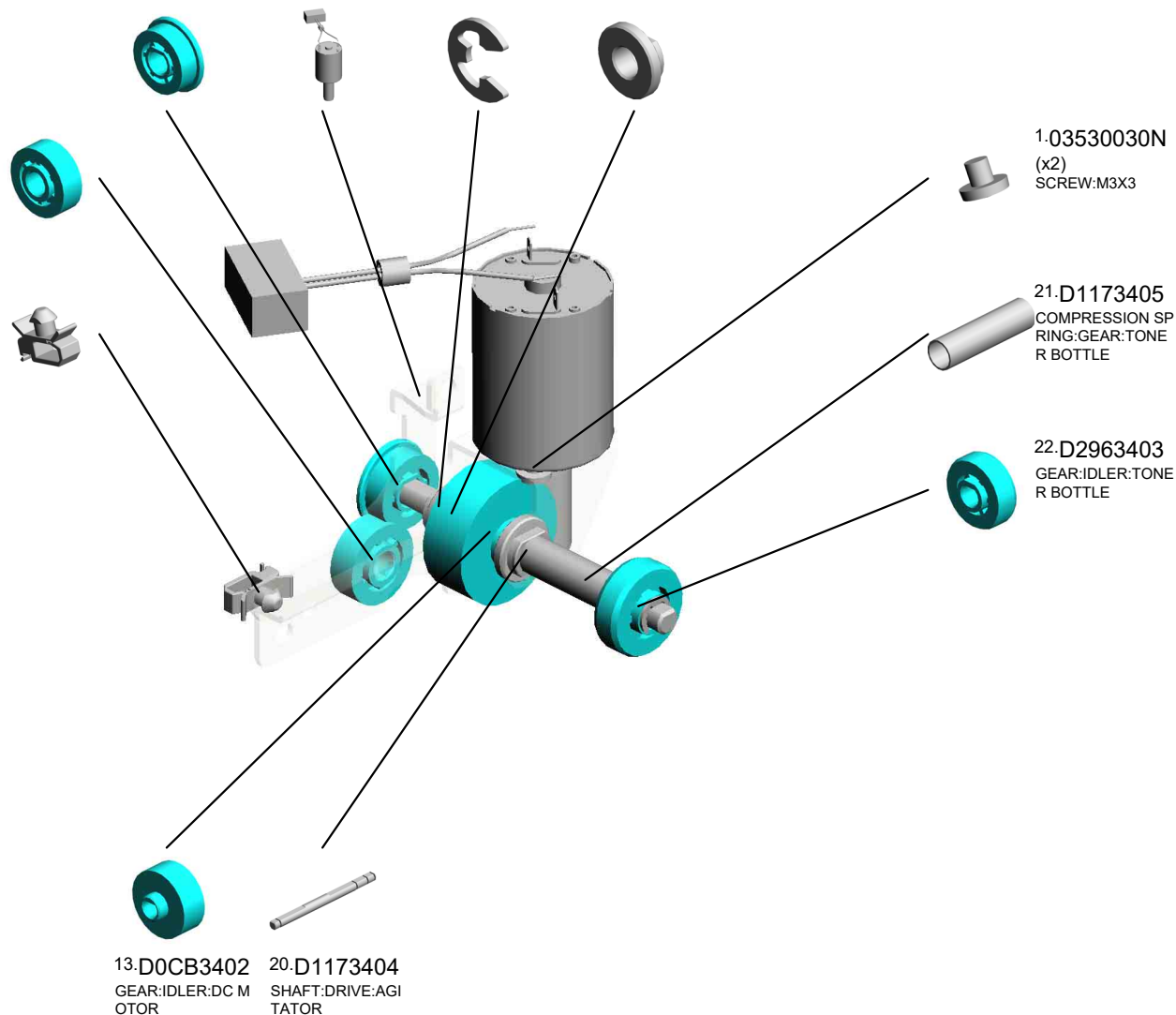
- 14.D0CB3407 GEAR:TONER HOPPER:DRIVE SUB-UNIT
- 12.D0CB3400 DC MOTOR:TONER SUPPLY:ASS'Y:(M1/M2/M3/M4)
- 5.07200030E (x3) RETAINING RING - M3
- 19.D1173401 (x2) COLLAR:DRIVE:BRACKET



11.D0CB3304  
DRIVE UNIT:TONER SUPPLY:ASS'Y

15.D0CB3408  
GEAR:IDLER:TRANSPORT SCREW

7.11050511  
HARNESS CLAMP - LWS-0306ZC



1.03530030N (x2) SCREW:M3X3

21.D1173405  
COMPRESSION SPRING:GEAR:TONER BOTTLE

22.D2963403  
GEAR:IDLER:TONER BOTTLE

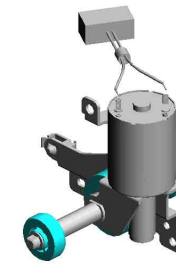
13.D0CB3402 GEAR:IDLER:DC MOTOR  
20.D1173404 SHAFT:DRIVE:AGITATOR

U001	U002	U003	U004	U005	U006	U007	<b>U008</b>	U009	U010	U011	U012	U013	U014	U015	U016	U017	U018	U019	U020
------	------	------	------	------	------	------	-------------	------	------	------	------	------	------	------	------	------	------	------	------

U008\_S007

DRIVE UNIT:TONER SUPPLY:ASS'Y

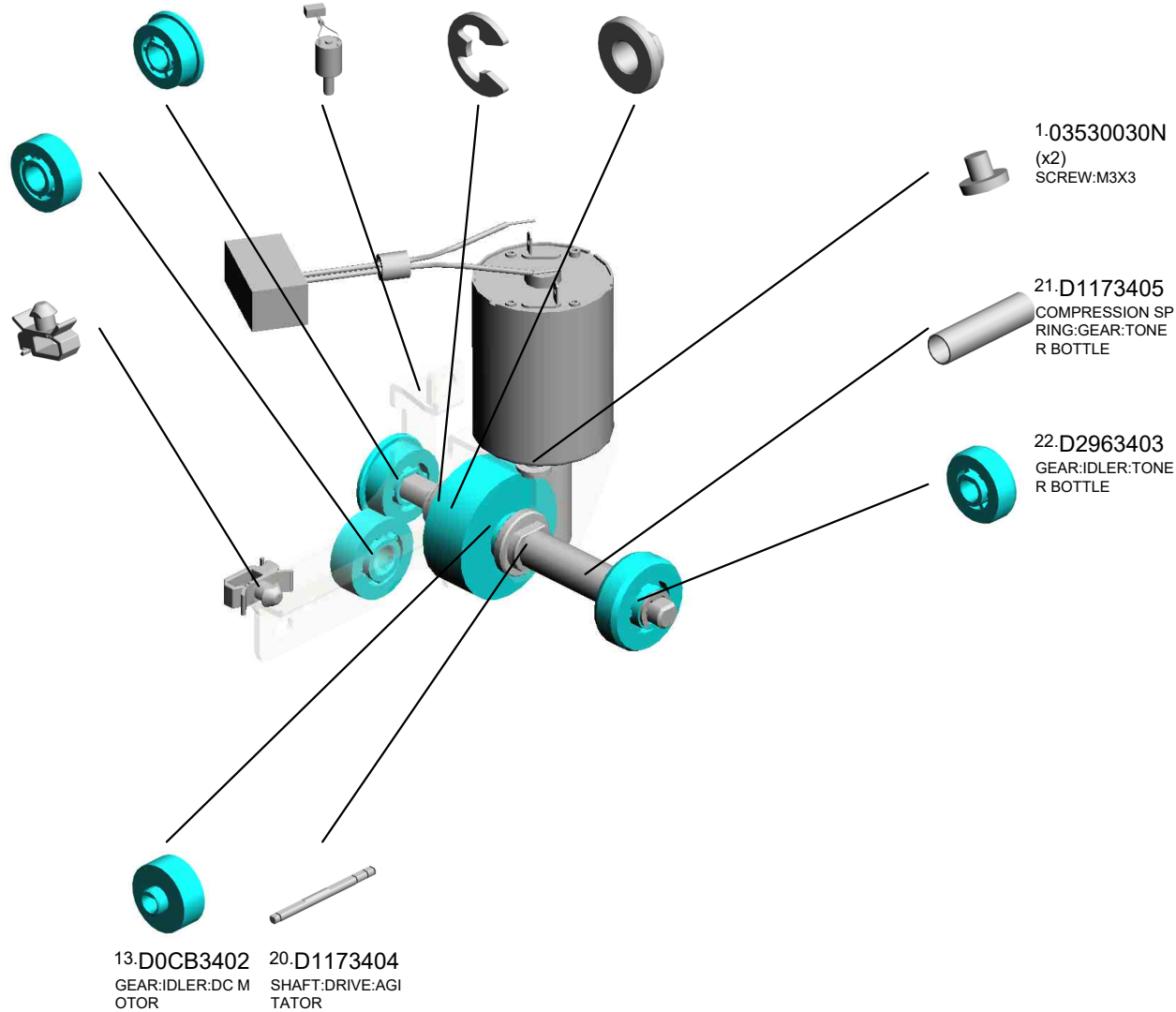
- 14.D0CB3407 GEAR:TONER HOP PER:DRIVE SUB-UNIT
- 12.D0CB3400 DC MOTOR:TONE R SUPPLY:ASS'Y:(M1/M2/M3/M4)
- 5.07200030E (x3) RETAINING RING - M3
- 19.D1173401 (x2) COLLAR:DRIVE:BRACKET



11.D0CB3304  
DRIVE UNIT:TONE  
R SUPPLY:ASS'Y

15.D0CB3408  
GEAR:IDLER:TRAN  
SPORT SCREW

7.11050511  
HARNESS CLAMP -  
LWS-0306ZC



1.03530030N  
(x2)  
SCREW:M3X3

21.D1173405  
COMPRESSION SP  
RING:GEAR:TONE  
R BOTTLE

22.D2963403  
GEAR:IDLER:TONE  
R BOTTLE

13.D0CB3402 GEAR:IDLER:DC M  
OTOR

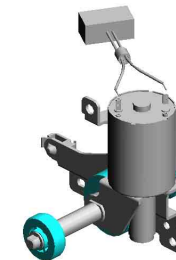
20.D1173404  
SHAFT:DRIVE:AGI  
TATOR

U001	U002	U003	U004	U005	U006	U007	<b>U008</b>	U009	U010	U011	U012	U013	U014	U015	U016	U017	U018	U019	U020
------	------	------	------	------	------	------	-------------	------	------	------	------	------	------	------	------	------	------	------	------

U008\_S008

DRIVE UNIT:TONER SUPPLY:ASS'Y

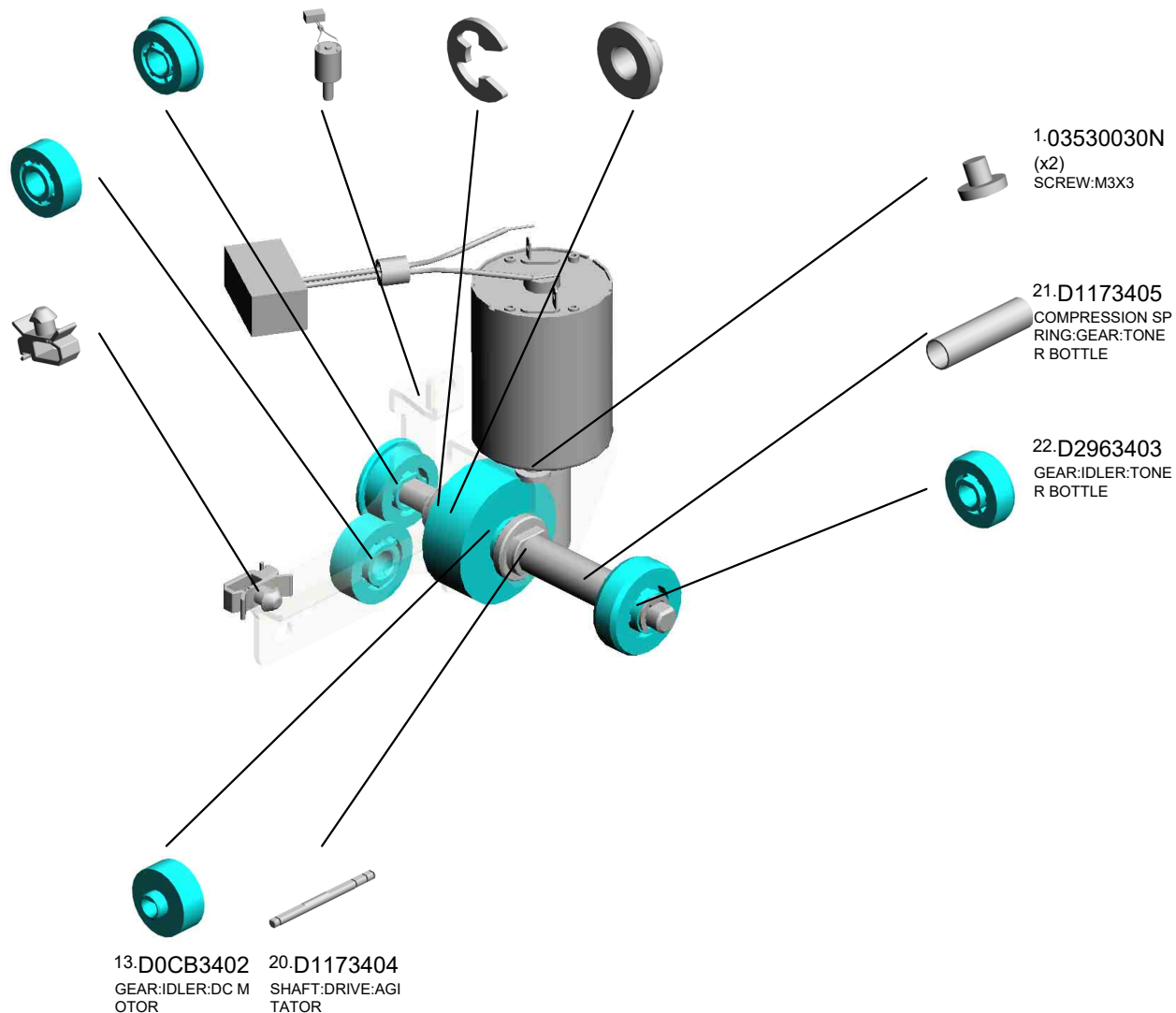
- 14.D0CB3407 GEAR:TONER HOPPER:DRIVE SUB-UNIT
- 12.D0CB3400 DC MOTOR:TONER SUPPLY:ASS'Y:(M1/M2/M3/M4)
- 5.07200030E (x3) RETAINING RING - M3
- 19.D1173401 (x2) COLLAR:DRIVE:BRACKET



11.D0CB3304  
DRIVE UNIT:TONER SUPPLY:ASS'Y

15.D0CB3408  
GEAR:IDLER:TRANSPORT SCREW

7.11050511  
HARNESS CLAMP - LWS-0306ZC



1.03530030N (x2) SCREW:M3X3

21.D1173405  
COMPRESSION SPRING:GEAR:TONER BOTTLE

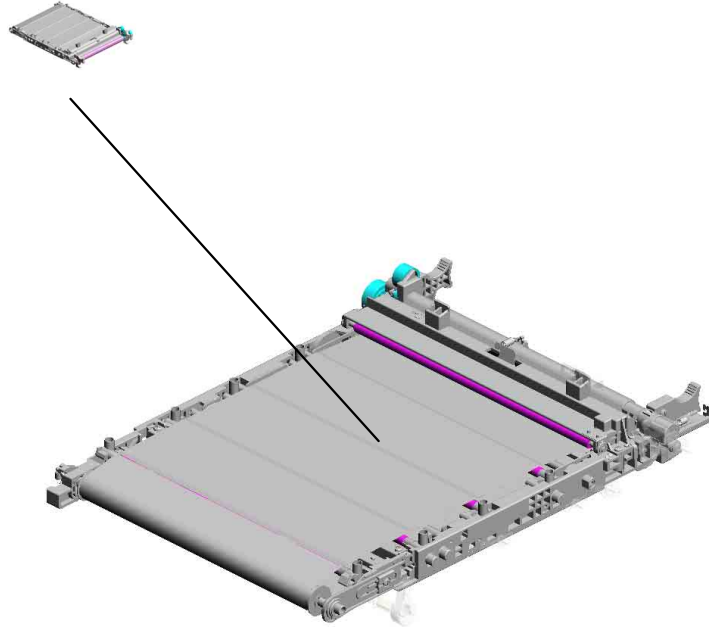
22.D2963403  
GEAR:IDLER:TONER BOTTLE

13.D0CB3402 GEAR:IDLER:DC MOTOR  
20.D1173404 SHAFT:DRIVE:AGITATOR

U001	U002	U003	U004	U005	U006	U007	<b>U008</b>	U009	U010	U011	U012	U013	U014	U015	U016	U017	U018	U019	U020
------	------	------	------	------	------	------	-------------	------	------	------	------	------	------	------	------	------	------	------	------

# U009.ITB UNIT

U009 S001  
D0CB6002  
TRANSFER UNIT:INTERMEDI  
ATE TRANSFER:SERVICE:AS  
SY

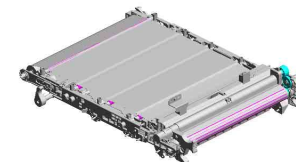


U001	U002	U003	U004	U005	U006	U007	U008	U009	U010	U011	U012	U013	U014	U015	U016	U017	U018	U019	U020
------	------	------	------	------	------	------	------	------	------	------	------	------	------	------	------	------	------	------	------



# U009 ITB UNIT

- 5.04503010N (x7) TAPPING SCREW - M3X10
- 2.03530030N (x2) SCREW:M3X3
- 20.AA082109 PLAIN SHAFT BEARING: DIA4
- 12.07200030E RETAINING RING - M3
- 15.11050542 HARNESS CLAMP - MSBS-1207



18.AA061084  
TENSION SPRING: FEELER



6.04513008N (x4) TAPPING SCREW - M3X8



21.AW020234  
PHOTOINTERRUPTOR: GP1A173LCS  
5F:(S1/S4/S5/S6/S19/S20/S22/S23/S25/S30/S33/S35/S36)



25.D0CB6350  
DC MOTOR:ON-OFF:FIRST:ASSY:(M14)



14.08050104 (x2) RETAINING RINGS: E:SILENCER:DIA4



19.AA066695  
TORSION SPRING: LEVER:ON-OFF



1.03125040N (x2) SCREW - M2.5X4



22.B2385875  
DC SOLENOID DC2 4V:(SOL2)



17.AA060151  
TENSION SPRING



24.D0CB6238  
GUIDE:HARNESS: T M SENSOR



5.04503010N (x 2) TAPPING SCREW - M3X10



10.04583010N  
HEXAGON HEAD TAPPING SCREW:3 X10



16.11050758  
CLAMP:LWSM-030 6A



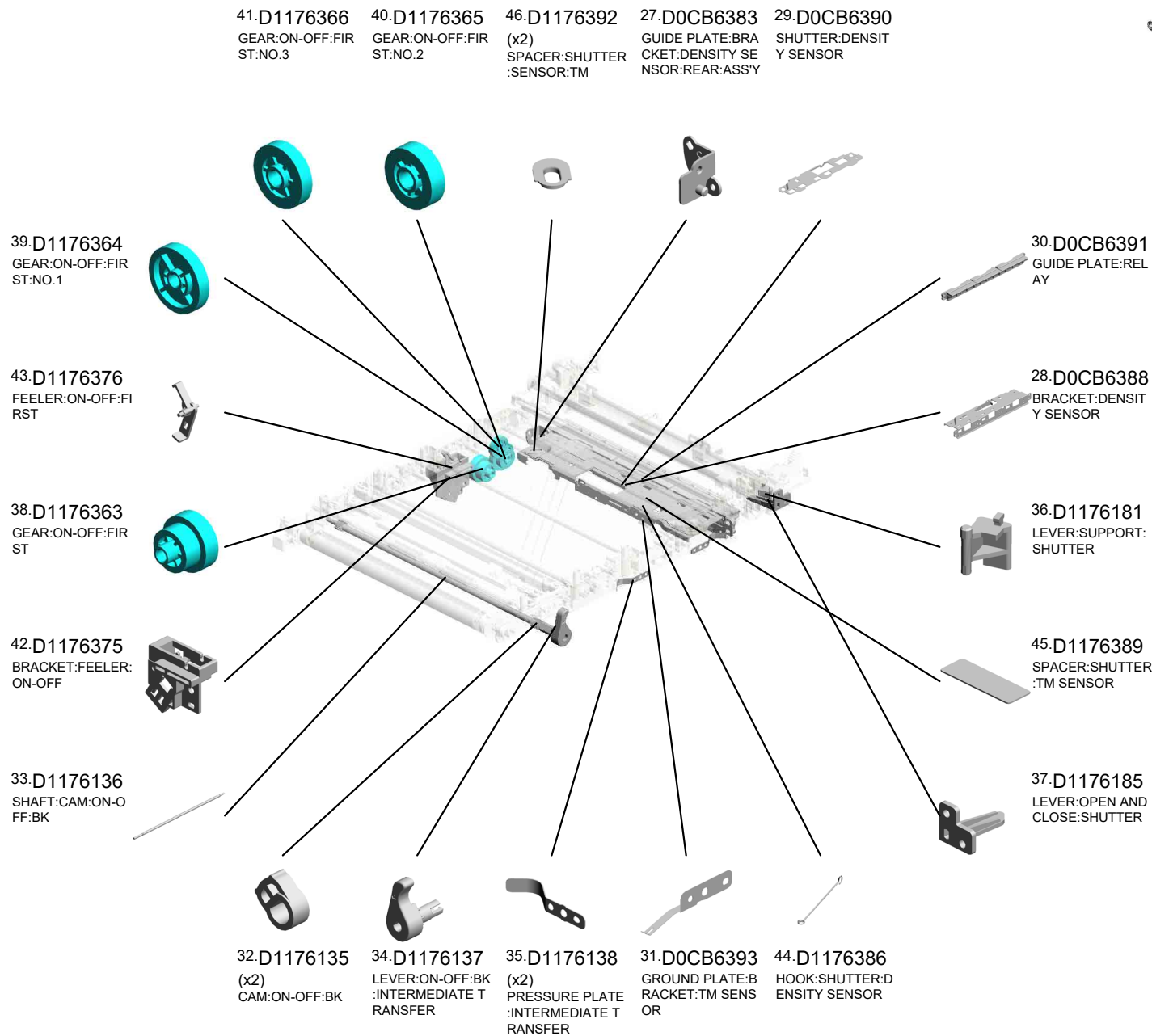
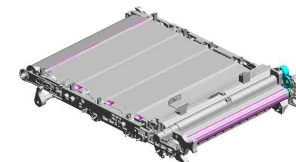
9.04543006Q (x7) TAPPING SCREW - M3X6



26.D0CB6381  
GUIDE PLATE:BRACKET:DENSITY SENSOR:FRONT:ASSY



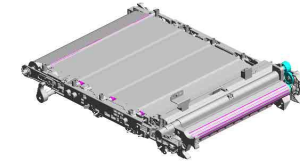
U009  
ITB UNIT



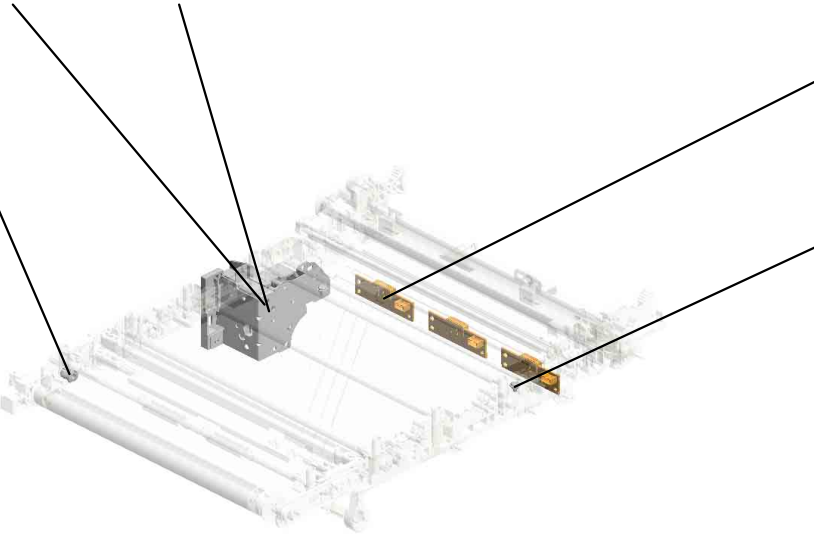
U001	U002	U003	U004	U005	U006	U007	U008	U009	U010	U011	U012	U013	U014	U015	U016	U017	U018	U019	U020
------	------	------	------	------	------	------	------	------	------	------	------	------	------	------	------	------	------	------	------

U009  
ITB UNIT

49.D1966362 48.D1966356  
COVER:BRACKET: DRIVE:ON-OFF BRACKET:DRIVE:O  
N-OFF:ASS'Y



50.G1666057  
PLAIN SHAFT BEA  
RING:ROLLER:BLA  
DE



51.GW010009  
(x3)  
DENSITY SENSOR:  
(S27/S28/S29)



47.D1441085  
(x2)  
STEPPED SCREW:  
M3



U001	U002	U003	U004	U005	U006	U007	U008	U009	U010	U011	U012	U013	U014	U015	U016	U017	U018	U019	U020
------	------	------	------	------	------	------	------	------	------	------	------	------	------	------	------	------	------	------	------

U009\_S001  
 TRANSFER UNIT:INTERMEDIATE TRANSFER:SERVICE:ASS'Y

12.07200030E 13.07200040E  
 (x3) (x3)  
 RETAINING RING - M3 RETAINING RING - M4



23.D0CB6002  
 TRANSFER UNIT:IN  
 TERMEDIATE TRA  
 NSFER:SERVICE:A  
 SS'Y

8.04523010N  
 (x4)  
 BINDING SELF-TA  
 PPING SCREW:3X  
 10



7.04523008N  
 (x10)  
 TAPPING SCREW -  
 M3X8



11.04593008N  
 (x4)  
 BINDING HEAD TA  
 PPING SCREW:3X  
 8



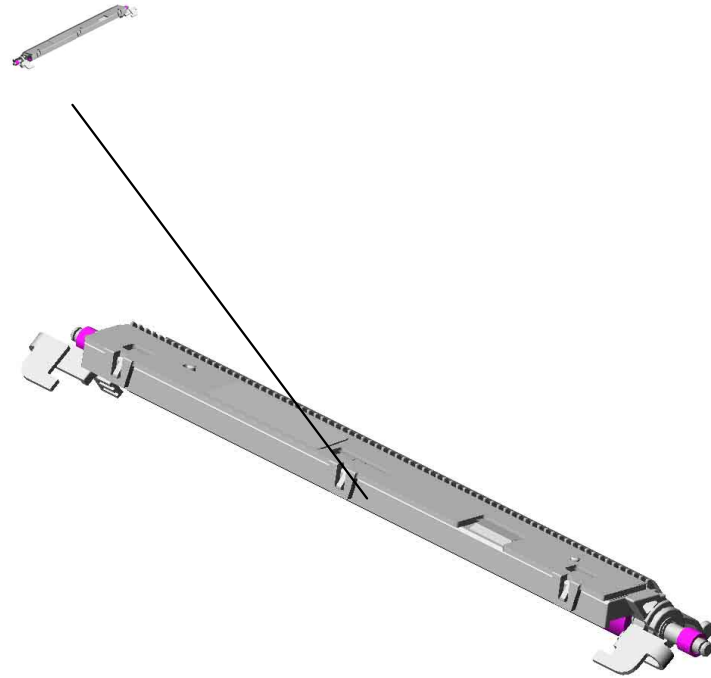
3.03530060N  
 (x4)  
 BIND SCREW - M3  
 X6



U001	U002	U003	U004	U005	U006	U007	U008	U009	U010	U011	U012	U013	U014	U015	U016	U017	U018	U019	U020
------	------	------	------	------	------	------	------	------	------	------	------	------	------	------	------	------	------	------	------

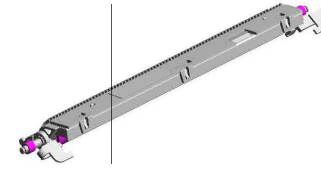
# U010.TRANSFER/SEPARATION

U010 S001  
D0CB6201  
TRANSFER/SEPARATION UN  
IT:SECOND:ASSY



U001	U002	U003	U004	U005	U006	U007	U008	U009	U010	U011	U012	U013	U014	U015	U016	U017	U018	U019	U020
------	------	------	------	------	------	------	------	------	------	------	------	------	------	------	------	------	------	------	------

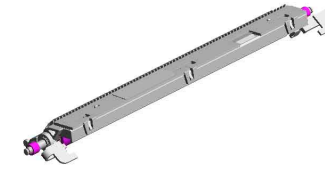
U010  
TRANSFER/SEPARATION



U001	U002	U003	U004	U005	U006	U007	U008	U009	U010	U011	U012	U013	U014	U015	U016	U017	U018	U019	U020
------	------	------	------	------	------	------	------	------	------	------	------	------	------	------	------	------	------	------	------

U010\_S001  
TRANSFER/SEPARATION UNIT:SECOND:ASS'Y

2.07200040E  
(x2)  
RETAINING RING -  
M4



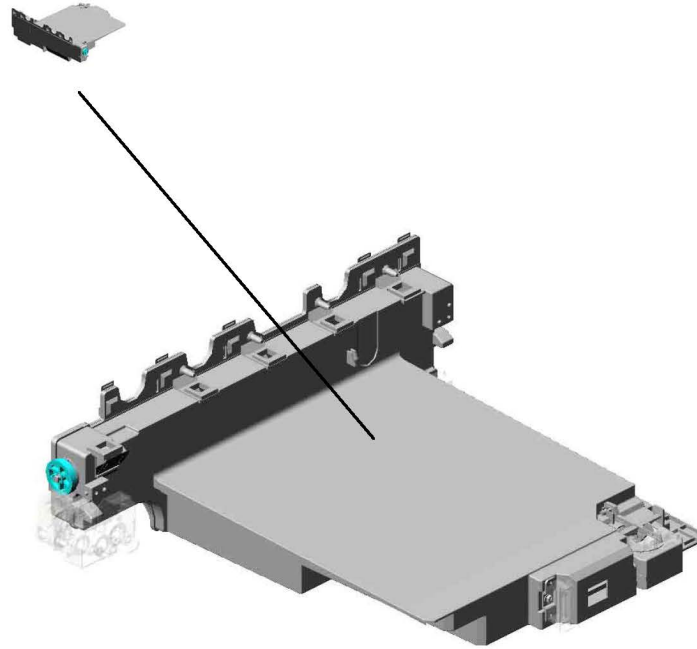
3.D0CB6201  
TRANSFER/SEPARATION UNIT:SECOND:ASS'Y

1.07200030E (x 2)  
RETAINING RING - M3

U001	U002	U003	U004	U005	U006	U007	U008	U009	U010	U011	U012	U013	U014	U015	U016	U017	U018	U019	U020
------	------	------	------	------	------	------	------	------	------	------	------	------	------	------	------	------	------	------	------

# U011.USED TONER

U011\_S001  
D0CB6401  
COLLECTION BOTTLE:ASSY

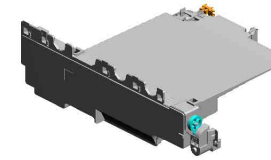


U001	U002	U003	U004	U005	U006	U007	U008	U009	U010	U011	U012	U013	U014	U015	U016	U017	U018	U019	U020
------	------	------	------	------	------	------	------	------	------	------	------	------	------	------	------	------	------	------	------



# U011 USED TONER

6.AB017827 GEAR:IDLER:COLLECTION BOTTLE:RIGHT UPPER  
 2.07200040E RETAINING RING - M4  
 13.D1966585 BRACKET:COLLECTION BOTTLE:RIGHT:PRESS FIT



4.AB011555 GEAR:IDLER:RIGHT FRONT



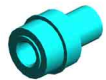
1.04503010N (x3) TAPPING SCREW - M3X10



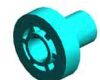
5.AB011557 GEAR:IDLER:RIGHT REAR



7.AB017865 GEAR:IDLER:MIDDLE REAR



3.AB011552 GEAR:IDLER:LEFT REAR



8.AG071012 MAGNET CATCH:ASSY



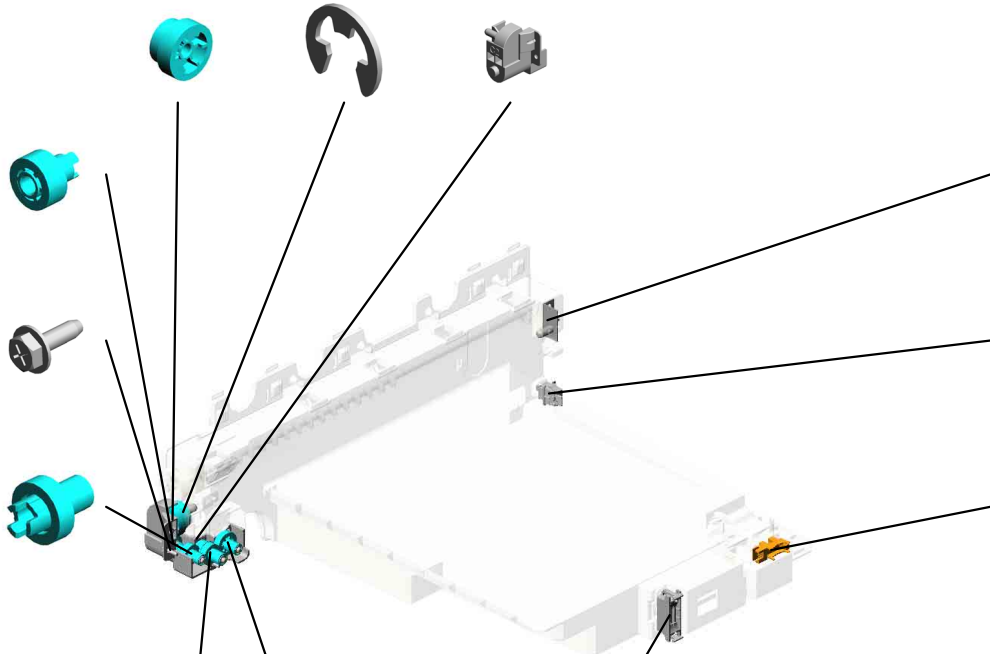
12.D1176588 BRACKET:COLLECTION BOTTLE:LEFT



10.AW500045 PUSH SWITCH:(SW2/S26)



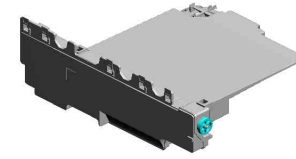
9.AW020234 PHOTOINTERRUPTOR:GP1A173LCS 5F:(S1/S4/S5/S6/S19/S20/S22/S23/S25/S30/S33/S35/S36)



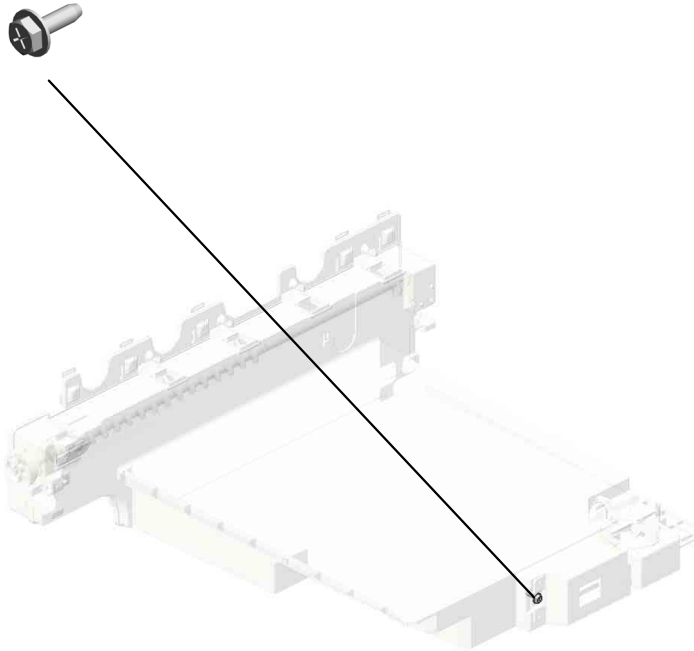
U001	U002	U003	U004	U005	U006	U007	U008	U009	U010	U011	U012	U013	U014	U015	U016	U017	U018	U019	U020
------	------	------	------	------	------	------	------	------	------	------	------	------	------	------	------	------	------	------	------

U011\_S001  
COLLECTION BOTTLE:ASS'Y

1-04503010N  
TAPPING SCREW -  
M3X10



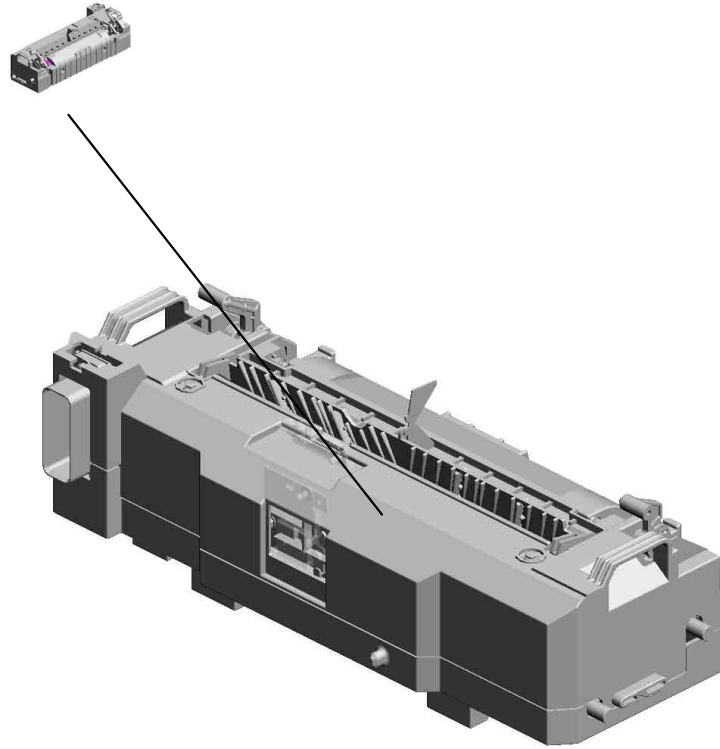
11-**D0CB6401**  
COLLECTION BOT  
TLE:ASS'Y



U001	U002	U003	U004	U005	U006	U007	U008	U009	U010	U011	U012	U013	U014	U015	U016	U017	U018	U019	U020
------	------	------	------	------	------	------	------	------	------	------	------	------	------	------	------	------	------	------	------

# U012.FUSING

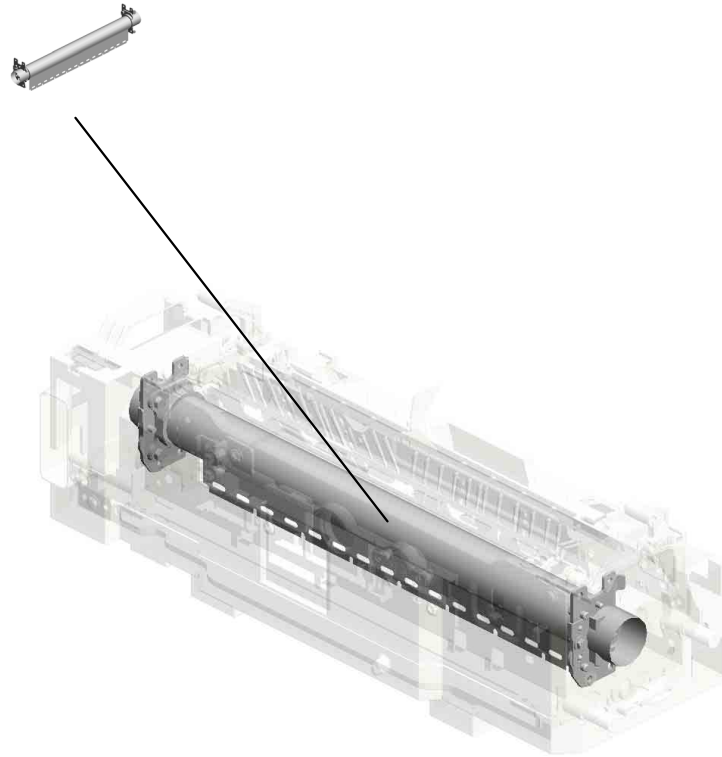
U012 S001  
D0CB4032  
(EU/AA/CHN):FUSING UNIT:S  
ERVICE PARTS



U001	U002	U003	U004	U005	U006	U007	U008	U009	U010	U011	U012	U013	U014	U015	U016	U017	U018	U019	U020
------	------	------	------	------	------	------	------	------	------	------	------	------	------	------	------	------	------	------	------

# U012\_S001.(EU/AA/CHN):FUSING UNIT:SERVICE PARTS

U012 S001 S001  
D0CB4038  
(EU/AA/CHN):SLEEVE:FUSIN  
G:SERVICE PARTS



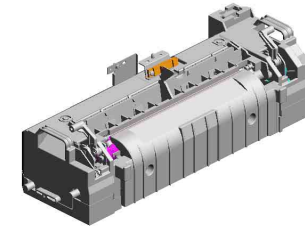
U001	U002	U003	U004	U005	U006	U007	U008	U009	U010	U011	U012	U013	U014	U015	U016	U017	U018	U019	U020
------	------	------	------	------	------	------	------	------	------	------	------	------	------	------	------	------	------	------	------

# U012 FUSING

2.04543006Q (x2)  
TAPPING SCREW - M3X6

21.AW010124  
PHOTO REFLECTI  
ON SENSOR:GP2A  
200LCS0F:(S8)

13.09573010N  
SCREW:SMALL RO  
UND/SPRING:M3X1  
0



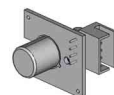
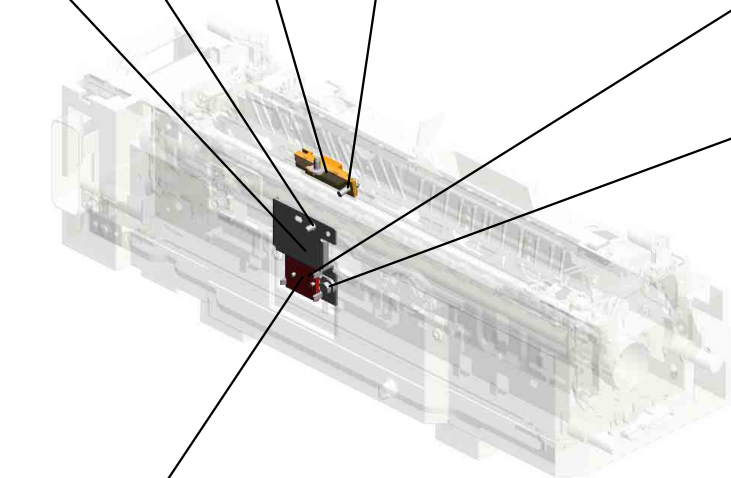
43.D1174332  
BRACKET:THERM  
OPILE



34.D1054365  
HOLDER:THERMO  
PILE



8.08046123  
HEXAGONAL BOLT  
:WASHER:M3X8

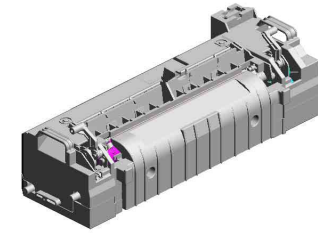


22.AW100183  
THERMOPILE:(TH1  
)

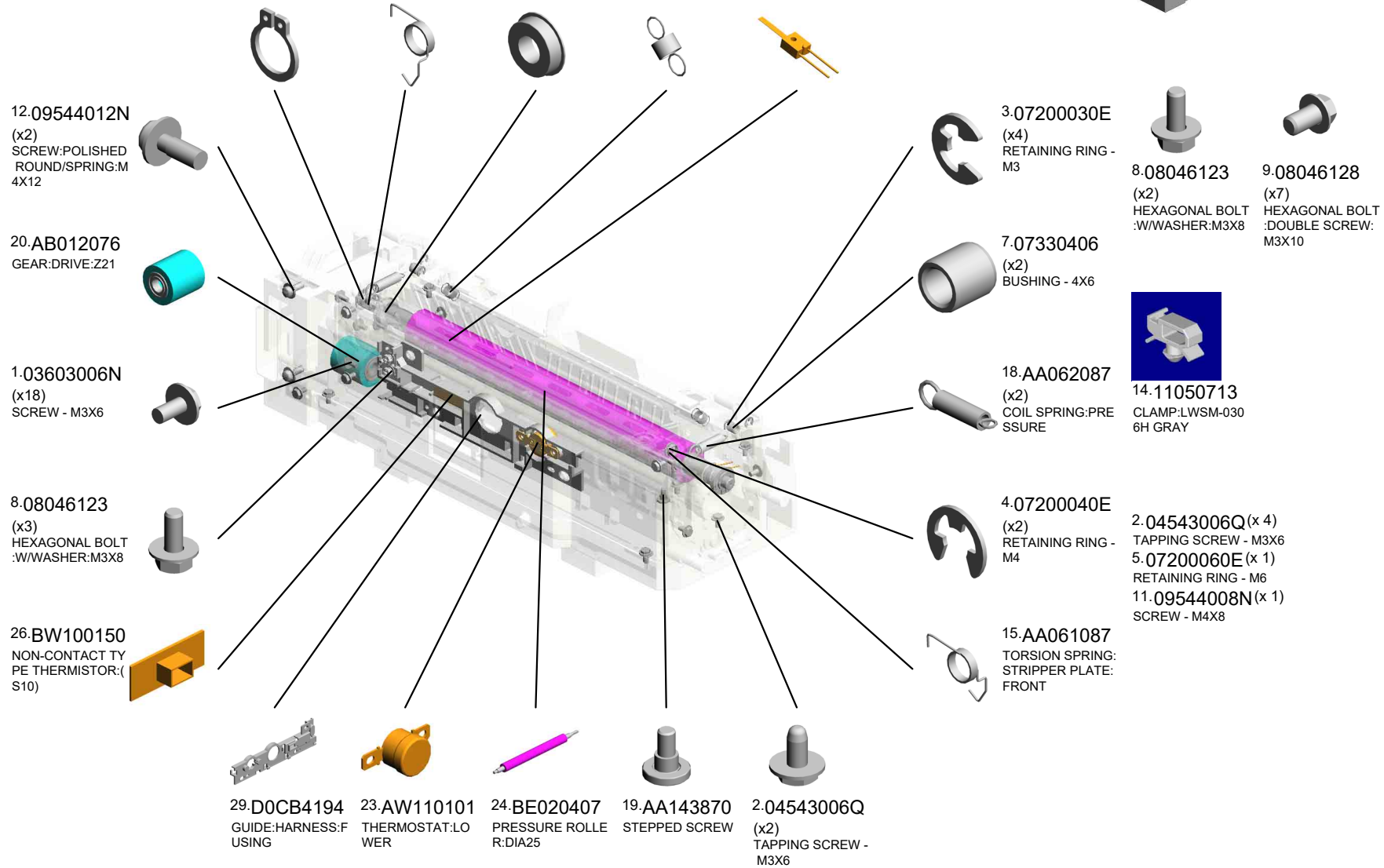
U001	U002	U003	U004	U005	U006	U007	U008	U009	U010	U011	U012	U013	U014	U015	U016	U017	U018	U019	U020
------	------	------	------	------	------	------	------	------	------	------	------	------	------	------	------	------	------	------	------

U012\_S001  
(EU/AA/CHN):FUSING UNIT:SERVICE PARTS

- 6.07270080E (x2) RETAINING RING - M8
- 16.AA061088 TORSION SPRING: STRIPPER PLATE: REAR
- 10.08053579 (x2) BALL BEARING: DIA 8XDIA16X5
- 17.AA061089 (x2) COIL SPRING: GUIDE PLATE:FUSING EXIT
- 25.BW100147 (x3) THERMISTOR:PRESSURE:(TH2/TH3/TH4)

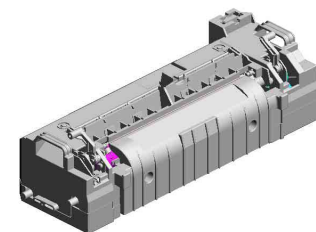


27.D0CB4032  
(EU/AA/CHN):FUSING UNIT:SERVICE PARTS

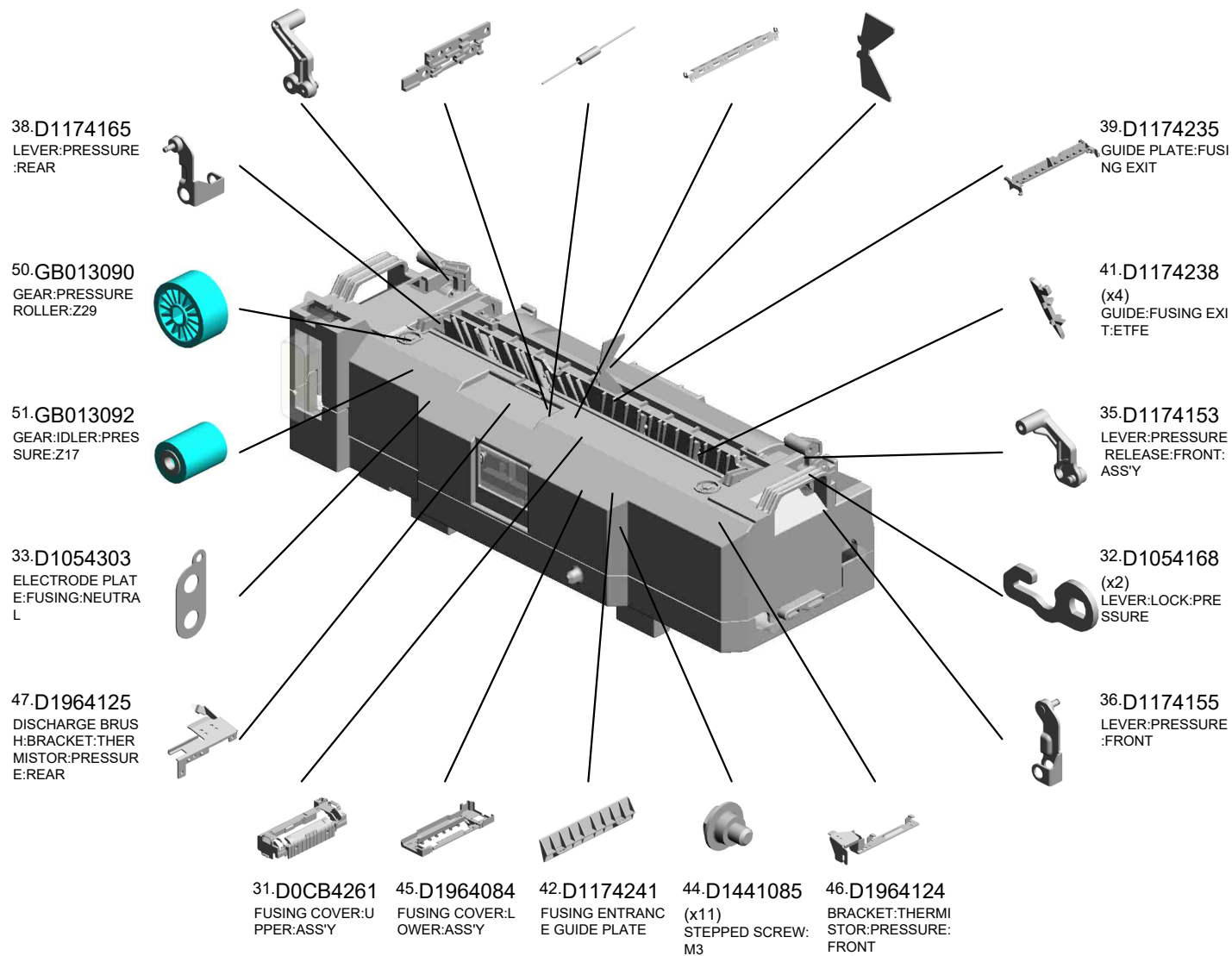


U012\_S001  
(EU/AA/CHN):FUSING UNIT:SERVICE PARTS

37.D1174163 LEVER:PRESSURE RELEASE:REAR:ASSY  
 48.D1964126 BRACKET:RESISTOR  
 49.D1964127 RESISTOR:FUSING SUB-UNIT  
 30.D0CB4231 STRIPPER PLATE:COAT  
 40.D1174236 SHEET:C.LEVER

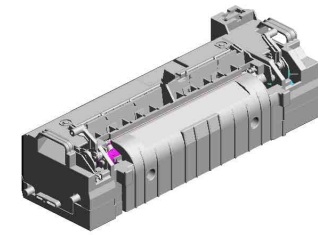
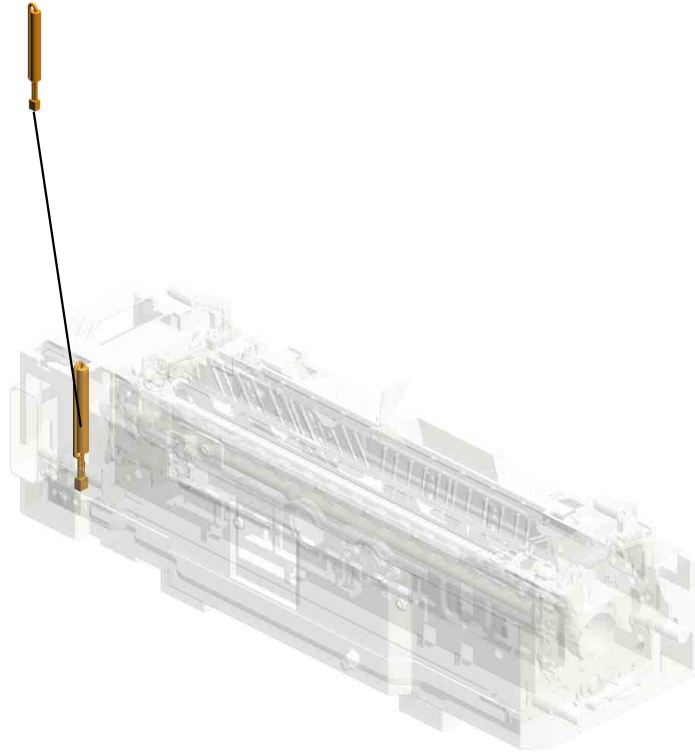


27.D0CB4032  
(EU/AA/CHN):FUSING UNIT:SERVICE PARTS



U012\_S001  
(EU/AA/CHN):FUSING UNIT:SERVICE PARTS

52.M0264371  
NEW UNIT DETEC  
T SENSOR



**27.D0CB4032**  
(EU/AA/CHN):FUSI  
NG UNIT:SERVICE  
PARTS

U001	U002	U003	U004	U005	U006	U007	U008	U009	U010	U011	U012	U013	U014	U015	U016	U017	U018	U019	U020
------	------	------	------	------	------	------	------	------	------	------	------	------	------	------	------	------	------	------	------



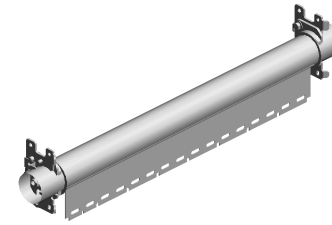
U012\_S001\_S001  
(EU/AA/CHN):SLEEVE:FUSING:SERVICE PARTS

9.08046128

(x4)  
HEXAGONAL BOLT  
:DOUBLE SCREW:  
M3X10



1.03603006N  
(x2)  
SCREW - M3X6

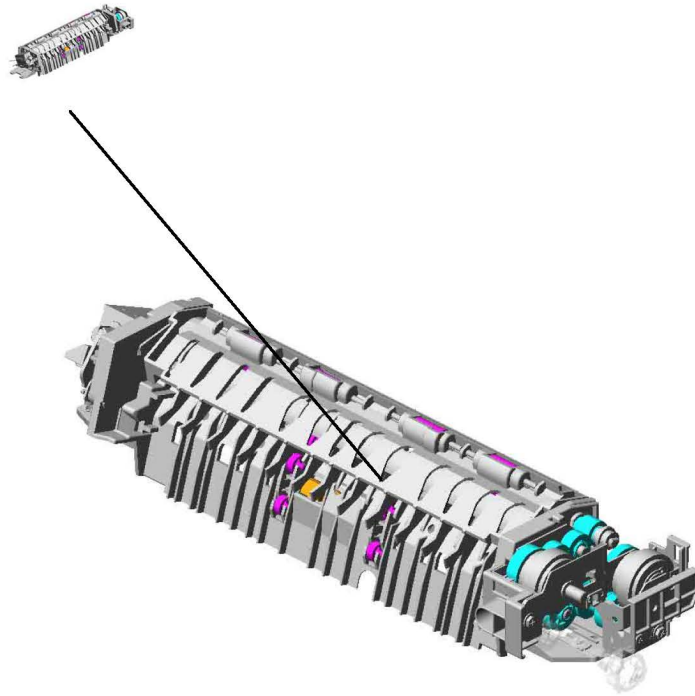


28.D0CB4038  
(EU/AA/CHN):SLEEVE:FUSING:SERVICE PARTS

U001	U002	U003	U004	U005	U006	U007	U008	U009	U010	U011	U012	U013	U014	U015	U016	U017	U018	U019	U020
------	------	------	------	------	------	------	------	------	------	------	------	------	------	------	------	------	------	------	------

# U013.PAPER EXIT

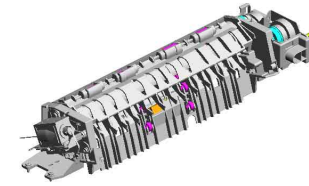
U013\_S001  
D0C84400  
PAPER EXIT UNIT:ASSY



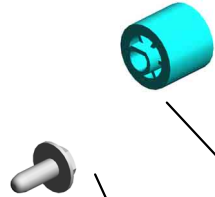
U001	U002	U003	U004	U005	U006	U007	U008	U009	U010	U011	U012	U013	U014	U015	U016	U017	U018	U019	U020
------	------	------	------	------	------	------	------	------	------	------	------	------	------	------	------	------	------	------	------

# U013 PAPER EXIT

35.D2964462 47.D2964476 8.54472681  
 GEAR:DRIVE:Z22:P SHAFT:COUPLING: (x2)  
 APER EXIT UNIT EXIT SNAP RING



3.04543008Q  
 (x3)  
 TAPPING SCREW:  
 3X8



11.AB030854  
 TIMING PULLEY:EX  
 IT ROLLER

31.D1966398  
 SHEET:DENSITY S  
 ENSOR:SIDE

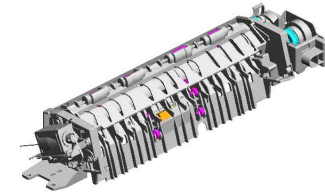


9.AA082173  
 (x2)  
 PLAIN SHAFT BEA  
 RING:6X10X6

U001	U002	U003	U004	U005	U006	U007	U008	U009	U010	U011	U012	<b>U013</b>	U014	U015	U016	U017	U018	U019	U020
------	------	------	------	------	------	------	------	------	------	------	------	-------------	------	------	------	------	------	------	------

U013\_S001  
PAPER EXIT UNIT:ASS'Y

- 17.D0CB4489 DC SOLENOID:PRESS FIT:(SOL1)
- 24.D1174483 LEVER:GATE PAWL:EXIT
- 5.08050104 (x4) RETAINING RINGS -E:SILENCER:DIA4
- 6.11050511 (x3) HARNESS CLAMP - LWS-0306ZC
- 19.D1174452 GATE PAWL:REVERSE



12.D0C84400  
PAPER EXIT UNIT:  
ASS'Y

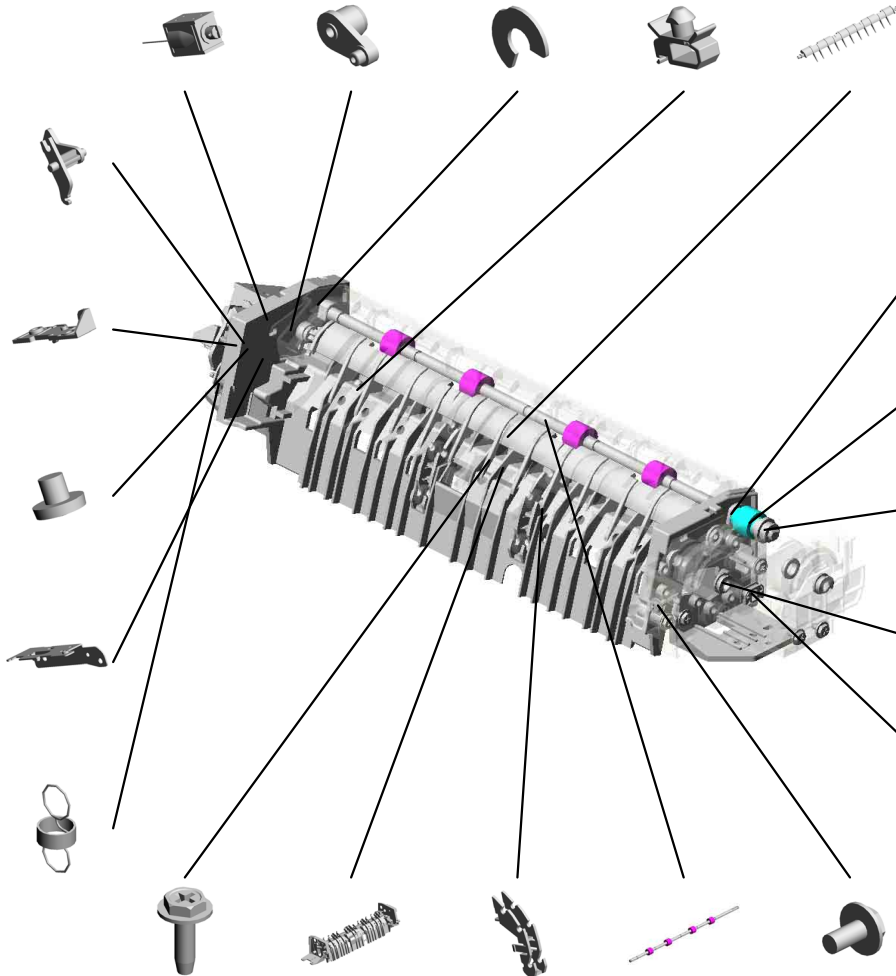
25.D1174484  
LINK:GATE PAWL:  
EXIT

14.D0C84486  
HOLDER:LINK:EXIT

1.03530030N  
(x2)  
SCREW:M3X3

13.D0C84485  
BRACKET:DC SOL  
ENOID:GATE PAW  
L

15.D0C84487  
TENSION SPRING:  
CHANGE:EXIT



- 4.04583010N (x5) HEXAGON HEAD TAPPING SCREW:3X10
- 18.D1174451 GUIDE PLATE:EXIT:LOWER
- 22.D1174457 (x2) BRACKET:ROLLER:EXIT
- 20.D1174454 EXIT ROLLER
- 2.03603006N (x6) SCREW - M3X6

10.AA082174  
(x2)  
PLAIN SHAFT BEA  
RING:6X10X9

6.11050511  
(x2)  
HARNESS CLAMP -  
LWS-0306ZC

7.11050692  
CLAMP:LES-0503

21.D1174455  
GEAR:EXIT

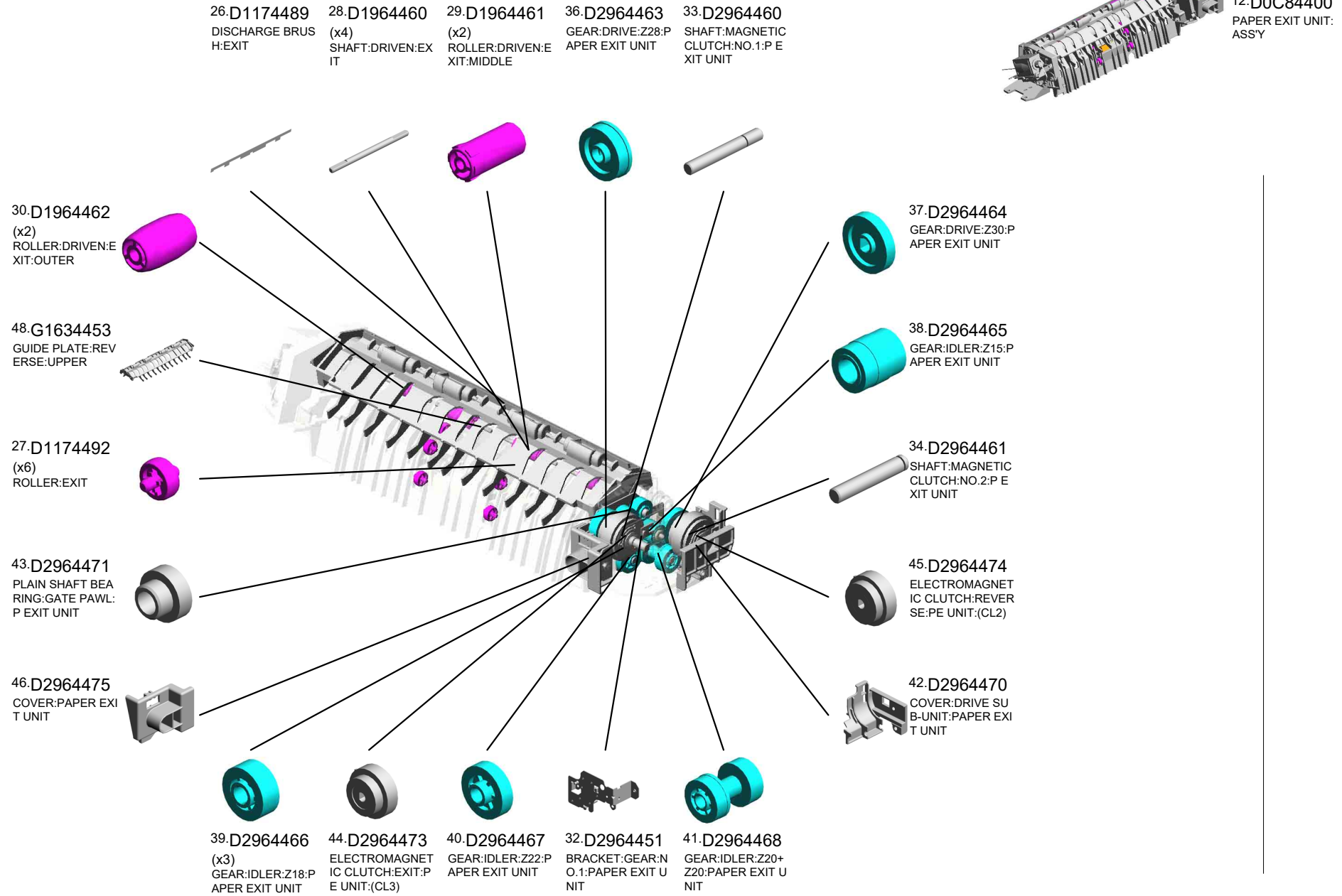
23.D1174465  
COLLAR:GEAR:EXI  
T

16.D0CB4463  
(x4)  
PLAIN SHAFT BEA  
RING:EXIT

7.11050692  
CLAMP:LES-0503

U001	U002	U003	U004	U005	U006	U007	U008	U009	U010	U011	U012	U013	U014	U015	U016	U017	U018	U019	U020
------	------	------	------	------	------	------	------	------	------	------	------	------	------	------	------	------	------	------	------

U013\_S001  
PAPER EXIT UNIT:ASS'Y



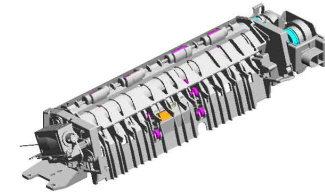
U001	U002	U003	U004	U005	U006	U007	U008	U009	U010	U011	U012	U013	U014	U015	U016	U017	U018	U019	U020
------	------	------	------	------	------	------	------	------	------	------	------	------	------	------	------	------	------	------	------

U013\_S001  
 PAPER EXIT UNIT:ASS'Y

52.G1634467 (x2) ROLLER:DRIVEN:DU  
 PLEX

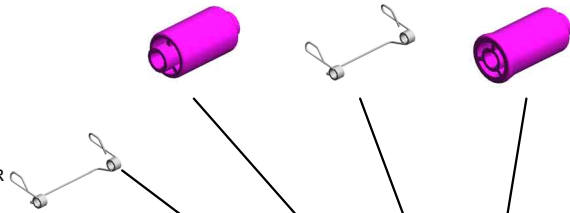
53.G1634468 (x2) SPRING:PRESSUR  
 E:EXIT:INNER

51.G1634465 (x2) ROLLER:DRIVEN:DU  
 PLEX:INNER



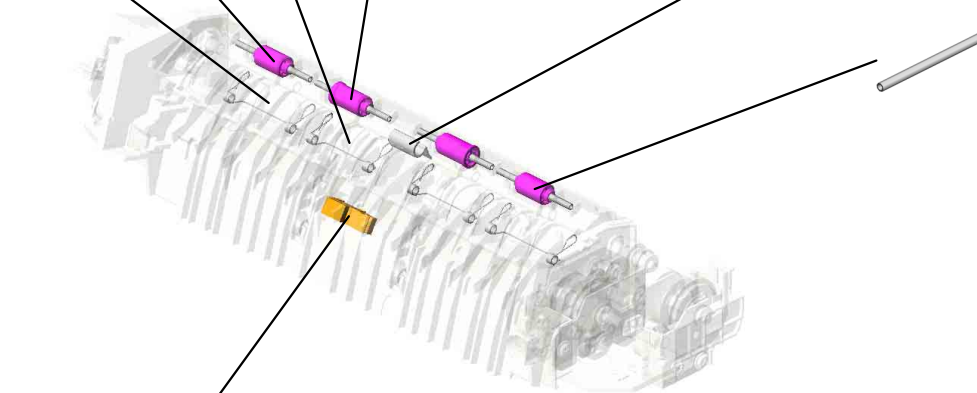
12.D0C84400  
 PAPER EXIT UNIT:  
 ASS'Y

50.G1634461  
 (x2)  
 SPRING:PRESSUR  
 E:EXIT:OUTER



49.G1634459  
 STOPPER:EXIT:EXI  
 T

54.G1634469  
 (x4)  
 SPRING:PRESSUR  
 E:DUPLICATE



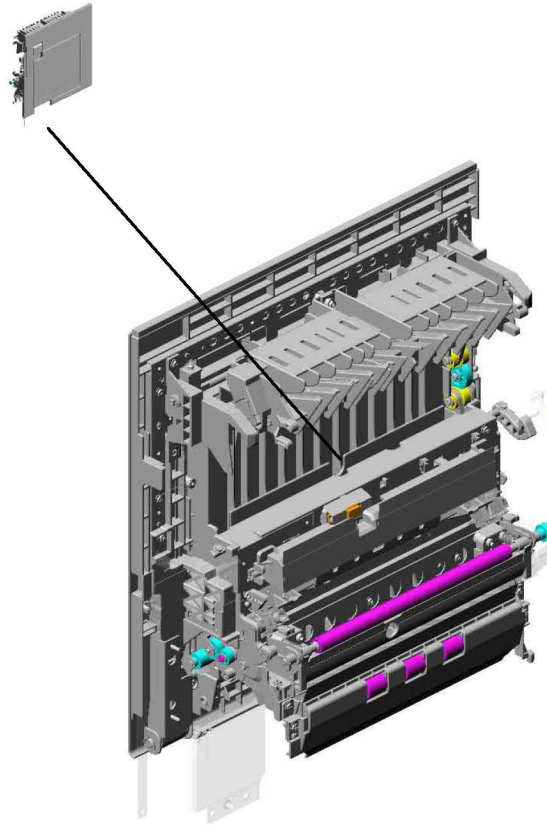
55.GW010007  
 PHOTO REFLECTI  
 ON SENSOR:EXIT:(  
 S7/S31/S32)



U001	U002	U003	U004	U005	U006	U007	U008	U009	U010	U011	U012	U013	U014	U015	U016	U017	U018	U019	U020
------	------	------	------	------	------	------	------	------	------	------	------	------	------	------	------	------	------	------	------

# U014.DUPLEX

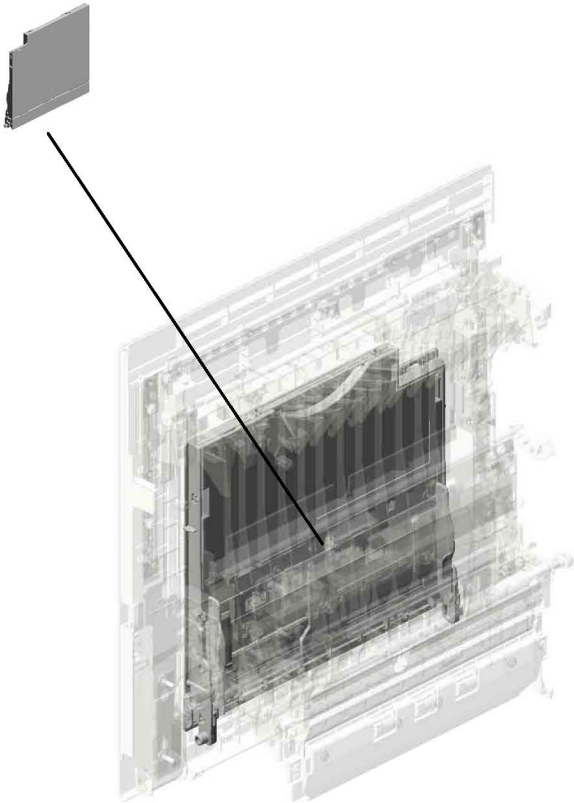
U014\_S001  
D0C84505  
DUPLEX UNIT:ASSY



U001	U002	U003	U004	U005	U006	U007	U008	U009	U010	U011	U012	U013	U014	U015	U016	U017	U018	U019	U020
------	------	------	------	------	------	------	------	------	------	------	------	------	------	------	------	------	------	------	------

# U014\_S001.DUPLEX UNIT:ASS'Y

U014\_S001\_S001  
D0CB2762  
MANUAL FEED TABLE:ASS'Y

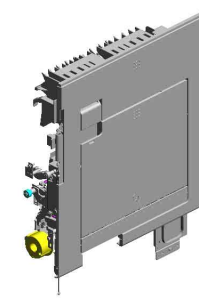


U001	U002	U003	U004	U005	U006	U007	U008	U009	U010	U011	U012	U013	U014	U015	U016	U017	U018	U019	U020
------	------	------	------	------	------	------	------	------	------	------	------	------	------	------	------	------	------	------	------



# U014 DUPLEX

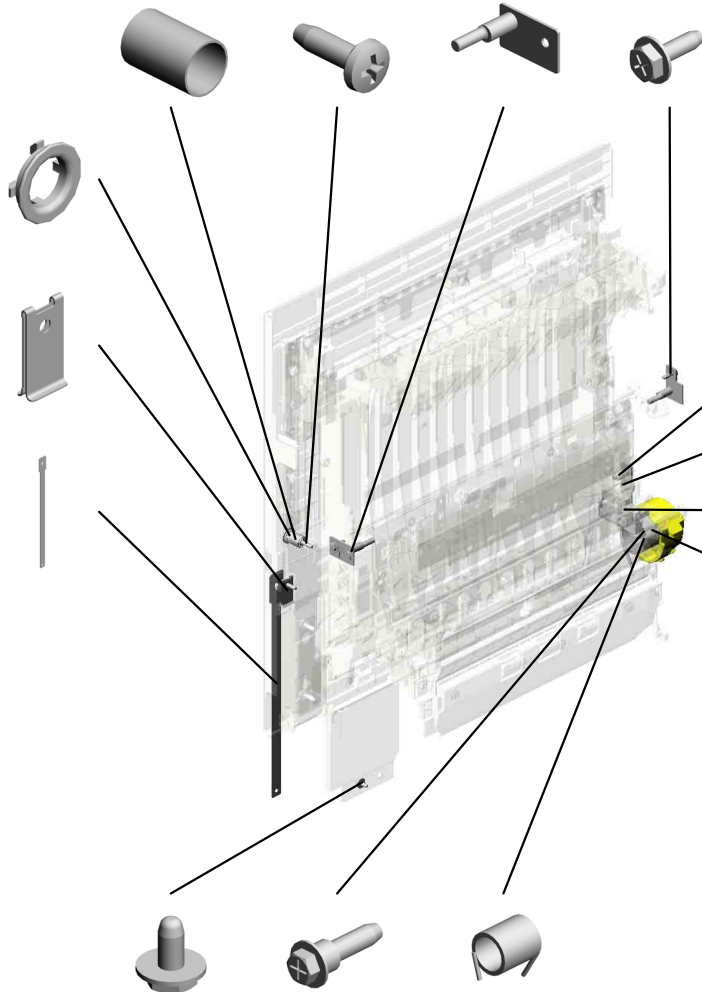
115.D1964600 COMPRESSION SPRING:9N  
 10.04593010N BINDING HEAD TAPPING SCREW:3X10  
 65.D1174501 (x2) PIN:HOOK:FRAME:DUPLEX:ASSY  
 2.04503010N (x4) TAPPING SCREW - M3X10



116.D1964601 CAP:COIL SPRING

69.D1174607 PLATE:BAND:STOPPER

68.D1174602 BAND:STOPPER:COVER:RIGHT



2.04503010N(x 4)  
TAPPING SCREW - M3X10

106.D1174733 COLLAR:STOPPER:SIDE PLATE

107.D1174734 BRACKET:STOPPER:SIDE PLATE:ASSY

103.D1174727 COVER:CONNECTOR:DUPLEX SECTION:CONNECTING

104.D1174731 PULLEY:WIRE:DAMPER

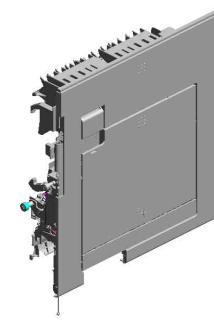
6.04543006Q TAPPING SCREW - M3X6

96.D1174713 SHAFT:PULLEY:WIRE

105.D1174732 TORSION SPRING:DOOR:RIGHT:STOPPER

U001	U002	U003	U004	U005	U006	U007	U008	U009	U010	U011	U012	U013	<b>U014</b>	U015	U016	U017	U018	U019	U020
------	------	------	------	------	------	------	------	------	------	------	------	------	-------------	------	------	------	------	------	------

U014\_S001  
 DUPLEX UNIT:ASS'Y



27.D0C84505  
 DUPLEX UNIT:ASS'  
 Y

- 22.AW010124 PHOTO REFLECTI  
ON SENSOR:GP2A  
200LCS0F:(S8)
- 1.03603006N (x4)  
SCREW - M3X6
- 12.07200040E (x8)  
RETAINING RING -  
M4
- 3.04513006N (x11)  
TAPPING SCREW -  
3X6
- 9.04583012N (x2)  
HEXAGON HEAD T  
APPING SCREW:3  
X12

14.08050104  
 (x4)  
 RETAINING RINGS  
 -E:SILENCER:DIA4

17.AA063483  
 (x2)  
 COMPRESSION SP  
 RING:TRANSPORT  
 SUB-UNIT

18.AA063729  
 (x2)  
 COMPRESSION SP  
 RING:TRANSFER R  
 OLLER:SECOND

19.AA066417  
 TORSION SPRING:  
 TRANSFER UNIT

8.04583010N  
 (x27)  
 HEXAGON HEAD T  
 APPING SCREW:3  
 X10

4.04513008N  
 (x2)  
 TAPPING SCREW -  
 M3X8

5.04523010N  
 BINDING SELF-TA  
 PPING SCREW:3X  
 10

21.AF020791  
 REGISTRATION R  
 OLLER:DRIVE

23.AW010151  
 PHOTO REFLECTI  
 ON SENSOR:PS12  
 2TL1-A:(S2/S24)

13.07200060E  
 (x2)  
 RETAINING RING -  
 M6

15.11050758  
 (x4)  
 CLAMP:LWSM-030  
 6A

11.07200030E  
 (x2)  
 RETAINING RING -  
 M3

16.AA043325  
 TIMING BELT - B40  
 S2M250

20.AB011539  
 GEAR:REGISTRATI  
 ON ROLLER:DRIVE

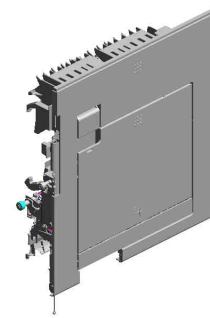
7.04583008N  
 (x10)  
 HEXAGON HEAD T  
 APPING SCREW:3  
 X8

8.04583010N (x 6)  
 HEXAGON HEAD TAPPING SCREW:3X  
 10

U001	U002	U003	U004	U005	U006	U007	U008	U009	U010	U011	U012	U013	U014	U015	U016	U017	U018	U019	U020
------	------	------	------	------	------	------	------	------	------	------	------	------	------	------	------	------	------	------	------

U014\_S001  
 DUPLEX UNIT:ASS'Y

- 24.AW020234 PHOTOINTERRUPTOR:GP1A173LCS5F:(S1/S4/S5/S6/S19/S20/S22/S23/S25/S30/S33/S35/S36)
- 28.D0C84600 COVER:RIGHT:DUPLEX:B
- 46.D0CB4686 KNOB:COVER:RIGHT:DUPLEX:IG
- 25.B7002649 TIMING BELT:40S2M144
- 42.D0CB4608 HOOK:FRAME:DUPLEX:FRONT



27.D0C84505  
 DUPLEX UNIT:ASS'Y

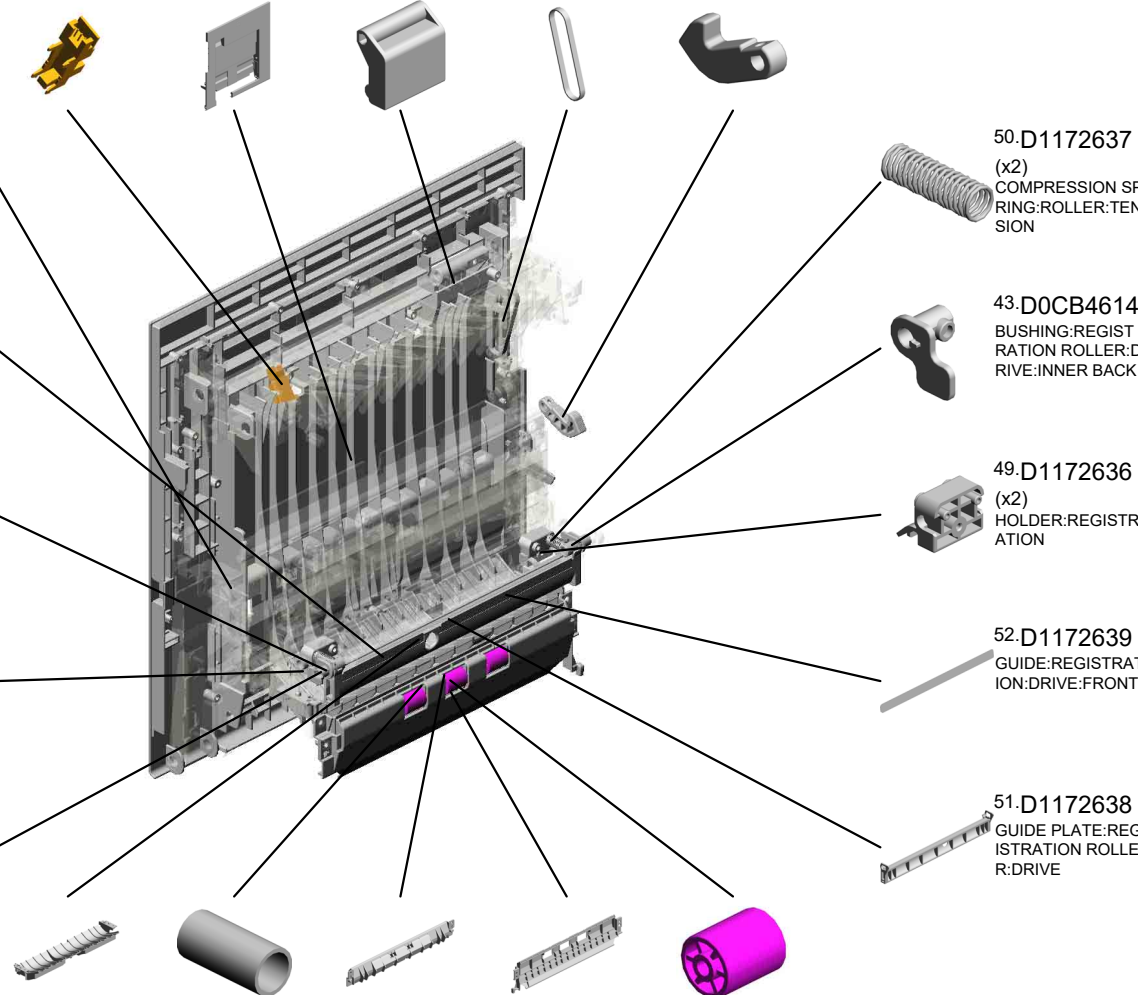
54.D1172761  
 (x2)  
 LINK:MANUAL FEE  
 D TABLE

53.D1172640  
 GUIDE:REGISTRATION:DRIVE:INNER  
 BACK

44.D0CB4621  
 BUSHING:REGISTRATION ROLLER:DRIVE:FRONT

45.D0CB4634  
 TORSION SPRING:  
 REGISTRATION:4N

48.D1172631  
 (x2)  
 COLLAR:REGISTRATION



50.D1172637  
 (x2)  
 COMPRESSION SPRING:ROLLER:TENSION

43.D0CB4614  
 BUSHING:REGISTRATION ROLLER:DRIVE:INNER BACK

49.D1172636  
 (x2)  
 HOLDER:REGISTRATION

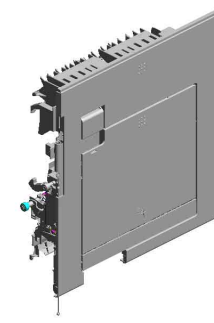
52.D1172639  
 GUIDE:REGISTRATION:DRIVE:FRONT

51.D1172638  
 GUIDE PLATE:REGISTRATION ROLLER:DRIVE

- 47.D0CB4691 GUIDE PLATE:REVERSE:EXIT:LOWER
- 31.D0CB2715 (x4) COMPRESSION SPRING:ROLLER:DRIVE:CONNECTING
- 32.D0CB2727 GUIDE PLATE:CONNECTING
- 29.D0CB2709 GUIDE PLATE:DRIVE:CONNECTING
- 30.D0CB2714 (x3) ROLLER:CONNECTING:DIA16

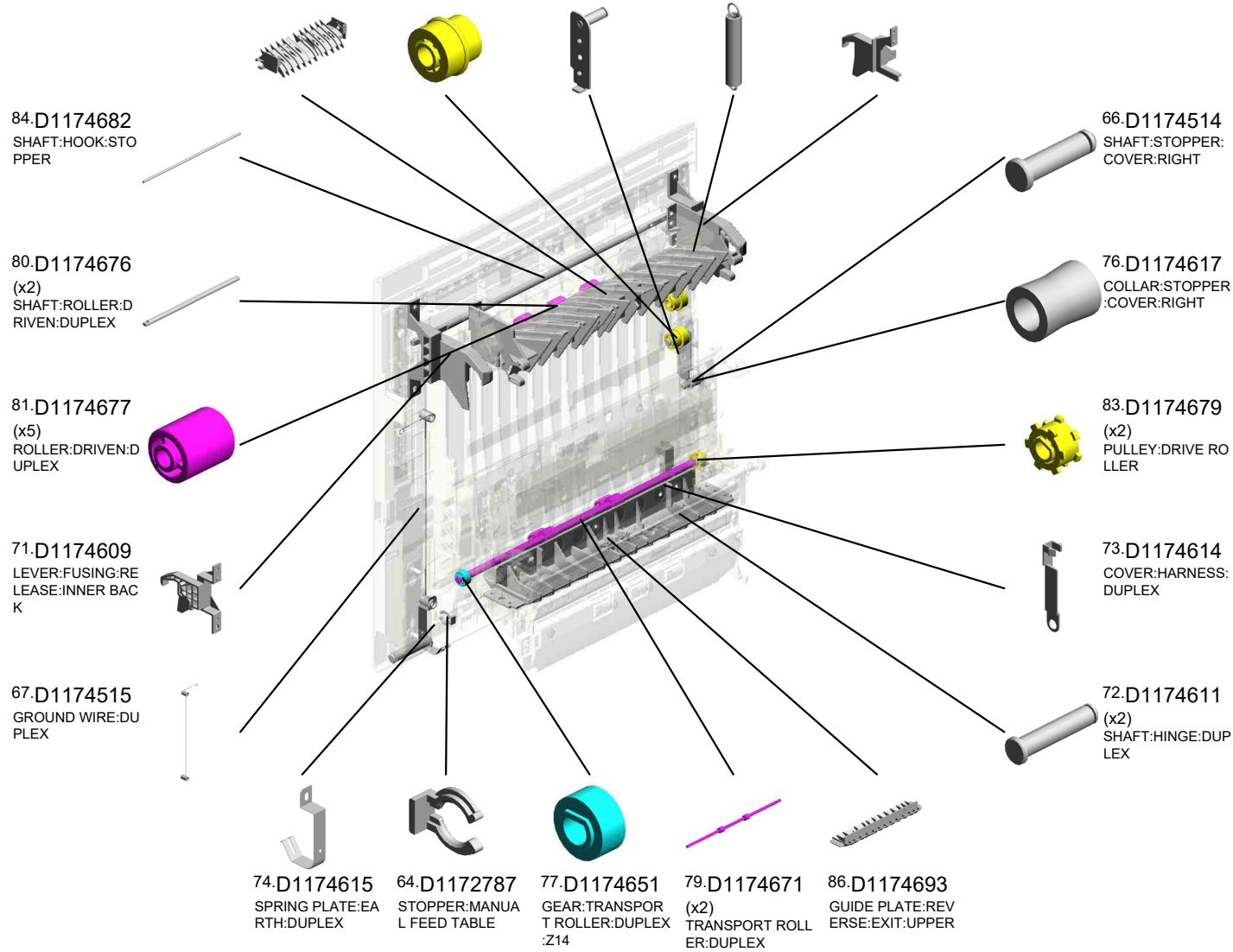
U001	U002	U003	U004	U005	U006	U007	U008	U009	U010	U011	U012	U014	U015	U016	U017	U018	U019	U020
------	------	------	------	------	------	------	------	------	------	------	------	------	------	------	------	------	------	------

U014\_S001  
 DUPLEX UNIT:ASS'Y



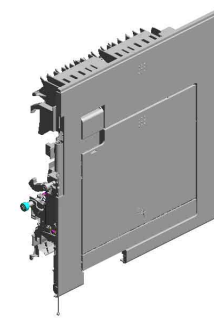
27.D0C84505  
 DUPLEX UNIT:ASS'  
 Y

85.D1174690 GUIDE PLATE:REV ERSE:ENTRANCE: LOWER  
 82.D1174678 (x2) PULLEY:IDLER  
 78.D1174664 SHAFT:PULLEY:CO UPLING:FRAME:AS S'Y  
 75.D1174616 TENSION SPRING: STOPPER:DOOR:R IGH:FRONT  
 70.D1174608 LEVER:FUSING:RE LEASE:FRONT



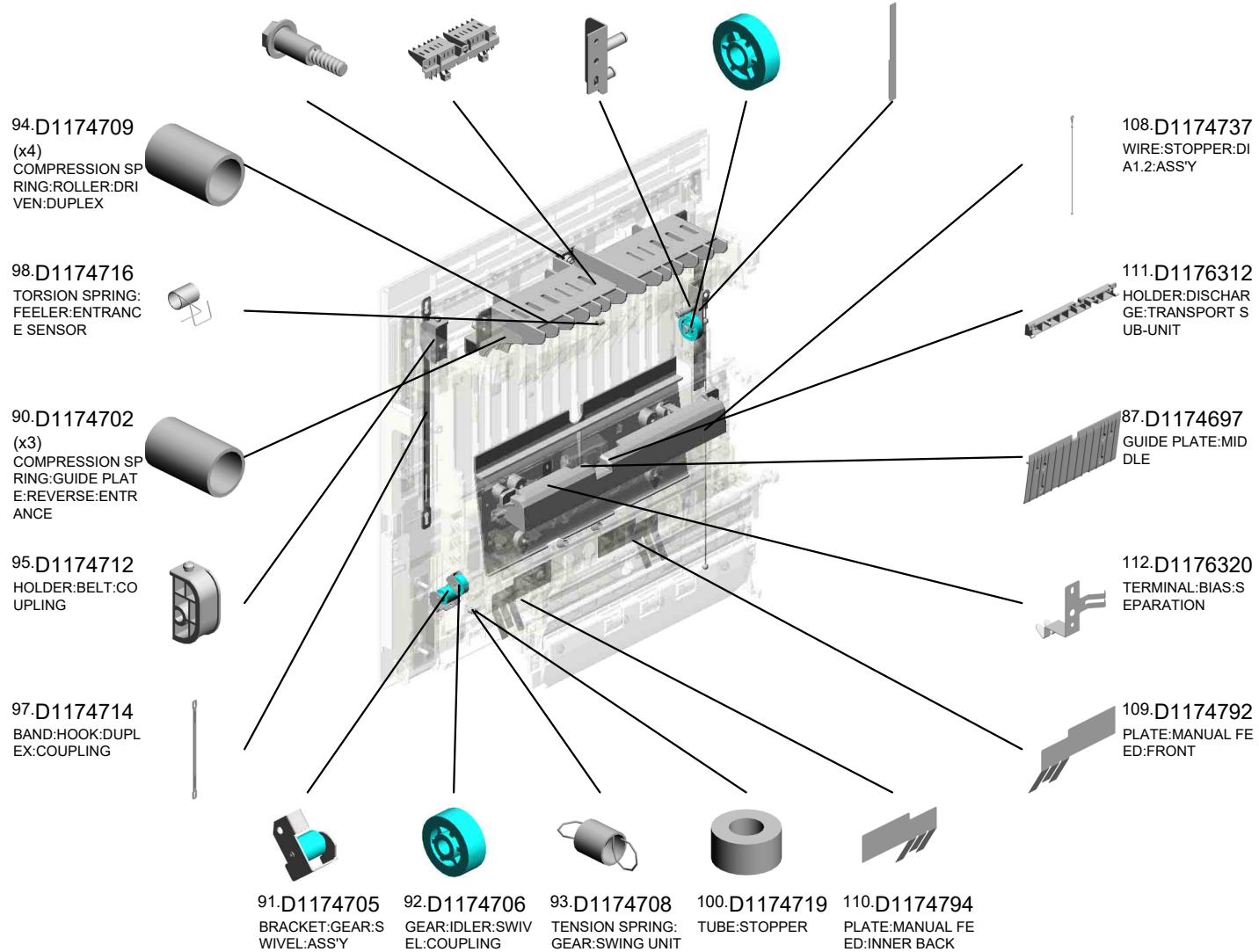
U001	U002	U003	U004	U005	U006	U007	U008	U009	U010	U011	U012	U013	<b>U014</b>	U015	U016	U017	U018	U019	U020
------	------	------	------	------	------	------	------	------	------	------	------	------	-------------	------	------	------	------	------	------

U014\_S001  
 DUPLEX UNIT:ASS'Y



27.D0C84505  
 DUPLEX UNIT:ASS'  
 Y

- 89.D1174699 (x3) SHAFT:GUIDE PLATE:REVERSE:ENTRANCE:UPPER
- 88.D1174698 GUIDE PLATE:REVERSE:ENTRANCE:UPPER
- 101.D1174720 SHAFT:PULLEY:IDLER:COUPLING:ASS'Y
- 102.D1174724 GEAR:IDLER:TIMING PULLEY:DUPL
- 99.D1174718 SHEET:COVER:RIGHT FRONT

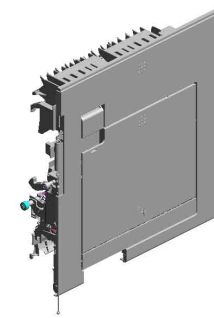


U001	U002	U003	U004	U005	U006	U007	U008	U009	U010	U011	U012	U013	U014	U015	U016	U017	U018	U019	U020
------	------	------	------	------	------	------	------	------	------	------	------	------	------	------	------	------	------	------	------

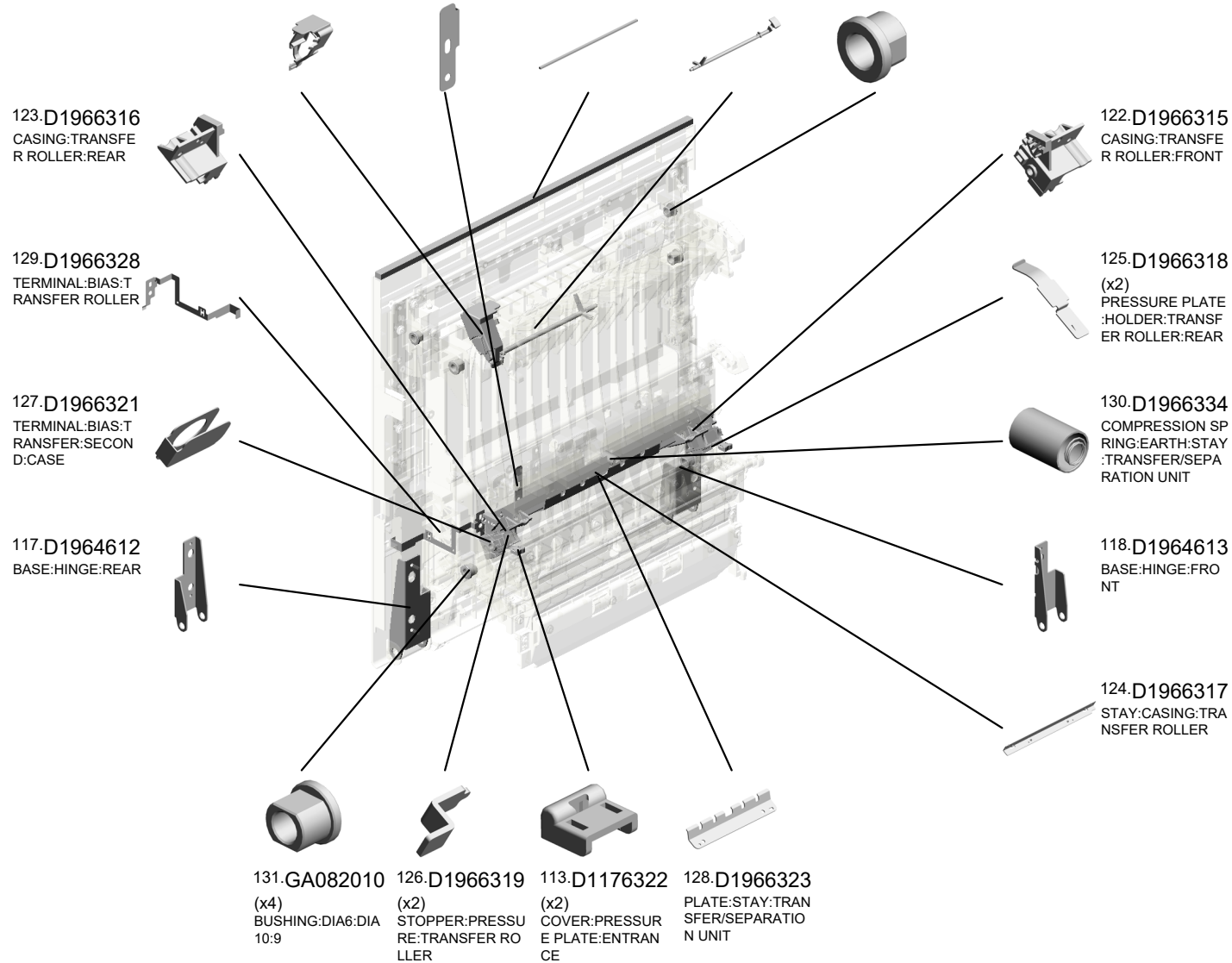


U014\_S001  
 DUPLEX UNIT:ASS'Y

- 120.D1964717 COVER:ENTRANCE SENSOR
- 114.D1176327 LEVER:GROUND PLATE
- 121.D1964723 SPONGE:DOOR:RIGHT:UPPER
- 119.D1964700 FEELER:ENTRANCE SENSOR:REVERSE:DUPLEX
- 132.GA082015 (x2) PLAIN SHAFT BEARING:RING:DIA6:DIA9:7

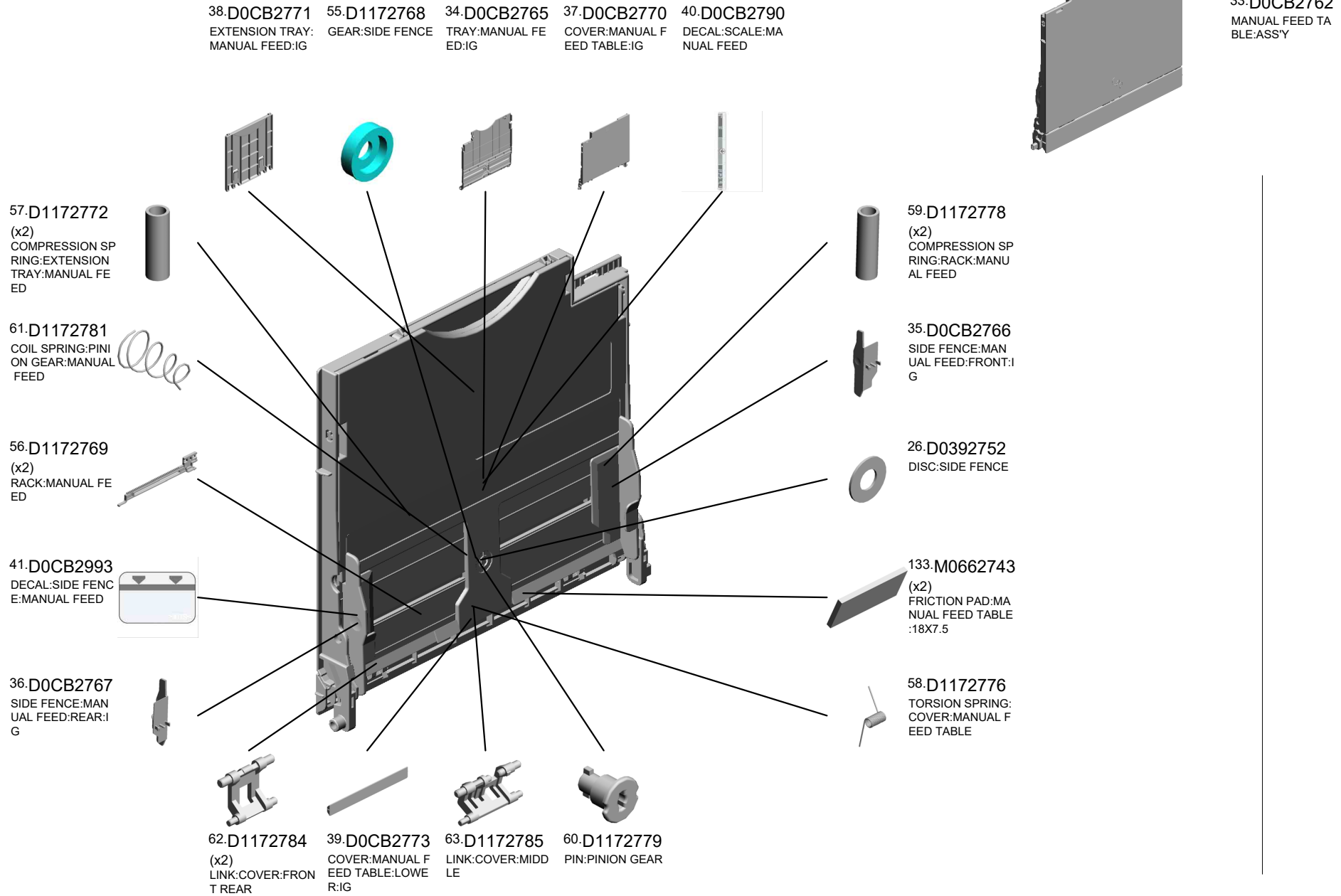


27.D0C84505  
 DUPLEX UNIT:ASS'Y



U001	U002	U003	U004	U005	U006	U007	U008	U009	U010	U011	U012	U013	U014	U015	U016	U017	U018	U019	U020
------	------	------	------	------	------	------	------	------	------	------	------	------	------	------	------	------	------	------	------

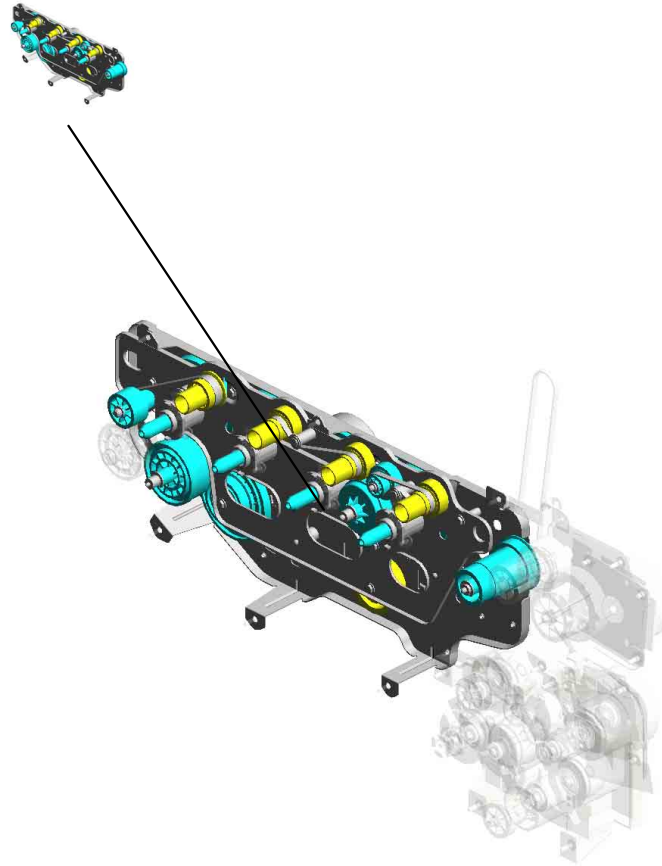
U014\_S001\_S001  
MANUAL FEED TABLE:ASS'Y



U001	U002	U003	U004	U005	U006	U007	U008	U009	U010	U011	U012	U013	U014	U015	U016	U017	U018	U019	U020
------	------	------	------	------	------	------	------	------	------	------	------	------	------	------	------	------	------	------	------

# U015.MAIN DRIVE

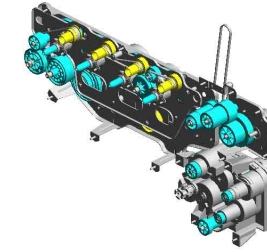
U015 S001  
D0CB1152  
DRIVE UNIT:DRUM:DEVELO  
PMENT:TRANSFER:ASSY



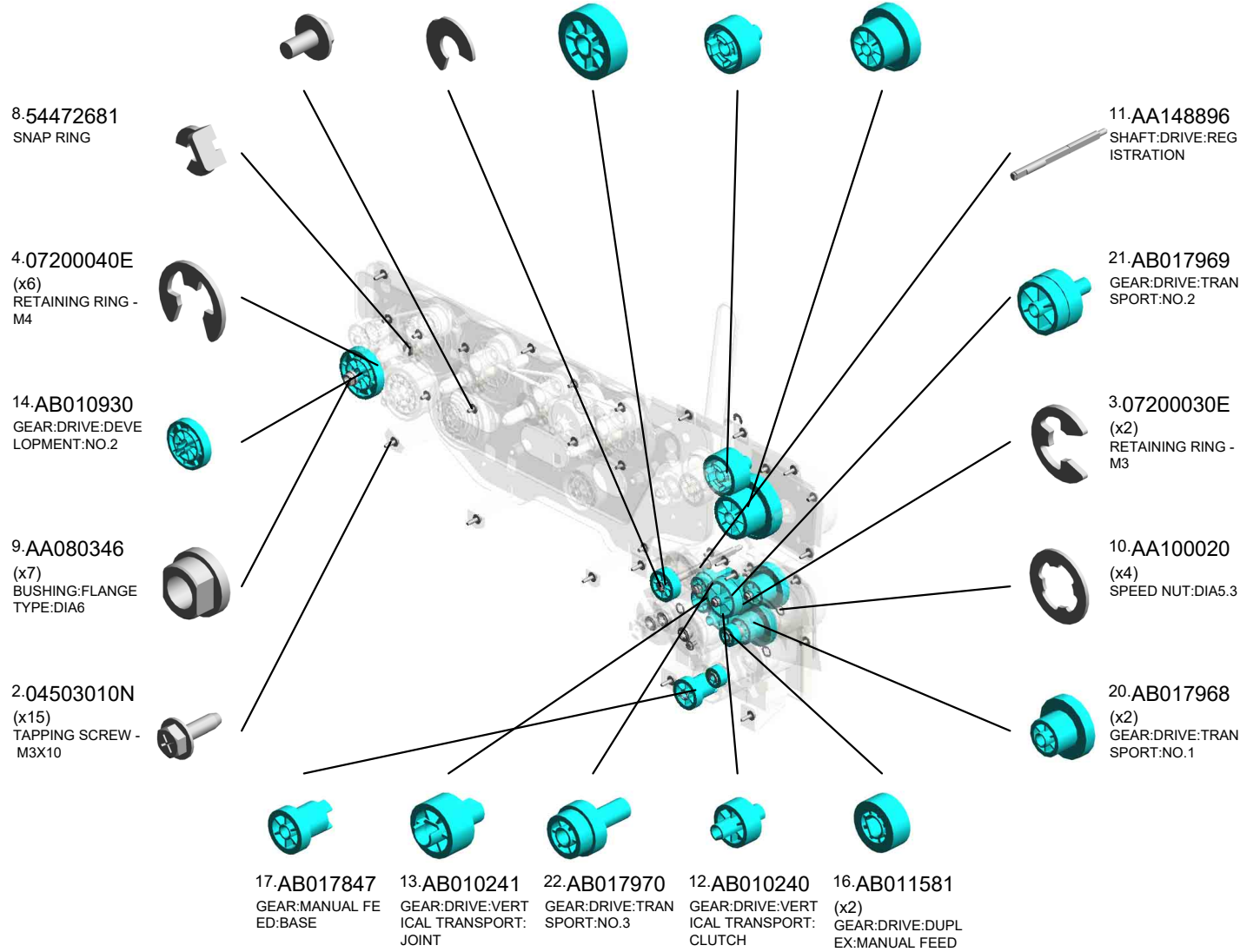
U001	U002	U003	U004	U005	U006	U007	U008	U009	U010	U011	U012	U013	U014	U015	U016	U017	U018	U019	U020
------	------	------	------	------	------	------	------	------	------	------	------	------	------	------	------	------	------	------	------



# U015 MAIN DRIVE

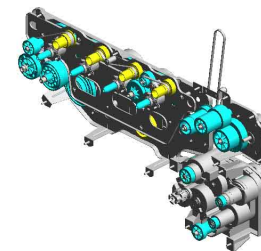


- 1.03603006N (x25) SCREW - M3X6
- 6.08050104 (x4) RETAINING RINGS -E:SILENCER:DIA4
- 15.AB011580 GEAR:DRIVE:REGISTRATION
- 19.AB017940 GEAR:DRIVE UNIT: FUSING:NO.2
- 18.AB017934 GEAR:DRIVE UNIT: FUSING:NO.1



U001	U002	U003	U004	U005	U006	U007	U008	U009	U010	U011	U012	U013	U014	U015	U016	U017	U018	U019	U020
------	------	------	------	------	------	------	------	------	------	------	------	------	------	------	------	------	------	------	------

# U015 MAIN DRIVE



- 29.AX060541 DC BRUSHLESS MOTOR:DRUM:BK:30.4W:43CPM:(M11)
- 30.AX060543 DC BRUSHLESS MOTOR:DEVELOPMENT:COLOR:35.5W:40CPM:(M9)
- 26.AB017974 GEAR:DRIVE UNIT:FUSING:NO.3:SW-01
- 37.B7027105 TIMING BELT:B40S2M520:
- 27.AB033120 TIGHTENER:SYNCHRONOUS BELT:PAPER EXIT UNIT

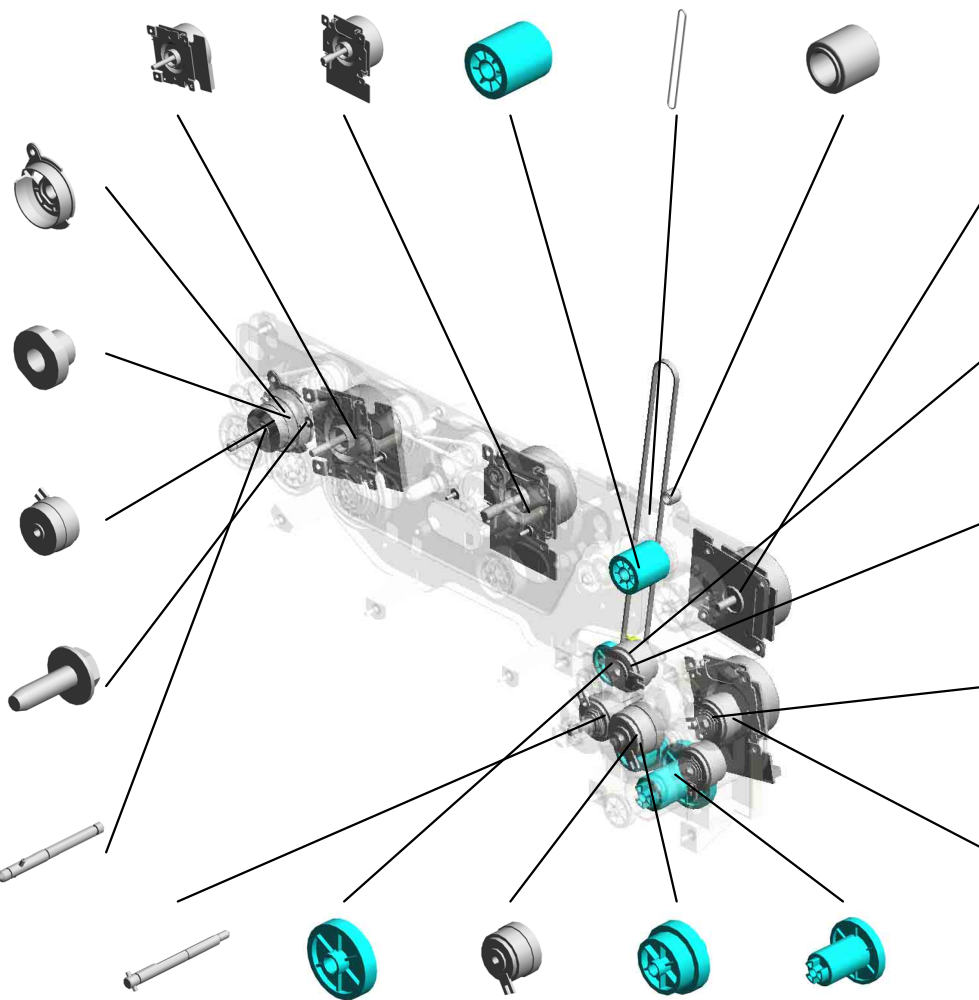
41.D0CB1182  
COVER:ELECTROMAGNETIC CLUTCH:DEVELOPMENT:(CL5)

42.D0CB1183  
PLAIN SHAFT BEARING:RING:ELECTROMAGNETIC CLUTCH:DEVELOPMENT

36.AX200369  
ELECTROMAGNETIC CLUTCH:DEVELOPMENT:(CL5)

38.D0CB1059  
(x4)  
HEXAGON HEAD BOLT WITH WASHER:TYPE 2:3X10

40.D0CB1180  
SHAFT:DRIVE:DEVELOPMENT:ELECTROMAGNETIC CLUTCH:PRESS FIT



31.AX060544  
DC BRUSHLESS MOTOR:DRIVE SUB-UNIT:FUSING:31.9W:43CPM:(M13)

28.AB033123  
PULLEY:DRIVE:EXIT

34.AX200343  
ELECTROMAGNETIC CLUTCH:REGISTRATION:(CL8)

33.AX200342  
(x3)  
ELECTROMAGNETIC CLUTCH:DRIVE:PAPER FEED:(CL6/CL7/CL9)

32.AX060545  
DC BRUSHLESS MOTOR:DRIVE SUB-UNIT:TRANSPORT:24.0W:43CPM:(M12)

43.D0CB1219  
SHAFT:DRIVE:PAPER FEED:ASSY

25.AB017973  
GEAR:DRIVE:EXIT

35.AX200344  
ELECTROMAGNETIC CLUTCH:CONNECTING:(CL1/CL10)

24.AB017972  
GEAR:DRIVE:TRANSPORT:NO.5

23.AB017971  
GEAR:DRIVE:TRANSPORT:NO.4

# U015 MAIN DRIVE

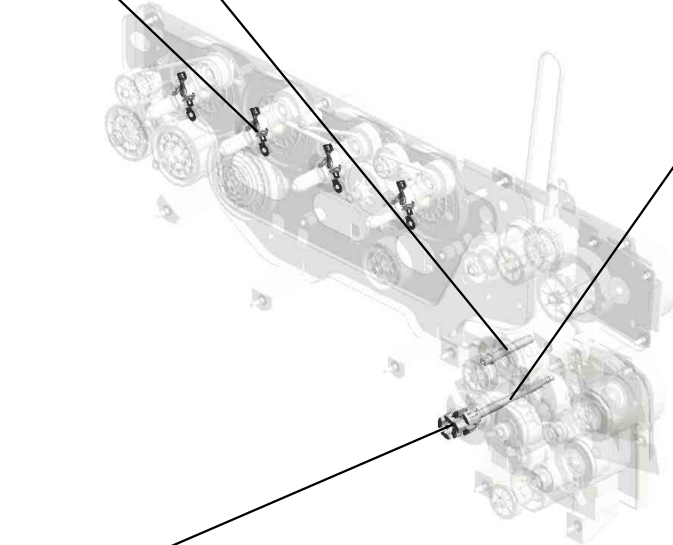
46.D1171207  
SHAFT:TIMING PULLEY:PAPER EXIT UNIT



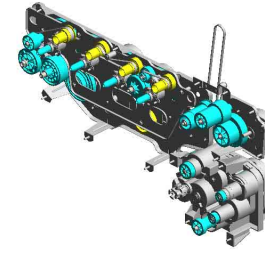
45.D1171192  
(x4)  
TERMINAL:DEVELOPMENT BIAS:ASSY



44.D0CB1221  
SHAFT:DRIVE:VERTICAL TRANSPORT:ASSY



47.D2021143  
(x2)  
JOINT:DRIVE

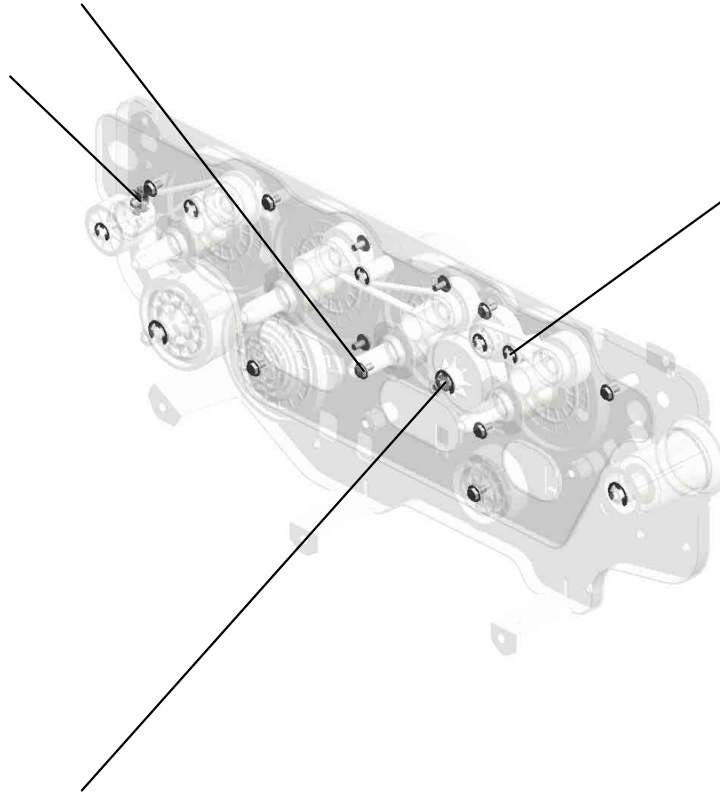


U001	U002	U003	U004	U005	U006	U007	U008	U009	U010	U011	U012	U013	U014	U015	U016	U017	U018	U019	U020
------	------	------	------	------	------	------	------	------	------	------	------	------	------	------	------	------	------	------	------

U015\_S001  
DRIVE UNIT:DRUM:DEVELOPMENT:TRANSFER:ASS'Y

1.03603006N  
(x12)  
SCREW - M3X6

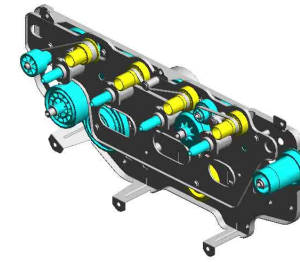
7.11050511  
HARNESS CLAMP -  
LWS-0306ZC



4.07200040E  
(x5)  
RETAINING RING -  
M4



5.07200060E  
(x3)  
RETAINING RING -  
M6

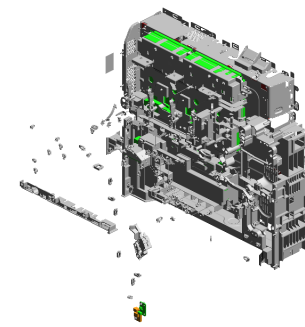


39.D0CB1152  
DRIVE UNIT:DRUM  
:DEVELOPMENT:T  
RANSFER:ASS'Y

U001	U002	U003	U004	U005	U006	U007	U008	U009	U010	U011	U012	U013	U014	U015	U016	U017	U018	U019	U020
------	------	------	------	------	------	------	------	------	------	------	------	------	------	------	------	------	------	------	------

# U016 ELECTRICAL

- 19.16072758 FERRITE CORE
- 8.11050508 (x8) HARNESS CLAMP - LWS-0711
- 16.12042612 (x2) MICRO SWITCH:D3 V-16506-3C25
- 10.11050516 (x16) CLAMP
- 14.11050724 (x2) CLAMPS:WES-1210



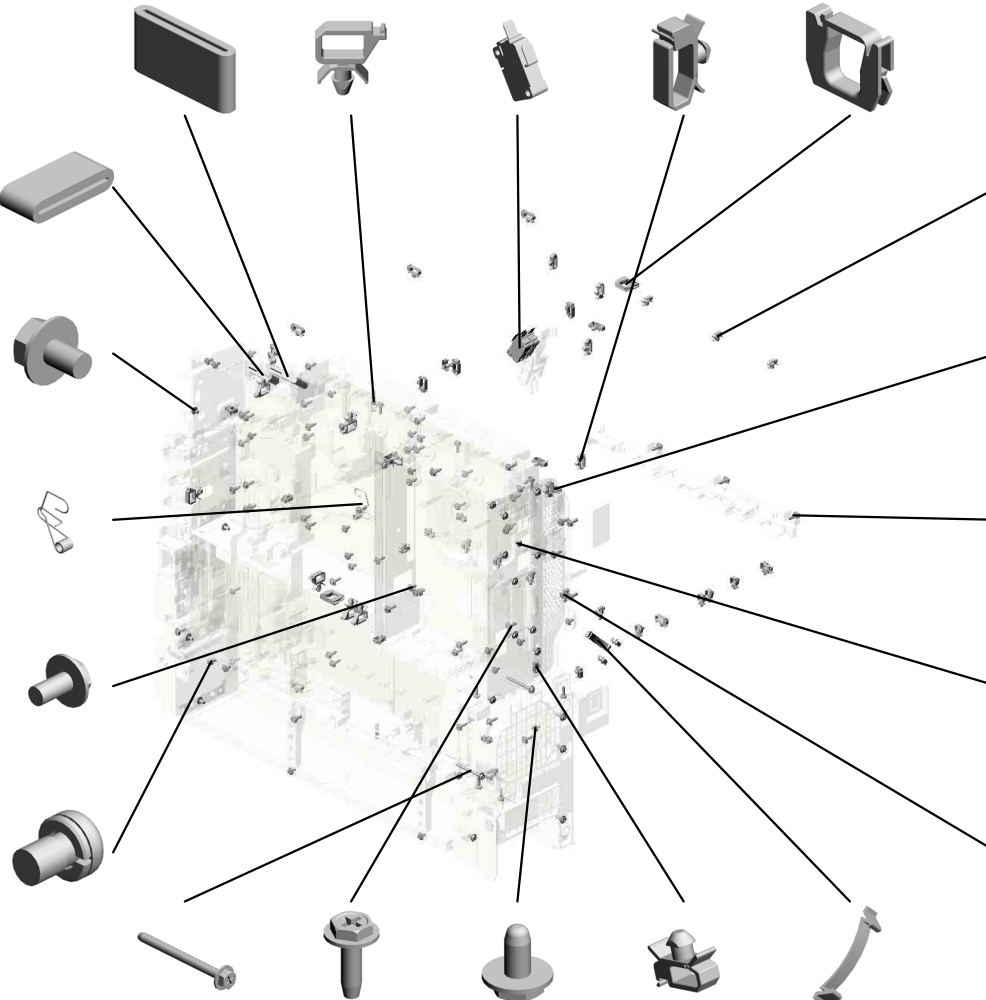
18.16072525  
FERRITE CORE:K3  
FF 35.00X14.60X7.70X1.40

7.08010231  
HEXAGONAL HEAD BOLT W/WASHER:M3X6

20.AA066696  
TORSION SPRING:  
TERMINAL:DRIVE  
ROLLER:INTERMEDIATE TRANSFER

2.03603006N  
(x37)  
SCREW - M3X6

21.AA143592  
SCREW- M4X6



4.04503035N  
(x2)  
TAPPING SCREW:  
3X35

6.04583010N  
(x15)  
HEXAGON HEAD TAPPING SCREW:3X10

5.04543006Q  
(x3)  
TAPPING SCREW - M3X6

9.11050511  
(x11)  
HARNESS CLAMP - LWS-0306ZC

12.11050545  
CLAMP:FCR-30

15.11050759  
(x7)  
CLAMP:LWSM-0605A

13.11050692  
CLAMP:LES-0503

3.04503010N  
(x46)  
TAPPING SCREW - M3X10

1.03530060N  
BIND SCREW - M3X6

11.11050534  
(x11)  
CLAMP



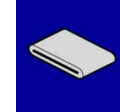
8.11050508  
HARNESS CLAMP - LWS-0711



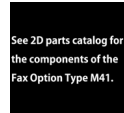
9.11050511  
(x6)  
HARNESS CLAMP - LWS-0306ZC



11.11050534  
CLAMP



17.16072298  
FERRITE CORE:K3  
FF 33.50X8.00X6.50X1.30



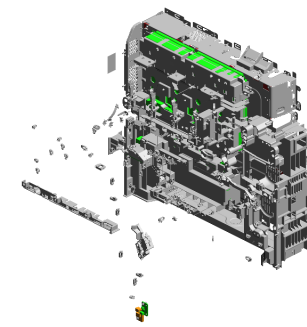
See 2D parts catalog for the components of the Fax Option Type M41.

### 79.Note

See 2D parts catalog for the components of the Fax Option Type M41.

- 2.03603006N(x 4) SCREW - M3X6
- 3.04503010N(x 1) TAPPING SCREW - M3X10

# U016 ELECTRICAL

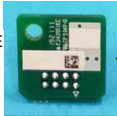


- 30.D0C85100 PCB:BICU:ASSY:(PCB1)
- 28.AZ320226 POWER PACK:CB:(PCB22)
- 35.D0CB1059 (x5) HEXAGON HEAD BOLT WITH WASHER:TYPE 2:3X10
- 22.AA143848 (x4) STEPPED SCREW - M3
- 23.AA161125 (x4) RUBBER CUSHION

25.AW500045  
PUSH SWITCH:(S W2/S26)



31.D0C95150  
PCB:SMB:SERVICE



40.D1175303  
THERMISTOR:(TH5)



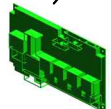
26.AZ240341  
(EU/AA):POWER SUPPLY UNIT:(PCB16/PCB17)



41.D1175867  
GUIDE:HARNESS:POWER SUPPLY UNIT



27.AZ320213  
POWER PACK:T1T2:(PCB23)



37.D0CB5864  
GUIDE:HARNESS:FC:OPTICAL WRITING UNIT



38.D0CB5868  
PLATE:WIRE-1



39.D0CB5869  
PLATE:WIRE-2



32.D0C95181  
(EU/AA/CHN):PCB:ACVB:200V:(PCB18)



36.D0CB5861  
COVER:HARNESS:PCU:FRONT



24.AW140026  
TEMPERATURE & HUMIDITY SENSOR:(S18)



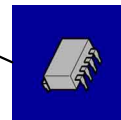
33.D0C95407  
PCB:CTL:ASSY:(PCB24)



29.D0895824  
COVER:SD-CARD:D086/D087



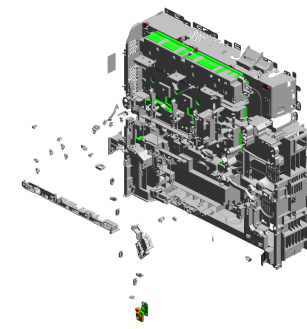
34.D0C99590  
NVRAM





# U016 ELECTRICAL

53.D1175881 WIRE:HIGH VOLTA  
GE:CHARGE:Y  
52.D1175880 WIRE:HIGH VOLTA  
GE:CHARGE:M  
58.D1175892 BRACKET:SWIVEL:  
SAFETY SWITCH  
61.D1175895 TORSION SPRING:  
SAFETY SWITCH  
60.D1175894 LEVER:FRONT:SA  
FETY SWITCH



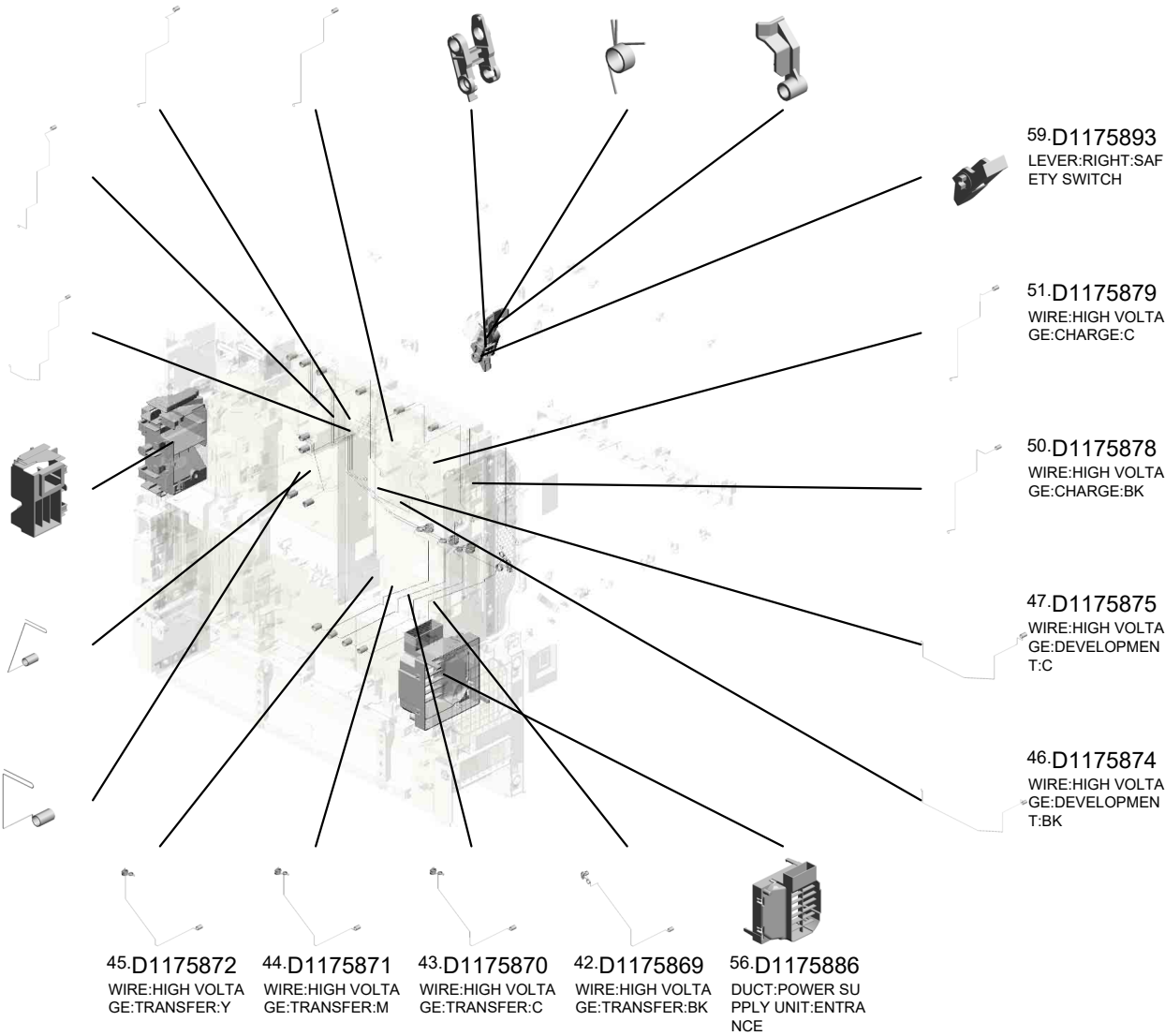
49.D1175877  
WIRE:HIGH VOLTA  
GE:DEVELOPMEN  
T:Y

48.D1175876  
WIRE:HIGH VOLTA  
GE:DEVELOPMEN  
T:M

57.D1175887  
DUCT:POWER SU  
PPLY UNIT:EXHAU  
ST

55.D1175883  
WIRE:HIGH VOLTA  
GE:DEVELOPMEN  
T:C:CONNECTING

54.D1175882  
WIRE:HIGH VOLTA  
GE:DEVELOPMEN  
T:BK:CONNECTIN  
G



59.D1175893  
LEVER:RIGHT:SAF  
ETY SWITCH

51.D1175879  
WIRE:HIGH VOLTA  
GE:CHARGE:C

50.D1175878  
WIRE:HIGH VOLTA  
GE:CHARGE:BK

47.D1175875  
WIRE:HIGH VOLTA  
GE:DEVELOPMEN  
T:C

46.D1175874  
WIRE:HIGH VOLTA  
GE:DEVELOPMEN  
T:BK

45.D1175872  
WIRE:HIGH VOLTA  
GE:TRANSFER:Y

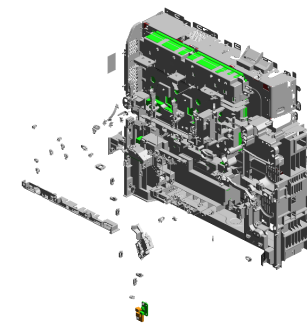
44.D1175871  
WIRE:HIGH VOLTA  
GE:TRANSFER:M

43.D1175870  
WIRE:HIGH VOLTA  
GE:TRANSFER:C

42.D1175869  
WIRE:HIGH VOLTA  
GE:TRANSFER:BK

56.D1175886  
DUCT:POWER SU  
PPLY UNIT:ENTRA  
NCE

# U016 ELECTRICAL



65.D1175904  
BRACKET:DRAWER:FUSING

68.D1175915  
(x4)  
GUIDE:WIRE:HIGH VOLTAGE:CHARGE

78.M4445201  
HDD:320GB:AQUARIUS

63.D1175901  
TORSION SPRING:LEVER:RIGHT:SAFETY SWITCH

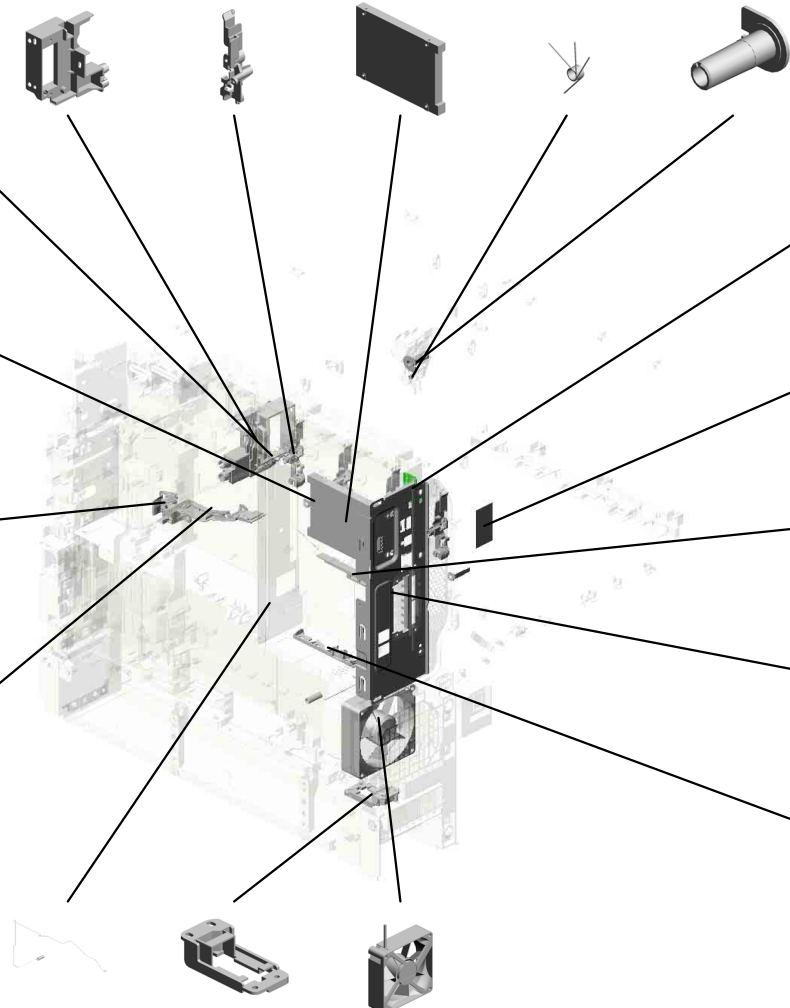
64.D1175902  
COLLAR:SHAFT:SAFETY SWITCH

69.D1175916  
(x2)  
STEPPED SCREW:M3X8:SECOND KIND

62.D1175899  
(x4)  
TERMINAL:CHARGE

74.D1965967  
TERMINAL:HIGH VOLTAGE:TRANSFER:SECOND

73.D1965961  
GUIDE:WIRE:HIGH VOLTAGE:TRANSFER:CONNECTING



76.D2975418  
PCB:DCSW:(SW1)

71.D1175945  
SPACER:FFC

66.D1175905  
GUIDE:WIRE:HIGH VOLTAGE:TRANSFER:SECOND

75.D2965853  
BRACKET:INTERFACE:JX2L

70.D1175924  
STOPPER:WIRE:HIGH VOLTAGE:TRANSFER

72.D1965873  
WIRE:HIGH VOLTAGE:TRANSFER:SECOND

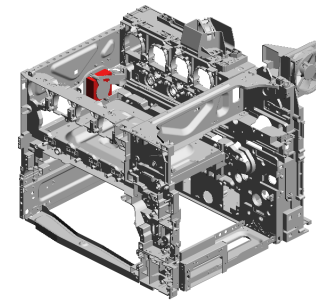
67.D1175908  
BRACKET:DRAWER:OPTION TRAY

77.GX645734  
FAN MOTOR:MM80 DC24V 3.12W:(FAN4)

U001	U002	U003	U004	U005	U006	U007	U008	U009	U010	U011	U012	U013	U014	U015	U016	U017	U018	U019	U020
------	------	------	------	------	------	------	------	------	------	------	------	------	------	------	------	------	------	------	------



# U017 MAIN FRAME



- 17.D1171058 (x4) CASE:COIL SPRING:PCU:REAR
- 14.AX640245 DC FAN MOTOR:DC C24V:MM60:25MM:(FAN2)
- 7.04543008Q (x35) TAPPING SCREW: 3X8
- 3.04503035N (x2) TAPPING SCREW: 3X35
- 15.AX640249 DC FAN MOTOR:AXIAL:MM92:(FAN1)

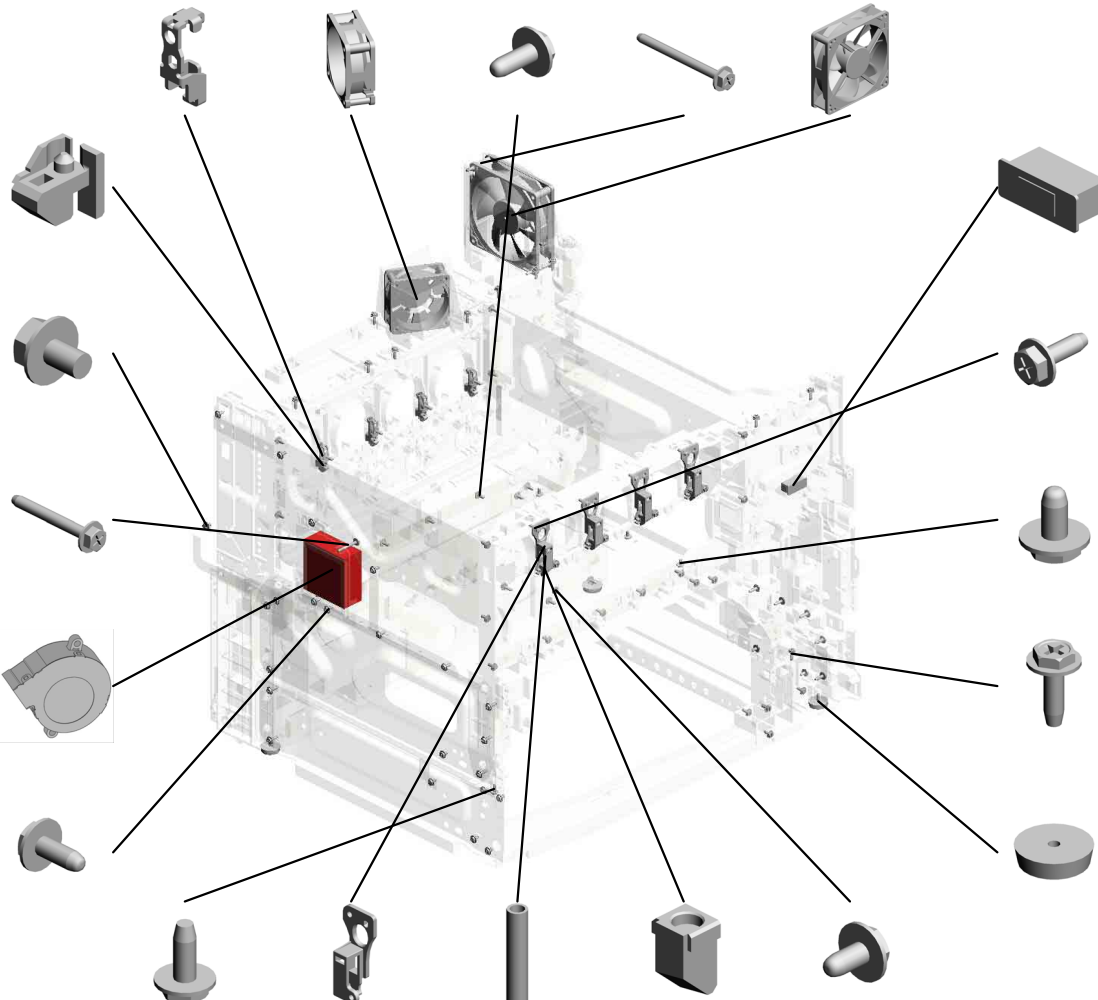
- 18.D1171059 (x4) SLIDER:COIL SPRING:PLATE:PCU:REAR

- 10.08010231 (x2) HEXAGONAL HEAD BOLT W/WASHER:M3X6

- 2.04503025N (x2) TAPPING SCREW: 3X25

- 13.AX640234 FAN:SIROCCO:DC 24V:60MM:(FAN3)

- 6.04543008N (x2) TAPPING SCREW: ROUND POINT:3X8



- 11.AG070513 MAGNET CATCH

- 1.04503010N (x24) TAPPING SCREW - M3X10

- 5.04543006Q (x9) TAPPING SCREW - M3X6

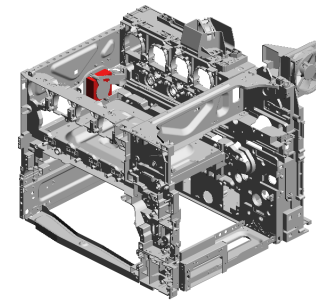
- 9.04583010N (x17) HEXAGON HEAD TAPPING SCREW:3 X10

- 12.AH010011 (x3) RUBBER FOOT:H5

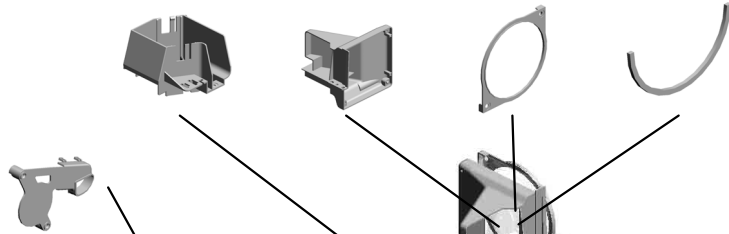
- 8.04583008N HEXAGON HEAD TAPPING SCREW:3 X8
- 16.D1171057 (x4) CASE:COIL SPRING:PLATE:PCU:FRONT
- 19.D1171068 (x8) COIL SPRING:PLATE:PCU
- 20.D1171069 (x4) SLIDER:COIL SPRING:PLATE:PCU:FRONT
- 4.04513006N TAPPING SCREW - 3X6

# U017 MAIN FRAME

23.D1171126 DUCT:OPTICAL W  
RITING MD  
32.D1961143 DUCT:REAR:BASE  
21.D1171124 COVER:FAN  
22.D1171125 (x2)  
SEAL:COVER:FAN



31.D1961128  
COVER:DUCT:LEF  
T:VACUUM



30.D1961127  
DUCT:LEFT:VACU  
UM



28.D1961036  
(x2)  
SEAL:COVER:LEFT



29.D1961066  
LEVER:LOCK:FRO  
NT



27.D1173413  
DECAL:COLORED  
DISPLAY:INNER C  
OVER:Y



26.D1173412  
DECAL:COLORED  
DISPLAY:INNER C  
OVER:M

33.D2021093  
COVER:GRIP



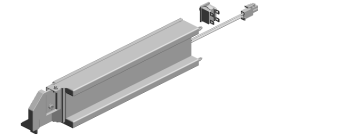
24.D1173410  
DECAL:COLORED  
DISPLAY:INNER C  
OVER:K



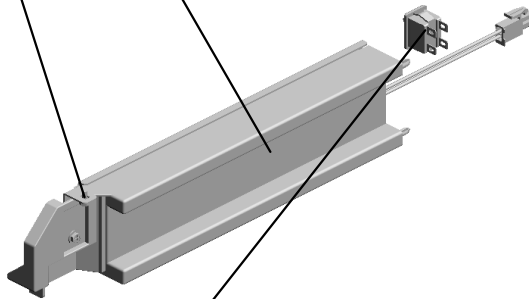
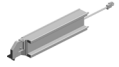
25.D1173411  
DECAL:COLORED  
DISPLAY:INNER C  
OVER:C

# U018 Anti-condensation Heater (Mainframe)

4.D1175097  
(EU/AA/CHN):HEAT  
ER:ASS'Y



1.08010231  
HEXAGONAL HEAD BOLT W/WASHER: M3X6



2.11050511  
HARNESS CLAMP - LWS-0306ZC



3.12042570  
ROCKER SWITCH: SDDJE13200



U001	U002	U003	U004	U005	U006	U007	U008	U009	U010	U011	U012	U013	U014	U015	U016	U017	U018	U019	U020
------	------	------	------	------	------	------	------	------	------	------	------	------	------	------	------	------	------	------	------

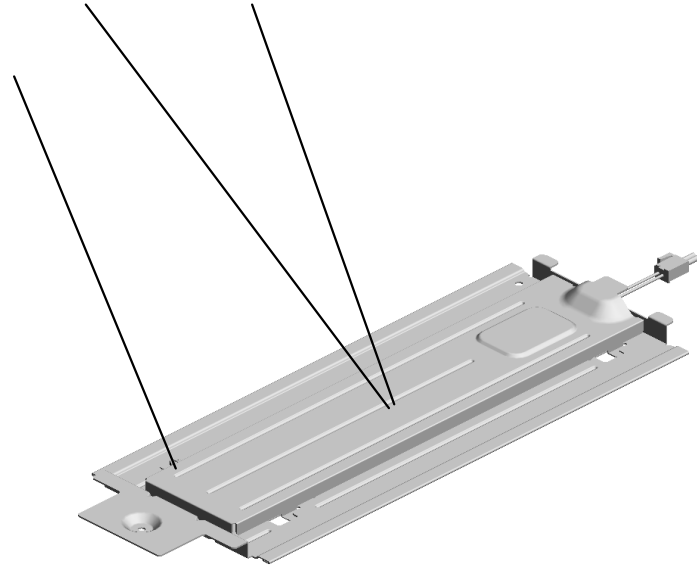
# U019

## Anti-condensation Heater (Mainframe Paper Tray)

2.D0CB2554 (EU/AA/CHN):HEAT SINK:HEATER:AD HESION  
3.D0CB2898 COVER:HEATER:P APER TRAY



1.04543006Q  
TAPPING SCREW - M3X6



1.04543006Q (x 1)  
TAPPING SCREW - M3X6

U001	U002	U003	U004	U005	U006	U007	U008	U009	U010	U011	U012	U013	U014	U015	U016	U017	U018	U019	U020
------	------	------	------	------	------	------	------	------	------	------	------	------	------	------	------	------	------	------	------

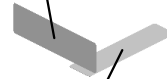
# U020 ACCESSORIES

7.D0CB6842 (NA/EU/AA):DECAL  
:INKJET:EN:MANU  
AL FEED

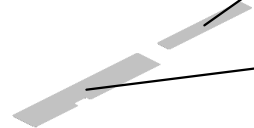
2.D0A41301 PLATE:LOGO:RIC

5.D0C86802 (NA/EU):PLATE:NA  
ME PLATE:IM\_C40  
0

8.D1172877  
DECAL:PAPER TR  
AY:SIZE INDICATIO  
N



6.D0CB6832  
(NA/EU/AA):DECAL  
:INKJET:EN:PAPER  
FEED:ABS



4.D0A41706  
(NA/EU/AA):DECAL  
:CLEANING:SCANN  
ER:ENGLISH

3.D0A41704  
(NA/EU/AA):DECAL  
:CAUTION:ORIGIN  
AL

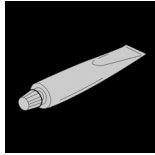
1. 11500484 (x 1)  
(EU/AA):POWER SUPPLY CODE:250V:  
10A

U001	U002	U003	U004	U005	U006	U007	U008	U009	U010	U011	U012	U013	U014	U015	U016	U017	U018	U019	U020
------	------	------	------	------	------	------	------	------	------	------	------	------	------	------	------	------	------	------	------

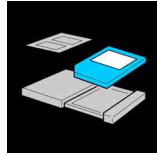
## SPECIAL TOOLS



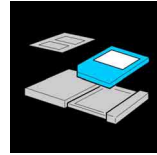
1.52039502  
GREASE 501



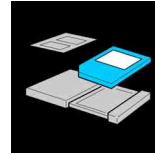
2.A2579300  
GREASE - BARRIERTA S552R



3.B6455030  
SD-CARD:SERVICE PARTS:2GB:ASS'  
Y



4.B6455040  
SD-CARD:SERVICE PARTS:8GB:ASS'  
Y



5.B6455060  
SD-CARD:SERVICE PARTS:16GB:AS  
SY



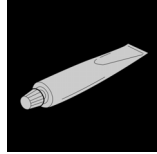
6.C4019503  
20X MAGNIFICATION SCOPE



7.VSSG9005  
MOLYKOTE EM-50L



8.VSSG9006  
MOLYKOTE(R) G-1077 GREASE 50G



9.VSSG9008  
FLOIL-G348 GREASE 20G



10.VSST9003  
C-5Y COLOR TEST CHART(2 SHEET  
S X 3/SET)

## Exclusive Parts

Number	Part Name	Group	ID
52039502	GREASE 501	SPECIAL TOOLS	1
54472681	SNAP RING	U013	8
		U015	8
A2579300	GREASE - BARRIERTA S552R	SPECIAL TOOLS	2
AA043325	TIMING BELT - B40S2M250	U014_S001	16
AA060151	TENSION SPRING	U009	17
AA061084	TENSION SPRING:FEELER	U009	18
AA061087	TORSION SPRING:STRIPPER PLATE:FRONT	U012_S001	15
AA061088	TORSION SPRING:STRIPPER PLATE:REAR	U012_S001	16
AA061089	COIL SPRING:GUIDE PLATE:FUSING EXIT	U012_S001	17
AA062087	COIL SPRING:PRESSURE	U012_S001	18
AA063483	COMPRESSION SPRING:TRANSPORT SUB-UNIT	U014_S001	17
AA063701	COMPRESSION SPRING:RISING TRAY	U006_S003	16
AA063729	COMPRESSION SPRING:TRANSFER ROLLER:SECOND	U014_S001	18
AA066417	TORSION SPRING:TRANSFER UNIT	U014_S001	19
AA066695	TORSION SPRING:LEVER:ON-OFF	U009	19
AA066696	TORSION SPRING:TERMINAL:DRIVE ROLLER:INTERMEDIATE TRANSFER	U016	20
AA080249	BUSHING - VERTICAL TRANSPORT	U003_S001	21
AA080346	BUSHING:FLANGE TYPE:DIA6	U015	9
AA080361	PLAIN SHAFT BEARING:CASE:RISING TRAY	U006_S003	17
AA082101	BUSHING - 6X10X6	U003_S001	22
		U003_S001_S001	22
AA082109	PLAIN SHAFT BEARING:DIA4	U009	20
AA082161	PLAIN SHAFT BEARING:REGISTRATION ROLLER	U006	18
AA082173	PLAIN SHAFT BEARING:6X10X6	U006_S002	19
		U006_S005	19

Number	Part Name	Group	ID
		U013	9
AA082174	PLAIN SHAFT BEARING:6X10X9	U006_S002	20
		U013_S001	10
AA082180	PLAIN SHAFT BEARING:DIA6:DIA10:9	U003_S001	23
AA100014	RETAINING RING C - SEPARATE	U006_S002	21
AA100020	SPEED NUT:DIA5.3	U015	10
AA132208	SPACER - M6	U003_S001_S001	24
AA143592	SCREW- M4X6	U016	21
AA143788	PIN:GUIDE PLATE:PAPER FEED	U003_S001	25
AA143848	STEPPED SCREW - M3	U016	22
AA143870	STEPPED SCREW	U012_S001	19
AA148896	SHAFT:DRIVE:REGISTRATION	U015	11
AA161125	RUBBER CUSHION	U016	23
AB010240	GEAR:DRIVE:VERTICAL TRANSPORT:CLUTCH	U015	12
AB010241	GEAR:DRIVE:VERTICAL TRANSPORT:JOINT	U015	13
AB010930	GEAR:DRIVE:DEVELOPMENT:NO.2	U015	14
AB011537	GEAR:REGISTRATION ROLLER:FRONT	U006	22
AB011539	GEAR:REGISTRATION ROLLER:DRIVE	U014_S001	20
AB011552	GEAR:IDLER:LEFT REAR	U011	3
AB011555	GEAR:IDLER:RIGHT FRONT	U011	4
AB011557	GEAR:IDLER:RIGHT REAR	U011	5
AB011580	GEAR:DRIVE:REGISTRATION	U015	15
AB011581	GEAR:DRIVE:DUPLEX:MANUAL FEED	U015	16
AB012076	GEAR:DRIVE:Z21	U012_S001	20
AB017782	GEAR:RISING TRAY:2	U006_S003	23
AB017783	GEAR:RISING TRAY:3	U006_S003	24
AB017827	GEAR:IDLER:COLLECTION BOTTLE:RIGHT UPPER	U011	6
AB017847	GEAR:MANUAL FEED:BASE	U015	17
AB017865	GEAR:IDLER:MIDDLE REAR	U011	7
AB017899	GEAR:RISING TRAY:1	U006_S003	25

## Exclusive Parts

Number	Part Name	Group	ID
AB017934	GEAR:DRIVE UNIT:FUSING:NO.1	U015	18
AB017940	GEAR:DRIVE UNIT:FUSING:NO.2	U015	19
AB017968	GEAR:DRIVE:TRANSPORT:NO.1	U015	20
AB017969	GEAR:DRIVE:TRANSPORT:NO.2	U015	21
AB017970	GEAR:DRIVE:TRANSPORT:NO.3	U015	22
AB017971	GEAR:DRIVE:TRANSPORT:NO.4	U015	23
AB017972	GEAR:DRIVE:TRANSPORT:NO.5	U015	24
AB017973	GEAR:DRIVE:EXIT	U015	25
AB017974	GEAR:DRIVE UNIT:FUSING:NO.3:SW-01	U015	26
AB030854	TIMING PULLEY:EXIT ROLLER	U013	11
AB033120	TIGHTENER:SYNCHRONOUS BELT:PAPER EXIT UNIT	U015	27
AB033123	PULLEY:DRIVE:EXIT	U015	28
AF013019	PAD:TRAY BOTTOM PLATE	U006_S001_S005	26
AF020791	REGISTRATION ROLLER:DRIVE	U014_S001	21
AF021088	REGISTRATION ROLLER:DRIVEN	U006	27
AF030094	PAPER FEED ROLLER:PICKUP	U006_S002	28
AF031085	PAPER FEED ROLLER - FEED	U006_S002	29
AF031092	PAPER FEED ROLLER:MANUAL FEED	U006_S005	30
AF032101	PAPER FEED ROLLER:SEPARATE	U006_S002	31
AG070513	MAGNET CATCH	U001 U017	7 11
AG071012	MAGNET CATCH:ASS'Y	U011	8
AH010011	RUBBER FOOT:H5	U017	12
AW010124	PHOTO REFLECTION SENSOR:GP2A200LCS0F:(S8)	U012 U014_S001	21 22
AW010151	PHOTO REFLECTION SENSOR:PS122TL1-A:(S2/S24)	U003_S001 U014_S001	26 23
AW020234	PHOTOINTERRUPTOR:GP1A173LCS5F:(S1/S4/S5/S6/S19/S20/S22/S23/S25/S30/S33/S35/S36)	U003_S001 U004 U006_S002 U006_S005 U009 U011 U014_S001	27 12 32 32 21 9 24
AW100183	THERMOPILE:(TH1)	U012	22

Number	Part Name	Group	ID
AW110101	THERMOSTAT:LOWER	U012_S001	23
AW140026	TEMPERATURE & HUMIDITY SENSOR:(S18)	U016	24
AW500045	PUSH SWITCH:(SW2/S26)	U011 U016	10 25
AX040272	DC STEPPER MOTOR:NMB:(M7)	U004	13
AX040273	DC MOTOR:RISING TRAY:ASS'Y:1.007W:BRUSH	U006_S003	33
AX060541	DC BRUSHLESS MOTOR:DRUM:BK:30.4W:43CPM:(M11)	U015	29
AX060543	DC BRUSHLESS MOTOR:DEVELOPMENT:COLOR:35.5W:40CPM:(M9)	U015	30
AX060544	DC BRUSHLESS MOTOR:DRIVE SUB-UNIT:FUSING:31.9W:43CPM:(M13)	U015	31
AX060545	DC BRUSHLESS MOTOR:DRIVE SUB-UNIT:TRANSPORT:24.0W:43CPM:(M12)	U015	32
AX200338	ELECTROMAGNETIC CLUTCH:PULL OUT:(CL4)	U003_S001	28
AX200342	ELECTROMAGNETIC CLUTCH:DRIVE:PAPER FEED:(CL6/CL7/CL9)	U015	33
AX200343	ELECTROMAGNETIC CLUTCH:REGISTRATION:(CL8)	U015	34
AX200344	ELECTROMAGNETIC CLUTCH:CONNECTING:(CL1/CL10)	U015	35
AX200369	ELECTROMAGNETIC CLUTCH:DEVELOPMENT:(CL5)	U015	36
AX640234	FAN:SIROCCO:DC24V:60MM:(FAN3)	U017	13
AX640245	DC FAN MOTOR:DC24V:MM60:25MM:(FAN2)	U017	14
AX640249	DC FAN MOTOR:AXIAL:MM92:(FAN1)	U017	15
AZ240341	(EU/AA):POWER SUPPLY UNIT:(PCB16/PCB17)	U016	26
AZ320213	POWER PACK:T1T2:(PCB23)	U016	27
AZ320226	POWER PACK:CB:(PCB22)	U016	28



## Exclusive Parts

Number	Part Name	Group	ID
B2342864	PAD:CLEANER	U006_S001_S002	34
		U006_S001_S003	34
B2385875	DC SOLENOID DC24V:(SOL2)	U009	22
B6455030	SD-CARD:SERVICE PARTS:2GB:ASSY	SPECIAL TOOLS	3
B6455040	SD-CARD:SERVICE PARTS:8GB:ASSY	SPECIAL TOOLS	4
B6455060	SD-CARD:SERVICE PARTS:16GB:ASSY	SPECIAL TOOLS	5
B7002649	TIMING BELT:40S2M144	U014_S001	25
B7027105	TIMING BELT:B40S2M520:	U015	37
B8303504	TIMING BELT - 40S2M100	U006_S002	35
B8722421	BUSHING:FEED	U003_S001	29
B8722614	BUSHING:R1	U003_S001	30
BE020407	PRESSURE ROLLER:DIA25	U012_S001	24
BW100147	THERMISTOR:PRESSURE:(TH2/TH3/TH4)	U012_S001	25
BW100150	NON-CONTACT TYPE THERMISTOR:(S10)	U012_S001	26
C4019503	20X MAGNIFICATION SCOPE	SPECIAL TOOLS	6
D0094511	SPACER:DIA8.0:1.5MM	U003_S001	31
D0391254	SPRING PLATE:BAND	U001	8
D0392752	DISC:SIDE FENCE	U014_S001_S001	26
D0812966	DC MOTOR:ASSY:1.007W:BRUSH:(M15)	U006_S003	36
D0895824	COVER:SD-CARD:D086/D087	U016	29
D0A41301	PLATE:LOGO:RIC	U020	2
D0A41704	(NA/EU/AA):DECAL:CAUTION:ORIGINAL	U020	3
D0A41706	(NA/EU/AA):DECAL:CLEANING:SCANNER:ENGLISH	U020	4
D0A41746	COVER:SCANNER:REAR UPPER	U004	14
D0A41810	SYNCHRONOUS BELT:S2M:441	U004	15
D0A46063	CUSHION:FERRITE CORE	U003_S001	32
D0A46065	GUIDE:CABLE	U003_S001	33
D0A46073	TRAY:AUXILIARY	U003_S001	34
D0A46076	COVER:CARD READER	U003_S001	35
D0A46077	COVER:CABLE:CARD READER	U003_S001	36

Number	Part Name	Group	ID
D0A46079	GUIDE:HARNESS:CONTACT POINT	U003_S001	37
D0A46082	HINGE:LEFT:DAMPER	U003_S001	38
D0A46087	HINGE:RIGHT:NON DAMPER	U003_S001	39
D0A46089	CUSHION:STOPPER:ORIGINAL TABLE	U003_S001	40
D0A46112	GUIDE PLATE:PAPER FEED	U003_S001	41
D0A46127	GUIDE:TRANSPORT:EXIT:LOWER	U003_S001	42
D0A46128	TENSION SPRING:SCANNING:EXIT:DRIVEN	U003_S001	43
D0A46129	SHEET:EXIT:PLATE	U003_S001	44
D0A46134	COMPRESSION SPRING:EXIT:DRIVEN	U003_S001	45
D0A46135	SHEET:SCANNING:BEHIND:PLATE	U003_S001	46
D0A46141	SPRING PLATE:GUIDE:BEHIND:PRESS FIT	U003_S001	47
D0A46146	TRANSPORT ROLLER:EXIT	U003_S001	48
D0A46152	COVER:PAPER FEED	U003_S001	49
D0A46153	LEVER:COVER:PAPER FEED	U003_S001	50
D0A46154	TORSION SPRING:COVER:PAPER FEED:FRONT	U003_S001	51
D0A46162	ORIGINAL TABLE	U003_S001	52
D0A46163	EXTENSION TRAY	U003_S001	53
D0A46167	SIDE FENCE:INNER BACK	U003_S001	54
D0A46168	SIDE FENCE:FRONT	U003_S001	55
D0A46169	COIL SPRING:SIDE FENCE:ARDF:16N	U003_S001	56
D0A46182	COVER:REAR	U003_S001	57
D0A46183	CAP:CABLE:OUTER	U003_S001	58
D0A46184	CAP:CABLE:INNER	U003_S001	59
D0A46192	COVER:FRONT	U003_S001	60
D0A46193	COVER:FRONT:INNER	U003_S001	61
D0A46194	BRACKET:STOPPER:ORIGINAL TABLE	U003_S001	62
D0A46195	COMPRESSION SPRING:STOPPER:ORIGINAL TABLE	U003_S001	63
D0BQ1422	PCB:W-LAN:TYPE1NX	U002_S001_S002	9
D0BQ1432	SPEAKER	U002_S001	10

## Exclusive Parts

Number	Part Name	Group	ID
D0BQ1516	TOUCH PANEL:ASS'Y	U002_S001_S001	11
D0BQ1531	FRAME:LCD:PEEN	U002_S001	12
D0BQ1533	BRACKET:LCD	U002_S001	13
D0BQ1541	COVER:FRONT	U002_S001_S001	14
D0BQ1545	COVER:REAR	U002_S001	15
D0BQ1546	INNER COVER:OPERATION SUB-UNIT:RIGHT	U002_S001	16
D0BQ1547	KEYTOP:RESET SWITCH	U002_S001	17
D0BQ1548	COVER:CAP:PUSH SWITCH	U002_S001	18
D0BQ1549	COVER:CAP	U002_S001	19
D0BQ1551	HOLDER:OPERATION SUB-UNIT:SPEAKER	U002_S001	20
D0BQ1552	CUSHION:OPERATION SUB-UNIT:SPEAKER	U002_S001	21
D0BQ1555	CUSHION:LCD:L	U002_S001	22
D0BQ1556	CUSHION:LCD:S	U002_S001	23
D0BQ1581	DUAL FACES TAPE:TOUCH PANEL:LENGTHWISE	U002_S001_S001	24
D0BQ1582	DUAL FACES TAPE:TOUCH PANEL:SIDE	U002_S001_S001	25
D0BQ1585	SHEET:LIGHT SHIELD COAT	U002_S001	26
D0BQ1586	SHEET:SIDE	U002_S001	27
D0BQ2785	PLAIN SHAFT BEARING:FEED	U006_S002	37
D0BQ2840	END FENCE:PAPER TRAY:ASS'Y	U006_S001_S001	38
D0BQ2952	DECAL:SIDE FENCE:PAPER VOLUME	U006_S001_S003	39
D0BQ2959	DECAL:SIDE FENCE:PAPER VOLUME:FRONT	U006_S001_S002	40
D0BQ2966	STAY:END FENCE:ASS'Y	U006_S001_S004	41
D0C81313	COVER:UPPER	U001	9
D0C81321	COVER:RIGHT REAR:B	U001	10
D0C81351	COVER:SUPPORT:SCANNER:IDG	U001	11
D0C81353	COVER:UPPER RIGHT:REAR	U001	12
D0C81354	COVER:UPPER FRONT	U001	13
D0C81372	COVER:UPPER LEFT:IDG	U001	14
D0C84400	PAPER EXIT UNIT:ASS'Y	U013_S001	12
D0C84485	BRACKET:DC SOLENOID:GATE PAWL	U013_S001	13

Number	Part Name	Group	ID
D0C84486	HOLDER:LINK:EXIT	U013_S001	14
D0C84487	TENSION SPRING:CHANGE:EXIT	U013_S001	15
D0C84495	EXTENSION TRAY:EXIT	U001	15
D0C84496	END FENCE:EXIT	U001	16
D0C84505	DUPLEX UNIT:ASS'Y	U014_S001	27
D0C84600	COVER:RIGHT:DUPLEX:B	U014_S001	28
D0C85100	PCB:BICU:ASS'Y:(PCB1)	U016	30
D0C85180	PCB:BRB:(PCB7)	U008	8
D0C86802	(NA/EU):PLATE:NAME PLATE:IM_C400	U020	5
D0C95150	PCB:SMB:SERVICE	U016	31
D0C95181	(EU/AA/CHN):PCB:ACVB:200V:(PCB18)	U016	32
D0C95407	PCB:CTL:ASS'Y:(PCB24)	U016	33
D0C99590	NVRAM	U016	34
D0CB0121	PCDU:BK:SERVICE PARTS	U007_S001	11
D0CB0122	PCDU:C:SERVICE PARTS	U007_S002	12
D0CB0123	PCDU:M:SERVICE PARTS	U007_S003	13
D0CB0124	PCDU:Y:SERVICE PARTS	U007_S004	14
D0CB1059	HEXAGON HEAD BOLT WITH WASHER:TYPE 2:3X10	U015 U016	38 35
D0CB1139	SOUND PROOFING MATERIAL:COVER:RIGHT LOWER	U001	17
D0CB1141	SOUND PROOFING MATERIAL:COVER:REAR LOWER:RIGHT	U001	18
D0CB1142	SOUND PROOFING MATERIAL:COVER:REAR LOWER:LEFT	U001	19
D0CB1143	SOUND PROOFING MATERIAL:COVER:LEFT:MIDDLE	U001	20
D0CB1144	SOUND PROOFING MATERIAL:COVER:LEFT:RIGHT	U001	21
D0CB1152	DRIVE UNIT:DRUM:DEVELOPMENT:TRANSFER:ASS'Y	U015_S001	39
D0CB1180	SHAFT:DRIVE:DEVELOPMENT:ELECTROMAGNETIC CLUTCH:PRESS FIT	U015	40
D0CB1182	COVER:ELECTROMAGNETIC CLUTCH:DEVELOPMENT:(CL5)	U015	41

## Exclusive Parts

Number	Part Name	Group	ID
D0CB1183	PLAIN SHAFT BEARING:ELECTRO MAGNETIC CLUTCH:DEVELOPME NT	U015	42
D0CB1219	SHAFT:DRIVE:PAPER FEED:ASS'Y	U015	43
D0CB1221	SHAFT:DRIVE:VERTICAL TRANSP ORT:ASS'Y	U015	44
D0CB1301	COVER:FRONT:B	U001	22
D0CB1302	SHEET:PLATE:BAND	U001	23
D0CB1308	BAND:COVER:FRONT	U001	24
D0CB1309	COVER:FRONT LOWER:B	U001	25
D0CB1322	COVER:RIGHT:LOWER	U001	26
D0CB1324	COVER:DEODORIZE FILTER:IG	U001	27
D0CB1325	LOUVER:COVER:RIGHT REAR	U001	28
D0CB1326	LOUVER:DUCT:IG	U001	29
D0CB1331	COVER:LEFT:B	U001	30
D0CB1352	COVER:UPPER RIGHT:FRONT	U001	31
D0CB1361	INNER COVER:UPPER:B	U001	32
D0CB1375	COVER:REAR:LOWER	U001	33
D0CB1506	(NA/EU/AA):OPERATION SUB-UNIT :COMMON:ASS'Y	U002_S001	28
D0CB1521	HINGE:ASS'Y	U002	29
D0CB1538	GEAR:REGISTRATION ROLLER:IN NER BACK:B	U006	42
D0CB1554	GUIDE:OPERATION SUB-UNIT:HA RNNESS	U002	30
D0CB1561	COVER:HINGE:LARGE	U002	31
D0CB1562	COVER:HINGE:SMALL	U002	32
D0CB1563	COVER:REAR:LEFT	U002	33
D0CB1565	COVER:RIGHT	U002	34
D0CB1651	CARRIAGE:SCANNER:ASS'Y	U004_S001	16
D0CB1662	(EU/AA/CHN):ORIGINAL TRAY:SCA NNER:ASS'Y	U004	17
D0CB1719	(EU/AA/CHN):DECAL:SCALE:LEFT	U004	18
D0CB1742	COVER:SCANNER:FRONT	U004	19
D0CB1743	COVER:SCANNER:REAR	U004	20
D0CB1755	FEELER:ON OFF DETECTOR	U004	21
D0CB1757	COVER:HARNNESS:MOTOR:SCANN ER	U004	22

Number	Part Name	Group	ID
D0CB1765	BRACKET:IDLER:PEEN	U004	23
D0CB1791	DECAL:SIDE FENCE	U003_S001	64
D0CB1792	DECAL:ORIGINAL SCALE	U003_S001	65
D0CB1794	(NA/EU/AA):DECAL:ORIGINAL TAB LE	U003_S001	66
D0CB1797	DECAL:CLEANING:DOCUMENT FE EDER	U004	24
D0CB1801	(NA/EU/AA):ADF:ASS'Y	U003_S001	67
D0CB1821	PAPER FEED UNIT:ASS'Y	U003_S001_S001	68
D0CB1845	PRESSURE PLATE:ASS'Y	U003	69
D0CB1860	OPTICAL WRITING UNIT:ASS'Y	U005	1
D0CB2520	PAPER TRAY:ASS'Y	U006_S001	43
D0CB2554	(EU/AA/CHN):HEAT SINK:HEATER: ADHESION	U019	2
D0CB2619	GUIDE PLATE:REGISTRATION RO LLER:DRIVEN	U006	44
D0CB2701	PAPER FEED UNIT:SUB-ASS'Y	U006_S002	45
D0CB2709	GUIDE PLATE:DRIVEN:CONNECTI NG	U014_S001	29
D0CB2714	ROLLER:CONNECTING:DIA16	U014_S001	30
D0CB2715	COMPRESSION SPRING:ROLLER: DRIVEN:CONNECTING	U014_S001	31
D0CB2718	ELECTROMAGNETIC CLUTCH:DRI VE:MANUAL FEED:(CL1)	U006_S005	46
D0CB2722	GUIDE PLATE:CONNECTING:OPTI ON TRAY:RIGHT	U006	47
D0CB2723	GUIDE PLATE:CONNECTING:OPTI ON TRAY:LEFT	U006	48
D0CB2725	GUIDE PLATE:SWIVEL:ASS'Y	U006_S002_S001	49
D0CB2727	GUIDE PLATE:CONNECTING	U014_S001	32
D0CB2752	LEVER:GUIDE:SWIVEL	U006_S002	50
D0CB2753	PRESSURE PLATE:SWIVEL:FRON T	U006_S002	51
D0CB2754	PRESSURE PLATE:SWIVEL:REAR	U006_S002_S001	52
D0CB2755	COMPRESSION SPRING:SWIVEL:F RONT:2N	U006_S002	53
D0CB2757	COMPRESSION SPRING:SWIVEL: REAR:2N	U006_S002_S001	54

## Exclusive Parts

Number	Part Name	Group	ID
D0CB2759	TRANSPORT ROLLER:VERTICAL TRANSPORT:ASS'Y	U006_S002	55
D0CB2762	MANUAL FEED TABLE:ASS'Y	U014_S001_S001	33
D0CB2765	TRAY:MANUAL FEED:IG	U014_S001_S001	34
D0CB2766	SIDE FENCE:MANUAL FEED:FRONT:IG	U014_S001_S001	35
D0CB2767	SIDE FENCE:MANUAL FEED:REAR:IG	U014_S001_S001	36
D0CB2770	COVER:MANUAL FEED TABLE:IG	U014_S001_S001	37
D0CB2771	EXTENSION TRAY:MANUAL FEED:IG	U014_S001_S001	38
D0CB2772	ARM:PICKUP	U006_S002	56
D0CB2773	COVER:MANUAL FEED TABLE:LOWER:IG	U014_S001_S001	39
D0CB2778	FEELER:PAPER END	U006_S002	57
D0CB2782	GUIDE PLATE:MANUAL FEED TABLE:IG	U006_S005	58
D0CB2790	DECAL:SCALE:MANUAL FEED	U014_S001_S001	40
D0CB2792	GROUND PLATE:TRAY BOTTOM PLATE:MANUAL FEED:INNER BACK	U006_S005	59
D0CB2801	MANUAL FEED UNIT:ASS'Y	U006_S005	60
D0CB2806	GRIP:PAPER TRAY:B	U006_S001	61
D0CB2843	DECAL:PAPER SET DIRECTION:LEFT:B	U006_S001	62
D0CB2866	COVER:PAPER TRAY:B	U006_S001	63
D0CB2873	TRAY BOTTOM PLATE:ASS'Y	U006_S001_S005	64
D0CB2876	SIDE FENCE:FRONT:SUB-ASS'Y	U006_S001_S002	65
D0CB2881	SIDE FENCE:REAR:SUB-ASS'Y	U006_S001_S003	66
D0CB2898	COVER:HEATER:PAPER TRAY	U019	3
D0CB2993	DECAL:SIDE FENCE:MANUAL FEED	U014_S001_S001	41
D0CB3302	TONER HOPPER:TONER SUPPLY:BLACK:ASS'Y	U008_S001	9
D0CB3303	TONER HOPPER:TONER SUPPLY:COLOR:ASS'Y	U008_S002	10
		U008_S003	10
		U008_S004	10
D0CB3304	DRIVE UNIT:TONER SUPPLY:ASS'Y	U008_S005	11
		U008_S006	11

Number	Part Name	Group	ID
		U008_S007	11
		U008_S008	11
D0CB3400	DC MOTOR:TONER SUPPLY:ASS'Y:(M1/M2/M3/M4)	U008_S005	12
		U008_S006	12
		U008_S007	12
		U008_S008	12
D0CB3402	GEAR:IDLER:DC MOTOR	U008_S005	13
		U008_S006	13
		U008_S007	13
		U008_S008	13
D0CB3407	GEAR:TONER HOPPER:DRIVE SUB-UNIT	U008_S005	14
		U008_S006	14
		U008_S007	14
		U008_S008	14
D0CB3408	GEAR:IDLER:TRANSPORT SCREW	U008_S005	15
		U008_S006	15
		U008_S007	15
		U008_S008	15
D0CB4032	(EU/AA/CHN):FUSING UNIT:SERVICE PARTS	U012_S001	27
D0CB4038	(EU/AA/CHN):SLEEVE:FUSING:SERVICE PARTS	U012_S001_S001	28
D0CB4194	GUIDE:HARNESS:FUSING	U012_S001	29
D0CB4231	STRIPPER PLATE:COAT	U012_S001	30
D0CB4261	FUSING COVER:UPPER:ASS'Y	U012_S001	31
D0CB4463	PLAIN SHAFT BEARING:EXIT	U013_S001	16
D0CB4489	DC SOLENOID:PRESS FIT:(SOL1)	U013_S001	17
D0CB4608	HOOK:FRAME:DUPLEX:FRONT	U014_S001	42
D0CB4614	BUSHING:REGISTRATION ROLLER:DRIVE:INNER BACK	U014_S001	43
D0CB4621	BUSHING:REGISTRATION ROLLER:DRIVE:FRONT	U014_S001	44
D0CB4634	TORSION SPRING:REGISTRATION:4N	U014_S001	45
D0CB4686	KNOB:COVER:RIGHT:DUPLEX:IG	U014_S001	46
D0CB4691	GUIDE PLATE:REVERSE:EXIT:LOWER	U014_S001	47
D0CB5620	(NA/EU/AA):PCB:ASS'Y	U002_S001_S002	35

## Exclusive Parts

Number	Part Name	Group	ID
D0CB5854	COVER:REAR:IG	U001	34
D0CB5861	COVER:HARNESS:PCU:FRONT	U016	36
D0CB5864	GUIDE:HARNESS:FFC:OPTICAL WRITING UNIT	U016	37
D0CB5868	PLATE:WIRE-1	U016	38
D0CB5869	PLATE:WIRE-2	U016	39
D0CB5903	INNER COVER:LOWER:B	U001	35
D0CB6002	TRANSFER UNIT:INTERMEDIATE TRANSFER:SERVICE:ASS'Y	U009_S001	23
D0CB6201	TRANSFER/SEPARATION UNIT:SE COND:ASS'Y	U010_S001	3
D0CB6238	GUIDE:HARNESS:TM SENSOR	U009	24
D0CB6350	DC MOTOR:ON-OFF:FIRST:ASS'Y:(M14)	U009	25
D0CB6381	GUIDE PLATE:BRACKET:DENSITY SENSOR:FRONT:ASS'Y	U009	26
D0CB6383	GUIDE PLATE:BRACKET:DENSITY SENSOR:REAR:ASS'Y	U009	27
D0CB6388	BRACKET:DENSITY SENSOR	U009	28
D0CB6390	SHUTTER:DENSITY SENSOR	U009	29
D0CB6391	GUIDE PLATE:RELAY	U009	30
D0CB6393	GROUND PLATE:BRACKET:TM SENSOR	U009	31
D0CB6401	COLLECTION BOTTLE:ASS'Y	U011_S001	11
D0CB6832	(NA/EU/AA):DECAL:INKJET:EN:PA PER FEED:ABS	U020	6
D0CB6842	(NA/EU/AA):DECAL:INKJET:EN:MA NUAL FEED	U020	7
D1054168	LEVER:LOCK:PRESSURE	U012_S001	32
D1054303	ELECTRODE PLATE:FUSING:NEUTRAL	U012_S001	33
D1054365	HOLDER:THERMOPILE	U012	34
D1171057	CASE:COIL SPRING:PLATE:PCU:FRONT	U017	16
D1171058	CASE:COIL SPRING:PLATE:PCU:REAR	U017	17
D1171059	SLIDER:COIL SPRING:PLATE:PCU:REAR	U017	18

Number	Part Name	Group	ID
D1171068	COIL SPRING:PLATE:PCU	U017	19
D1171069	SLIDER:COIL SPRING:PLATE:PCU:FRONT	U017	20
D1171124	COVER:FAN	U017	21
D1171125	SEAL:COVER:FAN	U017	22
D1171126	DUCT:OPTICAL WRITING MD	U017	23
D1171192	TERMINAL:DEVELOPMENT BIAS:ASS'Y	U015	45
D1171207	SHAFT:TIMING PULLEY:PAPER EXIT UNIT	U015	46
D1171307	MAGNET CATCH:COVER:FRONT	U001	36
D1171756	GROUND PLATE:GUIDE ROD	U004	25
D1171801	BRACKET:MOTOR	U004	26
D1171804	CAP:TIMING PULLEY	U004	27
D1171805	GEAR:TIMING PULLEY:81-18	U004	28
D1171806	PULLEY:IDLER	U004	29
D1171820	BUSHING:BRACKET	U004	30
D1171826	GEAR:SLOW DOWN:53-19	U004	31
D1171837	COIL SPRING:TENSION	U004	32
D1171990	STEPPED SCREW	U005	2
D1171991	SPRING LOCK WASHER:DIA6.4XDI A11X1.5	U005	3
D1172617	CASE:REMOVE PAPER DUST	U006	67
D1172618	GUIDE:REMOVE PAPER DUST	U006	68
D1172631	COLLAR:REGISTRATION	U014_S001	48
D1172636	HOLDER:REGISTRATION	U014_S001	49
D1172637	COMPRESSION SPRING:ROLLER:TENSION	U014_S001	50
D1172638	GUIDE PLATE:REGISTRATION ROLLER:DRIVE	U014_S001	51
D1172639	GUIDE:REGISTRATION:DRIVE:FRONT	U014_S001	52
D1172640	GUIDE:REGISTRATION:DRIVE:INNER BACK	U014_S001	53
D1172710	GUIDE PLATE:MANUAL FEED:LOWER	U006_S005	69
D1172711	FRICTION PAD:MANUAL FEED:ADHESION	U006_S005	70

## Exclusive Parts

Number	Part Name	Group	ID
D1172714	COMPRESSION SPRING:SEPARATION:MANUAL FEED	U006_S005	71
D1172717	SHAFT:PAPER FEED:MANUAL FEED	U006_S005	72
D1172719	GEAR:PAPER FEED:MANUAL FEED	U006_S005	73
D1172721	TRAY BOTTOM PLATE:MANUAL FEED	U006_S005	74
D1172723	GUIDE:BASE:FRONT	U006_S005	75
D1172724	GUIDE:BASE:REAR	U006_S005	76
D1172725	COMPRESSION SPRING:PAPER FEED:MANUAL FEED	U006_S005	77
D1172732	HOLDER:PAPER END SENSOR:MANUAL FEED	U006_S005	78
D1172733	FEELER:PAPER END SENSOR:MANUAL FEED	U006_S005	79
D1172734	TORSION SPRING:PAPER END SENSOR:MANUAL FEED	U006_S005	80
D1172735	SUPPORTING PLATE:MANUAL FEED	U006_S005	81
D1172740	SHAFT:CAM:MANUAL FEED	U006_S005	82
D1172741	CAM:MANUAL FEED:FRONT	U006_S005	83
D1172742	CAM:MANUAL FEED:REAR	U006_S005	84
D1172743	GEAR:CAM:MANUAL FEED	U006_S005	85
D1172744	GEAR:CAM:IDLER:LOWER	U006_S005	86
D1172745	GEAR:CAM:IDLER:STEPPED	U006_S005	87
D1172746	GEAR:CAM:IDLER:UPPER	U006_S005	88
D1172747	FEELER:CAM:MANUAL FEED	U006_S005	89
D1172751	BRACKET:MANUAL FEED:FRONT	U006_S005	90
D1172752	SPRING PLATE:HOME POSITION SENSOR:MANUAL FEED	U006_S005	91
D1172756	FEELER:PAPER SIZE SENSOR:MANUAL FEED	U006_S005	92
D1172760	SUPPORTING PLATE:SMALL:MANUAL FEED	U006_S005	93
D1172761	LINK:MANUAL FEED TABLE	U014_S001	54
D1172768	GEAR:SIDE FENCE	U014_S001_S001	55
D1172769	RACK:MANUAL FEED	U014_S001_S001	56

Number	Part Name	Group	ID
D1172772	COMPRESSION SPRING:EXTENSION TRAY:MANUAL FEED	U014_S001_S001	57
D1172776	TORSION SPRING:COVER:MANUAL FEED TABLE	U014_S001_S001	58
D1172778	COMPRESSION SPRING:RACK:MANUAL FEED	U014_S001_S001	59
D1172779	PIN:PINION GEAR	U014_S001_S001	60
D1172781	COIL SPRING:PINION GEAR:MANUAL FEED	U014_S001_S001	61
D1172784	LINK:COVER:FRONT REAR	U014_S001_S001	62
D1172785	LINK:COVER:MIDDLE	U014_S001_S001	63
D1172787	STOPPER:MANUAL FEED TABLE	U014_S001	64
D1172877	DECAL:PAPER TRAY:SIZE INDICATION	U020	8
D1173354	COLLAR:TONER SUPPLY:HOUSING	U008	16
D1173394	GROUND PLATE:RAIL:BASE	U008	17
D1173395	GROUND PLATE:RAIL:BASE:MAIN	U008	18
D1173401	COLLAR:DRIVE:BRACKET	U008_S005	19
		U008_S006	19
		U008_S007	19
		U008_S008	19
D1173404	SHAFT:DRIVE:AGITATOR	U008_S005	20
		U008_S006	20
		U008_S007	20
		U008_S008	20
D1173405	COMPRESSION SPRING:GEAR:TONER BOTTLE	U008_S005	21
		U008_S006	21
		U008_S007	21
		U008_S008	21
D1173410	DECAL:COLORED DISPLAY:INNER COVER:K	U017	24
D1173411	DECAL:COLORED DISPLAY:INNER COVER:C	U017	25
D1173412	DECAL:COLORED DISPLAY:INNER COVER:M	U017	26
D1173413	DECAL:COLORED DISPLAY:INNER COVER:Y	U017	27

## Exclusive Parts

Number	Part Name	Group	ID
D1174153	LEVER:PRESSURE RELEASE:FRO NT:ASS'Y	U012_S001	35
D1174155	LEVER:PRESSURE:FRONT	U012_S001	36
D1174163	LEVER:PRESSURE RELEASE:REA R:ASS'Y	U012_S001	37
D1174165	LEVER:PRESSURE:REAR	U012_S001	38
D1174235	GUIDE PLATE:FUSING EXIT	U012_S001	39
D1174236	SHEET:C:LEVER	U012_S001	40
D1174238	GUIDE:FUSING EXIT:ETFE	U012_S001	41
D1174241	FUSING ENTRANCE GUIDE PLATE	U012_S001	42
D1174332	BRACKET:THERMOPILE	U012	43
D1174451	GUIDE PLATE:EXIT:LOWER	U013_S001	18
D1174452	GATE PAWL:REVERSE	U013_S001	19
D1174454	EXIT ROLLER	U013_S001	20
D1174455	GEAR:EXIT	U013_S001	21
D1174457	BRACKET:ROLLER:EXIT	U013_S001	22
D1174465	COLLAR:GEAR:EXIT	U013_S001	23
D1174483	LEVER:GATE PAWL:EXIT	U013_S001	24
D1174484	LINK:GATE PAWL:EXIT	U013_S001	25
D1174489	DISCHARGE BRUSH:EXIT	U013_S001	26
D1174492	ROLLER:EXIT	U013_S001	27
D1174498	STOPPER:END FENCE:EXIT	U001	37
D1174499	COMPRESSION SPRING:END FEN CE:EXIT	U001	38
D1174501	PIN:HOOK:FRAME:DUPLEX:ASS'Y	U014	65
D1174514	SHAFT:STOPPER:COVER:RIGHT	U014_S001	66
D1174515	GROUND WIRE:DUPLEX	U014_S001	67
D1174602	BAND:STOPPER:COVER:RIGHT	U014	68
D1174607	PLATE:BAND:STOPPER	U014	69
D1174608	LEVER:FUSING:RELEASE:FRONT	U014_S001	70
D1174609	LEVER:FUSING:RELEASE:INNER B ACK	U014_S001	71
D1174611	SHAFT:HINGE:DUPLEX	U014_S001	72
D1174614	COVER:HARNASS:DUPLEX	U014_S001	73
D1174615	SPRING PLATE:EARTH:DUPLEX	U014_S001	74
D1174616	TENSION SPRING:STOPPER:DOO R:RIGHT:FRONT	U014_S001	75
D1174617	COLLAR:STOPPER:COVER:RIGHT	U014_S001	76

Number	Part Name	Group	ID
D1174651	GEAR:TRANSPORT ROLLER:DUPL EX:Z14	U014_S001	77
D1174664	SHAFT:PULLEY:COUPLING:FRAM E:ASS'Y	U014_S001	78
D1174671	TRANSPORT ROLLER:DUPLEX	U014_S001	79
D1174676	SHAFT:ROLLER:DRIVEN:DUPLEX	U014_S001	80
D1174677	ROLLER:DRIVEN:DUPLEX	U014_S001	81
D1174678	PULLEY:IDLER	U014_S001	82
D1174679	PULLEY:DRIVE ROLLER	U014_S001	83
D1174682	SHAFT:HOOK:STOPPER	U014_S001	84
D1174690	GUIDE PLATE:REVERSE:ENTRAN CE:LOWER	U014_S001	85
D1174693	GUIDE PLATE:REVERSE:EXIT:UPP ER	U014_S001	86
D1174697	GUIDE PLATE:MIDDLE	U014_S001	87
D1174698	GUIDE PLATE:REVERSE:ENTRAN CE:UPPER	U014_S001	88
D1174699	SHAFT:GUIDE PLATE:REVERSE:E NTRANCE:UPPER	U014_S001	89
D1174702	COMPRESSION SPRING:GUIDE PL ATE:REVERSE:ENTRANCE	U014_S001	90
D1174705	BRACKET:GEAR:SWIVEL:ASS'Y	U014_S001	91
D1174706	GEAR:IDLER:SWIVEL:COUPLING	U014_S001	92
D1174708	TENSION SPRING:GEAR:SWING U NIT	U014_S001	93
D1174709	COMPRESSION SPRING:ROLLER: DRIVEN:DUPLEX	U014_S001	94
D1174712	HOLDER:BELT:COUPLING	U014_S001	95
D1174713	SHAFT:PULLEY:WIRE	U014	96
D1174714	BAND:HOOK:DUPLEX:COUPLING	U014_S001	97
D1174716	TORSION SPRING:FEELER:ENTRA NCE SENSOR	U014_S001	98
D1174718	SHEET:COVER:RIGHT FRONT	U014_S001	99
D1174719	TUBE:STOPPER	U014_S001	100
D1174720	SHAFT:PULLEY:IDLER:COUPLING: ASS'Y	U014_S001	101
D1174724	GEAR:IDLER:TIMING PULLEY:DUP LEX	U014_S001	102

## Exclusive Parts

Number	Part Name	Group	ID
D1174727	COVER:CONNECTOR:DUPLEX SE CTION:CONNECTING	U014	103
D1174731	PULLEY:WIRE:DAMPER	U014	104
D1174732	TORSION SPRING:DOOR:RIGHT:S TOPPER	U014	105
D1174733	COLLAR:STOPPER:SIDE PLATE	U014	106
D1174734	BRACKET:STOPPER:SIDE PLATE: ASS'Y	U014	107
D1174737	WIRE:STOPPER:DIA1.2:ASS'Y	U014_S001	108
D1174792	PLATE:MANUAL FEED:FRONT	U014_S001	109
D1174794	PLATE:MANUAL FEED:INNER BAC K	U014_S001	110
D1175097	(EU/AA/CHN):HEATER:ASS'Y	U018	4
D1175303	THERMISTOR:(TH5)	U016	40
D1175867	GUIDE:HARNESS:POWER SUPPLY UNIT	U016	41
D1175869	WIRE:HIGH VOLTAGE:TRANSFER: BK	U016	42
D1175870	WIRE:HIGH VOLTAGE:TRANSFER: C	U016	43
D1175871	WIRE:HIGH VOLTAGE:TRANSFER: M	U016	44
D1175872	WIRE:HIGH VOLTAGE:TRANSFER: Y	U016	45
D1175874	WIRE:HIGH VOLTAGE:DEVELOPM ENT:BK	U016	46
D1175875	WIRE:HIGH VOLTAGE:DEVELOPM ENT:C	U016	47
D1175876	WIRE:HIGH VOLTAGE:DEVELOPM ENT:M	U016	48
D1175877	WIRE:HIGH VOLTAGE:DEVELOPM ENT:Y	U016	49
D1175878	WIRE:HIGH VOLTAGE:CHARGE:BK	U016	50
D1175879	WIRE:HIGH VOLTAGE:CHARGE:C	U016	51
D1175880	WIRE:HIGH VOLTAGE:CHARGE:M	U016	52
D1175881	WIRE:HIGH VOLTAGE:CHARGE:Y	U016	53
D1175882	WIRE:HIGH VOLTAGE:DEVELOPM ENT:BK:CONNECTING	U016	54

Number	Part Name	Group	ID
D1175883	WIRE:HIGH VOLTAGE:DEVELOPM ENT:C:CONNECTING	U016	55
D1175886	DUCT:POWER SUPPLY UNIT:ENT RANCE	U016	56
D1175887	DUCT:POWER SUPPLY UNIT:EXH AUST	U016	57
D1175892	BRACKET:SWIVEL:SAFETY SWITC H	U016	58
D1175893	LEVER:RIGHT:SAFETY SWITCH	U016	59
D1175894	LEVER:FRONT:SAFETY SWITCH	U016	60
D1175895	TORSION SPRING:SAFETY SWITC H	U016	61
D1175899	TERMINAL:CHARGE	U016	62
D1175901	TORSION SPRING:LEVER:RIGHT:S AFETY SWITCH	U016	63
D1175902	COLLAR:SHAFT:SAFETY SWITCH	U016	64
D1175904	BRACKET:DRAWER:FUSING	U016	65
D1175905	GUIDE:WIRE:HIGH VOLTAGE:TRA NSFER:SECOND	U016	66
D1175908	BRACKET:DRAWER:OPTION TRAY	U016	67
D1175915	GUIDE:WIRE:HIGH VOLTAGE:CHA RGE	U016	68
D1175916	STEPPED SCREW:M3X8:SECOND KIND	U016	69
D1175924	STOPPER:WIRE:HIGH VOLTAGE:T RANSFER	U016	70
D1175927	ACTUATOR:FRONT:SAFETY SWIT CH	U001	39
D1175945	SPACER:FFC	U016	71
D1176135	CAM:ON-OFF:BK	U009	32
D1176136	SHAFT:CAM:ON-OFF:BK	U009	33
D1176137	LEVER:ON-OFF:BK:INTERMEDIAT E TRANSFER	U009	34
D1176138	PRESSURE PLATE:INTERMEDIAT E TRANSFER	U009	35
D1176181	LEVER:SUPPORT:SHUTTER	U009	36
D1176185	LEVER:OPEN AND CLOSE:SHUTT ER	U009	37



## Exclusive Parts

Number	Part Name	Group	ID
D1176312	HOLDER:DISCHARGE:TRANSPORT SUB-UNIT	U014_S001	111
D1176320	TERMINAL:BIAS:SEPARATION	U014_S001	112
D1176322	COVER:PRESSURE PLATE:ENTRANCE	U014_S001	113
D1176327	LEVER:GROUND PLATE	U014_S001	114
D1176363	GEAR:ON-OFF:FIRST	U009	38
D1176364	GEAR:ON-OFF:FIRST:NO.1	U009	39
D1176365	GEAR:ON-OFF:FIRST:NO.2	U009	40
D1176366	GEAR:ON-OFF:FIRST:NO.3	U009	41
D1176375	BRACKET:FEELER:ON-OFF	U009	42
D1176376	FEELER:ON-OFF:FIRST	U009	43
D1176386	HOOK:SHUTTER:DENSITY SENSOR	U009	44
D1176389	SPACER:SHUTTER:TM SENSOR	U009	45
D1176392	SPACER:SHUTTER:SENSOR:TM	U009	46
D1176588	BRACKET:COLLECTION BOTTLE:LEFT	U011	12
D1441085	STEPPED SCREW:M3	U009	47
		U012_S001	44
D1492773	PULLEY:PICKUP:MECHANICAL ROLLER CLUTCH	U006_S002	94
D1492774	PULLEY:IDLER:PICKUP	U006_S002	95
D1492777	COIL SPRING:PRESSURE:PICKUP	U006_S002	96
D1492780	GROUND WIRE:SENSOR:PAPER FEED	U006_S002	97
D1492784	BRACKET:SENSOR:PAPER FEED	U006_S002	98
D1492812	ROLLER:PAPER TRAY:DIA19	U006_S001	99
D1492813	PIN:STRETCH:TRAY	U006_S001	100
D1492818	LEVER:RISE	U006_S001	101
D1492824	LEVER:STOPPER:FRONT	U006_S001	102
D1492826	COMPRESSION SPRING:SIDE FENCE:PLATE:FRONT	U006_S001	103
D1492827	COMPRESSION SPRING:SIDE FENCE:POSITIONING	U006_S001	104
D1492836	GEAR:Z20	U006_S001	105
D1492842	LEVER:END FENCE	U006_S001_S001	106
D1492843	CLICK:END FENCE	U006_S001_S001	107

Number	Part Name	Group	ID
D1492845	COMPRESSION SPRING:END FENCE:LEVER:5N	U006_S001_S001	108
D1961036	SEAL:COVER:LEFT	U017	28
D1961066	LEVER:LOCK:FRONT	U017	29
D1961127	DUCT:LEFT:VACUUM	U017	30
D1961128	COVER:DUCT:LEFT:VACUUM	U017	31
D1961143	DUCT:REAR:BASE	U017	32
D1961323	DEODORIZE FILTER	U001	40
D1962626	GROUND PLATE:BRACKET:REMOVE PAPER DUST	U006	109
D1962791	GROUND PLATE:TRAY BOTTOM PLATE:MANUAL FEED:FRONT	U006_S005	110
D1962794	HOLDER:RESISTOR:MANUAL FEED:BASE	U006_S005	111
D1962798	INSULATING SHEET:BASE:MANUAL FEED	U006_S005	112
D1964084	FUSING COVER:LOWER:ASS'Y	U012_S001	45
D1964124	BRACKET:THERMISTOR:PRESSURE:FRONT	U012_S001	46
D1964125	DISCHARGE BRUSH:BRACKET:THERMISTOR:PRESSURE:REAR	U012_S001	47
D1964126	BRACKET:RESISTOR	U012_S001	48
D1964127	RESISTOR:FUSING SUB-UNIT	U012_S001	49
D1964460	SHAFT:DRIVEN:EXIT	U013_S001	28
D1964461	ROLLER:DRIVEN:EXIT:MIDDLE	U013_S001	29
D1964462	ROLLER:DRIVEN:EXIT:OUTER	U013_S001	30
D1964600	COMPRESSION SPRING:9N	U014	115
D1964601	CAP:COIL SPRING	U014	116
D1964612	BASE:HINGE:REAR	U014_S001	117
D1964613	BASE:HINGE:FRONT	U014_S001	118
D1964700	FEELER:ENTRANCE SENSOR:REVERSE:DUPLX	U014_S001	119
D1964717	COVER:ENTRANCE SENSOR	U014_S001	120
D1964723	SPONGE:DOOR:RIGHT:UPPER	U014_S001	121
D1965873	WIRE:HIGH VOLTAGE:TRANSFER:SECOND	U016	72
D1965961	GUIDE:WIRE:HIGH VOLTAGE:TRANSFER:CONNECTING	U016	73

## Exclusive Parts

Number	Part Name	Group	ID
D1965967	TERMINAL:HIGH VOLTAGE:TRANSFER:SECOND	U016	74
D1966315	CASING:TRANSFER ROLLER:FRONT	U014_S001	122
D1966316	CASING:TRANSFER ROLLER:REAR	U014_S001	123
D1966317	STAY:CASING:TRANSFER ROLLER	U014_S001	124
D1966318	PRESSURE PLATE:HOLDER:TRANSFER ROLLER:REAR	U014_S001	125
D1966319	STOPPER:PRESSURE:TRANSFER ROLLER	U014_S001	126
D1966321	TERMINAL:BIAS:TRANSFER:SECOND:CASE	U014_S001	127
D1966323	PLATE:STAY:TRANSFER/SEPARATION UNIT	U014_S001	128
D1966328	TERMINAL:BIAS:TRANSFER ROLLER	U014_S001	129
D1966334	COMPRESSION SPRING:EARTH:STAY:TRANSFER/SEPARATION UNIT	U014_S001	130
D1966356	BRACKET:DRIVE:ON-OFF:ASS'Y	U009	48
D1966362	COVER:BRACKET:DRIVE:ON-OFF	U009	49
D1966398	SHEET:DENSITY SENSOR:SIDE	U013	31
D1966585	BRACKET:COLLECTION BOTTLE:RIGHT:PRESS FIT	U011	13
D2021093	COVER:GRIP	U017	33
D2021143	JOINT:DRIVE	U015	47
D2022791	GUIDE:FEED	U006_S002	113
D2412792	TORQUE LIMITER MECHANICAL CLUTCH:40MMN:DIA18	U006_S002	114
D2412906	LEVER:STRETCH:PAPER TRAY:ASS'Y	U006_S004	115
D2951554	MIKE:PVM-6018-C402G-7ZZ4	U002_S001_S001	36
D2961358	GROUND PLATE:UPPER	U001	41
D2961756	GROUND PLATE:GUIDE ROD:RAIL	U004	33
D2961757	GROUND PLATE:BRACKET:CONNECTOR:SPDF	U004	34

Number	Part Name	Group	ID
D2961759	GROUND PLATE:ON OFF DETECTOR:SPDF	U004	35
D2961841	GUARD	U003_S001	70
D2962642	HOLDER:RESISTOR:REGISTRATION	U006	116
D2963403	GEAR:IDLER:TONER BOTTLE	U008_S005	22
		U008_S006	22
		U008_S007	22
		U008_S008	22
D2964451	BRACKET:GEAR:NO.1:PAPER EXIT UNIT	U013_S001	32
D2964460	SHAFT:MAGNETIC CLUTCH:NO.1:P EXIT UNIT	U013_S001	33
D2964461	SHAFT:MAGNETIC CLUTCH:NO.2:P EXIT UNIT	U013_S001	34
D2964462	GEAR:DRIVE:Z22:PAPER EXIT UNIT	U013	35
D2964463	GEAR:DRIVE:Z28:PAPER EXIT UNIT	U013_S001	36
D2964464	GEAR:DRIVE:Z30:PAPER EXIT UNIT	U013_S001	37
D2964465	GEAR:IDLER:Z15:PAPER EXIT UNIT	U013_S001	38
D2964466	GEAR:IDLER:Z18:PAPER EXIT UNIT	U013_S001	39
D2964467	GEAR:IDLER:Z22:PAPER EXIT UNIT	U013_S001	40
D2964468	GEAR:IDLER:Z20+Z20:PAPER EXIT UNIT	U013_S001	41
D2964470	COVER:DRIVE SUB-UNIT:PAPER EXIT UNIT	U013_S001	42
D2964471	PLAIN SHAFT BEARING:GATE PAWL:P EXIT UNIT	U013_S001	43
D2964473	ELECTROMAGNETIC CLUTCH:EXIT:PE UNIT:(CL3)	U013_S001	44
D2964474	ELECTROMAGNETIC CLUTCH:REVERSE:PE UNIT:(CL2)	U013_S001	45
D2964475	COVER:PAPER EXIT UNIT	U013_S001	46

## Exclusive Parts

Number	Part Name	Group	ID
D2964476	SHAFT:COUPLING:EXIT	U013	47
D2965300	PCB:DFRB3-MF:(PCB13)	U003_S001	71
D2965853	BRACKET:INTERFACE:JX2L	U016	75
D2975418	PCB:DCSW:(SW1)	U016	76
D3B61503	PICKUP ROLLER	U003_S001_S001	72
D3B61504	SHAFT:PICKUP	U003_S001_S001	73
D3B61505	HOLDER:PICKUP ROLLER	U003_S001_S001	74
D3B61506	GEAR:PICKUP	U003_S001_S001	75
D3B61507	COLLAR:PICKUP	U003_S001_S001	76
D3B62008	PAD:PICKUP	U003_S001	77
D3DJ1113	SEAL:FRONT:SCANNING	U003_S001	78
D3DJ1114	TAPE:PRESSURE PLATE	U003_S001	79
D3DJ1131	HOLDER:DFRB	U003_S001	80
D3DJ1142	HOLDER:GUIDE:HARNESS:CONTACT POINT	U003_S001	81
D3DJ1144	SHEET:CUSHION:FLAT CABLE	U003_S001	82
D3DJ1145	SPACER:HOLDER:HARNESS	U003_S001	83
D3DJ1146	SHEET:HOLDER:FLAT CABLE	U003_S001	84
D3DJ1151	GUIDE PLATE:EXIT	U003_S001	85
D3DJ1152	DISCHARGE BRUSH:EXIT:SUS	U003_S001	86
D3DJ1160	SHEET:EXIT:ASS'Y	U003_S001	87
D3DJ1240	HOLDER:FERRITE CORE	U003_S001	88
D3DJ1410	GUIDE PLATE:SCANNING:FRONT LOWER	U003_S001	89
D3DJ1411	SHEET:SCANNING:FRONT LOWER	U003_S001	90
D3DJ1413	LEVER:DRIVEN:SCANNING	U003_S001	91
D3DJ1414	ROLLER:ENTRANCE	U003_S001	92
D3DJ1416	COMPRESSION SPRING:SCANNING:DRIVEN	U003_S001	93
D3DJ1417	SPRING PLATE:DISCHARGE:SCANNING	U003_S001	94
D3DJ1606	GUIDE:REFLECTANCE TARGETS PLATE:BEHIND:ASS'Y	U003_S001	95
D3DJ1622	SHAFT:SCANNING:EXIT:DRIVEN	U003_S001	96
D3DJ1623	ROLLER:EXIT	U003_S001	97
D3DJ1626	SHEET:GUIDE:TRANSPORT:EXIT:LOWER	U003_S001	98
D3DJ1631	GUIDE:EXIT:LOWER	U003_S001	99

Number	Part Name	Group	ID
D3DJ1634	SHAFT:EXIT:DRIVEN	U003_S001	100
D3DJ1639	SHEET:TRAY	U003_S001	101
D3DJ1653	PLAIN SHAFT BEARING:GUIDE:BEHIND:FRONT	U003_S001	102
D3DJ1654	PLAIN SHAFT BEARING:GUIDE:BEHIND:IN/BACK	U003_S001	103
D3DJ1662	CAM:MOVE:REFLECTANCE TARGETS PLATE:BEHIND	U003_S001	104
D3DJ1664	SHAFT:CAM:PRESS FIT	U003_S001	105
D3DJ1672	LEVER:GUIDE PLATE:LOWER:OPEN/CLOSE	U003_S001	106
D3DJ1673	PAWL:GUIDE PLATE:LOWER:OPEN/CLOSE	U003_S001	107
D3DJ1674	SHAFT:LEVER:GUIDE PLATE:LOWER:OPEN/CLOSE	U003_S001	108
D3DJ1676	TORSION SPRING:GUIDE PLATE:LOWER:OPEN/CLOSE	U003_S001	109
D3DJ1681	PIN:GUIDE PLATE	U003_S001	110
D3DJ1710	OPTICAL READING MEDIUM:BEHIND:ASS'Y:(S21)	U003_S001	111
D3DJ1810	BRACKET:SENSOR:FRONT	U003_S001	112
D3DJ1814	HOLDER:FRICTION PAD:COIL SPRING:FIX	U003_S001	113
D3DJ1815	COMPRESSION SPRING:SEPARATION	U003_S001	114
D3DJ1833	COVER:PAPER FEED:MIDDLE	U003_S001	115
D3DJ2101	SHAFT:PAPER FEED UNIT:ASS'Y	U003_S001_S001	116
D3DJ2111	FEED ROLLER	U003_S001_S001	117
D3DJ2116	GEAR:FEED	U003_S001_S001	118
D3DJ2120	PAPER STOPPER	U003_S001_S001	119
D3DJ3119	CUSHION:SEPARATION	U003_S001	120
D3DJ3210	GUIDE PLATE:TRANSPORT	U003_S001	121
D3DJ3211	SPRING PLATE:GUIDE:EXPOSURE GLASS	U003_S001	122
D3DJ3213	BRACKET:REGISTRATION SENSOR	U003_S001	123
D3DJ3216	SPRING PLATE:DISCHARGE:EXPOSURE GLASS	U003_S001	124

## Exclusive Parts

Number	Part Name	Group	ID
D3DJ3410	TRANSPORT ROLLER:PULL OUT	U003_S001	125
D3DJ3510	TRANSPORT ROLLER:ENTRANCE	U003_S001	126
D3DJ3610	TRANSPORT ROLLER:EXIT	U003_S001	127
D3DJ3616	PLATE:T0.3	U003_S001	128
D3DJ3811	GUIDE PLATE:SCANNING:FACE FRONT	U003_S001	129
D3DJ3821	PIN:GUIDE PLATE	U003_S001	130
D3DJ3831	GUIDE:HARNESS:TRANSPORT:REAR	U003_S001	131
D3DJ3836	GUIDE:HARNESS:TRANSPORT:FRONT	U003_S001	132
D3DJ4110	POSITIONING PLATE:DRIVE:FRONT	U003_S001	133
D3DJ4111	SHAFT:COUPLING	U003_S001	134
D3DJ4112	GEAR:ROLLER:FEED	U003_S001	135
D3DJ4113	GEAR:IDLER:SEPARATION UNIT	U003_S001	136
D3DJ4114	GEAR:SLOW DOWN:FEED	U003_S001	137
D3DJ4115	GEAR:IDLER:LARGE	U003_S001	138
D3DJ4116	GEAR:IDLER:SMALL	U003_S001	139
D3DJ4119	GEAR:IDLER:SHADING	U003_S001	140
D3DJ4120	GEAR:ROLLER:DIA8	U003_S001	141
D3DJ4121	GEAR:ROLLER:DIA6	U003_S001	142
D3DJ4122	GEAR:IDLER:CLUTCH:UPPER POSITION	U003_S001	143
D3DJ4123	GEAR:IDLER:CLUTCH:LOWER	U003_S001	144
D3DJ4124	BUSHING:FEED	U003_S001	145
D3DJ4127	TORQUE LIMITER:PAPER FEED UNIT	U003_S001	146
D3DJ4128	SPACER:DIA8	U003_S001	147
D3DJ4129	GEAR:ROLLER:DIA8	U003_S001	148
D3DJ4130	GUIDE PLATE:RADIAL BALL BEARING	U003_S001	149
D3DJ4132	GUIDE PLATE:BALL BEARING:PULL OUT	U003_S001	150
D3DJ4134	PULLEY:SLOW DOWN:MOTOR:Z55:ST1.5	U003_S001	151
D3DJ4135	PULLEY:SLOW DOWN:MIDDLE	U003_S001	152
D3DJ4136	FLANGE:SLIDER	U003_S001	153

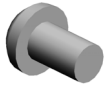
Number	Part Name	Group	ID
D3DJ4210	BRACKET:HARNESS	U003_S001	154
D3DJ4312	POSITIONING PLATE:DRIVE:MIDDLE	U003_S001	155
D3DJ4315	POSITIONING PLATE:DRIVE:REAR	U003_S001	156
D3DJ4316	POSITIONING PLATE:DRIVE:SHADING	U003_S001	157
D3DJ4322	BELT TENSIONER	U003_S001	158
D3DJ4323	PULLEY:IDLER:DIA10	U003_S001	159
D3DJ4326	TENSION SPRING:TENSION:MIDDLE	U003_S001	160
D3DJ4327	HEXAGON HEAD BOLT:M3X6	U003_S001	161
D3DJ4328	TAPPING SCRIVER:HEXAGON HEAD BOLT:TYPE 2:3X10	U003_S001	162
D3DJ4332	SYNCHRONOUS BELT:149ST1.5-4.0	U003_S001	163
D3DJ4335	TENSION SPRING:TENSION:MOTOR	U003_S001	164
D3DJ4344	SYNCHRONOUS BELT:252ST1.5-4.0	U003_S001	165
D3DJ4360	DC MOTOR:10W:28T:BRUSHLESS:(M8)	U003_S001	166
D3DJ4512	SHAFT:LEVER:COVER:PAPER FEED	U003_S001	167
D3DJ4515	TORSION SPRING:COVER:PF:INNER BACK	U003_S001	168
D3DJ4518	COMPRESSION SPRING:DRIVER:PULL OUT	U003_S001	169
D3DJ4519	FEELER:ORIGINAL SENSOR	U003_S001	170
D3DJ4520	SEAL:COVER:PAPER FEED	U003_S001	171
D3DJ4523	SPACER:COVER:PAPER FEED:MIDDLE	U003_S001	172
D3DJ4525	ROLLER:PULL OUT	U003_S001	173
D3DJ4527	CUSHION:FEELER:FEED:REAR	U003_S001 U003_S001_S002	174 174
D3DJ4530	FEELER:FEED:REAR:ASS'Y	U003_S001_S002	175
D3DJ4622	SHEET:ORIGINAL TABLE	U003_S001	176
D3DJ4811	STOPPER:ORIGINAL TABLE	U003_S001	177
D5433635	GEAR:ROLLER:SCANNING:BEHIND	U003_S001	178

## Exclusive Parts

Number	Part Name	Group	ID
	D		
D6060028	SCREW:HINGE	U003	179
D6062115	TORQUE LIMITER MECHANICAL CLUTCH:FEED	U003_S001_S001	180
D6062117	GEAR:IDLER:FEED	U003_S001_S001	181
D6062119	ARM:PAPER STOPPER	U003_S001_S001	182
D6062121	LINK:PAPER STOPPER	U003_S001_S001	183
D6063112	FRICTION PAD	U003_S001	184
D6063116	LEVER:PRESSURE RELEASE:SEPARATION	U003_S001	185
D6063117	TENSION SPRING:PRESSURE RELEASE:SEPARATION:4.5N	U003_S001	186
D6063118	SHEET:SEPARATION	U003_S001	187
D6064124	COLLAR:REVERSE	U003_S001	188
D6064516	SHAFT:ROLLER:PULL OUT	U003_S001	189
D6064614	GEAR:SIDE FENCE	U003_S001	190
D6064615	PIN:SIDE FENCE	U003_S001	191
D6064616	DISC:SIDE FENCE	U003_S001	192
E0A01549	CUSHION:MIKE	U002_S001_S001	37
G0205626	PUSH SWITCH:(S34)	U006	117
G1634453	GUIDE PLATE:REVERSE:UPPER	U013_S001	48
G1634459	STOPPER:EXIT:EXIT	U013_S001	49
G1634461	SPRING:PRESSURE:EXIT:OUTER	U013_S001	50
G1634465	ROLLER:DRIVEN:DUPLEX:INNER	U013_S001	51
G1634467	ROLLER:DRIVEN:DUPLEX	U013_S001	52
G1634468	SPRING:PRESSURE:EXIT:INNER	U013_S001	53
G1634469	SPRING:PRESSURE:DUPLEX	U013_S001	54
G1666057	PLAIN SHAFT BEARING:ROLLER:BLADE	U009	50
G5553069	BASEPAD	U006_S005	118
GA082010	BUSHING:DIA6:DIA10:9	U014_S001	131
GA082015	PLAIN SHAFT BEARING:DIA6:DIA9:7	U014_S001	132
GB013090	GEAR:PRESSURE ROLLER:Z29	U012_S001	50
GB013092	GEAR:IDLER:PRESSURE:Z17	U012_S001	51
GW010007	PHOTO REFLECTION SENSOR:EXIT:(S7/S31/S32)	U006 U006_S002 U013_S001	119 119 55

Number	Part Name	Group	ID
GW010009	DENSITY SENSOR:(S27/S28/S29)	U009	51
GX645734	FAN MOTOR:MM80 DC24V 3.12W:(FAN4)	U016	77
J5023127	BUSHING:STEPPER MOTOR	U003_S001	193
M0264371	NEW UNIT DETECT SENSOR	U012_S001	52
M0662743	FRICTION PAD:MANUAL FEED TABLE:18X7.5	U014_S001_S001	133
M0963989	RESISTOR:TRANSFER/SEPARATION	U006 U006_S005	120 120
M0A01754	TENSION SPRING:DOCUMENT FEEDER:ON OFF DETECTOR	U004	36
M0A01768	GROUND PLATE:LEFT FRONT:DOCUMENT FEEDER	U004	37
M0A01773	GROUND PLATE:BASE:FFC	U004	38
M0A01798	GROUND PLATE:SUPPORTER:BRACKET	U004	39
M0A05928	PCB:CNB	U004	40
M1875820	BUTTON:MAIN SWITCH	U001	42
M1875823	COIL SPRING:MAIN SWITCH	U001	43
M3642124	COMPRESSION SPRING:PAPER FEED UNIT	U003_S001_S001	194
M3644823	TAPE:PRESSURE PLATE	U003_S001	195
M4445201	HDD:320GB:AQUARIUS	U016	78
Note	See 2D parts catalog for the components of the Fax Option Type M41.	U016	79
VSSG9005	MOLYKOTE EM-50L	SPECIAL TOOLS	7
VSSG9006	MOLYKOTE(R) G-1077 GREASE 50G	SPECIAL TOOLS	8
VSSG9008	FLOIL-G348 GREASE 20G	SPECIAL TOOLS	9
VSST9003	C-5Y COLOR TEST CHART(2 SHEETS X 3/SET)	SPECIAL TOOLS	10

## Standard Parts



03125040N  
SCREW - M2.5X4



03520030N  
SCREW:M2X3



03530030N  
SCREW:M3X3



03530040N  
SCREW - M3X4



03530040P  
SCREW - M3X4



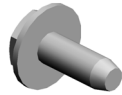
03530060N  
BIND SCREW - M3X6



03603006N  
SCREW - M3X6



03603010N  
SCREW:M3X10



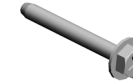
04503008N  
TAPPING SCREW - M3X8



04503010N  
TAPPING SCREW - M3X10



04503014N  
TAPPING SCREW:M3X14



04503025N  
TAPPING SCREW:3X25



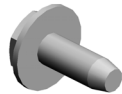
04503035N  
TAPPING SCREW:3X35



04504012N  
TAPPING SCREW:4X12



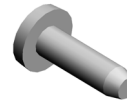
04513006N  
TAPPING SCREW - 3X6



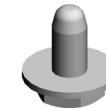
04513008N  
TAPPING SCREW - M3X8



04523008N  
TAPPING SCREW - M3X8



04523010N  
BINDING SELF-TAPPING SCREW:3X10



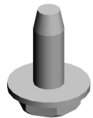
04543006Q  
TAPPING SCREW - M3X6



04543008N  
TAPPING SCREW:ROUND POINT:3X8



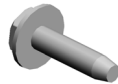
04543008Q  
TAPPING SCREW:3X8



04583008N  
HEXAGON HEAD TAPPING SCREW:3X8



04583010N  
HEXAGON HEAD TAPPING SCREW:3X10



04583012N  
HEXAGON HEAD TAPPING SCREW:3X12



04593008N  
BINDING HEAD TAPPING SCREW:3X8



04593010N  
BINDING HEAD TAPPING SCREW:3X10

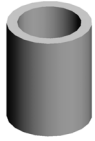


06320080G  
PARALLEL KEY - 2X8MM



06320140G  
PARALLEL PIN

## Standard Parts



07073050N  
BUSHING:DIA3X5



07200025E  
RETAINING RING - M2.5



07200030E  
RETAINING RING - M3



07200040E  
RETAINING RING - M4



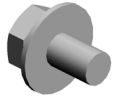
07200060E  
RETAINING RING - M6



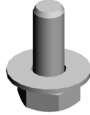
07270080E  
RETAINING RING - M8



07330406  
BUSHING - 4X6



08010231  
HEXAGONAL HEAD BOLT W/  
WASHER:M3X6



08046123  
HEXAGONAL BOLT:W/WASH  
ER:M3X8



08046128  
HEXAGONAL BOLT:DOUBLE  
SCREW:M3X10



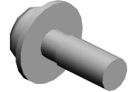
08050104  
RETAINING RINGS-E:SILENC  
ER:DIA4



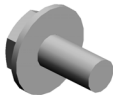
08053579  
BALL BEARING:DIA8XDIA16X  
5



09544008N  
SCREW - M4X8



09544012N  
SCREW:POLISHED ROUND/  
SPRING:M4X12



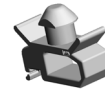
09573006N  
SCREW:SMALL ROUND/SPRI  
NG:M3X6



09573010N  
SCREW:SMALL ROUND/SPRI  
NG:M3X10



11050508  
HARNESS CLAMP - LWS-071  
1



11050511  
HARNESS CLAMP - LWS-030  
6ZC



11050516  
CLAMP



11050534  
CLAMP



11050542  
HARNESS CLAMP - MSBS-12  
07



11050545  
CLAMP:FCR-30



11050692  
CLAMP:LES-0503



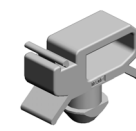
11050713  
CLAMP:LWSM-0306H GRAY



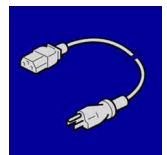
11050724  
CLAMPS:WES-1210



11050758  
CLAMP:LWSM-0306A



11050759  
CLAMP:LWSM-0605A



11500484  
(EU/AA):POWER SUPPLY CO  
DE:250V:10A

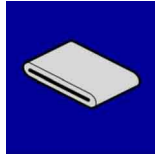
## Standard Parts



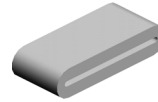
12042570  
ROCKER SWITCH:SDDJE132  
00



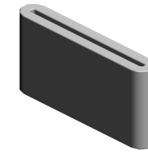
12042612  
MICRO SWITCH:D3V-16506-3  
C25



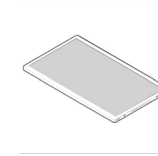
16072298  
FERRITE CORE:K3 FF 33.50X  
8.00X6.50X1.30



16072525  
FERRITE CORE:K3 FF 35.00X  
14.60X7.70X1.40



16072758  
FERRITE CORE



18310003  
LCD:TFT:WSVGA-10.1:LED:M  
V



## PM Part List

Number	Part Name	Num	Group	ID
AF030094	PAPER FEED ROLLER:PICK UP	1	U006_S002	28
AF031085	PAPER FEED ROLLER - FEED	1	U006_S002	29
AF031092	PAPER FEED ROLLER:MANUAL FEED	1	U006_S005	30
AF032101	PAPER FEED ROLLER:SEPARATE	1	U006_S002	31
D0CB0121	PCDU:BK:SERVICE PARTS	1	U007_S001	11
D0CB0122	PCDU:C:SERVICE PARTS	1	U007_S002	12
D0CB0123	PCDU:M:SERVICE PARTS	1	U007_S003	13
D0CB0124	PCDU:Y:SERVICE PARTS	1	U007_S004	14
D0CB4032	(EU/AA/CHN):FUSING UNIT:SERVICE PARTS	1	U012_S001	27
D0CB6002	TRANSFER UNIT:INTERMEDIATE TRANSFER:SERVICE:ASS'Y	1	U009_S001	23
D0CB6201	TRANSFER/SEPARATION UNIT:SECOND:ASS'Y	1	U010_S001	3
D0CB6401	COLLECTION BOTTLE:ASS'Y	1	U011_S001	11
D1172711	FRICTION PAD:MANUAL FEED:ADHESION	1	U006_S005	70
D3B61503	PICKUP ROLLER	1	U003_S001_S001	72
D3DJ2111	FEED ROLLER	1	U003_S001_S001	117
D6063112	FRICTION PAD	1	U003_S001	184

