

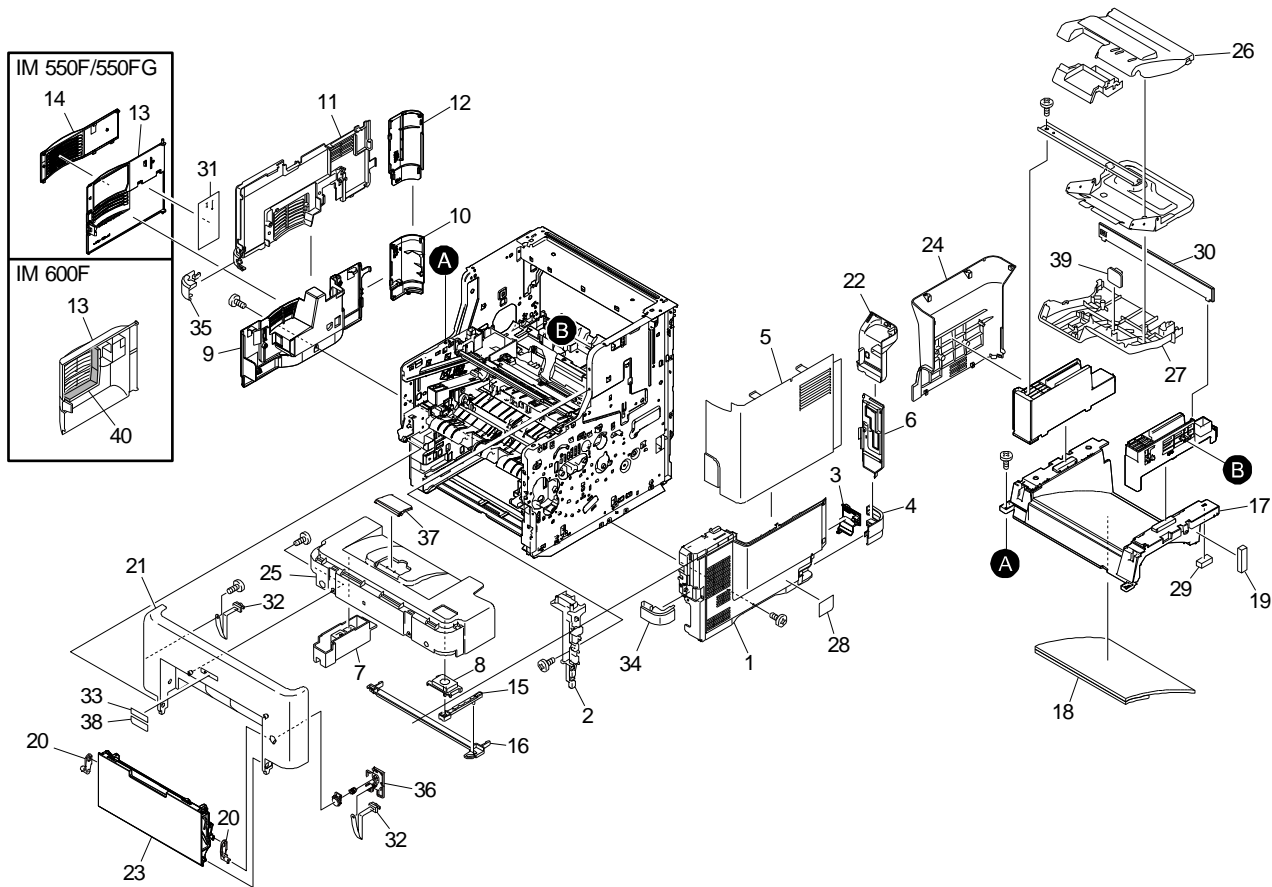
IM 550F/IM 550FG IM 600F/IM 600SRF/IM 600SRFG

PARTS CATALOG

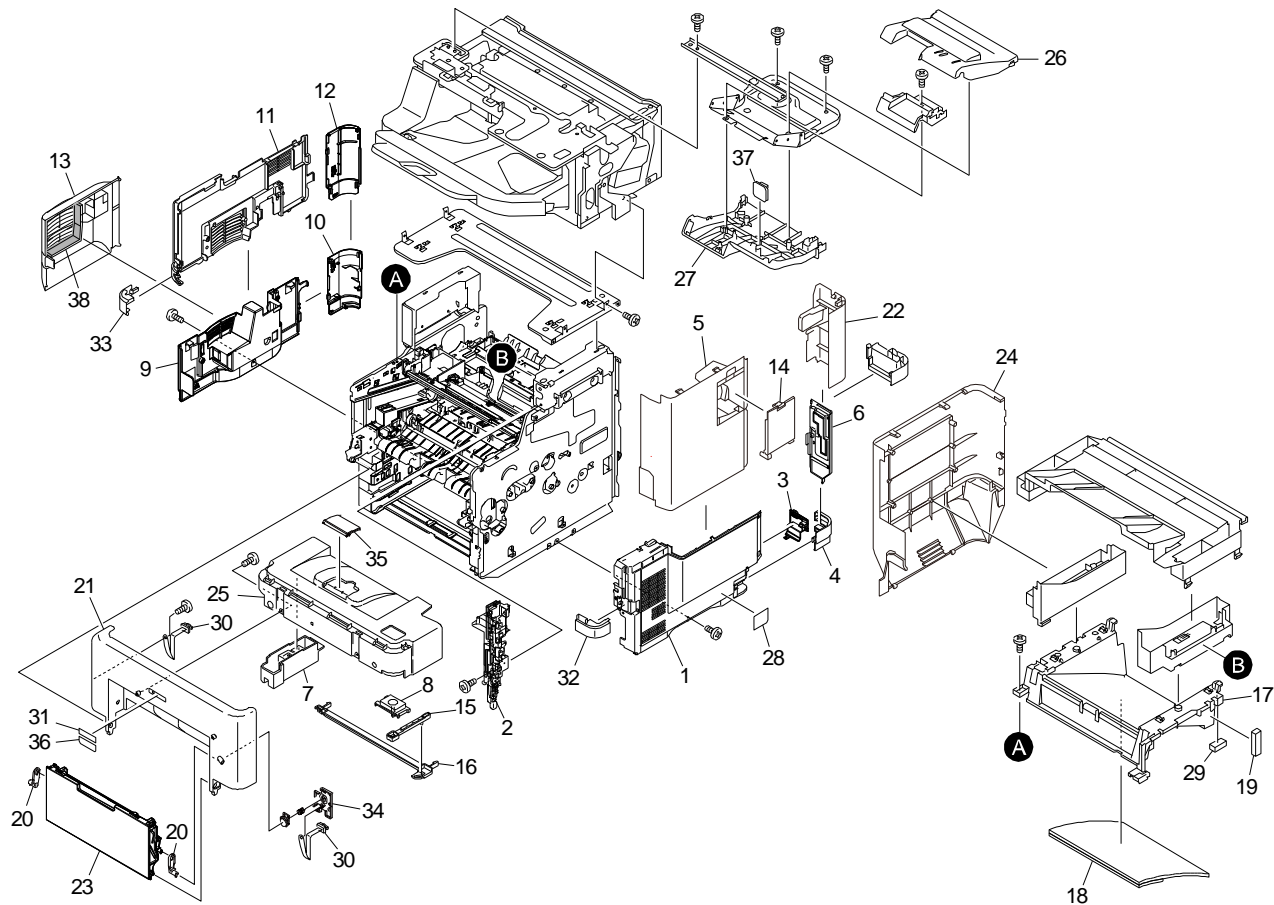
This catalog gives the numbers and names of parts on this machine.

1	Covers (IM 550F / IM 550FG / IM 600F)	2P	17	Finisher Section 4 (IM 600SRF)	34P
2	Covers (IM 600SRF / IM 600SRFG)	4P	18	Finisher Section 5 (IM 600SRF)	36P
3	Frames	6P	19	Finisher Section 6 (IM 600SRF)	28P
4	Paper Cassette	8P	20	Finisher Section 7 (IM 600SRF)	40P
5	Paper Feed Section	10P	21	Finisher Section 8 (IM 600SRF)	42P
6	Image Formation Section	12P	22	Finisher Section 9 (IM 600SRF)	44P
7	Developer Section	14P	23	DF ASSY SP	46P
8	Fuser Section	16P	24	DF Covers	48P
9	Exit Section	18P	25	DF Frames	50P
10	Scanner Section	20P	26	DF Table Assy	52P
11	Drive Section	22P	27	DF Paper Feed Section	54P
12	Operation Section 1	24P	28	DF Paper Conveying Section 1	56P
13	Operation Section 2	26P	29	DF Paper Conveying Section 2	58P
14	Finisher Section 1 (IM 600SRF)	28P	30	DF Drive Section	60P
15	Finisher Section 2 (IM 600SRF)	30P	31	Accessories/Special Tools	62P
16	Finisher Section 3 (IM 600SRF)	32P		Parts Index	64P

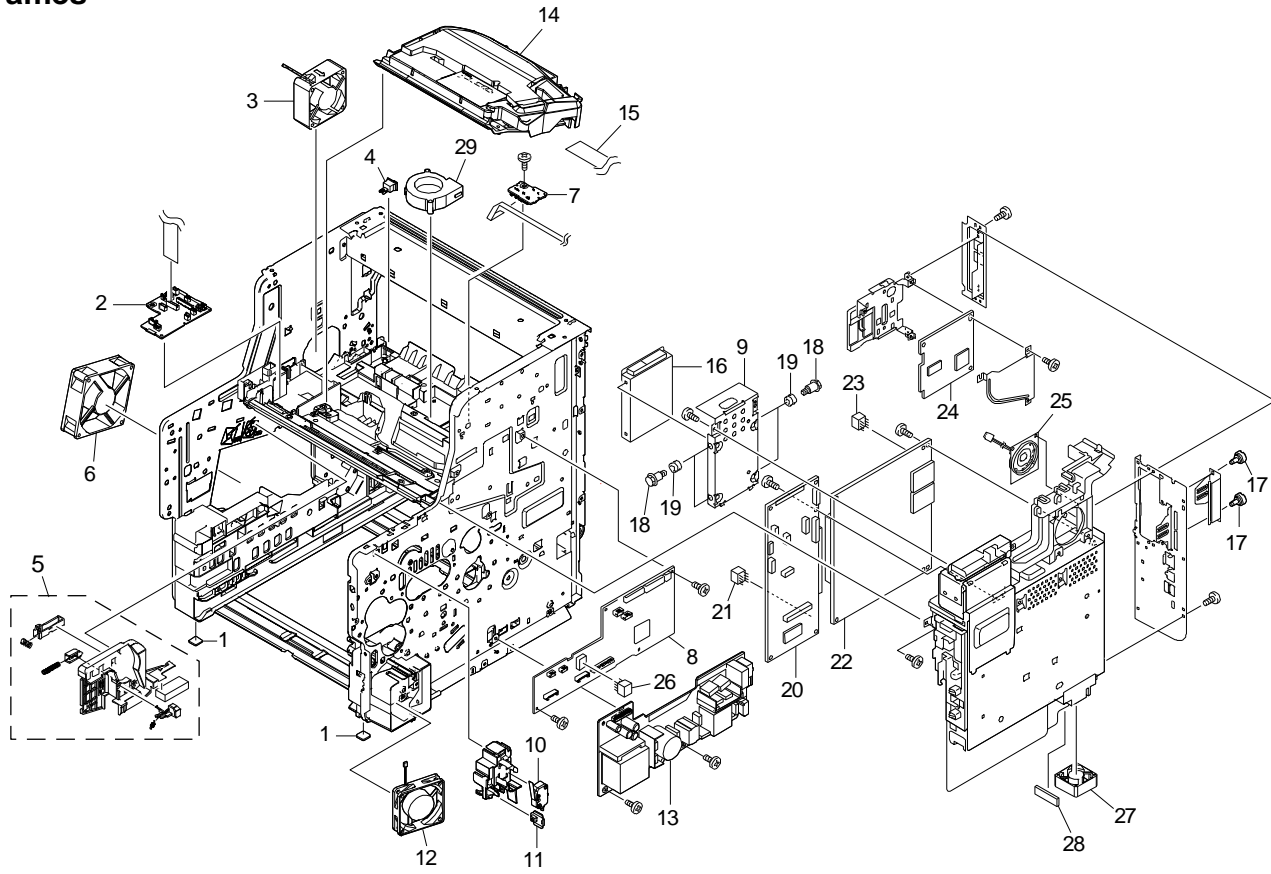
1. Covers (IM 550F / IM 550FG / IM 600F)



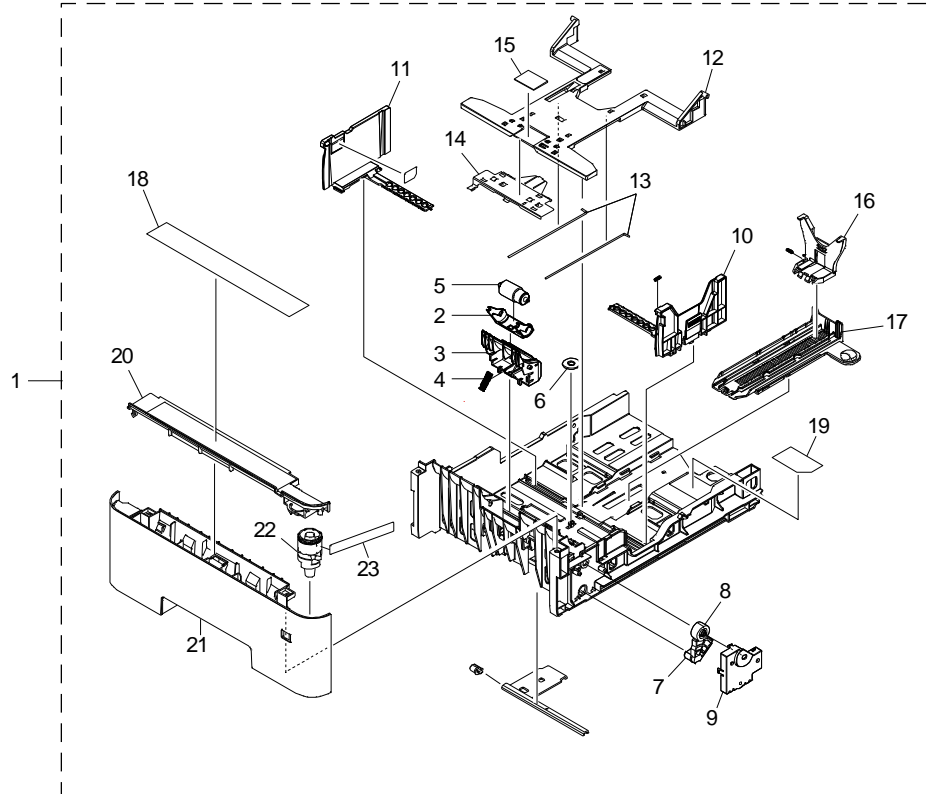
2. Covers (IM 600SRF / IM 600SRFG)



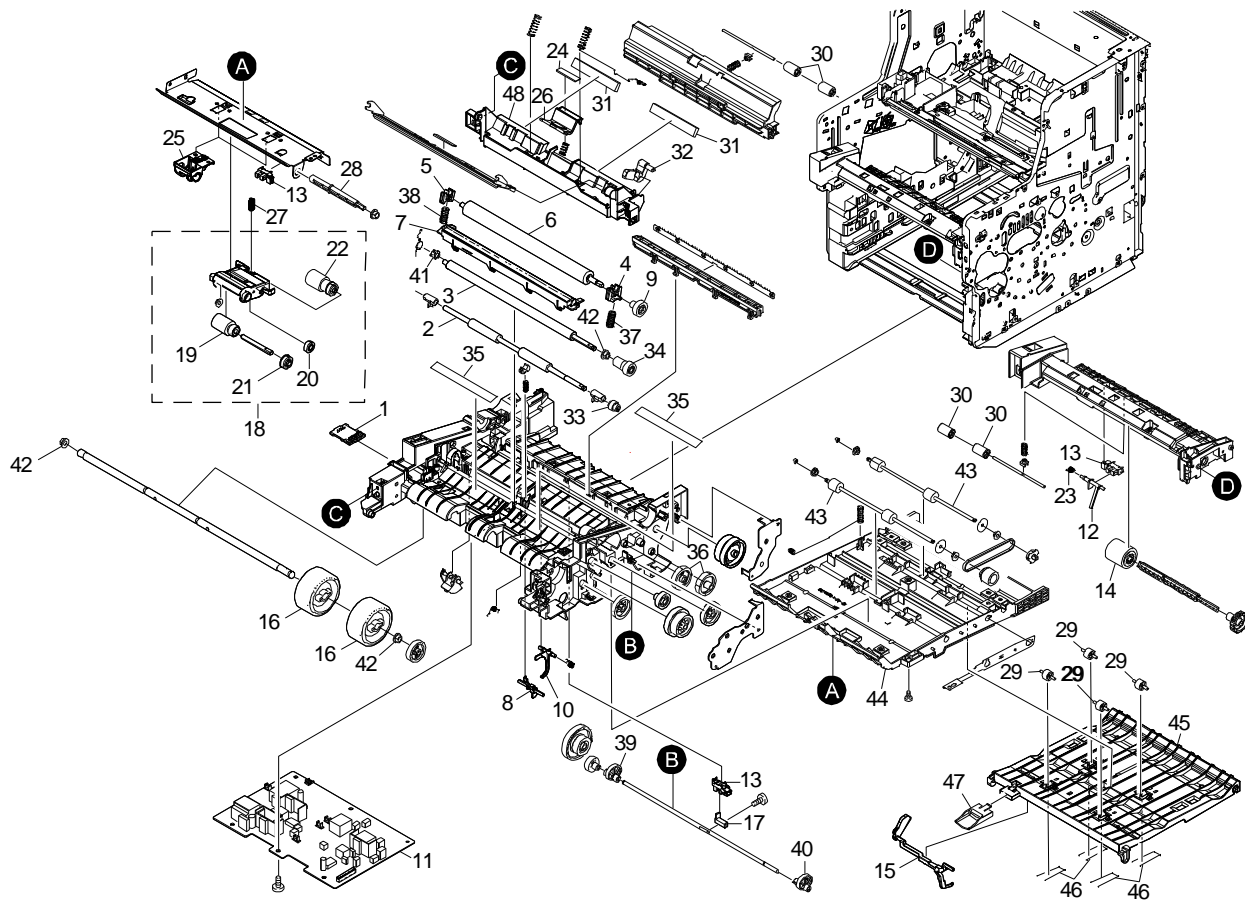
3. Frames



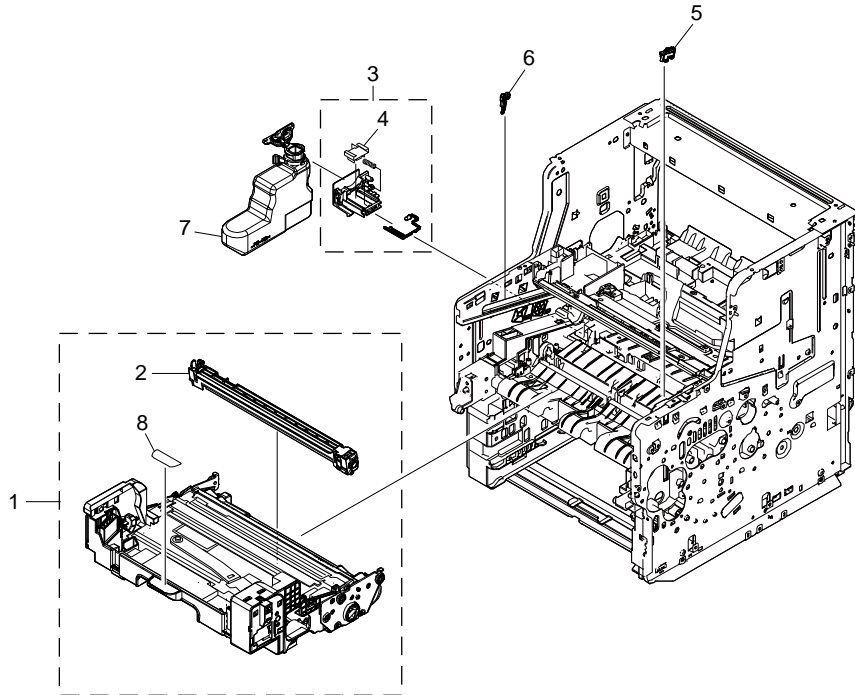
4. Paper Cassette



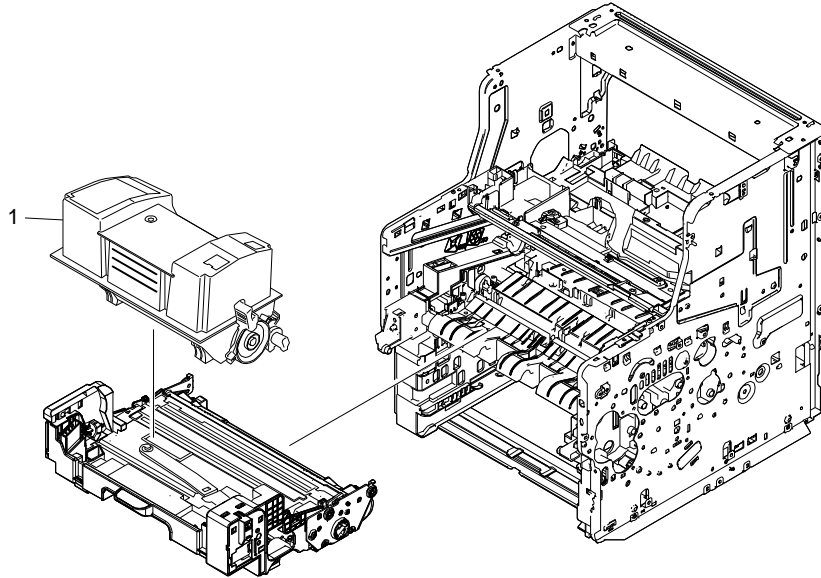
5. Paper Feed Section



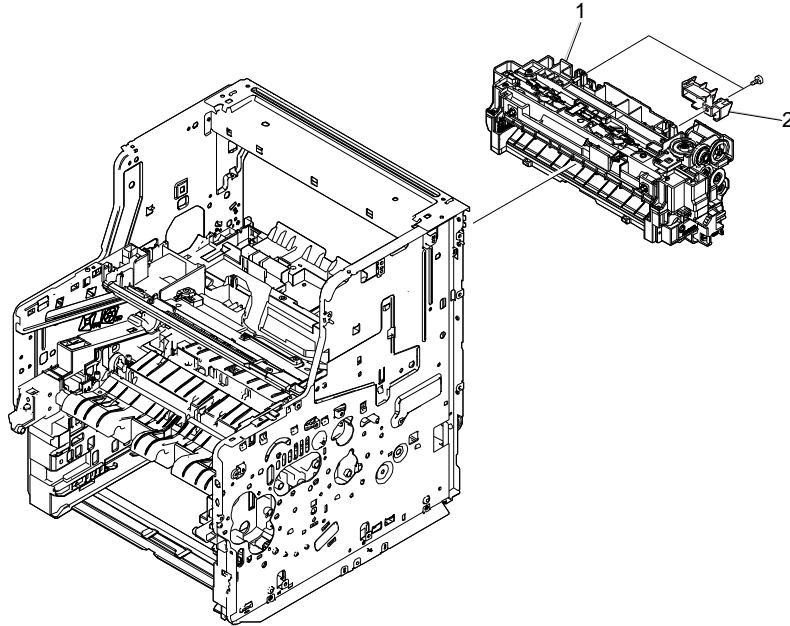
6. Image Formation Section



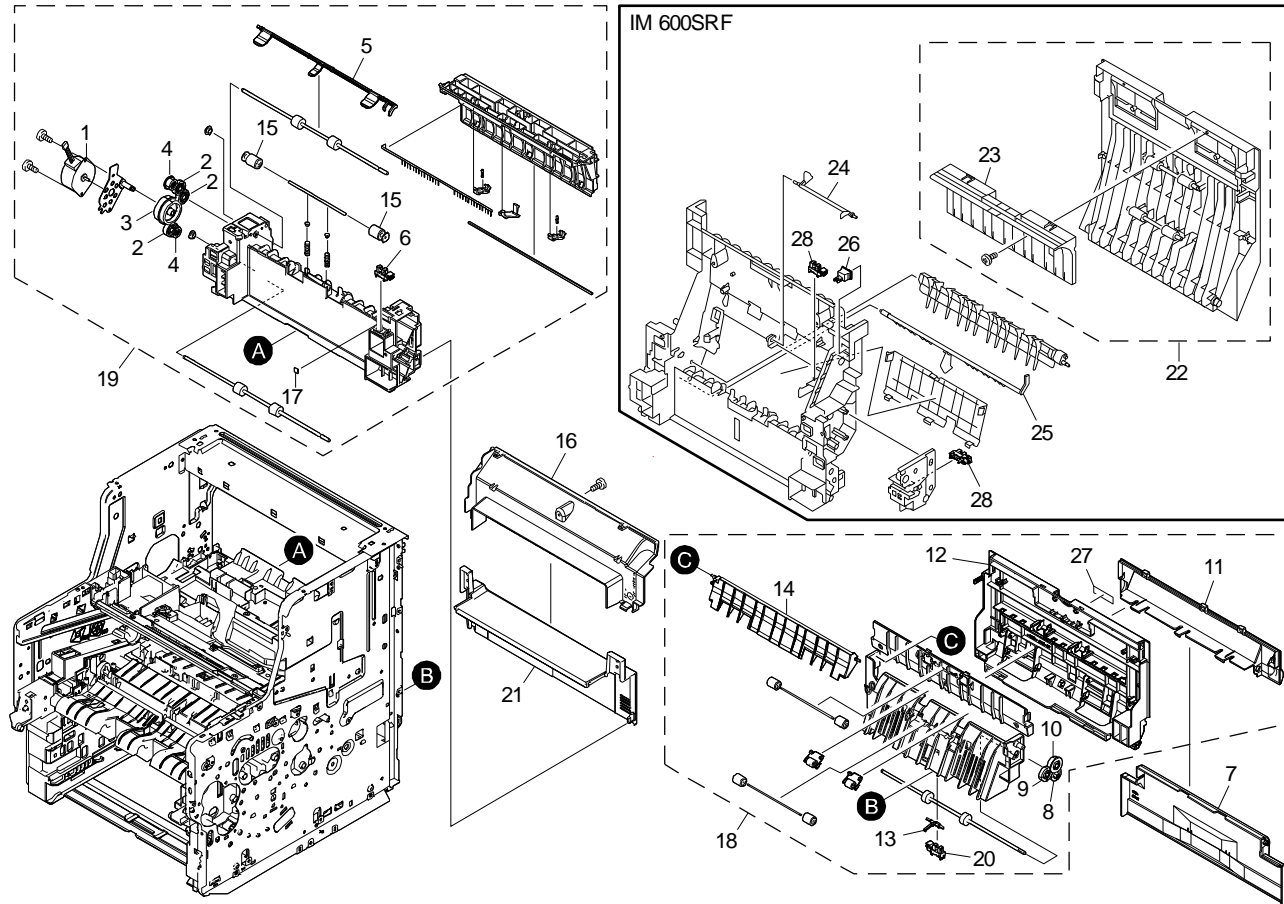
7. Developer Section



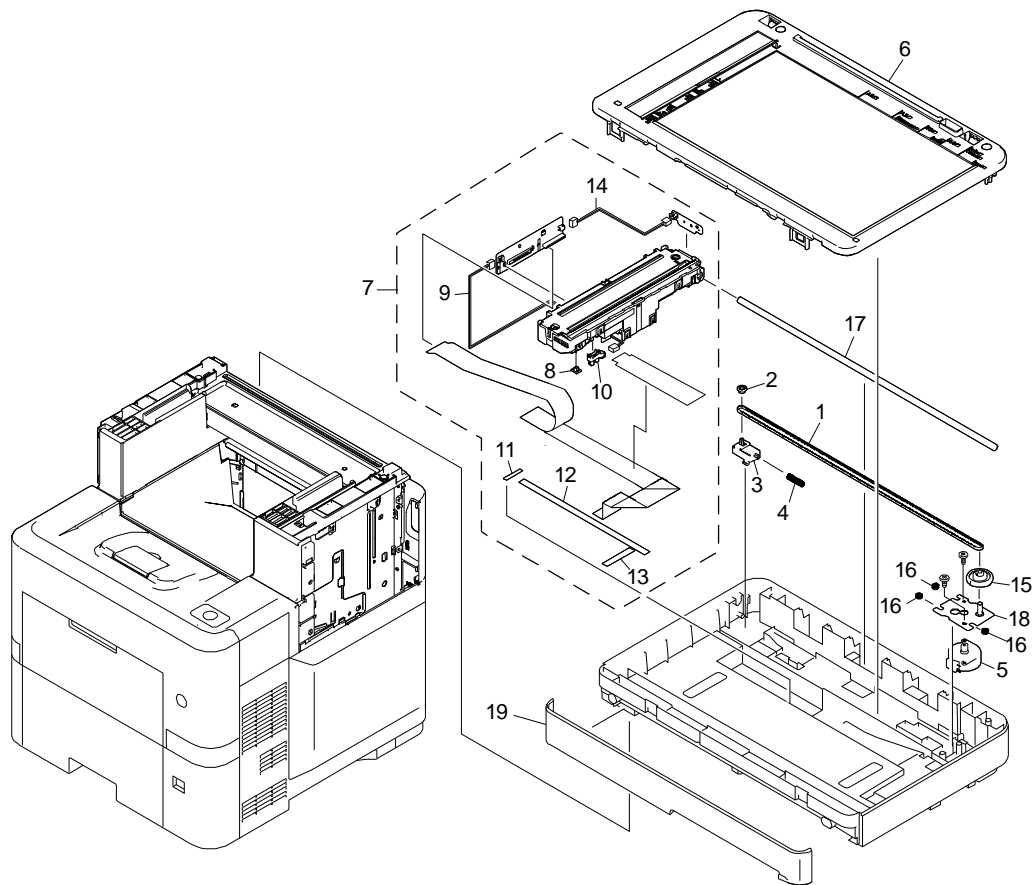
8. Fuser Section



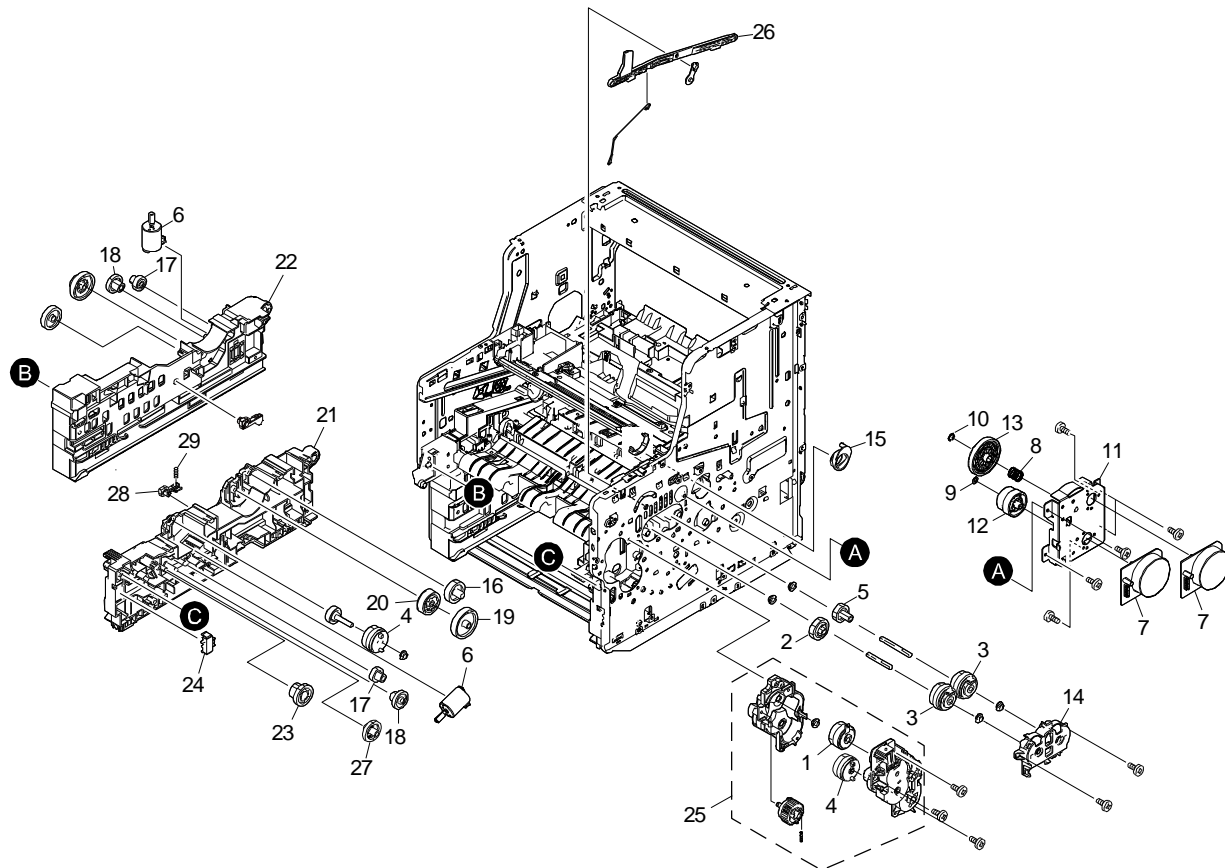
9. Exit Section



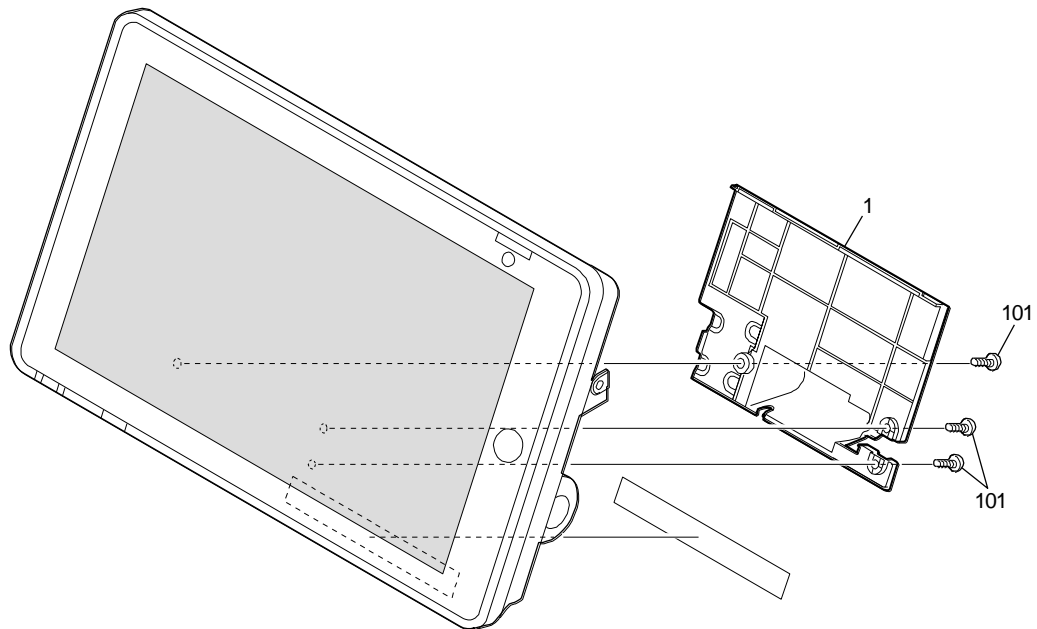
10. Scanner Section



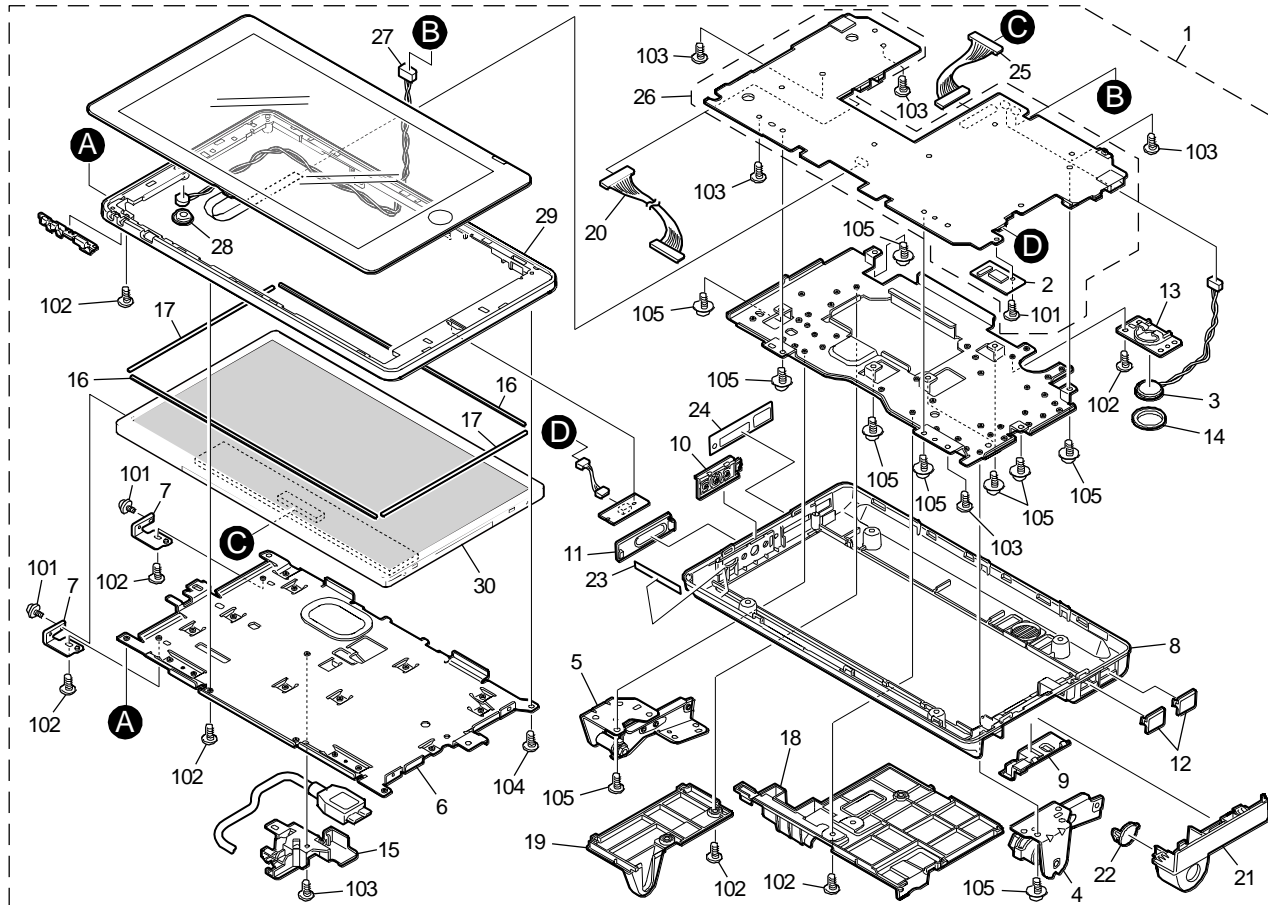
11. Drive Section



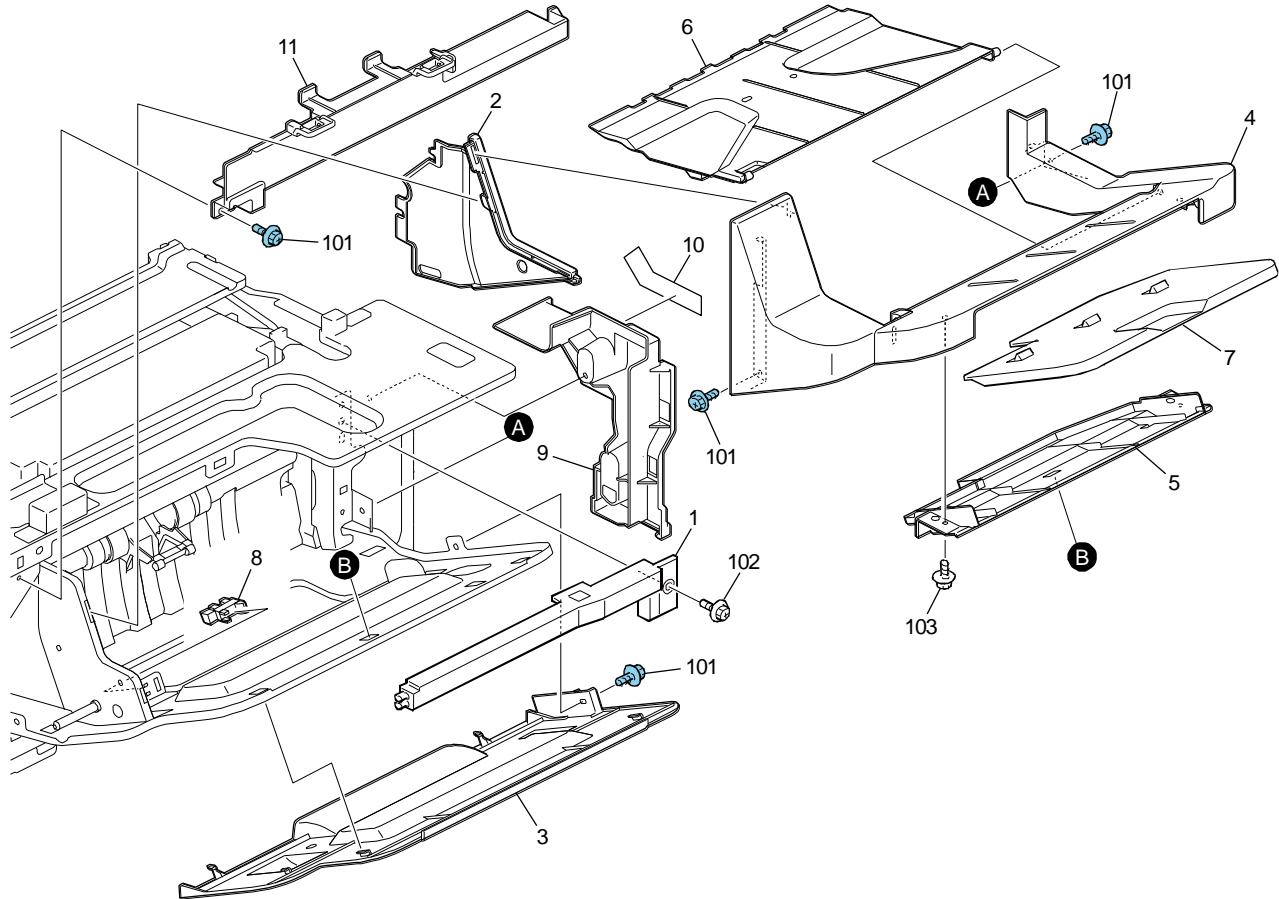
12. Operation Section 1



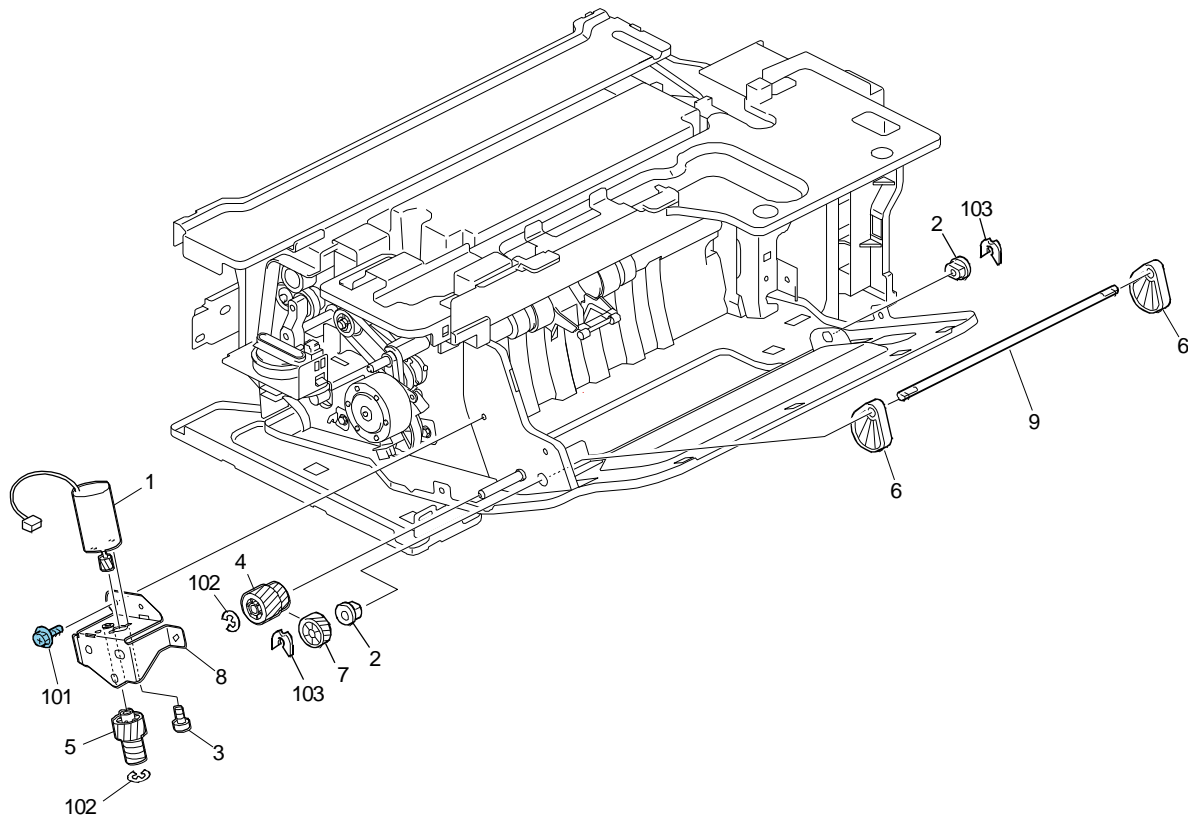
13. Operation Section 2



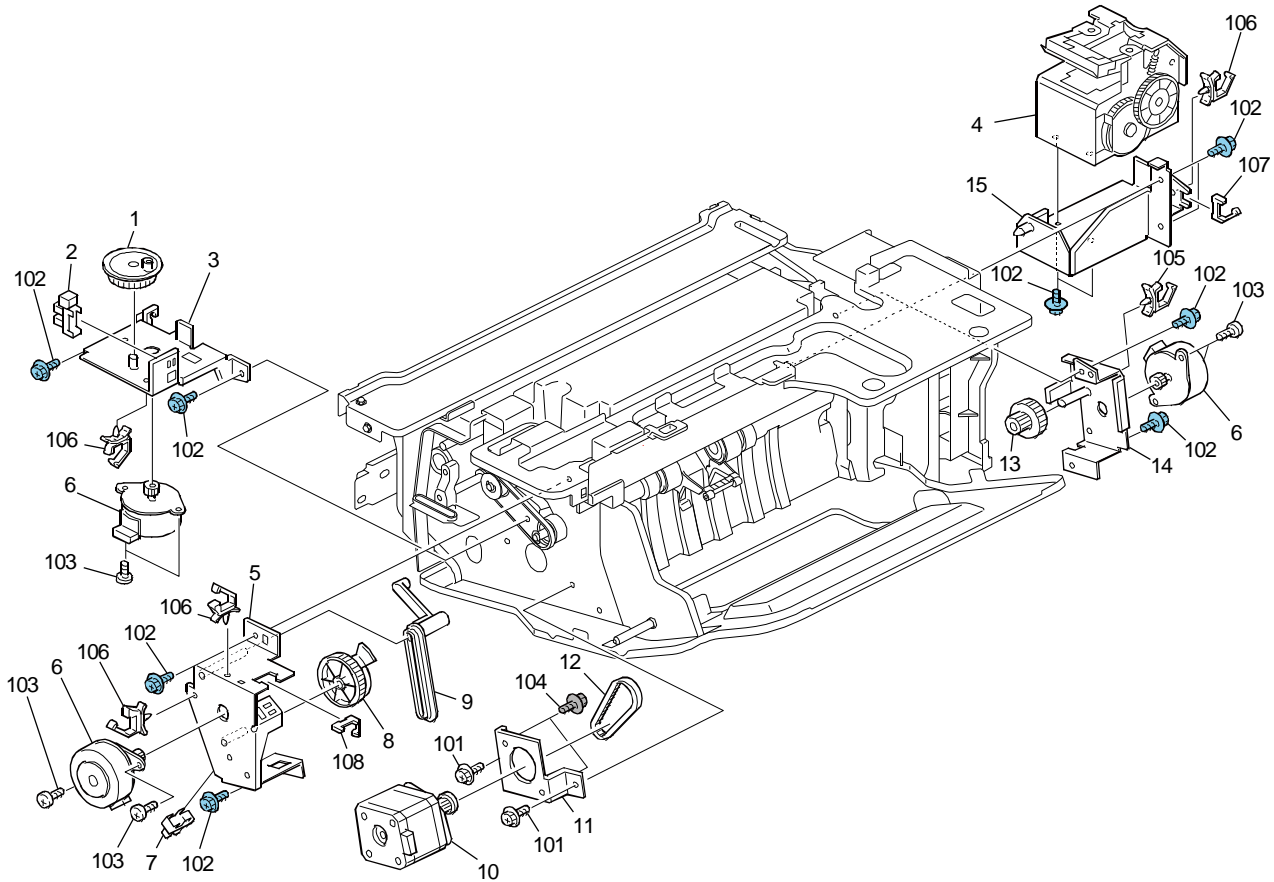
14. Finisher Section 1 (IM 600SRF)



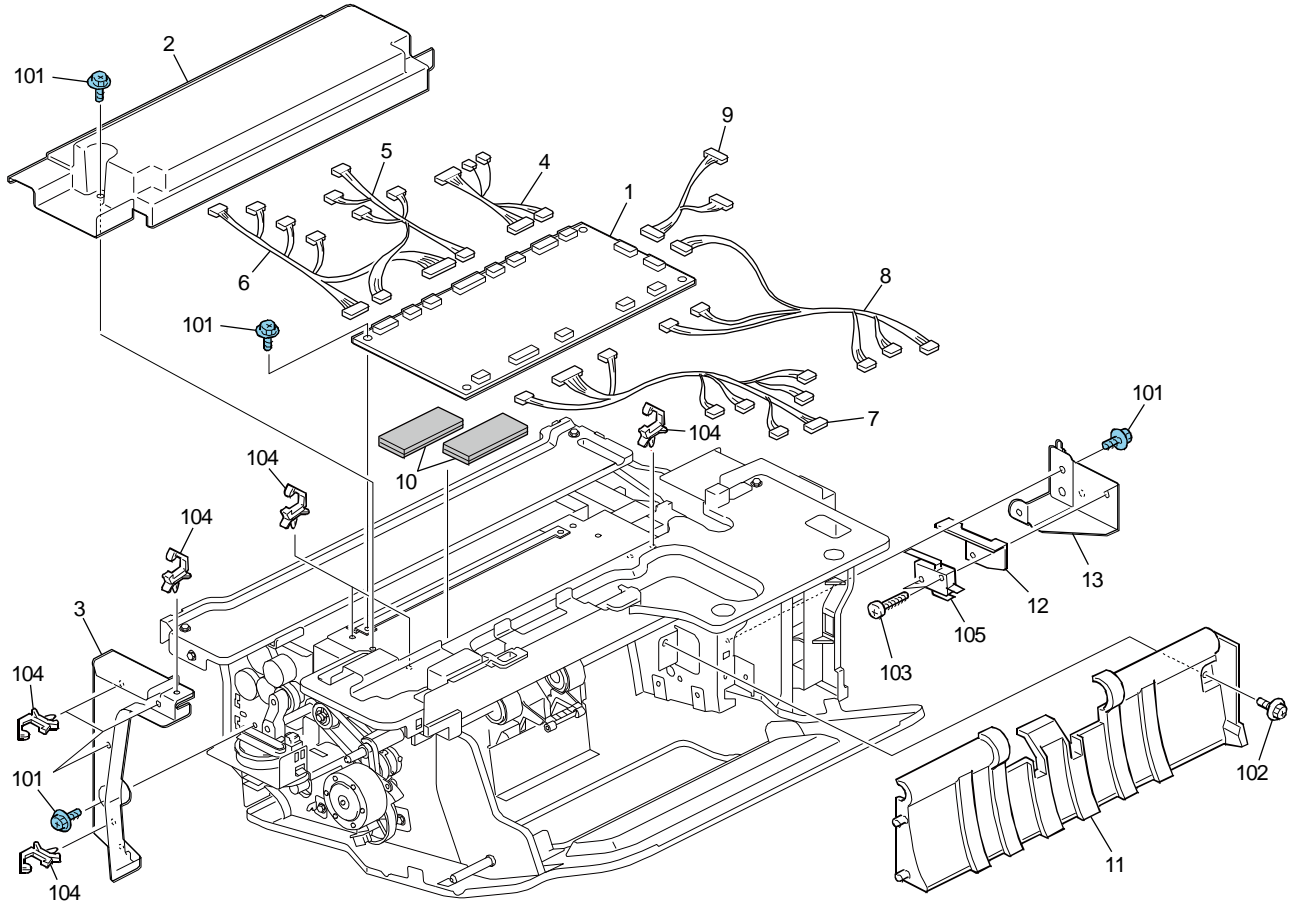
15. Finisher Section 2 (IM 600SRF)



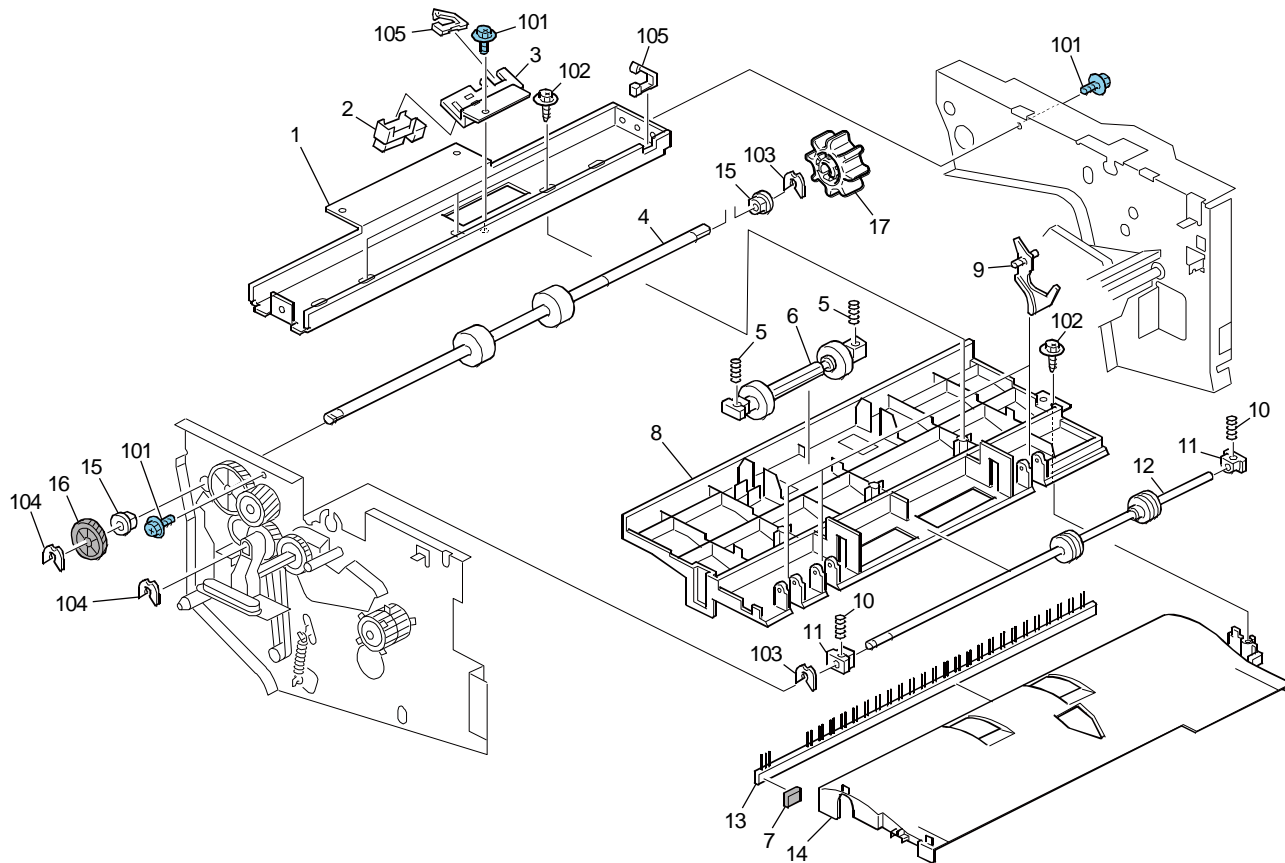
16. Finisher Section 3 (IM 600SRF)



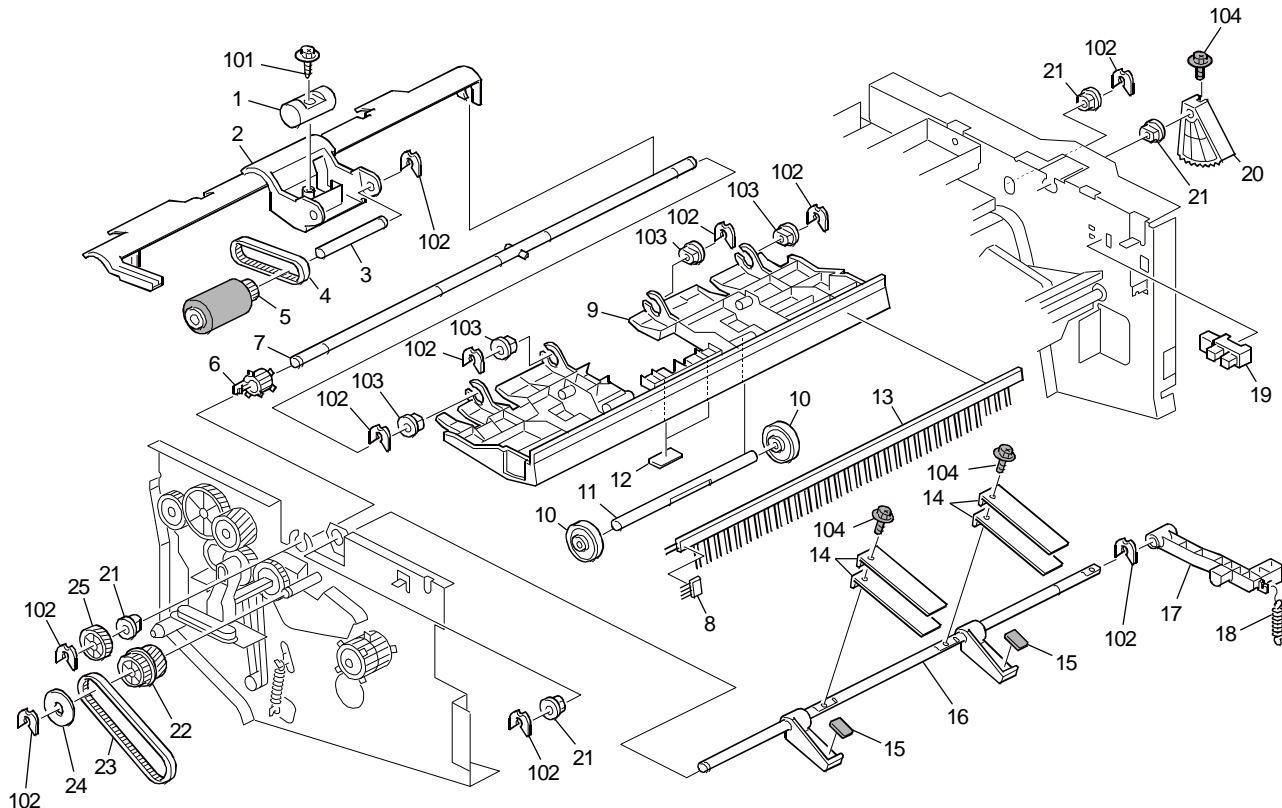
17. Finisher Section 4 (IM 600SRF)



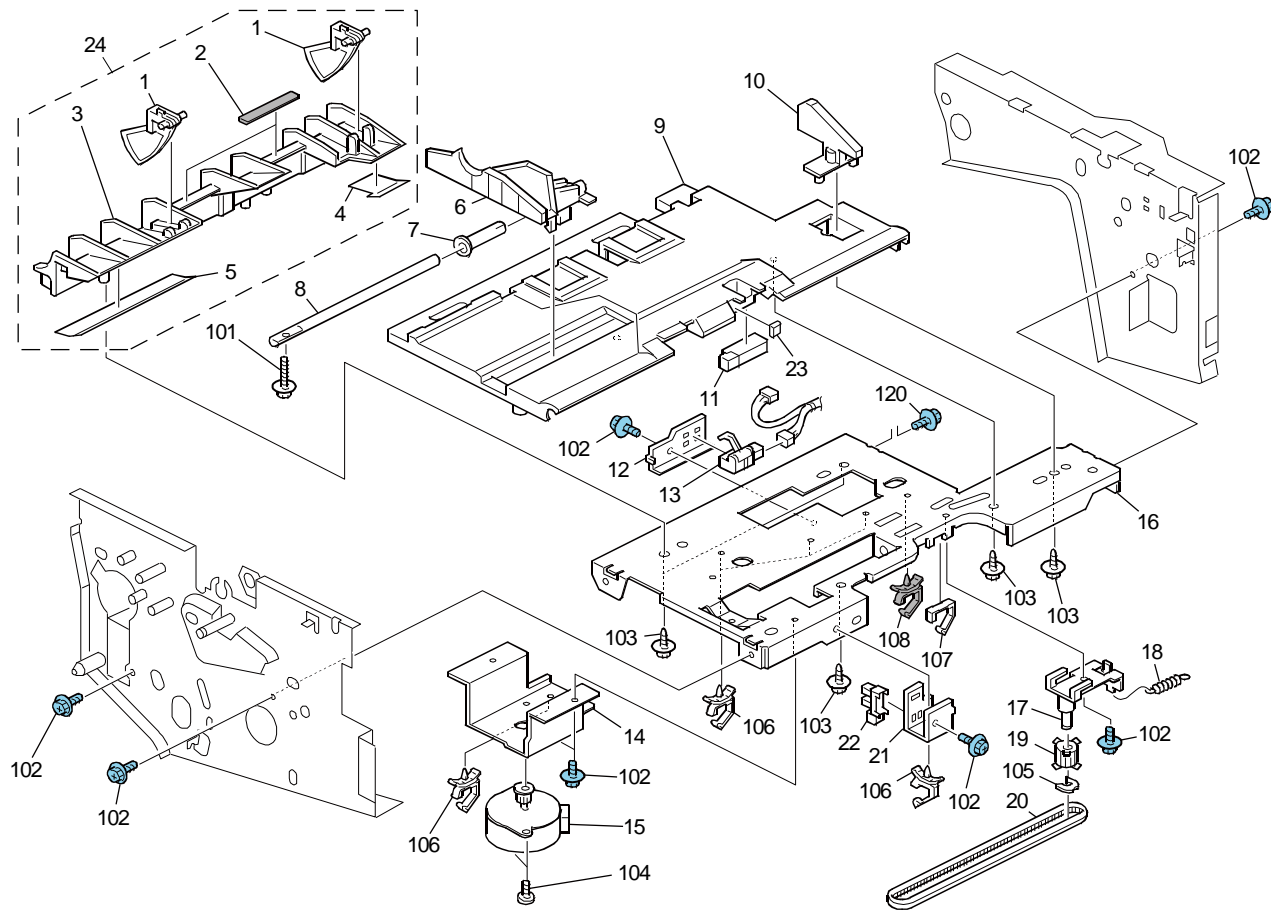
18. Finisher Section 5 (IM 600SRF)



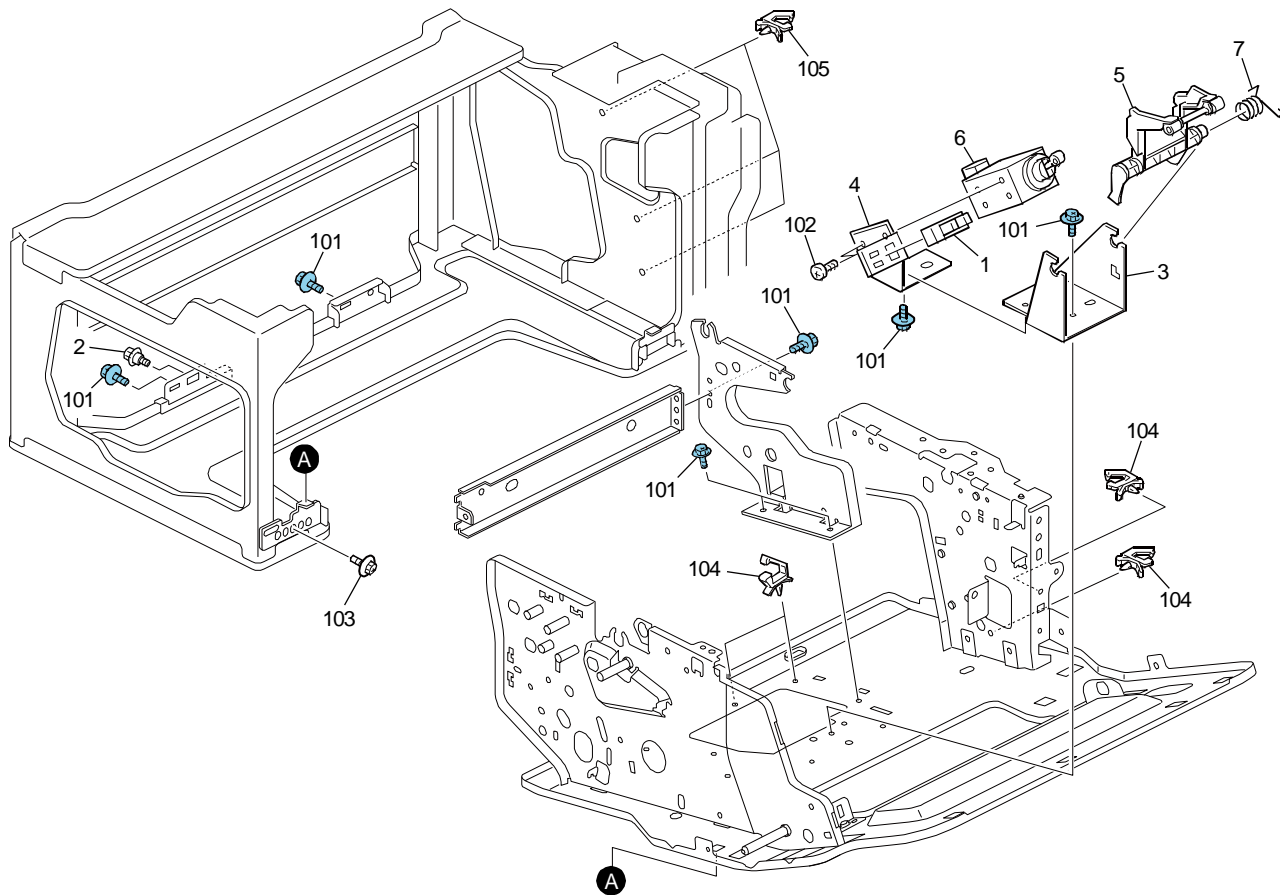
19. Finisher Section 6 (IM 600SRF)



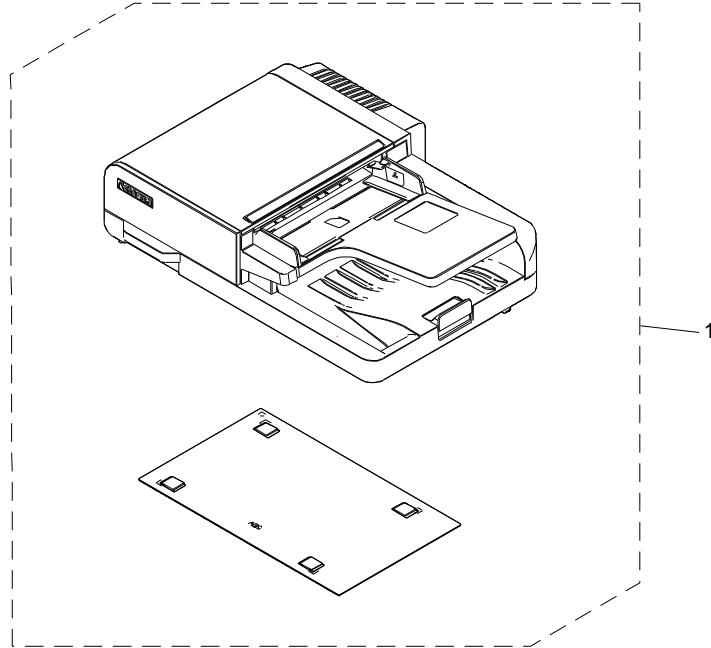
21. Finisher Section 8 (IM 600SRF)



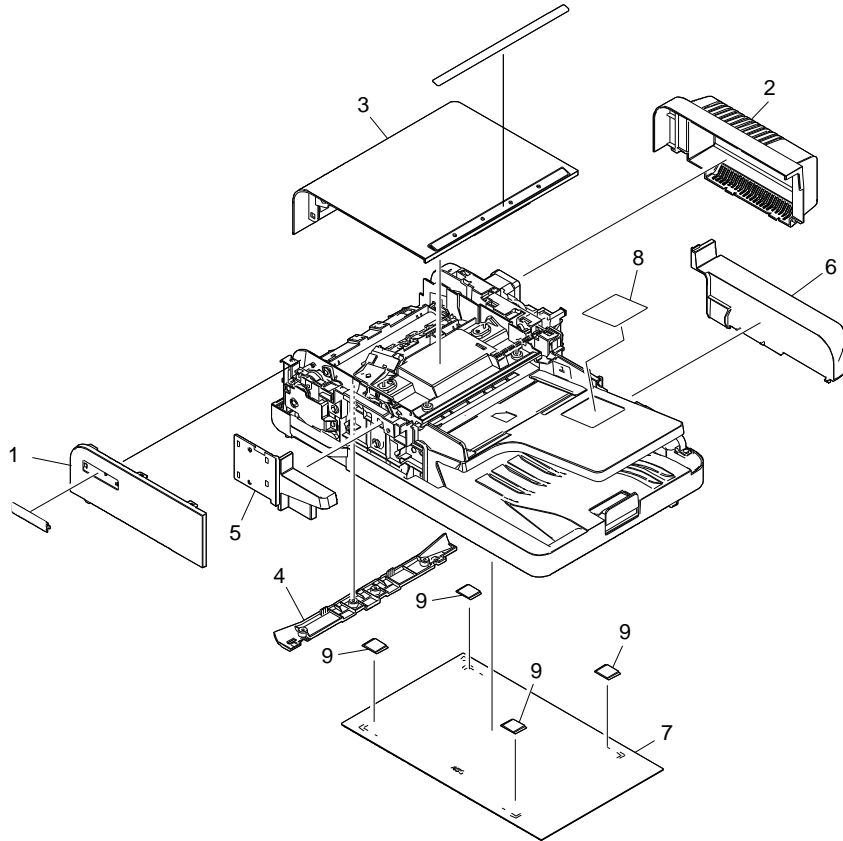
22. Finisher Section 9 (IM 600SRF)



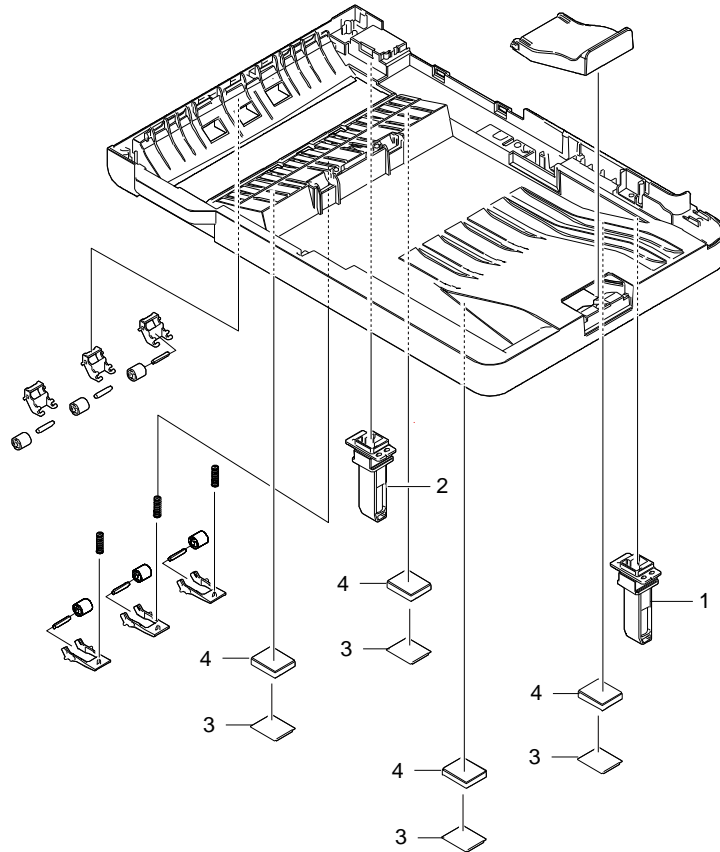
23. DF ASSY SP



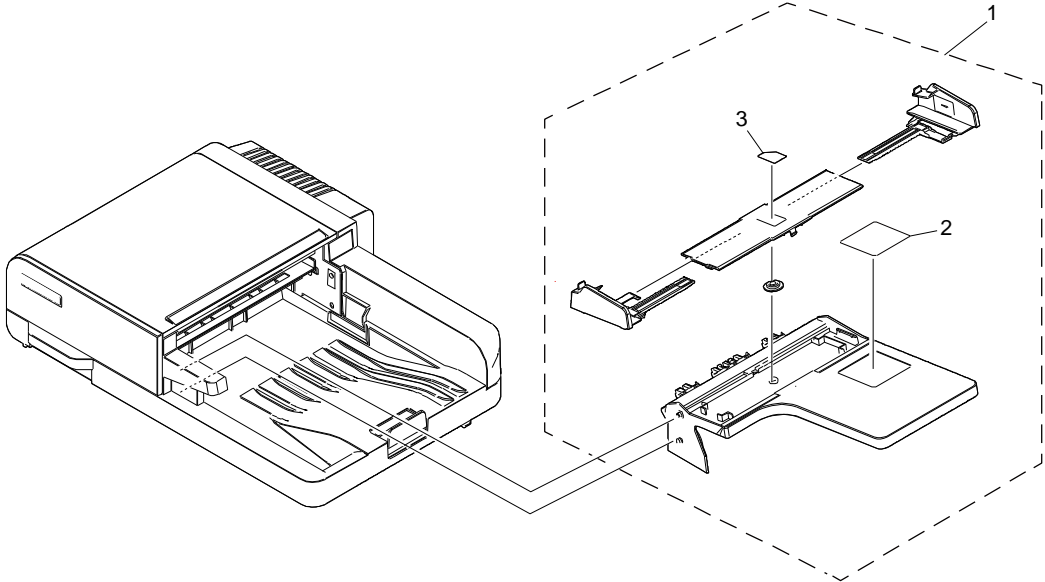
24. DF Covers



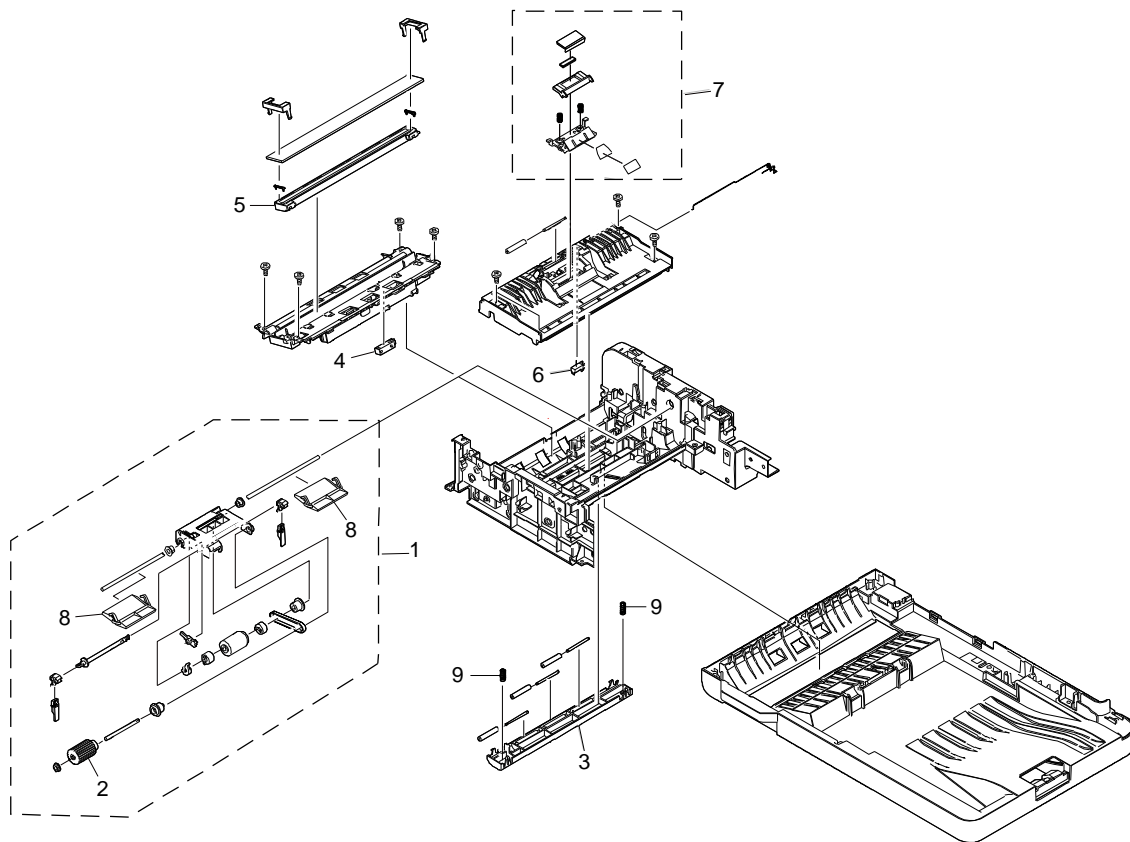
25. DF Frames



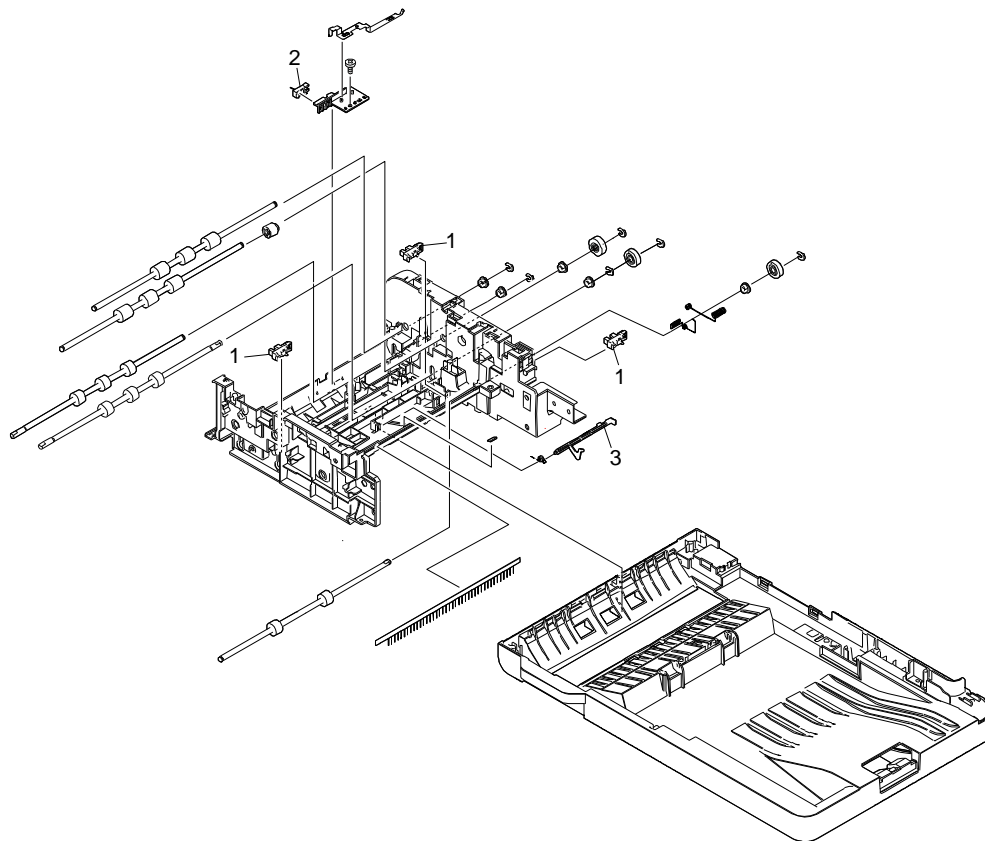
26. DF Table Assy



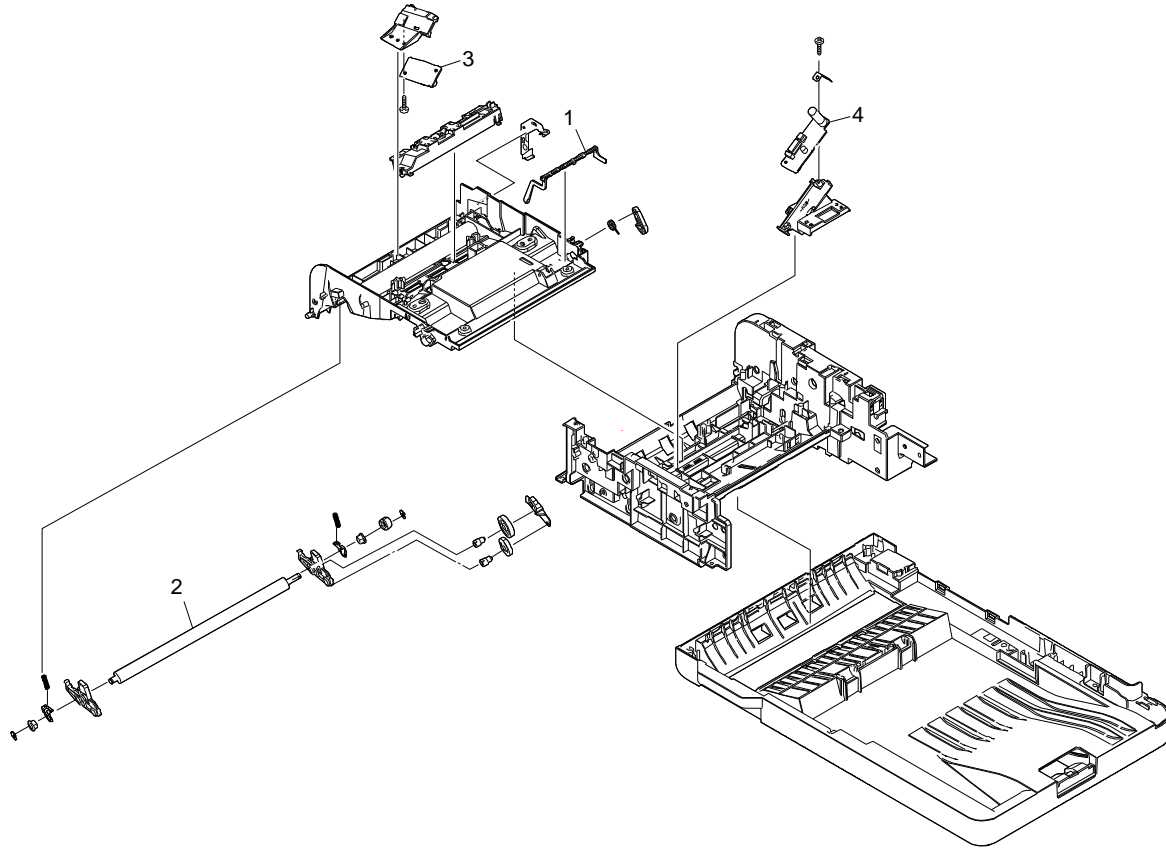
27. DF Paper Feed Section



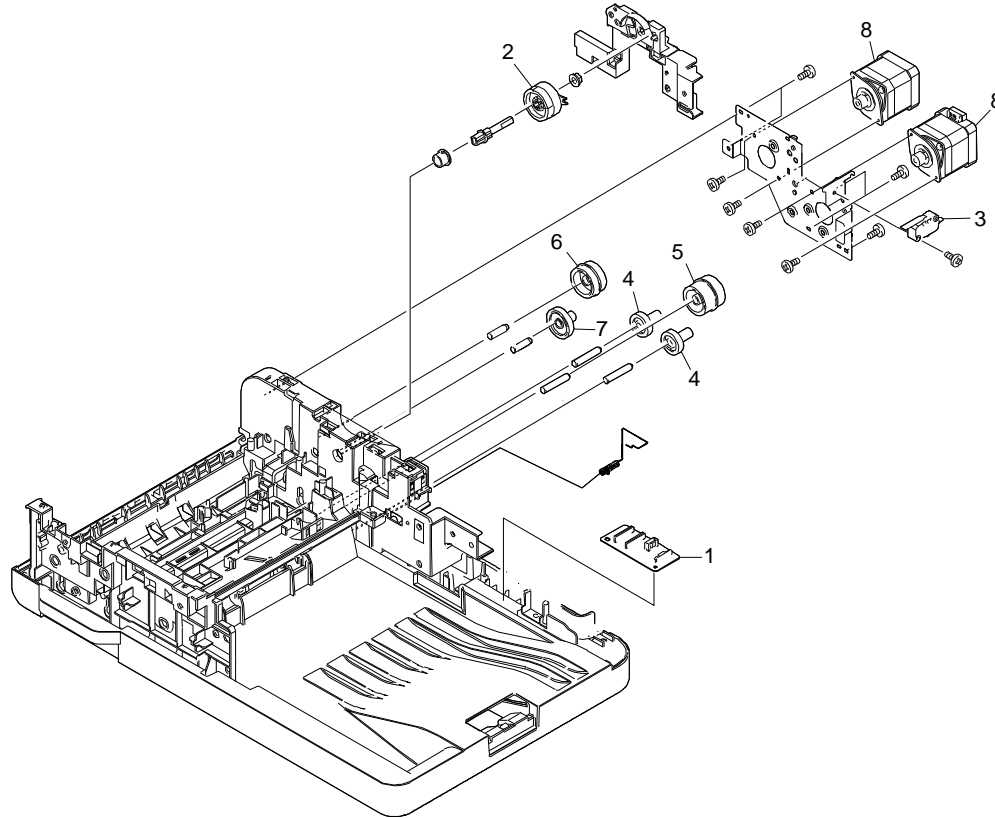
28. DF Paper Conveying Section 1



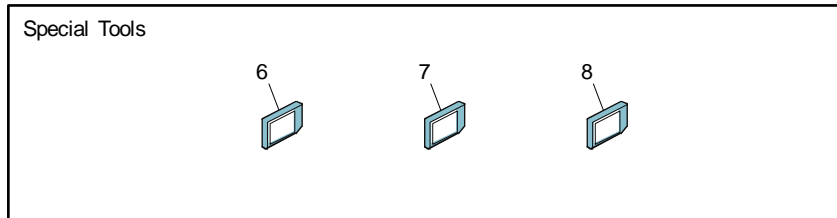
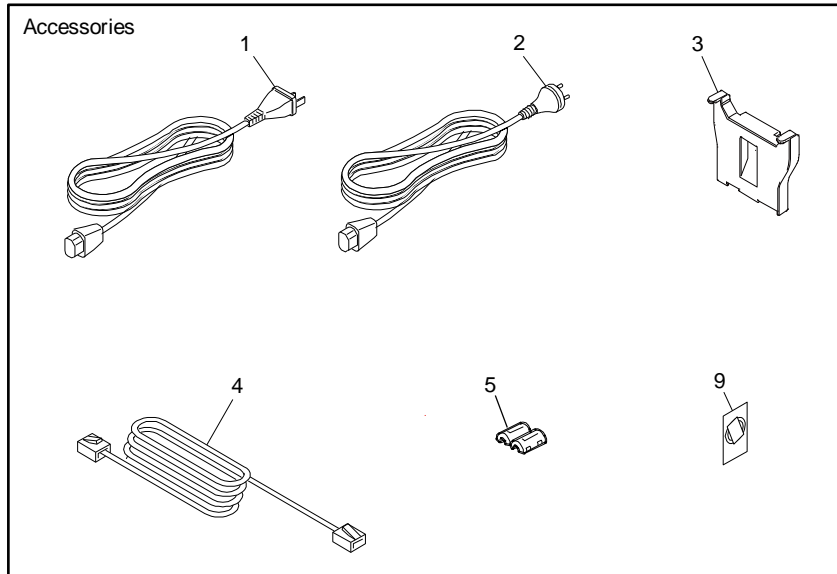
29. DF Paper Conveying Section 2



30. DF Drive Section



31. Accessories/Special Tools



Parts Index

Parts Index

Part No.	Description	Section and Index No.
08050104	RETAINING RINGS-E:SILENCER:DIA4	15-103
08050104	RETAINING RINGS-E:SILENCER:DIA4	18-104
08050104	RETAINING RINGS-E:SILENCER:DIA4	19-102
08050104	RETAINING RINGS-E:SILENCER:DIA4	20-102
08050104	RETAINING RINGS-E:SILENCER:DIA4	21-105
08053385	BUSHING - 6MM	19-103
11050692	CLAMP:LES-0503	18-105
11050692	CLAMP:LES-0503	21-107
11050717	CLAMP:JDW-1S	21-108
11050723	CLAMPS:WES-0507	16-107
11050724	CLAMPS:WES-1210	16-108
11050758	CLAMP:LWSM-0306A	16-105
11050758	CLAMP:LWSM-0306A	21-106
11050759	CLAMP:LWSM-0605A	16-106
11050759	CLAMP:LWSM-0605A	17-104
11050759	CLAMP:LWSM-0605A	22-104
11050760	CLAMP:LWSM-0511A	22-105
12042952	MICROSWITCH:D3V-16506-3C25(SW6)	17-105
14077726	EEPROM:BR24T08-W	3-21
14078552	INTERFACE HIC:SCTPA1216R	31-9
16072211	FERRITE CORE:K3 NF-110(N)BK0	31-5
18310006	LCD:TFT:WSVGA-10.1:LED:AUO/INX	13-30
03520030N	SCREW:M2X3	13-101
03530040N	SCREW - M3X4	16-103
03530040N	SCREW - M3X4	21-104
03530040N	SCREW - M3X4	22-102
03530040P	SCREW - M3X4	13-102
03530060N	BIND SCREW - M3X6	13-103
03530140N	SCREW:M3X14	17-103
03603006N	SCREW - M3X6	22-103
03603006P	SCREW - M3X6	16-104
03603006P	SCREW - M3X6	19-104
04513010N	TAPPING SCREW:3X10	21-101
04543005N	HEXAGON HEAD TAPPING SCREW:ROUND POINT:3X5	16-101
04543005N	HEXAGON HEAD TAPPING SCREW:ROUND POINT:3X5	18-101

Part No.	Description	Section and Index No.
04543006Q	TAPPING SCREW - M3X6	14-101
04543006Q	TAPPING SCREW - M3X6	15-101
04543006Q	TAPPING SCREW - M3X6	16-102
04543006Q	TAPPING SCREW - M3X6	17-101
04543006Q	TAPPING SCREW - M3X6	20-101
04543006Q	TAPPING SCREW - M3X6	21-102
04543006Q	TAPPING SCREW - M3X6	22-101
04543008N	TAPPING SCREW:ROUND POINT:3X8	14-102
04543008N	TAPPING SCREW:ROUND POINT:3X8	17-102
04583008N	HEXAGON HEAD TAPPING SCREW:3X8	14-103
04583008N	HEXAGON HEAD TAPPING SCREW:3X8	18-102
04583008N	HEXAGON HEAD TAPPING SCREW:3X8	19-101
04583008N	HEXAGON HEAD TAPPING SCREW:3X8	21-103
04583010N	HEXAGON HEAD TAPPING SCREW:3X10	18-106
04593008N	BINDING HEAD TAPPING SCREW:3X8	13-104
06320120G	PARALLEL PIN - 2X12	20-104
07200030E	RETAINING RING - M3	18-103
07200040E	RETAINING RING - M4	15-102
07200040E	RETAINING RING - M4	20-103
09573006N	SCREW:SMALL ROUND/SPRING:M3X6	13-105
A6812742	DRIVEN EXIT ROLLER	19-10
A6814515	BUSHING - 6MM	21-7
A8584181	TIMING BELT - 2XL	21-20
AA043318	TIMING BELT - 40S3M144	16-12
AA043660	TIMING BELT:40S2M172	20-28
AA043711	TIMING BELT:40S3M168	19-23
AA063529	PRESSURE SPRING - 14.5MM	18-10
AA082075	BUSHING - M6	15-2
AA082101	BUSHING - 6X10X6	18-15
AA082101	BUSHING - 6X10X6	19-21
AA082101	BUSHING - 6X10X6	20-6
AA132169	SPACER - 5.7X16X1.5	20-27
AA143790	SCREW:CONTACT POINT	20-32
AF022147	DRIVEN ROLLER	18-6
AJ011030	STAPLER:EH-C590R10	16-4

Parts Index

Part No.	Description	Section and Index No.
AW010109	PHOTO REFLECTION SENSOR:PS117ED1(S26)	21-11
AW020154	PHOTOINTERRUPTOR:ENTRANCE(S25)	21-13
AW020190	PHOTOINTERRUPTOR(S22)	14-8
AW020190	PHOTOINTERRUPTOR(S22)	14-8
AW020190	PHOTOINTERRUPTOR(S20)	16-2
AW020190	PHOTOINTERRUPTOR(S27)	19-19
AW020234	PHOTOINTERRUPTOR:GP1A173LCS5F(S21)	16-7
AW020234	PHOTOINTERRUPTOR:GP1A173LCS5F(S24)	21-22
AW020234	PHOTOINTERRUPTOR:GP1A173LCS5F(S23)	22-1
B4082175	BUSHING - ROLLER SLIDE	18-11
B4783569	SPACER	19-24
B6455030	SD-CARD:SERVICE PARTS:2GB:ASS'Y	31-6
B6455040	SD-CARD:SERVICE PARTS:8GB:ASS'Y	31-7
B6455060	SD-CARD:SERVICE PARTS:16GB:ASS'Y	31-8
B7002520	CUSHION:GATE PAWL	21-23
B7003535	TIMING BELT:B40S2M116	19-4
C2597050	SCREW:M2.6X3	15-3
D0294478	TENSION SPRING:RELEASE:DC SOLENOID	19-18
D0A41301	PLATE:LOGO:RIC	1-33
D0A41301	PLATE:LOGO:RIC	2-31
D0BQ1422	PCB:W-LAN:TYPE1NX	13-2
D0BQ1432	SPEAKER	13-3
D0BQ1521	HINGE:RIGHT	13-4
D0BQ1522	HINGE:LEFT	13-5
D0BQ1531	FRAME:LCD:PEEN	13-6
D0BQ1533	BRACKET:LCD	13-7
D0BQ1541	COVER:FRONT	13-29
D0BQ1545	COVER:REAR	13-8
D0BQ1546	INNER COVER:OPERATION SUB-UNIT:RIGHT	13-9
D0BQ1547	KEYTOP:RESET SWITCH	13-10
D0BQ1548	COVER:CAP:PUSH SWITCH	13-11
D0BQ1549	COVER:CAP	13-12
D0BQ1551	HOLDER:OPERATION SUB-UNIT:SPEAKER	13-13
D0BQ1552	CUSHION:OPERATION SUB-UNIT:SPEAKER	13-14
D0BQ1553	GUIDE:OPERATION SUB-UNIT:HARNESS	13-15

Part No.	Description	Section and Index No.
D0BQ1555	CUSHION:LCD:L	13-16
D0BQ1556	CUSHION:LCD:S	13-17
D0BQ1561	COVER:HINGE:RIGHT	13-18
D0BQ1563	COVER:HINGE:LEFT	13-19
D0BQ1564	COVER:REAR:MIDDLE	12-1
D0BQ1565	COVER:RIGHT	13-21
D0BQ1566	CAP:HINGE	13-22
D0BQ1585	SHEET:LIGHT SHIELD COAT	13-23
D0BQ1586	SHEET:SIDE	13-24
D0BQ5263	CABLE:LVDS:AWG42:40P	13-25
D0BQ5620	PCB:ASS'Y(PCB2)	13-26
D0BT1070	PARTS PWB ASSY ENGINE SP(IM 550F/IM 550FG)(PCB17)	3-8
D0BT1071	HOLDER KEY SW	1-36
D0BT1071	HOLDER KEY SW	2-34
D0BT1072	PAPER STOPPER	1-37
D0BT1072	PAPER STOPPER	2-35
D0BT1073	FAN MOTOR PS4(FAN4)	3-27
D0BT1074	SHEET HOLDER	3-28
D0BT1300	PLATE:NAME PLATE:IM_550(IM 550F/IM 550FG)	1-38
D0BT9590	NVRAM:ZERO COUNTER	3-23
D0BV1252	TRAY TOP	1-17
D0BV1253	LID TOP	1-25
D0BV1253	LID TOP	2-25
D0BV1254	COVER FRONT	1-21
D0BV1254	COVER FRONT	2-21
D0BV1255	COVER LEFT UP	1-24
D0BV1256	COVER RIGHT UP	1-5
D0BV1257	COVER CONT UP	1-22
D0BV1258	BUTTON COVER OPEN	1-8
D0BV1258	BUTTON COVER OPEN	2-8
D0BV1259	COVER RIGHT UP B	1-2
D0BV1261	COVER OPERATION UP	1-26
D0BV1261	COVER OPERATION UP	2-26
D0BV1262	COVER OPERATION LOW	1-27
D0BV1265	COVER ISU FRONT(IM 550F/M 550FG/IM 600F)	10-19

Parts Index

Part No.	Description	Section and Index No.
D0BV1275	LABEL PAPER CAUTION	24-8
D0BV1285	COVER RIGHT LOW	1-1
D0BV1286	COVER REAR	9-21
D0BV1287	COVER LEFT MIDDLE	1-11
D0BV1287	COVER LEFT MIDDLE	2-11
D0BV1288	COVER CONT MIDDLE	1-6
D0BV1289	COVER STAY A	1-30
D0BV1290	HOOK LID TOP B	1-16
D0BV1290	HOOK LID TOP B	2-16
D0BV1300	PLATE:NAME PLATE:IM_600(IM 600F)	1-38
D0BV1650	PARTS FRAME ISU TOP ASSY SP	10-6
D0BV1701	LABEL CAUTION CIS	26-2
D0BV1707	COVER BASE DP	24-4
D0BV1708	COVER PF	24-3
D0BV1709	COVER REAR A	24-2
D0BV1710	COVER REAR B	24-6
D0BV1711	COVER FRONT A	24-1
D0BV1712	COVER FRONT B	24-5
D0BV1713	PARTS DP UNIT SP(IM 600F/IM 600SRF/IM 600SRFG)	23-1
D0BV1714	PARTS TABLE MAIN ASSY SP	26-1
D0BV1715	PARTS PWB ASSY CIS CONNECT SP(PCB28)	30-1
D0BV1722	PARTS DP UNIT SP(IM 550F/IM 550FG)	23-1
D0BV1723	PARTS HOLDER PICUP ASSY SP	27-1
D0BV1724	PARTS SENSOR OPT. SP(S19)	27-6
D0BV1724	PARTS SENSOR OPT. SP(S5)	28-2
D0BV1725	PARTS PWB ASSY RX SP(PCB26)	29-4
D0BV1726	PARTS PWB ASSY TX SP(PCB25)	29-3
D0BV1727	PARTS CIS SP(PCB27)	27-5
D0BV1728	PARTS MOTOR PAPER FEED SP(M1/M3)	30-8
D0BV1729	PARTS ROLLER CIS SP	29-2
D0BV1730	PARTS PULLEY PICKUP ASSY SP	27-2
D0BV1731	GEAR 25R	30-4
D0BV1732	CUSHION ORIGINAL MAT B	25-3
D0BV1733	SPONGE ORIGINAL MAT FILM	26-4
D0BV1734	HINGE RIGHT	25-1

Part No.	Description	Section and Index No.
D0BV1735	HINGE LEFT	25-2
D0BV1736	GUIDE PF SHAFT	27-8
D0BV1737	ACTUATOR ORIGINAL	29-1
D0BV1738	ACTUATOR EXIT	28-3
D0BV1739	GUIDE READING	27-3
D0BV1740	GEAR FEED Z53R Z33R	30-6
D0BV1741	GEAR CONVEYING Z54R Z32L	30-5
D0BV1742	GEAR Z32L	30-7
D0BV4450	PARTS EXIT UNIT SP(IM 550F/IM 550FG/IM 600F)	9-19
D0BV6680	PARTS PWB ASSY ENGINE SP(IM 600F)(PCB17)	3-8
D0BV6683	HARNESS:SCR:640(IM 550F/M 550FG/IM 600F)	13-20
D0BW1252	TRAY TOP	2-17
D0BW1253	COVER LEFT UP	2-24
D0BW1254	COVER RIGHT UP	2-5
D0BW1255	COVER RIGHT LOW	2-1
D0BW1256	COVER CONT UP	2-22
D0BW1257	COVER CONT MIDDLE	2-6
D0BW1258	COVER RIGHT UP B	2-2
D0BW1259	COVER OPERATION LOW	2-27
D0BW1260	COVER ISU FRONT(IM 600SRF/IM 600SRFG)	10-19
D0BW1265	COVER SIDE RIGHT	2-14
D0BW1266	PARTS COVER REAR TOP A ASSY SP	9-22
D0BW1267	GUIDE REAR COVER UP	9-23
D0BW1268	COVER STAY	9-16
D0BW1269	HOOK LID TOP A	1-15
D0BW1269	HOOK LID TOP A	2-15
D0BW1300	PLATE:NAME PLATE:IM_600SRF(IM 600SRF/IM 600SRFG)	2-36
D0BW1410	OPERATION SUB-UNIT:ASS'Y	13-1
D0BW1650	PARTS ISU ASSY SP(IM 600SRF/IM 600SRFG)	10-7
D0BW1730	SPRING READING	27-9
D0BW4454	ACTUATOR FULL 250	9-24
D0BW4455	ACTUATOR MIDDLE FEED	9-25
D0BW4456	GEAR Z17S(IM 600SRF/IM 600SRFG)	9-4
D0BW4457	GEAR:Z22S(IM 600SRF/IM 600SRFG)	9-2
D0BW5020	PCB:IMAGE PROCESSING UNIT:ASS'Y(PCB16)	3-20

Parts Index

Part No.	Description	Section and Index No.
D0BW5509	PCB:CTL:ASS'Y(IM 550F/IM 550FG)(PCB15)	3-22
D0BW5510	PCB:CTL:ASS'Y(IM 600F/IM 600SRF/IM 600SRFG)	3-22
D0BW5534	FCU:SERVICE PARTS(NA)(PCB21)	3-24
D0BW5536	FCU:SERVICE PARTS(EU/AA)(PCB21)	3-24
D0BW6680	PARTS PWB ASSY ENGINE SP(IM 600SRF/IM 600SRFG)(PCB17)	3-8
D0BW6691	HARNESS:SCR:740(IM 600SRF/IM 600SRFG)	13-20
D0BW6694	PARTS PWB ASSY CONNECT-L FIN SP(IM 600SRF/IM 600SRFG)(PCB20)	3-2
D2551058	SPEAKER(OP1)	3-25
D2551252	STRAP COVER FRONT	1-32
D2551252	STRAP COVER FRONT	2-30
D2551255	COVER FRONT LEFT	1-35
D2551255	COVER FRONT LEFT	2-33
D2551256	COVER FRONT RIGHT	1-34
D2551256	COVER FRONT RIGHT	2-32
D2551285	GUIDE:CHANGE	9-14
D2551625	TAPE:FFC A	10-11
D2551650	BELT:ISU	10-1
D2551651	SLIDER:ISU	10-8
D2551653	PULLEY:TENSION	10-2
D2551654	TAPE:FFC B	10-12
D2551657	ISU:ASS'Y(IM 550F/M 550FG/IM 600F)	10-7
D2551659	MOTOR:ISU SP(M14)	10-5
D2551660	MOUNT:MOTOR:ISU	10-18
D2551661	GEAR:Z63R-P32	10-15
D2551662	MOUNT:TENSION PULLEY	10-3
D2551663	SHAFT:ISU	10-17
D2551664	TAPE:FFC C	10-13
D2551665	SPRING:COMPRESSION:ISU BELT	10-4
D2551666	HARNESS:CCD-LED	10-14
D2551668	HARNESS:CCD-HP	10-9
D2552851	GUIDE_TURN_MP	5-48
D2555321	PARTS_IC_EEPR	3-26
D2555412	HARNESS:MODULAR CORD	31-4
D2555563	BUSHING:FAN	3-19
D2555563	BUSHING:FAN	10-16

Part No.	Description	Section and Index No.
D2555564	PIN_HDD	3-18
D2555568	PAD:DF:ASS'Y	27-7
D2555570	HARNESS:ENG-APC:FFC	3-15
D2557503	PLATE ORIGINAL L	24-7
D2557521	CUSHION ORIGINAL MAT A	24-9
D2558530	LABEL:FACE UP	26-3
D2951554	MIKE:PVM-6018-C402G-7ZZ4	13-27
D3722122	SHAFT - REVERSE ROLLER	20-13
D3724163	TIMING PULLEY - 18T	21-19
D3G61521	COVER:EXIT:UPPER	14-1
D3G61521	COVER:EXIT:UPPER	14-1
D3G61541	COVER:EXIT:LEFT	14-2
D3G61541	COVER:EXIT:LEFT	14-2
D3G61551	COVER:EXIT:LOWER	14-3
D3G61551	COVER:EXIT:LOWER	14-3
D3G62112	GUIDE PLATE:TRANSPORT:UPPER	18-8
D3G62114	DRIVEN ROLLER:SLIDE	18-12
D3G62313	KNOB:TRANSPORT ROLLER:ENTRANCE	18-17
D3G62321	TRANSPORT ROLLER:SLIDE	20-14
D3G62331	EXIT ROLLER:RIGHT	20-16
D3G62332	EXIT ROLLER:LEFT	20-17
D3G62519	GEAR:RETURN:DRIVE:Z25	20-5
D3G62631	BRACKET:DC STEPPER MOTOR:SLIDE:ASS'Y	16-3
D3G63121	END FENCE:EXIT	17-11
D3G63221	TRAY:EXIT:FIX	14-4
D3G63221	TRAY:EXIT:FIX	14-4
D3G63222	INNER COVER:TRAY	14-5
D3G63222	INNER COVER:TRAY	14-5
D3G63231	TRAY:EXIT:MOVEABLE	14-6
D3G63231	TRAY:EXIT:MOVEABLE	14-6
D3G63310	BRACKET:DC MOTOR:TRAY:PEEN	15-8
D3G63321	SHAFT:CAM:TRAY	15-9
D3G64210	BRACKET:STAPLER:PEEN	16-15
D3G65150	PCB:FIN:ASS'Y(PCB29)	17-1
D3G65321	COVER:PCB	17-2

Parts Index

Part No.	Description	Section and Index No.
D3G65331	GUIDE:HARNESS:ENTRANCE	17-3
D3G65351	BRACKET:DOOR SWITCH:STAPLE EXCHANGE	17-13
D3G65400	HARNESS:INTERFACE	17-4
D3G65410	HARNESS:TRAY:STAPLE	17-5
D3G65420	HARNESS:MOTOR:MIDDLE	17-6
D3G65430	HARNESS:MOTOR:INNER BACK	17-7
D3G65440	HARNESS:MOTOR:FRONT	17-8
D3G65450	HARNESS:SENSOR	17-9
D3G65801	HEAT RADIATION SHEET:PCB	17-10
D3G66171	GUIDE:HARNESS:INSTALL:FRONT	14-9
D3G66171	GUIDE:HARNESS:INSTALL:FRONT	14-9
D3G66172	SHEET:GUIDE:HARNESS:INSTALL:FRONT	14-10
D3G66172	SHEET:GUIDE:HARNESS:INSTALL:FRONT	14-10
D3G66211	COVER:UPPER FRONT	14-11
D3G66211	COVER:UPPER FRONT	14-11
D3GP2651	BRACKET:DC STEPPER MOTOR:GATHERING ROLLER:ASS'Y	16-5
D3GP3241	TRAY:EXIT:AUXILIARY:SMALL	14-7
D3GP3241	TRAY:EXIT:AUXILIARY:SMALL	14-7
D3GP3420	ARM:PAPER SENSER:TRAILING EDGE:ASS'Y	22-5
D4543619	SCREW:CONTACT POINT:M3	22-2
D5865311	DC BRUSH MOTOR:EXIT:ASS'Y:7.7W(M18)	15-1
D5865620	DC STEPPER MOTOR:JOGGER:1.48W(M16)	21-15
D5865630	DC STEPPER MOTOR:1.48W:PM(M14/M15/M17)	16-6
D7252056	DISCHARGE BRUSH:GUIDE PLATE	19-8
E0A01549	CUSHION:MIKE	13-28
GW010007	PHOTO REFLECTION SENSOR:EXIT(S28)	18-2
M0CG1251	SHEET COVER SIDE	1-31
M0CG1252	COVER SIDE UP(IM 550F/IM 550FG)	1-14
M0CG1253	COVER SIDE LOW(IM 550F/IM 550FG)	1-13
M0CH1255	COVER SIDE LEFT(IM 600F)	1-13
M0CH1255	COVER SIDE LEFT	2-13
M0CH1257	COVER LEFT UP REAR	1-12
M0CH1257	COVER LEFT UP REAR	2-12
M0CH1265	COVER LEFT LOW	1-9
M0CH1265	COVER LEFT LOW	2-9

Part No.	Description	Section and Index No.
M0CH1266	COVER REAR LOW	9-11
M0CH1267	COVER REAR UP	9-12
M0CH1268	COVER CASSETTE	9-7
M0CH1269	COVER CONT LOW	1-4
M0CH1269	COVER CONT LOW	2-4
M0CH1270	COVER LEFT LOW REAR	1-10
M0CH1270	COVER LEFT LOW REAR	2-10
M0CH1271	PARTS COVER REAR ASSY SP	9-18
M0CH1272	LID TOP B	1-7
M0CH1272	LID TOP B	2-7
M0CH1273	SPONGE EXIT	1-29
M0CH1273	SPONGE EXIT	2-29
M0CH1274	SPONGE COVER SIDE LEFT	1-40
M0CH1274	SPONGE COVER SIDE LEFT	2-38
M0CH1850	LASER UNIT	3-14
M0CH2551	CURSOL END STMT(for HLT)	31-3
M0CH3050	DRUM UNIT	6-1
M0CH4060	FUSING UNIT(EU/AA)	8-1
M0CH4070	FUSING UNIT(NA)	8-1
M0CH4451	PARTS MOTOR EJECT SP(M10)	9-1
M0CH4601	PARTS ROLLER DU ASSY SP	5-43
M0CH5310	PARTS UNIT LOW VOLTAGE 200V SP(PCB18)	3-13
M0CH5320	PARTS UNIT LOW VOLTAGE 100V SP(PCB18)	3-13
M0CH5341	HOLDER CLUTCH	11-14
M0CH5342	"PARTS PWB ASSY CONNECT-L FIN SP(IM 550F/550FG/IM 600F)(PCB20)"	3-2
M0CH5343	PARTS PWB ASSY DRUM CONNECT SP(PCB11)	5-1
M0CH6550	COLLECTION BOTTLE(IM 600F/IM 600SRF/IM 600SRFG)	6-7
M0CJ1051	LABEL:PUSH	9-27
M0CJ1673	CLUTCH:35:Z35R:SP(CL2)	11-1
M0CJ1673	CLUTCH:35:Z35R:SP(CL6)	30-2
M0CJ1730	SENSOR:OPT.:SP	9-6
M0CJ1730	SENSOR:OPT.:SP(S8)	9-28
M0CJ1730	SENSOR:OPT.:SP(S1/S3/S4)	28-1
M0CJ1748	SENSOR:OPT.:SP(S2)	27-4
M0CJ7604	LABEL DRAWER CAUTION	1-28

Parts Index

Part No.	Description	Section and Index No.
M0CJ7604	LABEL DRAWER CAUTION	2-28
M2811050	INTER LOCK SW:2FB27160(SW+C40)(SW3)	3-10
M2811050	INTER LOCK SW(SW4)	30-3
M2811051	SCREW:BOX	3-17
M2811052	FAN:LSU 60-25(FAN1)	3-3
M2811053	FOOT	3-1
M2811054	ROLLER M/P ASS'Y	5-14
M2811056	ACTUATOR:MPF	5-12
M2811057	SPRING ACTUATOR MPF	5-23
M2811059	GEAR:Z26L:DLP CLUTCH	11-5
M2811060	GEAR:Z32L:REG CL	11-2
M2811061	STOPPER:PROCESS	6-5
M2811062	STOPPER:PROCESS	6-6
M2811063	FAN MOTOR:ASS'Y SP(FAN2)	3-6
M2811066	PCB:SWITCH SP:ASS'Y	3-11
M2811067	PCB:TH CONNECT:ASS'Y(PCB13)	3-7
M2811068	DC MOTOR ASS'Y(M8/M9)	11-6
M2811069	FAN:COOLING ONVEYING SP(FAN3)	3-12
M2811080	SWITCH:PUSH(SW1)	3-4
M2811080	SW.PUSH(SW5)	9-26
M2811082	PARTS FAN MOTOR SP	3-29
M2811083	LEVER COUPLING DRUM	11-15
M2811084	GEAR Z46L FREE	11-19
M2811085	GEAR Z37S FREE	11-20
M2811087	COVER SENSOR	8-2
M2811089	GUIDE CASSETTE R	11-21
M2811090	GUIDE CASSETTE L	11-22
M2811091	CLUTCH 50 Z35R SP(CL3/CL5)	11-3
M2811120	CUT WASHER 5	11-9
M2811121	CUT WASHER:7	11-10
M2811122	PLATE:DRIVE	11-11
M2811123	GEAR:Z119R	11-13
M2811124	GEAR:Z80R-Z36	11-12
M2811125	SPRING:COUPLING DRUM	11-8
M2811126	DRIVE:FEED:ASS'Y(CL2+CL4+SOL2)	11-25

Part No.	Description	Section and Index No.
M2811127	CLUTCH:20-2W Z35R(CL1/CL4)	11-4
M2811129	PARTS_MOTOR-B(M6/M11)	11-7
M2811130	GEAR_Z35S-Z13	11-23
M2811139	ARM_COUPLING_	11-26
M2811185	SHEET GUIDE TURN A	5-31
M2811246	SPRING LOCK CASSETTE	11-29
M2811270	COVER:RIGHT REAR	1-3
M2811270	COVER:RIGHT REAR	2-3
M2811271	SPONGE:COVER TOP	1-18
M2811271	SPONGE:COVER TOP	2-18
M2811272	SPONGE:TRAY REAR	1-19
M2811272	SPONGE:TRAY REAR	2-19
M2811273	GEAR:Z20S	9-8
M2811274	GEAR:Z22S A	9-10
M2811276	GEAR:Z22S B	9-9
M2811299	ACTUATOR:DU	9-13
M2811316	LABEL_DIAL	4-23
M2811430	PARTS_PWB_ASS(PCB14)	1-39
M2811430	PARTS_PWB_ASS(PCB14)	2-37
M2812520	RETARD ROLLER	4-5
M2812522	GEAR:Z15S:JOINT	4-8
M2812523	GEAR:Z48S:LIFT	4-7
M2812524	SPRING:RETARD B	4-4
M2812525	CASSETTE BOTTOM	4-12
M2812528	RAIL:CURSOR END	4-17
M2812529	COVER:LIFT GEAR	4-9
M2812530	GUIDE:RETARD B	4-3
M2812532	CURSOR:END:ASS'Y	4-16
M2812534	PLATE:BOTTOM	4-14
M2812535	WIRE:CASSETTE BOTTOM	4-13
M2812536	HOLDER:RETARD B	4-2
M2812537	GEAR:CASSETTE	4-6
M2812539	CURSOR:LEFT	4-11
M2812541	GEAR_Z34S-Z13	11-27
M2812542	GEAR_Z46S-Z13	11-18

Parts Index

Part No.	Description	Section and Index No.
M2812543	GEAR_Z36L-Z20	11-17
M2812544	PAD_BOTTOM	4-15
M2812545	PULLEY FEED	5-30
M2812805	BASE CASSETTE FRONT	4-21
M2812806	COVER CASSETTE TOP	4-20
M2812807	DIAL CASSETTE	4-22
M2812820	GEAR:FEED:Z26	5-20
M2812821	PULLEY:FEED:ASS'Y	5-19
M2812822	GEAR:FEED:Z30	5-21
M2812823	SHAFT:FEED:R	5-28
M2812824	PULLEY:PICK-UP:ASS'Y	5-22
M2812826	HOLDER:FEED:ASS'Y	5-18
M2812827	GUIDE:FEED SIDE	5-25
M2812828	BUSH:TRANSFER R	5-4
M2812829	ACTUATOR:IMAGE	5-8
M2812831	GEAR:Z22R:TC	5-9
M2812832	BUSH:TRANSFER L	5-5
M2812833	ACTUATOR:ENVELOP	5-17
M2812834	ROLLER:MIDDLE:ASS'Y	5-16
M2812835	TONER FULL DETECT ASS'Y SP	6-3
M2812836	GUIDE:PAPER CHUTE SP	5-7
M2812837	HIGH VOLTAGE UNIT SP(PCB19)	5-11
M2812838	ROLLER:TRANSFER	5-6
M2812839	ROLLER:REGIST LOW	5-2
M2812840	ROLLER REGIST UP	5-3
M2812841	SENSOR:OPT SP(S7/S9/S10)	5-13
M2812841	SENSOR:OPT SP(S16)	9-20
M2812841	PARTS SENSOR OPT SP(S6)	10-10
M2812842	SHUTTER:WASTE	6-4
M2812843	ACTUATOR:PE	5-15
M2812844	PAD:SEPARATOR	5-24
M2812846	HOLDER:SEPARATION MPF	5-26
M2812847	LEVER:LINK	1-20
M2812847	LEVER:LINK	2-20
M2812849	SPRING:PICKUP B	5-27

Part No.	Description	Section and Index No.
M2812850	ACTUATOR:DU	5-10
M2812852	BASE_DU	5-44
M2812853	LEVER CAM MPF	5-32
M2812854	BUSH 6 EW	5-41
M2812855	LOCK ENVELOPE L	5-39
M2812856	SPRING TRANSFER R	5-37
M2812857	SPRING TRANSFER L	5-38
M2812859	LOCK ENVELOPE R	5-40
M2812860	SW.PUSH	11-24
M2812861	GEAR Z19R-Z22R REGIST UP	5-34
M2812862	GEAR Z22L REGIST LOW	5-33
M2812863	GEAR Z35R IDLE	5-36
M2812864	BUSH SCREW	5-42
M2812866	PARTS COVER MPF ASSY SP	1-23
M2812866	PARTS COVER MPF ASSY SP	2-23
M2813030	DEVELOPMENT UNIT	7-1
M2813051	MC-3160	6-2
M2814451	GEAR:Z66R-Z40	9-3
M2814452	GEAR:Z17S(IM 550F/IM 550FG/IM 600F)	9-4
M2814453	GEAR:Z22S(IM 550F/IM 550FG/IM 600F)	9-2
M2814454	ACTUATOR OVERFLOW	9-5
M2814455	SEAL:EXIT C	9-17
M2814456	PULLEY EXIT	9-15
M2815567	POWER_CORD(120)(NA)	31-1
M2815568	AC CODE ASS'Y(EU/AA)	31-2
M2816550	TONER COLLECTION BOTTLE(IM 550F/550FG)	6-7
M2816684	LEVER_DU_RELE	5-47
M2817501	GEAR Z34S INPUT	11-16
M2817502	GUIDE DU	5-45
M2817503	PULLEY PA	5-29
M2817504	SPRING DU	5-46
M2817505	SHEET REGIST	5-35
M2817506	LEVER LOCK CASSETTE L	11-28
M2818534	LABEL:OPERATION:CASSETTE	4-18
M2818535	LABEL:OPERATION:END	4-19

Parts Index

Part No.	Description	Section and Index No.
M2818536	LABEL:DRUM UP	6-8
M2822541	CASSETTE ASS'Y (CT-3160)	4-1
M2822550	PARTS_GUIDE_C	3-5
M2822861	CURSOR_RIGHT	4-10
M3651122	SPRING PLATE:DOOR SWITCH:STAPLE EXCHANGE	17-12
M3662111	GUIDE PLATE:TRANSPORT:LOWER	18-14
M3662113	DISCHARGE BRUSH:ENTRANCE	18-13
M3662116	GUIDE:TRAILING EDGE	18-9
M3662117	GASKET:3X7X10	18-7
M3662118	COMPRESSION SPRING:DRIVEN	18-5
M3662121	STAY:UPPER	18-1
M3662131	BRACKET:ENTRANCE SENSOR	18-3
M3662212	GUIDE PLATE:EXIT:OPEN AND CLOSE	19-9
M3662214	SHAFT:EXIT ROLLER:DRIVEN	19-11
M3662216	CUSHION:GUIDE PLATE:EXIT	19-12
M3662216	CUSHION:GUIDE PLATE:EXIT	19-15
M3662222	PAWL:EXIT:OPEN AND CLOSE:ASS'Y	19-16
M3662223	SPRING PLATE:GUIDE PLATE:EXIT	19-14
M3662224	GEAR:SECTOR:EXIT:OPEN AND CLOSE	19-20
M3662225	LEVER:SAFETY SWITCH	19-17
M3662232	SHAFT:GATHERING ROLLER:DRIVE:ASS'Y	19-7
M3662234	TIMING PULLEY:GATHERING ROLLER:DRIVE:TRANSMISSION	19-6
M3662235	GATHERING ROLLER	19-5
M3662236	SHAFT:GATHERING ROLLER	19-3
M3662237	ARM:GATHERING ROLLER	19-2
M3662238	SHAFT:BALANCER:GATHERING ROLLER	19-1
M3662241	DISCHARGE BRUSH:EXIT:OPEN AND CLOSE	19-13
M3662251	GEAR:GATHERING ROLLER:DRIVE:Z20	19-25
M3662252	GEAR:PULLEY:Z18/T20	19-22
M3662311	TRANSPORT ROLLER:ENTRANCE	18-4
M3662312	GEAR:TRANSPORT:Z25	18-16
M3662312	GEAR:TRANSPORT:Z25	20-25
M3662322	LINK:ROLLER:SLIDE:ASS'Y	20-26
M3662325	BUSHING:ROLLER:SLIDE	20-15
M3662334	TIMING PULLEY:EXIT ROLLER:DRIVE	20-24

Part No.	Description	Section and Index No.
M3662335	TIMING PULLEY:EXIT ROLLER:DRIVE	20-23
M3662511	SHAFT:DRIVE:TRANSMISSION:ROLLER:RETURN	20-7
M3662512	GEAR:RETURN:DRIVE:TRANSMISSION:Z31	20-8
M3662514	GEAR:ROLLER:RETURN:MIDDLE:Z25	20-10
M3662515	GEAR:ROLLER:RETURN:MIDDLE:Z28	20-9
M3662516	REVERSE ROLLER:TRAILING EDGE:Z20	20-11
M3662517	ARM:REVERSE ROLLER	20-12
M3662518	GEAR:IDLER:Z22:LIGHTER	20-31
M3662612	BRACKET:TENSIONER:TRANSPORT	20-3
M3662613	GEAR:PULLEY:Z25/T20	20-29
M3662614	GEAR:IDLER:Z22	20-30
M3662615	GEAR:IDLER:Z35	20-4
M3662616	TENSION SPRING:TENSIONER:TRANSPORT	20-2
M3662621	BRACKET:DC STEPPER MOTOR:EXIT	16-11
M3662635	CAM:ROLLER:SLIDE	16-1
M3662641	BRACKET:DC STEPPER MOTOR:EXIT:OPEN AND CLOSE:ASS'Y	16-14
M3662644	GEAR:MIDDLE:EXIT:OPEN AND CLOSE:Z15/Z51	16-13
M3662654	CAM:LEVER:GATHERING ROLLER	16-8
M3662655	LEVER:GATHERING ROLLER	16-9
M3663316	GEAR:Z20/Z35	15-4
M3663317	GEAR:Z37:WORM GEAR	15-5
M3663322	CAM:TRAY:MOVEABLE	15-6
M3663325	GEAR:DRIVE:CAM:Z42	15-7
M3663411	BRACKET:PAPER SENSER	22-3
M3663412	BRACKET:SOLENOID:PAPER SENSER	22-4
M3663430	DC SOLENOID:PAPER SENSER:SUB-ASS'Y(SOL3)	22-6
M3663441	TORSION SPRING:LEVER	22-7
M3663442	CUSHION:PLATE:RETURN	20-21
M3663510	BRACKET:EXIT:CONNECTING	20-22
M3663521	SHAFT:EXIT:COUPLING	20-18
M3663522	GEAR:EXIT:COUPLING:Z20	20-19
M3663523	GEAR:EXIT:COUPLING:MIDDLE:Z19	20-20
M3664112	JOGGER FENCE:REAR	21-6
M3664113	SHAFT:GUIDE:JOGGER:FRONT	21-8
M3664122	BRACKET:HOME POSITION SENSOR:JOGGER:REAR	21-21

Parts Index

Part No.	Description	Section and Index No.
M3664132	BRACKET:SURFACE OF PAPER SENSOR:STAPLER TRAY	21-12
M3664142	BRACKET:DC STEPPER MOTOR:JOGGER	21-14
M3664151	STANDARD FENCE:TRAILING EDGE:SUB-ASS'Y	21-24
M3664152	GUIDE:STANDARD FENCE:FRONT RIGHT	21-4
M3664153	GUIDE:STANDARD FENCE:REAR RIGHT	21-5
M3664154	PLATE:TRAILING EDGE:STANDARD FENCE	21-1
M3664155	STANDARD FENCE:TRAILING EDGE	21-3
M3664156	TRAY:STAPLE	21-9
M3664157	STANDARD FENCE:FIX:FRONT	21-10
M3664158	STAY:JOGGER	21-16
M3664159	CUSHION:ARM:RETURN:0.2MM	21-2
M3664161	TENSIONER:JOGGER FENCE	21-17
M3664170	TENSION SPRING:BELT TENSIONER:JOGGER FENCE	21-18
M3665570	DC STEPPER MOTOR:TRANSPORT:3.78W(M12)	20-1
M3665571	DC STEPPER MOTOR:EXIT:3.78W(M13)	16-10
M4445201	HDD:320GB:AQUARIUS(OT2)	3-16
M5005563	BRACKET:HDD	3-9

Part No.	Description	Section and Index No.