

**IM 350F/430F/430Fb**  
**(D0AP/D0C4/D0C5-NA)**  
**Parts Catalog**

**Parts change information sample**

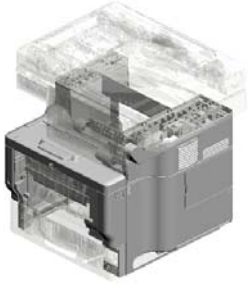
 **Add**

 **Update**

 **Delete**

Model	Product Code	PC Style
IM 350/350F/430F/430Fb	D0AP/D0C4/D0C5/D0C6	3D
P 501/502	M0BQ/M0D1	3D
Paper Feed Unit PB1110	D3EQ	3D
Paper Feed Unit PB1110TE	D3EY	3D
Paper Feed Unit PB1110LE	D3EY	3D
Paper Feed Unit PB1120	D3ER	3D
Paper Feed Unit PB1120TE	D3EY	3D
Paper Feed Unit PB1120LE	D3EY	3D
Offline Stapler Type M34	D3EP	3D
Caster Table Type M34	D3EP	Traditional
IEEE 1284 Interface Board Type M19	D3C0	Traditional
SD Card for Fonts Type E	M500	Traditional
Handset HS1010	M444	Traditional
Page Keeper Type M28	D3DQ	Traditional
FAX Connection Unit Type M34	D3EM	Traditional
PostScript3 Unit Type M34	D3EN	Traditional
Optional Counter Interface Unit Type M12	B870	Traditional
Extended USB Board Type M19	D3BS	Traditional
IPDS Unit Type P18	M543	Traditional
Hard Disk Drive Option Type P18	M543	Traditional
Enhanced Security HDD Option Type M10	D792	Traditional
NFC Card Reader Type M27	M502	Traditional
IEEE 802.11 Interface Unit Type M24	M500	Traditional
USB Device Server Option Type M19A	D3BC	Traditional
XPS Direct Print Option Type M34	D3EN	Traditional
IPDS Unit Type M34	D3EN	Traditional
File Format Converter Type M19	D3BR	Traditional
CR Unit Type M13	D3AC	Traditional
Data Overwrite Security Unit Type M19	D3BS	Traditional
XPS Direct Print Option Type P18	M543	Traditional
PostScript3 Unit Type P18	M543	Traditional
VM Card Type P18	D3EN	Traditional

# Unit All



U001  
EXTERIOR



U002  
OPERATION



U003  
ADF



U004  
SCANNER



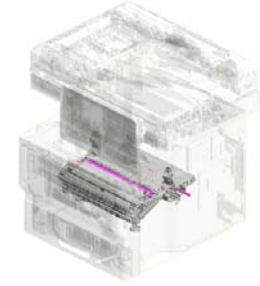
U005  
LASER UNIT



U006  
PAPER FEED



U007  
PCDU



U008  
TRANSFER/SEPARATION



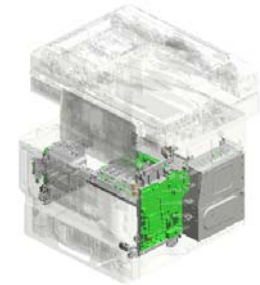
U009  
FUSING



U010  
PAPER EXIT

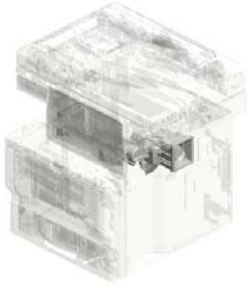


U011  
MAIN DRIVE



U012  
ELECTRICAL

# Unit All



U013  
AIR COOLING



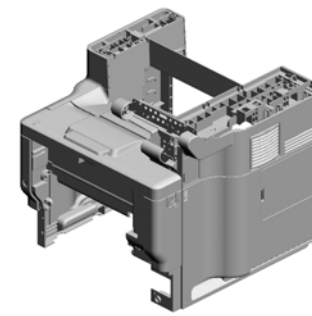
U014  
MAIN FRAME



U015  
ACCESSORIES

# U001 EXTERIOR

- 9.D0A41322 COVER:UPPER
- 5.11050761 (x2) CLAMP:LWS-0511A
- 11.D0A41326 GROUND PLATE:S CANNER:RIGHT
- 2.04543006Q (x3) TAPPING SCREW - M3X6
- 20.D0A41336 COVER:OPERATIO N PANEL:MAIN



- 12.D0A41327 GROUND PLATE:S CANNER:LEFT

- 3.04583010N (x23) HEXAGON HEAD T APPING SCREW:3 X10

- 10.D0A41323 COVER:LOUVER

- 18.D0A41333 (x2) FILTER:LOUVER

- 7.D0A41320 COVER:LEFT:LOW ER

- 1.04513008N (x15) TAPPING SCREW - M3X8

- 19.D0A41334 (x2) LEVER:DOOR:FRO NT

- 16.D0A41331 COVER:NFC:2

- 8.D0A41321 COVER:RIGHT:LO WER

- 13.D0A41328 DOOR:FRONT

- 6.11050768 CLAMP:LES-0912

- 14.D0A41329 COVER:FRONT UP PER

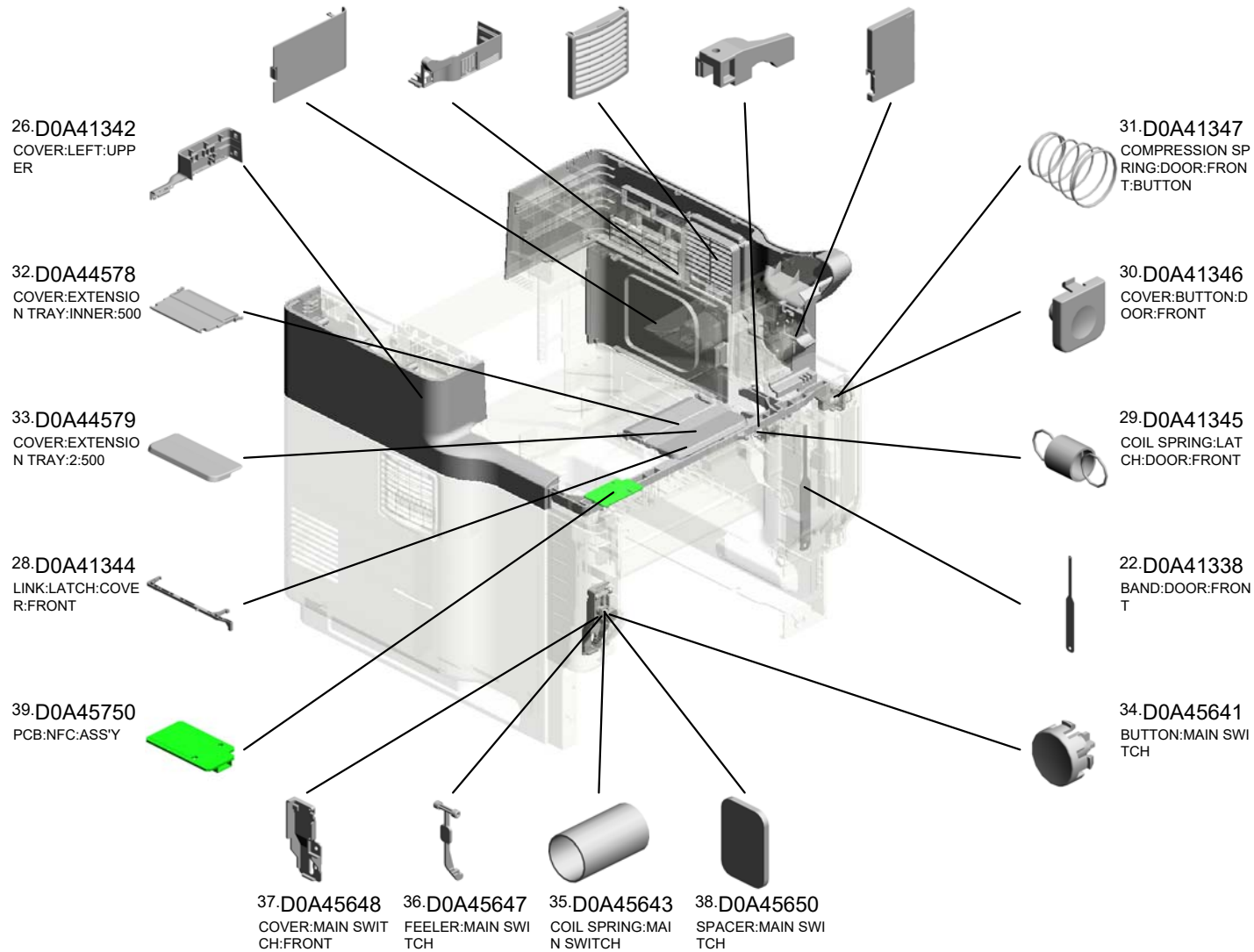
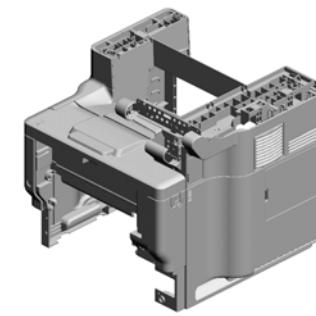
- 15.D0A41330 COVER:NFC:1

- 17.D0A41332 COVER:NFC:3

- 4.11050604 CLAMP:RFC-16V0

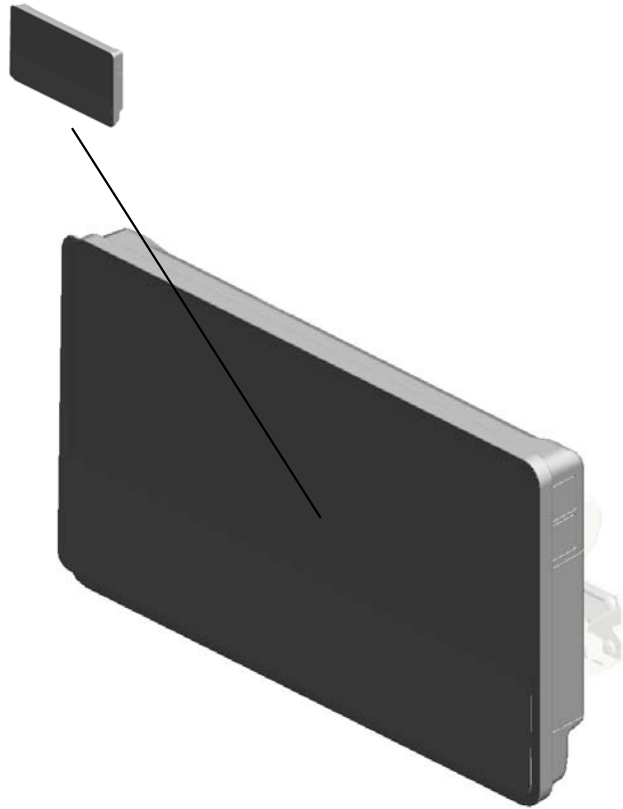
# U001 EXTERIOR

- 23.D0A41339 COVER:RIGHT:OP  
TION:HDD
- 25.D0A41341 COVER:RIGHT:UP  
PER
- 27.D0A41343 COVER:LOUVER:B  
LACK
- 21.D0A41337 LEVER:SHUTTER:  
DOOR:FRONT
- 24.D0A41340 COVER:RIGHT:OP  
TION:STAPLER



# U002.OPERATION

U002 S001  
D0A41400  
(NA/EU/AA/KOR/TWN):OPER  
ATION SUB-UNIT:ASS'Y

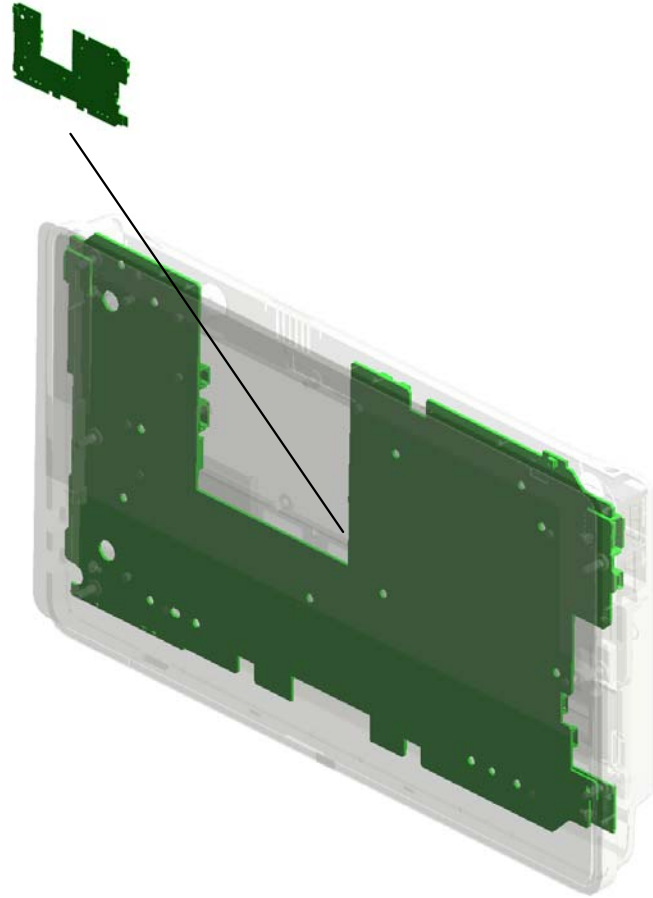


U001	<b>U002</b>	U003	U004	U005	U006	U007	U008	U009	U010	U011	U012	U013	U014	U015
------	-------------	------	------	------	------	------	------	------	------	------	------	------	------	------



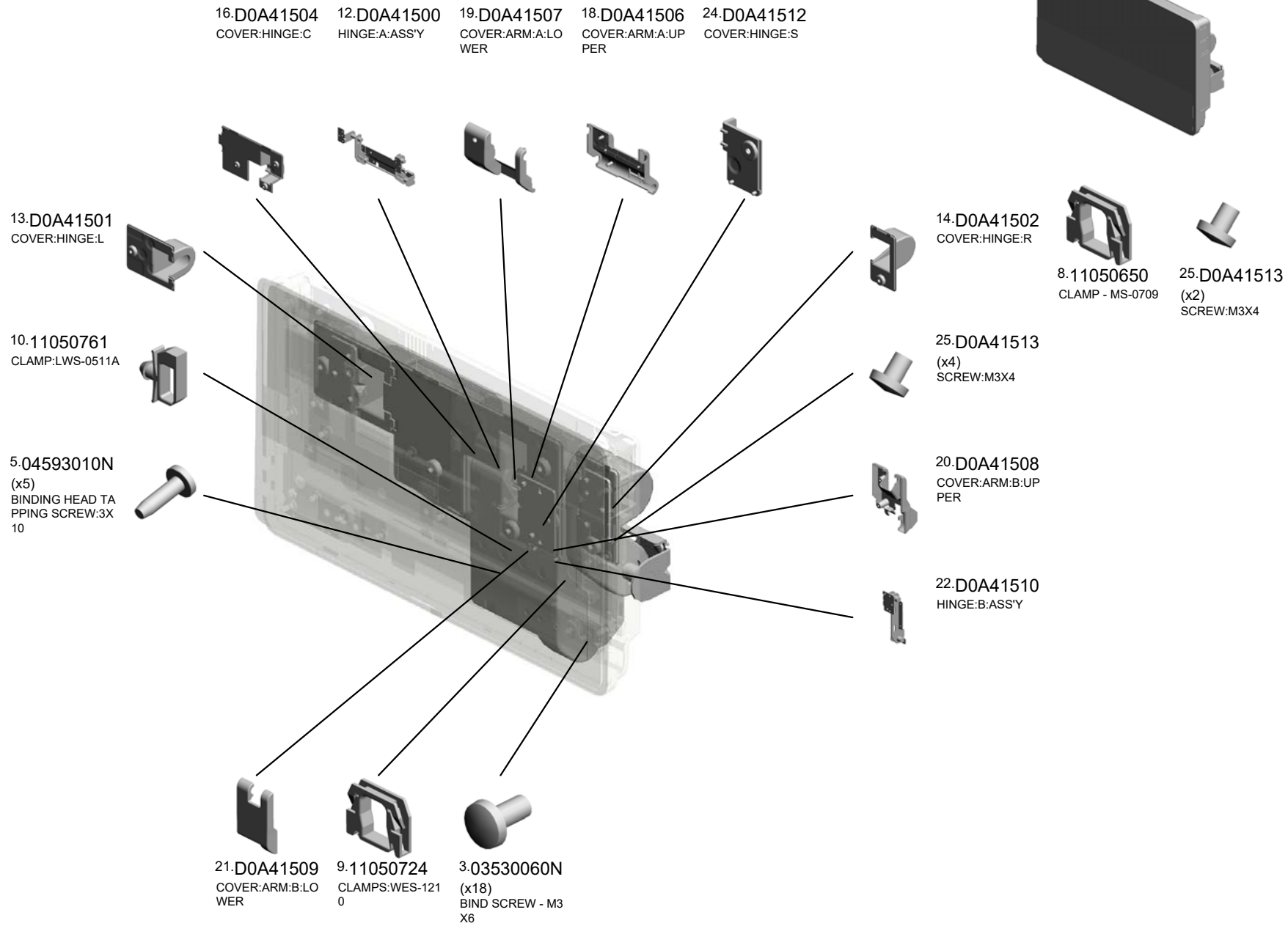
# U002\_S001.(NA/EU/AA/KOR/TWN):OPERATION SUB-UNIT:ASS'Y

U002 S001 S001  
D0A45720  
(NA/EU/AA/KOR/TWN):PCB:N  
AIS:ASSY



U001	<b>U002</b>	U003	U004	U005	U006	U007	U008	U009	U010	U011	U012	U013	U014	U015
------	-------------	------	------	------	------	------	------	------	------	------	------	------	------	------

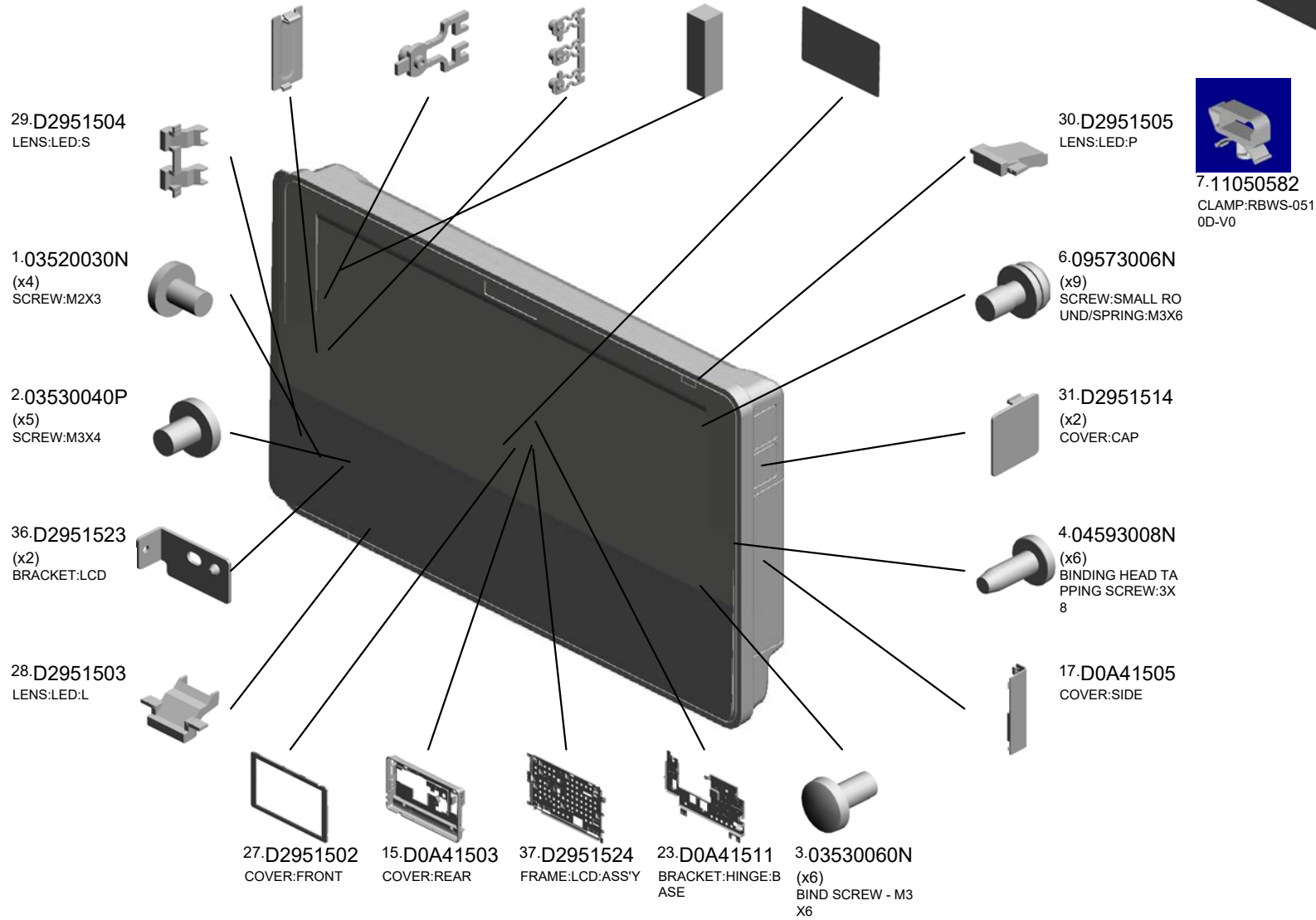
# U002 OPERATION



U002\_S001  
 (NA/EU/AA/KOR/TWN):OPERATION SUB-UNIT:ASS'Y

34.D2951517 COVER:SWITCH  
 33.D2951516 KEYTOP:RESET SWITCH  
 32.D2951515 KEYTOP:SIDE  
 38.D2951534 GASKET:STGZ\_8-8-28  
 26.D0A45755 LCD:WSVGA-10.1

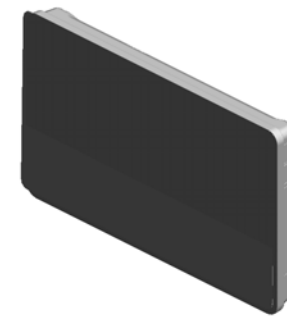
48.D0A41400  
 (NA/EU/AA/KOR/TWN):OPERATION SUB-UNIT:ASS'Y



U001	U002	U003	U004	U005	U006	U007	U008	U009	U010	U011	U012	U013	U014	U015
------	------	------	------	------	------	------	------	------	------	------	------	------	------	------

U002\_S001  
 (NA/EU/AA/KOR/TWN):OPERATION SUB-UNIT:ASS'Y

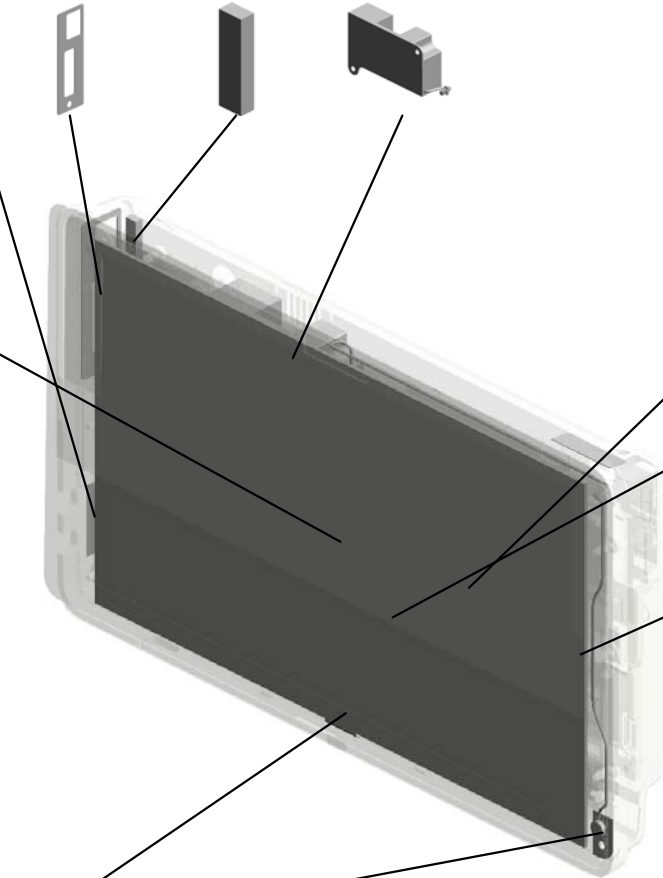
41.D2951537 SHEET:SIDE  
 39.D2951535 GASKET:STGZ\_3-5-18  
 47.D2951558 SPEAKER:PB18CC G04L-7ZZ



48.D0A41400  
 (NA/EU/AA/KOR/TWN):OPERATION SUB-UNIT:ASS'Y

40.D2951536  
 (x3)  
 SHEET:LIGHT SHIELD COAT

46.D2951557  
 TOUCH PANEL:TECH\_BES\_FCL-L1402



45.D2951554  
 MIKE:PVM-6018-C4 02G-7ZZ4

50.D2621651  
 (NA/EU/AA/KOR/TWN):DECAL:COMMON

43.D2951539  
 (x2)  
 CUSHION:LCD:S

42.D2951538  
 (x2)  
 CUSHION:LCD:L

44.D2951540  
 SHEET:MIKE

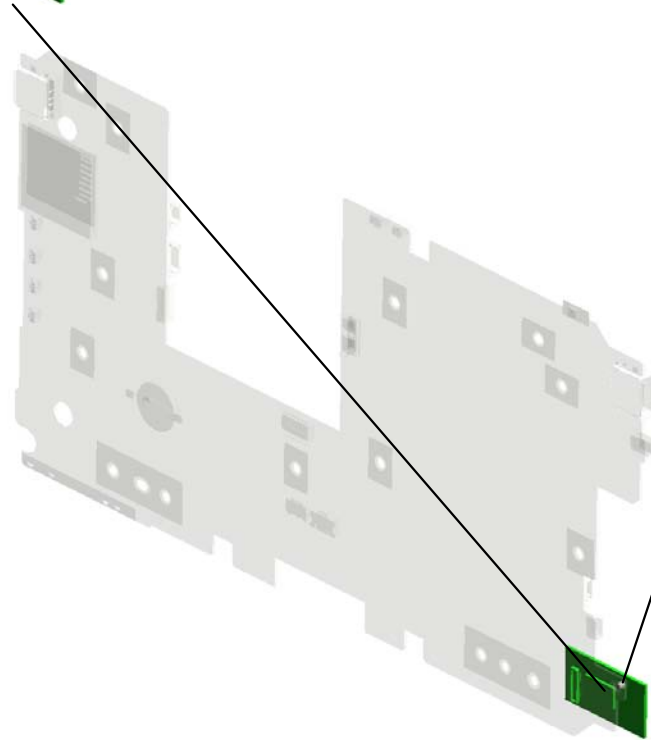
U001	U002	U003	U004	U005	U006	U007	U008	U009	U010	U011	U012	U013	U014	U015
------	------	------	------	------	------	------	------	------	------	------	------	------	------	------

U002\_S001\_S001  
(NA/EU/AA/KOR/TWN):PCB:NAIS:ASS'Y

35.D2951521  
PCB:W-LAN:DHSB-  
R40



49.D0A45720  
(NA/EU/AA/KOR/T  
WN):PCB:NAIS:AS  
SY

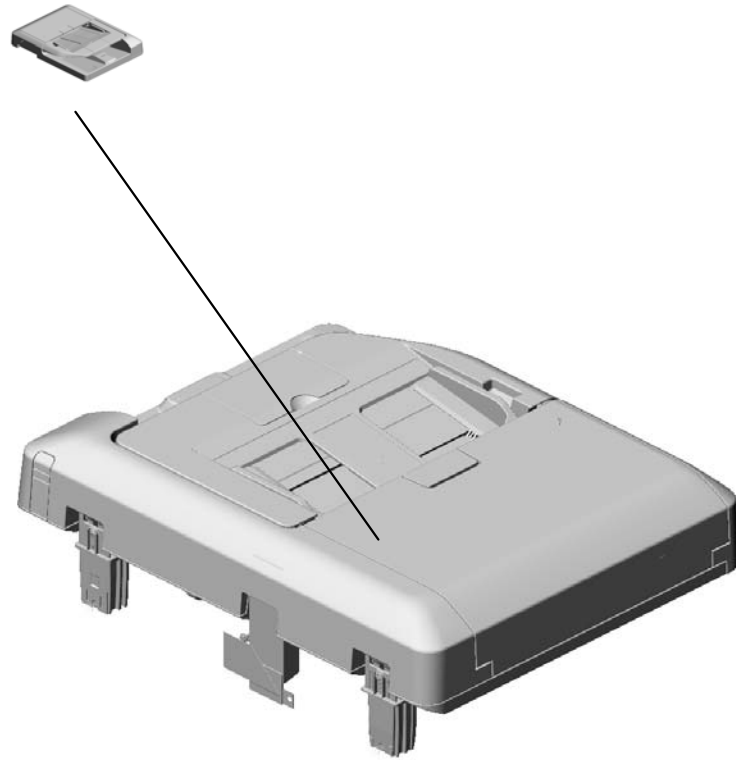


1.03520030N  
SCREW:M2X3

U001	<b>U002</b>	U003	U004	U005	U006	U007	U008	U009	U010	U011	U012	U013	U014	U015
------	-------------	------	------	------	------	------	------	------	------	------	------	------	------	------

# U003.ADF

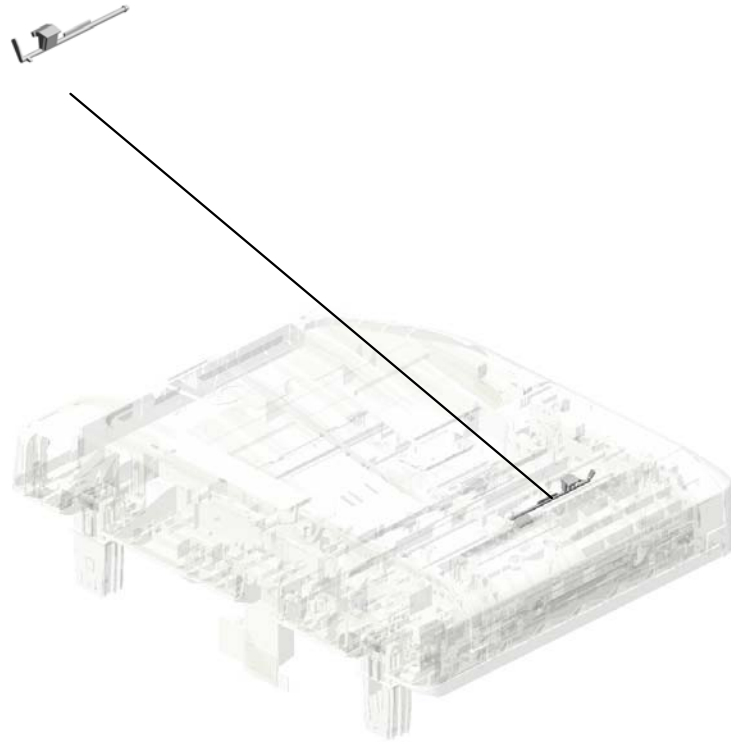
U003 S001  
D0A46001  
(NA/EU/AA/KOR):ADF:ASS'Y



U001	U002	U003	U004	U005	U006	U007	U008	U009	U010	U011	U012	U013	U014	U015
------	------	------	------	------	------	------	------	------	------	------	------	------	------	------

# U003\_S001.(NA/EU/AA/KOR):ADF:ASS'Y

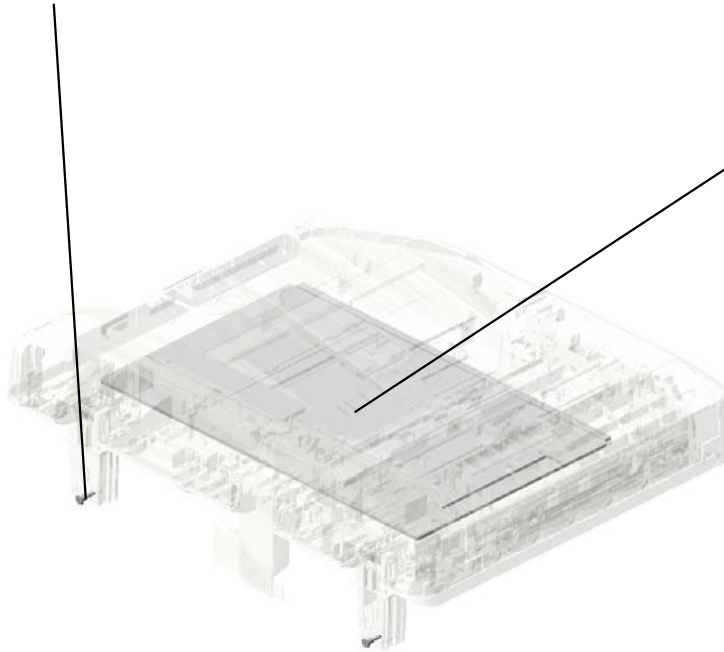
U003 S001 S001  
D3DJ4530  
FEELER:FEED:REAR:ASS'Y



U001	U002	U003	U004	U005	U006	U007	U008	U009	U010	U011	U012	U013	U014	U015
------	------	------	------	------	------	------	------	------	------	------	------	------	------	------

U003  
ADF

169.D6060028  
(x2)  
SCREW:HINGE



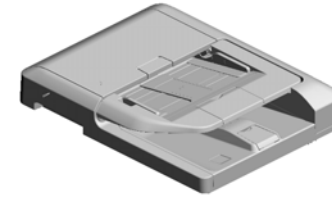
42.D0A46091  
PRESSURE PLATE  
:ASS'Y

U001	U002	U003	U004	U005	U006	U007	U008	U009	U010	U011	U012	U013	U014	U015
------	------	------	------	------	------	------	------	------	------	------	------	------	------	------

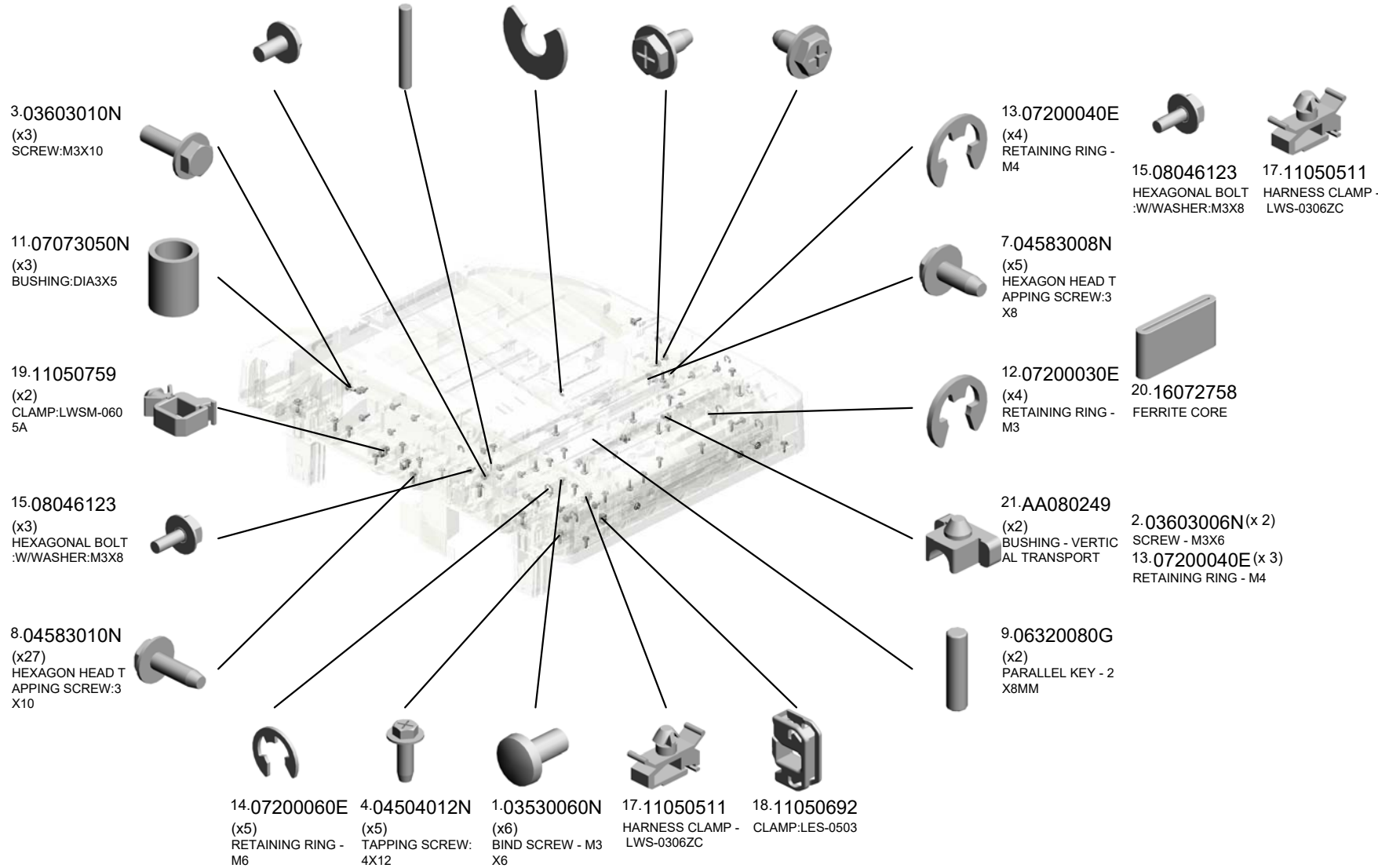


U003\_S001  
(NA/EU/AA/KOR):ADF:ASS'Y

2.03603006N (x14) SCREW - M3X6  
 10.06320140G PARALLEL PIN  
 16.08050104 (x3) RETAINING RINGS  
 -E:SILENCER:DIA4  
 5.04513006N (x2) TAPPING SCREW - 3X6  
 6.04543006Q (x7) TAPPING SCREW - M3X6



181.D0A46001  
(NA/EU/AA/KOR):A  
DF:ASS'Y

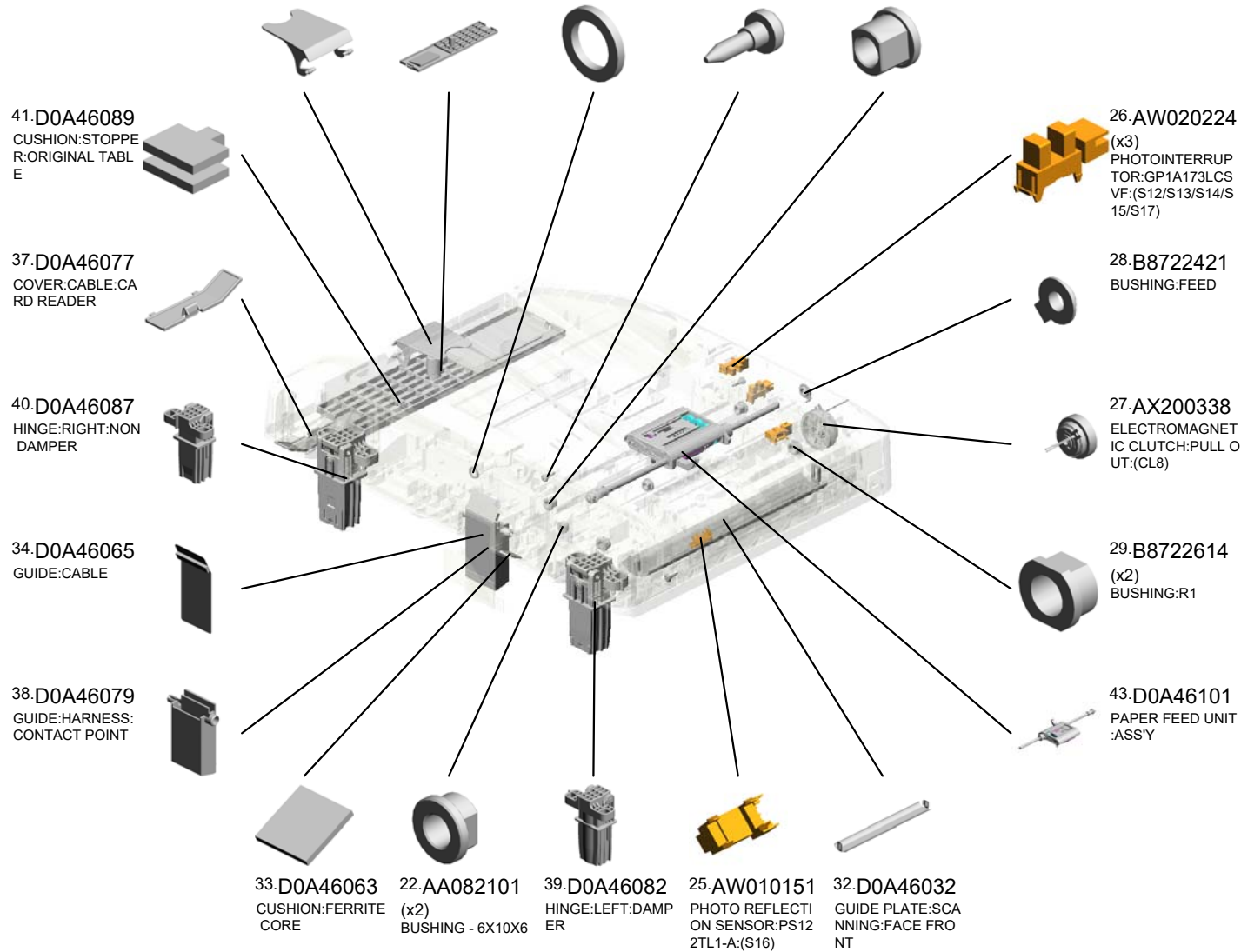


U003\_S001  
(NA/EU/AA/KOR):ADF:ASS'Y



181.D0A46001  
(NA/EU/AA/KOR):ADF:ASS'Y

- 35.D0A46073 TRAY:AUXILIARY
- 36.D0A46076 COVER:CARD READER
- 30.D0094511 SPACER:DIA8.0:1.5 MM
- 24.AA143788 (x3) PIN:GUIDE PLATE:PAPER FEED
- 23.AA082180 (x2) PLAIN SHAFT BEARING:DIA6:DIA10:9



U003\_S001  
(NA/EU/AA/KOR):ADF:ASS'Y



181.D0A46001  
(NA/EU/AA/KOR):A  
DF:ASS'Y

61.D0A46174 DECAL:ORIGINAL SCALE  
55.D0A46162 ORIGINAL TABLE  
59.D0A46169 COIL SPRING:SIDE FENCE:ARDF:16N  
53.D0A46153 LEVER:COVER:PA PER FEED  
58.D0A46168 SIDE FENCE:FRON T

56.D0A46163 EXTENSION TRAY

64.D0A46183 CAP:CABLE:OUTE R

57.D0A46167 SIDE FENCE:INNE R BACK

60.D0A46171 DECAL:SIDE FENC E

63.D0A46182 COVER:REAR

54.D0A46154 TORSION SPRING: COVER:PAPER FE ED:FRONT

48.D0A46134 (x2) COMPRESSION SP RING:EXIT:DRIVEN

50.D0A46141 (x2) SPRING PLATE:GU IDE:BEHIND:PRES S FIT

52.D0A46152 COVER:PAPER FE ED

46.D0A46128 (x4) TENSION SPRING: SCANNING:EXIT:D RIVEN

49.D0A46135 (x2) SHEET:SCANNING: BEHIND:PLATE  
51.D0A46146 TRANSPORT ROLL ER:EXIT  
45.D0A46127 GUIDE:TRANSPOR T:EXIT:LOWER  
47.D0A46129 SHEET:EXIT:PLAT E  
44.D0A46112 GUIDE PLATE:PAP ER FEED

U003\_S001  
(NA/EU/AA/KOR):ADF:ASS'Y



181.D0A46001  
(NA/EU/AA/KOR):ADF:ASS'Y

- 74.D3DJ1114 (x2) TAPE:PRESSURE PLATE
- 71.D2965300 PCB:DFRB3
- 83.D3DJ1240 HOLDER:FERRITE CORE
- 69.D0A46195 COMPRESSION SPRING:STOPPER:ORIGINAL TABLE
- 68.D0A46194 BRACKET:STOPPER:ORIGINAL TABLE

65.D0A46184 CAP:CABLE:INNER

75.D3DJ1131 HOLDER:DFRB

76.D3DJ1142 HOLDER:GUIDE:HARNESS:CONTACT POINT

79.D3DJ1145 (x2) SPACER:HOLDER:HARNESS

77.D3DJ1143 SHEET:HOLDER:FILAT CABLE

78.D3DJ1144 SHEET:CUSHION:FILAT CABLE

82.D3DJ1160 (x3) SHEET:EXIT:ASS'Y

81.D3DJ1152 DISCHARGE BRUSH:EXIT:SUS

80.D3DJ1151 GUIDE PLATE:EXIT

70.D2961841 GUARD

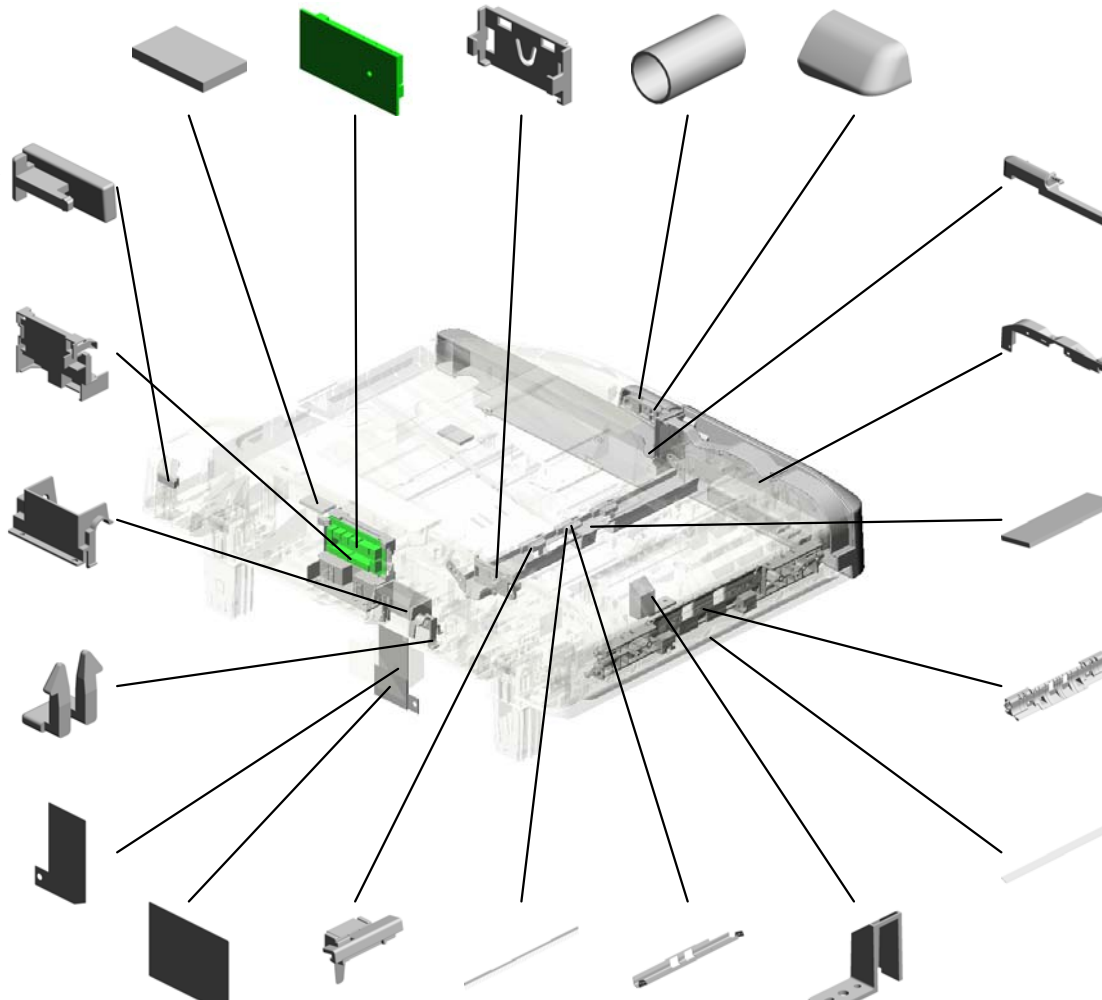
66.D0A46192 COVER:FRONT

67.D0A46193 COVER:FRONT:INNER

72.D3B62008 PAD:PICKUP

84.D3DJ1410 GUIDE PLATE:SCANNING:FRONT LOWER

73.D3DJ1113 SEAL:FRONT:SCANNING

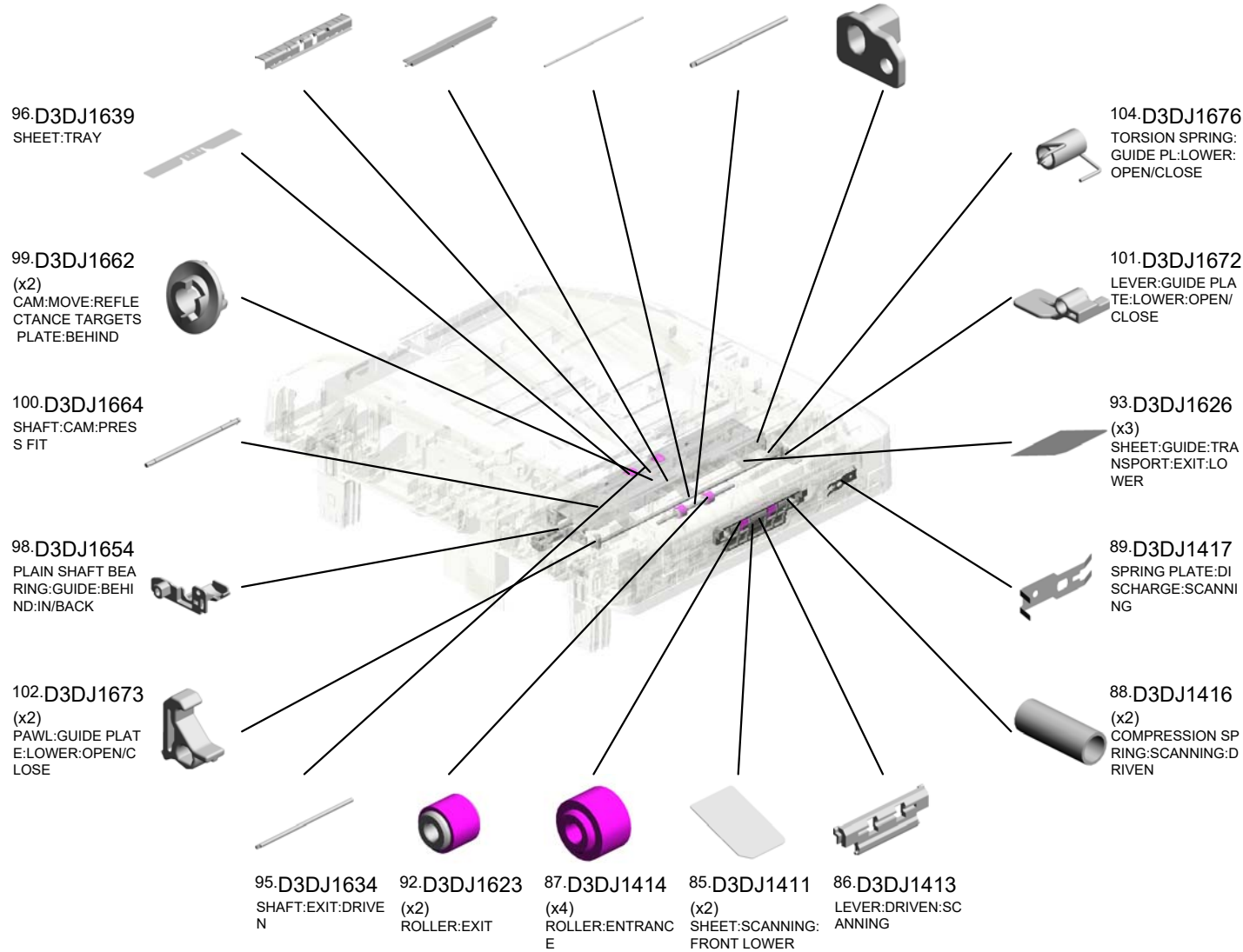


U003\_S001  
(NA/EU/AA/KOR):ADF:ASS'Y



181.D0A46001  
(NA/EU/AA/KOR):ADF:ASS'Y

- 94.D3DJ1631 GUIDE:EXIT:LOWER
- 90.D3DJ1606 GUIDE:REFLECTANCE TARGETS PLATE:BEHIND:ASS'Y
- 103.D3DJ1674 SHAFT:LEVER:GUIDE PL:LOWER:OPEN/CLOSE
- 91.D3DJ1622 SHAFT:SCANNING:EXIT:DRIVEN
- 97.D3DJ1653 PLAIN SHAFT BEARING:GUIDE:BEHIND:FRONT



U003\_S001  
(NA/EU/AA/KOR):ADF:ASS'Y



181.D0A46001  
(NA/EU/AA/KOR):ADF:ASS'Y

111.D3DJ3119 (x2) CUSHION:SEPARATION  
 109.D3DJ1815 COMPRESSION SPRING:SEPARATION  
 110.D3DJ1833 COVER:PAPER FEED:MIDDLE  
 105.D3DJ1681 PIN:GUIDE PLATE  
 124.D3DJ4111 SHAFT:COUPLING

108.D3DJ1814 HOLDER:FRICION PAD:COIL SPRING:FIX

106.D3DJ1710 OPTICAL READING MD:BEHIND:ASS'Y

118.D3DJ3610 TRANSPORT ROLLER:EXIT

121.D3DJ3831 GUIDE:HARNESS:TRANSPORT:REAR

119.D3DJ3616 PLATE:T0.3

114.D3DJ3213 BRACKET:REGISTRATION SENSOR

112.D3DJ3210 GUIDE PLATE:TRANSPORT

116.D3DJ3410 TRANSPORT ROLLER:PULL OUT

117.D3DJ3510 TRANSPORT ROLLER:ENTRANCE

113.D3DJ3211 (x2) SPRING PLATE:GUIDE:EXPOSURE GLASS ASS

123.D3DJ4110 POSITIONING PLATE:DRIVE:FRONT

107.D3DJ1810 BRACKET:SENSOR:FRONT

122.D3DJ3836 GUIDE:HARNESS:TRANSPORT:FRONT

115.D3DJ3216 (x2) SPRING PLATE:DISCHARGE:EXPOSURE GLASS

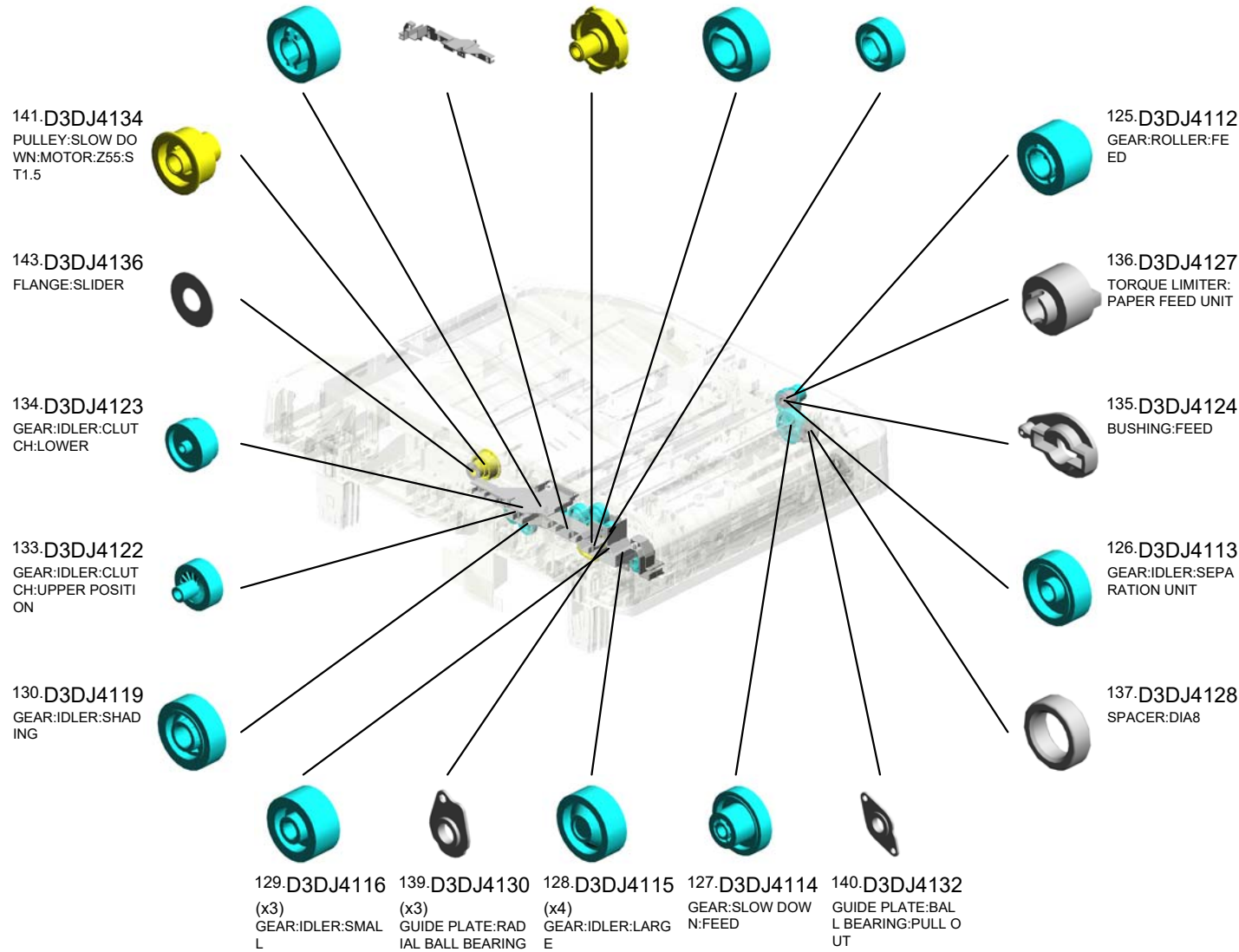
120.D3DJ3821 PIN:GUIDE PLATE

U003\_S001  
(NA/EU/AA/KOR):ADF:ASS'Y

132.D3DJ4121 GEAR:ROLLER:DIAS 6  
 144.D3DJ4210 BRACKET:HARNES S  
 142.D3DJ4135 PULLEY:SLOW DOWN:MIDDLE  
 131.D3DJ4120 GEAR:ROLLER:DIAS 8  
 138.D3DJ4129 (x2) GEAR:ROLLER:DIAS 8



181.D0A46001  
(NA/EU/AA/KOR):ADF:ASS'Y

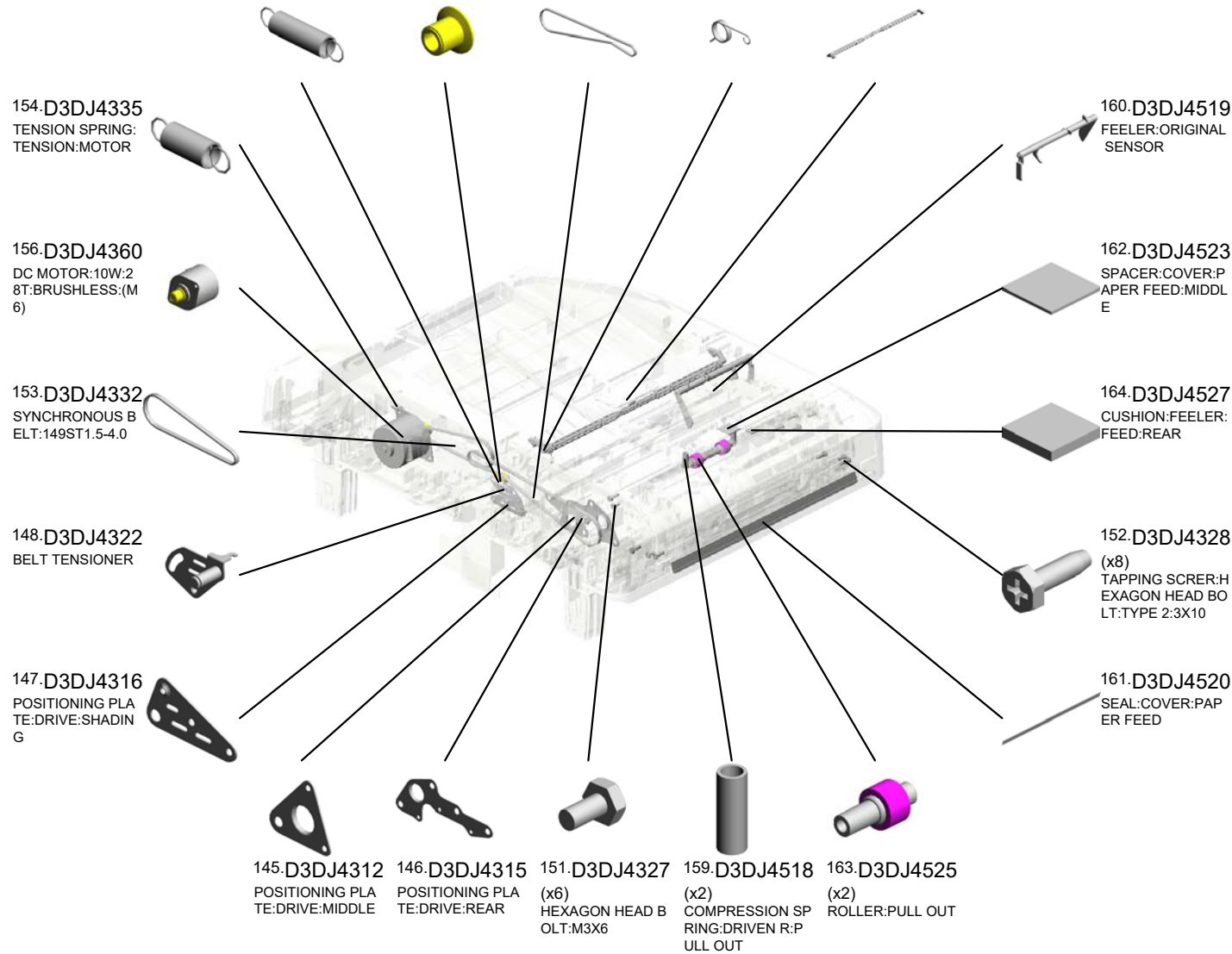


U003\_S001  
(NA/EU/AA/KOR):ADF:ASS'Y



181.D0A46001  
(NA/EU/AA/KOR):ADF:ASS'Y

150.D3DJ4326 TENSION SPRING: TENSION:MIDDLE  
 149.D3DJ4323 PULLEY:IDLER:DIA 10  
 155.D3DJ4344 SYNCHRONOUS BELT:252ST1.5-4.0  
 158.D3DJ4515 TORSION SPRING: COVER:PF:INNER BACK  
 157.D3DJ4512 SHAFT:LEVER:COVER:VER:PAPER FEED





U003\_S001  
(NA/EU/AA/KOR):ADF:ASS'Y



181.D0A46001  
(NA/EU/AA/KOR):ADF:ASS'Y

- 182.D0A46173 (NA/EU/AA/KOR):DECAL:ORIGINAL TABLE
- 178.D6064616 DISC:SIDE FENCE
- 176.D6064614 GEAR:SIDE FENCE
- 166.D3DJ4622 SHEET:ORIGINAL TABLE
- 167.D3DJ4811 STOPPER:ORIGINAL TABLE

177.D6064615  
PIN:SIDE FENCE

179.J5023127  
(x3)  
BUSHING:STEPPER MOTOR

174.D6064124  
COLLAR:REVERSE

172.D6063117  
TENSION SPRING:  
PRESSURE RELEASE:SEPARATION:4.5N

171.D6063116  
LEVER:PRESSURE RELEASE:SEPARATION

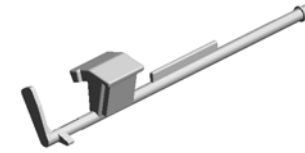
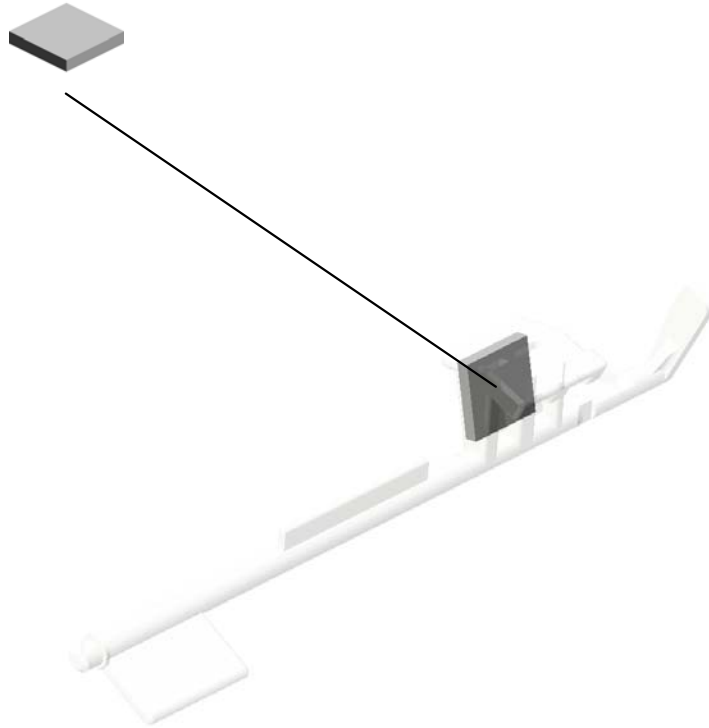
170.D6063112  
FRICTION PAD

175.D6064516  
(x2)  
SHAFT:ROLLER:PULL OUT

- 168.D5433635 GEAR:ROLLER:SCANNING:BEHIND
- 180.M3644823 (x2) TAPE:PRESSURE PLATE
- 173.D6063118 SHEET:SEPARATION

U003\_S001\_S001  
FEELER:FEED:REAR:ASS'Y

164.D3DJ4527  
CUSHION:FEELER:  
FEED:REAR

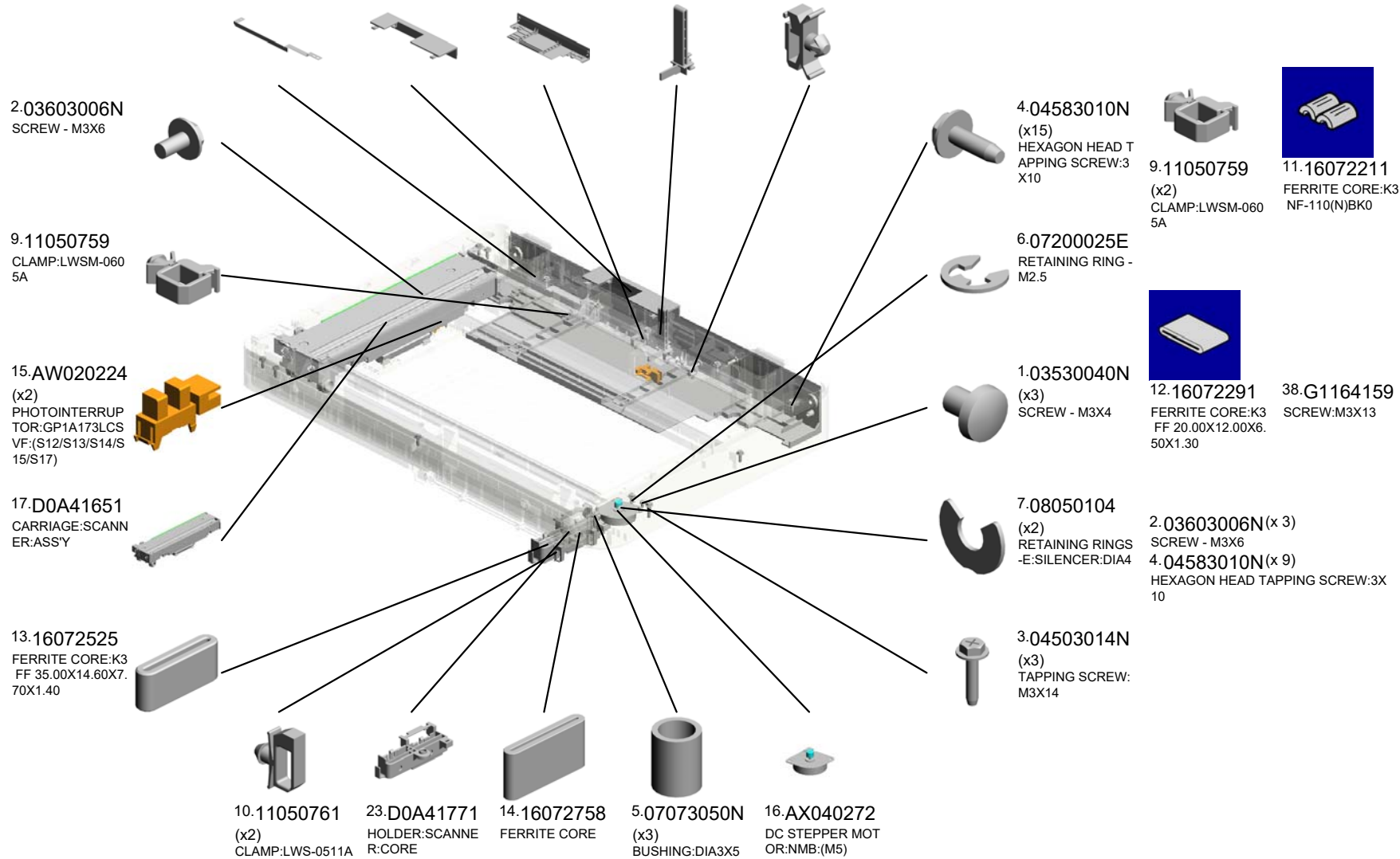
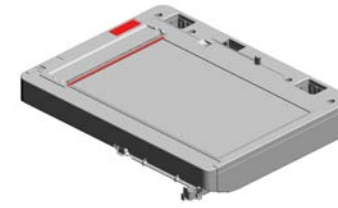


165.D3DJ4530  
FEELER:FEED:REA  
R:ASS'Y

U001	U002	U003	U004	U005	U006	U007	U008	U009	U010	U011	U012	U013	U014	U015
------	------	------	------	------	------	------	------	------	------	------	------	------	------	------

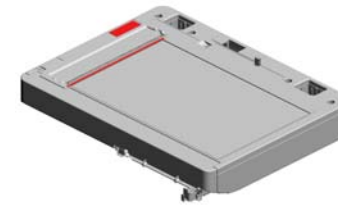
# U004 SCANNER

- 24.D0A41796 GROUND PLATE:SU  
PPORTER:LEFT I  
NNER REAR
- 21.D0A41746 COVER:SCANNER:  
REAR UPPER
- 20.D0A41745 COVER:SCANNER:  
REAR
- 22.D0A41755 FEELER:ON OFF D  
ETECTOR
- 8.11050758 (x5)  
CLAMP:LWSM-030  
6A



# U004 SCANNER

- 40.M0A01756 GROUND PLATE:G  
UIDE ROD:RAIL
- 45.D0A41712 (NA):DECAL:SCAL  
E:LEFT
- 30.D0A46196 DECAL:CLEANING:  
DOCUMENT FEED  
ER
- 25.D0A41798 GROUND PLATE:S  
UPPORTE:BRAC  
KET
- 44.D0A41657 (NA):ORIGINAL TR  
AY:SCANNER:ASS'  
Y



32.D1171804  
(x2)  
CAP:TIMING PULL  
EY



34.D1171806  
PULLEY:IDLER



27.D0A41807  
BRACKET:IDLER:P  
EEN



37.D1171837  
COIL SPRING:TEN  
SION



29.D0A41846  
COVER:SCANNER:  
FRONT



28.D0A41810  
SYNCHRONOUS B  
ELT:S2M:441

31.D1171801  
BRACKET:MOTOR

33.D1171805  
GEAR:TIMING PUL  
LEY:81-18

35.D1171820  
(x3)  
BUSHING:BRACKE  
T

36.D1171826  
GEAR:SLOW DOW  
N:53-19

42.M0A01773  
GROUND PLATE:B  
ASE:FFC



26.D0A41799  
SHEET:COVER:SC  
ANNER:REAR UPP  
ER



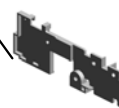
43.M0A05928  
PCB:CNB



39.M0A01754  
TENSION SPRING:  
DOCUMENT FEED  
ER:ON OFF DETEC  
TOR



41.M0A01766  
HOLDER:SCANNE  
R:FFC



U001	U002	U003	U004	U005	U006	U007	U008	U009	U010	U011	U012	U013	U014	U015
------	------	------	------	------	------	------	------	------	------	------	------	------	------	------

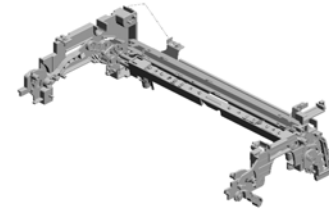
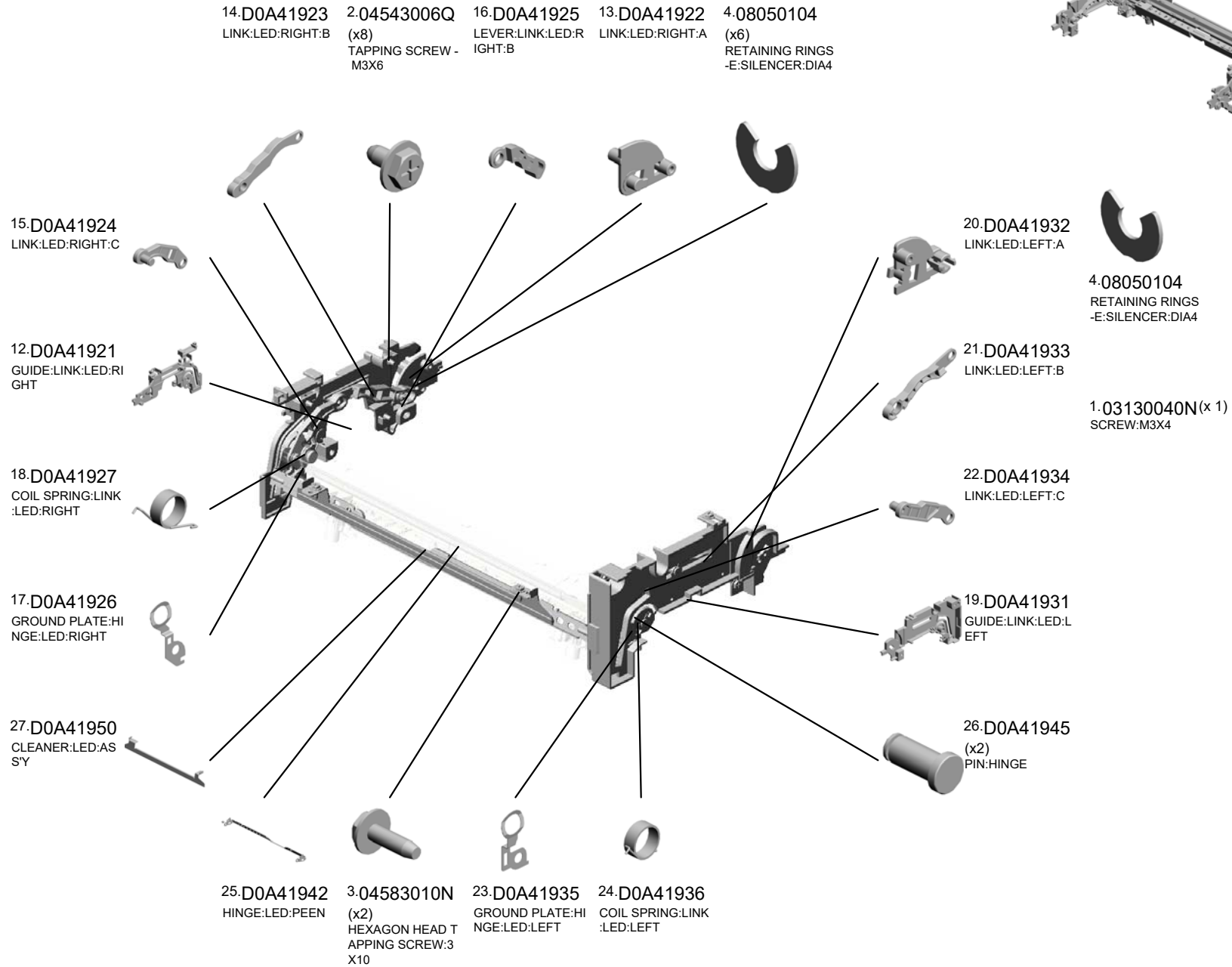
# U005.LASER UNIT

U005 S001  
D0A41850  
LED:ASS'Y



U001	U002	U003	U004	U005	U006	U007	U008	U009	U010	U011	U012	U013	U014	U015
------	------	------	------	------	------	------	------	------	------	------	------	------	------	------

# U005 LASER UNIT



U005\_S001  
LED:ASS'Y

28.M1601900 LED HEAD:1200DPI  
:211.3MM  
8.D0A41905 FRAME:HOLDER:L  
ED:PEEN  
7.D0A41902 HOLDER:LED:LEFT



5.D0A41850  
LED:ASS'Y

6.D0A41901  
HOLDER:LED:RIGHT

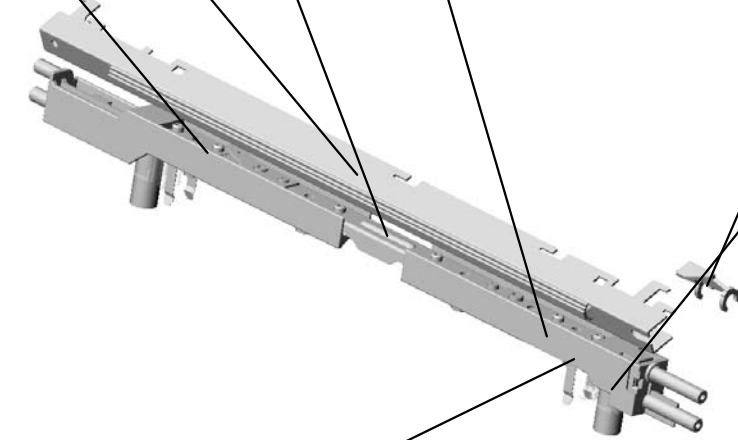


11.D0A41909  
SPACER:HOLDER:  
LED:K



3.04583010N(x 4)  
HEXAGON HEAD TAPPING SCREW:3X  
10

10.D0A41908  
(x2)  
COIL SPRING:HOL  
DER:LED



9.D0A41907  
(x2)  
SPRING PLATE:LE  
D



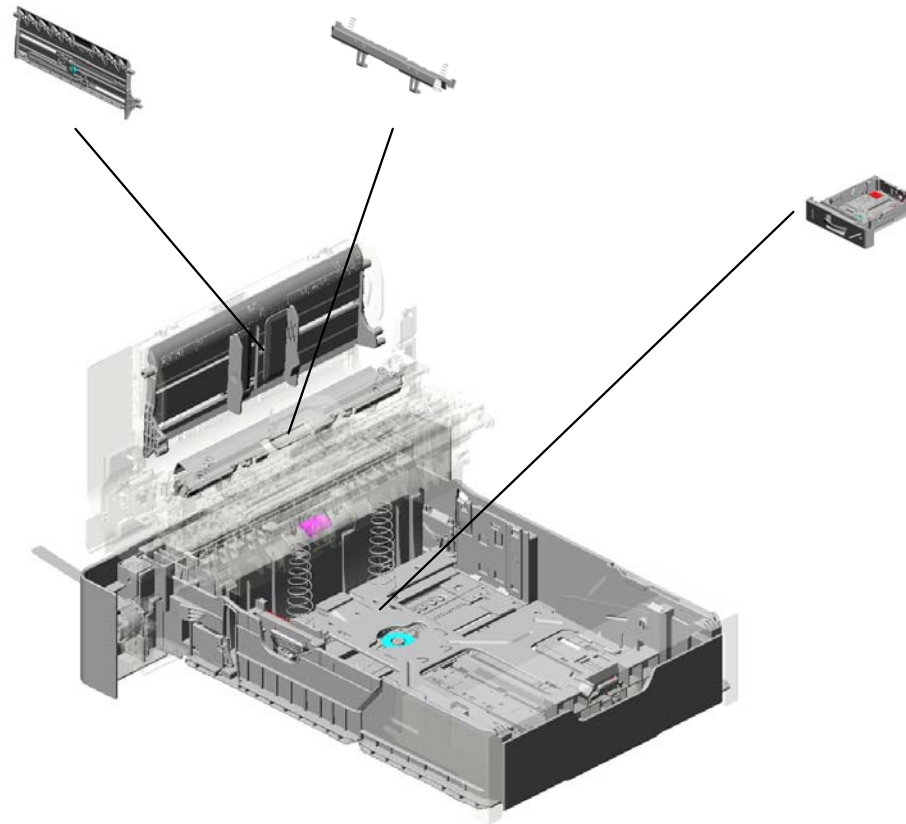
U001	U002	U003	U004	U005	U006	U007	U008	U009	U010	U011	U012	U013	U014	U015
------	------	------	------	------	------	------	------	------	------	------	------	------	------	------

# U006.PAPER FEED

U006 S001  
D0A42710  
MANUAL FEED TABLE:ASS'Y

U006 S002  
D0A42713  
BASE:MANUAL FEED:ASS'Y

U006 S003  
D0A42512  
PAPER TRAY:500TYPE

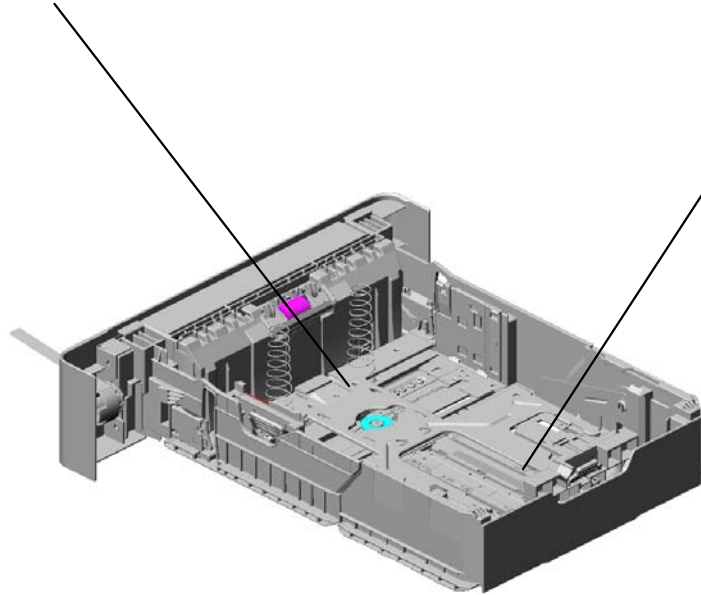


U001	U002	U003	U004	U005	<b>U006</b>	U007	U008	U009	U010	U011	U012	U013	U014	U015
------	------	------	------	------	-------------	------	------	------	------	------	------	------	------	------



# U006\_S003.PAPER TRAY:500TYPE

U006 S003 S001  
D0A42603  
PAPER TRAY:FRONT:500TY  
PE

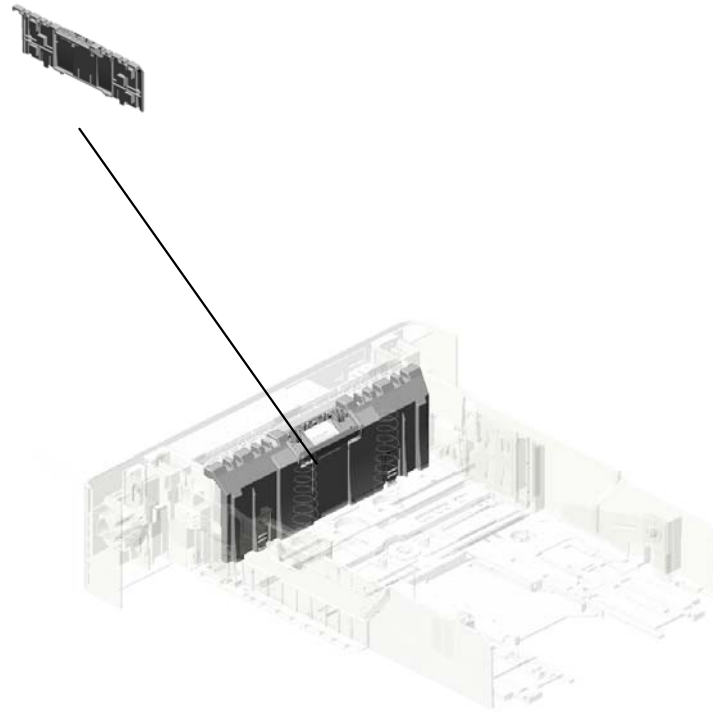


U006\_S003\_S002  
D0A42630  
PAPER TRAY:REAR:500TYP  
E:ASS'Y

U001	U002	U003	U004	U005	<b>U006</b>	U007	U008	U009	U010	U011	U012	U013	U014	U015
------	------	------	------	------	-------------	------	------	------	------	------	------	------	------	------

# U006\_S003\_S001.PAPER TRAY:FRONT:500TYPE

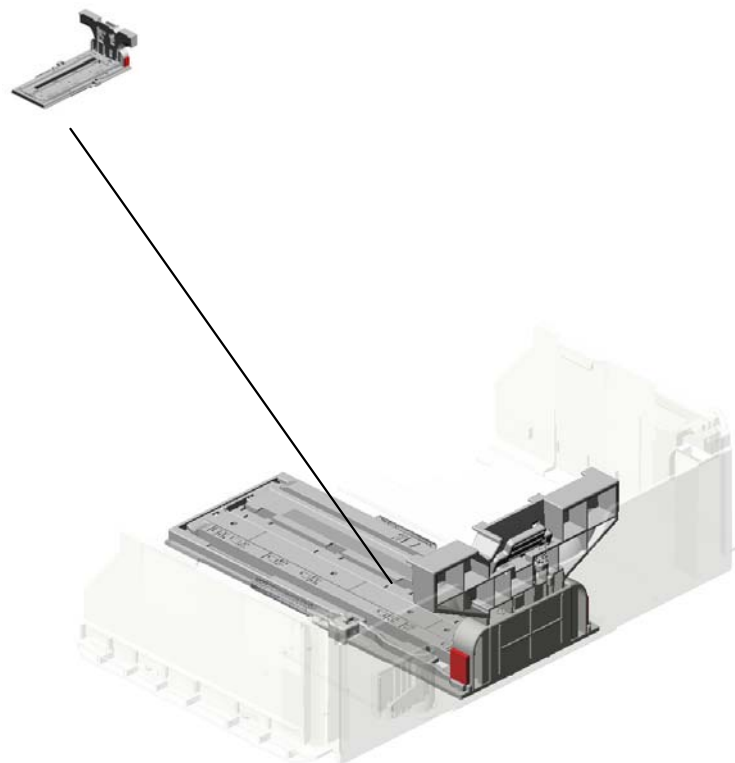
U006 S003 S001 S001  
D0A42625  
GUIDE PLATE:PAPER TRAY:  
MAIN:500TYPE:ASS'Y



U001	U002	U003	U004	U005	<b>U006</b>	U007	U008	U009	U010	U011	U012	U013	U014	U015
------	------	------	------	------	-------------	------	------	------	------	------	------	------	------	------

# U006\_S003\_S002.PAPER TRAY:REAR:500TYPE:ASS'Y

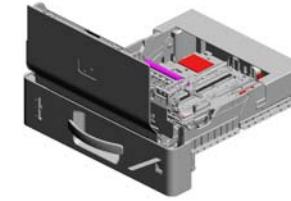
U006 S003 S002 S001  
D0A42666  
END FENCE:500TYPE:ASS'Y



U001	U002	U003	U004	U005	<b>U006</b>	U007	U008	U009	U010	U011	U012	U013	U014	U015
------	------	------	------	------	-------------	------	------	------	------	------	------	------	------	------

# U006 PAPER FEED

- 21.AA143846 (x2) TAPPING SCREW: M3X6
- 20.AA132208 (x2) SPACER - M6
- 6.04583010N (x15) HEXAGON HEAD TAPPING SCREW: 3X10
- 23.AF020846 ROLLER:CONNECTING:DRIVE:PAPER FEED
- 9.07200030E (x2) RETAINING RING - M3



14.11050758  
CLAMP:LWSM-030  
6A

5.04543010Q  
TAPPING SCREW:  
3X10

4.04543008Q  
(x4)  
TAPPING SCREW:  
3X8

11.08050104  
(x5)  
RETAINING RINGS  
-E:SILENCER:DIA4

3.04543006Q  
(x2)  
TAPPING SCREW -  
M3X6

17.AA082173  
(x6)  
PLAIN SHAFT BEARING  
RING:6X10X6

18.AA082175  
(x2)  
PLAIN SHAFT BEARING  
RING:8X12X7

10.07200040E  
(x2)  
RETAINING RING -  
M4

24.AF020848  
REGISTRATION ROLLER:DRIVE

25.AF021421  
REGISTRATION ROLLER:DRIVEN

2.03603006N(x 1)  
SCREW - M3X6  
3.04543006Q(x 1)  
TAPPING SCREW - M3X6

19.AA082190  
BUSHING:DIA4XD1  
A7X3

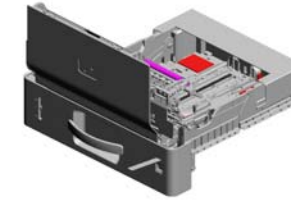
12.08050106  
RETAINING RINGS  
-E:SILENCER:DIA6

15.54472681  
(x2)  
SNAP RING

13.11050692  
CLAMP:LES-0503

# U006 PAPER FEED

- 87.D0A42730 FEELER:PAPER END SENSOR:MANUAL FEED
- 82.D0A42724 SHAFT:CAM:MANUAL FEED:PRESS FIT
- 88.D0A42733 SHEET:BASE:MANUAL FEED
- 86.D0A42729 GUIDE:FEED INLET:MANUAL FEED
- 89.D0A42737 HOLDER:FRICTION PAD:MANUAL FEED



84.D0A42727  
CAM:MANUAL FEED:RIGHT



92.D0A42741  
COIL SPRING:FEELER:CAM:MANUAL FEED



95.D0A42744  
SHEET:SENSOR COVER



96.D0A42746  
BRACKET:ADJUSTMENT:REGISTRATION



91.D0A42740  
FEELER:CAM:MANUAL FEED



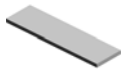
90.D0A42738  
BRACKET:FRICTION PAD:MANUAL FEED



26.AF031100  
PAPER FEED ROLLER:MANUAL FEED:GM30X



29.AF033012  
FRICTION PAD:MANUAL FEED



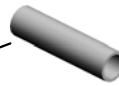
94.D0A42743  
SHEET:PAPER FEED ROLLER:EXIT:MANUAL FEED



27.AF031103  
PAPER FEED ROLLER



81.D0A42723  
COMPRESSION SPRING:SHAFT:PAPER FEED ROLLER:MANUAL FEED



93.D0A42742  
GROUND PLATE:SHAFT:CAM:MANUAL FEED



80.D0A42721  
SHAFT:PAPER FEED ROLLER:MANUAL FEED:PRESS FIT



83.D0A42726  
CAM:MANUAL FEED:LEFT

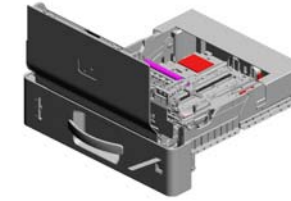


85.D0A42728  
SPRING PLATE:HOME POSITION SENSOR:MANUAL FEED



# U006 PAPER FEED

112.D0A42768 COVER:MANUAL FEED TABLE  
 111.D0A42767 EXTENSION TRAY: MANUAL FEED  
 110.D0A42766 COVER:EXTENSION TRAY  
 98.D0A42748 DAMPING INSULATION:MANUAL FEED  
 113.D0A42769 (x2) HOLDER:COMPRESSION SPRING:EXTENSION TRAY



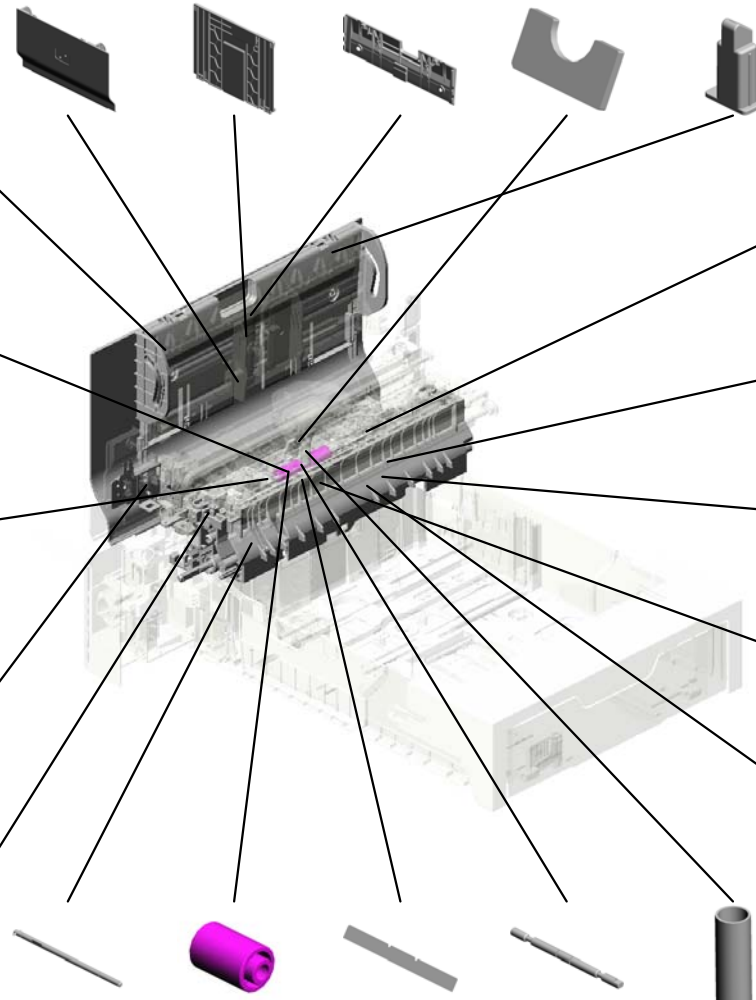
114.D0A42770 (x2) COMPRESSION SPRING:EXTENSION TRAY

100.D0A42755 GUIDE PLATE:MANUAL FEED:LOWER

115.D0A42780 (x2) COMPRESSION SPRING:DRIVEN ROLLER:CONNECTING

99.D0A42750 STAY:ADJUSTMENT:REGISTRATION:PEEN

103.D0A42758 (x2) COMPRESSION SPRING:HOLDER:DAMPER:DOOR:FRONT



102.D0A42757 (x2) HOLDER:DAMPER:DOOR:FRONT

121.D0A42808 COMPRESSION SPRING:LEVER:PAPER FEED ROLLER

120.D0A42806 SHAFT:PLAIN SHAFT BEARING:PAPER FEED ROLLER

118.D0A42801 STAY:PAPER FEED

122.D0A42809 LEVER:PAPER FEED ROLLER

119.D0A42804 SHAFT:PAPER FEED:PRESS FIT

116.D0A42781 (x2) ROLLER:DRIVEN:CONNECTING

101.D0A42756 SHEET:CONNECTING:ENTRANCE

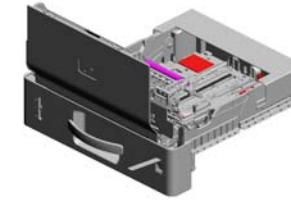
117.D0A42782 SHAFT:CONNECTING:DRIVEN:PAPER FEED

97.D0A42747 COMPRESSION SPRING:FRICTION PAID:MANUAL FEED

U001	U002	U003	U004	U005	U006	U007	U008	U009	U010	U011	U012	U013	U014	U015
------	------	------	------	------	------	------	------	------	------	------	------	------	------	------

# U006 PAPER FEED

126.D0A42821 GROUND PLATE:STAY:PAPER FEED:RIGHT  
 136.D0A42848 COMPRESSION SPRING:PRESSURE:DRIVE:CONNECTING  
 134.D0A42844 SPACER:ROLLER:CONNECTING:PAPER FEED  
 140.D0A43822 COVER:GUIDE:REGISTRATION:UPPER  
 139.D0A43815 DECAL:B



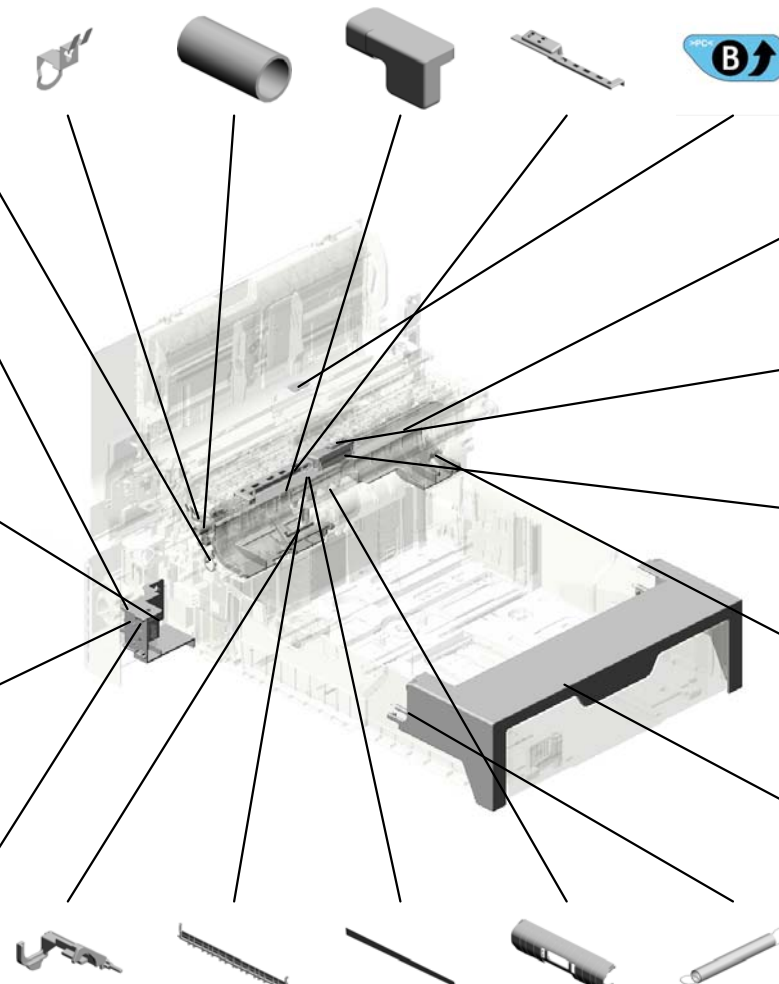
127.D0A42822 GROUND PLATE:SHAFT:PAPER FEED

130.D0A42840 (x2) SPACER:PAPER SIZE SENSOR BOARD:OUTER

132.D0A42842 SENSOR CASE:PAPER SIZE SENSOR BOARD

131.D0A42841 SPACER:PAPER SIZE SENSOR BOARD:MIDDLE

133.D0A42843 GROUND PLATE:PAPER SIZE SENSOR:PAPER FEED:TRAY



142.D0A43824 SHEET:GUIDE:REGISTRATION ROLLER:UPPER LEFT

141.D0A43823 STOPPER:SENSOR:PLATE

124.D0A42816 SHEET:STAY:PAPER FEED:UPPER

128.D0A42826 FEELER:PAPER VOLUME SENSOR

138.D0A42853 COVER:PREVENTFENCE:PAPER TRAY

135.D0A42847 FEELER:PAPER END SENSOR

125.D0A42820 GUIDE PLATE:PAPER FEED:ENTRANCE

129.D0A42833 SHEET:PAPER FEED:ENTRANCE

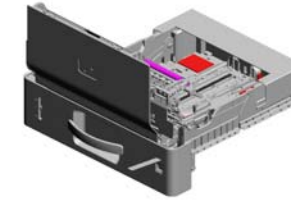
123.D0A42813 GUIDE PLATE:PAPER FEED:UPPER

137.D0A42852 (x2) TENSION SPRING:COVER:PREVENTFENCE:PAPER TRAY

U001	U002	U003	U004	U005	U006	U007	U008	U009	U010	U011	U012	U013	U014	U015
------	------	------	------	------	------	------	------	------	------	------	------	------	------	------

# U006 PAPER FEED

148.D0A45642 149.D0A45644 153.GA132000  
 HOLDER:MAIN SWITC  
 BRACKET:MAIN SWITC  
 (x2)  
 SPACER:DIA4.2XDI  
 A10X1



143.D0A43825  
 SHEET:GUIDE:REGISTRATION ROLLER:UPPER RIGHT

145.D0A43831  
 LEVER:PRESSURE:REGISTRATION:RIGHT

156.GW500004  
 PUSH SWITCH:CASETTE:TYCO:(S W4)

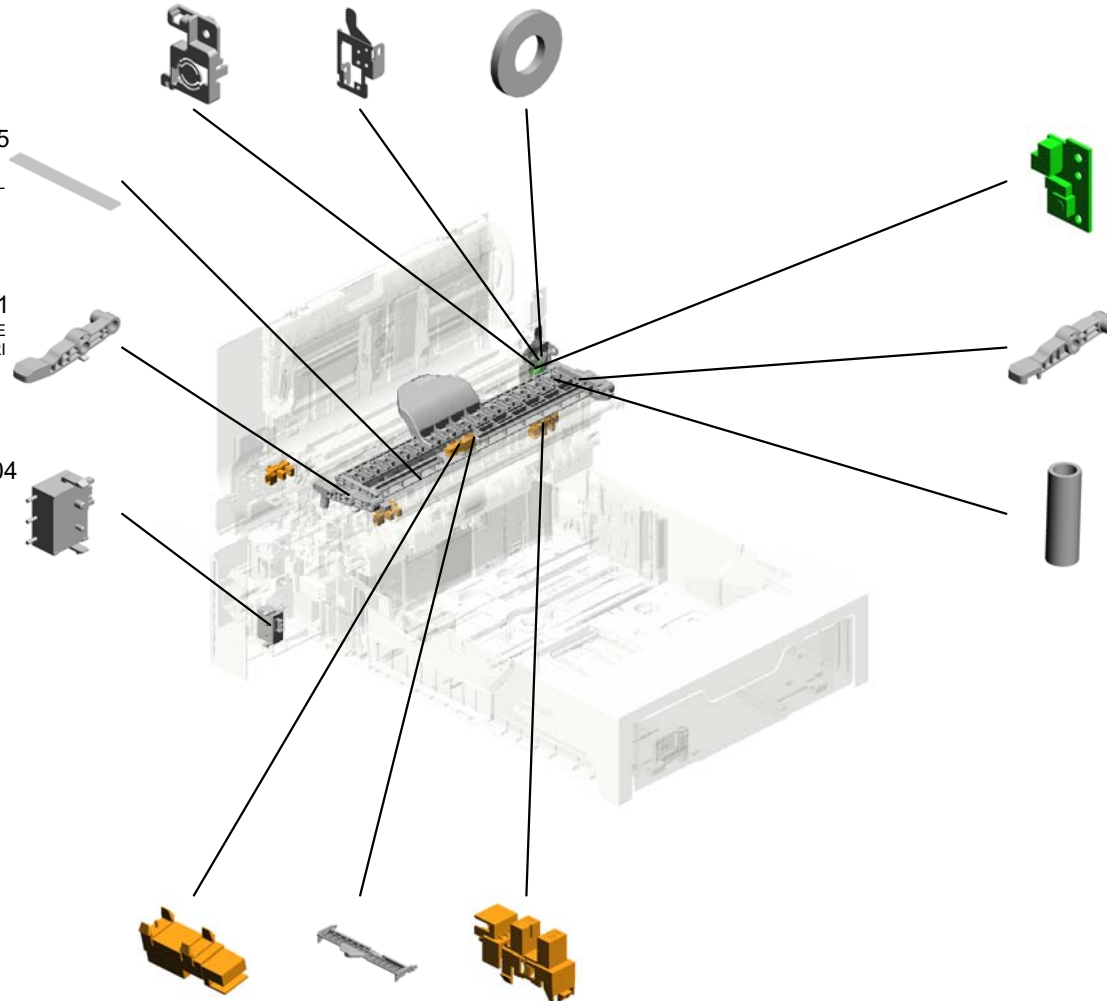
154.GW010007 144.D0A43826  
 PHOTO REFLECTOR:EXIT:REGISTRATION:UPPER  
 S1/S5)

155.GW020024  
 (x4)  
 PHOTO INTERRUPTOR:LG2A24BL1:GF:(S2/S3/S4/S6/S7/S8/S10)

150.D1775686  
 PCB:DCSW:(SW3)

146.D0A43832  
 LEVER:PRESSURE:REGISTRATION:LEFT

147.D0A43833  
 (x2)  
 COMPRESSION SPRING:LEVER:PRESSURE:REGISTRATION



U001	U002	U003	U004	U005	U006	U007	U008	U009	U010	U011	U012	U013	U014	U015
------	------	------	------	------	------	------	------	------	------	------	------	------	------	------



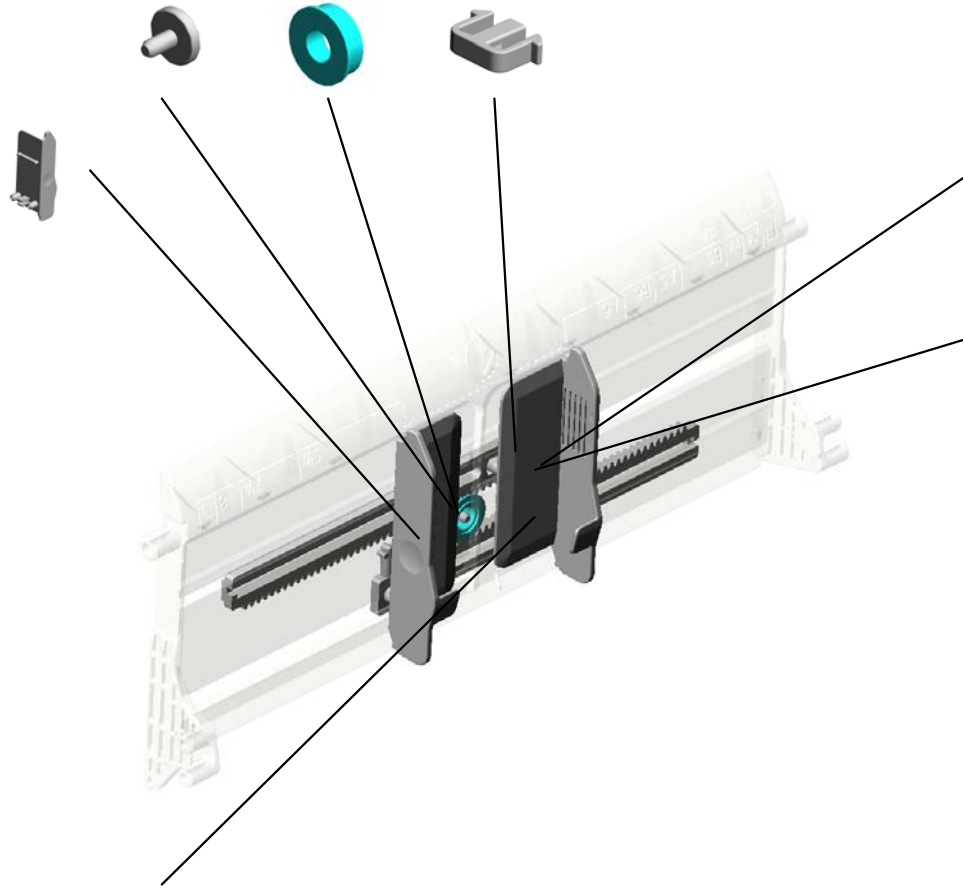
U006\_S001  
MANUAL FEED TABLE:ASS'Y

21.AA143846 TAPPING SCREW: M3X6  
 107.D0A42762 GEAR:SIDE FENCE  
 104.D0A42759 (x2) SPACER:SIDE FENCE:MANUAL FEED



78.D0A42710  
MANUAL FEED TABLE:ASS'Y

106.D0A42761  
SIDE FENCE:MANUAL FEED:RIGHT



105.D0A42760  
SIDE FENCE:MANUAL FEED:LEFT

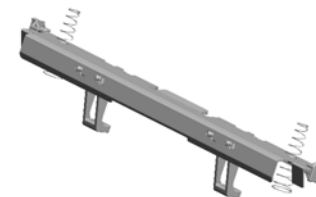
109.D0A42764 (x2)  
COMPRESSION SPRING:RACK:MANUAL FEED

108.D0A42763 (x2)  
RACK:SIDE FENCE

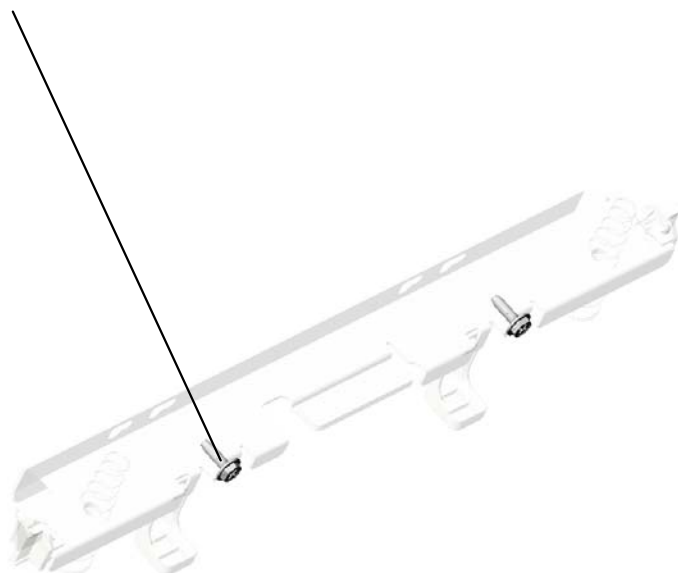
U001	U002	U003	U004	U005	U006	U007	U008	U009	U010	U011	U012	U013	U014	U015
------	------	------	------	------	------	------	------	------	------	------	------	------	------	------

U006\_S002  
BASE:MANUAL FEED:ASS'Y

6.04583010N  
(x2)  
HEXAGON HEAD TAPPING SCREW:3  
X10

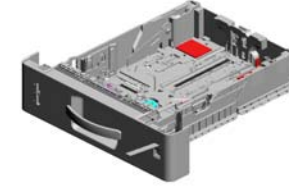


79.D0A42713  
BASE:MANUAL FE  
ED:ASS'Y



U001	U002	U003	U004	U005	<b>U006</b>	U007	U008	U009	U010	U011	U012	U013	U014	U015
------	------	------	------	------	-------------	------	------	------	------	------	------	------	------	------

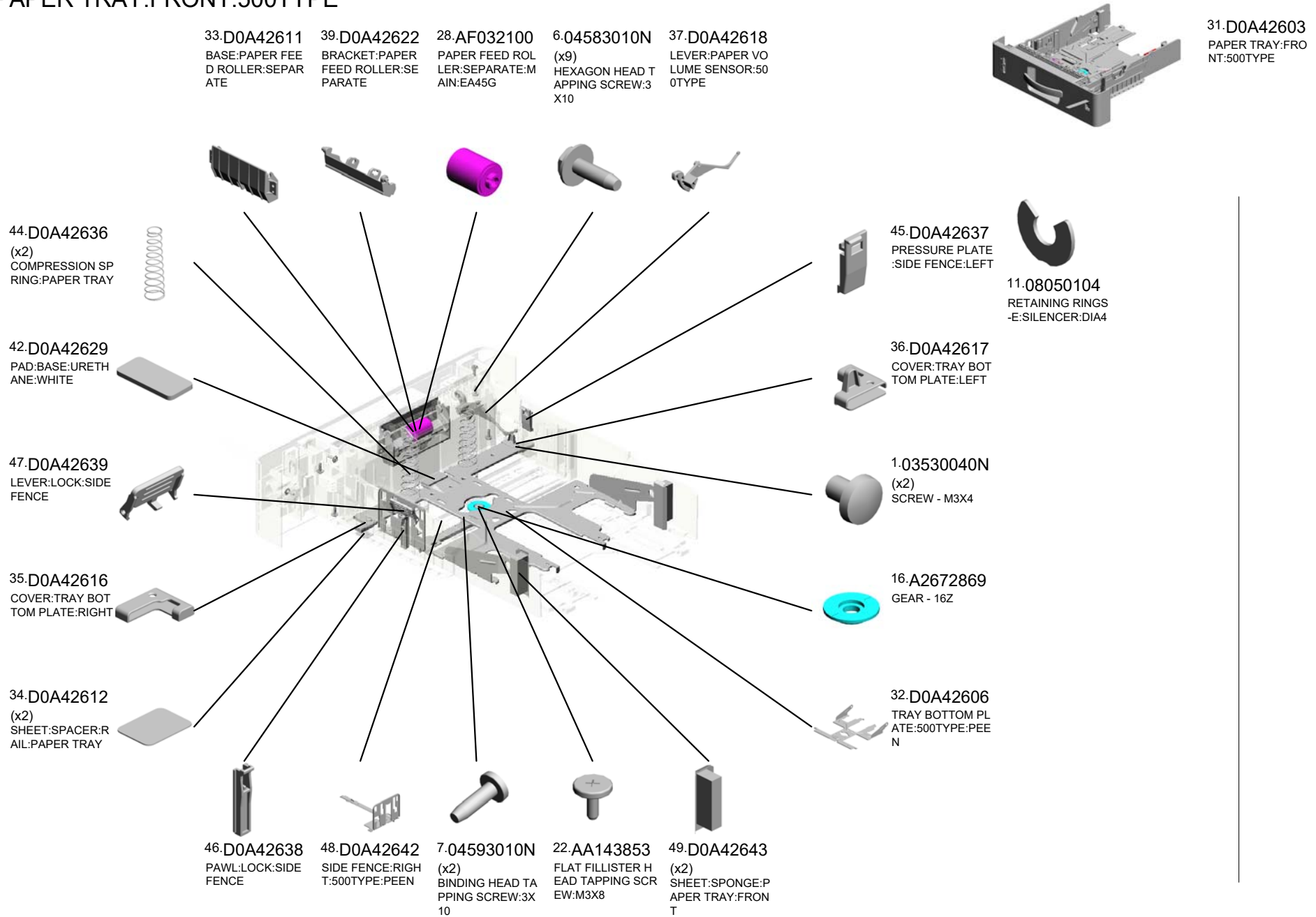
U006\_S003  
PAPER TRAY:500TYPE



30.D0A42512  
PAPER TRAY:500T  
YPE

U001	U002	U003	U004	U005	U006	U007	U008	U009	U010	U011	U012	U013	U014	U015
------	------	------	------	------	------	------	------	------	------	------	------	------	------	------

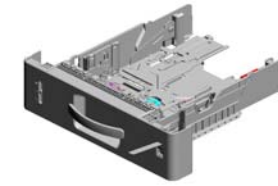
U006\_S003\_S001  
PAPER TRAY:FRONT:500TYPE



U001	U002	U003	U004	U005	U006	U007	U008	U009	U010	U011	U012	U013	U014	U015
------	------	------	------	------	------	------	------	------	------	------	------	------	------	------

U006\_S003\_S001  
PAPER TRAY:FRONT:500TYPE

- 70.D0A42682 DECAL:PAPER TRAY:PAPER SET DI RECTION
- 54.D0A42652 GUIDE:FRONT:PAPER TRAY:500TYPE
- 68.D0A42680 DECAL:SIDE FENCE:UPPER LIMIT
- 53.D0A42649 SHAFT:PAPER FEE D ROLLER:SHORT: PRESS FIT
- 55.D0A42654 COMPRESSION SPRING:PRESSURE: SEPARATE:0.75N



31.D0A42603  
PAPER TRAY:FRONT:500TYPE

67.D0A42679  
DECAL:DIAL:PAPER SIZE SENSOR

71.D0A42683  
LEVER:PAPER SIZE SENSOR BOARD

72.D0A42685  
DIAL:PAPER SIZE SENSOR BOARD

50.D0A42645  
GROUND WIRE:BASE:PAPER TRAY

61.D0A42667  
COVER:LEVER:LOCK:TRAY BOTTOM PLATE:RIGHT

51.D0A42647  
CLICK:SIDE FENCE

52.D0A42648  
COVER:SIDE FENCE:RIGHT

65.D0A42676  
HOLDER:PINION:SCREW

58.D0A42662  
SIDE FENCE:LEFT:500TYPE:PEEN

73.D0A42687  
DECAL:EXTENSION TRAY:RIGHT

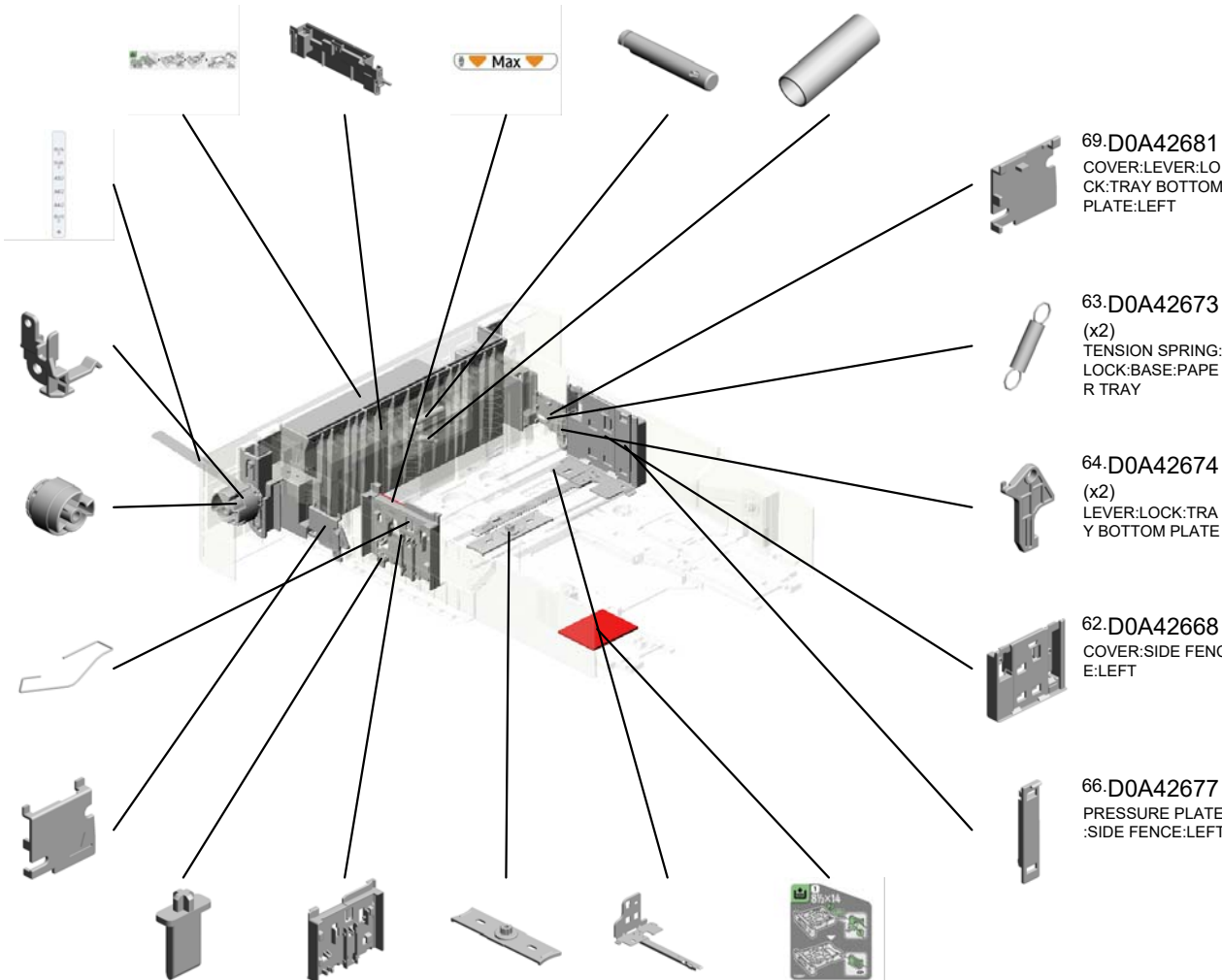
69.D0A42681  
COVER:LEVER:LOCK:TRAY BOTTOM PLATE:LEFT

63.D0A42673  
(x2)  
TENSION SPRING:LOCK:BASE:PAPER TRAY

64.D0A42674  
(x2)  
LEVER:LOCK:TRAY BOTTOM PLATE

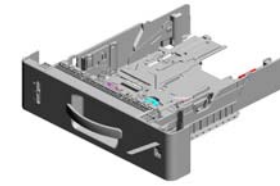
62.D0A42668  
COVER:SIDE FENCE:LEFT

66.D0A42677  
PRESSURE PLATE:SIDE FENCE:LEFT



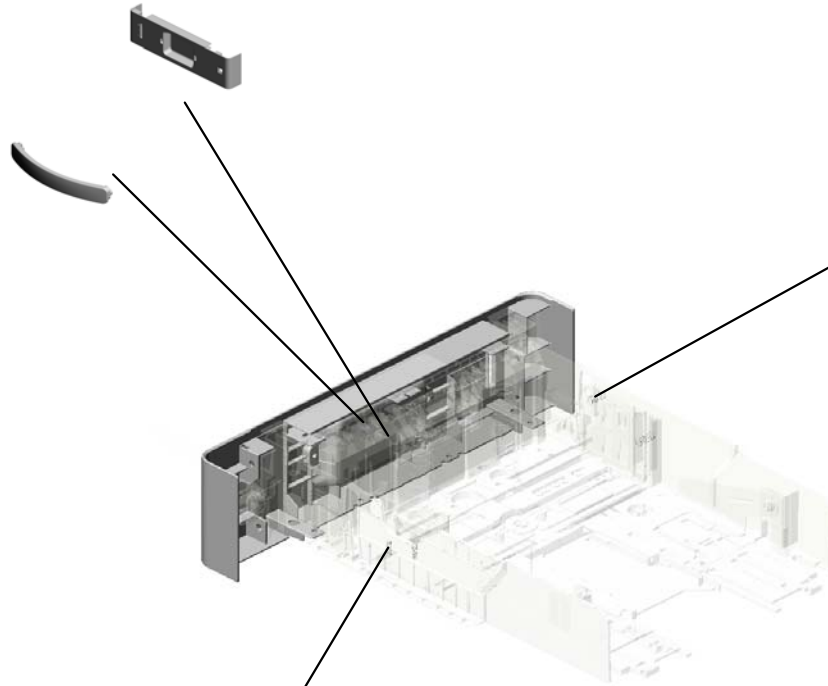
U006\_S003\_S001  
PAPER TRAY:FRONT:500TYPE

76.D0A42692  
COVER:PAPER TR  
AY:500TYPE



31.D0A42603  
PAPER TRAY:FRO  
NT:500TYPE

77.D0A42695  
GRIP:PAPER TRAY



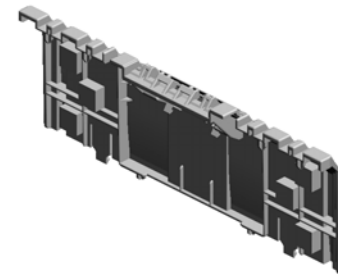
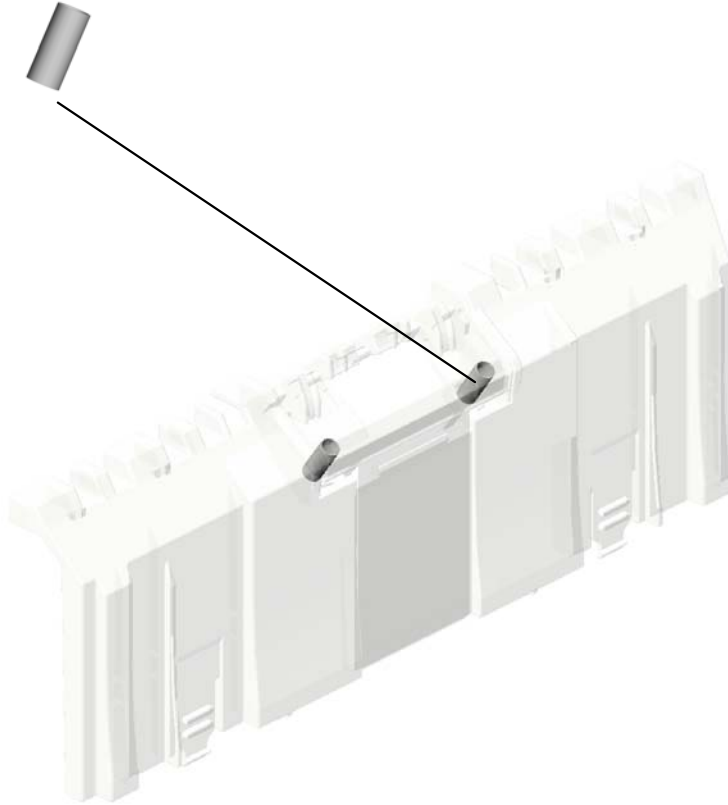
151.D3EQ2671  
(x2)  
COMPRESSION SP  
RING:AUXILIARY:S  
IDE FENCE

157.M0752610  
(x2)  
COMPRESSION SP  
RING:LOCK:SIDE F  
ENCE

U001	U002	U003	U004	U005	<b>U006</b>	U007	U008	U009	U010	U011	U012	U013	U014	U015
------	------	------	------	------	-------------	------	------	------	------	------	------	------	------	------

U006\_S003\_S001\_S001  
GUIDE PLATE:PAPER TRAY:MAIN:500TYPE:ASS'Y

38.D0A42620  
(x2)  
COMPRESSION SP  
RING:SEPARATE:P  
RE:0.3N

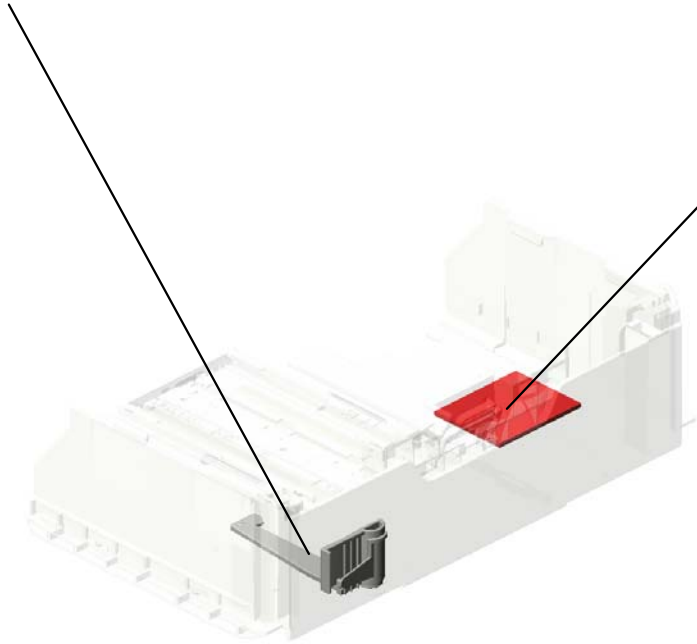


40.D0A42625  
GUIDE PLATE:PAP  
ER TRAY:MAIN:500  
TYPE:ASSY

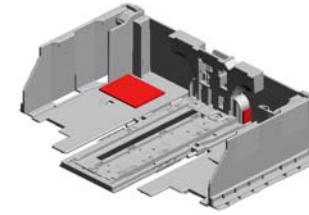
U001	U002	U003	U004	U005	<b>U006</b>	U007	U008	U009	U010	U011	U012	U013	U014	U015
------	------	------	------	------	-------------	------	------	------	------	------	------	------	------	------

U006\_S003\_S002  
PAPER TRAY:REAR:500TYPE:ASS'Y

41.D0A42626  
LEVER:EXTENSIO  
N TRAY:PAPER TR  
AY



74.D0A42688  
DECAL:EXTENSIO  
N TRAY:LEFT



43.D0A42630  
PAPER TRAY:REA  
R:500TYPE:ASSY

U001	U002	U003	U004	U005	<b>U006</b>	U007	U008	U009	U010	U011	U012	U013	U014	U015
------	------	------	------	------	-------------	------	------	------	------	------	------	------	------	------

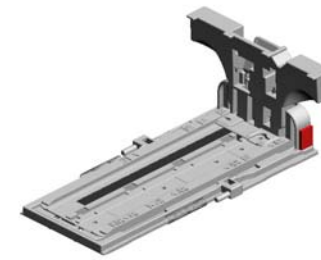


U006\_S003\_S002\_S001  
 END FENCE:500TYPE:ASS'Y

59.D0A42663  
 STOPPER:END FENCE

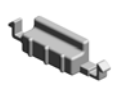
56.D0A42655  
 LEVER:LOCK:END FENCE

157.M0752610  
 (x2)  
 COMPRESSION SPRING:LOCK:SIDE FENCE



60.D0A42666  
 END FENCE:500TYPE:ASS'Y

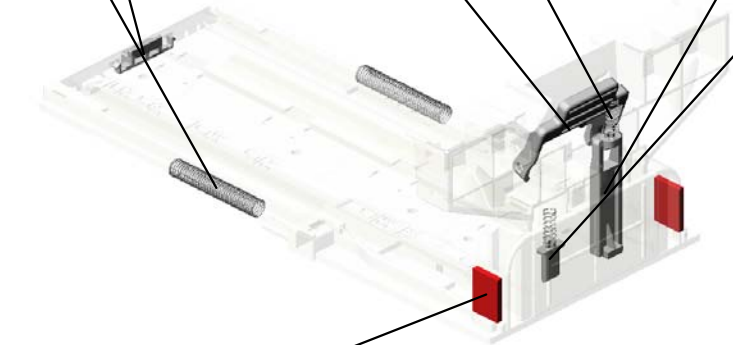
152.D5732949  
 (x2)  
 COMPRESSION SPRING:RAIL:END FENCE



57.D0A42657  
 PAWL:LOCK:END FENCE  
 201905-02



51.D0A42647  
 CLICK:SIDE FENCE

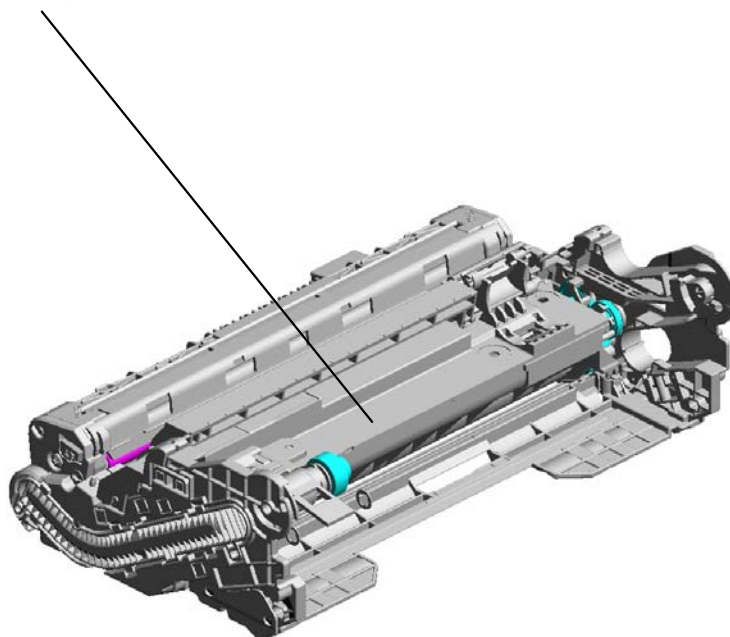
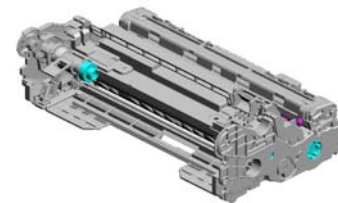


75.D0A42691  
 (x2)  
 DECAL:UN LOCK:END FENCE

U001	U002	U003	U004	U005	U006	U007	U008	U009	U010	U011	U012	U013	U014	U015
------	------	------	------	------	------	------	------	------	------	------	------	------	------	------

U007  
PCDU

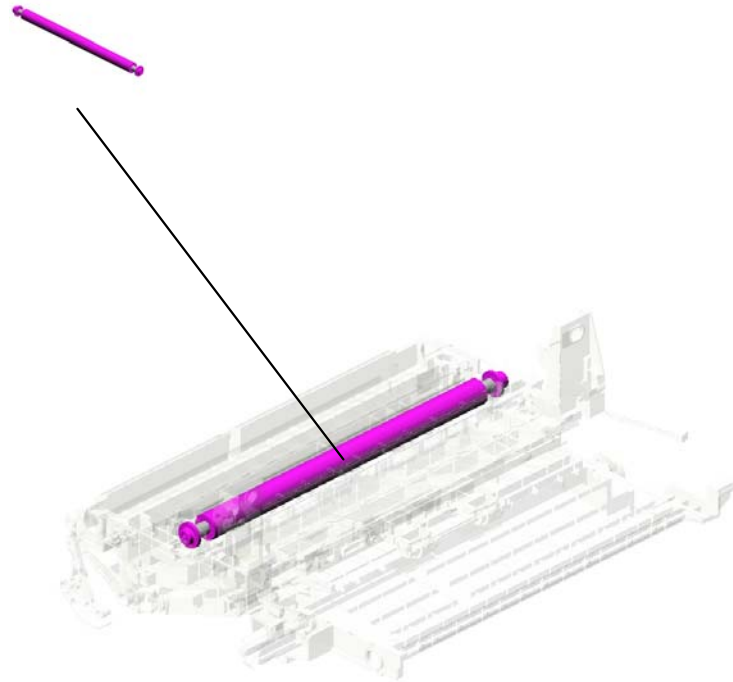
1-D0A42021  
PCDU:SERVICE:AS  
S'Y



U001	U002	U003	U004	U005	U006	U007	U008	U009	U010	U011	U012	U013	U014	U015
------	------	------	------	------	------	------	------	------	------	------	------	------	------	------

# U008.TRANSFER/SEPARATION

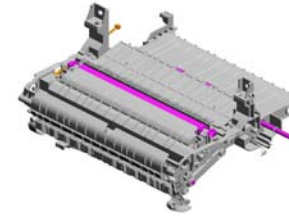
U008 S001  
D0A46202  
TRANSFER ROLLER:ASS'Y



U001	U002	U003	U004	U005	U006	U007	U008	U009	U010	U011	U012	U013	U014	U015
------	------	------	------	------	------	------	------	------	------	------	------	------	------	------

# U008 TRANSFER/SEPARATION

- 9.D0A44851 GUIDE:UPPER:DU  
PLEX
- 18.D0A44872 PUSH SWITCH:PIC  
K-UP PAPER JAM:  
DUPLEX
- 12.D0A44862 (x2)  
COMPRESSION SP  
RING:EXIT:DUPL  
X
- 13.D0A44863 (x2)  
PLAIN SHAFT BEA  
RING:DRIVEN:DU  
PLEX:EXIT
- 19.D0A44873 HOLDER:PUSH SW  
ITCH:PICK-UP PAP  
ER JAM:DUPLEX



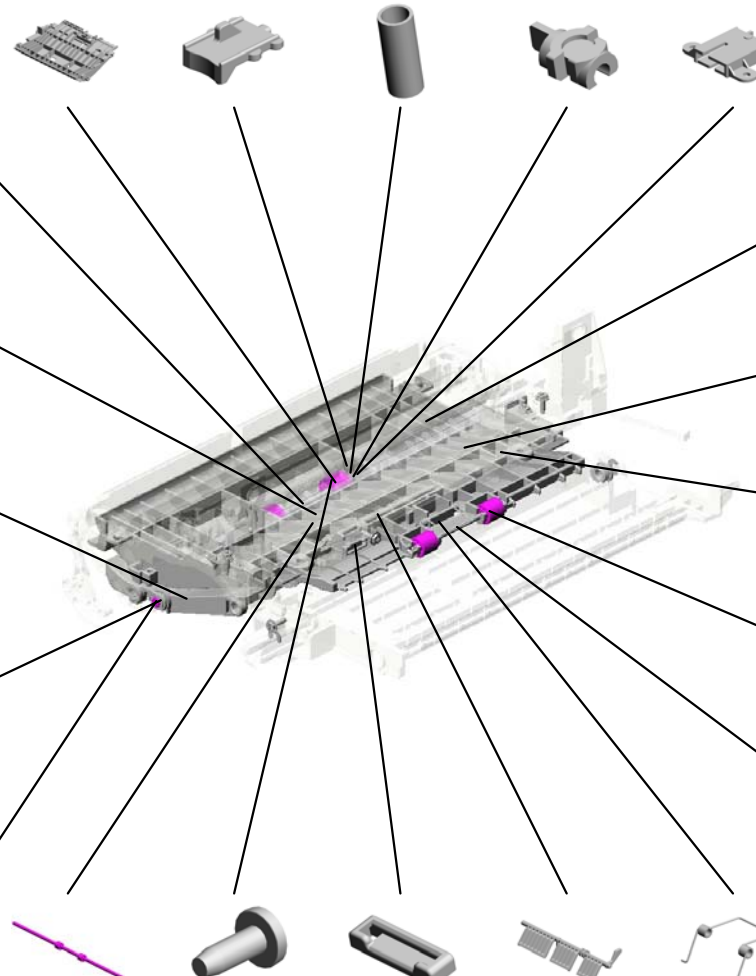
- 11.D0A44861 DRIVEN ROLLER: E  
XIT: DUPLEX: ASSY

- 17.D0A44871 GUIDE:FRONT:DU  
PLEX

- 20.D0A44874 GROUND PLATE: F  
RONT: DUPLEX

- 6.AA082173 (x3)  
PLAIN SHAFT BEA  
RING: 6X10X6

- 4.08050104 (x6)  
RETAINING RINGS  
-E: SILENCER: DIA4



- 1.04583010N (x7)  
HEXAGON HEAD T  
APPING SCREW: 3  
X10

- 4.08050104 RETAINING RINGS  
-E: SILENCER: DIA4
- 6.AA082173 PLAIN SHAFT BEA  
RING: 6X10X6

- 8.D0A44664 PULLEY:DRIVE:DU  
PLEX UNIT

- 1.04583010N(x12)  
HEXAGON HEAD TAPPING SCREW:3X  
10
- 3.04593010N(x 1)  
BINDING HEAD TAPPING SCREW:3X10

- 5.AA043319 TIMING BELT - 40S  
2M156

- 14.D0A44866 (x2)  
ROLLER:DRIVEN:D  
UPLEX:CONNECTI  
NG

- 16.D0A44869 SHAFT:ROLLER:D  
RIVEN:DUPLEX:CO  
NNECTING

- 21.D0A44881 ROLLER:EXIT:DRIV  
E:DUPLEX

- 2.04593008N (x2)  
BINDING HEAD TA  
PPING SCREW:3X  
8

- 7.D0A43823 STOPPER:SENSO  
R:PLATE

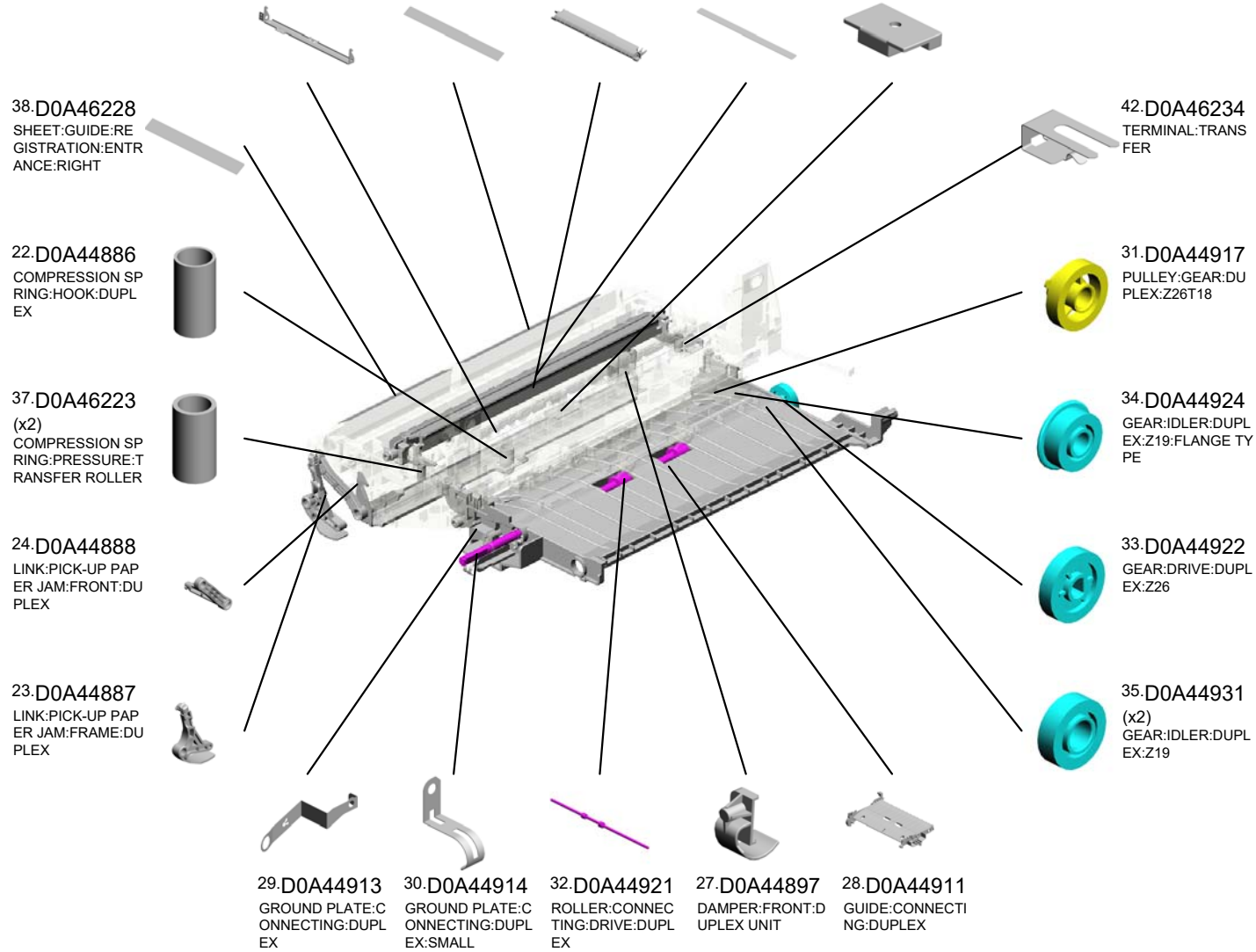
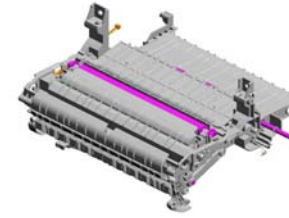
- 10.D0A44854 FEELER:UPPER:D  
UPLEX

- 15.D0A44867 TORSION SPRING:  
PRESSURE:DUPL  
X:CONNECTING

U001	U002	U003	U004	U005	U006	U007	U008	U009	U010	U011	U012	U013	U014	U015
------	------	------	------	------	------	------	------	------	------	------	------	------	------	------

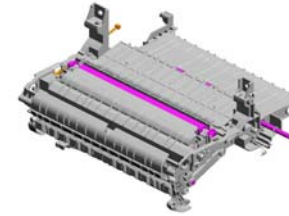
# U008 TRANSFER/SEPARATION

- 25.D0A44891 HOOK:PICK-UP PAPER JAM:FRONT:DUPL  
UPLEX
- 39.D0A46230 SHEET:GUIDE:REGISTRATION:ENTRANCE:LEFT
- 41.D0A46233 GUIDE PLATE:TRANSFER:ENTRANCE
- 40.D0A46232 SHEET:GUIDE PLATE:TRANSFER
- 26.D0A44892 HOLDER:HOOK:PICK-UP PAPER JAM:DUPL  
EX



# U008 TRANSFER/SEPARATION

52.D0A46270 ELECTRODE PLATE:STRIPPER PLATE  
 53.D0A46271 COVER:ELECTRODE PLATE  
 55.D0A46280 SEAL:THERMISTOR



46.D0A46248 FRAME:TRANSFER/SEPARATION UNIT



44.D0A46236 PLAIN SHAFT BEARING:TRANSFER ROLLER:RIGHT



43.D0A46235 SEAL:TRANSFER/SEPARATION UNIT:K



45.D0A46237 PLAIN SHAFT BEARING:TRANSFER ROLLER:LEFT



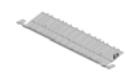
56.D1175303 THERMISTOR:(TH5)



51.D0A46263 TERMINAL:TRANSFER:EXIT:SEPARATION



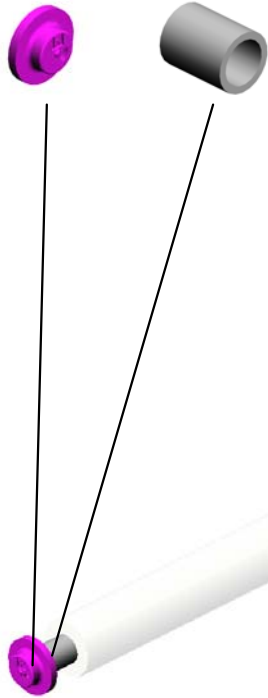
57.GW020024 PHOTOINTERRUPTOR:LG2A24BL1:GF:(S2/S3/S4/S6/S7/S8/S10)  
 54.D0A46276 GROUND PLATE:HOLDER:PHOTOINTERRUPTOR  
 50.D0A46260 GUIDE PLATE:TRANSFER:EXIT:ASSY



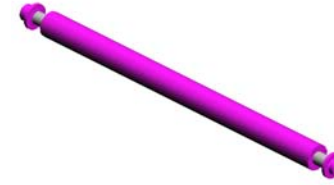
U001	U002	U003	U004	U005	U006	U007	U008	U009	U010	U011	U012	U013	U014	U015
------	------	------	------	------	------	------	------	------	------	------	------	------	------	------

U008\_S001  
TRANSFER ROLLER:ASS'Y

48.D0A46251 ROLLER:POSITION  
ING:TRANSFER R  
OLLER:K  
47.D0A46250 (x2)  
PLAIN SHAFT BEA  
RING



49.D0A46252 ROLLER:POSITION  
ING:TRANSFER R  
OLLER:HK

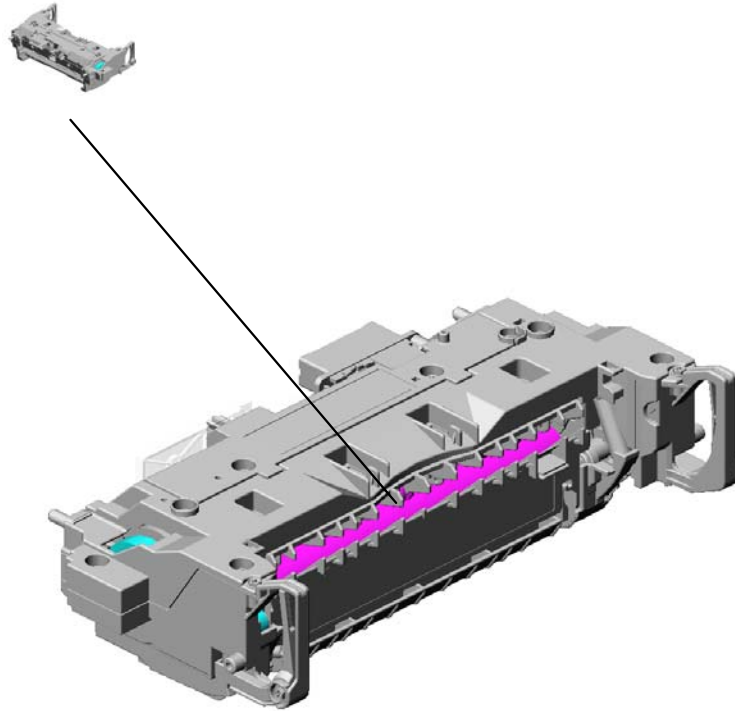


36.D0A46202  
TRANSFER ROLLE  
R:ASS'Y

U001	U002	U003	U004	U005	U006	U007	U008	U009	U010	U011	U012	U013	U014	U015
------	------	------	------	------	------	------	------	------	------	------	------	------	------	------

# U009.FUSING

U009 S001  
D0A44017  
(NA):FUSING SECTION:ASS'  
Y

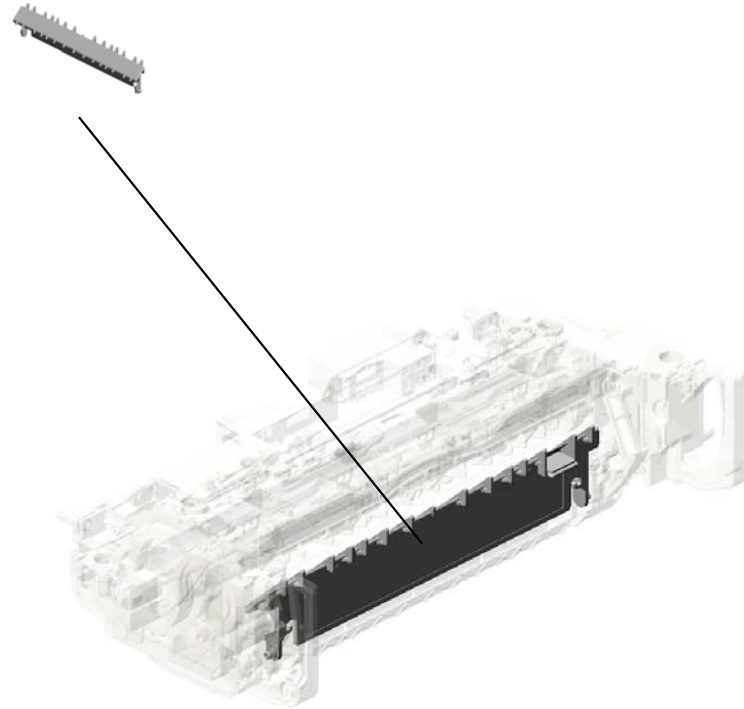


U001	U002	U003	U004	U005	U006	U007	U008	U009	U010	U011	U012	U013	U014	U015
------	------	------	------	------	------	------	------	------	------	------	------	------	------	------



# U009\_S001.(NA):FUSING SECTION:ASS'Y

U009 S001 S001  
D0A44216  
GUIDE PLATE:FUSING EXIT:  
LOWER:ASS'Y

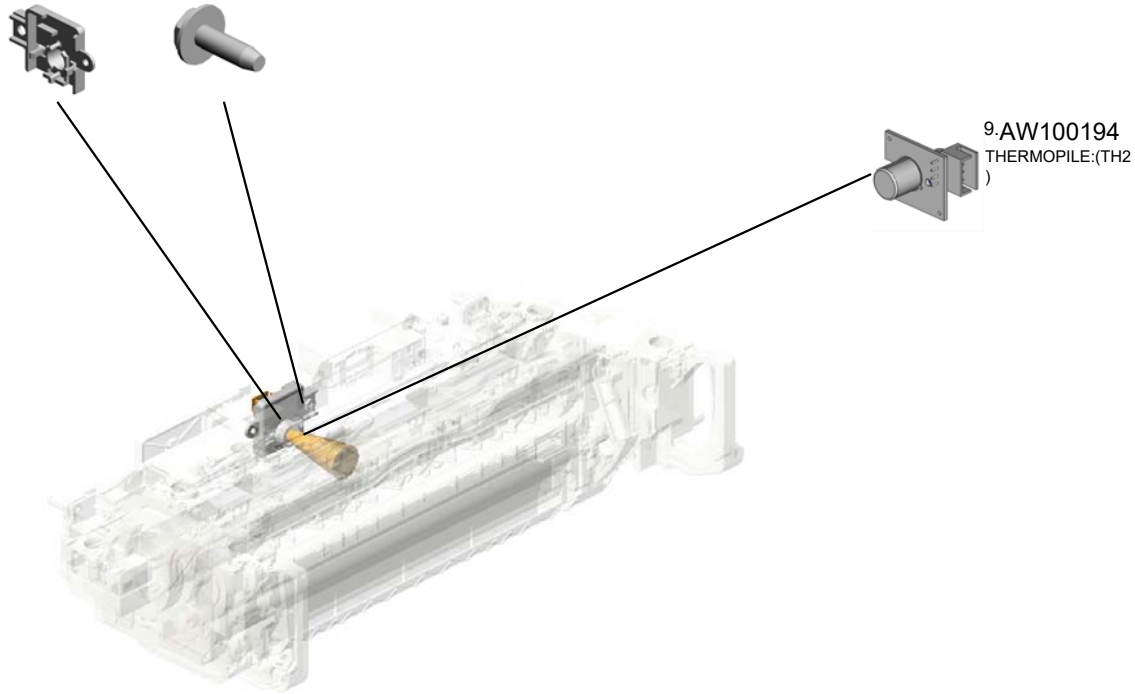
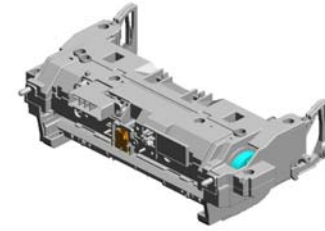


U001	U002	U003	U004	U005	U006	U007	U008	U009	U010	U011	U012	U013	U014	U015
------	------	------	------	------	------	------	------	------	------	------	------	------	------	------

U009  
FUSING

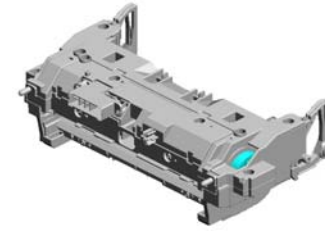
51.D0A44241  
HOLDER:THERMO  
PILE

1.04583010N  
HEXAGON HEAD T  
APPING SCREW:3  
X10



U001	U002	U003	U004	U005	U006	U007	U008	U009	U010	U011	U012	U013	U014	U015
------	------	------	------	------	------	------	------	------	------	------	------	------	------	------

U009\_S001  
(NA):FUSING SECTION:ASS'Y



58.D0A44017  
(NA):FUSING SECTION:ASS'Y

- 10.AW110127 (x2) THERMOSTAT:210 βC:(TH3/TH4)
- 7.AE011135 HOT ROLLER:DIA30
- 13.D0A44101 DRAWER:FUSING UNIT
- 3.08046127 (x16) HEXAGONAL BOLT :DOUBLE SCREW: M3X8
- 5.09543012N SCREW:POLISHED ROUND/SPRING:M 3X12

6.09574008N (x3) SCREW:SMALL ROUND/SPRING:M4X8

23.D0A44167 (x2) RETAINING RINGS -C:HOT ROLLER

21.D0A44165 GEAR:HOT ROLLER

1.04583010N (x14) HEXAGON HEAD TAPPING SCREW:3 X10

19.D0A44155 DISCHARGE BRUSH:PRESSURE ROLLER

17.D0A44152 LEVER:LOCK:RIGHT

20.D0A44164 PRESSURE ROLLER:ASS'Y

14.D0A44105 THERMISTOR:FUSING:(TH1)

8.AE030101 (x2) RADIAL BALL BEARING:DIA35XDIA47 X7

24.D0A44173 (x2) COVER:LEVER:PRESSURE

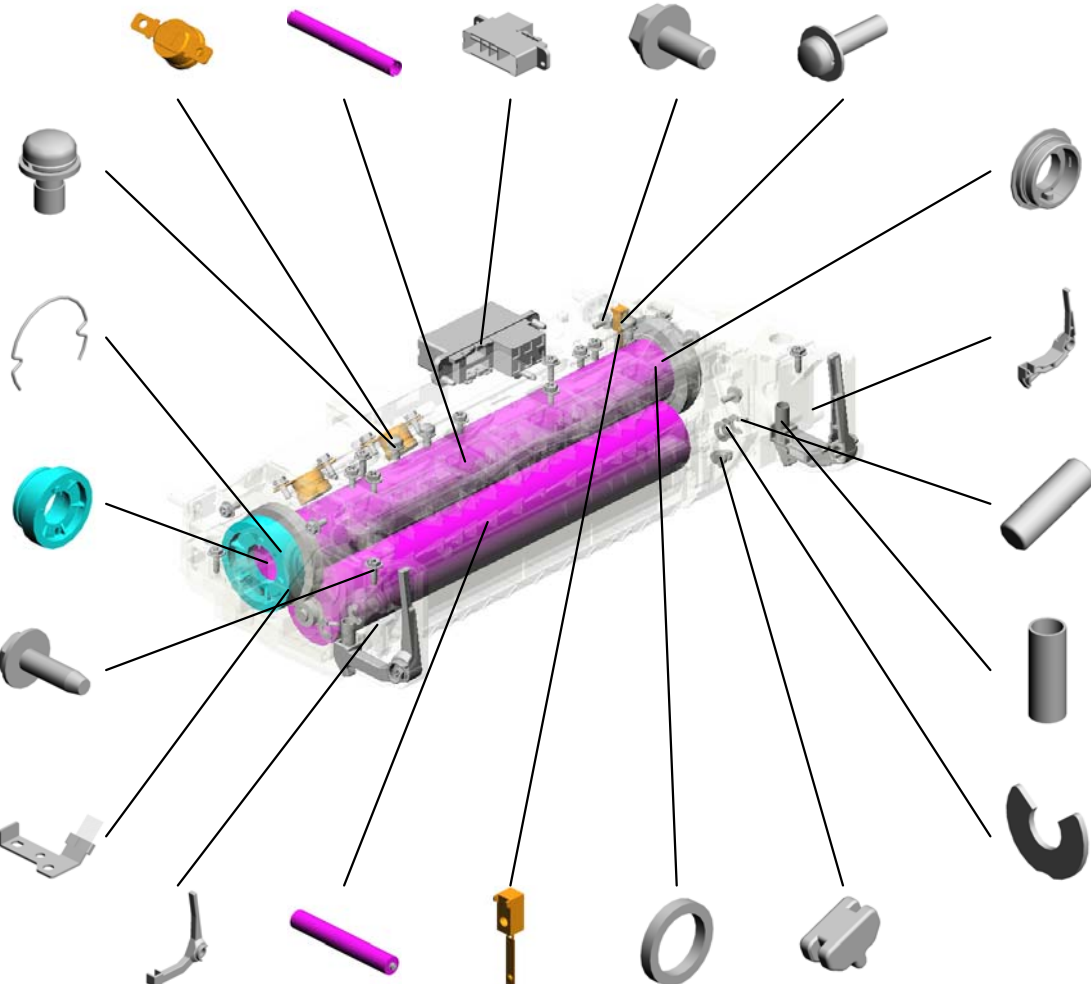
22.D0A44166 THERMAL INSULATING BUSHING:HOT ROLLER

16.D0A44151 LEVER:LOCK:LEFT

2.06320060G (x2) PARALLEL PIN:2X6

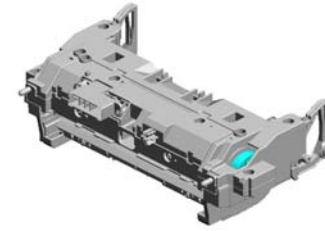
18.D0A44153 (x2) COMPRESSION SPRING:LEVER:LOCK

4.08050104 (x5) RETAINING RINGS -E:SILENCER:DIA4



U001	U002	U003	U004	U005	U006	U007	U008	U009	U010	U011	U012	U013	U014	U015
------	------	------	------	------	------	------	------	------	------	------	------	------	------	------

U009\_S001  
(NA):FUSING SECTION:ASS'Y



58.D0A44017  
(NA):FUSING SECTION:ASS'Y

- 43.D0A44230 FUSING ENTRANCE GUIDE PLATE: UPPER
- 37.D0A44221 (x4) TENSION SPRING: PICKOFF PAWL
- 41.D0A44227 STAY:HEATER:M3
- 28.D0A44183 (x2) THERMAL INSULATING BUSHING:POSITIONING PIN:FUSING
- 27.D0A44182 (x2) GUIDE:HARNES

42.D0A44228 STAY:HEATER:M4

39.D0A44225 ELECTRODE PLATE:CONNECTING:THERMOSTAT

40.D0A44226 (x4) STAY:THERMOSTAT

45.D0A44234 (x2) ROLLER:FUSING EXIT

32.D0A44211 GEAR:FUSING UNIT:NO.1

31.D0A44206 (x2) CAM:ON-OFF:PRESSURE RELEASE

33.D0A44212 GEAR:FUSING UNIT:NO.2

34.D0A44214 (x2) TENSION SPRING:GUIDE PLATE:FUSING EXIT

38.D0A44222 (x4) STRIPPER PAWLS

30.D0A44204 SHAFT:PRESSURE:PRESS FIT

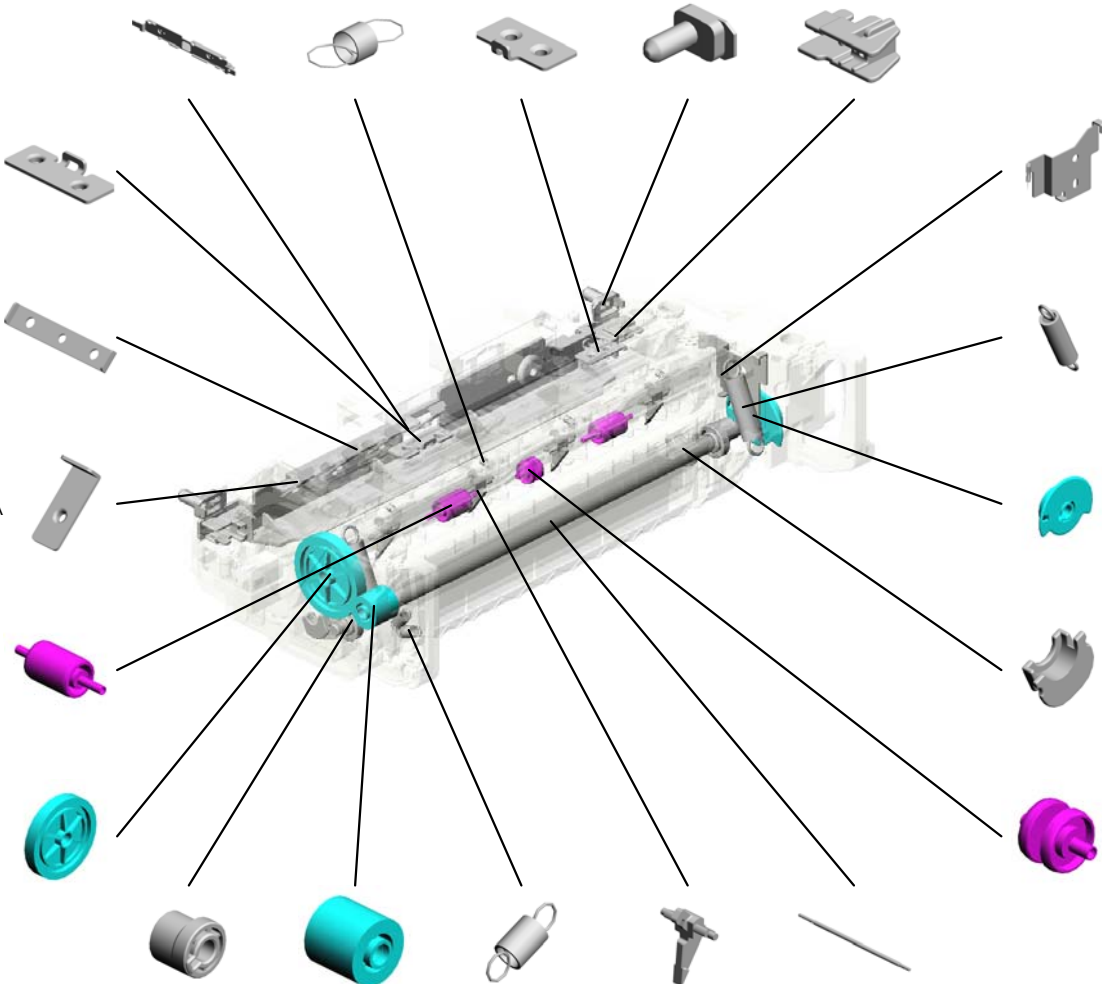
36.D0A44218 DISCHARGE BRUSH:HOT ROLLER

25.D0A44174 (x2) TENSION SPRING:PRESSURE

29.D0A44202 GEAR:PRESSURE

26.D0A44181 (x2) GUIDE:BEARING

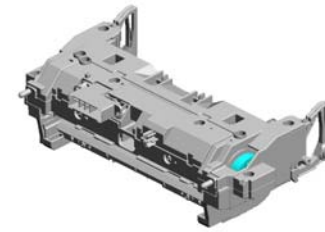
44.D0A44233 ROLLER:FUSING EXIT:MIDDLE



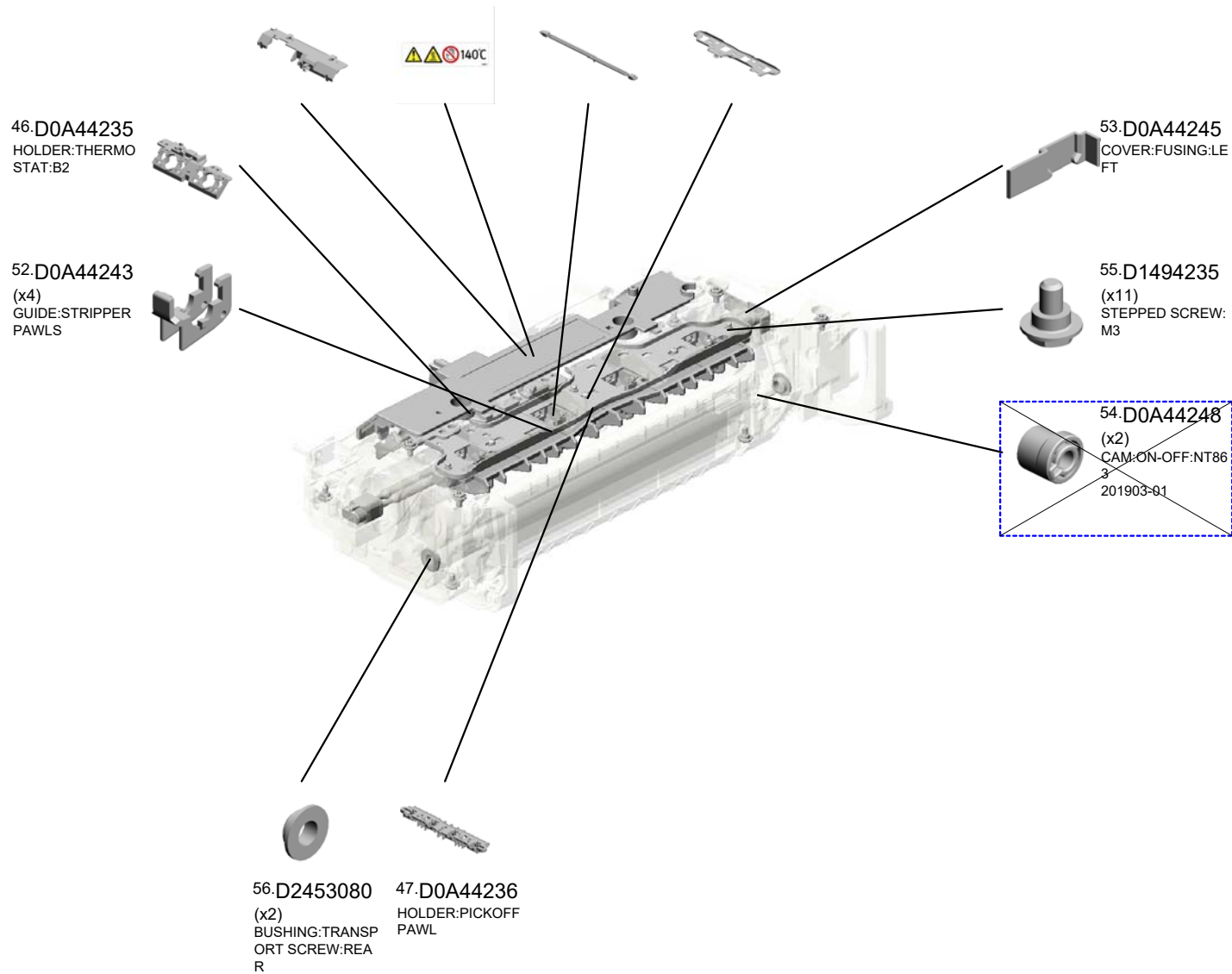
U001	U002	U003	U004	U005	U006	U007	U008	U009	U010	U011	U012	U013	U014	U015
------	------	------	------	------	------	------	------	------	------	------	------	------	------	------

U009\_S001  
(NA):FUSING SECTION:ASS'Y

- 59.D0A44121 (NA/TWN):FUSING COVER:UPPER
- 49.D0A44238 DECAL:H-TEMP WARNING:FUSING UNIT
- 57.AX440336 (NA):HEATER:116V :700W:350W:INFRA RED
- 48.D0A44237 STAY:HOLDER:PICKOFF PAWL



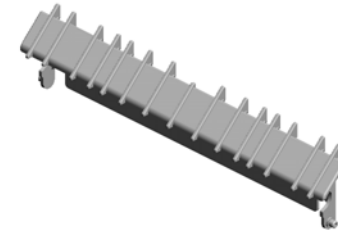
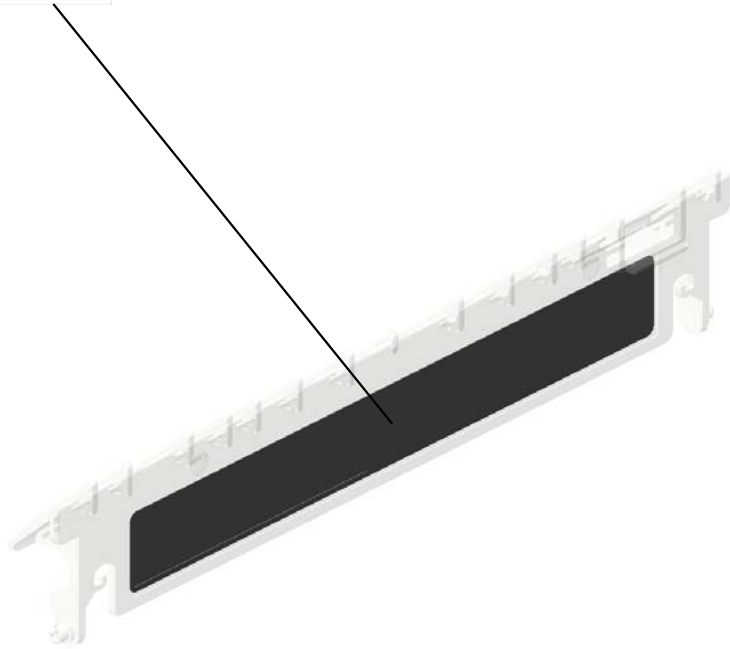
58.D0A44017  
(NA):FUSING SECTION:ASS'Y



U001	U002	U003	U004	U005	U006	U007	U008	U009	U010	U011	U012	U013	U014	U015
------	------	------	------	------	------	------	------	------	------	------	------	------	------	------

U009\_S001\_S001  
GUIDE PLATE:FUSING EXIT:LOWER:ASS'Y

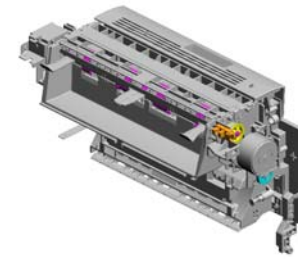
50.D0A44239  
DECAL:MISFEED R  
EMOVAL:FUSING  
UNIT



35.D0A44216  
GUIDE PLATE:FUSI  
NG EXIT:LOWER:A  
SS'Y

U001	U002	U003	U004	U005	U006	U007	U008	U009	U010	U011	U012	U013	U014	U015
------	------	------	------	------	------	------	------	------	------	------	------	------	------	------

# U010 PAPER EXIT



- 17.D0A44532 FEELER:SENSOR:OVERFLOW
- 18.D0A44533 DISCHARGE BRUSH:EXIT
- 13.D0A44523 (x4) SPRING PLATE:ROLLER:REVERSE
- 11.D0A44521 GUIDE PLATE:EXIT:UPPER
- 14.D0A44524 SUPPORTING PLATE:GUIDE:EXIT:UPPER

- 12.D0A44522 (x6) ROLLER:DRIVEN:REVERSE

- 19.D0A44541 GUIDE PLATE:EXIT:LOWER

- 4.04583010N (x18) HEXAGON HEAD TAPPING SCREW:3X10

- 15.D0A44525 GROUND PLATE:PROTECT:EXIT:ROLLER

- 10.AX050370 DC STEPPER MOTOR:EXIT:(M1)

- 2.03530060N (x2) BIND SCREW - M3X6

- 5.07200020E RETAINING RING - M2

- 16.D0A44531 GUIDE PLATE:EXIT:MIDDLE

- 20.D0A44543 (x2) EXIT ROLLER:DRIVEN

- 9.AA143853 FLAT FILLISTER HEAD TAPPING SCREW:M3X8

- 1.03530030N (x2) SCREW:M3X3

- 8.AA082173 (x4) PLAIN SHAFT BEARING:6X10X6

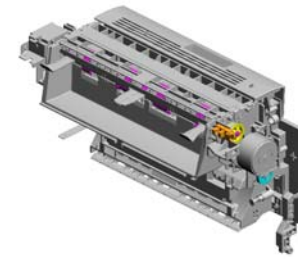
- 3.04543008Q (x6) TAPPING SCREW:3X8

- 7.08050104 (x4) RETAINING RINGS -E:SILENCER:DIA4

- 6.08050103 (x2) RETAINING RINGS -E:SILENCER:DIA3

U001	U002	U003	U004	U005	U006	U007	U008	U009	U010	U011	U012	U013	U014	U015
------	------	------	------	------	------	------	------	------	------	------	------	------	------	------

# U010 PAPER EXIT



- 21.D0A44544 (x2) SPRING PLATE:EXIT ROLLER:OUTER
- 22.D0A44545 SPRING PLATE:EXIT ROLLER:INNER:RIGHT
- 26.D0A44549 COVER:EXIT:500
- 27.D0A44551 EXIT ROLLER
- 31.D0A44556 (x2) EXIT ROLLER:IDLE R

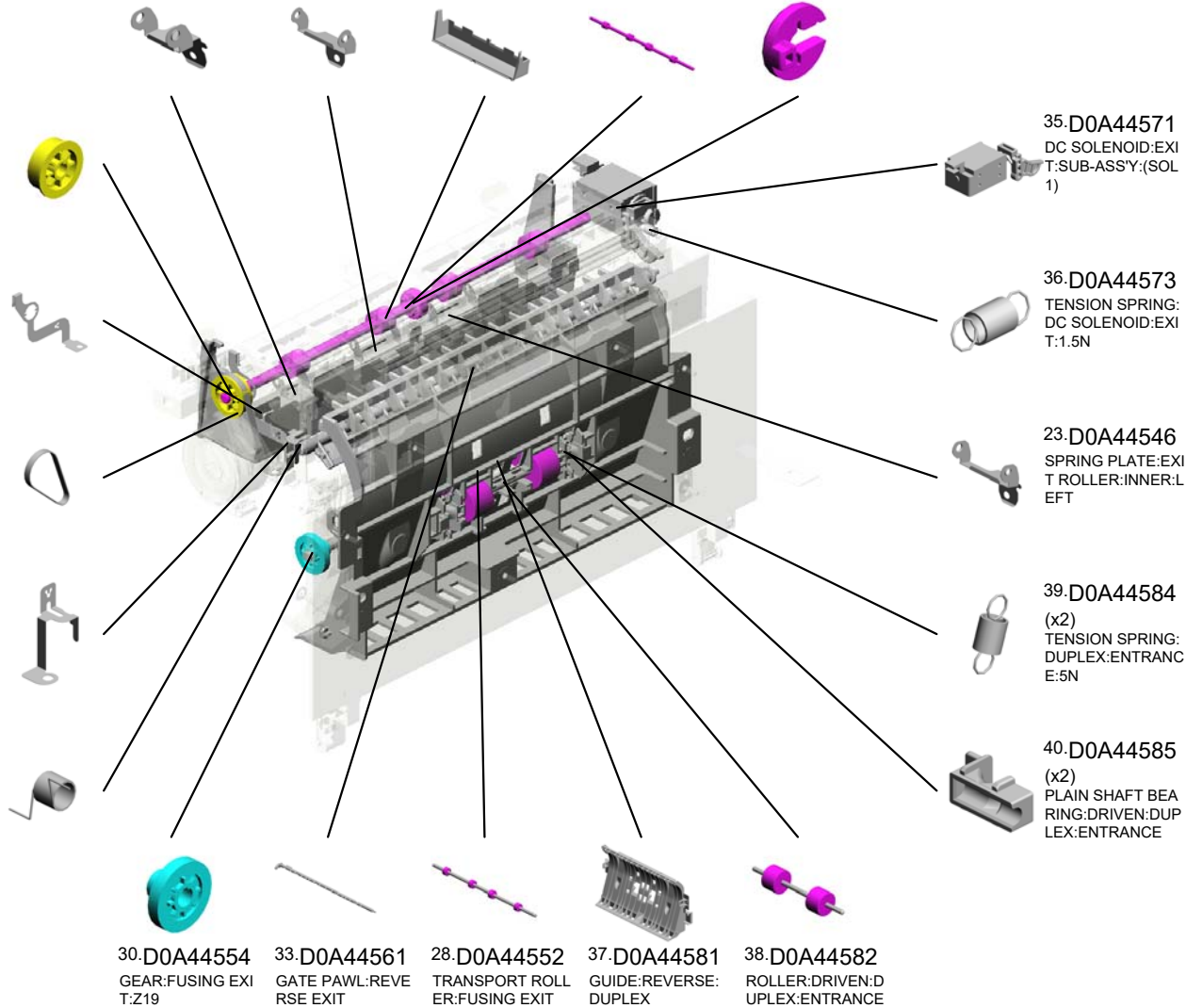
29.D0A44553  
TIMING PULLEY:EXIT ROLLER:34T

24.D0A44547  
GROUND PLATE:EXIT:500

32.D0A44557  
SYNCHRONOUS BELT:B40S2M106:500

34.D0A44563  
GROUND PLATE:EXIT:GATE PAWL

25.D0A44548  
TORSION SPRING:GATE PAWL:EXIT:0.5N



35.D0A44571  
DC SOLENOID:EXIT:SUB-ASSY:(SOL1)

36.D0A44573  
TENSION SPRING:DC SOLENOID:EXIT:1.5N

23.D0A44546  
SPRING PLATE:EXIT ROLLER:INNER:LEFT

39.D0A44584  
(x2)  
TENSION SPRING:DUPLIX:ENTRANCE:5N

40.D0A44585  
(x2)  
PLAIN SHAFT BEARING:DRIVEN:DUPLIX:ENTRANCE

30.D0A44554  
GEAR:FUSING EXIT:T:Z19

33.D0A44561  
GATE PAWL:REVERSE EXIT

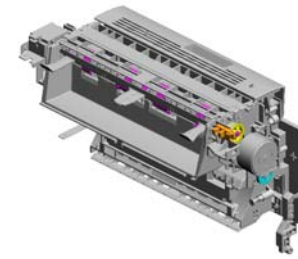
28.D0A44552  
TRANSPORT ROLLER:FUSING EXIT

37.D0A44581  
GUIDE:REVERSE:DUPLIX

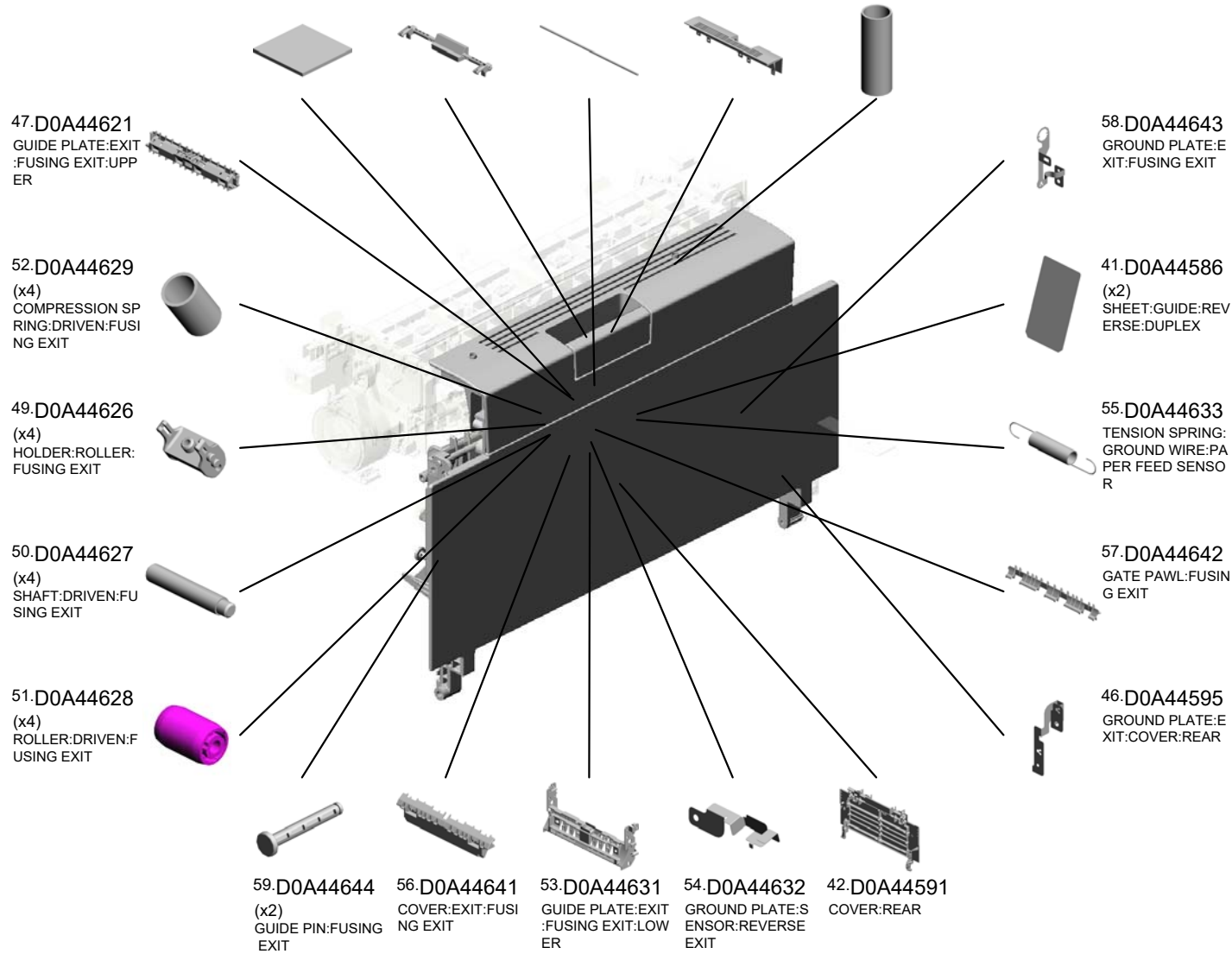
38.D0A44582  
ROLLER:DRIVEN:DUPLIX:ENTRANCE



# U010 PAPER EXIT

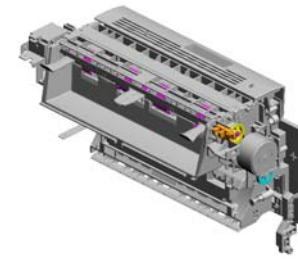


- 48.D0A44622 PAD:SENSOR:REV ERSE
- 44.D0A44593 LEVER:DOOR:EXIT
- 60.D0A44645 GUIDE:REVERSE EXIT
- 43.D0A44592 COVER:REAR:UPPER
- 45.D0A44594 (x2) COMPRESSION SPRING:LEVER:DOOR:REAR



U001	U002	U003	U004	U005	U006	U007	U008	U009	U010	U011	U012	U013	U014	U015
------	------	------	------	------	------	------	------	------	------	------	------	------	------	------

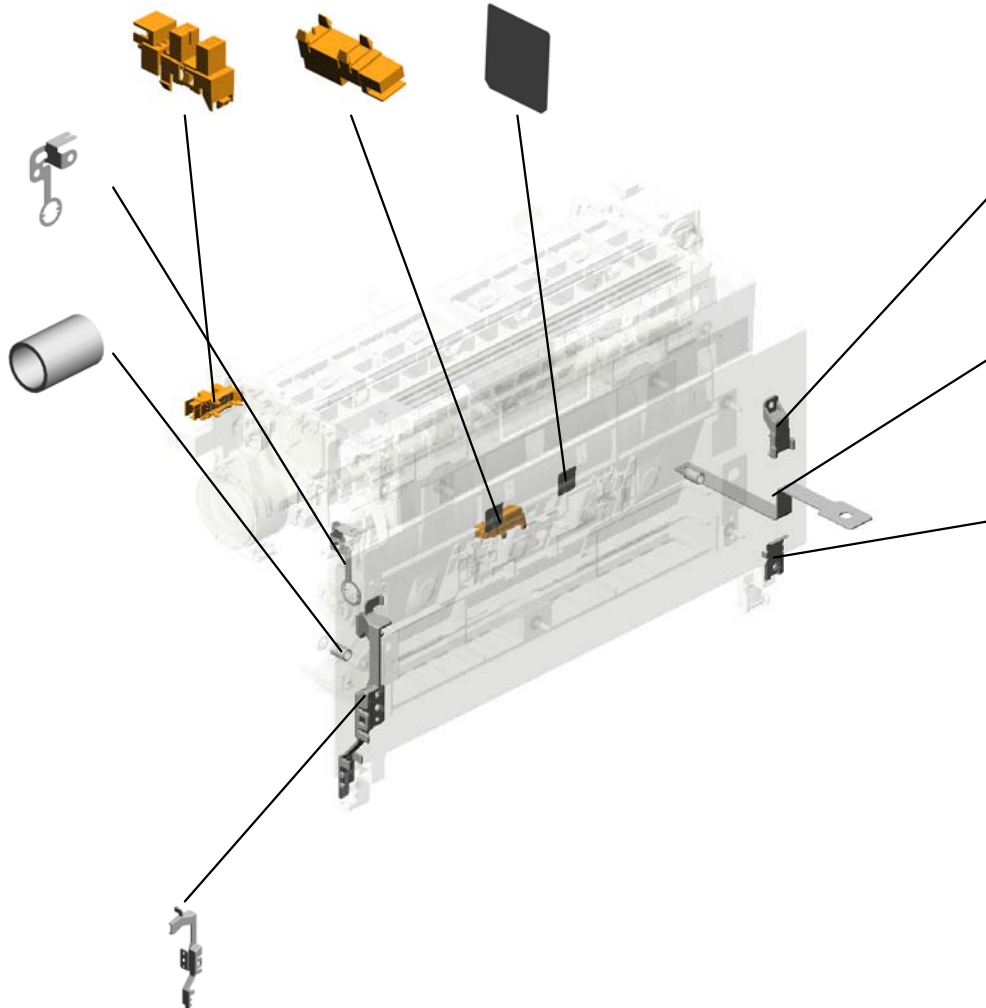
# U010 PAPER EXIT



69.GW020024 PHOTOINTERRUPTOR:LG2A24BL1:GF:(S2/S3/S4/S6/S7/S8/S10)  
 68.GW010007 PHOTO REFLECTOR:ON SENSOR:EXIT:(S1/S5)  
 63.D0A44649 (x2) SHEET:GATE PAWL:FUSING EXIT

62.D0A44648 GROUND PLATE:GUIDE:REVERSE EXIT

61.D0A44647 (x2) COMPRESSION SPRING:GUIDE PLATE:FUSING EXIT:6N



67.D0A44654 HOLDER:STOPPER:BAND

66.D0A44653 BAND:STOPPER:COVER:REAR

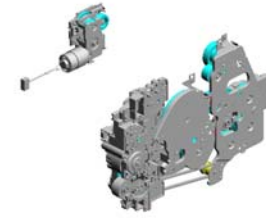
65.D0A44652 PLATE:BAND:STOPPER

64.D0A44651 COVER:HARNES:REAR:DOOR

U001	U002	U003	U004	U005	U006	U007	U008	U009	U010	U011	U012	U013	U014	U015
------	------	------	------	------	------	------	------	------	------	------	------	------	------	------

# U011 MAIN DRIVE

- 2.03603006N (x4) SCREW - M3X6
- 1.03530040N (x15) SCREW - M3X4
- 20.AB010223 GEAR.DRIVE:FUSI NG:NO.1
- 14.AA043717 (x2) SYNCHRONOUS B ELT:50S3M162
- 5.04583010N (x12) HEXAGON HEAD T APPING SCREW:3 X10



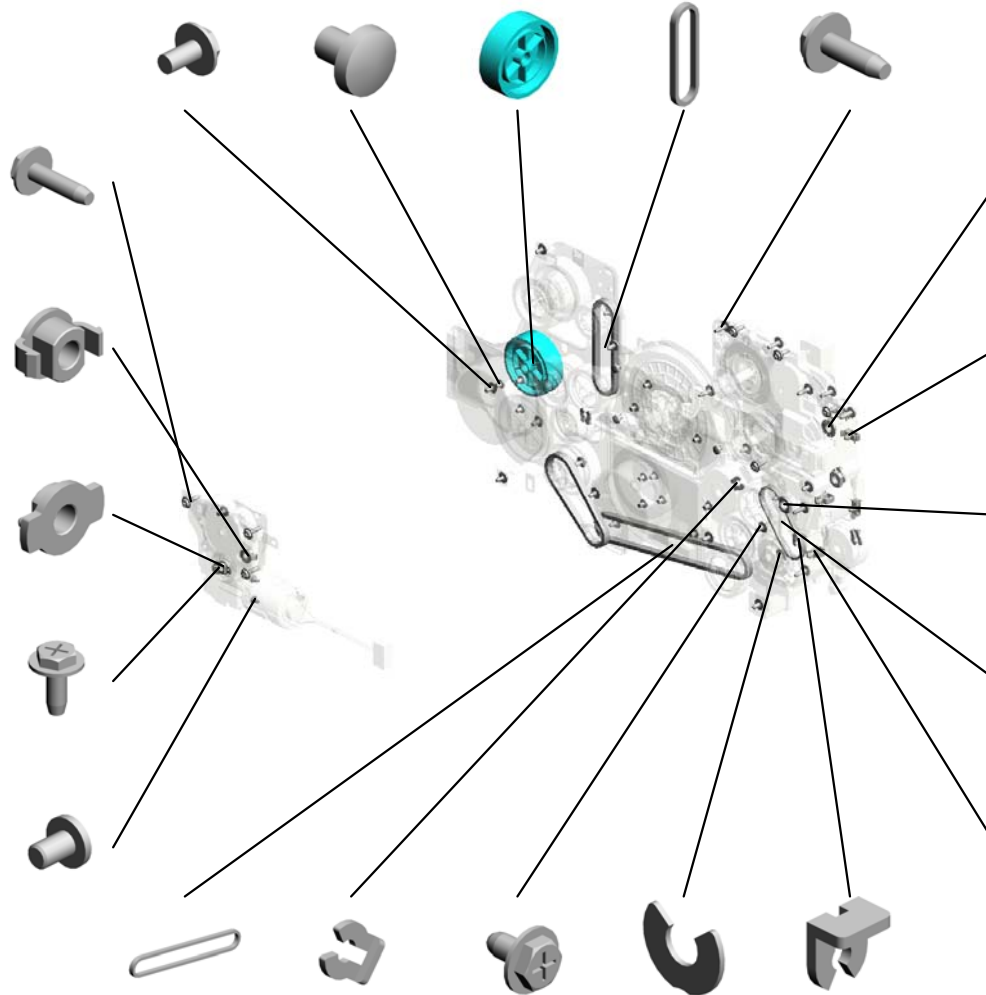
- 6.04583012N (x3) HEXAGON HEAD T APPING SCREW:3 X12

- 19.AA080396 PLAIN SHAFT BEA RING:4X8X5

- 18.AA080395 PLAIN SHAFT BEA RING:4X8X2.8

- 3.04513008N TAPPING SCREW - M3X8

- 7.08010240 (x2) BINDING HEAD SC REV:M2.6X4



- 16.AA080213 BUSHING:DIA6

- 10.11050758 (x3) CLAMP:LWSM-030 6A

- 17.AA080393 (x2) PLAIN SHAFT BEA RING:DIA6XDIA10X 6

- 13.AA043716 SYNCHRONOUS B ELT:40S2M124

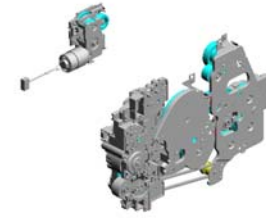
- 11.11050759 (x2) CLAMP:LWSM-060 5A

- 15.AA043718 SYNCHRONOUS B ELT:50S3M312
- 8.08050097 (x4) RING SEPARATOR
- 4.04543006Q (x13) TAPPING SCREW - M3X6
- 9.08050104 RETAINING RINGS -E:SILENCER:DIA4
- 12.52062686 SNAP RING

U001	U002	U003	U004	U005	U006	U007	U008	U009	U010	U011	U012	U013	U014	U015
------	------	------	------	------	------	------	------	------	------	------	------	------	------	------

# U011 MAIN DRIVE

21.AB010224 GEAR:DRIVE:TRANSPORT:NO.1  
 22.AB010225 GEAR:DRIVE:FUSILING:NO.2  
 24.AB010227 GEAR:DRUM:NO.1  
 23.AB010226 GEAR:DRIVE:DRUM  
 25.AB011628 GEAR:DRIVE:TONER SUPPLY:NO.6



39.AB014354  
 GEAR:DRIVE:PRESURE RELEASE:NO.2



37.AB011640  
 (x3)  
 GEAR:DRIVE:PRESURE RELEASE:PLANETARY



38.AB014353  
 GEAR:DRIVE:PRESURE RELEASE:NO.1



35.AB011638  
 GEAR:DRIVE:PRESURE RELEASE:SLUN



36.AB011639  
 GEAR:DRIVE:PRESURE RELEASE:TORQUE LIMITER MECHANICAL CLUTCH



27.AB011630  
 GEAR:DRIVE:PAPER FEED:NO.1

40.AB017963  
 GEAR:DRIVE:PAPER FEED:NO.2

28.AB011631  
 GEAR:DRIVE:PAPER FEED:NO.3

29.AB011632  
 GEAR:DRIVE:MANUAL FEED:JOINT:NO.1

34.AB011637  
 GEAR:DRIVE:CONNECTING:NO.3

33.AB011636  
 GEAR:DRIVE:TONER SUPPLY:NO.3



26.AB011629  
 GEAR:DRIVE:TONER RECYCLING:NO.2



32.AB011635  
 GEAR:DRIVE:COLLECT:NO.1



31.AB011634  
 GEAR:DRIVE:SUPPLY:NO.1

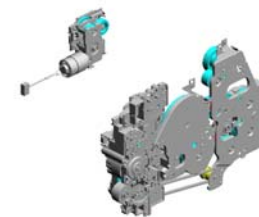


30.AB011633  
 GEAR:DRIVE:MANUAL FEED:JOINT:NO.2



# U011 MAIN DRIVE

- 45.AB019002 GEAR:DRIVE:FUSI NG:NO.6
- 44.AB019001 GEAR:DRIVE:FUSI NG:NO.5
- 56.AX202354 ELECTROMAGNET IC CLUTCH:0.35NM :DUPLEX:(CL1)
- 41.AB017964 GEAR:DRIVE:FUSI NG:NO.3
- 42.AB017965 GEAR:DRIVE:FUSI NG:NO.4



- 49.AX060506 DC BRUSHLESS MOTOR:TRANSPORT:FUSING:36W:(M4)



- 43.AB017966 GEAR:DRIVE:TRANSPORT:NO.2



- 50.AX069095 DC BRUSHLESS MOTOR:DRUM:26W:(M3)



- 48.AB030892 PULLEY:DRIVE:TRANSPORT



- 46.AB019009 WORM WHEEL:DRIVE:PRESSURE RELEASE:Z25



- 54.AX200353 ELECTROMAGNET IC CLUTCH:0.45NM :REGISTRATION:(CL5)
- 60.D0A41158 (x2) JOINT:DRIVE:TONE R SUPPLY
- 53.AX200352 ELECTROMAGNET IC CLUTCH:0.45NM :PAPER FEED:(CL6)
- 55.AX201013 ELECTROMAGNET IC CLUTCH:0.35NM:REVERSE:(CL7)
- 47.AB030891 PULLEY:DRIVE:CONNECTING



- 58.D0A41156 HOLDER:DRIVE:TONE R SUPPLY



- 59.D0A41157 (x2) LINK:DRIVE:TONE R SUPPLY



- 57.D0A41151 HOUSING:DRIVE:PAPER FEED:ASSY



- 51.AX200350 (x2) ELECTROMAGNET IC CLUTCH:0.44NM :MANUAL FEED:(CL2/CL4)

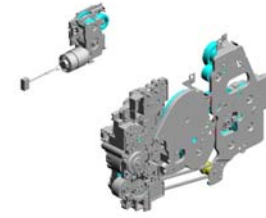


- 52.AX200351 ELECTROMAGNET IC CLUTCH:0.35NM :BASE:(CL3)



# U011 MAIN DRIVE

66.D0A41187 BRACKET:DRIVE:F USING:NO.1:PEEN  
 67.D0A41191 COMPRESSION SP RING:DRIVE:FUSIN G  
 70.D0A41209 LINK:DRIVE:DRUM  
 76.D0A41221 ARM:JOINT:DRUM  
 72.D0A41211 JOINT:DRIVE:DRU M



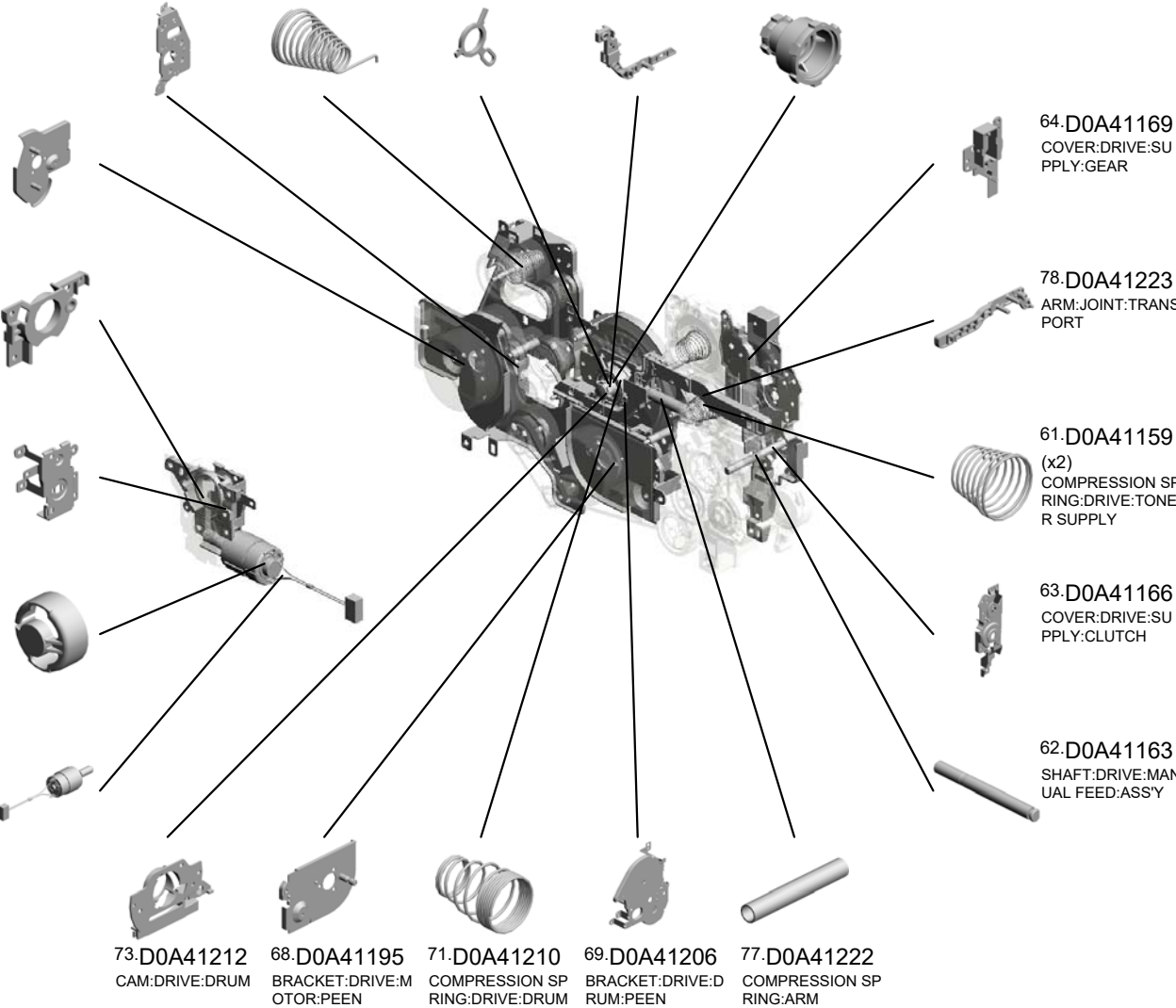
65.D0A41182 BRACKET:DRIVE:F USING:MOTOR:PE EN

79.D0A41226 HOUSING:DRIVE:P RESSURE RELEAS E:NO.1:INTERNAL

80.D0A41227 BRACKET:DRIVE:P RESSURE RELEAS E:NO.2

74.D0A41215 COVER:DC MOTO R

75.D0A41216 DC MOTOR:DRIVE: PRESSURE RELEA SE:ASSY:(M2)

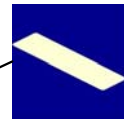


U001	U002	U003	U004	U005	U006	U007	U008	U009	U010	U011	U012	U013	U014	U015
------	------	------	------	------	------	------	------	------	------	------	------	------	------	------

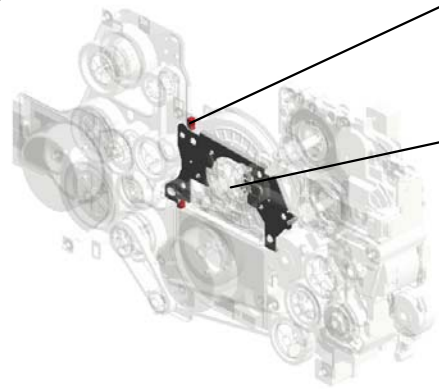
# U011 MAIN DRIVE

86.D0A41246 BRACKET:DRIVE:PRESSURE RELEASE:PEEN  
 85.D0A41245 CAP:DRIVE:PRESSURE RELEASE:PLANETARY  
 84.D0A41244 SUPPORT SHAFT:DRIVE:PRESSURE RELEASE:PLANETARY

82.D0A41236 TORQUE LIMITER MECHANICAL CLUTCH:9.8MMM:DIA14

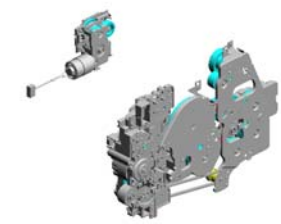


87.D0A45204 (x2) GASKET:65TSV4-3D(ZD)HL10



83.D0A41240 BRACKET:DRIVE:DRUM:CAM

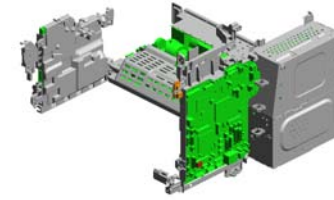
81.D0A41234 SHAFT:DRIVE:PRESSURE RELEASE:PRESS FIT



U001	U002	U003	U004	U005	U006	U007	U008	U009	U010	U011	U012	U013	U014	U015
------	------	------	------	------	------	------	------	------	------	------	------	------	------	------

# U012 ELECTRICAL

- 15.AA141008 (x3) PANEL KNOB SCR EW
- 9.11050723 (x3) (IM 350F/430Fb/430 F);CLAMPS:WES-0507
- 18.AA161167 (x12) BUSHING:HDD
- 22.C2183051 (x3) PHILIPS SCREW - M3
- 10.11050761 (x6) CLAMP:LWS-0511A



4.03603014N  
(x6)  
SCREW - M3X14

17.AA143853  
(x3)  
FLAT FILLISTER HEAD TAPPING SCR EW:M3X8

13.12042612  
(x6)  
MICRO SWITCH:D3 V-16506-3C25;(SW 1/SW2)

6.04583008N  
(x15)  
HEXAGON HEAD TAPPING SCREW:3 X8

5.04543006Q  
(x15)  
TAPPING SCREW - M3X6

20.AZ320224  
(x3)  
POWER PACK:CD VT

8.08050103  
(x3)  
RETAINING RINGS -E:SILENCER:DIA3

21.B7715050  
(x3)  
(IM 350F/430Fb/430 F);SPEAKER:B771

12.11050763  
(x9)  
CLAMP:LWS-1211A

14.14077677  
(x3)  
EEPROM:BR24T64-W

23.D0A40924  
(x3)  
BRACKET:CONNECTOR-STAPLER:MAIN

7.04583010N  
(x6)  
HEXAGON HEAD TAPPING SCREW:3 X10

16.AA143848  
(x12)  
STEPPED SCREW - M3

2.03530040N  
(x6)  
SCREW - M3X4

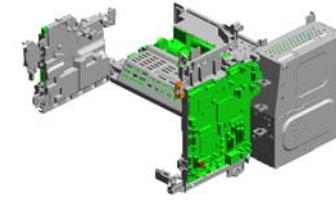
11.11050762  
(x12)  
CLAMP:LWS-0711A

1.03130040N (x 3)  
SCREW:M3X4  
3.03603006N(x174)  
SCREW - M3X6



# U012 ELECTRICAL

- 42.D0A45813 (x6) HOLDER:POWER SUPPLY UNIT
- 43.D0A45849 (x3) CAP:USB-B
- 35.D0A45625 (x3) BRACKET:SAFETY SWITCH:REAR
- 37.D0A45634 (x6) TENSION SPRING: SAFETY SWITCH
- 44.D0A45852 (x3) INSULATING SHEET:FAX



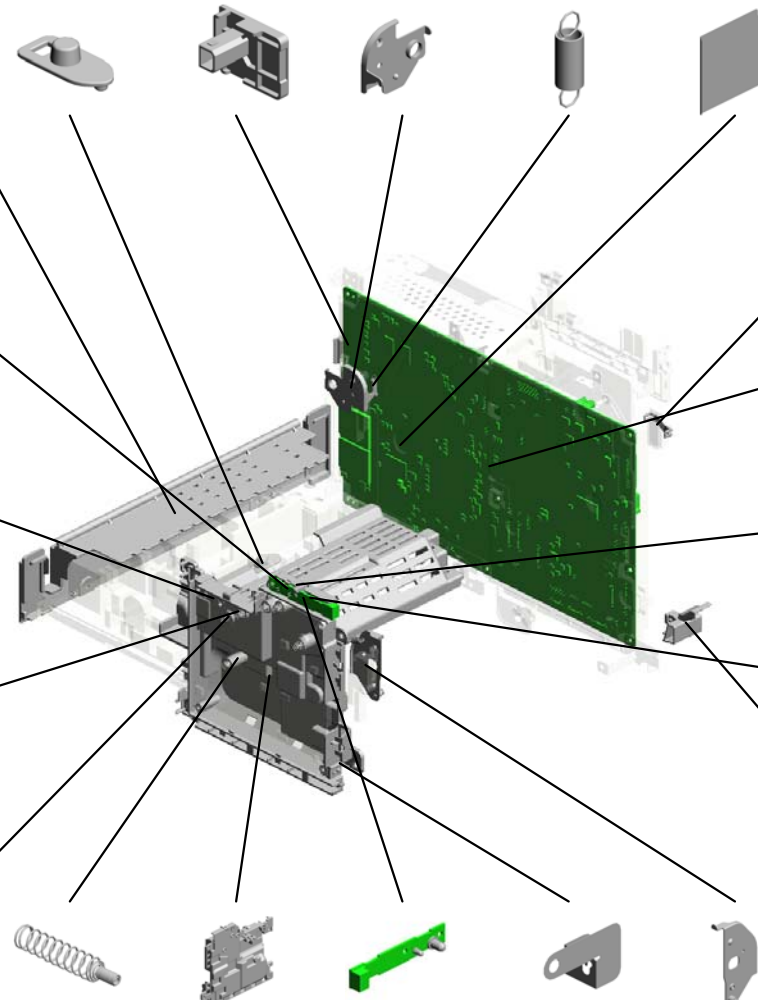
- 41.D0A45806 (x3) COVER:POWER SUPPLY UNIT:REAR

- 26.D0A43288 (x3) SEAL:TONER END SENSOR

- 34.D0A45608 (x3) GROUND PLATE:POWER PACK:PHOTOCONDUCTOR

- 30.D0A45602 (x15) TERMINAL:POWER PACK

- 31.D0A45603 (x15) COMPRESSION SPRING:POWER PACK:PCDU



- 25.D0A41138 (x3) COVER:TEMPERATURE & HUMIDITY SENSOR

- 38.D0A45719 (x2) (IM 430F/430Fb):PCB:SCB:ASSY

- 27.D0A43289 (x3) SEAL:TONER END SENSOR:INNER F RAM

- 40.D0A45805 (x3) COVER:POWER SUPPLY UNIT:FRONT

- 24.D0A41094 (x3) GUIDE:HARNESS:NFC

- 33.D0A45606 (x3) COMPRESSION SPRING:POWER PACK:TRANSFER

- 29.D0A45601 (x3) BRACKET:POWER PACK

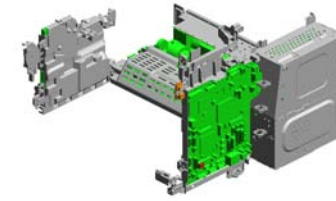
- 28.D0A45180 (x3) PCB:TONEREND:(S9)

- 32.D0A45605 (x3) GROUND PLATE:POWER PACK:BASE

- 36.D0A45631 (x3) SAFETY SWITCH:FRONT:PEEN

# U012 ELECTRICAL

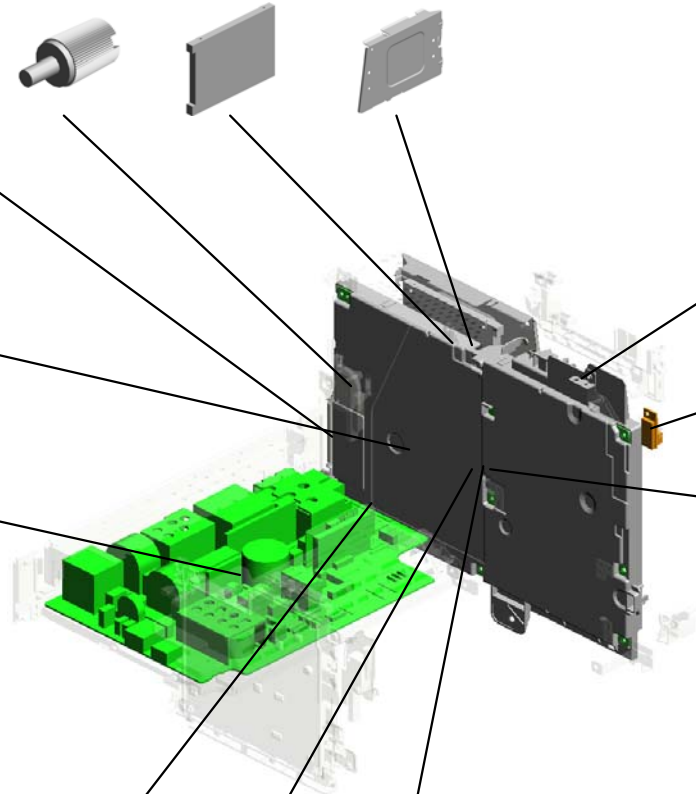
- 51.G1045141 (x9) KNOB SCREW:M3
- 53.M4445201 (x3) HDD:320GB:AQUARIUS
- 47.D0A45866 (x3) COVER:C/T BOX:GW(MF):UPPER



- 45.D0A45853 (x3) COVER:CARD:GW

- 56.D0A45791 (x3) (NA):KIT:FCU

- 54.AZ230324 (x3) (NA/TWN):POWER SUPPLY UNIT



- 49.D0A45874 (x3) GROUND PLATE:CONTROL BOARD:LEFT UPPER:GW(MF)

- 52.GW140027 (x3) TEMPERATURE & HUMIDITY SENSOR:(S11)

- 46.D0A45855 (x3) COVER:CONTROL BOARD:BEHIND:GW(MF)

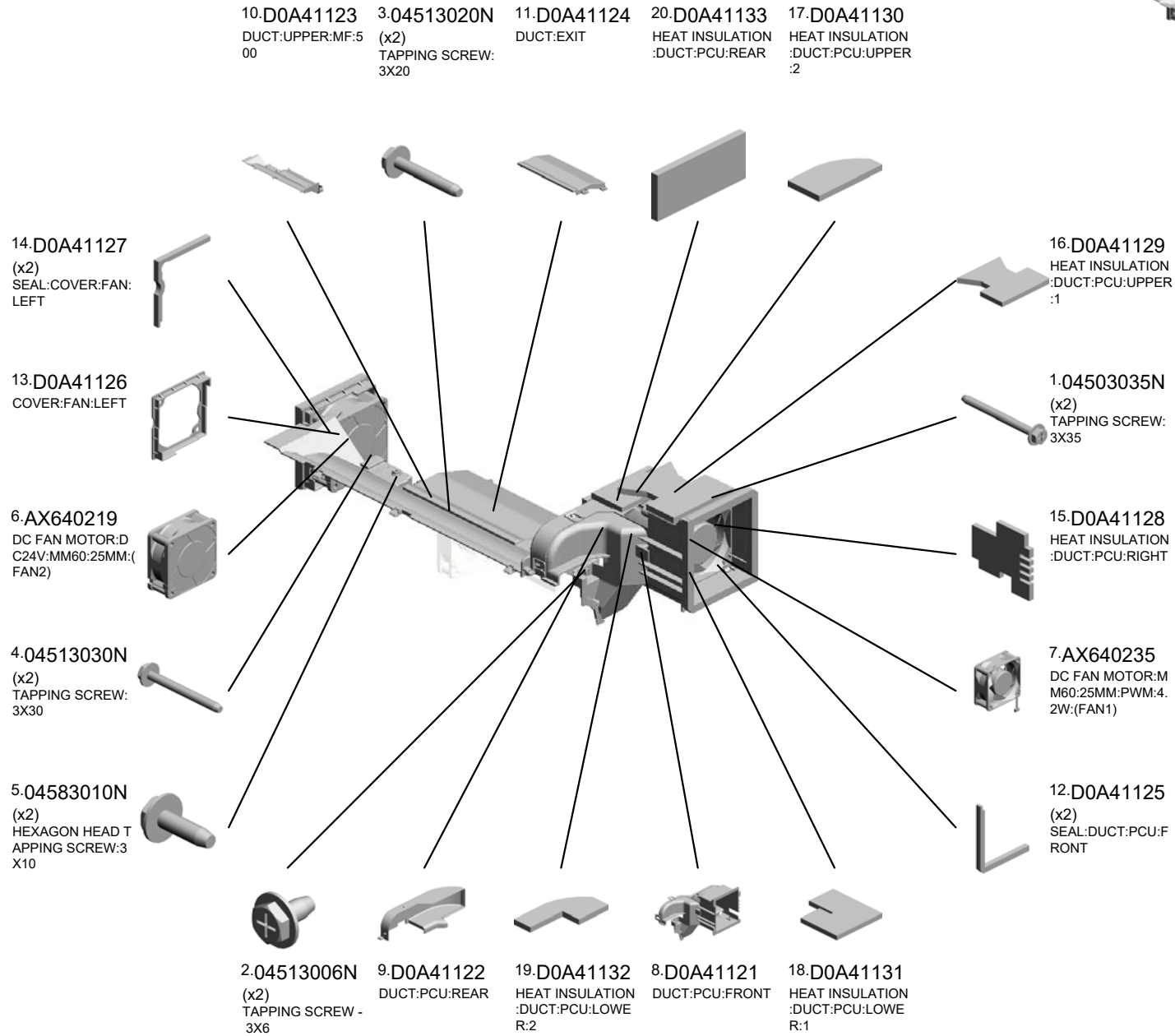
- 50.D0AP9590 (x3) NVRAM

- 48.D0A45867 (x3) COVER:C/T BOX:GW(MF):LOWER

- 55.D0A45718 (IM 350/350F):PCB:SCB:ASS'Y

U001	U002	U003	U004	U005	U006	U007	U008	U009	U010	U012	U013	U014	U015
------	------	------	------	------	------	------	------	------	------	------	------	------	------

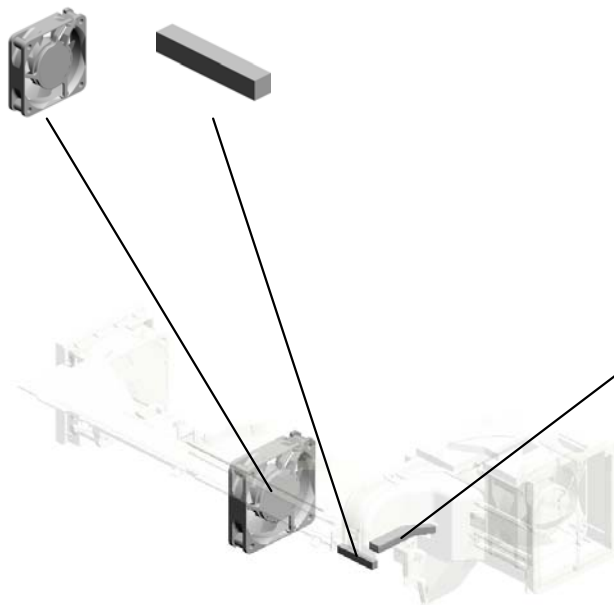
# U013 AIR COOLING



U001	U002	U003	U004	U005	U006	U007	U008	U009	U010	U011	U012	U013	U014	U015
------	------	------	------	------	------	------	------	------	------	------	------	------	------	------

# U013 AIR COOLING

23.GX640031 21.D0A41134  
FAN MOTOR:DC:2. HEAT INSULATION  
64W:(FAN3) :DUCT:PCU:LEFT:1

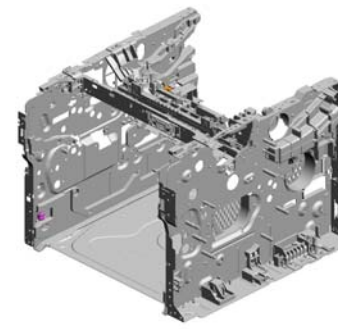


22.D0A41135  
HEAT INSULATION  
:DUCT:PCU:LEFT:2



U001	U002	U003	U004	U005	U006	U007	U008	U009	U010	U011	U012	U013	U014	U015
------	------	------	------	------	------	------	------	------	------	------	------	------	------	------

# U014 MAIN FRAME



- 8.08025305 (x2) TAPPING SCREW - M3X6
- 11.11050692 (x3) CLAMP:LES-0503
- 1.03603006N (x5) SCREW - M3X6
- 14.11050760 (x2) CLAMP:LWSM-051 1A
- 18.D0A41055 FRAME:REAR

- 2.04513008N (x2) TAPPING SCREW - M3X8

- 6.04583010N (x2) HEXAGON HEAD TAPPING SCREW:3 X10

- 13.11050758 (x5) CLAMP:LWSM-030 6A

- 16.11050763 (x2) CLAMP:LWS-1211A

- 10.09544008N SCREW - M4X8

- 15.11050762 (x6) CLAMP:LWS-0711A
- 17.AH010011 (x4) RUBBER FOOT:H5
- 5.04543008Q (x7) TAPPING SCREW: 3X8
- 7.04593010N (x2) BINDING HEAD TAPPING SCREW:3X 10
- 9.08050103 (x2) RETAINING RINGS -E:SILENCER:DIA3 10

- 4.04543006Q (x12) TAPPING SCREW - M3X6

- 12.11050724 (x2) CLAMPS:WES-121 0

- 20.D0A41063 GUIDE:PCDU:RIGHT UPPER

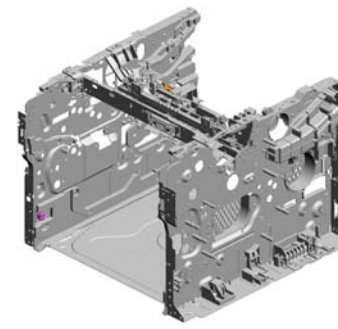
- 6.04583010N (x 4) HEXAGON HEAD TAPPING SCREW:3X 10

- 21.D0A41064 TIGHTENER:PCDU: RIGHT

- 3.04533006N (x27) TAPPING SCREW - M3X6

- 19.D0A41062 GUIDE:PCDU:RIGHT LOWER

# U014 MAIN FRAME



- 27.D0A41088 SHIELD PLATE:MOTOR
- 33.D0A42192 CASE:DISCHARGE LAMP:CHARGE
- 38.D0A42499 (x2) CONNECTOR:ID\_C HIP
- 26.D0A41085 GROUND WIRE:SHIELD PLATE:MOTOR
- 34.D0A42194 GUIDE:SHUTTER:PHOTOCONDUCTOR:RIGHT

35.D0A42196  
DISCHARGE LAMP:CHARGE:MULTI

24.D0A41075  
GUIDE:PCDU:LEFT UPPER

36.D0A42246  
GUIDE:STOPPER:PCU:LEFT

25.D0A41076  
TIGHTENER:PCDU:LEFT

31.D0A41102  
GROUND PLATE:SENSOR:FUSING:PRESSURE RELEASE

22.D0A41065  
(x2)  
COIL SPRING:TIGHTENER:PCDU

37.D0A42247  
GUIDE:STOPPER:PCU:RIGHT

32.D0A41225  
COVER:MOTOR:DRUM

39.D0A42872  
(x2)  
COMPRESSION SPRING:DETENT:PAPER TRAY

28.D0A41089  
COVER:LOWER:RIGHT FRONT

40.D0A42873  
GUIDE:PAPER TRAY:LEFT

23.D0A41074  
GUIDE:PCDU:LEFT LOWER

29.D0A41090  
COVER:LOWER:RIGHT REAR

41.D0A42874  
GUIDE:PAPER TRAY:RIGHT

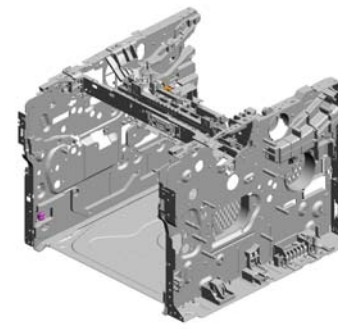
30.D0A41097  
BRACKET:LOWER MIDDLE

# U014 MAIN FRAME

45.D0A46290 FRAME:REAR:LOW  
ER:ASS'Y

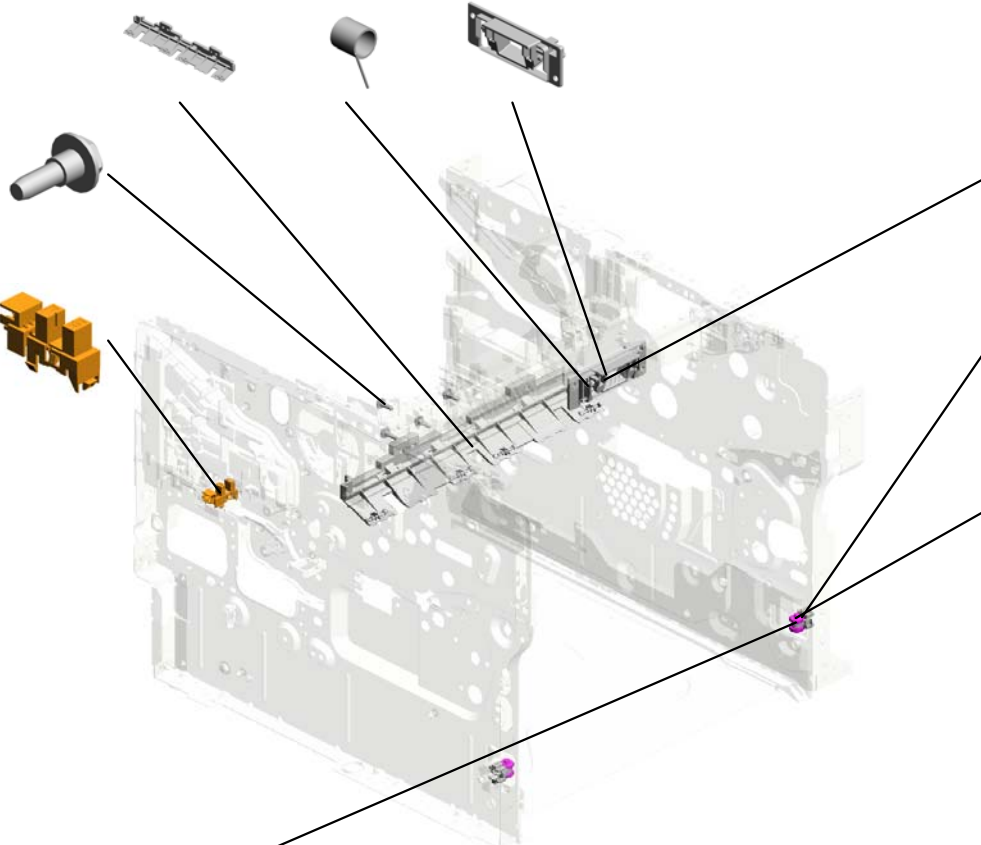
44.D0A43463 TORSION SPRING:  
COVER:TERMINAL:  
ID\_CHIP

42.D0A43461 HOLDER:TERMINA  
L:ID\_CHIP:MAIN



50.M1871082  
(x4)  
STEPPED SCREW:  
M3:SECOND KIND:  
DRAWER

49.GW020024  
PHOTOINTERRUP  
TOR:LG2A24BL1:G  
F:(S2/S3/S4/S6/S7/  
S8/S10)



43.D0A43462  
COVER:TERMINAL:  
ID\_CHIP:MAIN

46.D3ER1067  
(x2)  
DETENT:PAPER T  
RAY

48.D3ER1069  
(x2)  
ROLLER:DETENT:  
PAPER TRAY:NO.2

47.D3ER1068  
(x2)  
ROLLER:DETENT:  
PAPER TRAY

U001	U002	U003	U004	U005	U006	U007	U008	U009	U010	U011	U012	U013	<b>U014</b>	U015
------	------	------	------	------	------	------	------	------	------	------	------	------	-------------	------

# U015 ACCESSORIES

5.D1491553  
(x3)  
SHEET:LOGO

3.D0A41301  
(x3)  
PLATE:LOGO:RIC



8.D0A41704  
(x3)  
(NA/EU/AA/KOR):D  
ECAL:CAUTION:OR  
IGINAL

9.D0A41706  
(x3)  
(NA/EU/AA/KOR):D  
ECAL:CLEANING:S  
CANNER:ENGLISH

IM 430F



6.D2557798  
(x3)  
DECAL:BLUETOOT  
H

4.D0AP6852  
(IM 430F):PLATE:N  
AME PLATE:IM\_430  
F

IM 430Fb

10.D0C46851  
(IM 430Fb):PLATE:  
NAME PLATE:IM\_4  
30FB

IM 350F

11.D0C56851  
(IM 350F):PLATE:N  
AME PLATE:IM\_350  
F

1.04583010N(x 6)  
HEXAGON HEAD TAPPING SCREW:3X  
10  
7.11500481(x 3)  
(NA):POWER SUPPLY CODE:125V:15A

U001	U002	U003	U004	U005	U006	U007	U008	U009	U010	U011	U012	U013	U014	U015
------	------	------	------	------	------	------	------	------	------	------	------	------	------	------



## Exclusive Parts

Number	Part Name	Group	ID
52062686	SNAP RING	U011	12
54472681	SNAP RING	U006	15
A2672869	GEAR - 16Z	U006_S003_S001	16
AA043319	TIMING BELT - 40S2M156	U008	5
AA043716	SYNCHRONOUS BELT:40S2M124	U011	13
AA043717	SYNCHRONOUS BELT:50S3M162	U011	14
AA043718	SYNCHRONOUS BELT:50S3M312	U011	15
AA080213	BUSHING:DIA6	U011	16
AA080249	BUSHING - VERTICAL TRANSPORT	U003_S001	21
AA080393	PLAIN SHAFT BEARING:DIA6XDIA10X6	U011	17
AA080395	PLAIN SHAFT BEARING:4X8X2.8	U011	18
AA080396	PLAIN SHAFT BEARING:4X8X5	U011	19
AA082101	BUSHING - 6X10X6	U003_S001	22
AA082173	PLAIN SHAFT BEARING:6X10X6	U006	17
		U008	6
		U010	8
AA082175	PLAIN SHAFT BEARING:8X12X7	U006	18
AA082180	PLAIN SHAFT BEARING:DIA6:DIA10:9	U003_S001	23
AA082190	BUSHING:DIA4XDIA7X3	U006	19
AA132208	SPACER - M6	U006	20
AA141008	PANEL KNOB SCREW	U012	15
AA143788	PIN:GUIDE PLATE:PAPER FEED	U003_S001	24
AA143846	TAPPING SCREW:M3X6	U006	21
		U006_S001	21
AA143848	STEPPED SCREW - M3	U012	16
AA143853	FLAT FILLISTER HEAD TAPPING SCREW:M3X8	U006_S003_S001	22
		U010	9
		U012	17
AA161167	BUSHING:HDD	U012	18
AB010223	GEAR:DRIVE:FUSING:NO.1	U011	20
AB010224	GEAR:DRIVE:TRANSPORT:NO.1	U011	21
AB010225	GEAR:DRIVE:FUSING:NO.2	U011	22
AB010226	GEAR:DRIVE:DRUM	U011	23
AB010227	GEAR:DRUM:NO.1	U011	24
AB011628	GEAR:DRIVE:TONER SUPPLY:NO.	U011	25

Number	Part Name	Group	ID
	6		
AB011629	GEAR:DRIVE:TONER RECYCLING:NO.2	U011	26
AB011630	GEAR:DRIVE:PAPER FEED:NO.1	U011	27
AB011631	GEAR:DRIVE:PAPER FEED:NO.3	U011	28
AB011632	GEAR:DRIVE:MANUAL FEED:JOINT:NO.1	U011	29
AB011633	GEAR:DRIVE:MANUAL FEED:JOINT:NO.2	U011	30
AB011634	GEAR:DRIVE:SUPPLY:NO.1	U011	31
AB011635	GEAR:DRIVE:COLLECT:NO.1	U011	32
AB011636	GEAR:DRIVE:TONER SUPPLY:NO.3	U011	33
AB011637	GEAR:DRIVE:CONNECTING:NO.3	U011	34
AB011638	GEAR:DRIVE:PRESSURE RELEASE:SUN	U011	35
AB011639	GEAR:DRIVE:PRESSURE RELEASE:TORQUE LIMITER MECHANICAL CLUTCH	U011	36
AB011640	GEAR:DRIVE:PRESSURE RELEASE:PLANETARY	U011	37
AB014353	GEAR:DRIVE:PRESSURE RELEASE:NO.1	U011	38
AB014354	GEAR:DRIVE:PRESSURE RELEASE:NO.2	U011	39
AB017963	GEAR:DRIVE:PAPER FEED:NO.2	U011	40
AB017964	GEAR:DRIVE:FUSING:NO.3	U011	41
AB017965	GEAR:DRIVE:FUSING:NO.4	U011	42
AB017966	GEAR:DRIVE:TRANSPORT:NO.2	U011	43
AB019001	GEAR:DRIVE:FUSING:NO.5	U011	44
AB019002	GEAR:DRIVE:FUSING:NO.6	U011	45
AB019009	WORM WHEEL:DRIVE:PRESSURE RELEASE:Z25	U011	46
AB030891	PULLEY:DRIVE:CONNECTING	U011	47
AB030892	PULLEY:DRIVE:TRANSPORT	U011	48
AE011135	HOT ROLLER:DIA30	U009_S001	7
AE030101	RADIAL BALL BEARING:DIA35XDIA47X7	U009_S001	8

## Exclusive Parts

Number	Part Name	Group	ID
AF020846	ROLLER:CONNECTING:DRIVE:PA PER FEED	U006	23
AF020848	REGISTRATION ROLLER:DRIVE	U006	24
AF021421	REGISTRATION ROLLER:DRIVEN	U006	25
AF031100	PAPER FEED ROLLER:MANUAL F EED:GM30X	U006	26
AF031103	PAPER FEED ROLLER	U006	27
AF032100	PAPER FEED ROLLER:SEPARATE: MAIN:EA45G	U006_S003_S001	28
AF033012	FRICTION PAD:MANUAL FEED	U006	29
AH010011	RUBBER FOOT:H5	U014	17
AW010151	PHOTO REFLECTION SENSOR:PS 122TL1-A:(S16)	U003_S001	25
AW020224	PHOTOINTERRUPTOR:GP1A173L CSVF:(S12/S13/S14/S15/S17)	U003_S001 U004	26 15
AW100194	THERMOPILE:(TH2)	U009	9
AW110127	THERMOSTAT:210βC:(TH3/TH4)	U009_S001	10
AX040272	DC STEPPER MOTOR:NMB:(M5)	U004	16
AX050370	DC STEPPER MOTOR:EXIT:(M1)	U010	10
AX060506	DC BRUSHLESS MOTOR:TRANSP ORT:FUSING:36W:(M4)	U011	49
AX069095	DC BRUSHLESS MOTOR:DRUM:26 W:(M3)	U011	50
AX200338	ELECTROMAGNETIC CLUTCH:PUL L OUT:(CL8)	U003_S001	27
AX200350	ELECTROMAGNETIC CLUTCH:0.4 4NM:MANUAL FEED:(CL2/CL4)	U011	51
AX200351	ELECTROMAGNETIC CLUTCH:0.3 5NM:BASE:(CL3)	U011	52
AX200352	ELECTROMAGNETIC CLUTCH:0.4 5NM:PAPER FEED:(CL6)	U011	53
AX200353	ELECTROMAGNETIC CLUTCH:0.4 5NM:REGISTRATION:(CL5)	U011	54
AX201013	ELECTROMAGNETIC CLUTCH:0.3 5N/M:REVERSE:(CL7)	U011	55
AX202354	ELECTROMAGNETIC CLUTCH:0.3 5NM:DUPLEX:(CL1)	U011	56
AX440336	(NA):HEATER:116V:700W:350W:IN	U009_S001	57

Number	Part Name	Group	ID
	FRARED		
AX640219	DC FAN MOTOR:DC24V:MM60:25M M:(FAN2)	U013	6
AX640235	DC FAN MOTOR:MM60:25MM:PW M:4.2W:(FAN1)	U013	7
AZ230324	(NA/TWN):POWER SUPPLY UNIT	U012	54
AZ320224	POWER PACK:CDVT	U012	20
B7715050	(IM 350F/430Fb/430F):SPEAKER:B7 71	U012	21
B8722421	BUSHING:FEED	U003_S001	28
B8722614	BUSHING:R1	U003_S001	29
C2183051	PHILIPS SCREW - M3	U012	22
D0094511	SPACER:DIA8.0:1.5MM	U003_S001	30
D0A40924	BRACKET:CONNECTOR:STAPLER: MAIN	U012	23
D0A41055	FRAME:REAR	U014	18
D0A41062	GUIDE:PCDU:RIGHT LOWER	U014	19
D0A41063	GUIDE:PCDU:RIGHT UPPER	U014	20
D0A41064	TIGHTENER:PCDU:RIGHT	U014	21
D0A41065	COIL SPRING:TIGHTENER:PCDU	U014	22
D0A41074	GUIDE:PCDU:LEFT LOWER	U014	23
D0A41075	GUIDE:PCDU:LEFT UPPER	U014	24
D0A41076	TIGHTENER:PCDU:LEFT	U014	25
D0A41085	GROUND WIRE:SHIELD PLATE:MO TOR	U014	26
D0A41088	SHIELD PLATE:MOTOR	U014	27
D0A41089	COVER:LOWER:RIGHT FRONT	U014	28
D0A41090	COVER:LOWER:RIGHT REAR	U014	29
D0A41094	GUIDE:HARNESS:NFC	U012	24
D0A41097	BRACKET:LOWER MIDDLE	U014	30
D0A41102	GROUND PLATE:SENSOR:FUSING :PRESSURE RELEASE	U014	31
D0A41121	DUCT:PCU:FRONT	U013	8
D0A41122	DUCT:PCU:REAR	U013	9
D0A41123	DUCT:UPPER:MF:500	U013	10
D0A41124	DUCT:EXIT	U013	11
D0A41125	SEAL:DUCT:PCU:FRONT	U013	12
D0A41126	COVER:FAN:LEFT	U013	13

## Exclusive Parts

Number	Part Name	Group	ID
D0A41127	SEAL:COVER:FAN:LEFT	U013	14
D0A41128	HEAT INSULATION:DUCT:PCU:RIGHT	U013	15
D0A41129	HEAT INSULATION:DUCT:PCU:UPPER:1	U013	16
D0A41130	HEAT INSULATION:DUCT:PCU:UPPER:2	U013	17
D0A41131	HEAT INSULATION:DUCT:PCU:LOWER:1	U013	18
D0A41132	HEAT INSULATION:DUCT:PCU:LOWER:2	U013	19
D0A41133	HEAT INSULATION:DUCT:PCU:REAR	U013	20
D0A41134	HEAT INSULATION:DUCT:PCU:LEFT:1	U013	21
D0A41135	HEAT INSULATION:DUCT:PCU:LEFT:2	U013	22
D0A41138	COVER:TEMPERATURE & HUMIDITY SENSOR	U012	25
D0A41151	HOUSING:DRIVE:PAPER FEED:ASS'Y	U011	57
D0A41156	HOLDER:DRIVE:TONER SUPPLY	U011	58
D0A41157	LINK:DRIVE:TONER SUPPLY	U011	59
D0A41158	JOINT:DRIVE:TONER SUPPLY	U011	60
D0A41159	COMPRESSION SPRING:DRIVE:TONER SUPPLY	U011	61
D0A41163	SHAFT:DRIVE:MANUAL FEED:ASS'Y	U011	62
D0A41166	COVER:DRIVE:SUPPLY:CLUTCH	U011	63
D0A41169	COVER:DRIVE:SUPPLY:GEAR	U011	64
D0A41182	BRACKET:DRIVE:FUSING:MOTOR:PEEN	U011	65
D0A41187	BRACKET:DRIVE:FUSING:NO.1:PEEN	U011	66
D0A41191	COMPRESSION SPRING:DRIVE:FUSING	U011	67
D0A41195	BRACKET:DRIVE:MOTOR:PEEN	U011	68
D0A41206	BRACKET:DRIVE:DRUM:PEEN	U011	69

Number	Part Name	Group	ID
D0A41209	LINK:DRIVE:DRUM	U011	70
D0A41210	COMPRESSION SPRING:DRIVE:DRUM	U011	71
D0A41211	JOINT:DRIVE:DRUM	U011	72
D0A41212	CAM:DRIVE:DRUM	U011	73
D0A41215	COVER:DC MOTOR	U011	74
D0A41216	DC MOTOR:DRIVE:PRESSURE RELEASE:ASS'Y:(M2)	U011	75
D0A41221	ARM:JOINT:DRUM	U011	76
D0A41222	COMPRESSION SPRING:ARM	U011	77
D0A41223	ARM:JOINT:TRANSPORT	U011	78
D0A41225	COVER:MOTOR:DRUM	U014	32
D0A41226	HOUSING:DRIVE:PRESSURE RELEASE:NO.1:INTERNAL	U011	79
D0A41227	BRACKET:DRIVE:PRESSURE RELEASE:NO.2	U011	80
D0A41234	SHAFT:DRIVE:PRESSURE RELEASE:PRESS FIT	U011	81
D0A41236	TORQUE LIMITER MECHANICAL CLUTCH:9.8MM:DIA14	U011	82
D0A41240	BRACKET:DRIVE:DRUM:CAM	U011	83
D0A41244	SUPPORT SHAFT:DRIVE:PRESSURE RELEASE:PLANETARY	U011	84
D0A41245	CAP:DRIVE:PRESSURE RELEASE:PLANETARY	U011	85
D0A41246	BRACKET:DRIVE:PRESSURE RELEASE:PEEN	U011	86
D0A41301	PLATE:LOGO:RIC	U015	3
D0A41320	COVER:LEFT:LOWER	U001	7
D0A41321	COVER:RIGHT:LOWER	U001	8
D0A41322	COVER:UPPER	U001	9
D0A41323	COVER:LOUVER	U001	10
D0A41326	GROUND PLATE:SCANNER:RIGHT	U001	11
D0A41327	GROUND PLATE:SCANNER:LEFT	U001	12
D0A41328	DOOR:FRONT	U001	13
D0A41329	COVER:FRONT UPPER	U001	14
D0A41330	COVER:NFC:1	U001	15
D0A41331	COVER:NFC:2	U001	16

## Exclusive Parts

Number	Part Name	Group	ID
D0A41332	COVER:NFC:3	U001	17
D0A41333	FILTER:LOUVER	U001	18
D0A41334	LEVER:DOOR:FRONT	U001	19
D0A41336	COVER:OPERATION PANEL:MAIN	U001	20
D0A41337	LEVER:SHUTTER:DOOR:FRONT	U001	21
D0A41338	BAND:DOOR:FRONT	U001	22
D0A41339	COVER:RIGHT:OPTION:HDD	U001	23
D0A41340	COVER:RIGHT:OPTION:STAPLER	U001	24
D0A41341	COVER:RIGHT:UPPER	U001	25
D0A41342	COVER:LEFT:UPPER	U001	26
D0A41343	COVER:LOUVER:BLACK	U001	27
D0A41344	LINK:LATCH:COVER:FRONT	U001	28
D0A41345	COIL SPRING:LATCH:DOOR:FRONT	U001	29
D0A41346	COVER:BUTTON:DOOR:FRONT	U001	30
D0A41347	COMPRESSION SPRING:DOOR:FRONT:BUTTON	U001	31
D0A41400	(NA/EU/AA/KOR/TWN):OPERATION SUB-UNIT:ASS'Y	U002_S001	48
D0A41500	HINGE:A:ASS'Y	U002	12
D0A41501	COVER:HINGE:L	U002	13
D0A41502	COVER:HINGE:R	U002	14
D0A41503	COVER:REAR	U002_S001	15
D0A41504	COVER:HINGE:C	U002	16
D0A41505	COVER:SIDE	U002_S001	17
D0A41506	COVER:ARM:A:UPPER	U002	18
D0A41507	COVER:ARM:A:LOWER	U002	19
D0A41508	COVER:ARM:B:UPPER	U002	20
D0A41509	COVER:ARM:B:LOWER	U002	21
D0A41510	HINGE:B:ASS'Y	U002	22
D0A41511	BRACKET:HINGE:BASE	U002_S001	23
D0A41512	COVER:HINGE:S	U002	24
D0A41513	SCREW:M3X4	U002	25
D0A41651	CARRIAGE:SCANNER:ASS'Y	U004	17
D0A41657	(NA):ORIGINAL TRAY:SCANNER:ASS'Y	U004	44
D0A41704	(NA/EU/AA/KOR):DECAL:CAUTION:ORIGINAL	U015	8

Number	Part Name	Group	ID
D0A41706	(NA/EU/AA/KOR):DECAL:CLEANING:SCANNER:ENGLISH	U015	9
D0A41712	(NA):DECAL:SCALE:LEFT	U004	45
D0A41745	COVER:SCANNER:REAR	U004	20
D0A41746	COVER:SCANNER:REAR UPPER	U004	21
D0A41755	FEELER:ON OFF DETECTOR	U004	22
D0A41771	HOLDER:SCANNER:CORE	U004	23
D0A41796	GROUND PLATE:SUPPORTER:LEFT INNER REAR	U004	24
D0A41798	GROUND PLATE:SUPPORTER:BRACKET	U004	25
D0A41799	SHEET:COVER:SCANNER:REAR UPPER	U004	26
D0A41807	BRACKET:IDLER:PEEN	U004	27
D0A41810	SYNCHRONOUS BELT:S2M:441	U004	28
D0A41846	COVER:SCANNER:FRONT	U004	29
D0A41850	LED:ASS'Y	U005_S001	5
D0A41901	HOLDER:LED:RIGHT	U005_S001	6
D0A41902	HOLDER:LED:LEFT	U005_S001	7
D0A41905	FRAME:HOLDER:LED:PEEN	U005_S001	8
D0A41907	SPRING PLATE:LED	U005_S001	9
D0A41908	COIL SPRING:HOLDER:LED	U005_S001	10
D0A41909	SPACER:HOLDER:LED:K	U005_S001	11
D0A41921	GUIDE:LINK:LED:RIGHT	U005	12
D0A41922	LINK:LED:RIGHT:A	U005	13
D0A41923	LINK:LED:RIGHT:B	U005	14
D0A41924	LINK:LED:RIGHT:C	U005	15
D0A41925	LEVER:LINK:LED:RIGHT:B	U005	16
D0A41926	GROUND PLATE:HINGE:LED:RIGHT	U005	17
D0A41927	COIL SPRING:LINK:LED:RIGHT	U005	18
D0A41931	GUIDE:LINK:LED:LEFT	U005	19
D0A41932	LINK:LED:LEFT:A	U005	20
D0A41933	LINK:LED:LEFT:B	U005	21
D0A41934	LINK:LED:LEFT:C	U005	22
D0A41935	GROUND PLATE:HINGE:LED:LEFT	U005	23
D0A41936	COIL SPRING:LINK:LED:LEFT	U005	24
D0A41942	HINGE:LED:PEEN	U005	25

## Exclusive Parts

Number	Part Name	Group	ID
D0A41945	PIN:HINGE	U005	26
D0A41950	CLEANER:LED:ASS'Y	U005	27
D0A42021	PCDU:SERVICE:ASS'Y	U007	1
D0A42192	CASE:DISCHARGE LAMP:CHARGE	U014	33
D0A42194	GUIDE:SHUTTER:PHOTOCONDUCTOR:RIGHT	U014	34
D0A42196	DISCHARGE LAMP:CHARGE:MULTI	U014	35
D0A42246	GUIDE:STOPPER:PCU:LEFT	U014	36
D0A42247	GUIDE:STOPPER:PCU:RIGHT	U014	37
D0A42499	CONNECTOR:ID_CHIP	U014	38
D0A42512	PAPER TRAY:500TYPE	U006_S003	30
D0A42603	PAPER TRAY:FRONT:500TYPE	U006_S003_S001	31
D0A42606	TRAY BOTTOM PLATE:500TYPE:PEEN	U006_S003_S001	32
D0A42611	BASE:PAPER FEED ROLLER:SEPARATE	U006_S003_S001	33
D0A42612	SHEET:SPACER:RAIL:PAPER TRAY	U006_S003_S001	34
D0A42616	COVER:TRAY BOTTOM PLATE:RIGHT	U006_S003_S001	35
D0A42617	COVER:TRAY BOTTOM PLATE:LEFT	U006_S003_S001	36
D0A42618	LEVER:PAPER VOLUME SENSOR:500TYPE	U006_S003_S001	37
D0A42620	COMPRESSION SPRING:SEPARATE:PRE:0.3N	U006_S003_S001_S001	38
D0A42622	BRACKET:PAPER FEED ROLLER:SEPARATE	U006_S003_S001	39
D0A42625	GUIDE PLATE:PAPER TRAY:MAIN:500TYPE:ASS'Y	U006_S003_S001_S001	40
D0A42626	LEVER:EXTENSION TRAY:PAPER TRAY	U006_S003_S002	41
D0A42629	PAD:BASE:URETHANE:WHITE	U006_S003_S001	42
D0A42630	PAPER TRAY:REAR:500TYPE:ASS'Y	U006_S003_S002	43
D0A42636	COMPRESSION SPRING:PAPER TRAY	U006_S003_S001	44

Number	Part Name	Group	ID
D0A42637	PRESSURE PLATE:SIDE FENCE:LEFT	U006_S003_S001	45
D0A42638	PAWL:LOCK:SIDE FENCE	U006_S003_S001	46
D0A42639	LEVER:LOCK:SIDE FENCE	U006_S003_S001	47
D0A42642	SIDE FENCE:RIGHT:500TYPE:PEEN	U006_S003_S001	48
D0A42643	SHEET:SPONGE:PAPER TRAY:FRONT	U006_S003_S001	49
D0A42645	GROUND WIRE:BASE:PAPER TRAY	U006_S003_S001	50
D0A42647	CLICK:SIDE FENCE	U006_S003_S001	51
		U006_S003_S002_S001	51
D0A42648	COVER:SIDE FENCE:RIGHT	U006_S003_S001	52
D0A42649	SHAFT:PAPER FEED ROLLER:SHORT:PRESS FIT	U006_S003_S001	53
D0A42652	GUIDE:FRONT:PAPER TRAY:500TYPE	U006_S003_S001	54
D0A42654	COMPRESSION SPRING:PRESSURE:SEPARATE:0.75N	U006_S003_S001	55
D0A42655	LEVER:LOCK:END FENCE	U006_S003_S002_S001	56
<b>D0A42657</b>	<b>PAWL:LOCK:END FENCE</b>	<b>U006_S003_S002_S001</b>	<b>57</b>
D0A42662	SIDE FENCE:LEFT:500TYPE:PEEN	U006_S003_S001	58
D0A42663	STOPPER:END FENCE	U006_S003_S002_S001	59
D0A42666	END FENCE:500TYPE:ASS'Y	U006_S003_S002_S001	60
D0A42667	COVER:LEVER:LOCK:TRAY BOTTOM PLATE:RIGHT	U006_S003_S001	61
D0A42668	COVER:SIDE FENCE:LEFT	U006_S003_S001	62
D0A42673	TENSION SPRING:LOCK:BASE:PAPER TRAY	U006_S003_S001	63
D0A42674	LEVER:LOCK:TRAY BOTTOM PLATE	U006_S003_S001	64
D0A42676	HOLDER:PINION:SCREW	U006_S003_S001	65
D0A42677	PRESSURE PLATE:SIDE FENCE:LEFT	U006_S003_S001	66

## Exclusive Parts

Number	Part Name	Group	ID
	EFT		
D0A42679	DECAL:DIAL:PAPER SIZE SENSOR	U006_S003_S001	67
D0A42680	DECAL:SIDE FENCE:UPPER LIMIT	U006_S003_S001	68
D0A42681	COVER:LEVER:LOCK:TRAY BOTTOM PLATE:LEFT	U006_S003_S001	69
D0A42682	DECAL:PAPER TRAY:PAPER SET DIRECTION	U006_S003_S001	70
D0A42683	LEVER:PAPER SIZE SENSOR BOARD	U006_S003_S001	71
D0A42685	DIAL:PAPER SIZE SENSOR BOARD	U006_S003_S001	72
D0A42687	DECAL:EXTENSION TRAY:RIGHT	U006_S003_S001	73
D0A42688	DECAL:EXTENSION TRAY:LEFT	U006_S003_S002	74
D0A42691	DECAL:UN LOCK:END FENCE	U006_S003_S002_S001	75
D0A42692	COVER:PAPER TRAY:500TYPE	U006_S003_S001	76
D0A42695	GRIP:PAPER TRAY	U006_S003_S001	77
D0A42710	MANUAL FEED TABLE:ASS'Y	U006_S001	78
D0A42713	BASE:MANUAL FEED:ASS'Y	U006_S002	79
D0A42721	SHAFT:PAPER FEED ROLLER:MANUAL FEED:PRESS FIT	U006	80
D0A42723	COMPRESSION SPRING:SHAFT:PAPER FEED ROLLER:MANUAL FEED	U006	81
D0A42724	SHAFT:CAM:MANUAL FEED:PRESS FIT	U006	82
D0A42726	CAM:MANUAL FEED:LEFT	U006	83
D0A42727	CAM:MANUAL FEED:RIGHT	U006	84
D0A42728	SPRING PLATE:HOME POSITION SENSOR:MANUAL FEED	U006	85
D0A42729	GUIDE:FEED INLET:MANUAL FEED	U006	86
D0A42730	FEELER:PAPER END SENSOR:MANUAL FEED	U006	87
D0A42733	SHEET:BASE:MANUAL FEED	U006	88
D0A42737	HOLDER:FRICTION PAD:MANUAL FEED	U006	89
D0A42738	BRACKET:FRICTION PAD:MANUAL	U006	90

Number	Part Name	Group	ID
	FEED		
D0A42740	FEELER:CAM:MANUAL FEED	U006	91
D0A42741	COIL SPRING:FEELER:CAM:MANUAL FEED	U006	92
D0A42742	GROUND PLATE:SHAFT:CAM:MANUAL FEED	U006	93
D0A42743	SHEET:PAPER FEED ROLLER:EXIT:MANUAL FEED	U006	94
D0A42744	SHEET:SENSOR COVER	U006	95
D0A42746	BRACKET:ADJUSTMENT:REGISTRATION	U006	96
D0A42747	COMPRESSION SPRING:FRICTION PAD:MANUAL FEED	U006	97
D0A42748	DAMPING INSULATION:MANUAL FEED	U006	98
D0A42750	STAY:ADJUSTMENT:REGISTRATION:PEEN	U006	99
D0A42755	GUIDE PLATE:MANUAL FEED:LOWER	U006	100
D0A42756	SHEET:CONNECTING:ENTRANCE	U006	101
D0A42757	HOLDER:DAMPER:DOOR:FRONT	U006	102
D0A42758	COMPRESSION SPRING:HOLDER:DAMPER:DOOR:FRONT	U006	103
D0A42759	SPACER:SIDE FENCE:MANUAL FEED	U006_S001	104
D0A42760	SIDE FENCE:MANUAL FEED:LEFT	U006_S001	105
D0A42761	SIDE FENCE:MANUAL FEED:RIGHT	U006_S001	106
D0A42762	GEAR:SIDE FENCE	U006_S001	107
D0A42763	RACK:SIDE FENCE	U006_S001	108
D0A42764	COMPRESSION SPRING:RACK:MANUAL FEED	U006_S001	109
D0A42766	COVER:EXTENSION TRAY	U006	110
D0A42767	EXTENSION TRAY:MANUAL FEED	U006	111
D0A42768	COVER:MANUAL FEED TABLE	U006	112
D0A42769	HOLDER:COMPRESSION SPRING:EXTENSION TRAY	U006	113
D0A42770	COMPRESSION SPRING:EXTENSION TRAY	U006	114

## Exclusive Parts

Number	Part Name	Group	ID
	ON TRAY		
D0A42780	COMPRESSION SPRING:DRIVEN ROLLER:CONNECTING	U006	115
D0A42781	ROLLER:DRIVEN:CONNECTING	U006	116
D0A42782	SHAFT:CONNECTING:DRIVEN:PAPER FEED	U006	117
D0A42801	STAY:PAPER FEED	U006	118
D0A42804	SHAFT:PAPER FEED:PRESS FIT	U006	119
D0A42806	SHAFT:PLAIN SHAFT BEARING:PAPER FEED ROLLER	U006	120
D0A42808	COMPRESSION SPRING:LEVER:PAPER FEED ROLLER	U006	121
D0A42809	LEVER:PAPER FEED ROLLER	U006	122
D0A42813	GUIDE PLATE:PAPER FEED:UPPER	U006	123
D0A42816	SHEET:STAY:PAPER FEED:UPPER	U006	124
D0A42820	GUIDE PLATE:PAPER FEED:ENTRANCE	U006	125
D0A42821	GROUND PLATE:STAY:PAPER FEED:RIGHT	U006	126
D0A42822	GROUND PLATE:SHAFT:PAPER FEED	U006	127
D0A42826	FEELER:PAPER VOLUME SENSOR	U006	128
D0A42833	SHEET:PAPER FEED:ENTRANCE	U006	129
D0A42840	SPACER:PAPER SIZE SENSOR BOARD:OUTER	U006	130
D0A42841	SPACER:PAPER SIZE SENSOR BOARD:MIDDLE	U006	131
D0A42842	SENSOR CASE:PAPER SIZE SENSOR BOARD	U006	132
D0A42843	GROUND PLATE:PAPER SIZE SENSOR:PAPER FEED:TRAY	U006	133
D0A42844	SPACER:ROLLER:CONNECTING:PAPER FEED	U006	134
D0A42847	FEELER:PAPER END SENSOR	U006	135
D0A42848	COMPRESSION SPRING:PRESSURE:DRIVE:CONNECTING	U006	136
D0A42852	TENSION SPRING:COVER:PREVENT	U006	137

Number	Part Name	Group	ID
	NTFENCE:PAPER TRAY		
D0A42853	COVER:PREVENTFENCE:PAPER TRAY	U006	138
D0A42872	COMPRESSION SPRING:DETENT:PAPER TRAY	U014	39
D0A42873	GUIDE:PAPER TRAY:LEFT	U014	40
D0A42874	GUIDE:PAPER TRAY:RIGHT	U014	41
D0A43288	SEAL:TONER END SENSOR	U012	26
D0A43289	SEAL:TONER END SENSOR:INNER FRAM	U012	27
D0A43461	HOLDER:TERMINAL:ID_CHIP:MAIN	U014	42
D0A43462	COVER:TERMINAL:ID_CHIP:MAIN	U014	43
D0A43463	TORSION SPRING:COVER:TERMINAL:ID_CHIP	U014	44
D0A43815	DECAL:B	U006	139
D0A43822	COVER:GUIDE:REGISTRATION:UPPER	U006	140
D0A43823	STOPPER:SENSOR:PLATE	U006 U008	141 7
D0A43824	SHEET:GUIDE:REGISTRATION ROLLER:UPPER LEFT	U006	142
D0A43825	SHEET:GUIDE:REGISTRATION ROLLER:UPPER RIGHT	U006	143
D0A43826	GUIDE PLATE:REGISTRATION:UPPER	U006	144
D0A43831	LEVER:PRESSURE:REGISTRATION:RIGHT	U006	145
D0A43832	LEVER:PRESSURE:REGISTRATION:LEFT	U006	146
D0A43833	COMPRESSION SPRING:LEVER:PRESSURE:REGISTRATION	U006	147
D0A44017	(NA):FUSING SECTION:ASS'Y	U009_S001	58
D0A44101	DRAWER:FUSING UNIT	U009_S001	13
D0A44105	THERMISTOR:FUSING:(TH1)	U009_S001	14
D0A44121	(NA/TWN):FUSING COVER:UPPER	U009_S001	59
D0A44151	LEVER:LOCK:LEFT	U009_S001	16
D0A44152	LEVER:LOCK:RIGHT	U009_S001	17
D0A44153	COMPRESSION SPRING:LEVER:LEFT	U009_S001	18

## Exclusive Parts

Number	Part Name	Group	ID
	OCK		
D0A44155	DISCHARGE BRUSH:PRESSURE ROLLER	U009_S001	19
D0A44164	PRESSURE ROLLER:ASS'Y	U009_S001	20
D0A44165	GEAR:HOT ROLLER	U009_S001	21
D0A44166	THERMAL INSULATING BUSHING:HOT ROLLER	U009_S001	22
D0A44167	RETAINING RINGS-C:HOT ROLLER	U009_S001	23
D0A44173	COVER:LEVER:PRESSURE	U009_S001	24
D0A44174	TENSION SPRING:PRESSURE	U009_S001	25
D0A44181	GUIDE:BEARING	U009_S001	26
D0A44182	GUIDE:HARNESS	U009_S001	27
D0A44183	THERMAL INSULATING BUSHING:POSITIONING PIN:FUSING	U009_S001	28
D0A44202	GEAR:PRESSURE	U009_S001	29
D0A44204	SHAFT:PRESSURE:PRESS FIT	U009_S001	30
D0A44206	CAM:ON-OFF:PRESSURE RELEASE	U009_S001	31
D0A44211	GEAR:FUSING UNIT:NO.1	U009_S001	32
D0A44212	GEAR:FUSING UNIT:NO.2	U009_S001	33
D0A44214	TENSION SPRING:GUIDE PLATE:FUSING EXIT	U009_S001	34
D0A44216	GUIDE PLATE:FUSING EXIT:LOWER:ASS'Y	U009_S001_S001	35
D0A44218	DISCHARGE BRUSH:HOT ROLLER	U009_S001	36
D0A44221	TENSION SPRING:PICKOFF PAWL	U009_S001	37
D0A44222	STRIPPER PAWLS	U009_S001	38
D0A44225	ELECTRODE PLATE:CONNECTING:THERMOSTAT	U009_S001	39
D0A44226	STAY:THERMOSTAT	U009_S001	40
D0A44227	STAY:HEATER:M3	U009_S001	41
D0A44228	STAY:HEATER:M4	U009_S001	42
D0A44230	FUSING ENTRANCE GUIDE PLATE:UPPER	U009_S001	43
D0A44233	ROLLER:FUSING EXIT:MIDDLE	U009_S001	44
D0A44234	ROLLER:FUSING EXIT	U009_S001	45
D0A44235	HOLDER:THERMOSTAT:B2	U009_S001	46

Number	Part Name	Group	ID
D0A44236	HOLDER:PICKOFF PAWL	U009_S001	47
D0A44237	STAY:HOLDER:PICKOFF PAWL	U009_S001	48
D0A44238	DECAL:H-TEMP WARNING:FUSING UNIT	U009_S001	49
D0A44239	DECAL:MISFEED REMOVAL:FUSING UNIT	U009_S001_S001	50
D0A44241	HOLDER:THERMOPILE	U009	51
D0A44243	GUIDE:STRIPPER PAWLS	U009_S001	52
D0A44245	COVER:FUSING:LEFT	U009_S001	53
D0A44521	GUIDE PLATE:EXIT:UPPER	U010	11
D0A44522	ROLLER:DRIVEN:REVERSE	U010	12
D0A44523	SPRING PLATE:ROLLER:REVERSE	U010	13
D0A44524	SUPPORTING PLATE:GUIDE:EXIT:UPPER	U010	14
D0A44525	GROUND PLATE:PROTECT:EXIT ROLLER	U010	15
D0A44531	GUIDE PLATE:EXIT:MIDDLE	U010	16
D0A44532	FEELER:SENSOR:OVERFLOW	U010	17
D0A44533	DISCHARGE BRUSH:EXIT	U010	18
D0A44541	GUIDE PLATE:EXIT:LOWER	U010	19
D0A44543	EXIT ROLLER:DRIVEN	U010	20
D0A44544	SPRING PLATE:EXIT ROLLER:OUTER	U010	21
D0A44545	SPRING PLATE:EXIT ROLLER:INNER:RIGHT	U010	22
D0A44546	SPRING PLATE:EXIT ROLLER:INNER:LEFT	U010	23
D0A44547	GROUND PLATE:EXIT:500	U010	24
D0A44548	TORSION SPRING:GATE PAWL:EXIT:0.5N	U010	25
D0A44549	COVER:EXIT:500	U010	26
D0A44551	EXIT ROLLER	U010	27
D0A44552	TRANSPORT ROLLER:FUSING EXIT	U010	28
D0A44553	TIMING PULLEY:EXIT ROLLER:34T	U010	29
D0A44554	GEAR:FUSING EXIT:Z19	U010	30
D0A44556	EXIT ROLLER:IDLER	U010	31



## Exclusive Parts

Number	Part Name	Group	ID
D0A44557	SYNCHRONOUS BELT:B40S2M106:500	U010	32
D0A44561	GATE PAWL:REVERSE EXIT	U010	33
D0A44563	GROUND PLATE:EXIT:GATE PAWL	U010	34
D0A44571	DC SOLENOID:EXIT:SUB-ASS'Y:(SOL1)	U010	35
D0A44573	TENSION SPRING:DC SOLENOID:EXIT:1.5N	U010	36
D0A44578	COVER:EXTENSION TRAY:INNER:500	U001	32
D0A44579	COVER:EXTENSION TRAY:2:500	U001	33
D0A44581	GUIDE:REVERSE:DUPLEX	U010	37
D0A44582	ROLLER:DRIVEN:DUPLEX:ENTRANCE	U010	38
D0A44584	TENSION SPRING:DUPLEX:ENTRANCE:5N	U010	39
D0A44585	PLAIN SHAFT BEARING:DRIVEN:DUPLEX:ENTRANCE	U010	40
D0A44586	SHEET:GUIDE:REVERSE:DUPLEX	U010	41
D0A44591	COVER:REAR	U010	42
D0A44592	COVER:REAR:UPPER	U010	43
D0A44593	LEVER:DOOR:EXIT	U010	44
D0A44594	COMPRESSION SPRING:LEVER:DOOR:REAR	U010	45
D0A44595	GROUND PLATE:EXIT:COVER:REAR	U010	46
D0A44621	GUIDE PLATE:EXIT:FUSING EXIT:UPPER	U010	47
D0A44622	PAD:SENSOR:REVERSE	U010	48
D0A44626	HOLDER:ROLLER:FUSING EXIT	U010	49
D0A44627	SHAFT:DRIVEN:FUSING EXIT	U010	50
D0A44628	ROLLER:DRIVEN:FUSING EXIT	U010	51
D0A44629	COMPRESSION SPRING:DRIVEN:FUSING EXIT	U010	52
D0A44631	GUIDE PLATE:EXIT:FUSING EXIT:LOWER	U010	53
D0A44632	GROUND PLATE:SENSOR:REVERSE EXIT	U010	54

Number	Part Name	Group	ID
D0A44633	TENSION SPRING:GROUND WIRE:PAPER FEED SENSOR	U010	55
D0A44641	COVER:EXIT:FUSING EXIT	U010	56
D0A44642	GATE PAWL:FUSING EXIT	U010	57
D0A44643	GROUND PLATE:EXIT:FUSING EXIT	U010	58
D0A44644	GUIDE PIN:FUSING EXIT	U010	59
D0A44645	GUIDE:REVERSE EXIT	U010	60
D0A44647	COMPRESSION SPRING:GUIDE PLATE:FUSING EXIT:6N	U010	61
D0A44648	GROUND PLATE:GUIDE:REVERSE EXIT	U010	62
D0A44649	SHEET:GATE PAWL:FUSING EXIT	U010	63
D0A44651	COVER:HARNESS:REAR:DOOR	U010	64
D0A44652	PLATE:BAND:STOPPER	U010	65
D0A44653	BAND:STOPPER:COVER:REAR	U010	66
D0A44654	HOLDER:STOPPER:BAND	U010	67
D0A44664	PULLEY:DRIVE:DUPLEX UNIT	U008	8
D0A44851	GUIDE:UPPER:DUPLEX	U008	9
D0A44854	FEELER:UPPER:DUPLEX	U008	10
D0A44861	DRIVEN ROLLER:EXIT:DUPLEX:ASS'Y	U008	11
D0A44862	COMPRESSION SPRING:EXIT:DUPLEX	U008	12
D0A44863	PLAIN SHAFT BEARING:DRIVEN:DUPLEX:EXIT	U008	13
D0A44866	ROLLER:DRIVEN:DUPLEX:CONNECTING	U008	14
D0A44867	TORSION SPRING:PRESSURE:DUPLEX:CONNECTING	U008	15
D0A44869	SHAFT:ROLLER:DRIVEN:DUPLEX:CONNECTING	U008	16
D0A44871	GUIDE:FRONT:DUPLEX	U008	17
D0A44872	PUSH SWITCH:PICK-UP PAPER JAM:DUPLEX	U008	18
D0A44873	HOLDER:PUSH SWITCH:PICK-UP PAPER JAM:DUPLEX	U008	19
D0A44874	GROUND PLATE:FRONT:DUPLEX	U008	20

## Exclusive Parts

Number	Part Name	Group	ID
D0A44881	ROLLER:EXIT:DRIVE:DUPLEX	U008	21
D0A44886	COMPRESSION SPRING:HOOK:DU PLEX	U008	22
D0A44887	LINK:PICK-UP PAPER JAM:FRAME: DUPLEX	U008	23
D0A44888	LINK:PICK-UP PAPER JAM:FRONT: DUPLEX	U008	24
D0A44891	HOOK:PICK-UP PAPER JAM:FRON T:DUPLEX	U008	25
D0A44892	HOLDER:HOOK:PICK-UP PAPER J AM:DUPLEX	U008	26
D0A44897	DAMPER:FRONT:DUPLEX UNIT	U008	27
D0A44911	GUIDE:CONNECTING:DUPLEX	U008	28
D0A44913	GROUND PLATE:CONNECTING:D UPLEX	U008	29
D0A44914	GROUND PLATE:CONNECTING:D UPLEX:SMALL	U008	30
D0A44917	PULLEY:GEAR:DUPLEX:Z26T18	U008	31
D0A44921	ROLLER:CONNECTING:DRIVE:DU PLEX	U008	32
D0A44922	GEAR:DRIVE:DUPLEX:Z26	U008	33
D0A44924	GEAR:IDLER:DUPLEX:Z19:FLANG E TYPE	U008	34
D0A44931	GEAR:IDLER:DUPLEX:Z19	U008	35
D0A45180	PCB:TONEREND:(S9)	U012	28
D0A45204	GASKET:65TSV4-3D(ZD)HL10	U011	87
D0A45601	BRACKET:POWER PACK	U012	29
D0A45602	TERMINAL:POWER PACK	U012	30
D0A45603	COMPRESSION SPRING:POWER PACK:PCDU	U012	31
D0A45605	GROUND PLATE:POWER PACK:BA SE	U012	32
D0A45606	COMPRESSION SPRING:POWER PACK:TRANSFER	U012	33
D0A45608	GROUND PLATE:POWER PACK:P HOTOCONDUCTOR	U012	34
D0A45625	BRACKET:SAFETY SWITCH:REAR	U012	35
D0A45631	SAFETY SWITCH:FRONT:PEEN	U012	36

Number	Part Name	Group	ID
D0A45634	TENSION SPRING:SAFETY SWITC H	U012	37
D0A45641	BUTTON:MAIN SWITCH	U001	34
D0A45642	HOLDER:MAIN SWITCH	U006	148
D0A45643	COIL SPRING:MAIN SWITCH	U001	35
D0A45644	BRACKET:MAIN SWITCH:PEEN	U006	149
D0A45647	FEELER:MAIN SWITCH	U001	36
D0A45648	COVER:MAIN SWITCH:FRONT	U001	37
D0A45650	SPACER:MAIN SWITCH	U001	38
D0A45718	(IM 350/350F):PCB:SCB:ASS'Y	U012	55
D0A45719	(IM 430F/430Fb):PCB:SCB:ASS'Y	U012	38
D0A45720	(NA/EU/AA/KOR/TWN):PCB:NAIS:A SS'Y	U002_S001_S001	49
D0A45750	PCB:NFC:ASS'Y	U001	39
D0A45755	LCD:WSVGA-10.1	U002_S001	26
D0A45791	(NA):KIT:FCU	U012	56
D0A45805	COVER:POWER SUPPLY UNIT:FR ONT	U012	40
D0A45806	COVER:POWER SUPPLY UNIT:RE AR	U012	41
D0A45813	HOLDER:POWER SUPPLY UNIT	U012	42
D0A45849	CAP:USB-B	U012	43
D0A45852	INSULATING SHEET:FAX	U012	44
D0A45853	COVER:CARD:GW	U012	45
D0A45855	COVER:CONTROL BOARD:BEHIN D:GW(MF)	U012	46
D0A45866	COVER:C/T BOX:GW(MF):UPPER	U012	47
D0A45867	COVER:C/T BOX:GW(MF):LOWER	U012	48
D0A45874	GROUND PLATE:CONTROL BOAR D:LEFT UPPER:GW(MF)	U012	49
D0A46001	(NA/EU/AA/KOR):ADF:ASS'Y	U003_S001	181
D0A46032	GUIDE PLATE:SCANNING:FACE F RONT	U003_S001	32
D0A46063	CUSHION:FERRITE CORE	U003_S001	33
D0A46065	GUIDE:CABLE	U003_S001	34
D0A46073	TRAY:AUXILIARY	U003_S001	35
D0A46076	COVER:CARD READER	U003_S001	36
D0A46077	COVER:CABLE:CARD READER	U003_S001	37

## Exclusive Parts

Number	Part Name	Group	ID
D0A46079	GUIDE:HARNESS:CONTACT POINT	U003_S001	38
D0A46082	HINGE:LEFT:DAMPER	U003_S001	39
D0A46087	HINGE:RIGHT:NON DAMPER	U003_S001	40
D0A46089	CUSHION:STOPPER:ORIGINAL TABLE	U003_S001	41
D0A46091	PRESSURE PLATE:ASS'Y	U003	42
D0A46101	PAPER FEED UNIT:ASS'Y	U003_S001	43
D0A46112	GUIDE PLATE:PAPER FEED	U003_S001	44
D0A46127	GUIDE:TRANSPORT:EXIT:LOWER	U003_S001	45
D0A46128	TENSION SPRING:SCANNING:EXIT:DRIVEN	U003_S001	46
D0A46129	SHEET:EXIT:PLATE	U003_S001	47
D0A46134	COMPRESSION SPRING:EXIT:DRIVEN	U003_S001	48
D0A46135	SHEET:SCANNING:BEHIND:PLATE	U003_S001	49
D0A46141	SPRING PLATE:GUIDE:BEHIND:PRESS FIT	U003_S001	50
D0A46146	TRANSPORT ROLLER:EXIT	U003_S001	51
D0A46152	COVER:PAPER FEED	U003_S001	52
D0A46153	LEVER:COVER:PAPER FEED	U003_S001	53
D0A46154	TORSION SPRING:COVER:PAPER FEED:FRONT	U003_S001	54
D0A46162	ORIGINAL TABLE	U003_S001	55
D0A46163	EXTENSION TRAY	U003_S001	56
D0A46167	SIDE FENCE:INNER BACK	U003_S001	57
D0A46168	SIDE FENCE:FRONT	U003_S001	58
D0A46169	COIL SPRING:SIDE FENCE:ARDF:16N	U003_S001	59
D0A46171	DECAL:SIDE FENCE	U003_S001	60
D0A46173	(NA/EU/AA/KOR):DECAL:ORIGINAL TABLE	U003_S001	182
D0A46174	DECAL:ORIGINAL SCALE	U003_S001	61
D0A46182	COVER:REAR	U003_S001	63
D0A46183	CAP:CABLE:OUTER	U003_S001	64
D0A46184	CAP:CABLE:INNER	U003_S001	65
D0A46192	COVER:FRONT	U003_S001	66
D0A46193	COVER:FRONT:INNER	U003_S001	67

Number	Part Name	Group	ID
D0A46194	BRACKET:STOPPER:ORIGINAL TABLE	U003_S001	68
D0A46195	COMPRESSION SPRING:STOPPER:ORIGINAL TABLE	U003_S001	69
D0A46196	DECAL:CLEANING:DOCUMENT FEEDER	U004	30
D0A46202	TRANSFER ROLLER:ASS'Y	U008_S001	36
D0A46223	COMPRESSION SPRING:PRESSURE:TRANSFER ROLLER	U008	37
D0A46228	SHEET:GUIDE:REGISTRATION:ENTRANCE:RIGHT	U008	38
D0A46230	SHEET:GUIDE:REGISTRATION:ENTRANCE:LEFT	U008	39
D0A46232	SHEET:GUIDE PLATE:TRANSFER	U008	40
D0A46233	GUIDE PLATE:TRANSFER:ENTRANCE	U008	41
D0A46234	TERMINAL:TRANSFER	U008	42
D0A46235	SEAL:TRANSFER/SEPARATION UNIT:K	U008	43
D0A46236	PLAIN SHAFT BEARING:TRANSFER ROLLER:RIGHT	U008	44
D0A46237	PLAIN SHAFT BEARING:TRANSFER ROLLER:LEFT	U008	45
D0A46248	FRAME:TRANSFER/SEPARATION UNIT	U008	46
D0A46250	PLAIN SHAFT BEARING	U008_S001	47
D0A46251	ROLLER:POSITIONING:TRANSFER ROLLER:K	U008_S001	48
D0A46252	ROLLER:POSITIONING:TRANSFER ROLLER:HK	U008_S001	49
D0A46260	GUIDE PLATE:TRANSFER:EXIT:ASS'Y	U008	50
D0A46263	TERMINAL:TRANSFER:EXIT:SEPARATION	U008	51
D0A46270	ELECTRODE PLATE:STRIPPER PLATE	U008	52
D0A46271	COVER:ELECTRODE PLATE	U008	53
D0A46276	GROUND PLATE:HOLDER:PHOTO	U008	54

## Exclusive Parts

Number	Part Name	Group	ID
	NTERRUPTOR		
D0A46280	SEAL:THERMISTOR	U008	55
D0A46290	FRAME:REAR:LOWER:ASS'Y	U014	45
D0AP6852	(IM 430F):PLATE:NAME PLATE:IM_430F	U015	4
D0AP9590	NVRAM	U012	50
D0C46851	(IM 430Fb):PLATE:NAME PLATE:IM_430FB	U015	10
D0C56851	(IM 350F):PLATE:NAME PLATE:IM_350F	U015	11
D1171801	BRACKET:MOTOR	U004	31
D1171804	CAP:TIMING PULLEY	U004	32
D1171805	GEAR:TIMING PULLEY:81-18	U004	33
D1171806	PULLEY:IDLER	U004	34
D1171820	BUSHING:BRACKET	U004	35
D1171826	GEAR:SLOW DOWN:53-19	U004	36
D1171837	COIL SPRING:TENSION	U004	37
D1175303	THERMISTOR:(TH5)	U008	56
D1491553	SHEET:LOGO	U015	5
D1494235	STEPPED SCREW:M3	U009_S001	55
D1775686	PCB:DCSW:(SW3)	U006	150
D2453080	BUSHING:TRANSPORT SCREW:REAR	U009_S001	56
D2557798	DECAL:BLUETOOTH	U015	6
D2621651	(NA/EU/AA/KOR/TWN):DECAL:COMMON	U002_S001	50
D2951502	COVER:FRONT	U002_S001	27
D2951503	LENS:LED:L	U002_S001	28
D2951504	LENS:LED:S	U002_S001	29
D2951505	LENS:LED:P	U002_S001	30
D2951514	COVER:CAP	U002_S001	31
D2951515	KEYTOP:SIDE	U002_S001	32
D2951516	KEYTOP:RESET SWITCH	U002_S001	33
D2951517	COVER:SWITCH	U002_S001	34
D2951521	PCB:W-LAN:DHSB-R40	U002_S001_S001	35
D2951523	BRACKET:LCD	U002_S001	36
D2951524	FRAME:LCD:ASS'Y	U002_S001	37
D2951534	GASKET:STGZ_8-8-28	U002_S001	38

Number	Part Name	Group	ID
D2951535	GASKET:STGZ_3-5-18	U002_S001	39
D2951536	SHEET:LIGHT SHIELD COAT	U002_S001	40
D2951537	SHEET:SIDE	U002_S001	41
D2951538	CUSHION:LCD:L	U002_S001	42
D2951539	CUSHION:LCD:S	U002_S001	43
D2951540	SHEET:MIKE	U002_S001	44
D2951554	MIKE:PVM-6018-C402G-7ZZ4	U002_S001	45
D2951557	TOUCH PANEL:TECH_BES_FCL-L1402	U002_S001	46
D2951558	SPEAKER:PB18CCG04L-7ZZ	U002_S001	47
D2961841	GUARD	U003_S001	70
D2965300	PCB:DFRB3	U003_S001	71
D3B62008	PAD:PICKUP	U003_S001	72
D3DJ1113	SEAL:FRONT:SCANNING	U003_S001	73
D3DJ1114	TAPE:PRESSURE PLATE	U003_S001	74
D3DJ1131	HOLDER:DFRB	U003_S001	75
D3DJ1142	HOLDER:GUIDE:HARNESS:CONTACT POINT	U003_S001	76
D3DJ1143	SHEET:HOLDER:FLAT CABLE	U003_S001	77
D3DJ1144	SHEET:CUSHION:FLAT CABLE	U003_S001	78
D3DJ1145	SPACER:HOLDER:HARNESS	U003_S001	79
D3DJ1151	GUIDE PLATE:EXIT	U003_S001	80
D3DJ1152	DISCHARGE BRUSH:EXIT:SUS	U003_S001	81
D3DJ1160	SHEET:EXIT:ASS'Y	U003_S001	82
D3DJ1240	HOLDER:FERRITE CORE	U003_S001	83
D3DJ1410	GUIDE PLATE:SCANNING:FRONT LOWER	U003_S001	84
D3DJ1411	SHEET:SCANNING:FRONT LOWER	U003_S001	85
D3DJ1413	LEVER:DRIVEN:SCANNING	U003_S001	86
D3DJ1414	ROLLER:ENTRANCE	U003_S001	87
D3DJ1416	COMPRESSION SPRING:SCANNING:DRIVEN	U003_S001	88
D3DJ1417	SPRING PLATE:DISCHARGE:SCANNING	U003_S001	89
D3DJ1606	GUIDE:REFLECTANCE TARGETS PLATE:BEHIND:ASS'Y	U003_S001	90
D3DJ1622	SHAFT:SCANNING:EXIT:DRIVEN	U003_S001	91
D3DJ1623	ROLLER:EXIT	U003_S001	92

## Exclusive Parts

Number	Part Name	Group	ID
D3DJ1626	SHEET:GUIDE:TRANSPORT:EXIT:LOWER	U003_S001	93
D3DJ1631	GUIDE:EXIT:LOWER	U003_S001	94
D3DJ1634	SHAFT:EXIT:DRIVEN	U003_S001	95
D3DJ1639	SHEET:TRAY	U003_S001	96
D3DJ1653	PLAIN SHAFT BEARING:GUIDE:BEHIND:FRONT	U003_S001	97
D3DJ1654	PLAIN SHAFT BEARING:GUIDE:BEHIND:IN/BACK	U003_S001	98
D3DJ1662	CAM:MOVE:REFLECTANCE TARGETS PLATE:BEHIND	U003_S001	99
D3DJ1664	SHAFT:CAM:PRESS FIT	U003_S001	100
D3DJ1672	LEVER:GUIDE PLATE:LOWER:OPEN/CLOSE	U003_S001	101
D3DJ1673	PAWL:GUIDE PLATE:LOWER:OPEN/CLOSE	U003_S001	102
D3DJ1674	SHAFT:LEVER:GUIDE PL:LOWER:OPEN/CLOSE	U003_S001	103
D3DJ1676	TORSION SPRING:GUIDE PL:LOWER:OPEN/CLOSE	U003_S001	104
D3DJ1681	PIN:GUIDE PLATE	U003_S001	105
D3DJ1710	OPTICAL READING MD:BEHIND:ASSY	U003_S001	106
D3DJ1810	BRACKET:SENSOR:FRONT	U003_S001	107
D3DJ1814	HOLDER:FRICTION PAD:COIL SPRING:FIX	U003_S001	108
D3DJ1815	COMPRESSION SPRING:SEPARATION	U003_S001	109
D3DJ1833	COVER:PAPER FEED:MIDDLE	U003_S001	110
D3DJ3119	CUSHION:SEPARATION	U003_S001	111
D3DJ3210	GUIDE PLATE:TRANSPORT	U003_S001	112
D3DJ3211	SPRING PLATE:GUIDE:EXPOSURE GLASS	U003_S001	113
D3DJ3213	BRACKET:REGISTRATION SENSOR	U003_S001	114
D3DJ3216	SPRING PLATE:DISCHARGE:EXPOSURE GLASS	U003_S001	115
D3DJ3410	TRANSPORT ROLLER:PULL OUT	U003_S001	116

Number	Part Name	Group	ID
D3DJ3510	TRANSPORT ROLLER:ENTRANCE	U003_S001	117
D3DJ3610	TRANSPORT ROLLER:EXIT	U003_S001	118
D3DJ3616	PLATE:T0.3	U003_S001	119
D3DJ3821	PIN:GUIDE PLATE	U003_S001	120
D3DJ3831	GUIDE:HARNESS:TRANSPORT:REAR	U003_S001	121
D3DJ3836	GUIDE:HARNESS:TRANSPORT:FRONT	U003_S001	122
D3DJ4110	POSITIONING PLATE:DRIVE:FRONT	U003_S001	123
D3DJ4111	SHAFT:COUPLING	U003_S001	124
D3DJ4112	GEAR:ROLLER:FEED	U003_S001	125
D3DJ4113	GEAR:IDLER:SEPARATION UNIT	U003_S001	126
D3DJ4114	GEAR:SLOW DOWN:FEED	U003_S001	127
D3DJ4115	GEAR:IDLER:LARGE	U003_S001	128
D3DJ4116	GEAR:IDLER:SMALL	U003_S001	129
D3DJ4119	GEAR:IDLER:SHADING	U003_S001	130
D3DJ4120	GEAR:ROLLER:DIA8	U003_S001	131
D3DJ4121	GEAR:ROLLER:DIA6	U003_S001	132
D3DJ4122	GEAR:IDLER:CLUTCH:UPPER POSITION	U003_S001	133
D3DJ4123	GEAR:IDLER:CLUTCH:LOWER	U003_S001	134
D3DJ4124	BUSHING:FEED	U003_S001	135
D3DJ4127	TORQUE LIMITER:PAPER FEED UNIT	U003_S001	136
D3DJ4128	SPACER:DIA8	U003_S001	137
D3DJ4129	GEAR:ROLLER:DIA8	U003_S001	138
D3DJ4130	GUIDE PLATE:RADIAL BALL BEARING	U003_S001	139
D3DJ4132	GUIDE PLATE:BALL BEARING:PULL OUT	U003_S001	140
D3DJ4134	PULLEY:SLOW DOWN:MOTOR:Z55:ST1.5	U003_S001	141
D3DJ4135	PULLEY:SLOW DOWN:MIDDLE	U003_S001	142
D3DJ4136	FLANGE:SLIDER	U003_S001	143
D3DJ4210	BRACKET:HARNESS	U003_S001	144
D3DJ4312	POSITIONING PLATE:DRIVE:MIDDLE	U003_S001	145

## Exclusive Parts

Number	Part Name	Group	ID
D3DJ4315	POSITIONING PLATE:DRIVE:REAR	U003_S001	146
D3DJ4316	POSITIONING PLATE:DRIVE:SHADING	U003_S001	147
D3DJ4322	BELT TENSIONER	U003_S001	148
D3DJ4323	PULLEY:IDLER:DIA10	U003_S001	149
D3DJ4326	TENSION SPRING:TENSION:MIDDLE	U003_S001	150
D3DJ4327	HEXAGON HEAD BOLT:M3X6	U003_S001	151
D3DJ4328	TAPPING SCRER:HEXAGON HEAD BOLT:TYPE 2:3X10	U003_S001	152
D3DJ4332	SYNCHRONOUS BELT:149ST1.5-4.0	U003_S001	153
D3DJ4335	TENSION SPRING:TENSION:MOTOR	U003_S001	154
D3DJ4344	SYNCHRONOUS BELT:252ST1.5-4.0	U003_S001	155
D3DJ4360	DC MOTOR:10W:28T:BRUSHLESS:(M6)	U003_S001	156
D3DJ4512	SHAFT:LEVER:COVER:PAPER FEED	U003_S001	157
D3DJ4515	TORSION SPRING:COVER:PF:INNER BACK	U003_S001	158
D3DJ4518	COMPRESSION SPRING:DRIVER:PULL OUT	U003_S001	159
D3DJ4519	FEELER:ORIGINAL SENSOR	U003_S001	160
D3DJ4520	SEAL:COVER:PAPER FEED	U003_S001	161
D3DJ4523	SPACER:COVER:PAPER FEED:MIDDLE	U003_S001	162
D3DJ4525	ROLLER:PULL OUT	U003_S001	163
D3DJ4527	CUSHION:FEELER:FEED:REAR	U003_S001 U003_S001_S001	164 164
D3DJ4530	FEELER:FEED:REAR:ASS'Y	U003_S001_S001	165
D3DJ4622	SHEET:ORIGINAL TABLE	U003_S001	166
D3DJ4811	STOPPER:ORIGINAL TABLE	U003_S001	167
D3EQ2671	COMPRESSION SPRING:AUXILIARY:SIDE FENCE	U006_S003_S001	151
D3ER1067	DETENT:PAPER TRAY	U014	46
D3ER1068	ROLLER:DETENT:PAPER TRAY	U014	47

Number	Part Name	Group	ID
D3ER1069	ROLLER:DETENT:PAPER TRAY:NO.2	U014	48
D5433635	GEAR:ROLLER:SCANNING:BEHIND	U003_S001	168
D5732949	COMPRESSION SPRING:RAIL:END FENCE	U006_S003_S002 S001	152
D6060028	SCREW:HINGE	U003	169
D6063112	FRICTION PAD	U003_S001	170
D6063116	LEVER:PRESSURE RELEASE:SEPARATION	U003_S001	171
D6063117	TENSION SPRING:PRESSURE RELEASE:SEPARATION:4.5N	U003_S001	172
D6063118	SHEET:SEPARATION	U003_S001	173
D6064124	COLLAR:REVERSE	U003_S001	174
D6064516	SHAFT:ROLLER:PULL OUT	U003_S001	175
D6064614	GEAR:SIDE FENCE	U003_S001	176
D6064615	PIN:SIDE FENCE	U003_S001	177
D6064616	DISC:SIDE FENCE	U003_S001	178
G1045141	KNOB SCREW:M3	U012	51
G1164159	SCREW:M3X13	U004	38
GA132000	SPACER:DIA4.2XDIA10X1	U006	153
GW010007	PHOTO REFLECTION SENSOR:EXIT:(S1/S5)	U006 U010	154 68
GW020024	PHOTOINTERRUPTOR:LG2A24BL1:GF:(S2/S3/S4/S6/S7/S8/S10)	U006 U008 U010 U014	155 57 69 49
GW140027	TEMPERATURE & HUMIDITY SENSOR:(S11)	U012	52
GW500004	PUSH SWITCH:CASSETTE:TYCO:(SW4)	U006	156
GX640031	FAN MOTOR:DC:2.64W:(FAN3)	U013	23
J5023127	BUSHING:STEPPER MOTOR	U003_S001	179
M0752610	COMPRESSION SPRING:LOCK:SIDE FENCE	U006_S003_S001 U006_S003_S002 S001	157 157
M0A01754	TENSION SPRING:DOCUMENT FEEDER:ON OFF DETECTOR	U004	39

## Exclusive Parts

Number	Part Name	Group	ID
M0A01756	GROUND PLATE:GUIDE ROD:RAIL	U004	40
M0A01766	HOLDER:SCANNER:FFC	U004	41
M0A01773	GROUND PLATE:BASE:FFC	U004	42
M0A05928	PCB:CNB	U004	43
M1601900	LED HEAD:1200DPI:211.3MM	U005_S001	28
M1871082	STEPPED SCREW:M3:SECOND KIND:DRAWER	U014	50
M3644823	TAPE:PRESSURE PLATE	U003_S001	180
M4445201	HDD:320GB:AQUARIUS	U012	53

## Standard Parts



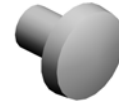
03130040N  
SCREW:M3X4



03520030N  
SCREW:M2X3



03530030N  
SCREW:M3X3



03530040N  
SCREW - M3X4



03530040P  
SCREW:M3X4



03530060N  
BIND SCREW - M3X6



03603006N  
SCREW - M3X6



03603010N  
SCREW:M3X10



03603014N  
SCREW - M3X14



04503014N  
TAPPING SCREW:M3X14



04503035N  
TAPPING SCREW:3X35



04504012N  
TAPPING SCREW:4X12



04513006N  
TAPPING SCREW - 3X6



04513008N  
TAPPING SCREW - M3X8



04513020N  
TAPPING SCREW:3X20



04513030N  
TAPPING SCREW:3X30



04533006N  
TAPPING SCREW - M3X6



04543006Q  
TAPPING SCREW - M3X6



04543008Q  
TAPPING SCREW:3X8



04543010Q  
TAPPING SCREW:3X10



04583008N  
HEXAGON HEAD TAPPING S  
CREW:3X8



04583010N  
HEXAGON HEAD TAPPING S  
CREW:3X10



04583012N  
HEXAGON HEAD TAPPING S  
CREW:3X12



04593008N  
BINDING HEAD TAPPING SC  
REW:3X8



04593010N  
BINDING HEAD TAPPING SC  
REW:3X10



06320060G  
PARALLEL PIN:2X6



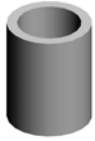
06320080G  
PARALLEL KEY - 2X8MM



06320140G  
PARALLEL PIN



## Standard Parts



07073050N  
BUSHING:DIA3X5



07200020E  
RETAINING RING - M2



07200025E  
RETAINING RING - M2.5



07200030E  
RETAINING RING - M3



07200040E  
RETAINING RING - M4



07200060E  
RETAINING RING - M6



08010240  
BINDING HEAD SCREW:M2.6  
X4



08025305  
TAPPING SCREW - M3X6



08046123  
HEXAGONAL BOLT:W/WASH  
ER:M3X8



08046127  
HEXAGONAL BOLT:DOUBLE  
SCREW:M3X8



08050097  
RING SEPARATOR



08050103  
RETAINING RINGS-E:SILENC  
ER:DIA3



08050104  
RETAINING RINGS-E:SILENC  
ER:DIA4



08050106  
RETAINING RINGS-E:SILENC  
ER:DIA6



09543012N  
SCREW:POLISHED ROUND/  
SPRING:M3X12



09544008N  
SCREW - M4X8



09573006N  
SCREW:SMALL ROUND/SPRI  
NG:M3X6



09574008N  
SCREW:SMALL ROUND/SPRI  
NG:M4X8



11050511  
HARNESS CLAMP - LWS-030  
6ZC



11050582  
CLAMP:RBWS-0510D-V0



11050604  
CLAMP:RFC-16V0



11050650  
CLAMP - MS-0709



11050692  
CLAMP:LES-0503



11050723  
(IM 350F/430Fb/430F):CLAMP  
S:WES-0507



11050724  
CLAMPS:WES-1210



11050758  
CLAMP:LWSM-0306A



11050759  
CLAMP:LWSM-0605A



11050760  
CLAMP:LWSM-0511A

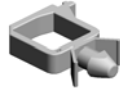
## Standard Parts



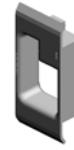
11050761  
CLAMP:LWS-0511A



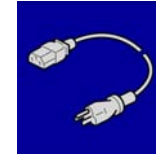
11050762  
CLAMP:LWS-0711A



11050763  
CLAMP:LWS-1211A



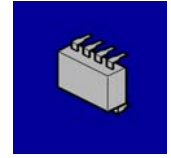
11050768  
CLAMP:LES-0912



11500481  
(NA):POWER SUPPLY CODE:  
125V:15A



12042612  
MICRO SWITCH:D3V-16506-3  
C25:(SW1/SW2)



14077677  
EEPROM:BR24T64-W



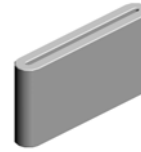
16072211  
FERRITE CORE:K3 NF-110(N)  
BK0



16072291  
FERRITE CORE:K3 FF 20.00X  
12.00X6.50X1.30



16072525  
FERRITE CORE:K3 FF 35.00X  
14.60X7.70X1.40



16072758  
FERRITE CORE

## PM Part List

Number	Part Name	Num	Group	ID
D0A42021	PCDU:SERVICE:ASS'Y	1	U007	1
D0A44017	(NA):FUSING SECTION:ASS' Y	1	U009_S001	58
D0A46202	TRANSFER ROLLER:ASS'Y	1	U008_S001	36

## Design Change List

Number	Title	Set	Old Part		New Part		Index No.		Q'ty	Interchg		Reason	Cut-in S/N
			P/N	Name	P/N	Name	Group	ID		Indiv.	Set		
201905-02	1905 Modification	-			D0A42657	PAWL:LOCK:END FENCE	U006_S003 _S002_S00 1	57	1				
201903-01	1903 Modification	-	D0A44248	CAM:ON-OFF:NT 863			U009_S001	54	1				
			D0A44248	CAM:ON-OFF:NT 863			U009_S001	54	1				

