

**IM 2500/2500A/3000/3000A/3500/3500A**  
**(D0CC/D0CD/D0CE-NA)**  
**Parts Catalog**

**Parts change information sample**

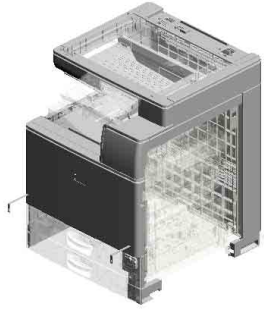
 **Add**

 **Update**

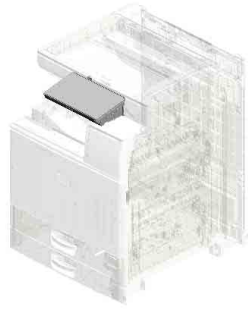
 **Delete**

Model	Product Code	PC Style
IM 2500/2500A/2509J/GS3025m	D0CC	3D
IM 3000/3000A/3009J/GS3030m	D0CD	3D
IM 3500/3500A/3509J/GS3035m	D0CE	3D
IM 4000/4000A/GS3040m	D0CF	3D
IM 5000/5000A/GS3050m	D0CG	3D
IM 6000/GS3060m	D0CH	3D
SPDF DF3130	D3GR	3D
Fax Option Type M45	D3J7	Traditional
G3 Interface Unit Type M45	D3J7	Traditional
Fax Connection Unit Type M45	D0CR	Traditional
FAX Memory Unit Type M19 64MB	D3BZ	Traditional
IEEE 1284 Interface Board Type M19	D3C0	Traditional
File Format Converter Type M19	D3BR	Traditional
Device Server Option Type M37	D3GF	Traditional
IPDS Unit Type M45	D0CR	Traditional
DataOverwriteSecurity Unit Type M19	D3BS	Traditional
Caster Table Type M3	D178	Traditional
External Keyboard Bracket Type M19	D3BR	Traditional
XPS Direct Print Option Type M45	D0CR	Traditional
Platen Cover PN2000	D700	Traditional
IEEE 802.11a/g/n Interface Unit Type M19	D3BR	Traditional
Enhanced Security HDD Option Type M10	D792	Traditional
OCR Unit Type M13	D3AC	Traditional
Handset HS3020	D739	Traditional
PostScript3 Unit Type M45	D0CR	Traditional
NFC Card Reader Type M45	D3JA	Traditional
Smart Card Reader Built-in Unit Type M45	D3JA	Traditional
Key Counter Bracket Type M3	D739	Traditional

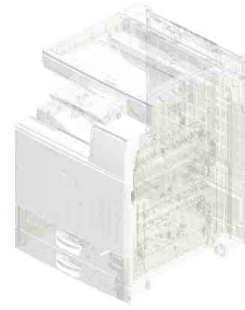
# Unit All



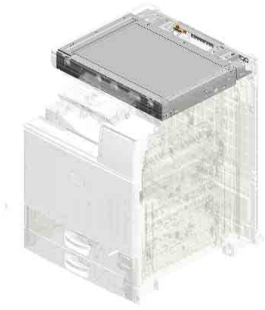
U001  
EXTERIOR



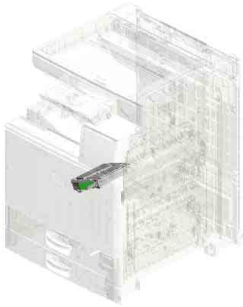
U002  
OPERATION



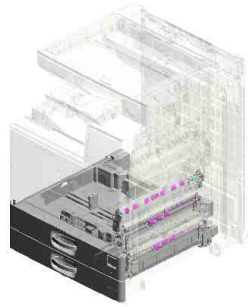
U003  
ADF



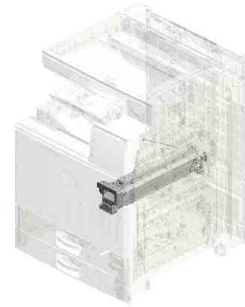
U004  
SCANNER



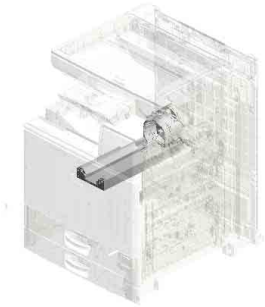
U005  
LASER UNIT



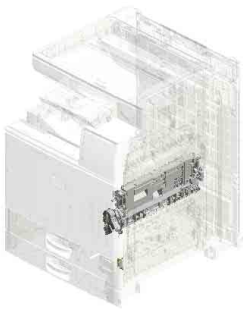
U006  
PAPER FEED



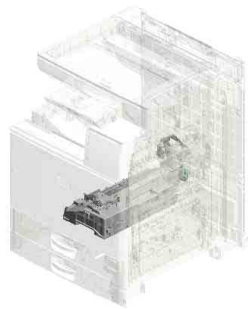
U007  
PCDU



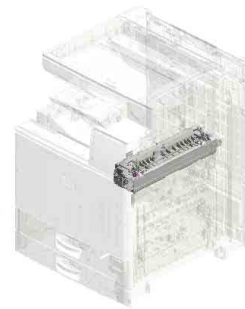
U008  
DEVELOPMENT



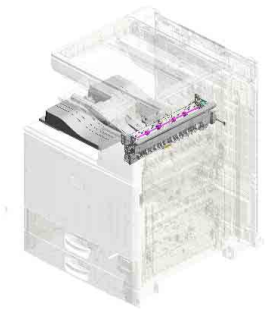
U009  
TRANSFER/SEPARATION



U010  
USED TONER

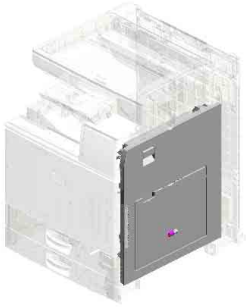


U011  
FUSING

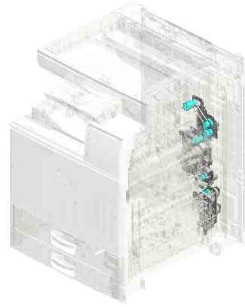


U012  
PAPER EXIT

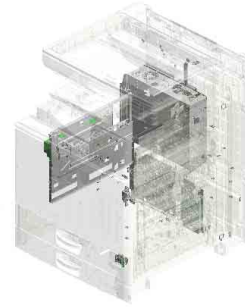
# Unit All



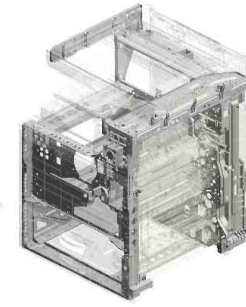
U013  
DUPLEX



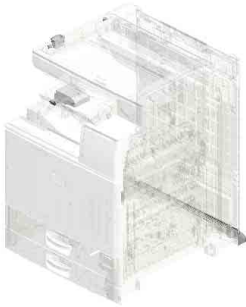
U014  
MAIN DRIVE



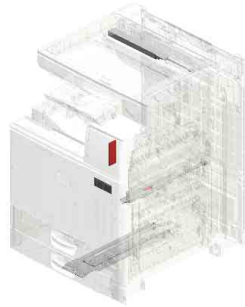
U015  
ELECTRICAL



U016  
MAIN FRAME

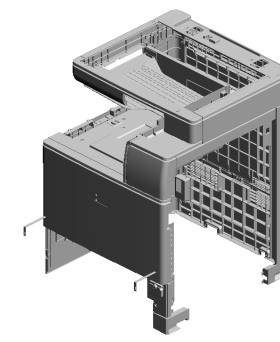


U017  
ACCESSORIES



U018  
HEATER

# U001 EXTERIOR



- 6.AA143537 (x4) SCREW:M3:BLACK
- 15.D0CH1245 (x2) COVER:FRONT:UPPER
- 14.D0CH1244 (x2) COVER:FRONT:RIGHT UPPER
- 10.D0BQ1281 (x2) COVER:SCANNER:FRONT
- 19.D0CH1298 (x2) COVER:RIGHT FRONT SIDEWAYS

- 5.04583010N (x6) HEXAGON HEAD TAPPING SCREW:3X10

- 12.D0CH1232 (x2) COVER:UPPER:EXIT

- 18.D0CH1289 (x2) COVER:SCANNER:UPPER:REAR:ASSY

- 3.04543008N (x110) TAPPING SCREW:ROUND POINT:3X8

- 11.D0CE1262 (x2) COVER:REAR:UPPER

- 16.D0CH1260 (x2) (NA/EU/AA/KOR/TWN/IND):COVER:REAR:LOWER
- 20.D0CH5888 (x2) COVER:C/T BOX:AIR-PRINT
- 2.04543006Q (x4) TAPPING SCREW - M3X6
- 4.04583008N (x24) HEXAGON HEAD TAPPING SCREW:3X8
- 9.D0BQ1230 (x2) COVER:UPPER

- 1.04513008P (x8) TAPPING SCREW - 3X8

- 8.BA003043 (x2) DECAL:INSERT SUB-UNIT:TONER BOTTLE

- 7.AG070513 (x2) MAGNET CATCH

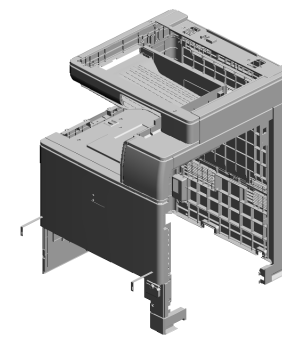
- 17.D0CH1279 (x2) INNER COVER:FRONT

- 13.D0CH1242 (x2) DOOR:FRONT

- 3.04543008N (x 2) TAPPING SCREW:ROUND POINT:3X8

# U001 EXTERIOR

- 28.D1494492 (x2) TRAY:REVERSE
- 36.D2021235 (x2) COVER:UPPER:INNER BACK:BIN
- 32.D1501282 (x2) COVER:SCANNER:UPPER:FRONT
- 31.D1501095 (x2) BRACKET:POSITIONING:FUSING UNIT:M3
- 34.D2021231 (x2) COVER:UPPER:FRONT



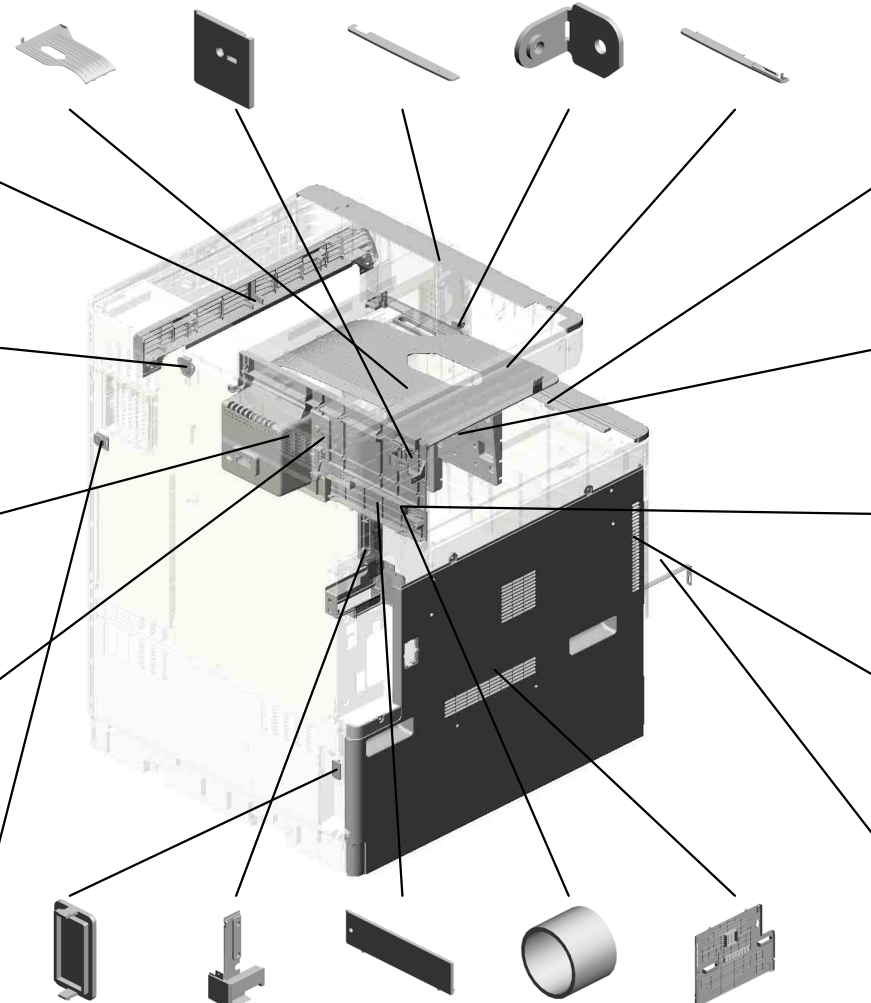
- 40.D2021267 (x2) COVER:RIGHT:UPPER

- 25.D1491294 (NA[IM 2500/3000/3500]/EU[IM 2500/3000/3500]/AA/KOR/CHN/TWN/IND):CAP:HARNESS:CORNER

- 21.D1491234 (x2) COVER:UPPER:INNER BACK:MIDDLE

- 35.D2021233 (x2) COVER:UPPER:INNER BACK

- 24.D1491291 (x2) CAP:HARNESS



- 38.D2021249 (x2) MAGNET CATCH:COVER:FRONT

- 33.D2011241 (x2) CASE:DOOR:FRONT

- 29.D1495883 (x2) KEYTOP:MAIN SWITCH

- 27.D1491307 (x4) SPRING PLATE: BAND 202107-02

- 37.D2021247 (x4) BAND:STOPPER:DOOR

- 26.D1491305 (x2) CAP:TOTAL COUNTER

- 23.D1491266 (x2) COVER:RIGHT:FRONT LOWER

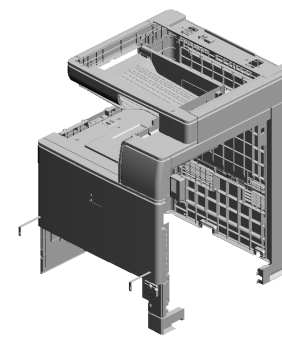
- 22.D1491237 (x2) COVER:UPPER:INNER BACK:LEFT LOWER

- 30.D1495884 (x2) COMPRESSION SPRING:KEYTOP

- 39.D2021255 (x2) COVER:LEFT

# U001 EXTERIOR

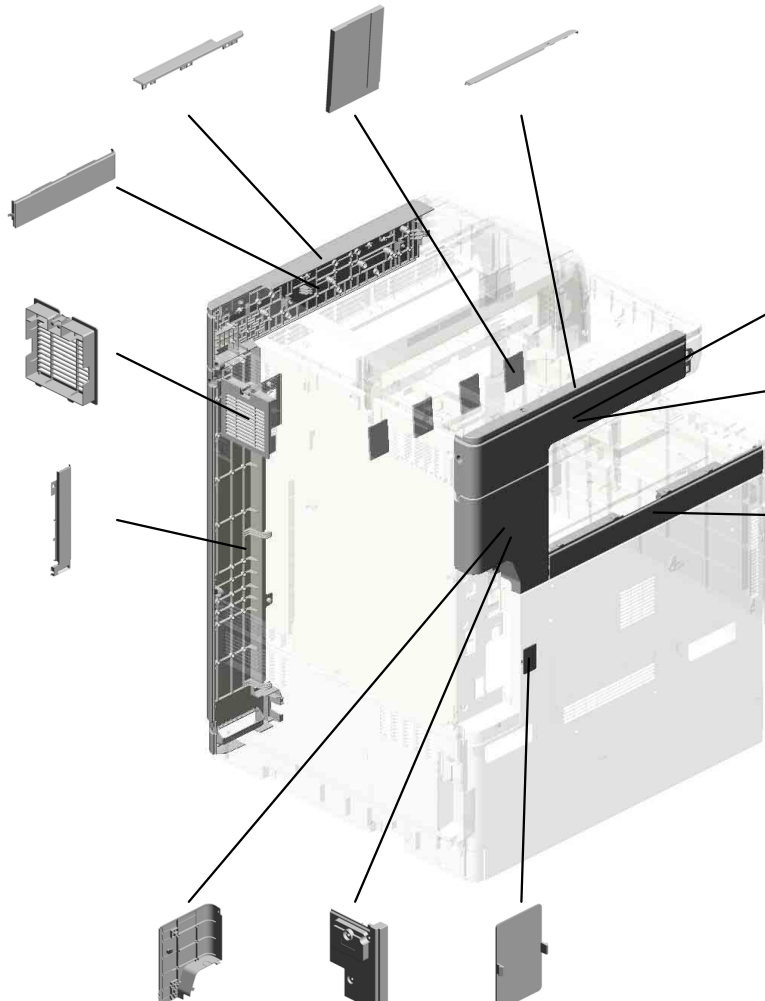
- 51.D2891288 (x2) COVER:SCANNER:UPPER:RIGHT
- 44.D2414458 (x8) GUIDE:COVER:UPPER
- 49.D2891285 (x2) COVER:SCANNER:UPPER:LEFT



- 50.D2891287 (x2) COVER:SCANNER:RIGHT

- 43.D2411263 (x2) CAP:LOUVER:DEODORIZE FILTER

- 46.D2891265 (x2) COVER:RIGHT:REAR



- 48.D2891284 (x2) COVER:SCANNER:LEFT

- 52.GA004002 (x2) DECAL:LEVER:FIX

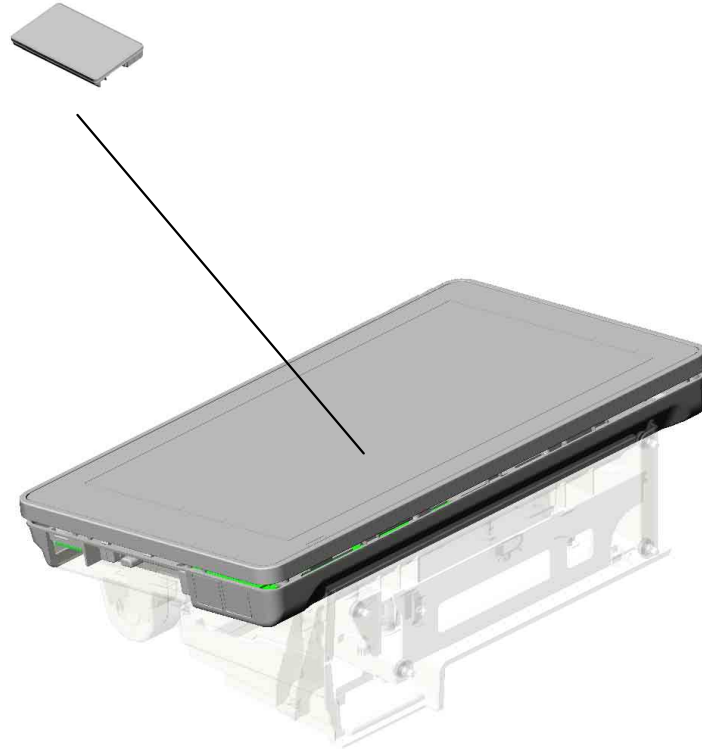
- 42.D2411251 (x2) COVER:LEFT:UPPER

- 45.D2891252 (x2) COVER:LEFT:UPPER:REAR
- 47.D2891275 (x2) INNER COVER:FRONT:RIGHT LOWER
- 41.D2021277 (x2) COVER



# U002.OPERATION

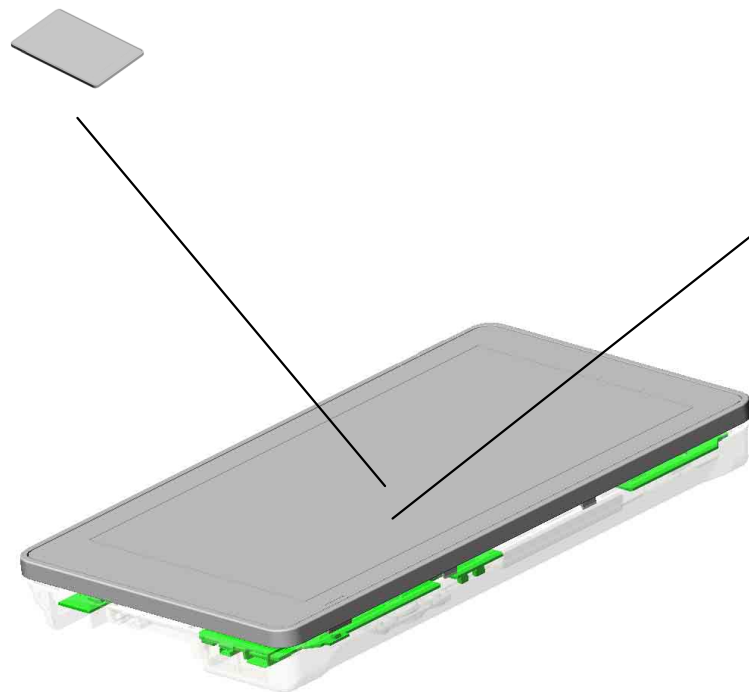
U002 S001  
D0CH1540  
(NA/EU/AA/KOR/TWN/IND):O  
PERATION SUB-UNIT:COMM  
ON:ASSY



U001	<b>U002</b>	U003	U004	U005	U006	U007	U008	U009	U010	U011	U012	U013	U014	U015	U016	U017	U018
------	-------------	------	------	------	------	------	------	------	------	------	------	------	------	------	------	------	------

# U002\_S001.(NA/EU/AA/KOR/TWN/IND):OPERATION SUB-UNIT:COMMON:ASS'Y

U002 S001 S001  
D0BQ1527  
TOUCH PANEL:ASS'Y

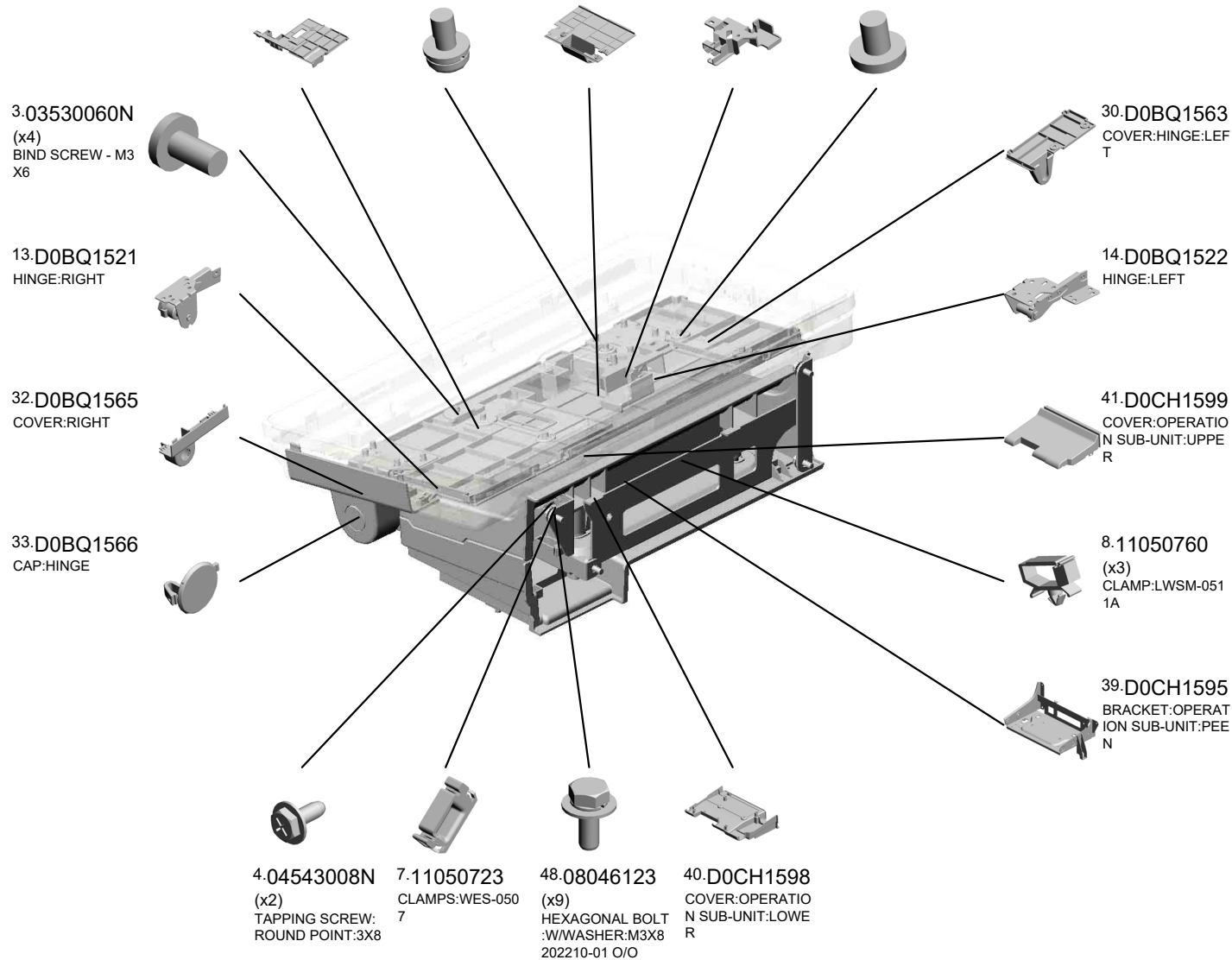


U002 S001 S002  
D0BL5417  
(NA/EU/AA/KOR/TWN/IND):P  
CB:SERVICE

U001	<b>U002</b>	U003	U004	U005	U006	U007	U008	U009	U010	U011	U012	U013	U014	U015	U016	U017	U018
------	-------------	------	------	------	------	------	------	------	------	------	------	------	------	------	------	------	------

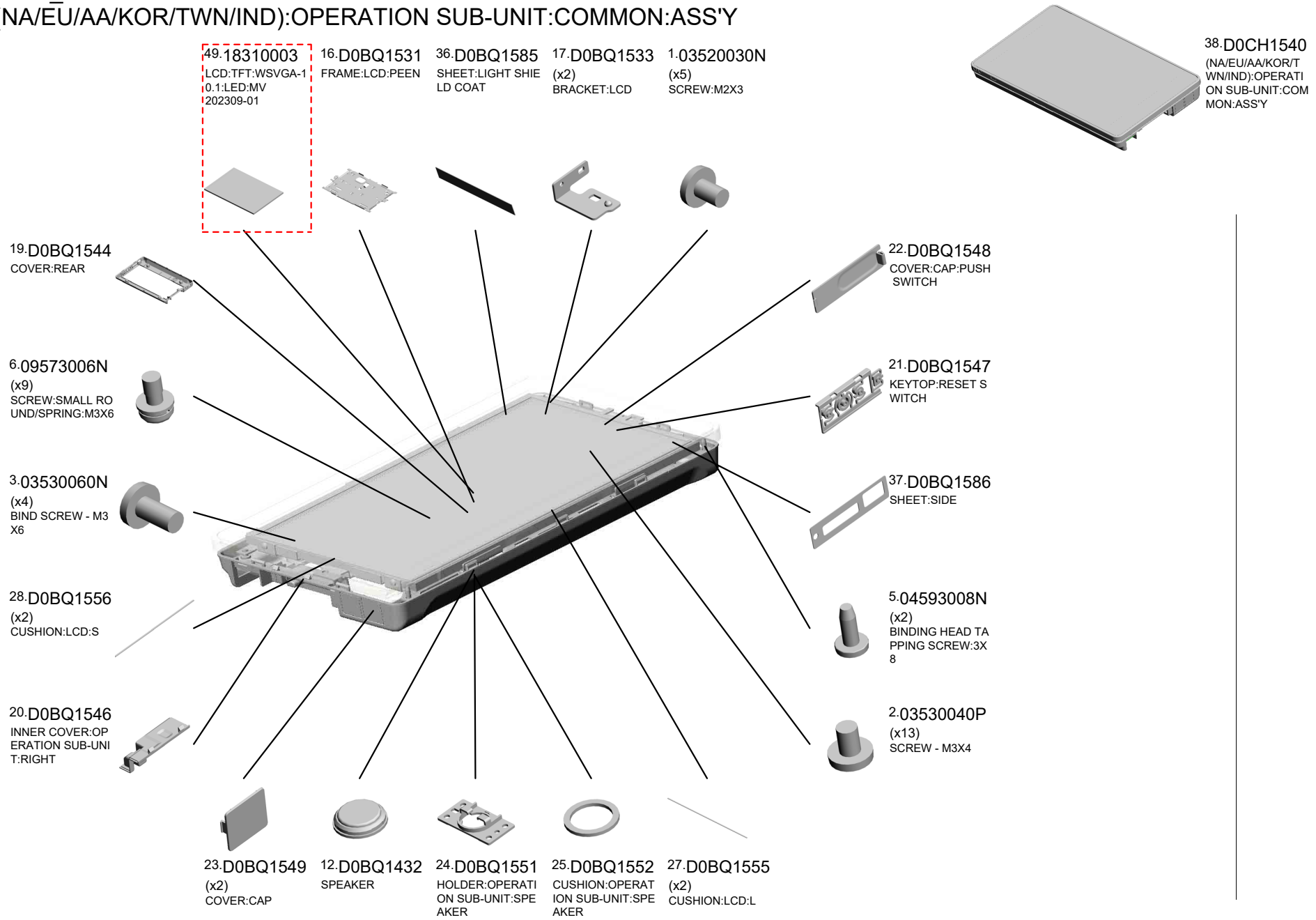
# U002 OPERATION

29.D0BQ1561 COVER:HINGE:RIG  
HT  
6.09573006N (x8)  
SCREW:SMALL RO  
UND/SPRING:M3X6  
31.D0BQ1564 COVER:REAR:MID  
DLE  
26.D0BQ1553 GUIDE:OPERATIO  
N SUB-UNIT:HARN  
ESS  
2.03530040P (x3)  
SCREW - M3X4



U001	U002	U003	U004	U005	U006	U007	U008	U009	U010	U011	U012	U013	U014	U015	U016	U017	U018
------	------	------	------	------	------	------	------	------	------	------	------	------	------	------	------	------	------

U002\_S001  
 (NA/EU/AA/KOR/TWN/IND):OPERATION SUB-UNIT:COMMON:ASS'Y

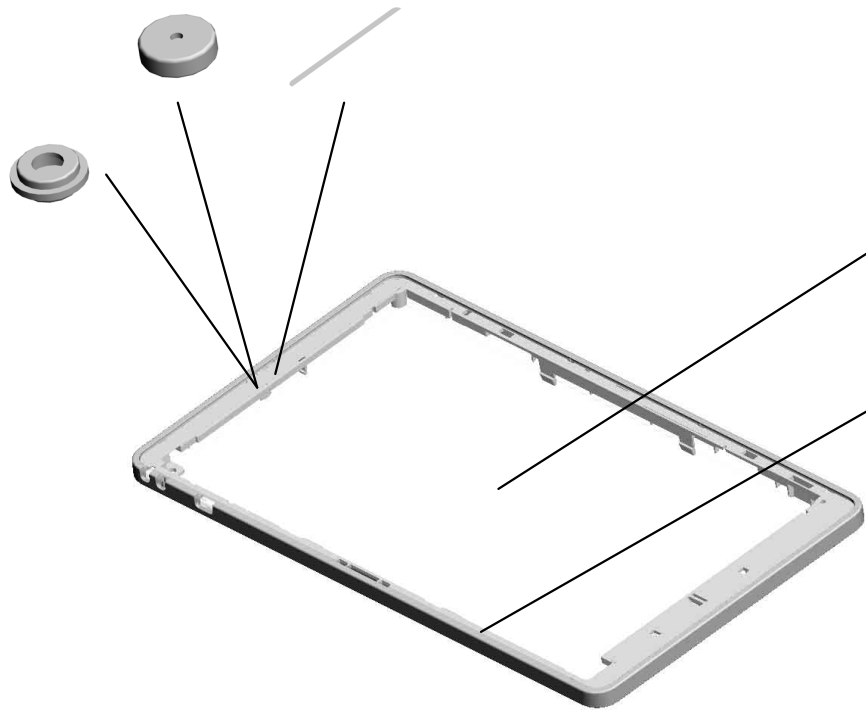


U001	<b>U002</b>	U003	U004	U005	U006	U007	U008	U009	U010	U011	U012	U013	U014	U015	U016	U017	U018
------	-------------	------	------	------	------	------	------	------	------	------	------	------	------	------	------	------	------

U002\_S001\_S001  
TOUCH PANEL:ASS'Y

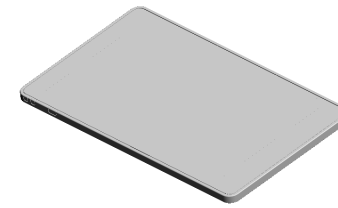
42.D2951554 MIKE:PVM-6018-C4  
02G-7ZZ4  
34.D0BQ1581 (x2)  
DUAL FACES TAPE  
:TOUCH PANEL:LE  
NGTHWISE

43.E0A01549  
CUSHION:MIKE

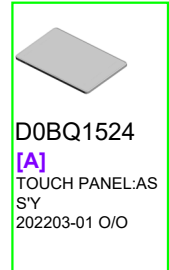


18.D0BQ1541  
COVER:FRONT

35.D0BQ1582 (x3)  
DUAL FACES TAPE  
:TOUCH PANEL:SI  
DE



44.D0BQ1527  
[A]  
TOUCH PANEL:AS  
S'Y  
202203-01 O/O

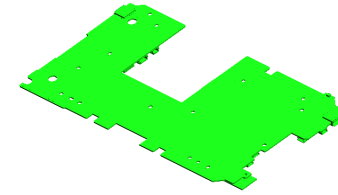


D0BQ1524  
[A]  
TOUCH PANEL:AS  
S'Y  
202203-01 O/O

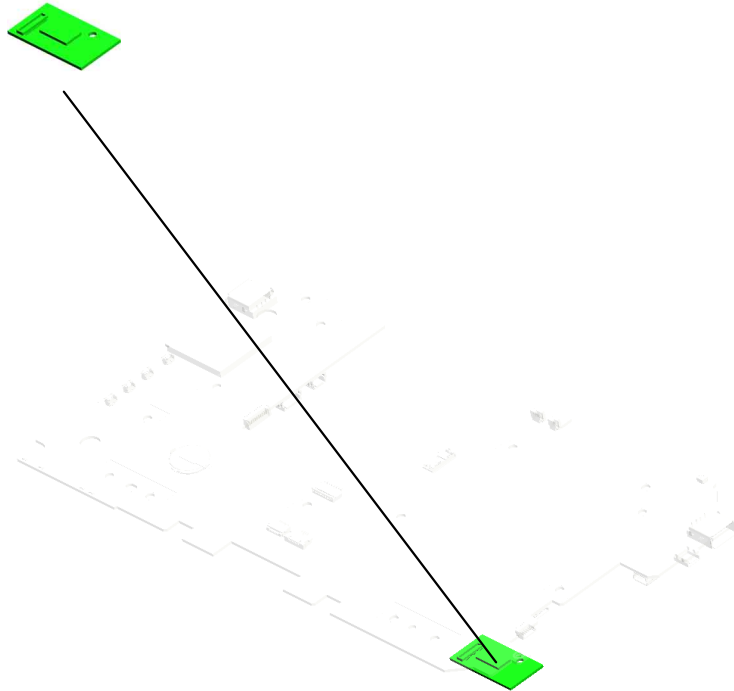
U001	U002	U003	U004	U005	U006	U007	U008	U009	U010	U011	U012	U013	U014	U015	U016	U017	U018
------	------	------	------	------	------	------	------	------	------	------	------	------	------	------	------	------	------

U002\_S001\_S002  
(NA/EU/AA/KOR/TWN/IND):PCB:SERVICE

11.D0BQ1420  
PCB:W-LAN:TYPE1  
NX



9.D0BL5417  
(NA/EU/AA/KOR/T  
WN/IND);PCB:SER  
VICE



U001	U002	U003	U004	U005	U006	U007	U008	U009	U010	U011	U012	U013	U014	U015	U016	U017	U018
------	------	------	------	------	------	------	------	------	------	------	------	------	------	------	------	------	------



2.A5486111  
SCREW:POSITIONI  
NG:HINGE



3.A8597211  
(x3)  
STEPPED SCREW

See 3D parts catalog  
for the components of  
the ARDF DF3130.

5.Note1

(IM 2500A/3000A/3500A):See 3D parts catalog for the components of the SPDF DF3130.

See 3D parts catalog  
for the components of  
the ARDF DF3110.

6.Note2

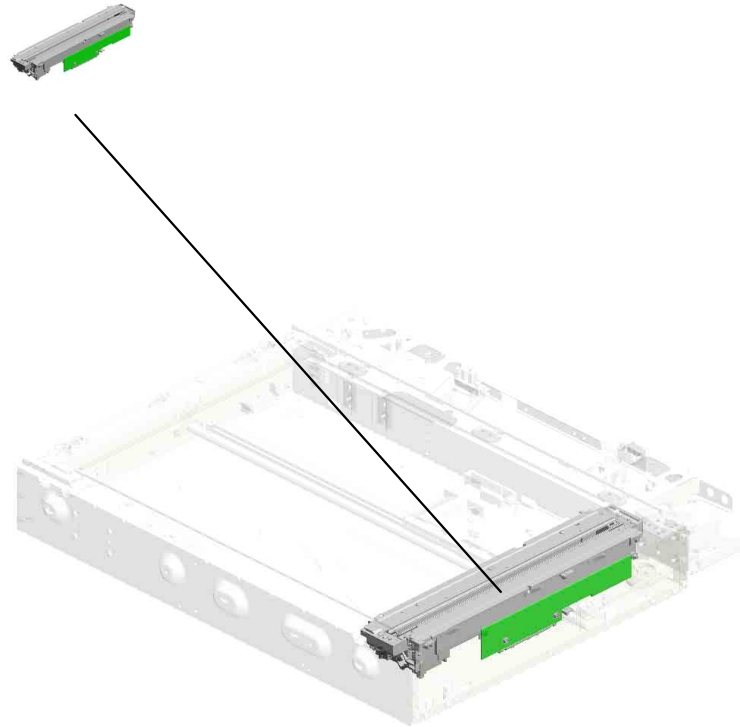
(NA/IM 2500/3000/3500/EU/IM 2500/3000/3500/KOR):See 3D parts catalog for the components of the SPDF DF3110.

1.04543006Q (x 5)  
TAPPING SCREW - M3X6

4.09514010N (x 4)  
SCREW:POLISHED ROUND:M4X10

# U004.SCANNER

U004 S001  
D0DL1640  
CARRIAGE:SCANNER:ASSY

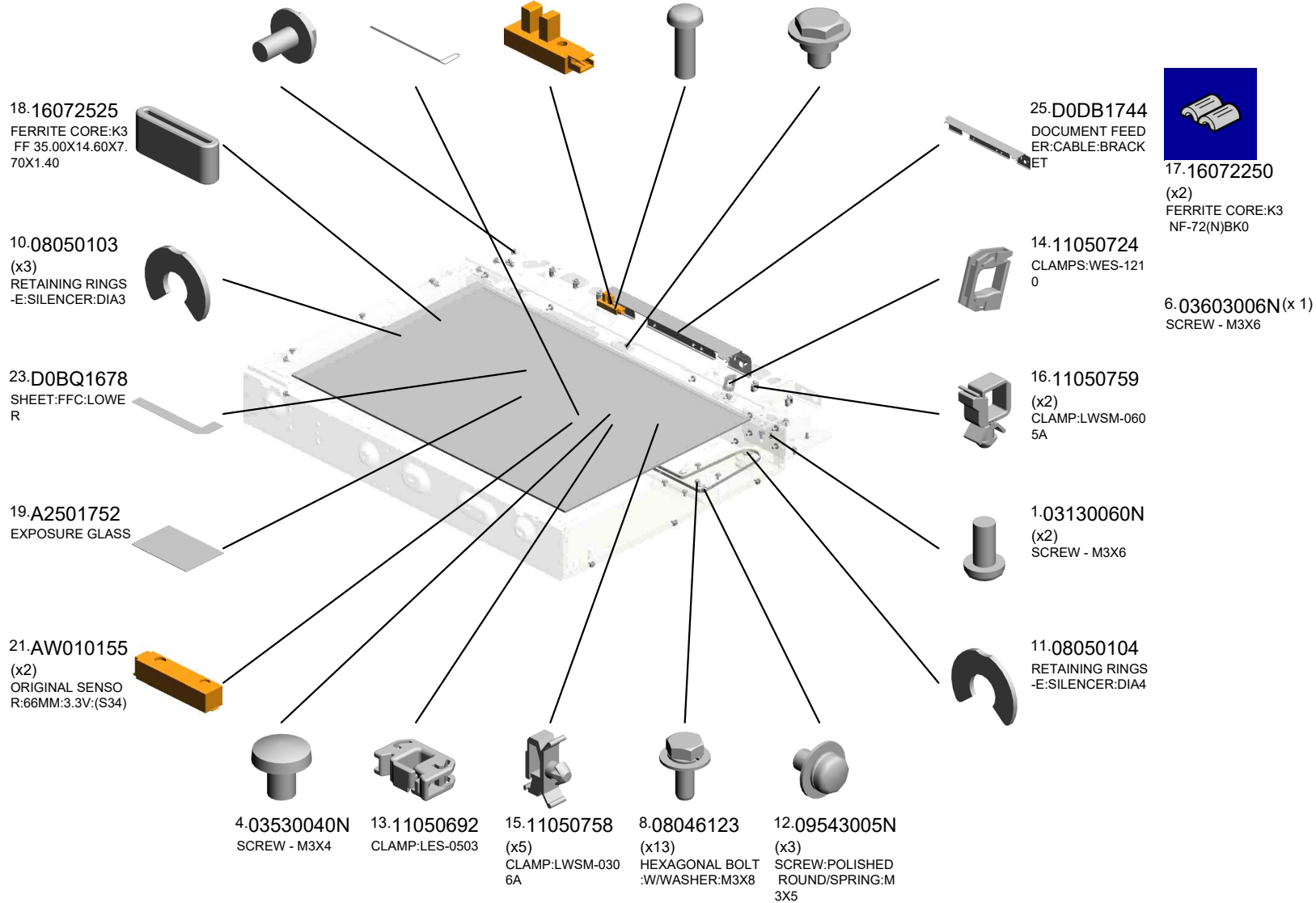
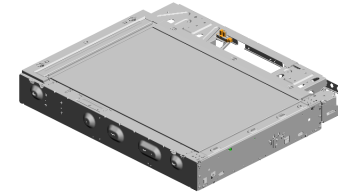


U001	U002	U003	U004	U005	U006	U007	U008	U009	U010	U011	U012	U013	U014	U015	U016	U017	U018
------	------	------	------	------	------	------	------	------	------	------	------	------	------	------	------	------	------



# U004 SCANNER

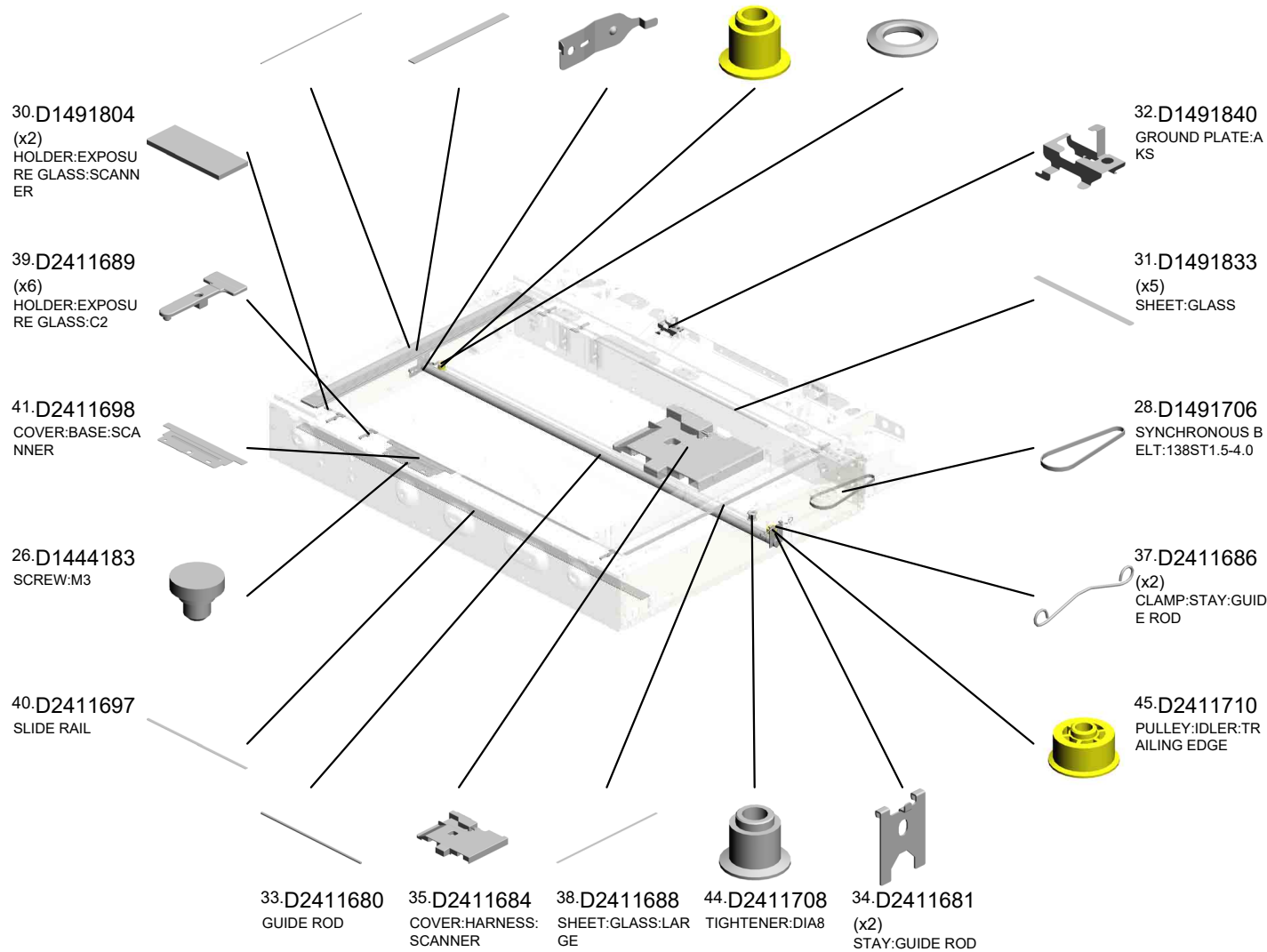
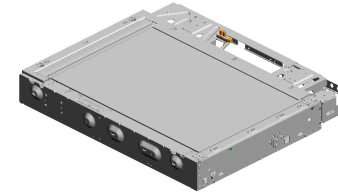
- 6.03603006N (x20) SCREW - M3X6
- 24.D0BQ1713 SYNCHRONOUS B ELT:890ST55-4.0
- 22.AW020249 PHOTOINTERRUPTOR:FLAT:PICH2M M:M4:(S32)
- 2.03140120N SCREW - M4X12
- 20.AA143537 (x6) SCREW:M3:BLACK



U001	U002	U003	U004	U005	U006	U007	U008	U009	U010	U011	U012	U013	U014	U015	U016	U017	U018
------	------	------	------	------	------	------	------	------	------	------	------	------	------	------	------	------	------

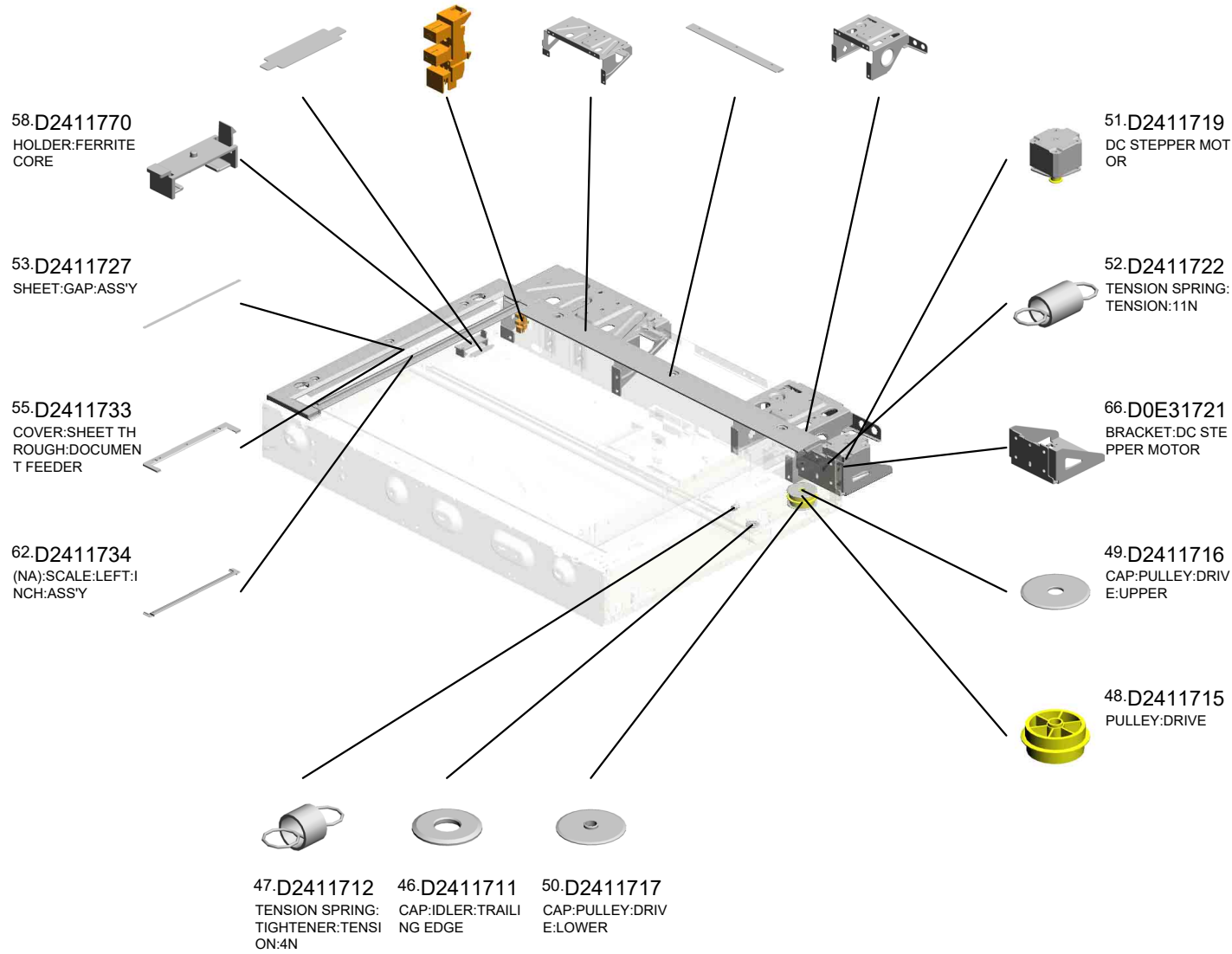
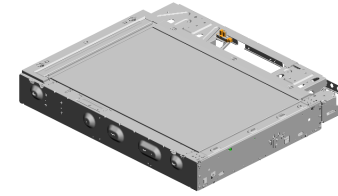
# U004 SCANNER

- 29.D1491798 (x2) SEAL:SHEET THROUGH:DOCUMENT FEEDER
- 27.D1471805 EXPOSURE GLASS :DOCUMENT FEEDER:APPLY
- 36.D2411685 SPRING PLATE:GUIDE ROD
- 42.D2411701 PULLEY:IDLER:LEADING EDGE
- 43.D2411702 (x2) CAP:PULLEY:IDLER:LEADING EDGE



# U004 SCANNER

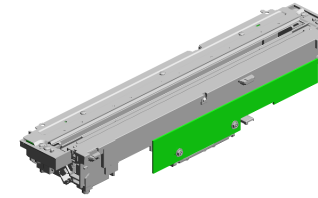
- 57.D2411766 SHEET:FLAT CABL E:SBU
- 61.GW020026 PHOTOINTERRUP TOR:LG2A24RL1G (S31) 202211-03 O/O
- 59.D2891741 BRACKET:DOCUM ENT FEEDER:LEFT
- 63.D2411739 (NA):SCALE:REAR: PRINTING:INCH
- 60.D2891742 BRACKET:DOCUM ENT FEEDER:RIGH T



U001	U002	U003	U004	U005	U006	U007	U008	U009	U010	U011	U012	U013	U014	U015	U016	U017	U018
------	------	------	------	------	------	------	------	------	------	------	------	------	------	------	------	------	------

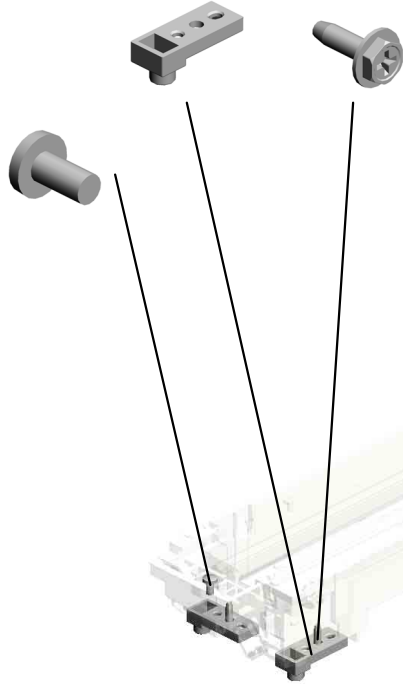
U004\_S001  
CARRIAGE:SCANNER:ASS'Y

65.D2411768 (x2) SLIDE SHOE  
7.04583010N (x4) HEXAGON HEAD TAPPING SCREW:3 X10



64.D0DL1640  
CARRIAGE:SCANNER:ASS'Y

5.03530060N (x3) BIND SCREW - M3 X6



3.03530030N (x2) SCREW:M3X3



9.08046128 (x2) HEXAGONAL BOLT :DOUBLE SCREW: M3X10

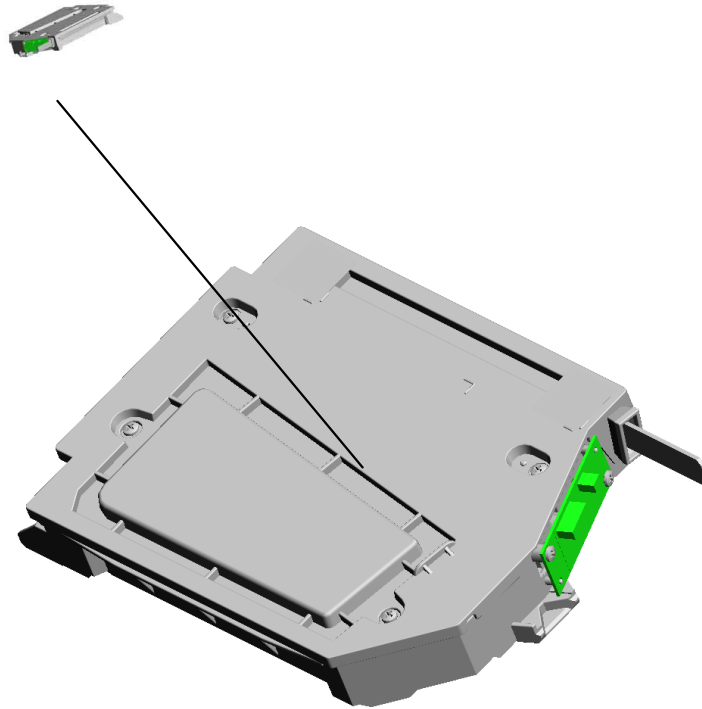
6.03603006N (x2) SCREW - M3X6



U001	U002	U003	U004	U005	U006	U007	U008	U009	U010	U011	U012	U013	U014	U015	U016	U017	U018
------	------	------	------	------	------	------	------	------	------	------	------	------	------	------	------	------	------

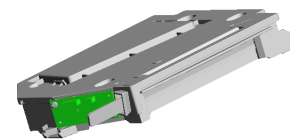
# U005.LASER UNIT

U005 S001  
D0CH1860  
OPTICAL WRITING UNIT:ASS  
Y



U001	U002	U003	U004	U005	U006	U007	U008	U009	U010	U011	U012	U013	U014	U015	U016	U017	U018
------	------	------	------	------	------	------	------	------	------	------	------	------	------	------	------	------	------

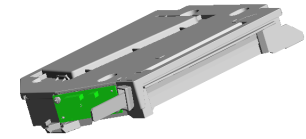
U005  
LASER UNIT



U001	U002	U003	U004	U005	U006	U007	U008	U009	U010	U011	U012	U013	U014	U015	U016	U017	U018
------	------	------	------	------	------	------	------	------	------	------	------	------	------	------	------	------	------

U005\_S001  
OPTICAL WRITING UNIT:ASS'Y

2.11050758 3.AC015063  
CLAMP:LWSM-030 SHIELD GLASS  
6A



4.D0CH1860  
OPTICAL WRITING  
UNIT:ASS'Y



U001	U002	U003	U004	U005	U006	U007	U008	U009	U010	U011	U012	U013	U014	U015	U016	U017	U018
------	------	------	------	------	------	------	------	------	------	------	------	------	------	------	------	------	------

# U006.PAPER FEED

U006 S003  
D0E32713  
GUIDE PLATE:SWIVEL:NO.1:  
ADHESION

U006 S001  
D0CH2711  
PAPER FEED UNIT:NO.1:ASS  
Y

U006 S010  
D0CH2801  
PAPER TRAY:NO.1:ASS'Y

U006 S005  
D1492905  
SUPPORTER:RIGHT:NO.1:AS  
S'Y

U006 S006  
D2022902  
SUPPORTER:LEFT:NO.1:ASS  
'Y

U006 S002  
D0CH2712  
PAPER FEED UNIT:NO.2:ASS  
'Y

U006 S007  
D2022904  
SUPPORTER:LEFT:NO.2:ASS  
'Y

U006 S004  
D1492903  
SUPPORTER:RIGHT:NO.2:AS  
S'Y

U006 S009  
AX040273  
DC MOTOR:RISING TRAY:AS  
S'Y:1.007W:BRUSH:(M1/M2)

U006 S011  
D3FZ2807  
PAPER TRAY:NO.3:ASS'Y

U006 S008  
AX040273  
DC MOTOR:RISING TRAY:AS  
S'Y:1.007W:BRUSH:(M1/M2)

U001	U002	U003	U004	U005	U006	U007	U008	U009	U010	U011	U012	U013	U014	U015	U016	U017	U018
------	------	------	------	------	------	------	------	------	------	------	------	------	------	------	------	------	------

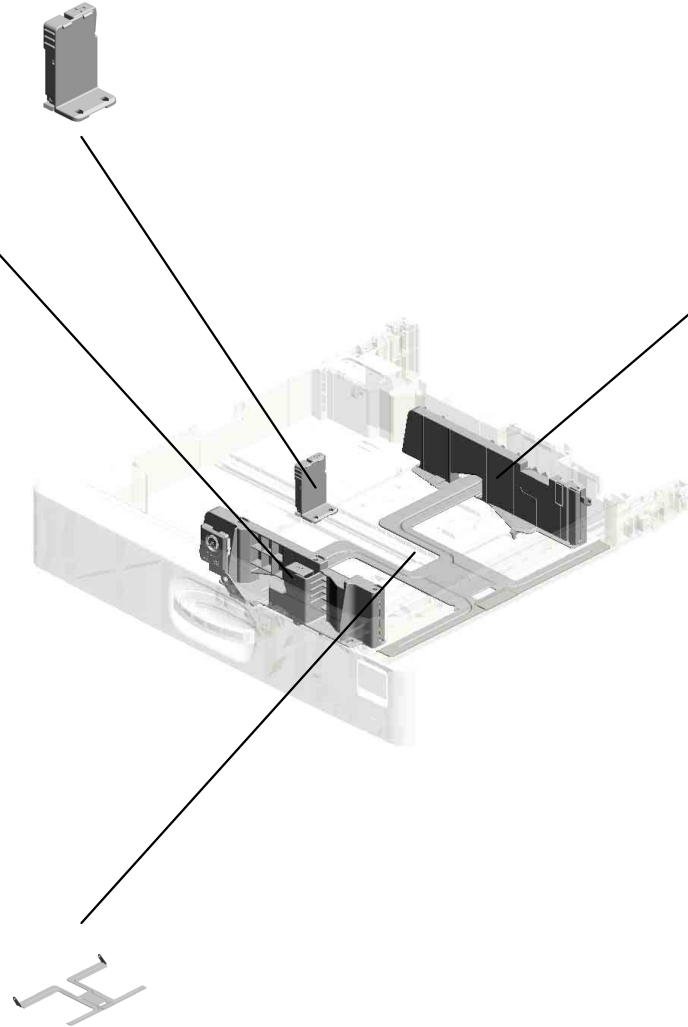


# U006\_S010.PAPER TRAY:NO.1:ASS'Y

U006 S010 S001  
D0BQ2840  
END FENCE:PAPER TRAY:A  
SS'Y

U006 S010 S003  
D0BQ2875  
SIDE FENCE:FRONT:ASS'Y

U006 S010 S004  
D0CH2885  
SIDE FENCE:REAR:ASS'Y

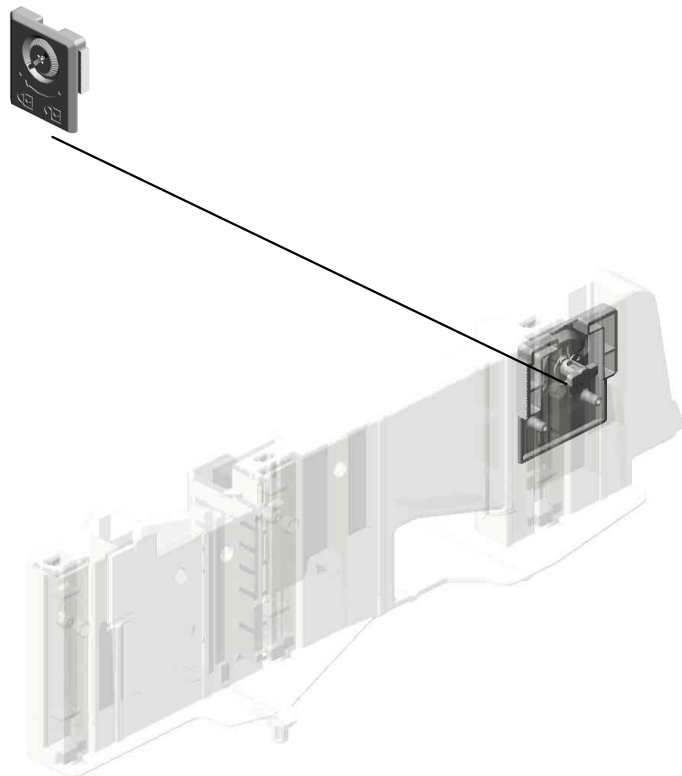


U006 S010 S002  
D0BQ2873  
TRAY BOTTOM PLATE:NO.2:  
ASS'Y

U001	U002	U003	U004	U005	<b>U006</b>	U007	U008	U009	U010	U011	U012	U013	U014	U015	U016	U017	U018
------	------	------	------	------	-------------	------	------	------	------	------	------	------	------	------	------	------	------

# U006\_S010\_S003.SIDE FENCE:FRONT:ASS'Y

U006 S010 S003 S001  
D0BQ2966  
STAY:END FENCE:ASS'Y



U001	U002	U003	U004	U005	<b>U006</b>	U007	U008	U009	U010	U011	U012	U013	U014	U015	U016	U017	U018
------	------	------	------	------	-------------	------	------	------	------	------	------	------	------	------	------	------	------

# U006\_S011.PAPER TRAY:NO.3:ASS'Y

U006 S011 S003  
D0BQ2840  
END FENCE:PAPER TRAY:A  
SS'Y

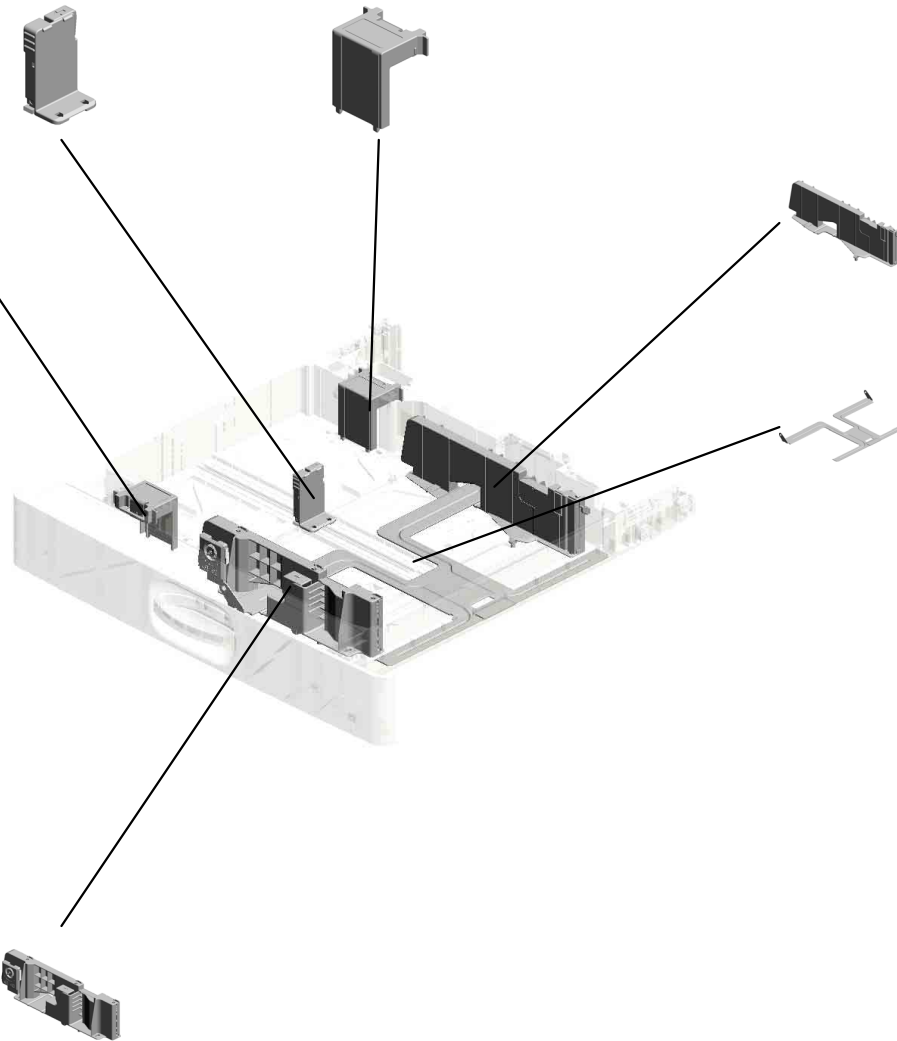
U006 S011 S005  
D2412873  
SIDE FENCE:AUXILIARY

U006 S011 S006  
D2412873  
SIDE FENCE:AUXILIARY

U006 S011 S002  
D0BQ2880  
SIDE FENCE:REAR:ASS'Y

U006 S011 S004  
D0BQ2873  
TRAY BOTTOM PLATE:NO.2:  
ASS'Y

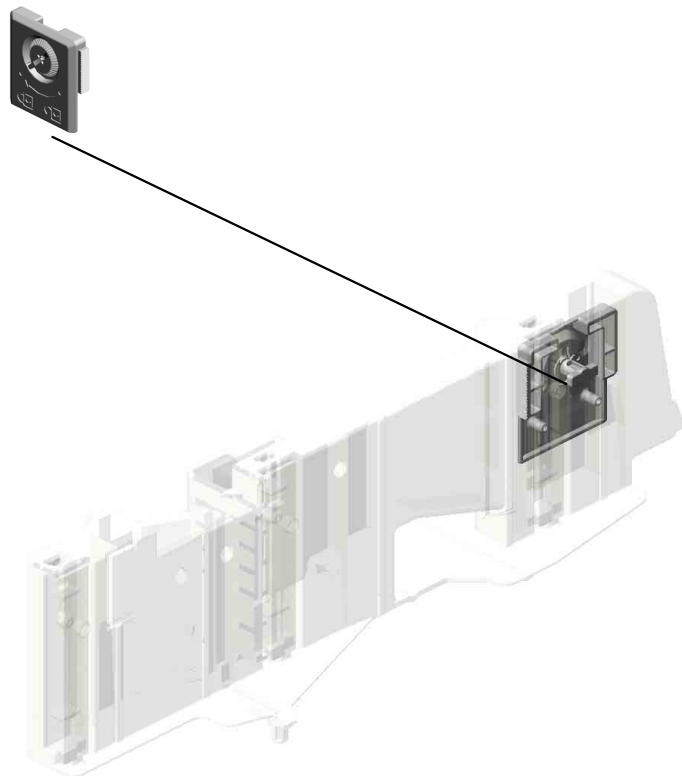
U006 S011 S001  
D0BQ2875  
SIDE FENCE:FRONT:ASS'Y



U001	U002	U003	U004	U005	<b>U006</b>	U007	U008	U009	U010	U011	U012	U013	U014	U015	U016	U017	U018
------	------	------	------	------	-------------	------	------	------	------	------	------	------	------	------	------	------	------

# U006\_S011\_S001.SIDE FENCE:FRONT:ASS'Y

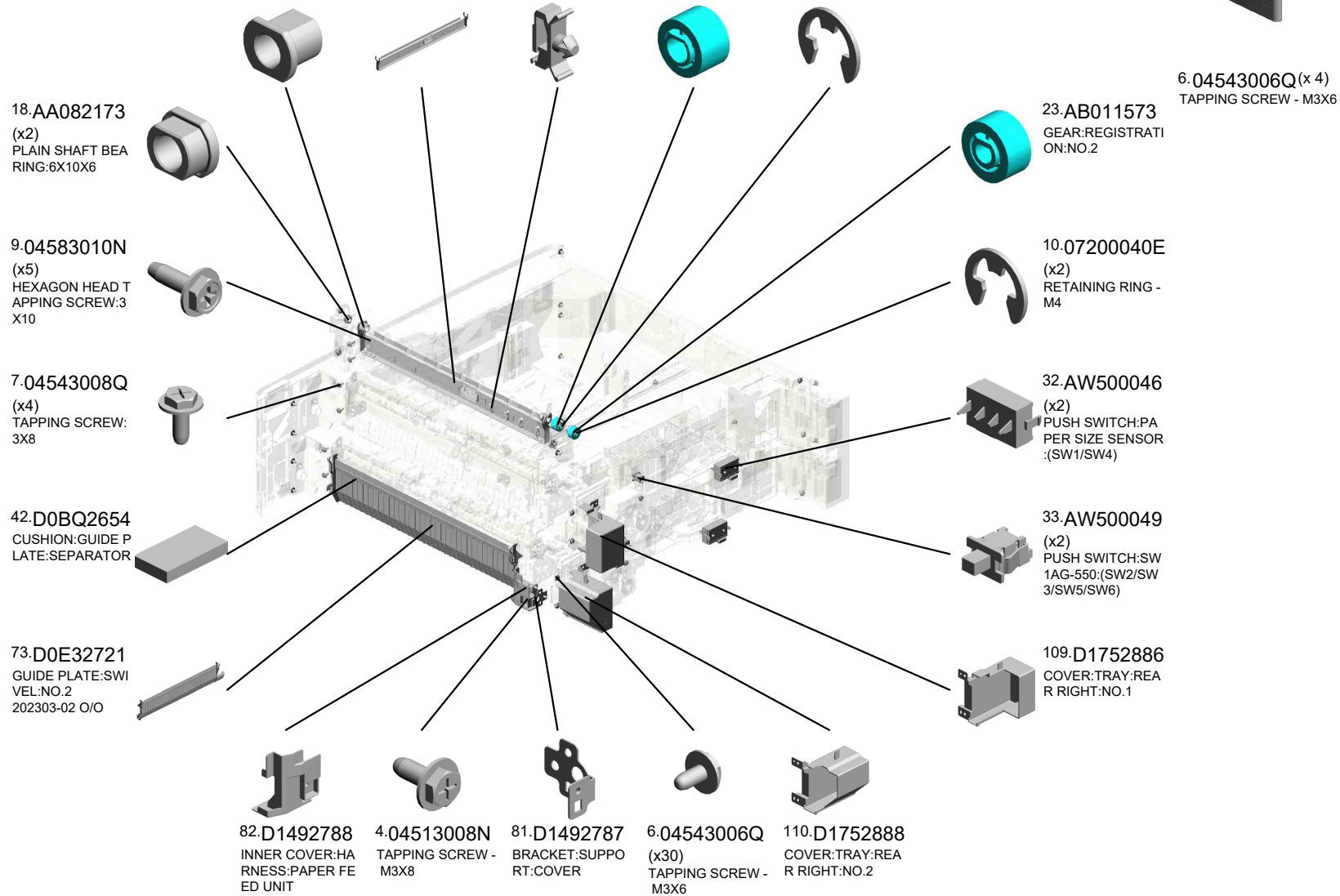
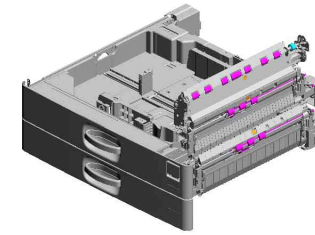
U006 S011 S001 S001  
D0BQ2966  
STAY:END FENCE:ASS'Y



U001	U002	U003	U004	U005	<b>U006</b>	U007	U008	U009	U010	U011	U012	U013	U014	U015	U016	U017	U018
------	------	------	------	------	-------------	------	------	------	------	------	------	------	------	------	------	------	------

# U006 PAPER FEED

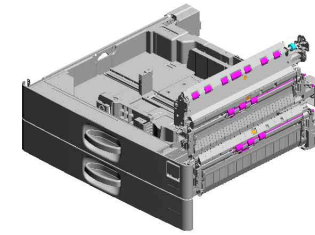
- 20.AA082186 (x2) PLAIN SHAFT BEARING: DIA8X DIA12X12: EG-1
- 111.D2022551 STAY: REGISTRATOR ASS'Y
- 14.11050758 (x5) CLAMP: LWSM-030 6A
- 22.AB011572 GEAR: Z19: DRIVEN: REGISTRATION
- 11.07200060E (x3) RETAINING RING - M6



U001	U002	U003	U004	U005	U006	U007	U008	U009	U010	U011	U012	U013	U014	U015	U016	U017	U018
------	------	------	------	------	------	------	------	------	------	------	------	------	------	------	------	------	------

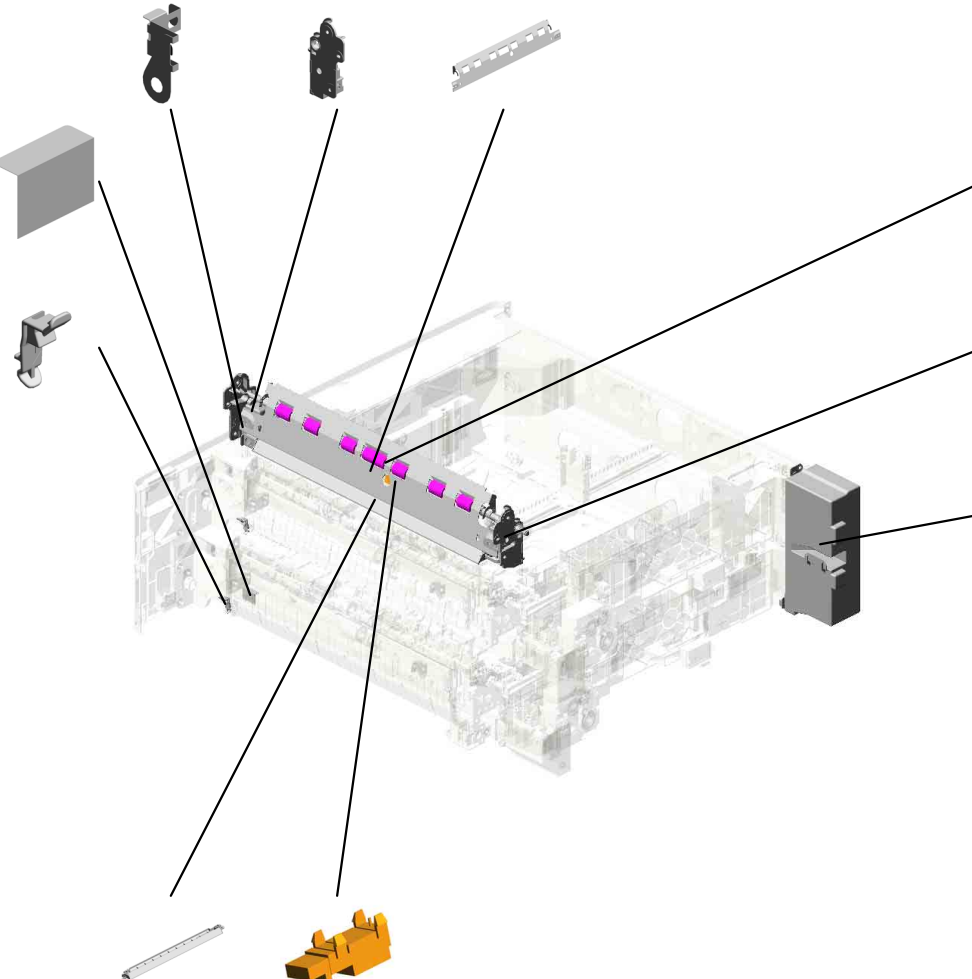
# U006 PAPER FEED

116.D2022577 GROUND PLATE:REGISTRATION GUIDE  
 117.D2022578 GUIDE:POSITIONING:REGISTRATION:FRONT  
 115.D2022576 GUIDE PLATE:REGISTRATION:DRIVE



148.D0CH2935 SHEET:PLATE:CUSHION

128.D2412731 (x2) STOPPER:GUIDE PLATE:SWIVEL



112.D2022561 SHAFT:REGISTRATION ROLLER:DRIVEN

114.D2022572 GUIDE:POSITIONING:REGISTRATION:INNER BACK

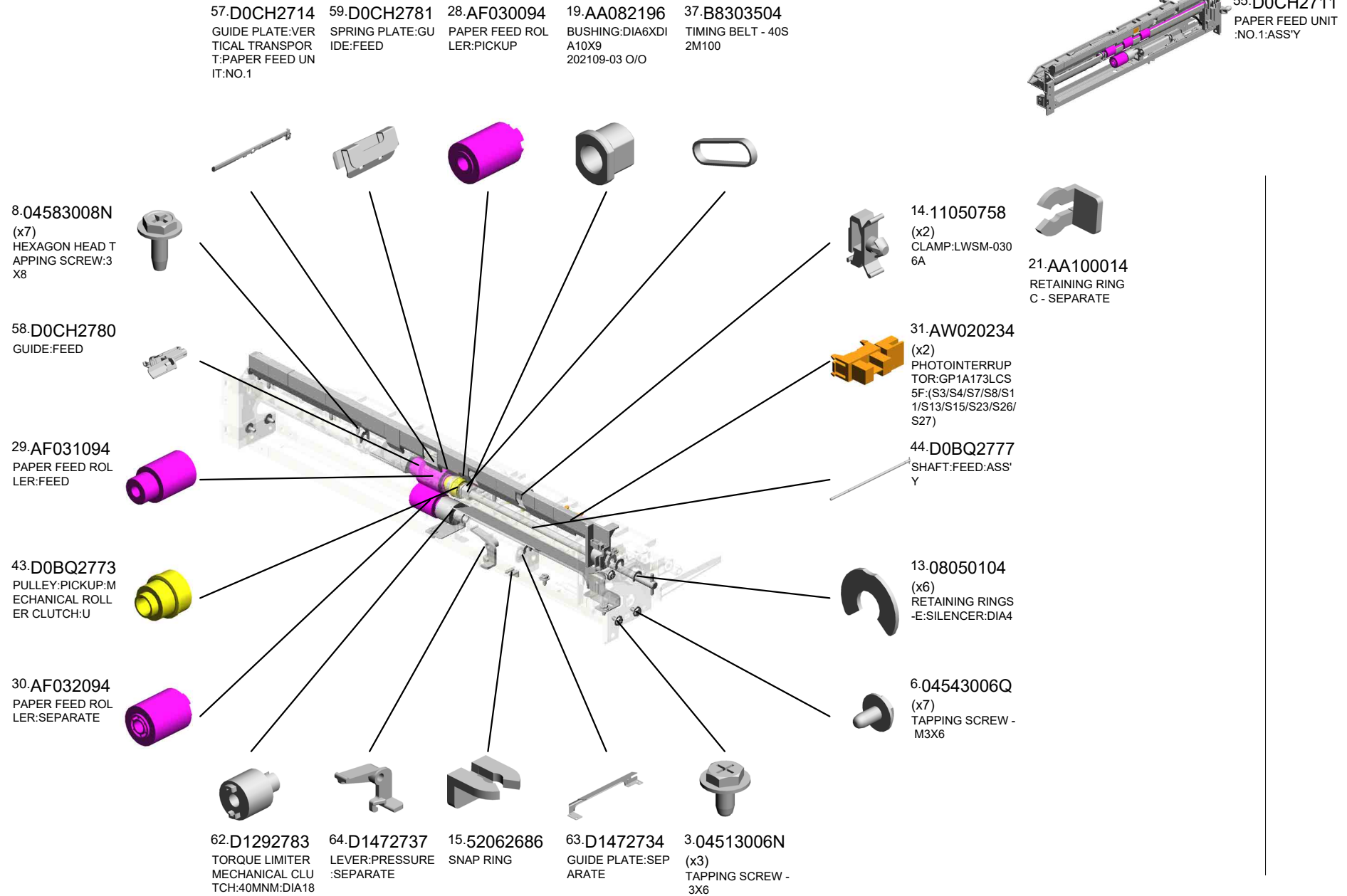
122.D2022887 COVER:PAPER TRAY:LEFT REAR

113.D2022566 CASE:REMOVE PAPER DUST:ASSY

147.GW010007 PHOTO REFLECTION SENSOR:EXIT:(S1/S2/S5/S6/S9/S17/S22)

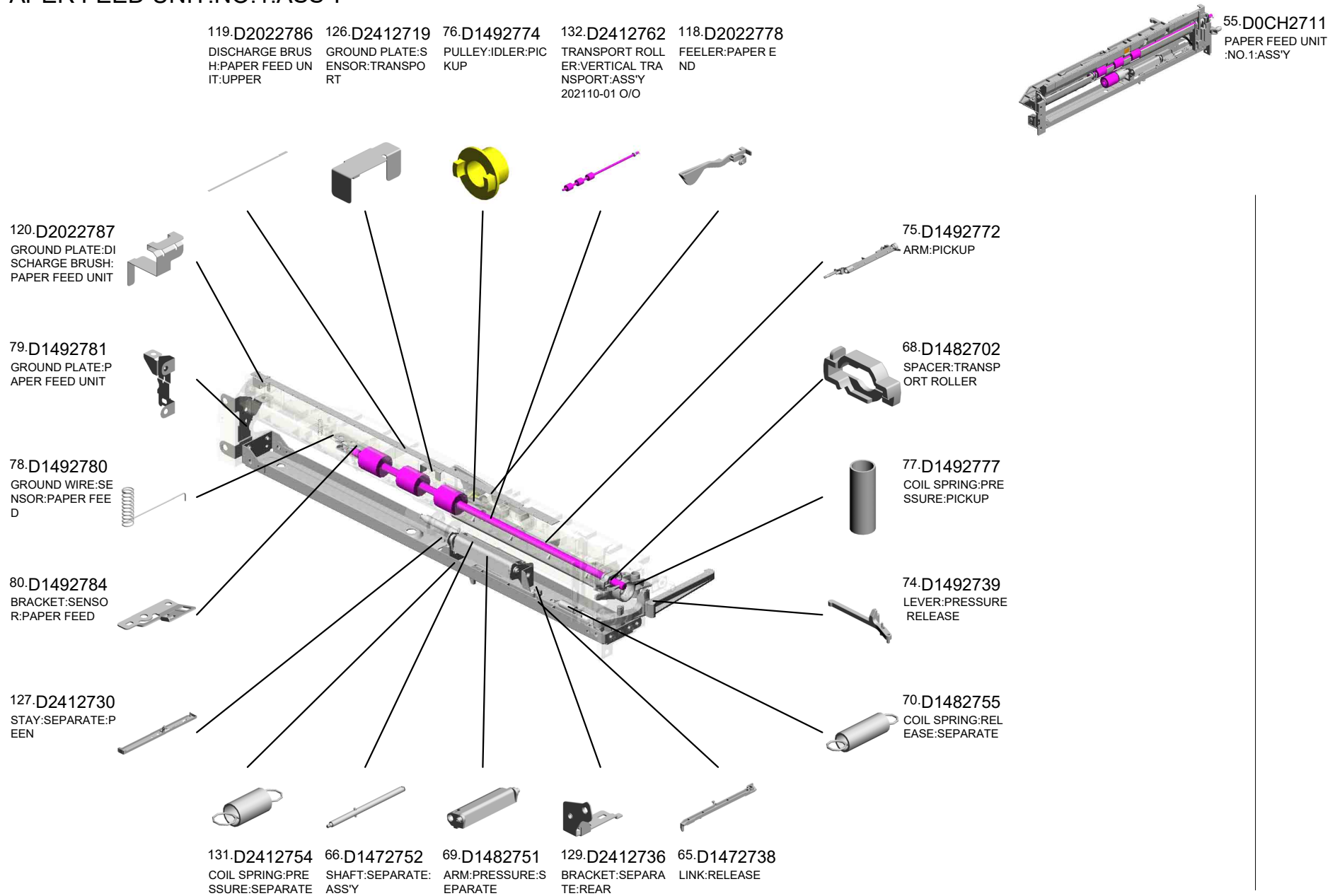
U001	U002	U003	U004	U005	<b>U006</b>	U007	U008	U009	U010	U011	U012	U013	U014	U015	U016	U017	U018
------	------	------	------	------	-------------	------	------	------	------	------	------	------	------	------	------	------	------

U006\_S001  
PAPER FEED UNIT:NO.1:ASS'Y



U001	U002	U003	U004	U005	U006	U007	U008	U009	U010	U011	U012	U013	U014	U015	U016	U017	U018
------	------	------	------	------	------	------	------	------	------	------	------	------	------	------	------	------	------

U006\_S001  
PAPER FEED UNIT:NO.1:ASS'Y

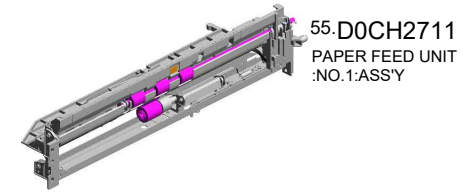


U001	U002	U003	U004	U005	U006	U007	U008	U009	U010	U011	U012	U013	U014	U015	U016	U017	U018
------	------	------	------	------	------	------	------	------	------	------	------	------	------	------	------	------	------

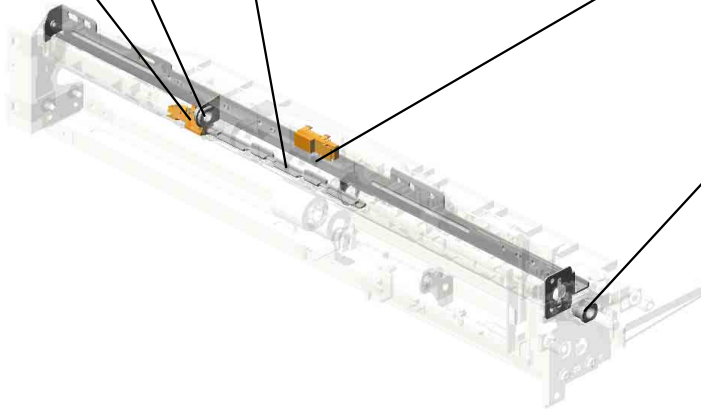


U006\_S001  
 PAPER FEED UNIT:NO.1:ASS'Y

149.AA082195 134.D2412782  
 PLAIN SHAFT BEA PLATE:HARNESS:  
 RING:DIA6XDIA10X PAPER FEED UNIT  
 6  
 202201-03 O/O



147.GW010007  
 (x2)  
 PHOTO REFLECTI  
 ON SENSOR.EXIT:(  
 S1/S2/S5/S6/S9/S1  
 7/S22)



133.D2412760  
 STAY:PAPER FEE  
 D UNIT:UPPER:PE  
 EN

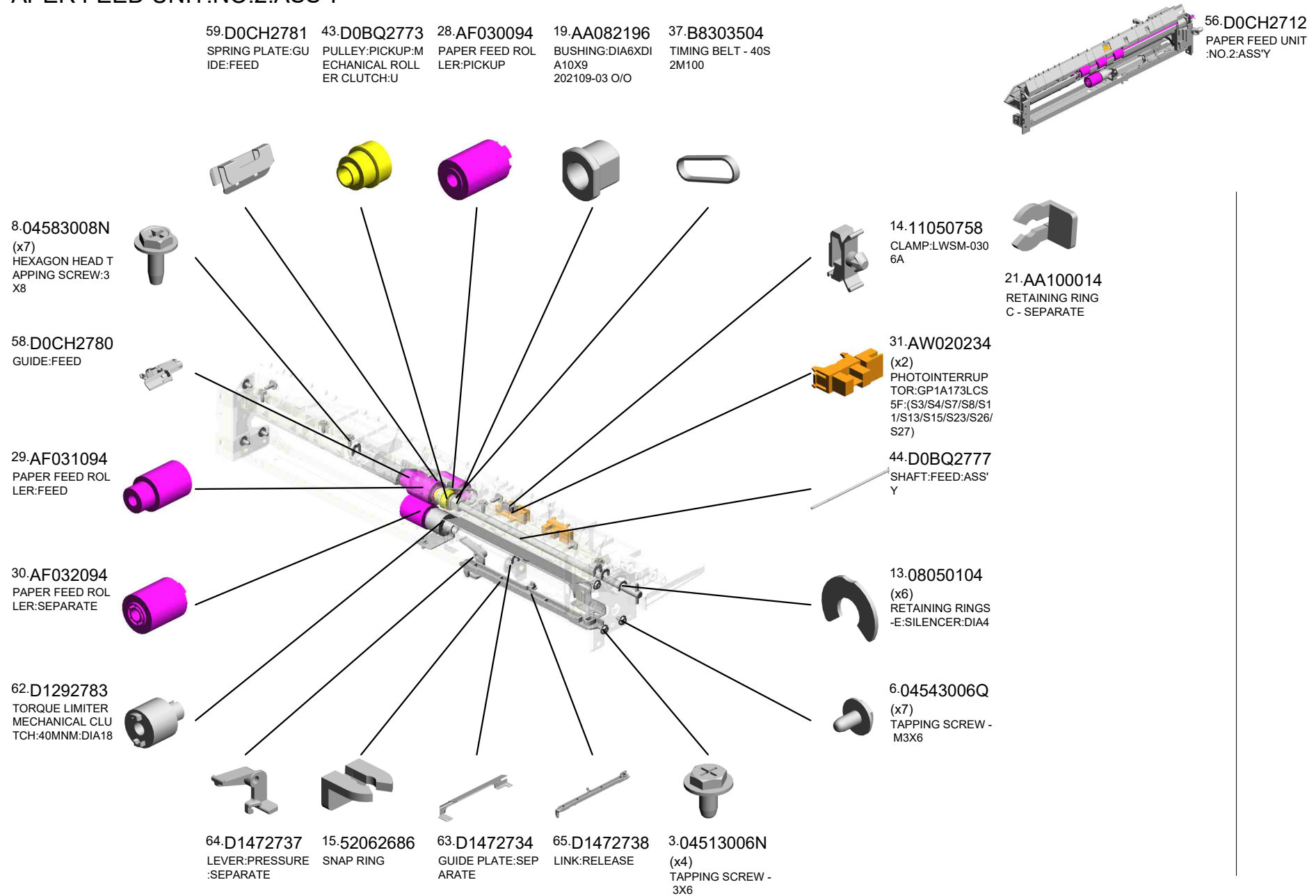


150.D0BQ2786  
 PLAIN SHAFT BEA  
 RING:FEED  
 202201-02 O/O



U001	U002	U003	U004	U005	<b>U006</b>	U007	U008	U009	U010	U011	U012	U013	U014	U015	U016	U017	U018
------	------	------	------	------	-------------	------	------	------	------	------	------	------	------	------	------	------	------

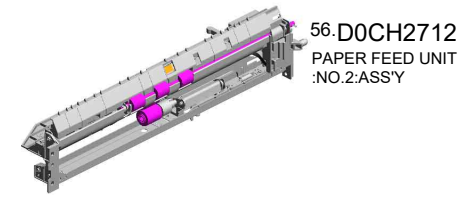
U006\_S002  
PAPER FEED UNIT:NO.2:ASS'Y



U001	U002	U003	U004	U005	U006	U007	U008	U009	U010	U011	U012	U013	U014	U015	U016	U017	U018
------	------	------	------	------	------	------	------	------	------	------	------	------	------	------	------	------	------

U006\_S002  
PAPER FEED UNIT:NO.2:ASS'Y

130.D2412742 GUIDE PLATE:VERTICAL TRANSPORT:PAPER FEED UNIT:NO.2  
 126.D2412719 GROUND PLATE:SENSOR:TRANSPORT  
 76.D1492774 PULLEY:IDLER:PICKUP  
 132.D2412762 TRANSPORT ROLLER:VERTICAL TRANSPORT:ASS'Y 202110-01 O/O  
 118.D2022778 FEELER:PAPER END



79.D1492781  
GROUND PLATE:PAPER FEED UNIT

78.D1492780  
GROUND WIRE:SENSOR:PAPER FEED

80.D1492784  
BRACKET:SENSOR:PAPER FEED

133.D2412760  
STAY:PAPER FEED UNIT:UPPER:PEEN

127.D2412730  
STAY:SEPARATE:PEEN

131.D2412754  
COIL SPRING:PRESSURE:SEPARATE

66.D1472752  
SHAFT:SEPARATE:ASS'Y

69.D1482751  
ARM:PRESSURE:SEPARATE

129.D2412736  
BRACKET:SEPARATE:REAR

70.D1482755  
COIL SPRING:RELEASE:SEPARATE

105.D1752726  
STOPPER:GUIDE PLATE:SWIVEL

75.D1492772  
ARM:PICKUP

68.D1482702  
SPACER:TRANSPORT ROLLER

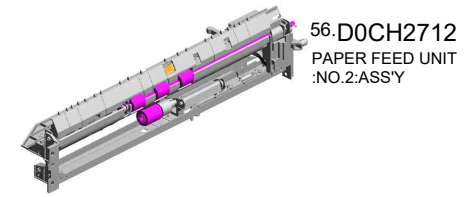
77.D1492777  
COIL SPRING:PRESSURE:PICKUP

74.D1492739  
LEVER:PRESSURE RELEASE

U001	U002	U003	U004	U005	<b>U006</b>	U007	U008	U009	U010	U011	U012	U013	U014	U015	U016	U017	U018
------	------	------	------	------	-------------	------	------	------	------	------	------	------	------	------	------	------	------

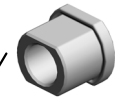
U006\_S002  
 PAPER FEED UNIT:NO.2:ASS'Y

149.AA082195  
 PLAIN SHAFT BEA  
 RING:DIA6XDIA10X  
 6  
 202201-03 O/O

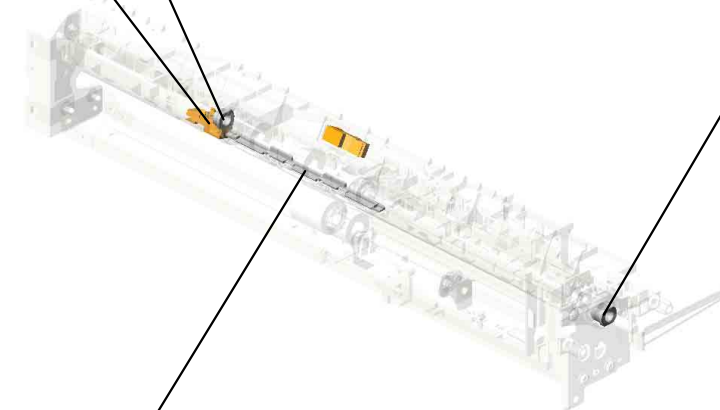


56.D0CH2712  
 PAPER FEED UNIT  
 :NO.2:ASS'Y

147.GW010007  
 (x2)  
 PHOTO REFLECTI  
 ON SENSOR.EXIT:(  
 S1/S2/S5/S6/S9/S1  
 7/S22)



150.D0BQ2786  
 PLAIN SHAFT BEA  
 RING:FEED  
 202201-02 O/O

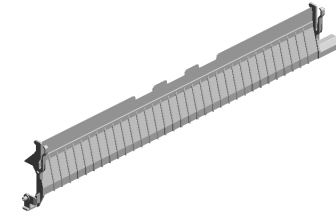


134.D2412782  
 PLATE:HARNESS:  
 PAPER FEED UNIT

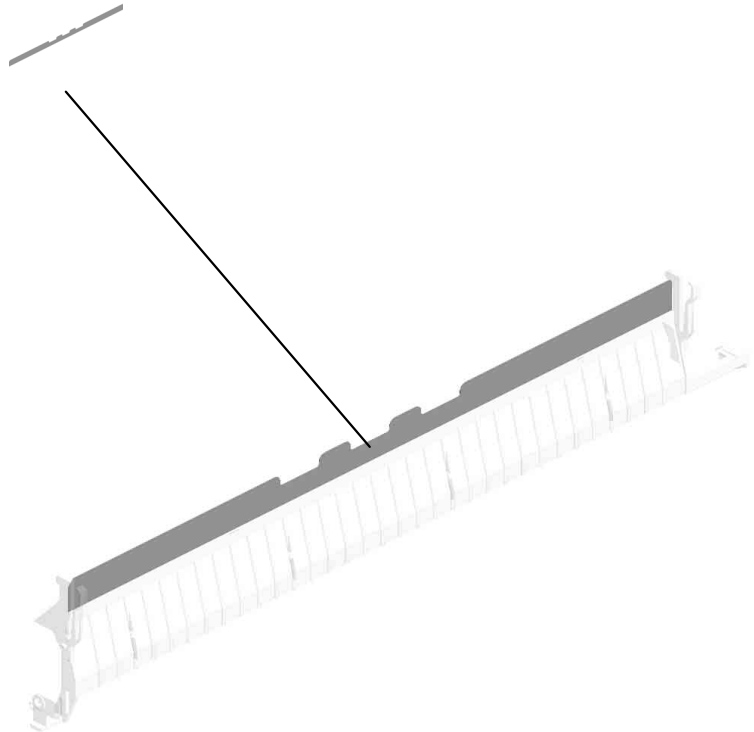
U001	U002	U003	U004	U005	<b>U006</b>	U007	U008	U009	U010	U011	U012	U013	U014	U015	U016	U017	U018
------	------	------	------	------	-------------	------	------	------	------	------	------	------	------	------	------	------	------

U006\_S003  
GUIDE PLATE:SWIVEL:NO.1:ADHESION

71.D1492712  
SHEET:GUIDE PLA  
TE:SWIVEL



72.D0E32713  
[A]  
GUIDE PLATE:SWI  
VEL:NO.1:ADHESI  
ON  
202308-01 O/O



D1492713  
[A]  
GUIDE PLATE:SWI  
VEL:NO.1  
202308-01 O/O

U001	U002	U003	U004	U005	U006	U007	U008	U009	U010	U011	U012	U013	U014	U015	U016	U017	U018
------	------	------	------	------	------	------	------	------	------	------	------	------	------	------	------	------	------

U006\_S004  
SUPPORTER:RIGHT:NO.2:ASS'Y

102.D1492924  
STOPPER:PAPER  
TRAY

99.D1492903  
SUPPORTER:RIGHT:  
T:NO.2:ASS'Y

6.04543006Q  
(x3)  
TAPPING SCREW -  
M3X6

12.08050103  
RETAINING RINGS  
-E:SILENCER:DIA3

101.D1492923  
ROLLER:SUPPORT  
ER:PAPER TRAY

U001	U002	U003	U004	U005	<b>U006</b>	U007	U008	U009	U010	U011	U012	U013	U014	U015	U016	U017	U018
------	------	------	------	------	-------------	------	------	------	------	------	------	------	------	------	------	------	------

U006\_S005  
SUPPORTER:RIGHT:NO.1:ASS'Y

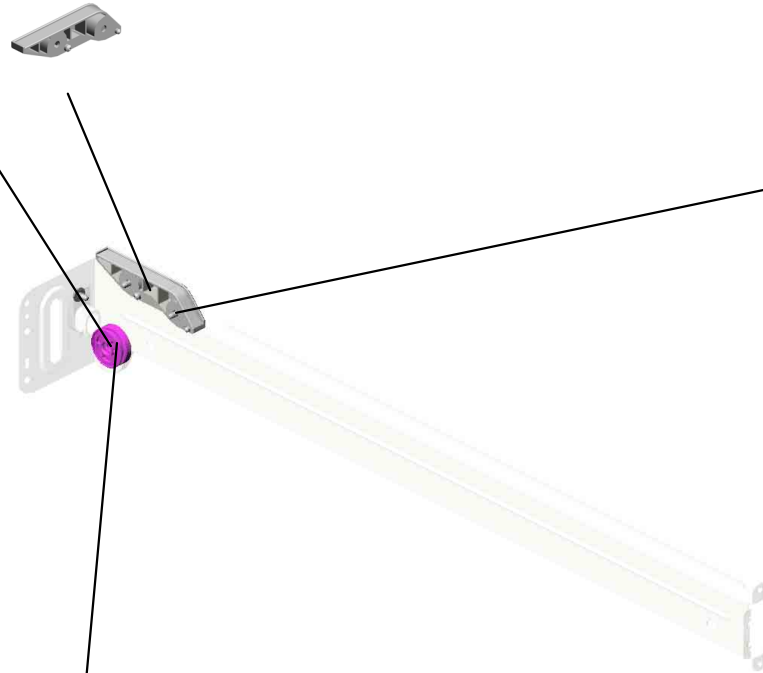
102.D1492924  
STOPPER:PAPER  
TRAY

100.D1492905  
SUPPORTER:RIGH  
T:NO.1:ASS'Y

104.D1492956  
ROLLER:SUPPORT  
ER:PAPER TRAY

6.04543006Q  
(x3)  
TAPPING SCREW -  
M3X6

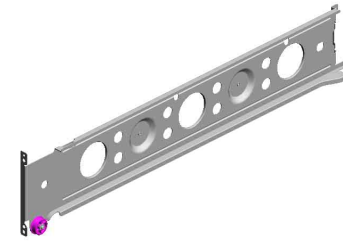
12.08050103  
RETAINING RINGS  
-E:SILENCER:DIA3



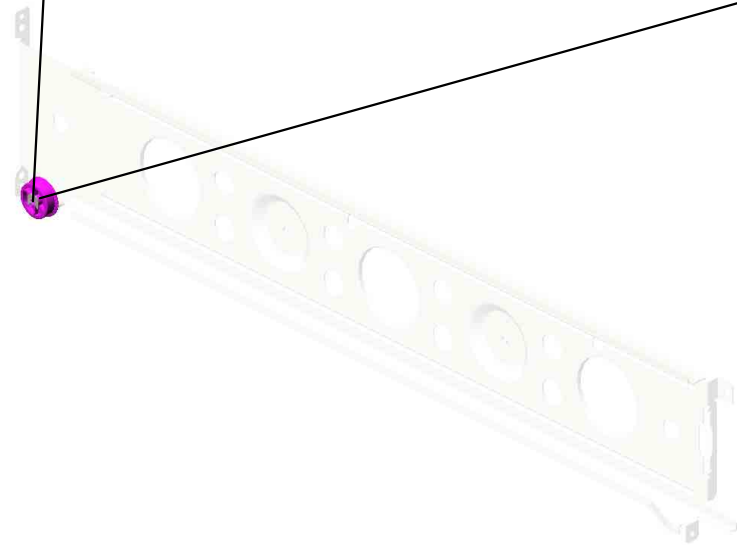
U001	U002	U003	U004	U005	<b>U006</b>	U007	U008	U009	U010	U011	U012	U013	U014	U015	U016	U017	U018
------	------	------	------	------	-------------	------	------	------	------	------	------	------	------	------	------	------	------

U006\_S006  
SUPPORTER:LEFT:NO.1:ASS'Y

12.08050103  
RETAINING RINGS  
-E:SILENCER:DIA3



123.D2022902  
SUPPORTER:LEFT  
:NO.1:ASS'Y



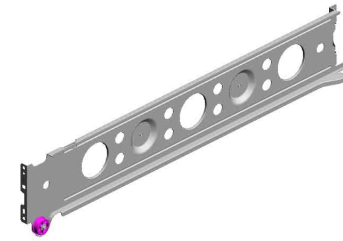
103.D1492928  
ROLLER:SUPPORT  
ER:PAPER TRAY:L  
EFT

U001	U002	U003	U004	U005	<b>U006</b>	U007	U008	U009	U010	U011	U012	U013	U014	U015	U016	U017	U018
------	------	------	------	------	-------------	------	------	------	------	------	------	------	------	------	------	------	------



U006\_S007  
SUPPORTER:LEFT:NO.2:ASS'Y

12.08050103  
RETAINING RINGS  
-E:SILENCER:DIA3



124.D2022904  
SUPPORTER:LEFT  
:NO.2:ASS'Y



103.D1492928  
ROLLER:SUPPORT  
ER:PAPER TRAY:L  
EFT

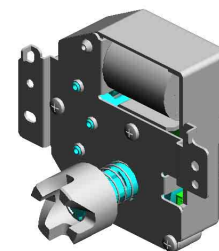
U001	U002	U003	U004	U005	<b>U006</b>	U007	U008	U009	U010	U011	U012	U013	U014	U015	U016	U017	U018
------	------	------	------	------	-------------	------	------	------	------	------	------	------	------	------	------	------	------

U006\_S008  
 DC MOTOR:RISING TRAY:ASS'Y:1.007W:BRUSH:(M1/M2)

5.04523010N (x4)  
 BINDING SELF-TAPPING SCREW:3X10

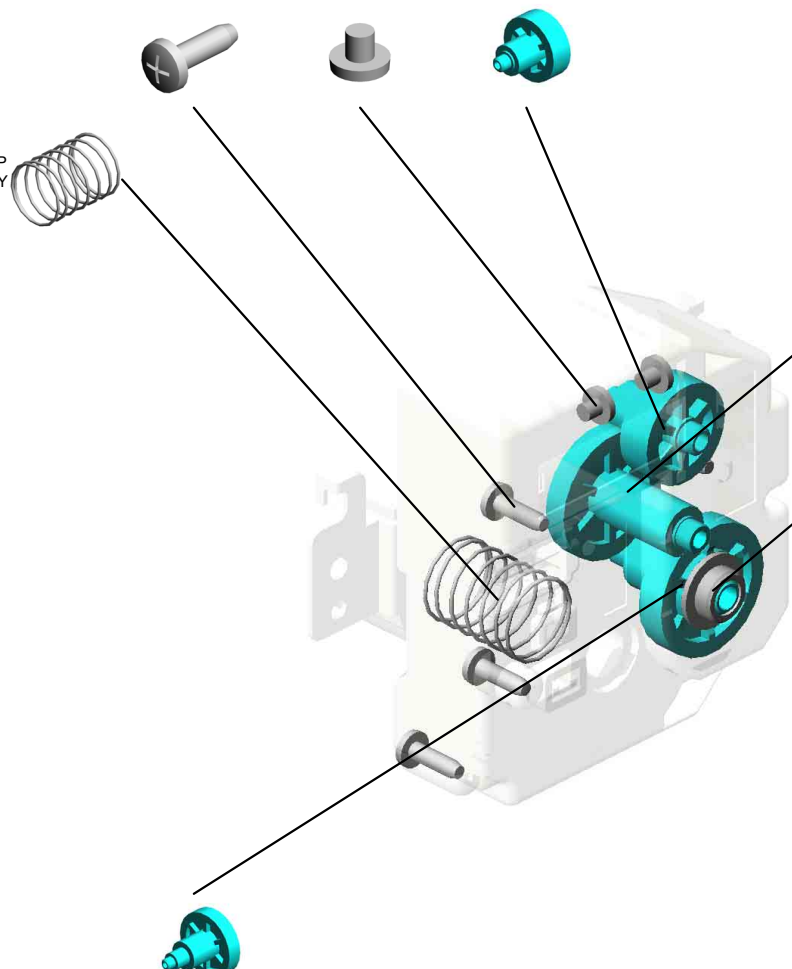
1.03530030N (x2)  
 SCREW:M3X3

25.AB017783  
 GEAR:RISING TRAY:3



34.AX040273  
 DC MOTOR:RISING TRAY:ASS'Y:1.007W:BRUSH:(M1/M2)

16.AA063701  
 COMPRESSION SPRING:RISING TRAY



24.AB017782  
 GEAR:RISING TRAY:2

17.AA080361  
 PLAIN SHAFT BEARING:CASE:RISING TRAY

26.AB017899  
 GEAR:RISING TRAY:1

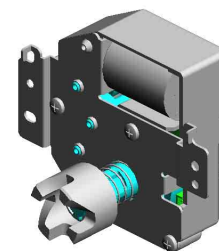
U001	U002	U003	U004	U005	U006	U007	U008	U009	U010	U011	U012	U013	U014	U015	U016	U017	U018
------	------	------	------	------	------	------	------	------	------	------	------	------	------	------	------	------	------

U006\_S009  
 DC MOTOR:RISING TRAY:ASS'Y:1.007W:BRUSH:(M1/M2)

5.04523010N (x4)  
 BINDING SELF-TAPPING SCREW:3X10

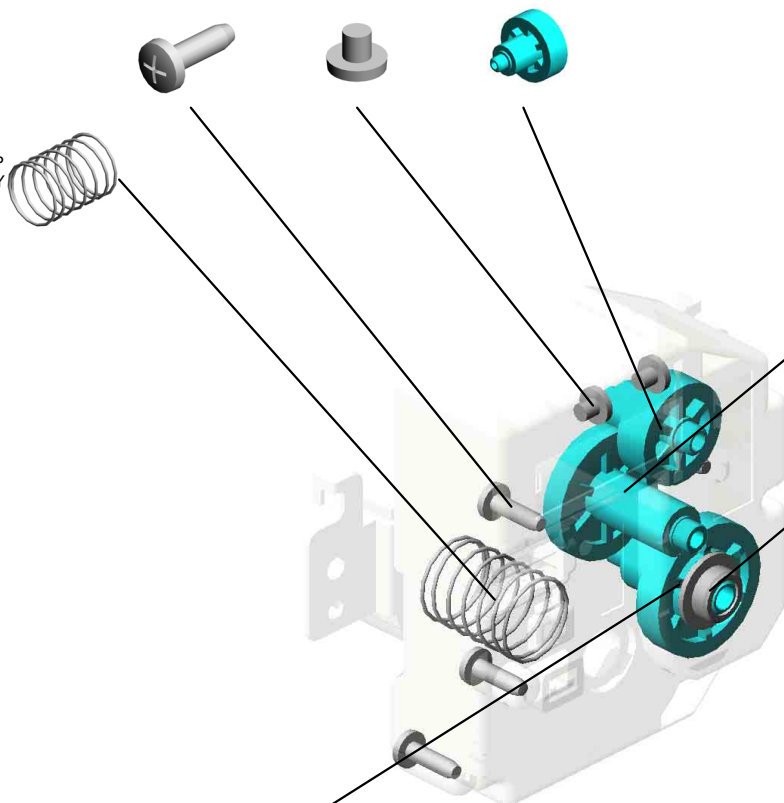
1.03530030N (x2)  
 SCREW:M3X3

25.AB017783  
 GEAR:RISING TRAY:3



34.AX040273  
 DC MOTOR:RISING TRAY:ASS'Y:1.007W:BRUSH:(M1/M2)

16.AA063701  
 COMPRESSION SPRING:RISING TRAY



24.AB017782  
 GEAR:RISING TRAY:2

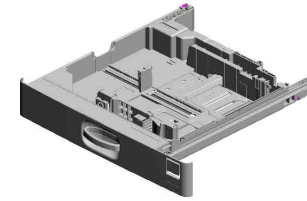
17.AA080361  
 PLAIN SHAFT BEARING:CASE:RISING TRAY

26.AB017899  
 GEAR:RISING TRAY:1

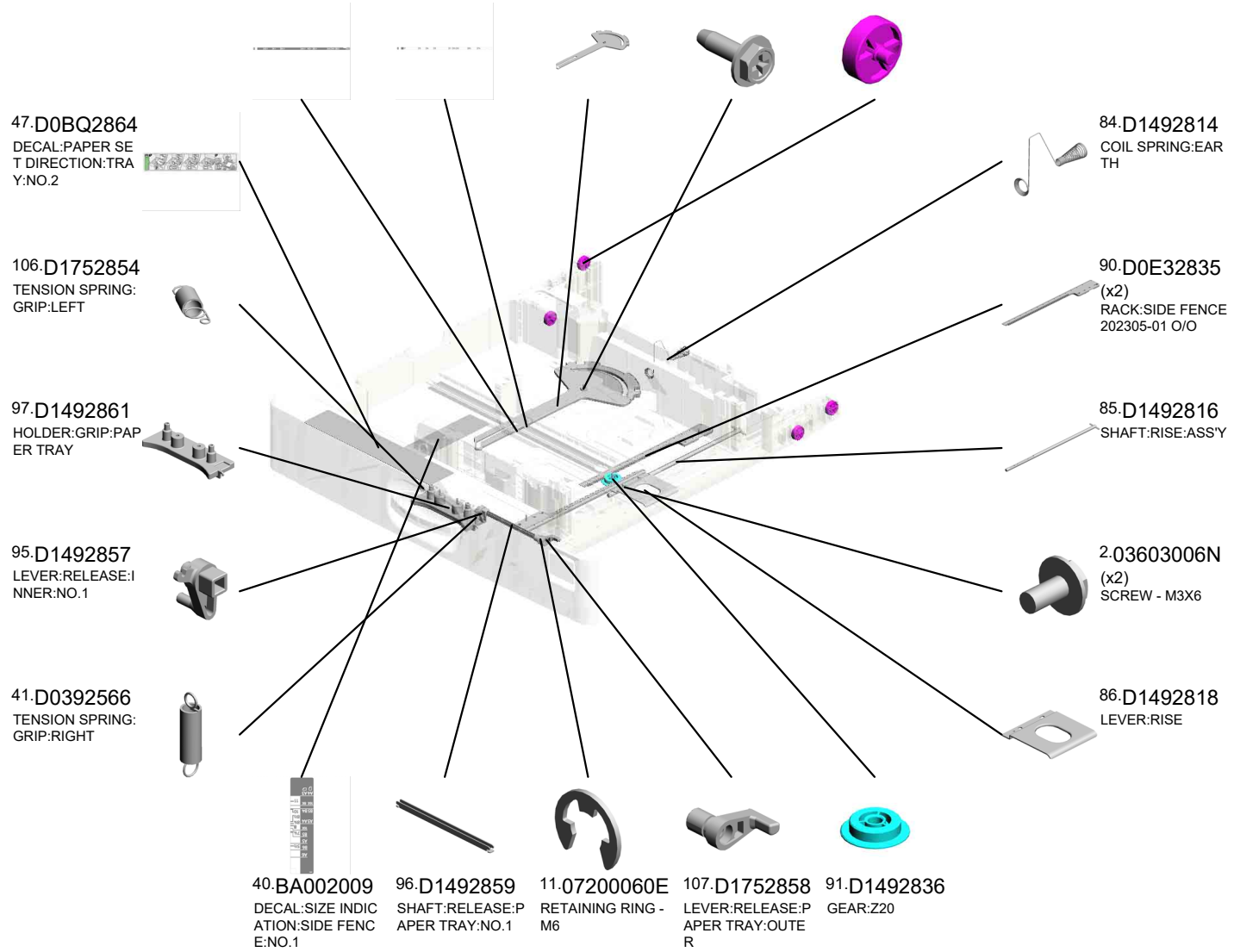
U001	U002	U003	U004	U005	<b>U006</b>	U007	U008	U009	U010	U011	U012	U013	U014	U015	U016	U017	U018
------	------	------	------	------	-------------	------	------	------	------	------	------	------	------	------	------	------	------

U006\_S010  
PAPER TRAY:NO.1:ASS'Y

- 38.BA002007 DECAL:SIZE INDICATION:END FENCE:FRONT
- 39.BA002008 DECAL:SIZE INDICATION:END FENCE:REAR
- 121.D2022819 LINK:END FENCE:PAPER SIZE SENSOR:A3
- 9.04583010N (x6) HEXAGON HEAD TAPPING SCREW:3 X10
- 83.D1492812 (x4) ROLLER:PAPER TRAY:DIA19



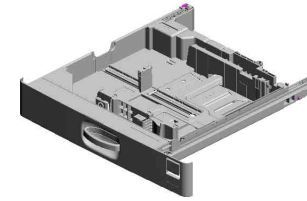
60.D0CH2801  
[A]  
PAPER TRAY:NO.1  
:ASS'Y  
202302-02 O/O



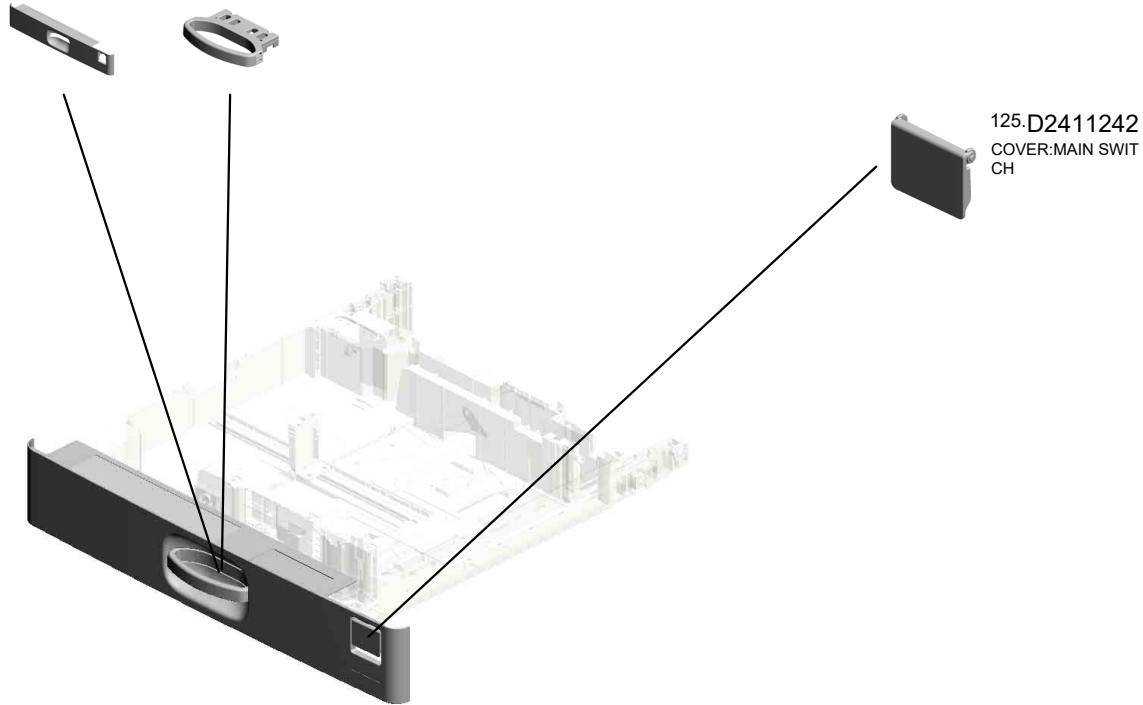
U001	U002	U003	U004	U005	U006	U007	U008	U009	U010	U011	U012	U013	U014	U015	U016	U017	U018
------	------	------	------	------	------	------	------	------	------	------	------	------	------	------	------	------	------

U006\_S010  
PAPER TRAY:NO.1:ASS'Y

138.D2892865 137.D2442856  
COVER:PAPER TR GRIP:PAPER TRAY  
AY:NO.1



60.D0CH2801  
[A]  
PAPER TRAY:NO.1  
:ASS'Y  
202302-02 O/O

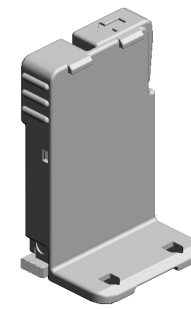


D0CH2800  
[A]  
PAPER TRAY:NO.1  
:ASS'Y  
202302-02 O/O

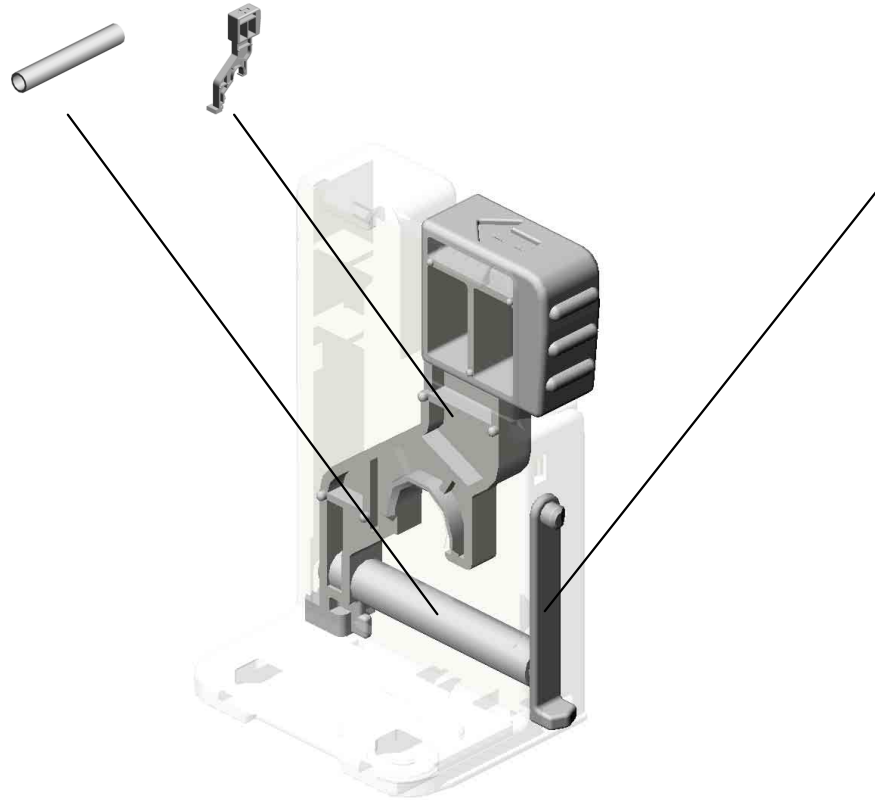
U001	U002	U003	U004	U005	<b>U006</b>	U007	U008	U009	U010	U011	U012	U013	U014	U015	U016	U017	U018
------	------	------	------	------	-------------	------	------	------	------	------	------	------	------	------	------	------	------

U006\_S010\_S001  
END FENCE:PAPER TRAY:ASS'Y

94.D1492845 92.D1492842  
COMPRESSION SP LEVER:END FENC  
RING:END FENCE: E  
LEVER:5N



46.D0BQ2840  
END FENCE:PAPE  
R TRAY:ASS'Y

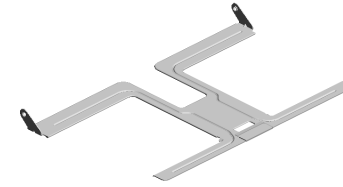


93.D1492843  
CLICK:END FENCE

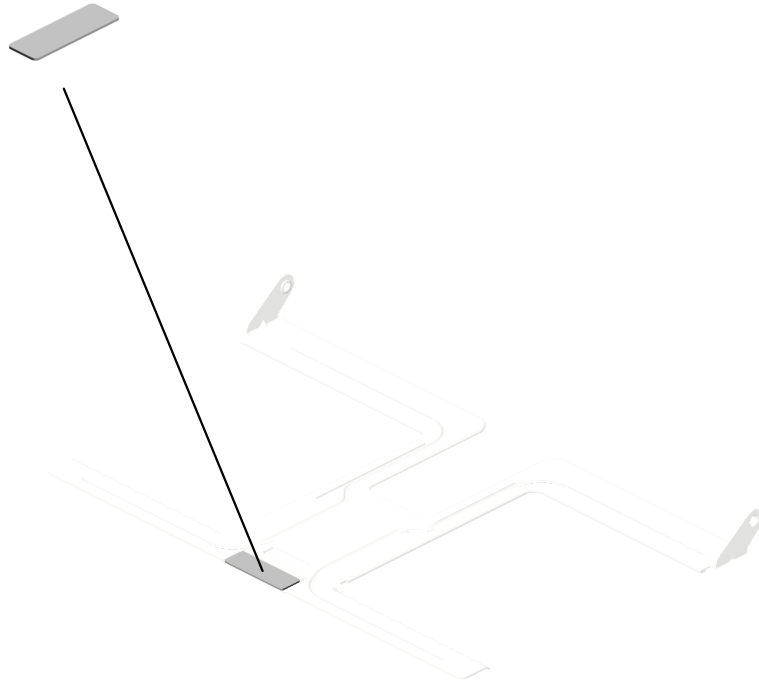
U001	U002	U003	U004	U005	<b>U006</b>	U007	U008	U009	U010	U011	U012	U013	U014	U015	U016	U017	U018
------	------	------	------	------	-------------	------	------	------	------	------	------	------	------	------	------	------	------

U006\_S010\_S002  
TRAY BOTTOM PLATE:NO.2:ASS'Y

27.AF013019  
PAD:TRAY BOTTO  
M PLATE



48.D0BQ2873  
TRAY BOTTOM PL  
ATE:NO.2:ASS'Y

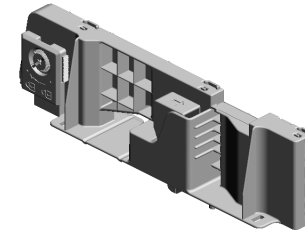


U001	U002	U003	U004	U005	<b>U006</b>	U007	U008	U009	U010	U011	U012	U013	U014	U015	U016	U017	U018
------	------	------	------	------	-------------	------	------	------	------	------	------	------	------	------	------	------	------

U006\_S010\_S003  
SIDE FENCE:FRONT:ASS'Y

36.B2342864  
PAD:CLEANER

53.D0BQ2959  
DECAL:SIDE FENC  
E:PAPER VOLUME:  
FRONT

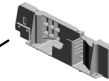


49.D0BQ2875  
SIDE FENCE:FRON  
T:ASSY

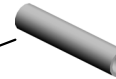
88.D1492826  
(x3)  
COMPRESSION SP  
RING:SIDE FENCE:  
PLATE:FRONT



153.D0E32878  
SIDE FENCE:FRON  
T:UNIVERSAL:NO.2



89.D1492827  
COMPRESSION SP  
RING:SIDE FENCE:  
POSITIONING



87.D1492824  
LEVER:STOPPER:  
FRONT

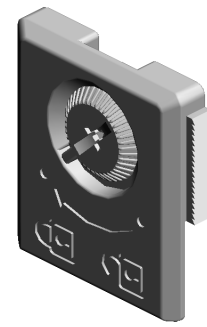
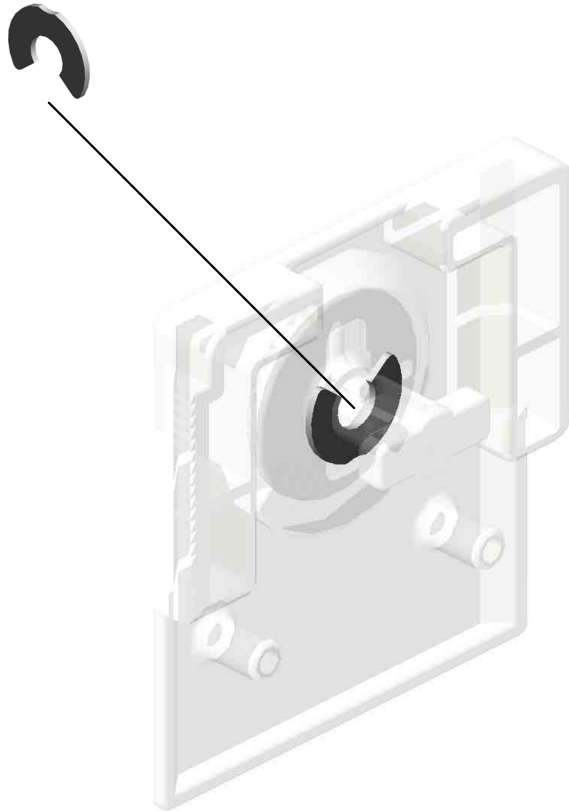


U001	U002	U003	U004	U005	U006	U007	U008	U009	U010	U011	U012	U013	U014	U015	U016	U017	U018
------	------	------	------	------	------	------	------	------	------	------	------	------	------	------	------	------	------



U006\_S010\_S003\_S001  
STAY:END FENCE:ASS'Y

13.08050104  
RETAINING RINGS  
-E:SILENCER:DIA4



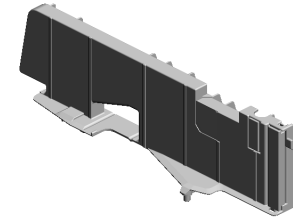
54.D0BQ2966  
STAY:END FENCE:  
ASS'Y

U001	U002	U003	U004	U005	<b>U006</b>	U007	U008	U009	U010	U011	U012	U013	U014	U015	U016	U017	U018
------	------	------	------	------	-------------	------	------	------	------	------	------	------	------	------	------	------	------

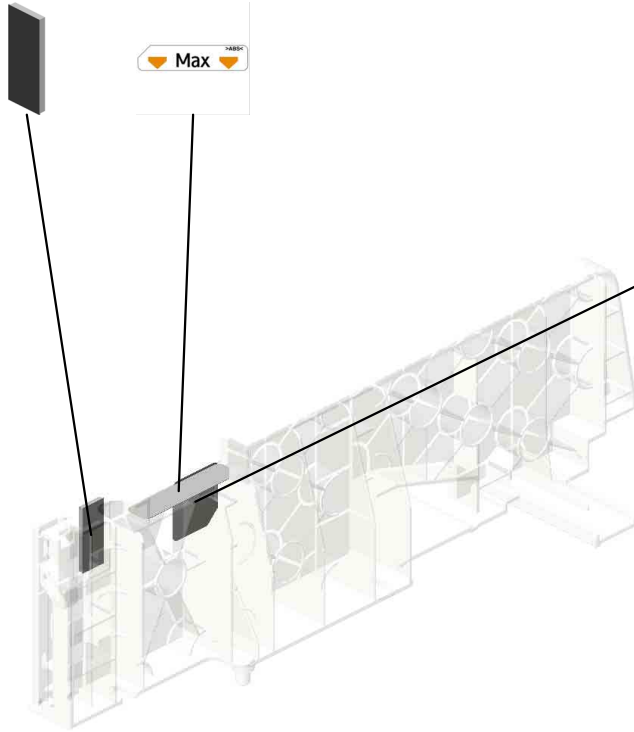
U006\_S010\_S004  
SIDE FENCE:REAR:ASS'Y

36.B2342864  
PAD:CLEANER

51.D0BQ2952  
DECAL:SIDE FENC  
E:PAPER VOLUME



61.D0CH2885  
SIDE FENCE:REAR  
:ASS'Y

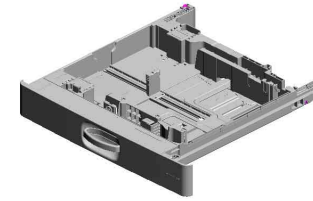


52.D0BQ2954  
DECAL:SIDE FENC  
E:PAPER VOLUME:  
ENVELOPE

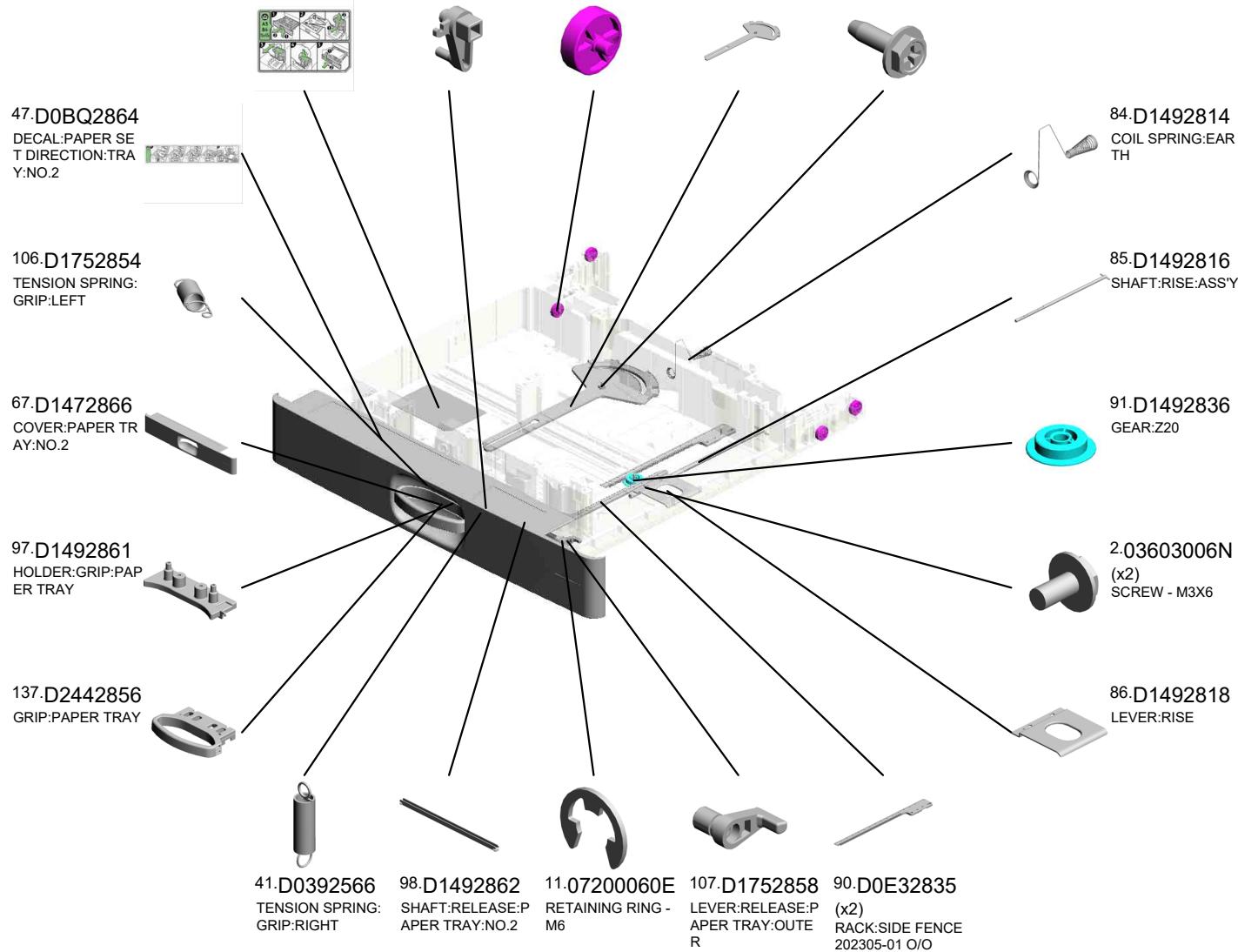
U001	U002	U003	U004	U005	<b>U006</b>	U007	U008	U009	U010	U011	U012	U013	U014	U015	U016	U017	U018
------	------	------	------	------	-------------	------	------	------	------	------	------	------	------	------	------	------	------

U006\_S011  
PAPER TRAY:NO.3:ASS'Y

- 140.D6932837 DECAL:SET:SIDE FENCE:AUXILIARY
- 35.B2232862 LEVER - RELEASE INNER
- 83.D1492812 (x4) ROLLER:PAPER TRAY:DIA19
- 108.D0DZ2872 LINK:END FENCE: PAPER SIZE SENSOR 202303-01 O/O
- 9.04583010N (x11) HEXAGON HEAD TAPPING SCREW:3 X10



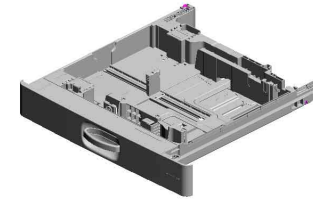
139.D3FZ2807  
[A]  
PAPER TRAY:NO.3  
:ASS'Y  
202302-01 O/O



U001	U002	U003	U004	U005	U006	U007	U008	U009	U010	U011	U012	U013	U014	U015	U016	U017	U018
------	------	------	------	------	------	------	------	------	------	------	------	------	------	------	------	------	------

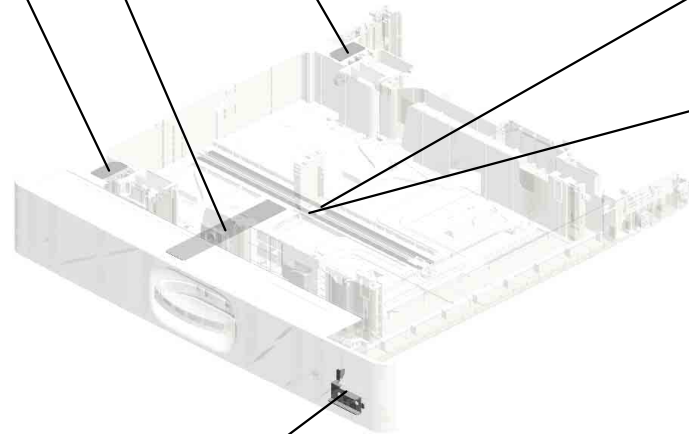
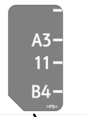
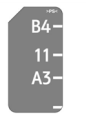
U006\_S011  
 PAPER TRAY:NO.3:ASS'Y

142.D6932868 144.D6932884  
 DECAL:SIZE INDICATION:SIDE FENCE:NO.3  
 DECAL:SIZE INDICATION:SIDE FENCE:AUXILIARY:REAR



139.D3FZ2807  
 [A]  
 PAPER TRAY:NO.3  
 :ASS'Y  
 202302-01 O/O

143.D6932883  
 DECAL:SIZE INDICATION:SIDE FENCE:AUXILIARY:FRONT



146.D7872849  
 DECAL:SIZE INDICATION:END FENCE:NO.3:REAR

145.D7872848  
 DECAL:SIZE INDICATION:END FENCE:NO.3:FRONT

141.D6932867  
 SUPPORTING PLATE:COVER:FRONT:PAPER TRAY



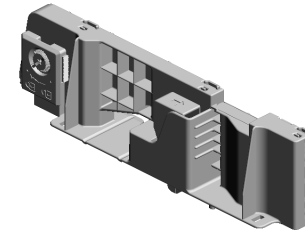
D3FZ2806  
 [A]  
 PAPER TRAY:NO.3  
 :ASS'Y  
 202302-01 O/O

U001	U002	U003	U004	U005	U006	U007	U008	U009	U010	U011	U012	U013	U014	U015	U016	U017	U018
------	------	------	------	------	------	------	------	------	------	------	------	------	------	------	------	------	------

U006\_S011\_S001  
SIDE FENCE:FRONT:ASS'Y

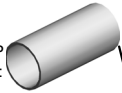
36.B2342864  
PAD:CLEANER

53.D0BQ2959  
DECAL:SIDE FENC  
E:PAPER VOLUME:  
FRONT

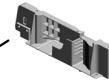


49.D0BQ2875  
SIDE FENCE:FRON  
T:ASSY

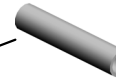
88.D1492826  
(x3)  
COMPRESSION SP  
RING:SIDE FENCE:  
PLATE:FRONT



153.D0E32878  
SIDE FENCE:FRON  
T:UNIVERSAL:NO.2



89.D1492827  
COMPRESSION SP  
RING:SIDE FENCE:  
POSITIONING



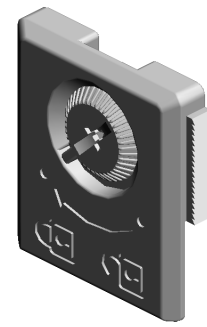
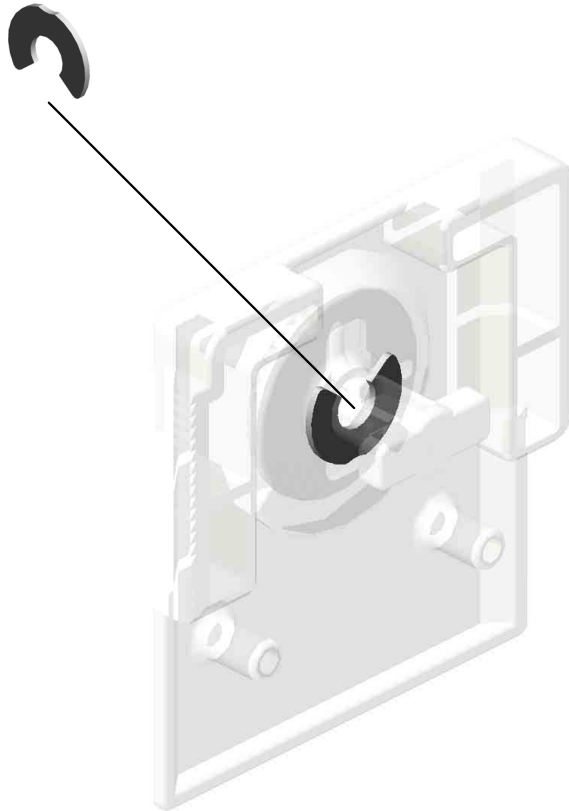
87.D1492824  
LEVER:STOPPER:  
FRONT



U001	U002	U003	U004	U005	U006	U007	U008	U009	U010	U011	U012	U013	U014	U015	U016	U017	U018
------	------	------	------	------	------	------	------	------	------	------	------	------	------	------	------	------	------

U006\_S011\_S001\_S001  
STAY:END FENCE:ASS'Y

13.08050104  
RETAINING RINGS  
-E:SILENCER:DIA4



54.D0BQ2966  
STAY:END FENCE:  
ASS'Y

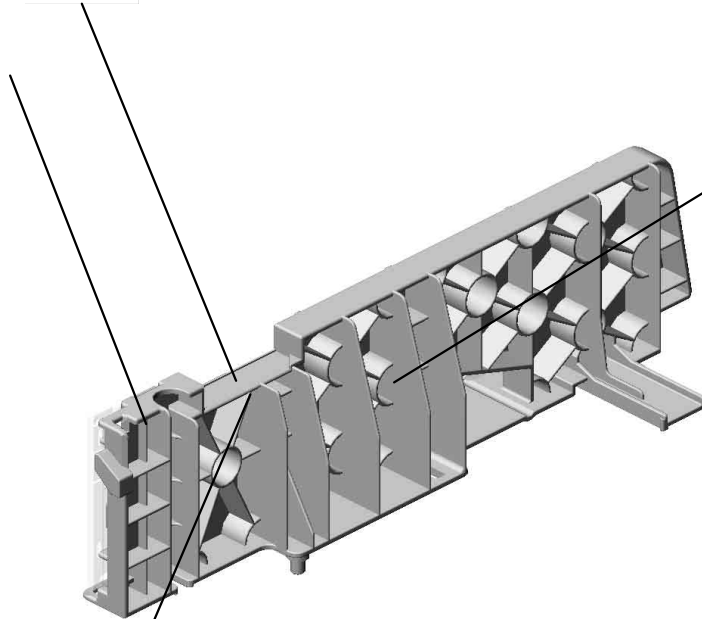
U001	U002	U003	U004	U005	<b>U006</b>	U007	U008	U009	U010	U011	U012	U013	U014	U015	U016	U017	U018
------	------	------	------	------	-------------	------	------	------	------	------	------	------	------	------	------	------	------

U006\_S011\_S002  
SIDE FENCE:REAR:ASS'Y

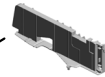
51.D0BQ2952  
DECAL:SIDE FENC  
E:PAPER VOLUME



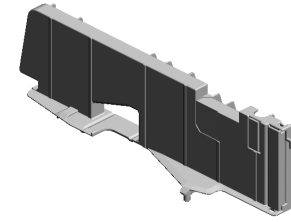
36.B2342864  
PAD:CLEANER



154.D0E32879  
SIDE FENCE:REAR  
:UNIVERSAL:NO.2



52.D0BQ2954  
DECAL:SIDE FENC  
E:PAPER VOLUME:  
ENVELOPE

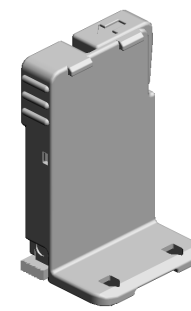


50.D0BQ2880  
SIDE FENCE:REAR  
:ASS'Y

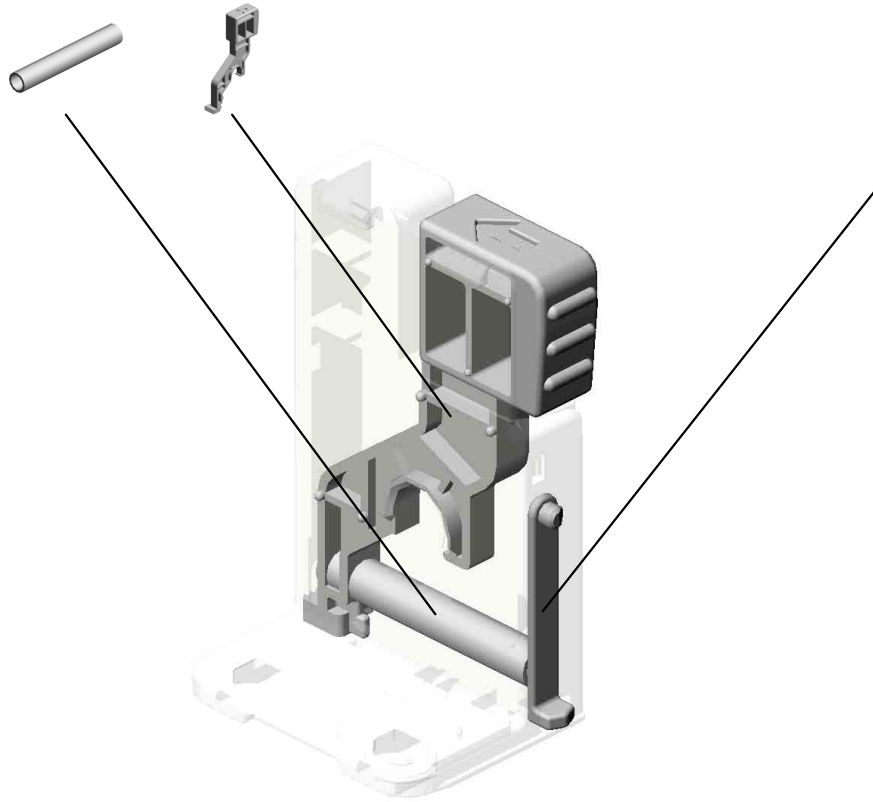
U001	U002	U003	U004	U005	<b>U006</b>	U007	U008	U009	U010	U011	U012	U013	U014	U015	U016	U017	U018
------	------	------	------	------	-------------	------	------	------	------	------	------	------	------	------	------	------	------

U006\_S011\_S003  
END FENCE:PAPER TRAY:ASS'Y

94.D1492845 92.D1492842  
COMPRESSION SP LEVER:END FENC  
RING:END FENCE: E  
LEVER:5N



46.D0BQ2840  
END FENCE:PAPE  
R TRAY:ASS'Y



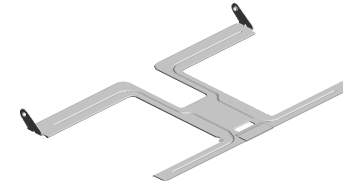
93.D1492843  
CLICK:END FENCE

U001	U002	U003	U004	U005	<b>U006</b>	U007	U008	U009	U010	U011	U012	U013	U014	U015	U016	U017	U018
------	------	------	------	------	-------------	------	------	------	------	------	------	------	------	------	------	------	------

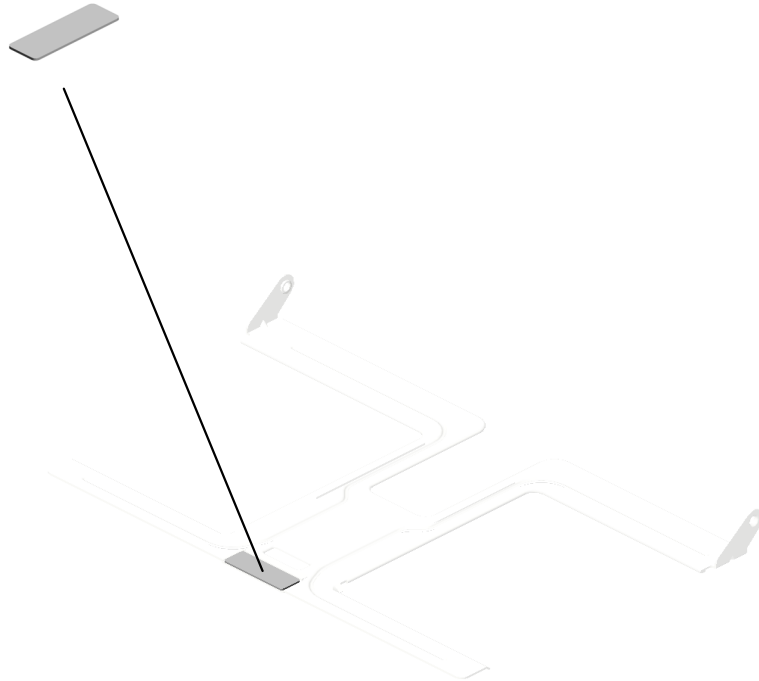


U006\_S011\_S004  
TRAY BOTTOM PLATE:NO.2:ASS'Y

27.AF013019  
PAD:TRAY BOTTO  
M PLATE



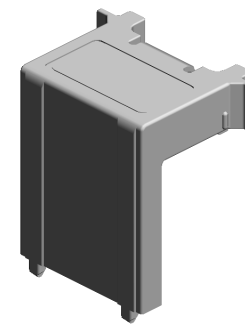
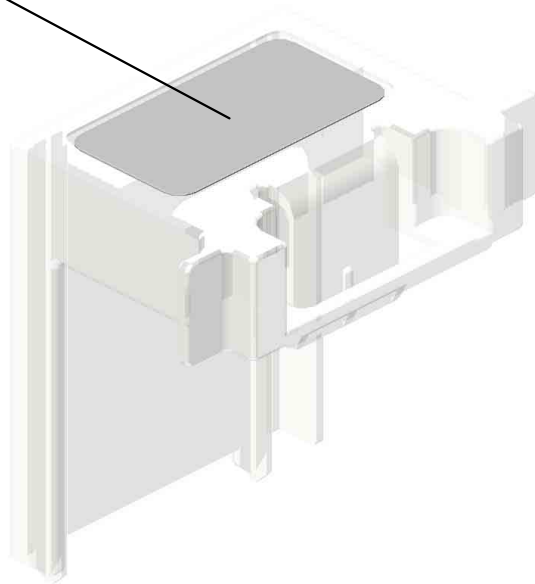
48.D0BQ2873  
TRAY BOTTOM PL  
ATE:NO.2:ASSY



U001	U002	U003	U004	U005	<b>U006</b>	U007	U008	U009	U010	U011	U012	U013	U014	U015	U016	U017	U018
------	------	------	------	------	-------------	------	------	------	------	------	------	------	------	------	------	------	------

U006\_S011\_S005  
SIDE FENCE:AUXILIARY

136.D2412885  
DECAL:SIDE FENC  
E:AUXILIARY

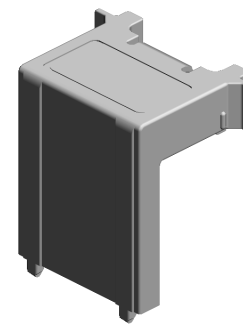
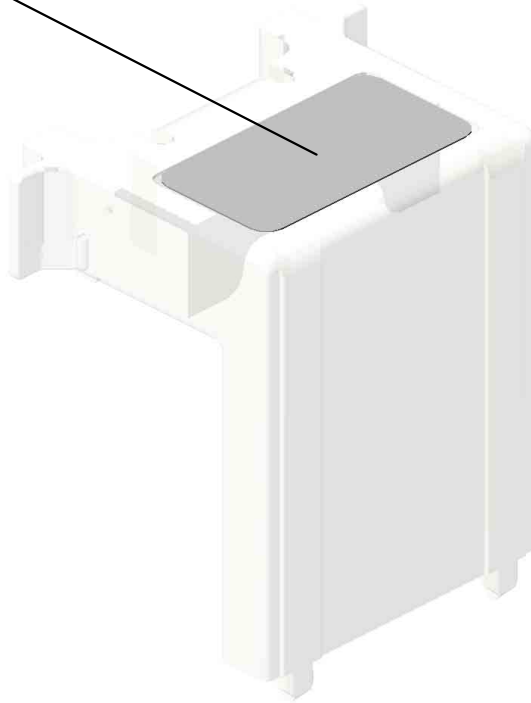


135.D2412873  
SIDE FENCE:AUXIL  
IARY

U001	U002	U003	U004	U005	<b>U006</b>	U007	U008	U009	U010	U011	U012	U013	U014	U015	U016	U017	U018
------	------	------	------	------	-------------	------	------	------	------	------	------	------	------	------	------	------	------

U006\_S011\_S006  
SIDE FENCE:AUXILIARY

136.D2412885  
DECAL:SIDE FENC  
E:AUXILIARY

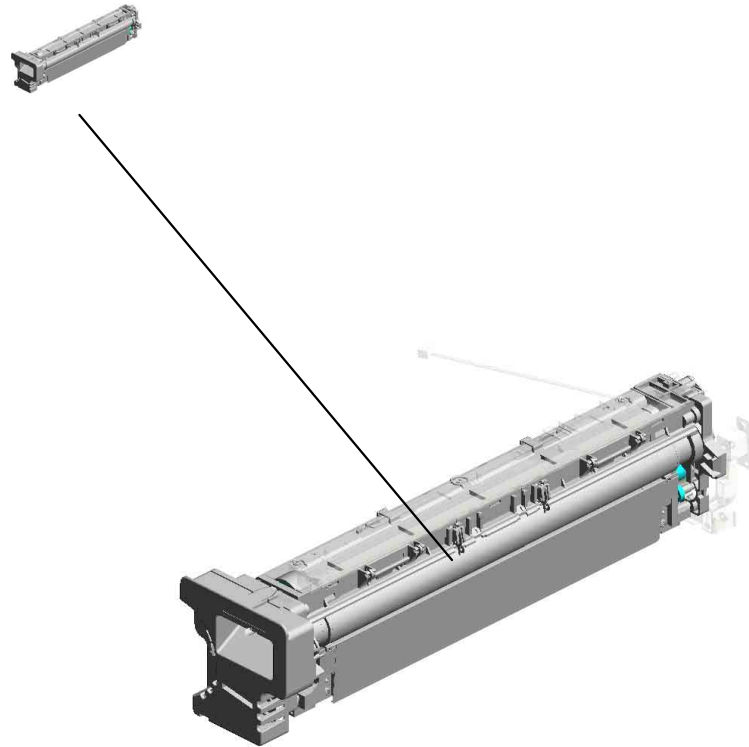


135.D2412873  
SIDE FENCE:AUXIL  
IARY

U001	U002	U003	U004	U005	<b>U006</b>	U007	U008	U009	U010	U011	U012	U013	U014	U015	U016	U017	U018
------	------	------	------	------	-------------	------	------	------	------	------	------	------	------	------	------	------	------

# U007.PCDU

U007 S001  
D0DL0120  
PCDU:IM2500-6000



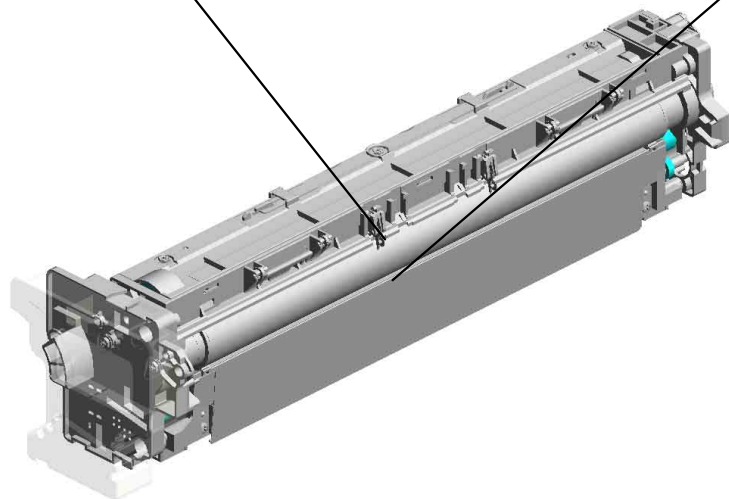
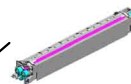
U001	U002	U003	U004	U005	U006	U007	U008	U009	U010	U011	U012	U013	U014	U015	U016	U017	U018
------	------	------	------	------	------	------	------	------	------	------	------	------	------	------	------	------	------

# U007\_S001.PCDU:IM2500-6000

U007 S001 S001  
D0DL2220  
PCU:IM2500-6000



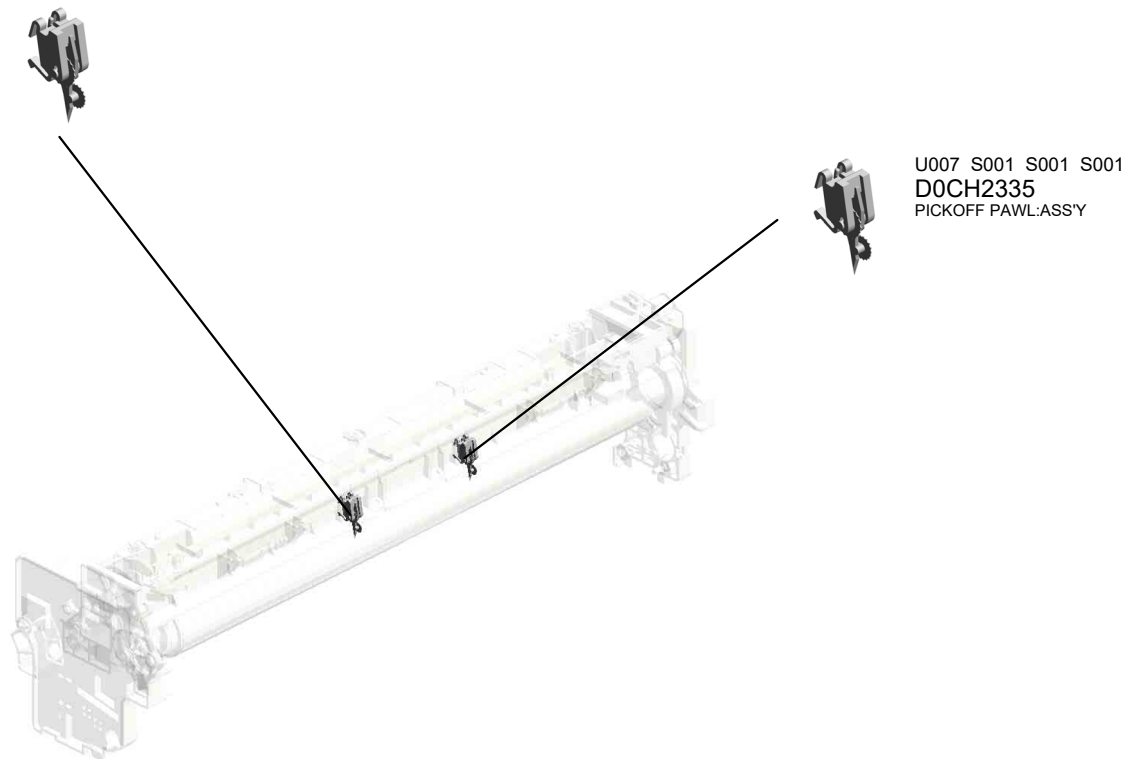
U007 S001 S002  
D0DL3020  
DEVELOPMENT UNIT:IM2500  
-6000



U001	U002	U003	U004	U005	U006	U007	U008	U009	U010	U011	U012	U013	U014	U015	U016	U017	U018
------	------	------	------	------	------	------	------	------	------	------	------	------	------	------	------	------	------

# U007\_S001\_S001.PCU:IM2500-6000

U007 S001 S001 S002  
D0CH2335  
PICKOFF PAWL:ASS'Y



U001	U002	U003	U004	U005	U006	U007	U008	U009	U010	U011	U012	U013	U014	U015	U016	U017	U018
------	------	------	------	------	------	------	------	------	------	------	------	------	------	------	------	------	------

# U007\_S001\_S002.DEVELOPMENT UNIT:IM2500-6000

U007 S001 S002 S001  
D0CH3119  
PLAIN SHAFT BEARING:TRA  
NSPORT SCREW:RIGHT FR  
ONT:ASS'Y

U007 S001 S002 S002  
D0CH3121  
PLAIN SHAFT BEARING:TRA  
NSPORT SCREW:LEFT FRO  
NT:ASS'Y

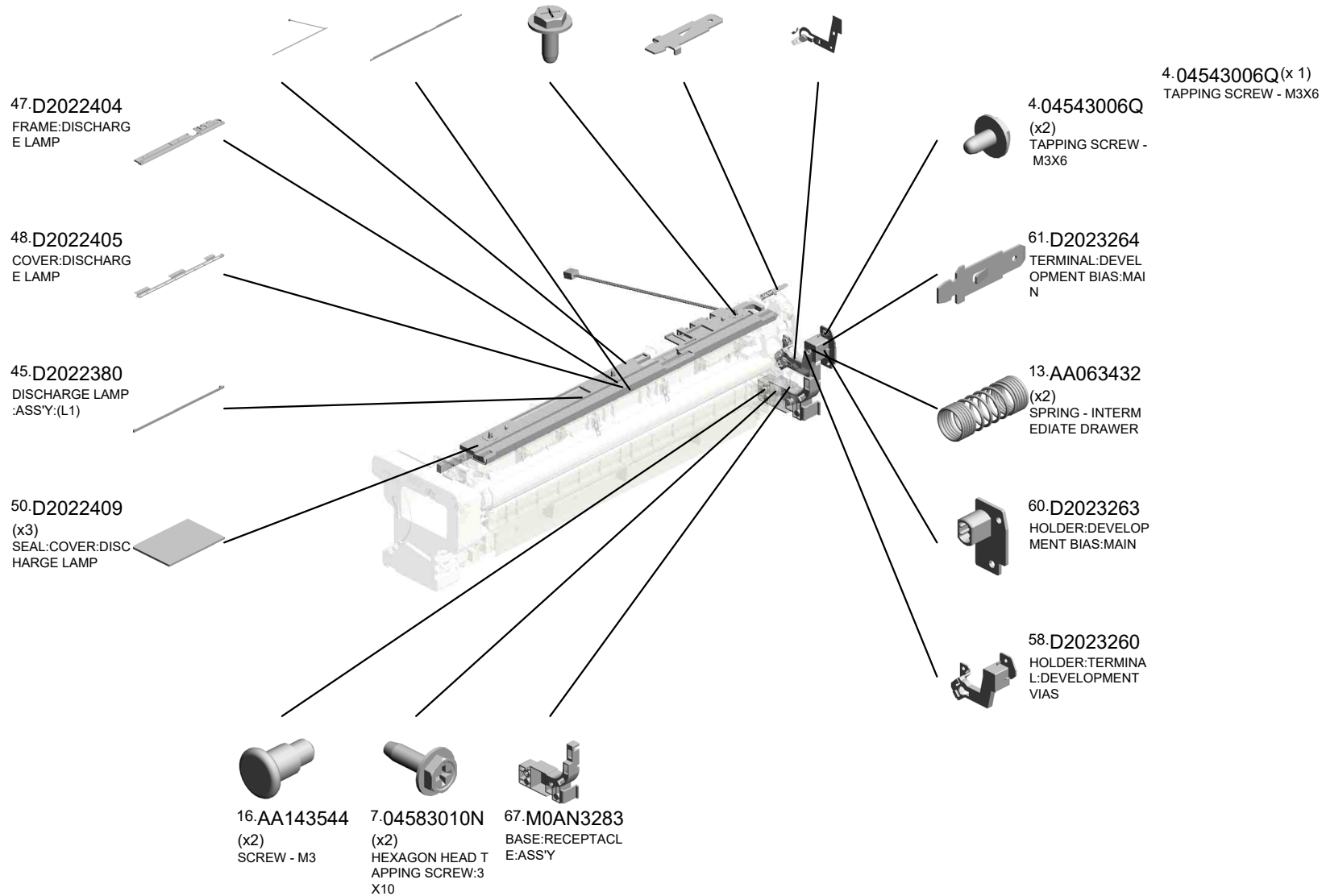
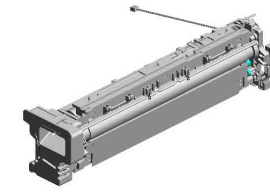
U007 S001 S002 S004  
D0CH3125  
PLAIN SHAFT BEARING:TRA  
NSPORT SCREW:LEFT REA  
R:ASS'Y

U007 S001 S002 S003  
D0CH3123  
PLAIN SHAFT BEARING:TRA  
NSPORT SCREW:RIGHT RE  
AR:ASS'Y

U001	U002	U003	U004	U005	U006	U007	U008	U009	U010	U011	U012	U013	U014	U015	U016	U017	U018
------	------	------	------	------	------	------	------	------	------	------	------	------	------	------	------	------	------

# U007 PCDU

- 46.D2022401 DISCHARGE LAMP :PCL:ASS'Y:(L2)
- 49.D2022407 SHEET.OPOSED: OPTICS SENSOR
- 5.04543008Q (x3) TAPPING SCREW: 3X8
- 22.D0091147 TERMINAL - DEVELOPMENT ROLLER
- 59.D2023261 TERMINAL:DEVELOPMENT BIAS:ASS'Y

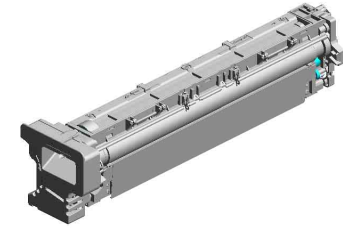


U001	U002	U003	U004	U005	U006	U007	U008	U009	U010	U011	U012	U013	U014	U015	U016	U017	U018
------	------	------	------	------	------	------	------	------	------	------	------	------	------	------	------	------	------

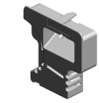


U007\_S001  
PCDU:IM2500-6000

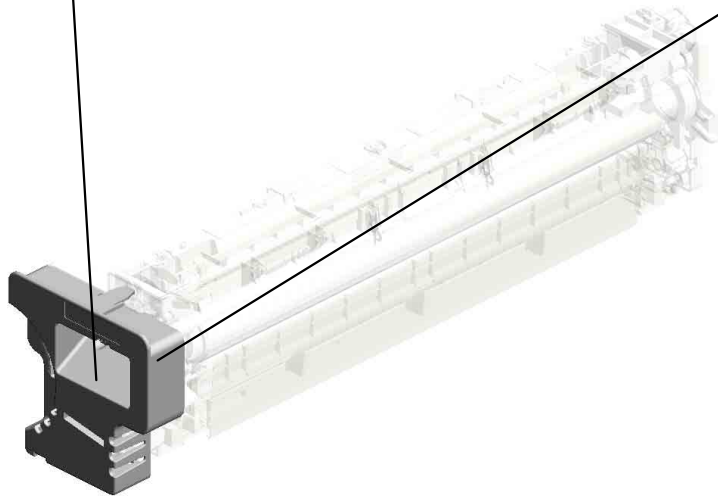
65.M0AN2271  
COVER:DRUM STA  
Y:FRONT



32.D0DL0120  
PCDU:IM2500-6000



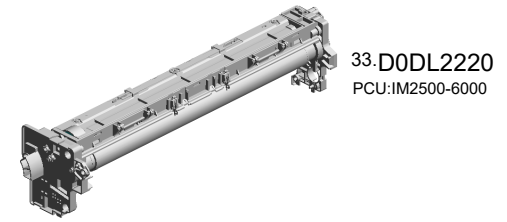
7.04583010N  
(x2)  
HEXAGON HEAD TAPPING SCREW:3  
X10



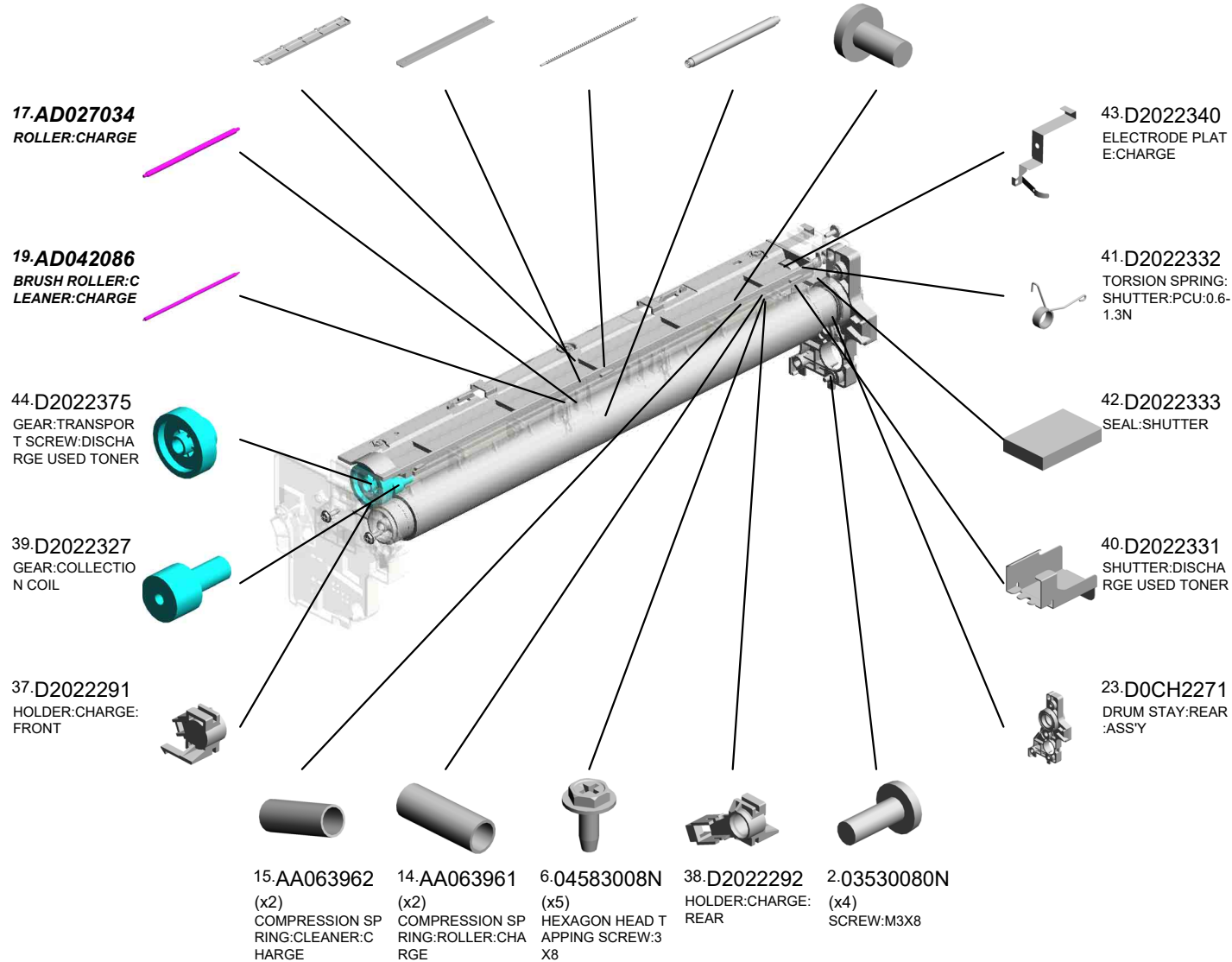
U001	U002	U003	U004	U005	U006	U007	U008	U009	U010	U011	U012	U013	U014	U015	U016	U017	U018
------	------	------	------	------	------	------	------	------	------	------	------	------	------	------	------	------	------

U007\_S001\_S001  
PCU:IM2500-6000

- 25.D0CH2351 COVER:PCU:UPPER:ASSY
- 18.AD041162 **BLADE:CLEANING:ASSY**
- 20.AD043098 TRANSPORT SCREW:DISCHARGE USED TONER
- 35.D1979510 **OPC DRUM**
- 1.03530060N (x2) BIND SCREW - M3 X6



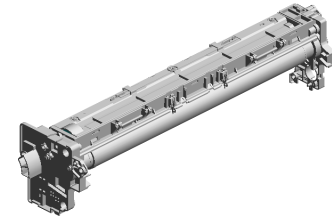
33.D0DL2220  
PCU:IM2500-6000



U001	U002	U003	U004	U005	U006	U007	U008	U009	U010	U011	U012	U013	U014	U015	U016	U017	U018
------	------	------	------	------	------	------	------	------	------	------	------	------	------	------	------	------	------

U007\_S001\_S001  
PCU:IM2500-6000

66.M0AN2356  
GRIP:PCU

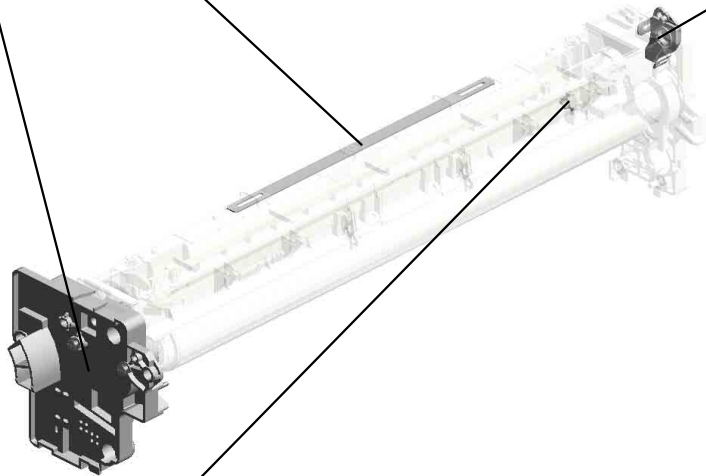


33.D0DL2220  
PCU:IM2500-6000

64.M0AN2261  
DRUM STAY:FRONT  
T:ASS'Y



51.D2022431  
COVER:PCU:REAR  
:SUB-ASS'Y



63.GA080030  
(x2)  
PLAIN SHAFT BEARING:  
CLEANER:ROLLER

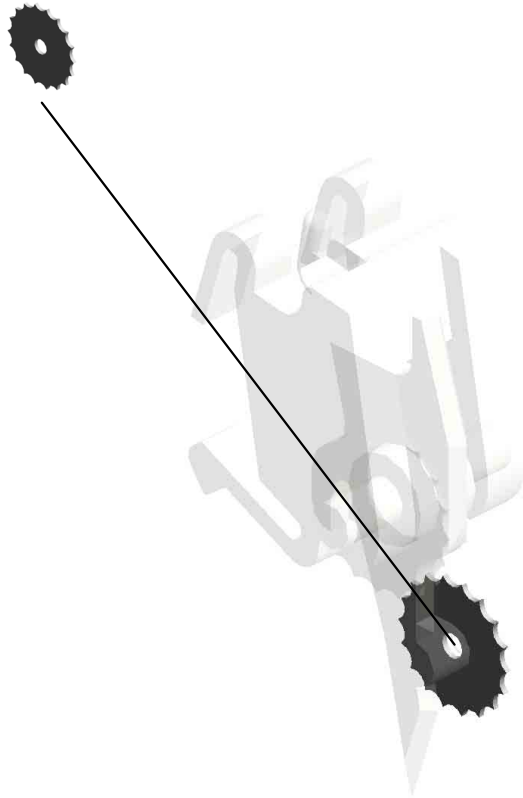
U001	U002	U003	U004	U005	U006	U007	U008	U009	U010	U011	U012	U013	U014	U015	U016	U017	U018
------	------	------	------	------	------	------	------	------	------	------	------	------	------	------	------	------	------

U007\_S001\_S001\_S001  
PICKOFF PAWL:ASS'Y

62.G2962311  
GUIDE:PAPER:LEA  
DING EDGE:PICKO  
FF PAWL



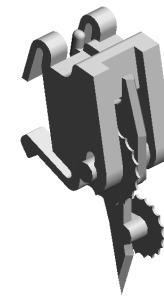
24.D0CH2335  
PICKOFF PAWL:AS  
S'Y



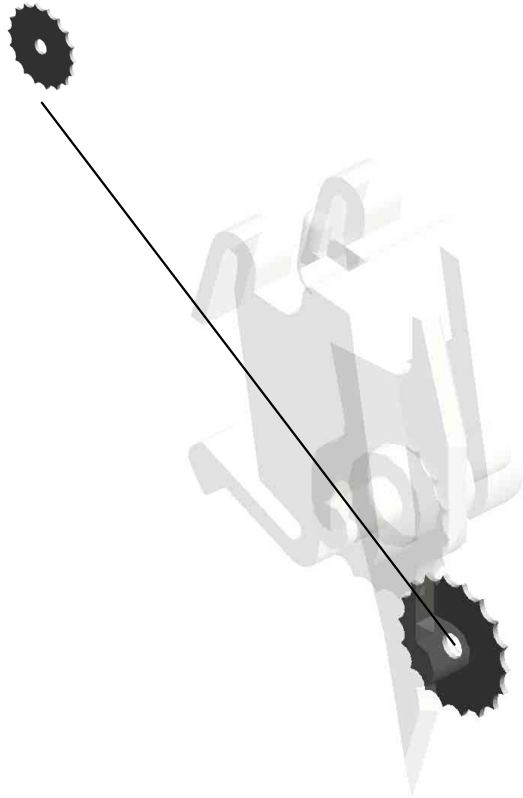
U001	U002	U003	U004	U005	U006	U007	U008	U009	U010	U011	U012	U013	U014	U015	U016	U017	U018
------	------	------	------	------	------	------	------	------	------	------	------	------	------	------	------	------	------

U007\_S001\_S001\_S002  
PICKOFF PAWL:ASS'Y

62.G2962311  
GUIDE:PAPER:LEA  
DING EDGE:PICKO  
FF PAWL



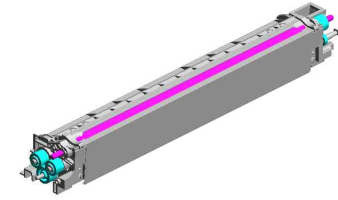
24.D0CH2335  
PICKOFF PAWL:AS  
S'Y



U001	U002	U003	U004	U005	U006	U007	U008	U009	U010	U011	U012	U013	U014	U015	U016	U017	U018
------	------	------	------	------	------	------	------	------	------	------	------	------	------	------	------	------	------

U007\_S001\_S002  
DEVELOPMENT UNIT:IM2500-6000

- 3.03603008N (x4) SCREW:M3X8
- 21.AW230107 PCB:MYU:SENSOR
- 31.D0CH3152 (x3) FILTER:DEVELOPMENT
- 26.D2023028 SEAL:DEVELOPMENT:ASSY 202106-01 O/O



34.D0DL3020  
DEVELOPMENT UNIT:IM2500-6000

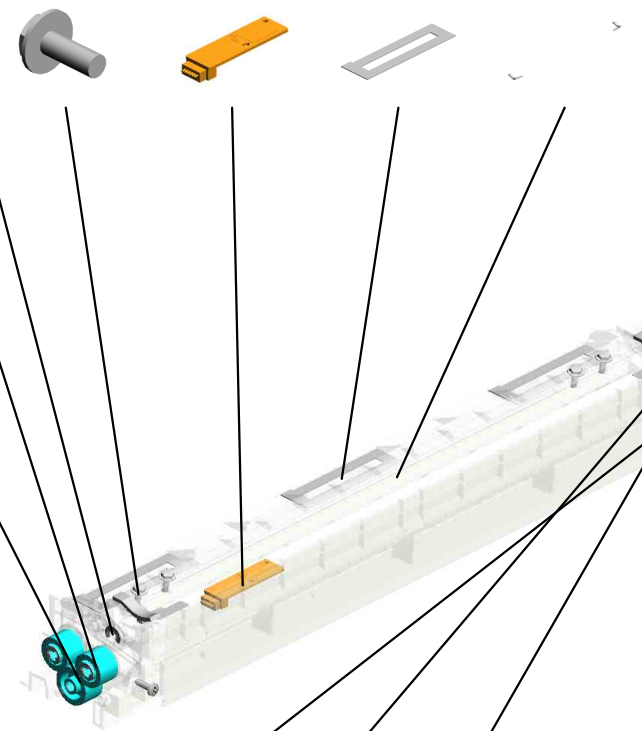
12.08050104  
RETAINING RINGS -E:SILENCER:DIA4



55.D2023143 (x2) GEAR:TRANSPORT SCREW:FRONT



57.D2023146 GEAR:TRANSPORT SCREW:IDLER



10.07200040E (x4) RETAINING RING -M4



36.D1979641  
DEVELOPER BLACK

9.06320100G  
PIN - 2X10MM



53.D2023140 GEAR:DEVELOPMENT ROLLER



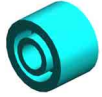
11.08050092  
RETAINING RING -3M



8.04593008N (x2) BINDING HEAD TAPPING SCREW:3X8



54.D2023141 GEAR:TRANSPORT SCREW:REAR



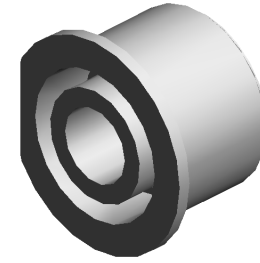
56.D2023145 GEAR:DEVELOPMENT ROLLER:IDLER



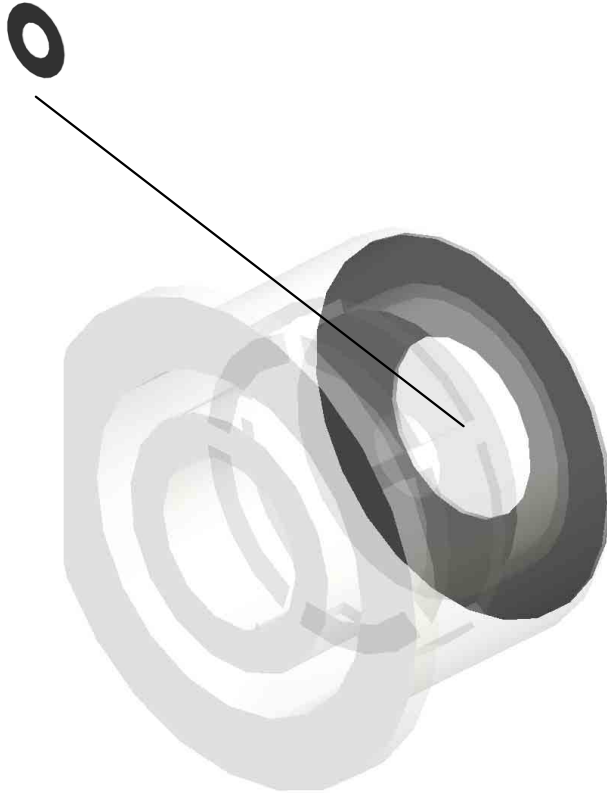
U001	U002	U003	U004	U005	U006	U007	U008	U009	U010	U011	U012	U013	U014	U015	U016	U017	U018
------	------	------	------	------	------	------	------	------	------	------	------	------	------	------	------	------	------

U007\_S001\_S002\_S001  
PLAIN SHAFT BEARING:TRANSPORT SCREW:RIGHT FRONT:ASS'Y

52.D2023128  
SHEET:PLAIN SHA  
FT BEARING:TRAN  
SPORT SCREW



**27.D0CH319**  
PLAIN SHAFT BEA  
RING:TRANSPORT  
SCREW:RIGHT FR  
ONT:ASSY

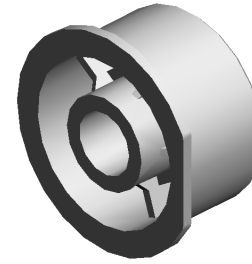


U001	U002	U003	U004	U005	U006	U007	U008	U009	U010	U011	U012	U013	U014	U015	U016	U017	U018
------	------	------	------	------	------	------	------	------	------	------	------	------	------	------	------	------	------

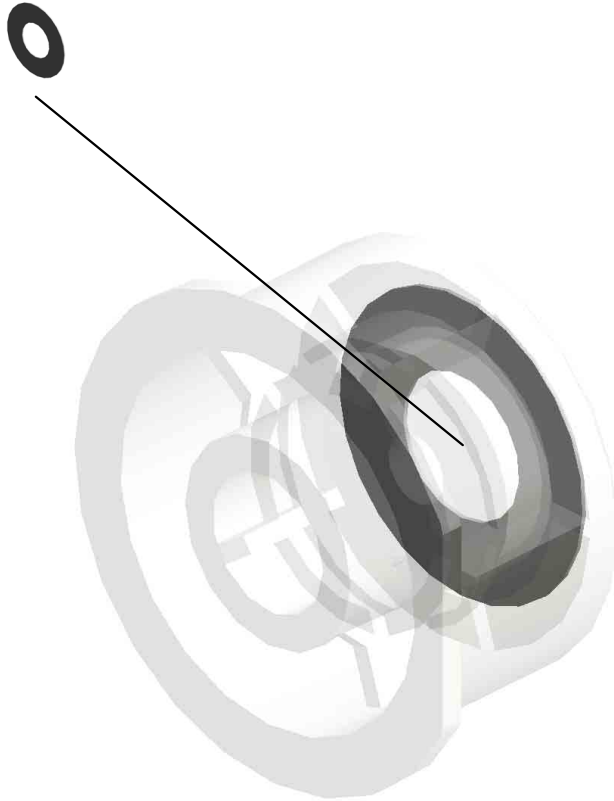
U007\_S001\_S002\_S002

PLAIN SHAFT BEARING:TRANSPORT SCREW:LEFT FRONT:ASS'Y

52.D2023128  
SHEET:PLAIN SHA  
FT BEARING:TRAN  
SPORT SCREW



28.D0CH3121  
PLAIN SHAFT BEA  
RING:TRANSPORT  
SCREW:LEFT FRO  
NT:ASS'Y



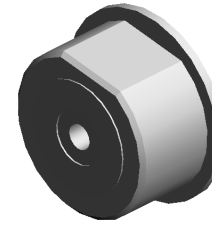
U001	U002	U003	U004	U005	U006	U007	U008	U009	U010	U011	U012	U013	U014	U015	U016	U017	U018
------	------	------	------	------	------	------	------	------	------	------	------	------	------	------	------	------	------



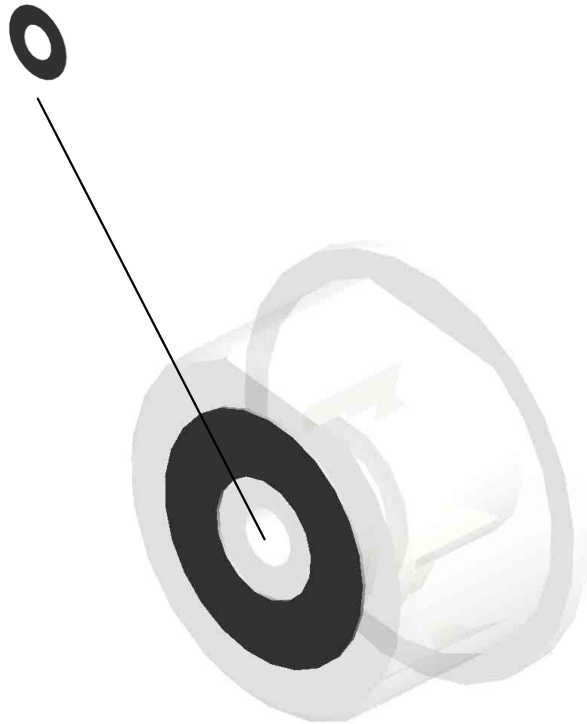
U007\_S001\_S002\_S003

PLAIN SHAFT BEARING:TRANSPORT SCREW:RIGHT REAR:ASS'Y

52.D2023128  
SHEET:PLAIN SHA  
FT BEARING:TRAN  
SPORT SCREW



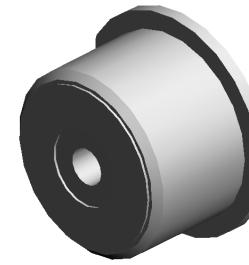
**29.D0CH3123**  
*PLAIN SHAFT BEA  
RING:TRANSPORT  
SCREW:RIGHT RE  
AR:ASS'Y*



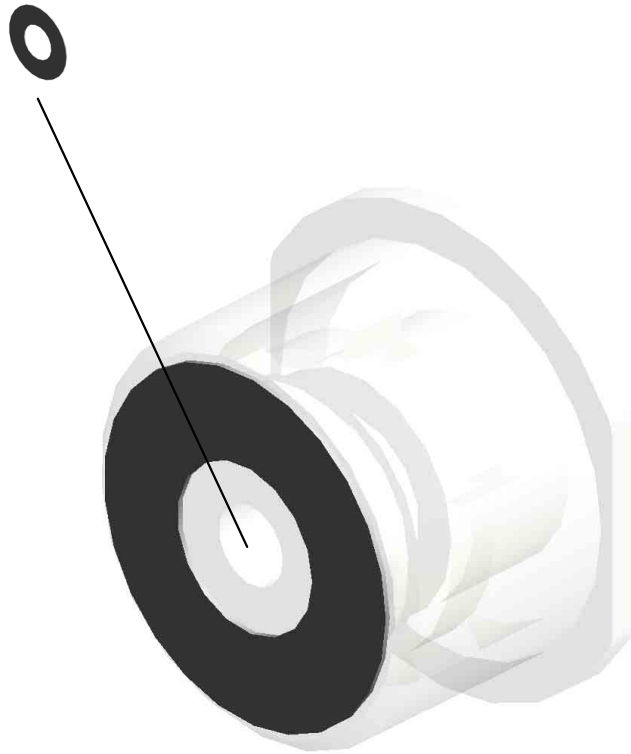
U001	U002	U003	U004	U005	U006	U007	U008	U009	U010	U011	U012	U013	U014	U015	U016	U017	U018
------	------	------	------	------	------	------	------	------	------	------	------	------	------	------	------	------	------

U007\_S001\_S002\_S004  
PLAIN SHAFT BEARING:TRANSPORT SCREW:LEFT REAR:ASS'Y

52.D2023128  
SHEET:PLAIN SHA  
FT BEARING:TRAN  
SPORT SCREW



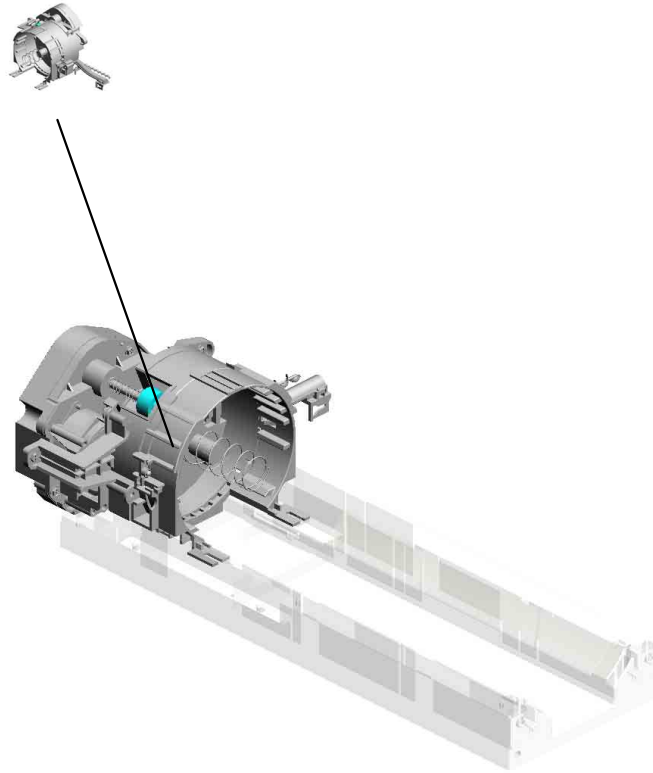
**30.D0CH3125**  
*PLAIN SHAFT BEA  
RING:TRANSPORT  
SCREW:LEFT REA  
R:ASS'Y*



U001	U002	U003	U004	U005	U006	U007	U008	U009	U010	U011	U012	U013	U014	U015	U016	U017	U018
------	------	------	------	------	------	------	------	------	------	------	------	------	------	------	------	------	------

# U008.DEVELOPMENT

U008 S001  
D2863051  
TONER SUPPLY SUB-UNIT:A  
SSY

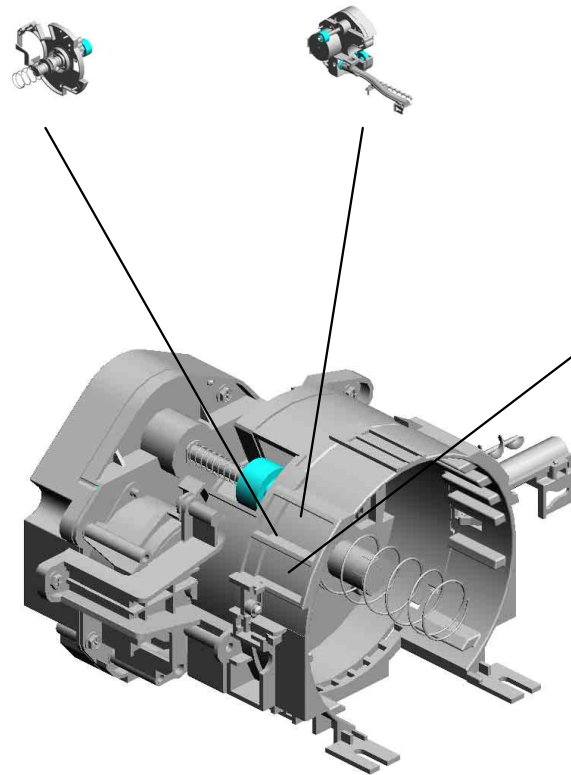


U001	U002	U003	U004	U005	U006	U007	<b>U008</b>	U009	U010	U011	U012	U013	U014	U015	U016	U017	U018
------	------	------	------	------	------	------	-------------	------	------	------	------	------	------	------	------	------	------

# U008\_S001.TONER SUPPLY SUB-UNIT:ASS'Y

U008 S001 S003  
D2893301  
TRANSPORT SCREW:NOZZL  
E:ASSY

U008 S001 S002  
D2023303  
DRIVE UNIT:TONER SUPPLY  
:ASSY



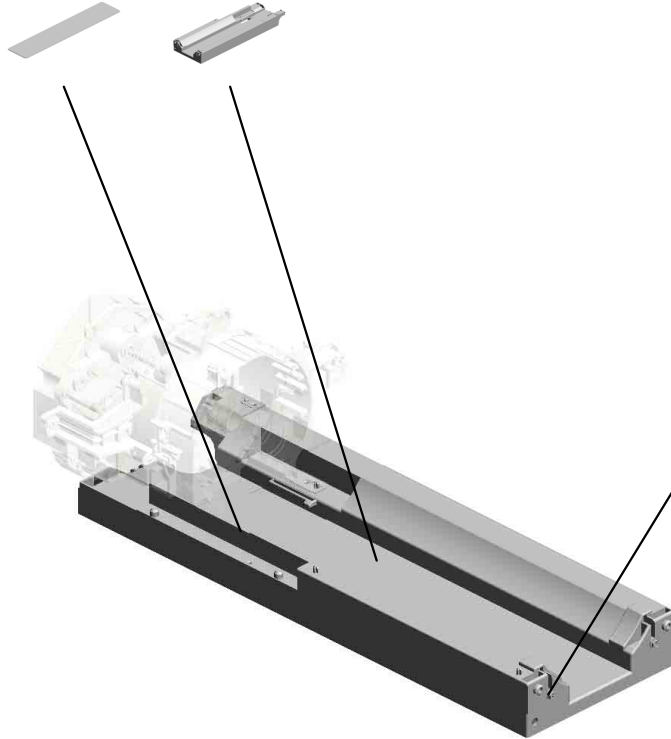
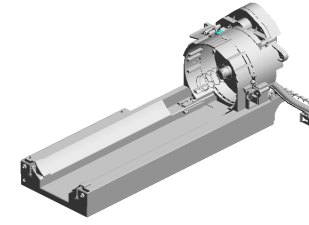
U008 S001 S001  
D1993304  
HOUSING:TONER SUPPLY:A  
SSY

U001	U002	U003	U004	U005	U006	U007	<b>U008</b>	U009	U010	U011	U012	U013	U014	U015	U016	U017	U018
------	------	------	------	------	------	------	-------------	------	------	------	------	------	------	------	------	------	------

U008  
DEVELOPMENT

13.D2023376 (x2)  
SEAL:BASE:SLIDE  
RAIL:LOWER

12.D2023372  
BASE:TONER CAR  
TRIDGE

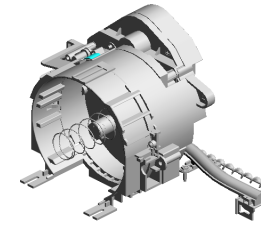


3.04583010N (x 1)  
HEXAGON HEAD TAPPING SCREW:3X  
10

(x3)  
HEXAGON HEAD TAPPING SCREW:3X  
10

U001	U002	U003	U004	U005	U006	U007	<b>U008</b>	U009	U010	U011	U012	U013	U014	U015	U016	U017	U018
------	------	------	------	------	------	------	-------------	------	------	------	------	------	------	------	------	------	------

U008\_S001  
TONER SUPPLY SUB-UNIT:ASS'Y



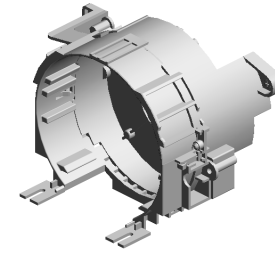
14.D2863051  
TONER SUPPLY S  
UB-UNIT:ASS'Y

U001	U002	U003	U004	U005	U006	U007	U008	U009	U010	U011	U012	U013	U014	U015	U016	U017	U018
------	------	------	------	------	------	------	------	------	------	------	------	------	------	------	------	------	------

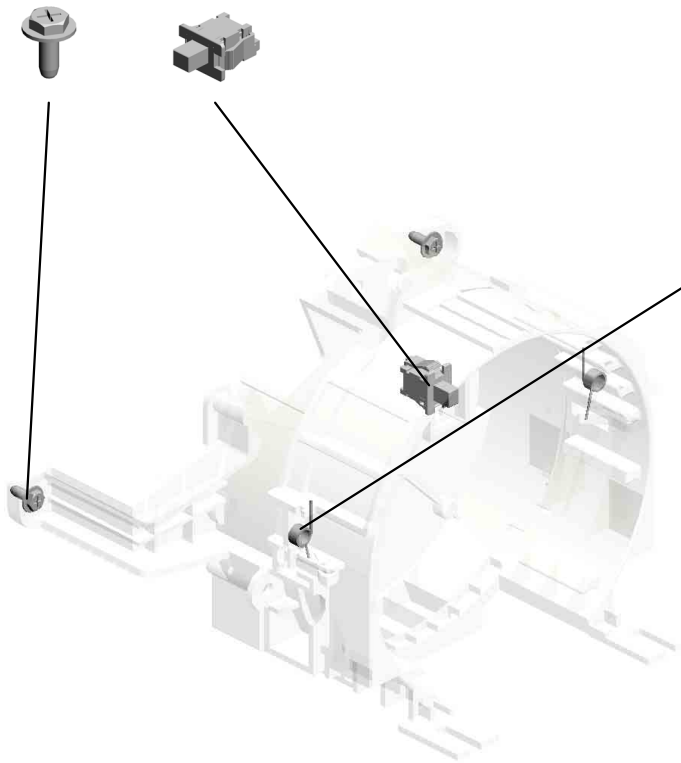
U008\_S001\_S001  
HOUSING:TONER SUPPLY:ASS'Y

2.04543008Q (x2)  
TAPPING SCREW: 3X8

8.AW500049  
PUSH SWITCH:SW  
1AG-550:(SW2/SW  
3/SW5/SW6)



10.D1993304  
HOUSING:TONER  
SUPPLY:ASS'Y



9.D1473325  
(x2)  
TORSION SPRING:  
STOPPER:TONER  
CARTRIDGE:4.8N



7.11050758  
CLAMP:LWSM-030  
6A

3.04583010N(x 2)  
HEXAGON HEAD TAPPING SCREW:3X  
10

4.04583012N(x 2)  
HEXAGON HEAD TAPPING SCREW:3X  
12

U001	U002	U003	U004	U005	U006	U007	U008	U009	U010	U011	U012	U013	U014	U015	U016	U017	U018
------	------	------	------	------	------	------	------	------	------	------	------	------	------	------	------	------	------

U008\_S001\_S002  
 DRIVE UNIT:TONER SUPPLY:ASS'Y

1.03603006N (x2) SCREW - M3X6  
 5.07200040E RETAINING RING - M4



11.D2023303  
 DRIVE UNIT:TONER SUPPLY:ASS'Y

4.04583012N (x6) HEXAGON HEAD TAPPING SCREW:3 X12



3.04583010N HEXAGON HEAD TAPPING SCREW:3 X10

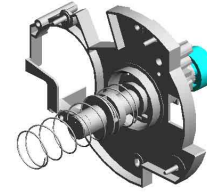
6.08050103 RETAINING RINGS -E:SILENCER:DI3

U001	U002	U003	U004	U005	U006	U007	U008	U009	U010	U011	U012	U013	U014	U015	U016	U017	U018
------	------	------	------	------	------	------	------	------	------	------	------	------	------	------	------	------	------



U008\_S001\_S003  
TRANSPORT SCREW:NOZZLE:ASS'Y

6.08050103  
RETAINING RINGS  
-E:SILENCER:DIA3



15.D2893301  
TRANSPORT SCR  
EW:NOZZLE:ASS'Y

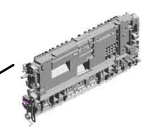
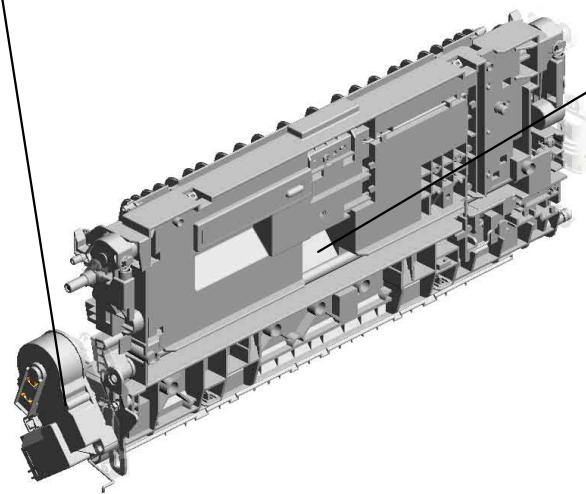


4.04583012N  
(x4)  
HEXAGON HEAD T  
APPING SCREW:3  
X12

U001	U002	U003	U004	U005	U006	U007	<b>U008</b>	U009	U010	U011	U012	U013	U014	U015	U016	U017	U018
------	------	------	------	------	------	------	-------------	------	------	------	------	------	------	------	------	------	------

# U009.TRANSFER/SEPARATION

U009 S001  
D0F21199  
DRIVE UNIT:ON-OFF:TRANS  
FER



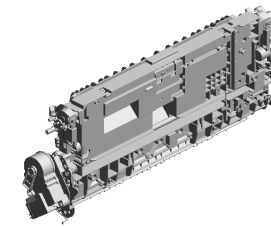
U009 S002  
D0CH6210  
TRANSFER/SEPARATION UN  
IT:ASS'Y



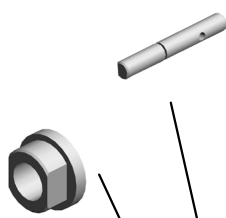
U001	U002	U003	U004	U005	U006	U007	U008	U009	U010	U011	U012	U013	U014	U015	U016	U017	U018
------	------	------	------	------	------	------	------	------	------	------	------	------	------	------	------	------	------

# U009 TRANSFER/SEPARATION

65.D2026352 SHAFT:ON-OFF:DRIVE  
64.D2026351 CAM:ON-OFF:TRANSFER  
36.D1496290 GUIDE:SET:TRANSFER/SEPARATION UNIT:FRONT  
2.03603006N SCREW - M3X6  
13.54472681 SNAP RING



17.AA080346  
BUSHING:FLANGE  
TYPE:DIA6



10.07200040E  
RETAINING RING - M4



63.D2026350  
BRACKET:DRIVE UNIT



3.04513016N  
(x2)  
TAPPING SCREW - 3X16



67.GW140027  
TEMPERATURE & HUMIDITY SENSOR:(S29)



12.52152621  
SNAP RING - M6



18.AA082192  
PLAIN SHAFT BEARING RING:DIA8XDIA12X7



70.M0AN6291  
GUIDE:SET:TRANSFER/SEPARATION UNIT:REAR



6.04543006Q  
(x6)  
TAPPING SCREW - M3X6



21.AW020234  
PHOTOINTERRUPTOR:GP1A173LCS 5F:(S3/S4/S7/S8/S11/S13/S15/S23/S26/S27)



43.D2023952  
(x2)  
TERMINAL:RECEPTACLE:MAIN:TRANSFER



42.D2023951  
HOUSING:MAIN:TRANSFER

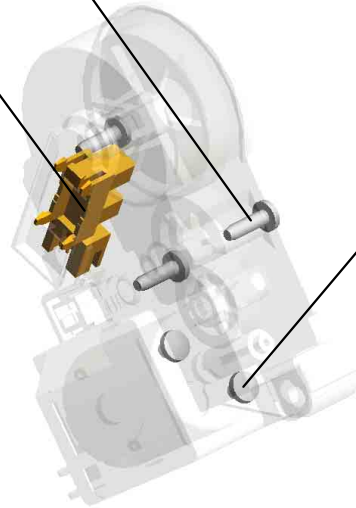


6.04543006Q(x 1)  
TAPPING SCREW - M3X6

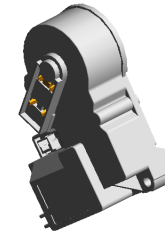


U009\_S001  
DRIVE UNIT:ON-OFF:TRANSFER

21.AW020234 5.04523010N  
PHOTOINTERRUP (x3)  
TOR:GP1A173LCS BINDING SELF-TA  
5F:(S3/S4/S7/S8/S1 PPING SCREW:3X  
1/S13/S15/S23/S26/  
S27) 10



1.03530030N  
(x2)  
SCREW:M3X3



23.D0F21199  
[A]  
DRIVE UNIT:ON-OFF  
F:TRANSFER  
202307-01 O/O

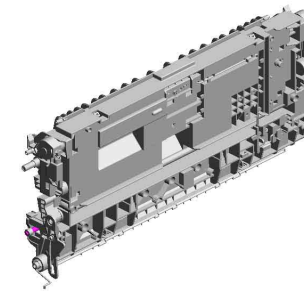


D0CH1199  
[A]  
DRIVE UNIT:ON-OFF  
F:TRANSFER  
202307-01 O/O

U001	U002	U003	U004	U005	U006	U007	U008	U009	U010	U011	U012	U013	U014	U015	U016	U017	U018
------	------	------	------	------	------	------	------	------	------	------	------	------	------	------	------	------	------

TRANSFER/SEPARATION UNIT:ASS'Y

- 22.BA003042 DECAL:GRIP:B
- 8.04583012N HEXAGON HEAD TAPPING SCREW:3 X12
- 24.D0CH6211 TRANSFER ROLLER:ASS'Y
- 29.D1494662 DIFFUSION PLATE:LED
- 20.AW010200 PAPER FEED SENSOR:FUSING EXIT:(S25)



71.D0CH6210 TRANSFER/SEPARATION UNIT:ASS'Y

30.D1496226 LEVER:TRANSFER/SEPARATION UNIT:FRONT

31.D1496228 TORSION SPRING:LEVER:SET:FRONT

2.03603006N (x2) SCREW - M3X6

17.AA080346 (x2) BUSHING:FLANGE TYPE:DIA6

27.D1492584 (x2) COLLAR:SHAFT:REGISTRATION ROLLER

25.D0CH6228 TORSION SPRING:SEPARATION/TRANSPORT

26.D0CH6246 LINK:TRANSFER/SEPARATION UNIT

16.AA063943 (x2) COMPRESSION SPRING:GUIDE PLATE:REGISTRATION:4N

28.D1492991 (x2) PLAIN SHAFT BEARING:INNER:DRIVE:REGISTRATION ROLLER

14.AA063941 (x2) COMPRESSION SPRING:REGISTRATION:INNER:DRIVE

9.07200030E (x 2) RETAINING RING - M3  
11.07200060E (x 2) RETAINING RING - M6

7.04583010N (x7) HEXAGON HEAD TAPPING SCREW:3 X10

4.04523008N (x2) TAPPING SCREW - M3X8

10.07200040E (x3) RETAINING RING - M4

15.AA063942 COMPRESSION SPRING:REGISTRATION:DRIVE

19.AB011571 GEAR:Z19:DRIVE:REGISTRATION

U001	U002	U003	U004	U005	U006	U007	U008	U009	U010	U011	U012	U013	U014	U015	U016	U017	U018
------	------	------	------	------	------	------	------	------	------	------	------	------	------	------	------	------	------

U009\_S002

TRANSFER/SEPARATION UNIT:ASS'Y

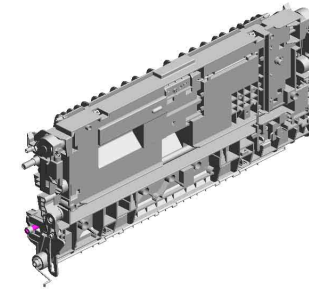
41.D2023890  
LED:RED

35.D1496248  
CAP:LED

40.D2023885  
DENSITY SENSOR:  
AROUND THE PHO  
TOCONDUCTOR:(  
S24)

47.D2026238  
BRACKET:ENTRAN  
CE SENSOR

33.D1496231  
LEVER:TRANSFER  
/SEPARATION UNI  
T:REAR



71.D0CH6210  
TRANSFER/SEPAR  
ATION UNIT:ASS'Y

32.D1496229  
(x2)  
TENSION SPRING:  
LEVER:SET

38.D2022587  
REGISTRATION R  
OLLER:DRIVE

48.D2026260  
LEVER:PRESSURE  
:TRANSFER ROLL  
ER:FRONT

50.D2026264  
(x2)  
COMPRESSION SP  
RING:PRESSURE:T  
RANSFER ROLLER

53.D2026268  
LEVER:ON-OFF:TR  
ANSFER ROLLER:  
FRONT

37.D2022581  
GUIDE PLATE:REG  
ISTRATION:DRIVE:  
ASS'Y

52.D2026267  
SHAFT:LEVER:ON-  
OFF

51.D2026265  
(x2)  
LEVER:PRESSURE  
:GUIDE PLATE

39.D2022992  
(x2)  
BRACKET:STOPPE  
R:REGISTRATION

54.D2026269  
LEVER:ON-OFF:TR  
ANSFER ROLLER:  
REAR

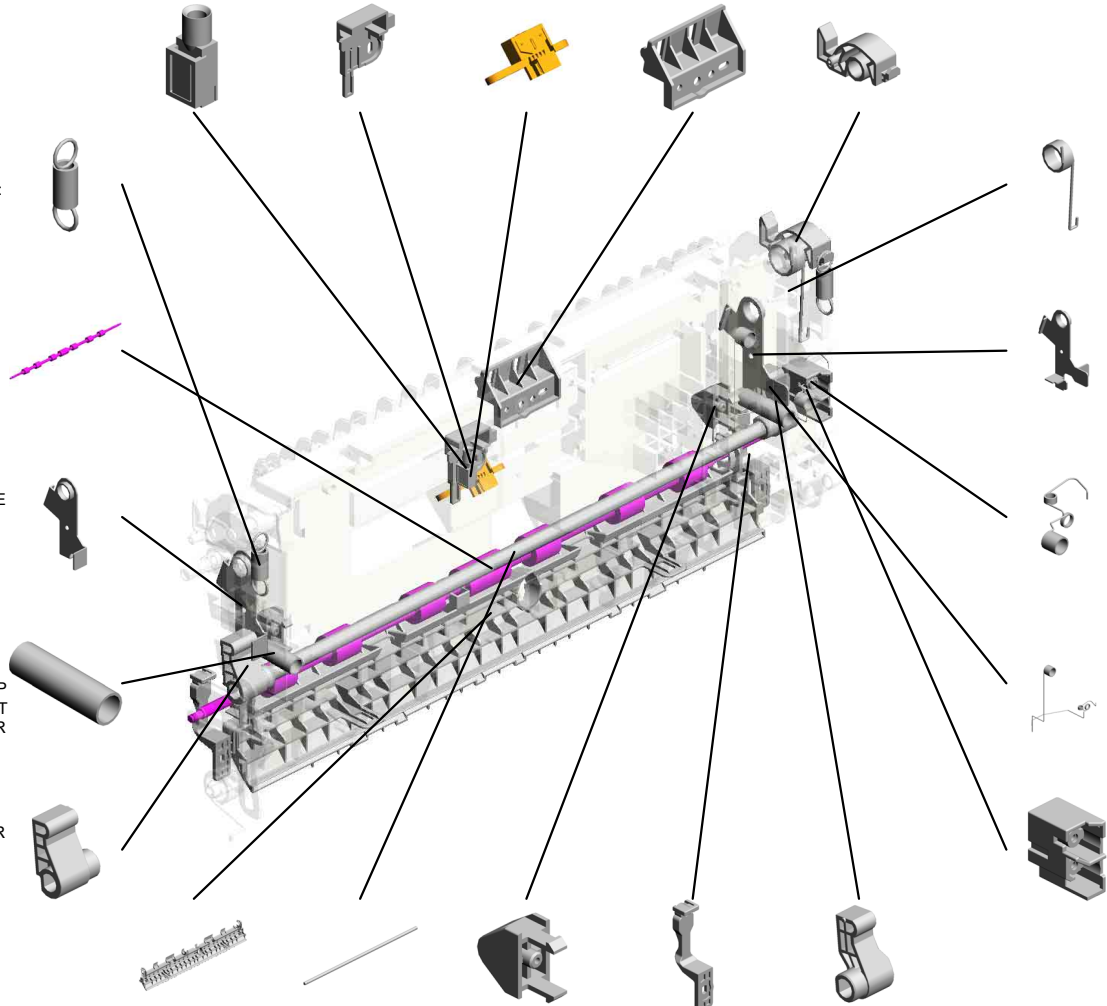
34.D1496233  
TORSION SPRING:  
LEVER:SET:REAR

49.D2026261  
LEVER:PRESSURE  
:TRANSFER ROLL  
ER:REAR

45.D2023961  
CONNECTING SPR  
ING:TRANSFER

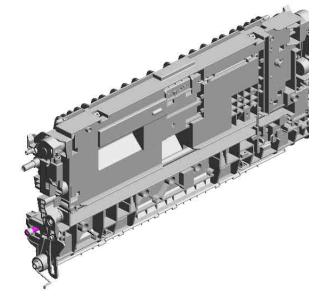
44.D2023960  
CONNECTING SPR  
ING:SEPARATION

46.D2023992  
HOUSING:TRANSF  
ER UNIT



TRANSFER/SEPARATION UNIT:ASS'Y

56.D2026272 BASE:GUIDE:TRANSFER  
 55.D2026271 GUIDE:TRANSPORT:TRANSFER  
 72.D0CH6220 FRAME:TRANSFER/SEPARATION UNIT:ASS'Y DRAWING



71.D0CH6210 TRANSFER/SEPARATION UNIT:ASS'Y

57.D2026273 (x4) COMPRESSION SPRING:TRANSPORT SUB-UNIT

62.D2026285 LEVER:SET:FRONT

66.GA143003 SCREW:MM5:2.5MM

61.D2026281 LEVER:SET:REAR

69.M0AN6268 (x2) DAMPING INSULATION:LEVER:TRANSFER

60.D2026280 GROUND PLATE:SEPARATION

58.D2026276 GROUND PLATE:TRANSFER/SEPARATION UNIT

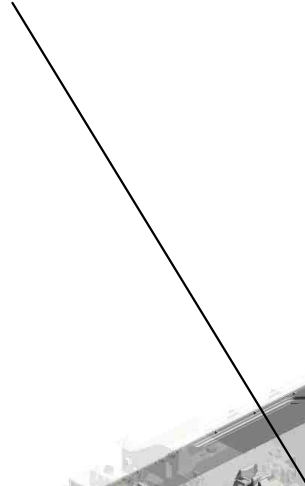
68.M0AN2988 PLAIN SHAFT BEARING:DRIVE:REGISTRATION ROLLER:ASSY

59.D2026277 GROUND PLATE:REGISTRATION ROLLER

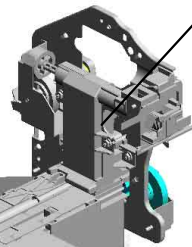
U001	U002	U003	U004	U005	U006	U007	U008	U009	U010	U011	U012	U013	U014	U015	U016	U017	U018
------	------	------	------	------	------	------	------	------	------	------	------	------	------	------	------	------	------

# U010.USED TONER

U010 S001  
D0CH6416  
COLLECTION BOTTLE:ASS'Y



U010 S002  
M0AN6511  
BRACKET:TONER RECYCLIN  
G SECTION:ASS'Y

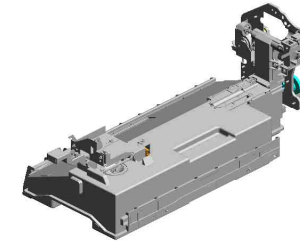


U001	U002	U003	U004	U005	U006	U007	U008	U009	U010	U011	U012	U013	U014	U015	U016	U017	U018
------	------	------	------	------	------	------	------	------	------	------	------	------	------	------	------	------	------



# U010 USED TONER

3.04583008N 16.M0AN1059  
 HEXAGON HEAD TAPPING SCREW:3 X8  
 SPRING PLATE:LEVER:USED TONER



15.M0AN1058  
 LEVER:LOCK:USED TONER



18.M0AN6899  
 DECAL:LEVER:USED TONER



19.AW500049  
 PUSH SWITCH:SW1AG-550:(SW2/SW3/SW5/SW6)  
 202206-02 O/O



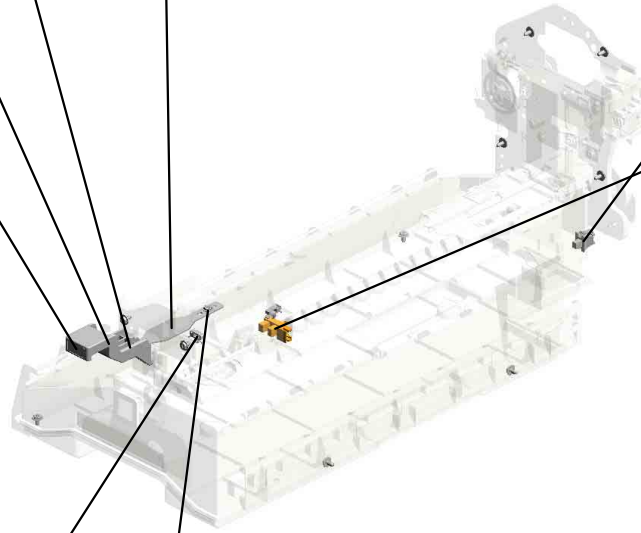
11.AW020234  
 PHOTOINTERRUPTOR:GP1A173LCS  
 5F:(S3/S4/S7/S8/S11/S13/S15/S23/S26/S27)



6.11050758  
 (x2)  
 CLAMP:LWSM-030  
 6A



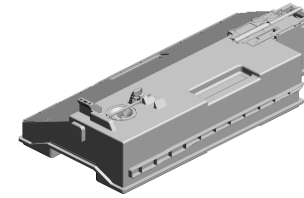
1.04543006Q  
 (x11)  
 TAPPING SCREW - M3X6



U001	U002	U003	U004	U005	U006	U007	U008	U009	U010	U011	U012	U013	U014	U015	U016	U017	U018
------	------	------	------	------	------	------	------	------	------	------	------	------	------	------	------	------	------

U010\_S001  
COLLECTION BOTTLE:ASS'Y

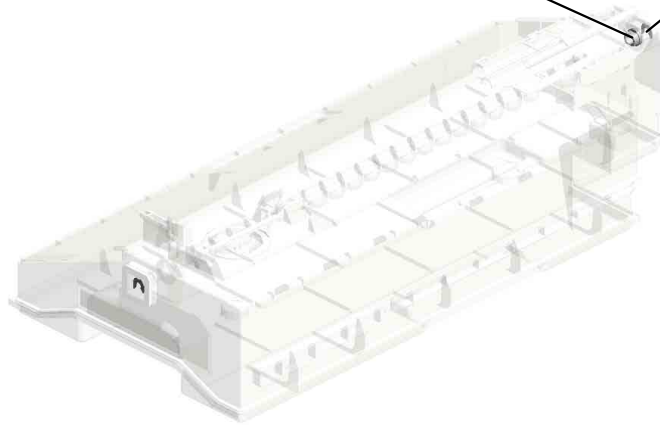
8-AA082137  
BUSHING:6X10X6



20.D0CH6416  
[A]  
COLLECTION BOT  
TLE:ASS'Y  
202202-06 O/O



4.08050089  
(x3)  
RETAINING RING -  
M4



D0CH6412  
[A]  
COLLECTION BOT  
TLE:ASS'Y  
202202-06 O/O

U001	U002	U003	U004	U005	U006	U007	U008	U009	U010	U011	U012	U013	U014	U015	U016	U017	U018
------	------	------	------	------	------	------	------	------	------	------	------	------	------	------	------	------	------

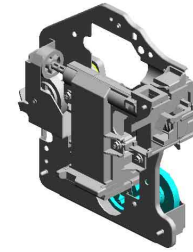
U010\_S002

BRACKET:TONER RECYCLING SECTION:ASS'Y

5.08050104 RETAINING RINGS  
-E:SILENCER:DIA4

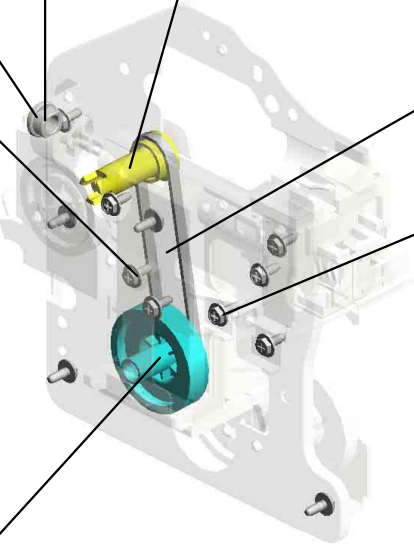
7.AA080346 BUSHING:FLANGE  
TYPE:DIA6

10.AB033800 PULLEY:SCREW G  
EAR:RECYCLING:I  
DLER



17.M0AN6511  
BRACKET:TONER  
RECYCLING SECTI  
ON:ASS'Y

2.04543008Q  
(x9)  
TAPPING SCREW:  
3X8



13.B6521773  
TIMING BELT:B40S  
2M178



3.04583008N  
(x3)  
HEXAGON HEAD T  
APPING SCREW:3  
X8

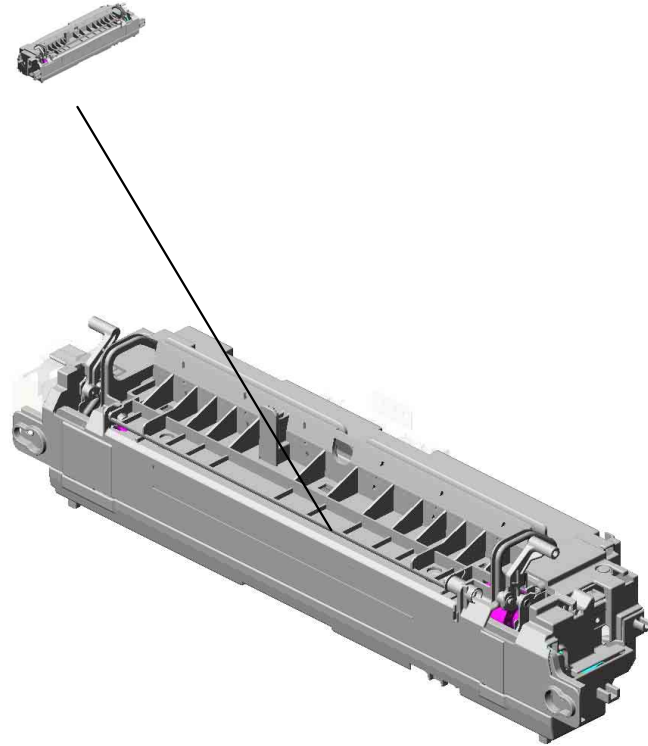


9.AB017862  
GEAR:PULLEY:US  
ED TONER:IDLER

U001	U002	U003	U004	U005	U006	U007	U008	U009	U010	U011	U012	U013	U014	U015	U016	U017	U018
------	------	------	------	------	------	------	------	------	------	------	------	------	------	------	------	------	------

# U011.FUSING

U011 S001  
D0DK4051  
(NA):FUSING UNIT:IM2500-60  
00



U001	U002	U003	U004	U005	U006	U007	U008	U009	U010	U011	U012	U013	U014	U015	U016	U017	U018
------	------	------	------	------	------	------	------	------	------	------	------	------	------	------	------	------	------

# U011\_S001.(NA):FUSING UNIT:IM2500-6000

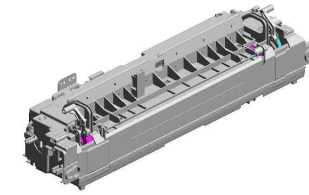
U011 S001 S001  
D0DK4031  
(NA):SLEEVE:IM2500-6000



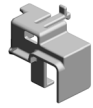
U001	U002	U003	U004	U005	U006	U007	U008	U009	U010	U011	U012	U013	U014	U015	U016	U017	U018
------	------	------	------	------	------	------	------	------	------	------	------	------	------	------	------	------	------

# U011 FUSING

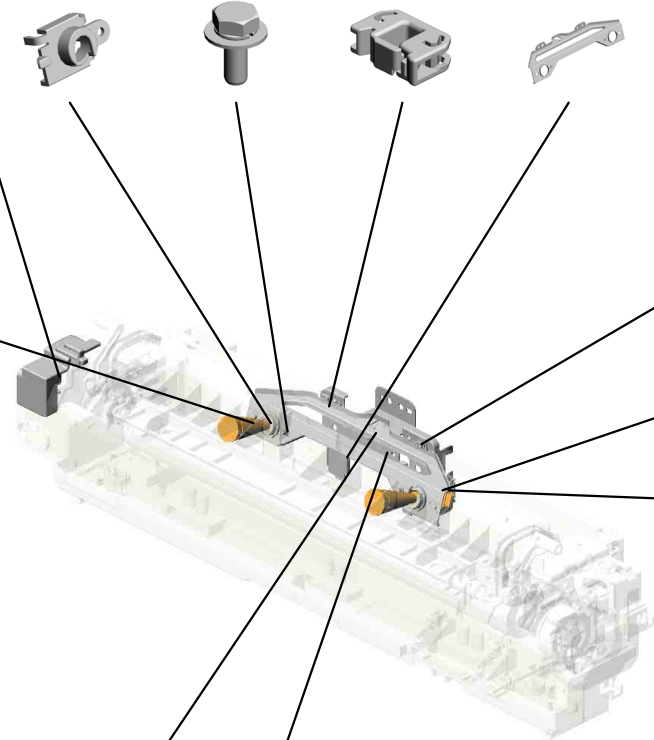
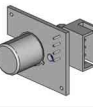
32.D1054365 (x2) HOLDER:THERMO  
PILE  
8.08046123 (x2) HEXAGONAL BOLT  
:W/WASHER:M3X8  
13.11050692 CLAMP:LES-0503  
35.D1494363 BRACKET:THERM  
OPILE



55.D2024374  
COVER:HARNESS



27.AW100183  
(x2)  
THERMOPILE:(T1/T  
H2)



2.04543006Q  
(x2)  
TAPPING SCREW -  
M3X6



10.08046128  
(x2)  
HEXAGONAL BOLT  
:DOUBLE SCREW:  
M3X10



1.03603006N  
SCREW - M3X6



1.03603006N(x 1)  
SCREW - M3X6

14.11050723  
CLAMPS:WES-050  
7



15.11050759  
(x2)  
CLAMP:LWSM-060  
5A

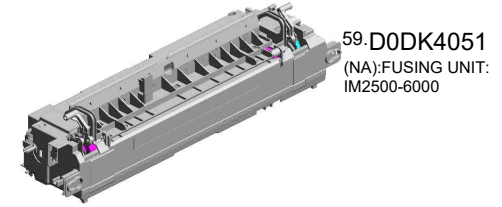


34.D1494354  
BRACKET:DRAWE  
R:MAIN



U001	U002	U003	U004	U005	U006	U007	U008	U009	U010	U011	U012	U013	U014	U015	U016	U017	U018
------	------	------	------	------	------	------	------	------	------	------	------	------	------	------	------	------	------

U011\_S001  
(NA):FUSING UNIT:IM2500-6000



59.D0DK4051  
(NA):FUSING UNIT:  
IM2500-6000

- 5.07200030E (x4) RETAINING RING - M3
- 25.AW100173 NON-CONTACT TYPE THERMISTOR: HOT ROLLER:(S18/S19)
- 28.AW110101 (x2) THERMOSTAT: LOW POWER
- 9.08046127 (x6) HEXAGONAL BOLT :DOUBLE SCREW: M3X8
- 18.AA061182 TORSION SPRING: STRIPPER PLATE: REAR

17.AA061181 TORSION SPRING: STRIPPER PLATE: FRONT

24.AE030097 (x2) RADIAL BALL BEARING: DIA10XDIA22 X6

20.AA120149 DISCHARGE BRUSH: PRESSURE ROLLER

1.03603006N (x12) SCREW - M3X6

6.07200060E (x2) RETAINING RING - M6

16.AA061180 (x2) COIL SPRING: PRESSURE

4.04583010N (x3) HEXAGON HEAD TAPPING SCREW: 3 X10

3.04583008N (x3) HEXAGON HEAD TAPPING SCREW: 3 X8

12.09543012N (x2) SCREW - M3X12

11.08050106 RETAINING RINGS -E:SILENCER:DIA6

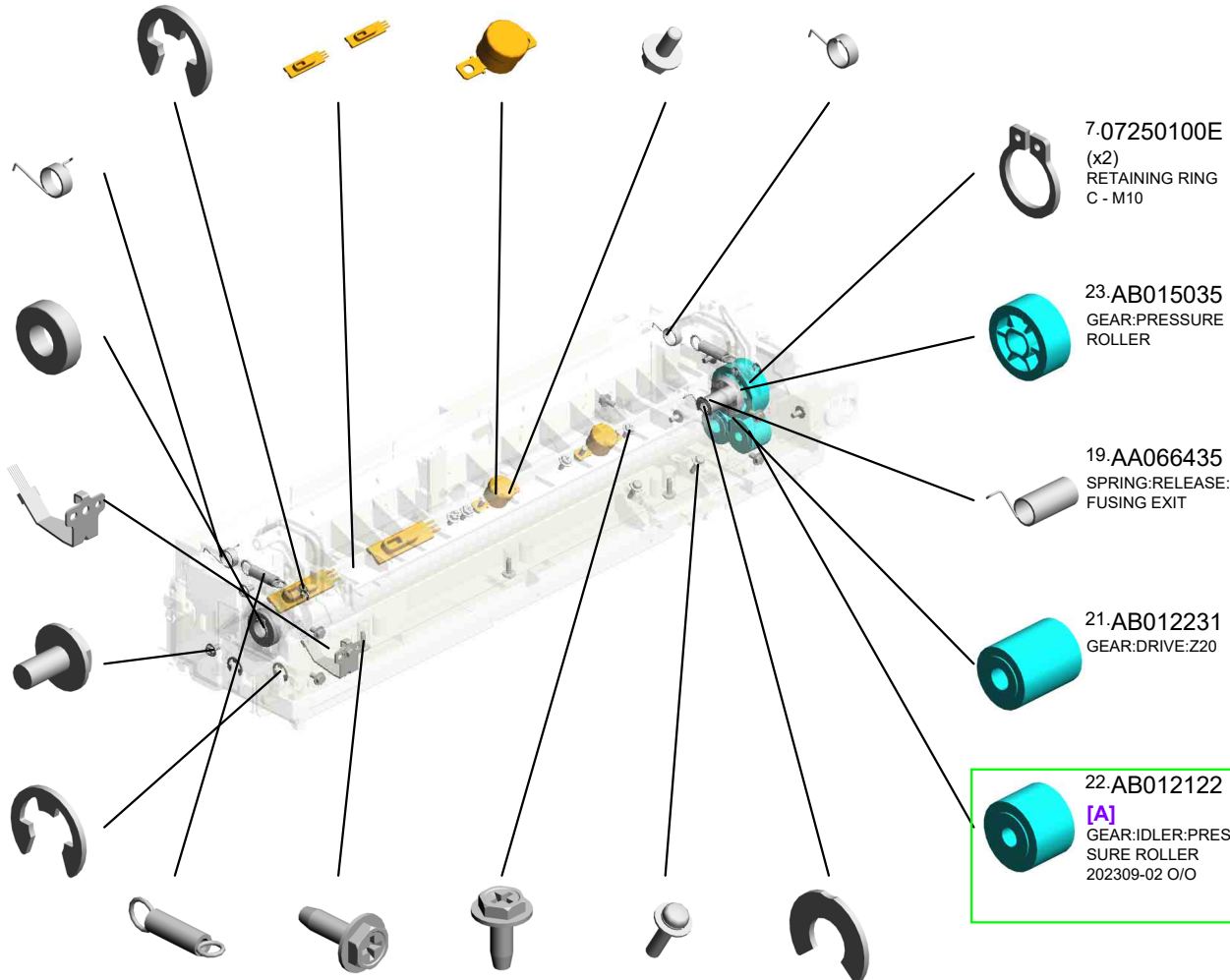
7.07250100E (x2) RETAINING RING C - M10

23.AB015035 GEAR:PRESSURE ROLLER

19.AA066435 SPRING:RELEASE: FUSING EXIT

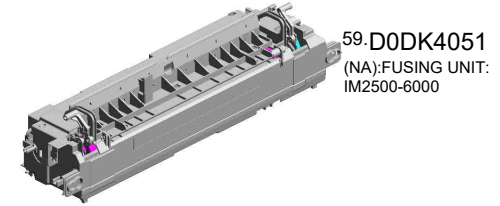
21.AB012231 GEAR:DRIVE:Z20

22.AB012122 [A] GEAR:IDLER:PRESSURE ROLLER 202309-02 O/O

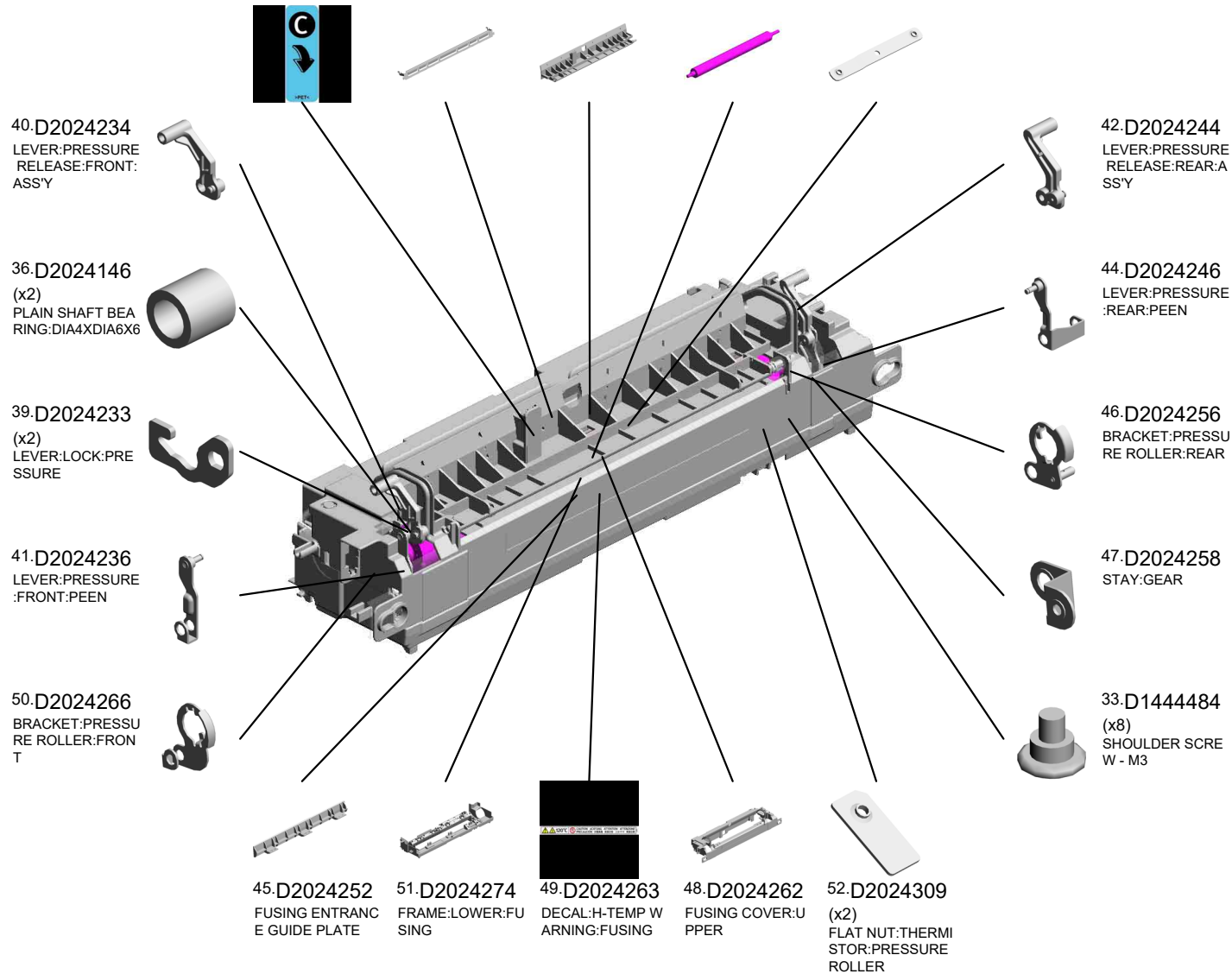


U011\_S001  
(NA):FUSING UNIT:IM2500-6000

- 43.D2024245 DECAL:C:GUIDE PLATE:FUSING EXIT
- 38.D2024224 STRIPPER PLATE:FUSING EXIT
- 37.D2024215 GUIDE PLATE:FUSING EXIT
- 29.D0CH4316 PRESSURE ROLLER:DIA32:N
- 53.D2024335 ELECTRODE PLATE:MIDDLE



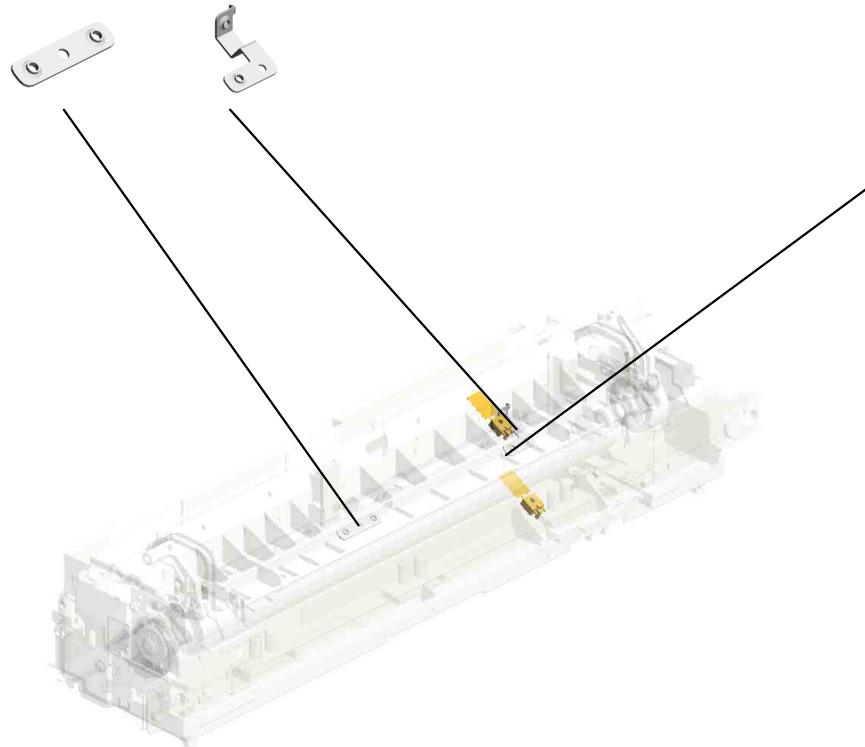
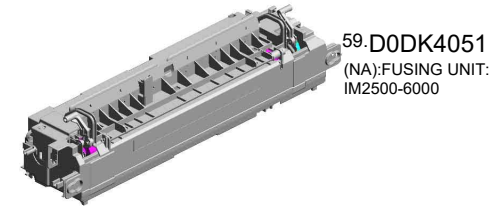
59.D0DK4051  
(NA):FUSING UNIT:IM2500-6000





U011\_S001  
(NA):FUSING UNIT:IM2500-6000

56.D2024386 54.D2024337  
ELECTRODE PLAT ELECTRODE PLAT  
E:FRONT E:REAR



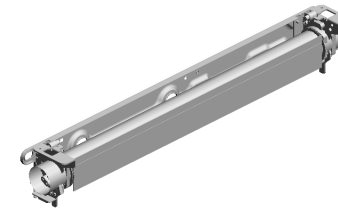
57.AW100171  
(NA/TWN):THERMI  
STOR:PRESSURE  
ROLLER:(S20/S21)



U001	U002	U003	U004	U005	U006	U007	U008	U009	U010	U011	U012	U013	U014	U015	U016	U017	U018
------	------	------	------	------	------	------	------	------	------	------	------	------	------	------	------	------	------

U011\_S001\_S001  
(NA):SLEEVE:IM2500-6000

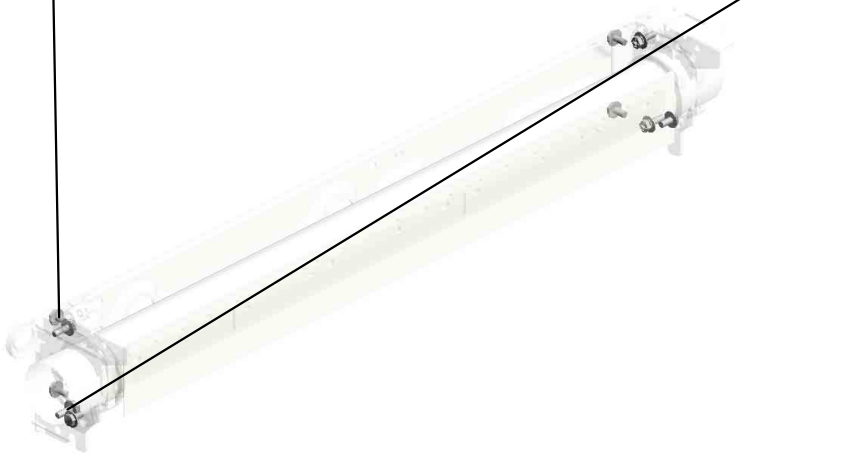
1.03603006N  
(x6)  
SCREW - M3X6



58.D0DK4031  
(NA):SLEEVE:IM2500-6000



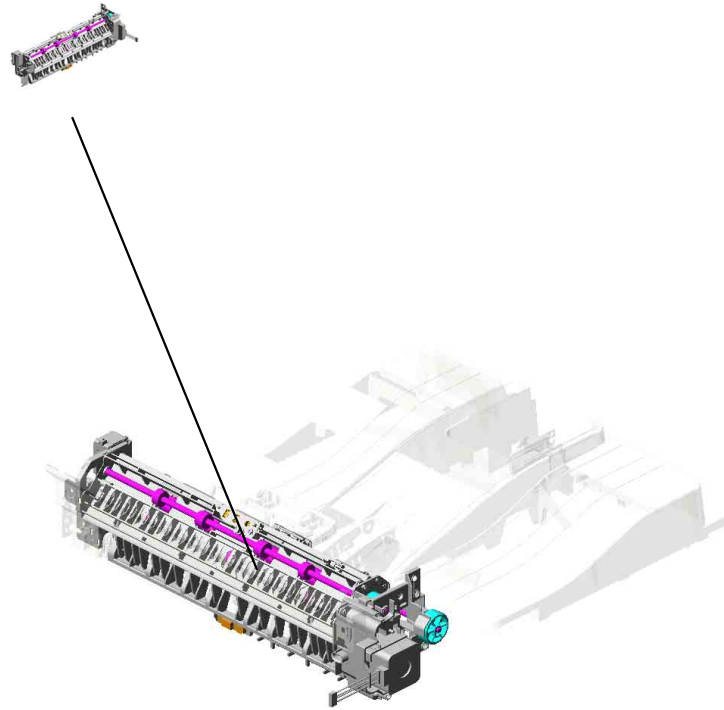
10.08046128  
(x4)  
HEXAGONAL BOLT  
:DOUBLE SCREW:  
M3X10



U001	U002	U003	U004	U005	U006	U007	U008	U009	U010	U011	U012	U013	U014	U015	U016	U017	U018
------	------	------	------	------	------	------	------	------	------	------	------	------	------	------	------	------	------

# U012.PAPER EXIT

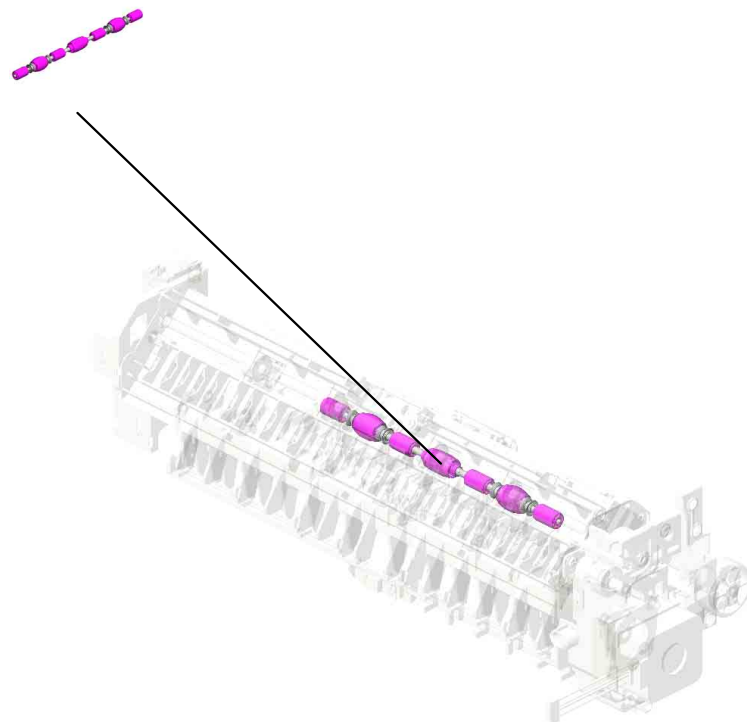
U012 S001  
D0CH4405  
PAPER EXIT UNIT:ASSY



U001	U002	U003	U004	U005	U006	U007	U008	U009	U010	U011	U012	U013	U014	U015	U016	U017	U018
------	------	------	------	------	------	------	------	------	------	------	------	------	------	------	------	------	------

# U012\_S001.PAPER EXIT UNIT:ASS'Y

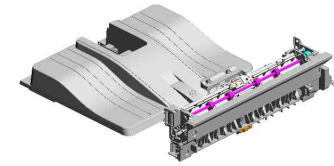
U012 S001 S001  
D2414950  
ROLLER:EXIT:PRESSURE:2T  
YPE:ASS'Y



U001	U002	U003	U004	U005	U006	U007	U008	U009	U010	U011	U012	U013	U014	U015	U016	U017	U018
------	------	------	------	------	------	------	------	------	------	------	------	------	------	------	------	------	------

# U012 PAPER EXIT

56.D2414972 (x2) GUIDE:PLATE:EXIT  
 55.D2414971 (x2) LINK:PLATE:EXIT  
 22.D0BQ4960 BASE:PLATE:EXIT:1 DG



5.04583010N  
HEXAGON HEAD TAPPING SCREW:3 X10



3.04543006Q  
(x3) TAPPING SCREW - M3X6



43.D2024491  
INNER COVER:EXIT



67.M0AJ4497  
TRAY:EXIT



47.D2414494  
TRAY:AUXILIARY:EXIT



48.D2414499  
COMPRESSION SPRING:BASE:TRAY:EXIT



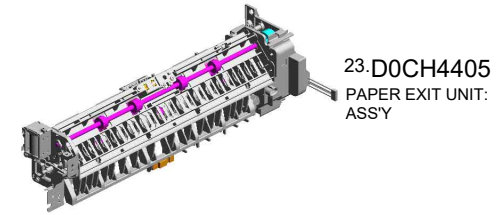
63.D2897931 DUCT:PAPER:COOLING:LOWER  
 64.D2897932 DUCT:PAPER:COOLING:UPPER  
 2.04513006N (x2) TAPPING SCREW - 3X6



U001	U002	U003	U004	U005	U006	U007	U008	U009	U010	U012	U013	U014	U015	U016	U017	U018
------	------	------	------	------	------	------	------	------	------	------	------	------	------	------	------	------

# U012\_S001 PAPER EXIT UNIT:ASS'Y

- 1.03530030N (x2) SCREW:M3X3
- 9.11050692 (x2) CLAMP:LES-0503
- 14.AF040571 (x9) GUIDE ROLLER
- 20.D0394927 (x2) COMPRESSION SPRING:PRESSURE:REVERSE:DRIVEN
- 17.D0094407 FEELER - OVERFLOW



23.D0CH4405  
PAPER EXIT UNIT:  
ASS'Y

8.08050104  
RETAINING RINGS  
-E:SILENCER:DIA4

4.04583008N  
(x2)  
HEXAGON HEAD TAPPING SCREW:3 X8

18.D0094455  
CUSHION - DC SOLENOID

2.04513006N  
(x4)  
TAPPING SCREW - 3X6

5.04583010N  
(x3)  
HEXAGON HEAD TAPPING SCREW:3 X10

15.AW010147  
PHOTO REFLECTION SENSOR:(S10/S12)

19.D0394925 (x4)  
ROLLER:REVERSE:DRIVEN

12.AA082193 (x4)  
PLAIN SHAFT BEARING:RING:DIA4XDIA8X5:EG-1-J 202109-01 O/O

21.D0BQ4425  
DC STEPPER MOTOR:REVERSE:SUB-ASS'Y:(M3)

11.A2324666  
CUSHION - STEPPER MOTOR

16.AW020234  
PHOTO INTERRUPTOR:GP1A173LCS 5F:(S3/S4/S7/S8/S11/S13/S15/S23/S26/S27)

3.04543006Q  
(x13)  
TAPPING SCREW - M3X6

24.D1444484  
(x3)  
SHOULDER SCREW - M3

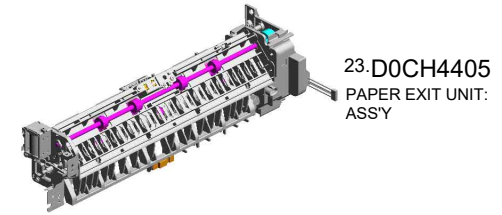
10.11050758  
(x7)  
CLAMP:LWSM-0306A

7.08050103  
(x3)  
RETAINING RINGS -E:SILENCER:DIA3

U001	U002	U003	U004	U005	U006	U007	U008	U009	U010	U011	U012	U013	U014	U015	U016	U017	U018
------	------	------	------	------	------	------	------	------	------	------	------	------	------	------	------	------	------

U012\_S001  
PAPER EXIT UNIT:ASS'Y

- 30.D1494461 GUIDE PLATE:REVERSE:UPPER
- 32.D1494466 GUIDE PLATE:REVERSE:LOWER
- 33.D1494468 SHAFT:DRIVEN:REVERSE ROLLER
- 41.D2024477 REVERSE ROLLER
- 44.D2414441 GUIDE PLATE:EXIT:UPPER



23.D0CH4405  
PAPER EXIT UNIT:ASS'Y

40.D2024431  
DC SOLENOID:ASS'Y:(SOL1)



36.D1494483  
LEVER:GATE PAWL



37.D1494484  
TORSION SPRING:LEVER:GATE PAWL



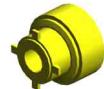
29.D1494434  
TENSION SPRING:LEVER:GATE PAWL



42.D2024481  
GATE PAWL:EXIT



35.D1494471  
(x2)  
SHAFT:DRIVEN:REVERSE ROLLER:OUTER



28.D1494429  
PULLEY:GEAR:REVERSE



26.D1494427  
STUD:PULLEY:BRACKET:DC STEPPER MOTOR



39.D2024426  
BRACKET:DC STEPPER MOTOR:REVERSE



27.D1494428  
GROUND PLATE:PAPER EXIT UNIT



45.D2414448  
SHAFT:FEELER:OVERFLOW



31.D1494463  
GROUND WIRE:SENSOR:REVERSE



34.D1494469  
(x2)  
SPRING PLATE:ROLLER:DRIVEN:REVERSE ROLLER



25.D1494422  
GEAR:REVERSE ROLLER



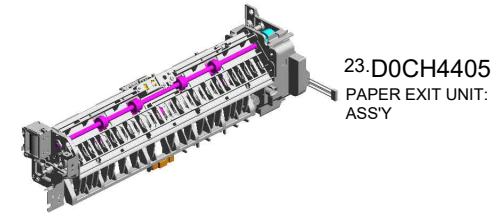
38.D2024421  
GEAR:EXIT ROLLER



U001	U002	U003	U004	U005	U006	U007	U008	U009	U010	U011	U012	U013	U014	U015	U016	U017	U018
------	------	------	------	------	------	------	------	------	------	------	------	------	------	------	------	------	------

U012\_S001  
PAPER EXIT UNIT:ASS'Y

66.GW010007 (x2) PHOTO REFLECTI ON SENSOR:EXIT:( S1/S2/S5/S6/S9/S1 7/S22)  
 50.D2414955 HOLDER:ROLLER: EXIT:PRESSURE:2 TYPE  
 61.D2414992 DISCHARGE BRUS H:EXIT



60.D2414981 (x2) COIL SPRING:ROL LER:PRESSURE:EXIT

62.D2894452 GUIDE PLATE:EXIT :LOWER

46.D2414476 EXIT ROLLER

69.M0AJ4982 DECAL:EXIT:GUID E P:LOWER:INNER BACK

70.AA082195 (x2) PLAIN SHAFT BEA RING:DIA6XDIA10X 6 202201-03 O/O

68.M0AJ4981 DECAL:EXIT:GUID E P:LOWER:MIDDL E  
 65.D6842163 SYNCHRONOUS B ELT:40S2M122

U001	U002	U003	U004	U005	U006	U007	U008	U009	U010	U012	U013	U014	U015	U016	U017	U018
------	------	------	------	------	------	------	------	------	------	------	------	------	------	------	------	------

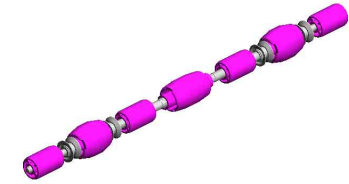


U012\_S001\_S001

ROLLER:EXIT:PRESSURE:2TYPE:ASS'Y

6.07200020G (x4)  
RETAINING RING - M2

51.D2414957  
SHAFT:ROLLER:P  
RESSURE:EXIT:2T  
YPE

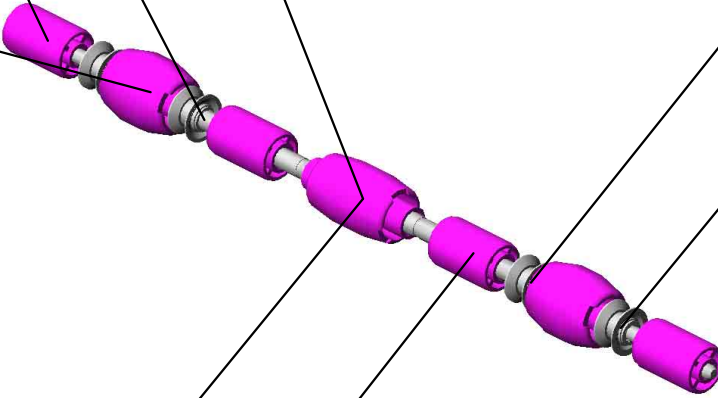


49.D2414950  
ROLLER:EXIT:PRE  
SSURE:2TYPE:ASS  
Y

52.D2414962  
(x2)  
ROLLER:DRIVEN:E  
XIT



53.D2414964  
(x2)  
ROLLER:EXIT:PRE  
SSURE



54.D2414965  
(x2)  
COLLAR:ROLLER:  
EXIT:PRESSURE



59.D2414978  
(x2)  
COLLAR:ROLLER:  
EXIT:PRESSURE:B  
OTH ENDS



57.D2414976  
ROLLER:EXIT:PRE  
SSURE:MIDDLE



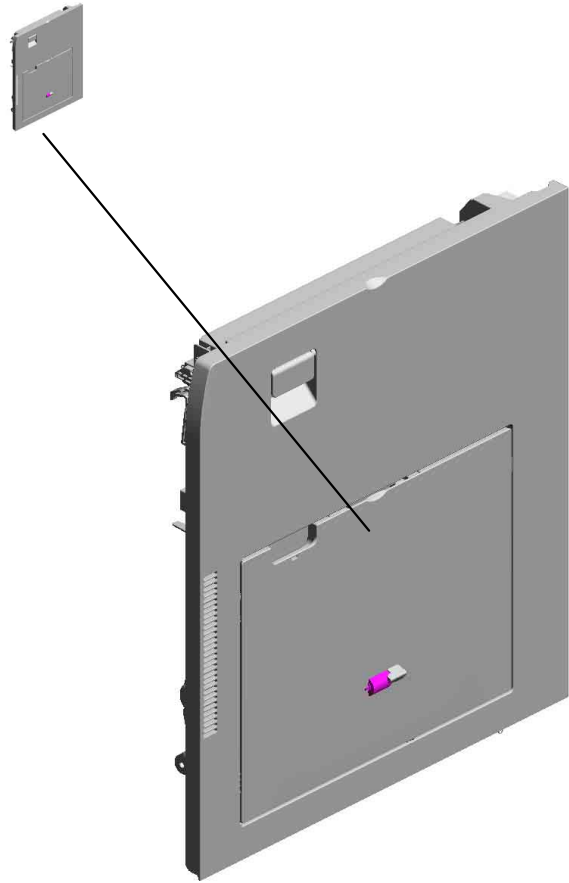
58.D2414977  
(x2)  
ROLLER:DRIVEN:E  
XIT:MIDDLE



U001	U002	U003	U004	U005	U006	U007	U008	U009	U010	U011	U012	U013	U014	U015	U016	U017	U018
------	------	------	------	------	------	------	------	------	------	------	------	------	------	------	------	------	------

# U013.DUPLEX

U013 S001  
D0DL4503  
DUPLICATION UNIT:IM2500-6000



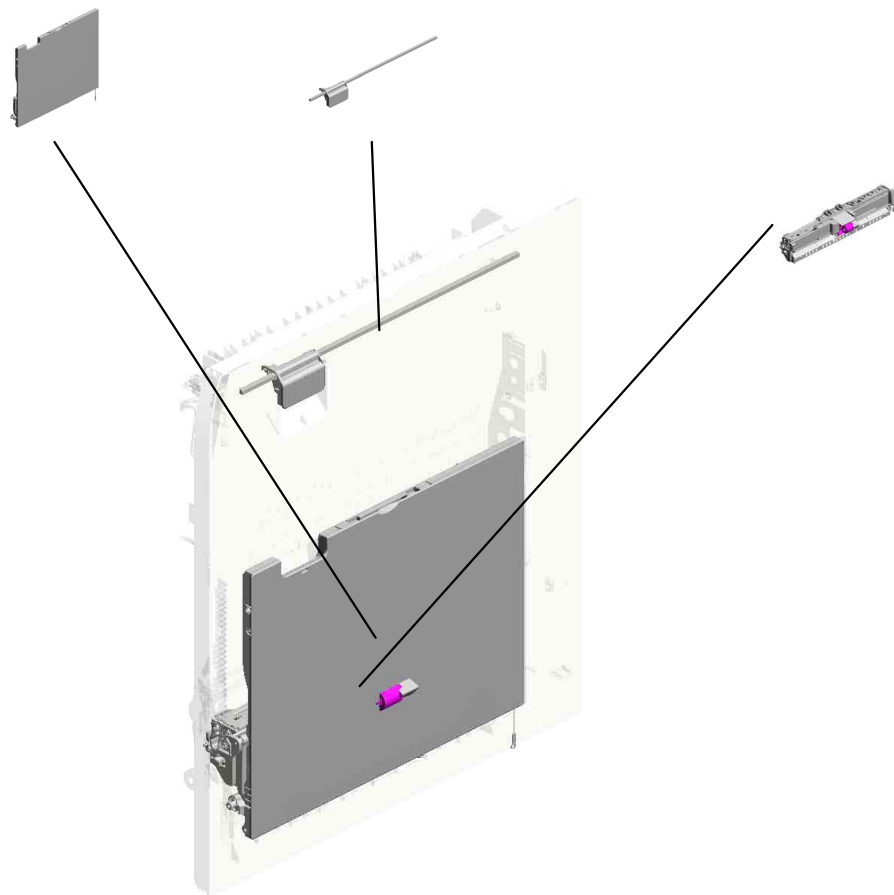
U001	U002	U003	U004	U005	U006	U007	U008	U009	U010	U011	U012	U013	U014	U015	U016	U017	U018
------	------	------	------	------	------	------	------	------	------	------	------	------	------	------	------	------	------

# U013\_S001.DUPLEX UNIT:IM2500-6000

U013 S001 S002  
D0DL2511  
MANUAL FEED UNIT:IM2500-  
6000

U013 S001 S003  
D0BQ4610  
GRIP:SUB-ASS'Y

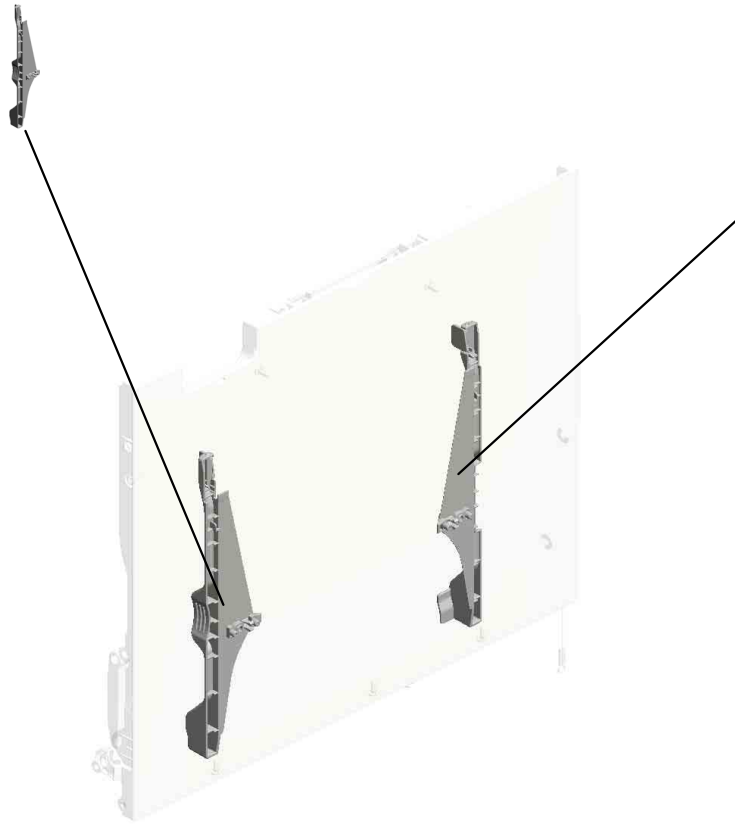
U013 S001 S001  
D0BQ2600  
MANUAL FEED UNIT:ASS'Y



U001	U002	U003	U004	U005	U006	U007	U008	U009	U010	U011	U012	U013	U014	U015	U016	U017	U018
------	------	------	------	------	------	------	------	------	------	------	------	------	------	------	------	------	------

# U013\_S001\_S002.MANUAL FEED UNIT:IM2500-6000

U013 S001 S002 S001  
D0BQ2630  
SIDE FENCE:FRONT:ASS'Y



U013 S001 S002 S002  
D0BQ2632  
SIDE FENCE:REAR:ASS'Y

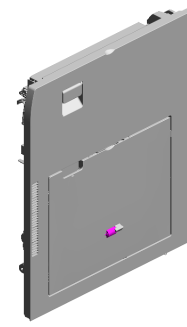
U001	U002	U003	U004	U005	U006	U007	U008	U009	U010	U011	U012	U013	U014	U015	U016	U017	U018
------	------	------	------	------	------	------	------	------	------	------	------	------	------	------	------	------	------

U013  
 DUPLEX

8.04583010N (x3)  
 HEXAGON HEAD TAPPING SCREW:3 X10

156.D2024741  
 BRACKET:STUD:LEVER

39.AW500049  
 PUSH SWITCH:SW1AG-550:(SW2/SW3/SW5/SW6)



19.54472681 (x2)  
 SNAP RING

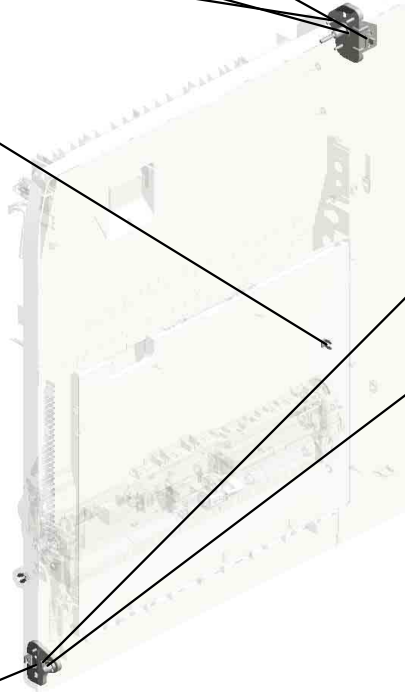


113.D1494755  
 BRACKET:HINGE:DUPLEX:FRONT



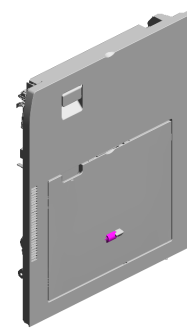
18.52152621  
 SNAP RING - M6

5.04543006Q (x2)  
 TAPPING SCREW - M3X6



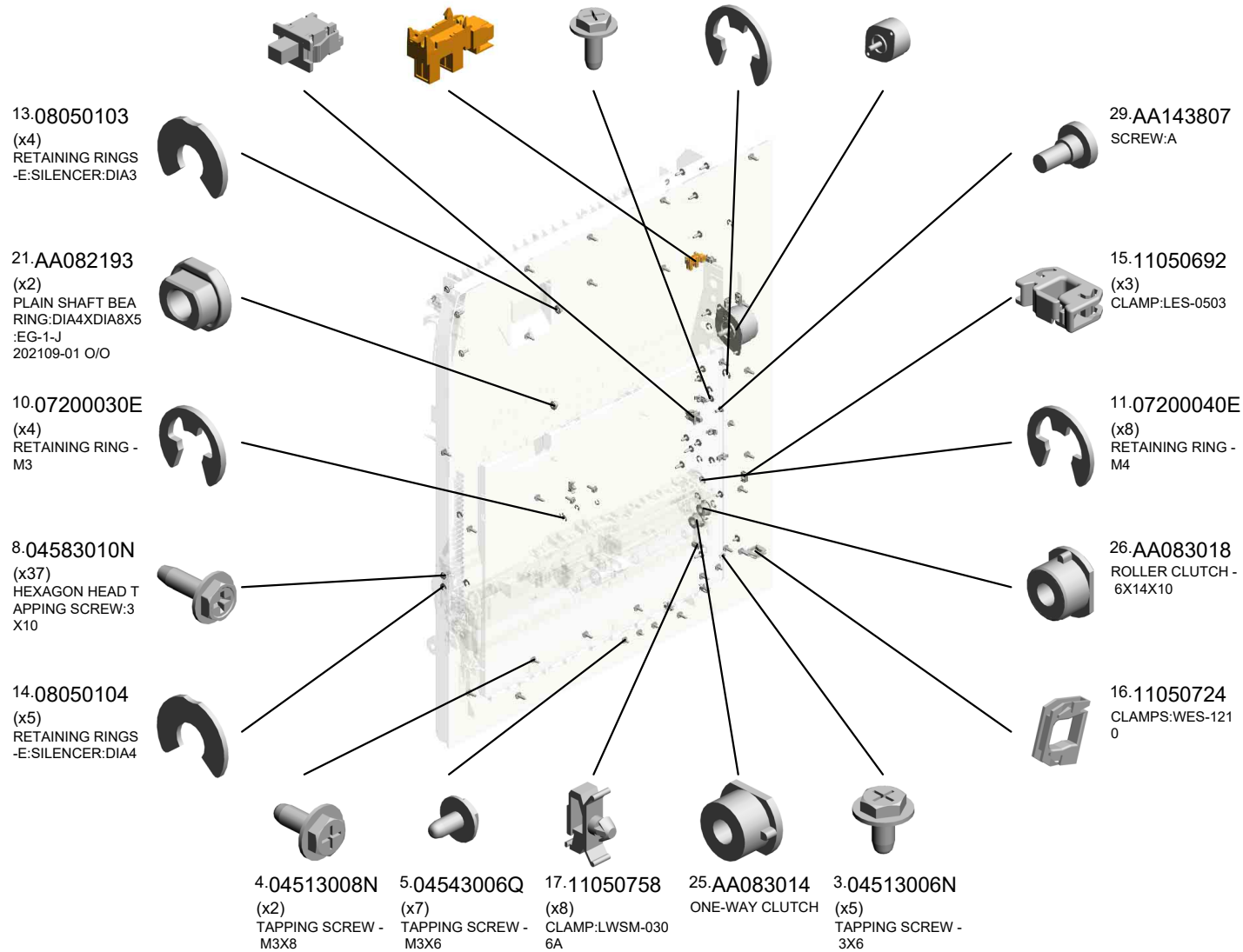
U001	U002	U003	U004	U005	U006	U007	U008	U009	U010	U011	U012	U013	U014	U015	U016	U017	U018
------	------	------	------	------	------	------	------	------	------	------	------	------	------	------	------	------	------

U013\_S001  
 DUPLEX UNIT:IM2500-6000



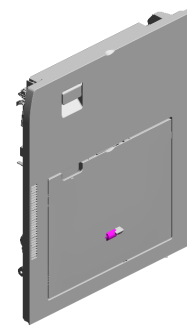
76.D0DL4503  
 [A]  
 DUPLEX UNIT:IM25  
 00-6000  
 202302-05 O/O

- 39.AW500049 PUSH SWITCH:SW 1AG-550:(SW2/SW 3/SW5/SW6)
- 37.AW020198 PHOTOINTERUP TOR:LG2A14NL1:(S 16)
- 6.04543008Q (x2) TAPPING SCREW: 3X8
- 12.07200060E RETAINING RING - M6
- 40.AX050349 DC MOTOR:ENCO DER:NO:7W:GEAR: BRUSHLESS:(M4)



U001	U002	U003	U004	U005	U006	U007	U008	U009	U010	U011	U012	U013	U014	U015	U016	U017	U018
------	------	------	------	------	------	------	------	------	------	------	------	------	------	------	------	------	------

U013\_S001  
 DUPLEX UNIT:IM2500-6000



76.D0DL4503  
 [A]  
 DUPLEX UNIT:IM25  
 00-6000  
 202302-05 O/O

- 47.D0094487 (x2) COMPRESSION SPRING - GATE
- 46.D0094485 (x2) BUSHING - GATE
- 74.D0CH4788 (x2) TRANSPORT ROLLER:ENTRANCE
- 45.D0094455 (x2) CUSHION - DC SOLENOID
- 79.D1484690 TORSION SPRING: LINK

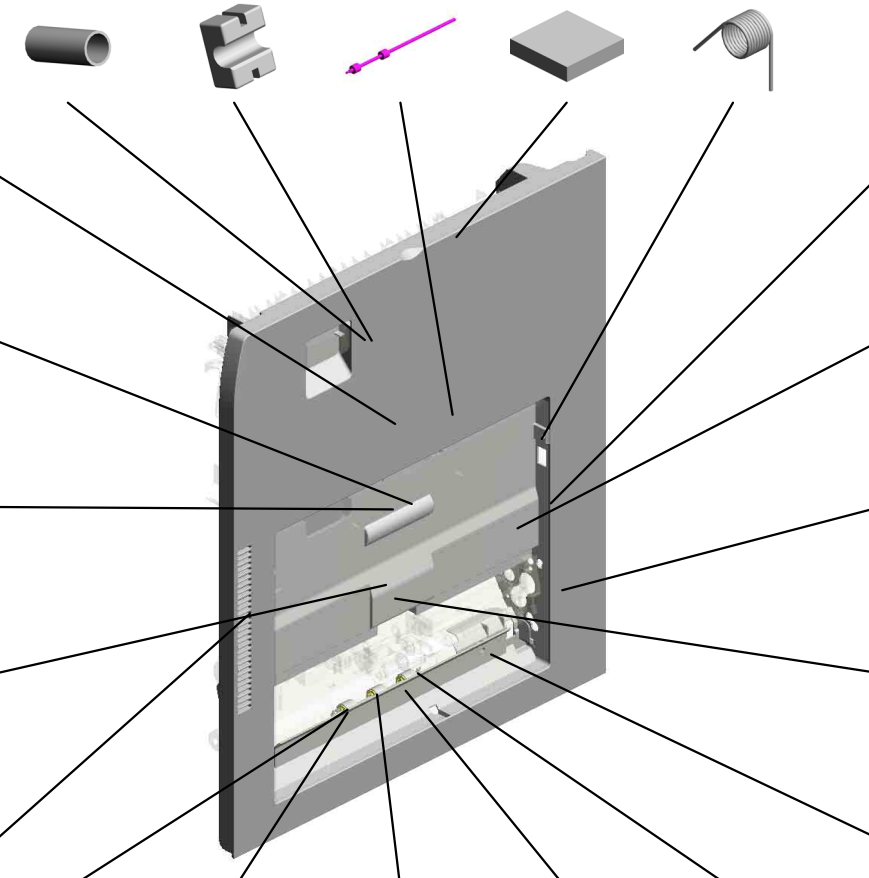
50.D0394597 (x4) TENSION SPRING: DRIVEN ROLLER

70.D0CH4630 COVER:DUPLEX

42.B2234552 (x4) BUSHING:DIA4

71.D0CH4679 DRIVEN ROLLER: DIA16:DUPLEX

49.D0394529 STOPPER:GUIDE PLATE:ROLLER:DRIVEN



72.D0CH4726 TORSION SPRING: LINK:CONTACT POINT

68.D0BQ4644 GEAR:MECHANICAL ROLLER CLUTCH

41.AX060464 DC MOTOR:ENCODER:NO:10W:GEAR:BRUSHLESS:(M5/M7/M9)

73.D0CH4786 TRANSPORT ROLLER:DUPLEX:2

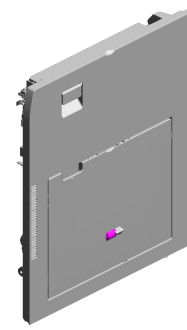
64.D0BQ2656 HOLDER:HARNESSES

- 43.D0092573 (x6) PULLEY - VERTICAL TRANSPORT
- 48.D0292677 (x6) TRANSPORT BELT:DRIVEN:VERTICAL TRANSPORT
- 90.D1492678 (x2) SHAFT:FLAT CONVEYER BELT:DRIVEN
- 44.D0092574 (x6) PULLEY - IDLER
- 78.D1444489 (x4) STOPPER:DRIVEN ROLLER

U001	U002	U003	U004	U005	U006	U007	U008	U009	U010	U011	U012	U013	U014	U015	U016	U017	U018
------	------	------	------	------	------	------	------	------	------	------	------	------	------	------	------	------	------

U013\_S001  
 DUPLEX UNIT:IM2500-6000

- 135.D2024634 ARM:PRESSURE R  
RELEASE:FRONT
- 137.D2024661 HOOK:STOPPER:D  
UPLX UNIT:FRON  
T
- 98.D1494658 COIL SPRING:LEV  
ER:DUPLEX
- 136.D2024635 ARM:PRESSURE R  
RELEASE:REAR
- 97.D1494657 HOOK:STOPPER:D  
UPLX UNIT:REAR



76.D0DL4503  
 [A]  
 DUPLEX UNIT:IM25  
 00-6000  
 202302-05 O/O

106.D1494715  
 DECAL:GRIP:Z



99.D1494672  
 (x4)  
 COMPRESSION SP  
 RING:DRIVEN



138.D2024667  
 GUIDE PLATE:DUP  
 LEX:EXIT



132.D2022691  
 GUIDE PLATE:VER  
 TICAL TRANSPOR  
 T:NO.1:DRIVEN



103.D1494695  
 LINK:FRONT



114.D1494777  
 (x4)  
 COMPRESSION SP  
 RING:FLAT CONVE  
 YER BELT:DRIVEN



129.D2022673  
 GUIDE PLATE:VER  
 TICAL TRANSPOR  
 T:NO.2:DRIVEN



133.D2022694  
 (x2)  
 SHAFT:FLAT CONV  
 EYER BELT:PULLE  
 Y



134.D2022697  
 (x2)  
 HOLDER:DRIVEN:B  
 ELT



112.D1494737  
 (x4)  
 PLAIN SHAFT BEA  
 RING:DUPLEX:EXI  
 T



94.D1494638  
 GUIDE:WIRE



102.D1494688  
 LINK:DUPLEX:MAI  
 N



100.D1494675  
 COVER:PUSH SWI  
 TCH



101.D1494677  
 STAY:CONTACT P  
 OINT:GUIDE PLAT  
 E:DRIVEN



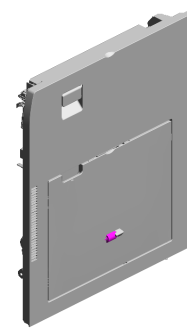
115.D1494787  
 GUIDE:HARNESS:  
 MANUAL FEED:CO  
 NNECTING



U001	U002	U003	U004	U005	U006	U007	U008	U009	U010	U011	U012	U013	U014	U015	U016	U017	U018
------	------	------	------	------	------	------	------	------	------	------	------	------	------	------	------	------	------

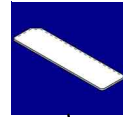


U013\_S001  
 DUPLEX UNIT:IM2500-6000

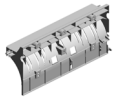


76.D0DL4503  
 [A]  
 DUPLEX UNIT:IM25  
 00-6000  
 202302-05 O/O

- 149.D2024690 GUIDE PLATE:UPPER
- 143.D2024674 TORSION SPRING: DUPLEX:ENTRANCE SENSOR
- 164.D2414635 SHEET:CUSHION
- 142.D2024673 FEELER:DUPLEX:ENTRANCE SENSOR
- 150.D2024691 (x2) COMPRESSION SPRING:SHAFT:GUIDE PLATE:UPPER



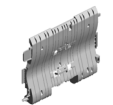
141.D2024671  
 GUIDE PLATE:DUPLEX:ENTRANCE



151.D2024692 (x2)  
 SHAFT:PRESSURE:GUIDE PLATE:UPPER



144.D2024677  
 GUIDE PLATE:DRIVEN



140.D2024669  
 GUIDE:REGISTRATION:ENTRANCE:FRONT



155.D2024731  
 INNER COVER:FRONT:DUPLEX



146.D2024682  
 DRIVEN ROLLER:DIAM16

147.D2024683  
 COVER:GUIDE PLATE:DRIVEN

165.D2414640  
 TRANSPORT ROLLER:EXIT:DIAM8

148.D2024684  
 GROUND WIRE:BRACKET:DRIVEN ROLLER

145.D2024680  
 BRACKET:DRIVEN ROLLER:PRESSURE

154.D2024730  
 INNER COVER:REAR:DUPLEX



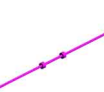
153.D2024722  
 LINK:DUPLEX



152.D2024721  
 BRACKET:LINK:DUPLEX



166.D2414642  
 TRANSPORT ROLLER:DUPLEX:1

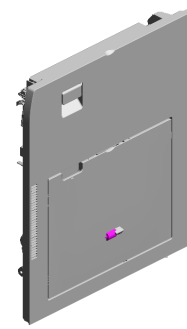


139.D2024668  
 GUIDE:REGISTRATION:ENTRANCE:REAR



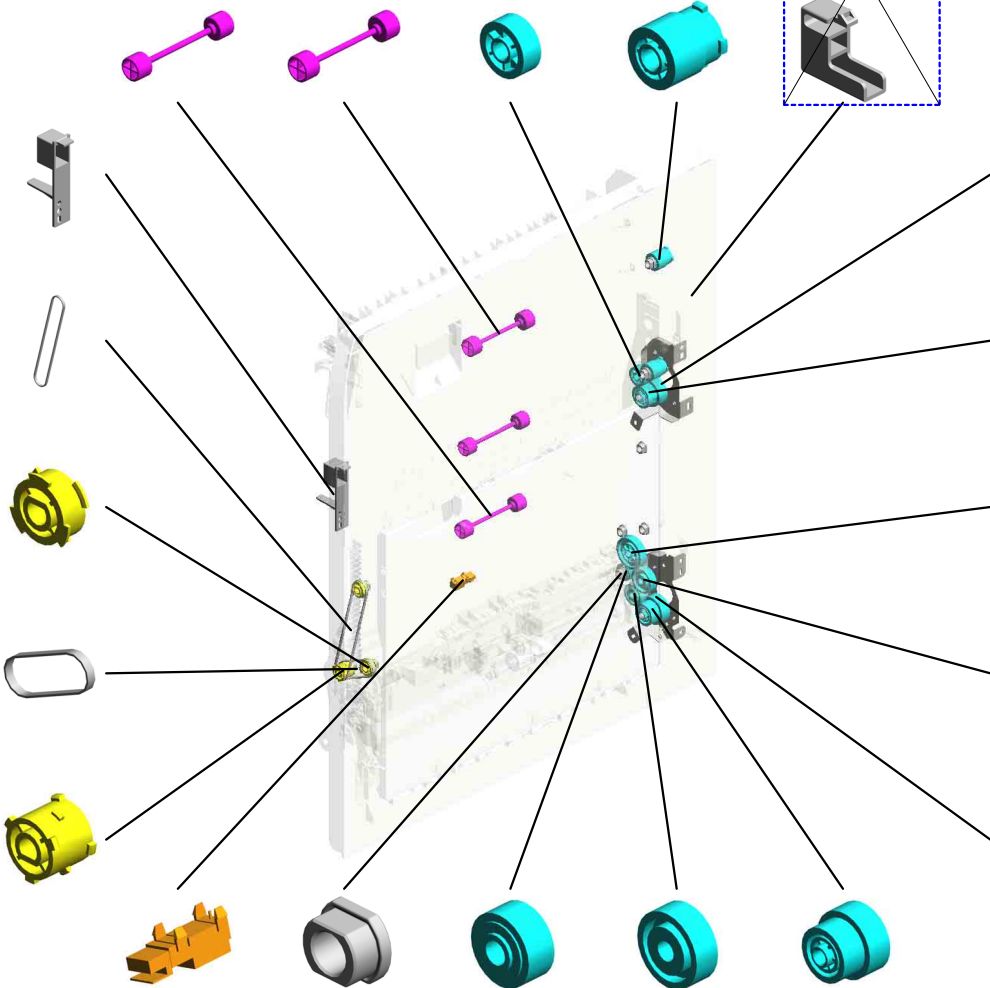
U001	U002	U003	U004	U005	U006	U007	U008	U009	U010	U011	U012	U013	U014	U015	U016	U017	U018
------	------	------	------	------	------	------	------	------	------	------	------	------	------	------	------	------	------

U013\_S001  
 DUPLEX UNIT:IM2500-6000



76.D0DL4503  
 [A]  
 DUPLEX UNIT:IM25  
 00-6000  
 202302-05 O/O

174.D2414761 (x2) DRIVEN ROLLER: D IA16  
 175.D2414762 DRIVEN ROLLER: D IA18  
 185.M0AN4708 GEAR: IDLER  
 182.M0AN4651 (x2) GEAR: PULLEY  
 187.M0AN4733 ARM: FUSING: REAR 202202-03



186.M0AN4732  
 ARM: PUSH SWITCH

190.D0BQ4646  
 SYNCHRONOUS BELT: 30S2M262  
 202112-01 O/O

176.D2414765 (x2)  
 PULLEY: T26

189.D0BQ4645  
 SYNCHRONOUS BELT: 30S2M118  
 202112-02 O/O

177.D2414766  
 PULLEY: T26/T26

179.GW010007 PHOTO REFLECTION SENSOR: EXIT: (S1/S2/S5/S6/S9/S17/S22)  
 191.AA082195 (x9) PLAIN SHAFT BEARING: DIA6XDIA10X6 202201-03 O/O  
 171.D2414709 GEAR: TRANSPORT ROLLER: MANUAL FEED  
 170.D2414708 GEAR: SEPARATOR: MANUAL FEED: DRIVE  
 168.D2414684 GEAR: OUTPUT

184.M0AN4707  
 BRACKET: MOTOR: DUPLEX: ENTRANCE

183.M0AN4684  
 GEAR: OUTPUT

172.D2414710  
 GEAR: IDLER

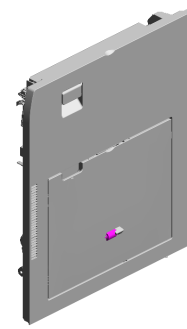
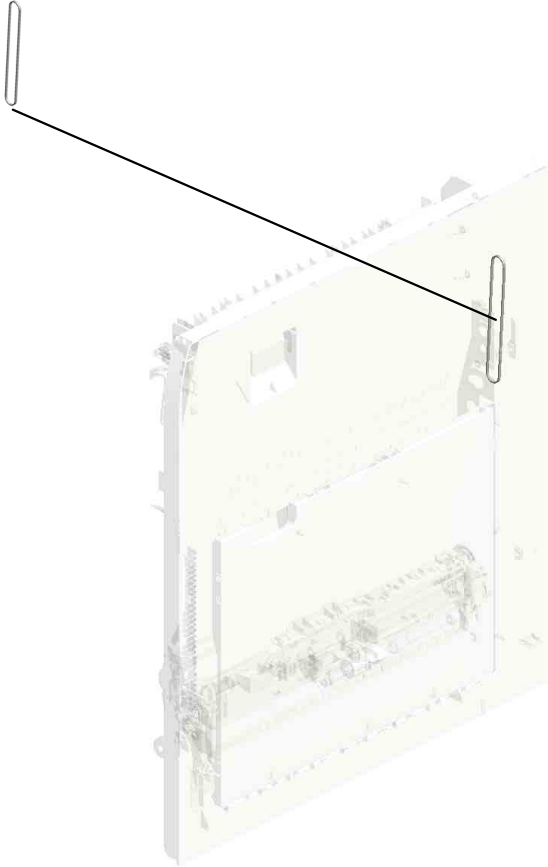
169.D2414707  
 GEAR: FEED: MANUAL FEED: DRIVE

167.D2414681  
 BRACKET: MOTOR: PEEN

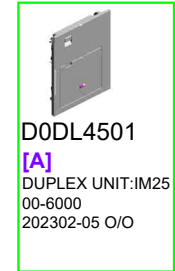
U001	U002	U003	U004	U005	U006	U007	U008	U009	U010	U011	U012	U013	U014	U015	U016	U017	U018
------	------	------	------	------	------	------	------	------	------	------	------	------	------	------	------	------	------

U013\_S001  
DUPLEX UNIT:IM2500-6000

192.D0BQ4648  
SYNCHRONOUS B  
ELT:30S2M300  
202202-05 O/O



76.D0DL4503  
[A]  
DUPLEX UNIT:IM25  
00-6000  
202302-05 O/O

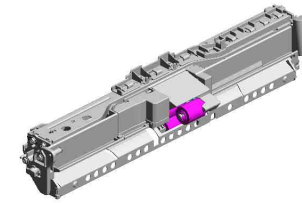


D0DL4501  
[A]  
DUPLEX UNIT:IM25  
00-6000  
202302-05 O/O

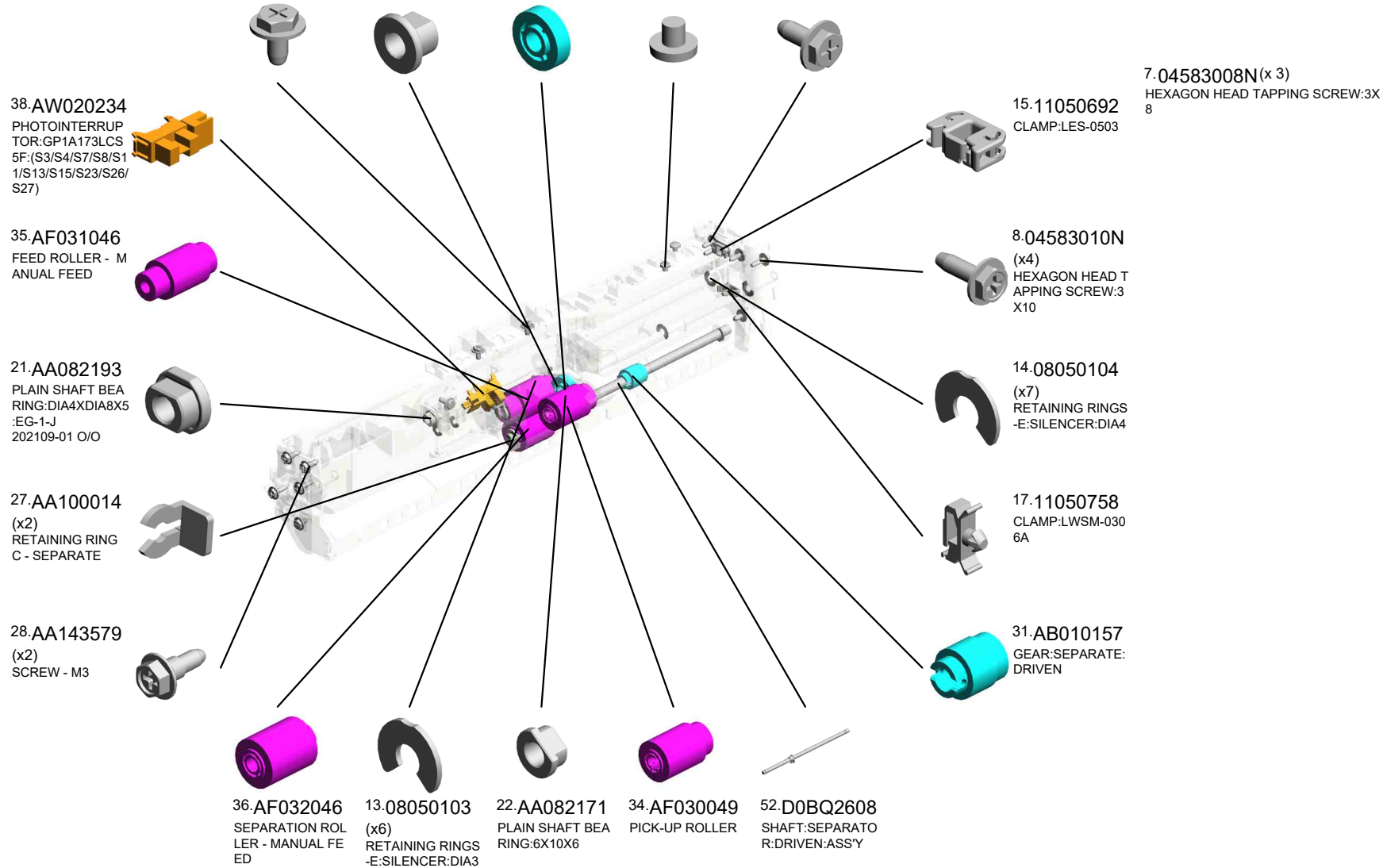
U001	U002	U003	U004	U005	U006	U007	U008	U009	U010	U011	U012	U013	U014	U015	U016	U017	U018
------	------	------	------	------	------	------	------	------	------	------	------	------	------	------	------	------	------

U013\_S001\_S001  
MANUAL FEED UNIT:ASS'Y

- 3.04513006N (x2) TAPPING SCREW - 3X6
- 24.AA082187 BUSHING:DIA6XDI A10X9:EG-1
- 32.AB011252 GEAR - 20Z
- 1.03530030N (x2) SCREW:M3X3
- 4.04513008N (x5) TAPPING SCREW - M3X8



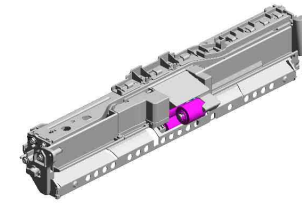
51.D0BQ2600  
MANUAL FEED UNI  
T:ASS'Y



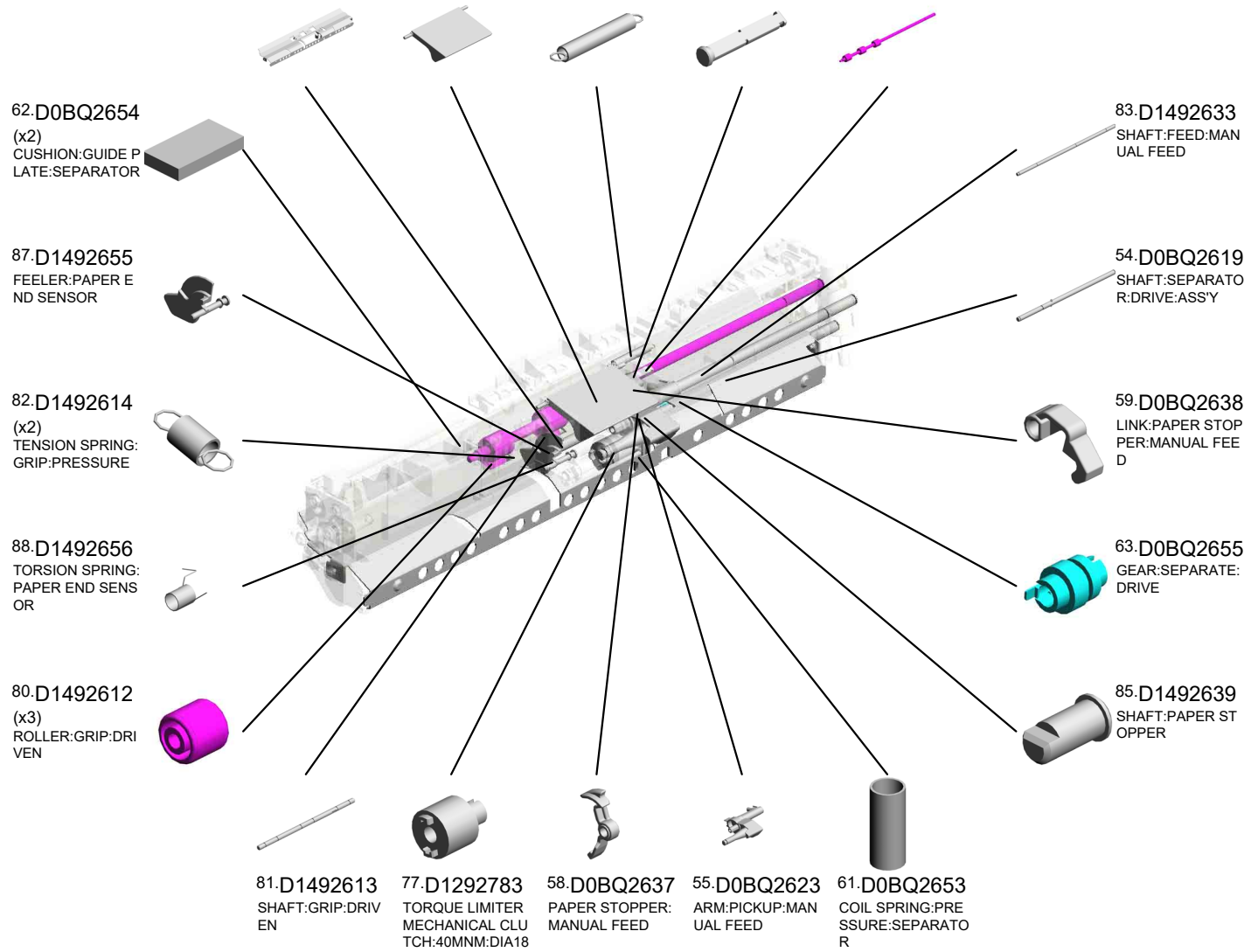
U001	U002	U003	U004	U005	U006	U007	U008	U009	U010	U011	U012	U013	U014	U015	U016	U017	U018
------	------	------	------	------	------	------	------	------	------	------	------	------	------	------	------	------	------

# U013\_S001\_S001 MANUAL FEED UNIT:ASS'Y

- 53.D0BQ2615 GUIDE PLATE:SEPARATOR:ASS'Y
- 89.D1492658 COVER:PAPER FEED ROLLER
- 119.D2022614 COIL SPRING:RELEASE:PICKUP:MANUAL FEED
- 86.D1492642 SHAFT:LINK:PAPER STOPPER
- 84.D1492635 TRANSPORT ROLLER:MANUAL FEED



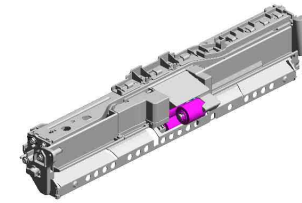
51.D0BQ2600  
MANUAL FEED UNIT:ASS'Y



U001	U002	U003	U004	U005	U006	U007	U008	U009	U010	U011	U012	U013	U014	U015	U016	U017	U018
------	------	------	------	------	------	------	------	------	------	------	------	------	------	------	------	------	------

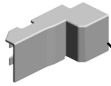
U013\_S001\_S001  
MANUAL FEED UNIT:ASS'Y

- 162.D2412652 GROUND PLATE:SHAFT:FEED
- 159.D2412641 COVER:PAPER STOPPER:MANUAL FEED
- 161.D2412644 TORSION SPRING:LINK:PAPER STOPPER
- 160.D2412643 ARM:LINK:PAPER STOPPER



51.D0BQ2600  
MANUAL FEED UNIT:ASS'Y

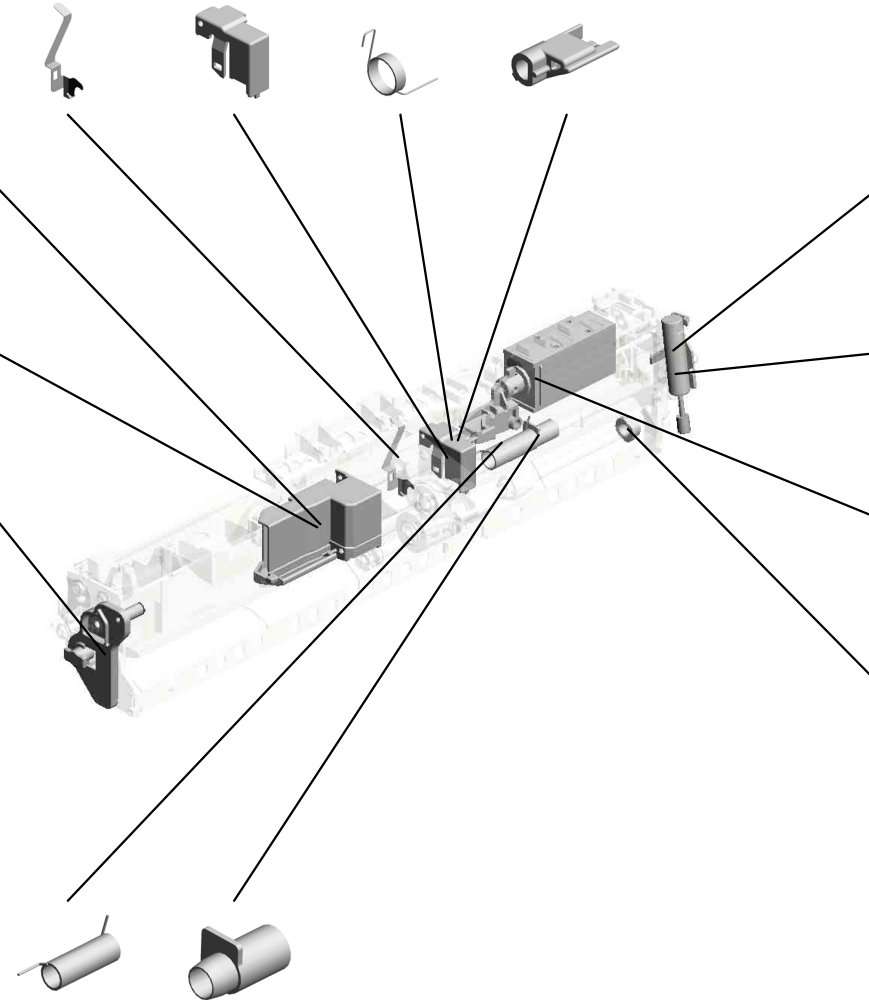
122.D2022624  
COVER:PAPER END



123.D2022625  
BRACKET:PAPER END SENSOR:MANUAL FEED



173.D2414722  
BRACKET:FRONT



158.D2412622  
COVER:DAMPER



181.M0662749  
OIL DAMPER:STRAIGHT:30N



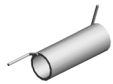
157.D2412612  
DC SOLENOID:PICKUP:ASS'Y:(SOL2)



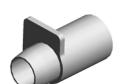
191.AA082195  
PLAIN SHAFT BEARING RING:6  
202201-03 O/O



120.D2022619  
TORSION SPRING:PICKUP



121.D2022620  
SHOE:TORSION SPRING:PICKUP



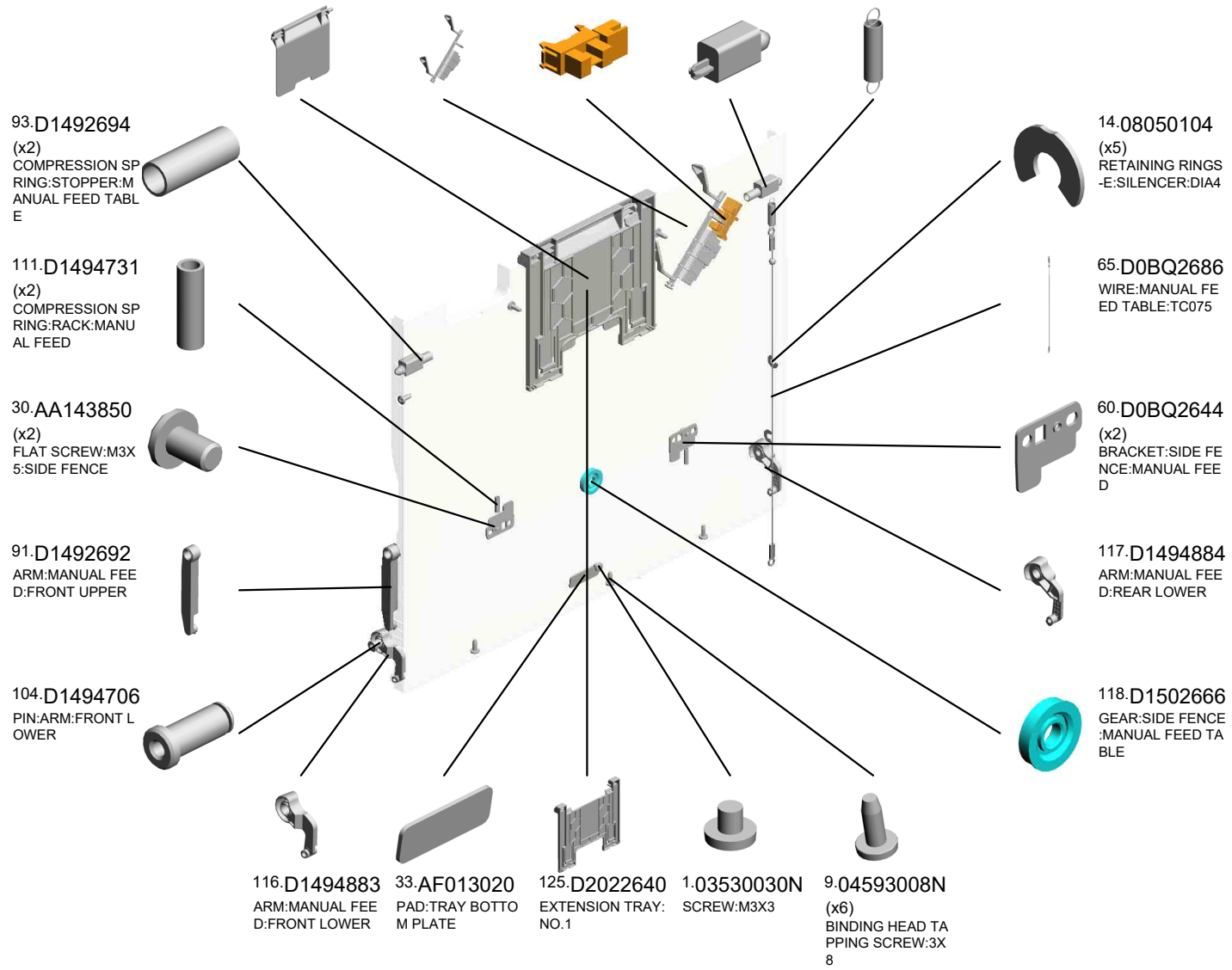
U001	U002	U003	U004	U005	U006	U007	U008	U009	U010	U011	U012	U013	U014	U015	U016	U017	U018
------	------	------	------	------	------	------	------	------	------	------	------	------	------	------	------	------	------

U013\_S001\_S002  
 MANUAL FEED UNIT:IM2500-6000



75.D0DL2511  
 MANUAL FEED UNI  
 T:IM2500-6000

- 126.D2022641 EXTENSION TRAY: NO.2
- 124.D2022638 FEELER:PAPER SIZE SENSOR:MANUAL FEED
- 38.AW020234 PHOTOINTERRUPTOR:GP1A173LCS5F:(S3/S4/S7/S8/S11/S13/S15/S23/S26/S27)
- 92.D1492693 (x2) STOPPER:MANUAL FEED TABLE
- 66.D0BQ2688 TENSION SPRING: WIRE



U001	U002	U003	U004	U005	U006	U007	U008	U009	U010	U011	U012	U013	U014	U015	U016	U017	U018
------	------	------	------	------	------	------	------	------	------	------	------	------	------	------	------	------	------

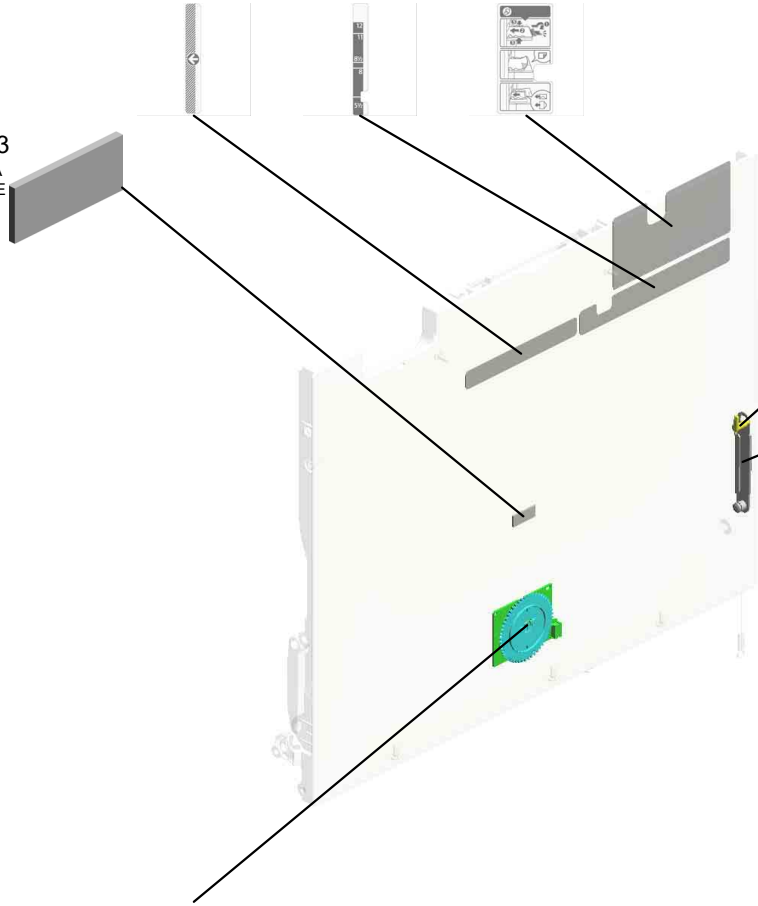
U013\_S001\_S002  
 MANUAL FEED UNIT:IM2500-6000

130.D2022676 131.D2022677 163.D2412685  
 DECAL:SCALE:MA DECAL:SCALE:MA DECAL:PAPER SE  
 NUAL FEED:MIDDL NUAL FEED:REAR T DIRECTION:MAN  
 E UAL FEED UAL FEED



75.D0DL2511  
 MANUAL FEED UNI  
 T:IM2500-6000

180.M0662743  
 FRICTION PAD:MA  
 NUAL FEED TABLE  
 :18X7.5



127.D2022642  
 PULLEY:WIRE:MA  
 NUAL FEED TABLE

128.D2022646  
 ARM:MANUAL FEE  
 D:REAR UPPER

188.D0BQ4570  
 PAPER SIZE SENS  
 OR:SENSOR:(S14)  
 202109-04

U001	U002	U003	U004	U005	U006	U007	U008	U009	U010	U011	U012	U013	U014	U015	U016	U017	U018
------	------	------	------	------	------	------	------	------	------	------	------	------	------	------	------	------	------

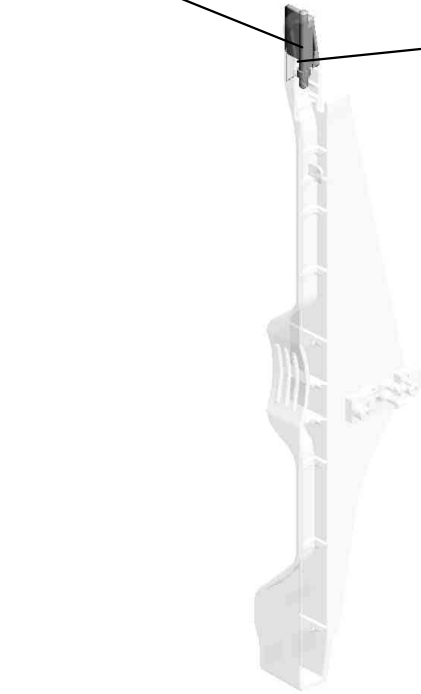


U013\_S001\_S002\_S001  
SIDE FENCE:FRONT:ASS'Y

107.D1494717  
PLATE:SIDE FENC  
E:FRONT



56.D0BQ2630  
SIDE FENCE:FRON  
T:ASSY



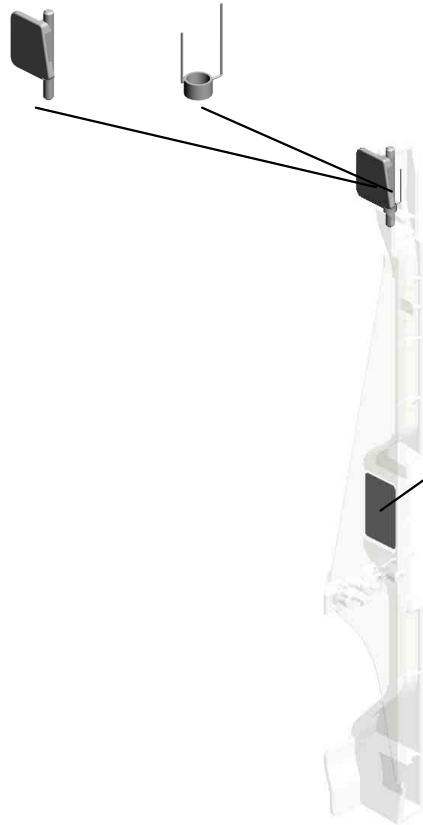
108.D1494718  
TORSION SPRING:  
SIDE FENCE:FRON  
T

U001	U002	U003	U004	U005	U006	U007	U008	U009	U010	U011	U012	U013	U014	U015	U016	U017	U018
------	------	------	------	------	------	------	------	------	------	------	------	------	------	------	------	------	------

U013\_S001\_S002\_S002  
SIDE FENCE:REAR:ASS'Y

109.D1494720 110.D1494721  
PLATE:SIDE FENC TORSION SPRING:  
E:REAR SIDE FENCE:REAR

57.D0BQ2632  
SIDE FENCE:REAR  
:ASS'Y



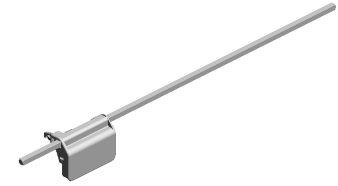
105.D1494711  
DECAL:SIDE FENC  
E:MANUAL FEED



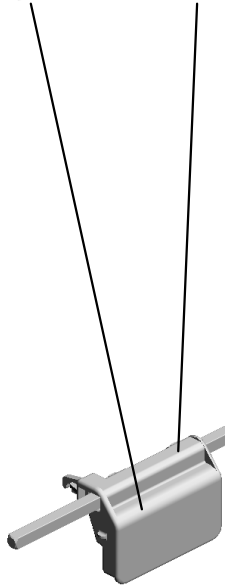
U001	U002	U003	U004	U005	U006	U007	U008	U009	U010	U011	U012	U013	U014	U015	U016	U017	U018
------	------	------	------	------	------	------	------	------	------	------	------	------	------	------	------	------	------

U013\_S001\_S003  
GRIP:SUB-ASS'Y

178.D2894655 2-03603006N  
GRIP:DUPLEX UNI (x2)  
T SCREW - M3X6



67.D0BQ4610  
GRIP:SUB-ASS'Y



69.D0BQ4654  
SHAFT:LEVER:LOC  
K

U001	U002	U003	U004	U005	U006	U007	U008	U009	U010	U011	U012	U013	U014	U015	U016	U017	U018
------	------	------	------	------	------	------	------	------	------	------	------	------	------	------	------	------	------

# U014.MAIN DRIVE

U014 S002  
D2891105  
DRIVE UNIT:ENGINE:ASS'Y

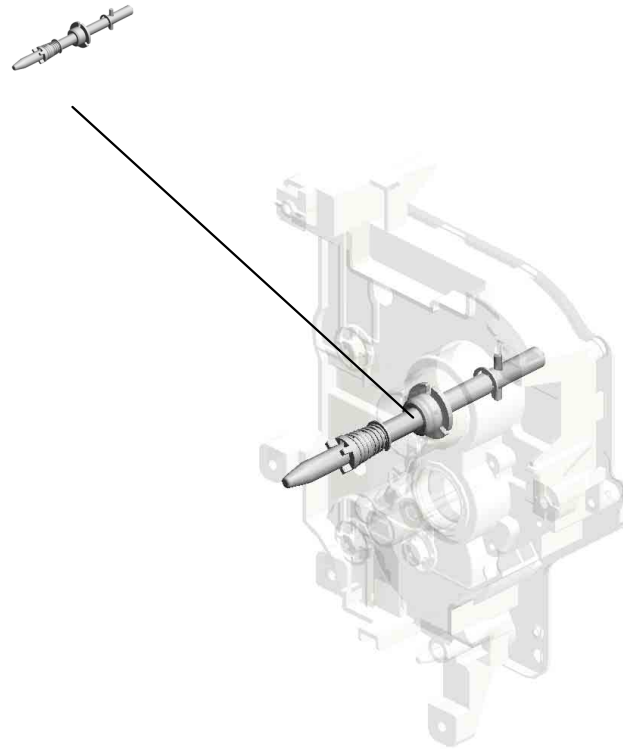


U014 S001  
D0CH1151  
DRIVE UNIT:PAPER FEED:AS  
S'Y

U001	U002	U003	U004	U005	U006	U007	U008	U009	U010	U011	U012	U013	U014	U015	U016	U017	U018
------	------	------	------	------	------	------	------	------	------	------	------	------	------	------	------	------	------

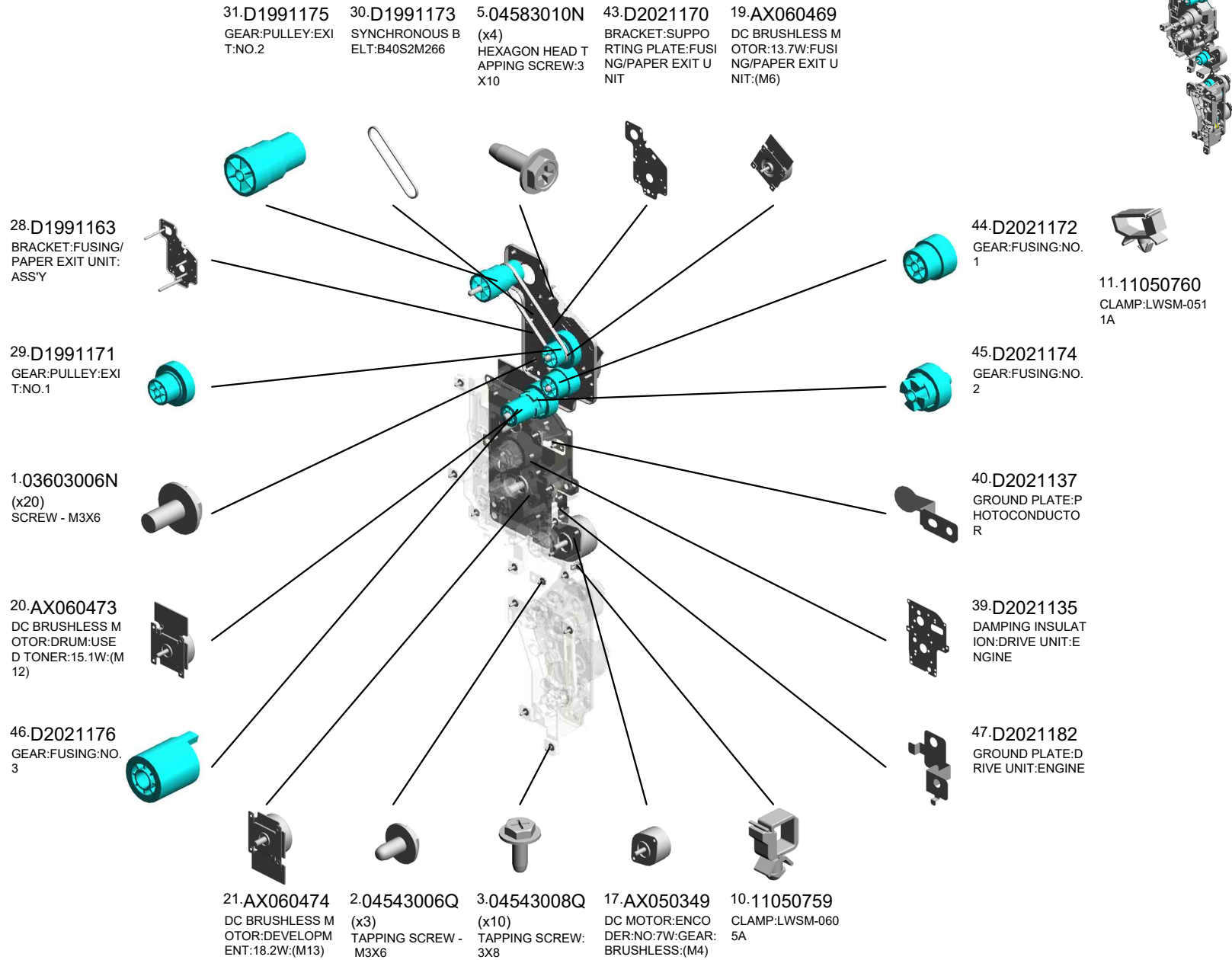
# U014\_S002.DRIVE UNIT:ENGINE:ASS'Y

U014 S002 S001  
D2021128  
SHAFT:DRIVE:DRUM:ASS'Y



U001	U002	U003	U004	U005	U006	U007	U008	U009	U010	U011	U012	U013	U014	U015	U016	U017	U018
------	------	------	------	------	------	------	------	------	------	------	------	------	------	------	------	------	------

# U014 MAIN DRIVE



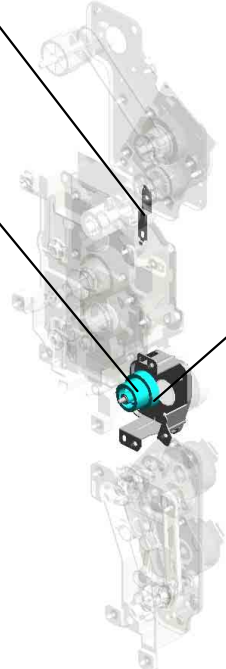
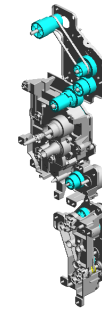
U001	U002	U003	U004	U005	U006	U007	U008	U009	U010	U011	U012	U013	U014	U015	U016	U017	U018
------	------	------	------	------	------	------	------	------	------	------	------	------	------	------	------	------	------

# U014 MAIN DRIVE

58.D2891355 48.D2021184  
GEAR:REGISTRATI GROUND PLATE:D  
ON:NO.1 RIVE UNIT:FUSING  
/PAPER EXIT UNIT

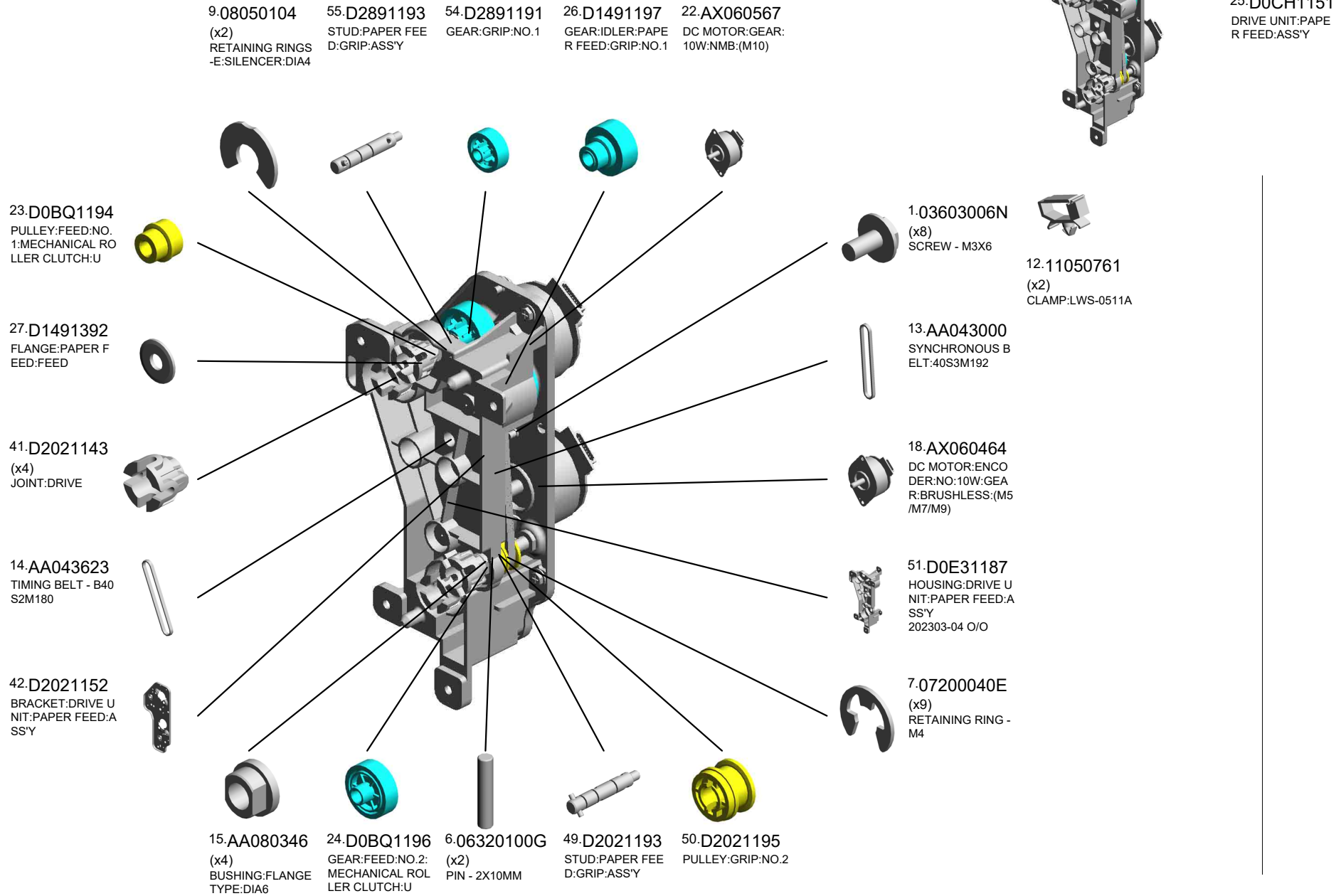


57.D2891352  
BRACKET:DRIVE U  
NIT:REGISTRATIO  
N:ASSY



U001	U002	U003	U004	U005	U006	U007	U008	U009	U010	U011	U012	U013	U014	U015	U016	U017	U018
------	------	------	------	------	------	------	------	------	------	------	------	------	------	------	------	------	------

U014\_S001  
DRIVE UNIT:PAPER FEED:ASS'Y

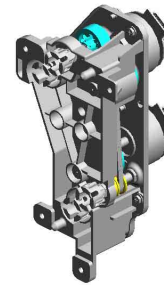
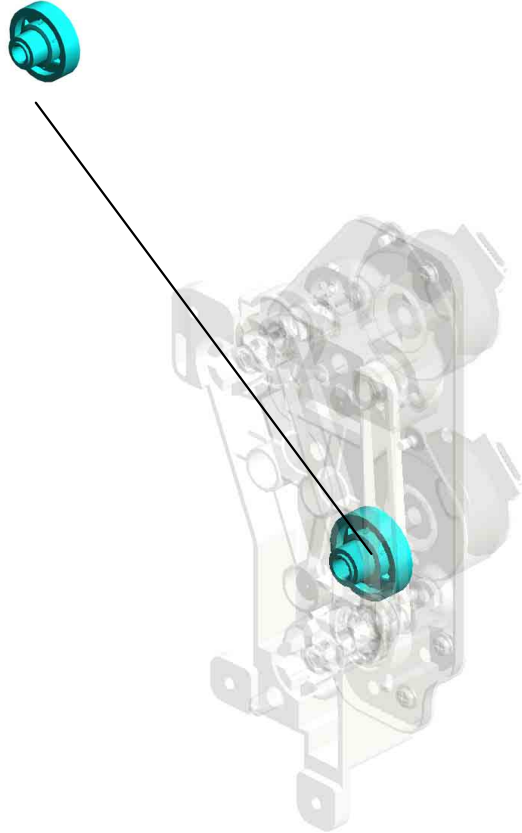


U001	U002	U003	U004	U005	U006	U007	U008	U009	U010	U011	U012	U013	U014	U015	U016	U017	U018
------	------	------	------	------	------	------	------	------	------	------	------	------	------	------	------	------	------



U014\_S001  
DRIVE UNIT:PAPER FEED:ASS'Y

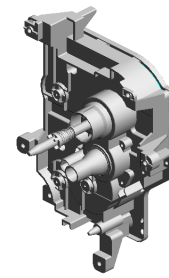
56.D2891195  
GEAR:IDLER:PAPE  
R FEED:FEED



25.D0CH1151  
DRIVE UNIT:PAPE  
R FEED:ASS'Y

U001	U002	U003	U004	U005	U006	U007	U008	U009	U010	U011	U012	U013	U014	U015	U016	U017	U018
------	------	------	------	------	------	------	------	------	------	------	------	------	------	------	------	------	------

U014\_S002  
 DRIVE UNIT:ENGINE:ASS'Y

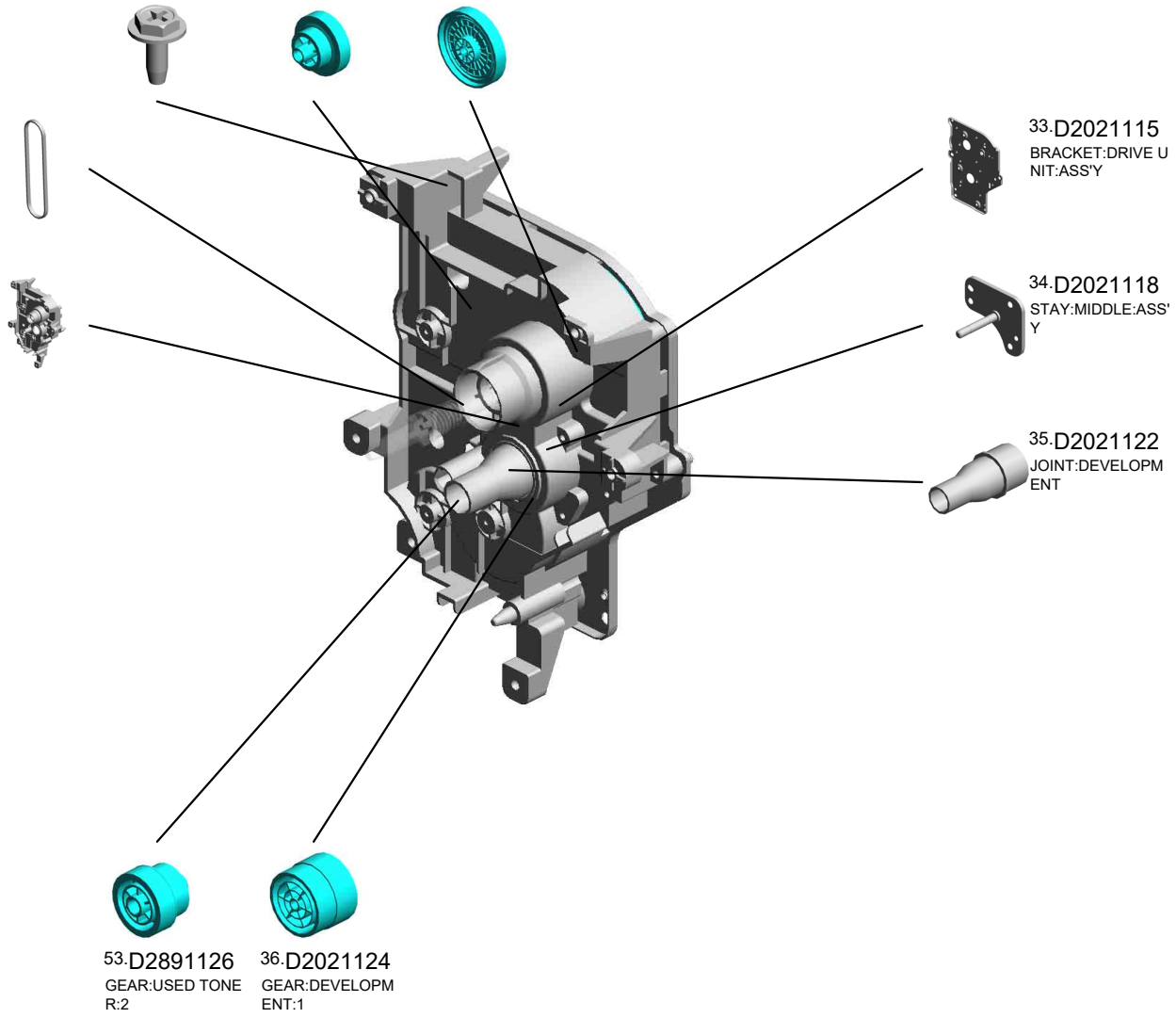


52.D2891105  
 DRIVE UNIT:ENGIN  
 E:ASS'Y

- 4.04583008N (x10) HEXAGON HEAD TAPPING SCREW:3 X8
- 37.D2021125 GEAR:USED TONE R:1
- 16.AB010170 GEAR:DRUM

59.D6883529  
 TIMING BELT:B40S  
 2M224

32.D2021108  
 HOUSING:ASS'Y

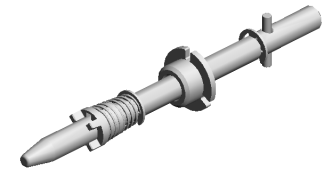
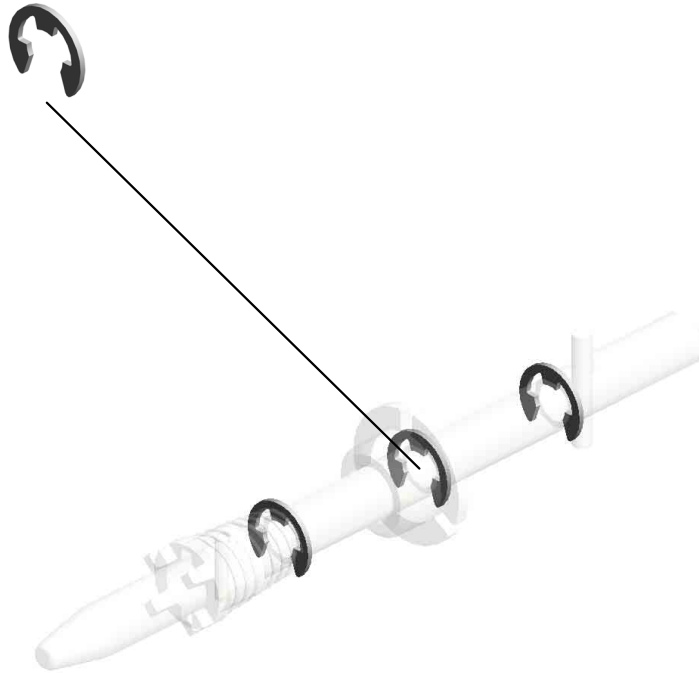


- 53.D2891126 GEAR:USED TONE R:2
- 36.D2021124 GEAR:DEVELOPM ENT:1

U001	U002	U003	U004	U005	U006	U007	U008	U009	U010	U011	U012	U013	U014	U015	U016	U017	U018
------	------	------	------	------	------	------	------	------	------	------	------	------	------	------	------	------	------

U014\_S002\_S001  
SHAFT:DRIVE:DRUM:ASS'Y

8.07200060E  
(x3)  
RETAINING RING -  
M6



38.D2021128  
SHAFT:DRIVE:DRU  
M:ASS'Y

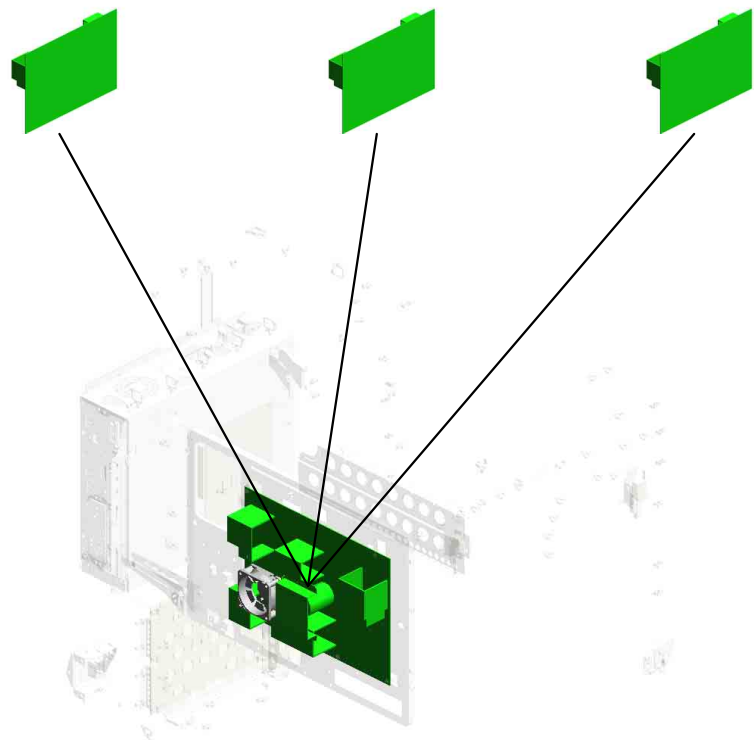
U001	U002	U003	U004	U005	U006	U007	U008	U009	U010	U011	U012	U013	U014	U015	U016	U017	U018
------	------	------	------	------	------	------	------	------	------	------	------	------	------	------	------	------	------

# U015.ELECTRICAL

U015 S001  
AZ230347  
(NA/TWN):POWER SUPPLY  
UNIT:(PCB6)

U015 S002  
AZ230347  
(NA/TWN):POWER SUPPLY  
UNIT:(PCB6)

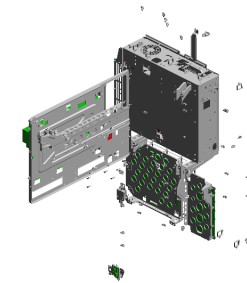
U015 S003  
AZ230347  
(NA/TWN):POWER SUPPLY  
UNIT:(PCB6)



U001	U002	U003	U004	U005	U006	U007	U008	U009	U010	U011	U012	U013	U014	U015	U016	U017	U018
------	------	------	------	------	------	------	------	------	------	------	------	------	------	------	------	------	------

# U015 ELECTRICAL

9.11050725 (x3) CLAMPS:WES-1117  
 10.11050726 (x3) CLAMPS:WES-2217  
 19.11050819 (x3) SPACER:PCB-3S-V0  
 11.11050758 (x72) CLAMP:LWSM-0306A  
 14.11050761 (x3) CLAMP:LWS-0511A



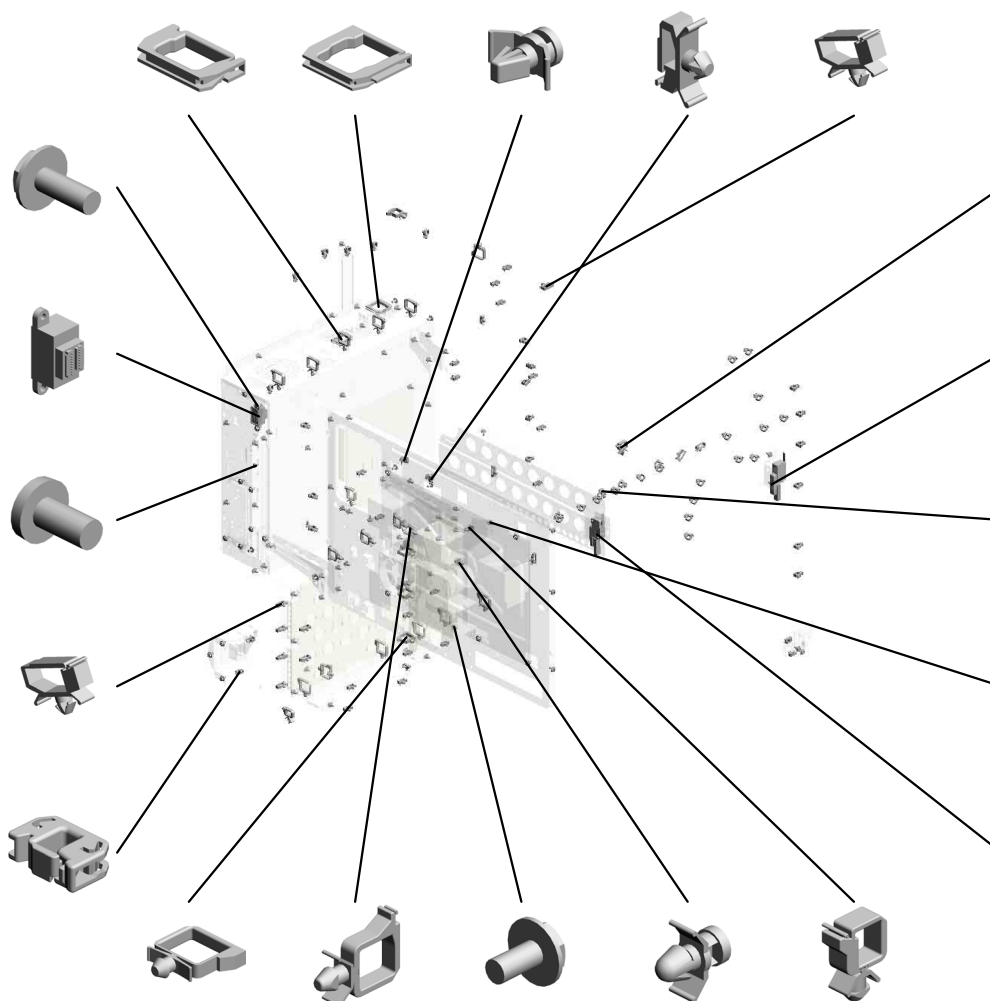
3.03603008N (x6) SCREW:M3X8

7.11036252 (x3) CONNECTOR:16R-GRM-DH3GB-RG-A

1.03530060N (x3) BIND SCREW - M3X6

13.11050760 (x30) CLAMP:LWSM-0511A

8.11050692 (x6) CLAMP:LES-0503



15.11050762 (x6) CLAMP:LWS-0711A

6.04583008N (x3) HEXAGON HEAD TAPPING SCREW:3X8

5.04543006Q (x15) TAPPING SCREW - M3X6

4.04513006N (x105) TAPPING SCREW - 3X6

20.12042612 (x6) MICRO SWITCH:D3V-16506-3C25:(SW7/SW8)

11.11050758 (x12) CLAMP:LWSM-0306A

12.11050759 (x12) CLAMP:LWSM-0605A

13.11050760 (x39) CLAMP:LWSM-0511A

16.11050763 (x51) CLAMP:LWS-1211A

17.11050764 (x9) CLAMP:LWS-1316A

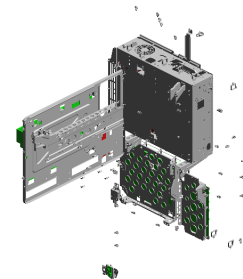
17.11050764 (x45) CLAMP:LWS-1316A  
 16.11050763 (x18) CLAMP:LWS-1211A  
 2.03603006N (x162) SCREW - M3X6  
 18.11050792 (x3) SPACER:PCB-4S-V0  
 12.11050759 (x129) CLAMP:LWSM-0605A

2.03603006N (x24) SCREW - M3X6  
 5.04543006Q (x9) TAPPING SCREW - M3X6

U001	U002	U003	U004	U005	U006	U007	U008	U009	U010	U011	U012	U013	U014	U015	U016	U017	U018
------	------	------	------	------	------	------	------	------	------	------	------	------	------	------	------	------	------

# U015 ELECTRICAL

- 23.AA143848 (x12) STEPPED SCREW - M3
- 38.D1495776 (x3) COVER:USB:SMALL
- 36.D0DJ5627 (IM 3000/3000A);PC B:CTL:(PCB9) 202108-02 X/O
- 21.16072525 (x3) FERRITE CORE:K3 FF 35.00X14.60X7.70X1.40
- 34.D0CH5654 (x3) (NA/EU/AA/KOR/TWN/IND);PCB:IMAGE PROCESSING UNIT:CM2:(PCB7) 202211-01 O/O



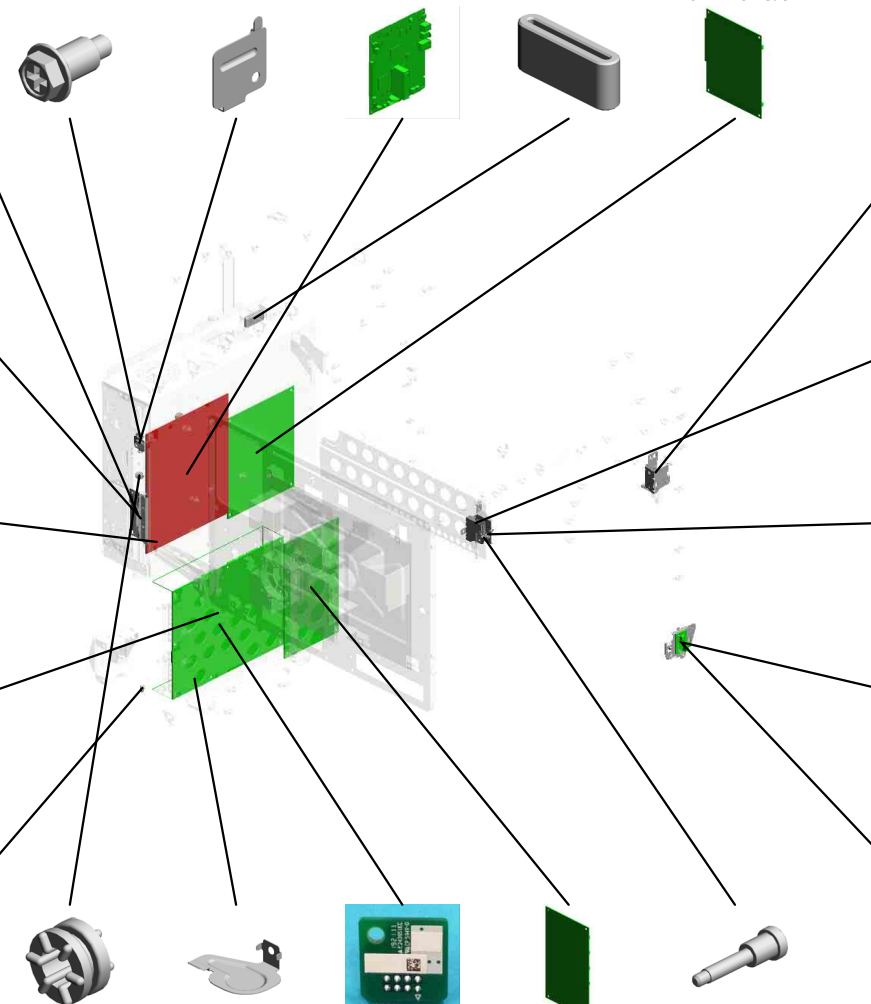
- 29.D0895887 (x3) PANEL:INTERFACE

- 28.D0895824 (x3) COVER:SD-CARD: D086/D087

- 32.D0CC9501 (x3) NVRAM - ZERO COUNTER

- 33.D0CH5103 (x3) (NA/EU/AA/KOR/TWN/IND);PCB:BCU: ASS'Y:(PCB1/PCB2) 202302-07 O/O

- 22.AA143592 (x3) SCREW- M4X6



- 41.D2025827 (x3) BRACKET:SAFETY SWITCH:RIGHT:2

- 43.D2025838 (x3) BRACKET:SAFETY SWITCH:LEFT:2

- 42.D2025829 (x6) TORSION SPRING: SAFETY SWITCH:3 .7N

- 30.D0A45122 (x3) PCB:DCSW:(SW10)

- 44.D2415738 (x3) BRACKET:MAIN SWITCH

- 24.AA161167 (x12) BUSHING:HDD

- 39.D1495824 (x3) COVER:CONNECTOR:HEATER:0.4MM

- 31.D0C95150 (x3) PCB:SMB:SERVICE

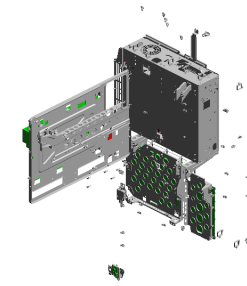
- 27.AZ320241 (x3) POWER PACK:CBTD:L:(PCB3)

- 40.D2025826 (x6) STEPPED SCREW: SAFETY SWITCH: M2.5

U001	U002	U003	U004	U005	U006	U007	U008	U009	U010	U011	U012	U013	U014	U015	U016	U017	U018
------	------	------	------	------	------	------	------	------	------	------	------	------	------	------	------	------	------

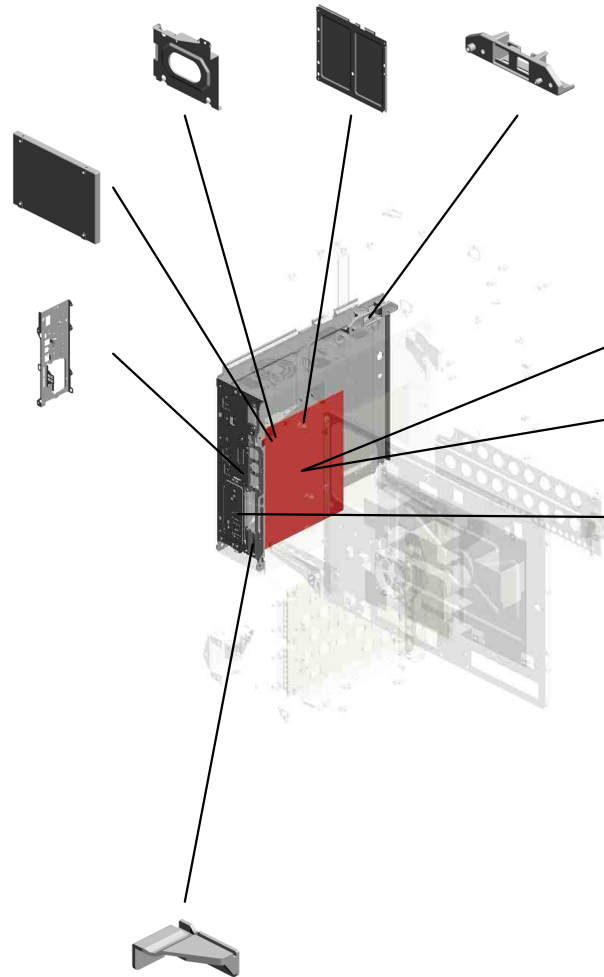
# U015 ELECTRICAL

49.D2895818 (x3) BRACKET:HDD  
 46.D2895800 (x3) COVER:RACK  
 45.D2415802 (x3) GUIDE:FFC:SCANNER



51.M4445201 (x3) HDD:320GB:AQUARIUS

58.D0CH5812 (x3) DRUM STAY:CONTROL BOARD:CC.PEEN  
 202202-04 O/O



59.D0DJ5637 (IM 2500/2509J):CONTROL BOARD:IM2500:(PCB9)  
 202206-03 O/O

61.D0DJ5639 (IM 3500/3509A):CONTROL BOARD:(PCB9)  
 202304-01 O/O

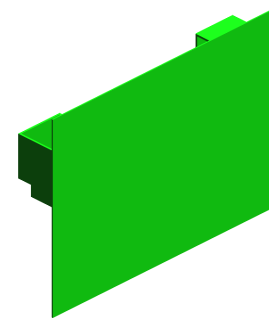
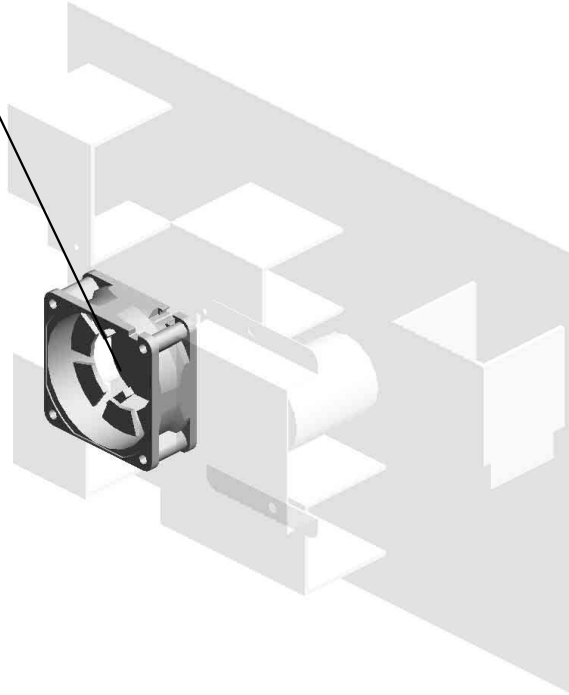
47.D2895811 (x3) COVER:FAX

50.D2895842 (x3) RAIL:FAX

U001	U002	U003	U004	U005	U006	U007	U008	U009	U010	U011	U012	U013	U014	U015	U016	U017	U018
------	------	------	------	------	------	------	------	------	------	------	------	------	------	------	------	------	------

U015\_S001  
(NA/TWN):POWER SUPPLY UNIT:(PCB6)

25-AX640245  
DC FAN MOTOR:D  
C24V:MM60:25MM:(  
FAN6)



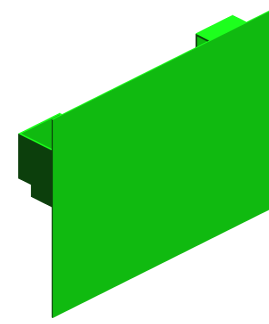
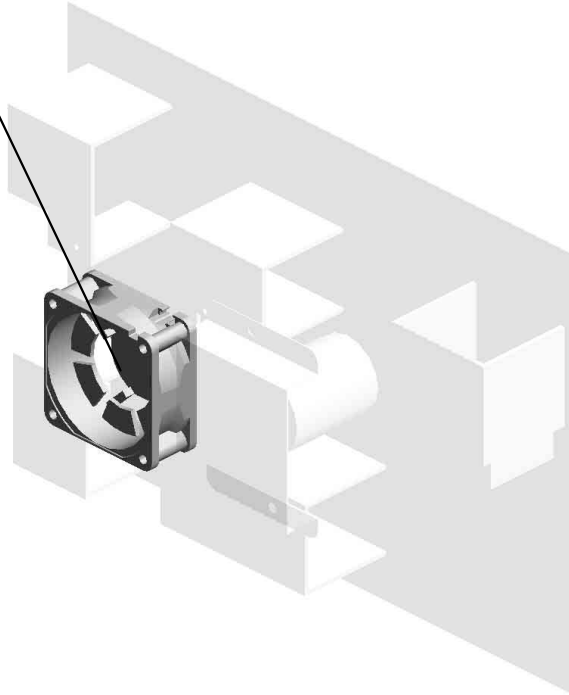
52-AZ230347  
(NA/TWN):POWER  
SUPPLY UNIT:(PC  
B6)

U001	U002	U003	U004	U005	U006	U007	U008	U009	U010	U011	U012	U013	U014	U015	U016	U017	U018
------	------	------	------	------	------	------	------	------	------	------	------	------	------	------	------	------	------



U015\_S002  
(NA/TWN):POWER SUPPLY UNIT:(PCB6)

25-AX640245  
DC FAN MOTOR:D  
C24V:MM60:25MM:(  
FAN6)

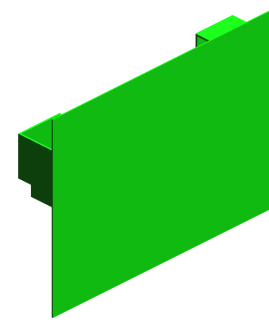
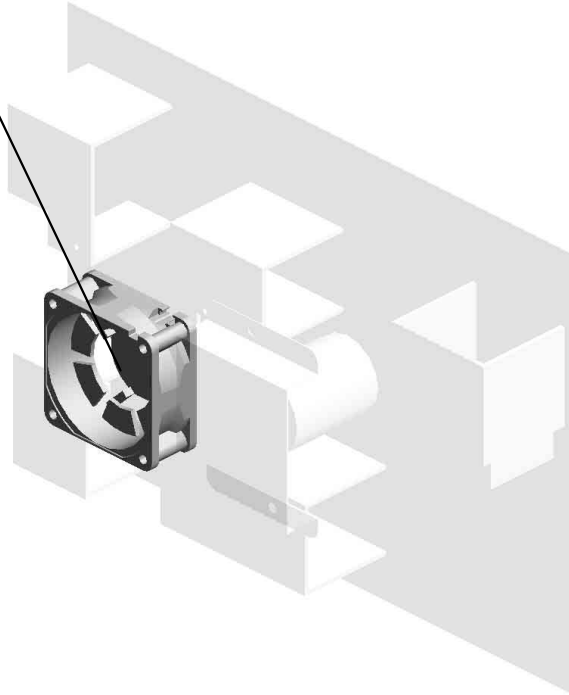


52-AZ230347  
(NA/TWN):POWER  
SUPPLY UNIT:(PC  
B6)

U001	U002	U003	U004	U005	U006	U007	U008	U009	U010	U011	U012	U013	U014	U015	U016	U017	U018
------	------	------	------	------	------	------	------	------	------	------	------	------	------	------	------	------	------

U015\_S003  
(NA/TWN):POWER SUPPLY UNIT:(PCB6)

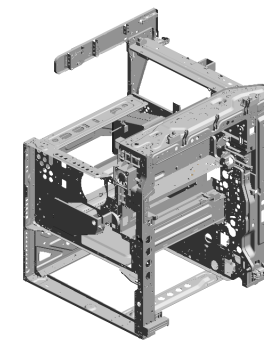
25-AX640245  
DC FAN MOTOR:D  
C24V:MM60:25MM:(  
FAN6)



52-AZ230347  
(NA/TWN):POWER  
SUPPLY UNIT:(PC  
B6)

U001	U002	U003	U004	U005	U006	U007	U008	U009	U010	U011	U012	U013	U014	U015	U016	U017	U018
------	------	------	------	------	------	------	------	------	------	------	------	------	------	------	------	------	------

# U016 MAIN FRAME



- 2.04503025N (x2) TAPPING SCREW: 3X25
- 3.04513006N (x107) TAPPING SCREW - 3X6
- 8.04543008Q (x20) TAPPING SCREW: 3X8
- 19.AX640252 DC FAN MOTOR:AXIAL:MM80:PWM
- 14.11050761 (x2) CLAMP:LWS-0511A

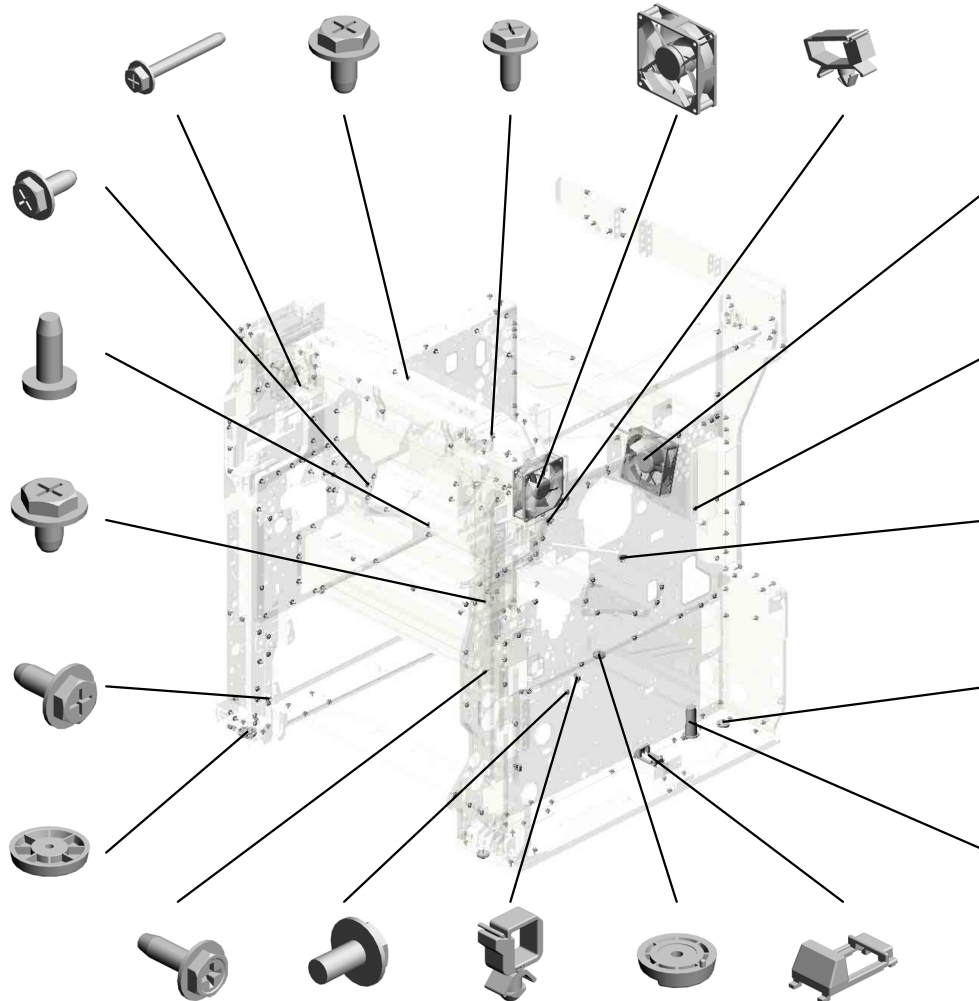
7.04543008N  
TAPPING SCREW:  
ROUND POINT:3X8

11.08025335  
BINDING HEAD TA  
PPING SCREW:RO  
UND POINT:3X8

5.04543005Q  
(x30)  
TAPPING SCREW::  
3X5

4.04513008N  
(x5)  
TAPPING SCREW -  
M3X8

16.AH010015  
RUBBER FOOT:H5:  
DIA29



18.AX640246  
DC FAN MOTOR -  
DC2.88W:MM80:25  
MM:(FAN5)

6.04543006Q  
(x82)  
TAPPING SCREW -  
M3X6

13.11050760  
CLAMP:LWSM-051  
1A

15.AA143816  
(x2)  
FLAT SCREW:CHU  
CK:BOTTLE

21.B2381089  
COVER - POSITIO  
NING PIN

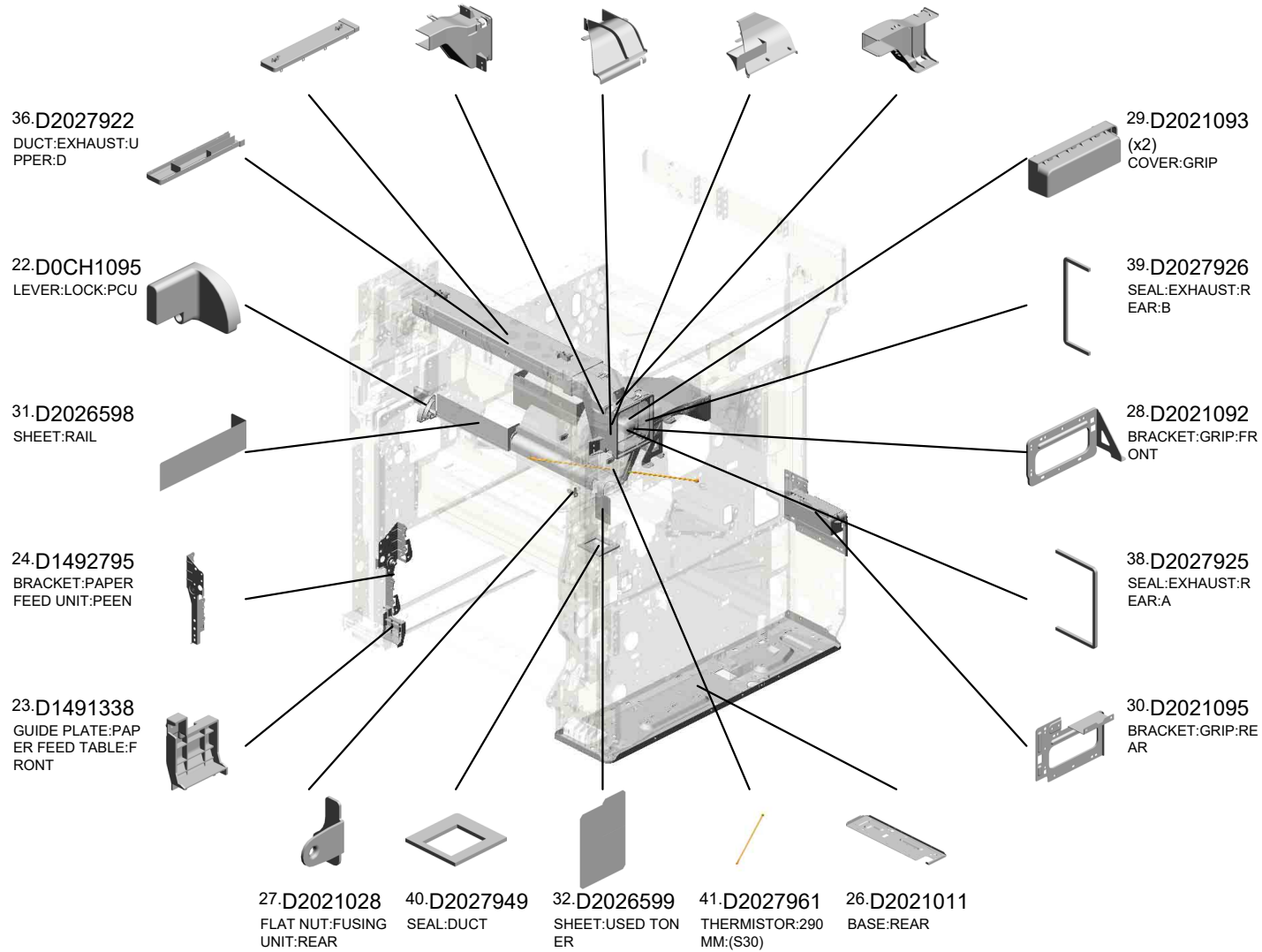
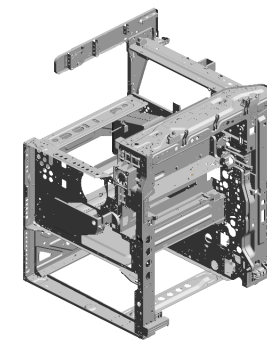
8.04543008Q (x 3)  
TAPPING SCREW:3X8  
9.04583008N (x 2)  
HEXAGON HEAD TAPPING SCREW:3X  
8  
10.04583010N (x17)  
HEXAGON HEAD TAPPING SCREW:3X  
10

- 10.04583010N (x8) HEXAGON HEAD TAPPING SCREW:3X10
- 1.03603006N (x2) SCREW - M3X6
- 12.11050759 (x2) CLAMP:LWSM-060 5A
- 17.AH010016 (x3) RUBBER FOOT:H5
- 20.B2381088 COVER - CONNEC TOR

U001	U002	U003	U004	U005	U006	U007	U008	U009	U010	U011	U012	U013	U014	U015	U016	U017	U018
------	------	------	------	------	------	------	------	------	------	------	------	------	------	------	------	------	------

# U016 MAIN FRAME

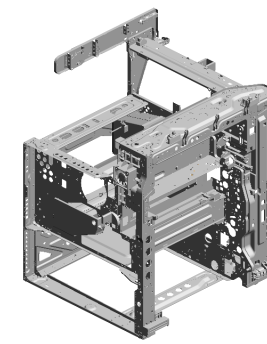
35.D2027921 DUCT:EXHAUST:UPPER:C  
 37.D2027923 DUCT:EXHAUST:REAR:A  
 34.D2027912 DUCT:RIGHT:LOWER  
 33.D2027911 DUCT:RIGHT:UPPER  
 25.D2017924 DUCT:EXHAUST:REAR:B



U001	U002	U003	U004	U005	U006	U007	U008	U009	U010	U011	U012	U013	U014	U015	U016	U017	U018
------	------	------	------	------	------	------	------	------	------	------	------	------	------	------	------	------	------

# U016 MAIN FRAME

- 57.D2021034 SIDE PLATE:FRONT:UPPER:ASSY
- 49.GX640031 FAN MOTOR:DC:264W:(FAN3)
- 52.M0AN1278 INNER COVER:OPTICAL WRITING UNIT
- 48.D2897996 FILTER:DUCT:DEVELOPMENT
- 46.D2891081 ARM:SCANNER:PEEN



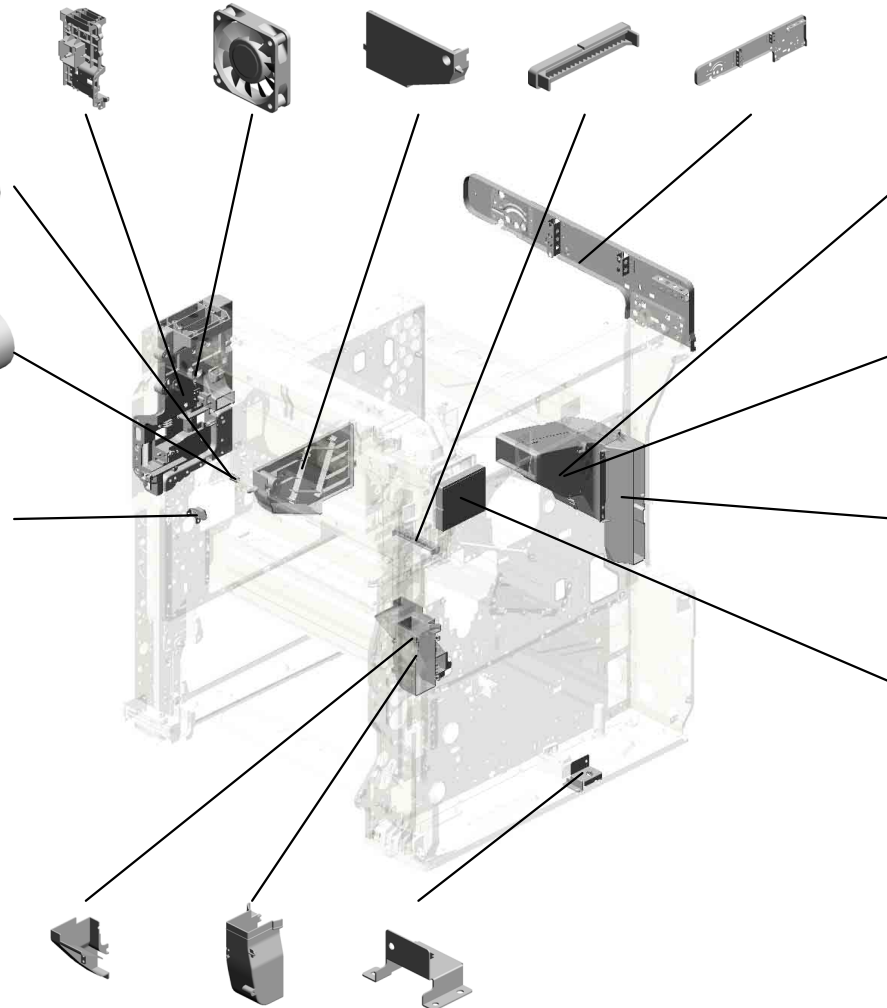
50.M0AN1097  
CAM:LOCK:PCU



51.M0AN1099  
COMPRESSION SPRING:LOCK:PCU



53.M0AN2232  
GUIDE:PCU:FRONT



43.D2027971  
DUCT:LEFT:FAN:LOWER



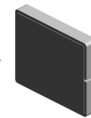
42.D2027970  
DUCT:LEFT:FAN:UPPER



44.D2027972  
DUCT:REAR



56.D0CH7922  
DEODORIZE FILTER  
202204-02 O/O



55.M0AN7947  
COVER:HARNESSEATER



54.M0AN7946  
DUCT:DEVELOPMENT:BEARING:FRONT:P



45.D2027985  
BRACKET:CONNECTOR:HEATER



U001	U002	U003	U004	U005	U006	U007	U008	U009	U010	U011	U012	U013	U014	U015	U016	U017	U018
------	------	------	------	------	------	------	------	------	------	------	------	------	------	------	------	------	------

# U017.ACCESSORIES

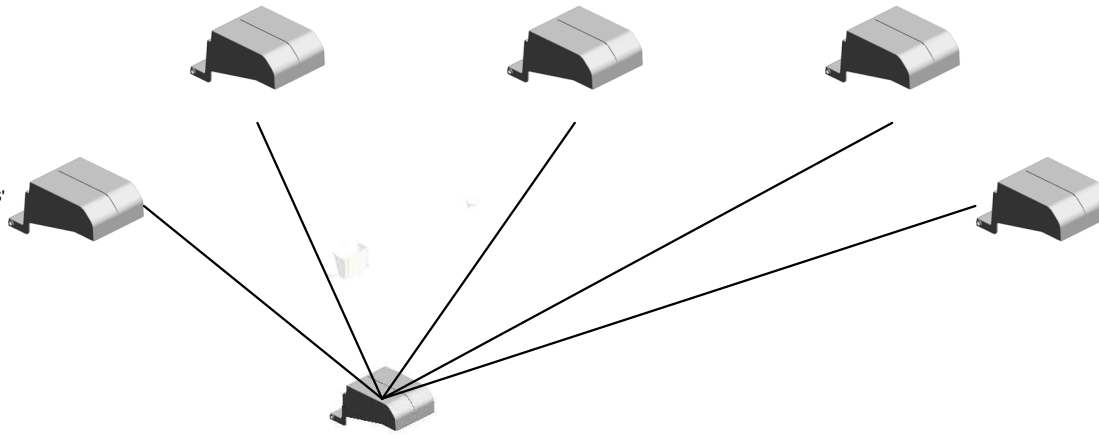
U017 S001  
D2414472  
END FENCE:TRAY:EXIT:ASS'  
Y

U017 S002  
D2414472  
END FENCE:TRAY:EXIT:ASS'  
Y

U017 S003  
D2414472  
END FENCE:TRAY:EXIT:ASS'  
Y

U017 S005  
D2414472  
END FENCE:TRAY:EXIT:ASS'  
Y

U017 S004  
D2414472  
END FENCE:TRAY:EXIT:ASS'  
Y

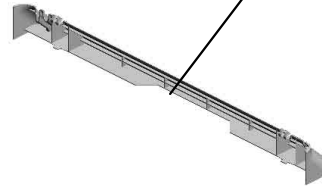
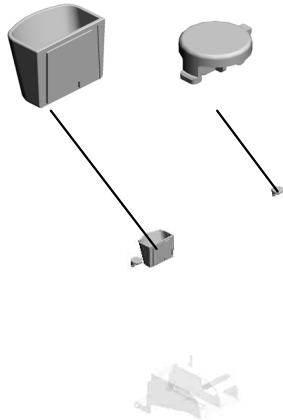


U001	U002	U003	U004	U005	U006	U007	U008	U009	U010	U011	U012	U013	U014	U015	U016	U017	U018
------	------	------	------	------	------	------	------	------	------	------	------	------	------	------	------	------	------

# U017 ACCESSORIES

15.D2581317 (x5)  
HOLDER:GLASS:C  
LEANER:ASS'Y

13.D2411788 (x10)  
CAP:COVER:POSIT  
IONING



10.D2021269 (x5)  
COVER:REAR LO  
WER



3.AA001659 (x5)  
PLATE:LOGOTYPE  
:RIC



4.B0651374 (x5)  
CLOTH - DF EXPO  
SURE GLASS



5.BA000002 (x5)  
(NA/AA/KOR/IND):D  
ECAL:CAUTION:OR  
IGINAL:ENGLISH



6.D0CC6750 (x2)  
(IM 2500/2500A):PL  
ATE:MODEL NAME  
PLATE:2500



7.D0CD6750 (x2)  
(IM 3000/3000A):PL  
ATE:MODEL NAME  
PLATE:3000



8.D0CE6750 (x2)  
(IM 3500/3500A):PL  
ATE:MODEL NAME  
PLATE:3500



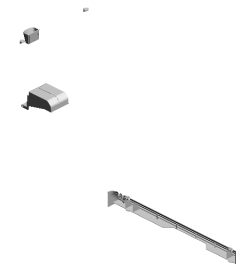
9.D1496851 (x5)  
(NA/AA/KOR/IND):D  
ECAL:MAIN SWITC  
H:ON-STANDBY:E  
NGLISH



11.D2021299 (x5)  
GUIDE PLATE:SCA  
NNER

U001	U002	U003	U004	U005	U006	U007	U008	U009	U010	U011	U012	U013	U014	U015	U016	U017	U018
------	------	------	------	------	------	------	------	------	------	------	------	------	------	------	------	------	------

U017  
ACCESSORIES



12.D2026862  
(x5)  
DECAL:SIZE INDICATION:PAPER TRAY



16.M0AJ6855  
(x10)  
(NA/EU/AA/KOR/IND):DECAL:INKJET:EN:PAPER FEED



17.M0AJ6856  
(x5)  
(NA/EU/AA/KOR/IND):DECAL:INKJET:EN:MANUAL FEED



20.D2231381  
(x5)  
(NA/EU):(KOR(IM 2509J/3009J/3509J)):DECAL:EXPOSURE GLASS:CLEANING



26.D3B06303  
(x2)  
(NA):(IM 2500A/3000A/3500A):DECAL:CAUTION:ORIGINAL:MANY LANGUAGES



27.D6836031  
(x2)  
(NA):(IM 2500A/3000A/3500A):DECAL:SET:ORIGINAL TABLE



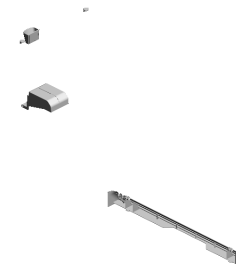
28.D6846031  
(x3)  
(NA(IM 2500/3000/3500):(KOR(IM 2509J/3009J/3509J)):DECAL:ORIGINAL TABLE



29.D6846061  
(x3)  
(NA):(IM 2500/3000/3500):DECAL:ORIGINAL:MANY LANGUAGES



U017  
ACCESSORIES

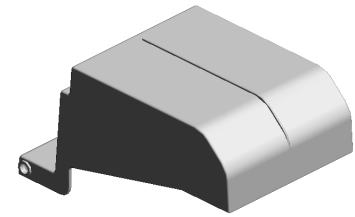


25.11500440(x 5)  
(NA):POWER SUPPLY CODE:120V:15A

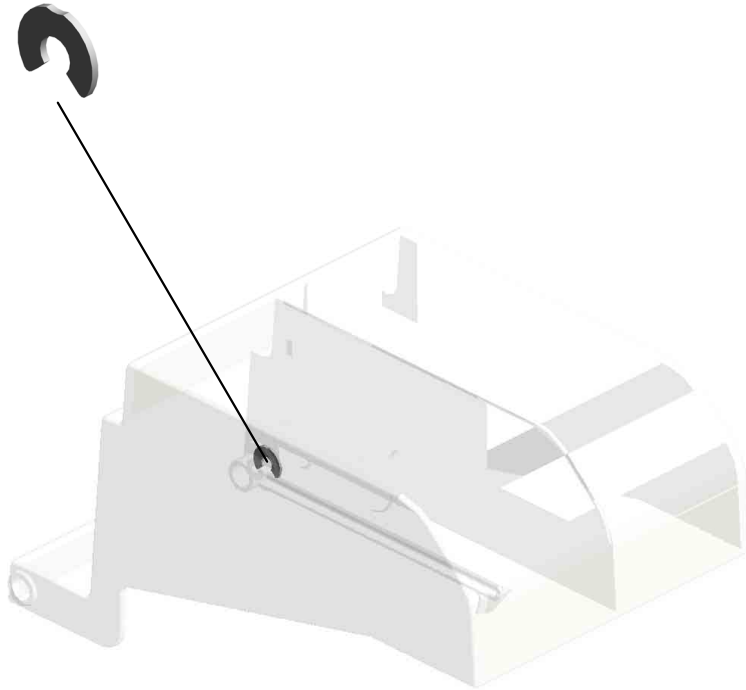
U001	U002	U003	U004	U005	U006	U007	U008	U009	U010	U011	U012	U013	U014	U015	U016	U017	U018
------	------	------	------	------	------	------	------	------	------	------	------	------	------	------	------	------	------

U017\_S001  
END FENCE:TRAY:EXIT:ASS'Y

1-08050103  
RETAINING RINGS  
-E:SILENCER:DIA3



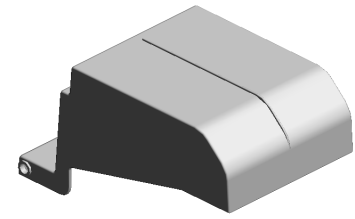
14.D2414472  
END FENCE:TRAY:  
EXIT:ASS'Y



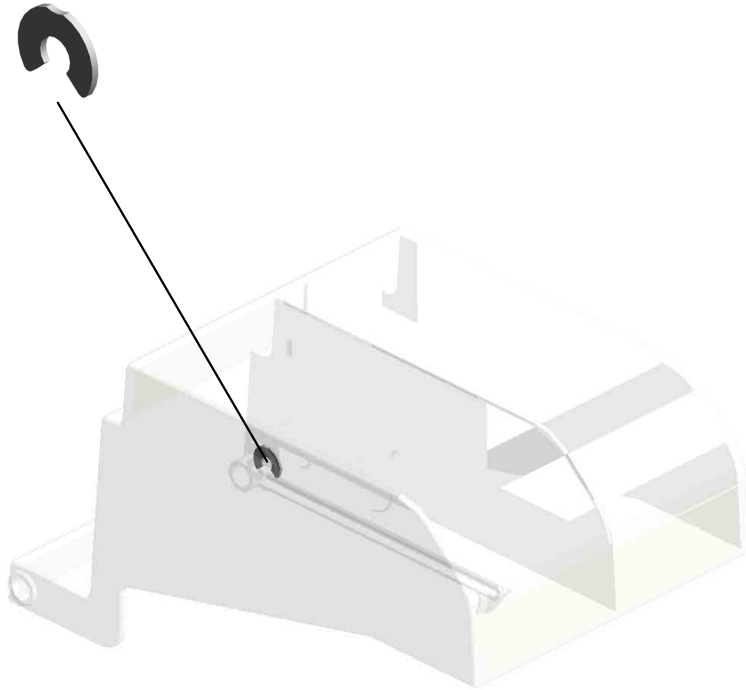
U001	U002	U003	U004	U005	U006	U007	U008	U009	U010	U011	U012	U013	U014	U015	U016	U017	U018
------	------	------	------	------	------	------	------	------	------	------	------	------	------	------	------	------	------

U017\_S002  
END FENCE:TRAY:EXIT:ASS'Y

1-08050103  
RETAINING RINGS  
-E:SILENCER:DIA3



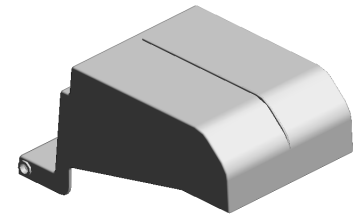
14.D2414472  
END FENCE:TRAY:  
EXIT:ASS'Y



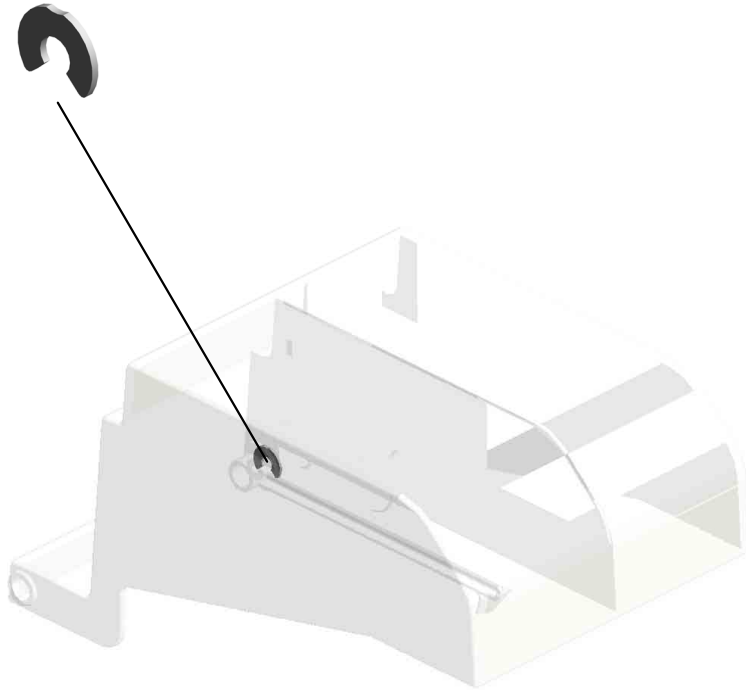
U001	U002	U003	U004	U005	U006	U007	U008	U009	U010	U011	U012	U013	U014	U015	U016	U017	U018
------	------	------	------	------	------	------	------	------	------	------	------	------	------	------	------	------	------

U017\_S003  
END FENCE:TRAY:EXIT:ASS'Y

1-08050103  
RETAINING RINGS  
-E:SILENCER:DIA3



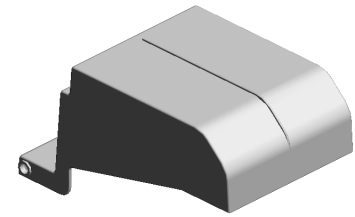
14.D2414472  
END FENCE:TRAY:  
EXIT:ASS'Y



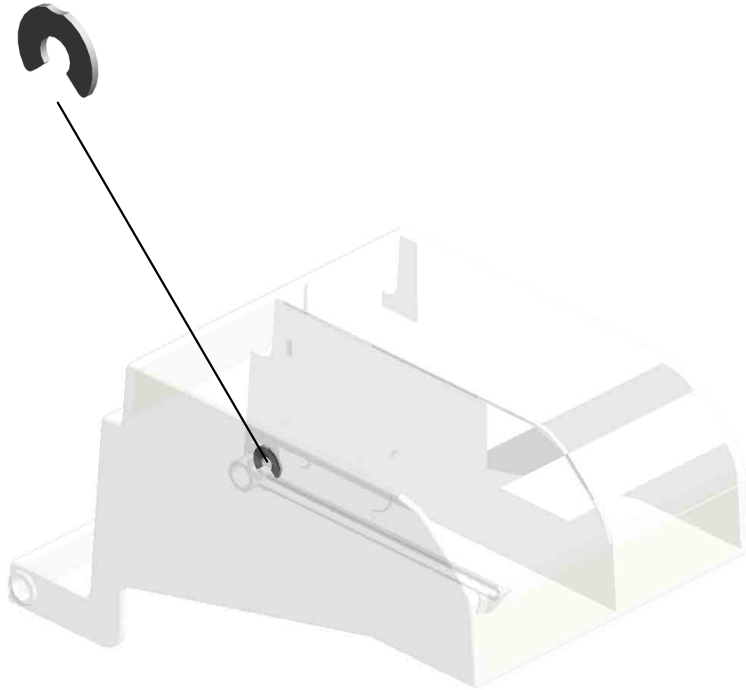
U001	U002	U003	U004	U005	U006	U007	U008	U009	U010	U011	U012	U013	U014	U015	U016	U017	U018
------	------	------	------	------	------	------	------	------	------	------	------	------	------	------	------	------	------

U017\_S004  
END FENCE:TRAY:EXIT:ASS'Y

1-08050103  
RETAINING RINGS  
-E:SILENCER:DIA3



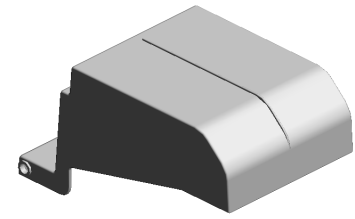
14.D2414472  
END FENCE:TRAY:  
EXIT:ASS'Y



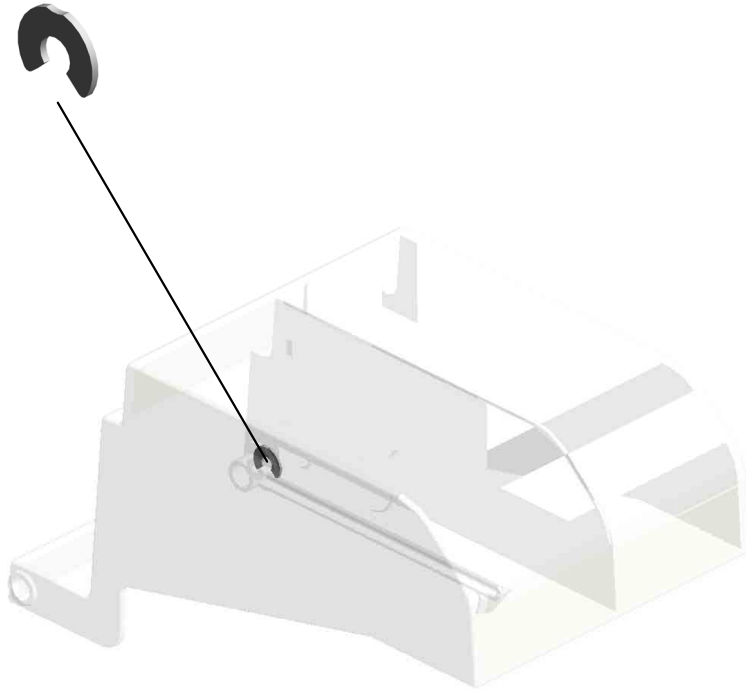
U001	U002	U003	U004	U005	U006	U007	U008	U009	U010	U011	U012	U013	U014	U015	U016	U017	U018
------	------	------	------	------	------	------	------	------	------	------	------	------	------	------	------	------	------

U017\_S005  
END FENCE:TRAY:EXIT:ASS'Y

1-08050103  
RETAINING RINGS  
-E:SILENCER:DIA3



14.D2414472  
END FENCE:TRAY:  
EXIT:ASS'Y



U001	U002	U003	U004	U005	U006	U007	U008	U009	U010	U011	U012	U013	U014	U015	U016	U017	U018
------	------	------	------	------	------	------	------	------	------	------	------	------	------	------	------	------	------

# U018.HEATER

U018 S004  
D0DL0071  
(NA/TWN):HEATER:SCANNER  
R:120V:ASSY

U018 S002  
D2150502  
PCB:DHB:DEHUMIDIFIER:AS  
S'Y

U018 S003  
M0AN7980  
THERMOSTAT:ASSY

U018 S001  
D0CH2891  
(NA/TWN):HEAT SINK:HEATE  
R:ASSY

U001	U002	U003	U004	U005	U006	U007	U008	U009	U010	U011	U012	U013	U014	U015	U016	U017	U018
------	------	------	------	------	------	------	------	------	------	------	------	------	------	------	------	------	------

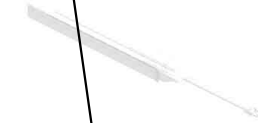
# U018 HEATER

14.D2025185  
PCB:DHB:(PCB5)

4.09543005N  
(x2)  
SCREW:POLISHED  
ROUND/SPRING:M  
3X5

18.G1281151  
DECAL:WARNING (HIGH TEMPERATU  
RE)

22.M9556801  
DECAL:H-TEMP W  
ARNING:HEATER:  
OPTION



23.AX400249  
(NA/TWN):HEATER  
:120V:9W:THERMO  
FUSE

21.M0AN7981  
COVER:PLATE:HE  
ATER

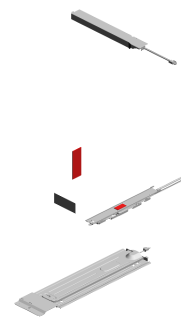
6.11050758  
(x7)  
CLAMP:LWSM-030  
6A

7.11050760  
(x8)  
CLAMP:LWSM-051  
1A

8.11050763  
CLAMP:LWS-1211A

2.04543006Q (x 3)  
TAPPING SCREW - M3X6

3.08025299  
TAPPING SCREW -  
M3X8



U001	U002	U003	U004	U005	U006	U007	U008	U009	U010	U011	U012	U013	U014	U015	U016	U017	U018
------	------	------	------	------	------	------	------	------	------	------	------	------	------	------	------	------	------



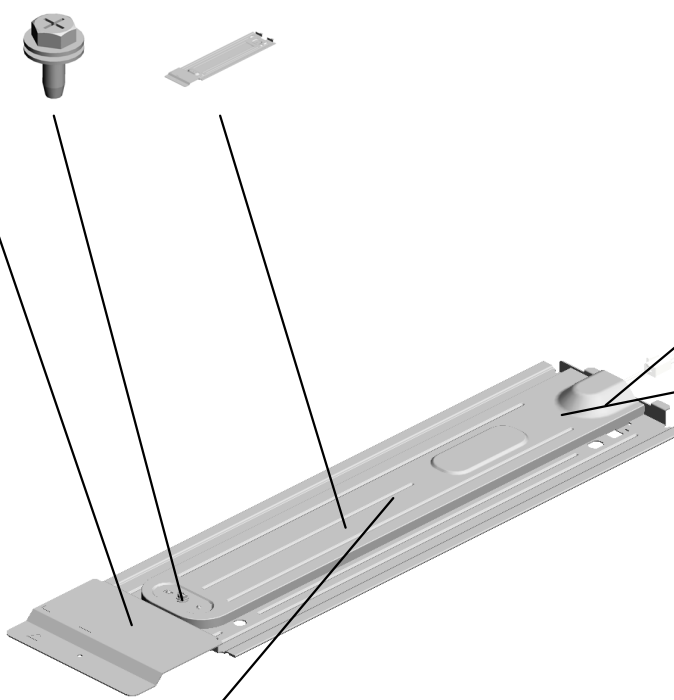
U018\_S001  
 (NA/TWN):HEAT SINK:HEATER:ASS'Y

3.08025299 13.D1492899  
 TAPPING SCREW - HEAT SINK:HEATE  
 M3X8 R



24.D0CH2891  
 (NA/TWN):HEAT SI  
 NK:HEATER:ASS'Y

19.M0262734  
 DECAL:H-TEMP W  
 ARNING:HEATER



17.D2412896  
 SHEET:HEAT SINK:  
 HEATER

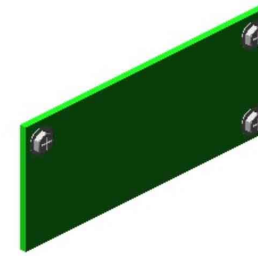
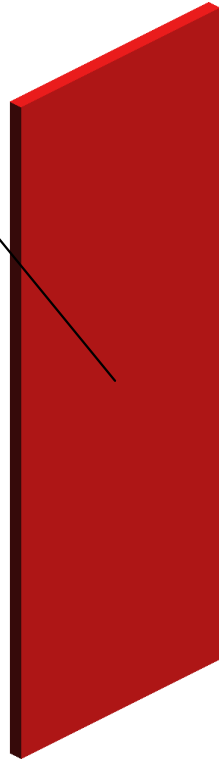
6.11050758  
 (x2)  
 CLAMP:LWSM-030  
 6A

12.D1492898  
 COVER:HEATER:P  
 APER TRAY

U001	U002	U003	U004	U005	U006	U007	U008	U009	U010	U011	U012	U013	U014	U015	U016	U017	U018
------	------	------	------	------	------	------	------	------	------	------	------	------	------	------	------	------	------

U018\_S002  
PCB:DHB:DEHUMIDIFIER:ASS'Y

14.D2025185  
PCB:DHB:(PCB5)



26.D2150502  
PCB:DHB:DEHUMI  
DIFIER:ASSY



6.11050758  
(x7)  
CLAMP:LWSM-030  
6A



8.11050763  
CLAMP:LWS-1211A

2.04543006Q(x 3)  
TAPPING SCREW - M3X6

U001	U002	U003	U004	U005	U006	U007	U008	U009	U010	U011	U012	U013	U014	U015	U016	U017	U018
------	------	------	------	------	------	------	------	------	------	------	------	------	------	------	------	------	------

U018\_S003  
THERMOSTAT:ASS'Y

4.09543005N  
SCREW:POLISHED  
ROUND/SPRING:M  
3X5



20.M0AN7980  
THERMOSTAT:ASS  
'Y



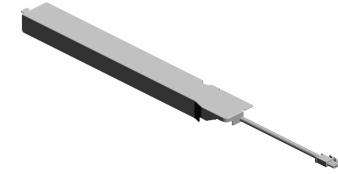
6.11050758  
CLAMP:LWSM-030  
6A



U001	U002	U003	U004	U005	U006	U007	U008	U009	U010	U011	U012	U013	U014	U015	U016	U017	U018
------	------	------	------	------	------	------	------	------	------	------	------	------	------	------	------	------	------

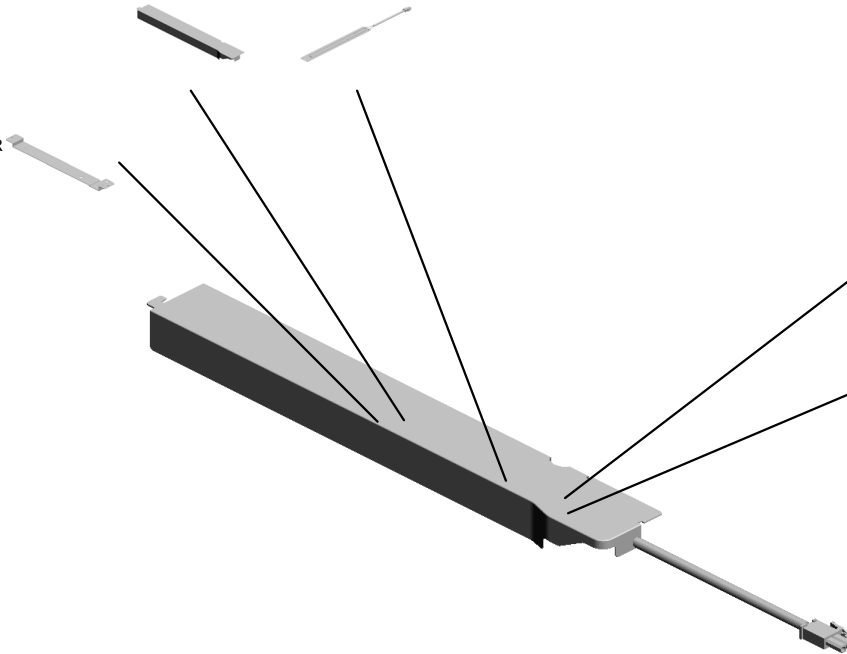
U018\_S004  
(NA/TWN):HEATER:SCANNER:120V:ASS'Y

15.D2411775 23.AX400249  
COVER:HEATER:S (NA/TWN):HEATER  
CANNER :120V:9W:THERMO  
FUSE



25.D0DL0071  
(NA/TWN):HEATER  
:SCANNER:120V:A  
SS'Y

16.D2411776  
BRACKET:HEATER  
:SCANNER



5.09544008N  
SCREW - M4X8



1.03530030N  
(x2)  
SCREW:M3X3



U001	U002	U003	U004	U005	U006	U007	U008	U009	U010	U011	U012	U013	U014	U015	U016	U017	U018
------	------	------	------	------	------	------	------	------	------	------	------	------	------	------	------	------	------

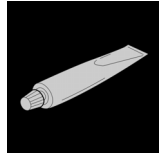
## SPECIAL TOOLS



1.52039502  
GREASE 501



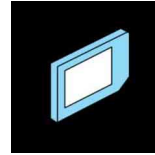
2.A0069104  
ADJUSTING SCANNER PIN (4PCS/SET)



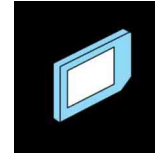
3.A2579300  
GREASE - BARRIERTA S552R



4.A2929500  
TEST CHART - S5S (10 PCS/SET)



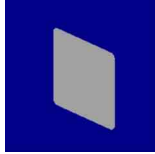
5.B6455020  
SD-CARD:SERVICE:1GB:ASS'Y



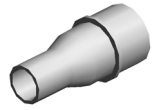
6.B6455030  
SD-CARD:SERVICE PARTS:2GB:ASS'Y



7.C4019503  
20X MAGNIFICATION SCOPE



8.D1979010  
SET:SEAL:OPTICAL WRITING UNIT



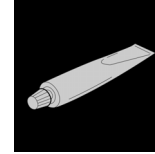
9.D2021122  
JOINT:DEVELOPMENT



10.VSSG9002  
FLUOTRIBO MG GREASE : 100G



11.VSSG9006  
MOLYKOTE(R) G-1077 GREASE 50G



12.VSSG9008  
FLOIL-G348 GREASE 20G

## Exclusive Parts

Number	Part Name	Group	ID
52039502	GREASE 501	SPECIAL TOOLS	1
52062686	SNAP RING	U006_S001	15
		U006_S002	15
52152621	SNAP RING - M6	U009	12
		U013	18
54472681	SNAP RING	U009	13
		U013	19
A0069104	ADJUSTING SCANNER PIN (4PCS/SET)	SPECIAL TOOLS	2
A2324666	CUSHION - STEPPER MOTOR	U012_S001	11
A2501752	EXPOSURE GLASS	U004	19
A2579300	GREASE - BARRIERTA S552R	SPECIAL TOOLS	3
A2929500	TEST CHART - S5S (10 PCS/SET)	SPECIAL TOOLS	4
A5486111	SCREW:POSITIONING:HINGE	U003	2
A8597211	STEPPED SCREW	U003	3
AA001659	PLATE:LOGOTYPE:RIC	U017	3
AA043000	SYNCHRONOUS BELT:40S3M192	U014_S001	13
AA043623	TIMING BELT - B40S2M180	U014_S001	14
AA061180	COIL SPRING:PRESSURE	U011_S001	16
AA061181	TORSION SPRING:STRIPPER PLATE:FRONT	U011_S001	17
AA061182	TORSION SPRING:STRIPPER PLATE:REAR	U011_S001	18
AA063432	SPRING - INTERMEDIATE DRAWER	U007	13
AA063701	COMPRESSION SPRING:RISING TRAY	U006_S008	16
		U006_S009	16
AA063941	COMPRESSION SPRING:REGISTRATION:INNER:DRIVE	U009_S002	14
AA063942	COMPRESSION SPRING:REGISTRATION:DRIVE	U009_S002	15
AA063943	COMPRESSION SPRING:GUIDE PLATE:REGISTRATION:4N	U009_S002	16
AA063961	COMPRESSION SPRING:ROLLER:CHARGE	U007_S001_S001	14
AA063962	COMPRESSION SPRING:CLEANER:CHARGE	U007_S001_S001	15
AA066435	SPRING:RELEASE:FUSING EXIT	U011_S001	19

Number	Part Name	Group	ID
AA080346	BUSHING:FLANGE TYPE:DIA6	U009	17
		U009_S002	17
		U010_S002	7
		U014_S001	15
AA080361	PLAIN SHAFT BEARING:CASE:RING TRAY	U006_S008	17
		U006_S009	17
AA082137	BUSHING:6X10X6	U010_S001	8
AA082171	PLAIN SHAFT BEARING:6X10X6	U013_S001_S001	22
AA082173	PLAIN SHAFT BEARING:6X10X6	U006	18
AA082186	PLAIN SHAFT BEARING:DIA8XDIA12X12:EG-1	U006	20
AA082187	BUSHING:DIA6XDIA10X9:EG-1	U013_S001_S001	24
AA082192	PLAIN SHAFT BEARING:DIA8XDIA12X7	U009	18
AA082193	PLAIN SHAFT BEARING:DIA4XDIA8X5:EG-1-J	U012_S001	12
		U013_S001	21
		U013_S001_S001	21
AA082195	PLAIN SHAFT BEARING:DIA6XDIA10X6	U006_S001	149
		U006_S002	149
		U012_S001	70
		U013_S001	191
AA082196	BUSHING:DIA6XDIA10X9	U006_S001	19
		U006_S002	19
AA083014	ONE-WAY CLUTCH	U013_S001	25
AA083018	ROLLER CLUTCH - 6X14X10	U013_S001	26
AA100014	RETAINING RING C - SEPARATE	U006_S001	21
		U006_S002	21
		U013_S001_S001	27
AA120149	DISCHARGE BRUSH:PRESSURE ROLLER	U011_S001	20
AA143537	SCREW:M3:BLACK	U001	6
		U004	20
AA143544	SCREW - M3	U007	16
AA143579	SCREW - M3	U013_S001_S001	28
AA143592	SCREW- M4X6	U015	22
AA143807	SCREW:A	U013_S001	29
AA143816	FLAT SCREW:CHUCK:BOTTLE	U016	15

## Exclusive Parts

Number	Part Name	Group	ID
AA143848	STEPPED SCREW - M3	U015	23
AA143850	FLAT SCREW:M3X5:SIDE FENCE	U013_S001_S002	30
AA161167	BUSHING:HDD	U015	24
AB010157	GEAR:SEPARATE:DRIVEN	U013_S001_S001	31
AB010170	GEAR:DRUM	U014_S002	16
AB011252	GEAR - 20Z	U013_S001_S001	32
AB011571	GEAR:Z19:DRIVE:REGISTRATION	U009_S002	19
AB011572	GEAR:Z19:DRIVEN:REGISTRATION	U006	22
AB011573	GEAR:REGISTRATION:NO.2	U006	23
<b>AB012122</b>	<b>GEAR:IDLER:PRESSURE ROLLER</b>	<b>U011_S001</b>	<b>22</b>
AB012231	GEAR:DRIVE:Z20	U011_S001	21
AB015035	GEAR:PRESSURE ROLLER	U011_S001	23
AB017782	GEAR:RISING TRAY:2	U006_S008	24
		U006_S009	24
AB017783	GEAR:RISING TRAY:3	U006_S008	25
		U006_S009	25
AB017862	GEAR:PULLEY:USED TONER:IDLER	U010_S002	9
AB017899	GEAR:RISING TRAY:1	U006_S008	26
		U006_S009	26
AB033800	PULLEY:SCREW GEAR:RECYCLING:IDLER	U010_S002	10
AC015063	SHIELD GLASS	U005_S001	3
AD027034	ROLLER:CHARGE	U007_S001_S001	17
AD041162	BLADE:CLEANING:ASSY	U007_S001_S001	18
AD042086	BRUSH ROLLER:CLEANER:CHARGE	U007_S001_S001	19
AD043098	TRANSPORT SCREW:DISCHARGE USED TONER	U007_S001_S001	20
AE030097	RADIAL BALL BEARING:DIA10XDIA22X6	U011_S001	24
AF013019	PAD:TRAY BOTTOM PLATE	U006_S010_S002	27
		U006_S011_S004	27
AF013020	PAD:TRAY BOTTOM PLATE	U013_S001_S002	33
AF030049	PICK-UP ROLLER	U013_S001_S001	34
AF030094	PAPER FEED ROLLER:PICKUP	U006_S001	28
		U006_S002	28

Number	Part Name	Group	ID
AF031046	FEED ROLLER - MANUAL FEED	U013_S001_S001	35
AF031094	PAPER FEED ROLLER:FEED	U006_S001	29
		U006_S002	29
AF032046	SEPARATION ROLLER - MANUAL FEED	U013_S001_S001	36
AF032094	PAPER FEED ROLLER:SEPARATE	U006_S001	30
		U006_S002	30
AF040571	GUIDE ROLLER	U012_S001	14
AG070513	MAGNET CATCH	U001	7
AH010015	RUBBER FOOT:H5:DIA29	U016	16
AH010016	RUBBER FOOT:H5	U016	17
AW010147	PHOTO REFLECTION SENSOR:(S10/S12)	U012_S001	15
AW010155	ORIGINAL SENSOR:66MM:3.3V:(S34)	U004	21
AW010200	PAPER FEED SENSOR:FUSING EXHIT:(S25)	U009_S002	20
AW020198	PHOTOINTERRUPTOR:LG2A14NL1:(S16)	U013_S001	37
AW020234	PHOTOINTERRUPTOR:GP1A173LCS5F:(S3/S4/S7/S8/S11/S13/S15/S23/S26/S27)	U006_S001	31
		U006_S002	31
		U009	21
		U009_S001	21
		U010	11
		U012_S001	16
		U013_S001_S001	38
		U013_S001_S002	38
AW020249	PHOTOINTERRUPTOR:FLAT:PICH2MM:M4:(S32)	U004	22
AW100171	(NA/TWN):THERMISTOR:PRESSURE ROLLER:(S20/S21)	U011_S001	57
AW100173	NON-CONTACT TYPE THERMISTOR:HOT ROLLER:(S18/S19)	U011_S001	25
AW100183	THERMOPILE:(T1/TH2)	U011	27
AW110101	THERMOSTAT:LOWER	U011_S001	28
AW230107	PCB:MYU:SENSOR	U007_S001_S002	21
AW500046	PUSH SWITCH:PAPER SIZE SENSOR:(SW1/SW4)	U006	32

## Exclusive Parts

Number	Part Name	Group	ID
AW500049	PUSH SWITCH:SW1AG-550:(SW2/SW3/SW5/SW6)	U006	33
		U008_S001_S001	8
		U010	19
		U013	39
		U013_S001	39
AX040273	DC MOTOR:RISING TRAY:ASS'Y:1.007W:BRUSH:(M1/M2)	U006_S008	34
		U006_S009	34
AX050349	DC MOTOR:ENCODER:NO:7W:GEAR:BRUSHLESS:(M4)	U013_S001	40
		U014	17
AX060464	DC MOTOR:ENCODER:NO:10W:GEAR:BRUSHLESS:(M5/M7/M9)	U013_S001	41
		U014_S001	18
AX060469	DC BRUSHLESS MOTOR:13.7W:FUSING/PAPER EXIT UNIT:(M6)	U014	19
AX060473	DC BRUSHLESS MOTOR:DRUM:USED TONER:15.1W:(M12)	U014	20
AX060474	DC BRUSHLESS MOTOR:DEVELOPMENT:18.2W:(M13)	U014	21
AX060567	DC MOTOR:GEAR:10W:NMB:(M10)	U014_S001	22
AX400249	(NA/TWN):HEATER:120V:9W:THERMOFUSE	U018	23
		U018_S004	23
AX640245	DC FAN MOTOR:DC24V:MM60:25MM:(FAN6)	U015_S001	25
		U015_S002	25
		U015_S003	25
AX640246	DC FAN MOTOR - DC2.88W:MM80:25MM:(FAN5)	U016	18
AX640252	DC FAN MOTOR:AXIAL:MM80:PWM	U016	19
AZ230347	(NA/TWN):POWER SUPPLY UNIT:(PCB6)	U015_S001	52
		U015_S002	52
		U015_S003	52
AZ320241	POWER PACK:CBTD:L:(PCB3)	U015	27
B0651374	CLOTH - DF EXPOSURE GLASS	U017	4
B2232862	LEVER - RELEASE INNER	U006_S011	35
B2234552	BUSHING:DIA4	U013_S001	42
B2342864	PAD:CLEANER	U006_S010_S003	36
		U006_S010_S004	36
		U006_S011_S001	36
		U006_S011_S002	36

Number	Part Name	Group	ID
B2381088	COVER - CONNECTOR	U016	20
B2381089	COVER - POSITIONING PIN	U016	21
B6455020	SD-CARD:SERVICE:1GB:ASS'Y	SPECIAL TOOLS	5
B6455030	SD-CARD:SERVICE PARTS:2GB:ASS'Y	SPECIAL TOOLS	6
B6521773	TIMING BELT:B40S2M178	U010_S002	13
B8303504	TIMING BELT - 40S2M100	U006_S001	37
		U006_S002	37
BA000002	(NA/AA/KOR/IND):DECAL:CAUTION:ORIGINAL:ENGLISH	U017	5
BA002007	DECAL:SIZE INDICATION:END FENCE:FRONT	U006_S010	38
BA002008	DECAL:SIZE INDICATION:END FENCE:REAR	U006_S010	39
BA002009	DECAL:SIZE INDICATION:SIDE FENCE:NO.1	U006_S010	40
BA003042	DECAL:GRIP:B	U009_S002	22
BA003043	DECAL:INSERT SUB-UNIT:TONER BOTTLE	U001	8
C4019503	20X MAGNIFICATION SCOPE	SPECIAL TOOLS	7
D0091147	TERMINAL - DEVELOPMENT ROLLER	U007	22
D0092573	PULLEY - VERTICAL TRANSPORT	U013_S001	43
D0092574	PULLEY - IDLER	U013_S001	44
D0094407	FEELER - OVERFLOW	U012_S001	17
D0094455	CUSHION - DC SOLENOID	U012_S001	18
		U013_S001	45
D0094485	BUSHING - GATE	U013_S001	46
D0094487	COMPRESSION SPRING - GATE	U013_S001	47
D0292677	TRANSPORT BELT:DRIVEN:VERTICAL TRANSPORT	U013_S001	48
D0392566	TENSION SPRING:GRIP:RIGHT	U006_S010	41
		U006_S011	41
D0394529	STOPPER:GUIDE PLATE:ROLLER:DRIVEN	U013_S001	49
D0394597	TENSION SPRING:DRIVEN ROLLER	U013_S001	50
D0394925	ROLLER:REVERSE:DRIVEN	U012_S001	19



## Exclusive Parts

Number	Part Name	Group	ID
D0394927	COMPRESSION SPRING:PRESSURE:REVERSE:DRIVEN	U012_S001	20
D0895824	COVER:SD-CARD:D086/D087	U015	28
D0895887	PANEL:INTERFACE	U015	29
D0A45122	PCB:DCSW:(SW10)	U015	30
D0BL5417	(NA/EU/AA/KOR/TWN/IND):PCB:SERVICE	U002_S001_S002	9
D0BQ1194	PULLEY:FEED:NO.1:MECHANICAL ROLLER CLUTCH:U	U014_S001	23
D0BQ1196	GEAR:FEED:NO.2:MECHANICAL ROLLER CLUTCH:U	U014_S001	24
D0BQ1230	COVER:UPPER	U001	9
D0BQ1281	COVER:SCANNER:FRONT	U001	10
D0BQ1420	PCB:W-LAN:TYPE1NX	U002_S001_S002	11
D0BQ1432	SPEAKER	U002_S001	12
D0BQ1521	HINGE:RIGHT	U002	13
D0BQ1522	HINGE:LEFT	U002	14
D0BQ1527	TOUCH PANEL:ASS'Y	U002_S001_S001	44
D0BQ1531	FRAME:LCD:PEEN	U002_S001	16
D0BQ1533	BRACKET:LCD	U002_S001	17
D0BQ1541	COVER:FRONT	U002_S001_S001	18
D0BQ1544	COVER:REAR	U002_S001	19
D0BQ1546	INNER COVER:OPERATION SUB-UNIT:RIGHT	U002_S001	20
D0BQ1547	KEYTOP:RESET SWITCH	U002_S001	21
D0BQ1548	COVER:CAP:PUSH SWITCH	U002_S001	22
D0BQ1549	COVER:CAP	U002_S001	23
D0BQ1551	HOLDER:OPERATION SUB-UNIT:SPEAKER	U002_S001	24
D0BQ1552	CUSHION:OPERATION SUB-UNIT:SPEAKER	U002_S001	25
D0BQ1553	GUIDE:OPERATION SUB-UNIT:HARNES	U002	26
D0BQ1555	CUSHION:LCD:L	U002_S001	27
D0BQ1556	CUSHION:LCD:S	U002_S001	28
D0BQ1561	COVER:HINGE:RIGHT	U002	29
D0BQ1563	COVER:HINGE:LEFT	U002	30
D0BQ1564	COVER:REAR:MIDDLE	U002	31

Number	Part Name	Group	ID
D0BQ1565	COVER:RIGHT	U002	32
D0BQ1566	CAP:HINGE	U002	33
D0BQ1581	DUAL FACES TAPE:TOUCH PANEL:LENGTHWISE	U002_S001_S001	34
D0BQ1582	DUAL FACES TAPE:TOUCH PANEL:SIDE	U002_S001_S001	35
D0BQ1585	SHEET:LIGHT SHIELD COAT	U002_S001	36
D0BQ1586	SHEET:SIDE	U002_S001	37
D0BQ1678	SHEET:FFC:LOWER	U004	23
D0BQ1713	SYNCHRONOUS BELT:890ST55-4.0	U004	24
D0BQ2600	MANUAL FEED UNIT:ASS'Y	U013_S001_S001	51
D0BQ2608	SHAFT:SEPARATOR:DRIVEN:ASS'Y	U013_S001_S001	52
D0BQ2615	GUIDE PLATE:SEPARATOR:ASS'Y	U013_S001_S001	53
D0BQ2619	SHAFT:SEPARATOR:DRIVE:ASS'Y	U013_S001_S001	54
D0BQ2623	ARM:PICKUP:MANUAL FEED	U013_S001_S001	55
D0BQ2630	SIDE FENCE:FRONT:ASS'Y	U013_S001_S002_S001	56
D0BQ2632	SIDE FENCE:REAR:ASS'Y	U013_S001_S002_S002	57
D0BQ2637	PAPER STOPPER:MANUAL FEED	U013_S001_S001	58
D0BQ2638	LINK:PAPER STOPPER:MANUAL FEED	U013_S001_S001	59
D0BQ2644	BRACKET:SIDE FENCE:MANUAL FEED	U013_S001_S002	60
D0BQ2653	COIL SPRING:PRESSURE:SEPARATOR	U013_S001_S001	61
D0BQ2654	CUSHION:GUIDE PLATE:SEPARATOR	U006	42
		U013_S001_S001	62
D0BQ2655	GEAR:SEPARATE:DRIVE	U013_S001_S001	63
D0BQ2656	HOLDER:HARNES	U013_S001	64
D0BQ2686	WIRE:MANUAL FEED TABLE:TC075	U013_S001_S002	65
D0BQ2688	TENSION SPRING:WIRE	U013_S001_S002	66
D0BQ2773	PULLEY:PICKUP:MECHANICAL ROLLER CLUTCH:U	U006_S001	43
		U006_S002	43
D0BQ2777	SHAFT:FEED:ASS'Y	U006_S001	44

## Exclusive Parts

Number	Part Name	Group	ID
		U006_S002	44
D0BQ2786	PLAIN SHAFT BEARING:FEED	U006_S001	150
		U006_S002	150
D0BQ2840	END FENCE:PAPER TRAY:ASS'Y	U006_S010_S001	46
		U006_S011_S003	46
D0BQ2864	DECAL:PAPER SET DIRECTION:TRAY:NO.2	U006_S010	47
		U006_S011	47
D0BQ2873	TRAY BOTTOM PLATE:NO.2:ASS'Y	U006_S010_S002	48
		U006_S011_S004	48
D0BQ2875	SIDE FENCE:FRONT:ASS'Y	U006_S010_S003	49
		U006_S011_S001	49
D0BQ2880	SIDE FENCE:REAR:ASS'Y	U006_S011_S002	50
D0BQ2952	DECAL:SIDE FENCE:PAPER VOLUME	U006_S010_S004	51
		U006_S011_S002	51
D0BQ2954	DECAL:SIDE FENCE:PAPER VOLUME:ENVELOPE	U006_S010_S004	52
		U006_S011_S002	52
D0BQ2959	DECAL:SIDE FENCE:PAPER VOLUME:FRONT	U006_S010_S003	53
		U006_S011_S001	53
D0BQ2966	STAY:END FENCE:ASS'Y	U006_S010_S003_S001	54
		U006_S011_S001_S001	54
D0BQ4425	DC STEPPER MOTOR:REVERSE:SUB-ASS'Y:(M3)	U012_S001	21
D0BQ4570	PAPER SIZE SENSOR:SENSOR:(S14)	U013_S001_S002	188
D0BQ4610	GRIP:SUB-ASS'Y	U013_S001_S003	67
D0BQ4644	GEAR:MECHANICAL ROLLER CLUTCH	U013_S001	68
D0BQ4645	SYNCHRONOUS BELT:30S2M118	U013_S001	189
D0BQ4646	SYNCHRONOUS BELT:30S2M262	U013_S001	190
D0BQ4648	SYNCHRONOUS BELT:30S2M300	U013_S001	192
D0BQ4654	SHAFT:LEVER:LOCK	U013_S001_S003	69
D0BQ4960	BASE:PLATE:EXIT:IDG	U012	22
D0C95150	PCB:SMB:SERVICE	U015	31
D0CC6750	(IM 2500/2500A):PLATE:MODEL NAME PLATE:2500	U017	6
D0CC9501	NVRAM - ZERO COUNTER	U015	32

Number	Part Name	Group	ID
D0CD6750	(IM 3000/3000A):PLATE:MODEL NAME PLATE:3000	U017	7
D0CE1262	COVER:REAR:UPPER	U001	11
D0CE6750	(IM 3500/3500A):PLATE:MODEL NAME PLATE:3500	U017	8
D0CH1095	LEVER:LOCK:PCU	U016	22
D0CH1151	DRIVE UNIT:PAPER FEED:ASS'Y	U014_S001	25
D0CH1232	COVER:UPPER:EXIT	U001	12
D0CH1242	DOOR:FRONT	U001	13
D0CH1244	COVER:FRONT:RIGHT UPPER	U001	14
D0CH1245	COVER:FRONT:UPPER	U001	15
D0CH1260	(NA/EU/AA/KOR/TWN/IND):COVER:REAR:LOWER	U001	16
D0CH1279	INNER COVER:FRONT	U001	17
D0CH1289	COVER:SCANNER:UPPER:REAR:ASS'Y	U001	18
D0CH1298	COVER:RIGHT FRONT SIDEWAYS	U001	19
D0CH1540	(NA/EU/AA/KOR/TWN/IND):OPERATION SUB-UNIT:COMMON:ASS'Y	U002_S001	38
D0CH1595	BRACKET:OPERATION SUB-UNIT:PEEN	U002	39
D0CH1598	COVER:OPERATION SUB-UNIT:LOWER	U002	40
D0CH1599	COVER:OPERATION SUB-UNIT:UPPER	U002	41
D0CH1860	OPTICAL WRITING UNIT:ASS'Y	U005_S001	4
D0CH2271	DRUM STAY:REAR:ASS'Y	U007_S001_S001	23
D0CH2335	PICKOFF PAWL:ASS'Y	U007_S001_S001_S001	24
		U007_S001_S001_S002	24
D0CH2351	COVER:PCU:UPPER:ASS'Y	U007_S001_S001	25
D0CH2711	PAPER FEED UNIT:NO.1:ASS'Y	U006_S001	55
D0CH2712	PAPER FEED UNIT:NO.2:ASS'Y	U006_S002	56
D0CH2714	GUIDE PLATE:VERTICAL TRANSPORT:PAPER FEED UNIT:NO.1	U006_S001	57
D0CH2780	GUIDE:FEED	U006_S001	58
		U006_S002	58

## Exclusive Parts

Number	Part Name	Group	ID
D0CH2781	SPRING PLATE:GUIDE:FEED	U006_S001	59
		U006_S002	59
D0CH2801	PAPER TRAY:NO.1:ASS'Y	U006_S010	60
D0CH2885	SIDE FENCE:REAR:ASS'Y	U006_S010_S004	61
D0CH2891	(NA/TWN):HEAT SINK:HEATER:ASS'Y	U018_S001	24
D0CH2935	SHEET:PLATE:CUSHION	U006	148
D0CH3119	PLAIN SHAFT BEARING:TRANSPORT SCREW:RIGHT FRONT:ASS'Y	U007_S001_S002_S001	27
D0CH3121	PLAIN SHAFT BEARING:TRANSPORT SCREW:LEFT FRONT:ASS'Y	U007_S001_S002_S002	28
D0CH3123	PLAIN SHAFT BEARING:TRANSPORT SCREW:RIGHT REAR:ASS'Y	U007_S001_S002_S003	29
D0CH3125	PLAIN SHAFT BEARING:TRANSPORT SCREW:LEFT REAR:ASS'Y	U007_S001_S002_S004	30
D0CH3152	FILTER:DEVELOPMENT	U007_S001_S002	31
D0CH4316	PRESSURE ROLLER:DIA32:N	U011_S001	29
D0CH4405	PAPER EXIT UNIT:ASS'Y	U012_S001	23
D0CH4630	COVER:DUPLEX	U013_S001	70
D0CH4679	DRIVEN ROLLER:DIA16:DUPLEX	U013_S001	71
D0CH4726	TORSION SPRING:LINK:CONTACT POINT	U013_S001	72
D0CH4786	TRANSPORT ROLLER:DUPLEX:2	U013_S001	73
D0CH4788	TRANSPORT ROLLER:ENTRANCE	U013_S001	74
D0CH5103	(NA/EU/AA/KOR/TWN/IND):PCB:BCU:ASS'Y:(PCB1/PCB2)	U015	33
D0CH5654	(NA/EU/AA/KOR/TWN/IND):PCB:IMAGE PROCESSING UNIT:CM2:(PCB7)	U015	34
D0CH5812	DRUM STAY:CONTROL BOARD:CC:PEEN	U015	58
D0CH5888	COVER:C/T BOX:AIR-PRINT	U001	20
D0CH6210	TRANSFER/SEPARATION UNIT:ASS'Y	U009_S002	71
D0CH6211	TRANSFER ROLLER:ASS'Y	U009_S002	24
D0CH6220	FRAME:TRANSFER/SEPARATION UNIT:ASS'Y DRAWING	U009_S002	72
D0CH6228	TORSION SPRING:SEPARATION/T	U009_S002	25

Number	Part Name	Group	ID
	RANSPORT		
D0CH6246	LINK:TRANSFER/SEPARATION UNIT	U009_S002	26
D0CH6416	COLLECTION BOTTLE:ASS'Y	U010_S001	20
D0CH7922	DEODORIZE FILTER	U016	56
D0DB1744	DOCUMENT FEEDER:CABLE:BRACKET	U004	25
D0DJ5627	(IM 3000/3000A):PCB:CTL:(PCB9)	U015	36
D0DJ5637	(IM 2500/2509J):CTL BOARD:IM2500:(PCB9)	U015	59
D0DJ5639	(IM 3500/3509A):CTL BOARD:(PCB9)	U015	61
D0DK4031	(NA):SLEEVE:IM2500-6000	U011_S001_S001	58
D0DK4051	(NA):FUSING UNIT:IM2500-6000	U011_S001	59
D0DL0071	(NA/TWN):HEATER:SCANNER:120V:ASS'Y	U018_S004	25
D0DL0120	PCDU:IM2500-6000	U007_S001	32
D0DL1640	CARRIAGE:SCANNER:ASS'Y	U004_S001	64
D0DL2220	PCU:IM2500-6000	U007_S001_S001	33
D0DL2511	MANUAL FEED UNIT:IM2500-6000	U013_S001_S002	75
D0DL3020	DEVELOPMENT UNIT:IM2500-6000	U007_S001_S002	34
D0DL4503	DUPLEX UNIT:IM2500-6000	U013_S001	76
D0DZ2872	LINK:END FENCE:PAPER SIZE SENSOR	U006_S011	108
D0E31187	HOUSING:DRIVE UNIT:PAPER FEED:ASS'Y	U014_S001	51
D0E31721	BRACKET:DC STEPPER MOTOR	U004	66
D0E32713	GUIDE PLATE:SWIVEL:NO.1:ADHESION	U006_S003	72
D0E32721	GUIDE PLATE:SWIVEL:NO.2	U006	73
D0E32835	RACK:SIDE FENCE	U006_S010	90
		U006_S011	90
D0E32878	SIDE FENCE:FRONT:UNIVERSAL:NO.2	U006_S010_S003	153
		U006_S011_S001	153
D0E32879	SIDE FENCE:REAR:UNIVERSAL:NO.2	U006_S011_S002	154
D0F21199	DRIVE UNIT:ON-OFF:TRANSFER	U009_S001	23
D1054365	HOLDER:THERMOPILE	U011	32

## Exclusive Parts

Number	Part Name	Group	ID
D1292783	TORQUE LIMITER MECHANICAL CLUTCH:40MM: DIA18	U006_S001	62
		U006_S002	62
		U013_S001_S001	77
D1444183	SCREW:M3	U004	26
D1444484	SHOULDER SCREW - M3	U011_S001	33
		U012_S001	24
D1444489	STOPPER:DRIVEN ROLLER	U013_S001	78
D1471805	EXPOSURE GLASS:DOCUMENT FEEDER:APPLY	U004	27
D1472734	GUIDE PLATE:SEPARATE	U006_S001	63
		U006_S002	63
D1472737	LEVER:PRESSURE:SEPARATE	U006_S001	64
		U006_S002	64
D1472738	LINK:RELEASE	U006_S001	65
		U006_S002	65
D1472752	SHAFT:SEPARATE:ASS'Y	U006_S001	66
		U006_S002	66
D1472866	COVER:PAPER TRAY:NO.2	U006_S011	67
D1473325	TORSION SPRING:STOPPER:TONER CARTRIDGE:4.8N	U008_S001_S001	9
D1482702	SPACER:TRANSPORT ROLLER	U006_S001	68
		U006_S002	68
D1482751	ARM:PRESSURE:SEPARATE	U006_S001	69
		U006_S002	69
D1482755	COIL SPRING:RELEASE:SEPARATE	U006_S001	70
		U006_S002	70
D1484690	TORSION SPRING:LINK	U013_S001	79
D1491197	GEAR:IDLER:PAPER FEED:GRIP:NO.1	U014_S001	26
D1491234	COVER:UPPER:INNER BACK:MIDDLE	U001	21
D1491237	COVER:UPPER:INNER BACK:LEFT LOWER	U001	22
D1491266	COVER:RIGHT:FRONT LOWER	U001	23
D1491291	CAP:HARNESS	U001	24
D1491294	(NA[IM 2500/3000/3500]/EU[IM 2500/3000/3500]/AA/KOR/CHN/TWN/IND):CAP:HARNESS:CORNER	U001	25

Number	Part Name	Group	ID
D1491305	CAP:TOTAL COUNTER	U001	26
D1491338	GUIDE PLATE:PAPER FEED TABLE:FRONT	U016	23
D1491392	FLANGE:PAPER FEED:FEED	U014_S001	27
D1491706	SYNCHRONOUS BELT:138ST1.5-4.0	U004	28
D1491798	SEAL:SHEET THROUGH:DOCUMENT FEEDER	U004	29
D1491804	HOLDER:EXPOSURE GLASS:SCANNER	U004	30
D1491833	SHEET:GLASS	U004	31
D1491840	GROUND PLATE:AKS	U004	32
D1492584	COLLAR:SHAFT:REGISTRATION ROLLER	U009_S002	27
D1492612	ROLLER:GRIP:DRIVEN	U013_S001_S001	80
D1492613	SHAFT:GRIP:DRIVEN	U013_S001_S001	81
D1492614	TENSION SPRING:GRIP:PRESSURE	U013_S001_S001	82
D1492633	SHAFT:FEED:MANUAL FEED	U013_S001_S001	83
D1492635	TRANSPORT ROLLER:MANUAL FEED	U013_S001_S001	84
D1492639	SHAFT:PAPER STOPPER	U013_S001_S001	85
D1492642	SHAFT:LINK:PAPER STOPPER	U013_S001_S001	86
D1492655	FEELER:PAPER END SENSOR	U013_S001_S001	87
D1492656	TORSION SPRING:PAPER END SENSOR	U013_S001_S001	88
D1492658	COVER:PAPER FEED ROLLER	U013_S001_S001	89
D1492678	SHAFT:FLAT CONVEYER BELT:DRIVEN	U013_S001	90
D1492692	ARM:MANUAL FEED:FRONT UPPER	U013_S001_S002	91
D1492693	STOPPER:MANUAL FEED TABLE	U013_S001_S002	92
D1492694	COMPRESSION SPRING:STOPPER:MANUAL FEED TABLE	U013_S001_S002	93
D1492712	SHEET:GUIDE PLATE:SWIVEL	U006_S003	71
D1492739	LEVER:PRESSURE RELEASE	U006_S001	74
		U006_S002	74
D1492772	ARM:PICKUP	U006_S001	75

## Exclusive Parts

Number	Part Name	Group	ID
		U006_S002	75
D1492774	PULLEY:IDLER:PICKUP	U006_S001	76
		U006_S002	76
D1492777	COIL SPRING:PRESSURE:PICKUP	U006_S001	77
		U006_S002	77
D1492780	GROUND WIRE:SENSOR:PAPER FEED	U006_S001	78
		U006_S002	78
D1492781	GROUND PLATE:PAPER FEED UNIT	U006_S001	79
		U006_S002	79
D1492784	BRACKET:SENSOR:PAPER FEED	U006_S001	80
		U006_S002	80
D1492787	BRACKET:SUPPORT:COVER	U006	81
D1492788	INNER COVER:HARNESS:PAPER FEED UNIT	U006	82
D1492795	BRACKET:PAPER FEED UNIT:PEEN	U016	24
D1492812	ROLLER:PAPER TRAY:DIA19	U006_S010	83
		U006_S011	83
D1492814	COIL SPRING:EARTH	U006_S010	84
		U006_S011	84
D1492816	SHAFT:RISE:ASS'Y	U006_S010	85
		U006_S011	85
D1492818	LEVER:RISE	U006_S010	86
		U006_S011	86
D1492824	LEVER:STOPPER:FRONT	U006_S010_S003	87
		U006_S011_S001	87
D1492826	COMPRESSION SPRING:SIDE FENCE:PLATE:FRONT	U006_S010_S003	88
		U006_S011_S001	88
D1492827	COMPRESSION SPRING:SIDE FENCE:POSITIONING	U006_S010_S003	89
		U006_S011_S001	89
D1492836	GEAR:Z20	U006_S010	91
		U006_S011	91
D1492842	LEVER:END FENCE	U006_S010_S001	92
		U006_S011_S003	92
D1492843	CLICK:END FENCE	U006_S010_S001	93
		U006_S011_S003	93
D1492845	COMPRESSION SPRING:END FENCE:LEVER:5N	U006_S010_S001	94
		U006_S011_S003	94

Number	Part Name	Group	ID
D1492857	LEVER:RELEASE:INNER:NO.1	U006_S010	95
D1492859	SHAFT:RELEASE:PAPER TRAY:NO.1	U006_S010	96
D1492861	HOLDER:GRIP:PAPER TRAY	U006_S010	97
		U006_S011	97
D1492862	SHAFT:RELEASE:PAPER TRAY:NO.2	U006_S011	98
D1492898	COVER:HEATER:PAPER TRAY	U018_S001	12
D1492899	HEAT SINK:HEATER	U018_S001	13
D1492903	SUPPORTER:RIGHT:NO.2:ASS'Y	U006_S004	99
D1492905	SUPPORTER:RIGHT:NO.1:ASS'Y	U006_S005	100
D1492923	ROLLER:SUPPORTER:PAPER TRAY	U006_S004	101
D1492924	STOPPER:PAPER TRAY	U006_S004	102
		U006_S005	102
D1492928	ROLLER:SUPPORTER:PAPER TRAY:LEFT	U006_S006	103
		U006_S007	103
D1492956	ROLLER:SUPPORTER:PAPER TRAY	U006_S005	104
D1492991	PLAIN SHAFT BEARING:INNER:DRIVE:REGISTRATION ROLLER	U009_S002	28
D1494354	BRACKET:DRAWER:MAIN	U011	34
D1494363	BRACKET:THERMOPILE	U011	35
D1494422	GEAR:REVERSE ROLLER	U012_S001	25
D1494427	STUD:PULLEY:BRACKET:DC STEP PER MOTOR	U012_S001	26
D1494428	GROUND PLATE:PAPER EXIT UNIT	U012_S001	27
D1494429	PULLEY:GEAR:REVERSE	U012_S001	28
D1494434	TENSION SPRING:LEVER:GATE PAWL	U012_S001	29
D1494461	GUIDE PLATE:REVERSE:UPPER	U012_S001	30
D1494463	GROUND WIRE:SENSOR:REVERSE	U012_S001	31
D1494466	GUIDE PLATE:REVERSE:LOWER	U012_S001	32
D1494468	SHAFT:DRIVEN:REVERSE ROLLER	U012_S001	33
D1494469	SPRING PLATE:ROLLER:DRIVEN:	U012_S001	34

## Exclusive Parts

Number	Part Name	Group	ID
	REVERSE ROLLER		
D1494471	SHAFT:DRIVEN:REVERSE ROLLER:OUTER	U012_S001	35
D1494483	LEVER:GATE PAWL	U012_S001	36
D1494484	TORSION SPRING:LEVER:GATE PAWL	U012_S001	37
D1494492	TRAY:REVERSE	U001	28
D1494638	GUIDE:WIRE	U013_S001	94
D1494657	HOOK:STOPPER:DUPLEX UNIT:REAR	U013_S001	97
D1494658	COIL SPRING:LEVER:DUPLEX	U013_S001	98
D1494662	DIFFUSION PLATE:LED	U009_S002	29
D1494672	COMPRESSION SPRING:DRIVEN	U013_S001	99
D1494675	COVER:PUSH SWITCH	U013_S001	100
D1494677	STAY:CONTACT POINT:GUIDE PLATE:DRIVEN	U013_S001	101
D1494688	LINK:DUPLEX:MAIN	U013_S001	102
D1494695	LINK:FRONT	U013_S001	103
D1494706	PIN:ARM:FRONT LOWER	U013_S001_S002	104
D1494711	DECAL:SIDE FENCE:MANUAL FEED	U013_S001_S002	105
D1494715	DECAL:GRIP:Z	U013_S001	106
D1494717	PLATE:SIDE FENCE:FRONT	U013_S001_S002	107
D1494718	TORSION SPRING:SIDE FENCE:FRONT	U013_S001_S002	108
D1494720	PLATE:SIDE FENCE:REAR	U013_S001_S002	109
D1494721	TORSION SPRING:SIDE FENCE:REAR	U013_S001_S002	110
D1494731	COMPRESSION SPRING:RACK:MANUAL FEED	U013_S001_S002	111
D1494737	PLAIN SHAFT BEARING:DUPLEX:EXIT	U013_S001	112
D1494755	BRACKET:HINGE:DUPLEX:FRONT	U013	113
D1494777	COMPRESSION SPRING:FLAT CONVEYER BELT:DRIVEN	U013_S001	114
D1494787	GUIDE:HARNESS:MANUAL FEED:	U013_S001	115

Number	Part Name	Group	ID
	CONNECTING		
D1494883	ARM:MANUAL FEED:FRONT LOWER	U013_S001_S002	116
D1494884	ARM:MANUAL FEED:REAR LOWER	U013_S001_S002	117
D1495776	COVER:USB:SMALL	U015	38
D1495824	COVER:CONNECTOR:HEATER:0.4MM	U015	39
D1495883	KEYTOP:MAIN SWITCH	U001	29
D1495884	COMPRESSION SPRING:KEYTOP	U001	30
D1496226	LEVER:TRANSFER/SEPARATION UNIT:FRONT	U009_S002	30
D1496228	TORSION SPRING:LEVER:SET:FRONT	U009_S002	31
D1496229	TENSION SPRING:LEVER:SET	U009_S002	32
D1496231	LEVER:TRANSFER/SEPARATION UNIT:REAR	U009_S002	33
D1496233	TORSION SPRING:LEVER:SET:REAR	U009_S002	34
D1496248	CAP:LED	U009_S002	35
D1496290	GUIDE:SET:TRANSFER/SEPARATION UNIT:FRONT	U009	36
D1496851	(NA/AA/KOR/IND):DECAL:MAIN SWITCH:ON-STANDBY:ENGLISH	U017	9
D1501095	BRACKET:POSITIONING:FUSING UNIT:M3	U001	31
D1501282	COVER:SCANNER:UPPER:FRONT	U001	32
D1502666	GEAR:SIDE FENCE:MANUAL FEED TABLE	U013_S001_S002	118
D1752726	STOPPER:GUIDE PLATE:SWIVEL	U006_S002	105
D1752854	TENSION SPRING:GRIP:LEFT	U006_S010	106
		U006_S011	106
D1752858	LEVER:RELEASE:PAPER TRAY:OUTER	U006_S010	107
		U006_S011	107
D1752886	COVER:TRAY:REAR RIGHT:NO.1	U006	109
D1752888	COVER:TRAY:REAR RIGHT:NO.2	U006	110
D1979010	SET:SEAL:OPTICAL WRITING UNIT	SPECIAL TOOLS	8
D1979510	OPC DRUM	U007_S001_S001	35

## Exclusive Parts

Number	Part Name	Group	ID
D1979641	DEVELOPER BLACK	U007_S001_S002	36
D1991163	BRACKET:FUSING/PAPER EXIT UNIT:ASS'Y	U014	28
D1991171	GEAR:PULLEY:EXIT:NO.1	U014	29
D1991173	SYNCHRONOUS BELT:B40S2M266	U014	30
D1991175	GEAR:PULLEY:EXIT:NO.2	U014	31
D1993304	HOUSING:TONER SUPPLY:ASS'Y	U008_S001_S001	10
D2011241	CASE:DOOR:FRONT	U001	33
D2017924	DUCT:EXHAUST:REAR:B	U016	25
D2021011	BASE:REAR	U016	26
D2021028	FLAT NUT:FUSING UNIT:REAR	U016	27
D2021034	SIDE PLATE:FRONT:UPPER:ASS'Y	U016	57
D2021092	BRACKET:GRIP:FRONT	U016	28
D2021093	COVER:GRIP	U016	29
D2021095	BRACKET:GRIP:REAR	U016	30
D2021108	HOUSING:ASS'Y	U014_S002	32
D2021115	BRACKET:DRIVE UNIT:ASS'Y	U014_S002	33
D2021118	STAY:MIDDLE:ASS'Y	U014_S002	34
D2021122	JOINT:DEVELOPMENT	SPECIAL TOOLS	9
		U014_S002	35
D2021124	GEAR:DEVELOPMENT:1	U014_S002	36
D2021125	GEAR:USED TONER:1	U014_S002	37
D2021128	SHAFT:DRIVE:DRUM:ASS'Y	U014_S002_S001	38
D2021135	DAMPING INSULATION:DRIVE UNIT:ENGINE	U014	39
D2021137	GROUND PLATE:PHOTOCONDUCTOR	U014	40
D2021143	JOINT:DRIVE	U014_S001	41
D2021152	BRACKET:DRIVE UNIT:PAPER FEED:ASS'Y	U014_S001	42
D2021170	BRACKET:SUPPORTING PLATE:FUSING/PAPER EXIT UNIT	U014	43
D2021172	GEAR:FUSING:NO.1	U014	44
D2021174	GEAR:FUSING:NO.2	U014	45
D2021176	GEAR:FUSING:NO.3	U014	46
D2021182	GROUND PLATE:DRIVE UNIT:ENGINE	U014	47
D2021184	GROUND PLATE:DRIVE UNIT:FUSING	U014	48

Number	Part Name	Group	ID
	NG/PAPER EXIT UNIT		
D2021193	STUD:PAPER FEED:GRIP:ASS'Y	U014_S001	49
D2021195	PULLEY:GRIP:NO.2	U014_S001	50
D2021231	COVER:UPPER:FRONT	U001	34
D2021233	COVER:UPPER:INNER BACK	U001	35
D2021235	COVER:UPPER:INNER BACK:BIN	U001	36
D2021247	BAND:STOPPER:DOOR	U001	37
D2021249	MAGNET CATCH:COVER:FRONT	U001	38
D2021255	COVER:LEFT	U001	39
D2021267	COVER:RIGHT:UPPER	U001	40
D2021269	COVER:REAR LOWER	U017	10
D2021277	COVER	U001	41
D2021299	GUIDE PLATE:SCANNER	U017	11
D2022291	HOLDER:CHARGE:FRONT	U007_S001_S001	37
D2022292	HOLDER:CHARGE:REAR	U007_S001_S001	38
D2022327	GEAR:COLLECTION COIL	U007_S001_S001	39
D2022331	SHUTTER:DISCHARGE USED TONER	U007_S001_S001	40
D2022332	TORSION SPRING:SHUTTER:PCU:0.6-1.3N	U007_S001_S001	41
D2022333	SEAL:SHUTTER	U007_S001_S001	42
D2022340	ELECTRODE PLATE:CHARGE	U007_S001_S001	43
D2022375	GEAR:TRANSPORT SCREW:DISCHARGE USED TONER	U007_S001_S001	44
D2022380	DISCHARGE LAMP:ASS'Y:(L1)	U007	45
D2022401	DISCHARGE LAMP:PCL:ASS'Y:(L2)	U007	46
D2022404	FRAME:DISCHARGE LAMP	U007	47
D2022405	COVER:DISCHARGE LAMP	U007	48
D2022407	SHEET:OPPOSED:OPTICS SENSOR	U007	49
D2022409	SEAL:COVER:DISCHARGE LAMP	U007	50
D2022431	COVER:PCU:REAR:SUB-ASS'Y	U007_S001_S001	51
D2022551	STAY:REGISTRATION:ASS'Y	U006	111
D2022561	SHAFT:REGISTRATION ROLLER:DRIVEN	U006	112
D2022566	CASE:REMOVE PAPER DUST:ASS'Y	U006	113
D2022572	GUIDE:POSITIONING:REGISTRATION	U006	114

## Exclusive Parts

Number	Part Name	Group	ID
	ON:INNER BACK		
D2022576	GUIDE PLATE:REGISTRATION:DRIVEN	U006	115
D2022577	GROUND PLATE:REGISTRATION GUIDE	U006	116
D2022578	GUIDE:POSITIONING:REGISTRATION:FRONT	U006	117
D2022581	GUIDE PLATE:REGISTRATION:DRIVE:ASS'Y	U009_S002	37
D2022587	REGISTRATION ROLLER:DRIVE	U009_S002	38
D2022614	COIL SPRING:RELEASE:PICKUP:MANUAL FEED	U013_S001_S001	119
D2022619	TORSION SPRING:PICKUP	U013_S001_S001	120
D2022620	SHOE:TORSION SPRING:PICKUP	U013_S001_S001	121
D2022624	COVER:PAPER END	U013_S001_S001	122
D2022625	BRACKET:PAPER END SENSOR:MANUAL FEED	U013_S001_S001	123
D2022638	FEELER:PAPER SIZE SENSOR:MANUAL FEED	U013_S001_S002	124
D2022640	EXTENSION TRAY:NO.1	U013_S001_S002	125
D2022641	EXTENSION TRAY:NO.2	U013_S001_S002	126
D2022642	PULLEY:WIRE:MANUAL FEED TABLE	U013_S001_S002	127
D2022646	ARM:MANUAL FEED:REAR UPPER	U013_S001_S002	128
D2022673	GUIDE PLATE:VERTICAL TRANSPORT:NO.2:DRIVEN	U013_S001	129
D2022676	DECAL:SCALE:MANUAL FEED:MIDDLE	U013_S001_S002	130
D2022677	DECAL:SCALE:MANUAL FEED:REAR	U013_S001_S002	131
D2022691	GUIDE PLATE:VERTICAL TRANSPORT:NO.1:DRIVEN	U013_S001	132
D2022694	SHAFT:FLAT CONVEYER BELT:PULLEY	U013_S001	133
D2022697	HOLDER:DRIVEN:BELT	U013_S001	134
D2022778	FEELER:PAPER END	U006_S001	118
		U006_S002	118
D2022786	DISCHARGE BRUSH:PAPER FEED	U006_S001	119

Number	Part Name	Group	ID
	UNIT:UPPER		
D2022787	GROUND PLATE:DISCHARGE BRUSH:PAPER FEED UNIT	U006_S001	120
D2022819	LINK:END FENCE:PAPER SIZE SENSOR:A3	U006_S010	121
D2022887	COVER:PAPER TRAY:LEFT REAR	U006	122
D2022902	SUPPORTER:LEFT:NO.1:ASS'Y	U006_S006	123
D2022904	SUPPORTER:LEFT:NO.2:ASS'Y	U006_S007	124
D2022992	BRACKET:STOPPER:REGISTRATION	U009_S002	39
D2023028	SEAL:DEVELOPMENT:ASS'Y	U007_S001_S002	26
D2023128	SHEET:PLAIN SHAFT BEARING:TRANSPORT SCREW	U007_S001_S002_S001	52
		U007_S001_S002_S002	52
		U007_S001_S002_S003	52
		U007_S001_S002_S004	52
D2023140	GEAR:DEVELOPMENT ROLLER	U007_S001_S002	53
D2023141	GEAR:TRANSPORT SCREW:REAR	U007_S001_S002	54
D2023143	GEAR:TRANSPORT SCREW:FRONT	U007_S001_S002	55
D2023145	GEAR:DEVELOPMENT ROLLER:IDLER	U007_S001_S002	56
D2023146	GEAR:TRANSPORT SCREW:IDLER	U007_S001_S002	57
D2023260	HOLDER:TERMINAL:DEVELOPMENT VIAS	U007	58
D2023261	TERMINAL:DEVELOPMENT BIAS:ASS'Y	U007	59
D2023263	HOLDER:DEVELOPMENT BIAS:MAIN	U007	60
D2023264	TERMINAL:DEVELOPMENT BIAS:MAIN	U007	61
D2023303	DRIVE UNIT:TONER SUPPLY:ASS'Y	U008_S001_S002	11
D2023372	BASE:TONER CARTRIDGE	U008	12
D2023376	SEAL:BASE:SLIDE RAIL:LOWER	U008	13



## Exclusive Parts

Number	Part Name	Group	ID
D2023885	DENSITY SENSOR:AROUND THE PHOTOCONDUCTOR:(S24)	U009_S002	40
D2023890	LED:RED	U009_S002	41
D2023951	HOUSING:MAIN:TRANSFER	U009	42
D2023952	TERMINAL:RECEPTACLE:MAIN:TRANSFER	U009	43
D2023960	CONNECTING SPRING:SEPARATION	U009_S002	44
D2023961	CONNECTING SPRING:TRANSFER	U009_S002	45
D2023992	HOUSING:TRANSFER UNIT	U009_S002	46
D2024146	PLAIN SHAFT BEARING:DIA4XDIA6X6	U011_S001	36
D2024215	GUIDE PLATE:FUSING EXIT	U011_S001	37
D2024224	STRIPPER PLATE:FUSING EXIT	U011_S001	38
D2024233	LEVER:LOCK:PRESSURE	U011_S001	39
D2024234	LEVER:PRESSURE RELEASE:FRONT:ASS'Y	U011_S001	40
D2024236	LEVER:PRESSURE:FRONT:PEEN	U011_S001	41
D2024244	LEVER:PRESSURE RELEASE:REAR:ASS'Y	U011_S001	42
D2024245	DECAL:C:GUIDE PLATE:FUSING EXIT	U011_S001	43
D2024246	LEVER:PRESSURE:REAR:PEEN	U011_S001	44
D2024252	FUSING ENTRANCE GUIDE PLATE	U011_S001	45
D2024256	BRACKET:PRESSURE ROLLER:REAR	U011_S001	46
D2024258	STAY:GEAR	U011_S001	47
D2024262	FUSING COVER:UPPER	U011_S001	48
D2024263	DECAL:H-TEMP WARNING:FUSING	U011_S001	49
D2024266	BRACKET:PRESSURE ROLLER:FRONT	U011_S001	50
D2024274	FRAME:LOWER:FUSING	U011_S001	51
D2024309	FLAT NUT:THERMISTOR:PRESSURE ROLLER	U011_S001	52
D2024335	ELECTRODE PLATE:MIDDLE	U011_S001	53
D2024337	ELECTRODE PLATE:REAR	U011_S001	54
D2024374	COVER:HARNESS	U011	55

Number	Part Name	Group	ID
D2024386	ELECTRODE PLATE:FRONT	U011_S001	56
D2024421	GEAR:EXIT ROLLER	U012_S001	38
D2024426	BRACKET:DC STEPPER MOTOR:REVERSE	U012_S001	39
D2024431	DC SOLENOID:ASS'Y:(SOL1)	U012_S001	40
D2024477	REVERSE ROLLER	U012_S001	41
D2024481	GATE PAWL:EXIT	U012_S001	42
D2024491	INNER COVER:EXIT	U012	43
D2024634	ARM:PRESSURE RELEASE:FRONT	U013_S001	135
D2024635	ARM:PRESSURE RELEASE:REAR	U013_S001	136
D2024661	HOOK:STOPPER:DUPLEX UNIT:FRONT	U013_S001	137
D2024667	GUIDE PLATE:DUPLEX:EXIT	U013_S001	138
D2024668	GUIDE:REGISTRATION:ENTRANCE:REAR	U013_S001	139
D2024669	GUIDE:REGISTRATION:ENTRANCE:FRONT	U013_S001	140
D2024671	GUIDE PLATE:DUPLEX:ENTRANCE	U013_S001	141
D2024673	FEELER:DUPLEX:ENTRANCE SENSOR	U013_S001	142
D2024674	TORSION SPRING:DUPLEX:ENTRANCE SENSOR	U013_S001	143
D2024677	GUIDE PLATE:DRIVEN	U013_S001	144
D2024680	BRACKET:DRIVEN ROLLER:PRESSURE	U013_S001	145
D2024682	DRIVEN ROLLER:DIA16	U013_S001	146
D2024683	COVER:GUIDE PLATE:DRIVEN	U013_S001	147
D2024684	GROUND WIRE:BRACKET:DRIVEN ROLLER	U013_S001	148
D2024690	GUIDE PLATE:UPPER	U013_S001	149
D2024691	COMPRESSION SPRING:SHAFT:GUIDE PLATE:UPPER	U013_S001	150
D2024692	SHAFT:PRESSURE:GUIDE PLATE:UPPER	U013_S001	151
D2024721	BRACKET:LINK:DUPLEX	U013_S001	152
D2024722	LINK:DUPLEX	U013_S001	153

## Exclusive Parts

Number	Part Name	Group	ID
D2024730	INNER COVER:REAR:DUPLEX	U013_S001	154
D2024731	INNER COVER:FRONT:DUPLEX	U013_S001	155
D2024741	BRACKET:STUD:LEVER	U013	156
D2025185	PCB:DHB:(PCB5)	U018	14
		U018_S002	14
D2025826	STEPPED SCREW:SAFETY SWITC H:M2.5	U015	40
D2025827	BRACKET:SAFETY SWITCH:RIGHT :2	U015	41
D2025829	TORSION SPRING:SAFETY SWITC H:3.7N	U015	42
D2025838	BRACKET:SAFETY SWITCH:LEFT: 2	U015	43
D2026238	BRACKET:ENTRANCE SENSOR	U009_S002	47
D2026260	LEVER:PRESSURE:TRANSFER RO LLER:FRONT	U009_S002	48
D2026261	LEVER:PRESSURE:TRANSFER RO LLER:REAR	U009_S002	49
D2026264	COMPRESSION SPRING:PRESSU RE:TRANSFER ROLLER	U009_S002	50
D2026265	LEVER:PRESSURE:GUIDE PLATE	U009_S002	51
D2026267	SHAFT:LEVER:ON-OFF	U009_S002	52
D2026268	LEVER:ON-OFF:TRANSFER ROLL ER:FRONT	U009_S002	53
D2026269	LEVER:ON-OFF:TRANSFER ROLL ER:REAR	U009_S002	54
D2026271	GUIDE:TRANSPORT:TRANSFER	U009_S002	55
D2026272	BASE:GUIDE:TRANSFER	U009_S002	56
D2026273	COMPRESSION SPRING:TRANSP ORT SUB-UNIT	U009_S002	57
D2026276	GROUND PLATE:TRANSFER/SEPA RATION UNIT	U009_S002	58
D2026277	GROUND PLATE:REGISTRATION ROLLER	U009_S002	59
D2026280	GROUND PLATE:SEPARATION	U009_S002	60
D2026281	LEVER:SET:REAR	U009_S002	61
D2026285	LEVER:SET:FRONT	U009_S002	62
D2026350	BRACKET:DRIVE UNIT	U009	63

Number	Part Name	Group	ID
D2026351	CAM:ON-OFF:TRANSFER	U009	64
D2026352	SHAFT:ON-OFF:DRIVE	U009	65
D2026598	SHEET:RAIL	U016	31
D2026599	SHEET:USED TONER	U016	32
D2026862	DECAL:SIZE INDICATION:PAPER T RAY	U017	12
D2027911	DUCT:RIGHT:UPPER	U016	33
D2027912	DUCT:RIGHT:LOWER	U016	34
D2027921	DUCT:EXHAUST:UPPER:C	U016	35
D2027922	DUCT:EXHAUST:UPPER:D	U016	36
D2027923	DUCT:EXHAUST:REAR:A	U016	37
D2027925	SEAL:EXHAUST:REAR:A	U016	38
D2027926	SEAL:EXHAUST:REAR:B	U016	39
D2027949	SEAL:DUCT	U016	40
D2027961	THERMISTOR:290MM:(S30)	U016	41
D2027970	DUCT:LEFT:FAN:UPPER	U016	42
D2027971	DUCT:LEFT:FAN:LOWER	U016	43
D2027972	DUCT:REAR	U016	44
D2027985	BRACKET:CONNECTOR:HEATER	U016	45
D2150502	PCB:DHB:DEHUMIDIFIER:ASS'Y	U018_S002	26
D2231381	(NA/EU):(KOR[IM 2509J/3009J/3509 J]):DECAL:EXPOSURE GLASS:CLE ANING	U017	20
D2411242	COVER:MAIN SWITCH	U006_S010	125
D2411251	COVER:LEFT:UPPER	U001	42
D2411263	CAP:LOUVER:DEODORIZE FILTER	U001	43
D2411680	GUIDE ROD	U004	33
D2411681	STAY:GUIDE ROD	U004	34
D2411684	COVER:HARNESS:SCANNER	U004	35
D2411685	SPRING PLATE:GUIDE ROD	U004	36
D2411686	CLAMP:STAY:GUIDE ROD	U004	37
D2411688	SHEET:GLASS:LARGE	U004	38
D2411689	HOLDER:EXPOSURE GLASS:C2	U004	39
D2411697	SLIDE RAIL	U004	40
D2411698	COVER:BASE:SCANNER	U004	41
D2411701	PULLEY:IDLER:LEADING EDGE	U004	42
D2411702	CAP:PULLEY:IDLER:LEADING EDG E	U004	43

## Exclusive Parts

Number	Part Name	Group	ID
D2411708	TIGHTENER:DIA8	U004	44
D2411710	PULLEY:IDLER:TRAILING EDGE	U004	45
D2411711	CAP:IDLER:TRAILING EDGE	U004	46
D2411712	TENSION SPRING:TIGHTENER:TE NSION:4N	U004	47
D2411715	PULLEY:DRIVE	U004	48
D2411716	CAP:PULLEY:DRIVE:UPPER	U004	49
D2411717	CAP:PULLEY:DRIVE:LOWER	U004	50
D2411719	DC STEPPER MOTOR	U004	51
D2411722	TENSION SPRING:TENSION:11N	U004	52
D2411727	SHEET:GAP:ASS'Y	U004	53
D2411733	COVER:SHEET THROUGH:DOCUM ENT FEEDER	U004	55
D2411734	(NA):SCALE:LEFT:INCH:ASS'Y	U004	62
D2411739	(NA):SCALE:REAR:PRINTING:INCH	U004	63
D2411766	SHEET:FLAT CABLE:SBU	U004	57
D2411768	SLIDE SHOE	U004_S001	65
D2411770	HOLDER:FERRITE CORE	U004	58
D2411775	COVER:HEATER:SCANNER	U018_S004	15
D2411776	BRACKET:HEATER:SCANNER	U018_S004	16
D2411788	CAP:COVER:POSITIONING	U017	13
D2412612	DC SOLENOID:PICKUP:ASS'Y:(SO L2)	U013_S001_S001	157
D2412622	COVER:DAMPER	U013_S001_S001	158
D2412641	COVER:PAPER STOPPER:MANUA L FEED	U013_S001_S001	159
D2412643	ARM:LINK:PAPER STOPPER	U013_S001_S001	160
D2412644	TORSION SPRING:LINK:PAPER ST OPPER	U013_S001_S001	161
D2412652	GROUND PLATE:SHAFT:FEED	U013_S001_S001	162
D2412685	DECAL:PAPER SET DIRECTION:M ANUAL FEED	U013_S001_S002	163
D2412719	GROUND PLATE:SENSOR:TRANS PORT	U006_S001 U006_S002	126 126
D2412730	STAY:SEPARATE:PEEN	U006_S001 U006_S002	127 127
D2412731	STOPPER:GUIDE PLATE:SWIVEL	U006	128
D2412736	BRACKET:SEPARATE:REAR	U006_S001	129

Number	Part Name	Group	ID
		U006_S002	129
D2412742	GUIDE PLATE:VERTICAL TRANSP ORT:PAPER FEED UNIT:NO.2	U006_S002	130
D2412754	COIL SPRING:PRESSURE:SEPARA TE	U006_S001 U006_S002	131 131
D2412760	STAY:PAPER FEED UNIT:UPPER:P EEN	U006_S001 U006_S002	133 133
D2412762	TRANSPORT ROLLER:VERTICAL T RANSPORT:ASS'Y	U006_S001 U006_S002	132 132
D2412782	PLATE:HARNESS:PAPER FEED U NIT	U006_S001 U006_S002	134 134
D2412873	SIDE FENCE:AUXILIARY	U006_S011_S005 U006_S011_S006	135 135
D2412885	DECAL:SIDE FENCE:AUXILIARY	U006_S011_S005 U006_S011_S006	136 136
D2412896	SHEET:HEAT SINK:HEATER	U018_S001	17
D2414441	GUIDE PLATE:EXIT:UPPER	U012_S001	44
D2414448	SHAFT:FEELER:OVERFLOW	U012_S001	45
D2414458	GUIDE:COVER:UPPER	U001	44
D2414472	END FENCE:TRAY:EXIT:ASS'Y	U017_S001 U017_S002 U017_S003 U017_S004 U017_S005	14 14 14 14 14
D2414476	EXIT ROLLER	U012_S001	46
D2414494	TRAY:AUXILIARY:EXIT	U012	47
D2414499	COMPRESSION SPRING:BASE:TR AY:EXIT	U012	48
D2414635	SHEET:CUSHION	U013_S001	164
D2414640	TRANSPORT ROLLER:EXIT:DIA8	U013_S001	165
D2414642	TRANSPORT ROLLER:DUPLEX:1	U013_S001	166
D2414681	BRACKET:MOTOR:PEEN	U013_S001	167
D2414684	GEAR:OUTPUT	U013_S001	168
D2414707	GEAR:FEED:MANUAL FEED:DRIVE	U013_S001	169
D2414708	GEAR:SEPARATOR:MANUAL FEE D:DRIVE	U013_S001	170
D2414709	GEAR:TRANSPORT ROLLER:MAN UAL FEED	U013_S001	171

## Exclusive Parts

Number	Part Name	Group	ID
D2414710	GEAR:IDLER	U013_S001	172
D2414722	BRACKET:FRONT	U013_S001_S001	173
D2414761	DRIVEN ROLLER:DIA16	U013_S001	174
D2414762	DRIVEN ROLLER:DIA18	U013_S001	175
D2414765	PULLEY:T26	U013_S001	176
D2414766	PULLEY:T26/T26	U013_S001	177
D2414950	ROLLER:EXIT:PRESSURE:2TYPE:ASS'Y	U012_S001_S001	49
D2414955	HOLDER:ROLLER:EXIT:PRESSURE:2TYPE	U012_S001	50
D2414957	SHAFT:ROLLER:PRESSURE:EXIT:2TYPE	U012_S001_S001	51
D2414962	ROLLER:DRIVEN:EXIT	U012_S001_S001	52
D2414964	ROLLER:EXIT:PRESSURE	U012_S001_S001	53
D2414965	COLLAR:ROLLER:EXIT:PRESSURE	U012_S001_S001	54
D2414971	LINK:PLATE:EXIT	U012	55
D2414972	GUIDE:PLATE:EXIT	U012	56
D2414976	ROLLER:EXIT:PRESSURE:MIDDLE	U012_S001_S001	57
D2414977	ROLLER:DRIVEN:EXIT:MIDDLE	U012_S001_S001	58
D2414978	COLLAR:ROLLER:EXIT:PRESSURE: BOTH ENDS	U012_S001_S001	59
D2414981	COIL SPRING:ROLLER:PRESSURE:EXIT	U012_S001	60
D2414992	DISCHARGE BRUSH:EXIT	U012_S001	61
D2415738	BRACKET:MAIN SWITCH	U015	44
D2415802	GUIDE:FFC:SCANNER	U015	45
D2442856	GRIP:PAPER TRAY	U006_S010	137
		U006_S011	137
D2581317	HOLDER:GLASS:CLEANER:ASS'Y	U017	15
D2863051	TONER SUPPLY SUB-UNIT:ASS'Y	U008_S001	14
D2891081	ARM:SCANNER:PEEN	U016	46
D2891105	DRIVE UNIT:ENGINE:ASS'Y	U014_S002	52
D2891126	GEAR:USED TONER:2	U014_S002	53
D2891191	GEAR:GRIP:NO.1	U014_S001	54
D2891193	STUD:PAPER FEED:GRIP:ASS'Y	U014_S001	55
D2891195	GEAR:IDLER:PAPER FEED:FEED	U014_S001	56
D2891252	COVER:LEFT:UPPER:REAR	U001	45
D2891265	COVER:RIGHT:REAR	U001	46

Number	Part Name	Group	ID
D2891275	INNER COVER:FRONT:RIGHT LOWER	U001	47
D2891284	COVER:SCANNER:LEFT	U001	48
D2891285	COVER:SCANNER:UPPER:LEFT	U001	49
D2891287	COVER:SCANNER:RIGHT	U001	50
D2891288	COVER:SCANNER:UPPER:RIGHT	U001	51
D2891352	BRACKET:DRIVE UNIT:REGISTRATION:ASS'Y	U014	57
D2891355	GEAR:REGISTRATION:NO.1	U014	58
D2891741	BRACKET:DOCUMENT FEEDER:LEFT	U004	59
D2891742	BRACKET:DOCUMENT FEEDER:RIGHT	U004	60
D2892865	COVER:PAPER TRAY:NO.1	U006_S010	138
D2893301	TRANSPORT SCREW:NOZZLE:ASS'Y	U008_S001_S003	15
D2894452	GUIDE PLATE:EXIT:LOWER	U012_S001	62
D2894655	GRIP:DUPLEX UNIT	U013_S001_S003	178
D2895800	COVER:RACK	U015	46
D2895811	COVER:FAX	U015	47
D2895818	BRACKET:HDD	U015	49
D2895842	RAIL:FAX	U015	50
D2897931	DUCT:PAPER:COOLING:LOWER	U012	63
D2897932	DUCT:PAPER:COOLING:UPPER	U012	64
D2897996	FILTER:DUCT:DEVELOPMENT	U016	48
D2951554	MIKE:PVM-6018-C402G-7ZZ4	U002_S001_S001	42
D3B06303	(NA):(IM 2500A/3000A/3500A):DECAL:CAUTION:ORIGINAL:MANY LANGUAGES	U017	26
D3FZ2807	PAPER TRAY:NO.3:ASS'Y	U006_S011	139
D6836031	(NA):(IM 2500A/3000A/3500A):DECAL:SET:ORIGINAL TABLE	U017	27
D6842163	SYNCHRONOUS BELT:40S2M122	U012_S001	65
D6846031	(NA:[IM 2500/3000/3500]):(KOR:[IM 2509J/3009J/3509J]):DECAL:ORIGINAL TABLE	U017	28
D6846061	(NA):(IM 2500/3000/3500):DECAL:ORIGINAL:MANY LANGUAGES	U017	29

## Exclusive Parts

Number	Part Name	Group	ID
D6883529	TIMING BELT:B40S2M224	U014_S002	59
D6932837	DECAL:SET:SIDE FENCE:AUXILIARY	U006_S011	140
D6932867	SUPPORTING PLATE:COVER:FRONT:PAPER TRAY	U006_S011	141
D6932868	DECAL:SIZE INDICATION:SIDE FENCE:NO.3	U006_S011	142
D6932883	DECAL:SIZE INDICATION:SIDE FENCE:AUXILIARY:FRONT	U006_S011	143
D6932884	DECAL:SIZE INDICATION:SIDE FENCE:AUXILIARY:REAR	U006_S011	144
D7872848	DECAL:SIZE INDICATION:END FENCE:NO.3:FRONT	U006_S011	145
D7872849	DECAL:SIZE INDICATION:END FENCE:NO.3:REAR	U006_S011	146
E0A01549	CUSHION:MIKE	U002_S001_S001	43
G1281151	DECAL:WARNING (HIGH TEMPERATURE)	U018	18
G2962311	GUIDE:PAPER:LEADING EDGE:PIKOFF PAWL	U007_S001_S001_S001	62
		U007_S001_S001_S002	62
GA004002	DECAL:LEVER:FIX	U001	52
GA080030	PLAIN SHAFT BEARING:CLEANER:ROLLER	U007_S001_S001	63
GA143003	SCREW:MM5:2.5MM	U009_S002	66
GW010007	PHOTO REFLECTION SENSOR:EXIT:(S1/S2/S5/S6/S9/S17/S22)	U006	147
		U006_S001	147
		U006_S002	147
		U012_S001	66
		U013_S001	179
GW020026	PHOTO INTERRUPTOR:LG2A24RL1G:(S31)	U004	61
GW140027	TEMPERATURE & HUMIDITY SENSOR:(S29)	U009	67
GX640031	FAN MOTOR:DC:2.64W:(FAN3)	U016	49
M0262734	DECAL:H-TEMP WARNING:HEATER	U018_S001	19

Number	Part Name	Group	ID
M0662743	FRICTION PAD:MANUAL FEED TABLE:18X7.5	U013_S001_S002	180
M0662749	OIL DAMPER:STRAIGHT:30N	U013_S001_S001	181
M0AJ4497	TRAY:EXIT	U012	67
M0AJ4981	DECAL:EXIT:GUIDE P:LOWER:MIDDLE	U012_S001	68
M0AJ4982	DECAL:EXIT:GUIDE P:LOWER:INNER BACK	U012_S001	69
M0AJ6855	(NA/EU/AA/KOR/IND):DECAL:INKJET:EN:PAPER FEED	U017	16
M0AJ6856	(NA/EU/AA/KOR/IND):DECAL:INKJET:EN:MANUAL FEED	U017	17
M0AN1058	LEVER:LOCK:USED TONER	U010	15
M0AN1059	SPRING PLATE:LEVER:USED TONER	U010	16
M0AN1097	CAM:LOCK:PCU	U016	50
M0AN1099	COMPRESSION SPRING:LOCK:PCU	U016	51
M0AN1278	INNER COVER:OPTICAL WRITING UNIT	U016	52
M0AN2232	GUIDE:PCU:FRONT	U016	53
M0AN2261	DRUM STAY:FRONT:ASS'Y	U007_S001_S001	64
M0AN2271	COVER:DRUM STAY:FRONT	U007_S001	65
M0AN2356	GRIP:PCU	U007_S001_S001	66
M0AN2988	PLAIN SHAFT BEARING:DRIVE:REGISTRATION ROLLER:ASS'Y	U009_S002	68
M0AN3283	BASE:RECEPTACLE:ASS'Y	U007	67
M0AN4651	GEAR:PULLEY	U013_S001	182
M0AN4684	GEAR:OUTPUT	U013_S001	183
M0AN4707	BRACKET:MOTOR:DUPLEX:ENTRANCE	U013_S001	184
M0AN4708	GEAR:IDLER	U013_S001	185
M0AN4732	ARM:PUSH SWITCH	U013_S001	186
M0AN6268	DAMPING INSULATION:LEVER:TRANSFER	U009_S002	69
M0AN6291	GUIDE:SET:TRANSFER/SEPARATION UNIT:REAR	U009	70
M0AN6511	BRACKET:TONER RECYCLING SE	U010_S002	17

## Exclusive Parts

Number	Part Name	Group	ID
	CTION:ASS'Y		
M0AN6899	DECAL:LEVER:USED TONER	U010	18
M0AN7946	DUCT:DEVELOPMENT:BEARING:F RONT:P	U016	54
M0AN7947	COVER:HARNESS:HEATER	U016	55
M0AN7980	THERMOSTAT:ASS'Y	U018_S003	20
M0AN7981	COVER:PLATE:HEATER	U018	21
M4445201	HDD:320GB:AQUARIUS	U015	51
M9556801	DECAL:H-TEMP WARNING:HEATE R:OPTION	U018	22
Note1	(IM 2500A/3000A/3500A):See 3D pa rts catalog for the components of the SPDF DF3130.	U003	5
Note2	(NA[IM 2500/3000/3500]/EU[IM 2500 /3000/3500]/KOR):See 3D parts cata log for the components of the SPDF DF3110.	U003	6
VSSG9002	FLUOTRIBO MG GREASE : 100G	SPECIAL TOOLS	10
VSSG9006	MOLYKOTE(R) G-1077 GREASE 50 G	SPECIAL TOOLS	11
VSSG9008	FLOIL-G348 GREASE 20G	SPECIAL TOOLS	12

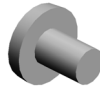
## Standard Parts



03130060N  
SCREW - M3X6



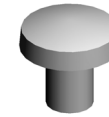
03140120N  
SCREW - M4X12



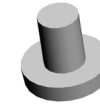
03520030N  
SCREW:M2X3



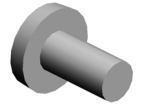
03530030N  
SCREW:M3X3



03530040N  
SCREW - M3X4



03530040P  
SCREW - M3X4



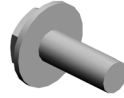
03530060N  
BIND SCREW - M3X6



03530080N  
SCREW:M3X8



03603006N  
SCREW - M3X6



03603008N  
SCREW:M3X8



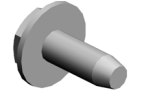
04503025N  
TAPPING SCREW:3X25



04513006N  
TAPPING SCREW - 3X6



04513008N  
TAPPING SCREW - M3X8



04513008P  
TAPPING SCREW - 3X8



04513016N  
TAPPING SCREW - 3X16



04523008N  
TAPPING SCREW - M3X8



04523010N  
BINDING SELF-TAPPING SCREW:3X10



04543005Q  
TAPPING SCREW::3X5



04543006Q  
TAPPING SCREW - M3X6



04543008N  
TAPPING SCREW:ROUND POINT:3X8



04543008Q  
TAPPING SCREW:3X8



04583008N  
HEXAGON HEAD TAPPING SCREW:3X8



04583010N  
HEXAGON HEAD TAPPING SCREW:3X10



04583012N  
HEXAGON HEAD TAPPING SCREW:3X12



04593008N  
BINDING HEAD TAPPING SCREW:3X8



04593010N  
BINDING HEAD TAPPING SCREW:3X10



06320100G  
PIN - 2X10MM



07200020G  
RETAINING RING - M2

## Standard Parts



07200030E  
RETAINING RING - M3



07200040E  
RETAINING RING - M4



07200060E  
RETAINING RING - M6



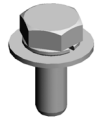
07250100E  
RETAINING RING C - M10



08025299  
TAPPING SCREW - M3X8



08025335  
BINDING HEAD TAPPING SCREW:ROUND POINT:3X8



08046123  
HEXAGONAL BOLT:W/WASHER:M3X8



08046127  
HEXAGONAL BOLT:DOUBLE SCREW:M3X8



08046128  
HEXAGONAL BOLT:DOUBLE SCREW:M3X10



08050089  
RETAINING RING - M4



08050092  
RETAINING RING - 3M



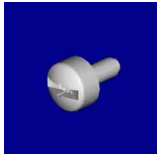
08050103  
RETAINING RINGS-E:SILENCER:DIA3



08050104  
RETAINING RINGS-E:SILENCER:DIA4



08050106  
RETAINING RINGS-E:SILENCER:DIA6



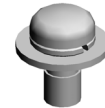
09514010N  
SCREW:POLISHED ROUND: M4X10



09543005N  
SCREW:POLISHED ROUND/ SPRING:M3X5



09543012N  
SCREW - M3X12



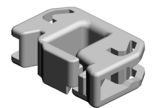
09544008N  
SCREW - M4X8



09573006N  
SCREW:SMALL ROUND/SPRING:M3X6



11036252  
CONNECTOR:16R-GRM-DH3 GB-RG-A



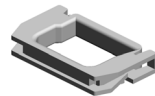
11050692  
CLAMP:LES-0503



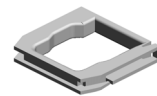
11050723  
CLAMPS:WES-0507



11050724  
CLAMPS:WES-1210



11050725  
CLAMPS:WES-1117



11050726  
CLAMPS:WES-2217



11050758  
CLAMP:LWSM-0306A



11050759  
CLAMP:LWSM-0605A



11050760  
CLAMP:LWSM-0511A



## Standard Parts



11050761  
CLAMP:LWS-0511A



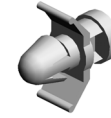
11050762  
CLAMP:LWS-0711A



11050763  
CLAMP:LWS-1211A



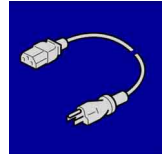
11050764  
CLAMP:LWS-1316A



11050792  
SPACER:PCB-4S-V0



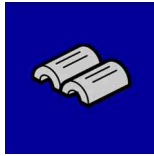
11050819  
SPACER:PCB-3S-V0



11500440  
(NA):POWER SUPPLY CODE:  
120V:15A



12042612  
MICRO SWITCH:D3V-16506-3  
C25:(SW7/SW8)



16072250  
FERRITE CORE:K3 NF-72(N)  
BK0



16072525  
FERRITE CORE:K3 FF 35.00X  
14.60X7.70X1.40



18310003  
LCD:TFT:WSVGA-10.1:LED:M  
V

## PM Part List

Number	Part Name	Num	Group	ID
AD027034	ROLLER:CHARGE	1	U007_S001_S001	17
AD041162	BLADE:CLEANING:ASS'Y	1	U007_S001_S001	18
AD042086	BRUSH ROLLER:CLEANER:CHARGE	1	U007_S001_S001	19
AE030097	RADIAL BALL BEARING:DIA10XDIA22X6	2	U011_S001	24
D0CH2335	PICKOFF PAWL:ASS'Y	2	U007_S001_S001	24
			U007_S001_S001_S002	24
D0CH3119	PLAIN SHAFT BEARING:TRANSPORT SCREW:RIGHT FRONT:ASS'Y	1	U007_S001_S002_S001	27
D0CH3121	PLAIN SHAFT BEARING:TRANSPORT SCREW:LEFT FRONT:ASS'Y	1	U007_S001_S002_S002	28
D0CH3123	PLAIN SHAFT BEARING:TRANSPORT SCREW:RIGHT REAR:ASS'Y	1	U007_S001_S002_S003	29
D0CH3125	PLAIN SHAFT BEARING:TRANSPORT SCREW:LEFT REAR:ASS'Y	1	U007_S001_S002_S004	30
D0CH3152	FILTER:DEVELOPMENT	3	U007_S001_S002	31
D0CH4316	PRESSURE ROLLER:DIA32:IN	1	U011_S001	29
D0CH6211	TRANSFER ROLLER:ASS'Y	1	U009_S002	24
D0DK4031	(NA):SLEEVE:IM2500-6000	1	U011_S001_S001	58
D1979510	OPC DRUM	1	U007_S001_S001	35
D1979641	DEVELOPER BLACK	1	U007_S001_S002	36
D2023028	SEAL:DEVELOPMENT:ASS'Y	1	U007_S001_S002	26

## Design Change List

Number	Title	Set	Old Part		New Part		Index No.		Q'ty	Interchg		Reason	Cut-in S/N
			P/N	Name	P/N	Name	Group	ID		Indiv.	Set		
202309-01	2309 Modification	-			18310003	LCD:TFT:WSVGA-10.1:LED:MV	U002_S001	49	1				
202309-02	2309 Modification	-	AB012232	GEAR:IDLER:Z19	AB012122	GEAR:IDLER:PRESSURE ROLLER	U011_S001	22	1	O/O			
202308-01	2308 Modification	-	D1492713	GUIDE PLATE:SWIVEL:NO.1	D0E32713	GUIDE PLATE:SWIVEL:NO.1:ADHESION	U006_S003	72	1	O/O			
202307-01	2307 Modification	-	D0CH1199	DRIVE UNIT:ON-OFF:TRANSFER	D0F21199	DRIVE UNIT:ON-OFF:TRANSFER	U009_S001	23	1	O/O			
202307-02	2307 Modification	-			D2021034	SIDE PLATE:FRONT:UPPER:ASS'Y	U016	57	1				
202305-01	2305 Modification	-	D1492835	RACK:SIDE FENCE	D0E32835	RACK:SIDE FENCE	U006_S010	90	2	O/O			
							U006_S011	90	2				
202304-01	2304 Modification	-	D0DJ5628	(IM 3500/3500A):PCB:CTL:(PCB9)	D0DJ5639	(IM 3500/3509A):CTL BOARD:(PCB9)	U015	61	1	O/O			
202303-01	2303 Modification	-	D1752872	LINK:END FENCE:PAPER SIZE SENSOR	D0DZ2872	LINK:END FENCE:PAPER SIZE SENSOR	U006_S011	108	1	O/O			
202303-02	2303 Modification	-	D1492721	GUIDE PLATE:SWIVEL:NO.2	D0E32721	GUIDE PLATE:SWIVEL:NO.2	U006	73	1	O/O			
202303-03	2303 Modification	-			D0E31721	BRACKET:DC STEPPER MOTOR	U004	66	1				
202303-04	2303 Modification	-	D2021196	HOUSING:DRIVE UNIT:PAPER FEED:ASS'Y	D0E31187	HOUSING:DRIVE UNIT:PAPER FEED:ASS'Y	U014_S001	51	1	O/O			
202302-01	2302 Modification	-	D3FZ2806	PAPER TRAY:NO.3:ASS'Y	D3FZ2807	PAPER TRAY:NO.3:ASS'Y	U006_S011	139	1	O/O			
202302-02	2302 Modification	-	D0CH2800	PAPER TRAY:NO	D0CH2801	PAPER TRAY:NO	U006_S010	60	1	O/O			

## Design Change List

Number	Title	Set	Old Part		New Part		Index No.		Q'ty	Interchg		Reason	Cut-in S/N
			P/N	Name	P/N	Name	Group	ID		Indiv.	Set		
		-		.1:ASS'Y		.1:ASS'Y							
202302-03	2302 Modification	-			D0E32879	SIDE FENCE:REAR:UNIVERSAL:NO.2	U006_S011_S002	154	1				
202302-04	2302 Modification	-			D0E32878	SIDE FENCE:FRONT:UNIVERSAL:NO.2	U006_S010_S003	153	1				
							U006_S011_S001	153	1				
202302-05	2302 Modification	-	D0DL4501	DUPLEX UNIT:IM2500-6000	D0DL4503	DUPLEX UNIT:IM2500-6000	U013_S001	76	1	O/O			
202302-07	2302 Modification	-	D0CH5102	(NA/EU/AA/KOR/TWN/IND):PCB:BCU:ASS'Y:(PCB1/PCB2)	D0CH5103	(NA/EU/AA/KOR/TWN/IND):PCB:BCU:ASS'Y:(PCB1/PCB2)	U015	33	1	O/O			
			D0CH5102	(NA/EU/AA/KOR/TWN/IND):PCB:BCU:ASS'Y:(PCB1/PCB2)	D0CH5103	(NA/EU/AA/KOR/TWN/IND):PCB:BCU:ASS'Y:(PCB1/PCB2)	U015	33	1	O/O			
			D0CH5102	(NA/EU/AA/KOR/TWN/IND):PCB:BCU:ASS'Y:(PCB1/PCB2)	D0CH5103	(NA/EU/AA/KOR/TWN/IND):PCB:BCU:ASS'Y:(PCB1/PCB2)	U015	33	1	O/O			
202211-01	2211 Modification	-	D0CH5640	(NA/EU/AA/KOR/TWN/IND):PCB:IMAGE PROCESSING UNIT:CM2:(PCB7)	D0CH5654	(NA/EU/AA/KOR/TWN/IND):PCB:IMAGE PROCESSING UNIT:CM2:(PCB7)	U015	34	1	O/O			
			D0CH5640	(NA/EU/AA/KOR/TWN/IND):PCB:IMAGE PROCESS	D0CH5654	(NA/EU/AA/KOR/TWN/IND):PCB:IMAGE PROCESS	U015	34	1	O/O			

## Design Change List

Number	Title	Set	Old Part		New Part		Index No.		Q'ty	Interchg		Reason	Cut-in S/N
			P/N	Name	P/N	Name	Group	ID		Indiv.	Set		
		-		ING UNIT:CM2:(P CB7)		ING UNIT:CM2:(P CB7)							
			D0CH5640	(NA/EU/AA/KOR/ TWN/IND):PCB:I MAGE PROCESS ING UNIT:CM2:(P CB7)	D0CH5654	(NA/EU/AA/KOR/ TWN/IND):PCB:I MAGE PROCESS ING UNIT:CM2:(P CB7)	U015	34	1	O/O			
202211-02	2211 Modification	-			D2411768	SLIDE SHOE	U004_S001	65	2				
202211-03	2211 Modification	-	GW020024	PHOTOINTERRU PTOR:LG2A24BL 1:GF:(S31)	GW020026	PHOTOINTERRU PTOR:LG2A24RL 1G:(S31)	U004	61	1	O/O			
202210-01	2210 Modification	-	D0BQ1299	HEXAGON HEAD SCREW:PLAIN WASHER:M3X8	08046123	HEXAGONAL BO LT:W/WASHER:M 3X8	U002	48	9	O/O			
202209-01	2209 Modification	-	D0CH5313	HARNESS:BCU:U PPER FRONT	D0CH5300	HARNESS:BCU:U PPER FRONT	A6 (1/1) , A 9 (1/1)		1	X/O			
202208-01	2208 Modification	-			D0CH6220	FRAME:TRANSF ER/SEPARATION UNIT:ASS'Y DRA WING	U009_S002	72	1				
202207-01	2207 Modification	-			D0CH6210	TRANSFER/SEP ARATION UNIT:A SS'Y	U009_S002	71	1				
202206-01	2206 Modification	-	D5406121	FULL DUG POIN T SCREW:FIX:HI NGE	09514010N	SCREW:POLISH ED ROUND:M4X1 0	U003	4	4	O/O			
202206-02	2206 Modification	-	AW500040	PUSH SWITCH:S W1AG-550:10MA: (SW9)	AW500049	PUSH SWITCH:S W1AG-550:(SW2/ SW3/SW5/SW6)	U010	19	1	O/O			
202206-03	2206 Modification	-	D0DJ5626	(IM 2500/2500A):	D0DJ5637	(IM 2500/2509J):	U015	59	1	O/O			

## Design Change List

Number	Title	Set	Old Part		New Part		Index No.		Q'ty	Interchg		Reason	Cut-in S/N
			P/N	Name	P/N	Name	Group	ID		Indiv.	Set		
		-		PCB:CTL:IM2500: (PCB9)		CTL BOARD:IM2500: (PCB9)							
202204-01	2204 Modification	-			B8705511	HARNESS:IOB:MKB	B7 (1/1)		1				
202204-02	2204 Modification	-	D2897922	DEODORIZE FILTER	D0CH7922	DEODORIZE FILTER	U016	56	1	O/O			
202204-03	2204 Modification	-			D0DL1640	CARRIAGE:SCANNER:ASS'Y	U004_S001	64	1				
202203-01	2203 Modification	-	D0BQ1524	TOUCH PANEL:ASS'Y	D0BQ1527	TOUCH PANEL:ASS'Y	U002_S001_S001	44	1	O/O			
202202-03	2202 Modification	-	M0AN4733	ARM:FUSING:REAR			U013_S001	187	1				
202202-04	2202 Modification	-	D2895812	DRUM STAY:CONTROL BOARD	D0CH5812	DRUM STAY:CONTROL BOARD:C:PEEN	U015	58	1	O/O			
			D2895812	DRUM STAY:CONTROL BOARD	D0CH5812	DRUM STAY:CONTROL BOARD:C:PEEN	U015	58	1	O/O			
			D2895812	DRUM STAY:CONTROL BOARD	D0CH5812	DRUM STAY:CONTROL BOARD:C:PEEN	U015	58	1	O/O			
202202-05	2202 Modification	-	AA043980	TIMING BELT:30S2M300	D0BQ4648	SYNCHRONOUS BELT:30S2M300	U013_S001	192	1	O/O			
202202-06	2202 Modification	-	D0CH6412	COLLECTION BOTTLE:ASS'Y	D0CH6416	COLLECTION BOTTLE:ASS'Y	U010_S001	20	1	O/O			
202201-02	2201 Modification	-	D0BQ2785	PLAIN SHAFT BEARING:FEED	D0BQ2786	PLAIN SHAFT BEARING:FEED	U006_S001	150	1	O/O			
							U006_S002	150	1				
202201-03	2201 Modification	-	AA082173	PLAIN SHAFT BEARING:6X10X6	AA082195	PLAIN SHAFT BEARING:DIA6XDIA10X6	U006_S001	149	1	O/O			

## Design Change List

Number	Title	Set	Old Part		New Part		Index No.		Q'ty	Interchg		Reason	Cut-in S/N
			P/N	Name	P/N	Name	Group	ID		Indiv.	Set		
		-	AA082173	PLAIN SHAFT BE ARING:6X10X6	AA082195	PLAIN SHAFT BE ARING:DIA6XDIA 10X6	U006_S002	149	1	O/O			
			AA082173	PLAIN SHAFT BE ARING:6X10X6	AA082195	PLAIN SHAFT BE ARING:DIA6XDIA 10X6	U012_S001	70	1	O/O			
			AA082173	PLAIN SHAFT BE ARING:6X10X6	AA082195	PLAIN SHAFT BE ARING:DIA6XDIA 10X6	U012_S001	70	1	O/O			
			AA082173	PLAIN SHAFT BE ARING:6X10X6	AA082195	PLAIN SHAFT BE ARING:DIA6XDIA 10X6	U013_S001 _S001	191	1	O/O			
			AA082173	PLAIN SHAFT BE ARING:6X10X6	AA082195	PLAIN SHAFT BE ARING:DIA6XDIA 10X6	U013_S001	191	1	O/O			
			AA082173	PLAIN SHAFT BE ARING:6X10X6	AA082195	PLAIN SHAFT BE ARING:DIA6XDIA 10X6	U013_S001	191	8	O/O			
202112-01	2112 Modification	-	D1494646	SYNCHRONOUS BELT:30S2M262	D0BQ4646	SYNCHRONOUS BELT:30S2M262	U013_S001	190	1	O/O			
202112-02	2112 Modification	-	D1494645	SYNCHRONOUS BELT:30S2M118	D0BQ4645	SYNCHRONOUS BELT:30S2M118	U013_S001	189	1	O/O			
202110-01	2110 Modification	-	D2412759	TRANSPORT RO LLER:VERTICAL TRANSPORT:AS S'Y	D2412762	TRANSPORT RO LLER:VERTICAL TRANSPORT:AS S'Y	U006_S001	132	1	O/O			
			D2412759	TRANSPORT RO LLER:VERTICAL TRANSPORT:AS S'Y	D2412762	TRANSPORT RO LLER:VERTICAL TRANSPORT:AS S'Y	U006_S002	132	1	O/O			

## Design Change List

Number	Title	Set	Old Part		New Part		Index No.		Q'ty	Interchg		Reason	Cut-in S/N	
			P/N	Name	P/N	Name	Group	ID		Indiv.	Set			
202109-01	2109 Modification	-	AA082170	PLAIN SHAFT BE ARING:DIA4XDIA 8X5:EG-1	AA082193	PLAIN SHAFT BE ARING:DIA4XDIA 8X5:EG-1-J	U012_S001	12	4	O/O				
							U013_S001	21	2					
							U013_S001 _S001	21	1					
202109-03	2109 Modification	-	AA082174	PLAIN SHAFT BE ARING:6X10X9	AA082196	BUSHING:DIA6X DIA10X9	U006_S001	19	1	O/O				
			AA082174	PLAIN SHAFT BE ARING:6X10X9	AA082196	BUSHING:DIA6X DIA10X9	U006_S002	19	1	O/O				
202109-04	2109 Modification	-			D0BQ4570	PAPER SIZE SEN SOR:SENSOR:(S 14)	U013_S001 _S002	188	1					
202108-01	2108 Modification	-	D0DJ5615	(IM 2500/2500A): PCB:CTL:IM2500: (PCB9)	D0DJ5626	(IM 2500/2500A): PCB:CTL:IM2500: (PCB9)	U015	35	1	X/O				
202108-02	2108 Modification	-	D0DJ5616	(IM 3000/3000A): PCB:CTL:(PCB9)	D0DJ5627	(IM 3000/3000A): PCB:CTL:(PCB9)	U015	36	1	X/O				
202108-03	2108 Modification	-	D0DJ5617	(IM 3500/3500A): PCB:CTL:(PCB9)	D0DJ5628	(IM 3500/3500A): PCB:CTL:(PCB9)	U015	37	1	X/O				
202107-01	2107 Modification	-			D0CH2935	SHEET:PLATE:C USHION	U006	148	1					
202107-02	2107 Modification	-	D1491307	SPRING PLATE:B AND			U001	27	1					
			D1491307	SPRING PLATE:B AND			U001	27	1					
			D1491307	SPRING PLATE:B AND			U001	27	1					
			D1491307	SPRING PLATE:B AND			U001	27	1					
202106-01	2106 Modification	-	D0CH3028	SEAL:DEVELOP MENT:ASS'Y	D2023028	SEAL:DEVELOP MENT:ASS'Y	U007_S001 _S002	26	1	O/O				



