

**Model AL-P1
(G179)**

PARTS CATALOG

First edition, December 2007

Ricoh Company, LTD.

Model AL-P1 (G179)

PARTS CATALOG

This catalog gives the numbers and names of parts on this machine.

Model AL-P1	(G179)
Finisher SR3030	(B805)
Punch Unit Type3260	(B702)
Output Jogger Unit Type3260	(B703)
Brige Unit BU3030	(D386)
Paper Feed Unit PB3040	(D351)
LCIT PB3050	(D352)
LCIT RT3000	(D353)
Controller Option	(M345)

Model AL-P1 (G179)

Model AL-P1 (G179)

PARTS CATALOG

This catalog gives the numbers and names of parts on this machine.

Location of Unit.....	2	18.Duplex Unit 2 (G179)	42
1.Exterior 1 (G179)	8	19.Duplex Unit 3 (G179)	44
2.Exterior 2 (G179)	10	20.Duplex Unit 4 (G179)	46
3.LD Unit (G179).....	12	21.Duplex Unit 5 (G179)	48
4.Paper Tray (G179).....	14	22.Paper Exit Section 1 (G179)	50
5.Paper Feed Section (G179).....	16	23.Paper Exit Section 2 (G179)	52
6.By-pass Feed Section 1 (G179)	18	24.Drive Section 1 (G179).....	54
7.By-pass Feed Section 2 (G179)	20	25.Drive Section 2 (G179).....	56
8.Paper Registration (G179).....	22	26.Drive Section 3 (G179).....	58
9.Toner Supply Unit (G179).....	24	27.Drive Section 4 (G179).....	60
10.PCDU 1 (G179).....	26	28.Electrical Section 1 (G179)	62
11.PCDU 2 (G179).....	28	29.Electrical Section 2 (G179)	64
12.Transfer Belt Unit 1 (G179).....	30	30.Electrical Section 3 (G179)	66
13.Transfer Belt Unit 2 (G179).....	32	31.Electrical Section 4 (G179)	68
14.Fusing Unit 1 (G179).....	34	32.Electrical Section 5 (G179)	70
15.Fusing Unit 2 (G179).....	36	33.Frame Section (G179).....	72
16.Fusing Unit 3 (G179).....	38	34.Controller Board (G179).....	74
17.Duplex Unit 1 (G179)	40	35.BICU Board (G179).....	88

Model AL-P1 (G179)

PARTS CATALOG

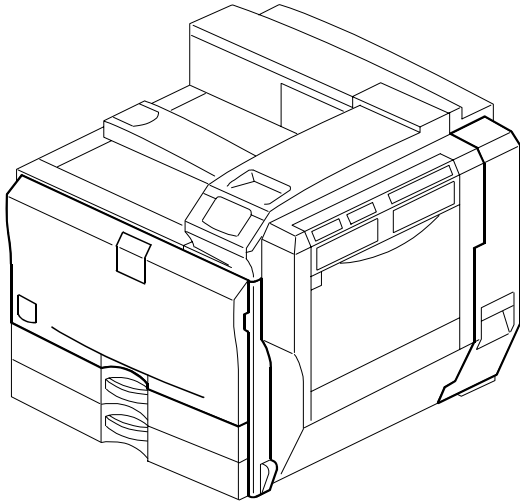
This catalog gives the numbers and names of parts on this machine.

36.IO Board (G179).....	94
37.Decals and Documents (G179).....	102
38.Special Tools (G179).....	106
Parts Index	110

December ,19 ' 2007

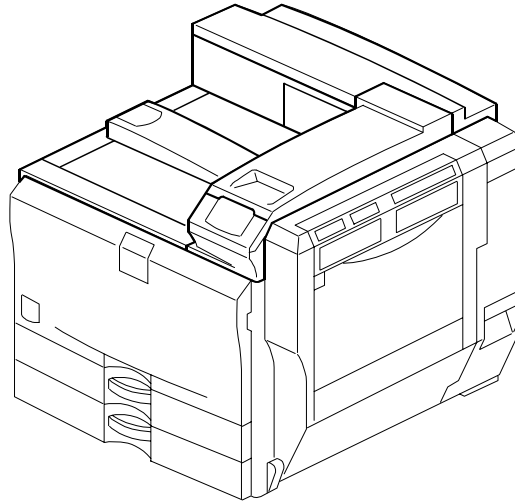
LOCATIONS OF UNITS

1. Exterior 1 (G179)



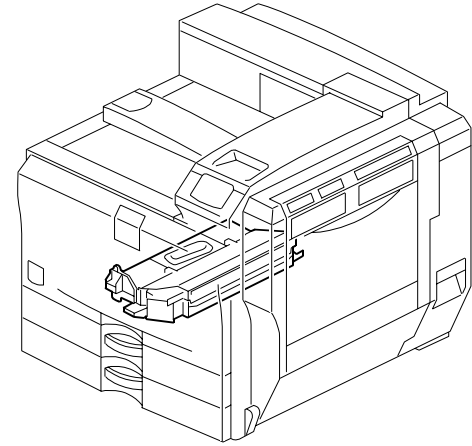
See Page 9

2. Exterior 2 (G179)



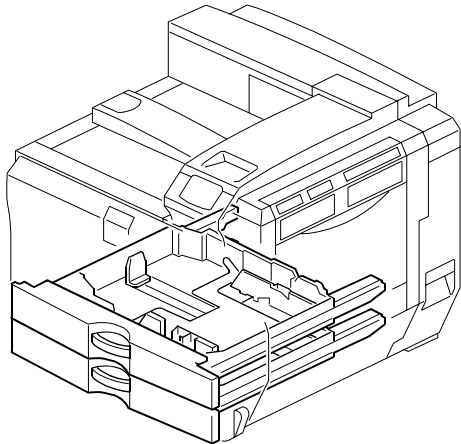
See Page 11

3. LD Unit (G179)



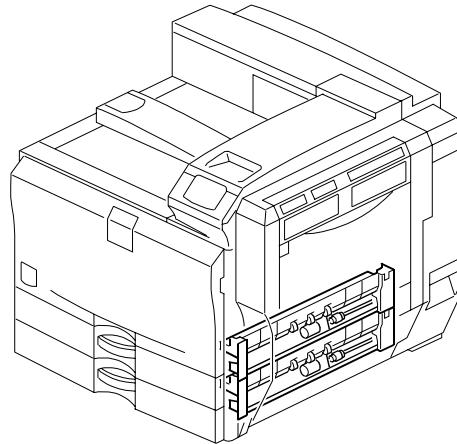
See Page 13

4. Paper Tray (G179)



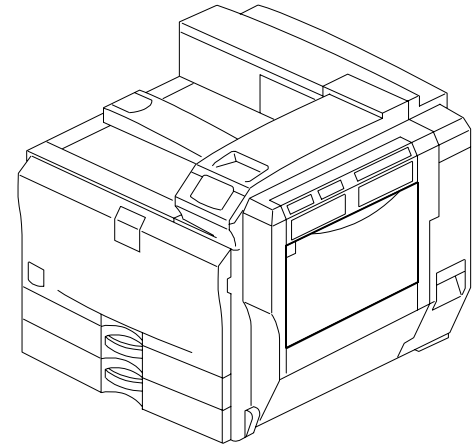
See Page 15

5. Paper Feed Section (G179)



See Page 17

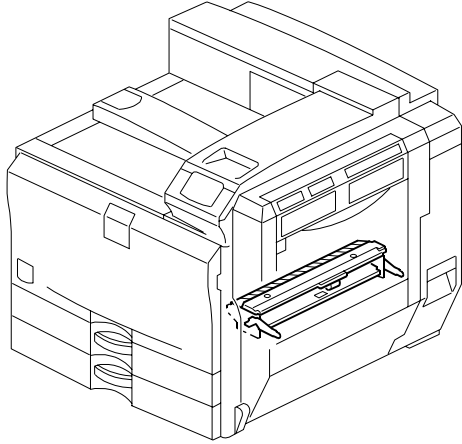
6. By-pass Feed Section 1 (G179)



See Page 19

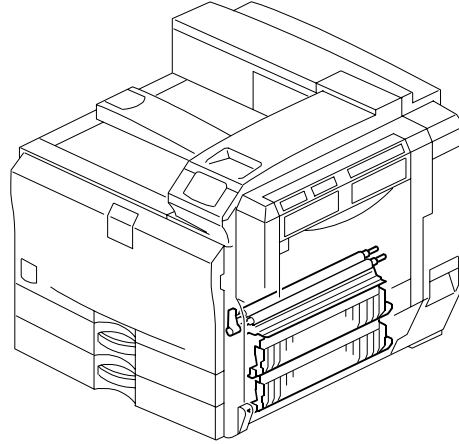
LOCATIONS OF UNITS

7. By-pass Feed Section 2 (G179)



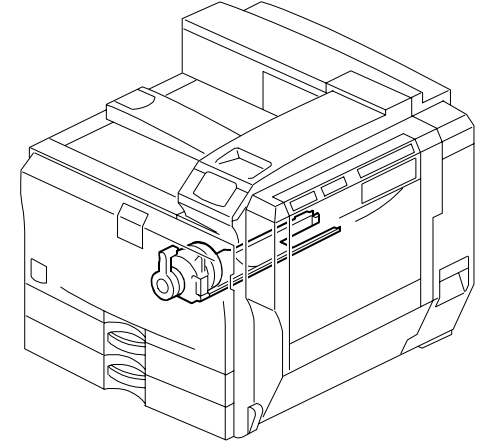
See Page 21

8. Paper Registration (G179)



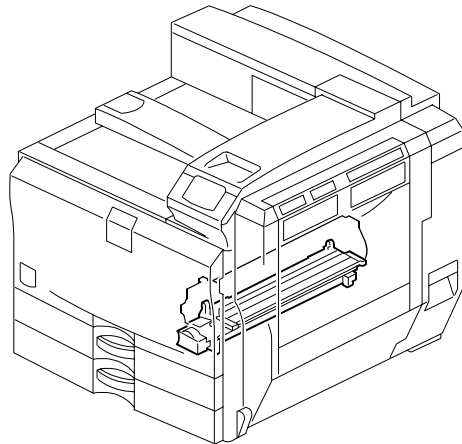
See Page 23

9. Toner Supply Unit (G179)



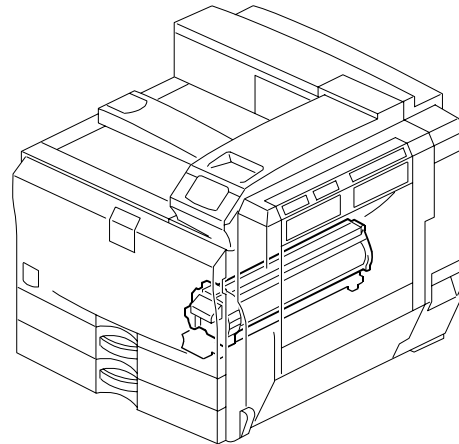
See Page 25

10. PCPU 1 (G179)



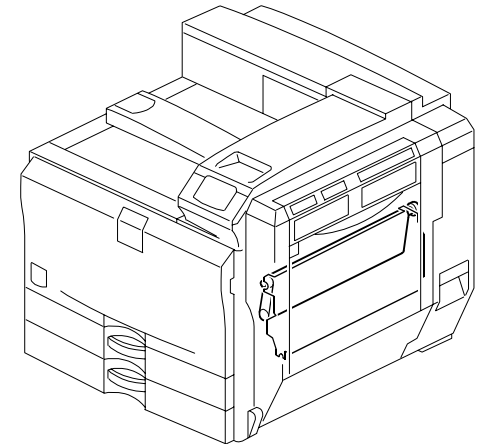
See Page 27

11. PCPU 2 (G179)



See Page 29

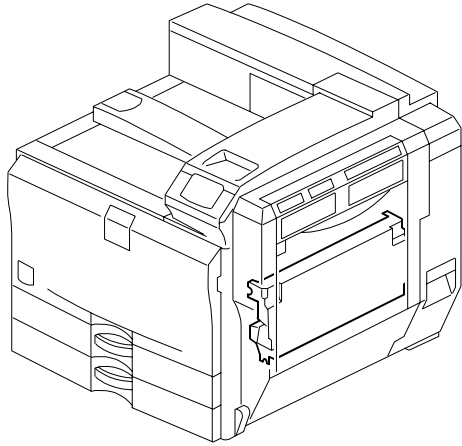
12. Transfer Belt Unit 1 (G179)



See Page 31

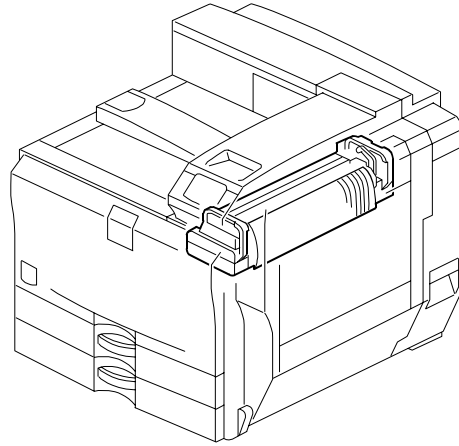
LOCATIONS OF UNITS

13. Transfer Belt Unit 2 (G179)



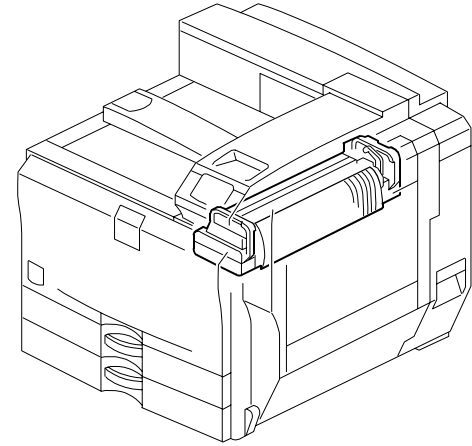
See Page 33

14. Fusing Unit 1 (G179)



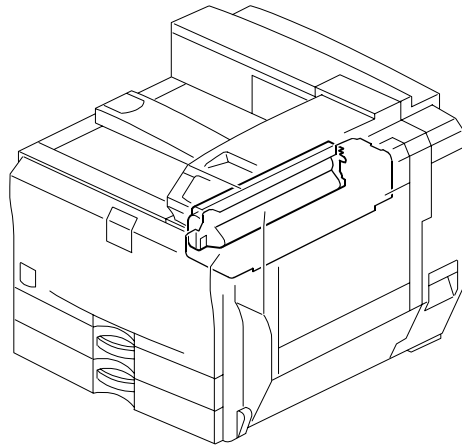
See Page 35

15. Fusing Unit 2 (G179)



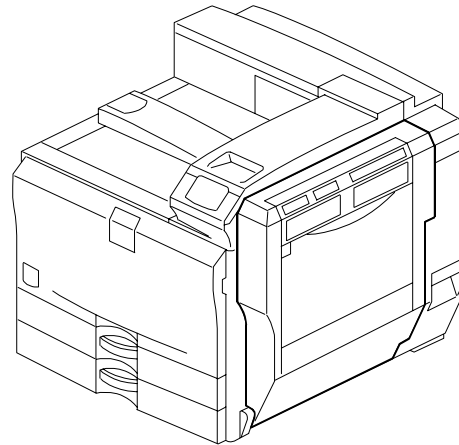
See Page 37

16. Fusing Unit 3 (G179)



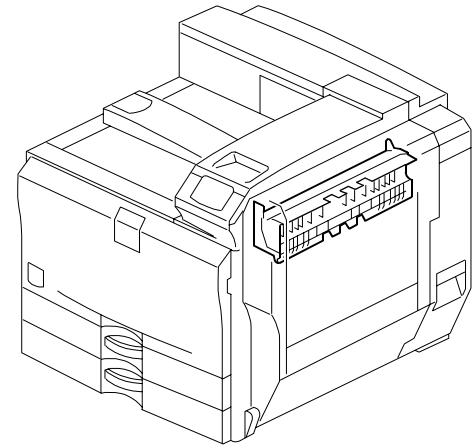
See Page 39

17. Duplex Unit 1 (G179)



See Page 41

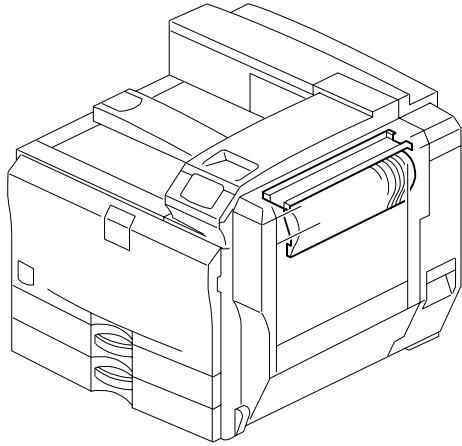
18. Duplex Unit 2 (G179)



See Page 43

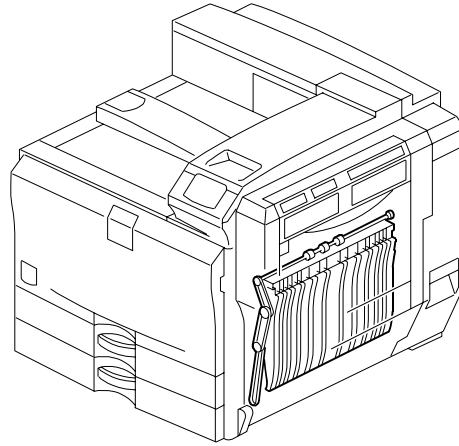
LOCATIONS OF UNITS

19. Duplex Unit 3 (G179)



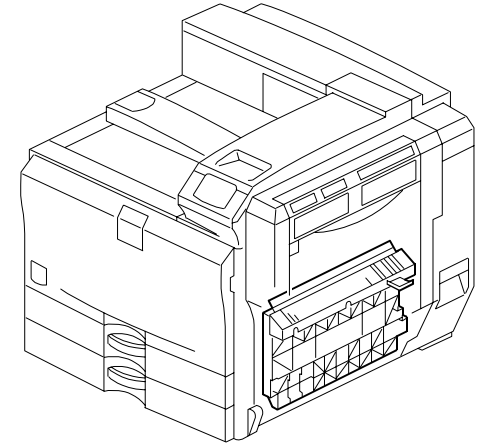
See Page 45

20. Duplex Unit 4 (G179)



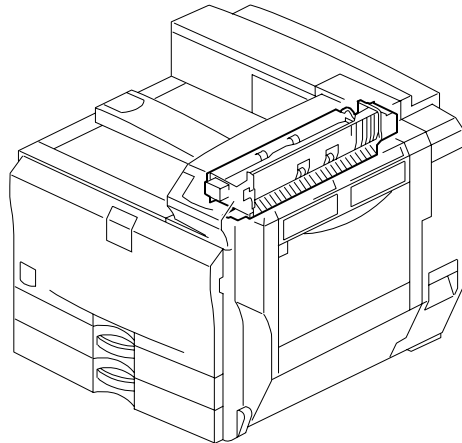
See Page 47

21. Duplex Unit 5 (G179)



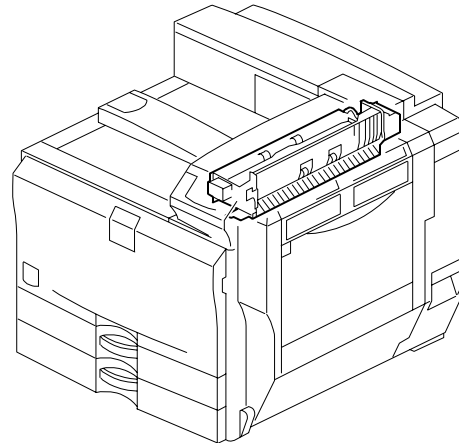
See Page 49

22. Paper Exit Section 1 (G179)



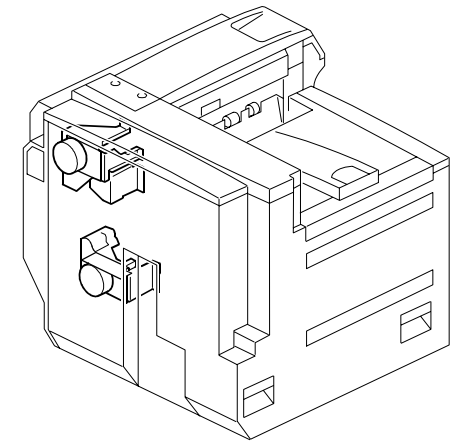
See Page 51

23. Paper Exit Section 2 (G179)



See Page 53

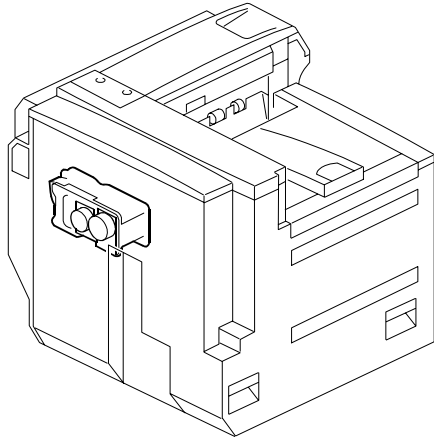
24. Drive Section 1 (G179)



See Page 55

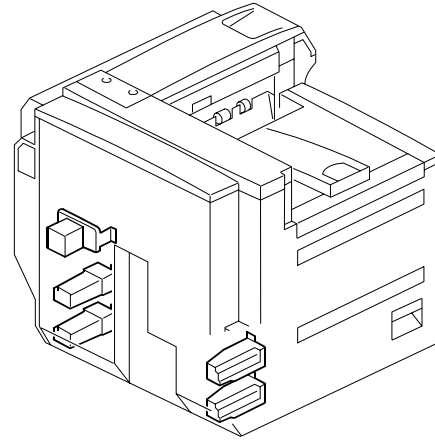
LOCATIONS OF UNITS

25. Drive Section 2 (G179)



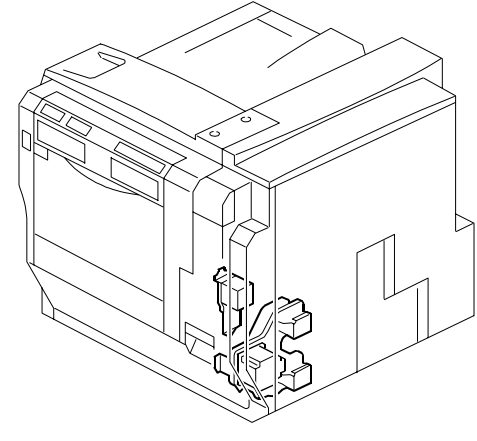
See Page 57

26. Drive Section 3 (G179)



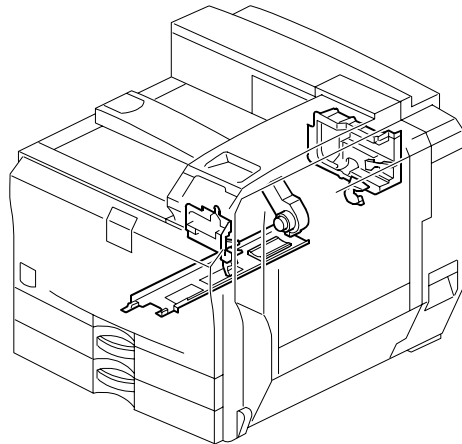
See Page 59

27. Drive Section 4 (G179)



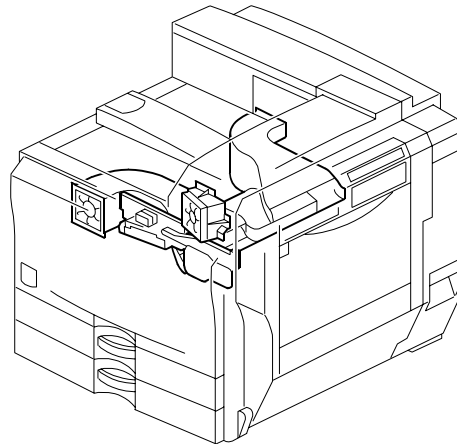
See Page 61

28. Electrical Section 1 (G179)



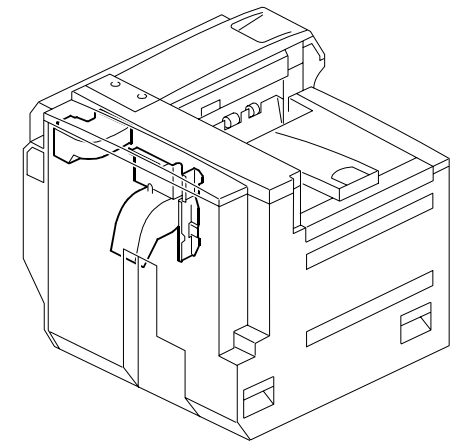
See Page 63

29. Electrical Section 2 (G179)



See Page 65

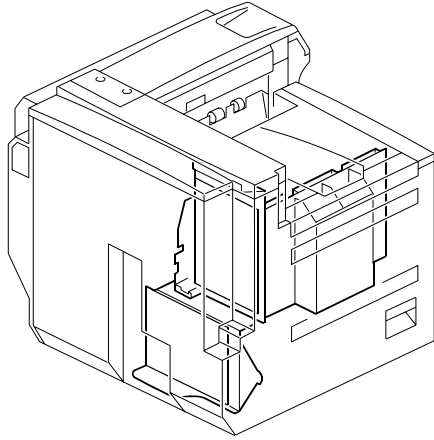
30. Electrical Section 3 (G179)



See Page 67

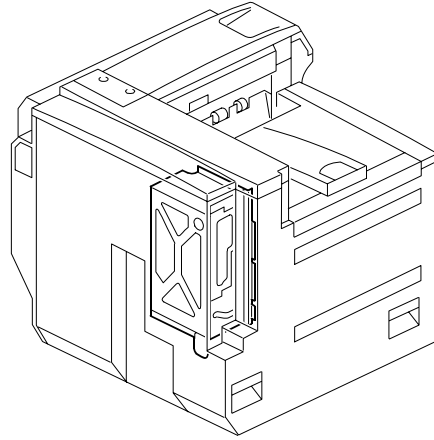
LOCATIONS OF UNITS

31. Electrical Section 4 (G179)



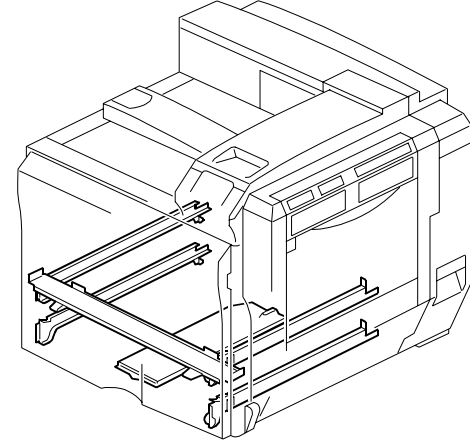
See Page 69

32. Electrical Section 5 (G179)



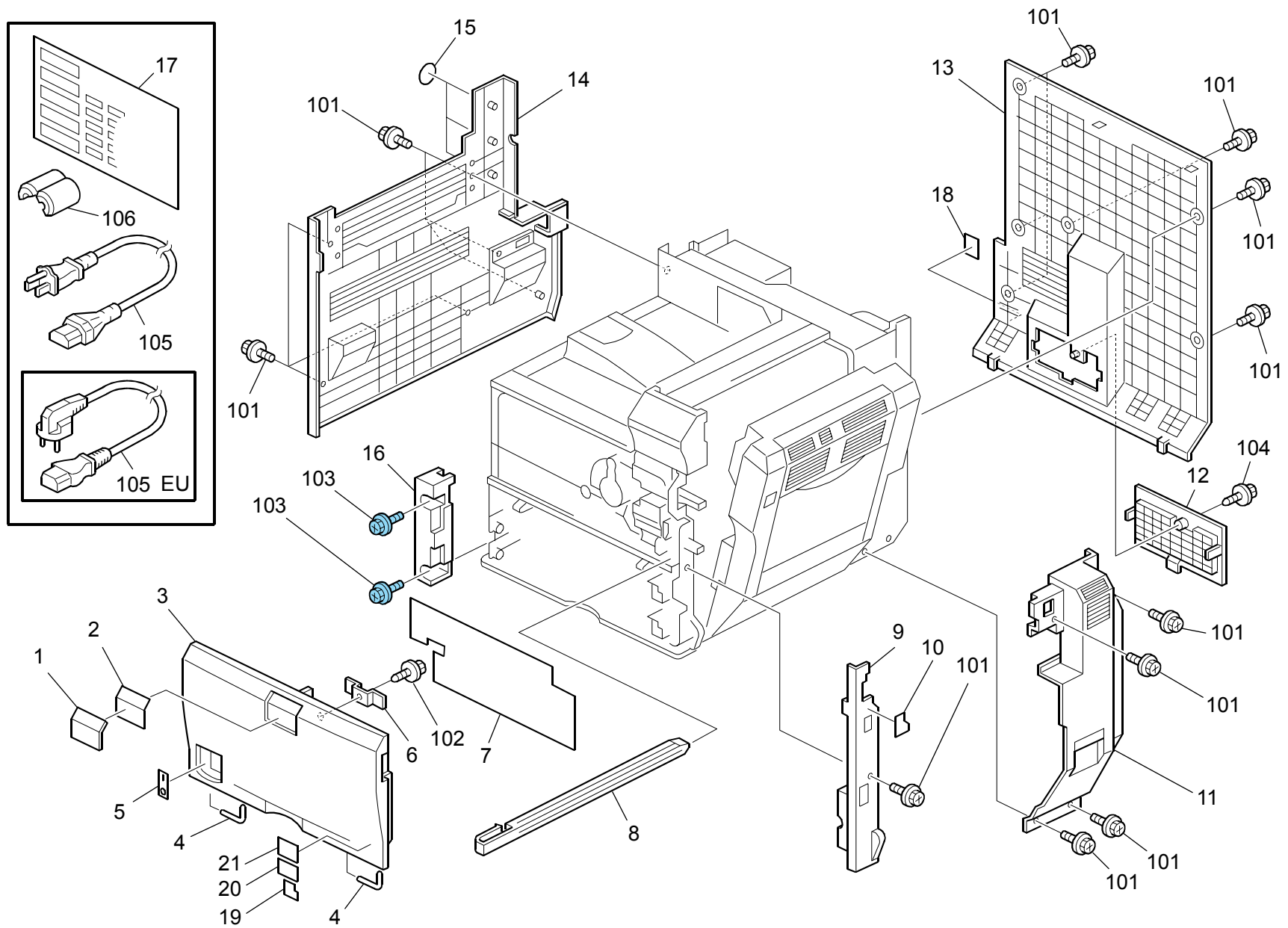
See Page 71

33. Frame Section (G179)



See Page 73

1.Exterior 1 (G179)

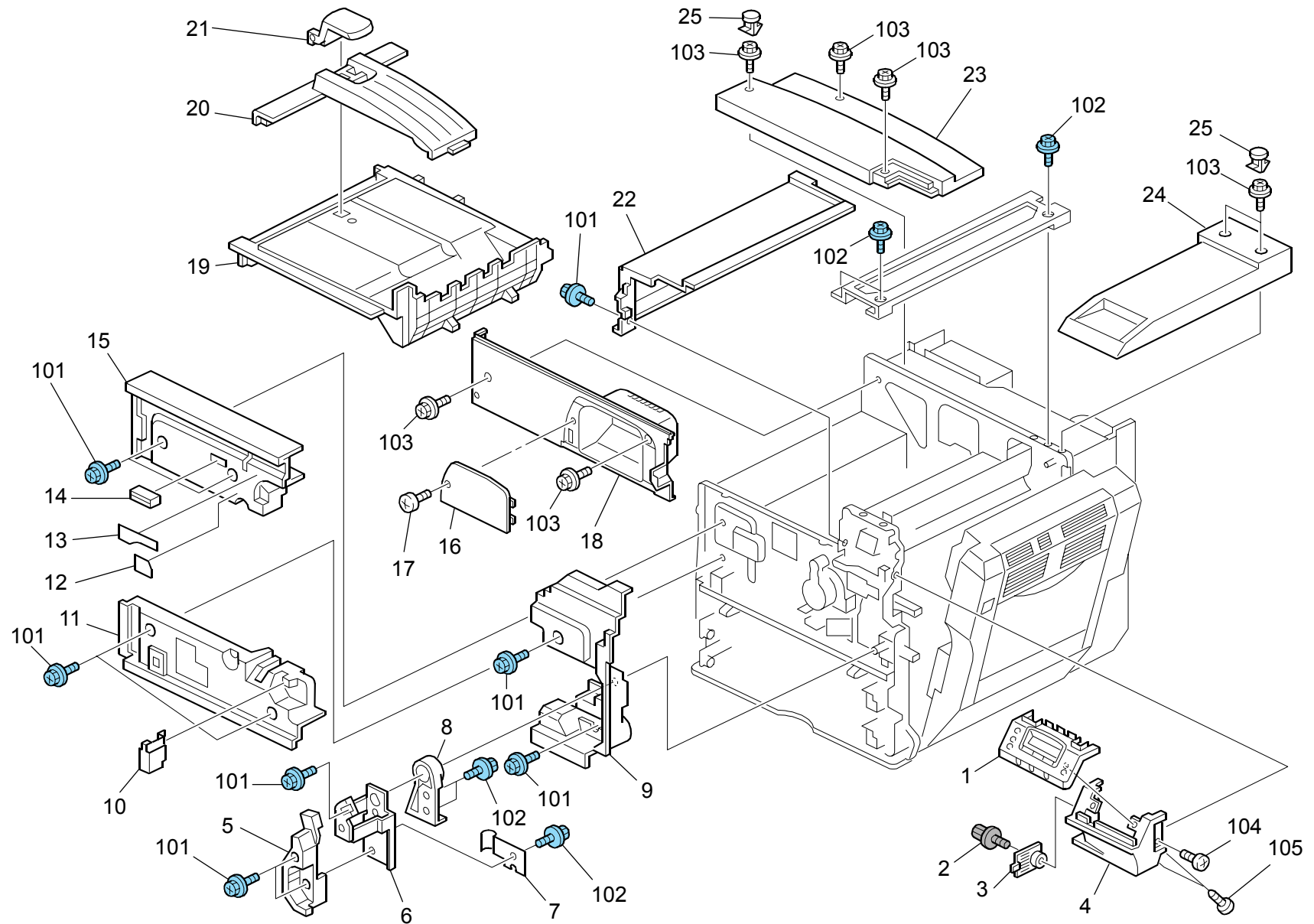


1.Exterior 1 (G179)

Index No.	Part No.	Description	Q'ty Per Assembly
1	B223 1253	Emblem Cover	1
2	G179 6192	Sheet:Emblem:RIC	1
3	D012 1251	Front Cover	1
4	G020 1332	Hinge - Front Cover	2
5	D011 1250	Decal:Main Switch:On-Off	1
6	B024 1264	Magnet Catch	1
7	G179 1256	Sheet:Misfeed Removal:P1	1
8	D009 2616	Paper Dust Case	1
9	D013 1271	Cover:Right:Front:NA	1
9	D012 1271	Right Cover - Front	1
10	D009 2627	Decal - Misfeed Removal B1	1
11	D009 1272	Right Cover - Rear	1
12	D012 1293	Cap - Rear Cover EU	1
13	D012 1291	Rear Cover	1
14	D013 1281	Cover:Left:NA	1
14	D012 1281	Left Cover	1
15	G133 1285	Decal:Cover:Left:Guide Plate	3
16	D009 1242	Inner Cover - Left	1
17	B238 2524	Decal - Paper Size	1
18	B121 7450	Decal - WEEE	1
19	AA00 1477	Decal:Energy-Star	1
20	GA00 3144	Decal:PDFDIRECT	1
21	GA00 3175	Decal:PS3:Clear	1

Index No.	Part No.	Description	Q'ty Per Assembly
101	0451 3008N	Tapping Screw - M3x8	
102	0456 3010N	Tapping Screw - M3x10	
103	0454 3008Q	Tapping Screw:3x8	
104	0456 3012N	Tapping Screw:WP:3x12	
105	1150 0373	Power Supply Code:125V 15A NA	
105	1150 0377	Power Supply Code:250V:10A:EU	
106	1607 1714	Ferrite Core:RFC-6	

2.Exterior 2 (G179)

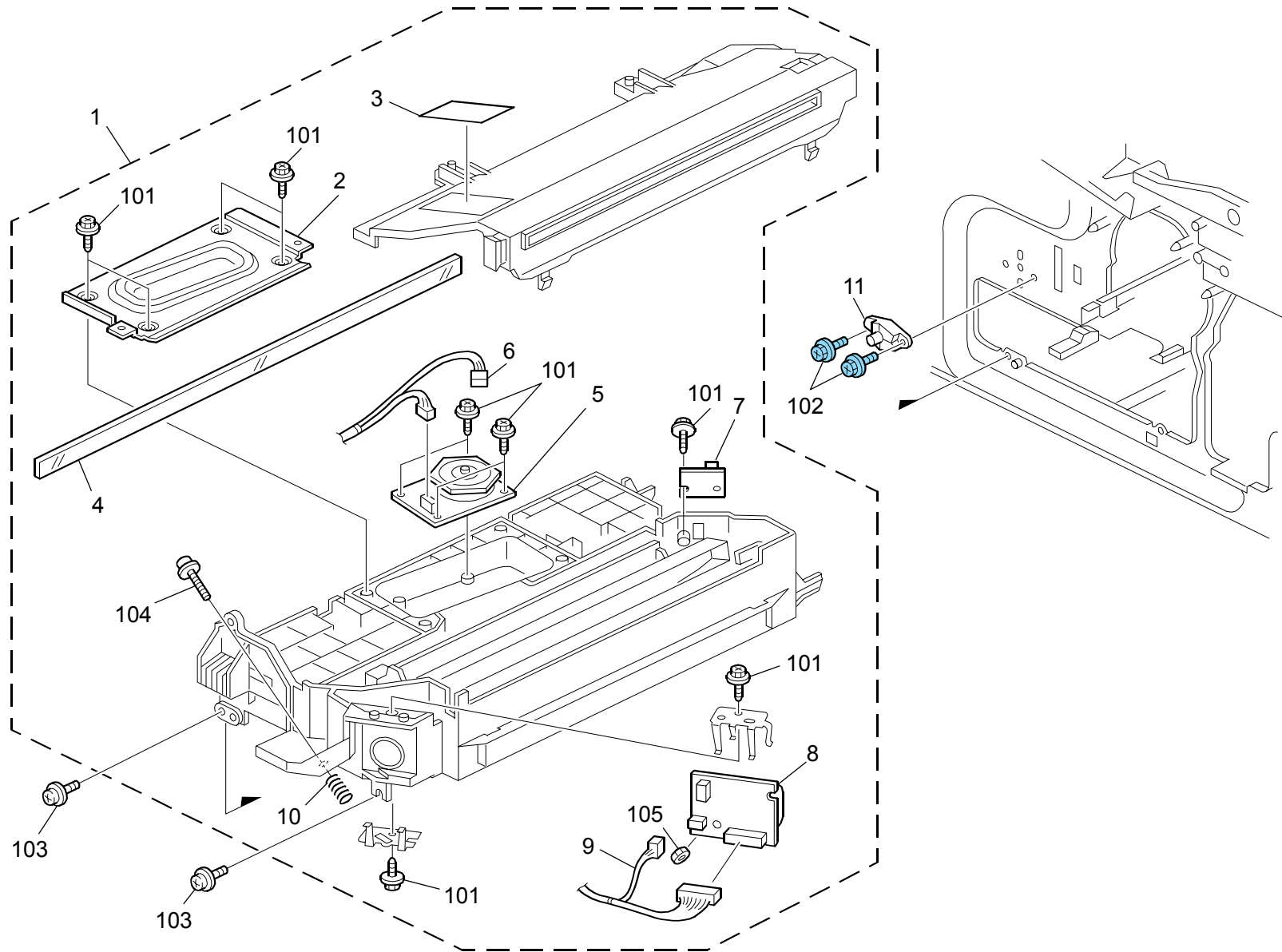


2.Exterior 2 (G179)

Index No.	Part No.	Description	Q'ty Per Assembly
1	G179 1405	Operation Sub-Unit:EXP:Ass'y	1
2	G034 2993	Flanged Hexagonal Head Bolt - M3x6	1
3	G179 1265	Cap:Front Right:P	1
4	G179 1264	Cover:Front Right:P	1
5	G179 2247	Cover:Lever:Lock:PCD:Alex-P1	1
6	D009 2254	Base - Lock Lever	1
7	D009 2249	Spring Plate - Lock Lever	1
8	D009 2248	Guide Plate - Lock Lever	1
9	D009 1243	Inner Cover - Right Upper	1
10	B004 1325	Cover - Shield Glass	1
11	D009 1244	Inner Cover - Middle	1
12	D009 3269	Decal - Release Toner Bottle	1
13	D009 3268	Decal - Lock Toner Bottle	1
14	AG07 1012	Magnet Catch:Ass'y	1
15	D009 1241	Inner Cover:Upper:Left:DOM	1
15	D012 1241	Inner Cover - Upper Left	1
16	G133 1263	Cover:Inner Back:Middle:P	1
17	B408 1390	Flat Screw:Groove Type	1
18	G133 1261	Cover:Inner Back:P	1
19	D009 1260	Upper Cover	1
20	B223 4486	Exit Tray	1
21	B223 4487	Exit End Fence	1
22	G133 1266	Cover:Paper Exit Unit:Upper	1
23	G179 1267	Cover:Upper:Rear:P	1
24	G133 1268	Cover:Upper:Right	1
25	G133 1269	Cap:DIA17	3

Index No.	Part No.	Description	Q'ty Per Assembly
101	0454 3008Q	Tapping Screw:3x8	
102	0454 3006Q	Tapping Screw - M3x6	
103	0451 3008N	Tapping Screw - M3x8	
104	0453 3008N	Binding Self Tapping Screw:3x8	
105	0452 3010N	Binding Self-Tapping Screw:3x10	

3.LD Unit (G179)

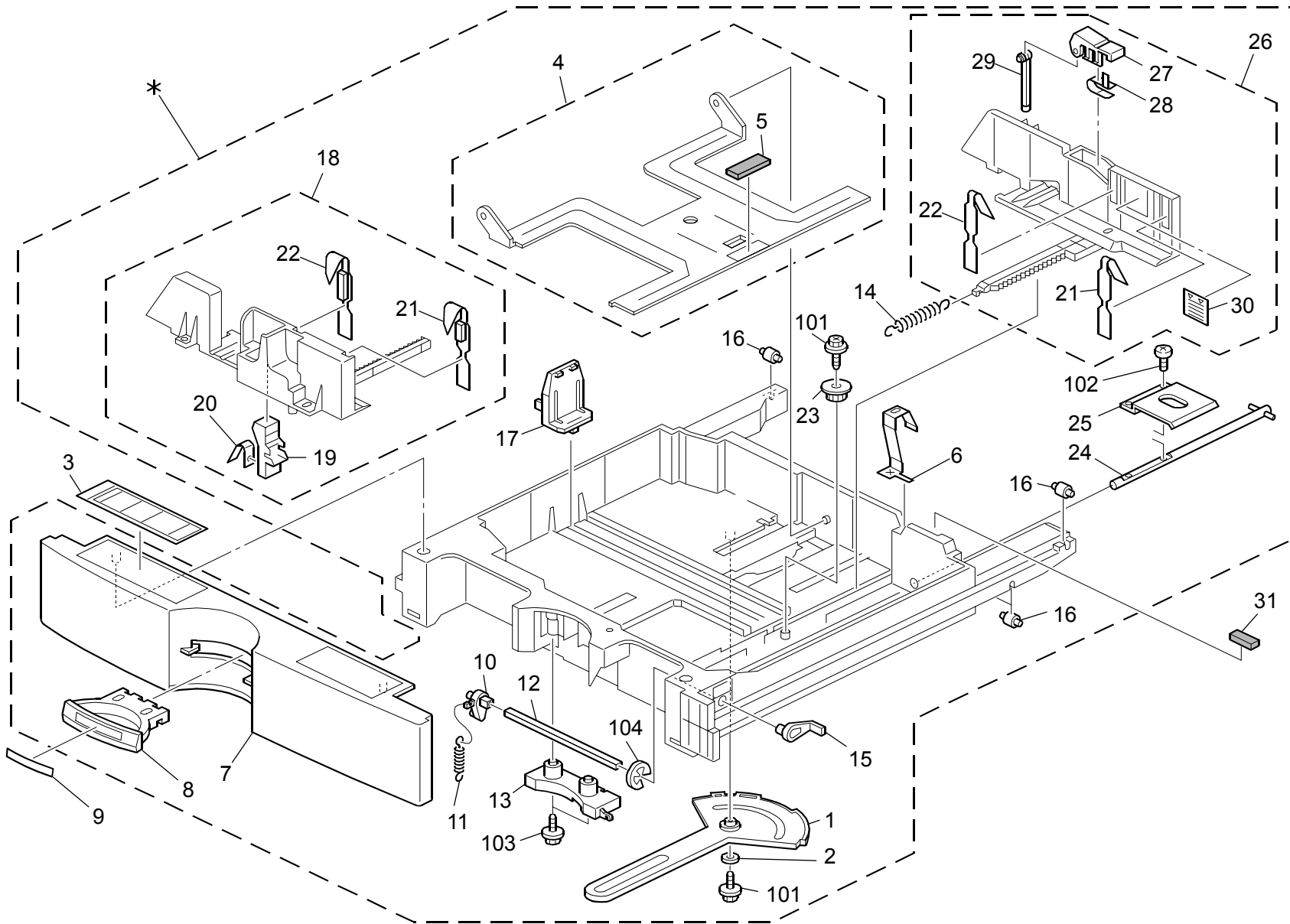


3.LD Unit (G179)

Index No.	Part No.	Description	Q'ty Per Assembly
1	D009 1860	Imaging Unit	1
2	D009 1861	Cover - Polygon Motor	1
3	G029 1980	Decal - LD	1
4	AC01 5025	Shield Glass	1
5	AX06 0353	Polygon Mirror Motor - DC 16.8W	1
6	D009 5570	Harness - Imaging Unit	1
7	D009 5320	Sync Detector Board	1
8	D009 1870	Laser Diode Unit	1
9	D009 5571	Harness:Laser Diode Control	1
10	AA06 3445	Spring- Laser Diode Unit	1
11	A232 1937	Positioning Pin - Laser Unit Ass'y	1

Index No.	Part No.	Description	Q'ty Per Assembly
101	0456 3008N	Tapping Screw - M3x8	
102	0454 3006Q	Tapping Screw - M3x6	
103	0951 3008N	Screw:Polished Roud:M3x8	
104	0951 3020N	Screw:Polished Roud:M3x20	
105	0712 0030N	Hexagonal Nut:M3	

4.Paper Tray (G179)

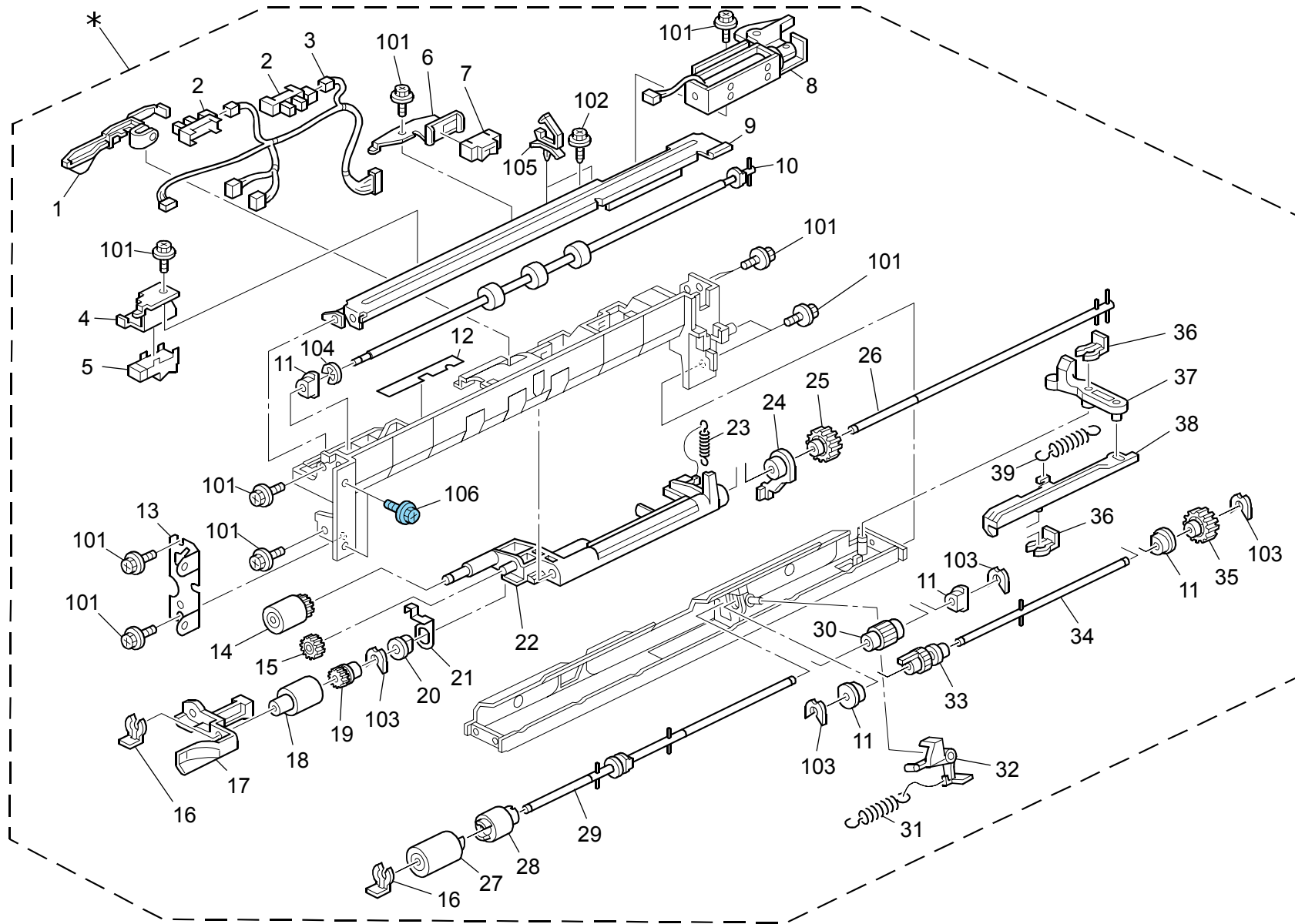


4.Paper Tray (G179)

Index No.	Part No.	Description	Q'ty Per Assembly
*	B223 2901	Paper Tray:No.2:Ass'y	2
1	B223 2910	Link - Paper Size Sensor	1
2	B223 2911	Spacer	1
3	B238 2523	Decal - Paper Set Direction No.2	1
4	B223 2940	Tray Bottom Plate	1
5	AF01 3006	Bottom Plate Pad	1
6	B223 2919	Ground Plate - Paper Tray No.2	1
7	B223 2946	Cover - Paper Tray No.2	1
8	B223 2860	Paper Tray Grip	1
9	B238 2526	Decal - Grip	1
9	B238 2527	Decal - Grip	1
10	B223 2862	Lever - Release Inner	1
11	AA06 1014	Tension Spring:Grip	1
12	B223 2863	Release Shaft	1
13	B223 2861	Grip Holder	1
14	AA06 1003	Tension Spring:Side Fence:Rear	1
15	B223 2868	Lever:Release:Paper Tray:Outer	1
16	A232 2987	Roller - Paper Tray	4
17	B223 2912	End Fence	1
18	B223 2920	Front Side Fence	1
19	B223 2923	Stopper Lever - Front	1
20	B004 2923	Spring Plate - Release Lever	1
21	B223 2935	Plate - Side Fence Right	2
22	B223 2934	Plate - Side Fence	2
23	B223 2936	Gear - 16Z	1
24	B223 2865	Rise No.1 Shaft	1
25	B223 2918	Rise Lever	1
26	B223 2930	Rear Side Fence	1
27	A267 2860	Rear Lever Stopper	1
28	A267 2857	Spring Plate - Side Fence	1
29	A267 2859	Side Fence Stopper	1
30	B223 2873	Decal - Side Fence Rear	1
31	B180 2782	Seal:Tray	1

Index No.	Part No.	Description	Q'ty Per Assembly
101	0450 4008N	Tapping Screw - M4x8	
102	0453 3008N	Binding Self Tapping Screw:3x8	
103	0450 3012N	Tapping Screw:3x12	
104	0720 0080E	Retaining Ring - M8	

5. Paper Feed Section (G179)

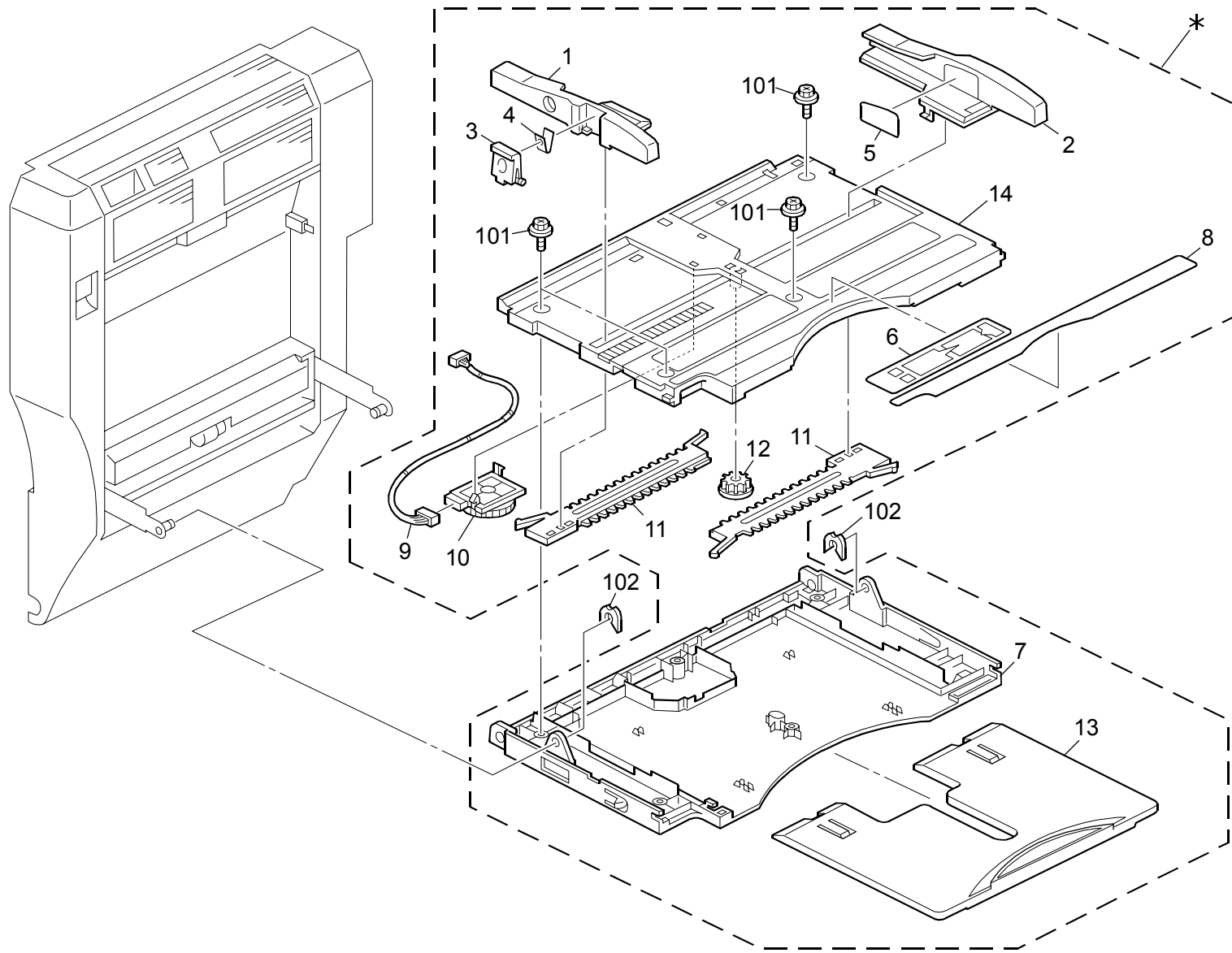


5.Paper Feed Section (G179)

Index No.	Part No.	Description	Q'ty Per Assembly
*	D009 2750	Paper Feed Unit	1
1	B223 2767	Paper End Feeler	1
2	AW02 0145	Photointerruptor:Flat	2
3	B223 2773	Harness - Paper Feed Unit	1
4	B223 2778	Sensor Bracket	1
5	AW01 0128	Paper Feed Sensor	1
6	B082 2781	Bracket:Sensor	1
7	AW01 0122	Paper Feed Sensor	1
8	B223 2780	DC Solenoid 24V	1
9	B223 2776	Stay	1
10	D009 2757	Transport Roller:Drive:Ass'y	1
11	AA08 2143	Bushing - 6x10x6	4
12	B223 2772	Harness Sheet	1
13	B223 2786	Ground Plate - Front	1
14	AF03 0090	Paper Feed Roller:Pickup	1
15	AB01 1252	Gear - 20Z	1
16	AA10 0014	Retaining Ring C - Separate	2
17	B223 2829	Feed Guide	1
18	AF03 1090	Paper Feed Roller:Feed	1
19	AB01 1218	Gear - Roller Clutch	1
20	AA08 2101	Bushing - 6x10x6	1
21	B223 2765	Ground Plate - Feed	1
22	B223 2761	Pickup Arm	1
23	AA06 0691	Tension Spring	1
24	G065 2767	Lever - Feed	1
25	B223 2764	Gear-24Z	1
26	B223 2762	Feed Shaft	1
27	AF03 2090	Paper Feed Roller:Separate	1
28	B004 2783	Torque Limiter	1
29	B223 2810	Separate Driven Shaft	1
30	AB01 0157	Gear:Separate:Driven	1
31	AA06 0693	Tension Spring	1
32	G065 2774	Pressure Lever	1
33	AB01 0156	Gear:Separate:Drive	1
34	B223 2815	Separate Drive Shaft	1

Index No.	Part No.	Description	Q'ty Per Assembly
35	B223 2819	Gear - 22Z	1
36	5206 2686	Snap Ring	2
37	G065 2776	Release Lever	1
38	G065 2775	Link Lever	1
39	AA06 2259	Spring - Release	1
101	0451 3006N	Tapping Screw - 3x6	
102	0456 3008N	Tapping Screw - M3x8	
103	0805 0089	Retaining Ring - M4	
104	0720 0040E	Retaining Ring - M4	
105	1105 0511	Harness Clamp - LWS-0306ZC	
106	0454 3008Q	Tapping Screw:3x8	

6.By-pass Feed Section 1 (G179)

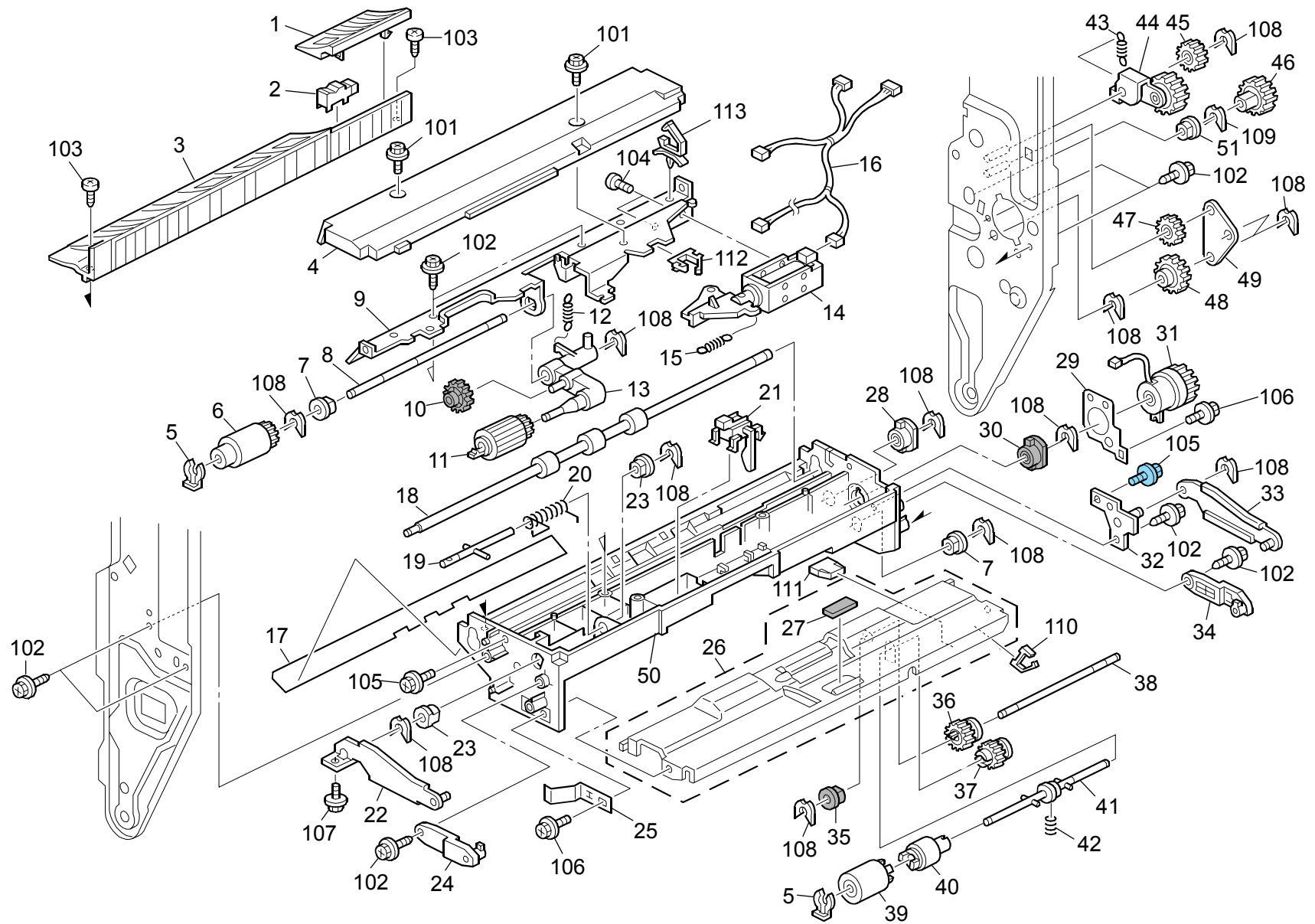


6.By-pass Feed Section 1 (G179)

Index No.	Part No.	Description	Q'ty Per Assembly
*	B223 2700	Manual Feed Table:EXP:Ass'y	1
1	B223 2674	Side Fence:Front	1
2	B223 2673	Side Fence:Rear	1
3	B223 2726	Grip:Side Fence:Manual Feed	1
4	B223 2668	Spring Plate:Stopper	1
5	B223 2645	Decal:Side Fence	1
6	B223 2729	Decal:Paper Set Direction:Manual Feed:EXP	1
7	B223 2661	Cover:Manual Feed	1
8	B223 2644	Decal:Scale	1
9	B223 2669	Harness:Paper Size Sensor	1
10	AW50 0031	Paper Size Sensor	1
11	B223 2713	Rack:Manual Feed	2
12	B223 2666	Gear:16Z	1
13	B223 2663	Extension Tray	1
14	D029 2662	Manual Feed Table	1

Index No.	Part No.	Description	Q'ty Per Assembly
101	0450 3008N	Tapping Screw - M3x8	
102	0805 0089	Retaining Ring - M4	

7.By-pass Feed Section 2 (G179)

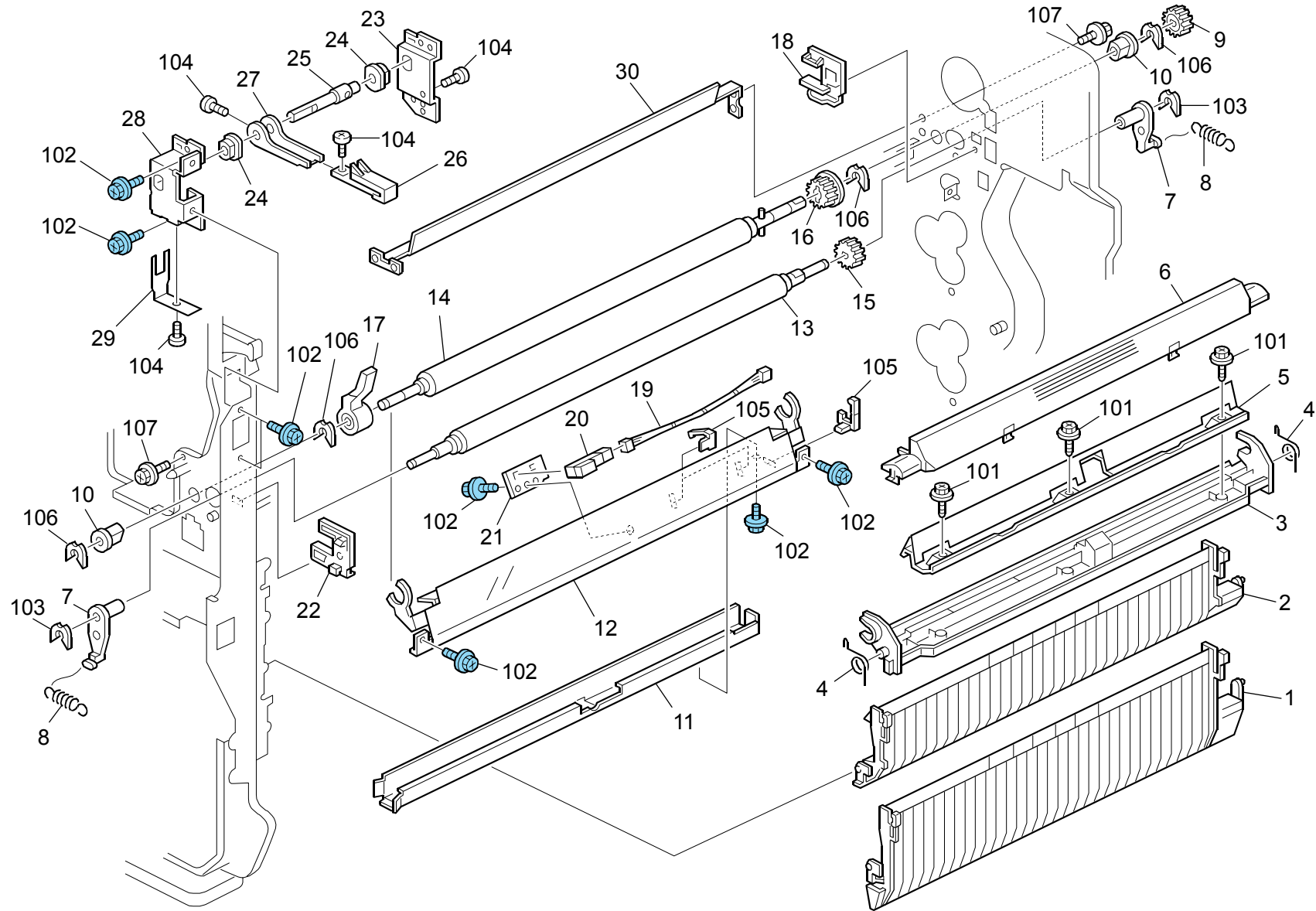


7.By-pass Feed Section 2 (G179)

Index No.	Part No.	Description	Q'ty Per Assembly
1	B223 2623	Cover:Guide Plate:Exit	1
2	AW01 0107	Paper Feed Sensor	1
3	B223 2622	Guide Plate:Exit	1
4	B223 2621	Cover:Manual Feed Unit	1
5	AA10 0014	Retaining Ring C - Separate	2
6	AF03 1046	Feed Roller - Manual Feed	1
7	AA08 2101	Bushing - 6x10x6	4
8	AA14 0777	Shaft:Feed	1
9	B223 2629	Stay:Feed	1
10	AB01 1387	Gear - 23Z	1
11	AF03 0049	Pick-up Roller	1
12	AA06 3568	Pressure Spring	1
13	G060 2932	Pick-up Arm - Manual Feed	1
14	B223 2632	DC Solenoid:Pickup	1
15	B223 2633	Spring:Release:Pickup	1
16	B223 2659	Harness:Manual Feed	1
17	D009 2552	Guide Sheet - Manual Feed	1
18	D009 2555	Transport Roller - Duplex Exit	1
19	B223 2634	Support Stay:Arm	1
20	B223 2636	Torsion Spring:27N	1
21	AW50 0035	Paper End Sensor	1
22	B223 2651	Arm:Manual Feed:Front	1
23	AA08 2102	Bushing - 6x10x6	2
24	B223 2657	Arm:Manual Feed:Short:Front	1
25	B223 2607	Ground Plate:Reverse	1
26	B223 2609	Guide Plate:Separator	1
27	AF01 3016	Bottom Plate Pad	1
28	G080 2682	Bushing:Feed	1
29	B223 2606	Ground Plate:Rear	1
30	AA08 3014	One-way Clutch	1
31	AX20 2007	Magnetic Clutch	1
32	B223 2637	Bracket:Arm:Manual Feed:Rear	1
33	B223 2652	Arm:Manual Feed:Rear	1
34	B223 2658	Arm:Manual Feed:Short:Rear	1
35	A259 6754	Bushing - 6 6mm	1

Index No.	Part No.	Description	Q'ty Per Assembly
36	AB01 1416	Gear - 20Z	1
37	B223 2608	Gear:Z16	1
38	AA14 0778	Shaft:Separator:Drive	1
39	AF03 2046	Separation Roller - Manual Feed	1
40	G080 2900	Torque Limiter	1
41	B180 2871	Shaft:Separator:Driven:Ass'y	1
42	AA06 3499	Pressure Spring	1
43	AA06 0872	Spring	1
44	B223 2681	Arm:Tightener	1
45	AB01 1223	Idler Gear - 25Z	1
46	B223 2686	Gear:Z31	1
47	B223 2683	Gear:25Z	1
48	B223 2689	Gear:Z28	1
49	B223 2696	Drum Stay:Drive	1
50	B223 2620	Housing:Manual Feed	1
51	AA08 2104	Bushing - 8x12x7	1
101	0451 3006N	Tapping Screw - 3x6	
102	0456 3008N	Tapping Screw - M3x8	
103	0457 3008N	Tapping Screw - M3x8	
104	0353 0040N	Screw - M3x4	
105	0454 3008Q	Tapping Screw:3x8	
106	0451 3008N	Tapping Screw - M3x8	
107	0360 3006N	Screw - M3x6	
108	0805 0089	Retaining Ring - M4	
109	0805 0088	Retaining Ring - M6	
110	1105 0522	Edge Saddle - LES0510	
111	1102 6248	Connector - 5P	
112	1105 0551	Clamp:LES-0505	
113	1105 0511	Harness Clamp - LWS-0306ZC	

8. Paper Registration (G179)



8.Paper Registration (G179)

Index No.	Part No.	Description	Q'ty Per Assembly
1	D009 2841	Guide Plate - No.2	1
2	D009 2836	Guide Plate	1
3	D009 2617	Upper Guide Plate - Registration	1
4	D009 2650	Torsion Spring - Registration	2
5	D009 2625	Stay - Paper Dust Removal	1
6	D009 2618	Cover - Paper Dust Removal	1
7	D009 2607	Bushing - Driven Registration	2
8	D009 2636	Tension Spring	2
9	D009 2603	Gear - 28Z	1
10	AA08 2074	Bushing - M8	2
11	D009 2612	Case Supporter - Remove Paper Dust	1
12	D009 2624	Lower Guide Plate - Registration	1
13	D009 2606	Registration Roller - Driven	1
14	D009 2600	Registration Roller - Drive	1
15	B238 2655	Gear - 16Z	1
16	D009 2602	Gear - 18Z	1
17	D009 2604	Knob - Registration Roller	1
18	D009 2623	Raer Positioning Guide	1
19	D009 2626	Harness - Registration Sensor	1
20	AW01 0107	Paper Feed Sensor	1
21	D009 2614	Bracket - Registration Sensor	1
22	D009 2622	Front Positioning Guide	1
23	D009 2240	Rear Flange - Lock	1
24	AA08 2078	Bushing - 8mm	2
25	D009 2243	Shaft - Lock	1
26	D009 2245	Stopper Cover - Stopper	1
27	D009 2244	Stopper - Lock	1
28	D009 2241	Front Flange - Lock	1
29	D009 2242	Spring Plate - Lock	1
30	D009 3858	Entrance Guide Plate - Transfer	1

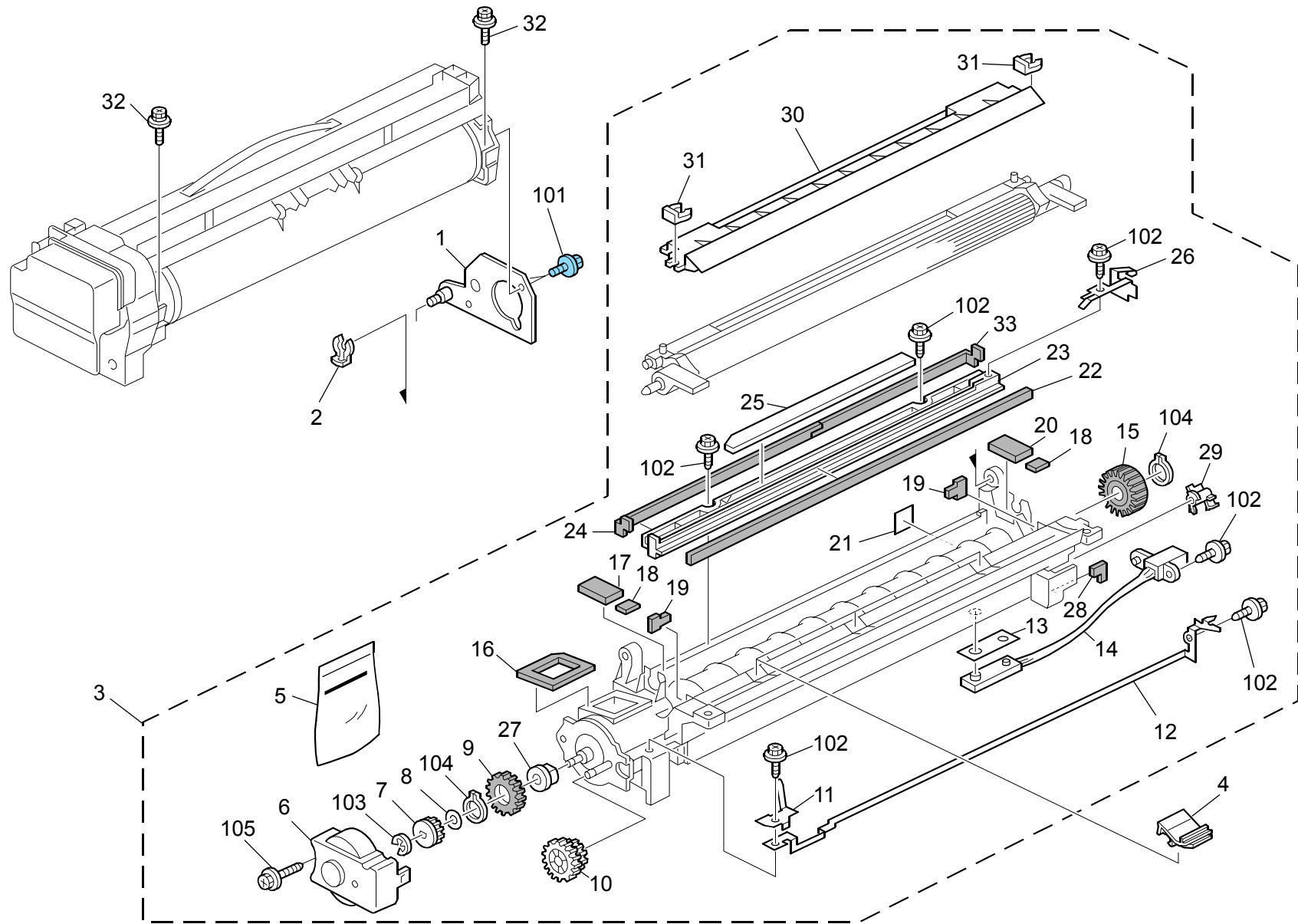
Index No.	Part No.	Description	Q'ty Per Assembly
101	0450 3006N	Tapping Screw - M3x6	
102	0454 3006Q	Tapping Screw - M3x6	
103	0805 0089	Retaining Ring - M4	
104	0453 3006N	Tapping Screw - M3x6	
105	1105 0568	Clamp:LWSS-0504	
106	0805 0088	Retaining Ring - M6	
107	0451 3006N	Tapping Screw - 3x6	

9.Toner Supply Unit (G179)

Index No.	Part No.	Description	Q'ty Per Assembly
1	D009 3209	Toner Supply Unit	1
2	B077 3262	Slide Rail:Toner Supply Unit	1
3	A232 3266	Seal - Slide Rail	2
4	A232 3240	Cover- Toner Bottle Ass'y	1
5	A134 3180	Bottle Chuck	1
6	A232 3252	Slider Ass'y	1
7	A232 3251	Chuck Shaft	1
8	AA06 3566	Pressure Spring	1
9	AA15 3083	Seal - Toner Supply Unit Cover	1
10	A232 3263	Spring Plate - Toner Bottle	1
11	D009 3265	Shaft - Slide	1
12	A232 3264	Stopper - Slide Rail	1
13	D009 5892	Heater Stopper	1
14	D011 1252	Decal:Main Switch:On-Standby	1
14	D011 1253	Decal:Main Switch:On-Standby:EU	1
15	D009 5611	Harness:AC:Heater	1
16	D011 5841	Heater:PCD:NA:Sub-Ass'y	1
16	D011 5842	Heater:PCD:EU:Sub-Ass'y	1
17	D009 3240	Spacer:Arm:Shutter:Toner Supply Unit	1

Index No.	Part No.	Description	Q'ty Per Assembly
101	0452 3010N	Binding Self-Tapping Screw:3x10	
102	0456 3008N	Tapping Screw - M3x8	
103	0454 3006Q	Tapping Screw - M3x6	
104	1105 0487	Harness Clamp	
105	1105 0516	Clamp	

10.PCDU 1 (G179)

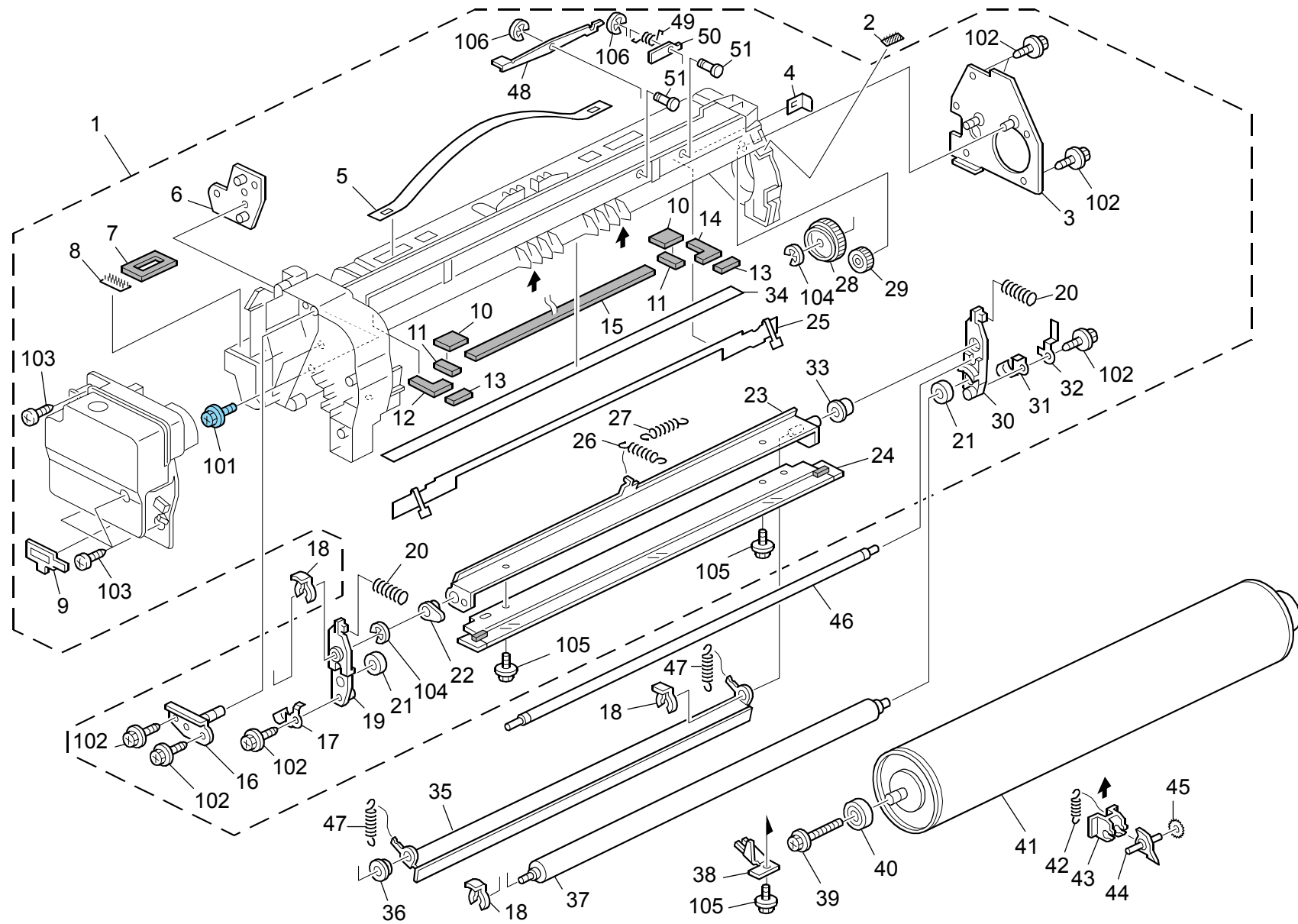


10.PCDU 1 (G179)

Index No.	Part No.	Description	Q'ty Per Assembly
*	G179 2200	PCU	1
1	D009 2389	Raer Side Plate - Coupling	1
2	G065 2681	Snap Ring - M6	1
3	G179 3010	Development Unit	1
4	D009 3102	Upper Cap - Development Case	3
5	B296 9640	Developer - Black	1
6	A232 3155	Front Cover - Development Unit	1
7	AB01 4061	Gear - 13Z	1
8	A232 3077	Spacer - M5	1
9	AB01 4060	Gear - 21Z	1
10	AB01 4062	Gear - 17Z/25Z	1
11	D009 3068	Front Bias Terminal	1
12	D009 3069	Raer Bias Terminal	1
13	A232 3067	Tape - TD Sensor	1
14	B213 3065	Density Sensor:Development:C4	1
15	D009 3078	Joint - Paddle	1
16	D009 3066	Entrance Seal - Toner Supply	1
17	D009 3205	Seal:Side Plate:Front	1
18	AA15 3095	Shield - Development - Center	2
19	B082 3123	Shield:Case:Development:Front Rear:C3	2
20	D009 3206	Seal:Side Plate:Rear	1
21	D009 3072	Seal - Density Sensor Harness	1
22	D009 3053	Upper Case Seal	1
23	D009 3065	Upper Cover - Development Unit	1
24	D009 3204	Front Seal - Upper Cover	1
25	D009 3083	Development Filter	1
26	D009 3162	Ground Plate:Doctor Blade	1
27	AA08 0281	Bushing - 12x18x5.5	1
28	G179 3071	Stopper:Feeler:New Article Sensor	1
29	G065 3070	Feeler:New Article Sensor	1
30	D009 3150	Entrance Seal Ass'y	1
31	5206 2686	Snap Ring	2
32	D009 2480	Screw - M3x10	2
33	D009 3203	Rear Seal - Upper Cover	1

Index No.	Part No.	Description	Q'ty Per Assembly
101	0454 3006Q	Tapping Screw - M3x6	
102	0456 3008N	Tapping Screw - M3x8	
103	0720 0030E	Retaining Ring - M3	
104	0725 0110E	C Ring - M11	
105	0450 3014N	Tapping Screw:M3x14	

11.PCDU 2 (G179)

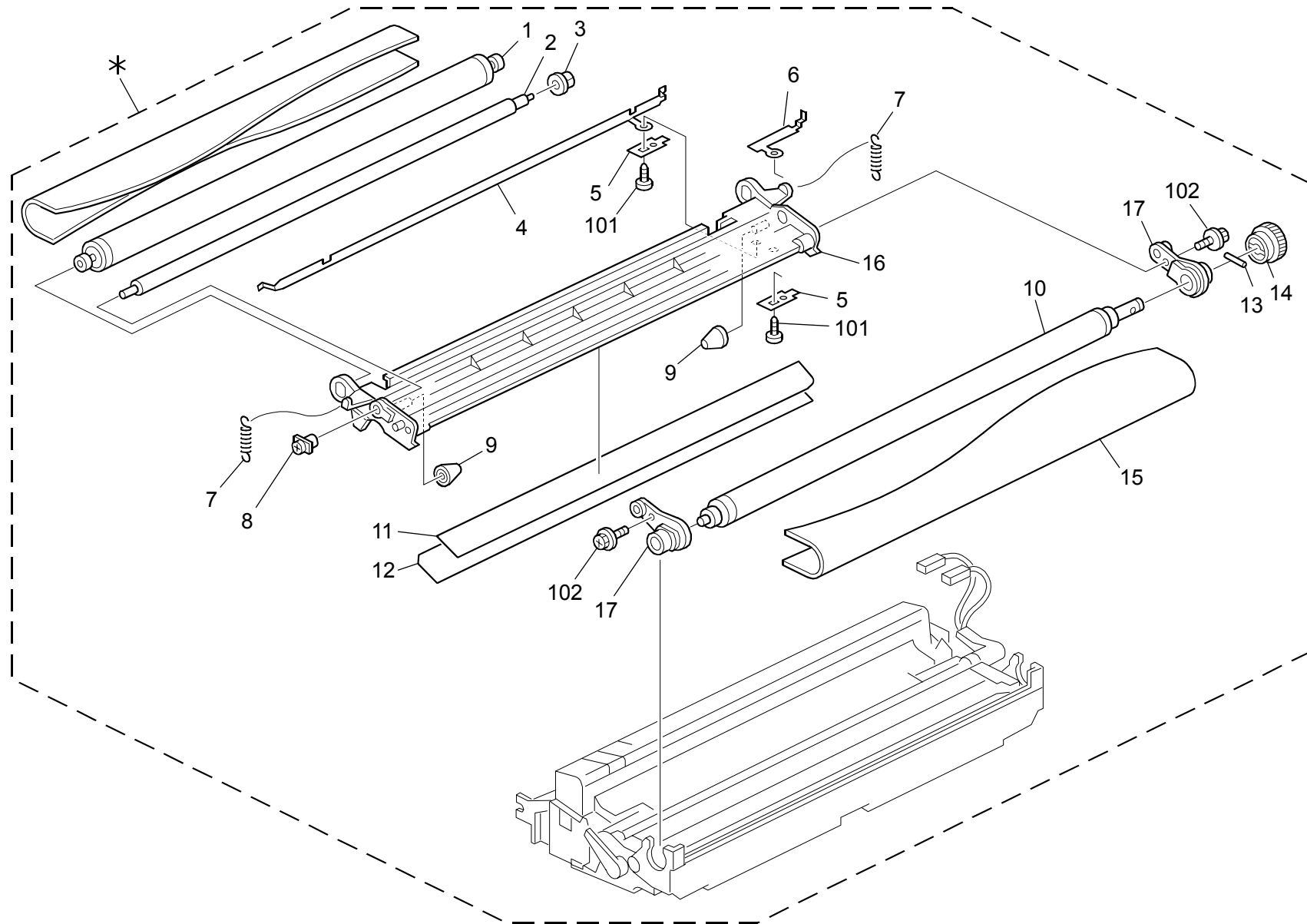


11.PCDU 2 (G179)

Index No.	Part No.	Description	Q'ty Per Assembly
1	G179 2211	Frame:PCU:Upper:Ass'y	1
2	G179 3260	Cleaner:Sensor	1
3	D009 2390	Idler Bracket	1
4	D009 2317	Electrode Plate - Charge	1
5	D009 2445	Handle - PCU	1
6	D009 2380	Front Side Plate - Coupling	1
7	D009 2279	Seal:Toner Supply:Entrance:Upper	1
8	D009 3267	Seal:Toner Supply:Entrance:Front	1
9	D009 2633	Cap - Toner Supply	1
10	A232 2399	Seal - Blade 13x9.5x3	2
11	D009 2205	Seal:Blade:Upper Rear:Small	2
12	D009 2201	Seal:Drum:Front	1
13	D009 2203	Seal:Drum:Entrance	2
14	D009 2202	Seal:Drum:Rear	1
15	D009 2204	Seal:Blade:Upper:Case	1
16	B213 2316	Stud:Contact Point:Cleaning	1
17	G065 2354	Electrode Plate:Charge:Front	1
18	G065 2681	Snap Ring - M6	3
19	D009 2331	Front Arm - Pressure/Charge	1
20	AA06 3648	Pressure Spring	2
21	A232 2421	Bushing - 6x10x3	2
22	A232 2315	Front Bushing - Cleaning Bracket	1
23	B213 2312	Bracket:Cleaning Blade	1
24	D009 2351	Cleaning Blade	1
25	D009 2318	Spring Plate - Electrode	1
26	AA06 2299	Pressure Spring	1
27	AA06 2300	Tension Spring	1
28	AB01 1380	Cam - Cleaning Blade	1
29	AB01 1379	Gear - 19Z	1
30	D009 2336	Rear Arm - Pressure/Charge	1
31	G065 2308	Electrode Plate:Charge:Rear	1
32	B082 2333	Terminale:Brush Roller	1
33	A232 2318	Collar - Cleaning	1
34	D009 2426	Seal - 24.5x68.5	1
35	AD04 1105	Cleaning Blade:No.2:Ass'y	1

Index No.	Part No.	Description	Q'ty Per Assembly
36	5203 1852	Bushing - 6x8x4mm	1
37	AD02 7012	Roller:Charge:Apply	1
38	D009 2303	Drum Hold Plate	1
39	AA14 3549	Screw:DIA10:M3x18	1
40	A232 3553	Ball Bearing - 8x16x5	1
41	D009 9510	OPC Drum	1
42	AA06 2310	Pressure Spring	1
43	A232 2340	Holder - Pick-off Pawl	1
44	AD02 5021	Pick-off Pawl	1
45	A232 2339	Spur	1
46	G790 2329	Brush Roller:Cleaner:Charge: Amabuki:Ass'y	1
47	AA06 2258	Spring:Pressure:Cleaning Blade:No.2	2
48	G179 2316	Arm:Stopper:PCD:Sub-Ass'y	1
49	G179 2314	Spring:Stopper:PCD	1
50	G179 2311	Stopper:PCD	1
51	G179 2313	Pin:Stopper:PCD	2
101	0454 3006Q	Tapping Screw - M3x6	
102	0456 3008N	Tapping Screw - M3x8	
103	0457 3008N	Tapping Screw - M3x8	
104	0720 0040E	Retaining Ring - M4	
105	0360 3006N	Screw - M3x6	
106	0720 0025E	Retaining Ring - M2.5	

12. Transfer Belt Unit 1 (G179)

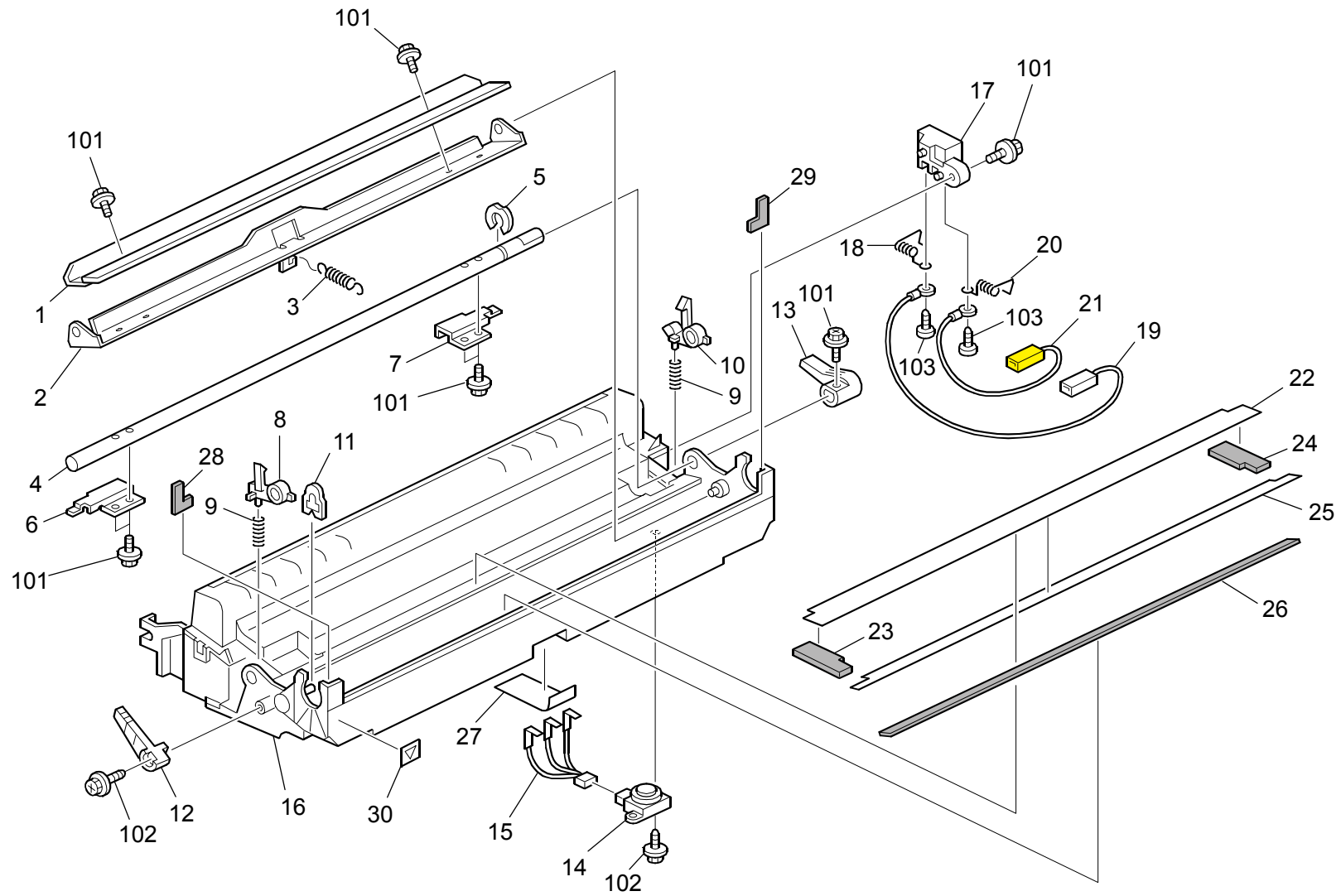


12.Transfer Belt Unit 1 (G179)

Index No.	Part No.	Description	Q'ty Per Assembly
*	G179 3801	Transfer Unit	1
1	A232 3885	Driven Roller - Transfer Unit	1
2	B213 3889	Roller:Bias	1
3	AA08 2054	Bushing - M4	1
4	D009 3935	Earth Terminal - Transfer Belt	1
5	D009 3937	Terminal - Transfer Belt	2
6	D009 3936	Bial Terminal - Transfer Belt	1
7	AA06 1020	Spring:Release:Transfer Belt	2
8	D009 3890	Front Bushing - Bias Roller	1
9	A232 3926	Transfer Belt Roller	2
10	D009 3894	Drive Roller - Transfer Belt	1
11	D009 3954	Sheet:Preventfence:Transfer Belt	1
12	D009 3948	Scraper - Drive Roller	1
13	G024 1314	Pulley Pin	1
14	AB01 1282	Gear - 31Z	1
15	A232 3880	Transfer Belt	1
16	D009 3882	Frame - Transfer Belt	1
17	D009 3893	Arm - Transfer Belt	2

Index No.	Part No.	Description	Q'ty Per Assembly
101	0452 3006N	Binding Self-tapping Screw:3x6	
102	0451 3006N	Tapping Screw - 3x6	

13. Transfer Belt Unit 2 (G179)

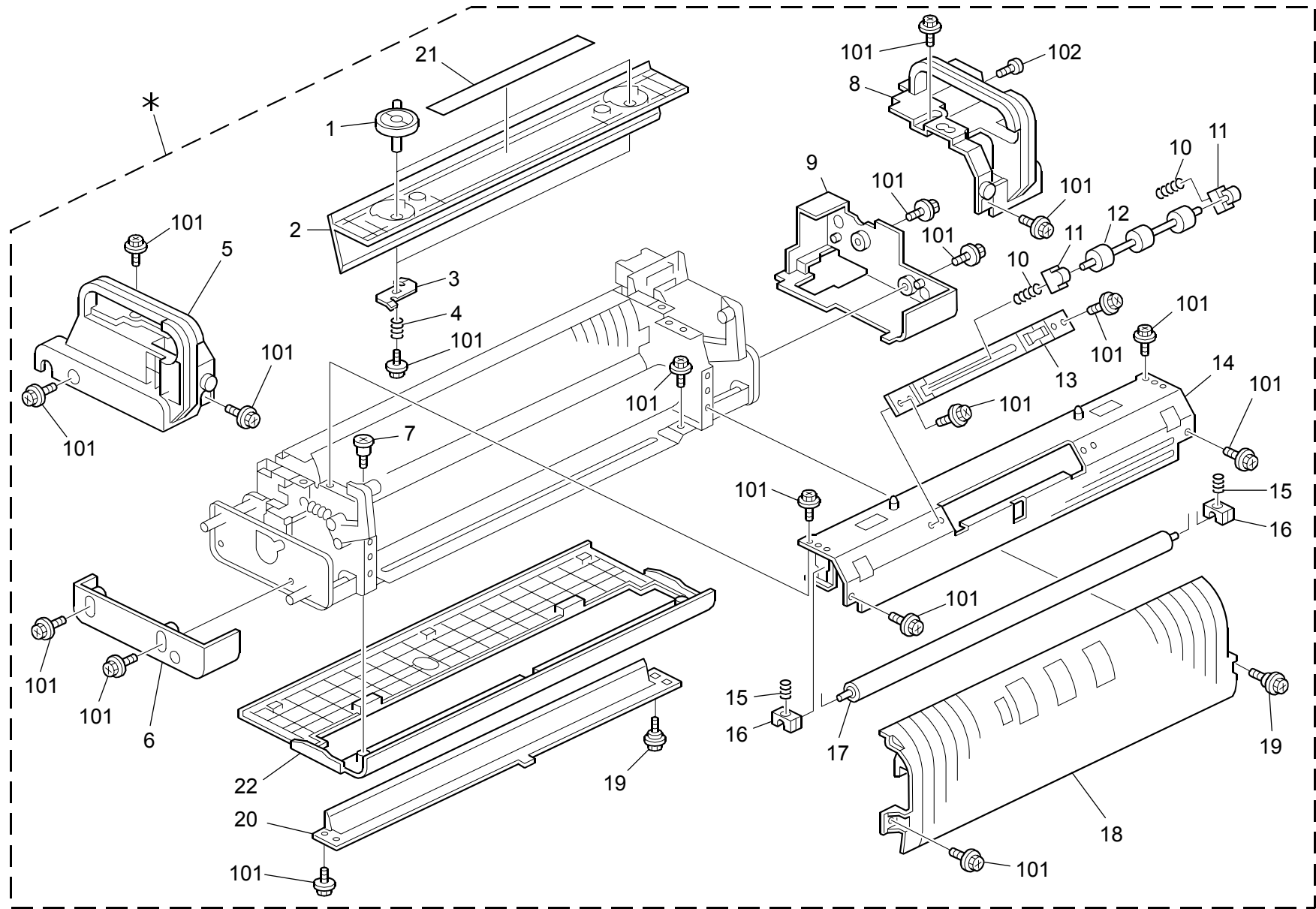


13.Transfer Belt Unit 2 (G179)

Index No.	Part No.	Description	Q'ty Per Assembly
1	AD04 1135	Cleaning Blade - Transfer Belt	1
2	D009 3943	Bracket:Cleaning Blade:Transfer	1
3	AA06 1100	Spring:Pressure:Cleaning Blade	1
4	D009 3919	Release Lever Shaft	1
5	B223 6172	Retaining Rings-E	1
6	D009 3920	Fron Release Plate	1
7	D009 3921	Rear Release Plate	1
8	D009 3916	Fron Lever - Transfer Belt	1
9	AA06 3447	Spring - Transfer Belt	2
10	D009 3917	Rear Lever - Transfer Belt	1
11	G102 3837	Stopper:Blade	1
12	D009 3898	Lever:Set:Transfer Unit:P	1
13	D009 3918	Pelease Lever	1
14	GW23 0001	Toner End Sensor	1
15	D009 3872	Harness - Used Toner Sensor	1
16	D009 3803	Case - Transfer Unit	1
17	D009 3992	Receptacle Housing - Transfer Unit	1
18	AA06 6380	Spring	1
19	D009 3876	Earth Harness - Transfer Unit	1
20	AA06 6381	Spring	1
21	D009 3875	Harness - Transfer Unit Bias	1
22	D009 3907	Seal - Transfer Belt Exit	1
23	D009 3953	Front Seal - Cleaning Blade	1
24	D009 3952	Raer Seal - Cleaning Blade	1
25	D009 3906	Seal - Rear Transfer Exit	1
26	B082 3867	Shield:Remove Paper Dust	1
27	AA15 0423	Seal - Cleaning Pressure	1
28	A232 3909	Seal - Front Case	1
29	A232 3908	Seal - Rear Case	1
30	B234 3177	Decal:Positioning Display:Development	1

Index No.	Part No.	Description	Q'ty Per Assembly
101	0451 3006N	Tapping Screw - 3x6	
102	0456 3008N	Tapping Screw - M3x8	
103	0452 3008N	Tapping Screw - M3x8	

14.Fusing Unit 1 (G179)

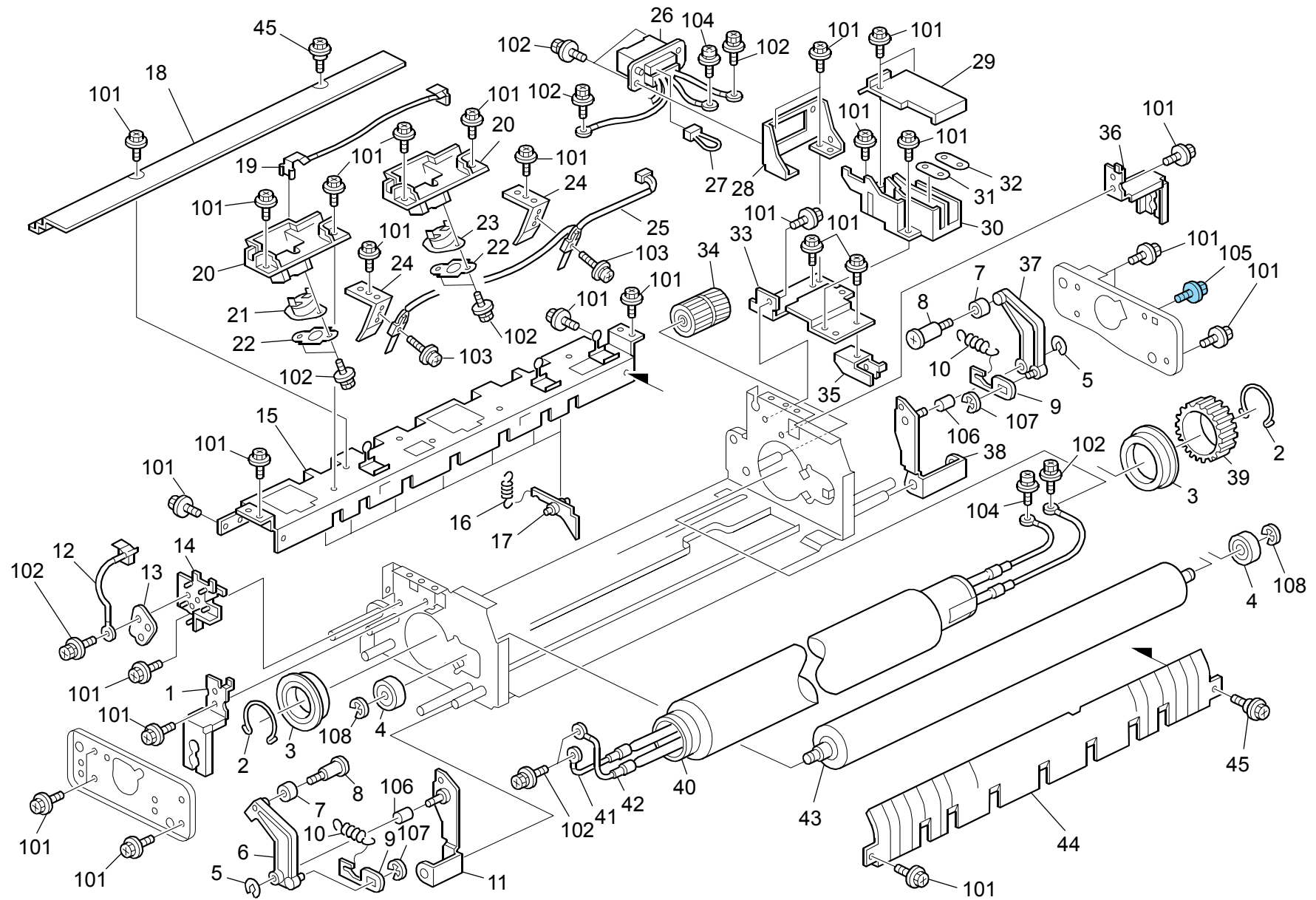


14.Fusing Unit 1 (G179)

Index No.	Part No.	Description	Q'ty Per Assembly
*	G179 4102	Fusing Unit:NA:Service	1
*	G179 4103	Fusing Unit:EU:Service	1
1	D009 4244	Knob	2
2	D009 4243	Exit Guide - Pressure Roller Unit	1
3	D009 4248	Knob Bracket	2
4	AA06 1023	Compression Spring - Knob	2
5	D009 4059	Fusing Cover - Upper Front	1
6	D009 4055	Fusing Cover - Lower Front	1
7	B223 1317	Screw	1
8	D009 4062	Fusing Cover - Upper Rear	1
9	D009 4057	Fusing Cover - Lower Rear	1
10	AA06 1022	Spring - Driven Roller	2
11	AA08 0352	Bushing - Driven Roller	2
12	D009 4664	Driven Roller	1
13	D009 4238	Bracket - Driven Roller	1
14	D009 4225	Stay - Pressure Roller Unit	1
15	AA06 1099	Compression Spring:Cleaning Roller	2
16	AA08 0351	Bushing - Cleaning Roller	2
17	AE04 2098	Cleaning Roller:Ass'y	1
18	D009 4066	Fusing Cover - Duplex Guide	1
19	AA14 3520	Shoulder Screw - M3	2
20	D009 4069	Entrance Guide Plate - Fusing	1
21	D009 4242	Decal:High Temperature	1
22	D009 4053	Fusing Cover - Lower Middle	1

Index No.	Part No.	Description	Q'ty Per Assembly
101	0360 3006N	Screw - M3x6	
102	0353 0050N	Screw-M3x5	

15.Fusing Unit 2 (G179)

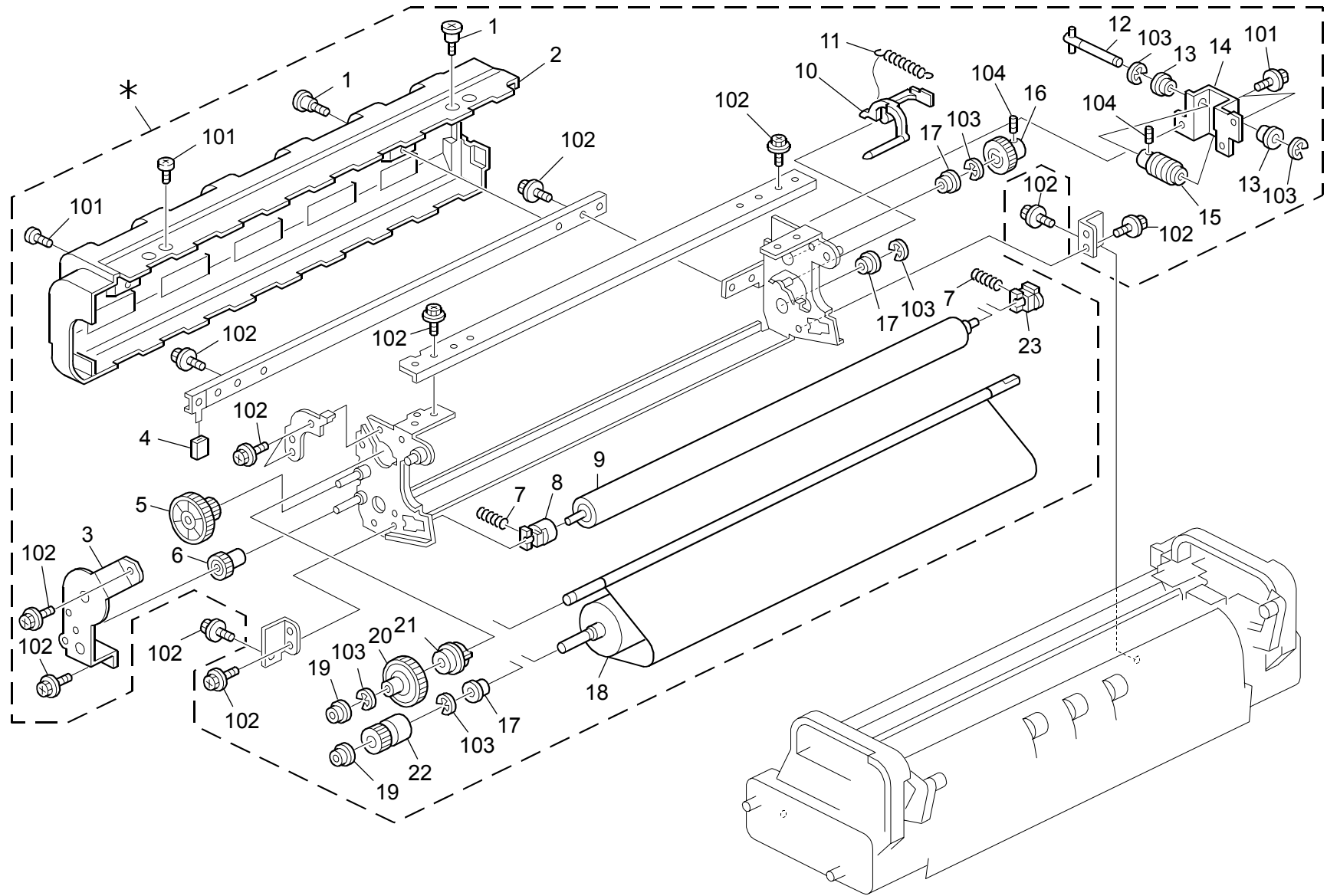


15.Fusing Unit 2 (G179)

Index No.	Part No.	Description	Q'ty Per Assembly
1	D009 4126	Front Heater Bracket	1
2	D009 4156	Retaining Rings-C - Hot Roller	2
3	AE03 0099	Ball Bearing - 30x42x7	2
4	AE03 0098	Ball Bearing - 8x22x7	2
5	B238 4166	End Ring:Spring:DIA4	2
6	D009 4271	Front Lever - Pressure Release	1
7	B238 4194	Roller:Lever:Pressure	2
8	AA14 3792	Screw:Drawer	2
9	D009 4274	Pressure Lock Lever	2
10	AA06 1024	Tension Spring - Pressure	2
11	D009 4275	Front Pressure Lever	1
12	D009 4196	Harness 1 - Thermostat	1
13	D009 4143	Electrode Plate 3	1
14	D009 4135	Terminal - AC	1
15	D009 4166	Stay - Hot Roller Exit	1
16	AA06 0948	Tension Spring:Stripper Pawls:50mN	7
17	AE04 4099	Stripper Pawls	7
18	D009 4165	Fusing Unit Cover	1
19	D009 4197	Harness 2 - Thermostat	1
20	D009 4193	Housing - Thermostat	2
21	AW11 0098	Thermostat - 220C	1
22	D009 4195	Spacer - Thermostat	2
23	AW11 0099	Thermostat - 219C	1
24	D009 4178	Thermistor Bracket	2
25	D009 4177	Thermistor	1
26	D009 4099	Harness - Fusing Unit	1
27	D009 4097	Harness - Set Sensor NA	1
27	D009 4098	Set Sensor Harness - 230V	1
28	D009 4125	Connector Bracket 2	1
29	D009 4132	Terminal Cover	1
30	D009 4131	Terminal - AC/DC	1
31	D009 4142	Electrode Plate 2	1
32	D009 4141	Electrode Plate 1	1
33	D009 4124	Connector Bracket 1	1
34	AB01 0172	Gear - 24Z/25Z	1

Index No.	Part No.	Description	Q'ty Per Assembly
35	D009 4123	Bracket:Side Plate:Auxiliary	1
36	D009 4127	Rear Heater Bracket	1
37	D009 4291	Rear Lever - Pressure Release	1
38	D009 4295	Front Pressure Lever	1
39	AB01 0171	Gear - 40Z	1
40	AE01 0099	Hot Roller	1
41	AX43 0112	Heater - 120V 550W	1
41	AX43 0113	Heater - 230V 550W	1
42	AX44 0252	Heater - 120V 750W	1
42	AX44 0253	Heater - 230V 750W	1
43	AE02 0199	Pressure Roller	1
44	D009 4163	Exit Guide - Hot Roller Unit	1
45	AA14 3520	Shoulder Screw - M3	2
101	0360 3006N	Screw - M3x6	
102	0804 6123	Hexagonal Bolt:W/Washer:M3x8	
103	0954 3010N	Screw:Polished Round/Spring:M3x10	
104	0957 4008N	Screw:Small Round/Spring:M4x8	
105	0454 3006Q	Tapping Screw - M3x6	
106	0733 0408	Bushing:4x8	
107	0720 0030E	Retaining Ring - M3	
108	0720 0060E	Retaining Ring - M6	

16.Fusing Unit 3 (G179)

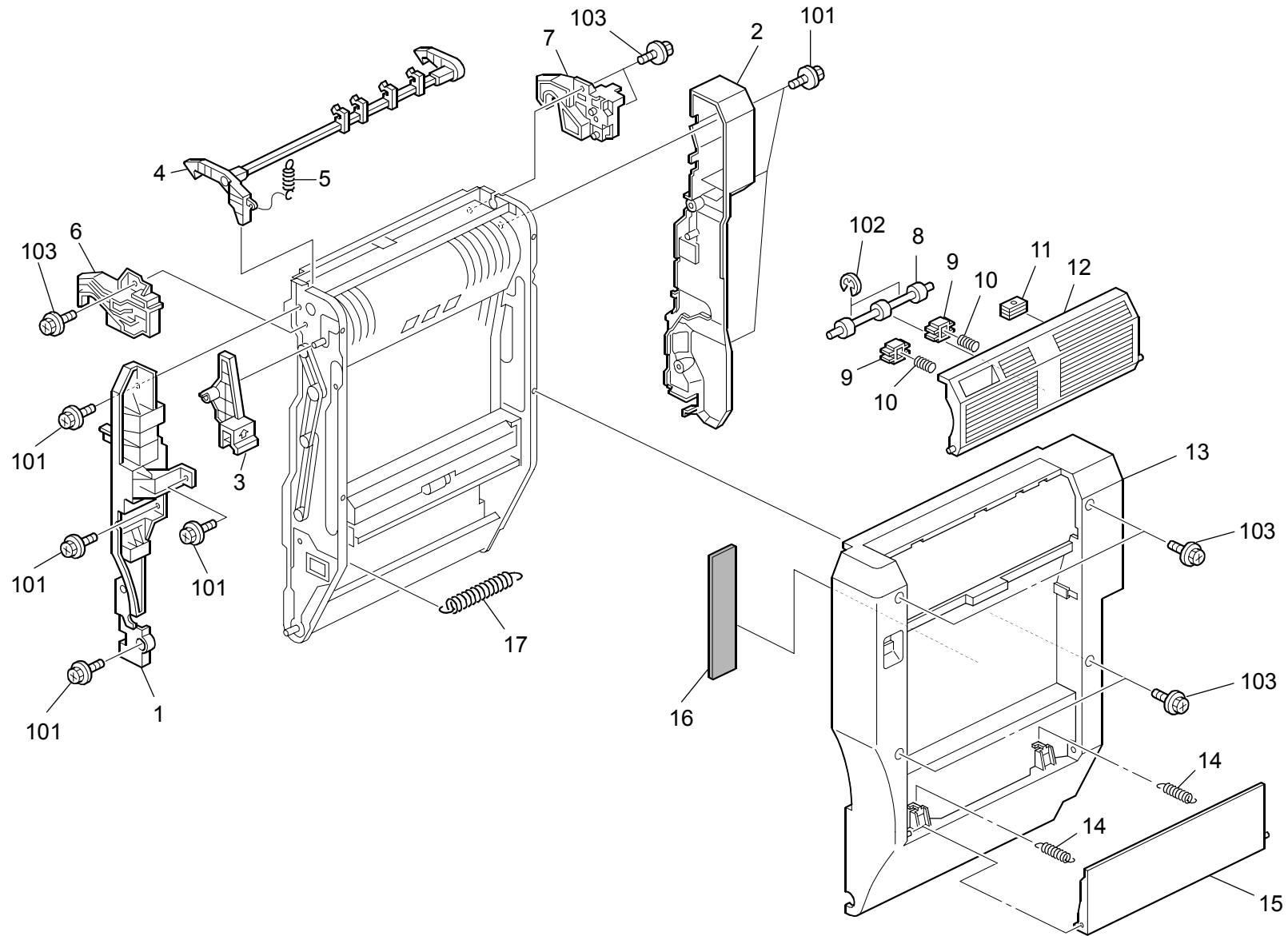


16.Fusing Unit 3 (G179)

Index No.	Part No.	Description	Q'ty Per Assembly
*	D009 4305	Cleaning Web Ass'y	1
1	AA14 3812	Screw - Scale	2
2	D009 4307	Cleaning Unit Cover - Fusing	1
3	D009 4369	Bracket - Cleaning Unit Drive	1
4	B065 4247	Brake Pad	1
5	AB01 0174	Gear - 20Z/50Z	1
6	AB01 0175	Gear - 24Z	1
7	AA06 3886	Spring	2
8	D009 4355	Roller Clutch	1
9	AE04 0099	Holder Roller	1
10	D009 4393	Feeler - Web	1
11	B065 4221	Feeler Spring	1
12	D009 4378	Worm Gear Shaft	1
13	AA08 0355	Bushing - 7mm	2
14	D009 4377	Worm Gear Bracket	1
15	AB01 0178	Worm Gear	1
16	AB01 0177	Gear - 32Z	1
17	AA08 0356	Bushing - 6mm	3
18	AE04 5099	Cleaning Web	1
19	AA08 0354	Bushing - 6mm	2
20	AB01 0173	Gear - 60Z	1
21	D009 4388	Roller Clutch	1
22	AB01 0176	Gear - 24Z	1
23	AA08 0353	Bushing - 4mm	1

Index No.	Part No.	Description	Q'ty Per Assembly
101	0353 0050N	Screw-M3x5	
102	0360 3006N	Screw - M3x6	
103	0720 0040E	Retaining Ring - M4	
104	0573 0030E	Hexagon Headless Set Screw - M3x3	

17. Duplex Unit 1 (G179)

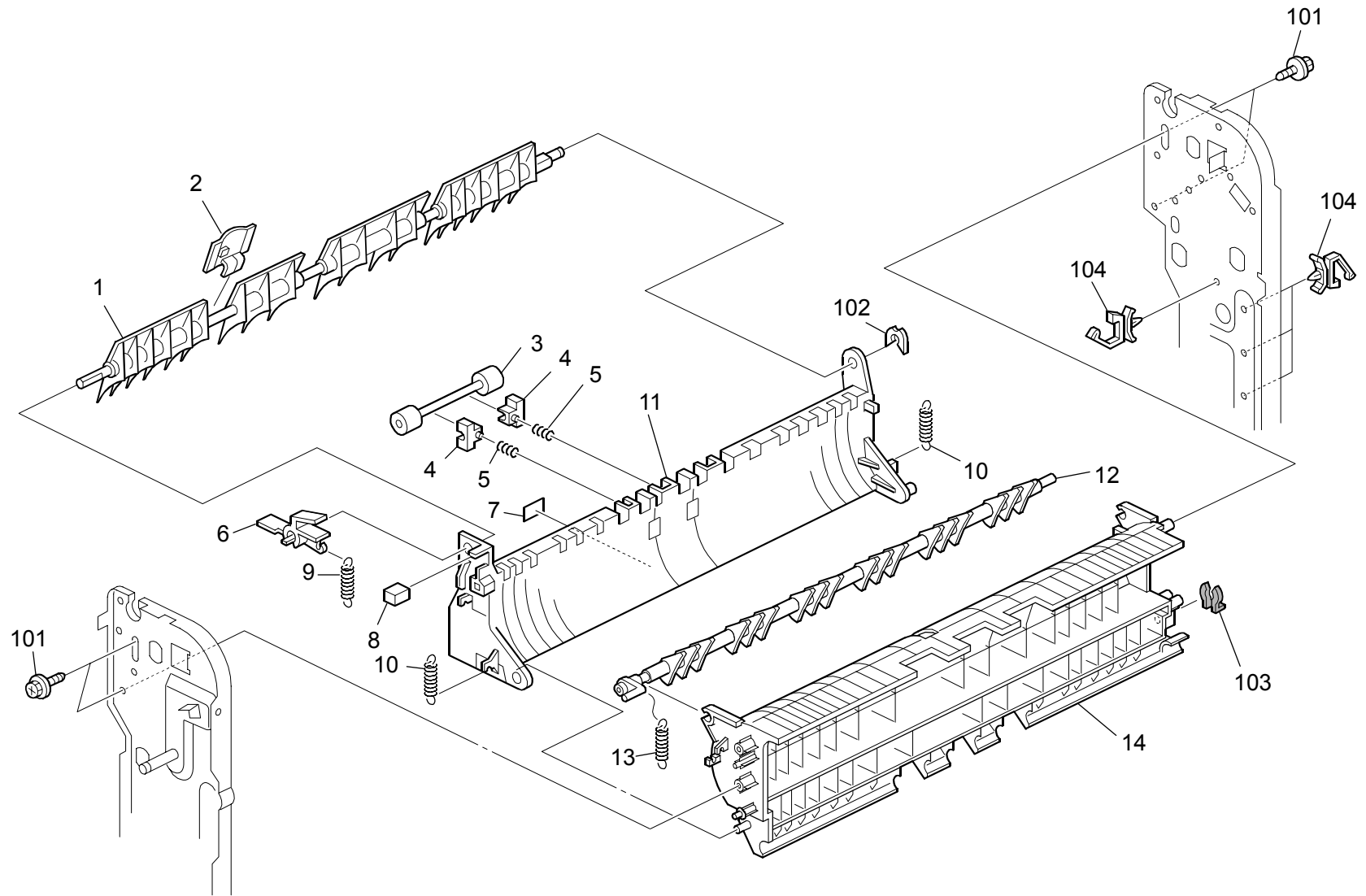


17.Duplex Unit 1 (G179)

Index No.	Part No.	Description	Q'ty Per Assembly
1	D009 4534	Front Inner Cover - Duplex	1
2	D009 4533	Rear Inner Cover - Duplex	1
3	B223 4579	Grip:Open and Close:Duplex Unit	1
4	D009 4590	Stopper Hook - Duplex Unit	1
5	D009 4532	Tension Spring - Stopper Hook	1
6	D009 4537	Front Release Arm	1
7	D009 4538	Rear Release Arm	1
8	D009 4664	Driven Roller	1
9	AA08 0254	Bushing - M4	2
10	B223 4538	Compression Spring	2
11	AG07 0514	Magnet Catch	1
12	B223 4531	Guide Plate:Cover	1
13	D009 4540	Cover - Duplex Unit	1
14	B223 2665	Spring:Cover:Manual Feed	2
15	B223 2664	Cover:Manual Feed:Entrance	1
16	B223 4539	Sheet:Cover:Duplex	1
17	B223 4525	Tension Spring:Wire:180N	1

Index No.	Part No.	Description	Q'ty Per Assembly
101	0451 3006N	Tapping Screw - 3x6	
102	0720 0030E	Retaining Ring - M3	
103	0451 3008N	Tapping Screw - M3x8	

18. Duplex Unit 2 (G179)

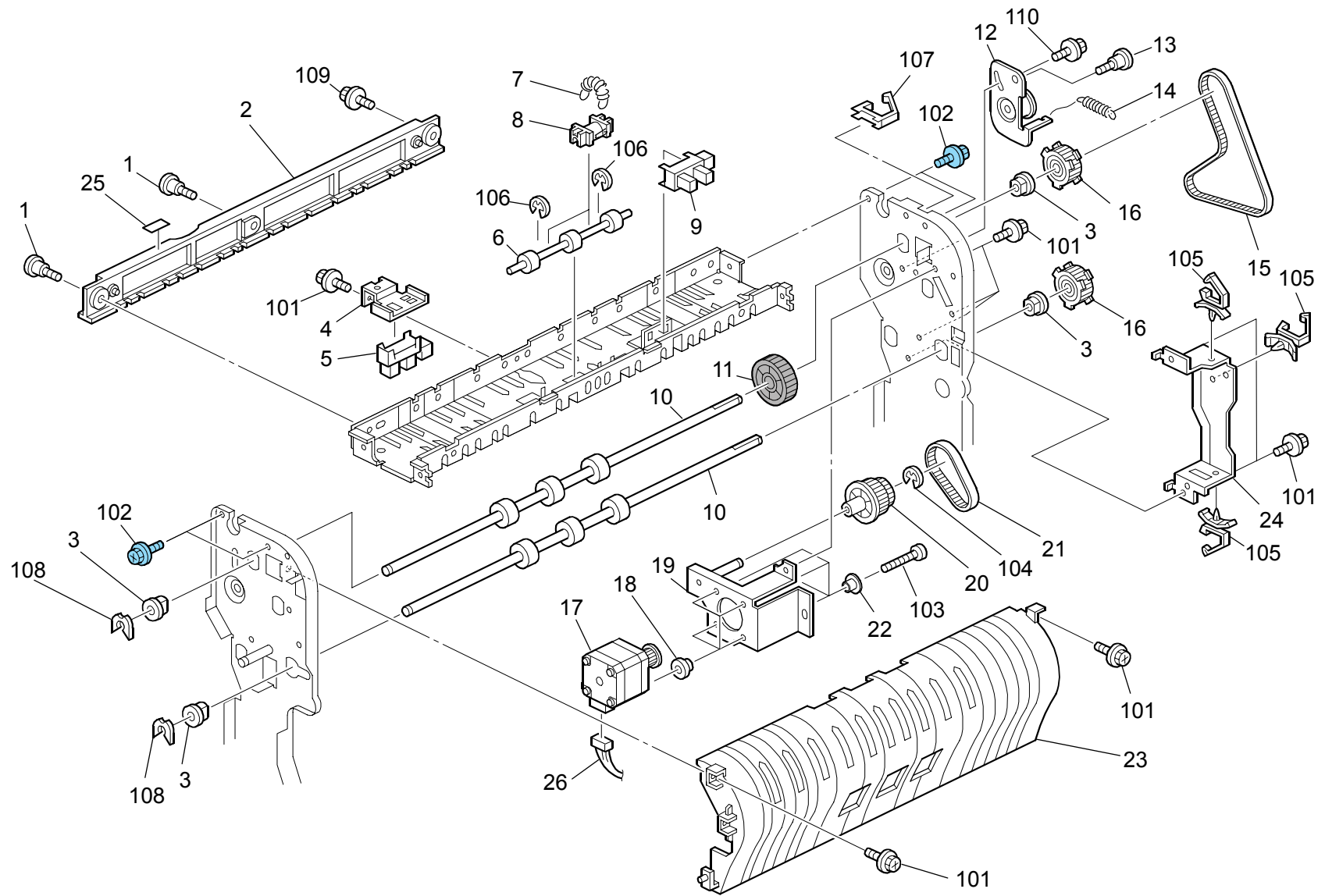


18.Duplex Unit 2 (G179)

Index No.	Part No.	Description	Q'ty Per Assembly
1	D009 4483	Upper Gate	1
2	D009 4481	Grip - Upper Gate	1
3	D009 4489	Driven Roller	1
4	D009 4485	Bushing - Gate	2
5	D009 4487	Compression Spring - Gate	2
6	D009 4486	Lever - Upper Gate	1
7	D009 4409	Sheet - Gate	1
8	B223 4494	Stopper- Uppergate Pawl	1
9	B223 4479	Tension Spring:Gate Pawl:1.6N	1
10	D009 4488	Right Spring - Guide Plate	2
11	D009 4482	Right Guide Plate - Open/Close	1
12	D009 4577	Duplex Gate	1
13	D009 4579	Tension Spring - Duplex Gate	1
14	D009 4503	Guide Plate - Left Upper	1

Index No.	Part No.	Description	Q'ty Per Assembly
101	0456 3008N	Tapping Screw - M3x8	
102	0805 0092	Retaining Ring - 3m	
103	0805 0097	Ring Separator	
104	1105 0511	Harness Clamp - LWS-0306ZC	

19. Duplex Unit 3 (G179)

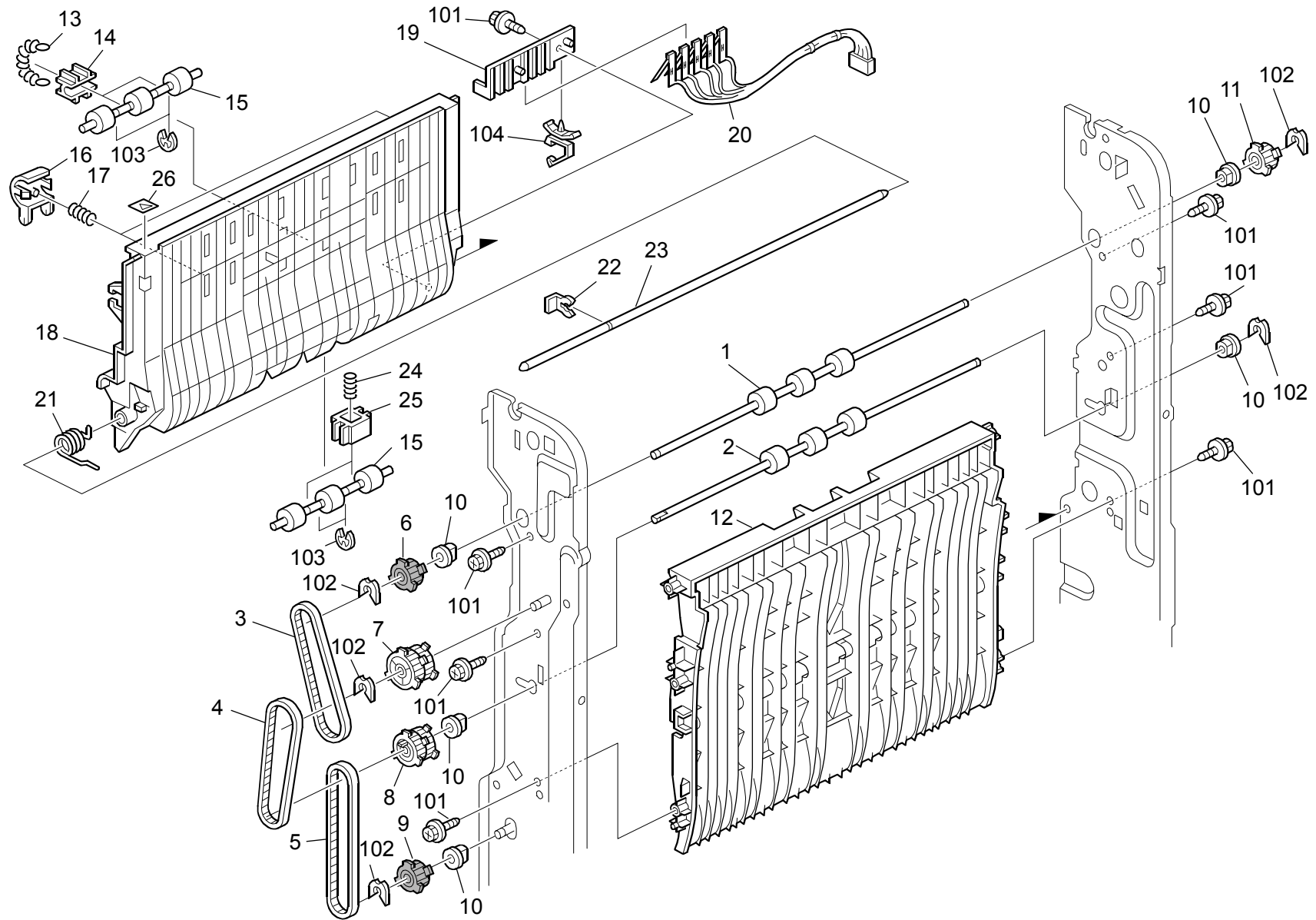


19.Duplex Unit 3 (G179)

Index No.	Part No.	Description	Q'ty Per Assembly
1	AA14 3807	Screw:A	2
2	D009 4504	Upper Guide Plate - Gate	1
3	AA08 2101	Bushing - 6x10x6	4
4	B223 4566	Bracket:Sensor:Entrance	1
5	AW01 0107	Paper Feed Sensor	1
6	D009 4664	Driven Roller	1
7	B223 4560	Tension Spring:Driven Roller	2
8	B223 4552	Bushing:DIA4	2
9	AW02 0145	Photointerruptor:Flat	1
10	D009 4661	Reverse Roller - Feed	2
11	AB01 4161	Reverse Roller Gear	1
12	B223 4562	Tightener	1
13	B044 1847	Shoulder Screw	1
14	B223 4564	Spring:Tightener	1
15	B223 4526	Timing Belt:30S2M268	1
16	B223 4586	Pulley:T30	2
17	B223 4572	Stepper Motor:DC4.29V 1.7W	1
18	AA10 1021	Rubber Bushing - 6 45HS	4
19	B223 4575	Bracket:Stepper Motor	1
20	B223 4571	Gear:Pulley:Z24/T40	1
21	B223 4573	Timing Belt:30S2M128	1
22	B044 1825	Collar	4
23	B223 4501	Guide Plate:Right	1
24	D009 4521	Harness Bracket	1
25	D009 4497	Decal - Right Guide	1
26	D009 4652	Motor Harness	1

Index No.	Part No.	Description	Q'ty Per Assembly
101	0451 3006N	Tapping Screw - 3x6	
102	0454 3006Q	Tapping Screw - M3x6	
103	0353 0100N	Screw-M3x10	
104	0720 0040E	Retaining Ring - M4	
105	1105 0511	Harness Clamp - LWS-0306ZC	
106	0720 0030E	Retaining Ring - M3	
107	1105 0551	Clamp:LES-0505	
108	0805 0088	Retaining Ring - M6	
109	0451 3008N	Tapping Screw - M3x8	
110	0802 5299	Tapping Screw - M3x8	

20. Duplex Unit 4 (G179)

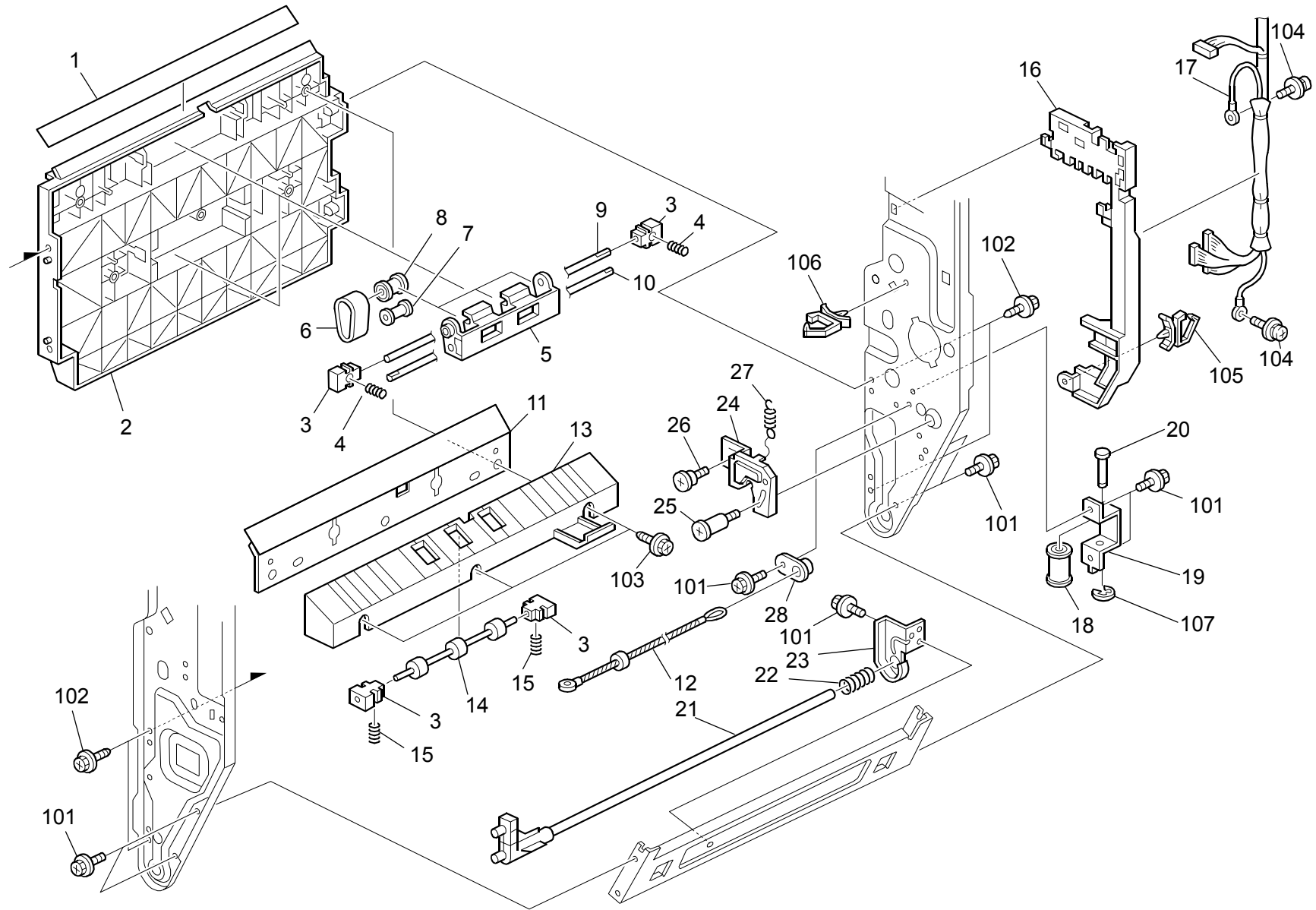


20.Duplex Unit 4 (G179)

Index No.	Part No.	Description	Q'ty Per Assembly
1	D009 4662	Transport Roller 1	1
2	D009 4663	Transport Roller 2	1
3	B223 4512	Timing Belt:30S2M182	1
4	B223 4536	Timing Belt:30S2M234	1
5	B223 4511	Timing Belt:30S2M312	1
6	B223 4529	Roller Clutch:T24	1
7	B223 4544	Pulley:T35/T33	1
8	B223 4527	Pulley:T26/T24	1
9	B223 4535	Roller Clutch:T26	1
10	AA08 2104	Bushing - 8x12x7	5
11	B223 4514	Roller Clutch:T24	1
12	B223 4502	Guide Plate:Left Lower	1
13	B223 4553	Tension Spring:Driven Roller	2
14	B223 4552	Bushing:DIA4	2
15	D009 4664	Driven Roller	2
16	D009 3860	Spring Cover - Transfer Unit	2
17	AA06 3448	Pressure Spring - Transfer Unit	2
18	D009 4551	Guide Plate - Holder	1
19	D009 3861	Terminal Holder - Transfer Unit	1
20	D009 3874	Sensor Harness	1
21	D009 4541	Front Torsion Spring	1
22	AA10 0014	Retaining Ring C - Separate	1
23	D009 4545	Holder Shaft - Transfer Unit	1
24	AA06 3303	Pressure Spring	2
25	AA08 0254	Bushing - M4	2
26	B234 3177	Decal:Positioning Display:Development	1

Index No.	Part No.	Description	Q'ty Per Assembly
101	0456 3008N	Tapping Screw - M3x8	
102	0805 0089	Retaining Ring - M4	
103	0720 0030E	Retaining Ring - M3	
104	1105 0623	Clamp - LBWS-0206S-V0	

21. Duplex Unit 5 (G179)

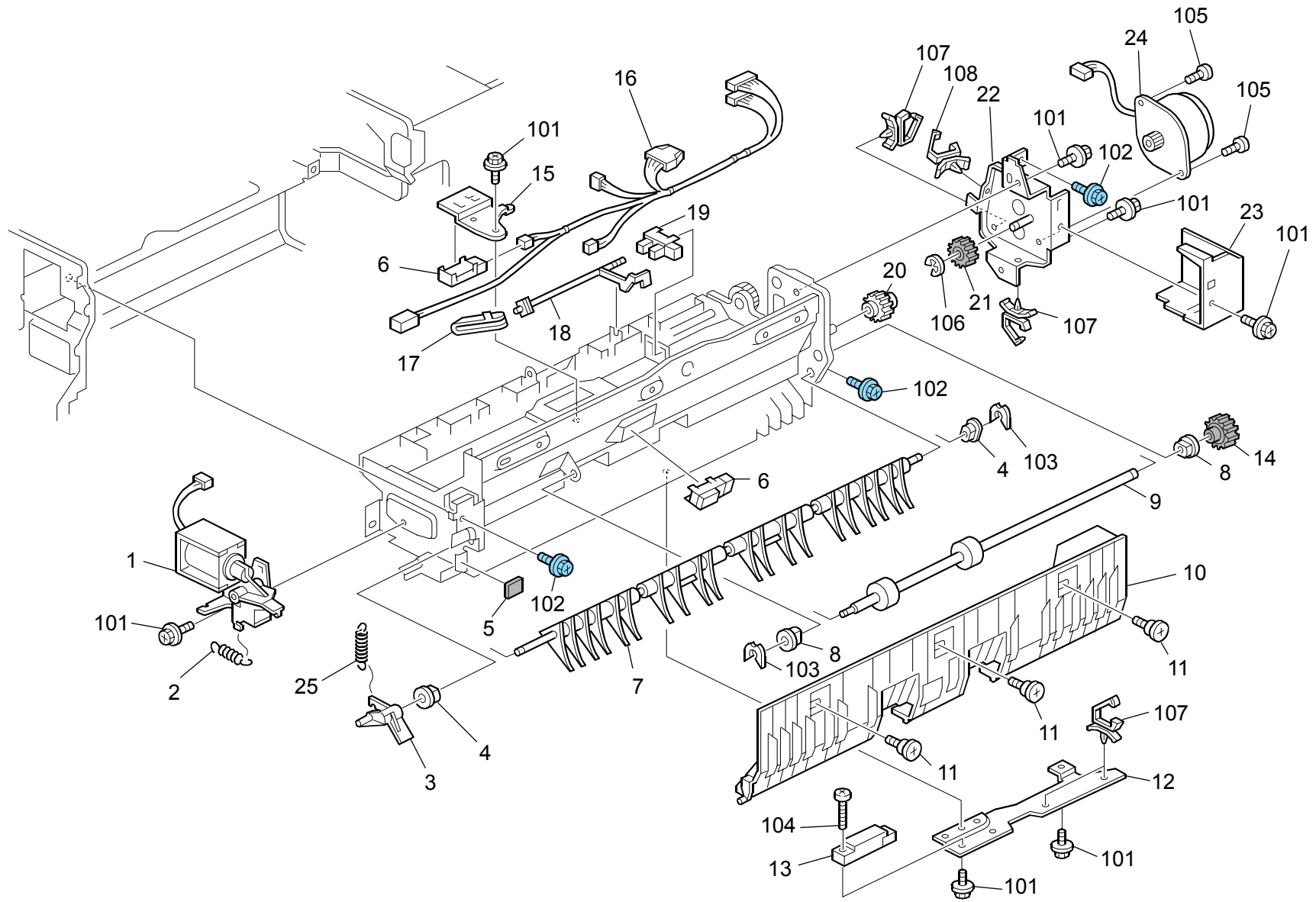


21.Duplex Unit 5 (G179)

Index No.	Part No.	Description	Q'ty Per Assembly
1	D009 2554	Guide Sheet - Vertical Transport	1
2	D009 2563	Guide Plate - Vertical Transport	1
3	G060 2652	Bushing - M4	6
4	B223 2676	Spring - 11N	4
5	D009 2571	Holder - Vertical Transport	2
6	D009 2572	Transport Belt	6
7	D009 2574	Pulley - Idler	6
8	D009 2573	Pulley - Vertical Transport	6
9	D009 2576	Shaft - Vertical Transport	2
10	D009 2575	Shaft - Idler	2
11	D009 2510	Guide Plate - Exit	1
12	B223 4524	Wire:Stopper:DIA1.5	1
13	B223 2648	Guide Plate:Transport Unit:Exit	1
14	D009 2560	Driven Roller	1
15	B223 2649	Spring:Pressure:5N	2
16	D009 4535	Harness Guide	1
17	D009 4651	Harness - Duplex Unit	1
18	B223 4595	Pulley:DIA13	1
19	D009 4597	Bracket - Wire Pulley Shaft	1
20	B223 4594	Shaft:Pulley:Wire	1
21	D009 4599	Shaft - Duplex Unit	1
22	D009 4598	Spring - Set Shaft	1
23	D009 4589	Guide - Set Shaft	1
24	D009 4588	Stopper Bracket - Spring	1
25	AA14 3183	Stepped Screw	1
26	D009 4593	Stepped Screw - M3	1
27	D009 4587	Tension Spring - Release Bracket	1
28	B223 4522	Spacer:Wire:Stopper	1

Index No.	Part No.	Description	Q'ty Per Assembly
101	0451 3006N	Tapping Screw - 3x6	
102	0456 3008N	Tapping Screw - M3x8	
103	0456 3010N	Tapping Screw - M3x10	
104	0954 3008N	Screw - M3x8	
105	1105 0508	Harness Clamp - LWS-0711	
106	1105 0511	Harness Clamp - LWS-0306ZC	
107	0720 0040E	Retaining Ring - M4	

22.Paper Exit Section 1 (G179)

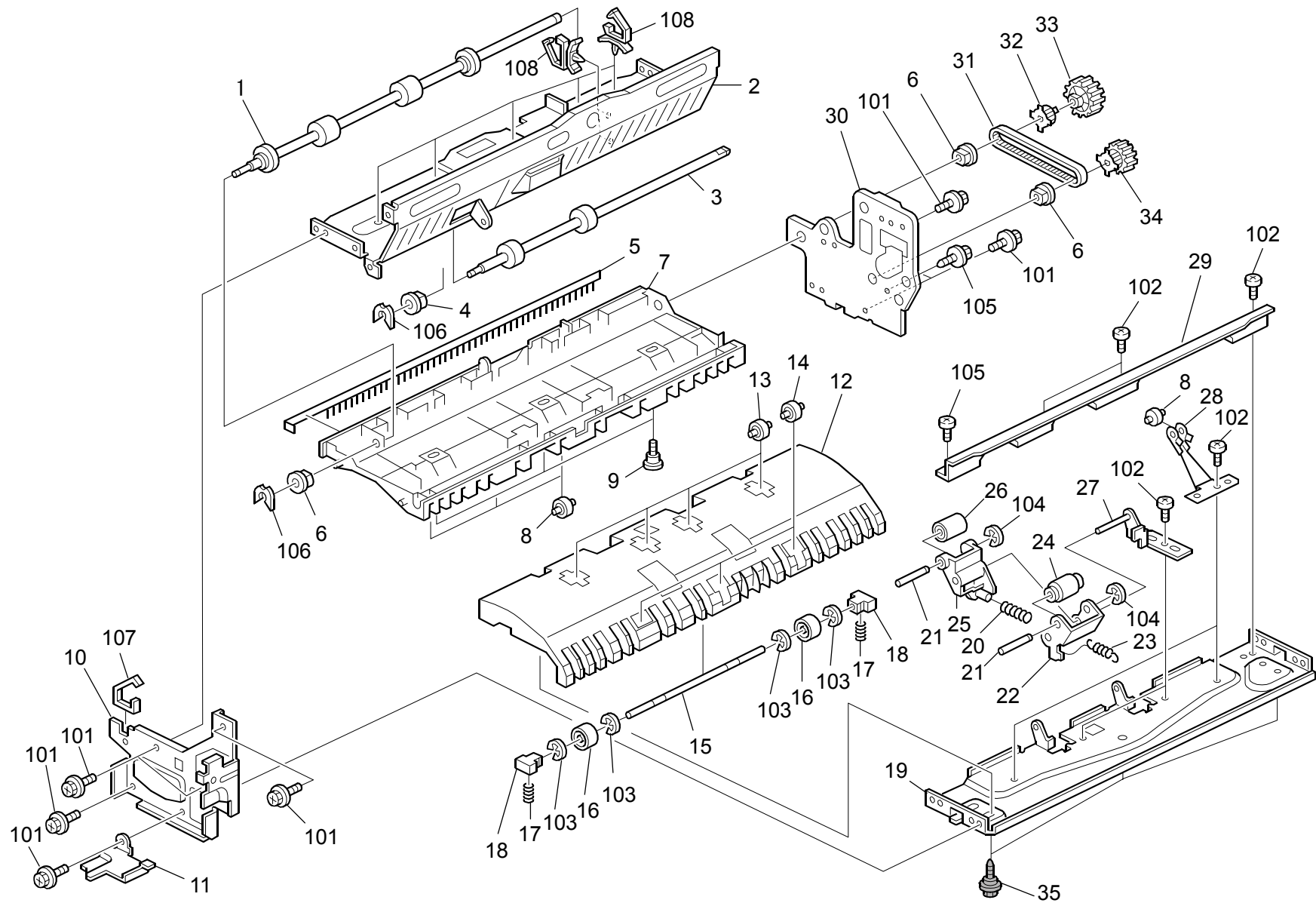


22.Paper Exit Section 1 (G179)

Index No.	Part No.	Description	Q'ty Per Assembly
1	D009 4451	DC Solenoid - Exit	1
2	D009 4457	Tension Spring Release	1
3	D009 4438	Lever - Entrance Gate	1
4	D009 4439	Bushing - 4mm	2
5	D009 4455	Cushion - DC Solenoid	1
6	AW01 0107	Paper Feed Sensor	2
7	D009 4436	Entrance Gate	1
8	H053 2208	Bushing - M4	2
9	D009 4445	Transport Roller	1
10	D009 4441	Exit Guide Plate - Upper Right	1
11	5206 2684	Shoulder Screw - M3	3
12	D009 4408	Bracket:Sensor:Fusing Exit	1
13	AW01 0127	Paper Feed Sensor	1
14	D009 4464	Gear - 22Z	1
15	D009 4447	Exit Sensor Bracket	1
16	D009 4499	Harness - Paper Exit Unit	1
17	D009 4407	Feeler - Overflow	1
18	B223 4497	Shaft:Feeler:Overflow	1
19	AW02 0145	Photointerruptor:Flat	1
20	D009 4461	Gear - 17Z	1
21	D009 4469	Gear - 17Z	1
22	D009 4471	Stepper Motor Bracket	1
23	D009 4490	Exit Motor Cover	1
24	D009 4467	Stepper Motor - DC 5.79W	1
25	D009 4448	Tension Spring - Gate Pawl	1

Index No.	Part No.	Description	Q'ty Per Assembly
101	0451 3006N	Tapping Screw - 3x6	
102	0454 3006Q	Tapping Screw - M3x6	
103	0805 0092	Retaining Ring - 3m	
104	0353 0100N	Screw-M3x10	
105	0453 3006N	Tapping Screw - M3x6	
106	0720 0040E	Retaining Ring - M4	
107	1105 0511	Harness Clamp - LWS-0306ZC	
108	1105 0516	Clamp	

23.Paper Exit Section 2 (G179)

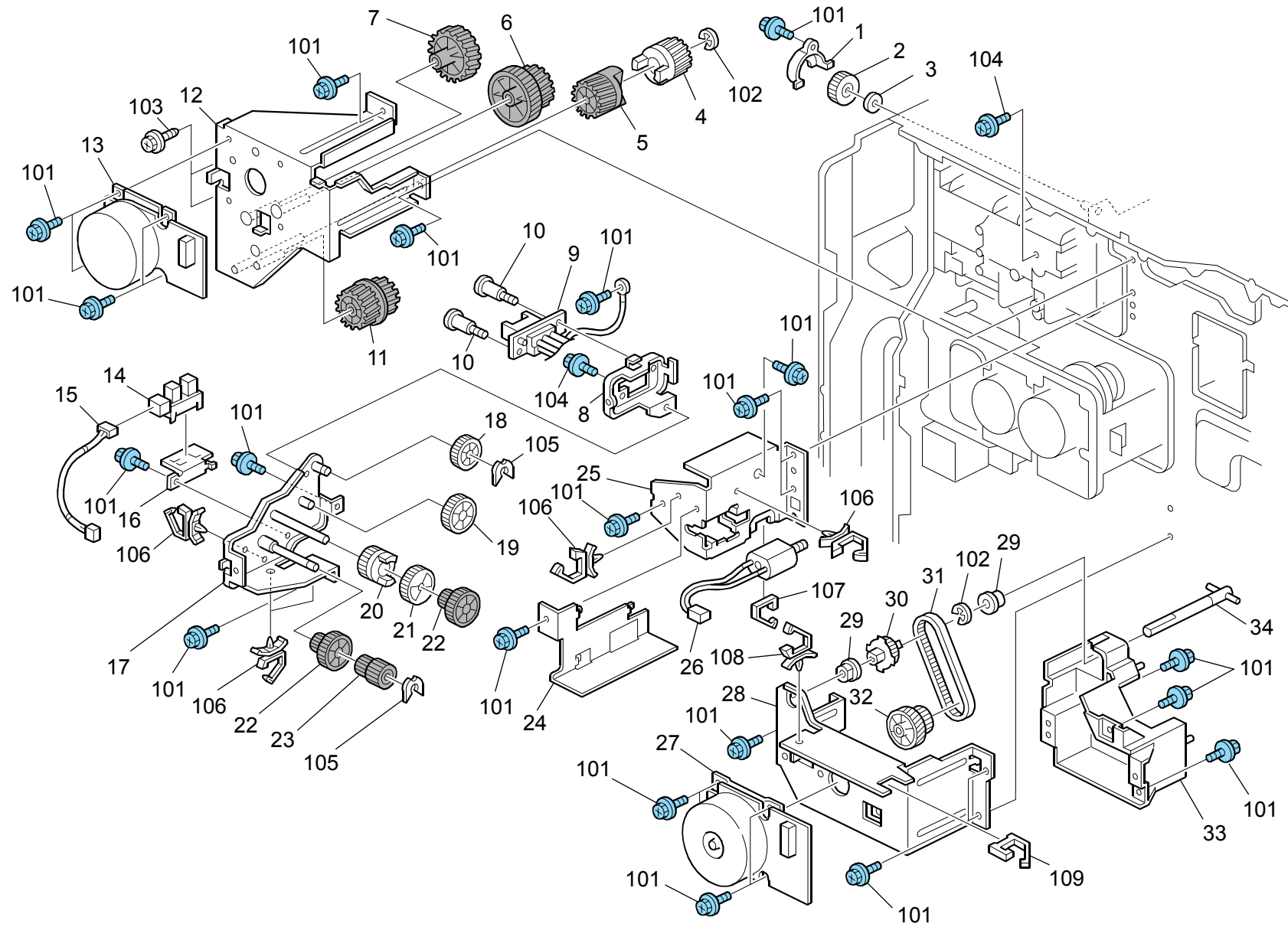


23.Paper Exit Section 2 (G179)

Index No.	Part No.	Description	Q'ty Per Assembly
1	D009 4444	Exit Roller	1
2	D009 4428	Upper Stay	1
3	D009 4445	Transport Roller	1
4	H053 2208	Bushing - M4	1
5	D009 4443	Discharge Brush - Exit	1
6	AA08 2101	Bushing - 6x10x6	3
7	D009 4442	Exit Guide Plate - Upper	1
8	AF04 0575	Driven Roller	5
9	5206 2684	Shoulder Screw - M3	3
10	D009 4434	Front Side Plate	1
11	D009 4406	Separation Plate - Paper Exit	1
12	D009 4412	Lower Guide Plate - Exit	1
13	AF04 0571	Guide Roller	4
14	B223 4428	Roller:Guide:PFA	3
15	D009 4422	Driven Roller Shaft	1
16	B223 4435	Roller:Auxiliary:Driven:DIA16:PFA	2
17	D009 4419	Spring - Lower Guide Plate	2
18	D009 4498	Bushing - Lower Guide Plate	2
19	D009 4413	Lower Stay - Exit	1
20	D009 4477	Spring - Exit Pressure	2
21	B213 4460	Shaft:Pressure Roller	4
22	D009 4491	Entrance Arm	2
23	D009 4476	Spring - Entrance Pressure	2
24	AF04 0601	Pressure Roller:Entrance	2
25	D009 4492	Exit Arm	2
26	AF04 0599	Pressure Roller:15	2
27	D009 4493	Bracket - Contact Point	2
28	D009 4496	Spring Plate - Exit Roller	2
29	D009 4478	Lower Supporting Plate	1
30	D009 4431	Rear Side Plate	1
31	D009 4466	Timing Belt - 30S2M172	1
32	D009 4465	Timing Pulley - 22T	1
33	D009 4462	Gear - 22Z	1
34	D009 4463	Gear/Pulley - 22Z/22T	1
35	D009 4418	Stepped Tapping Screw - M3	3

Index No.	Part No.	Description	Q'ty Per Assembly
101	0451 3006N	Tapping Screw - 3x6	
102	0353 0040N	Screw - M3x4	
103	0720 0025E	Retaining Ring - M2.5	
104	0720 0030E	Retaining Ring - M3	
105	0456 3008N	Tapping Screw - M3x8	
106	0805 0092	Retaining Ring - 3m	
107	1105 0551	Clamp:LES-0505	
108	1105 0511	Harness Clamp - LWS-0306ZC	

24. Drive Section 1 (G179)

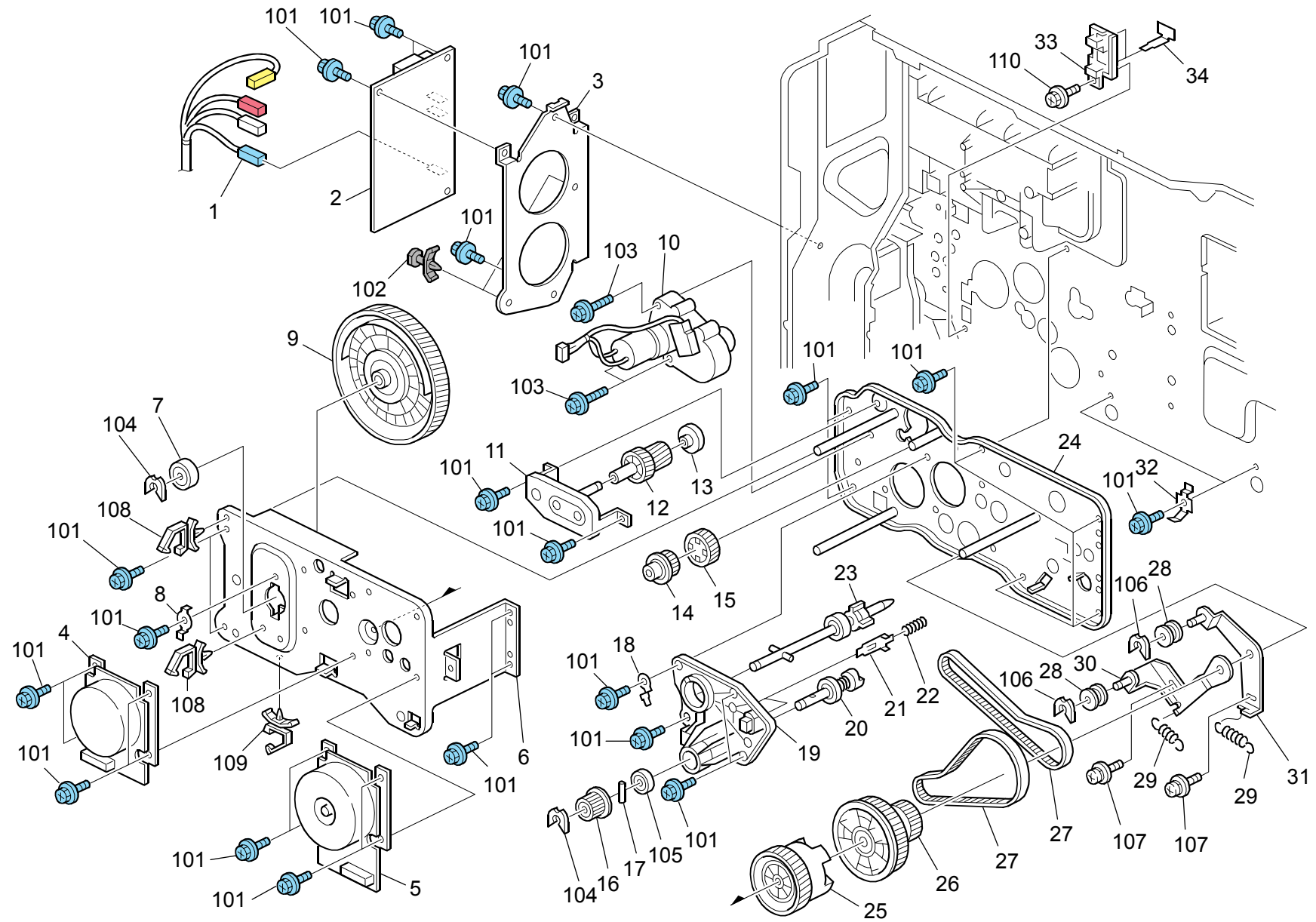


24. Drive Section 1 (G179)

Index No.	Part No.	Description	Q'ty Per Assembly
1	D009 1182	Joint Cover	1
2	D009 1183	Joint - Cleaning	1
3	AA13 2208	Spacer - M6	1
4	AB01 4284	Gear - 24Z	1
5	AB01 4283	Gear - 24Z	1
6	AB01 4280	Gear - 26Z/90Z	1
7	AB01 4281	Gear - 40Z	1
8	D009 1090	Connector Bracket - Fusing	1
9	D009 5620	AC Harness - Fusing	1
10	AA14 3744	Stepped Screw	2
11	AB01 4282	Gear - 26Z/30Z	1
12	D009 1171	Bracket - Fusing Drive Sub-Unit	1
13	AX06 0356	Brushless Motor:DC24V 18W	1
14	AW02 0150	Photointerruptor:Flat:7mm	1
15	D009 5500	Interface Harness - Web Sensor	1
16	D009 1193	Sensor Bracket	1
17	D009 1187	Bracket - Fusing Cleaning Drive	1
18	AB01 1523	Gear - 24Z	1
19	AB01 1524	Gear - 36Z	1
20	AB01 1526	Gear - 24Z	1
21	AB01 1525	Gear - 32Z	1
22	AB01 1527	Gear - 14Z/32Z	2
23	AB01 1528	Gear - 14Z/32Z	1
24	D009 1194	Motor Holder	1
25	D009 1195	Notor Bracket	1
26	AX04 0167	Motor:DC5V 0.71W	1
27	AX06 0355	Brushless Motor - DC 11W	1
28	D009 1161	Bracket - Paddle Roller Drive	1
29	AA08 0347	Bushing - 8mm	2
30	AB03 0815	Timing Pulley - 24T	1
31	AA04 3656	Timing Belt - 60S3M177	1
32	AB01 7743	Gear - 20Z	1
33	D009 1158	Holder - Paddle Roller Drive	1
34	D009 1164	Shaft - Paddle Rooler Drive	1

Index No.	Part No.	Description	Q'ty Per Assembly
101	0454 3006Q	Tapping Screw - M3x6	
102	0720 0060E	Retaining Ring - M6	
103	0456 3008N	Tapping Screw - M3x8	
104	0454 3008Q	Tapping Screw:3x8	
105	0805 0089	Retaining Ring - M4	
106	1105 0511	Harness Clamp - LWS-0306ZC	
107	1105 0522	Edge Saddle - LES0510	
108	1105 0487	Harness Clamp	
109	1105 0613	Clamp:EDS-1010L-V0	

25. Drive Section 2 (G179)

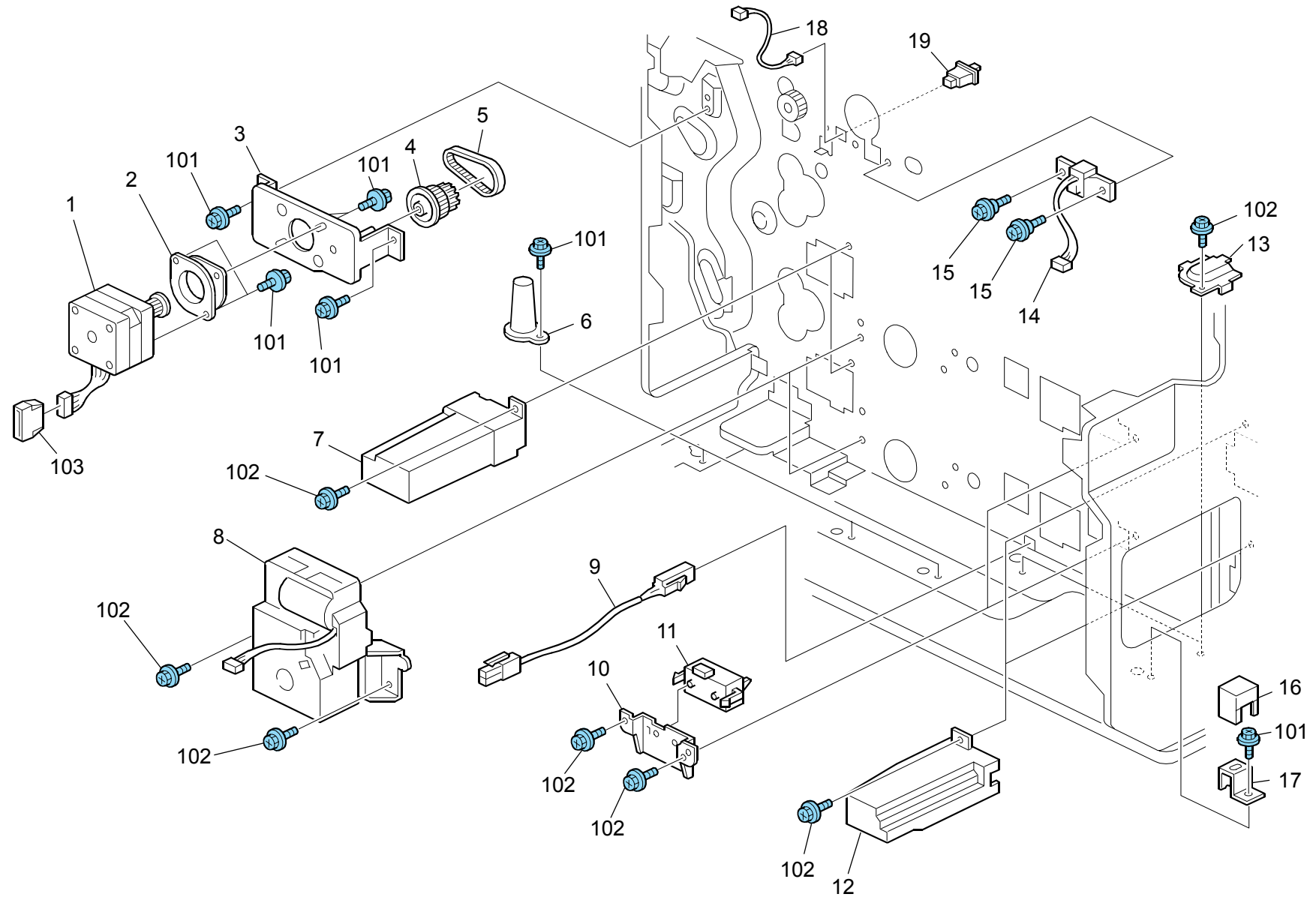


25. Drive Section 2 (G179)

Index No.	Part No.	Description	Q'ty Per Assembly
1	D009 5420	Harness - High Voltage Cable	1
2	AZ32 0145	Power Pack:CBT	1
3	D009 5854	Bracket - Power Pack	1
4	AX06 0354	Brushless Motor - DC 6W	1
5	AX06 0355	Brushless Motor - DC 11W	1
6	D009 1120	Rear Drive Bracket - Engine	1
7	B242 1161	Ball Bearing - 8x22x7	1
8	D009 1121	Ground Plate - Drum	1
9	AB01 0369	Gear - 330Z	1
10	D009 1113	Drive Unit- Transfer On-Off	1
11	D009 1123	Drive Bracket - Transfer	1
12	AB01 7752	Gear - 27TZ/42Z	1
13	D009 1148	Collar - 6x18.8mm	1
14	AB03 0821	Pulley - 31T	1
15	AB01 0141	Gear - 46Z	1
16	AB03 0820	Pulley - 31T	1
17	AA14 5294	Parallel Pin - 2x12mm	1
18	D009 1141	Ground Plate - Drum	1
19	D009 1145	Drum Shaft Holder	1
20	D009 1131	Joint - Development Roller	1
21	D009 1147	Terminal - Development Roller	2
22	AA06 3432	Spring - Intermediate Drawer	2
23	D009 1111	Drum Shaft	1
24	D009 1139	Front Drive Bracket - Engine	1
25	AB01 0140	Gear - 90Z	1
26	D009 1142	Pulley - 48T/90T	1
27	AA04 3658	Timing Belt - 60S2M300	2
28	D009 1127	Roller - Tightener	2
29	D009 1128	Spring - Tightener	2
30	D009 1135	Tightener Bracket - Development	1
31	D009 1125	Tightener Bracket - Transfer	1
32	B004 1936	Plate - Optical Housing Unit	2
33	D009 3831	Receptacle Housing - Transfer	1
34	D009 3832	Receptacle Terminal - Transfer	2

Index No.	Part No.	Description	Q'ty Per Assembly
101	0454 3006Q	Tapping Screw - M3x6	
102	1105 0367	Spacer	
103	0454 3020Q	Tapping Screw:3x20	
104	0805 0088	Retaining Ring - M6	
105	0740 3808	Ball Bearing - 8x16x5mm	
106	0805 0089	Retaining Ring - M4	
107	0954 3010N	Screw:Polished Round/Spring:M3x10	
108	1105 0511	Harness Clamp - LWS-0306ZC	
109	1105 0619	Clamp:LBWS-0605S-V0	
110	0451 3008N	Tapping Screw - M3x8	

26. Drive Section 3 (G179)

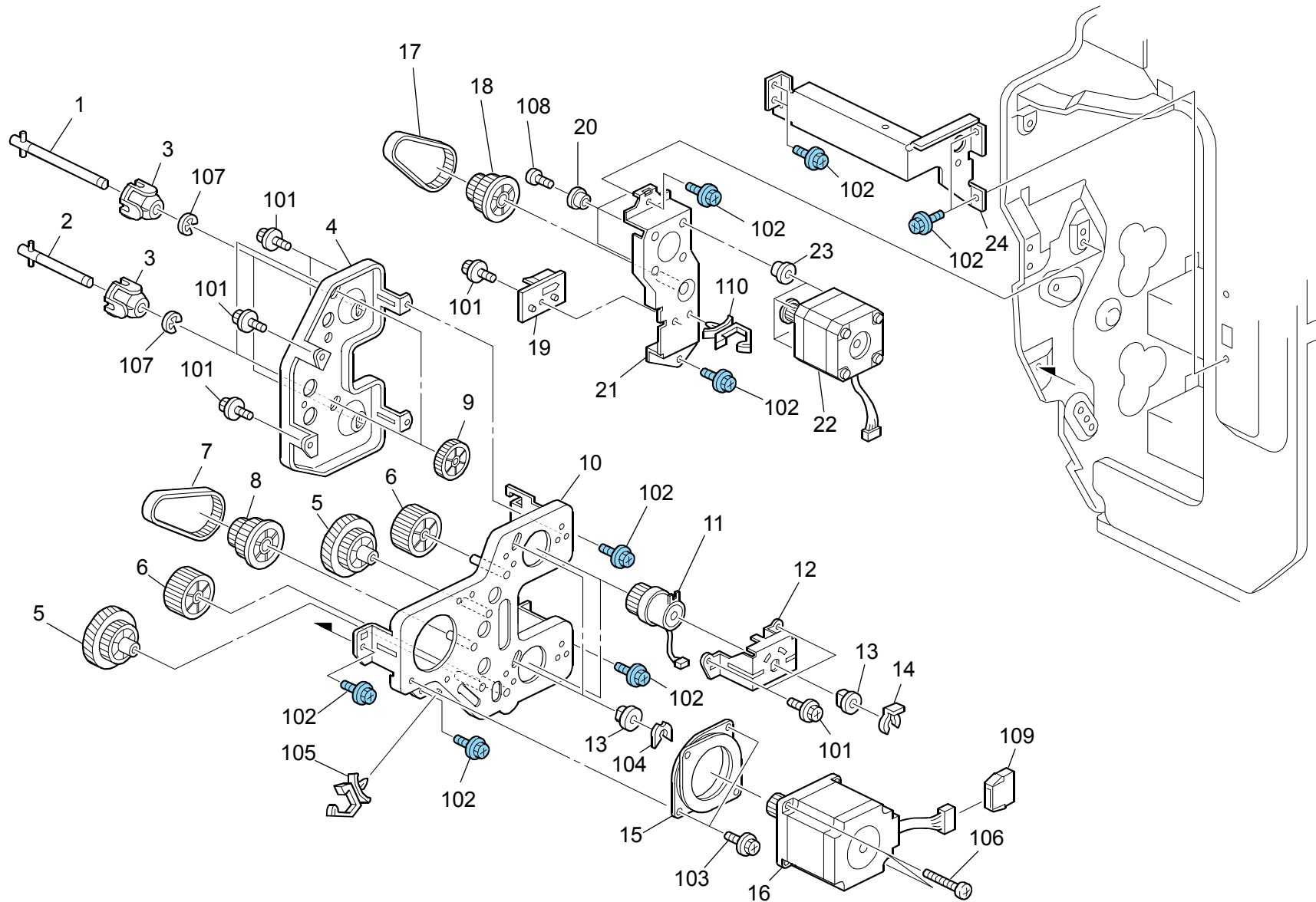


26. Drive Section 3 (G179)

Index No.	Part No.	Description	Q'ty Per Assembly
1	B223 1350	Stepper Motor DC5.06V	1
2	A232 4666	Cushion - Stepper Motor	1
3	D009 1151	Bracket - Registration Drive Unit	1
4	AB03 0744	Timing Pulley - 27Z/40T	1
5	AA04 3601	Timing Belt - B40S2M118	1
6	B238 1089	Cover - Positioning Pin	1
7	B238 2541	Tray Cover - Right	2
8	AX04 0154	DC Motor 24V	2
9	D009 5615	AC Harness - Heater	1
10	B223 2721	Bracket:Push Switch	2
11	AW50 0038	Push Switch:Paper Size Sensor	2
12	B238 2543	Cover - Tray Left	2
13	B238 1066	Rubber Foot Cover	2
14	D009 5440	Harness - Development Drawer	1
15	AA14 3579	Screw - M3	2
16	G179 1064	Cover:Holder:Pin	1
17	G179 1063	Holder:Pin	1
18	G179 5525	Harness:IOB:PCD:Sensor	1
19	G020 5626	Push Switch	1

Index No.	Part No.	Description	Q'ty Per Assembly
101	0454 3006Q	Tapping Screw - M3x6	
102	0454 3008Q	Tapping Screw:3x8	
103	1102 4560	CT Connector 6P	

27. Drive Section 4 (G179)

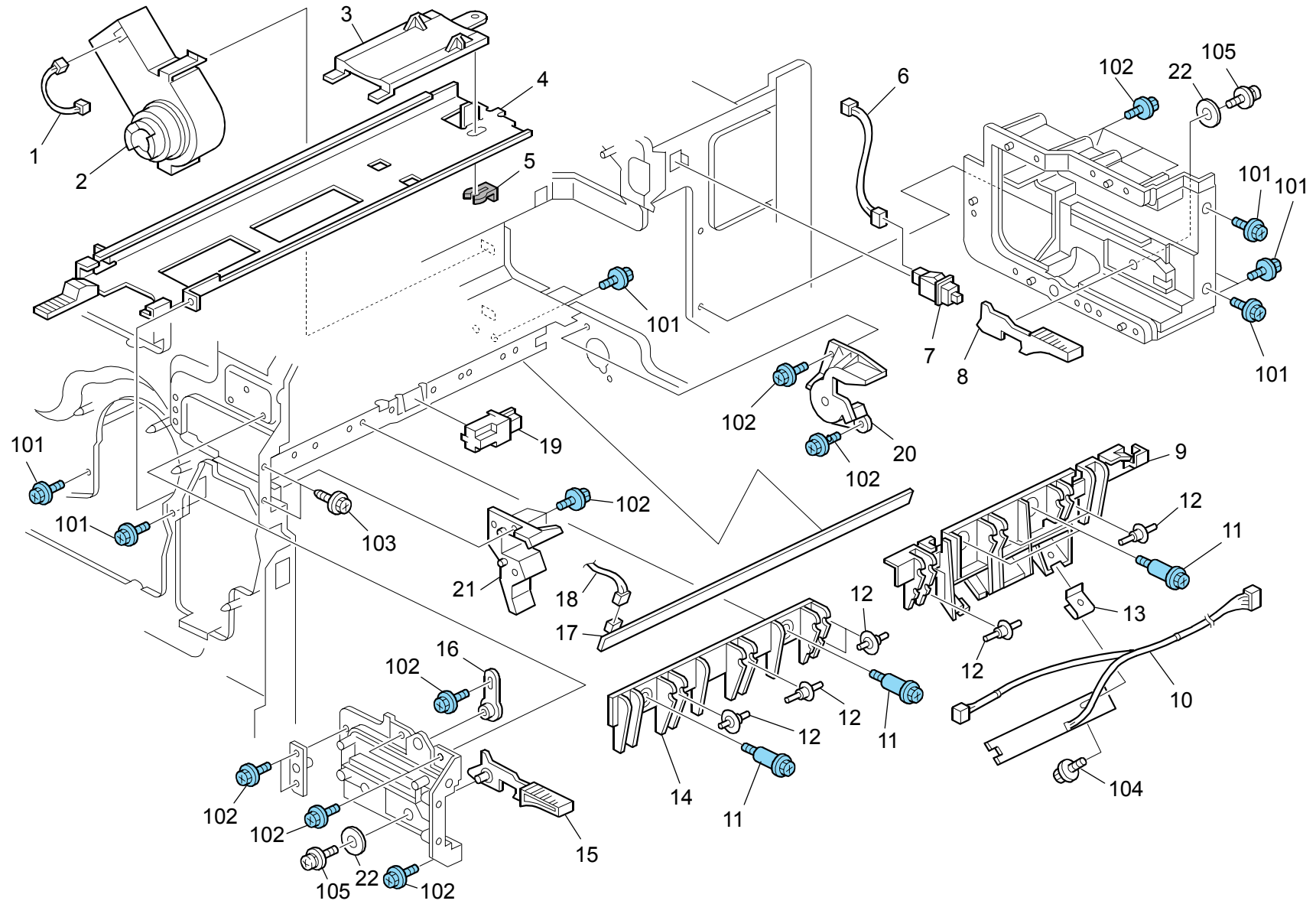


27. Drive Section 4 (G179)

Index No.	Part No.	Description	Q'ty Per Assembly
1	B223 1189	Feed Drive Shaft	2
2	B223 1183	Grip Shaft	2
3	B223 1186	Drive Joint	4
4	B223 1354	Drum Stay:Drive Unit	1
5	AB01 7699	Gear - 33Z/44Z	2
6	AB01 1258	Gear - 38Z	2
7	AA04 3585	Timing Belt:40S3M162	1
8	AB03 0781	Timing Pulley - 28Z/30T	1
9	AB01 1259	Gear - 32Z	2
10	B223 1180	Bracket:Paper Feed	1
11	AX20 0289	Magnetic Clutch - 32Z	2
12	B223 1187	Magnetic Clutch Bracket	2
13	AA08 0346	Bushing:Flange Type:DIA6	4
14	5447 2681	Snap Ring	2
15	AA16 1164	Cushion:Stepper Motor	1
16	B223 1188	Stepper Motor DC24V	1
17	B700 2649	Timing Belt:40S2M144	1
18	AB01 7493	Gear Pulley	1
19	B223 2694	Guide:Gear	1
20	B044 1825	Collar	4
21	B223 2691	Bracket:Stepper Motor	1
22	B223 2685	Stepper Motor:DC24V 26.4W	1
23	AA10 1021	Rubber Bushing - 6 45HS	4
24	D009 1088	Grip Bracket - Right Rear	1

Index No.	Part No.	Description	Q'ty Per Assembly
101	0451 3006N	Tapping Screw - 3x6	
102	0454 3006Q	Tapping Screw - M3x6	
103	0451 4008N	Tapping Screw:4x8	
104	0805 0089	Retaining Ring - M4	
105	1105 0488	Harness Clamp	
106	0434 0100N	Tapping Screw - 4x10	
107	0720 0040E	Retaining Ring - M4	
108	0353 0080N	Screw:M3x8	
109	1102 4560	CT Connector 6P	
110	1105 0511	Harness Clamp - LWS-0306ZC	

28.Electrical Section 1 (G179)



28.Electrical Section 1 (G179)

Index No.	Part No.	Description	Q'ty Per Assembly
1	D009 5505	Harness - Toner Supply Motor	1
2	AX05 0292	Toner Bottle Motor - DC 2.4W	1
3	B004 7267	Toner Bottle Holder	1
4	D009 3210	Guide - Toner Supply	1
5	A096 2065	Slider Ring	1
6	D009 5481	Interface Harness - IOB-Switch	1
7	AW50 0023	Push Switch	1
8	D009 4351	Rear Lock Lever	1
9	D009 3865	Holder - Density Sensor	1
10	D009 2367	Density Sensor	1
11	AA14 3579	Screw - M3	4
12	B004 2310	Spur	8
13	A232 1284	Spring Holder	1
14	D009 3866	Guide - Separation/Transport	1
15	D009 4350	Front Lock Lever	1
16	B238 1119	Lever - Front Upper	1
17	B213 2362	LED Array QL Ass'y	1
18	D009 5510	Harness - Quenching Lamp	1
19	AW01 0199	Entrance Sensor	1
20	D009 3856	Guide:Standard:Transfer Unit:Rear	1
21	D009 3857	Guide:Standard:Transfer Unit:Front	1
22	D009 4356	Washer:DIA3.5	2

Index No.	Part No.	Description	Q'ty Per Assembly
101	0454 3006Q	Tapping Screw - M3x6	1
102	0454 3008Q	Tapping Screw:3x8	
103	0456 3008N	Tapping Screw - M3x8	
104	0451 3008N	Tapping Screw - M3x8	
105	0954 3006N	Screw - M3x6	

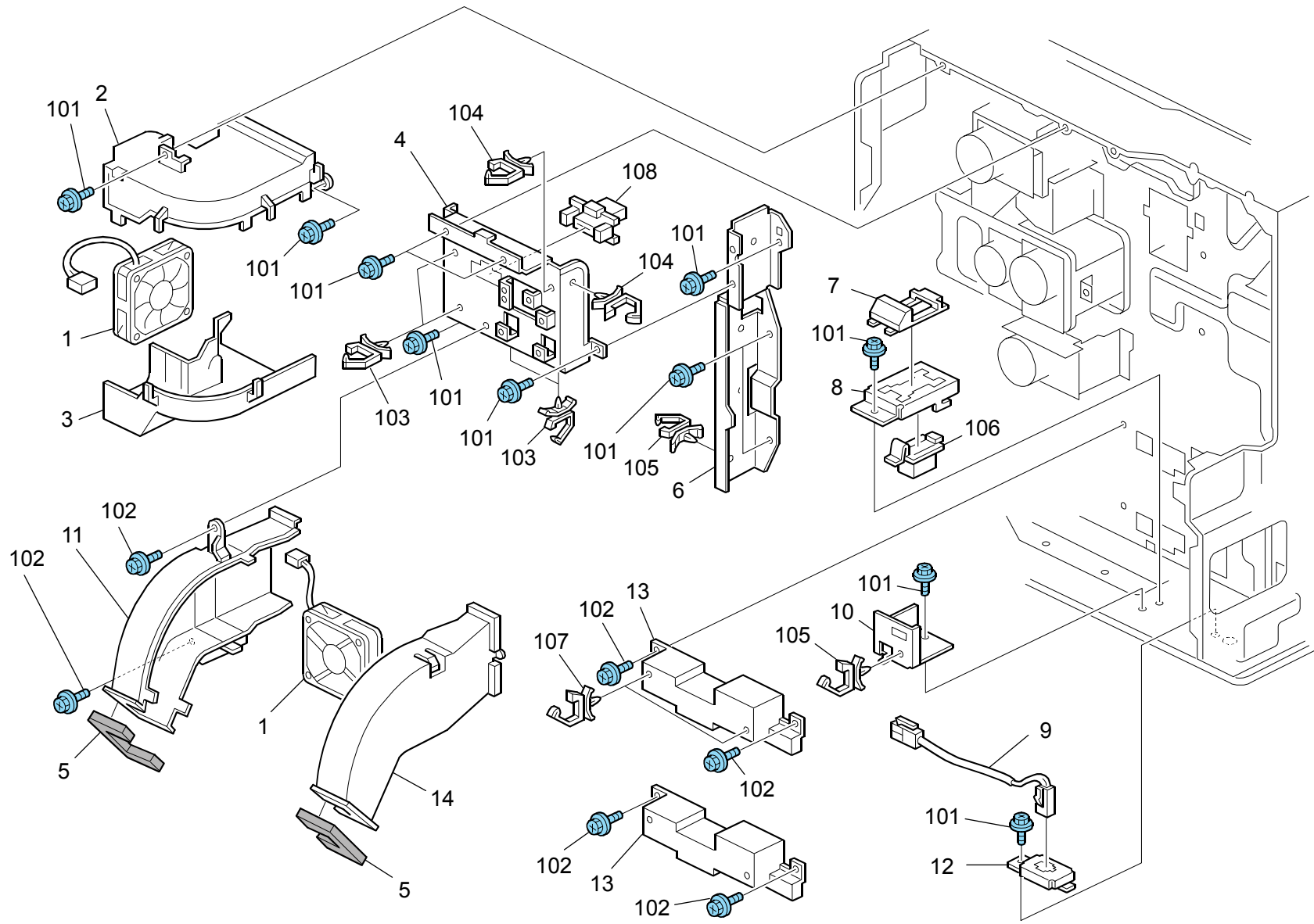
29.Electrical Section 2 (G179)

Index No.	Part No.	Description	Q'ty Per Assembly
1	D009 1366	Middle Exhaust Duct - Upper	1
2	D009 1367	Middle Exhaust Duct - Lower	1
3	D009 1368	Front Upper Duct	1
4	D009 1369	Front Lower Duct	1
5	B223 1332	Fan Motor - Mm60 DC24V	1
6	D009 5898	Harness Guide - Safety Switch	1
7	D009 5866	Base - Right Safety Switch	1
8	D009 5869	Right Lower Lever - Safety Switch	1
9	D009 5867	Guide Plate - Safety Switch	1
10	D009 5896	Spring - Right Safety Switch	1
11	D009 5868	Right Lever - Safety Switch	1
12	D009 5857	Shaft - Safety Switch	2
13	D009 5864	Middle Lever - Safety Switch	1
14	D009 5865	Cam - Safety Switch	1
15	D009 5858	Left/Right Lever - Safety Switch	1
16	D009 5863	Left Lever - Safety Switch	1
17	D009 5895	Tension Spring:Safety Switch:Left	1
18	D009 5840	Base - Left Safety Switch	1
19	AX64 0192	Fan:DC 1.92W	1
20	D009 1370	Guard:Fan:Paper Exit Unit	1
21	G179 1371	Shielding Plate:Fan	1
22	D009 1089	Bracket:Exit:Rear	

Index No.	Part No.	Description	Q'ty Per Assembly
101	0454 3008Q	Tapping Screw:3x8	
102	0454 3006Q	Tapping Screw - M3x6	
103	0450 3008N	Tapping Screw - M3x8	
104	0805 0092	Retaining Ring - 3m	
105	0451 3025N	Tapping Screw:M3x25	
106	1204 2521	Micro Switch	
107	1105 0487	Harness Clamp	
108	1105 0534	Clamp	
109	0454 3020Q	Tapping Screw:3x20	



30.Electrical Section 3 (G179)

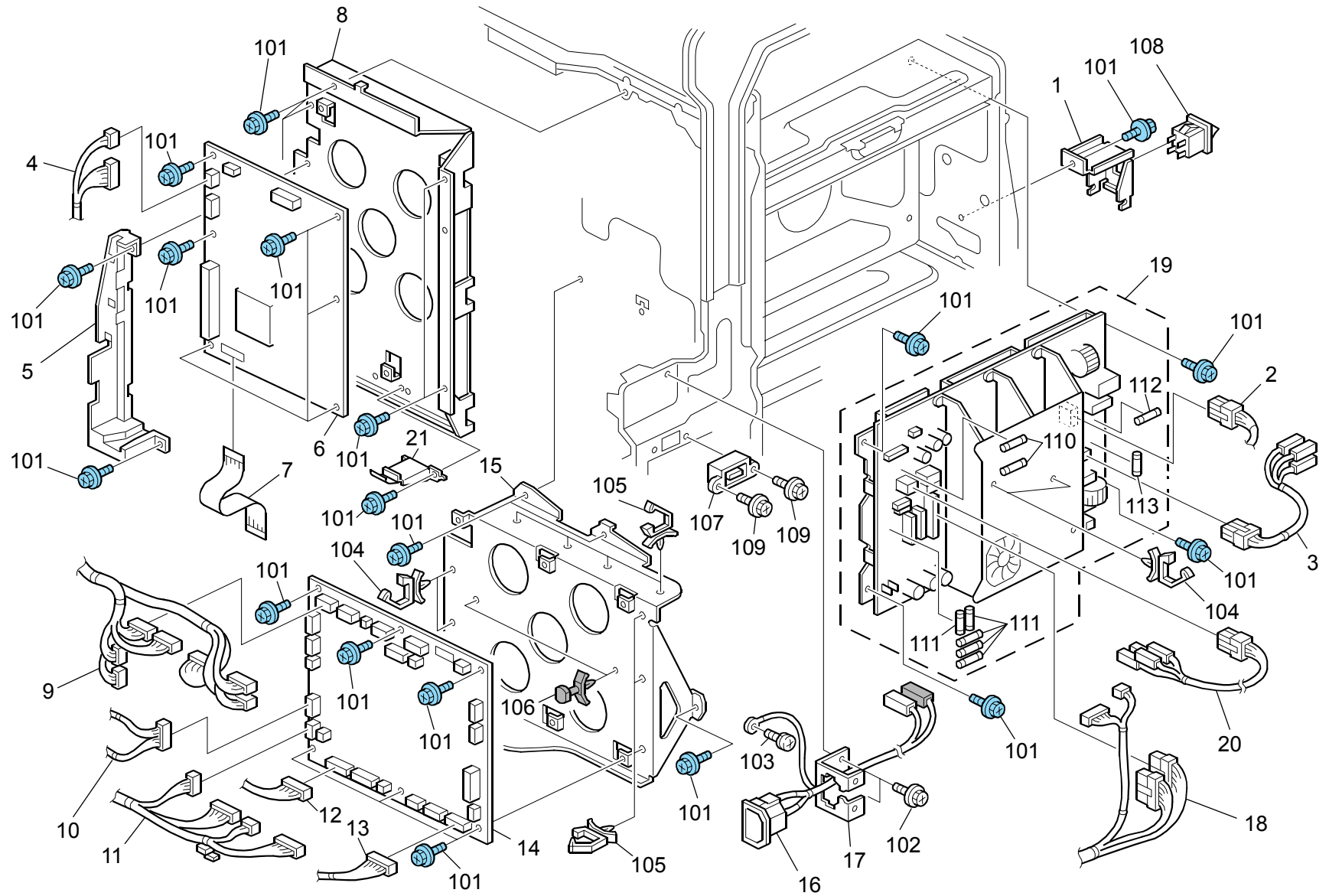


30.Electrical Section 3 (G179)

Index No.	Part No.	Description	Q'ty Per Assembly
1	AX64 0159	Fan Motor Mm80	2
2	D009 1351	Upper Fusing Duct	1
3	D009 1352	Lower Fusing Duct	1
4	D009 5852	Connector Bracket	1
5	D009 1356	Sponge:Duct:Exhaust	2
6	D009 5876	Small Bracket - BICU	1
7	B238 1088	Cover - Connector	1
8	B223 1065	Connector Bracket	1
9	D009 5615	AC Harness - Heater	1
10	D009 5856	Bracket - Heater Connector	1
11	D009 1355	Rear Exhaust Duct - Left	1
12	B223 5848	Bracket:Base:Connector	1
13	D009 2527	Cover - Electrical Components	2
14	D009 1354	Rear Exhaust Duct - Right	1

Index No.	Part No.	Description	Q'ty Per Assembly
101	0454 3006Q	Tapping Screw - M3x6	
102	0454 3008Q	Tapping Screw:3x8	
103	1105 0488	Harness Clamp	
104	1105 0489	Harness Clamp - LWS 1316	
105	1105 0487	Harness Clamp	
106	1102 8534	Connector - QR/P17-14S-B	
107	1105 0522	Edge Saddle - LES0510	
108	1102 9782	Connector:51405-1819	

31.Electrical Section 4 (G179)



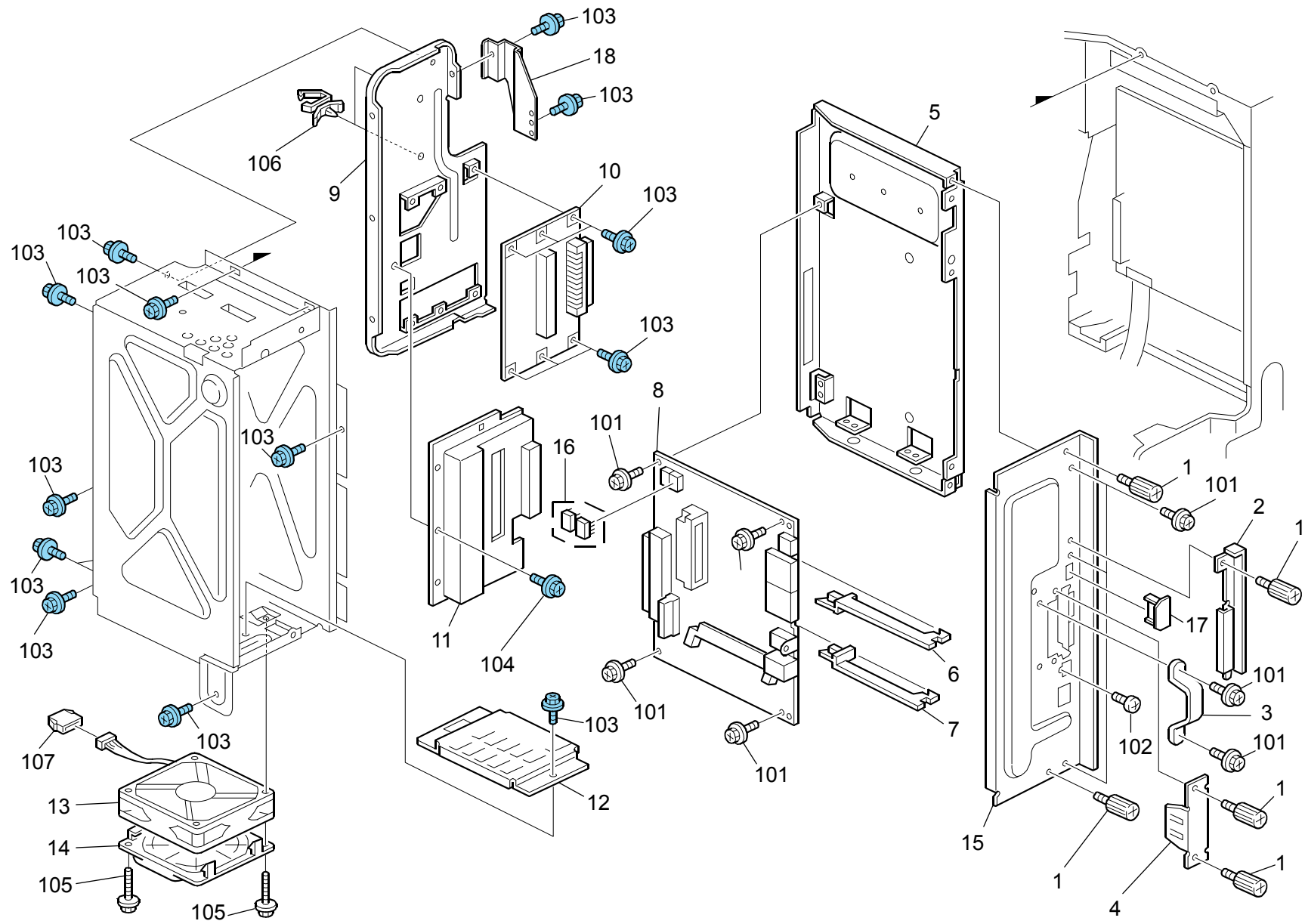
31.Electrical Section 4 (G179)

Index No.	Part No.	Description	Q'ty Per Assembly
1	D009 5853	Bracket - Main Switch	1
2	G179 5610	Harness:AC:Heater	1
3	D009 5605	AC Harness - Switch	1
4	D009 5470	Harness - BICU-LDB	1
5	D009 5877	Guide - Mother Board	1
6	G179 5135	PCB:BCU	1
7	D009 5461	DC Harness- BICU-IOB	1
8	G179 5875	Bracket:BCU	1
9	G179 5480	Harness:IOB:Upper	1
10	D009 5495	Harness - IOB-Lift Motor	1
11	D009 5486	DC Harness-IOB Lower	1
12	D009 5520	Harness - IOB-Motor	1
13	D009 5490	Harness - IOB Lower Behind	1
14	G179 5155	PCB:IO Board	1
15	D009 5851	Bracket - IO Board	1
16	D009 5600	Harnes - AC Inlet	1
17	D009 5855	Bracket - Inlet	1
18	D009 5430	Harness- PSU-IOB Right	1
19	AZ24 0122	Power Supply Unit:120V	1
19	AZ24 0123	Power Supply Unit:230V	1
20	D009 5425	Harness - Safety Switch	1
21	D009 5842	Grounding Plate -BICU	1

Index No.	Part No.	Description	Q'ty Per Assembly
101	0454 3006Q	Tapping Screw - M3x6	
102	0451 3006N	Tapping Screw - 3x6	
103	0957 4008N	Screw:Small Round/Spring:M4x8	
104	1105 0487	Harness Clamp	
105	1105 0489	Harness Clamp - LWS 1316	
106	1105 0367	Spacer	
107	1102 8502	Connector - 54679-1615	
108	1204 2608	Rocker Switch:SDDJE33900	
109	0451 3008N	Tapping Screw - M3x8	
110	1107 1216	Fuse:FBT250V10A(EM)	
111	1107 1215	Fuse:FBT250V6.3A(EM)	
112	1107 0629	Fuse:Ceramic Case:15A 125V	
112	1107 1218	Fuse:FIH250V8A(RM)	
113	1107 0786	Fuse (Ceramic Case) - 12A - 125V	
113	1107 1217	Fuse:FIH250V4A(RM)	



32.Electrical Section 5 (G179)



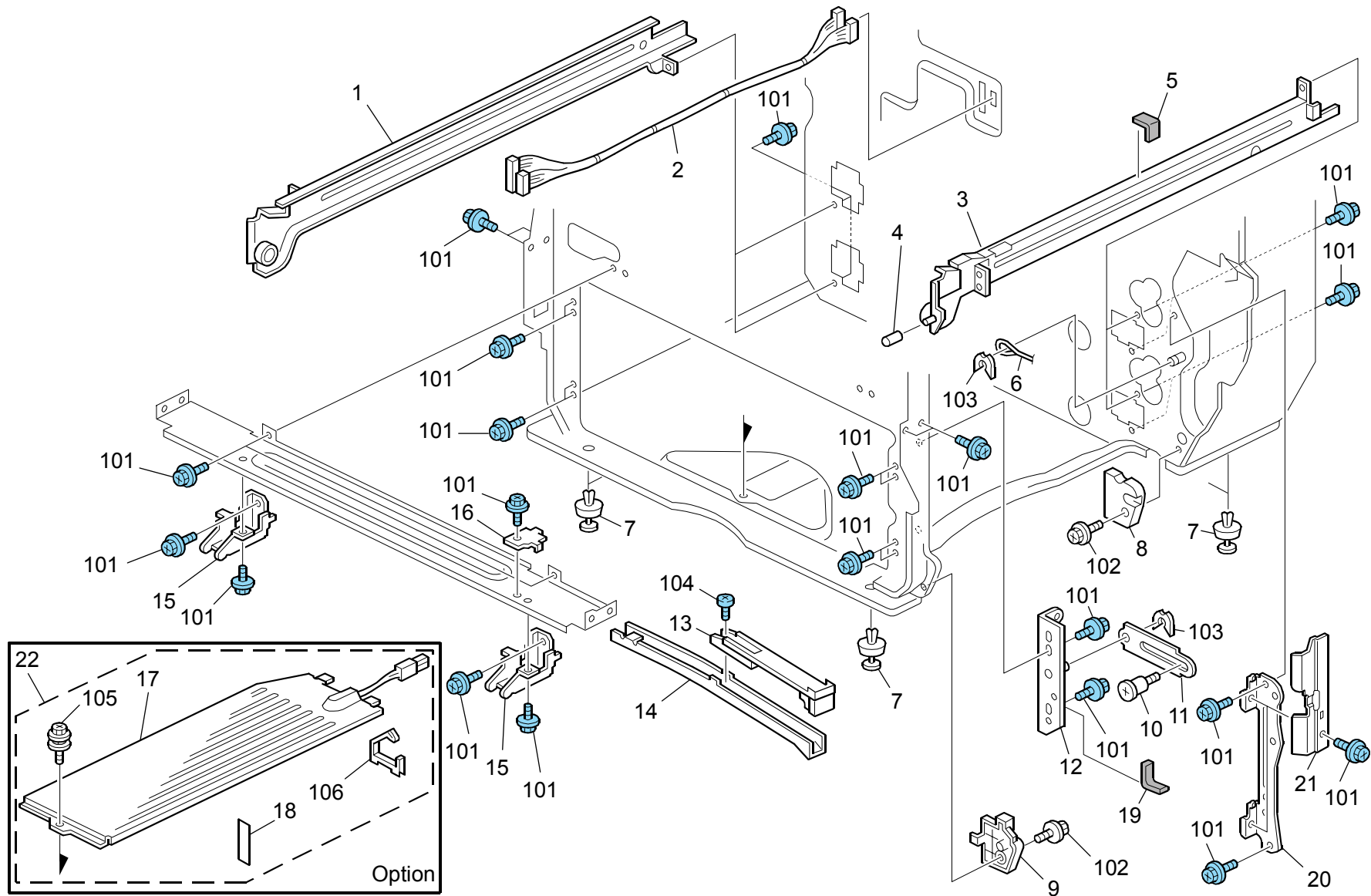
32.Electrical Section 5 (G179)

Index No.	Part No.	Description	Q'ty Per Assembly
1	G104 5141	Knob Screw:M3	5
2	D009 5884	Cover - SD-Card	1
3	D009 5874	Grip - C/T Box	1
4	B154 5869	Panel:Interface:SECC	1
5	D009 5880	Bracket - Control Board	1
6	G108 5108	Right Guide 1	1
7	G108 5107	Left Guide 1	1
8	G179 5706	PCB:Controller	1
9	D009 5879	Bracket - Mother Board	1
10	G179 5180	PCB:Mother Board	1
11	G179 5879	Cover:Mother Board	1
12	G179 5890	Cover:Fan	1
13	AX64 0195	Fan Motor - DC 2.16W	1
14	B154 5861	Guard:Fan	1
15	G179 5845	Holder Plate:Control Board	1
16	G179 9590	NVRAM - Zero Counter	1
17	D009 5871	Connector Cap - USB-A	1
18	G179 5881	Ground Plate:C/T Box	1

Index No.	Part No.	Description	Q'ty Per Assembly
101	0360 3006N	Screw - M3x6	
102	0353 0060N	Bind Screw - M3x6	
103	0454 3006Q	Tapping Screw - M3x6	
104	0454 3008Q	Tapping Screw:3x8	
105	0360 3030N	Screw:M3x30	
106	1105 0487	Harness Clamp	
107	1102 6246	Relay Connector - 3P	



33.Frame Section (G179)



33.Frame Section (G179)

Index No.	Part No.	Description	Q'ty Per Assembly
1	B223 2710	Supporter - Left No.2	2
2	D009 5475	Interface Harness - BICU-LDB	1
3	B223 2715	Supporter - Right	2
4	B223 2714	Positioning Cap - Short	2
5	AA16 1163	Cushion	2
6	B223 4524	Wire:Stopper:DIA1.5	1
7	B101 1097	Rubber Foot:H5	6
8	D009 4595	Rear Guide - Duplex Unit Set	1
9	D009 4594	Front Guide - Duplex Unit Set	1
10	AA14 3404	Stepped Screw - M4	1
11	B223 4523	Link:Stopper	1
12	B223 1120	Bracket:Paper Feed Unit	1
13	B223 1245	Cap:Grip	1
14	B223 1101	Grip:Front	1
15	B223 1102	Bracket:Grip:Right Front	2
16	D009 1093	Stopper Bracket - Grip	1
17	B223 2702	Heat Sink:Heater:NA	1
17	B223 2703	Heat Sink:Heater:EU	1
18	D011 1252	Decal:Main Switch:On-Standby	1
18	D011 1253	Decal:Main Switch:On-Standby:EU	1
19	D009 4575	Gasket:Duplex Unit	1
20	B223 2846	Bracket:Cover:Harness	1
21	B223 2848	Cover:Harness	2
22	D009 8495	Heater:Paper Feed:Option:NA:Ass'y	1
22	D009 8493	Heater:Paper Feed:Option:EU:Ass'y	1

Index No.	Part No.	Description	Q'ty Per Assembly
101	0454 3006Q	Tapping Screw - M3x6	
102	0451 3008N	Tapping Screw - M3x8	
103	0805 0088	Retaining Ring - M6	
104	0802 5305	Tapping Screw - M3x6	
105	0802 5299	Tapping Screw - M3x8	
106	1105 0522	Edge Saddle - LES0510	



34.Controller Board (G179)

BAT

SYMBOL NO.	INDEX NO.
BAT1	115

CAPACITOR

SYMBOL NO.	INDEX NO.
---	---
---	---
---	---
C4	187
C5	185
C6	178
C7	181
C8	176
C9	178
C10	202

SYMBOL NO.	INDEX NO.
C11	187
C12	189
C13	175
C14	209
---	---
---	---
C17	187
---	---
C19	187
C20	189

SYMBOL NO.	INDEX NO.
C21	187
---	---
C23	187
C24	175
C25	185
---	---
C27	174
C28	174
C29	185
C30	209

SYMBOL NO.	INDEX NO.
C31	185
C32	173
C33	202
---	---
---	---
---	---
---	---
---	---
C39	173
---	---

SYMBOL NO.	INDEX NO.
C41	178
C42	180
C43	200
C44	186
C45	178
C46	187
C47	203
C48	184
C49	209
C50	175

SYMBOL NO.	INDEX NO.
C51	187
C52	187
---	---
C54	187
C55	187
C56	175
C57	187
C58	187
C59	187
C60	187

CAPACITOR

SYMBOL NO.	INDEX NO.
C61	184
C62	199
C63	199
C64	181
---	---
C66	187
C67	196
C68	187
C69	196
C70	191

SYMBOL NO.	INDEX NO.
C71	180
C72	188
C73	181
C74	187
C75	187
C76	205
C77	187
C78	181
C79	187
C80	184

SYMBOL NO.	INDEX NO.
---	---
---	---
---	---
C84	184
---	---
C86	184
---	---
C88	191
C89	189
C90	184

SYMBOL NO.	INDEX NO.
---	---
---	---
---	---
---	---
---	---
---	---
---	---
C98	175
---	---

SYMBOL NO.	INDEX NO.
---	---
C102	178
C103	181
C104	177
---	---
---	---
C107	175
---	---
---	---

SYMBOL NO.	INDEX NO.
C111	176
---	---
---	---
---	---
C115	181
C116	187
---	---
C118	180
C119	209
C120	181

SYMBOL NO.	INDEX NO.
C121	175
---	---
---	---
C124	172
C125	187
C126	187
C127	187
C128	187
C129	176
C130	192

34.Controller Board (G179)

CAPACITOR

SYMBOL NO.	INDEX NO.	SYMBOL NO.	INDEX NO.	SYMBOL NO.	INDEX NO.	SYMBOL NO.	INDEX NO.	SYMBOL NO.	INDEX NO.	SYMBOL NO.	INDEX NO.	SYMBOL NO.	INDEX NO.
C131	181	C141	192	C151	172	C161	187	C171	187	C181	187	C191	189
C132	184	C142	192	C152	181	C162	187	C172	187	C182	198	C192	189
C133	189	C143	181	---	---	C163	199	C173	198	C183	181	C193	181
C134	175	C144	185	C154	184	C164	181	---	---	C184	181	C194	196
C135	299	C145	181	---	---	C165	202	C175	181	C185	187	C195	185
C136	184	C146	181	C156	198	---	---	C176	187	C186	184	C196	181
C137	192	C147	185	C157	181	C167	202	C177	187	C187	184	C197	179
C138	209	C148	172	---	---	---	---	C178	179	C188	181	C198	187
C139	192	---	---	C159	187	C169	187	C179	187	C189	187	C199	185
C140	192	C150	181	C160	187	C170	196	C180	187	C190	187	C200	180

CAPACITOR

SYMBOL NO.	INDEX NO.	SYMBOL NO.	INDEX NO.	SYMBOL NO.	INDEX NO.	SYMBOL NO.	INDEX NO.	SYMBOL NO.	INDEX NO.	SYMBOL NO.	INDEX NO.	SYMBOL NO.	INDEX NO.
C201	179	C211	199	C221	196	C231	185	C241	187	C251	180	C261	181
C202	181	C212	187	C222	185	C232	179	C242	184	C252	187	C262	184
C203	185	C213	189	C223	179	C233	194	C243	187	C253	187	C263	184
C204	181	C214	185	C224	181	C234	187	C244	187	C254	184	C264	184
C205	199	C215	185	C225	196	C235	181	C245	181	C255	181	C265	181
C206	181	C216	179	C226	185	C236	179	---	---	C256	187	C266	187
C207	184	C217	199	C227	181	C237	184	C247	207	C257	187	C267	174
C208	196	C218	203	C228	197	C238	201	C248	187	C258	179	C268	184
C209	179	C219	181	C229	185	C239	187	C249	187	C259	181	C269	184
C210	179	C220	187	C230	185	C240	187	C250	196	C260	181	C270	181

34.Controller Board (G179)

CAPACITOR

SYMBOL NO.	INDEX NO.	SYMBOL NO.	INDEX NO.	SYMBOL NO.	INDEX NO.	SYMBOL NO.	INDEX NO.	SYMBOL NO.	INDEX NO.	SYMBOL NO.	INDEX NO.	SYMBOL NO.	INDEX NO.
C271	184	C281	187	C291	184	C301	181	C311	184	C321	196	C331	187
C272	181	C282	187	C292	187	C302	190	C312	184	C322	181	C332	181
C273	181	C283	196	C293	196	C303	181	C313	184	C323	184	C333	196
C274	181	C284	174	C294	177	C304	190	C314	184	C324	184	C334	196
C275	184	C285	203	C295	181	C305	181	C315	184	C325	196	C335	185
C276	181	C286	187	C296	184	C306	181	C316	184	C326	184	C336	181
C277	181	C287	181	C297	181	C307	181	C317	181	C327	199	C337	179
C278	187	C288	184	C298	190	C308	181	C318	201	C328	203	C338	179
C279	181	C289	181	C299	181	C309	184	C319	187	C329	185	C339	185
C280	184	C290	184	C300	190	C310	203	C320	181	C330	187	C340	189

CAPACITOR

SYMBOL NO.	INDEX NO.	SYMBOL NO.	INDEX NO.	SYMBOL NO.	INDEX NO.	SYMBOL NO.	INDEX NO.	SYMBOL NO.	INDEX NO.	SYMBOL NO.	INDEX NO.	SYMBOL NO.	INDEX NO.
C341	181	C351	194	C361	187	C371	187	C381	181	C391	184	C401	202
C342	187	---	---	C362	181	C372	187	C382	184	C392	202	C402	202
C343	181	C353	181	C363	184	C373	187	C383	184	C393	181	C403	202
C344	181	C354	181	C364	184	C374	181	C384	184	C394	184	---	---
C345	184	C355	184	C365	187	C375	184	C385	181	C395	184	---	---
C346	196	C356	181	C366	187	C376	184	C386	184	C396	179	C406	187
C347	184	C357	180	C367	203	C377	184	C387	181	C397	179	C407	181
C348	203	C358	199	C368	203	C378	181	C388	184	---	---	C408	184
C349	187	C359	184	C369	196	C379	203	C389	181	---	---	C409	184
C350	181	C360	187	C370	181	C380	181	C390	181	---	---	C410	202

34.Controller Board (G179)

CAPACITOR

SYMBOL NO.	INDEX NO.	SYMBOL NO.	INDEX NO.	SYMBOL NO.	INDEX NO.	SYMBOL NO.	INDEX NO.	SYMBOL NO.	INDEX NO.	SYMBOL NO.	INDEX NO.	SYMBOL NO.	INDEX NO.
C411	189	C421	181	C431	196	C441	187	C451	187	C461	181	---	---
C412	202	C422	179	C432	202	C442	181	C452	187	C462	187	---	---
C413	189	C423	203	C433	202	C443	179	C453	187	C463	181	C473	187
C414	202	C424	202	C434	202	C444	187	C454	184	C464	184	C474	187
C415	204	C425	184	C435	202	C445	181	C455	180	---	---	C475	184
C416	196	C426	189	C436	202	C446	187	C456	181	C466	187	C476	181
C417	189	C427	181	C437	187	C447	187	C457	181	C467	181	C477	184
C418	187	C428	189	C438	187	C448	196	C458	187	---	---	C478	181
C419	187	C429	202	C439	187	C449	187	C459	181	C469	196	C479	183
C420	187	C430	202	C440	181	C450	195	C460	187	C470	203	---	---

CAPACITOR

SYMBOL NO.	INDEX NO.	SYMBOL NO.	INDEX NO.	SYMBOL NO.	INDEX NO.	SYMBOL NO.	INDEX NO.	SYMBOL NO.	INDEX NO.	SYMBOL NO.	INDEX NO.	SYMBOL NO.	INDEX NO.
C481	187	---	---	C501	194	C511	187	C521	201	C531	180	C541	298
---	---	C492	189	C502	181	---	---	---	---	C532	180	C542	298
C483	184	C493	187	C503	184	C513	206	C523	181	---	---	C543	297
C484	203	C494	180	C504	187	C514	201	C524	182	---	---	C544	296
---	---	C495	181	---	---	C515	207	C525	181	---	---	C545	181
---	---	C496	202	C506	184	C516	207	C526	206	C536	184	C546	184
---	---	C497	180	---	---	---	---	C527	184	C537	184	C547	203
C488	184	C498	181	C508	192	C518	187	C528	184	---	---	C548	175
---	---	C499	184	C509	181	C519	187	---	---	C539	296	C549	176
C490	181	---	---	C510	184	C520	181	C530	180	C540	297	C550	296

34.Controller Board (G179)

CAPACITOR

SYMBOL NO.	INDEX NO.	SYMBOL NO.	INDEX NO.	SYMBOL NO.	INDEX NO.	SYMBOL NO.	INDEX NO.	SYMBOL NO.	INDEX NO.	SYMBOL NO.	INDEX NO.	SYMBOL NO.	INDEX NO.
C551	297	C561	298	C571	296	---	---	C597	181	C611	181	C621	184
C552	298	---	---	C572	297	---	---	C598	196	C612	181	C622	194
C553	298	C563	201	C573	298	C583	193	C599	196	C613	181		
C554	297	C564	298	C574	298	C584	172	C600	194	C614	202		
C555	296	C565	297	C575	297	C585	192	C601	207	C615	181		
---	---	C566	296	C576	296	C586	187	C603	203				
C557	203	C567	192	C577	172	C587	187	C604	208	C616	181		
C558	176	C568	192	C578	187	C588	187	C606	189	C617	187		
C559	296	C569	192	---	---	C589	187	C608	196	C618	187		
C560	297	C570	187	---	---	C590	187	C609	199	C619	187		
								C610	187	C620	208		

CAPACITOR

SYMBOL NO.	INDEX NO.
CN701	101
CN702	109
---	---
CN703	105
CN705	106
CN706	106
CN707	107
CN708	104
CN709	108
CN710	103

SYMBOL NO.	INDEX NO.
CN711	102

DIODE

SYMBOL NO.	INDEX NO.
D1	124
D2	124
D3	124
D4	123
D5	122
---	---
D7	122
D8	125

FIL

SYMBOL NO.	INDEX NO.
FIL1	211
FIL2	211
FIL3	212
FIL4	216
FIL5	216
FIL6	215
FIL7	210
FIL8	212
FIL9	212
FIL10	212

SYMBOL NO.	INDEX NO.
FIL11	213
FIL12	213
FIL13	210
FIL14	210
FIL15	210
FIL16	213
FIL17	215

FUSE

SYMBOL NO.	INDEX NO.
FU1	113
FU2	111
FU3	112

IC

SYMBOL NO.	INDEX NO.
IC1	146
IC2	153
IC3	302
IC4	142
IC5	157
IC6	145
IC7	144
IC8	302
IC9	151
IC10	158

34.Controller Board (G179)

IC

SYMBOL NO.	INDEX NO.	SYMBOL NO.	INDEX NO.	SYMBOL NO.	INDEX NO.	SYMBOL NO.	INDEX NO.	SYMBOL NO.	INDEX NO.	SYMBOL NO.	INDEX NO.	SYMBOL NO.	INDEX NO.
---	---	IC21	143	IC31	301	IC41	302	---	---	IC61	138	---	---
---	---	---	---	---	---	IC42	133	---	---	IC62	155	IC72	154
IC13	140	IC23	149	IC33	134	IC43	136	---	---	IC63	131	IC73	135
---	---	IC24	130	IC34	134	IC44	134	IC54	134	---	---	IC74	154
---	---	IC25	110	IC35	302	IC45	300	---	---	IC65	154		
---	---	IC26	110	---	---	IC46	152	IC56	149	---	---		
IC17	159	IC27	135	IC37	147	---	---	IC57	154	IC67	137		
---	---	---	---	---	---	IC48	132	IC58	129	IC68	136		
IC19	141	---	---	---	---	IC49	156	IC59	148	---	---		
IC20	150	---	---	IC40	139	---	---	IC60	149	---	---		

L

SYMBOL NO.	INDEX NO.
L1	217
L2	217
L3	214
L4	218
L5	218
L6	219

LED

SYMBOL NO.	INDEX NO.
LED1	128
LED2	127
LED3	126

OSC

SYMBOL NO.	INDEX NO.
OSC1	161
OSC2	160
OSC3	163
OSC4	162
OSC5	164

Q

SYMBOL NO.	INDEX NO.
Q1	119
Q2	119
Q3	121
Q4	120
Q5	121
Q6	120
---	---
Q8	117
Q9	118
Q10	121

SYMBOL NO.	INDEX NO.
Q11	116
Q12	116

RESISTOR

SYMBOL NO.	INDEX NO.
R1	232
R2	232
R3	278
R4	232
R5	232
R6	232
R7	278
R8	264
R9	282
R10	259

SYMBOL NO.	INDEX NO.
R11	264
R12	232
R13	288
---	---
R15	266
R16	262
R17	232
R18	249
R19	277
R20	289

34.Controller Board (G179)

RESISTOR

SYMBOL NO.	INDEX NO.	SYMBOL NO.	INDEX NO.	SYMBOL NO.	INDEX NO.	SYMBOL NO.	INDEX NO.	SYMBOL NO.	INDEX NO.	SYMBOL NO.	INDEX NO.	SYMBOL NO.	INDEX NO.
R21	277	R31	266	R41	283	R51	267	R61	260	R71	260	R81	251
R22	289	R32	251	R42	283	R52	260	R62	239	R72	266	R82	251
R23	266	R33	257	R43	251	R53	239	R63	267	R73	287	R83	249
R24	289	R34	263	R44	239	R54	251	R64	249	R74	264	R84	287
R25	287	R35	278	R45	239	R55	291	R65	260	---	---	R85	267
R26	266	R36	267	R46	267	R56	287	R66	233	R76	287	R86	279
R27	279	R37	267	R47	282	R57	260	R67	260	R77	278	R87	267
R28	287	R38	273	R48	267	R58	239	R68	249	R78	278	R88	279
R29	289	---	---	R49	249	R59	279	R69	279	R79	267	R89	267
R30	249	---	---	R50	282	R60	267	R70	233	R80	293	R90	279

RESISTOR

SYMBOL NO.	INDEX NO.	SYMBOL NO.	INDEX NO.	SYMBOL NO.	INDEX NO.	SYMBOL NO.	INDEX NO.	SYMBOL NO.	INDEX NO.	SYMBOL NO.	INDEX NO.	SYMBOL NO.	INDEX NO.
R91	268	R101	246	R111	279	R121	287	R131	238	R141	238	R151	267
---	---	R102	274	R112	264	---	---	R132	266	R142	239	---	---
R93	279	R103	279	R113	266	R123	268	R133	266	---	---	R153	267
R94	267	R104	249	---	---	R124	267	R134	266	---	---	R154	266
R95	293	---	---	---	---	R125	237	R135	294	R145	238	R155	266
R96	281	R106	293	R116	287	R126	249	R136	294	---	---	R156	266
R97	267	---	---	R117	287	R127	243	R137	279	R147	239	R157	245
R98	280	R108	251	R118	268	R128	287	R138	245	R148	284	R158	245
R99	279	R109	287	R119	238	R129	279	---	---	R149	251	R159	292
R100	267	R110	279	R120	275	R130	267	R140	245	R150	279	R160	238

34.Controller Board (G179)

RESISTOR

SYMBOL NO.	INDEX NO.	SYMBOL NO.	INDEX NO.	SYMBOL NO.	INDEX NO.	SYMBOL NO.	INDEX NO.	SYMBOL NO.	INDEX NO.	SYMBOL NO.	INDEX NO.	SYMBOL NO.	INDEX NO.
R161	249	R171	279	R181	249	R191	232	---	---	---	---	---	---
---	---	R172	279	R182	239	---	---	---	---	R212	240	R222	261
R163	279	R173	279	R183	239	---	---	---	---	R213	228	R223	239
R164	286	R174	279	R184	279	R194	239	R204	249	R214	228	R224	232
R165	249	---	---	R185	249	R195	264	---	---	---	---	R225	264
R166	248	R176	242	R186	238	---	---	---	---	---	---	R226	238
R167	249	R177	285	---	---	R197	269	R207	238	---	---	R227	290
R168	249	R178	238	---	---	R198	239	R208	274	R218	240	R228	261
R169	264	R179	239	R189	238	---	---	---	---	---	---	---	---
R170	279	R180	279	R190	285	---	---	---	---	---	---	R230	261

RESISTOR

SYMBOL NO.	INDEX NO.	SYMBOL NO.	INDEX NO.	SYMBOL NO.	INDEX NO.	SYMBOL NO.	INDEX NO.	SYMBOL NO.	INDEX NO.	SYMBOL NO.	INDEX NO.	SYMBOL NO.	INDEX NO.
R231	261	R241	249	R251	239	---	---	R271	239	---	---	R291	242
R232	238	---	---	R252	239	R262	258	R272	265	R282	233	R292	232
R233	238	R243	304	R253	240	R263	265	R273	264	R283	258	R293	237
---	---	R244	261	R254	238	R264	264	R274	249	R284	239	R294	242
R235	233	R245	261	R255	249	---	---	R275	239	R285	238	R295	239
---	---	R246	233	R256	303	---	---	R276	258	---	---	---	---
---	---	R247	261	R257	239	---	---	R277	239	R287	264	R297	239
R238	239	R248	249	R258	249	---	---	---	---	R288	264	R298	239
R239	249	---	---	R259	264	---	---	R279	249	R289	238	---	---
R240	249	---	---	R260	264	---	---	---	---	R290	232	---	---

34.Controller Board (G179)

RESISTOR

SYMBOL NO.	INDEX NO.	SYMBOL NO.	INDEX NO.	SYMBOL NO.	INDEX NO.	SYMBOL NO.	INDEX NO.	SYMBOL NO.	INDEX NO.	SYMBOL NO.	INDEX NO.	SYMBOL NO.	INDEX NO.
R301	239	R311	249	R321	232	R331	232	---	---	---	---	R361	239
R302	249	R312	232	R322	237	---	---	R342	237	---	---	---	---
R303	249	---	---	R323	249	R333	278	---	---	R353	232	R363	251
R304	249	R314	239	R324	249	---	---	---	---	---	---	R364	232
R305	249	---	---	R325	239	R335	273	---	---	---	---	R365	232
R306	249	---	---	---	---	---	---	R346	266	R356	232	---	---
R307	239	R317	239	R327	239	R337	232	---	---	R357	251	---	---
R308	239	R318	253	R328	239	---	---	R348	287	R358	251	R368	237
R309	249	R319	232	R329	239	R339	278	---	---	R359	279	R369	239
R310	249	R320	232	---	---	---	---	---	---	---	---	---	---

RESISTOR

SYMBOL NO.	INDEX NO.	SYMBOL NO.	INDEX NO.	SYMBOL NO.	INDEX NO.	SYMBOL NO.	INDEX NO.	SYMBOL NO.	INDEX NO.	SYMBOL NO.	INDEX NO.	SYMBOL NO.	INDEX NO.
R371	247	R381	249	R391	285	R401	287	R411	241	R421	279	---	---
R372	278	R382	268	R392	233	R402	233	R412	230	---	---	R432	279
R373	249	R383	268	R393	267	R403	287	R413	229	R423	285	R433	267
R374	249	---	---	R394	272	R404	267	R414	267	R424	293	R434	279
R375	279	R385	285	R395	293	R405	267	R415	237	---	---	R435	267
R376	270	R386	268	R396	293	R406	241	---	---	R426	279	R436	250
R377	278	R387	268	R397	233	---	---	R417	267	R427	293	R437	267
R378	278	R388	267	R398	267	R408	233	R418	285	R428	250	R438	271
R379	278	R389	293	R399	267	R409	267	R419	293	R429	264	R439	249
R380	278	R390	285	---	---	R410	267	R420	267	R430	264	R440	267

34.Controller Board (G179)

RESISTOR

SYMBOL NO.	INDEX NO.	SYMBOL NO.	INDEX NO.	SYMBOL NO.	INDEX NO.	SYMBOL NO.	INDEX NO.	SYMBOL NO.	INDEX NO.	SYMBOL NO.	INDEX NO.	SYMBOL NO.	INDEX NO.
R441	267	R451	238	R461	267	---	---	R481	239	R491	276	R501	285
R442	264	R452	249	R462	279	---	---	R482	238	R492	264	R502	285
---	---	R453	293	R463	239	---	---	R483	239	R493	264	---	---
R444	267	---	---	R464	239	---	---	R484	266	---	---	R504	239
R445	267	---	---	---	---	---	---	---	---	R495	267	---	---
R446	279	---	---	---	---	---	---	---	---	R496	285	R506	239
R447	266	R457	238	---	---	R477	267	R487	249	R497	249	---	---
R448	230	R458	231	R468	267	R478	249	R488	267	---	---	R508	232
---	---	---	---	R469	249	R479	249	R489	239	R499	267	R509	267
R450	267	R460	267	R470	239	R480	238	R490	249	R500	268	R510	268

RESISTOR

SYMBOL NO.	INDEX NO.	SYMBOL NO.	INDEX NO.	SYMBOL NO.	INDEX NO.	SYMBOL NO.	INDEX NO.	SYMBOL NO.	INDEX NO.	SYMBOL NO.	INDEX NO.	SYMBOL NO.	INDEX NO.
---	---	R521	245	R531	268	R541	279	R551	249	---	---	R571	237
---	---	---	---	R532	238	R542	279	R552	249	R562	279	R572	250
R513	238	R523	238	R533	266	R543	245	R553	279	R563	249	R573	251
R514	232	R524	239	R534	266	R544	245	R554	249	---	---	---	---
---	---	---	---	R535	268	R545	238	R555	244	R565	279	---	---
---	---	R526	237	R536	249	R546	279	R556	239	R566	242	R576	238
R517	239	R527	245	R537	279	R547	279	---	---	R567	242	R577	238
R518	285	R528	239	R538	266	R548	245	R558	245	---	---	R578	255
R519	245	R529	238	R539	249	R549	237	R559	244	R569	239	R579	255
---	---	---	---	R540	279	R550	249	R560	244	R570	279	R580	255

34.Controller Board (G179)

RESISTOR

SYMBOL NO.	INDEX NO.	SYMBOL NO.	INDEX NO.	SYMBOL NO.	INDEX NO.	SYMBOL NO.	INDEX NO.	SYMBOL NO.	INDEX NO.	SYMBOL NO.	INDEX NO.	SYMBOL NO.	INDEX NO.
R581	255	R591	251	---	---	R611	239	R621	278	R631	239	---	---
R582	255	R592	251	R602	278	R612	249	R622	238	---	---	R642	251
R583	255	R593	239	R603	278	R613	252	R623	238	R633	249	R643	268
---	---	R594	251	R604	278	R614	252	R624	238	R634	250	R644	254
R585	250	R595	234	---	---	---	---	---	---	R635	264	R645	252
R586	250	R596	236	---	---	R616	249	---	---	---	---	R646	282
R587	278	R597	236	R607	264	---	---	---	---	---	---	R647	278
R588	252	---	---	R608	264	R618	252	R628	267	---	---	---	---
---	---	R599	235	R609	295	R619	278	---	---	R639	238	---	---
R590	264	R600	248	R610	232	R620	252	---	---	---	---	---	---

RESISTOR

SYMBOL NO.	INDEX NO.	SYMBOL NO.	INDEX NO.	SYMBOL NO.	INDEX NO.	SYMBOL NO.	INDEX NO.	SYMBOL NO.	INDEX NO.	SYMBOL NO.	INDEX NO.	SYMBOL NO.	INDEX NO.
---	---	R661	249	R671	249	R681	232	R691	233	---	---	R711	245
R652	251	R662	282	R672	249	R682	232	R692	256	---	---	---	---
---	---	---	---	---	---	R683	233	R693	232	R703	233	---	---
---	---	---	---	---	---	R684	233	R694	233	---	---	R714	232
---	---	R665	264	R675	279	---	---	R695	232	R705	264	---	---
---	---	---	---	R676	279	---	---	---	---	---	---	---	---
---	---	R667	267	R677	266	R687	249	R697	233	---	---	R717	232
R658	249	R668	249	---	---	R688	249	R698	233	R708	266	---	---
R659	264	R669	249	R679	279	R689	233	R699	245	R709	264	R719	232
R660	249	R670	249	---	---	R690	233	R700	232	R710	239	R720	245

34.Controller Board (G179)

RESISTOR

SYMBOL NO.	INDEX NO.
R721	245
R722	245
---	---
---	---
R725	245
---	---
---	---
---	---
---	---
---	---

SYMBOL NO.	INDEX NO.
---	---
---	---
---	---
R734	264
---	---
---	---
---	---
---	---
R739	232
---	---

SYMBOL NO.	INDEX NO.
---	---
---	---
---	---
---	---
R765	249
---	---
R766	249

RN

SYMBOL NO.	INDEX NO.
RN1	167
RN2	222
RN3	165
RN4	169
RN5	220
---	---
RN6	165
RN7	167
RN8	225
RN9	225
RN10	224

SYMBOL NO.	INDEX NO.
RN11	224
RN12	222
RN13	224
RN14	226
RN15	168
---	---
RN16	166
RN17	226
RN18	222
RN19	225
RN20	221

SYMBOL NO.	INDEX NO.
RN21	167
RN22	221
RN23	170
RN24	225
RN25	167
---	---
RN26	223
RN27	221
RN28	167
RN29	223
RN30	220

SYMBOL NO.	INDEX NO.
RN31	220
RN32	220
RN33	220
RN34	223
RN35	221
---	---
RN36	165
RN37	223
RN38	223
RN39	165
RN40	221

RN

SYMBOL NO.	INDEX NO.
RN41	223
RN42	222
RN43	221
RN44	169
RN45	165
---	---
RN46	165
RN47	165
RN48	221
---	---
RN50	223

SYMBOL NO.	INDEX NO.
RN51	168
RN52	221
RN53	227
RN54	227
RN55	220
---	---
RN56	224
---	---
RN58	165
---	---
RN60	224

SYMBOL NO.	INDEX NO.
---	---
RN62	165
---	---
RN64	227
RN65	226
---	---
RN66	220
RN67	227
RN68	171
RN69	221
RN70	220

SYMBOL NO.	INDEX NO.
RN71	226
RN72	223
RN73	220
RN74	171
RN75	167
---	---
RN76	226
---	---
RN78	226
RN79	221
RN80	220

SW

SYMBOL NO.	INDEX NO.
RN81	170

SYMBOL NO.	INDEX NO.
SW2	114

34.Controller Board (G179)

Index No.	Part No.	Description	Q'ty Per Assembly
*	G179 5706	PCB:Controller	1

Index No.	Part No.	Description	Q'ty Per Assembly
101	1102 6790	Conector - 100R-LT-N1	
102	1102 7615	Connector - B8B-XH-A	
103	1102 8212	Connector:TX24-50R-10ST-H1E	
104	1102 8329	Connector - USB - UBB-4R-D14C	
105	1102 9079	Connector - RHM-88PL-SDK11-1	
106	1102 9336	Connector:FPS009-2300-0	
107	1102 9890	Connector:5-1605706-2	
108	1102 9956	Connector:UBA-4R-D14T-4D(LF)(SN)	
109	1103 4043	Connector:87825-1001	
110	1104 0821	IC Socket:16008-B0A0020N	
111	1107 1083	Fuse:SST 4	
112	1107 1099	Fuse SST 5	
113	1109 0009	Fuse:MINISMDC075F	
114	1204 2791	Dip Switch:DM-04-V	
115	1206 0124	Lithium Cell:CR2032VO4H/Z	
116	1401 1318	FET - HAT2198R	
117	1401 1414	FET:SI3433BDV-E3	
118	1401 1415	FET:SI3434DV-E3	
119	1401 1448	FET:SI3447BDV-E3	
120	1401 1466	FET:SI4800BDY-E3	
121	1401 1475	FET:SI3867DV-E3	
122	1402 1336	Diode - 1SS355	
123	1402 1365	Diode-RB751V-40	
124	1402 1929	Diode:RB160M-30	
125	1402 2039	Diode:RSX301LA-30	
126	1403 0953	LED - SML-310MT	
127	1403 0978	LED - SML-310DT	
128	1403 1131	LED:SML-311UT	
129	1407 4919	IC - 74VHCT244 TSSOP	
130	1407 5009	CMOS Logic:TC7SET04FU	
131	1407 5190	CMOS Logic:TC7SZ08FU	
132	1407 5195	CMOS Logic:TC7SZ05FU	
133	1407 5300	CMOS Logic - 74LVC16244A TSSOP	
134	1407 5351	IC - SN74LV14APW	
135	1407 5482	IC - SN74LVC07APW	

Index No.	Part No.	Description	Q'ty Per Assembly
136	1407 5520	IC - SN74LVC125APW	
137	1407 5523	ROM - I2C SOP 3V	
138	1407 5528	IC - SN74LVC126APW	
139	1407 5604	IC - SN74LVC16245ADGG	
140	1407 6145	IC:SN74LVC373APW	
141	1407 6265	Real Time Clock:R2025S	
142	1407 6386	CPU:RM7035C-533L-REV1.1	
143	1407 6400	Clock Generator - ICS960013BFLF	
144	1407 6671	USB Controller:UPD720102GC-YEB-A	
145	1407 6723	Custom IC:CORNET	
146	1407 6741	LAN Controller LSI:DP83848JSQ/NOPB	
147	1407 6801	CMOS Logic:TC7PA17FU	
148	1407 6803	CMOS Logic:TC7SZ07FU	
149	1407 6853	CMOS Logic:HD74LV1GW17ACM	
150	1407 6863	Controller:ST19WP18FT28PVG1	
151	1407 6898	CMOS Logic:TC7WH126FK	
152	1407 6899	CMOS Logic:TC7WH125FK	
153	1407 6944	USB Controller IC:ST72681/R21	
154	1407 6951	CMOS Logic:TC7MBL3245SFK	
155	1408 1826	IC - R3112Q421A	
156	1408 2053	IC:R3112Q291A-FA	
157	1408 2087	IC:LTC3736EUF#TRPBF	
158	1408 2463	DDR Terminator - TPS51116PWP4	
159	1408 2484	IC:LTC3808EDE#PBF	
160	1503 1138	Crystal Oscilator - 48MHz	
161	1503 1355	Crystal Oscilator:25MHz	
162	1503 1362	Crystal Oscilator:30MHz	
163	1503 1363	Crystal Oscilator:12MHz	
164	1503 1379	Crystal Oscilator:14.31818MHz	
165	1601 7887	Resistor Array - 10K Ω \pm 5% 1/32W	
166	1601 7896	Resistor Array - 56 Ω \pm 5% 1/32W	
167	1601 7898	Resistor Array	
168	1601 7913	Resistor 22 Ω \pm 5% 1/32W	
169	1601 7914	Resistor Array - 47 Ω \pm 5%	
170	1601 7959	Resistor	

Index No.	Part No.	Description	Q'ty Per Assembly
171	1601 7981	Resistor Array - 100K Ω \pm 5%1/16W	
172	1605 1124	Capacitor - 4.7 μ F+80 -20% 10V	
173	1605 1197	Capacitor - 6pF \pm 0.5pF 50V	
174	1605 1199	Capacitor - 8pF \pm 0.5pF 50V	
175	1605 1200	Capacitor - 10pF \pm 0.5pF 50V	
176	1605 1204	Capacitor-pF50V	
177	1605 1206	Capacitor - 47pF \pm 5% 50V	
178	1605 1208	Capacitor:100pF: \pm 5%:50V	
179	1605 1211	Capacitor - 220pF \pm 10% 50V	
180	1605 1212	Capacitor - 470pF \pm 10% 50V	
181	1605 1214	Capacitor - 1000pF \pm 10% 50V	
182	1605 1216	Capacitor - 2200pF \pm 10%50V	
183	1605 1218	Capacitor:4700pF: \pm 10%:25V	
184	1605 1221	Capacitor - 0.1 μ F+80-20%16V	
185	1605 1240	Capacitor - 0.01 μ F \pm 10% 25V	
186	1605 1284	Capacitor:1500pF: \pm 10%:50V	
187	1605 1289	Capacitor - 0.1 μ F \pm 10% 10V	
188	1605 1293	Capacitor - 27pF \pm 5%50V	
189	1605 1295	Capacitor:10 μ F:+80-20%:10V	
190	1605 1296	Capacitor - 330pF \pm 10% 50V	
191	1605 1301	Capacitor-6800pF \pm 10% 50V	
192	1605 1306	Capacitor - 1 μ F \pm 10% 10V	
193	1605 1307	Capacitor - 2.2 μ F+80-20% 11V	
194	1605 1358	Capacitor - 10 μ F \pm 10% 10V	
195	1605 1376	Capacitor - 0.033 μ F- \pm 10%:25V	
196	1605 1406	Capacitor - 10 μ F \pm 10% 6.3V	
197	1605 1451	Capacitor:0.47 μ F: \pm 10%:6.3V	
198	1605 1452	Capacitor - 1 μ F \pm 10% 6.3V	
199	1605 1474	Capacitor - 47 μ F \pm 20% 6.3V	
200	1605 1475	Resistor - 1 μ F \pm 10% 16V	
201	1605 1563	Capacitor:10 μ F: \pm 10%:10V	
202	1605 1583	Capacitor - 0.1 μ F: \pm 10%:16V	
203	1605 1587	Capacitor:22 μ F: \pm 20%:6.3V	
204	1605 1602	Capacitor:3.3 μ F: \pm 10%:6.3V	
205	1605 1605	Capacitor - 4.7 μ F \pm 10% 10V	

Index No.	Part No.	Description	Q'ty Per Assembly
206	1605 1607	Capacitor:22 μ F:+80-20%:6.3V	
207	1605 1681	Capacitor:22 μ F: \pm 20%:10V	
208	1605 1689	Capacitor:100 μ F: \pm 20%:6.3V	
209	1606 2319	Capacitor:100 μ F: \pm 20%:6.3V	
210	1607 1014	Emi Filter - BLM11P600SPB	
211	1607 1051	Filter -FBMJ2125HS420	
212	1607 1061	Filter - BLM11P300SPB	
213	1607 1199	Filter - BLM21PG600SN1B	
214	1607 1556	Inductor:RLF7030-1R5N6R1	
215	1607 1567	Filter:MPZ2012S101A	
216	1607 1572	Filter:MPZ1608S101A	
217	1607 1637	Coil:ACM2012-900-2P	
218	1607 1827	Inductor:RLF7030-2R2M5R4	
219	1607 1946	Inductor:VLF10040-2R2N7R1	
220	1609 0005	Resistor:33 Ω : \pm 5%:1/16W	
221	1609 0006	Resistor:10K Ω : \pm 5%:1/16W	
222	1609 0007	Resistor - 68 Ω \pm 5% 1/16W	
223	1609 0011	Resistor:22 Ω : \pm 5%:1/16W	
224	1609 0016	Resistor:56 Ω : \pm 5%:1/16W	
225	1609 0020	Resistor:10 Ω : \pm 5%:1/16W	
226	1609 0026	Resistor - 47 Ω \pm 5% 1/16W	
227	1609 0027	Resistor - 100K Ω \pm 5% 1/16W	
228	1610 1900	Resistor:56K Ω : \pm 0.5%:1/16W 1005	
229	1610 2045	Resistor:115K Ω : \pm 0.1%:1/10W:2125	
230	1610 2046	Resistor:25.5K Ω : \pm 0.1%:1/10W:2125	
231	1610 2047	Resistor:30.1K Ω : \pm 0.1%:1/10W:2125	
232	1633 0000	Resistor - 0 Ω 1/10W	
233	1634 0000	Resistor - 0 Ω 1/16W	
234	1650 4101	Resistor - 100 Ω \pm 5%1/10W	
235	1650 4470	Resistor - 47 Ω \pm 5%1/10W	
236	1650 4472	Resistor - 4.7K Ω \pm 5% 1/10W	
237	1650 5101	Chip Resistor - 100 Ω \pm 5%1/16W	
238	1650 5102	Chip Resistor - 1K Ω \pm 5%1/16W	
239	1650 5103	Chip Resistor - 10K Ω \pm 5%1/16W	
240	1650 5104	Chip Resistor - 100K Ω \pm 5%1/16W	

Index No.	Part No.	Description	Q'ty Per Assembly
241	1650 5109	Chip Resistor 1 Ω \pm 5% 1/16W	
242	1650 5122	Chip Resistor - 1.2K Ω \pm 5%1/16W	
243	1650 5152	Chip Resistor:1.5k Ω : \pm 5%:1/16w	
244	1650 5203	Resistor - 20K Ω \pm 5% 1/16W	
245	1650 5220	Resistor - 22 Ω \pm 5% 1/16W	
246	1650 5221	Chip Resistor - 220 Ω \pm 5%1/16W	
247	1650 5222	Resistor - 2.2K Ω \pm 5% 1/16W	
248	1650 5272	Chip Resistor:2.7K Ω : \pm 5%:1/16W	
249	1650 5330	Chip Resistor - 33 Ω \pm 5%1/16W	
250	1650 5470	Chip Resistor 47 Ω \pm 5% 1/16W	
251	1650 5472	Chip Resistor:4.7K Ω : \pm 5%:1/16W	
252	1650 5560	Chip Resistor 56 Ω \pm 5% 1/16W	
253	1650 5621	Chip Resistor 620 Ω \pm 5% 1/16W	
254	1650 5683	Chip Resistor 68K Ω \pm 5% 1/16W	
255	1650 5822	Chip Resistor:8.2K Ω : \pm 5%:1/16W	
256	1654 1002	Resistor - 10K Ω \pm 5%1/10W	
257	1654 1004	Chip Resistor - 1M Ω \pm 1% 1/10W	
258	1654 1009	Resistor - 10 Ω \pm 1% 1/10W	
259	1654 1502	Resistor - 15K Ω \pm 1% 1/10W	
260	1654 1509	Chip Resistor:15 Ω : \pm 1%:1/10W	
261	1654 2209	Resistor - 22 Ω \pm 1% 1/10W	
262	1654 3002	Resistor - 30K Ω \pm 1%1/10W	
263	1654 6800	Resistor - 680 Ω \pm 1% 1/10W	
264	1655 0000	Chip Resistor - 0 Ω \pm 0%1/16W	
265	1655 1000	Chip Resistor:100 Ω : \pm 1%:1/16W	
266	1655 1002	Chip Resistor - 10K Ω \pm 1%1/16W	
267	1655 1003	Chip Resistor - 100K Ω \pm 1%1/16W	
268	1655 1009	Resistor - 10 Ω \pm 1% 1/16W	
269	1655 1109	Resistor:11 Ω : \pm 1%:1/16W:1005	
270	1655 1132	Resistor:11.3K Ω : \pm 1%:1/16W:1005	
271	1655 1200	Resistor - 120 Ω \pm 1% 1/16W	
272	1655 1242	Resistor:12.4K Ω : \pm 1%:1/16W:1005	
273	1655 1501	Chip Resistor 1.5K Ω \pm 1% 1/16W	
274	1655 1502	Resistor - 15K Ω \pm 1% 1/16W	
275	1655 1601	Resistor:1.6K Ω : \pm 1%:1/16W:1005	

35.BICU Board (G179)

CAPACITOR

SYMBOL NO.	INDEX NO.	SYMBOL NO.	INDEX NO.	SYMBOL NO.	INDEX NO.	SYMBOL NO.	INDEX NO.	SYMBOL NO.	INDEX NO.	SYMBOL NO.	INDEX NO.	SYMBOL NO.	INDEX NO.
C1	150	C11	147	C21	198	C31	144	C41	202	---	---	C61	192
C2	149	C12	144	C22	198	C32	143	C42	196	C52	150	C62	144
C3	149	C13	200	C23	198	C33	193	C43	144	---	---	C63	200
C4	150	C14	147	C24	200	C34	194	C44	192	---	---	C64	202
C5	149	C15	144	C25	192	C35	149	C45	143	---	---	C65	143
C6	141	C16	192	C26	202	C36	143	---	---	---	---	C66	192
C7	149	C17	148	C27	192	C37	143	---	---	C57	150	C67	148
C8	150	C18	143	C28	149	C38	144	C48	202	C58	143	C68	142
C9	148	---	---	C29	149	C39	146	C49	144	C59	148	C69	144
C10	143	C20	198	C30	143	C40	196	---	---	C60	143	C70	140

CAPACITOR

SYMBOL NO.	INDEX NO.	SYMBOL NO.	INDEX NO.	SYMBOL NO.	INDEX NO.	SYMBOL NO.	INDEX NO.	SYMBOL NO.	INDEX NO.	SYMBOL NO.	INDEX NO.	SYMBOL NO.	INDEX NO.
---	---	C81	197	C91	149	C101	200	C111	143	C121	149	---	---
C72	144	C82	196	C92	144	C102	150	C112	143	C122	143	C132	144
C73	149	C83	201	C93	150	C103	149	---	---	C123	200	C133	195
C74	144	C84	196	C94	149	C104	143	C114	144	C124	143	C134	143
C75	144	C85	196	C95	143	C105	143	C115	199	C125	197	C135	148
C76	143	C86	144	C96	149	C106	143	C116	144	C126	197	C136	143
C77	149	C87	143	C97	150	C107	149	C117	147	C127	144	C137	148
C78	149	C88	144	C98	200	C108	150	C118	144	C128	144	C138	144
C79	149	C89	149	C99	200	C109	140	C119	143	C129	149	C139	147
C80	197	C90	202	C100	200	C110	144	C120	143	C130	143	C140	197

35.BICU Board (G179)

CAPACITOR

SYMBOL NO.	INDEX NO.
C141	197
C142	197
C143	197
C144	143
C145	148
C146	148
C147	143
C148	143
C149	143
C150	197

SYMBOL NO.	INDEX NO.
C151	197
C152	149
C153	145
C154	144
C155	148
C156	143
C157	143
C158	144
C159	143
C160	144

SYMBOL NO.	INDEX NO.
C161	143
C162	144
C163	148
C164	144
C165	143
C166	144
C167	143
C168	143
C169	143
C170	144

SYMBOL NO.	INDEX NO.
C171	144
C172	148
C173	148
C174	144
C175	143
C176	144
C177	143
C178	143
C179	144
C180	148

SYMBOL NO.	INDEX NO.
C181	144
C182	143
C183	143
C184	144
C185	143
C186	148
C187	148
C188	149
C189	148
C190	196

SYMBOL NO.	INDEX NO.
C191	144
C192	148
C193	144

CA

SYMBOL NO.	INDEX NO.
CA1	151
CA2	151
CA3	151
CA4	151
CA5	151

CONNECTOR

SYMBOL NO.	INDEX NO.
CN1	107
---	---
---	---
---	---
---	---
---	---
---	---
---	---
---	---
---	---

SYMBOL NO.	INDEX NO.
CN101	111
CN102	104
CN103	108
CN104	109
CN105	103
---	---
---	---
CN108	110
---	---
---	---

SYMBOL NO.	INDEX NO.
---	---
CN112	112
CN113	105
---	---
---	---
---	---
---	---
---	---
---	---
---	---

SYMBOL NO.	INDEX NO.
CN121	106

DIODE

SYMBOL NO.	INDEX NO.
D1	119
D2	118
D3	119
D4	119
D5	119

FIL

SYMBOL NO.	INDEX NO.
FIL1	152
FIL2	152
FIL3	153

IC

SYMBOL NO.	INDEX NO.
IC1	137
IC2	133
IC3	128
IC4	130
IC7	136
IC8	123

35.BICU Board (G179)

IC

SYMBOL NO.	INDEX NO.
---	---
IC12	124
IC13	138
IC14	129
IC15	134
IC16	122
IC17	203
---	---
IC19	125
IC20	125

SYMBOL NO.	INDEX NO.
IC21	127
IC22	127
IC23	138
IC24	1
IC25	204
IC26	126
IC27	126
IC28	131
IC29	130
IC30	121

SYMBOL NO.	INDEX NO.
ICS1	113

LED

SYMBOL NO.	INDEX NO.
LED1	120

Q

SYMBOL NO.	INDEX NO.
---	---
Q2	114
Q3	114
Q4	115
Q5	116
Q6	117
Q7	114

RESISTOR

SYMBOL NO.	INDEX NO.
R1	186
R2	185
R3	179
R4	168
---	---
R6	168
R7	171
R8	169
R9	170
R10	170

SYMBOL NO.	INDEX NO.
R11	188
R12	170
R13	190
R14	170
R15	174
R16	172
R17	189
R18	189
R19	189
R20	189

L

SYMBOL NO.	INDEX NO.
L1	155
L2	154

OSC

SYMBOL NO.	INDEX NO.
OSC1	139

RESISTOR

SYMBOL NO.	INDEX NO.
R21	170
R22	184
R23	184
R24	172
R25	170
R26	170
R27	172
R28	172
R29	171
R30	172

SYMBOL NO.	INDEX NO.
R31	171
R32	173
R33	171
R34	172
R35	184
---	---
R37	184
R38	184
R39	171
R40	178

SYMBOL NO.	INDEX NO.
---	---
---	---
---	---
R44	171
R45	170
R46	169
R47	178
R48	170
R49	171
R50	171

SYMBOL NO.	INDEX NO.
R51	171
R52	172
---	---
---	---
---	---
---	---
R57	169
R58	172
---	---
R60	184

SYMBOL NO.	INDEX NO.
R61	172
R62	171
R63	169
R64	171
R65	171
R66	184
R67	184
R68	184
R69	178
R70	180

SYMBOL NO.	INDEX NO.
R71	172
R72	184
R73	172
R74	179
R75	184
R76	184
R77	184
R78	184
R79	184
R80	184

SYMBOL NO.	INDEX NO.
R81	172
R82	172
R83	178
R84	172
R85	184
R86	171
R87	178
R88	178
R89	171
R90	170

35.BICU Board (G179)

RESISTOR

SYMBOL NO.	INDEX NO.	SYMBOL NO.	INDEX NO.	SYMBOL NO.	INDEX NO.	SYMBOL NO.	INDEX NO.	SYMBOL NO.	INDEX NO.	SYMBOL NO.	INDEX NO.	SYMBOL NO.	INDEX NO.
---	---	R101	181	R111	171	R121	172	R131	172	R141	182	R151	170
---	---	R102	178	R112	178	R122	181	R132	172	R142	183	R152	176
---	---	R103	171	---	---	R123	172	R133	184	R143	178	R153	171
---	---	R104	175	R114	169	R124	172	R134	169	R144	172	R154	172
R95	178	R105	179	R115	172	R125	172	R135	169	R145	172	R155	178
R96	177	R106	178	R116	172	R126	172	R136	184	R146	169	R156	172
R97	172	R107	178	---	---	R127	184	R137	169	R147	172	R157	172
R98	178	R108	184	R118	187	R128	171	R138	169	R148	170	R158	172
R99	167	R109	184	R119	191	R129	172	R139	169	R149	176	R159	172
R100	167	R110	171	R120	169	R130	172	R140	172	R150	170	R160	172

RESISTOR

SYMBOL NO.	INDEX NO.
R161	172
R162	172
R163	172
---	---
R165	171
R166	178
R167	172
R168	172
R169	172

REG

SYMBOL NO.	INDEX NO.
REG1	132
REG2	135
REG3	135
REG4	132

RN

SYMBOL NO.	INDEX NO.
RN1	161
RN2	161
RN3	158
RN4	158
RN5	162
RN6	163
RN7	163
RN8	163
RN9	161
RN10	157

SYMBOL NO.	INDEX NO.
RN11	163
RN12	164
RN13	161
RN14	158
RN15	158
RN16	158
RN17	158
RN18	165
RN19	161
RN20	163

SYMBOL NO.	INDEX NO.
RN21	161
RN22	157
RN23	157
RN24	157
RN25	163
RN26	156
RN27	163
RN28	161
RN29	156
RN30	156

SYMBOL NO.	INDEX NO.
RN31	160
RN32	157
RN33	166
RN34	160
RN35	161
RN36	158
RN37	158
RN38	159
RN39	158
RN40	157

SYMBOL NO.	INDEX NO.
RN41	161
RN42	162
RN43	156
RN44	161
RN45	163
RN46	161
RN47	158
RN48	157
RN49	161
RN50	161

35.BICU Board (G179)

RN

SYMBOL NO.	INDEX NO.
RN51	157
RN52	164
RN53	161
RN54	158
RN55	158
RN56	157
RN57	157
RN58	164
RN59	158
RN60	158

SYMBOL NO.	INDEX NO.
RN61	163
RN62	156
RN63	160
RN64	160
RN65	156
RN66	158
RN67	158
RN68	161
RN69	161
RN70	161

SYMBOL NO.	INDEX NO.
RN71	160

TP

SYMBOL NO.	INDEX NO.
TP1	101
TP2	102
TP3	101
TP4	102
TP5	102
TP6	101
TP7	102
TP8	102
TP9	102
TP10	102

SYMBOL NO.	INDEX NO.
TP11	102
TP12	102
TP13	102
TP14	102
TP15	102
TP16	102
TP17	102
TP18	102
---	---
TP20	102

SYMBOL NO.	INDEX NO.
TP21	102
TP22	102
TP23	102
TP24	102
TP25	102
TP26	102
TP27	102
TP28	102
TP29	102
TP30	102

SYMBOL NO.	INDEX NO.
TP31	102
TP32	102
TP33	102
TP34	101
TP35	102
TP36	102
TP37	102
TP38	102
TP39	102
TP40	102

TP

SYMBOL NO.	INDEX NO.
TP41	102
TP42	102
TP43	102
TP44	102
TP45	102
TP46	102
TP47	102
TP48	102
TP49	102
TP50	101

SYMBOL NO.	INDEX NO.
TP51	102
TP52	102
TP53	102
TP54	102
TP55	102
TP56	102
TP57	102
TP58	102
TP59	101

35.BICU Board (G179)

Index No.	Part No.	Description	Q'ty Per Assembly
*	G179 5135	PCB:BCU	1
1	B188 5350	LSI:MB87M4290	1

Index No.	Part No.	Description	Q'ty Per Assembly
101	1100 1476	Test Pin	
102	1100 1829	Test Pin:RCTCBK	
103	1102 4203	CT Header - 4P	
104	1102 4204	CT Header - 5P	
105	1102 4645	CT Connector - 4P	
106	1102 5304	Connector - 5P	
107	1102 5943	Connector - 2P	
108	1102 7358	Connector - 80P	
109	1102 9116	Connector - 353297-5	
110	1103 3177	Connector - FH12-45S-0.5SV(89)	
111	1103 3188	Connector:FH12S-50S-0.5SH(89)	
112	1103 3207	Connector - FH12-36S-0.5SH(89)	
113	1104 0821	IC Socket:16008-B0A0020N	
114	1400 1152	Transistor:RT1N436M-T111	
115	1400 1154	Transistor:RT1P436M-T111	
116	1400 1281	Transistor:2SC4155A-T111	
117	1400 1289	Transistor:RT1N242M-T111	
118	1402 1343	Diode - RB106L-40	
119	1402 1995	Diode:SDS511	
120	1403 0996	LED - SML-310VT	
121	1407 5192	CMOS Logic:TC7SZ04FU	
122	1407 5347	IC - SN74LV08APW	
123	1407 5351	IC - SN74LV14APW	
124	1407 5353	IC - SN74LV244APW	
125	1407 5392	IC:SN74LV541APW	
126	1407 5463	IC - SN74LV245APW	
127	1407 5633	IC - SN74LV574APW	
128	1407 6166	IC - ESOC	
129	1407 6430	IC - GAVD Type-R	
130	1407 6787	CMOS Logic:TC7SH125FU	
131	1407 6801	CMOS Logic:TC7PA17FU	
132	1408 1669	Series Regulator:R1170H331B	
133	1408 1826	IC - R3112Q421A	
134	1408 1829	Ope Amp - LM358PW	
135	1408 1850	Regulator - R1170H181B	

Index No.	Part No.	Description	Q'ty Per Assembly
136	1408 1907	IC:R3112Q451A-FA	
137	1408 1962	IC - PQ1CZ41H2ZPH	
138	1408 2024	IC:R3112Q261A-FA	
139	1503 1215	Crystal Oscilator - 17.5MHz	
140	1604 4728	Capacitor - 100 μ F \pm 20% 16V	
141	1604 5002	Capacitor - 220 μ F \pm 20% 6.3V	
142	1604 5186	Capacitor:220 μ F: \pm 20%:10V	
143	1605 1137	Capacitor - 470pF \pm 10% 50V	
144	1605 1148	Capacitor - 0.1 μ F+80-20% 50V	
145	1605 1186	Ceramic Capacitor:220pF: \pm 10%:50V	
146	1605 1281	Capacitor - 0.22 μ F \pm 10% 16V	
147	1605 1295	Capacitor:10 μ F:+80-20%:10V	
148	1605 1347	Capacitor - 1 μ F:+80-20%:16V	
149	1605 1353	Capacitor - 0.1 μ F \pm 10% 25V	
150	1605 1586	Capacitor:10 μ F: \pm 10%:16V	
151	1605 1692	Capacitor:47pF: \pm 10%:50V	
152	1607 0861	Filter - BK2125HS101	
153	1607 0870	Filter - BK1608HS121	
154	1607 1546	Inductor - SLF6028-220MR77-PF	
155	1607 1707	Inductor:CDRH5D28RNP-150NC	
156	1609 0005	Registor:33 Ω : \pm 5%:1/16W	
157	1609 0006	Registor:10K Ω : \pm 5%:1/16W	
158	1609 0007	Resistor - 68 Ω \pm 5% 1/16W	
159	1609 0017	Resistor:150 Ω : \pm 5%:1/16W	
160	1609 0027	Resistor - 100K Ω \pm 5% 1/16W	
161	1609 0039	Resistor Array:10K Ω : \pm 5%:1/16W:4Number	
162	1609 0041	Resistor Array:100 Ω : \pm 5%:1/16W:4Number	
163	1609 0044	Resistor Array:33 Ω : \pm 5%:1/16W:4Number	
164	1609 0048	Resistor Array:68 Ω : \pm 5%:1/16W:4Number	
165	1609 0049	Resistor Array:1K Ω : \pm 5%:1/16W:4Number	
166	1609 0051	Resistor Array:100K Ω : \pm 5%:1/16W:4Number	
167	1610 1427	Resistor - 15 Ω \pm 5% 1W	
168	1633 0000	Resistor - 0 Ω 1/10W	
169	1634 0000	Resistor - 0 Ω 1/16W	
170	1650 4101	Resistor - 100 Ω \pm 5%1/10W	

Index No.	Part No.	Description	Q'ty Per Assembly
171	1650 4102	Resistor - 1K Ω \pm 5% 1/10W	
172	1650 4103	Resistor - 10K Ω \pm 5% 1/10W	
173	1650 4105	Resistor - 1M Ω \pm 5% 1/10W	
174	1650 4122	Capacitor - 0.033 μ F- \pm 10%:25V	
175	1650 4181	Resistor - 180 Ω \pm 5%1/10W	
176	1650 4222	Resistor - 2.2K Ω \pm 5%1/10W	
177	1650 4244	Resistor:240K Ω : \pm 5%:1/10W:1608	
178	1650 4330	Chip Resistor - 33 Ω \pm 5% 1/10W	
179	1650 4331	Resistor - 330 Ω \pm 5%1/10W	
180	1650 4332	Resistor - 3.3K Ω \pm 5%1/10W	
181	1650 4472	Resistor - 4.7K Ω \pm 5% 1/10W	
182	1650 4511	Resistor - 510 Ω \pm 5%1/10W	
183	1650 4561	Resistor - 560 Ω \pm 5% 1/10W	
184	1650 4680	Resistor - 68 Ω \pm 5%1/10W	
185	1654 1802	Resistor - 18K Ω \pm 1%1/10W	
186	1654 2202	Resistor - 22K Ω \pm 1% 1/10W	
187	1654 3900	Resistor:390 Ω : \pm 1%:1/10W	
188	1654 4701	Resistor - 4.7K Ω \pm 1% 1/10W	
189	1654 4709	Resistor - 47 Ω \pm 1% 1/10W	
190	1654 5600	Resistor - 560 Ω \pm 1% 1/10W	
191	1654 9100	Resistor:910 Ω : \pm 1%:1/10W:1608	
192	1660 2101	Capacitor - 100pF - \pm 10% - 50V	
193	1660 2120	Capacitor - 12 pF \pm 5% 50V	
194	1660 2150	Capacitor - 15pF \pm 5% 50V	
195	1660 2181	Capacitor - 180pF \pm 5% 50V	
196	1660 2330	Capacitor - 33pF - \pm 5% - 50V	
197	1660 2470	Capacitor - 47pF \pm 5% 50V	
198	1660 2560	Capacitor - 56pF \pm 5% 50V	
199	1660 4102	Capacitor - 1000pF \pm 10% 50V	
200	1660 4103	Capacitor - 10000pF - \pm 10% - 50V	
201	1660 4472	Capacitor - 4700pF \pm 10% 50V	
202	1660 8104	Capacitor - 0.1 μ F+80-20% 25V	
203	1902 0084	SRAM:4M:x16:TSOP44Type2:3.3V	
204	1906 0101	Flash Memory:S29GL032A90TFIR40	

36.IO Board (G179)

CAPACITOR

SYMBOL NO.	INDEX NO.	SYMBOL NO.	INDEX NO.	SYMBOL NO.	INDEX NO.	SYMBOL NO.	INDEX NO.	SYMBOL NO.	INDEX NO.	SYMBOL NO.	INDEX NO.	SYMBOL NO.	INDEX NO.
C1	181	C11	180	C21	180	C31	185	C41	264	C51	185	C61	264
C2	181	C12	185	C22	179	C32	185	C42	185	C52	264	C62	188
C3	180	C13	180	C23	178	C33	185	C43	185	C53	183	C63	180
C4	180	C14	185	C24	180	C34	185	C44	185	C54	183	C64	180
C5	180	C15	185	C25	195	C35	185	C45	185	C55	184	C65	180
C6	190	C16	180	C26	173	C36	185	C46	185	C56	180	C66	255
C7	187	C17	264	C27	180	C37	185	C47	185	C57	195	C67	180
C8	180	C18	185	C28	179	C38	185	C48	185	C58	195	C68	180
C9	180	C19	180	C29	185	C39	171	C49	185	C59	174	C69	180
C10	180	C20	180	C30	185	C40	179	C50	185	C60	264	C70	260

CAPACITOR

SYMBOL NO.	INDEX NO.	SYMBOL NO.	INDEX NO.	SYMBOL NO.	INDEX NO.	SYMBOL NO.	INDEX NO.	SYMBOL NO.	INDEX NO.	SYMBOL NO.	INDEX NO.	SYMBOL NO.	INDEX NO.
C71	180	C81	180	C91	257	C101	191	C111	264	C121	175	C131	176
C72	264	C82	264	C92	191	C102	187	C112	264	C122	180	C132	176
C73	256	C83	264	C93	264	C103	186	C113	193	C123	180	C133	176
C74	254	C84	264	C94	264	C104	180	C114	264	C124	263	---	---
C75	264	C85	182	C95	182	C105	191	C115	171	C125	180	C135	180
C76	180	C86	191	C96	264	C106	258	C116	182	C126	171	C136	187
C77	264	C87	264	C97	188	C107	191	C117	180	C127	180	C137	178
C78	191	C88	182	C98	264	C108	182	C118	264	C128	180	C138	187
C79	264	C89	187	C99	172	C109	188	C119	264	C129	264	C139	177
C80	186	C90	180	C100	264	C110	264	C120	207	C130	264	C140	177

36.IO Board (G179)

CAPACITOR

SYMBOL NO.	INDEX NO.
C141	180
C142	189
C143	262
C144	189
C145	264
C146	262
C147	262
C148	264
C149	264
C150	259

SYMBOL NO.	INDEX NO.
C151	263
C152	263
C153	264
C154	264
C155	261
C156	264
C157	264
C158	186
C159	264
C160	264

SYMBOL NO.	INDEX NO.
C161	261
C162	264
C163	188
C164	188
C165	178
C166	264
C167	261
C168	264
C169	264
C170	259

SYMBOL NO.	INDEX NO.
C171	264
C172	264
C173	178
C174	264
C175	264
C176	264
C177	178
C178	189
C179	189
C180	263

SYMBOL NO.	INDEX NO.
C181	177
C182	180
C183	180
C184	180

CA

SYMBOL NO.	INDEX NO.
CA1	194
CA2	194
CA3	194
CA4	194
CA5	192
CA6	192
CA7	192
CA8	194
CA9	194
CA10	194

SYMBOL NO.	INDEX NO.
CA11	194
CA12	194
CA13	194
CA14	194

CONNECTOR

SYMBOL NO.	INDEX NO.
CN201	106
CN202	108
CN203	107
CN204	126
CN205	114
CN206	125
CN207	109
CN208	117
CN209	115
CN210	116

SYMBOL NO.	INDEX NO.
---	---
CN212	105
CN213	116
---	---
CN215	122
CN216	119
CN217	120
CN218	124
---	---
CN220	112

SYMBOL NO.	INDEX NO.
CN221	118
CN222	127
---	---
---	---
---	---
CN226	113
CN227	123
CN228	104
CN229	103
CN230	111

SYMBOL NO.	INDEX NO.
---	---
CN232	121
CN233	110
CN234	109
---	---
---	---
---	---
---	---
---	---
---	---

SYMBOL NO.	INDEX NO.
---	---
---	---
---	---
---	---
---	---
CN299	104

DIODE

SYMBOL NO.	INDEX NO.
D1	144
D2	144
D3	144
D4	144
D5	144
D6	144
---	---
---	---
D9	142
D10	142

SYMBOL NO.	INDEX NO.
D11	142
D12	144
---	---
D14	144
D15	144
---	---
---	---
---	---
---	---

36.IO Board (G179)

DIODE

SYMBOL NO.	INDEX NO.
D22	144

FUSE

SYMBOL NO.	INDEX NO.
FU1	128
FU2	129

IC

SYMBOL NO.	INDEX NO.
IC1	158
IC2	157
IC3	169
IC4	154
IC5	152
IC6	153
IC7	159
IC8	152
IC9	156
IC10	149

SYMBOL NO.	INDEX NO.
IC11	166
IC12	160
IC13	167
IC14	1
IC15	151
IC16	162
IC17	155
IC18	161
IC19	161
IC20	150

SYMBOL NO.	INDEX NO.
IC21	148
IC22	148
IC23	146
IC24	158
IC25	167
IC26	164
IC27	165
IC28	147
IC29	147
IC30	147

SYMBOL NO.	INDEX NO.
IC31	147

OSC

SYMBOL NO.	INDEX NO.
OSC1	170

Q

SYMBOL NO.	INDEX NO.
Q1	131
Q2	133
Q3	133
Q4	139
Q5	138
Q6	135
Q7	136
Q8	136
Q9	136
Q10	133

SYMBOL NO.	INDEX NO.
Q11	133
Q12	139
Q13	134
Q14	135
---	---
---	---
Q17	137
Q18	132
Q19	137

RESISTOR

SYMBOL NO.	INDEX NO.
R1	223
R2	224
R3	223
R4	224
R5	223
R6	224
R7	224
R8	224
R9	223
R10	224

SYMBOL NO.	INDEX NO.
R11	224
R12	223
R13	223
R14	223
R15	223
R16	223
R17	224
R18	223
R19	224
R20	224

SYMBOL NO.	INDEX NO.
---	---
R22	228
R23	223
---	---
R25	224
R26	223
R27	223
R28	228
R29	222
R30	228

SYMBOL NO.	INDEX NO.
R31	222
R32	224
R33	224
R34	228
R35	232
---	---
R37	224
R38	227
R39	228
R40	224

SYMBOL NO.	INDEX NO.
R41	223
R42	204
R43	204
R44	224
R45	224
R46	224
R47	224
R48	224
R49	224
R50	222

36.IO Board (G179)

RESISTOR

SYMBOL NO.	INDEX NO.	SYMBOL NO.	INDEX NO.	SYMBOL NO.	INDEX NO.	SYMBOL NO.	INDEX NO.	SYMBOL NO.	INDEX NO.	SYMBOL NO.	INDEX NO.	SYMBOL NO.	INDEX NO.
R51	224	R61	224	R71	219	R81	249	R91	224	R101	228	R111	250
R52	224	R62	228	R72	221	R82	249	R92	224	R102	223	R112	220
R53	232	---	---	R73	223	R83	229	R93	232	R103	224	R113	223
R54	232	R64	225	R74	224	R84	229	R94	228	R104	250	R114	223
R55	224	R65	231	R75	224	R85	223	R95	224	R105	210	R115	223
R56	224	R66	224	R76	224	R86	223	R96	232	R106	210	R116	253
R57	224	R67	224	---	---	R87	229	R97	224	R107	220	R117	224
R58	224	R68	228	R78	224	---	---	R98	203	---	---	R118	247
R59	224	---	---	R79	203	R89	228	R99	228	R109	224	R119	248
R60	224	R70	202	R80	224	R90	223	R100	224	R110	224	R120	223

RESISTOR

SYMBOL NO.	INDEX NO.	SYMBOL NO.	INDEX NO.	SYMBOL NO.	INDEX NO.	SYMBOL NO.	INDEX NO.	SYMBOL NO.	INDEX NO.	SYMBOL NO.	INDEX NO.	SYMBOL NO.	INDEX NO.
R121	224	R131	224	R141	230	R151	224	R161	224	R171	223	---	---
R122	226	R132	223	R142	252	R152	224	R162	252	R172	224	R182	202
R123	206	R133	230	R143	223	R153	224	R163	251	R173	224	R183	223
R124	224	R134	223	R144	224	R154	224	R164	224	R174	224	R184	231
R125	224	R135	217	R145	224	R155	224	R165	224	R175	211	R185	224
R126	228	R136	229	R146	224	R156	224	R166	223	R176	218	R186	224
R127	230	R137	228	R147	208	R157	224	R167	224	R177	224	R187	224
R128	224	R138	217	R148	251	R158	223	R168	231	R178	223	R188	224
R129	229	R139	224	R149	224	R159	224	R169	225	R179	224	R189	209
R130	226	R140	230	R150	224	R160	224	R170	224	R180	224	R190	205

36.IO Board (G179)

RESISTOR

SYMBOL NO.	INDEX NO.	SYMBOL NO.	INDEX NO.	SYMBOL NO.	INDEX NO.	SYMBOL NO.	INDEX NO.	SYMBOL NO.	INDEX NO.	SYMBOL NO.	INDEX NO.	SYMBOL NO.	INDEX NO.
R191	205	R201	225	R211	235	R221	213	R231	212	R241	212	R251	210
---	---	---	---	R212	211	R222	246	R232	212	R242	214	R252	241
R193	224	R203	211	R213	234	R223	234	R233	239	R243	216	R253	245
---	---	R204	212	R214	242	R224	211	R234	239	R244	206	R254	243
R195	224	R205	212	R215	234	R225	235	R235	238	---	---	R255	244
R196	223	R206	211	R216	234	R226	235	R236	238	R246	212	R256	244
---	---	---	---	R217	234	R227	212	R237	212	---	---	R257	236
R198	224	R208	212	R218	240	R228	206	R238	224	R248	212	R258	212
R199	223	R209	223	R219	211	R229	206	---	---	R249	212	R259	239
---	---	---	---	R220	234	R230	212	R240	224	---	---	R260	244

RESISTOR

SYMBOL NO.	INDEX NO.	SYMBOL NO.	INDEX NO.	SYMBOL NO.	INDEX NO.	SYMBOL NO.	INDEX NO.	SYMBOL NO.	INDEX NO.	SYMBOL NO.	INDEX NO.		
R261	212	R271	242	R281	223	REG1	163	RN1	198	RN11	199	RN21	196
R262	237	R272	233	R282	223	REG2	168	RN2	200	RN12	196	RN22	198
R263	212	R273	240	R283	224			RN3	198	RN13	201	RN23	198
R264	212	R274	212	R284	224			RN4	198	RN14	198	RN24	198
R265	206	R275	211	R285	215			RN5	197	RN15	198	RN25	199
---	---	R276	211	R286	224			RN6	197	RN16	200	RN26	199
---	---	R277	212	R287	224			RN7	200	RN17	198	RN27	199
---	---	R278	224	R288	203			RN8	199	RN18	199	RN28	196
---	---	R279	224	R289	232			RN9	198	RN19	199	RN29	199
R270	212	R280	224	R290	223			RN10	196	RN20	199	RN30	198

36.IO Board (G179)

RN

SYMBOL NO.	INDEX NO.
RN31	200
RN32	198
RN33	198
RN34	198
RN35	198
---	---
RN37	198
RN38	198
RN39	197
RN40	197

SYMBOL NO.	INDEX NO.
RN41	198
---	---
---	---
RN44	198
RN45	198
---	---
RN46	200
RN47	200
RN48	197
RN49	200
RN50	200

SYMBOL NO.	INDEX NO.
RN51	200
RN52	200
RN53	197
RN54	197
RN55	198

SW

SYMBOL NO.	INDEX NO.
SW1	130

TH

SYMBOL NO.	INDEX NO.
TH1	145

TP

SYMBOL NO.	INDEX NO.
TP1	101
TP2	101
TP3	101
TP4	101
TP5	101
---	---
TP6	101
TP7	101
TP8	101
TP9	101
TP10	101

SYMBOL NO.	INDEX NO.
TP11	101
TP12	101
TP13	101
TP14	101
TP15	101
---	---
TP16	101
TP17	101
TP18	101
TP19	101
TP20	101

TP

SYMBOL NO.	INDEX NO.
TP21	101
TP22	101
TP23	101
TP24	101
TP25	101
---	---
TP26	101
TP27	101
TP28	102
TP29	101
TP30	102

SYMBOL NO.	INDEX NO.
TP31	101
TP32	101
TP33	101
TP34	102
TP35	101
---	---
TP36	101
TP37	101
TP38	101
TP39	102
TP40	101

SYMBOL NO.	INDEX NO.
TP41	101
TP42	101
TP43	101
TP44	102
TP45	101
---	---
TP46	101
TP47	101
TP48	101
TP49	101
TP50	101

SYMBOL NO.	INDEX NO.
TP51	101
---	---
TP53	101

ZD

SYMBOL NO.	INDEX NO.
ZD1	143
ZD2	143
ZD3	140
ZD4	141
ZD5	141
---	---
ZD6	141
ZD7	143

36.IO Board (G179)

Index No.	Part No.	Description	Q'ty Per Assembly
*	G179 5155	PCB:IO Board	1
1	B238 5503	IC:TRIO2	1

Index No.	Part No.	Description	Q'ty Per Assembly
101	1100 1475	Test Pin	
102	1101 0328	Connector Pin Contact	
103	1102 4201	Connector - 2P	
104	1102 4203	CT Header - 4P	
105	1102 6298	Connector - 5P	
106	1102 6300	Connector - 7P	
107	1102 6397	Box Header	
108	1102 6594	Connector - 10P	
109	1102 8466	Connector:55447-0210	
110	1102 8467	Connector - 55447-0370	
111	1102 8470	Connector - 55447-0610	
112	1102 8471	Connector - 55447-071	
113	1102 8474	Connector - 5 P	
114	1102 8475	Connector - 11P	
115	1102 8477	Connector - 13P	
116	1102 8480	Connector - 55447-1610	
117	1102 8481	Connector - 55447-1760	
118	1102 8485	Connector - 55451-2210	
119	1102 8488	Connector - 5451-2810	
120	1102 8492	Connector - 55451-3610	
121	1102 9108	Connector - 353297-3	
122	1102 9109	Connector - 353297-4	
123	1102 9114	Connector - 353297-1	
124	1102 9117	Connector - 353297-8	
125	1102 9120	Connector - 2-292208-2	
126	1102 9121	Connector:2-353308-4	
127	1103 3188	Connector:FH12S-50S-0.5SH(89)	
128	1109 0082	Fuse:SMD1812P110TF	
129	1109 0087	Fuse:SMD2920P075TF	
130	1204 2768	Dip Switch	
131	1400 0728	Transistor - 2SD2170	
132	1400 0902	Transistor - DTA113ZUA	
133	1400 1209	Transistor:2SA1980UF	
134	1400 1212	Transistor:2SA1980UF-Y	
135	1400 1214	Transistor:2SC5343UF-G	

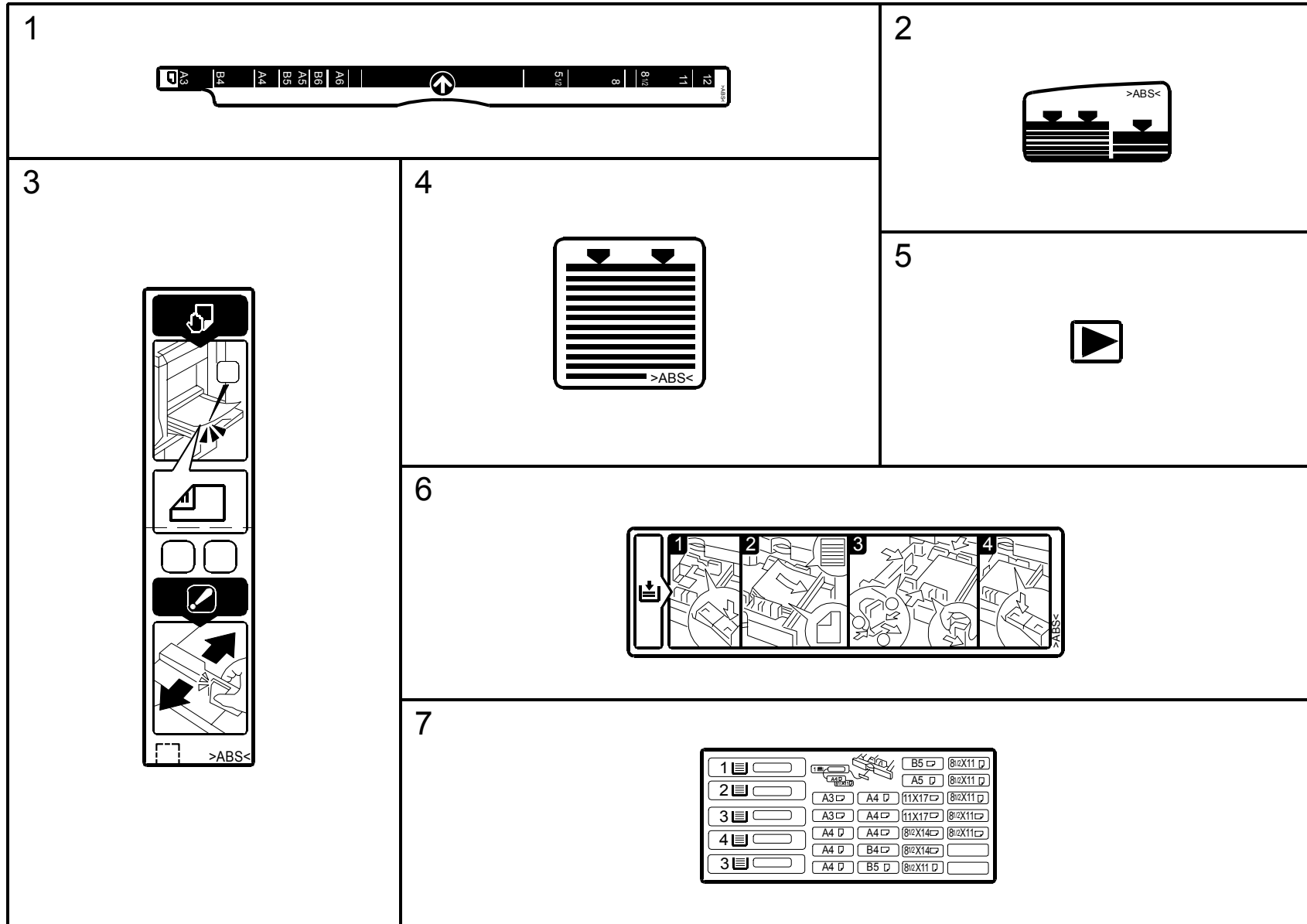
Index No.	Part No.	Description	Q'ty Per Assembly
136	1400 1240	Transistor:SRC1202UF	
137	1400 1241	Transistor:SRC1206UF	
138	1400 1246	Transistor:SRC1205UF	
139	1401 0972	Transistor-2SB1260	
140	1402 1662	Diode:PTZ6.2B	
141	1402 1663	Diode - ZTP12B	
142	1402 1932	Diode:SDS142WMF	
143	1402 1952	Diode - TDZ12	
144	1402 1996	Diode:SDS511Q	
145	1404 0360	Thermistor - 103HT	
146	1407 1535	IC - TD62308AP	
147	1407 2187	TTLIC - SN74LS07NS	
148	1407 2219	IC - TD62003AP	
149	1407 4840	IC - TC7SH04FU	
150	1407 5344	IC - SN74LV02APW	
151	1407 5347	IC - SN74LV08APW	
152	1407 5351	IC - SN74LV14APW	
153	1407 5392	IC:SN74LV541APW	
154	1407 5469	IC - SN74LV07APW	
155	1407 6196	Motor Control IC:STK672-610	
156	1407 6197	Driver:M54563P	
157	1407 6314	Motor Control IC:TB6561NG	
158	1407 6320	Motor Control IC:MTD1501S-7101	
159	1407 6492	Clock Generator - ICS180M-51LF	
160	1407 6759	Custom IC:EIO	
161	1407 6847	Motor Control IC:STK672-600B-E	
162	1408 1204	IC - TA8083P	
163	1408 1383	Regulator - TA7812F	
164	1408 1779	IC - R3112Q281A	
165	1408 1826	IC - R3112Q421A	
166	1408 2029	Comparator:LM2901PW	
167	1408 2030	Operational Amplifier - LM224D	
168	1408 2122	Series Regulator - R1130H331A-FB	
169	1408 2468	IC:R1250V401A-F	
170	1503 1004	Oscillator - 19.6608MHz	

Index No.	Part No.	Description	Q'ty Per Assembly
171	1604 5524	Capacitor - 100 μ F \pm 20% 50V	
172	1604 5669	Capacitor:470 μ F: \pm 20%:25V	
173	1604 5670	Capacitor:10 μ F: \pm 20%:25V	
174	1604 5714	Capacitor:47 μ F: \pm 20%:25V	
175	1604 5719	Capacitor:100 μ F: \pm 20%:50V	
176	1604 5720	Capacitor:220 μ F: \pm 20%:35V	
177	1605 1137	Capacitor - 470pF \pm 10% 50V	
178	1605 1148	Capacitor - 0.1 μ F+80-20% 50V	
179	1605 1206	Capacitor - 47pF \pm 5% 50V	
180	1605 1212	Capacitor - 470pF \pm 10% 50V	
181	1605 1214	Capacitor - 1000pF \pm 10% 50V	
182	1605 1216	Capacitor - 2200pF \pm 10%50V	
183	1605 1234	Capcitor:4700pF: \pm 10%:50V	
184	1605 1281	Capacitor - 0.22 μ F \pm 10% 16V	
185	1605 1293	Capacitor - 27pF \pm 5%50V	
186	1605 1294	Resistor - 1000pF \pm 5% 50V	
187	1605 1303	Capacitor - 0.01 μ F+80-20% 50V	
188	1605 1353	Capacitor - 0.1 μ F \pm 10% 25V	
189	1605 1354	Capacitor:1200pF: \pm 5%:50V	
190	1605 1396	Capacitor - 0.33 μ F \pm 10% 50V	
191	1605 1447	Resistor - 470pF \pm 5% 50V	
192	1605 1481	Capacitor:1000pF: \pm 20%:50V	
193	1605 1489	Resistor - 2.2 μ F \pm 10% 25V	
194	1605 1531	Capacitor:470pF: \pm 20%:50V	
195	1605 1605	Capacitor - 4.7 μ F \pm 10% 10V	
196	1609 0005	Resistor:33 Ω : \pm 5%:1/16W	
197	1609 0006	Resistor:10K Ω : \pm 5%:1/16W	
198	1609 0096	Resistor Array:10K Ω : \pm 5%:1/16W:4Number	
199	1609 0098	Resistor Array:33 Ω : \pm 5%:1/16W:4Number	
200	1609 0111	Resistor Array:1K Ω : \pm 5%:1/16W:4Number	
201	1609 0114	Resistor Array:68 Ω : \pm 5%:1/16W:4Number	
202	1610 1409	Chip Resistor - 6.8 Ω \pm 5%	
203	1610 1947	Resistor:220 Ω : \pm 5%:1W	
204	1610 1997	Resistor:1.5 Ω : \pm 1%:1W:6332	
205	1610 2049	Resistor:1.8 Ω : \pm 1%:1W:6332	

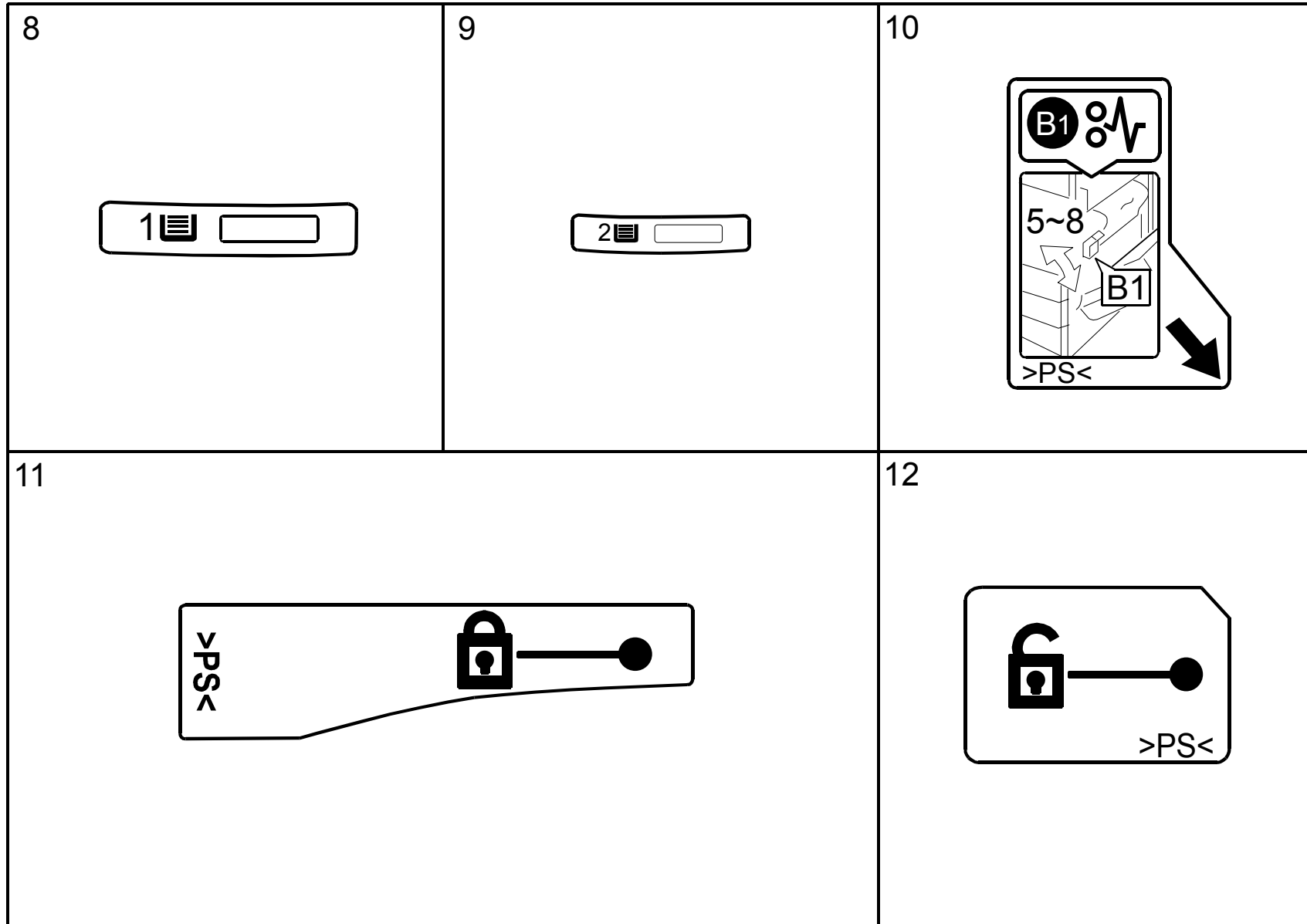
Index No.	Part No.	Description	Q'ty Per Assembly
206	1634 0000	Resistor - 0 Ω 1/16W	
207	1640 5100	Capacitor - 10 μ F+20% 50	
208	1650 2101	Resistor - 100 Ω \pm 5% 1/4W	
209	1650 3153	Resistor:15K Ω : \pm 5%:1/8W	
210	1650 4101	Resistor - 100 Ω \pm 5%1/10W	
211	1650 4102	Resistor - 1K Ω \pm 5% 1/10W	
212	1650 4103	Resistor - 10K Ω \pm 5% 1/10W	
213	1650 4104	Resistor - 100K Ω \pm 5%1/10W	
214	1650 4105	Resistor - 1M Ω \pm 5% 1/10W	
215	1650 4201	Resistor - 200 Ω \pm 5%1/10W	
216	1650 4222	Resistor - 2.2K Ω \pm 5%1/10W	
217	1650 4330	Chip Resistor - 33 Ω \pm 5% 1/10W	
218	1650 4472	Resistor - 4.7K Ω \pm 5% 1/10W	
219	1650 4510	Resistor - 51 Ω \pm 5%1/10W	
220	1650 4560	Chip Resistor - 56 Ω \pm 5% 1/10W	
221	1650 4681	Resistor - 680 Ω \pm 5% 1/10W	
222	1650 5100	Chip Resistor - 10 Ω \pm 5%1/16W	
223	1650 5102	Chip Resistor - 1K Ω \pm 5%1/16W	
224	1650 5103	Chip Resistor - 10K Ω \pm 5%1/16W	
225	1650 5104	Chip Resistor - 100K Ω \pm 5%1/16W	
226	1650 5204	Chip Resistor - 200K Ω \pm 5%1/16W	
227	1650 5220	Resistor - 22 Ω \pm 5% 1/16W	
228	1650 5222	Resistor - 2.2K Ω \pm 5% 1/16W	
229	1650 5330	Chip Resistor - 33 Ω \pm 5%1/16W	
230	1650 5472	Chip Resistor:4.7K Ω : \pm 5%:1/16W	
231	1650 5473	Chip Resistor - 47K Ω \pm 5% 1/16W	
232	1650 5680	Resistor - 68 Ω \pm 5% 1/16W	
233	1654 1001	Resistor - 1K Ω \pm 1%1/10W	
234	1654 1003	Resistor - 100K Ω \pm 1%1/10W	
235	1654 1403	Resistor:140K Ω : \pm 1%:1/10W	
236	1654 1601	Chip Resistor - 1.6K Ω \pm 1% 1/10W	
237	1654 2001	Chip Resistor - 2K Ω \pm 1% 1/10W	
238	1654 2002	Resistor - 20K Ω \pm 1%1/10W	
239	1654 2401	Resistor - 2.4K Ω \pm 1% 1/10W	
240	1654 3301	Resistor - 3.3K Ω \pm 1% 1/10W	

Index No.	Part No.	Description	Q'ty Per Assembly
241	1654 3601	Resistor - 3.6K Ω \pm 1% 1/10W	
242	1654 5601	Resistor - 5.6K Ω \pm 1% 1/10W	
243	1654 6201	Resistor - 6.2K Ω \pm 1% 1/10W	
244	1654 6801	Resistor - 6.8K Ω \pm 1% 1/10W	
245	1654 7501	Resistor - 7.5K Ω \pm 1%1/10W-1608	
246	1654 9100	Resistor:910 Ω : \pm 1%:1/10W:1608	
247	1655 1001	Chip Resistor - 1K Ω \pm 1% 1/16W	
248	1655 1002	Chip Resistor - 10K Ω \pm 1%1/16W	
249	1655 2002	Chip Resistor - 20K Ω \pm 1%1/16W	
250	1655 2402	Resistor - 24K Ω \pm 1% 1/16W	
251	1655 3902	Resistor:39K Ω : \pm 1%:1/16W:1005	
252	1655 4701	Chip Resistor - 4.7K Ω \pm 1%1/16W	
253	1655 5621	Resistor - 5.62K Ω \pm 1% 1/16W	
254	1660 2120	Capacitor - 12 pF \pm 5% 50V	
255	1660 2150	Capacitor - 15pF \pm 5% 50V	
256	1660 2330	Capacitor - 33pF - \pm 5% - 50V	
257	1660 2470	Capacitor - 47pF \pm 5% 50V	
258	1660 2471	Capacitor - 470pF - \pm 5% - 50V	
259	1660 4102	Capacitor - 1000pF \pm 10% 50V	
260	1660 4103	Capacitor - 10000pF - \pm 10% - 50V	
261	1660 4222	Capacitor - 2200pF - \pm 10% - 50V	
262	1660 4472	Capacitor - 4700pF \pm 10% 50V	
263	1660 6103	Capacitor - 10000pF - +80%-20%50V	
264	1660 8104	Capacitor - 0.1 μ F+80-20% 25V	



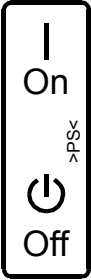
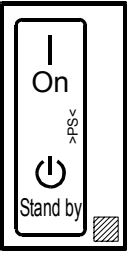
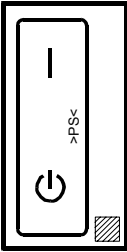
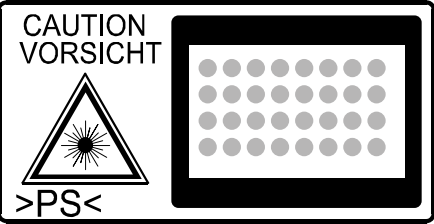
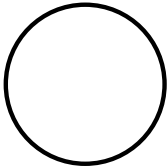

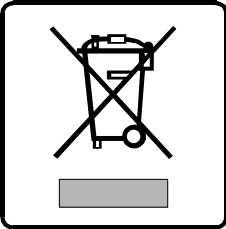
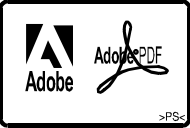

37.Decals and Documents (G179)



37.Decals and Documents (G179)



37.Decals and Documents (G179)

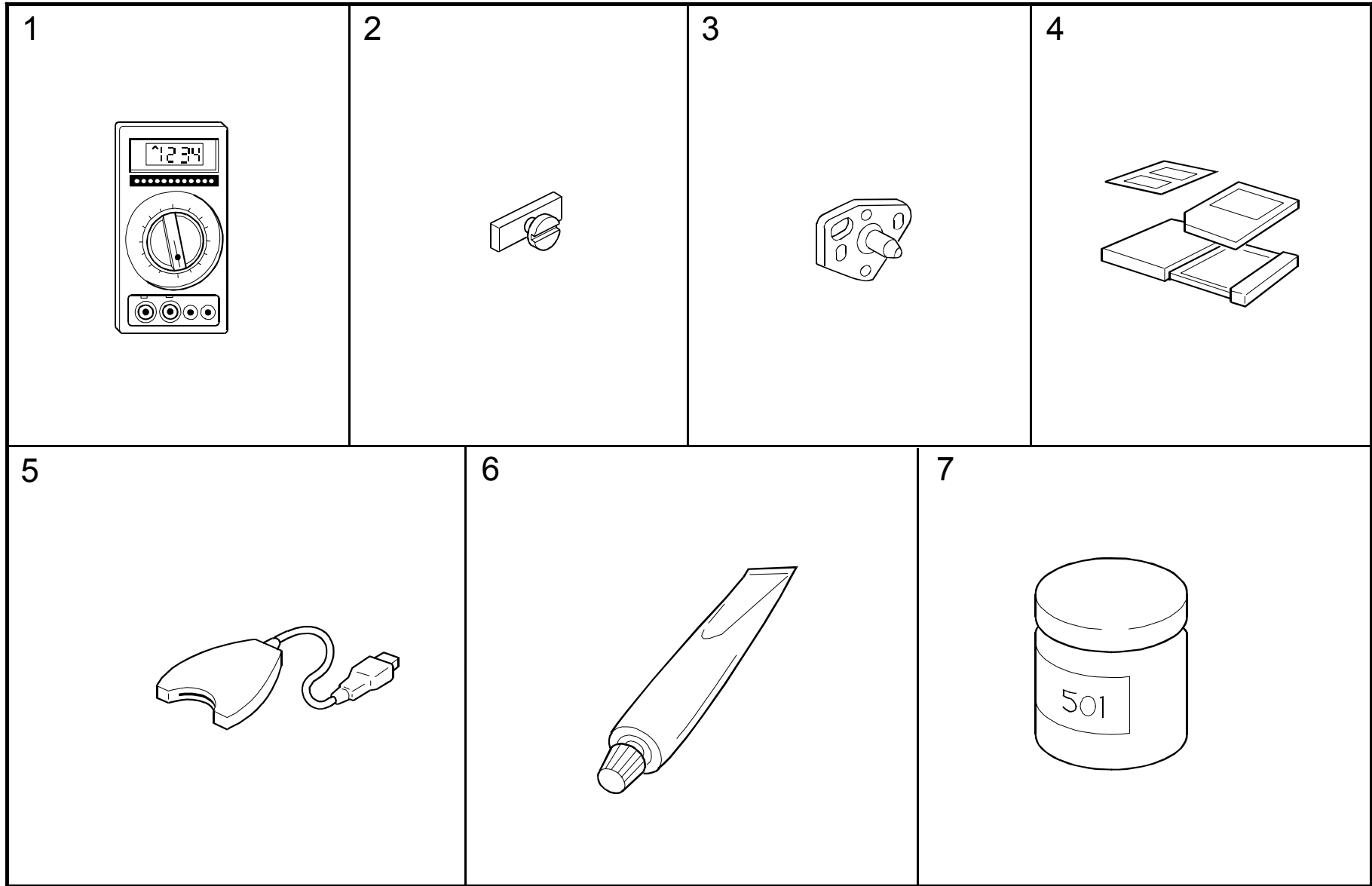
<p>13</p> 	<p>14</p> 			
<p>15</p> 	<p>16</p> 	<p>17</p> 	<p>18</p> 	
<p>19</p> 	<p>20</p> 	<p>21</p> 	<p>22</p> 	<p>23</p> 

37.Decals and Documents (G179)

Index No.	Part No.	Description	Q'ty Per Assembly
1	B223 2644	Decal:Scale	1
2	B223 2645	Decal:Side Fence	1
3	B223 2729	Decal:Paper Set Direction:Manual Feed:EXP	1
4	B223 2873	Decal - Side Fence Rear	1
5	B234 3177	Decal:Positioning Display:Development	1
6	B238 2523	Decal - Paper Set Direction No.2	1
7	B238 2524	Decal - Paper Size	1
8	B238 2526	Decal - Grip	1
9	B238 2527	Decal - Grip	1
10	D009 2627	Decal - Misfeed Removal B1	1
11	D009 3268	Decal - Lock Toner Bottle	1
12	D009 3269	Decal - Release Toner Bottle	1
13	D009 4242	Decal:High Temperrature	1
14	D009 4497	Decal - Right Guide	1
15	D011 1250	Decal:Main Switch:On-Off	1
16	D011 1252	Decal:Main Switch:On-Standby	1
17	D011 1253	Decal:Main Switch:On-Standby:EU	1
18	G029 1980	Decal - LD	1
19	G133 1285	Decal:Cover:Left:Guide Plate	1
20	AA00 1477	Decal:Energy-Star	1
21	B121 7450	Decal - WEEE	1
22	GA00 3144	Decal:PDFDIRECT	1
23	GA00 3175	Decal:PS3:Clear	1

Index No.	Part No.	Description	Q'ty Per Assembly

38.Special Tools (G179)



38.Special Tools (G179)

Index No.	Part No.	Description	Q'ty Per Assembly
1	VSSM 9000	Digital Multimater - FLUKE 187	1
2	A230 9003	Adjustment Cam - Laser Unit	1
3	A230 9004	Positioning Pin - Laser Unit	1
4	B645 5010	SD Card	1
5	B645 6820	USB Read/Writer	1
6	A257 9300	Grease Barrierta - S552R	1
7	5203 9502	Silicon Grease G-501	1

Index No.	Part No.	Description	Q'ty Per Assembly

Parts Index

PM Parts Index

Section Name	Part No.	Description in Service Manual	Description in Parts Catalog	Q'ty Per Assembly	Page and Index No.
PCDU 1 (G179)	B296 9640	Developer - Black	Developer - Black	1	63 - 5
PCDU 1 (G179)	D009 3083	Development Filter	Development Filter	1	63 - 25
PCDU 2 (G179)	D009 2351	Cleaning Blade	Cleaning Blade	1	65 - 24
PCDU 2 (G179)	AD04 1105	Cleaning Blade:No.2:Ass'y	Cleaning Blade:No.2:Ass'y	1	65 - 35
PCDU 2 (G179)	AD02 7012	Roller:Charge:Apply	Roller:Charge:Apply	1	65 - 37
PCDU 2 (G179)	D009 9510	OPC Drum	OPC Drum	1	65 - 41
PCDU 2 (G179)	AD02 5021	Pick-Off Pawl	Pick-Off Pawl	1	65 - 44
PCDU 2 (G179)	G790 2329	Brush Roller:Cleaner: Charge:Amabuki	Brush Roller:Cleaner:Charge: Amabuki:Ass'y	1	65 - 46
Transfer Belt Unit 1 (G179)	A232 3880	Transfer Belt	Transfer Belt	1	67 - 15
Transfer Belt Unit 1 (G179)	AD04 1135	Cleaning Blade - Transfer Belt	Cleaning Blade - Transfer Belt	1	67 - 1
Fusing Unit 2 (G179)	D009 4177	Thermistor	Thermistor	1	73 - 25
Fusing Unit 2 (G179)	AE01 0099	Hot Roller	Hot Roller	1	73 - 40
Fusing Unit 2 (G179)	AE02 0199	Pressure Roller	Pressure Roller	1	73 - 43
Fusing Unit 3 (G179)	B065 4247	Brake Pad	Brake Pad	1	75 - 4
Fusing Unit 3 (G179)	AE04 0099	Holder Roller	Holder Roller	1	75 - 9
Fusing Unit 3 (G179)	AE04 5099	Cleaning Web	Cleaning Web	1	75 - 18

Parts Index

Part No.	Description	Page and Index No.
G179 1063	Holder:Pin	59 - 17
G179 1064	Cover:Holder:Pin	59 - 16
G179 1256	Sheet:Misfeed Removal:P1	9 - 7
G179 1264	Cover:Front Right:P	11 - 4
G179 1265	Cap:Front Right:P	11 - 3
G179 1267	Cover:Upper:Rear:P	11 - 23
G179 1371	Shielding Plate:Fan	65 - 21
G179 1405	Operation Sub-Unit:EXP:Ass'y	11 - 1
G179 2200	PCU	27 - *
G179 2211	Frame:PCU:Upper:Ass'y	29 - 1
G179 2247	Cover:Lever:Lock:PCD:Alex-P1	11 - 5
G179 2311	Stopper:PCD	29 - 50
G179 2313	Pin:Stopper:PCD	29 - 51
G179 2314	Spring:Stopper:PCD	29 - 49
G179 2316	Arm:Stopper:PCD:Sub-Ass'y	29 - 48
G179 3010	Development Unit	27 - 3
G179 3071	Stopper:Feeler:New Article Sensor	27 - 28
G179 3260	Cleaner:Sensor	29 - 2
G179 3801	Transfer Unit	31 - *
G179 4102	Fusing Unit:NA:Service	35 - *
G179 4103	Fusing Unit:EU:Service	35 - *
G179 5135	PCB:BCU	93 - *
G179 5135	PCB:BCU	69 - 6
G179 5155	PCB:IO Board	69 - 14
G179 5155	PCB:IO Board	99 - *
G179 5180	PCB:Mother Board	71 - 10
G179 5480	Harness:IOB:Upper	69 - 9
G179 5525	Harness:IOB:PCD:Sensor	59 - 18
G179 5610	Harness:AC:Heater	69 - 2
G179 5706	PCB:Controller	85 - *
G179 5706	PCB:Controller	71 - 8
G179 5845	Holder Plate:Control Board	71 - 15
G179 5875	Bracket:BCU	69 - 8
G179 5879	Cover:Mother Board	71 - 11
G179 5881	Ground Plate:C/T Box	71 - 18

Part No.	Description	Page and Index No.
G179 5890	Cover:Fan	71 - 12
G179 6192	Sheet:Emblem:RIC	9 - 2
G179 9590	NVRAM - Zero Counter	71 - 16

Part No.	Description	Page and Index No.
A096 2065	Slider Ring	63 - 5
A134 3180	Bottle Chuck	25 - 5
A230 9003	Adjustment Cam - Laser Unit	107 - 2
A230 9004	Positioning Pin - Laser Unit	107 - 3
A232 1284	Spring Holder	63 - 13
A232 1937	Positioning Pin - Laser Unit Ass'y	13 - 11
A232 2315	Front Bushing - Cleaning Bracket	29 - 22
A232 2318	Collar - Cleaning	29 - 33
A232 2339	Spur	29 - 45
A232 2340	Holder - Pick-off Pawl	29 - 43
A232 2399	Seal - Blade 13x9.5x3	29 - 10
A232 2421	Bushing - 6x10x3	29 - 21
A232 2987	Roller - Paper Tray	15 - 16
A232 3067	Tape - TD Sensor	27 - 13
A232 3077	Spacer - M5	27 - 8
A232 3155	Front Cover - Development Unit	27 - 6
A232 3240	Cover- Toner Bottle Ass'y	25 - 4
A232 3251	Chuck Shaft	25 - 7
A232 3252	Slider Ass'y	25 - 6
A232 3263	Spring Plate - Toner Bottle	25 - 10
A232 3264	Stopper - Slide Rail	25 - 12
A232 3266	Seal - Slide Rail	25 - 3
A232 3553	Ball Bearing - 8x16x5	29 - 40
A232 3880	Transfer Belt	31 - 15
A232 3885	Driven Roller - Transfer Unit	31 - 1
A232 3908	Seal - Rear Case	33 - 29
A232 3909	Seal - Front Case	33 - 28
A232 3926	Transfer Belt Roller	31 - 9
A232 4666	Cushion - Stepper Motor	59 - 2
A257 9300	Grease Barrierta - S552R	107 - 6
A259 6754	Bushing - 6 6mm	21 - 35
A267 2857	Spring Plate - Side Fence	15 - 28
A267 2859	Side Fence Stopper	15 - 29
A267 2860	Rear Lever Stopper	15 - 27
B004 1325	Cover - Shield Glass	11 - 10

Part No.	Description	Page and Index No.
B004 1936	Plate - Optical Housing Unit	57 - 32
B004 2310	Spur	63 - 12
B004 2783	Torque Limiter	17 - 28
B004 2923	Spring Plate - Release Lever	15 - 20
B004 7267	Toner Bottle Holder	63 - 3
B024 1264	Magnet Catch	9 - 6
B044 1825	Collar	45 - 22
B044 1825	Collar	61 - 20
B044 1847	Shoulder Screw	45 - 13
B065 4221	Feeler Spring	39 - 11
B065 4247	Brake Pad	39 - 4
B077 3262	Slide Rail:Toner Supply Unit	25 - 2
B082 2333	Terminale:Brush Roller	29 - 32
B082 2781	Bracket:Sensor	17 - 6
B082 3123	Shield:Case:Development:Front Rear:C3	27 - 19
B082 3867	Shield:Remove Paper Dust	33 - 26
B101 1097	Rubber Foot:H5	73 - 7
B121 7450	Decal - WEEE	9 - 18
B121 7450	Decal - WEEE	105 - 21
B154 5861	Guard:Fan	71 - 14
B154 5869	Panel:Interface:SECC	71 - 4
B180 2782	Seal:Tray	15 - 31
B180 2871	Shaft:Separator:Driven:Ass'y	21 - 41
B188 5350	LSI:MB87M4290	93 - 1
B213 2312	Bracket:Cleaning Blade	29 - 23
B213 2316	Stud:Contact Point:Cleaning	29 - 16
B213 2362	LED Array QL Ass'y	63 - 17
B213 3065	Density Sensor:Development:C4	27 - 14
B213 3889	Roller:Bias	31 - 2
B213 4460	Shaft:Pressure Roller	53 - 21
B223 1065	Connector Bracket	67 - 8
B223 1101	Grip:Front	73 - 14
B223 1102	Bracket:Grip:Right Front	73 - 15
B223 1120	Bracket:Paper Feed Unit	73 - 12
B223 1180	Bracket:Paper Feed	61 - 10

Part No.	Description	Page and Index No.
B223 1183	Grip Shaft	61 - 2
B223 1186	Drive Joint	61 - 3
B223 1187	Magnetic Clutch Bracket	61 - 12
B223 1188	Stepper Motor DC24V	61 - 16
B223 1189	Feed Drive Shaft	61 - 1
B223 1245	Cap:Grip	73 - 13
B223 1253	Emblem Cover	9 - 1
B223 1317	Screw	35 - 7
B223 1332	Fan Motor - Mm60 DC24V	65 - 5
B223 1350	Stepper Motor DC5.06V	59 - 1
B223 1354	Drum Stay:Drive Unit	61 - 4
B223 2606	Ground Plate:Rear	21 - 29
B223 2607	Ground Plate:Reverse	21 - 25
B223 2608	Gear:Z16	21 - 37
B223 2609	Guide Plate:Separator	21 - 26
B223 2620	Housing:Manual Feed	21 - 50
B223 2621	Cover:Manual Feed Unit	21 - 4
B223 2622	Guide Plate:Exit	21 - 3
B223 2623	Cover:Guide Plate:Exit	21 - 1
B223 2629	Stay:Feed	21 - 9
B223 2632	DC Solenoid:Pickup	21 - 14
B223 2633	Spring:Release:Pickup	21 - 15
B223 2634	Support Stay:Arm	21 - 19
B223 2636	Torsion Spring:27N	21 - 20
B223 2637	Bracket:Arm:Manual Feed:Rear	21 - 32
B223 2644	Decal:Scale	105 - 1
B223 2644	Decal:Scale	19 - 8
B223 2645	Decal:Side Fence	105 - 2
B223 2645	Decal:Side Fence	19 - 5
B223 2648	Guide Plate:Transport Unit:Exit	49 - 13
B223 2649	Spring:Pressure:5N	49 - 15
B223 2651	Arm:Manual Feed:Front	21 - 22
B223 2652	Arm:Manual Feed:Rear	21 - 33
B223 2657	Arm:Manual Feed:Short:Front	21 - 24
B223 2658	Arm:Manual Feed:Short:Rear	21 - 34

Part No.	Description	Page and Index No.
B223 2659	Harness:Manual Feed	21 - 16
B223 2661	Cover:Manual Feed	19 - 7
B223 2663	Extension Tray	19 - 13
B223 2664	Cover:Manual Feed:Entrance	41 - 15
B223 2665	Spring:Cover:Manual Feed	41 - 14
B223 2666	Gear:16Z	19 - 12
B223 2668	Spring Plate:Stopper	19 - 4
B223 2669	Harness:Paper Size Sensor	19 - 9
B223 2673	Side Fence:Rear	19 - 2
B223 2674	Side Fence:Front	19 - 1
B223 2676	Spring - 11N	49 - 4
B223 2681	Arm:Tightener	21 - 44
B223 2683	Gear:25Z	21 - 47
B223 2685	Stepper Motor:DC24V 26.4W	61 - 22
B223 2686	Gear:Z31	21 - 46
B223 2689	Gear:Z28	21 - 48
B223 2691	Bracket:Stepper Motor	61 - 21
B223 2694	Guide:Gear	61 - 19
B223 2696	Drum Stay:Drive	21 - 49
B223 2700	Manual Feed Table:EXP:Ass'y	19 - *
B223 2702	Heat Sink:Heater:NA	73 - 17
B223 2703	Heat Sink:Heater:EU	73 - 17
B223 2710	Supporter - Left No.2	73 - 1
B223 2713	Rack:Manual Feed	19 - 11
B223 2714	Positioning Cap - Short	73 - 4
B223 2715	Supporter - Right	73 - 3
B223 2721	Bracket:Push Switch	59 - 10
B223 2726	Grip:Side Fence:Manual Feed	19 - 3
B223 2729	Decal:Paper Set Direction:Manual Feed:EXP	19 - 6
B223 2729	Decal:Paper Set Direction:Manual Feed:EXP	105 - 3
B223 2761	Pickup Arm	17 - 22
B223 2762	Feed Shaft	17 - 26
B223 2764	Gear-24Z	17 - 25
B223 2765	Ground Plate - Feed	17 - 21
B223 2767	Paper End Feeler	17 - 1

Part No.	Description	Page and Index No.
B223 2772	Harness Sheet	17 - 12
B223 2773	Harness - Paper Feed Unit	17 - 3
B223 2776	Stay	17 - 9
B223 2778	Sensor Bracket	17 - 4
B223 2780	DC Solenoid 24V	17 - 8
B223 2786	Ground Plate - Front	17 - 13
B223 2810	Separate Driven Shaft	17 - 29
B223 2815	Separate Drive Shaft	17 - 34
B223 2819	Gear - 22Z	17 - 35
B223 2829	Feed Guide	17 - 17
B223 2846	Bracket:Cover:Harness	73 - 20
B223 2848	Cover:Harness	73 - 21
B223 2860	Paper Tray Grip	15 - 8
B223 2861	Grip Holder	15 - 13
B223 2862	Lever - Release Inner	15 - 10
B223 2863	Release Shaft	15 - 12
B223 2865	Rise No.1 Shaft	15 - 24
B223 2868	Lever:Release:Paper Tray:Outer	15 - 15
B223 2873	Decal - Side Fence Rear	15 - 30
B223 2873	Decal - Side Fence Rear	105 - 4
B223 2901	Paper Tray:No.2:Ass'y	15 - *
B223 2910	Link - Paper Size Sensor	15 - 1
B223 2911	Spacer	15 - 2
B223 2912	End Fence	15 - 17
B223 2918	Rise Lever	15 - 25
B223 2919	Ground Plate - Paper Tray No.2	15 - 6
B223 2920	Front Side Fence	15 - 18
B223 2923	Stopper Lever - Front	15 - 19
B223 2930	Rear Side Fence	15 - 26
B223 2934	Plate - Side Fence	15 - 22
B223 2935	Plate - Side Fence Right	15 - 21
B223 2936	Gear - 16Z	15 - 23
B223 2940	Tray Bottom Plate	15 - 4
B223 2946	Cover - Paper Tray No.2	15 - 7
B223 4428	Roller:Guide:PFA	53 - 14

Part No.	Description	Page and Index No.
B223 4435	Roller:Auxiliary:Driven:DIA16:PFA	53 - 16
B223 4479	Tension Spring:Gate Pawl:1.6N	43 - 9
B223 4486	Exit Tray	11 - 20
B223 4487	Exit End Fence	11 - 21
B223 4494	Stopper- Uppergate Pawl	43 - 8
B223 4497	Shaft:Feeler:Overflow	51 - 18
B223 4501	Guide Plate:Right	45 - 23
B223 4502	Guide Plate:Left Lower	47 - 12
B223 4511	Timing Belt:30S2M312	47 - 5
B223 4512	Timing Belt:30S2M182	47 - 3
B223 4514	Roller Clutch:T24	47 - 11
B223 4522	Spacer:Wire:Stopper	49 - 28
B223 4523	Link:Stopper	73 - 11
B223 4524	Wire:Stopper:DIA1.5	49 - 12
B223 4524	Wire:Stopper:DIA1.5	73 - 6
B223 4525	Tension Spring:Wire:180N	41 - 17
B223 4526	Timing Belt:30S2M268	45 - 15
B223 4527	Pulley:T26/T24	47 - 8
B223 4529	Roller Clutch:T24	47 - 6
B223 4531	Guide Plate:Cover	41 - 12
B223 4535	Roller Clutch:T26	47 - 9
B223 4536	Timing Belt:30S2M234	47 - 4
B223 4538	Compression Spring	41 - 10
B223 4539	Sheet:Cover:Duplex	41 - 16
B223 4544	Pulley:T35/T33	47 - 7
B223 4552	Bushing:DIA4	47 - 14
B223 4552	Bushing:DIA4	45 - 8
B223 4553	Tension Spring:Driven Roller	47 - 13
B223 4560	Tension Spring:Driven Roller	45 - 7
B223 4562	Tightener	45 - 12
B223 4564	Spring:Tightener	45 - 14
B223 4566	Bracket:Sensor:Entrance	45 - 4
B223 4571	Gear:Pulley:Z24/T40	45 - 20
B223 4572	Stepper Motor:DC4.29V 1.7W	45 - 17
B223 4573	Timing Belt:30S2M128	45 - 21

Part No.	Description	Page and Index No.
B223 4575	Bracket:Stepper Motor	45 - 19
B223 4579	Grip:Open and Close:Duplex Unit	41 - 3
B223 4586	Pulley:T30	45 - 16
B223 4594	Shaft:Pulley:Wire	49 - 20
B223 4595	Pulley:DIA13	49 - 18
B223 5848	Bracket:Base:Connector	67 - 12
B223 6172	Retaining Rings-E	33 - 5
B234 3177	Decal:Positioning Display:Development	105 - 5
B234 3177	Decal:Positioning Display:Development	33 - 30
B234 3177	Decal:Positioning Display:Development	47 - 26
B238 1066	Rubber Foot Cover	59 - 13
B238 1088	Cover - Connector	67 - 7
B238 1089	Cover - Positioning Pin	59 - 6
B238 1119	Lever - Front Upper	63 - 16
B238 2523	Decal - Paper Set Direction No.2	105 - 6
B238 2523	Decal - Paper Set Direction No.2	15 - 3
B238 2524	Decal - Paper Size	9 - 17
B238 2524	Decal - Paper Size	105 - 7
B238 2526	Decal - Grip	15 - 9
B238 2526	Decal - Grip	105 - 8
B238 2527	Decal - Grip	15 - 9
B238 2527	Decal - Grip	105 - 9
B238 2541	Tray Cover - Right	59 - 7
B238 2543	Cover - Tray Left	59 - 12
B238 2655	Gear - 16Z	23 - 15
B238 4166	End Ring:Spring:DIA4	37 - 5
B238 4194	Roller:Lever:Pressure	37 - 7
B238 5503	IC:TRIO2	99 - 1
B242 1161	Ball Bearing - 8x22x7	57 - 7
B296 9640	Developer - Black	27 - 5
B408 1390	Flat Screw:Groove Type	11 - 17
B645 5010	SD Card	107 - 4
B645 6820	USB Read/Writer	107 - 5
B700 2649	Timing Belt:40S2M144	61 - 17
D009 1088	Grip Bracket - Right Rear	61 - 24

Part No.	Description	Page and Index No.
D009 1089	Bracket:Exit:Rear	65 - 22
D009 1090	Connector Bracket - Fusing	55 - 8
D009 1093	Stopper Bracket - Grip	73 - 16
D009 1111	Drum Shaft	57 - 23
D009 1113	Drive Unit- Transfer On-Off	57 - 10
D009 1120	Rear Drive Bracket - Engine	57 - 6
D009 1121	Ground Plate - Drum	57 - 8
D009 1123	Drive Bracket - Transfer	57 - 11
D009 1125	Tightener Bracket - Transfer	57 - 31
D009 1127	Roller - Tightener	57 - 28
D009 1128	Spring - Tightener	57 - 29
D009 1131	Joint - Development Roller	57 - 20
D009 1135	Tightener Bracket - Development	57 - 30
D009 1139	Front Drive Bracket - Engine	57 - 24
D009 1141	Ground Plate - Drum	57 - 18
D009 1142	Pulley - 48T/90T	57 - 26
D009 1145	Drum Shaft Holder	57 - 19
D009 1147	Terminal - Development Roller	57 - 21
D009 1148	Collar - 6x18.8mm	57 - 13
D009 1151	Bracket - Registration Drive Unit	59 - 3
D009 1158	Holder - Paddle Roller Drive	55 - 33
D009 1161	Bracket - Paddle Roller Drive	55 - 28
D009 1164	Shaft - Paddle Rooler Drive	55 - 34
D009 1171	Bracket - Fusing Drive Sub-Unit	55 - 12
D009 1182	Joint Cover	55 - 1
D009 1183	Joint - Cleaning	55 - 2
D009 1187	Bracket - Fusing Cleaning Drive	55 - 17
D009 1193	Sensor Bracket	55 - 16
D009 1194	Motor Holder	55 - 24
D009 1195	Notor Bracket	55 - 25
D009 1241	Inner Cover:Upper:Left:DOM	11 - 15
D009 1242	Inner Cover - Left	9 - 16
D009 1243	Inner Cover - Right Upper	11 - 9
D009 1244	Inner Cover - Middle	11 - 11
D009 1260	Upper Cover	11 - 19

Part No.	Description	Page and Index No.
D009 1272	Right Cover - Rear	9 - 11
D009 1351	Upper Fusing Duct	67 - 2
D009 1352	Lower Fusing Duct	67 - 3
D009 1354	Rear Exhaust Duct - Right	67 - 14
D009 1355	Rear Exhaust Duct - Left	67 - 11
D009 1356	Sponge:Duct:Exhaust	67 - 5
D009 1366	Middle Exhaust Duct - Upper	65 - 1
D009 1367	Middle Exhaust Duct - Lower	65 - 2
D009 1368	Front Upper Duct	65 - 3
D009 1369	Front Lower Duct	65 - 4
D009 1370	Guard:Fan:Paper Exit Unit	65 - 20
D009 1860	Imaging Unit	13 - 1
D009 1861	Cover - Polygon Motor	13 - 2
D009 1870	Laser Diode Unit	13 - 8
D009 2201	Seal:Drum:Front	29 - 12
D009 2202	Seal:Drum:Rear	29 - 14
D009 2203	Seal:Drum:Entrance	29 - 13
D009 2204	Seal:Blade:Upper:Case	29 - 15
D009 2205	Seal:Blade:Upper Rear:Small	29 - 11
D009 2240	Rear Flange - Lock	23 - 23
D009 2241	Front Flange - Lock	23 - 28
D009 2242	Spring Plate - Lock	23 - 29
D009 2243	Shaft - Lock	23 - 25
D009 2244	Stopper - Lock	23 - 27
D009 2245	Stopper Cover - Stopper	23 - 26
D009 2248	Guide Plate - Lock Lever	11 - 8
D009 2249	Spring Plate - Lock Lever	11 - 7
D009 2254	Base - Lock Lever	11 - 6
D009 2279	Seal:Toner Supply:Entrance:Upper	29 - 7
D009 2303	Drum Hold Plate	29 - 38
D009 2317	Electrode Plate - Charge	29 - 4
D009 2318	Spring Plate - Electrode	29 - 25
D009 2331	Front Arm - Pressure/Charge	29 - 19
D009 2336	Rear Arm - Pressure/Charge	29 - 30
D009 2351	Cleaning Blade	29 - 24

Part No.	Description	Page and Index No.
D009 2367	Density Sensor	63 - 10
D009 2380	Front Side Plate - Coupling	29 - 6
D009 2389	Raer Side Plate - Coupling	27 - 1
D009 2390	Idler Bracket	29 - 3
D009 2426	Seal - 24.5x68.5	29 - 34
D009 2445	Handle - PCU	29 - 5
D009 2480	Screw - M3x10	27 - 32
D009 2510	Guide Plate - Exit	49 - 11
D009 2527	Cover - Electrical Components	67 - 13
D009 2552	Guide Sheet - Manual Feed	21 - 17
D009 2554	Guide Sheet - Vertical Transport	49 - 1
D009 2555	Transport Roller - Duplex Exit	21 - 18
D009 2560	Driven Roller	49 - 14
D009 2563	Guide Plate - Vertical Transport	49 - 2
D009 2571	Holder - Vertical Transport	49 - 5
D009 2572	Transport Belt	49 - 6
D009 2573	Pulley - Vertical Transport	49 - 8
D009 2574	Pulley - Idler	49 - 7
D009 2575	Shaft - Idler	49 - 10
D009 2576	Shaft - Vertical Transport	49 - 9
D009 2600	Registration Roller - Drive	23 - 14
D009 2602	Gear - 18Z	23 - 16
D009 2603	Gear - 28Z	23 - 9
D009 2604	Knob - Registration Roller	23 - 17
D009 2606	Registration Roller - Driven	23 - 13
D009 2607	Bushing - Driven Registration	23 - 7
D009 2612	Case Supporter - Remove Paper Dust	23 - 11
D009 2614	Bracket - Registration Sensor	23 - 21
D009 2616	Paper Dust Case	9 - 8
D009 2617	Upper Guide Plate - Registration	23 - 3
D009 2618	Cover - Paper Dust Removal	23 - 6
D009 2622	Front Positioning Guide	23 - 22
D009 2623	Raer Positioning Guide	23 - 18
D009 2624	Lower Guide Plate - Registration	23 - 12
D009 2625	Stay - Paper Dust Removal	23 - 5

Part No.	Description	Page and Index No.
D009 2626	Harness - Registration Sensor	23 - 19
D009 2627	Decal - Misfeed Removal B1	9 - 10
D009 2627	Decal - Misfeed Removal B1	105 - 10
D009 2633	Cap - Toner Supply	29 - 9
D009 2636	Tension Spring	23 - 8
D009 2650	Torsion Spring - Registration	23 - 4
D009 2750	Paper Feed Unit	17 - *
D009 2757	Transport Roller:Drive:Ass'y	17 - 10
D009 2836	Guide Plate	23 - 2
D009 2841	Guide Plate - No.2	23 - 1
D009 3053	Upper Case Seal	27 - 22
D009 3065	Upper Cover - Development Unit	27 - 23
D009 3066	Entrance Seal - Toner Supply	27 - 16
D009 3068	Front Bias Terminal	27 - 11
D009 3069	Raer Bias Terminal	27 - 12
D009 3072	Seal - Density Sensor Harness	27 - 21
D009 3078	Joint - Paddle	27 - 15
D009 3083	Development Filter	27 - 25
D009 3102	Upper Cap - Development Case	27 - 4
D009 3150	Entrance Seal Ass'y	27 - 30
D009 3162	Ground Plate:Doctor Blade	27 - 26
D009 3203	Rear Seal - Upper Cover	27 - 33
D009 3204	Front Seal - Upper Cover	27 - 24
D009 3205	Seal:Side Plate:Front	27 - 17
D009 3206	Seal:Side Plate:Rear	27 - 20
D009 3209	Toner Supply Unit	25 - 1
D009 3210	Guide - Toner Supply	63 - 4
D009 3240	Spacer:Arm:Shutter:Toner Supply Unit	25 - 17
D009 3265	Shaft - Slide	25 - 11
D009 3267	Seal:Toner Supply:Entrance:Front	29 - 8
D009 3268	Decal - Lock Toner Bottle	11 - 13
D009 3268	Decal - Lock Toner Bottle	105 - 11
D009 3269	Decal - Release Toner Bottle	11 - 12
D009 3269	Decal - Release Toner Bottle	105 - 12
D009 3803	Case - Transfer Unit	33 - 16

Part No.	Description	Page and Index No.
D009 3831	Receptacle Housing - Transfer	57 - 33
D009 3832	Receptacle Terminal - Transfer	57 - 34
D009 3856	Guide:Standard:Transfer Unit:Rear	63 - 20
D009 3857	Guide:Standard:Transfer Unit:Front	63 - 21
D009 3858	Entrance Guide Plate - Transfer	23 - 30
D009 3860	Spring Cover - Transfer Unit	47 - 16
D009 3861	Terminal Holder - Transfer Unit	47 - 19
D009 3865	Holder - Density Sensor	63 - 9
D009 3866	Guide - Separation/Transport	63 - 14
D009 3872	Harness - Used Toner Sensor	33 - 15
D009 3874	Sensor Harness	47 - 20
D009 3875	Harness - Transfer Unit Bias	33 - 21
D009 3876	Earth Harness - Transfer Unit	33 - 19
D009 3882	Frame - Transfer Belt	31 - 16
D009 3890	Front Bushing - Bias Roller	31 - 8
D009 3893	Arm - Transfer Belt	31 - 17
D009 3894	Drive Roller - Transfer Belt	31 - 10
D009 3898	Lever:Set:Transfer Unit:P	33 - 12
D009 3906	Seal - Rear Transfer Exit	33 - 25
D009 3907	Seal - Transfer Belt Exit	33 - 22
D009 3916	Fron Lever - Transfer Belt	33 - 8
D009 3917	Rear Lever - Transfer Belt	33 - 10
D009 3918	Pelease Lever	33 - 13
D009 3919	Release Lever Shaft	33 - 4
D009 3920	Fron Release Plate	33 - 6
D009 3921	Rear Release Plate	33 - 7
D009 3935	Earth Terminal - Transfer Belt	31 - 4
D009 3936	Bial Terminal - Transfer Belt	31 - 6
D009 3937	Terminal - Transfer Belt	31 - 5
D009 3943	Bracket:Cleaning Blade:Transfer	33 - 2
D009 3948	Scraper - Drive Roller	31 - 12
D009 3952	Raer Seal - Cleaning Blade	33 - 24
D009 3953	Front Seal - Cleaning Blade	33 - 23
D009 3954	Sheet:Preventfence:Transfer Belt	31 - 11
D009 3992	Receptacle Housing - Transfer Unit	33 - 17

Part No.	Description	Page and Index No.
D009 4053	Fusing Cover - Lower Middle	35 - 22
D009 4055	Fusing Cover - Lower Front	35 - 6
D009 4057	Fusing Cover - Lower Rear	35 - 9
D009 4059	Fusing Cover - Upper Front	35 - 5
D009 4062	Fusing Cover - Upper Rear	35 - 8
D009 4066	Fusing Cover - Duplex Guide	35 - 18
D009 4069	Entrance Guide Plate - Fusing	35 - 20
D009 4097	Harness - Set Sensor NA	37 - 27
D009 4098	Set Sensor Harness - 230V	37 - 27
D009 4099	Harness - Fusing Unit	37 - 26
D009 4123	Bracket:Side Plate:Auxiliary	37 - 35
D009 4124	Connector Bracket 1	37 - 33
D009 4125	Connector Bracket 2	37 - 28
D009 4126	Front Heater Bracket	37 - 1
D009 4127	Rear Heater Bracket	37 - 36
D009 4131	Terminal - AC/DC	37 - 30
D009 4132	Terminal Cover	37 - 29
D009 4135	Terminal - AC	37 - 14
D009 4141	Electrode Plate 1	37 - 32
D009 4142	Electrode Plate 2	37 - 31
D009 4143	Electrode Plate 3	37 - 13
D009 4156	Retaining Rings-C - Hot Roller	37 - 2
D009 4163	Exit Guide - Hot Roller Unit	37 - 44
D009 4165	Fusing Unit Cover	37 - 18
D009 4166	Stay - Hot Roller Exit	37 - 15
D009 4177	Thermistor	37 - 25
D009 4178	Thermistor Bracket	37 - 24
D009 4193	Housing - Thermostat	37 - 20
D009 4195	Spacer - Thermostat	37 - 22
D009 4196	Harness 1 - Thermostat	37 - 12
D009 4197	Harness 2 - Thermostat	37 - 19
D009 4225	Stay - Pressure Roller Unit	35 - 14
D009 4238	Bracket - Driven Roller	35 - 13
D009 4242	Decal:High Temperrature	105 - 13
D009 4242	Decal:High Temperrature	35 - 21

Part No.	Description	Page and Index No.
D009 4243	Exit Guide - Pressure Roller Unit	35 - 2
D009 4244	Knob	35 - 1
D009 4248	Knob Bracket	35 - 3
D009 4271	Front Lever - Pressure Release	37 - 6
D009 4274	Pressure Lock Lever	37 - 9
D009 4275	Front Pressure Lever	37 - 11
D009 4291	Rear Lever - Pressure Release	37 - 37
D009 4295	Front Pressure Lever	37 - 38
D009 4305	Cleaning Web Ass'y	39 - *
D009 4307	Cleaning Unit Cover - Fusing	39 - 2
D009 4350	Front Lock Lever	63 - 15
D009 4351	Rear Lock Lever	63 - 8
D009 4355	Roller Clutch	39 - 8
D009 4356	Washer:DIA3.5	63 - 22
D009 4369	Bracket - Cleaning Unit Drive	39 - 3
D009 4377	Worm Gear Bracket	39 - 14
D009 4378	Worm Gear Shaft	39 - 12
D009 4388	Roller Clutch	39 - 21
D009 4393	Feeler - Web	39 - 10
D009 4406	Separation Plate - Paper Exit	53 - 11
D009 4407	Feeler - Overflow	51 - 17
D009 4408	Bracket:Sensor:Fusing Exit	51 - 12
D009 4409	Sheet - Gate	43 - 7
D009 4412	Lower Guide Plate - Exit	53 - 12
D009 4413	Lower Stay - Exit	53 - 19
D009 4418	Stepped Tapping Screw - M3	53 - 35
D009 4419	Spring - Lower Guide Plate	53 - 17
D009 4422	Driven Roller Shaft	53 - 15
D009 4428	Upper Stay	53 - 2
D009 4431	Rear Side Plate	53 - 30
D009 4434	Front Side Plate	53 - 10
D009 4436	Entrance Gate	51 - 7
D009 4438	Lever - Entrance Gate	51 - 3
D009 4439	Bushing - 4mm	51 - 4
D009 4441	Exit Guide Plate - Upper Right	51 - 10

Part No.	Description	Page and Index No.
D009 4442	Exit Guide Plate - Upper	53 - 7
D009 4443	Discharge Brush - Exit	53 - 5
D009 4444	Exit Roller	53 - 1
D009 4445	Transport Roller	51 - 9
D009 4445	Transport Roller	53 - 3
D009 4447	Exit Sensor Bracket	51 - 15
D009 4448	Tension Spring - Gate Pawl	51 - 25
D009 4451	DC Solenoid - Exit	51 - 1
D009 4455	Cushion - DC Solenoid	51 - 5
D009 4457	Tension Spring Release	51 - 2
D009 4461	Gear - 17Z	51 - 20
D009 4462	Gear - 22Z	53 - 33
D009 4463	Gear/Pulley - 22Z/22T	53 - 34
D009 4464	Gear - 22Z	51 - 14
D009 4465	Timing Pulley - 22T	53 - 32
D009 4466	Timing Belt - 30S2M172	53 - 31
D009 4467	Stepper Motor - DC 5.79W	51 - 24
D009 4469	Gear - 17Z	51 - 21
D009 4471	Stepper Motor Bracket	51 - 22
D009 4476	Spring - Entrance Pressure	53 - 23
D009 4477	Spring - Exit Pressure	53 - 20
D009 4478	Lower Supporting Plate	53 - 29
D009 4481	Grip - Upper Gate	43 - 2
D009 4482	Right Guide Plate - Open/Close	43 - 11
D009 4483	Upper Gate	43 - 1
D009 4485	Bushing - Gate	43 - 4
D009 4486	Lever - Upper Gate	43 - 6
D009 4487	Compression Spring - Gate	43 - 5
D009 4488	Right Spring - Guide Plate	43 - 10
D009 4489	Driven Roller	43 - 3
D009 4490	Exit Motor Cover	51 - 23
D009 4491	Entrance Arm	53 - 22
D009 4492	Exit Arm	53 - 25
D009 4493	Bracket - Contact Point	53 - 27
D009 4496	Spring Plate - Exit Roller	53 - 28

Part No.	Description	Page and Index No.
D009 4497	Decal - Right Guide	45 - 25
D009 4497	Decal - Right Guide	105 - 14
D009 4498	Bushing - Lower Guide Plate	53 - 18
D009 4499	Harness - Paper Exit Unit	51 - 16
D009 4503	Guide Plate - Left Upper	43 - 14
D009 4504	Upper Guide Plate - Gate	45 - 2
D009 4521	Harness Bracket	45 - 24
D009 4532	Tension Spring - Stopper Hook	41 - 5
D009 4533	Rear Inner Cover - Duplex	41 - 2
D009 4534	Front Inner Cover - Duplex	41 - 1
D009 4535	Harness Guide	49 - 16
D009 4537	Front Release Arm	41 - 6
D009 4538	Rear Release Arm	41 - 7
D009 4540	Cover - Duplex Unit	41 - 13
D009 4541	Front Torsion Spring	47 - 21
D009 4545	Holder Shaft - Transfer Unit	47 - 23
D009 4551	Guide Plate - Holder	47 - 18
D009 4575	Gasket: Duplex Unit	73 - 19
D009 4577	Duplex Gate	43 - 12
D009 4579	Tension Spring - Duplex Gate	43 - 13
D009 4587	Tension Spring - Release Bracket	49 - 27
D009 4588	Stopper Bracket - Spring	49 - 24
D009 4589	Guide - Set Shaft	49 - 23
D009 4590	Stopper Hook - Duplex Unit	41 - 4
D009 4593	Stepped Screw - M3	49 - 26
D009 4594	Front Guide - Duplex Unit Set	73 - 9
D009 4595	Rear Guide - Duplex Unit Set	73 - 8
D009 4597	Bracket - Wire Pulley Shaft	49 - 19
D009 4598	Spring - Set Shaft	49 - 22
D009 4599	Shaft - Duplex Unit	49 - 21
D009 4651	Harness - Duplex Unit	49 - 17
D009 4652	Motor Harness	45 - 26
D009 4661	Reverse Roller - Feed	45 - 10
D009 4662	Transport Roller 1	47 - 1
D009 4663	Transport Roller 2	47 - 2

Part No.	Description	Page and Index No.
D009 4664	Driven Roller	35 - 12
D009 4664	Driven Roller	41 - 8
D009 4664	Driven Roller	47 - 15
D009 4664	Driven Roller	45 - 6
D009 5320	Sync Detector Board	13 - 7
D009 5420	Harness - High Voltage Cable	57 - 1
D009 5425	Harness - Safety Switch	69 - 20
D009 5430	Harness- PSU-IOB Right	69 - 18
D009 5440	Harness - Development Drawer	59 - 14
D009 5461	DC Harness- BICU-IOB	69 - 7
D009 5470	Harness - BICU-LDB	69 - 4
D009 5475	Interface Harness - BICU-LDB	73 - 2
D009 5481	Interface Harness - IOB-Switch	63 - 6
D009 5486	DC Harness-IOB Lower	69 - 11
D009 5490	Harness - IOB Lower Behind	69 - 13
D009 5495	Harness - IOB-Lift Motor	69 - 10
D009 5500	Interface Harness - Web Sensor	55 - 15
D009 5505	Harness - Toner Supply Motor	63 - 1
D009 5510	Harness - Quenching Lamp	63 - 18
D009 5520	Harness - IOB-Motor	69 - 12
D009 5570	Harness - Imaging Unit	13 - 6
D009 5571	Harness: Laser Diode Control	13 - 9
D009 5600	Harnes - AC Inlet	69 - 16
D009 5605	AC Harness - Switch	69 - 3
D009 5611	Harness: AC: Heater	25 - 15
D009 5615	AC Harness - Heater	59 - 9
D009 5615	AC Harness - Heater	67 - 9
D009 5620	AC Harness - Fusing	55 - 9
D009 5840	Base - Left Safety Switch	65 - 18
D009 5842	Grounding Plate -BICU	69 - 21
D009 5851	Bracket - IO Board	69 - 15
D009 5852	Connector Bracket	67 - 4
D009 5853	Bracket - Main Switch	69 - 1
D009 5854	Bracket - Power Pack	57 - 3
D009 5855	Bracket - Inlet	69 - 17

Part No.	Description	Page and Index No.
D009 5856	Bracket - Heater Connector	67 - 10
D009 5857	Shaft - Safety Switch	65 - 12
D009 5858	Left/Right Lever - Safety Switch	65 - 15
D009 5863	Left Lever - Safety Switch	65 - 16
D009 5864	Middle Lever - Safety Switch	65 - 13
D009 5865	Cam - Safety Switch	65 - 14
D009 5866	Base - Right Safety Switch	65 - 7
D009 5867	Guide Plate - Safety Switch	65 - 9
D009 5868	Right Lever - Safety Switch	65 - 11
D009 5869	Right Lower Lever - Safety Switch	65 - 8
D009 5871	Connector Cap - USB-A	71 - 17
D009 5874	Grip - C/T Box	71 - 3
D009 5876	Small Bracket - BICU	67 - 6
D009 5877	Guide - Mother Board	69 - 5
D009 5879	Bracket - Mother Board	71 - 9
D009 5880	Bracket - Control Board	71 - 5
D009 5884	Cover - SD-Card	71 - 2
D009 5892	Heater Stopper	25 - 13
D009 5895	Tension Spring: Safety Switch: Left	65 - 17
D009 5896	Spring - Right Safety Switch	65 - 10
D009 5898	Harness Guide - Safety Switch	65 - 6
D009 8493	Heater: Paper Feed: Option: EU: Ass'y	73 - 22
D009 8495	Heater: Paper Feed: Option: NA: Ass'y	73 - 22
D009 9510	OPC Drum	29 - 41
D011 1250	Decal: Main Switch: On-Off	105 - 15
D011 1250	Decal: Main Switch: On-Off	9 - 5
D011 1252	Decal: Main Switch: On-Standby	25 - 14
D011 1252	Decal: Main Switch: On-Standby	73 - 18
D011 1252	Decal: Main Switch: On-Standby	105 - 16
D011 1253	Decal: Main Switch: On-Standby: EU	105 - 17
D011 1253	Decal: Main Switch: On-Standby: EU	73 - 18
D011 1253	Decal: Main Switch: On-Standby: EU	25 - 14
D011 5841	Heater: PCD: NA: Sub-Ass'y	25 - 16
D011 5842	Heater: PCD: EU: Sub-Ass'y	25 - 16
D012 1241	Inner Cover - Upper Left	11 - 15

Part No.	Description	Page and Index No.
D012 1251	Front Cover	9 - 3
D012 1271	Right Cover - Front	9 - 9
D012 1281	Left Cover	9 - 14
D012 1291	Rear Cover	9 - 13
D012 1293	Cap - Rear Cover EU	9 - 12
D013 1271	Cover:Right:Front:NA	9 - 9
D013 1281	Cover:Left:NA	9 - 14
D029 2662	Manual Feed Table	19 - 14
G020 1332	Hinge - Front Cover	9 - 4
G020 5626	Push Switch	59 - 19
G024 1314	Pulley Pin	31 - 13
G029 1980	Decal - LD	105 - 18
G029 1980	Decal - LD	13 - 3
G034 2993	Flanged Hexagonal Head Bolt - M3x6	11 - 2
G060 2652	Bushing - M4	49 - 3
G060 2932	Pick-up Arm - Manual Feed	21 - 13
G065 2308	Electrode Plate:Charge:Rear	29 - 31
G065 2354	Electrode Plate:Charge:Front	29 - 17
G065 2681	Snap Ring - M6	27 - 2
G065 2681	Snap Ring - M6	29 - 18
G065 2767	Lever - Feed	17 - 24
G065 2774	Pressure Lever	17 - 32
G065 2775	Link Lever	17 - 38
G065 2776	Release Lever	17 - 37
G065 3070	Feeler:New Article Sensor	27 - 29
G080 2682	Bushing:Feed	21 - 28
G080 2900	Torque Limiter	21 - 40
G102 3837	Stopper:Blade	33 - 11
G104 5141	Knob Screw:M3	71 - 1
G108 5107	Left Guide 1	71 - 7
G108 5108	Right Guide 1	71 - 6
G133 1261	Cover:Inner Back:P	11 - 18
G133 1263	Cover:Inner Back:Middle:P	11 - 16
G133 1266	Cover:Paper Exit Unit:Upper	11 - 22
G133 1268	Cover:Upper:Right	11 - 24

Part No.	Description	Page and Index No.
G133 1269	Cap:DIA17	11 - 25
G133 1285	Decal:Cover:Left:Guide Plate	105 - 19
G133 1285	Decal:Cover:Left:Guide Plate	9 - 15
G790 2329	Brush Roller:Cleaner:Charge:Amabuki:Ass'y	29 - 46
H053 2208	Bushing - M4	51 - 8
H053 2208	Bushing - M4	53 - 4

Part No.	Description	Page and Index No.
AA00 1477	Decal:Energy-Star	105 - 20
AA00 1477	Decal:Energy-Star	9 - 19
AA04 3585	Timing Belt:40S3M162	61 - 7
AA04 3601	Timing Belt - B40S2M118	59 - 5
AA04 3656	Timing Belt - 60S3M177	55 - 31
AA04 3658	Timing Belt - 60S2M300	57 - 27
AA06 0691	Tension Spring	17 - 23
AA06 0693	Tension Spring	17 - 31
AA06 0872	Spring	21 - 43
AA06 0948	Tension Spring:Stripper Pawls:50mN	37 - 16
AA06 1003	Tension Spring:Side Fence:Rear	15 - 14
AA06 1014	Tension Spring:Grip	15 - 11
AA06 1020	Spring:Release:Transfer Belt	31 - 7
AA06 1022	Spring - Driven Roller	35 - 10
AA06 1023	Compression Spring - Knob	35 - 4
AA06 1024	Tension Spring - Pressure	37 - 10
AA06 1099	Compression Spring:Cleaning Roller	35 - 15
AA06 1100	Spring:Pressure:Cleaning Blade	33 - 3
AA06 2258	Spring:Pressure:Cleaning Blade:No.2	29 - 47
AA06 2259	Spring - Release	17 - 39
AA06 2299	Pressure Spring	29 - 26
AA06 2300	Tension Spring	29 - 27
AA06 2310	Pressure Spring	29 - 42
AA06 3303	Pressure Spring	47 - 24
AA06 3432	Spring - Intermediate Drawer	57 - 22
AA06 3445	Spring- Laser Diode Unit	13 - 10
AA06 3447	Spring - Transfer Belt	33 - 9
AA06 3448	Pressure Spring - Transfer Unit	47 - 17
AA06 3499	Pressure Spring	21 - 42
AA06 3566	Pressure Spring	25 - 8
AA06 3568	Pressure Spring	21 - 12
AA06 3648	Pressure Spring	29 - 20
AA06 3886	Spring	39 - 7
AA06 6380	Spring	33 - 18
AA06 6381	Spring	33 - 20

Part No.	Description	Page and Index No.
AA08 0254	Bushing - M4	41 - 9
AA08 0254	Bushing - M4	47 - 25
AA08 0281	Bushing - 12x18x5.5	27 - 27
AA08 0346	Bushing:Flange Type:DIA6	61 - 13
AA08 0347	Bushing - 8mm	55 - 29
AA08 0351	Bushing - Cleaning Roller	35 - 16
AA08 0352	Bushing - Driven Roller	35 - 11
AA08 0353	Bushing - 4mm	39 - 23
AA08 0354	Bushing - 6mm	39 - 19
AA08 0355	Bushing - 7mm	39 - 13
AA08 0356	Bushing - 6mm	39 - 17
AA08 2054	Bushing - M4	31 - 3
AA08 2074	Bushing - M8	23 - 10
AA08 2078	Bushing - 8mm	23 - 24
AA08 2101	Bushing - 6x10x6	21 - 7
AA08 2101	Bushing - 6x10x6	45 - 3
AA08 2101	Bushing - 6x10x6	53 - 6
AA08 2101	Bushing - 6x10x6	17 - 20
AA08 2102	Bushing - 6x10x6	21 - 23
AA08 2104	Bushing - 8x12x7	47 - 10
AA08 2104	Bushing - 8x12x7	21 - 51
AA08 2143	Bushing - 6x10x6	17 - 11
AA08 3014	One-way Clutch	21 - 30
AA10 0014	Retaining Ring C - Separate	47 - 22
AA10 0014	Retaining Ring C - Separate	17 - 16
AA10 0014	Retaining Ring C - Separate	21 - 5
AA10 1021	Rubber Bushing - 6 45HS	45 - 18
AA10 1021	Rubber Bushing - 6 45HS	61 - 23
AA13 2208	Spacer - M6	55 - 3
AA14 0777	Shaft:Feed	21 - 8
AA14 0778	Shaft:Separator:Drive	21 - 38
AA14 3183	Stepped Screw	49 - 25
AA14 3404	Stepped Screw - M4	73 - 10
AA14 3520	Shoulder Screw - M3	35 - 19
AA14 3520	Shoulder Screw - M3	37 - 45

Part No.	Description	Page and Index No.
AA14 3549	Screw:DIA10:M3x18	29 - 39
AA14 3579	Screw - M3	59 - 15
AA14 3579	Screw - M3	63 - 11
AA14 3744	Stepped Screw	55 - 10
AA14 3792	Screw:Drawer	37 - 8
AA14 3807	Screw:A	45 - 1
AA14 3812	Screw - Scale	39 - 1
AA14 5294	Parallel Pin - 2x12mm	57 - 17
AA15 0423	Seal - Cleaning Pressure	33 - 27
AA15 3083	Seal - Toner Supply Unit Cover	25 - 9
AA15 3095	Shield - Development - Center	27 - 18
AA16 1163	Cushion	73 - 5
AA16 1164	Cushion:Stepper Motor	61 - 15
AB01 0140	Gear - 90Z	57 - 25
AB01 0141	Gear - 46Z	57 - 15
AB01 0156	Gear:Separate:Drive	17 - 33
AB01 0157	Gear:Separate:Driven	17 - 30
AB01 0171	Gear - 40Z	37 - 39
AB01 0172	Gear - 24Z/25Z	37 - 34
AB01 0173	Gear - 60Z	39 - 20
AB01 0174	Gear - 20Z/50Z	39 - 5
AB01 0175	Gear - 24Z	39 - 6
AB01 0176	Gear - 24Z	39 - 22
AB01 0177	Gear - 32Z	39 - 16
AB01 0178	Worm Gear	39 - 15
AB01 0369	Gear - 330Z	57 - 9
AB01 1218	Gear - Roller Clutch	17 - 19
AB01 1223	Idler Gear - 25Z	21 - 45
AB01 1252	Gear - 20Z	17 - 15
AB01 1258	Gear - 38Z	61 - 6
AB01 1259	Gear - 32Z	61 - 9
AB01 1282	Gear - 31Z	31 - 14
AB01 1379	Gear - 19Z	29 - 29
AB01 1380	Cam - Cleaning Blade	29 - 28
AB01 1387	Gear - 23Z	21 - 10

Part No.	Description	Page and Index No.
AB01 1416	Gear - 20Z	21 - 36
AB01 1523	Gear - 24Z	55 - 18
AB01 1524	Gear - 36Z	55 - 19
AB01 1525	Gear - 32Z	55 - 21
AB01 1526	Gear - 24Z	55 - 20
AB01 1527	Gear - 14Z/32Z	55 - 22
AB01 1528	Gear - 14Z/32Z	55 - 23
AB01 4060	Gear - 21Z	27 - 9
AB01 4061	Gear - 13Z	27 - 7
AB01 4062	Gear - 17Z/25Z	27 - 10
AB01 4161	Reverse Roller Gear	45 - 11
AB01 4280	Gear - 26Z/90Z	55 - 6
AB01 4281	Gear - 40Z	55 - 7
AB01 4282	Gear - 26Z/30Z	55 - 11
AB01 4283	Gear - 24Z	55 - 5
AB01 4284	Gear - 24Z	55 - 4
AB01 7493	Gear Pulley	61 - 18
AB01 7699	Gear - 33Z/44Z	61 - 5
AB01 7743	Gear - 20Z	55 - 32
AB01 7752	Gear - 27TZ/42Z	57 - 12
AB03 0744	Timing Pulley - 27Z/40T	59 - 4
AB03 0781	Timing Pulley - 28Z/30T	61 - 8
AB03 0815	Timing Pulley - 24T	55 - 30
AB03 0820	Pulley - 31T	57 - 16
AB03 0821	Pulley - 31T	57 - 14
AC01 5025	Shield Glass	13 - 4
AD02 5021	Pick-off Pawl	29 - 44
AD02 7012	Roller:Charge:Apply	29 - 37
AD04 1105	Cleaning Blade:No.2:Ass'y	29 - 35
AD04 1135	Cleaning Blade - Transfer Belt	33 - 1
AE01 0099	Hot Roller	37 - 40
AE02 0199	Pressure Roller	37 - 43
AE03 0098	Ball Bearing - 8x22x7	37 - 4
AE03 0099	Ball Bearing - 30x42x7	37 - 3
AE04 0099	Holder Roller	39 - 9

Part No.	Description	Page and Index No.
AE04 2098	Cleaning Roller:Ass'y	35 - 17
AE04 4099	Stripper Pawls	37 - 17
AE04 5099	Cleaning Web	39 - 18
AF01 3006	Bottom Plate Pad	15 - 5
AF01 3016	Bottom Plate Pad	21 - 27
AF03 0049	Pick-up Roller	21 - 11
AF03 0090	Paper Feed Roller:Pickup	17 - 14
AF03 1046	Feed Roller - Manual Feed	21 - 6
AF03 1090	Paper Feed Roller:Feed	17 - 18
AF03 2046	Separation Roller - Manual Feed	21 - 39
AF03 2090	Paper Feed Roller:Separate	17 - 27
AF04 0571	Guide Roller	53 - 13
AF04 0575	Driven Roller	53 - 8
AF04 0599	Pressure Roller:15	53 - 26
AF04 0601	Pressure Roller:Entrance	53 - 24
AG07 0514	Magnet Catch	41 - 11
AG07 1012	Magnet Catch:Ass'y	11 - 14
AW01 0107	Paper Feed Sensor	23 - 20
AW01 0107	Paper Feed Sensor	45 - 5
AW01 0107	Paper Feed Sensor	51 - 6
AW01 0107	Paper Feed Sensor	21 - 2
AW01 0122	Paper Feed Sensor	17 - 7
AW01 0127	Paper Feed Sensor	51 - 13
AW01 0128	Paper Feed Sensor	17 - 5
AW01 0199	Entrance Sensor	63 - 19
AW02 0145	Photointerruptor:Flat	17 - 2
AW02 0145	Photointerruptor:Flat	51 - 19
AW02 0145	Photointerruptor:Flat	45 - 9
AW02 0150	Photointerruptor:Flat:7mm	55 - 14
AW11 0098	Thermostat - 220C	37 - 21
AW11 0099	Thermostat - 219C	37 - 23
AW50 0023	Push Switch	63 - 7
AW50 0031	Paper Size Sensor	19 - 10
AW50 0035	Paper End Sensor	21 - 21
AW50 0038	Push Switch:Paper Size Sensor	59 - 11

Part No.	Description	Page and Index No.
AX04 0154	DC Motor 24V	59 - 8
AX04 0167	Motor:DC5V 0.71W	55 - 26
AX05 0292	Toner Bottle Motor - DC 2.4W	63 - 2
AX06 0353	Polygon Mirror Motor - DC 16.8W	13 - 5
AX06 0354	Brushless Motor - DC 6W	57 - 4
AX06 0355	Brushless Motor - DC 11W	57 - 5
AX06 0355	Brushless Motor - DC 11W	55 - 27
AX06 0356	Brushless Motor:DC24V 18W	55 - 13
AX20 0289	Magnetic Clutch - 32Z	61 - 11
AX20 2007	Magnetic Clutch	21 - 31
AX43 0112	Heater - 120V 550W	37 - 41
AX43 0113	Heater - 230V 550W	37 - 41
AX44 0252	Heater - 120V 750W	37 - 42
AX44 0253	Heater - 230V 750W	37 - 42
AX64 0159	Fan Motor Mm80	67 - 1
AX64 0192	Fan:DC 1.92W	65 - 19
AX64 0195	Fan Motor - DC 2.16W	71 - 13
AZ24 0122	Power Supply Unit:120V	69 - 19
AZ24 0123	Power Supply Unit:230V	69 - 19
AZ32 0145	Power Pack:CBT	57 - 2
GA00 3144	Decal:PDFDIRECT	9 - 20
GA00 3144	Decal:PDFDIRECT	105 - 22
GA00 3175	Decal:PS3:Clear	9 - 21
GA00 3175	Decal:PS3:Clear	105 - 23
GW23 0001	Toner End Sensor	33 - 14

Part No.	Description	Page and Index No.
VSSM 9000	Digital Multimeter - FLUKE 187	107 - 1

Part No.	Description	Page and Index No.
0353 0040N	Screw - M3x4	21 - 104
0353 0040N	Screw - M3x4	53 - 102
0353 0050N	Screw-M3x5	35 - 102
0353 0050N	Screw-M3x5	39 - 101
0353 0060N	Bind Screw - M3x6	71 - 102
0353 0080N	Screw:M3x8	61 - 108
0353 0100N	Screw-M3x10	51 - 104
0353 0100N	Screw-M3x10	45 - 103
0360 3006N	Screw - M3x6	35 - 101
0360 3006N	Screw - M3x6	29 - 105
0360 3006N	Screw - M3x6	37 - 101
0360 3006N	Screw - M3x6	21 - 107
0360 3006N	Screw - M3x6	39 - 102
0360 3006N	Screw - M3x6	71 - 101
0360 3030N	Screw:M3x30	71 - 105
0434 0100N	Tapping Screw - 4x10	61 - 106
0450 3006N	Tapping Screw - M3x6	23 - 101
0450 3008N	Tapping Screw - M3x8	19 - 101
0450 3008N	Tapping Screw - M3x8	65 - 103
0450 3012N	Tapping Screw:3x12	15 - 103
0450 3014N	Tapping Screw:M3x14	27 - 105
0450 4008N	Tapping Screw - M4x8	15 - 101
0451 3006N	Tapping Screw - 3x6	23 - 107
0451 3006N	Tapping Screw - 3x6	51 - 101
0451 3006N	Tapping Screw - 3x6	33 - 101
0451 3006N	Tapping Screw - 3x6	69 - 102
0451 3006N	Tapping Screw - 3x6	41 - 101
0451 3006N	Tapping Screw - 3x6	21 - 101
0451 3006N	Tapping Screw - 3x6	61 - 101
0451 3006N	Tapping Screw - 3x6	49 - 101
0451 3006N	Tapping Screw - 3x6	53 - 101
0451 3006N	Tapping Screw - 3x6	45 - 101
0451 3006N	Tapping Screw - 3x6	17 - 101
0451 3006N	Tapping Screw - 3x6	31 - 102
0451 3008N	Tapping Screw - M3x8	69 - 109

Part No.	Description	Page and Index No.
0451 3008N	Tapping Screw - M3x8	11 - 103
0451 3008N	Tapping Screw - M3x8	63 - 104
0451 3008N	Tapping Screw - M3x8	57 - 110
0451 3008N	Tapping Screw - M3x8	21 - 106
0451 3008N	Tapping Screw - M3x8	41 - 103
0451 3008N	Tapping Screw - M3x8	45 - 109
0451 3008N	Tapping Screw - M3x8	73 - 102
0451 3008N	Tapping Screw - M3x8	9 - 101
0451 3025N	Tapping Screw:M3x25	65 - 105
0451 4008N	Tapping Screw:4x8	61 - 103
0452 3006N	Binding Self-tapping Screw:3x6	31 - 101
0452 3008N	Tapping Screw - M3x8	33 - 103
0452 3010N	Binding Self-Tapping Screw:3x10	11 - 105
0452 3010N	Binding Self-Tapping Screw:3x10	25 - 101
0453 3006N	Tapping Screw - M3x6	51 - 105
0453 3006N	Tapping Screw - M3x6	23 - 104
0453 3008N	Binding Self Tapping Screw:3x8	11 - 104
0453 3008N	Binding Self Tapping Screw:3x8	15 - 102
0454 3006Q	Tapping Screw - M3x6	61 - 102
0454 3006Q	Tapping Screw - M3x6	11 - 102
0454 3006Q	Tapping Screw - M3x6	63 - 101
0454 3006Q	Tapping Screw - M3x6	37 - 105
0454 3006Q	Tapping Screw - M3x6	51 - 102
0454 3006Q	Tapping Screw - M3x6	73 - 101
0454 3006Q	Tapping Screw - M3x6	57 - 101
0454 3006Q	Tapping Screw - M3x6	45 - 102
0454 3006Q	Tapping Screw - M3x6	67 - 101
0454 3006Q	Tapping Screw - M3x6	69 - 101
0454 3006Q	Tapping Screw - M3x6	13 - 102
0454 3006Q	Tapping Screw - M3x6	23 - 102
0454 3006Q	Tapping Screw - M3x6	29 - 101
0454 3006Q	Tapping Screw - M3x6	59 - 101
0454 3006Q	Tapping Screw - M3x6	27 - 101
0454 3006Q	Tapping Screw - M3x6	71 - 103
0454 3006Q	Tapping Screw - M3x6	25 - 103

Part No.	Description	Page and Index No.
0454 3006Q	Tapping Screw - M3x6	55 - 101
0454 3006Q	Tapping Screw - M3x6	65 - 102
0454 3008Q	Tapping Screw:3x8	63 - 102
0454 3008Q	Tapping Screw:3x8	17 - 106
0454 3008Q	Tapping Screw:3x8	21 - 105
0454 3008Q	Tapping Screw:3x8	9 - 103
0454 3008Q	Tapping Screw:3x8	59 - 102
0454 3008Q	Tapping Screw:3x8	65 - 101
0454 3008Q	Tapping Screw:3x8	67 - 102
0454 3008Q	Tapping Screw:3x8	55 - 104
0454 3008Q	Tapping Screw:3x8	11 - 101
0454 3008Q	Tapping Screw:3x8	71 - 104
0454 3020Q	Tapping Screw:3x20	57 - 103
0454 3020Q	Tapping Screw:3x20	65 - 109
0456 3008N	Tapping Screw - M3x8	53 - 105
0456 3008N	Tapping Screw - M3x8	55 - 103
0456 3008N	Tapping Screw - M3x8	13 - 101
0456 3008N	Tapping Screw - M3x8	17 - 102
0456 3008N	Tapping Screw - M3x8	29 - 102
0456 3008N	Tapping Screw - M3x8	21 - 102
0456 3008N	Tapping Screw - M3x8	27 - 102
0456 3008N	Tapping Screw - M3x8	43 - 101
0456 3008N	Tapping Screw - M3x8	33 - 102
0456 3008N	Tapping Screw - M3x8	47 - 101
0456 3008N	Tapping Screw - M3x8	49 - 102
0456 3008N	Tapping Screw - M3x8	63 - 103
0456 3008N	Tapping Screw - M3x8	25 - 102
0456 3010N	Tapping Screw - M3x10	49 - 103
0456 3010N	Tapping Screw - M3x10	9 - 102
0456 3012N	Tapping Screw:WP:3x12	9 - 104
0457 3008N	Tapping Screw - M3x8	21 - 103
0457 3008N	Tapping Screw - M3x8	29 - 103
0573 0030E	Hexagon Headless Set Screw - M3x3	39 - 104
0712 0030N	Hexagonal Nut:M3	13 - 105
0720 0025E	Retaining Ring - M2.5	29 - 106

Part No.	Description	Page and Index No.
0720 0025E	Retaining Ring - M2.5	53 - 103
0720 0030E	Retaining Ring - M3	27 - 103
0720 0030E	Retaining Ring - M3	53 - 104
0720 0030E	Retaining Ring - M3	45 - 106
0720 0030E	Retaining Ring - M3	47 - 103
0720 0030E	Retaining Ring - M3	41 - 102
0720 0030E	Retaining Ring - M3	37 - 107
0720 0040E	Retaining Ring - M4	39 - 103
0720 0040E	Retaining Ring - M4	49 - 107
0720 0040E	Retaining Ring - M4	45 - 104
0720 0040E	Retaining Ring - M4	51 - 106
0720 0040E	Retaining Ring - M4	17 - 104
0720 0040E	Retaining Ring - M4	61 - 107
0720 0040E	Retaining Ring - M4	29 - 104
0720 0060E	Retaining Ring - M6	37 - 108
0720 0060E	Retaining Ring - M6	55 - 102
0720 0080E	Retaining Ring - M8	15 - 104
0725 0110E	C Ring - M11	27 - 104
0733 0408	Bushing:4x8	37 - 106
0740 3808	Ball Bearing - 8x16x5mm	57 - 105
0802 5299	Tapping Screw - M3x8	45 - 110
0802 5299	Tapping Screw - M3x8	73 - 105
0802 5305	Tapping Screw - M3x6	73 - 104
0804 6123	Hexagonal Bolt:W/Washer:M3x8	37 - 102
0805 0088	Retaining Ring - M6	23 - 106
0805 0088	Retaining Ring - M6	57 - 104
0805 0088	Retaining Ring - M6	45 - 108
0805 0088	Retaining Ring - M6	73 - 103
0805 0088	Retaining Ring - M6	21 - 109
0805 0089	Retaining Ring - M4	55 - 105
0805 0089	Retaining Ring - M4	23 - 103
0805 0089	Retaining Ring - M4	21 - 108
0805 0089	Retaining Ring - M4	19 - 102
0805 0089	Retaining Ring - M4	17 - 103
0805 0089	Retaining Ring - M4	57 - 106

Part No.	Description	Page and Index No.
0805 0089	Retaining Ring - M4	61 - 104
0805 0089	Retaining Ring - M4	47 - 102
0805 0092	Retaining Ring - 3m	65 - 104
0805 0092	Retaining Ring - 3m	51 - 103
0805 0092	Retaining Ring - 3m	43 - 102
0805 0092	Retaining Ring - 3m	53 - 106
0805 0097	Ring Separator	43 - 103
0951 3008N	Screw:Polished Roud:M3x8	13 - 103
0951 3020N	Screw:Polished Roud:M3x20	13 - 104
0954 3006N	Screw - M3x6	63 - 105
0954 3008N	Screw - M3x8	49 - 104
0954 3010N	Screw:Polished Round/Spring:M3x10	37 - 103
0954 3010N	Screw:Polished Round/Spring:M3x10	57 - 107
0957 4008N	Screw:Small Round/Spring:M4x8	37 - 104
0957 4008N	Screw:Small Round/Spring:M4x8	69 - 103
1100 1475	Test Pin	99 - 101
1100 1476	Test Pin	93 - 101
1100 1829	Test Pin:RCTCBK	93 - 102
1101 0328	Connector Pin Contact	99 - 102
1102 4201	Connector - 2P	99 - 103
1102 4203	CT Header - 4P	99 - 104
1102 4203	CT Header - 4P	93 - 103
1102 4204	CT Header - 5P	93 - 104
1102 4560	CT Connector 6P	59 - 103
1102 4560	CT Connector 6P	61 - 109
1102 4645	CT Connector - 4P	93 - 105
1102 5304	Connector - 5P	93 - 106
1102 5943	Connector - 2P	93 - 107
1102 6246	Relay Connector - 3P	71 - 107
1102 6248	Connector - 5P	21 - 111
1102 6298	Connector - 5P	99 - 105
1102 6300	Connector - 7P	99 - 106
1102 6397	Box Header	99 - 107
1102 6594	Connector - 10P	99 - 108
1102 6790	Conector - 100R-LT-N1	85 - 101

Part No.	Description	Page and Index No.
1102 7358	Connector - 80P	93 - 108
1102 7615	Connector - B8B-XH-A	85 - 102
1102 8212	Connector:TX24-50R-10ST-H1E	85 - 103
1102 8329	Connector - USB - UBB-4R-D14C	85 - 104
1102 8466	Connector:55447-0210	99 - 109
1102 8467	Connector - 55447-0370	99 - 110
1102 8470	Connector - 55447-0610	99 - 111
1102 8471	Connector - 55447-071	99 - 112
1102 8474	Connector - 5 P	99 - 113
1102 8475	Connector - 11P	99 - 114
1102 8477	Connector - 13P	99 - 115
1102 8480	Connector - 55447-1610	99 - 116
1102 8481	Connector - 55447-1760	99 - 117
1102 8485	Connector - 55451-2210	99 - 118
1102 8488	Connector - 5451-2810	99 - 119
1102 8492	Connector - 55451-3610	99 - 120
1102 8502	Connector - 54679-1615	69 - 107
1102 8534	Connector - QR/P17-14S-B	67 - 106
1102 9079	Connector - RHM-88PL-SDK11-1	85 - 105
1102 9108	Connector - 353297-3	99 - 121
1102 9109	Connector - 353297-4	99 - 122
1102 9114	Connector - 353297-1	99 - 123
1102 9116	Connector - 353297-5	93 - 109
1102 9117	Connector - 353297-8	99 - 124
1102 9120	Connector - 2-292208-2	99 - 125
1102 9121	Connector:2-353308-4	99 - 126
1102 9336	Connector:FPS009-2300-0	85 - 106
1102 9782	Connector:51405-1819	67 - 108
1102 9890	Connector:5-1605706-2	85 - 107
1102 9956	Connector:UBA-4R-D14T-4D(LF)(SN)	85 - 108
1103 3177	Connector - FH12-45S-0.5SV(89)	93 - 110
1103 3188	Connector:FH12S-50S-0.5SH(89)	93 - 111
1103 3188	Connector:FH12S-50S-0.5SH(89)	99 - 127
1103 3207	Connector - FH12-36S-0.5SH(89)	93 - 112
1103 4043	Connector:87825-1001	85 - 109

Part No.	Description	Page and Index No.
1104 0821	IC Socket:16008-B0A0020N	93 - 113
1104 0821	IC Socket:16008-B0A0020N	85 - 110
1105 0367	Spacer	57 - 102
1105 0367	Spacer	69 - 106
1105 0487	Harness Clamp	69 - 104
1105 0487	Harness Clamp	65 - 107
1105 0487	Harness Clamp	25 - 104
1105 0487	Harness Clamp	55 - 108
1105 0487	Harness Clamp	67 - 105
1105 0487	Harness Clamp	71 - 106
1105 0488	Harness Clamp	67 - 103
1105 0488	Harness Clamp	61 - 105
1105 0489	Harness Clamp - LWS 1316	67 - 104
1105 0489	Harness Clamp - LWS 1316	69 - 105
1105 0508	Harness Clamp - LWS-0711	49 - 105
1105 0511	Harness Clamp - LWS-0306ZC	17 - 105
1105 0511	Harness Clamp - LWS-0306ZC	21 - 113
1105 0511	Harness Clamp - LWS-0306ZC	45 - 105
1105 0511	Harness Clamp - LWS-0306ZC	43 - 104
1105 0511	Harness Clamp - LWS-0306ZC	61 - 110
1105 0511	Harness Clamp - LWS-0306ZC	55 - 106
1105 0511	Harness Clamp - LWS-0306ZC	57 - 108
1105 0511	Harness Clamp - LWS-0306ZC	49 - 106
1105 0511	Harness Clamp - LWS-0306ZC	53 - 108
1105 0511	Harness Clamp - LWS-0306ZC	51 - 107
1105 0516	Clamp	25 - 105
1105 0516	Clamp	51 - 108
1105 0522	Edge Saddle - LES0510	73 - 106
1105 0522	Edge Saddle - LES0510	67 - 107
1105 0522	Edge Saddle - LES0510	21 - 110
1105 0522	Edge Saddle - LES0510	55 - 107
1105 0534	Clamp	65 - 108
1105 0551	Clamp:LES-0505	45 - 107
1105 0551	Clamp:LES-0505	21 - 112
1105 0551	Clamp:LES-0505	53 - 107

Part No.	Description	Page and Index No.
1105 0568	Clamp:LWSS-0504	23 - 105
1105 0613	Clamp:EDS-1010L-V0	55 - 109
1105 0619	Clamp:LBWS-0605S-V0	57 - 109
1105 0623	Clamp - LBWS-0206S-V0	47 - 104
1107 0629	Fuse:Ceramic Case:15A 125V	69 - 112
1107 0786	Fuse (Ceramic Case) - 12A - 125V	69 - 113
1107 1083	Fuse:SST 4	85 - 111
1107 1099	Fuse SST 5	85 - 112
1107 1215	Fuse:FBT250V6.3A(EM)	69 - 111
1107 1216	Fuse:FBT250V10A(EM)	69 - 110
1107 1217	Fuse:FIH250V4A(RM)	69 - 113
1107 1218	Fuse:FIH250V8A(RM)	69 - 112
1109 0009	Fuse:MINISMDC075F	85 - 113
1109 0082	Fuse:SMD1812P110TF	99 - 128
1109 0087	Fuse:SMD2920P075TF	99 - 129
1150 0373	Power Supply Code:125V 15A NA	9 - 105
1150 0377	Power Supply Code:250V:10A:EU	9 - 105
1204 2521	Micro Switch	65 - 106
1204 2608	Rocker Switch:SDDJE33900	69 - 108
1204 2768	Dip Switch	99 - 130
1204 2791	Dip Switch:DM-04-V	85 - 114
1206 0124	Lithium Cell:CR2032VO4H/Z	85 - 115
1400 0728	Transistor - 2SD2170	99 - 131
1400 0902	Transistor - DTA113ZUA	99 - 132
1400 1152	Transistor:RT1N436M-T111	93 - 114
1400 1154	Transistor:RT1P436M-T111	93 - 115
1400 1209	Transistor:2SA1980UF	99 - 133
1400 1212	Transistor:2SA1980UF-Y	99 - 134
1400 1214	Transistor:2SC5343UF-G	99 - 135
1400 1240	Transistor:SRC1202UF	99 - 136
1400 1241	Transistor:SRC1206UF	99 - 137
1400 1246	Transistor:SRC1205UF	99 - 138
1400 1281	Transistor:2SC4155A-T111	93 - 116
1400 1289	Transistor:RT1N242M-T111	93 - 117
1401 0972	Transistor-2SB1260	99 - 139

Part No.	Description	Page and Index No.
1401 1318	FET - HAT2198R	85 - 116
1401 1414	FET:SI3433BDV-E3	85 - 117
1401 1415	FET:SI3434DV-E3	85 - 118
1401 1448	FET:SI3447BDV-E3	85 - 119
1401 1466	FET:SI4800BDY-E3	85 - 120
1401 1475	FET:SI3867DV-E3	85 - 121
1402 1336	Diode - 1SS355	85 - 122
1402 1343	Diode - RB106L-40	93 - 118
1402 1365	Diode-RB751V-40	85 - 123
1402 1662	Diode:PTZ6.2B	99 - 140
1402 1663	Diode - ZTP12B	99 - 141
1402 1929	Diode:RB160M-30	85 - 124
1402 1932	Diode:SDS142WMF	99 - 142
1402 1952	Diode - TDZ12	99 - 143
1402 1995	Diode:SDS511	93 - 119
1402 1996	Diode:SDS511Q	99 - 144
1402 2039	Diode:RSX301LA-30	85 - 125
1403 0953	LED - SML-310MT	85 - 126
1403 0978	LED - SML-310DT	85 - 127
1403 0996	LED - SML-310VT	93 - 120
1403 1131	LED:SML-311UT	85 - 128
1404 0360	Thermistor - 103HT	99 - 145
1407 1535	IC - TD62308AP	99 - 146
1407 2187	TTLIC - SN74LS07NS	99 - 147
1407 2219	IC - TD62003AP	99 - 148
1407 4840	IC - TC7SH04FU	99 - 149
1407 4919	IC - 74VHCT244 TSSOP	85 - 129
1407 5009	CMOS Logic:TC7SET04FU	85 - 130
1407 5190	CMOS Logic:TC7SZ08FU	85 - 131
1407 5192	CMOS Logic:TC7SZ04FU	93 - 121
1407 5195	CMOS Logic:TC7SZ05FU	85 - 132
1407 5300	CMOS Logic - 74LVC16244A TSSOP	85 - 133
1407 5344	IC - SN74LV02APW	99 - 150
1407 5347	IC - SN74LV08APW	99 - 151
1407 5347	IC - SN74LV08APW	93 - 122

Part No.	Description	Page and Index No.
1407 5351	IC - SN74LV14APW	93 - 123
1407 5351	IC - SN74LV14APW	85 - 134
1407 5351	IC - SN74LV14APW	99 - 152
1407 5353	IC - SN74LV244APW	93 - 124
1407 5392	IC:SN74LV541APW	99 - 153
1407 5392	IC:SN74LV541APW	93 - 125
1407 5463	IC - SN74LV245APW	93 - 126
1407 5469	IC - SN74LV07APW	99 - 154
1407 5482	IC - SN74LVC07APW	85 - 135
1407 5520	IC - SN74LVC125APW	85 - 136
1407 5523	ROM - I2C SOP 3V	85 - 137
1407 5528	IC - SN74LVC126APW	85 - 138
1407 5604	IC - SN74LVC16245ADGG	85 - 139
1407 5633	IC - SN74LV574APW	93 - 127
1407 6145	IC:SN74LVC373APW	85 - 140
1407 6166	IC - ESOC	93 - 128
1407 6196	Motor Control IC:STK672-610	99 - 155
1407 6197	Driver:M54563P	99 - 156
1407 6265	Real Time Clock:R2025S	85 - 141
1407 6314	Motor Control IC:TB6561NG	99 - 157
1407 6320	Motor Control IC:MTD1501S-7101	99 - 158
1407 6386	CPU:RM7035C-533L-REV1.1	85 - 142
1407 6400	Clock Generator - ICS960013BFLF	85 - 143
1407 6430	IC - GAVD Type-R	93 - 129
1407 6492	Clock Generator - ICS180M-51LF	99 - 159
1407 6671	USB Controller:UPD720102GC-YEB-A	85 - 144
1407 6723	Custom IC:CORNET	85 - 145
1407 6741	LAN Controller LSI:DP83848JSQ/NOPB	85 - 146
1407 6759	Custom IC:EIO	99 - 160
1407 6787	CMOS Logic:TC7SH125FU	93 - 130
1407 6801	CMOS Logic:TC7PA17FU	93 - 131
1407 6801	CMOS Logic:TC7PA17FU	85 - 147
1407 6803	CMOS Logic:TC7SZ07FU	85 - 148
1407 6847	Motor Control IC:STK672-600B-E	99 - 161
1407 6853	CMOS Logic:HD74LV1GW17ACM	85 - 149

Part No.	Description	Page and Index No.
1407 6863	Controller:ST19WP18FT28PVG1	85 - 150
1407 6898	CMOS Logic:TC7WH126FK	85 - 151
1407 6899	CMOS Logic:TC7WH125FK	85 - 152
1407 6944	USB Controller IC:ST72681/R21	85 - 153
1407 6951	CMOS Logic:TC7MBL3245SFK	85 - 154
1408 1204	IC - TA8083P	99 - 162
1408 1383	Regulator - TA7812F	99 - 163
1408 1669	Series Regulator:R1170H331B	93 - 132
1408 1779	IC - R3112Q281A	99 - 164
1408 1826	IC - R3112Q421A	93 - 133
1408 1826	IC - R3112Q421A	99 - 165
1408 1826	IC - R3112Q421A	85 - 155
1408 1829	Ope Amp - LM358PW	93 - 134
1408 1850	Regulator - R1170H181B	93 - 135
1408 1907	IC:R3112Q451A-FA	93 - 136
1408 1962	IC - PQ1CZ41H2ZPH	93 - 137
1408 2024	IC:R3112Q261A-FA	93 - 138
1408 2029	Comparator:LM2901PW	99 - 166
1408 2030	Operational Amplifier - LM224D	99 - 167
1408 2053	IC:R3112Q291A-FA	85 - 156
1408 2087	IC:LTC3736EUF#TRPBF	85 - 157
1408 2122	Series Regulator - R1130H331A-FB	99 - 168
1408 2463	DDR Terminator - TPS51116PWPG4	85 - 158
1408 2468	IC:R1250V401A-F	99 - 169
1408 2484	IC:LTC3808EDE#PBF	85 - 159
1503 1004	Oscillator - 19.6608MHz	99 - 170
1503 1138	Crystal Oscillator - 48MHz	85 - 160
1503 1215	Crystal Oscillator - 17.5MHz	93 - 139
1503 1355	Crystal Oscillator:25MHz	85 - 161
1503 1362	Crystal Oscillator:30MHz	85 - 162
1503 1363	Crystal Oscillator:12MHz	85 - 163
1503 1379	Crystal Oscillator:14.31818MHz	85 - 164
1601 7887	Resistor Array - 10K Ω \pm 5% 1/32W	85 - 165
1601 7896	Resistor Array - 56 Ω \pm 5% 1/32W	85 - 166
1601 7898	Resistor Array	85 - 167

Part No.	Description	Page and Index No.
1601 7913	Resistor 22 Ω \pm 5% 1/32W	85 - 168
1601 7914	Resistor Array - 47 Ω \pm 5%	85 - 169
1601 7959	Resistor	85 - 170
1601 7981	Resistor Array - 100K Ω \pm 5% 1/16W	85 - 171
1604 4728	Capacitor - 100 μ F \pm 20% 16V	93 - 140
1604 5002	Capacitor - 220 μ F \pm 20% 6.3V	93 - 141
1604 5186	Capacitor:220 μ F: \pm 20%:10V	93 - 142
1604 5524	Capacitor - 100 μ F \pm 20% 50V	99 - 171
1604 5669	Capacitor:470 μ F: \pm 20%:25V	99 - 172
1604 5670	Capacitor:10 μ F: \pm 20%:25V	99 - 173
1604 5714	Capacitor:47 μ F: \pm 20%:25V	99 - 174
1604 5719	Capacitor:100 μ F: \pm 20%:50V	99 - 175
1604 5720	Capacitor:220 μ F: \pm 20%:35V	99 - 176
1605 1124	Capacitor - 4.7 μ F +80 -20% 10V	85 - 172
1605 1137	Capacitor - 470pF \pm 10% 50V	99 - 177
1605 1137	Capacitor - 470pF \pm 10% 50V	93 - 143
1605 1148	Capacitor - 0.1 μ F +80-20% 50V	93 - 144
1605 1148	Capacitor - 0.1 μ F +80-20% 50V	99 - 178
1605 1186	Ceramic Capacitor:220pF: \pm 10%:50V	93 - 145
1605 1197	Capacitor - 6pF \pm 0.5pF 50V	85 - 173
1605 1199	Capacitor - 8pF \pm 0.5pF 50V	85 - 174
1605 1200	Capacitor - 10pF \pm 0.5pF 50V	85 - 175
1605 1204	Capacitor-pF50V	85 - 176
1605 1206	Capacitor - 47pF \pm 5% 50V	99 - 179
1605 1206	Capacitor - 47pF \pm 5% 50V	85 - 177
1605 1208	Capacitor:100pF: \pm 5%:50V	85 - 178
1605 1211	Capacitor - 220pF \pm 10% 50V	85 - 179
1605 1212	Capacitor - 470pF \pm 10% 50V	85 - 180
1605 1212	Capacitor - 470pF \pm 10% 50V	99 - 180
1605 1214	Capacitor - 1000pF \pm 10% 50V	85 - 181
1605 1214	Capacitor - 1000pF \pm 10% 50V	99 - 181
1605 1216	Capacitor - 2200pF \pm 10%50V	85 - 182
1605 1216	Capacitor - 2200pF \pm 10%50V	99 - 182
1605 1218	Capacitor:4700pF: \pm 10%:25V	85 - 183
1605 1221	Capacitor - 0.1 μ F+80-20%16V	85 - 184

Part No.	Description	Page and Index No.
1605 1234	Capcitor:4700pF: \pm 10%:50V	99 - 183
1605 1240	Capacitor - 0.01 μ F \pm 10% 25V	85 - 185
1605 1281	Capacitor - 0.22 μ F \pm 10% 16V	99 - 184
1605 1281	Capacitor - 0.22 μ F \pm 10% 16V	93 - 146
1605 1284	Capacitor:1500pF: \pm 10%:50V	85 - 186
1605 1289	Capacitor - 0.1 μ F \pm 10% 10V	85 - 187
1605 1293	Capacitor - 27pF \pm 5%50V	99 - 185
1605 1293	Capacitor - 27pF \pm 5%50V	85 - 188
1605 1294	Resistor - 1000pF \pm 5% 50V	99 - 186
1605 1295	Capacitor:10 μ F:+80-20%:10V	85 - 189
1605 1295	Capacitor:10 μ F:+80-20%:10V	93 - 147
1605 1296	Capacitor - 330pF \pm 10% 50V	85 - 190
1605 1301	Capacitor-6800pF \pm 10% 50V	85 - 191
1605 1303	Capacitor - 0.01 μ F +80-20% 50V	99 - 187
1605 1306	Capacitor - 1 μ F \pm 10% 10V	85 - 192
1605 1307	Capacitor - 2.2 μ F +80-20% 11V	85 - 193
1605 1347	Capacitor - 1 μ F:+80-20%:16V	93 - 148
1605 1353	Capacitor - 0.1 μ F \pm 10% 25V	99 - 188
1605 1353	Capacitor - 0.1 μ F \pm 10% 25V	93 - 149
1605 1354	Capacitor:1200pF: \pm 5%:50V	99 - 189
1605 1358	Capacitor - 10 μ F \pm 10% 10V	85 - 194
1605 1376	Capacitor - 0.033 μ F - \pm 10%:25V	85 - 195
1605 1396	Capacitor - 0.33 μ F \pm 10% 50V	99 - 190
1605 1406	Capacitor - 10 μ F \pm 10% 6.3V	85 - 196
1605 1447	Resistor - 470pF \pm 5% 50V	99 - 191
1605 1451	Capacitor:0.47 μ F: \pm 10%:6.3V	85 - 197
1605 1452	Capacitor - 1 μ F \pm 10% 6.3V	85 - 198
1605 1474	Capacitor - 47 μ F \pm 20% 6.3V	85 - 199
1605 1475	Resistor - 1 μ F \pm 10% 16V	85 - 200
1605 1481	Capacitor:1000pF: \pm 20%:50V	99 - 192
1605 1489	Resistor - 2.2 μ F \pm 10% 25V	99 - 193
1605 1531	Capacitor:470pF: \pm 20%:50V	99 - 194
1605 1563	Capacitor:10 μ F: \pm 10%:10V	85 - 201
1605 1583	Capacitor - 0.1 μ F: \pm 10%:16V	85 - 202
1605 1586	Capacitor:10 μ F: \pm 10%:16V	93 - 150

Part No.	Description	Page and Index No.
1605 1587	Capacitor:22 μ F: \pm 20%:6.3V	85 - 203
1605 1602	Capacitor:3.3 μ F: \pm 10%:6.3V	85 - 204
1605 1605	Capacitor - 4.7 μ F \pm 10% 10V	85 - 205
1605 1605	Capacitor - 4.7 μ F \pm 10% 10V	99 - 195
1605 1607	Capacitor:22 μ F: \pm 80-20%:6.3V	85 - 206
1605 1681	Capacitor:22 μ F: \pm 20%:10V	85 - 207
1605 1689	Capacitor:100 μ F: \pm 20%:6.3V	85 - 208
1605 1692	Capacitor:47pF: \pm 10%:50V	93 - 151
1606 2319	Capacitor:100 μ F: \pm 20%:6.3V	85 - 209
1607 0861	Filter - BK2125HS101	93 - 152
1607 0870	Filter - BK1608HS121	93 - 153
1607 1014	Emi Filter - BLM11P600SPB	85 - 210
1607 1051	Filter -FBMJ2125HS420	85 - 211
1607 1061	Filter - BLM11P300SPB	85 - 212
1607 1199	Filter - BLM21PG600SN1B	85 - 213
1607 1546	Inductor - SLF6028-220MR77-PF	93 - 154
1607 1556	Inductor:RLF7030-1R5N6R1	85 - 214
1607 1567	Filter:MPZ2012S101A	85 - 215
1607 1572	Filter:MPZ1608S101A	85 - 216
1607 1637	Coil:ACM2012-900-2P	85 - 217
1607 1707	Inductor:CDRH5D28RNP-150NC	93 - 155
1607 1714	Ferrite Core:RFC-6	9 - 106
1607 1827	Inductor:RLF7030-2R2M5R4	85 - 218
1607 1946	Inductor:VLF10040-2R2N7R1	85 - 219
1609 0005	Resistor:33 Ω : \pm 5%:1/16W	85 - 220
1609 0005	Resistor:33 Ω : \pm 5%:1/16W	99 - 196
1609 0005	Resistor:33 Ω : \pm 5%:1/16W	93 - 156
1609 0006	Resistor:10K Ω : \pm 5%:1/16W	93 - 157
1609 0006	Resistor:10K Ω : \pm 5%:1/16W	85 - 221
1609 0006	Resistor:10K Ω : \pm 5%:1/16W	99 - 197
1609 0007	Resistor - 68 Ω \pm 5% 1/16W	93 - 158
1609 0007	Resistor - 68 Ω \pm 5% 1/16W	85 - 222
1609 0011	Resistor:22 Ω : \pm 5%:1/16W	85 - 223
1609 0016	Resistor:56 Ω : \pm 5%:1/16W	85 - 224
1609 0017	Resistor:150 Ω : \pm 5%:1/16W	93 - 159

Part No.	Description	Page and Index No.
1609 0020	Resistor:10 Ω : \pm 5%:1/16W	85 - 225
1609 0026	Resistor - 47 Ω \pm 5% 1/16W	85 - 226
1609 0027	Resistor - 100K Ω \pm 5% 1/16W	85 - 227
1609 0027	Resistor - 100K Ω \pm 5% 1/16W	93 - 160
1609 0039	Resistor Array:10K Ω : \pm 5%:1/16W:4Number	93 - 161
1609 0041	Resistor Array:100 Ω : \pm 5%:1/16W:4Number	93 - 162
1609 0044	Resistor Array:33 Ω : \pm 5%:1/16W:4Number	93 - 163
1609 0048	Resistor Array:68 Ω : \pm 5%:1/16W:4Number	93 - 164
1609 0049	Resistor Array:1K Ω : \pm 5%:1/16W:4Number	93 - 165
1609 0051	Resistor Array:100K Ω : \pm 5%:1/16W:4Number	93 - 166
1609 0096	Resistor Array:10K Ω : \pm 5%:1/16W:4Number	99 - 198
1609 0098	Resistor Array:33 Ω : \pm 5%:1/16W:4Number	99 - 199
1609 0111	Resistor Array:1K Ω : \pm 5%:1/16W:4Number	99 - 200
1609 0114	Resistor Array:68 Ω : \pm 5%:1/16W:4Number	99 - 201
1610 1409	Chip Resistor - 6.8 Ω \pm 5%	99 - 202
1610 1427	Resistor - 15 Ω \pm 5% 1W	93 - 167
1610 1900	Resistor:56K Ω : \pm 0.5%:1/16W 1005	85 - 228
1610 1947	Resistor:220 Ω : \pm 5%:1W	99 - 203
1610 1997	Resistor:1.5 Ω : \pm 1%:1W:6332	99 - 204
1610 2045	Resistor:115K Ω : \pm 0.1%:1/10W:2125	85 - 229
1610 2046	Resistor:25.5K Ω : \pm 0.1%:1/10W:2125	85 - 230
1610 2047	Resistor:30.1K Ω : \pm 0.1%:1/10W:2125	85 - 231
1610 2049	Resistor:1.8 Ω : \pm 1%:1W:6332	99 - 205
1633 0000	Resistor - 0 Ω 1/10W	85 - 232
1633 0000	Resistor - 0 Ω 1/10W	93 - 168
1634 0000	Resistor - 0 Ω 1/16W	85 - 233
1634 0000	Resistor - 0 Ω 1/16W	93 - 169
1634 0000	Resistor - 0 Ω 1/16W	99 - 206
1640 5100	Capacitor - 10 μ F +20% 50	99 - 207
1650 2101	Resistor - 100 Ω \pm 5% 1/4W	99 - 208
1650 3153	Resistor:15K Ω : \pm 5%:1/8W	99 - 209
1650 4101	Resistor - 100 Ω \pm 5%1/10W	85 - 234
1650 4101	Resistor - 100 Ω \pm 5%1/10W	99 - 210
1650 4101	Resistor - 100 Ω \pm 5%1/10W	93 - 170
1650 4102	Resistor - 1K Ω \pm 5% 1/10W	99 - 211

Part No.	Description	Page and Index No.
1650 4102	Resistor - 1K Ω \pm 5% 1/10W	93 - 171
1650 4103	Resistor - 10K Ω \pm 5% 1/10W	93 - 172
1650 4103	Resistor - 10K Ω \pm 5% 1/10W	99 - 212
1650 4104	Resistor - 100K Ω \pm 5%1/10W	99 - 213
1650 4105	Resistor - 1M Ω \pm 5% 1/10W	93 - 173
1650 4105	Resistor - 1M Ω \pm 5% 1/10W	99 - 214
1650 4122	Capacitor - 0.033 μ F - \pm 10%:25V	93 - 174
1650 4181	Resistor - 180 Ω \pm 5%1/10W	93 - 175
1650 4201	Resistor - 200 Ω \pm 5%1/10W	99 - 215
1650 4222	Resistor - 2.2K Ω \pm 5%1/10W	99 - 216
1650 4222	Resistor - 2.2K Ω \pm 5%1/10W	93 - 176
1650 4244	Resistor:240K Ω : \pm 5%:1/10W:1608	93 - 177
1650 4330	Chip Resistor - 33 Ω \pm 5% 1/10W	93 - 178
1650 4330	Chip Resistor - 33 Ω \pm 5% 1/10W	99 - 217
1650 4331	Resistor - 330 Ω \pm 5%1/10W	93 - 179
1650 4332	Resistor - 3.3K Ω \pm 5%1/10W	93 - 180
1650 4470	Resistor - 47 Ω \pm 5%1/10W	85 - 235
1650 4472	Resistor - 4.7K Ω \pm 5% 1/10W	85 - 236
1650 4472	Resistor - 4.7K Ω \pm 5% 1/10W	93 - 181
1650 4472	Resistor - 4.7K Ω \pm 5% 1/10W	99 - 218
1650 4510	Resistor - 51 Ω \pm 5%1/10W	99 - 219
1650 4511	Resistor - 510 Ω \pm 5%1/10W	93 - 182
1650 4560	Chip Resistor - 56 Ω \pm 5% 1/10W	99 - 220
1650 4561	Resistor - 560 Ω \pm 5% 1/10W	93 - 183
1650 4680	Resistor - 68 Ω \pm 5%1/10W	93 - 184
1650 4681	Resistor - 680 Ω \pm 5% 1/10W	99 - 221
1650 5100	Chip Resistor - 10 Ω \pm 5%1/16W	99 - 222
1650 5101	Chip Resistor - 100 Ω \pm 5%1/16W	85 - 237
1650 5102	Chip Resistor - 1K Ω \pm 5%1/16W	85 - 238
1650 5102	Chip Resistor - 1K Ω \pm 5%1/16W	99 - 223
1650 5103	Chip Resistor - 10K Ω \pm 5%1/16W	85 - 239
1650 5103	Chip Resistor - 10K Ω \pm 5%1/16W	99 - 224
1650 5104	Chip Resistor - 100K Ω \pm 5%1/16W	85 - 240
1650 5104	Chip Resistor - 100K Ω \pm 5%1/16W	99 - 225
1650 5109	Chip Resistor 1 Ω \pm 5% 1/16W	85 - 241

Part No.	Description	Page and Index No.
1650 5122	Chip Resistor - 1.2K Ω \pm 5%1/16W	85 - 242
1650 5152	Chip Resistor:1.5k Ω : \pm 5%:1/16w	85 - 243
1650 5203	Resistor - 20K Ω \pm 5% 1/16W	85 - 244
1650 5204	Chip Resistor - 200K Ω \pm 5%1/16W	99 - 226
1650 5220	Resistor - 22 Ω \pm 5% 1/16W	85 - 245
1650 5220	Resistor - 22 Ω \pm 5% 1/16W	99 - 227
1650 5221	Chip Resistor - 220 Ω \pm 5%1/16W	85 - 246
1650 5222	Resistor - 2.2K Ω \pm 5% 1/16W	99 - 228
1650 5222	Resistor - 2.2K Ω \pm 5% 1/16W	85 - 247
1650 5272	Chip Resistor:2.7K Ω : \pm 5%:1/16W	85 - 248
1650 5330	Chip Resistor - 33 Ω \pm 5%1/16W	85 - 249
1650 5330	Chip Resistor - 33 Ω \pm 5%1/16W	99 - 229
1650 5470	Chip Resistor 47 Ω \pm 5% 1/16W	85 - 250
1650 5472	Chip Resistor:4.7K Ω : \pm 5%:1/16W	99 - 230
1650 5472	Chip Resistor:4.7K Ω : \pm 5%:1/16W	85 - 251
1650 5473	Chip Resistor - 47K Ω \pm 5% 1/16W	99 - 231
1650 5560	Chip Resistor 56 Ω \pm 5% 1/16W	85 - 252
1650 5621	Chip Resistor 620 Ω \pm 5% 1/16W	85 - 253
1650 5680	Resistor - 68 Ω \pm 5% 1/16W	99 - 232
1650 5683	Chip Resistor 68K Ω \pm 5% 1/16W	85 - 254
1650 5822	Chip Resistor:8.2K Ω : \pm 5%:1/16W	85 - 255
1654 1001	Resistor - 1K Ω \pm 1%1/10W	99 - 233
1654 1002	Resistor - 10K Ω \pm 5%1/10W	85 - 256
1654 1003	Resistor - 100K Ω \pm 1%1/10W	99 - 234
1654 1004	Chip Resistor - 1M Ω \pm 1% 1/10W	85 - 257
1654 1009	Resistor - 10 Ω \pm 1% 1/10W	85 - 258
1654 1403	Resistor:140K Ω : \pm 1%:1/10W	99 - 235
1654 1502	Resistor - 15K Ω \pm 1% 1/10W	85 - 259
1654 1509	Chip Resistor:15 Ω : \pm 1%:1/10W	85 - 260
1654 1601	Chip Resistor - 1.6K Ω \pm 1% 1/10W	99 - 236
1654 1802	Resistor - 18K Ω \pm 1%1/10W	93 - 185
1654 1809	Resistor:18 Ω : \pm 1%:1/10W:1608	85 - 303
1654 2001	Chip Resistor - 2K Ω \pm 1% 1/10W	99 - 237
1654 2002	Resistor - 20K Ω \pm 1%1/10W	99 - 238
1654 2202	Resistor - 22K Ω \pm 1% 1/10W	93 - 186

Part No.	Description	Page and Index No.
1654 2209	Resistor - 22Ω±1% 1/10W	85 - 261
1654 2401	Resistor - 2.4KΩ ±1% 1/10W	99 - 239
1654 3002	Resistor - 30KΩ±1%1/10W	85 - 262
1654 3301	Resistor - 3.3KΩ ±1% 1/10W	99 - 240
1654 3309	Resistor - 33Ω±1% 1/10W	85 - 304
1654 3601	Resistor - 3.6KΩ ±1% 1/10W	99 - 241
1654 3900	Resistor:390Ω:±1%:1/10W	93 - 187
1654 4701	Resistor - 4.7KΩ±1% 1/10W	93 - 188
1654 4709	Resistor - 47Ω±1% 1/10W	93 - 189
1654 5600	Resistor - 560Ω±1% 1/10W	93 - 190
1654 5601	Resistor - 5.6KΩ±1% 1/10W	99 - 242
1654 6201	Resistor - 6.2KΩ ±1% 1/10W	99 - 243
1654 6800	Resistor - 680 Ω ±1% 1/10W	85 - 263
1654 6801	Resistor - 6.8KΩ±1% 1/10W	99 - 244
1654 7501	Resistor - 7.5KΩ±1%1/10W-1608	99 - 245
1654 9100	Resistor:910 Ω:±1%:1/10W:1608	99 - 246
1654 9100	Resistor:910 Ω:±1%:1/10W:1608	93 - 191
1655 0000	Chip Resistor - 0Ω±0%1/16W	85 - 264
1655 1000	Chip Resistor:100Ω:±1%:1/16W	85 - 265
1655 1001	Chip Resistor - 1KΩ ±1% 1/16W	99 - 247
1655 1002	Chip Resistor - 10KΩ±1%1/16W	99 - 248
1655 1002	Chip Resistor - 10KΩ±1%1/16W	85 - 266
1655 1003	Chip Resistor - 100KΩ±1%1/16W	85 - 267
1655 1009	Resistor - 10Ω ±1% 1/16W	85 - 268
1655 1109	Resistor:11 Ω:±1%:1/16W:1005	85 - 269
1655 1132	Resistor:11.3K Ω:±1%:1/16W:1005	85 - 270
1655 1200	Resistor - 120 Ω ±1% 1/16W	85 - 271
1655 1242	Resistor:12.4K Ω:±1%:1/16W:1005	85 - 272
1655 1501	Chip Resistor 1.5KΩ ±1% 1/16W	85 - 273
1655 1502	Resistor - 15KΩ ±1% 1/16W	85 - 274
1655 1601	Resistor:1.6K Ω:±1%:1/16W:1005	85 - 275
1655 1651	Resistor:1.65K Ω:±1%:1/16W:1005	85 - 276
1655 2002	Chip Resistor - 20KΩ±1%1/16W	99 - 249
1655 2200	Resistor - 220Ω ±1% 1/16W	85 - 277
1655 2201	Resistor:2.2K Ω:±1%:1/16W:1005	85 - 278

Part No.	Description	Page and Index No.
1655 2209	Resistor - 22Ω ±1% 1/16W	85 - 279
1655 2402	Resistor - 24KΩ ±1% 1/16W	99 - 250
1655 2552	Resistor:25.5K Ω:±1%:1/16W:1005	85 - 280
1655 3012	Resistor:30.1K Ω:±1%:1/16W:1005	85 - 281
1655 3309	Resistor - 33Ω ±1% 1/16W	85 - 282
1655 3902	Resistor:39K Ω:±1%:1/16W:1005	99 - 251
1655 3909	Resistor 39Ω ±1% 1/16W	85 - 283
1655 4700	Resistor - 470Ω ±1% 1/16W	85 - 284
1655 4701	Chip Resistor - 4.7KΩ±1%1/16W	99 - 252
1655 4701	Chip Resistor - 4.7KΩ±1%1/16W	85 - 285
1655 4702	Chip Resistor:47KΩ:±1%:1/16W:1005	85 - 286
1655 4709	Resistor - 47Ω ±1% 1/16W	85 - 287
1655 4871	Resistor:4.87K Ω:±1%:1/16W:1005	85 - 288
1655 4999	Resistor - 49.9Ω ±1% 1/16W	85 - 289
1655 5103	Resistor:510K Ω:±1%:1/16W:1005	85 - 290
1655 5600	Resistor - 560Ω ±1% 1/16W	85 - 291
1655 5601	Resistor - 5.6KΩ ±1% 1/16W	85 - 292
1655 5609	Resistor - 56Ω ±1% 1/16W	85 - 293
1655 5621	Resistor - 5.62KΩ ±1% 1/16W	99 - 253
1655 6809	Chip Resistor - 68Ω±1%1/16W	85 - 294
1655 9101	Resistor - 9.1K Ω ±1% 1/16W	85 - 295
1660 2101	Capacitor - 100pF - ±10% - 50V	85 - 296
1660 2101	Capacitor - 100pF - ±10% - 50V	93 - 192
1660 2120	Capacitor - 12 pF ±5% 50V	99 - 254
1660 2120	Capacitor - 12 pF ±5% 50V	93 - 193
1660 2150	Capacitor - 15pF ±5% 50V	99 - 255
1660 2150	Capacitor - 15pF ±5% 50V	93 - 194
1660 2181	Capacitor - 180pF ±5% 50V	93 - 195
1660 2330	Capacitor - 33pF - ±5% - 50V	99 - 256
1660 2330	Capacitor - 33pF - ±5% - 50V	93 - 196
1660 2470	Capacitor - 47pF ±5% 50V	93 - 197
1660 2470	Capacitor - 47pF ±5% 50V	99 - 257
1660 2471	Capacitor - 470pF - ±5% - 50V	99 - 258
1660 2471	Capacitor - 470pF - ±5% - 50V	85 - 297
1660 2560	Capacitor - 56pF ±5% 50V	93 - 198

Part No.	Description	Page and Index No.
1660 4102	Capacitor - 1000pF \pm 10% 50V	93 - 199
1660 4102	Capacitor - 1000pF \pm 10% 50V	99 - 259
1660 4103	Capacitor - 10000pF - \pm 10% - 50V	93 - 200
1660 4103	Capacitor - 10000pF - \pm 10% - 50V	99 - 260
1660 4103	Capacitor - 10000pF - \pm 10% - 50V	85 - 298
1660 4222	Capacitor - 2200pF - \pm 10% - 50V	99 - 261
1660 4472	Capacitor - 4700pF \pm 10% 50V	93 - 201
1660 4472	Capacitor - 4700pF \pm 10% 50V	99 - 262
1660 6103	Capacitor - 10000pF - +80%-20%50V	99 - 263
1660 8104	Capacitor - 0.1 μ F +80-20% 25V	93 - 202
1660 8104	Capacitor - 0.1 μ F +80-20% 25V	85 - 299
1660 8104	Capacitor - 0.1 μ F +80-20% 25V	99 - 264
1902 0084	SRAM:4M:x16:TSOP44Type2:3.3V	93 - 203
1906 0101	Flash Memory:S29GL032A90TFIR40	93 - 204
1906 0117	Flash Memory:S29GL032A90TFIR20	85 - 300
1906 0120	NAND Flash:1G:X8:30NS:3.3V:2K	85 - 301
1907 0077	DDR512M:8Mx16x4:333MHZ:CL2.5G3	85 - 302

Part No.	Description	Page and Index No.
5203 1852	Bushing - 6x8x4mm	29 - 36
5203 9502	Silicon Grease G-501	107 - 7
5206 2684	Shoulder Screw - M3	51 - 11
5206 2684	Shoulder Screw - M3	53 - 9
5206 2686	Snap Ring	17 - 36
5206 2686	Snap Ring	27 - 31
5447 2681	Snap Ring	61 - 14