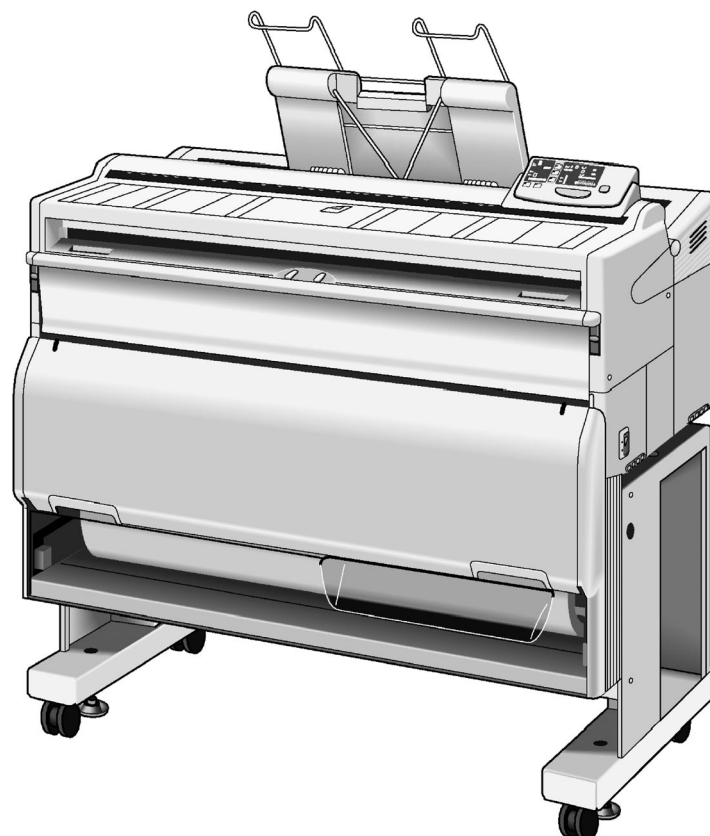


Gestetner® **RICOH**® **SAVIN**®



A163/A251/A252

B047/B048

PARTS CATALOG

RICOH GROUP COMPANIES

001316MIU

Gestetner[®]

RICOH[®]

savin[®]

**A163/A251/A252/B047/B048
PARTS CATALOG**

RICOH GROUP COMPANIES

Gestetner® **RICOH**® **SAVIN**®

**A163/A251/A252/B047/B048
PARTS CATALOG**

001316MIU

LEGEND

PRODUCT CODE	COMPANY		
	GESTETNER	RICOH	SAVIN
A163	N/A	FW740	N/A
A251	N/A	FW750	N/A
A252	N/A	FW760	N/A
B047	A040	FW770	7700W
B048	A041	FW780	7800W
A571	Roll Feeder		
A570	Roll Cutting Rail		
A714	Table		
A836	Table/Copy Tray		
B435/B436	Roll Feeder Type A/B		
B437	Roll Cutting Rail Type 770		
B439	Table type 770		
B440	Copy Tray Type 780		

DOCUMENTATION HISTORY

REV. NO.	DATE	COMMENTS
*	12/94	Original Printing
1	6/98	A251/A252 Addition
2	8/2001	B047/B048 Addition

A163/A251/A252 B047/B048 PARTS CATALOG

TABLE OF CONTENTS

A251/A252 PARTS LOCATION AND LIST

LOCATION OF UNIT	3
1. EXTERIOR (A163/A251/A252)	6
2. ORIGINAL FEED SECTION (A163/A251)	8
3. OPTICS SECTION (A163/A251/A252)	10
4. VACUUM FAN (A163/A251)	12
5. UPPER PAPER FEED SECTION (A163/A251/A252) .	14
6. LOWER PAPER FEED SECTION (A163/A251/A252)	16
7. DEVELOPMENT UNIT (A163/A251/A252)	18
8. DRUM SECTION (A163/A251/A252).....	20
9. CHARGE CORONA SECTION (A163/A251/A252)	22
10. T/S CORONA SECTION (A163/A251/A252)	24
11. FUSING UNIT (A163/A251/A252).....	26
12. PAPER EXIT SECTION 1 (A163/A251).....	28
13. PAPER EXIT SECTION 2 (A163/A251/A252)	30
14. DRIVE SECTION (A163/A251/A252).....	32
15. ELECTRICAL SECTION (A163/A251/A252)	34
16. FRAME SECTION (A163/A251/A252)	36
17. MAIN CONTROL BOARD (A163)	38
18. AC DRIVE BOARD (A163).....	40
19. DECAL AND DOCUMENT (A163/A251/A252)	42
20. SPECIAL TOOLS (A163/A251/A252)	44

A163/A251/A252 PARTS LOCATION AND LIST

PARTS INDEX	2
--------------------------	----------

The following page numbers are unique to the A251/A252 copier.

Entries marked with an "*" are common with A163/A251/A252 copier.

Refer to the A163/A251/A252 section for details.

A251/A252 PARTS LOCATION AND LIST

1. EXTERIOR (A163/A251/A252)	*
2. ORIGINAL FEED SECTION (A252)	2
3. OPTICS SECTION (A163/A251/A252)	*
4. VACUUM FAN (A252).....	4
5. UPPER PAPER FEED SECTION (A163/A251/A252) .	*
6. LOWER PAPER FEED SECTION (A163/A251/A252)	*
7. DEVELOPMENT UNIT (A163/A251/A252).....	*
8. DRUM SECTION (A163/A251/A252).....	*
9. CHARGE CORONA SECTION (A163/A251/A252)	*
10. T/S CORONA SECTION (A163/A251/A252)	*
11. FUSING UNIT (A163/A251/A252)	*
12. PAPER EXIT SECTION 1 (A252)	6
13. PAPER EXIT SECTION 2 (A163/A251/A252)	*
14. DRIVE SECTION (A163/A251/A252)	*
15. ELECTRICAL SECTION (A163/A251/A252)	*
16. FRAME SECTION (A163/A251/A252).....	*
17. MAIN CONTROL BOARD (A251/A252)	8
18. AC DRIVE BOARD (A251/A252)	12

19. DECAL AND DOCUMENT (A163/A251/A252)	*
20. SPECIAL TOOLS (A163/A251/A252)	*

A251/A252 PARTS INDEX

PARTS INDEX	2
--------------------------	----------

B047/B048 PARTS LOCATION AND LIST

LOCATION OF UNIT.....	2
1.EXTERIOR (B047/B048).....	6
2.ORIGINAL FEED SECTION (B047).....	8
3.ORIGINAL FEED SECTION (B048).....	10
4.OPTICS SECTION (B047/B048).....	12
5.VACUUME FAN (B047)	14
6.VACUUME FAN (B048)	16
7.UPPER PAPER FEED SECTION (B047/B048).....	18
8.LOWER PAPER FEED SECTION (B047/B048).....	20
9.DEVELOPMENT UNIT (B047/B048)	22
10.DRUM SECTION (B047/B048)	24
11.CHARGE CORONA SECTION (B047/B048).....	26
12.T/S CORONA SECTION (B047/B048)	28
13.FUSING UNIT (B047/B048)	30
14.PAPER EXIT SECTION 1 (B047)	32
15.PAPER EXIT SECTION 1 (B048)	34
16.PAPER EXIT SECTION 2 (B047/B048).....	36
17.DRIVE SECTION (B047/B048)	38
18.ELECTRICAL SECTION (B047/B048).....	40
19.FRAME SECTION (B047/B048)	42
20.MAIN CONTROL BORAD (B047)	44
21.MAIN CONTROL BORAD (B048)	48

22.DECAL AND DOCUMENT (B047/B048).....	52
23.SPECIAL TOOLS (B047/B048).....	56

B047/B048 PARTS INDEX

PARTS INDEX	2
--------------------------	----------

ROLL FEEDER A571 PARTS LOCATION AND LIST

1. EXTERIOR (A571)	2
2. DRIVE AND PAPER FEED (A571).....	4
3. SPOOL UNIT (A571).....	6
4. ELECTRICAL SECTION (A571).....	8
5. CUTTER UNIT (A571)	10
6. CUTTER (A571)	12

ROLL FEEDER A571 PARTS INDEX

PARTS INDEX	2
--------------------------	----------

ROLL CUTTING RAIL A570 PARTS LOCATION AND LIST

1. CUTTER UNIT (A570)	2
-----------------------------	---

ROLL CUTTING RAIL A570 PARTS INDEX

PARTS INDEX	2
--------------------------	----------

TABLE A714 PARTS LOCATION AND LIST

1. TABLE UNIT (A714)	2
----------------------------	---

TABLE A714 PARTS INDEX

PARTS INDEX	2
--------------------------	----------

TABLE/COPY TRAY A836 PARTS LOCATION AND LIST

1. TABLE & COPY TRAY TYPE 760 (A836) 2

TABLE/COPY TRAY A836 PARTS INDEX

PARTS INDEX..... 2

ROLL FEEDER TYPE A/B B435/B436 PARTS LOCATION AND LIST

1.ROLL FEED TRAY 1 (B435/B436)..... 2
2.ROLL FEED TRAY 2 (B435/B436)..... 4
3.ROLL FEED TRAY 3 (B435/B436)..... 6
4.ROLL FEED TRAY 4 (B435/B436)..... 8
5.ROLL FEED TRAY 5 (B435/B436)..... 10
6.ROLL FEED TRAY 6 (B435/B436)..... 12
7.ROLL FEED TRAY 7 (B435/B436)..... 14
8.DECALS AND DOCUMENTS (B435/B436)..... 16

ROLL FEEDER TYPE A/B B435/B436 PARTS INDEX

PARTS INDEX..... 2

ROLL CUTTING RAIL TYPE 770 B437 PARTS LOCATION AND LIST

1.CUTTING RAIL UNIT (B437) 2

ROLL CUTTING RAIL TYPE 770 B437 PARTS INDEX

PARTS INDEX..... 3

TABLE TYPE 770 B439 PARTS LOCATION AND LIST

1.TABLE UNIT (B439) 2

TABLE TYPE 770 B439 PARTS INDEX

PARTS INDEX..... 3

COPY TRAY TYPE 780 B440 PARTS LOCATION AND LIST

1.COPY TRAY (B440) 2

COPY TRAY TYPE 780 B440 PARTS INDEX

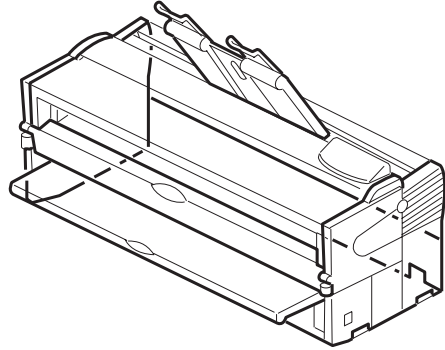
PARTS INDEX..... 3

A163/A251/A252
PARTS LOCATION AND LIST

This section instructs you as to the numbers and names of parts on this machine.

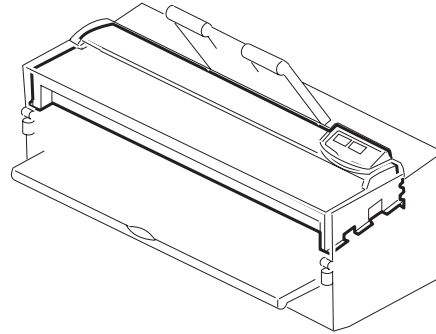
LOCATION OF UNIT

1. EXTERIOR (A163/A251/A252)



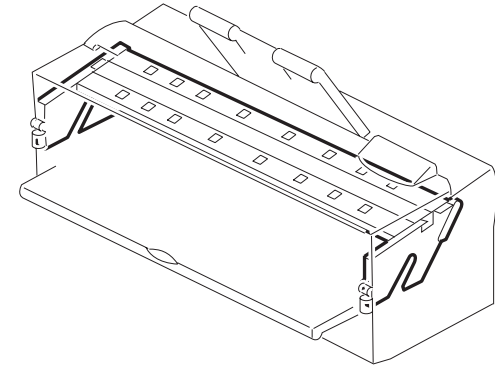
See Page 7

2. ORIGINAL FEED SECTION (A163/A251)



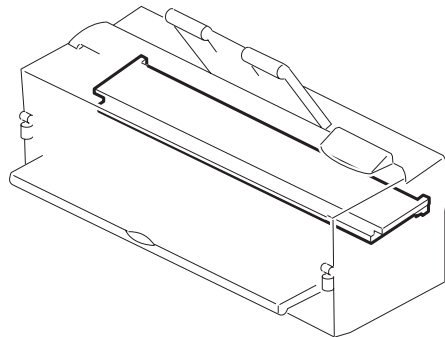
See Page 9

3. OPTICS SECTION (A163/A251/A252)



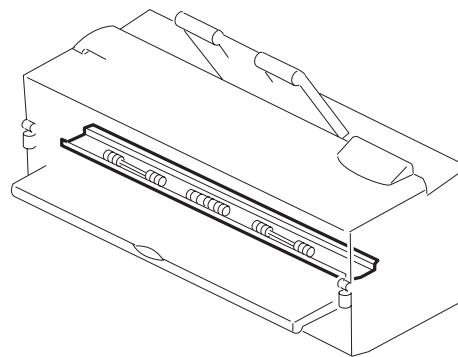
See Page 11

4. VACUUM FAN (A163/A251)



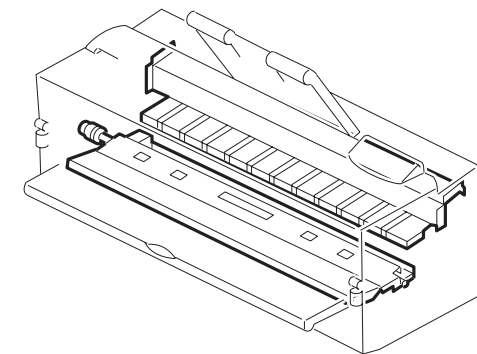
See Page 13

5. UPPER PAPER FEED SECTION (A163/A251/A252)



See Page 15

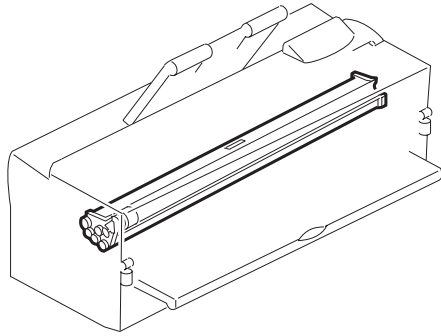
6. LOWER PAPER FEED SECTION (A163/A251/A252)



See Page 17

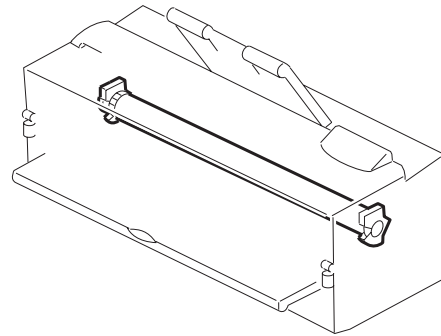
LOCATION OF UNIT

7. DEVELOPMENT UNIT (A163/A251/A252)



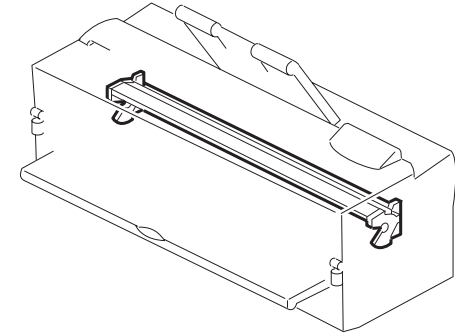
See Page 19

8. DRUM SECTION (A163/A251/A252)



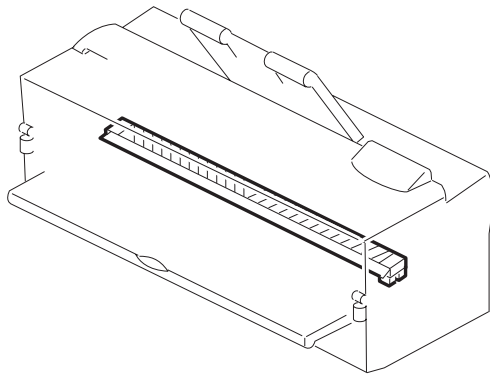
See Page 21

9. CHARGE CORONA SECTION (A163/A251/A252)



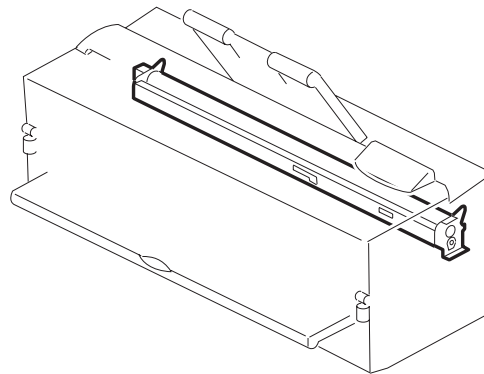
See Page 23

10.T/S CORONA SECTION (A163/A251/A252)



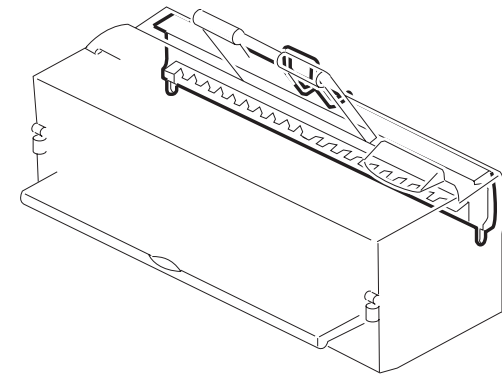
See Page 25

11. FUSING UNIT (A163/A251/A252)



See Page 27

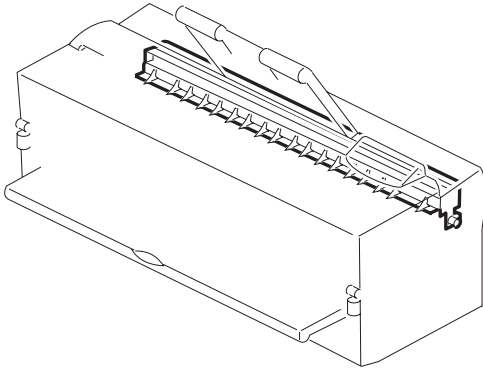
12. PAPER EXIT SECTION 1 (A163/A251)



See Page 29

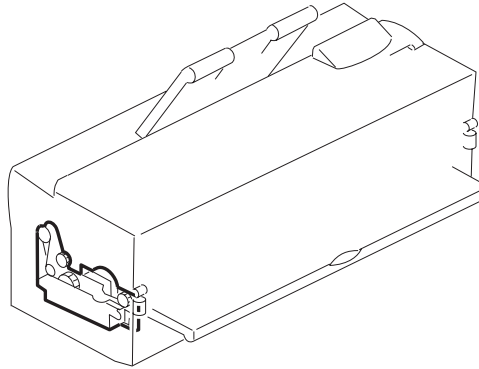
LOCATION OF UNIT

13. PAPER EXIT SECTION 2 (A163/A251/A252)



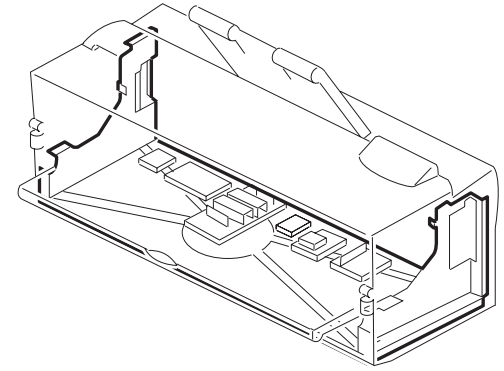
See Page 31

14. DRIVE SECTION (A163/A251/A252)



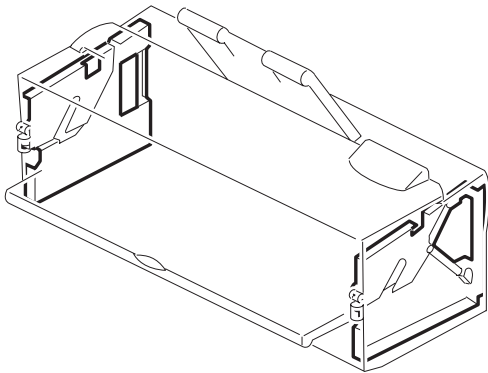
See Page 33

15. ELECTRICAL SECTION (A163/A251/A252)



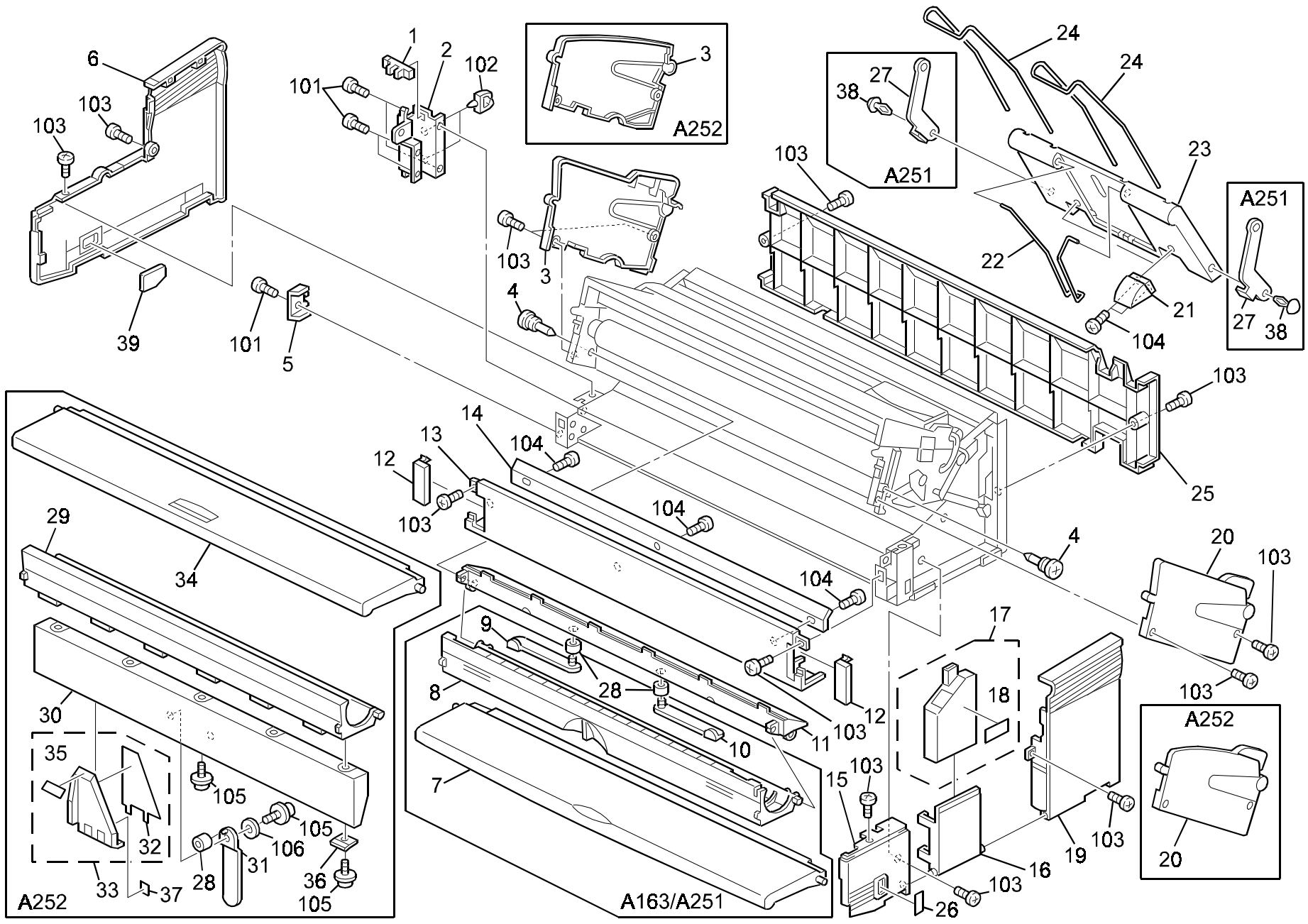
See Page 35

16. FRAME SECTION (A163/A251/A252)



See Page 37

1.EXTERIOR (A163/A251/A252)



1.EXTERIOR (A163/A251/A252)

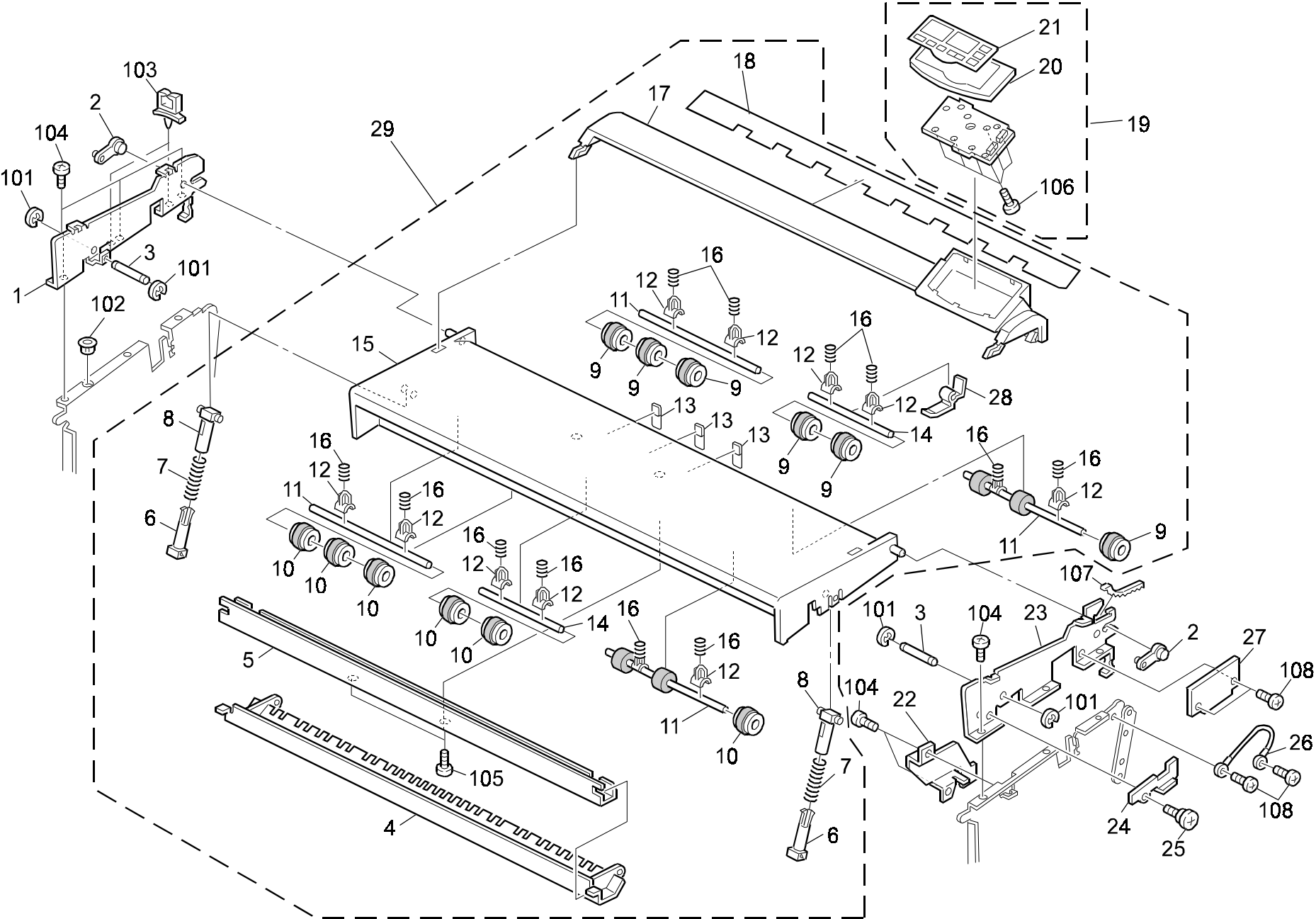
Index No.	Part No.	Description	Q'ty Per Assembly
1	AW02 0056	Photointerruptor - EE-SX4235A-P1	1
2	A163 1099	Left Latch Bracket	1
3	A163 1291	Upper Left Cover (A163 RIC/NRG)/(A251)	1
3	A163 1292	Upper Left Cover (A163 K+E)	1
3	A163 1293	Upper Left Cover (A163 HOECHST/REGMA)	1
3	A252 1291	Left Upper Cover (A252)	1
4	5446 2824	Screw - Duplex Guide Plate	2
5	A163 1139	Left Reinforcement Plate	1
6	A163 1301	Lower Left Cover (A163 RIC/NRG)/(A251/A252)	1
6	A163 1302	Lower Left Cover (A163 K+E)	1
6	A163 1303	Lower Left Cover (A163 HOECHST/REGMA)	1
7	A163 2690	Manual Feed Table - LT (A163 RIC)/(A251)	1
7	A163 2693	Manual Feed Table - LT (A163 K+E)	1
7	A163 2691	Manual Feed Table - A4 (A163 RIC/NRG)/(A251)	1
7	A163 2692	Manual Feed Table - A4 (A163 HOECHST/REGMA)	1
8	A163 1351	Toner Supply Cover (A163 RIC/NRG)/(A251)	1
8	A163 1352	Toner Supply Cover (A163 K+E)	1
8	A163 1353	Toner Supply Cover (A163 HOECHST/REGMA)	1
9	A163 1366	Left Original Stopper (A163/A251)	1
10	A163 1362	Right Original Stopper (A163/A251)	1
11	A163 1341	Manual Feed Cover (A163 RIC/NRG)/(A251/A252)	1
11	A163 1342	Manual Feed Cover (A163 K+E)	1
11	A163 1343	Manual Feed Cover (A163 HOECHST/REGMA)	1
12	A163 1331	Receiving Tray Cover (A163 RIC/NRG)/(A251/A252)	2
12	A163 1332	Receiving Tray Cover (A163 K+E)	2
12	A163 1333	Receiving Tray Cover (A163 HOECHST/REGMA)	2

Index No.	Part No.	Description	Q'ty Per Assembly
13	A163 1311	Lower Front Cover (A163 RIC/NRG)/(A251/A252)	1
13	A163 1312	Lower Front Cover (A163 K+E)	1
13	A163 1313	Lower Front Cover (A163 HOECHST/REGMA)	1
14	A163 1318	Cover Bracket	1
15	A163 1257	Lower Right Front Cover -115V (A163 RIC)	1
15	A163 1261	Lower Right Front Cover -230V (A163 RIC)	1
15	A163 1259	Lower Right Front Cover (A163 K+E)	1
15	A163 1263	Lower Right Front Cover (A163 HOECHST/REGMA)	1
15	A252 1266	Lower Right Front Cover (A251/A252)	1
16	A163 1271	Lower Right Middle Cover (A163 RIC/NRG)/(A251/A252)	1
16	A163 1272	Lower Right Middle Cover (A163 K+E)	1
16	A163 1273	Lower Right Middle Cover (A163 HOECHST/REGMA)	1
17	A163 9502	Toner Collection Bottle	1
18	AA00 0630	Caution Decal - English (A163)	1
18	AA00 0631	Caution Decal - German (A163)	1
18	AA00 0632	Caution Decal - French (A163)	1
18	AA00 0633	Caution Decal - Italian (A163)	1
18	AA00 0634	Caution Decal - Spanish (A163)	1
18	AA00 0639	Decal - Toner Collection English (A251/A252)	1
18	AA00 0640	Decal - Toner Collection - 4Language (A251/A252)	1
18	A163 3629	Caution Decal - Chinese	1
19	A163 1281	Lower Right Rear Cover (A163 RIC/NRG)/(A251/A252)	1
19	A163 1282	Lower Right Rear Cover (A163 K+E)	1
19	A163 1283	Lower Right Rear Cover (A163 HOECHST/REGMA)	1
20	A163 1251	Upper Right Cover (A163 RIC/NRG)/(A251)	1
20	A163 1252	Upper Right Cover (A163 K+E)	1

Index No.	Part No.	Description	Q'ty Per Assembly
20	A163 1253	Upper Right Cover (A163 HOECHST/REGMA)	1
20	A252 1251	Right Upper Cover (A252)	1
21	A163 4492	Copy Tray Stand (A163 RIC/NRG)/(A251)	2
21	A163 4497	Copy Tray Stand (A163 K+E)	2
21	A163 4498	Copy Tray Stand (A163 HOECHST/REGMA)	2
22	A163 4493	Copy Tray Pocket Holder (A163)	1
23	A163 4491	Copy Tray (A163 RIC/NRG)	1
23	A163 4495	Copy Tray (A163 K+E)	1
23	A163 4496	Copy Tray (A163 HOECHST/REGMA)	1
23	A251 4491	Copy Tray (A251)	1
24	A163 4494	Copy Tray Guide Rod (A163/A251)	2
25	A163 1321	Lower Rear Cover (A163 RIC/NRG)/(A251/A252)	1
25	A163 1322	Lower Rear Cover (A163 K+E)	1
25	A163 1323	Lower Rear Cover (A163 HOECHST/REGMA)	1
26	A163 1380	Main Switch Decal (115V Only)(A163)	1
26	A163 1381	Main Switch Decal (115V Only)(A163 K+E)	1
27	A251 4492	Change Arm - Copy Tray (A251)	2
28	AA16 1118	Tube - 3x4.5x3	2
29	A252 4590	Original Feed Table (A252)	1
30	A252 4591	Original Guide Scale - LT (A252)	1
30	A252 4592	Original Guide Scale - A4 (A252)	1
31	A252 4611	Original Stopper (A252)	2
32	A228 4652	Left Side Fence Sheet (A252)	1
33	A252 4545	Left Side Fence (A252)	1
34	A252 3850	By-pass Feed Table - LT (A252)	1
34	A252 3851	By-pass Feed Table - A4 (A252)	1
35	A228 4656	Side Fence Sheet - Original Feed (A252)	1
36	A252 4617	Original Spacer (A252)	5
37	A252 4620	Small Sheet - 13x17 (A252)	1
38	A251 4493	Revet (A251)	2
39	A252 1110	Total Counter Cover (A251/A252)	1

Index No.	Part No.	Description	Q'ty Per Assembly
101	0314 0060B	Philips Pan Head Screw - M4x6	
102	1105 0199	Clamp	
103	0343 0080F	Philips Truss Head Screw - M3x8	
104	0434 0082B	Tapping Screw - M4x8	
105	0452 4008B	Tapping Screw - M4x8	
106	0701 0040B	Flat Washer - M4	

2. ORIGINAL FEED SECTION (A163/A251)



2. ORIGINAL FEED SECTION (A163/A251)

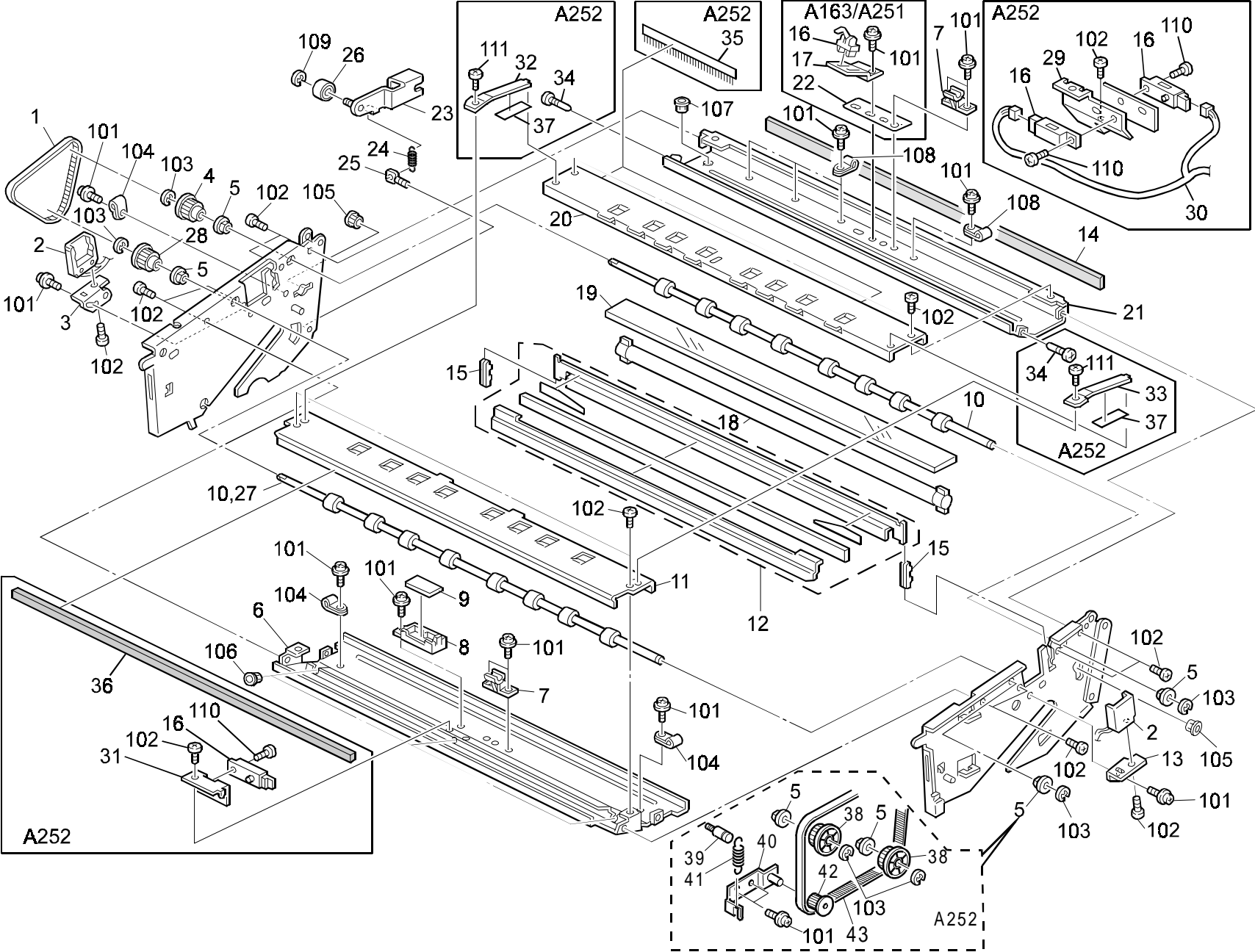
Index No.	Part No.	Description	Q'ty Per Assembly
1	A163 6051	Original Feed Left Plate	1
2	A163 6052	Original Table Bushing	2
3	A163 6056	Stopper Pin	2
4	A163 6162	Platen Plate	1
5	A163 6161	Original Table Channel	1
6	A163 6202	Original Table Stopper	2
7	AA06 3275	Stopper Spring	2
8	A163 6203	Original Stopper Pin	2
9	AF02 2081	Front Driven Roller	8
10	A163 6175	Front Drive Roller	8
11	A163 6172	End Roller Shaft	4
12	A163 6181	Original Driven Bushing	12
13	A163 6256	Guide Mylar	3
14	A163 6171	Middle Roller Shaft	2
15	A163 6131	Original Feed Table - LT (A163 RIC)	1
15	A163 6132	Original Feed Table - LT (A163 K+E)	1
15	A251 6131	Original Feed Table Cover - LT (A251)	1
15	A163 6136	Original Feed Table - A4 (A163 HOECHST)	1
15	A163 6133	Original Feed Table - A4 (A163 RIC/NRG)	1
15	A251 6133	Original Feed Table Cover - A4 (A251)	1
16	AA06 3274	Center Spring	12
17	A163 6231	Rear Original Cover (A163 RIC)	1
17	A163 6232	Rear Original Cover (A163 K+E)	1
17	A163 6236	Rear Original Cover (A163 HOECHST)	1
17	A163 6237	Rear Original Cover (A163 REGMA)	1
17	A163 6233	Rear Original Cover (A163 NRG)	1
17	A251 6231	Rear Original Cover (A251 RIC)	1
17	A251 6234	Rear Original Cover (A251 K+E)	1
17	A163 6264	Rear Original Cover (A251 REGMA/NRG)	1
18	A163 6251	Original Entrance Sheet	1
19	A163 1463	Operation Panel - LT (A163 RIC/NRG)	1
19	A163 1465	Operation Panel - LT (A163 K+E)	1
19	A163 1464	Operation Panel - A4 (A163 RIC)	1
19	A163 1466	Operation Panel - A4 (A163 HOECHST/REGMA)	1

Index No.	Part No.	Description	Q'ty Per Assembly
19	A251 1463	Operation Panel Ass'y - LT (A251)	1
19	A251 1464	Operation Panel Ass'y - A4 (A251)	1
20	A163 1471	Operation Panel Cover (A163 RIC/NRG)	1
20	A163 1472	Operation Panel Cover (A163 K+E)	1
20	A163 1473	Operation Panel Cover (A163 HOECHST/REGMA)	1
20	A252 1471	Operation Panel Cover (A251)	1
21	A163 1481	Operation Panel Sheet - LT (A163)	1
21	A163 1482	Operation Panel Sheet - A4 (A163)	1
21	A251 1482	Operation Panel Sheet - A4 (A251)	1
21	A251 1481	Operation Panel Sheet - LT (A251)	1
22	A163 1376	Cover Lever Bracket	1
23	A163 6061	Original Feed Right Plate	1
24	A163 6066	Upper Lever	1
25	5413 1882	Stepped Screw	1
26	A163 5640	Grounding Wire	1
27	A163 6065	Right Bracket	1
28	A163 6191	Feeler Clip	1
29	A163 6111	Original Feed Table Ass'y (A163 RIC-LT)	1
29	A163 6113	Original Feed Table Ass'y (A163 RIC-A4)	1
29	A163 6112	Original Feed Table Ass'y (A163 K+E)	1
29	A163 6114	Original Feed Table Ass'y (A163 NRG)	1
29	A163 6116	Original Feed Table Ass'y (A163 HOECHST)	1
29	A163 6117	Original Feed Table Ass'y (A163 REGMA)	1
29	A251 6113	Original Feed Table - A4 (A251 RIC)	1
29	A251 6117	Original Feed Table Ass'y (A251 REGMA)	1
29	A251 6111	Original Feed Table Ass'y - LT (A251 RIC)	1
29	A251 6114	Original Feed Table Ass'y (A251 K+E)	1
29	A251 6115	Original Feed Table Ass'y (A251 NRG)	1

Index No.	Part No.	Description	Q'ty Per Assembly
101	0720 0030Z	Retaining Ring - M3	
102	1106 0241	Bushing - 6.7mm	
103	1105 0196	Harness Clamp	
104	0314 0060B	Philips Pan Head Screw - M4x6	
105	0414 0142B	Binding Self Tapping Screw - M4x14	
106	0802 5087	Tapping Bind Screw - M2x5	
106	0802 5242	Tapping Bind Screw - M2x5 (A163 K+E)	
107	1106 0493	Edging	
108	0434 0080B	Philips Tapping Screw - M4x8	

Index No.	Part No.	Description	Q'ty Per Assembly

3. OPTICS SECTION (A163/A251/A252)



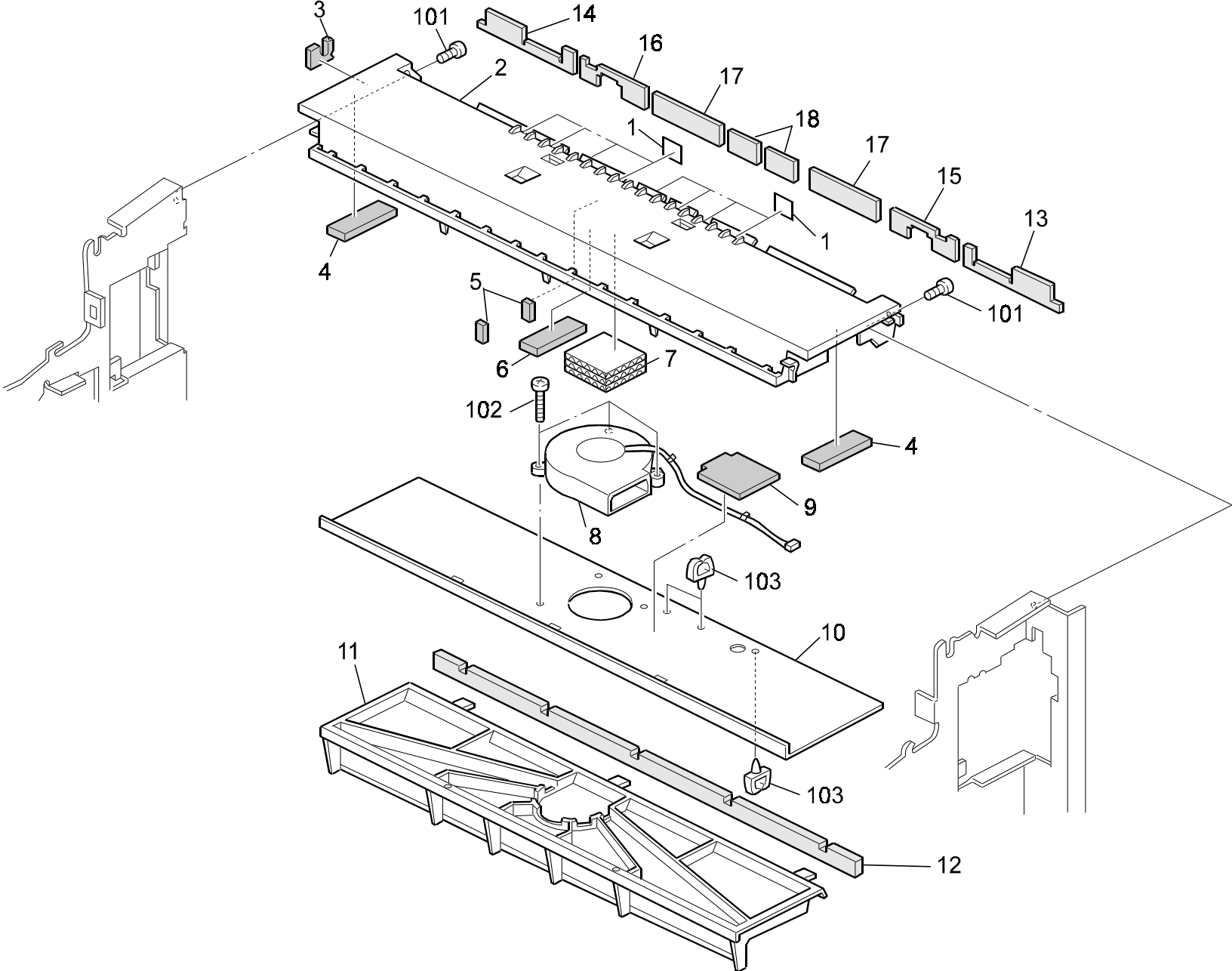
3. OPTICS SECTION (A163/A251/A252)

Rev. 02/15/2000

Index No.	Part No.	Description	Q'ty Per Assembly
1	AA04 3405	Timing Belt - 411P3M6	1
2	A163 5620	Fluorescent Lamp Harness	1
3	A163 1671	Left Socket Bracket	1
4	AB03 0505	Pulley - 24Z	1
5	5053 0223	Bushing - 8mm	4
6	A163 1650	Front Optics Stay (A163)	1
6	A163 1653	Front Optics Stay (A251)	1
6	A252 1655	Front Stay (A252)	1
7	A163 6081	Arm Bushing	2
8	A163 1721	Light Sensor Holder	1
9	A163 5300	Light Sensor Board	1
10	A163 6071	2nd Original Drive Roller (A163/A251)	1
10	AF02 0451	Original Feed Roller (A252)	2
11	A163 6101	Front Original Guide Plate (A163/A251)	1
11	A252 4580	Front Lower Guide (A252)	1
12	A163 1680	Fiber Optics (A163/A251)	1
12	A252 1611	Fiber Optics (A252)	1
13	A163 1672	Right Socket Bracket	1
14	AA15 1989	Seal - 23x1029x7	1
15	A163 1701	Fiber Optics Holder	2
16	AW02 0008	Photointerruptor (A163/A251)	1
16	AW01 0070	Photosensor - PS-R11D1-B (A252)	3
17	A163 6091	Sensor Bracket (A163/A251)	1
18	AX50 0053	Fluorescent Lamp - 140V/26W	1
19	A163 1711	Exposure Glass (A163/A251)	1
19	AC01 0004	Exposure Glass (A252)	1
20	A163 6102	Rear Original Guide Plate (A163/A251)	1
20	A252 4581	Rear Lower Guide (A252)	1
21	A163 1661	Rear Optics Stay (A163)	1
21	A163 1662	Rear Optics Stay (A251)	1
21	A252 1659	Rear Stay (A252)	1
22	A163 6095	Original Registration Sensor Spacer (A163/A251)	1
23	A163 1155	Tension Bracket	1
24	AA06 0456	Fusing Cover Spring	1

Index No.	Part No.	Description	Q'ty Per Assembly
25	5353 1539	Spring Anchor	1
26	A163 1158	Tension Pulley	1
27	A163 6075	1st Original Drive Roller (A163/A251)	1
28	A163 6085	One-way Pulley - 24Z	1
29	A252 4586	Original Sensor Bracket (A252)	1
30	A251 5660	DC Relay Harness (A251)	1
30	A252 5662	Relay Harness - Original Sensor (A252)	1
31	A252 4585	Original Sensor Bracket - Feed (A252)	1
32	A252 1651	Spring Plate - Left (A252)	1
33	A252 1652	Spring Plate - Right (A252)	1
34	5446 2824	Screw - Duplex Guide Plate (A252)	2
35	AA12 0078	Antistatic Brush (A252)	2
36	AA15 2392	Original Seal (A252)	1
37	A252 1653	Spring Plate Sheet - Exposure Glass (A252)	2
38	AB03 0597	Timing Pulley - 40 (A252)	2
39	5353 1539	Spring Anchor (A252)	1
40	A252 4572	Belt Tightner (A252)	1
41	AA06 0824	Bushing Lock Spring (A252)	1
42	AB03 0598	Idler Pulley - 20 (A252)	1
43	AA04 3275	Timing Belt - 400 S2M80 (A252)	1
101	0951 4006B	Philips Screw With Washer - M4x6	
102	0314 0060B	Philips Pan Head Screw - M4x6	
103	0720 0060Z	Retaining Ring - M6	
104	1105 0199	Clamp	
105	1106 0411	Bushing - 11.5mm	
106	1106 0241	Bushing - 6.7mm	
107	1106 0193	Bushing - 7.9mm	
108	1105 0005	Nylon Clip - 3n	
109	0720 0040Z	Retaining Ring - M4	
110	0313 0100B	Philips Pan Head Screw - M3x10	
111	0344 0060F	Philips Truss Head Screw - M4x6	

4. VACUUM FAN (A163/A251)

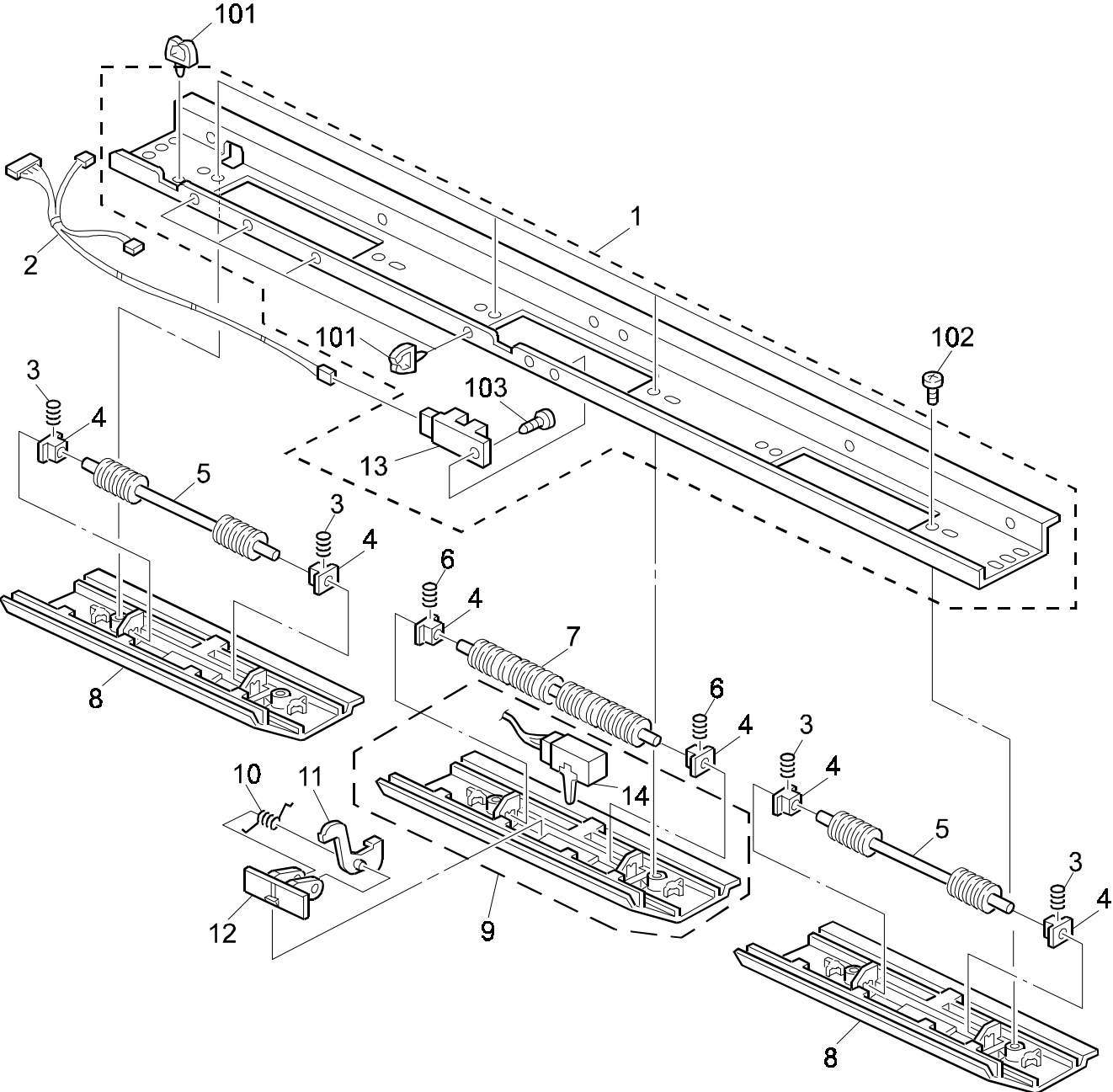


4. VACUUM FAN (A163/A251)

Index No.	Part No.	Description	Q'ty Per Assembly
1	A163 4293	Blower Sheet - 51x57	8
2	A163 4281	Rear Feed Cover - LT (A163 RIC)/(A251)	1
2	A163 4285	Rear Feed Cover - LT (A163 K+E)	1
2	A163 4282	Rear Feed Cover - A4 (A163 RIC/NRG)/(A251)	1
2	A163 4286	Rear Feed Cover - A4 (A163 HOECHST/REGMA)	1
3	AA15 1988	Left Seal	1
4	AA15 1981	Seal - 30x168x9	2
5	AA15 1983	Seal - 12x36x3	2
6	AA15 1982	Fan Seal	1
7	AA01 0087	Ozone Filter	1
8	AX66 0007	Fan Motor - DC 14.4W (A163)	1
8	AX66 0008	Fan Motor - DC24V 14.4W (A251)	1
9	AA15 1984	Support Duct Seal	1
10	A163 4291	Fan Support Plate	1
11	A163 4322	Blower Duct	1
12	A163 4311	Seal - 8x16x570	1
13	A163 4314	Right Seal	1
14	A163 4315	Left Seal	1
15	A163 4316	Right Middle Seal	1
16	A163 4317	Left Middle Seal	1
17	A163 4318	Seal - 6x24x116.5	2
18	A163 4319	Seal - 6x24x38	2

Index No.	Part No.	Description	Q'ty Per Assembly
101	0353 0080F	Philips Truss Head Screw - M3x8	
102	0314 0100B	Philips Pan Head Screw - M4x10	
103	1105 0199	Clamp	

5. UPPER PAPER FEED SECTION (A163/A251/A252)

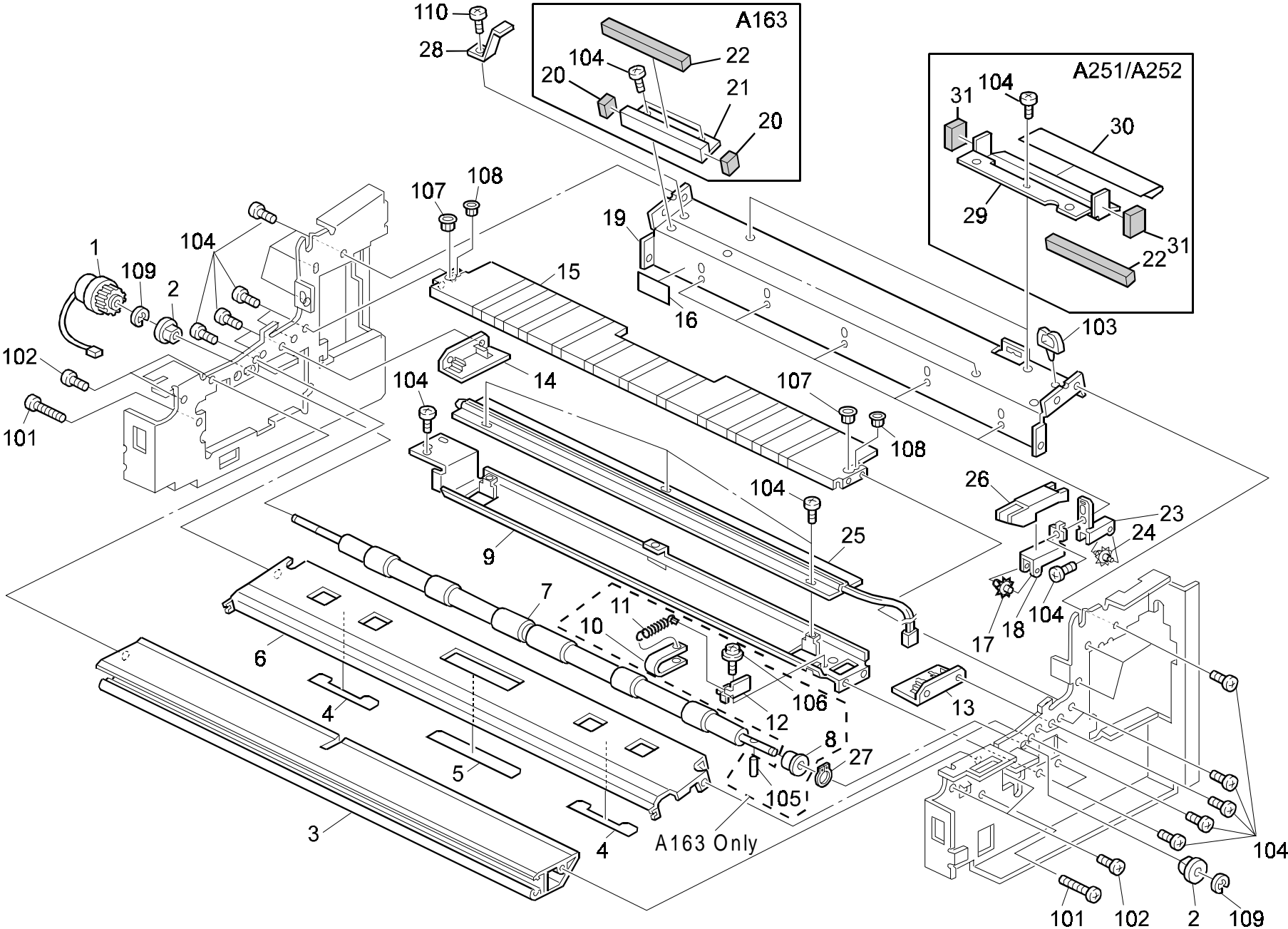


5. UPPER PAPER FEED SECTION (A163/A251/A252)

Index No.	Part No.	Description	Q'ty Per Assembly
1	A163 5439	Pre - Transfer Lamp - 24V 7.2W (A163)	1
1	A252 5440	Pre - Transfer Lamp - 24V 7.2W (A251/A252)	1
2	A163 5612	DC Harness - Paper Feed (A163)	1
2	A252 5611	DC Harness - Paper Feed (A251/A252)	1
3	AA06 3279	Guide Plate Spring	4
4	A163 2569	Paper Feed Bushing	6
5	A163 2576	Driven Roller - Guide Plate	2
6	AA06 3277	Middle Plate Spring	2
7	A163 2560	Driven Roller	1
8	A163 2574	Guide Plate	2
9	A163 2554	Middle Guide Plate	1
10	AA06 6255	Feeler Spring	1
11	A163 2566	Registration Sensor Feeler	1
12	A163 2562	Feeler Bracket	1
13	AW02 0012	Photointerruptor	1
14	AW02 0024	Photointerruptor	1

Index No.	Part No.	Description	Q'ty Per Assembly
101	1105 0199	Clamp	
102	0414 0082B	Binding Self Tapping Screw - M4x8	
103	0313 0100B	Philips Pan Head Screw - M3x10	

6. LOWER PAPER FEED SECTION (A163/A251/A252)



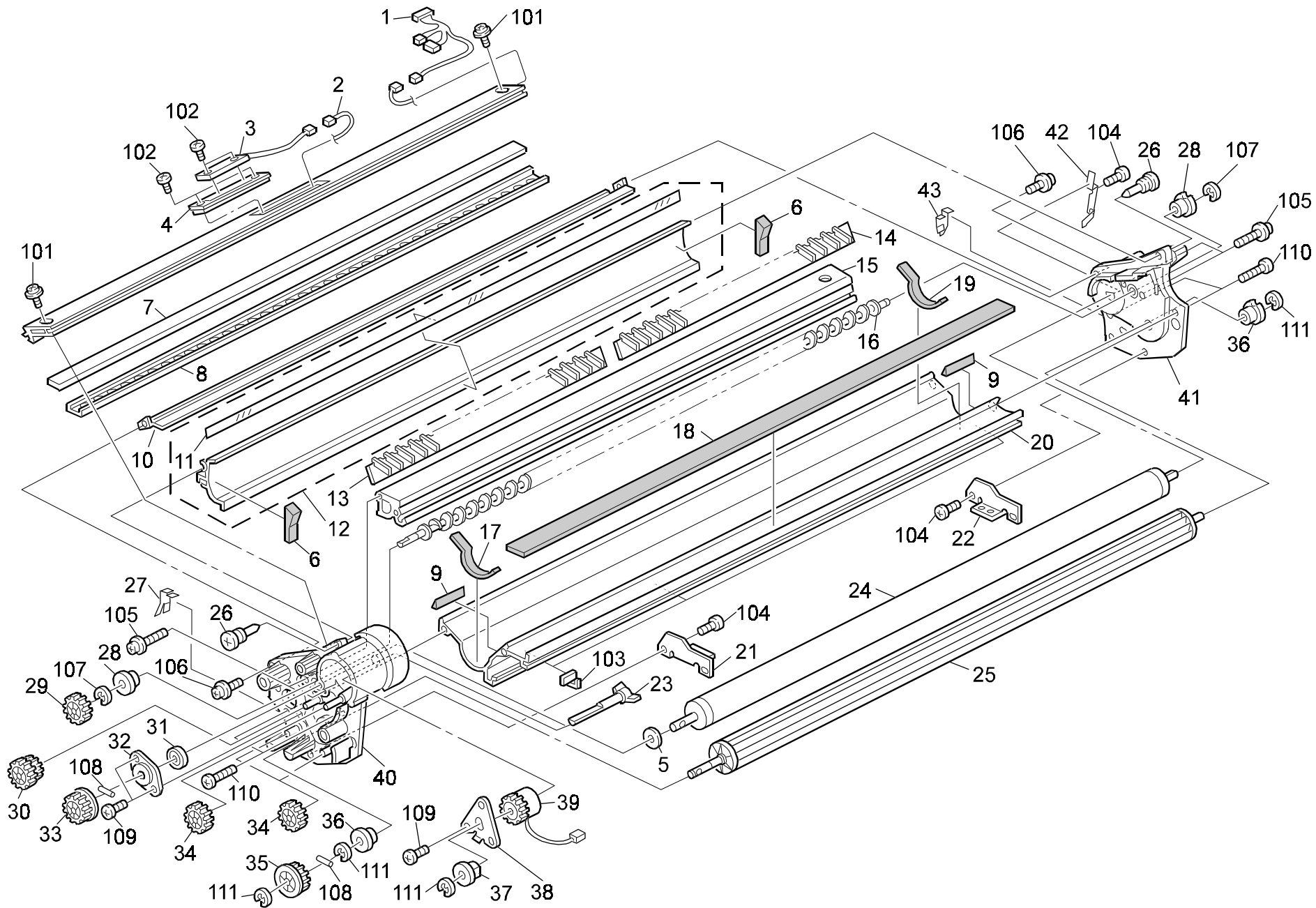
6. LOWER PAPER FEED SECTION (A163/A251/A252)

Rev. 06/30/2003

Index No.	Part No.	Description	Q'ty Per Assembly
1	AX21 0050	Registration Clutch (A163)	1
1	AX26 0001	Magnetic Clutch (A251/A252)	1
2	5053 0223	Bushing - 8mm	2
3	A163 2652	Middle Guide Plate	1
4	A163 2612	End Manual Feed Sheet	2
5	A163 2610	Middle Manual Feed Sheet	1
6	A163 2602	Lower Guide Plate	1
7	AF02 0339	Registration Roller	1
8	A163 2586	Brake Disk (A163)	1
9	B047 3869	T & S Corona Guide Plate	1
10	5433 2929	Brake Belt (A163)	1
11	AA06 0302	Registration Brake Spring (A163)	1
12	A163 2588	Brake Bracket (A163)	1
13	A163 3859	Right Positioning Bracket	1
14	A163 3861	Left Positioning Bracket	1
15	A163 3865	Transport Guide Plate	1
16	AA00 0401	Decal - High Temperature (A163)	1
16	A163 4192	Decal - High Temperature - Chinese	1
16	A174 4302	High Temperature Panel (A251/A252)	1
17	A163 4347	Separation Roller	5
18	A163 4351	Roller Bracket	5
19	A163 1081	Upper Fusing Unit Stay	1
20	AA15 1986	Seal - 30x15x12 (A163)	2
21	A163 4330	Shutter Plate (A163)	1
22	AA15 1985	Seal - 185x15x12 (A163)	1
22	AA15 2396	Short Shielding Seal - Fusing (A251/A252)	2
23	A163 4349	Small Roller Bracket	5
24	A163 4350	Small Separation Roller	5
25	A163 5422	Heater - 30W 115V (Option)	1
25	A163 5423	Heater - 30W 230V (Option)	1
26	A163 4352	Fusing Guide Mylar	1
27	5215 2621	Snap Ring - M6	1
28	A163 4361	Grounding Plate	1
29	A252 4287	Shielding Plate - Fusing (A251/A252)	1
30	A252 4288	Shield (A251/A252)	1

Index No.	Part No.	Description	Q'ty Per Assembly
31	AA15 2389	Short Shielding Seal - Fusing (A251/A252)	2
101	0434 0080B	Philips Tapping Screw - M4x8	
102	0314 0080B	Philips Pan Head Screw - M4x8	
103	1105 0199	Clamp	
104	0314 0060B	Philips Pan Head Screw - M4x6	
105	0622 0120E	Spring Pin - 2x12mm	
106	0951 3005B	Philips Screw With Flat Washer M3x5	
107	1106 0193	Bushing - 7.9mm	
108	1106 0241	Bushing - 6.7mm	
109	0720 0060Z	Retaining ring - M6	
110	0314 0060B	Philips Pan Head Screw - M4x6	

7. DEVELOPMENT UNIT (A163/A251/A252)

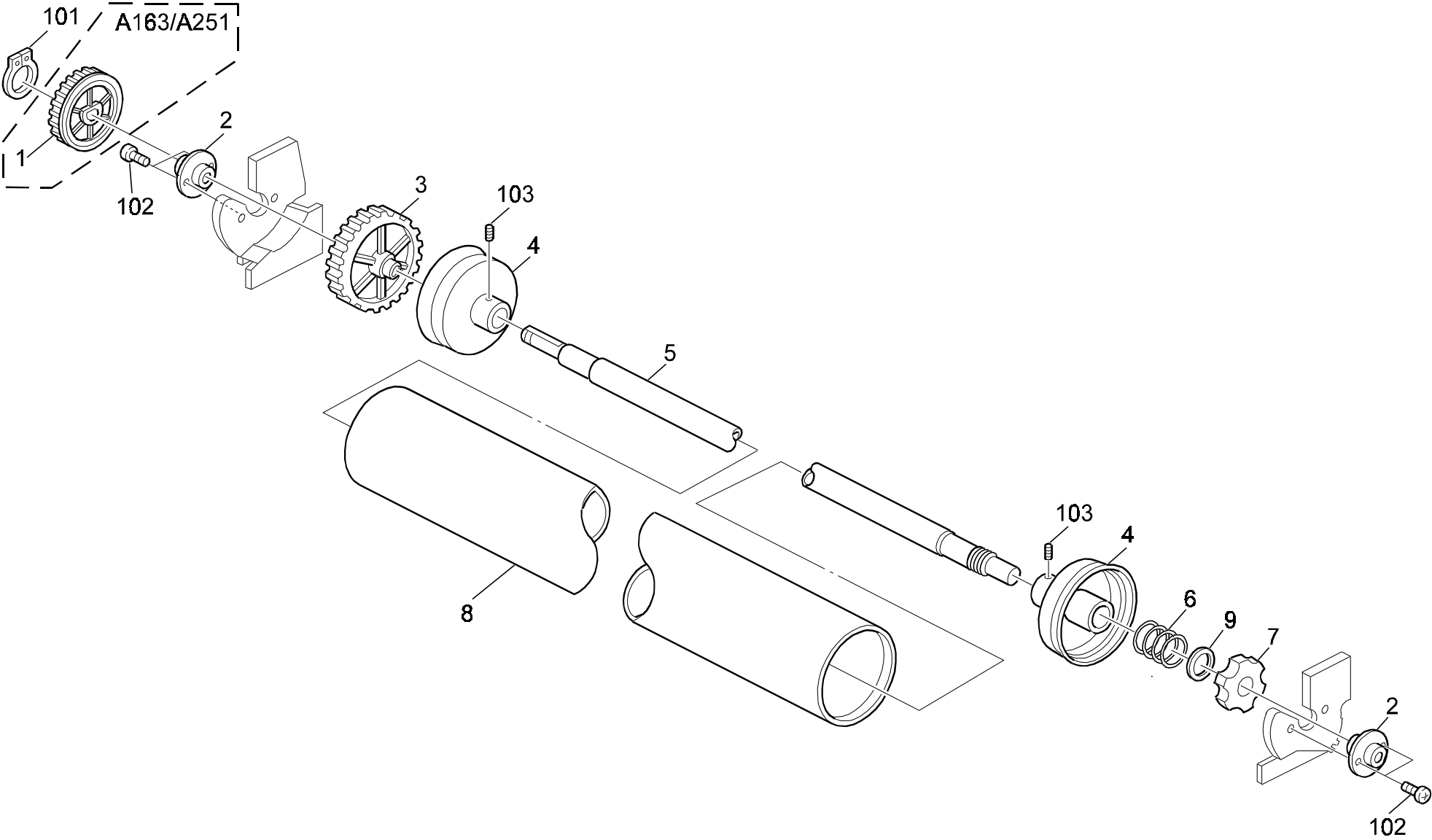


7. DEVELOPMENT UNIT (A163/A251/A252)

Index No.	Part No.	Description	Q'ty Per Assembly
*	AD00 1036	Development Unit (RIC/NRG)	1
*	AD00 1038	Development Unit (K+E/A163 HOECHST)	1
*	AD00 1037	Development Unit (REGMA)	1
1	A163 5610	Development Harness	1
2	A163 5618	Toner Sensor Harness	1
3	AW23 0006	Toner Density Sensor	1
4	A163 3089	Upper Toner Sensor Holder	1
5	A163 3170	Development Sleeve Flange	1
6	A163 3107	Seal - Toner Supply Unit Casing	2
7	AA01 2081	Development Filter	1
8	A163 3101	Filter Bracket	1
9	AA15 1952	Seal - 10x142x2.5	2
10	A163 3090	Entrance Seal Bracket	1
11	AA15 0109	Seal - 12x837	1
12	A163 3105	Toner Supply Unit Casing	1
13	AD03 6053	Left Backspill Plate	1
14	AD03 6052	Right Backspill Plate	1
15	A163 3065	Auger Casing	1
16	AD03 7047	Development Auger	1
17	AA15 1954	Left Cartridge Seal	1
18	AA15 1955	Seal - 20x950x3	1
19	AA15 1953	Right Cartridge Seal	1
20	A163 3110	Lower Toner Supply Casing	1
21	A163 2596	Left Positioning Bracket	1
22	A163 2590	Right Positioning Bracket	1
23	A163 3147	Joint Shaft (RIC/NRG)	1
23	A163 3160	Joint Shaft (K+E/A163 HOECHST)	1
23	A163 3155	Joint Shaft (REGMA)	1
24	AD03 1289	Development Sleeve	1
25	AD03 8063	Paddle Roller	1
26	5446 2824	Screw - Duplex Guide Plate	2
27	AA15 0646	Right Side Plate Seal	1
28	5205 3103	Bushing - 6mm	2
29	AB01 3921	Gear - 20Z	1
30	AB01 7378	Coupled Gear - 28/24Z	1

Index No.	Part No.	Description	Q'ty Per Assembly
31	5429 3561	Ball Bearing - 10x26x8	1
32	5446 1134	Bearing Case	1
33	AB01 3920	Gear - 30Z	1
34	AB01 3924	Gear - 28Z	2
35	AB01 3922	Gear - 28Z	1
36	5205 3093	Bushing - 8mm	2
37	5446 6214	Shaft Holder - Pick-up Roller	1
38	A163 3145	Toner Supply Unit Plate	1
39	AX20 0115	Spring Clutch	1
40	A163 3141	Left Side Plate	1
41	A163 3136	Right Side Plate	1
42	A163 3125	Development Unit Terminal	1
43	AA15 0647	Left Side Plate Seal	1
101	0951 4008B	Philips Screw With Washer - M4x8	
102	0313 0050B	Philips Pan Head Screw - M3x5	
103	1105 0109	Cord Keep	
104	0314 0080B	Philips Pan Head Screw - M4x8	
105	0951 4020B	Philips Screw With Washer - M4x20	
106	0951 3010B	Philips Screw With Flat Washer-M3x10	
107	0720 0050Z	Retaining Ring - M5	
108	0633 0200G	Pin - M3x20	
109	0314 0060B	Philips Pan Head Screw - M4x6	
110	0314 0160B	Philips Pan Head Screw - M4x16	
111	0720 0060Z	Retaining Ring - M6	

8. DRUM SECTION (A163/A251/A252)

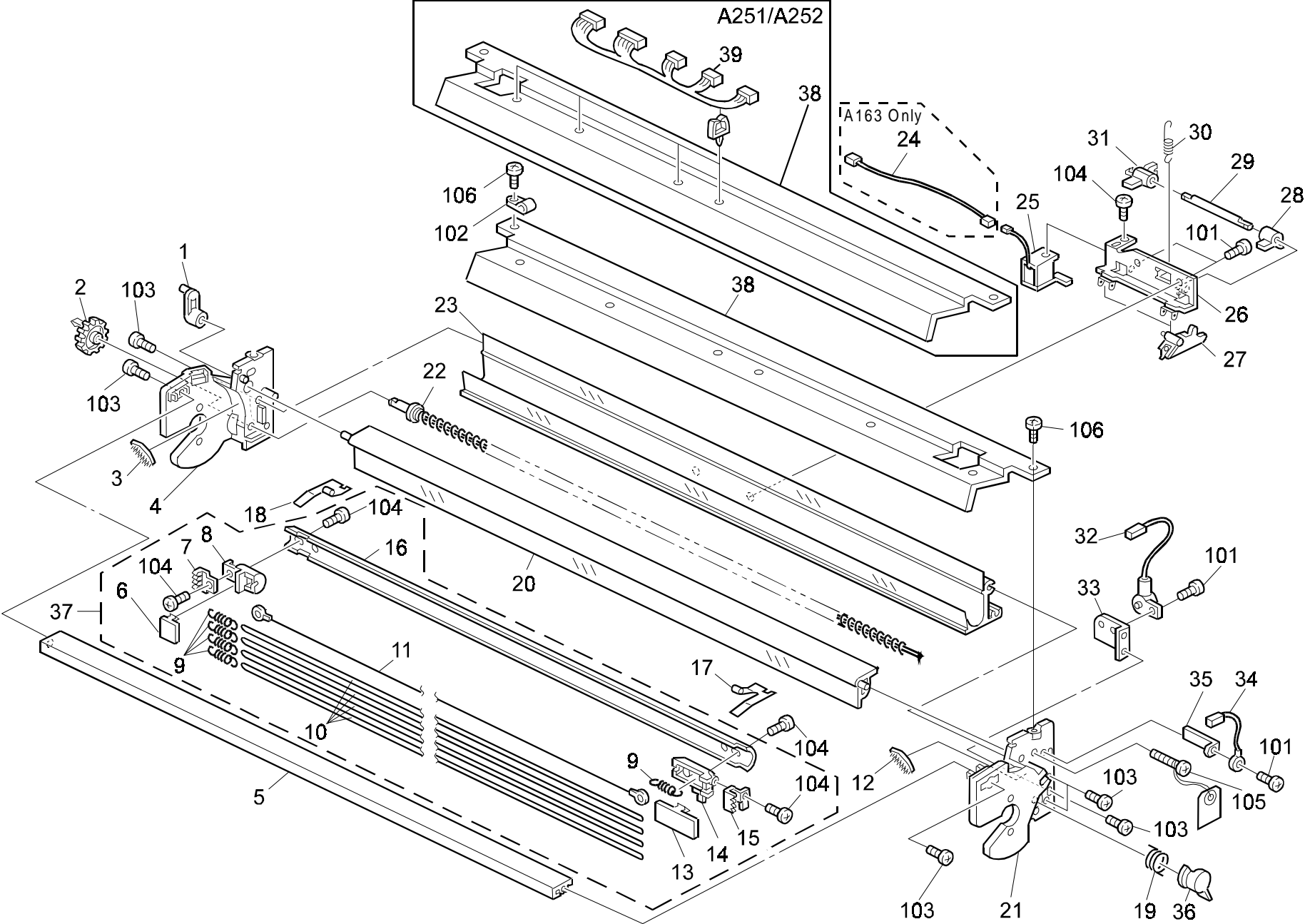


8. DRUM SECTION (A163/A251/A252)

Index No.	Part No.	Description	Q'ty Per Assembly
1	AB03 0506	Pulley - 60Z (A163/A251)	1
2	A163 2252	Bearing Holder	2
3	AB01 1168	Gear - 96Z	1
4	AD01 4030	Drum Flange	2
5	AD01 5015	Drum Shaft	1
6	AA06 3276	Pressure Spring	1
7	A163 2251	Drum Knob	1
8	A098 9510	Drum	1
9	A163 2255	Spacer	1

Index No.	Part No.	Description	Q'ty Per Assembly
101	0725 0150E	Retaining Ring C - M15	
102	0314 0060B	Philips Pan Head Screw - M4x6	
103	0575 0050E	Hexagon Headless Set Screw - M5x5	

9. CHARGE CORONA SECTION (A163/A251/A252)

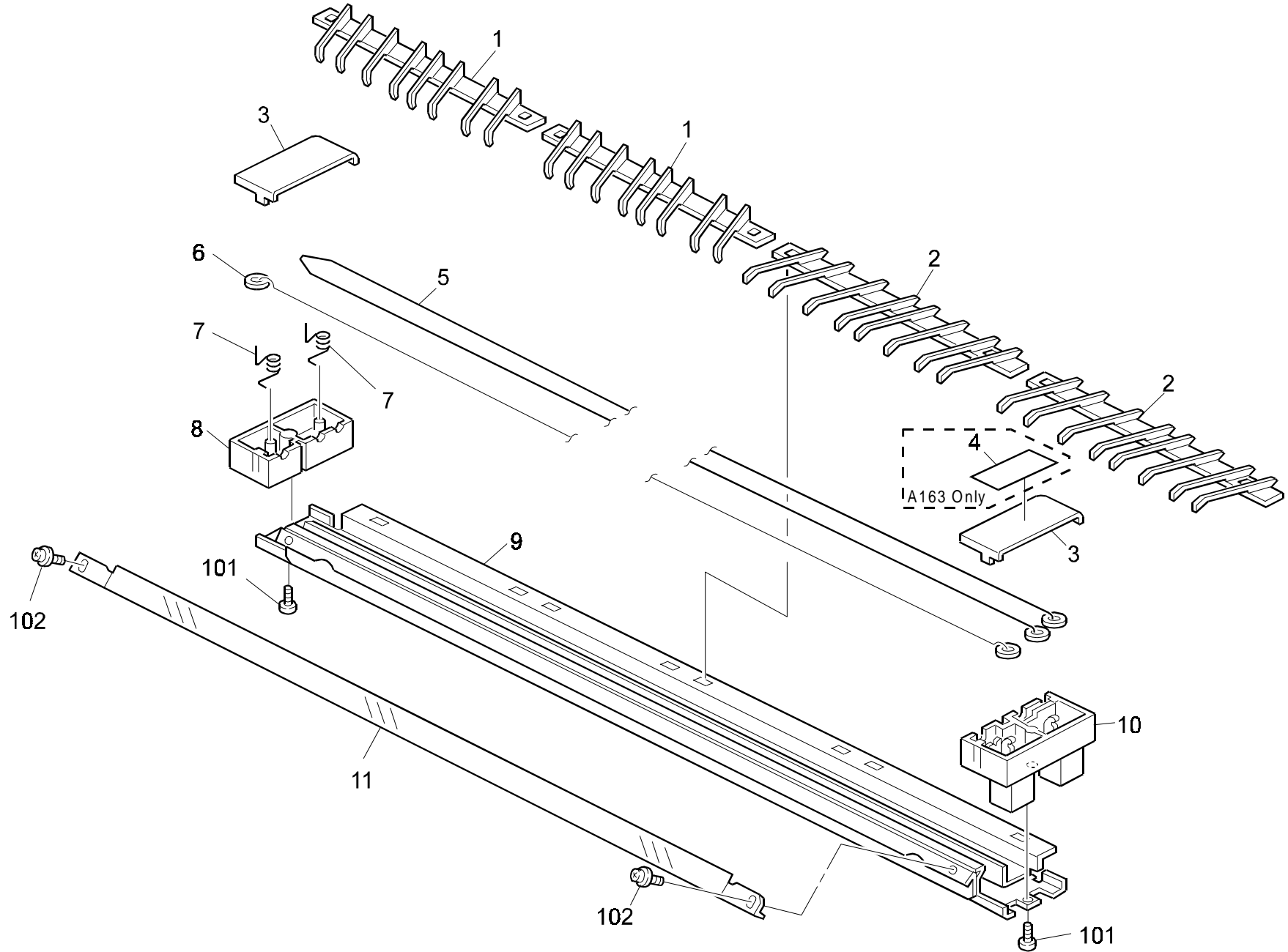


9. CHARGE CORONA SECTION (A163/A251/A252)

Index No.	Part No.	Description	Q'ty Per Assembly
1	A163 3593	Cleaning Blade Bushing	1
2	AB01 1365	Gear - 27Z	1
3	A163 3558	Left Cleaning Seal	1
4	A163 3556	Left Side Plate - Drum	1
5	A163 3592	Drum Stay	1
6	AD02 2317	Left End Block Cover - Charge	1
7	A163 2052	Left Grid Terminal	1
8	AD02 2316	Left End Block - Charge	1
9	AA06 0749	Spring	5
10	A163 9501	Charge Grid Wire - 4pcs/set	1
11	A163 9500	Corona Wire - 2pcs/set (A163)	1
11	AD02 0079	Main Corona Wire (A251/A252)	1
12	A163 3553	Right Cleaning Seal	1
13	AD02 2315	Right End Block Cover - Charge	1
14	AD02 2347	Right End Block - Charge	1
15	A163 2051	Right Grid Terminal	1
16	AD02 3112	Charge Corona Casing	1
17	A163 2053	Right Plate Spring	1
18	A163 2054	Left Plate Spring	1
19	A163 3555	Shutter Spring	1
20	A163 3570	Cleaning Blade	1
21	A163 3551	Right Side Plate - Drum	1
22	AD04 3039	Toner Collection Screw	1
23	A163 3560	Cleaning Unit Casing	1
24	A163 5614	Separation Harness (A163)	1
25	AX10 0026	DC Solenoid - Pick-off Pawl	1
26	A163 3600	Pick-off Pawl Bracket	1
27	A163 3611	Pick-off Pawl	2
28	A163 3607	Right Pressure Lever	1
29	A163 3609	Lever Shaft	1
30	A163 3594	Cleaning Blade Pressure Spring	1
31	A163 3608	Left Pressure Lever	1
32	AD02 1113	Relay Receptacle - Charge Corona	1
33	A163 2057	Relay Receptacle Bracket	1
34	A163 5633	Power Pack Harness - Grid	1

Index No.	Part No.	Description	Q'ty Per Assembly
35	A163 2058	Grid Relay Terminal Plate	1
36	A163 3554	Toner Shutter	1
37	A163 2050	Charge Corona Unit (A163)	1
37	A252 2050	Charge Corona Unit (A251/A252)	1
38	A163 5455	Quenching Lamp (A163)	1
38	A252 2100	Quenching Lamp (A251/A252)	1
39	A252 5614	DC Relay Harness (A251/A252)	1
101	0314 0060B	Philips Pan Head Screw - M4x6	
102	1105 0005	Nylon Clip - 3n	
103	0314 0100B	Philips Pan Head Screw - M4x10	
104	0313 0050B	Philips Pan Head Screw - M3x5	
105	0314 0200B	Philips Pan Head Screw - M4x20	
106	0313 0060B	Philips Pan Head Screw - M3x6	

10.T/S CORONA SECTION (A163/A251/A252)



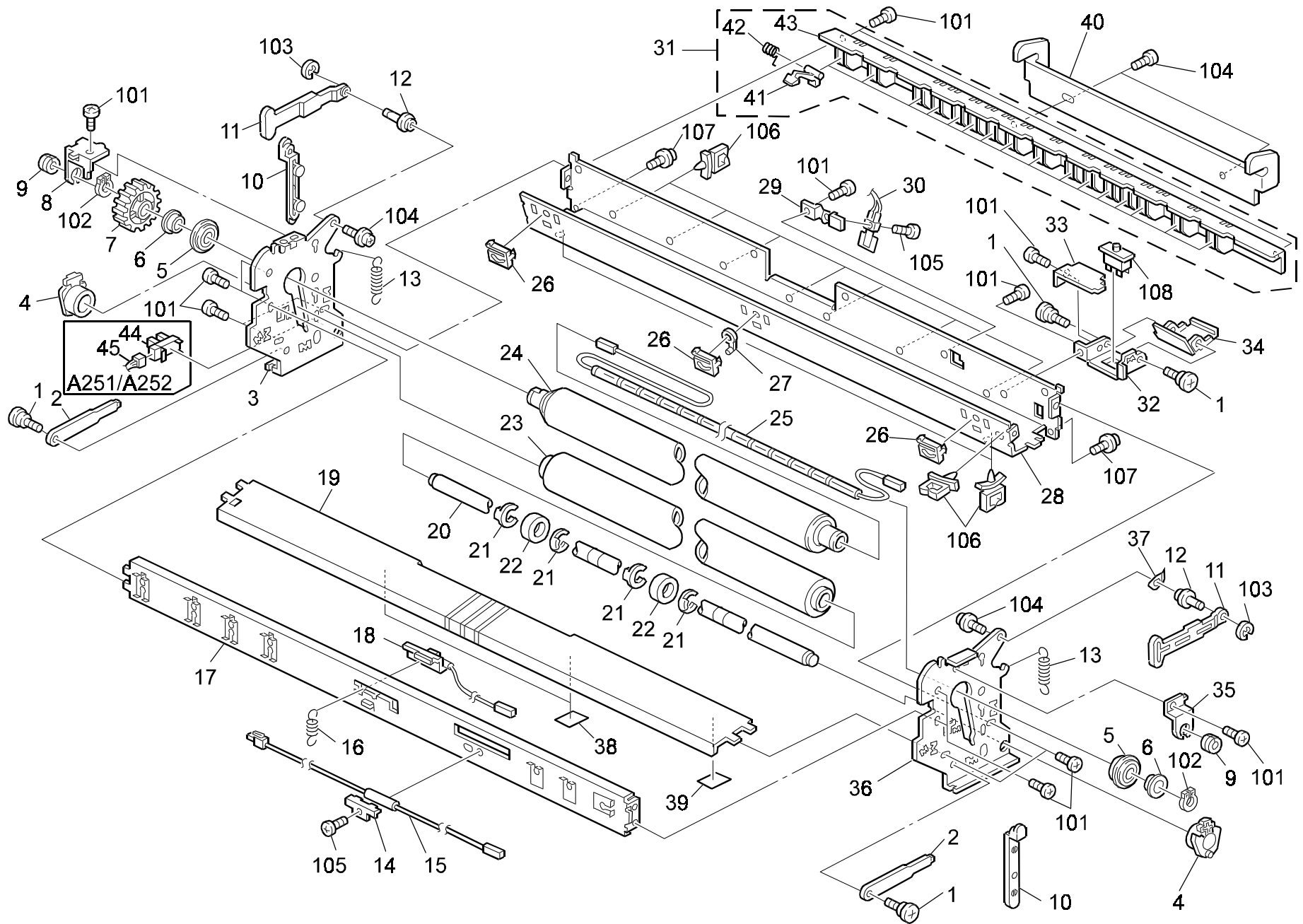
10.T/S CORONA SECTION (A163/A251/A252)

Rev. 11/06/2003

Index No.	Part No.	Description	Q'ty Per Assembly
*	A163 3850	T/S Corona Unit	1
1	B047 3858	Left Paper Guide	2
2	B047 3857	Guide: Paper: T/S Corona: Left	2
3	AD02 2320	Guide: Paper: T/S Corona: Right	2
4	AA00 0160	High Voltage Decal - English (A163)	1
4	AA00 0161	High Voltage Decal - German (A163)	1
4	AA00 0162	High Voltage Decal - French (A163)	1
4	AA00 0163	High Voltage Decal - Italian (A163)	1
4	AA00 0164	High Voltage Decal - Spanish (A163)	1
4	A163 3871	High Voltage Decal - Chinese (A163)	1
5	AD02 0080	Corona Wire - Separation	1
6	A163 9500	Corona Wire - 2pcs/set	1
7	AA06 6254	Corona Wire Spring	2
8	AD02 2319	Left End Block - T & S	1
9	AD02 3113	T & S Corona Casing	1
10	AD02 2318	Right End Block - T & S	1
11	A163 3854	Entrance Sheet Bracket	1

Index No.	Part No.	Description	Q'ty Per Assembly
101	0433 0062B	Tapping Screw - M3 X 6 mm	
102	0951 3005B	Philips Screw With Flat Washer M3x5	

11. FUSING UNIT (A163/A251/A252)



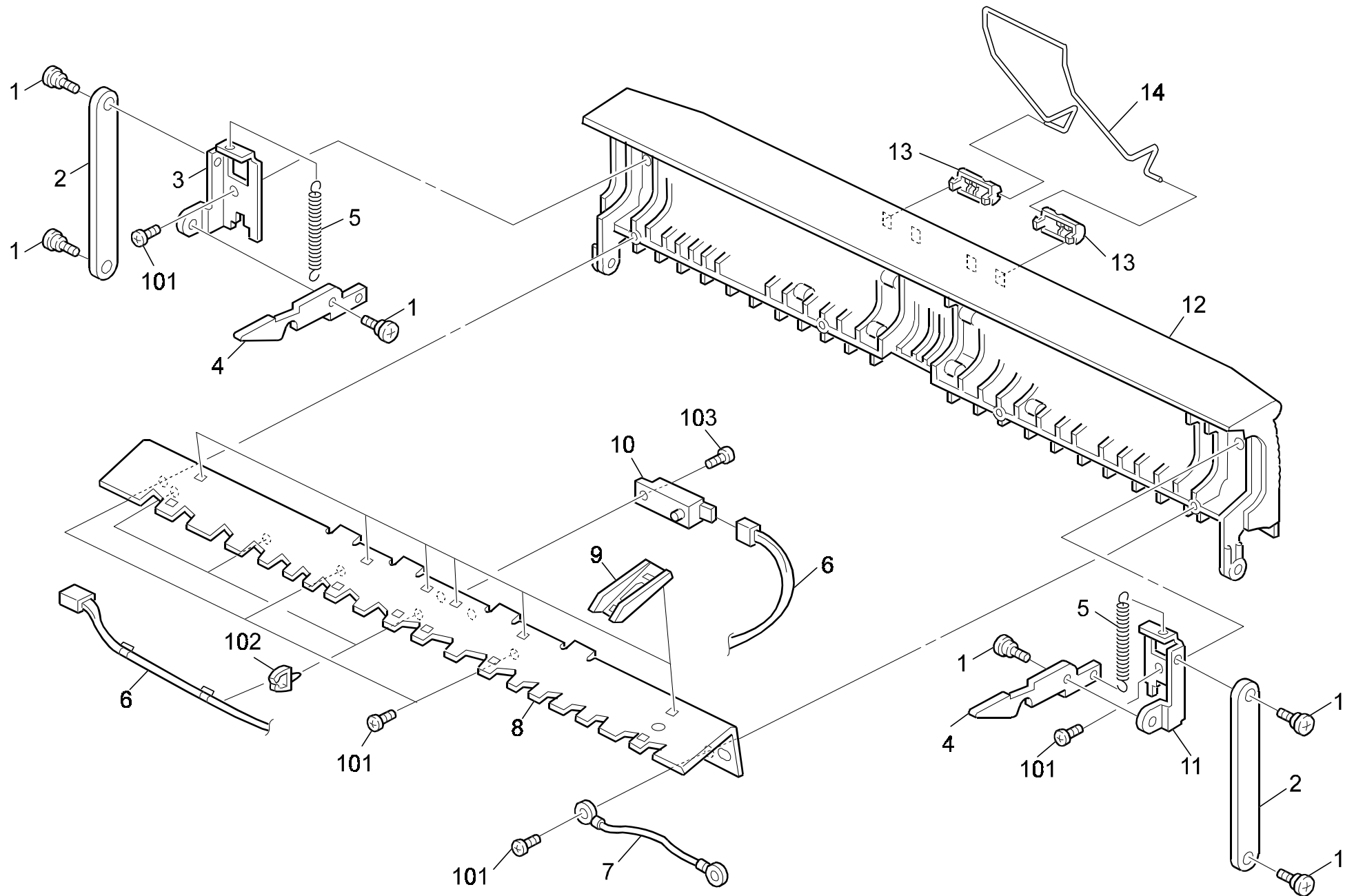
11. FUSING UNIT (A163/A251/A252)

Rev. 02/19/2002

Index No.	Part No.	Description	Q'ty Per Assembly
1	5403 2075	Stepped Screw	4
2	A163 4181	Pressure Lever	2
3	A163 4135	Left Side Plate	1
4	A163 4106	Pressure Roller Holder	2
5	AE03 0024	Ball Bearing - 25x39.8x7	2
6	AE03 2016	Bushing - 20x28x12	2
7	AB01 3935	Gear - 50Z	1
8	A163 4166	Left Bracket	1
9	A163 4161	Cushion - 9.8x16x9.5	2
10	A163 4182	Lower Pressure Release Lever	2
11	A163 4183	Upper Pressure Release Lever	2
12	A163 4188	Lever Shaft	2
13	AA06 0607	Pressure Spring	2
14	5203 5801	Thermofuse Bracket	1
15	A163 5628	Thermofuse Harness (A163)	1
15	A252 5628	Thermofuse Relay Harness (A251/A252)	1
16	AA06 0201	Spring Thermistor	1
17	A163 4111	Fusing Unit Upper Stay (A163)	1
17	B047 4111	Fusing Unit Upper Stay (A251/A252)	1
18	A163 5310	Hot Roller Thermistor	1
19	A163 4191	Fusing Entrance Guide Plate	1
20	A163 4105	Pressure Roller Shaft	1
21	A163 4109	C - Ring - 19m	4
22	AE03 0005	Ball Bearing - 20x32x7	2
23	AE02 0045	Pressure Roller	1
24	AE01 1031	Hot Roller	1
25	AX45 0016	Fusing Lamp - 1100W 115V (A163)	1
25	AX45 0017	Fusing Lamp - 1100W 230V (A163)	1
25	AX45 0029	Fusing Lamp - 115V 1100W (A251/A252)	1
25	AX45 0030	Fusing Lamp - 230V 1100W (A251/A252)	1
26	A163 4122	Entrance Guide Plate Holder	3
27	A163 4124	Holder Cam	1
28	B047 4121	Fusing Lower Stay	1
29	A163 4117	Thermistor Bracket	1
30	A163 5320	Pressure Roller Thermistor	1

Index No.	Part No.	Description	Q'ty Per Assembly
31	A163 4175	Pressure Roller Stripper Ass'y	1
32	A163 4261	Interlock Switch Bracket	1
33	A163 4263	Interlock Switch Cover	1
34	A163 4262	Interlock Switch Lever	1
35	A163 4165	Right Bracket	1
36	A163 4130	Right Side Plate	1
37	A163 4187	Right Lock Guide	1
38	A163 4354	Spacer - 10x15x0.6	2
39	A163 4355	Spacer - Fusing Entrance	1
40	A174 4155	Stopper Guide - Paper Exit	1
41	AE04 4020	Pressure Roller Stripper	16
42	AA06 6285	Stripper Spring	16
43	A163 4176	Stripper Stay Bracket	1
44	AW02 0056	Photointerruptor - EE-SX4235A-P1 (A251/A252)	1
45	A252 5615	Exit Cover DC Harness (A251/A252)	1
101	0314 0060B	Philips Pan Head Screw - M4x6	
102	0725 0200E	Retaining Ring C - M20	
103	0720 0040Z	Retaining Ring - M4	
104	0951 4008B	Philips Screw With Washer - M4x8	
105	0313 0060B	Philips Pan Head Screw - M3x6	
106	1105 0196	Harness Clamp	
107	0951 4006B	Philips Screw With Washer - M4x6	
108	1204 2334	Safety Switch - FAIL-AA20	

12. PAPER EXIT SECTION 1 (A163/A251)

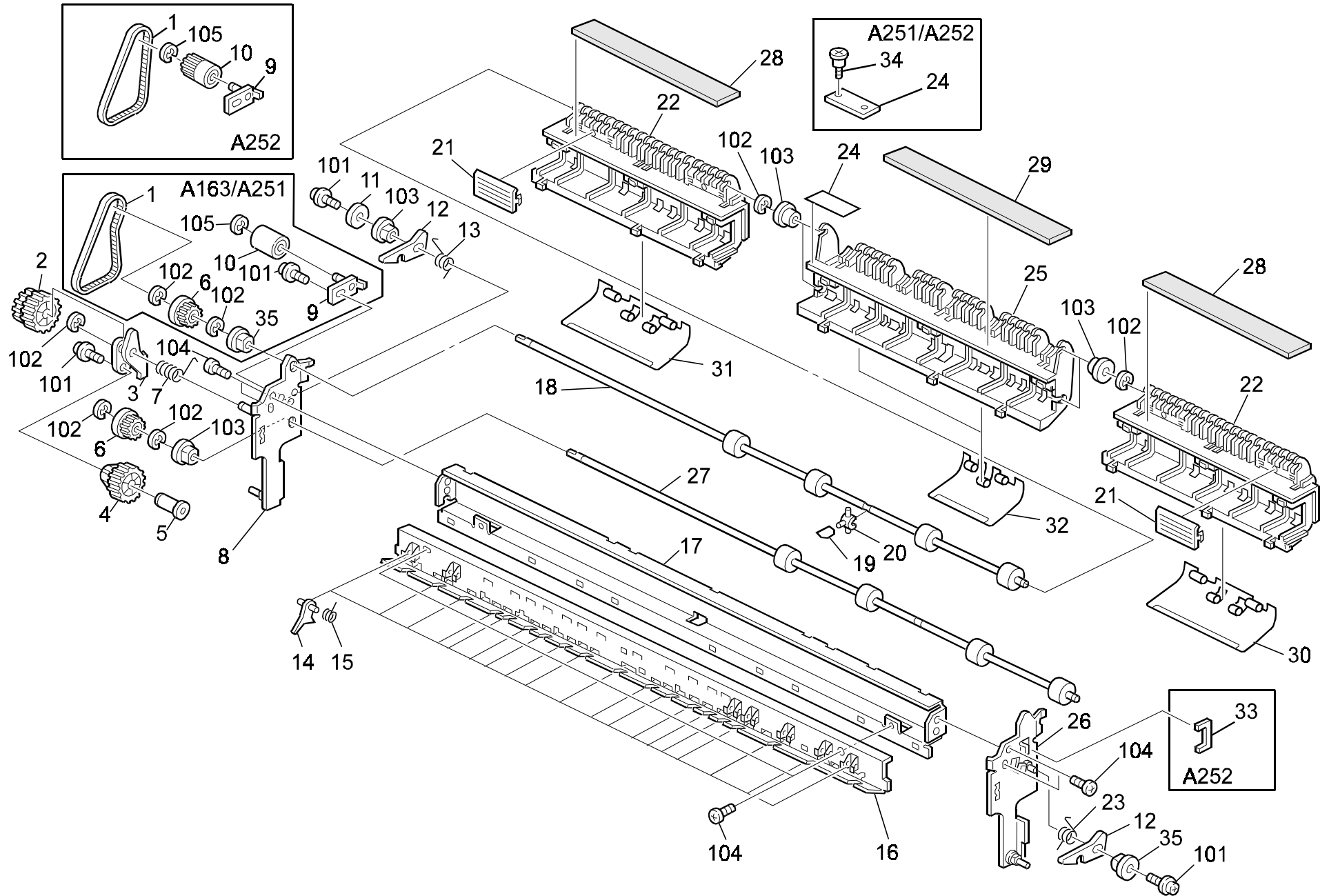


12. PAPER EXIT SECTION 1 (A163/A251)

Index No.	Part No.	Description	Q'ty Per Assembly
1	5403 2075	Stepped Screw	6
2	A163 4478	Long Hinge	2
3	A163 4476	Left Lock Bracket	1
4	A163 4477	Positioning Plate	2
5	AA06 0386	Pressure Spring	2
6	A163 5616	Fusing Sensor Harness	1
7	A163 5640	Grounding Wire	1
8	A163 4473	Lower Entrance Guide Plate	1
9	A163 4465	Lower Support Guide	6
10	A010 5700	Sensor	1
11	A163 4471	Right Lock Bracket	1
12	A163 4466	Paper Exit Cover (A163 RIC/NRG)/(A251)	1
12	A163 4441	Paper Exit Cover (A163 K+E)	1
12	A163 4442	Paper Exit Cover (A163 NRG)	1
12	A163 4463	Paper Exit Cover (A163 HOECHST/REGMA)	1
13	A163 4455	Copy Tray Holder Cover (A163 RIC/NRG)/(A251)	2
13	A163 4457	Copy Tray Holder Cover (A163 K+E)	2
13	A163 4458	Copy Tray Holder Cover (A163 HOECHST/REGMA)	2
14	A163 4484	Copy Exit Support	1

Index No.	Part No.	Description	Q'ty Per Assembly
101	0434 0082B	Tapping Screw - M4x8	
102	1105 0199	Clamp	
103	0313 0100B	Philips Pan Head Screw - M3x10	

13. PAPER EXIT SECTION 2 (A163/A251/A252)



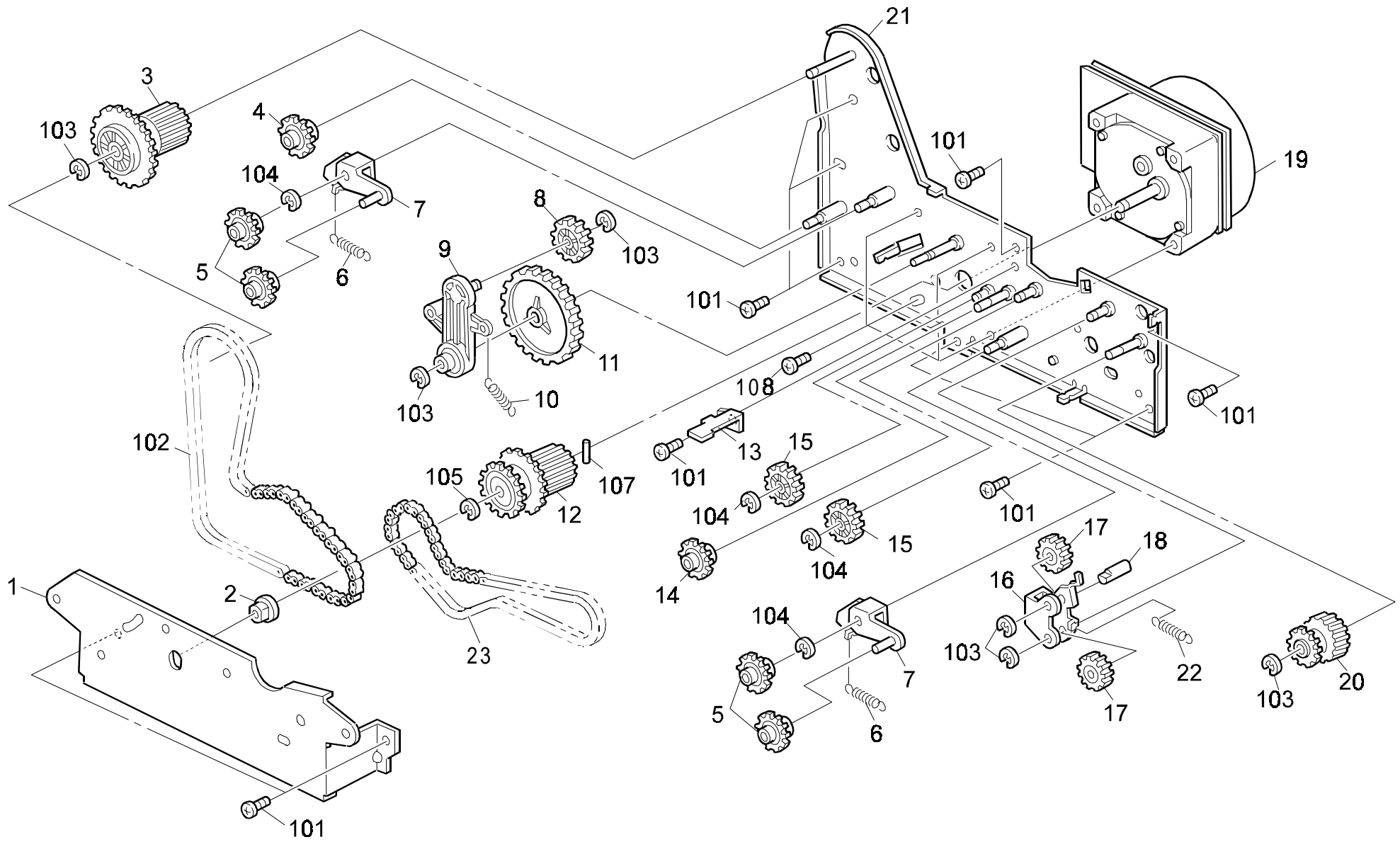
13. PAPER EXIT SECTION 2 (A163/A251/A252)

Rev. 02/19/2002

Index No.	Part No.	Description	Q'ty Per Assembly
1	AA04 3406	Timing Belt - 255 P3M6 (A163/A251)	1
1	AA04 3274	Timing Belt - 192 (A252)	1
2	AB01 7383	Coupled Gear - 30/30Z	1
3	A163 4211	Drive Arm	1
4	AB01 3937	Gear - 30Z	1
5	A163 4212	Drive Arm Shaft	1
6	AB03 0509	Pulley - 16Z	2
7	AA06 6258	Arm Spring	1
8	A163 4156	Left Side Plate - Exit Unit	1
9	A163 4220	Drive Tightener	1
10	5446 3163	Pressure Roller - Transport Unit (A163/A251)	1
10	AB03 0596	Idler Pulley - Paper Exit (A252)	1
11	A163 4231	Arm Stopper	1
12	A163 4159	Lock Positioning Plate	2
13	AA06 6257	Left Lock Spring	1
14	AE04 4003	Hot Roller Stripper	19
15	AA06 6052	Stripper Spring	19
16	A163 4143	Upper Exit Guide Plate	1
17	A163 4145	Exit Unit Stay	1
18	AF02 0358	Upper Exit Roller (A163/A251)	1
19	A163 4236	Exit Tube (A163/A251)	1
20	A163 4235	Tube Holder (A163/A251)	1
21	A163 4148	Exit Unit Lever	2
22	A163 4147	Exit Unit Guide	2
23	AA06 6256	Right Lock Spring	1
24	AA00 0401	Decal - High Temperature (A163)	1
24	A174 4302	High Temperature Panel (A251/A252)	1
24	A163 4192	Decal - High Temperature - Chinese	1
25	A163 4146	Middle Exit Unit Guide	1
26	A163 4151	Right Side Plate - Exit Unit	1
27	AF02 0341	Lower Exit Roller	1
28	A163 4312	Seal - 4x33x277	2
29	A163 4313	Seal - 4x33x323	1
30	B047 4357	Right Support Guide	1
31	B047 4358	Left Support Guide	1

Index No.	Part No.	Description	Q'ty Per Assembly
32	B047 4359	Middle Support Guide	2
33	A174 4315	Fusing Unit Spacer (A252)	1
34	5216 4198	Stepped Screw - Guide Plate (A251/A252)	2
35	5053 0447	Bushing - 6mm	1
101	0951 4006B	Philips Screw With Washer - M4x6	
102	0720 0040Z	Retaining Ring - M4	
103	0805 3385	Bushing - 6mm	
104	0314 0060B	Philips Pan Head Screw - M4x6	
105	0720 0060Z	Retaining Ring - M6	

14. DRIVE SECTION (A163/A251/A252)

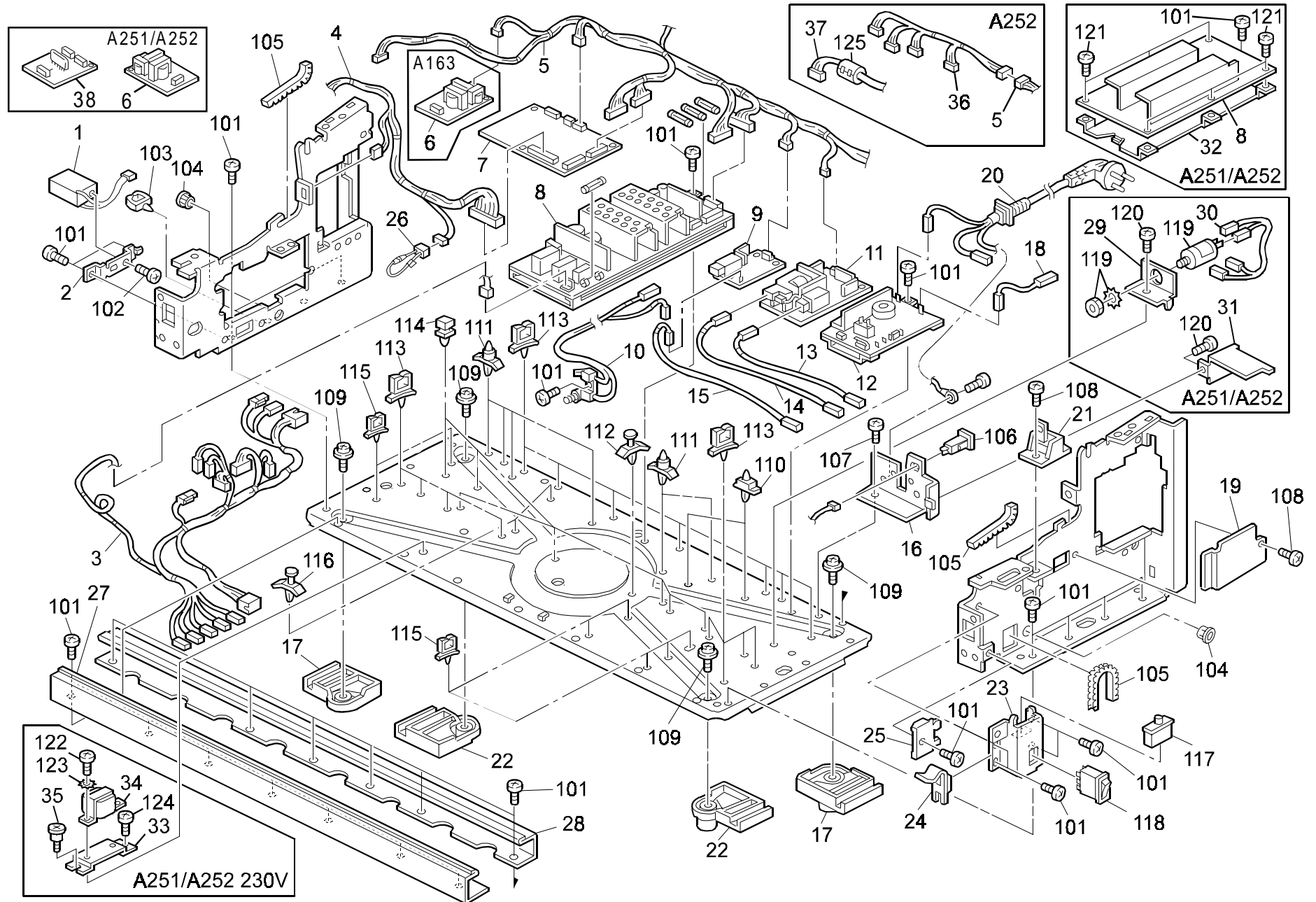


14. DRIVE SECTION (A163/A251/A252)

Index No.	Part No.	Description	Q'ty Per Assembly
1	A163 1173	Drive Support Plate	1
2	5053 0420	Bushing - 10 mm	1
3	AB01 7381	Coupled Gear - 36/30Z	1
4	AB02 3063	Gear - 20Z	1
5	AB02 3062	Sprocket - 20Z	4
6	AA06 0225	Grip Spring	2
7	A163 1170	Chain Tensioner	2
8	AB01 1363	Gear - 45Z	1
9	A163 1160	Connecting Arm	1
10	AA06 0456	Fusing Cover Spring	1
11	AB01 1362	Gear - 62Z	1
12	AB01 7379	Sprocket Gear - 20/25/24Z	1
13	A163 1162	Spring Bracket (A163)	1
13	A174 1127	Spring Bracket (A251/A252)	1
14	AB02 3064	Sprocket - 15Z	1
15	AB01 1364	Gear - 25Z	2
16	A163 1166	Connecting Bracket	1
17	AB01 3925	Gear - 28Z	2
18	AA14 5802	Connecting Shaft	1
19	AX06 0111	Motor - DC22W	1
20	AB01 7380	Sprocket - 16/30Z	1
21	A163 1150	Drive Bracket	1
22	AA06 0117	Spring	1
23	A163 1172	Bushed Roller Chain - 84p	1

Index No.	Part No.	Description	Q'ty Per Assembly
101	0434 0080B	Philips Tapping Screw - M4x8	
102	0916 1126	Bushed Roller Chain - 126p	
103	0720 0060Z	Retaining Ring - M6	
104	0720 0040Z	Retaining Ring - M4	
105	0720 0080Z	Retaining Ring - M8	
107	0633 0140G	Parallel Pin - 3x14	
108	0315 0080B	Philips Pan Head Screw - M5x8	

15. ELECTRICAL SECTION (A163/A251/A252)



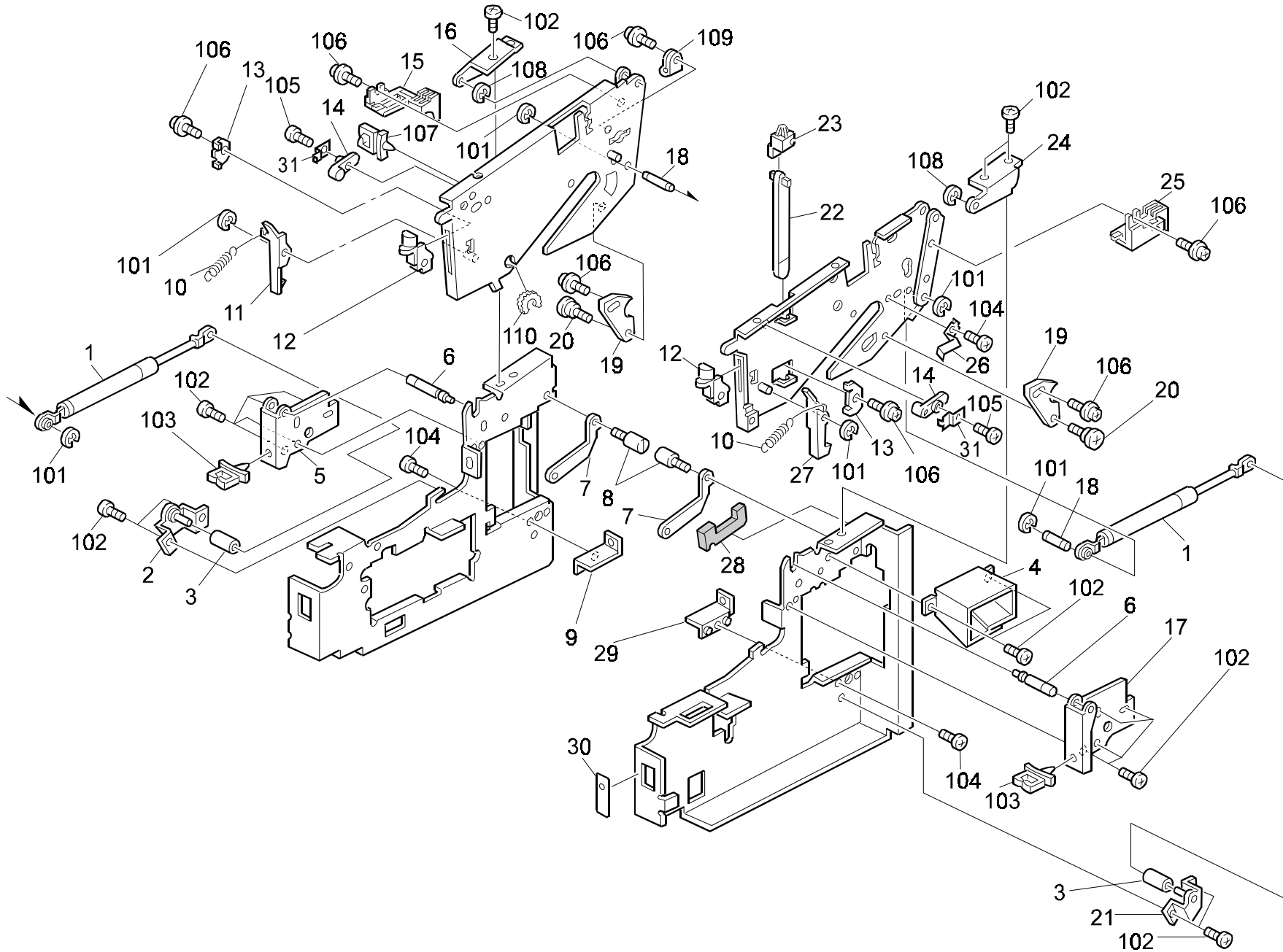
15. ELECTRICAL SECTION (A163/A251/A252)

Rev. 06/30/2003

Index No.	Part No.	Description	Q'ty Per Assembly
1	AX31 0027	6 Digit Total Counter	1
2	A163 1176	Total Counter Bracket (A163)	1
2	A252 1111	Total Counter Bracket (A251/A252)	1
3	A163 5702	AC Harness (115V)(A163)	1
3	A163 5600	AC Harness (230V)(A163)	1
3	A252 5600	AC Harness (A251/A252)	1
4	A163 5706	Upper DC Harness (115V)(A163)	1
4	A163 5608	Upper DC Harness (230V)(A163)	1
4	A252 5606	Upper DC Harness (A251/A252)	1
5	A163 5704	Lower DC Harness (115V)(A163)	1
5	A163 5605	Lower DC Harness (230V)(A163)	1
5	A252 5604	Lower DC Harness (A251/A252)	1
6	AZ50 0022	Fluorescent Lamp Stabilizer (A163)	1
6	A252 5405	Flourescent Lamp Stabilizer (A251/A252)	1
7	A163 5230	Main Control Board (115V)(A163)	1
7	A163 5200	Main Control Board (230V)(A163)	1
7	A251 5220	Main Control Board (A251)	1
7	A252 5230	Main Control Board - Multch (A252)	1
8	AZ23 0056	DC Power Supply - 297W - 115V (A163)	1
8	AZ23 0055	DC Drive Board - 100/120V (A251/A252)	1
8	AZ23 0057	DC Power Supply - 297W 230V (A163)	1
8	AZ23 0060	DC Drive Board - 220V/240V (A251/A252)	1
9	AZ32 0079	Power Pack - C,G,B	1
10	AD02 1114	Charge Corona Receptacle	1
11	AZ32 0080	Power Pack - T & S	1
12	A163 5550	AC Drive Board - 115V (A163)	1
12	A163 5552	AC Drive Board - 230V (A163)	1
12	A252 5550	AC Drive Board - 115V (A251/A252)	1
12	A252 5555	AC Drive Board - 230V (A251/A252)	1
13	A163 5635	Transfer Power Pack Harness	1
14	A163 5637	Separation Power Pack Harness	1
15	A163 5634	Bias Power Pack Harness	1
16	A163 1175	Power Supply Cord Bracket (A163)	1
16	A174 1089	Power Supply Cord Bracket (A251/A252)	1

Index No.	Part No.	Description	Q'ty Per Assembly
17	A163 1057	Left Front Foot (A163 RIC/NRG)/(A251/A252)	2
17	A163 1059	Left Front Foot (A163 K+E)	2
17	A163 1084	Left Front Foot (A163 HOECHST/REGMA)	2
18	A163 5603	Circuit Breaker Harness (230V Only)(A163)	1
19	A163 3868	Harness Shield Plate	1
20	AZ00 0013	Power Supply Cord (A163 115V)	1
20	A085 5671	Power Supply Cord (A163 230V)	1
20	A153 5671	Power Supply Cord (A251/A252 230V)	1
20	A252 5700	Power Supply Cord - 115V (A251/A252)	1
20	A204 5671	Power Supply Cord - 250V 10A (CHINESE)	1
21	B047 1180	Development Bias Receptacle	1
22	A163 1056	Right Front Foot (A163 RIC/NRG)/(A251/A252)	2
22	A163 1058	Right Front Foot (A163 K+E)	2
22	A163 1083	Right Front Foot (A163 HOECHST/REGMA)	2
23	A163 1100	Right Latch Bracket (LT)(A163)	1
23	A163 1095	Right Latch Bracket (A4)(A163)	1
23	A252 1100	Right Latch Bracket (A251/A252)	1
24	A163 2697	Table Plate Spring	1
25	A163 1138	Right Reinforcement Plate	1
26	A163 5621	Relay Fuse Harness - Chinese (A163)	1
26	A163 5622	Relay Fuse Harness (A163)	1
27	A163 1089	Front Reinforcement Plate	1
28	A163 1088	Rear Reinforcement Plate	1
29	A174 1094	Noise Filter Bracket (A251/A252)(230V)	1
30	A174 5613	Noise Filter Harness (A251/A252)(230V)	1
31	A174 1090	Power Cord Cover (A251/A252)	1
32	B047 1190	DC Power Supply Bracket (A251/A252)	1
33	A174 1191	Choke Bracket (A251/A252) (230V)	1
34	AZ02 0008	Coil - 10MH 2A (A251/A252) (230V)	1
35	5413 1882	Stepped Screw (A251/A252) (230V)	1
36	A252 5653	DC Harness - Motor Control (A252)	1
37	A252 5654	Relay Harness - Original/Motor (A252)	1
38	A252 5300	Motor Control Board (A252)	1

16. FRAME SECTION (A163/A251/A252)



16. FRAME SECTION (A163/A251/A252)

Index No.	Part No.	Description	Q'ty Per Assembly
1	A163 1114	Gas Spring - 274.4n	2
2	A163 1122	Left Gas Spring Bracket	1
3	AA13 2185	Collar - 8.5x13.5x11.5	2
4	A163 1144	Exhaust Duct	1
5	A163 1136	Left Hinge Bracket	1
6	AA14 5800	Hinge Pin	2
7	A163 4481	Short Hinge	2
8	A163 4482	Shoulder Screw - M4	2
9	A163 1142	Left Fusing Unit Bracket	1
10	AA06 0466	Tension Spring	2
11	A163 1092	Left Lock Stopper	1
12	A163 1106	Lock Release Lever	2
13	A163 1108	Guide Plate	2
14	A163 1371	Front Cover Holder	2
15	A163 4186	Left Release Cam	1
16	A163 1132	Left Support Plate	1
17	A163 1135	Right Hinge Bracket	1
18	AA14 5801	Upper Gas Spring Shaft	2
19	A163 3630	Fixing Plate	2
20	5403 2075	Stepped Screw	2
21	A163 1115	Right Gas Spring Bracket	1
22	A163 1177	Interlock Switch Lever	1
23	A163 1178	Lock Release Bracket	1
24	A163 1131	Right Support Plate	1
25	A163 4185	Right Release Cam	1
26	A163 2257	Grounding Spring Plate	1
27	A163 1091	Right Lock Stopper	1
28	AA15 1987	Right Seal	1
29	A163 1141	Right Fusing Unit Bracket	1
30	A163 1078	Sheet - 10x36	1
31	A252 4610	Table Lock Spring (A252 Only)	2

Index No.	Part No.	Description	Q'ty Per Assembly
101	0720 0060Z	Retaining Ring - M6	
102	0434 0080B	Philips Tapping Screw - M4x8	
103	1105 0201	Harness Clamp	
104	0314 0060B	Philips Pan Head Screw - M4x6	
105	0314 0080B	Philips Pan Head Screw - M4x8	
106	0951 4006B	Philips Screw With Washer - M4x6	
107	1105 0196	Harness Clamp	
108	0720 0080Z	Retaining Ring - M8	
109	1105 0016	Edging	
110	1106 0493	Edging	

17. MAIN CONTROL BOARD (A163)

CAPACITOR

SYMBOL NO.	INDEX NO.	SYMBOL NO.	INDEX NO.	SYMBOL NO.	INDEX NO.	SYMBOL NO.	INDEX NO.	SYMBOL NO.	INDEX NO.	SYMBOL NO.	INDEX NO.	SYMBOL NO.	INDEX NO.
C1	132	C11	132	C21	145	C31	132	C41	132	C51	132	C62	131
C2	132	C12	132	C22	132	C32	132	C42	131	C52	132		
C3	145	C13	131	C23	151	C33	131	C43	130	C53	132	C65	132
C4	145	C14	131	C24	131	C34	132	C44	130	C55	145		
C5	146	C15	145	C25	131	C35	132	C45	131			C56	132
C6	150	C16	132	C26	132	C36	132	C46	132	C47	132		
C7	148	C17	132	C28	132	C37	132	C49	132			C60	132
C8	131	C18	132			C29	131			C40	132		
C9	132	C19	145	C30	131								
C10	145	C20	132										

CONNECTOR

SYMBOL NO.	INDEX NO.	SYMBOL NO.	INDEX NO.
C71	132	CN101	104
C72	145	CN104	106
C74	131	CN106	105
		CN109	102
C75	131	CN110	101
		CN111	103

DIODE

SYMBOL NO.	INDEX NO.	SYMBOL NO.	INDEX NO.
D2	112	D23	112
D3	112		
D4	112		
D5	112		
D11	112		

IC

SYMBOL NO.	INDEX NO.	SYMBOL NO.	INDEX NO.
IC1	126	IC16	115
IC2	126	IC17	125
IC3	115	IC18	121
IC4	118	IC20	123
IC7	116	(Socket)	109
IC8	117	IC21	115
IC9	117	IC22	113
IC10	127	IC24	114
IC12	120	IC25	119
IC13	120	IC26	1

SYMBOL NO.	INDEX NO.
(Socket)	108
IC27	124
(Socket)	107
IC28	122

OSC

SYMBOL NO.	INDEX NO.
OSC1	128

RESISTOR

SYMBOL NO.	INDEX NO.	SYMBOL NO.	INDEX NO.	SYMBOL NO.	INDEX NO.	SYMBOL NO.	INDEX NO.	SYMBOL NO.	INDEX NO.	SYMBOL NO.	INDEX NO.	SYMBOL NO.	INDEX NO.
R1	129	R15	142	R30	144	R40	143	R55	149	R71	134	R82	135
R5	129	R18	138	R31	144	R43	130	R56	149	R72	141	R84	153
R7	129	R19	152	R32	144	R44	130	R58	141	R73	144	R85	144
R8	129	R20	137	R33	144	R45	141	R59	144	R75	135	R86	136
R9	129	R21	149	R34	144	R47	141	R60	144	R76	135	R88	144
R10	129	R23	144	R35	144	R49	141	R61	144	R77	135	R91	144
R11	129	R24	144	R36	144	R50	141	R62	144	R78	135	R92	144
R12	129	R26	144	R37	144	R51	141	R63	144	R79	135	R107	133
R13	149	R28	144	R38	144	R53	141	R64	149	R80	135	R116	135
R14	141	R29	144	R39	144	R54	141	R70	152	R81	135	R117	135

TRANSISTOR

SYMBOL NO.	INDEX NO.	SYMBOL NO.	INDEX NO.	SYMBOL NO.	INDEX NO.	SYMBOL NO.	INDEX NO.
R120	142	R147	149	R157	149	Q1	110
R121	142	R148	140	R158	140	Q2	110
R122	141	R149	149	R159	149	Q3	110
R123	141	R150	140	R160	140	Q4	110
R133	144	R151	149	R169	149	Q5	110
R134	134	R152	140	R170	142	Q6	110
R143	144	R153	149	R171	139	Q7	110
R144	134	R154	140	R172	139	Q8	110
R145	149	R155	149	R173	139	Q9	110
R146	140	R156	140	R174	144	Q10	111
						Q11	111

17. MAIN CONTROL BOARD (A163)

Index No.	Part No.	Description	Q'ty Per Assembly
*	A163 5230	Main Control Board	1
1	A163 9506	IC - AM27C010-120DC (115V)	1
1	A163 5208	IC - AM27C010-120DC (230V)	1

Index No.	Part No.	Description	Q'ty Per Assembly
101	1102 5303	Connector - 4p	
102	1102 5304	Connector - 5p	
103	1102 6400	Connector - 24p	
104	1102 6401	Connector - 26p	
105	1102 6403	Connector - 30p	
106	1102 6842	Connector - 60p	
107	1104 0378	IC Socket - 24P	
108	1104 0589	Dip Socket : 32p	
109	1104 0714	IC Socket - 84P	
110	1400 0347	Transistor -2SB1010	
111	1401 0296	Transistor - 2SA1162Y	
112	1402 0476	Diode - 1SS184	
113	1407 1596	IC - SN74LS14NS	
114	1407 2137	IC -74F138SJ : TTL	
115	1407 2187	IC - SN74LS07NS	
116	1407 2218	IC - SN74LS06NS	
117	1407 2231	IC - TD62308AF	
118	1407 2344	IC - TD62382F	
119	1407 3481	IC - SN74AS32NS	
120	1407 3336	IC - TMP82C55AM-10	
121	1407 3692	IC - RF5C86	
122	1407 4137	IC - MM1035XF	
123	1407 4144	IC - H81532-HD6435328A00M	
124	1407 4286	IC - MK48Z52B - 15	
125	1408 0595	IC - NJM2904M	
126	1408 0874	Transistor Array - M54587FP	
127	1408 1135	IC - X9C104S	
128	1503 0437	Crystal Oscillator - 16mhz	
129	1601 1810	Resistor - 380 Ω \pm 5%	
130	1605 0258	Capacitor - 15P	
131	1605 0636	Capacitor - 0.1MF	
132	1606 1139	Capacitor - 0.01 μ F \pm 20%	
133	1630 1202	Resistor - 2.0K Ω \pm 5% 1/4W	
134	1630 2103	Resistor - 10K Ω 1/8W	
135	1630 2123	Resistor - 12K Ω 1/8W \pm 5%	

Index No.	Part No.	Description	Q'ty Per Assembly
136	1632 2201	Resistor - 2.2K Ω \pm 1% 1/8W	
137	1630 2153	Resistor - 15K Ω 1/8W \pm 5%	
138	1630 2184	Resistor - 180k Ω \pm 5% 1/8W	
139	1630 2220	Resistor - 22 Ω 1/8W \pm 5%	
140	1630 2222	Resistor - 2.2K Ω 1/8W	
141	1630 2223	Resistor - 22K Ω 1/8W \pm 5%	
142	1630 2332	Resistor - 3.3K Ω 1/8W \pm 5%	
143	1630 2394	Resistor - 390K Ω 1/8W \pm 5%	
144	1630 2472	Resistor - 4.7K Ω 1/8W \pm 5%	
145	1630 3472	Resistor - 4.7K Ω 1/10W \pm 5%	
146	1640 0101	Capacitor - 100 μ F10V	
147	1640 5101	Capacitor - 100 μ F \pm 20% 50V	
148	1642 0470	Capacitor - 47 μ F \pm 20% 10V	
149	1630 2102	Resistor - 1K Ω 1/8W \pm 5%	
150	1640 5101	Capacitor - 100 μ F \pm 20% 50V	
151	1642 5478	Capacitor - 0.47 μ F50V	
152	1630 2104	Resistor - 100k Ω \pm 5% 1/8W	
153	1632 1301	Resistor - 1.3k Ω \pm 1% 1/8W	
154	1630 2472	Resistor - 4.7K Ω 1/8W \pm 5%	

Index No.	Part No.	Description	Q'ty Per Assembly

18. AC DRIVE BOARD (A163)

ART

SYMBOL NO.	INDEX NO.
ART202	111

CONNECTOR

SYMBOL NO.	INDEX NO.
CN201	101
CN202	100
CN203	103
CN204	104

CR

SYMBOL NO.	INDEX NO.
CR201 (115V)	116
CR201 (230V)	124

DIODE

SYMBOL NO.	INDEX NO.
D201	108

FC

SYMBOL NO.	INDEX NO.
FC201 (115V)	105

FR

SYMBOL NO.	INDEX NO.
FR201 (115V)	114
FR201 (230V)	123

PT

SYMBOL NO.	INDEX NO.
PT201	109

CAPACITOR

SYMBOL NO.	INDEX NO.
C201	118
C202	119
C203	119
C204	117

COIL

SYMBOL NO.	INDEX NO.
L201	120

F

SYMBOL NO.	INDEX NO.
F201 (115V)	106

RA

SYMBOL NO.	INDEX NO.
RA201	107

RESISTOR

SYMBOL NO.	INDEX NO.
R201	115
R202	121
R203	113

T

SYMBOL NO.	INDEX NO.
T202	100
R203	100
R207	100

TRC

SYMBOL NO.	INDEX NO.
TRC201	112

ZNR


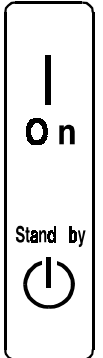

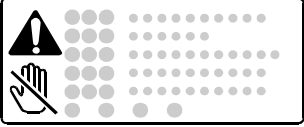
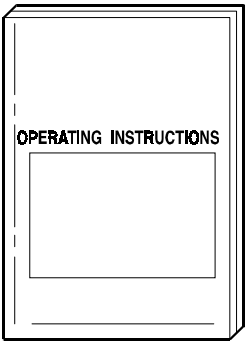





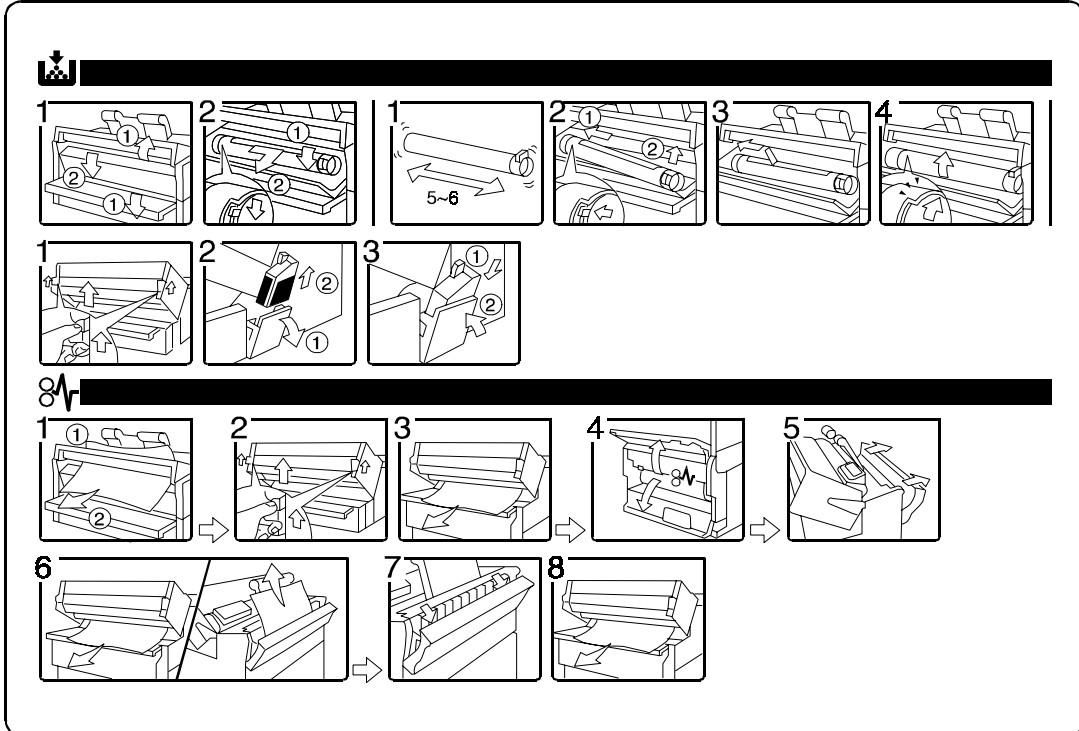
SYMBOL NO.	INDEX NO.
ZNR201 (115V)	110
ZNR201 (230V)	122
ZNR202 (115V)	110
ZNR202 (230V)	122

18. AC DRIVE BOARD (A163)

Index No.	Part No.	Description	Q'ty Per Assembly
*	A163 5550	AC Drive Board - 115V	1
*	A163 5552	AC Drive Board - 230V	1

Index No.	Part No.	Description	Q'ty Per Assembly
100	1100 0657	Fastening Tab	
101	1102 1052	Connector - 3p	
103	1102 2964	Connector - 5289-02A:2p	
104	1102 6296	Connector - 3p	
105	1104 0375	Fuse Holder	
106	1107 0629	Fuse - 15A 125V	
107	1208 1376	Relay - JMIAN-TMP-DC24	
108	1402 0780	Diode - 11ES2	
109	1403 0810	Triac - S21ME3FY	
110	1404 0286	Varistor - 270v - 0.4w (115V)	
110	1404 0131	Varistor - ERZ-C10DK27IU (230V)	
111	1404 0257	Arrester - DSA-302MA-05	
112	1405 0257	Triac - BCR30AM12	
113	1600 1573	Resistor - 820 Ω 1W	
114	1600 1771	Resistor - 100 Ω \pm 5% 1/2W	
115	1602 0591	Resistor - 1M Ω \pm 20% 1/2W	
116	1602 0895	Noise Killer - 0.1 μ F120 Ω	
117	1606 1572	Capacitor - 0.22 μ F+20%	
118	1606 1773	Capacitor - 0.1 μ F250V	
119	1606 1795	Capacitor - 3300pF AC250V	
120	1607 0042	Coil - IMH 15A (115V)	
120	1607 0786	Coil - SC-15-350ME (230V)	
121	1611 4820	Resistor - 82 Ω 1/4T \pm 5%	
122	1404 0247	Varistor - 470V 0.4W	
123	1600 1767	Resistor - 180 Ω \pm 5% 1W	
124	1602 0920	Noise killer - 0.1 μ F250V 120 Ω	

19. DECAL AND DOCUMENT (A163/A251/A252)

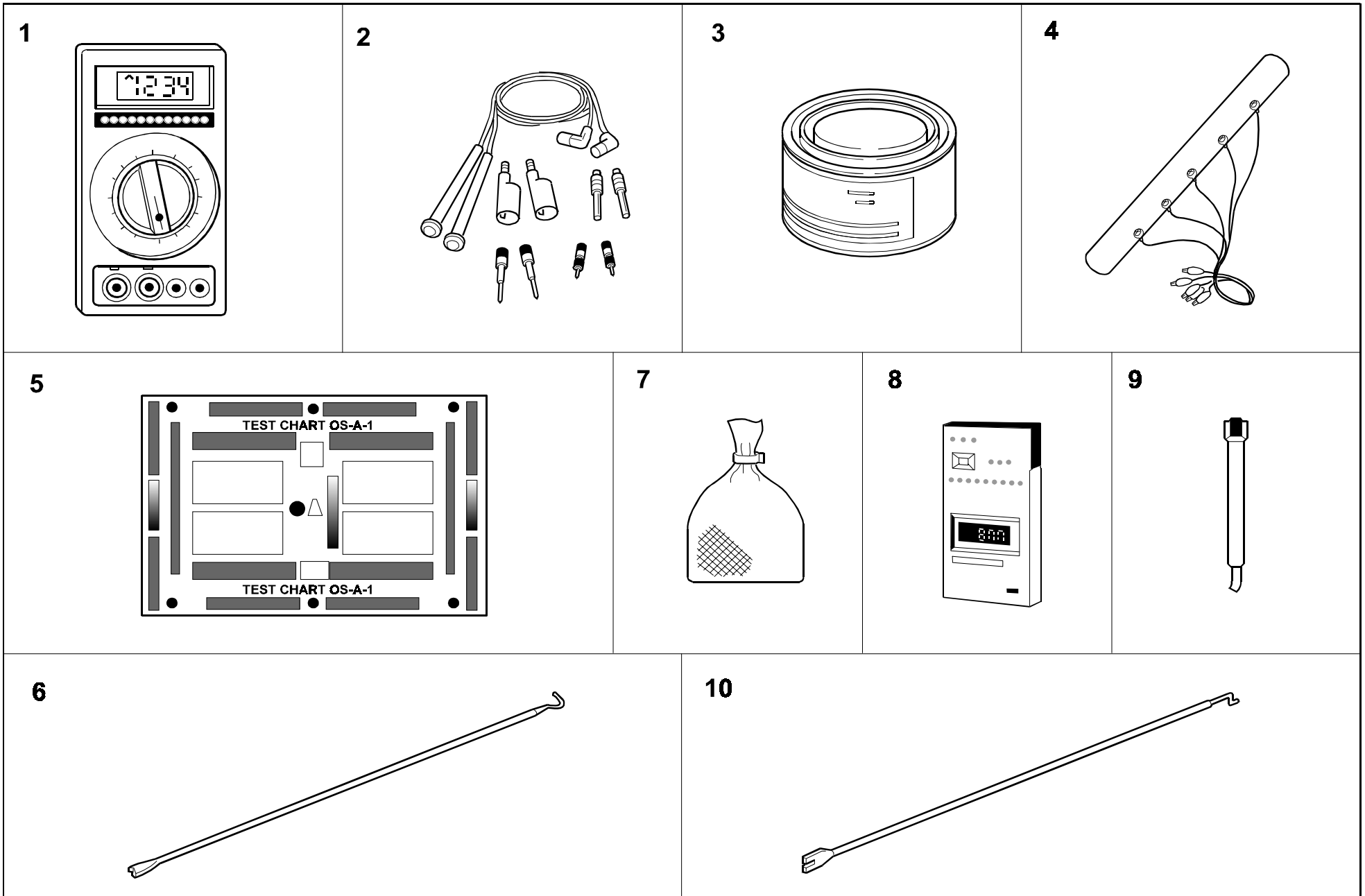
<p>1</p> 	<p>2</p> 	<p>3</p> 	<p>4</p> 	<p>5</p> 
<p>6</p>     	<p>7</p> 			

19. DECAL AND DOCUMENT (A163/A251/A252)

Index No.	Part No.	Description	Q'ty Per Assembly
1	AA00 0630	Caution Decal - English (A163)	1
1	AA00 0631	Caution Decal - German (A163)	1
1	AA00 0632	Caution Decal - French (A163)	1
1	AA00 0633	Caution Decal - Italian (A163)	1
1	AA00 0634	Caution Decal - Spanish (A163)	1
1	A163 3629	Caution Decal - Chinese	1
1	AA00 0639	Decal - Toner Collection English (A251/A252)	1
1	AA00 0640	Decal - Toner Collection - 4 Language (A251/A252)	1
2	A163 1380	Main Switch Decal (115V Only)(A163)	1
2	A163 1381	Main Switch Decal (115V Only)(A163 K+E)	1
3	AA00 0160	High Voltage Decal - English (A163)	1
3	AA00 0161	High Voltage Decal - German (A163)	1
3	AA00 0162	High Voltage Decal - French (A163)	1
3	AA00 0163	High Voltage Decal - Italian (A163)	1
3	AA00 0164	High Voltage Decal - Spanish (A163)	1
3	A163 3871	High Voltage Decal - Chinese (A163)	1
4	AA00 0401	Decal - High Temperature	1
5	A163 8607	Operating Instructions - English (A163 NA)	1
5	A163 8608	Operating Instructions - English (A163 ASIA)	1
5	A163 8606	Operating Instructions - Chinese (A163)	1
5	A163 8690	Operating Instructions - A4 English (A163 NRG)	1
5	A252 8607	Operating Instructions - English LT (A252 RIC)	1
5	A252 8608	Operating Instructions - English AA (A252 RIC)	1
5	A252 8690	Operating Instructions - English A4 (A252 NRG)	1
5	A252 8606	Operating Instructions - Chinese (A252 RIC)	1
5	A251 8607	Operating Instructions - English LT (A251)	1
5	A251 8608	Operating Instructions - English AA (A251 RIC)	1

Index No.	Part No.	Description	Q'ty Per Assembly
5	A251 8690	Operating Instructions - English A4 (A251 NRG)	1
5	A251 8606	Operating Instructions - Chinese (A251 RIC)	1
6	A252 4650	Model Name Plate - Regma 912	1
6	A252 4651	Model Name Plate - Ozalid EF1020	1
6	A252 4652	Model Name Plate - Ges 282A0	1
6	A252 4653	Model Name Plate - NSA 582A0	1
6	A252 4654	Model Name Plate - Rex 882A0	1
6	A251 6250	Model Name Plate - Regma 910	1
6	A251 6251	Model Name Plate - Ozalid EF1010	1
6	A251 6252	Model Name Plate - Ges 281A0	1
6	A251 6253	Model Name Plate - Nsa 581A0	1
6	A251 6254	Model Name Plate - Rex 881A0	1
6	A163 6253	Model Name Decal - Gestetner (A163)	1
6	A163 6254	Model Name Decal - Nashuatec (A163)	1
6	A163 6255	Model Name Decal - Rex-rotary (A163)	1
7	A163 1385	Operating Sheet (A163/A251)	1
7	A252 1385	Operating Sheet (A252)	1

20. SPECIAL TOOLS (A163/A251/A252)



20. SPECIAL TOOLS (A163/A251/A252)

Index No.	Part No.	Description	Q'ty Per Assembly
1	5420 9507	Digital Multimeter	1
2	5420 9508	Deluxe Test Lead Accessory Kit	1
3	5447 9078	Grease - Mobil Temp.78	1
4	A023 9502	Current Measuring Drum	1
5	A023 9504	Test Chart OS-A1	1
6	A163 9504	Spring Hook - SS-22	1
7	5442 9101	Setting Powder	1
8	5420 9504	Thermo Meter - HLC	1
9	5420 9505	Probe - HLC - 30	1
10	A163 9505	Spring Hook - SS-21	1

Index No.	Part No.	Description	Q'ty Per Assembly

**A163/A251/A252
PARTS INDEX**

This section instructs you as to the numbers and names of parts on this machine.

PM Parts Index

Section Name	Part No.	Description in Service Manual	Description in Parts Catalog	Q'ty Per Assembly	Page and Index No
VACUUM FAN (A163/A251)	AA01 0087	Ozone Filter	Ozone Filter	1	13- 7
DEVELOPMENT UNIT (A163/A251/A252)	AA01 2081	Development Filter	Development Filter	1	19- 7
CHARGE CORONA SECTION (A163/A251/A252)	A163 3570	Cleaning Blade	Cleaning Blade	1	23- 20
	A163 9500	Corona Wire - 2pcs/set (Transfer)	Corona Wire - 2pcs/set (A163)	1	23- 11
	AD02 0079	Main Corona Wire	Main Corona Wire (A251)	1	23- 11
T/S CORONA SECTION (A163/A251/A252)	AD02 0080	Separation Corona Wire	Corona Wire - Separation	1	25- 5
FUSING UNIT (A163/A251/A252)	AE01 1031	Hot Roller	Hot Roller	1	27- 24
	AE02 0045	Pressure Roller	Pressure Roller	1	27- 23

Part No.	Description	Page and Index No.
A163 1056	Right Front Foot	35- 22
A163 1057	Left Front Foot	35- 17
A163 1058	Right Front Foot (A163 K+E)	35- 22
A163 1059	Left Front Foot (A163 K+E)	35- 17
A163 1078	Sheet - 10x36	37- 30
A163 1081	Upper Fusing Unit Stay	17- 19
A163 1083	Right Front Foot (A163 HOECHST/REGMA)	35- 22
A163 1084	Left Front Foot (A163 HOECHST/REGMA)	35- 17
A163 1088	Rear Reinforcement Plate	35- 28
A163 1089	Front Reinforcement Plate	35- 27
A163 1091	Right Lock Stopper	37- 27
A163 1092	Left Lock Stopper	37- 11
A163 1095	Right Latch Bracket (A4)(A163)	35- 23
A163 1099	Left Latch Bracket	7- 2
A163 1100	Right Latch Bracket (LT)(A163)	35- 23
A163 1106	Lock Release Lever	37- 12
A163 1108	Guide Plate	37- 13
A163 1114	Gas Spring - 274.4n	37- 1
A163 1115	Right Gas Spring Bracket	37- 21
A163 1122	Left Gas Spring Bracket	37- 2
A163 1131	Right Support Plate	37- 24
A163 1132	Left Support Plate	37- 16
A163 1135	Right Hinge Bracket	37- 17
A163 1136	Left Hinge Bracket	37- 5
A163 1138	Right Reinforcement Plate	35- 25
A163 1139	Left Reinforcement Plate	7- 5
A163 1141	Right Fusing Unit Bracket	37- 29
A163 1142	Left Fusing Unit Bracket	37- 9
A163 1144	Exhaust Duct	37- 4
A163 1150	Drive Bracket	33- 21
A163 1155	Tension Bracket	11- 23
A163 1158	Tension Pulley	11- 26
A163 1160	Connecting Arm	33- 9
A163 1162	Spring Bracket (A163)	33- 13
A163 1166	Connecting Bracket	33- 16

Part No.	Description	Page and Index No.
A163 1170	Chain Tensioner	33- 7
A163 1172	Bushed Roller Chain - 84p	33- 23
A163 1173	Drive Support Plate	33- 1
A163 1175	Power Supply Cord Bracket (A163)	35- 16
A163 1176	Total Counter Bracket (A163)	35- 2
A163 1177	Interlock Switch Lever	37- 22
A163 1178	Lock Release Bracket	37- 23
A163 1180	Development Bias Receptacle	35- 21
A163 1251	Upper Right Cover (A163 RIC/NRG)/(A251)	7- 20
A163 1252	Upper Right Cover (A163 K+E)	7- 20
A163 1253	Upper Right Cover	7- 20
A163 1257	Lower Right Front Cover -115V (A163 RIC)	7- 15
A163 1259	Lower Right Front Cover (A163 K+E)	7- 15
A163 1261	Lower Right Front Cover -230V (A163 RIC)	7- 15
A163 1263	Lower Right Front Cover	7- 15
A163 1271	Lower Right Middle Cover	7- 16
A163 1272	Lower Right Middle Cover (A163 K+E)	7- 16
A163 1273	Lower Right Middle Cover	7- 16
A163 1281	Lower Right Rear Cover	7- 19
A163 1282	Lower Right Rear Cover (A163 K+E)	7- 19
A163 1283	Lower Right Rear Cover	7- 19
A163 1291	Upper Left Cover (A163 RIC/NRG)/(A251)	7- 3
A163 1292	Upper Left Cover (A163 K+E)	7- 3
A163 1293	Upper Left Cover (A163 HOECHST/REGMA)	7- 3
A163 1301	Lower Left Cover	7- 6
A163 1302	Lower Left Cover (A163 K+E)	7- 6
A163 1303	Lower Left Cover (A163 HOECHST/REGMA)	7- 6
A163 1311	Lower Front Cover	7- 13
A163 1312	Lower Front Cover (A163 K+E)	7- 13
A163 1313	Lower Front Cover	7- 13
A163 1318	Cover Bracket	7- 14
A163 1321	Lower Rear Cover	7- 25
A163 1322	Lower Rear Cover (A163 K+E)	7- 25
A163 1323	Lower Rear Cover	7- 25
A163 1331	Receiving Tray Cover	7- 12

Part No.	Description	Page and Index No.
A163 1332	Receiving Tray Cover (A163 K+E)	7- 12
A163 1333	Receiving Tray Cover	7- 12
A163 1341	Manual Feed Cover	7- 11
A163 1342	Manual Feed Cover (A163 K+E)	7- 11
A163 1343	Manual Feed Cover	7- 11
A163 1351	Toner Supply Cover (A163 RIC/NRG)/(A251)	7- 8
A163 1352	Toner Supply Cover (A163 K+E)	7- 8
A163 1353	Toner Supply Cover	7- 8
A163 1362	Right Original Stopper (A163/A251)	7- 10
A163 1366	Left Original Stopper (A163/A251)	7- 9
A163 1371	Front Cover Holder	37- 14
A163 1376	Cover Lever Bracket	9- 22
A163 1380	Main Switch Decal (115V Only)(A163)	7- 26
A163 1380	Main Switch Decal (115V Only)(A163)	43- 2
A163 1381	Main Switch Decal (115V Only)(A163 K+E)	7- 26
A163 1381	Main Switch Decal (115V Only)(A163 K+E)	43- 2
A163 1385	Operating Sheet (A163/A251)	43- 7
A163 1463	Operation Panel - LT (A163 RIC/NRG)	9- 19
A163 1464	Operation Panel - A4 (A163 RIC)	9- 19
A163 1465	Operation Panel - LT (A163 K+E)	9- 19
A163 1466	Operation Panel - A4	9- 19
A163 1471	Operation Panel Cover (A163 RIC/NRG)	9- 20
A163 1472	Operation Panel Cover (A163 K+E)	9- 20
A163 1473	Operation Panel Cover	9- 20
A163 1481	Operation Panel Sheet - LT (A163)	9- 21
A163 1482	Operation Panel Sheet - A4 (A163)	9- 21
A163 1650	Front Optics Stay (A163)	11- 6
A163 1653	Front Optics Stay (A251)	11- 6
A163 1661	Rear Optics Stay (A163)	11- 21
A163 1662	Rear Optics Stay (A251)	11- 21
A163 1671	Left Socket Bracket	11- 3
A163 1672	Right Socket Bracket	11- 13
A163 1680	Fiber Optics (A163/A251)	11- 12
A163 1701	Fiber Optics Holder	11- 15
A163 1711	Exposure Glass (A163/A251)	11- 19

Part No.	Description	Page and Index No.
A163 1721	Light Sensor Holder	11- 8
A163 2050	Charge Corona Unit (A163)	23- 37
A163 2051	Right Grid Terminal	23- 15
A163 2052	Left Grid Terminal	23- 7
A163 2053	Right Plate Spring	23- 17
A163 2054	Left Plate Spring	23- 18
A163 2057	Relay Receptacle Bracket	23- 33
A163 2058	Grid Relay Terminal Plate	23- 35
A163 2251	Drum Knob	21- 7
A163 2252	Bearing Holder	21- 2
A163 2255	Spacer	21- 9
A163 2257	Grounding Spring Plate	37- 26
A163 2554	Middle Guide Plate	15- 9
A163 2560	Driven Roller	15- 7
A163 2562	Feeler Bracket	15- 12
A163 2566	Registration Sensor Feeler	15- 11
A163 2569	Paper Feed Bushing	15- 4
A163 2574	Guide Plate	15- 8
A163 2576	Driven Roller - Guide Plate	15- 5
A163 2586	Brake Disk (A163)	17- 8
A163 2588	Brake Bracket (A163)	17- 12
A163 2590	Right Positioning Bracket	19- 22
A163 2596	Left Positioning Bracket	19- 21
A163 2602	Lower Guide Plate	17- 6
A163 2610	Middle Manual Feed Sheet	17- 5
A163 2612	End Manual Feed Sheet	17- 4
A163 2652	Middle Guide Plate	17- 3
A163 2690	Manual Feed Table - LT (A163 RIC)/(A251)	7- 7
A163 2691	Manual Feed Table - A4	7- 7
A163 2692	Manual Feed Table - A4	7- 7
A163 2693	Manual Feed Table - LT (A163 K+E)	7- 7
A163 2697	Table Plate Spring	35- 24
A163 3065	Auger Casing	19- 15
A163 3089	Upper Toner Sensor Holder	19- 4
A163 3090	Entrance Seal Bracket	19- 10

Part No.	Description	Page and Index No.
A163 3101	Filter Bracket	19- 8
A163 3105	Toner Supply Unit Casing	19- 12
A163 3107	Seal - Toner Supply Unit Casing	19- 6
A163 3110	Lower Toner Supply Casing	19- 20
A163 3125	Development Unit Terminal	19- 42
A163 3136	Right Side Plate	19- 41
A163 3141	Left Side Plate	19- 40
A163 3145	Toner Supply Unit Plate	19- 38
A163 3147	Joint Shaft (RIC/NRG)	19- 23
A163 3155	Joint Shaft (REGMA)	19- 23
A163 3160	Joint Shaft (K+E/A163 HOECHST)	19- 23
A163 3170	Development Sleeve Flange	19- 5
A163 3551	Right Side Plate - Drum	23- 21
A163 3553	Right Cleaning Seal	23- 12
A163 3554	Toner Shutter	23- 36
A163 3555	Shutter Spring	23- 19
A163 3556	Left Side Plate - Drum	23- 4
A163 3558	Left Cleaning Seal	23- 3
A163 3560	Cleaning Unit Casing	23- 23
A163 3570	Cleaning Blade	23- 20
A163 3592	Drum Stay	23- 5
A163 3593	Cleaning Blade Bushing	23- 1
A163 3594	Cleaning Blade Pressure Spring	23- 30
A163 3600	Pick-off Pawl Bracket	23- 26
A163 3607	Right Pressure Lever	23- 28
A163 3608	Left Pressure Lever	23- 31
A163 3609	Lever Shaft	23- 29
A163 3611	Pick-off Pawl	23- 27
A163 3629	Caution Decal - Chinese	43- 1
A163 3629	Caution Decal - Chinese	7- 18
A163 3630	Fixing Plate	37- 19
A163 3850	T/S Corona Unit	25- *
A163 3854	Entrance Sheet Bracket	25- 11
A163 3857	Right Paper Guide	25- 2
A163 3858	Left Paper Guide	25- 1

Part No.	Description	Page and Index No.
A163 3859	Right Positioning Bracket	17- 13
A163 3861	Left Positioning Bracket	17- 14
A163 3865	Transport Guide Plate	17- 15
A163 3868	Harness Shield Plate	35- 19
A163 3869	T & S Corona Guide Plate	17- 9
A163 3871	High Voltage Decal - Chinese (A163)	43- 3
A163 3871	High Voltage Decal - Chinese (A163)	25- 4
A163 4105	Pressure Roller Shaft	27- 20
A163 4106	Pressure Roller Holder	27- 4
A163 4109	C - Ring - 19m	27- 21
A163 4111	Fusing Unit Upper Stay (A163)	27- 17
A163 4117	Thermistor Bracket	27- 29
A163 4121	Fusing Lower Stay	27- 28
A163 4122	Entrance Guide Plate Holder	27- 26
A163 4124	Holder Cam	27- 27
A163 4130	Right Side Plate	27- 36
A163 4135	Left Side Plate	27- 3
A163 4143	Upper Exit Guide Plate	31- 16
A163 4145	Exit Unit Stay	31- 17
A163 4146	Middle Exit Unit Guide	31- 25
A163 4147	Exit Unit Guide	31- 22
A163 4148	Exit Unit Lever	31- 21
A163 4151	Right Side Plate - Exit Unit	31- 26
A163 4156	Left Side Plate - Exit Unit	31- 8
A163 4159	Lock Positioning Plate	31- 12
A163 4161	Cushion - 9.8x16x9.5	27- 9
A163 4165	Right Bracket	27- 35
A163 4166	Left Bracket	27- 8
A163 4175	Pressure Roller Stripper Ass'y	27- 31
A163 4176	Stripper Stay Bracket	27- 43
A163 4181	Pressure Lever	27- 2
A163 4182	Lower Pressure Release Lever	27- 10
A163 4183	Upper Pressure Release Lever	27- 11
A163 4185	Right Release Cam	37- 25
A163 4186	Left Release Cam	37- 15

Part No.	Description	Page and Index No.
A163 4187	Right Lock Guide	27- 37
A163 4188	Lever Shaft	27- 12
A163 4191	Fusing Entrance Guide Plate	27- 19
A163 4192	Decal - High Temperature - Chinese	17- 16
A163 4192	Decal - High Temperature - Chinese	31- 24
A163 4211	Drive Arm	31- 3
A163 4212	Drive Arm Shaft	31- 5
A163 4220	Drive Tightener	31- 9
A163 4231	Arm Stopper	31- 11
A163 4235	Tube Holder (A163/A251)	31- 20
A163 4236	Exit Tube (A163/A251)	31- 19
A163 4261	Interlock Switch Bracket	27- 32
A163 4262	Interlock Switch Lever	27- 34
A163 4263	Interlock Switch Cover	27- 33
A163 4281	Rear Feed Cover - LT (A163 RIC)/(A251)	13- 2
A163 4282	Rear Feed Cover - A4	13- 2
A163 4285	Rear Feed Cover - LT (A163 K+E)	13- 2
A163 4286	Rear Feed Cover - A4	13- 2
A163 4291	Fan Support Plate	13- 10
A163 4293	Blower Sheet - 51x57	13- 1
A163 4311	Seal - 8x16x570	13- 12
A163 4312	Seal - 4x33x277	31- 28
A163 4313	Seal - 4x33x323	31- 29
A163 4314	Right Seal	13- 13
A163 4315	Left Seal	13- 14
A163 4316	Right Middle Seal	13- 15
A163 4317	Left Middle Seal	13- 16
A163 4318	Seal - 6x24x116.5	13- 17
A163 4319	Seal - 6x24x38	13- 18
A163 4322	Blower Duct	13- 11
A163 4330	Shutter Plate (A163)	17- 21
A163 4347	Separation Roller	17- 17
A163 4349	Small Roller Bracket	17- 23
A163 4350	Small Separation Roller	17- 24
A163 4351	Roller Bracket	17- 18

Part No.	Description	Page and Index No.
A163 4352	Fusing Guide Mylar	17- 26
A163 4354	Spacer - 10x15x0.6	27- 38
A163 4355	Spacer - Fusing Entrance	27- 39
A163 4357	Right Support Guide	31- 30
A163 4358	Left Support Guide	31- 31
A163 4359	Middle Support Guide	31- 32
A163 4361	Grounding Plate	17- 28
A163 4441	Paper Exit Cover (A163 K+E)	29- 12
A163 4442	Paper Exit Cover (A163 NRG)	29- 12
A163 4455	Copy Tray Holder Cover	29- 13
A163 4457	Copy Tray Holder Cover (A163 K+E)	29- 13
A163 4458	Copy Tray Holder Cover	29- 13
A163 4463	Paper Exit Cover (A163 HOECHST/REGMA)	29- 12
A163 4465	Lower Support Guide	29- 9
A163 4466	Paper Exit Cover (A163 RIC/NRG)/(A251)	29- 12
A163 4471	Right Lock Bracket	29- 11
A163 4473	Lower Entrance Guide Plate	29- 8
A163 4476	Left Lock Bracket	29- 3
A163 4477	Positioning Plate	29- 4
A163 4478	Long Hinge	29- 2
A163 4481	Short Hinge	37- 7
A163 4482	Shoulder Screw - M4	37- 8
A163 4484	Copy Exit Support	29- 14
A163 4491	Copy Tray (A163 RIC/NRG)	7- 23
A163 4492	Copy Tray Stand (A163 RIC/NRG)/(A251)	7- 21
A163 4493	Copy Tray Pocket Holder (A163)	7- 22
A163 4494	Copy Tray Guide Rod (A163/A251)	7- 24
A163 4495	Copy Tray (A163 K+E)	7- 23
A163 4496	Copy Tray (A163 HOECHST/REGMA)	7- 23
A163 4497	Copy Tray Stand (A163 K+E)	7- 21
A163 4498	Copy Tray Stand (A163 HOECHST/REGMA)	7- 21
A163 5200	Main Control Board (230V)(A163)	35- 7
A163 5208	IC - AM27C010-120DC (230V)	39- 1
A163 5230	Main Control Board	39- *
A163 5230	Main Control Board (115V)(A163)	35- 7

Part No.	Description	Page and Index No.
A163 5300	Light Sensor Board	11- 9
A163 5310	Hot Roller Thermistor	27- 18
A163 5320	Pressure Roller Thermistor	27- 30
A163 5422	Heater - 30W 115V (Option)	17- 25
A163 5423	Heater - 30W 230V (Option)	17- 25
A163 5439	Pre - Transfer Lamp - 24V 7.2W (A163)	15- 1
A163 5455	Quenching Lamp (A163)	23- 38
A163 5550	AC Drive Board - 115V (A163)	35- 12
A163 5550	AC Drive Board - 115V	41- *
A163 5552	AC Drive Board - 230V	41- *
A163 5552	AC Drive Board - 230V (A163)	35- 12
A163 5600	AC Harness (230V)(A163)	35- 3
A163 5603	Circuit Breaker Harness (230V Only)(A163)	35- 18
A163 5605	Lower DC Harness (230V)(A163)	35- 5
A163 5608	Upper DC Harness (230V)(A163)	35- 4
A163 5610	Development Harness	19- 1
A163 5612	DC Harness - Paper Feed (A163)	15- 2
A163 5614	Separation Harness (A163)	23- 24
A163 5616	Fusing Sensor Harness	29- 6
A163 5618	Toner Sensor Harness	19- 2
A163 5620	Fluorescent Lamp Harness	11- 2
A163 5621	Relay Fuse Harness - Chinese (A163)	35- 26
A163 5622	Relay Fuse Harness (A163)	35- 26
A163 5628	Thermofuse Harness (A163)	27- 15
A163 5633	Power Pack Harness - Grid	23- 34
A163 5634	Bias Power Pack Harness	35- 15
A163 5635	Transfer Power Pack Harness	35- 13
A163 5637	Separation Power Pack Harness	35- 14
A163 5640	Grounding Wire	9- 26
A163 5640	Grounding Wire	29- 7
A163 5702	AC Harness (115V)(A163)	35- 3
A163 5704	Lower DC Harness (115V)(A163)	35- 5
A163 5706	Upper DC Harness (115V)(A163)	35- 4
A163 6051	Original Feed Left Plate	9- 1
A163 6052	Original Table Bushing	9- 2

Part No.	Description	Page and Index No.
A163 6056	Stopper Pin	9- 3
A163 6061	Original Feed Right Plate	9- 23
A163 6065	Right Bracket	9- 27
A163 6066	Upper Lever	9- 24
A163 6071	2nd Original Drive Roller (A163/A251)	11- 10
A163 6075	1st Original Drive Roller (A163/A251)	11- 27
A163 6081	Arm Bushing	11- 7
A163 6085	One-way Pulley - 24Z	11- 28
A163 6091	Sensor Bracket (A163/A251)	11- 17
A163 6095	Original Registration Sensor Spacer	11- 22
A163 6101	Front Original Guide Plate (A163/A251)	11- 11
A163 6102	Rear Original Guide Plate (A163/A251)	11- 20
A163 6111	Original Feed Table Ass'y (A163 RIC-LT)	9- 29
A163 6112	Original Feed Table Ass'y (A163 K+E)	9- 29
A163 6113	Original Feed Table Ass'y (A163 RIC-A4)	9- 29
A163 6114	Original Feed Table Ass'y (A163 NRG)	9- 29
A163 6116	Original Feed Table Ass'y (A163 HOECHST)	9- 29
A163 6117	Original Feed Table Ass'y (A163 REGMA)	9- 29
A163 6131	Original Feed Table - LT (A163 RIC)	9- 15
A163 6132	Original Feed Table - LT (A163 K+E)	9- 15
A163 6133	Original Feed Table - A4 (A163 RIC/NRG)	9- 15
A163 6136	Original Feed Table - A4 (A163 HOECHST)	9- 15
A163 6161	Original Table Channel	9- 5
A163 6162	Platen Plate	9- 4
A163 6171	Middle Roller Shaft	9- 14
A163 6172	End Roller Shaft	9- 11
A163 6175	Front Drive Roller	9- 10
A163 6181	Original Driven Bushing	9- 12
A163 6191	Feeler Clip	9- 28
A163 6202	Original Table Stopper	9- 6
A163 6203	Original Stopper Pin	9- 8
A163 6231	Rear Original Cover (A163 RIC)	9- 17
A163 6232	Rear Original Cover (A163 K+E)	9- 17
A163 6233	Rear Original Cover (A163 NRG)	9- 17
A163 6236	Rear Original Cover (A163 HOECHST)	9- 17

Part No.	Description	Page and Index No.
A163 6237	Rear Original Cover (A163 REGMA)	9- 17
A163 6251	Original Entrance Sheet	9- 18
A163 6253	Model Name Decal - Gestetner (A163)	43- 6
A163 6254	Model Name Decal - Nashuatec (A163)	43- 6
A163 6255	Model Name Decal - Rex-rotary (A163)	43- 6
A163 6256	Guide Mylar	9- 13
A163 6264	Rear Original Cover (A251 REGMA/NRG)	9- 17
A163 8606	Operating Instructions - Chinese (A163)	43- 5
A163 8607	Operating Instructions - English (A163 NA)	43- 5
A163 8608	Operating Instructions - English (A163 ASIA)	43- 5
A163 8690	Operating Instructions - A4 English	43- 5
A163 9500	Corona Wire - 2pcs/set	25- 6
A163 9500	Corona Wire - 2pcs/set (A163)	23- 11
A163 9501	Charge Grid Wire - 4pcs/set	23- 10
A163 9502	Toner Collection Bottle	7- 17
A163 9504	Spring Hook - SS-22	45- 6
A163 9505	Spring Hook - SS-21	45- 10
A163 9506	IC - AM27C010-120DC (115V)	39- 1

Part No.	Description	Page and Index No.
AA00 0160	High Voltage Decal - English (A163)	25- 4
AA00 0160	High Voltage Decal - English (A163)	43- 3
AA00 0161	High Voltage Decal - German (A163)	25- 4
AA00 0161	High Voltage Decal - German (A163)	43- 3
AA00 0162	High Voltage Decal - French (A163)	25- 4
AA00 0162	High Voltage Decal - French (A163)	43- 3
AA00 0163	High Voltage Decal - Italian (A163)	25- 4
AA00 0163	High Voltage Decal - Italian (A163)	43- 3
AA00 0164	High Voltage Decal - Spanish (A163)	43- 3
AA00 0164	High Voltage Decal - Spanish (A163)	25- 4
AA00 0401	Decal - High Temperature (A163)	17- 16
AA00 0401	Decal - High Temperature (A163)	31- 24
AA00 0401	Decal - High Temperature	43- 4
AA00 0630	Caution Decal - English (A163)	7- 18
AA00 0630	Caution Decal - English (A163)	43- 1
AA00 0631	Caution Decal - German (A163)	7- 18
AA00 0631	Caution Decal - German (A163)	43- 1
AA00 0632	Caution Decal - French (A163)	7- 18
AA00 0632	Caution Decal - French (A163)	43- 1
AA00 0633	Caution Decal - Italian (A163)	7- 18
AA00 0633	Caution Decal - Italian (A163)	43- 1
AA00 0634	Caution Decal - Spanish (A163)	43- 1
AA00 0634	Caution Decal - Spanish (A163)	7- 18
AA00 0639	Decal - Toner Collection English	43- 1
AA00 0639	Decal - Toner Collection English	7- 18
AA00 0640	Decal - Toner Collection - 4Language	7- 18
AA00 0640	Decal - Toner Collection - 4 Language	43- 1
AA01 0087	Ozone Filter	13- 7
AA01 2081	Development Filter	19- 7
AA04 3274	Timing Belt - 192 (A252)	31- 1
AA04 3275	Timing Belt - 400 S2M80 (A252)	11- 43
AA04 3405	Timing Belt - 411P3M6	11- 1
AA04 3406	Timing Belt - 255 P3M6 (A163/A251)	31- 1
AA06 0117	Spring	33- 22
AA06 0201	Spring Thermistor	27- 16

Part No.	Description	Page and Index No.
AA06 0225	Grip Spring	33- 6
AA06 0302	Registration Brake Spring (A163)	17- 11
AA06 0386	Pressure Spring	29- 5
AA06 0456	Fusing Cover Spring	33- 10
AA06 0456	Fusing Cover Spring	11- 24
AA06 0466	Tension Spring	37- 10
AA06 0541	Bushing Lock Spring (A252)	11- 41
AA06 0607	Pressure Spring	27- 13
AA06 0749	Spring	23- 9
AA06 3274	Center Spring	9- 16
AA06 3275	Stopper Spring	9- 7
AA06 3276	Pressure Spring	21- 6
AA06 3277	Middle Plate Spring	15- 6
AA06 3279	Guide Plate Spring	15- 3
AA06 6052	Stripper Spring	31- 15
AA06 6254	Corona Wire Spring	25- 7
AA06 6255	Feeler Spring	15- 10
AA06 6256	Right Lock Spring	31- 23
AA06 6257	Left Lock Spring	31- 13
AA06 6258	Arm Spring	31- 7
AA06 6285	Stripper Spring	27- 42
AA12 0078	Antistatic Brush (A252)	11- 35
AA13 2185	Collar - 8.5x13.5x11.5	37- 3
AA14 5800	Hinge Pin	37- 6
AA14 5801	Upper Gas Spring Shaft	37- 18
AA14 5802	Connecting Shaft	33- 18
AA15 0109	Seal - 12x837	19- 11
AA15 0646	Right Side Plate Seal	19- 27
AA15 0647	Left Side Plate Seal	19- 43
AA15 1952	Seal - 10x142x2.5	19- 9
AA15 1953	Right Cartridge Seal	19- 19
AA15 1954	Left Cartridge Seal	19- 17
AA15 1955	Seal - 20x950x3	19- 18
AA15 1981	Seal - 30x168x9	13- 4
AA15 1982	Fan Seal	13- 6

Part No.	Description	Page and Index No.
AA15 1983	Seal - 12x36x3	13- 5
AA15 1984	Support Duct Seal	13- 9
AA15 1985	Seal - 185x15x12 (A163)	17- 22
AA15 1986	Seal - 30x15x12 (A163)	17- 20
AA15 1987	Right Seal	37- 28
AA15 1988	Left Seal	13- 3
AA15 1989	Seal - 23x1029x7	11- 14
AA15 2389	Short Shielding Seal - Fusing (A251/A252)	17- 31
AA15 2392	Original Seal (A252)	11- 36
AA15 2396	Short Shielding Seal - Fusing (A251/A252)	17- 22
AA16 1118	Tube - 3x4.5x3	7- 28
AB01 1168	Gear - 96Z	21- 3
AB01 1362	Gear - 62Z	33- 11
AB01 1363	Gear - 45Z	33- 8
AB01 1364	Gear - 25Z	33- 15
AB01 1365	Gear - 27Z	23- 2
AB01 3920	Gear - 30Z	19- 33
AB01 3921	Gear - 20Z	19- 29
AB01 3922	Gear - 28Z	19- 35
AB01 3924	Gear - 28Z	19- 34
AB01 3925	Gear - 28Z	33- 17
AB01 3935	Gear - 50Z	27- 7
AB01 3937	Gear - 30Z	31- 4
AB01 7378	Coupled Gear - 28/24Z	19- 30
AB01 7379	Sprocket Gear - 20/25/24Z	33- 12
AB01 7380	Sprocket - 16/30Z	33- 20
AB01 7381	Coupled Gear - 36/30Z	33- 3
AB01 7383	Coupled Gear - 30/30Z	31- 2
AB02 3062	Sprocket - 20Z	33- 5
AB02 3063	Gear - 20Z	33- 4
AB02 3064	Sprocket - 15Z	33- 14
AB03 0505	Pulley - 24Z	11- 4
AB03 0506	Pulley - 60Z (A163/A251)	21- 1
AB03 0509	Pulley - 16Z	31- 6
AB03 0596	Idler Pulley - Paper Exit (A252)	31- 10

Part No.	Description	Page and Index No.
AB03 0597	Timing Pulley - 40 (A252)	11- 38
AB03 0598	Idler Pulley - 20 (A252)	11- 42
AC01 0004	Exposure Glass (A252)	11- 19
AD00 1036	Development Unit (RIC/NRG)	19- *
AD00 1037	Development Unit (REGMA)	19- *
AD00 1038	Development Unit (K+E/A163 HOECHST)	19- *
AD01 4030	Drum Flange	21- 4
AD01 5015	Drum Shaft	21- 5
AD02 0079	Main Corona Wire (A251/A252)	23- 11
AD02 0080	Corona Wire - Separation	25- 5
AD02 1113	Relay Receptacle - Charge Corona	23- 32
AD02 1114	Charge Corona Receptacle	35- 10
AD02 2315	Right End Block Cover - Charge	23- 13
AD02 2316	Left End Block - Charge	23- 8
AD02 2317	Left End Block Cover - Charge	23- 6
AD02 2318	Right End Block - T & S	25- 10
AD02 2319	Left End Block - T & S	25- 8
AD02 2320	End Block Cover - T & S	25- 3
AD02 2347	Right End Block - Charge	23- 14
AD02 3112	Charge Corona Casing	23- 16
AD02 3113	T & S Corona Casing	25- 9
AD03 1289	Development Sleeve	19- 24
AD03 6052	Right Backspill Plate	19- 14
AD03 6053	Left Backspill Plate	19- 13
AD03 7047	Development Auger	19- 16
AD03 8063	Paddle Roller	19- 25
AD04 3039	Toner Collection Screw	23- 22
AE01 1031	Hot Roller	27- 24
AE02 0045	Pressure Roller	27- 23
AE03 0005	Ball Bearing - 20x32x7	27- 22
AE03 0024	Ball Bearing - 25x39.8x7	27- 5
AE03 2016	Bushing - 20x28x12	27- 6
AE04 4003	Hot Roller Stripper	31- 14
AE04 4020	Pressure Roller Stripper	27- 41
AF02 0339	Registration Roller	17- 7

Part No.	Description	Page and Index No.
AF02 0341	Lower Exit Roller	31- 27
AF02 0358	Upper Exit Roller (A163/A251)	31- 18
AF02 0451	Original Feed Roller (A252)	11- 10
AF02 2081	Front Driven Roller	9- 9
AW01 0070	Photosensor - PS-R11D1-B (A252)	11- 16
AW02 0008	Photointerruptor (A163/A251)	11- 16
AW02 0012	Photointerruptor	15- 13
AW02 0024	Photointerruptor	15- 14
AW02 0056	Photointerruptor - EE-SX4235A-P1	7- 1
AW02 0056	Photointerruptor - EE-SX4235A-P1	27- 44
AW23 0006	Toner Density Sensor	19- 3
AX06 0111	Motor - DC22W	33- 19
AX10 0026	DC Solenoid - Pick-off Pawl	23- 25
AX20 0115	Spring Clutch	19- 39
AX21 0050	Registration Clutch (A163)	17- 1
AX26 0001	Magnetic Clutch (A251/A252)	17- 1
AX31 0027	6 Digit Total Counter	35- 1
AX45 0016	Fusing Lamp - 1100W 115V (A163)	27- 25
AX45 0017	Fusing Lamp - 1100W 230V (A163)	27- 25
AX45 0029	Fusing Lamp - 115V 1100W (A251/A252)	27- 25
AX45 0030	Fusing Lamp - 230V 1100W (A251/A252)	27- 25
AX50 0053	Fluorescent Lamp - 140V/26W	11- 18
AX66 0007	Fan Motor - DC 14.4W (A163)	13- 8
AX66 0008	Fan Motor - DC24V 14.4W (A251)	13- 8
AZ00 0013	Power Supply Cord (A163 115V)	35- 20
AZ02 0008	Coil - 10MH 2A (A251/A252) (230V)	35- 34
AZ23 0055	DC Drive Board - 100/120V (A251/A252)	35- 8
AZ23 0056	DC Power Supply - 297W - 115V (A163)	35- 8
AZ23 0057	DC Power Supply - 297W 230V (A163)	35- 8
AZ23 0060	DC Drive Board - 220V/240V (A251/A252)	35- 8
AZ32 0079	Power Pack - C,G,B	35- 9
AZ32 0080	Power Pack - T & S	35- 11
AZ50 0022	Fluorescent Lamp Stabilizer (A163)	35- 6

Part No.	Description	Page and Index No.
A010 5700	Sensor	29- 10
A023 9502	Current Measuring Drum	45- 4
A023 9504	Test Chart OS-A1	45- 5
A085 5671	Power Supply Cord (A163 230V)	35- 20
A098 9510	Drum	21- 8
A153 5671	Power Supply Cord (A251/A252 230V)	35- 20
A174 1089	Power Supply Cord Bracket (A251/A252)	35- 16
A174 1090	Power Cord Cover (A251/A252)	35- 31
A174 1094	Noise Filter Bracket (A251/A252)(230V)	35- 29
A174 1127	Spring Bracket (A251/A252)	33- 13
A174 1190	DC Power Supply Bracket (A251/A252)	35- 32
A174 1191	Choke Bracket (A251/A252) (230V)	35- 33
A174 4155	Stopper Guide - Paper Exit	27- 40
A174 4302	High Temperature Panel (A251/A252)	31- 24
A174 4302	High Temperature Panel (A251/A252)	17- 16
A174 4315	Fusing Unit Spacer (A252)	31- 33
A174 5613	Noise Filter Harness (A251/A252)(230V)	35- 30
A204 5671	Power Supply Cord - 250V 10A (CHINESE)	35- 20
A228 4652	Left Side Fence Sheet (A252)	7- 32
A228 4656	Side Fence Sheet - Original Feed (A252)	7- 35
A251 1463	Operation Panel Ass'y - LT (A251)	9- 19
A251 1464	Operation Panel Ass'y - A4 (A251)	9- 19
A251 1481	Operation Panel Sheet - LT (A251)	9- 21
A251 1482	Operation Panel Sheet - A4 (A251)	9- 21
A251 4491	Copy Tray (A251)	7- 23
A251 4492	Change Arm - Copy Tray (A251)	7- 27
A251 4493	Revet (A251)	7- 38
A251 5220	Main Control Board (A251)	35- 7
A251 5660	DC Relay Harness (A251)	11- 30
A251 6111	Original Feed Table Ass'y - LT (A251 RIC)	9- 29
A251 6113	Original Feed Table - A4 (A251 RIC)	9- 29
A251 6114	Original Feed Table Ass'y (A251 K+E)	9- 29
A251 6115	Original Feed Table Ass'y (A251 NRG)	9- 29
A251 6117	Original Feed Table Ass'y (A251 REGMA)	9- 29
A251 6131	Original Feed Table Cover - LT (A251)	9- 15

Part No.	Description	Page and Index No.
A251 6133	Original Feed Table Cover - A4 (A251)	9- 15
A251 6231	Rear Original Cover (A251 RIC)	9- 17
A251 6234	Rear Original Cover (A251 K+E)	9- 17
A251 6250	Model Name Plate - Regma 910	43- 6
A251 6251	Model Name Plate - Ozalid EF1010	43- 6
A251 6252	Model Name Plate - Ges 281A0	43- 6
A251 6253	Model Name Plate - Nsa 581A0	43- 6
A251 6254	Model Name Plate - Rex 881A0	43- 6
A251 8606	Operating Instructions - Chinese (A251 RIC)	43- 5
A251 8607	Operating Instructions - English LT (A251)	43- 5
A251 8608	Operating Instructions - English AA	43- 5
A251 8690	Operating Instructions - English A4	43- 5
A252 1100	Right Latch Bracket (A251/A252)	35- 23
A252 1110	Total Counter Cover (A251/A252)	7- 39
A252 1111	Total Counter Bracket (A251/A252)	35- 2
A252 1251	Right Upper Cover (A252)	7- 20
A252 1266	Lower Right Front Cover (A251/A252)	7- 15
A252 1291	Left Upper Cover (A252)	7- 3
A252 1385	Operating Sheet (A252)	43- 7
A252 1471	Operation Panel Cover (A251)	9- 20
A252 1611	Fiber Optics (A252)	11- 12
A252 1651	Spring Plate - Left (A252)	11- 32
A252 1652	Spring Plate - Right (A252)	11- 33
A252 1653	Spring Plate Sheet - Exposure Glass (A252)	11- 37
A252 1655	Front Stay (A252)	11- 6
A252 1659	Rear Stay (A252)	11- 21
A252 2050	Charge Corona Unit (A251/A252)	23- 37
A252 2100	Quenching Lamp (A251/A252)	23- 38
A252 3850	By-pass Feed Table - LT (A252)	7- 34
A252 3851	By-pass Feed Table - A4 (A252)	7- 34
A252 4111	Fusing Unit Upper Stay (A251/A252)	27- 17
A252 4287	Shielding Plate - Fusing (A251/A252)	17- 29
A252 4288	Shield (A251/A252)	17- 30
A252 4545	Left Side Fence (A252)	7- 33
A252 4572	Belt Tightner (A252)	11- 40

Part No.	Description	Page and Index No.
A252 4580	Front Lower Guide (A252)	11- 11
A252 4581	Rear Lower Guide (A252)	11- 20
A252 4585	Original Sensor Bracket - Feed (A252)	11- 31
A252 4586	Original Sensor Bracket (A252)	11- 29
A252 4590	Original Feed Table (A252)	7- 29
A252 4591	Original Guide Scale - LT (A252)	7- 30
A252 4592	Original Guide Scale - A4 (A252)	7- 30
A252 4610	Table Lock Spring (A252 Only)	37- 31
A252 4611	Original Stopper (A252)	7- 31
A252 4617	Original Spacer (A252)	7- 36
A252 4620	Small Sheet - 13x17 (A252)	7- 37
A252 4650	Model Name Plate - Regma 912	43- 6
A252 4651	Model Name Plate - Ozalid EF1020	43- 6
A252 4652	Model Name Plate - Ges 282A0	43- 6
A252 4653	Model Name Plate - NSA 582A0	43- 6
A252 4654	Model Name Plate - Rex 882A0	43- 6
A252 5230	Main Control Board - Multch (A252)	35- 7
A252 5300	Motor Control Board (A252)	35- 38
A252 5405	Flourescent Lamp Stabilizer (A251/A252)	35- 6
A252 5440	Pre - Transfer Lamp - 24V 7.2W (A251/A252)	15- 1
A252 5550	AC Drive Board - 115V (A251/A252)	35- 12
A252 5555	AC Drive Board - 230V (A251/A252)	35- 12
A252 5600	AC Harness (A251/A252)	35- 3
A252 5604	Lower DC Harness (A251/A252)	35- 5
A252 5606	Upper DC Harness (A251/A252)	35- 4
A252 5611	DC Harness - Paper Feed (A251/A252)	15- 2
A252 5614	DC Relay Harness (A251/A252)	23- 39
A252 5615	Exit Cover DC Harness (A251/A252)	27- 45
A252 5628	Thermofuse Relay Harness (A251/A252)	27- 15
A252 5653	DC Harness - Motor Control (A252)	35- 36
A252 5654	Relay Harness - Original/Motor (A252)	35- 37
A252 5662	Relay Harness - Original Sensor (A252)	11- 30
A252 5700	Power Supply Cord - 115V (A251/A252)	35- 20
A252 8606	Operating Instructions - Chinese (A252 RIC)	43- 5
A252 8607	Operating Instructions - English LT	43- 5

Part No.	Description	Page and Index No
A252 8608	Operating Instructions - English AA	43- 5
A252 8690	Operating Instructions - English A4	43- 5

Part No.	Description	Page and Index No.
5053 0223	Bushing - 8mm	11- 5
5053 0223	Bushing - 8mm	17- 2
5053 0420	Bushing - 10 mm	33- 2
5053 0447	Bushing - 6mm	31- 35
5203 5801	Thermofuse Bracket	27- 14
5205 3093	Bushing - 8mm	19- 36
5205 3103	Bushing - 6mm	19- 28
5215 2621	Snap Ring - M6	17- 27
5216 4198	Stepped Screw - Guide Plate (A251/A252)	31- 34
5353 1539	Spring Anchor (A252)	11- 39
5353 1539	Spring Anchor	11- 25
5403 2075	Stepped Screw	37- 20
5403 2075	Stepped Screw	27- 1
5403 2075	Stepped Screw	29- 1
5413 1882	Stepped Screw (A251/A252) (230V)	35- 35
5413 1882	Stepped Screw	9- 25
5420 9504	Thermo Meter - HLC	45- 8
5420 9505	Probe - HLC - 30	45- 9
5420 9507	Digital Multimeter	45- 1
5420 9508	Deluxe Test Lead Accessory Kit	45- 2
5429 3561	Ball Bearing - 10x26x8	19- 31
5433 2929	Brake Belt (A163)	17- 10
5442 9101	Setting Powder	45- 7
5446 1134	Bearing Case	19- 32
5446 2824	Screw - Duplex Guide Plate	7- 4
5446 2824	Screw - Duplex Guide Plate	19- 26
5446 2824	Screw - Duplex Guide Plate (A252)	11- 34
5446 3163	Pressure Roller - Transport Unit (A163/A251)	31- 10
5446 6214	Shaft Holder - Pick-up Roller	19- 37
5447 9078	Grease - Mobil Temp.78	45- 3

Part No.	Description	Page and Index No.
0313 0050B	Philips Pan Head Screw - M3x5	23-104
0313 0050B	Philips Pan Head Screw - M3x5	19-102
0313 0060B	Philips Pan Head Screw - M3x6	35-102
0313 0060B	Philips Pan Head Screw - M3x6	23-106
0313 0060B	Philips Pan Head Screw - M3x6	27-105
0313 0100B	Philips Pan Head Screw - M3x10	11-110
0313 0100B	Philips Pan Head Screw - M3x10	29-103
0313 0100B	Philips Pan Head Screw - M3x10	15-103
0314 0060B	Philips Pan Head Screw - M4x6	17-104
0314 0060B	Philips Pan Head Screw - M4x6	11-102
0314 0060B	Philips Pan Head Screw - M4x6	37-104
0314 0060B	Philips Pan Head Screw - M4x6	31-104
0314 0060B	Philips Pan Head Screw - M4x6	17-110
0314 0060B	Philips Pan Head Screw - M4x6	9-104
0314 0060B	Philips Pan Head Screw - M4x6	27-101
0314 0060B	Philips Pan Head Screw - M4x6	19-109
0314 0060B	Philips Pan Head Screw - M4x6	35-120
0314 0060B	Philips Pan Head Screw - M4x6	21-102
0314 0060B	Philips Pan Head Screw - M4x6	23-101
0314 0060B	Philips Pan Head Screw - M4x6	7-101
0314 0080B	Philips Pan Head Screw - M4x8	17-102
0314 0080B	Philips Pan Head Screw - M4x8	35-108
0314 0080B	Philips Pan Head Screw - M4x8	37-105
0314 0080B	Philips Pan Head Screw - M4x8	19-104
0314 0100B	Philips Pan Head Screw - M4x10	13-102
0314 0100B	Philips Pan Head Screw - M4x10	23-103
0314 0160B	Philips Pan Head Screw - M4x16	19-110
0314 0200B	Philips Pan Head Screw - M4x20	23-105
0315 0080B	Philips Pan Head Screw - M5x8	33-108
0343 0080F	Philips Truss Head Screw - M3x8	7-103
0344 0060F	Philips Truss Head Screw - M4x6	11-111
0353 0080F	Philips Truss Head Screw - M3x8	13-101
0414 0082B	Binding Self Tapping Screw - M4x8	15-102
0414 0142B	Binding Self Tapping Screw - M4x14	9-105
0433 0062B	Tapping Screw - M3 X 6 mm	25-101

Part No.	Description	Page and Index No.
0434 0080B	Philips Tapping Screw - M4x8	35-101
0434 0080B	Philips Tapping Screw - M4x8	33-101
0434 0080B	Philips Tapping Screw - M4x8	9-108
0434 0080B	Philips Tapping Screw - M4x8	37-102
0434 0080B	Philips Tapping Screw - M4x8	17-101
0434 0082B	Tapping Screw - M4x8	7-104
0434 0082B	Tapping Screw - M4x8	29-101
0452 4008B	Tapping Screw - M4x8	7-105
0575 0050E	Hexagon Headless Set Screw - M5x5	21-103
0622 0120E	Spring Pin - 2x12mm	17-105
0633 0140G	Parallel Pin - 3x14	33-107
0633 0200G	Pin - M3x20	19-108
0701 0040B	Flat Washer - M4	7-106
0705 0040C	Toothed Washer - M4	35-123
0720 0030Z	Retaining Ring - M3	9-101
0720 0040Z	Retaining Ring - M4	11-109
0720 0040Z	Retaining Ring - M4	33-104
0720 0040Z	Retaining Ring - M4	27-103
0720 0040Z	Retaining Ring - M4	31-102
0720 0050Z	Retaining Ring - M5	19-107
0720 0060Z	Retaining Ring - M6	37-101
0720 0060Z	Retaining Ring - M6	33-103
0720 0060Z	Retaining Ring - M6	31-105
0720 0060Z	Retaining Ring - M6	19-111
0720 0060Z	Retaining Ring - M6	11-103
0720 0060Z	Retaining ring - M6	17-109
0720 0080Z	Retaining Ring - M8	37-108
0720 0080Z	Retaining Ring - M8	33-105
0725 0150E	Retaining Ring C - M15	21-101
0725 0200E	Retaining Ring C - M20	27-102
0802 5087	Tapping Bind Screw - M2x5	9-106
0802 5220	Tapping Screw - M4X8	35-124
0802 5242	Tapping Bind Screw - M2x5 (A163 K+E)	9-106
0805 3385	Bushing - 6mm	31-103
0916 1126	Bushed Roller Chain - 126p	33-102

Part No.	Description	Page and Index No.
0950 5012M	Screw - M5X12	35-107
0951 3005B	Philips Screw With Flat Washer M3x5	25-102
0951 3005B	Philips Screw With Flat Washer M3x5	17-106
0951 3010B	Philips Screw With Flat Washer-M3x10	19-106
0951 4006B	Philips Screw With Washer - M4x6	27-107
0951 4006B	Philips Screw With Washer - M4x6	11-101
0951 4006B	Philips Screw With Washer - M4x6	31-101
0951 4006B	Philips Screw With Washer - M4x6	37-106
0951 4008B	Philips Screw With Washer - M4x8	19-101
0951 4008B	Philips Screw With Washer - M4x8	27-104
0951 4020B	Philips Screw With Washer - M4x20	19-105
0954 3006B	Screw - M3x6	35-121
0954 4008B	Philips Screw - M4X8	35-122
0965 5016B	Tapping Screw W/H Flat Washer-M5x16	35-109
1100 0657	Fastening Tab	41-100
1102 1052	Connector - 3p	41-101
1102 2964	Connector - 5289-02A:2p	41-103
1102 5303	Connector - 4p	39-101
1102 5304	Connector - 5p	39-102
1102 6296	Connector - 3p	41-104
1102 6400	Connector - 24p	39-103
1102 6401	Connector - 26p	39-104
1102 6403	Connector - 30p	39-105
1102 6842	Connector - 60p	39-106
1104 0375	Fuse Holder	41-105
1104 0378	IC Socket - 24P	39-107
1104 0589	Dip Socket : 32p	39-108
1104 0714	IC Socket - 84P	39-109
1105 0005	Nylon Clip - 3n	23-102
1105 0005	Nylon Clip - 3n	11-108
1105 0016	Edging	37-109
1105 0109	Cord Keep	19-103
1105 0183	Spacer	35-116
1105 0193	Nylon Stud	35-111
1105 0196	Harness Clamp	37-107

Part No.	Description	Page and Index No.
1105 0196	Harness Clamp	35-115
1105 0196	Harness Clamp	9-103
1105 0196	Harness Clamp	27-106
1105 0199	Clamp	17-103
1105 0199	Clamp	7-102
1105 0199	Clamp	11-104
1105 0199	Clamp	15-101
1105 0199	Clamp	13-103
1105 0199	Clamp	29-102
1105 0199	Clamp	35-103
1105 0201	Harness Clamp	37-103
1105 0201	Harness Clamp	35-113
1105 0415	Spacer - 12.7mm	35-112
1105 0436	Locking Support - KGCP-08-0	35-114
1105 0437	Locking Support - FGS-4S	35-110
1106 0193	Bushing - 7.9mm	11-107
1106 0193	Bushing - 7.9mm	35-104
1106 0193	Bushing - 7.9mm	17-107
1106 0241	Bushing - 6.7mm	11-106
1106 0241	Bushing - 6.7mm	9-102
1106 0241	Bushing - 6.7mm	17-108
1106 0411	Bushing - 11.5mm	11-105
1106 0493	Edging	9-107
1106 0493	Edging	37-110
1106 0493	Edging	35-105
1107 0472	Circuit Breaker - 250V/8A (230V Only)(A163)	35-106
1107 0629	Fuse - 15A 125V	41-106
1204 1545	Main Switch (230V)(A163)	35-118
1204 2334	Safety Switch - FAIL-AA20	35-117
1204 2334	Safety Switch - FAIL-AA20	27-108
1204 2421	Main Switch (115V)(A163)	35-118
1204 2444	Main Switch (A251/A252)	35-118
1208 1376	Relay - JMIA-N-TMP-DC24	41-107
1400 0347	Transistor -2SB1010	39-110
1401 0296	Transistor - 2SA1162Y	39-111

Part No.	Description	Page and Index No.
1402 0476	Diode - 1SS184	39-112
1402 0780	Diode - 11ES2	41-108
1403 0810	Triac - S21ME3FY	41-109
1404 0131	Varistor - ERZ-C10DK27IU (230V)	41-110
1404 0247	Varistor - 470V 0.4W	41-122
1404 0257	Arrester - DSA-302MA-05	41-111
1404 0286	Varistor - 270v - 0.4w (115V)	41-110
1405 0257	Triac - BCR30AM12	41-112
1407 1596	IC - SN74LS14NS	39-113
1407 2137	IC -74F138SJ : TTL	39-114
1407 2187	IC - SN74LS07NS	39-115
1407 2218	IC - SN74LS06NS	39-116
1407 2231	IC - TD62308AF	39-117
1407 2344	IC - TD62382F	39-118
1407 3336	IC - TMP82C55AM-10	39-120
1407 3481	IC - SN74AS32NS	39-119
1407 3692	IC - RF5C86	39-121
1407 4137	IC - MM1035XF	39-122
1407 4144	IC - H81532-HD6435328A00M	39-123
1407 4286	IC - MK48Z52B - 15	39-124
1408 0595	IC - NJM2904M	39-125
1408 0874	Transistor Array - M54587FP	39-126
1408 1135	IC - X9C104S	39-127
1503 0437	Crystal Oscillator - 16mhz	39-128
1600 1573	Resistor - 820 Ω 1W	41-113
1600 1767	Resistor - 180 Ω \pm 5% 1W	41-123
1600 1771	Resistor - 100 Ω \pm 5% 1/2W	41-114
1601 1810	Resistor - 380 Ω \pm 5%	39-129
1602 0591	Resistor - 1M Ω \pm 20% 1/2W	41-115
1602 0895	Noise Killer - 0.1 μ F 120 Ω	41-116
1602 0920	Noise killer - 0.1 μ F 250V 120 Ω	41-124
1602 0946	Noise Filter - 220V/240V (A251/A252)	35-119
1605 0258	Capacitor - 15P	39-130
1605 0636	Capacitor - 0.1 μ F	39-131
1606 1139	Capacitor - 0.01 μ F \pm 20%	39-132

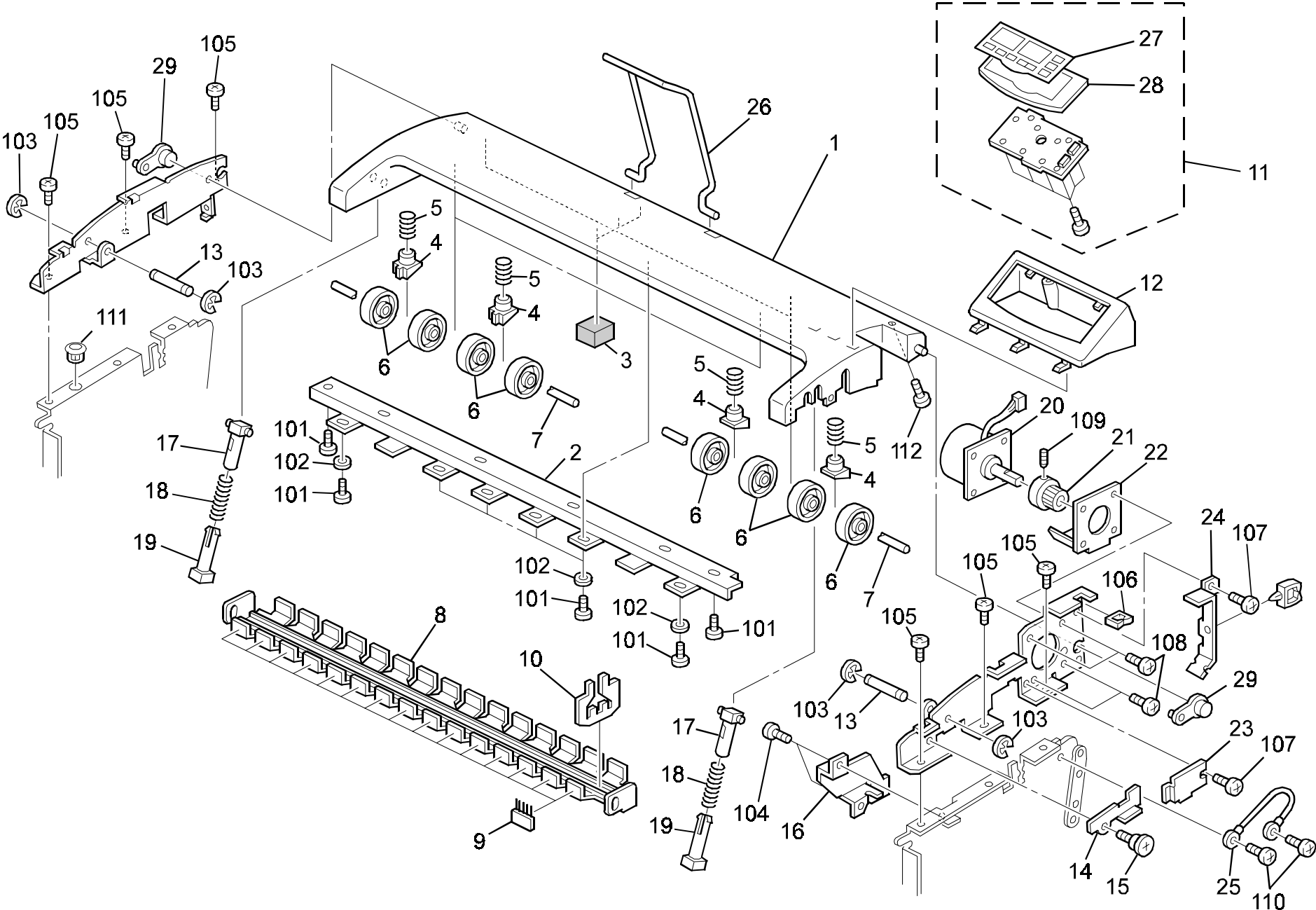
Part No.	Description	Page and Index No.
1606 1572	Capacitor - 0.22 μ F +20%	41-117
1606 1773	Capacitor - 0.1 μ F 250V	41-118
1606 1795	Capacitor - 3300pF AC250V	41-119
1607 0042	Coil - IMH 15A (115V)	41-120
1607 0646	Ferrite Core - SFC-6	35-125
1607 0786	Coil - SC-15-350ME (230V)	41-120
1611 4820	Resistor - 82 Ω 1/4T \pm 5%	41-121
1630 1202	Resistor - 2.0K Ω \pm 5% 1/4W	39-133
1630 2102	Resistor - 1K Ω 1/8W \pm 5%	39-149
1630 2103	Resistor - 10K Ω 1/8W	39-134
1630 2104	Resistor - 100k Ω \pm 5% 1/8W	39-152
1630 2123	Resistor - 12K Ω 1/8W \pm 5%	39-135
1630 2153	Resistor - 15K Ω 1/8W \pm 5%	39-137
1630 2184	Rtegistor - 180k Ω \pm 5% 1/8w	39-138
1630 2220	Resistor - 22 Ω 1/8W \pm 5%	39-139
1630 2222	Resistor - 2.2K Ω 1/8W	39-140
1630 2223	Resistor - 22K Ω 1/8W \pm 5%	39-141
1630 2332	Resistor - 3.3K Ω 1/8W \pm 5%	39-142
1630 2394	Resistor - 390K Ω 1/8W \pm 5%	39-143
1630 2472	Resistor - 4.7K Ω 1/8W \pm 5%	39-144
1630 2472	Resistor - 4.7K Ω 1/8W \pm 5%	39-154
1630 3472	Resistor - 4.7K Ω 1/10W \pm 5%	39-145
1632 1301	Resistor - 1.3k Ω \pm 1% 1/8W	39-153
1632 2201	Resistor - 2.2K Ω \pm 1% 1/8W	39-136
1640 0101	Capacitor - 100 μ F 10V	39-146
1640 5101	Capacitor - 100 μ F \pm 20% 50V	39-147
1640 5101	Capacitor - 100 μ F \pm 20% 50V	39-150
1642 0470	Capacitor - 47 μ F \pm 20% 10V	39-148
1642 5478	Capacitor - 0.47 μ F 50V	39-151

Part No.	Description	Page and Index No

A251/A252
PARTS LOCATION AND LIST

This section instructs you as to the numbers and names of parts on this machine.

2. ORIGINAL FEED SECTION (A252)

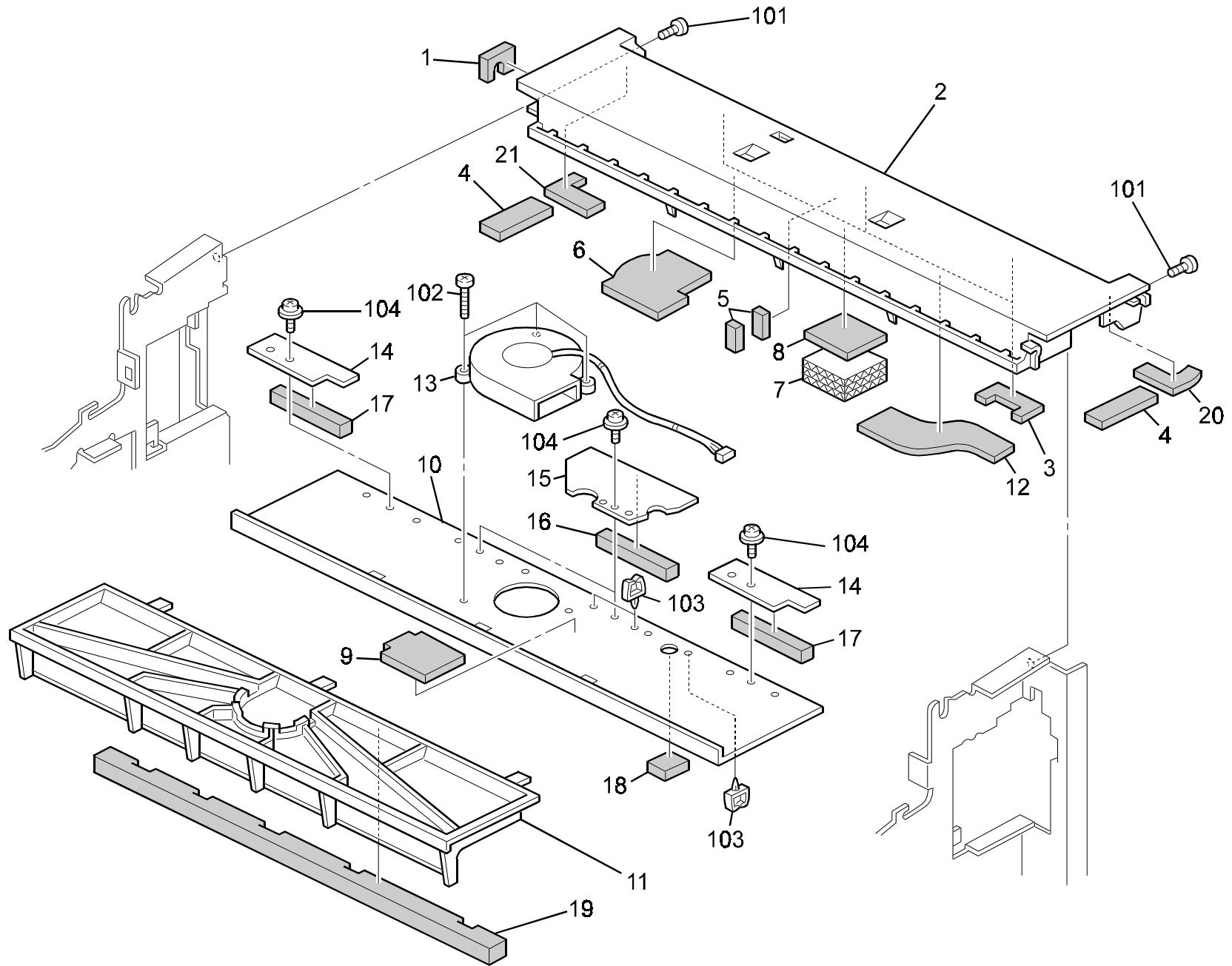


2. ORIGINAL FEED SECTION (A252)

Index No.	Part No.	Description	Q'ty Per Assembly
1	A252 4550	Upper Original Cover (RIC)	1
1	A252 4544	Upper Original Cover (K+E)	1
1	A252 4551	Upper Original Cover (NRG/REGMA)	1
2	A252 4553	Upper Cover Stay	1
3	AA15 2393	Sponge Seal - 24x24x20	3
4	A228 4709	Bushing - Original Transport	8
5	AA06 3560	Spring - Front	8
6	AF02 2027	Drive Roller	16
7	AA14 0692	Driven Roller Shaft	4
8	A252 4557	Platen Cover Guide	1
9	AA12 0093	Antistatic Brush	15
10	A252 4555	Guide	36
11	A252 1463	Operation Panel Ass'y - Multi (LT)	1
11	A252 1464	Operation Panel Ass'y - Multi (A4)	1
12	A252 4552	Operation Panel Cover	1
13	A163 6056	Stopper Pin	2
14	A163 6066	Upper Lever	1
15	5413 1882	Stepped Screw	1
16	A163 1376	Cover Lever Bracket	1
17	A163 6203	Original Stopper Pin	2
18	AA06 3275	Stopper Spring	2
19	A163 6202	Original Table Stopper	2
20	AX04 0111	Stepping Motor - Dc24v	1
21	AB03 0560	Pulley Z16	1
22	A252 4568	Motor Cover	1
23	A252 4567	Right Side Plate Cover	1
24	A252 4566	Support Plate	1
25	A163 5640	Grounding Wire	1
26	A252 4612	Stopper Wire	1
27	A252 1481	Operation Panel Sheet - Multi (LT)	1
27	A252 1482	Operation Panel Sheet - Multi (A4)	1
28	A252 1471	Operation Panel Cover	1
29	A163 6052	Original Table Bushing	2

Index No.	Part No.	Description	Q'ty Per Assembly
101	0452 4008B	Tapping Screw - M4x8	
102	0701 0040B	Flat Washer - M4	
103	0720 0030Z	Retaining Ring - M3	
104	0314 0060B	Philips Pan Head Screw - M4x6	
105	0434 0080B	Pan Head Self-tapping Screw - M4x8	
106	1105 0113	Edge - P108	
107	0951 3006B	Philips Screw With Flat Washer - M3x6	
108	0314 0080B	Philips Pan Head Screw - M4x8	
109	0574 0040E	Hexagon Headless Set Screw - M4x4	
110	0313 0100B	Philips Pan Head Screw - M3x10	
111	1106 0241	Bushing - 6.7mm	
112	0452 3010B	Tapping Bind Screw - M3X10	

4. VACUUM FAN (A252)

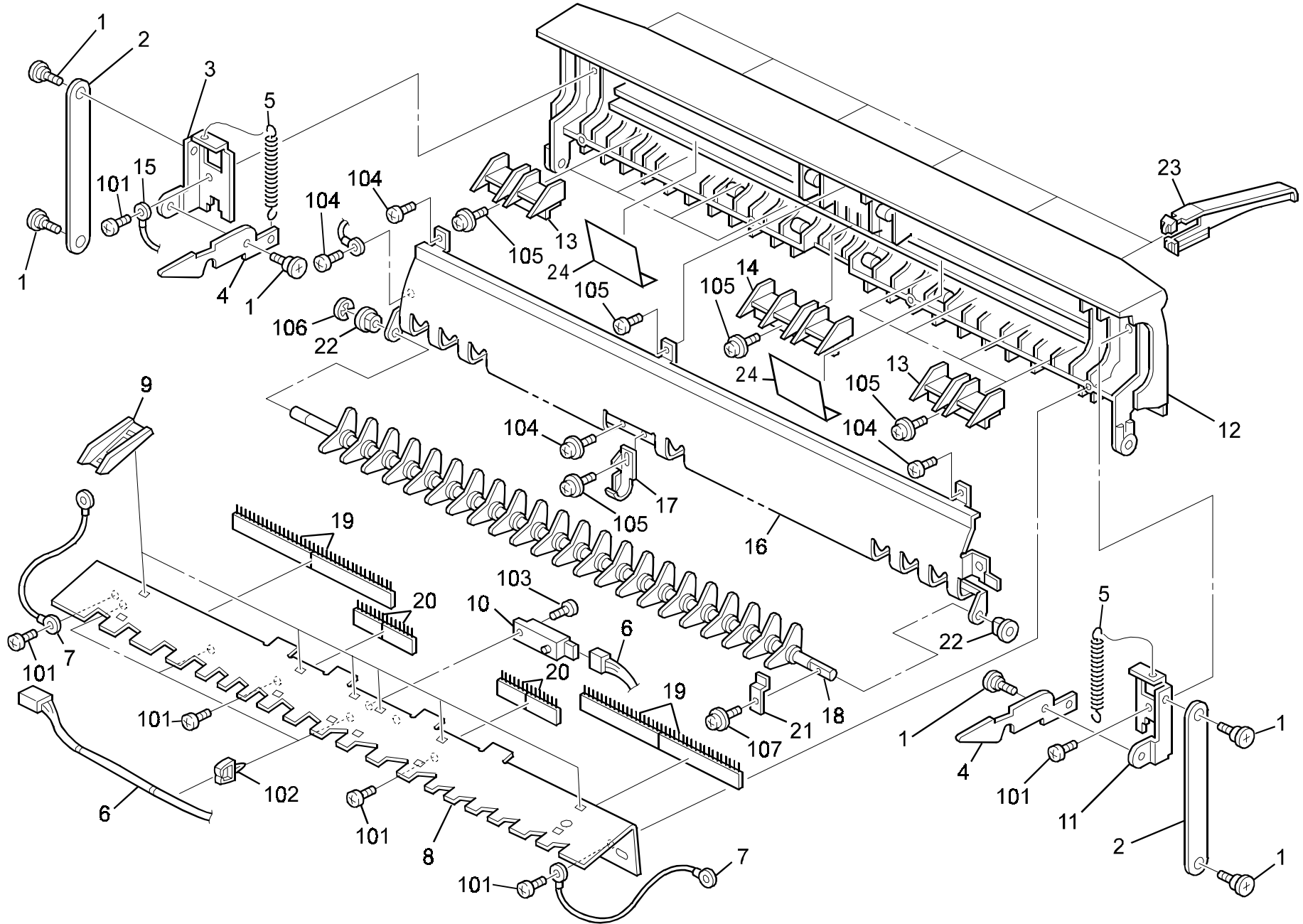


4. VACUUM FAN (A252)

Index No.	Part No.	Description	Q'ty Per Assembly
1	AA15 1988	Left Seal	1
2	A252 4281	Exhaust Cover - LT	1
2	A252 4282	Exhaust Cover - A4	1
3	AA15 2385	Short Shielding Seal	1
4	AA15 1981	Seal - 30x168x9	2
5	AA15 1983	Seal - 12x36x3	2
6	AA15 2380	Upper Fan Seal	1
7	AA01 0087	Ozone Filter	1
8	AA15 2381	Ozone Filter Upper Seal	1
9	AA15 1984	Support Duct Seal	1
10	A163 4291	Fan Support Plate	1
11	A174 4201	Blower Duct	1
12	AA15 2382	Right Shielding Seal	1
13	AX66 0008	Fan Motor - Dc24v 14.4w	1
14	A252 4286	Small Shielding Plate	2
15	A252 4285	Large Shielding Plate	2
16	AA15 2386	Long Shielding Seal - Exhaust	2
17	AA15 2387	Short Shielding Seal - Exhaust	2
18	A174 4203	Seal - Fan Motor Harness	1
19	A163 4311	Seal - 8x16x570	1
20	AA15 2383	Right Shielding Seal	1
21	AA15 2384	Left Shielding Seal	1

Index No.	Part No.	Description	Q'ty Per Assembly
101	0353 0080F	Philips Truss Head Screw - M3x8	
102	0314 0100B	Philips Pan Head Screw - M4x10	
103	1105 0199	Clamp	
104	0314 0060B	Philips Pan Head Screw - M4x6	

12. PAPER EXIT SECTION 1 (A252)



12. PAPER EXIT SECTION 1 (A252)

Index No.	Part No.	Description	Q'ty Per Assembly
1	5403 2075	Stepped Screw	6
2	A163 4478	Long Hinge	2
3	A174 4366	Left Lock Bracket	1
4	A163 4477	Positioning Plate	2
5	AA06 0386	Pressure Spring	2
6	A163 5616	Fusing Sensor Harness	1
7	A163 5640	Grounding Wire	2
8	A163 4473	Lower Entrance Guide Plate	1
9	A163 4465	Lower Support Guide	6
10	A010 5700	Sensor	1
11	A174 4361	Right Lock Bracket	1
12	A252 4475	Paper Exit Cover	1
13	A252 4453	Lower Paper Guide	8
14	A252 4454	Lower Middle Guide Plate	1
15	A174 5662	Grounding Harness	1
16	A174 4371	Paper exit Guide	1
17	A174 4373	Gate Pawl Holder	1
18	AF02 5029	Exit Separation Pawl	1
19	G020 4483	Antistatic Brush - FD	4
20	G020 4374	Middle Antistatic Brush - FD	4
21	A252 4455	Stopper	1
22	5053 0447	Bushing - 6mm	2
23	A252 4456	Original Guide Plate	6
24	A252 4457	Paper Exit Mylar	2

Index No.	Part No.	Description	Q'ty Per Assembly
101	0434 0082B	Tapping Screw - M4x8	
102	1105 0199	Clamp	
103	0313 0100B	Philips Pan Head Screw - M3x10	
104	0452 4008B	Tapping Screw - M4x8	
105	0951 4006B	Philips Screw With Washer - M4x6	
106	0720 0040Z	Retaining Ring - M4	
107	0951 3008B	Philips Screw With Flat Washer - M3X8	

17. MAIN CONTROL BOARD (A251/A252)

CAPACITOR

SYMBOL NO.	INDEX NO.	SYMBOL NO.	INDEX NO.	SYMBOL NO.	INDEX NO.	SYMBOL NO.	INDEX NO.	SYMBOL NO.	INDEX NO.	SYMBOL NO.	INDEX NO.	SYMBOL NO.	INDEX NO.
C1	155	C11	155	C21	147	C31	155	C41	155	C51	155	C61	----
C2	155	C12	155	C22	155	C32	155	C42	130	C52	155	C62	130
C3	147	C13	130	C23	153	C33	130	C43	154	C53	155	C63	----
C4	147	C14	130	C24	130	C34	155	C44	154	*C54*	*155*	C64	----
C5	150	C15	147	C25	130	C35	155	C45	130	C55	147	C65	155
C6	151	C16	155	C26	155	C36	155	C46	155	C56	155	C66	130
C7	152	C17	155	C27	----	C37	155	*C47*	*155*	C57	----	C67	----
C8	130	C18	155	C28	155	C38	147	C48	155	C58	----	C68	130
C9	155	C19	147	C29	130	C39	----	C49	155	C59	----	C69	155
C10	147	C20	155	C30	----	C40	155	*C50*	*155*	C60	155	C70	155

CAPACITOR

SYMBOL NO.	INDEX NO.
C71	155
C72	147
C73	----
C74	130
C75	130

CONNECTOR

SYMBOL NO.	INDEX NO.
CN101	105
CN104	107
CN106	106
CN109	103
CN110	102
CN111	104

DIODE

SYMBOL NO.	INDEX NO.
D2	112
D3	112
D4	112
D5	112
D10	112
D11	112
D14	112
D16	112
D18	112
D23	112

IC

SYMBOL NO.	INDEX NO.
IC1	126
IC2	126
IC3	115
IC4	118
IC5	----
IC6	115
IC7	125
IC8	121
IC9	115
IC10	124

SYMBOL NO.	INDEX NO.
IC11	----
IC12	119
IC13	119
IC14	*119*
IC15	----
IC16	115
IC17	125
IC18	121
IC19	*115*
IC20	124

SYMBOL NO.	INDEX NO.
IC21	115
IC21	113
IC23	----
IC24	114
IC25	120
IC26	1
(Socket)	109
IC27	123
(Socket)	108
IC28	122

OSC

SYMBOL NO.	INDEX NO.
OSC1	128

* * = A252

17. MAIN CONTROL BOARD (A251/A252)

L

SYMBOL NO.	INDEX NO.
L1	131

Q

SYMBOL NO.	INDEX NO.
Q1	110
Q2	110
Q3	110
Q4	110
Q5	110
Q6	110
Q7	110
Q8	110
Q9	110
Q10	111

SYMBOL NO.	INDEX NO.
Q11	111

RESISTOR

SYMBOL NO.	INDEX NO.
R1	129
R2	129
R3	---
R4	---
R5	129
R6	129
R7	129
R8	129
R9	129
R10	129

SYMBOL NO.	INDEX NO.
R11	129
R12	129
R13	134
R14	142
R15	143
R16	---
R17	---
R18	139
R19	136
R20	138

SYMBOL NO.	INDEX NO.
R21	134
R22	---
R23	145
R24	145
R25	---
R26	145
R27	---
R28	145
R29	145
R30	145

SYMBOL NO.	INDEX NO.
R31	145
R32	145
R33	145
R34	145
R35	145
R36	145
R37	145
R38	145
R39	145
R40	144

RESISTOR

SYMBOL NO.	INDEX NO.
R41R	---
R42	---
R43	146
R44	146
R45	142
R46	---
R47	142
R48	---
R49	142
R50	142

SYMBOL NO.	INDEX NO.
R51	142
R52	---
R53	142
R54	142
R55	134
R56	134
R57	---
R58	142
R59	145
R60	145

SYMBOL NO.	INDEX NO.
R61	145
R62	145
R63	145
R64	134
R65	---
R66	---
R67	---
R68	---
R69	---
R70	136

SYMBOL NO.	INDEX NO.
R71	135
R72	142
R73	145
R74	---
R75	137
R76	137
R77	137
R78	137
R79	137
R80	137

SYMBOL NO.	INDEX NO.
R81	137
R82	137
R83	---
R84	148
R85	145
R86	149
R87	*145*
R88	145
R89	---
R90	---

SYMBOL NO.	INDEX NO.
R91	145
R92	145
R103	142
R104	143
R105	142
R106	143
R107	132
R116	137
R117	137
R120	143

SYMBOL NO.	INDEX NO.
R121	143
R122	142
R123	142
R128	137
R133	145
R134	135
R137	137

* * =A252

17. MAIN CONTROL BOARD (A251/A252)

RESISTOR

SYMBOL NO.	INDEX NO.
R141	137
R142	----
R143	145
R144	135
R145	134
R146	141
R147	134
R148	141
R149	134
R150	141

SYMBOL NO.	INDEX NO.
R151	134
R152	141
R153	134
R154	141
R155	134
R156	141
R157	134
R158	141
R159	134
R160	141

SYMBOL NO.	INDEX NO.
R169	134
R170	143
R172	140
R173	140
R174	145
R175	143
R176	143
R177	143
R178	141
R180	141

SYMBOL NO.	INDEX NO.
R181	133
R182	133
R183	133
R184	145
R190	145
R191	145
R192	145
R193	145
R194	145
R195	145

SYMBOL NO.	INDEX NO.
R196	145
R197	145
R198	145
R199	145
R200	145
R201	145
R202	145
R203	145

TP

SYMBOL NO.	INDEX NO.
TP103	101
TP104	101
TP105	101

17. MAIN CONTROL BOARD (A251/A252)

Index No.	Part No.	Description	Q'ty Per Assembly
*	A251 5220	Main Control Board (A251)	1
*	A252 5230	Main Control Board - Multi (A252)	1
1	A251 5228	IC - M27C1001-12F1 (A251)	1
1	A252 5238	IC - M27C1001-12F1 (A252)	1
101	1101 0328	Connector Pin Contact	
102	1102 5303	Connector - 4P	
103	1102 5304	Connector - 5P	
104	1102 6400	Connector - 24P	
105	1102 6401	Connector - 26P	
106	1102 6403	Connector - 30P	
107	1102 6842	Connector - 60P	
108	1104 0378	IC Socket - 24p - DICF-24CS-E	
109	1104 0589	Dip Socket - 32p	
110	1400 0347	Transistor -2sb1010	
111	1401 0296	Transistor - 2SA1162Y	
112	1402 0476	Diode - 1SS184	
113	1407 1596	TTLIC - SN74LS14NS	
114	1407 2137	IC - 74F138SJ	
115	1407 2187	TTLIC - SN74LS07NS	
116	1407 2218	TTLIC - SN74LS06NS	
117	1407 2231	IC - TD62308AF	
118	1407 2344	IC - TD62382F	
119	1407 3336	IC - TMP82C55AM-10	
120	1407 3481	IC - SN74AS32NS	
121	1407 3692	IC - RF5C86	
122	1407 4137	IC - MM1035XF	

Index No.	Part No.	Description	Q'ty Per Assembly
123	1407 4286	IC - Mk48z52b - 15	
124	1407 4627	IC - H8/532F	
125	1408 0595	IC - NJM2904M	
126	1408 0874	Transistor Array - M54587FP	
127	1408 1135	IC - X9C104S	
128	1503 0437	Crystal Oscillator - 16mhz	
129	1601 1810	Resistor - 380 Ω \pm 5%	
130	1605 0636	Capacitor - 0.1MF	
131	1607 0466	Emc Beet	
132	1630 1202	Resistor - 2.0K Ω \pm 5% 1/4W	
133	1630 2101	Resistor - 100 Ω 1/8W	
134	1630 2102	Resistor - 1K Ω 1/8W \pm 5%	
135	1630 2103	Resistor - 10K Ω 1/8W	
136	1630 2104	Resistor - 100K Ω 1/8W \pm 5%	
137	1630 2123	Resistor - 12K Ω 1/8W \pm 5%	
138	1630 2153	Resistor - 15K Ω 1/8W \pm 5%	
139	1630 2184	Rtegistor - 180k Ω \pm 5% 1/8w	
140	1630 2220	Resistor - 22 Ω 1/8W \pm 5%	
141	1630 2222	Resistor - 2.2K Ω 1/8W	
142	1630 2223	Resistor - 22K Ω 1/8W \pm 5%	
143	1630 2332	Resistor - 3.3K Ω 1/8W \pm 5%	
144	1630 2394	Resistor - 390K Ω 1/8W \pm 5%	
145	1630 2472	Resistor - 4.7K Ω 1/8W \pm 5%	
146	1630 2474	Resistor - 470K OKM \pm 5% 1/8W	
147	1630 3472	Resistor - 4.7K Ω 1/10W \pm 5%	
148	1632 1301	Resistor - 1.3K Ω \pm 1% 1/8W	
149	1632 2201	Resistor - 2.2K Ω \pm 1% 1/8W	
150	1640 0101	Capacitor - 100mF10V	
151	1640 5101	Capacitor - 100mF \pm 20% 50V	
152	1642 0470	Capacitor - 47mF \pm 20% 10V	
153	1642 5478	Capacitor - 0.47mF50V	
154	1660 3150	CAPACITOR - 15pF 50V	
155	1660 5103	CAPACITOR - 10000pF \pm 10% 50V	
156	1905 0008	Uveprom 1m X8 120ns	

18. AC DRIVE BOARD (A251/A252)

A

SYMBOL NO.	INDEX NO.
A201	118

CAPACITOR

SYMBOL NO.	INDEX NO.
C201	125
C202	126

CNNECTOR

SYMBOL NO.	INDEX NO.
CN201	106
CN202	108
CN203	107
CN204	104
CN205	105
CN206	103

CR

SYMBOL NO.	INDEX NO.
CR201	124

COIL

SYMBOL NO.	INDEX NO.
L201	127

DB

SYMBOL NO.	INDEX NO.
DB201	115

DIODE

SYMBOL NO.	INDEX NO.
D201	114

FC

SYMBOL NO.	INDEX NO.
FC201	109

FG

SYMBOL NO.	INDEX NO.
FG1	102

FU

SYMBOL NO.	INDEX NO.
FU201	111

PC

SYMBOL NO.	INDEX NO.
PC201	117
PC202	116

Q

SYMBOL NO.	INDEX NO.
Q201	113

RESISTOR

SYMBOL NO.	INDEX NO.
R201	123
R202	123
R203	121
R204	122
R205	130
R206	129
R207	128

SCR

SYMBOL NO.	INDEX NO.
SCR201	120

TB

SYMBOL NO.	INDEX NO.
TB201	101
TB202	101
TB203	101
TB204	101

V

SYMBOL NO.	INDEX NO.
V201	119
V202	118

18. AC DRIVE BOARD (A251/A252)

Index No.	Part No.	Description	Q'ty Per Assembly
*	A252 5550	AC Drive Board - 115v	
*	A252 5555	AC Drive Board - 230v	
101	1100 0657	FASTENING TAB	
102	1100 1787	TERMINAL - M3.5	
103	1102 2964	CONNECTOR - 5289-02A : 2P	

Index No.	Part No.	Description	Q'ty Per Assembly
104	1102 5313	Connector-st,2p	
105	1102 6296	Connector - 3P	
106	1102 6300	Connector - 7P	
107	1102 7398	PIN HEADER - B02(12.4)P-VL	
108	1102 7484	PIN HEADER - B02(12.4)P-VL-R	
109	1104 0758	FUSE CLIP 15A 250V	
110	1105 0399	Card Spacer - Mps-10-0	
111	1107 0887	Fuse 250v 15a	
112	1208 1352	Relay - AC250V 16A	
113	1400 0087	Transistor - 2SC1815	
114	1401 0821	Diode - 1SS133	
115	1402 0762	DIODE - S1WB(A)60	
116	1403 0776	IC - S21MD3VY	
117	1403 0791	Photocoupler - Ps2561-1-v	
118	1404 0363	Surge Absorber - 3000V 2000A AC250V (230V)	
118	1404 0366	SURGE ABSORBER - 2400V 2000A AC1 (115V)	
119	1404 0367	VARISTOR - AVR-S10D271KAAS (115V)	
119	1404 0368	VARISTOR - AVR-S10D471KAAS (230V)	
120	1405 0270	TRIAC - 25A 600V	
121	1600 1586	RESISTOR - 820 Ω	
122	1600 1832	RESISTOR - 200 Ω \pm 5% 1/2W (230V)	
122	1601 1922	RESISTOR - 100 Ω \pm 5% 0.5W (115V)	
123	1601 5320	RESISTOR - 10K Ω \pm 5% (115V)	
123	1601 5321	RESISTOR - 33K Ω \pm 5% (230V)	
124	1602 0895	Noise Killer - 0.1mf, 120 Ω	
125	1606 1882	Capacitor-0.01mF250v AC (115V)	
125	1606 1973	CAPACITOR - 4700pF (230V)	
126	1606 2012	Capacitor - 0.1UF \pm 20% AC250V (230V)	
127	1607 0291	COIL - 92UH 6A (230V)	
128	1611 4101	Resistor - 100 Ω 1/4T \pm 5%	
129	1611 8103	Resistor - 10K Ω \pm 5% 1/4W	
130	1611 8393	RESISTOR - 39K Ω \pm 5%	

A251/A252
PARTS INDEX

This section instructs you as to the numbers and names of parts on this machine.

P.M. Parts Index

Section Name	Part No.	Description in Service Manual	Description in Parts Catalog	Q'ty Per Assembly	Page and Index No
VACUUM FAN (A252)	AA01 0087	Ozone Filter	Ozone Filter	1	5- 7

Parts Index

Part No.	Description	Page and Index No.
A251 5220	Main Control Board (A251)	11- *
A251 5228	IC - M27C1001-12F1 (A251)	11- 1

Part No.	Description	Page and Index No.
AA01 0087	Ozone Filter	5- 7
AA06 0386	Pressure Spring	7- 5
AA06 3275	Stopper Spring	3- 18
AA06 3560	Spring - Front	3- 5
AA12 0093	Antistatic Brush	3- 9
AA14 0692	Driven Roller Shaft	3- 7
AA15 1981	Seal - 30x168x9	5- 4
AA15 1983	Seal - 12x36x3	5- 5
AA15 1984	Support Duct Seal	5- 9
AA15 1988	Left Seal	5- 1
AA15 2380	Upper Fan Seal	5- 6
AA15 2381	Ozone Filter Upper Seal	5- 8
AA15 2382	Right Shielding Seal	5- 12
AA15 2383	Right Shielding Seal	5- 20
AA15 2384	Left Shielding Seal	5- 21
AA15 2385	Short Shielding Seal	5- 3
AA15 2386	Long Shielding Seal - Exhaust	5- 16
AA15 2387	Short Shielding Seal - Exhaust	5- 17
AA15 2393	Sponge Seal - 24x24x20	3- 3
AB03 0560	Pulley Z16	3- 21
AF02 2027	Drive Roller	3- 6
AF02 5029	Exit Separation Pawl	7- 18
AX04 0111	Stepping Motor - Dc24v	3- 20
AX66 0008	Fan Motor - Dc24v 14.4w	5- 13
G020 4374	Middle Antistatic Brush - FD	7- 20
G020 4483	Antistatic Brush - FD	7- 19

Part No.	Description	Page and Index No.
A010 5700	Sensor	7- 10
A163 1376	Cover Lever Bracket	3- 16
A163 4291	Fan Support Plate	5- 10
A163 4311	Seal - 8x16x570	5- 19
A163 4465	Lower Support Guide	7- 9
A163 4473	Lower Entrance Guide Plate	7- 8
A163 4477	Positioning Plate	7- 4
A163 4478	Long Hinge	7- 2
A163 5616	Fusing Sensor Harness	7- 6
A163 5640	Grounding Wire	3- 25
A163 5640	Grounding Wire	7- 7
A163 6052	Original Table Bushing	3- 29
A163 6056	Stopper Pin	3- 13
A163 6066	Upper Lever	3- 14
A163 6202	Original Table Stopper	3- 19
A163 6203	Original Stopper Pin	3- 17
A174 4201	Blower Duct	5- 11
A174 4203	Seal - Fan Motor Harness	5- 18
A174 4361	Right Lock Bracket	7- 11
A174 4366	Left Lock Bracket	7- 3
A174 4371	Paper exit Guide	7- 16
A174 4373	Gate Pawl Holder	7- 17
A174 5662	Grounding Harness	7- 15
A228 4709	Bushing - Original Transport	3- 4
A252 1463	Operation Panel Ass'y - Multi (LT)	3- 11
A252 1464	Operation Panel Ass'y - Multi (A4)	3- 11
A252 1471	Operation Panel Cover	3- 28
A252 1481	Operation Panel Sheet - Multi (LT)	3- 27
A252 1482	Operation Panel Sheet - Multi (A4)	3- 27
A252 4281	Exhaust Cover - LT	5- 2
A252 4282	Exhaust Cover - A4	5- 2
A252 4285	Large Shielding Plate	5- 15
A252 4286	Small Shielding Plate	5- 14
A252 4453	Lower Paper Guide	7- 13
A252 4454	Lower Middle Guide Plate	7- 14

Part No.	Description	Page and Index No.
A252 4455	Stopper	7- 21
A252 4456	Original Guide Plate	7- 23
A252 4457	Paper Exit Mylar	7- 24
A252 4475	Paper Exit Cover	7- 12
A252 4544	Upper Original Cover (K+E)	3- 1
A252 4550	Upper Original Cover (RIC)	3- 1
A252 4551	Upper Original Cover (NRG/REGMA)	3- 1
A252 4552	Operation Panel Cover	3- 12
A252 4553	Upper Cover Stay	3- 2
A252 4555	Guide	3- 10
A252 4557	Platen Cover Guide	3- 8
A252 4566	Support Plate	3- 24
A252 4567	Right Side Plate Cover	3- 23
A252 4568	Motor Cover	3- 22
A252 4612	Stopper Wire	3- 26
A252 5230	Main Control Board - Multi (A252)	11- *
A252 5238	IC - M27C1001-12F1 (A252)	11- 1
A252 5550	AC Drive Board - 115v	13- *
A252 5555	AC Drive Board - 230v	13- *

Part No.	Description	Page and Index No.
5053 0447	Bushing - 6mm	7- 22
5403 2075	Stepped Screw	7- 1
5413 1882	Stepped Screw	3- 15

Part No.	Description	Page and Index No.
0313 0100B	Philips Pan Head Screw - M3x10	7-103
0313 0100B	Philips Pan Head Screw - M3x10	3-110
0314 0060B	Philips Pan Head Screw - M4x6	3-104
0314 0060B	Philips Pan Head Screw - M4x6	5-104
0314 0080B	Philips Pan Head Screw - M4x8	3-108
0314 0100B	Philips Pan Head Screw - M4x10	5-102
0353 0080F	Philips Truss Head Screw - M3x8	5-101
0434 0080B	Pan Head Self-tapping Screw - M4x8	3-105
0434 0082B	Tapping Screw - M4x8	7-101
0452 3010B	Tapping Bind Screw - M3X10	3-112
0452 4008B	Tapping Screw - M4x8	7-104
0452 4008B	Tapping Screw - M4x8	3-101
0574 0040E	Hexagon Headless Set Screw - M4x4	3-109
0701 0040B	Flat Washer - M4	3-102
0720 0030Z	Retaining Ring - M3	3-103
0720 0040Z	Retaining Ring - M4	7-106
0951 3006B	Philips Screw With Flat Washer - M3x6	3-107
0951 3008B	Philips Screw With Flat Washer - M3X8	7-107
0951 4006B	Philips Screw With Washer - M4x6	7-105
1100 0657	FASTENING TAB	13-101
1100 1787	TERMINAL - M3.5	13-102
1101 0328	Connector Pin Contact	11-101
1102 2964	CONNECTOR - 5289-02A : 2P	13-103
1102 5303	Connector - 4P	11-102
1102 5304	Connector - 5P	11-103
1102 5313	Connector-st,2p	13-104
1102 6296	Connector - 3P	13-105
1102 6300	Connector - 7P	13-106
1102 6400	Connector - 24P	11-104
1102 6401	Connector - 26P	11-105
1102 6403	Connector - 30P	11-106
1102 6842	Connector - 60P	11-107
1102 7398	PIN HEADER - B02(12.4)P-VL	13-107
1102 7484	PIN HEADER - B02(12.4)P-VL-R	13-108
1104 0378	IC Socket - 24p - DICF-24CS-E	11-108

Part No.	Description	Page and Index No.
1104 0589	Dip Socket - 32p	11-109
1104 0758	FUSE CLIP 15A 250V	13-109
1105 0113	Edge - P108	3-106
1105 0199	Clamp	7-102
1105 0199	Clamp	5-103
1105 0399	Card Spacer - Mps-10-0	13-110
1106 0241	Bushing - 6.7mm	3-111
1107 0887	Fuse 250v 15a	13-111
1208 1352	Relay - AC250V 16A	13-112
1400 0087	Transistor - 2SC1815	13-113
1400 0347	Transistor -2sb1010	11-110
1401 0296	Transistor - 2SA1162Y	11-111
1401 0821	Diode - 1SS133	13-114
1402 0476	Diode - 1SS184	11-112
1402 0762	DIODE - S1WB(A)60	13-115
1403 0776	IC - S21MD3VY	13-116
1403 0791	Photocoupler - Ps2561-1-v	13-117
1404 0363	Surge Absorber - 3000V 2000A AC250V	13-118
1404 0366	SURGE ABSORBER - 2400V 2000A AC1	13-118
1404 0367	VARISTOR - AVR-S10D271KAAS (115V)	13-119
1404 0368	VARISTOR - AVR-S10D471KAAS (230V)	13-119
1405 0270	TRIAC - 25A 600V	13-120
1407 1596	TTLIC - SN74LS14NS	11-113
1407 2137	IC - 74F138SJ	11-114
1407 2187	TTLIC - SN74LS07NS	11-115
1407 2218	TTLIC - SN74LS06NS	11-116
1407 2231	IC - TD62308AF	11-117
1407 2344	IC - TD62382F	11-118
1407 3336	IC - TMP82C55AM-10	11-119
1407 3481	IC - SN74AS32NS	11-120
1407 3692	IC - RF5C86	11-121
1407 4137	IC - MM1035XF	11-122
1407 4286	IC - Mk48z52b - 15	11-123
1407 4627	IC - H8/532F	11-124
1408 0595	IC - NJM2904M	11-125

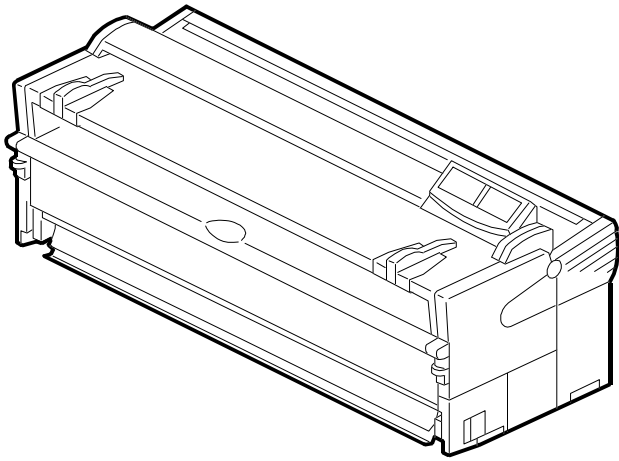
Part No.	Description	Page and Index No.
1408 0874	Transistor Array - M54587FP	11-126
1408 1135	IC - X9C104S	11-127
1503 0437	Crystal Oscillator - 16mhz	11-128
1600 1586	RESISTOR - 820 Ω	13-121
1600 1832	RESISTOR - 200 Ω \pm 5% 1/2W (230V)	13-122
1601 1810	Resistor - 380 Ω \pm 5%	11-129
1601 1922	RESISTOR - 100 Ω \pm 5% 0.5W (115V)	13-122
1601 5320	RESISTOR - 10K Ω \pm 5% (115V)	13-123
1601 5321	RESISTOR - 33K Ω \pm 5% (230V)	13-123
1602 0895	Noise Killer - 0.1 μ F, 120 Ω	13-124
1605 0636	Capacitor - 0.1 μ F	11-130
1606 1882	Capacitor-0.01 μ F 250v AC (115V)	13-125
1606 1973	CAPACITOR - 4700pF (230V)	13-125
1606 2012	Capacitor - 0.1 μ F \pm 20% AC250V (230V)	13-126
1607 0291	COIL - 92UH 6A (230V)	13-127
1607 0466	Emc Beet	11-131
1611 4101	Resistor - 100 Ω 1/4T \pm 5%	13-128
1611 8103	Resistor - 10K Ω \pm 5% 1/4W	13-129
1611 8393	RESISTOR - 39K Ω \pm 5%	13-130
1630 1202	Resistor - 2.0K Ω \pm 5% 1/4W	11-132
1630 2101	Resistor - 100 Ω 1/8W	11-133
1630 2102	Resistor - 1K Ω 1/8W \pm 5%	11-134
1630 2103	Resistor - 10K Ω 1/8W	11-135
1630 2104	Resistor - 100K Ω 1/8W \pm 5%	11-136
1630 2123	Resistor - 12K Ω 1/8W \pm 5%	11-137
1630 2153	Resistor - 15K Ω 1/8W \pm 5%	11-138
1630 2184	Rtegistor - 180k Ω \pm 5% 1/8w	11-139
1630 2220	Resistor - 22 Ω 1/8W \pm 5%	11-140
1630 2222	Resistor - 2.2K Ω 1/8W	11-141
1630 2223	Resistor - 22K Ω 1/8W \pm 5%	11-142
1630 2332	Resistor - 3.3K Ω 1/8W \pm 5%	11-143
1630 2394	Resistor - 390K Ω 1/8W \pm 5%	11-144
1630 2472	Resistor - 4.7K Ω 1/8W \pm 5%	11-145
1630 2474	Resistor - 470K OKM \pm 5% 1/8W	11-146

B047/B048
PARTS LOCATION AND LIST

This section instructs you as to the numbers and names of parts on this machine.

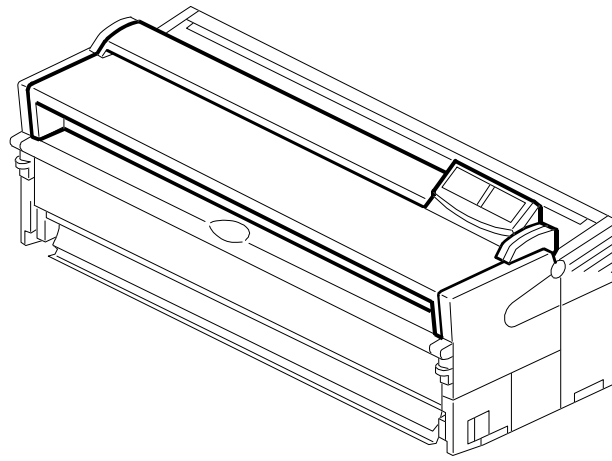
LOCATIONS OF UNITS

1. EXTERIOR (B047/B048)



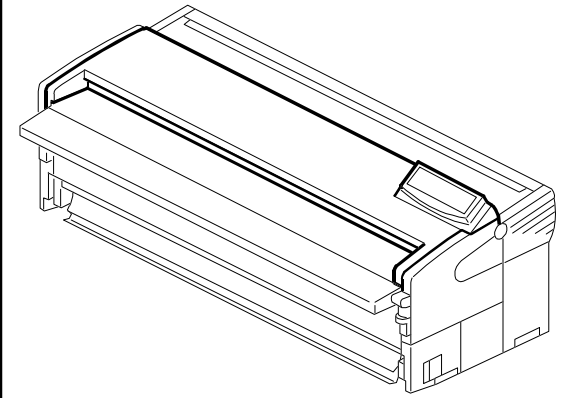
See Page 7

2. ORIGINAL FEED SECTION (B047)



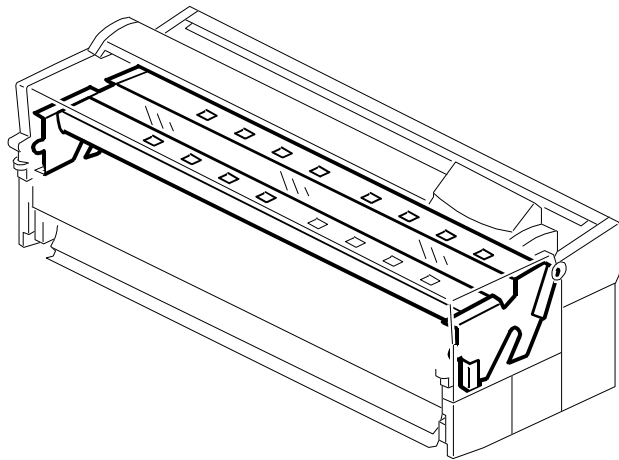
See Page 9

3. ORIGINAL FEED SECTION (B048)



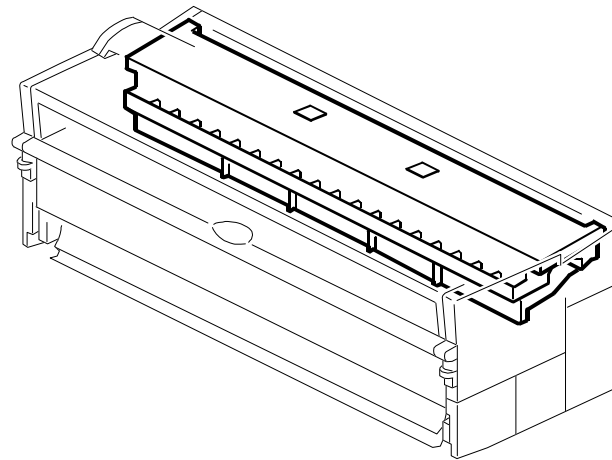
See Page 11

4. OPTICS SECTION (B047/B048)



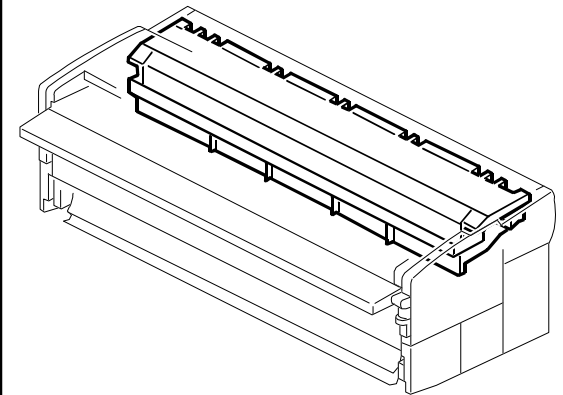
See Page 13

5. VACUUME FAN (B047)



See Page 15

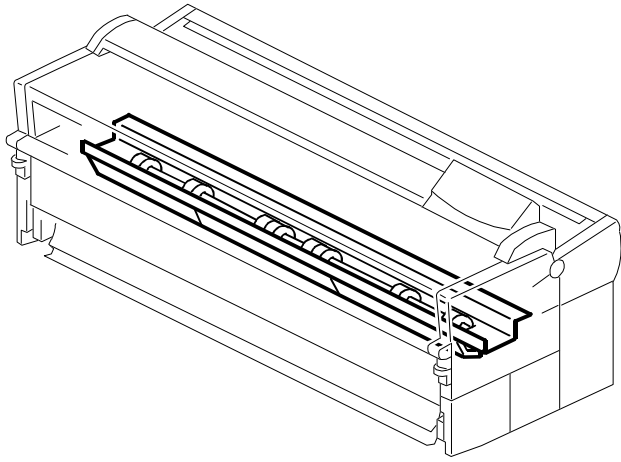
6. VACUUME FAN (B048)



See Page 17

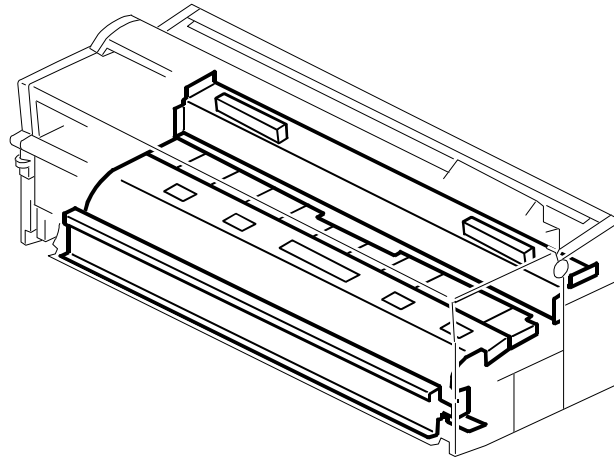
LOCATIONS OF UNITS

7. UPPER PAPER FEED SECTION



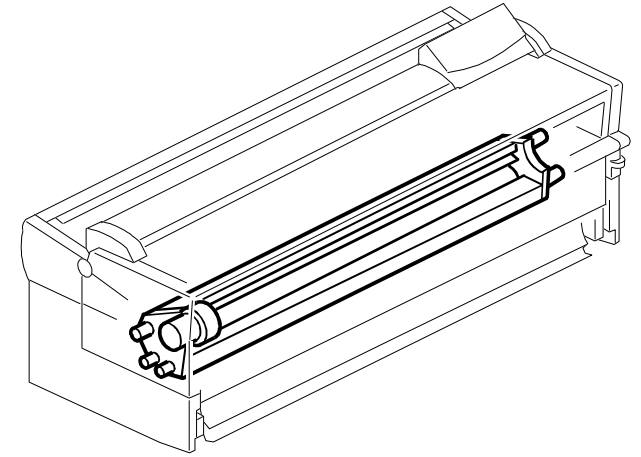
See Page 19

8. LOWER PAPER FEED SECTION



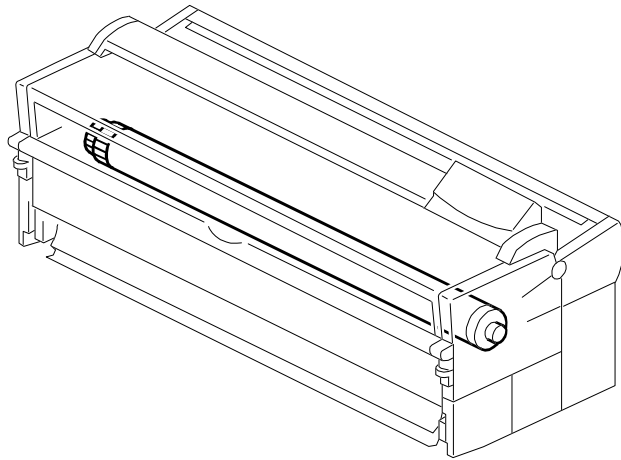
See Page 21

9. DEVELOPMENT UNIT (B047/B048)



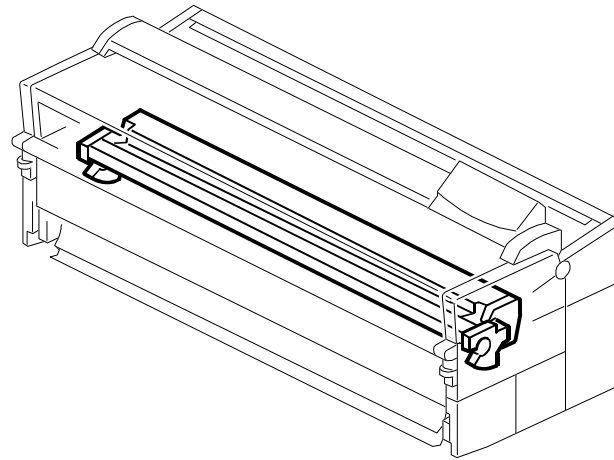
See Page 23

10. DRUM SECTION (B047/B048)



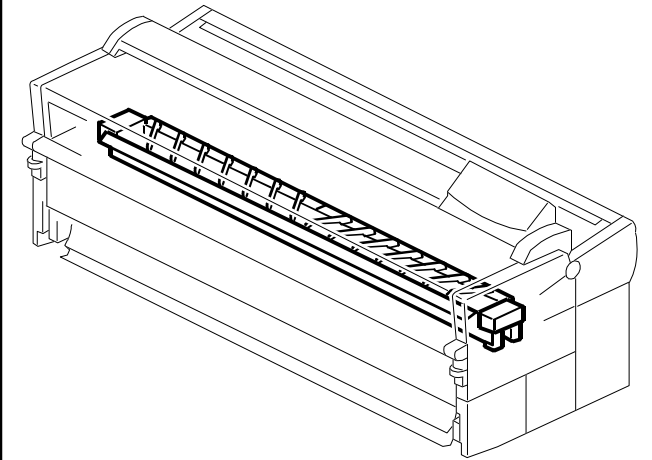
See Page 25

11. CHARGE CORONA SECTION



See Page 27

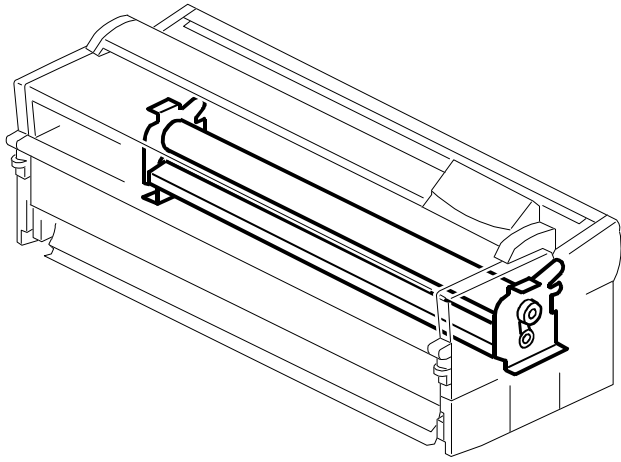
12. T/S CORONA SECTION (B047/B048)



See Page 29

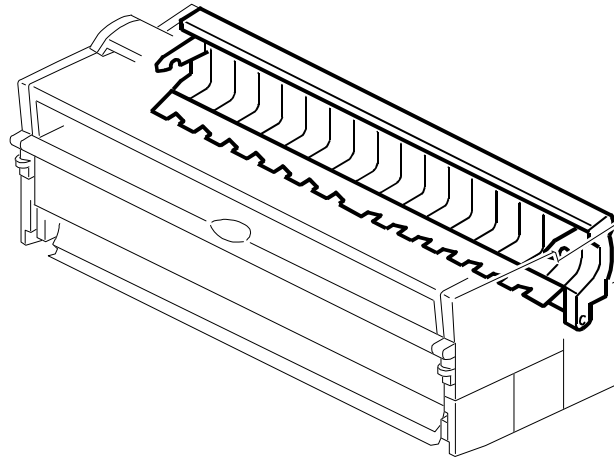
LOCATIONS OF UNITS

13. FUSING UNIT (B047/B048)



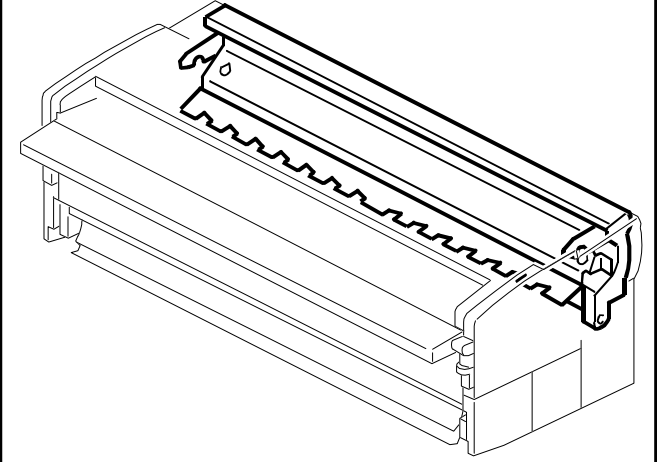
See Page 31

14. PAPER EXIT SECTION 1 (B047)



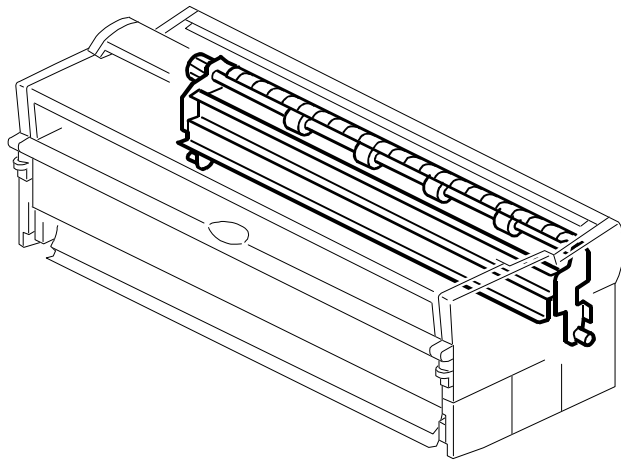
See Page 33

15. PAPER EXIT SECTION 1 (B048)



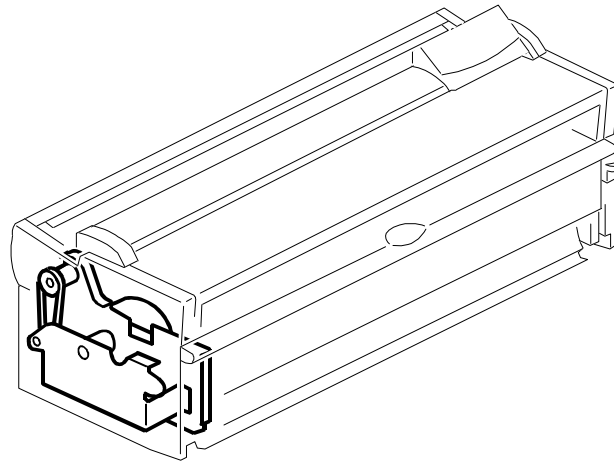
See Page 35

16. PAPER EXIT SECTION 2 (B047/B048)



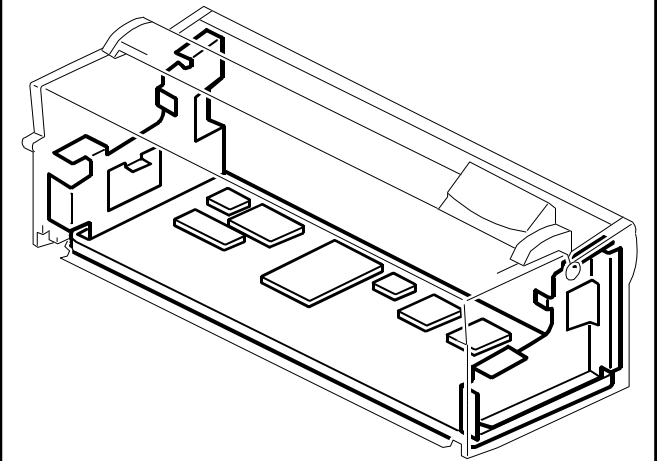
See Page 37

17. DRIVE SECTION (B047/B048)



See Page 39

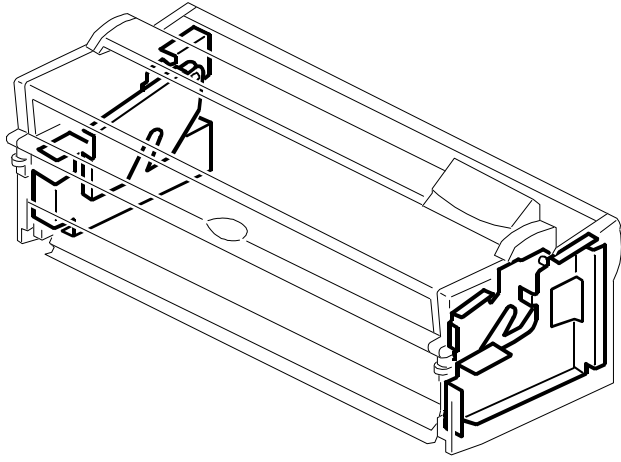
18. ELECTRICAL SECTION (B047/B048)



See Page 41

LOCATIONS OF UNITS

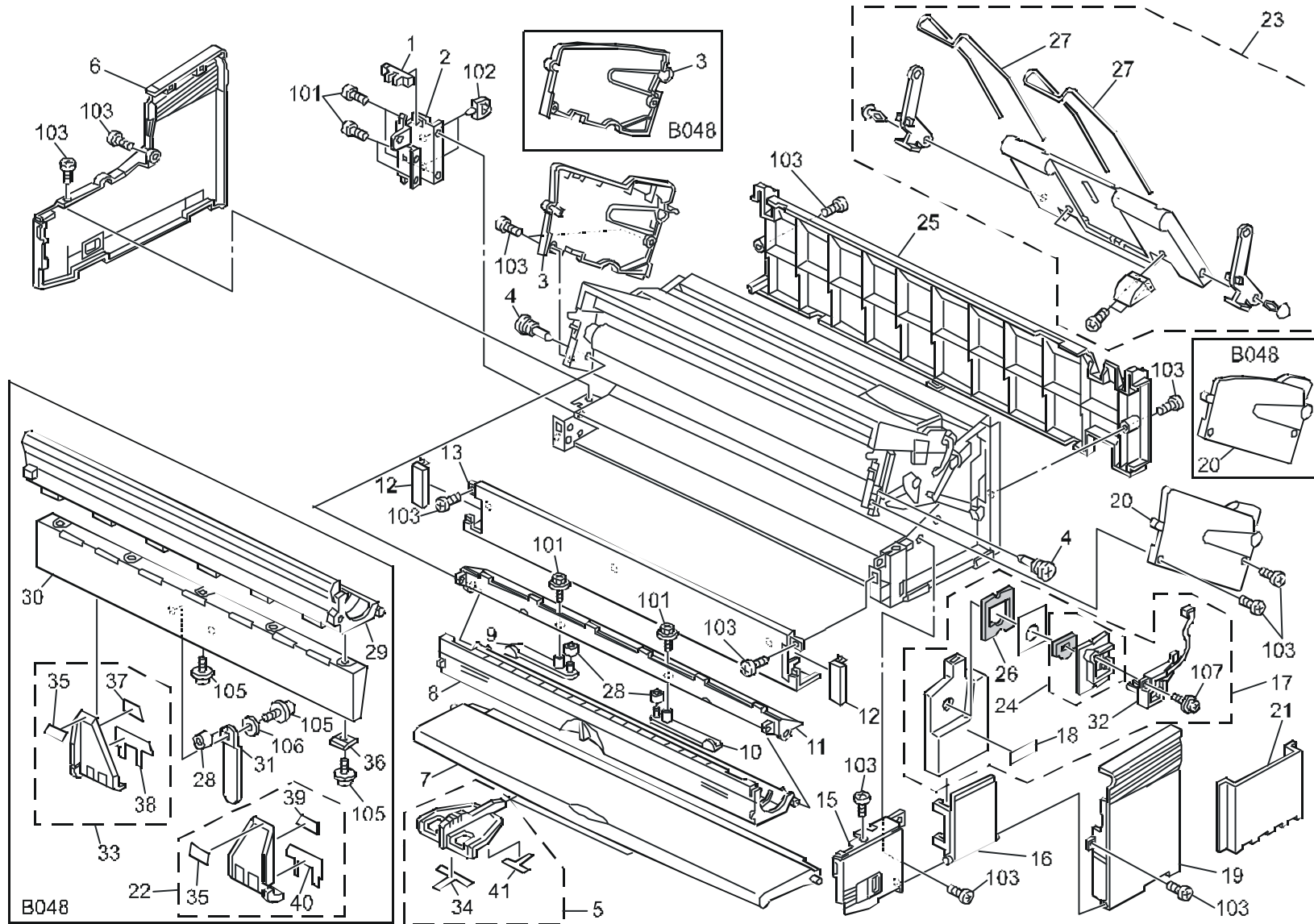
19. FRAME SECTION (B047/B048)



See Page 43

1.EXTERIOR (B047/B048)

Rev. 07/15/2003



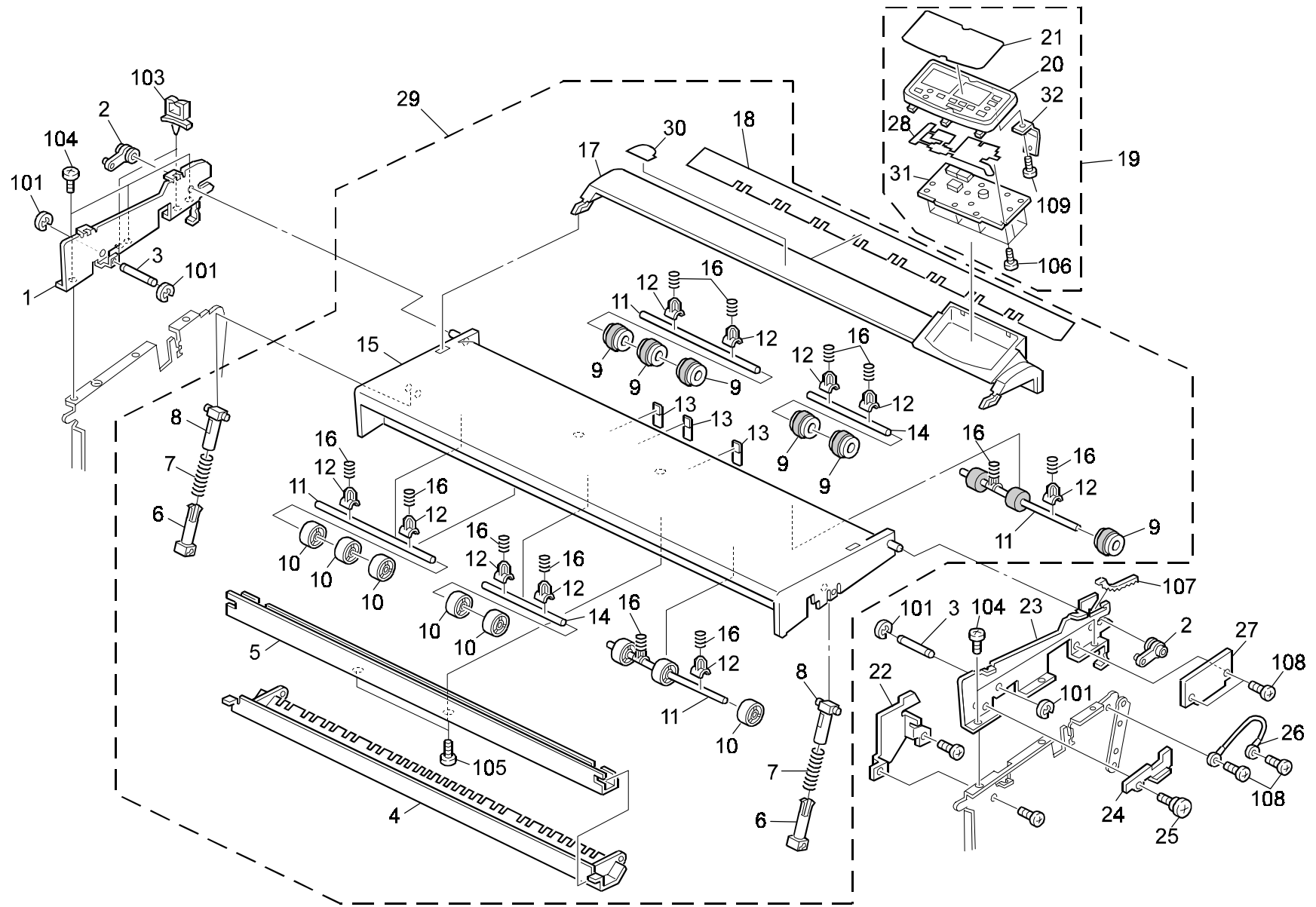
1.EXTERIOR (B047/B048)

Rev. 07/15/2003

Index No.	Part No.	Description	Q'ty Per Assembly
1	AW02 0075	Photointerruptor	1
2	A163 1099	Left Latch Bracket	1
3	B047 1291	Upper Left Cover (B047)	1
3	B048 1291	Left Upper Cover (B048)	1
4	5446 2824	Screw - Duplex Guide Plate	2
5	B047 6225	Side Fence (B047)	1
6	B047 1301	Lower Left Cover	1
7	B047 2690	Manual Feed Table (LT) (B047)	1
7	B047 2691	Manual Feed Table (A4) (B047)	1
8	B047 1351	Toner Supply Cover	1
9	A163 1366	Left Original Stopper	1
10	A163 1362	Right Original Stopper	1
11	B047 1341	Manual Feed Cover	1
12	B047 1331	Receiving Tray Cover	2
13	B047 1311	Lower Front Cover	1
15	B047 1266	Lower Right Front Cover	1
16	B047 1272	Lower Right Middle Cover	1
17	B047 9500	Toner Collection Bottle	1
17	B047 9501	Toner Collection Bottle (CHN)	1
18	AA00 0644	Decal - Toner Correction	1
18	AA00 0645	Decal - Toner Correction (4 Lang.)	1
18	B047 3630	Decal - Toner Correction (CHN)	1
19	B047 1281	Lower Right Rear Cover	1
20	B047 1251	Upper Right Cover (B047)	1
20	B048 1251	Upper Right Cover (B048)	1
21	B010 1359	Operating Instructions Holder	1
22	B048 4546	Right Side Fence Ass'y (B048)	1
23	B047 4490	Copy Tray	1
24	A165 3630	Toner End Sensor Holder	1
25	B047 1321	Lower Rear Cover	1
26	A007 3763	Adhesive Tape - Sensor Holder	1
27	B047 4495	Copy Tray Guide Rod (B048)	2
28	AA16 1118	Tube - 3x4.5x3	2
29	B048 4590	Original Feed Table (B048)	1
30	B048 4591	Original Table (LT B048)	1

Index No.	Part No.	Description	Q'ty Per Assembly
30	B048 4592	Original Table (A4 B048)	1
31	A252 4611	Original Stopper	2
32	AW33 0009	Used Toner Sensor	1
33	B048 4545	Left Side Fence (B048)	1
34	B047 2553	Side Fence Sheet - 2 (B047)	1
35	A228 4656	Side Fence Sheet - Original Feed (B048)	1
36	A252 4617	Original Spacer (B048)	5
37	B048 4652	Left Side Fence Sheet - 1 (B048)	1
38	B048 4655	Left Side Fence Sheet - 2 (B048)	1
39	B048 2662	Right Side Fence Sheet - 1 (B048)	1
40	B048 2665	Right Side Fence Sheet - 2 (B048)	1
41	B047 2552	Side Fence Sheet - 1 (B047)	1
101	0314 0060B	Philips Pan Head Screw - M4x6	
102	1105 0199	Clamp	
103	0343 0080F	Philips Truss Head Screw - M3x8	
104	0434 0082B	Tapping Screw - M4x8	
105	0452 4008B	Binding Self Tapping Screw - M4x8	
106	0701 0040B	Flat Washer - M4	
107	0452 3006B	Tapping Screw - M3x6	

2.ORIGINAL FEED SECTION (B047)

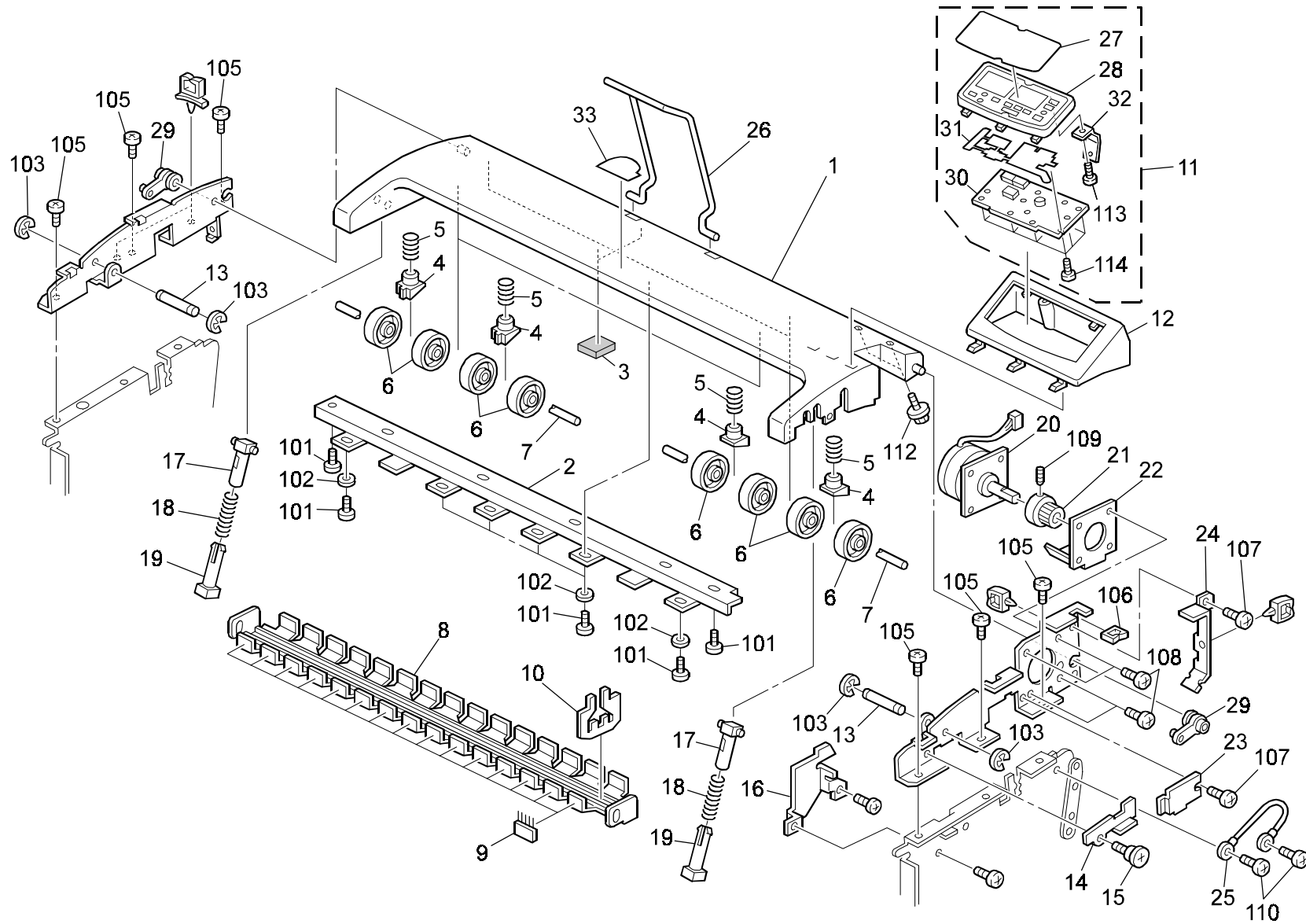


2.ORIGINAL FEED SECTION (B047)

Index No.	Part No.	Description	Q'ty Per Assembly
1	A163 6051	Original Feed Left Plate	1
2	A163 6052	Original Table Bushing	2
3	A163 6056	Stopper Pin	2
4	A163 6162	Platen Plate	1
5	A163 6161	Original Table Channel	1
6	A163 6202	Original Table Stopper	2
7	AA06 3275	Stopper Spring	2
8	A163 6203	Original Stopper Pin	2
9	AF02 2081	Front Driven Roller	8
10	A163 6175	Front Drive Roller	8
11	A163 6172	End Roller Shaft	4
12	A163 6181	Original Driven Bushing	12
13	A163 6256	Guide Mylar	3
14	A163 6171	Middle Roller Shaft	2
15	B047 6131	Original Table (LT)	1
15	B047 6133	Original Table (A4)	1
16	AA06 3274	Center Spring	12
17	B047 6223	Rear Original Cover (LT RIC)	1
17	B047 6226	Rear Original Cover (NRG)	1
17	B047 6221	Rear Original Cover (A4 RIC)	1
18	A163 6251	Original Entrance Sheet	1
19	B047 1463	Operation Panel Ass'y (LT)	1
19	B047 1464	Operation Panel Ass'y (A4)	1
20	B047 1471	Operation Panel Cover	1
21	B047 1481	Operation Panel Sheet (LT)	1
21	B047 1482	Operation Panel Sheet (A4)	1
22	A163 1376	Cover Lever Bracket	1
23	A163 6061	Original Feed Right Plate	1
24	A163 6066	Upper Lever	1
25	5413 1882	Stepped Screw	1
26	B047 5640	Grounding Wire	1
27	A163 6065	Right Bracket	1
28	B047 1473	Protection Sheet	1
29	B047 6111	Original Table Ass'y (LT RIC)	1
29	B047 6113	Original Table Ass'y (A4 RIC)	1

Index No.	Part No.	Description	Q'ty Per Assembly
29	B047 6115	Original Table Ass'y (NRG)	1
30	B047 1245	Decal - Emblem (RIC)	1
30	B047 6252	Decal - Name Plate (GES)	1
30	B047 6253	Decal - Name Plate (NSA)	1
30	B047 6254	Decal - Name Plate (REX)	1
31	B047 5100	Operation Panel Board	1
32	B047 1474	Fixing Bracket - Operation Panel	1
101	0720 0030Z	Retaining Ring - M3	
102	1106 0241	Bushing - 6.7mm	
103	1105 0196	Harness Clamp	
104	0314 0060B	Philips Pan Head Screw - M4x6	
105	0414 0142B	Binding Self Tapping Screw - M4x14	
106	0802 5087	Tapping Bind Screw - M2x5	
107	1106 0493	Edging	
108	0434 0080B	Pan Head Self-Tapping Screw - M4x8	
109	0452 2006B	Baind Tapping Screw - M2x6	

3.ORIGINAL FEED SECTION (B048)

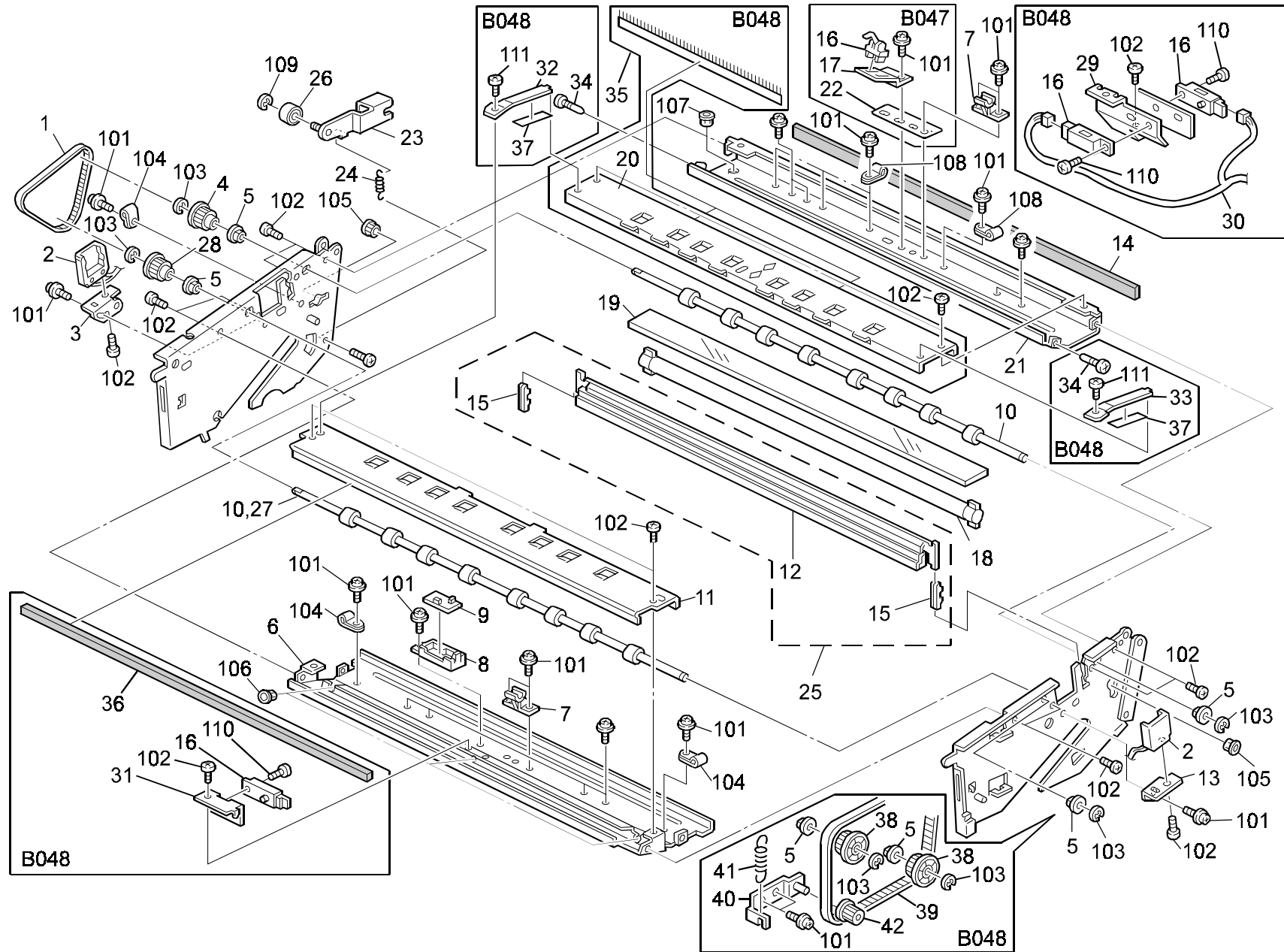


3.ORIGINAL FEED SECTION (B048)

Index No.	Part No.	Description	Q'ty Per Assembly
1	B048 4554	Upper Original Cover	1
2	A252 4553	Upper Cover Stay	1
3	AA15 2393	Sponge Seal - 24x24x20	3
4	A228 4709	Bushing - Original Transport	8
5	AA06 3560	Spring - Front	8
6	AF02 2027	Drive Roller	16
7	AA14 0692	Driven Roller Shaft	4
8	A252 4557	Platen Cover Guide	1
9	AA12 0106	Antistatic Brush	15
10	A252 4555	Guide	36
11	B048 1463	Operation Panel Ass'y (LT)	1
11	B048 1464	Operation Panel Ass'y (A4)	1
12	B048 4552	Operation Cover Panel	1
13	A163 6056	Stopper Pin	2
14	A163 6066	Upper Lever	1
15	5413 1882	Stepped Screw	1
16	A163 1376	Cover Lever Bracket	1
17	A163 6203	Original Stopper Pin	2
18	AA06 3275	Stopper Spring	2
19	A163 6202	Original Table Stopper	2
20	AX04 0111	Stepping Motor - DC24V	1
21	AB03 0560	Pulley Z16	1
22	A252 4568	Motor Cover	1
23	A252 4567	Right Side Plate Cover	1
24	A252 4566	Support Plate	1
25	B047 5640	Grounding Wire	1
26	A252 4612	Stopper Wire	1
27	B048 1481	Operation Panel Sheet (LT)	1
27	B048 1482	Operation Panel Sheet (A4)	1
28	B047 1471	Operation Panel Cover	1
29	A163 6052	Original Table Bushing	2
30	B047 5100	Operation Panel Board	1
31	B047 1473	Protection Sheet	1
32	B047 1474	Fixing Bracket - Operation Panel	1
33	B048 1245	Decal - Name Plate (RIC)	1

Index No.	Part No.	Description	Q'ty Per Assembly
33	B048 6252	Decal - Name Plate (GES)	1
33	B048 6253	Decal - Name Plate (NSA)	1
33	B048 6254	Decal - Name Plate (REX)	1
101	0452 4008B	Binding Self Tapping Screw - M4x8	
102	0701 0040B	Flat Washer - M4	
103	0720 0030Z	Retaining Ring - M3	
104	0314 0060B	Philips Pan Head Screw - M4x6	
105	0434 0080B	Pan Head Self-tapping Screw - M4x8	
106	1105 0113	Edge - P108	
107	0951 3006B	Philips Screw With Flat Washer-m3x6	
108	0314 0080B	Philips Pan Head Screw - M4x8	
109	0574 0040E	Hexagon Headless Set Screw - M4x4	
110	0313 0100B	Philips Pan Head Screw - M3x10	
111	1106 0241	Bushing - 6.7mm	
112	0452 3010B	Tapping Bind Screw - M3x10	
113	0452 2006B	Baind Tapping Screw - M2x6	

4.OPTICS SECTION (B047/B048)

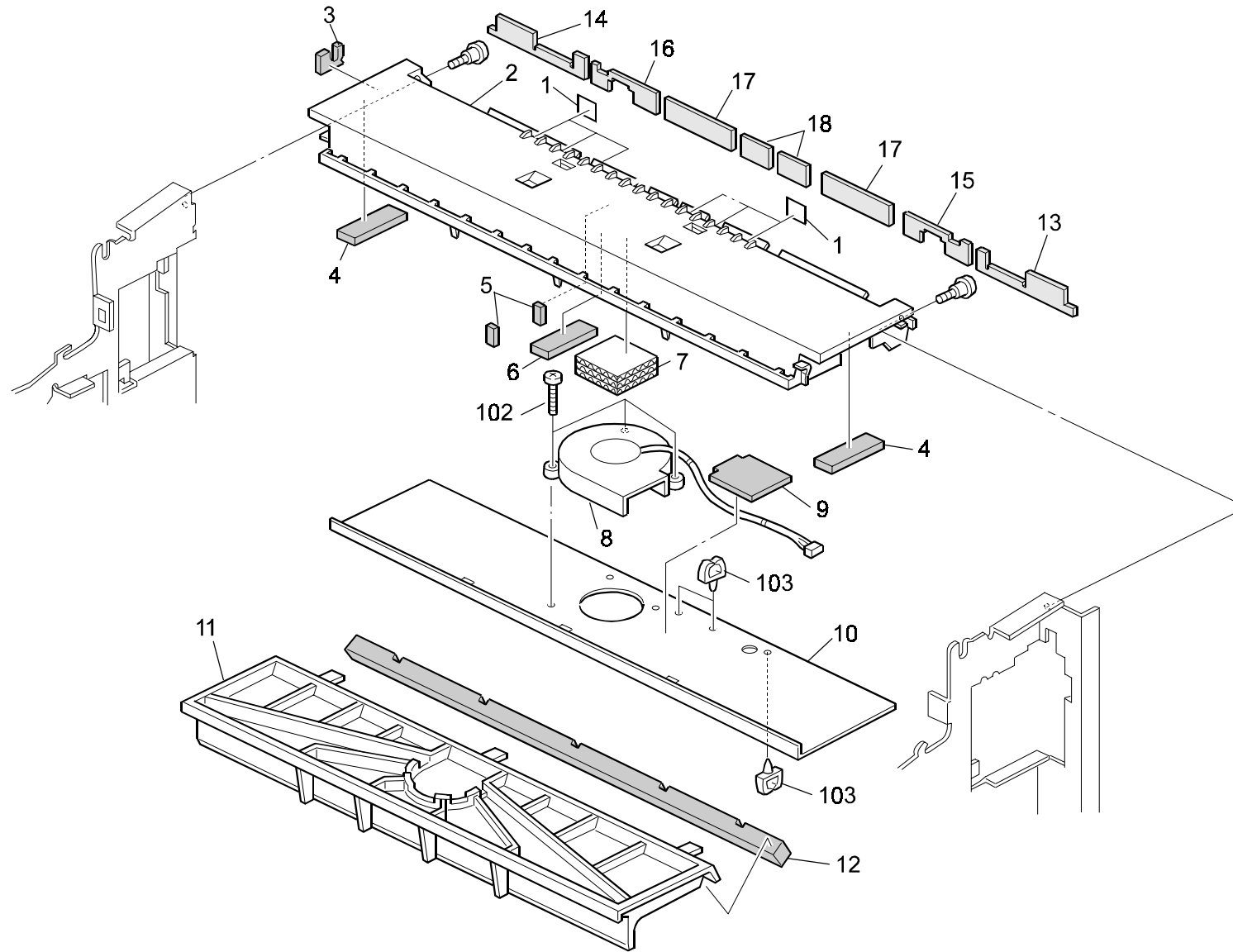


4.OPTICS SECTION (B047/B048)

Index No.	Part No.	Description	Q'ty Per Assembly
1	AA04 3405	Timing Belt - 411P3M6	1
2	A163 5620	Fluorescent Lamp Harness	1
3	A163 1671	Left Socket Bracket	1
4	AB03 0505	Pulley - 24Z	1
5	AA08 2104	Bushing - 8x12x7	4
6	A163 1653	Front Optics Stay (B047)	1
6	A252 1655	Front Stay (B048)	1
7	A163 6081	Arm Bushing	2
8	A163 1721	Light Sensor Holder	1
9	A163 5300	Light Sensor Board	1
10	A163 6071	2nd Original Drive Roller	1
10	AF02 0451	Original Feed Roller (B048)	2
11	A163 6101	Front Original Guide Plate (B047)	1
11	A252 4580	Front Lower Guide (B048)	1
12	A252 1611	Fiber Optics (B048)	1
13	A163 1672	Right Socket Bracket	1
14	AA15 1989	Seal - 23x1029x7	1
15	A163 1701	Fiber Optics Holder	2
16	AW02 0008	Photointerruptor (B047)	1
16	AW01 0091	Photo Reflection Sensor (B048)	3
17	A163 6091	Sensor Bracket (B047)	1
18	AX50 0053	Fluorescent Lamp - 140V/26W	1
19	A163 1711	Exposure Glass (B047)	1
19	AC01 0004	Exposure Glass (B048)	1
20	A163 6102	Rear Original Guide Plate (B047)	1
20	A252 4581	Rear Lower Guide (B048)	1
21	A163 1662	Rear Optics Stay (B047)	1
21	A252 1659	Rear Stay (B048)	1
22	A163 6095	Original Registration Sensor Spacer (B047)	1
23	A163 1155	Tension Bracket	1
24	AA06 0456	Fusing Cover Spring	1
25	B047 1630	Fiber Optics (B047)	1
25	B048 1630	Fiber Optics (B048)	1
26	A163 1158	Tension Pulley	1
27	A163 6075	1st Original Drive Roller (B048)	1

Index No.	Part No.	Description	Q'ty Per Assembly
28	A163 6085	One-way Pulley - 24z	1
29	A252 4586	Original Sensor Bracket (B048)	1
30	B048 5612	Relay Harness - Original Sensor (B048)	1
31	A252 4585	Original Sensor Bracket - Feed (B048)	1
32	A252 1651	Spring Plate - Left (B048)	1
33	A252 1652	Spring Plate - Right (B048)	1
34	5446 2824	Screw - Duplex Guide Plate (B048)	2
35	B048 4533	Rear Lower Guide (B048)	2
36	AA15 2392	Original Seal (B048)	1
37	A252 1653	Spring Plate Sheet - Exposure Glass (B048)	2
38	AB03 0597	Timing Pulley - 40 (B048)	2
39	AA04 3275	Timing Belt - 400 S2M80 (B048)	1
40	A252 4572	Belt Tightener (B048)	1
41	AA06 0541	Tension Spring (B048)	1
42	AB03 0598	Idler Pulley - 20 (B048)	1
101	0951 4006B	Philips Screw With Washer - M4x6	
102	0314 0060B	Philips Pan Head Screw - M4x6	
103	0720 0060Z	Retaining Ring - M6	
104	1105 0199	Clamp	
105	1106 0411	Bushing - 11.5mm	
106	1106 0241	Bushing - 6.7mm	
107	1106 0193	Bushing - 7.9mm	
108	1105 0005	Nylon Clip - 3n	
109	0720 0040Z	Retaining Ring - M4	
110	0313 0100B	Philips Pan Head Screw - M3x10	
111	0344 0060F	Philips Truss Head Screw - M4x6	

5.VACUUM FAN (B047)

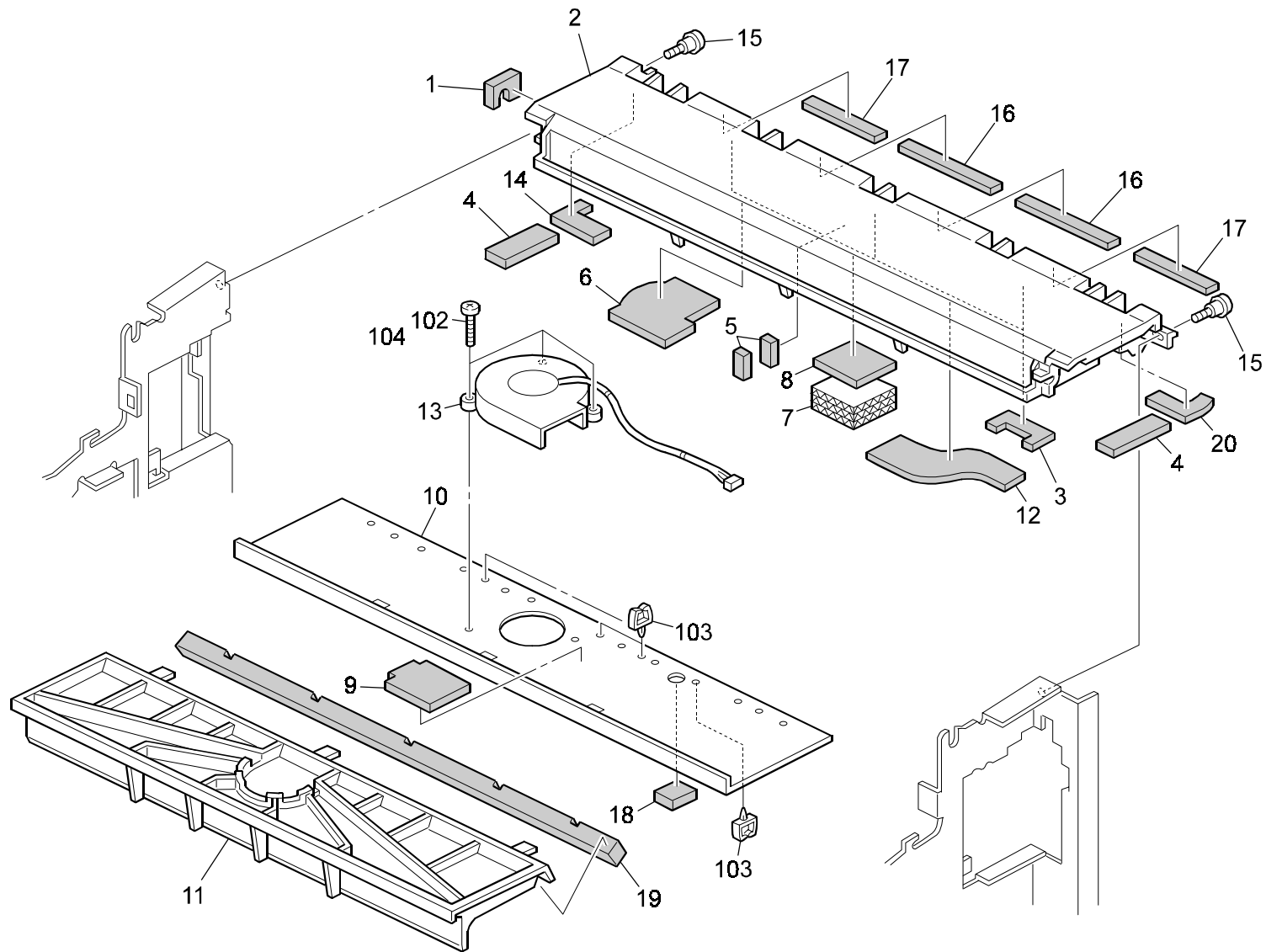


5.VACUUM FAN (B047)

Index No.	Part No.	Description	Q'ty Per Assembly
1	A163 4293	Blower Sheet - 51x57	6
2	B047 4281	Rear Feed Cover (NA)	1
2	B047 4282	Rear Feed Cover (EU)	1
3	AA15 1988	Left Seal	1
4	AA15 1981	Seal - 30x168x9	2
5	AA15 1983	Seal - 12x36x3	2
6	AA15 1982	Fan Seal	1
7	AA01 0087	Ozone Filter	1
8	AX66 0008	Fan Motor - DC24V 14.4W	1
9	AA15 1984	Support Duct Seal	1
10	A163 4291	Fan Support Plate	1
11	A163 4322	Blower Duct	1
12	A163 4311	Seal - 8x16x570	1
13	A163 4314	Right Seal	1
14	A163 4315	Left Seal	1
15	A163 4316	Right Middle Seal	1
16	A163 4317	Left Middle Seal	1
17	A163 4318	Seal - 6x24x116.5	2
18	A163 4319	Seal - 6x24x38	2

Index No.	Part No.	Description	Q'ty Per Assembly
101	0353 0080F	Philips Truss Head Screw - M3x8	
102	0314 0100B	Philips Pan Head Screw - M4x10	
103	1105 0199	Clamp	

6.VACUUM FAN (B048)



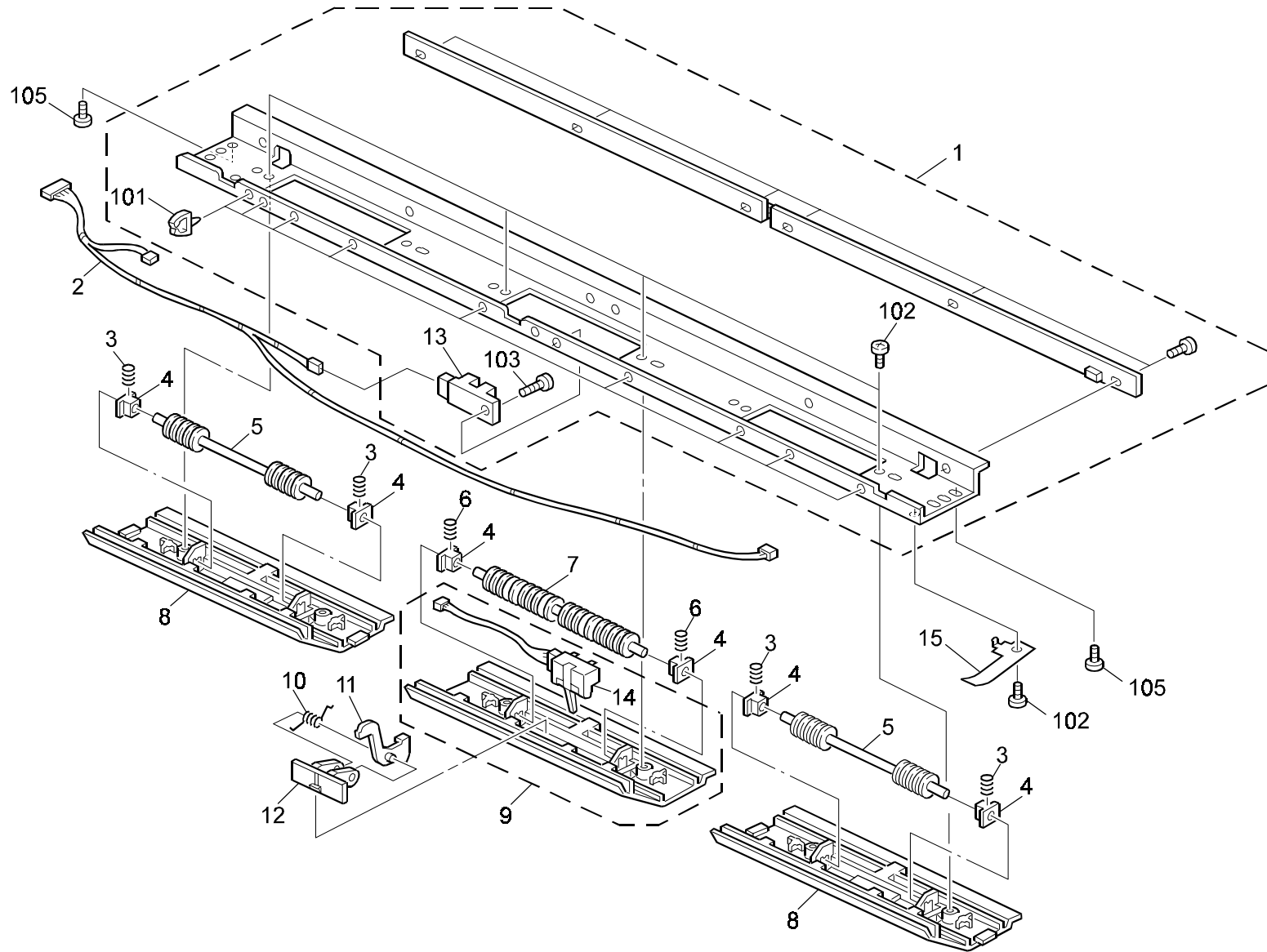
6.VACUUM FAN (B048)

Rev. 05/06/2004

Index No.	Part No.	Description	Q'ty Per Assembly
1	AA15 1988	Left Seal	1
2	B048 4281	Exhaust Cover (LT)	1
2	B048 4282	Exhaust Cover (A4)	1
3	AA15 2385	Short Shielding Seal	3
4	AA15 1981	Seal - 30x168x9	2
5	AA15 1983	Seal - 12x36x3	2
6	AA15 2380	Upper Fan Seal	1
7	AA01 0087	Ozone Filter	1
8	AA15 2381	Ozone Filter Upper Seal	1
9	AA15 1984	Support Duct Seal	1
10	A163 4291	Fan Support Plate	1
11	A174 4201	Blower Duct	1
12	AA15 2382	Right Shielding Seal	1
13	AX66 0008	Fan Motor - DC24V 14.4W	1
14	AA15 2384	Left Shielding Seal	1
15	5840 3022	Stopper Screw - M3	2
16	B048 4150	Long Shielding Seal - Exhaust Fan	2
17	B048 4151	Short Shielding Seal - Exhaust Fan	2
18	A174 4203	Seal: Fan: Harness [TSB#005]	
19	A163 4311	Seal - 8x16x570	1
20	AA15 2383	Right Shielding Seal	1

Index No.	Part No.	Description	Q'ty Per Assembly
101	0353 0080F	Philips Truss Head Screw - M3x8	
102	0314 0100B	Philips Pan Head Screw - M4x10	
103	1105 0199	Clamp	

7.UPPER PAPER FEED SECTION (B047/B048)

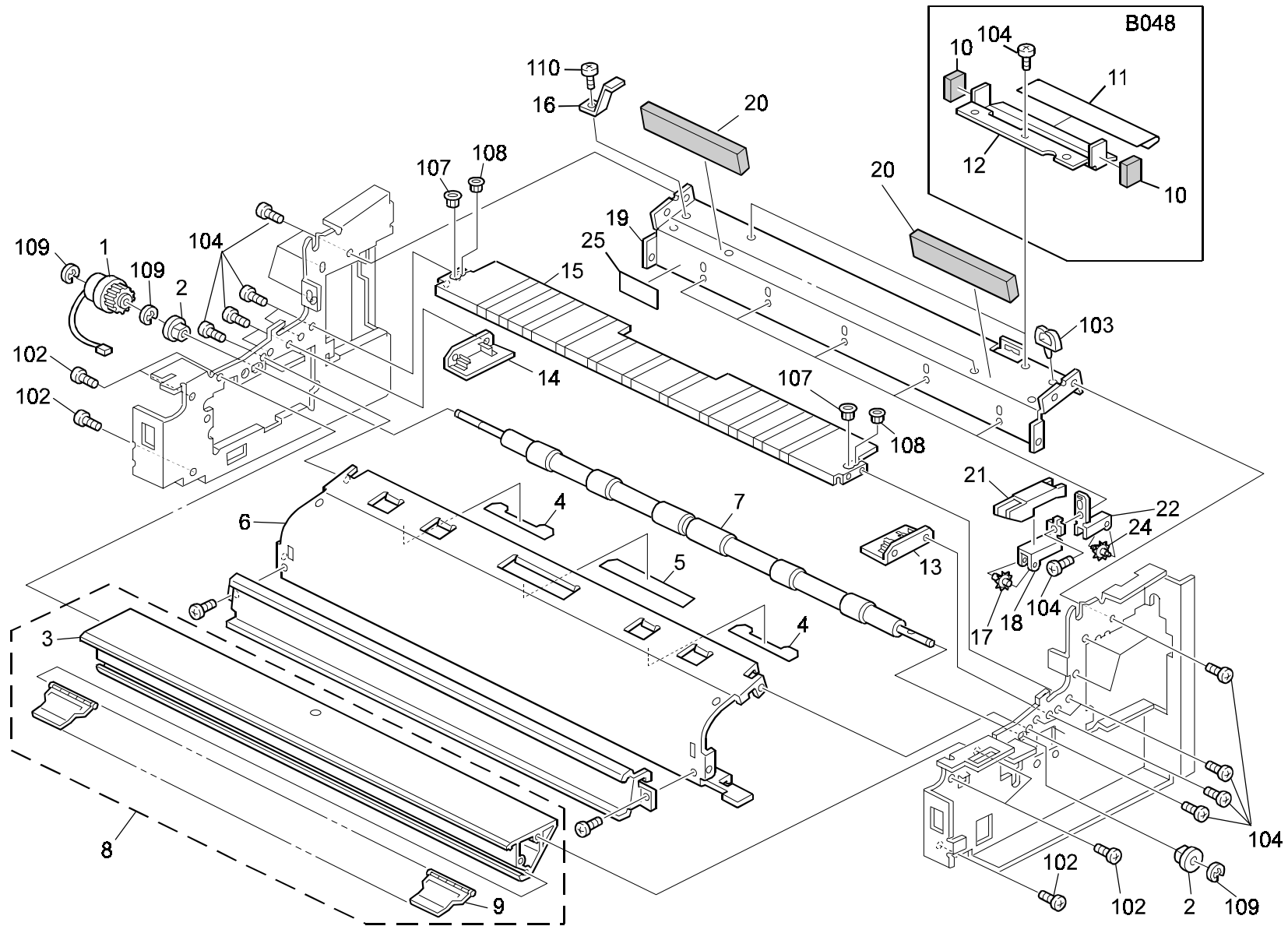


7.UPPER PAPER FEED SECTION (B047/B048)

Index No.	Part No.	Description	Q'ty Per Assembly
1	A252 5440	Pre Transfer Lamp - 24V 7.2W	1
2	A252 5611	DC Harness - Paper Feed	1
3	AA06 3279	Spring	4
4	A163 2569	Paper Feed Bushing	6
5	A163 2576	Driven Roller - Guide Plate	2
6	AA06 3277	Middle Plate Spring	2
7	A163 2560	Driven Roller	1
8	A163 2574	Guide Plate	2
9	A163 2554	Middle Guide Plate	1
10	AA06 6255	Feeler Spring	1
11	A163 2577	Registration Sensor Feeler	1
12	A163 2562	Feeler Bracket	1
13	AW02 0012	Photointerruptor	1
14	AW02 0024	Photointerruptor	1
15	A163 2579	Spring Plate	1

Index No.	Part No.	Description	Q'ty Per Assembly
101	1105 0199	Clamp	
102	0414 0082B	Binding Self Tapping Screw - M4x8	
103	0313 0100B	Philips Pan Head Screw - M3x10	
104	0314 0060B	Philips Pan Head Screw - M4x6	
105	0951 4008B	Philips Screw With Washer - M4x8	

8.LOWER PAPER FEED SECTION (B047/B048)



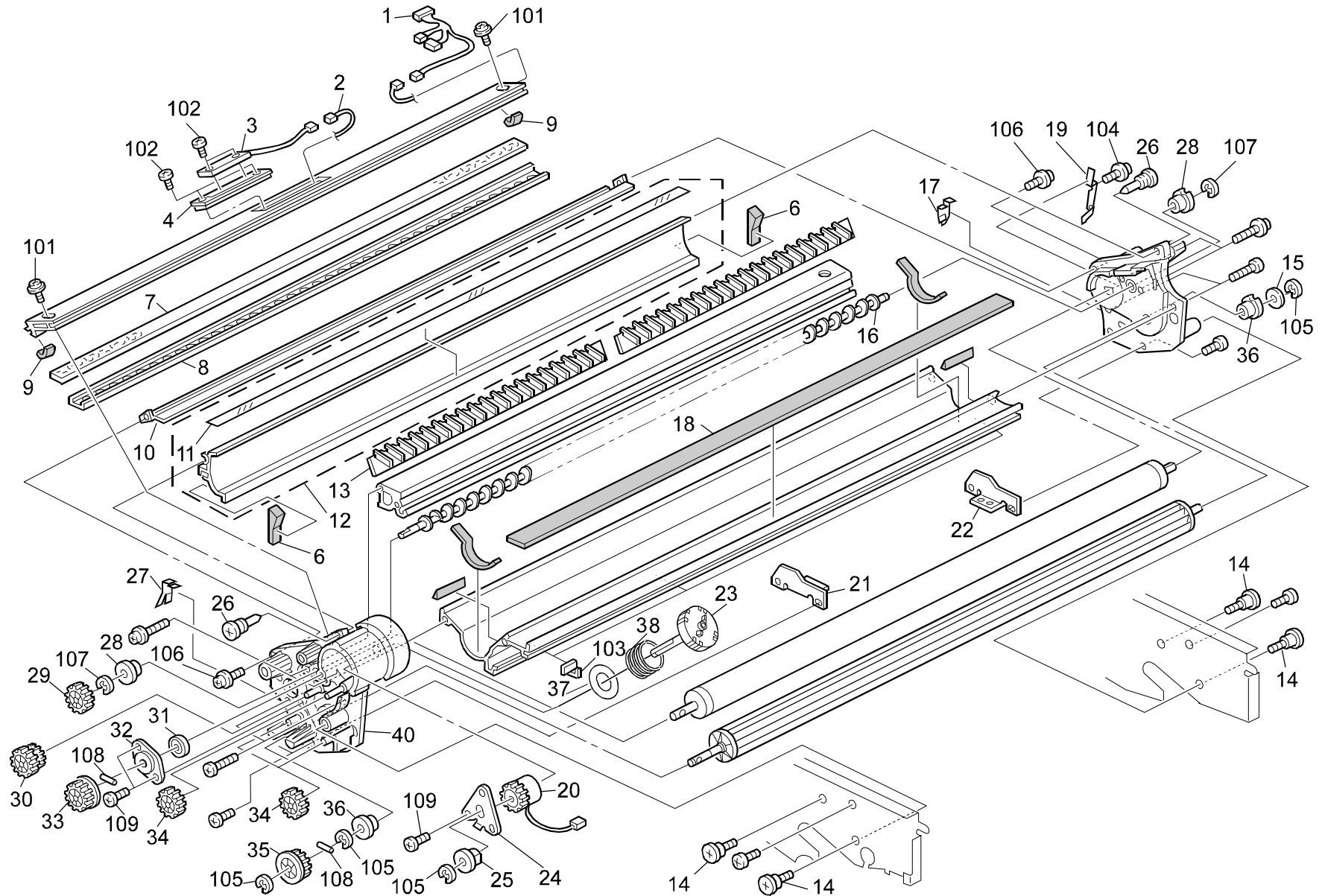
8.LOWER PAPER FEED SECTION (B047/B048)

Index No.	Part No.	Description	Q'ty Per Assembly
1	AX26 0006	Magnetic Clutch	1
2	AA08 2104	Bushing - 8x12x7	2
3	A174 3862	Middle Guide Plate (B048)	1
4	A163 2612	End Manual Feed Sheet	2
5	A163 2610	Middle Manual Feed Sheet	1
6	B047 2602	Lower Guide Plate	1
7	AF02 0339	Registration Roller	1
8	B047 2530	Middle Guide Plate (B048)	1
9	A174 3861	Guide Plate (B048)	1
10	AA15 2389	Short Shielding Seal - Fusing (B048)	1
11	A252 4288	Shield (B048)	1
12	A252 4287	Shielding Plate - Fusing (B048)	1
13	A163 3859	Right Positioning Bracket	1
14	A163 3861	Left Positioning Bracket	1
15	A163 3865	Transport Guide Plate	1
16	A163 4361	Grounding Plate	1
17	A163 4347	Separation Roller	5
18	A163 4351	Roller Bracket	5
19	A163 1081	Upper Fusing Unit Stay	1
20	AA15 2390	Shielding Seal	2
21	A163 4352	Fusing Guide Mylar	1
22	A163 4349	Small Roller Bracket	5
24	A163 4350	Small Separation Roller	5
25	AA00 0222	Decal - High Temperature 120 degrees C	1

Index No.	Part No.	Description	Q'ty Per Assembly
101	0434 0080B	Pan Head Self-tapping Screw - M4x8	
102	0314 0080B	Philips Pan Head Screw - M4x8	
103	1105 0199	Clamp	
104	0314 0060B	Philips Pan Head Screw - M4x6	
105	0622 0120E	Spring Pin - 2x12mm	
106	0951 3005B	Philips Screw With Flat Washer M3x5	
107	1106 0193	Bushing - 7.9mm	
108	1106 0241	Bushing - 6.7mm	
109	0720 0060Z	Retaining Ring - M6	
110	0314 0060B	Philips Pan Head Screw - M4x6	

9.DEVELOPMENT UNIT (B047/B048)

Rev. 06/23/2003



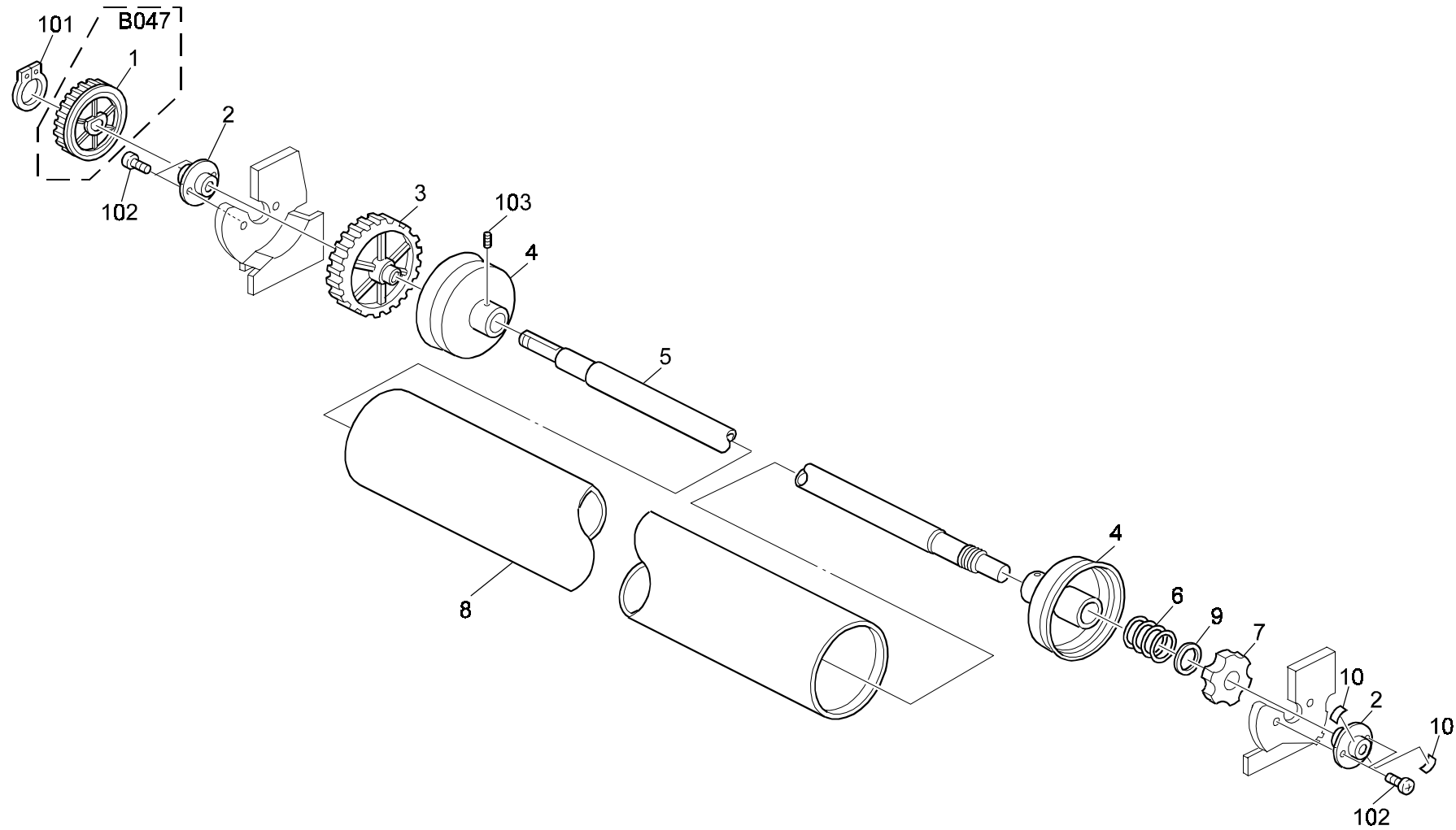
9.DEVELOPMENT UNIT (B047/B048)

Rev. 05/24/2005

Index No.	Part No.	Description	Q'ty Per Assembly
*	AD00 1047	Development Unit	1
1	A163 5610	Development Harness	1
2	A163 5618	Toner Sensor Harness	1
3	AW23 0006	Toner Density Sensor	1
4	A163 3089	Upper Toner Sensor Holder	1
5	A163 3170	Development Sleeve Flange	1
6	A163 3107	Seal - Toner Supply Unit Casing	2
7	AA01 2081	Development Filter	1
8	A163 3101	Filter Bracket	1
9	AA15 1951	Seal - 18x18	2
10	A163 3090	Entrance Seal Bracket	1
11	AA15 0109	Seal - 12x837	1
12	A163 3105	Toner Supply Unit Casing	1
13	AD03 6053	Left Backspill Plate	1
14	AA14 3719	Development Unit Shaft	4
15	AA13 2097	Spacer	1
16	AD03 7047	Development Auger	1
17	AA15 0647	Left Side Plate Seal	1
18	AA15 1955	Seal - 20x950x3	1
19	A163 3125	Development Unit Terminal	1
20	AX20 0115	Spring Clutch	1
21	A163 2596	Left Positioning Bracket	1
22	A163 2590	Right Positioning Bracket	1
23	B047 3100	Joint: Toner Hopper Ass'y	1
24	A163 3145	Toner Supply Unit Plate	1
25	5446 6214	Shaft Holder - Pick-up Roller	1
26	5446 2824	Screw - Duplex Guide Plate	2
27	AA15 0646	Right Side Plate Seal	1
28	AA08 0336	Bushing - DIA6 [TSB#007]	2
29	AB01 3921	Gear - 20Z	1
30	AB01 7378	Coupled Gear - 28/24Z	1
31	5429 3561	Ball Bearing - 10x26x8	1
32	5446 1134	Bearing Case	1
33	AB01 3920	Gear - 30Z	1
34	AB01 3924	Gear - 28Z	2

Index No.	Part No.	Description	Q'ty Per Assembly
35	AB01 3922	Gear - 28Z	1
36	5205 3093	Bushing - 8mm	2
37	B010 3211	Seal - 22x52x0.5	1
38	B010 3212	Spring - 10N	1
101	0951 4008B	Philips Screw With Washer - M4x8	
102	0313 0050B	Philips Pan Head Screw - M3x5	
103	1105 0109	Cord Keep	
104	0314 0080B	Philips Pan Head Screw - M4x8	
105	0720 0060Z	Retaining Ring - M6	
106	0951 3010B	Philips Screw With Flat Washer - M3x1	
107	0720 0050Z	Retaining Ring - M5	
108	0633 0200G	Pin - M3x20	
109	0314 0060B	Philips Pan Head Screw - M4x6	

10.DRUM SECTION (B047/B048)

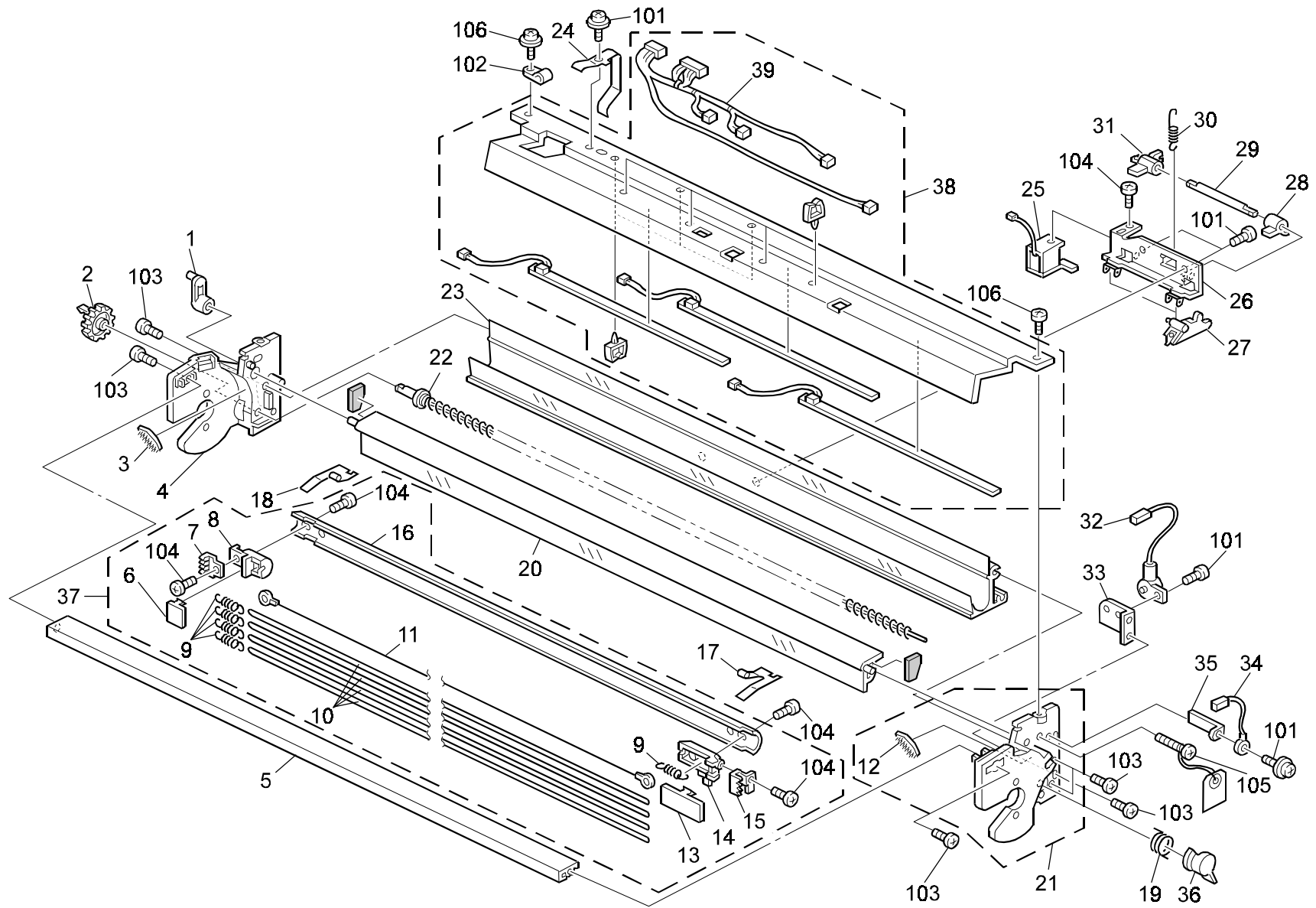


10.DRUM SECTION (B047/B048)

Index No.	Part No.	Description	Q'ty Per Assembly
1	AB03 0506	Pulley - 60Z (B047)	1
2	A163 2252	Bearing Holder	2
3	AB01 1168	Gear - 96Z	1
4	AD01 4030	Drum Flange	2
5	AD01 5015	Drum Shaft	1
6	AA06 3276	Pressure Spring	1
7	A163 2251	Drum Knob	1
8	A098 9510	Drum	1
9	A163 2255	Spacer	1
10	B047 2260	Sheet - Development Unit	2

Index No.	Part No.	Description	Q'ty Per Assembly
101	0725 0150E	Retaining Ring C - M15	
102	0314 0060B	Philips Pan Head Screw - M4x6	
103	0575 0050E	Hexagon Headless Set Screw - M5x5	

11.CHARGE CORONA SECTION (B047/B048)

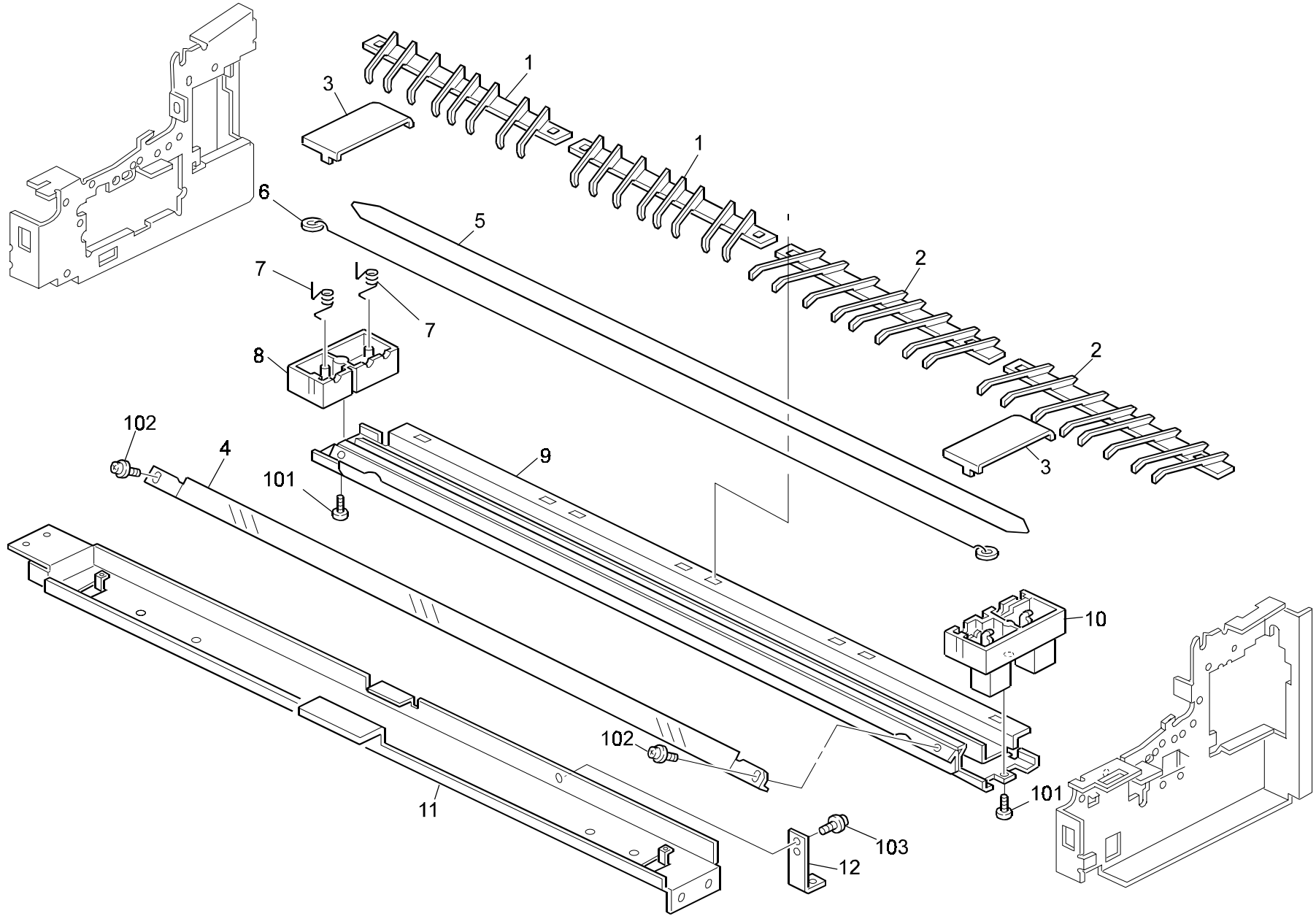


11.CHARGE CORONA SECTION (B047/B048)

Index No.	Part No.	Description	Q'ty Per Assembly
1	A163 3593	Cleaning Blade Bushing	1
2	AB01 1365	Gear - 27Z	1
3	A163 3558	Left Cleaning Seal	1
4	A163 3556	Left Side Plate - Drum	1
5	A163 3592	Drum Stay	1
6	AD02 2317	Left End Block Cover - Charge	1
7	A163 2052	Left Grid Terminal	1
8	AD02 2316	Left End Block - Charge	1
9	AA06 0749	Spring	5
10	A163 9501	Charge Grid Wire - 4pcs/set	1
11	AD02 0079	Main Corona Wire	1
12	A163 3553	Right Cleaning Seal	1
13	AD02 2315	Right End Block Cover - Charge	1
14	AD02 2347	Right End Block - Charge	1
15	A163 2051	Right Grid Terminal	1
16	AD02 3112	Charge Corona Casing	1
17	A163 2053	Right Plate Spring	1
18	A163 2054	Left Plate Spring	1
19	A163 3555	Shutter Spring	1
20	A163 3570	Cleaning Blade	1
21	A163 3551	Right Side Plate - Drum	1
22	AD04 3039	Toner Collection Screw	1
23	A163 3560	Cleaning Unit Casing	1
24	A163 2101	Grounding Plate - Erase Lamp	1
25	AX10 0026	DC Solenoid - Pick-off Pawl	1
26	A163 3600	Pick-off Pawl Bracket	1
27	A163 3611	Pick-off Pawl	2
28	A163 3607	Right Pressure Lever	1
29	A163 3609	Lever Shaft	1
30	A163 3594	Cleaning Blade Pressure Spring	1
31	A163 3608	Left Pressure Lever	1
32	AD02 1113	Relay Receptacle - Charge Corona	1
33	A163 2057	Relay Receptacle Bracket	1
34	A163 5633	Power Pack Harness - Grid	1
35	A163 2058	Grid Relay Terminal Plate	1

Index No.	Part No.	Description	Q'ty Per Assembly
36	A163 3554	Toner Shutter	1
37	A252 2050	Charge Corona Unit	1
38	B047 2100	Quenching Lamp	1
39	A252 5614	DC Relay Harness	1
101	0314 0060B	Philips Pan Head Screw - M4x6	
102	1105 0005	Nylon Clip - 3n	
103	0314 0100B	Philips Pan Head Screw - M4x10	
104	0313 0050B	Philips Pan Head Screw - M3x5	
105	0314 0200B	Philips Pan Head Screw - M4x20	
106	0313 0060B	Philips Pan Head Screw - M3x6	

12.T/S CORONA SECTION (B047/B048)

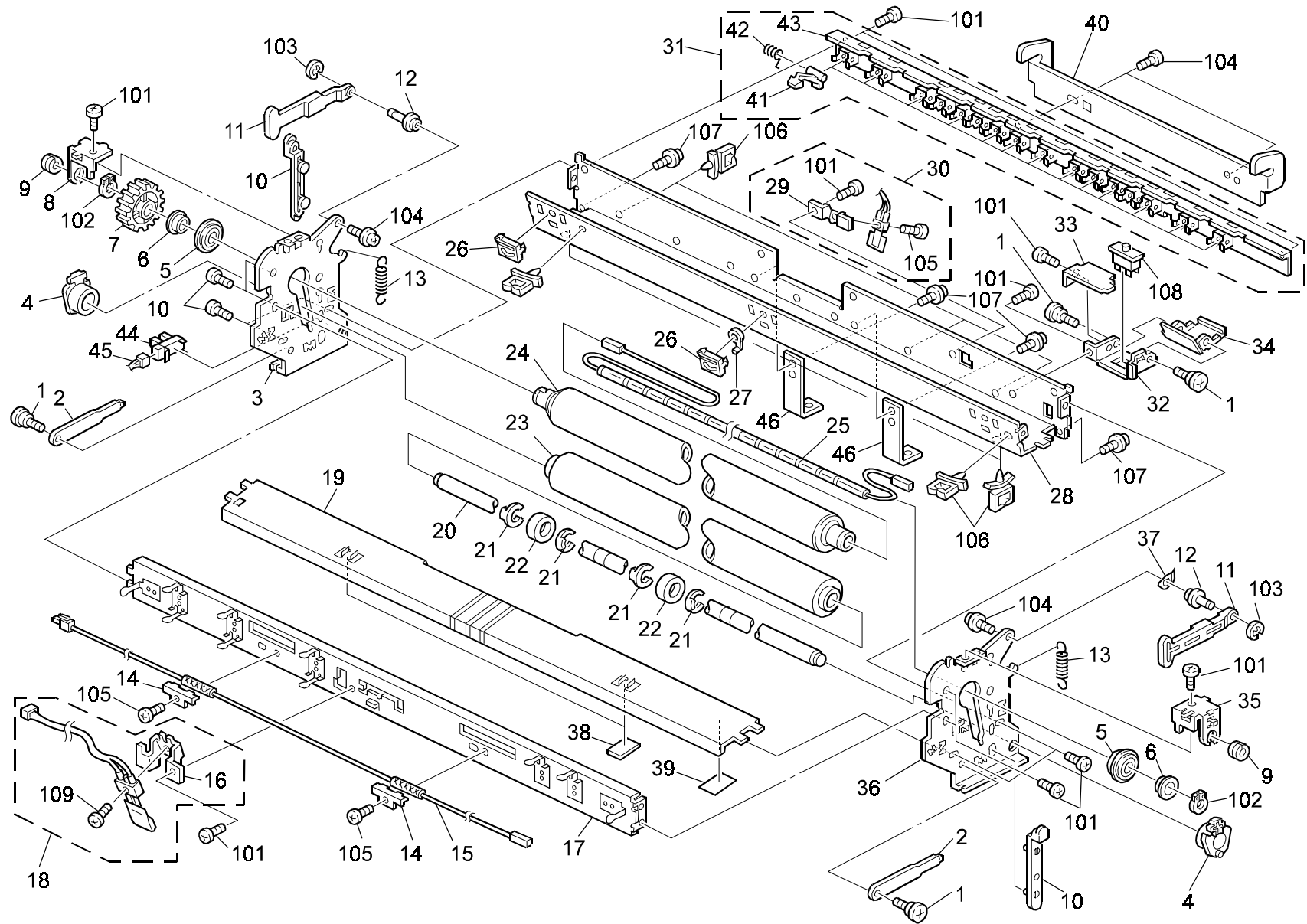


12.T/S CORONA SECTION (B047/B048)

Index No.	Part No.	Description	Q'ty Per Assembly
*	A163 3850	T/S Corona Unit	1
1	A163 3858	Left Paper Guide	2
2	A163 3857	Right Paper Guide	2
3	AD02 2320	End Block Cover - T/S	2
4	A163 3854	Entrance Sheet Bracket	1
5	AD02 0080	Corona Wire - Separation	1
6	A163 9500	Corona Wire - 2 pcs/set	1
7	AA06 6254	Corona Wire Spring	2
8	AD02 2319	Left End Block - T/S	1
9	AD02 3113	T/S Corona Casing	1
10	AD02 2318	Right End Block - T/S	1
11	B047 3869	T/S Corona Guide Plate	1
12	B047 4185	Ground Plate	1

Index No.	Part No.	Description	Q'ty Per Assembly
101	0433 0062B	Tapping Screw - M3x6mm	
102	0951 3005B	Philips Screw With Flat Washer M3x5	
103	0314 0060B	Philips Pan Head Screw - M4x6	

13.FUSING UNIT (B047/B048)

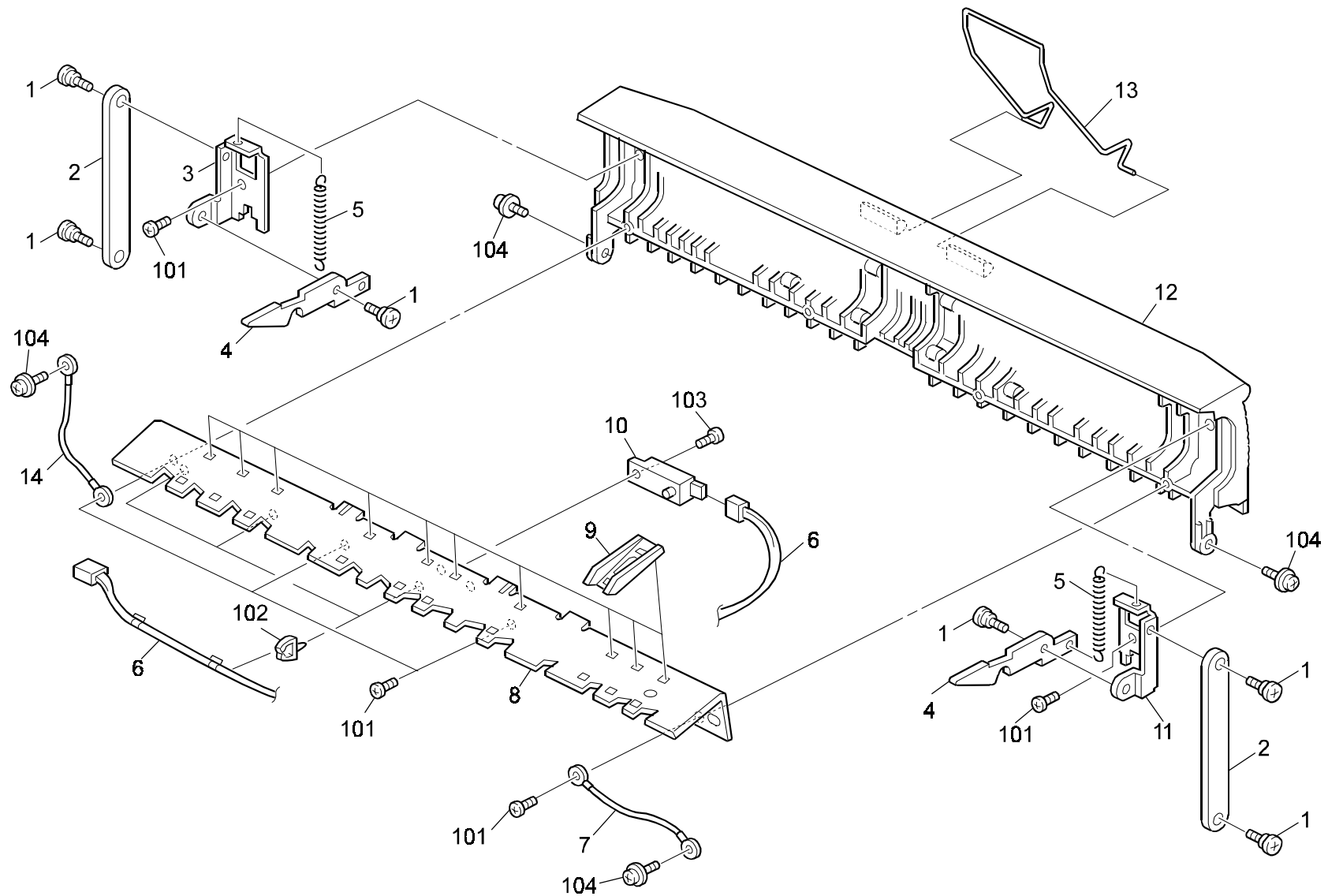


13.FUSING UNIT (B047/B048)

Index No.	Part No.	Description	Q'ty Per Assembly
*	B047 4140	Fusing Exit Unit (B047)	1
*	B048 4140	Fusing Exit Unit (B048)	1
1	5403 2075	Stepped Screw	4
2	A163 4181	Pressure Lever	2
3	B047 4135	Left Side Plate	1
4	A163 4106	Pressure Roller Holder	2
5	AE03 0039	Ball Bearing	2
6	AE03 2019	Bushing - 30x40x11.5	2
7	AB01 4031	Gear - 50Z	1
8	B047 4166	Left Lamp Holder	1
9	A023 4096	Fusing Lamp Supporter	2
10	A163 4182	Lower Pressure Release Lever	2
11	A163 4183	Upper Pressure Release Lever	2
12	A163 4188	Lever Shaft	2
13	AA06 0607	Pressure Spring	2
14	5203 5801	Thermofuse Bracket	2
15	B047 5629	Thermofuse Harness	1
16	B047 4117	Thermistor Bracket	1
17	B047 4111	Fusing Upper Stay	1
18	B047 4116	Pressure Roller Thermistor	1
19	A163 4191	Fusing Entrance Guide Plate	1
20	A163 4105	Pressure Roller Shaft	1
21	A163 4109	C - Ring - 19m	4
22	AE03 0041	Ball Bearing -20x32x7	2
23	AE02 0045	Pressure Roller	1
24	AE01 1062	Hot Roller	1
25	AX45 0036	Fusing Lamp - 120V 1200W	1
25	AX45 0037	Fusing Lamp - 230V 1200W	1
26	A163 4122	Entrance Guide Plate Holder	3
27	A163 4124	Holder Cam	1
28	B047 4122	Fusing Lower Stay	1
29	B047 4117	Thermistor Bracket	1
30	B047 4115	Hot Roller Thermistor	1
31	B047 4175	Pressure Roller Stripper Ass'y	1
32	A163 4261	Interlock Switch Bracket	1

Index No.	Part No.	Description	Q'ty Per Assembly
33	A163 4263	Interlock Switch Cover	1
34	A163 4262	Interlock Switch Lever	1
35	B047 4165	Right Lamp Holder	1
36	B047 4130	Right Side Plate	1
37	A163 4187	Right Lock Guide	1
38	A163 4354	Spacer - 10x15x0.6	2
39	A163 4355	Spacer - Fusing Entrance	1
40	A174 4155	Stopper Guide - Paper Exit	1
41	AE04 4020	Pressure Roller Stripper	16
42	AA06 6285	Stripper Spring	16
43	B047 4176	Stripper Stay Bracket	1
44	AW02 0075	Photointerruptor	1
45	B047 5611	Relay Harness	1
46	B047 4185	Ground Plate	2
101	0314 0060B	Philips Pan Head Screw - M4x6	
102	0725 0200E	Retaining Ring C - M20	
103	0720 0040Z	Retaining Ring - M4	
104	0951 4008B	Philips Screw With Washer - M4x8	
105	0313 0060B	Philips Pan Head Screw - M3x6	
106	1105 0196	Harness Clamp	
107	0951 4006B	Philips Screw With Washer - M4x8	
108	1204 2334	Interlock Switch - Fa1l	
109	0313 0080B	Pan Head Screw - M3x8	

14.PAPER EXIT SECTION 1 (B047)

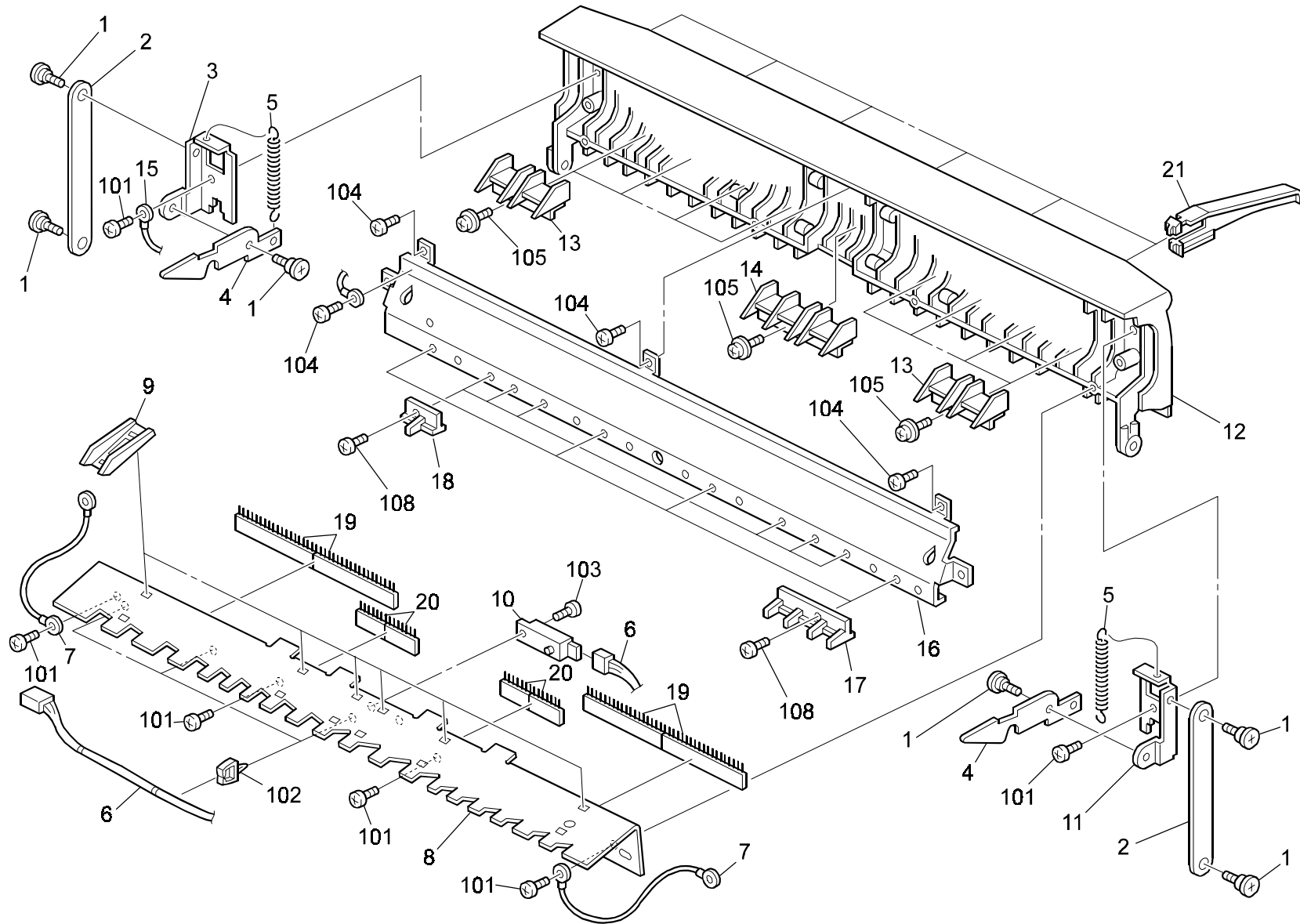


14.PAPER EXIT SECTION 1 (B047)

Index No.	Part No.	Description	Q'ty Per Assembly
1	5403 2075	Stepped Screw	6
2	A163 4478	Long Hinge	2
3	A163 4476	Left Lock Bracket	1
4	A163 4477	Positioning Plate	2
5	AA06 0386	Pressure Spring	2
6	B047 5616	Fusing Sensor Harness	1
7	A163 5640	Grounding Wire	1
8	B047 4473	Lower Entrance Guide Plate	1
9	A163 4465	Lower Support Guide	6
10	AW01 0091	Photo Reflection Sensor	1
11	A163 4471	Right Lock Bracket	1
12	B047 4466	Paper Exit Cover	1
13	B047 4484	Copy Exit Support	1
14	B047 5640	Grounding Wire	1

Index No.	Part No.	Description	Q'ty Per Assembly
101	0434 0082B	Tapping Screw - M4x8	
102	1105 0199	Clamp	
103	0313 0100B	Philips Pan Head Screw - M3x10	
104	0954 4008B	Philips Screw - M4X8	

15.PAPER EXIT SECTION 1 (B048)

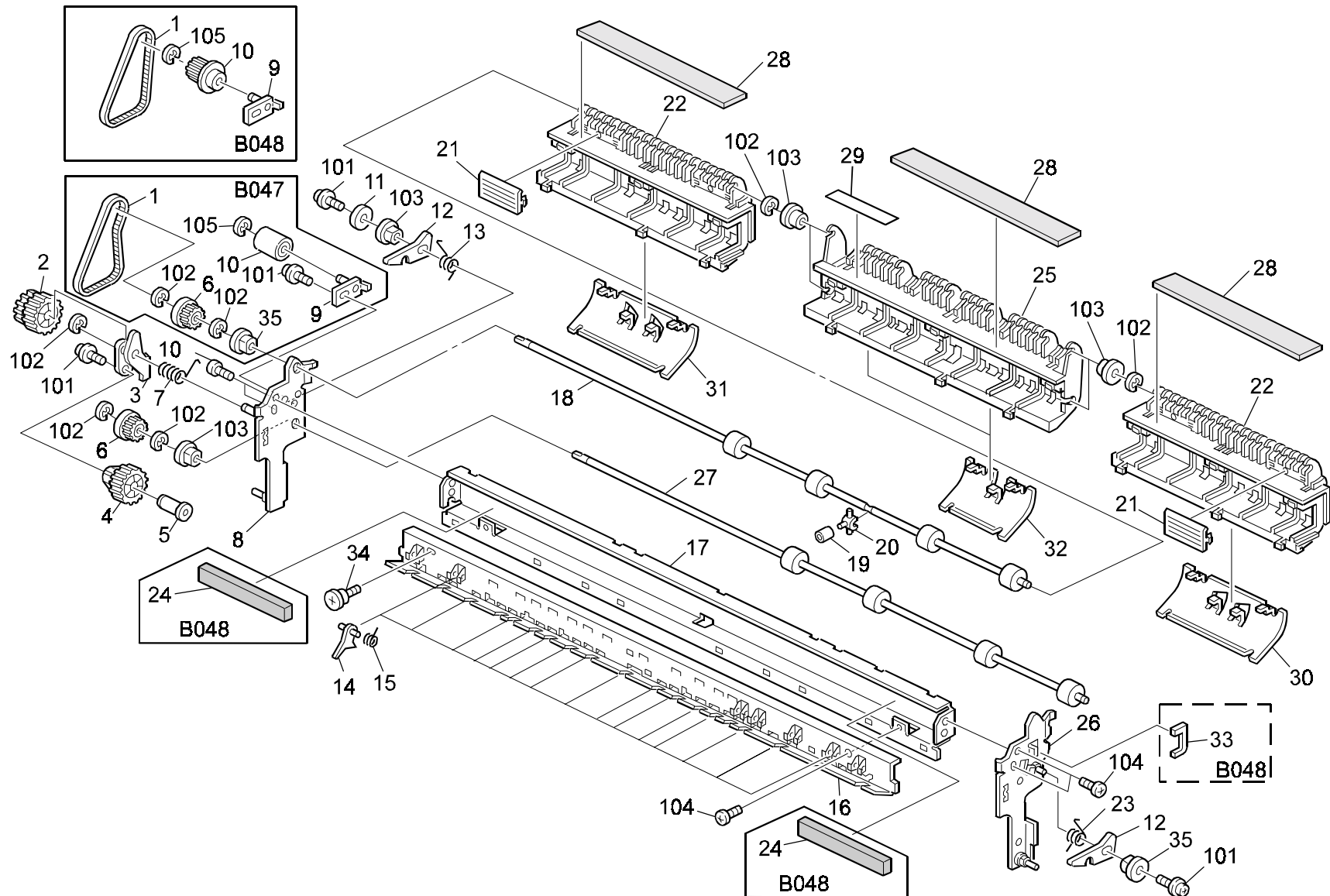


15.PAPER EXIT SECTION 1 (B048)

Index No.	Part No.	Description	Q'ty Per Assembly
1	5403 2075	Stepped Screw	6
2	A163 4478	Long Hinge	2
3	A174 4366	Left Lock Bracket	1
4	A163 4477	Positioning Plate	2
5	AA06 0386	Pressure Spring	2
6	B047 5616	Fusing Sensor Harness	1
7	A163 5640	Grounding Wire	2
8	B047 4473	Lower Entrance Guide Plate	1
9	A163 4465	Lower Support Guide	6
10	AW01 0091	Sensor	1
11	A174 4361	Right Lock Bracket	1
12	B048 4451	Paper Exit Cover	1
13	A252 4453	Lower Paper Guide	8
14	A252 4454	Lower Middle Guide Plate	1
15	A174 5662	Grounding Harness	1
16	B048 4371	Paper Exit Guide	1
17	B048 4372	Upper Guide Plate - Large	1
18	B048 4373	Upper Guide Plate - Small	1
19	G020 4483	Antistatic Brush - FD	4
20	G020 4374	Middle Antistatic Brush - FD	4
21	B048 4456	Original Guide Plate	6

Index No.	Part No.	Description	Q'ty Per Assembly
101	0434 0082B	Tapping Screw - M4x8	
102	1105 0199	Clamp	
103	0313 0100B	Philips Pan Head Screw - M3x10	
104	0452 4008B	Binding Self Tapping Screw - M4x8	
105	0951 4006B	Philips Screw With Washer - M4x6	
106	0720 0040Z	Retaining Ring - M4	
107	0951 3008B	Philips Screw With Flat Washer	
108	0802 5170	Tapping Screw - M4x8	

16.PAPER EXIT SECTION 2 (B047/B048)

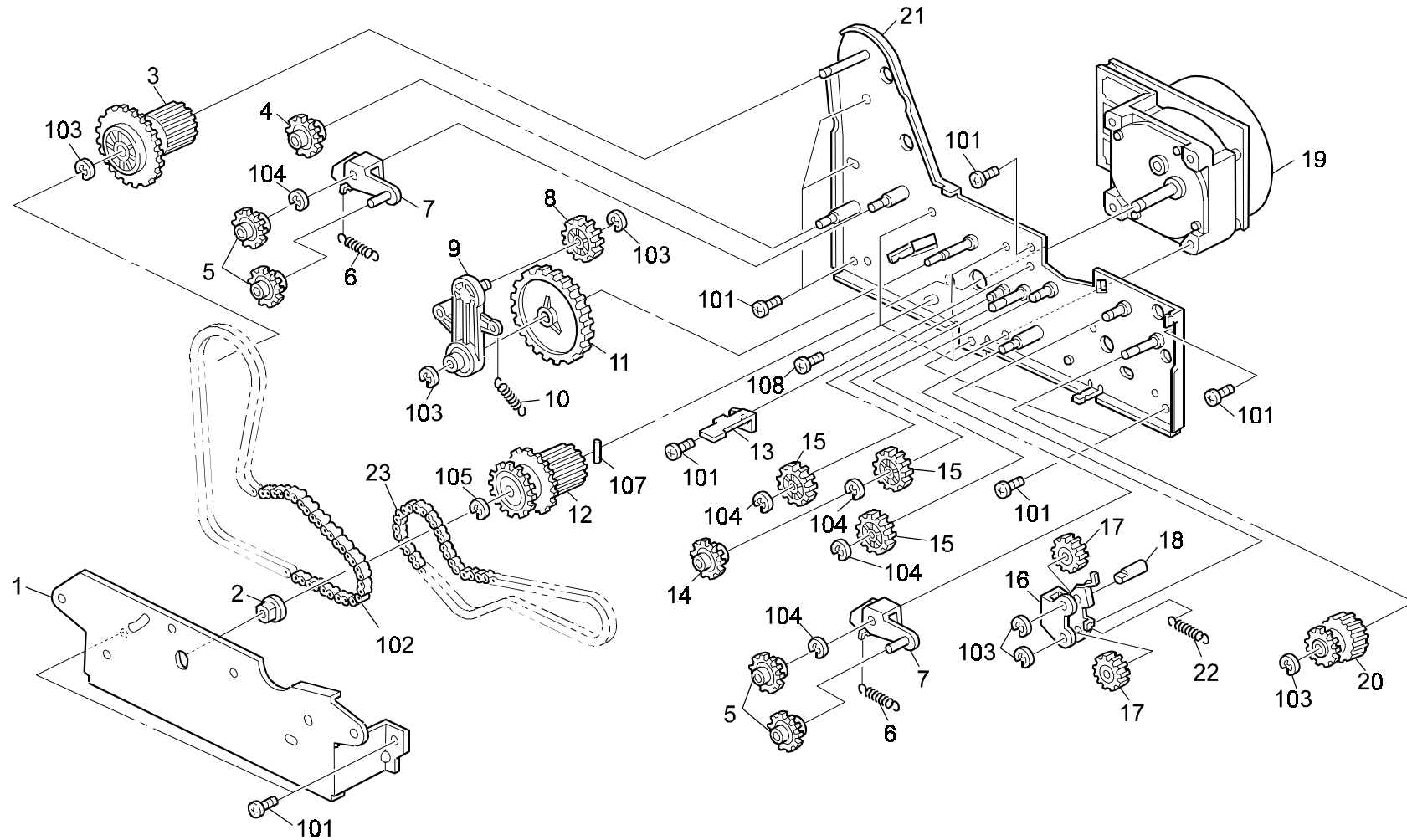


16.PAPER EXIT SECTION 2 (B047/B048)

Index No.	Part No.	Description	Q'ty Per Assembly
1	AA04 3406	Timing Belt - 255 P3M6 (B047)	1
1	AA04 3274	Timing Belt (B048)	1
2	AB01 7383	Coupled Gear - 30/30z	1
3	A163 4211	Drive Arm	1
4	AB01 3937	Gear - 30Z	1
5	A163 4212	Drive Arm Shaft	1
6	AB03 0509	Pulley - 16Z	2
7	AA06 6258	Arm Spring	1
8	A163 4156	Left Side Plate - Exit Unit	1
9	A163 4220	Drive Tightener	1
10	5446 3163	Pressure Roller - Transport Unit (B047)	1
10	AB03 0596	Idler Pulley - Paper Exit (B048)	1
11	A163 4231	Arm Stopper	1
12	A163 4159	Lock Positioning Plate	2
13	AA06 6257	Left Lock Spring	1
14	AE04 4003	Hot Roller Stripper	19
15	AA06 6052	Stripper Spring	19
16	B047 4143	Upper Exit Guide Plate	1
17	A163 4145	Exit Unit Stay	1
18	AF02 0358	Upper Exit Roller	1
19	A163 4236	Exit Tube	1
20	A163 4235	Tube Holder	1
21	A163 4148	Exit Unit Lever	2
22	A163 4147	Exit Unit Guide	2
23	AA06 6256	Right Lock Spring	1
24	AA15 2388	Long Shielding Seal - Fusing	2
25	A163 4146	Middle Exit Unit Guide	1
26	A163 4151	Right Side Plate - Exit Unit	1
27	AF02 0341	Lower Exit Roller	1
28	A163 4312	Seal - 4x33x277	3
29	AA00 0222	Decal - High Temperature 120 degrees C	1
30	A163 4357	Right Support Guide	1
31	A163 4358	Left Support Guide	1
32	A163 4359	Middle Support Guide	1
33	A174 4315	Fusing Unit Spacer (B048)	1

Index No.	Part No.	Description	Q'ty Per Assembly
34	AA14 3306	Stepped Screw - M6	1
35	AA08 2101	Bushing - 6x10x6	2
101	0951 4006B	Philips Screw With Washer - M4x6	
102	0720 0040Z	Retaining Ring - M4	
103	0805 3385	Bushing - 6mm	
104	0314 0060B	Philips Pan Head Screw - M4x6	
105	0720 0060Z	Retaining Ring - M6	

17.DRIVE SECTION (B047/B048)

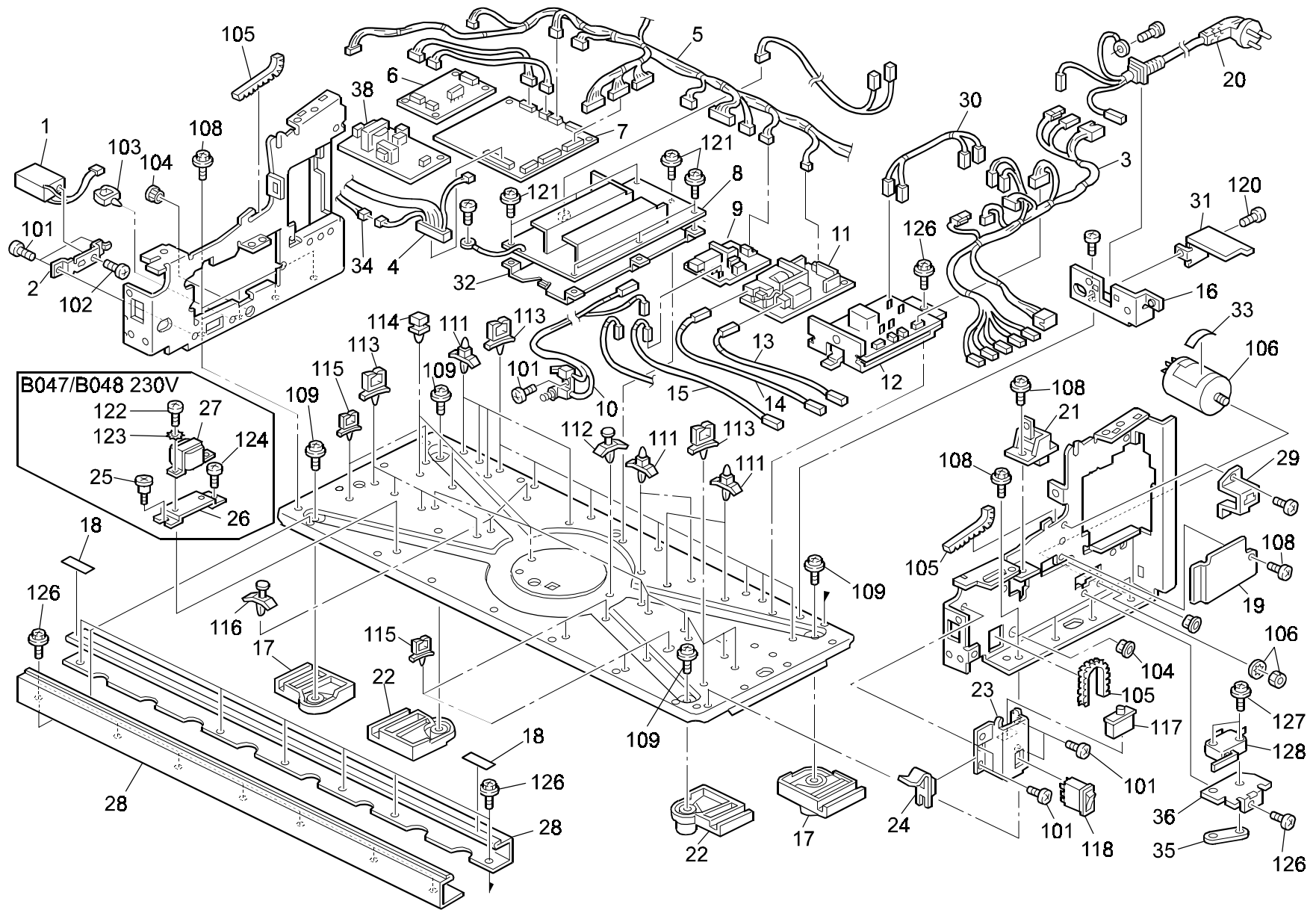


17.DRIVE SECTION (B047/B048)

Index No.	Part No.	Description	Q'ty Per Assembly
1	A163 1173	Drive Support Plate	1
2	5053 0420	Bushing - 10mm	1
3	AB01 7381	Coupled Gear - 36/30Z	1
4	AB02 3063	Gear - 20Z	1
5	AB02 3062	Sprocket - 20Z	4
6	AA06 0225	Grip Spring	2
7	A163 1170	Chain Tensioner	2
8	AB01 1363	Gear - 45Z	1
9	A163 1160	Connecting Arm	1
10	AA06 0456	Fusing Cover Spring	1
11	AB01 1362	Gear - 62Z	1
12	AB01 7379	Sprocket Gear - 20/25/24Z	1
13	A174 1127	Spring Bracket	1
14	AB02 3064	Sprocket - 15Z	1
15	AB01 1364	Gear - 25Z	2
16	A163 1166	Connecting Bracket	1
17	AB01 3925	Gear - 28Z	2
18	AA14 5802	Connecting Shaft	1
19	AX06 0231	DC Motor - DC24V 29W	1
20	AB01 7380	Sprocket - 16/30Z	1
21	A163 1150	Drive Bracket	1
22	AA06 0117	Spring	1
23	A163 1172	Bushed Roller Chain - 84p	1

Index No.	Part No.	Description	Q'ty Per Assembly
101	0434 0080B	Pan Head Self-Tapping Screw - M4x8	
102	0916 1126	Bushed Roller Chain - 126p	
103	0720 0060Z	Retaining Ring - M6	
104	0720 0040Z	Retaining Ring - M4	
105	0720 0080Z	Retaining Ring - M8	
107	0633 0140G	Parallel Pin - 3x14	
108	0315 0080B	Philips Pan Head Screw - M5x8	

18.ELECTRICAL SECTION (B047/B048)

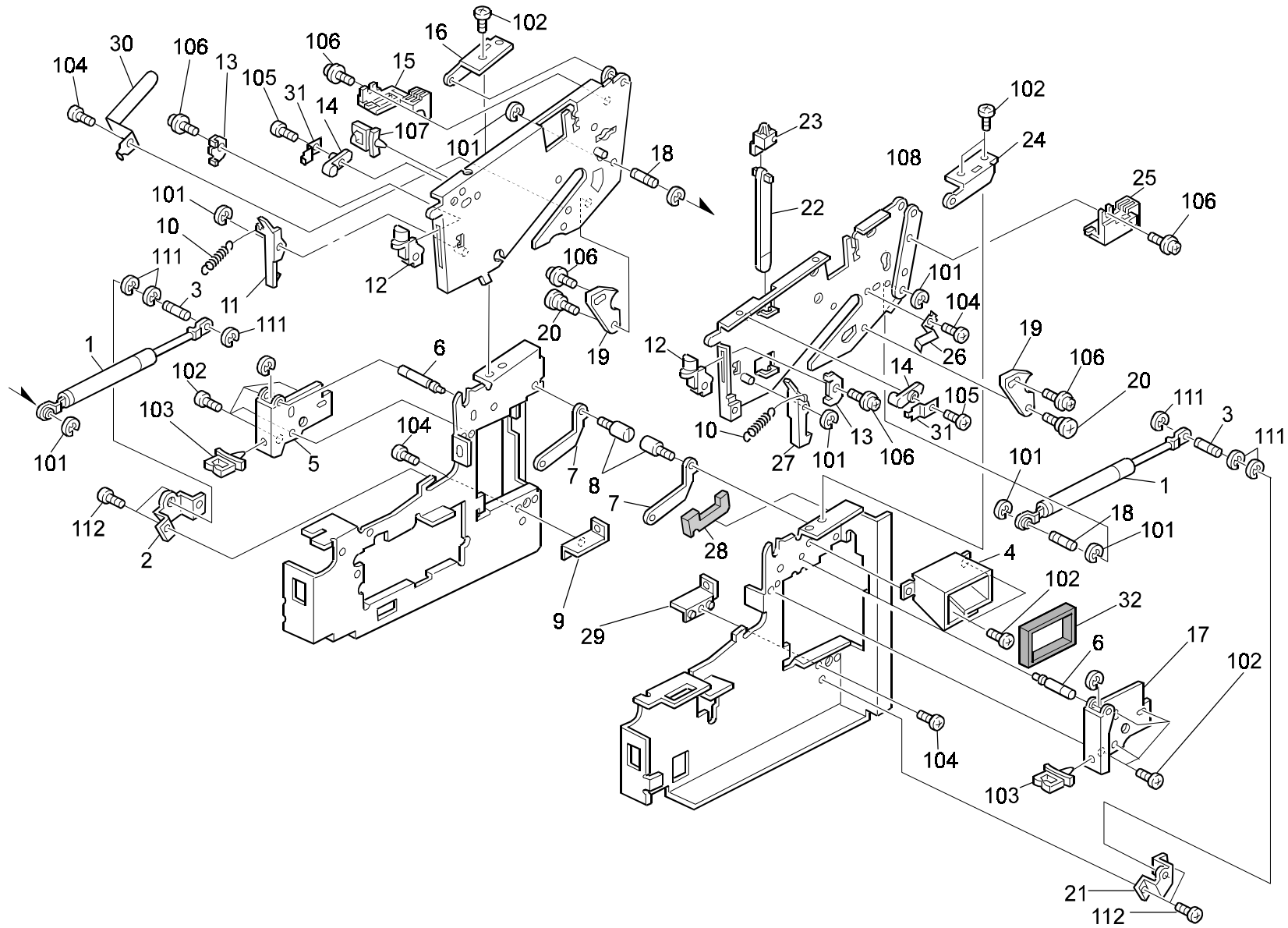


18.ELECTRICAL SECTION (B047/B048)

Index No.	Part No.	Description	Q'ty Per Assembly
1	AX31 0027	6 Digit Total Counter	1
2	A163 1176	Total Counter Bracket	1
3	A252 5600	AC Harness	1
4	B047 5603	Upper DC Harness	1
5	B047 5602	Lower DC Harness	1
6	A252 5405	Fluorescent Lamp Stabilizer	1
7	B047 5140	Main Control Board (B047)	1
7	B048 5150	Main Control Board (B048)	1
8	AZ23 0094	DC Power Supply Board (120V)	1
8	AZ23 0099	DC Power Supply Unit - AC220-240V (230V)	1
8	AZ23 0100	DC Power Supply Unit - AC220-240V (CHN)	1
9	AZ32 0099	Power Pack - C/G/D	1
10	AD02 1114	Charge Corona Receptacle	1
11	AZ32 0080	Power Pack - T & S	1
12	B047 5550	AC Drive Board (120V)	1
12	B047 5560	AC Drive Board (230V)	1
12	B047 5571	AC Drive Board (CHN)	1
13	A163 5635	Transfer Power Pack Harness	1
14	A163 5636	Separation Power Pack Harness	1
14	A163 5637	Separation Power Pack Harness	1
15	A163 5634	Bias Power Pack Harness	1
16	B047 1089	Power Supply Cord Bracket	1
16	A174 1089	Power Supply Cord Bracket (CHN)	1
17	B047 1057	Left Front Foot	2
18	H308 1105	Prevent Fence Sheet 2	2
19	A163 3868	Harness Shield Plate	1
20	A250 5741	Power Supply Cord - 120V	1
20	A250 5742	Power Supply Cord - 230V	1
20	A204 5671	Power Supply Cord - 250V 10A (CHN)	1
21	B047 1180	Development Bias Receptacle	1
22	B047 1056	Right Front Foot	2
23	A252 1100	Right Ratch Bracket	1
24	A163 2697	Table Plate Spring	1
25	5413 1882	Stepped Screw	1
26	A174 1191	Choke Bracket	1

Index No.	Part No.	Description	Q'ty Per Assembly
27	AZ02 0008	Coil - 10MH 2A (230V)	1
28	B047 1088	Rear Reinforcement Plate	1
29	B047 3551	Connector Bracket	1
30	A174 5613	Noise Filter Harness (230V)	1
31	A174 1090	Power Cord Cover	1
32	B047 1190	DC Power Supply Bracket	1
33	AA00 1283	Decal - Noise Filter (230V)	1
34	B048 5612	Relay Harness - Original Sensor	1
35	5056 0509	Nut Plate - Micro Switch	1
36	B047 3559	Switch Bracket	1
37	A252 5654	Relay Harness - Original/Motor (B048)	1

19.FRAME SECTION (B047/B048)



19.FRAME SECTION (B047/B048)

Index No.	Part No.	Description	Q'ty Per Assembly
1	B047 1114	Gas Spring - 289n	2
2	A163 1123	Left Gas Spring Bracket	1
3	B047 1170	Lower Gas Spring Shaft	2
4	A163 1144	Exhaust Duct	1
5	A163 1136	Left Hinge Bracket	1
6	AA14 5800	Hinge Pin	2
7	A163 4481	Short Hinge	2
8	A163 4482	Shoulder Screw - M4	2
9	A163 1142	Left Fusing Unit Bracket	1
10	AA06 0466	Tension Spring	2
11	A163 1092	Left Lock Stopper	1
12	A163 1106	Lock Release Lever	2
13	A163 1108	Guide Plate	2
14	A163 1371	Front Cover Holder	2
15	A163 4186	Left Release Cam	1
16	A163 1132	Left Support Plate	1
17	A163 1135	Right Hinge Bracket	1
18	B047 1169	Upper Gas Spring Shaft	2
19	A163 3630	Fixing Plate	2
20	5403 2075	Stepped Screw	2
21	A163 1116	Right Gas Spring Bracket	1
22	A163 1177	Interlock Switch Lever	1
23	A163 1178	Lock Release Bracket	1
24	A163 1131	Right Support Plate	1
25	A163 4185	Right Release Cam	1
26	A163 2257	Grounding Spring Plate	1
27	A163 1091	Right Lock Stopper	1
28	AA15 1987	Right Seal	1
29	A163 1141	Right Fusing Unit Bracket	1
30	A163 2256	Grounding Spring Plate	1
31	A252 4610	Table Lock Spring (B048)	2
32	AA15 2391	Exhaust Duct Seal (B048)	1

Index No.	Part No.	Description	Q'ty Per Assembly
101	0720 0060Z	Retaining Ring - M6	
102	0434 0080B	Pan Head Self-tapping Screw - M4x8	
103	1105 0201	Harness Clamp	
104	0314 0060B	Philips Pan Head Screw - M4x6	
105	0314 0080B	Philips Pan Head Screw - M4x8	
106	0951 4006B	Philips Screw With Washer - M4x6	
107	1105 0196	Harness Clamp	
108	0720 0080Z	Retaining Ring - M8	
109	1105 0016	Nylon Clamp - 4n	
110	1106 0493	Edging	
111	0720 0060E	Retaining Ring - M6	
112	0802 5170	Tapping Screw - M4x8	

20.MAIN CONTROL BOARD (B047)

CAPACITOR

SYMBOL NO.	INDEX NO.	SYMBOL NO.	INDEX NO.	SYMBOL NO.	INDEX NO.	SYMBOL NO.	INDEX NO.	SYMBOL NO.	INDEX NO.	SYMBOL NO.	INDEX NO.		
C1	135	C12	166	C29	166	C40	166	C51	166	C62	166	C75	165
C2	166	C16	166	C30	162	C42	166	C52	166	C63	135	C77	135
C3	166	C18	166	C31	163	C43	166	C53	135	C64	166	C78	166
C4	139	C19	166	C32	166	C44	166	C54	164	C66	166	C79	166
C5	166	C20	166	C33	166	C45	166	C56	166	C68	166	C80	166
C6	140	C21	164	C34	166	C46	166	C57	166	C69	166	C82	165
C7	165	C23	164	C36	166	C47	166	C58	166	C70	166	C84	166
C8	141	C25	164	C37	166	C48	166	C59	166	C72	166	C85	135
C9	166	C27	166	C38	166	C49	134	C60	166	C73	135	C86	166
C10	138	C28	166	C39	166	C50	166	C61	135	C74	165	C87	165

CAPACITOR

SYMBOL NO.	INDEX NO.
C88	135
C89	135
C90	166
C91	166
C92	165
C93	165
C94	166
C95	165
C96	166
C97	166

CONNECTOR

SYMBOL NO.	INDEX NO.
CN101	105
CN102	104
CN103	107
CN104	103
CN105	106
CN108	101
CN109	102
CN110	108

DIODE

SYMBOL NO.	INDEX NO.
D1	116
D2	116

DA

SYMBOL NO.	INDEX NO.
DA2	115

FUSE

SYMBOL NO.	INDEX NO.
FU1	111

IC

SYMBOL NO.	INDEX NO.
IC1	121
IC2	131
IC3	118
IC4	119
IC5	129
IC6	118
IC7	1
IC8	118
IC9	128
IC10	118

SYMBOL NO.	INDEX NO.
IC11	123
IC12	125
IC13	127
IC14	124
IC15	126
IC18	122
(Socket)	109
IC19	2
(Socket)	110

JP

SYMBOL NO.	INDEX NO.
JP1	137
JP2	137
JP4	137
JP5	137
JP6	137
JP7	137
JP11	137
JP12	137

20.MAIN CONTROL BOARD (B047)

LED

SYMBOL NO.	INDEX NO.
LED1	117

Q

SYMBOL NO.	INDEX NO.
Q1	120
Q2	130
Q3	130
Q4	120
Q5	112
Q6	112
Q7	112
Q8	112
Q9	112
Q10	112

RESISTOR

SYMBOL NO.	INDEX NO.
Q11	112
Q12	112
Q13	130
Q15	114
Q16	114
Q17	113
Q18	113

SYMBOL NO.	INDEX NO.
R1	153
R2	159
R3	160
R4	144
R5	144
R6	148
R7	155
R8	143
---	---
R10	133

SYMBOL NO.	INDEX NO.
R11	133
R12	133
R13	133
R14	133
R15	133
R16	133
R17	133
R18	133
R19	133
R20	133

SYMBOL NO.	INDEX NO.
R21	153
R22	144
R23	151
R24	151
R25	151
R26	153
R27	142
R28	152
R29	151
R30	153

SYMBOL NO.	INDEX NO.
R31	143
R34	151
R35	151
R36	152
R37	149
R46	153
R47	150
R48	151
R49	151
R50	151

OSC

SYMBOL NO.	INDEX NO.
OSC1	132

RESISTOR

SYMBOL NO.	INDEX NO.
R51	151
R52	151
R53	151
R54	151
R55	151
R56	151
R57	151
R58	151
R59	151
R60	151

SYMBOL NO.	INDEX NO.
R61	151
R62	151
R63	151
R64	151
R65	151
R66	151
---	---
R68	153
R69	153
R70	153

SYMBOL NO.	INDEX NO.
R71	153
R72	153
R73	151
R74	153
R75	151
R76	153
R77	153
R78	153
R79	153
R80	151

SYMBOL NO.	INDEX NO.
R81	153
R82	151
R83	153
R84	153
R85	153
R86	153
R87	153
R88	153
R89	153
R90	153

SYMBOL NO.	INDEX NO.
R91	153
R92	153
R93	153
R94	153
R95	153
R96	153
R97	153
R98	151
R99	153
R100	143

SYMBOL NO.	INDEX NO.
R101	153
R102	143
R103	153
R104	143
R105	153
R106	143
R107	153
R108	143
R109	153
R110	143

SYMBOL NO.	INDEX NO.
---	---
---	---
---	---
---	---
R115	151
R116	153
R117	153
R118	151
R119	151
R120	151

20.MAIN CONTROL BOARD (B047)

RESISTOR

SYMBOL NO.	INDEX NO.	SYMBOL NO.	INDEX NO.	SYMBOL NO.	INDEX NO.	SYMBOL NO.	INDEX NO.	SYMBOL NO.	INDEX NO.	SYMBOL NO.	INDEX NO.	SYMBOL NO.	INDEX NO.
R121	151	----	---	R141	144	----	---	R161	153	R171	153	R181	149
R122	151	R132	143	R142	144	----	---	R162	143	R172	153	R182	149
R123	151	R133	153	R143	153	R153	145	R163	143	R173	143	R183	149
R124	153	R134	149	R144	153	R154	150	R164	153	R174	143	R184	149
R125	153	R135	153	R145	143	R155	151	R165	143	R175	143	R185	149
R126	151	R136	143	R146	153	R156	151	----	---	R176	143	R186	149
R127	151	R137	153	R147	161	R157	151	R167	153	R177	143	R187	149
R128	153	R138	143	R148	157	R158	151	R168	153	R178	143	R188	149
R129	151	R139	153	R149	150	R159	143	R169	153	R179	143	R189	153
R130	153	R140	153	R150	144	R160	143	R170	143	R180	143	R190	150

RESISTOR

SYMBOL NO.	INDEX NO.	SYMBOL NO.	INDEX NO.	SYMBOL NO.	INDEX NO.	SYMBOL NO.	INDEX NO.	SYMBOL NO.	INDEX NO.	SYMBOL NO.	INDEX NO.	SYMBOL NO.	INDEX NO.
R191	153	R201	153	R211	150	R221	156	R231	143	R241	153	R251	143
R192	153	R202	144	R212	152	R222	150	R232	147	R242	143	R252	153
R193	153	R203	143	----	---	R223	158	R233	154	R243	153	R253	151
R194	144	R204	153	R214	150	R224	143	R234	145	R244	153	R254	153
R195	150	R205	143	R215	152	R225	153	R235	154	R245	153	R255	151
R196	152	R206	153	R216	146	R226	143	R236	153	R246	151		
----	---	R207	143	R217	150	R227	143	R237	143	R247	153		
R198	150	R208	153	----	---	R228	144	R238	143	R248	153		
R199	152	R209	136	R219	144	R229	143	R239	153	----	---		
R200	146	R210	150	R220	150	R230	143	R240	153	R250	153		

20.MAIN CONTROL BOARD (B047)

Index No.	Part No.	Description	Q'ty Per Assembly
*	B047 5140	Main Control Board	
1	A232 5355	IC - GATEX	
2	B047 5118	EPROM -Main Control	

Index No.	Part No.	Description	Q'ty Per Assembly
101	1102 5303	Connector - 4P	
102	1102 6398	Connector - 2P	
103	1102 6401	Connector - 26P	
104	1102 6403	Connector - 30P	
105	1102 6594	Connector - 10P	
106	1102 6842	Connector - 60P	
107	1102 7094	Connector - 12P	
108	1102 8571	Connector - 53375-0910	
109	1104 0588	Dip Socket - 28p	
110	1104 0589	Dip Socket - 32p	
111	1109 0018	Circuit Protector - SMD100	
112	1400 0710	Transistor - 2SB1240	
113	1400 0722	Transistor - DTC143EE	
114	1400 0769	Transistor - 2SA1576A	
115	1402 1322	Diode Array - DAN202U	
116	1402 1342	Diode - 1SR154-400	
117	1403 0953	LED - SML-310MT	
118	1407 2187	TTLIC - SN74LS07NS	
119	1407 2218	TTLIC - SN74LS06NS	
120	1407 2231	IC - TD62308AF	
121	1407 3357	Comparator - BA10393F	
122	1407 4999	IC - STK22C48-W45	
123	1407 5075	IC - HD6413006F20	
124	1407 5346	IC - SN74LS74ANS	
125	1407 5351	IC - SN74LV14APW	
126	1407 5376	IC - SN74LV32APW	
127	1407 5377	IC - SN74AHCT1G08DCK	
128	1408 0575	IC - M51957BFP	
129	1408 0810	IC - BA10358F	
130	1408 0874	Transistor Array - M54587FP	
131	1408 1396	Vr - Ds1804z-100	
132	1503 0996	Crystal Oscillator - 16mhz	
133	1601 1810	Resistor - 380 Ω \pm 5%	
134	1605 1160	Capacitor - 0.22 μ F+80 -20% 16V	
135	1605 1225	Capacitor - 0.1 μ F \pm 10% 50V	

21.MAIN CONTROL BOARD (B048)

CAPACITOR

SYMBOL NO.	INDEX NO.	SYMBOL NO.	INDEX NO.	SYMBOL NO.	INDEX NO.	SYMBOL NO.	INDEX NO.	SYMBOL NO.	INDEX NO.	SYMBOL NO.	INDEX NO.	SYMBOL NO.	INDEX NO.
C1	140	C11	140	C27	173	C38	173	C49	139	C60	173	C71	173
C2	173	C12	173	C28	173	C39	173	C50	173	C61	140	C72	173
C3	173	C16	173	C29	173	C40	173	C51	173	C62	173	C73	140
C4	144	C17	173	C30	169	C42	173	C52	173	C63	140	C74	172
C5	173	C18	173	C31	170	C43	173	C53	140	C64	173	C75	172
C6	145	C19	173	C32	173	C44	173	C54	171	C66	173	C77	140
C7	172	C20	173	C33	173	C45	173	C56	173	C67	173	C78	173
C8	146	C21	171	C34	173	C46	173	C57	173	C68	173	C79	173
C9	173	C23	171	C36	173	C47	173	C58	173	C69	173	C80	173
C10	143	C25	171	C37	173	C48	173	C59	173	C70	173	C82	172

CAPACITOR

SYMBOL NO.	INDEX NO.
C84	173
C85	140
C86	173
C87	172
C88	140
C89	140
C90	173
C91	173
C92	172
C93	172

SYMBOL NO.	INDEX NO.
C94	173
C95	172
C96	173
C97	173
C98	138

CONNECTOR

SYMBOL NO.	INDEX NO.
CN101	106
CN102	105
CN103	108
CN104	104
CN105	107
CN106	102
CN108	101
CN109	103
CN110	109

DIODE

SYMBOL NO.	INDEX NO.
D1	118
D2	118

DA

SYMBOL NO.	INDEX NO.
DA2	117

FUSE

SYMBOL NO.	INDEX NO.
FU1	113
FU2	112

IC

SYMBOL NO.	INDEX NO.
IC1	123
IC2	134
IC3	120
IC4	121
IC5	132
IC6	120
IC7	1
IC8	120
IC9	131
IC10	120

21.MAIN CONTROL BOARD (B048)

IC

SYMBOL NO.	INDEX NO.
IC11	125
IC12	128
IC13	130
IC14	127
IC15	129
IC16	126
IC18	124
(Socket)	110
IC19	2
(Socket)	111

JP

SYMBOL NO.	INDEX NO.
JP1	142
JP2	142
JP4	142
JP5	142
JP6	142
JP7	142
JP11	142
JP12	142

LED

SYMBOL NO.	INDEX NO.
LED1	119

OSC

SYMBOL NO.	INDEX NO.
OSC1	135

Q

SYMBOL NO.	INDEX NO.
Q1	122
Q2	133
Q3	133
Q4	122
Q5	114
Q6	114
Q7	114
Q8	114
Q9	114
Q10	114

RESISTOR

SYMBOL NO.	INDEX NO.
Q11	114
Q12	114
Q13	133
Q14	115
Q15	116
Q16	116
Q17	115
Q18	115

SYMBOL NO.	INDEX NO.
R1	160
R2	166
R3	167
R4	151
R5	151
R6	155
R7	162
R8	150
---	---
R10	137

RESISTOR

SYMBOL NO.	INDEX NO.
R11	137
R12	137
R13	137
R14	137
R15	137
R16	137
R17	137
R18	137
R19	137
R20	137

SYMBOL NO.	INDEX NO.
R21	160
R22	151
R23	158
R24	158
R25	158
R26	160
R27	149
R28	159
R29	158
R30	160

SYMBOL NO.	INDEX NO.
R31	150
R32	136
R33	136
R34	158
R35	158
R36	159
R37	156
R38	151
R39	151
R40	151

SYMBOL NO.	INDEX NO.
R41	151
R42	148
R43	147
R44	147
R45	151
R46	160
R47	157
R48	158
R49	158
R50	158

SYMBOL NO.	INDEX NO.
R51	158
R52	158
R53	158
R54	158
R55	158
R56	158
R57	158
R58	158
R59	158
R60	158

SYMBOL NO.	INDEX NO.
R61	158
R62	158
R63	158
R64	158
R65	158
R66	158
---	---
R68	160
R69	160
R70	160

SYMBOL NO.	INDEX NO.
R71	160
R72	160
R73	158
R74	160
R75	158
R76	160
R77	160
R78	160
R79	160
R80	158

21.MAIN CONTROL BOARD (B048)

RESISTOR

SYMBOL NO.	INDEX NO.	SYMBOL NO.	INDEX NO.	SYMBOL NO.	INDEX NO.	SYMBOL NO.	INDEX NO.	SYMBOL NO.	INDEX NO.	SYMBOL NO.	INDEX NO.	SYMBOL NO.	INDEX NO.
R81	160	R91	160	R101	160	---	---	R121	158	---	---	R141	151
R82	158	R92	160	R102	150	---	---	R122	158	R132	150	R142	151
R83	160	R93	160	R103	160	---	---	R123	158	R133	160	R143	160
R84	160	R94	160	R104	150	---	---	R124	160	R134	156	R144	160
R85	160	R95	160	R105	160	R115	158	R125	160	R135	160	R145	150
R86	160	R96	160	R106	150	R116	160	R126	158	R136	150	R146	160
R87	160	R97	160	R107	160	R117	160	R127	158	R137	160	R147	168
R88	160	R98	158	R108	150	R118	158	R128	160	R138	150	R148	164
R89	160	R99	160	R109	160	R119	158	R129	158	R139	160	R149	157
R90	160	R100	150	R110	150	R120	158	R130	160	R140	160	R150	151

RESISTOR

SYMBOL NO.	INDEX NO.	SYMBOL NO.	INDEX NO.	SYMBOL NO.	INDEX NO.	SYMBOL NO.	INDEX NO.	SYMBOL NO.	INDEX NO.	SYMBOL NO.	INDEX NO.	SYMBOL NO.	INDEX NO.
---	---	R161	160	R171	160	R181	156	R191	160	R201	160	R211	157
---	---	R162	150	R172	160	R182	156	R192	160	R202	151	R212	159
R153	152	R163	150	R173	150	R183	156	R193	160	R203	150	---	---
R154	157	R164	160	R174	150	R184	156	R194	151	R204	160	R214	157
R155	158	R165	150	R175	150	R185	156	R195	157	R205	150	R215	159
R156	158	---	---	R176	150	R186	156	R196	159	R206	160	R216	153
R157	158	R167	160	R177	150	R187	156	---	---	R207	150	R217	157
R158	158	R168	160	R178	150	R188	156	R198	157	R208	160	---	---
R159	150	R169	160	R179	150	R189	160	R199	159	R209	141	R219	151
R160	150	R170	150	R180	150	R190	157	R200	153	R210	157	R220	157

21.MAIN CONTROL BOARD (B048)

RESISTOR

SYMBOL NO.	INDEX NO.	SYMBOL NO.	INDEX NO.	SYMBOL NO.	INDEX NO.	SYMBOL NO.	INDEX NO.
R221	163	R231	150	R241	160	R252	160
R222	157	R232	154	R242	150	R253	158
R223	165	R233	161	R243	160	R254	160
R224	150	R234	152	R244	160	R255	158
R225	160	R235	161	R245	160		
R226	150	R236	160	R246	158		
R227	150	R237	150	R247	160		
R228	151	R238	150	R248	160		
R229	150	R239	160	R250	160		
R230	150	R240	160	R251	150		

21.MAIN CONTROL BOARD (B048)

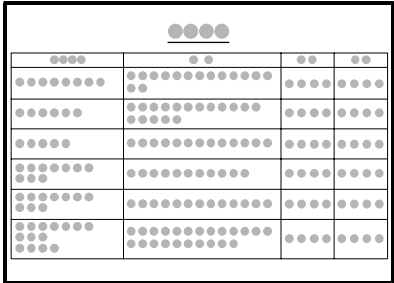
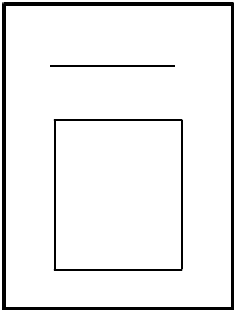
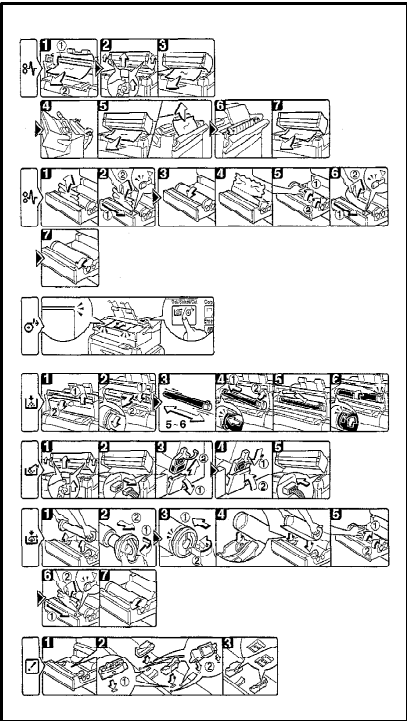
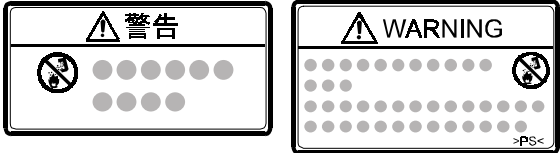
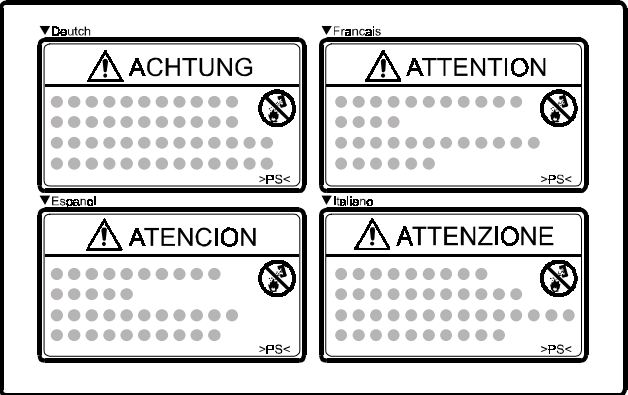


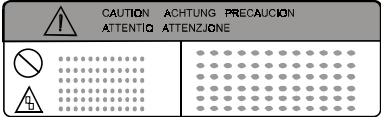

Index No.	Part No.	Description	Q'ty Per Assembly
*	B048 5150	Main Control Board	
1	A232 5355	IC - GATEX	
2	B048 5128	Eprom - Main Control	

Index No.	Part No.	Description	Q'ty Per Assembly
101	1102 5303	Connector - 4P	
102	1102 6299	Connector - 6P	
103	1102 6398	Connector - 2P	
104	1102 6401	Connector - 26P	
105	1102 6403	Connector - 30P	
106	1102 6594	Connector - 10P	
107	1102 6842	Connector - 60P	
108	1102 7094	Connector - 12P	
109	1102 8571	Connector - 53375-0910	
110	1104 0588	Dip Socket - 28p	
111	1104 0589	Dip Socket - 32p	
112	1107 0995	FUSE - 2.5A	
113	1109 0018	Circuit Protector - SMD100	
114	1400 0710	Transistor - 2SB1240	
115	1400 0722	Transistor - DTC143EE	
116	1400 0769	Transistor - 2SA1576A	
117	1402 1322	Diode Array - DAN202U	
118	1402 1342	Diode - 1SR154-400	
119	1403 0953	LED - SML-310MT	
120	1407 2187	TTLIC - SN74LS07NS	
121	1407 2218	TTLIC - SN74LS06NS	
122	1407 2231	IC - TD62308AF	
123	1407 3357	Comparator - BA10393F	
124	1407 4999	IC - STK22C48-W45	
125	1407 5075	IC - HD6413006F20	
126	1407 5128	IC - SLA7032M	
127	1407 5346	IC - SN74LS74ANS	
128	1407 5351	IC - SN74LV14APW	
129	1407 5376	IC - SN74LV32APW	
130	1407 5377	IC - SN74AHCT1G08DCK	
131	1408 0575	IC - M51957BFP	
132	1408 0810	IC - BA10358F	
133	1408 0874	Transistor Array - M54587FP	
134	1408 1396	Vr - Ds1804z-100	
135	1503 0996	Crystal Oscillator - 16mhz	

Index No.	Part No.	Description	Q'ty Per Assembly
136	1600 1168	Resistor - 1 Ω /2W	
137	1601 1810	Resistor - 380 Ω \pm 5%	
138	1604 4779	Capacitor - 220 uF \pm 20% 35V	
139	1605 1160	Capacitor - 0.22 μ F+80-20% 16V	
140	1605 1225	Capacitor - 0.1 μ F \pm 10% 50V	
141	1630 1202	Resistor - 2.0K Ω \pm 5% 1/4W	
142	1634 0000	Resistor - 0 Ω 1/16W	
143	1640 0101	Capacitor - 100 μ F10V	
144	1640 0221	Capacitor - 220 μ F- \pm 20% 10V	
145	1640 3101	Capacitor - 100 μ F \pm 20% 35V	
146	1642 0470	Capacitor - 47 μ F \pm 20% 10V	
147	1650 3101	Chip Resistor - 100 Ω \pm 5% 1/8W	
148	1650 3431	Chip Resistor - 430 Ω \pm 5% 1/8W	
149	1650 4101	Chip Resistor - 100 Ω \pm 5% 1/10W	
150	1650 4102	Chip Resistor - 1K Ω \pm 5% 1/10W	
151	1650 4103	Resistor - 10K Ω \pm 5% 1/10W	
152	1650 4104	Chip Resistor - 100K Ω \pm 5% 1/10W	
153	1650 4123	Chip Resistor - 12K Ω \pm 5% 1/10W	
154	1650 4184	Chip Resistor - 180K Ω \pm 5% 1/10W	
155	1650 4202	Chip Resistor - 2K Ω \pm 5% 1/10W	
156	1650 4222	Chip Resistor - 2.2K Ω \pm 5% 1/10W	
157	1650 4223	Chip Resistor - 22K Ω \pm 5% 1/10W	
158	1650 4330	Chip Resistor - 33 Ω \pm 5% 1/10W	
159	1650 4332	Chip Resistor - 3.3K Ω \pm 5% 1/10W	
160	1650 4472	Chip Resistor - 4.7K Ω \pm 5% 1/10W	
161	1650 4474	Chip Resistor - 470K Ω \pm 5% 1/10W	
162	1650 4822	Chip Resistor - 8.2K Ω \pm 5% 1/10W	
163	1654 1001	Chip Resistor - 1K Ω \pm 1% 1/10W	
164	1654 1002	Chip Resistor - 10K Ω \pm 1% 1/10W	
165	1654 1502	Chip Resistor - 15K Ω \pm 1% 1/10W	
166	1654 1911	Chip Resistor - 1.91K Ω \pm 1% 1/10W	
167	1654 2941	Chip Resistor - 2.94K Ω \pm 1% 1/10W	
168	1654 3921	Chip Resistor - 3.92K Ω \pm 1% 1/10W	
169	1660 2180	Capacitor - 18pF \pm 5% 50V	
170	1660 2330	Capacitor - 33pF - \pm 5% - 50V	

Index No.	Part No.	Description	Q'ty Per Assembly
171	1660 2470	Capacitor - 47pF \pm 5% 50V	
172	1660 4103	Capacitor - 10000pF - \pm 10% - 50V	
173	1660 8104	Capacitor - 0.1 μ F+80-20% 25V	

22.DECAL AND DOCUMENT (B047/B048)

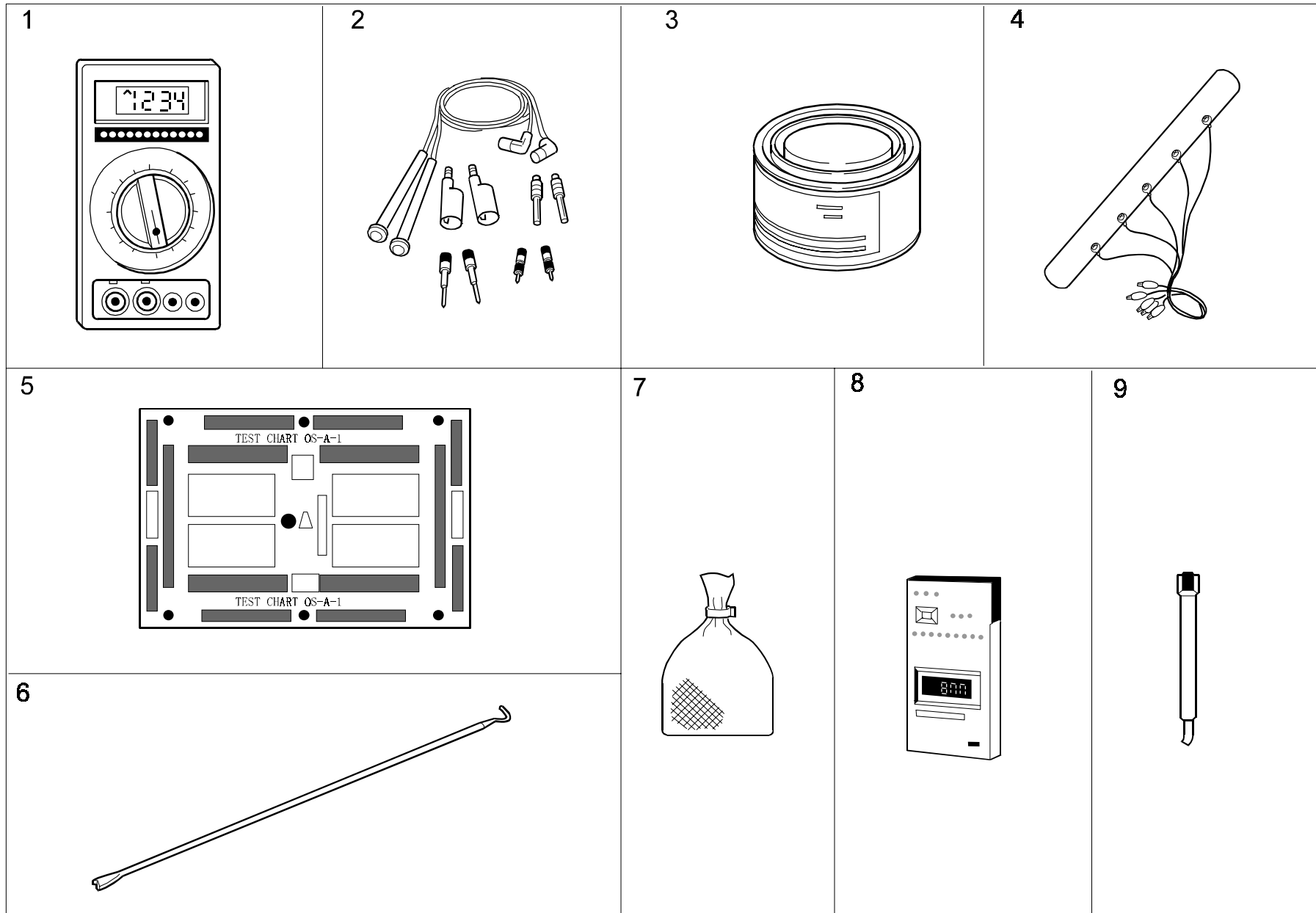
<p>1</p> 	<p>3</p> 	<p>5</p> 
<p>2</p>  	<p>4</p>  <p>RICOH FW780</p>  <p>RICOH FW770</p>	<p>6</p>  <p>7</p> 

22.DECAL AND DOCUMENT (B047/B048)

Index No.	Part No.	Description	Q'ty Per Assembly
1	A204 1297	Telephone Sheet - Chinese	1
2	AA00 0644	Decal - Toner Correction	1
2	AA00 0645	Decal - Toner Correction (4 Lang.)	1
2	B047 3630	Decal - Toner Correction (CHN)	1
3	B047 8606	Operating Instructions (B047 CHN)	1
3	B047 8607	Operating Instructions (B047 NA)	1
3	B047 8608	Operating Instructions (B047 ASIA)	1
3	B048 8606	Operating Instructions (B048 CHN)	1
3	B048 8607	Operating Instructions (B048 NA)	1
3	B048 8608	Operating Instructions (B048 ASIA)	1
4	B047 1245	Decal - Emblem (B047 RIC)	1
4	B047 6252	Decal - Name Plate (B047 GES)	1
4	B047 6253	Decal - Name Plate (B047 NSA)	1
4	B047 6254	Decal - Name Plate (B047 REX)	1
4	B048 1245	Decal - Emblem (B048 RIC)	1
4	B048 6252	Decal - Name Plate (B048 GES)	1
4	B048 6253	Decal - Name Plate (B048 NSA)	1
4	B048 6254	Decal - Name Plate (B048 REX)	1
5	B047 1385	Operation Instructions Sheet	1
5	B048 1385	Operating Sheet (B048)	1
6	AA00 0222	Decal - High Temperature 120• C	1
7	AA00 1283	Decal - Noise Filter (230V)	1

Index No.	Part No.	Description	Q'ty Per Assembly

23.SPECIAL TOOLS (B047/B048)



23.SPECIAL TOOLS (B047/B048)

Index No.	Part No.	Description	Q'ty Per Assembly
1	5420 9507	Digital Multimeter	1
2	5420 9508	Deluxe Test Lead Accessory Kit	1
3	5447 9078	Heat Resisting Grease Mt-78	1
4	A023 9502	Current Measuring Drum	1
5	A023 9504	Test Chart OS-A-1 (2 Sheets / Set)	1
6	A163 9504	Spring Hook - SS-22	1
7	5442 9101	Setting Powder	1
8	5420 9504	Thermo Meter - HLC	1
9	5420 9505	Probe - HLC - 30	1
10	A163 9505	Spring Hook - SS-21	1

Index No.	Part No.	Description	Q'ty Per Assembly

**B047/B048
PARTS INDEX**

This section instructs you as to the numbers and names of parts on this machine.

PM Parts Index

Section Name	Part No.	Description in Service Manual	Description in Parts Catalog	Q'ty Per Assembly	Page and Index No.
VACUUM FAN (B047)	AA01 0087	Ozone Filter	Ozone Filter	1	15- 7
DEVELOPMENT UNIT (B047/B048)	AA01 2081	Development Filter	Development Filter	1	23- 7
CHARGE CORONA SECTION (B047/B048)	AD02 0079	Main Corona Wire	Main Corona Wire	1	27- 11
	A163 3570	Cleaning Blade	Cleaning Blade	1	27- 20
T/S CORONA SECTION (B047/B048)	AD02 0080	Separation Corona Wire	Corona Wire - Separation	1	29- 5
	A163 9500	Transfer Corona Wire	Corona Wire - 2pcs/set	1	29- 6
FUSING UNIT (B047/B048)	AE02 0045	Pressure Roller	Pressure Roller	1	31- 23
	AE01 1062	Hot Roller	Hot Roller	1	31- 24

Parts Index

Part No.	Description	Page and Index No.
B047 1056	Right Front Foot	41- 22
B047 1057	Left Front Foot	41- 17
B047 1088	Rear Reinforcement Plate	41- 28
B047 1089	Power Supply Cord Bracket	41- 16
B047 1114	Gas Spring - 289n	43- 1
B047 1169	Upper Gas Spring Shaft	43- 18
B047 1170	Lower Gas Spring Shaft	43- 3
B047 1180	Development Bias Receptacle	41- 21
B047 1190	DC Power Supply Bracket	41- 32
B047 1245	Decal - Emblem (B047 RIC)	55- 4
B047 1245	Decal - Emblem (RIC)	9- 30
B047 1251	Upper Right Cover (B047)	7- 20
B047 1266	Lower Right Front Cover	7- 15
B047 1272	Lower Right Middle Cover	7- 16
B047 1281	Lower Right Rear Cover	7- 19
B047 1291	Upper Left Cover (B047)	7- 3
B047 1301	Lower Left Cover	7- 6
B047 1311	Lower Front Cover	7- 13
B047 1321	Lower Rear Cover	7- 25
B047 1331	Receiving Tray Cover	7- 14
B047 1331	Receiving Tray Cover	7- 12
B047 1341	Manual Feed Cover	7- 11
B047 1351	Toner Supply Cover	7- 8
B047 1385	Operation Instructions Sheet	55- 5
B047 1463	Operation Panel Ass'y (LT)	9- 19
B047 1464	Operation Panel Ass'y (A4)	9- 19
B047 1471	Operation Panel Cover	9- 20
B047 1471	Operation Panel Cover	11- 28
B047 1473	Protection Sheet	11- 31
B047 1473	Protection Sheet	9- 28
B047 1474	Fixing Bracket - Operation Panel	9- 32
B047 1474	Fixing Bracket - Operation Panel	11- 32
B047 1481	Operation Panel Sheet (LT)	9- 21
B047 1482	Operation Panel Sheet (A4)	9- 21
B047 1630	Fiber Optics (B047)	13- 25

Part No.	Description	Page and Index No.
B047 2100	Quenching Lamp	27- 38
B047 2260	Sheet - Development Unit	25- 10
B047 2530	Middle Guide Plate (B048)	21- 8
B047 2552	Side Fence Sheet - 1 (B047)	7- 41
B047 2553	Side Fence Sheet - 2 (B047)	7- 34
B047 2602	Lower Guide Plate	21- 6
B047 2690	Manual Feed Table (LT) (B047)	7- 7
B047 2691	Manual Feed Table (A4) (B047)	7- 7
B047 3551	Connector Bracket	41- 29
B047 3559	Switch Bracket	41- 36
B047 3630	Decal - Toner Correction (CHN)	55- 2
B047 3630	Decal - Toner Correction (CHN)	7- 18
B047 3869	T/S Corona Guide Plate	29- 11
B047 4111	Fusing Upper Stay	31- 17
B047 4115	Hot Roller Thermistor	31- 30
B047 4116	Pressure Roller Thermistor	31- 18
B047 4117	Thermistor Bracket	31- 29
B047 4117	Thermistor Bracket	31- 16
B047 4122	Fusing Lower Stay	31- 28
B047 4130	Right Side Plate	31- 36
B047 4135	Left Side Plate	31- 3
B047 4140	Fusing Exit Unit (B047)	31- *
B047 4143	Upper Exit Guide Plate	37- 16
B047 4165	Right Lamp Holder	31- 35
B047 4166	Left Lamp Holder	31- 8
B047 4175	Pressure Roller Stripper Ass'y	31- 31
B047 4176	Stripper Stay Bracket	31- 43
B047 4185	Ground Plate	31- 46
B047 4185	Ground Plate	29- 12
B047 4281	Rear Feed Cover (NA)	15- 2
B047 4282	Rear Feed Cover (EU)	15- 2
B047 4466	Paper Exit Cover	33- 12
B047 4473	Lower Entrance Guide Plate	33- 8
B047 4473	Lower Entrance Guide Plate	35- 8
B047 4484	Copy Exit Support	33- 13

Part No.	Description	Page and Index No.
B047 4490	Copy Tray	7- 23
B047 4495	Copy Tray Guide Rod (B048)	7- 27
B047 5100	Operation Panel Board	11- 30
B047 5100	Operation Panel Board	9- 31
B047 5118	EPROM -Main Control	47- 2
B047 5140	Main Control Board	47- *
B047 5140	Main Control Board (B047)	41- 7
B047 5550	AC Drive Board (120V)	41- 12
B047 5560	AC Drive Board (230V)	41- 12
B047 5571	AC Drive Board (CHN)	41- 12
B047 5602	Lower DC Harness	41- 5
B047 5603	Upper DC Harness	41- 4
B047 5611	Relay Harness	31- 45
B047 5616	Fusing Sensor Harness	35- 6
B047 5616	Fusing Sensor Harness	33- 6
B047 5629	Thermofuse Harness	31- 15
B047 5640	Grounding Wire	9- 26
B047 5640	Grounding Wire	11- 25
B047 5640	Grounding Wire	33- 14
B047 6111	Original Table Ass'y (LT RIC)	9- 29
B047 6113	Original Table Ass'y (A4 RIC)	9- 29
B047 6115	Original Table Ass'y (NRG)	9- 29
B047 6131	Original Table (LT)	9- 15
B047 6133	Original Table (A4)	9- 15
B047 6221	Rear Original Cover (A4 RIC)	9- 17
B047 6223	Rear Original Cover (LT RIC)	9- 17
B047 6225	Side Fence (B047)	7- 5
B047 6226	Rear Original Cover (NRG)	9- 17
B047 6252	Decal - Name Plate (GES)	9- 30
B047 6252	Decal - Name Plate (B047 GES)	55- 4
B047 6253	Decal - Name Plate (B047 NSA)	55- 4
B047 6253	Decal - Name Plate (NSA)	9- 30
B047 6254	Decal - Name Plate (REX)	9- 30
B047 6254	Decal - Name Plate (B047 REX)	55- 4
B047 8606	Operating Instructions (B047 CHN)	55- 3

Part No.	Description	Page and Index No.
B047 8607	Operating Instructions (B047 NA)	55- 3
B047 8608	Operating Instructions (B047 ASIA)	55- 3
B047 9500	Toner Collection Bottle	7- 17
B047 9501	Toner Collection Bottle (CHN)	7- 17
B048 1245	Decal - Name Plate (RIC)	11- 33
B048 1245	Decal - Emblem (B048 RIC)	55- 4
B048 1251	Upper Right Cover (B048)	7- 20
B048 1291	Left Upper Cover (B048)	7- 3
B048 1385	Operating Sheet (B048)	55- 5
B048 1463	Operation Panel Ass'y (LT)	11- 11
B048 1464	Operation Panel Ass'y (A4)	11- 11
B048 1481	Operation Panel Sheet (LT)	11- 27
B048 1482	Operation Panel Sheet (A4)	11- 27
B048 1630	Fiber Optics (B048)	13- 25
B048 2662	Right Side Fence Sheet - 1 (B048)	7- 39
B048 2665	Right Side Fence Sheet - 2 (B048)	7- 40
B048 4140	Fusing Exit Unit (B048)	31- *
B048 4150	Long Shielding Seal - Exhaust Fan	17- 16
B048 4151	Short Shielding Seal - Exhaust Fan	17- 17
B048 4281	Exhaust Cover (LT)	17- 2
B048 4282	Exhaust Cover (A4)	17- 2
B048 4371	Paper Exit Guide	35- 16
B048 4372	Upper Guide Plate - Large	35- 17
B048 4373	Upper Guide Plate - Small	35- 18
B048 4451	Paper Exit Cover	35- 12
B048 4456	Original Guide Plate	35- 21
B048 4533	Rear Lower Guide (B048)	13- 35
B048 4545	Left Side Fence (B048)	7- 33
B048 4546	Right Side Fence Ass'y (B048)	7- 22
B048 4552	Operation Cover Panel	11- 12
B048 4554	Upper Original Cover	11- 1
B048 4590	Original Feed Table (B048)	7- 29
B048 4591	Original Table (LT B048)	7- 30
B048 4592	Original Table (A4 B048)	7- 30
B048 4652	Left Side Fence Sheet - 1 (B048)	7- 37

Part No.	Description	Page and Index No.
B048 4655	Left Side Fence Sheet - 2 (B048)	7- 38
B048 5128	Eprom - Main Control	51- 2
B048 5150	Main Control Board	51- *
B048 5150	Main Control Board (B048)	41- 7
B048 5612	Relay Harness - Original Sensor	41- 34
B048 5612	Relay Harness - Original Sensor (B048)	13- 30
B048 6252	Decal - Name Plate (B048 GES)	55- 4
B048 6252	Decal - Name Plate (GES)	11- 33
B048 6253	Decal - Name Plate (B048 NSA)	55- 4
B048 6253	Decal - Name Plate (NSA)	11- 33
B048 6254	Decal - Name Plate (B048 REX)	55- 4
B048 6254	Decal - Name Plate (REX)	11- 33
B048 8606	Operating Instructions (B048 CHN)	55- 3
B048 8607	Operating Instructions (B048 NA)	55- 3
B048 8608	Operating Instructions (B048 ASIA)	55- 3

Part No.	Description	Page and Index No.
AA00 0222	Decal - High Temperature 120°C	37- 29
AA00 0222	Decal - High Temperature 120°C	55- 6
AA00 0222	Decal - High Temperature 120°C	21- 25
AA00 0644	Decal - Toner Correction	55- 2
AA00 0644	Decal - Toner Correction	7- 18
AA00 0645	Decal - Toner Correction (4 Lang.)	55- 2
AA00 0645	Decal - Toner Correction (4 Lang.)	7- 18
AA00 1283	Decal - Noise Filter (230V)	55- 7
AA00 1283	Decal - Noise Filter (230V)	41- 33
AA01 0087	Ozone Filter	15- 7
AA01 0087	Ozone Filter	17- 7
AA01 2081	Development Filter	23- 7
AA04 3274	Timing Belt (B048)	37- 1
AA04 3275	Timing Belt - 400 S2M80 (B048)	13- 39
AA04 3405	Timing Belt - 411P3M6	13- 1
AA04 3406	Timing Belt - 255 P3M6 (B047)	37- 1
AA06 0117	Spring	39- 22
AA06 0225	Grip Spring	39- 6
AA06 0386	Pressure Spring	33- 5
AA06 0386	Pressure Spring	35- 5
AA06 0456	Fusing Cover Spring	13- 24
AA06 0456	Fusing Cover Spring	39- 10
AA06 0466	Tension Spring	43- 10
AA06 0541	Tension Spring (B048)	13- 41
AA06 0607	Pressure Spring	31- 13
AA06 0749	Spring	27- 9
AA06 3274	Center Spring	9- 16
AA06 3275	Stopper Spring	11- 18
AA06 3275	Stopper Spring	9- 7
AA06 3276	Pressure Spring	25- 6
AA06 3277	Middle Plate Spring	19- 6
AA06 3279	Spring	19- 3
AA06 3560	Spring - Front	11- 5
AA06 6052	Stripper Spring	37- 15
AA06 6254	Corona Wire Spring	29- 7

Part No.	Description	Page and Index No.
AA06 6255	Feeler Spring	19- 10
AA06 6256	Right Lock Spring	37- 23
AA06 6257	Left Lock Spring	37- 13
AA06 6258	Arm Spring	37- 7
AA06 6285	Stripper Spring	31- 42
AA08 2101	Bushing - 6x10x6	37- 35
AA08 2104	Bushing - 8x12x7	21- 2
AA08 2104	Bushing - 8x12x7	13- 5
AA12 0106	Antistatic Brush	11- 9
AA13 2097	Spacer	23- 15
AA14 0692	Driven Roller Shaft	11- 7
AA14 3306	Stepped Screw - M6	37- 34
AA14 3719	Development Unit Shaft	23- 14
AA14 5800	Hinge Pin	43- 6
AA14 5802	Connecting Shaft	39- 18
AA15 0109	Seal - 12x837	23- 11
AA15 0646	Right Side Plate Seal	23- 27
AA15 0647	Left Side Plate Seal	23- 17
AA15 1951	Seal - 18x18	23- 9
AA15 1955	Seal - 20x950x3	23- 18
AA15 1981	Seal - 30x168x9	15- 4
AA15 1981	Seal - 30x168x9	17- 4
AA15 1982	Fan Seal	15- 6
AA15 1983	Seal - 12x36x3	15- 5
AA15 1983	Seal - 12x36x3	17- 5
AA15 1984	Support Duct Seal	15- 9
AA15 1984	Support Duct Seal	17- 9
AA15 1987	Right Seal	43- 28
AA15 1988	Left Seal	17- 1
AA15 1988	Left Seal	15- 3
AA15 1989	Seal - 23x1029x7	13- 14
AA15 2380	Upper Fan Seal	17- 6
AA15 2381	Ozone Filter Upper Seal	17- 8
AA15 2382	Right Shielding Seal	17- 12
AA15 2383	Right Shielding Seal	17- 20

Part No.	Description	Page and Index No.
AA15 2384	Left Shielding Seal	17- 14
AA15 2385	Short Shielding Seal	17- 3
AA15 2388	Long Shielding Seal - Fusing	37- 24
AA15 2389	Short Shielding Seal - Fusing (B048)	21- 10
AA15 2390	Shielding Seal	21- 20
AA15 2391	Exhaust Duct Seal (B048)	43- 32
AA15 2392	Original Seal (B048)	13- 36
AA15 2393	Sponge Seal - 24x24x20	11- 3
AA16 1118	Tube - 3x4.5x3	7- 28
AB01 1168	Gear - 96Z	25- 3
AB01 1362	Gear - 62Z	39- 11
AB01 1363	Gear - 45Z	39- 8
AB01 1364	Gear - 25Z	39- 15
AB01 1365	Gear - 27Z	27- 2
AB01 3920	Gear - 30Z	23- 33
AB01 3921	Gear - 20Z	23- 29
AB01 3922	Gear - 28Z	23- 35
AB01 3924	Gear - 28Z	23- 34
AB01 3925	Gear - 28Z	39- 17
AB01 3937	Gear - 30Z	37- 4
AB01 4031	Gear - 50Z	31- 7
AB01 7378	Coupled Gear - 28/24Z	23- 30
AB01 7379	Sprocket Gear - 20/25/24Z	39- 12
AB01 7380	Sprocket - 16/30Z	39- 20
AB01 7381	Coupled Gear - 36/30Z	39- 3
AB01 7383	Coupled Gear - 30/30z	37- 2
AB02 3062	Sprocket - 20Z	39- 5
AB02 3063	Gear - 20Z	39- 4
AB02 3064	Sprocket - 15Z	39- 14
AB03 0505	Pulley - 24Z	13- 4
AB03 0506	Pulley - 60Z (B047)	25- 1
AB03 0509	Pulley - 16Z	37- 6
AB03 0560	Pulley Z16	11- 21
AB03 0596	Idler Pulley - Paper Exit (B048)	37- 10
AB03 0597	Timing Pulley - 40 (B048)	13- 38

Part No.	Description	Page and Index No.
AB03 0598	Idler Pulley - 20 (B048)	13- 42
AC01 0004	Exposure Glass (B048)	13- 19
AD00 1036	Development Unit	23- *
AD01 4030	Drum Flange	25- 4
AD01 5015	Drum Shaft	25- 5
AD02 0079	Main Corona Wire	27- 11
AD02 0080	Corona Wire - Separation	29- 5
AD02 1113	Relay Receptacle - Charge Corona	27- 32
AD02 1114	Charge Corona Receptacle	41- 10
AD02 2315	Right End Block Cover - Charge	27- 13
AD02 2316	Left End Block - Charge	27- 8
AD02 2317	Left End Block Cover - Charge	27- 6
AD02 2318	Right End Block - T & S	29- 10
AD02 2319	Left End Block - T & S	29- 8
AD02 2320	End Block Cover - T & S	29- 3
AD02 2347	Right End Block - Charge	27- 14
AD02 3112	Charge Corona Casing	27- 16
AD02 3113	T & S Corona Casing	29- 9
AD03 6053	Left Backspill Plate	23- 13
AD03 7047	Development Auger	23- 16
AD04 3039	Toner Collection Screw	27- 22
AE01 1062	Hot Roller	31- 24
AE02 0045	Pressure Roller	31- 23
AE03 0039	Ball Bearing	31- 5
AE03 0041	Ball Bearing -20x32x7	31- 22
AE03 2019	Bushing - 30x40x1.5	31- 6
AE04 4003	Hot Roller Stripper	37- 14
AE04 4020	Pressure Roller Stripper	31- 41
AF02 0339	Registration Roller	21- 7
AF02 0341	Lower Exit Roller	37- 27
AF02 0358	Upper Exit Roller	37- 18
AF02 0451	Original Feed Roller (B048)	13- 10
AF02 2027	Drive Roller	11- 6
AF02 2081	Front Driven Roller	9- 9
AW01 0091	Photo Reflection Sensor (B048)	13- 16

Part No.	Description	Page and Index No.
AW01 0091	Photo Reflection Sensor	33- 10
AW01 0091	Sensor	35- 10
AW02 0008	Photointerruptor (B047)	13- 16
AW02 0012	Photointerruptor	19- 13
AW02 0024	Photointerruptor	19- 14
AW02 0075	Photointerruptor	7- 1
AW02 0075	Photointerruptor	31- 44
AW23 0006	Toner Density Sensor	23- 3
AW33 0009	Used Toner Sensor	7- 32
AX04 0111	Stepping Motor - DC24V	11- 20
AX06 0231	DC Motor - DC24V 29W	39- 19
AX10 0026	DC Solenoid - Pick-off Pawl	27- 25
AX20 0115	Spring Clutch	23- 20
AX26 0006	Magnetic Clutch	21- 1
AX31 0027	6 Digit Total Counter	41- 1
AX45 0036	Fusing Lamp - 120V 1200W	31- 25
AX45 0037	Fusing Lamp - 230V 1200W	31- 25
AX50 0053	Fluorescent Lamp - 140V/26W	13- 18
AX66 0008	Fan Motor - DC24V 14.4W	17- 13
AX66 0008	Fan Motor - DC24V 14.4W	15- 8
AZ02 0008	Coil - 10MH 2A (230V)	41- 27
AZ23 0094	DC Power Supply Board (120V)	41- 8
AZ23 0099	DC Power Supply Unit - AC220-240V (230V)	41- 8
AZ23 0100	DC Power Supply Unit - AC220-240V (CHN)	41- 8
AZ32 0080	Power Pack - T & S	41- 11
AZ32 0099	Power Pack - C/G/D	41- 9
B010 1359	Operating Instructions Holder	7- 21
G020 4374	Middle Antistatic Brush - FD	35- 20
G020 4483	Antistatic Brush - FD	35- 19
H308 1105	Prevent Fence Sheet 2	41- 18

Part No.	Description	Page and Index No.
A007 3763	Adhesive Tape - Sensor Holder	7- 26
A023 4096	Fusing Lamp Supporter	31- 9
A023 9502	Current Measuring Drum	57- 4
A023 9504	Test Chart OS-A-1 (2 Sheets / Set)	57- 5
A098 9510	Drum	25- 8
A163 1081	Upper Fusing Unit Stay	21- 19
A163 1091	Right Lock Stopper	43- 27
A163 1092	Left Lock Stopper	43- 11
A163 1099	Left Latch Bracket	7- 2
A163 1106	Lock Release Lever	43- 12
A163 1108	Guide Plate	43- 13
A163 1116	Right Gas Spring Bracket	43- 21
A163 1123	Left Gas Spring Bracket	43- 2
A163 1131	Right Support Plate	43- 24
A163 1132	Left Support Plate	43- 16
A163 1135	Right Hinge Bracket	43- 17
A163 1136	Left Hinge Bracket	43- 5
A163 1141	Right Fusing Unit Bracket	43- 29
A163 1142	Left Fusing Unit Bracket	43- 9
A163 1144	Exhaust Duct	43- 4
A163 1150	Drive Bracket	39- 21
A163 1155	Tension Bracket	13- 23
A163 1158	Tension Pulley	13- 26
A163 1160	Connecting Arm	39- 9
A163 1166	Connecting Bracket	39- 16
A163 1170	Chain Tensioner	39- 7
A163 1172	Bushed Roller Chain - 84p	39- 23
A163 1173	Drive Support Plate	39- 1
A163 1176	Total Counter Bracket	41- 2
A163 1177	Interlock Switch Lever	43- 22
A163 1178	Lock Release Bracket	43- 23
A163 1362	Right Original Stopper	7- 10
A163 1366	Left Original Stopper	7- 9
A163 1371	Front Cover Holder	43- 14
A163 1376	Cover Lever Bracket	9- 22

Part No.	Description	Page and Index No.
A163 1376	Cover Lever Bracket	11- 16
A163 1653	Front Optics Stay (B047)	13- 6
A163 1662	Rear Optics Stay (B047)	13- 21
A163 1671	Left Socket Bracket	13- 3
A163 1672	Right Socket Bracket	13- 13
A163 1701	Fiber Optics Holder	13- 15
A163 1711	Exposure Glass (B047)	13- 19
A163 1721	Light Sensor Holder	13- 8
A163 2051	Right Grid Terminal	27- 15
A163 2052	Left Grid Terminal	27- 7
A163 2053	Right Plate Spring	27- 17
A163 2054	Left Plate Spring	27- 18
A163 2057	Relay Receptacle Bracket	27- 33
A163 2058	Grid Relay Terminal Plate	27- 35
A163 2101	Grounding Plate - Erase Lamp	27- 24
A163 2251	Drum Knob	25- 7
A163 2252	Bearing Holder	25- 2
A163 2255	Spacer	25- 9
A163 2256	Grounding Spring Plate	43- 30
A163 2257	Grounding Spring Plate	43- 26
A163 2554	Middle Guide Plate	19- 9
A163 2560	Driven Roller	19- 7
A163 2562	Feeler Bracket	19- 12
A163 2569	Paper Feed Bushing	19- 4
A163 2574	Guide Plate	19- 8
A163 2576	Driven Roller - Guide Plate	19- 5
A163 2577	Registration Sensor Feeler	19- 11
A163 2579	Spring Plate	19- 15
A163 2590	Right Positioning Bracket	23- 22
A163 2596	Left Positioning Bracket	23- 21
A163 2610	Middle Manual Feed Sheet	21- 5
A163 2612	End Manual Feed Sheet	21- 4
A163 2697	Table Plate Spring	41- 24
A163 3089	Upper Toner Sensor Holder	23- 4
A163 3090	Entrance Seal Bracket	23- 10

Part No.	Description	Page and Index No.
A163 3101	Filter Bracket	23- 8
A163 3105	Toner Supply Unit Casing	23- 12
A163 3107	Seal - Toner Supply Unit Casing	23- 6
A163 3125	Development Unit Terminal	23- 19
A163 3145	Toner Supply Unit Plate	23- 24
A163 3147	Joint Shaft	23- 23
A163 3170	Development Sleeve Flange	23- 5
A163 3551	Right Side Plate - Drum	27- 21
A163 3553	Right Cleaning Seal	27- 12
A163 3554	Toner Shutter	27- 36
A163 3555	Shutter Spring	27- 19
A163 3556	Left Side Plate - Drum	27- 4
A163 3558	Left Cleaning Seal	27- 3
A163 3560	Cleaning Unit Casing	27- 23
A163 3570	Cleaning Blade	27- 20
A163 3592	Drum Stay	27- 5
A163 3593	Cleaning Blade Bushing	27- 1
A163 3594	Cleaning Blade Pressure Spring	27- 30
A163 3600	Pick-off Pawl Bracket	27- 26
A163 3607	Right Pressure Lever	27- 28
A163 3608	Left Pressure Lever	27- 31
A163 3609	Lever Shaft	27- 29
A163 3611	Pick-off Pawl	27- 27
A163 3630	Fixing Plate	43- 19
A163 3850	T/S Corona Unit	29- *
A163 3854	Entrance Sheet Bracket	29- 4
A163 3857	Right Paper Guide	29- 2
A163 3858	Left Paper Guide	29- 1
A163 3859	Right Positioning Bracket	21- 13
A163 3861	Left Positioning Bracket	21- 14
A163 3865	Transport Guide Plate	21- 15
A163 3868	Harness Shield Plate	41- 19
A163 4105	Pressure Roller Shaft	31- 20
A163 4106	Pressure Roller Holder	31- 4
A163 4109	C - Ring - 19m	31- 21

Part No.	Description	Page and Index No.
A163 4122	Entrance Guide Plate Holder	31- 26
A163 4124	Holder Cam	31- 27
A163 4145	Exit Unit Stay	37- 17
A163 4146	Middle Exit Unit Guide	37- 25
A163 4147	Exit Unit Guide	37- 22
A163 4148	Exit Unit Lever	37- 21
A163 4151	Right Side Plate - Exit Unit	37- 26
A163 4156	Left Side Plate - Exit Unit	37- 8
A163 4159	Lock Positioning Plate	37- 12
A163 4181	Pressure Lever	31- 2
A163 4182	Lower Pressure Release Lever	31- 10
A163 4183	Upper Pressure Release Lever	31- 11
A163 4185	Right Release Cam	43- 25
A163 4186	Left Release Cam	43- 15
A163 4187	Right Lock Guide	31- 37
A163 4188	Lever Shaft	31- 12
A163 4191	Fusing Entrance Guide Plate	31- 19
A163 4211	Drive Arm	37- 3
A163 4212	Drive Arm Shaft	37- 5
A163 4220	Drive Tightener	37- 9
A163 4231	Arm Stopper	37- 11
A163 4235	Tube Holder	37- 20
A163 4236	Exit Tube	37- 19
A163 4261	Interlock Switch Bracket	31- 32
A163 4262	Interlock Switch Lever	31- 34
A163 4263	Interlock Switch Cover	31- 33
A163 4291	Fan Support Plate	17- 10
A163 4291	Fan Support Plate	15- 10
A163 4293	Blower Sheet - 51x57	15- 1
A163 4311	Seal - 8x16x570	17- 19
A163 4311	Seal - 8x16x570	15- 12
A163 4312	Seal - 4x33x277	37- 28
A163 4314	Right Seal	15- 13
A163 4315	Left Seal	15- 14
A163 4316	Right Middle Seal	15- 15

Part No.	Description	Page and Index No.
A163 4317	Left Middle Seal	15- 16
A163 4318	Seal - 6x24x116.5	15- 17
A163 4319	Seal - 6x24x38	15- 18
A163 4322	Blower Duct	15- 11
A163 4347	Separation Roller	21- 17
A163 4349	Small Roller Bracket	21- 22
A163 4350	Small Separation Roller	21- 24
A163 4351	Roller Bracket	21- 18
A163 4352	Fusing Guide Mylar	21- 21
A163 4354	Spacer - 10x15x0.6	31- 38
A163 4355	Spacer - Fusing Entrance	31- 39
A163 4357	Right Support Guide	37- 30
A163 4358	Left Support Guide	37- 31
A163 4359	Middle Support Guide	37- 32
A163 4361	Grounding Plate	21- 16
A163 4465	Lower Support Guide	33- 9
A163 4465	Lower Support Guide	35- 9
A163 4471	Right Lock Bracket	33- 11
A163 4476	Left Lock Bracket	33- 3
A163 4477	Positioning Plate	35- 4
A163 4477	Positioning Plate	33- 4
A163 4478	Long Hinge	35- 2
A163 4478	Long Hinge	33- 2
A163 4481	Short Hinge	43- 7
A163 4482	Shoulder Screw - M4	43- 8
A163 5300	Light Sensor Board	13- 9
A163 5610	Development Harness	23- 1
A163 5618	Toner Sensor Harness	23- 2
A163 5620	Fluorescent Lamp Harness	13- 2
A163 5633	Power Pack Harness - Grid	27- 34
A163 5634	Bias Power Pack Harness	41- 15
A163 5635	Transfer Power Pack Harness	41- 13
A163 5636	Separation Power Pack Harness	41- 14
A163 5637	Separation Power Pack Harness	41- 14
A163 5640	Grounding Wire	35- 7

Part No.	Description	Page and Index No.
A163 5640	Grounding Wire	33- 7
A163 6051	Original Feed Left Plate	9- 1
A163 6052	Original Table Bushing	11- 29
A163 6052	Original Table Bushing	9- 2
A163 6056	Stopper Pin	9- 3
A163 6056	Stopper Pin	11- 13
A163 6061	Original Feed Right Plate	9- 23
A163 6065	Right Bracket	9- 27
A163 6066	Upper Lever	9- 24
A163 6066	Upper Lever	11- 14
A163 6071	2nd Original Drive Roller	13- 10
A163 6075	1st Original Drive Roller (B048)	13- 27
A163 6081	Arm Bushing	13- 7
A163 6085	One-way Pulley - 24z	13- 28
A163 6091	Sensor Bracket (B047)	13- 17
A163 6095	Original Registration Sensor Spacer (B047)	13- 22
A163 6101	Front Original Guide Plate (B047)	13- 11
A163 6102	Rear Original Guide Plate (B047)	13- 20
A163 6161	Original Table Channel	9- 5
A163 6162	Platen Plate	9- 4
A163 6171	Middle Roller Shaft	9- 14
A163 6172	End Roller Shaft	9- 11
A163 6175	Front Drive Roller	9- 10
A163 6181	Original Driven Bushing	9- 12
A163 6202	Original Table Stopper	11- 19
A163 6202	Original Table Stopper	9- 6
A163 6203	Original Stopper Pin	11- 17
A163 6203	Original Stopper Pin	9- 8
A163 6251	Original Entrance Sheet	9- 18
A163 6256	Guide Mylar	9- 13
A163 9500	Corona Wire - 2 pcs/set	29- 6
A163 9501	Charge Grid Wire - 4pcs/set	27- 10
A163 9504	Spring Hook - SS-22	57- 6
A163 9505	Spring Hook - SS-21	57- 10
A165 3630	Toner End Sensor Holder	7- 24

Part No.	Description	Page and Index No.
A174 1089	Power Supply Cord Bracket (CHN)	41- 16
A174 1090	Power Cord Cover	41- 31
A174 1127	Spring Bracket	39- 13
A174 1191	Choke Bracket	41- 26
A174 3861	Guide Plate (B048)	21- 9
A174 3862	Middle Guide Plate (B048)	21- 3
A174 4155	Stopper Guide - Paper Exit	31- 40
A174 4201	Blower Duct	17- 11
A174 4203	Fan Motor Harness	17- 18
A174 4315	Fusing Unit Spacer (B048)	37- 33
A174 4361	Right Lock Bracket	35- 11
A174 4366	Left Lock Bracket	35- 3
A174 5613	Noise Filter Harness (230V)	41- 30
A174 5662	Grounding Harness	35- 15
A204 1297	Telephone Sheet - Chinese	55- 1
A204 5671	Power Supply Cord - 250V 10A (CHN)	41- 20
A228 4656	Side Fence Sheet - Original Feed (B048)	7- 35
A228 4709	Bushing - Original Transport	11- 4
A232 5355	IC - GATEX	47- 1
A232 5355	IC - GATEX	51- 1
A250 5741	Power Supply Cord - 120V	41- 20
A250 5742	Power Supply Cord - 230V	41- 20
A252 1100	Right Ratch Bracket	41- 23
A252 1611	Fiber Optics (B048)	13- 12
A252 1651	Spring Plate - Left (B048)	13- 32
A252 1652	Spring Plate - Right (B048)	13- 33
A252 1653	Spring Plate Sheet - Exposure Glass (B048)	13- 37
A252 1655	Front Stay (B048)	13- 6
A252 1659	Rear Stay (B048)	13- 21
A252 2050	Charge Corona Unit	27- 37
A252 4287	Shielding Plate - Fusing (B048)	21- 12
A252 4288	Shield (B048)	21- 11
A252 4453	Lower Paper Guide	35- 13
A252 4454	Lower Middle Guide Plate	35- 14
A252 4553	Upper Cover Stay	11- 2

Part No.	Description	Page and Index No.
A252 4555	Guide	11- 10
A252 4557	Platen Cover Guide	11- 8
A252 4566	Support Plate	11- 24
A252 4567	Right Side Plate Cover	11- 23
A252 4568	Motor Cover	11- 22
A252 4572	Belt Tightener (B048)	13- 40
A252 4580	Front Lower Guide (B048)	13- 11
A252 4581	Rear Lower Guide (B048)	13- 20
A252 4585	Original Sensor Bracket - Feed (B048)	13- 31
A252 4586	Original Sensor Bracket (B048)	13- 29
A252 4610	Table Lock Spring (B048)	43- 31
A252 4611	Original Stopper	7- 31
A252 4612	Stopper Wire	11- 26
A252 4617	Original Spacer (B048)	7- 36
A252 5405	Fluorescent Lamp Stabilizer	41- 6
A252 5440	Pre Transfer Lamp - 24V 7.2W	19- 1
A252 5600	AC Harness	41- 3
A252 5611	DC Harness - Paper Feed	19- 2
A252 5614	DC Relay Harness	27- 39
A252 5654	Relay Harness - Original/Motor (B048)	41- 37

Part No.	Description	Page and Index No.
5053 0420	Bushing - 10mm	39- 2
5056 0509	Nut Plate - Microswitch	41- 35
5203 5801	Thermofuse Bracket	31- 14
5205 3093	Bushing - 8mm	23- 36
5205 3103	Bushing - 6mm	23- 28
5403 2075	Stepped Screw	33- 1
5403 2075	Stepped Screw	43- 20
5403 2075	Stepped Screw	35- 1
5403 2075	Stepped Screw	31- 1
5413 1882	Stepped Screw	9- 25
5413 1882	Stepped Screw	11- 15
5413 1882	Stepped Screw	41- 25
5420 9504	Thermo Meter - HLC	57- 8
5420 9505	Probe - HLC - 30	57- 9
5420 9507	Digital Multimeter	57- 1
5420 9508	Deluxe Test Lead Accessory Kit	57- 2
5429 3561	Ball Bearing - 10x26x8	23- 31
5442 9101	Setting Powder	57- 7
5446 1134	Bearing Case	23- 32
5446 2824	Screw - Duplex Guide Plate	23- 26
5446 2824	Screw - Duplex Guide Plate (B048)	13- 34
5446 2824	Screw - Duplex Guide Plate	7- 4
5446 3163	Pressure Roller - Transport Unit (B047)	37- 10
5446 6214	Shaft Holder - Pick-up Roller	23- 25
5447 9078	Heat Resisting Grease Mt-78	57- 3
5840 3022	Stopper Screw - M3	17- 15

Part No.	Description	Page and Index No.
0313 0050B	Philips Pan Head Screw - M3x5	23-102
0313 0050B	Philips Pan Head Screw - M3x5	27-104
0313 0060B	Philips Pan Head Screw - M3x6	41-102
0313 0060B	Philips Pan Head Screw - M3x6	31-105
0313 0060B	Philips Pan Head Screw - M3x6	27-106
0313 0080B	Pan Head Screw - M3x8	31-109
0313 0100B	Philips Pan Head Screw - M3x10	13-110
0313 0100B	Philips Pan Head Screw - M3x10	19-103
0313 0100B	Philips Pan Head Screw - M3x10	35-103
0313 0100B	Philips Pan Head Screw - M3x10	33-103
0313 0100B	Philips Pan Head Screw - M3x10	11-110
0313 0160B	Philips Pan Head Screw - M3x16	41-127
0314 0060B	Philips Pan Head Screw - M4x6	13-102
0314 0060B	Philips Pan Head Screw - M4x6	19-104
0314 0060B	Philips Pan Head Screw - M4x6	21-104
0314 0060B	Philips Pan Head Screw - M4x6	21-110
0314 0060B	Philips Pan Head Screw - M4x6	29-103
0314 0060B	Philips Pan Head Screw - M4x6	23-109
0314 0060B	Philips Pan Head Screw - M4x6	25-102
0314 0060B	Philips Pan Head Screw - M4x6	27-101
0314 0060B	Philips Pan Head Screw - M4x6	31-101
0314 0060B	Philips Pan Head Screw - M4x6	37-104
0314 0060B	Philips Pan Head Screw - M4x6	41-120
0314 0060B	Philips Pan Head Screw - M4x6	43-104
0314 0060B	Philips Pan Head Screw - M4x6	7-101
0314 0060B	Philips Pan Head Screw - M4x6	11-104
0314 0060B	Philips Pan Head Screw - M4x6	9-104
0314 0080B	Philips Pan Head Screw - M4x8	23-104
0314 0080B	Philips Pan Head Screw - M4x8	41-108
0314 0080B	Philips Pan Head Screw - M4x8	11-108
0314 0080B	Philips Pan Head Screw - M4x8	21-102
0314 0080B	Philips Pan Head Screw - M4x8	43-105
0314 0100B	Philips Pan Head Screw - M4x10	15-102
0314 0100B	Philips Pan Head Screw - M4x10	27-103
0314 0100B	Philips Pan Head Screw - M4x10	17-102

Part No.	Description	Page and Index No.
0314 0200B	Philips Pan Head Screw - M4x20	27-105
0315 0080B	Philips Pan Head Screw - M5x8	39-108
0343 0080F	Philips Truss Head Screw - M3x8	7-103
0344 0060F	Philips Truss Head Screw - M4x6	13-111
0353 0080F	Philips Truss Head Screw - M3x8	15-101
0353 0080F	Philips Truss Head Screw - M3x8	17-101
0414 0082B	Binding Self Tapping Screw - M4x8	19-102
0414 0142B	Binding Self Tapping Screw - M4x14	9-105
0433 0062B	Tapping Screw - M3x6mm	29-101
0434 0080B	Pan Head Self-tapping Screw - M4x8	21-101
0434 0080B	Pan Head Self-tapping Screw - M4x8	11-105
0434 0080B	Pan Head Self-tapping Screw - M4x8	43-102
0434 0080B	Pan Head Self-tapping Screw - M4x8	39-101
0434 0080B	Pan Head Self-tapping Screw - M4x8	41-101
0434 0080B	Pan Head Self-tapping Screw - M4x8	9-108
0434 0082B	Tapping Screw - M4x8	35-101
0434 0082B	Tapping Screw - M4x8	33-101
0434 0082B	Tapping Screw - M4x8	7-104
0452 2006B	Baird Tapping Screw - M2x6	9-109
0452 2006B	Baird Tapping Screw - M2x6	11-113
0452 3006B	Tapping Screw - M3x6	7-107
0452 3010B	Tapping Bind Screw - M3x10	11-112
0452 4008B	Binding Self Tapping Screw - M4x8	35-104
0452 4008B	Binding Self Tapping Screw - M4x8	11-101
0452 4008B	Binding Self Tapping Screw - M4x8	7-105
0574 0040E	Hexagon Headless Set Screw - M4x4	11-109
0575 0050E	Hexagon Headless Set Screw - M5x5	25-103
0622 0120E	Spring Pin - 2x12mm	21-105
0633 0140G	Parallel Pin - 3x14	39-107
0633 0200G	Pin - M3x20	23-108
0701 0040B	Flat Washer - M4	11-102
0701 0040B	Flat Washer - M4	7-106
0705 0040C	Toothed Washer - M4	41-123
0720 0030Z	Retaining Ring - M3	11-103
0720 0030Z	Retaining Ring - M3	9-101

Part No.	Description	Page and Index No.
0720 0040Z	Retaining Ring - M4	37-102
0720 0040Z	Retaining Ring - M4	39-104
0720 0040Z	Retaining Ring - M4	35-106
0720 0040Z	Retaining Ring - M4	13-109
0720 0040Z	Retaining Ring - M4	31-103
0720 0050Z	Retaining Ring - M5	23-107
0720 0060E	Retaining Ring - M6	43-111
0720 0060Z	Retaining Ring - M6	37-105
0720 0060Z	Retaining Ring - M6	21-109
0720 0060Z	Retaining Ring - M6	43-101
0720 0060Z	Retaining Ring - M6	13-103
0720 0060Z	Retaining Ring - M6	39-103
0720 0060Z	Retaining Ring - M6	23-105
0720 0080Z	Retaining Ring - M8	39-105
0720 0080Z	Retaining Ring - M8	43-108
0725 0150E	Retaining Ring C - M15	25-101
0725 0200E	Retaining Ring C - M20	31-102
0802 5087	Tapping Bind Screw - M2x5	9-106
0802 5170	Tapping Screw - M4x8	35-108
0802 5170	Tapping Screw - M4x8	43-112
0802 5220	Tapping Screw - M4x8	41-124
0802 5282	Tapping Screw - M4x8	41-126
0805 3385	Bushing - 6mm	37-103
0916 1126	Bushed Roller Chain - 126p	39-102
0950 5012M	Screw - M5X12	41-107
0951 3005B	Philips Screw With Flat Washer M3x5	29-102
0951 3005B	Philips Screw With Flat Washer M3x5	21-106
0951 3006B	Philips Screw With Flat Washer-m3x6	11-107
0951 3008B	Philips Screw With Flat Washer	35-107
0951 3010B	Philips Screw With Flat Washer - M3x1	23-106
0951 4006B	Philips Screw With Washer - M4x6	43-106
0951 4006B	Philips Screw With Washer - M4x6	13-101
0951 4006B	Philips Screw With Washer - M4x6	41-129
0951 4006B	Philips Screw With Washer - M4x6	35-105
0951 4006B	Philips Screw With Washer - M4x6	31-107

Part No.	Description	Page and Index No.
0951 4006B	Philips Screw With Washer - M4x6	37-101
0951 4008B	Philips Screw With Washer - M4x8	19-105
0951 4008B	Philips Screw With Washer - M4x8	31-104
0951 4008B	Philips Screw With Washer - M4x8	23-101
0954 3006B	Screw - M3X6	41-121
0954 4008B	Philips Screw - M4X8	33-104
0954 4008B	Philips Screw - M4X8	41-122
0965 5016B	Tapping Screw W/h Flat Washer-m5x16	41-109
1102 5303	Connector - 4P	51-101
1102 5303	Connector - 4P	47-101
1102 6299	Connector - 6P	51-102
1102 6398	Connector - 2P	51-103
1102 6398	Connector - 2P	47-102
1102 6401	Connector - 26P	51-104
1102 6401	Connector - 26P	47-103
1102 6403	Connector - 30P	51-105
1102 6403	Connector - 30P	47-104
1102 6594	Connector - 10P	51-106
1102 6594	Connector - 10P	47-105
1102 6842	Connector - 60P	51-107
1102 6842	Connector - 60P	47-106
1102 7094	Connector - 12P	51-108
1102 7094	Connector - 12P	47-107
1102 8571	Connector - 53375-0910	51-109
1102 8571	Connector - 53375-0910	47-108
1104 0588	Dip Socket - 28p	51-110
1104 0588	Dip Socket - 28p	47-109
1104 0589	Dip Socket - 32p	51-111
1104 0589	Dip Socket - 32p	47-110
1105 0005	Nylon Clip - 3n	27-102
1105 0005	Nylon Clip - 3n	13-108
1105 0016	Nylon Clamp - 4n	43-109
1105 0109	Cord Keep	23-103
1105 0113	Edge - P108	11-106
1105 0183	Spacer	41-116

Part No.	Description	Page and Index No.
1105 0193	Nylon Stud	41-111
1105 0196	Harness Clamp	43-107
1105 0196	Harness Clamp	31-106
1105 0196	Harness Clamp	9-103
1105 0196	Harness Clamp	41-115
1105 0199	Clamp	19-101
1105 0199	Clamp	21-103
1105 0199	Clamp	15-103
1105 0199	Clamp	41-103
1105 0199	Clamp	17-103
1105 0199	Clamp	7-102
1105 0199	Clamp	33-102
1105 0199	Clamp	13-104
1105 0199	Clamp	35-102
1105 0201	Harness Clamp	43-103
1105 0201	Harness Clamp	41-113
1105 0415	Spacer - 12.7mm	41-112
1105 0436	Locking Support - KGCP-08-0	41-114
1105 0437	Locking Support - FGS-4S	41-110
1106 0193	Bushing - 7.9mm	13-107
1106 0193	Bushing - 7.9mm	41-104
1106 0193	Bushing - 7.9mm	21-107
1106 0241	Bushing - 6.7mm	11-111
1106 0241	Bushing - 6.7mm	21-108
1106 0241	Bushing - 6.7mm	9-102
1106 0241	Bushing - 6.7mm	13-106
1106 0411	Bushing - 11.5mm	13-105
1106 0493	Edging	41-105
1106 0493	Edging	9-107
1106 0493	Edging	43-110
1107 0995	Fuse - 2.5A	51-112
1109 0018	Circuit Protector - SMD100	47-111
1109 0018	Circuit Protector - SMD100	51-113
1204 2334	Interlock Switch - Fa1l	31-108
1204 2334	Interlock Switch - Fa1l	41-117

Part No.	Description	Page and Index No.
1204 2444	Main Switch	41-118
1204 2510	Micro Switch	41-128
1400 0710	Transistor - 2SB1240	51-114
1400 0710	Transistor - 2SB1240	47-112
1400 0722	Transistor - DTC143EE	51-115
1400 0722	Transistor - DTC143EE	47-113
1400 0769	Transistor - 2SA1576A	51-116
1400 0769	Transistor - 2SA1576A	47-114
1402 1322	Diode Array - DAN202U	47-115
1402 1322	Diode Array - DAN202U	51-117
1402 1342	Diode - 1SR154-400	51-118
1402 1342	Diode - 1SR154-400	47-116
1403 0953	LED - SML-310MT	51-119
1403 0953	LED - SML-310MT	47-117
1407 2187	TTLIC - SN74LS07NS	47-118
1407 2187	TTLIC - SN74LS07NS	51-120
1407 2218	TTLIC - SN74LS06NS	47-119
1407 2218	TTLIC - SN74LS06NS	51-121
1407 2231	IC - TD62308AF	51-122
1407 2231	IC - TD62308AF	47-120
1407 3357	Comparator - BA10393F	47-121
1407 3357	Comparator - BA10393F	51-123
1407 4999	IC - STK22C48-W45	47-122
1407 4999	IC - STK22C48-W45	51-124
1407 5075	IC - HD6413006F20	51-125
1407 5075	IC - HD6413006F20	47-123
1407 5128	IC - SLA7032M	51-126
1407 5346	IC - SN74LS74ANS	47-124
1407 5346	IC - SN74LS74ANS	51-127
1407 5351	IC - SN74LV14APW	47-125
1407 5351	IC - SN74LV14APW	51-128
1407 5376	IC - SN74LV32APW	51-129
1407 5376	IC - SN74LV32APW	47-126
1407 5377	IC - SN74AHCT1G08DCK	47-127
1407 5377	IC - SN74AHCT1G08DCK	51-130

Part No.	Description	Page and Index No.
1408 0575	IC - M51957BFP	47-128
1408 0575	IC - M51957BFP	51-131
1408 0810	IC - BA10358F	51-132
1408 0810	IC - BA10358F	47-129
1408 0874	Transistor Array - M54587FP	47-130
1408 0874	Transistor Array - M54587FP	51-133
1408 1396	Vr - Ds1804z-100	51-134
1408 1396	Vr - Ds1804z-100	47-131
1503 0996	Crystal Oscillator - 16mhz	47-132
1503 0996	Crystal Oscillator - 16mhz	51-135
1600 1168	Resistor - 1Ω/2W	51-136
1601 1810	Resistor - 380 Ω ±5%	51-137
1601 1810	Resistor - 380 Ω ±5%	47-133
1602 0946	Noise Filter (230V)	41-106
1604 4779	Capacitor - 220 uF ±20% 35V	51-138
1605 1160	Capacitor - 0.22μF +80 -20% 16V	47-134
1605 1160	Capacitor - 0.22μF +80-20% 16V	51-139
1605 1225	Capacitor - 0.1μF ±10% 50V	47-135
1605 1225	Capacitor - 0.1μF ±10% 50V	51-140
1607 0646	Ferrite Core - Sfc-6	41-125
1630 1202	Resistor - 2.0K Ω ±5% 1/4W	47-136
1630 1202	Resistor - 2.0K Ω ±5% 1/4W	51-141
1634 0000	Resistor - 0 Ω 1/16W	51-142
1634 0000	Resistor - 0 Ω 1/16W	47-137
1640 0101	Capacitor - 100μF 10V	51-143
1640 0101	Capacitor - 100μF 10V	47-138
1640 0221	Capacitor - 220μF - ±20% 10V	51-144
1640 0221	Capacitor - 220μF - ±20% 10V	47-139
1640 3101	Capacitor - 100μF ±20% 35V	51-145
1640 3101	Capacitor - 100μF ±20% 35V	47-140
1642 0470	Capacitor - 47μF ±20% 10V	47-141
1642 0470	Capacitor - 47μF ±20% 10V	51-146
1650 3101	Chip Resistor - 100 Ω ±5% 1/8W	51-147
1650 3431	Chip Resistor - 430 Ω ±5% 1/8W	51-148
1650 4101	Chip Resistor - 100 Ω ±5% 1/10W	51-149

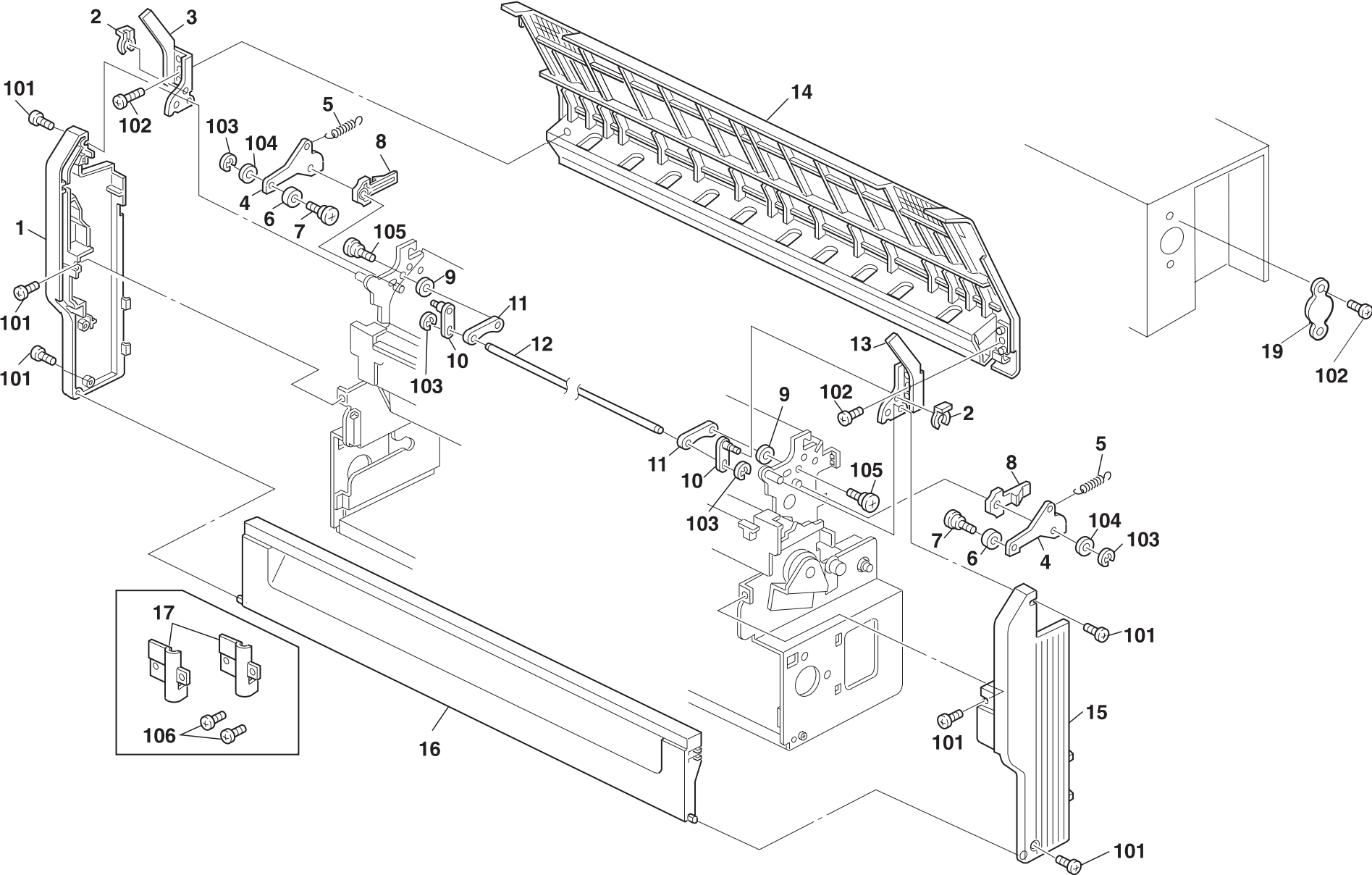
Part No.	Description	Page and Index No.
1650 4101	Chip Resistor - 100 Ω \pm 5% 1/10W	47-142
1650 4102	Chip Resistor - 1K Ω \pm 5% 1/10W	51-150
1650 4102	Chip Resistor - 1K Ω \pm 5% 1/10W	47-143
1650 4103	Resistor - 10K Ω \pm 5% 1/10W	47-144
1650 4103	Resistor - 10K Ω \pm 5% 1/10W	51-151
1650 4104	Chip Resistor - 100K Ω \pm 5% 1/10W	51-152
1650 4104	Chip Resistor - 100K Ω \pm 5% 1/10W	47-145
1650 4123	Chip Resistor - 12K Ω \pm 5% 1/10W	51-153
1650 4123	Chip Resistor - 12K Ω \pm 5% 1/10W	47-146
1650 4184	Chip Resistor - 180K Ω \pm 5% 1/10W	51-154
1650 4184	Chip Resistor - 180K Ω \pm 5% 1/10W	47-147
1650 4202	Chip Resistor - 2K Ω \pm 5% 1/10W	51-155
1650 4202	Chip Resistor - 2K Ω \pm 5% 1/10W	47-148
1650 4222	Chip Resistor - 2.2K Ω \pm 5% 1/10W	51-156
1650 4222	Chip Resistor - 2.2K Ω \pm 5% 1/10W	47-149
1650 4223	Chip Resistor - 22K Ω \pm 5% 1/10W	51-157
1650 4223	Chip Resistor - 22K Ω \pm 5% 1/10W	47-150
1650 4330	Chip Resistor - 33 Ω \pm 5% 1/10W	51-158
1650 4330	Chip Resistor - 33 Ω \pm 5% 1/10W	47-151
1650 4332	Chip Resistor - 3.3K Ω \pm 5% 1/10W	51-159
1650 4332	Chip Resistor - 3.3K Ω \pm 5% 1/10W	47-152
1650 4472	Chip Resistor - 4.7K Ω \pm 5% 1/10W	47-153
1650 4472	Chip Resistor - 4.7K Ω \pm 5% 1/10W	51-160
1650 4474	Chip Resistor - 470K Ω \pm 5% 1/10W	51-161
1650 4474	Chip Resistor - 470K Ω \pm 5% 1/10W	47-154
1650 4822	Chip Resistor - 8.2K Ω \pm 5% 1/10W	47-155
1650 4822	Chip Resistor - 8.2K Ω \pm 5% 1/10W	51-162
1654 1001	Chip Resistor - 1K Ω \pm 1% 1/10W	47-156
1654 1001	Chip Resistor - 1K Ω \pm 1% 1/10W	51-163
1654 1002	Chip Resistor - 10K Ω \pm 1% 1/10W	51-164
1654 1002	Chip Resistor - 10K Ω \pm 1% 1/10W	47-157
1654 1502	Chip Resistor - 15K Ω \pm 1% 1/10W	51-165
1654 1502	Chip Resistor - 15K Ω \pm 1% 1/10W	47-158
1654 1911	Chip Resistor - 1.91K Ω \pm 1% 1/10W	51-166
1654 1911	Chip Resistor - 1.91K Ω \pm 1% 1/10W	47-159

Part No.	Description	Page and Index No.
1654 2941	Chip Resistor - 2.94K Ω \pm 1% 1/10W	51-167
1654 2941	Chip Resistor - 2.94K Ω \pm 1% 1/10W	47-160
1654 3921	Chip Resistor - 3.92K Ω \pm 1% 1/10W	51-168
1654 3921	Chip Resistor - 3.92K Ω \pm 1% 1/10W	47-161
1660 2180	Capacitor - 18pF \pm 5% 50V	51-169
1660 2180	Capacitor - 18pF \pm 5% 50V	47-162
1660 2330	Capacitor - 33pF - \pm 5% - 50V	47-163
1660 2330	Capacitor - 33pF - \pm 5% - 50V	51-170
1660 2470	Capacitor - 47pF \pm 5% 50V	47-164
1660 2470	Capacitor - 47pF \pm 5% 50V	51-171
1660 4103	Capacitor - 10000pF - \pm 10% - 50V	51-172
1660 4103	Capacitor - 10000pF - \pm 10% - 50V	47-165
1660 8104	Capacitor - 0.1 μ F +80-20% 25V	51-173
1660 8104	Capacitor - 0.1 μ F +80-20% 25V	47-166

**ROLL FEEDER A571
PARTS LOCATION AND LIST**

This section instructs you as to the numbers and names of parts on this machine.

1. EXTERIOR (A571)

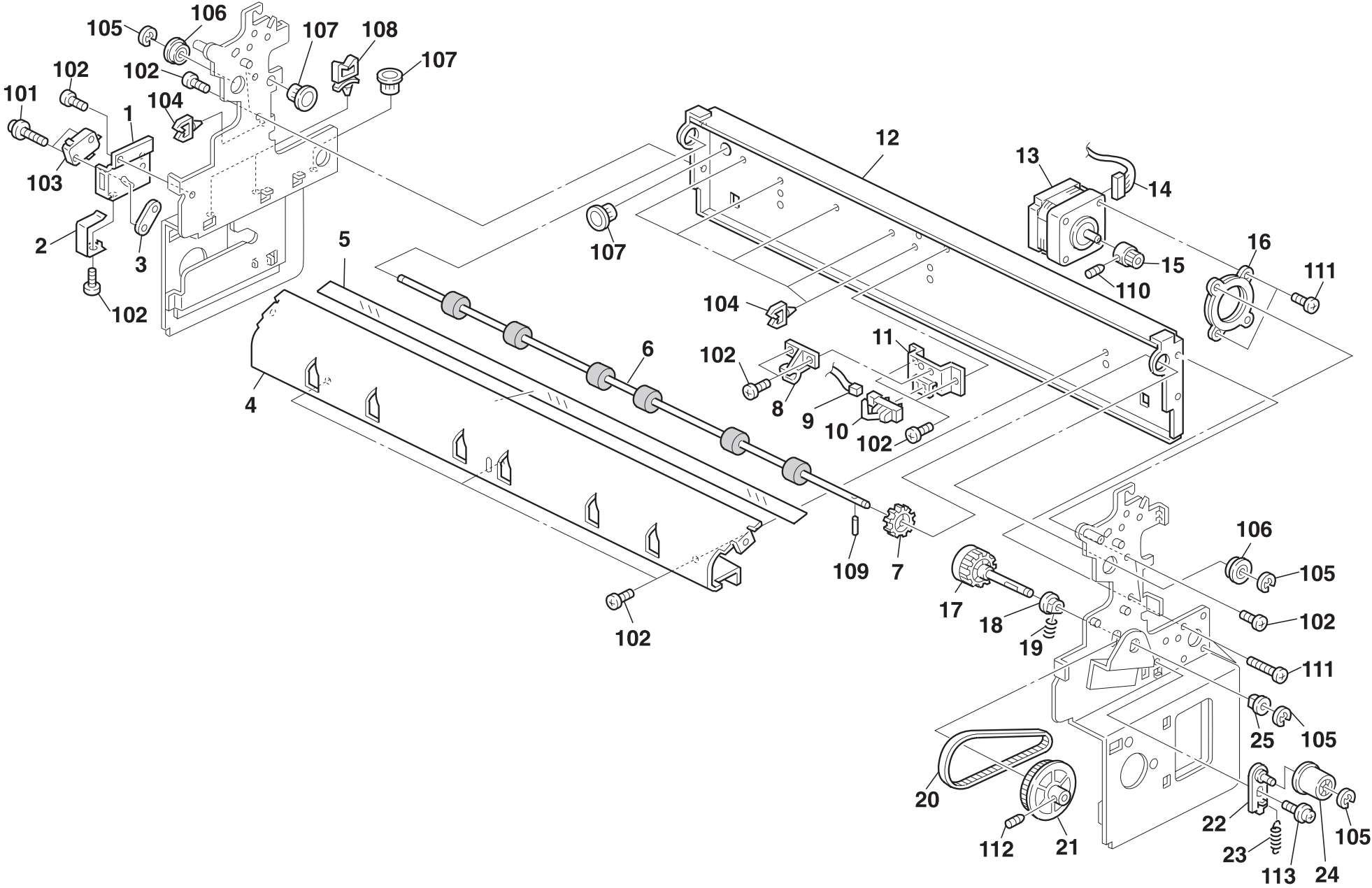


1. EXTERIOR (A571)

Index No.	Part No.	Description	Q'ty Per Assembly
1	A571 7404	Left Cover (A163 RIC/NRG)/(A251/A252)	1
1	A571 7428	Left Cover (A163 K+E)	1
1	A571 7418	Left Cover (A163 HOECHST/REGMA)	1
2	5447 2681	Snap Ring	2
3	A571 7395	Left Cover Bracket	1
4	A571 7393	Lock Arm	2
5	AA06 0606	Right Spring Arm	2
6	A571 7392	Lock Arm Guide	2
7	6803 2273	Stepped Screw - M4	2
8	A571 7391	Lock Arm Spacer	2
9	A109 6425	Brush Roller Spacer	2
10	A571 7187	Front Arm	2
11	A571 7186	Rear Arm	2
12	A571 7190	Guide Plate Support Shaft	1
13	A571 7394	Right Cover Bracket	1
14	A571 7396	Front Cover (A163 RIC/NRG)/(A251/A252)	1
14	A571 7420	Front Cover (A163 K+E)	1
14	A571 7410	Front Cover (A163 HOECHST/REGMA)	1
15	A571 7402	Right Cover (A163 RIC/NRG)/(A251/A252)	1
15	A571 7426	Right Cover (A163 K+E)	1
15	A571 7416	Right Cover (A163 HOECHST/REGMA)	1
16	A571 7406	Front Lower Cover	1
17	A571 6955	Harness Cover (A163 RIC/NRG)/(A251/A252)	2
17	A571 6957	Harness Cover (A163 K+E)	2
17	A571 6956	Harness Cover (A163 HOECHST/REGMA)	2
18	6803 2273	Stepped Screw - M4	2
19	A571 7479	Small Cap (A163 RIC/NRG)/(A251/A252)	1
19	A571 7499	Small Cap (A163 K+E)	1
19	A571 7498	Small Cap (A163 HOECHST/REGMA)	1

Index No.	Part No.	Description	Q'ty Per Assembly
101	0343 0080F	Philips Truss Head Screw - M3x8	
102	0414 0102B	Tapping Screw M4 X 10	
103	0720 0040Z	Retaining Ring - M4	
104	0701 0060Z	Flat Washer - M6	
105	0354 0060F	Philips Pan Head Screw - M4x6	

2. DRIVE AND PAPER FEED (A571)

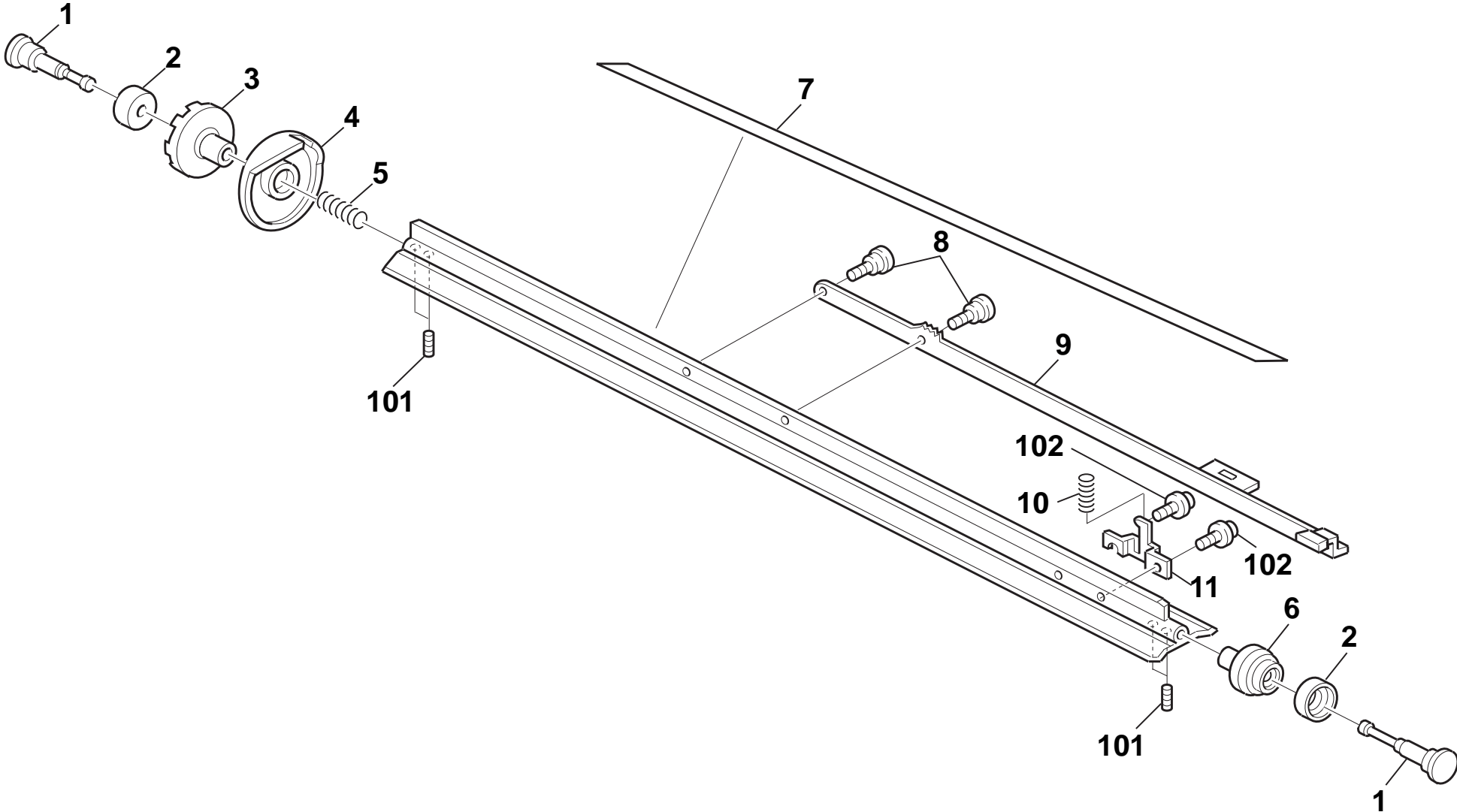


2. DRIVE AND PAPER FEED (A571)

Index No.	Part No.	Description	Q'ty Per Assembly
1	A571 7152	Sensor Bracket	1
2	A454 5570	Spring Plate	1
3	5056 0509	Nut Plate - Microswitch	1
4	A571 7172	Relay Guide Plate	1
5	A571 7173	Relay Guide Plate Sheet	1
6	AF02 3011	Exit Roller	1
7	A571 7215	Gear - 18Z	1
8	A163 6081	Arm Bushing	1
9	A571 5666	Sensor Harness	1
10	AW02 0008	Photointerruptor	1
11	A571 7148	Sensor Bracket	1
12	A571 7092	Upper Stay	1
13	AX05 0088	Motor - DC4.5W	1
14	A571 5670	Motor Harness	1
15	AB03 0508	Pulley - 16Z	1
16	A571 7458	Motor Cushion	1
17	A571 7389	Gear - 22Z	1
18	A571 7132	Bushing - 8x8	1
19	AA06 3088	Spring - Paper Feed Roller	1
20	A571 7126	Timing Belt - 440P2M6	1
21	AB03 0507	Pulley - 78Z	1
22	A571 7128	Pulley Bracket	1
23	AA06 0014	Spring	1
24	A571 7124	Tightener Pulley	1
25	5053 0223	Bushing - 8mm	1

Index No.	Part No.	Description	Q'ty Per Assembly
101	0951 3016B	Philips Screw With Washer - M3x16	
102	0314 0060B	Philips Pan Head Screw - M4x6	
103	1204 2184	Microswitch - 16A/AC250V	
104	1105 0199	Clamp	
105	0720 0060Z	Retaining Ring - M6	
106	0742 3008	Ball Bearing - 8x22x7	
107	1106 0411	Bushing - 11.5mm	
108	1105 0196	Harness Clamp	
109	0951 4006B	Philips Screw With Washer - M4x6	
110	0574 0050E	Hexagon Headless Set Screw - M4x5	
111	0314 0160B	Philips Pan Head Screw - M4x16	
112	0575 0050E	Hexagon Headless Set Screw - M5x5	

3. SPOOL UNIT (A571)

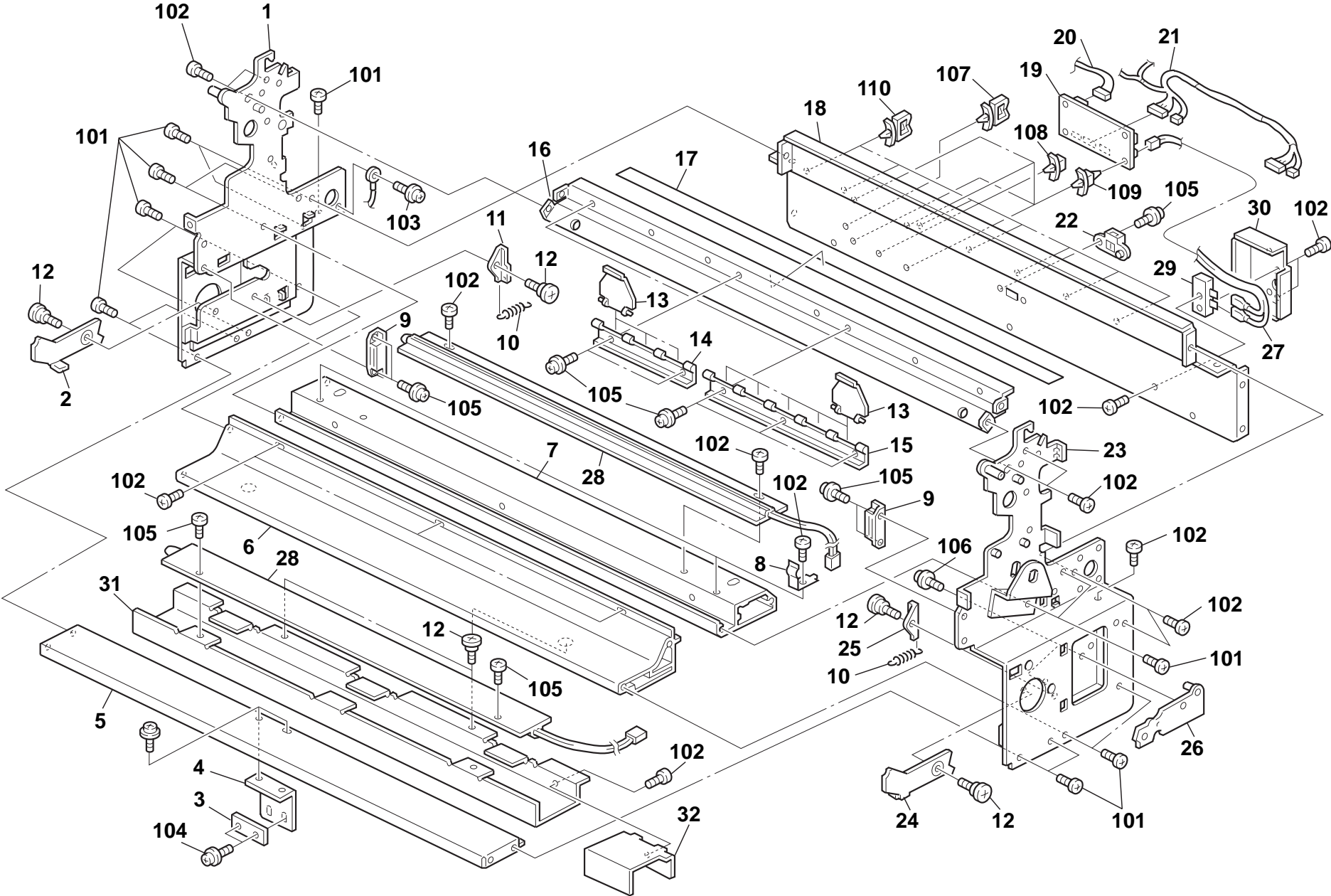


3. SPOOL UNIT (A571)

Index No.	Part No.	Description	Q'ty Per Assembly
*	A571 7072	Paper Spool Unit - LT	1
*	A571 7086	Paper Spool Unit - A4	1
1	AA14 8448	Paper Spool Shaft	2
2	A571 7454	Paper Spool Grip	2
3	A571 7453	Brake - Paper Spool Unit	1
4	5414 3533	Spindle Disk	1
5	5414 3534	Brake Spring	1
6	A571 7456	Paper Spool Collar	1
7	A571 7471	Scale Decal - LT	1
7	A571 7472	Scale Decal - A4	1
8	5413 1882	Stepped Screw	2
9	A090 2835	Paper Spool Lever	1
10	AA06 3223	Lever Spring	1
11	A090 2838	Paper Spool Lever Stopper	1

Index No.	Part No.	Description	Q'ty Per Assembly
101	0575 0050E	Hexagon Headless Set Screw - M5x5	
102	0951 4006B	Philips Screw With Washer - M4x6	

4. ELECTRICAL SECTION (A571)

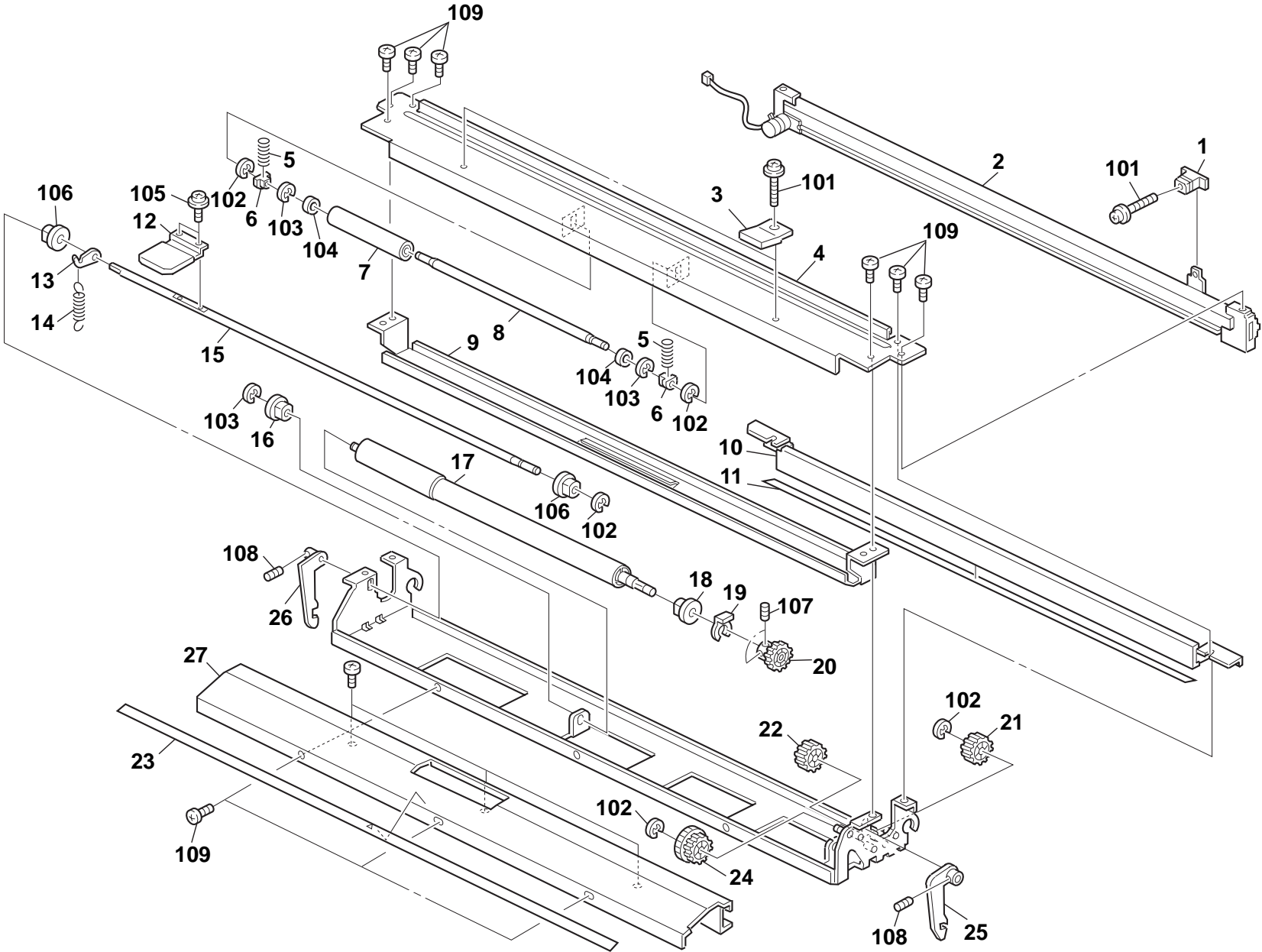


4. ELECTRICAL SECTION (A571)

Index No.	Part No.	Description	Q'ty Per Assembly
1	A571 7075	Left Side Plate	1
2	A571 7083	Left Paper Spool Guide	1
3	A571 6962	Roll Feeder Spacer	1
4	A571 6961	Roll Paper Angle	1
5	A571 7098	Front Lower Stay	1
6	A571 7094	Lower Stay	1
7	A571 7090	Middle Stay	1
8	A571 7053	Lock Plate Spring	2
9	AG07 0004	Magnetic Catch	2
10	5414 3537	Paper Spindle Spring	2
11	A571 7073	Left Stopper Lever	1
12	AA14 3005	Stepped Screw - M4x2.5	6
13	A571 7182	Guide Plate	13
14	A571 7183	Guide Plate Middle Bracket	1
15	A571 7185	Guide Plate End Bracket	2
16	A571 7163	Upper Front Stay	1
17	A571 7173	Relay Guide Plate Sheet	1
18	A571 7096	Rear Stay	1
19	A571 5240	Paper Feed Control Board	1
20	A571 5668	Cutter Harness	1
21	A571 5662	Roll Feeder Main Harness	1
22	AW01 0045	Paper End Sensor	1
23	A571 7058	Right Side Plate	1
24	A571 7067	Right Paper Spool Guide	1
25	A571 7071	Right Stopper Lever	1
26	A571 7051	Paper Spool Adjuster	1
27	A571 5661	AC Heater Harness	1
28	A163 5422	Heater - 300W 115V	1
28	A163 5423	Heater - 300W 230V	1
29	AW14 0002	Humidistat	1
30	A571 7466	Sensor Cover	1
31	A571 7464	Heater Cover	1
32	A571 7465	Small Harness Cover	1

Index No.	Part No.	Description	Q'ty Per Assembly
101	0314 0080B	Philips Pan Head Screw - M4x8	
102	0314 0060B	Philips Pan Head Screw - M4x6	
103	0951 4006B	Philips Screw With Washer - M4x6	
104	0951 4008B	Philips Screw With Washer - M4x8	
105	0951 3006B	Philips Screw With Flat Washer-M3x6	
106	0951 4006B	Philips Screw With Washer - M4x6	
107	1105 0201	Harness Clamp	
108	1105 0183	Spacer	
109	1105 0193	Nylon Stud	
110	1105 0196	Harness Clamp	

5. CUTTER UNIT (A571)

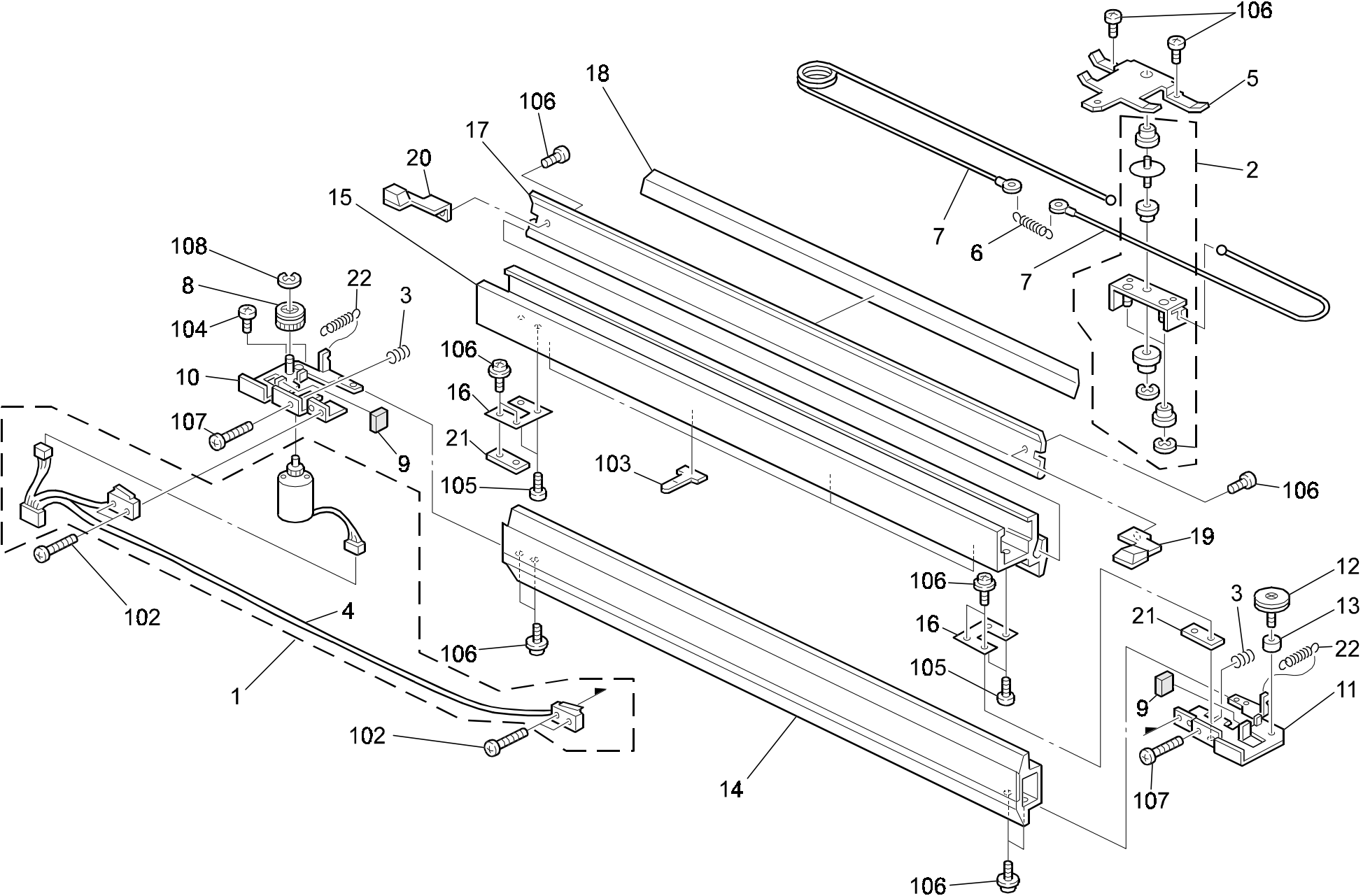


5. CUTTER UNIT (A571)

Index No.	Part No.	Description	Q'ty Per Assembly
1	A571 7361	Cutter Unit Grip	1
2	AJ03 0005	Cutter Unit	1
3	A571 7326	Front Release Lever	1
4	A571 7305	Reinforcement Plate	1
5	AA06 3088	Spring - Paper Feed Roller	2
6	5442 2751	Bushing - Upper Registration Roller	2
7	AF02 2033	Paper Feed Roller	1
8	AA14 0256	Paper Feed Roller Shaft	1
9	A571 7380	Feed Roller Guide Plate	1
10	A571 7358	Cutter Unit Cover	1
11	A571 7362	Exit Sheet - Cutter Unit	1
12	A571 7323	Release Lock Lever	1
13	A571 7342	Lock Hook Bracket	1
14	G011 1154	Lock Spring	1
15	A571 7340	Lock Hook Shaft	1
16	5053 0223	Bushing - 8mm	1
17	AF02 0340	Feed Roller	1
18	5414 3327	Bushing - 12x18x8	1
19	A571 7378	C-ring - 10m	1
20	A571 7370	Gear - 31Z	1
21	AB01 3936	Gear - 23Z	1
22	AB01 3934	Gear - 23Z	1
23	A571 7471	Scale Decal - LT	1
23	A571 7472	Scale Decal - A4	1
24	A571 7320	Knob Gear - 31Z	1
25	A571 7334	Left Lock Hook	1
26	A571 7328	Right Lock Hook	1
27	A571 7368	Feed Roller Guide Plate	1

Index No.	Part No.	Description	Q'ty Per Assembly
101	0951 4006B	Philips Screw With Washer - M4x6	
102	0720 0040Z	Retaining Ring - M4	
103	0720 0060Z	Retaining Ring - M6	
104	0740 1308	Ball Bearing - 8x28x9mm	
105	0951 3006B	Philips Screw With Flat Washer-M3x6	
106	0805 3385	Bushing - 6mm	
107	0574 0050E	Hexagon Headless Set Screw - M4x5	
108	0575 0050E	Hexagon Headless Set Screw - M5x5	
109	0354 0060F	Philips Pan Head Screw - M4x6	

6. CUTTER (A571)



6. CUTTER (A571)

Index No.	Part No.	Description	Q'ty Per Assembly
*	AJ03 0005	Cutter Unit	1
1	A571 7515	Motor - DC24V 7.2W	1
2	A571 7514	Cutter	1
3	A571 7624	Pressure Spring	2
4	A571 7661	Cutter Sensor Ass'y	1
5	A571 7652	Cutter Holder	1
6	A571 7648	Wire Spring	1
7	A571 7647	Cutter Drive Wire	2
8	A571 7634	Gear - 44Z	1
9	A571 7627	Cushion	2
10	A571 7635	Left Frame	1
11	A571 7628	Right Frame	1
12	A571 7621	Cutter Pulley	1
13	A571 7622	Cutter Pulley Collar	1
14	A571 7511	Cutter	1
15	A571 7600	Slide Rail	1
16	A571 7602	Spring Plate	2
17	A571 7601	Cutter Paper Guide	1
18	A571 7609	Cutter Sheet	1
19	A571 7603	Right Release Knob	1
20	A571 7606	Left Release Knob	1
21	A571 7610	Spacer - 1.5x7x31	2
22	A571 7625	Spring	2

Index No.	Part No.	Description	Q'ty Per Assembly
101	0313 0040B	Philips Pan Head Screw - M3x4	
102	0801 1245	Philips Pan Head Screw - M2.3x8	
103	1105 0109	Cord Keep	
104	0800 0072B	Philips Pan Head Screw - M2.6x4	
105	0313 0030B	Philips Pan Head Screw - M3x3	
106	0957 3006B	Screw - M3x6	
107	0313 0100B	Philips Pan Head Screw - M3x10	
108	0720 0030Z	Retaining Ring - M3	

ROLL FEEDER A571
PARTS INDEX

This section instructs you as to the numbers and names of parts on this machine.

Part No.	Description	Page and Index No.
A571 5240	Paper Feed Control Board	9- 19
A571 5661	AC Heater Harness	9- 27
A571 5662	Roll Feeder Main Harness	9- 21
A571 5666	Sensor Harness	5- 9
A571 5668	Cutter Harness	9- 20
A571 5670	Motor Harness	5- 14
A571 6955	Harness Cover	3- 17
A571 6961	Roll Paper Angle	9- 4
A571 6962	Roll Feeder Spacer	9- 3
A571 7051	Paper Spool Adjuster	9- 26
A571 7053	Lock Plate Spring	9- 8
A571 7058	Right Side Plate	9- 23
A571 7067	Right Paper Spool Guide	9- 24
A571 7071	Right Stopper Lever	9- 25
A571 7072	Paper Spool Unit - LT	7- *
A571 7073	Left Stopper Lever	9- 11
A571 7075	Left Side Plate	9- 1
A571 7083	Left Paper Spool Guide	9- 2
A571 7086	Paper Spool Unit - A4	7- *
A571 7090	Middle Stay	9- 7
A571 7092	Upper Stay	5- 12
A571 7094	Lower Stay	9- 6
A571 7096	Rear Stay	9- 18
A571 7098	Front Lower Stay	9- 5
A571 7124	Tightener Pulley	5- 24
A571 7126	Timing Belt - 440P2M6	5- 20
A571 7128	Pulley Bracket	5- 22
A571 7132	Bushing - 8x8	5- 18
A571 7148	Sensor Bracket	5- 11
A571 7152	Sensor Bracket	5- 1
A571 7163	Upper Front Stay	9- 16
A571 7172	Relay Guide Plate	5- 4
A571 7173	Relay Guide Plate Sheet	5- 5
A571 7173	Relay Guide Plate Sheet	9- 17
A571 7182	Guide Plate	9- 13

Part No.	Description	Page and Index No.
A571 7183	Guide Plate Middle Bracket	9- 14
A571 7185	Guide Plate End Bracket	9- 15
A571 7186	Rear Arm	3- 11
A571 7187	Front Arm	3- 10
A571 7190	Guide Plate Support Shaft	3- 12
A571 7215	Gear - 18Z	5- 7
A571 7305	Reinforcement Plate	11- 4
A571 7320	Knob Gear - 31Z	11- 24
A571 7323	Release Lock Lever	11- 12
A571 7326	Front Release Lever	11- 3
A571 7328	Right Lock Hook	11- 26
A571 7334	Left Lock Hook	11- 25
A571 7340	Lock Hook Shaft	11- 15
A571 7342	Lock Hook Bracket	11- 13
A571 7358	Cutter Unit Cover	11- 10
A571 7361	Cutter Unit Grip	11- 1
A571 7362	Exit Sheet - Cutter Unit	11- 11
A571 7368	Feed Roller Guide Plate	11- 27
A571 7370	Gear - 31Z	11- 20
A571 7378	C-ring - 10m	11- 19
A571 7380	Feed Roller Guide Plate	11- 9
A571 7389	Gear - 22Z	5- 17
A571 7391	Lock Arm Spacer	3- 8
A571 7392	Lock Arm Guide	3- 6
A571 7393	Lock Arm	3- 4
A571 7394	Right Cover Bracket	3- 13
A571 7395	Left Cover Bracket	3- 3
A571 7396	Front Cover	3- 14
A571 7402	Right Cover	3- 15
A571 7404	Left Cover	3- 1
A571 7406	Front Lower Cover	3- 16
A571 7454	Paper Spool Grip	7- 2
A571 7456	Paper Spool Collar	7- 6
A571 7458	Motor Cushion	5- 16
A571 7464	Heater Cover	9- 31

Part No.	Description	Page and Index No.
A571 7465	Small Harness Cover	9- 32
A571 7466	Sensor Cover	9- 30
A571 7471	Scale Decal - LT	7- 7
A571 7471	Scale Decal - LT	11- 23
A571 7472	Scale Decal - A4	7- 7
A571 7472	Scale Decal - A4	11- 23
A571 7479	Small Cap	3- 19
A571 7511	Cutter	13- 14
A571 7514	Cutter	13- 2
A571 7515	Motor - DC24V 7.2W	13- 1
A571 7600	Slide Rail	13- 15
A571 7601	Cutter Paper Guide	13- 17
A571 7602	Spring Plate	13- 16
A571 7603	Right Release Knob	13- 19
A571 7606	Left Release Knob	13- 20
A571 7609	Cutter Sheet	13- 18
A571 7610	Spacer - 1.5x7x31	13- 21
A571 7620	Right Frame	13- 11
A571 7621	Cutter Pulley	13- 12
A571 7622	Cutter Pulley Collar	13- 13
A571 7624	Pressure Spring	13- 3
A571 7625	Spring	13- 22
A571 7626	Cushion	13- 9
A571 7630	Left Frame	13- 10
A571 7634	Gear - 44Z	13- 8
A571 7647	Cutter Drive Wire	13- 7
A571 7648	Wire Spring	13- 6
A571 7652	Cutter Holder	13- 5
A571 7661	Cutter Sensor Ass'y	13- 4

Part No.	Description	Page and Index No.
AA06 0014	Spring	5- 23
AA06 0606	Right Spring Arm	3- 5
AA06 3088	Spring - Paper Feed Roller	5- 19
AA06 3088	Spring - Paper Feed Roller	11- 5
AA06 3223	Lever Spring	7- 10
AA14 0256	Paper Feed Roller Shaft	11- 8
AA14 3005	Stepped Screw - M4x2.5	9- 12
AA14 8448	Paper Spool Shaft	7- 1
AB01 3934	Gear - 23Z	11- 22
AB01 3936	Gear - 23Z	11- 21
AB03 0507	Pulley - 78Z	5- 21
AB03 0508	Pulley - 16Z	5- 15
AF02 0340	Feed Roller	11- 17
AF02 2033	Paper Feed Roller	11- 7
AF02 3011	Exit Roller	5- 6
AG07 0004	Magnetic Catch	9- 9
AJ03 0005	Cutter Unit	11- 2
AW01 0045	Paper End Sensor	9- 22
AW02 0008	Photointerruptor	5- 10
AW14 0002	Humidistat	9- 29
AX05 0088	Motor - DC4.5W	5- 13
G011 1154	Lock Spring	11- 14

Part No.	Description	Page and Index No.
A090 2835	Paper Spool Lever	7- 9
A090 2838	Paper Spool Lever Stopper	7- 11
A109 6425	Brush Roller Spacer	3- 9
A163 5422	Heater - 300W 115V	9- 28
A163 5423	Heater - 300W 230V	9- 28
A163 6081	Arm Bushing	5- 8
A454 2707	Brake - Paper Spool Unit	7- 3
A454 5570	Spring Plate	5- 2
5053 0223	Bushing - 8mm	5- 25
5053 0223	Bushing - 8mm	11- 16
5056 0509	Nut Plate - Microswitch	5- 3
5413 1882	Stepped Screw	7- 8
5414 3327	Bushing - 12x18x8	11- 18
5414 3533	Spindle Disk	7- 4
5414 3534	Brake Spring	7- 5
5414 3537	Paper Spindle Spring	9- 10
5442 2751	Bushing - Upper Registration Roller	11- 6
5447 2681	Snap Ring	3- 2
6803 2273	Stepped Screw - M4	3- 7
6803 2273	Stepped Screw - M4	3- 18

Part No.	Description	Page and Index No.
0313 0030B	Philips Pan Head Screw - M3x3	13-105
0313 0040B	Philips Pan Head Screw - M3x4	13-101
0313 0100B	Philips Pan Head Screw - M3x10	13-107
0314 0060B	Philips Pan Head Screw - M4x6	5-102
0314 0060B	Philips Pan Head Screw - M4x6	9-102
0314 0080B	Philips Pan Head Screw - M4x8	9-101
0314 0160B	Philips Pan Head Screw - M4x16	5-111
0343 0080F	Philips Truss Head Screw - M3x8	3-101
0354 0060F	Philips Pan Head Screw - M4x6	3-105
0354 0060F	Philips Pan Head Screw - M4x6	11-109
0414 0102B	Tapping Screw M4 X 10	3-102
0574 0050E	Hexagon Headless Set Screw - M4x5	5-110
0574 0050E	Hexagon Headless Set Screw - M4x5	11-107
0575 0050E	Hexagon Headless Set Screw - M5x5	5-112
0575 0050E	Hexagon Headless Set Screw - M5x5	7-101
0575 0050E	Hexagon Headless Set Screw - M5x5	11-108
0701 0060Z	Flat Washer - M6	3-104
0720 0040Z	Retaining Ring - M4	3-103
0720 0040Z	Retaining Ring - M4	11-102
0720 0060Z	Retaining Ring - M6	5-105
0720 0060Z	Retaining Ring - M6	11-103
0740 1308	Ball Bearing - 8x28x9mm	11-104
0742 3008	Ball Bearing - 8x22x7	5-106
0800 0072B	Philips Pan Head Screw - M2.6x4	13-104
0801 1245	Philips Pan Head Screw - M2.3x8	13-102
0805 3385	Bushing - 6mm	11-106
0951 3006B	Philips Screw With Flat Washer-M3x6	9-105
0951 3006B	Philips Screw With Flat Washer-M3x6	11-105
0951 3016B	Philips Screw With Washer - M3x16	5-101
0951 4006B	Philips Screw With Washer - M4x6	5-109
0951 4006B	Philips Screw With Washer - M4x6	7-102
0951 4006B	Philips Screw With Washer - M4x6	9-103
0951 4006B	Philips Screw With Washer - M4x6	9-106
0951 4006B	Philips Screw With Washer - M4x6	11-101
0951 4008B	Philips Screw With Washer - M4x8	9-104

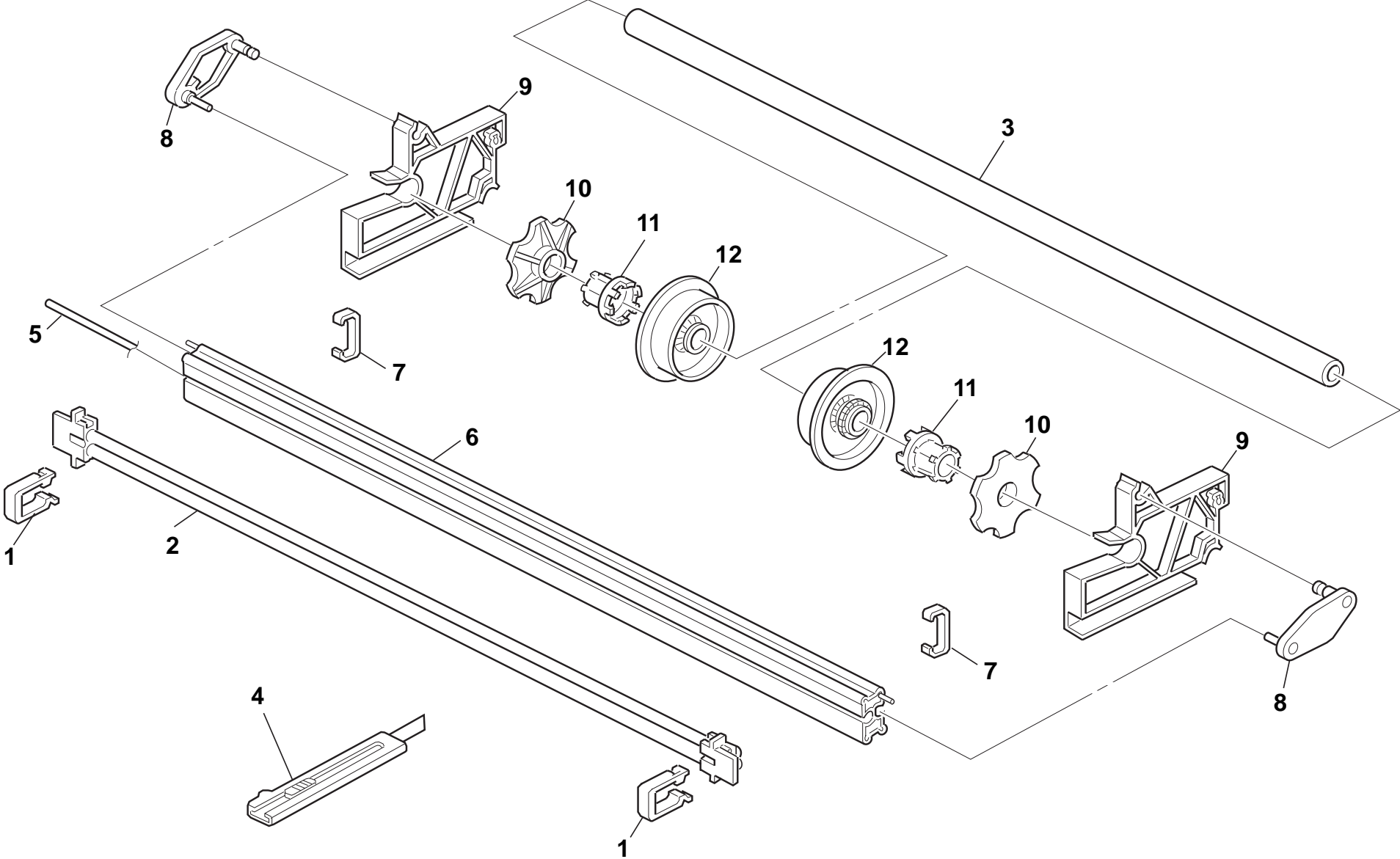
Part No.	Description	Page and Index No.
0957 3006B	Screw - M3x6	13-106
1105 0109	Cord Keep	13-103
1105 0183	Spacer	9-108
1105 0193	Nylon Stud	9-109
1105 0196	Harness Clamp	5-108
1105 0196	Harness Clamp	9-110
1105 0199	Clamp	5-104
1105 0201	Harness Clamp	9-107
1106 0411	Bushing - 11.5mm	5-107
1204 2184	Microswitch - 16A/AC250V	5-103

Part No.	Description	Page and Index No.

**ROLL CUTTING RAIL A570
PARTS LOCATION AND LIST**

This section instructs you as to the numbers and names of parts on this machine.

1. CUTTER UNIT (A570)



1. CUTTER UNIT (A570)

Index No.	Part No.	Description	Q'ty Per Assembly
1	A570 6654	Fixing Holder (A163 RIC/NRG)/(A251)	2
1	A570 6033	Fixing Holder (A163 K+E)	2
1	A570 6031	Fixing Holder (A163 HOECHST/REGMA)	2
2	A570 6658	Slide Shaft (A163 RIC/NRG)/(A251)	1
2	A570 6048	Slide Shaft (A163 K+E)	1
2	A570 6046	Slide Shaft (A163 HOECHST/REGMA)	1
3	A570 6553	Roll Paper Shaft	1
4	A570 6563	Cutter Knife	1
5	A570 6587	Guide Shaft	1
6	A570 6580	Cutter Stay	1
7	A570 6656	Holder Hook (A163 RIC/NRG)/(A251)	1
7	A570 6043	Holder Hook (A163 K+E)	1
7	A570 6041	Holder Hook (A163 HOECHST/REGMA)	1
8	A570 6569	Roll Paper Arm (A163 RIC/NRG)/(A251)	2
8	A570 6063	Roll Paper Arm (A163 K+E)	2
8	A570 6061	Roll Paper Arm (A163 HOECHST/REGMA)	2
9	A570 6551	Roll Shaft Holder (A163 RIC/NRG)/(A251)	2
9	A570 6003	Roll Shaft Holder (A163 K+E)	2
9	A570 6001	Roll Shaft Holder (A163 HOECHST/REGMA)	2
10	A570 6560	Lock Click (A163 RIC/NRG)/(A251)	2
10	A570 6013	Lock Click (A163 K+E)	2
10	A570 6011	Lock Click (A163 HOECHST/REGMA)	2
11	A570 6561	Roll Paper Sleeve (A163 RIC/NRG)/(A251)	2
11	A570 6023	Roll Paper Sleeve (A163 K+E)	2
11	A570 6021	Roll Paper Sleeve (A163 HOECHST/REGMA)	2
12	A570 6559	Roll Flange	2

Index No.	Part No.	Description	Q'ty Per Assembly

**ROLL CUTTING RAIL A570
PARTS INDEX**

This section instructs you as to the numbers and names of parts on this machine.

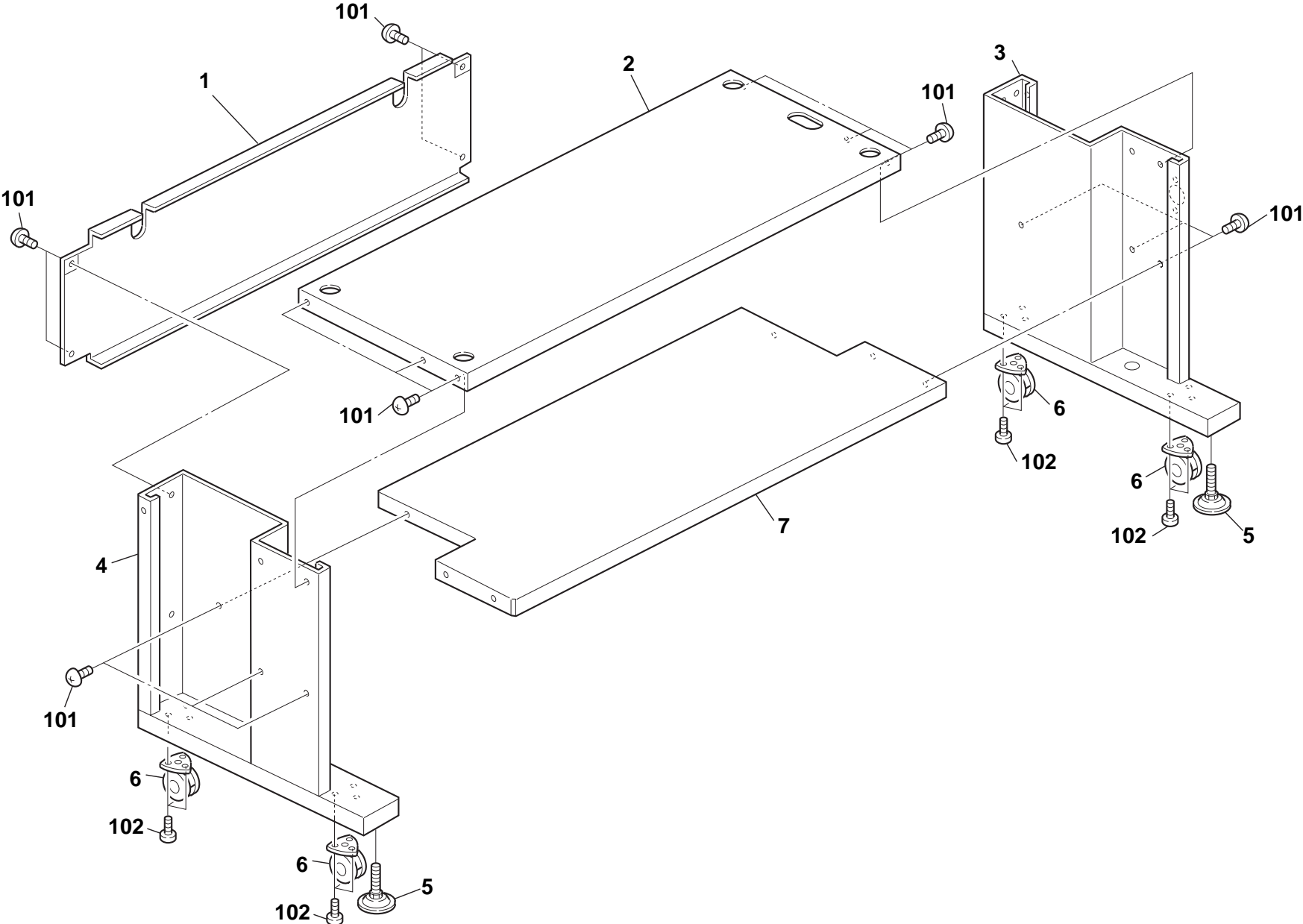
Part No.	Description	Page and Index No.
A570 6001	Roll Shaft Holder (A163 HOECHST/REGMA)	3- 9
A570 6003	Roll Shaft Holder (A163 K+E)	3- 9
A570 6011	Lock Click (A163 HOECHST/REGMA)	3- 10
A570 6013	Lock Click (A163 K+E)	3- 10
A570 6021	Roll Paper Sleeve (A163 HOECHST/REGMA)	3- 11
A570 6023	Roll Paper Sleeve (A163 K+E)	3- 11
A570 6031	Fixing Holder (A163 HOECHST/REGMA)	3- 1
A570 6033	Fixing Holder (A163 K+E)	3- 1
A570 6041	Holder Hook (A163 HOECHST/REGMA)	3- 7
A570 6043	Holder Hook (A163 K+E)	3- 7
A570 6046	Slide Shaft (A163 HOECHST/REGMA)	3- 2
A570 6048	Slide Shaft (A163 K+E)	3- 2
A570 6061	Roll Paper Arm (A163 HOECHST/REGMA)	3- 8
A570 6063	Roll Paper Arm (A163 K+E)	3- 8
A570 6551	Roll Shaft Holder (A163 RIC/NRG)/(A251)	3- 9
A570 6553	Roll Paper Shaft	3- 3
A570 6559	Roll Flange	3- 12
A570 6560	Lock Click (A163 RIC/NRG)/(A251)	3- 10
A570 6561	Roll Paper Sleeve (A163 RIC/NRG)/(A251)	3- 11
A570 6563	Cutter Knife	3- 4
A570 6569	Roll Paper Arm (A163 RIC/NRG)/(A251)	3- 8
A570 6580	Cutter Stay	3- 6
A570 6587	Guide Shaft	3- 5
A570 6654	Fixing Holder (A163 RIC/NRG)/(A251)	3- 1
A570 6656	Holder Hook (A163 RIC/NRG)/(A251)	3- 7
A570 6658	Slide Shaft (A163 RIC/NRG)/(A251)	3- 2

Part No.	Description	Page and Index No.

TABLE A714
PARTS LOCATION AND LIST

This section instructs you as to the numbers and names of parts on this machine.

1. TABLE UNIT (A714)



1. TABLE UNIT (A714)

Index No.	Part No.	Description	Q'ty Per Assembly
1	A714 3040	Rear Cover (A163 RIC/NRG)/(A251)	1
1	A714 2962	Rear Cover (A163 K+E)	1
1	A714 2964	Rear Cover (A163 HOECHST/REGMA)	1
2	A714 3000	Upper Table Bracket (A163 RIC/NRG)/(A251)	1
2	A714 2902	Upper Table Bracket (A163 K+E)	1
2	A714 2904	Upper Table Bracket (A163 HOECHST/REGMA)	1
3	A714 3021	Right Table Stay (A163 RIC/NRG)/(A251)	1
3	A714 2942	Right Table Stay (A163 K+E)	1
3	A714 2944	Right Table Stay (A163 HOECHST/REGMA)	1
4	A714 3011	Left Table Stay (A163 RIC/NRG)/(A251)	1
4	A714 2922	Left Table Stay (A163 K+E)	1
4	A714 2924	Left Table Stay (A163 HOECHST/REGMA)	1
5	5400 1041	Leveling Foot	2
6	A714 3045	Caster - Cassette Bank	2
7	A714 3030	Table Separation Plate (A163 RIC/NRG)/(A251)	1
7	A714 2952	Table Separation Plate (A163 K+E)	1
7	A714 2954	Table Separation Plate (A163 HOECHST/REGMA)	1

Index No.	Part No.	Description	Q'ty Per Assembly
101	0954 4008Z	Double Sens Screw - M4x8	
101	0354 0060F	Double Sens Screw - M4x8	
102	0315 0080B	Philips Pan Head Screw - M5x8	

TABLE A714
PARTS INDEX

This section instructs you as to the numbers and names of parts on this machine.

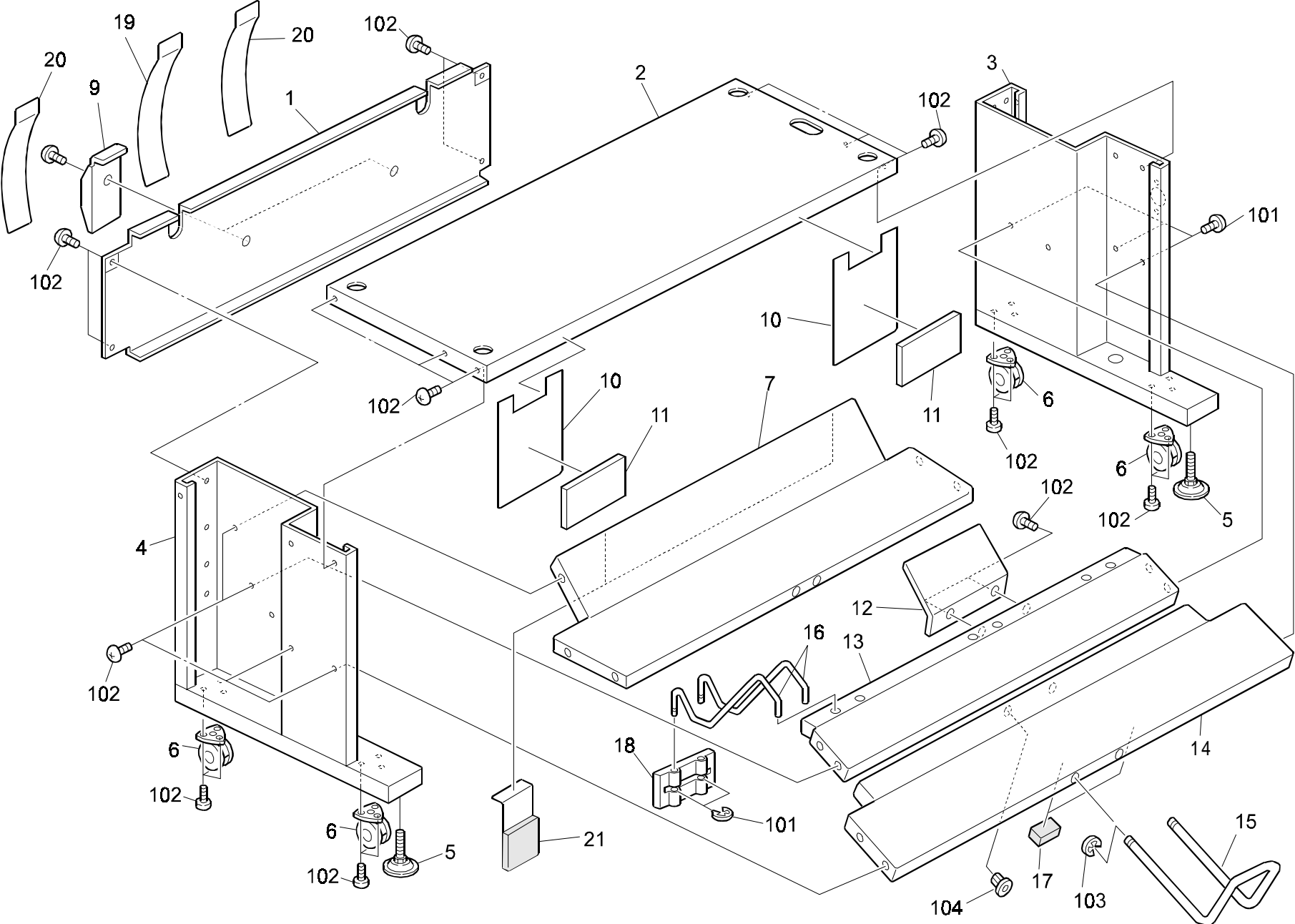
Part No.	Description	Page and Index No.
A714 2902	Upper Table Bracket (A163 K+E)	3- 2
A714 2904	Upper Table Bracket	3- 2
A714 2922	Left Table Stay (A163 K+E)	3- 4
A714 2924	Left Table Stay	3- 4
A714 2942	Right Table Stay (A163 K+E)	3- 3
A714 2944	Right Table Stay	3- 3
A714 2952	Table Separation Plate (A163 K+E)	3- 7
A714 2954	Table Separation Plate	3- 7
A714 2962	Rear Cover (A163 K+E)	3- 1
A714 2964	Rear Cover (A163 HOECHST/REGMA)	3- 1
A714 3000	Upper Table Bracket	3- 2
A714 3011	Left Table Stay	3- 4
A714 3021	Right Table Stay (A163 RIC/NRG)/(A251)	3- 3
A714 3030	Table Separation Plate	3- 7
A714 3040	Rear Cover (A163 RIC/NRG)/(A251)	3- 1
A714 3045	Caster - Cassette Bank	3- 6

Part No.	Description	Page and Index No.
5400 1041	Leveling Foot	3- 5
5896 1115	O/O MB 1	3- 6
0315 0080B	Philips Pan Head Screw - M5x8	3-102
0354 0060F	Double Sens Screw - M4x8	3-101
0954 4008Z	Double Sens Screw - M4x8	3-101

TABLE/COPY TRAY A836
PARTS LOCATION AND LIST

This section instructs you as to the numbers and names of parts on this machine.

1. Table & Copy Tray Type 760 (A836)



1. Table & Copy Tray Type 760 (A836)

Index No.	Part No.	Description	Q'ty Per Assembly
1	A836 3040	Rear Cover	1
2	A714 3000	Upper Table Bracket	1
3	A836 3021	Right Table Stay	1
4	A836 3011	Left Table Stay	1
5	5400 1041	Leveling Foot	2
6	A714 3045	Caster	4
7	A836 3030	Table Separation Plate	1
9	A836 4461	Copy Tray Guide	2
10	A836 4455	Guide Mylar - 150x200	2
11	A836 4456	Guide Mylar - 100x148	2
12	A836 4466	Copy Tray Support	1
13	A836 4464	Rear Copy Tray Stay	1
14	A836 4451	Front Stay	1
15	A174 1059	Stopper : Exit	1
16	A836 4465	Rear Copy Tray	6
17	A836 4452	Cushion - 20x30x30	2
18	A836 4459	Tray Pawl joint	3
19	A836 4468	Rear Copy Tray Sheet - Center	1
20	A174 4493	Copy Tray Sheet	2
21	A836 4475	Copy Tray Sheet - With Rubber	3

Index No.	Part No.	Description	Q'ty Per Assembly
101	0720 0025G	Retaining Ring - 2.5	
102	0954 4008Z	Double Sems Screw - M4x8	
103	0720 0040Z	Retaining Ring - M4	
104	1106 0063	Snap Bushing	

TABLE/COPY TRAY A836
PARTS INDEX

This section instructs you as to the numbers and names of parts on this machine.

Part No.	Description	Page and Index No.
A836 3011	Left Table Stay	3- 4
A836 3021	Right Table Stay	3- 3
A836 3030	Table Separation Plate	3- 7
A836 3040	Rear Cover	3- 1
A836 4451	Front Stay	3- 14
A836 4452	Cushion - 20x30x30	3- 17
A836 4455	Guide Mylar - 150x200	3- 10
A836 4456	Guide Mylar - 100x148	3- 11
A836 4459	Tray Pawl joint	3- 18
A836 4461	Copy Tray Guide	3- 9
A836 4464	Rear Copy Tray Stay	3- 13
A836 4465	Rear Copy Tray	3- 16
A836 4466	Copy Tray Support	3- 12
A836 4468	Rear Copy Tray Sheet - Center	3- 19
A836 4475	Copy Tray Sheet - With Rubber	3- 21

Part No.	Description	Page and Index No.
A174 1059	Stopper : Exit	3- 15
A174 4493	Copy Tray Sheet	3- 20
A714 3000	Upper Table Bracket	3- 2
A714 3045	Caster	3- 6
5400 1041	Leveling Foot	3- 5
0720 0025G	Retaining Ring - 2.5	3-101
0720 0040Z	Retaining Ring - M4	3-103
0954 4008Z	Double Sems Screw - M4x8	3-102
1106 0063	Snap Bushing	3-104