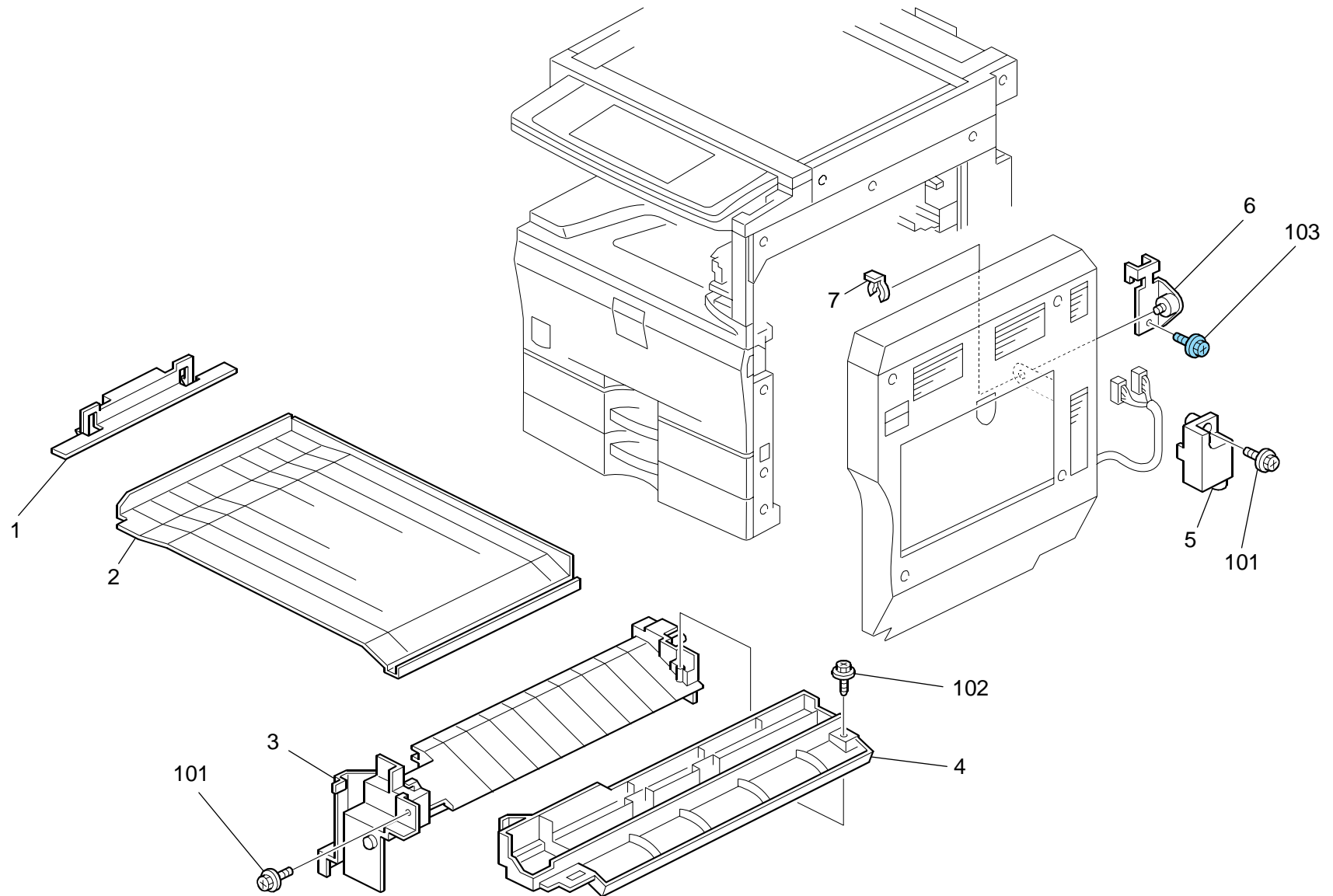


**DUPLEX UNIT AD3000
D369
PARTS LOCATION AND LIST**

This section instructs you as to the numbers and names of parts on this machine.

1.Duplex Unit 1 (D369)

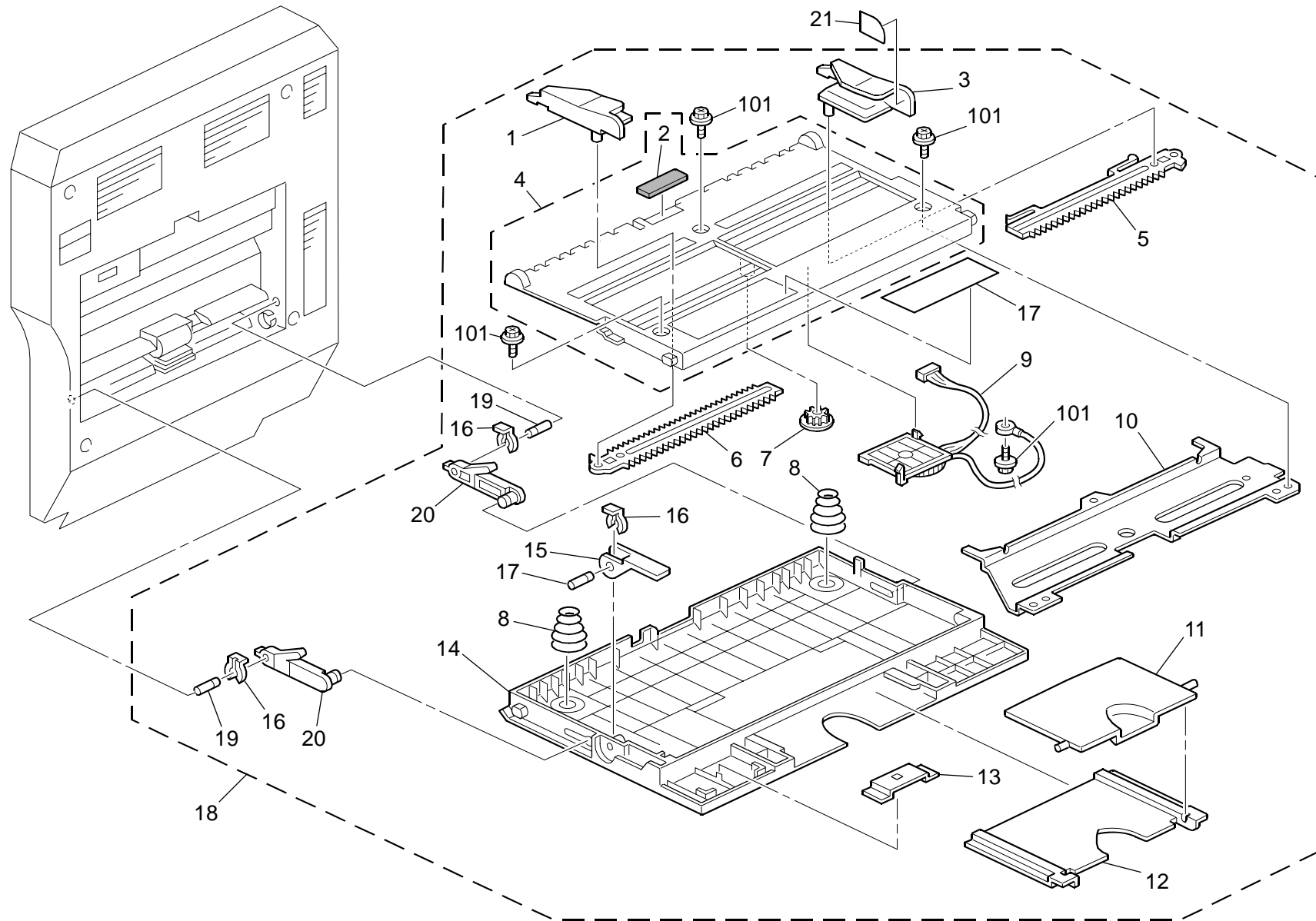


1.Duplex Unit 1 (D369)

Index No.	Part No.	Description	Q'ty Per Assembly
1	D369 4815	Guide Plate - Reverse	1
2	D369 4993	Reverse Tray	1
3	D369 4831	Lower Frame - Reverse	1
4	D369 4821	Upper Frame - Reverse	1
5	D019 1370	Cap - Duplex Connector	1
6	D369 4800	Link Bracket	1
7	B090 2622	External Circlip: DIA4	1

Index No.	Part No.	Description	Q'ty Per Assembly
101	0451 3008N	Tapping Screw - M3x8	
102	0450 3008N	Tapping Screw - M3x8	
103	0454 3006Q	Tapping Screw - M3x6	

2.Duplex Unit 2 (D369)

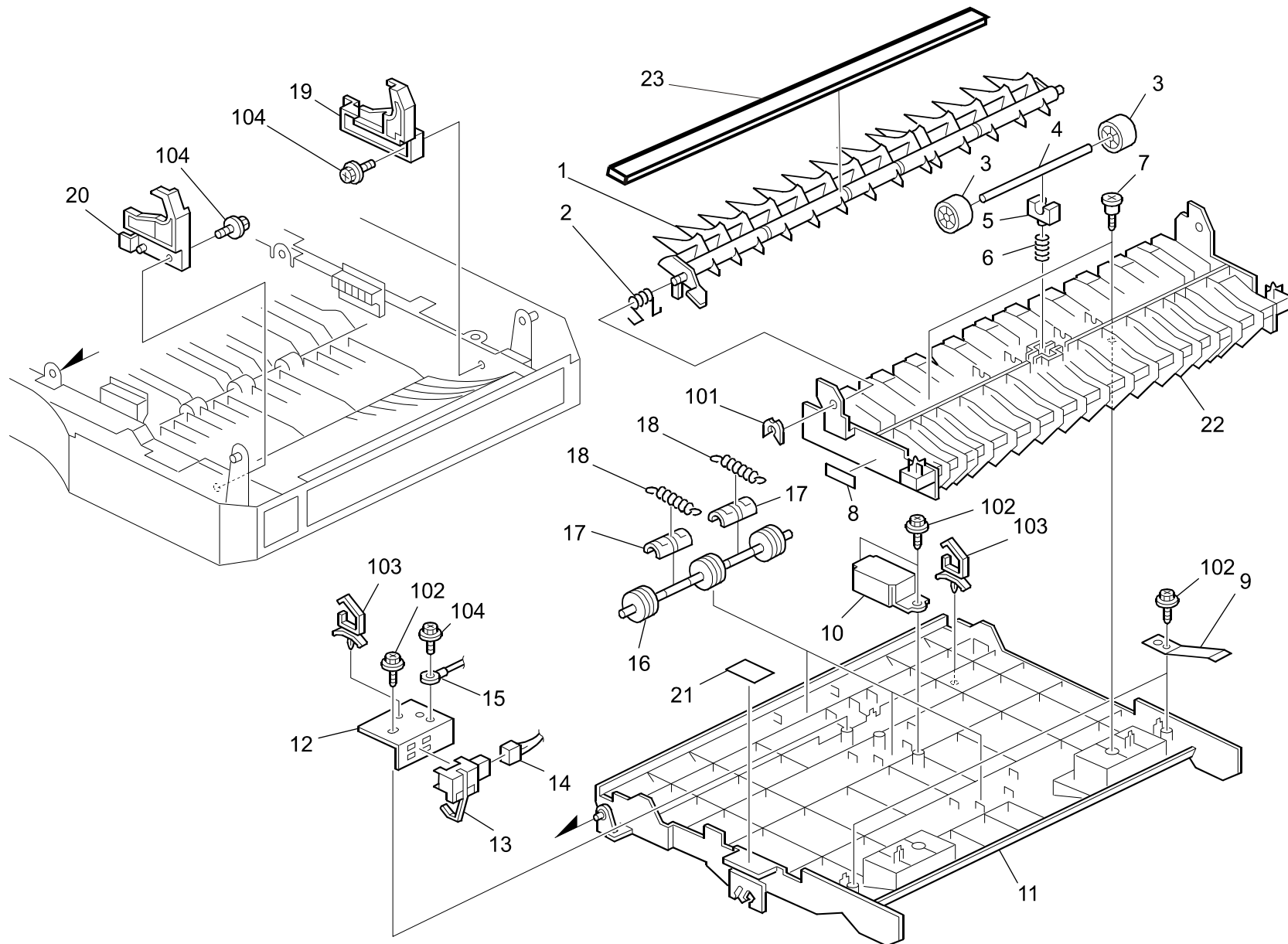


2.Duplex Unit 2 (D369)

Rev. 01/25/2010

Index No.	Part No.	Description	Q'ty Per Assembly
1	B039 2631	Front Side Fence	1
2	B039 2628	Bottom Plate Pad	1
3	B039 2632	Rear Side Fence	1
4	B039 2630	Tray Bottom Plate	1
5	B039 2638	Rack - Rear Side Fence	1
6	B039 2637	Rack - Front Side Fence	1
7	G012 3050	Side Fence Gear	1
8	AA06 3643	Spring - By-pass Feed Table	2
9	AW50 0034	Paper Size Sensor	1
10	B039 2629	Stay - Tray Bottom Plate	1
11	B039 2620	Paper Guide - Extension	1
12	B039 2621	Paper Guide	1
13	B121 2617	Magnet Catch - By-pass Feed	1
14	D370 2619	Cover - Manual Feed Table	1
15	G020 2784	Lever - By-Pass Feed Table	1
16	5447 2681	Snap Ring	3
17	B259 2786	Lever Shaft	1
18	D370 2601	Manual Feed Table Ass'y	1
19	B259 2642	Pin - MM6	2
20	B039 2643	Link - By-Pass Feed Table	2
21	B238 2753	Decal- Side Fence	1

Index No.	Part No.	Description	Q'ty Per Assembly
101	0451 3008N	Tapping Screw - M3x8	



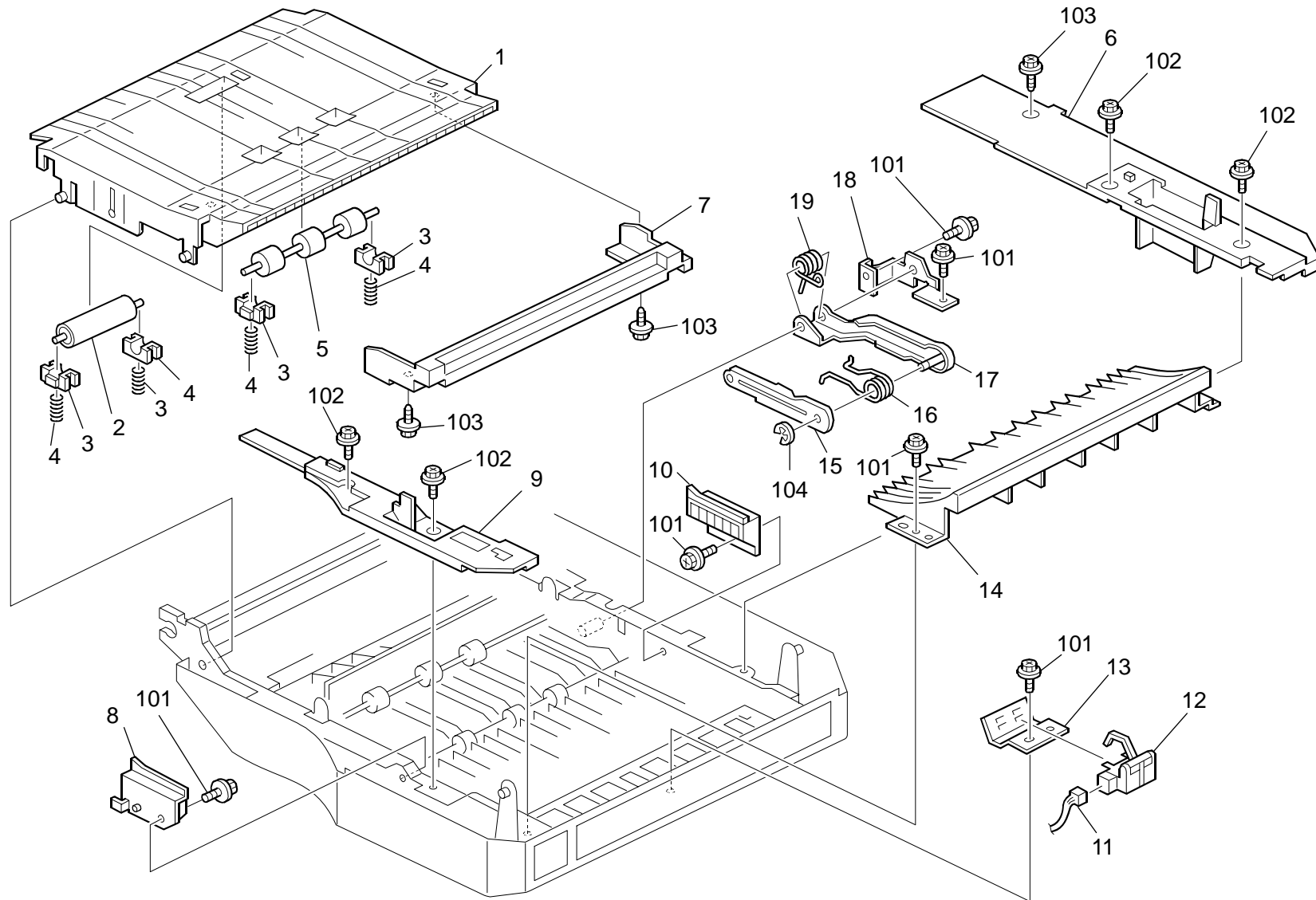
3.Duplex Unit 3 (D369)

Rev. 08/10/2009

Index No.	Part No.	Description	Q'ty Per Assembly
1	D369 4664	Lower Gate Pawl	1
2	AA06 6314	Gate Pawl Lower Spring	1
3	B416 7166	Roller: Tension: Gate	2
4	D369 4618	Roller Shaft	1
5	B416 7159	Bushing: Pressure: DIA4	1
6	B416 7127	Spring: Exit	1
7	D369 4668	Stepped Screw: M5: Duplex	2
8	B414 4765	Decal - Misfeed Removal	1
9	D369 4657	Spring Plate - Front	2
10	D369 4726	Bracket - Transport Unit	1
11	D369 4655	Guide Plate - Driven	1
12	D369 4757	Bracket-photointerruptor	1
13	D369 4755	Photointerruptor: Paper Size Sensor	1
14	D369 5262	Harness -Duplex Exit	1
15	D369 5264	Harness: Duplex: Ground Wire	1
16	AF02 2137	Driven Transport Roller	1
17	D369 4651	Bushing - 5mm	1
18	AA06 2306	Pressure Spring	1
19	D369 4783	Rear Release Arm - Fusing	1
20	D369 4782	Front Release Arm - Fusing	1
21	A896 4781	Decal- Grip Upper	1
22	D369 4663	Guide Plate - Open/Close	1
23	D369 4674	Seal: Duplex: 3X7X300 [TSB#003]	1

Index No.	Part No.	Description	Q'ty Per Assembly
101	0805 0089	Retaining Ring - M4	
102	0450 3008N	Tapping Screw - M3x8	
103	1105 0511	Harness Clamp - LWS-0306ZC	
104	0451 3006N	Tapping Screw - 3x6	

4.Duplex Unit 4 (D369)



4.Duplex Unit 4 (D369)

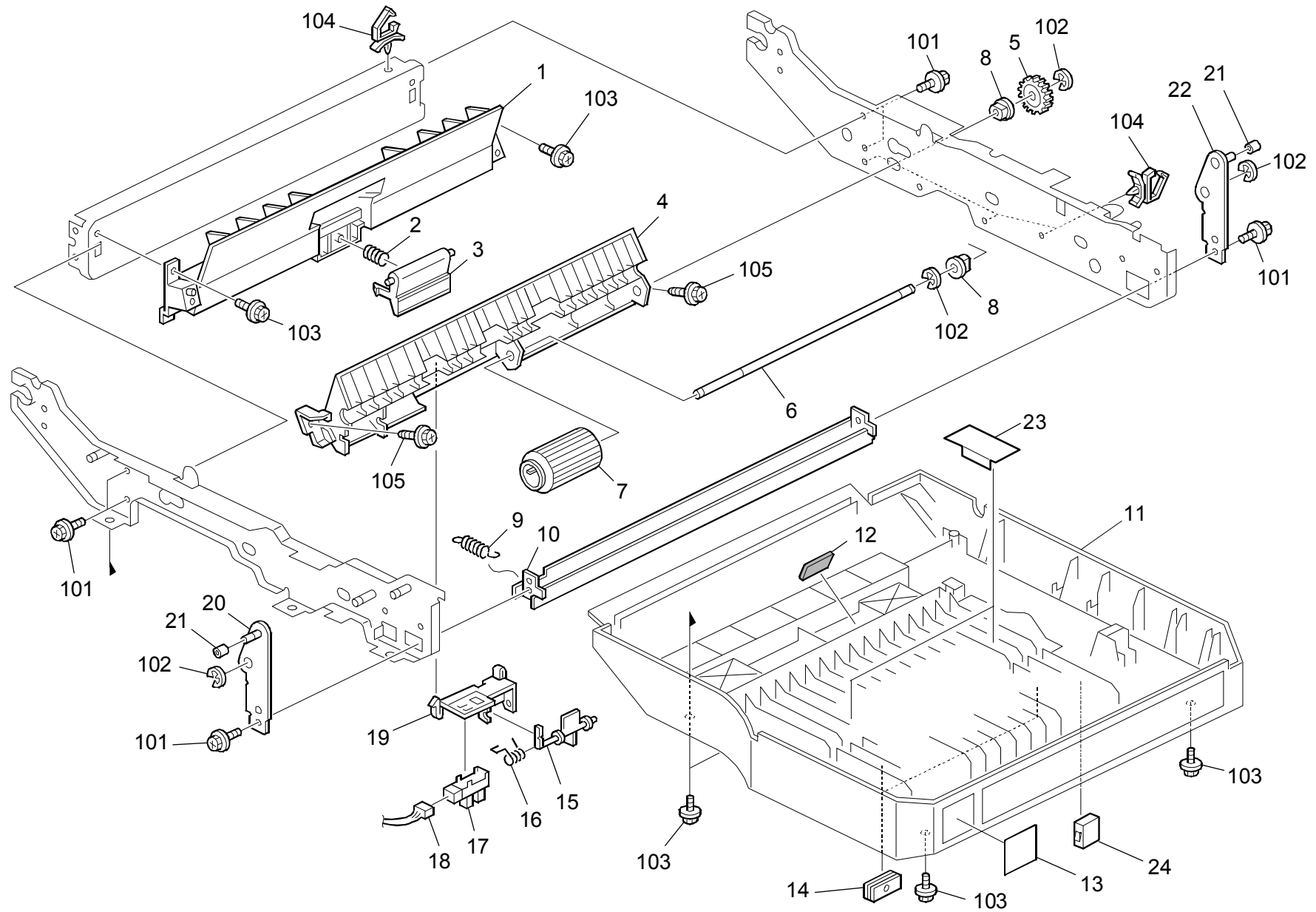
Rev. 09/24/2009

Index No.	Part No.	Description	Q'ty Per Assembly
1	D369 4708	Vertical Transport Guide - Duplex	1
2	B090 2742	Roller: Pull Out: Option Tray	1
3	D019 2736	Bushing - Vertical Transport	4
4	D019 2734	Spring - Transport	4
5	D019 2737	Driven Roller - Vertical Transport	1
6	D369 4770	Rear Inner Cover - Duplex Unit	1
7	D369 4709	Exit Guide Plate - Manual Feed	1
8	D369 4784	Rear Release Arm - T/S	1
9	D369 4760	Front Inner Cover - Duplex Unit	1
10	D369 4785	Front Release Arm - T/S	1
11	D369 5261	Harness - Duplex Entrance Sensor	1
12	AW02 0155	Photointerruptor: Paper Size Sensor	1
13	D369 4725	Entrance Sensor Bracket	1
14	D369 4661	Guide Plate - Right Upper	1
15	D369 4699	Link: Stopper	1
16	D369 4687	Torsion Spring	1
17	B238 4677	Stopper Arm	1
18	D369 4686	Arm Bracket	1
19	D369 4688	Torsion Spring	1

Index No.	Part No.	Description	Q'ty Per Assembly
101	0451 3006N	Tapping Screw - 3x6	
102	0451 3008N	Tapping Screw - M3x8	
103	0450 3008N	Tapping Screw - M3x8	
104	0720 0060E	Retaining Ring - M6	

5.Duplex Unit 5 (D369)

Rev. 11/10/2008



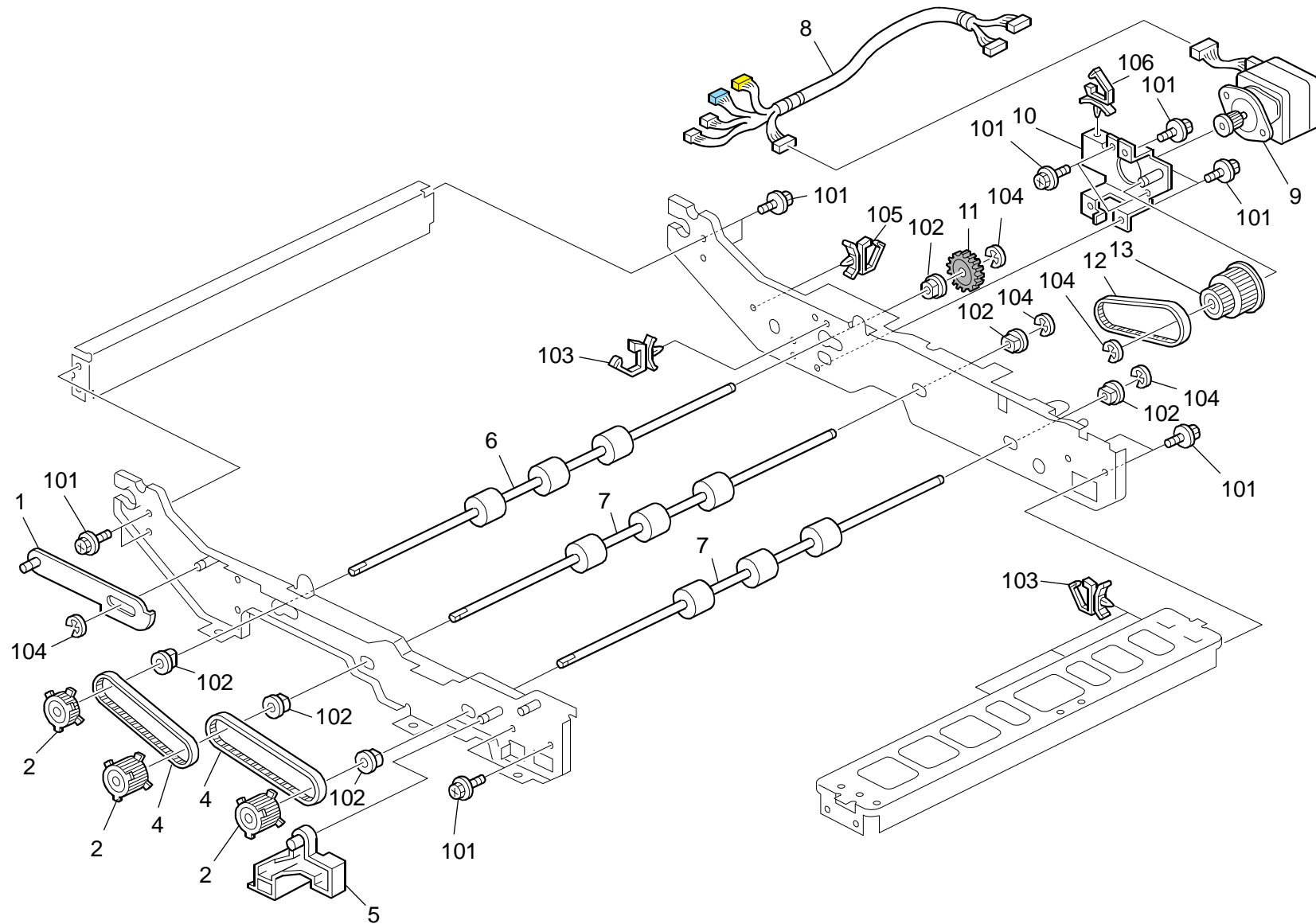
5.Duplex Unit 5 (D369)

Rev. 11/10/2008

Index No.	Part No.	Description	Q'ty Per Assembly
1	D370 2645	Lower Guide Plate - Manual Feed	1
2	B043 4685	Spring - 2.8N	1
3	D010 4650	Separation Pad: Ass'y	1
4	D370 2644	Upper Guide Plate - Manual Feed	1
5	D370 4713	Gear - Manual Feed	1
6	D370 2646	Drive Shaft - Manual Feed	1
7	AF03 1058	Paper Feed Roller	1
8	AA08 2101	Bushing - 6x10x6	2
9	D369 4691	Spring - Release Arm	1
10	D369 4692	Shaft- Lock/Release	1
11	D369 4750	Duplex Unit Cover	1
12	B043 4688	Pad: 13x26	1
13	B414 4755	Decal - Duplex Upper Unit	1
14	AG07 0514	Magnet Catch	1
15	D370 2611	Feeler - Manual Feed	1
16	AA06 6343	Spring - Paper End Sensor	1
17	GW02 0020	Photointerruptor: LG248NL1	1
18	D369 5263	Harness - Duplex Paper End Sensor	1
19	B039 2610	Bracket - Paper End Sensor	1
20	D369 4693	Front Release Arm	1
21	A267 3958	Roller - Lever	2
22	D369 4694	Rear Release Arm	1
23	D369 4620	Sheet: Duplex [TSB#001]	2
24	AA02 1031	Magnet Catch [TSB#002]	1

Index No.	Part No.	Description	Q'ty Per Assembly
101	0451 3006N	Tapping Screw - 3x6	
102	0720 0040E	Retaining Ring - M4	
103	0451 3008N	Tapping Screw - M3x8	
104	1105 0511	Harness Clamp - LWS-0306ZC	
105	0450 3008N	Tapping Screw - M3x8	

6.Duplex Unit 6 (D369)



6.Duplex Unit 6 (D369)

Rev: 08/19/2008

Index No.	Part No.	Description	Q'ty Per Assembly
1	D369 4669	Front Link - Duplex	1
2	D369 4580	Pulley - 30T	1
3	AB03 0569	Pulley - 30T	2
4	B123 4505	Timing Belt - 40S2M290	2
5	D369 4684	Release Grip	1
6	D369 4676	Exit Roller - Duplex	1
7	D369 4675	Duplex Transport Roller	1
8	D369 5270	Harness: Duplex Main	1
9	B414 4667	DC Motor - 19W	1
10	D369 4681	Motor Bracket	1
11	D369 4573	Gear - Transport Roller	1
12	AA04 3520	Timing Belt - S2M 120	1
13	AB01 7571	Gear - 19Z	1

Index No.	Part No.	Description	Q'ty Per Assembly
101	0451 3006N	Tapping Screw - 3x6	
102	0805 3480	Bushing - 6mm	
103	1105 0511	Harness Clamp - LWS-0306ZC	
104	0720 0040E	Retaining Ring - M4	
105	1105 0487	Harness Clamp	
106	1105 0488	Harness Clamp	

**DUPLEX UNIT AD3000
D369
PARTS INDEX**

This section instructs you as to the numbers and names of parts on this machine.

Parts Index

Part No.	Description	Page and Index No.
D369 4573	Gear - Transport Roller	13 - 11
D369 4580	Pulley - 30T	13 - 2
D369 4618	Roller Shaft	7 - 4
D369 4651	Bushing - 5mm	7 - 17
D369 4655	Guide Plate - Driven	7 - 11
D369 4657	Spring Plate - Front	7 - 9
D369 4661	Guide Plate - Right Upper	9 - 14
D369 4663	Guide Plate - Open/Close	7 - 22
D369 4664	Lower Gate Pawl	7 - 1
D369 4668	Stepped Screw:M5:Duplex	7 - 7
D369 4669	Front Link - Duplex	13 - 1
D369 4675	Duplex Transport Roller	13 - 7
D369 4676	Exit Roller - Duplex	13 - 6
D369 4681	Motor Bracket	13 - 10
D369 4684	Release Grip	13 - 5
D369 4686	Arm Bracket	9 - 18
D369 4687	Torsion Spring	9 - 16
D369 4688	Torsion Spring	9 - 19
D369 4689	Spring:Link:52N	13 - 14
D369 4691	Spring - Release Arm	11 - 9
D369 4692	Shaft- Lock/Release	11 - 10
D369 4693	Front Release Arm	11 - 20
D369 4694	Rear Release Arm	11 - 22
D369 4708	Vertical Transport Guide - Duplex	9 - 1
D369 4709	Exit Guide Plate - Manual Feed	9 - 7
D369 4725	Entrance Sensor Bracket	9 - 13
D369 4726	Bracket - Transport Unit	7 - 10
D369 4750	Duplex Unit Cover	11 - 11
D369 4757	Bracket-photointerruptor	7 - 12
D369 4760	Front Inner Cover - Duplex Unit	9 - 9
D369 4766	Step Screw:PH5:Link	13 - 15
D369 4770	Rear Inner Cover - Duplex Unit	9 - 6
D369 4782	Front Release Arm - Fusing	7 - 20
D369 4783	Rear Release Arm - Fusing	7 - 19
D369 4784	Rear Release Arm - T/S	9 - 8

Part No.	Description	Page and Index No.
D369 4785	Front Release Arm - T/S	9 - 10
D369 4800	Link Bracket	3 - 6
D369 4815	Guide Plate - Reverse	3 - 1
D369 4821	Upper Frame - Reverse	3 - 4
D369 4831	Lower Frame - Reverse	3 - 3
D369 4993	Reverse Tray	3 - 2
D369 5260	Duplex Main Harness	13 - 8
D369 5261	Harness - Duplex Entrance Sensor	9 - 11
D369 5262	Harness -Duplex Exit	7 - 14
D369 5263	Harness - Duplex Paper End Sensor	11 - 18
D369 5264	Harness:Duplex:Ground Wire	7 - 15

Part No.	Description	Page and Index No.
A267 3958	Roller - Lever	11 - 21
A896 4781	Decal- Grip Upper	5 - 21
A896 4781	Decal- Grip Upper	7 - 21
B039 2610	Bracket - Paper End Sensor	11 - 19
B039 2620	Paper Guide - Extension	5 - 11
B039 2621	Paper Guide	5 - 12
B039 2628	Bottom Plate Pad	5 - 2
B039 2629	Stay - Tray Bottom Plate	5 - 10
B039 2630	Tray Bottom Plate	5 - 4
B039 2631	Front Side Fence	5 - 1
B039 2632	Rear Side Fence	5 - 3
B039 2637	Rack - Front Side Fence	5 - 6
B039 2638	Rack - Rear Side Fence	5 - 5
B039 2643	Link - By-pass Feed Table	5 - 20
B043 4685	Spring - 2.8N	11 - 2
B043 4688	Pad:13x26	11 - 12
B090 2622	External Circlip:DIA4	3 - 7
B090 2742	Roller:Pull Out:Option Tray	9 - 2
B121 2617	Magnet Catch - By-pass Feed	5 - 13
B123 4505	Timing Belt - 40S2M290	13 - 4
B238 4677	Stopper Arm	9 - 17
B238 4679	Stopper Link	9 - 15
B259 2642	Pin - MM6	5 - 19
B259 2786	Lever Shaft	5 - 17
B414 4667	DC Motor - 19W	13 - 9
B414 4755	Decal - Duplex Upper Unit	11 - 13
B414 4765	Decal - Misfeed Removal	7 - 8
B416 7127	Spring:Exit	7 - 6
B416 7159	Bushing:Pressure:DIA4	7 - 5
B416 7166	Roller:Tension:Gate	7 - 3
D010 4650	Separation Pad:Ass'y	11 - 3
D019 1370	Cap - Duplex Connector	3 - 5
D019 2734	Spring - Transport	9 - 4
D019 2736	Bushing - Vertical Transport	9 - 3
D019 2737	Driven Roller - Vertical Transport	9 - 5

Part No.	Description	Page and Index No.
D370 2601	Manual Feed Table Ass'y	5 - 18
D370 2611	Feeler - Manual Feed	11 - 15
D370 2619	Cover - Manual Feed Table	5 - 14
D370 2644	Upper Guide Plate - Manual Feed	11 - 4
D370 2645	Lower Guide Plate - Manual Feed	11 - 1
D370 2646	Drive Shaft - Manual Feed	11 - 6
D370 4713	Gear - Manual Feed	11 - 5
G012 3050	Side Fence Gear	5 - 7
G020 2784	Lever - By-Pass Feed Table	5 - 15

Part No.	Description	Page and Index No.
AA04 3520	Timing Belt - S2M 120	13 - 12
AA06 2306	Pressure Spring	7 - 18
AA06 3643	Spring - By-pass Feed Table	5 - 8
AA06 6314	Gate Pawl Lower Spring	7 - 2
AA06 6343	Spring - Paper End Sensor	11 - 16
AA08 2101	Bushing - 6x10x6	11 - 8
AB01 7571	Gear - 19Z	13 - 13
AB03 0569	Pulley - 30T	13 - 3
AF02 2137	Driven Transport Roller	7 - 16
AF03 1058	Paper Feed Roller	11 - 7
AG07 0514	Magnet Catch	11 - 14
AW02 0155	Photointerruptor:Paper Size Sensor	9 - 12
AW02 0155	Photointerruptor:Paper Size Sensor	7 - 13
AW50 0034	Paper Size Sensor	5 - 9
GW02 0020	Photointerruptor:LG248NL1	11 - 17

Part No.	Description	Page and Index No.
0450 3008N	Tapping Screw - M3x8	11 - 105
0450 3008N	Tapping Screw - M3x8	3 - 102
0450 3008N	Tapping Screw - M3x8	7 - 102
0450 3008N	Tapping Screw - M3x8	9 - 103
0451 3006N	Tapping Screw - 3x6	13 - 101
0451 3006N	Tapping Screw - 3x6	7 - 104
0451 3006N	Tapping Screw - 3x6	9 - 101
0451 3006N	Tapping Screw - 3x6	11 - 101
0451 3008N	Tapping Screw - M3x8	5 - 101
0451 3008N	Tapping Screw - M3x8	9 - 102
0451 3008N	Tapping Screw - M3x8	3 - 101
0451 3008N	Tapping Screw - M3x8	11 - 103
0454 3006Q	Tapping Screw - M3x6	3 - 103
0720 0040E	Retaining Ring - M4	13 - 104
0720 0040E	Retaining Ring - M4	11 - 102
0720 0060E	Retaining Ring - M6	9 - 104
0805 0089	Retaining Ring - M4	7 - 101
0805 3480	Bushing - 6mm	13 - 102
1105 0487	Harness Clamp	13 - 105
1105 0511	Harness Clamp - LWS-0306ZC	11 - 104
1105 0511	Harness Clamp - LWS-0306ZC	7 - 103
1105 0511	Harness Clamp - LWS-0306ZC	13 - 103
1106 0101	Bushing:SR-6P3-4	13 - 106

Part No.	Description	Page and Index No.
5447 2681	Snap Ring	5 - 16

Part No.	Description	Page and Index No.