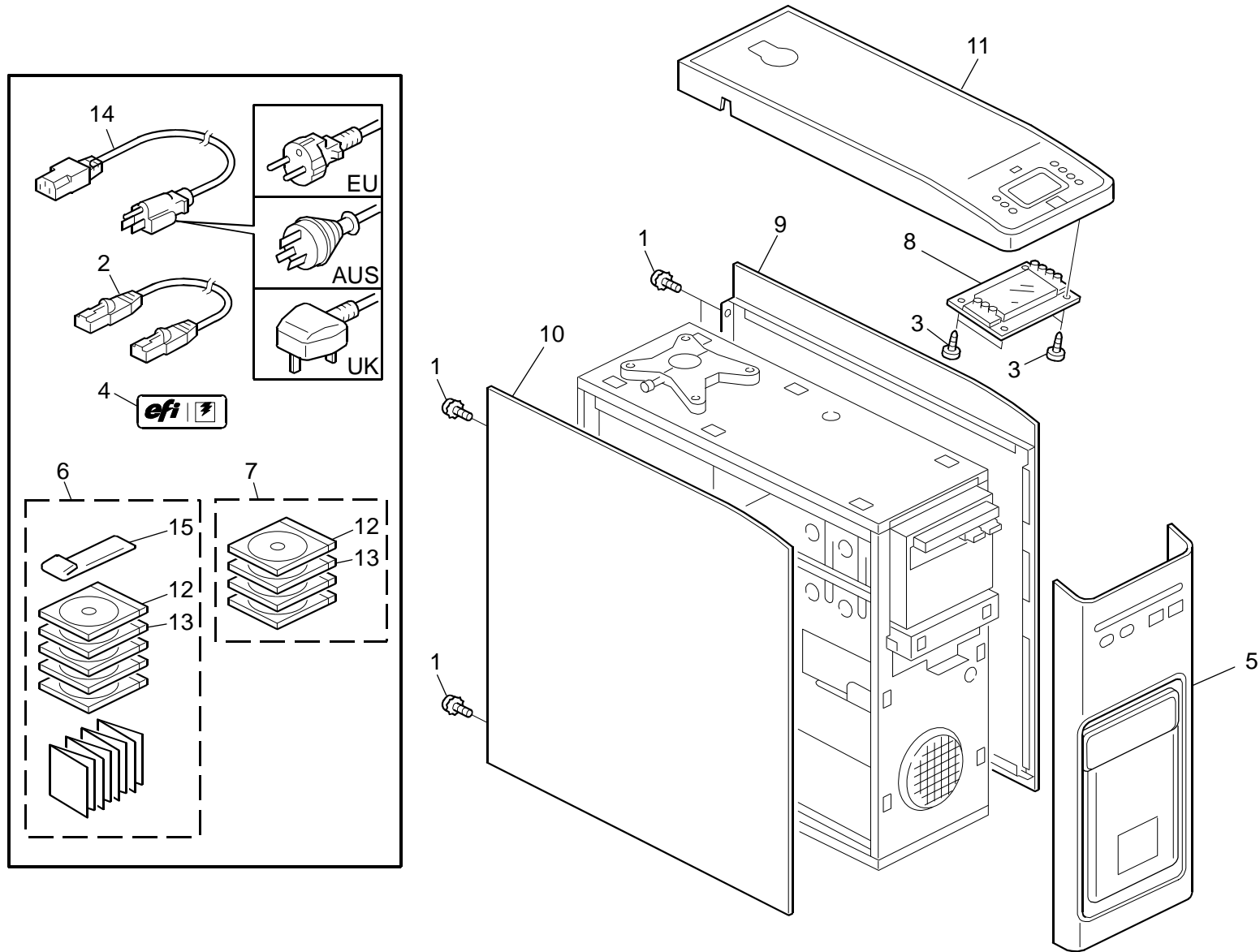


**COLOR CONTROLLER E-41A  
(D525)  
PARTS LOCATION AND LIST**

This section shows you the part numbers and descriptions used on this machine.

# 1.Controller 1 (D525)



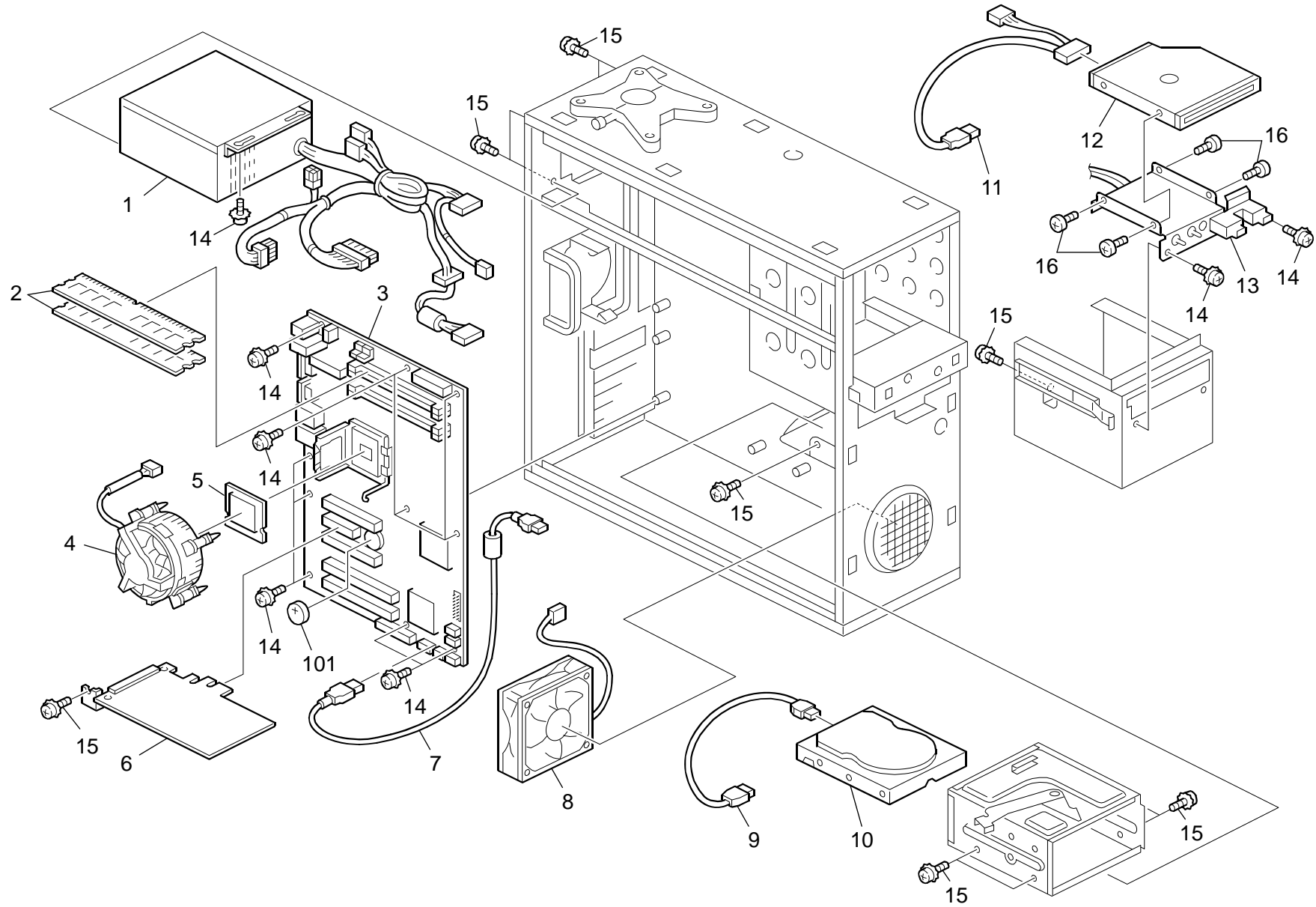
# 1.Controller 1 (D525)

Rev. 02/14/2012

Index No.	Part No.	Description	Q'ty Per Assembly
1	D450 1200	Screw: #6_32x1/4	4
2	M382 8614	Cable: GIGA_NIC12M: 45083552	1
3	D450 1210	Screw: 3 mm x 6 mm	4
4	D450 1053	Decal: Fiery: Server: ENG	1
5	D525 1131	Front Bezel: EXP: 45095549	1
6	D525 6705	Pack: Media_V1.2: NA: 45100983	1
6	D525 6706	Pack: Media_V1.2: EU: 45100985	1
7	D525 6712	Kit: Service:V1.2:EXP:CD1PCE:DVD 3 PCS:4510008	1
8	D450 1090	PCB: UIB: 45064543	1
9	D450 1180	Side_Panel: NON_AC: 45079519	1
10	D450 1170	Side_Panel: Access: 45079163	1
11	D450 1140	Top_Bezel: 45064980	1
12	D525 6732	DVD-ROM: User_V1.2: EXP: 45100995	2
13	D525 6742	DVD-ROM: Sys_V1.2:EXP: 45100993	2
14	D450 8610	Power Supply Cord: NA: 45053564	1
14	D450 8611	Power Supply Cord: Uk: 45054061	1
14	D450 8612	Power Supply Cord: EU: 45053565	1
14	D450 8613	Power Supply Cord: AUS: 45053566	1
15	A724 5282	Grayscale Strip: 10012662	1

Index No.	Part No.	Description	Q'ty Per Assembly

## 2.Controller 2 (D525)



## 2.Controller 2 (D525)

Index No.	Part No.	Description	Q'ty Per Assembly
1	D450 1051	Power Supply Unit: 350W: PRO: 45089368	1
2	M391 1040	RAM: DDR2: 1GB: 45091314	2
3	M391 1015	Kit: Mother Board: S5217: 45097655	1
4	D525 1121	CPU_fan: 45096649	1
5	M391 1030	IC: CPU: CORE_E8400: 45071412	1
6	D473 1020	PCB: Sandhill: 45072557	1
7	D450 1160	Cable: UIB29Intch: 45053997	1
8	D450 1060	Fan: Case: 45053562	1
9	D450 1100	Cable: HDD: SATA: 45053218	1
10	M391 1080	Drive: HDD: 160G: 45086558	1
11	M391 1110	Cable: DVD: SATA: 45086560	1
12	D450 1071	Drive: DVD_SATA: 45086559	1
13	D450 1150	SW: 45064981	1
14	D450 1190	Screw: M3x6mm	13
15	D450 1200	Screw: #6_32x1/4	11
16	D450 1220	Screw: M2x3mm	4

Index No.	Part No.	Description	Q'ty Per Assembly
101	1206 0085	Primary Lithium Cell: CR2032	



**COLOR CONTROLLER E-41A  
(D525)  
PARTS INDEX**



This section shows you the part numbers and descriptions used on this machine.

## Parts Index

Part No.	Description	Page and Index No.
D525 1121	CPU_fan: 45096649	5 - 4
D525 1131	Front BEZEL: EXP: 45095549	3 - 5
D525 6701	Media Pack(DVD 3PCS/CD 1PC): V1.0: NA: 45094928	3 - 6
D525 6702	Media Pack(DVD 3PCS/CD 1PC): V1.0: EU: 45094928	3 - 6
D525 6710	Media Pack(DVD 2PCS/C 2PCS): Service: V1.0: EXP	3 - 7
D525 6730	DVD-ROM: User: EXP: 45094939	3 - 12
D525 6740	DVD-ROM: System: EXP: 45094938	3 - 13
A724 5282	Grayscale Strip; 10012662	3 - 15
D450 1051	Power Supply Unit: 350W: PRO: 45089368	5 - 1
D450 1053	Decal: Fiery: Server: ENG	3 - 4
D450 1060	Fan: Case: 45053562	5 - 8
D450 1071	Drive: DVD_SATA: 45086559	5 - 12
D450 1090	PCB: UIB: 45064543	3 - 8
D450 1100	Cable: HDD: SATA: 45053218	5 - 9
D450 1140	Top_BEZEL: 45064980	3 - 11
D450 1150	SW: 45064981	5 - 13
D450 1160	Cable: UIB29Intch: 45053997	5 - 7
D450 1170	Side_panel: Access: 45079163	3 - 10
D450 1180	Side_panel: NON_AC: 45079519	3 - 9
D450 1190	Screw: M3x6mm	5 - 14
D450 1200	Screw: #6_32x1/4	5 - 15
D450 1200	Screw: #6_32x1/4	3 - 1
D450 1210	Screw: 3mmx6mm	3 - 3
D450 1220	Screw: M2x3mm	5 - 16
D450 8610	Power Supply Cord: NA: 45053564	3 - 14
D450 8611	Power Supply Cord: Uk: 45054061	3 - 14
D450 8612	Power Supply Cord: EU: 45053565	3 - 14
D450 8613	Power Supply Cord: AUS: 45053566	3 - 14
D473 1020	PCB: Sandhill: 45072557	5 - 6

Part No.	Description	Page and Index No.
M382 8614	Cable: GIGA_NIC12M: 45083552	3 - 2
M391 1015	Kit: Mother Board: S5217: 45097655	5 - 3
M391 1030	IC: CPU: CORE_E8400: 45071412	5 - 5
M391 1040	RAM: DDR2: 1GB: 45091314	5 - 2
M391 1080	Drive: HDD: 160G: 45086558	5 - 10
M391 1110	Cable: DVD: SATA: 45086560	5 - 11
1206 0085	Primary Lithium Cell: CR2032	5 - 101