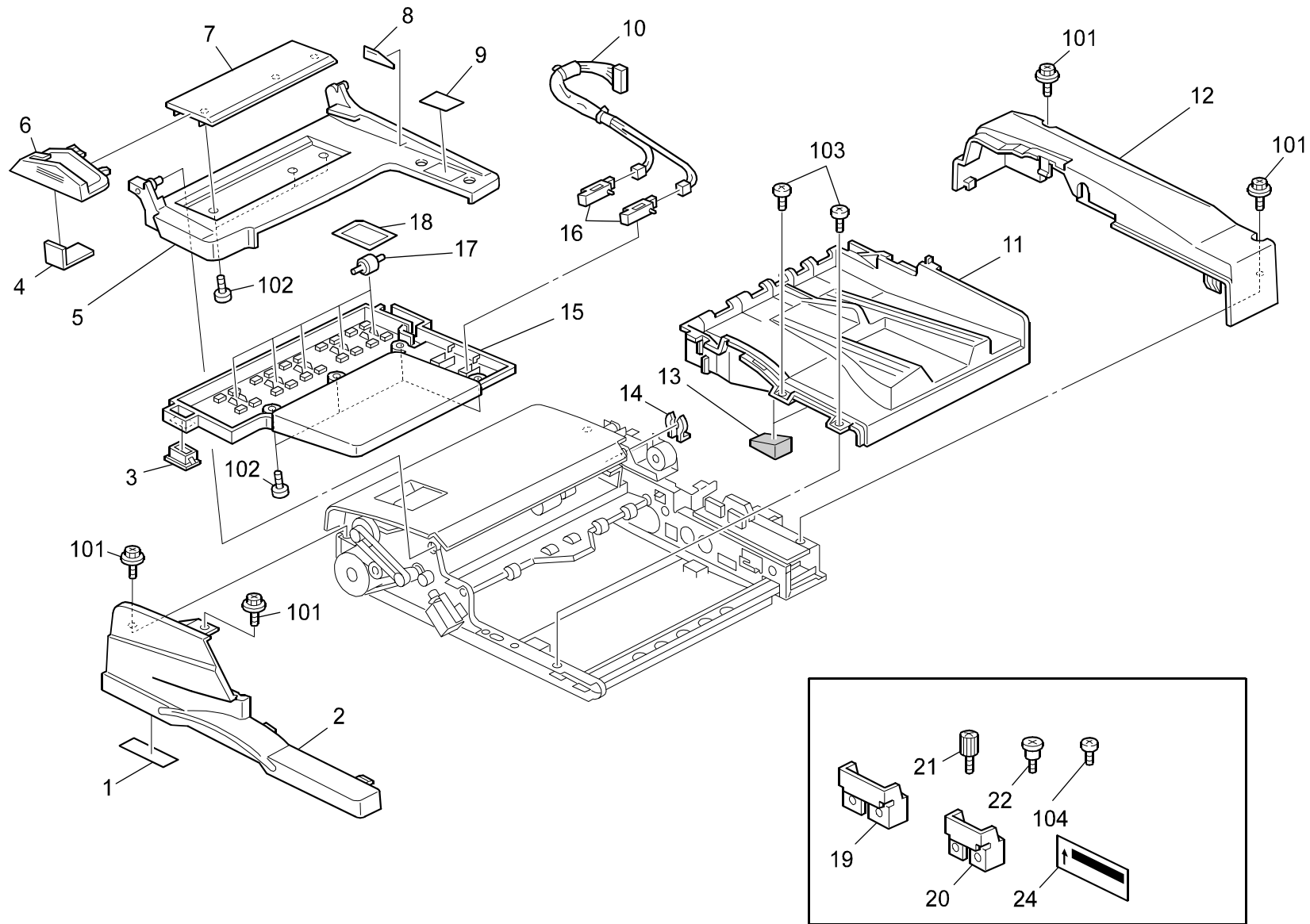


**AUTO REVERSE
DOCUMENT FEEDER DF77
B597
PARTS LOCATION AND LIST**

This section instructs you as to the numbers and names of parts on this machine.

1.EXTERIOR (B597)

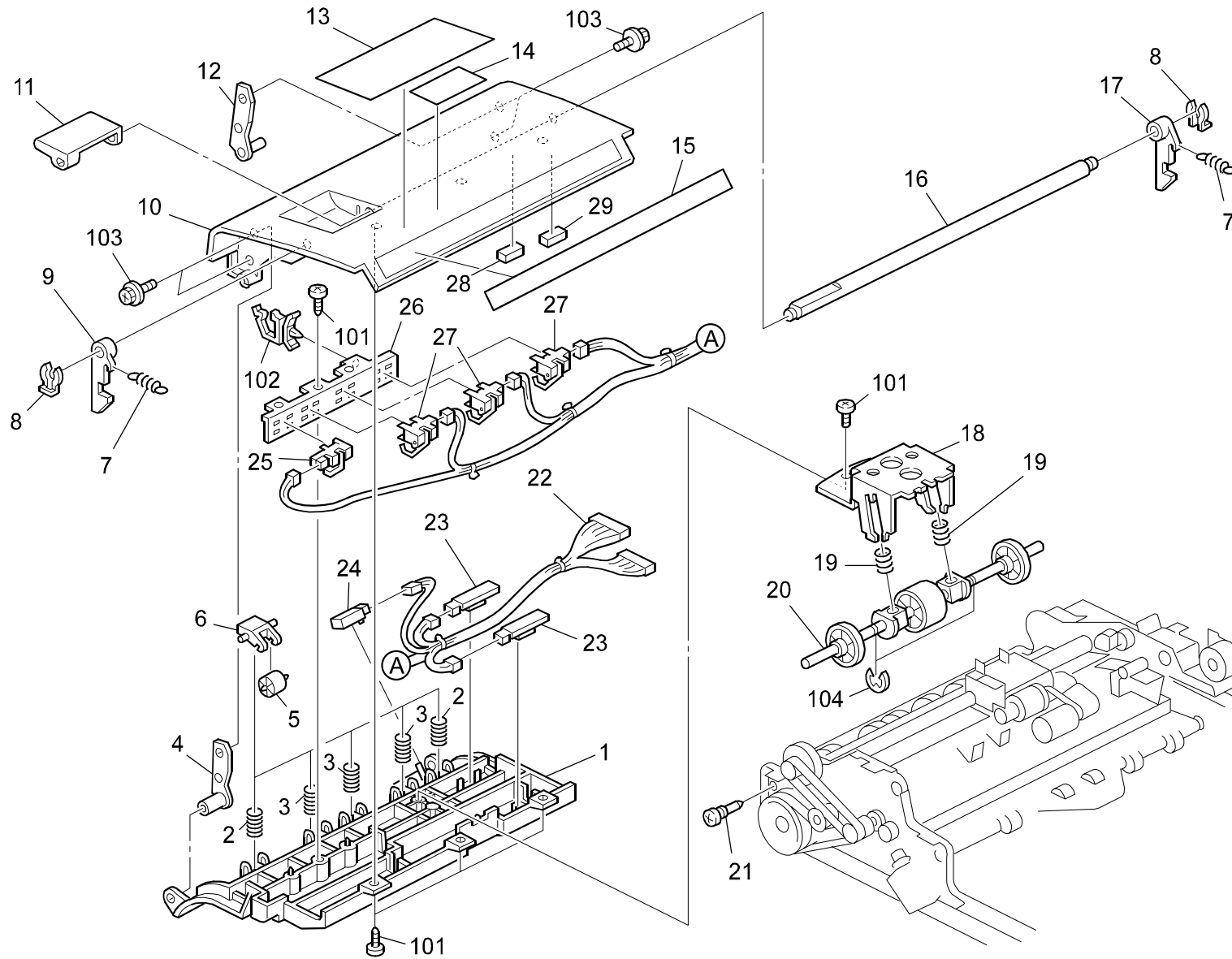


1.EXTERIOR (B597)

Index No.	Part No.	Description	Q'ty Per Assembly
1	G564 6041	Decal - Exit Misfeed Removal	1
2	G564 4212	Front Cover	1
3	B351 4135	Magnet Catch - Original Table	1
4	A376 4599	Side Fence Pad	1
5	B541 4123	Original Table	1
6	G564 4125	Side Fence	1
7	G564 4151	Rail - Side Fence	1
8	B386 6043	Decal - Side Fence	1
9	B541 6011	Decal:Display:Original Table	1
10	B541 5330	Harness:Connecting:Original Sensor	1
11	G564 4232	Exit Tray	1
12	G564 4222	Rear Cover	1
13	B597 4333	Cushion:Tape:Middle	1
14	5215 2621	Snap Ring - M6	1
15	B541 4133	Original Table:Behind	1
16	AW01 0087	Photo Sensor - Ass'y	2
17	A858 4671	Roller Driven	5
18	A858 4676	Spring Plate - Pressure Roller	5
19	G564 1231	Left Stopper Hinge	1
20	G564 1232	Right Stopper Hinge	1
21	A628 3115	Knob Screw - M4	1
22	A376 4911	Stepped Screw - Left Hinge	1
24	G564 6087	Decal:Exposure Glass:Machine or Copier: 5-lang	1

Index No.	Part No.	Description	Q'ty Per Assembly
101	0451 3008H	Tapping Screw - M3x8	
102	0452 3008B	Tapping Screw - M3x8	
103	0353 0050B	Philips Truss Head Screw - M3x5	
104	0951 4010B	Philips Screw With Washer - M4x10	

2.ORIGINAL FEED 1 (B597)

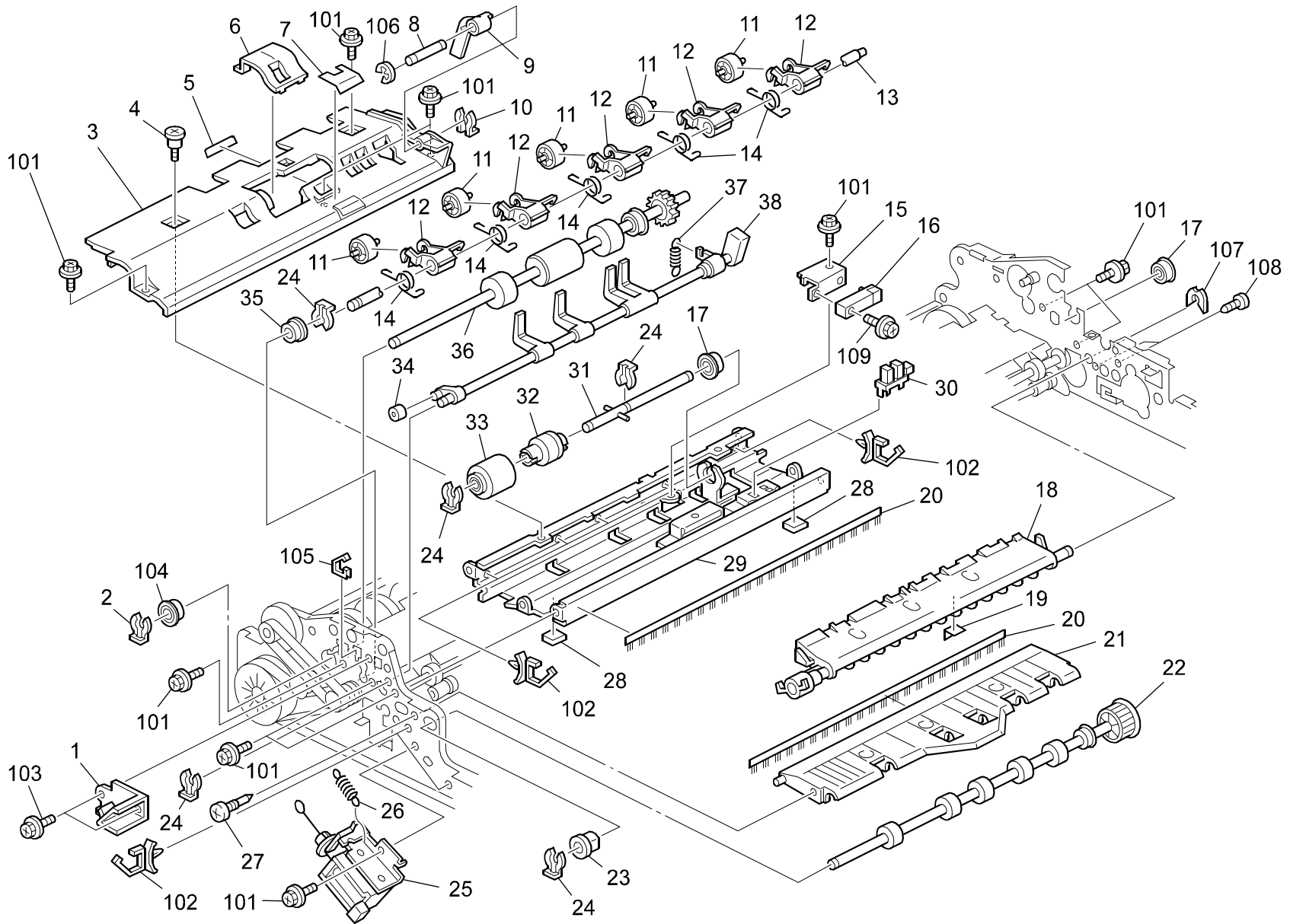


2.ORIGINAL FEED 1 (B597)

Index No.	Part No.	Description	Q'ty Per Assembly
1	B541 3115	Guide:Cover:Paper Feed	1
2	AA06 3858	Pressure Spring	2
3	AA06 3857	Pressure Spring	3
4	A680 1375	Front Fixing Bracket - Left Cover	1
5	B351 3182	Driven Roller	5
6	B351 3183	Holder - Driven Roller	5
7	AA06 0844	Tension Spring	2
8	5447 2681	Snap Ring	2
9	B351 4522	Front Lever - Top Cover	1
10	G564 4511	Paper Feed Cover	1
11	G564 4515	Grip - Cover	1
12	A680 1371	Rear Fixing Bracket - Left Cover	1
13	G564 6032	Decal - Misfeed Removal	1
14	G564 6077	Decal - Exposure Glass:5-lang	1
15	G564 6021	Decal - Original Size	1
16	B351 4512	Shaft - Lever	1
17	B351 4526	Rear Lever - Top Cover	1
18	B541 3171	Bracket:Pressure Plate:Pull Out	1
19	AA06 3856	Pressure Spring	2
20	B351 3141	Pull-out Roller	1
21	5446 2824	Screw - Duplex Guide Plate	1
22	B541 5310	Harness:Connecting:Registration	1
23	AW01 0091	Photo Reflection Sensor	2
24	AW01 0093	Photo Reflection Sensor - PS-17ND1	1
25	AW02 0095	Photointerruptor	1
26	B541 3165	Bracket - Paper Size Sensor	1
27	AW02 0104	Photointerruptor	3
28	B351 4536	Cushion - Paper Feed	1
29	B351 4538	Cushion - Pickup Roller Arm	1

Index No.	Part No.	Description	Q'ty Per Assembly
101	0452 3008B	Tapping Screw - M3x8	
102	1105 0516	Clamp	
103	0451 3010B	Tapping Screw - M3x10	
104	0720 0040B	Retaining Ring - M4	

3.ORIGINAL FEED 2 (B597)

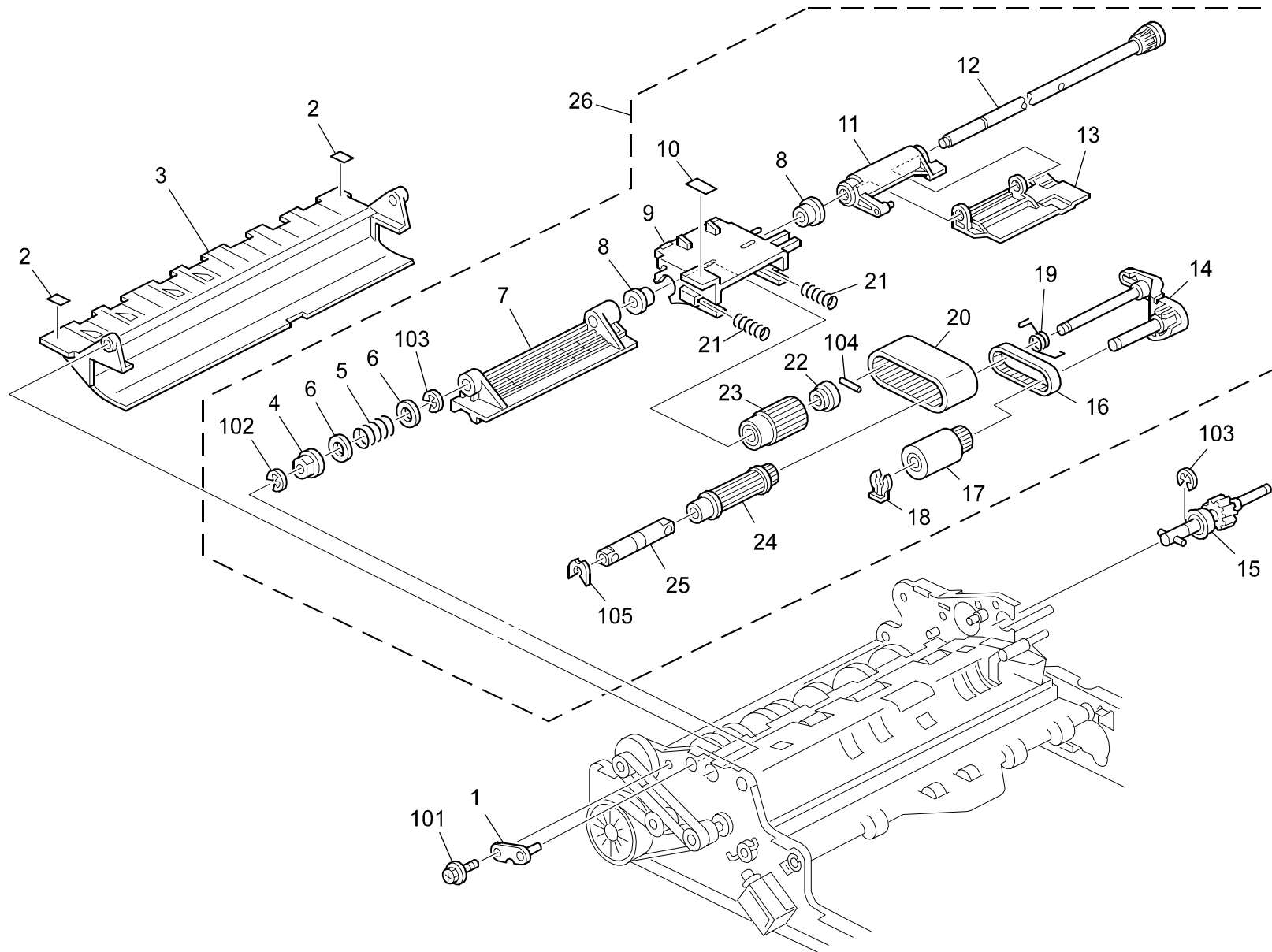


3.ORIGINAL FEED 2 (B597)

Index No.	Part No.	Description	Q'ty Per Assembly
1	B351 4142	Stopper - Original Table	1
2	5215 2621	Snap Ring - M6	1
3	B351 2511	Upper Guide - Paper Separation	1
4	5413 1882	Stepped Screw	1
5	B351 2561	Entrance Sheet - Separation	1
6	B351 2522	Cap:Guide:Separation:Upper	1
7	B351 2571	Sheet - Pick-up Roller	1
8	B351 2531	Stud - Original Sensor Feeler	1
9	B351 2541	Feeler - Original Sensor	1
10	5206 2686	Snap Ring	1
11	A680 3161	Driven Roller	5
12	B351 3932	Arm - Reverse Roller	5
13	B351 3933	Shaft - Reverse Roller	1
14	AA06 0849	Tension Spring	5
15	B541 3952	Bracket:Sensor:Reverse	1
16	AW01 0093	Photo Reflection Sensor - PS-17ND1	1
17	A859 2230	Ball Bearing - 6x13x5	2
18	B351 3822	Inverter Gate	1
19	B351 3827	Exit Guide	1
20	B351 3835	Discharge Brush - Exit	1
21	G564 3832	Guide Plate:Reverse:Outer	1
22	G564 3882	Drive Reverse Roller	1
23	5053 0447	Bushing - 6mm	1
24	5447 2681	Snap Ring	4
25	B351 3861	DC Solenoid Assembly	1
26	AA06 0848	Tension Spring	1
27	5446 2824	Screw - Duplex Guide Plate	1
28	B351 3825	Cushion - Inverter Gate	2
29	B541 1161	Stay:Paper Feed:Ass'y	1
30	AW02 0086	Photointerruptor	1
31	B351 2410	Shaft - Reverse Roller	1
32	A294 6700	Torque Limiter - 53mnm	1
33	A859 2241	Reverse Roller	1
34	A458 2251	Cushion - Bin Solenoid Lever	1
35	A376 1465	Feed Roller Bushing	1

Index No.	Part No.	Description	Q'ty Per Assembly
36	B351 2321	Pull Out Roller	1
37	AA06 0843	Tension Spring	1
38	B351 2311	Original Stopper	1
101	0451 3006B	Tapping Screw - M3x6	
102	1105 0516	Clamp	
103	0802 5276	Tapping Screw With Washer - M3x6	
104	0742 3808	Ball Bearing - 8x16x5	
105	1105 0514	Edge Saddle - EDS-0607I	
106	0720 0030B	Retaining Ring - M3	
107	0805 0088	Retaining Ring - M6	
108	0452 3008B	Tapping Screw - M3x8	
109	0451 3012B	Tapping Screw With Washer - M3x12	

4.ORIGINAL FEED 3 (B597)

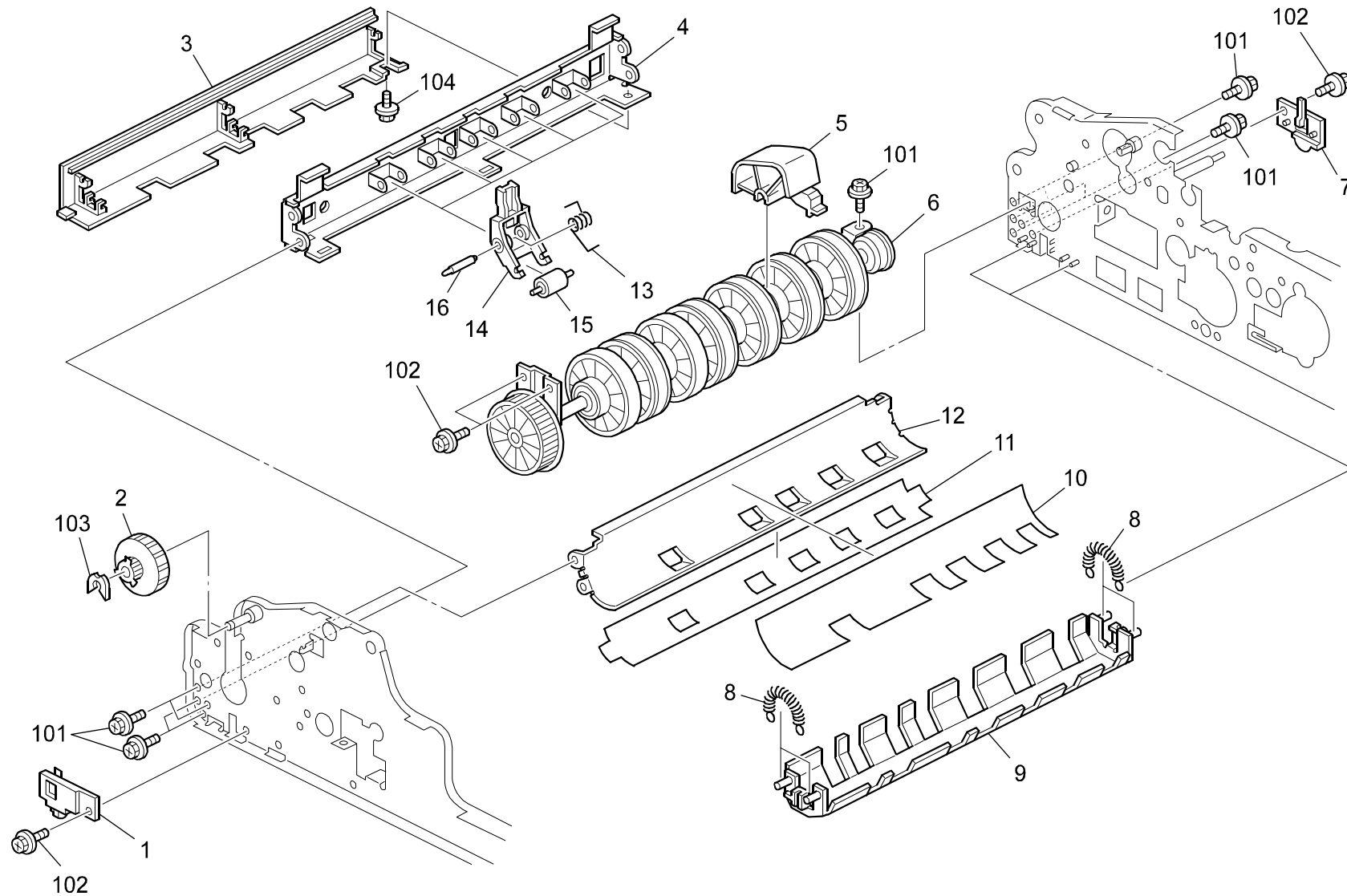


4.ORIGINAL FEED 3 (B597)

Index No.	Part No.	Description	Q'ty Per Assembly
1	B541 1321	Stud:Contact Point:Guide:Ass'y	1
2	A054 2977	Decal - Vertical Transport Guide	2
3	B351 3195	Lower Guide Plate - Transport	1
4	5304 1639	Bushing - 8mm	1
5	AA06 3861	Pressure Spring	1
6	AA13 2013	Spacer	2
7	B351 2151	Front Guide - Paper Feed	1
8	A628 1225	Bushing - 8mm	2
9	B351 2252	Bracket - Paper Feed Belt	1
10	A858 6022	Decal Blue	1
11	B351 2131	Pick-up Lever	1
12	B351 2111	Shaft - Paper Feed	1
13	B351 2141	Rear Guide - Paper Feed	1
14	B351 2161	Arm - Pick-up Roller	1
15	B351 1741	Drive Gear - Paper Feed	1
16	AA04 3929	Timing Belt - B40S2M114	1
17	B351 2126	Pickup Roller	1
18	5447 2681	Snap Ring	1
19	AA06 6629	Tension Spring	1
20	B351 2222	Paper Feed Belt	1
21	AA06 3863	Pressure Spring	2
22	B351 2181	Bushing - 8mm	1
23	B351 2231	Timing Pulley - 36Z	1
24	B351 2242	Timing Pulley - 26/30Z	1
25	A680 1865	Shaft - Belt Guide Roller	1
26	B351 2010	Paper Feed Belt - Ass'y	1

Index No.	Part No.	Description	Q'ty Per Assembly
101	0802 5276	Tapping Screw With Washer - M3x6	
102	0720 0040B	Retaining Ring - M4	
103	0720 0060B	Retaining Ring - M6	
104	0632 0120G	Parallel Pin - 2x12	
105	0805 0089	Retaining Ring - M4	

5.TRANSFER SECTION 1 (B597)

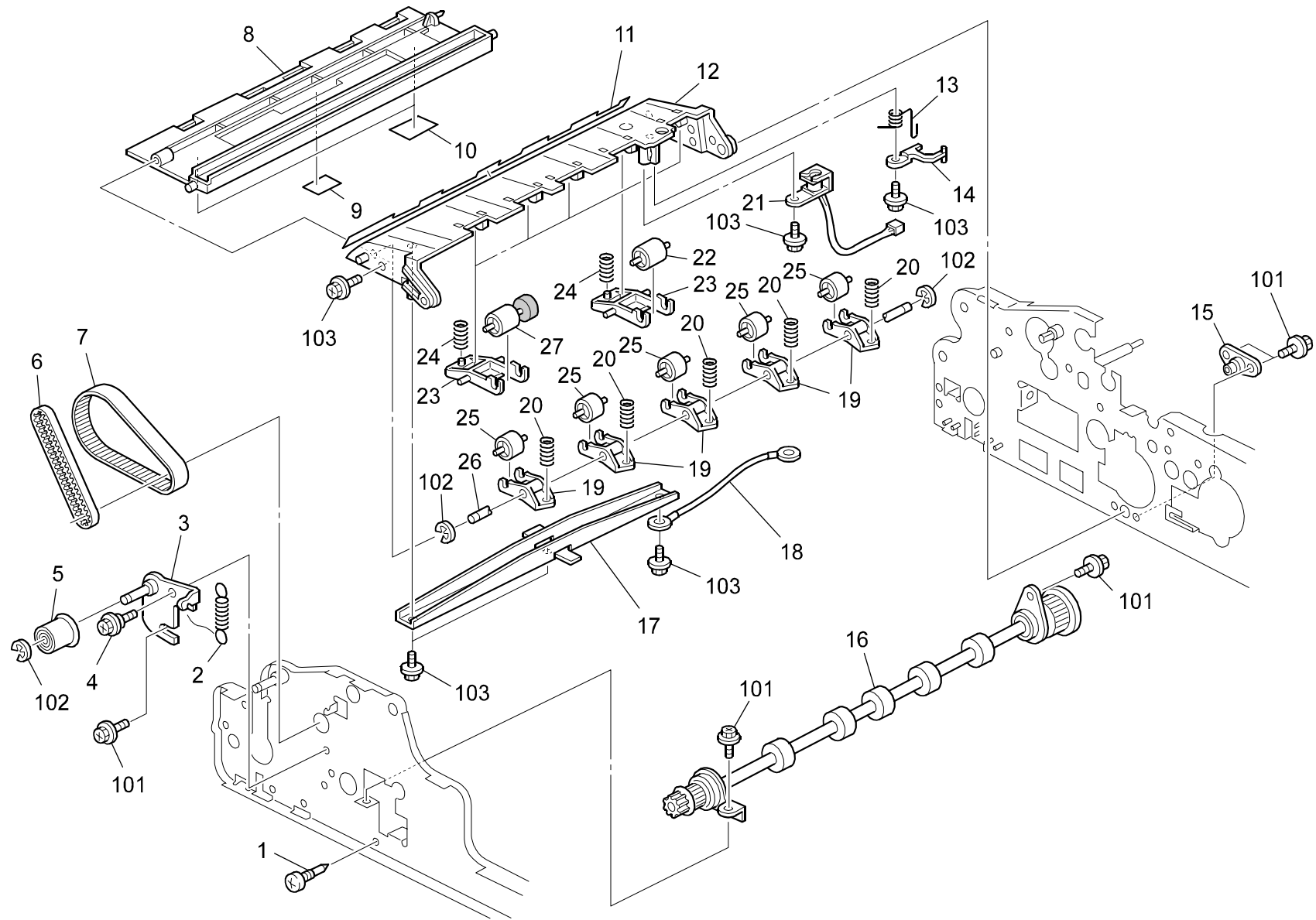


5.TRANSFER SECTION 1 (B597)

Index No.	Part No.	Description	Q'ty Per Assembly
1	B351 3322	Front Stopper - Scanning	1
2	B351 1965	Lever - Transport Roller	1
3	G564 4252	Lower Paper Feed Cover	1
4	B541 1131	Stay - Left - Ass'y	1
5	B351 3775	Roller Guide	1
6	B541 3351	Roller - Scanning	1
7	B351 3323	Rear Stopper - Scanning	1
8	AA06 0845	Tension Spring	2
9	B541 3311	Guide Plate - Scanning - Ass'y	1
10	B351 3335	Mylar - Transport Guide	1
11	B351 3338	Shield - Transport Guide	1
12	B541 3332	Guide Plate - Scanning: Outer	1
13	AA06 6630	Tension Spring	5
14	B351 1135	Arm - Driven Roller	5
15	B597 1136	Roller - Scanning :Front	5
16	B351 1137	Shaft - Driven Roller	5

Index No.	Part No.	Description	Q'ty Per Assembly
101	0451 3006B	Tapping Screw - M3x6	
102	0802 5276	Tapping Screw With Washer - M3x6	
103	0805 0089	Retaining Ring - M4	
104	0451 3008H	Tapping Screw - M3x8	

6.TRANSFER SECTION 2 (B597)

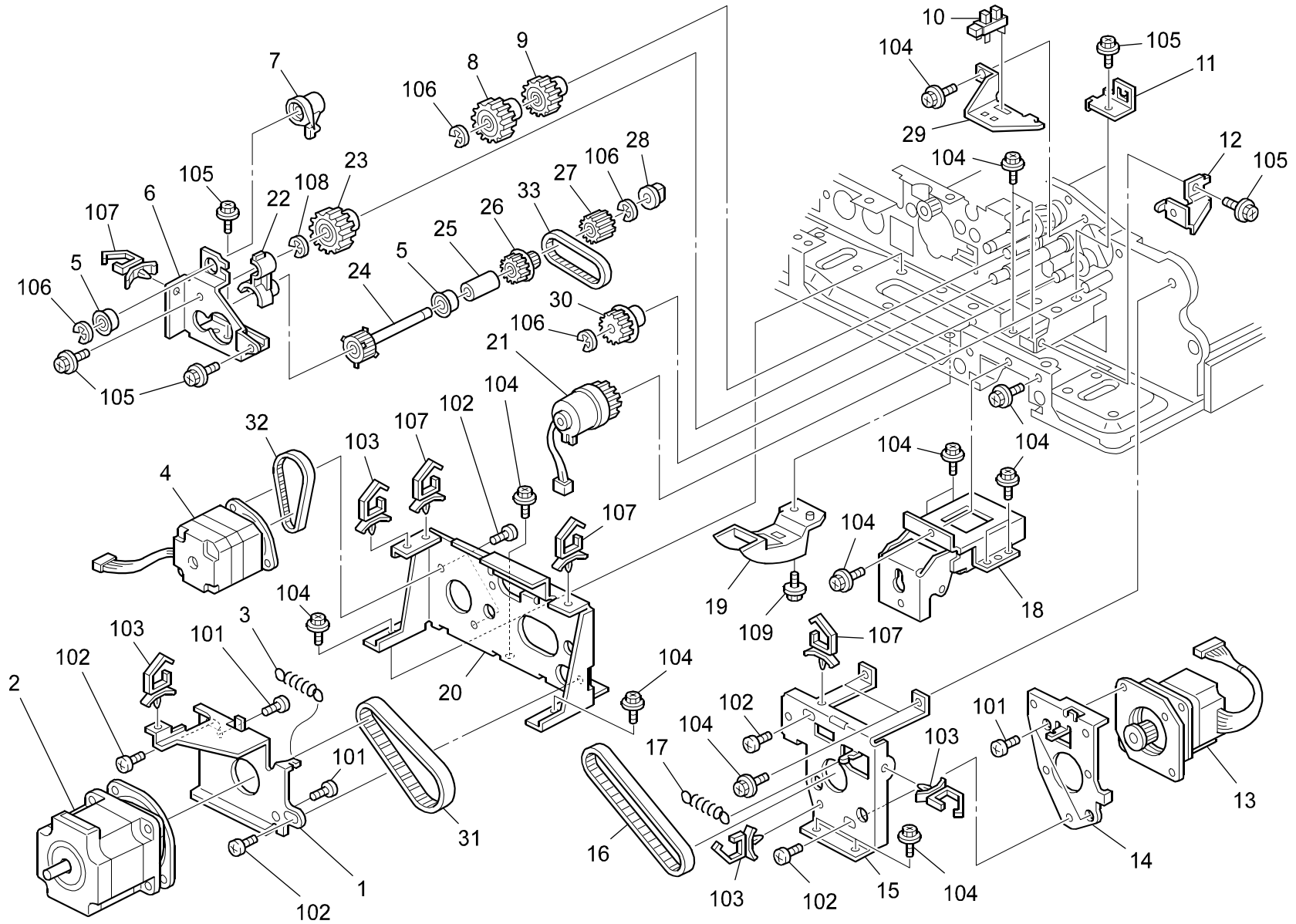


6.TRANSFER SECTION 2 (B597)

Index No.	Part No.	Description	Q'ty Per Assembly
1	5446 2824	Screw - Duplex Guide Plate	1
2	AA06 0846	Tension Spring	1
3	B541 1951	Bracket:Tightener:Scanning:Ass'y	1
4	A697 1125	Stepped Screw - Lever	1
5	B351 1942	Pulley - 20T	1
6	AA04 3920	Timing Belt - S3M264	1
7	AA04 3919	Timing Belt - B245ST1.5-10	1
8	B351 3617	Lower Guide - Exit Roller	1
9	G564 3621	Cushion - Lower Guide Plate M	1
10	G564 3622	Cushion - Lower Guide Plate	2
11	B351 3639	Guide Plate - Pressure Roller	1
12	B351 3612	Lower Exit Guide	1
13	AA06 6631	Tension Spring	1
14	B351 3791	Stopper - Stamp	1
15	B351 3613	Holder - Guide Plate	1
16	B541 3701	Roller:Exit:Drive	1
17	B541 3635	Supporting Plate:Paper Exit Unit:Lower:Ass'y	1
18	B541 5270	Harness:Earth:Paper Exit Unit	1
19	B351 3642	Arm - Pressure Roller	5
20	AA08 3859	Pressure Spring	5
21	H511 5006	Stamper	1
22	B351 3743	Driven Roller	1
23	B351 3632	Arm - Driven Roller - Exit	3
24	AA08 3860	Pressure Spring	3
25	B597 3752	Roller:Scanning:Rear	5
26	B351 3634	Shaft - Pressure Arm	1
27	B351 3640	Driven Roller - Sponge	2

Index No.	Part No.	Description	Q'ty Per Assembly
101	0451 3006B	Tapping Screw - M3x6	
102	0720 0030B	Retaining Ring - M3	
103	0450 3008B	Tapping Screw - M3x8	

7.DRIVE AND ELECTRICAL SECTION 1 (B597)

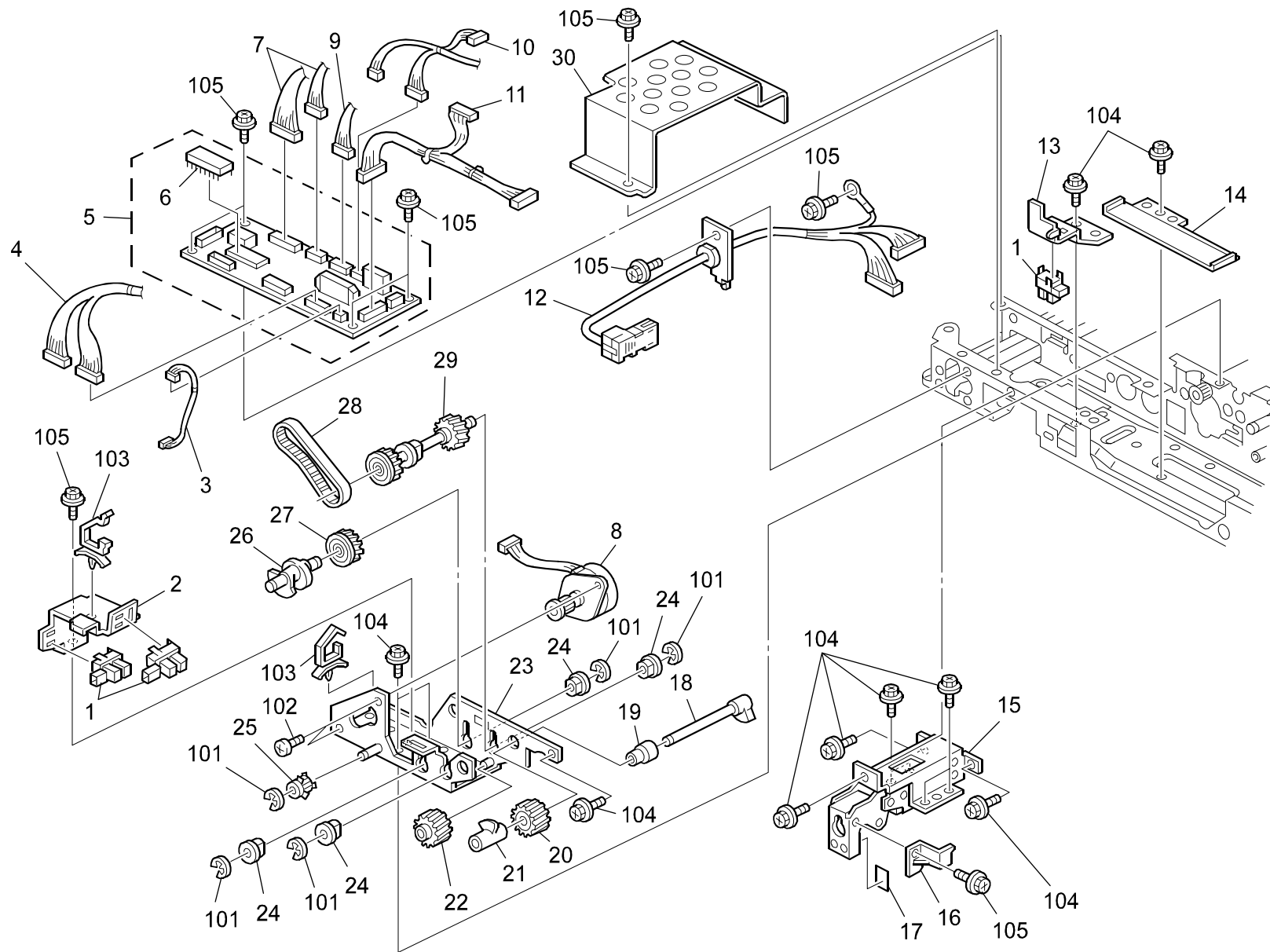


7.DRIVE AND ELECTRICAL SECTION 1 (B597)

Index No.	Part No.	Description	Q'ty Per Assembly
1	B541 1932	Bracket:Scanning:Link	1
2	G564 1921	Scanner Motor - 3.36W	1
3	AA06 0846	Tension Spring	1
4	B351 1971	Stepper Motor - Reverse - DC 1.4W	1
5	A859 2230	Ball Bearing - 6x13x5	2
6	B541 1611	Side Plate:Drive:Auxiliary	1
7	B351 1651	Stopper - Separation Shaft	1
8	B351 2431	Gear - 35Z	1
9	B351 2421	Gear - 28Z	1
10	AW02 0086	Photointerruptor	1
11	B541 1691	Stopper:Spring Clutch:Pull Out	1
12	B541 1146	Supporting Plate:Side Plate:Rear	1
13	B351 1811	Feed Motor - Dc10w	1
14	B541 1641	Stay:Motor:Paper Feed	1
15	B541 1621	Bracket:Motor:Paper Feed	1
16	AA04 3914	Timing Belt - B60S2M252	1
17	AA06 0842	Tension Spring	1
18	B541 1211	Hinge:Left:Ass'y	1
19	B351 1196	Sensor Feeler	1
20	B541 1912	Bracket:Motor:Scanning:Reverse	1
21	AX20 0213	Magnetic Clutch - Z30	1
22	B351 1626	Stopper - Gear	1
23	B351 1731	Gear - 28Z	1
24	B351 1711	Timing Pulley - 30Z	1
25	G564 1717	Spacer - Paper Feed Drive	1
26	G564 1721	Gear - Z19/T16	1
27	B351 1722	Gear - 18Z	1
28	5053 0447	Bushing - 6mm	1
29	B541 1335	Bracket:Sensor:Paper Feed	1
30	B351 2331	Timing Pulley - 32Z	1
31	AA04 3937	Timing Belt - B134ST1.5-10.0	1
32	AA04 3938	Timing Belt - B40S2M148	1
33	AA04 3936	Timing Belt - B40S2M102	1

Index No.	Part No.	Description	Q'ty Per Assembly
101	0354 0050B	Bind Screw - M4x5	
102	0353 0050B	Philips Truss Head Screw - M3x5	
103	1105 0487	Harness Clamp	
104	0802 5276	Tapping Screw With Washer - M3x6	
105	0451 3006B	Tapping Screw - M3x6	
106	0720 0040B	Retaining Ring - M4	
107	1105 0516	Clamp	
108	0720 0060B	Retaining Ring - M6	
109	0451 3008H	Tapping Screw - M3x8	

8.DRIVE AND ELECTRICAL SECTION 2 (B597)

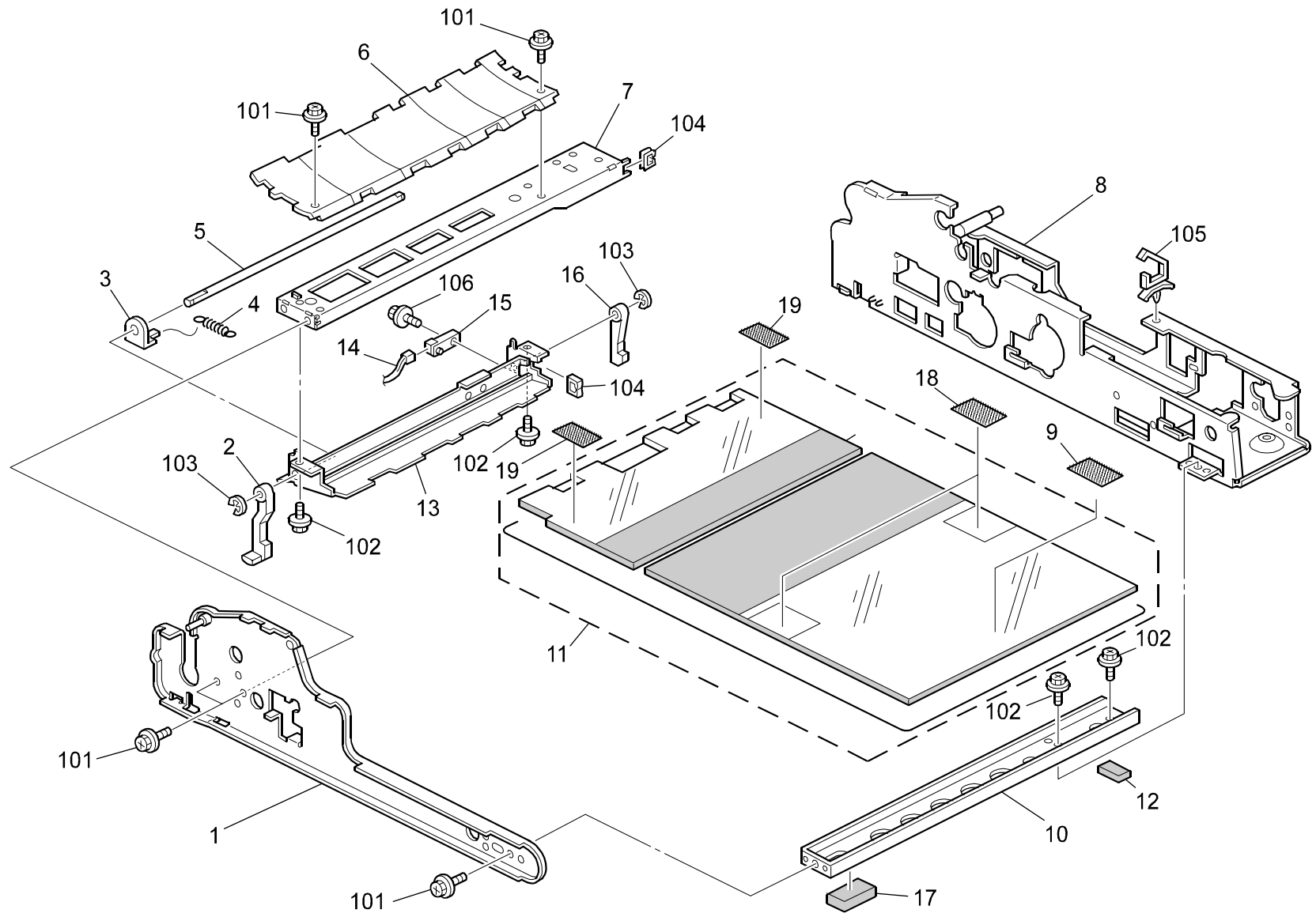


8.DRIVE AND ELECTRICAL SECTION 2 (B597)

Index No.	Part No.	Description	Q'ty Per Assembly
1	AW02 0086	Photointerruptor	3
2	B541 1671	Bracket:Photointerruptor:Stopper:Paper Feed	1
3	B541 5230	Harness:Sensor:Lift-up	1
4	B541 5340	Harness:Sensor:Registration	1
5	B597 5100	PCB:Main Control	1
6	B597 5620	EPR0M:Main Control	1
7	B541 5220	Harness:Sensor:Original Sensor	1
8	AX04 0096	Stepping Motor - DC 18W	1
9	B541 5260	Harness:Solenoid:Stamp	1
10	B541 5250	Harness:Motor:Pick Up	1
11	B541 5240	Harness:Motor:Paper Feed	1
12	B597 5821	Harness - Interface Ass'y	1
13	B541 1192	Bracket:Sensor:Open And Close	1
14	B541 1181	Bracket:Guide:Harness	1
15	B541 1221	Hinge:Right:Ass'y	1
16	A859 1841	Filter - DF Open Sensor	1
17	A334 4678	Rack Shield Mylar	1
18	B351 1751	Cam - Pick-up Roller	1
19	A548 2343	Clutch Stopper	1
20	A680 2261	Gear - 24Z	1
21	B351 1756	Actuator - Pick-up Roller	1
22	B351 1781	Gear - 18Z	1
23	B541 1661	Bracket:Pickup:Drive:Ass'y	1
24	5053 0447	Bushing - 6mm	4
25	A680 2241	Pulley - 18T	1
26	B351 1761	Cam - Paper Feed	1
27	B351 1791	Gear - 25Z	1
28	AA04 3916	Timing Belt - B40S2M212	1
29	A680 2251	Gear - 17Z	1
30	B597 1351	Bracket:PCB	1

Index No.	Part No.	Description	Q'ty Per Assembly
101	0720 0040B	Retaining Ring - M4	
102	0353 0050B	Philips Truss Head Screw - M3x5	
103	1105 0516	Clamp	
104	0802 5276	Tapping Screw With Washer - M3x6	
105	0451 3006B	Tapping Screw - M3x6	

9.FRAME SECTION (B597)

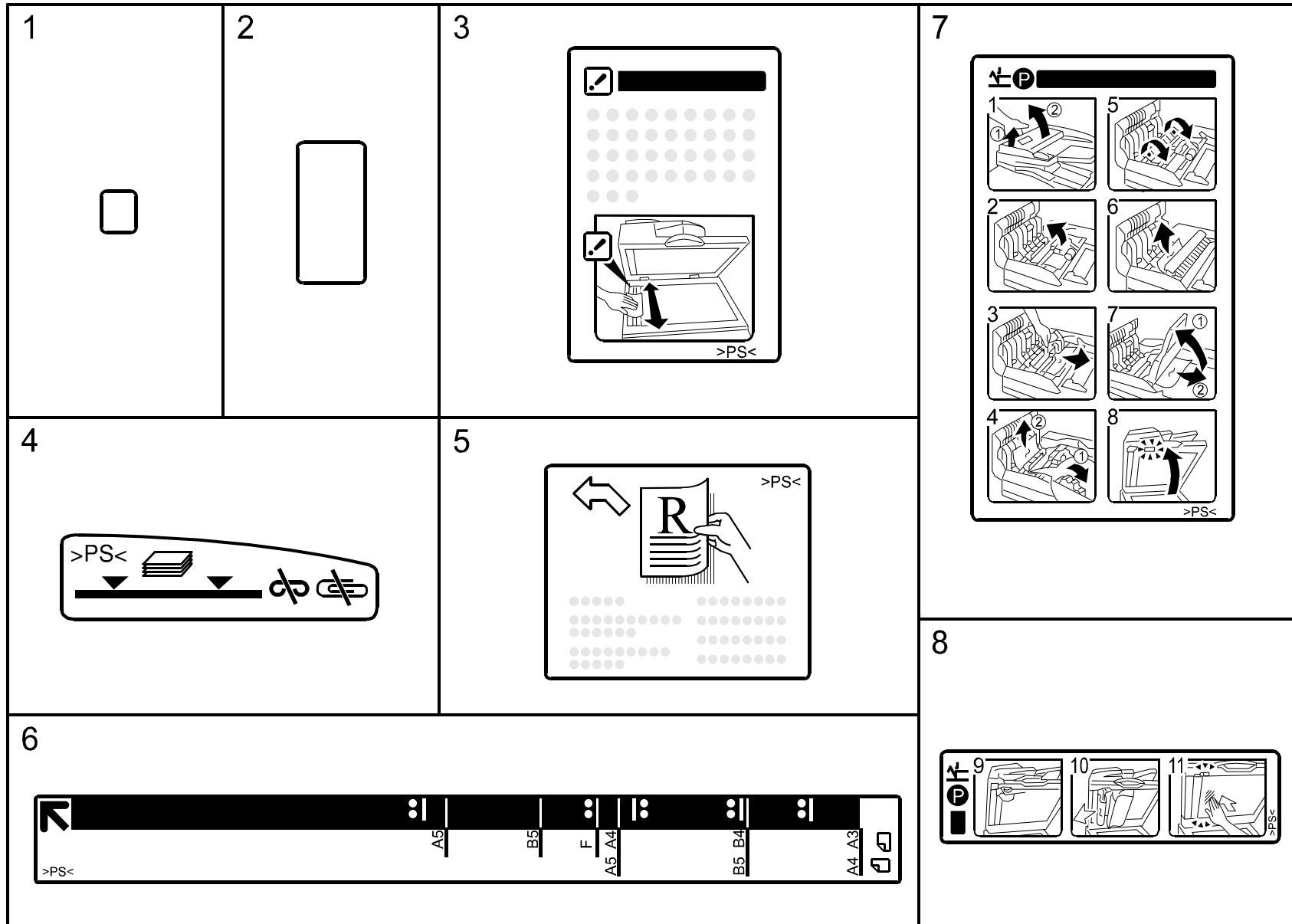


9.FRAME SECTION (B597)

Index No.	Part No.	Description	Q'ty Per Assembly
1	B541 1111	Side Plate:Front:Ass'y	1
2	B351 3666	Front Hook - Paper Exit	1
3	B541 3649	Anchor:Spring:Hook	1
4	AA06 0850	Tension Spring	1
5	B351 3663	Shaft - Lock Lever	1
6	B541 3912	Guide Plate:Reverse:Lower	1
7	B541 1142	Stay:Middle	1
8	B541 1121	Side Plate:Rear:Ass'y	1
9	B351 4322	Tape - Platen Sheet	1
10	B541 1153	Right Stay	1
11	B597 4311	Pressure Plate:Ass'y	1
12	G564 3631	Rear Right Cushion - P Cover	1
13	B541 3721	Guide Plate:Exit:Upper:Welding	1
14	B541 5320	Harness:Connecting:Exit	1
15	AW01 0093	Photo Reflection Sensor - PS-17ND1	1
16	B351 3669	Rear Hook - Paper Exit	1
17	B597 3632	Cushion - Pressure Plate:Right:T8	1
18	B597 4333	Cushion - Tape: Middle	2
19	B597 4326	Cushion - Tape: Left	2

Index No.	Part No.	Description	Q'ty Per Assembly
101	0451 3006B	Tapping Screw - M3x6	
102	0802 5276	Tapping Screw With Washer - M3x6	
103	0720 0030B	Retaining Ring - M3	
104	1105 0514	Edge Saddle - EDS-0607I	
105	1105 0487	Harness Clamp	
106	0451 3012B	Tapping Screw With Washer - M3x12	

10.DECAL AND DOCUMENT (B597)



10.DECAL AND DOCUMENT (B597)

Index No.	Part No.	Description	Q'ty Per Assembly
1	A054 2977	Decal - Vertical Transport Guide	1
2	A858 6022	Decal Blue	1
3	B386 6043	Decal - Side Fence	1
4	B541 6011	Decal - Display: - Original Table	1
5	G564 6021	Decal - Original Size	1
6	G564 6032	Decal - Misfeed Removal	1
7	G564 6041	Decal - Exit Misfeed Removal	1
8	G564 6077	Decal - Exposure Glass:5-lang	1
9	G564 6087	Decal - Exposure Glass: - Machine or Copier: 5-lang	1

Index No.	Part No.	Description	Q'ty Per Assembly

**AUTO REVERSE
DOCUMENT FEEDER DF77
B597
PARTS INDEX**

This section instructs you as to the numbers and names of parts on this machine.

PM Parts Index

Section Name	Part No.	Description in Service Manual	Description in Parts Catalog	Q'ty Per Assembly	Page and Index No.
ORIGINAL FEED 2 (B597)	A859 2241	Reverse Roller	Reverse Roller	1	7- 33
ORIGINAL FEED 3 (B597)	B351 2126	Pickup Roller	Pickup Roller	1	9- 17
	B351 2222	Paper Feed Belt	Paper Feed Belt	1	9- 20

Parts Index

Part No.	Description	Page and Index No.
B597 1136	Roller - Scanning - Front	11 - 15
B597 1351	Bracket - PCB	17 - 30
B597 3632	Cushion - Pressure Plate:Right:T8	19 - 17
B597 3752	Roller - Scanning:Rear	13 - 25
B597 4311	Pressure Plate - Ass'y	19 - 11
B597 4326	Cushion - Tape:Left	19 - 19
B597 4333	Cushion - Tape:Middle	19 - 18
B597 4333	Cushion - Tape:Middle	3 - 13
B597 5100	PCB - Main Control	17 - 5
B597 5620	EPROM - Main Control	17 - 6
B597 5821	Harness - Interface Ass'y	17 - 12

Part No.	Description	Page and Index No.
A054 2977	Decal - Vertical Transport Guide	21 - 1
A054 2977	Decal - Vertical Transport Guide	9 - 2
A294 6700	Torque Limiter - 53mnm	7 - 32
A334 4678	Rack Shield Mylar	17 - 17
A376 1465	Feed Roller Bushing	7 - 35
A376 4599	Side Fence Pad	3 - 4
A376 4911	Stepped Screw - Left Hinge	3 - 22
A458 2251	Cushion - Bin Solenoid Lever	7 - 34
A548 2343	Clutch Stopper	17 - 19
A628 1225	Bushing - 8mm	9 - 8
A628 3115	Knob Screw - M4	3 - 21
A680 1371	Rear Fixing Bracket - Left Cover	5 - 12
A680 1375	Front Fixing Bracket - Left Cover	5 - 4
A680 1865	Shaft - Belt Guide Roller	9 - 25
A680 2241	Pulley - 18T	17 - 25
A680 2251	Gear - 17Z	17 - 29
A680 2261	Gear - 24Z	17 - 20
A680 3161	Driven Roller	7 - 11
A697 1125	Stepped Screw - Lever	13 - 4
A858 4671	Roller Driven	3 - 17
A858 4676	Spring Plate - Pressure Roller	3 - 18
A858 6022	Decal Blue	21 - 2
A858 6022	Decal Blue	9 - 10
A859 1841	Filter - DF Open Sensor	17 - 16
A859 2230	Ball Bearing - 6x13x5	15 - 5
A859 2230	Ball Bearing - 6x13x5	7 - 17
A859 2241	Reverse Roller	7 - 33
B351 1135	Arm - Driven Roller	11 - 14
B351 1137	Shaft - Driven Roller	11 - 16
B351 1196	Sensor Feeler	15 - 19
B351 1626	Stopper - Gear	15 - 22
B351 1651	Stopper - Separation Shaft	15 - 7
B351 1711	Timing Pulley - 30Z	15 - 24
B351 1722	Gear - 18Z	15 - 27
B351 1731	Gear - 28Z	15 - 23

Part No.	Description	Page and Index No.
B351 1741	Drive Gear - Paper Feed	9 - 15
B351 1751	Cam - Pick-up Roller	17 - 18
B351 1756	Actuator - Pick-up Roller	17 - 21
B351 1761	Cam - Paper Feed	17 - 26
B351 1781	Gear - 18Z	17 - 22
B351 1791	Gear - 25Z	17 - 27
B351 1811	Feed Motor - Dc10w	15 - 13
B351 1942	Pulley - 20T	13 - 5
B351 1965	Lever - Transport Roller	11 - 2
B351 1971	Stepper Motor - Reverse - DC 1.4W	15 - 4
B351 2010	Paper Feed Belt:Ass'y	9 - 26
B351 2111	Shaft - Paper Feed	9 - 12
B351 2126	Pickup Roller	9 - 17
B351 2131	Pick-up Lever	9 - 11
B351 2141	Rear Guide - Paper Feed	9 - 13
B351 2151	Front Guide - Paper Feed	9 - 7
B351 2161	Arm - Pick-up Roller	9 - 14
B351 2181	Bushing - 8mm	9 - 22
B351 2222	Paper Feed Belt	9 - 20
B351 2231	Timing Pulley - 36Z	9 - 23
B351 2242	Timing Pulley - 26/30Z	9 - 24
B351 2252	Bracket - Paper Feed Belt	9 - 9
B351 2311	Original Stopper	7 - 38
B351 2321	Pull Out Roller	7 - 36
B351 2331	Timing Pulley - 32Z	15 - 30
B351 2410	Shaft - Reverse Roller	7 - 31
B351 2421	Gear - 28Z	15 - 9
B351 2431	Gear - 35Z	15 - 8
B351 2511	Upper Guide - Paper Separation	7 - 3
B351 2522	Cap:Guide:Separation:Upper	7 - 6
B351 2531	Stud - Original Sensor Feeler	7 - 8
B351 2541	Feeler - Original Sensor	7 - 9
B351 2561	Entrance Sheet - Separation	7 - 5
B351 2571	Sheet - Pick-up Roller	7 - 7
B351 3141	Pull-out Roller	5 - 20

Part No.	Description	Page and Index No.
B351 3182	Driven Roller	5 - 5
B351 3183	Holder - Driven Roller	5 - 6
B351 3195	Lower Guide Plate - Transport	9 - 3
B351 3322	Front Stopper - Scanning	11 - 1
B351 3323	Rear Stopper - Scanning	11 - 7
B351 3335	Mylar - Transport Guide	11 - 10
B351 3338	Shield - Transport Guide	11 - 11
B351 3612	Lower Exit Guide	13 - 12
B351 3613	Holder - Guide Plate	13 - 15
B351 3617	Lower Guide - Exit Roller	13 - 8
B351 3632	Arm - Driven Roller - Exit	13 - 23
B351 3634	Shaft - Pressure Arm	13 - 26
B351 3639	Guide Plate - Pressure Roller	13 - 11
B351 3640	Driven Roller - Sponge	13 - 27
B351 3642	Arm - Pressure Roller	13 - 19
B351 3663	Shaft - Lock Lever	19 - 5
B351 3666	Front Hook - Paper Exit	19 - 2
B351 3669	Rear Hook - Paper Exit	19 - 16
B351 3743	Driven Roller	13 - 22
B351 3775	Roller Guide	11 - 5
B351 3791	Stopper - Stamp	13 - 14
B351 3822	Inverter Gate	7 - 18
B351 3825	Cushion - Inverter Gate	7 - 28
B351 3827	Exit Guide	7 - 19
B351 3835	Discharge Brush - Exit	7 - 20
B351 3861	DC Solenoid Assembly	7 - 25
B351 3932	Arm - Reverse Roller	7 - 12
B351 3933	Shaft - Reverse Roller	7 - 13
B351 4135	Magnet Catch - Original Table	3 - 3
B351 4142	Stopper - Original Table	7 - 1
B351 4322	Tape - Platen Sheet	19 - 9
B351 4512	Shaft - Lever	5 - 16
B351 4522	Front Lever - Top Cover	5 - 9
B351 4526	Rear Lever - Top Cover	5 - 17
B351 4536	Cushion - Paper Feed	5 - 28

Part No.	Description	Page and Index No.
B351 4538	Cushion - Pickup Roller Arm	5 - 29
B386 6043	Decal - Side Fence	21 - 3
B386 6043	Decal - Side Fence	3 - 8
B541 1111	Side Plate:Front:Ass'y	19 - 1
B541 1121	Side Plate:Rear:Ass'y	19 - 8
B541 1131	Stay:Left:Ass'y	11 - 4
B541 1142	Stay:Middle	19 - 7
B541 1146	Supporting Plate:Side Plate:Rear	15 - 12
B541 1153	Right Stay	19 - 10
B541 1161	Stay:Paper Feed:Ass'y	7 - 29
B541 1181	Bracket:Guide:Harness	17 - 14
B541 1192	Bracket:Sensor:Open And Close	17 - 13
B541 1211	Hinge:Left:Ass'y	15 - 18
B541 1221	Hinge:Right:Ass'y	17 - 15
B541 1321	Stud:Contact Point:Guide:Ass'y	9 - 1
B541 1335	Bracket:Sensor:Paper Feed	15 - 29
B541 1611	Side Plate:Drive:Auxiliary	15 - 6
B541 1621	Bracket:Motor:Paper Feed	15 - 15
B541 1641	Stay:Motor:Paper Feed	15 - 14
B541 1661	Bracket:Pickup:Drive:Ass'y	17 - 23
B541 1671	Bracket:Photointerruptor:Stopper:Paper Feed	17 - 2
B541 1691	Stopper:Spring Clutch:Pull Out	15 - 11
B541 1912	Bracket:Motor:Scanning:Reverse	15 - 20
B541 1932	Bracket:Scanning:Link	15 - 1
B541 1951	Bracket:Tightener:Scanning:Ass'y	13 - 3
B541 3115	Guide:Cover:Paper Feed	5 - 1
B541 3165	Bracket:Paper Size Sensor	5 - 26
B541 3171	Bracket:Pressure Plate:Pull Out	5 - 18
B541 3311	Guide Plate:Scanning:Ass'y	11 - 9
B541 3332	Guide Plate:Scanning:Outer	11 - 12
B541 3351	Roller:Scanning	11 - 6
B541 3635	Supporting Plate:Paper Exit Unit:Lower:Ass'y	13 - 17
B541 3649	Anchor:Spring:Hook	19 - 3
B541 3701	Roller:Exit:Drive	13 - 16
B541 3721	Guide Plate:Exit:Upper:Welding	19 - 13

Part No.	Description	Page and Index No.
B541 3912	Guide Plate:Reverse:Lower	19 - 6
B541 3952	Bracket:Sensor:Reverse	7 - 15
B541 4123	Original Table	3 - 5
B541 4133	Original Table:Behind	3 - 15
B541 5220	Harness:Sensor:Original Sensor	17 - 7
B541 5230	Harness:Sensor:Lift-up	17 - 3
B541 5240	Harness:Motor:Paper Feed	17 - 11
B541 5250	Harness:Motor:Pick Up	17 - 10
B541 5260	Harness:Solenoid:Stamp	17 - 9
B541 5270	Harness:Earth:Paper Exit Unit	13 - 18
B541 5310	Harness:Connecting:Registration	5 - 22
B541 5320	Harness:Connecting:Exit	19 - 14
B541 5330	Harness:Connecting:Original Sensor	3 - 10
B541 5340	Harness:Sensor:Registration	17 - 4
B541 6011	Decal:Display:Original Table	3 - 9
B541 6011	Decal:Display:Original Table	21 - 4
G564 1231	Left Stopper Hinge	3 - 19
G564 1232	Right Stopper Hinge	3 - 20
G564 1717	Spacer - Paper Feed Drive	15 - 25
G564 1721	Gear - Z19/T16	15 - 26
G564 1921	Scanner Motor - 3.36W	15 - 2
G564 3621	Cushion - Lower Guide Plate M	13 - 9
G564 3622	Cushion - Lower Guide Plate	13 - 10
G564 3631	Rear Right Cushion - P Cover	19 - 12
G564 3832	Guide Plate:Reverse:Outer	7 - 21
G564 3882	Drive Reverse Roller	7 - 22
G564 4125	Side Fence	3 - 6
G564 4151	Rail - Side Fence	3 - 7
G564 4212	Front Cover	3 - 2
G564 4222	Rear Cover	3 - 12
G564 4232	Exit Tray	3 - 11
G564 4252	Lower Paper Feed Cover	11 - 3
G564 4511	Paper Feed Cover	5 - 10
G564 4515	Grip - Cover	5 - 11
G564 6021	Decal - Original Size	5 - 15

Part No.	Description	Page and Index No.
G564 6021	Decal - Original Size	21 - 5
G564 6032	Decal - Misfeed Removal	21 - 6
G564 6032	Decal - Misfeed Removal	5 - 13
G564 6041	Decal - Exit Misfeed Removal	21 - 7
G564 6041	Decal - Exit Misfeed Removal	3 - 1
G564 6077	Decal - Exposure Glass:5-lang	5 - 14
G564 6077	Decal - Exposure Glass:5-lang	21 - 8
G564 6087	Decal - Exposure Glass: Machine or Copier:	3 - 24
G564 6087	Decal - Exposure Glass: Machine or Copier:	21 - 9
H511 5006	Stamper	13 - 21

Part No.	Description	Page and Index No.
AA04 3914	Timing Belt - B60S2M252	15 - 16
AA04 3916	Timing Belt - B40S2M212	17 - 28
AA04 3919	Timing Belt - B245ST1.5-10	13 - 7
AA04 3920	Timing Belt - S3M264	13 - 6
AA04 3929	Timing Belt - B40S2M114	9 - 16
AA04 3936	Timing Belt - B40S2M102	15 - 33
AA04 3937	Timing Belt - B134ST1.5-10.0	15 - 31
AA04 3938	Timing Belt - B40S2M148	15 - 32
AA06 0842	Tension Spring	15 - 17
AA06 0843	Tension Spring	7 - 37
AA06 0844	Tension Spring	5 - 7
AA06 0845	Tension Spring	11 - 8
AA06 0846	Tension Spring	13 - 2
AA06 0846	Tension Spring	15 - 3
AA06 0848	Tension Spring	7 - 26
AA06 0849	Tension Spring	7 - 14
AA06 0850	Tension Spring	19 - 4
AA06 3856	Pressure Spring	5 - 19
AA06 3857	Pressure Spring	5 - 3
AA06 3858	Pressure Spring	5 - 2
AA06 3861	Pressure Spring	9 - 5
AA06 3863	Pressure Spring	9 - 21
AA06 6629	Tension Spring	9 - 19
AA06 6630	Tension Spring	11 - 13
AA06 6631	Tension Spring	13 - 13
AA08 3859	Pressure Spring	13 - 20
AA08 3860	Pressure Spring	13 - 24
AA13 2013	Spacer	9 - 6
AW01 0087	Photo Sensor - Ass'y	3 - 16
AW01 0091	Photo Reflection Sensor	5 - 23
AW01 0093	Photo Reflection Sensor - PS-17ND1	7 - 16
AW01 0093	Photo Reflection Sensor - PS-17ND1	5 - 24
AW01 0093	Photo Reflection Sensor - PS-17ND1	19 - 15
AW02 0086	Photointerruptor	15 - 10
AW02 0086	Photointerruptor	7 - 30

Part No.	Description	Page and Index No.
AW02 0086	Photointerruptor	17 - 1
AW02 0095	Photointerruptor	5 - 25
AW02 0104	Photointerruptor	5 - 27
AX04 0096	Stepping Motor - DC 18W	17 - 8
AX20 0213	Magnetic Clutch - Z30	15 - 21

Part No.	Description	Page and Index No.
0353 0050B	Philips Truss Head Screw - M3x5	3 -103
0353 0050B	Philips Truss Head Screw - M3x5	17 -102
0353 0050B	Philips Truss Head Screw - M3x5	15 -102
0354 0050B	Bind Screw - M4x5	15 -101
0450 3008B	Tapping Screw - M3x8	13 -103
0451 3006B	Tapping Screw - M3x6	19 -101
0451 3006B	Tapping Screw - M3x6	17 -105
0451 3006B	Tapping Screw - M3x6	15 -105
0451 3006B	Tapping Screw - M3x6	7 -101
0451 3006B	Tapping Screw - M3x6	13 -101
0451 3006B	Tapping Screw - M3x6	11 -101
0451 3008H	Tapping Screw - M3x8	15 -109
0451 3008H	Tapping Screw - M3x8	11 -104
0451 3008H	Tapping Screw - M3x8	3 -101
0451 3010B	Tapping Screw - M3x10	5 -103
0451 3012B	Tapping Screw With Washer - M3x12	7 -109
0451 3012B	Tapping Screw With Washer - M3x12	19 -106
0452 3008B	Tapping Screw - M3x8	7 -108
0452 3008B	Tapping Screw - M3x8	3 -102
0452 3008B	Tapping Screw - M3x8	5 -101
0632 0120G	Parallel Pin - 2x12	9 -104
0720 0030B	Retaining Ring - M3	19 -103
0720 0030B	Retaining Ring - M3	7 -106
0720 0030B	Retaining Ring - M3	13 -102
0720 0040B	Retaining Ring - M4	5 -104
0720 0040B	Retaining Ring - M4	9 -102
0720 0040B	Retaining Ring - M4	17 -101
0720 0040B	Retaining Ring - M4	15 -106
0720 0060B	Retaining Ring - M6	9 -103
0720 0060B	Retaining Ring - M6	15 -108
0742 3808	Ball Bearing - 8x16x5	7 -104
0802 5276	Tapping Screw With Washer - M3x6	19 -102
0802 5276	Tapping Screw With Washer - M3x6	17 -104
0802 5276	Tapping Screw With Washer - M3x6	9 -101
0802 5276	Tapping Screw With Washer - M3x6	15 -104

Part No.	Description	Page and Index No.
0802 5276	Tapping Screw With Washer - M3x6	7 -103
0802 5276	Tapping Screw With Washer - M3x6	11 -102
0805 0088	Retaining Ring - M6	7 -107
0805 0089	Retaining Ring - M4	9 -105
0805 0089	Retaining Ring - M4	11 -103
0951 4010B	Philips Screw With Washer - M4x10	3 -104
1105 0487	Harness Clamp	15 -103
1105 0487	Harness Clamp	19 -105
1105 0514	Edge Saddle - EDS-0607I	7 -105
1105 0514	Edge Saddle - EDS-0607I	19 -104
1105 0516	Clamp	15 -107
1105 0516	Clamp	5 -102
1105 0516	Clamp	7 -102
1105 0516	Clamp	17 -103

Part No.	Description	Page and Index No.
5053 0447	Bushing - 6mm	7 - 23
5053 0447	Bushing - 6mm	15 - 28
5053 0447	Bushing - 6mm	17 - 24
5206 2686	Snap Ring	7 - 10
5215 2621	Snap Ring - M6	7 - 2
5215 2621	Snap Ring - M6	3 - 14
5304 1639	Bushing - 8mm	9 - 4
5413 1882	Stepped Screw	7 - 4
5446 2824	Screw - Duplex Guide Plate	5 - 21
5446 2824	Screw - Duplex Guide Plate	7 - 27
5446 2824	Screw - Duplex Guide Plate	13 - 1
5447 2681	Snap Ring	7 - 24
5447 2681	Snap Ring	9 - 18
5447 2681	Snap Ring	5 - 8