

DF76 B541 PARTS LOCATION AND LIST

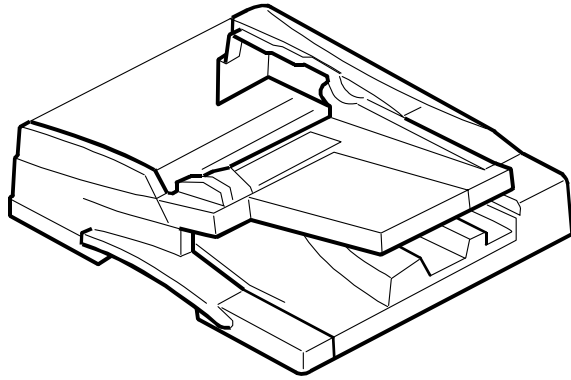
CÓPIA NÃO CONTROLADA

CÓPIA NÃO CONTROLADA

This section instructs you as to the numbers and names of parts on this machine.

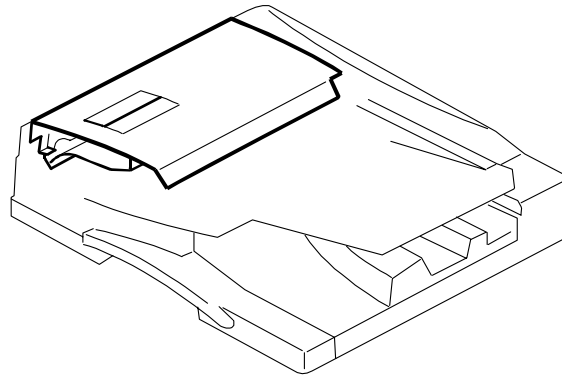
LOCATIONS OF UNITS

1. ARDF1 (B541)



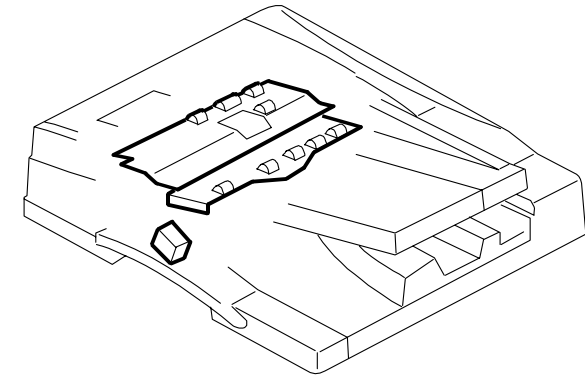
See Page 5

2. ARDF2 (B541)



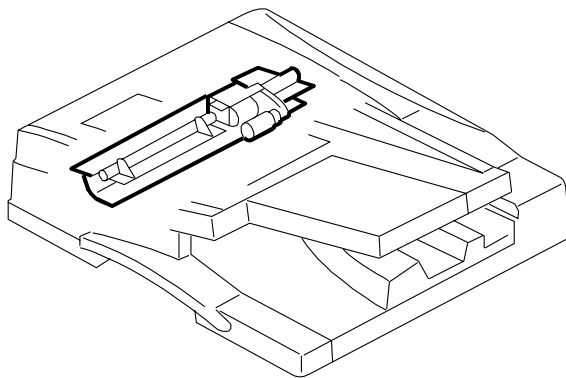
See Page 7

3. ARDF3 (B541)



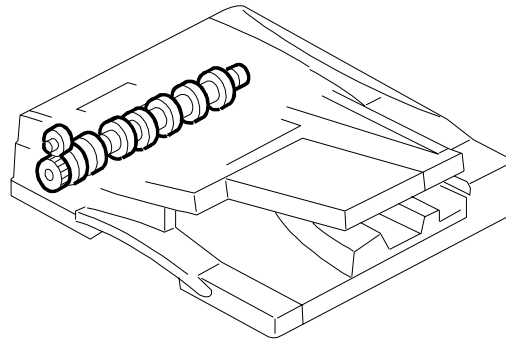
See Page 9

4. ARDF4 (B541)



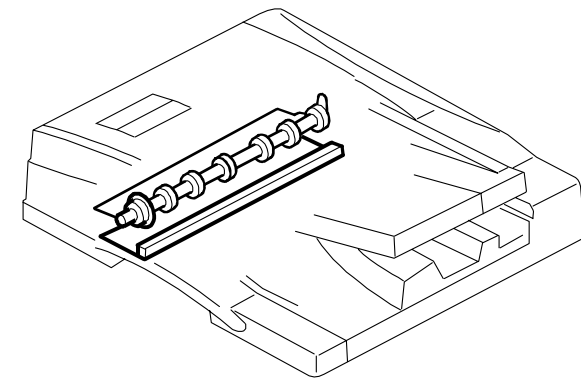
See Page 11

5. ARDF5 (B541)



See Page 13

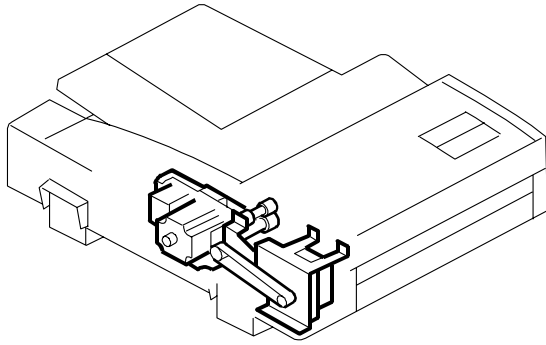
6. ARDF6 (B541)



See Page 15

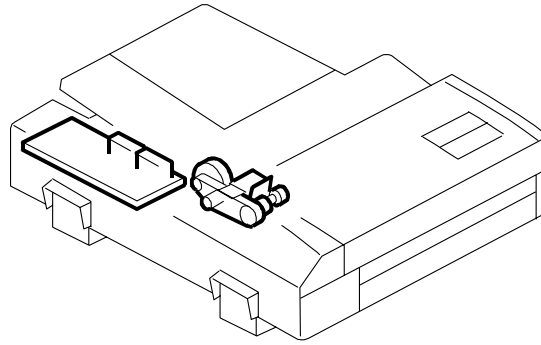
LOCATIONS OF UNITS

7. ARDF7 (B541)



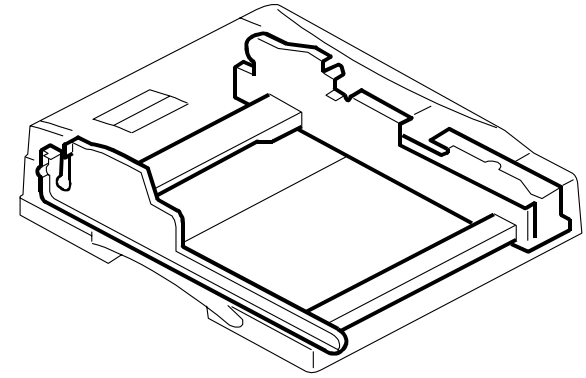
See Page 17

8. ARDF8 (B541)



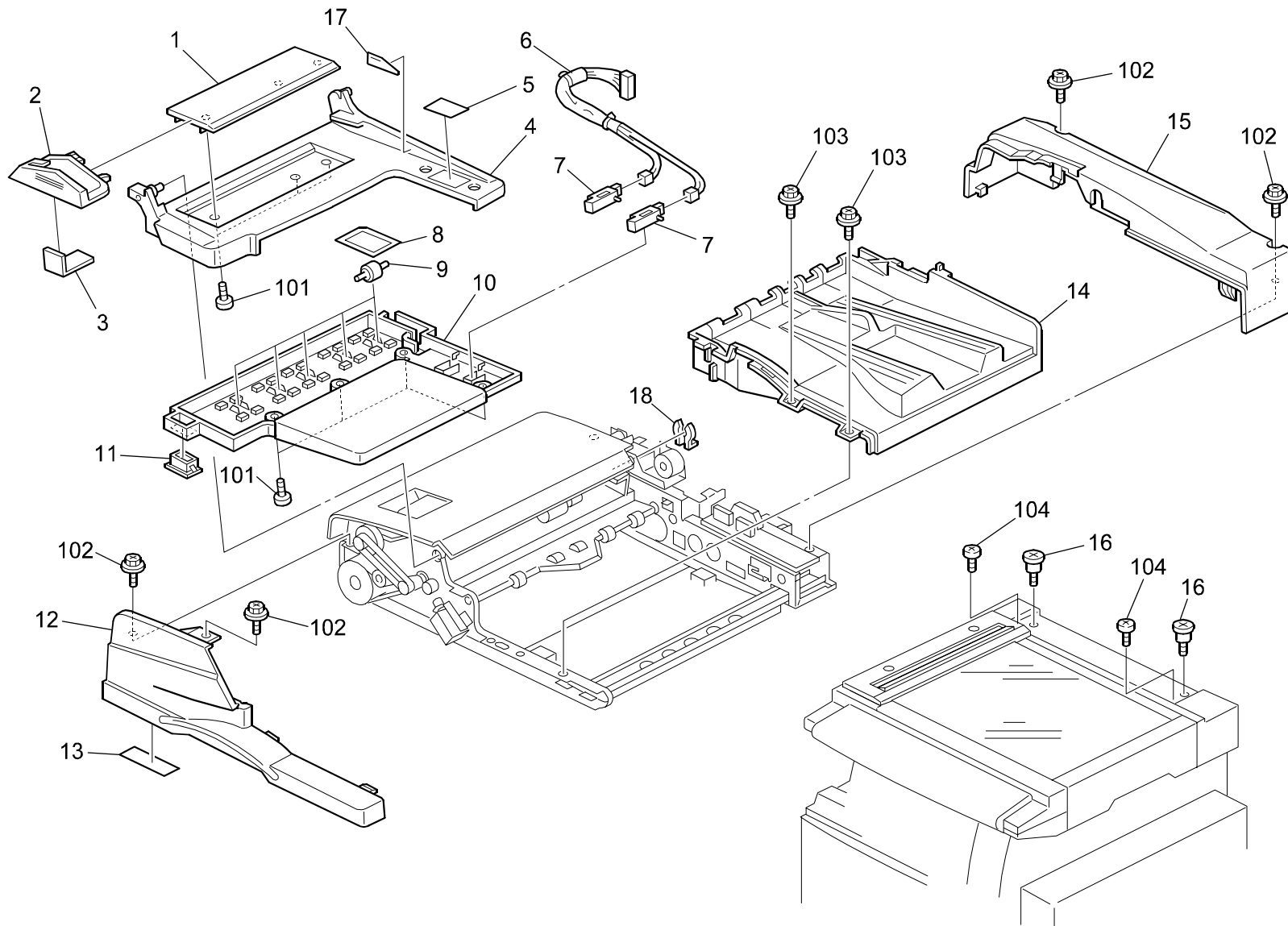
See Page 19

9. ARDF9 (B541)



See Page 21

1.ARDF1 (B541)



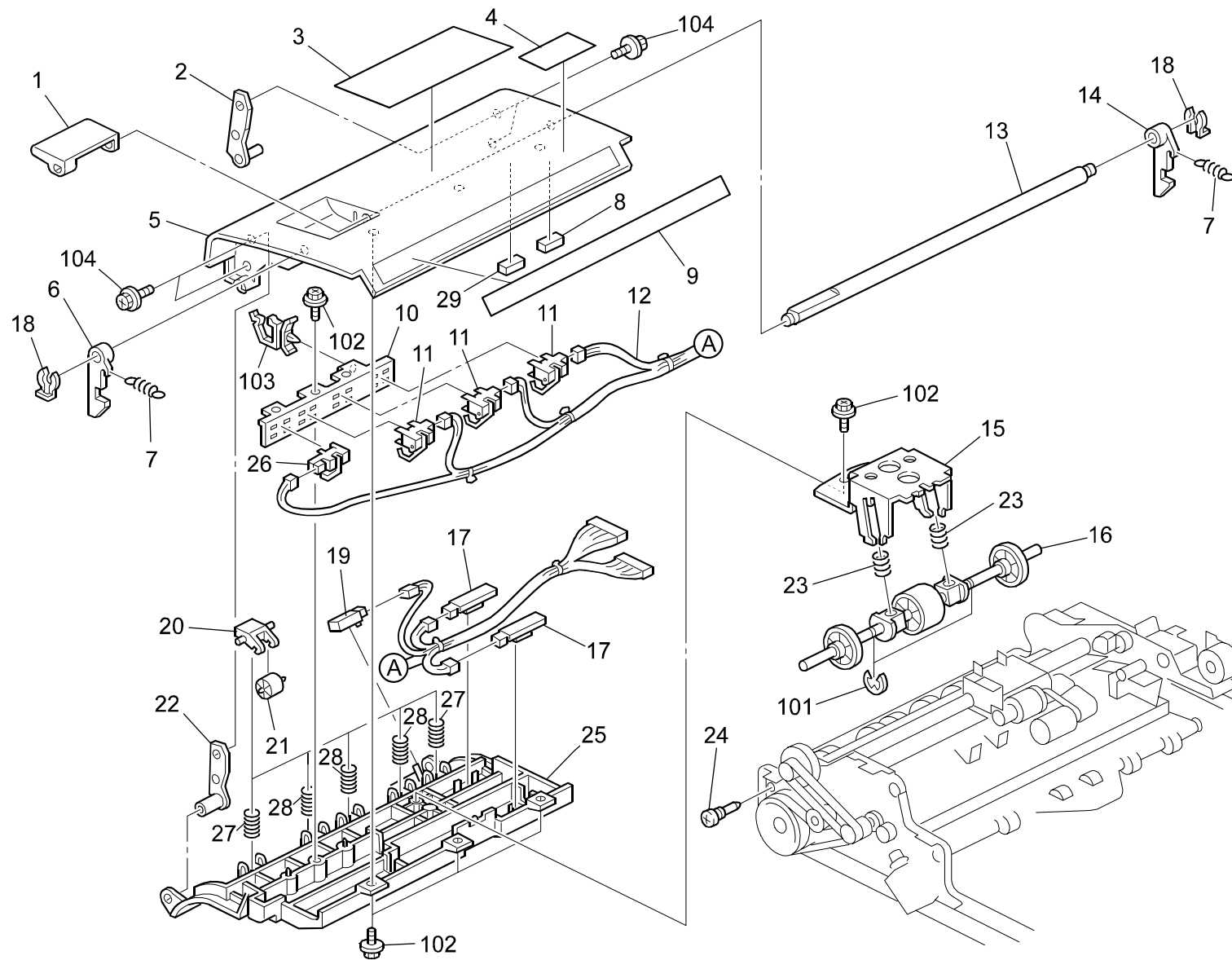
1.ARDF1 (B541)

Rev. 05/10/2004

Index No.	Part No.	Description	Q'ty Per Assembly
1	G564 4151	Rail - Side Fence	1
2	G564 4125	Side Fence	1
3	A376 4599	Side Fence Pad	1
4	B541 4123	Original Table	1
5	B541 6011	Decal:Display:Original Table	1
6	B541 5330	Harness:Connecting:Original Sensor	1
7	AW01 0087	Photo Sensor - Ass'y	2
8	A858 4676	Spring Plate Pressure Roller	5
9	A858 4671	Roller Driven	5
10	B541 4133	Original Table:Behind	1
11	B351 4135	Magnet Catch - Original Table	1
12	G564 4212	Front Cover	1
13	G564 6032	Decal - Exit Misfeed Removal [TSB#001R]	1
14	G564 4232	Exit Tray	1
15	G564 4222	Rear Cover	1
16	A376 4911	Stepped Screw - Left Hinge	2
17	B386 6042	Side Fence Decal	1
18	5215 2621	Snap Ring - M6	1

Index No.	Part No.	Description	Q'ty Per Assembly
101	0452 3008B	Tapping Screw - M3x8	
102	0451 3008H	Tapping Screw - M3x8	
103	0353 0050B	Philips Truss Head Screw - M3x5	
104	0951 4010B	Philips Screw With Washer - M4x10	

2.ARDF2 (B541)

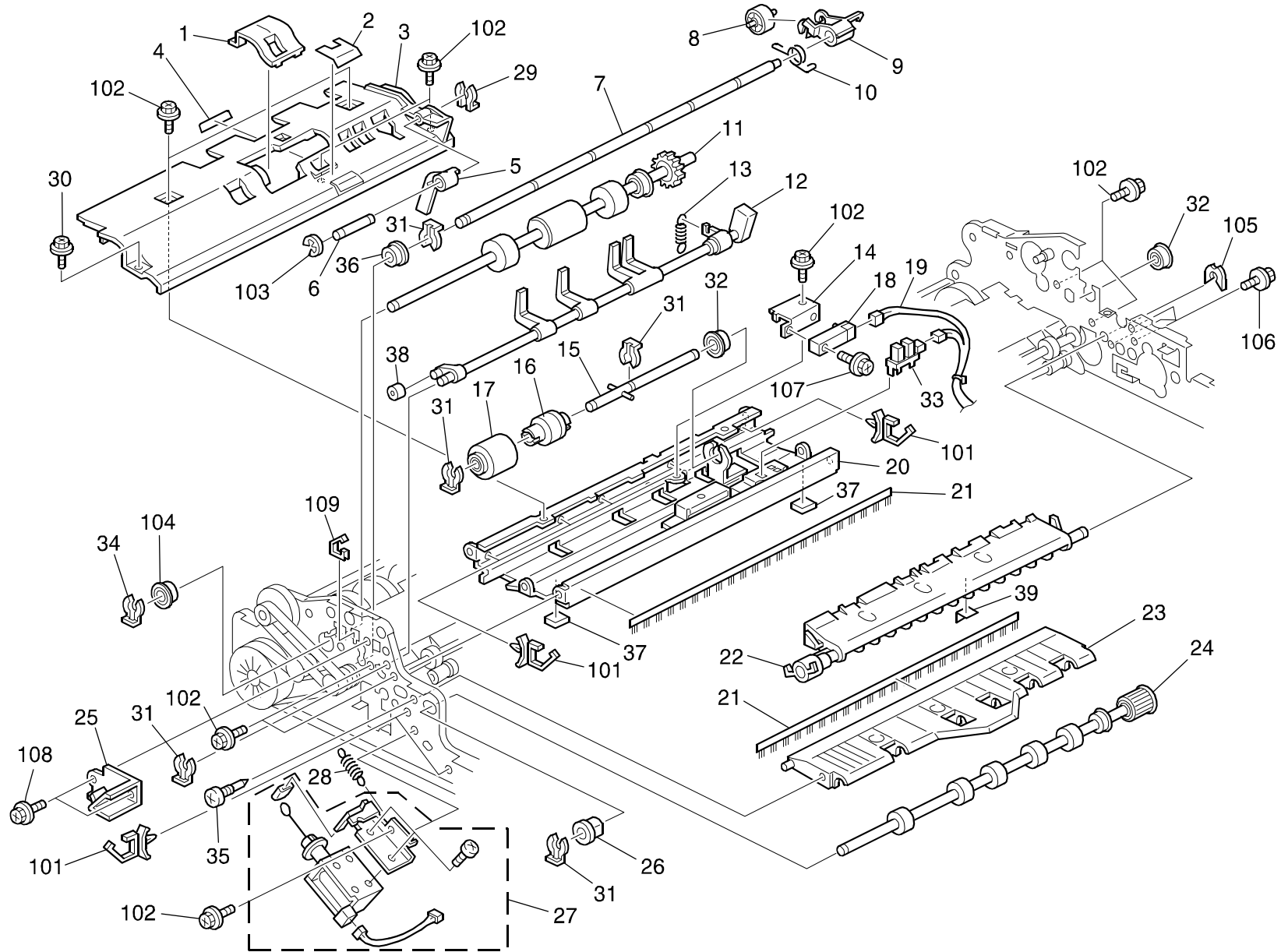


2.ARDF2 (B541)

Index No.	Part No.	Description	Q'ty Per Assembly
1	G564 4515	Grip - Cover	1
2	A680 1371	Rear Fixing Bracket - Left Cover	1
3	G564 6032	Decal - Misfeed Removal	1
4	G564 6076	Decal - Exposure Glass	1
5	G564 4511	Paper Feed Cover	1
6	B351 4522	Front Lever - Top Cover	1
7	AA06 0844	Tension Spring	2
8	B351 4536	Cushion - Paper Feed	1
9	G564 6021	Decal - Original Size	1
10	B541 3165	Bracket:Paper Size Sensor	1
11	AW02 0104	Photointerruptor	3
12	B541 5310	Harness:Connecting:Registration	1
13	B351 4512	Shaft - Lever	1
14	B351 4526	Rear Lever - Top Cover	1
15	B541 3171	Bracket:Pressure Plate:Pull Out	1
16	B351 3141	Pull-out Roller	1
17	AW01 0091	Photo Reflection Sensor	2
18	5447 2681	Snap Ring	2
19	AW01 0093	Photo Reflection Sensor - PS-17ND1	1
20	B351 3183	Holder - Driven Roller	4
21	B351 3182	Driven Roller	4
22	A680 1375	Front Fixing Bracket - Left Cover	1
23	AA06 3856	Pressure Spring	2
24	5446 2824	Screw - Duplex Guide Plate	1
25	B541 3115	Guide:Cover:Paper Feed	1
26	AW02 0095	Photointerruptor	1
27	AA06 3858	Pressure Spring	2
28	AA06 3857	Pressure Spring	3
29	B351 4538	Cushion - Pickup Roller Arm	1

Index No.	Part No.	Description	Q'ty Per Assembly
101	0720 0040B	Retaining Ring - M4	
102	0452 3008B	Tapping Screw - M3x8	
103	1105 0516	Clamp	
104	0451 3010B	Tapping Screw - M3x10	

3.ARDF3 (B541)

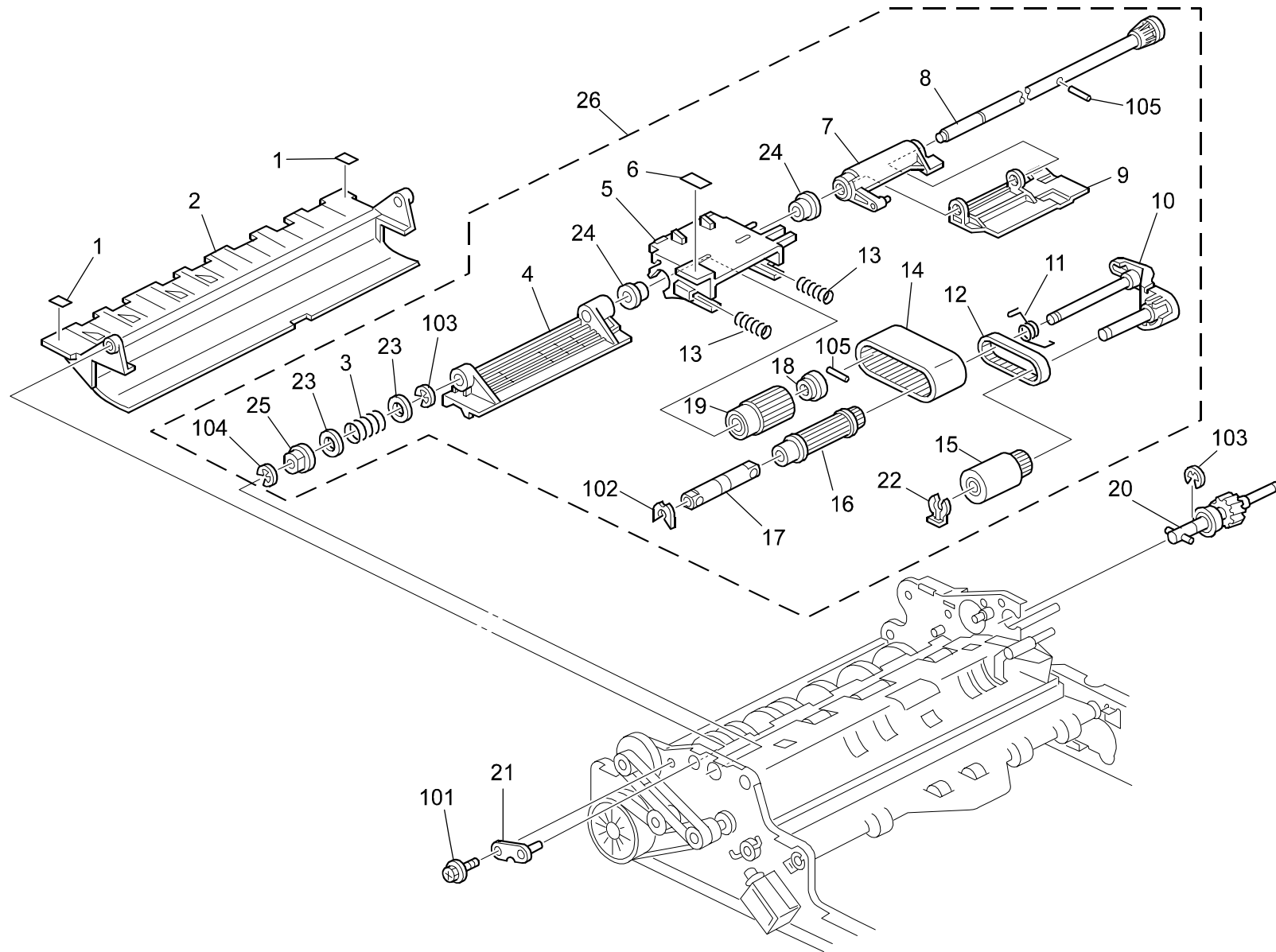


3.ARDF3 (B541)

Index No.	Part No.	Description	Q'ty Per Assembly
1	B351 2522	Cap - Separation Guide	1
2	B351 2571	Sheet - Pick-up Roller	1
3	B351 2511	Upper Guide - Paper Separation	1
4	B351 2561	Entrance Sheet - Separation	1
5	B351 2541	Feeler - Original Sensor	1
6	B351 2531	Stud - Original Sensor Feeler	1
7	B351 3933	Shaft - Reverse Roller	1
8	A680 3161	Driven Roller	5
9	B351 3932	Arm - Reverse Roller	5
10	AA06 0849	Tension Spring	5
11	B351 2321	Pull Out Roller	1
12	B351 2311	Original Stopper	1
13	AA06 0843	Tension Spring	1
14	B541 3952	Bracket:Sensor:Reverse	1
15	B351 2410	Shaft - Reverse Roller	1
16	A247 2900	Torque Limiter - 53MNXM	1
17	A859 2241	Reverse Roller	1
18	AW01 0093	Photo Reflection Sensor - PS-17ND1	1
19	B541 5220	Harness:Sensor:Original Sensor	1
20	B541 1161	Stay:Paper Feed:Ass'y	1
21	B351 3835	Discharge Brush - Exit	2
22	B351 3822	Inverter Gate	1
23	G564 3832	Guide Plate:Reverse:Outer	1
24	B351 3882	Inverter Roller	1
25	B351 4142	Stopper - Original Table	1
26	5053 0447	Bushing - 6mm	1
27	B541 3861	DC Solenoid:Reverse:Outer:Ass'y	1
28	AA06 0848	Tension Spring	1
29	5206 2686	Snap Ring	1
30	5413 1882	Stepped Screw	1
31	5447 2681	Snap Ring	5
32	A859 2230	Ball Bearing - 6x13x5	1
33	AW02 0086	Photointerruptor	1
34	5215 2621	Snap Ring - M6	1
35	5446 2824	Screw - Duplex Guide Plate	1

Index No.	Part No.	Description	Q'ty Per Assembly
36	A376 1465	Feed Roller Bushing	1
37	B351 3825	Cushion - Inverter Gate	2
38	A458 2251	Cushion - Bin Solenoid Lever	1
39	B351 3827	Exit Guide	1
101	1105 0516	Clamp	
102	0451 3006B	Tapping Screw - M3x6	
103	0720 0030B	Retaining Ring - M3	
104	0742 3808	Ball Bearing - 8x16x5	
105	0805 0088	Retaining Ring - M6	
106	0452 3008B	Tapping Screw - M3x8	
107	0451 3012B	Tapping Screw With Washer - M3x12	
108	0802 5276	Tapping Screw With Washer - M3x6	
109	1105 0514	Edge Saddle - EDS-0607L	

4.ARDF4 (B541)

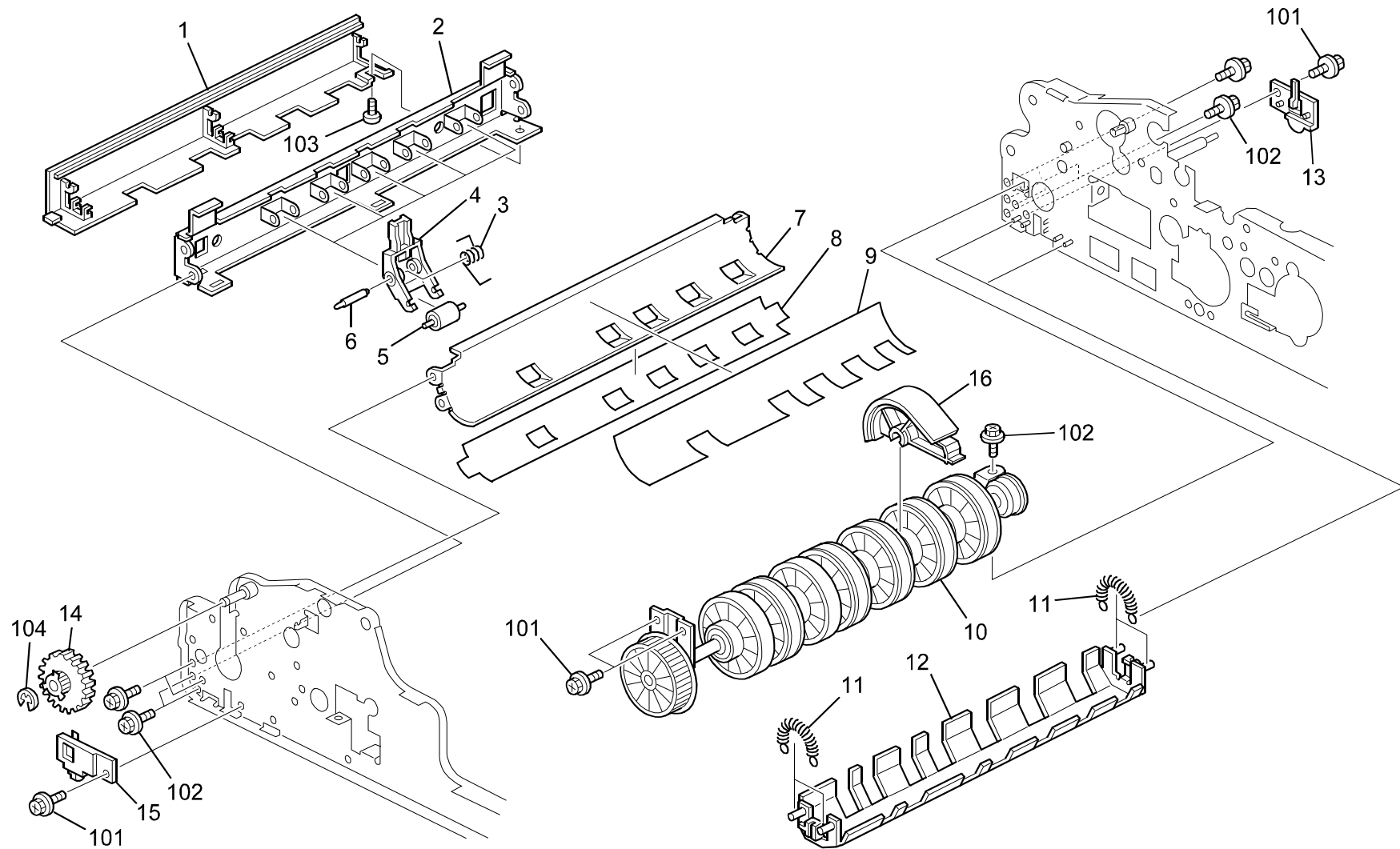


4.ARDF4 (B541)

Index No.	Part No.	Description	Q'ty Per Assembly
1	A054 2977	Decal - Vertical Transport Guide	2
2	B351 3195	Lower Guide Plate - Transport	1
3	AA06 3861	Pressure Spring	1
4	B351 2151	Front Guide - Paper Feed	1
5	B351 2251	Bracket - Paper Feed Belt	1
6	A858 6022	Decal Blue	1
7	B351 2131	Pick-up Lever	1
8	B351 2111	Shaft - Paper Feed	1
9	B351 2141	Rear Guide - Paper Feed	1
10	B351 2161	Arm - Pick-up Roller	1
11	AA06 6629	Tension Spring	1
12	AA04 3929	Timing Belt - B40S2M114	1
13	AA06 3863	Pressure Spring	2
14	B351 2222	Paper Feed Belt	1
15	B351 2126	Pickup Roller	1
16	B351 2242	Timing Pulley - 26/30Z	1
17	A680 1865	Shaft - Belt Guide Roller	1
18	B351 2181	Bushing - 8MM	1
19	B351 2231	Timing Pulley - 36Z	1
20	B351 1742	Gear - PAPER FEED DRIVE	1
21	B541 1321	Stud:Contact Point:Guide:Ass'y	1
22	5447 2681	Snap Ring	1
23	AA13 2013	Spacer	2
24	A628 1225	Bushing - 8mm	2
25	5304 1639	Bushing - 8mm	1
26	B351 2010	Paper Feed Belt:Ass'y	1

Index No.	Part No.	Description	Q'ty Per Assembly
101	0802 5276	Tapping Screw With Washer - M3x6	
102	0805 0089	Retaining Ring - M4	
103	0720 0060B	Retaining Ring - M6	
104	0720 0040B	Retaining Ring - M4	
105	0632 0120G	Parallel Pin - 2x12	

5.ARDF5 (B541)



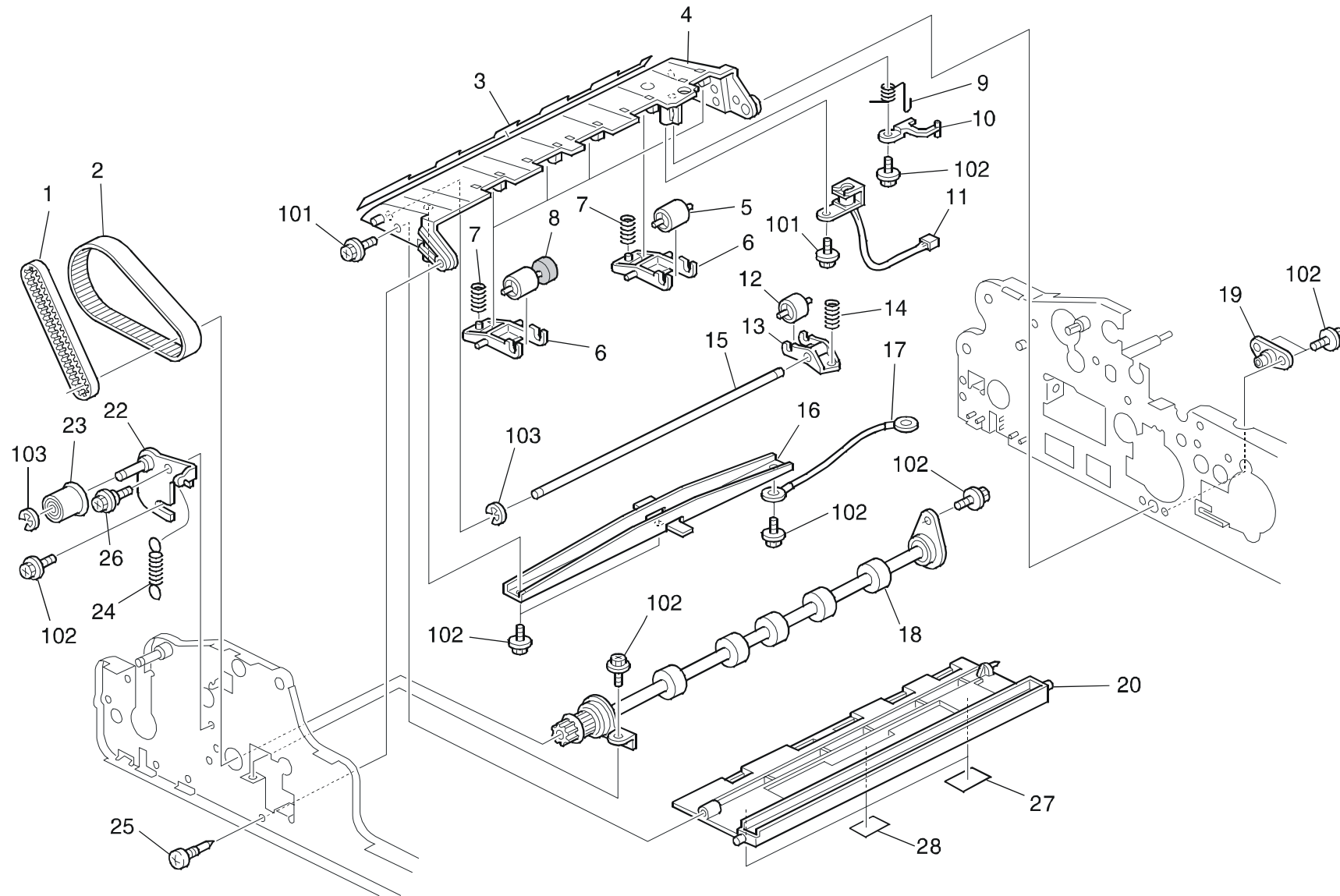
5.ARDF5 (B541)

Index No.	Part No.	Description	Q'ty Per Assembly
1	G564 4252	Lower Paper Feed Cover	1
2	B541 1131	Stay:Left:Ass'y	1
3	AA06 6630	Tension Spring	5
4	B351 1135	Arm - Driven Roller	5
5	B351 1136	Driven Roller - Scanning	5
6	B351 1137	Shaft - Driven Roller	5
7	B541 3332	Guide Plate:Scanning:Outer	1
8	B351 3338	Shield - Transport Guide	1
9	B351 3335	Mylar - Transport Guide	1
10	B541 3351	Roller:Scanning	1
11	AA06 0845	Tension Spring	4
12	B541 3311	Guide Plate:Scanning:Ass'y	1
13	B351 3323	Rear Stopper - Scanning	1
14	B351 1965	Lever - Transport Roller	1
15	B351 3322	Front Stopper - Scanning	1
16	B351 3775	Roller Guide	1

Index No.	Part No.	Description	Q'ty Per Assembly
101	0802 5276	Tapping Screw With Washer - M3x6	
102	0451 3006B	Tapping Screw - M3x6	
103	0451 3008H	Tapping Screw - M3x8	
104	0805 0089	Retaining Ring - M4	

6.ARDF6 (B541)

Rev. 10/26/2004



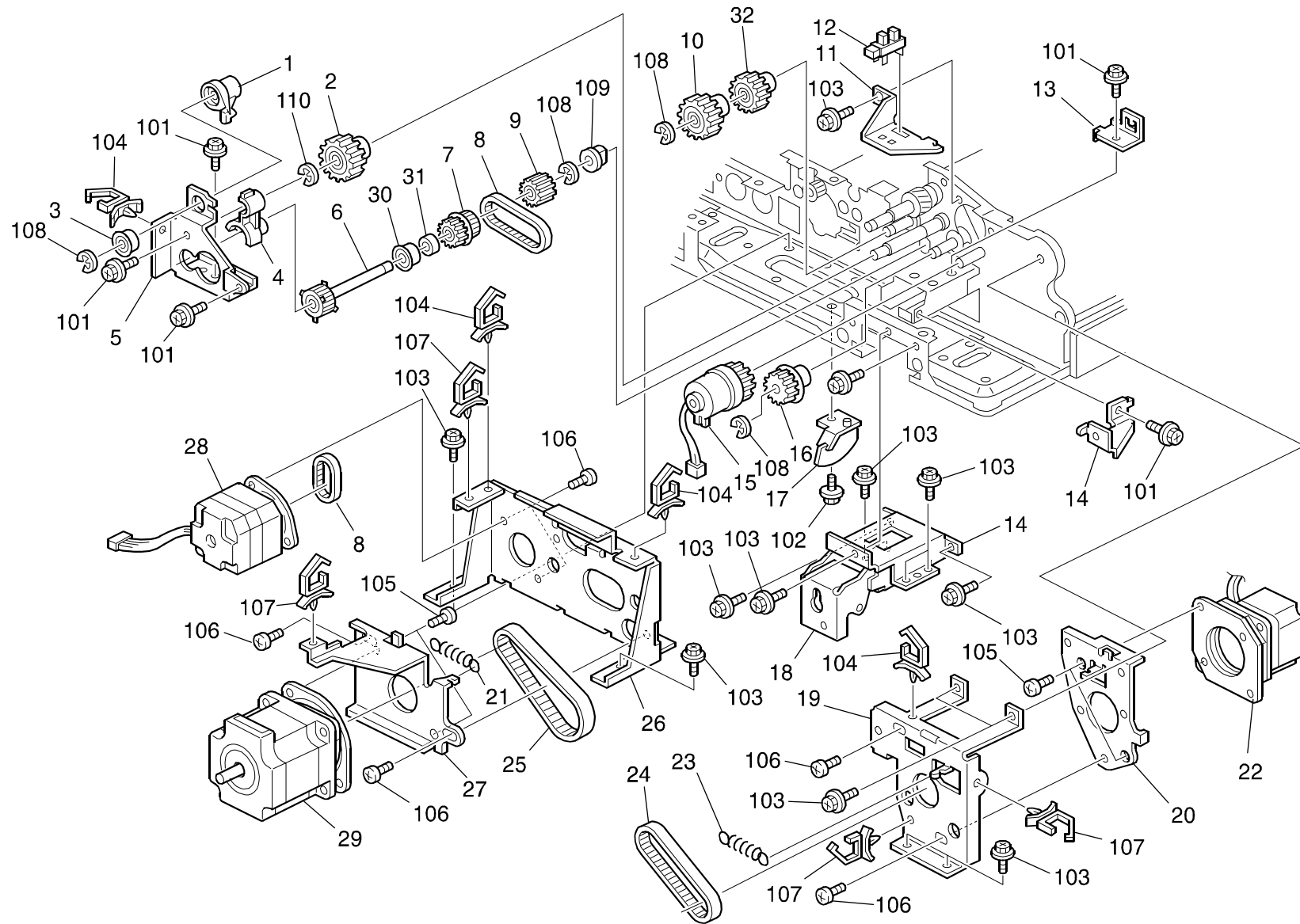
6.ARDF6 (B541)

Rev. 02/18/2010

Index No.	Part No.	Description	Q'ty Per Assembly
1	AA04 3920	Timing Belt - S3M264	1
2	AA04 3919	Timing Belt - B245ST1.5-10	1
3	B351 3639	Guide Plate - Pressure Roller	1
4	B351 3612	Lower Exit Guide	1
5	B351 3743	Driven Roller	1
6	B351 3632	Arm - Driven Roller - Exit	5
7	AA08 3860	Pressure Spring	5
8	B351 3640	Driven Roller - Sponge	4
9	AA06 6631	Tension Spring	1
10	B351 3791	Stopper - Stamp	1
11	H511 5006	Stamper	1
12	B351 3752	Pressure Roller - Reverse	5
13	B351 3642	Arm - Pressure Roller	5
14	AA08 3861	Pressure Spring	5
15	B351 3634	Shaft - Pressure Arm	1
16	B541 3635	Supporting Plate:Paper Exit Unit:Lower:Ass'y	1
17	B541 5270	Harness:Earth:Paper Exit Unit	1
18	B541 3701	Roller:Exit:Drive	1
19	B351 3613	Holder - Guide Plate	1
20	B351 3617	Lower Guide - Exit Roller	1
21	B351 4322	Tape - Platen Sheet	2
22	B541 1951	Bracket:Tightener:Scanning:Ass'y	1
23	B351 1942	Pulley - 20T	1
24	AA06 0846	Tension Spring	1
25	5446 2824	Screw - Duplex Guide Plate	1
26	A697 1125	Stepped Screw - Lever	1
27	G564 3622	Cushion - Guide Plate [TSB#002]	2
28	G564 3621	Cushion - Guide Plate - Middle [TSB#002]	1

Index No.	Part No.	Description	Q'ty Per Assembly
101	0450 3008B	Tapping Screw - M3x8	
102	0451 3006B	Tapping Screw - M3x6	
103	0720 0030B	Retaining Ring - M3	

7.ARDF7 (B541)

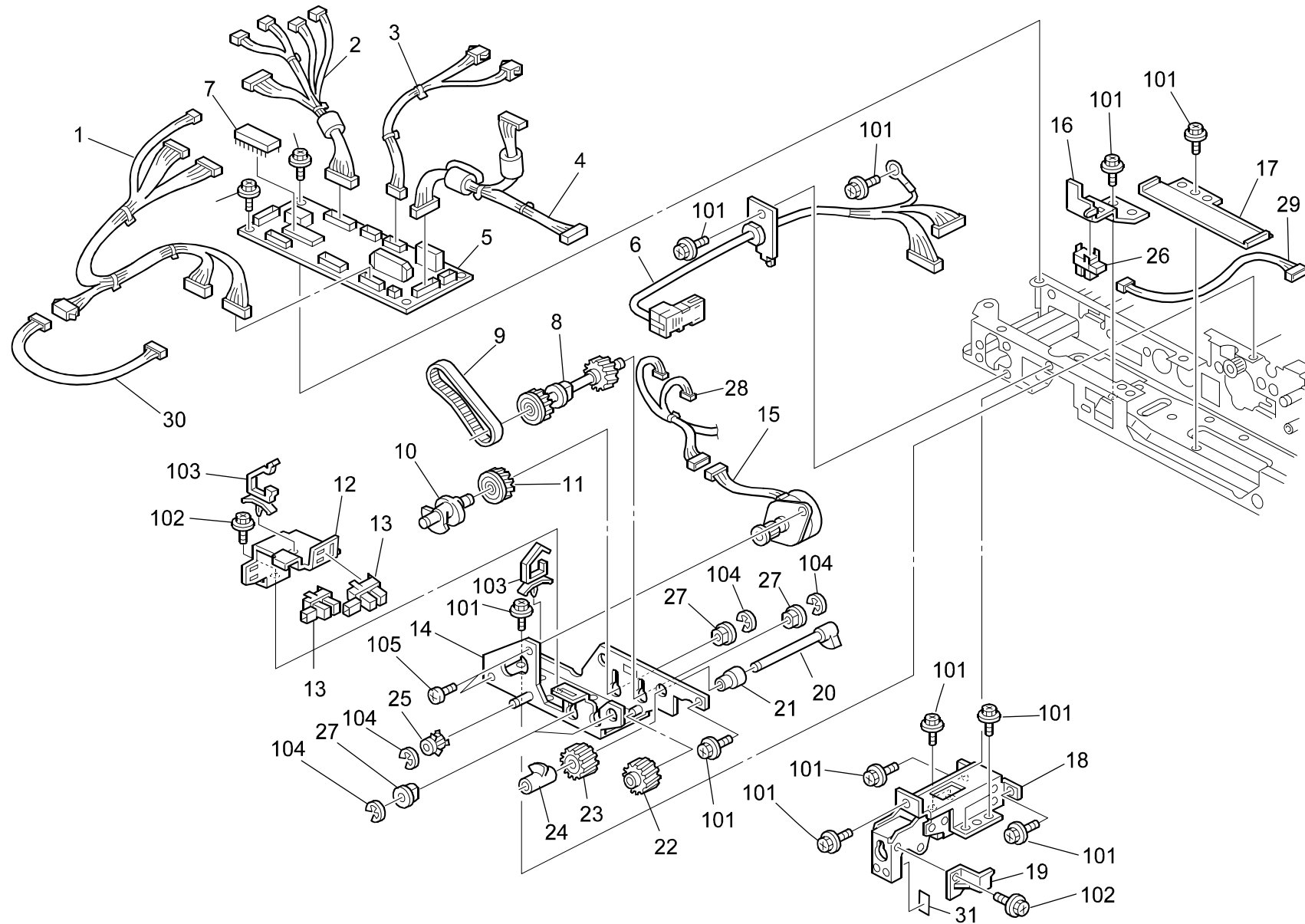


7.ARDF7 (B541)

Index No.	Part No.	Description	Q'ty Per Assembly
1	B351 1651	Stopper - Separation Shaft	1
2	B351 1731	Gear - 28Z	1
3	A859 2230	Ball Bearing - 6x13x5	1
4	B351 1626	Stopper - Gear	1
5	B541 1611	Side Plate:Drive:Auxiliary	1
6	B351 1711	Timing Pulley - 30Z	1
7	B351 1721	Gear Pulley - 19T/31Z	1
8	AA04 3915	Timing Belt - B40S2M116	2
9	B351 1722	Gear - 18Z	1
10	B351 2431	Gear - 35Z	1
11	B541 1335	Bracket:Sensor:Paper Feed	1
12	AW02 0086	Photointerruptor	1
13	B541 1691	Stopper:Spring Clutch:Pull Out	1
14	B541 1146	Supporting Plate:Side Plate:Rear	1
15	AX20 0213	Magnetic Clutch - Z30	1
16	B351 2331	Timing Pulley - 32Z	1
17	B351 1196	Sensor Feeler	1
18	B541 1211	Hinge:Left:Ass'y	1
19	B541 1621	Bracket:Motor:Paper Feed	1
20	B541 1641	Stay:Motor:Paper Feed	1
21	AA06 0846	Tension Spring	1
22	B351 1811	Feed Motor - DC10W	1
23	AA06 0842	Tension Spring	1
24	AA04 3914	Timing Belt - B60S2M252	1
25	AA04 3917	Timing Belt - B138ST1.5-10	1
26	B541 1912	Bracket:Motor:Scanning:Reverse	1
27	B541 1932	Bracket:Scanning:Link	1
28	B351 1971	Stepper Motor - Reverse	1
29	B351 1921	Scanner Motor - DC 7W	1
30	A859 2230	Ball Bearing - 6x13x5	1
31	B351 1717	Spacer - Paper Feed	1
32	B351 2421	Gear - 28Z	1

Index No.	Part No.	Description	Q'ty Per Assembly
101	0451 3006B	Tapping Screw - M3x6	
102	0451 3008H	Tapping Screw - M3x8	
103	0802 5276	Tapping Screw With Washer - M3x6	
104	1105 0516	Clamp	
105	0354 0050B	Bind Screw - M4x5	
106	0353 0050B	Philips Truss Head Screw - M3x5	
107	1105 0487	Harness Clamp	
108	0720 0040E	Retaining Ring - M4	
109	5053 0447	Bushing - 6mm	
110	0720 0060B	Retaining Ring - M6	

8.ARDF8 (B541)



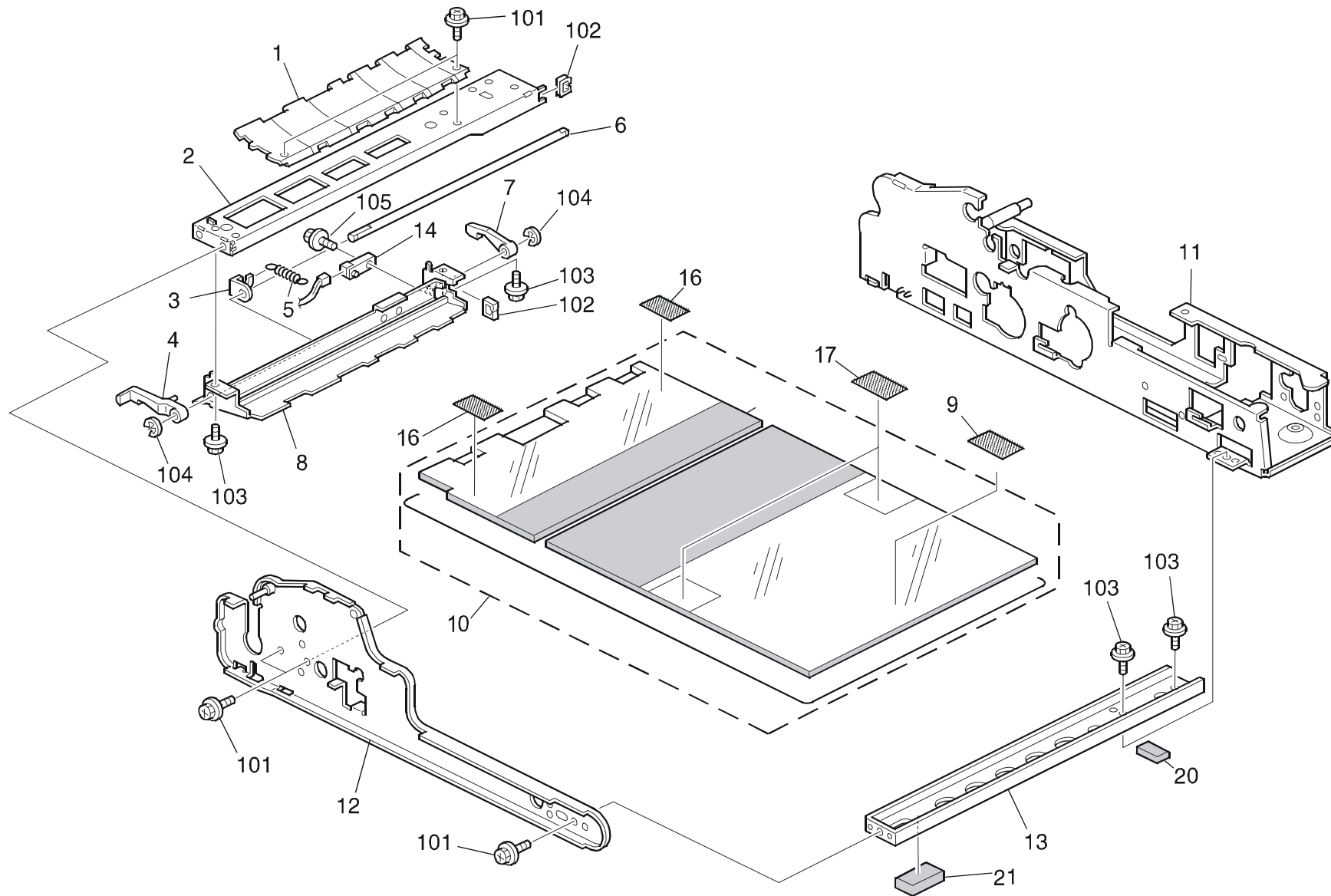
8.ARDF8 (B541)

Index No.	Part No.	Description	Q'ty Per Assembly
1	B541 5210	Harness:Sensor:Registration	1
2	B541 5220	Harness:Sensor:Original Sensor	1
3	B541 5260	Harness:Solenoid:Stamp	1
4	B541 5280	Harness:Motor:Paper Feed	1
5	B541 5100	Pcb:Main Control	1
6	B541 5201	Harness:Interface:Ass'y	1
7	B541 5103	Eprom:Main Control	1
8	A680 2251	Gear - 17Z	1
9	AA04 3916	Timing Belt - B40S2M212	1
10	B351 1761	Cam - Paper Feed	1
11	B351 1791	Gear - 25Z	1
12	B541 1671	Bracket:Photointerruptor:Stopper:Paper Feed	1
13	AW02 0086	Photointerruptor	2
14	B541 1661	Bracket:Pickup:Drive:Ass'y	1
15	AX04 0096	Stepping Motor - DC 18W	1
16	B541 1192	Bracket:Sensor:Open And Close	1
17	B541 1181	Bracket:Guide:Harness	1
18	B541 1221	Hinge:Right:Ass'y	1
19	A859 1841	Filler DF Open Sensor	1
20	B351 1751	Cam - Pick-up Roller	1
21	A548 2343	Clutch Stopper	1
22	B351 1781	Gear - 18Z	1
23	A680 2261	Gear - 24Z	1
24	B351 1756	Actuator - Pick-up Roller	1
25	A680 2241	Pulley - 18T	1
26	AW02 0086	Photointerruptor	1
27	5053 0447	Bushing - 6mm	1
28	B541 5290	Harness:Motor:Pick Up	1
29	B541 5230	Harness:Sensor:Lift-up	1
30	B541 5320	Harness:Connecting:Exit	1
31	A334 4678	Rack Shield Mylar	1

Index No.	Part No.	Description	Q'ty Per Assembly
101	0802 5276	Tapping Screw With Washer - M3x6	
102	0451 3006B	Tapping Screw - M3x6	
103	1105 0516	Clamp	
104	0720 0040B	Retaining Ring - M4	
105	0353 0050B	Philips Truss Head Screw - M3x5	

9.ARDF9 (B541)

Rev. 10/26/2004



9.ARDF9 (B541)

Rev. 10/26/2004

Index No.	Part No.	Description	Q'ty Per Assembly
1	B541 3912	Guide Plate:Reverse:Lower	1
2	B541 1142	Stay:Middle	1
3	B541 3649	Anchor:Spring:Hook	1
4	B351 3666	Front Hook - Paper Exit	1
5	AA06 0850	Tension Spring	1
6	B351 3663	Shaft - Lock Lever	1
7	B351 3669	Rear Hook - Paper Exit	1
8	B541 3721	Guide Plate:Exit:Upper:Welding	1
9	B351 4322	Tape - Platen Sheet [TSB#002]	1
10	B597 4311	Pressure Plate:Ass'y [TSB#002]	1
11	B541 1121	Side Plate:Rear:Ass'y	1
12	B541 1111	Side Plate:Front:Ass'y	1
13	B541 1153	Right Stay	1
14	AW01 0093	Photo Reflection Sensor - PS-17ND1	1
16	B597 4326	Cushion Tape – Left [TSB#002]	2
19	G564 3621	Cushion – Guide Plate – Middle [TSB#002]	1
20	G564 3631	Cushion – Pressure Plate – Rear Right [TSB#002]	1
21	B597 3632	Cushion – Pressure Plate – Right: T8 [TSB#002]	1

Index No.	Part No.	Description	Q'ty Per Assembly
101	0451 3006B	Tapping Screw - M3x6	
102	1105 0514	Edge Saddle - Eds-0607I	
103	0802 5276	Tapping Screw With Washer - M3x6	
104	0720 0030B	Retaining Ring - M3	
105	0451 3012B	Tapping Screw With Washer - M3x12	

10.Main Control Board (B541)

CAPACITOR

SYMBOL NO.	INDEX NO.
C100	155
C101	153
C102	157
C103	161
C104	161
C105	154
C106	154
C107	156
C108	156
C109	162

SYMBOL NO.	INDEX NO.
C110	162
C111	163
C112	163
---	---
C114	158
C115	162
C116	163
C117	163
C118	161
C119	158

SYMBOL NO.	INDEX NO.
C120	163
C121	163
C122	163
C123	163
C124	163
C125	162
---	---
C127	161
C128	161
C129	161

SYMBOL NO.	INDEX NO.
C130	161
C131	161
C132	161
C133	161
C134	158
C135	158
C136	134
C137	134
C138	161
C139	161

SYMBOL NO.	INDEX NO.
C140	161
C141	163
C142	163
C143	161
C144	161
C145	161
C146	161
C147	161
C148	161
C149	161

SYMBOL NO.	INDEX NO.
C150	163
C151	161
C152	163
C153	161
C154	161
C155	161
C156	159
C157	163
C158	161
C159	161

SYMBOL NO.	INDEX NO.
C160	163
C161	160
C162	161
C163	161
C164	161

COIL

SYMBOL NO.	INDEX NO.
L100	135

CONNECTOR

SYMBOL NO.	INDEX NO.
CN100	112
CN110	113
CN200	114
CN210	109
CN220	108
CN230	106
CN240	104
CN300	110
CN310	107
CN320	111

SYMBOL NO.	INDEX NO.
CN330	105
CN340	103

Q

SYMBOL NO.	INDEX NO.
Q100	119
Q101	119
Q102	120

DIODE

SYMBOL NO.	INDEX NO.
D100	122
D101	121

FUSE

SYMBOL NO.	INDEX NO.
FU100	117
(clip)	115

IC

SYMBOL NO.	INDEX NO.
IC100	130
IC101	164
(Socket)	116
IC102	125
IC103	127
IC104	128
IC105	129
IC106	123
IC107	126
IC108	124

SYMBOL NO.	INDEX NO.
IC109	131
IC110	131
IC111	132
IC112	132

OSC

SYMBOL NO.	INDEX NO.
OSC100	133

RESISTOR

SYMBOL NO.	INDEX NO.
R100	138
R101	138
R102	138
R103	138
R104	138
R105	138
R106	138
R107	137
R108	137
R109	137

SYMBOL NO.	INDEX NO.
R110	137
R111	137
R112	137
R113	137
R114	137
R115	144
R116	149
R117	138
R118	138
R119	138

10.Main Control Board (B541)

RESISTOR

SYMBOL NO.	INDEX NO.	SYMBOL NO.	INDEX NO.	SYMBOL NO.	INDEX NO.	SYMBOL NO.	INDEX NO.	SYMBOL NO.	INDEX NO.	SYMBOL NO.	INDEX NO.	SYMBOL NO.	INDEX NO.
R122	145	R132	149	R142	152	R153	138	R163	142	R173	142	R183	138
R123	137	R133	143	R143	152	R154	138	R164	145	R174	145	R184	138
R124	145	R134	138	R144	150	R155	138	R165	142	R175	138	R185	138
R125	142	R135	138	R145	152	R156	138	R166	138	R176	138	R186	138
R126	138	R136	138	R146	151	R157	138	R167	138	R177	138	R187	14
R127	138	R137	138	R147	150	R158	138	R168	138	R178	138	R188	142
R128	138	R138	138	R149	140	R159	138	R169	145	R179	145	R189	145
R129	138	R139	138	R150	140	R160	138	R170	142	R180	142	R190	142
R130	145	R140	138	R151	138	R161	148	R171	142	R181	145	R191	138
R131	137	R141	138	R152	138	R162	145	R172	145	R182	142	R192	145

RESISTOR

SYMBOL NO.	INDEX NO.	SYMBOL NO.	INDEX NO.	SYMBOL NO.	INDEX NO.	SYMBOL NO.	INDEX NO.	SYMBOL NO.	INDEX NO.	SYMBOL NO.	INDEX NO.	SYMBOL NO.	INDEX NO.
R193	142	R203	148	R213	148	R223	148	R233	139	SW101	118	TP101	102
R194	145	R204	148	R214	138	R224	148	R234	146			TP102	102
R195	142	R205	148	R215	138	R225	148	R235	141			TP104	101
R196	140	R206	148	R216	138	R226	148	R236	136			TP105	102
R197	142	R207	148	R217	148	R227	148	R237	138			TP106	102
R198	145	R208	148	R218	148	R228	137	R238	146			TP108	101
R199	148	R209	148	R219	148	R229	142	R239	138			TP109	101
R200	148	R210	148	R220	148	R230	138					TP110	101
R201	148	R211	148	R221	148	R231	143						
R202	148	R212	148	R222	148	R232	147						

SWITCH

SYMBOL NO.	INDEX NO.
SW101	118

TEST PIN

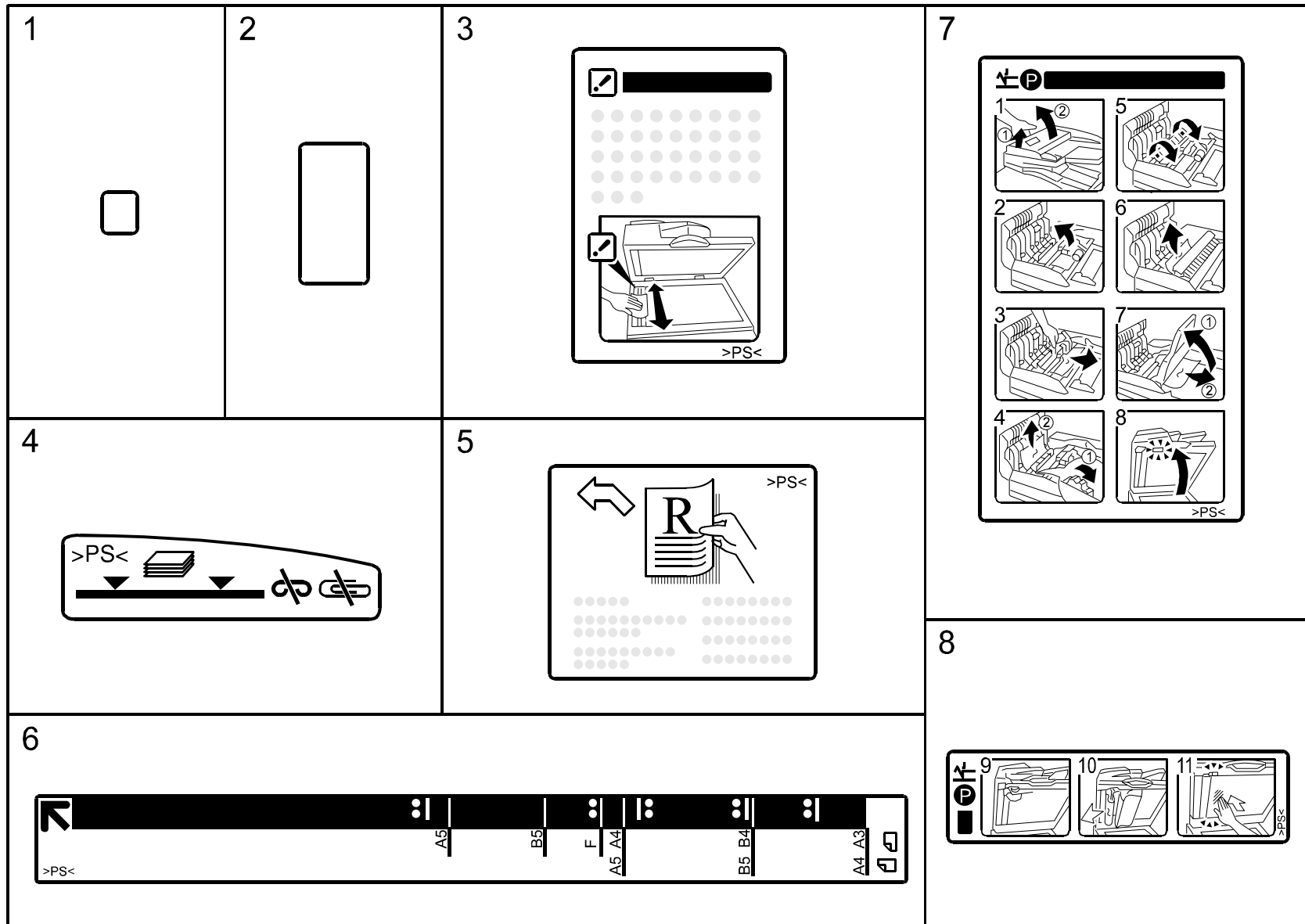
SYMBOL NO.	INDEX NO.
TP101	102
TP102	102
TP104	101
TP105	102
TP106	102
TP108	101
TP109	101
TP110	101

10.Main Control Board (B541)

Index No.	Part No.	Description	Q'ty Per Assembly
*	B541 5100	PCB:Main Control	1
1	B541 5103	EPROM:Main Control	1

Index No.	Part No.	Description	Q'ty Per Assembly
101	1100 1474	Test Pin	
102	1101 0328	Connector Pin Contact	
103	1102 4201	Connector - 2P	
104	1102 4202	Connector - 3P	
105	1102 4203	CT Header - 4P	
106	1102 4205	CT Header - 6P	
107	1102 4206	Connector - 7P	
108	1102 4211	CT Header - 12P	
109	1102 4212	CT Header - 15P	
110	1102 4624	CT Connector - 7P	
111	1102 5007	CT Header - 14P	
112	1102 6301	Connector - 8P	
113	1102 6302	Connector - 9P	
114	1102 6957	Connector - 14P BLUE	
115	1104 0351	Fuse Holder	
116	1104 0588	Dip Socket - 28P	
117	1107 0884	Fuse - 5A 250V	
118	1204 2368	Dip Switch - DSS804	
119	1400 0856	Transistor - 2SC3928A	
120	1401 0944	IC - MOSFET-2SK1062	
121	1402 0596	Diode-array - DAP202K	
122	1403 0308	LED - Red - TLR102A	
123	1407 1596	TTLIC - SN74LS14NS	
124	1407 1772	IC - SN74HC04NS	
125	1407 2187	TTLIC - SN74LS07NS	
126	1407 2231	IC - TD62308AF	
127	1407 3394	IC - SN74HC541NS	
128	1407 4754	IC - HD6413002F16	
129	1408 0611	IC - 3771	
130	1408 1287	IC - SI-8501L	
131	1408 1394	IC - STK672-110	
132	1408 1503	IC - STK672-080	
133	1503 0214	Oscillator - 11.0592MHz	
134	1605 1153	Capacitor - 16pF ±5% 50V	
135	1607 0093	Coil	

11. Decal and Documents



Index No.	Part No.	Description	Q'ty Per Assembly
1	A054 2977	Decal - Vertical Transport Guide	1
2	A858 6022	Decal Blue	1
3	G564 6086	Decal - Exposure Glass	1
4	G564 6021	Decal - Original Size	1
5	B351 6011	Decal - Original Table	1
6	G564 6021	Decal - Original Size	1
7	G564 6032	Decal - Exit Misfeed Removal	1
8	G564 6041	Decal - Misfeed Removal - Exit	1

Index No.	Part No.	Description	Q'ty Per Assembly

CÓPIA NÃO CONTROLADA

CÓPIA NÃO CONTROLADA

DF76 B541 PARTS INDEX

CÓPIA NÃO CONTROLADA

CÓPIA NÃO CONTROLADA

This section instructs you as to the numbers and names of parts on this machine.

PM Parts Index

Section Name	Part No.	Description in Service Manual	Description in Parts Catalog	Q'ty Per Assembly	Page and Index No.
ARDF3 (B541)	A859 2241	Reverse Roller	Reverse Roller	1	9- 17
ARDF4 (B541)	B351 2222	Paper Feed Belt	Paper Feed Belt	1	11- 14
	B351 2126	Pickup Roller	Pickup Roller	1	11- 15

Parts Index

Part No.	Description	Page and Index No.
B541 1111	Side Plate:Front:Ass'y	21 - 12
B541 1121	Side Plate:Rear:Ass'y	21 - 11
B541 1131	Stay:Left:Ass'y	13 - 2
B541 1142	Stay:Middle	21 - 2
B541 1146	Supporting Plate:Side Plate:Rear	17 - 14
B541 1153	Right Stay	21 - 13
B541 1161	Stay:Paper Feed:Ass'y	9 - 20
B541 1181	Bracket:Guide:Harness	19 - 17
B541 1192	Bracket:Sensor:Open And Close	19 - 16
B541 1211	Hinge:Left:Ass'y	17 - 18
B541 1221	Hinge:Right:Ass'y	19 - 18
B541 1321	Stud:Contact Point:Guide:Ass'y	11 - 21
B541 1335	Bracket:Sensor:Paper Feed	17 - 11
B541 1611	Side Plate:Drive:Auxiliary	17 - 5
B541 1621	Bracket:Motor:Paper Feed	17 - 19
B541 1641	Stay:Motor:Paper Feed	17 - 20
B541 1661	Bracket:Pickup:Drive:Ass'y	19 - 14
B541 1671	Bracket:Photointerruptor:Stopper:Paper Feed	19 - 12
B541 1691	Stopper:Spring Clutch:Pull Out	17 - 13
B541 1912	Bracket:Motor:Scanning:Reverse	17 - 26
B541 1932	Bracket:Scanning:Link	17 - 27
B541 1951	Bracket:Tightener:Scanning:Ass'y	15 - 22
B541 3115	Guide:Cover:Paper Feed	7 - 25
B541 3165	Bracket:Paper Size Sensor	7 - 10
B541 3171	Bracket:Pressure Plate:Pull Out	7 - 15
B541 3311	Guide Plate:Scanning:Ass'y	13 - 12
B541 3332	Guide Plate:Scanning:Outer	13 - 7
B541 3351	Roller:Scanning	13 - 10
B541 3635	Supporting Plate:Paper Exit Unit:Lower:Ass'y	15 - 16
B541 3649	Anchor:Spring:Hook	21 - 3
B541 3701	Roller:Exit:Drive	15 - 18
B541 3721	Guide Plate:Exit:Upper:Welding	21 - 8
B541 3861	DC Solenoid:Reverse:Outer:Ass'y	9 - 27
B541 3912	Guide Plate:Reverse:Lower	21 - 1
B541 3952	Bracket:Sensor:Reverse	9 - 14

Part No.	Description	Page and Index No.
B541 4123	Original Table	5 - 4
B541 4133	Original Table:Behind	5 - 10
B541 5100	PCB:Main Control	23 - *
B541 5100	Pcb:Main Control	19 - 5
B541 5103	Eprom:Main Control	19 - 7
B541 5103	EPROM:Main Control	23 - 1
B541 5201	Harness:Interface:Ass'y	19 - 6
B541 5210	Harness:Sensor:Registration	19 - 1
B541 5220	Harness:Sensor:Original Sensor	19 - 2
B541 5220	Harness:Sensor:Original Sensor	9 - 19
B541 5230	Harness:Sensor:Lift-up	19 - 29
B541 5260	Harness:Solenoid:Stamp	19 - 3
B541 5270	Harness:Earth:Paper Exit Unit	15 - 17
B541 5280	Harness:Motor:Paper Feed	19 - 4
B541 5290	Harness:Motor:Pick Up	19 - 28
B541 5310	Harness:Connecting:Registration	7 - 12
B541 5320	Harness:Connecting:Exit	19 - 30
B541 5330	Harness:Connecting:Original Sensor	5 - 6
B541 6011	Decal:Display:Original Table	5 - 5

Part No.	Description	Page and Index No.
A054 2977	Decal - Vertical Transport Guide	11 - 1
A054 2977	Decal - Vertical Transport Guide	25 - 1
A247 2900	Torque Limiter - 53MNXM	9 - 16
A334 4678	Rack Shield Mylar	19 - 31
A376 1465	Feed Roller Bushing	9 - 36
A376 4599	Side Fence Pad	5 - 3
A376 4911	Stepped Screw - Left Hinge	5 - 16
A458 2251	Cushion - Bin Solenoid Lever	9 - 38
A548 2343	Clutch Stopper	19 - 21
A628 1225	Bushing - 8mm	11 - 24
A680 1371	Rear Fixing Bracket - Left Cover	7 - 2
A680 1375	Front Fixing Bracket - Left Cover	7 - 22
A680 1865	Shaft - Belt Guide Roller	11 - 17
A680 2241	Pulley - 18T	19 - 25
A680 2251	Gear - 17Z	19 - 8
A680 2261	Gear - 24Z	19 - 23
A680 3161	Driven Roller	9 - 8
A697 1125	Stepped Screw - Lever	15 - 26
A858 4671	Roller Driven	5 - 9
A858 4676	Spring Plate Pressure Roller	5 - 8
A858 6022	Decal Blue	11 - 6
A858 6022	Decal Blue	25 - 2
A859 1841	Filler DF Open Sensor	19 - 19
A859 2230	Ball Bearing - 6x13x5	9 - 32
A859 2230	Ball Bearing - 6x13x5	17 - 3
A859 2230	Ball Bearing - 6x13x5	17 - 30
A859 2241	Reverse Roller	9 - 17
B351 1135	Arm - Driven Roller	13 - 4
B351 1136	Driven Roller - Scanning	13 - 5
B351 1137	Shaft - Driven Roller	13 - 6
B351 1196	Sensor Feeler	17 - 17
B351 1626	Stopper - Gear	17 - 4
B351 1651	Stopper - Separation Shaft	17 - 1
B351 1711	Timing Pulley - 30Z	17 - 6
B351 1717	Spacer - Paper Feed	17 - 31

Part No.	Description	Page and Index No.
B351 1721	Gear Pulley - 19T/31Z	17 - 7
B351 1722	Gear - 18Z	17 - 9
B351 1731	Gear - 28Z	17 - 2
B351 1742	Gear - PAPER FEED DRIVE	11 - 20
B351 1751	Cam - Pick-up Roller	19 - 20
B351 1756	Actuator - Pick-up Roller	19 - 24
B351 1761	Cam - Paper Feed	19 - 10
B351 1781	Gear - 18Z	19 - 22
B351 1791	Gear - 25Z	19 - 11
B351 1811	Feed Motor - DC10W	17 - 22
B351 1921	Scanner Motor - DC 7W	17 - 29
B351 1942	Pulley - 20T	15 - 23
B351 1965	Lever - Transport Roller	13 - 14
B351 1971	Stepper Motor - Reverse	17 - 28
B351 2010	Paper Feed Belt:Ass'y	11 - 26
B351 2111	Shaft - Paper Feed	11 - 8
B351 2126	Pickup Roller	11 - 15
B351 2131	Pick-up Lever	11 - 7
B351 2141	RearGuide - Paper Feed	11 - 9
B351 2151	Front Guide - Paper Feed	11 - 4
B351 2161	Arm - Pick-up Roller	11 - 10
B351 2181	Bushing - 8MM	11 - 18
B351 2222	Paper Feed Belt	11 - 14
B351 2231	Timming Pulley - 36Z	11 - 19
B351 2242	Timming Pulley - 26/30Z	11 - 16
B351 2251	Bracket - Paper Feed Belt	11 - 5
B351 2311	Original Stopper	9 - 12
B351 2321	Pull Out Roller	9 - 11
B351 2331	Timing Pulley - 32Z	17 - 16
B351 2410	Shaft - Reverse Roller	9 - 15
B351 2421	Gear - 28Z	17 - 32
B351 2431	Gear - 35Z	17 - 10
B351 2511	Upper Guide - Paper Separation	9 - 3
B351 2522	Cap - Separation Guide	9 - 1
B351 2531	Stud - Original Sensor Feeler	9 - 6

Part No.	Description	Page and Index No.
B351 2541	Feeler - Original Sensor	9 - 5
B351 2561	Entrance Sheet - Separation	9 - 4
B351 2571	Sheet - Pick-up Roller	9 - 2
B351 3141	Pull-out Roller	7 - 16
B351 3182	Driven Roller	7 - 21
B351 3183	Holder - Driven Roller	7 - 20
B351 3195	Lower Guide Plate - Transport	11 - 2
B351 3322	Front Stopper - Scanning	13 - 15
B351 3323	Rear Stopper - Scanning	13 - 13
B351 3335	Mylar - Transport Guide	13 - 9
B351 3338	Shield - Transport Guide	13 - 8
B351 3612	Lower Exit Guide	15 - 4
B351 3613	Holder - Guide Plate	15 - 19
B351 3617	Lower Guide - Exit Roller	15 - 20
B351 3632	Arm - Driven Roller - Exit	15 - 6
B351 3634	Shaft - Pressure Arm	15 - 15
B351 3639	Guide Plate - Pressure Roller	15 - 3
B351 3640	Driven Roller - Sponge	15 - 8
B351 3642	Arm - Pressure Roller	15 - 13
B351 3663	Shaft - Lock Lever	21 - 6
B351 3666	Front Hook - Paper Exit	21 - 4
B351 3669	Rear Hook - Paper Exit	21 - 7
B351 3743	Driven Roller	15 - 5
B351 3752	Pressure Roller - Reverse	15 - 12
B351 3775	Roller Guide	13 - 16
B351 3791	Stopper - Stamp	15 - 10
B351 3822	Inverter Gate	9 - 22
B351 3825	Cushion - Inverter Gate	9 - 37
B351 3827	Exit Guide	9 - 39
B351 3835	Discharge Brush - Exit	9 - 21
B351 3882	Inverter Roller	9 - 24
B351 3932	Arm - Reverse Roller	9 - 9
B351 3933	Shaft - Reverse Roller	9 - 7
B351 4135	Magnet Catch - Original Table	5 - 11
B351 4142	Stopper - Original Table	9 - 25

Part No.	Description	Page and Index No.
B351 4322	Tape - Platen Sheet	15 - 21
B351 4322	Tape - Platen Sheet	21 - 9
B351 4333	Cushion - Pressure Plate	21 - 15
B351 4351	Pressure Plate:Ass'y	21 - 10
B351 4512	Shaft - Lever	7 - 13
B351 4522	Front Lever - Top Cover	7 - 6
B351 4526	Rear Lever - Top Cover	7 - 14
B351 4536	Cushion - Paper Feed	7 - 8
B351 4538	Cushion - Pickup Roller Arm	7 - 29
B351 6011	Decal - Original Table	25 - 5
B351 6041	Decal - Misfeed Removal - Exit	25 - 8
B386 6042	Side Fence Decal	5 - 17
G564 3832	Guide Plate:Reverse:Outer	9 - 23
G564 4125	Side Fence	5 - 2
G564 4151	Rail - Side Fence	5 - 1
G564 4212	Front Cover	5 - 12
G564 4222	Rear Cover	5 - 15
G564 4232	Exit Tray	5 - 14
G564 4252	Lower Paper Feed Cover	13 - 1
G564 4511	Paper Feed Cover	7 - 5
G564 4515	Grip - Cover	7 - 1
G564 6021	Decal - Original Size	7 - 9
G564 6021	Decal - Original Size	25 - 4
G564 6021	Decal - Original Size	25 - 6
G564 6032	Decal - Misfeed Removal	7 - 3
G564 6041	Decal - Exit Misfeed Removal	5 - 13
G564 6041	Decal - Exit Misfeed Removal	25 - 7
G564 6076	Decal - Exposure Glass	7 - 4
G564 6086	Decal - Exposure Glass	25 - 3
H511 5006	Stamper	15 - 11

Part No.	Description	Page and Index No.
AA04 3914	Timing Belt - B60S2M252	17 - 24
AA04 3915	Timing Belt - B40S2M116	17 - 8
AA04 3916	Timing Belt - B40S2M212	19 - 9
AA04 3917	Timing Belt - B138ST1.5-10	17 - 25
AA04 3919	Timing Belt - B245ST1.5-10	15 - 2
AA04 3920	Timing Belt - S3M264	15 - 1
AA04 3929	Timing Belt - B40S2M114	11 - 12
AA06 0842	Tension Spring	17 - 23
AA06 0843	Tension Spring	9 - 13
AA06 0844	Tension Spring	7 - 7
AA06 0845	Tension Spring	13 - 11
AA06 0846	Tension Spring	15 - 24
AA06 0846	Tension Spring	17 - 21
AA06 0848	Tension Spring	9 - 28
AA06 0849	Tension Spring	9 - 10
AA06 0850	Tension Spring	21 - 5
AA06 3856	Pressure Spring	7 - 23
AA06 3857	Pressure Spring	7 - 28
AA06 3858	Pressure Spring	7 - 27
AA06 3861	Pressure Spring	11 - 3
AA06 3863	Pressure Spring	11 - 13
AA06 6629	Tension Spring	11 - 11
AA06 6630	Tension Spring	13 - 3
AA06 6631	Tension Spring	15 - 9
AA08 3859	Pressure Spring	15 - 14
AA08 3860	Pressure Spring	15 - 7
AA13 2013	Spacer	11 - 23
AW01 0087	Photo Sensor - Ass'y	5 - 7
AW01 0091	Photo Reflection Sensor	7 - 17
AW01 0093	Photo Reflection Sensor - PS-17ND1	9 - 18
AW01 0093	Photo Reflection Sensor - PS-17ND1	7 - 19
AW01 0093	Photo Reflection Sensor - PS-17ND1	21 - 14
AW02 0086	Photointerruptor	17 - 12
AW02 0086	Photointerruptor	9 - 33
AW02 0086	Photointerruptor	19 - 13

Part No.	Description	Page and Index No.
AW02 0086	Photointerruptor	19 - 26
AW02 0095	Photointerruptor	7 - 26
AW02 0104	Photointerruptor	7 - 11
AX04 0096	Stepping Motor - DC 18W	19 - 15
AX20 0213	Magnetic Clutch - Z30	17 - 15

Part No.	Description	Page and Index No.
0353 0050B	Philips Truss Head Screw - M3x5	5 -103
0353 0050B	Philips Truss Head Screw - M3x5	19 -105
0353 0050B	Philips Truss Head Screw - M3x5	17 -106
0354 0050B	Bind Screw - M4x5	17 -105
0450 3008B	Tapping Screw - M3x8	15 -101
0451 3006B	Tapping Screw - M3x6	13 -102
0451 3006B	Tapping Screw - M3x6	21 -101
0451 3006B	Tapping Screw - M3x6	19 -102
0451 3006B	Tapping Screw - M3x6	9 -102
0451 3006B	Tapping Screw - M3x6	17 -101
0451 3006B	Tapping Screw - M3x6	15 -102
0451 3008H	Tapping Screw - M3x8	5 -102
0451 3008H	Tapping Screw - M3x8	17 -102
0451 3008H	Tapping Screw - M3x8	13 -103
0451 3010B	Tapping Screw - M3x10	7 -104
0451 3012B	Tapping Screw With Washer - M3x12	21 -105
0451 3012B	Tapping Screw With Washer - M3x12	9 -107
0452 3008B	Tapping Screw - M3x8	9 -106
0452 3008B	Tapping Screw - M3x8	7 -102
0452 3008B	Tapping Screw - M3x8	5 -101
0632 0120G	Parallel Pin - 2x12	11 -105
0720 0030B	Retaining Ring - M3	21 -104
0720 0030B	Retaining Ring - M3	9 -103
0720 0030B	Retaining Ring - M3	15 -103
0720 0040B	Retaining Ring - M4	7 -101
0720 0040B	Retaining Ring - M4	19 -104
0720 0040B	Retaining Ring - M4	11 -104
0720 0040E	Retaining Ring - M4	17 -108
0720 0060B	Retaining Ring - M6	11 -103
0720 0060B	Retaining Ring - M6	17 -110
0742 3808	Ball Bearing - 8x16x5	9 -104
0802 5276	Tapping Screw With Washer - M3x6	9 -108
0802 5276	Tapping Screw With Washer - M3x6	13 -101
0802 5276	Tapping Screw With Washer - M3x6	17 -103
0802 5276	Tapping Screw With Washer - M3x6	21 -103

Part No.	Description	Page and Index No.
0802 5276	Tapping Screw With Washer - M3x6	19 -101
0802 5276	Tapping Screw With Washer - M3x6	11 -101
0805 0088	Retaining Ring - M6	9 -105
0805 0089	Retaining Ring - M4	13 -104
0805 0089	Retaining Ring - M4	11 -102
0951 4010B	Philips Screw With Washer - M4x10	5 -104
1100 1474	Test Pin	23 -101
1101 0328	Connector Pin Contact	23 -102
1102 4201	Connector - 2P	23 -103
1102 4202	Connector - 3P	23 -104
1102 4203	CT Header - 4P	23 -105
1102 4205	CT Header - 6P	23 -106
1102 4206	Connector - 7P	23 -107
1102 4211	CT Header - 12P	23 -108
1102 4212	CT Header - 15P	23 -109
1102 4624	CT Connector - 7P	23 -110
1102 5007	CT Header - 14P	23 -111
1102 6301	Connector - 8P	23 -112
1102 6302	Connector - 9P	23 -113
1102 6957	Connector - 14P BLUE	23 -114
1104 0351	Fuse Holder	23 -115
1104 0588	Dip Socket - 28P	23 -116
1105 0487	Harness Clamp	17 -107
1105 0514	Edge Saddle - Eds-0607I	21 -102
1105 0514	Edge Saddle - EDS-0607L	9 -109
1105 0516	Clamp	7 -103
1105 0516	Clamp	9 -101
1105 0516	Clamp	17 -104
1105 0516	Clamp	19 -103
1107 0884	Fuse - 5A 250V	23 -117
1204 2368	Dip Switch - DSS804	23 -118
1400 0856	Transistor - 2SC3928A	23 -119
1401 0944	IC - MOSFET-2SK1062	23 -120
1402 0596	Diode-array - DAP202K	23 -121
1403 0308	LED - Red - TLR102A	23 -122

Part No.	Description	Page and Index No.
1407 1596	TTLIC - SN74LS14NS	23 -123
1407 1772	IC - SN74HC04NS	23 -124
1407 2187	TTLIC - SN74LS07NS	23 -125
1407 2231	IC - TD62308AF	23 -126
1407 3394	IC - SN74HC541NS	23 -127
1407 4754	IC - HD6413002F16	23 -128
1408 0611	IC - 3771	23 -129
1408 1287	IC - SI-8501L	23 -130
1408 1394	IC - STK672-110	23 -131
1408 1503	IC - STK672-080	23 -132
1503 0214	Oscillator - 11.0592MHz	23 -133
1605 1153	Capacitor - 16pF $\pm 5\%$ 50V	23 -134
1607 0093	Coil	23 -135
1630 4100	Resistor - 10 Ω $\pm 5\%$ 1/16W	23 -136
1630 4102	Resistor - 1.0K Ω $\pm 5\%$ 1/16W	23 -137
1630 4103	Resistor - 10K Ω $\pm 5\%$ 1/16W	23 -138
1630 4161	Resistor - 160 Ω $\pm 5\%$ 1/16W	23 -139
1630 4202	Resistor - 2k Ω - $\pm 5\%$	23 -140
1630 4222	Resistor - 2.2K Ω $\pm 5\%$	23 -141
1630 4223	Resistor - 22K Ω $\pm 5\%$ 1/16W	23 -142
1630 4271	Resistor - 270 Ω $\pm 5\%$ 1/16W	23 -143
1630 4301	Resistor - 300 Ω $\pm 5\%$ 1/10W	23 -144
1630 4332	Resistor - 3.3K Ω $\pm 5\%$ 1/16W	23 -145
1630 4472	Resistor - 4.7K Ω $\pm 5\%$ 1/16W	23 -146
1630 4562	Resistor - 5.6k Ω - $\pm 5\%$ - 1/16W	23 -147
1630 4820	Resistor - 82 Ω $\pm 5\%$ 1/16W	23 -148
1630 4822	Resistor - 8.2 Ω $\pm 5\%$ 1/16W	23 -149
1634 1000	Resistor - 100 Ω $\pm 1\%$ 1/16W	23 -150
1634 2000	Resistor - 200 Ω $\pm 1\%$ 1/16W	23 -151
1634 2400	Resistor - 240 Ω $\pm 1\%$ 1/16W	23 -152
1640 0102	Capacitor - 1000 μ F - $\pm 20\%$ - 10V	23 -153
1640 5101	Capacitor - 100 μ F $\pm 20\%$ 50V	23 -154
1640 5102	Capacitor - 1000 μ F $\pm 20\%$ 50V	23 -155
1640 5221	Capacitor - 220 μ F $\pm 20\%$ 50V	23 -156
1642 5478	Capacitor - 0.47 μ F 50V	23 -157

Part No.	Description	Page and Index No.
1660 2331	Capacitor - 330pF $\pm 5\%$ 50V	23 -158
1660 2470	Capacitor - 47pF $\pm 5\%$ 50V	23 -159
1660 2471	Capacitor - 470pF - $\pm 5\%$ - 50V	23 -160
1660 4103	Capacitor - 10000pF - $\pm 10\%$ - 50V	23 -161
1660 7104	Capacitor - 100000pF 50V	23 -162
1660 8104	Capacitor - 0.1 μ F +80-20% 25V	23 -163

Part No.	Description	Page and Index No.
5053 0447	Bushing - 6mm	19 - 27
5053 0447	Bushing - 6mm	17 - 109
5053 0447	Bushing - 6mm	9 - 26
5206 2686	Snap Ring	9 - 29
5215 2621	Snap Ring - M6	9 - 34
5215 2621	Snap Ring - M6	5 - 18
5304 1639	Bushing - 8mm	11 - 25
5413 1882	Stepped Screw	9 - 30
5446 2824	Screw - Duplex Guide Plate	7 - 24
5446 2824	Screw - Duplex Guide Plate	9 - 35
5446 2824	Screw - Duplex Guide Plate	15 - 25
5447 2681	Snap Ring	11 - 22
5447 2681	Snap Ring	7 - 18
5447 2681	Snap Ring	9 - 31

Part No.	Description	Page and Index No.

CÓPIA NÃO CONTROLADA

CÓPIA NÃO CONTROLADA