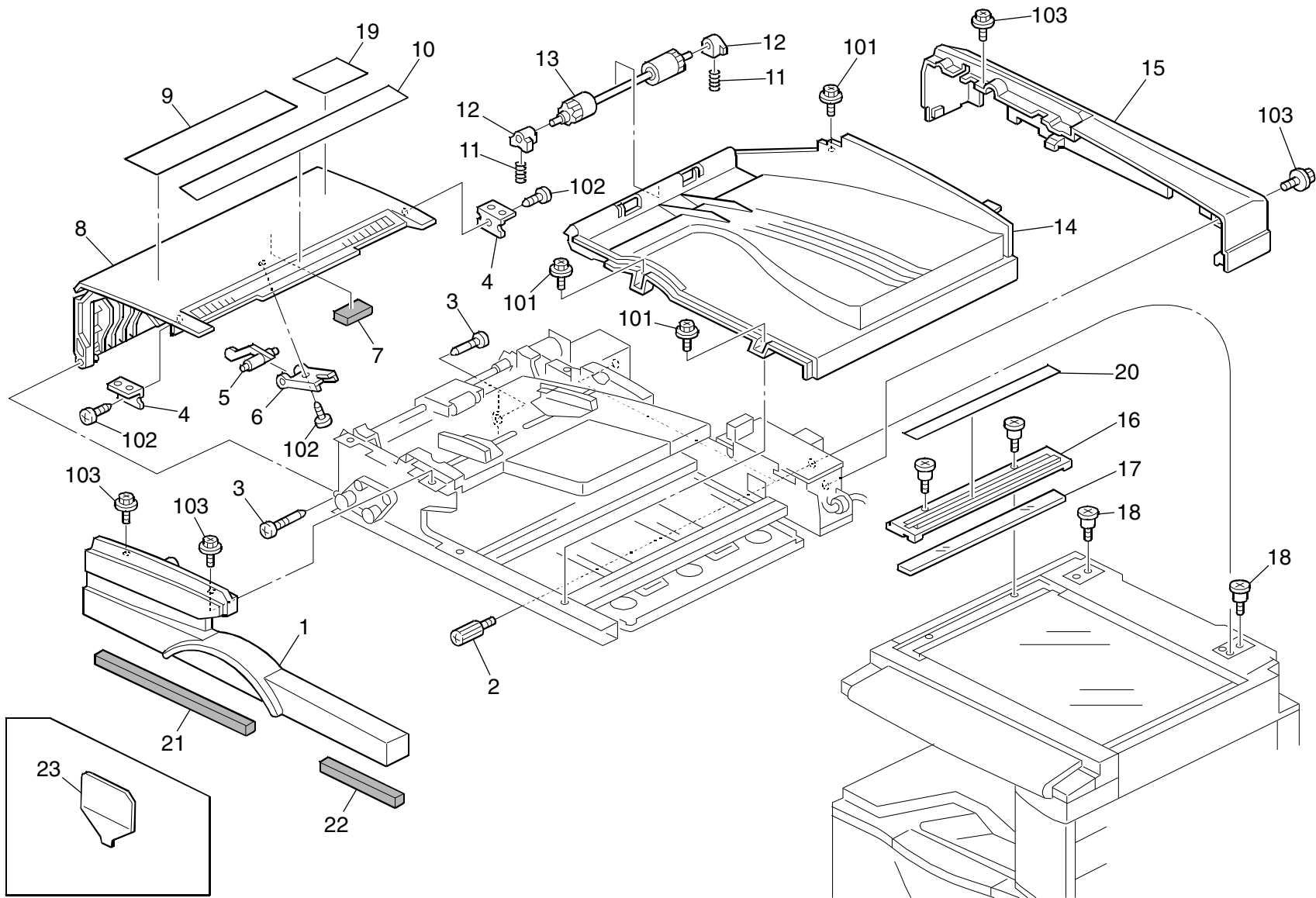


**AUTO REVERSE DOCUMENT FEEDER
DF2010
PARTS LOCATION AND LIST**

This section instructs you as to the numbers and names of parts on this machine.

1.ARDF 1 (B814)

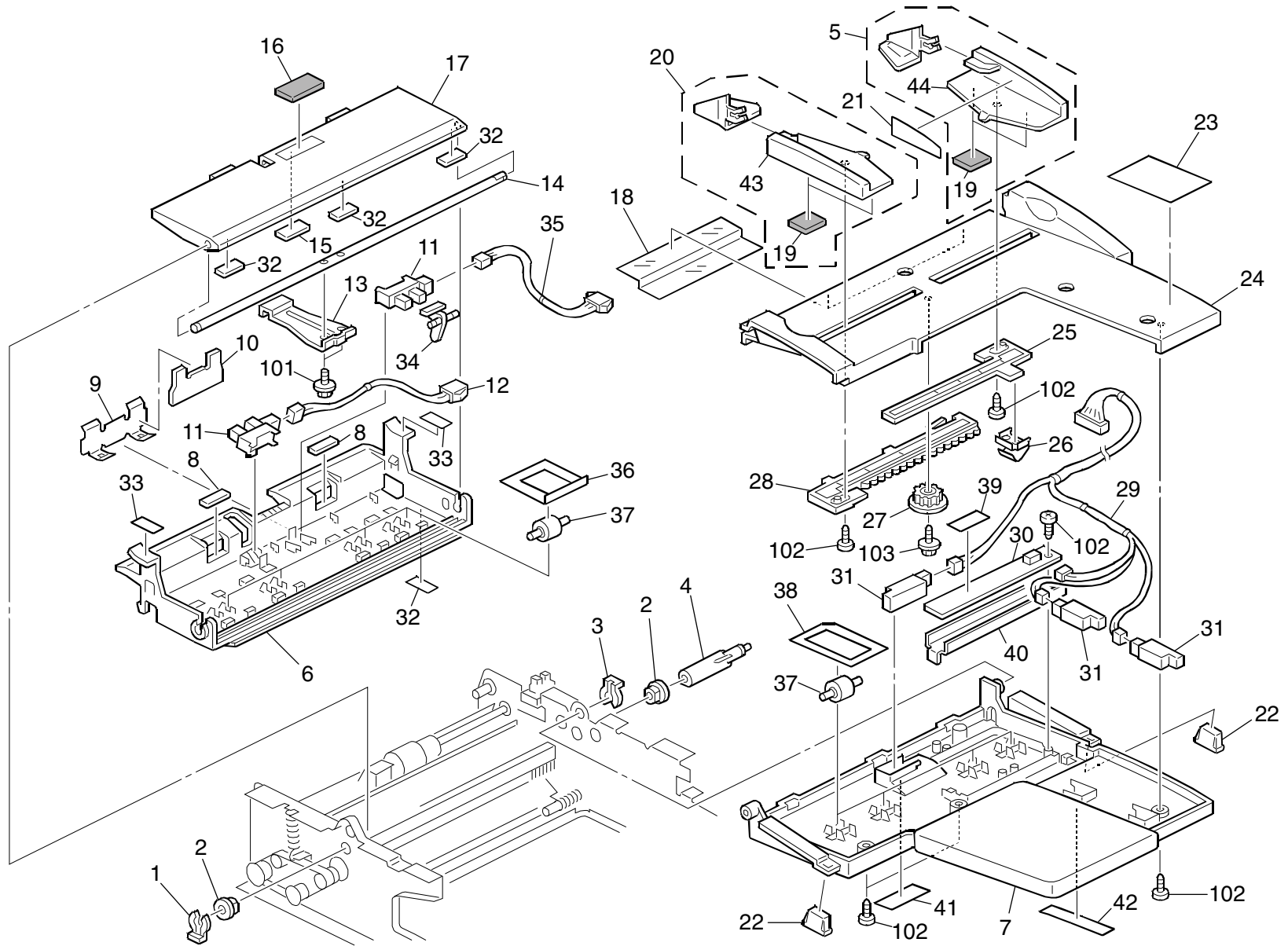


1.ARDF 1 (B814)

| Index No. | Part No. | Description | Q'ty Per Assembly |
|-----------|-----------|---------------------------------------|-------------------|
| 1 | B386 4811 | Front Cover | 1 |
| 2 | A628 3115 | Knob Screw - M4 | 2 |
| 3 | AA14 3788 | Pin:Guide Plate:Paper Feed | 2 |
| 4 | B386 4873 | Positioning Plate | 2 |
| 5 | A859 4871 | Actuator - Original Sensor | 1 |
| 6 | A859 4872 | Actuator Bracket | 1 |
| 7 | A859 4881 | Cushion Paper Feed | 1 |
| 8 | B386 4842 | Left Cover | 1 |
| 9 | B814 6014 | Decal - Misfeed Removal | 1 |
| 10 | B813 6021 | Decal - Size Indication Cover | 1 |
| 11 | AA06 3311 | Transport Roller Spring | 2 |
| 12 | A859 4836 | Bushing Exit Driven Roller | 2 |
| 13 | A859 4837 | Exit Driven Roller | 1 |
| 14 | B386 4871 | Upper Cover | 1 |
| 15 | B386 4821 | Rear Cover | 1 |
| 16 | B386 7102 | Scale:Machine Or Copier:Adhesion | 1 |
| 17 | AC01 3004 | Exposure Glass | 1 |
| 18 | A859 7211 | Stepped Screw | 2 |
| 19 | B652 2379 | Decal:Caution:Original:5-lang | 1 |
| 20 | B814 6053 | Decal - Scale | 1 |
| 20 | B814 6054 | Decal - Scale Inch | 1 |
| 21 | B386 4874 | Sponge:Cover:Front | 1 |
| 22 | B386 4872 | Sponge:Cover:Front Right | 1 |
| 23 | B386 3118 | Standard Screw Driver:Document Feeder | 1 |

| Index No. | Part No. | Description | Q'ty Per Assembly |
|-----------|------------|----------------------|-------------------|
| 101 | 0451 3006N | Tapping Screw - 3x6 | |
| 102 | 0452 3008N | Tapping Screw - M3x8 | |
| 103 | 0451 3008N | Tapping Screw - M3x8 | |

2.ARDF 2 (B814)

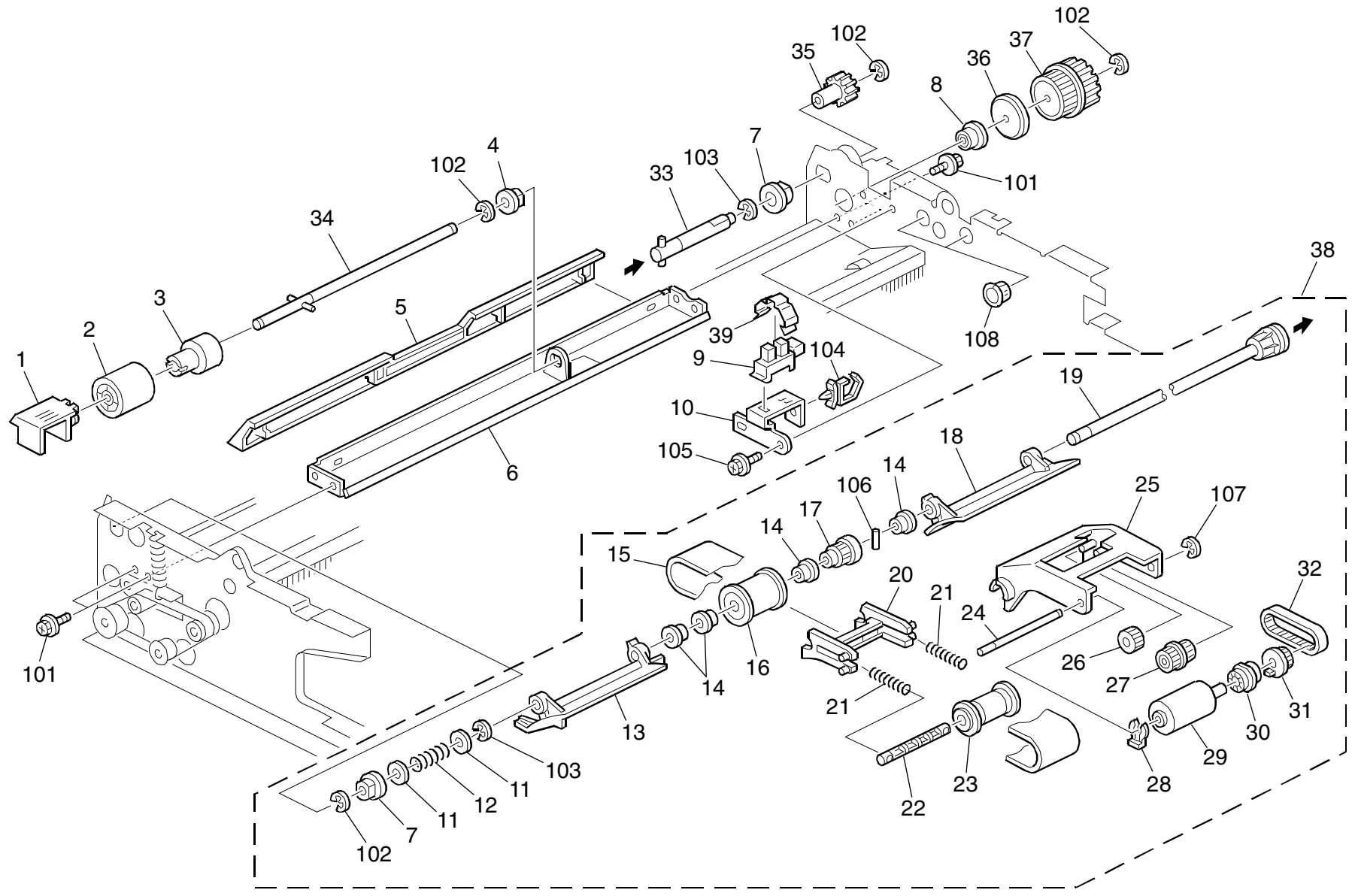


2.ARDF 2 (B814)

| Index No. | Part No. | Description | Q'ty Per Assembly |
|-----------|-----------|---------------------------------------|-------------------|
| 1 | 5447 2681 | Snap Ring | 1 |
| 2 | H060 2126 | Bushing - M6x7 | 2 |
| 3 | 5215 2621 | Snap Ring - M6 | 1 |
| 4 | A859 2355 | Lever Pressure Plate | 1 |
| 5 | B386 4651 | Inner Back Side Fence Ass'y | 1 |
| 6 | A859 2311 | Guide Plate Paper Feed | 1 |
| 7 | B810 4630 | Paper Tray:Behind:Alps-f | 1 |
| 8 | A859 2319 | Cushion Base | 2 |
| 9 | A859 2317 | Guide Separation Pad | 1 |
| 10 | A859 2315 | Separation Pad | 1 |
| 11 | AW02 0141 | Photointerruptor | 2 |
| 12 | B617 5720 | Harness - Registration Sensor | 1 |
| 13 | B386 2353 | Pressure Plate - Base | 1 |
| 14 | A859 2354 | Shaft Base | 1 |
| 15 | A859 4876 | Cushion Left | 1 |
| 16 | A859 2352 | Pad Pressure Plate | 1 |
| 17 | B386 2351 | Original Feed Plate | 1 |
| 18 | A858 4681 | Sheet - Paper Tray | 2 |
| 19 | A351 4951 | Left Side Guide Pad | 4 |
| 20 | B386 4641 | Front Side Fence Ass'y | 1 |
| 21 | B814 6043 | Decal - Side Fence | 1 |
| 22 | G012 1531 | Magnet | 2 |
| 23 | B813 6033 | Decal - Original Table | 1 |
| 24 | B386 4621 | Upper Original Table | 1 |
| 25 | A859 4662 | Rack - Rear Side Fence | 1 |
| 26 | A859 4663 | Electrode Plate - Side Fence | 1 |
| 27 | A859 4665 | Gear - 16Z | 1 |
| 28 | A859 4661 | Rack - Front Side Fence | 1 |
| 29 | B617 5715 | Harness - Original Tray | 1 |
| 30 | B386 5550 | Paper Size Sensor Board | 1 |
| 31 | AW01 0112 | Photo Refiexion Sensor:Original Table | 3 |
| 32 | B386 2356 | Base Cushion - Behind | 4 |
| 33 | A858 6022 | Decal - Blue | 2 |
| 34 | A858 2319 | Feeler - Reverse | 1 |
| 35 | B617 5706 | Harness - Reverse Sensor | 1 |

| Index No. | Part No. | Description | Q'ty Per Assembly |
|-----------|------------|-----------------------------------|-------------------|
| 36 | A858 2313 | Spring Plate Pressure Roller Feed | 4 |
| 37 | A858 4671 | Roller Driven | 8 |
| 38 | A858 4676 | Spring Plate Pressure Roller | 4 |
| 39 | A859 4664 | Sheet - Paper Size Sensor Board | 1 |
| 40 | B386 4693 | Mylar Seal | 1 |
| 41 | B386 4692 | Mylar Seal - 16x45 | 1 |
| 42 | B386 4691 | Mylar Seal - 28x107 | 1 |
| 43 | B386 4710 | Front Side Fence | 1 |
| 44 | B386 4720 | Rear Side Fence | 1 |
| 101 | 0451 3006N | Tapping Screw - 3x6 | |
| 102 | 0452 3008N | Tapping Screw - M3x8 | |
| 103 | 0450 3008N | Tapping Screw - M3x8 | |

3.ARDF 3 (B814)

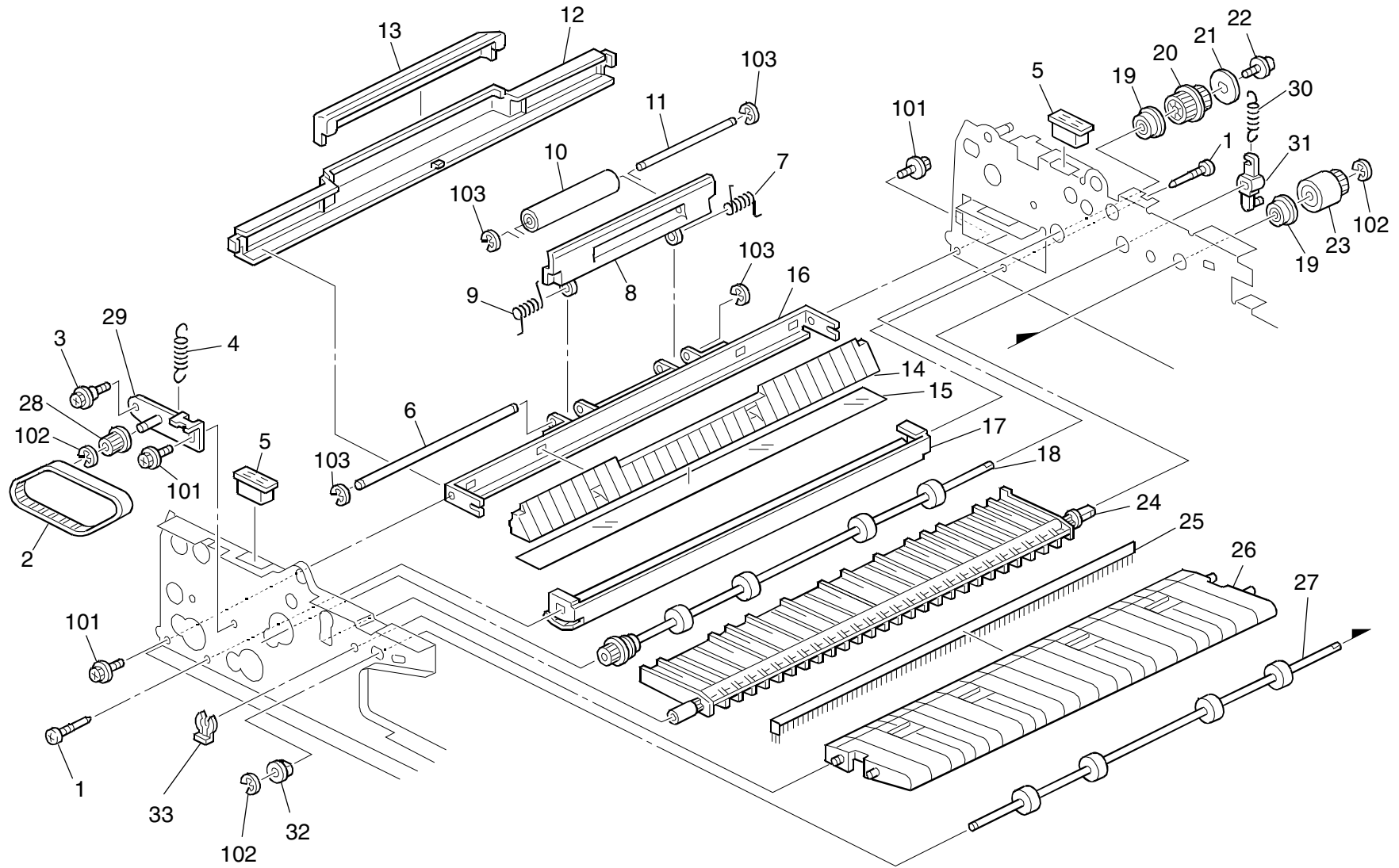


3.ARDF 3 (B814)

| Index No. | Part No. | Description | Q'ty Per Assembly |
|-----------|-----------|-------------------------------------|-------------------|
| 1 | A859 2220 | Cover Reverse Roller | 1 |
| 2 | A859 2241 | Reverse Roller | 1 |
| 3 | A294 6700 | Torque Limiter - 53mnm | 1 |
| 4 | 5053 0447 | Bushing - 6mm | 1 |
| 5 | A859 1621 | Separation Guide | 1 |
| 6 | B386 1610 | Separation Stay | 1 |
| 7 | 5304 1639 | Bushing - 8mm | 2 |
| 8 | A859 2230 | Ball Bearing - 6x13x5 | 1 |
| 9 | AW02 0141 | Photointerruptor | 1 |
| 10 | B386 1123 | Sensor Bracket | 1 |
| 11 | AA13 2013 | Spacer | 2 |
| 12 | AA06 3435 | Compression Spring:Paper Feed:Joint | 1 |
| 13 | A859 2132 | Front Guide - Paper Feed | 1 |
| 14 | A628 1225 | Bushing - 8mm | 4 |
| 15 | A859 2141 | Belt Paper Feed | 1 |
| 16 | A859 2114 | Drive Roller - Paper Feed Belt | 1 |
| 17 | A859 2121 | Gear - 22Z | 1 |
| 18 | A859 2131 | Rear Guide - Paper Feed | 1 |
| 19 | A859 2120 | Drive Shaft - Paper Feed Belt | 1 |
| 20 | A859 2110 | Belt Holder | 1 |
| 21 | B386 3320 | Spring:Belt:Paper Feed:8n | 2 |
| 22 | A859 2112 | Drive Shaft - Paper Feed Belt | 1 |
| 23 | B387 2113 | Roller - Paper Feed Belt | 1 |
| 24 | A859 2162 | Shaft - Pick Up Roller | 1 |
| 25 | G412 3821 | Holder - Pick Up | 1 |
| 26 | A859 2167 | Gear - 22Z | 1 |
| 27 | G412 3831 | Pulley - 22Z | 1 |
| 28 | 5206 2686 | Snap Ring | 1 |
| 29 | B386 2171 | Pickup Roller | 1 |
| 30 | A859 2163 | Collar Pick Up | 1 |
| 31 | A859 2164 | Pulley - 2Z | 1 |
| 32 | A859 2166 | Timing Belt - 2XL | 1 |
| 33 | A859 4216 | Shaft - Electromagnetic Clutch | 1 |
| 34 | A859 2210 | Shaft - Reverse Roller | 1 |
| 35 | A858 4231 | Gear - 20Z | 1 |

| Index No. | Part No. | Description | Q'ty Per Assembly |
|-----------|------------|-------------------------------------|-------------------|
| 36 | A859 4222 | Flange - Pulley | 1 |
| 37 | A858 4221 | Gear - 31Z | 1 |
| 38 | B386 2100 | Belt Unit:Paper Feed:Ass'y | 1 |
| 39 | B386 1128 | Spring Plate Sensor On Off Detector | 1 |
| 101 | 0454 3006Q | Tapping Screw - M3x6 | |
| 102 | 0720 0040E | Retaining Ring - M4 | |
| 103 | 0720 0060E | Retaining Ring - M6 | |
| 104 | 1105 0109 | Cord Keep | |
| 105 | 0451 3006N | Tapping Screw - 3x6 | |
| 106 | 0632 0100G | Pin - 2x10mm | |
| 107 | 0720 0030E | Retaining Ring - M3 | |
| 108 | 1106 0193 | Bushing - 7.9mm | |

4.ARDF 4 (B814)

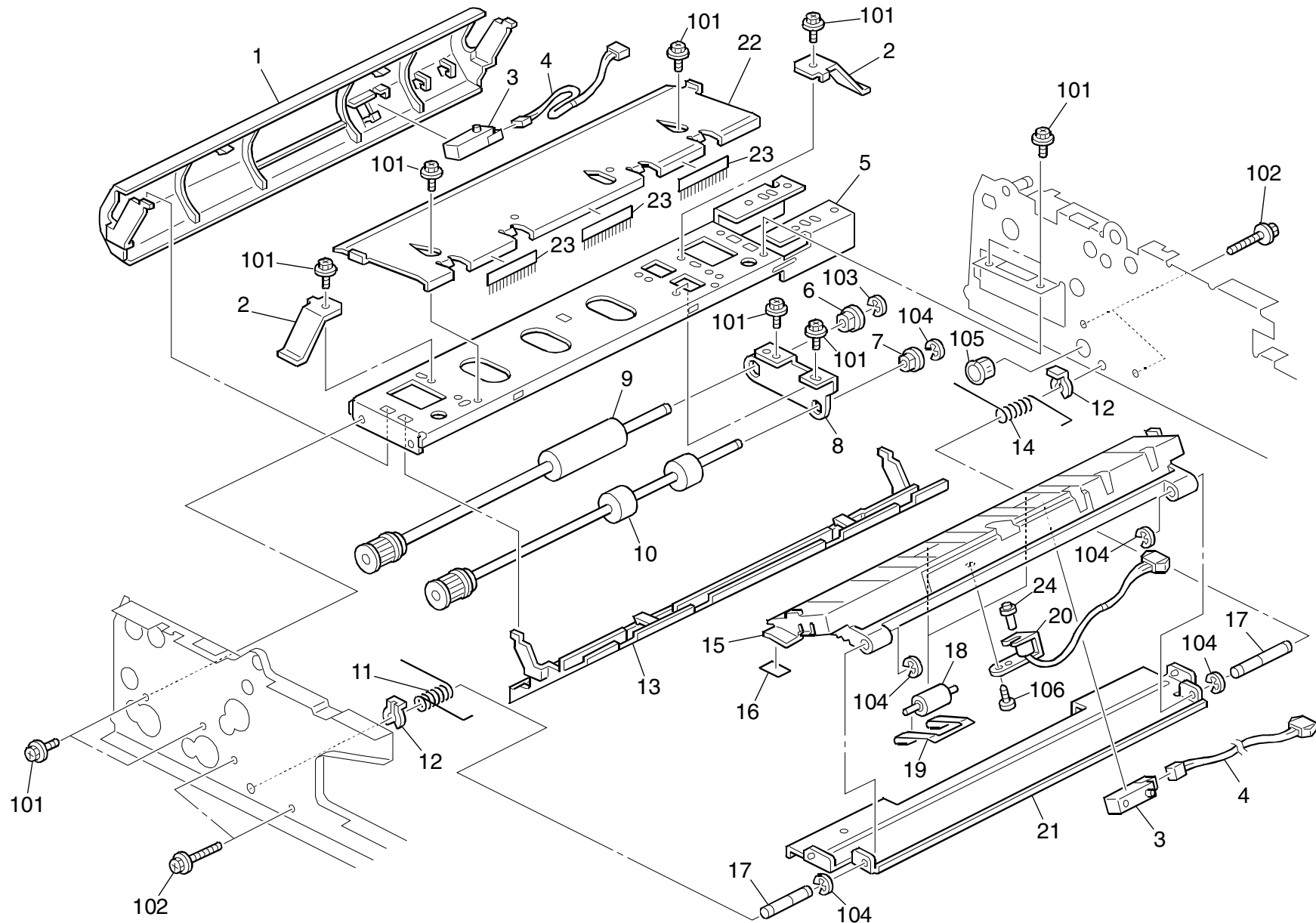


4.ARDF 4 (B814)

| Index No. | Part No. | Description | Q'ty Per Assembly |
|-----------|-----------|-----------------------------------|-------------------|
| 1 | AA14 3788 | Pin:Guide Plate:Paper Feed | 2 |
| 2 | A859 4331 | Timing Belt - 2XL | 1 |
| 3 | AA14 3790 | Screw:Contact Point | 1 |
| 4 | A859 4341 | Tension Spring | 1 |
| 5 | AG07 0513 | Magnet Catch | 2 |
| 6 | A859 3317 | Shaft - Contact Point | 1 |
| 7 | B386 3322 | Torsion Spring:Pressure:Front:20n | 1 |
| 8 | A859 3316 | Lever - Pullout | 1 |
| 9 | B386 3321 | Torsion Spring:Pressure:Rear:20n | 1 |
| 10 | B386 3387 | Roller:Driven:Transport | 1 |
| 11 | A859 3313 | Driven Shaft - Pressure | 1 |
| 12 | B386 4881 | Left Lower Cover | 1 |
| 13 | B386 4856 | Cover - Transport Driven Roller | 1 |
| 14 | A859 1723 | Left Lower Guide | 1 |
| 15 | G412 3611 | Guide Mylar | 1 |
| 16 | B386 1710 | Left Lower Stay | 1 |
| 17 | B386 3513 | Guide:Exposure Glass | 1 |
| 18 | B386 3130 | Exit Roller - Drive | 1 |
| 19 | A859 2230 | Ball Bearing - 6x13x5 | 2 |
| 20 | A859 4271 | Pulley - 31/32Z | 1 |
| 21 | A859 4272 | Flange | 1 |
| 22 | B386 2214 | Screw:M3x5 | 1 |
| 23 | A858 4392 | Torque Limiter | 1 |
| 24 | A858 3710 | Exchange Powl - Reverse | 1 |
| 25 | A859 3225 | Discharge Brush | 1 |
| 26 | B386 4861 | Reverse Tray | 1 |
| 27 | B386 3140 | Reverse Roller - Drive | 1 |
| 28 | A859 4321 | Pulley-20Z | 1 |
| 29 | B386 4311 | Adjusting Pin - M6 | 1 |
| 30 | A858 3717 | Tension Spring - Exchange Powl | 1 |
| 31 | A858 3715 | Lever - Exchange Powl | 1 |
| 32 | 5053 0447 | Bushing - 6mm | 1 |
| 33 | 5447 2681 | Snap Ring | 1 |

| Index No. | Part No. | Description | Q'ty Per Assembly |
|-----------|------------|---------------------|-------------------|
| 101 | 0451 3006N | Tapping Screw - 3x6 | |
| 102 | 0720 0040E | Retaining Ring - M4 | |
| 103 | 0720 0030E | Retaining Ring - M3 | |

5.ARDF 5 (B814)

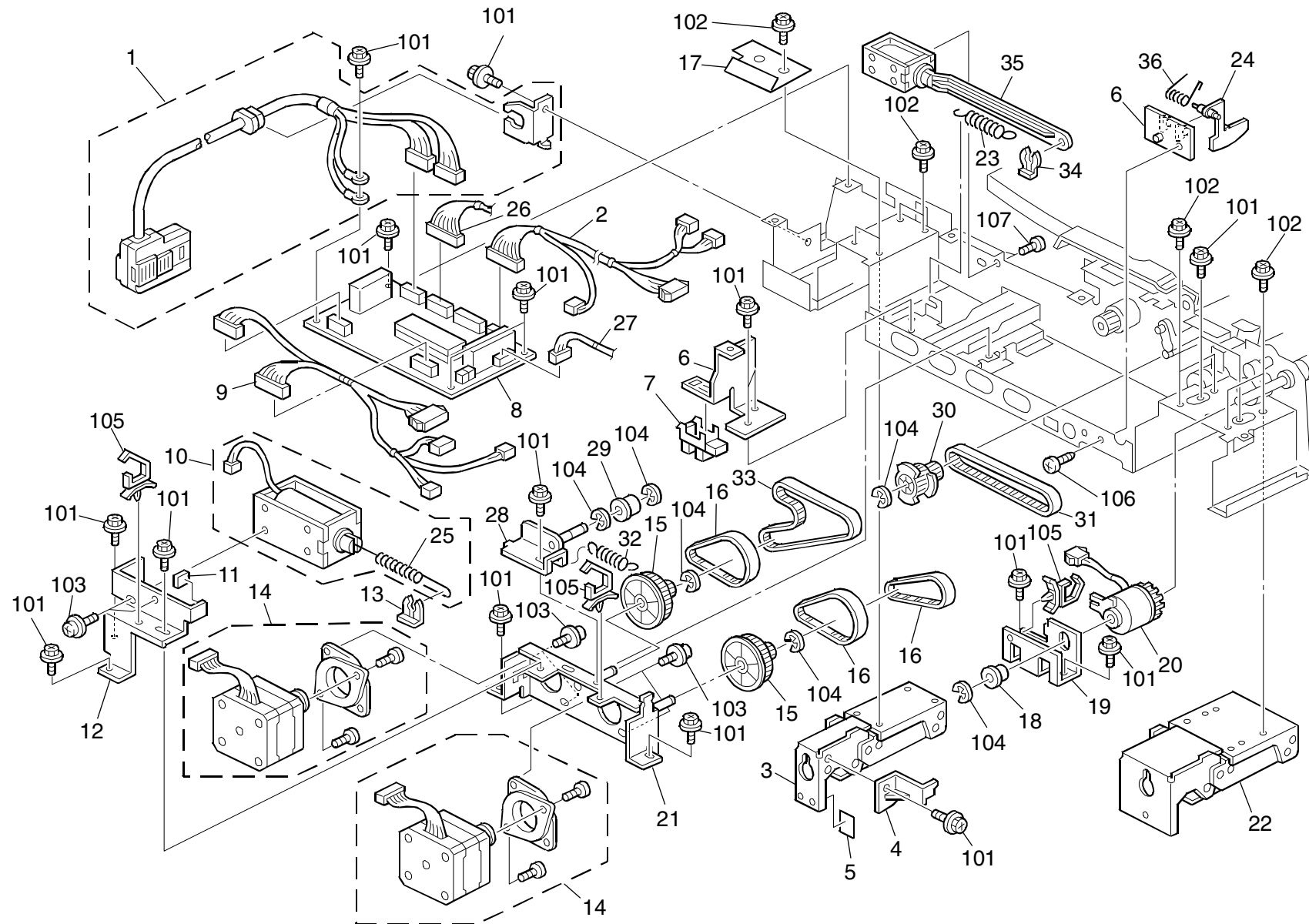


5.ARDF 5 (B814)

| Index No. | Part No. | Description | Q'ty Per Assembly |
|-----------|-----------|--------------------------------------|-------------------|
| 1 | A859 3210 | Guide Plate - Transport Roller | 1 |
| 2 | B386 1322 | Spring Plate Guide | 2 |
| 3 | AW01 0109 | Photo Refiection Sensor:Ps117ed1 | 2 |
| 4 | B617 5705 | Harness - Sensor | 2 |
| 5 | B386 1311 | Left Stay | 1 |
| 6 | 5304 1639 | Bushing - 8mm | 1 |
| 7 | 5053 0447 | Bushing - 6mm | 1 |
| 8 | B386 1320 | Bracket - Transport Roller | 1 |
| 9 | A859 3110 | Transport Roller | 1 |
| 10 | B386 3121 | Transport Roller - Middle | 1 |
| 11 | A859 3431 | Spring Front | 1 |
| 12 | 5447 2681 | Snap Ring | 2 |
| 13 | A859 3220 | Guide Plate - Upper Exit | 1 |
| 14 | A859 3430 | Spring Rear | 1 |
| 15 | A859 3411 | Exit Guide Plate | 1 |
| 16 | A859 6023 | Decal Green | 1 |
| 17 | A859 3412 | Shaft - Exit Guide Plate | 2 |
| 18 | B386 3389 | Roller:Driven:Middle:Ep35 | 2 |
| 19 | A859 3425 | Spring Plate | 2 |
| 20 | B714 5006 | DC Solenoid:Transmitted Rubber Stamp | 1 |
| 21 | B386 3410 | Cover:Guide Plate:Exit:Ass'y | 1 |
| 22 | B386 3234 | Guide Plate:Reverse:Ass'y | 1 |
| 23 | B386 3236 | Discharge Brush - L50 | 3 |
| 24 | H511 5007 | Stamp | 1 |

| Index No. | Part No. | Description | Q'ty Per Assembly |
|-----------|------------|----------------------|-------------------|
| 101 | 0451 3006N | Tapping Screw - 3x6 | |
| 102 | 0451 4014N | Tapping Screw:M4x14 | |
| 103 | 0720 0060E | Retaining Ring - M6 | |
| 104 | 0720 0040E | Retaining Ring - M4 | |
| 105 | 1106 0193 | Bushing - 7.9mm | |
| 106 | 0452 3008N | Tapping Screw - M3x8 | |

6.ARDF 6 (B814)

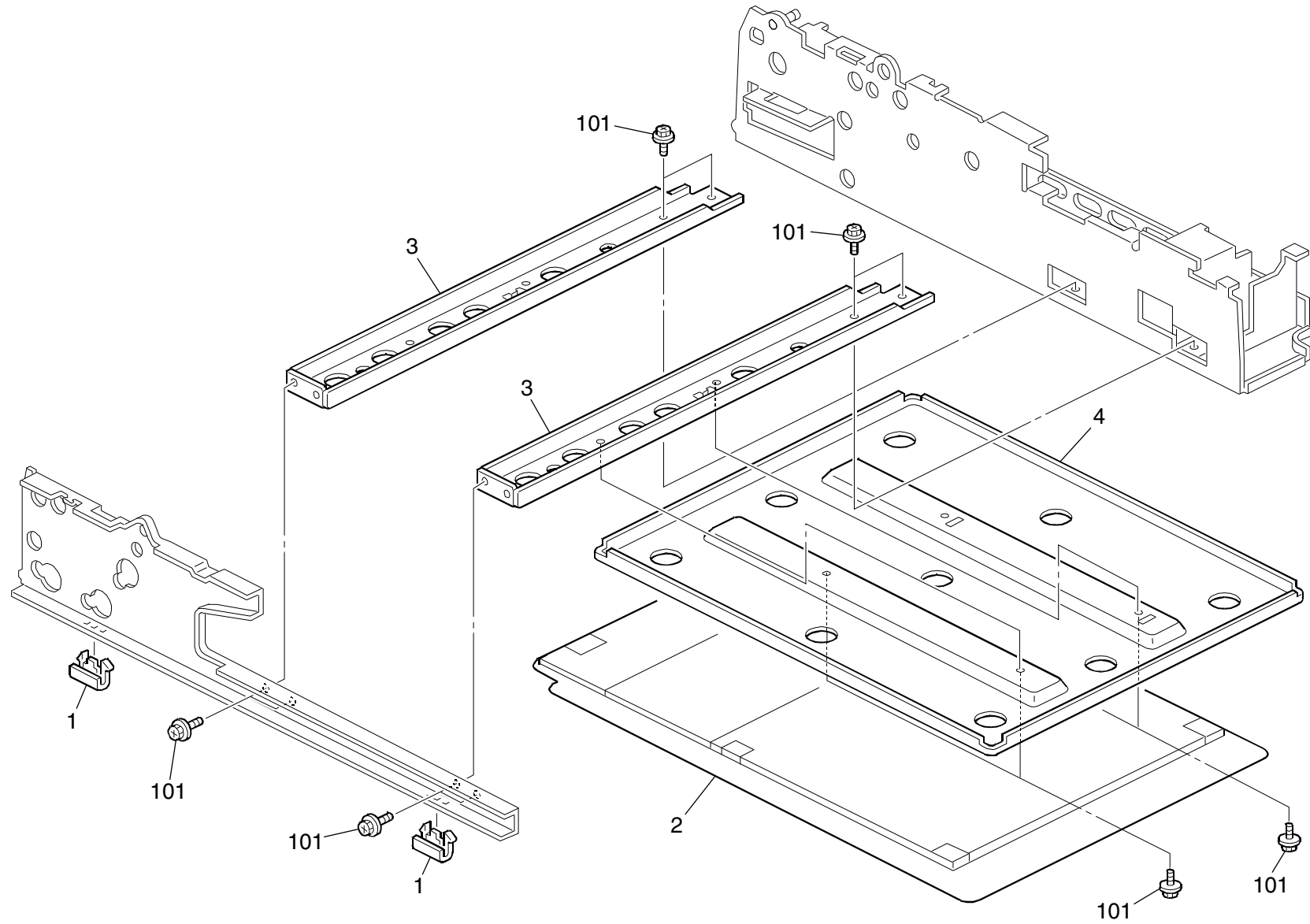


6.ARDF 6 (B814)

| Index No. | Part No. | Description | Q'ty Per Assembly |
|-----------|-----------|----------------------------------|-------------------|
| 1 | C682 5800 | Harness - Interface | 1 |
| 2 | B386 5700 | Harness:Sensor:Main | 1 |
| 3 | B386 1832 | Hinge:Right:Ass'y | 1 |
| 4 | A859 1841 | Filler - DF Open Sensor | 1 |
| 5 | A334 4678 | Rack Shield Mylar | 1 |
| 6 | B386 1121 | APS Feeller Bracket | 1 |
| 7 | AW02 0141 | Photointerruptor | 1 |
| 8 | B814 5500 | PCB:Main Control | 1 |
| 9 | B617 5703 | Harness - Paper Feed Motor | 1 |
| 10 | B386 4421 | DC Solenoid:Base:Ass'y | 1 |
| 11 | A028 3264 | Stopper Cushion | 1 |
| 12 | B386 4411 | Solenoid Bracket | 1 |
| 13 | 5206 2686 | Snap Ring | 1 |
| 14 | B814 4121 | Stepper Motor - DC2.4V | 2 |
| 15 | A661 1884 | Pulley - 20T/48T | 2 |
| 16 | A859 4171 | Timing Belt - 2XL | 3 |
| 17 | A859 1131 | Insulating Sheet | 1 |
| 18 | 5304 1639 | Bushing - 8mm | 1 |
| 19 | B386 1315 | Bracket - Electromagnetic Clutch | 1 |
| 20 | AX21 0092 | Magnetic Clutch:Z30 | 1 |
| 21 | B379 4111 | Bracket - Motor | 1 |
| 22 | B386 1812 | Hinge:Left:Ass'y | 1 |
| 23 | A859 4197 | Tension Spring Motor | 1 |
| 24 | B386 1125 | APS Feeller | 1 |
| 25 | A859 2358 | Solenoid Spring | 1 |
| 26 | B386 5713 | Harness:Original Tray:Connecting | 1 |
| 27 | B386 5701 | Harness:Sensor:Exit:Connecting | 1 |
| 28 | B379 4131 | Adjusting Pin - Idler | 1 |
| 29 | A859 4141 | Pulley - Idler | 1 |
| 30 | A858 4251 | Coupled Pulley - 20/32Z | 1 |
| 31 | A858 4261 | Timing Belt - 2XL | 1 |
| 32 | A858 4134 | Tension Spring - Idler | 1 |
| 33 | A858 4181 | Timing Belt - 2XL | 1 |
| 34 | 5447 2681 | Snap Ring | 1 |
| 35 | A858 4431 | DC Solenoid - 24V | 1 |

| Index No. | Part No. | Description | Q'ty Per Assembly |
|-----------|------------|----------------------------|-------------------|
| 36 | B387 1951 | Spring - Paper Size Sensor | 1 |
| 101 | 0451 3006N | Tapping Screw - 3x6 | |
| 102 | 0451 4006N | Tapping Screw - 4x6 | |
| 103 | 0951 3006N | Screw - M3X6 | |
| 104 | 0720 0040E | Retaining Ring - M4 | |
| 105 | 1105 0487 | Harness Clamp | |
| 106 | 0452 3008N | Tapping Screw - M3x8 | |
| 107 | 0353 0040N | Screw - M3X4 | |

7.ARDF 7 (B814)

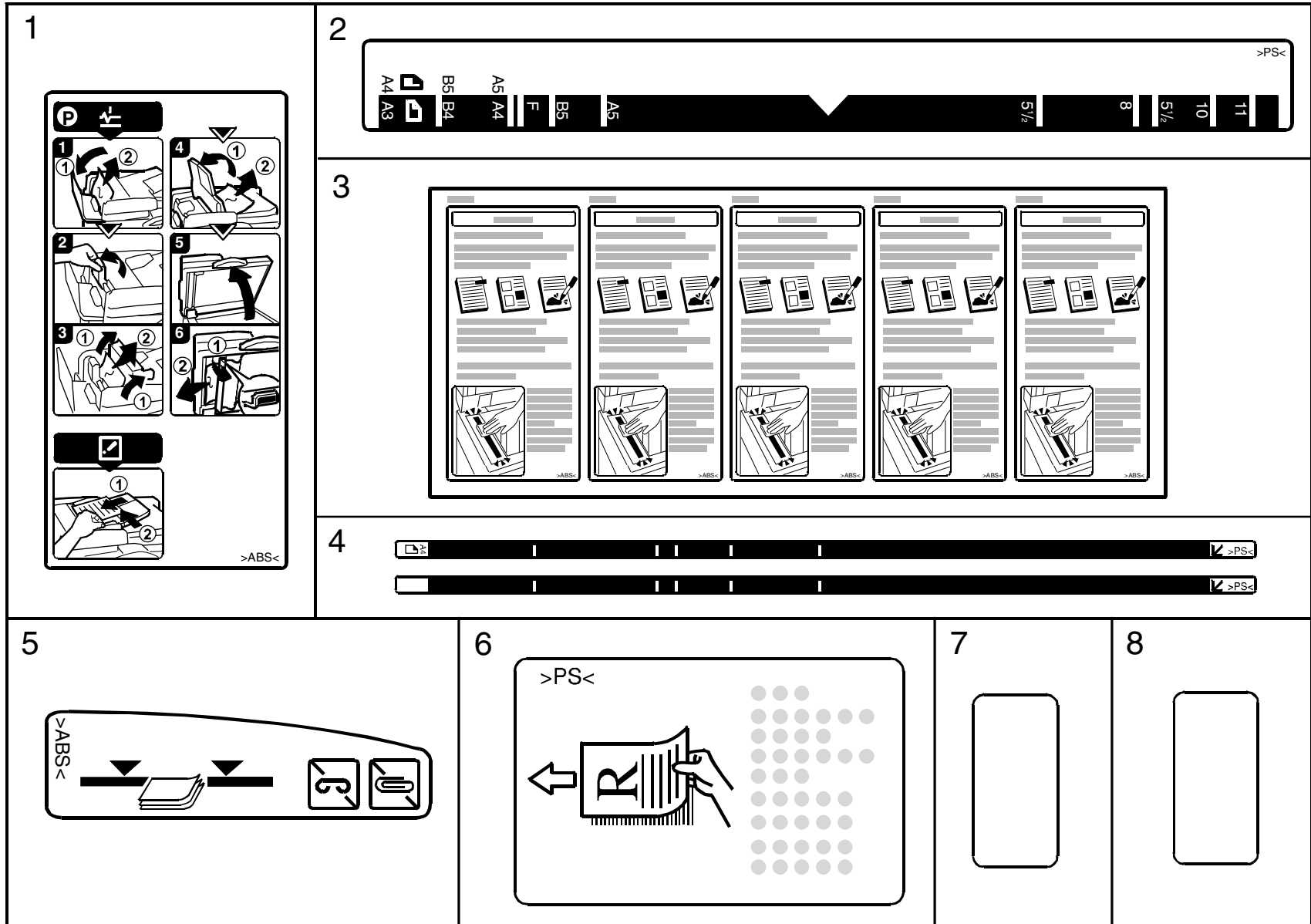


7.ARDF 7 (B814)

| Index No. | Part No. | Description | Q'ty Per Assembly |
|-----------|-----------|---------------------|-------------------|
| 1 | A859 1221 | Spacer | 2 |
| 2 | B386 3634 | Sheet:Ass'y | 1 |
| 3 | B386 1511 | Middle Stay | 2 |
| 4 | B386 3615 | Base - Platen Cover | 1 |

| Index No. | Part No. | Description | Q'ty Per Assembly |
|-----------|------------|---------------------|-------------------|
| 101 | 0451 3006N | Tapping Screw - 3x6 | |

8.Decals And Documents (B814)



8.Decals And Documents (B814)

| Index No. | Part No. | Description | Q'ty Per Assembly |
|-----------|-----------|-------------------------------|-------------------|
| 1 | B814 6014 | Decal - Misfeed Removal | 1 |
| 2 | B813 6021 | Decal - Size Indication Cover | 1 |
| 3 | B652 2379 | Decal:Caution:Original:5-lang | 1 |
| 4 | B814 6053 | Decal - Scale | 1 |
| 4 | B814 6054 | Decal - Scale Inch | 1 |
| 5 | B814 6043 | Decal - Side Fence | 1 |
| 6 | B813 6033 | Decal - Original Table | 1 |
| 7 | A858 6022 | Decal Blue | 2 |
| 8 | A859 6023 | Decal Green | 1 |

| Index No. | Part No. | Description | Q'ty Per Assembly |
|-----------|----------|-------------|-------------------|
| | | | |

