



RICOH UNIVERSITY

Learning ♦ Knowledge ♦ Performance



M099/M100 PARTS CATALOG

LANIER RICOH SAVIN®

It is the reader's responsibility when discussing the information contained within this document to maintain a level of confidentiality that is in the best interest of Ricoh Americas Corporation and its member companies.

**NO PART OF THIS DOCUMENT MAY BE REPRODUCED IN ANY
*FASHION AND DISTRIBUTED WITHOUT THE PRIOR
PERMISSION OF RICOH AMERICAS CORPORATION.***

All product names, domain names or product illustrations, including desktop images, used in this document are trademarks, registered trademarks or the property of their respective companies.

They are used throughout this book in an informational or editorial fashion only and for the benefit of such companies. No such use, or the use of any trade name, or web site is intended to convey endorsement or other affiliation with Ricoh products.

LEGEND

PRODUCT CODE	COMPANY		
	LANIER	RICOH	SAVIN
M099	SPC240SF	Aficio SPC240SF	SPC240SF
M100	SPC242SF	Aficio SPC242SF	SPC242SF
G849	PAPER FEED UNIT TYPE TK1010		

DOCUMENTATION HISTORY

REV. NO.	DATE	COMMENTS
*	11/2011	Original Printing

Unit All



U001
EXTERIOR



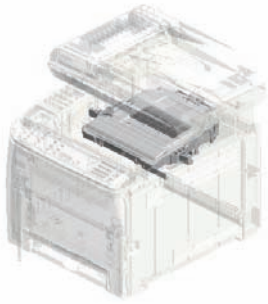
U002
OPERATION



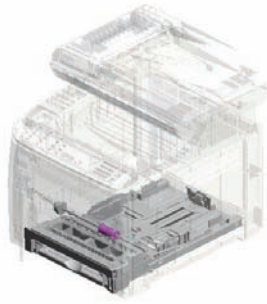
U003
ADF



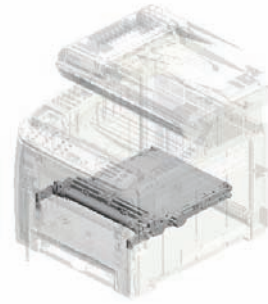
U004
SCANNER



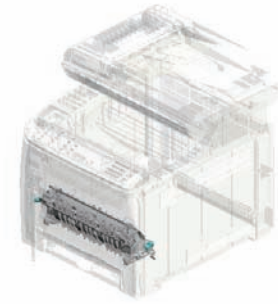
U005
LASER UNIT



U006
PAPER TRAY



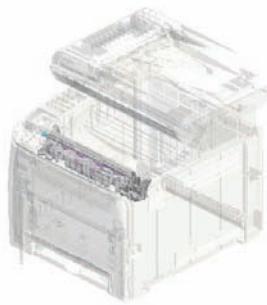
U007
ITB CLEANING



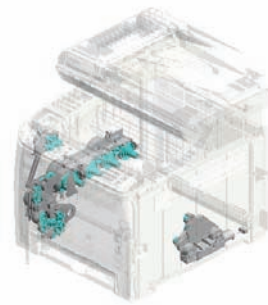
U008
PAPER TRANSPORT



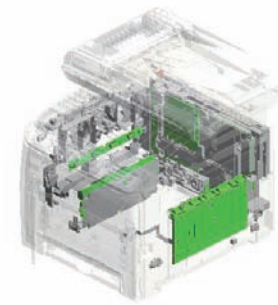
U009
FUSING



U010
PAPER EXIT

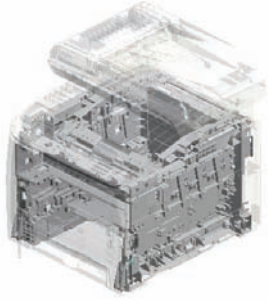


U011
MAIN DRIVE



U012
ELECTRICAL

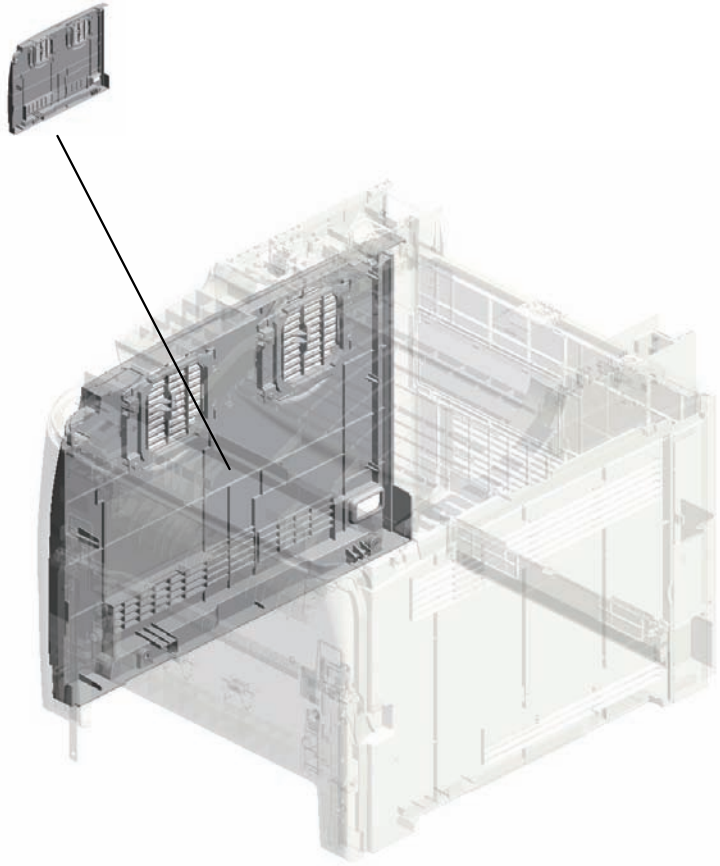
Unit All



U013
MAIN FRAME

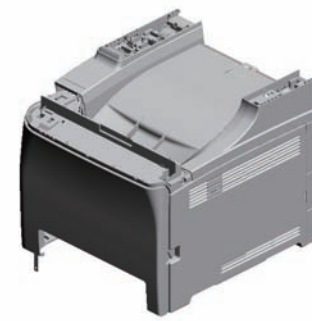
U001.EXTERIOR

U001_S001
M0960042
COVER:LEFT:ASS'Y



U001	U002	U003	U004	U005	U006	U007	U008	U009	U010	U011	U012	U013
------	------	------	------	------	------	------	------	------	------	------	------	------

U001 EXTERIOR



- 8.B0394480 STEPPED SCREW - M5
- 4.04503016N (x2) TAPPING SCREW: 3X16
- 16.G1661311 SEAL - 5X15X222M
- 2.04503008N (x4) TAPPING SCREW - M3X8
- 15.G1661283 FRONT END FENCE - EXIT

1.03603010N
SCREW:M3X10

7.04543008Q
(x3)
TAPPING SCREW:
3X8

11.G1661261
INNER COVER - EX
IT

20.G1661319
(x2)
SEAL:COVER:LEFT
:7

17.G1661312
SEAL - 7X25X176M
M

18.G1661313
SEAL - 3X8X411MM

3.04503010N
(x22)
TAPPING SCREW -
M3X10

5.04504010N
(x2)
TAPPING SCREW:
M4X10

12.G1661262
CASSETTE COVER

19.G1661318
SHEET - CASSETT
E COVER

14.G1661282
REAR END FENCE
- EXIT

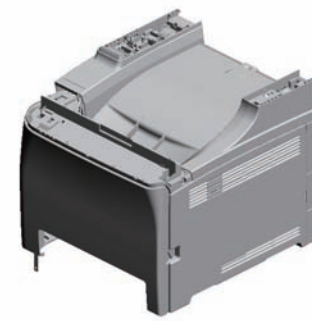
13.G1661281
BASE - EXIT END F
ENCE

10.G1661259
MEMORY COVER

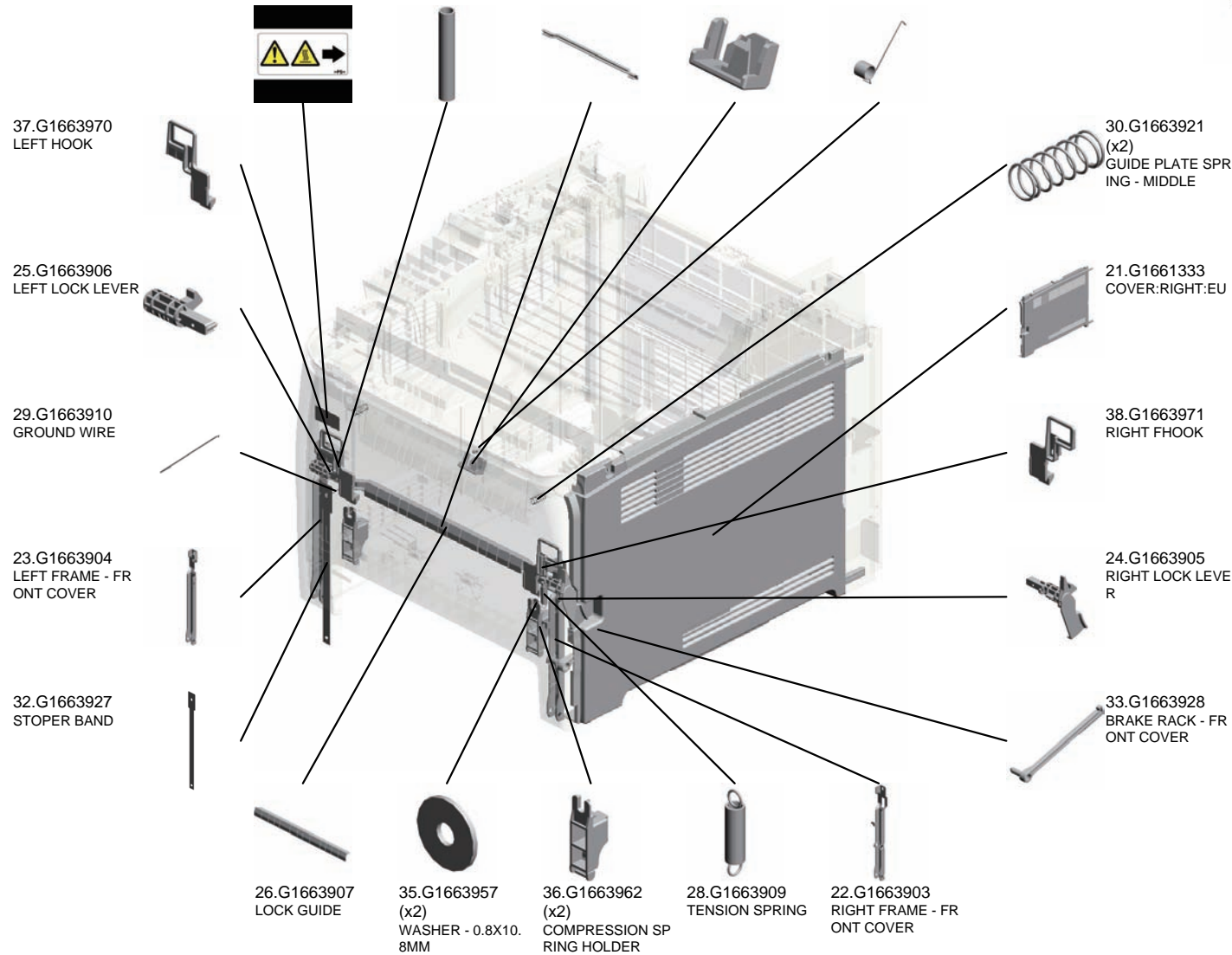
9.B1251474
RIVET:MM5

6.04524010N
(x5)
BINDING SELF-TA
PPING SCREW:4X
10

U001 EXTERIOR



- 40.G1664464 DECAL:HIGHTEMP
ERATURE
- 39.G1663972 (x2)
COMPRESSION SP
RING - GRIP
- 27.G1663908
LOCK LEVER ARM
- 34.G1663933 STOPPER:FEELER
:PAPER FEED SEN
SOR
- 31.G1663925 TORSION SPRING
- FEELER



U001 EXTERIOR



- 48.G1831065 LEFT SLIDE STOPPER - SCANNER
- 49.G1831066 TORSION SPRING-SLIDE STOPPER
- 42.G1831050 LEFT SLIDE ARM
- 54.G1831071 RIGHT ACTUATOR - STOPPER
- 44.G1831052 LEFT TORSION SPRING - ARM

- 50.G1831067 STOPPER PLATE - SCANNER

- 46.G1831060 SEPARATION PLATE - SLIDE

- 47.G1831061 TORSION SPRING - SEPARATION PLATE

- 56.G1831082 ARM - LOCK LEVEL

- 58.G1831088 TENSION SPRING - LOCK ARM

- 41.G1664606 (x2) DUPLEX ROLLER

- 57.G1831085 BRACKET:ARM:PEEN

- 59.G1831090 GROUND PLATE: SUPPORTING PLATE:LEFT

- 53.G1831070 UPPER SUPPORTING PLATE - COVER

- 55.G1831072 WIRE - SCANNER LOCK

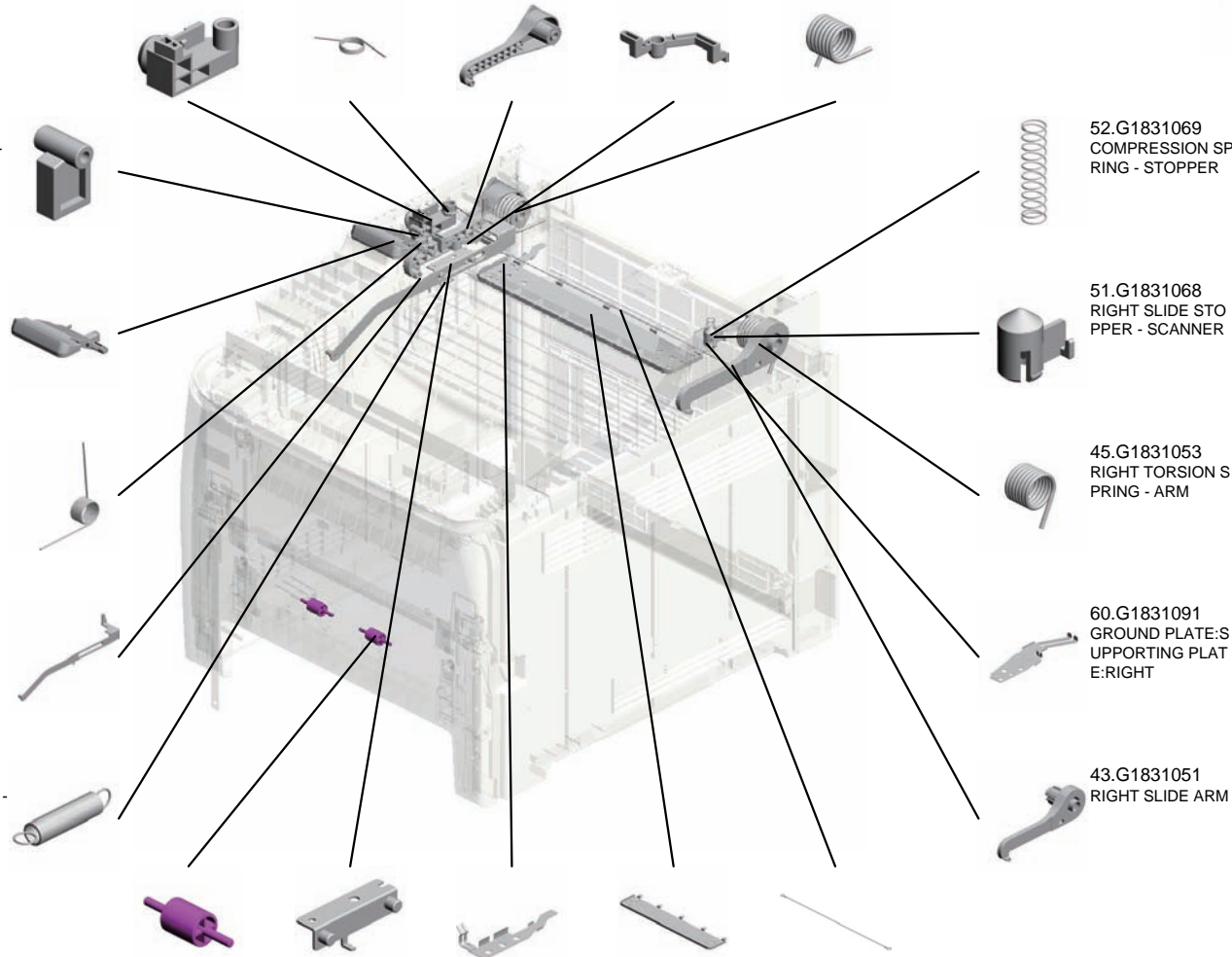
- 52.G1831069 COMPRESSION SPRING - STOPPER

- 51.G1831068 RIGHT SLIDE STOPPER - SCANNER

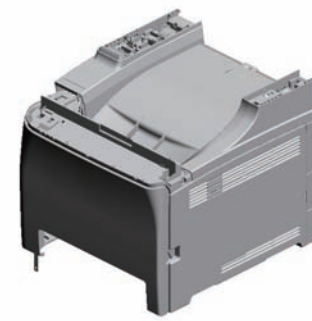
- 45.G1831053 RIGHT TORSION SPRING - ARM

- 60.G1831091 GROUND PLATE: SUPPORTING PLATE:RIGHT

- 43.G1831051 RIGHT SLIDE ARM



U001 EXTERIOR



- 80.M1001056 HINGE:TORQUE LIMITER
- 66.G1831834 LEFT GROUND PLATE - SCANNER
- 67.M0185757 HARNESS COVER SHEET:ADF
- 63.G1831252 LEFT HARNESS COVER - SCANNER

81.M1001277 COVER:PAPER EXIT SUB-UNIT

76.M0963912 HOLDER:GUIDE PLATE:REVERSE

79.M0963926 ROLLER:GUIDE:EXIT:MIDDLE

77.M0963923 GUIDE PLATE:EXIT:MIDDLE

82.M1003902 COVER:FRONT

74.M0754607 (x2) SPRING:PRESSURE:DUPLICATE

78.M0963924 FEELER:PAPER FEELER SENSOR

68.M0353974 (x2) COMPRESSION SPRING:HOUSING:TRANSPORT

62.G1831251 RIGHT HARNESS COVER - SCANNER

61.G1831250 UPPER COVER

65.G1831274 REAR COVER - EU

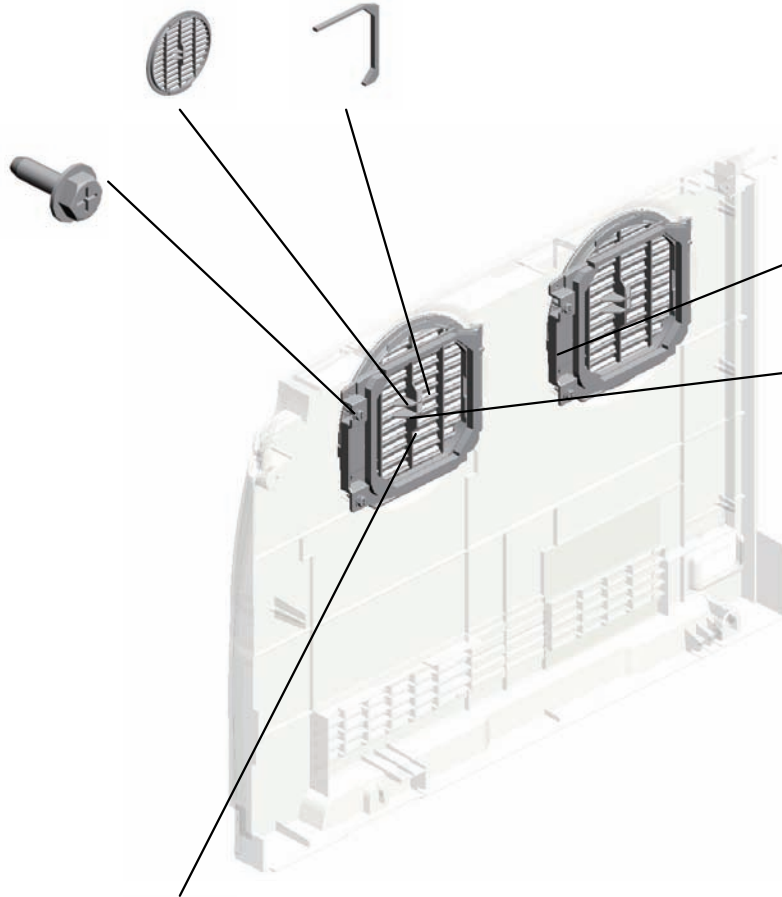
64.G1831258 COVER - INTERFACE

U001_S001
COVER:LEFT:ASS'Y

71.M0751253
(x2)
LOUVER

72.M0751308
(x2)
SEAL:GUIDE:LOUVER:UPPER

3.04503010N
(x4)
TAPPING SCREW - M3X10



73.M0751309
(x2)
SEAL:GUIDE:LOUVER:LOWER

70.M0751252
(x2)
SEAL:STOPPER:LOUVER

69.M0751251
(x2)
GUIDE:LOUVER

75.M0960042
COVER:LEFT:ASS'Y

U001	U002	U003	U004	U005	U006	U007	U008	U009	U010	U011	U012	U013
------	------	------	------	------	------	------	------	------	------	------	------	------

U002.OPERATION

U002_S001
M0991400
OPERATION PANEL:NA:M099
:ASS'Y



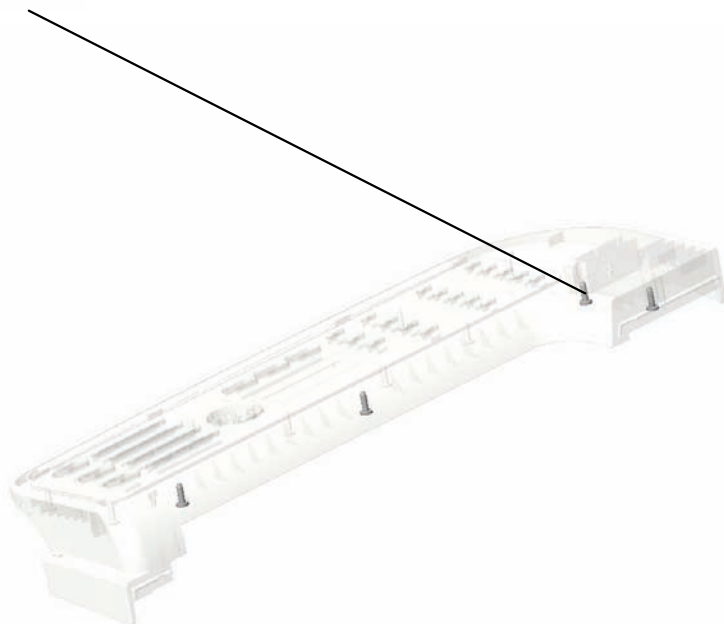
U002_S002
M1001400
OPERATION PANEL:NA:M100
:ASS'Y



U001	U002	U003	U004	U005	U006	U007	U008	U009	U010	U011	U012	U013
------	-------------	------	------	------	------	------	------	------	------	------	------	------

U002 OPERATION

1.04503010N
(x4)
TAPPING SCREW -
M3X10



U002_S001
OPERATION PANEL:NA:M099:ASS'Y

1.04503010N
(x9)
TAPPING SCREW -
M3X10



2.M0991400
OPERATION PANE
L:NA:M099:ASS'Y



4.M1001466
PCB:OPU



U001	U002	U003	U004	U005	U006	U007	U008	U009	U010	U011	U012	U013
------	-------------	------	------	------	------	------	------	------	------	------	------	------

U002_S002
OPERATION PANEL:NA:M100:ASS'Y

1.04503010N
(x9)
TAPPING SCREW -
M3X10



3.M1001400
OPERATION PANE
L:NA:M100:ASS'Y



4.M1001466
PCB:OPU



U001	U002	U003	U004	U005	U006	U007	U008	U009	U010	U011	U012	U013
------	-------------	------	------	------	------	------	------	------	------	------	------	------

U003.ADF

U003_S001
G1831630
ADF:ASS'Y



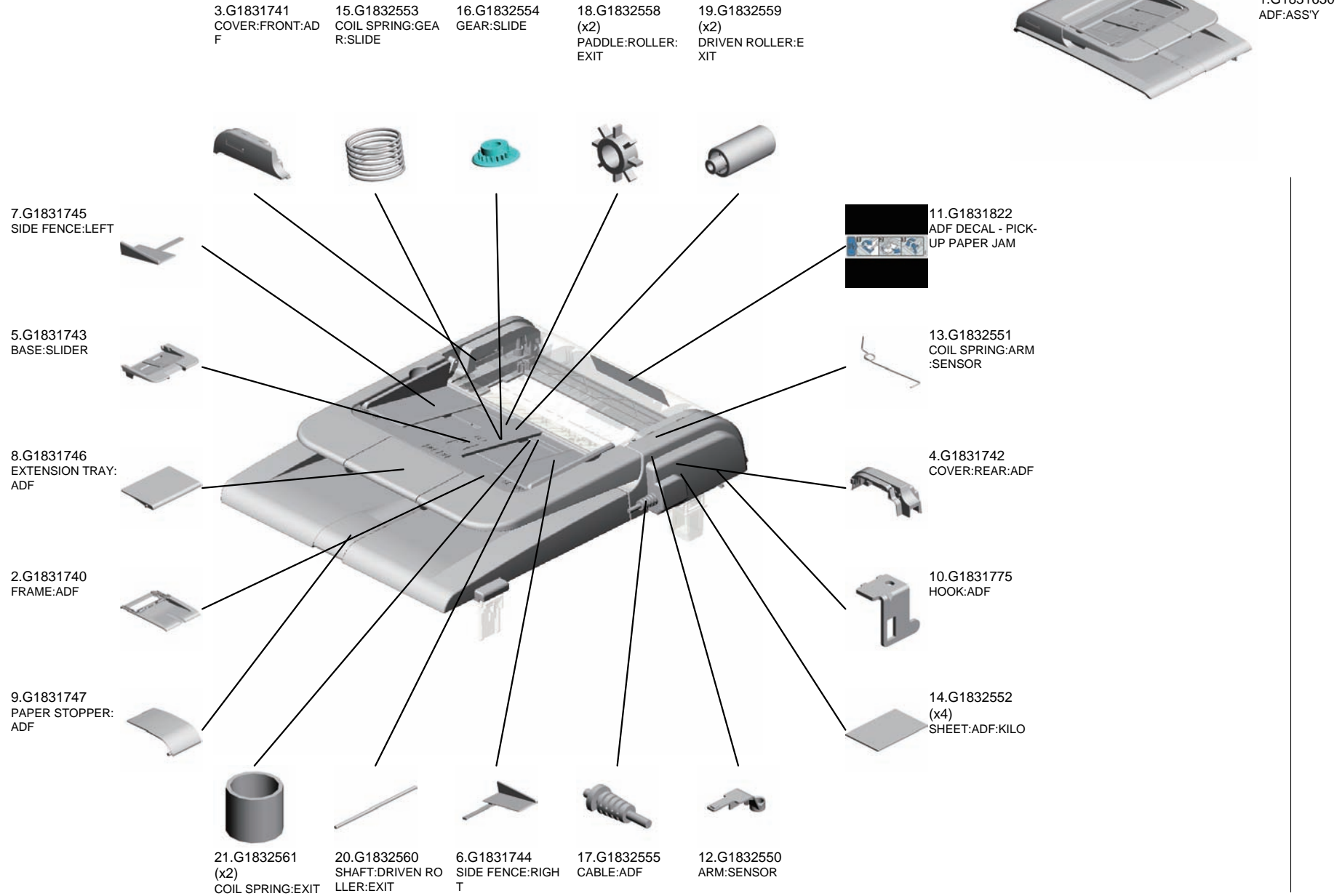
U001	U002	U003	U004	U005	U006	U007	U008	U009	U010	U011	U012	U013
------	------	------	------	------	------	------	------	------	------	------	------	------

U003
ADF

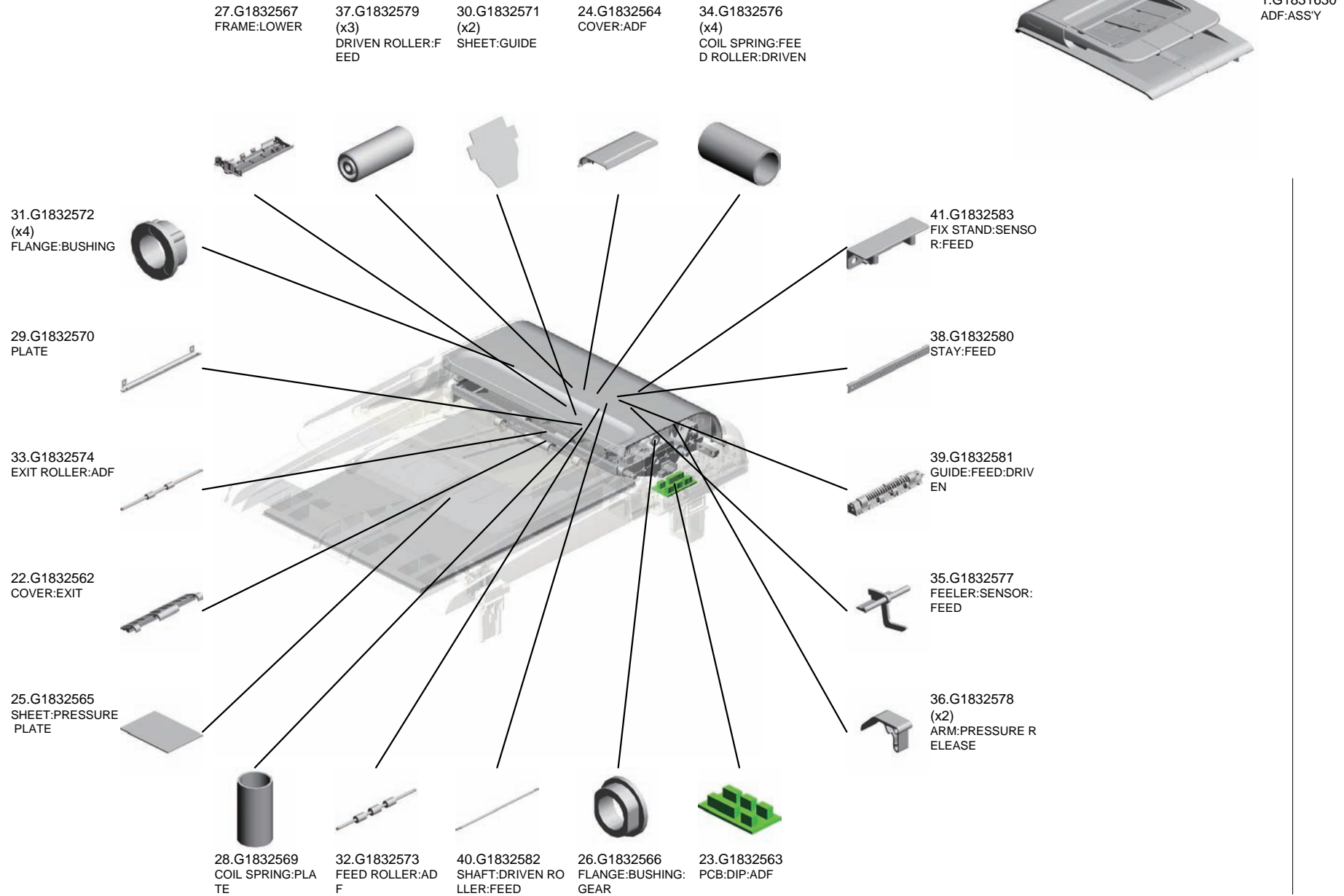


U001	U002	U003	U004	U005	U006	U007	U008	U009	U010	U011	U012	U013
------	------	------	------	------	------	------	------	------	------	------	------	------

U003_S001
ADF:ASS'Y



U003_S001
ADF:ASS'Y



U003_S001
ADF:ASS'Y

56.G1832601 SEPARATION PAD: ADF
 57.G1832602 FRAME:UPPER
 53.G1832598 ROLLER:BACK UP: FEED
 59.G1832604 FEELER:SET SENS OR
 42.G1832585 SHEET:FEELER:FE ED



1.G1831630
ADF:ASS'Y

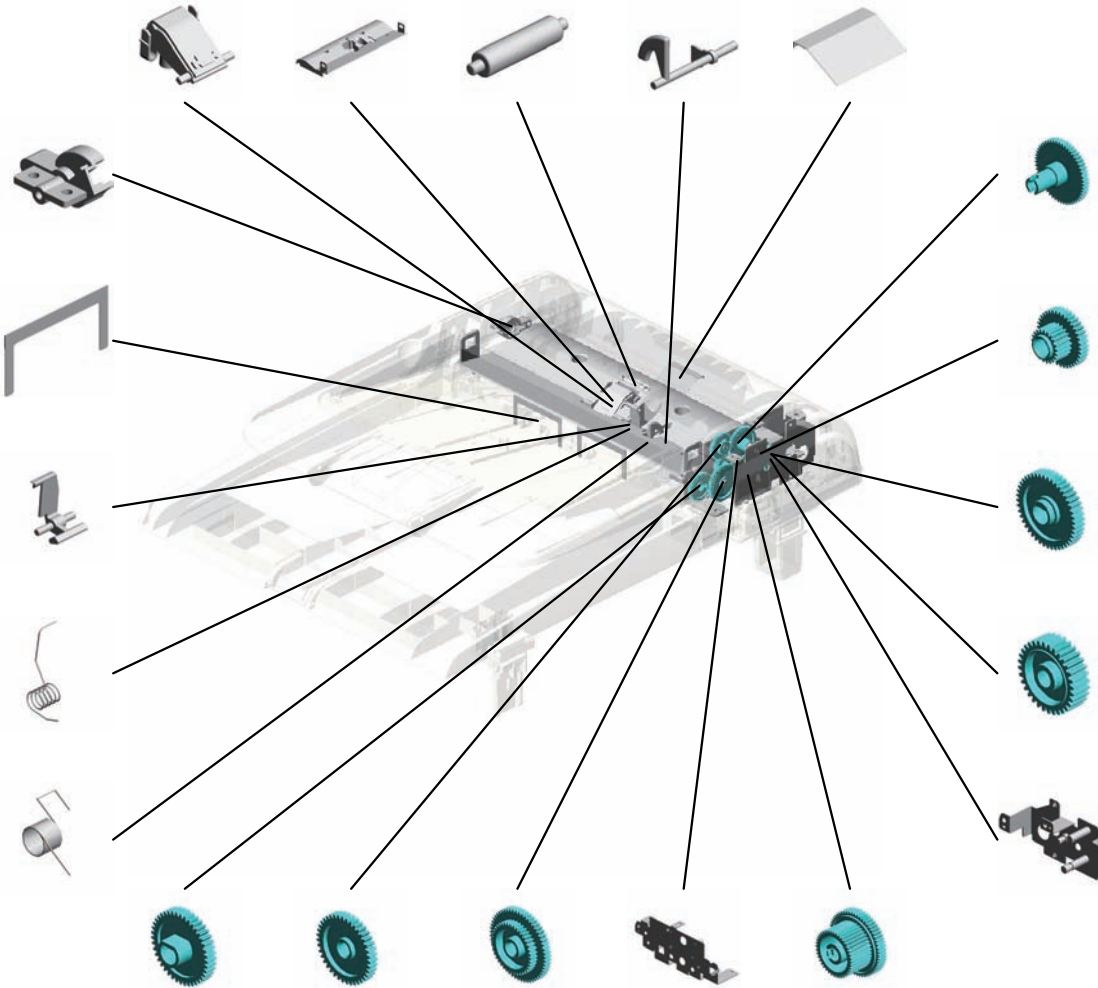
60.G1832605
HOLDER:SEPARAT ION UNIT

61.G1832606
(x2)
SHEET:STOPPER: EXIT

55.G1832600
SHUTTER:PAPER

54.G1832599
COIL SPRING:SHU TTER:PAPER

58.G1832603
COIL SPRING:FEE LER:SET SENSOR



49.G1832592
GEAR:51T

48.G1832591
GEAR:21T37T

44.G1832587
GEAR:FEED:44T

47.G1832590
(x2)
GEAR:MIDDLE:32T

51.G1832594
PLATE:MOTOR

45.G1832588
GEAR:EXIT:41T

46.G1832589
GEAR:20T39T

50.G1832593
GEAR:DRIVE:39T5 5T

43.G1832586
PLATE:REAR

52.G1832595
GEAR:DRIVE:40T5 6T

U003_S001
ADF:ASS'Y

63.G1832608
SEPARATION UNIT
:ADF

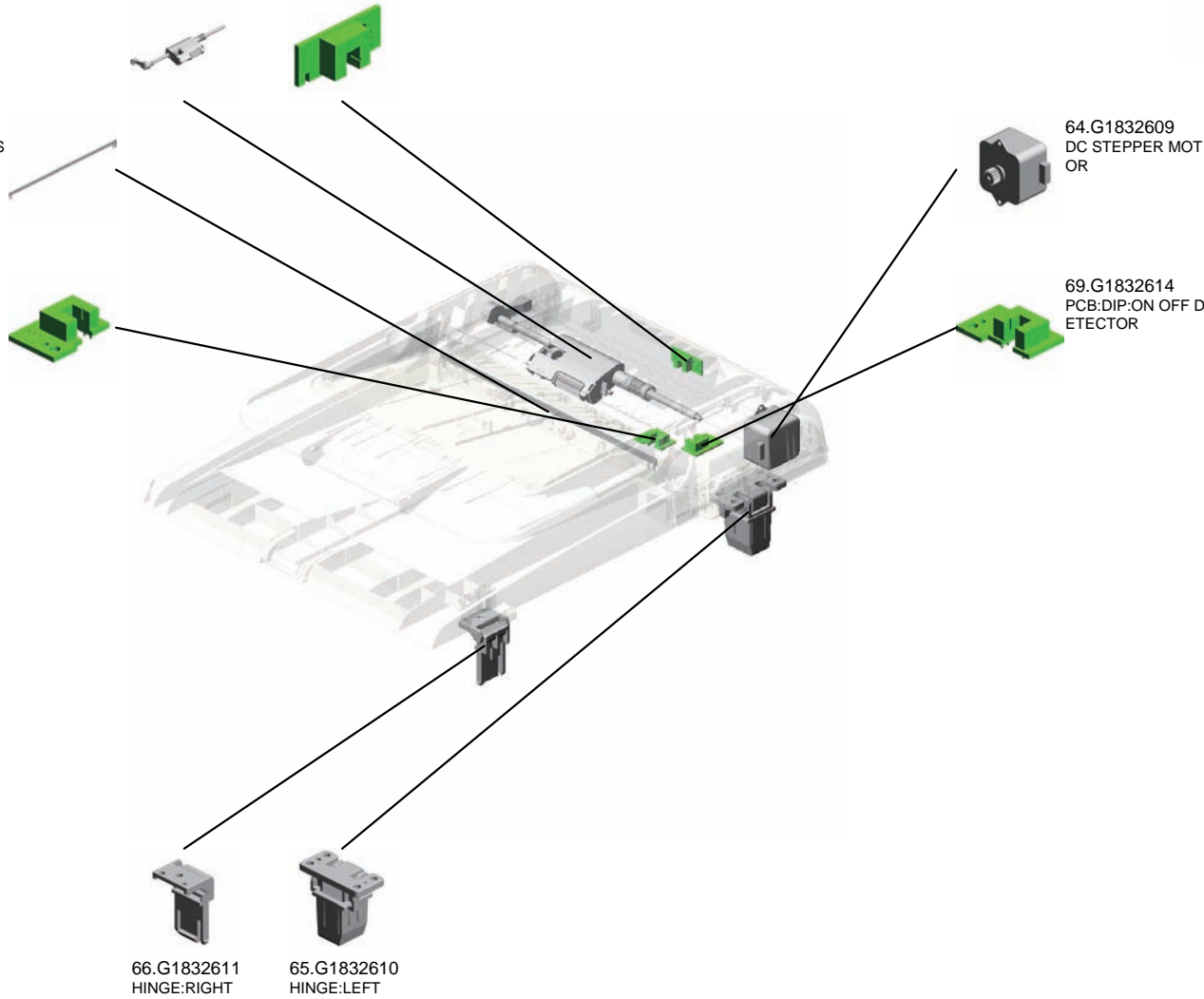
68.G1832613
PCB:DIP:FEED



1.G1831630
ADF:ASS'Y

62.G1832607
DISCHARGE BRUS
H:EXIT

67.G1832612
PCB:DIP:SET SEN
SOR



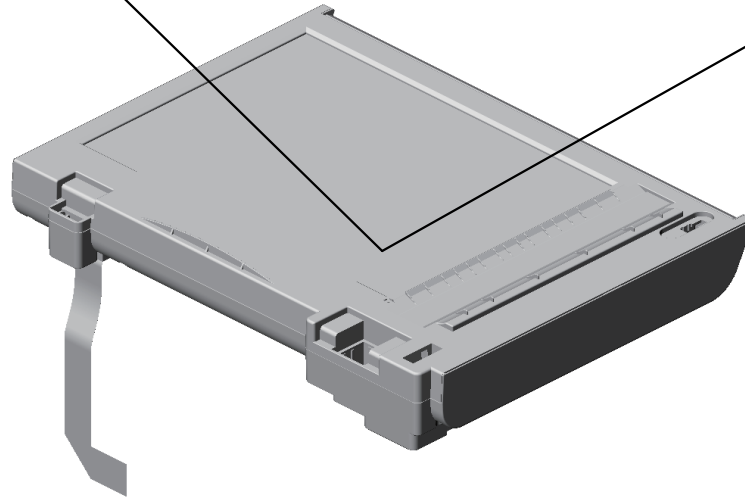
U001	U002	U003	U004	U005	U006	U007	U008	U009	U010	U011	U012	U013
------	------	------	------	------	------	------	------	------	------	------	------	------

U004.SCANNER

U004_S001
M0991600
SCANNER:ASS'Y

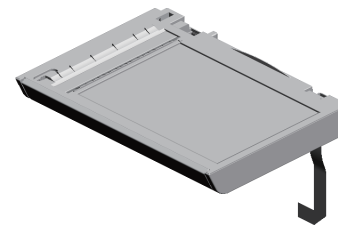


U004_S002
M1001600
SCANNER:ASS'Y



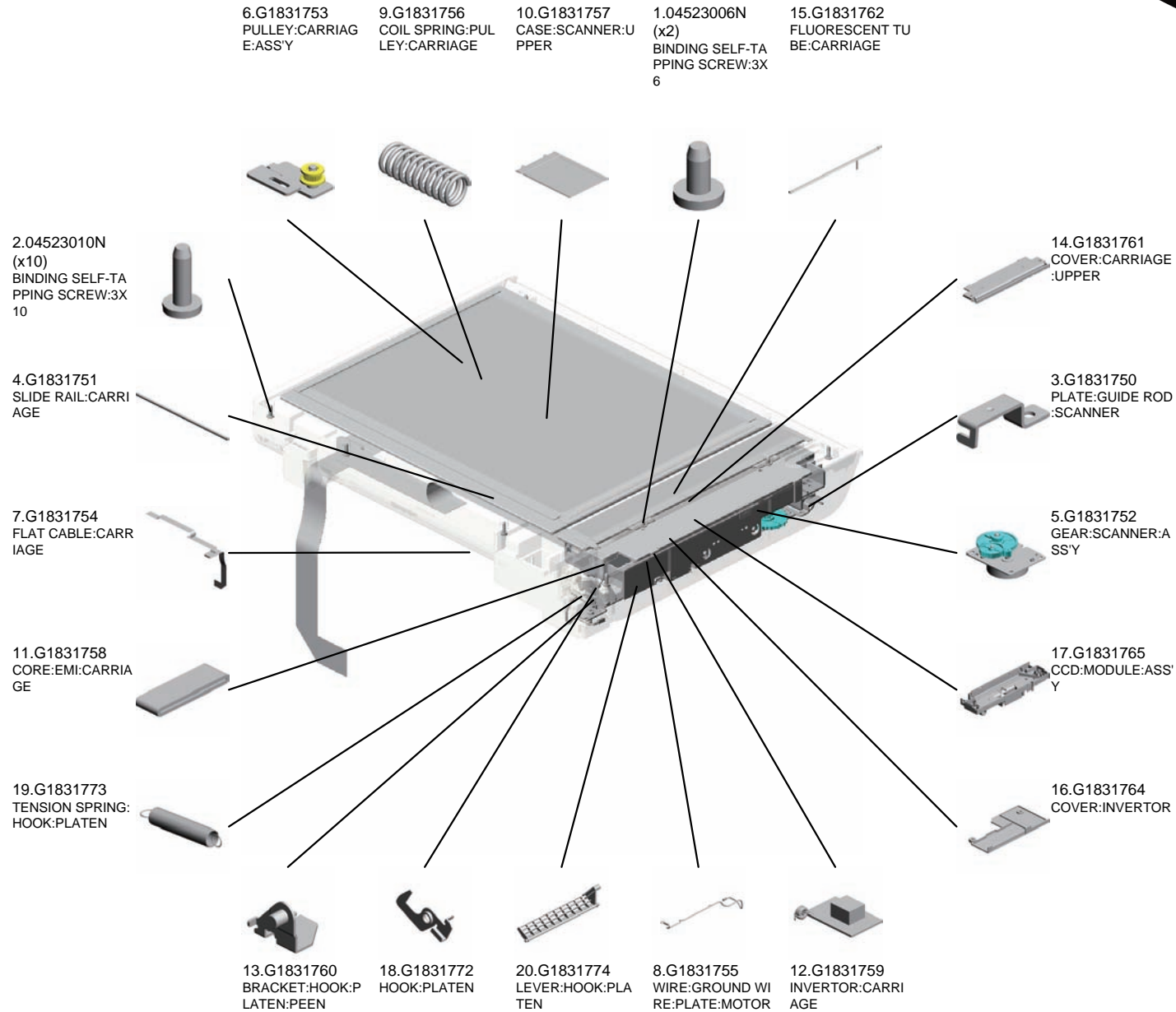
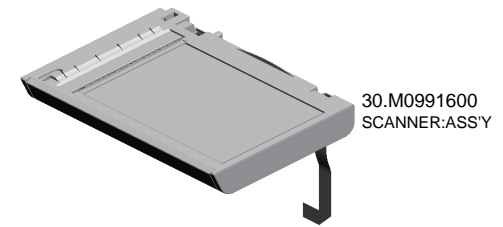
U001	U002	U003	U004	U005	U006	U007	U008	U009	U010	U011	U012	U013
------	------	------	------	------	------	------	------	------	------	------	------	------

U004
SCANNER



U001	U002	U003	U004	U005	U006	U007	U008	U009	U010	U011	U012	U013
------	------	------	------	------	------	------	------	------	------	------	------	------

U004_S001
SCANNER:ASS'Y



30.M0991600
SCANNER:ASS'Y

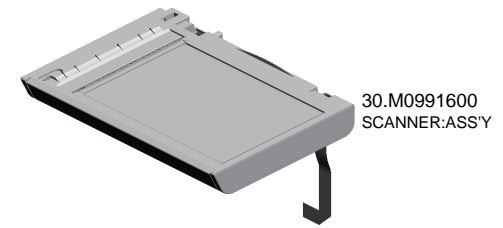
U001	U002	U003	U004	U005	U006	U007	U008	U009	U010	U011	U012	U013
------	------	------	------	------	------	------	------	------	------	------	------	------

U004_S001
SCANNER:ASS'Y

26.G1831821
CASE:SCANNER:L
OWER

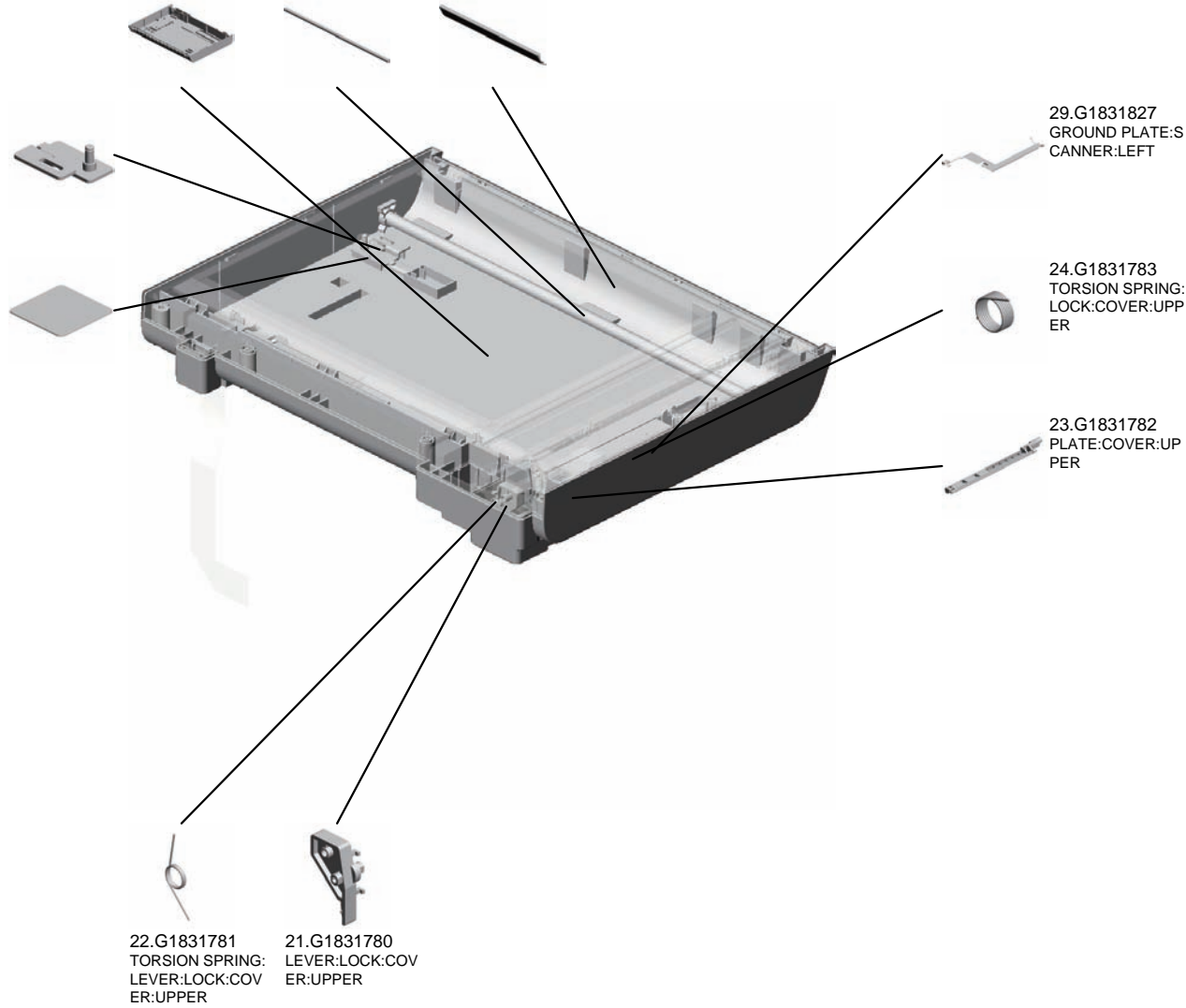
27.G1831824
GUIDE ROD:SCAN
NER

31.M0991826
COVER:SCANNER:
FRONT



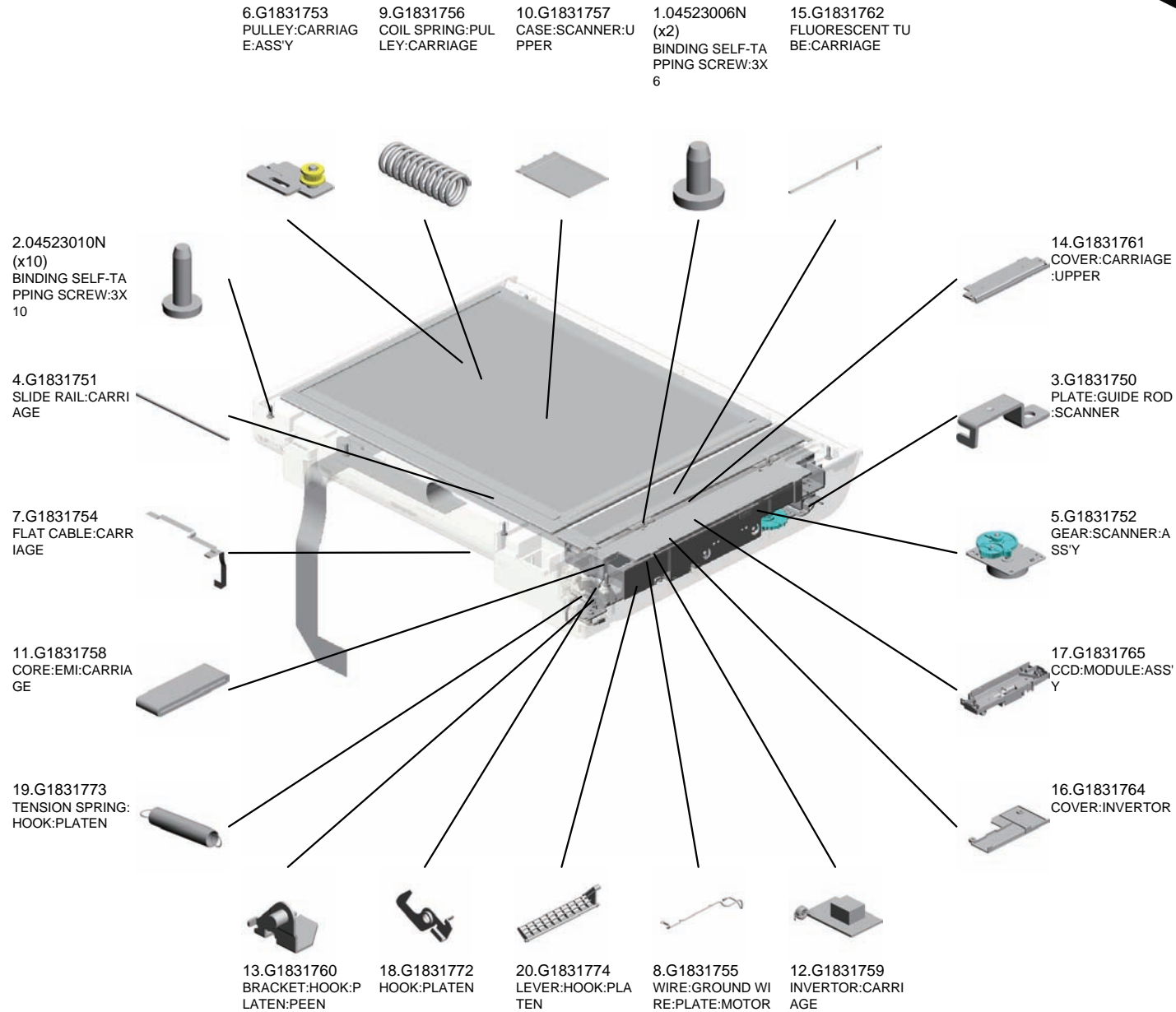
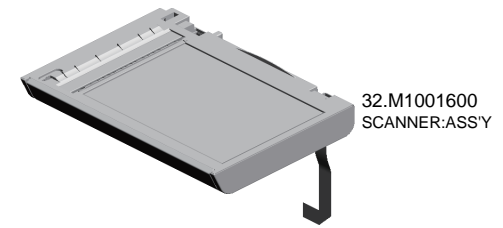
28.G1831825
PLATE:STUD:IDLE
R

25.G1831784
SHEET:SCANNER



U001	U002	U003	U004	U005	U006	U007	U008	U009	U010	U011	U012	U013
------	------	------	------	------	------	------	------	------	------	------	------	------

U004_S002
SCANNER:ASS'Y



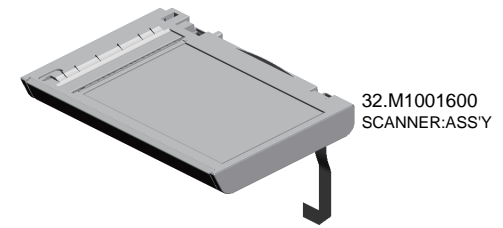
U001	U002	U003	U004	U005	U006	U007	U008	U009	U010	U011	U012	U013
------	------	------	------	------	------	------	------	------	------	------	------	------

U004_S002
SCANNER:ASS'Y

26.G1831821
CASE:SCANNER:LOWER

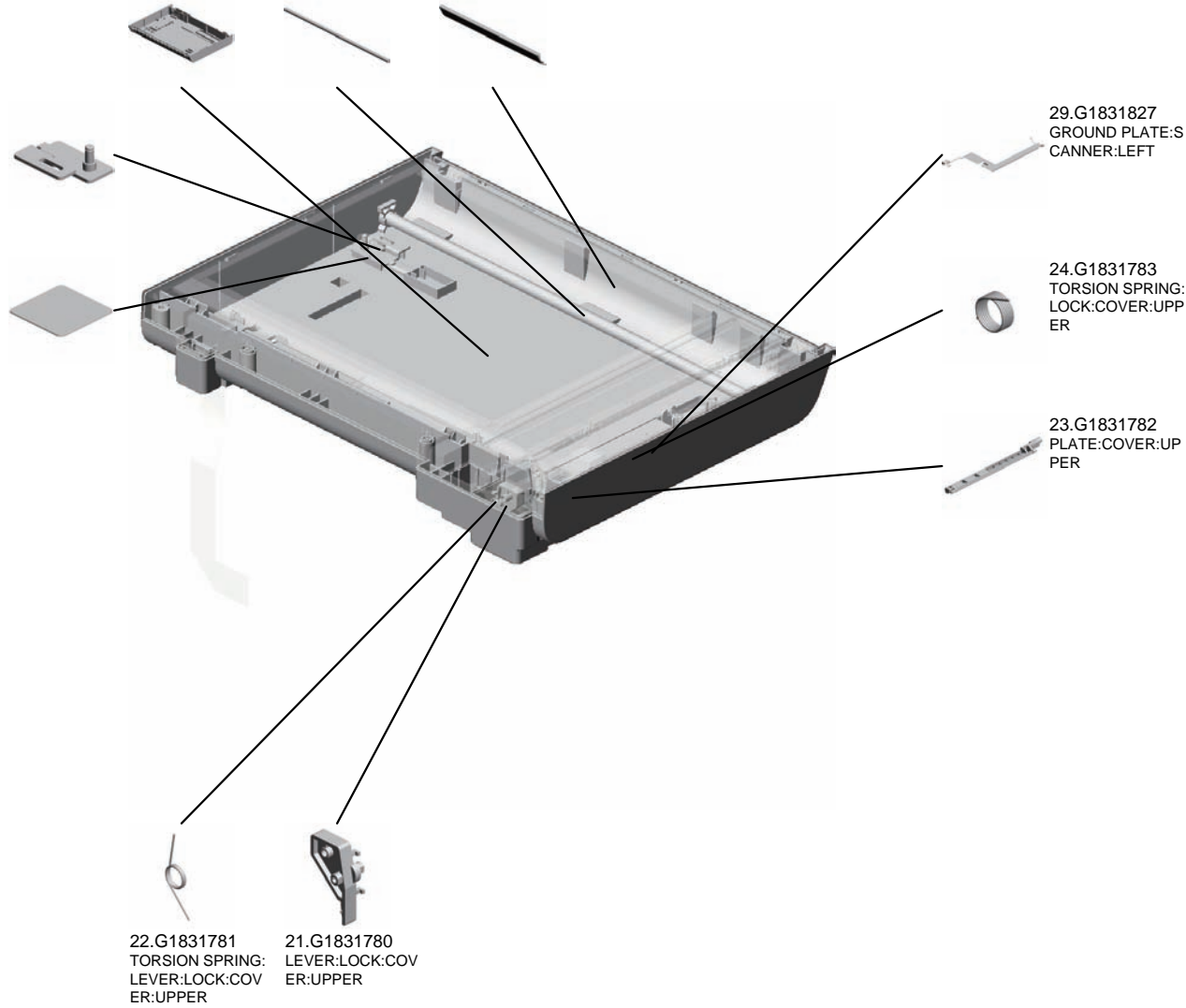
27.G1831824
GUIDE ROD:SCANNER

33.M1001826
COVER:SCANNER:FRONT



28.G1831825
PLATE:STUD:IDLER

25.G1831784
SHEET:SCANNER



29.G1831827
GROUND PLATE:SCANNER:LEFT

24.G1831783
TORSION SPRING:LOCK:COVER:UPPER

23.G1831782
PLATE:COVER:UPPER

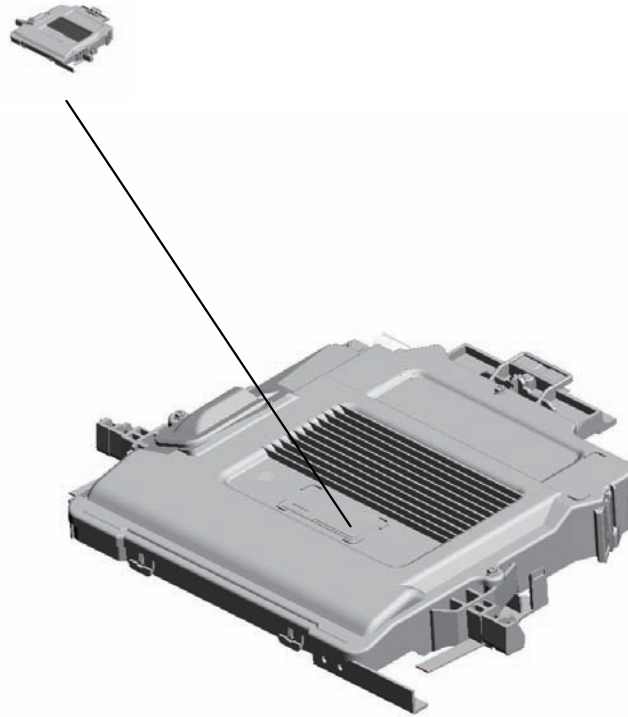
22.G1831781
TORSION SPRING:LEVER:LOCK:COVER:UPPER

21.G1831780
LEVER:LOCK:COVER:UPPER

U001	U002	U003	U004	U005	U006	U007	U008	U009	U010	U011	U012	U013
------	------	------	------	------	------	------	------	------	------	------	------	------

U005.LASER UNIT

U005_S001
M0931851
IMAGING UNIT:ASS'Y



U001	U002	U003	U004	U005	U006	U007	U008	U009	U010	U011	U012	U013
------	------	------	------	------	------	------	------	------	------	------	------	------

U005
LASER UNIT



U001	U002	U003	U004	U005	U006	U007	U008	U009	U010	U011	U012	U013
------	------	------	------	------	------	------	------	------	------	------	------	------

U005_S001
IMAGING UNIT:ASS'Y

1.04503008N
(x3)
TAPPING SCREW -
M3X8



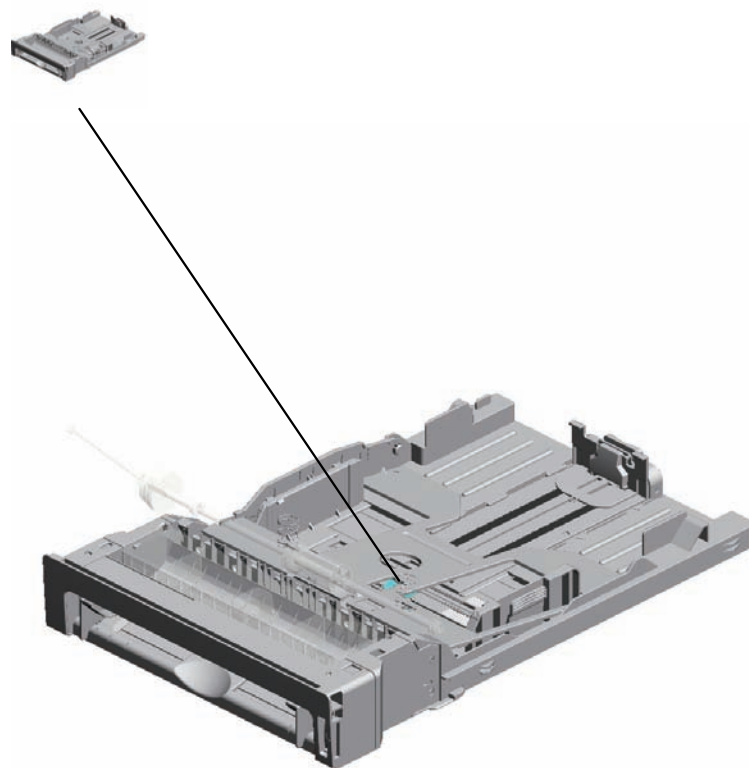
2.M0931851
IMAGING UNIT:AS
S'Y



U001	U002	U003	U004	U005	U006	U007	U008	U009	U010	U011	U012	U013
------	------	------	------	------	------	------	------	------	------	------	------	------

U006.PAPER TRAY

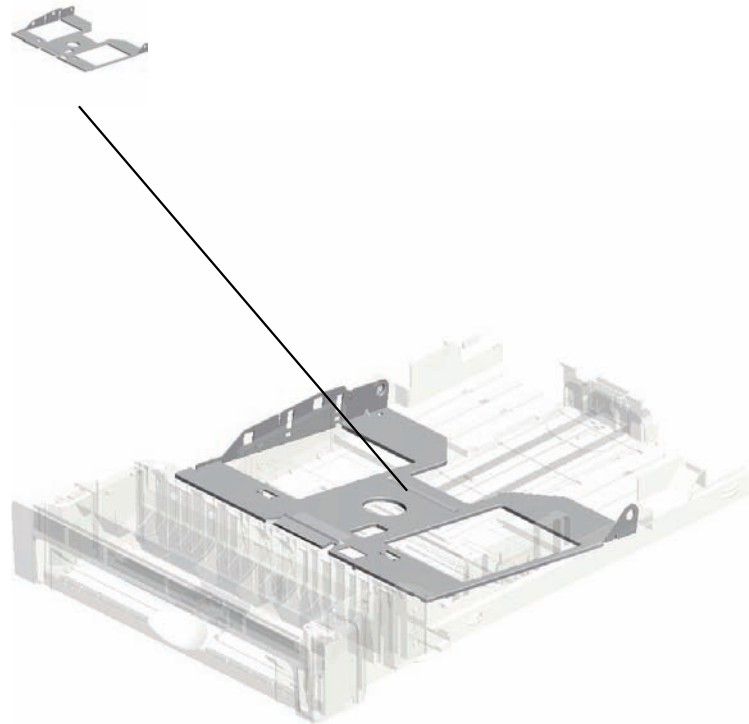
U006_S001
M0962550
PAPER TRAY:ASSY



U001	U002	U003	U004	U005	U006	U007	U008	U009	U010	U011	U012	U013
------	------	------	------	------	-------------	------	------	------	------	------	------	------

U006_S001.PAPER TRAY:ASS'Y

U006_S001_S001
M0182562
BASE:ADHESION

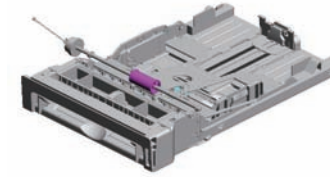


U001	U002	U003	U004	U005	U006	U007	U008	U009	U010	U011	U012	U013
------	------	------	------	------	-------------	------	------	------	------	------	------	------

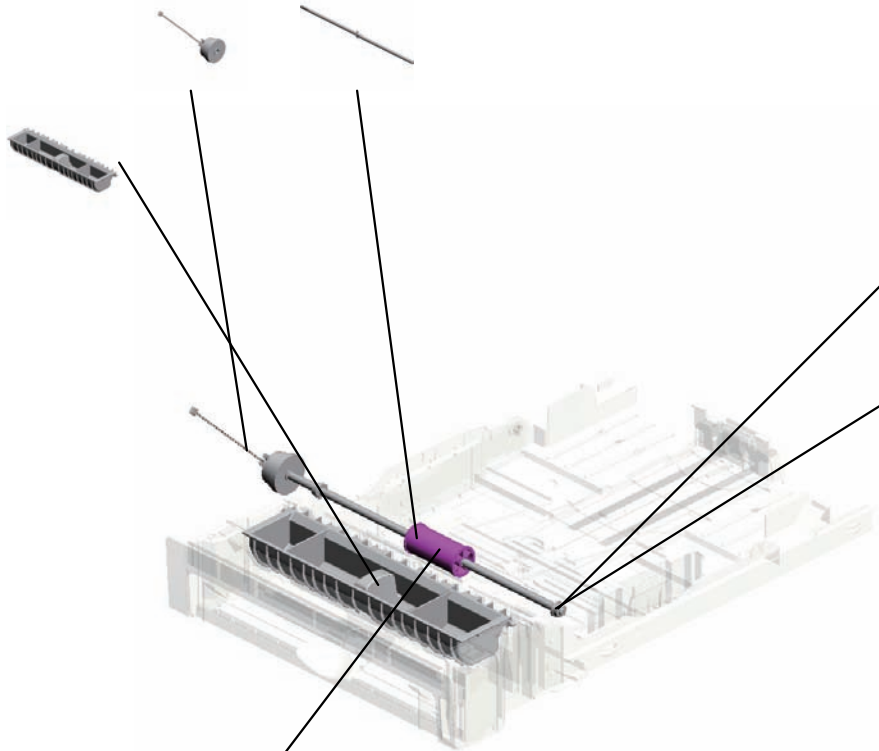
U006 PAPER TRAY

30.GX201123
MAGNETIC CLUTC
H:0.25N

26.G1662580
SHAFT - PAPER FE
ED ROLLER



12.G1662554
DUPLEX GUIDE



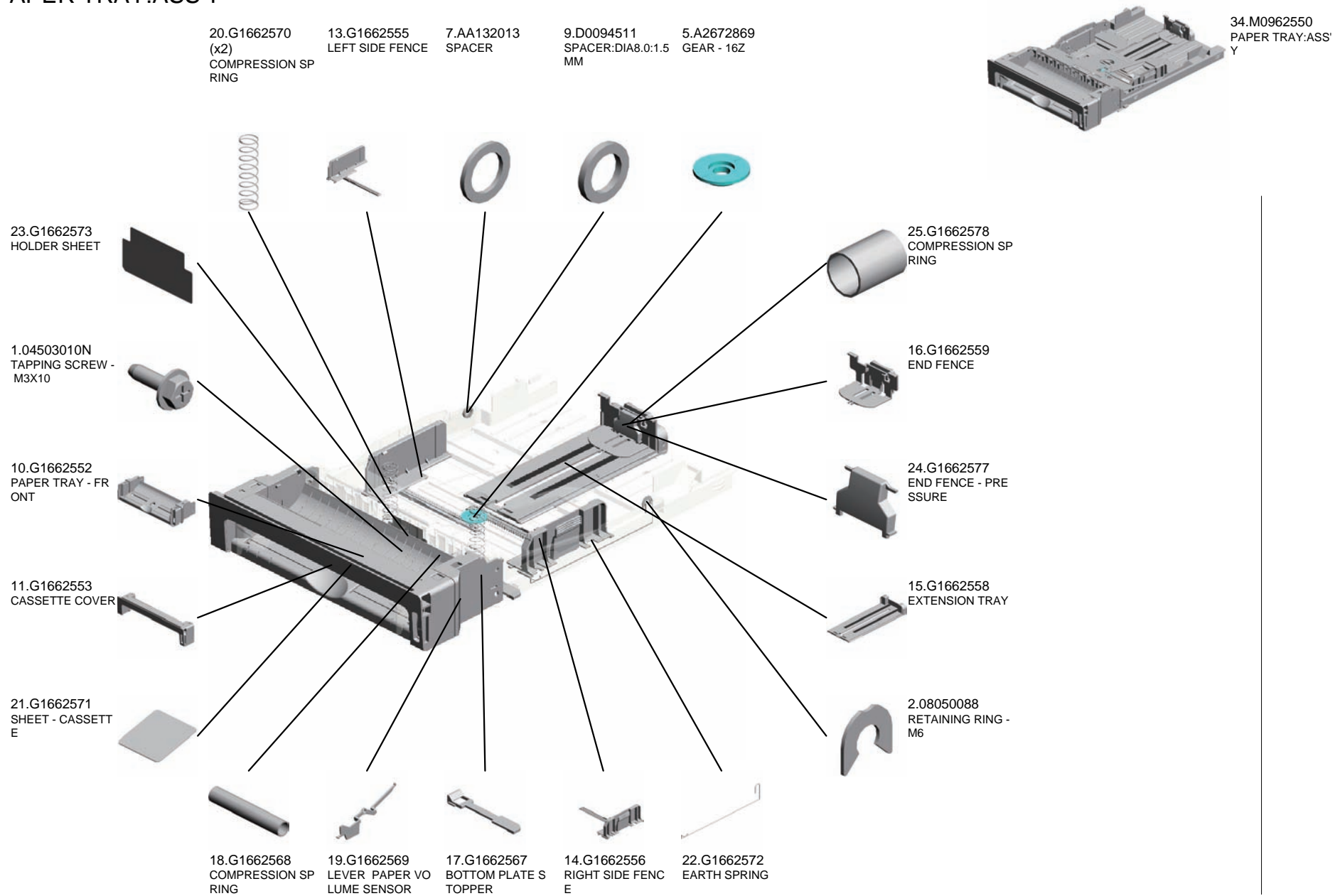
6.AA082101
(x2)
BUSHING - 6X10X6

3.08050089
(x3)
RETAINING RING -
M4

8.AF031061
PAPER FEED ROL
LER

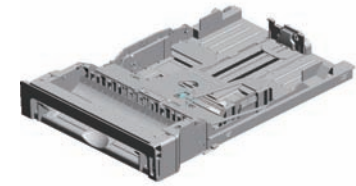
U001	U002	U003	U004	U005	U006	U007	U008	U009	U010	U011	U012	U013
------	------	------	------	------	-------------	------	------	------	------	------	------	------

U006_S001
PAPER TRAY:ASS'Y



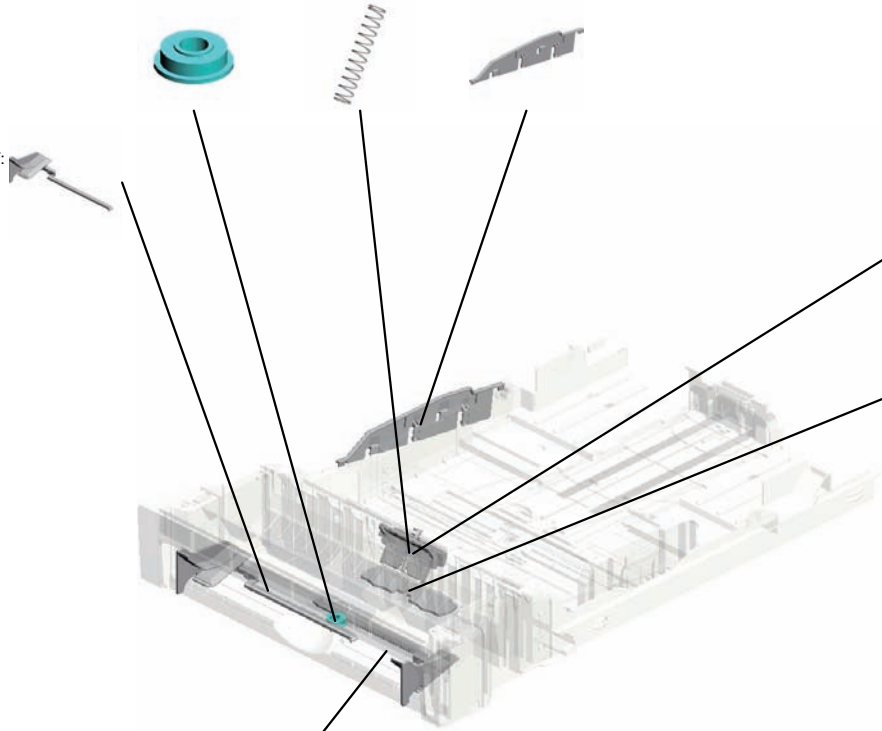
U006_S001
PAPER TRAY:ASS'Y

29.G8003133 28.G1662606 32.M0182608
SIDE FENCE GEAR COMPRESSION SP
RING COVER:BASE



34.M0962550
PAPER TRAY:ASS'
Y

35.M0962560
SIDE FENCE:LEFT:
MANUAL FEED



33.M0352620
FRICTION PAD

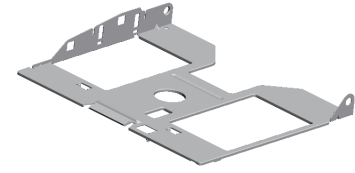
27.G1662589
DAMPING INSULAT
ION

36.M0962561
SIDE FENCE:RIGHT:
MANUAL FEED

U001	U002	U003	U004	U005	U006	U007	U008	U009	U010	U011	U012	U013
------	------	------	------	------	-------------	------	------	------	------	------	------	------

U006_S001_S001
BASE:ADHESION

4.52152713
BOTTOM PLATE P
AD



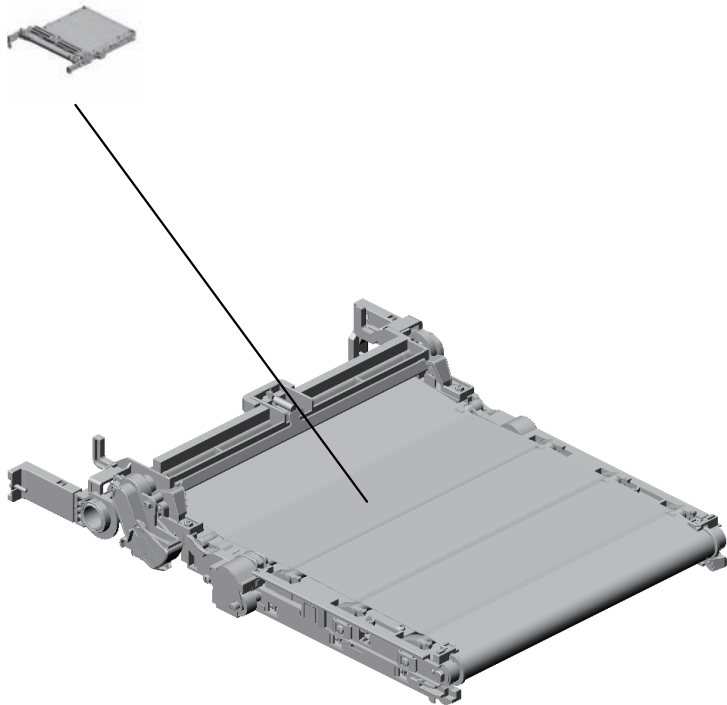
31.M0182562
BASE:ADHESION



U001	U002	U003	U004	U005	U006	U007	U008	U009	U010	U011	U012	U013
------	------	------	------	------	-------------	------	------	------	------	------	------	------

U007.ITB CLEANING

U007_S001
M0966000
INTERMEDIATE TRANSFER
SECTION:ASSY



U001	U002	U003	U004	U005	U006	U007	U008	U009	U010	U011	U012	U013
------	------	------	------	------	------	------	------	------	------	------	------	------

U007
ITB CLEANING



U001	U002	U003	U004	U005	U006	U007	U008	U009	U010	U011	U012	U013
------	------	------	------	------	------	------	------	------	------	------	------	------

U007_S001

INTERMEDIATE TRANSFER SECTION:ASS'Y

6.G1666194
RIGHT HOLDER - T
TRANSFER BELT U
NIT

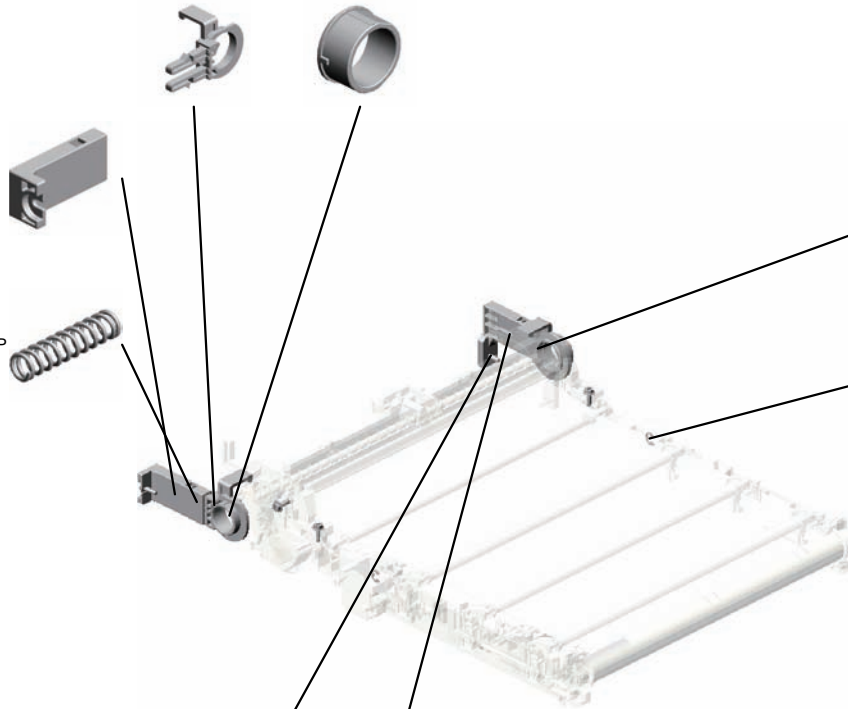
3.G1666026
(x2)
BUSHING - 19MM



9.M0966000
INTERMEDIATE TR
ANSFER SECTION:
ASS'Y

7.G1666196
RIGHT SLIDER - T
TRANSFER BELT U
NIT

4.G1666099
(x2)
COMPRESSION SP
RING



5.G1666193
LEFT HOLDER - TR
ANSFER BELT UNI
T

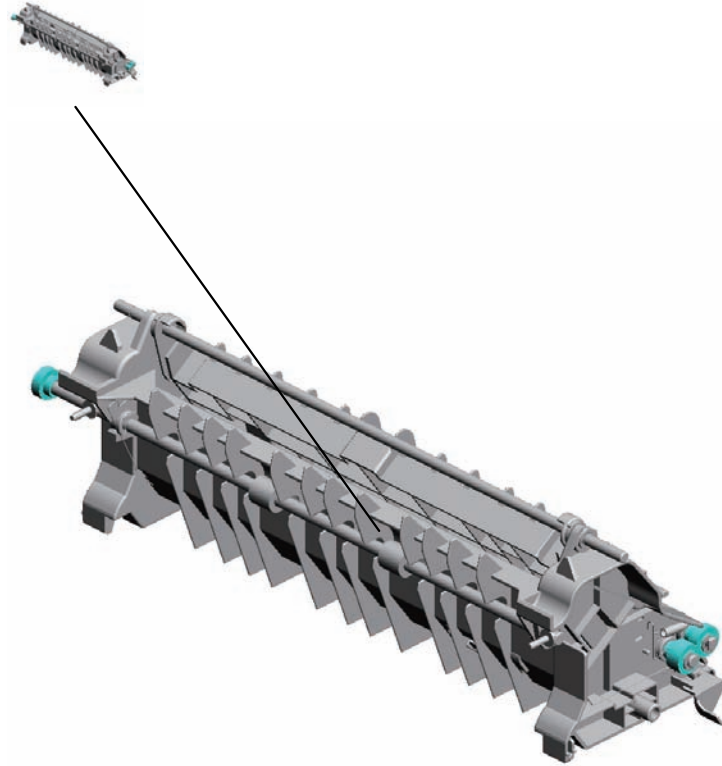
2.07200040E
(x2)
RETAINING RING -
M4

1.04503010N
(x5)
TAPPING SCREW -
M3X10

8.G1666197
LEFT SLIDER - TR
ANSFER BELT UNI
T

U008.PAPER TRANSPORT

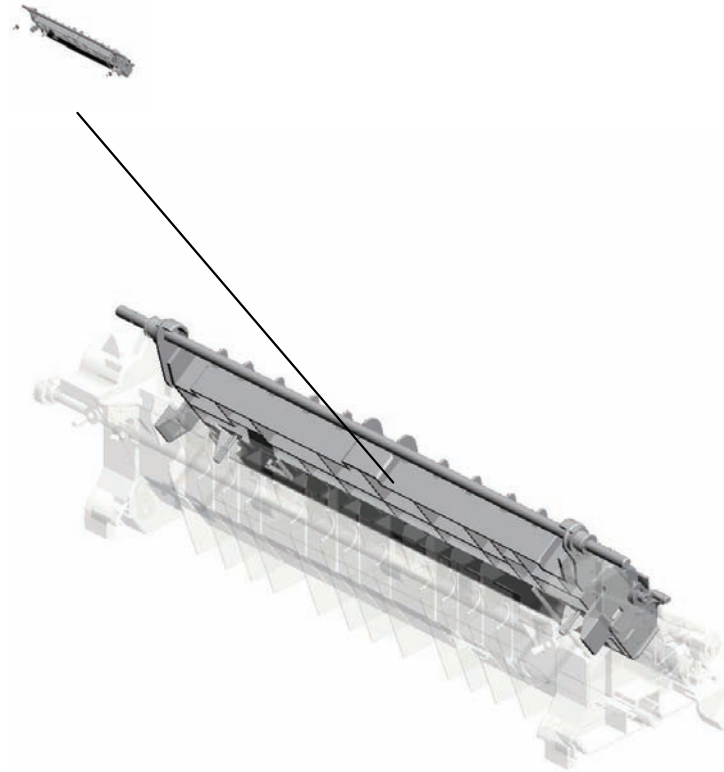
U008_S001
M0963800
HOUSING:TRANSPORT SUB-
UNIT:ASS'Y



U001	U002	U003	U004	U005	U006	U007	U008	U009	U010	U011	U012	U013
------	------	------	------	------	------	------	-------------	------	------	------	------	------

U008_S001.HOUSING:TRANSPORT SUB-UNIT:ASS'Y

U008_S001_S001
M0966200
TRANSFER ROLLER:SUB-AS
S'Y



U001	U002	U003	U004	U005	U006	U007	U008	U009	U010	U011	U012	U013
------	------	------	------	------	------	------	-------------	------	------	------	------	------

U008
PAPER TRANSPORT



U001	U002	U003	U004	U005	U006	U007	U008	U009	U010	U011	U012	U013
------	------	------	------	------	------	------	------	------	------	------	------	------

U008_S001
HOUSING:TRANSPORT SUB-UNIT:ASS'Y



23.M0963800
HOUSING:TRANSPORT SUB-UNIT:ASSY

16.G1663983 SPACER:GROUND PLATE:TRANSPORT
10.G1663865 (x2) GEAR - 14Z
2.07200040E (x5) RETAINING RING - M4
19.GA082015 (x6) PLAIN SHAFT BEARING:RING:DIA6:DIA9:7
8.G1663862 (x2) GUIDE SHEET - REGISTRATION

20.GB011133 GEAR - 15Z

1.04503010N (x2) TAPPING SCREW - M3X10

15.G1663968 ELECTRODE PLATE - CONTACT POINT

18.G1663998 GROUND WIRE - DUPLEX

14.G1663967 ELECTRODE PLATE - LINK

17.G1663997 GROUND WIRE:TRANSFER/SEPARATION

9.G1663863 REGISTRATION GUIDE

7.G1663860 TORSION SPRING

3.08050089 (x2) RETAINING RING - M4

12.G1663961 (x2) COMPRESSION SPRING

4.G1663852 REGISTRATION ROLLER - DRIVEN

6.G1663859 REGISTRATION SENSOR FEELER

5.G1663855 (x2) TENSION SPRING

11.G1663867 DRIVE GEAR - 14Z

13.G1663965 GROUND WIRE

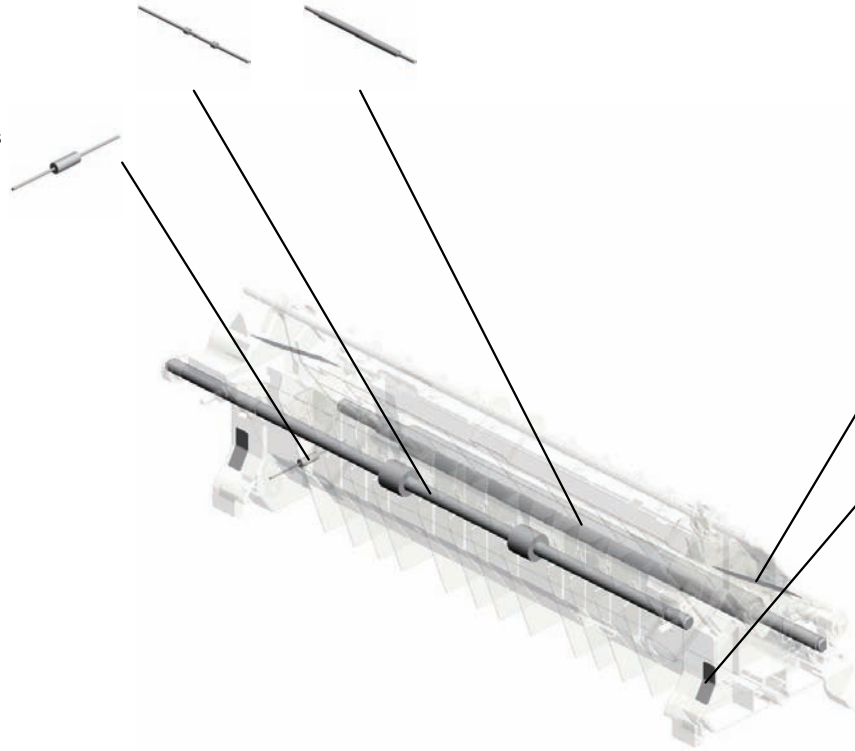
U008_S001
HOUSING:TRANSPORT SUB-UNIT:ASS'Y

22.GF020060 21.GF020000
TRANSPORT ROLL REGISTRATION R
ER:DUPLEX OLLER - DRIVE



23.M0963800
HOUSING:TRANSP
ORT SUB-UNIT:AS
SY

26.M0963989
RESISTOR:TRANS
FER/SEPARATION



24.M0963987
(x2)
DECAL:GRIP:HOU
SING

25.M0963988
(x2)
DECAL:INSERT SU
B-UNIT:TRANSPOR
T UNIT

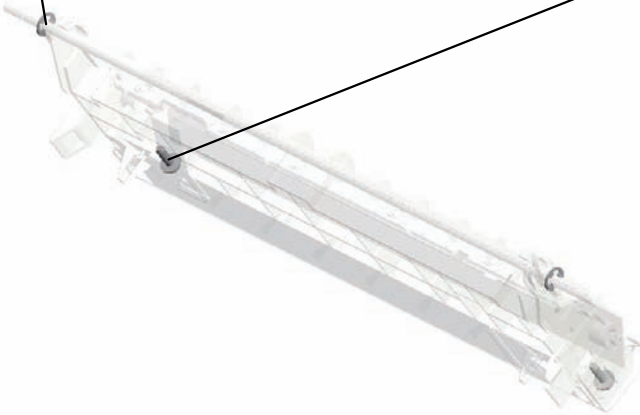
U001	U002	U003	U004	U005	U006	U007	U008	U009	U010	U011	U012	U013
------	------	------	------	------	------	------	------	------	------	------	------	------

U008_S001_S001
TRANSFER ROLLER:SUB-ASS'Y

2.07200040E
(x2)
RETAINING RING -
M4



27.M0966200
TRANSFER ROLLE
R:SUB-ASS'Y

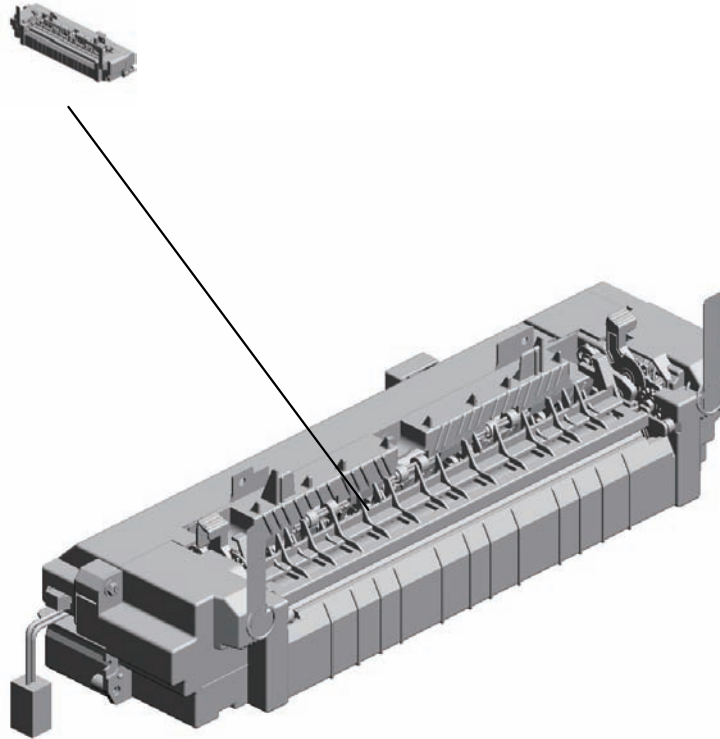


1.04503010N
(x2)
TAPPING SCREW -
M3X10

U001	U002	U003	U004	U005	U006	U007	U008	U009	U010	U011	U012	U013
------	------	------	------	------	------	------	------	------	------	------	------	------

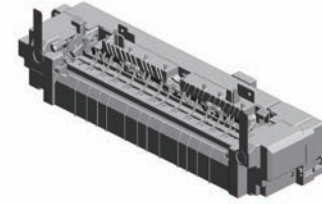
U009.FUSING

U009_S001
M0964017
FUSING UNIT - 120V



U001	U002	U003	U004	U005	U006	U007	U008	U009	U010	U011	U012	U013
------	------	------	------	------	------	------	------	------	------	------	------	------

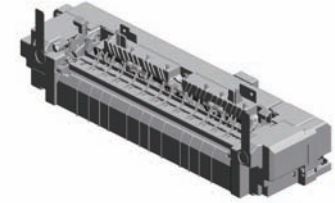
U009
FUSING



U001	U002	U003	U004	U005	U006	U007	U008	U009	U010	U011	U012	U013
------	------	------	------	------	------	------	------	------	------	------	------	------

U009_S001 FUSING UNIT - 120V

14.M0964127 DECAL:FUSING:LE
VER:RIGHT
7.GX450008 HEATER:120V:1000
W
11.M0964111 COVER:FUSING
5.AA143520 SHOULDER SCRE
W - M3



8.M0964017
FUSING UNIT - 120
V

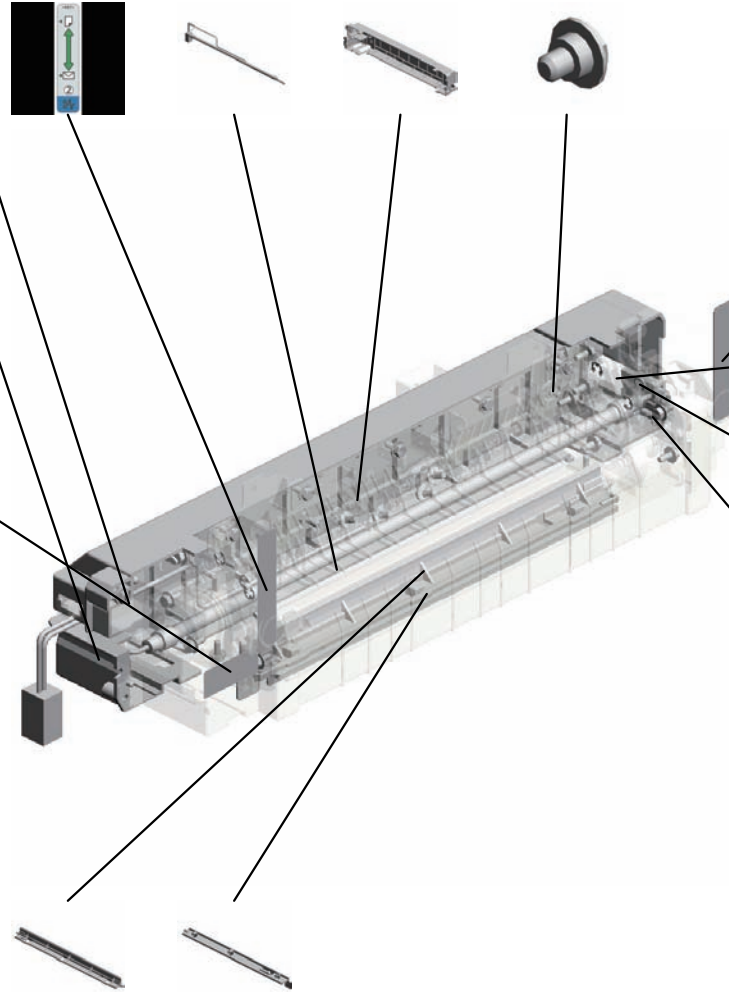
4.08046123
(x31)
HEXAGONAL BOLT
:W/WASHER:M3X8



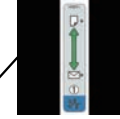
3.07200040E
(x4)
RETAINING RING -
M4



6.G1664310
DECAL:WARNING (HIGH TEMPERATU
RE):1:CUD



13.M0964126
DECAL:FUSING:LE
VER:LEFT



12.M0964117
(x2)
DECAL:FUSING EX
IT:OPEN AND CLO
SE



2.07200030E
(x6)
RETAINING RING -
M3



1.04503010N
(x3)
TAPPING SCREW -
M3X10



9.M0964076
FUSING ENTRANC
E GUIDE PLATE:U
PPER

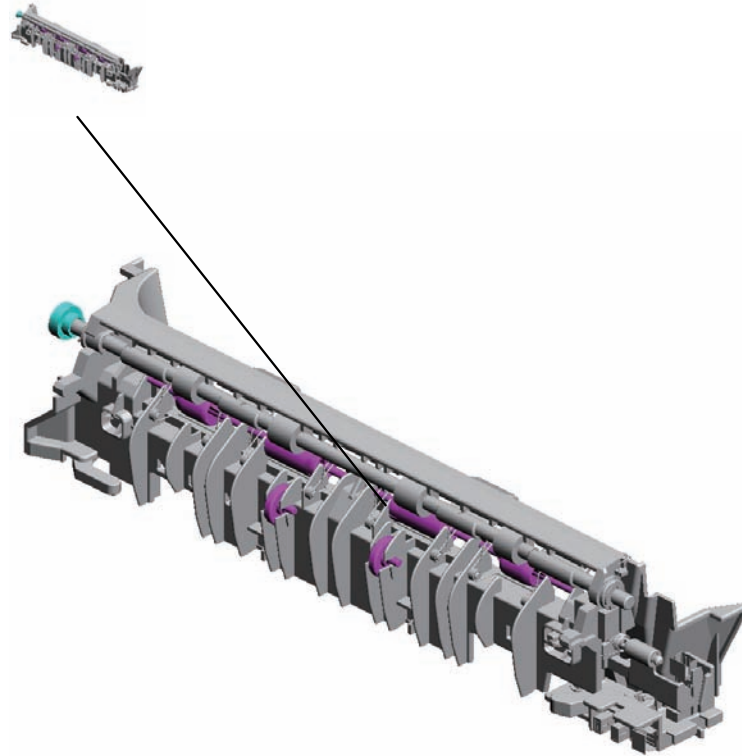
10.M0964077
FUSING ENTRANC
E GUIDE PLATE:LO
WER



U001	U002	U003	U004	U005	U006	U007	U008	U009	U010	U011	U012	U013
------	------	------	------	------	------	------	------	------	------	------	------	------

U010.PAPER EXIT

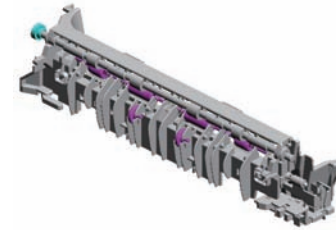
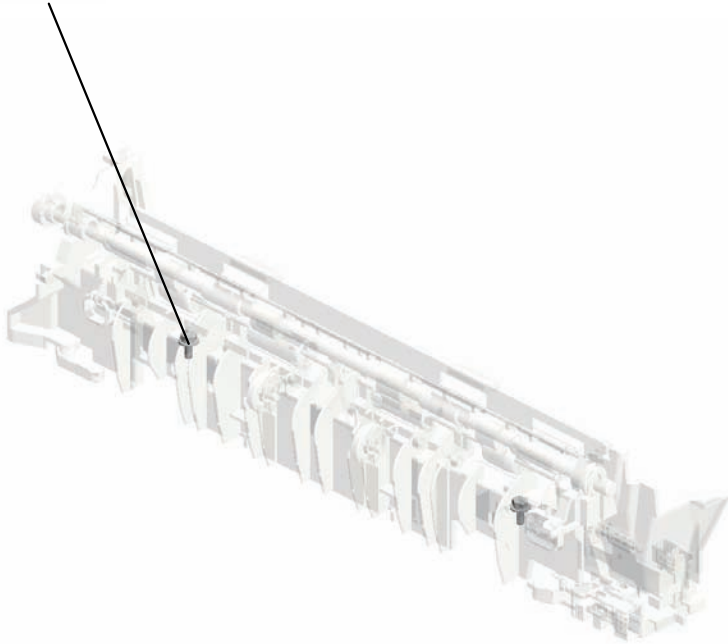
U010_S001
M0964450
GUIDE.EXIT.ASS'Y



U001	U002	U003	U004	U005	U006	U007	U008	U009	U010	U011	U012	U013
------	------	------	------	------	------	------	------	------	------	------	------	------

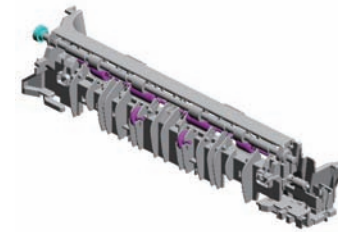
U010
PAPER EXIT

3.08046123
(x2)
HEXAGONAL BOLT
:W/WASHER:M3X8



U001	U002	U003	U004	U005	U006	U007	U008	U009	U010	U011	U012	U013
------	------	------	------	------	------	------	------	------	------	------	------	------

U010_S001 GUIDE:EXIT:ASS'Y



19.M0964450
GUIDE:EXIT:ASS'Y

- 16.M0184459 (x2) ROLLER:DRIVEN:EXIT:OUTER
- 9.G1664456 (x2) GUIDE ROLLER - EXIT
- 15.GF020061 EXIT ROLLER
- 13.GA120011 DISCHARGE BRUSH EXIT
- 10.G1664457 (x2) DRIVEN ROLLER - EXIT

2.07200040E
RETAINING RING - M4

14.GB011133
GEAR - 15Z

12.GA082014 (x2)
PLAIN SHAFT BEARING RING: DIA6: DIA10: 9

1.04503010N (x2)
TAPPING SCREW - M3X10

8.G1663957 (x2)
WASHER - 0.8X10.8MM

18.M0963994
RESISTOR: EARTH: EXIT: DISCHARGE SECTION

21.M0964456
GROUND PLATE: EXIT: 2

3.08046123
HEXAGONAL BOLT: W/ WASHER: M3X8

6.AW020198 (x2)
PHOTO INTERRUPTOR: LG2A14NL1

7.G1022789 (x2)
STOPPER: PHOTO INTERRUPTOR

11.G1664463 (x2)
EXIT GUIDE PLATE

17.M0184464 (x2)
GUIDE: PLATE: EXIT: OUTER

4.08050089 (x2)
RETAINING RING - M4

20.M0964455
GROUND PLATE: EXIT: 1

5.08050092
RETAINING RING - 3M

U001	U002	U003	U004	U005	U006	U007	U008	U009	U010	U011	U012	U013
------	------	------	------	------	------	------	------	------	------	------	------	------

U010_S001
GUIDE:EXIT:ASS'Y



19.M0964450
GUIDE:EXIT:ASS'Y

24.M0964460
(x2)
SPRING:PRESSUR
E:EXIT:OUTER

26.M0964462
LINK:SLIDE

22.M0964458
(x2)
SPRING:PRESSUR
E:EXIT:INNER

28.M0964464
COMPRESSION SP
RING

23.M0964459
FEELER:L

29.M0964465
TORSION SPRING:
1

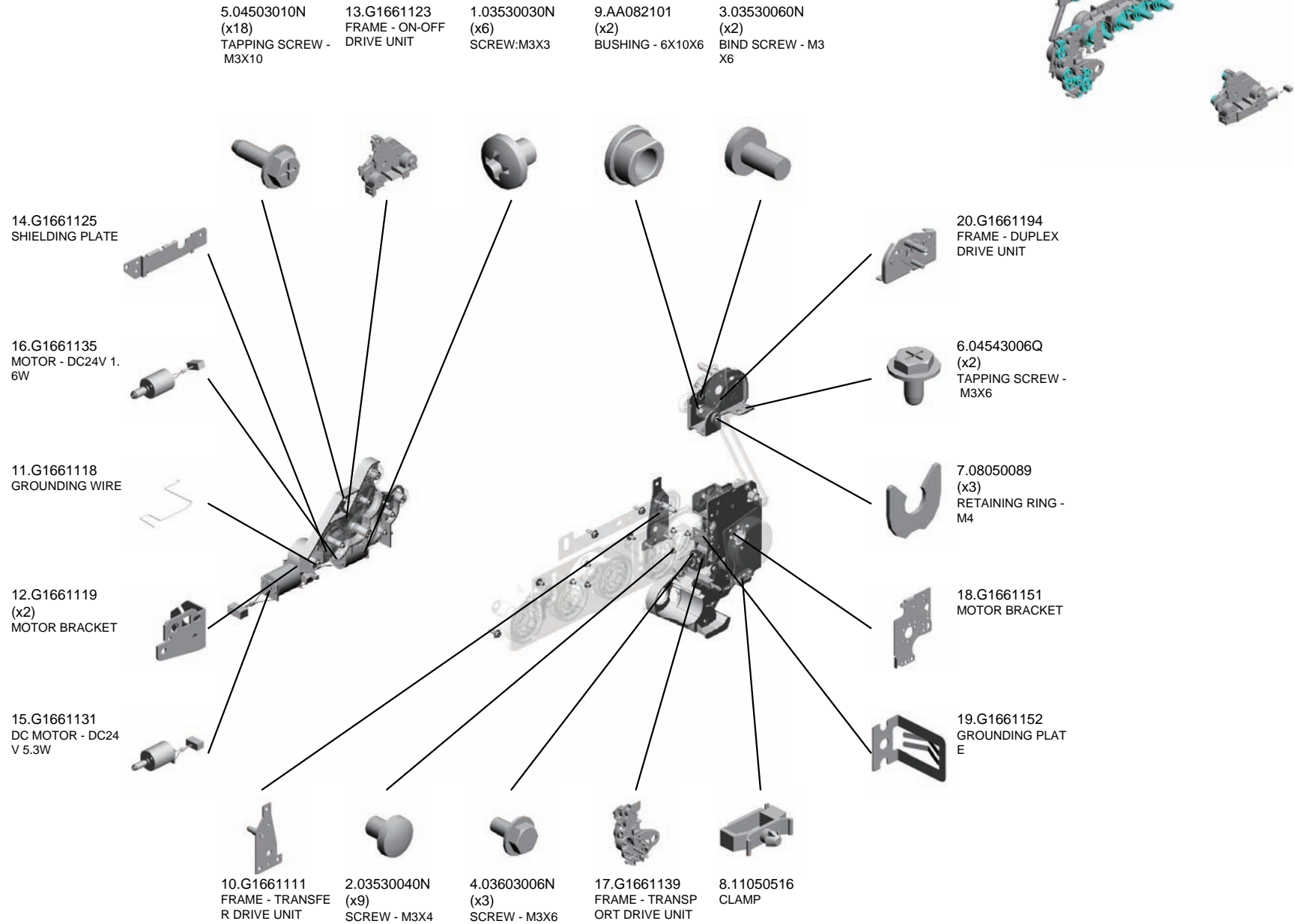
27.M0964463
LINK:TURN

30.M0964466
TORSION SPRING:
2

25.M0964461
FEELER:R

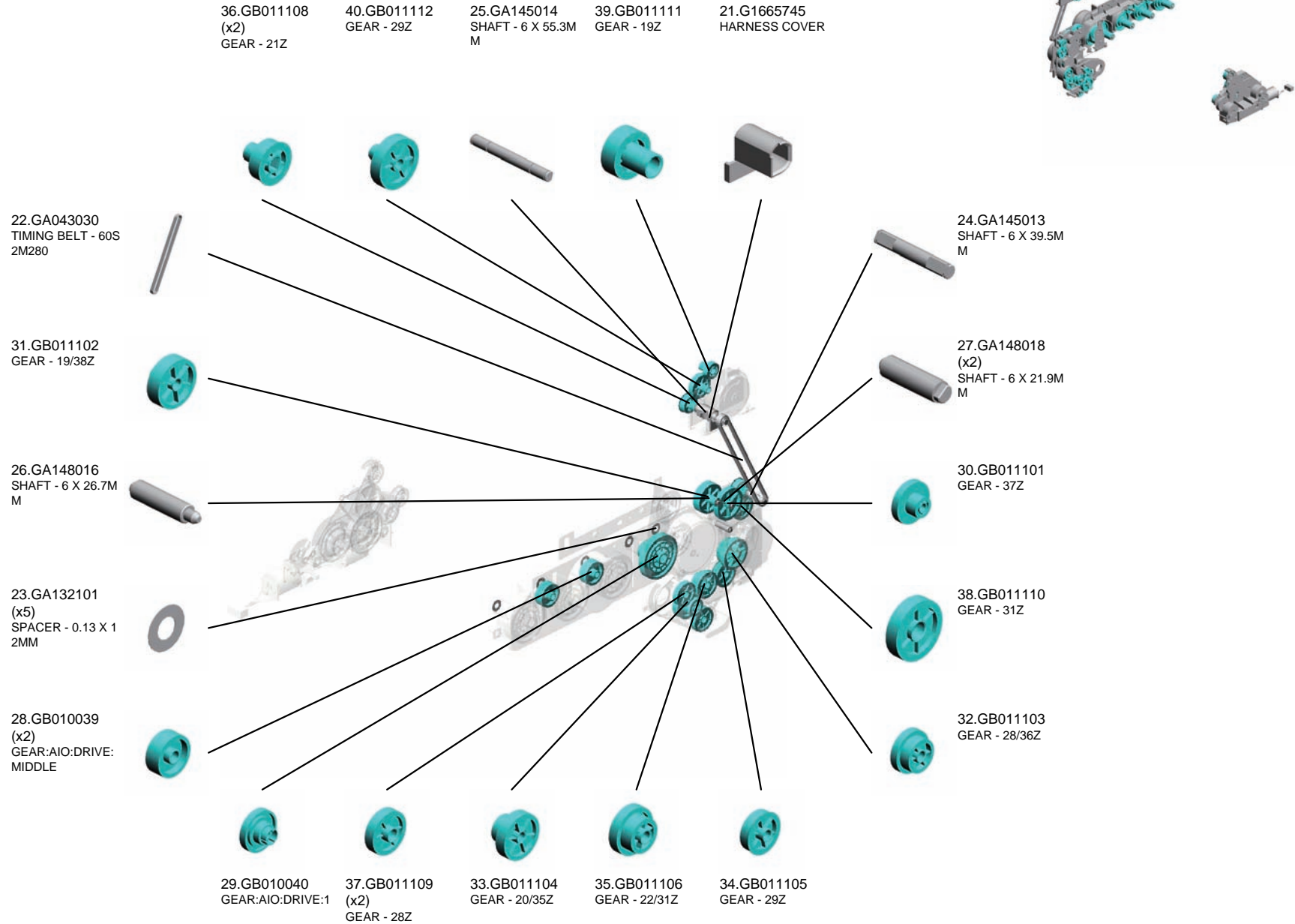
U001	U002	U003	U004	U005	U006	U007	U008	U009	U010	U011	U012	U013
------	------	------	------	------	------	------	------	------	------	------	------	------

U011 MAIN DRIVE

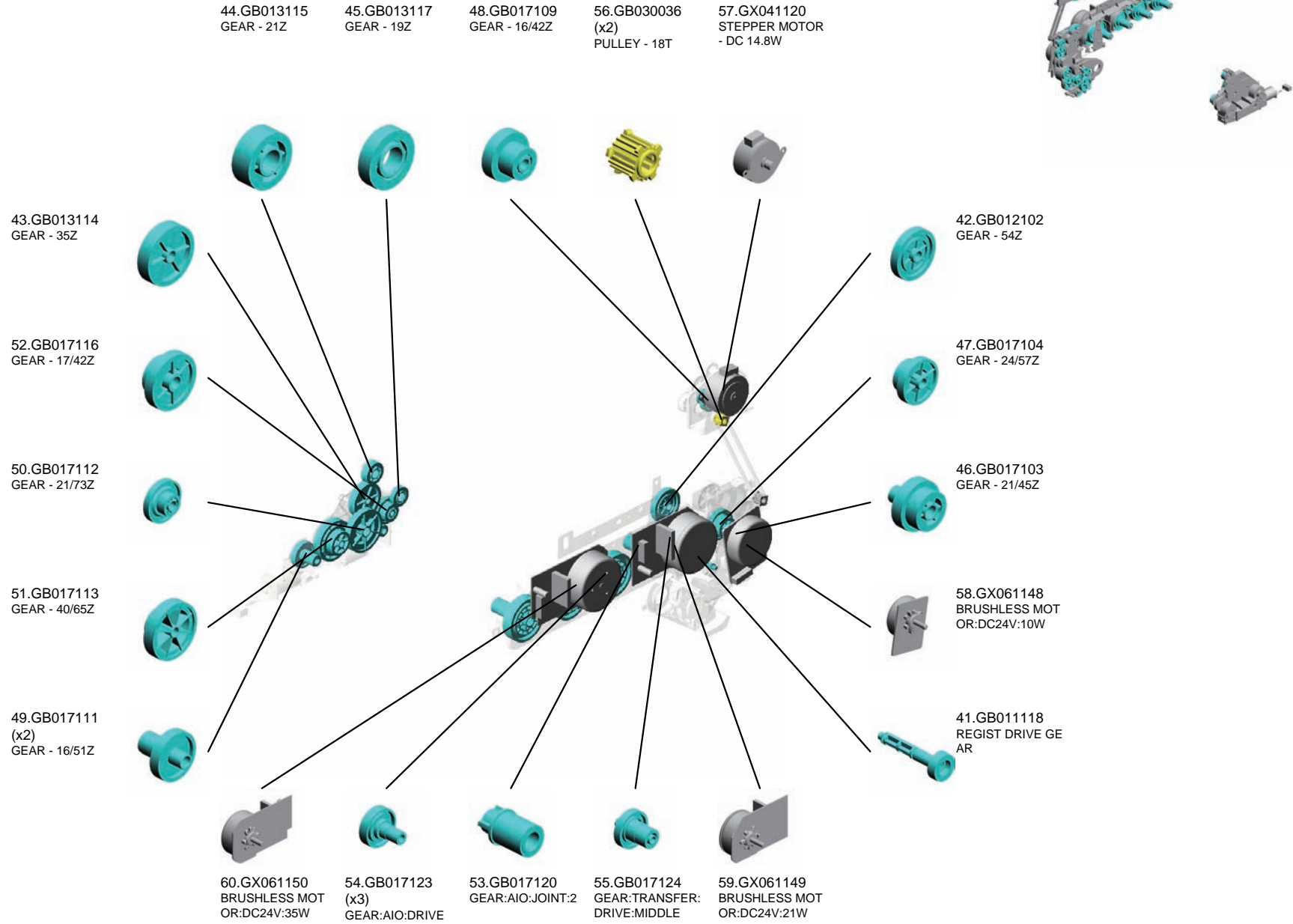


U001	U002	U003	U004	U005	U006	U007	U008	U009	U010	U011	U012	U013
------	------	------	------	------	------	------	------	------	------	------	------	------

U011 MAIN DRIVE



U011 MAIN DRIVE

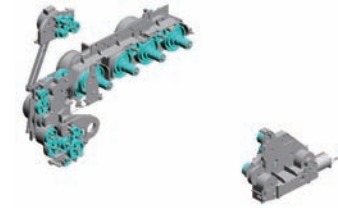


U001	U002	U003	U004	U005	U006	U007	U008	U009	U010	U011	U012	U013
------	------	------	------	------	------	------	------	------	------	------	------	------

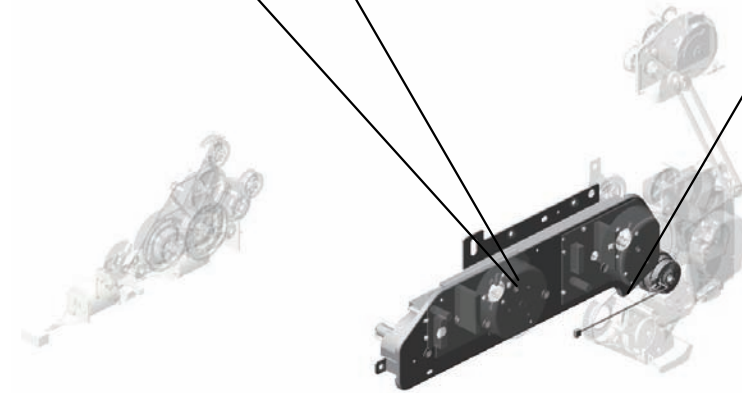
U011
MAIN DRIVE

62.M0751105
BRACKET:MOTOR

63.M0751107
SHIELDING PLATE:
GEAR:2



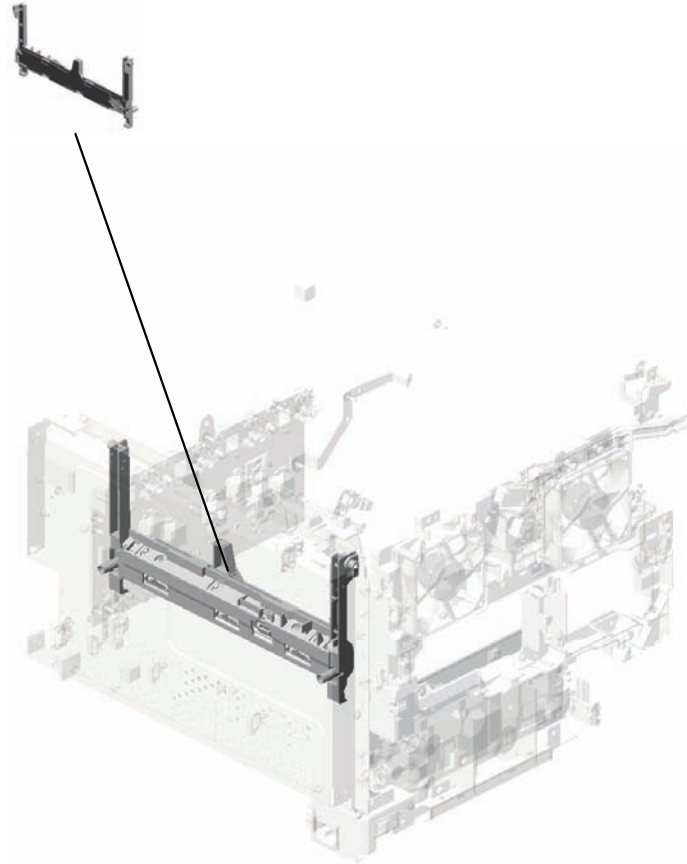
61.GX201123
MAGNETIC CLUTCH
H:0.25N



U001	U002	U003	U004	U005	U006	U007	U008	U009	U010	U011	U012	U013
------	------	------	------	------	------	------	------	------	------	------	------	------

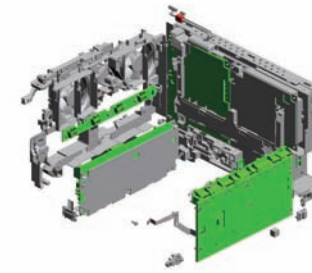
U012.ELECTRICAL

U012_S001
G1666003
DENSITY SENSOR:ASS'Y



U001	U002	U003	U004	U005	U006	U007	U008	U009	U010	U011	U012	U013
------	------	------	------	------	------	------	------	------	------	------	------	------

U012 ELECTRICAL



2.03603006N
(x20)
SCREW - M3X6

16.16072056
FERRITE CORE:33.
5X6.5X20

4.04543006Q
(x12)
TAPPING SCREW -
M3X6

14.14075317
EEPROM:M24C16-
WBN6(REV.S/W/G)

18.AW020198
(x4)
PHOTOINTERRUP
TOR:LG2A14NL1

1.03530040N
SCREW - M3X4

11.11050516
(x3)
CLAMP

12.11050518
EDGE SADDLE - L
ES-1010

19.AW140015
TEMPERATURE &
HUMIDITY SENSO
R

9.11050487
(x2)
HARNESS CLAMP

10.11050508
(x4)
HARNESS CLAMP -
LWS-0711

3.04503010N
(x34)
TAPPING SCREW -
M3X10

15.16070892
FERRITE CORE - Z
CAT1518-0730

6.08046123
(x6)
HEXAGONAL BOLT
:WASHER:M3X8

17.AA143592
SCREW- M4X6

7.09543008N
(x2)
SCREW - M3X8

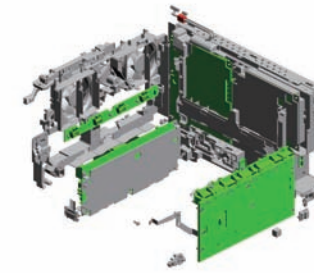
13.12042612
(x3)
MICRO SWITCH:D3
V-16506-3C25

5.04543008Q
(x2)
TAPPING SCREW:
3X8

20.AX640199
(x2)
FAN:MM80:25MM:D
C 2.16W

8.11033902
CONNECTOR - 10P

U012 ELECTRICAL



- 31.G1665716 (x16) TERMINAL:AIO
- 22.G1631068 (x2) BRACKET - PHOTO INTERRUPTOR
- 29.G1665708 2ND TERMINAL- TRANSFER
- 23.G1635728 (x4) SEAL:FAN:2
- 38.G1665736 TENSION SPRING - SAFETY SWITCH

34.G1665731
THERMINAL HOLDER

40.G1665738
1ST TERMINAL - TRANSFER

32.G1665725
HARNESS COVER

33.G1665726
(x2)
CUSHION - HARNESS

21.G1022789
STOPPER:PHOTO INTERRUPTOR

30.G1665715
BRACKET - MAIN SWITCH

25.G1661059
DUCT

28.G1665700
BRACKET - POWER SUPPLY UNIT

27.G1665280
TERMINAL BOARD

26.G1661110
HARNESS GUIDE

39.G1665737
COMPRESSION SPRING - SAFETY SWITCH

37.G1665734
TORSION SPRING - SAFETY SWITCH

36.G1665733
LINK - SAFETY SWITCH

35.G1665732
BRACKET SAFETY SWITCH

24.G1661058
EXIT DUCT

U012 ELECTRICAL

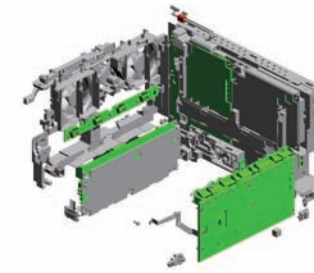
62.M0185752
SPACER:GROUND
PLATE:FLAT CABL
E:SCANNER UNIT

56.G1835824
CASE - CORE

57.G1835825
SHEET:FFC:SCAN
NER

60.GZ300003
POWER PACK

61.M0185711
COVER:CONTROL
BOARD:MF2B:ASS'
Y



46.G1666045
SPRING - FEELER

47.G1666046
SENSOR FEELER

48.G1666103
SENSOR HOLDER

53.G1666586
FEELER - SET SEN
SOR

54.G1666587
SENSOR BRACK
ET

55.G1835300
SPEAKER - DIA50

58.G1835826
BRACKET - SPEAK
ER

52.G1666584
USED TONER SEN
SOR

51.G1666580
STOPPER SHEET -
PHOTOINTERRUP
TOR

49.G1666107
GROUNDING PLAT
E

41.G1665748
LEVER - SAFETY S
WITCH

43.G1665754
ARM:LINK:SAFETY
SWITCH

44.G1665759
GROUND PLATE -
FUSING

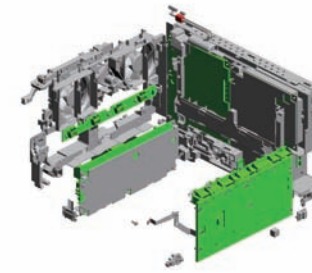
42.G1665751
CONNECTOR HOL
DER - FUSING

59.GZ230061
POWER SUPPLY U
NIT:NA/TWN:139W

U001	U002	U003	U004	U005	U006	U007	U008	U009	U010	U011	U012	U013
------	------	------	------	------	------	------	------	------	------	------	------	------

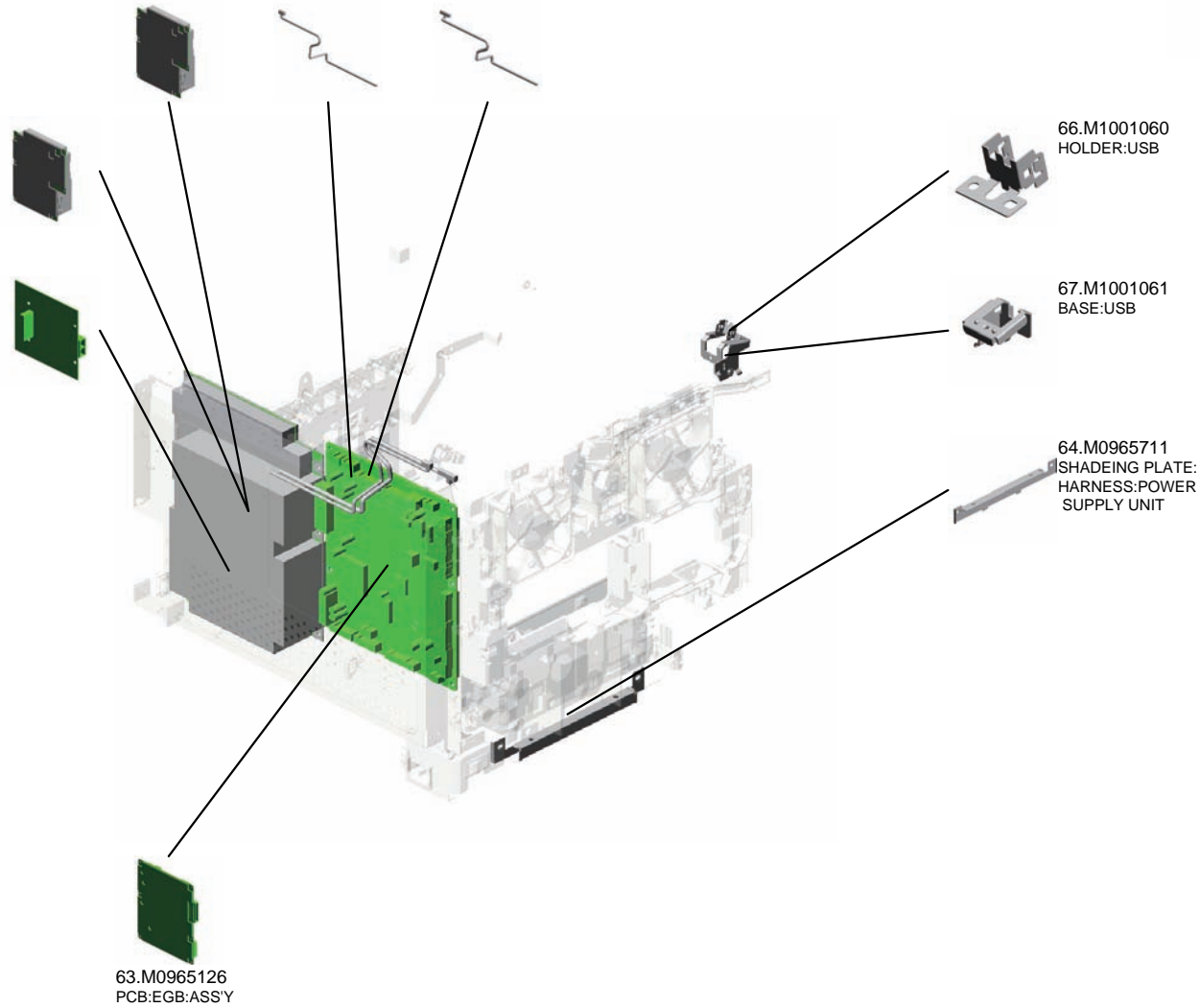
U012 ELECTRICAL

65.M0995652 PCB:CTL:MEDI:EX P:ASS'Y
 68.M1005406 CABLE:USB-HOST
 69.M1005407 CABLE:OPERATION PANEL



70.M1005652 PCB:CTL:MPCL:EX P:ASS'Y

71.M1005672 PCB:FAX:NA:ASS'Y



66.M1001060 HOLDER:USB

67.M1001061 BASE:USB

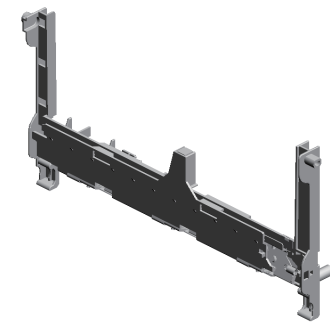
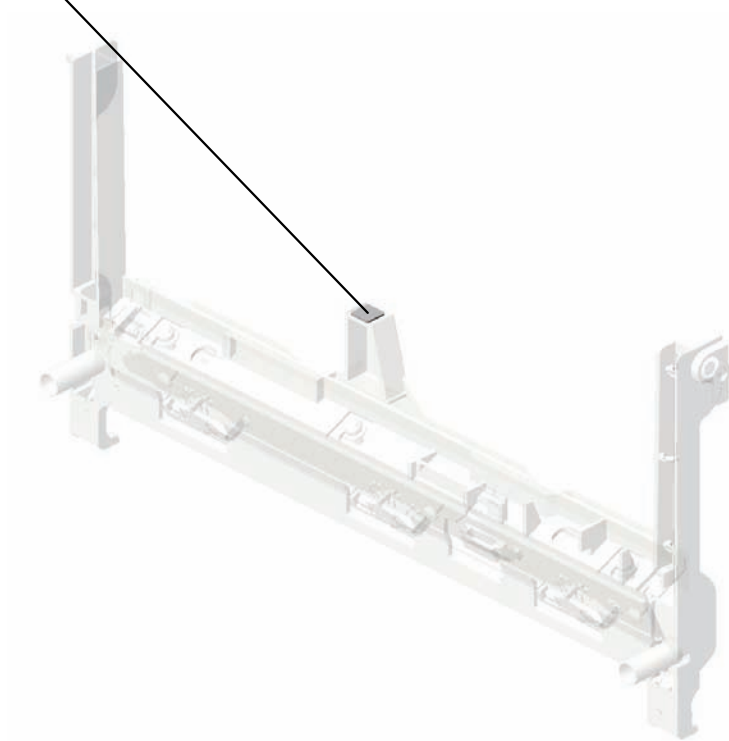
64.M0965711 SHADEING PLATE: HARNESS:POWER SUPPLY UNIT

63.M0965126 PCB:EGB:ASS'Y

U001	U002	U003	U004	U005	U006	U007	U008	U009	U010	U011	U012	U013
------	------	------	------	------	------	------	------	------	------	------	------	------

U012_S001
DENSITY SENSOR:ASS'Y

50.G1666191
CLEANER DECAL -
DENSITY SENSOR

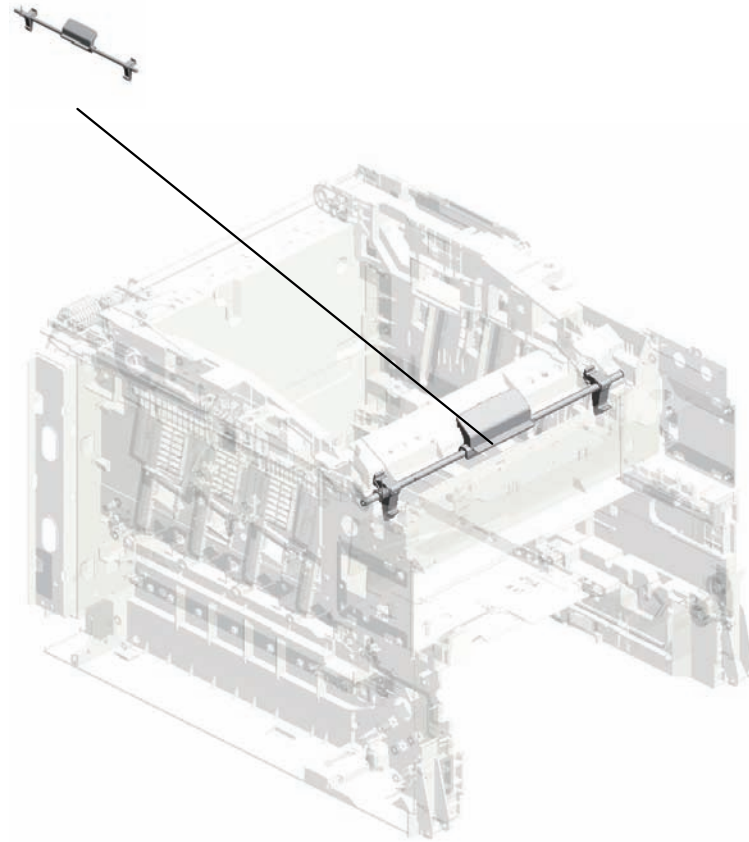


45.G1666003
DENSITY SENSOR:
ASS'Y

U001	U002	U003	U004	U005	U006	U007	U008	U009	U010	U011	U012	U013
------	------	------	------	------	------	------	------	------	------	------	------	------

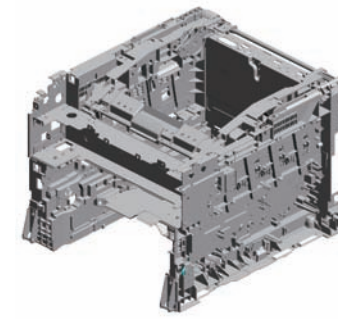
U013.MAIN FRAME

U013_S001
G1831012
SHAFT:LOCK:ASS'Y

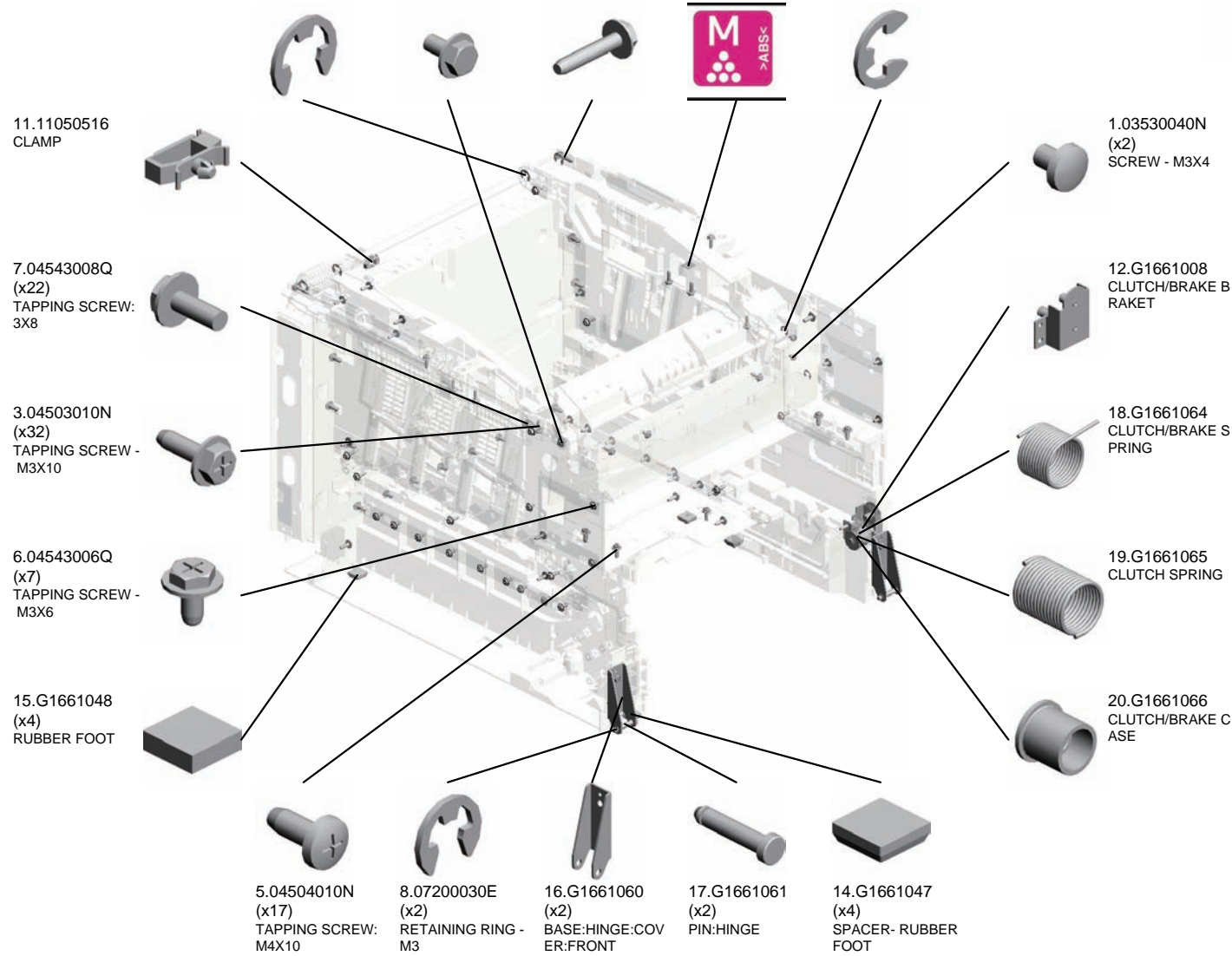


U001	U002	U003	U004	U005	U006	U007	U008	U009	U010	U011	U012	U013
------	------	------	------	------	------	------	------	------	------	------	------	------

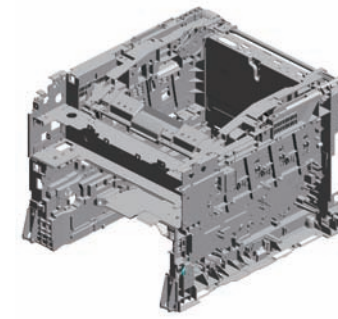
U013 MAIN FRAME



- 10.07200060E (x4) RETAINING RING - M6
- 2.03603006N (x2) SCREW - M3X6
- 4.04503016N (x2) TAPPING SCREW: 3X16
- 13.G1661046 COLOR DECAL - M AGENTA
- 9.07200040E (x3) RETAINING RING - M4



U013 MAIN FRAME



- 30.G1661083 GROUNDING PLATE - HIGH VOLTAGE
- 25.G1661071 FRAME:UPPER RIGHT
- 33.G1661086 (x2) BRACKET:OPTICAL UNIT:FRAME:UPPER
- 32.G1661085 SPRING PLATE:LSU:POSITIONING
- 34.G1661087 (x2) SPRING:CUSHION:FRAME:UPPER

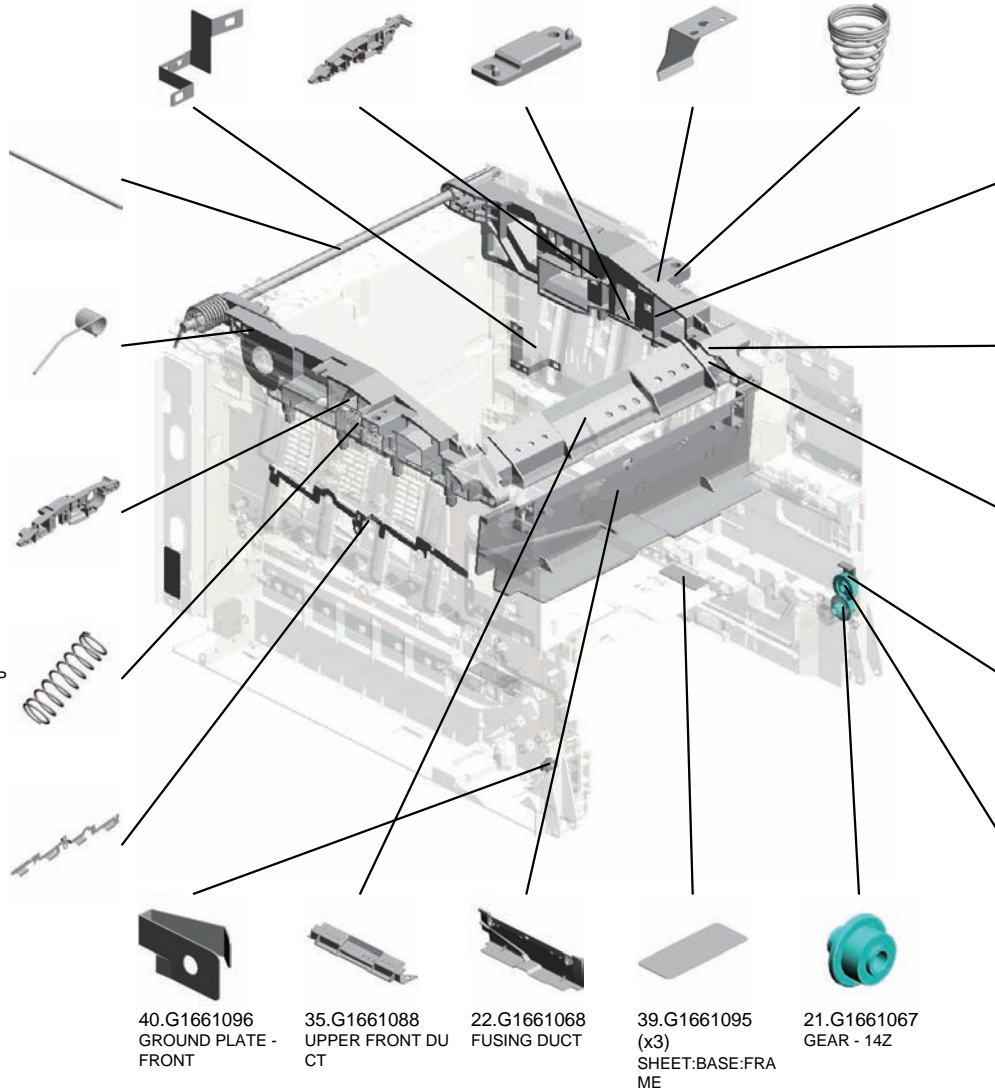
27.G1661073
SHAFT

29.G1661081
TWIST SPRING - LEFT

24.G1661070
FRAME:UPPER LEFT

28.G1661078
(x2)
COMPRESSION SPRING

37.G1661090
GROUND PLATE - DCHIP



26.G1661072
(x4)
SPRING:PLATE:ALLOY

31.G1661084
(x4)
SPRING:PLATE:ALLOY:BLACK

36.G1661089
(x8)
PIN:PLATE:DEVELOPMENT UNIT

23.G1661069
RACK SUPPORTER

38.G1661093
GEAR - 20Z

40.G1661096
GROUND PLATE - FRONT

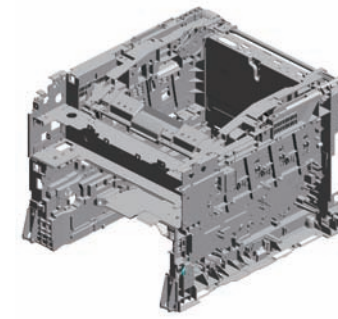
35.G1661088
UPPER FRONT DUCT

22.G1661068
FUSING DUCT

39.G1661095
(x3)
SHEET:BASE:FRAME

21.G1661067
GEAR - 14Z

U013 MAIN FRAME



49.G1661382
BRACKET:BRAKE:
COVER:UPPER

48.G1661343
KEY:FUSING

59.G1663333
DECAL - CYAN

60.G1663334
DECAL - YELLOW

47.G1661323
(x3)
SHEET:FRAME:RIG
HT



43.G1661280
CUSHION - IMAGIN
G UNIT



41.G1661097
GROUND PLATE -
LEFT



42.G1661112
GEAR COVER



54.G1662588
HOLDER:PAPER T
RAY:POSITIONING



45.G1661315
LOWER SEAL - 2



46.G1661316
(x2)
LOWER SEAL - 3



55.G1662596
HOLDER:RESISTO
R:BASE



56.G1662597
SPRING PLATE:RE
SISTOR:BASE:LO
WER



53.G1662586
FEELER HOLDER



52.G1662585
FEELER - PAPER E
ND SENSOR



58.G1663331
DECAL - BLACK

57.G1662598
SPRING PLATE:RE
SISTOR:BASE:UPP
ER



50.G1662582
GROUNDING SPRI
NG



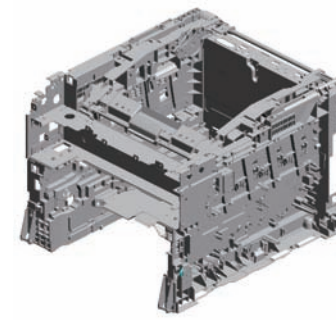
51.G1662583
SPRING PLATE:PA
PER TRAY:POSITI
ONING



44.G1661314
LOWER SEAL - 1



U013 MAIN FRAME



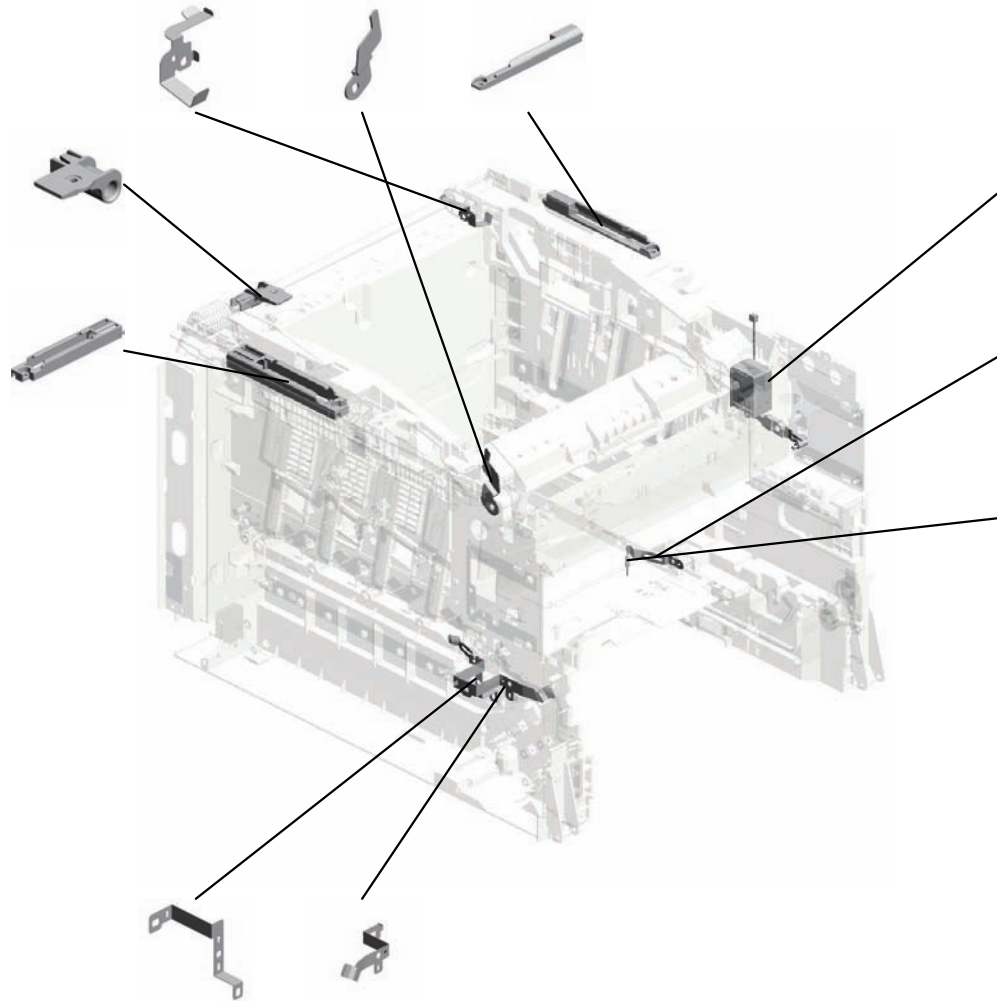
61.G1665706
GROUND PLATE:S
HAFT:IMAGING UN
IT

67.G1831075
PLATE:SHAFT

66.G1831055
SLIDE RAIL:RIGHT

62.G1665724
HARNESS CLAMP
HOLDER

65.G1831054
SLIDE RAIL:LEFT



69.M0965703
DC SOLENOID:FUS
ING:ASSY

63.G1666592
(x2)
SPRING PLATE -C
OLLECTION BOTTL
E

68.M0963993
RESISTOR:EARTH:
PAPER FEED

71.M0965761
GROUND PLATE:B
ASE:PSU

70.M0965760
GROUND PLATE:R
EGISTRATION ROL
LER

U013_S001
SHAFT:LOCK:ASS'Y

9.07200040E
RETAINING RING -
M4



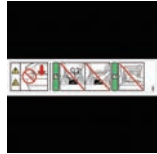
64.G1831012
SHAFT:LOCK:ASS'
Y

U001	U002	U003	U004	U005	U006	U007	U008	U009	U010	U011	U012	U013
------	------	------	------	------	------	------	------	------	------	------	------	------

DECALS AND DOCUMENTS



1.G1661268
LOGO PLATE - RIC



2.G1661390
CAUTION DECAL - TRANSFER BELT



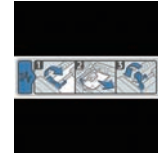
3.G1662592
SIDE FENCE DECAL



4.G1664310
DECAL:WARNING (HIGH TEMPERAT
URE):1:CUD



5.G1664464
DECAL:HIGHTEMPERATURE



6.G1831822
ADF DECAL - PICK-UP PAPER JAM



7.G1831886
DECAL:CAUTION:SET:ORIGINAL - E
NGLISH



8.M0963987
DECAL:GRIP:HOUSING



9.M0963988
DECAL:INSERT SUB-UNIT:TRANSPO
RT UNIT



10.M0964117
DECAL:FUSING EXIT:OPEN AND CL
OSE



11.M0964126
DECAL:FUSING:LEVER:LEFT



12.M0964127
DECAL:FUSING:LEVER:RIGHT



13.M0964128
DECAL:CAUTION:FUSING PRESSUR
E RELEASE



14.M0991381
DECAL:NAME PLATE:M099:RICOH



15.M1001381
DECAL:NAME PLATE:M100:RICOH

ACCESSORIES



1.11500427
POWER SUPPLY CODE:125V:15A:NA



2.G1661099
(x4)
KEY - AIO



3.G1661268
LOGO PLATE - RIC



4.H5235350
TELEPHONE CABLE

Exclusive Parts

Number	Part Name	Group	ID
52152713	BOTTOM PLATE PAD	U006_S001_S001	4
A2672869	GEAR - 16Z	U006_S001	5
AA082101	BUSHING - 6X10X6	U006	6
		U011	9
AA132013	SPACER	U006_S001	7
AA143520	SHOULDER SCREW - M3	U009_S001	5
AA143592	SCREW- M4X6	U012	17
AF031061	PAPER FEED ROLLER	U006	8
AW020198	PHOTOINTERRUPTOR:LG2A14NL 1	U010_S001	6
		U012	18
AW140015	TEMPERATURE & HUMIDITY SEN SOR	U012	19
AX640199	FAN:MM80:25MM:DC 2.16W	U012	20
B0394480	STEPPED SCREW - M5	U001	8
B1251474	RIVET:MM5	U001	9
D0094511	SPACER:DIA8.0:1.5MM	U006_S001	9
G1022789	STOPPER:PHOTOINTERRUPTOR	U010_S001	7
		U012	21
G1631068	BRACKET - PHOTOINTERRUPTOR	U012	22
G1635728	SEAL:FAN:2	U012	23
G1661008	CLUTCH/BRAKE BRAKET	U013	12
G1661046	COLOR DECAL - MAGENTA	U013	13
G1661047	SPACER- RUBBER FOOT	U013	14
G1661048	RUBBER FOOT	U013	15
G1661058	EXIT DUCT	U012	24
G1661059	DUCT	U012	25
G1661060	BASE:HINGE:COVER:FRONT	U013	16
G1661061	PIN:HINGE	U013	17
G1661064	CLUTCH/BRAKE SPRING	U013	18
G1661065	CLUTCH SPRING	U013	19
G1661066	CLUTCH/BRAKE CASE	U013	20
G1661067	GEAR - 14Z	U013	21
G1661068	FUSING DUCT	U013	22
G1661069	RACK SUPPORTER	U013	23
G1661070	FRAME:UPPER LEFT	U013	24
G1661071	FRAME:UPPER RIGHT	U013	25
G1661072	SPRING:PLATE:AIO	U013	26
G1661073	SHAFT	U013	27

Number	Part Name	Group	ID
G1661078	COMPRESSION SPRING	U013	28
G1661081	TWIST SPRING - LEFT	U013	29
G1661083	GROUNDING PLATE - HIGH VOLT AGE	U013	30
G1661084	SPRING:PLATE:AIO:BLACK	U013	31
G1661085	SPRING PLATE:LSU:POSITIONING	U013	32
G1661086	BRACKET:OPTICAL UNIT:FRAME: UPPER	U013	33
G1661087	SPRING:CUSHION:FRAME:UPPER	U013	34
G1661088	UPPER FRONT DUCT	U013	35
G1661089	PIN:PLATE:DEVELOPMENT UNIT	U013	36
G1661090	GROUND PLATE - DCHIP	U013	37
G1661093	GEAR - 20Z	U013	38
G1661095	SHEET:BASE:FRAME	U013	39
G1661096	GROUND PLATE - FRONT	U013	40
G1661097	GROUND PLATE - LEFT	U013	41
G1661099	KEY - AIO	ACCESSORIES	2
G1661110	HARNESS GUIDE	U012	26
G1661111	FRAME - TRANSFER DRIVE UNIT	U011	10
G1661112	GEAR COVER	U013	42
G1661118	GROUNDING WIRE	U011	11
G1661119	MOTOR BRACKET	U011	12
G1661123	FRAME - ON-OFF DRIVE UNIT	U011	13
G1661125	SHIELDING PLATE	U011	14
G1661131	DC MOTOR - DC24V 5.3W	U011	15
G1661135	MOTOR - DC24V 1.6W	U011	16
G1661139	FRAME - TRANSPORT DRIVE UNIT	U011	17
G1661151	MOTOR BRACKET	U011	18
G1661152	GROUNDING PLATE	U011	19
G1661194	FRAME - DUPLEX DRIVE UNIT	U011	20
G1661259	MEMORY COVER	U001	10
G1661261	INNER COVER - EXIT	U001	11
G1661262	CASSETTE COVER	U001	12
G1661268	LOGO PLATE - RIC	ACCESSORIES	3
		DECALS AND DO CUMENTS	1
G1661280	CUSHION - IMAGING UNIT	U013	43
G1661281	BASE - EXIT END FENCE	U001	13

Exclusive Parts

Number	Part Name	Group	ID
G1661282	REAR END FENCE - EXIT	U001	14
G1661283	FRONT END FENCE - EXIT	U001	15
G1661311	SEAL - 5X15X222MM	U001	16
G1661312	SEAL - 7X25X176MM	U001	17
G1661313	SEAL - 3X8X411MM	U001	18
G1661314	LOWER SEAL - 1	U013	44
G1661315	LOWER SEAL - 2	U013	45
G1661316	LOWER SEAL - 3	U013	46
G1661318	SHEET - CASSETTE COVER	U001	19
G1661319	SEAL:COVER:LEFT:7	U001	20
G1661323	SHEET:FRAME:RIGHT	U013	47
G1661333	COVER:RIGHT:EU	U001	21
G1661343	KEY:FUSING	U013	48
G1661382	BRACKET:BRAKE:COVER:UPPER	U013	49
G1661390	CAUTION DECAL - TRANSFER BELT	DECALS AND DOCUMENTS	2
G1662552	PAPER TRAY - FRONT	U006_S001	10
G1662553	CASSETTE COVER	U006_S001	11
G1662554	DUPLEX GUIDE	U006	12
G1662555	LEFT SIDE FENCE	U006_S001	13
G1662556	RIGHT SIDE FENCE	U006_S001	14
G1662558	EXTENSION TRAY	U006_S001	15
G1662559	END FENCE	U006_S001	16
G1662567	BOTTOM PLATE STOPPER	U006_S001	17
G1662568	COMPRESSION SPRING	U006_S001	18
G1662569	LEVER PAPER VOLUME SENSOR	U006_S001	19
G1662570	COMPRESSION SPRING	U006_S001	20
G1662571	SHEET - CASSETTE	U006_S001	21
G1662572	EARTH SPRING	U006_S001	22
G1662573	HOLDER SHEET	U006_S001	23
G1662577	END FENCE - PRESSURE	U006_S001	24
G1662578	COMPRESSION SPRING	U006_S001	25
G1662580	SHAFT - PAPER FEED ROLLER	U006	26
G1662582	GROUNDING SPRING	U013	50
G1662583	SPRING PLATE:PAPER TRAY:POSITIONING	U013	51
G1662585	FEELER - PAPER END SENSOR	U013	52
G1662586	FEELER HOLDER	U013	53

Number	Part Name	Group	ID
G1662588	HOLDER:PAPER TRAY:POSITIONING	U013	54
G1662589	DAMPING INSULATION	U006_S001	27
G1662592	SIDE FENCE DECAL	DECALS AND DOCUMENTS	3
G1662596	HOLDER:RESISTOR:BASE	U013	55
G1662597	SPRING PLATE:RESISTOR:BASE:LOWER	U013	56
G1662598	SPRING PLATE:RESISTOR:BASE:UPPER	U013	57
G1662606	COMPRESSION SPRING	U006_S001	28
G1663331	DECAL - BLACK	U013	58
G1663333	DECAL - CYAN	U013	59
G1663334	DECAL - YELLOW	U013	60
G1663852	REGISTRATION ROLLER - DRIVEN	U008_S001	4
G1663855	TENSION SPRING	U008_S001	5
G1663859	REGISTRATION SENSOR FEELER	U008_S001	6
G1663860	TORSION SPRING	U008_S001	7
G1663862	GUIDE SHEET - REGISTRATION	U008_S001	8
G1663863	REGISTRATION GUIDE	U008_S001	9
G1663865	GEAR - 14Z	U008_S001	10
G1663867	DRIVE GEAR - 14Z	U008_S001	11
G1663903	RIGHT FRAME - FRONT COVER	U001	22
G1663904	LEFT FRAME - FRONT COVER	U001	23
G1663905	RIGHT LOCK LEVER	U001	24
G1663906	LEFT LOCK LEVER	U001	25
G1663907	LOCK GUIDE	U001	26
G1663908	LOCK LEVER ARM	U001	27
G1663909	TENSION SPRING	U001	28
G1663910	GROUND WIRE	U001	29
G1663921	GUIDE PLATE SPRING - MIDDLE	U001	30
G1663925	TORSION SPRING - FEELER	U001	31
G1663927	STOPPER BAND	U001	32
G1663928	BRAKE RACK - FRONT COVER	U001	33
G1663933	STOPPER:FEELER:PAPER FEED SENSOR	U001	34
G1663957	WASHER - 0.8X10.8MM	U001	35
		U010_S001	8

Exclusive Parts

Number	Part Name	Group	ID
G1663961	COMPRESSION SPRING	U008_S001	12
G1663962	COMPRESSION SPRING HOLDER	U001	36
G1663965	GROUND WIRE	U008_S001	13
G1663967	ELECTRODE PLATE - LINK	U008_S001	14
G1663968	ELECTRODE PLATE - CONTACT POINT	U008_S001	15
G1663970	LEFT HOOK	U001	37
G1663971	RIGHT FHOOK	U001	38
G1663972	COMPRESSION SPRING - GRIP	U001	39
G1663983	SPACER:GROUND PLATE:TRANSFER	U008_S001	16
G1663997	GROUND WIRE:TRANSFER/SEPARATION	U008_S001	17
G1663998	GROUND WIRE- DUPLEX	U008_S001	18
G1664310	DECAL:WARNING (HIGH TEMPERATURE):1:CUD	DECALS AND DOCUMENTS	4
		U009_S001	6
G1664456	GUIDE ROLLER - EXIT	U010_S001	9
G1664457	DRIVEN ROLLER - EXIT	U010_S001	10
G1664463	EXIT GUIDE PLATE	U010_S001	11
G1664464	DECAL:HIGHTEMPERATURE	DECALS AND DOCUMENTS	5
		U001	40
G1664606	DUPLEX ROLLER	U001	41
G1665280	TERMINAL BOARD	U012	27
G1665700	BRACKET - POWER SUPPLY UNIT	U012	28
G1665706	GROUND PLATE:SHAFT:IMAGING UNIT	U013	61
G1665708	2ND TERMINAL- TRANSFER	U012	29
G1665715	BRACKET - MAIN SWITCH	U012	30
G1665716	TERMINAL:AIO	U012	31
G1665724	HARNESS CLAMP HOLDER	U013	62
G1665725	HARNESS COVER	U012	32
G1665726	CUSHION - HARNESS	U012	33
G1665731	THERMINAL HOLDER	U012	34
G1665732	BRACKET SAFETY SWITCH	U012	35
G1665733	LINK - SAFETY SWITCH	U012	36
G1665734	TORSION SPRING - SAFETY SWIT	U012	37

Number	Part Name	Group	ID
	CH		
G1665736	TENSION SPRING - SAFETY SWITCH	U012	38
G1665737	COMPRESSION SPRING - SAFETY SWITCH	U012	39
G1665738	1ST TERMINAL - TRANSFER	U012	40
G1665745	HARNESS COVER	U011	21
G1665748	LEVER - SAFETY SWITCH	U012	41
G1665751	CONNECTOR HOLDER - FUSING	U012	42
G1665754	ARM:LINK:SAFETY SWITCH	U012	43
G1665759	GROUND PLATE - FUSING	U012	44
G1666003	DENSITY SENSOR:ASS'Y	U012_S001	45
G1666026	BUSHING - 19MM	U007_S001	3
G1666045	SPRING - FEELER	U012	46
G1666046	SENSOR FEELER	U012	47
G1666099	COMPRESSION SPRING	U007_S001	4
G1666103	SENSOR HOLDER	U012	48
G1666107	GROUNDING PLATE	U012	49
G1666191	CLEANER DECAL - DENSITY SENSOR	U012_S001	50
G1666193	LEFT HOLDER - TRANSFER BELT UNIT	U007_S001	5
G1666194	RIGHT HOLDER - TRANSFER BELT UNIT	U007_S001	6
G1666196	RIGHT SLIDER - TRANSFER BELT UNIT	U007_S001	7
G1666197	LEFT SLIDER - TRANSFER BELT UNIT	U007_S001	8
G1666580	STOPPER SHEET - PHOTOINTERUPTOR	U012	51
G1666584	USED TONER SENSOR	U012	52
G1666586	FEELER - SET SENSOR	U012	53
G1666587	SENSOR BRACKET	U012	54
G1666592	SPRING PLATE -COLLECTION BOTTLE	U013	63
G1831012	SHAFT:LOCK:ASS'Y	U013_S001	64
G1831050	LEFT SLIDE ARM	U001	42
G1831051	RIGHT SLIDE ARM	U001	43

Exclusive Parts

Number	Part Name	Group	ID
G1831052	LEFT TORSION SPRING - ARM	U001	44
G1831053	RIGHT TORSION SPRING - ARM	U001	45
G1831054	SLIDE RAIL:LEFT	U013	65
G1831055	SLIDE RAIL:RIGHT	U013	66
G1831060	SEPARATION PLATE - SLIDE	U001	46
G1831061	TORSION SPRING - SEPARATION PLATE	U001	47
G1831065	LEFT SLIDE STOPPER - SCANNER	U001	48
G1831066	TORSION SPRING- SLIDE STOPPER	U001	49
G1831067	STOPPER PLATE - SCANNER	U001	50
G1831068	RIGHT SLIDE STOPPER - SCANNER	U001	51
G1831069	COMPRESSION SPRING - STOPPER	U001	52
G1831070	UPPER SUPPORTING PLATE - COVER	U001	53
G1831071	RIGHT ACTUATOR - STOPPER	U001	54
G1831072	WIRE - SCANNER LOCK	U001	55
G1831075	PLATE:SHAFT	U013	67
G1831082	ARM - LOCK LEVER	U001	56
G1831085	BRACKET:ARM:PEEN	U001	57
G1831088	TENSION SPRING -LOCK ARM	U001	58
G1831090	GROUND PLATE:SUPPORTING PLATE:LEFT	U001	59
G1831091	GROUND PLATE:SUPPORTING PLATE:RIGHT	U001	60
G1831250	UPPER COVER	U001	61
G1831251	RIGHT HARNESS COVER -SCANNER	U001	62
G1831252	LEFT HARNESS COVER - SCANNER	U001	63
G1831258	COVER - INTERFACE	U001	64
G1831274	REAR COVER - EU	U001	65
G1831630	ADF:ASS'Y	U003_S001	1
G1831740	FRAME:ADF	U003_S001	2
G1831741	COVER:FRONT:ADF	U003_S001	3
G1831742	COVER:REAR:ADF	U003_S001	4

Number	Part Name	Group	ID
G1831743	BASE:SLIDER	U003_S001	5
G1831744	SIDE FENCE:RIGHT	U003_S001	6
G1831745	SIDE FENCE:LEFT	U003_S001	7
G1831746	EXTENSION TRAY:ADF	U003_S001	8
G1831747	PAPER STOPPER:ADF	U003_S001	9
G1831750	PLATE:GUIDE ROD:SCANNER	U004_S001	3
		U004_S002	3
G1831751	SLIDE RAIL:CARRIAGE	U004_S001	4
		U004_S002	4
G1831752	GEAR:SCANNER:ASS'Y	U004_S001	5
		U004_S002	5
G1831753	PULLEY:CARRIAGE:ASS'Y	U004_S001	6
		U004_S002	6
G1831754	FLAT CABLE:CARRIAGE	U004_S001	7
		U004_S002	7
G1831755	WIRE:GROUND WIRE:PLATE:MOTOR	U004_S001	8
		U004_S002	8
G1831756	COIL SPRING:PULLEY:CARRIAGE	U004_S001	9
		U004_S002	9
G1831757	CASE:SCANNER:UPPER	U004_S001	10
		U004_S002	10
G1831758	CORE:EMI:CARRIAGE	U004_S001	11
		U004_S002	11
G1831759	INVERTOR:CARRIAGE	U004_S001	12
		U004_S002	12
G1831760	BRACKET:HOOK:PLATEN:PEEN	U004_S001	13
		U004_S002	13
G1831761	COVER:CARRIAGE:UPPER	U004_S001	14
		U004_S002	14
G1831762	FLUORESCENT TUBE:CARRIAGE	U004_S001	15
		U004_S002	15
G1831764	COVER:INVERTOR	U004_S001	16
		U004_S002	16
G1831765	CCD:MODULE:ASS'Y	U004_S001	17
		U004_S002	17
G1831772	HOOK:PLATEN	U004_S001	18
		U004_S002	18
G1831773	TENSION SPRING:HOOK:PLATEN	U004_S001	19

Exclusive Parts

Number	Part Name	Group	ID
		U004_S002	19
G1831774	LEVER:HOOK:PLATEN	U004_S001	20
		U004_S002	20
G1831775	HOOK:ADF	U003_S001	10
G1831780	LEVER:LOCK:COVER:UPPER	U004_S001	21
		U004_S002	21
G1831781	TORSION SPRING:LEVER:LOCK:COVER:UPPER	U004_S001	22
		U004_S002	22
G1831782	PLATE:COVER:UPPER	U004_S001	23
		U004_S002	23
G1831783	TORSION SPRING:LOCK:COVER:UPPER	U004_S001	24
		U004_S002	24
G1831784	SHEET:SCANNER	U004_S001	25
		U004_S002	25
G1831821	CASE:SCANNER:LOWER	U004_S001	26
		U004_S002	26
G1831822	ADF DECAL - PICK-UP PAPER JAM	DECALS AND DOCUMENTS	6
		U003_S001	11
G1831824	GUIDE ROD:SCANNER	U004_S001	27
		U004_S002	27
G1831825	PLATE:STUD:IDLER	U004_S001	28
		U004_S002	28
G1831827	GROUND PLATE:SCANNER:LEFT	U004_S001	29
		U004_S002	29
G1831834	LEFT GROUND PLATE - SCANNER	U001	66
G1831886	DECAL:CAUTION:SET:ORIGINAL - ENGLISH	DECALS AND DOCUMENTS	7
G1832550	ARM:SENSOR	U003_S001	12
G1832551	COIL SPRING:ARM:SENSOR	U003_S001	13
G1832552	SHEET:ADF:KILO	U003_S001	14
G1832553	COIL SPRING:GEAR:SLIDE	U003_S001	15
G1832554	GEAR:SLIDE	U003_S001	16
G1832555	CABLE:ADF	U003_S001	17
G1832558	PADDLE:ROLLER:EXIT	U003_S001	18
G1832559	DRIVEN ROLLER:EXIT	U003_S001	19
G1832560	SHAFT:DRIVEN ROLLER:EXIT	U003_S001	20
G1832561	COIL SPRING:EXIT	U003_S001	21

Number	Part Name	Group	ID
G1832562	COVER:EXIT	U003_S001	22
G1832563	PCB:DIP:ADF	U003_S001	23
G1832564	COVER:ADF	U003_S001	24
G1832565	SHEET:PRESSURE PLATE	U003_S001	25
G1832566	FLANGE:BUSHING:GEAR	U003_S001	26
G1832567	FRAME:LOWER	U003_S001	27
G1832569	COIL SPRING:PLATE	U003_S001	28
G1832570	PLATE	U003_S001	29
G1832571	SHEET:GUIDE	U003_S001	30
G1832572	FLANGE:BUSHING	U003_S001	31
G1832573	FEED ROLLER:ADF	U003_S001	32
G1832574	EXIT ROLLER:ADF	U003_S001	33
G1832576	COIL SPRING:FEED ROLLER:DRIVEN	U003_S001	34
G1832577	FEELER:SENSOR:FEED	U003_S001	35
G1832578	ARM:PRESSURE RELEASE	U003_S001	36
G1832579	DRIVEN ROLLER:FEED	U003_S001	37
G1832580	STAY:FEED	U003_S001	38
G1832581	GUIDE:FEED:DRIVEN	U003_S001	39
G1832582	SHAFT:DRIVEN ROLLER:FEED	U003_S001	40
G1832583	FIX STAND:SENSOR:FEED	U003_S001	41
G1832585	SHEET:FEELER:FEED	U003_S001	42
G1832586	PLATE:REAR	U003_S001	43
G1832587	GEAR:FEED:44T	U003_S001	44
G1832588	GEAR:EXIT:41T	U003_S001	45
G1832589	GEAR:20T39T	U003_S001	46
G1832590	GEAR:MIDDLE:32T	U003_S001	47
G1832591	GEAR:21T37T	U003_S001	48
G1832592	GEAR:51T	U003_S001	49
G1832593	GEAR:DRIVE:39T55T	U003_S001	50
G1832594	PLATE:MOTOR	U003_S001	51
G1832595	GEAR:DRIVE:40T56T	U003_S001	52
G1832598	ROLLER:BACK UP:FEED	U003_S001	53
G1832599	COIL SPRING:SHUTTER:PAPER	U003_S001	54
G1832600	SHUTTER:PAPER	U003_S001	55
G1832601	SEPARATION PAD:ADF	U003_S001	56
G1832602	FRAME:UPPER	U003_S001	57
G1832603	COIL SPRING:FEELER:SET SENS	U003_S001	58

Exclusive Parts

Number	Part Name	Group	ID
	OR		
G1832604	FEELER:SET SENSOR	U003_S001	59
G1832605	HOLDER:SEPARATION UNIT	U003_S001	60
G1832606	SHEET:STOPPER:EXIT	U003_S001	61
G1832607	DISCHARGE BRUSH:EXIT	U003_S001	62
G1832608	SEPARATION UNIT:ADF	U003_S001	63
G1832609	DC STEPPER MOTOR	U003_S001	64
G1832610	HINGE:LEFT	U003_S001	65
G1832611	HINGE:RIGHT	U003_S001	66
G1832612	PCB:DIP:SET SENSOR	U003_S001	67
G1832613	PCB:DIP:FEED	U003_S001	68
G1832614	PCB:DIP:ON OFF DETECTOR	U003_S001	69
G1835300	SPEAKER - DIA50	U012	55
G1835824	CASE - CORE	U012	56
G1835825	SHEET:FFC:SCANNER	U012	57
G1835826	BRACKET - SPEAKER	U012	58
G8003133	SIDE FENCE GEAR	U006_S001	29
GA043030	TIMING BELT - 60S2M280	U011	22
GA082014	PLAIN SHAFT BEARING:DIA6:DIA10:9	U010_S001	12
GA082015	PLAIN SHAFT BEARING:DIA6:DIA9:7	U008_S001	19
GA120011	DISCHARGE BRUSH EXIT	U010_S001	13
GA132101	SPACER - 0.13 X 12MM	U011	23
GA145013	SHAFT - 6 X 39.5MM	U011	24
GA145014	SHAFT - 6 X 55.3MM	U011	25
GA148016	SHAFT - 6 X 26.7MM	U011	26
GA148018	SHAFT - 6 X 21.9MM	U011	27
GB010039	GEAR:AIO:DRIVE:MIDDLE	U011	28
GB010040	GEAR:AIO:DRIVE:1	U011	29
GB011101	GEAR - 37Z	U011	30
GB011102	GEAR - 19/38Z	U011	31
GB011103	GEAR - 28/36Z	U011	32
GB011104	GEAR - 20/35Z	U011	33
GB011105	GEAR - 29Z	U011	34
GB011106	GEAR - 22/31Z	U011	35
GB011108	GEAR - 21Z	U011	36
GB011109	GEAR - 28Z	U011	37

Number	Part Name	Group	ID
GB011110	GEAR - 31Z	U011	38
GB011111	GEAR - 19Z	U011	39
GB011112	GEAR - 29Z	U011	40
GB011118	REGIST DRIVE GEAR	U011	41
GB011133	GEAR - 15Z	U008_S001	20
		U010_S001	14
GB012102	GEAR - 54Z	U011	42
GB013114	GEAR - 35Z	U011	43
GB013115	GEAR - 21Z	U011	44
GB013117	GEAR - 19Z	U011	45
GB017103	GEAR - 21/45Z	U011	46
GB017104	GEAR - 24/57Z	U011	47
GB017109	GEAR - 16/42Z	U011	48
GB017111	GEAR - 16/51Z	U011	49
GB017112	GEAR - 21/73Z	U011	50
GB017113	GEAR - 40/65Z	U011	51
GB017116	GEAR - 17/42Z	U011	52
GB017120	GEAR:AIO:JOINT:2	U011	53
GB017123	GEAR:AIO:DRIVE	U011	54
GB017124	GEAR:TRANSFER:DRIVE:MIDDLE	U011	55
GB030036	PULLEY - 18T	U011	56
GF020000	REGISTRATION ROLLER - DRIVE	U008_S001	21
GF020060	TRANSPORT ROLLER:DUPLEX	U008_S001	22
GF020061	EXIT ROLLER	U010_S001	15
GX041120	STEPPER MOTOR - DC 14.8W	U011	57
GX061148	BRUSHLESS MOTOR:DC24V:10W	U011	58
GX061149	BRUSHLESS MOTOR:DC24V:21W	U011	59
GX061150	BRUSHLESS MOTOR:DC24V:35W	U011	60
GX201123	MAGNETIC CLUTCH:0.25N	U006	30
		U011	61
GX450008	HEATER:120V:1000W	U009_S001	7
GZ230061	POWER SUPPLY UNIT:NA/TWN:139W	U012	59
GZ300003	POWER PACK	U012	60
H5235350	TELEPHONE CABLE	ACCESSORIES	4
M0182562	BASE:ADHESION	U006_S001_S001	31
M0182608	COVER:BASE	U006_S001	32
M0184459	ROLLER:DRIVEN:EXIT:OUTER	U010_S001	16

Exclusive Parts

Number	Part Name	Group	ID
M0184464	GUIDE:PLATE:EXIT:OUTER	U010_S001	17
M0185711	COVER:CONTROL BOARD:MF2B:ASSY	U012	61
M0185752	SPACER:GROUND PLATE:FLAT CABLE:SCANNER UNIT	U012	62
M0185757	HARNESS COVER SHEET:ADF	U001	67
M0352620	FRICTION PAD	U006_S001	33
M0353974	COMPRESSION SPRING:HOUSING:TRANSPORT	U001	68
M0751105	BRACKET:MOTOR	U011	62
M0751107	SHIELDING PLATE:GEAR:2	U011	63
M0751251	GUIDE:LOUVER	U001_S001	69
M0751252	SEAL:STOPPER:LOUVER	U001_S001	70
M0751253	LOUVER	U001_S001	71
M0751308	SEAL:GUIDE:LOUVER:UPPER	U001_S001	72
M0751309	SEAL:GUIDE:LOUVER:LOWER	U001_S001	73
M0754607	SPRING:PRESSURE:DUPLEX	U001	74
M0931851	IMAGING UNIT:ASSY	U005_S001	2
M0960042	COVER:LEFT:ASSY	U001_S001	75
M0962550	PAPER TRAY:ASSY	U006_S001	34
M0962560	SIDE FENCE:LEFT:MANUAL FEED	U006_S001	35
M0962561	SIDE FENCE:RIGHT:MANUAL FEED	U006_S001	36
M0963800	HOUSING:TRANSPORT SUB-UNIT:ASSY	U008_S001	23
M0963912	HOLDER:GUIDE PLATE:REVERSE	U001	76
M0963923	GUIDE PLATE:EXIT:MIDDLE	U001	77
M0963924	FEELER:PAPER FEED SENSOR	U001	78
M0963926	ROLLER:GUIDE:EXIT:MIDDLE	U001	79
M0963987	DECAL:GRIP:HOUSING	DECALS AND DOCUMENTS U008_S001	8 24
M0963988	DECAL:INSERT SUB-UNIT:TRANSPORT UNIT	DECALS AND DOCUMENTS U008_S001	9 25
M0963989	RESISTOR:TRANSFER/SEPARATION	U008_S001	26
M0963993	RESISTOR:EARTH:PAPER FEED	U013	68

Number	Part Name	Group	ID
M0963994	RESISTOR:EARTH:EXIT:DISCHARGE SECTION	U010_S001	18
M0964017	FUSING UNIT - 120V	U009_S001	8
M0964076	FUSING ENTRANCE GUIDE PLATE:UPPER	U009_S001	9
M0964077	FUSING ENTRANCE GUIDE PLATE:LOWER	U009_S001	10
M0964111	COVER:FUSING	U009_S001	11
M0964117	DECAL:FUSING EXIT:OPEN AND CLOSE	DECALS AND DOCUMENTS U009_S001	10 12
M0964126	DECAL:FUSING:LEVER:LEFT	DECALS AND DOCUMENTS U009_S001	11 13
M0964127	DECAL:FUSING:LEVER:RIGHT	DECALS AND DOCUMENTS U009_S001	12 14
M0964128	DECAL:CAUTION:FUSING PRESSURE RELEASE	DECALS AND DOCUMENTS	13
M0964450	GUIDE:EXIT:ASSY	U010_S001	19
M0964455	GROUND PLATE:EXIT:1	U010_S001	20
M0964456	GROUND PLATE:EXIT:2	U010_S001	21
M0964458	SPRING:PRESSURE:EXIT:INNER	U010_S001	22
M0964459	FEELER:L	U010_S001	23
M0964460	SPRING:PRESSURE:EXIT:OUTER	U010_S001	24
M0964461	FEELER:R	U010_S001	25
M0964462	LINK:SLIDE	U010_S001	26
M0964463	LINK:TURN	U010_S001	27
M0964464	COMPRESSION SPRING	U010_S001	28
M0964465	TORSION SPRING:1	U010_S001	29
M0964466	TORSION SPRING:2	U010_S001	30
M0965126	PCB:EGB:ASSY	U012	63
M0965703	DC SOLENOID:FUSING:ASSY	U013	69
M0965711	SHIELDING PLATE:HARNESS:POWER SUPPLY UNIT	U012	64
M0965760	GROUND PLATE:REGISTRATION ROLLER	U013	70
M0965761	GROUND PLATE:BASE:PSU	U013	71

Exclusive Parts

Number	Part Name	Group	ID
M0966000	INTERMEDIATE TRANSFER SECTION:ASS'Y	U007_S001	9
M0966200	TRANSFER ROLLER:SUB-ASS'Y	U008_S001_S001	27
M0991381	DECAL:NAME PLATE:M099:RICOH	DECALS AND DOCUMENTS	14
M0991400	OPERATION PANEL:NA:M099:ASS'Y	U002_S001	2
M0991600	SCANNER:ASS'Y	U004_S001	30
M0991826	COVER:SCANNER:FRONT	U004_S001	31
M0995652	PCB:CTL:MGDI:EXP:ASS'Y	U012	65
M1001056	HINGE:TORQUE LIMITER	U001	80
M1001060	HOLDER:USB	U012	66
M1001061	BASE:USB	U012	67
M1001277	COVER:PAPER EXIT SUB-UNIT	U001	81
M1001381	DECAL:NAME PLATE:M100:RICOH	DECALS AND DOCUMENTS	15
M1001400	OPERATION PANEL:NA:M100:ASS'Y	U002_S002	3
M1001466	PCB:OPU	U002_S001	4
		U002_S002	4
M1001600	SCANNER:ASS'Y	U004_S002	32
M1001826	COVER:SCANNER:FRONT	U004_S002	33
M1003902	COVER:FRONT	U001	82
M1005406	CABLE:USB-HOST	U012	68
M1005407	CABLE:OPERATION PANEL	U012	69
M1005652	PCB:CTL:MPCL:EXP:ASS'Y	U012	70
M1005672	PCB:FAX:NA:ASS'Y	U012	71

Standard Parts



03530030N
SCREW:M3X3



03530040N
SCREW - M3X4



03530060N
BIND SCREW - M3X6



03603006N
SCREW - M3X6



03603010N
SCREW:M3X10



04503008N
TAPPING SCREW - M3X8



04503010N
TAPPING SCREW - M3X10



04503016N
TAPPING SCREW:3X16



04504010N
TAPPING SCREW:M4X10



04523006N
BINDING SELF-TAPPING SCREW:3X6



04523010N
BINDING SELF-TAPPING SCREW:3X10



04524010N
BINDING SELF-TAPPING SCREW:4X10



04543006Q
TAPPING SCREW - M3X6



04543008Q
TAPPING SCREW:3X8



07200030E
RETAINING RING - M3



07200040E
RETAINING RING - M4



07200060E
RETAINING RING - M6



08046123
HEXAGONAL BOLT:W/WASHER:M3X8



08050088
RETAINING RING - M6



08050089
RETAINING RING - M4



08050092
RETAINING RING - 3M



09543008N
SCREW - M3X8



11033902
CONNECTOR - 10P



11050487
HARNESS CLAMP



11050508
HARNESS CLAMP - LWS-071



11050516
CLAMP



11050518
EDGE SADDLE - LES-1010

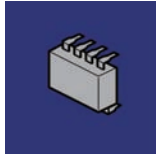


11500427
POWER SUPPLY CODE:125V :15A:NA

Standard Parts



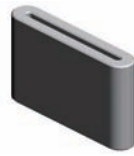
12042612
MICRO SWITCH:D3V-16506-3
C25



14075317
EEPROM:M24C16-WBN6(RE
V.S/W/G)



16070892
FERRITE CORE - ZCAT1518-
0730



16072056
FERRITE CORE:33.5X6.5X20