



**RICOH UNIVERSITY**  
Learning ♦ Knowledge ♦ Performance



# **M095/M096 PARTS CATALOG**

**LANIER RICOH SAVIN®**



It is the reader's responsibility when discussing the information contained within this document to maintain a level of confidentiality that is in the best interest of Ricoh Americas Corporation and its member companies.

**NO PART OF THIS DOCUMENT MAY BE REPRODUCED IN ANY  
FASHION AND DISTRIBUTED WITHOUT THE PRIOR  
PERMISSION OF RICOH AMERICAS CORPORATION.**

All product names, domain names or product illustrations, including desktop images, used in this document are trademarks, registered trademarks or the property of their respective companies.

They are used throughout this book in an informational or editorial fashion only and for the benefit of such companies. No such use, or the use of any trade name, or web site is intended to convey endorsement or other affiliation with Ricoh products.



# LEGEND

PRODUCT CODE	COMPANY		
	LANIER	RICOH	SAVIN
M095	SPC240DN	Aficio SPC240DN	SPC240DN
M096	SPC242DN	Aficio SPC242DN	SPC242DN
G849	PAPER FEED UNIT TYPE TK1010		

# DOCUMENTATION HISTORY

REV. NO.	DATE	COMMENTS
*	11/2011	Original Printing



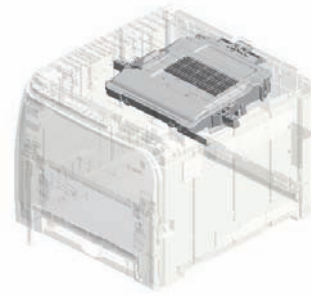
# Unit All



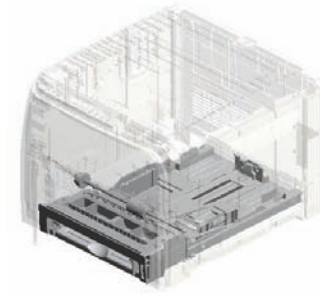
U001  
EXTERIOR



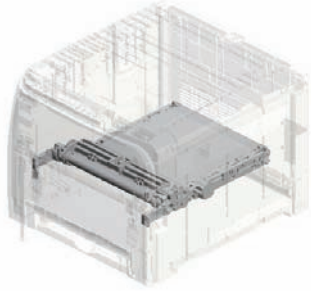
U002  
OPERATION



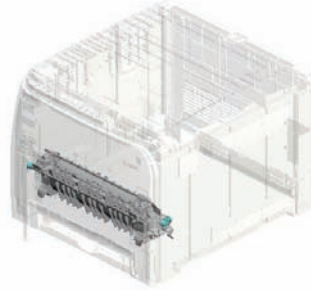
U003  
LASER UNIT



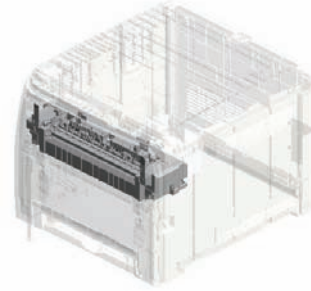
U004  
PAPER TRAY



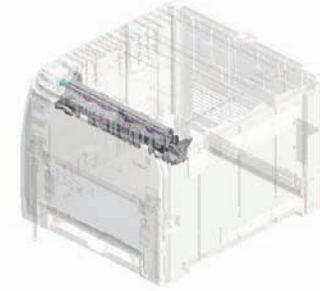
U005  
ITB CLEANING



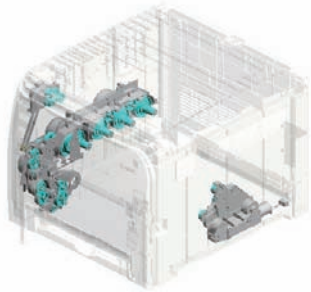
U006  
PAPER TRANSPORT



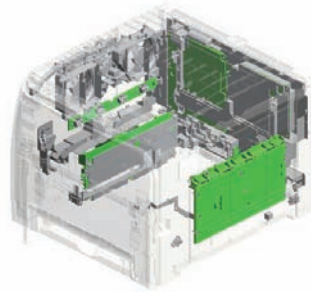
U007  
FUSING



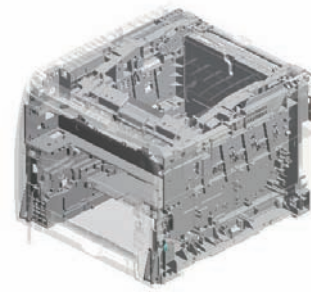
U008  
PAPER EXIT



U009  
MAIN DRIVE



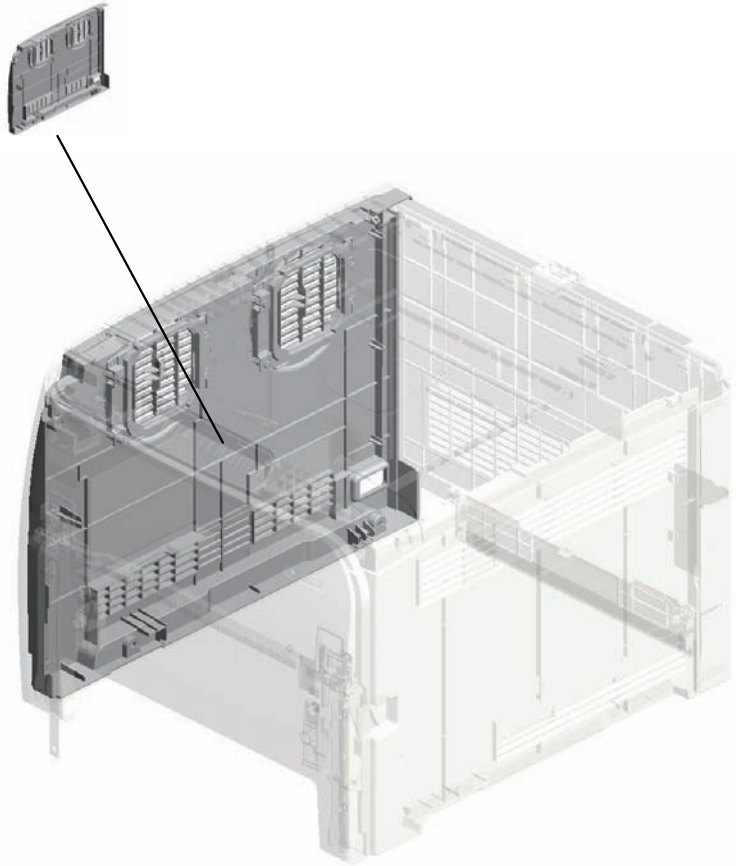
U010  
ELECTRICAL



U011  
MAIN FRAME

# U001.EXTERIOR

U001\_S001  
M0960042  
COVER:LEFT:ASS'Y



U001	U002	U003	U004	U005	U006	U007	U008	U009	U010	U011
------	------	------	------	------	------	------	------	------	------	------



# U001 EXTERIOR



7.G1661260  
EXTEND TRAY

16.G1661311  
SEAL - 5X15X222M  
M

14.G1661300  
COVER:UPPER

13.G1661283  
FRONT END FENC  
E - EXIT

12.G1661282  
REAR END FENCE  
- EXIT

10.G1661269  
STOPPER BAND

1.03603010N  
SCREW:M3X10

6.11029156  
CONNECTOR

8.G1661261  
INNER COVER - EX  
IT

17.G1661312  
SEAL - 7X25X176M  
M

18.G1661313  
SEAL - 3X8X411MM

2.04503010N  
(x13)  
TAPPING SCREW -  
M3X10

5.04543008Q  
(x3)  
TAPPING SCREW:  
3X8

3.04504010N  
(x2)  
TAPPING SCREW:  
M4X10

20.G1661318  
SHEET - CASSETT  
E COVER

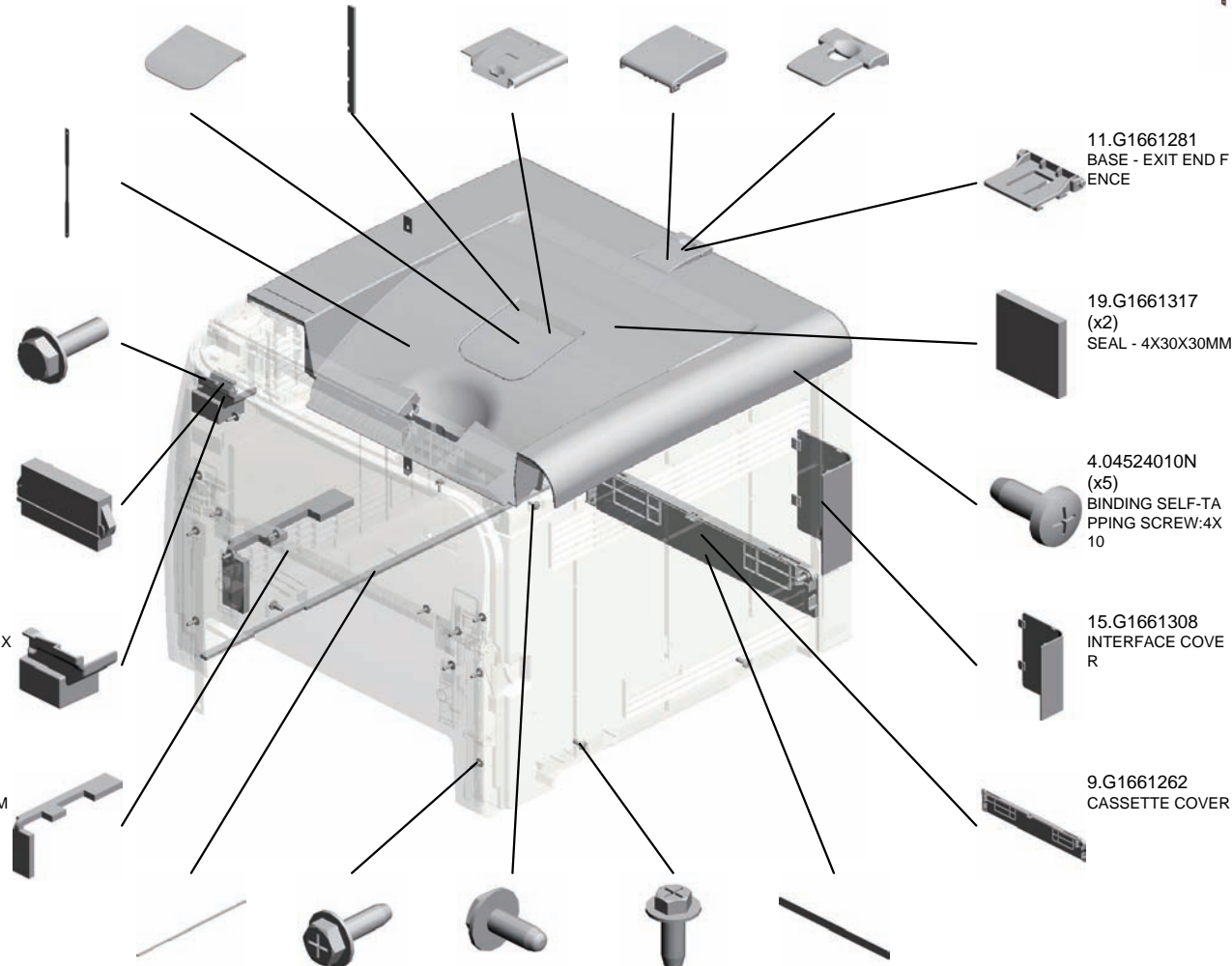
11.G1661281  
BASE - EXIT END F  
ENCE

19.G1661317  
(x2)  
SEAL - 4X30X30MM

4.04524010N  
(x5)  
BINDING SELF-TA  
PPING SCREW:4X  
10

15.G1661308  
INTERFACE COVE  
R

9.G1661262  
CASSETTE COVER



# U001 EXTERIOR



- 21.G1661319 (x2) SEAL:COVER:LEFT :7
- 29.G1663908 LOCK LEVER ARM
- 36.G1663933 STOPPER:FEELER :PAPER FEEL SOR
- 33.G1663925 TORSION SPRING - FEELER
- 22.G1661320 SEAL:COVER:LEFT :6

39.G1663970  
LEFT HOOK

27.G1663906  
LEFT LOCK LEVER

31.G1663910  
GROUND WIRE

25.G1663904  
LEFT FRAME - FR  
ONT COVER

34.G1663927  
STOPER BAND

28.G1663907  
LOCK GUIDE

37.G1663957  
(x2)  
WASHER - 0.8X10.  
8MM

38.G1663962  
(x2)  
COMPRESSION SP  
RING HOLDER

30.G1663909  
TENSION SPRING

24.G1663903  
RIGHT FRAME - FR  
ONT COVER

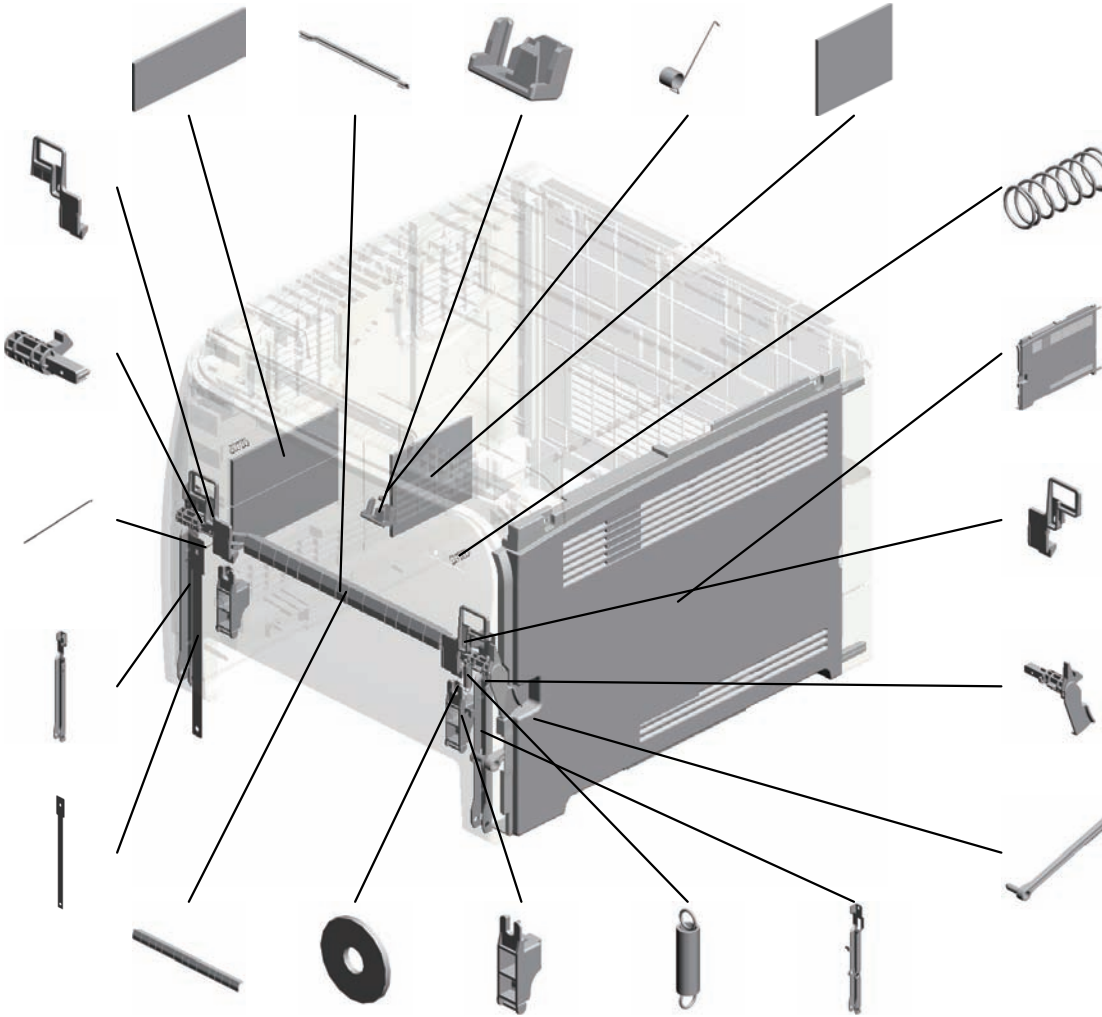
32.G1663921  
(x2)  
GUIDE PLATE SPR  
ING - MIDDLE

23.G1661333  
COVER:RIGHT:EU

40.G1663971  
RIGHT FHOOK

26.G1663905  
RIGHT LOCK LEVE  
R

35.G1663928  
BRAKE RACK - FR  
ONT COVER



# U001 EXTERIOR



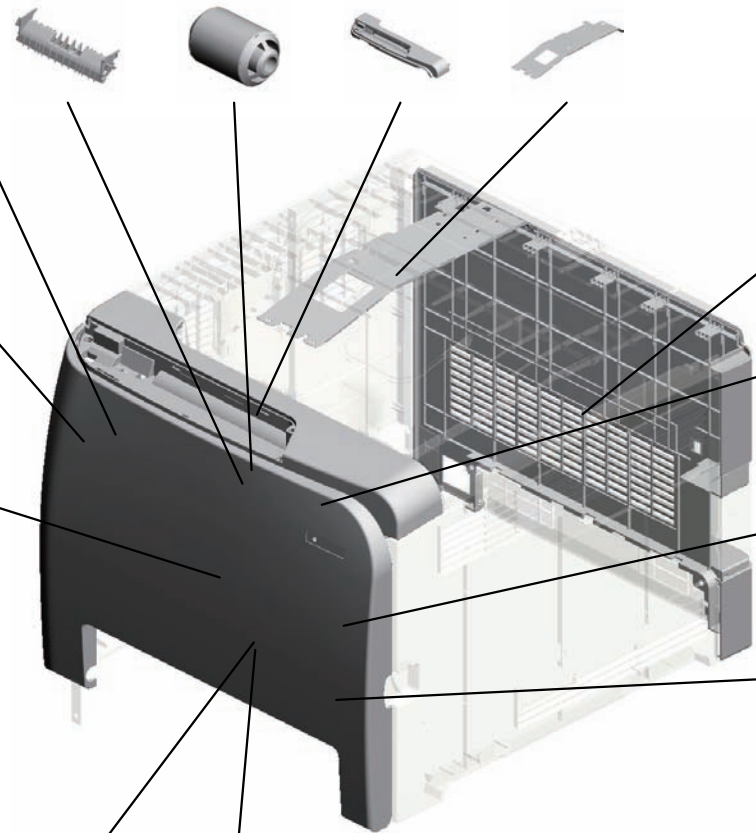
57.M0963923 GUIDE PLATE:EXIT:MIDDLE  
 59.M0963926 ROLLER:GUIDE:EXIT:MIDDLE  
 53.M0961277 COVER:PAPER EXIT SUB-UNIT  
 44.G1665705 SHIELDING PLATE

56.M0963912 HOLDER:GUIDE PLATE:REVERSE

42.G1664464 DECAL:HIGHTEMPERATURE



55.M0963902 COVER:FRONT



54.M0961304 COVER:REAR:EU



58.M0963924 FEELER:PAPER FEED SENSOR



41.G1663972 (x2) COMPRESSION SPRING - GRIP



45.M0353974 (x2) COMPRESSION SPRING:HOUSING:TRANSPORT



43.G1664606 (x2) DUPLEX ROLLER



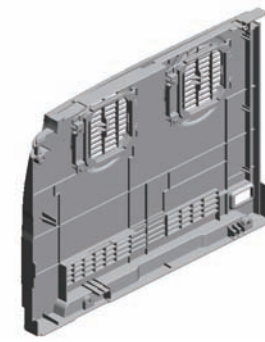
51.M0754607 (x2) SPRING:PRESSURE:DUPLEX



U001\_S001  
COVER:LEFT:ASS'Y

2.04503010N (x4)  
TAPPING SCREW - M3X10

48.M0751253 (x2)  
LOUVER



52.M0960042  
COVER:LEFT:ASS'Y

47.M0751252 (x2)  
SEAL:STOPPER:LOUVER



49.M0751308 (x2)  
SEAL:GUIDE:LOUVER:UPPER



46.M0751251 (x2)  
GUIDE:LOUVER



50.M0751309 (x2)  
SEAL:GUIDE:LOUVER:LOWER



# U002.OPERATION

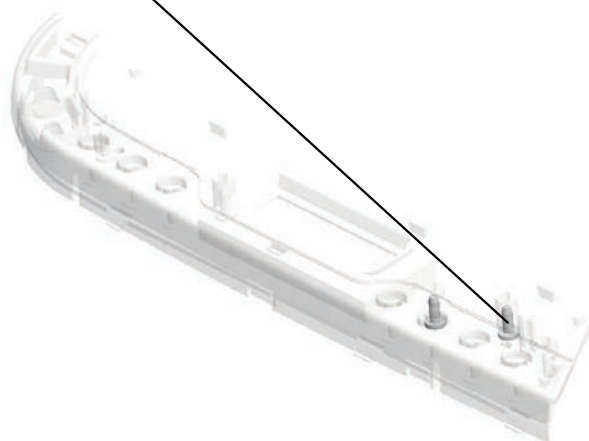
U002\_S001  
M0961400  
OPERATION PANEL:ASSY



U001	U002	U003	U004	U005	U006	U007	U008	U009	U010	U011
------	------	------	------	------	------	------	------	------	------	------

# U002 OPERATION

1.04503010N  
(x2)  
TAPPING SCREW -  
M3X10

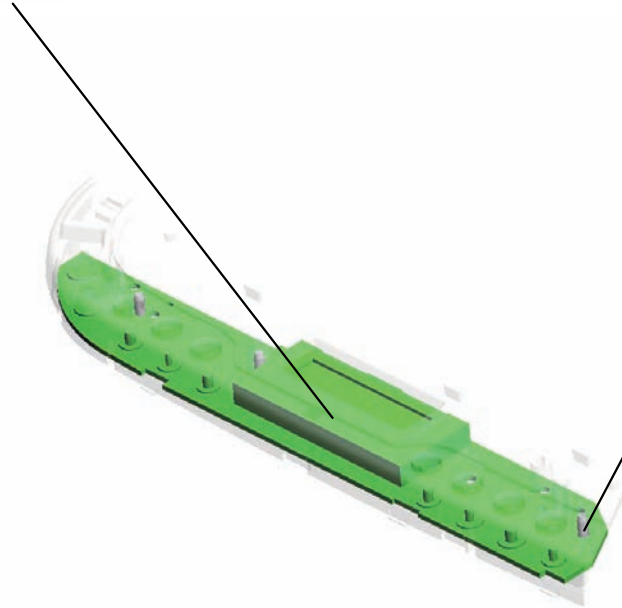


U002\_S001  
OPERATION PANEL:ASS'Y

3.M0961466  
PCB:PERSEUS-P2:  
OPU



2.M0961400  
OPERATION PANE  
L:ASS'Y

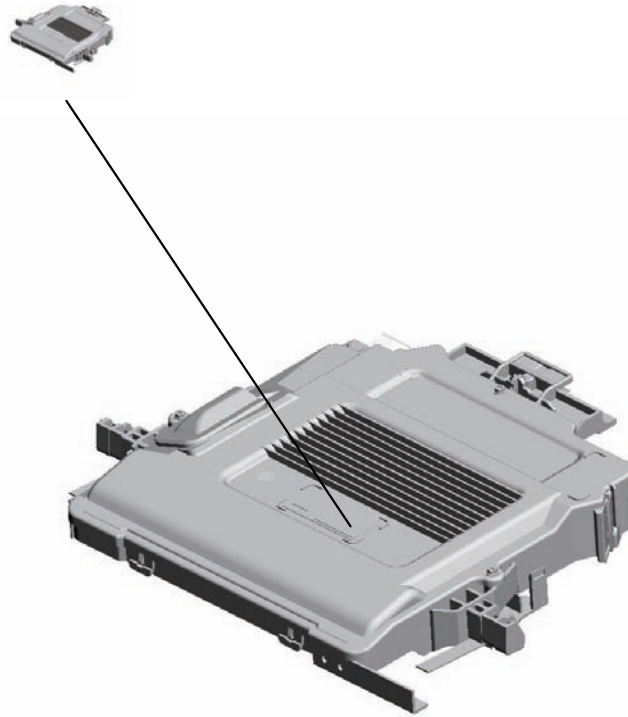


1.04503010N  
(x3)  
TAPPING SCREW -  
M3X10

U001	<b>U002</b>	U003	U004	U005	U006	U007	U008	U009	U010	U011
------	-------------	------	------	------	------	------	------	------	------	------

# U003.LASER UNIT

U003\_S001  
M0931851  
IMAGING UNIT:ASS'Y



U001	U002	U003	U004	U005	U006	U007	U008	U009	U010	U011
------	------	------	------	------	------	------	------	------	------	------



U003  
LASER UNIT



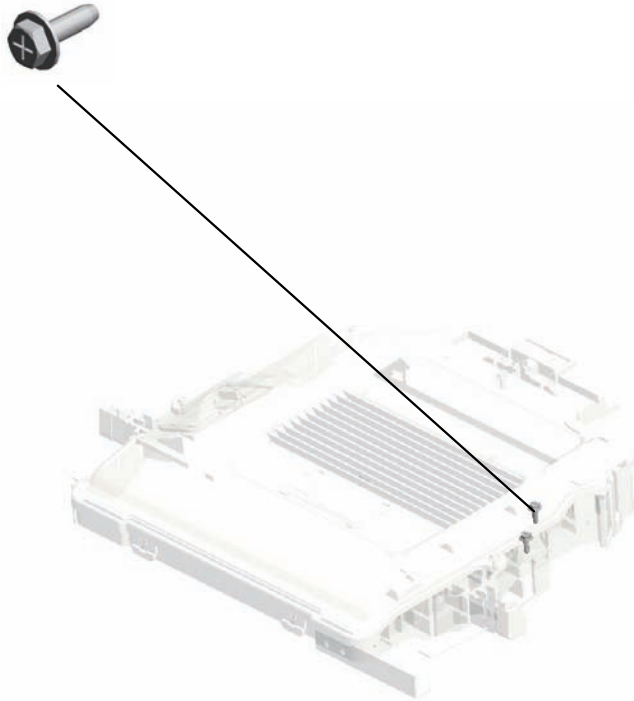
U001	U002	U003	U004	U005	U006	U007	U008	U009	U010	U011
------	------	------	------	------	------	------	------	------	------	------

U003\_S001  
IMAGING UNIT:ASS'Y

1.04503010N  
(x2)  
TAPPING SCREW -  
M3X10

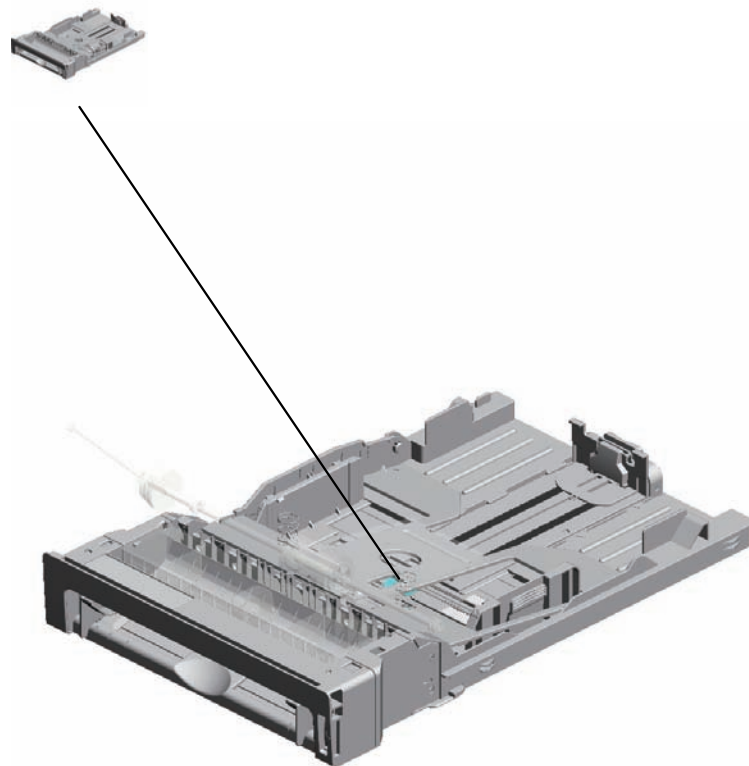


2.M0931851  
IMAGING UNIT:AS  
S'Y



# U004.PAPER TRAY

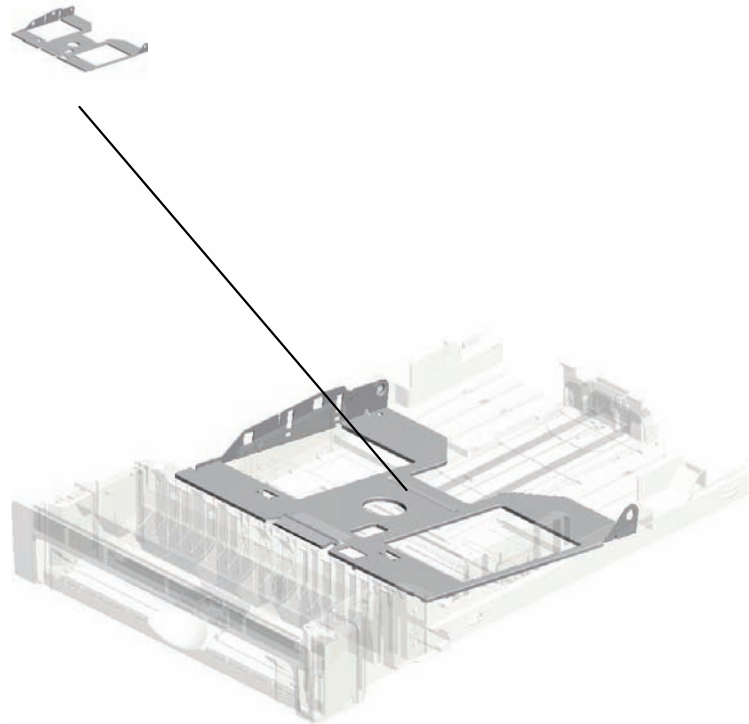
U004\_S001  
M0962550  
PAPER TRAY:ASSY



U001	U002	U003	U004	U005	U006	U007	U008	U009	U010	U011
------	------	------	------	------	------	------	------	------	------	------

# U004\_S001.PAPER TRAY:ASS'Y

U004\_S001\_S001  
M0182562  
BASE:ADHESION

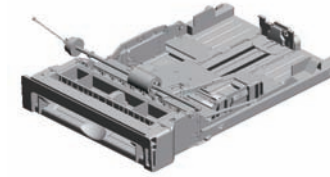


U001	U002	U003	U004	U005	U006	U007	U008	U009	U010	U011
------	------	------	------	------	------	------	------	------	------	------

# U004 PAPER TRAY

30.GX201123  
MAGNETIC CLUTC  
H:0.25N

26.G1662580  
SHAFT - PAPER FE  
ED ROLLER



12.G1662554  
DUPLEX GUIDE



6.AA082101  
(x2)  
BUSHING - 6X10X6



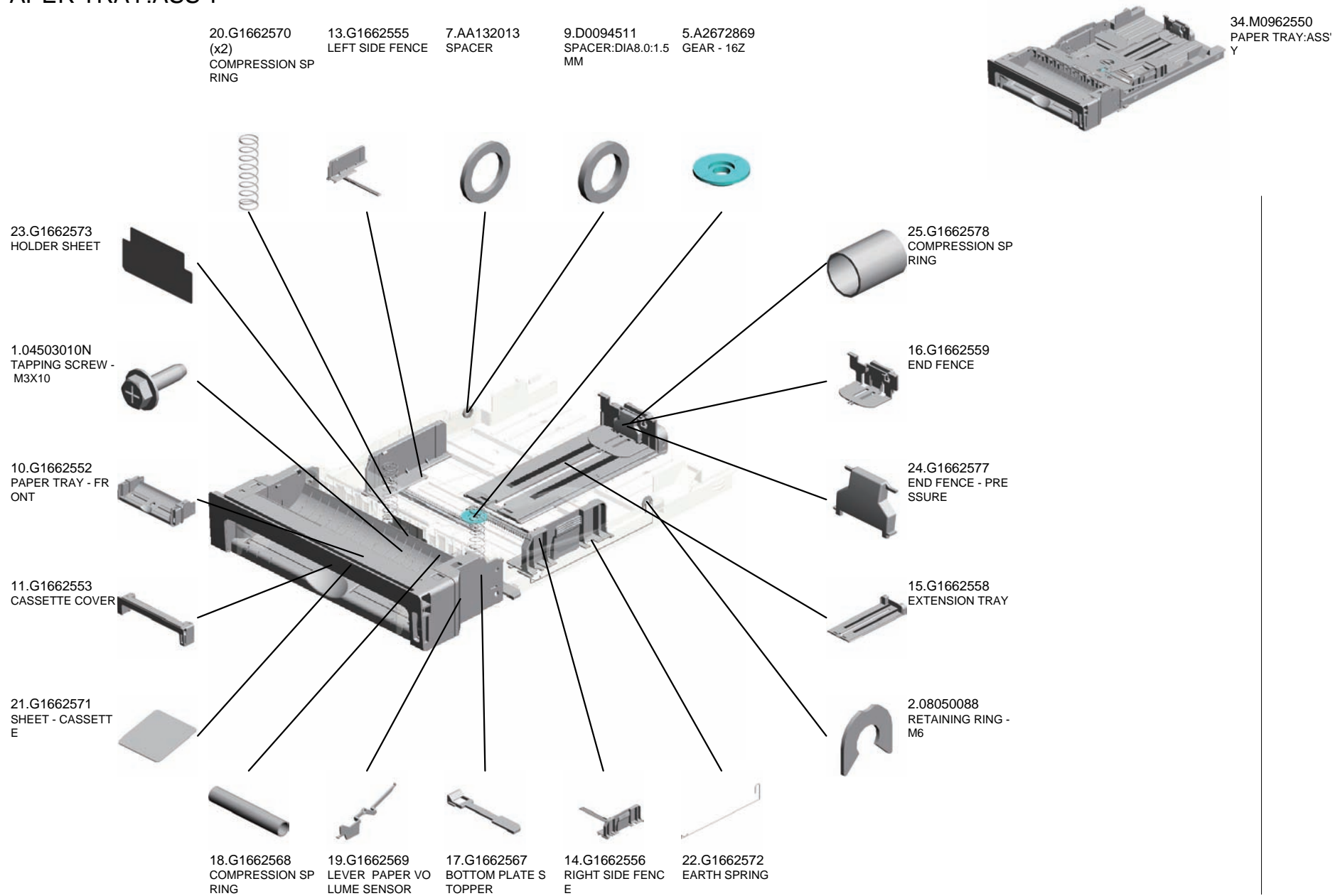
3.08050089  
(x3)  
RETAINING RING -  
M4



8.AF031061  
PAPER FEED ROL  
LER

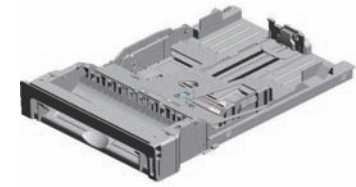


U004\_S001  
PAPER TRAY:ASS'Y



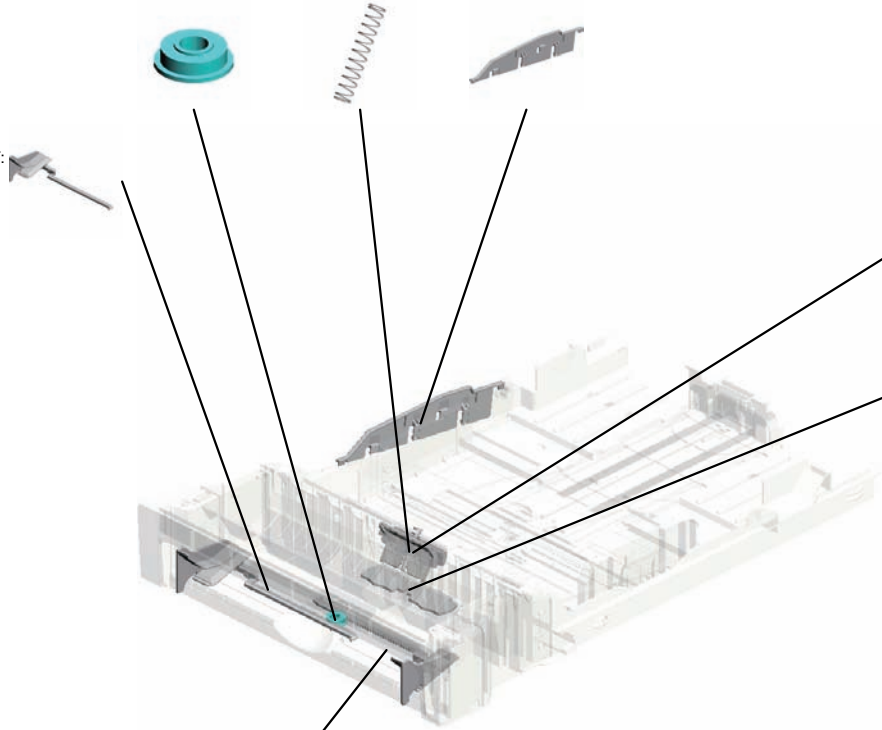
U004\_S001  
PAPER TRAY:ASS'Y

29.G8003133    28.G1662606    32.M0182608  
SIDE FENCE GEAR    COMPRESSION SP    COVER:BASE  
RING



34.M0962550  
PAPER TRAY:ASS'  
Y

35.M0962560  
SIDE FENCE:LEFT:  
MANUAL FEED



33.M0352620  
FRICTION PAD

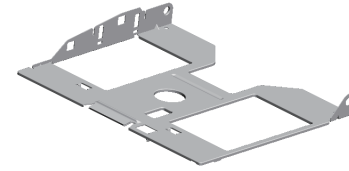
27.G1662589  
DAMPING INSULAT  
ION

36.M0962561  
SIDE FENCE:RIGHT:  
T:MANUAL FEED

U001	U002	U003	<b>U004</b>	U005	U006	U007	U008	U009	U010	U011
------	------	------	-------------	------	------	------	------	------	------	------

U004\_S001\_S001  
BASE:ADHESION

4.52152713  
BOTTOM PLATE P  
AD



31.M0182562  
BASE:ADHESION

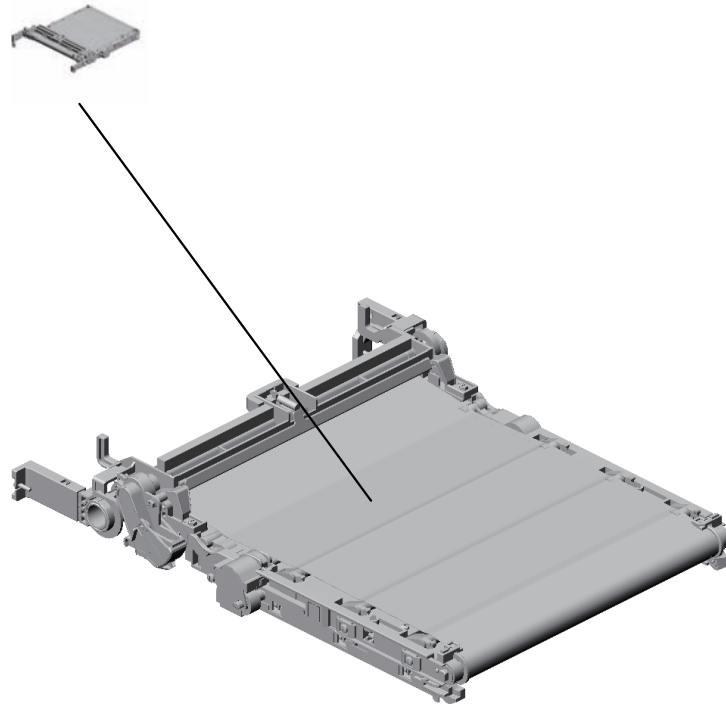


U001	U002	U003	U004	U005	U006	U007	U008	U009	U010	U011
------	------	------	------	------	------	------	------	------	------	------



# U005.ITB CLEANING

U005\_S001  
M0966000  
INTERMEDIATE TRANSFER  
SECTION:ASSY



U001	U002	U003	U004	U005	U006	U007	U008	U009	U010	U011
------	------	------	------	------	------	------	------	------	------	------

U005  
ITB CLEANING



U001	U002	U003	U004	U005	U006	U007	U008	U009	U010	U011
------	------	------	------	------	------	------	------	------	------	------

U005\_S001

INTERMEDIATE TRANSFER SECTION:ASS'Y

6.G1666194  
RIGHT HOLDER - T  
TRANSFER BELT U  
NIT

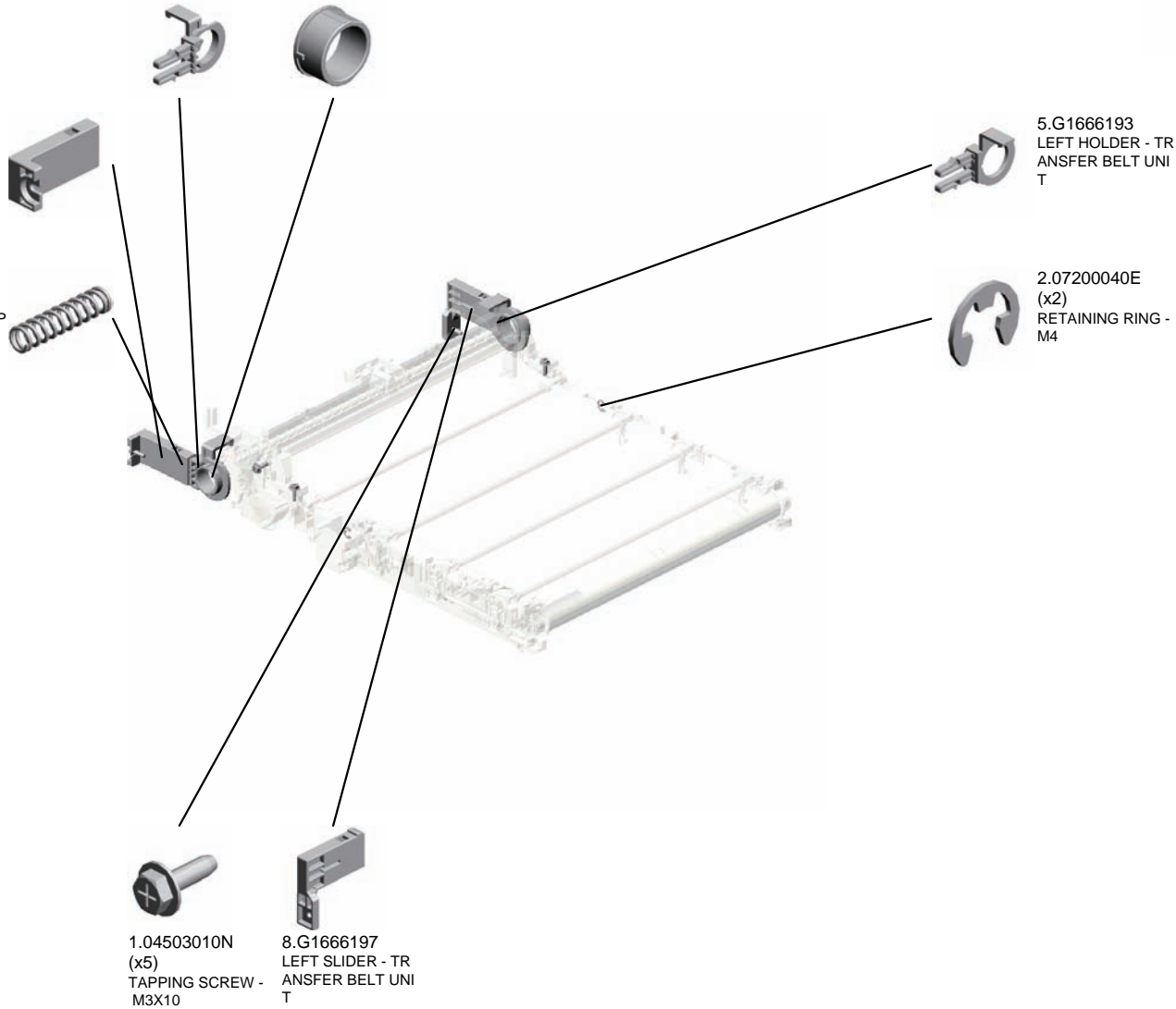
3.G1666026  
(x2)  
BUSHING - 19MM



9.M0966000  
INTERMEDIATE TR  
ANSFER SECTION:  
ASS'Y

7.G1666196  
RIGHT SLIDER - T  
TRANSFER BELT U  
NIT

4.G1666099  
(x2)  
COMPRESSION SP  
RING



5.G1666193  
LEFT HOLDER - TR  
ANSFER BELT UNI  
T

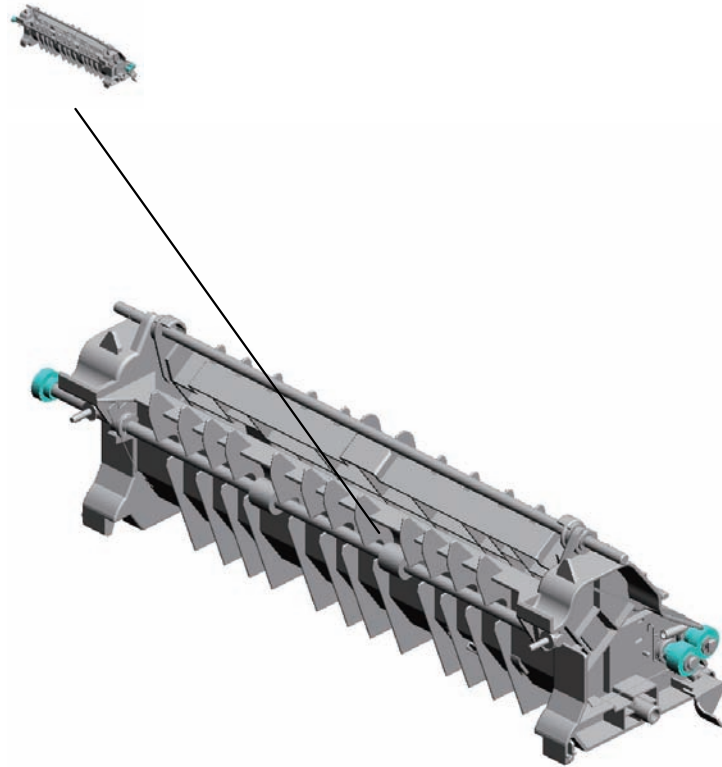
2.07200040E  
(x2)  
RETAINING RING -  
M4

1.04503010N  
(x5)  
TAPPING SCREW -  
M3X10

8.G1666197  
LEFT SLIDER - TR  
ANSFER BELT UNI  
T

# U006.PAPER TRANSPORT

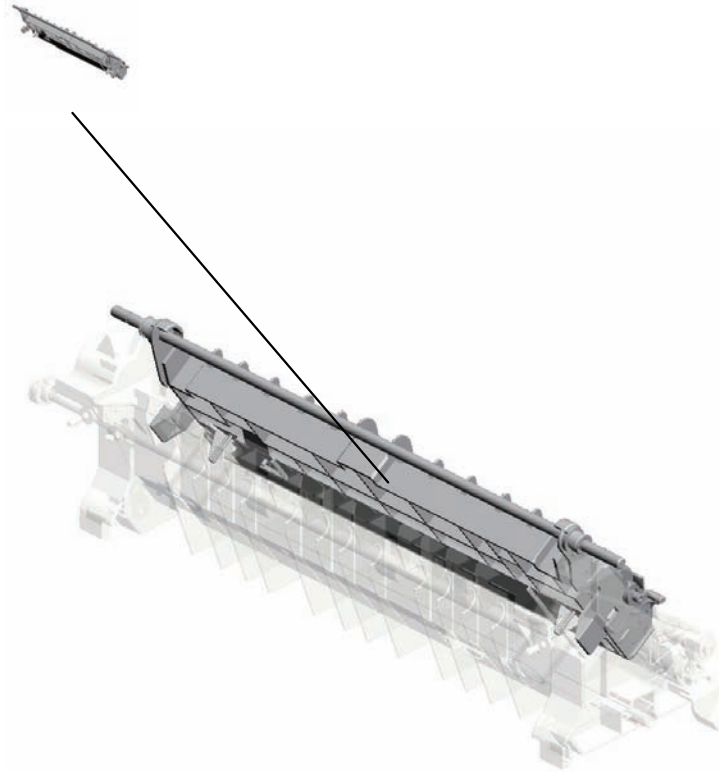
U006\_S001  
M0963800  
HOUSING:TRANSPORT SUB-  
UNIT:ASS'Y



U001	U002	U003	U004	U005	<b>U006</b>	U007	U008	U009	U010	U011
------	------	------	------	------	-------------	------	------	------	------	------

# U006\_S001.HOUSING:TRANSPORT SUB-UNIT:ASS'Y

U006\_S001\_S001  
M0966200  
TRANSFER ROLLER:SUB-AS  
S'Y



U001	U002	U003	U004	U005	<b>U006</b>	U007	U008	U009	U010	U011
------	------	------	------	------	-------------	------	------	------	------	------

U006  
PAPER TRANSPORT



U001	U002	U003	U004	U005	U006	U007	U008	U009	U010	U011
------	------	------	------	------	------	------	------	------	------	------

U006\_S001  
HOUSING:TRANSPORT SUB-UNIT:ASS'Y



23.M0963800  
HOUSING:TRANSPORT SUB-UNIT:ASSY

16.G1663983 SPACER:GROUND PLATE:TRANSPORT  
10.G1663865 (x2) GEAR - 14Z  
2.07200040E (x5) RETAINING RING - M4  
19.GA082015 (x6) PLAIN SHAFT BEARING RING:DIA6:DIA9:7  
8.G1663862 (x2) GUIDE SHEET - REGISTRATION

20.GB011133 GEAR - 15Z

1.04503010N (x2) TAPPING SCREW - M3X10

15.G1663968 ELECTRODE PLATE - CONTACT POINT

18.G1663998 GROUND WIRE - DUPLEX

14.G1663967 ELECTRODE PLATE - LINK

17.G1663997 GROUND WIRE:TRANSFER/SEPARATION

9.G1663863 REGISTRATION GUIDE

7.G1663860 TORSION SPRING

3.08050089 (x2) RETAINING RING - M4

12.G1663961 (x2) COMPRESSION SPRING

4.G1663852 REGISTRATION ROLLER - DRIVEN

6.G1663859 REGISTRATION SENSOR FEELER

5.G1663855 (x2) TENSION SPRING

11.G1663867 DRIVE GEAR - 14Z

13.G1663965 GROUND WIRE

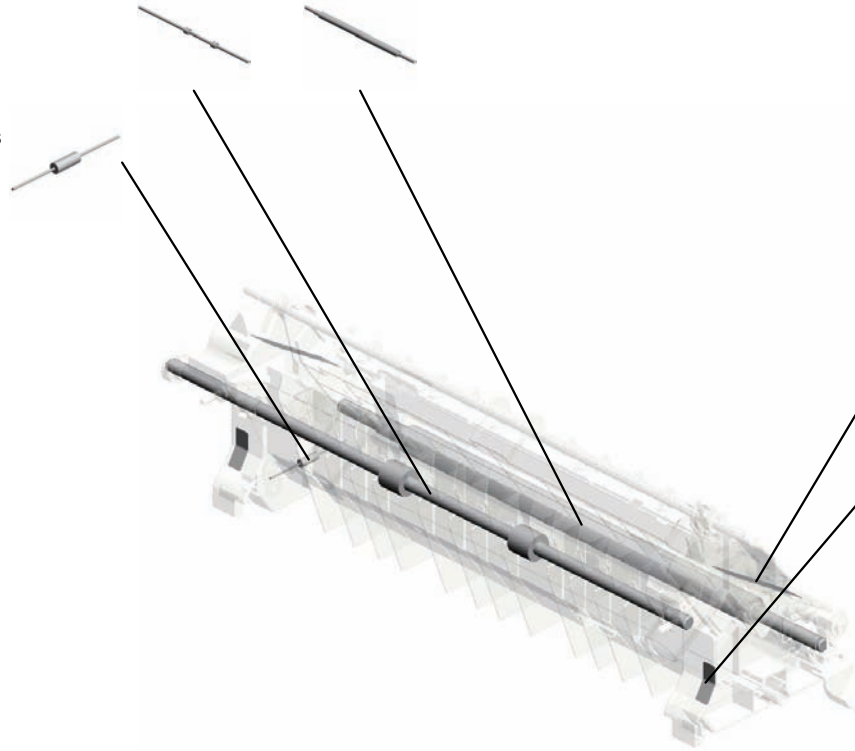
U006\_S001  
HOUSING:TRANSPORT SUB-UNIT:ASS'Y

22.GF020060 21.GF020000  
TRANSPORT ROLL REGISTRATION R  
ER:DUPLEX OLLER - DRIVE



23.M0963800  
HOUSING:TRANSP  
ORT SUB-UNIT:AS  
SY

26.M0963989  
RESISTOR:TRANS  
FER/SEPARATION



24.M0963987  
(x2)  
Decal:Grip:Housing

25.M0963988  
(x2)  
Decal:Insert Sub-uni  
t:Transport Unit

U001	U002	U003	U004	U005	U006	U007	U008	U009	U010	U011
------	------	------	------	------	------	------	------	------	------	------

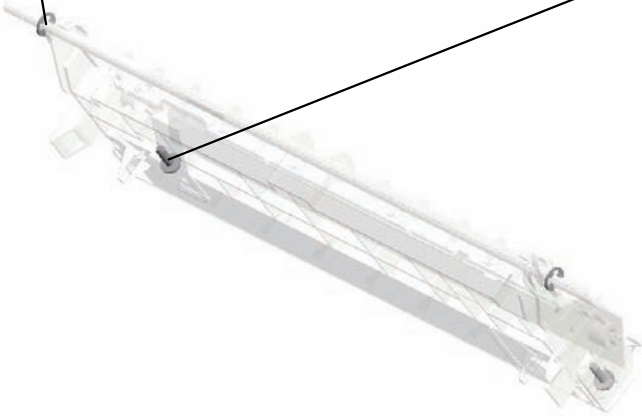


U006\_S001\_S001  
TRANSFER ROLLER:SUB-ASS'Y

2.07200040E  
(x2)  
RETAINING RING -  
M4



27.M0966200  
TRANSFER ROLLE  
R:SUB-ASS'Y

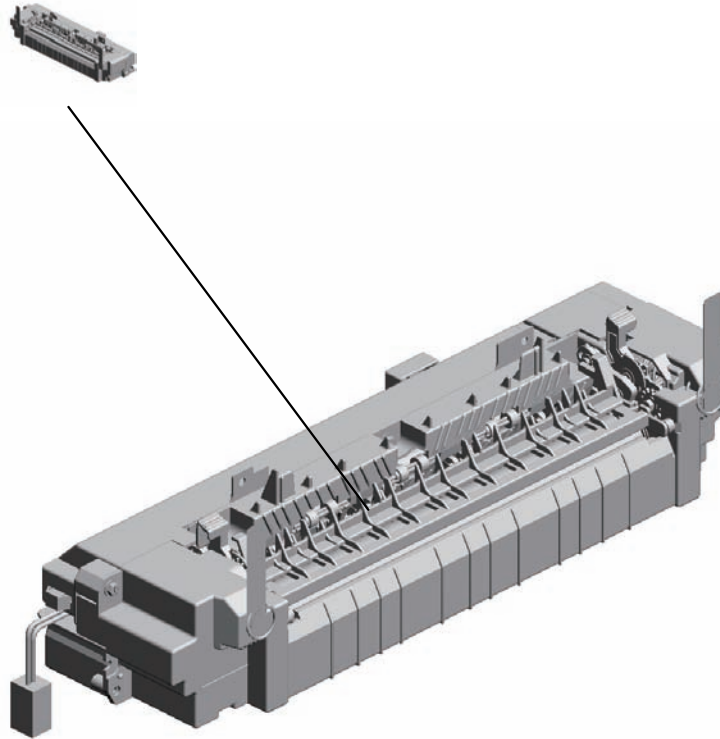


1.04503010N  
(x2)  
TAPPING SCREW -  
M3X10

U001	U002	U003	U004	U005	U006	U007	U008	U009	U010	U011
------	------	------	------	------	------	------	------	------	------	------

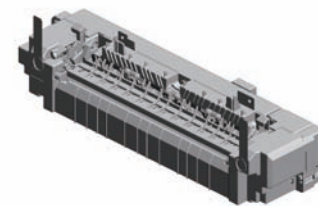
# U007.FUSING

U007\_S001  
M0964017  
FUSING UNIT - 120V



U001	U002	U003	U004	U005	U006	U007	U008	U009	U010	U011
------	------	------	------	------	------	------	------	------	------	------

U007  
FUSING



U001	U002	U003	U004	U005	U006	U007	U008	U009	U010	U011
------	------	------	------	------	------	------	------	------	------	------

# U007\_S001 FUSING UNIT - 120V

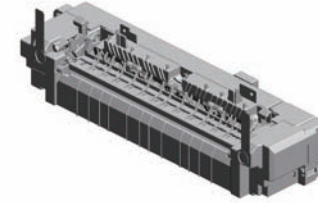
7.GX450008  
HEATER:120V:1000  
W

11.M0964111  
COVER:FUSING

9.M0964076  
FUSING ENTRANC  
E GUIDE PLATE:U  
PPER

5.AA143520  
SHOULDER SCRE  
W - M3

12.M0964117  
(x2)  
DECAL:FUSING EX  
IT:OPEN AND CLO  
SE



8.M0964017  
FUSING UNIT - 120  
V

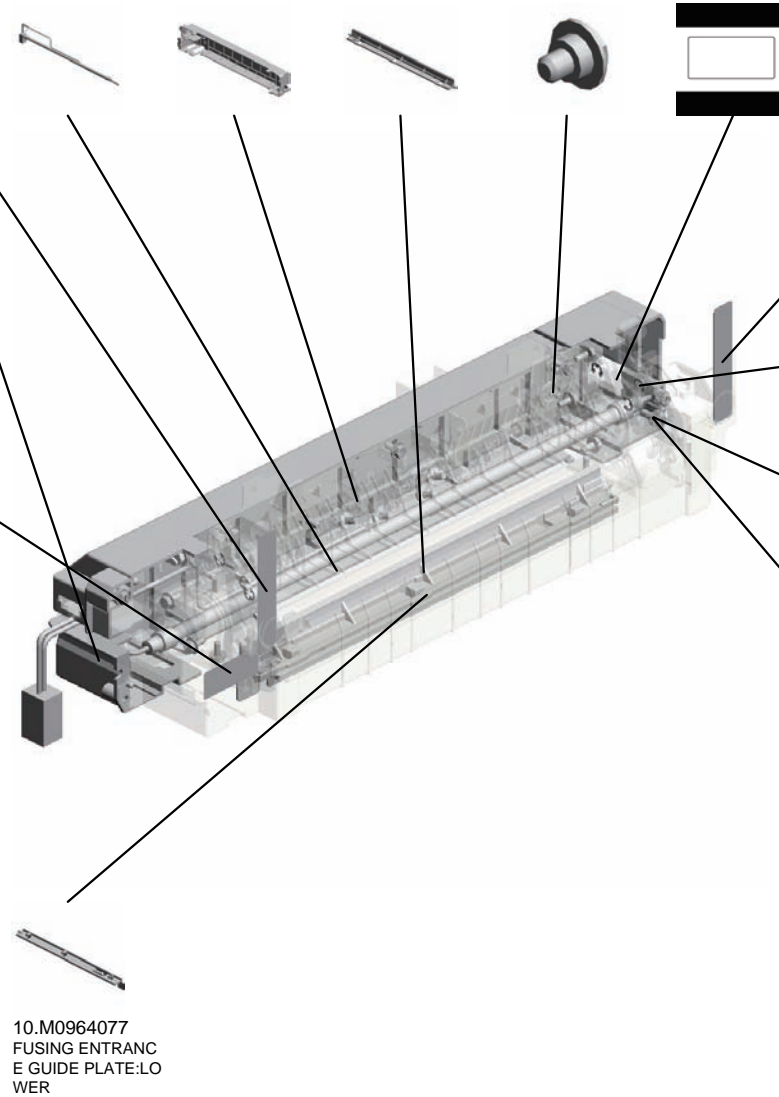
14.M0964127  
DECAL:FUSING:LE  
VER:RIGHT



3.07200040E  
RETAINING RING -  
M4



6.G1664310  
DECAL:WARNING (H  
IGH TEMPERATU  
RE):1:CUD



13.M0964126  
DECAL:FUSING:LE  
VER:LEFT



2.07200030E  
(x6)  
RETAINING RING -  
M3



4.08046123  
(x21)  
HEXAGONAL BOLT  
:W/WASHER:M3X8



1.04503010N  
(x3)  
TAPPING SCREW -  
M3X10

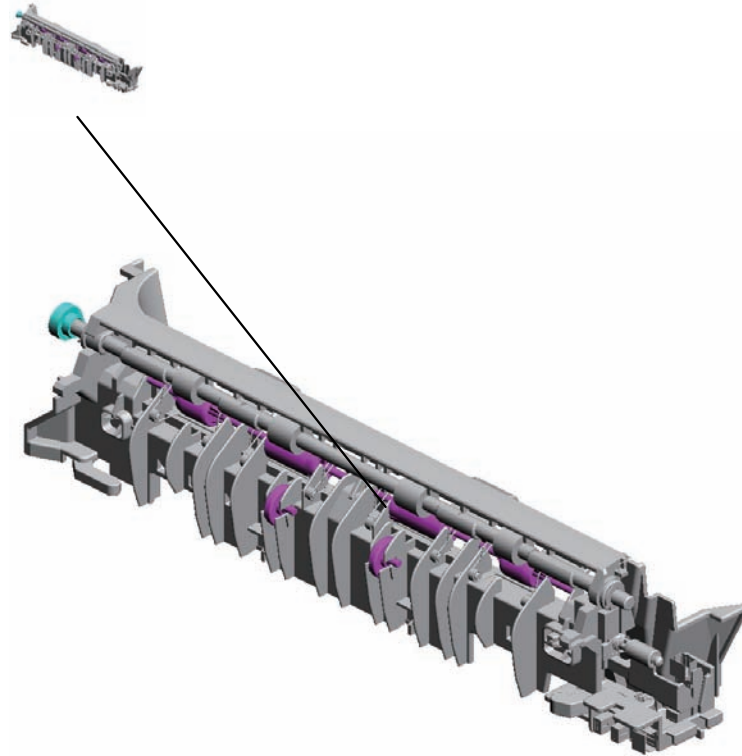


10.M0964077  
FUSING ENTRANC  
E GUIDE PLATE:LO  
WER

U001	U002	U003	U004	U005	U006	U007	U008	U009	U010	U011
------	------	------	------	------	------	------	------	------	------	------

# U008.PAPER EXIT

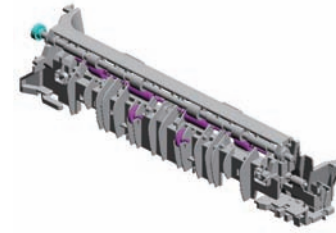
U008\_S001  
M0964450  
GUIDE.EXIT.ASS'Y



U001	U002	U003	U004	U005	U006	U007	U008	U009	U010	U011
------	------	------	------	------	------	------	------	------	------	------

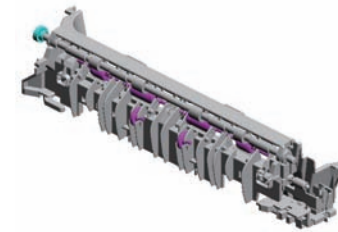
U008  
PAPER EXIT

3.08046123  
(x2)  
HEXAGONAL BOLT  
:W/WASHER:M3X8



U001	U002	U003	U004	U005	U006	U007	<b>U008</b>	U009	U010	U011
------	------	------	------	------	------	------	-------------	------	------	------

U008\_S001  
GUIDE:EXIT:ASS'Y



19.M0964450  
GUIDE:EXIT:ASS'Y

16.M0184459 (x2) ROLLER:DRIVEN:EXIT:OUTER  
 9.G1664456 (x2) GUIDE ROLLER - EXIT  
 15.GF020061 EXIT ROLLER  
 13.GA120011 DISCHARGE BRUSH EXIT  
 10.G1664457 (x2) DRIVEN ROLLER - EXIT

2.07200040E  
RETAINING RING - M4

14.GB011133  
GEAR - 15Z

12.GA082014 (x2)  
PLAIN SHAFT BEARING RING: DIA6: DIA10: 9

1.04503010N (x2)  
TAPPING SCREW - M3X10

8.G1663957 (x2)  
WASHER - 0.8X10.8MM

18.M0963994  
RESISTOR: EARTH: EXIT: DISCHARGE SECTION

21.M0964456  
GROUND PLATE: EXIT: 2

6.AW020198 (x2)  
PHOTO INTERRUPTOR: LG2A14NL1

7.G1022789 (x2)  
STOPPER: PHOTO INTERRUPTOR

5.08050092  
RETAINING RING - 3M

11.G1664463 (x2)  
EXIT GUIDE PLATE

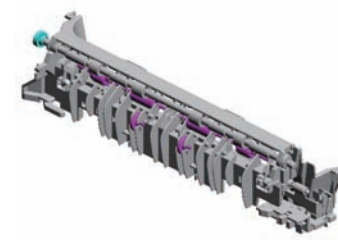
17.M0184464 (x2)  
GUIDE: PLATE: EXIT: OUTER

4.08050089 (x2)  
RETAINING RING - M4

20.M0964455  
GROUND PLATE: EXIT: 1

3.08046123  
HEXAGONAL BOLT : W/WASHER: M3X8

U008\_S001  
GUIDE:EXIT:ASS'Y



19.M0964450  
GUIDE:EXIT:ASS'Y

24.M0964460  
(x2)  
SPRING:PRESSUR  
E:EXIT:OUTER

26.M0964462  
LINK:SLIDE

22.M0964458  
(x2)  
SPRING:PRESSUR  
E:EXIT:INNER

28.M0964464  
COMPRESSION SP  
RING

23.M0964459  
FEELER:L

29.M0964465  
TORSION SPRING:  
1

27.M0964463  
LINK:TURN

30.M0964466  
TORSION SPRING:  
2

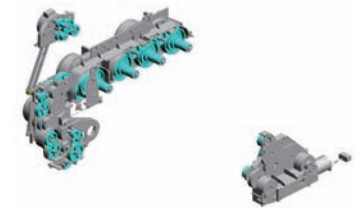
25.M0964461  
FEELER:R

U001	U002	U003	U004	U005	U006	U007	U008	U009	U010	U011
------	------	------	------	------	------	------	------	------	------	------



# U009 MAIN DRIVE

5.04503010N (x18) TAPPING SCREW - M3X10  
 14.G1661123 FRAME - ON-OFF DRIVE UNIT  
 1.03530030N (x6) SCREW:M3X3  
 10.AA082101 (x2) BUSHING - 6X10X6  
 3.03530060N (x2) BIND SCREW - M3 X6



15.G1661125 SHIELDING PLATE

17.G1661135 MOTOR - DC24V 1.6W

12.G1661118 GROUNDING WIRE

13.G1661119 (x2) MOTOR BRACKET

16.G1661131 DC MOTOR - DC24V 5.3W

11.G1661111 FRAME - TRANSFER DRIVE UNIT

2.03530040N (x9) SCREW - M3X4

4.03603006N (x3) SCREW - M3X6

18.G1661139 FRAME - TRANSFER DRIVE UNIT

8.11024473 CT CONNECTOR - 2P

6.04543006Q (x2) TAPPING SCREW - M3X6

7.08050089 (x3) RETAINING RING - M4

19.G1661151 MOTOR BRACKET

20.G1661152 GROUNDING PLATE

9.11050516 CLAMP

U001	U002	U003	U004	U005	U006	U007	U008	U009	U010	U011
------	------	------	------	------	------	------	------	------	------	------

# U009 MAIN DRIVE

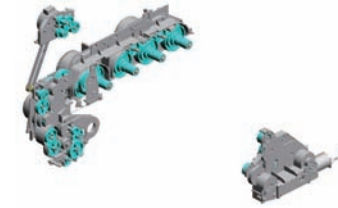
37.GB011108  
(x2)  
GEAR - 21Z

26.GA145014  
SHAFT - 6 X 55.3M  
M

40.GB011111  
GEAR - 19Z

22.G1665745  
HARNES COVER

21.G1661194  
FRAME - DUPLEX  
DRIVE UNIT



23.GA043030  
TIMING BELT - 60S  
2M280

32.GB011102  
GEAR - 19/38Z

27.GA148016  
SHAFT - 6 X 26.7M  
M

24.GA132101  
(x5)  
SPACER - 0.13 X 1  
2MM

29.GB010039  
(x2)  
GEAR:AIO:DRIVE:  
MIDDLE

30.GB010040  
GEAR:AIO:DRIVE:1

38.GB011109  
(x2)  
GEAR - 28Z

34.GB011104  
GEAR - 20/35Z

36.GB011106  
GEAR - 22/31Z

35.GB011105  
GEAR - 29Z

25.GA145013  
SHAFT - 6 X 39.5M  
M

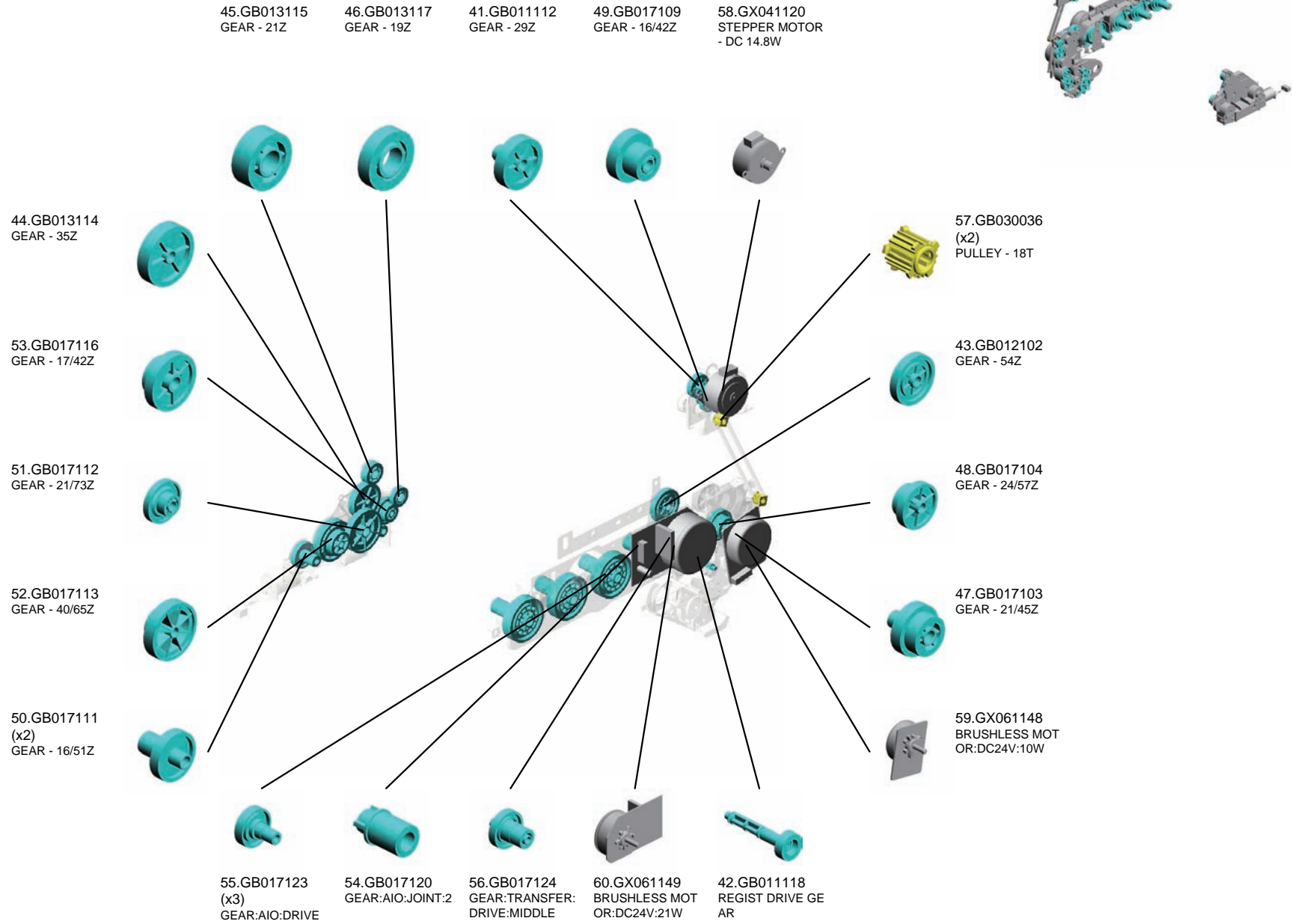
28.GA148018  
(x2)  
SHAFT - 6 X 21.9M  
M

31.GB011101  
GEAR - 37Z

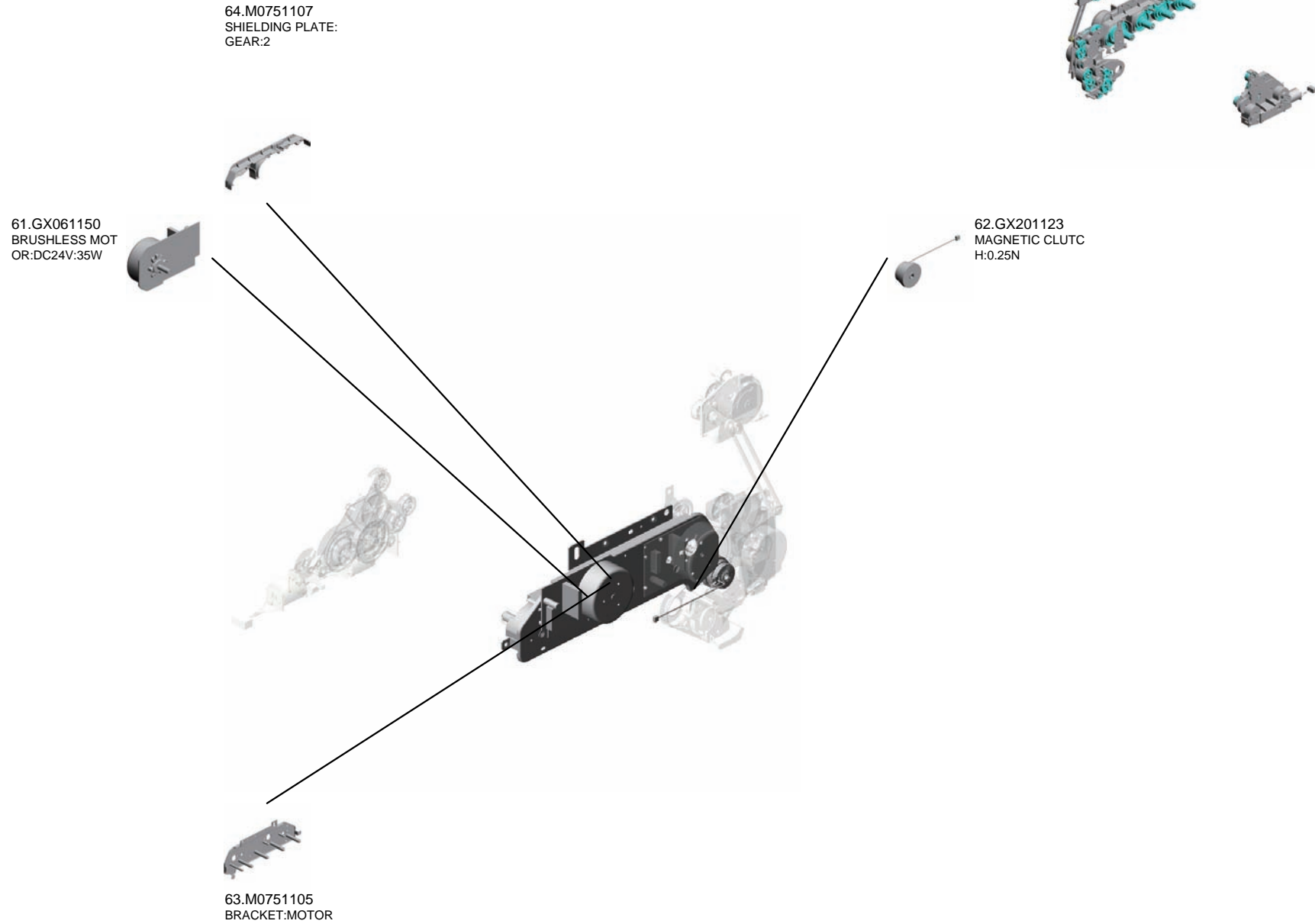
39.GB011110  
GEAR - 31Z

33.GB011103  
GEAR - 28/36Z

# U009 MAIN DRIVE



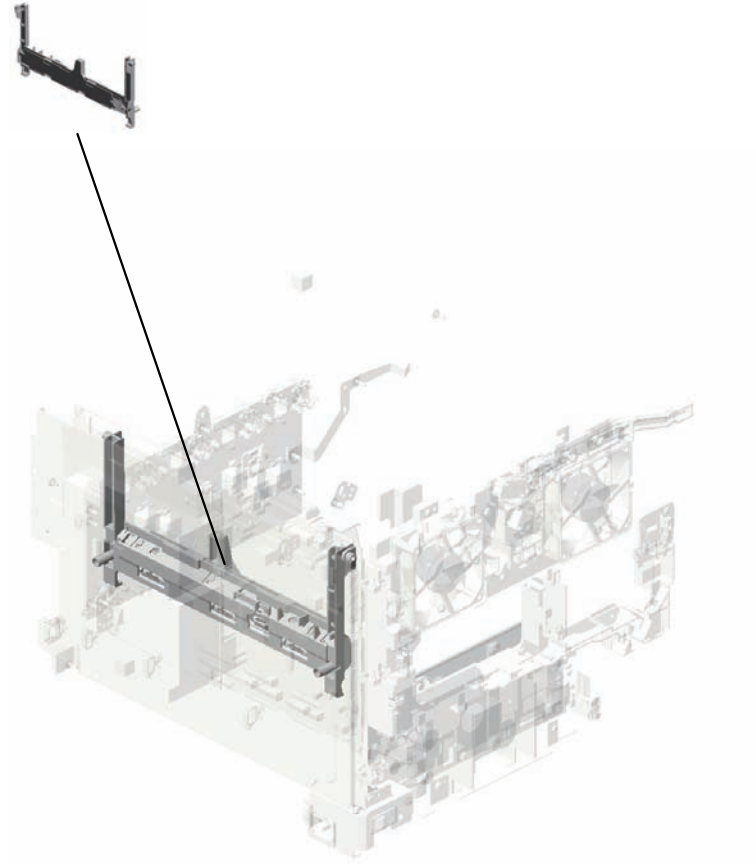
# U009 MAIN DRIVE



U001	U002	U003	U004	U005	U006	U007	U008	<b>U009</b>	U010	U011
------	------	------	------	------	------	------	------	-------------	------	------

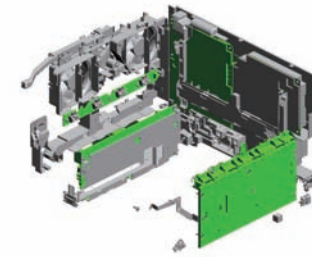
# U010.ELECTRICAL

U010\_S001  
G1666003  
DENSITY SENSOR:ASS'Y



U001	U002	U003	U004	U005	U006	U007	U008	U009	U010	U011
------	------	------	------	------	------	------	------	------	------	------

# U010 ELECTRICAL



- 4.04543006Q (x12) TAPPING SCREW - M3X6
- 19.G1022789 STOPPER:PHOTO INTERRUPTOR
- 11.11050508 (x4) HARNESS CLAMP - LWS-0711
- 15.14075317 EEPROM:M24C16-WBN6(REV.S/W/G)
- 20.G1631068 (x2) BRACKET - PHOTO INTERRUPTOR

1.03530040N  
SCREW - M3X4

12.11050516  
(x2)  
CLAMP

13.11050518  
EDGE SADDLE - L  
ES-1010

17.AW140015  
TEMPERATURE &  
HUMIDITY SENSO  
R

10.11050487  
(x2)  
HARNESS CLAMP

3.04503010N  
(x34)  
TAPPING SCREW -  
M3X10

2.03603006N  
(x10)  
SCREW - M3X6

8.11024559  
CONNECTOR - 3P

16.AA143592  
SCREW- M4X6

7.09543008N  
(x2)  
SCREW - M3X8

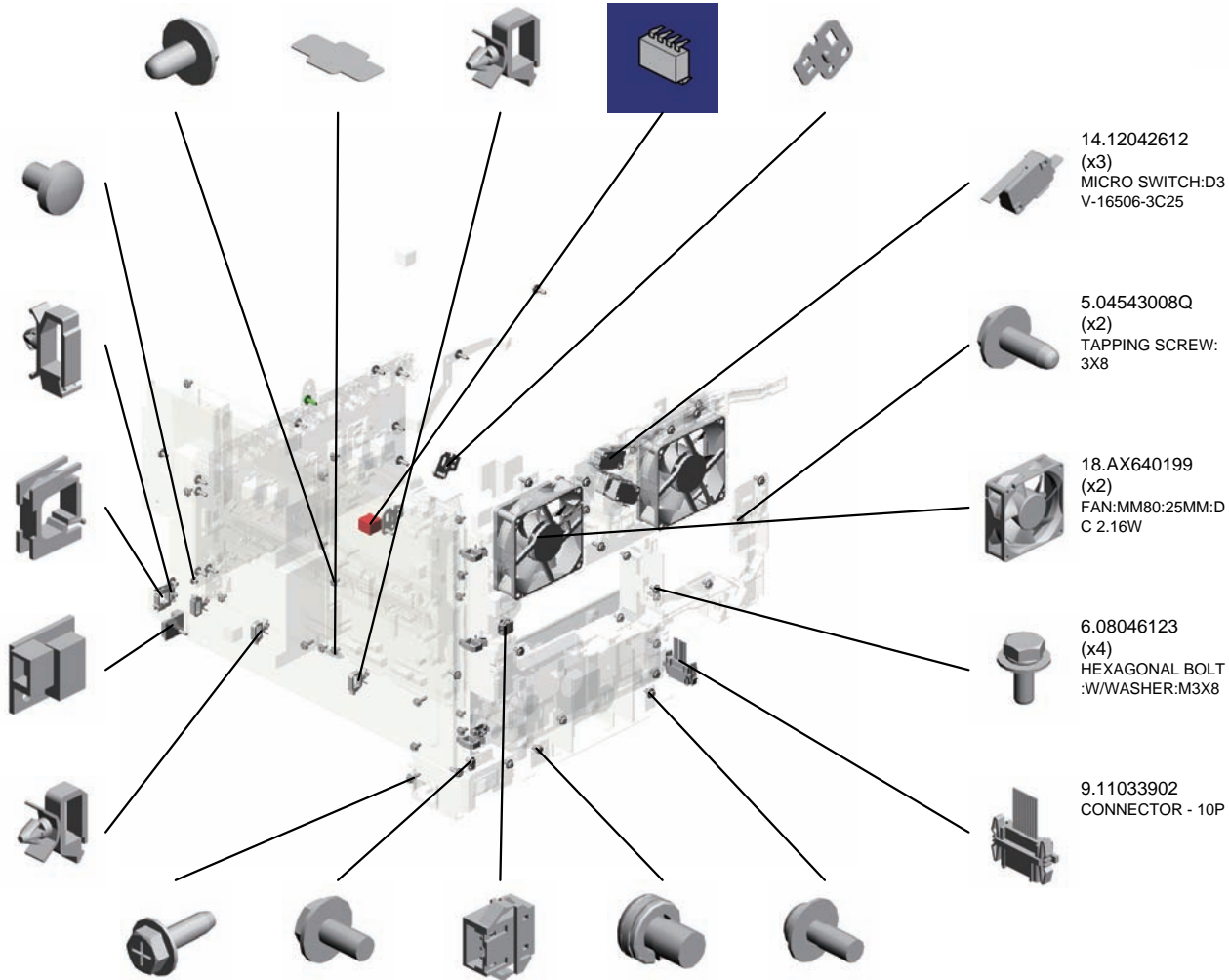
14.12042612  
(x3)  
MICRO SWITCH:D3  
V-16506-3C25

5.04543008Q  
(x2)  
TAPPING SCREW:  
3X8

18.AX640199  
(x2)  
FAN:MM80:25MM:D  
C 2.16W

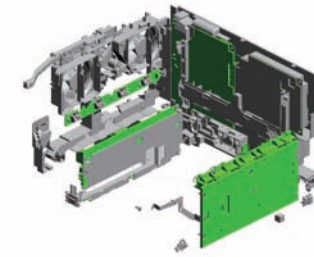
6.08046123  
(x4)  
HEXAGONAL BOLT  
:W/WASHER:M3X8

9.11033902  
CONNECTOR - 10P



U001	U002	U003	U004	U005	U006	U007	U008	U009	U010	U011
------	------	------	------	------	------	------	------	------	------	------

# U010 ELECTRICAL



- 27.G1665708 2ND TERMINAL- T RANSFER
- 21.G1635728 (x4) SEAL:FAN:2
- 34.G1665733 LINK - SAFETY SW ITCH
- 36.G1665736 TENSION SPRING - SAFETY SWITCH
- 35.G1665734 TORSION SPRING - SAFETY SWITCH

29.G1665716 (x16) TERMINAL:AIO

38.G1665738 1ST TERMINAL - T RANSFER

30.G1665725 HARNESS COVER

32.G1665730 CONTROLLER CO VER

31.G1665726 (x2) CUSHION - HARNE SS

28.G1665715 BRACKET - MAIN S WITCH

23.G1661059 DUCT

26.G1665700 BRACKET - POWE R SUPPLY UNIT

25.G1665280 TERMINAL BOARD

24.G1661110 HARNESS GUIDE

39.G1665748 LEVER - SAFETY S WITCH

37.G1665737 COMPRESSION SP RING - SAFETY S WITCH

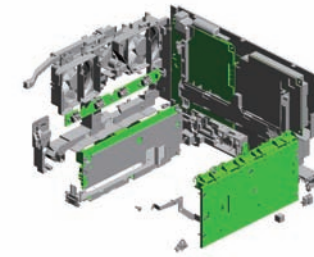
33.G1665732 BRACKET SAFETY SWITCH

22.G1661058 EXIT DUCT

40.G1665751 CONNECTOR HOL DER - FUSING

# U010 ELECTRICAL

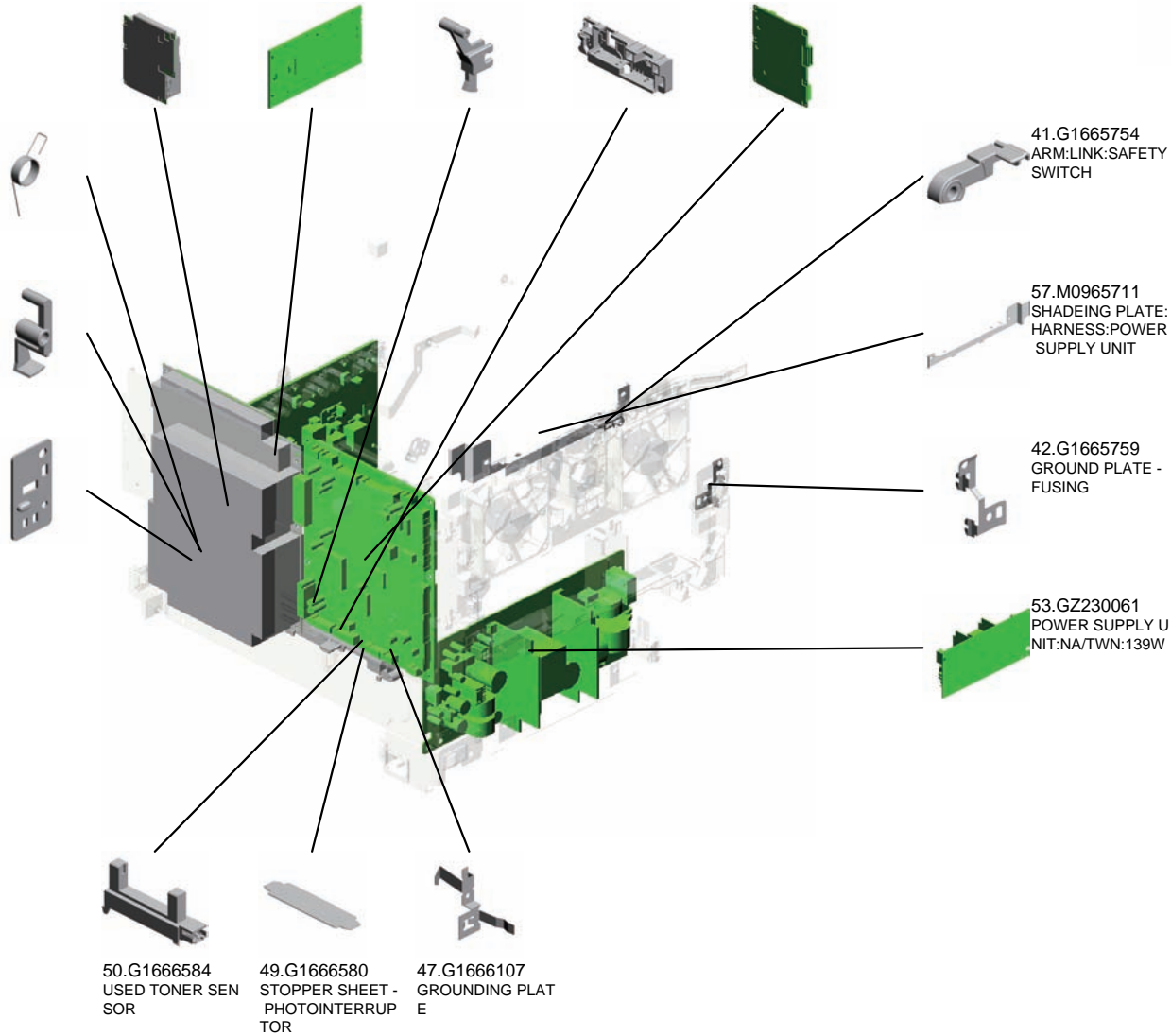
56.M0965652 PCB:CTL:PPCL:AS  
S'Y  
54.GZ300003 POWER PACK  
51.G1666586 FEELER - SET SEN  
SOR  
52.G1666587 SENSOR BRACKE  
T  
55.M0965126 PCB:EGB:ASSY



44.G1666045  
SPRING - FEELER

45.G1666046  
SENSOR FEELER

46.G1666103  
SENSOR HOLDER



50.G1666584  
USED TONER SEN  
SOR

49.G1666580  
STOPPER SHEET -  
PHOTOINTERRUP  
TOR

47.G1666107  
GROUNDING PLAT  
E

41.G1665754  
ARM:LINK:SAFETY  
SWITCH

57.M0965711  
SHADEING PLATE:  
HARNESS:POWER  
SUPPLY UNIT

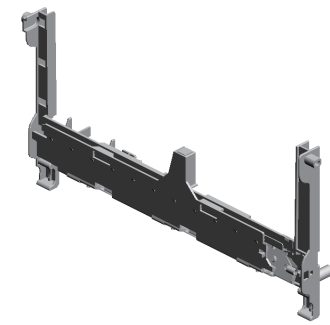
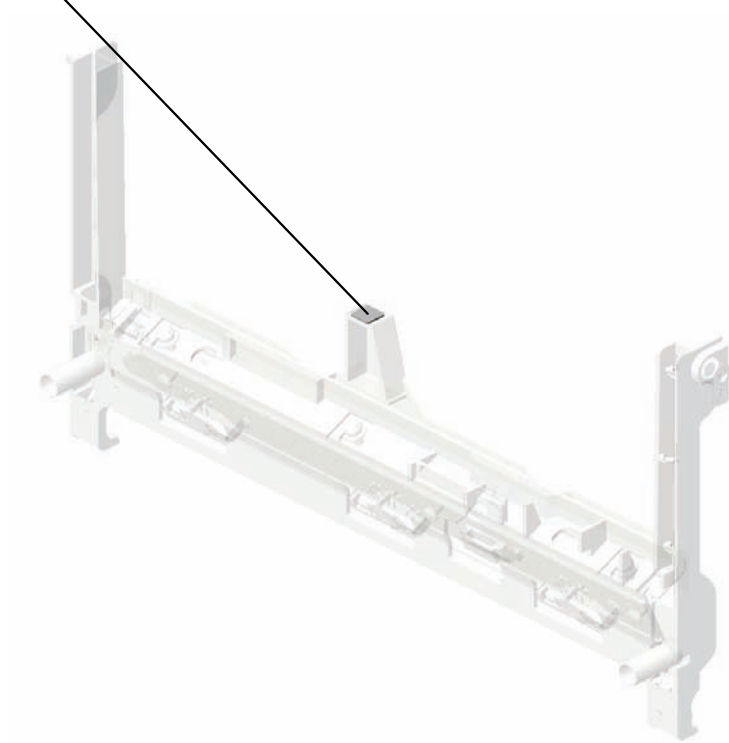
42.G1665759  
GROUND PLATE -  
FUSING

53.GZ230061  
POWER SUPPLY U  
NIT:NA/TWN:139W



U010\_S001  
DENSITY SENSOR:ASS'Y

48.G1666191  
CLEANER DECAL -  
DENSITY SENSOR

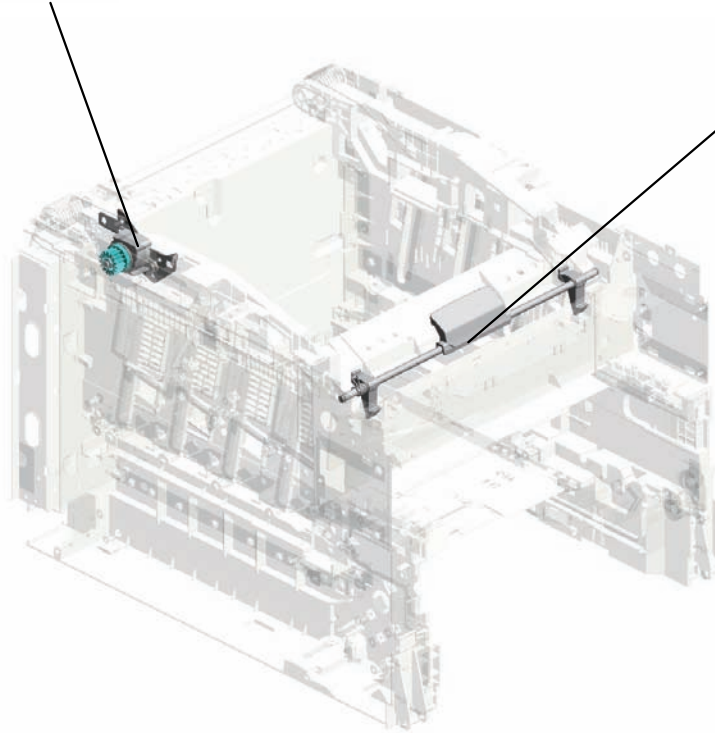


43.G1666003  
DENSITY SENSOR:  
ASS'Y

U001	U002	U003	U004	U005	U006	U007	U008	U009	U010	U011
------	------	------	------	------	------	------	------	------	------	------

# U011.MAIN FRAME

U011\_S001  
G1661240  
BRAKE:COVER:UPPER

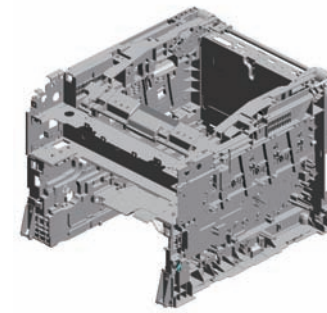


U011\_S002  
G1661012  
LOCK SHAFT



U001	U002	U003	U004	U005	U006	U007	U008	U009	U010	U011
------	------	------	------	------	------	------	------	------	------	------

# U011 MAIN FRAME



- 4.04503016N (x2) TAPPING SCREW: 3X16
- 14.G1661046 COLOR DECAL - M AGENTA
- 3.04503010N (x33) TAPPING SCREW - M3X10
- 9.07200040E (x4) RETAINING RING - M4
- 1.03530040N (x2) SCREW - M3X4

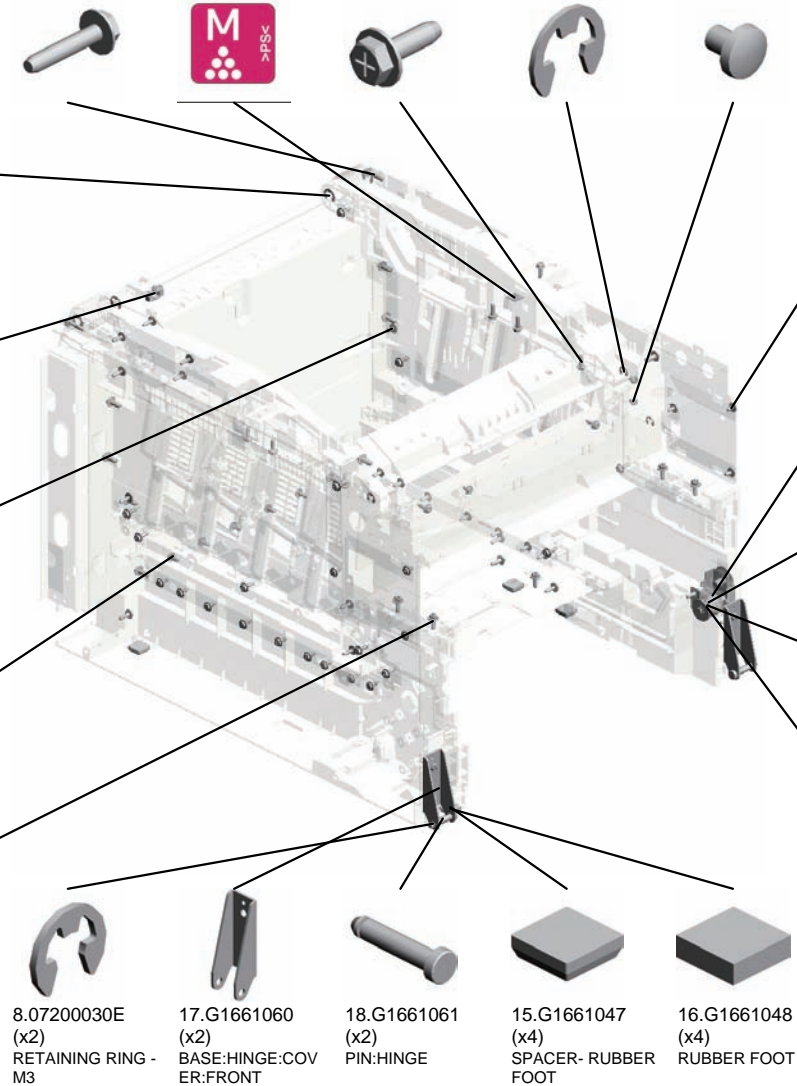
10.07200060E (x4) RETAINING RING - M6

11.11050516 CLAMP

2.03603006N SCREW - M3X6

7.04543008Q (x22) TAPPING SCREW: 3X8

5.04504010N (x17) TAPPING SCREW: M4X10



8.07200030E (x2) RETAINING RING - M3

17.G1661060 (x2) BASE:HINGE:COVER:FRONT

18.G1661061 (x2) PIN:HINGE

15.G1661047 (x4) SPACER- RUBBER FOOT

16.G1661048 (x4) RUBBER FOOT

6.04543006Q (x7) TAPPING SCREW - M3X6

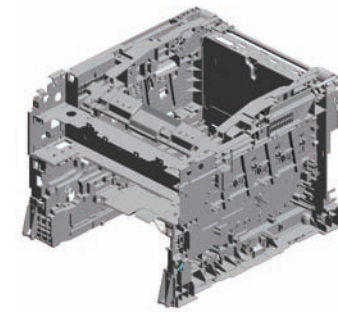
12.G1661008 CLUTCH/BRAKE BRAKET

19.G1661064 CLUTCH/BRAKE SPRING

20.G1661065 CLUTCH SPRING

21.G1661066 CLUTCH/BRAKE CASE

# U011 MAIN FRAME



- 28.G1661073 SHAFT
- 25.G1661070 FRAME:UPPER LEFT
- 27.G1661072 (x4) SPRING:PLATE:ALLOY
- 30.G1661080 TWIST SPRING - RIGHT
- 26.G1661071 FRAME:UPPER RIGHT

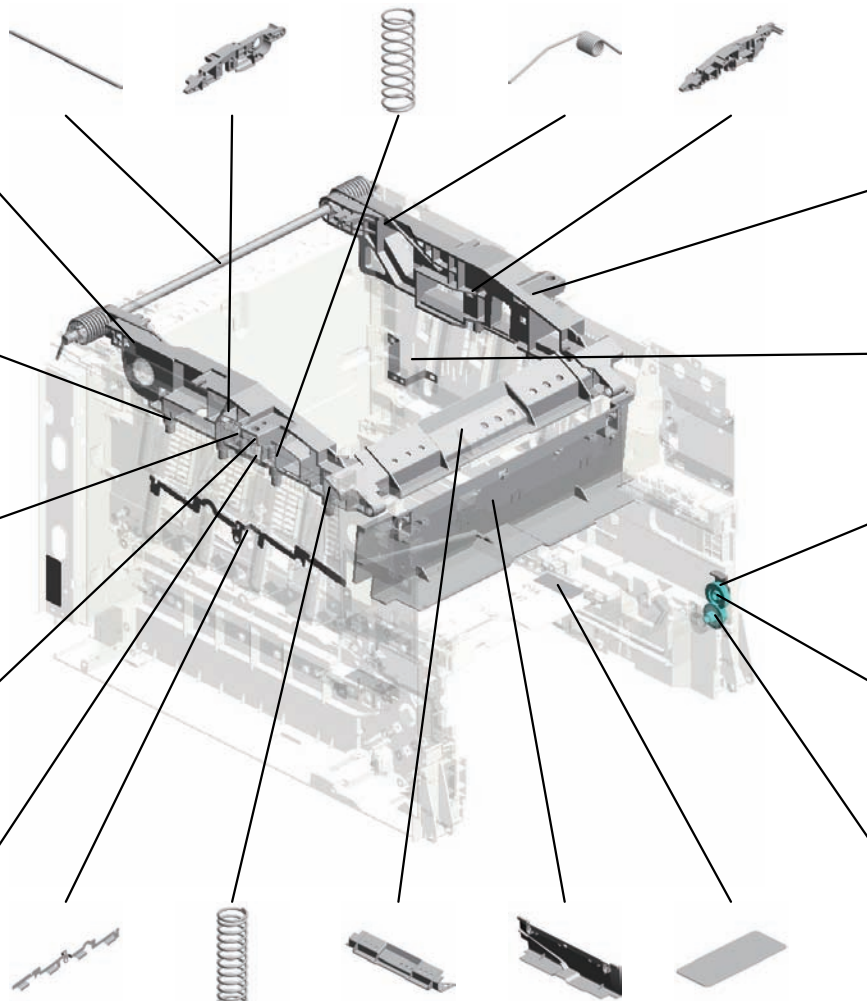
31.G1661081 TWIST SPRING - LEFT

38.G1661089 (x8) PIN:PLATE:DEVELOPMENT UNIT

29.G1661078 (x2) COMPRESSION SPRING

36.G1661087 (x2) SPRING:CUSHION:FRAME:UPPER

35.G1661086 (x2) BRACKET:OPTICAL UNIT:FRAME:UPPER



34.G1661085 SPRING PLATE:LS POSITIONING

32.G1661083 GROUNDING PLATE - HIGH VOLTAGE

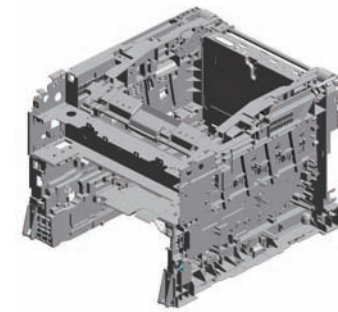
24.G1661069 RACK SUPPORTER

40.G1661093 GEAR - 20Z

22.G1661067 GEAR - 14Z

- 39.G1661090 GROUND PLATE - DCHIP
- 33.G1661084 (x4) SPRING:PLATE:ALLOY:BLACK
- 37.G1661088 UPPER FRONT DUCT
- 23.G1661068 FUSING DUCT
- 41.G1661095 (x3) SHEET:BASE:FRAME

# U011 MAIN FRAME



50.G1661316  
(x2)  
LOWER SEAL - 3

53.G1661343  
KEY:FUSING

67.G1663333  
DECAL - CYAN

51.G1661323  
(x3)  
SHEET:FRAME:RIG  
HT

66.G1663331  
Decal - Black



52.G1661342  
RACK:DAMPER



47.G1661280  
CUSHION - IMAGING UNIT



43.G1661097  
GROUND PLATE - LEFT



44.G1661112  
GEAR COVER



62.G1662588  
HOLDER:PAPER TRAY:POSITIONING



42.G1661096  
GROUND PLATE - FRONT



63.G1662596  
HOLDER:RESISTOR:BASE



64.G1662597  
SPRING PLATE:RESISTOR:BASE:LOWER



61.G1662586  
FEELER HOLDER



60.G1662585  
FEELER - PAPER END SENSOR



65.G1662598  
SPRING PLATE:RESISTOR:BASE:UPPER



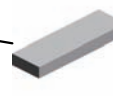
58.G1662582  
GROUNDING SPRING



59.G1662583  
SPRING PLATE:PAPER TRAY:POSITIONING



49.G1661315  
(x3)  
LOWER SEAL - 2

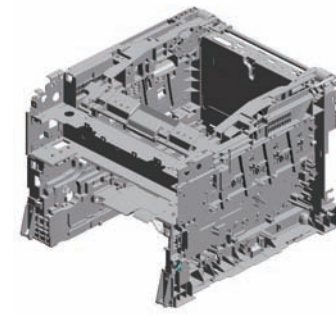


48.G1661314  
LOWER SEAL - 1



# U011 MAIN FRAME

68.G1663334 73.M0965703  
DECAL - YELLOW DC SOLENOID:FUS  
ING:ASS'Y



69.G1665706  
GROUND PLATE:S  
HAFT:IMAGING UN  
IT



70.G1665724  
HARNESS CLAMP  
HOLDER



71.G1666592  
(x2)  
SPRING PLATE -C  
OLLECTION BOTTL  
E



72.M0963993  
RESISTOR:EARTH:  
PAPER FEED



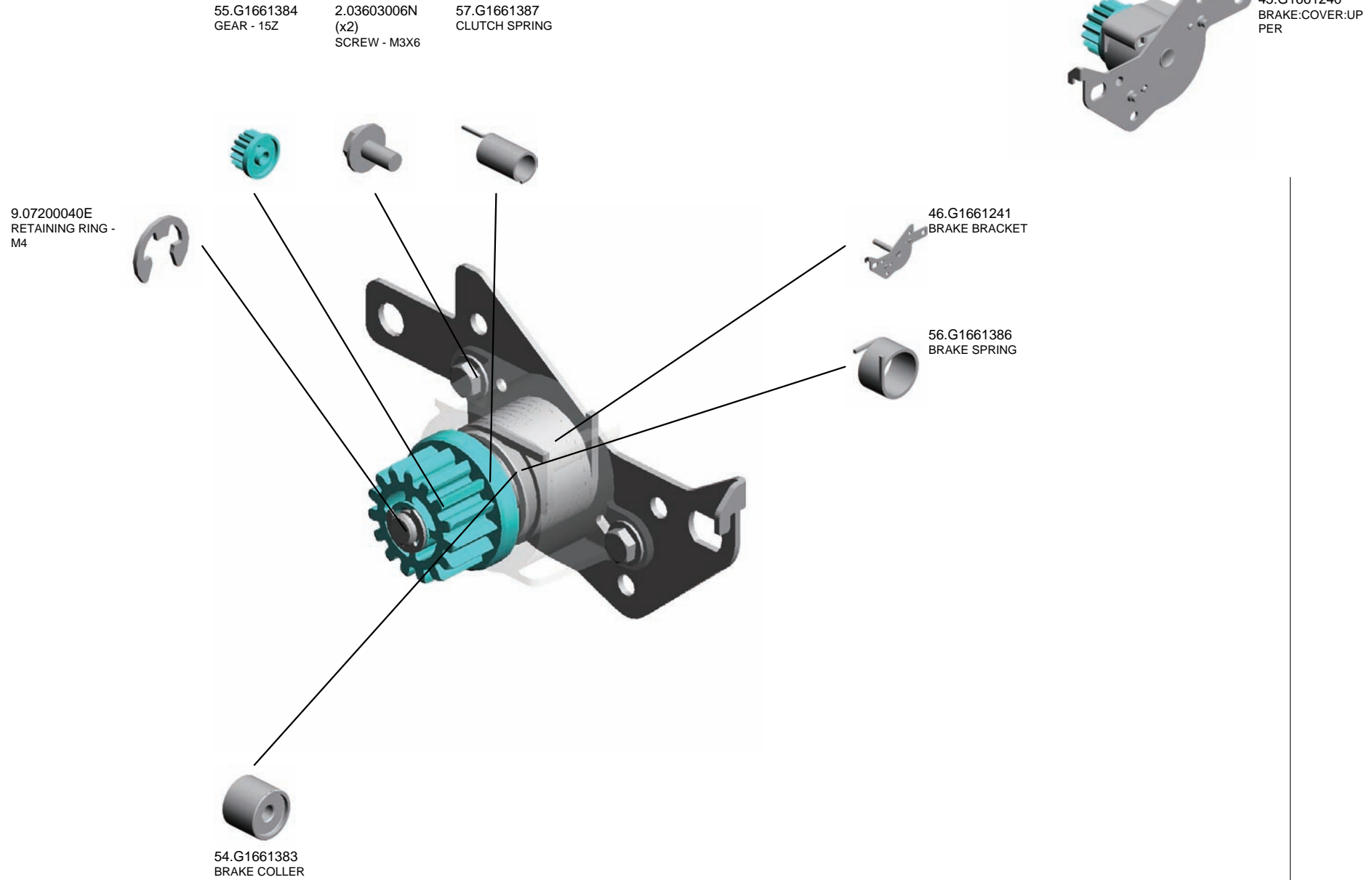
75.M0965761  
GROUND PLATE:B  
ASE:PSU



74.M0965760  
GROUND PLATE:R  
EGISTRATION ROL  
LER



U011\_S001  
BRAKE:COVER:UPPER



U001	U002	U003	U004	U005	U006	U007	U008	U009	U010	U011
------	------	------	------	------	------	------	------	------	------	------

U011\_S002  
LOCK SHAFT

9.07200040E  
RETAINING RING -  
M4



13.G1661012  
LOCK SHAFT

U001	U002	U003	U004	U005	U006	U007	U008	U009	U010	U011
------	------	------	------	------	------	------	------	------	------	------



# ACCESSORIES



1.11500427  
POWER SUPPLY CODE:125V:15A:NA



2.G1661268  
LOGO PLATE - RIC



1.G1661046  
COLOR DECAL - MAGENTA



2.G1661268  
LOGO PLATE - RIC



3.G1661390  
CAUTION DECAL - TRANSFER BELT



4.G1662592  
SIDE FENCE DECAL



5.G1663331  
Decal - Black



6.G1663333  
Decal - Cyan



7.G1663334  
Decal - Yellow



8.G1664310  
Decal:Warning (high Temperature):1:Cu



9.G1664464  
Decal:Hightemperature



10.G1666191  
Cleaner Decal - Density Sensor



11.M0961381  
DECAL:NAME PLATE:M096:RICOH



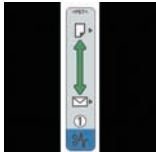
12.M0963987  
Decal:Grip:Housing



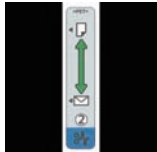
13.M0963988  
Decal:Insert Sub-unit:Transport Unit



14.M0964117  
Decal:Fusing Exit:Open And Close



15.M0964126  
Decal:Fusing:Lever:Left



16.M0964127  
Decal:Fusing:Lever:Right



17.M0964128  
DECAL:CAUTION:FUSING PRESSURE RELEASE

## DECALS AND DOCUMENTS

## Exclusive Parts

Number	Part Name	Group	ID
52152713	BOTTOM PLATE PAD	U004_S001_S001	4
A2672869	GEAR - 16Z	U004_S001	5
AA082101	BUSHING - 6X10X6	U004	6
		U009	10
AA132013	SPACER	U004_S001	7
AA143520	SHOULDER SCREW - M3	U007_S001	5
AA143592	SCREW- M4X6	U010	16
AF031061	PAPER FEED ROLLER	U004	8
AW020198	PHOTOINTERRUPTOR:LG2A14NL 1	U008_S001	6
AW140015	TEMPERATURE & HUMIDITY SEN SOR	U010	17
AX640199	FAN:MM80:25MM:DC 2.16W	U010	18
D0094511	SPACER:DIA8.0:1.5MM	U004_S001	9
G1022789	STOPPER:PHOTOINTERRUPTOR	U008_S001	7
		U010	19
G1631068	BRACKET - PHOTOINTERRUPTOR	U010	20
G1635728	SEAL:FAN:2	U010	21
G1661008	CLUTCH/BRAKE BRAKET	U011	12
G1661012	LOCK SHAFT	U011_S002	13
G1661046	COLOR DECAL - MAGENTA	DECALS AND DO CUMENTS	1
		U011	14
G1661047	SPACER- RUBBER FOOT	U011	15
G1661048	RUBBER FOOT	U011	16
G1661058	EXIT DUCT	U010	22
G1661059	DUCT	U010	23
G1661060	BASE:HINGE:COVER:FRONT	U011	17
G1661061	PIN:HINGE	U011	18
G1661064	CLUTCH/BRAKE SPRING	U011	19
G1661065	CLUTCH SPRING	U011	20
G1661066	CLUTCH/BRAKE CASE	U011	21
G1661067	GEAR - 14Z	U011	22
G1661068	FUSING DUCT	U011	23
G1661069	RACK SUPPORTER	U011	24
G1661070	FRAME:UPPER LEFT	U011	25
G1661071	FRAME:UPPER RIGHT	U011	26
G1661072	SPRING:PLATE:AIO	U011	27

Number	Part Name	Group	ID
G1661073	SHAFT	U011	28
G1661078	COMPRESSION SPRING	U011	29
G1661080	TWIST SPRING - RIGHT	U011	30
G1661081	TWIST SPRING - LEFT	U011	31
G1661083	GROUNDING PLATE - HIGH VOLT AGE	U011	32
G1661084	SPRING:PLATE:AIO:BLACK	U011	33
G1661085	SPRING PLATE:LSU:POSITIONING	U011	34
G1661086	BRACKET:OPTICAL UNIT:FRAME: UPPER	U011	35
G1661087	SPRING:CUSHION:FRAME:UPPER	U011	36
G1661088	UPPER FRONT DUCT	U011	37
G1661089	PIN:PLATE:DEVELOPMENT UNIT	U011	38
G1661090	GROUND PLATE - DCHIP	U011	39
G1661093	GEAR - 20Z	U011	40
G1661095	SHEET:BASE:FRAME	U011	41
G1661096	GROUND PLATE - FRONT	U011	42
G1661097	GROUND PLATE - LEFT	U011	43
G1661110	HARNESS GUIDE	U010	24
G1661111	FRAME - TRANSFER DRIVE UNIT	U009	11
G1661112	GEAR COVER	U011	44
G1661118	GROUNDING WIRE	U009	12
G1661119	MOTOR BRACKET	U009	13
G1661123	FRAME - ON-OFF DRIVE UNIT	U009	14
G1661125	SHIELDING PLATE	U009	15
G1661131	DC MOTOR - DC24V 5.3W	U009	16
G1661135	MOTOR - DC24V 1.6W	U009	17
G1661139	FRAME - TRANSPORT DRIVE UNIT	U009	18
G1661151	MOTOR BRACKET	U009	19
G1661152	GROUNDING PLATE	U009	20
G1661194	FRAME - DUPLEX DRIVE UNIT	U009	21
G1661240	BRAKE:COVER:UPPER	U011_S001	45
G1661241	BRAKE BRACKET	U011_S001	46
G1661260	EXTEND TRAY	U001	7
G1661261	INNER COVER - EXIT	U001	8
G1661262	CASSETTE COVER	U001	9
G1661268	LOGO PLATE - RIC	ACCESSORIES	2
		DECALS AND DO	2

## Exclusive Parts

Number	Part Name	Group	ID
		CUMENTS	
G1661269	STOPPER BAND	U001	10
G1661280	CUSHION - IMAGING UNIT	U011	47
G1661281	BASE - EXIT END FENCE	U001	11
G1661282	REAR END FENCE - EXIT	U001	12
G1661283	FRONT END FENCE - EXIT	U001	13
G1661300	COVER:UPPER	U001	14
G1661308	INTERFACE COVER	U001	15
G1661311	SEAL - 5X15X222MM	U001	16
G1661312	SEAL - 7X25X176MM	U001	17
G1661313	SEAL - 3X8X411MM	U001	18
G1661314	LOWER SEAL - 1	U011	48
G1661315	LOWER SEAL - 2	U011	49
G1661316	LOWER SEAL - 3	U011	50
G1661317	SEAL - 4X30X30MM	U001	19
G1661318	SHEET - CASSETTE COVER	U001	20
G1661319	SEAL:COVER:LEFT:7	U001	21
G1661320	SEAL:COVER:LEFT:6	U001	22
G1661323	SHEET:FRAME:RIGHT	U011	51
G1661333	COVER:RIGHT:EU	U001	23
G1661342	RACK:DAMPER	U011	52
G1661343	KEY:FUSING	U011	53
G1661383	BRAKE COLLER	U011_S001	54
G1661384	GEAR - 15Z	U011_S001	55
G1661386	BRAKE SPRING	U011_S001	56
G1661387	CLUTCH SPRING	U011_S001	57
G1661390	CAUTION DECAL - TRANSFER BELT	DECALS AND DOCUMENTS	3
G1662552	PAPER TRAY - FRONT	U004_S001	10
G1662553	CASSETTE COVER	U004_S001	11
G1662554	DUPLEX GUIDE	U004	12
G1662555	LEFT SIDE FENCE	U004_S001	13
G1662556	RIGHT SIDE FENCE	U004_S001	14
G1662558	EXTENSION TRAY	U004_S001	15
G1662559	END FENCE	U004_S001	16
G1662567	BOTTOM PLATE STOPPER	U004_S001	17
G1662568	COMPRESSION SPRING	U004_S001	18
G1662569	LEVER PAPER VOLUME SENSOR	U004_S001	19

Number	Part Name	Group	ID
G1662570	COMPRESSION SPRING	U004_S001	20
G1662571	SHEET - CASSETTE	U004_S001	21
G1662572	EARTH SPRING	U004_S001	22
G1662573	HOLDER SHEET	U004_S001	23
G1662577	END FENCE - PRESSURE	U004_S001	24
G1662578	COMPRESSION SPRING	U004_S001	25
G1662580	SHAFT - PAPER FEED ROLLER	U004	26
G1662582	GROUNDING SPRING	U011	58
G1662583	SPRING PLATE:PAPER TRAY:POSITIONING	U011	59
G1662585	FEELER - PAPER END SENSOR	U011	60
G1662586	FEELER HOLDER	U011	61
G1662588	HOLDER:PAPER TRAY:POSITIONING	U011	62
G1662589	DAMPING INSULATION	U004_S001	27
G1662592	SIDE FENCE DECAL	DECALS AND DOCUMENTS	4
G1662596	HOLDER:RESISTOR:BASE	U011	63
G1662597	SPRING PLATE:RESISTOR:BASE:LOWER	U011	64
G1662598	SPRING PLATE:RESISTOR:BASE:UPPER	U011	65
G1662606	COMPRESSION SPRING	U004_S001	28
G1663331	Decal - Black	DECALS AND DOCUMENTS U011	5 66
G1663333	DECAL - CYAN	DECALS AND DOCUMENTS U011	6 67
G1663334	DECAL - YELLOW	DECALS AND DOCUMENTS U011	7 68
G1663852	REGISTRATION ROLLER - DRIVEN	U006_S001	4
G1663855	TENSION SPRING	U006_S001	5
G1663859	REGISTRATION SENSOR FEELER	U006_S001	6
G1663860	TORSION SPRING	U006_S001	7
G1663862	GUIDE SHEET - REGISTRATION	U006_S001	8
G1663863	REGISTRATION GUIDE	U006_S001	9

## Exclusive Parts

Number	Part Name	Group	ID
G1663865	GEAR - 14Z	U006_S001	10
G1663867	DRIVE GEAR - 14Z	U006_S001	11
G1663903	RIGHT FRAME - FRONT COVER	U001	24
G1663904	LEFT FRAME - FRONT COVER	U001	25
G1663905	RIGHT LOCK LEVER	U001	26
G1663906	LEFT LOCK LEVER	U001	27
G1663907	LOCK GUIDE	U001	28
G1663908	LOCK LEVER ARM	U001	29
G1663909	TENSION SPRING	U001	30
G1663910	GROUND WIRE	U001	31
G1663921	GUIDE PLATE SPRING - MIDDLE	U001	32
G1663925	TORSION SPRING - FEELER	U001	33
G1663927	STOPPER BAND	U001	34
G1663928	BRAKE RACK - FRONT COVER	U001	35
G1663933	STOPPER:FEELER:PAPER FEED S ENSOR	U001	36
G1663957	WASHER - 0.8X10.8MM	U001	37
		U008_S001	8
G1663961	COMPRESSION SPRING	U006_S001	12
G1663962	COMPRESSION SPRING HOLDER	U001	38
G1663965	GROUND WIRE	U006_S001	13
G1663967	ELECTRODE PLATE - LINK	U006_S001	14
G1663968	ELECTRODE PLATE - CONTACT P OINT	U006_S001	15
G1663970	LEFT HOOK	U001	39
G1663971	RIGHT FHOOK	U001	40
G1663972	COMPRESSION SPRING - GRIP	U001	41
G1663983	SPACER:GROUND PLATE:TRANS PORT	U006_S001	16
G1663997	GROUND WIRE:TRANSFER/SEPA RATION	U006_S001	17
G1663998	GROUND WIRE- DUPLEX	U006_S001	18
G1664310	DECAL:WARNING (HIGH TEMPER ATURE):1:CUD	DECALS AND DO CUMENTS	8
		U007_S001	6
G1664456	GUIDE ROLLER - EXIT	U008_S001	9
G1664457	DRIVEN ROLLER - EXIT	U008_S001	10
G1664463	EXIT GUIDE PLATE	U008_S001	11

Number	Part Name	Group	ID
G1664464	DECAL:HIGHTEMPERATURE	DECALS AND DO CUMENTS	9
		U001	42
G1664606	DUPLEX ROLLER	U001	43
G1665280	TERMINAL BOARD	U010	25
G1665700	BRACKET - POWER SUPPLY UNIT	U010	26
G1665705	SHIELDING PLATE	U001	44
G1665706	GROUND PLATE:SHAFT:IMAGING UNIT	U011	69
G1665708	2ND TERMINAL- TRANSFER	U010	27
G1665715	BRACKET - MAIN SWITCH	U010	28
G1665716	TERMINAL:AIO	U010	29
G1665724	HARNESS CLAMP HOLDER	U011	70
G1665725	HARNESS COVER	U010	30
G1665726	CUSHION - HARNESS	U010	31
G1665730	CONTROLLER COVER	U010	32
G1665732	BRACKET SAFETY SWITCH	U010	33
G1665733	LINK - SAFETY SWITCH	U010	34
G1665734	TORSION SPRING - SAFETY SWIT CH	U010	35
G1665736	TENSION SPRING - SAFETY SWIT CH	U010	36
G1665737	COMPRESSION SPRING - SAFETY SWITCH	U010	37
G1665738	1ST TERMINAL - TRANSFER	U010	38
G1665745	HARNESS COVER	U009	22
G1665748	LEVER - SAFETY SWITCH	U010	39
G1665751	CONNECTOR HOLDER - FUSING	U010	40
G1665754	ARM:LINK:SAFETY SWITCH	U010	41
G1665759	GROUND PLATE - FUSING	U010	42
G1666003	DENSITY SENSOR:ASS'Y	U010_S001	43
G1666026	BUSHING - 19MM	U005_S001	3
G1666045	SPRING - FEELER	U010	44
G1666046	SENSOR FEELER	U010	45
G1666099	COMPRESSION SPRING	U005_S001	4
G1666103	SENSOR HOLDER	U010	46
G1666107	GROUNDING PLATE	U010	47
G1666191	CLEANER DECAL - DENSITY SENS	DECALS AND DO	10

## Exclusive Parts

Number	Part Name	Group	ID
	OR	CUMENTS	
		U010_S001	48
G1666193	LEFT HOLDER - TRANSFER BELT UNIT	U005_S001	5
G1666194	RIGHT HOLDER - TRANSFER BELT UNIT	U005_S001	6
G1666196	RIGHT SLIDER - TRANSFER BELT UNIT	U005_S001	7
G1666197	LEFT SLIDER - TRANSFER BELT UNIT	U005_S001	8
G1666580	STOPPER SHEET - PHOTOINTERUPTOR	U010	49
G1666584	USED TONER SENSOR	U010	50
G1666586	FEELER - SET SENSOR	U010	51
G1666587	SENSOR BRACKET	U010	52
G1666592	SPRING PLATE -COLLECTION BOTTLE	U011	71
G8003133	SIDE FENCE GEAR	U004_S001	29
GA043030	TIMING BELT - 60S2M280	U009	23
GA082014	PLAIN SHAFT BEARING:DIA6:DIA10:9	U008_S001	12
GA082015	PLAIN SHAFT BEARING:DIA6:DIA9:7	U006_S001	19
GA120011	DISCHARGE BRUSH EXIT	U008_S001	13
GA132101	SPACER - 0.13 X 12MM	U009	24
GA145013	SHAFT - 6 X 39.5MM	U009	25
GA145014	SHAFT - 6 X 55.3MM	U009	26
GA148016	SHAFT - 6 X 26.7MM	U009	27
GA148018	SHAFT - 6 X 21.9MM	U009	28
GB010039	GEAR:AIO:DRIVE:MIDDLE	U009	29
GB010040	GEAR:AIO:DRIVE:1	U009	30
GB011101	GEAR - 37Z	U009	31
GB011102	GEAR - 19/38Z	U009	32
GB011103	GEAR - 28/36Z	U009	33
GB011104	GEAR - 20/35Z	U009	34
GB011105	GEAR - 29Z	U009	35
GB011106	GEAR - 22/31Z	U009	36
GB011108	GEAR - 21Z	U009	37

Number	Part Name	Group	ID
GB011109	GEAR - 28Z	U009	38
GB011110	GEAR - 31Z	U009	39
GB011111	GEAR - 19Z	U009	40
GB011112	GEAR - 29Z	U009	41
GB011118	REGIST DRIVE GEAR	U009	42
GB011133	GEAR - 15Z	U006_S001	20
		U008_S001	14
GB012102	GEAR - 54Z	U009	43
GB013114	GEAR - 35Z	U009	44
GB013115	GEAR - 21Z	U009	45
GB013117	GEAR - 19Z	U009	46
GB017103	GEAR - 21/45Z	U009	47
GB017104	GEAR - 24/57Z	U009	48
GB017109	GEAR - 16/42Z	U009	49
GB017111	GEAR - 16/51Z	U009	50
GB017112	GEAR - 21/73Z	U009	51
GB017113	GEAR - 40/65Z	U009	52
GB017116	GEAR - 17/42Z	U009	53
GB017120	GEAR:AIO:JOINT:2	U009	54
GB017123	GEAR:AIO:DRIVE	U009	55
GB017124	GEAR:TRANSFER:DRIVE:MIDDLE	U009	56
GB030036	PULLEY - 18T	U009	57
GF020000	REGISTRATION ROLLER - DRIVE	U006_S001	21
GF020060	TRANSPORT ROLLER:DUPLEX	U006_S001	22
GF020061	EXIT ROLLER	U008_S001	15
GX041120	STEPPER MOTOR - DC 14.8W	U009	58
GX061148	BRUSHLESS MOTOR:DC24V:10W	U009	59
GX061149	BRUSHLESS MOTOR:DC24V:21W	U009	60
GX061150	BRUSHLESS MOTOR:DC24V:35W	U009	61
GX201123	MAGNETIC CLUTCH:0.25N	U004	30
		U009	62
GX450008	HEATER:120V:1000W	U007_S001	7
GZ230061	POWER SUPPLY UNIT:NA/TWN:139W	U010	53
GZ300003	POWER PACK	U010	54
M0182562	BASE:ADHESION	U004_S001_S001	31
M0182608	COVER:BASE	U004_S001	32
M0184459	ROLLER:DRIVEN:EXIT:OUTER	U008_S001	16

## Exclusive Parts

Number	Part Name	Group	ID
M0184464	GUIDE:PLATE:EXIT:OUTER	U008_S001	17
M0352620	FRICTION PAD	U004_S001	33
M0353974	COMPRESSION SPRING:HOUSING :TRANSPORT	U001	45
M0751105	BRACKET:MOTOR	U009	63
M0751107	SHIELDING PLATE:GEAR:2	U009	64
M0751251	GUIDE:LOUVER	U001_S001	46
M0751252	SEAL:STOPPER:LOUVER	U001_S001	47
M0751253	LOUVER	U001_S001	48
M0751308	SEAL:GUIDE:LOUVER:UPPER	U001_S001	49
M0751309	SEAL:GUIDE:LOUVER:LOWER	U001_S001	50
M0754607	SPRING:PRESSURE:DUPLX	U001	51
M0931851	IMAGING UNIT:ASS'Y	U003_S001	2
M0960042	COVER:LEFT:ASS'Y	U001_S001	52
M0961277	COVER:PAPER EXIT SUB-UNIT	U001	53
M0961304	COVER:REAR:EU	U001	54
M0961381	DECAL:NAME PLATE:M096:RICOH	DECALS AND DO CUMENTS	11
M0961400	OPERATION PANEL:ASS'Y	U002_S001	2
M0961466	PCB:PERSEUS-P2:OPU	U002_S001	3
M0962550	PAPER TRAY:ASS'Y	U004_S001	34
M0962560	SIDE FENCE:LEFT:MANUAL FEED	U004_S001	35
M0962561	SIDE FENCE:RIGHT:MANUAL FEE D	U004_S001	36
M0963800	HOUSING:TRANSPORT SUB-UNIT: ASS'Y	U006_S001	23
M0963902	COVER:FRONT	U001	55
M0963912	HOLDER:GUIDE PLATE:REVERSE	U001	56
M0963923	GUIDE PLATE:EXIT:MIDDLE	U001	57
M0963924	FEELER:PAPER FEED SENSOR	U001	58
M0963926	ROLLER:GUIDE:EXIT:MIDDLE	U001	59
M0963987	Decal:Grip:Housing	DECALS AND DO CUMENTS U006_S001	12 24
M0963988	Decal:Insert Sub-unit:Transport Unit	DECALS AND DO CUMENTS U006_S001	13 25
M0963989	RESISTOR:TRANSFER/SEPARATI	U006_S001	26

Number	Part Name	Group	ID
	ON		
M0963993	RESISTOR:EARTH:PAPER FEED	U011	72
M0963994	RESISTOR:EARTH:EXIT:DISCHAR GE SECTION	U008_S001	18
M0964017	FUSING UNIT - 120V	U007_S001	8
M0964076	FUSING ENTRANCE GUIDE PLATE :UPPER	U007_S001	9
M0964077	FUSING ENTRANCE GUIDE PLATE :LOWER	U007_S001	10
M0964111	COVER:FUSING	U007_S001	11
M0964117	DECAL:FUSING EXIT:OPEN AND C LOSE	DECALS AND DO CUMENTS U007_S001	14 12
M0964126	DECAL:FUSING:LEVER:LEFT	DECALS AND DO CUMENTS U007_S001	15 13
M0964127	DECAL:FUSING:LEVER:RIGHT	DECALS AND DO CUMENTS U007_S001	16 14
M0964128	DECAL:CAUTION:FUSING PRESSU RE RELEASE	DECALS AND DO CUMENTS	17
M0964450	GUIDE:EXIT:ASS'Y	U008_S001	19
M0964455	GROUND PLATE:EXIT:1	U008_S001	20
M0964456	GROUND PLATE:EXIT:2	U008_S001	21
M0964458	SPRING:PRESSURE:EXIT:INNER	U008_S001	22
M0964459	FEELER:L	U008_S001	23
M0964460	SPRING:PRESSURE:EXIT:OUTER	U008_S001	24
M0964461	FEELER:R	U008_S001	25
M0964462	LINK:SLIDE	U008_S001	26
M0964463	LINK:TURN	U008_S001	27
M0964464	COMPRESSION SPRING	U008_S001	28
M0964465	TORSION SPRING:1	U008_S001	29
M0964466	TORSION SPRING:2	U008_S001	30
M0965126	PCB:EGB:ASS'Y	U010	55
M0965652	PCB:CTL:PPCL:ASS'Y	U010	56
M0965703	DC SOLENOID:FUSING:ASS'Y	U011	73
M0965711	SHADEING PLATE:HARNESS:POW ER SUPPLY UNIT	U010	57

## Exclusive Parts

Number	Part Name	Group	ID
M0965760	GROUND PLATE:REGISTRATION ROLLER	U011	74
M0965761	GROUND PLATE:BASE:PSU	U011	75
M0966000	INTERMEDIATE TRANSFER SECTI ON:ASS'Y	U005_S001	9
M0966200	TRANSFER ROLLER:SUB-ASS'Y	U006_S001_S001	27

## Standard Parts



03530030N  
SCREW:M3X3



03530040N  
SCREW - M3X4



03530060N  
BIND SCREW - M3X6



03603006N  
SCREW - M3X6



03603010N  
SCREW:M3X10



04503010N  
TAPPING SCREW - M3X10



04503016N  
TAPPING SCREW:3X16



04504010N  
TAPPING SCREW:M4X10



04524010N  
BINDING SELF-TAPPING SCREW:4X10



04543006Q  
TAPPING SCREW - M3X6



04543008Q  
TAPPING SCREW:3X8



07200030E  
RETAINING RING - M3



07200040E  
RETAINING RING - M4



07200060E  
RETAINING RING - M6



08046123  
HEXAGONAL BOLT:W/WASHER:M3X8



08050088  
RETAINING RING - M6



08050089  
RETAINING RING - M4



08050092  
RETAINING RING - 3M



09543008N  
SCREW - M3X8



11024473  
CT CONNECTOR - 2P



11024559  
CONNECTOR - 3P



11029156  
CONNECTOR



11033902  
CONNECTOR - 10P



11050487  
HARNESS CLAMP



11050508  
HARNESS CLAMP - LWS-071



11050516  
CLAMP



11050518  
EDGE SADDLE - LES-1010



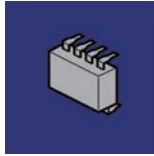
11500427  
POWER SUPPLY CODE:125V :15A:NA



## Standard Parts



12042612  
MICRO SWITCH:D3V-16506-3  
C25



14075317  
EEPROM:M24C16-WBN6(RE  
V.S/W/G)