



RICOH UNIVERSITY

Learning ♦ Knowledge ♦ Performance



M132 PARTS CATALOG

LANIER RICOH SAVIN

It is the reader's responsibility when discussing the information contained within this document to maintain a level of confidentiality that is in the best interest of Ricoh Americas Corporation and its member companies.

**NO PART OF THIS DOCUMENT MAY BE REPRODUCED IN ANY
FASHION AND DISTRIBUTED WITHOUT THE PRIOR
PERMISSION OF RICOH AMERICAS CORPORATION.**

All product names, domain names or product illustrations, including desktop images, used in this document are trademarks, registered trademarks or the property of their respective companies.

They are used throughout this book in an informational or editorial fashion only and for the benefit of such companies. No such use, or the use of any trade name, or web site is intended to convey endorsement or other affiliation with Ricoh products.

LEGEND

PRODUCT CODE	COMPANY		
	LANIER	RICOH	SAVIN
M132	SP 8300DN	Aficio SP 8300DN	SP 8300DN
B703	Output Jogger Unit Type 9002A		
D570	Punch Unit PU3030		
D580	Paper Feed Unit PB3130		
D581	LCIT PB3140		
D588	Finisher SR3090		
D631	LCIT RT3020		
D634	Bridge Unit BU3060		
D636	Finisher SR3120		
M132-99	Controller Options for M132		

DOCUMENTATION HISTORY

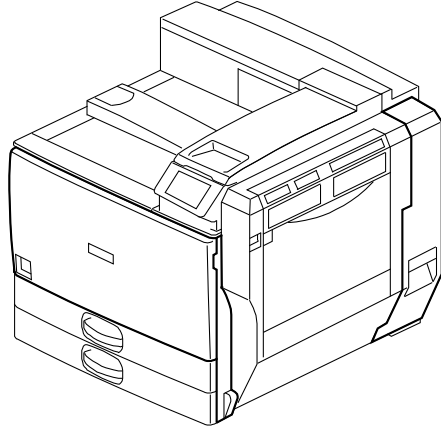
REV. NO.	DATE	COMMENTS
*	010/2012	Original Printing

M132
PARTS LOCATION AND LIST

This section shows you the part numbers and descriptions used on this machine.

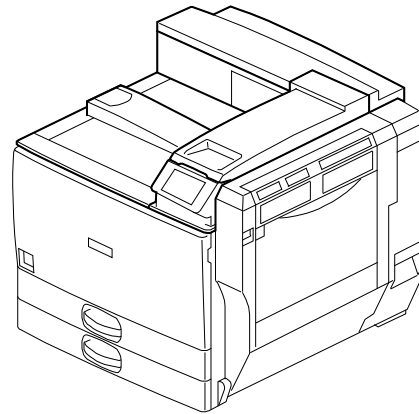
LOCATIONS OF UNITS

1. Exterior 1 (M132)



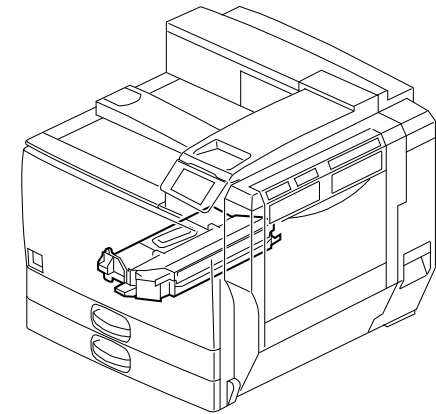
See Page 9

2. Exterior 2 (M132)



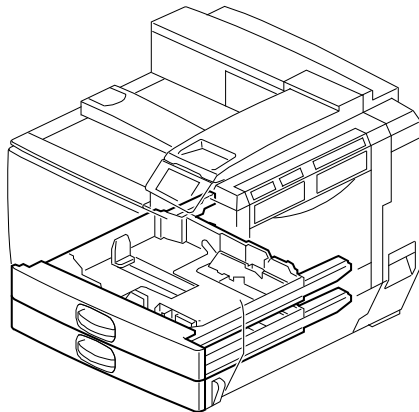
See Page 11

3. LD Unit (M132)



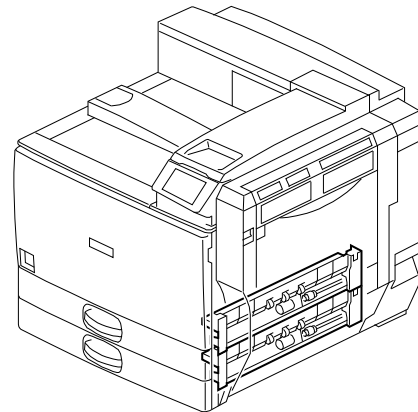
See Page 13

4. Paper Tray (M132)



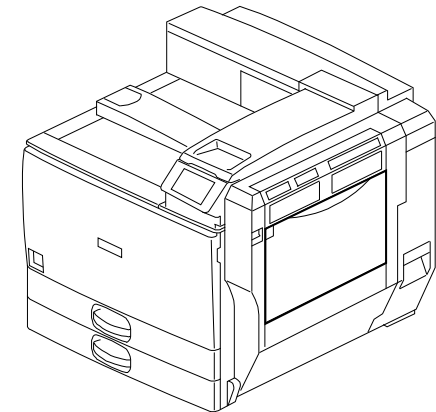
See Page 15

5. Paper Feed Section (M132)



See Page 17

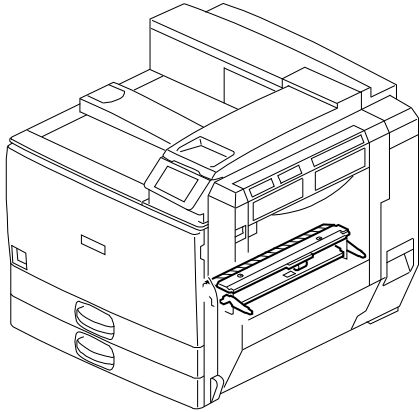
6. By-pass Feed Section 1 (M132)



See Page 19

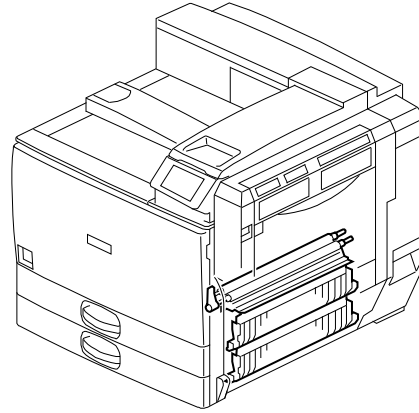
LOCATIONS OF UNITS

7. By-pass Feed Section 2 (M132)



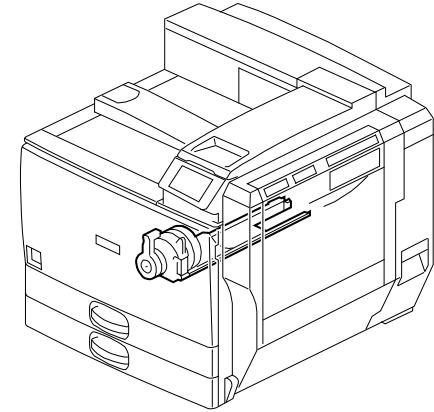
See Page 21

8. Paper Registration (M132)



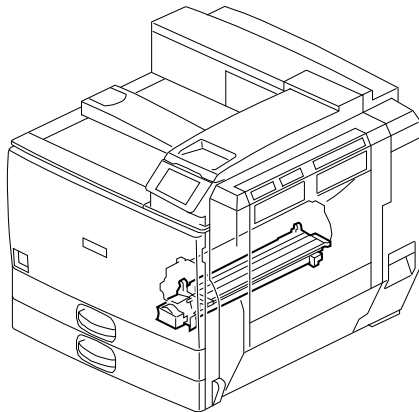
See Page 23

9. Toner Supply Unit (M132)



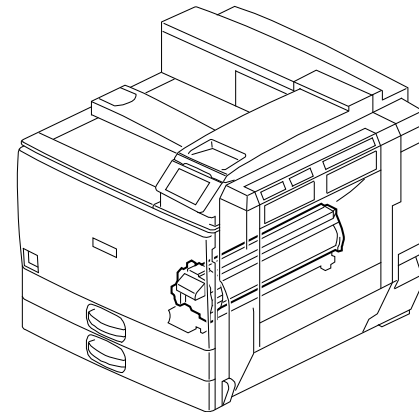
See Page 25

10. PCPU 1 (M132)



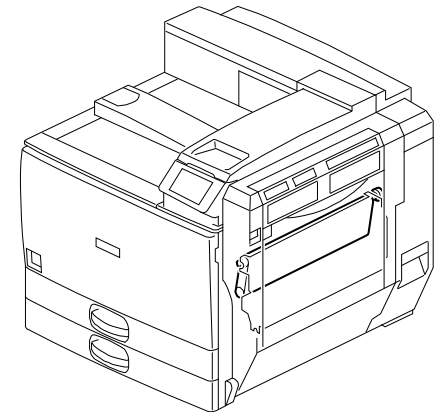
See Page 27

11. PCPU 2 (M132)



See Page 29

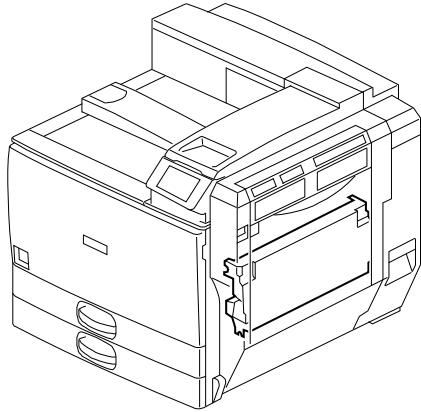
12. Transfer Belt Unit 1 (M132)



See Page 31

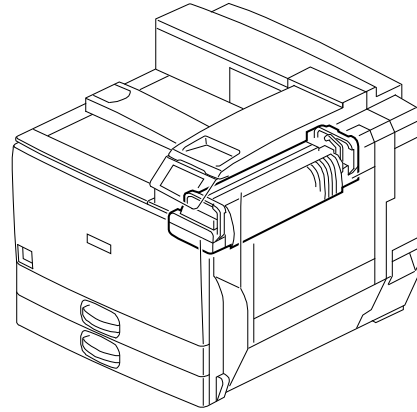
LOCATIONS OF UNITS

13. Transfer Belt Unit 2 (M132)



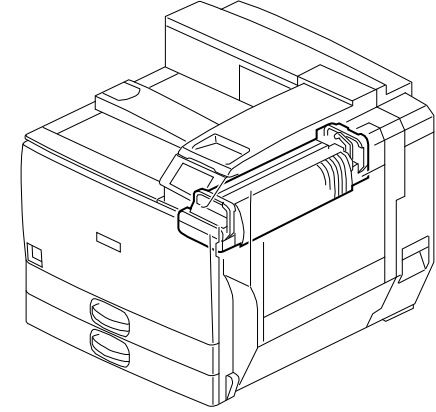
See Page 33

14. Fusing Unit 1 (M132)



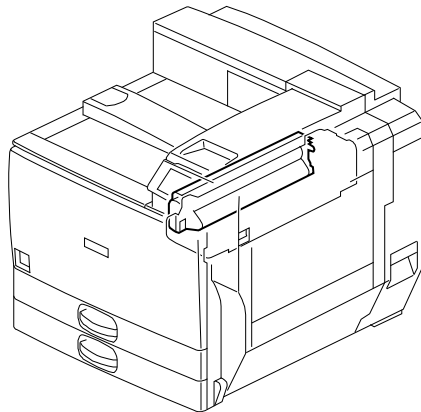
See Page 35

15. Fusing Unit 2 (M132)



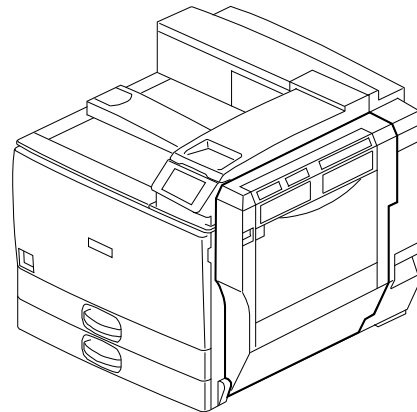
See Page 37

16. Fusing Unit 3 (M132)



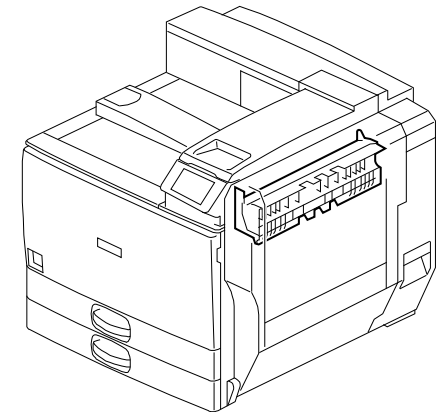
See Page 39

17. Duplex Unit 1 (M132)



See Page 41

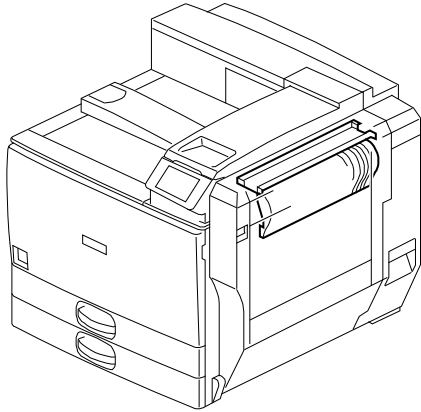
18. Duplex Unit 2 (M132)



See Page 43

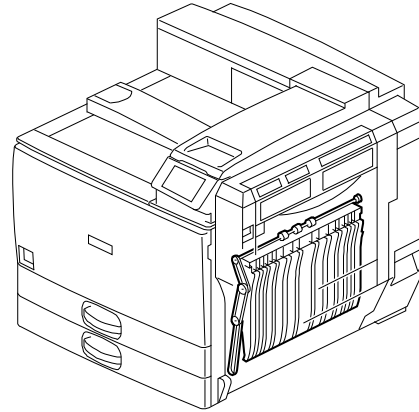
LOCATIONS OF UNITS

19. Duplex Unit 3 (M132)



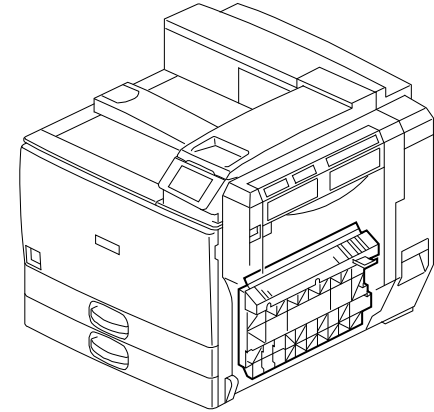
See Page 45

20. Duplex Unit 4 (M132)



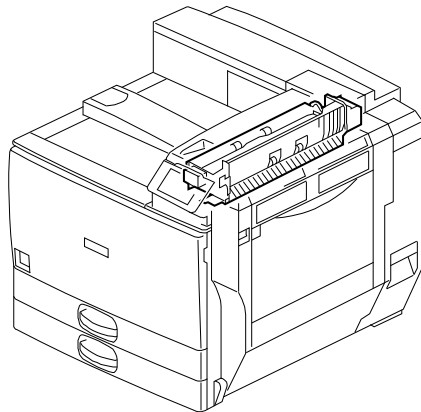
See Page 47

21. Duplex Unit 5 (M132)



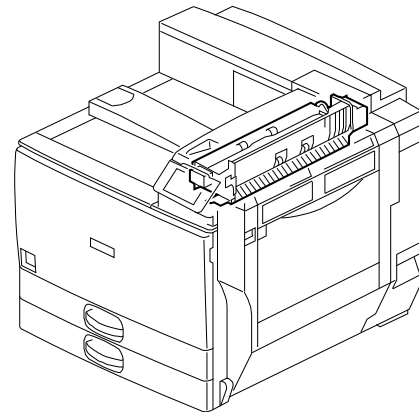
See Page 49

22. Paper Exit Section 1 (M132)



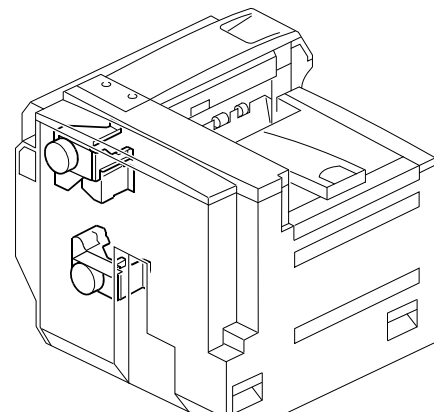
See Page 51

23. Paper Exit Section 2 (M132)



See Page 53

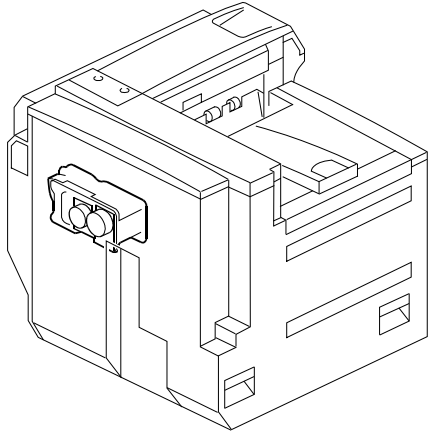
24. Drive Section 1 (M132)



See Page 55

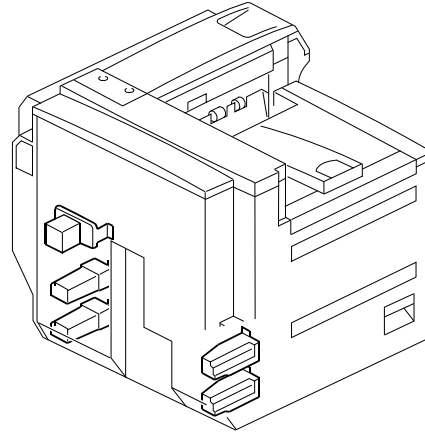
LOCATIONS OF UNITS

25. Drive Section 2 (M132)



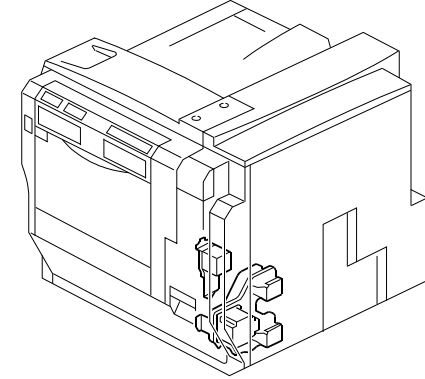
See Page 57

26. Drive Section 3 (M132)



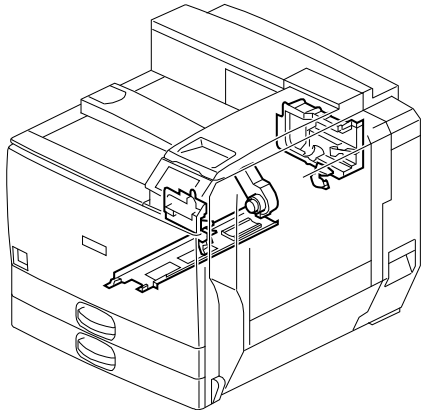
See Page 59

27. Drive Section 4 (M132)



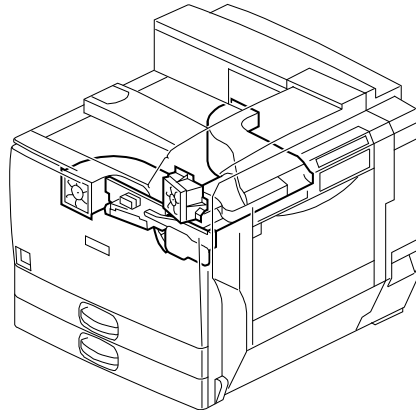
See Page 61

28. Electrical Section 1 (M132)



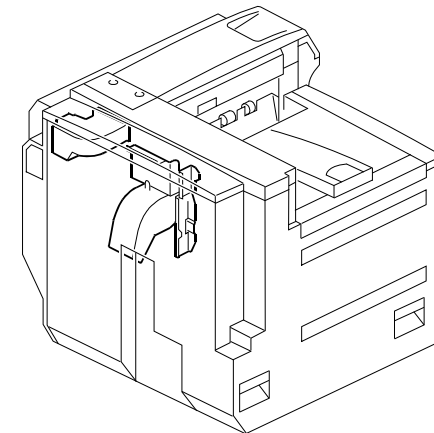
See Page 63

29. Electrical Section 2 (M132)



See Page 65

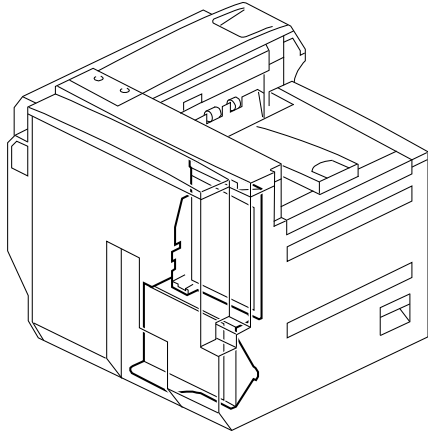
30. Electrical Section 3 (M132)



See Page 67

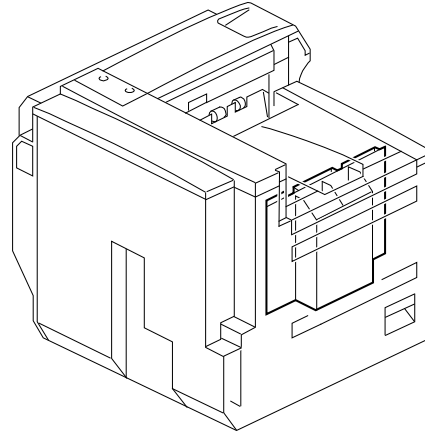
LOCATIONS OF UNITS

31. Electrical Section 4 (M132)



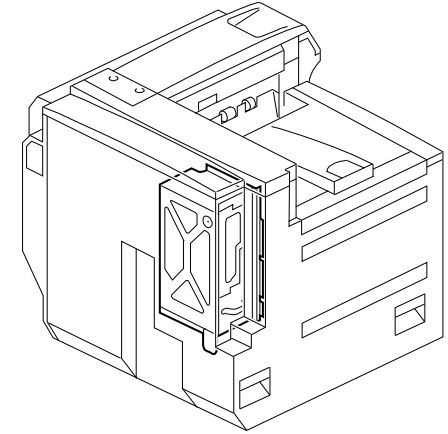
See Page 69

32. Electrical Section 5 (M132)



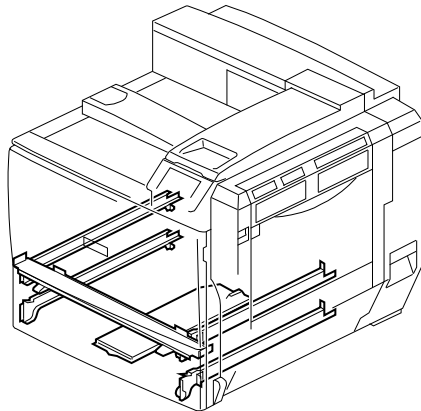
See Page 71

33. Electrical Section 6 (M132)



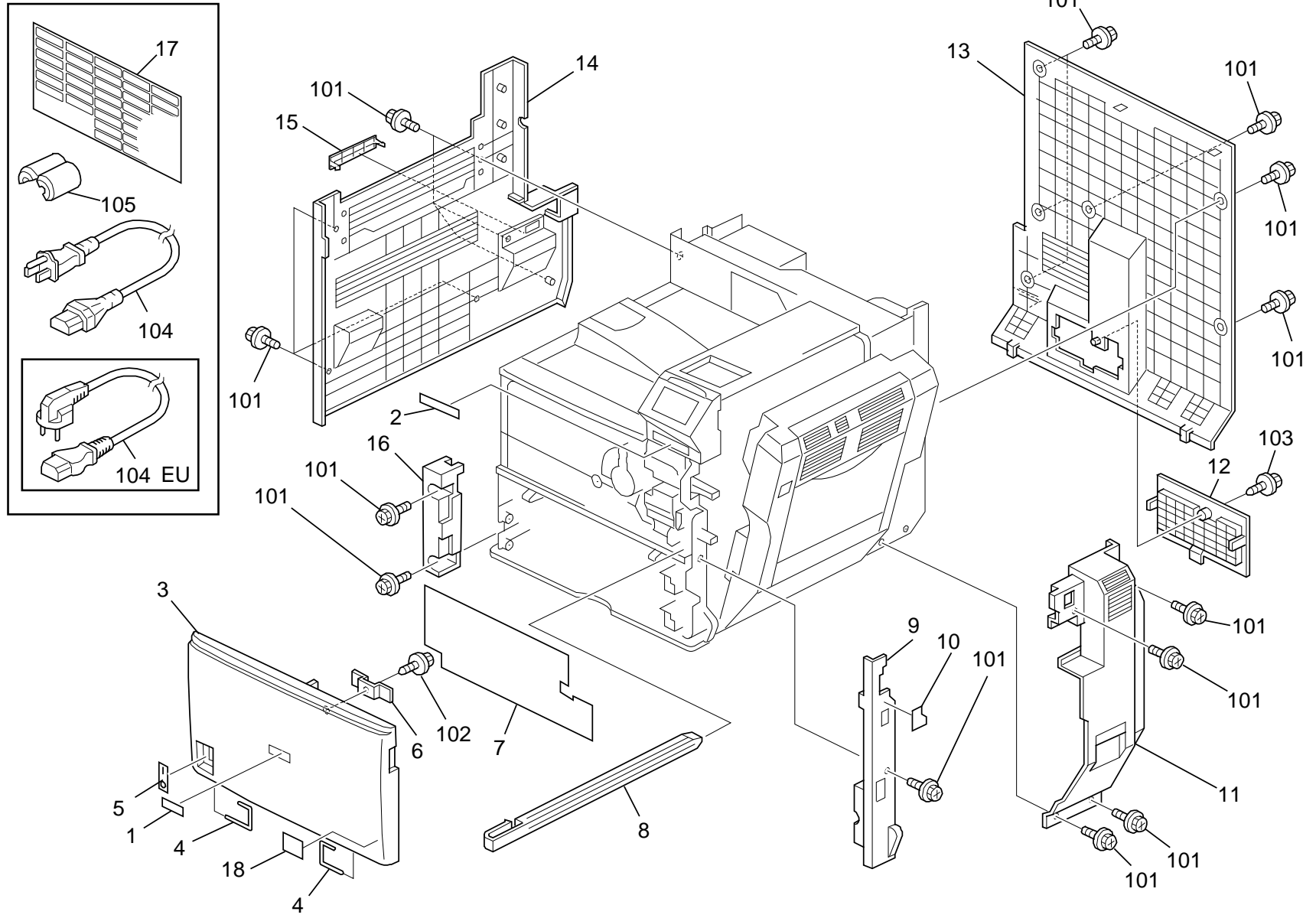
See Page 73

34. Frame Section (M132)

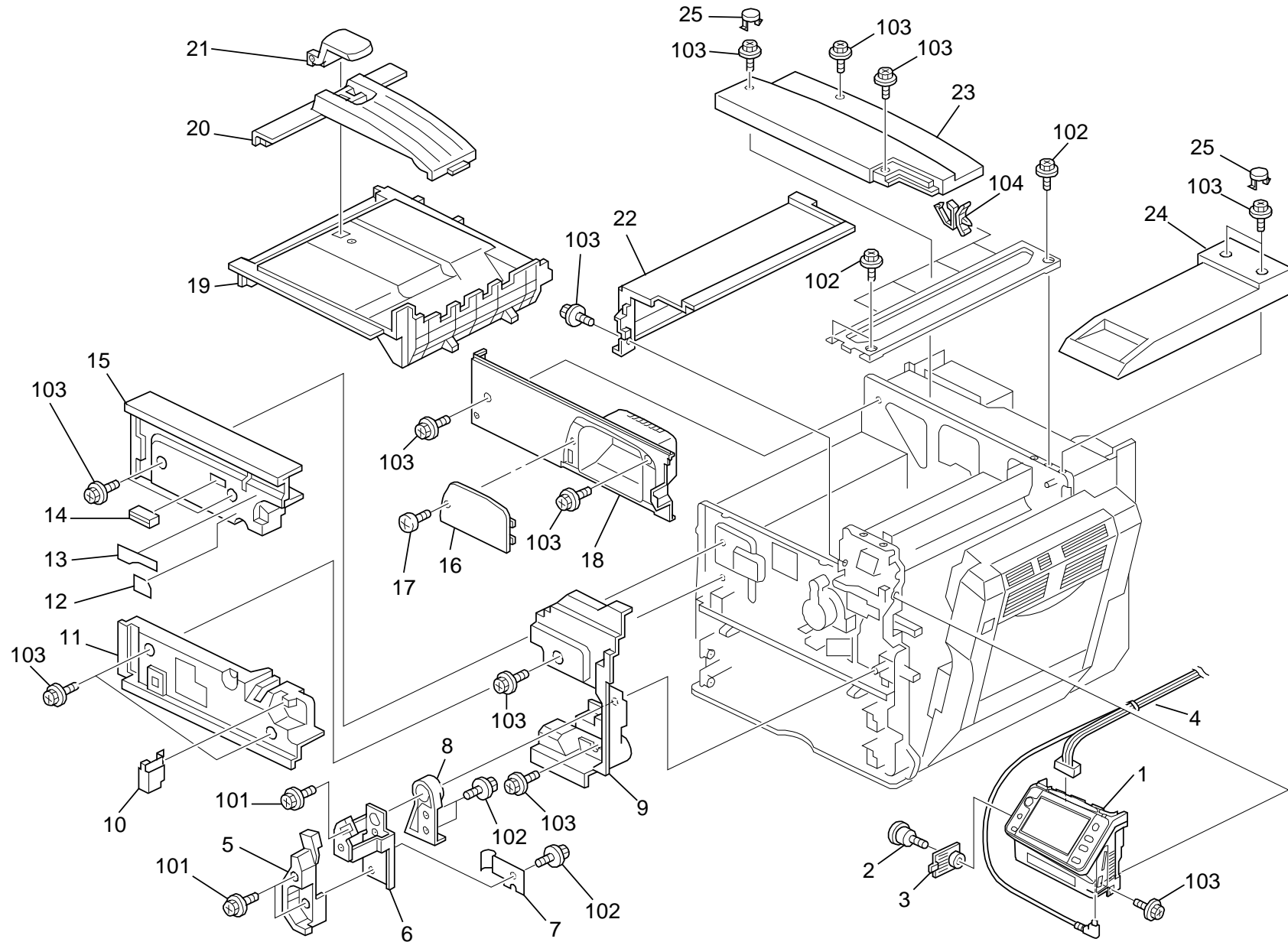


See Page 75

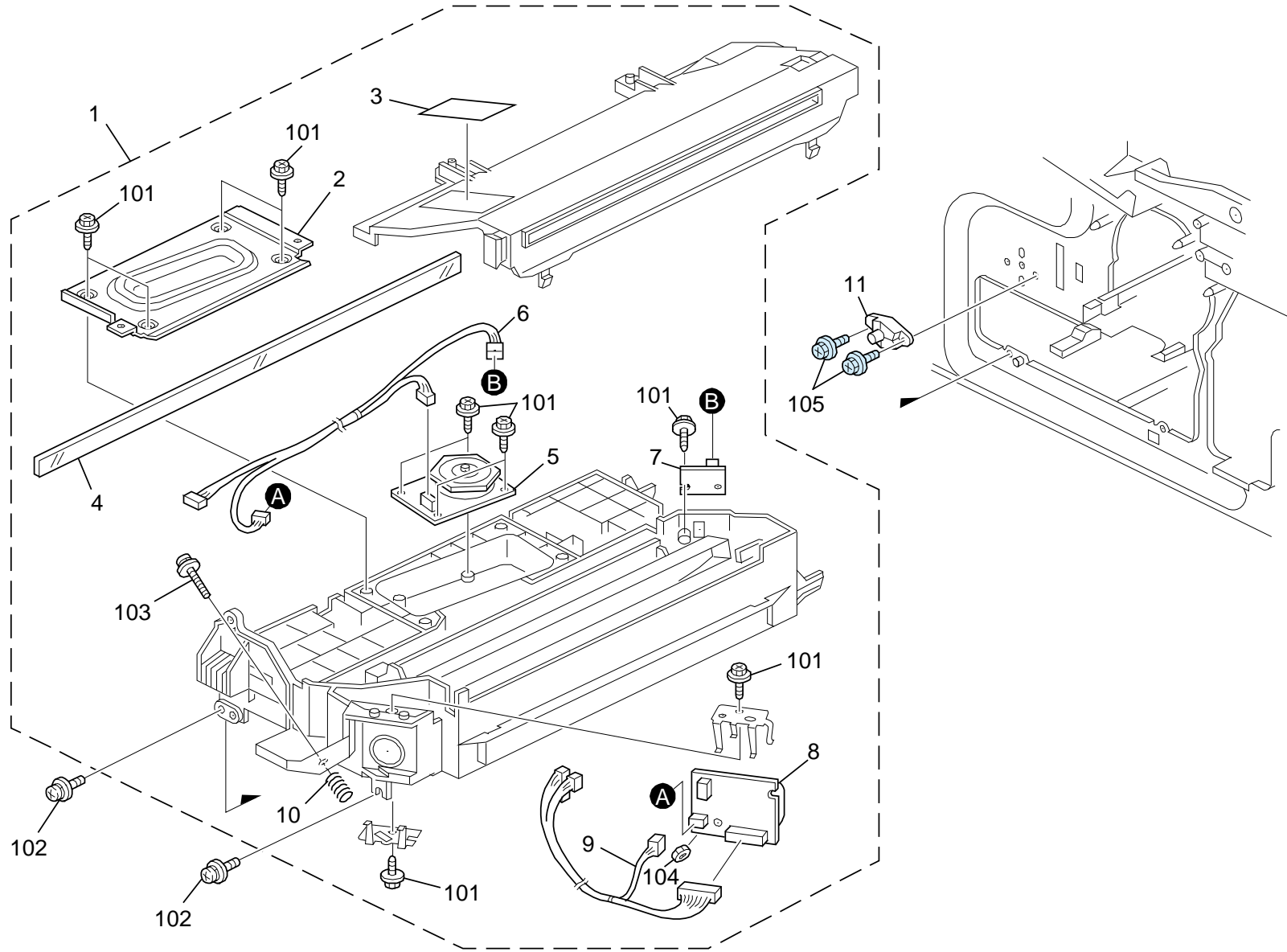
1.Exterior 1 (M132)



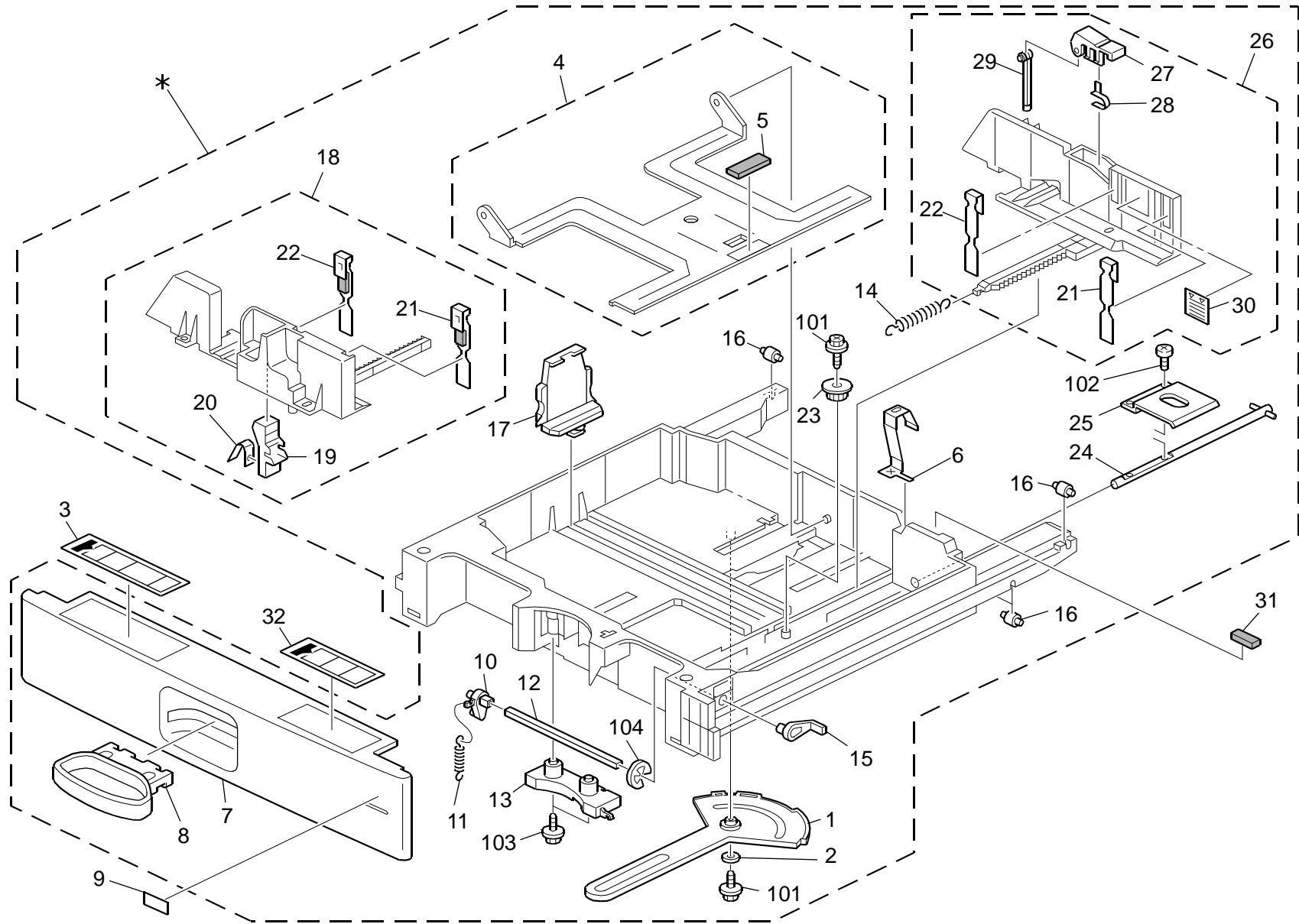
2.Exterior 2 (M132)



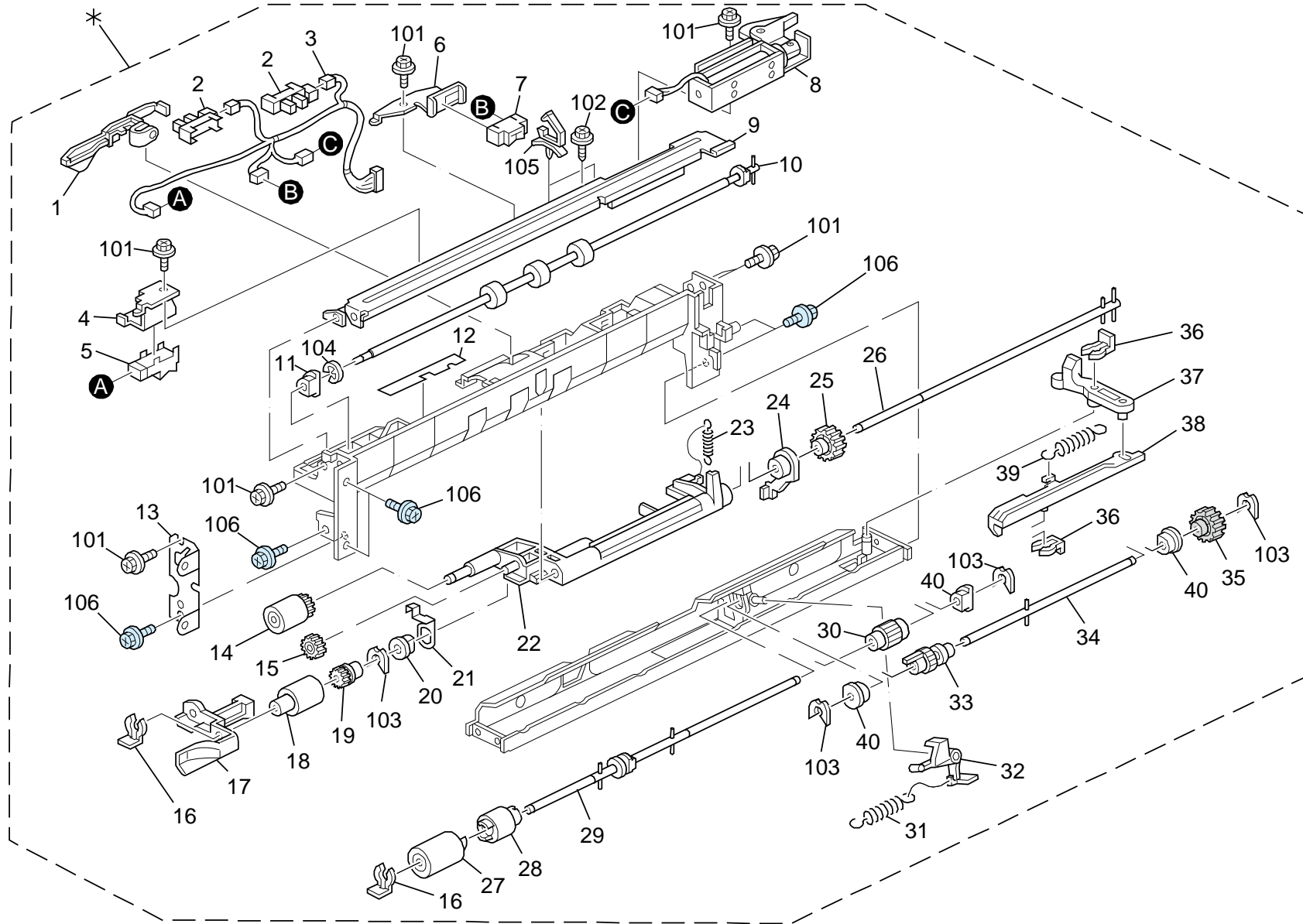
3.LD Unit (M132)



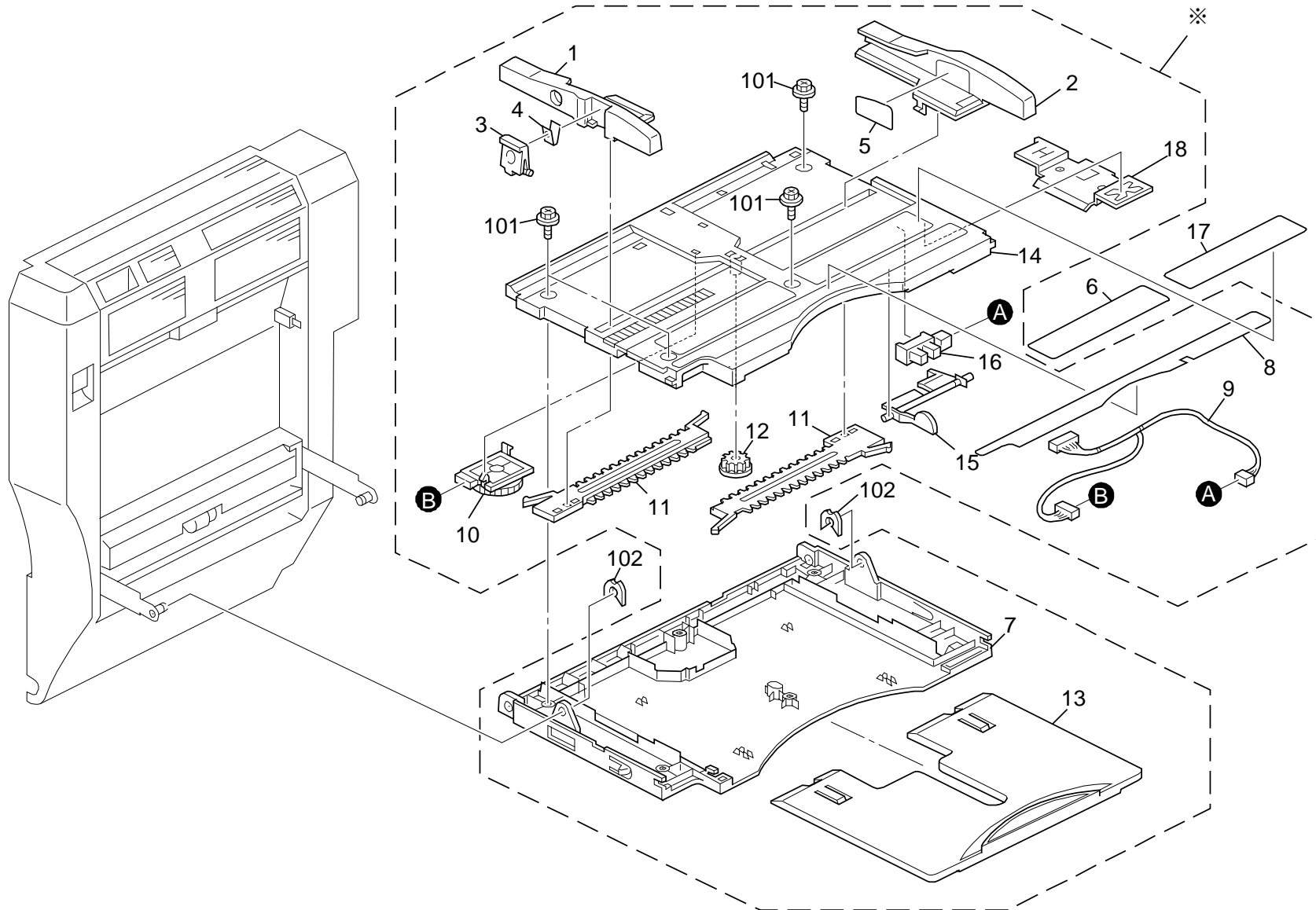
4.Paper Tray (M132)



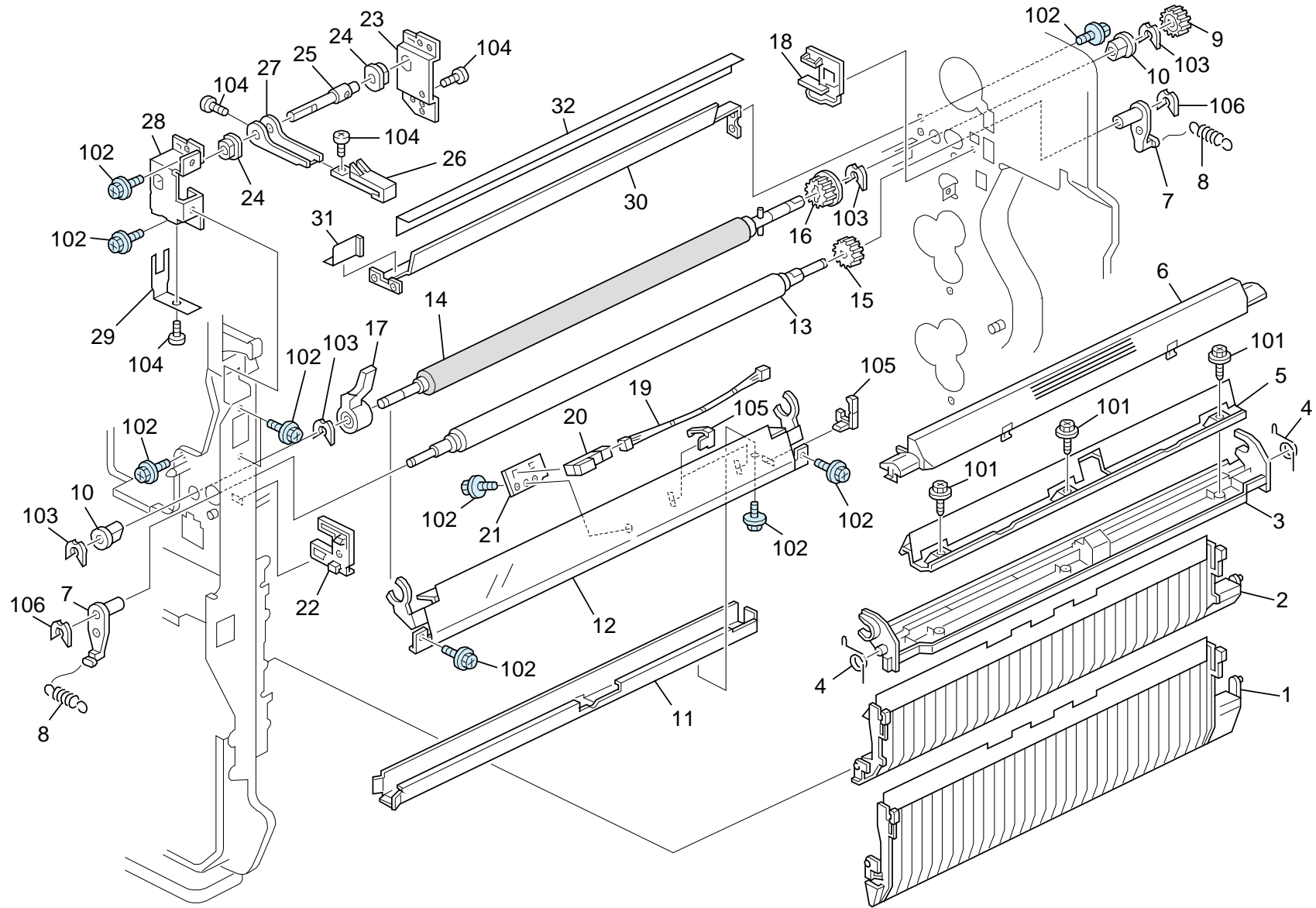
5. Paper Feed Section (M132)



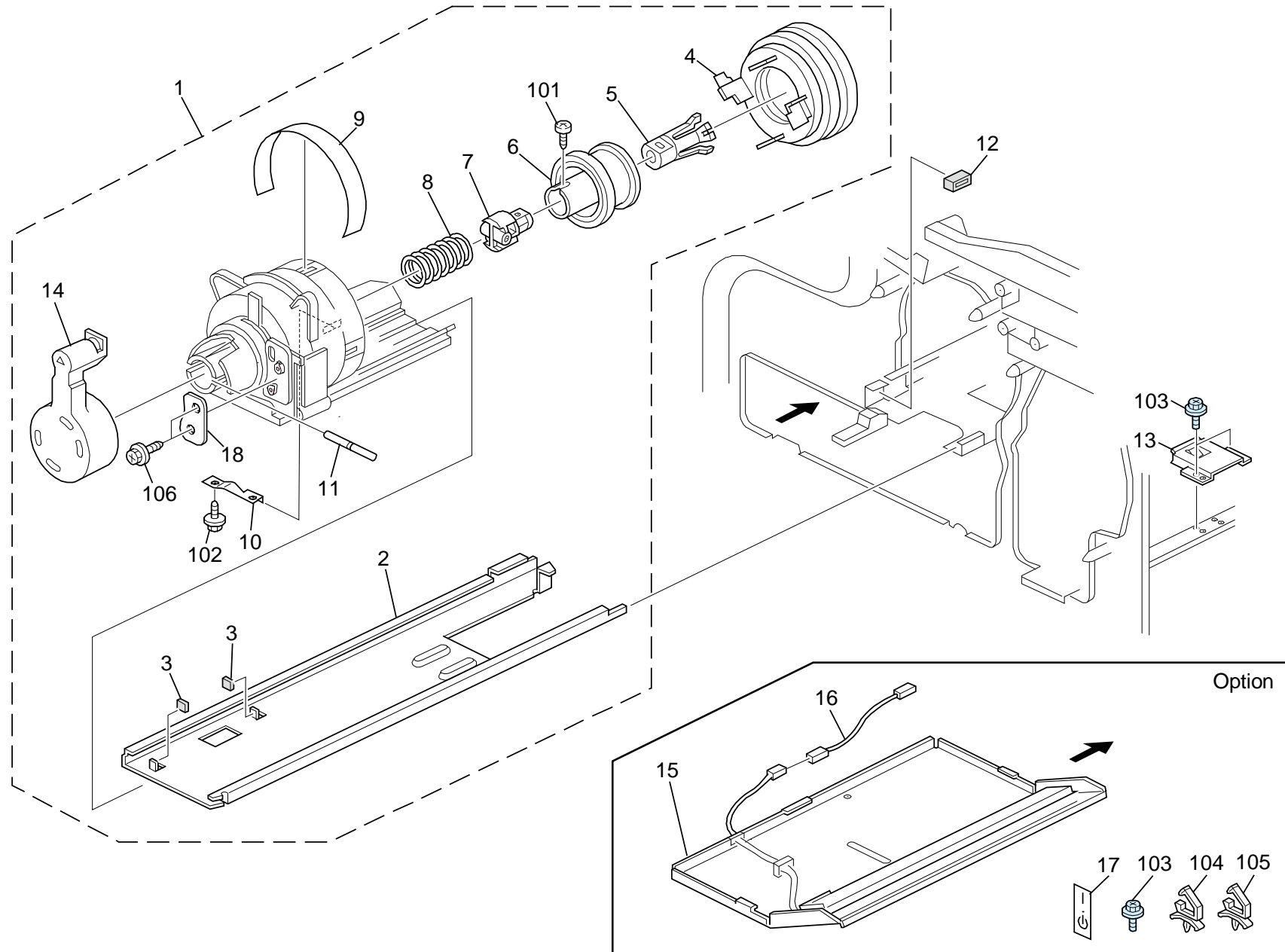
6. By-pass Feed Section 1 (M132)



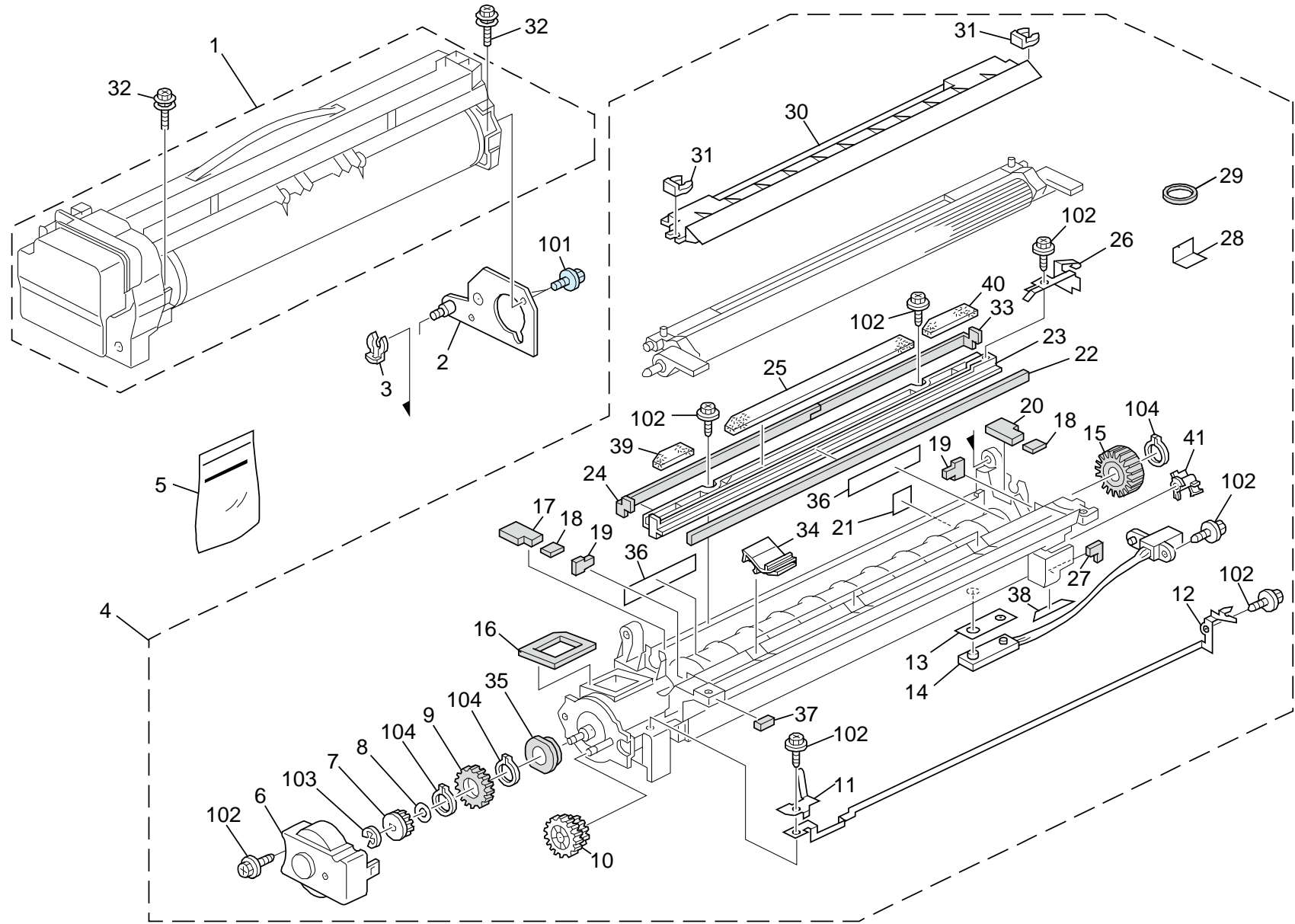
8. Paper Registration (M132)



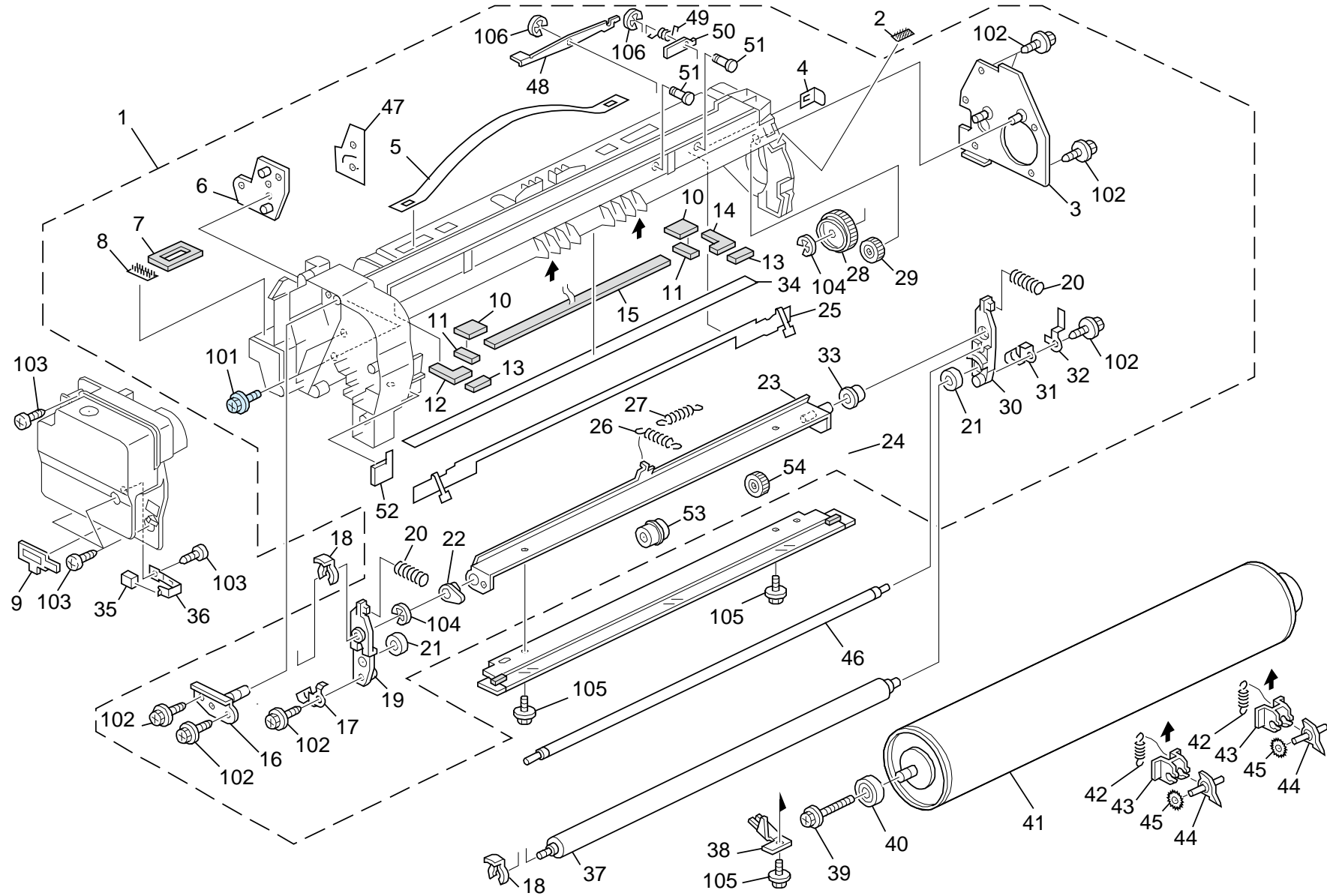
9. Toner Supply Unit (M132)



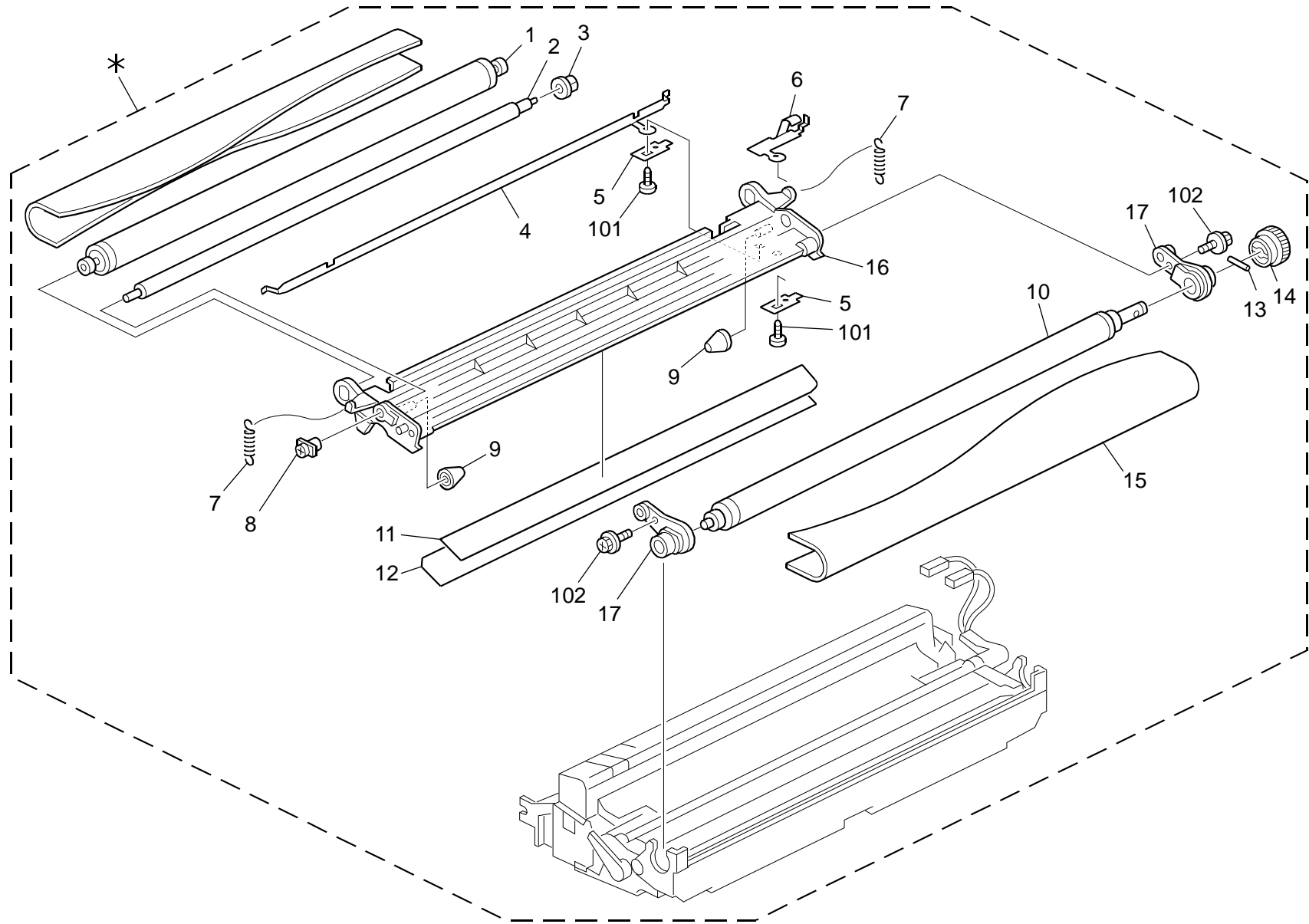
10. PCDU 1 (M132)



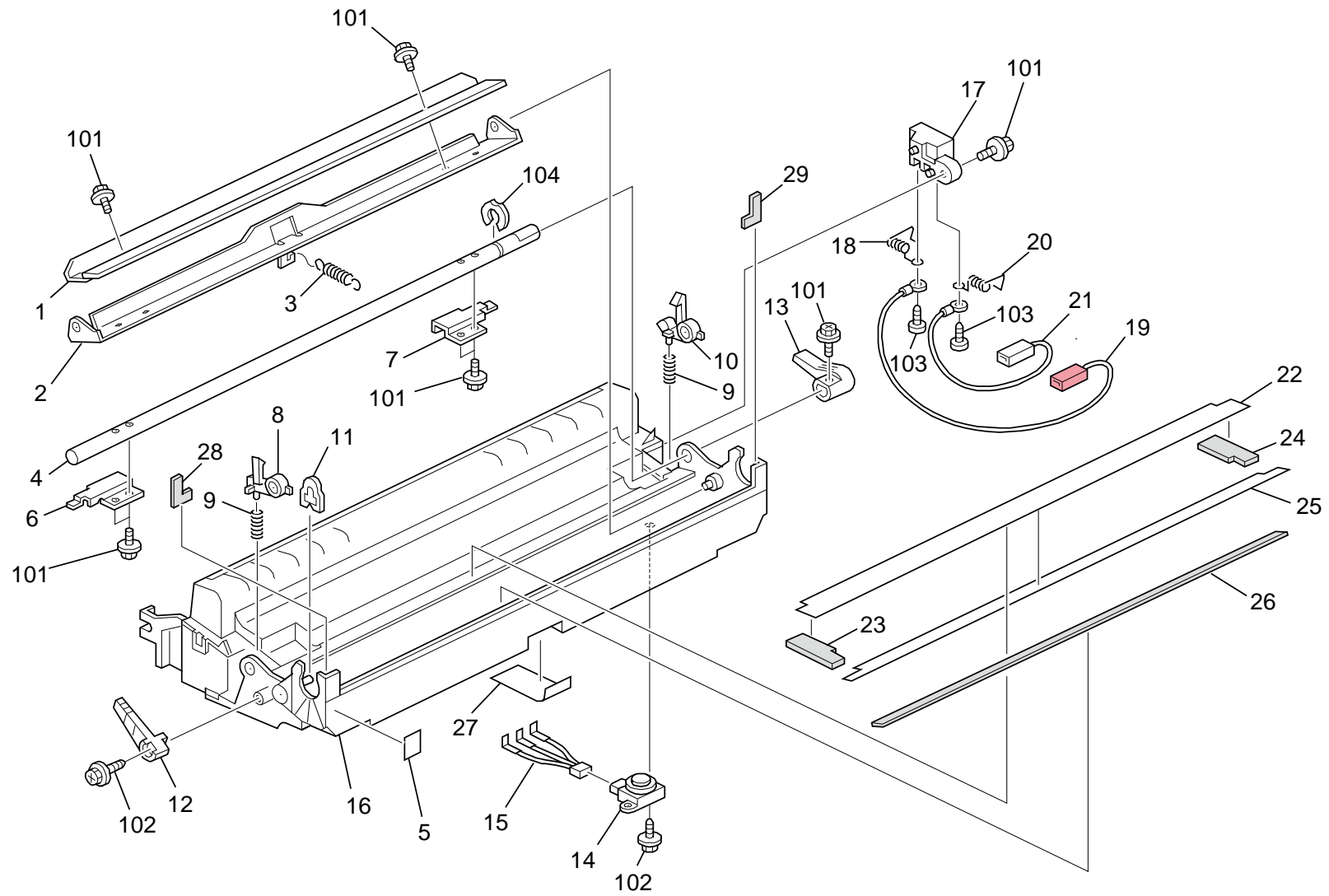
11. PCDU 2 (M132)



12. Transfer Belt Unit 1 (M132)



13. Transfer Belt Unit 2 (M132)

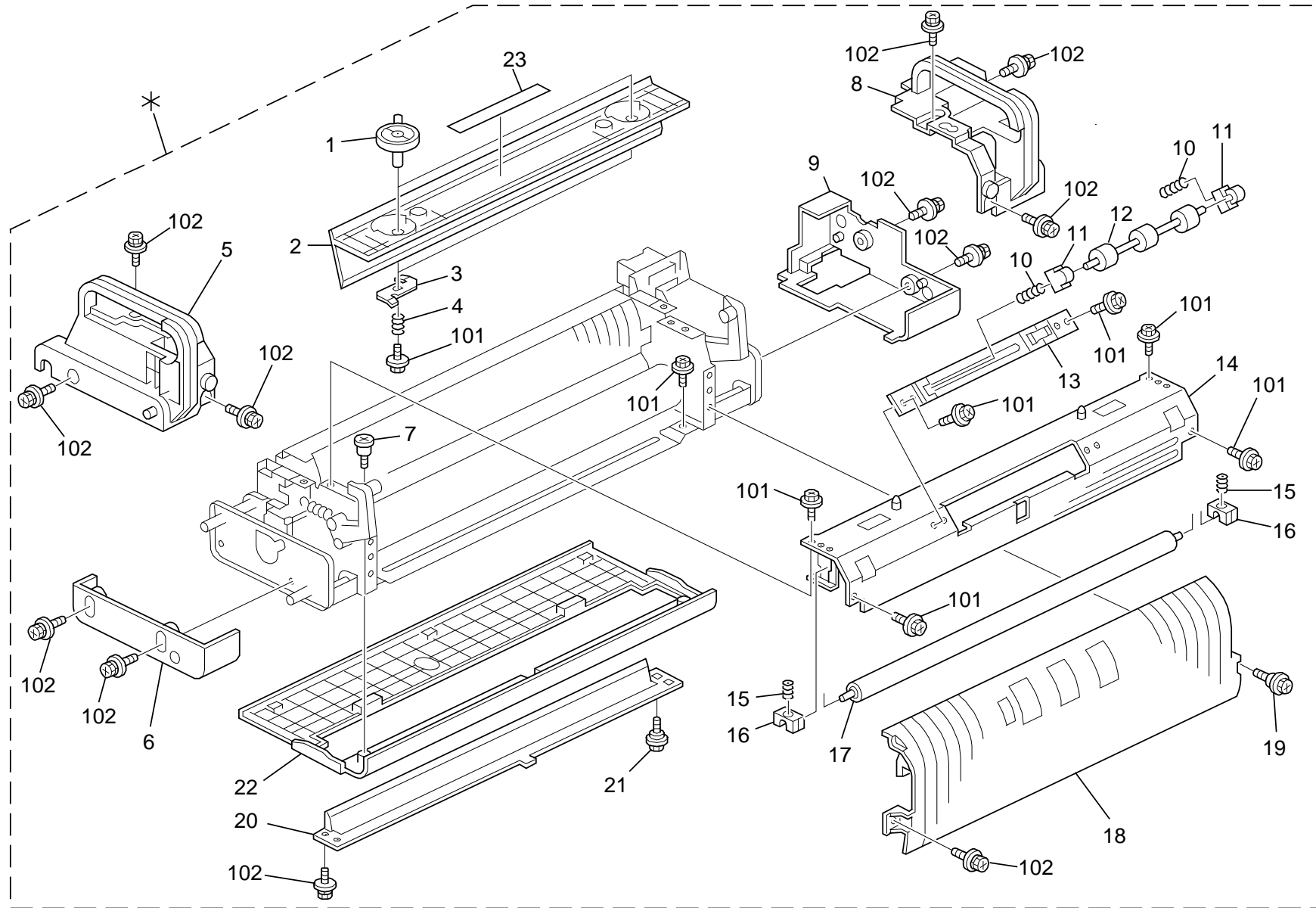


13. Transfer Belt Unit 2 (M132)

Index No.	Part No.	Description	Q'ty Per Assembly
1	AD04 1135	Cleaning Blade - Transfer Belt	1
2	D009 3943	Bracket: Cleaning Blade: Transfer	1
3	AA06 1100	Spring: Pressure: Cleaning Blade	1
4	D009 3919	Release Lever Shaft	1
5	B234 3177	Decal: Positioning Display: Development	1
6	D009 3920	Front Release Plate	1
7	D009 3921	Rear Release Plate	1
8	D009 3916	Front Lever - Transfer Belt	2
9	AA06 3447	Spring - Transfer Belt	1
10	D009 3917	Rear Lever - Transfer Belt	1
11	G102 3837	Stopper: Blade	1
12	D009 3898	Lever: Set: Transfer Unit: P	1
13	D009 3918	Release Lever	1
14	GW23 0001	Toner End Sensor	1
15	D009 3872	Harness - Used Toner Sensor	1
16	D009 3803	Case - Transfer Unit	1
17	D009 3992	Receptacle Housing - Transfer Unit	1
18	AA06 6380	Spring	1
19	D009 3876	Earth Harness - Transfer Unit	1
20	AA06 6381	Spring	1
21	D009 3875	Harness - Transfer Unit Bias	1
22	D009 3907	Seal - Transfer Belt Exit	1
23	D009 3953	Front Seal - Cleaning Blade	1
24	D009 3952	Rear Seal - Cleaning Blade	1
25	D009 3906	Seal - Rear Transfer Exit	1
26	B082 3867	Shield: Remove Paper Dust	1
27	AA15 0423	Seal - Cleaning Pressure	1
28	A232 3909	Seal - Front Case	1
29	A232 3908	Seal - Rear Case	1

Index No.	Part No.	Description	Q'ty Per Assembly
101	0451 3006N	Tapping Screw - 3x6	
102	0456 3008N	Tapping Screw - M3x8	
103	0452 3008N	Tapping Screw - M3x8	
104	0805 0106	Retaining Rings-E: Silencer: Dia6	

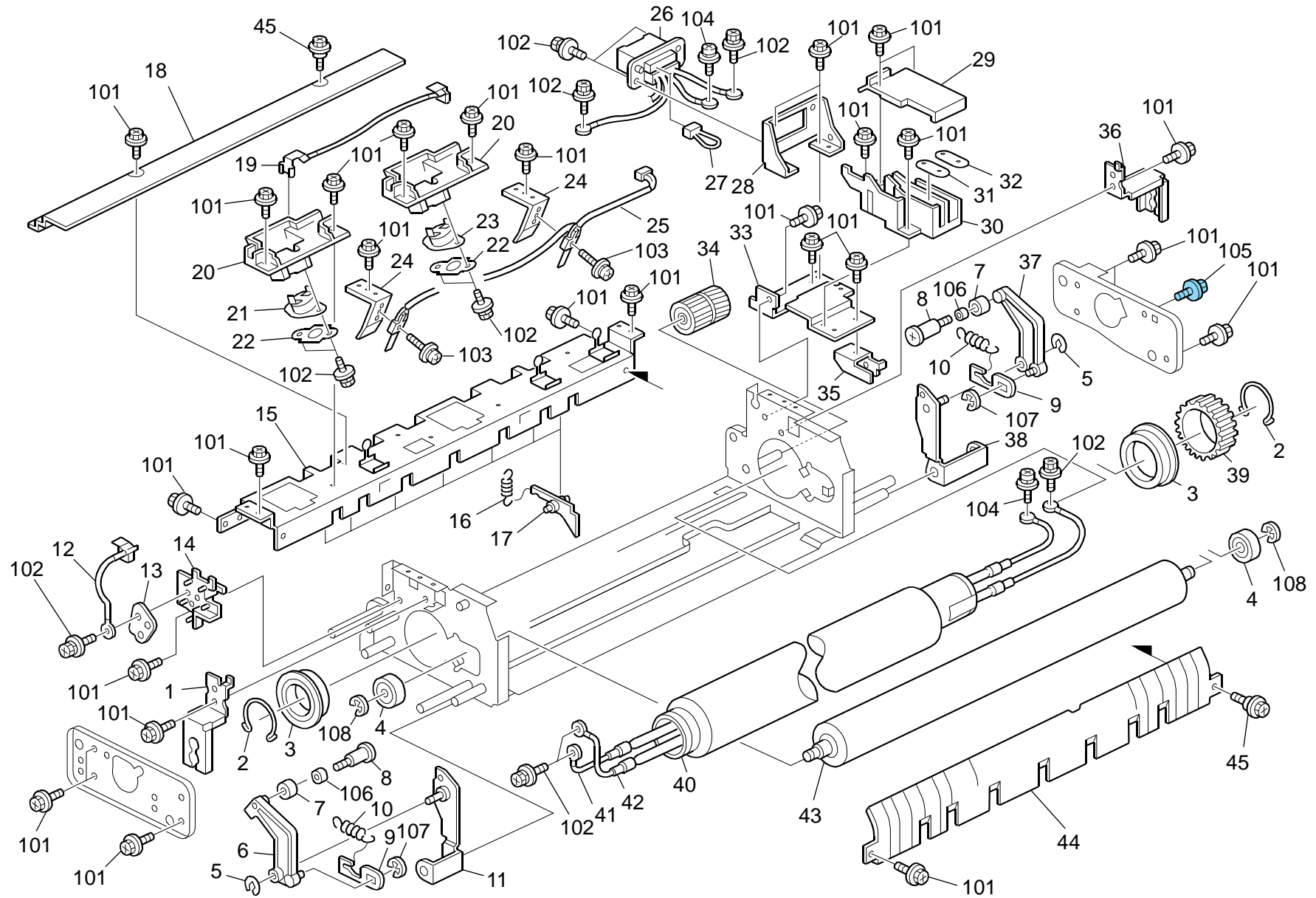
14. Fusing Unit 1 (M132)



14. Fusing Unit 1 (M132)

Index No.	Part No.	Description	Q'ty Per Assembly	Index No.	Part No.	Description	Q'ty Per Assembly
*	M132 4102	Fusing Unit: NA: Service: Ass'y	1	101	0360 3006N	Screw - M3x6	
*	M132 4103	Fusing Unit: EU: Service: Ass'y	1	102	0804 6123	Hexagonal Bolt: W/Washer: M3x8	
1	D009 4244	Knob	2				
2	D009 4243	Exit Guide - Pressure Roller Unit	1				
3	D009 4248	Knob Bracket	2				
4	AA06 1023	Compression Spring - Knob	2				
5	D129 4059	Fusing Cover: Upper: Front	1				
6	D129 4055	Fusing Cover: Lower: Front	1				
7	B223 1317	Screw	1				
8	D129 4062	Fusing Cover: Upper: Rear	1				
9	D129 4057	Fusing Cover: Lower: Rear	1				
10	AA06 1022	Spring - Driven Roller	2				
11	AA08 0352	Bushing - Driven Roller	2				
12	D009 4664	Driven Roller	1				
13	D009 4238	Bracket - Driven Roller	1				
14	D009 4225	Stay - Pressure Roller Unit	1				
15	AA06 1099	Compression Spring: Cleaning Roller	2				
16	AA08 0351	Bushing - Cleaning Roller	2				
17	AE04 2098	Cleaning Roller: Ass'y	1				
18	D009 4066	Fusing Cover - Duplex Guide	1				
19	AA14 3520	Shoulder Screw - M3	1				
20	D009 4069	Entrance Guide Plate - Fusing	1				
21	AA14 3520	Shoulder Screw - M3	1				
22	D129 4053	Fusing Cover: Lower: Middle: Ass'y	1				
23	D129 4242	Decal: H-Temp Warning	1				

15. Fusing Unit 2 (M132)

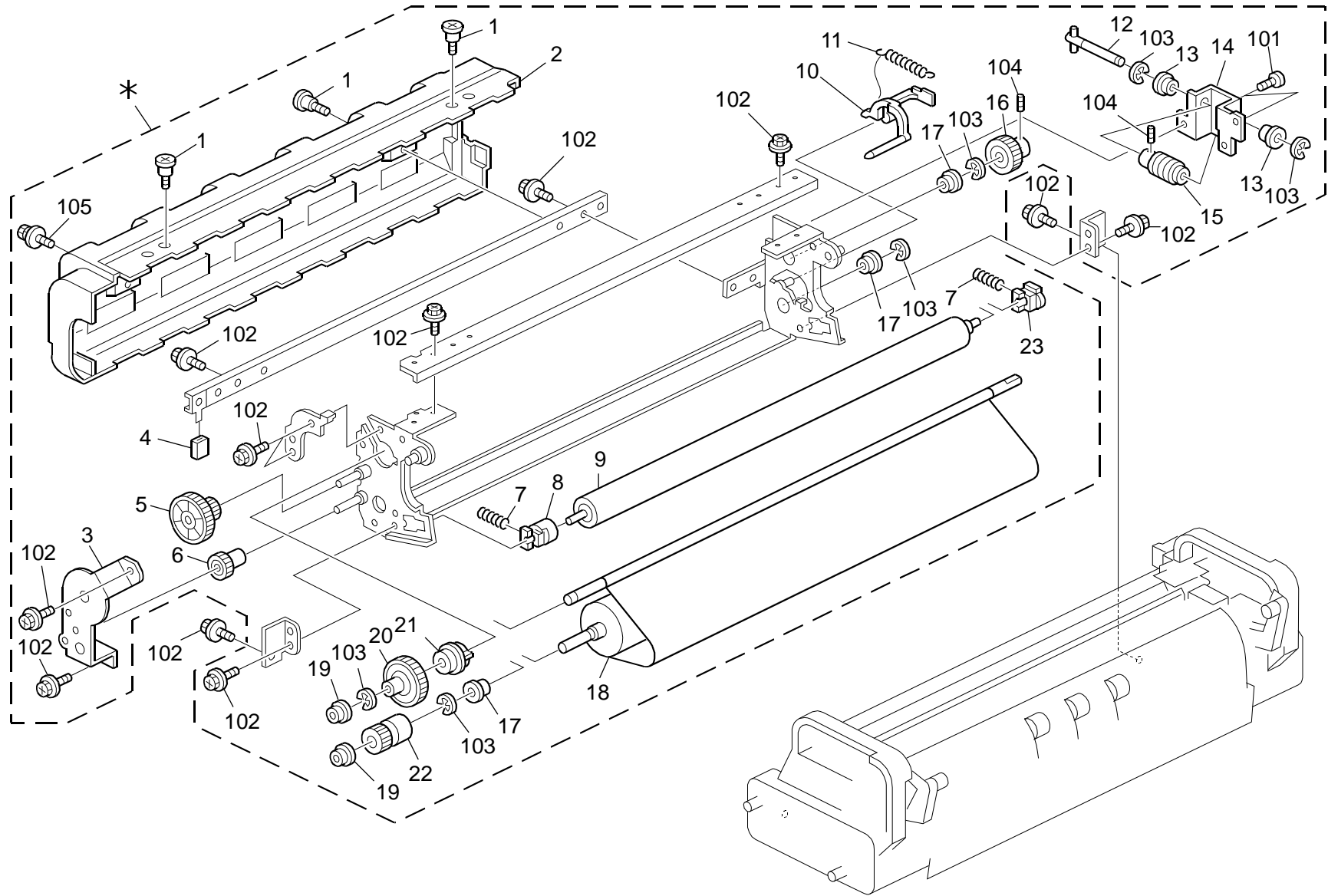


15. Fusing Unit 2 (M132)

Index No.	Part No.	Description	Q'ty Per Assembly
1	D009 4126	Front Heater Bracket	1
2	D009 4156	Retaining Rings-C - Hot Roller	2
3	AE03 0099	Ball Bearing - 30x42x7	2
4	AE03 0098	Ball Bearing - 8x22x7	2
5	B238 4166	End Ring: Spring: Dia4	2
6	D009 4271	Front Lever - Pressure Release	1
7	B238 4194	Roller: Lever: Pressure	2
8	AA14 3792	Screw: Drawer	2
9	D009 4274	Pressure Lock Lever	2
10	AA06 1024	Tension Spring - Pressure	2
11	D009 4275	Front Pressure Lever	1
12	D009 4196	Harness 1 - Thermostat	1
13	D009 4143	Electrode Plate 3	1
14	D009 4135	Terminal - AC	1
15	D009 4152	Stay: Fusing Sub-Unit: Fusing Exit: Peen	1
16	AA06 0948	Tension Spring: Stripper Pawls: 50mn	7
17	AE04 4099	Stripper Pawls	7
18	D129 4165	Cover: Fusing Sub-Unit	1
19	D009 4197	Harness 2 - Thermostat	1
20	D009 4193	Housing - Thermostat	2
21	AW11 0098	Thermostat - 220C	1
22	D009 4195	Spacer - Thermostat	2
23	AW11 0099	Thermostat - 219C	1
24	D009 4178	Thermistor Bracket	2
25	D009 4177	Thermistor	1
26	D009 4099	Harness - Fusing Unit	1
27	D009 4097	Harness - Set Sensor NA	1
27	D009 4098	Set Sensor Harness - 230V	1
28	D009 4125	Connector Bracket 2	1
29	D009 4132	Terminal Cover	1
30	D009 4131	Terminal - AC/DC	1
31	D009 4142	Electrode Plate 2	1
32	D009 4141	Electrode Plate 1	1
33	D009 4124	Connector Bracket 1	1

Index No.	Part No.	Description	Q'ty Per Assembly
34	AB01 0172	Gear - 24Z/25Z	1
35	D009 4123	Bracket: Side Plate: Auxiliary	1
36	D009 4127	Rear Heater Bracket	1
37	D009 4291	Rear Lever - Pressure Release	1
38	D009 4295	Front Pressure Lever	1
39	AB01 0171	Gear - 40Z	1
40	AE01 1132	Hot Roller	1
41	AX43 0112	Heater - 120V 550W	1
41	AX43 0113	Heater - 230V 550W	1
42	AX44 0252	Heater - 120V 750W	1
42	AX44 0253	Heater - 230V 750W	1
43	AE02 0199	Pressure Roller	1
44	D009 4163	Exit Guide - Hot Roller Unit	1
45	AA14 3520	Shoulder Screw - M3	2
101	0360 3006N	Screw - M3x6	
102	0804 6123	Hexagonal Bolt: W/Washer: M3x8	
103	0954 3010N	Screw: Polished Round/Spring: M3x10	
104	0957 4008N	Screw: Small Round/Spring: M4x8	
105	0454 3006Q	Tapping Screw - M3x6	
106	0733 0408	Bushing: 4x8	
107	0720 0030E	Retaining Ring - M3	
108	0720 0060E	Retaining Ring - M6	

16. Fusing Unit 3 (M132)

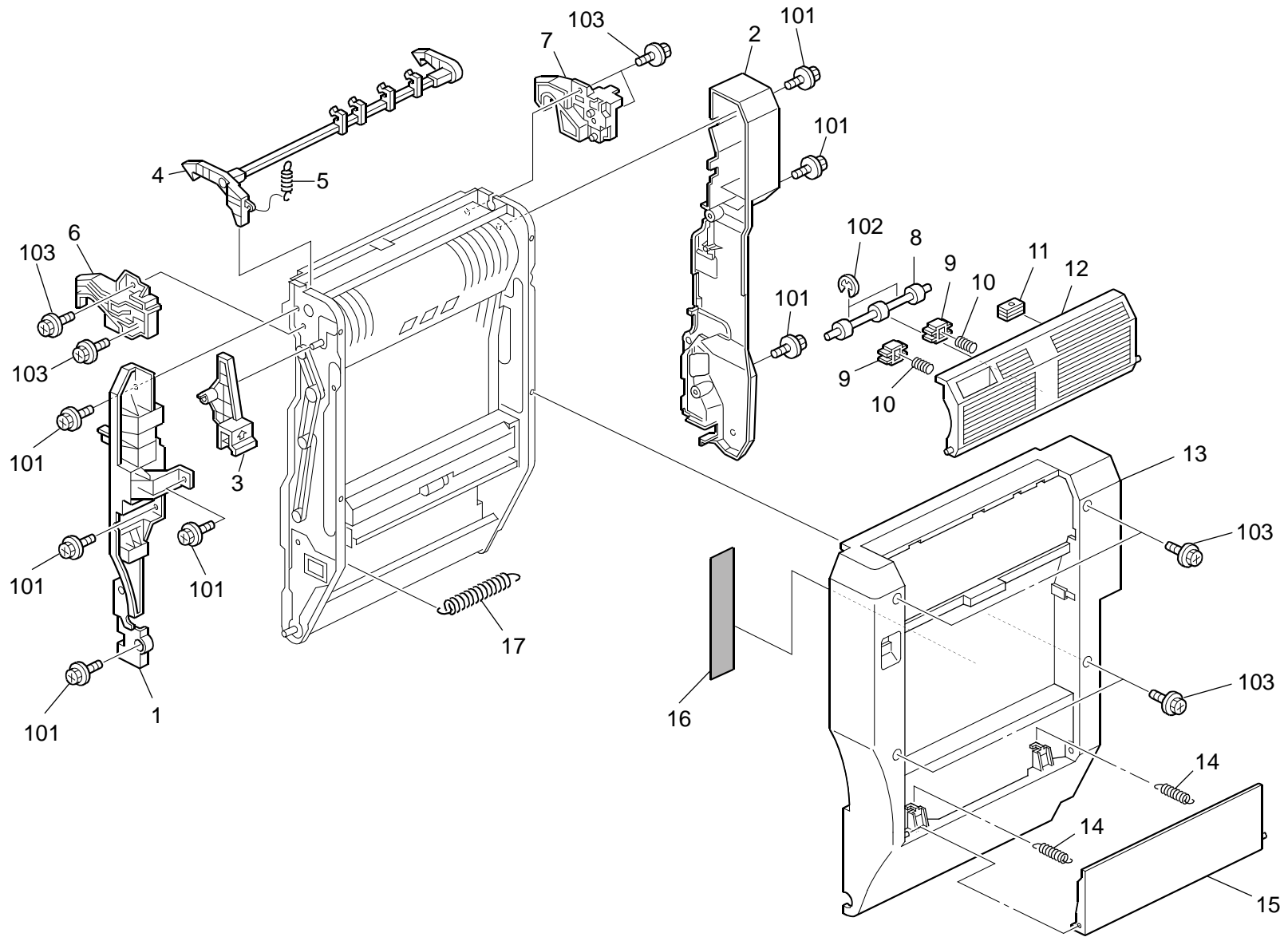


16. Fusing Unit 3 (M132)

Index No.	Part No.	Description	Q'ty Per Assembly
*	D129 4305	Cleaning Unit: Ass'y	1
1	AA14 3812	Screw - Scale	3
2	D129 4307	Cover: Cleaning Unit	1
3	D009 4369	Bracket - Cleaning Unit Drive	1
4	B065 4247	Brake Pad	1
5	AB01 0174	Gear - 20Z/50Z	1
6	AB01 0175	Gear - 24Z	1
7	AA06 3886	Spring	2
8	D009 4355	Roller Clutch	1
9	AE04 0099	Holder Roller	1
10	D009 4393	Feeler - Web	1
11	B065 4221	Feeler Spring	1
12	D009 4378	Worm Gear Shaft	1
13	AA08 0355	Bushing - 7mm	2
14	D009 4377	Worm Gear Bracket	1
15	AB01 0178	Worm Gear	1
16	AB01 0177	Gear - 32Z	1
17	AA08 0356	Bushing - 6mm	3
18	AE04 5099	Cleaning Web	1
19	AA08 0354	Bushing - 6mm	2
20	AB01 0173	Gear - 60Z	1
21	D009 4388	Roller Clutch	1
22	AB01 0176	Gear - 24Z	1
23	AA08 0353	Bushing - 4mm	1

Index No.	Part No.	Description	Q'ty Per Assembly
101	0353 0050N	Screw-M3x5	
102	0360 3006N	Screw - M3x6	
103	0720 0030E	Retaining Ring - M3	
104	0573 0030E	Hexagon Headless Set Screw - M3x3	
105	0804 6123	Hexagonal Bolt: W/Washer: M3x8	

17. Duplex Unit 1 (M132)

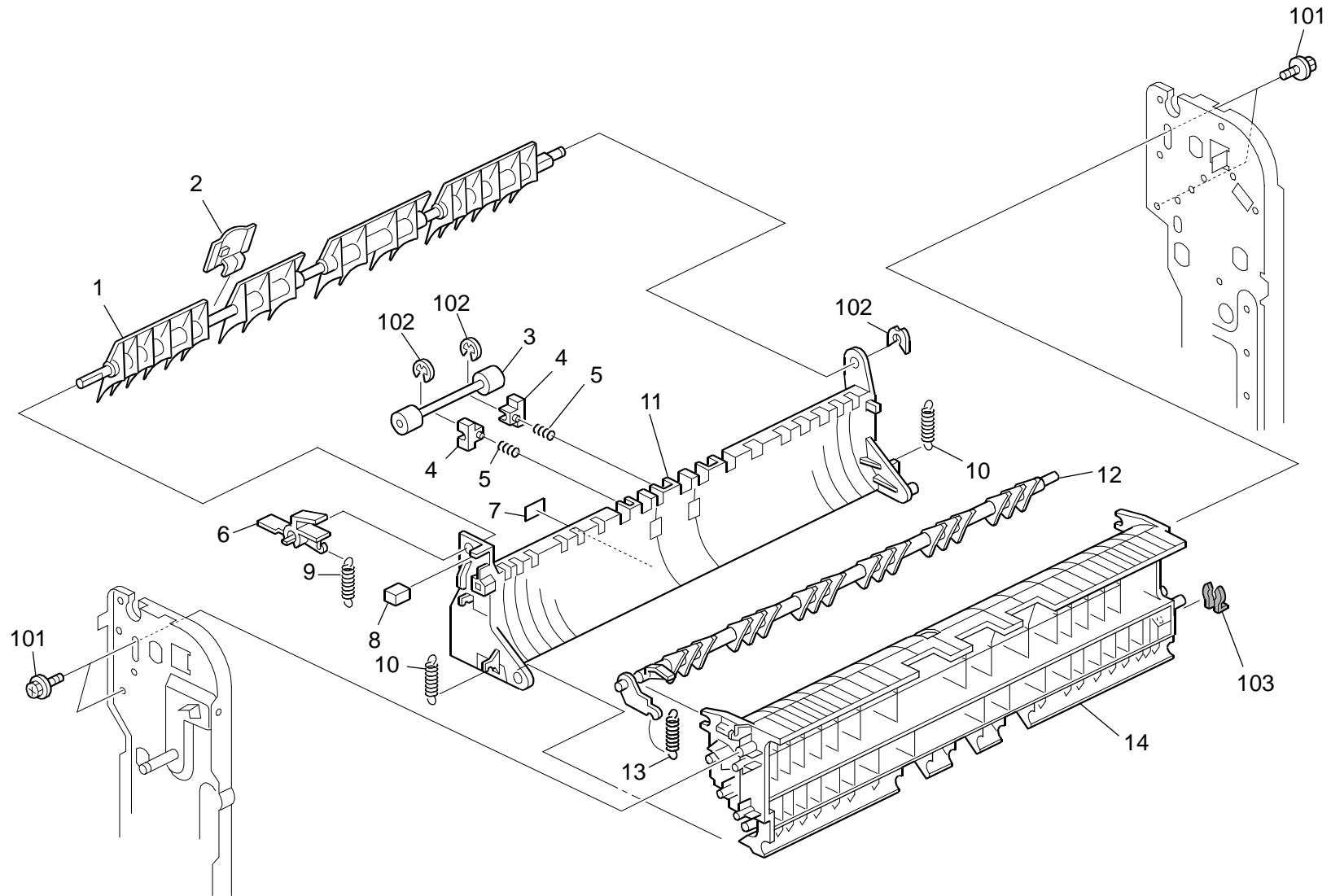


17. Duplex Unit 1 (M132)

Index No.	Part No.	Description	Q'ty Per Assembly
1	D129 4534	Inner Cover: Duplex: Front	1
2	D129 4533	Inner Cover: Duplex: Rear	1
3	D129 4579	Grip: Open And Close: Duplex Unit	1
4	D009 4590	Stopper Hook - Duplex Unit	1
5	D009 4532	Tension Spring - Stopper Hook	1
6	D009 4537	Front Release Arm	1
7	D009 4538	Rear Release Arm	1
8	D009 4664	Driven Roller	1
9	AA08 0254	Bushing - M4	2
10	B223 4538	Compression Spring	2
11	AG07 0514	Magnet Catch	1
12	D129 4531	Guide Plate: Cover: Open And Close	1
13	D129 4540	Cover: Duplex	1
14	B223 2665	Spring: Cover: Manual Feed	2
15	D129 2664	Cover: Manual Feed: Entrance	1
16	B223 4539	Sheet: Cover: Duplex	1
17	B223 4525	Tension Spring: Wire: 180n	1

Index No.	Part No.	Description	Q'ty Per Assembly
101	0451 3006N	Tapping Screw - 3x6	
102	0720 0030E	Retaining Ring - M3	
103	0451 3008N	Tapping Screw - M3x8	

18. Duplex Unit 2 (M132)

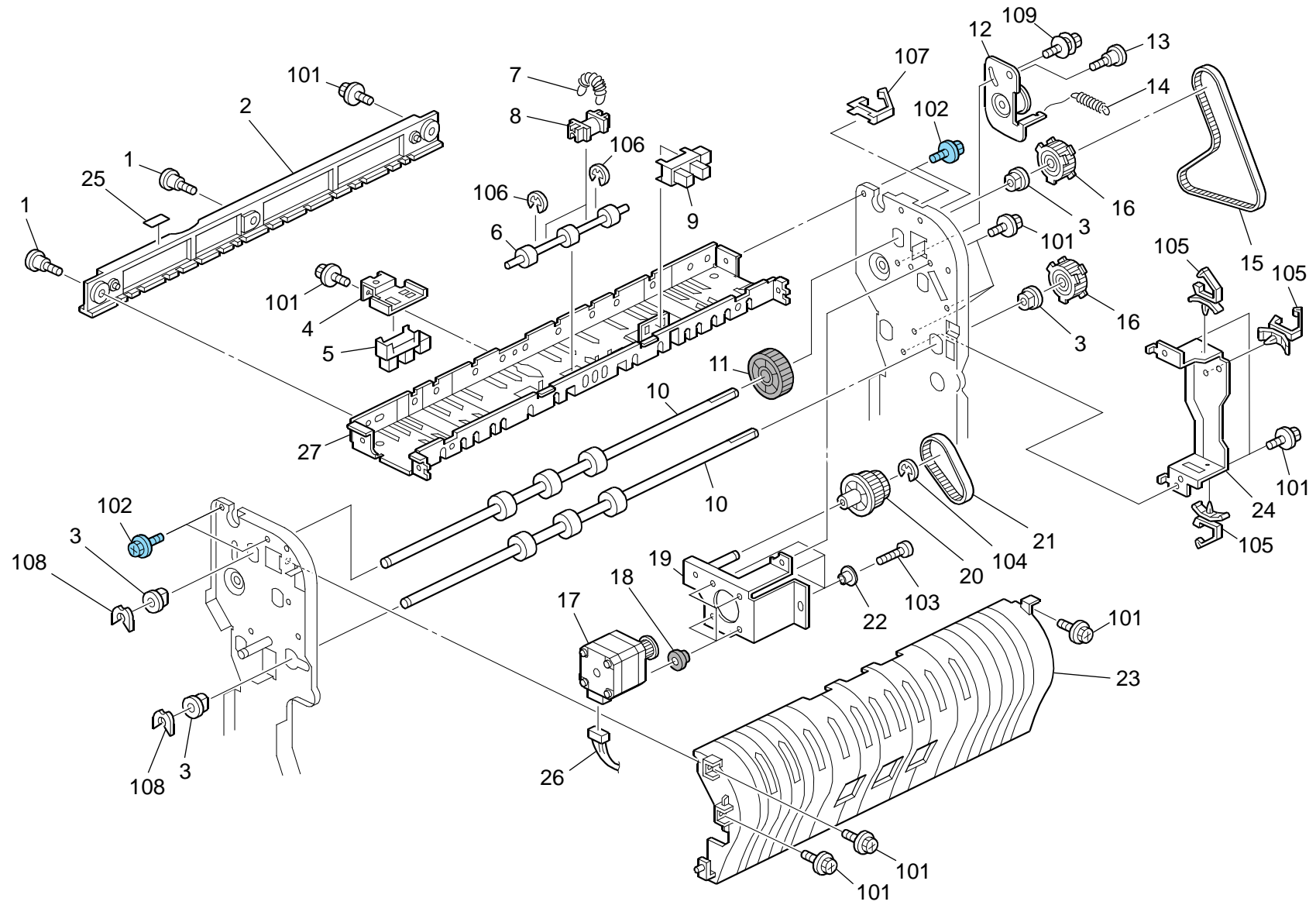


18. Duplex Unit 2 (M132)

Index No.	Part No.	Description	Q'ty Per Assembly
1	D009 4483	Upper Gate	1
2	D129 4481	Grip: Gate Pawl: Upper	1
3	D009 4489	Driven Roller	1
4	D009 4485	Bushing - Gate	2
5	D009 4543	Compression Spring: Gate: 5n	2
6	D009 4486	Lever - Upper Gate	1
7	D009 4409	Sheet - Gate	1
8	B223 4494	Stopper- Uppergate Pawl	1
9	B223 4479	Tension Spring: Gate Pawl: 1.6n	1
10	D009 4488	Right Spring - Guide Plate	2
11	D009 4482	Right Guide Plate - Open/Close	1
12	D009 4577	Duplex Gate	1
13	D009 4522	Tension Spring: Gate Pawl: Duplex: 0.08n	1
14	D009 4503	Guide Plate - Left Upper	1

Index No.	Part No.	Description	Q'ty Per Assembly
101	0456 3008N	Tapping Screw - M3x8	
102	0805 0092	Retaining Ring - 3m	
103	0805 0097	Ring Separator	

19. Duplex Unit 3 (M132)

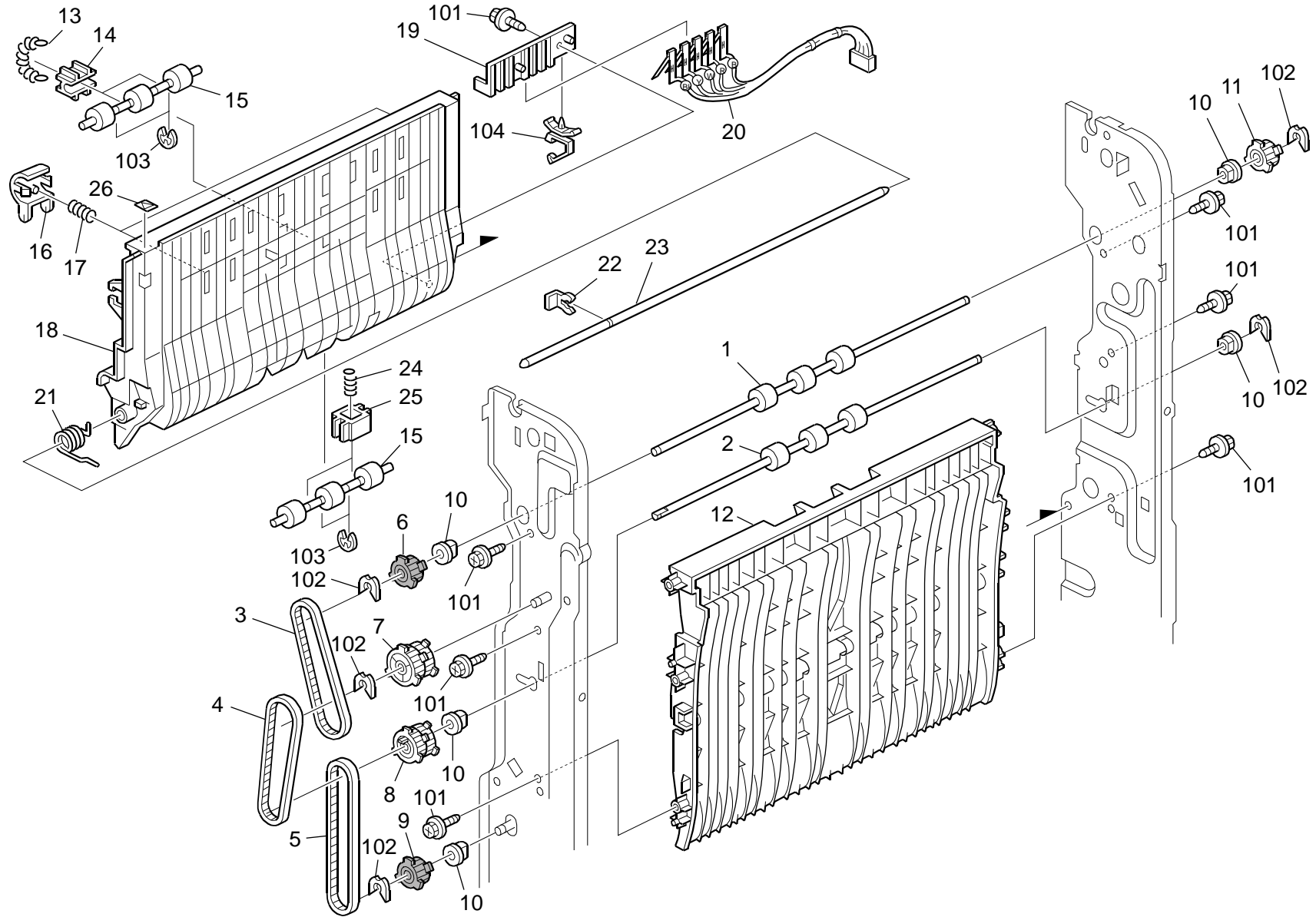


19. Duplex Unit 3 (M132)

Index No.	Part No.	Description	Q'ty Per Assembly
1	AA14 3807	Screw: A	2
2	D009 4504	Upper Guide Plate - Gate	1
3	AA08 2104	Bushing - 8x12x7	4
4	B223 4566	Bracket: Sensor: Entrance	1
5	AW01 0107	Paper Feed Sensor	1
6	D009 4664	Driven Roller	1
7	B223 4560	Tension Spring: Driven Roller	2
8	B223 4552	Bushing: Dia4	2
9	AW02 0204	Photointerruptor: LGRC102	1
10	D009 4661	Reverse Roller - Feed	2
11	AB01 4161	Reverse Roller Gear	1
12	B223 4562	Tightener	1
13	B044 1847	Shoulder Screw	1
14	B223 4564	Spring: Tightener	1
15	B223 4526	Timing Belt: 30S2M268	1
16	B223 4586	Pulley: T30	2
17	B223 4572	Stepper Motor: DC4.29V 1.7w	1
18	AA10 1021	Rubber Bushing - 6 45HS	4
19	B223 4575	Bracket: Stepper Motor	1
20	B223 4571	Gear: Pulley: Z24/T40	1
21	B223 4573	Timing Belt: 30S2M128	1
22	B044 1825	Collar	4
23	B223 4501	Guide Plate: Right	1
24	D009 4521	Harness Bracket	1
25	D129 4483	Decal: Guide: Right	1
26	D009 4652	Motor Harness	1
27	B223 4567	Stay: Transport: Upper: Peen	1

Index No.	Part No.	Description	Q'ty Per Assembly
101	0451 3006N	Tapping Screw - 3x6	
102	0454 3006Q	Tapping Screw - M3x6	
103	0353 0080N	Screw: M3x8	
104	0720 0040E	Retaining Ring - M4	
105	1105 0511	Harness Clamp - LWS-0306ZC	
106	0720 0030E	Retaining Ring - M3	
107	1105 0551	Clamp: LES-0505	
108	0805 0088	Retaining Ring - M6	
109	0802 5299	Tapping Screw - M3x8	

20. Duplex Unit 4 (M132)

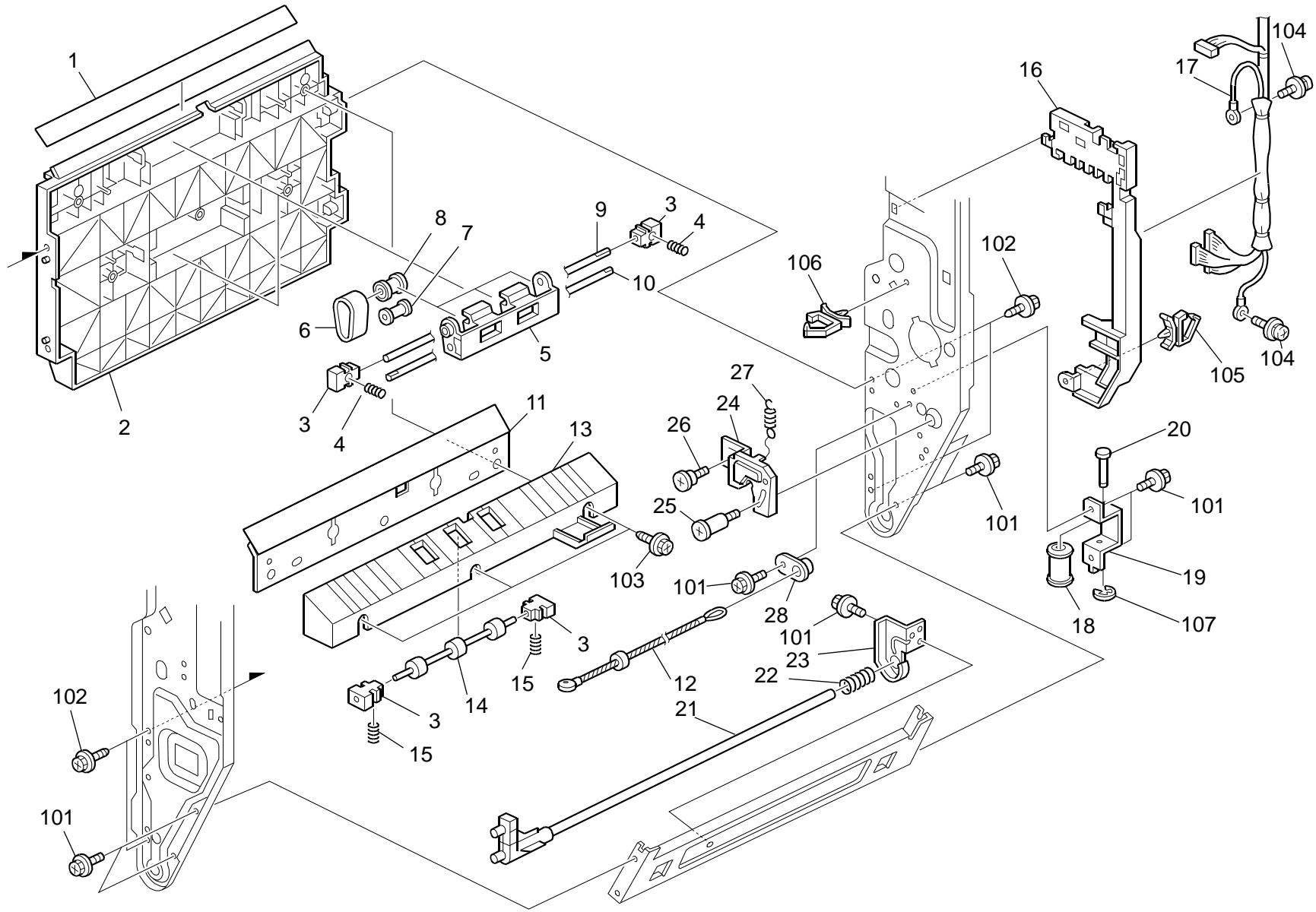


20. Duplex Unit 4 (M132)

Index No.	Part No.	Description	Q'ty Per Assembly
1	D009 4662	Transport Roller 1	1
2	D009 4663	Transport Roller 2	1
3	B223 4512	Timing Belt: 30S2M182	1
4	B223 4536	Timing Belt: 30S2M234	1
5	B223 4511	Timing Belt: 30S2M312	1
6	B223 4529	Roller Clutch: T24	1
7	B223 4544	Pulley: T35/T33	1
8	B223 4527	Pulley: T26/T24	1
9	B223 4535	Roller Clutch: T26	1
10	AA08 2101	Bushing - 6x10x6	5
11	B223 4514	Roller Clutch: T24	1
12	B223 4502	Guide Plate: Left Lower	1
13	B223 4553	Tension Spring: Driven Roller	2
14	B223 4552	Bushing: Dia4	2
15	D009 4664	Driven Roller	2
16	D009 3860	Spring Cover - Transfer Unit	2
17	AA06 3448	Pressure Spring - Transfer Unit	2
18	D009 4551	Guide Plate - Holder	1
19	D009 3861	Terminal Holder - Transfer Unit	1
20	D009 3884	Harness: Sensor: Transfer Unit: Holder	1
21	D009 4541	Front Torsion Spring	1
22	AA10 0014	Retaining Ring C - Separate	1
23	D009 4545	Holder Shaft - Transfer Unit	1
24	AA06 3303	Pressure Spring	2
25	AA08 0254	Bushing - M4	2
26	B234 3177	Decal: Positioning Display: Development	1

Index No.	Part No.	Description	Q'ty Per Assembly
101	0456 3008N	Tapping Screw - M3x8	
102	0805 0089	Retaining Ring - M4	
103	0720 0030E	Retaining Ring - M3	
104	1105 0623	Clamp - LBWS-0206S-V0	

21. Duplex Unit 5 (M132)

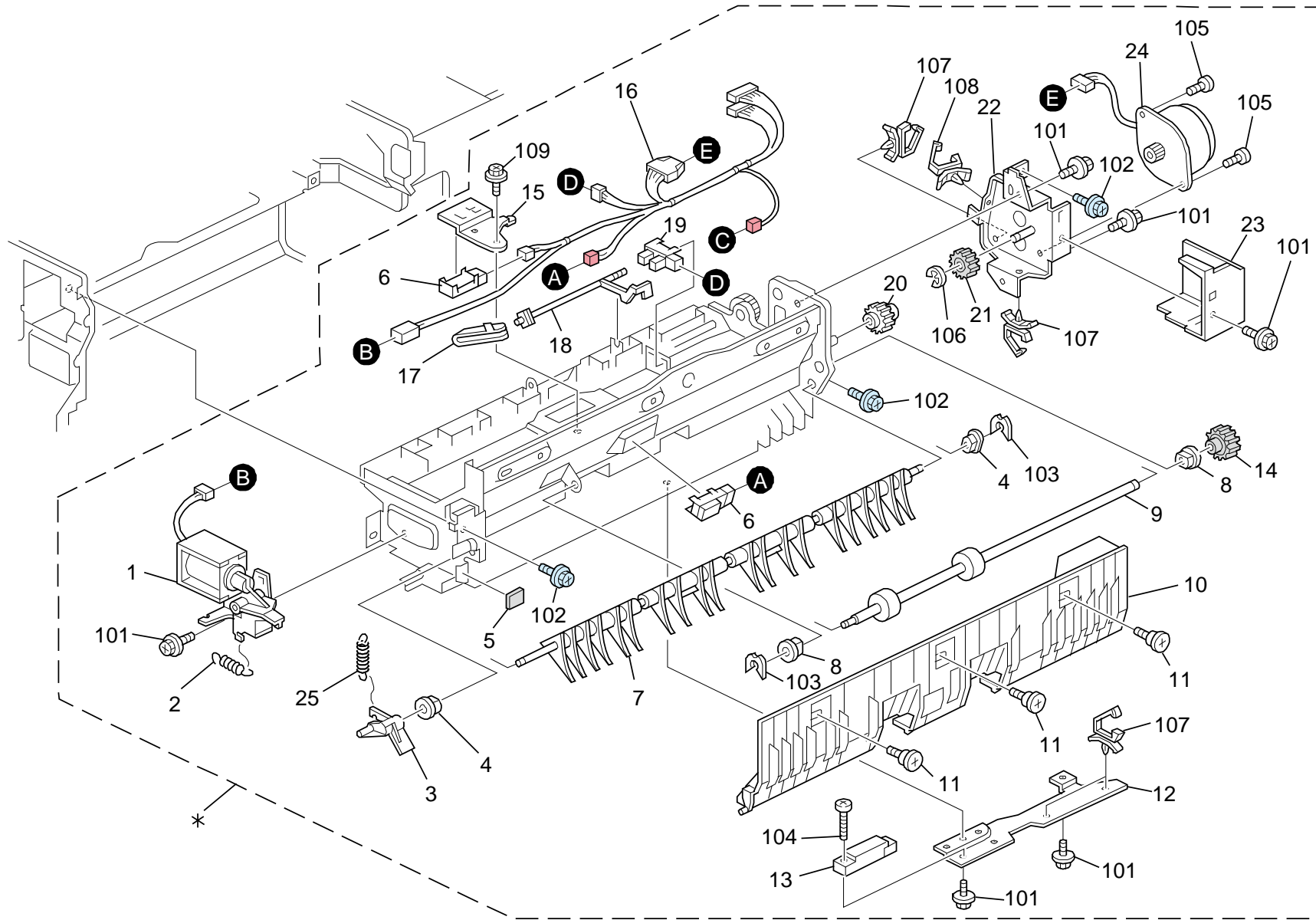


21. Duplex Unit 5 (M132)

Index No.	Part No.	Description	Q'ty Per Assembly
1	D009 2554	Guide Sheet - Vertical Transport	1
2	D009 2563	Guide Plate - Vertical Transport	1
3	G060 2652	Bushing - M4	6
4	B223 2676	Spring - 11n	4
5	D009 2571	Holder - Vertical Transport	1
6	D029 2677	Transport Belt: Driven: Vertical Transport	3
7	D009 2574	Pulley - Idler	3
8	D009 2573	Pulley - Vertical Transport	3
9	D009 2576	Shaft - Vertical Transport	1
10	D009 2575	Shaft - Idler	1
11	D009 2511	Guide Plate: Feed Paper Again: Exit: Adhesion	1
12	B223 4524	Wire: Stopper: Dia1.5	1
13	B223 2648	Guide Plate: Transport Unit: Exit	1
14	D009 2560	Driven Roller	1
15	B223 2649	Spring: Pressure: 5n	2
16	D009 4535	Harness Guide	1
17	D129 4651	Harness: Duplex Unit	1
18	B223 4595	Pulley: Dia13	1
19	D009 4597	Bracket - Wire Pulley Shaft	1
20	B223 4594	Shaft: Pulley: Wire	1
21	D009 4599	Shaft - Duplex Unit	1
22	D009 4598	Spring - Set Shaft	1
23	D009 4589	Guide - Set Shaft	1
24	D009 4588	Stopper Bracket - Spring	1
25	AA14 3183	Stepped Screw	1
26	D009 4593	Stepped Screw - M3	1
27	D009 4587	Tension Spring - Release Bracket	1
28	B223 4522	Spacer: Wire: Stopper	1

Index No.	Part No.	Description	Q'ty Per Assembly
101	0451 3006N	Tapping Screw - 3x6	
102	0456 3008N	Tapping Screw - M3x8	
103	0456 3010N	Tapping Screw - M3x10	
104	0954 3008N	Screw - M3x8	
105	1105 0508	Harness Clamp - LWS-0711	
106	1105 0511	Harness Clamp - LWS-0306ZC	
107	0720 0040E	Retaining Ring - M4	

22. Paper Exit Section 1 (M132)

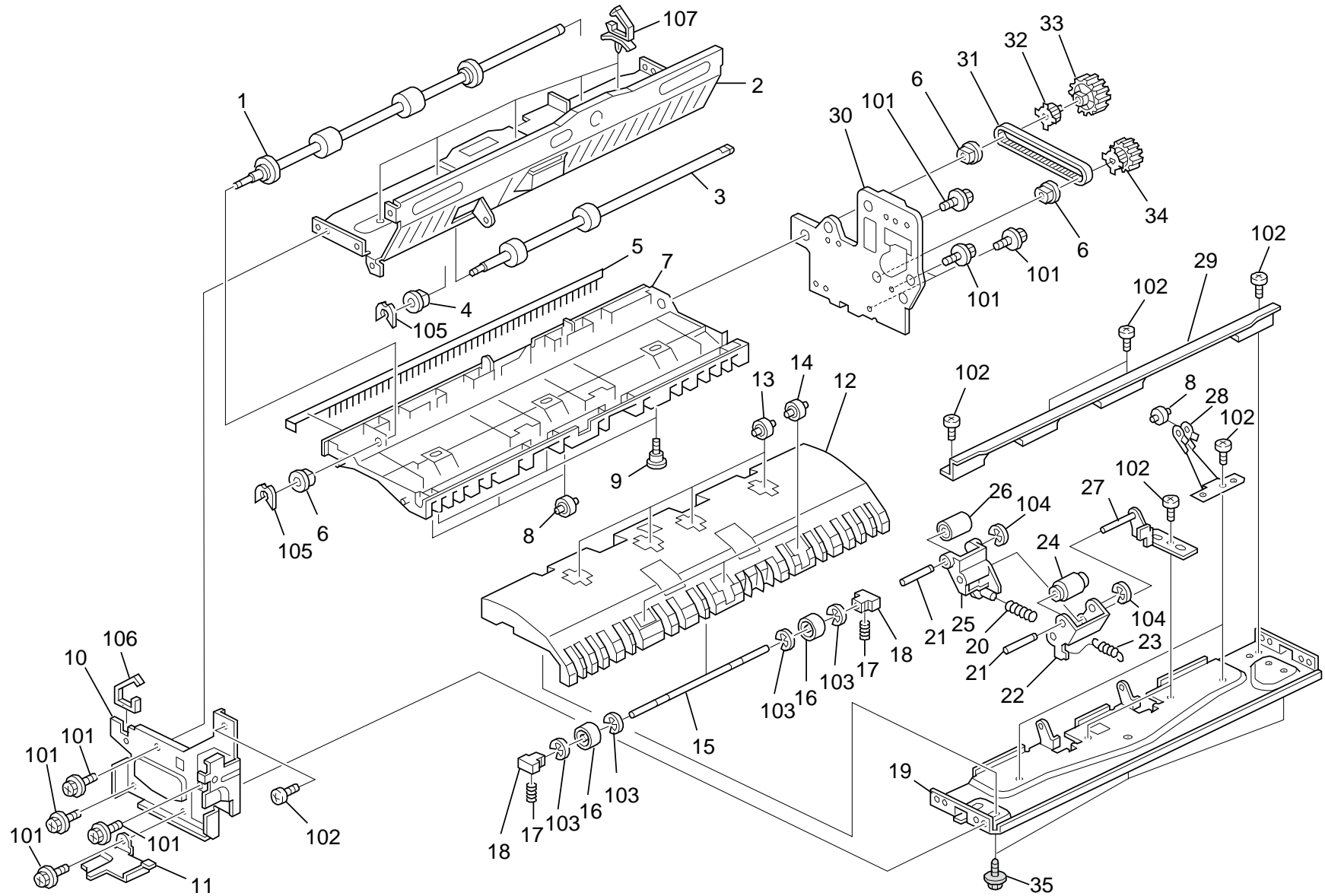


22. Paper Exit Section 1 (M132)

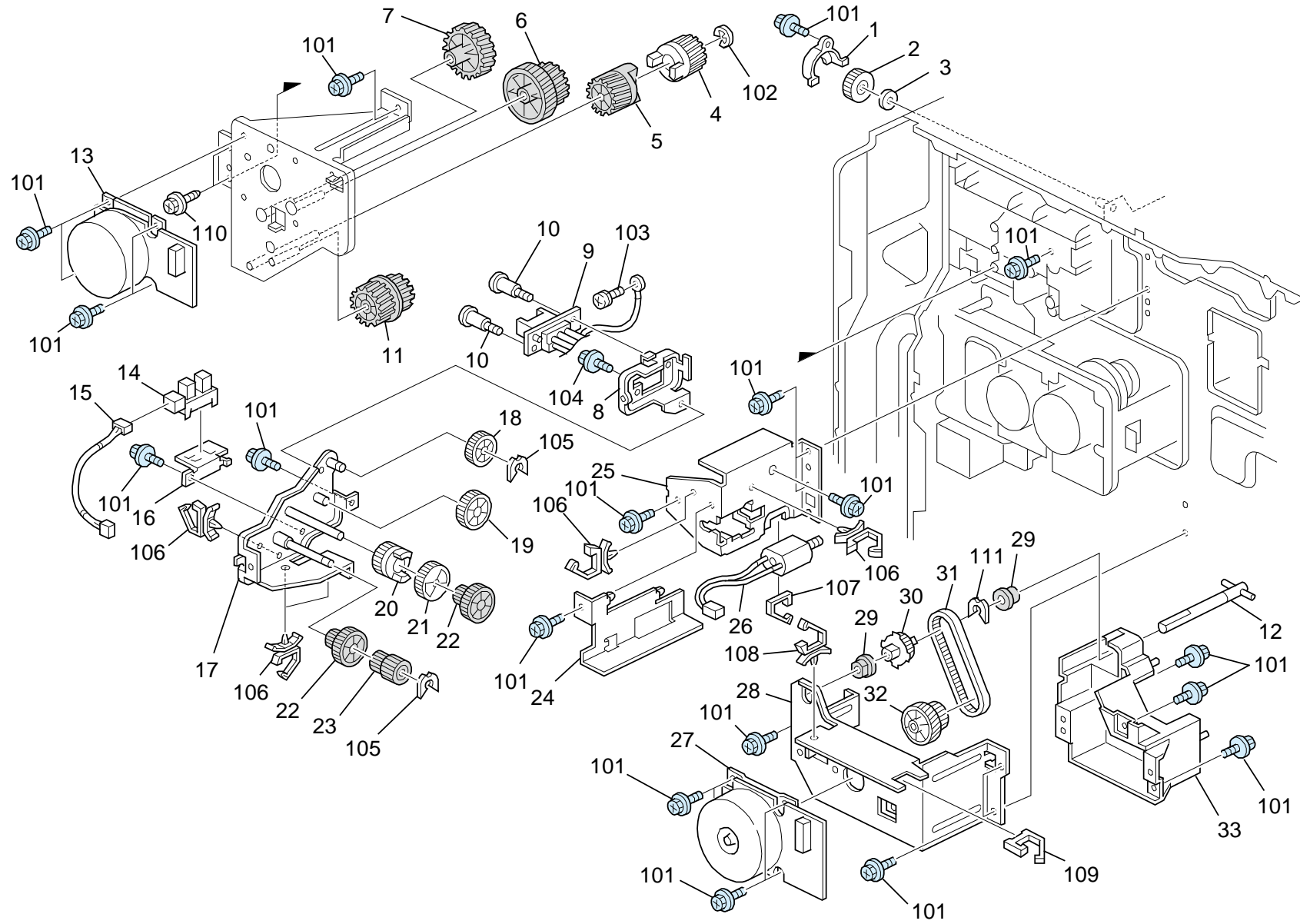
Index No.	Part No.	Description	Q'ty Per Assembly
*	D009 4420	Paper Exit Unit: Main: Ass'y	1
1	D009 4430	DC Solenoid: Exit: Ass'y	1
2	D009 4457	Tension Spring Release	1
3	D009 4438	Lever - Entrance Gate	1
4	D009 4439	Bushing - 4mm	2
5	D009 4455	Cushion - DC Solenoid	1
6	AW01 0107	Paper Feed Sensor	2
7	D009 4436	Entrance Gate	1
8	H053 2208	Bushing - M4	2
9	D009 4445	Transport Roller	1
10	D009 4441	Exit Guide Plate - Upper Right	1
11	5206 2684	Shoulder Screw - M3	3
12	D009 4408	Bracket: Sensor: Fusing Exit	1
13	AW01 0127	Paper Feed Sensor	1
14	D009 4464	Gear - 22Z	1
15	D009 4447	Exit Sensor Bracket	1
16	D009 4499	Harness - Paper Exit Unit	1
17	D009 4407	Feeler - Overflow	1
18	B223 4497	Shaft: Feeler: Overflow	1
19	AW02 0145	Photointerruptor: Flat	1
20	D009 4461	Gear - 17Z	1
21	D009 4469	Gear - 17Z	1
22	D009 4471	Stepper Motor Bracket	1
23	D009 4490	Exit Motor Cover	1
24	D009 4547	Stepper Motor: Exit: 24V: Press Fit	1
25	D009 4448	Tension Spring - Gate Pawl	1

Index No.	Part No.	Description	Q'ty Per Assembly
101	0451 3006N	Tapping Screw - 3x6	
102	0454 3006Q	Tapping Screw - M3x6	
103	0805 0092	Retaining Ring - 3m	
104	0353 0100N	Screw-M3x10	
105	0453 3006N	Tapping Screw - M3x6	
106	0720 0040E	Retaining Ring - M4	
107	1105 0511	Harness Clamp - LWS-0306ZC	
108	1105 0516	Clamp	
109	0450 3006N	Tapping Screw - M3x6	

23. Paper Exit Section 2 (M132)



24. Drive Section 1 (M132)

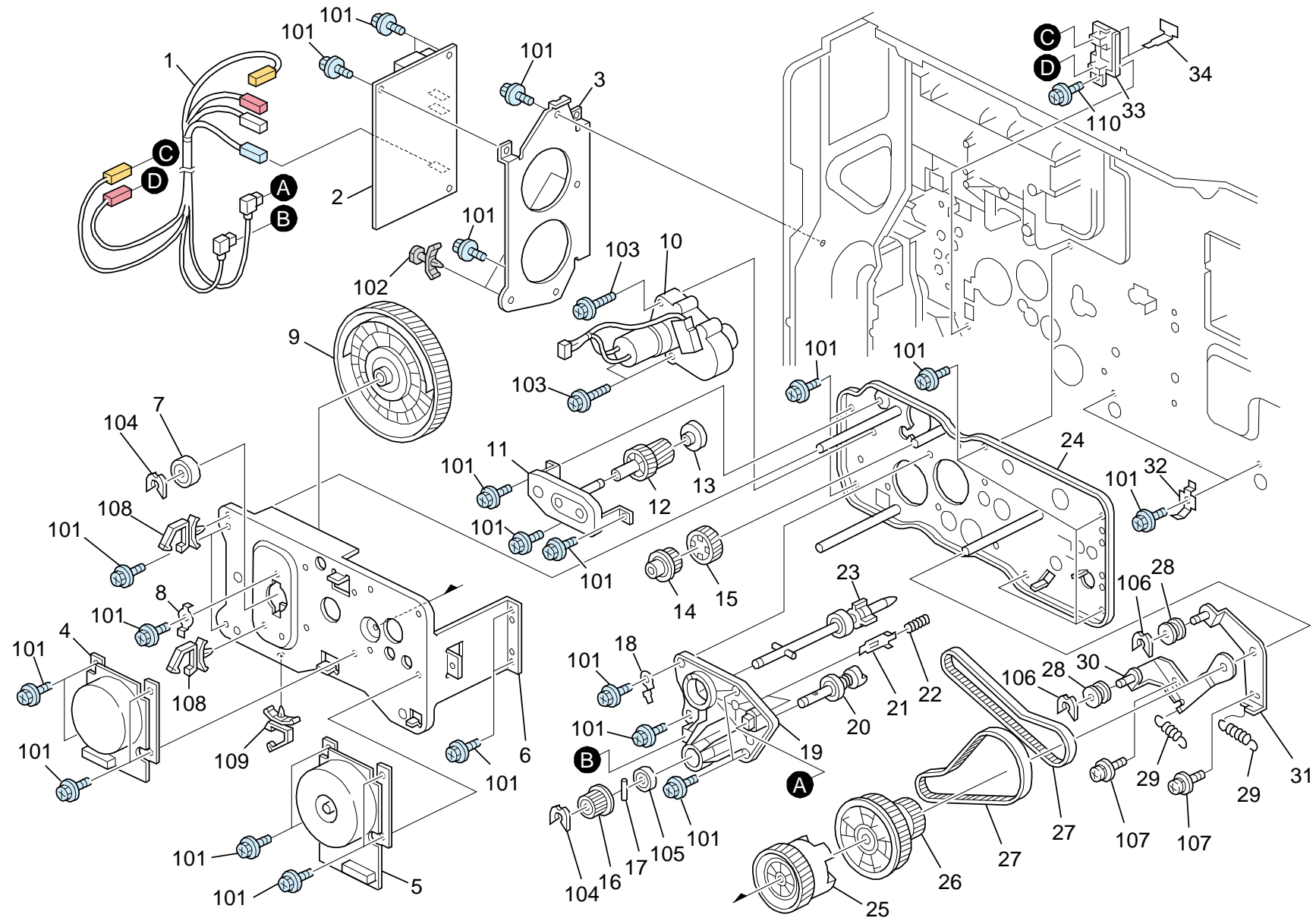


24. Drive Section 1 (M132)

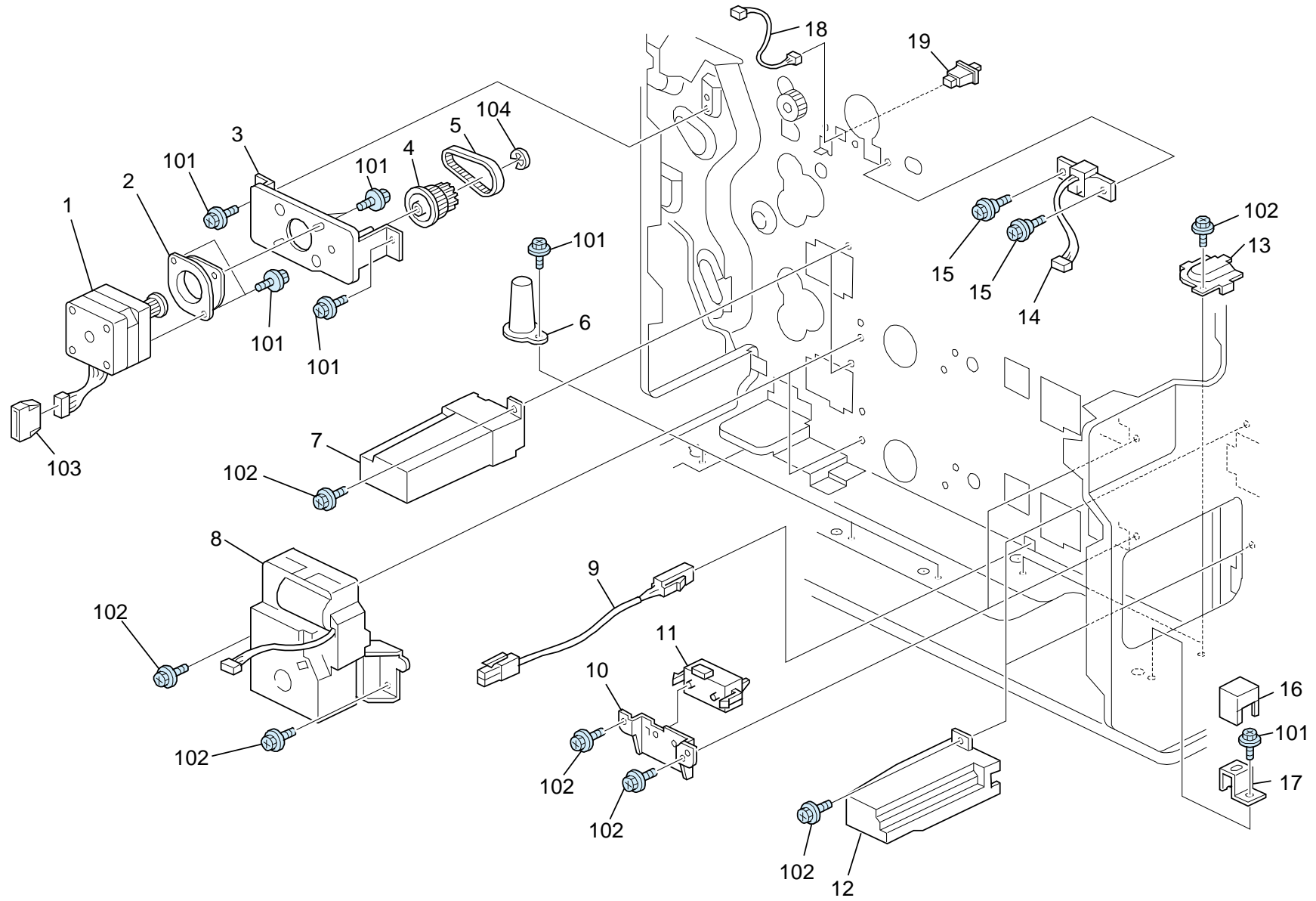
Index No.	Part No.	Description	Q'ty Per Assembly
1	D009 1182	Joint Cover	1
2	D009 1183	Joint - Cleaning	1
3	AA13 2208	Spacer - M6	1
4	AB01 4284	Gear - 24Z	1
5	AB01 4283	Gear - 24Z	1
6	AB01 4280	Gear - 26Z/90Z	1
7	AB01 4281	Gear - 40Z	1
8	D009 1090	Connector Bracket - Fusing	1
9	D009 5620	AC Harness - Fusing	1
10	AA14 3744	Stepped Screw	2
11	AB01 4282	Gear - 26Z/30Z	1
12	D009 1164	Shaft - Paddle Rooler Drive	1
13	AX06 0356	Brushless Motor: DC24V 18W	1
14	AW02 0150	Photointerruptor: Flat: 7mm	1
15	D009 5500	Interface Harness - Web Sensor	1
16	D009 1193	Sensor Bracket	1
17	D009 1187	Bracket - Fusing Cleaning Drive	1
18	AB01 1523	Gear - 24Z	1
19	AB01 1524	Gear - 36Z	1
20	AB01 1526	Gear - 24Z	1
21	AB01 1525	Gear - 32Z	1
22	AB01 1527	Gear - 14Z/32Z	2
23	AB01 1528	Gear - 14Z/32Z	1
24	D009 1194	Motor Holder	1
25	D009 1195	Motor Bracket	1
26	AX04 0167	Motor: DC5V 0.71w	1
27	AX06 0355	Brushless Motor - DC 11W	1
28	D009 1161	Bracket - Paddle Roller Drive	1
29	AA08 0347	Bushing - 8mm	2
30	AB03 0815	Timing Pulley - 24T	1
31	AA04 3656	Timing Belt - 60S3M177	1
32	AB01 7743	Gear - 20Z	1
33	D009 1158	Holder - Paddle Roller Drive	1

Index No.	Part No.	Description	Q'ty Per Assembly
101	0454 3006Q	Tapping Screw - M3x6	
102	0720 0060E	Retaining Ring - M6	
103	0957 4008N	Screw: Small Round/Spring: M4x8	
104	0454 3008Q	Tapping Screw: 3x8	
105	0805 0089	Retaining Ring - M4	
106	1105 0511	Harness Clamp - LWS-0306ZC	
107	1105 0522	Edge Saddle - LES0510	
108	1105 0487	Harness Clamp	
109	1105 0613	Clamp: EDS-1010I-V0	
110	0456 3008N	Tapping Screw - M3x8	
111	0805 0088	Retaining Ring - M6	

25. Drive Section 2 (M132)



26. Drive Section 3 (M132)

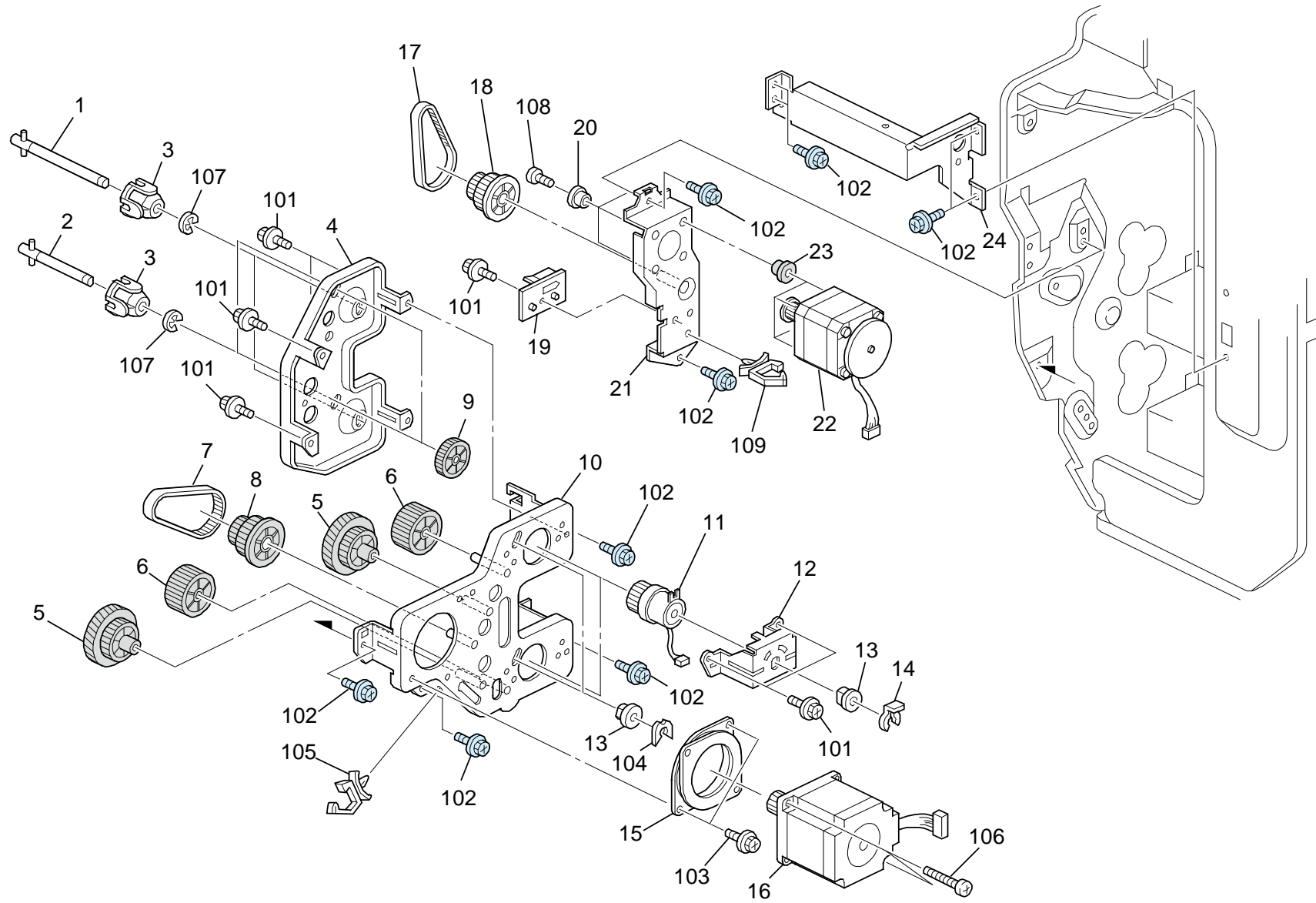


26. Drive Section 3 (M132)

Index No.	Part No.	Description	Q'ty Per Assembly
1	B223 1350	Stepper Motor DC5.06V	1
2	A232 4666	Cushion - Stepper Motor	1
3	D009 1151	Bracket - Registration Drive Unit	1
4	AB03 0744	Timing Pulley - 27Z/40T	1
5	AA04 3601	Timing Belt - B40S2M118	1
6	B238 1089	Cover - Positioning Pin	3
7	B238 2541	Tray Cover - Right	2
8	AX04 0154	Dc Motor 24V	2
9	D009 5615	AC Harness - Heater	1
10	B223 2721	Bracket: Push Switch	2
11	AW50 0038	Push Switch: Paper Size Sensor	2
12	B238 2543	Cover - Tray Left	2
13	B238 1066	Rubber Foot Cover	2
14	D009 5440	Harness - Development Drawer	1
15	AA14 3579	Screw - M3	2
16	G179 1064	Cover: Holder: Pin	1
17	G179 1063	Holder: Pin	1
18	G179 5525	Harness: IOB: PCD: Sensor	1
19	G020 5626	Push Switch	1

Index No.	Part No.	Description	Q'ty Per Assembly
101	0454 3006Q	Tapping Screw - M3x6	
102	0454 3008Q	Tapping Screw: 3x8	
103	1102 4560	CT Connector 6P	
104	0720 0040E	Retaining Ring - M4	

27. Drive Section 4 (M132)

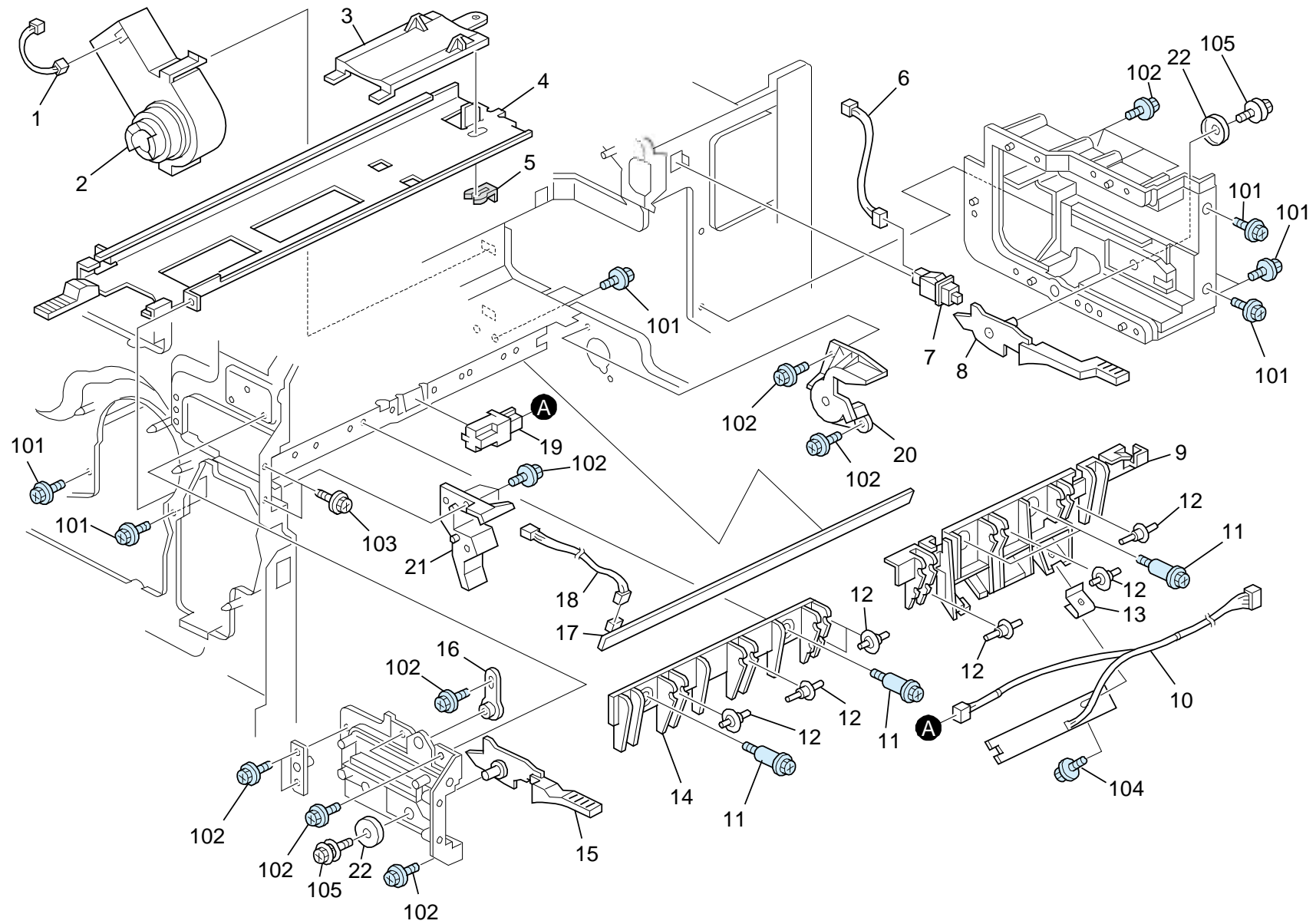


27. Drive Section 4 (M132)

Index No.	Part No.	Description	Q'ty Per Assembly
1	B223 1189	Feed Drive Shaft	1
2	B223 1183	Grip Shaft	1
3	B223 1186	Drive Joint	2
4	B223 1354	Drum Stay: Drive Unit	1
5	AB01 7699	Gear - 33Z/44z	2
6	AB01 1258	Gear - 38Z	2
7	AA04 3585	Timing Belt: 40S3M162	1
8	AB03 0781	Timing Pulley - 28Z/30T	1
9	AB01 1259	Gear - 32Z	1
10	B223 1180	Bracket: Paper Feed	1
11	AX20 0289	Magnetic Clutch - 32Z	2
12	B223 1187	Magnetic Clutch Bracket	2
13	AA08 0346	Bushing: Flange Type: Dia6	2
14	5447 2681	Snap Ring	2
15	AA16 1180	Cushion: DC Stepper Motor	1
16	B223 1188	Stepper Motor DC24V	1
17	B700 2649	Timing Belt: 40S2M144	1
18	AB01 7493	Gear Pulley	1
19	B223 2694	Guide: Gear	1
20	B044 1825	Collar	4
21	B223 2691	Bracket: Stepper Motor	1
22	B223 2745	Stepper Motor: Ass'y	1
23	AA10 1021	Rubber Bushing - 6 45HS	4
24	D009 1088	Grip Bracket - Right Rear	1

Index No.	Part No.	Description	Q'ty Per Assembly
101	0451 3006N	Tapping Screw - 3x6	
102	0454 3006Q	Tapping Screw - M3x6	
103	0451 4008N	Tapping Screw: 4x8	
104	0805 0089	Retaining Ring - M4	
105	1105 0488	Harness Clamp	
106	0434 0100N	Tapping Screw - 4x10	
107	0720 0040E	Retaining Ring - M4	
108	0353 0080N	Screw: M3x8	
109	1105 0511	Harness Clamp - LWS-0306ZC	

28. Electrical Section 1 (M132)

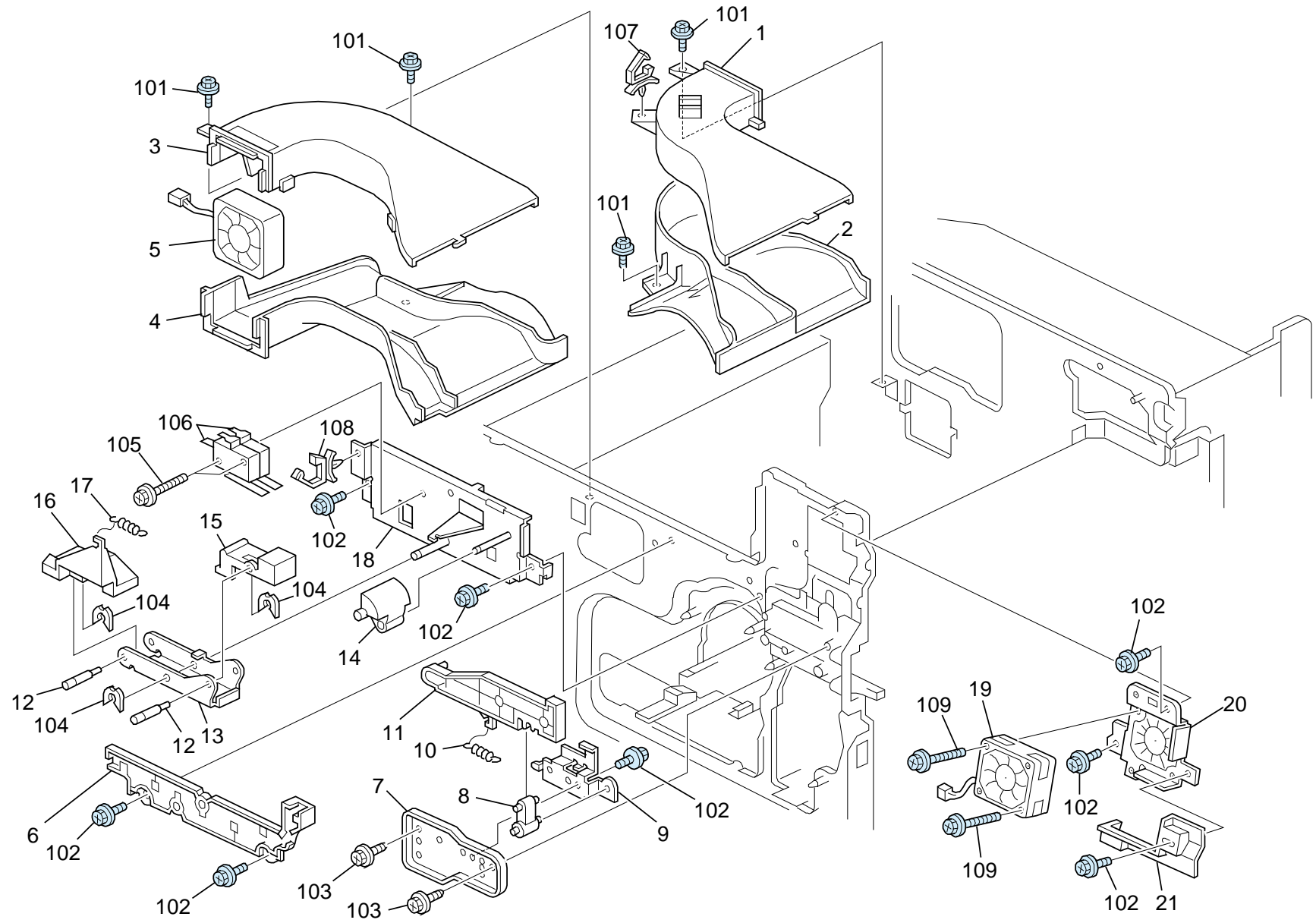


28. Electrical Section 1 (M132)

Index No.	Part No.	Description	Q'ty Per Assembly
1	D009 5505	Harness - Toner Supply Motor	1
2	AX05 0329	DC Motor: Toner Bottle: Ass'y	1
3	B004 7267	Toner Bottle Holder	1
4	D129 3210	Guide: Toner Supply: Ass'y	1
5	A096 2065	Slider Ring	1
6	D009 5481	Interface Harness - IOB-Switch	1
7	AW50 0023	Push Switch	1
8	D009 4351	Rear Lock Lever	1
9	D009 3865	Holder - Density Sensor	1
10	D009 2367	Density Sensor	1
11	AA14 3579	Screw - M3	4
12	B004 2310	Spur	8
13	A232 1284	Spring Holder	1
14	D009 3866	Guide - Separation/Transport	1
15	D009 4350	Front Lock Lever	1
16	B238 1119	Lever - Front Upper	1
17	B213 2362	LED Array QL Ass'y	1
18	D009 5510	Harness - Quenching Lamp	1
19	AW01 0199	Entrance Sensor	1
20	D009 3856	Guide: Standard: Transfer Unit: Rear	1
21	D009 3857	Guide: Standard: Transfer Unit: Front	1
22	D009 4356	Washer: Dia3.5	2

Index No.	Part No.	Description	Q'ty Per Assembly
101	0454 3006Q	Tapping Screw - M3x6	
102	0454 3008Q	Tapping Screw: 3x8	
103	0456 3010N	Tapping Screw - M3x10	
104	0451 3008N	Tapping Screw - M3x8	
105	0802 5299	Tapping Screw - M3x8	

29. Electrical Section 2 (M132)

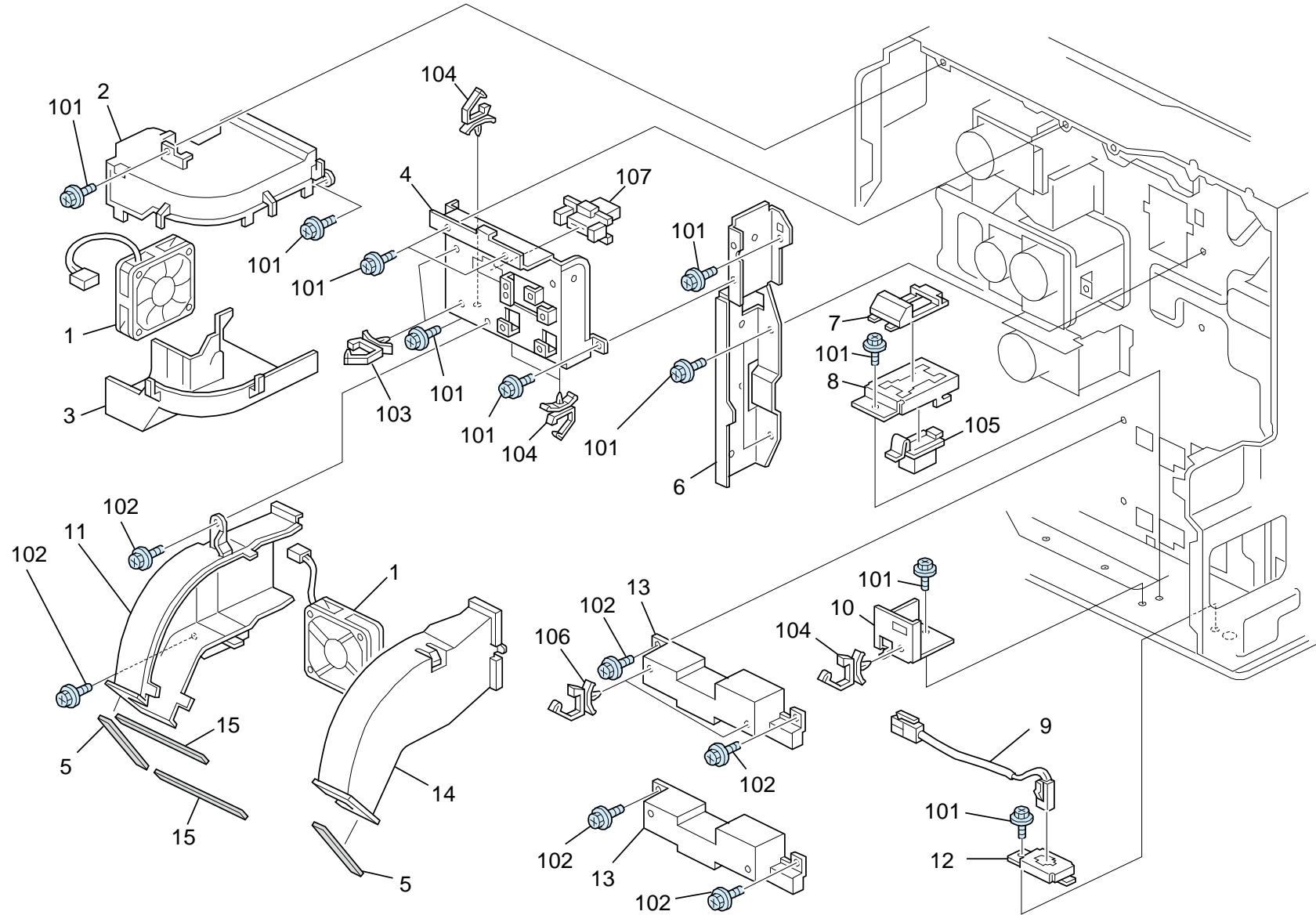


29. Electrical Section 2 (M132)

Index No.	Part No.	Description	Q'ty Per Assembly
1	D009 1366	Middle Exhaust Duct - Upper	1
2	D009 1367	Middle Exhaust Duct - Lower	1
3	D009 1368	Front Upper Duct	1
4	D009 1369	Front Lower Duct	1
5	B223 1332	Fan Motor - MM60 DC24V	1
6	D009 5898	Harness Guide - Safety Switch	1
7	D009 5866	Base - Right Safety Switch	1
8	D009 5869	Right Lower Lever - Safety Switch	1
9	D009 5867	Guide Plate - Safety Switch	1
10	D009 5896	Spring - Right Safety Switch	1
11	D009 5868	Right Lever - Safety Switch	1
12	D009 5857	Shaft - Safety Switch	2
13	D009 5864	Middle Lever - Safety Switch	1
14	D009 5865	Cam - Safety Switch	1
15	D009 5858	Left/Right Lever - Safety Switch	1
16	D009 5863	Left Lever - Safety Switch	1
17	D009 5895	Tension Spring: Safety Switch: Left	1
18	D009 5840	Base - Left Safety Switch	1
19	AX64 0202	Fan: MM40x15: Nidec: H	1
20	D009 1370	Guard: Fan: Paper Exit Unit	1
21	G179 1371	Shielding Plate: Fan	1

Index No.	Part No.	Description	Q'ty Per Assembly
101	0454 3008Q	Tapping Screw: 3x8	
102	0454 3006Q	Tapping Screw - M3x6	
103	0450 3014N	Tapping Screw: M3x14	
104	0805 0092	Retaining Ring - 3m	
105	0451 3025N	Tapping Screw: M3x25	
106	1204 2612	Micro Switch: D3V-16506-3C25	
107	1105 0487	Harness Clamp	
108	1105 0534	Clamp	
109	0454 3020Q	Tapping Screw: : 3x20	

30. Electrical Section 3 (M132)

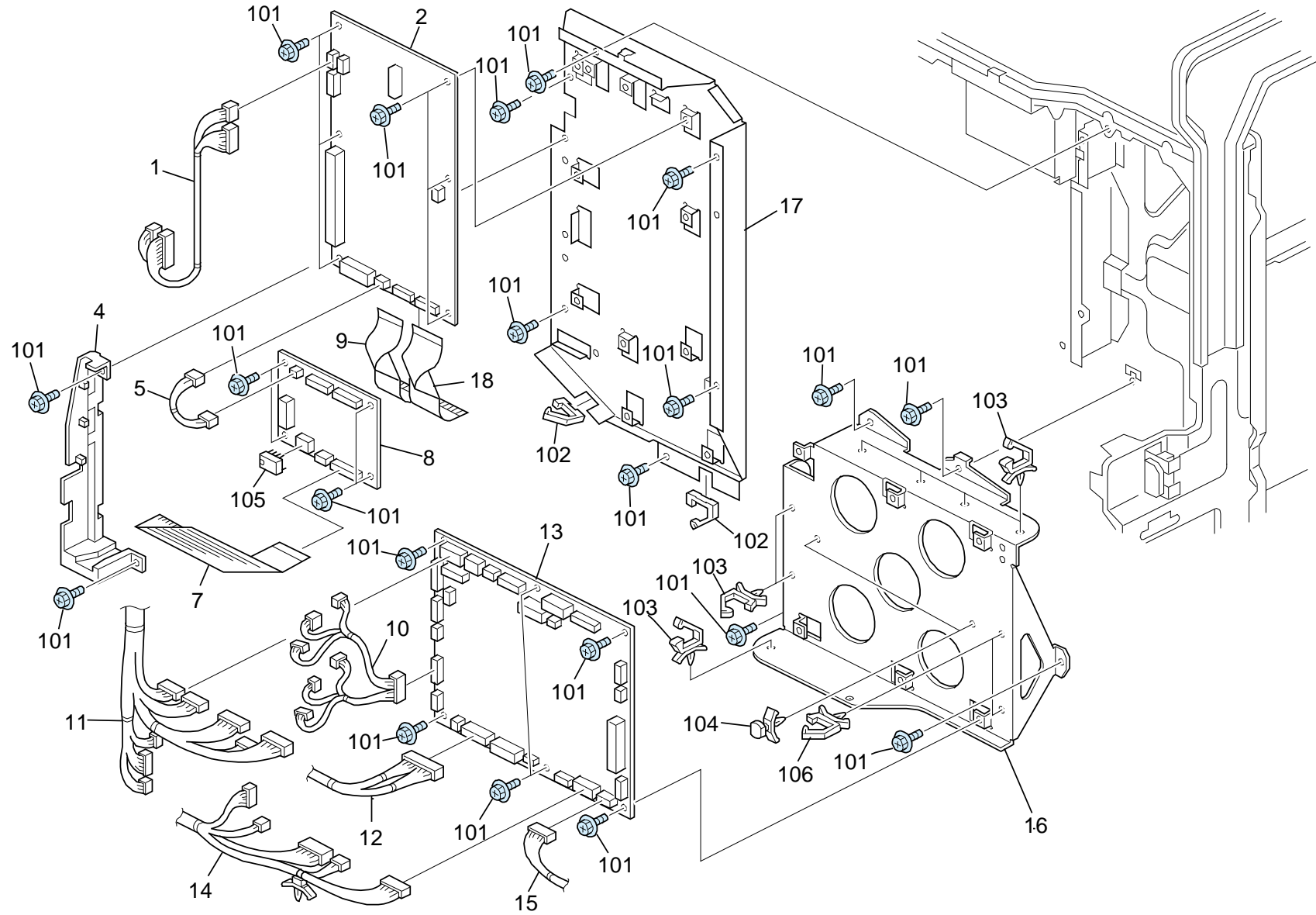


30. Electrical Section 3 (M132)

Index No.	Part No.	Description	Q'ty Per Assembly
1	AX64 0159	Fan Motor Mm80	2
2	D009 1351	Upper Fusing Duct	1
3	D009 1352	Lower Fusing Duct	1
4	D009 5852	Connector Bracket	1
5	D009 1358	Sponge: Duct: Exhaust: 1	2
6	D009 5876	Small Bracket - BICU	1
7	B238 1088	Cover - Connector	1
8	B223 1065	Connector Bracket	1
9	D009 5615	AC Harness - Heater	1
10	D009 5856	Bracket - Heater Connector	1
11	D009 1355	Rear Exhaust Duct - Left	1
12	B223 5848	Bracket: Base: Connector	1
13	D009 2527	Cover - Electrical Components	2
14	D009 1354	Rear Exhaust Duct - Right	1
15	D009 1359	Sponge: Duct: Exhaust: 2	2

Index No.	Part No.	Description	Q'ty Per Assembly
101	0454 3006Q	Tapping Screw - M3x6	
102	0454 3008Q	Tapping Screw: 3x8	
103	1105 0489	Harness Clamp - LWS 1316	
104	1105 0487	Harness Clamp	
105	1102 8534	Connector - Qr/P17-14s-B	
106	1105 0522	Edge Saddle - LES0510	
107	1102 9782	Connector: 51405-1819	

31. Electrical Section 4 (M132)

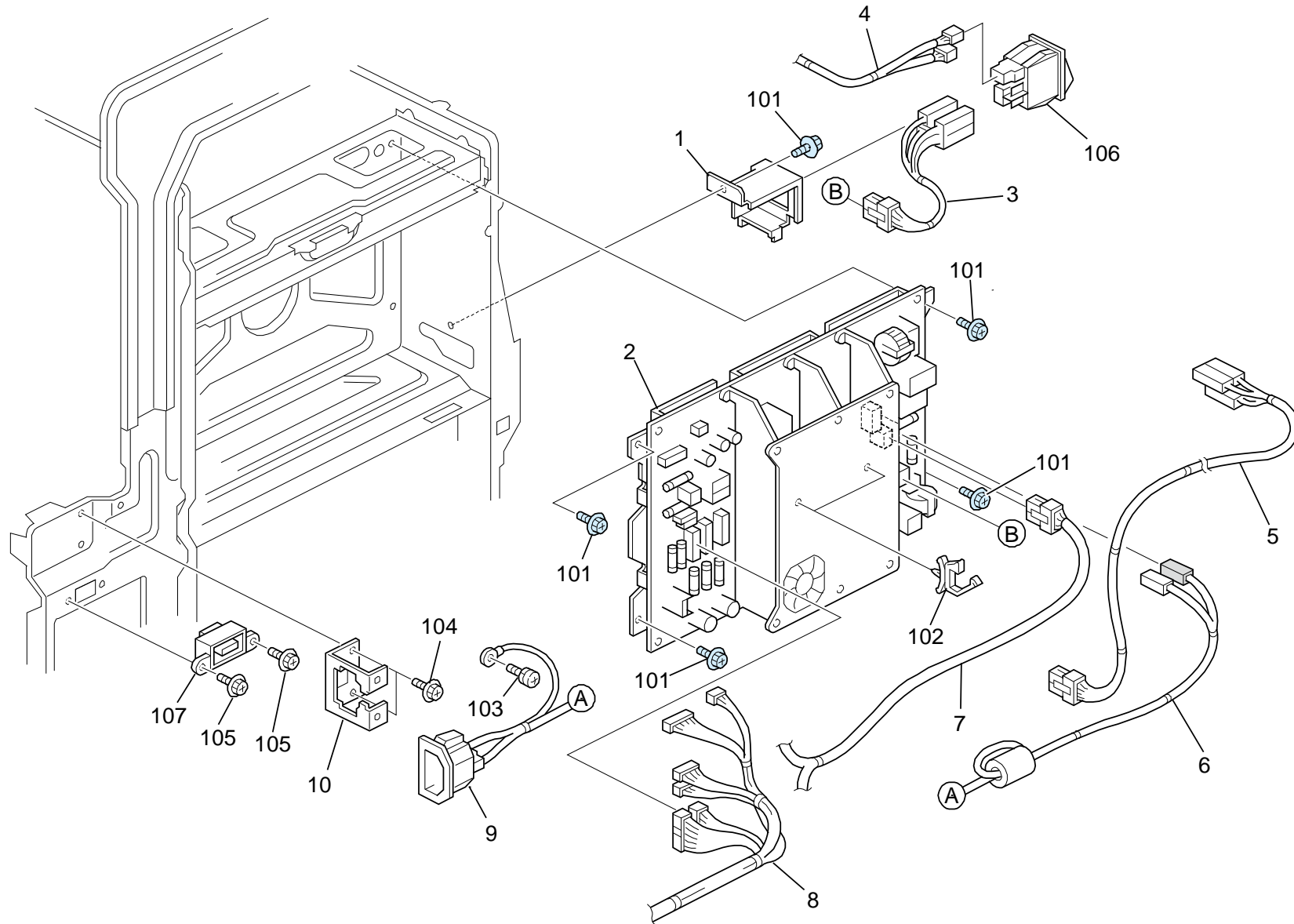


31. Electrical Section 4 (M132)

Index No.	Part No.	Description	Q'ty Per Assembly
1	D009 5470	Harness - BICU-LDB	1
2	M132 5240	PCB: Bridge	1
3	D009 5877	Guide - Mother Board	1
4	D129 5446	Harness: BCU: Image Processing Unit	1
5	D129 5461	Harness: BCU: IOB: FFC	1
6	M132 5081	PCB: BCU: Ass'y	1
7	D129 5452	Harness: Image Processing Unit: BCU: FFC: 30	1
8	D129 5453	Harness: Image Processing Unit: BCU: FFC: 50	1
9	D009 5495	Harness - IOB-Lift Motor	1
10	M132 5480	Harness: IOB: Upper	1
11	D009 5520	Harness - IOB-Motor	1
12	M132 5155	PCB: IOB	1
13	D129 5486	Harness: IOB: Lower	1
14	D009 5490	Harness - IOB Lower Behind	1
15	D009 5851	Bracket - I/O Board	1
16	D129 5875	Bracket: Image Processing Unit: BCU	1

Index No.	Part No.	Description	Q'ty Per Assembly
101	0454 3006Q	Tapping Screw - M3x6	
102	1105 0724	Clamps: Wes-1210	
103	1105 0489	Harness Clamp - LWS 1316	
104	1105 0367	Spacer	
105	1407 7677	EEPROM: BR24T64-W	
106	1105 0487	Harness Clamp	

32. Electrical Section 5 (M132)

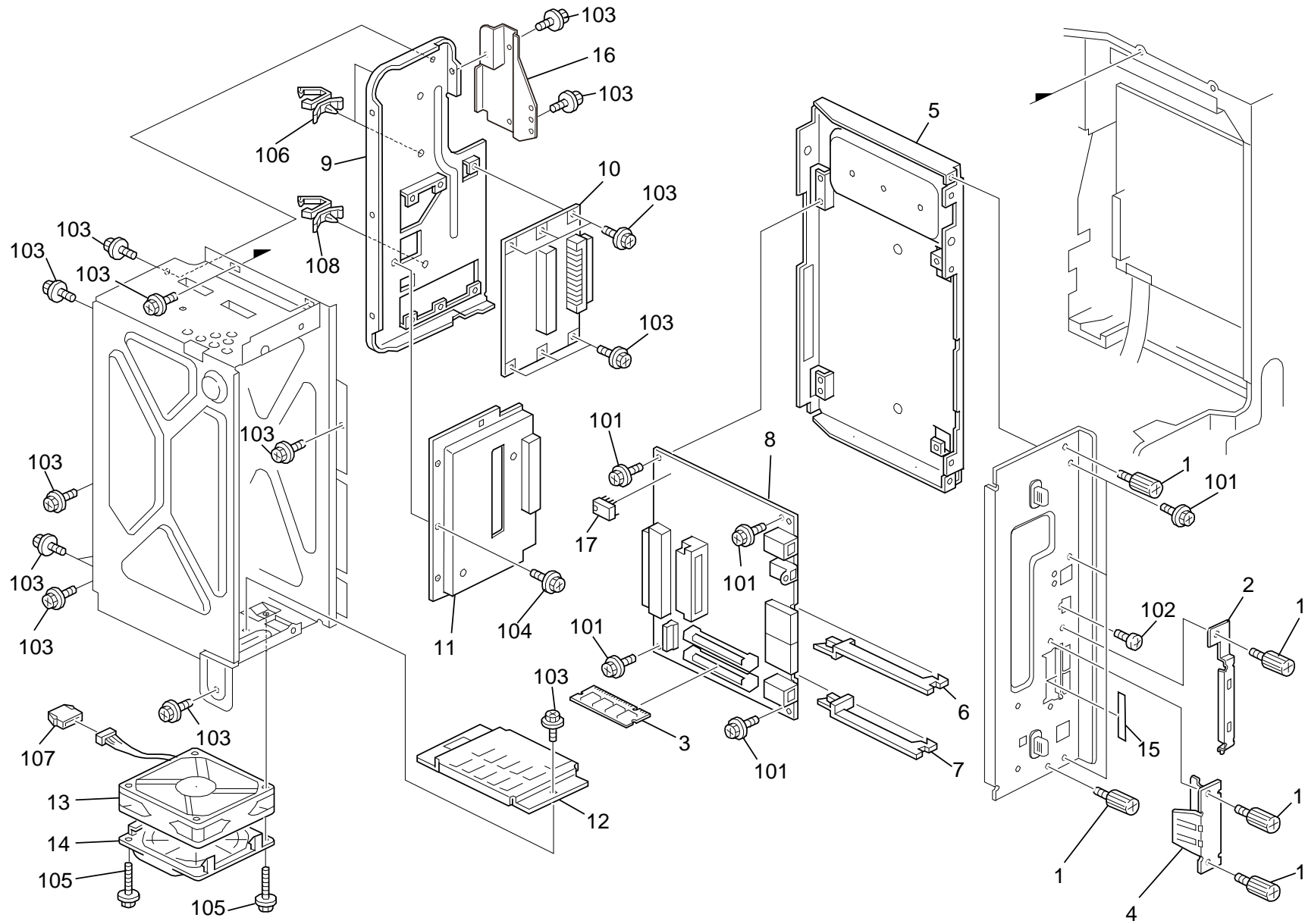


32. Electrical Section 5 (M132)

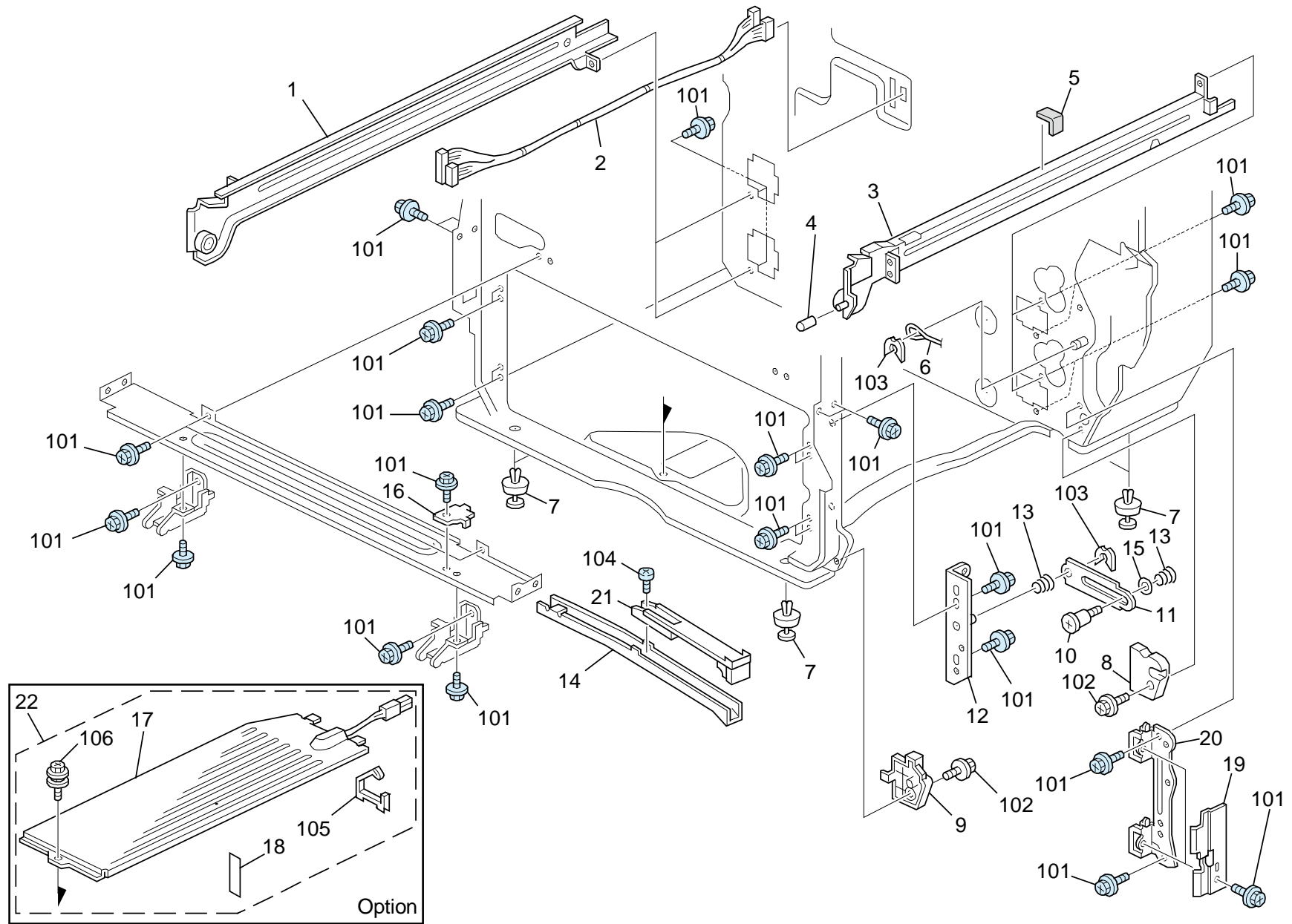
Index No.	Part No.	Description	Q'ty Per Assembly
1	D129 5853	Bracket: Main Switch	1
2	AZ24 0204	Power Supply Unit: 353W: NA/TWN	1
2	AZ24 0236	Power Supply Unit: 353W: EU/AA/CHN	1
3	D129 5605	Harness: Power Supply Unit: SDSW	1
4	D129 5443	Harness: MB: SDSW	1
5	D009 5425	Harness - Safety Switch	1
6	D129 5602	Harness: AC: Inlet	1
7	G179 5610	Harness: AC: Heater	1
8	M132 5430	Harness: DC Power Supply: IOB: Right	1
9	D129 5602	Harness: AC: Inlet	1
10	D009 5855	Bracket - Inlet	1

Index No.	Part No.	Description	Q'ty Per Assembly
101	0454 3006Q	Tapping Screw - M3x6	
102	1105 0487	Harness Clamp	
103	0360 3006N	Screw - M3x6	
104	0451 3006N	Tapping Screw - 3x6	
105	0451 3008N	Tapping Screw - M3x8	
106	1204 2903	Rocker Switch: A8GS-TGP85KR	
107	1102 8502	Connector - 54679-1615	


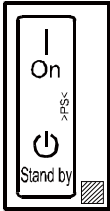
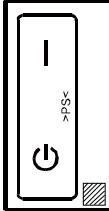


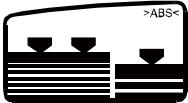
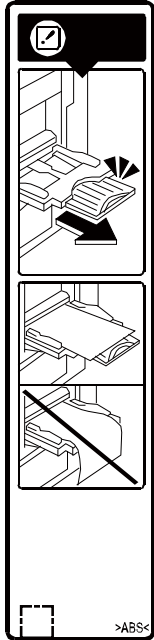
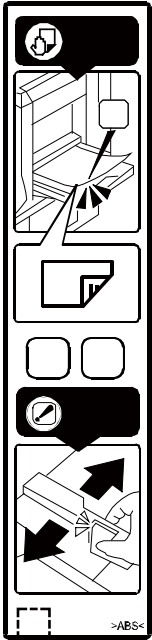
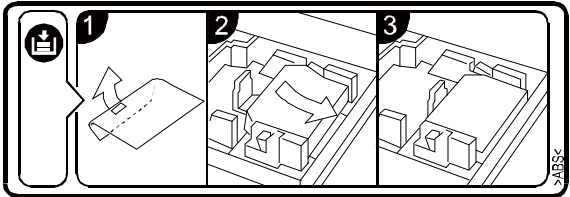
33. Electrical Section 6 (M132)



34. Frame Section (M132)



35. Decals and Documents (M132)

<p>1</p> 	<p>2</p> 	<p>3</p> 	<p>4</p> 	<p>5</p> 
<p>6</p> 	<p>7</p> 	<p>8</p> 	<p>9</p> 	

35. Decals and Documents (M132)

10



11



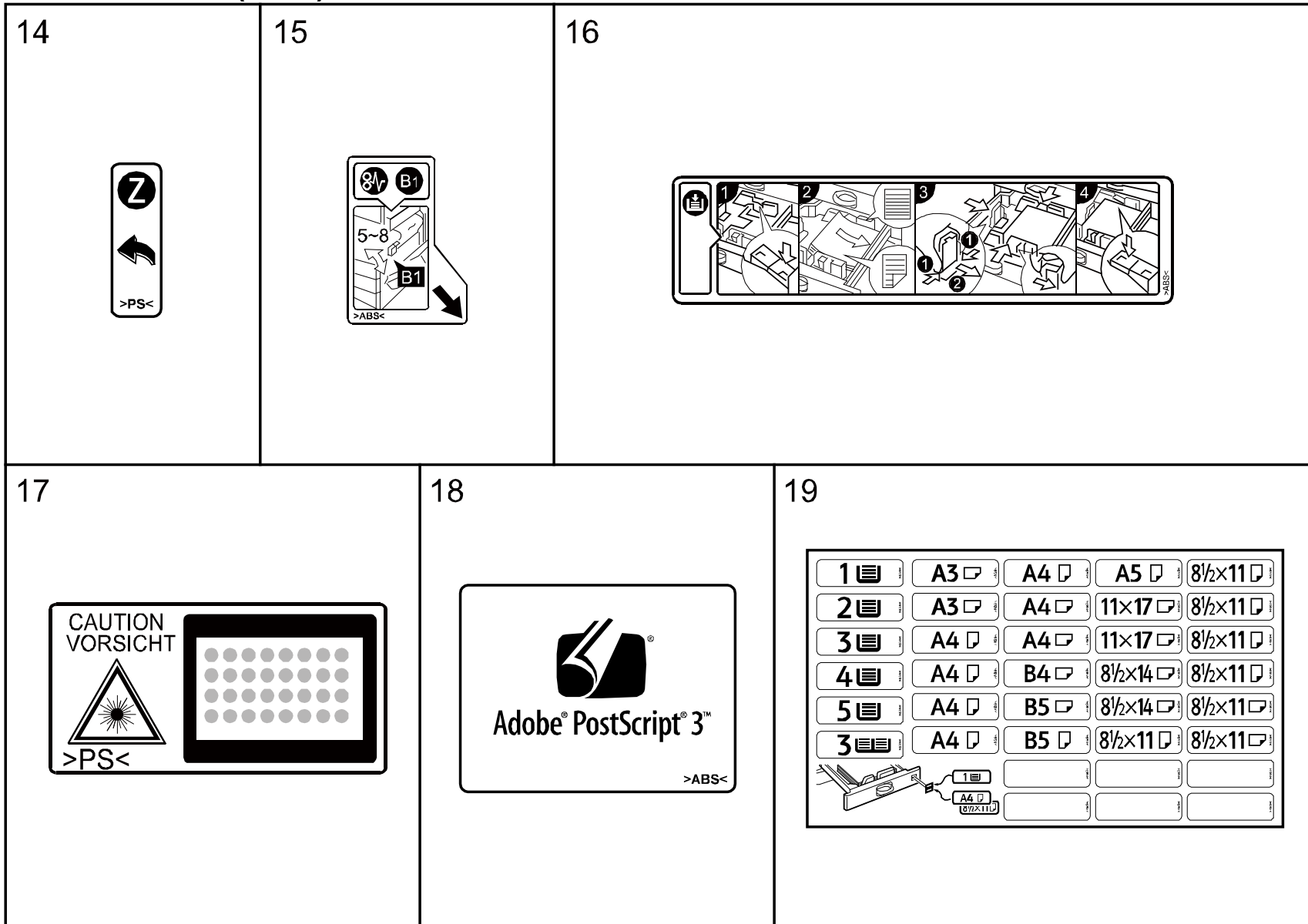
12



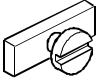
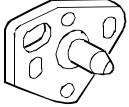
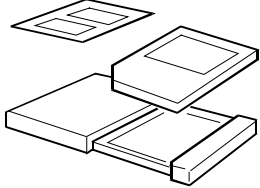
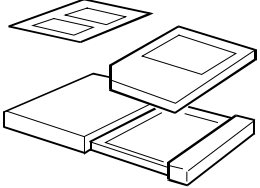
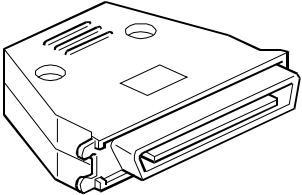
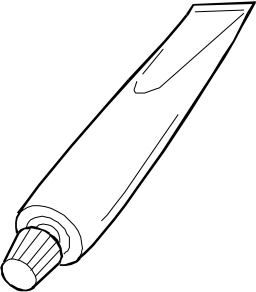
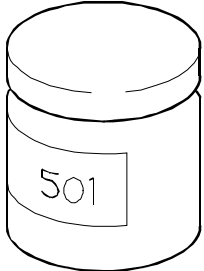
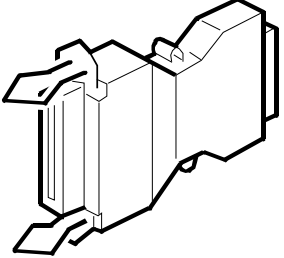
13



35. Decals and Documents (M132)



36. Special Tools (M132)

<p>1</p> 	<p>2</p> 	<p>3</p> 	<p>4</p> 
<p>5</p> 	<p>6</p> 	<p>7</p> 	<p>8</p> 

M132
PARTS INDEX

This section shows you the part numbers and descriptions used on this machine.

PM Parts Index

Section Name	Part No.	Description in Service Manual	Description in Parts Catalog	Q'ty Per Assembly	Page and Index No.
PCDU 1	B296 9640	Developer	Developer - Black	1	27 - 5
PCDU 1	D009 3086	Development Filter	Filter:Development	1	27 - 25
PCDU 2	AD02 5021	Pick-off Pawl	Pick-off Pawl	2	29 - 44
PCDU 2	AD02 7012	Charge Roller	Roller:Charge:Apply	1	29 - 37
PCDU 2	D009 2351	Drum Cleaning Blade	Cleaning Blade	1	29 - 24
PCDU 2	D009 9510	Drum	OPC Drum	1	29 - 41
PCDU 2	G790 2329	Cleaning Roller	Brush Roller:Cleaner:Charge:Amabuki:Ass'y	1	29 - 46
Transfer Belt Unit 1	A232 3880	Transfer Belt	Transfer Belt	1	31 - 15
Transfer Belt Unit 2	AD04 1135	Transfer Belt Cleaning Blade	Cleaning Blade - Transfer Belt	1	33 - 1
Fusing Unit 2	AE01 1132	Hot Roller	Hot Roller	1	37 - 40
Fusing Unit 2	AE02 0199	Pressure Roller	Pressure Roller	1	37 - 43
Fusing Unit 2	AE04 4099	Hot Roller Strippers	Stripper Pawls	7	37 - 17
Fusing Unit 2	D009 4177	Thermistor	Thermistor	1	37 - 25
Fusing Unit 3	AE04 0099	Web Holder Roller	Holder Roller	1	39 - 9
Fusing Unit 3	AE04 5099	Cleaning Web	Cleaning Web	1	39 - 18
Fusing Unit 3	B065 4247	Brake Pad	Brake Pad	1	39 - 4

Part No.	Description	Page and Index No.
A096 2065	Slider Ring	63 - 5
A134 3180	Bottle Chuck	25 - 5
A230 9003	Adjustment Cam - Laser Unit	79 - 1
A230 9004	Positioning Pin - Laser Unit	79 - 2
A232 1284	Spring Holder	63 - 13
A232 1937	Positioning Pin - Laser Unit Ass'y	13 - 11
A232 2292	Bushing - Toner Collection Coil	29 - 53
A232 2315	Front Bushing - Cleaning Bracket	29 - 22
A232 2318	Collar - Cleaning	29 - 33
A232 2339	Spur	29 - 45
A232 2340	Holder - Pick-Off Pawl	29 - 43
A232 2399	Seal - Blade 13x9.5x3	29 - 10
A232 2421	Bushing - 6x10x3	29 - 21
A232 2987	Roller - Paper Tray	15 - 16
A232 3067	Tape - TD Sensor	27 - 13
A232 3077	Spacer - M5	27 - 8
A232 3155	Front Cover - Development Unit	27 - 6
A232 3240	Cover- Toner Bottle Ass'y	25 - 4
A232 3251	Chuck Shaft	25 - 7
A232 3252	Slider Ass'y	25 - 6
A232 3263	Spring Plate - Toner Bottle	25 - 10
A232 3264	Stopper - Slide Rail	25 - 12
A232 3266	Seal - Slide Rail	25 - 3
A232 3553	Ball Bearing - 8x16x5	29 - 40
A232 3880	Transfer Belt	31 - 15
A232 3885	Driven Roller - Transfer Unit	31 - 1
A232 3908	Seal - Rear Case	33 - 29
A232 3909	Seal - Front Case	33 - 28
A232 3926	Transfer Belt Roller	31 - 9
A232 4666	Cushion - Stepper Motor	59 - 2
A257 9300	Grease Barrierta - S552R	79 - 6
A259 6754	Bushing - 6 6mm	21 - 35
A267 2857	Spring Plate - Side Fence	15 - 28
A267 2859	Side Fence Stopper	15 - 29

Part No.	Description	Page and Index No.
AA00 1564	Plate: Logotype: Ric	9 - 1
AA04 3585	Timing Belt: 40S3M162	61 - 7
AA04 3601	Timing Belt - B40S2M118	59 - 5
AA04 3656	Timing Belt - 60S3M177	55 - 31
AA04 3658	Timing Belt - 60s2m300	57 - 27
AA06 0691	Tension Spring	17 - 23
AA06 0693	Tension Spring	17 - 31
AA06 0872	Spring	21 - 43
AA06 0948	Tension Spring: Stripper Pawls: 50mn	37 - 16
AA06 1003	Tension Spring: Side Fence: Rear	15 - 14
AA06 1014	Tension Spring: Grip	15 - 11
AA06 1020	Spring: Release: Transfer Belt	31 - 7
AA06 1022	Spring - Driven Roller	35 - 10
AA06 1023	Compression Spring - Knob	35 - 4
AA06 1024	Tension Spring - Pressure	37 - 10
AA06 1099	Compression Spring: Cleaning Roller	35 - 15
AA06 1100	Spring: Pressure: Cleaning Blade	33 - 3
AA06 2259	Spring - Release	17 - 39
AA06 2300	Tension Spring	29 - 27
AA06 2310	Pressure Spring	29 - 42
AA06 2348	Spring: Pressure: Cleaning Blade	29 - 26
AA06 3303	Pressure Spring	47 - 24
AA06 3432	Spring - Intermediate Drawer	57 - 22
AA06 3445	Spring- Laser Diode Unit	13 - 10
AA06 3447	Spring - Transfer Belt	33 - 9
AA06 3448	Pressure Spring - Transfer Unit	47 - 17
AA06 3499	Pressure Spring	21 - 42
AA06 3566	Pressure Spring	25 - 8
AA06 3568	Pressure Spring	21 - 12
AA06 3648	Pressure Spring	29 - 20
AA06 3886	Spring	39 - 7
AA06 6380	Spring	33 - 18
AA06 6381	Spring	33 - 20
AA08 0254	Bushing - M4	41 - 9

Part No.	Description	Page and Index No.
AA08 0254	Bushing - M4	47 - 25
AA08 0281	Bushing - 12x18x5.5	27 - 35
AA08 0346	Bushing: Flange Type: Dia6	61 - 13
AA08 0347	Bushing - 8mm	55 - 29
AA08 0351	Bushing - Cleaning Roller	35 - 16
AA08 0352	Bushing - Driven Roller	35 - 11
AA08 0353	Bushing - 4mm	39 - 23
AA08 0354	Bushing - 6mm	39 - 19
AA08 0355	Bushing - 7mm	39 - 13
AA08 0356	Bushing - 6mm	39 - 17
AA08 2054	Bushing - M4	31 - 3
AA08 2074	Bushing - M8	23 - 10
AA08 2101	Bushing - 6x10x6	21 - 7
AA08 2101	Bushing - 6x10x6	47 - 10
AA08 2101	Bushing - 6x10x6	53 - 6
AA08 2102	Bushing - 6x10x6	17 - 40
AA08 2102	Bushing - 6x10x6	21 - 23
AA08 2104	Bushing - 8x12x7	21 - 50
AA08 2104	Bushing - 8x12x7	45 - 3
AA08 2143	Bushing - 6x10x6	17 - 11
AA08 2150	Plain Shaft Bearing: M6	17 - 20
AA08 2158	Plain Shaft Bearing: Mm8	23 - 24
AA08 3014	One-Way Clutch	21 - 30
AA08 3018	Roller Clutch - 6x14x10	21 - 28
AA10 0014	Retaining Ring C - Separate	17 - 16
AA10 0014	Retaining Ring C - Separate	21 - 5
AA10 0014	Retaining Ring C - Separate	47 - 22
AA10 1021	Rubber Bushing - 6 45HS	45 - 18
AA10 1021	Rubber Bushing - 6 45HS	61 - 23
AA13 2208	Spacer - M6	55 - 3
AA14 0777	Shaft: Feed	21 - 8
AA14 0778	Shaft: Separator: Drive	21 - 38
AA14 3183	Stepped Screw	49 - 25
AA14 3404	Stepped Screw - M4	75 - 10

Part No.	Description	Page and Index No.
AA14 3520	Shoulder Screw - M3	35 - 19
AA14 3520	Shoulder Screw - M3	35 - 21
AA14 3520	Shoulder Screw - M3	37 - 45
AA14 3549	Screw: Dia10: M3x18	29 - 39
AA14 3579	Screw - M3	59 - 15
AA14 3579	Screw - M3	63 - 11
AA14 3744	Stepped Screw	55 - 10
AA14 3792	Screw: Drawer	37 - 8
AA14 3807	Screw: A	45 - 1
AA14 3812	Screw - Scale	39 - 1
AA14 5294	Parallel Pin - 2x12mm	57 - 17
AA15 0423	Seal - Cleaning Pressure	33 - 27
AA15 3062	Sponge - M46	27 - 29
AA15 3083	Seal - Toner Supply Unit Cover	25 - 9
AA15 3095	Shield - Development - Center	27 - 18
AA16 1163	Cushion	75 - 5
AA16 1180	Cushion: DC Stepper Motor	61 - 15
AB01 0140	Gear - 90Z	57 - 25
AB01 0141	Gear - 46Z	57 - 15
AB01 0156	Gear: Separate: Drive	17 - 33
AB01 0157	Gear: Separate: Driven	17 - 30
AB01 0171	Gear - 40Z	37 - 39
AB01 0172	Gear - 24Z/25Z	37 - 34
AB01 0173	Gear - 60Z	39 - 20
AB01 0174	Gear - 20Z/50Z	39 - 5
AB01 0175	Gear - 24Z	39 - 6
AB01 0176	Gear - 24Z	39 - 22
AB01 0177	Gear - 32Z	39 - 16
AB01 0178	Worm Gear	39 - 15
AB01 0379	Gear: Drum	57 - 9
AB01 1218	Gear - Roller Clutch	17 - 19
AB01 1223	Idler Gear - 25Z	21 - 45
AB01 1252	Gear - 20Z	17 - 15
AB01 1258	Gear - 38Z	61 - 6

Part No.	Description	Page and Index No.
AB01 1259	Gear - 32Z	61 - 9
AB01 1282	Gear - 31Z	31 - 14
AB01 1377	Gear - 14Z	29 - 54
AB01 1379	Gear - 19Z	29 - 29
AB01 1380	Cam - Cleaning Blade	29 - 28
AB01 1387	Gear - 23Z	21 - 10
AB01 1416	Gear - 20Z	21 - 36
AB01 1523	Gear - 24Z	55 - 18
AB01 1524	Gear - 36Z	55 - 19
AB01 1525	Gear - 32Z	55 - 21
AB01 1526	Gear - 24Z	55 - 20
AB01 1527	Gear - 14Z/32Z	55 - 22
AB01 1528	Gear - 14Z/32Z	55 - 23
AB01 4060	Gear - 21Z	27 - 9
AB01 4061	Gear - 13Z	27 - 7
AB01 4062	Gear - 17Z/25Z	27 - 10
AB01 4161	Reverse Roller Gear	45 - 11
AB01 4280	Gear - 26Z/90Z	55 - 6
AB01 4281	Gear - 40Z	55 - 7
AB01 4282	Gear - 26Z/30Z	55 - 11
AB01 4283	Gear - 24Z	55 - 5
AB01 4284	Gear - 24Z	55 - 4
AB01 7493	Gear Pulley	61 - 18
AB01 7699	Gear - 33Z/44z	61 - 5
AB01 7743	Gear - 20Z	55 - 32
AB01 7752	Gear - 27TZ/42Z	57 - 12
AB03 0744	Timing Pulley - 27Z/40T	59 - 4
AB03 0781	Timing Pulley - 28Z/30T	61 - 8
AB03 0815	Timing Pulley - 24T	55 - 30
AB03 0820	Pulley - 31t	57 - 16
AB03 0821	Pulley - 31T	57 - 14
AC01 5025	Shield Glass	13 - 4
AD02 5021	Pick-Off Pawl	29 - 44
AD02 7012	Roller: Charge: Apply	29 - 37

Part No.	Description	Page and Index No.
AD04 1135	Cleaning Blade - Transfer Belt	33 - 1
AE01 1132	Hot Roller	37 - 40
AE02 0199	Pressure Roller	37 - 43
AE03 0098	Ball Bearing - 8x22x7	37 - 4
AE03 0099	Ball Bearing - 30x42x7	37 - 3
AE04 0099	Holder Roller	39 - 9
AE04 2098	Cleaning Roller: Ass'y	35 - 17
AE04 4099	Stripper Pawls	37 - 17
AE04 5099	Cleaning Web	39 - 18
AF01 3016	Bottom Plate Pad	21 - 27
AF03 0049	Pick-Up Roller	21 - 11
AF03 0090	Paper Feed Roller: Pickup	17 - 14
AF03 1046	Feed Roller - Manual Feed	21 - 6
AF03 1090	Paper Feed Roller: Feed	17 - 18
AF03 2046	Separation Roller - Manual Feed	21 - 39
AF03 2090	Paper Feed Roller: Separate	17 - 27
AF03 3010	Pad	15 - 5
AF04 0571	Guide Roller	53 - 13
AF04 0575	Driven Roller	53 - 8
AF04 0599	Pressure Roller: 15	53 - 26
AF04 0601	Pressure Roller: Entrance	53 - 24
AG07 0514	Magnet Catch	41 - 11
AG07 1012	Magnet Catch: Ass'y	11 - 14
AW01 0107	Paper Feed Sensor	21 - 2
AW01 0107	Paper Feed Sensor	23 - 20
AW01 0107	Paper Feed Sensor	45 - 5
AW01 0107	Paper Feed Sensor	51 - 6
AW01 0122	Paper Feed Sensor	17 - 7
AW01 0127	Paper Feed Sensor	51 - 13
AW01 0128	Paper Feed Sensor	17 - 5
AW01 0199	Entrance Sensor	63 - 19
AW02 0145	Photointerruptor: Flat	51 - 19
AW02 0150	Photointerruptor: Flat: 7mm	55 - 14
AW02 0204	Photointerruptor: LGRC102	17 - 2

Part No.	Description	Page and Index No.
AW02 0204	Photointerruptor: LGRC102	19 - 16
AW02 0204	Photointerruptor: LGRC102	45 - 9
AW11 0098	Thermostat - 220C	37 - 21
AW11 0099	Thermostat - 219C	37 - 23
AW50 0023	Push Switch	63 - 7
AW50 0031	Paper Size Sensor	19 - 10
AW50 0035	Paper End Sensor	21 - 21
AW50 0038	Push Switch: Paper Size Sensor	59 - 11
AX04 0154	Dc Motor 24V	59 - 8
AX04 0167	Motor: DC5V 0.71w	55 - 26
AX05 0329	DC Motor: Toner Bottle: Ass'y	63 - 2
AX06 0355	Brushless Motor - DC 11W	55 - 27
AX06 0355	Brushless Motor - DC 11W	57 - 5
AX06 0356	Brushless Motor: DC24V 18W	55 - 13
AX06 0415	Brushless Motor: Drive: Drum: DC 10W	57 - 4
AX06 0416	Polygon Scanner Motor: DC: Brushless: 16.8W	13 - 5
AX20 0289	Magnetic Clutch - 32Z	61 - 11
AX20 2007	Magnetic Clutch	21 - 31
AX43 0112	Heater - 120V 550W	37 - 41
AX43 0113	Heater - 230V 550W	37 - 41
AX44 0252	Heater - 120V 750W	37 - 42
AX44 0253	Heater - 230V 750W	37 - 42
AX64 0159	Fan Motor Mm80	67 - 1
AX64 0195	Fan Motor - DC 2.16W	73 - 13
AX64 0202	Fan: MM40x15: Nidec: H	65 - 19
AZ24 0204	Power Supply Unit: 353W: NA/TWN	71 - 2
AZ24 0236	Power Supply Unit: 353W: EU/AA/CHN	71 - 2
AZ32 0177	Power Pack: CBT	57 - 2
B004 1325	Cover - Shield Glass	11 - 10
B004 1936	Plate - Optical Housing Unit	57 - 32
B004 2310	Spur	63 - 12
B004 2923	Spring Plate - Release Lever	15 - 20
B004 7267	Toner Bottle Holder	63 - 3
B024 1264	Magnet Catch	9 - 6

Part No.	Description	Page and Index No.
B044 1825	Collar	45 - 22
B044 1825	Collar	61 - 20
B044 1847	Shoulder Screw	45 - 13
B065 4221	Feeler Spring	39 - 11
B065 4247	Brake Pad	39 - 4
B077 3262	Slide Rail: Toner Supply Unit	25 - 2
B082 2333	Terminale: Brush Roller	29 - 32
B082 3123	Shield: Case: Development: Front Rear: C3	27 - 19
B082 3867	Shield: Remove Paper Dust	33 - 26
B101 1097	Rubber Foot: H5	75 - 7
B154 5861	Guard: Fan	73 - 14
B154 5869	Panel: Interface: Secc	73 - 4
B180 2782	Seal: Tray	15 - 31
B180 2871	Shaft: Separator: Driven: Ass'y	21 - 41
B213 2312	Bracket: Cleaning Blade	29 - 23
B213 2316	Stud: Contact Point: Cleaning	29 - 16
B213 2362	LED Array QL Ass'y	63 - 17
B213 3065	Density Sensor: Development: C4	27 - 14
B213 3889	Roller: Bias	31 - 2
B213 4460	Shaft: Pressure Roller	53 - 21
B223 1065	Connector Bracket	67 - 8
B223 1101	Grip: Front	75 - 14
B223 1120	Bracket: Paper Feed Unit	75 - 12
B223 1180	Bracket: Paper Feed	61 - 10
B223 1183	Grip Shaft	61 - 2
B223 1186	Drive Joint	61 - 3
B223 1187	Magnetic Clutch Bracket	61 - 12
B223 1188	Stepper Motor DC24V	61 - 16
B223 1189	Feed Drive Shaft	61 - 1
B223 1317	Screw	35 - 7
B223 1332	Fan Motor - MM60 DC24V	65 - 5
B223 1350	Stepper Motor DC5.06V	59 - 1
B223 1354	Drum Stay: Drive Unit	61 - 4
B223 2608	Gear: Z16	21 - 37

Part No.	Description	Page and Index No.
B223 2622	Guide Plate: Exit	21 - 3
B223 2623	Cover: Guide Plate: Exit	21 - 1
B223 2629	Stay: Feed	21 - 9
B223 2632	DC Solenoid: Pickup	21 - 14
B223 2633	Spring: Release: Pickup	21 - 15
B223 2634	Support Stay: Arm	21 - 19
B223 2636	Torsion Spring: 27n	21 - 20
B223 2637	Bracket: Arm: Manual Feed: Rear	21 - 32
B223 2648	Guide Plate: Transport Unit: Exit	49 - 13
B223 2649	Spring: Pressure: 5n	49 - 15
B223 2651	Arm: Manual Feed: Front	21 - 22
B223 2652	Arm: Manual Feed: Rear	21 - 33
B223 2659	Harness: Manual Feed	21 - 16
B223 2665	Spring: Cover: Manual Feed	41 - 14
B223 2666	Gear: 16Z	19 - 12
B223 2668	Spring Plate: Stopper	19 - 4
B223 2676	Spring - 11n	49 - 4
B223 2681	Arm: Tightener	21 - 44
B223 2683	Gear: 25Z	21 - 47
B223 2686	Gear: Z31	21 - 46
B223 2689	Gear: Z28	21 - 48
B223 2691	Bracket: Stepper Motor	61 - 21
B223 2694	Guide: Gear	61 - 19
B223 2696	Drum Stay: Drive	21 - 49
B223 2702	Heat Sink: Heater: NA	75 - 17
B223 2703	Heat Sink: Heater: EU	75 - 17
B223 2710	Supporter - Left No.2	75 - 1
B223 2713	Rack: Manual Feed	19 - 11
B223 2714	Positioning Cap - Short	75 - 4
B223 2715	Supporter - Right	75 - 3
B223 2721	Bracket: Push Switch	59 - 10
B223 2745	Stepper Motor: Ass'y	61 - 22
B223 2762	Feed Shaft	17 - 26
B223 2764	Gear-24Z	17 - 25

Part No.	Description	Page and Index No.
B223 2765	Ground Plate - Feed	17 - 21
B223 2772	Harness Sheet	17 - 12
B223 2776	Stay	17 - 9
B223 2780	Dc Solenoid 24V	17 - 8
B223 2786	Ground Plate - Front	17 - 13
B223 2810	Separate Driven Shaft	17 - 29
B223 2815	Separate Drive Shaft	17 - 34
B223 2819	Gear - 22Z	17 - 35
B223 2846	Bracket: Cover: Harness	75 - 20
B223 2848	Cover: Harness	75 - 19
B223 2861	Grip Holder	15 - 13
B223 2862	Lever - Release Inner	15 - 10
B223 2865	Rise No.1 Shaft	15 - 24
B223 2868	Lever: Release: Paper Tray: Outer	15 - 15
B223 2910	Link - Paper Size Sensor	15 - 1
B223 2911	Spacer	15 - 2
B223 2918	Rise Lever	15 - 25
B223 2919	Ground Plate - Paper Tray No.2	15 - 6
B223 2934	Plate - Side Fence	15 - 22
B223 2935	Plate - Side Fence Right	15 - 21
B223 2936	Gear - 16z	15 - 23
B223 4428	Roller: Guide: PFA	53 - 14
B223 4435	Roller: Auxiliary: Driven: Dia16: PFA	53 - 16
B223 4479	Tension Spring: Gate Pawl: 1.6n	43 - 9
B223 4494	Stopper- Uppergate Pawl	43 - 8
B223 4497	Shaft: Feeler: Overflow	51 - 18
B223 4501	Guide Plate: Right	45 - 23
B223 4502	Guide Plate: Left Lower	47 - 12
B223 4511	Timing Belt: 30S2M312	47 - 5
B223 4512	Timing Belt: 30S2M182	47 - 3
B223 4514	Roller Clutch: T24	47 - 11
B223 4522	Spacer: Wire: Stopper	49 - 28
B223 4524	Wire: Stopper: Dia1.5	49 - 12
B223 4524	Wire: Stopper: Dia1.5	75 - 6

Part No.	Description	Page and Index No.
B223 4525	Tension Spring: Wire: 180n	41 - 17
B223 4526	Timing Belt: 30S2M268	45 - 15
B223 4527	Pulley: T26/T24	47 - 8
B223 4529	Roller Clutch: T24	47 - 6
B223 4535	Roller Clutch: T26	47 - 9
B223 4536	Timing Belt: 30S2M234	47 - 4
B223 4538	Compression Spring	41 - 10
B223 4539	Sheet: Cover: Duplex	41 - 16
B223 4544	Pulley: T35/T33	47 - 7
B223 4552	Bushing: Dia4	45 - 8
B223 4552	Bushing: Dia4	47 - 14
B223 4553	Tension Spring: Driven Roller	47 - 13
B223 4560	Tension Spring: Driven Roller	45 - 7
B223 4562	Tightener	45 - 12
B223 4564	Spring: Tightener	45 - 14
B223 4566	Bracket: Sensor: Entrance	45 - 4
B223 4567	Stay: Transport: Upper: Peen	45 - 27
B223 4571	Gear: Pulley: Z24/T40	45 - 20
B223 4572	Stepper Motor: DC4.29V 1.7w	45 - 17
B223 4573	Timing Belt: 30S2M128	45 - 21
B223 4575	Bracket: Stepper Motor	45 - 19
B223 4586	Pulley: T30	45 - 16
B223 4594	Shaft: Pulley: Wire	49 - 20
B223 4595	Pulley: Dia13	49 - 18
B223 5848	Bracket: Base: Connector	67 - 12
B234 3177	Decal: Positioning Display: Development	33 - 5
B234 3177	Decal: Positioning Display: Development	47 - 26
B234 3177	Decal: Positioning Display: Development	77 - 1
B238 1066	Rubber Foot Cover	59 - 13
B238 1088	Cover - Connector	67 - 7
B238 1089	Cover - Positioning Pin	59 - 6
B238 1119	Lever - Front Upper	63 - 16
B238 2541	Tray Cover - Right	59 - 7
B238 2543	Cover - Tray Left	59 - 12

Part No.	Description	Page and Index No.
B238 2655	Gear - 16Z	23 - 15
B238 4166	End Ring: Spring: Dia4	37 - 5
B238 4194	Roller: Lever: Pressure	37 - 7
B242 1161	Ball Bearing - 8x22x7	57 - 7
B296 9640	Developer - Black	27 - 5
B408 1390	Flat Screw: Groove Type	11 - 17
B645 5010	SD Card	79 - 3
B645 5020	SD Card: Service: 1GB	79 - 4
B679 5100	Plug - IEEE1284 - Type C	79 - 8
B700 2649	Timing Belt: 40S2M144	61 - 17
D009 1088	Grip Bracket - Right Rear	61 - 24
D009 1090	Connector Bracket - Fusing	55 - 8
D009 1093	Stopper Bracket - Grip	75 - 16
D009 1111	Drum Shaft	57 - 23
D009 1113	Drive Unit- Transfer On-Off	57 - 10
D009 1120	Rear Drive Bracket - Engine	57 - 6
D009 1121	Ground Plate - Drum	57 - 8
D009 1123	Drive Bracket - Transfer	57 - 11
D009 1125	Tightener Bracket - Transfer	57 - 31
D009 1127	Roller - Tightener	57 - 28
D009 1128	Spring - Tightener	57 - 29
D009 1135	Tightener Bracket - Development	57 - 30
D009 1139	Front Drive Bracket - Engine	57 - 24
D009 1141	Ground Plate - Drum	57 - 18
D009 1142	Pulley - 48T/90T	57 - 26
D009 1145	Drum Shaft Holder	57 - 19
D009 1147	Terminal - Development Roller	57 - 21
D009 1148	Collar - 6x18.8mm	57 - 13
D009 1151	Bracket - Registration Drive Unit	59 - 3
D009 1155	Joint: Development Sleeve: Ass'y	57 - 20
D009 1158	Holder - Paddle Roller Drive	55 - 33
D009 1161	Bracket - Paddle Roller Drive	55 - 28
D009 1164	Shaft - Paddle Rooler Drive	55 - 12
D009 1182	Joint Cover	55 - 1

Part No.	Description	Page and Index No.
D009 1183	Joint - Cleaning	55 - 2
D009 1187	Bracket - Fusing Cleaning Drive	55 - 17
D009 1193	Sensor Bracket	55 - 16
D009 1194	Motor Holder	55 - 24
D009 1195	Motor Bracket	55 - 25
D009 1351	Upper Fusing Duct	67 - 2
D009 1352	Lower Fusing Duct	67 - 3
D009 1354	Rear Exhaust Duct - Right	67 - 14
D009 1355	Rear Exhaust Duct - Left	67 - 11
D009 1358	Sponge: Duct: Exhaust: 1	67 - 5
D009 1359	Sponge: Duct: Exhaust: 2	67 - 15
D009 1366	Middle Exhaust Duct - Upper	65 - 1
D009 1367	Middle Exhaust Duct - Lower	65 - 2
D009 1368	Front Upper Duct	65 - 3
D009 1369	Front Lower Duct	65 - 4
D009 1370	Guard: Fan: Paper Exit Unit	65 - 20
D009 1861	Cover - Polygon Motor	13 - 2
D009 2201	Seal: Drum: Front	29 - 12
D009 2202	Seal: Drum: Rear	29 - 14
D009 2203	Seal: Drum: Entrance	29 - 13
D009 2204	Seal: Blade: Upper: Case	29 - 15
D009 2205	Seal: Blade: Upper Rear: Small	29 - 11
D009 2240	Rear Flange - Lock	23 - 23
D009 2241	Front Flange - Lock	23 - 28
D009 2242	Spring Plate - Lock	23 - 29
D009 2243	Shaft - Lock	23 - 25
D009 2244	Stopper - Lock	23 - 27
D009 2249	Spring Plate - Lock Lever	11 - 7
D009 2254	Base - Lock Lever	11 - 6
D009 2279	Seal: Toner Supply: Entrance: Upper	29 - 7
D009 2303	Drum Hold Plate	29 - 38
D009 2317	Electrode Plate - Charge	29 - 4
D009 2318	Spring Plate - Electrode	29 - 25
D009 2331	Front Arm - Pressure/Charge	29 - 19

Part No.	Description	Page and Index No.
D009 2336	Rear Arm - Pressure/Charge	29 - 30
D009 2351	Cleaning Blade	29 - 24
D009 2367	Density Sensor	63 - 10
D009 2380	Front Side Plate - Coupling	29 - 6
D009 2389	Rear Side Plate - Coupling	27 - 2
D009 2414	Spring Plate: Cover: PCU: Front	29 - 36
D009 2426	Seal - 24.5x68.5	29 - 34
D009 2433	Seal: Cover: Shutter	29 - 47
D009 2445	Handle - PCU	29 - 5
D009 2480	Screw - M3x10	27 - 32
D009 2511	Guide Plate: Feed Paper Again: Exit: Adhesion	49 - 11
D009 2527	Cover - Electrical Components	67 - 13
D009 2552	Guide Sheet - Manual Feed	21 - 17
D009 2554	Guide Sheet - Vertical Transport	49 - 1
D009 2555	Transport Roller - Duplex Exit	21 - 18
D009 2560	Driven Roller	49 - 14
D009 2563	Guide Plate - Vertical Transport	49 - 2
D009 2571	Holder - Vertical Transport	49 - 5
D009 2573	Pulley - Vertical Transport	49 - 8
D009 2574	Pulley - Idler	49 - 7
D009 2575	Shaft - Idler	49 - 10
D009 2576	Shaft - Vertical Transport	49 - 9
D009 2600	Registration Roller - Drive	23 - 14
D009 2602	Gear - 18Z	23 - 16
D009 2603	Gear - 28Z	23 - 9
D009 2606	Registration Roller - Driven	23 - 13
D009 2607	Bushing - Driven Registration	23 - 7
D009 2612	Case Supporter - Remove Paper Dust	23 - 11
D009 2614	Bracket - Registration Sensor	23 - 21
D009 2617	Upper Guide Plate - Registration	23 - 3
D009 2618	Cover - Paper Dust Removal	23 - 6
D009 2622	Front Positioning Guide	23 - 22
D009 2623	Rear Positioning Guide	23 - 18
D009 2624	Lower Guide Plate - Registration	23 - 12

Part No.	Description	Page and Index No.
D009 2626	Harness - Registration Sensor	23 - 19
D009 2633	Cap - Toner Supply	29 - 9
D009 2636	Tension Spring	23 - 8
D009 2638	Stay: Remove Paper Dust: Adhesion	23 - 5
D009 2650	Torsion Spring - Registration	23 - 4
D009 2757	Transport Roller: Drive: Ass'y	17 - 10
D009 3053	Upper Case Seal	27 - 22
D009 3066	Entrance Seal - Toner Supply	27 - 16
D009 3068	Front Bias Terminal	27 - 11
D009 3069	Rear Bias Terminal	27 - 12
D009 3070	Cover: Development Unit: Upper	27 - 23
D009 3072	Seal - Density Sensor Harness	27 - 21
D009 3078	Joint- Paddle	27 - 15
D009 3084	Filter: Development: Front	27 - 39
D009 3085	Filter: Development: Rear	27 - 40
D009 3086	Filter: Development	27 - 25
D009 3101	Seal: Development: Character Generator	27 - 36
D009 3102	Upper Cap - Development Case	27 - 34
D009 3104	Seal: Shielding Plate: Lever	29 - 52
D009 3106	Sponge: Shielding Plate: Lever	27 - 37
D009 3107	Seal: Shielding Plate: Lever: Main	23 - 31
D009 3108	Seal: Guide Plate	23 - 32
D009 3130	Spacer: Guide Plate: 0.05	27 - 28
D009 3152	Entrance Seal: Ass'y	27 - 30
D009 3162	Ground Plate: Doctor Blade	27 - 26
D009 3178	Seal: Slide	27 - 38
D009 3203	Rear Seal - Upper Cover	27 - 33
D009 3204	Front Seal - Upper Cover	27 - 24
D009 3205	Seal: Side Plate: Front	27 - 17
D009 3206	Seal: Side Plate: Rear	27 - 20
D009 3209	Toner Supply Unit	25 - 1
D009 3242	Spacer: Arm: Shutter: Toner Supply Unit	25 - 18
D009 3264	Cam: Handle: Upper	25 - 14
D009 3265	Shaft - Slide	25 - 11

Part No.	Description	Page and Index No.
D009 3267	Seal: Toner Supply: Entrance: Front	29 - 8
D009 3803	Case - Transfer Unit	33 - 16
D009 3831	Receptacle Housing - Transfer	57 - 33
D009 3832	Receptacle Terminal - Transfer	57 - 34
D009 3856	Guide: Standard: Transfer Unit: Rear	63 - 20
D009 3857	Guide: Standard: Transfer Unit: Front	63 - 21
D009 3858	Entrance Guide Plate - Transfer	23 - 30
D009 3860	Spring Cover - Transfer Unit	47 - 16
D009 3861	Terminal Holder - Transfer Unit	47 - 19
D009 3865	Holder - Density Sensor	63 - 9
D009 3866	Guide - Separation/Transport	63 - 14
D009 3872	Harness - Used Toner Sensor	33 - 15
D009 3875	Harness - Transfer Unit Bias	33 - 21
D009 3876	Earth Harness - Transfer Unit	33 - 19
D009 3883	Frame: Transfer Belt	31 - 16
D009 3884	Harness: Sensor: Transfer Unit: Holder	47 - 20
D009 3890	Front Bushing -Bias Roller	31 - 8
D009 3893	Arm - Transfer Belt	31 - 17
D009 3894	Drive Roller - Transfer Belt	31 - 10
D009 3898	Lever: Set: Transfer Unit: P	33 - 12
D009 3906	Seal - Rear Transfer Exit	33 - 25
D009 3907	Seal - Transfer Belt Exit	33 - 22
D009 3916	Front Lever - Transfer Belt	33 - 8
D009 3917	Rear Lever - Transfer Belt	33 - 10
D009 3918	Release Lever	33 - 13
D009 3919	Release Lever Shaft	33 - 4
D009 3920	Front Release Plate	33 - 6
D009 3921	Rear Release Plate	33 - 7
D009 3934	Electrode Plate: Bias: Ass'y	31 - 6
D009 3935	Earth Terminal - Transfer Belt	31 - 4
D009 3937	Terminal - Transfer Belt	31 - 5
D009 3943	Bracket: Cleaning Blade: Transfer	33 - 2
D009 3948	Scraper - Drive Roller	31 - 12
D009 3952	Rear Seal - Cleaning Blade	33 - 24

Part No.	Description	Page and Index No.
D009 3953	Front Seal - Cleaning Blade	33 - 23
D009 3954	Sheet: Preventfence: Transfer Belt	31 - 11
D009 3992	Receptacle Housing - Transfer Unit	33 - 17
D009 4066	Fusing Cover - Duplex Guide	35 - 18
D009 4069	Entrance Guide Plate - Fusing	35 - 20
D009 4097	Harness - Set Sensor NA	37 - 27
D009 4098	Set Sensor Harness - 230V	37 - 27
D009 4099	Harness - Fusing Unit	37 - 26
D009 4123	Bracket: Side Plate: Auxiliary	37 - 35
D009 4124	Connector Bracket 1	37 - 33
D009 4125	Connector Bracket 2	37 - 28
D009 4126	Front Heater Bracket	37 - 1
D009 4127	Rear Heater Bracket	37 - 36
D009 4131	Terminal - AC/DC	37 - 30
D009 4132	Terminal Cover	37 - 29
D009 4135	Terminal - AC	37 - 14
D009 4141	Electrode Plate 1	37 - 32
D009 4142	Electrode Plate 2	37 - 31
D009 4143	Electrode Plate 3	37 - 13
D009 4152	Stay: Fusing Sub-Unit: Fusing Exit: Peen	37 - 15
D009 4156	Retaining Rings-C - Hot Roller	37 - 2
D009 4163	Exit Guide - Hot Roller Unit	37 - 44
D009 4177	Thermistor	37 - 25
D009 4178	Thermistor Bracket	37 - 24
D009 4193	Housing - Thermostat	37 - 20
D009 4195	Spacer - Thermostat	37 - 22
D009 4196	Harness 1 - Thermostat	37 - 12
D009 4197	Harness 2 - Thermostat	37 - 19
D009 4225	Stay - Pressure Roller Unit	35 - 14
D009 4238	Bracket - Driven Roller	35 - 13
D009 4243	Exit Guide - Pressure Roller Unit	35 - 2
D009 4244	Knob	35 - 1
D009 4248	Knob Bracket	35 - 3
D009 4271	Front Lever - Pressure Release	37 - 6

Part No.	Description	Page and Index No.
D009 4274	Pressure Lock Lever	37 - 9
D009 4275	Front Pressure Lever	37 - 11
D009 4291	Rear Lever - Pressure Release	37 - 37
D009 4295	Front Pressure Lever	37 - 38
D009 4350	Front Lock Lever	63 - 15
D009 4351	Rear Lock Lever	63 - 8
D009 4355	Roller Clutch	39 - 8
D009 4356	Washer: Dia3.5	63 - 22
D009 4369	Bracket - Cleaning Unit Drive	39 - 3
D009 4377	Worm Gear Bracket	39 - 14
D009 4378	Worm Gear Shaft	39 - 12
D009 4388	Roller Clutch	39 - 21
D009 4393	Feeler - Web	39 - 10
D009 4406	Separation Plate - Paper Exit	53 - 11
D009 4407	Feeler - Overflow	51 - 17
D009 4408	Bracket: Sensor: Fusing Exit	51 - 12
D009 4409	Sheet - Gate	43 - 7
D009 4412	Lower Guide Plate - Exit	53 - 12
D009 4413	Lower Stay - Exit	53 - 19
D009 4418	Stepped Tapping Screw - M3	53 - 35
D009 4419	Spring - Lower Guide Plate	53 - 17
D009 4420	Paper Exit Unit: Main: Ass'y	51 - *
D009 4422	Driven Roller Shaft	53 - 15
D009 4428	Upper Stay	53 - 2
D009 4430	DC Solenoid: Exit: Ass'y	51 - 1
D009 4431	Rear Side Plate	53 - 30
D009 4434	Front Side Plate	53 - 10
D009 4436	Entrance Gate	51 - 7
D009 4438	Lever - Entrance Gate	51 - 3
D009 4439	Bushing - 4mm	51 - 4
D009 4441	Exit Guide Plate - Upper Right	51 - 10
D009 4442	Exit Guide Plate - Upper	53 - 7
D009 4443	Discharge Brush - Exit	53 - 5
D009 4444	Exit Roller	53 - 1

Part No.	Description	Page and Index No.
D009 4445	Transport Roller	51 - 9
D009 4445	Transport Roller	53 - 3
D009 4447	Exit Sensor Bracket	51 - 15
D009 4448	Tension Spring - Gate Pawl	51 - 25
D009 4455	Cushion - DC Solenoid	51 - 5
D009 4457	Tension Spring Release	51 - 2
D009 4461	Gear - 17Z	51 - 20
D009 4462	Gear - 22Z	53 - 33
D009 4463	Gear/Pulley - 22Z/22T	53 - 34
D009 4464	Gear - 22Z	51 - 14
D009 4465	Timing Pulley - 22T	53 - 32
D009 4466	Timing Belt - 30S2M172	53 - 31
D009 4469	Gear - 17Z	51 - 21
D009 4471	Stepper Motor Bracket	51 - 22
D009 4476	Spring - Entrance Pressure	53 - 23
D009 4477	Spring - Exit Pressure	53 - 20
D009 4478	Lower Supporting Plate	53 - 29
D009 4482	Right Guide Plate - Open/Close	43 - 11
D009 4483	Upper Gate	43 - 1
D009 4485	Bushing - Gate	43 - 4
D009 4486	Lever - Upper Gate	43 - 6
D009 4488	Right Spring - Guide Plate	43 - 10
D009 4489	Driven Roller	43 - 3
D009 4490	Exit Motor Cover	51 - 23
D009 4491	Entrance Arm	53 - 22
D009 4492	Exit Arm	53 - 25
D009 4493	Bracket - Contact Point	53 - 27
D009 4496	Spring Plate - Exit Roller	53 - 28
D009 4498	Bushing - Lower Guide Plate	53 - 18
D009 4499	Harness - Paper Exit Unit	51 - 16
D009 4503	Guide Plate - Left Upper	43 - 14
D009 4504	Upper Guide Plate - Gate	45 - 2
D009 4511	Spacer: Dia8.0: 1.5mm	75 - 15
D009 4512	Link: Stopper	75 - 11

Part No.	Description	Page and Index No.
D009 4513	Compression Spring: Earth: Duplex Unit	75 - 13
D009 4521	Harness Bracket	45 - 24
D009 4522	Tension Spring: Gate Pawl: Duplex: 0.08n	43 - 13
D009 4532	Tension Spring - Stopper Hook	41 - 5
D009 4535	Harness Guide	49 - 16
D009 4537	Front Release Arm	41 - 6
D009 4538	Rear Release Arm	41 - 7
D009 4541	Front Torsion Spring	47 - 21
D009 4543	Compression Spring: Gate: 5n	43 - 5
D009 4545	Holder Shaft - Transfer Unit	47 - 23
D009 4547	Stepper Motor: Exit: 24V: Press Fit	51 - 24
D009 4551	Guide Plate - Holder	47 - 18
D009 4577	Duplex Gate	43 - 12
D009 4587	Tension Spring - Release Bracket	49 - 27
D009 4588	Stopper Bracket - Spring	49 - 24
D009 4589	Guide - Set Shaft	49 - 23
D009 4590	Stopper Hook - Duplex Unit	41 - 4
D009 4593	Stepped Screw - M3	49 - 26
D009 4594	Front Guide - Duplex Unit Set	75 - 9
D009 4595	Rear Guide - Duplex Unit Set	75 - 8
D009 4597	Bracket - Wire Pulley Shaft	49 - 19
D009 4598	Spring - Set Shaft	49 - 22
D009 4599	Shaft - Duplex Unit	49 - 21
D009 4652	Motor Harness	45 - 26
D009 4661	Reverse Roller - Feed	45 - 10
D009 4662	Transport Roller 1	47 - 1
D009 4663	Transport Roller 2	47 - 2
D009 4664	Driven Roller	35 - 12
D009 4664	Driven Roller	41 - 8
D009 4664	Driven Roller	45 - 6
D009 4664	Driven Roller	47 - 15
D009 5325	Pcb: Sync Detector	13 - 7
D009 5420	Harness -High Voltage Cable	57 - 1
D009 5425	Harness - Safety Switch	71 - 5

Part No.	Description	Page and Index No.
D009 5440	Harness - Development Drawer	59 - 14
D009 5470	Harness - BICU-LDB	69 - 1
D009 5475	Interface Harness - Bicu-Ldb	75 - 2
D009 5481	Interface Harness - IOB-Switch	63 - 6
D009 5490	Harness - IOB Lower Behind	69 - 14
D009 5495	Harness - IOB-Lift Motor	69 - 9
D009 5500	Interface Harness - Web Sensor	55 - 15
D009 5505	Harness - Toner Supply Motor	63 - 1
D009 5510	Harness - Quenching Lamp	63 - 18
D009 5520	Harness - IOB-Motor	69 - 11
D009 5570	Harness - Imaging Unit	13 - 6
D009 5571	Harness: Laser Diode Control	13 - 9
D009 5611	Harness: AC: Heater	25 - 16
D009 5615	AC Harness - Heater	59 - 9
D009 5615	AC Harness - Heater	67 - 9
D009 5620	AC Harness - Fusing	55 - 9
D009 5840	Base - Left Safety Switch	65 - 18
D009 5851	Bracket - Io Board	69 - 15
D009 5852	Connector Bracket	67 - 4
D009 5854	Bracket - Power Pack	57 - 3
D009 5855	Bracket - Inlet	71 - 10
D009 5856	Bracket - Heater Connector	67 - 10
D009 5857	Shaft - Safety Switch	65 - 12
D009 5858	Left/Right Lever - Safety Switch	65 - 15
D009 5863	Left Lever - Safety Switch	65 - 16
D009 5864	Middle Lever - Safety Switch	65 - 13
D009 5865	Cam - Safety Switch	65 - 14
D009 5866	Base - Right Safety Switch	65 - 7
D009 5867	Guide Plate - Safety Switch	65 - 9
D009 5868	Right Lever - Safety Switch	65 - 11
D009 5869	Right Lower Lever - Safety Switch	65 - 8
D009 5876	Small Bracket - BICU	67 - 6
D009 5877	Guide - Mother Board	69 - 3
D009 5879	Bracket - Mother Board	73 - 9

Part No.	Description	Page and Index No.
D009 5892	Heater Stopper	25 - 13
D009 5895	Tension Spring: Safety Switch: Left	65 - 17
D009 5896	Spring - Right Safety Switch	65 - 10
D009 5898	Harness Guide - Safety Switch	65 - 6
D009 8493	Heater: Paper Feed: Option: EU: Ass'y	75 - 22
D009 8495	Heater: Paper Feed: Option: NA: Ass'y	75 - 22
D009 9510	OPC Drum	29 - 41
D011 1252	Decal: Main Switch: On-Standby	25 - 17
D011 1252	Decal: Main Switch: On-Standby	75 - 18
D011 1252	Decal: Main Switch: On-Standby	77 - 2
D011 1253	Decal: Main Switch: ON-STANDBY: EU	25 - 17
D011 1253	Decal: Main Switch: ON-STANDBY: EU	77 - 3
D011 5841	Heater: PCD: NA: Sub-Ass'y	25 - 15
D011 5842	Heater: PCD: EU: Sub-Ass'y	25 - 15
D029 2611	Ground Plate: Rear: Manual Feed	21 - 29
D029 2612	Ground Plate: Front: Manual Feed	21 - 25
D029 2664	Feeler: Paper Size Sensor: Manual Feed	19 - 15
D029 2677	Transport Belt: Driven: Vertical Transport	49 - 6
D029 2709	Guide Plate: Separator: Ass'y	21 - 26
D029 2710	Cover: Harness: Manual Feed Table	19 - 18
D029 2769	Harness: Paper Size Sensor: Manual Feed	19 - 9
D029 2773	Harness: Paper Feed Unit	17 - 3
D029 2863	Shaft: Release: Paper Tray	15 - 12
D089 2761	Arm: Pickup	17 - 22
D089 2767	Feeler: Paper End	17 - 1
D089 2778	Bracket: Sensor: Feed	17 - 4
D089 2781	Bracket: Sensor	17 - 6
D089 2829	Guide: Feed	17 - 17
D089 2940	Tray Bottom Plate: Ass'y	15 - 4
D120 2832	End Fence: Ass'y	15 - 17
D120 2864	Lever: Stopper: Positioning	15 - 27
D120 2872	Decal: Paper Tray: No.1	15 - 9
D120 2872	Decal: Paper Tray: No.1	77 - 4
D120 2873	Decal: Paper Tray: No.2	15 - 9

Part No.	Description	Page and Index No.
D120 2873	Decal: Paper Tray: No.2	77 - 5
D120 2875	Decal: Side Fence: Rear	15 - 30
D120 2924	Lever: Stopper: Front	15 - 19
D120 8867	Decal: Main Switch: ON-STANDBY: EU	9 - 5
D120 8867	Decal: Main Switch: ON-STANDBY: EU	75 - 18
D120 8868	Decal: Main Switch: ON-STANDBY: DOM: NA	9 - 5
D129 1241	Inner Cover: Upper: Left	11 - 15
D129 1242	Inner Cover: Left	9 - 16
D129 1243	Inner Cover: Upper: Right	11 - 9
D129 1244	Inner Cover: Middle	11 - 11
D129 1245	Cap: Grip	75 - 21
D129 1271	Cover: Right: Front	9 - 9
D129 1272	Cover: Right: Rear	9 - 11
D129 1281	Cover: Left	9 - 14
D129 1283	Cover: Left: Cover	9 - 15
D129 1291	Cover: Rear	9 - 13
D129 1293	Cover: Rear	9 - 12
D129 1860	Optical Writing Unit: Ass'y	13 - 1
D129 1870	Laser Diode Unit: Ass'y	13 - 8
D129 2245	Cover: Stopper: Lock: PCD	23 - 26
D129 2248	Guide Plate: Lever: Lock: PCD	11 - 8
D129 2390	Side Plate: Idler: Ass'y	29 - 3
D129 2415	Cover: Spring Plate: Front	29 - 35
D129 2604	Knob: Registration Roller	23 - 17
D129 2616	Case: Remove Paper Dust	9 - 8
D129 2621	Cover: Manual Feed Unit	21 - 4
D129 2657	Arm: Manual Feed: Short: Front	21 - 24
D129 2658	Arm: Manual Feed: Short: Rear	21 - 34
D129 2661	Cover: Manual Feed	19 - 7
D129 2662	Manual Feed Table	19 - 14
D129 2664	Cover: Manual Feed: Entrance	41 - 15
D129 2667	Extension Tray: Manual Feed	19 - 13
D129 2673	Side Fence: Rear	19 - 2
D129 2674	Side Fence: Front	19 - 1

Part No.	Description	Page and Index No.
D129 2675	Decal: Side Fence: Manual Feed	19 - 5
D129 2675	Decal: Side Fence: Manual Feed	77 - 6
D129 2726	Grip: Side Fence: Manual Feed	19 - 3
D129 2740	Manual Feed Table: Ass'y	19 - *
D129 2743	Decal: Tray: Manual Feed: Extension Tray: Exp	19 - 17
D129 2743	Decal: Tray: Manual Feed: Extension Tray: Exp	77 - 7
D129 2745	Decal: Paper Set Direction: Manual Feed: Exp	19 - 6
D129 2745	Decal: Paper Set Direction: Manual Feed: Exp	77 - 8
D129 2747	Decal: Paper Set Direction: Tray: Right: Exp	15 - 32
D129 2747	Decal: Paper Set Direction: Tray: Right: Exp	77 - 9
D129 2748	Decal: Scale: Manual Feed	19 - 8
D129 2748	Decal: Scale: Manual Feed	77 - 10
D129 2750	Paper Feed Unit: Ass'y	17 - *
D129 2783	Torque Limiter Mechanical Clutch: 40mm: Dia18	17 - 28
D129 2783	Torque Limiter Mechanical Clutch: 40mm: Dia18	21 - 40
D129 2836	Guide Plate: Swivel: Ass'y	23 - 2
D129 2841	Guide Plate: Swivel: No.2: Ass'y	23 - 1
D129 2920	Side Fence: Front: Ass'y	15 - 18
D129 2930	Side Fence: Rear: Ass'y	15 - 26
D129 3210	Guide: Toner Supply: Ass'y	63 - 4
D129 3268	Decal: Toner Bottle: Lock	11 - 13
D129 3268	Decal: Toner Bottle: Lock	77 - 11
D129 3269	Decal: Toner Bottle: Release	11 - 12
D129 3269	Decal: Toner Bottle: Release	77 - 12
D129 4053	Fusing Cover: Lower: Middle: Ass'y	35 - 22
D129 4055	Fusing Cover: Lower: Front	35 - 6
D129 4057	Fusing Cover: Lower: Rear	35 - 9
D129 4059	Fusing Cover: Upper: Front	35 - 5
D129 4062	Fusing Cover: Upper: Rear	35 - 8
D129 4165	Cover: Fusing Sub-Unit	37 - 18
D129 4242	Decal: H-Temp Warning	35 - 23
D129 4242	Decal: H-Temp Warning	77 - 13
D129 4305	Cleaning Unit: Ass'y	39 - *
D129 4307	Cover: Cleaning Unit	39 - 2

Part No.	Description	Page and Index No.
D129 4481	Grip: Gate Pawl: Upper	43 - 2
D129 4483	Decal: Guide: Right	45 - 25
D129 4483	Decal: Guide: Right	77 - 14
D129 4487	End Fence: Exit	11 - 21
D129 4531	Guide Plate: Cover: Open And Close	41 - 12
D129 4533	Inner Cover: Duplex: Rear	41 - 2
D129 4534	Inner Cover: Duplex: Front	41 - 1
D129 4540	Cover: Duplex	41 - 13
D129 4579	Grip: Open And Close: Duplex Unit	41 - 3
D129 4651	Harness: Duplex Unit	49 - 17
D129 5443	Harness: MB: SDSW	71 - 4
D129 5446	Harness: BCU: Image Processing Unit	69 - 4
D129 5452	Harness: Image Processing Unit: BCU: FFC: 30	69 - 7
D129 5453	Harness: Image Processing Unit: BCU: FFC: 50	69 - 8
D129 5461	Harness: BCU: IOB: FFC	69 - 5
D129 5486	Harness: IOB: Lower	69 - 13
D129 5602	Harness: AC: Inlet	71 - 6
D129 5602	Harness: AC: Inlet	71 - 9
D129 5605	Harness: Power Supply Unit: SDSW	71 - 3
D129 5853	Bracket: Main Switch	71 - 1
D129 5875	Bracket: Image Processing Unit: BCU	69 - 16
D129 5880	Bracket: Control Board	73 - 5
D129 6605	Decal: Misfeed Removal: B1: AI-C2	9 - 10
D129 6605	Decal: Misfeed Removal: B1: AI-C2	77 - 15
D144 1261	Cover: Upper	11 - 19
D580 2523	Decal: Paper Set Direction: Tray: No.2	15 - 3
D580 2523	Decal: Paper Set Direction: Tray: No.2	77 - 16
D580 2870	Grip: Paper Tray	15 - 8
D580 2900	Paper Tray: No.2: Ass'y	15 - *
D580 2946	Cover: Paper Tray: No.2	15 - 7
D647 1370	Cap: Dia17: IDG	11 - 25
G020 5626	Push Switch	59 - 19
G021 9350	Loopback Connector - Parallel	79 - 5
G024 1314	Pulley Pin	31 - 13

Part No.	Description	Page and Index No.
G029 1980	Decal - LD	13 - 3
G029 1980	Decal - LD	77 - 17
G060 2652	Bushing - M4	49 - 3
G060 2932	Pick-Up Arm - Manual Feed	21 - 13
G065 2308	Electrode Plate: Charge: Rear	29 - 31
G065 2354	Electrode Plate: Charge: Front	29 - 17
G065 2681	Snap Ring - M6	27 - 3
G065 2681	Snap Ring - M6	29 - 18
G065 2767	Lever - Feed	17 - 24
G065 2774	Pressure Lever	17 - 32
G065 2775	Link Lever	17 - 38
G065 2776	Release Lever	17 - 37
G065 3070	New Article Sensor Feeler	27 - 41
G102 3837	Stopper: Blade	33 - 11
G104 5141	Knob Screw: M3	73 - 1
G108 5107	Left Guide 1	73 - 7
G108 5108	Right Guide 1	73 - 6
G179 1032	Shaft: Hinge	9 - 4
G179 1063	Holder: Pin	59 - 17
G179 1064	Cover: Holder: Pin	59 - 16
G179 1371	Shielding Plate: Fan	65 - 21
G179 2303	Development Section: Alex-P1: Ass'y	27 - 4
G179 2311	Stopper: PCD	29 - 50
G179 2313	Pin: Stopper: PCD	29 - 51
G179 2314	Spring: Stopper: PCD	29 - 49
G179 2316	Arm: Stopper: PCD: Sub-Ass'y	29 - 48
G179 3071	Stopper: Feeler: New Article Sensor	27 - 27
G179 3260	Cleaner: Sensor	29 - 2
G179 3802	Transfer Unit: P: Ass'y	31 - *
G179 5525	Harness: IOB: PCD: Sensor	59 - 18
G179 5610	Harness: AC: Heater	71 - 7
G179 5890	Cover: Fan	73 - 12
G189 1212	Flat Screw: Groove Type: 7.5	11 - 2
G790 2329	Brush Roller: Cleaner: Charge: Amabuki: Ass'y	29 - 46

Part No.	Description	Page and Index No.
0353 0040N	Screw - M3x4	21 - 104
0353 0040N	Screw - M3x4	53 - 102
0353 0050N	Screw-M3x5	39 - 101
0353 0060N	Bind Screw - M3x6	73 - 102
0353 0080N	Screw: M3x8	45 - 103
0353 0080N	Screw: M3x8	61 - 108
0353 0100N	Screw-M3x10	51 - 104
0360 3006N	Screw - M3x6	21 - 107
0360 3006N	Screw - M3x6	29 - 105
0360 3006N	Screw - M3x6	35 - 101
0360 3006N	Screw - M3x6	37 - 101
0360 3006N	Screw - M3x6	39 - 102
0360 3006N	Screw - M3x6	71 - 103
0360 3006N	Screw - M3x6	73 - 101
0360 3030N	Screw: M3x30	73 - 105
0434 0100N	Tapping Screw - 4x10	61 - 106
0450 3006N	Tapping Screw - M3x6	23 - 101
0450 3006N	Tapping Screw - M3x6	51 - 109
0450 3012N	Tapping Screw: 3x12	15 - 103
0450 3014N	Tapping Screw: M3x14	65 - 103
0450 4008N	Tapping Screw - M4x8	15 - 101
0451 3006N	Tapping Screw - 3x6	17 - 101
0451 3006N	Tapping Screw - 3x6	21 - 101
0451 3006N	Tapping Screw - 3x6	31 - 102
0451 3006N	Tapping Screw - 3x6	33 - 101
0451 3006N	Tapping Screw - 3x6	41 - 101
0451 3006N	Tapping Screw - 3x6	45 - 101
0451 3006N	Tapping Screw - 3x6	49 - 101
0451 3006N	Tapping Screw - 3x6	51 - 101
0451 3006N	Tapping Screw - 3x6	53 - 101
0451 3006N	Tapping Screw - 3x6	61 - 101
0451 3006N	Tapping Screw - 3x6	71 - 104
0451 3008N	Tapping Screw - M3x8	9 - 101
0451 3008N	Tapping Screw - M3x8	11 - 103

Part No.	Description	Page and Index No.
0451 3008N	Tapping Screw - M3x8	21 - 106
0451 3008N	Tapping Screw - M3x8	41 - 103
0451 3008N	Tapping Screw - M3x8	57 - 110
0451 3008N	Tapping Screw - M3x8	63 - 104
0451 3008N	Tapping Screw - M3x8	71 - 105
0451 3008N	Tapping Screw - M3x8	75 - 102
0451 3025N	Tapping Screw: M3x25	65 - 105
0451 4008N	Tapping Screw: 4x8	61 - 103
0452 3006N	Binding Self-Tapping Screw: 3x6	31 - 101
0452 3008N	Tapping Screw - M3x8	33 - 103
0452 3010N	Binding Self-Tapping Screw: 3x10	25 - 101
0453 3006N	Tapping Screw - M3x6	23 - 104
0453 3006N	Tapping Screw - M3x6	51 - 105
0453 3008N	Binding Self Tapping Screw: 3x8	15 - 102
0454 3006Q	Tapping Screw - M3x6	11 - 102
0454 3006Q	Tapping Screw - M3x6	13 - 105
0454 3006Q	Tapping Screw - M3x6	23 - 102
0454 3006Q	Tapping Screw - M3x6	25 - 103
0454 3006Q	Tapping Screw - M3x6	27 - 101
0454 3006Q	Tapping Screw - M3x6	29 - 101
0454 3006Q	Tapping Screw - M3x6	37 - 105
0454 3006Q	Tapping Screw - M3x6	45 - 102
0454 3006Q	Tapping Screw - M3x6	51 - 102
0454 3006Q	Tapping Screw - M3x6	55 - 101
0454 3006Q	Tapping Screw - M3x6	57 - 101
0454 3006Q	Tapping Screw - M3x6	59 - 101
0454 3006Q	Tapping Screw - M3x6	61 - 102
0454 3006Q	Tapping Screw - M3x6	63 - 101
0454 3006Q	Tapping Screw - M3x6	65 - 102
0454 3006Q	Tapping Screw - M3x6	67 - 101
0454 3006Q	Tapping Screw - M3x6	69 - 101
0454 3006Q	Tapping Screw - M3x6	71 - 101
0454 3006Q	Tapping Screw - M3x6	73 - 103
0454 3006Q	Tapping Screw - M3x6	75 - 101

Part No.	Description	Page and Index No.
0454 3008Q	Tapping Screw: 3x8	11 - 101
0454 3008Q	Tapping Screw: 3x8	17 - 106
0454 3008Q	Tapping Screw: 3x8	21 - 105
0454 3008Q	Tapping Screw: 3x8	55 - 104
0454 3008Q	Tapping Screw: 3x8	59 - 102
0454 3008Q	Tapping Screw: 3x8	63 - 102
0454 3008Q	Tapping Screw: 3x8	65 - 101
0454 3008Q	Tapping Screw: 3x8	67 - 102
0454 3008Q	Tapping Screw: 3x8	73 - 104
0454 3020Q	Tapping Screw: : 3x20	57 - 103
0454 3020Q	Tapping Screw: : 3x20	65 - 109
0456 3008N	Tapping Screw - M3x8	13 - 101
0456 3008N	Tapping Screw - M3x8	17 - 102
0456 3008N	Tapping Screw - M3x8	19 - 101
0456 3008N	Tapping Screw - M3x8	21 - 102
0456 3008N	Tapping Screw - M3x8	25 - 102
0456 3008N	Tapping Screw - M3x8	27 - 102
0456 3008N	Tapping Screw - M3x8	29 - 102
0456 3008N	Tapping Screw - M3x8	33 - 102
0456 3008N	Tapping Screw - M3x8	43 - 101
0456 3008N	Tapping Screw - M3x8	47 - 101
0456 3008N	Tapping Screw - M3x8	49 - 102
0456 3008N	Tapping Screw - M3x8	55 - 110
0456 3010N	Tapping Screw - M3x10	9 - 102
0456 3010N	Tapping Screw - M3x10	25 - 106
0456 3010N	Tapping Screw - M3x10	49 - 103
0456 3010N	Tapping Screw - M3x10	63 - 103
0457 3008N	Tapping Screw - M3x8	21 - 103
0457 3008N	Tapping Screw - M3x8	29 - 103
0458 3012N	Hexagon Head Tapping Screw: 3x12	9 - 103
0573 0030E	Hexagon Headless Set Screw - M3x3	39 - 104
0712 0030N	Hexagonal Nut: M3	13 - 104
0720 0025E	Retaining Ring - M2.5	29 - 106
0720 0025E	Retaining Ring - M2.5	53 - 103

Part No.	Description	Page and Index No.
0720 0030E	Retaining Ring - M3	27 - 103
0720 0030E	Retaining Ring - M3	37 - 107
0720 0030E	Retaining Ring - M3	39 - 103
0720 0030E	Retaining Ring - M3	41 - 102
0720 0030E	Retaining Ring - M3	45 - 106
0720 0030E	Retaining Ring - M3	47 - 103
0720 0030E	Retaining Ring - M3	53 - 104
0720 0040E	Retaining Ring - M4	17 - 104
0720 0040E	Retaining Ring - M4	29 - 104
0720 0040E	Retaining Ring - M4	45 - 104
0720 0040E	Retaining Ring - M4	49 - 107
0720 0040E	Retaining Ring - M4	51 - 106
0720 0040E	Retaining Ring - M4	59 - 104
0720 0040E	Retaining Ring - M4	61 - 107
0720 0060E	Retaining Ring - M6	37 - 108
0720 0060E	Retaining Ring - M6	55 - 102
0720 0080E	Retaining Ring - M8	15 - 104
0725 0110E	C Ring - M11	27 - 104
0733 0408	Bushing: 4x8	37 - 106
0740 3808	Ball Bearing - 8x16x5mm	57 - 105
0802 5299	Tapping Screw - M3x8	45 - 109
0802 5299	Tapping Screw - M3x8	63 - 105
0802 5299	Tapping Screw - M3x8	75 - 106
0802 5305	Tapping Screw - M3x6	75 - 104
0804 6123	Hexagonal Bolt: W/Washer: M3x8	35 - 102
0804 6123	Hexagonal Bolt: W/Washer: M3x8	37 - 102
0804 6123	Hexagonal Bolt: W/Washer: M3x8	39 - 105
0805 0088	Retaining Ring - M6	21 - 109
0805 0088	Retaining Ring - M6	23 - 103
0805 0088	Retaining Ring - M6	45 - 108
0805 0088	Retaining Ring - M6	55 - 111
0805 0088	Retaining Ring - M6	57 - 104
0805 0088	Retaining Ring - M6	75 - 103
0805 0089	Retaining Ring - M4	17 - 103

Part No.	Description	Page and Index No.
0805 0089	Retaining Ring - M4	19 - 102
0805 0089	Retaining Ring - M4	21 - 108
0805 0089	Retaining Ring - M4	23 - 106
0805 0089	Retaining Ring - M4	47 - 102
0805 0089	Retaining Ring - M4	55 - 105
0805 0089	Retaining Ring - M4	57 - 106
0805 0089	Retaining Ring - M4	61 - 104
0805 0092	Retaining Ring - 3m	43 - 102
0805 0092	Retaining Ring - 3m	51 - 103
0805 0092	Retaining Ring - 3m	53 - 105
0805 0092	Retaining Ring - 3m	65 - 104
0805 0097	Ring Separator	43 - 103
0805 0106	Retaining Rings-E: Silencer: Dia6	33 - 104
0951 3008N	Screw: Polished Round: M3x8	13 - 102
0951 3020N	Screw: Polished Round: M3x20	13 - 103
0954 3008N	Screw - M3x8	49 - 104
0954 3010N	Screw: Polished Round/Spring: M3x10	37 - 103
0954 3010N	Screw: Polished Round/Spring: M3x10	57 - 107
0957 4008N	Screw: Small Round/Spring: M4x8	37 - 104
0957 4008N	Screw: Small Round/Spring: M4x8	55 - 103
1102 4560	CT Connector 6P	59 - 103
1102 6246	Relay Connector - 3P	73 - 107
1102 8502	Connector - 54679-1615	71 - 107
1102 8534	Connector - Qr/P17-14s-B	67 - 105
1102 9782	Connector: 51405-1819	67 - 107
1105 0367	Spacer	57 - 102
1105 0367	Spacer	69 - 104
1105 0487	Harness Clamp	25 - 104
1105 0487	Harness Clamp	55 - 108
1105 0487	Harness Clamp	65 - 107
1105 0487	Harness Clamp	67 - 104
1105 0487	Harness Clamp	69 - 106
1105 0487	Harness Clamp	71 - 102
1105 0487	Harness Clamp	73 - 106

Part No.	Description	Page and Index No.
1105 0488	Harness Clamp	61 - 105
1105 0489	Harness Clamp - LWS 1316	67 - 103
1105 0489	Harness Clamp - LWS 1316	69 - 103
1105 0508	Harness Clamp - LWS-0711	49 - 105
1105 0511	Harness Clamp - LWS-0306ZC	17 - 105
1105 0511	Harness Clamp - LWS-0306ZC	21 - 112
1105 0511	Harness Clamp - LWS-0306ZC	45 - 105
1105 0511	Harness Clamp - LWS-0306ZC	49 - 106
1105 0511	Harness Clamp - LWS-0306ZC	51 - 107
1105 0511	Harness Clamp - LWS-0306ZC	53 - 107
1105 0511	Harness Clamp - LWS-0306ZC	55 - 106
1105 0511	Harness Clamp - LWS-0306ZC	57 - 108
1105 0511	Harness Clamp - LWS-0306ZC	61 - 109
1105 0511	Harness Clamp - LWS-0306ZC	73 - 108
1105 0516	Clamp	25 - 105
1105 0516	Clamp	51 - 108
1105 0522	Edge Saddle - LES0510	21 - 110
1105 0522	Edge Saddle - LES0510	55 - 107
1105 0522	Edge Saddle - LES0510	67 - 106
1105 0522	Edge Saddle - LES0510	75 - 105
1105 0534	Clamp	65 - 108
1105 0551	Clamp: LES-0505	21 - 111
1105 0551	Clamp: LES-0505	45 - 107
1105 0551	Clamp: LES-0505	53 - 106
1105 0568	Clamp: LWSS-0504	23 - 105
1105 0613	Clamp: EDS-1010I-V0	55 - 109
1105 0619	Clamp: LBWS-0605S-V0	57 - 109
1105 0623	Clamp - LBWS-0206S-V0	47 - 104
1105 0724	Clamps: Wes-1210	69 - 102
1150 0377	Power Supply Code: 250V: 10A: EU	9 - 104
1150 0438	Power Supply Code: AC125V: 15A: NA	9 - 104
1204 2612	Micro Switch: D3V-16506-3C25	65 - 106
1204 2903	Rocker Switch: A8GS-TGP85KR	71 - 106
1407 7677	EEPROM: BR24T64-W	69 - 105

