



RICOH UNIVERSITY

Learning ♦ Knowledge ♦ Performance



# M052/M053/M054 PARTS CATALOG

**LANIER RICOH SAVIN®**



It is the reader's responsibility when discussing the information contained within this document to maintain a level of confidentiality that is in the best interest of Ricoh Americas Corporation and its member companies.

**NO PART OF THIS DOCUMENT MAY BE REPRODUCED IN ANY  
*FASHION AND DISTRIBUTED WITHOUT THE PRIOR  
PERMISSION OF RICOH AMERICAS CORPORATION.***

All product names, domain names or product illustrations, including desktop images, used in this document are trademarks, registered trademarks or the property of their respective companies.

They are used throughout this book in an informational or editorial fashion only and for the benefit of such companies. No such use, or the use of any trade name, or web site is intended to convey endorsement or other affiliation with Ricoh products.



# LEGEND

PRODUCT CODE	COMPANY		
	LANIER	RICOH	SAVIN
M052	SP5200S	Aficio SP5200S	SP5200S
M053	SP5210SF	Aficio SP5210SF	SP5210SF
M054	SP5210SR	Aficio SP5210SR	SP5210SR
M381	Fax Option Type SP5200		
M375/M376/M386/M389	PAPER FEED UNIT TK1090/TK1100/TK1120/TK1130		

# DOCUMENTATION HISTORY

REV. NO.	DATE	COMMENTS
*	011/2011	Original Printing



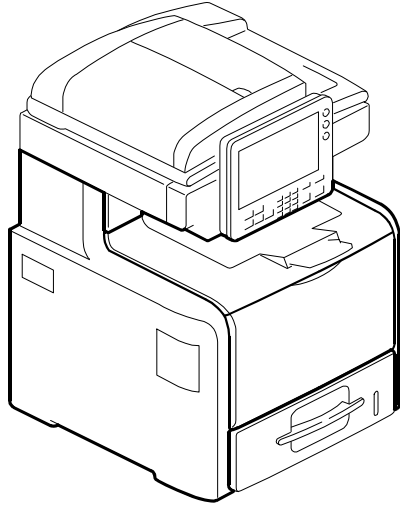
**M052/M053/M054**  
**PARTS LOCATION AND LIST**

This section shows you the part numbers and descriptions used on this machine.



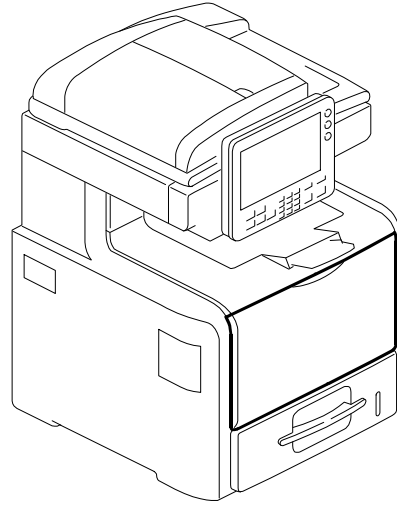
## LOCATIONS OF UNITS

1. Exterior 1 (M052/M053/M054)



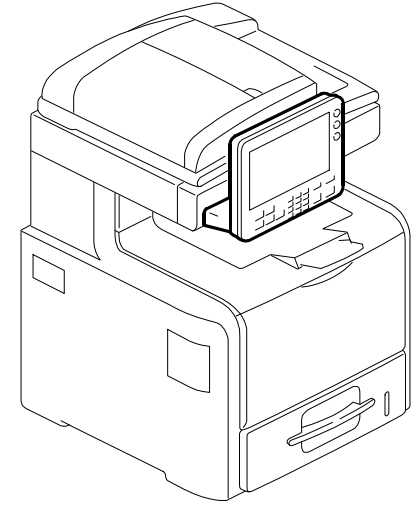
See Page 11

2. Exterior 2 (M052/M053/M054)



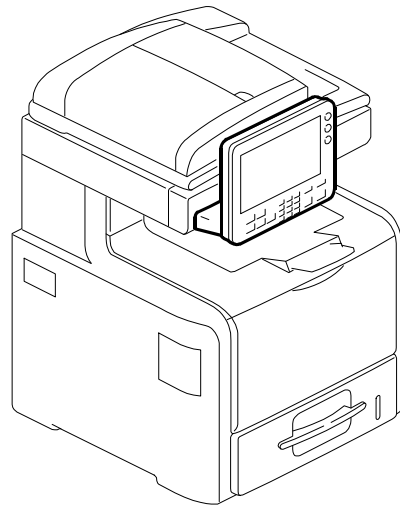
See Page 13

3. Operation Panel 1 (M052/M053/M054)



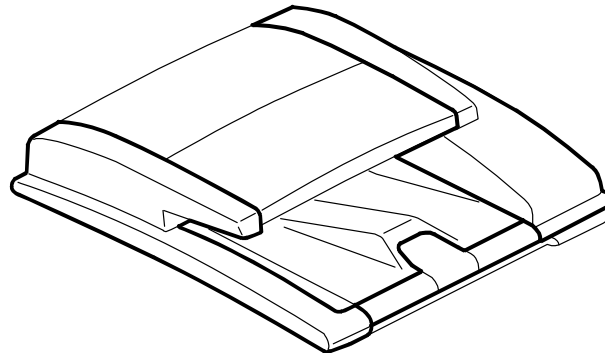
See Page 15

4. Operation Panel 2 (M052/M053/M054)



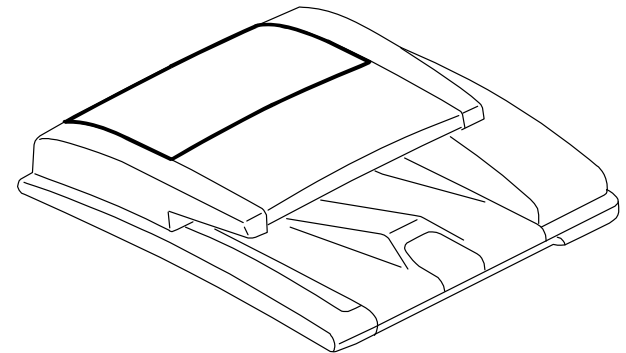
See Page 17

5. ADF Section 1 (M052/M053/M054)



See Page 19

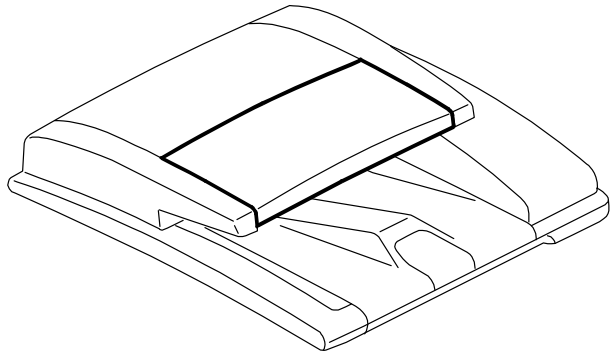
6. ADF Section 2 (M052/M053/M054)



See Page 21

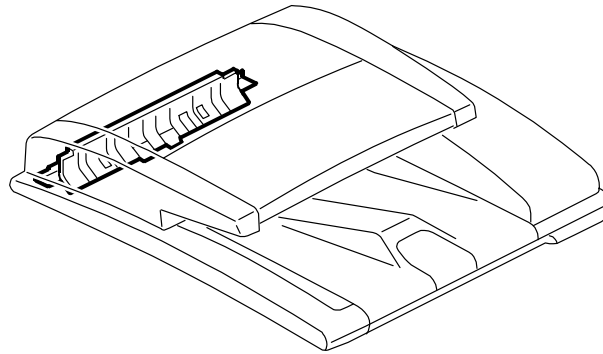
## LOCATIONS OF UNITS

7. ADF Section 3 (M052/M053/M054)



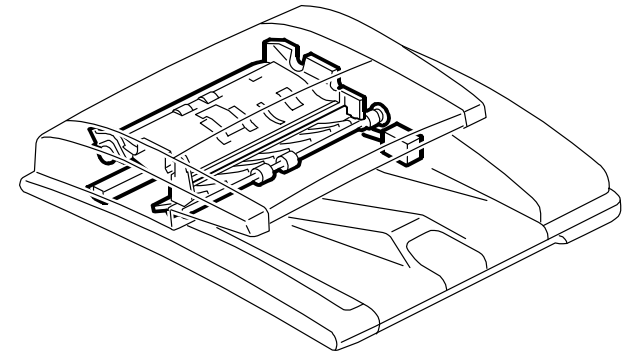
See Page 23

8. ADF Section 4 (M052/M053/M054)



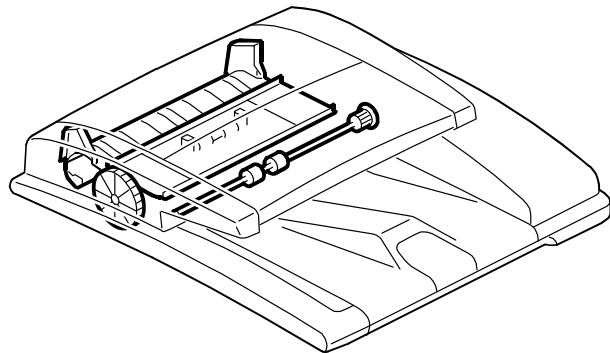
See Page 25

9. ADF Section 5 (M052/M053/M054)



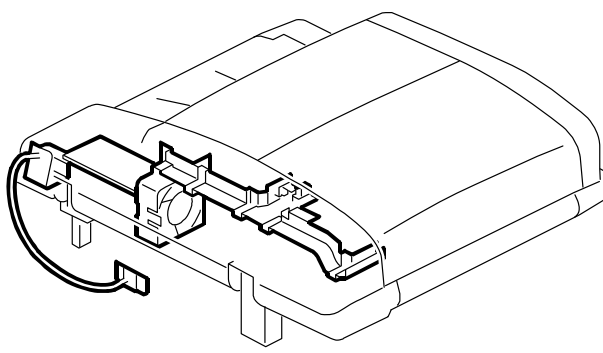
See Page 27

10. ADF Section 6 (M052/M053/M054)



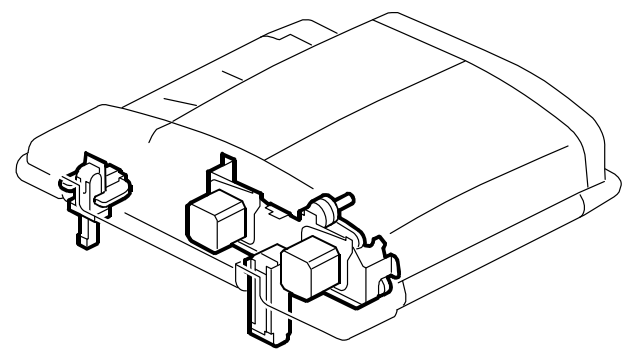
See Page 29

11. ADF Section 7 (M052/M053/M054)



See Page 31

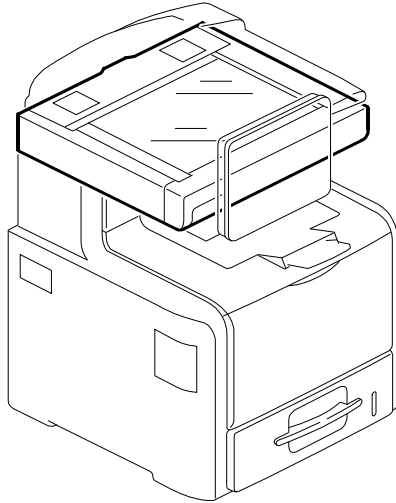
12. ADF Section 8 (M052/M053/M054)



See Page 33

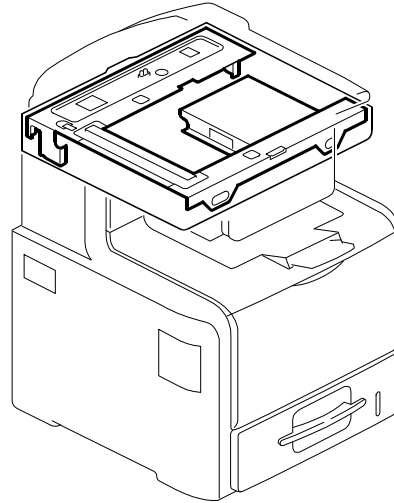
## LOCATIONS OF UNITS

13. Scanner section 1 (M052/M053/M054)



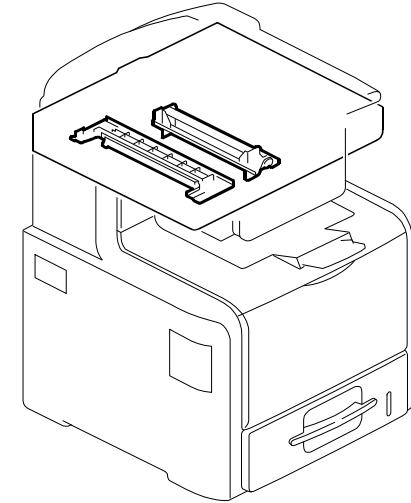
See Page 35

14. Scanner section 2 (M052/M053/M054)



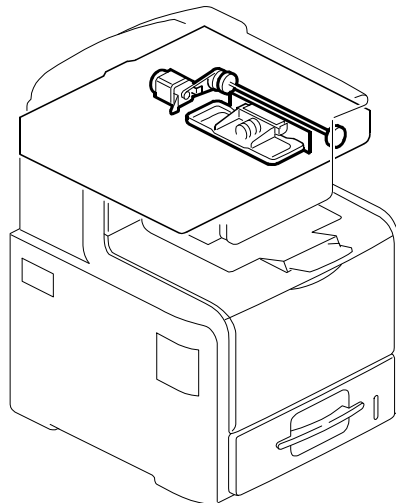
See Page 37

15. Scanner section 3 (M052/M053/M054)



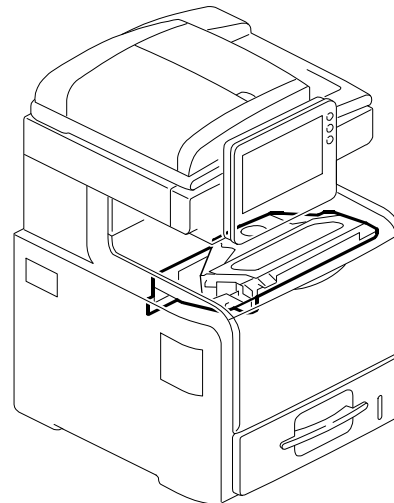
See Page 39

16. Scanner section 4 (M052/M053/M054)



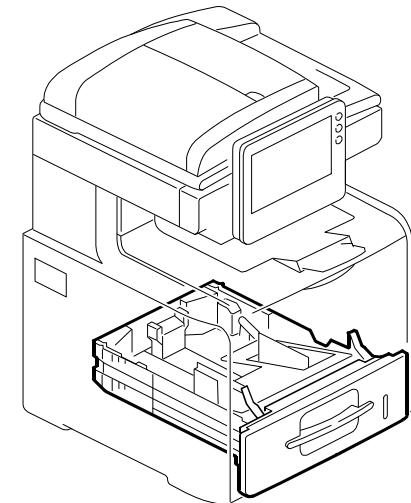
See Page 41

17. Laser Unit (M052/M053/M054)



See Page 43

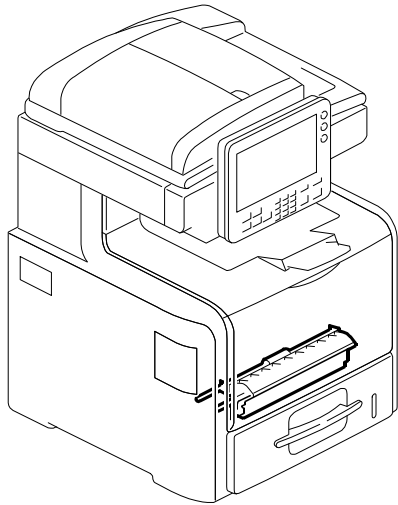
18. Paper Tray (M052/M053/M054)



See Page 45

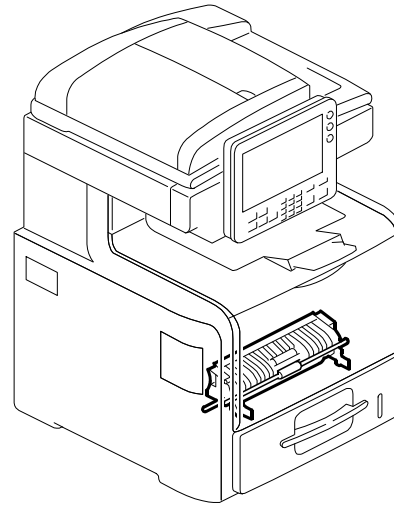
## LOCATIONS OF UNITS

19. Paper Feed 1 (M052/M053/M054)



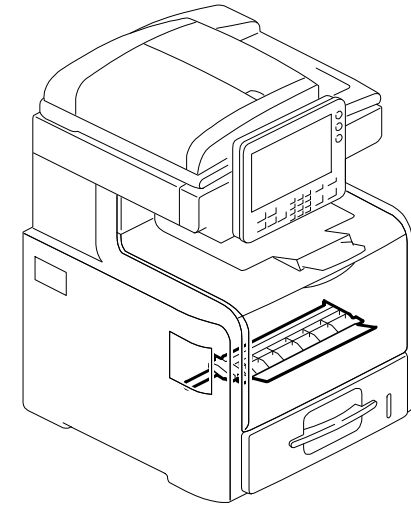
See Page 47

20. Paper Feed 2 (M052/M053/M054)



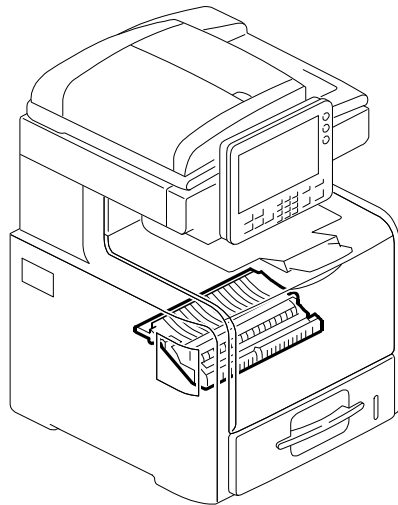
See Page 49

21. Paper Resist (M052/M053/M054)



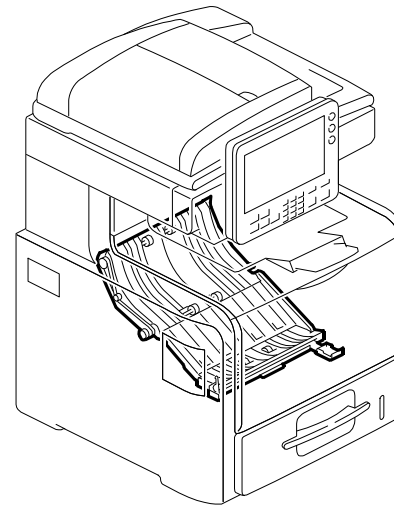
See Page 51

22. Paper Transfer 1 (M052/M053/M054)



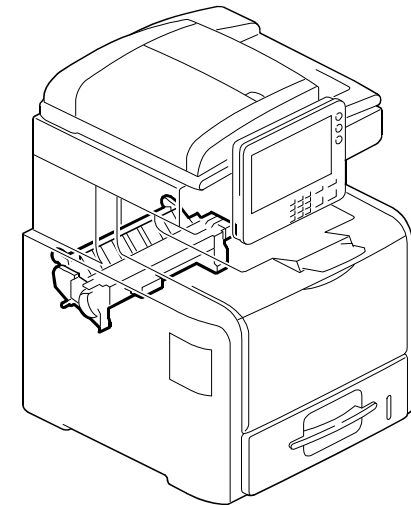
See Page 53

23. Paper Transfer 2 (M052/M053/M054)



See Page 55

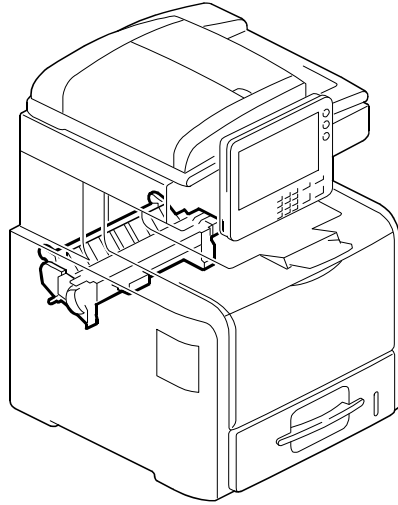
24. Fusing Unit 1 (M052/M053/M054)



See Page 57

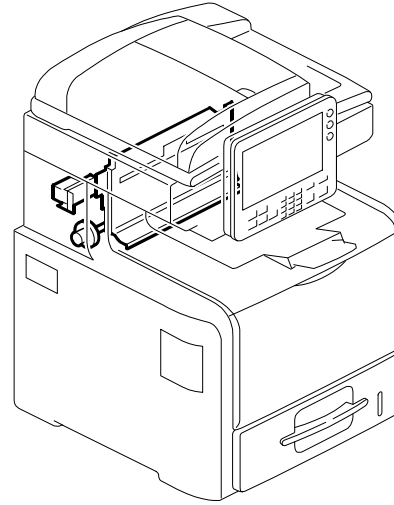
## LOCATIONS OF UNITS

25. Fusing Unit 2 (M052/M053/M054)



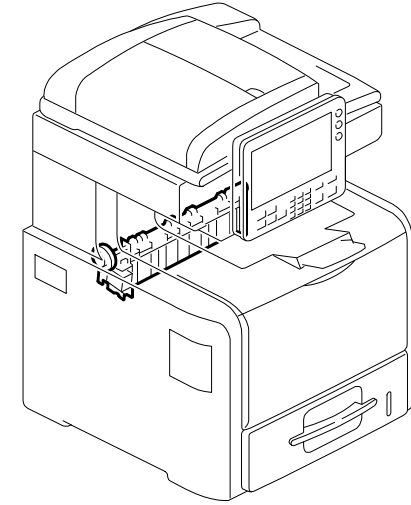
See Page 59

26. Paper Exit 1 (M052/M053/M054)



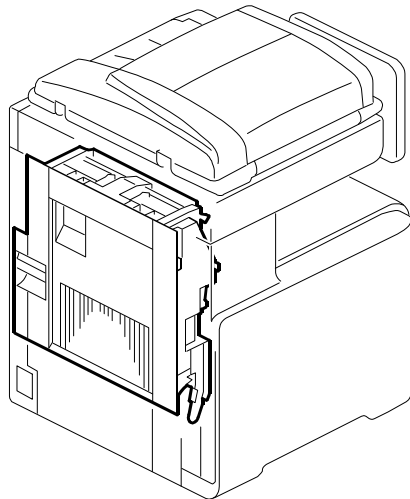
See Page 61

27. Paper Exit 2 (M052/M053/M054)



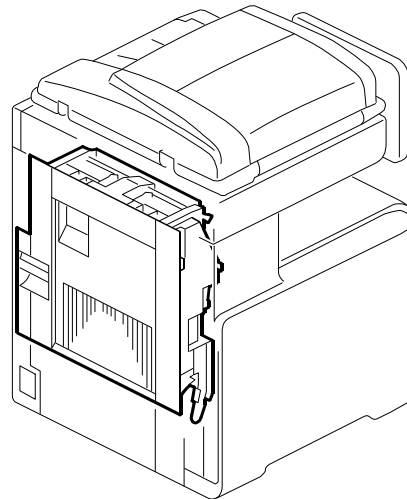
See Page 63

28. Duplex Unit 1 (M052/M053/M054)



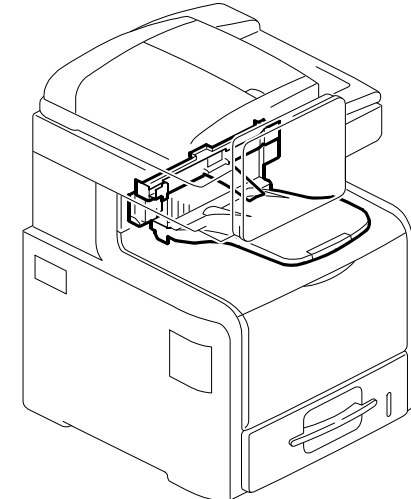
See Page 65

29. Duplex Unit 2 (M052/M053/M054)



See Page 67

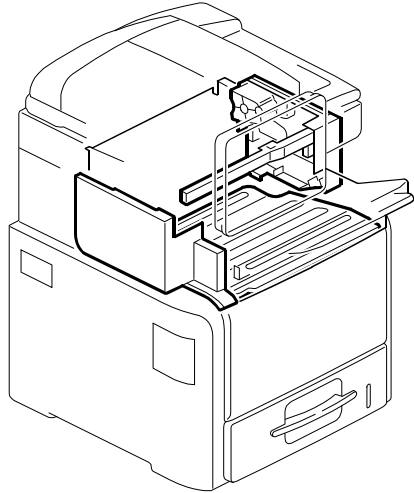
30. 1bin Tray (M052/M053/M054)



See Page 69

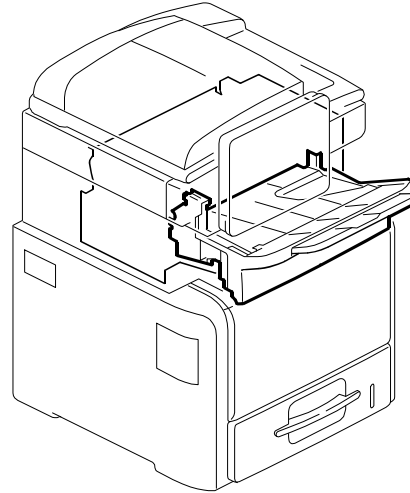
## LOCATIONS OF UNITS

31. Finisher Section 1 (M052/M053/M054)



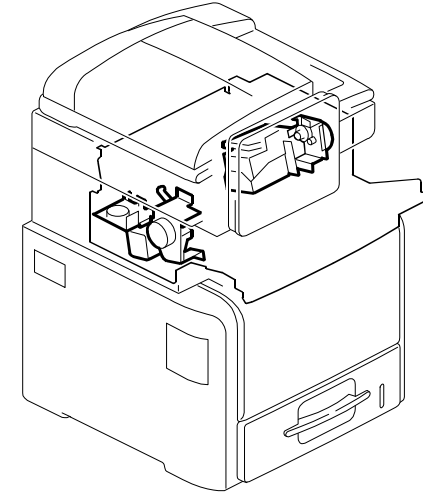
See Page 71

32. Finisher Section 2 (M052/M053/M054)



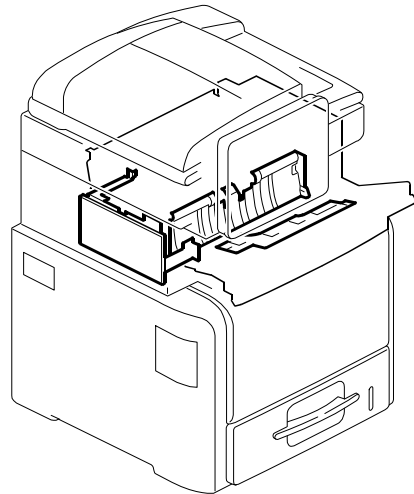
See Page 73

33. Finisher Section 3 (M052/M053/M054)



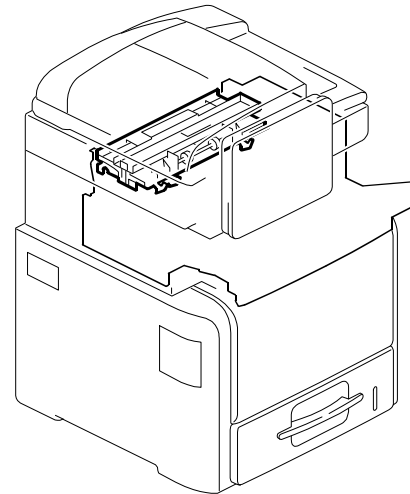
See Page 75

34. Finisher Section 4 (M052/M053/M054)



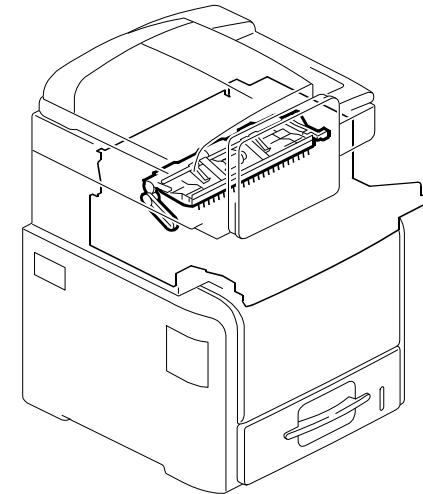
See Page 77

35. Finisher Section 5 (M052/M053/M054)



See Page 79

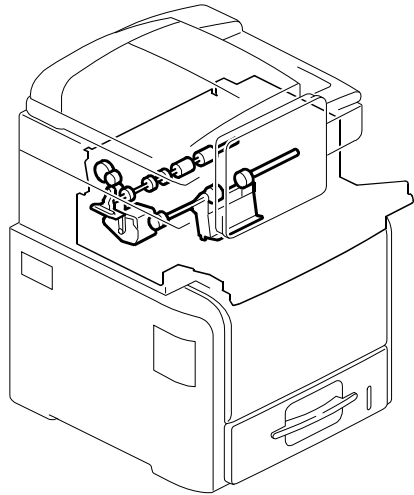
36. Finisher Section 6 (M052/M053/M054)



See Page 81

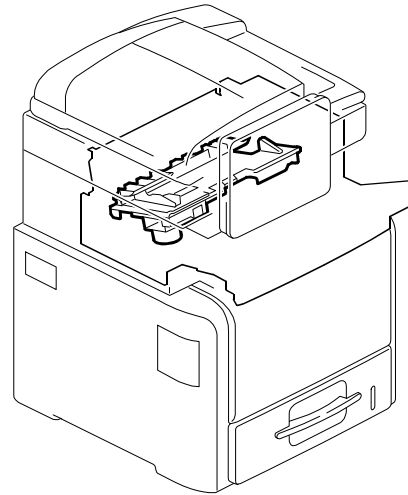
## LOCATIONS OF UNITS

37. Finisher Section 7 (M052/M053/M054)



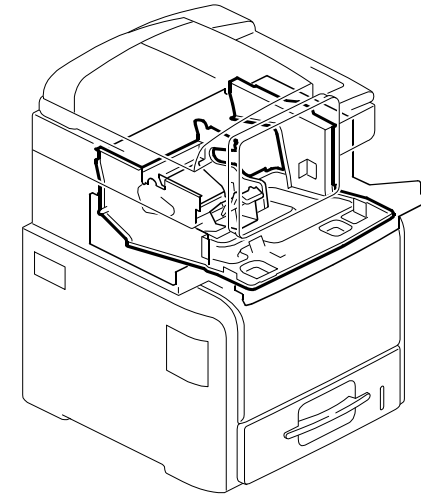
See Page 83

38. Finisher Section 8 (M052/M053/M054)



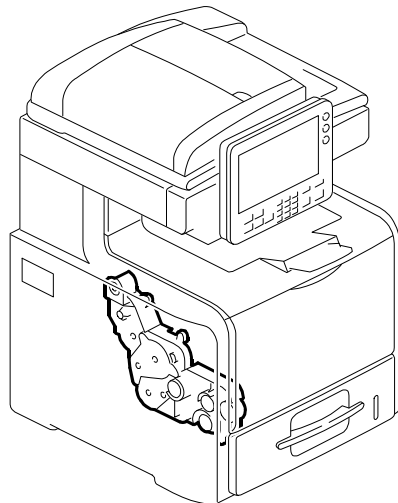
See Page 85

39. Finisher Section 9 (M052/M053/M054)



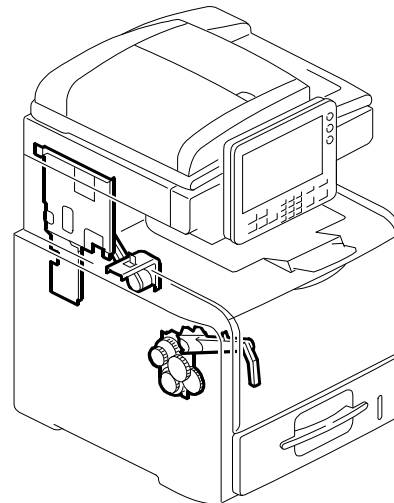
See Page 87

40. Drive Section 1 (M052/M053/M054)



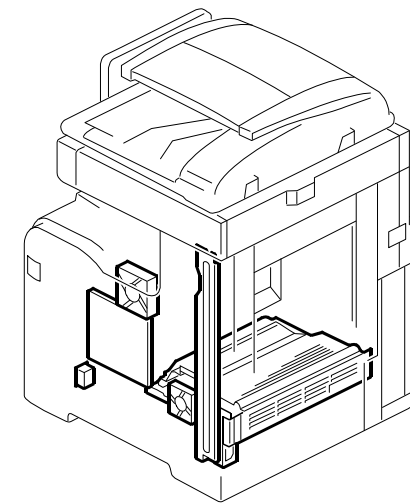
See Page 89

41. Drive Section 2 (M052/M053/M054)



See Page 91

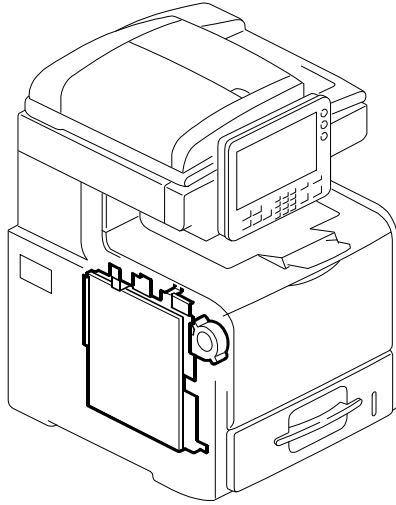
42. Electrical Section 1 (M052/M053/M054)



See Page 93

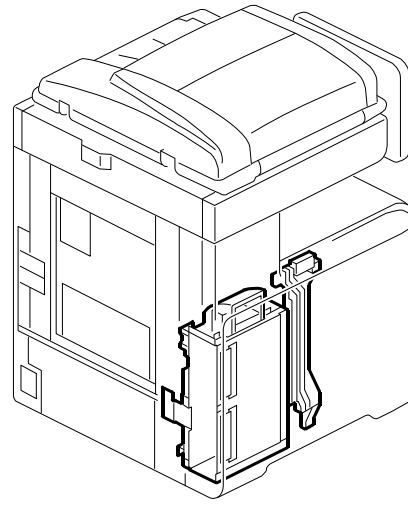
## LOCATIONS OF UNITS

43. Electrical Section 2 (M052/M053/M054)



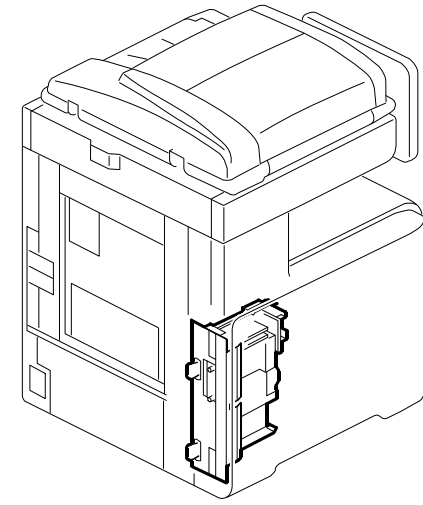
See Page 95

44. Electrical Section 3 (M052/M053/M054)



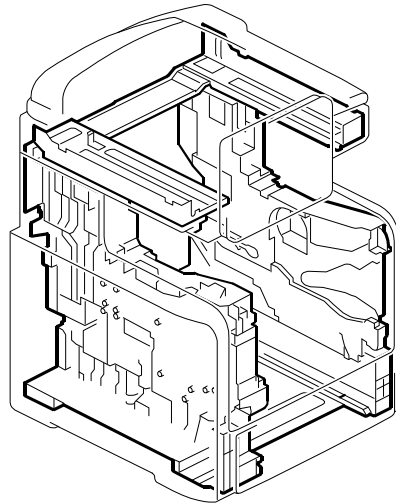
See Page 97

45. Controller Unit (M052/M053/M054)



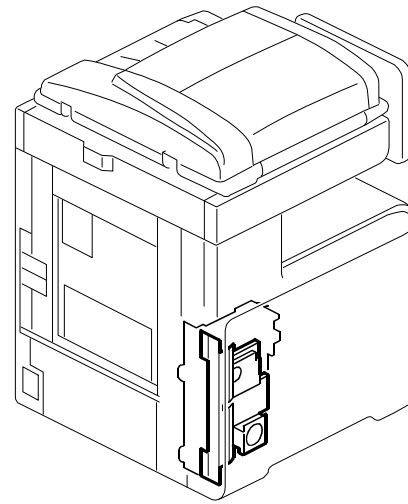
See Page 99

46. Frame Section (M052/M053/M054)



See Page 101

47. Fax Unit (M052/M053/M054)

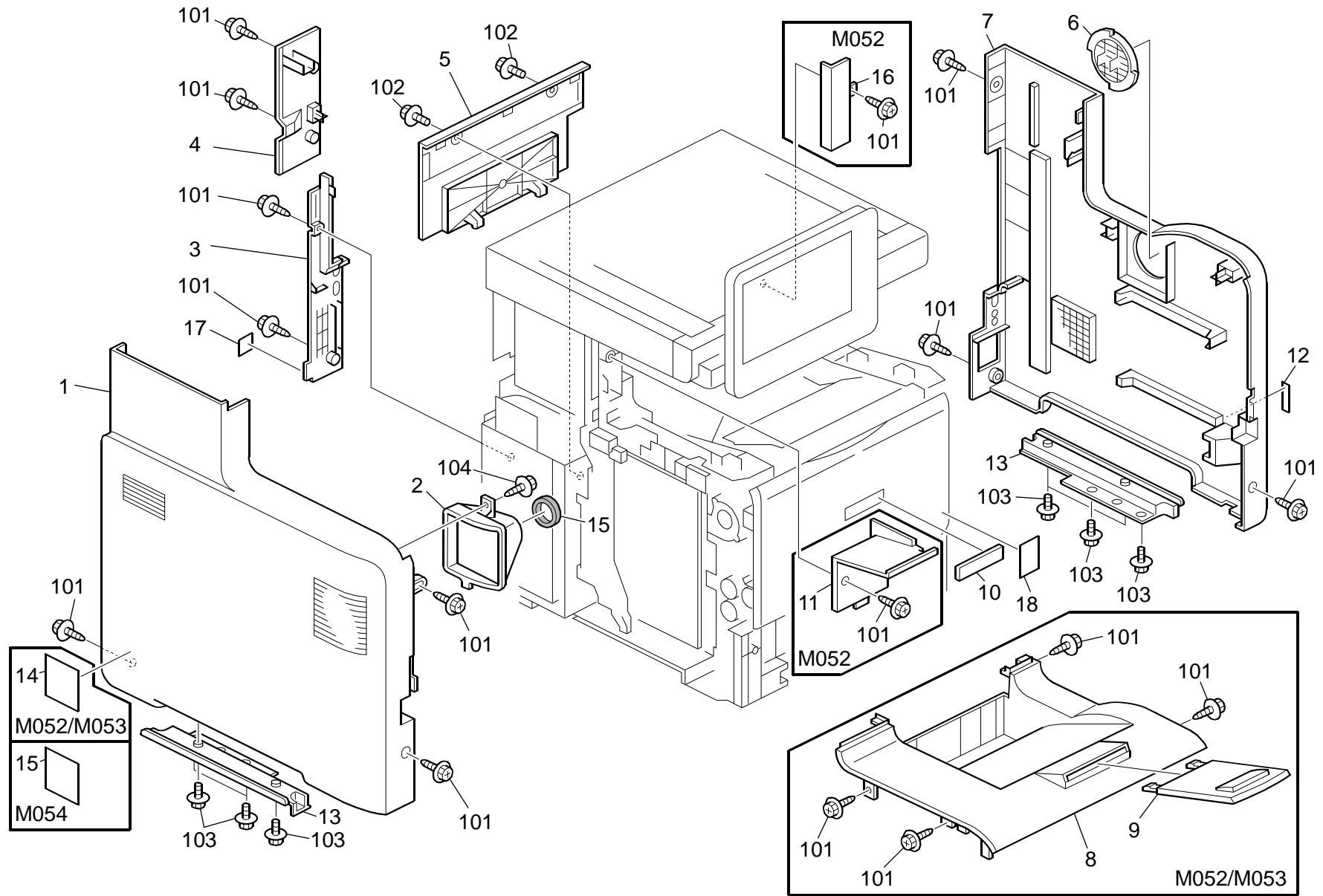


See Page 103





# 1.Exterior 1 (M052/M053/M054)

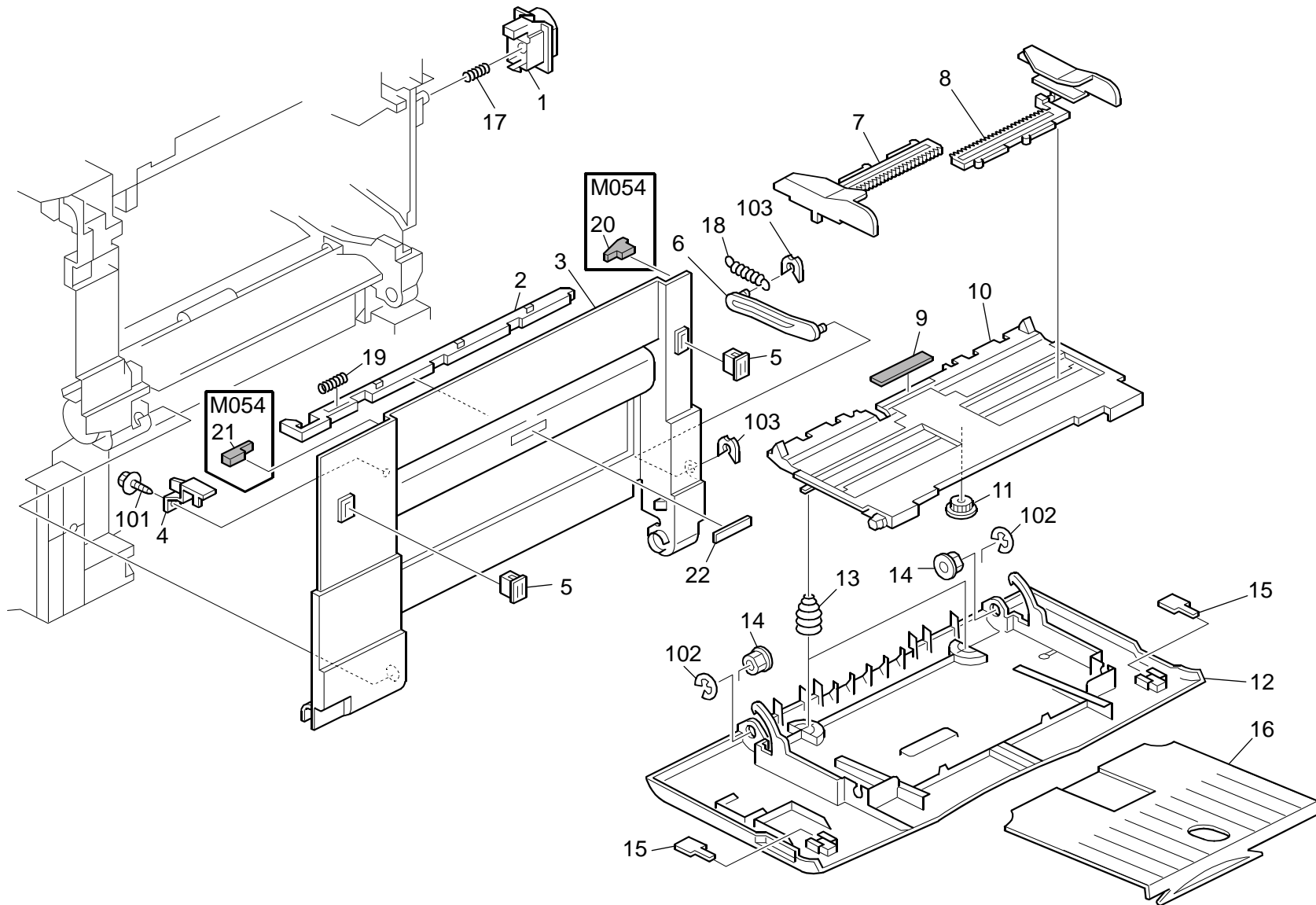


### 1.Exterior 1 (M052/M053/M054)

Index No.	Part No.	Description	Q'ty Per Assembly
1	M052 1718	Cover: Left: NA	1
1	M052 1719	Cover: Left: EU	1
2	M052 1263	Duct: Cover: Left	1
3	M052 1736	Cover: CTL: Rear Left: NA	1
3	M052 1735	Cover: CTL: Rear Left: EU	1
4	M052 1746	Cover: CTL: Rear Left: Upper: NA	1
4	M052 1745	Cover: CTL: Rear Left: Upper: EU	1
5	M052 5131	Cover: Power Supply Unit: Rear	1
6	M052 1282	Louver	1
7	M052 1717	Cover: Right: NA	1
7	M052 1721	Cover: Right: EU	1
8	M052 1726	Cover: Upper: NA	1
8	M052 1725	Cover: Upper: EU	1
9	M052 1775	Extention Tray: Exit: EU	1
9	M052 1776	Extention Tray: Exit: NA	1
10	M052 1210	Plate: Logo: RIC	1
11	M052 1731	Cover: Left: Upper: EU: M052	1
11	M052 1732	Cover: Left: Upper: NA/AA	1
12	M052 6934	Decal: Main Switch: NA	1
12	M052 6935	Decal: Main Switch: EU	1
13	M052 2009	Cover: Handle	2
14	M052 6939	Decal: Caution: Weight: MF	1
14	M052 6940	Decal: Caution: Weight: $\mu$ FFinisher	1
15	M052 1264	Cushion: Duct: MF	1
16	M052 1741	Cover: Right: Upper: EU	1
16	M052 1742	Cover: Right: Upper: NA	1
17	B121 7450	Decal: WEEE: EU	1
18	GA00 3245	Decal: Energy Star: PS3: ABS	1

Index No.	Part No.	Description	Q'ty Per Assembly
101	0450 3008N	Tapping Screw - M3x8	
102	0360 3006N	Screw - M3x6	
103	0451 3006N	Screw: Flange: M3.0x6	
104	0450 3010N	Tapping Screw - M3x10	

## 2.Exterior 2 (M052/M053/M054)

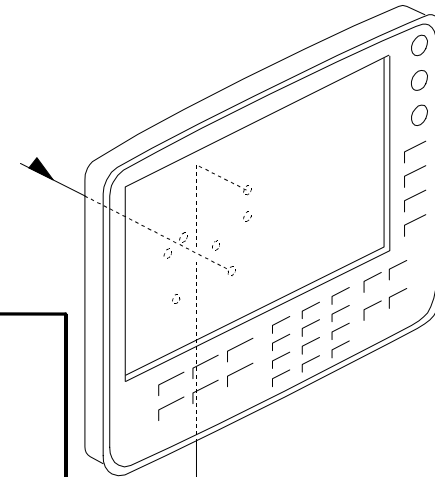
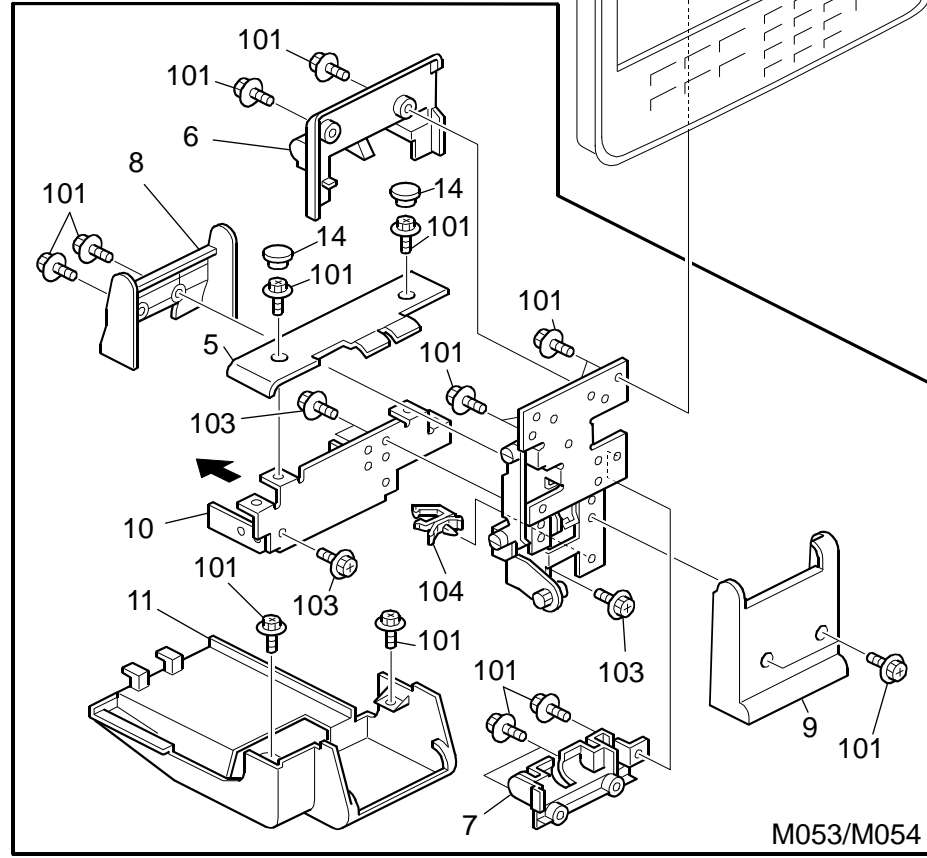
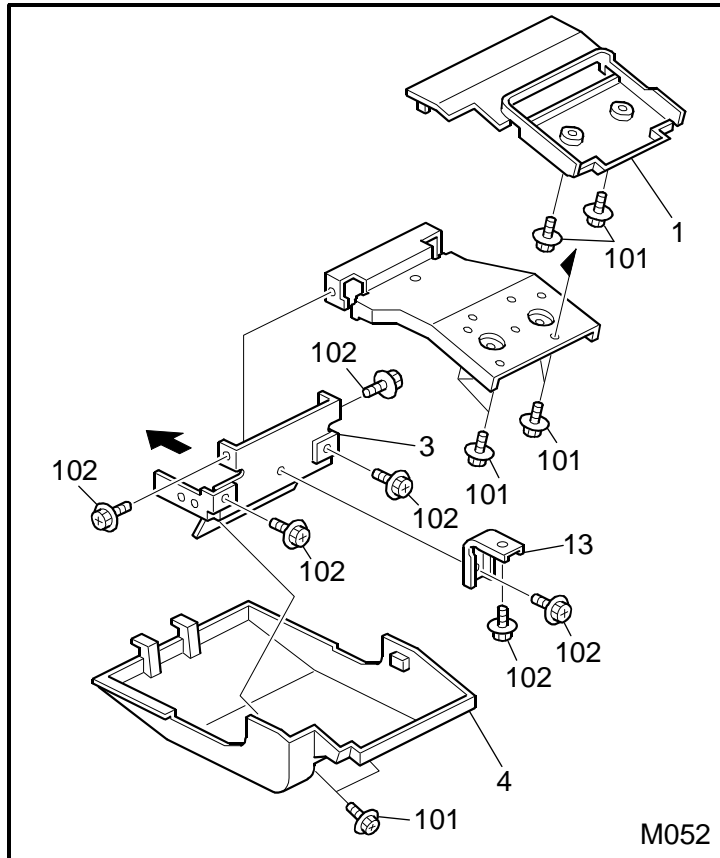
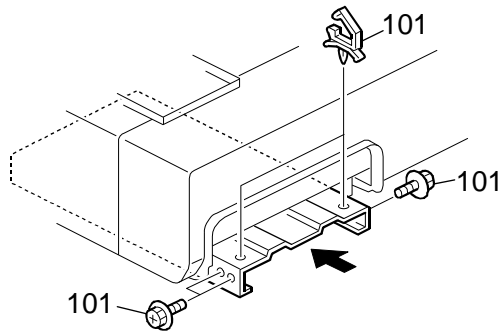


## 2.Exterior 2 (M052/M053/M054)

Index No.	Part No.	Description	Q'ty Per Assembly
1	M052 1268	Button: Door: Lever	1
2	M052 1250	Lever: Door	1
3	M052 1712	Door: Front: NA	1
3	M052 1711	Door: Front: EU	1
4	M052 1254	Feeler: Shutter	1
5	AA02 1031	Magnetic Catch	2
6	M052 2026	Link: Door: Front	1
7	M021 2753	Side Fence: Manual Feed: Left	1
8	M021 2752	Side Fence: Manual Feed: Right	1
9	G555 3069	Pad: Base	1
10	M021 2751	Base: Manual Feed	1
11	M021 2758	Gear: Side Fence	1
12	M052 2757	Cover: Front: NA	1
12	M052 2756	Cover: Front: EU	1
13	G052 3278	Spring - Bypass	2
14	M021 2771	Hinge: Cover: Manual Feed	2
15	B039 1361	Magnet Catch	2
16	M052 2755	Extension Tray: Manual Feed	1
17	M021 1256	Coil Spring: Button: Door	1
18	M052 2028	Coil Spring: Link	1
19	M052 2027	Compression Spring: Door: Lever	1
20	M054 2021	Cushion: Door: Right	1
21	M054 2022	Cushion: Door: Left	1
22	M052 1211	Decal: Logo: RIC	1

Index No.	Part No.	Description	Q'ty Per Assembly
101	0450 3008N	Tapping Screw - M3x8	
102	0720 0080G	C-ring - M8	
103	0805 0089	Retaining Ring - M4	

### 3.Operation Panel 1 (M052/M053/M054)

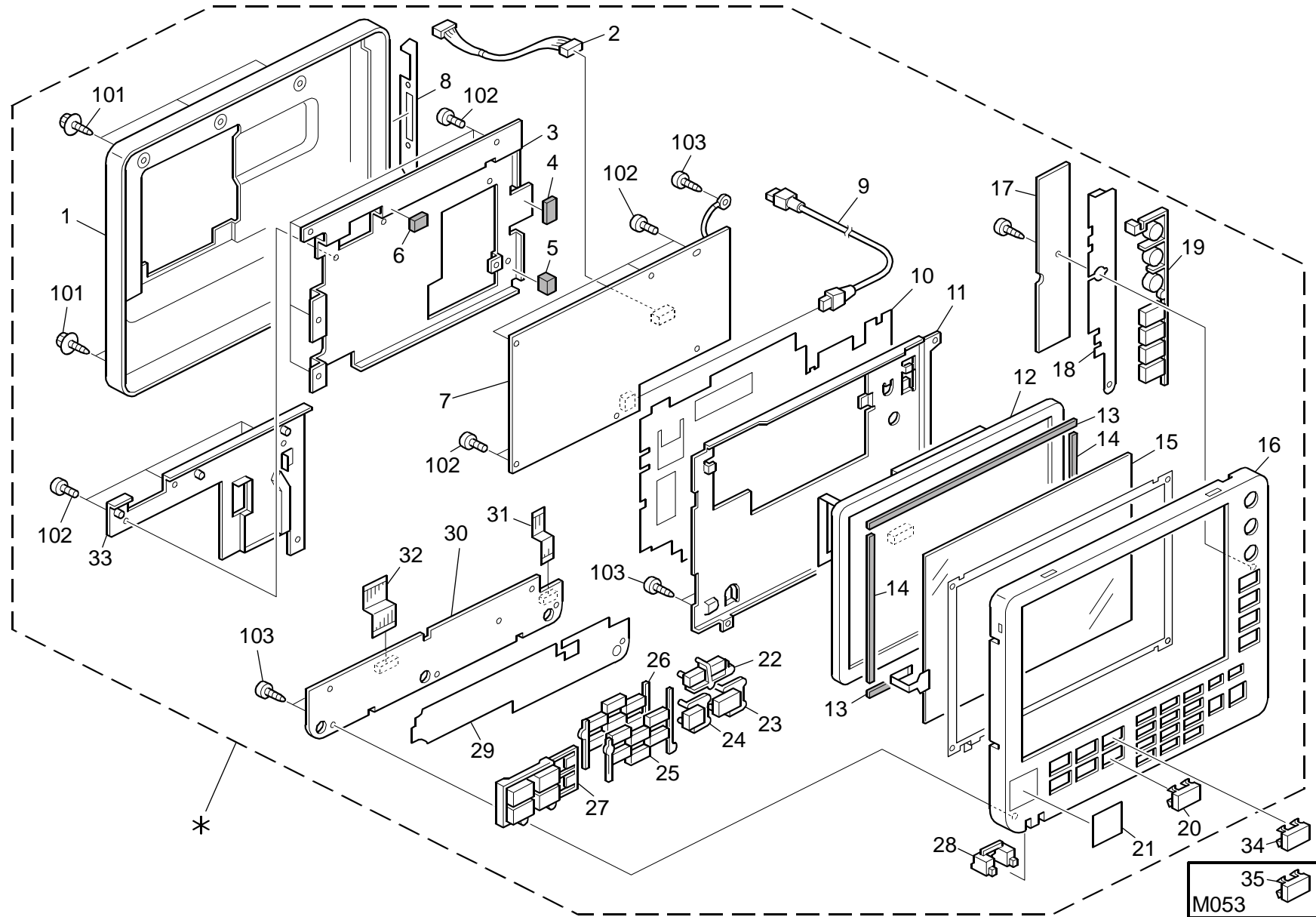


### 3.Operation Panel 1 (M052/M053/M054)

Index No.	Part No.	Description	Q'ty Per Assembly
1	M052 1593	Cover: Operation Panel: Upper: M052	1
2	M052 1592	Bracket: Operation Sub-unit: MF1A	1
3	M052 1591	Bracket: Supporter: Operation Panel: B: M052	1
4	M052 1594	Cover: Operation Panel: Lower: M052	1
5	M054 1595	Cover: Operation Panel: Upper: M053	1
6	M054 1591	Cover: Operation Panel: A	1
7	M054 1592	Cover: Operation Panel: B	1
8	M054 1593	Cover: Tilt: Upper	1
9	M054 1594	Cover: Tilt: Lower	1
10	M054 1597	Bracket: Supporter: Operation Panel: B: M053	1
11	M054 1596	Cover: Operation Panel: Lower: M053	1
12	M054 1590	Hinge: Ass'y	1
13	M052 1595	Bracket: Support: OP: C	1
14	M054 1598	Cap: Cover: OP	2

Index No.	Part No.	Description	Q'ty Per Assembly
101	0451 3006N	Tapping Screw - 3x6	
102	0360 4006N	Screw - M4x6	
103	0451 4008N	Tapping Screw: 4x8	
104	1105 0487	Harness Clamp	

## 4.Operation Panel 2 (M052/M053/M054)





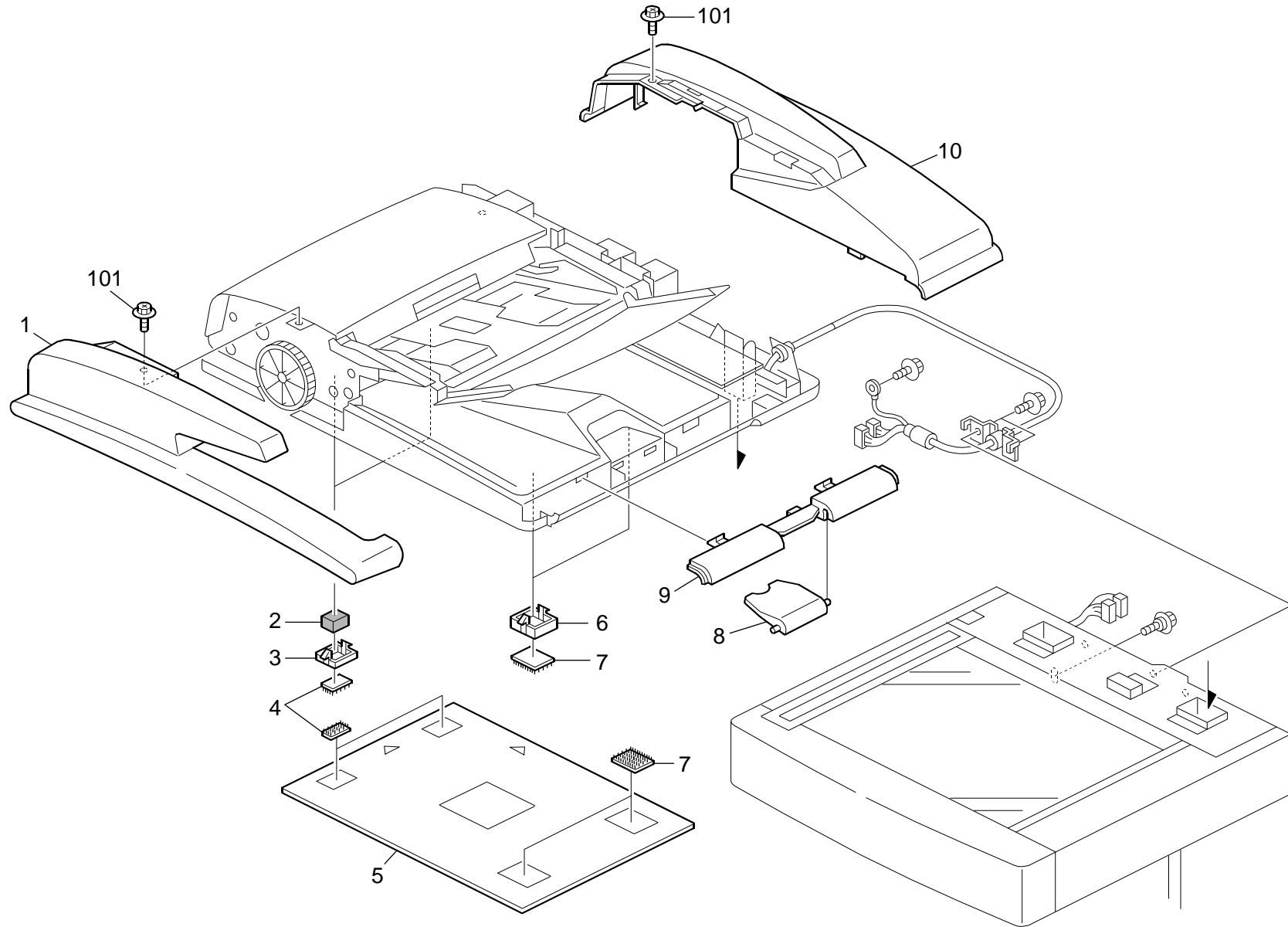
#### 4.Operation Panel 2 (M052/M053/M054)

Rev. 12/15/2011

Index No.	Part No.	Description	Q'ty Per Assembly
*	M052 1411	Operation Panel: EU: Ass'y	1
*	M052 1412	Operation Panel: AA: Ass'y	1
*	M052 1420	Operation Sub-unit: SNK-GW: NA: Ass'y	1
1	M026 1570	Cover: Rear: SNK	1
2	M052 1480	Harness: Joint: Power Source	1
3	M026 1572	M0521572	1
4	M026 1552	Gasket: Bracket: Rear	1
5	M026 1551	Gasket: SD	1
6	M026 1550	Gasket: LCD	1
7	M052 1487	PCB: LCDC: NA: Ass'y	1
7	M052 1488	PCB: LCDC: EU: Ass'y	1
7	M052 1497	PCB: LCDC: AA: Ass'y	1
8	M026 1554	Sheet: Side	1
9	M052 1481	Cable: Joint: USB: Mini_B	1
10	M026 1555	Sheet: LCDC	1
11	M026 1571	M0521571	1
12	M026 1498	LCD: TFT: W-VGA: MV	1
13	B238 1535	LCD Spacer B	2
14	B238 1534	LCD Spacer A	2
15	D029 1484	Touch Panel: WVGA: FU-ACF	1
16	M026 1531	Cover: Front: NA	1
17	M026 1452	PCB: Key: Sub: Ass'y	1
18	D026 1469	Sheet: Keypop: B	1
19	M026 1539	Keypop: Power Source	1
20	M026 1545	Keypop: Other: NA	2
20	M026 1564	Keypop: Other: EU	1
21	M026 1553	Sheet: Journal: NA	1
22	M026 1534	Keypop: Reset Switch	1
23	M026 1532	Keypop: Start	1
24	M026 1533	Keypop: Clear/Stop	1
25	M026 1536	Keypop: 10key: 1: NA	1
25	M026 1558	Keypop: 10key: 1: EU	1
25	M026 1560	Keypop: 10key: 1: AA	1
26	M026 1538	Keypop: 10key: 2: NA	1
26	M026 1559	Keypop: 10key: 2: EU	1

Index No.	Part No.	Description	Q'ty Per Assembly
27	M026 1541	Keypop: Application: NA	1
27	M026 1562	Keypop: Application: EU	1
28	M026 1546	Lens: Front	1
29	D026 1568	Sheet: Keypop: A	1
30	M026 1458	PCB: Key: Main: Ass'y	1
31	M026 1484	Cable: FFC: Key: Sub	1
32	M026 1483	Cable: FFC: Key: Main	1
33	M052 1571	Cover: Inner: SNK	1
34	M026 1556	Keypop: Blank	1
35	M026 1563	Keypop: Fax: EU	2
101	0802 5321	Binding Head Tapping Screw: 3x10	
102	0353 0040N	Screw - M3x4	
103	0802 5314	Binding Head Tapping Screw: 3x8	

## 5.ADF Section 1 (M052/M053/M054)

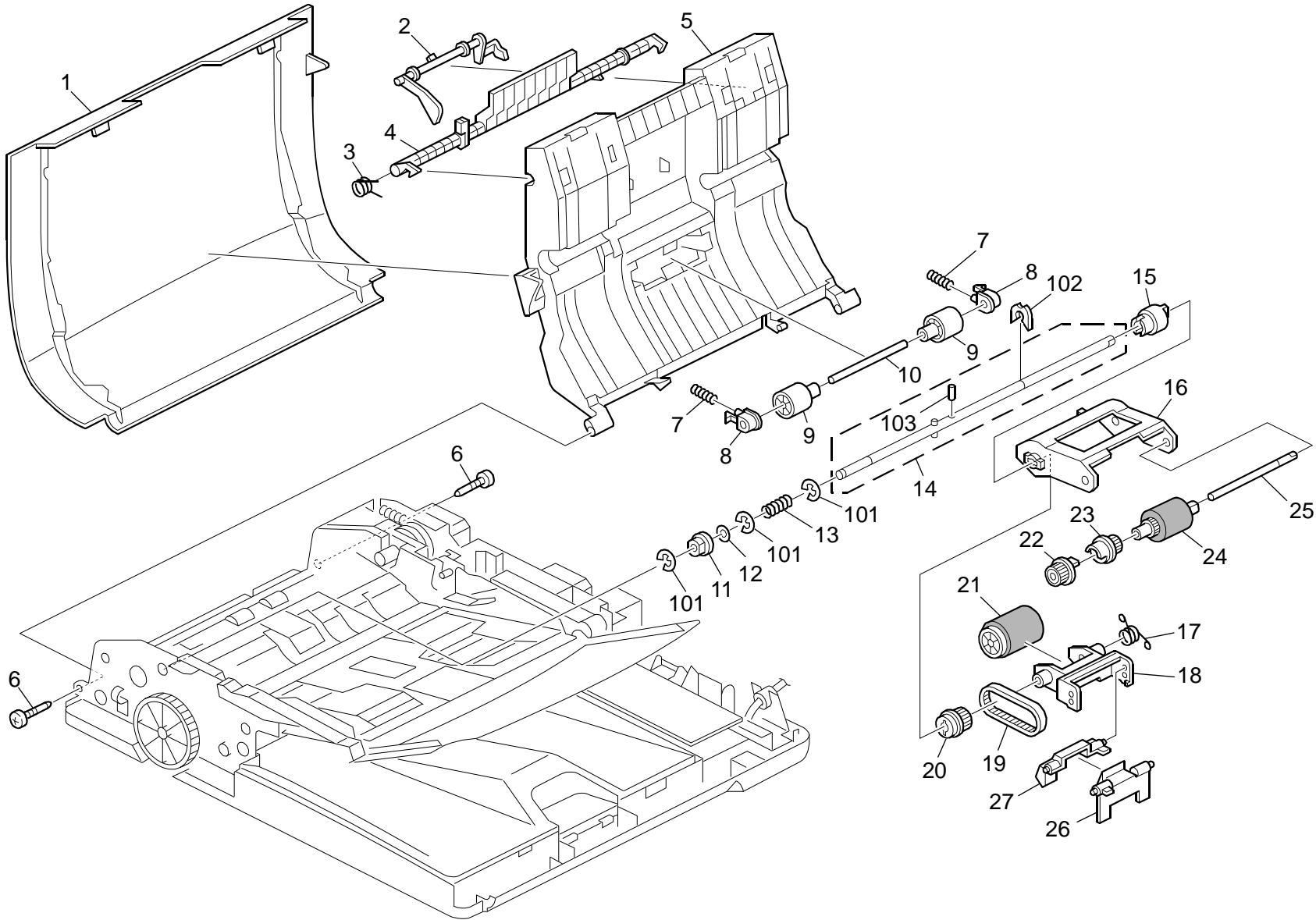


### 5.ADF Section 1 (M052/M053/M054)

Index No.	Part No.	Description	Q'ty Per Assembly
1	M364 4521	Cover: Front	1
2	M364 1386	Cushion: Pressure Plate	2
3	M364 1387	Bracket: Pressure Plate	2
4	M364 4821	Tape: Pressure Plate: Left	2
5	M364 4811	Pressure Plate	1
6	M364 1381	Holder: Pressure Plate: Right	2
7	M364 4823	Tape: Pressure Plate	2
8	M364 4536	Tray: Auxiliary	1
9	M364 4531	Cover: Right	1
10	M364 4511	Cover: Rear	1

Index No.	Part No.	Description	Q'ty Per Assembly
101	0451 3006N	Tapping Screw - 3x6	
102	0360 3006N	Screw - M3x6	

## 6.ADF Section 2 (M052/M053/M054)



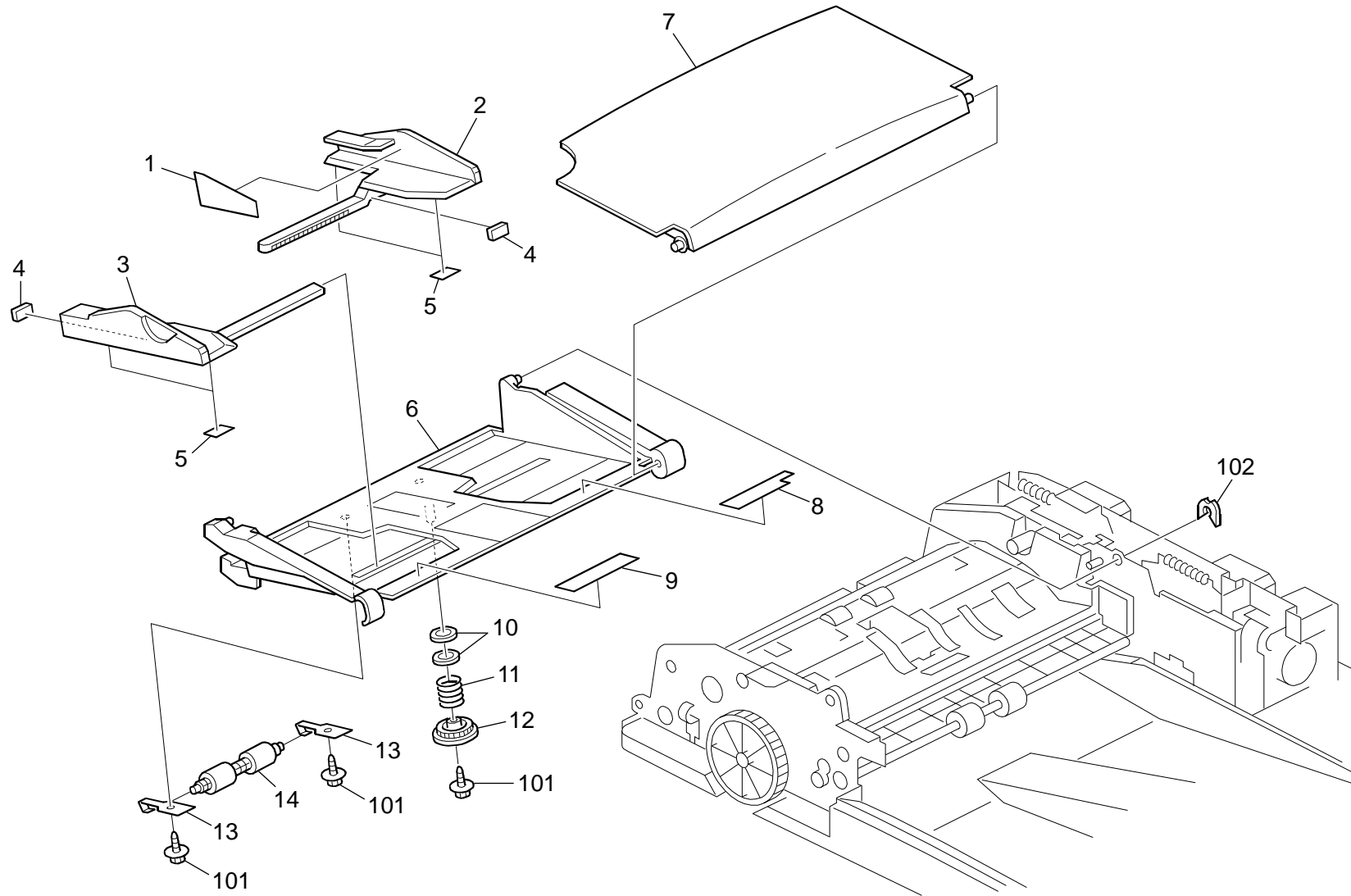
## 6.ADF Section 2 (M052/M053/M054)

Rev. 12/15/2011

Index No.	Part No.	Description	Q'ty Per Assembly
1	M364 4611	Cover: Paper Feed	1
2	M364 4626	Feeler: Original Sensor	1
3	M364 4622	Torsion Spring: Grip	1
4	M364 4621	Grip: Cover: Paper Feed	1
5	M364 4617	Guide Plate: Cover: Paper Feed	1
6	AA14 3788	Pin: Guide Plate: Paper Feed	2
7	M364 4643	Compression Spring: Driven Roller: Pull Out	2
8	M364 4648	Plain Shaft Bearing: M4	2
9	M364 4642	Roller: Driven: Short	2
10	M364 4641	Shaft: Driven	1
11	AA08 2101	Bushing - 6x10x6	1
12	AA13 2208	Spacer - M6	1
13	M364 2124	Compression Spring: Paper Feed Unit	1
14	M364 2110	Shaft: Paper Feed Unit	1
15	M364 2132	Torque Limiter: Pickup	1
16	M364 2151	Holder: Pickup	1
17	M364 2143	Torsion Spring: Paper Stopper	1
18	M364 2141	Arm: Paper Stopper	1
19	M364 2163	Timing Belt: 40S2M130	1
20	M364 2123	Timing Pulley: Pickup: Drive	1
21	M364 2121	Feed Roller	1
22	M364 2162	Timing Pulley: Pickup	1
23	B872 2529	Collar: Pickup	1
24	AF03 0363	Pickup Roller	1
25	M364 2161	Shaft: Pickup	1
26	M364 2146	Paper Stopper	1
27	M364 2144	Link: Paper Stopper	1

Index No.	Part No.	Description	Q'ty Per Assembly
101	0720 0040E	Retaining Ring - M4	
102	0805 0089	Retaining Ring - M4	
103	0622 0100E	Spring Pin - 2x10mm	

# 7.ADF Section 3 (M052/M053/M054)

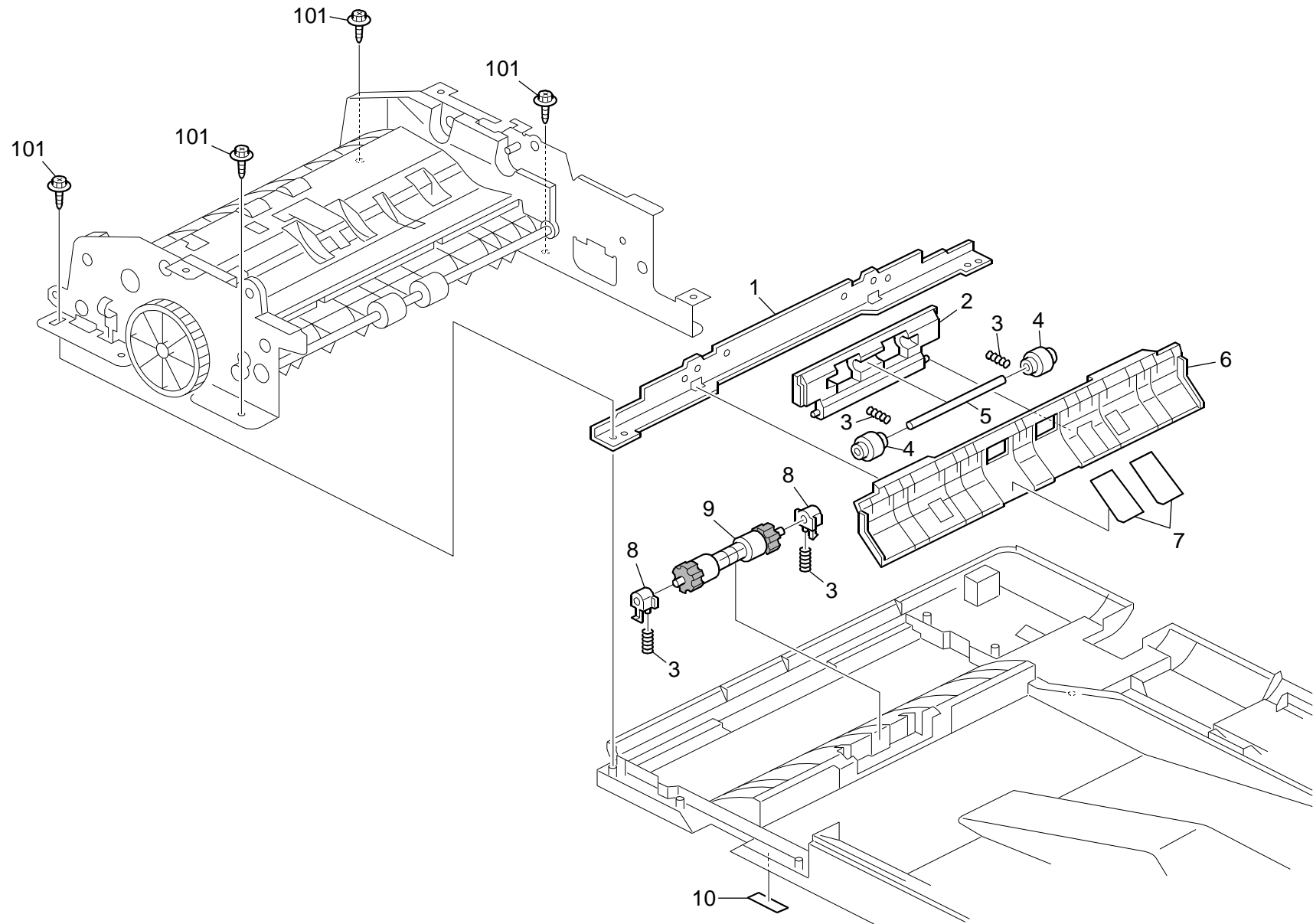


### 7.ADF Section 3 (M052/M053/M054)

Index No.	Part No.	Description	Q'ty Per Assembly
1	M364 6041	Decal: Side Fence	1
2	M364 4741	Side Fence: Inner Back	1
3	M364 4742	Side Fence: Front	1
4	M364 4736	Cushion: Side Fence: Small	2
5	A334 4678	Rack Shield Mylar	4
6	M364 4711	Original Table	1
7	M364 4751	Extension Tray	1
8	M364 6031	Decal: Original Scale: Inner Back	1
9	M364 6032	Decal: Original Scale: Front	1
10	AA13 2225	Spacer: DIA10xDIA15x1	2
11	M364 4743	Compression Spring: Side Fence	1
12	M364 4744	Gear: Side Fence	1
13	M364 4724	Spring Plate: Reverse: Pressure	2
14	M364 3232	Exit Roller: Driven	1

Index No.	Part No.	Description	Q'ty Per Assembly
101	0450 4008N	Tapping Screw - M4x8	
102	0805 0089	Retaining Ring - M4	

## 8.ADF Section 4 (M052/M053/M054)



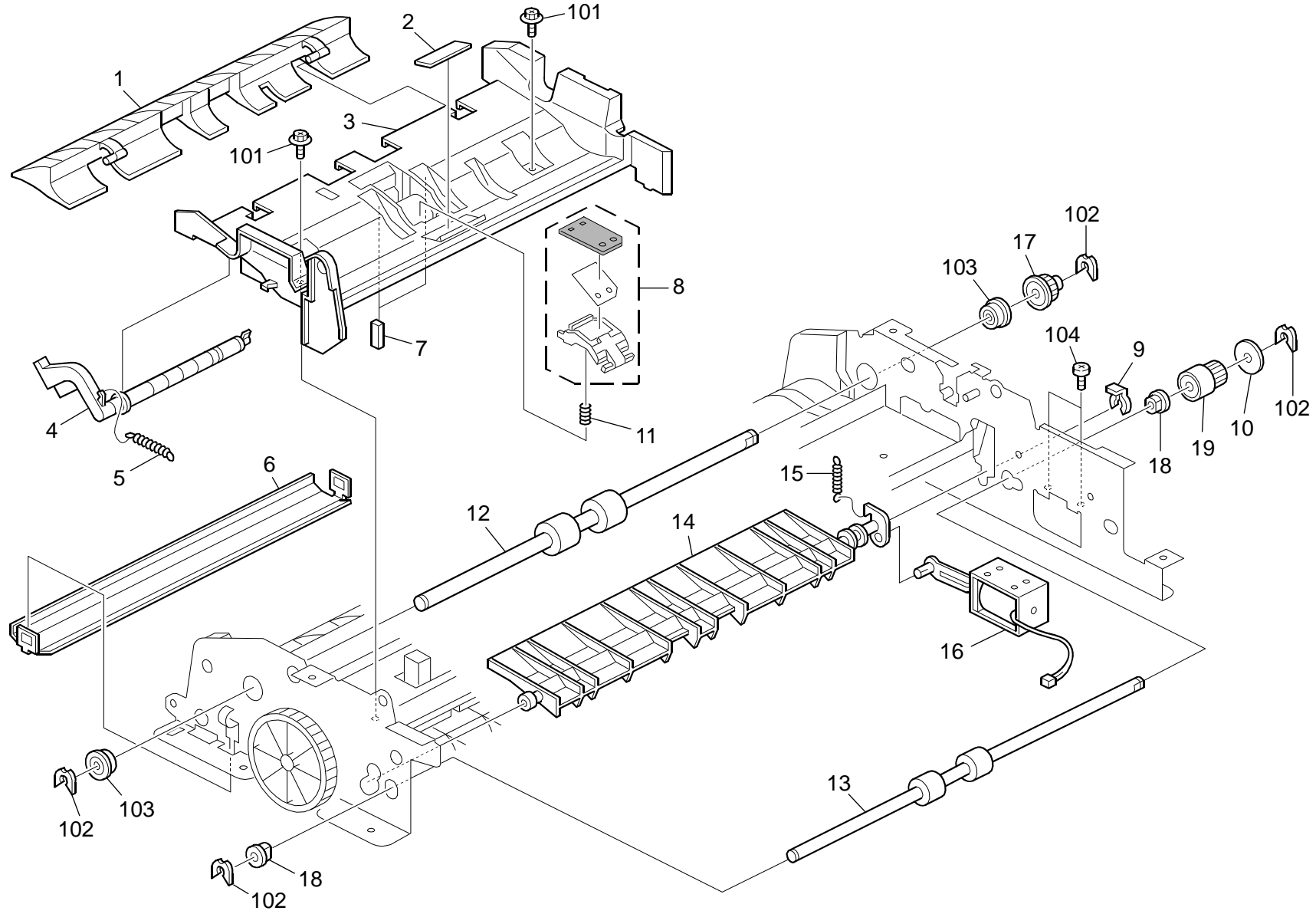


### 8.ADF Section 4 (M052/M053/M054)

Index No.	Part No.	Description	Q'ty Per Assembly
1	M364 1317	Supporting Plate: Left Lower	1
2	M364 1321	Lever: Driven: Scanning	1
3	M364 1323	Compression Spring: Scanning: Driven	4
4	M364 1342	Roller: Scanning: Driven: Short	2
5	M364 4641	Shaft: Driven	1
6	M364 1326	Guide Plate: Scanning: Front Lower	1
7	M364 1327	Sheet: Scanning: Front Lower	2
8	M364 4648	Plain Shaft Bearing: M4	2
9	M364 1335	Exit Roller: Driven: Ass'y	1
10	M364 6051	Decal: Lever: Knob	1

Index No.	Part No.	Description	Q'ty Per Assembly
101	0450 4008N	Tapping Screw - M4x8	

# 9.ADF Section 5 (M052/M053/M054)

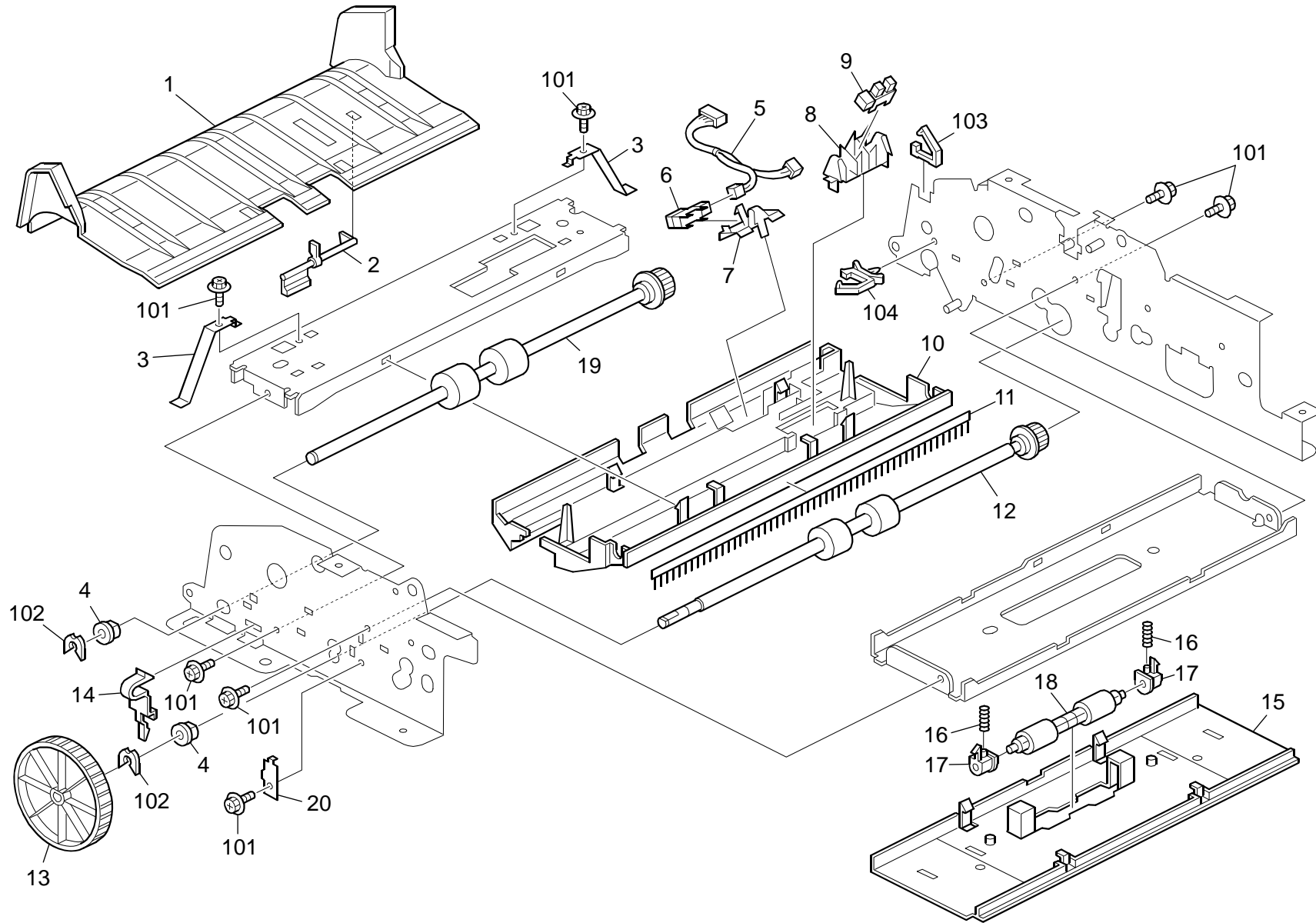


### 9.ADF Section 5 (M052/M053/M054)

Index No.	Part No.	Description	Q'ty Per Assembly
1	M364 2222	Guide Plate: Open And Close	1
2	H310 1360	Pad: Pickup	1
3	M364 2311	Guide Plate: Paper Feed	1
4	M364 2314	Lever: Pressure Release: Separation	1
5	M364 2313	Tension Spring: Pressure Release	1
6	M364 3311	Guide Plate: Scanning	1
7	M364 2315	Cushion: Separation	2
8	M364 2216	Holder: Friction Pad: Ass'y	1
9	A222 2724	External Circlip - MM8	1
10	B789 4257	Pulley Flange	1
11	M364 2213	Compression Spring: Separation	1
12	M364 3111	Transport Roller: Pull Out	1
13	M364 3141	Transport Roller: Reverse	1
14	M364 3421	Gate Pawl: Reverse	1
15	B789 3716	Tension Spring - Gate Pawl	1
16	M364 4411	DC Solenoid: Gate Pawl: Reverse	1
17	M364 3116	Timing Pulley: Pull Out	1
18	AA08 2101	Bushing - 6x10x6	2
19	D366 4242	Torque Limiter - 24T	1

Index No.	Part No.	Description	Q'ty Per Assembly
101	0451 3006N	Tapping Screw - 3x6	
102	0805 0089	Retaining Ring - M4	
103	0741 3506	Ball Bearing - 6x12x4 MM	
104	0353 0030N	Screw: M3x3	

# 10.ADF Section 6 (M052/M053/M054)

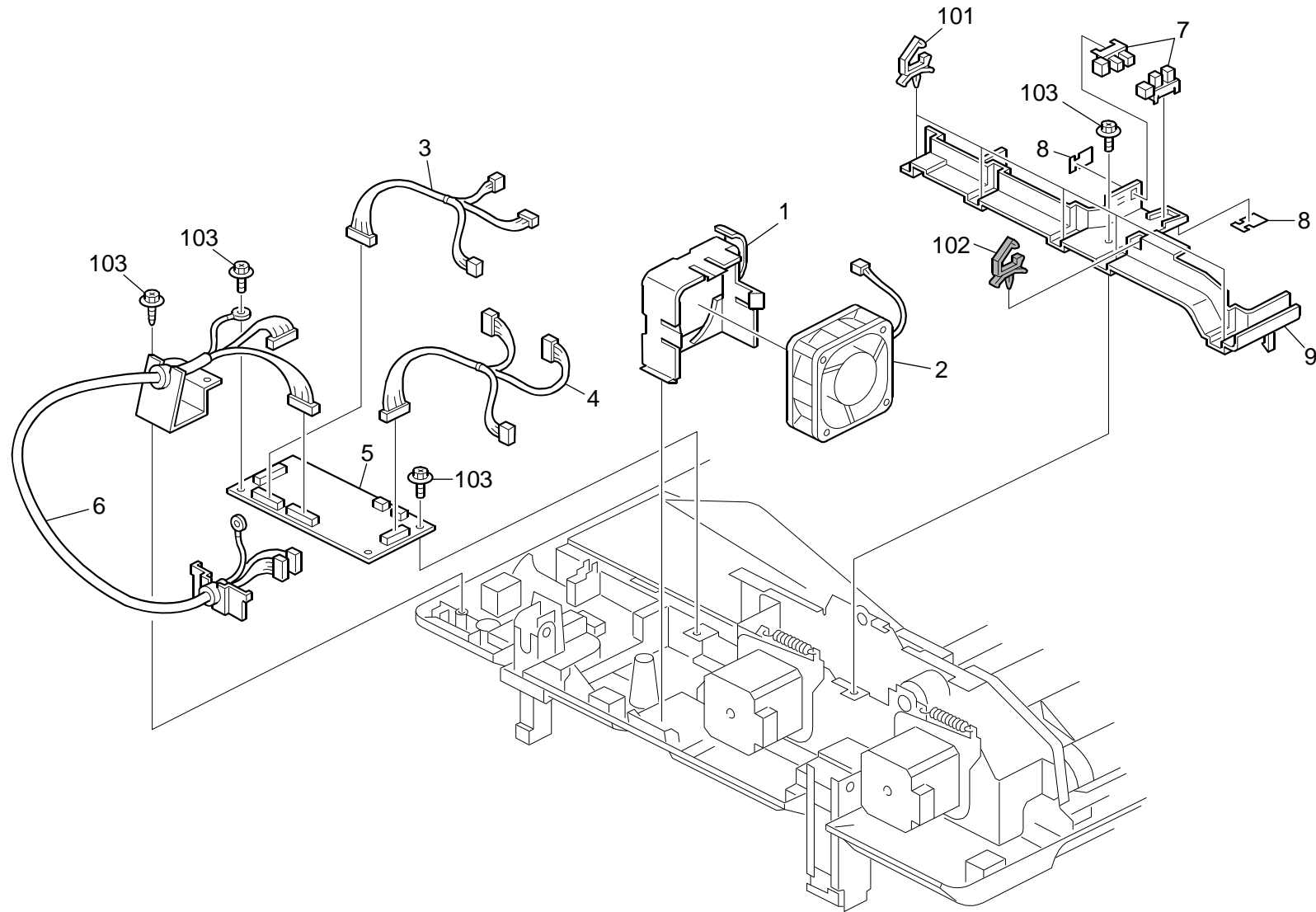


### 10.ADF Section 6 (M052/M053/M054)

Index No.	Part No.	Description	Q'ty Per Assembly
1	M364 3416	Guide Plate: Reverse	1
2	M364 3412	Feeler: Reverse	1
3	M364 3321	Spring Plate: Guide: Exposure Glass	2
4	AA08 2101	Bushing - 6x10x6	2
5	M364 5725	Harness: Registration: Connecting	1
6	GW01 0007	Photo Reflection Sensor: Exit	1
7	M364 3216	Bracket: Sensor: Registration	1
8	M364 3218	Bracket: Sensor: Reverse	1
9	AW02 0141	Photointerruptor	1
10	M364 3211	Guide Plate: Transport	1
11	M364 3212	Discharge Brush: Exit: SUS	1
12	M364 3131	Exit Roller	1
13	M364 3136	Knob: Misfeed Removal	1
14	M364 1227	Hook: Guide: Exposure Glass	1
15	M364 3241	Guide Plate: Reverse: Upper	1
16	M364 1322	Compression Spring: Scanning: Driven	2
17	M364 4648	Plain Shaft Bearing: M4	2
18	M364 3232	Exit Roller: Driven	1
19	M364 3121	Transport Roller: Scanning	1
20	M364 3221	Spring Plate: Earth: Exit	1

Index No.	Part No.	Description	Q'ty Per Assembly
101	0451 3006N	Tapping Screw - 3x6	
102	0805 0089	Retaining Ring - M4	
103	1105 0692	Clamp: LES-0503	
104	1105 0511	Harness Clamp - LWS-0306ZC	

# 11.ADF Section 7 (M052/M053/M054)

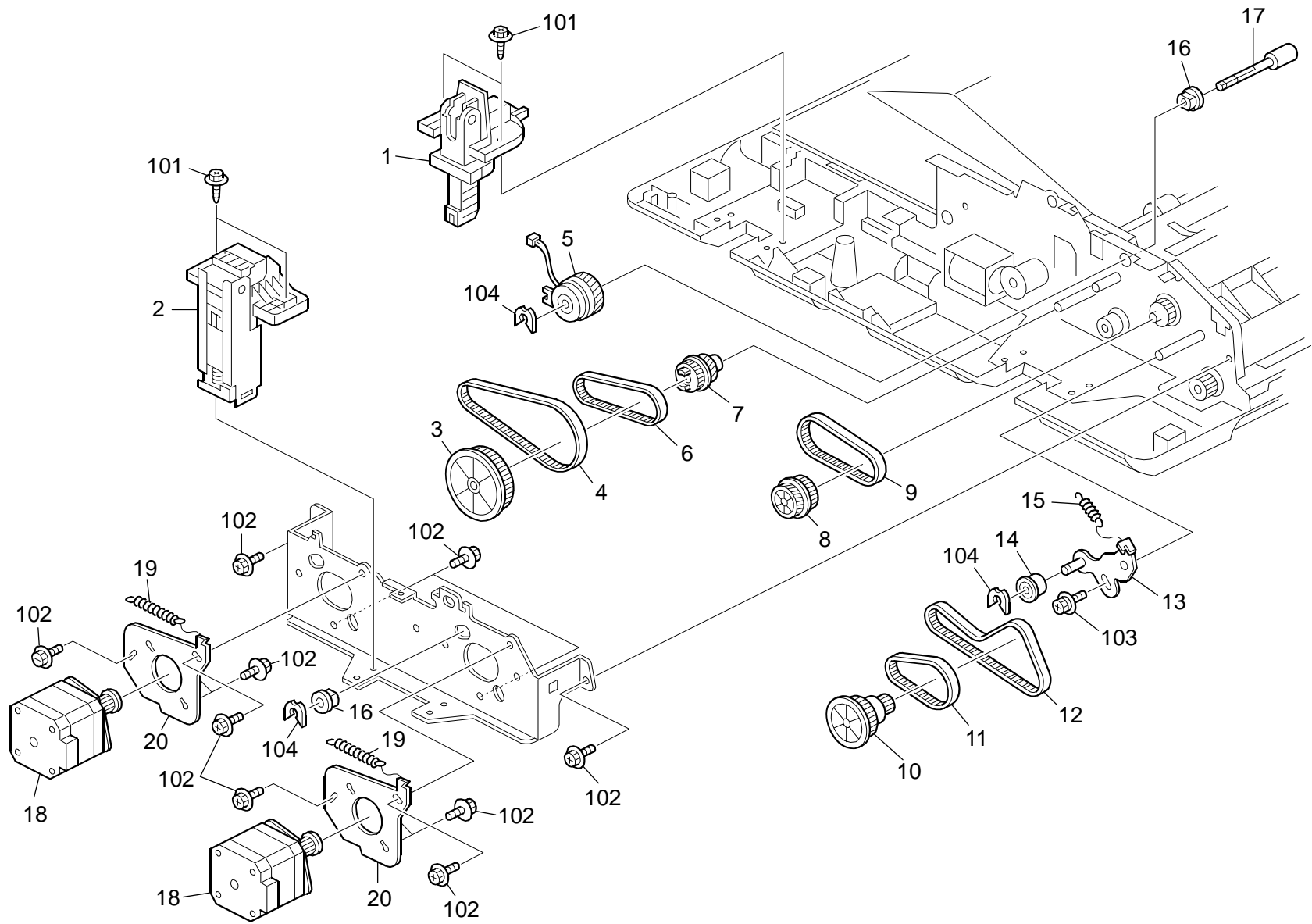


### 11.ADF Section 7 (M052/M053/M054)

Index No.	Part No.	Description	Q'ty Per Assembly
1	M364 4353	Bracket: DC Fan Motor	1
2	AX64 0170	Fan Motor - MM60 DC24V	1
3	M364 5720	Harness: Sensor: Main	1
4	M364 5735	Harness: DC Stepper Motor: Transport	1
5	M364 5022	PCB: Main Control	1
6	M364 5805	Harness: Interface: Ass'y	1
7	AW02 0141	Photointerruptor	2
8	G570 1225	Sensor Shielding Plate	2
9	M364 5751	Guide: Harness	1

Index No.	Part No.	Description	Q'ty Per Assembly
101	1105 0487	Harness Clamp	
102	1105 0511	Harness Clamp - LWS-0306ZC	
103	0451 3006N	Tapping Screw - 3x6	

# 12.ADF Section 8 (M052/M053/M054)



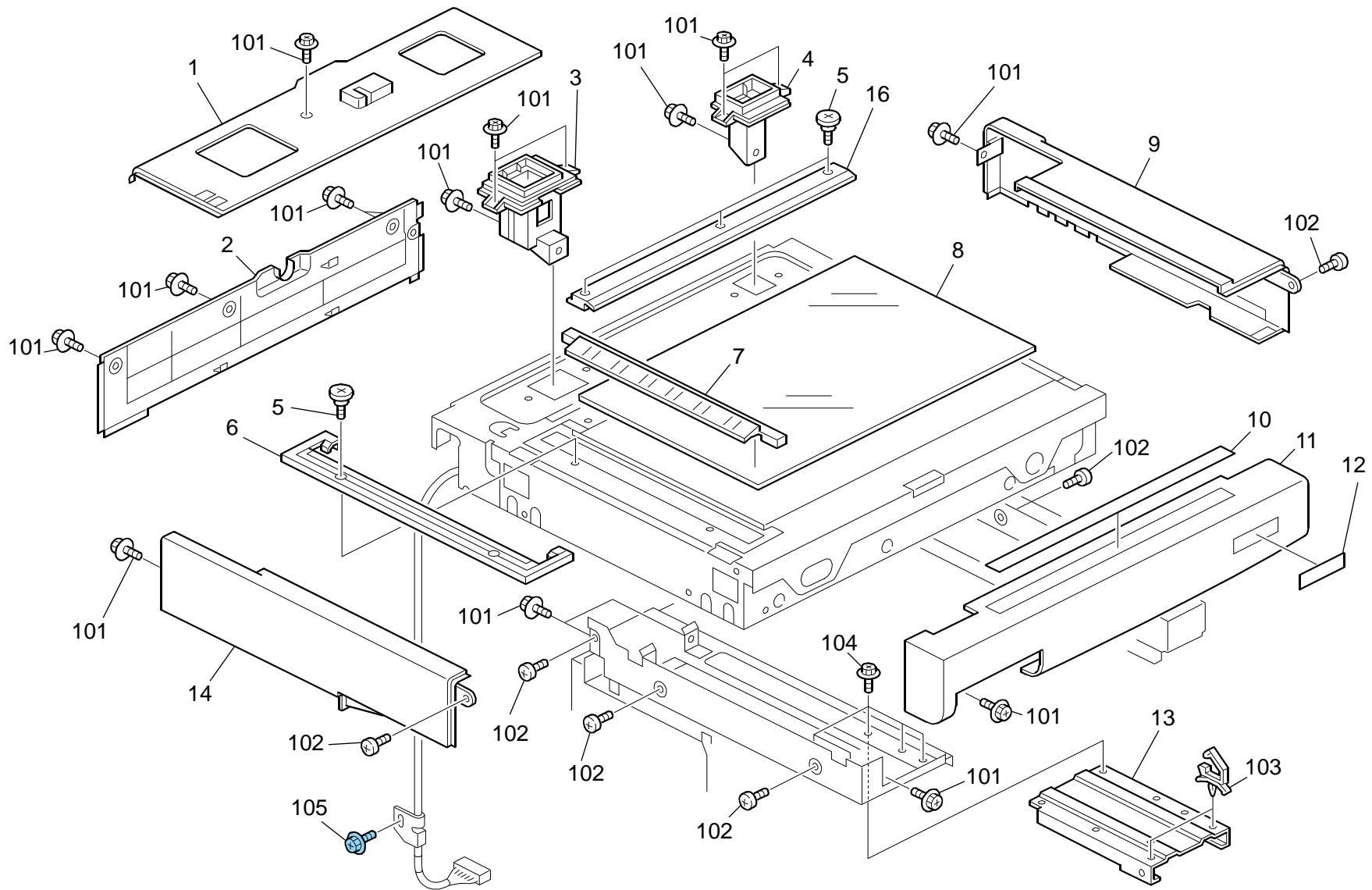


## 12.ADF Section 8 (M052/M053/M054)

Index No.	Part No.	Description	Q'ty Per Assembly
1	M364 1221	Hinge: Right	1
2	M364 1211	Hinge: Left	1
3	M364 4121	Timing Pulley: Slow Down: Paper Feed	1
4	B700 3125	Timing Belt: B40S2M232	1
5	AX21 0103	Magnetic Clutch: 0.25N	1
6	M364 4131	Timing Belt: B40S2M160	1
7	M364 4122	Gear: Timing Pulley: Slow Down: Paper Feed	1
8	M364 4124	Gear: Timing Pulley: Coupling	1
9	AA04 3319	Timing Belt - 40S2M156	1
10	M364 4211	Timing Pulley: Slow Down: Transport	1
11	AA04 3603	Timing Belt: B40S2M128	1
12	M364 4245	Timing Belt: B80S1.5M236	1
13	M364 4231	Tightener: Transport: Ass'y	1
14	B789 4332	Pulley - 34T	1
15	M364 4244	Tension Spring: Tightener: Transport	1
16	AA08 2101	Bushing - 6x10x6	2
17	M364 4251	Shaft: Electromagnetic Clutch	1
18	M364 4321	Stepper Motor: DC 0.94W	2
19	M364 4341	Tension Spring: Motor	2
20	M364 4311	Bracket: Motor	2

Index No.	Part No.	Description	Q'ty Per Assembly
101	0450 4010N	Tapping Screw: M4x10	
102	0451 3006N	Tapping Screw - 3x6	
103	0802 5299	Tapping Screw - M3x8	
104	0805 0089	Retaining Ring - M4	

### 13.Scanner section 1 (M052/M053/M054)



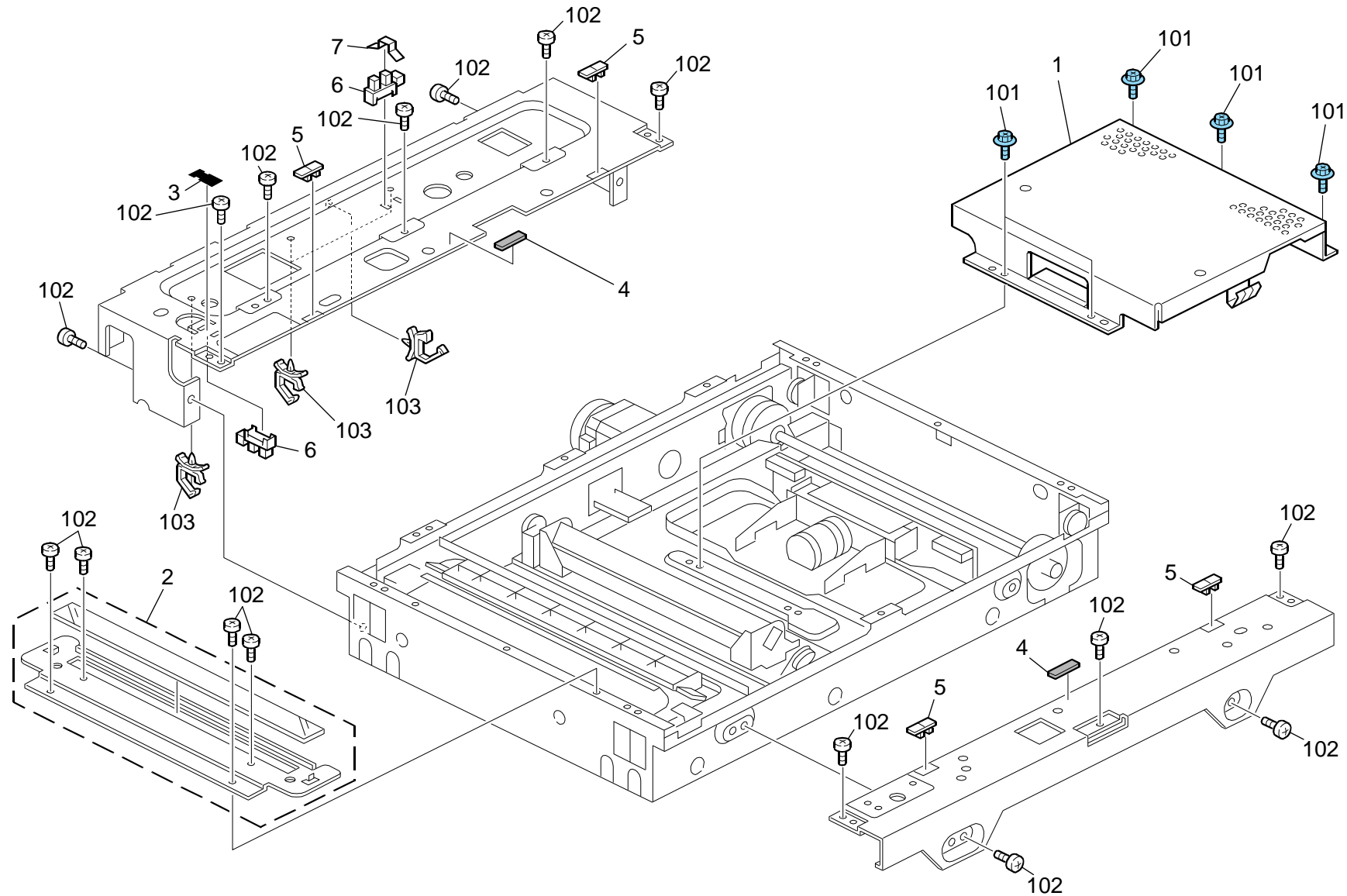
### 13.Scanner section 1 (M052/M053/M054)

Rev. 12/15/2011

Index No.	Part No.	Description	Q'ty Per Assembly
1	M052 1766	Cover: Scanner: Upper: NA/AA	1
1	M052 1765	Cover: Scanner: Upper: EU	1
2	M052 1772	Cover: Scanner: Rear: NA/AA	1
3	M026 1745	Holder: Hinge: Left	1
4	M026 1732	Holder: Hinge: Right	1
5	B390 1759	Shaft: Scale	5
6	M026 1711	Scale: Main	1
7	M026 1714	Scale: Left: EU	1
8	AC01 2069	Exposure Glass	1
9	M052 1756	Cover: Scanner: Right: NA/AA	1
9	M052 1755	Cover: Scanner: Right: EU	1
10	M026 6890	Decal: Caution: Original: English	1
11	M052 2020	Cover: Scanner: Front	1
12	M052 6641	Model Name Plate: M052: RIC	1
12	M052 6643	Model Name Plate: M052: GES: NA/AA	1
12	M052 6645	Model Name Plate: M052: LAN	1
12	M053 6641	Model Name Plate: M053: RIC	1
12	M054 6641	Model Name Plate: M054: RIC	1
12	M054 6643	Model Name Plate: M054: GES	1
12	M054 6645	Model Name Plate: M054: LAN	1
13	M052 1590	Bracket: Supporter: Operation Panel: A	1
14	M052 1762	Cover: Scanner: Left: NA/AA	1
14	M052 1761	Cover: Scanner: Left: EU	1
15	M026 1700	Scale: Inner Back: Printing	1
16	M026 1713	Scale: Inner Back	1

Index No.	Part No.	Description	Q'ty Per Assembly
101	0360 3006N	Screw - M3x6	
102	0353 0060N	Bind Screw - M3x6	
103	1105 0487	Harness Clamp	
104	0360 4006N	Screw - M4x6	
105	0454 3005Q	Tapping Screw: 3x5	

# 14.Scanner section 2 (M052/M053/M054)

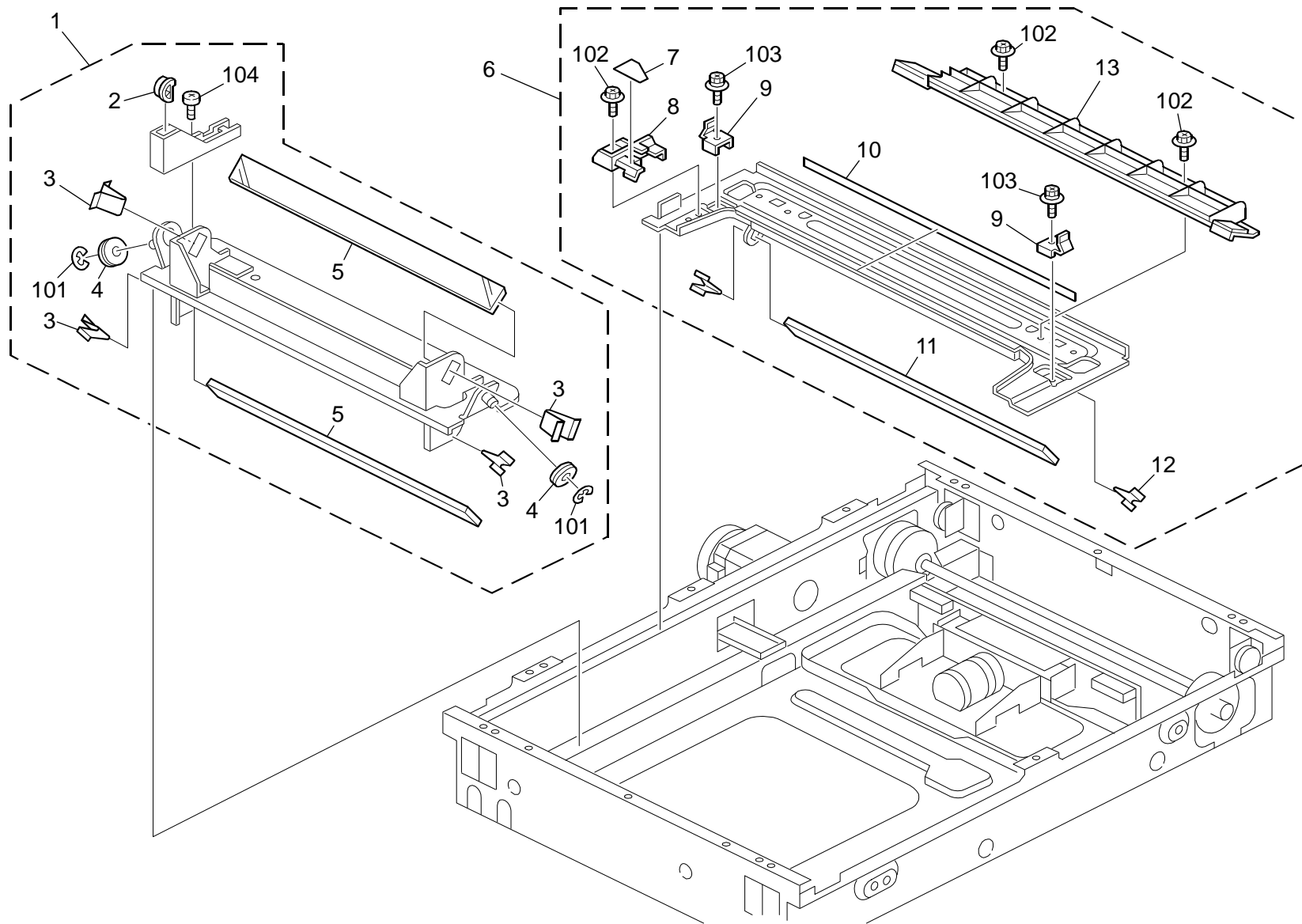


### 14. Scanner section 2 (M052/M053/M054)

Index No.	Part No.	Description	Q'ty Per Assembly
1	M026 1791	Inner Cover: Scanner	1
2	M026 1712	Exposure Glass: Document Feeder: Ass'y	1
3	G570 1225	Sensor Shielding Plate	1
4	5442 1924	Exposure Glass Cushion	2
5	D039 1751	Holder: Exposure Glass	4
6	AW02 0145	Photointerruptor: Flat	2
7	B154 1826	Cover: Sensor: Aks	1

Index No.	Part No.	Description	Q'ty Per Assembly
101	0454 3005Q	Tapping Screw: 3x5	
102	0353 0060N	Bind Screw - M3x6	
103	1105 0511	Harness Clamp - LWS-0306ZC	

# 15.Scanner section 3 (M052/M053/M054)

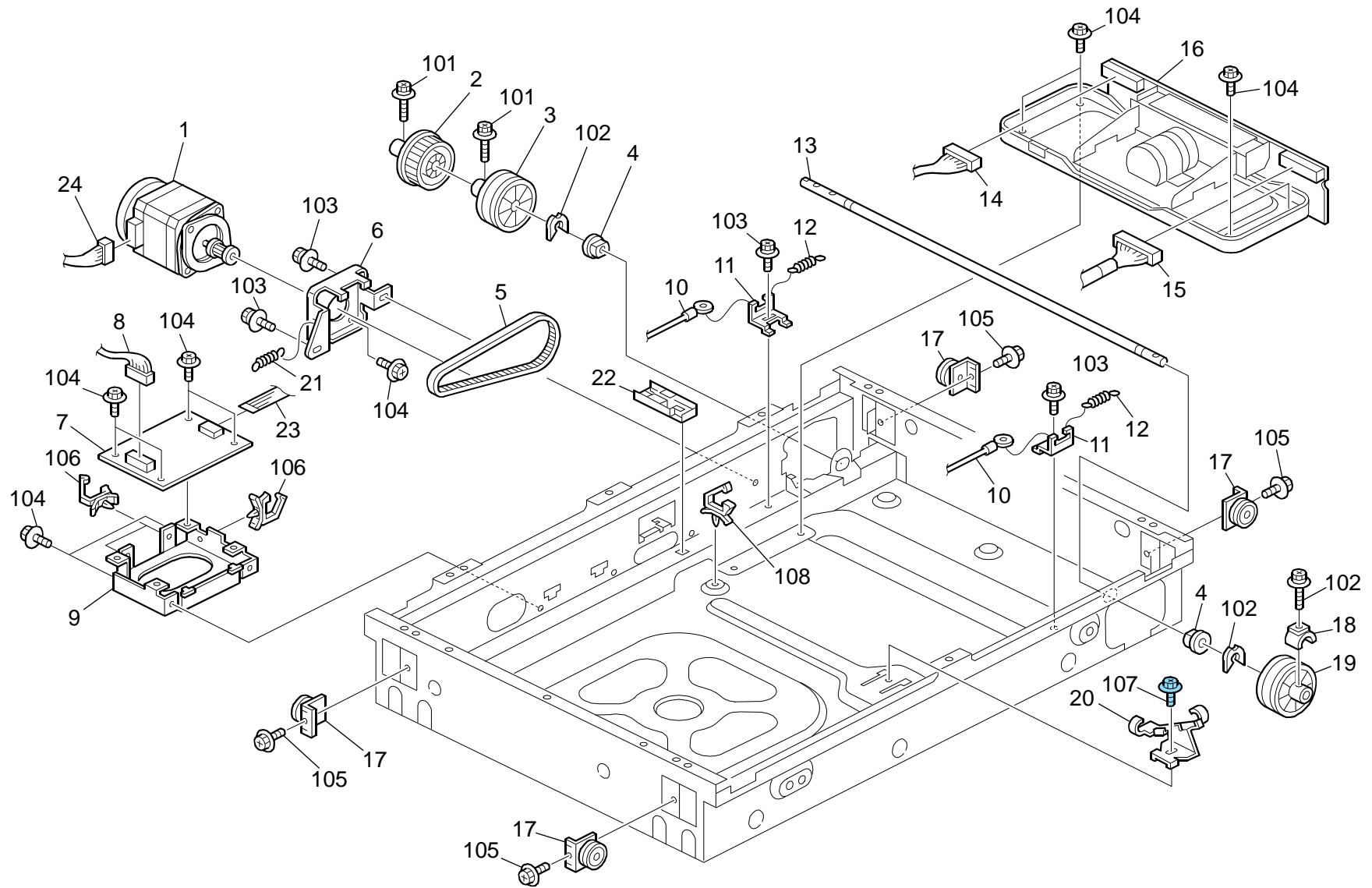


### 15.Scanner section 3 (M052/M053/M054)

Index No.	Part No.	Description	Q'ty Per Assembly
1	M026 1771	Carriage: No.2: Ass'y	1
2	M026 1778	Guide: FFC	1
3	G404 2810	Spring Plate - 2Nd Mirror	4
4	B238 1807	Pulley	2
5	AC03 0178	Mirror: No.2	2
6	M026 1800	Carriage: No.1: Ass'y	1
7	M026 1814	Sheet: Guide: Harness: LED-D	1
8	M026 1812	Guide: Harness: LED-D	1
9	M026 1813	Clamp: Wire	2
10	M026 1805	Reflector: Scanner	1
11	AC03 0177	Mirror: No.1	1
12	M026 1815	Clamp: Mirror: No.1	2
13	M026 1802	Illumination Unit: LED-B: Ass'y	1

Index No.	Part No.	Description	Q'ty Per Assembly
101	0720 0040E	Retaining Ring - M4	
102	0360 3006N	Screw - M3x6	
103	0804 6127	Hexagonal Bolt: Double Screw: M3x8	
104	0353 0060N	Bind Screw - M3x6	

# 16.Scanner section 4 (M052/M053/M054)



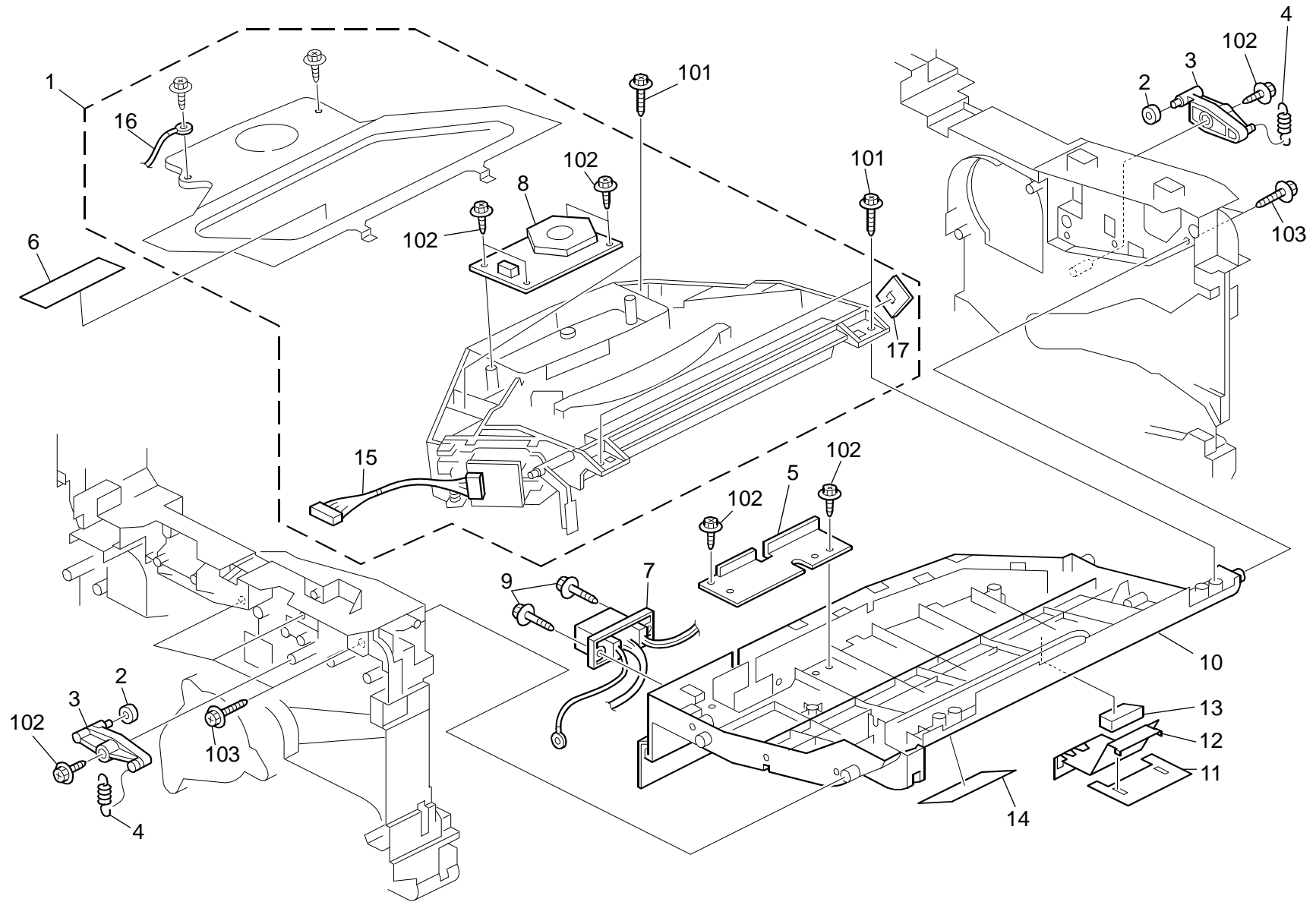


### 16.Scanner section 4 (M052/M053/M054)

Index No.	Part No.	Description	Q'ty Per Assembly
1	B238 1715	Stepper Motor DC3.9V	1
2	G570 1133	Timing Pulley 73	1
3	D029 1748	Pulley: Drive Were: Rear: Ass'y	1
4	AA08 2144	Bushing - 8x12x7	2
5	B238 1792	Timing Belt - 157ST1.5-4.0	1
6	M026 1768	Bracket: DC Stepper Motor	1
7	M026 5175	PCB: LED-DB	1
8	M052 5483	Interface Cable: Scanner: LVDS: Ass'y	1
9	M026 1723	Bracket: LED-DB	1
10	M026 1764	Drive Were: DIA1	2
11	B180 1704	Bracket: Tension	2
12	AA06 0980	Tension Spring: Tension: 11300MN	2
13	M026 1762	Shaft: Scanner: Drive	1
14	M052 5480	Harness: BICU: SBU	1
15	M052 5481	Harness: BICU: HPS/AKS	1
16	M026 1751	Holder: Lens: Ass'y	1
17	B238 1806	Idler Pulley	4
18	D029 1749	Pulley: Protection	1
19	D029 1745	Pulley: Drive Were: Front	1
20	M052 5486	Clamp: LVDS: BICU	1
21	AA06 0979	Tension Spring: Tension: 14720MN	1
22	M026 1721	Guide: Harness	1
23	M026 5226	Harness: FFC: 11Wick: LED	1
24	M052 5439	Harness: SMT: Connecting: NA	1
24	M052 5451	Harness: SMT: EU	1

Index No.	Part No.	Description	Q'ty Per Assembly
101	0802 5312	Tapping Screw: Washer: 3x10	
102	0805 0088	Retaining Ring - M6	
103	0804 6127	Hexagonal Bolt: Double Screw: M3x8	
104	0360 3006N	Screw - M3x6	
105	0353 0060N	Bind Screw - M3x6	
106	1105 0516	Clamp	
107	0454 3005Q	Tapping Screw: 3x5	
108	1105 0511	Harness Clamp - LWS-0306ZC	

# 17.Laser Unit (M052/M053/M054)

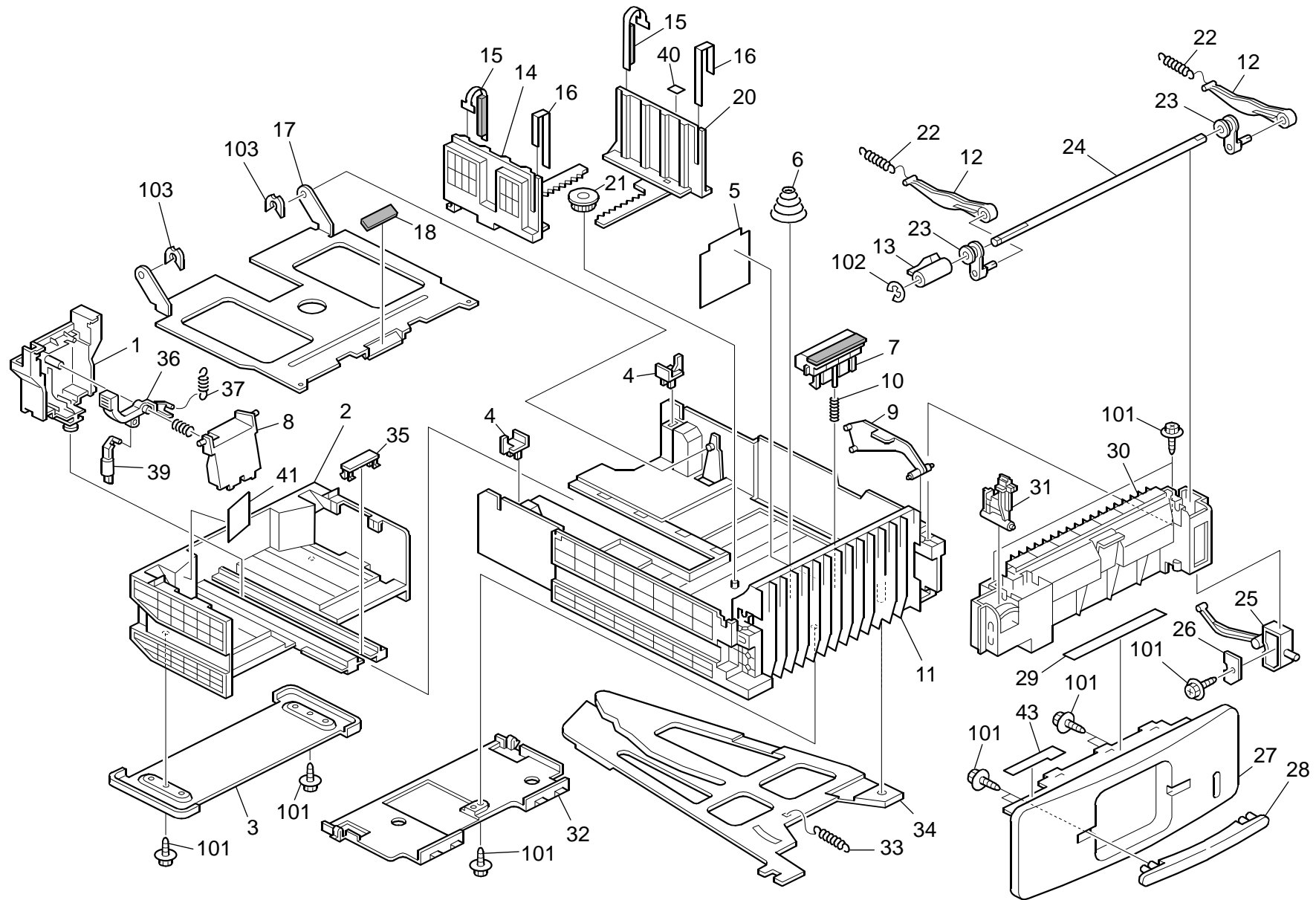


### 17.Laser Unit (M052/M053/M054)

Index No.	Part No.	Description	Q'ty Per Assembly
1	M001 1904	Imaging Unit	1
2	M021 3345	Roller: Guide	2
3	M021 1052	Tightener: AIO	2
4	M021 1054	Coil Spring: Tightener: AIO	2
5	M052 1051	Cover: Stay: LSU	1
6	G111 1910	Caution Decal - Laser	1
7	M052 5444	Drawer: Fusing Sub-Unit: Set Sensor: NA	1
7	M052 5445	Drawer: Fusing Sub-Unit: Set Sensor: EU	1
8	GX06 0029	Polygon Scanner Motor: DC24V 24W	1
9	M052 1070	Screw: Drawer: Fusing	2
10	M021 1070	Stay: LSU	1
11	M052 1095	Guide: Sheet: Block: Laser	1
12	M052 1094	Sheet: Block: Laser	1
13	M052 1096	Support: Sheet: Block: Laser	1
14	M052 6923	Decal: High Temperature: Attention: Fixation Roller	1
15	M052 5407	M/H Ass'y: LDB: NA	1
15	M052 5449	M/H Ass'y: LDB: EU	1
16	G168 5403	Harness: Polygon Mirror: Syncdetector: Board	1
17	G052 5060	Synchronization Detector	1

Index No.	Part No.	Description	Q'ty Per Assembly
101	0450 3012N	Tapping Screw: 3x12	
102	0450 3008N	Tapping Screw - M3x8	
103	0450 3010N	Tapping Screw - M3x10	

# 18. Paper Tray (M052/M053/M054)

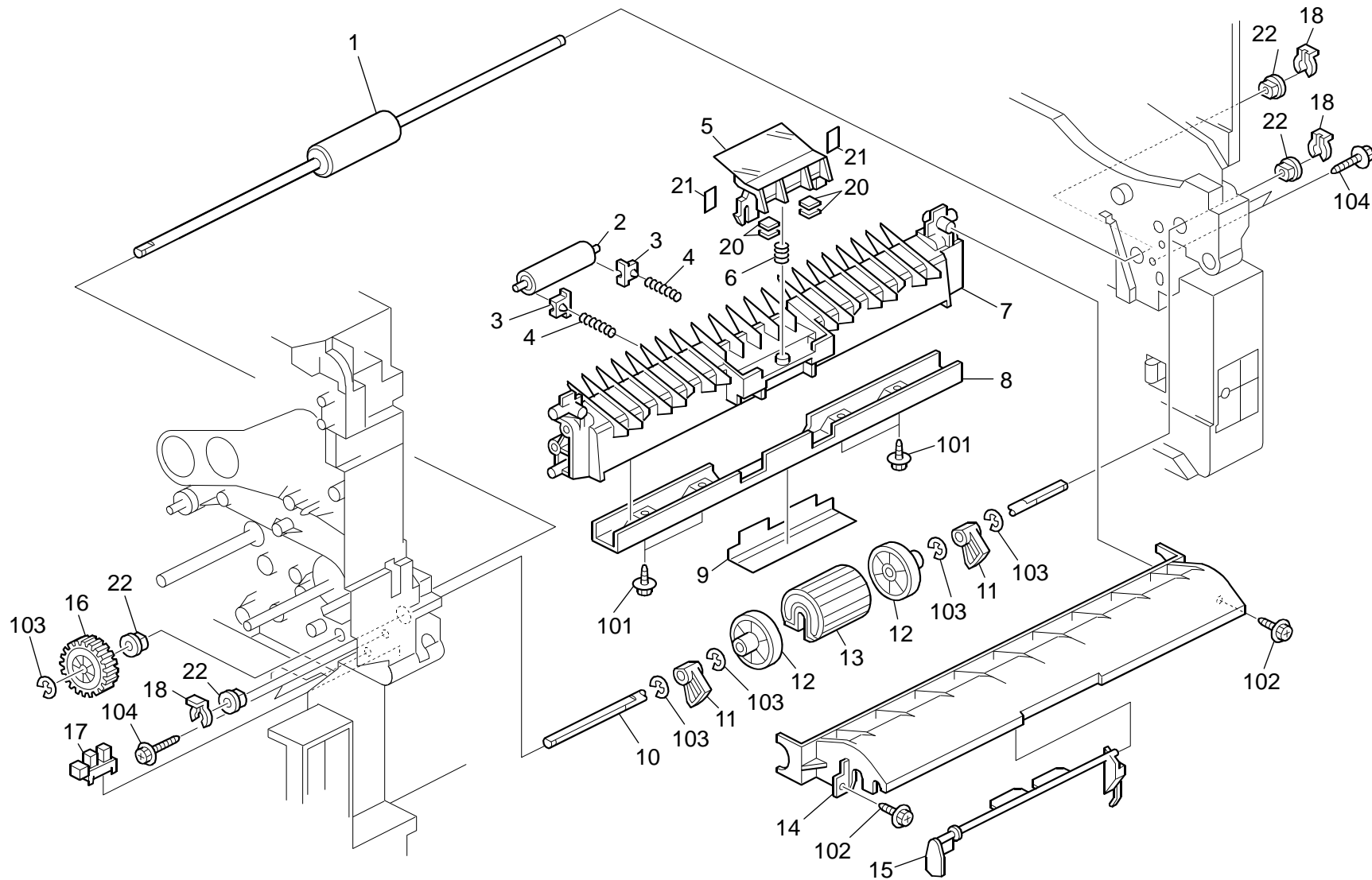


### 18.Paper Tray (M052/M053/M054)

Index No.	Part No.	Description	Q'ty Per Assembly
1	M021 2565	Base End Fence	1
2	M021 2551	Rear Tray Paper Feed	1
3	M021 2552	Supporting Plate: Rear Tray	1
4	M021 2609	Stopper: Rear Tray	2
5	M021 2603	Sheet: Holder: Paper Tray	1
6	G102 2817	Compression Spring: Tray Bottom Plate	1
7	G096 3066	Friction Pad Adhesion	1
8	M021 2568	Pressure Plate: End Fence	1
9	M052 2605	Feeler Paper Volume Bottom Plate Tray	1
10	M021 2674	Compression Spring Separation	1
11	M021 2601	Front Tray: Paper Fedd	1
12	M021 2575	Arm Pressuer Paper Tray	2
13	M021 2576	Change Feeler: Pressuer: Paper Tray	1
14	M021 2665	Side Fence: Left	1
15	M021 2613	Seal: Side Fence: Rear	2
16	M021 2614	Seal: Side Fence: Front	2
17	M021 2657	Pad: Bottom Plate: Tray	1
18	G555 3069	Pad: Base	1
19	0805 0089	Retaining Ring - M4	2
20	M021 2656	Side Fence: Right	1
21	B090 2869	Gear - 16Z	1
22	G096 3083	Spring Tension	2
23	M021 2577	Cam: Pressure: Paper Tray	2
24	M021 2574	Shaft: Pressure: Paper Tray	1
25	M021 2581	Indicator: Paper Volume: Bottom Plate	1
26	M021 2582	Weight: Indicator: Paper Volume	1
27	M052 2591	Cover: Paper Tray: Front	1
28	M052 2592	Handle: Paper Tray: Front	1
29	M052 6930	Decal: Paper Pressure: Lever	1
30	M021 2572	Guide: Paper Pressure: Tray	1
31	M021 2573	Change Lever: Pressure: Tray	1
32	M021 2654	Cover: Paper Size Sensing Plate: Tray	1
33	M021 2655	Spring: Paper Size Sensing Plate: Tray	1
34	M021 2652	Plate: Paper Size Sensing: Tray	1
35	M021 2553	Cap: Paper Tray	1

Index No.	Part No.	Description	Q'ty Per Assembly
36	M021 2566	Lever: End Fence	1
37	M052 2569	Tension Spring End Fence	1
38	G096 3089	End Fence Compression Spring 3.5N	1
39	M021 2567	Protection: End Fence	1
40	M052 2653	Decal: Operating Arrow Direction	1
41	M052 6933	Decal: Operating Explanation	1
42	M052 6932	Decal: Paper Setting	1
101	0450 3008N	Tapping Screw - M3x8	
102	0720 0040E	Retaining Ring - M4	

# 19.Paper Feed 1 (M052/M053/M054)

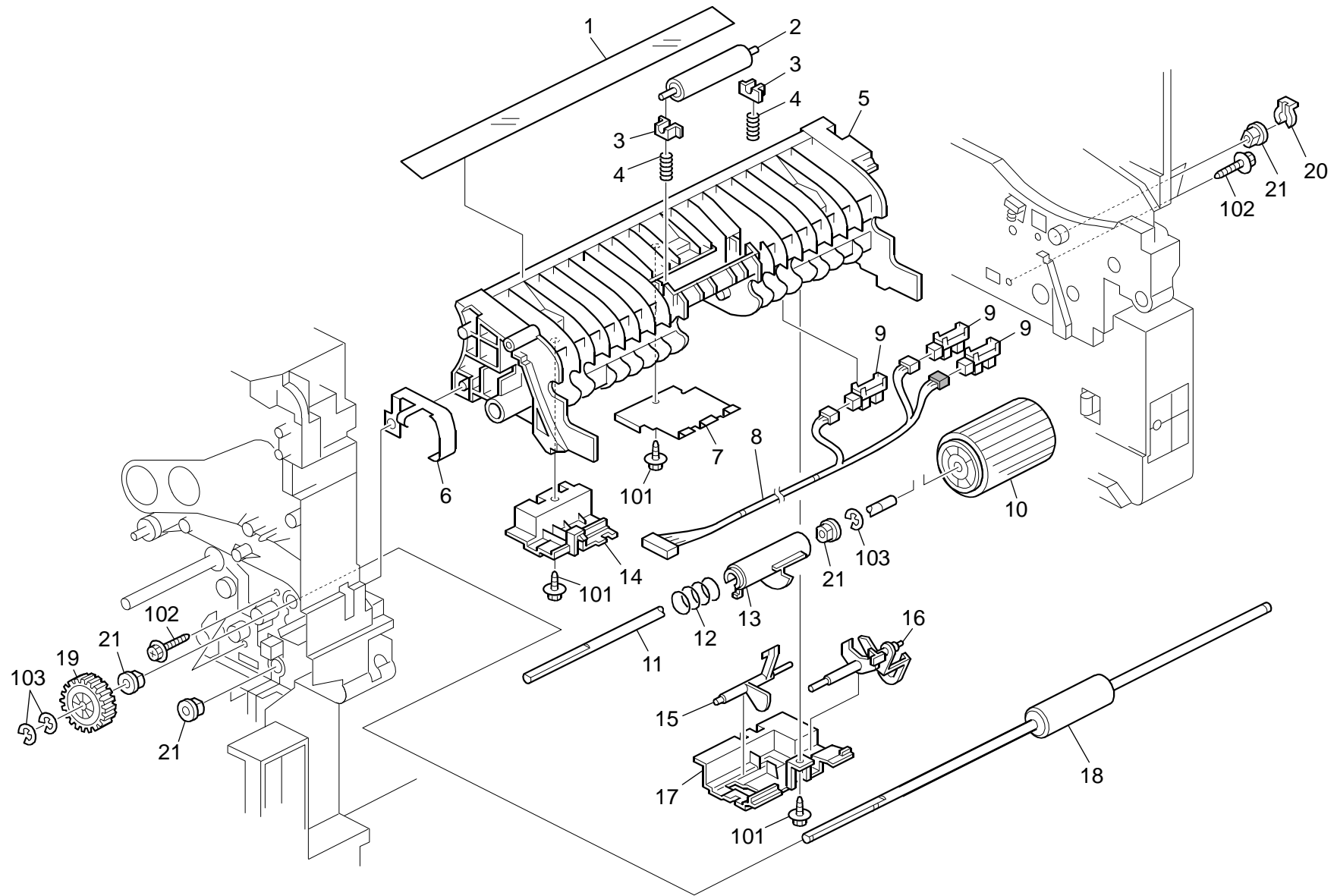


### 19.Paper Feed 1 (M052/M053/M054)

Index No.	Part No.	Description	Q'ty Per Assembly
1	M021 2831	Roller: Connecting: Lower	1
2	B090 2742	Roller: Pull Out: Option Tray	1
3	AA08 2144	Bushing - 8x12x7	2
4	AA06 3399	Spring - Vertical Transport	2
5	M021 2711	Holder: Friction Pad: Manual Feed	1
6	M021 2763	Compression Spring: Separation: Manual Feed	1
7	M021 2701	Stay: Manual Feed	1
8	M021 2702	Supporting Plate: Stay: Manual Feed	1
9	M021 2717	Mylar: Say: Manual Feed	1
10	M021 2730	Shaft: Roller: Manual Feed: Ass'y	1
11	M021 2722	Cam: Shaft: Manual Feed	2
12	M021 2724	Roller: Guide: Manual Feed	2
13	GF03 1003	Paper Feed Roller: MM30	1
14	M021 2762	Frame: Manual Feed	1
15	M021 2769	Feeler: Manual Feed	1
16	M021 2833	Gear: Connecting: Roller	1
17	AW02 0141	Photointerruptor	1
18	5447 2681	Snap Ring	3
19	M021 2712	Mylar Holder: Friction Pad: Manual Feed	1
20	M021 2713	Balancer: Friction Pad: Manual Feed	4
21	M052 2714	Rear Mylar Holder: Friction Pad: Manual Feed	2
22	AA08 2118	Bushing - 6mm	4

Index No.	Part No.	Description	Q'ty Per Assembly
101	0450 3008N	Tapping Screw - M3x8	
102	0450 3010M	Tapping screw: 3x10	
103	0720 0040E	Retaining Ring - M4	
104	0450 3012N	Tapping Screw: 3x12	

## 20.Paper Feed 2 (M052/M053/M054)



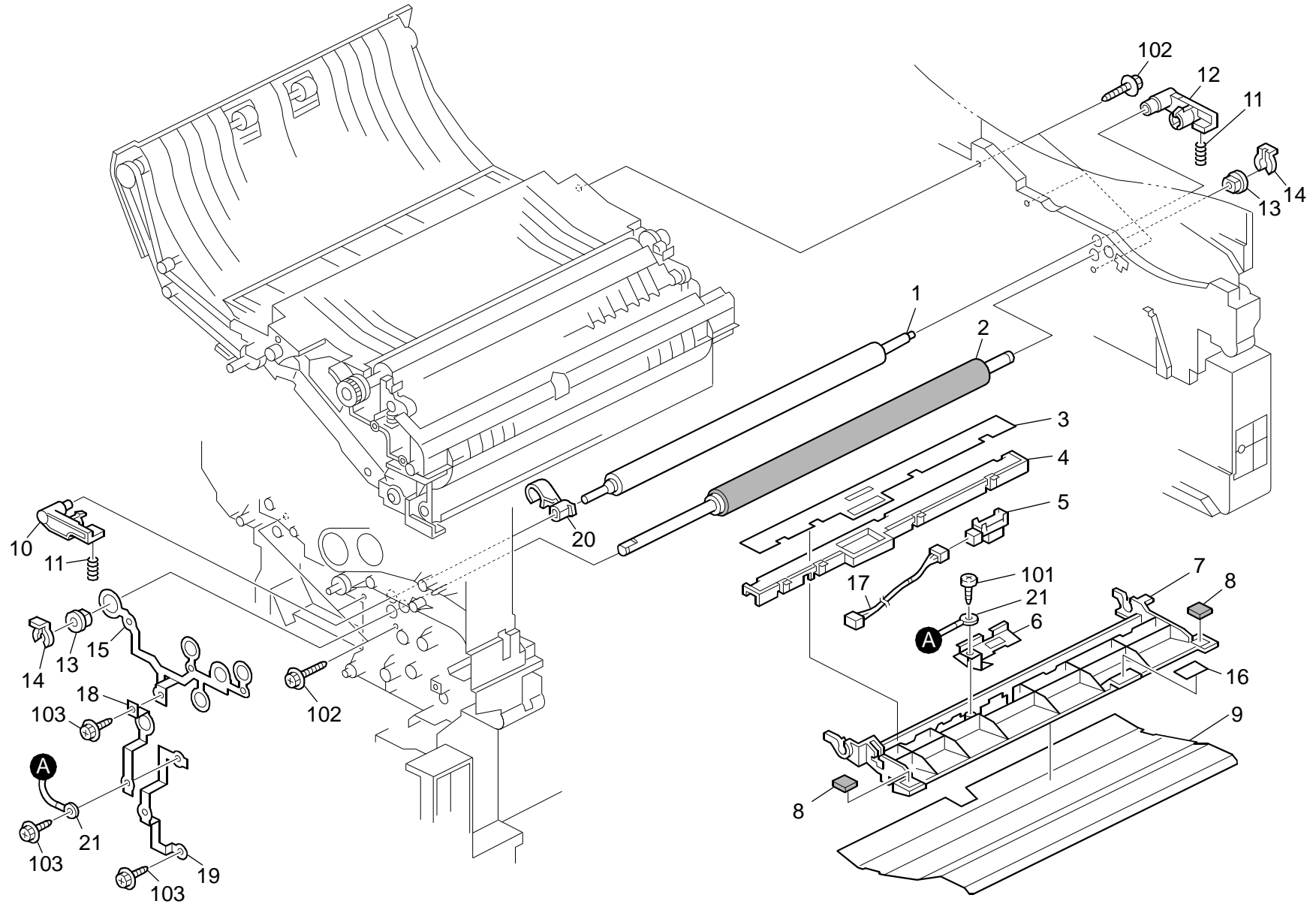


## 20.Paper Feed 2 (M052/M053/M054)

Index No.	Part No.	Description	Q'ty Per Assembly
1	M021 2804	Guide Mylar: Feed Stay: Upper	1
2	B090 2742	Roller: Pull Out: Option Tray	1
3	AA08 0249	Bushing - Vertical Transport	2
4	M05 22826	Compression Spring: Connecting Roller: Driven	2
5	M021 2801	Stay: Paper Feed	1
6	M021 2813	Ground Plate: Paper Tray: Stay	1
7	M021 2815	Shield Plate: Paper Feed	1
8	M052 5424	M/H Ass'y: Tray	1
9	AW02 0141	Photointerruptor	3
10	G052 3103	Paper Feed Roller	1
11	M021 2814	Shaft: Paper Feed	1
12	M021 2816	Compression Spring: Lever: Feed Roller	1
13	M021 2803	Lever Release Feed Roller	1
14	M021 2810	Cover: Stay: Left	1
15	M021 2808	Feeler: Paper End Sensor: Stay	1
16	M021 2809	Feeler: Paper Volume: Stay	1
17	M021 2811	Cover: Stay: Right	1
18	M021 2832	Roller: Connecting: Upper	1
19	M021 2833	Gear: Connecting: Roller	1
20	5447 2681	Snap Ring	1
21	AA08 2118	Bushing - 6mm	4

Index No.	Part No.	Description	Q'ty Per Assembly
101	0450 3010N	Tapping Screw - M3x10	
102	0450 3012N	Tapping Screw: 3x12	
103	0720 0040E	Retaining Ring - M4	

## 21.Paper Resist (M052/M053/M054)

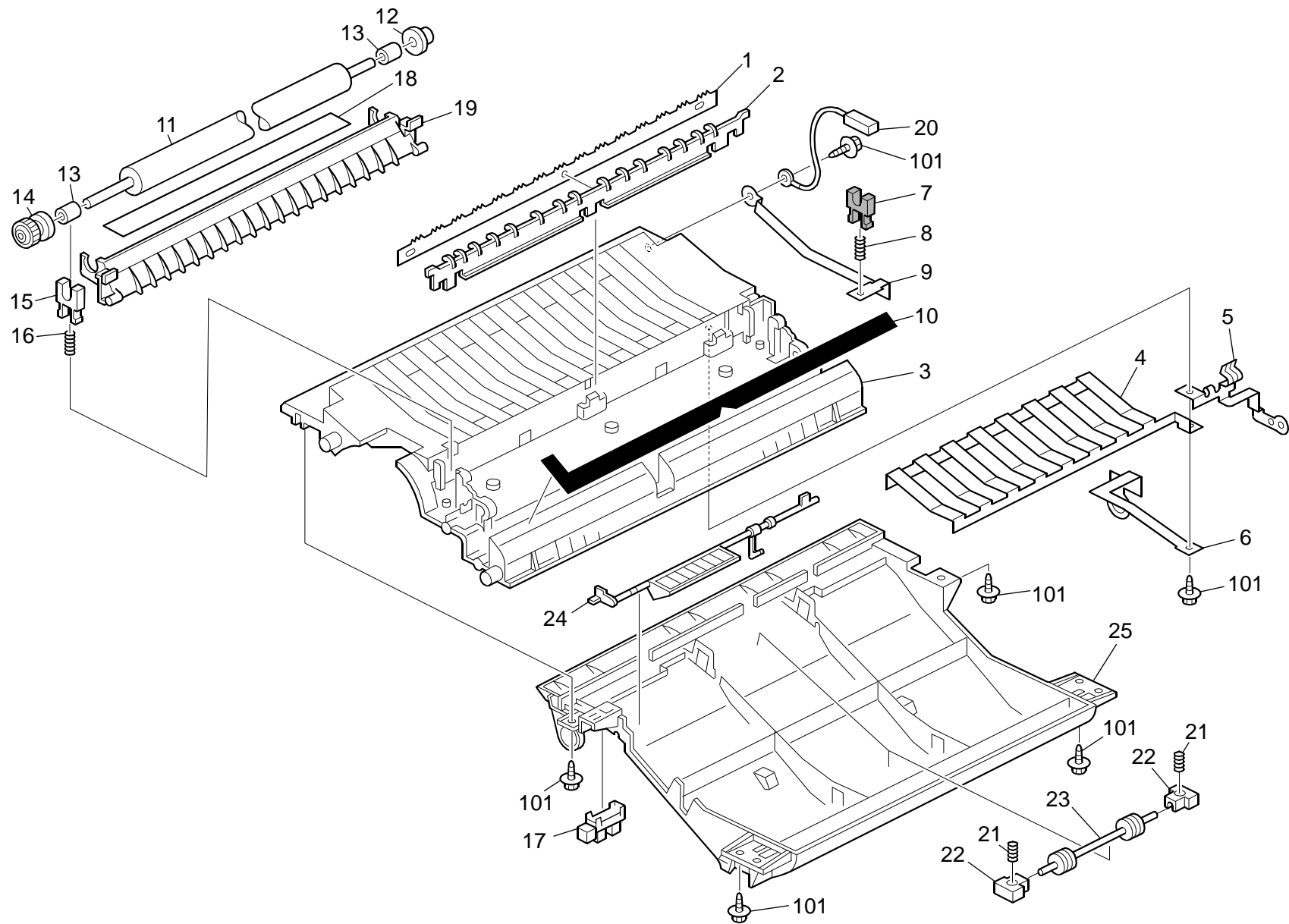


## 21.Paper Resist (M052/M053/M054)

Index No.	Part No.	Description	Q'ty Per Assembly
1	M021 2916	Registration Roller: Drive	1
2	M021 2917	Roller Registration Driven 14.12	1
3	M021 2967	Sheet: Cleaner: Registration	1
4	M021 2968	Bracket: Sensor: Registration	1
5	GW01 0007	Photo Reflection Sensor: Exit	1
6	M021 2965	Ground Plate: Sensor: Registration	1
7	M021 2966	Guide Plate: Registration: Upper	1
8	M021 2964	Seal: Registration Guide: Poron	2
9	M052 2912	Seal: Guide Plate: Registration: Upper	1
10	G052 3258	Left Bushing - Registration	1
11	AA06 3539	Spring - Registration Roller	2
12	G052 3257	Right Bushing - Registration	1
13	AA08 2116	Bushing - 8x12x7	2
14	5215 2621	Snap Ring - M6	2
15	M021 2844	Ground Plate: Shaft: Drive Rollers	1
16	M052 6920	Decal: Guide Plate: B	1
17	M052 5426	M/H Ass'y: Regist Sensor	1
18	M021 2843	Ground Plate: Shaft: Paper Feed	1
19	M052 2842	Ground Plate: Sensor Board	1
20	M052 2919	Blocking Cap: Bushing: Registration	1
21	M052 5433	M/H Ass'y: Ground Wire: Regist Sensor	1

Index No.	Part No.	Description	Q'ty Per Assembly
101	0450 3012N	Tapping Screw: 3x12	
102	0450 3008N	Tapping Screw - M3x8	

## 22.Paper Transfer 1 (M052/M053/M054)

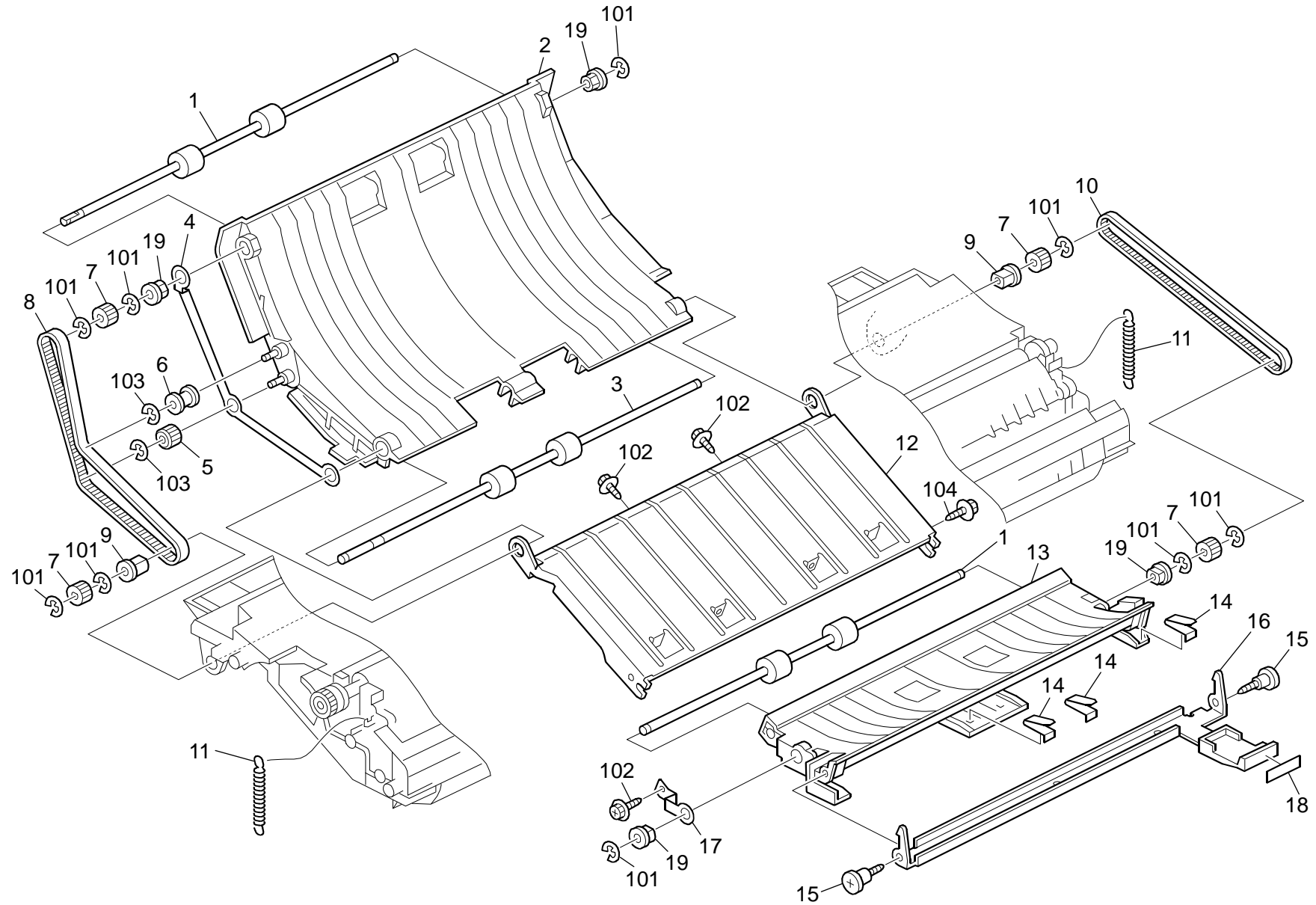


## 22.Paper Transfer 1 (M052/M053/M054)

Index No.	Part No.	Description	Q'ty Per Assembly
1	M021 3867	Electrode Plate: Separation	1
2	M021 3868	Cover: Electrode Plate	1
3	M021 3861	Guide: Transfer: Upper	1
4	M021 3864	Ground Plate: Guide: Transport	1
5	M021 3862	Terminal: Transfer	1
6	M021 3865	Ground Plate: Guide: Duplex	1
7	G052 3625	Right Bushing - Transfer	2
8	M021 3879	Compression Spring: Transfer Roller: Right	2
9	M021 3863	Terminal: Separation	1
10	M021 3866	Registration Guide	1
11	M052 3871	Transfer Roller	1
12	M052 6251	Roller: Positioning: Transfer Roller	1
13	G129 6255	Bushing	2
14	M021 6252	Gear: Transfer Roller	1
15	G052 3626	Left Bushing - Transfer	1
16	M021 3869	Compression Spring: Transfer Roller	1
17	GW02 0020	Photointerruptor: LG248NL1	1
18	M052 3852	Sheet: Guide Plate: Transfer	1
19	M052 3851	Guide Plate: Transfer	1
20	M05 25427	M/H Ass'y: Hight Voltage Line: T	1
21	M021 4619	Compression Spring: 2N	4
22	D010 4313	Bushing: MM4	4
23	M021 4618	Driven Roller: Duplex	2
24	M021 4621	Feeler: Duplex: Middle	1
25	M021 4617	Guide: Transport: Duplex	1

Index No.	Part No.	Description	Q'ty Per Assembly
101	0450 3008N	Tapping Screw - M3x8	

## 23.Paper Transfer 2 (M052/M053/M054)

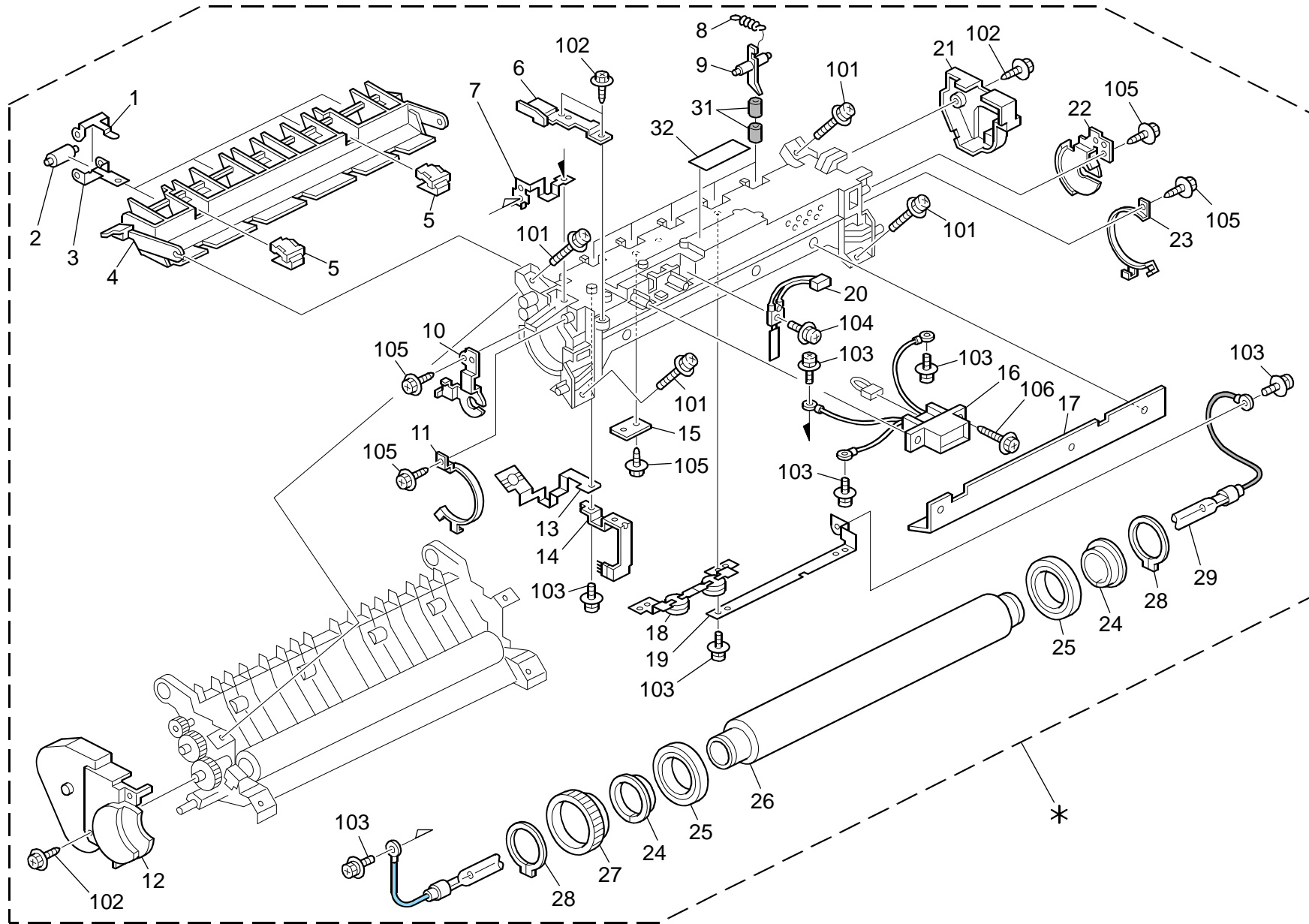


### 23.Paper Transfer 2 (M052/M053/M054)

Index No.	Part No.	Description	Q'ty Per Assembly
1	M021 4612	Roller: Duplex: Front	2
2	M021 4601	Guide: Duplex: Rear: Ass'y	1
3	M052 4994	Roller: Duplex: Middle: MF	1
4	M021 4663	Ground Plate: Guide: Rear	1
5	M021 4605	Pulley: Idler: 15T	1
6	M021 4606	Pulley: Idler	1
7	M021 4608	Pulley: 25T	4
8	M052 4996	Synchronous Belt: Rear	1
9	AA08 2058	Bushing - 6x10x9mm	2
10	M052 4997	Synchronous Belt: Front	1
11	M021 4625	Coil Spring: Duplex	2
12	M021 4610	Guide: Duplex: Front: Ass'y	1
13	M021 4633	Guide: Duplex: Feed Paper Again	1
14	M021 4634	Spring Plate: Feed Paper Again	3
15	B039 4480	Stepped Screw - M5	2
16	M021 4630	Handle: Cover	1
17	M021 4662	Ground Plate: Guide: Feed Paper Again	1
18	M052 6921	Decal: Guide Plate: Z2	1
19	AA08 2118	Bushing - 6mm	4

Index No.	Part No.	Description	Q'ty Per Assembly
101	0720 0040E	Retaining Ring - M4	
102	0450 3010N	Tapping Screw - M3x10	
103	0720 0030E	Retaining Ring - M3	

## 24.Fusing Unit 1 (M052/M053/M054)



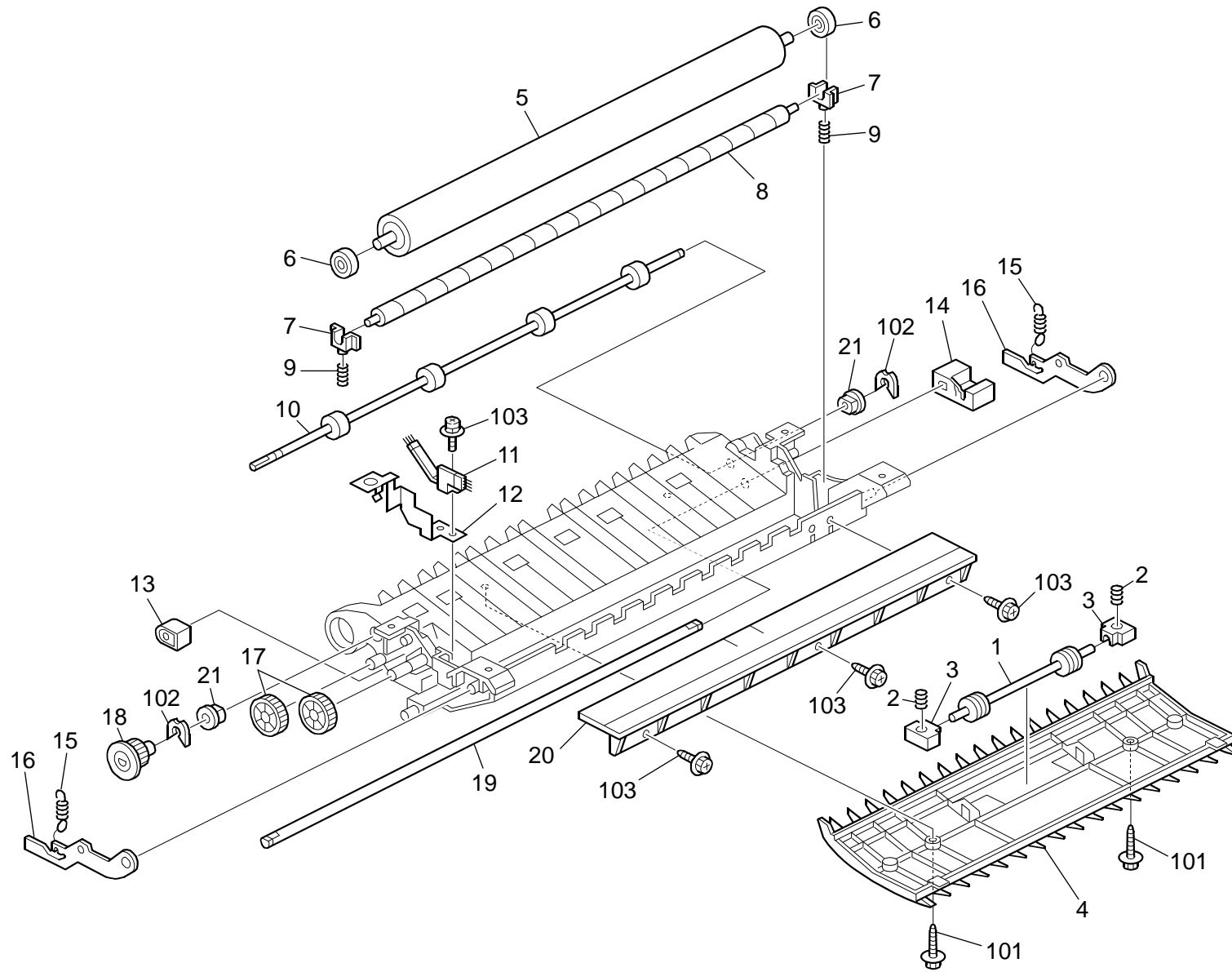


## 24.Fusing Unit 1 (M052/M053/M054)

Index No.	Part No.	Description	Q'ty Per Assembly
*	M052 0211	Fusing Unit: NA	1
*	M052 0212	Fusing Unit: EU/AP	1
1	G096 4638	Exit Roller Supporting Plate	4
2	G800 4854	Exit Roller	4
3	G052 4639	Exit Roller Holder	4
4	M052 4200	Guide: Exit: Fusing	1
5	M052 4235	Spring Plate: Fusing Exit: Ass'y	2
6	M052 4227	Plate: Harness: Upper	1
7	M052 4082	Ground Plate: Fusing	1
8	M052 4063	Spring - Fusing Stripper	5
9	G052 4624	Hot Roller Stripper	5
10	M052 4225	Bracket: Heater: Left	1
11	M052 4231	Bracket: Bearing: Fusing: Left	1
12	M052 4310	Cover: Fusing: Left	1
13	M052 4239	Electrode: Heater	1
14	M052 4237	Discharge Brush: Hot Roller	1
15	M042 4226	Plate: Harness: Fusing	1
16	M052 5442	Drawer: Fusing: 120V	1
16	M052 5443	Drawer: Fusing: 230V	1
17	G175 4644	Entrance Guide Plate - Upper	1
18	M052 4243	Thermostat: Ass'y	1
19	G175 4602	Electrode Plate - Right	1
20	M052 4241	Thermistor	1
21	M052 4300	Cover: Fusing: Right	1
22	G096 4616	Right Heater Bracket	1
23	M052 4232	Bracket: Bearing: Fusing: Right	1
24	AE03 2027	Thermal Insulating Bushing	2
25	G052 4618	Bearing 30x42x7	2
26	M052 4101	Hot Roller	1
27	M052 4102	Gear: Hot Roller	1
28	M052 4236	End Ring: Hot Roller	2
29	M052 4115	Heater: 1025W: 120V: QIRF	1
29	M052 4116	Heater: 1025W: 220V: QIRF	1
30	M052 4080	Upper Frame: Fuser	1
31	M052 4302	Heat Shrinkable Tube: Stripper Pawls	10

Index No.	Part No.	Description	Q'ty Per Assembly
32	M052 6924	Decal: Warning High Temperature: Fusing Unit	1
101	0954 3012N	Screw - M3x12	
102	0450 3010N	Tapping Screw - M3x10	
103	0954 3008N	Screw - M3x8	
104	0954 3010N	Screw: Polished Round/Spring: M3x10	
105	0450 3008N	Tapping Screw - M3x8	
106	0451 3012N	Screw: M3x12	

## 25.Fusing Unit 2 (M052/M053/M054)

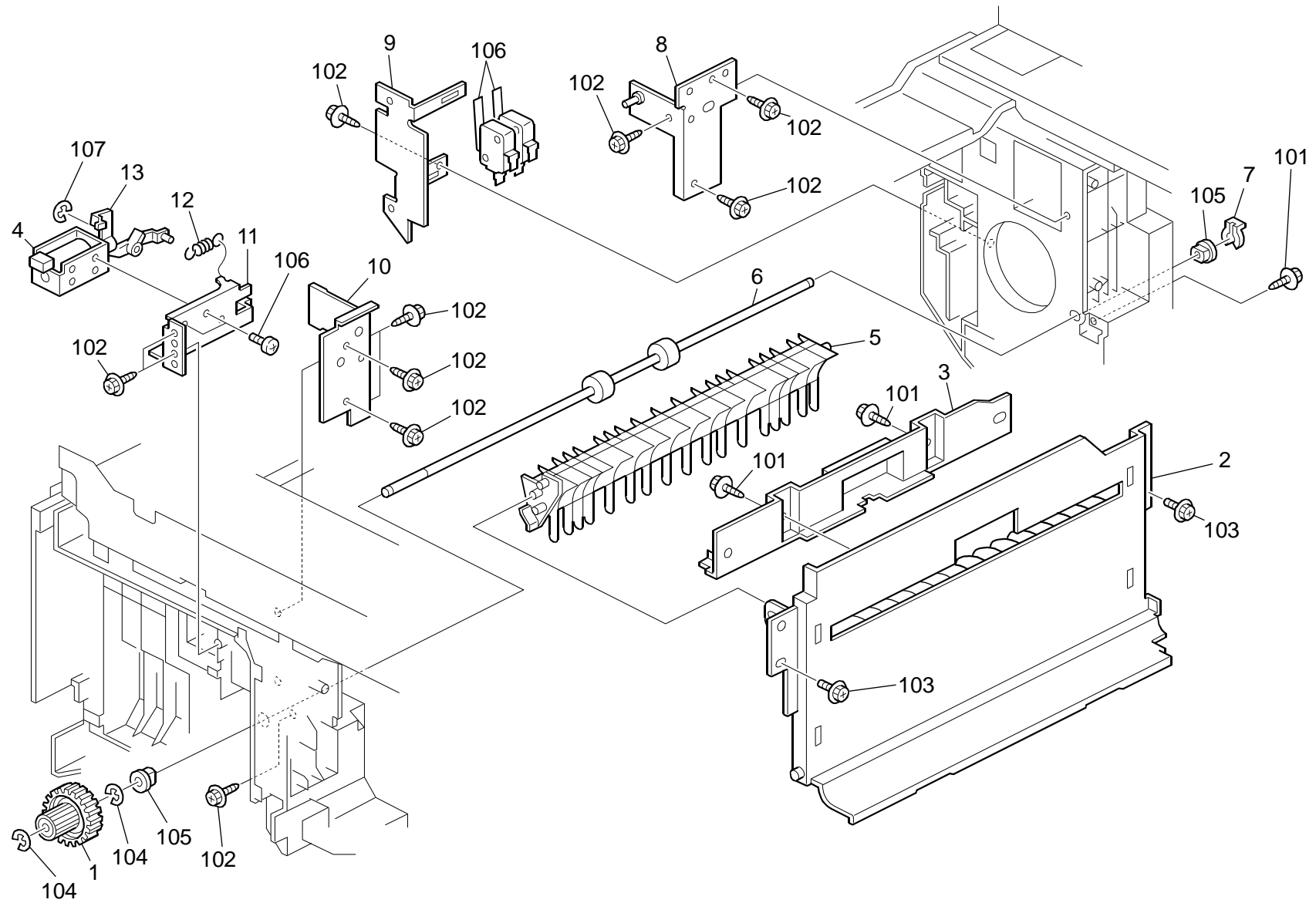


## 25.Fusing Unit 2 (M052/M053/M054)

Index No.	Part No.	Description	Q'ty Per Assembly
1	M052 4618	Driven Roller: Duplex: Drive	1
2	M021 4619	Compression Spring: 2N	2
3	D010 4313	Bushing: MM4	2
4	M052 4071	Frame: Pressure	1
5	M052 4059	Pressure Roller	1
6	A232 3553	Ball Bearing - 8x16x5	1
7	AA08 2073	Roller Busing	2
8	M052 4202	Cleaning Roller: Ass'y	1
9	M052 4224	Compression Spring: Cleaning Roller: Fusing	2
10	M052 4066	Exit Roller: Fusing	1
11	M052 4053	Discharge Brush: Pressure	1
12	M052 4052	Ground Plate: Pressure	1
13	M052 4182	Left Pressure Lever	1
14	M052 4183	Right Pressure Lever	1
15	M052 4062	Pressure Spring - Fusing	2
16	M052 4061	Lever: Pressure	2
17	M052 4070	Gear: 28T: Fusing: Exit	2
18	M052 4228	Gear: Exit Roller	1
19	M052 4055	Shaft: Pressure	1
20	G175 4681	Fusing Entrance Guide Plate	1
21	AA08 2118	Bushing - 6mm	2
22	M052 4301	Decal: Bar Code Label: Fuser	1
23	M052 4050	Pressure Frame: Upper	1

Index No.	Part No.	Description	Q'ty Per Assembly
101	0450 3010N	Tapping Screw - M3x10	
102	0805 0089	Retaining Ring - M4	
103	0954 3008N	Screw - M3x8	

## 26.Paper Exit 1 (M052/M053/M054)



## 26.Paper Exit 1 (M052/M053/M054)

Index No.	Part No.	Description	Q'ty Per Assembly
1	M052 4424	Gear: 1Bin Relay: Ass'y	1
2	M052 4450	Guide: Exit: Duplex	1
3	M052 4451	Guide: Upper: Exit: Duplex	1
4	M052 4410	Solenoid: Ass'y: Exit	1
5	M052 4479	Gate Pawl: 1Bin	1
6	M052 4457	Roller: Relay: 1bin	1
7	5447 2681	Snap Ring	1
8	M052 1013	Bracket: Frame: Right: Ass'y	1
9	M052 1046	Cover: Safety Switch	1
10	M052 1010	Bracket: Frame: Left: Ass'y	1
11	M052 4472	BRKT: Solenoid	1
12	M052 4475	Spring: 1Bin Branch	1
13	M052 4474	Link: 1Bin: Solenoid	1

Index No.	Part No.	Description	Q'ty Per Assembly
101	0450 3008N	Tapping Screw - M3x8	
102	0450 3010N	Tapping Screw - M3x10	
103	0451 3008N	Tapping Screw - M3x8	
104	0720 0040E	Retaining Ring - M4	
105	1204 2521	Micro Switch	
106	0353 0040N	Screw - M3x4	
107	0720 0030E	Retaining Ring - M3	

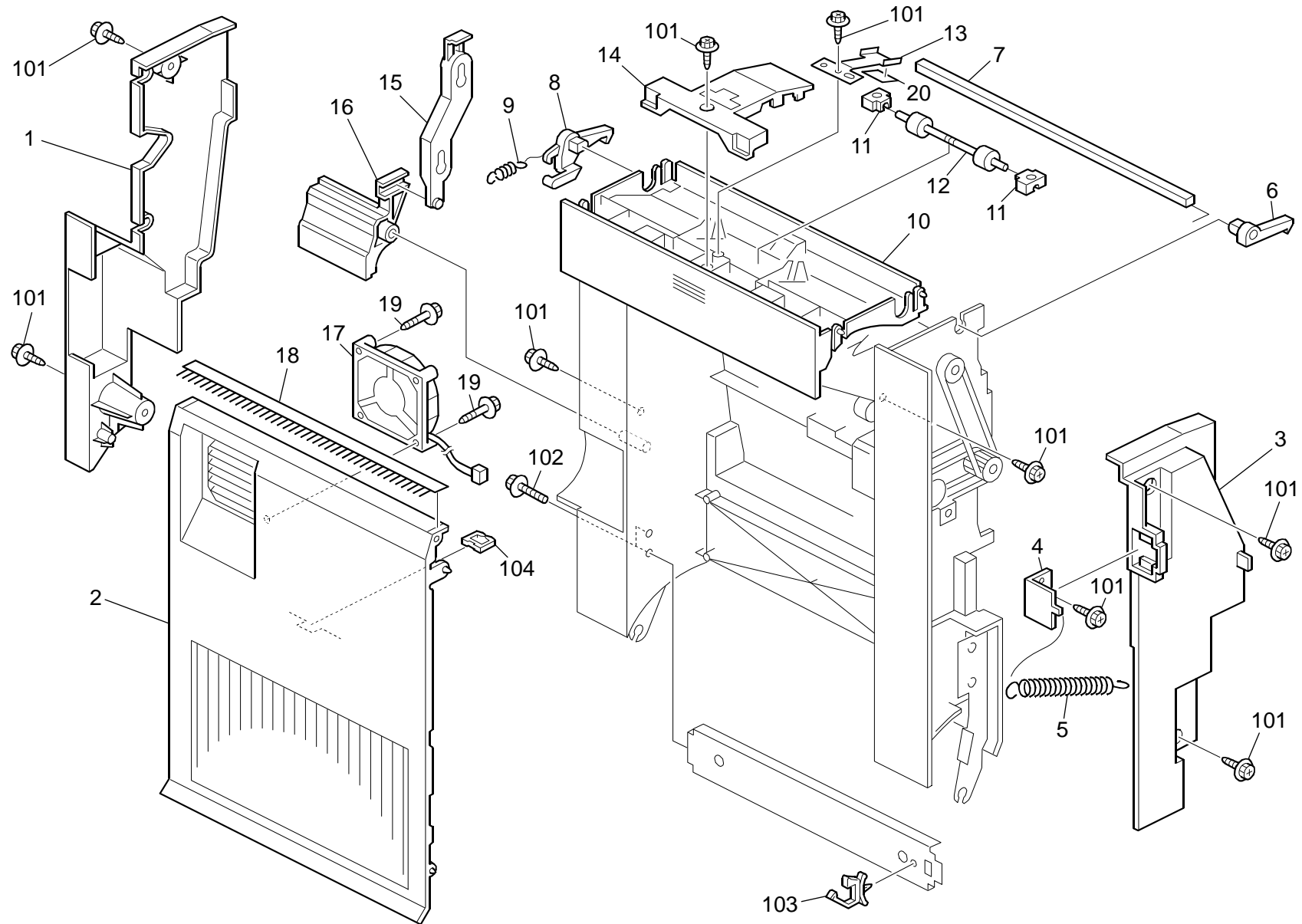


## 27.Paper Exit 2 (M052/M053/M054)

Index No.	Part No.	Description	Q'ty Per Assembly
1	G020 5626	Push Switch	1
2	M052 4456	Gear: Exit: MF	1
3	M052 4477	Guide: Harness: Drive	1
4	M052 4460	Ground Plate: Exit Rooler	1
5	M052 4476	Ground Plate: 1Bin Relay	1
6	M052 5434	M/H Ass'y: Ground Wire: 1Bin Middle	1
7	M052 4467	Cover: Sensor	1
8	AW02 0107	Photointerruptor	1
9	M052 4464	Guide: Lower: Exit: Duplex	1
10	M052 4452	Feeler: Exit: Overflow	1
11	M052 4462	Gate Pawl: Duplex	1
12	M052 4463	Torsion Spring: Gate Pawl: Duplex	1
13	M052 4455	Roller: Exit: MF	1
14	M052 4481	Earth Plate: Brush: Exit	1
15	M052 4469	Roller: Guide	4
16	M052 4438	Base: Decurire: Exit	2
17	G052 4871	Left Holder - Exit Driven Roller	1
18	M052 4875	Roller: Paper: Exit	2
19	G052 4872	Right Holder - Exit Driven Roller	1
20	G052 4877	Right Spring Plate	1
21	M052 4461	Cover: Exit	1
22	M052 4468	Feeler: Paper Feed Sensor	1
23	M054 4450	Lock: Gate Pawl: Option	1
24	M052 4454	Bracket: Solenoid	1
25	GW02 0020	Photointerruptor: LG248NL1	1
26	M052 4444	Spring: Exit: Branch	1
27	AX11 0126	DC Solenoid: 24V: 5.4N	1
28	M052 4465	Link: Solenoid: Exit	1
29	G052 4876	Left Spring Plate	1
30	M052 4434	Exit: Roller Driven	2
31	M052 4453	Discharge Brush: Exit	1
32	M052 4427	Idle: Shaft: FIN	1

Index No.	Part No.	Description	Q'ty Per Assembly
101	0450 3012N	Tapping Screw: 3x12	
102	0450 3008N	Tapping Screw - M3x8	
103	0451 3006N	Tapping Screw - 3x6	
104	0313 0040N	Screw: M3x4	
105	0720 0040E	Retaining Ring - M4	
106	0805 3480	Bushing - 6mm	
107	0720 0030E	Retaining Ring - M3	
108	1105 0329	Clamp - ES-0510	
109	0450 3010N	Tapping Screw - M3x10	

## 28. Duplex Unit 1 (M052/M053/M054)



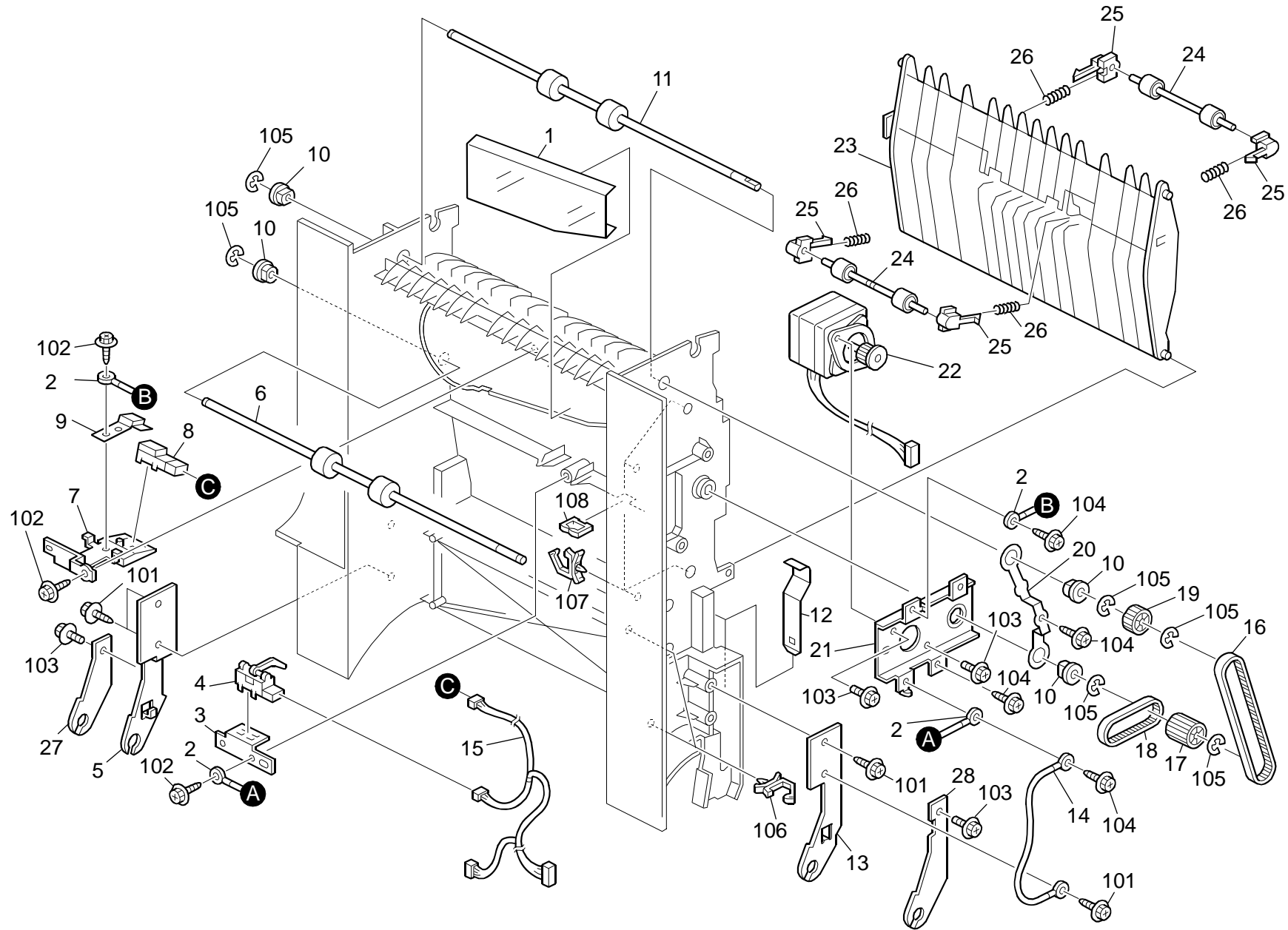


## 28. Duplex Unit 1 (M052/M053/M054)

Index No.	Part No.	Description	Q'ty Per Assembly
1	M052 4613	Cover: Duplex: Right	1
2	M052 4651	Cover: Fan: MM60	1
3	M052 4621	Cover: Duplex: Left	1
4	M052 4627	BKT: Duplex Release	1
5	M052 4628	Tension Spring: Duplex Unit: Release	1
6	M052 4625	Pawl: Un Lock: Left	1
7	M052 4623	Shaft: Un Lock	1
8	M052 4624	Pawl: Un Lock: Right	1
9	M052 4626	Tension Spring: Pawl: Release	1
10	M052 4631	Guide: Upper	1
11	AA08 0313	Driven Roller Bushing	2
12	M021 4618	Driven Roller: Duplex	1
13	M052 4633	Spring Plate: Pressure: Connecting	1
14	M052 4632	Cover: Wir: Refeed	1
15	M052 4611	Link: Duplex: Open And Close	1
16	M052 4612	Button: Duplex: Open And Close	1
17	M052 4660	DC Fan Motor: Mm60	1
18	M052 4655	Antistatic Brush: Exit: Duplex	1
19	M052 5150	Screw: DC Fan Motor: Power Supply Unit: 3x22	2
20	M052 4634	Mylar: Spring Plate	1
21	M052 4653	Support Fan Cover	1
22	M052 4601	Frame: Duplex	1

Index No.	Part No.	Description	Q'ty Per Assembly
101	0450 3008N	Tapping Screw - M3x8	
102	0451 3008N	Tapping Screw - M3x8	
103	1105 0511	Harness Clamp - LWS-0306ZC	
104	1105 0328	Harness Clamp - ES-0505	

# 29. Duplex Unit 2 (M052/M053/M054)



## 29. Duplex Unit 2 (M052/M053/M054)

Index No.	Part No.	Description	Q'ty Per Assembly
1	M052 4658	Sheet: Duct	1
2	M052 5423	M/H Ass'y: Ground Wire: Duplex Unit	2
3	M052 4657	BKT: Duplex Entrance Sensor	1
4	AW02 0181	Paper Feed Sensor	1
5	M052 4614	BKT: Plate Stay: Duplex	1
6	M052 4807	Transport Roller: Duplex: Entrance	1
7	M052 4652	Guide: Sensor: Feed Paper Again	1
8	GW01 0007	Photo Reflection Sensor: Exit	1
9	M052 4635	BKT: Duplex Refeed SensorR	1
10	AA08 2118	Bushing - 6mm	4
11	M052 4811	Transport Roller: Reverse	1
12	M052 4648	Spring Plate: Guide: Pressure	2
13	M052 4615	BKT: Plate Stay: Duplex: Right	1
14	M052 5434	M/H Ass'y: Ground Wire: 1Bin Middle	1
15	M052 5406	M/H Ass'y: Duplex	1
16	M052 4813	Synchronous Belt: Reverse	1
17	M052 4808	Pulley: Entrance: Duplex	1
18	M052 4809	Synchronous Belt: Entrance: Duplex	1
19	M052 4812	Pulley: Reverse	1
20	M052 4514	Earth Plate: Duplex	1
21	M052 4819	Bracket: Motor: Rreverse	1
22	M052 4803	DC Stepper Motor: Reverse: Duplex: Ass'y	1
23	M052 4642	Guide: Duplex	1
24	M052 4618	Driven Roller: Duplex: Drive	2
25	M052 4643	Plain Shaft Bearing: DIA4: Duplex	4
26	M052 4645	Spring: Roller: Driven	4
27	M052 4671	Bracket: Hinge: Duplex: Right	1
28	M052 4672	Bracket: Hinge: Duplex: Left	1

Index No.	Part No.	Description	Q'ty Per Assembly
101	0450 4010N	Tapping Screw: M4x10	
102	0450 3008N	Tapping Screw - M3x8	
103	0451 3006N	Tapping Screw - 3x6	
104	0450 4008N	Tapping Screw - M4x8	
105	0720 0040E	Retaining Ring - M4	
106	1105 0508	Harness Clamp - LWS-0711	
107	1105 0511	Harness Clamp - LWS-0306ZC	
108	1105 0328	Harness Clamp - ES-0505	

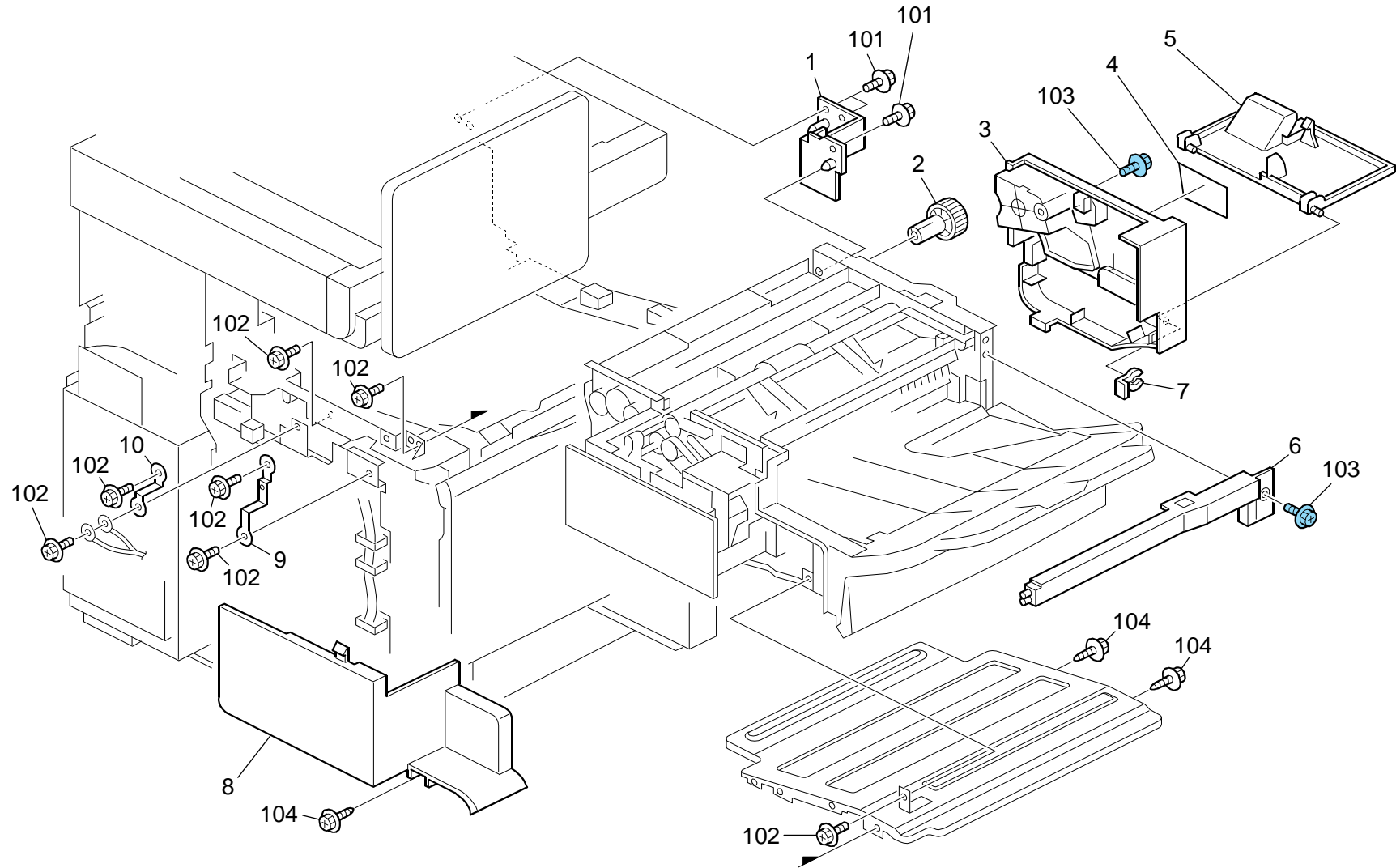


### 30.1bin Tray (M052/M053/M054)

Index No.	Part No.	Description	Q'ty Per Assembly
1	M052 6552	Cover: Sensor: 1bin	1
2	M052 5570	PCB: 1bin-LED	1
3	GW01 0007	Photo Reflection Sensor: Exit	1
4	M052 6505	Tray: Exit: 1bin	1
5	M052 6504	Lower Tray: 1bin	1
6	M052 6514	Cap: LED	1
7	M052 6506	Cover: Frame: Right: Lower	1
8	M053 5422	Harness: 1bin	1
9	M052 6105	Roller: Exit: Driven: Ass'y	1
10	D367 3341	Compression Spring: Exit Roller: Driven	2
11	AA08 0232	Bushing - M4	2
12	M052 6511	Antistatic Brush: 1bin	1
13	M052 6351	Bracket: Sensor: Exit: 1bin	1
14	M050 5435	M/H Harness: Ground Wire: Exit	1
15	M052 6301	Earth Plate	1
16	AW02 0181	Paper Feed Sensor	1
17	M052 6102	Exit Roller: Driven	1
18	M052 6517	Timing Pulley: 41T	1
19	M052 6101	Synchronous Belt	1
20	M052 6501	Upper Frame: 1bin	1
21	M052 6302	Wire: Bail: Stacking	1
22	M052 6507	Guide: Exit Tray: 1bin	1
23	M052 6508	Stay: Wire: BailL	1
24	M052 6303	Earth Plate: Exit	1
25	M053 6502	Cover: Left: Upper: 1bin	1

Index No.	Part No.	Description	Q'ty Per Assembly
101	0450 3008N	Tapping Screw - M3x8	
102	0720 0040E	Retaining Ring - M4	
103	1105 0511	Harness Clamp - LWS-0306ZC	
104	0805 3480	Bushing - 6mm	
105	0451 3008N	Tapping Screw - M3x8	
106	0720 0060E	Retaining Ring: M3	

### 31.Finisher Section 1 (M052/M053/M054)



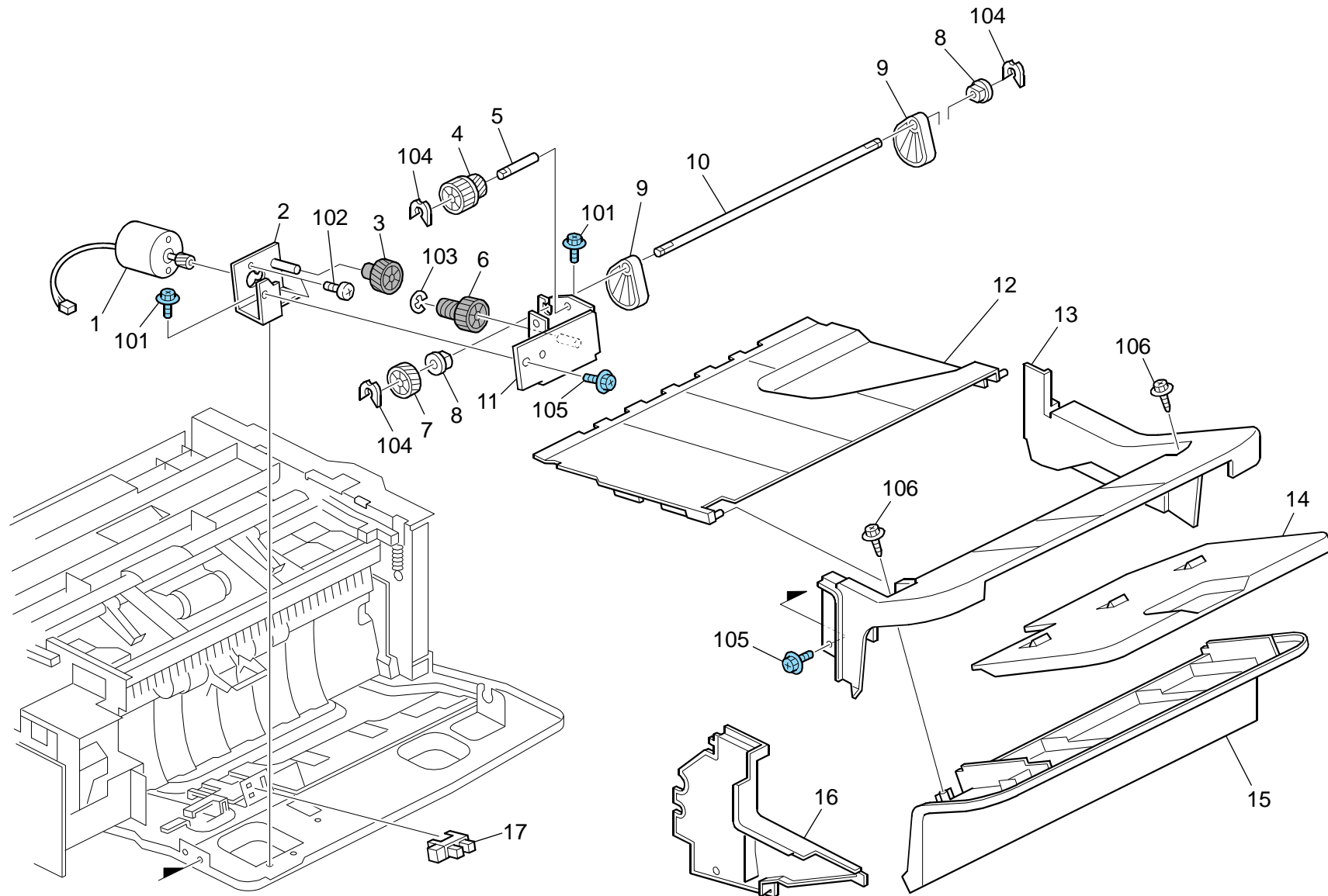
### 31.Finisher Section 1 (M052/M053/M054)

Rev. 12/15/2011

Index No.	Part No.	Description	Q'ty Per Assembly
1	M054 1042	Bracket: Finishing Sub-unit: Right: Ass'y	1
2	M365 2313	Knob: Transport Roller: Entrance	1
3	M366 1521	Cover: Right	1
4	M366 6811	Decal: Stapler: Caution	1
5	M366 1531	Door: Right	1
6	M366 1520	Cover: Exit: Upper	1
7	5206 2686	Snap Ring	1
8	M054 1782	Cover: Finishing Unit: Left: NA/AA	1
8	M054 1781	Cover: Finishing Unit: Left: EU	1
9	M052 1088	Ground Plate: Stay: Finishing Sub-Unit: Lower: B	1
10	M052 1087	Ground Plate: Stay: Finishing Sub-Unit: Lower: A	1

Index No.	Part No.	Description	Q'ty Per Assembly
101	0451 4006N	Tapping Screw - 4x6	
102	0451 3006N	Tapping Screw - 3x6	
103	0454 3006Q	Tapping Screw - M3x6	
104	0450 3008N	Tapping Screw - M3x8	

### 32.Finisher Section 2 (M052/M053/M054)





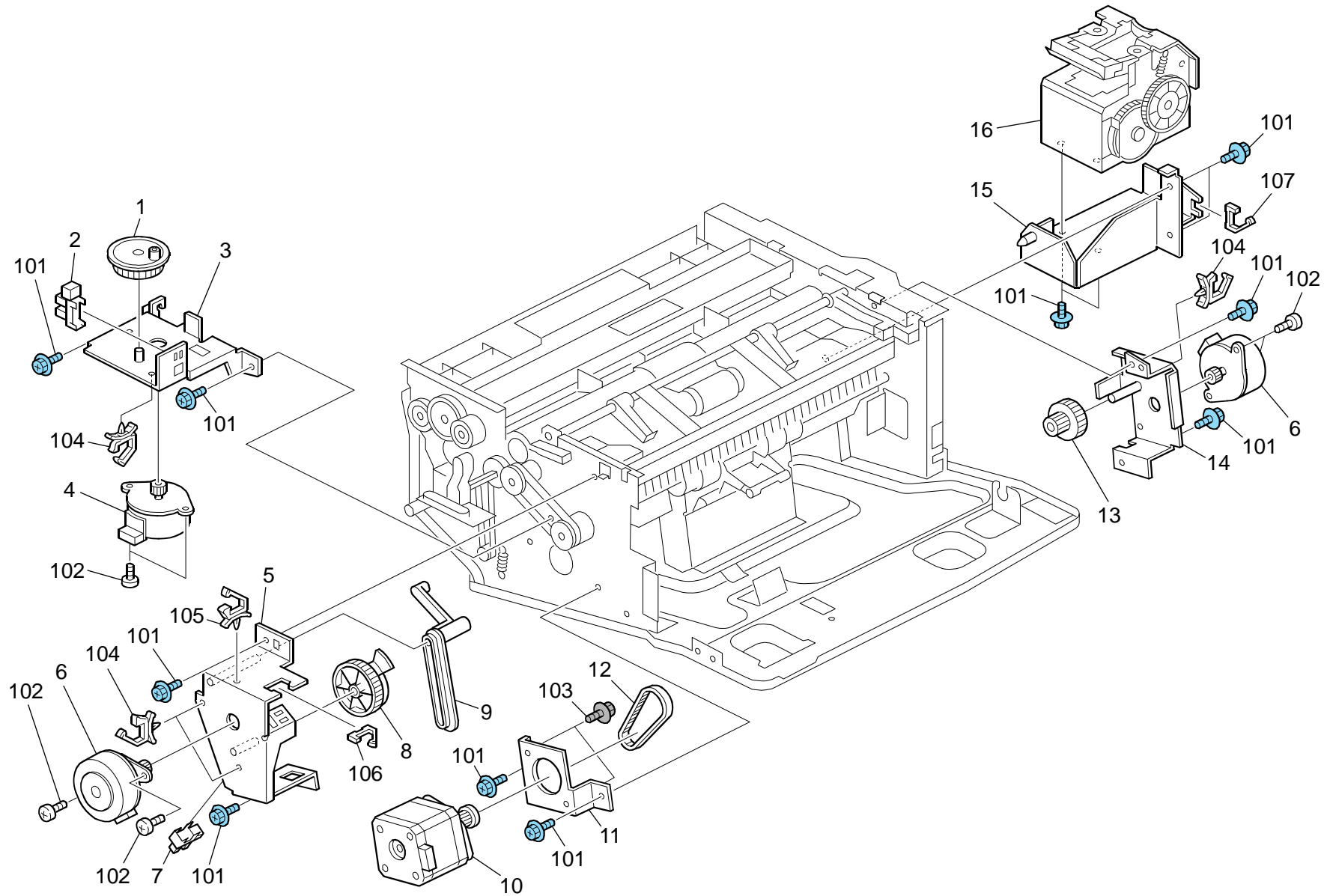
### 32.Finisher Section 2 (M052/M053/M054)

Rev. 12/15/2011

Index No.	Part No.	Description	Q'ty Per Assembly
1	AX04 0241	DC Motor: DIA35: 3.1W	1
2	M365 3310	Bracket: DC motor: Exit: Ass'y	1
3	M365 3318	Gear: IDLER: Z37	1
4	M365 3316	Bracket: Gear	1
5	M365 3313	Shaft: Worm Wheel	1
6	M365 3319	Gear: Z37: Worm Gear	1
7	M366 3325	Gear: Drive: Cam: Z42	1
8	AA08 2101	Bushing - 6x10x6	2
9	M366 3322	Cam: Tray: Moveable	2
10	M365 3321	Shaft: Cam: Tray	1
11	M365 3315	Bracket: Gear: Exit: Ass'y	1
12	M366 3231	Tray: Exit: Moveable	1
13	M365 3221	Tray: Exit: Fix	1
14	M366 3241	Tray: Exit: Auxiliary: Small	1
15	M365 3231	Tray: Exit: Fix: Lower	1
16	M366 1541	Cover: Exit: Left	1
17	AW02 0141	Photointerruptor	1

Index No.	Part No.	Description	Q'ty Per Assembly
101	0454 3008Q	Tapping Screw: 3X8	
102	0353 0040N	Screw - M3x4	
103	0720 0040E	Retaining Ring - M4	
104	0805 0089	Retaining Ring - M4	
105	0454 3006Q	Tapping Screw - M3x6	
106	0451 3006N	Tapping Screw - 3x6	

### 33.Finisher Section 3 (M052/M053/M054)

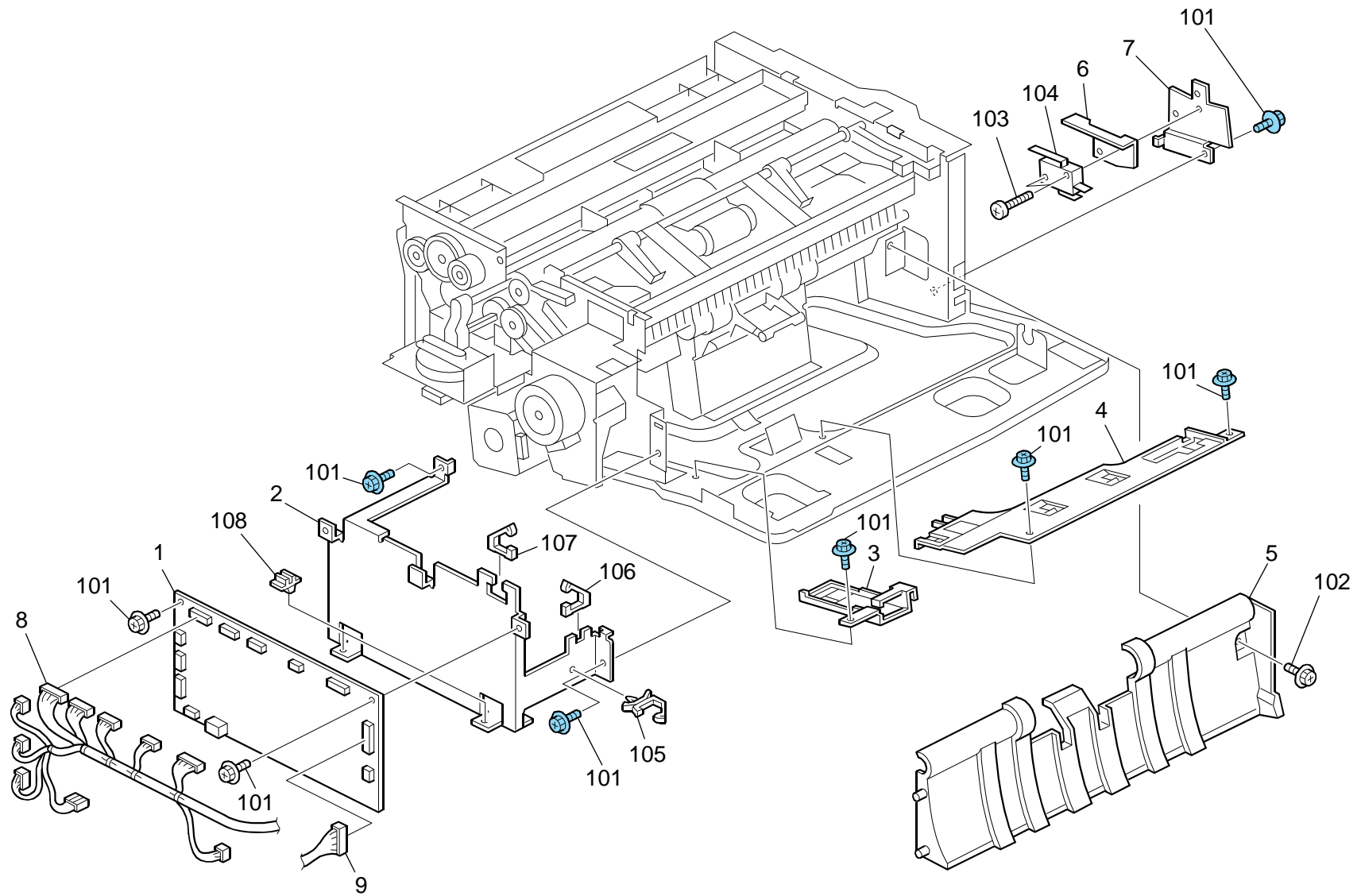


### 33.Finisher Section 3 (M052/M053/M054)

Index No.	Part No.	Description	Q'ty Per Assembly
1	M366 2635	Cam: Roller: Slide	1
2	AW02 0114	Photo Interruptor - Lower Limit	1
3	M366 2632	Bracket: DC Stepper Motor: Slide: Ass'y	1
4	M366 5561	DC Stepper Motor: 1.48W	1
5	M366 2651	Bracket: DC Stepper Motor : Gathering Roller: Ass'y	1
6	M366 5561	DC Stepper Motor: 1.48W	2
7	AW02 0141	Photointerruptor	1
8	M366 2654	Cam: Lever: Gathering Roller	1
9	M366 2655	Lever: Gathering Roller	1
10	AX05 0322	Stepper Motor: MM42: 2.1V: 1.8A	1
11	M366 2621	Bracket: Dc Stepper Motor: Exit	1
12	AA04 3318	Timing Belt - 40S3M144	1
13	M366 2644	Gear: Middle: Exit: Open And Close: Z15/Z51	1
14	M366 2641	Bracket: DC Stepper Motor: Exit : Open And Close: Ass'y	1
15	M366 4210	Bracket: Stapler	1
16	AJ01 1025	Stapler: EH-C590R	1

Index No.	Part No.	Description	Q'ty Per Assembly
101	0454 3006Q	Tapping Screw - M3x6	
102	0353 0040N	Screw - M3x4	
103	0360 3006P	Screw - M3X6	
104	1105 0511	Harness Clamp - LWS-0306ZC	
105	1105 0623	Clamp - LBWS-0206S-V0	
106	1105 0518	Edge Saddle - LES-1010	
107	1105 0723	Clamps: WES-0507	

### 34.Finisher Section 4 (M052/M053/M054)



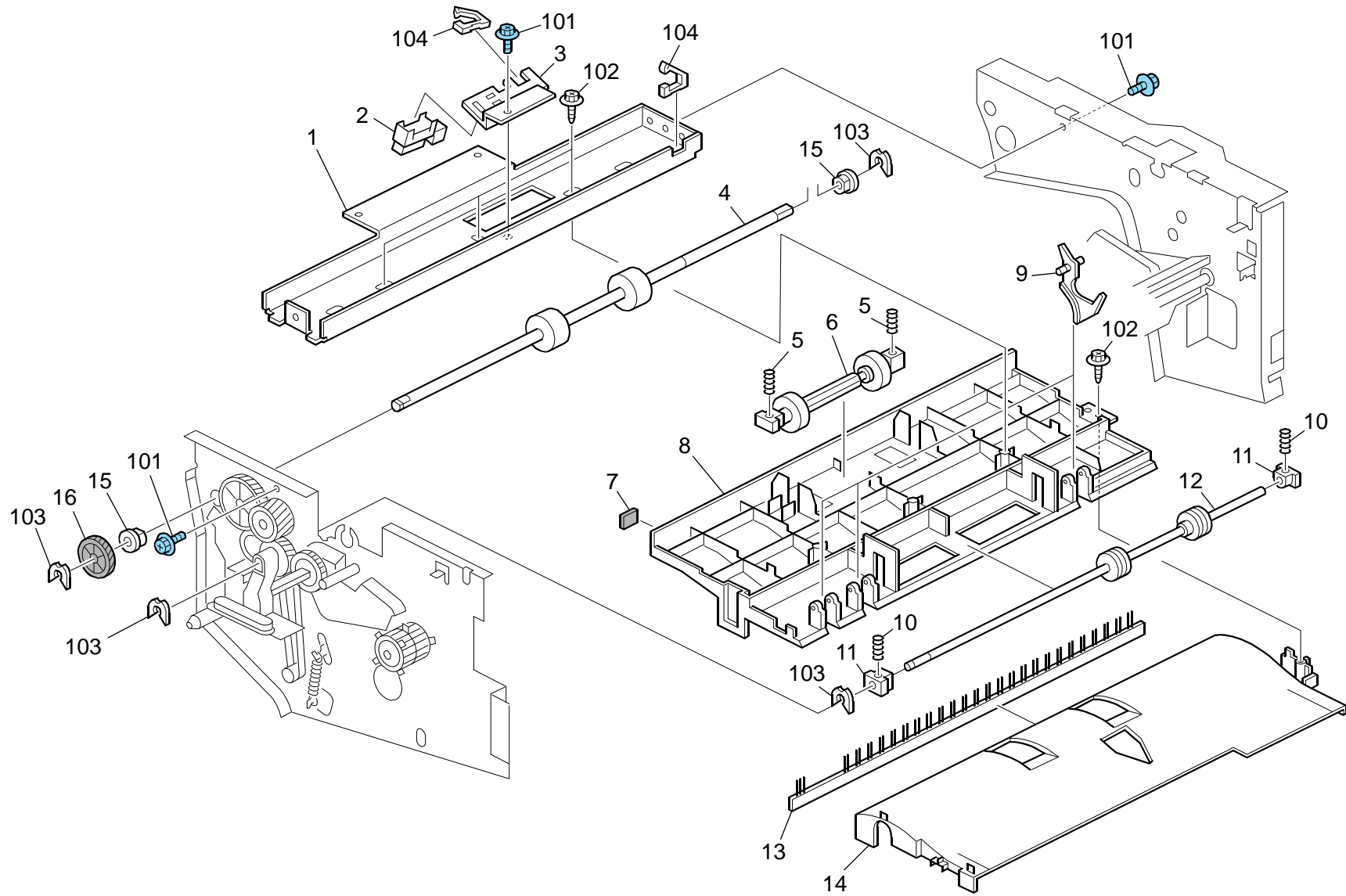
### 34.Finisher Section 4 (M052/M053/M054)

Rev. 12/15/2011

Index No.	Part No.	Description	Q'ty Per Assembly
1	M366 5124	PCB: Main Control: Ass'y	1
2	M365 1251	Bracket: PCB	1
3	M365 5752	Guide: Harness: Small	1
4	M365 5751	Guide: Harness	1
5	M366 3121	End Fence: Exit	1
6	M365 1122	Spring Plate: Door Switch: Staple Exchange	1
7	M365 1121	Bracket: Door Switch: Staple Exchange	1
8	M365 5210	Harness: Main	1
9	M054 5412	Harness: Finisher	1

Index No.	Part No.	Description	Q'ty Per Assembly
101	0454 3006Q	Tapping Screw - M3x6	
102	0454 3008Q	Tapping Screw: 3X8	
103	0353 0140N	Screw: M3x14	
104	1204 2612	Micro Switch: D3V-16506-3C25	
105	1105 0508	Harness Clamp - LWS-0711	
106	1105 0692	Clamp: LES-0503	
107	1105 0551	Clamp: LES-0505	
108	1105 0326	Locking Support	

### 35.Finisher Section 5 (M052/M053/M054)

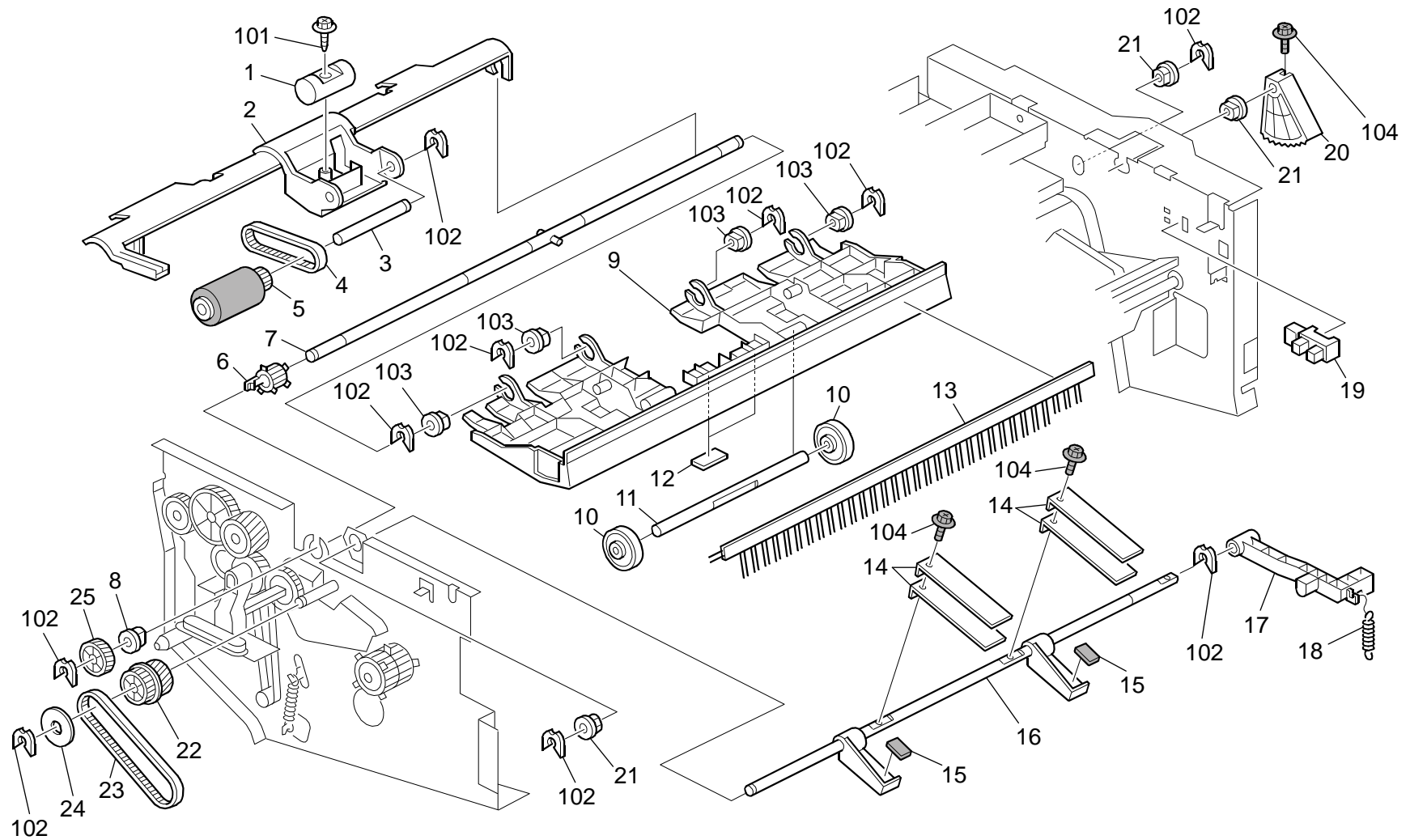


### 35.Finisher Section 5 (M052/M053/M054)

Index No.	Part No.	Description	Q'ty Per Assembly
1	M366 2121	Stay: Upper	1
2	GW01 0007	Photo Reflection Sensor: Exit	1
3	M366 2131	Bracket: Entrance Sensor	1
4	M366 2311	Transport Roller: Entrance	1
5	M366 2115	Compression Spring: Driven	2
6	AF02 2147	Driven Roller	1
7	M366 2117	Gasket: 3x7x10	1
8	M366 2112	Guide Plate: Transport: Upper	1
9	M366 2116	Guide: Trailing Edge	3
10	AA06 3529	Pressure Spring - 14.5mm	2
11	B408 2175	Bushing - Roller Slide	2
12	M366 2114	Driven Roller: Slide	1
13	M366 2113	Discharge Brush: Entrance	1
14	M366 2111	Guide Plate: Transport: Lower	1
15	AA08 2101	Bushing - 6x10x6	2
16	M366 2312	Gear: Transport: Z25	1

Index No.	Part No.	Description	Q'ty Per Assembly
101	0454 3006Q	Tapping Screw - M3x6	
102	0802 5319	Hexagon Head Tapping Screw: ES: 3x8	
103	0805 0089	Retaining Ring - M4	
104	1105 0692	Clamp: LES-0503	

# 36.Finisher Section 6 (M052/M053/M054)



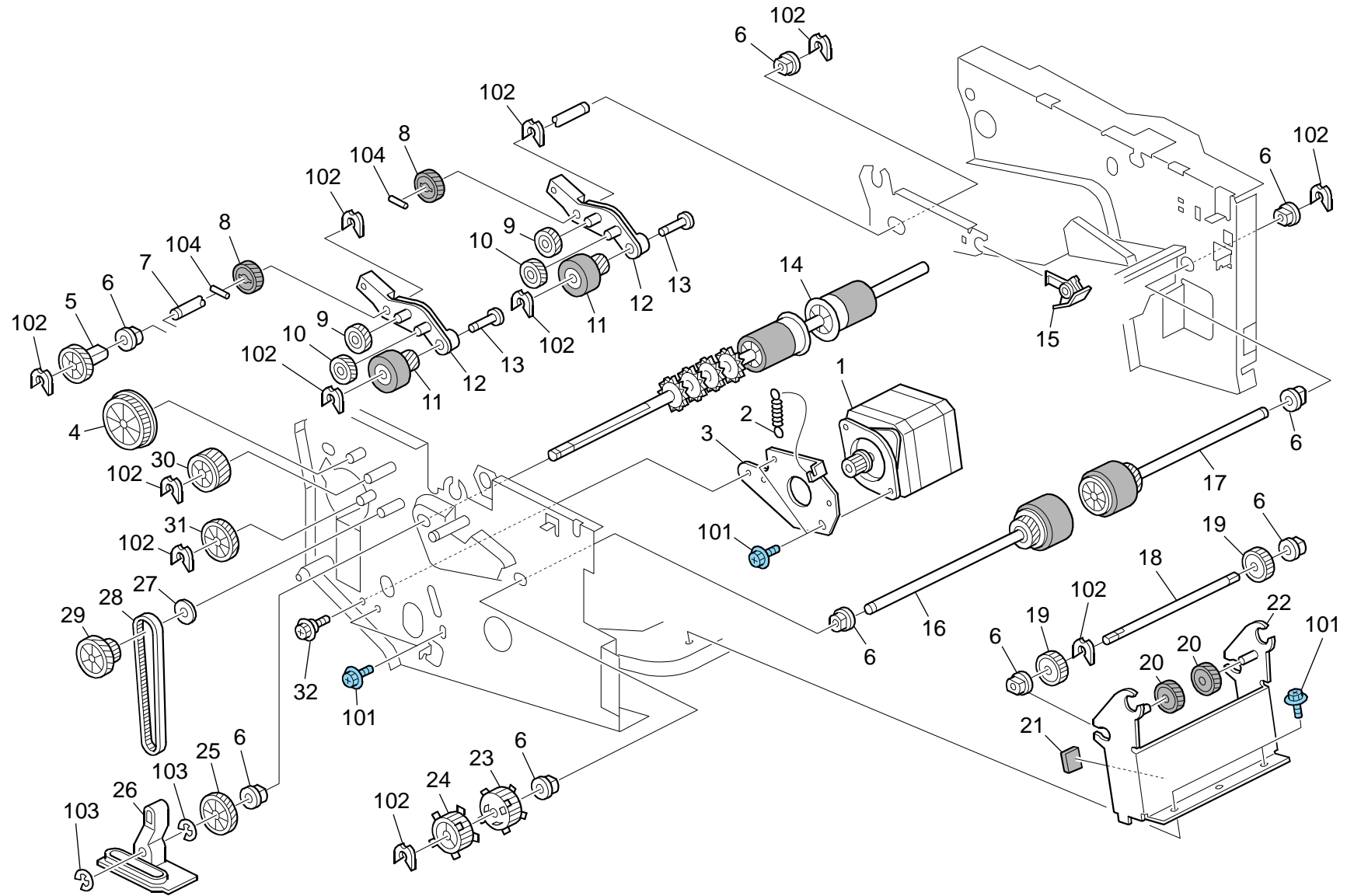


### 36.Finisher Section 6 (M052/M053/M054)

Index No.	Part No.	Description	Q'ty Per Assembly
1	M366 2238	Shaft: Balancer: Gathering Roller	1
2	M366 2237	Arm: Gathering Roller	1
3	M366 2236	Shaft: Gathering Roller	1
4	B700 3535	Timing Belt: B40S2M116	1
5	M366 2235	Gathering Roller	1
6	M366 2234	Timing Pulley: Gathering Roller : Drive: Transmission	1
7	M366 2232	Shaft: Gathering Roller: Drive: Ass'y	1
8	AA08 0346	Bushing: Flange Type: DIA6	2
9	M366 2212	Guide Plate: Exit: Open And Close	1
10	A681 2742	Driven Exit Roller	2
11	M366 2214	Shaft: Exit Roller: Driven	1
12	M366 2216	Cushion: Guide Plate: Exit	2
13	M366 2241	Discharge Brush: Exit: Open And Close	1
14	M366 2223	Spring Plate: Guide Plate: Exit	4
15	M366 2216	Cushion: Guide Plate: Exit	2
16	M366 2222	Pawl: Exit: Open And Close: Ass'y	1
17	M366 2225	Lever: Safety Switch	1
18	D029 4478	Tension Spring: Release: DC Solenoid	1
19	AW02 0114	Photo Interruptor - Lower Limit	1
20	M366 2224	Gear: Sector: Exit: Open And Close	1
21	AA08 2101	Bushing - 6x10x6	3
22	M366 2252	Gear: Pulley: Z18/T20	1
23	AA04 3337	Timing Belt: 40S3M168	1
24	B478 3569	Spacer	1
25	M366 2251	Gear: Gathering Roller: Drive: Z20	1

Index No.	Part No.	Description	Q'ty Per Assembly
101	0802 5319	Hexagon Head Tapping Screw: ES: 3x8	
102	0805 0089	Retaining Ring - M4	
103	0805 3385	Bushing - 6mm	
104	0360 3006P	Screw - M3X6	

# 37.Finisher Section 7 (M052/M053/M054)

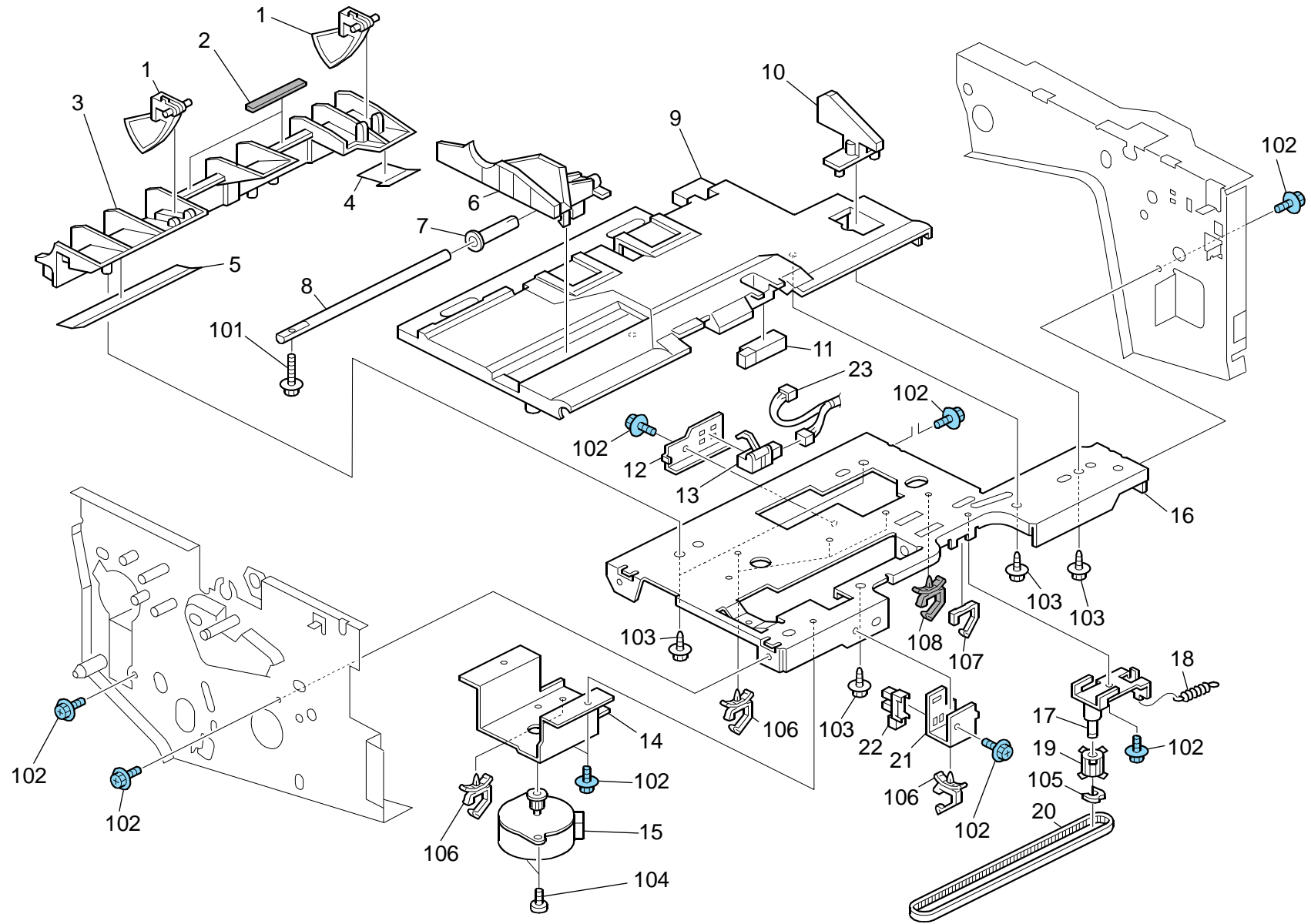


### 37.Finisher Section 7 (M052/M053/M054)

Index No.	Part No.	Description	Q'ty Per Assembly
1	M366 5570	DC Stepper Motor: Transport: 3.78W	1
2	M366 2616	Tension Spring: Tensioner: Transport	1
3	M366 2612	Bracket: Tensioner: Transport	1
4	M366 2615	Gear: Idler: Z35	1
5	M366 2519	Gear: Return: Drive: Z25	1
6	AA08 2101	Bushing - 6x10x6	4
7	M366 2511	Shaft: Drive: Transmission: Roller: Return	1
8	M366 2512	Gear: Return: Drive: Transmission: Z31	2
9	M366 2515	Gear: Roller: Return: Middle: Z28	2
10	M366 2514	Gear: Roller: Return: Middle: Z25	2
11	M366 2516	Reverse Roller: Trailing Edge: Z20	2
12	M366 2517	Arm: Reverse Roller	2
13	D372 2122	Shaft - Reverse Roller	2
14	M366 2321	Transport Roller: Slide	1
15	M366 2325	Bushing: Roller: Slide	1
16	M366 2332	Exit Roller: Inner Back	1
17	M366 2331	Exit Roller: Front	1
18	M366 3521	Shaft: Exit: Coupling	1
19	M366 3522	Gear: Exit: Coupling: Z20	2
20	M366 3523	Gear: Exit: Coupling: Middle: Z19	2
21	M366 3442	Cushion: Plate: Return	1
22	M366 3511	Bracket: Exit: Connectng	1
23	M366 2335	Timing Pulley: Exit Roller: Drive	1
24	M366 2334	Timing Pulley: Exit Roller: Drive	1
25	M366 2312	Gear: Transport: Z25	1
26	M366 2322	Link: Roller: Slide: Ass'y	1
27	AA13 2169	Spacer - 5.7x16x1.5	1
28	AA04 3660	Timing Belt: 40S2M172	1
29	M366 2613	Gear: Pulley: Z25/T20	1
30	M366 2614	Gear: Idler: Z22	1
31	M366 2518	Gear: Idler: Z22: Lighter	1
32	AA14 3790	Screw: Contact Point	1

Index No.	Part No.	Description	Q'ty Per Assembly
101	0454 3006Q	Tapping Screw - M3x6	
102	0805 0089	Retaining Ring - M4	
103	0720 0040E	Retaining Ring - M4	
104	0632 0120G	Parallel Pin - 2x12	

### 38.Finisher Section 8 (M052/M053/M054)

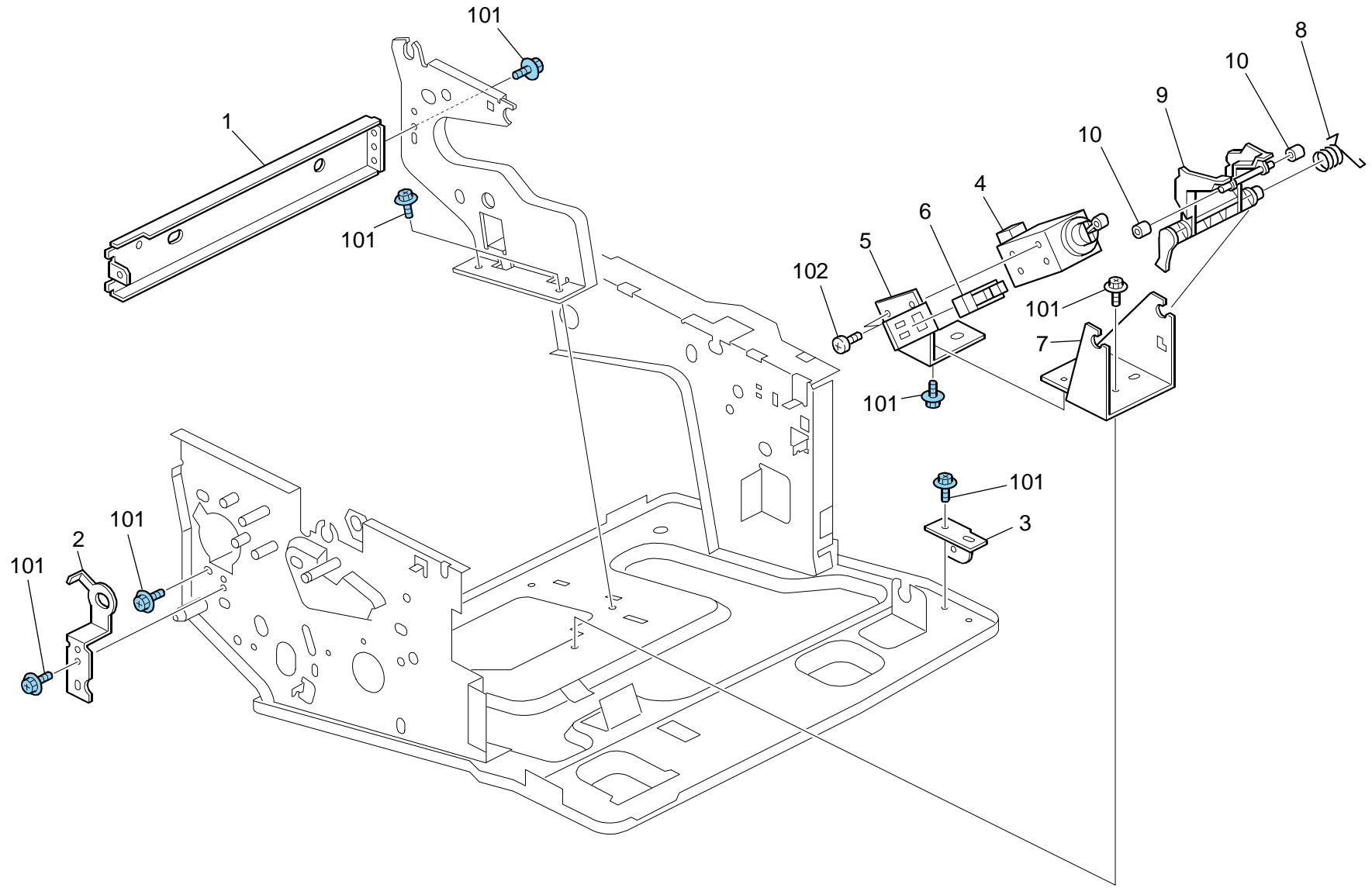


### 38.Finisher Section 8 (M052/M053/M054)

Index No.	Part No.	Description	Q'ty Per Assembly
1	M366 4154	Plate: Trailing Edge: Standard Fence	2
2	M366 4159	Cushion: Arm: Return: 0.2MM	2
3	M366 4155	Standard Fence: Trailing Edge	1
4	M366 4152	Guide: Standard Fence: Front Right	1
5	M366 4153	Guide: Standard Fence: Rear Right	1
6	M366 4112	Jogger Fence: Rear	1
7	A681 4515	Bushing - 6mm	1
8	M366 4113	Shaft: Guide: Jogger: Front	1
9	M366 4156	Tray: Staple	1
10	M366 4157	Standard Fence: Fix: Front	1
11	AW01 0109	Photo Refiection Sensor: PS117ED1	1
12	M366 4132	Bracket: Surface Of Paper Sensor: Stapler Tray	1
13	AW02 0154	Photointerruptor: Entrance	1
14	M366 4142	Bracket: DC Stepper Motor: Jogger	1
15	M366 5560	DC Stepper Motor: Jogger: 1.48W	1
16	M366 4158	Stay: Jogger	1
17	M366 4161	Tensioner: Jogger Fence	1
18	M366 4170	Tension Spring: Belt Tensioner: Jogger Fence	1
19	D372 4163	Timing Pulley - 18T	1
20	A858 4181	Timing Belt - 2XL	1
21	M366 4122	Bracket: Home Position Sensor: Jogger: Rear	1
22	AW02 0141	Photointerruptor	1
23	M365 5210	Harness: Main	1

Index No.	Part No.	Description	Q'ty Per Assembly
101	0451 3010N	Tapping Screw: 3x10	
102	0454 3006Q	Tapping Screw - M3x6	
103	0802 5319	Hexagon Head Tapping Screw: ES: 3x8	
104	0353 0040N	Screw - M3x4	
105	0805 0089	Retaining Ring - M4	
106	1105 0511	Harness Clamp - LWS-0306ZC	
107	1105 0692	Clamp: LES-0503	
108	1105 0717	Clamp: JDW-1S	

### 39.Finisher Section 9 (M052/M053/M054)

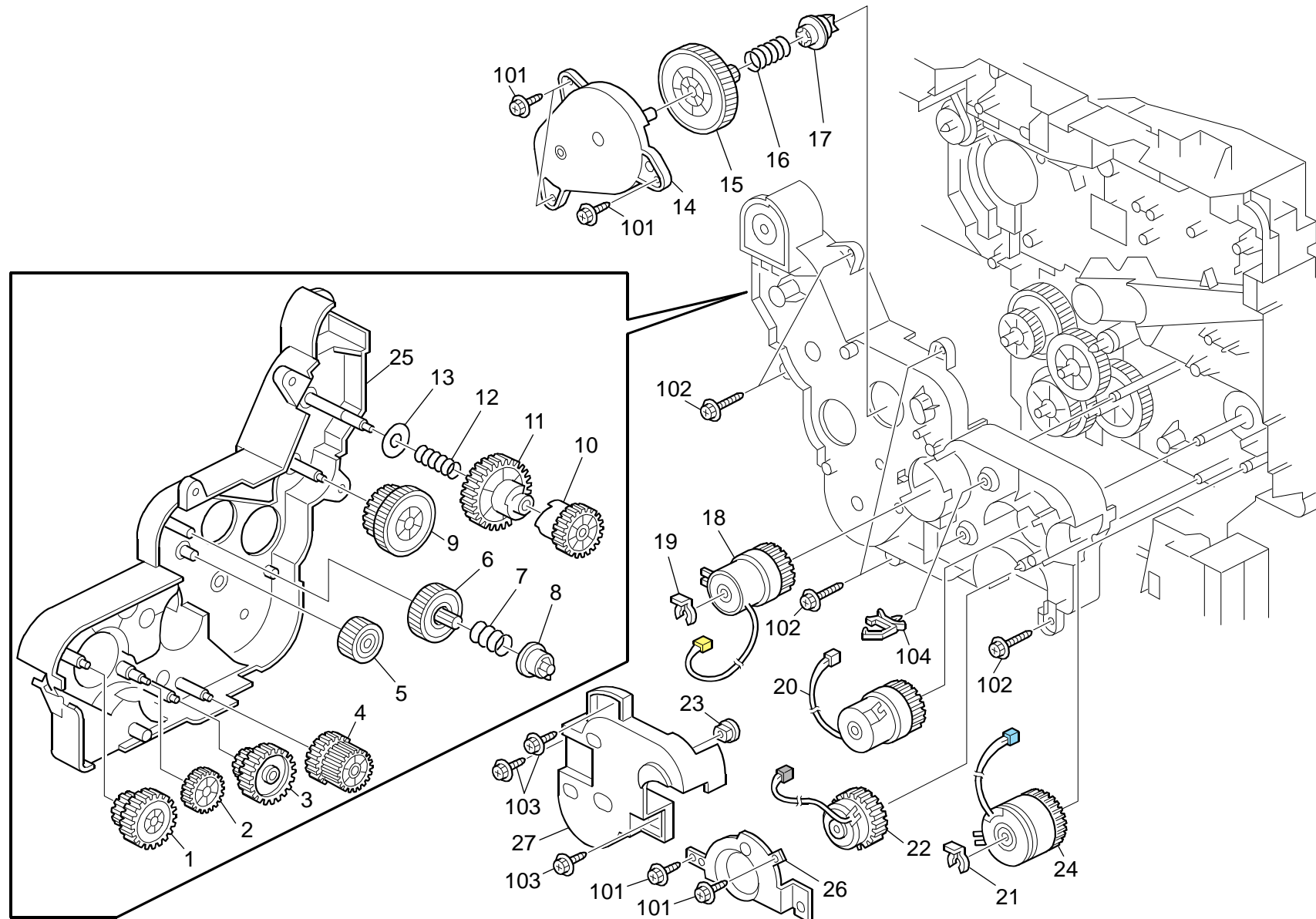


### 39.Finisher Section 9 (M052/M053/M054)

Index No.	Part No.	Description	Q'ty Per Assembly
1	M366 1040	Stay: Lower: Ass'y	1
2	M366 1218	Bracket: Shaft: Drive: Return	1
3	M365 1112	Bracket: Base: Fix	1
4	M366 3430	DC Solenoid: Paper Senser: Sub-Ass'y	1
5	M366 3412	Bracket: Solenoid: Paper Senser	1
6	AW02 0141	Photointerruptor	1
7	M366 3411	Bracket: Paper Sensor	1
8	M366 3441	Torsion Spring: Lever	1
9	M366 3421	Arm: Paper Senser: Trailing Edge	1
10	D372 3122	Stopper - Paper Senser	2

Index No.	Part No.	Description	Q'ty Per Assembly
101	0454 3006Q	Tapping Screw - M3x6	
102	0353 0040N	Screw - M3x4	

# 40.Drive Section 1 (M052/M053/M054)



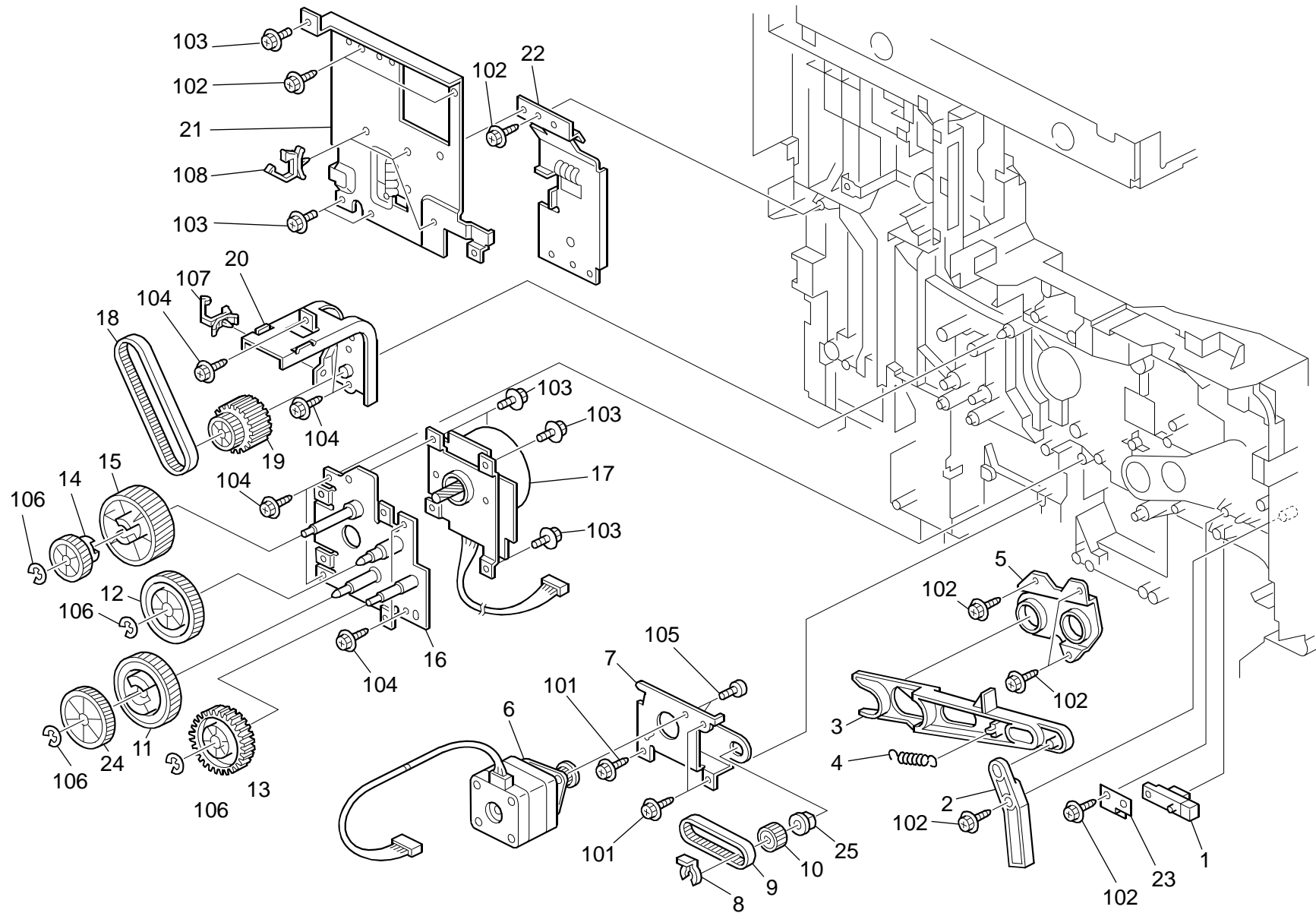


#### 40. Drive Section 1 (M052/M053/M054)

Index No.	Part No.	Description	Q'ty Per Assembly
1	M021 1129	Gear: Manual Feed: No.1	1
2	M021 1128	Gear: Connecting: No.1	1
3	M021 1127	Gear: Paper Feed: No.3	1
4	M021 1126	Gear: Paper Feed: No.2	1
5	M021 1134	Gear: Development: No.4: Ass'y	1
6	M021 1136	Gear: Joint: Development	1
7	M021 1138	Coil Spring: Joint: Development	1
8	M021 1137	Joint: Drive: Development	1
9	M021 1130	Gear: Fusing: No.1	1
10	M052 1133	Gear: Fusing: No.3	1
11	M021 1132	Gear: Fusing: No.2	1
12	G052 1120	Spring - Paper Exit Release	1
13	G052 1123	Spacer - Drive Unit	1
14	M052 1141	Housing: Drive: Sub	1
15	M021 1142	Gear: Joint: Drum	1
16	M021 1144	Coil Spring: Joint: Drum	1
17	M021 1143	Joint: Drive: Drum	1
18	M021 2900	Electromagnetic Clutch: Registration: Ass'y	1
19	5215 2621	Snap Ring - M6	1
20	M021 2835	Electromagnetic Clutch: Connecting: Ass'y	1
21	5447 2681	Snap Ring	1
22	M021 2825	Electromagnetic Clutch: Paper Feed: Ass'y	1
23	AA08 2118	Bushing - 6mm	1
24	M052 2761	Electromagnetic Clutch: 1Turn: Z41: Manual Feed	1
25	M052 1111	Housing: Drive: Main: MF	1
26	M052 1168	Bracket: Clutch: Feed	1
27	M052 1195	Cover: Drive: Clutch	1

Index No.	Part No.	Description	Q'ty Per Assembly
101	0450 3010N	Tapping Screw - M3x10	
102	0450 3012N	Tapping Screw: 3x12	
103	0450 3008N	Tapping Screw - M3x8	
104	1105 0508	Harness Clamp - LWS-0711	

# 41. Drive Section 2 (M052/M053/M054)

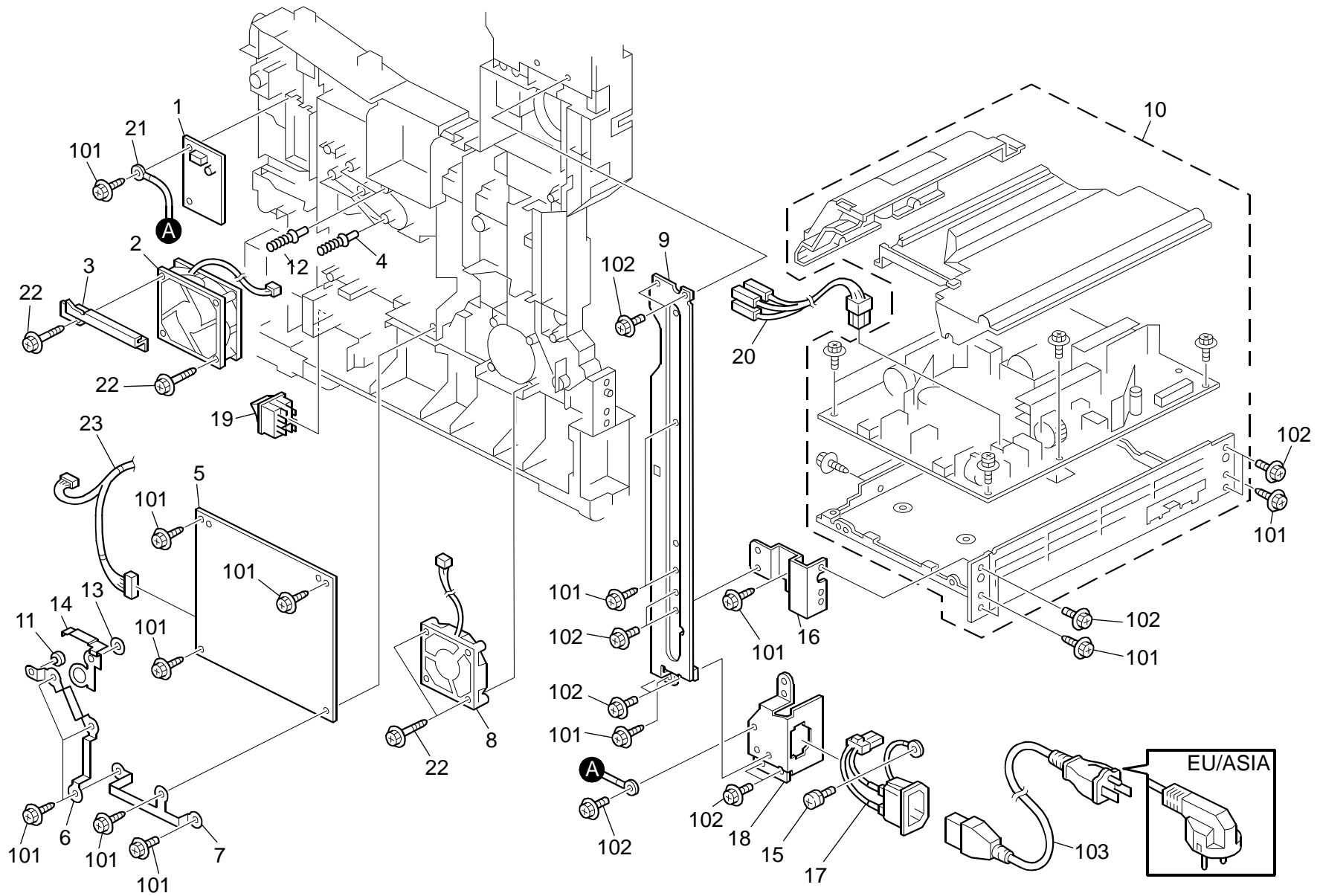


### 41. Drive Section 2 (M052/M053/M054)

Index No.	Part No.	Description	Q'ty Per Assembly
1	G175 2551	Photosensor	1
2	M021 1122	Lever: Opener	1
3	M021 1121	Joint: Drive: Release	1
4	M021 1123	Coil Spring: Joint: Pressure	1
5	M052 1059	Plain Shaft Bearing: Frame: Drum	1
6	M052 4991	DC Stepper Motor: Duplex	1
7	M052 4995	Bracket: Stepping Motor: Duplex	1
8	5447 2681	Snap Ring	1
9	M052 4993	Synchronous Belt: Duplex: Transport: MF	1
10	M021 4608	Pulley: 25T	1
11	M021 1109	Gear: Z96/Z30	1
12	M021 1111	Gear: Z73	1
13	M021 1112	Gear: Paper Feed: No.1	1
14	M021 1114	Gear: Drum: No.2	1
15	M021 1113	Gear: Drum: No.1: Ass'y	1
16	M021 1102	Bracket: Brushless Motor: Ass'y	1
17	M052 1126	DC Brushless Motor: 49W	1
18	M052 1114	Synchronous Belt: 1bin: Relay	1
19	M052 1113	Gear: Pulley: Fusing: 1bin	1
20	M052 1044	Support: Plate: Frame: Left	1
21	M052 5136	Earth Plate: Left Frame: Upper	1
22	M052 5137	Earth Plate: Left Frame: Middle	1
23	M052 1061	Bracket: Toner End Sensor	1
24	M052 1110	Gear: Dev: Second	1
25	AA08 2118	Bushing - 6mm	1

Index No.	Part No.	Description	Q'ty Per Assembly
101	0450 4008N	Tapping Screw - M4x8	
102	0450 3008N	Tapping Screw - M3x8	
103	0451 3006N	Tapping Screw - 3x6	
104	0450 4010N	Tapping Screw: M4x10	
105	0313 0060N	Screw - M3X6	
106	0720 0040E	Retaining Ring - M4	
107	1105 0511	Harness Clamp - LWS-0306ZC	
108	1105 0516	Clamp	

## 42.Electrical Section 1 (M052/M053/M054)

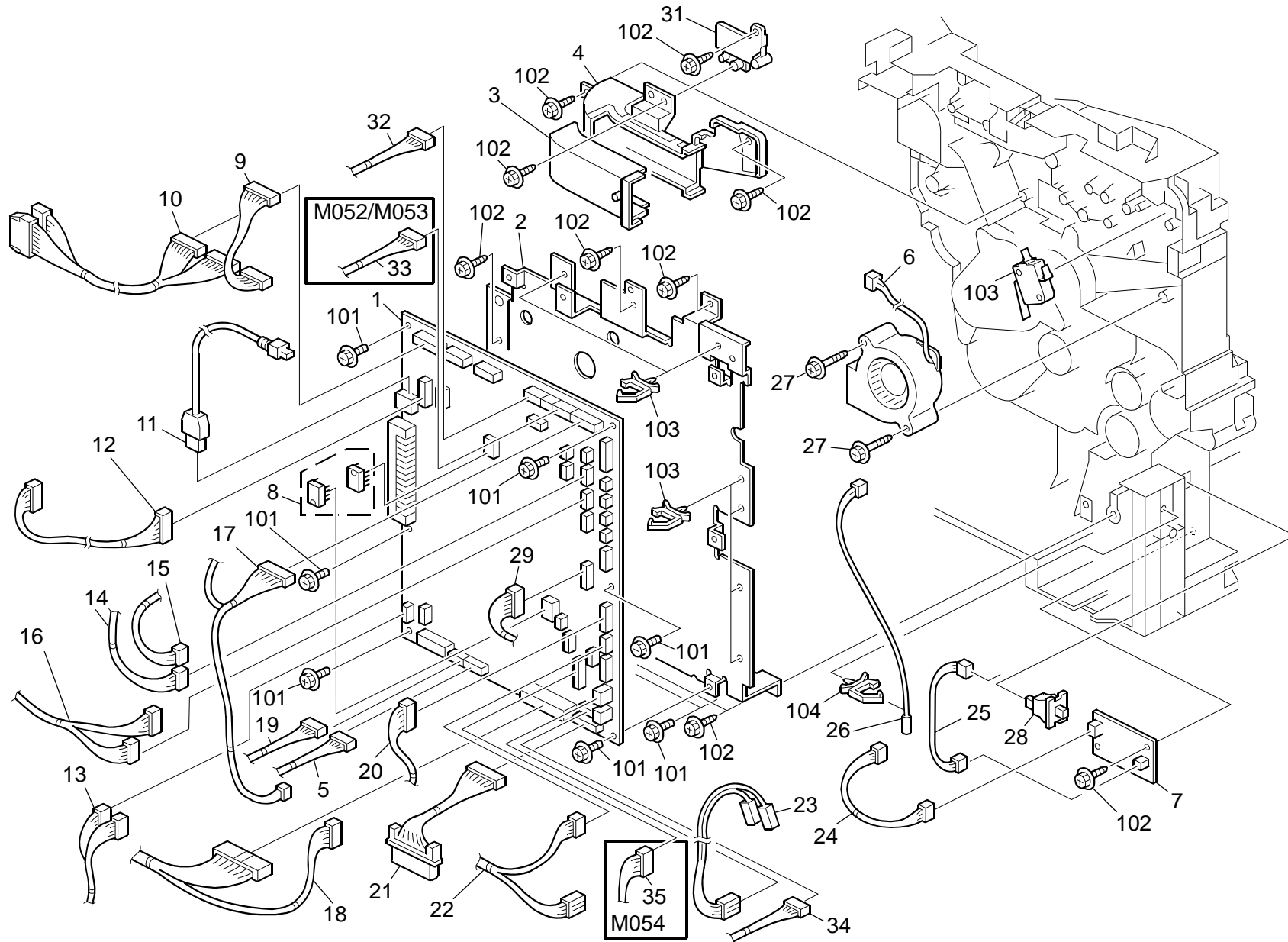


## 42.Electrical Section 1 (M052/M053/M054)

Index No.	Part No.	Description	Q'ty Per Assembly
1	M052 5500	PCB: RFID-R/W	1
2	M052 1066	DC Fan Motor: MM80: 24V	1
3	M052 1049	Guide: Harness: Fuser	1
4	M021 1191	Shaft: High Voltage: Ass'y	3
5	M052 5006	Power Pack	1
6	M052 2939	Ground Plate: Roller: Registration: Driven	1
7	M052 1092	Earth Plate: PSU	1
8	AX64 0200	Fan: MM60: DC 3.12W	1
9	M052 1048	Earth Plate: Frame: Right	1
10	M052 5020	Power Supply Unit: 264W: NA: Ass'y	1
10	M052 5021	Power Supply Unit: 364W: EU/AP: Ass'y	1
11	A153 2117	Terminal: Roller	1
12	M052 1191	Shaft: High Voltage: Ass'y	2
13	LA25 2536	Spacer: Lower: Body	1
14	M052 1047	Earth Plate: Shutter: AIO	1
15	AA14 3592	Screw- M4x6	1
16	M052 1089	Earth Plate: Bracket: PSU	1
17	M052 5417	Inlet: NA: Ass'y	1
17	M052 5450	Inlet: EU: Ass'y	1
18	M052 5134	Inlet Bracket: MF	1
19	M052 1058	Switch: Main	1
20	M052 5425	M/H Ass'y: Main SW	1
21	M052 5437	M/H Ass'y: Ground Wire: Rfid	1
22	M052 5150	Screw: DC Fan Motor: Power Supply Unit: 3x22	2
23	M052 5410	M/H Ass'y: Rfid	1

Index No.	Part No.	Description	Q'ty Per Assembly
101	0450 3008N	Tapping Screw - M3x8	
102	0451 3006N	Tapping Screw - 3x6	
103	1150 0377	Power Supply Code: 250V: 10A: EU	
103	1150 0415	Power Supply Code: 125V: NA	
104	1105 0637	Locking Card Spacer: KGLS-10RT	

# 43.Electrical Section 2 (M052/M053/M054)

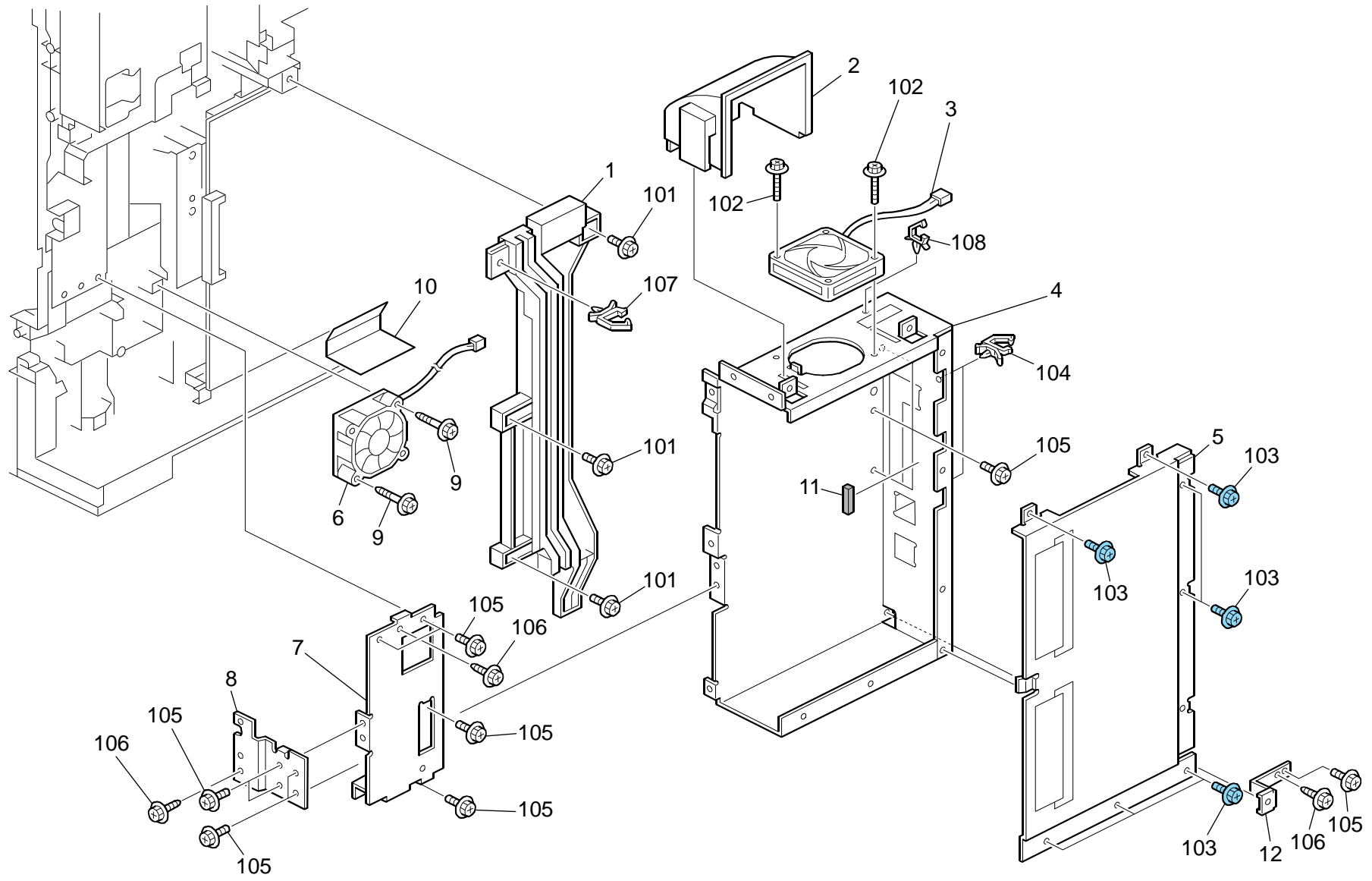


### 43.Electrical Section 2 (M052/M053/M054)

Index No.	Part No.	Description	Q'ty Per Assembly
1	M052 5010	PCB: BICU: $\mu$ FAss'y	1
2	M052 5110	Bracket: BICU	1
3	M052 1067	Duct: Upper: Cooling: AIO	1
4	M052 1068	Duct: lower: Cooling: AIO	1
5	M052 5439	M/H Ass'y: Scanner Motor: NA	1
5	M052 5451	M/H Ass'y: Scanner Motor: EU	1
6	M052 1069	Fan: Cooling: AIO	1
7	M052 5551	PCB: Sensor	1
8	M052 9593	EEPROM	1
9	M052 5407	M/H Ass'y: LDB: NA	1
9	M052 5449	M/H Ass'y: LDB: EU	1
10	M052 5440	M/H Ass'y: SBU I/F2: Connecting	1
11	M052 5414	M/H Ass'y: USB: OP	1
12	M052 5413	M/H Ass'y: OP	1
13	M052 5415	M/H Ass'y: ARDF	1
14	M052 5418	M/H Ass'y: Fusing: NA	1
14	M052 5419	M/H Ass'y: Fusing: EU	1
15	M052 5436	M/H Ass'y: Main SW: Detect	1
16	M052 5410	M/H Ass'y: Rfid	1
17	M052 5403	M/H Ass'y: Toner End Sensor	1
18	M052 5416	M/H Ass'y: Power Supply Unit	1
19	M052 5441	M/H Ass'y: HP/AKS Sensor I/F: Connecting	1
20	M052 5401	M/H Ass'y: Motor: Duplex: 50	1
21	M052 5411	M/H Ass'y: Bank	1
22	M052 5408	M/H Ass'y: Interlock SW: Duplex	1
23	M052 5409	M/H Ass'y: Interlock SW: Front	1
24	M052 5402	M/H Ass'y: Sensor Board	1
25	M052 5428	M/H Ass'y: Tray Set Detection	1
26	M021 1253	Thermistor: Transfer	1
27	B259 1119	Tapping Screw: M3x33	2
28	G020 5626	Push Switch	1
29	M052 5404	M/H Ass'y: Manual Feed	1
30	M052 1069	Fan: Cooling: AIO	1
31	M052 1071	Bracket: Duct: AIO	1

Index No.	Part No.	Description	Q'ty Per Assembly
32	G168 5403	Harness: Polygon Mirror: Sync Detector: Board	1
33	M052 5438	M/H Ass'y: Exit Sensor	1
34	M052 5405	M/H Ass'y: Duplex: Connecting	1
35	M054 5412	M/H Ass'y: Finisher	1
101	0451 3006N	Tapping Screw - 3x6	
102	0450 3008N	Tapping Screw - M3x8	
103	1105 0487	Harness Clamp	
104	1105 0511	Harness Clamp - LWS-0306ZC	

# 44.Electrical Section 3 (M052/M053/M054)



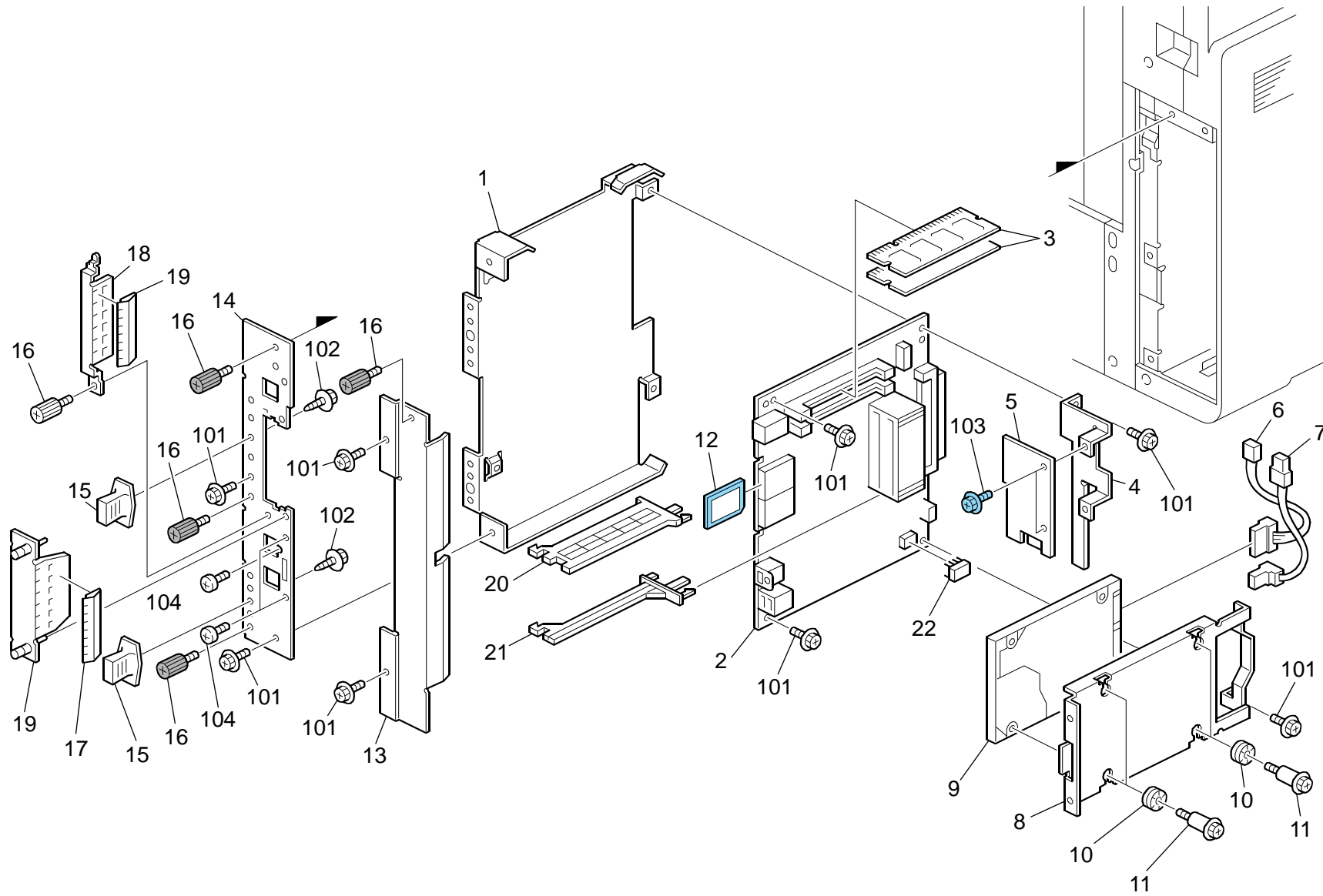


#### 44.Electrical Section 3 (M052/M053/M054)

Index No.	Part No.	Description	Q'ty Per Assembly
1	M052 5111	Gude: Harness: BICU	1
2	M052 5149	CTL: Gasket	1
3	M052 5153	DC Fan Motor: MM60	1
4	M052 5113	Bracket: C/T Box	1
5	M052 5378	PCB: CTL: M052: Ass'y	1
5	M052 5379	PCB: CTL: M053/M054: Ass'y	1
6	AX64 0200	Fan: MM60: DC 3.12W	1
7	M052 5143	Ground Plate: Frame: Left: Lower	1
8	M052 5124	Graound Plate: C/T Box	1
9	M052 5150	Screw: DC Fan Motor: Power Suppl Unit: 3x22	2
10	M052 1072	Duct: Fan: PSU	1
11	M052 5174	Gasket: CTL	1
12	M052 5139	Side Bracket: CTL Box	1

Index No.	Part No.	Description	Q'ty Per Assembly
101	0360 3006N	Screw - M3x6	
102	0454 3020Q	Tapping Screw: 3x20	
103	0454 3006Q	Tapping Screw - M3x6	
104	1105 0291	Harness Clamp - LWS-3S	
105	0451 3006N	Tapping Screw - 3x6	
106	0450 3008N	Tapping Screw - M3x8	
107	1105 0487	Harness Clamp	
108	1105 0516	Clamp	

# 45.Controller Unit (M052/M053/M054)

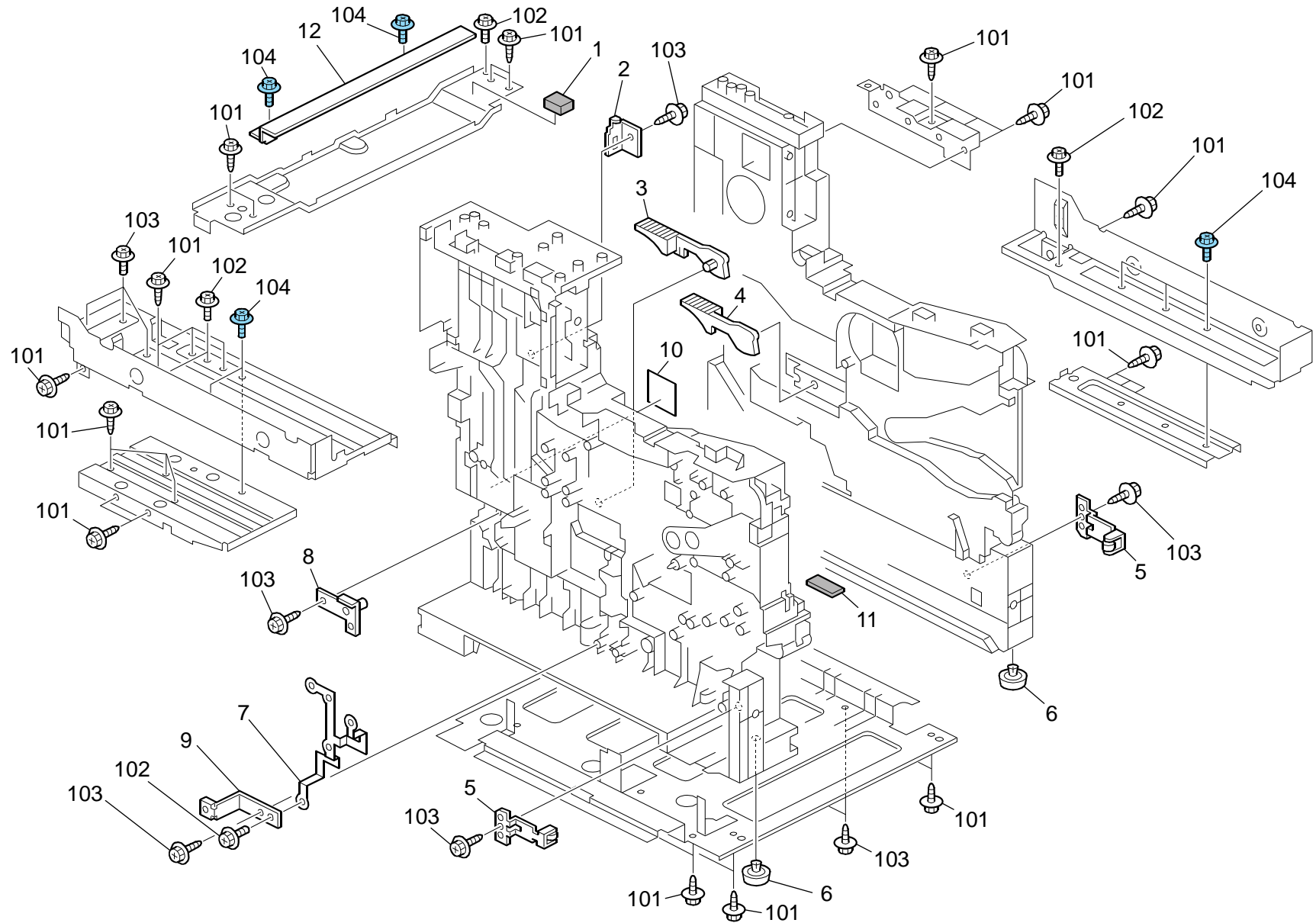


### 45.Controller Unit (M052/M053/M054)

Index No.	Part No.	Description	Q'ty Per Assembly
1	M052 1245	Cover: C/T Box: MF	1
2	M052 5398	PCB: CTL: M052: Ass'y	1
2	M052 5399	PCB: CTL: M053/M054: Ass'y	1
3	M052 5391	PCB: Memory: 512MB	1
4	M052 5159	SATIE Board Bracket	1
5	M052 5381	PCB: SATIE 2	1
6	M052 5385	Cable: HDD: SATA: Power: 2P	1
7	M052 5386	Cable: HDD: SATA: 150	1
8	M052 5158	Bracket: HDD	1
9	D105 5705	HDD: 160GB: MK1665GSX	1
10	AA16 1125	Rubber Cushion	4
11	AA14 3848	Stepped Screw - M3	4
12	M052 5387	SD-Card: Encry: EXP: Ass'y	1
12	M052 7985	SD-Card: VM/Calypso: Ass'y	1
13	M052 5161	Fax Bracket Basic	1
14	M052 5115	Panel CTL	1
15	M026 5861	Grip: Control Board: Glay	2
16	G104 5141	Knob Screw: M3	5
17	B070 6899	Ground Plate: Panel	2
18	G168 5118	Card Cover	1
19	B132 5836	Panel - Interface	1
20	D009 5891	Left Rail - Fax Control Unit	1
21	D009 5899	Right Rail - Small	1
22	M052 9590	NV-RAM	1

Index No.	Part No.	Description	Q'ty Per Assembly
101	0360 3006N	Screw - M3x6	
102	0450 3008N	Tapping Screw - M3x8	
103	0454 3006Q	Tapping Screw - M3x6	
104	0453 3006N	Tapping Screw - M3x6	

# 46.Frame Section (M052/M053/M054)

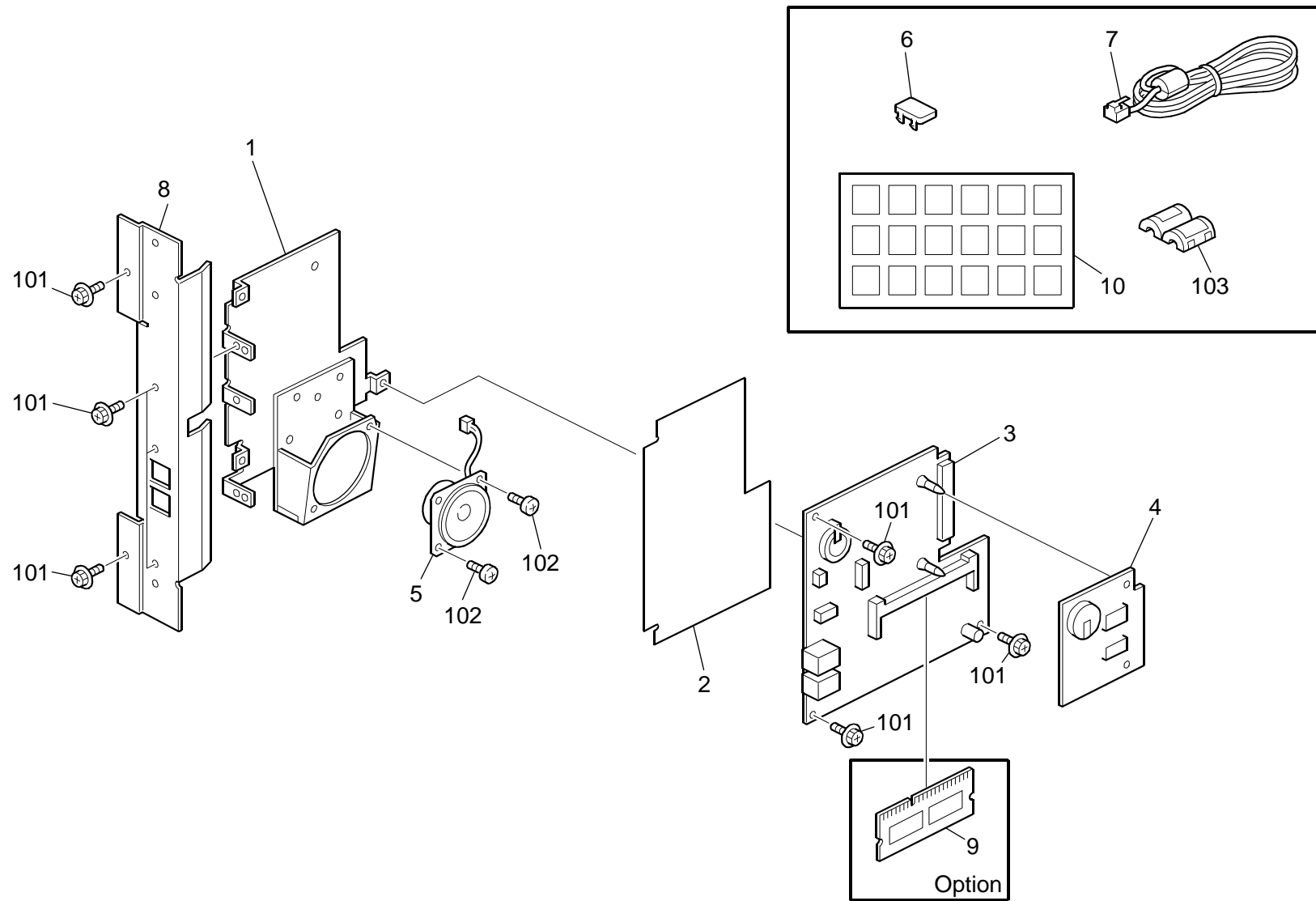


### 46.Frame Section (M052/M053/M054)

Index No.	Part No.	Description	Q'ty Per Assembly
1	M052 1079	Gasket: Stay: Scanner: Right	1
2	M052 1029	Bracket: Spring: Duplex	1
3	M052 1053	Lever: Fusing: Left	1
4	M052 1052	Lever: Fusing: Right	1
5	G096 1087	Paper Tray Spring Plate Ass'y	2
6	GH01 0007	Rubber Foot - FF-006(P4070)N	4
7	M052 1086	Bracket: Spring: Duplex	1
8	M052 1016	Shaft: Duplex: Left: Ass'y	1
9	M052 5139	Side Bracket: CTL Box	1
10	M052 6925	Decal: Warning: High Temperature	1
11	M052 1074	Cushion: Shutter: AIO	1
12	M052 1078	Cover: Stay: Scanner: Rear	1

Index No.	Part No.	Description	Q'ty Per Assembly
101	0450 4010N	Tapping Screw: M4x10	
102	0451 3006N	Tapping Screw - 3x6	
103	0450 3008N	Tapping Screw - M3x8	
104	0454 3006Q	Tapping Screw - M3x6	

# 47.Fax Unit (M052/M053/M054)



### 47.Fax Unit (M052/M053/M054)

Index No.	Part No.	Description	Q'ty Per Assembly
1	M053 5155	Guide: Fax Control Unit: Ass'y	1
2	M381 5735	Sheet: FCU	1
3	D432 5132	PCB: GWFCU3: NA: Ass'y	1
3	D432 5134	PCB: GWFCU3: EU: Ass'y	1
4	M381 5180	PCB: MBU: Ass'y	1
5	B771 5050	Speaker	1
6	M026 1543	Keytop: Fax: NA/AA	1
7	M381 5350	Moduler Cord: NA	1
8	M052 5157	Panel: Fax	1
9	B447 5182	PCB: SDRAM-DIMM: 32MB: PC100	1
10	M026 1566	Sheet: Journal: Many Languages	1

Index No.	Part No.	Description	Q'ty Per Assembly
101	0360 3006N	Screw - M3X6	
102	0453 3006N	Tapping Screw - M3x6	

**M052/M053/M054  
PARTS INDEX**



This section shows you the part numbers and descriptions used on this machine.

## Parts Index

Part No.	Description	Page and Index No.
M052 4050	Pressure Frame: Upper	59 - 23
M052 4301	Decal: Bar Code Label: Fuser	59 - 22
M052 0211	Fusing Unit: NA	57 - *
M052 0212	Fusing Unit: EU/AP	57 - *
M052 1010	Bracket: Frame: Left: Ass'y	61 - 10
M052 1013	Bracket: Frame: Right: Ass'y	61 - 8
M052 1016	Shaft: Duplex: Left: Ass'y	101 - 8
M052 1029	Bracket: Spring: Duplex	101 - 2
M052 1044	Support: Plate: Frame: Left	91 - 20
M052 1046	Cover: Safety Switch	61 - 9
M052 1047	Earth Plate: Shutter: AIO	93 - 14
M052 1048	Earth Plate: Frame: Right	93 - 9
M052 1049	Guide: Harness: Fuser	93 - 3
M052 1051	Cover: Stay: LSU	43 - 5
M052 1052	Lever: Fusing: Right	101 - 4
M052 1053	Lever: Fusing: Left	101 - 3
M052 1058	Switch: Main	93 - 19
M052 1059	Plain Shaft Bearing: Frame: Drum	91 - 5
M052 1061	Bracket: Toner End Sensor	91 - 23
M052 1066	DC Fan Motor: MM80: 24V	93 - 2
M052 1067	Duct: Upper: Cooling: AIO	95 - 3
M052 1068	Duct: lower: Cooling: AIO	95 - 4
M052 1069	Fan: Cooling: AIO	95 - 30
M052 1069	Fan: Cooling: AIO	95 - 6
M052 1070	Screw: Drawer: Fusing	43 - 9
M052 1071	Bracket: Duct: AIO	95 - 31
M052 1072	Duct: Fan: PSU	97 - 10
M052 1074	Cushion: Shutter: AIO	101 - 11
M052 1078	Cover: Stay: Scanner: Rear	101 - 12
M052 1079	Gasket: Stay: Scanner: Right	101 - 1
M052 1086	Bracket: Spring: Duplex	101 - 7
M052 1087	Ground Plate: Stay: Finishing Sub-unit: Lower: A	71 - 10
M052 1088	Ground Plate: Stay: Finishing Sub-unit: Lower: B	71 - 9

Part No.	Description	Page and Index No.
M052 1089	Earth Plate: Bracket: PSU	93 - 16
M052 1092	Earth Plate: PSU	93 - 7
M052 1094	Sheet: Block: Laser	43 - 12
M052 1095	Guide: Sheet: Block: Laser	43 - 11
M052 1096	Support: Sheet: Block: Laser	43 - 13
M052 1110	Gear: Dev: Second	91 - 24
M052 1111	Housing: Drive: Main: $\mu$ F	89 - 25
M052 1113	Gear: Pulley: Fusing: 1bin	91 - 19
M052 1114	Synchronous Belt: 1bin: Relay	91 - 18
M052 1126	DC Brushless Motor: 49W	91 - 17
M052 1133	Gear: Fusing: No.3	89 - 10
M052 1141	Housing: Drive: Sub	89 - 14
M052 1168	Bracket: Clutch: Feed	89 - 26
M052 1191	Shaft: High Voltage: Ass'y	93 - 12
M052 1195	Cover: Drive: Clutch	89 - 27
M052 1210	Plate: Logo: RIC	11 - 10
M052 1211	Decal: Logo: RIC	13 - 22
M052 1245	Cover: C/T Box: $\mu$ F	99 - 1
M052 1250	Lever: Door	13 - 2
M052 1254	Feeler: Shutter	13 - 4
M052 1263	Duct: Cover: Left	11 - 2
M052 1264	Cushion: Duct: $\mu$ F	11 - 15
M052 1268	Button: Door: Lever	13 - 1
M052 1282	Louver	11 - 6
M052 1411	Operation Panel: EU: Ass'y	17 - *
M052 1412	Operation Panel: AA: Ass'y	17 - *
M052 1420	Operation Sub-unit: SNK-GW: NA: Ass'y	17 - *
M052 1480	Harness: Joint: Power Source	17 - 2
M052 1481	Cable: Joint: USB: Mini_B	17 - 9
M052 1487	PCB: LCD: NA: Ass'y	17 - 7
M052 1488	PCB: LCD: EU: Ass'y	17 - 7
M052 1489	PCB: LCD: AA: Ass'y	17 - 7
M052 1571	Cover: Inner: SNK	17 - 33
M052 1590	Bracket: Supporter: Operation Panel: A	35 - 13
M052 1591	Bracket: Supporter: Operation Panel: B: M052	15 - 3

Part No.	Description	Page and Index No.
M052 1592	Bracket: Operation Sub-unit: $\mu$ F1A	15 - 2
M052 1593	Cover: Operation Panel: Upper: M052	15 - 1
M052 1594	Cover: Operation Panel: Lower: M052	15 - 4
M052 1595	Bracket: Support: OP: C	15 - 13
M052 1711	Door: Front: EU	13 - 3
M052 1712	Door: Front: NA	13 - 3
M052 1717	Cover: Right: NA	11 - 7
M052 1718	Cover: Left: NA	11 - 1
M052 1719	Cover: Left: EU	11 - 1
M052 1721	Cover: Right: EU	11 - 7
M052 1725	Cover: Upper: EU	11 - 8
M052 1726	Cover: Upper: NA	11 - 8
M052 1731	Cover: Left: Upper: EU: M052	11 - 11
M052 1732	Cover: Left: Upper: NA/AA	11 - 11
M052 1735	Cover: CTL: Rear Left: EU	11 - 3
M052 1736	Cover: CTL: Rear Left: NA	11 - 3
M052 1741	Cover: Right: Upper: EU	11 - 16
M052 1742	Cover: Right: Upper: NA	11 - 16
M052 1745	Cover: CTL: Rear Left: Upper: EU	11 - 4
M052 1746	Cover: CTL: Rear Left: Upper: NA	11 - 4
M052 1755	Cover: Scanner: Right: EU	35 - 9
M052 1756	Cover: Scanner: Right: NA/AA	35 - 9
M052 1761	Cover: Scanner: Left: EU	35 - 14
M052 1762	Cover: Scanner: Left: NA/AA	35 - 14
M052 1765	Cover: Scanner: Upper: EU	35 - 1
M052 1766	Cover: Scanner: Upper: NA/AA	35 - 1
M052 1772	Cover: Scanner: Rear: NA/AA	35 - 2
M052 1775	Extention Tray: Exit: EU	11 - 9
M052 1776	Extention Tray: Exit: NA	11 - 9
M052 2009	Cover: Handle	11 - 13
M052 2020	Cover: Scanner: Front	35 - 11
M052 2026	Link: Door: Front	13 - 6
M052 2027	Compression Spring: Door: Lever	13 - 19
M052 2028	Coil Spring: Link	13 - 18
M052 2569	Tension Spring End Fence	45 - 37

Part No.	Description	Page and Index No.
M052 2591	Cover: Paper Tray: Front	45 - 27
M052 2592	Handle: Paper Tray: Front	45 - 28
M052 2605	Feeler Paper Volume Bottom Plate Tray	45 - 9
M052 2653	Decal: Operating Arrow Direction	45 - 40
M052 2714	Rear Mylar Holder: Friction Pad: Manual Feed	47 - 21
M052 2755	Extension Tray: Manual Feed	13 - 16
M052 2756	Cover: Front: EU	13 - 12
M052 2757	Cover: Front: NA	13 - 12
M052 2761	Electromagnetic Clutch: 1Turn: Z41: Manual Feed	89 - 24
M052 2842	Ground Plate: Sensor Board	51 - 19
M052 2912	Seal: Guide Plate: Registration: Upper	51 - 9
M052 2919	Blocking Cap: Bushing: Registration	51 - 20
M052 2939	Ground Plate: Roller: Registration: Driven	93 - 6
M052 3851	Guide Plate: Transfer	53 - 19
M052 3852	Sheet: Guide Plate: Transfer	53 - 18
M052 3871	Transfer Roller	53 - 11
M052 4052	Ground Plate: Pressure	59 - 12
M052 4053	Discharge Brush: Pressure	59 - 11
M052 4055	Shaft: Pressure	59 - 19
M052 4059	Pressure Roller	59 - 5
M052 4061	Lever: Pressure	59 - 16
M052 4062	Pressure Spring - Fusing	59 - 15
M052 4063	Spring - Fusing Stripper	57 - 8
M052 4066	Exit Roller: Fusing	59 - 10
M052 4070	Gear: 28T: Fusing: Exit	59 - 17
M052 4071	Frame: Pressure	59 - 4
M052 4080	Upper Frame: Fuser	57 - 30
M052 4082	Ground Plate: Fusing	57 - 7
M052 4101	Hot Roller	57 - 26
M052 4102	Gear: Hot Roller	57 - 27
M052 4115	Heater: 1025W: 120V: QIRF	57 - 29
M052 4116	Heater: 1025W: 220V: QIRF	57 - 29
M052 4182	Left Pressure Lever	59 - 13

Part No.	Description	Page and Index No.
M052 4183	Right Pressure Lever	59 - 14
M052 4200	Guide: Exit: Fusing	57 - 4
M052 4202	Cleaning Roller: Ass'y	59 - 8
M052 4224	Compression Spring: Cleaning Roller: Fusing	59 - 9
M052 4225	Bracket: Heater: Left	57 - 10
M052 4227	Plate: Harness: Upper	57 - 6
M052 4228	Gear: Exit Roller	59 - 18
M052 4231	Bracket: Bearing: Fusing: Left	57 - 11
M052 4232	Bracket: Bearing: Fusing: Right	57 - 23
M052 4235	Spring Plate: Fusing Exit: Ass'y	57 - 5
M052 4236	End Ring: Hot Roller	57 - 28
M052 4237	Discharge Brush: Hot Roller	57 - 14
M052 4239	Electrode: Heater	57 - 13
M052 4241	Thermistor	57 - 20
M052 4243	Thermostat: Ass'y	57 - 18
M052 4300	Cover: Fusing: Right	57 - 21
M052 4302	Heat Shrinkable Tube: Stripper Pawls	57 - 31
M052 4310	Cover: Fusing: Left	57 - 12
M052 4410	Solenoid: Ass'y: Exit	61 - 4
M052 4424	Gear: 1Bin Relay: Ass'y	61 - 1
M052 4427	Idle: Shaft: FIN	63 - 32
M052 4434	Exit: Roller Driven	63 - 30
M052 4438	Base: Decurire: Exit	63 - 16
M052 4444	Spring: Exit: Branch	63 - 26
M052 4450	Guide: Exit: Duplex	61 - 2
M052 4451	Guide: Upper: Exit: Duplex	61 - 3
M052 4452	Feeler: Exit: Overflow	63 - 10
M052 4453	Discharge Brush: Exit	63 - 31
M052 4454	Bracket: Solenoid	63 - 24
M052 4455	Roller: Exit: $\mu$ F	63 - 13
M052 4456	Gear: Exit: $\mu$ F	63 - 2
M052 4457	Roller: Relay: 1bin	61 - 6
M052 4460	Ground Plate: Exit Rooler	63 - 4
M052 4461	Cover: Exit	63 - 21
M052 4462	Gate Pawl: Duplex	63 - 11

Part No.	Description	Page and Index No.
M052 4463	Torsion Spring: Gate Pawl: Duplex	63 - 12
M052 4464	Guide: Lower: Exit: Duplex	63 - 9
M052 4465	Link: Solenoid: Exit	63 - 28
M052 4467	Cover: Sensor	63 - 7
M052 4468	Feeler: Paper Feed Sensor	63 - 22
M052 4469	Roller: Guide	63 - 15
M052 4472	BRKT: Solenoid	61 - 11
M052 4474	Link: 1Bin: Solenoid	61 - 13
M052 4475	Spring: 1Bin Branch	61 - 12
M052 4476	Ground Plate: 1Bin Relay	63 - 5
M052 4477	Guide: Harness: Drive	63 - 3
M052 4479	Gate Pawl: 1Bin	61 - 5
M052 4481	Earth Plate: Brush: Exit	63 - 14
M052 4514	Earth Plate: Duplex	67 - 20
M052 4601	Frame: Duplex	65 - 22
M052 4611	Link: Duplex: Open And Close	65 - 15
M052 4612	Button: Duplex: Open And Close	65 - 16
M052 4613	Cover: Duplex: Right	65 - 1
M052 4614	BKT: Plate Stay: Duplex	67 - 5
M052 4615	BKT: Plate Stay: Duplex: Right	67 - 13
M052 4618	Driven Roller: Duplex: Drive	67 - 24
M052 4618	Driven Roller: Duplex: Drive	59 - 1
M052 4621	Cover: Duplex: Left	65 - 3
M052 4623	Shaft: Un Lock	65 - 7
M052 4624	Pawl: Un Lock: Right	65 - 8
M052 4625	Pawl: Un Lock: Left	65 - 6
M052 4626	Tension Spring: Pawl: Release	65 - 9
M052 4627	BKT: Duplex Release	65 - 4
M052 4628	Tension Spring: Duplex Unit: Release	65 - 5
M052 4631	Guide: Upper	65 - 10
M052 4632	Cover: Wir: Refeed	65 - 14
M052 4633	Spring Plate: Pressure: Connecting	65 - 13
M052 4634	Mylar: Spring Plate	65 - 20
M052 4635	BKT: Duplex Refeed SensorR	67 - 9
M052 4642	Guide: Duplex	67 - 23

Part No.	Description	Page and Index No.
M052 4643	Plain Shaft Bearing: DIA4: Duplex	67 - 25
M052 4645	Spring: Roller: Driven	67 - 26
M052 4648	Spring Plate: Guide: Pressure	67 - 12
M052 4651	Cover: Fan: MM60	65 - 2
M052 4652	Guide: Sensor: Feed Paper Again	67 - 7
M052 4653	Support Fan Cover	65 - 21
M052 4655	Antistatic Brush: Exit: Duplex	65 - 18
M052 4657	BKT: Duplex Entrance Sensor	67 - 3
M052 4658	Sheet: Duct	67 - 1
M052 4660	DC Fan Motor: Mm60	65 - 17
M052 4671	Bracket: Hinge: Duplex: Right	67 - 27
M052 4672	Bracket: Hinge: Duplex: Left	67 - 28
M052 4803	DC Stepper Motor: Reverse: Duplex: Ass'y	67 - 22
M052 4807	Transport Roller: Duplex: Entrance	67 - 6
M052 4808	Pulley: Entrance: Duplex	67 - 17
M052 4809	Synchronous Belt: Entrance: Duplex	67 - 18
M052 4811	Transport Roller: Reverse	67 - 11
M052 4812	Pulley: Reverse	67 - 19
M052 4813	Synchronous Belt: Reverse	67 - 16
M052 4819	Bracket: Motor: Rreverse	67 - 21
M052 4875	Roller: Paper: Exit	63 - 18
M052 4991	DC Stepper Motor: Duplex	91 - 6
M052 4993	Synchronous Belt: Duplex: Transport: $\mu$ F	91 - 9
M052 4994	Roller: Duplex: Middle: $\mu$ F	55 - 3
M052 4995	Bracket: Stepping Motor: Duplex	91 - 7
M052 4996	Synchronous Belt: Rear	55 - 8
M052 4997	Synchronous Belt: Front	55 - 10
M052 5006	Power Pack	93 - 5
M052 5010	PCB: BICU: $\mu$ F: Ass'y	95 - 1
M052 5020	Power Supply Unit: 264W: NA: Ass'y	93 - 10
M052 5021	Power Supply Unit: 364W: EU/AP: Ass'y	93 - 10
M052 5110	Bracket: BICU	95 - 2
M052 5111	Gude: Harness: BICU	97 - 1
M052 5113	Bracket: C/T Box	97 - 4
M052 5115	Panel CTL	99 - 14

Part No.	Description	Page and Index No.
M052 5124	Graound Plate: C/T Box	97 - 8
M052 5131	Cover: Power Supply Unit: Rear	11 - 5
M052 5134	Inlet Bracket: $\mu$ F	93 - 18
M052 5136	Earth Plate: Left Frame: Upper	91 - 21
M052 5137	Earth Plate: Left Frame: Middle	91 - 22
M052 5139	Side Bracket: CTL Box	97 - 12
M052 5139	Side Bracket: CTL Box	101 - 9
M052 5143	Ground Plate: Frame: Left: Lower	97 - 7
M052 5149	CTL: Gasket	97 - 2
M052 5150	Screw: DC Fan Motor: Power Suppl Unit: 3x22	97 - 9
M052 5150	Screw: DC Fan Motor: Power Supply Unit: 3x22	93 - 22
M052 5150	Screw: DC Fan Motor: Power Supply Unit: 3x22	65 - 19
M052 5153	DC Fan Motor: MM60	97 - 3
M052 5157	Panel: Fax	103 - 8
M052 5158	Bracket: HDD	99 - 8
M052 5159	SATIE Board Bracket	99 - 4
M052 5161	Fax Bracket Basic	99 - 13
M052 5174	Gasket: CTL	97 - 11
M052 5378	PCB: CTL: M052: Ass'y	97 - 5
M052 5379	PCB: CTL: M053/M054: Ass'y	97 - 5
M052 5381	PCB: SATIE 2	99 - 5
M052 5385	Cable: HDD: SATA: Power: 2P	99 - 6
M052 5386	Cable: HDD: SATA: 150	99 - 7
M052 5387	SD-Card: Encry: EXP: Ass'y	99 - 12
M052 5391	PCB: Memory: 512MB	99 - 3
M052 5398	PCB: CTL: M052: Ass'y	99 - 2
M052 5399	PCB: CTL: M053/M054: Ass'y	99 - 2
M052 5401	M/H Ass'y: Motor: Duplex: 50	95 - 20
M052 5402	M/H Ass'y: Sensor Board	95 - 24
M052 5403	M/H Ass'y: Toner End Sensor	95 - 17
M052 5404	M/H Ass'y: Manual Feed	95 - 29
M052 5405	M/H Ass'y: Duplex: Connecting	95 - 34
M052 5406	M/H Ass'y: Duplex	67 - 15
M052 5407	M/H Ass'y: LDB: NA	95 - 9
M052 5407	M/H Ass'y: LDB: NA	43 - 15

Part No.	Description	Page and Index No.
M052 5408	M/H Ass'y: Interlock SW: Duplex	95 - 22
M052 5409	M/H Ass'y: Interlock SW: Front	95 - 23
M052 5410	M/H Ass'y: Rfid	93 - 23
M052 5410	M/H Ass'y: Rfid	95 - 16
M052 5411	M/H Ass'y: Bank	95 - 21
M052 5413	M/H Ass'y: OP	95 - 12
M052 5414	M/H Ass'y: USB: OP	95 - 11
M052 5415	M/H Ass'y: ARDF	95 - 13
M052 5416	M/H Ass'y: Power Supply Unit	95 - 18
M052 5417	Inlet: NA: Ass'y	93 - 17
M052 5418	M/H Ass'y: Fusing: NA	95 - 14
M052 5419	M/H Ass'y: Fusing: EU	95 - 14
M052 5423	M/H Ass'y: Ground Wire: Duplex Unit	67 - 2
M052 5424	M/H Ass'y: Tray	49 - 8
M052 5425	M/H Ass'y: Main SW	93 - 20
M052 5426	M/H Ass'y: Regist Sensor	51 - 17
M052 5428	M/H Ass'y: Tray Set Detection	95 - 25
M052 5433	M/H Ass'y: Ground Wire: Regist Sensor	51 - 21
M052 5434	M/H Ass'y: Ground Wire: 1Bin Middle	63 - 6
M052 5434	M/H Ass'y: Ground Wire: 1Bin Middle	67 - 14
M052 5436	M/H Ass'y: Main SW: Detect	95 - 15
M052 5437	M/H Ass'y: Ground Wire: Rfid	93 - 21
M052 5438	M/H Ass'y: Exit Sensor	95 - 33
M052 5439	Harness: SMT: Connecting: NA	41 - 24
M052 5439	M/H Ass'y: Scanner Motor: NA	95 - 5
M052 5440	M/H Ass'y: SBU I/F2: Connecting	95 - 10
M052 5441	M/H Ass'y: HP/AKS Sensor I/F: Connecting	95 - 19
M052 5442	Drawer: Fusing: 120V	57 - 16
M052 5443	Drawer: Fusing: 230V	57 - 16
M052 5444	Drawer: Fusing Sub-Unit: Set Sensor: NA	43 - 7
M052 5445	Drawer: Fusing Sub-Unit: Set Sensor: EU	43 - 7
M052 5449	M/H Ass'y: LDB: EU	95 - 9
M052 5449	M/H Ass'y: LDB: EU	43 - 15
M052 5450	Inlet: EU: Ass'y	93 - 17
M052 5451	Harness: SMT: EU	41 - 24

Part No.	Description	Page and Index No.
M052 5451	M/H Ass'y: Scanner Motor: EU	95 - 5
M052 5480	Harness: BICU: SBU	41 - 14
M052 5481	Harness: BICU: HPS/AKS	41 - 15
M052 5483	Interface Cable: Scanner: LVDS: Ass'y	41 - 8
M052 5486	Clamp: LVDS: BICU	41 - 20
M052 5500	PCB: RFID-R/W	93 - 1
M052 5551	PCB: Sensor	95 - 7
M052 5570	PCB: 1bin-LED	69 - 2
M052 6101	Synchronous Belt	69 - 19
M052 6102	Exit Roller: Driven	69 - 17
M052 6105	Roller: Exit: Driven: Ass'y	69 - 9
M052 6251	Roller: Positioning: Transfer Roller	53 - 12
M052 6301	Earth Plate	69 - 15
M052 6302	Wire: Bail: Stacking	69 - 21
M052 6303	Earth Plate: Exit	69 - 24
M052 6351	Bracket: Sensor: Exit: 1bin	69 - 13
M052 6501	Upper Frame: 1bin	69 - 20
M052 6504	Lower Tray: 1bin	69 - 5
M052 6505	Tray: Exit: 1bin	69 - 4
M052 6506	Cover: Frame: Right: Lower	69 - 7
M052 6507	Guide: Exit Tray: 1bin	69 - 22
M052 6508	Stay: Wire: BailL	69 - 23
M052 6511	Antistatic Brush: 1bin	69 - 12
M052 6514	Cap: LED	69 - 6
M052 6517	Timing Pulley: 41T	69 - 18
M052 6552	Cover: Sensor: 1bin	69 - 1
M052 6641	Model Name Plate: M052: RIC	35 - 12
M052 6643	Model Name Plate: M052: GES: NA/AA	35 - 12
M052 6645	Model Name Plate: M052: LAN	35 - 12
M052 6920	Decal: Guide Plate: B	51 - 16
M052 6921	Decal: Guide Plate: Z2	55 - 18
M052 6923	Decal: High Temperature: Attention: Fixation Roller	43 - 14
M052 6924	Decal: Warning High Temperature: Fusing Unit	57 - 32

Part No.	Description	Page and Index No.
M052 6925	Decal: Warning: High Temperature	101 - 10
M052 6930	Decal: Paper Pressure: Lever	45 - 29
M052 6932	Decal: Paper Setting	45 - 42
M052 6933	Decal: Operating Explanation	45 - 41
M052 6934	Decal: Main Switch: NA	11 - 12
M052 6935	Decal: Main Switch: EU	11 - 12
M052 6939	Decal: Caution: Weight: $\mu$ F	11 - 14
M052 6940	Decal: Caution: Weight: $\mu$ F: Finisher	11 - 14
M052 7985	SD-Card: VM/Calypso: Ass'y	99 - 12
M052 9590	NV-RAM	99 - 22
M052 9593	EEPROM	95 - 8
M053 5155	Guide: Fax Control Unit: Ass'y	103 - 1
M053 5422	Harness: 1bin	69 - 8
M053 6502	Cover: Left: Upper: 1bin	69 - 25
M053 6641	Model Name Plate: M053: RIC	35 - 12
M054 1042	Bracket: Finishing Sub-unit: Right: Ass'y	71 - 1
M054 1590	Hinge: Ass'y	15 - 12
M054 1591	Cover: Operation Panel: A	15 - 6
M054 1592	Cover: Operation Panel: B	15 - 7
M054 1593	Cover: Tilt: Upper	15 - 8
M054 1594	Cover: Tilt: Lower	15 - 9
M054 1595	Cover: Operation Panel: Upper: M053	15 - 5
M054 1596	Cover: Operation Panel: Lower: M053	15 - 11
M054 1597	Bracket: Supporter: Operation Panel: B: M053	15 - 10
M054 1598	Cap: Cover: OP	15 - 14
M054 1781	Cover: Finishing Unit: Left: EU	71 - 8
M054 1782	Cover: Finishing Unit: Left: NA/AA	71 - 8
M054 2021	Cushion: Door: Right	13 - 20
M054 2022	Cushion: Door: Left	13 - 21
M054 4450	Lock: Gate Pawl: Option	63 - 23
M054 5412	Harness: Finisher	77 - 9
M054 5412	M/H Ass'y: Finisher	95 - 35
M054 6641	Model Name Plate: M054: RIC	35 - 12
M054 6643	Model Name Plate: M054: GES	35 - 12
M054 6645	Model Name Plate: M054: LAN	35 - 12

Part No.	Description	Page and Index No.
A153 2117	Terminal: Roller	93 - 11
A222 2724	External Circlip - MM8	27 - 9
A232 3553	Ball Bearing - 8x16x5	59 - 6
A334 4678	Rack Shield Mylar	23 - 5
A681 2742	Driven Exit Roller	81 - 10
A681 4515	Bushing - 6mm	85 - 7
A858 4181	Timing Belt - 2XL	85 - 20
B039 1361	Magnet Catch	13 - 15
B039 4480	Stepped Screw - M5	55 - 15
B070 6899	Ground Plate: Panel	99 - 17
B090 2742	Roller: Pull Out: Option Tray	49 - 2
B090 2742	Roller: Pull Out: Option Tray	47 - 2
B090 2869	Gear - 16Z	45 - 21
B121 7450	Decal: WEEE: EU	11 - 17
B132 5836	Panel - Interface	99 - 19
B154 1826	Cover: Sensor: Aks	37 - 7
B180 1704	Bracket: Tension	41 - 11
B238 1534	LCD Spacer A	17 - 14
B238 1535	LCD Spacer B	17 - 13
B238 1715	Stepper Motor DC3.9V	41 - 1
B238 1792	Timing Belt - 157ST1.5-4.0	41 - 5
B238 1806	Idler Pulley	41 - 17
B238 1807	Pulley	39 - 4
B259 1119	Tapping Screw: M3x33	95 - 27
B390 1759	Shaft: Scale	35 - 5
B408 2175	Bushing - Roller Slide	79 - 11
B447 5182	PCB: SDRAM-DIMM: 32MB: PC100	103 - 9
B478 3569	Spacer	81 - 24
B700 3125	Timing Belt: B40S2M232	33 - 4
B700 3535	Timing Belt: B40S2M116	81 - 4
B771 5050	Speaker	103 - 5
B789 3716	Tension Spring - Gate Pawl	27 - 15
B789 4257	Pulley Flange	27 - 10
B789 4332	Pulley - 34T	33 - 14
B872 2529	Collar: Pickup	21 - 23

Part No.	Description	Page and Index No.
D009 5891	Left Rail - Fax Control Unit	99 - 20
D009 5899	Right Rail - Small	99 - 21
D010 4313	Bushing: MM4	59 - 3
D010 4313	Bushing: MM4	53 - 22
D026 1469	Sheet: Keytop: B	17 - 18
D026 1568	Sheet: Keytop: A	17 - 29
D029 1484	Touch Panel: WVGA: FU-ACF	17 - 15
D029 1745	Pulley: Drive Were: Front	41 - 19
D029 1748	Pulley: Drive Were: Rear: Ass'y	41 - 3
D029 1749	Pulley: Protection	41 - 18
D029 4478	Tension Spring: Release: DC Solenoid	81 - 18
D039 1751	Holder: Exposure Glass	37 - 5
D105 5705	HDD: 160GB: MK1665GSX	99 - 9
D366 4242	Torque Limiter - 24T	27 - 19
D367 3341	Compression Spring: Exit Roller: Driven	69 - 10
D372 2122	Shaft - Reverse Roller	83 - 13
D372 3122	Stopper - Paper Senser	87 - 10
D372 4163	Timing Pulley - 18T	85 - 19
D432 5132	PCB: GWFCU3: NA: Ass'y	103 - 3
D432 5134	PCB: GWFCU3: EU: Ass'y	103 - 3
G020 5626	Push Switch	63 - 1
G020 5626	Push Switch	95 - 28
G052 1120	Spring - Paper Exit Release	89 - 12
G052 1123	Spacer - Drive Unit	89 - 13
G052 3103	Paper Feed Roller	49 - 10
G052 3257	Right Bushing - Registration	51 - 12
G052 3258	Left Bushing - Registration	51 - 10
G052 3278	Spring - Bypass	13 - 13
G052 3625	Right Bushing - Transfer	53 - 7
G052 3626	Left Bushing - Transfer	53 - 15
G052 4618	Bearing 30x42x7	57 - 25
G052 4624	Hot Roller Stripper	57 - 9
G052 4639	Exit Roller Holder	57 - 3
G052 4871	Left Holder - Exit Driven Roller	63 - 17
G052 4872	Right Holder - Exit Driven Roller	63 - 19

Part No.	Description	Page and Index No.
G052 4876	Left Spring Plate	63 - 29
G052 4877	Right Spring Plate	63 - 20
G052 5060	Synchronization Detector	43 - 17
G096 1087	Paper Tray Spring Plate Ass'y	101 - 5
G096 3066	Friction Pad Adhesion	45 - 7
G096 3083	Spring Tension	45 - 22
G096 3089	End Fence Compression Spring 3.5N	45 - 38
G096 4616	Right Heater Bracket	57 - 22
G096 4638	Exit Roller Supporting Plate	57 - 1
G102 2817	Compression Spring: Tray Bottom Plate	45 - 6
G104 5141	Knob Screw: M3	99 - 16
G111 1910	Caution Decal - Laser	43 - 6
G129 6255	Bushing	53 - 13
G168 5118	Card Cover	99 - 18
G168 5403	Harness: Polygon Mirror:	
	Sync Detector: Board	95 - 32
G168 5403	Harness: Polygon Mirror: Syncdetector: Board	43 - 16
G175 2551	Photosensor	91 - 1
G175 4602	Electrode Plate - Right	57 - 19
G175 4644	Entrance Guide Plate - Upper	57 - 17
G175 4681	Fusing Entrance Guide Plate	59 - 20
G404 2810	Spring Plate - 2Nd Mirror	39 - 3
G555 3069	Pad: Base	13 - 9
G555 3069	Pad: Base	45 - 18
G570 1133	Timing Pulley 73	41 - 2
G570 1225	Sensor Shielding Plate	31 - 8
G570 1225	Sensor Shielding Plate	37 - 3
G800 4854	Exit Roller	57 - 2
H310 1360	Pad: Pickup	27 - 2



Part No.	Description	Page and Index No.
M001 1904	Imaging Unit	43 - 1
M021 1052	Tightener: AIO	43 - 3
M021 1054	Coil Spring: Tightener: AIO	43 - 4
M021 1070	Stay: LSU	43 - 10
M021 1102	Bracket: Brushless Motor: Ass'y	91 - 16
M021 1109	Gear: Z96/Z30	91 - 11
M021 1111	Gear: Z73	91 - 12
M021 1112	Gear: Paper Feed: No.1	91 - 13
M021 1113	Gear: Drum: No.1: Ass'y	91 - 15
M021 1114	Gear: Drum: No.2	91 - 14
M021 1121	Joint: Drive: Release	91 - 3
M021 1122	Lever: Opener	91 - 2
M021 1123	Coil Spring: Joint: Pressure	91 - 4
M021 1126	Gear: Paper Feed: No.2	89 - 4
M021 1127	Gear: Paper Feed: No.3	89 - 3
M021 1128	Gear: Connecting: No.1	89 - 2
M021 1129	Gear: Manual Feed: No.1	89 - 1
M021 1130	Gear: Fusing: No.1	89 - 9
M021 1132	Gear: Fusing: No.2	89 - 11
M021 1134	Gear: Development: No.4: Ass'y	89 - 5
M021 1136	Gear: Joint: Development	89 - 6
M021 1137	Joint: Drive: Development	89 - 8
M021 1138	Coil Spring: Joint: Development	89 - 7
M021 1142	Gear: Joint: Drum	89 - 15
M021 1143	Joint: Drive: Drum	89 - 17
M021 1144	Coil Spring: Joint: Drum	89 - 16
M021 1191	Shaft: High Voltage: Ass'y	93 - 4
M021 1253	Thermistor: Transfer	95 - 26
M021 1256	Coil Spring: Button: Door	13 - 17
M021 2551	Rear Tray Paper Feed	45 - 2
M021 2552	Supporting Plate: Rear Tray	45 - 3
M021 2553	Cap: Paper Tray	45 - 35
M021 2565	Base End Fence	45 - 1
M021 2566	Lever: End Fence	45 - 36
M021 2567	Protection: End Fence	45 - 39

Part No.	Description	Page and Index No.
M021 2568	Pressure Plate: End Fence	45 - 8
M021 2572	Guide: Paper Pressure: Tray	45 - 30
M021 2573	Change Lever: Pressure: Tray	45 - 31
M021 2574	Shaft: Pressure: Paper Tray	45 - 24
M021 2575	Arm Pressuer Paper Tray	45 - 12
M021 2576	Change Feeler: Pressuer: Paper Tray	45 - 13
M021 2577	Cam: Pressure: Paper Tray	45 - 23
M021 2581	Indicator: Paper Volume: Bottom Plate	45 - 25
M021 2582	Weight: Indicator: Paper Volume	45 - 26
M021 2601	Front Tray: Paper Fedd	45 - 11
M021 2603	Sheet: Holder: Paper Tray	45 - 5
M021 2609	Stopper: Rear Tray	45 - 4
M021 2613	Seal: Side Fence: Rear	45 - 15
M021 2614	Seal: Side Fence: Front	45 - 16
M021 2652	Plate: Paper Size Sensing: Tray	45 - 34
M021 2654	Cover: Paper Size Sensing Plate: Tray	45 - 32
M021 2655	Spring: Paper Size Sensing Plate: Tray	45 - 33
M021 2656	Side Fence: Right	45 - 20
M021 2657	Pad: Bottom Plate: Tray	45 - 17
M021 2665	Side Fence: Left	45 - 14
M021 2674	Compression Spring Separation	45 - 10
M021 2701	Stay: Manual Feed	47 - 7
M021 2702	Supporting Plate: Stay: Manual Feed	47 - 8
M021 2711	Holder: Friction Pad: Manual Feed	47 - 5
M021 2712	Mylar Holder: Friction Pad: Manual Feed	47 - 19
M021 2713	Balancer: Friction Pad: Manual Feed	47 - 20
M021 2717	Mylar: Say: Manual Feed	47 - 9
M021 2722	Cam: Shaft: Manual Feed	47 - 11
M021 2724	Roller: Guide: Manual Feed	47 - 12
M021 2730	Shaft: Roller: Manual Feed: Ass'y	47 - 10
M021 2751	Base: Manual Feed	13 - 10
M021 2752	Side Fence: Manual Feed: Right	13 - 8
M021 2753	Side Fence: Manual Feed: Left	13 - 7
M021 2758	Gear: Side Fence	13 - 11
M021 2762	Frame: Manual Feed	47 - 14

Part No.	Description	Page and Index No.
M021 2763	Compression Spring: Separation: Manual Feed	47 - 6
M021 2769	Feeler: Manual Feed	47 - 15
M021 2771	Hinge: Cover: Manual Feed	13 - 14
M021 2801	Stay: Paper Feed	49 - 5
M021 2803	Lever Release Feed Roller	49 - 13
M021 2804	Guide Mylar: Feed Stay: Upper	49 - 1
M021 2808	Feeler: Paper End Sensor: Stay	49 - 15
M021 2809	Feeler: Paper Volume: Stay	49 - 16
M021 2810	Cover: Stay: Left	49 - 14
M021 2811	Cover: Stay: Right	49 - 17
M021 2813	Ground Plate: Paper Tray: Stay	49 - 6
M021 2814	Shaft: Paper Feed	49 - 11
M021 2815	Shield Plate: Paper Feed	49 - 7
M021 2816	Compression Spring: Lever: Feed Roller	49 - 12
M021 2825	Electromagnetic Clutch: Paper Feed: Ass'y	89 - 22
M021 2831	Roller: Connecting: Lower	47 - 1
M021 2832	Roller: Connecting: Upper	49 - 18
M021 2833	Gear: Connecting: Roller	47 - 16
M021 2833	Gear: Connecting: Roller	49 - 19
M021 2835	Electromagnetic Clutch: Connecting: Ass'y	89 - 20
M021 2843	Ground Plate: Shaft: Paper Feed	51 - 18
M021 2844	Ground Plate: Shaft: Drive Rollers	51 - 15
M021 2900	Electromagnetic Clutch: Registration: Ass'y	89 - 18
M021 2916	Registration Roller: Drive	51 - 1
M021 2917	Roller Registration Driven 14.12	51 - 2
M021 2964	Seal: Registration Guide: Poron	51 - 8
M021 2965	Ground Plate: Sensor: Registration	51 - 6
M021 2966	Guide Plate: Registration: Upper	51 - 7
M021 2967	Sheet: Cleaner: Registration	51 - 3
M021 2968	Bracket: Sensor: Registration	51 - 4
M021 3345	Roller: Guide	43 - 2
M021 3861	Guide: Transfer: Upper	53 - 3
M021 3862	Terminal: Transfer	53 - 5
M021 3863	Terminal: Separation	53 - 9
M021 3864	Ground Plate: Guide: Transport	53 - 4

Part No.	Description	Page and Index No.
M021 3865	Ground Plate: Guide: Duplex	53 - 6
M021 3866	Registration Guide	53 - 10
M021 3867	Electrode Plate: Separation	53 - 1
M021 3868	Cover: Electrode Plate	53 - 2
M021 3869	Compression Spring: Transfer Roller	53 - 16
M021 3879	Compression Spring: Transfer Roller: Right	53 - 8
M021 4601	Guide: Duplex: Rear: Ass'y	55 - 2
M021 4605	Pulley: Idler: 15T	55 - 5
M021 4606	Pulley: Idler	55 - 6
M021 4608	Pulley: 25T	91 - 10
M021 4608	Pulley: 25T	55 - 7
M021 4610	Guide: Duplex: Front: Ass'y	55 - 12
M021 4612	Roller: Duplex: Front	55 - 1
M021 4617	Guide: Transport: Duplex	53 - 25
M021 4618	Driven Roller: Duplex	65 - 12
M021 4618	Driven Roller: Duplex	53 - 23
M021 4619	Compression Spring: 2N	53 - 21
M021 4619	Compression Spring: 2N	59 - 2
M021 4621	Feeler: Duplex: Middle	53 - 24
M021 4625	Coil Spring: Duplex	55 - 11
M021 4630	Handle: Cover	55 - 16
M021 4633	Guide: Duplex: Feed Paper Again	55 - 13
M021 4634	Spring Plate: Feed Paper Again	55 - 14
M021 4662	Ground Plate: Guide: Feed Paper Again	55 - 17
M021 4663	Ground Plate: Guide: Rear	55 - 4
M021 6252	Gear: Transfer Roller	53 - 14
M026 1452	PCB: Key: Sub: Ass'y	17 - 17
M026 1458	PCB: Key: Main: Ass'y	17 - 30
M026 1483	Cable: FFC: Key: Main	17 - 32
M026 1484	Cable: FFC: Key: Sub	17 - 31
M026 1498	LCD: TFT: W-VGA: MV	17 - 12
M026 1531	Cover: Front: NA	17 - 16
M026 1532	Keytop: Start	17 - 23
M026 1533	Keytop: Clear/Stop	17 - 24
M026 1534	Keytop: Reset Switch	17 - 22

Part No.	Description	Page and Index No.
M026 1536	Keytop: 10key: 1: NA	17 - 25
M026 1538	Keytop: 10key: 2: NA	17 - 26
M026 1539	Keytop: Power Source	17 - 19
M026 1541	Keytop: Application: NA	17 - 27
M026 1543	Keytop: Fax: NA/AA	103 - 6
M026 1545	Keytop: Other: NA	17 - 20
M026 1546	Lens: Front	17 - 28
M026 1550	Gasket: LCD	17 - 6
M026 1551	Gasket: SD	17 - 5
M026 1552	Gasket: Bracket: Rear	17 - 4
M026 1553	Sheet: Journal: NA	17 - 21
M026 1554	Sheet: Side	17 - 8
M026 1555	Sheet: LCDC	17 - 10
M026 1556	Keytop: Blank	17 - 34
M026 1558	Keytop: 10key: 1: EU	17 - 25
M026 1559	Keytop: 10key: 2: EU	17 - 26
M026 1560	Keytop: 10key: 1: AA	17 - 25
M026 1562	Keytop: Application: EU	17 - 27
M026 1563	Keytop: Fax: EU	17 - 35
M026 1564	Keytop: Other: EU	17 - 20
M026 1566	Sheet: Journal: Many Languages	103 - 10
M026 1570	Cover: Rear: SNK	17 - 1
M026 1571	M0521571	17 - 11
M026 1572	M0521572	17 - 3
M026 1700	Scale: Inner Back: Printing	35 - 15
M026 1711	Scale: Main	35 - 6
M026 1712	Exposure Glass: Document Feeder: Ass'y	37 - 2
M026 1713	Scale: Inner Back	35 - 16
M026 1714	Scale: Left: EU	35 - 7
M026 1721	Guide: Harness	41 - 22
M026 1723	Bracket: LED-DB	41 - 9
M026 1730	Holder: Hinge: Left	35 - 3
M026 1732	Holder: Hinge: Right	35 - 4
M026 1751	Holder: Lens: Ass'y	41 - 16
M026 1762	Shaft: Scanner: Drive	41 - 13

Part No.	Description	Page and Index No.
M026 1764	Drive Were: DIA1	41 - 10
M026 1768	Bracket: DC Stepper Motor	41 - 6
M026 1771	Carriage: No.2: Ass'y	39 - 1
M026 1778	Guide: FFC	39 - 2
M026 1791	Inner Cover: Scanner	37 - 1
M026 1800	Carriage: No.1: Ass'y	39 - 6
M026 1802	Illumination Unit: LED-B: Ass'y	39 - 13
M026 1805	Reflector: Scanner	39 - 10
M026 1812	Guide: Harness: LED-D	39 - 8
M026 1813	Clamp: Wire	39 - 9
M026 1814	Sheet: Guide: Harness: LED-D	39 - 7
M026 1815	Clamp: Mirror: No.1	39 - 12
M026 5175	PCB: LED-DB	41 - 7
M026 5226	Harness: FFC: 11Wick: LED	41 - 23
M026 5861	Grip: Control Board: Glay	99 - 15
M026 6890	Decal: Caution: Original: English	35 - 10
M042 4226	Plate: Harness: Fusing	57 - 15
M050 5435	M/H Harness: Ground Wire: Exit	69 - 14
M364 1211	Hinge: Left	33 - 2
M364 1221	Hinge: Right	33 - 1
M364 1227	Hook: Guide: Exposure Glass	29 - 14
M364 1317	Supporting Plate: Left Lower	25 - 1
M364 1321	Lever: Driven: Scanning	25 - 2
M364 1322	Compression Spring: Scanning: Driven	29 - 16
M364 1323	Compression Spring: Scanning: Driven	25 - 3
M364 1326	Guide Plate: Scanning: Front Lower	25 - 6
M364 1327	Sheet: Scanning: Front Lower	25 - 7
M364 1335	Exit Roller: Driven: Ass'y	25 - 9
M364 1342	Roller: Scanning: Driven: Short	25 - 4
M364 1381	Holder: Pressure Plate: Right	19 - 6
M364 1386	Cushion: Pressure Plate	19 - 2
M364 1387	Bracket: Pressure Plate	19 - 3
M364 2110	Shaft: Paper Feed Unit	21 - 14
M364 2121	Feed Roller	21 - 21
M364 2123	Timing Pulley: Pickup: Drive	21 - 20

Part No.	Description	Page and Index No.
M364 2124	Compression Spring: Paper Feed Unit	21 - 13
M364 2132	Torque Limiter: Pickup	21 - 15
M364 2141	Arm: Paper Stopper	21 - 18
M364 2142	Paper Stopper	21 - 26
M364 2143	Torsion Spring: Paper Stopper	21 - 17
M364 2144	Link: Paper Stopper	21 - 27
M364 2151	Holder: Pickup	21 - 16
M364 2161	Shaft: Pickup	21 - 25
M364 2162	Timing Pulley: Pickup	21 - 22
M364 2163	Timing Belt: 40S2M130	21 - 19
M364 2213	Compression Spring: Separation	27 - 11
M364 2216	Holder: Friction Pad: Ass'y	27 - 8
M364 2222	Guide Plate: Open And Close	27 - 1
M364 2311	Guide Plate: Paper Feed	27 - 3
M364 2313	Tension Spring: Pressure Release	27 - 5
M364 2314	Lever: Pressure Release: Separation	27 - 4
M364 2315	Cushion: Separation	27 - 7
M364 3111	Transport Roller: Pull Out	27 - 12
M364 3116	Timing Pulley: Pull Out	27 - 17
M364 3121	Transport Roller: Scanning	29 - 19
M364 3131	Exit Roller	29 - 12
M364 3136	Knob: Misfeed Removal	29 - 13
M364 3141	Transport Roller: Reverse	27 - 13
M364 3211	Guide Plate: Transport	29 - 10
M364 3212	Discharge Brush: Exit: SUS	29 - 11
M364 3216	Bracket: Sensor: Registration	29 - 7
M364 3218	Bracket: Sensor: Reverse	29 - 8
M364 3221	Spring Plate: Earth: Exit	29 - 20
M364 3232	Exit Roller: Driven	23 - 14
M364 3232	Exit Roller: Driven	29 - 18
M364 3241	Guide Plate: Reverse: Upper	29 - 15
M364 3311	Guide Plate: Scanning	27 - 6
M364 3321	Spring Plate: Guide: Exposure Glass	29 - 3
M364 3412	Feeler: Reverse	29 - 2
M364 3416	Guide Plate: Reverse	29 - 1

Part No.	Description	Page and Index No.
M364 3421	Gate Pawl: Reverse	27 - 14
M364 4121	Timing Pulley: Slow Down: Paper Feed	33 - 3
M364 4122	Gear: Timing Pulley: Slow Down: Paper Feed	33 - 7
M364 4124	Gear: Timing Pulley: Coupling	33 - 8
M364 4131	Timing Belt: B40S2M160	33 - 6
M364 4211	Timing Pulley: Slow Down: Transport	33 - 10
M364 4231	Tightener: Transport: Ass'y	33 - 13
M364 4244	Tension Spring: Tightener: Transport	33 - 15
M364 4245	Timing Belt: B80S1.5M236	33 - 12
M364 4251	Shaft: Electromagnetic Clutch	33 - 17
M364 4311	Bracket: Motor	33 - 20
M364 4321	Stepper Motor: DC 0.94W	33 - 18
M364 4341	Tension Spring: Motor	33 - 19
M364 4353	Bracket: DC Fan Motor	31 - 1
M364 4411	DC Solenoid: Gate Pawl: Reverse	27 - 16
M364 4511	Cover: Rear	19 - 10
M364 4521	Cover: Front	19 - 1
M364 4531	Cover: Right	19 - 9
M364 4536	Tray: Auxiliary	19 - 8
M364 4611	Cover: Paper Feed	21 - 1
M364 4617	Guide Plate: Cover: Paper Feed	21 - 5
M364 4621	Grip: Cover: Paper Feed	21 - 4
M364 4622	Torsion Spring: Grip	21 - 3
M364 4626	Feeler: Original Sensor	21 - 2
M364 4641	Shaft: Driven	25 - 5
M364 4641	Shaft: Driven	21 - 10
M364 4642	Roller: Driven: Short	21 - 9
M364 4643	Compression Spring: Driven Roller: Pull Out	21 - 7
M364 4648	Plain Shaft Bearing: M4	29 - 17
M364 4648	Plain Shaft Bearing: M4	25 - 8
M364 4648	Plain Shaft Bearing: M4	21 - 8
M364 4711	Original Table	23 - 6
M364 4724	Spring Plate: Reverse: Pressure	23 - 13
M364 4736	Cushion: Side Fence: Small	23 - 4
M364 4741	Side Fence: Inner Back	23 - 2

Part No.	Description	Page and Index No.
M364 4742	Side Fence: Front	23 - 3
M364 4743	Compression Spring: Side Fence	23 - 11
M364 4744	Gear: Side Fence	23 - 12
M364 4751	Extension Tray	23 - 7
M364 4811	Pressure Plate	19 - 5
M364 4821	Tape: Pressure Plate: Left	19 - 4
M364 4823	Tape: Pressure Plate	19 - 7
M364 5022	PCB: Main Control	31 - 5
M364 5720	Harness: Sensor: Main	31 - 3
M364 5725	Harness: Registration: Connecting	29 - 5
M364 5735	Harness: DC Stepper Motor: Transport	31 - 4
M364 5751	Guide: Harness	31 - 9
M364 5805	Harness: Interface: Ass'y	31 - 6
M364 6031	Decal: Original Scale: Inner Back	23 - 8
M364 6032	Decal: Original Scale: Front	23 - 9
M364 6041	Decal: Side Fence	23 - 1
M364 6051	Decal: Lever: Knob	25 - 10
M365 1112	Bracket: Base: Fix	87 - 3
M365 1121	Bracket: Door Switch: Staple Exchange	77 - 7
M365 1122	Spring Plate: Door Switch: Staple Exchange	77 - 6
M365 1251	Bracket: PCB	77 - 2
M365 1520	Cover: Right	71 - 3
M365 1530	Door: Right	71 - 5
M365 1540	Cover: Exit: Left	73 - 16
M365 2313	Knob: Transport Roller: Entrance	71 - 2
M365 3220	Tray: Exit: Fix	73 - 13
M365 3230	Tray: Exit: Fix: Lower	73 - 15
M365 3310	Bracket: DC motor: Exit: Ass'y	73 - 2
M365 3313	Shaft: Worm Wheel	73 - 5
M365 3315	Bracket: Gear: Exit: Ass'y	73 - 11
M365 3316	Bracket: Gear	73 - 4
M365 3318	Gear: IDLER: Z37	73 - 3
M365 3319	Gear: Z37: Worm Gear	73 - 6
M365 3321	Shaft: Cam: Tray	73 - 10
M365 5210	Harness: Main	85 - 23

Part No.	Description	Page and Index No.
M365 5210	Harness: Main	77 - 8
M365 5751	Guide: Harness	77 - 4
M365 5752	Guide: Harness: Small	77 - 3
M366 1040	Stay: Lower: Ass'y	87 - 1
M366 1218	Bracket: Shaft: Drive: Return	87 - 2
M366 1520	Cover: Exit: Upper	71 - 6
M366 2111	Guide Plate: Transport: Lower	79 - 14
M366 2112	Guide Plate: Transport: Upper	79 - 8
M366 2113	Discharge Brush: Entrance	79 - 13
M366 2114	Driven Roller: Slide	79 - 12
M366 2115	Compression Spring: Driven	79 - 5
M366 2116	Guide: Trailing Edge	79 - 9
M366 2117	Gasket: 3x7x10	79 - 7
M366 2121	Stay: Upper	79 - 1
M366 2131	Bracket: Entrance Sensor	79 - 3
M366 2212	Guide Plate: Exit: Open And Close	81 - 9
M366 2214	Shaft: Exit Roller: Driven	81 - 11
M366 2216	Cushion: Guide Plate: Exit	81 - 12
M366 2216	Cushion: Guide Plate: Exit	81 - 15
M366 2222	Pawl: Exit: Open And Close: Ass'y	81 - 16
M366 2223	Spring Plate: Guide Plate: Exit	81 - 14
M366 2224	Gear: Sector: Exit: Open And Close	81 - 20
M366 2225	Lever: Safety Switch	81 - 17
M366 2232	Shaft: Gathering Roller: Drive: Ass'y	81 - 7
M366 2234	Timing Pulley: Gathering Roller : Drive: Transmission	81 - 6
M366 2235	Gathering Roller	81 - 5
M366 2236	Shaft: Gathering Roller	81 - 3
M366 2237	Arm: Gathering Roller	81 - 2
M366 2238	Shaft: Balancer: Gathering Roller	81 - 1
M366 2241	Discharge Brush: Exit: Open And Close	81 - 13
M366 2251	Gear: Gathering Roller: Drive: Z20	81 - 25
M366 2252	Gear: Pulley: Z18/T20	81 - 22
M366 2311	Transport Roller: Entrance	79 - 4
M366 2312	Gear: Transport: Z25	83 - 25

Part No.	Description	Page and Index No.
M366 2312	Gear: Transport: Z25	79 - 16
M366 2321	Transport Roller: Slide	83 - 14
M366 2322	Link: Roller: Slide: Ass'y	83 - 26
M366 2325	Bushing: Roller: Slide	83 - 15
M366 2331	Exit Roller: Front	83 - 17
M366 2332	Exit Roller: Inner Back	83 - 16
M366 2334	Timing Pulley: Exit Roller: Drive	83 - 24
M366 2335	Timing Pulley: Exit Roller: Drive	83 - 23
M366 2511	Shaft: Drive: Transmission: Roller: Return	83 - 7
M366 2512	Gear: Return: Drive: Transmission: Z31	83 - 8
M366 2514	Gear: Roller: Return: Middle: Z25	83 - 10
M366 2515	Gear: Roller: Return: Middle: Z28	83 - 9
M366 2516	Reverse Roller: Trailing Edge: Z20	83 - 11
M366 2517	Arm: Reverse Roller	83 - 12
M366 2518	Gear: Idler: Z22: Lighter	83 - 31
M366 2519	Gear: Return: Drive: Z25	83 - 5
M366 2612	Bracket: Tensioner: Transport	83 - 3
M366 2613	Gear: Pulley: Z25/T20	83 - 29
M366 2614	Gear: Idler: Z22	83 - 30
M366 2615	Gear: Idler: Z35	83 - 4
M366 2616	Tension Spring: Tensioner: Transport	83 - 2
M366 2621	Bracket: Dc Stepper Motor: Exit	75 - 11
M366 2632	Bracket: DC Stepper Motor: Slide: Ass'y	75 - 3
M366 2635	Cam: Roller: Slide	75 - 1
M366 2641	Bracket: DC Stepper Motor: Exit : Open And Close: Ass'y	75 - 14
M366 2644	Gear: Middle: Exit: Open And Close: Z15/Z51	75 - 13
M366 2651	Bracket: DC Stepper Motor : Gathering Roller: Ass'y	75 - 5
M366 2654	Cam: Lever: Gathering Roller	75 - 8
M366 2655	Lever: Gathering Roller	75 - 9
M366 3120	End Fence: Exit	77 - 5
M366 3230	Tray: Exit: Moveable	73 - 12
M366 3240	Tray: Exit: Auxiliary: Small	73 - 14
M366 3322	Cam: Tray: Moveable	73 - 9

Part No.	Description	Page and Index No.
M366 3325	Gear: Drive: Cam: Z42	73 - 7
M366 3411	Bracket: Paper Sensor	87 - 7
M366 3412	Bracket: Solenoid: Paper Sensor	87 - 5
M366 3421	Arm: Paper Sensor: Trailing Edge	87 - 9
M366 3430	DC Solenoid: Paper Sensor: Sub-Ass'y	87 - 4
M366 3441	Torsion Spring: Lever	87 - 8
M366 3442	Cushion: Plate: Return	83 - 21
M366 3511	Bracket: Exit: Connecting	83 - 22
M366 3521	Shaft: Exit: Coupling	83 - 18
M366 3522	Gear: Exit: Coupling: Z20	83 - 19
M366 3523	Gear: Exit: Coupling: Middle: Z19	83 - 20
M366 4112	Jogger Fence: Rear	85 - 6
M366 4113	Shaft: Guide: Jogger: Front	85 - 8
M366 4122	Bracket: Home Position Sensor: Jogger: Rear	85 - 21
M366 4132	Bracket: Surface Of Paper Sensor: Stapler Tray	85 - 12
M366 4142	Bracket: DC Stepper Motor: Jogger	85 - 14
M366 4152	Guide: Standard Fence: Front Right	85 - 4
M366 4153	Guide: Standard Fence: Rear Right	85 - 5
M366 4154	Plate: Trailing Edge: Standard Fence	85 - 1
M366 4155	Standard Fence: Trailing Edge	85 - 3
M366 4156	Tray: Staple	85 - 9
M366 4157	Standard Fence: Fix: Front	85 - 10
M366 4158	Stay: Jogger	85 - 16
M366 4159	Cushion: Arm: Return: 0.2MM	85 - 2
M366 4161	Tensioner: Jogger Fence	85 - 17
M366 4170	Tension Spring: Belt Tensioner: Jogger Fence	85 - 18
M366 4210	Bracket: Stapler	75 - 15
M366 5124	PCB: Main Control: Ass'y	77 - 1
M366 5560	DC Stepper Motor: Jogger: 1.48W	85 - 15
M366 5561	DC Stepper Motor: 1.48W	75 - 4
M366 5561	DC Stepper Motor: 1.48W	75 - 6
M366 5570	DC Stepper Motor: Transport: 3.78W	83 - 1
M366 6811	Decal: Stapler: Caution	71 - 4
M381 5180	PCB: MBU: Ass'y	103 - 4

Part No.	Description	Page and Index No.
M381 5350	Moduler Cord: NA	103 - 7
M381 5735	Sheet: FCU	103 - 2

Part No.	Description	Page and Index No.
AA02 1031	Magnetic Catch	13 - 5
AA04 3318	Timing Belt - 40S3M144	75 - 12
AA04 3319	Timing Belt - 40S2M156	33 - 9
AA04 3337	Timing Belt: 40S3M168	81 - 23
AA04 3603	Timing Belt: B40S2M128	33 - 11
AA04 3660	Timing Belt: 40S2M172	83 - 28
AA06 0979	Tension Spring: Tension: 14720MN	41 - 21
AA06 0980	Tension Spring: Tension: 11300MN	41 - 12
AA06 3399	Spring - Vertical Transport	47 - 4
AA06 3529	Pressure Spring - 14.5mm	79 - 10
AA06 3539	Spring - Registration Roller	51 - 11
AA08 0232	Bushing - M4	69 - 11
AA08 0249	Bushing - Vertical Transport	49 - 3
AA08 0313	Driven Roller Bushing	65 - 11
AA08 0346	Bushing: Flange Type: DIA6	81 - 8
AA08 2058	Bushing - 6x10x9mm	55 - 9
AA08 2073	Roller Busing	59 - 7
AA08 2101	Bushing - 6x10x6	81 - 21
AA08 2101	Bushing - 6x10x6	73 - 8
AA08 2101	Bushing - 6x10x6	83 - 6
AA08 2101	Bushing - 6x10x6	79 - 15
AA08 2101	Bushing - 6x10x6	21 - 11
AA08 2101	Bushing - 6x10x6	27 - 18
AA08 2101	Bushing - 6x10x6	29 - 4
AA08 2101	Bushing - 6x10x6	33 - 16
AA08 2116	Bushing - 8x12x7	51 - 13
AA08 2118	Bushing - 6mm	67 - 10
AA08 2118	Bushing - 6mm	89 - 23
AA08 2118	Bushing - 6mm	91 - 25
AA08 2118	Bushing - 6mm	59 - 21
AA08 2118	Bushing - 6mm	47 - 22
AA08 2118	Bushing - 6mm	55 - 19
AA08 2118	Bushing - 6mm	49 - 21
AA08 2144	Bushing - 8x12x7	41 - 4
AA08 2144	Bushing - 8x12x7	47 - 3

Part No.	Description	Page and Index No.
AA13 2169	Spacer - 5.7x16x1.5	83 - 27
AA13 2208	Spacer - M6	21 - 12
AA13 2225	Spacer: DIA10xDIA15x1	23 - 10
AA14 3592	Screw- M4x6	93 - 15
AA14 3788	Pin: Guide Plate: Paper Feed	21 - 6
AA14 3790	Screw: Contact Point	83 - 32
AA14 3848	Stepped Screw - M3	99 - 11
AA16 1125	Rubber Cushion	99 - 10
AC01 2069	Exposure Glass	35 - 8
AC03 0177	Mirror: No.1	39 - 11
AC03 0178	Mirror: No.2	39 - 5
AE03 2027	Thermal Insulating Bushing	57 - 24
AF02 2147	Driven Roller	79 - 6
AF03 0363	Pickup Roller	21 - 24
AJ01 1025	Stapler: EH-C590R	75 - 16
AW01 0109	Photo Refiection Sensor: PS117ED1	85 - 11
AW02 0107	Photointerruptor	63 - 8
AW02 0114	Photo Interruptor - Lower Limit	81 - 19
AW02 0114	Photo Interruptor - Lower Limit	75 - 2
AW02 0141	Photointerruptor	85 - 22
AW02 0141	Photointerruptor	49 - 9
AW02 0141	Photointerruptor	31 - 7
AW02 0141	Photointerruptor	75 - 7
AW02 0141	Photointerruptor	73 - 17
AW02 0141	Photointerruptor	87 - 6
AW02 0141	Photointerruptor	47 - 17
AW02 0141	Photointerruptor	29 - 9
AW02 0145	Photointerruptor: Flat	37 - 6
AW02 0154	Photointerruptor: Entrance	85 - 13
AW02 0181	Paper Feed Sensor	69 - 16
AW02 0181	Paper Feed Sensor	67 - 4
AX04 0241	DC Motor: DIA35: 3.1W	73 - 1
AX05 0322	Stepper Motor: MM42: 2.1V: 1.8A	75 - 10
AX11 0126	DC Solenoid: 24V: 5.4N	63 - 27
AX21 0103	Magnetic Clutch: 0.25N	33 - 5

Part No.	Description	Page and Index No.
AX64 0170	Fan Motor - MM60 DC24V	31 - 2
AX64 0200	Fan: MM60: DC 3.12W	97 - 6
AX64 0200	Fan: MM60: DC 3.12W	93 - 8
GA00 3245	Decal: Energy Star: PS3: ABS	11 - 18
GF03 1003	Paper Feed Roller: MM30	47 - 13
GH01 0007	Rubber Foot - FF-006(P4070)N	101 - 6
GW01 0007	Photo Reflection Sensor: Exit	79 - 2
GW01 0007	Photo Reflection Sensor: Exit	69 - 3
GW01 0007	Photo Reflection Sensor: Exit	67 - 8
GW01 0007	Photo Reflection Sensor: Exit	51 - 5
GW01 0007	Photo Reflection Sensor: Exit	29 - 6
GW02 0020	Photointerruptor: LG248NL1	63 - 25
GW02 0020	Photointerruptor: LG248NL1	53 - 17
GX06 0029	Polygon Scanner Motor: DC24V 24W	43 - 8



Part No.	Description	Page and Index No.
LA25 2536	Spacer: Lower: Body	93 - 13

Part No.	Description	Page and Index No.
0313 0040N	Screw: M3x4	63 - 104
0313 0060N	Screw - M3X6	91 - 105
0353 0030N	Screw: M3x3	27 - 104
0353 0040N	Screw - M3x4	17 - 102
0353 0040N	Screw - M3x4	73 - 102
0353 0040N	Screw - M3x4	75 - 102
0353 0040N	Screw - M3x4	85 - 104
0353 0040N	Screw - M3x4	61 - 106
0353 0040N	Screw - M3x4	87 - 102
0353 0060N	Bind Screw - M3x6	41 - 105
0353 0060N	Bind Screw - M3x6	39 - 104
0353 0060N	Bind Screw - M3x6	35 - 102
0353 0060N	Bind Screw - M3x6	37 - 102
0353 0140N	Screw: M3x14	77 - 103
0360 3006N	Screw - M3x6	35 - 101
0360 3006N	Screw - M3x6	19 - 102
0360 3006N	Screw - M3x6	11 - 102
0360 3006N	Screw - M3x6	97 - 101
0360 3006N	Screw - M3x6	39 - 102
0360 3006N	Screw - M3X6	103 - 101
0360 3006N	Screw - M3x6	99 - 101
0360 3006N	Screw - M3x6	41 - 104
0360 3006P	Screw - M3X6	81 - 104
0360 3006P	Screw - M3X6	75 - 103
0360 4006N	Screw - M4x6	35 - 104
0360 4006N	Screw - M4x6	15 - 102
0450 3008N	Tapping Screw - M3x8	47 - 101
0450 3008N	Tapping Screw - M3x8	45 - 101
0450 3008N	Tapping Screw - M3x8	43 - 102
0450 3008N	Tapping Screw - M3x8	71 - 104
0450 3008N	Tapping Screw - M3x8	51 - 102
0450 3008N	Tapping Screw - M3x8	53 - 101
0450 3008N	Tapping Screw - M3x8	67 - 102
0450 3008N	Tapping Screw - M3x8	11 - 101
0450 3008N	Tapping Screw - M3x8	65 - 101

Part No.	Description	Page and Index No.
0450 3008N	Tapping Screw - M3x8	57 - 105
0450 3008N	Tapping Screw - M3x8	63 - 102
0450 3008N	Tapping Screw - M3x8	61 - 101
0450 3008N	Tapping Screw - M3x8	101 - 103
0450 3008N	Tapping Screw - M3x8	69 - 101
0450 3008N	Tapping Screw - M3x8	13 - 101
0450 3008N	Tapping Screw - M3x8	97 - 106
0450 3008N	Tapping Screw - M3x8	89 - 103
0450 3008N	Tapping Screw - M3x8	95 - 102
0450 3008N	Tapping Screw - M3x8	91 - 102
0450 3008N	Tapping Screw - M3x8	99 - 102
0450 3008N	Tapping Screw - M3x8	93 - 101
0450 3010M	Tapping screw: 3x10	47 - 102
0450 3010N	Tapping Screw - M3x10	43 - 103
0450 3010N	Tapping Screw - M3x10	61 - 102
0450 3010N	Tapping Screw - M3x10	59 - 101
0450 3010N	Tapping Screw - M3x10	63 - 109
0450 3010N	Tapping Screw - M3x10	57 - 102
0450 3010N	Tapping Screw - M3x10	55 - 102
0450 3010N	Tapping Screw - M3x10	49 - 101
0450 3010N	Tapping Screw - M3x10	89 - 101
0450 3010N	Tapping Screw - M3x10	11 - 104
0450 3012N	Tapping Screw: 3x12	49 - 102
0450 3012N	Tapping Screw: 3x12	43 - 101
0450 3012N	Tapping Screw: 3x12	89 - 102
0450 3012N	Tapping Screw: 3x12	63 - 101
0450 3012N	Tapping Screw: 3x12	47 - 104
0450 3012N	Tapping Screw: 3x12	51 - 101
0450 4008N	Tapping Screw - M4x8	25 - 101
0450 4008N	Tapping Screw - M4x8	91 - 101
0450 4008N	Tapping Screw - M4x8	23 - 101
0450 4008N	Tapping Screw - M4x8	67 - 104
0450 4010N	Tapping Screw: M4x10	67 - 101
0450 4010N	Tapping Screw: M4x10	33 - 101
0450 4010N	Tapping Screw: M4x10	91 - 104

Part No.	Description	Page and Index No.
0450 4010N	Tapping Screw: M4x10	101 - 101
0451 3006N	Tapping Screw - 3x6	101 - 102
0451 3006N	Tapping Screw - 3x6	63 - 103
0451 3006N	Tapping Screw - 3x6	15 - 101
0451 3006N	Tapping Screw - 3x6	97 - 105
0451 3006N	Tapping Screw - 3x6	19 - 101
0451 3006N	Tapping Screw - 3x6	71 - 102
0451 3006N	Tapping Screw - 3x6	33 - 102
0451 3006N	Tapping Screw - 3x6	93 - 102
0451 3006N	Tapping Screw - 3x6	31 - 103
0451 3006N	Tapping Screw - 3x6	27 - 101
0451 3006N	Tapping Screw - 3x6	95 - 101
0451 3006N	Tapping Screw - 3x6	67 - 103
0451 3006N	Tapping Screw - 3x6	73 - 106
0451 3006N	Tapping Screw - 3x6	91 - 103
0451 3006N	Tapping Screw - 3x6	29 - 101
0451 3006N	Screw: Flange: M3.0x6	11 - 103
0451 3008N	Tapping Screw - M3x8	69 - 105
0451 3008N	Tapping Screw - M3x8	65 - 102
0451 3008N	Tapping Screw - M3x8	61 - 103
0451 3010N	Tapping Screw: 3x10	85 - 101
0451 3012N	Screw: M3x12	57 - 106
0451 4006N	Tapping Screw - 4x6	71 - 101
0451 4008N	Tapping Screw: 4x8	15 - 103
0453 3006N	Tapping Screw - M3x6	103 - 102
0453 3006N	Tapping Screw - M3x6	99 - 104
0454 3005Q	Tapping Screw: 3x5	41 - 107
0454 3005Q	Tapping Screw: 3x5	35 - 105
0454 3005Q	Tapping Screw: 3x5	37 - 101
0454 3006Q	Tapping Screw - M3x6	77 - 101
0454 3006Q	Tapping Screw - M3x6	83 - 101
0454 3006Q	Tapping Screw - M3x6	73 - 105
0454 3006Q	Tapping Screw - M3x6	97 - 103
0454 3006Q	Tapping Screw - M3x6	75 - 101
0454 3006Q	Tapping Screw - M3x6	71 - 103

Part No.	Description	Page and Index No.
0454 3006Q	Tapping Screw - M3x6	87 - 101
0454 3006Q	Tapping Screw - M3x6	85 - 102
0454 3006Q	Tapping Screw - M3x6	99 - 103
0454 3006Q	Tapping Screw - M3x6	79 - 101
0454 3006Q	Tapping Screw - M3x6	101 - 104
0454 3008Q	Tapping Screw: 3X8	77 - 102
0454 3008Q	Tapping Screw: 3X8	73 - 101
0454 3020Q	Tapping Screw: 3x20	97 - 102
0622 0100E	Spring Pin - 2x10mm	21 - 103
0632 0120G	Parallel Pin - 2x12	83 - 104
0720 0030E	Retaining Ring - M3	55 - 103
0720 0030E	Retaining Ring - M3	63 - 107
0720 0030E	Retaining Ring - M3	61 - 107
0720 0040E	Retaining Ring - M4	91 - 106
0720 0040E	Retaining Ring - M4	73 - 103
0720 0040E	Retaining Ring - M4	83 - 103
0720 0040E	Retaining Ring - M4	39 - 101
0720 0040E	Retaining Ring - M4	67 - 105
0720 0040E	Retaining Ring - M4	61 - 104
0720 0040E	Retaining Ring - M4	63 - 105
0720 0040E	Retaining Ring - M4	21 - 101
0720 0040E	Retaining Ring - M4	69 - 102
0720 0040E	Retaining Ring - M4	45 - 102
0720 0040E	Retaining Ring - M4	55 - 101
0720 0040E	Retaining Ring - M4	49 - 103
0720 0040E	Retaining Ring - M4	47 - 103
0720 0060E	Retaining Ring: M3	69 - 106
0720 0080G	C-ring - M8	13 - 102
0741 3506	Ball Bearing - 6x12x4 MM	27 - 103
0802 5299	Tapping Screw - M3x8	33 - 103
0802 5312	Tapping Screw: Washer: 3x10	41 - 101
0802 5314	Binding Head Tapping Screw: 3x8	17 - 103
0802 5319	Hexagon Head Tapping Screw: ES: 3x8	81 - 101
0802 5319	Hexagon Head Tapping Screw: ES: 3x8	79 - 102
0802 5319	Hexagon Head Tapping Screw: ES: 3x8	85 - 103

Part No.	Description	Page and Index No.
0802 5321	Binding Head Tapping Screw: 3x10	17 - 101
0804 6127	Hexagonal Bolt: Double Screw: M3x8	39 - 103
0804 6127	Hexagonal Bolt: Double Screw: M3x8	41 - 103
0805 0088	Retaining Ring - M6	41 - 102
0805 0089	Retaining Ring - M4	85 - 105
0805 0089	Retaining Ring - M4	23 - 102
0805 0089	Retaining Ring - M4	13 - 103
0805 0089	Retaining Ring - M4	29 - 102
0805 0089	Retaining Ring - M4	33 - 104
0805 0089	Retaining Ring - M4	21 - 102
0805 0089	Retaining Ring - M4	27 - 102
0805 0089	Retaining Ring - M4	83 - 102
0805 0089	Retaining Ring - M4	79 - 103
0805 0089	Retaining Ring - M4	81 - 102
0805 0089	Retaining Ring - M4	59 - 102
0805 0089	Retaining Ring - M4	73 - 104
0805 0089	Retaining Ring - M4	45 - 19
0805 3385	Bushing - 6mm	81 - 103
0805 3480	Bushing - 6mm	63 - 106
0805 3480	Bushing - 6mm	69 - 104
0954 3008N	Screw - M3x8	59 - 103
0954 3008N	Screw - M3x8	57 - 103
0954 3010N	Screw: Polished Round/Spring: M3x10	57 - 104
0954 3012N	Screw - M3x12	57 - 101
1105 0291	Harness Clamp - LWS-3S	97 - 104
1105 0326	Locking Support	77 - 108
1105 0328	Harness Clamp - ES-0505	67 - 108
1105 0328	Harness Clamp - ES-0505	65 - 104
1105 0329	Clamp - ES-0510	63 - 108
1105 0487	Harness Clamp	35 - 103
1105 0487	Harness Clamp	95 - 103
1105 0487	Harness Clamp	31 - 101
1105 0487	Harness Clamp	15 - 104
1105 0487	Harness Clamp	97 - 107
1105 0508	Harness Clamp - LWS-0711	89 - 104

Part No.	Description	Page and Index No.
1105 0508	Harness Clamp - LWS-0711	77 - 105
1105 0508	Harness Clamp - LWS-0711	67 - 106
1105 0511	Harness Clamp - LWS-0306ZC	95 - 104
1105 0511	Harness Clamp - LWS-0306ZC	69 - 103
1105 0511	Harness Clamp - LWS-0306ZC	67 - 107
1105 0511	Harness Clamp - LWS-0306ZC	75 - 104
1105 0511	Harness Clamp - LWS-0306ZC	41 - 108
1105 0511	Harness Clamp - LWS-0306ZC	91 - 107
1105 0511	Harness Clamp - LWS-0306ZC	29 - 104
1105 0511	Harness Clamp - LWS-0306ZC	31 - 102
1105 0511	Harness Clamp - LWS-0306ZC	65 - 103
1105 0511	Harness Clamp - LWS-0306ZC	85 - 106
1105 0511	Harness Clamp - LWS-0306ZC	37 - 103
1105 0516	Clamp	97 - 108
1105 0516	Clamp	41 - 106
1105 0516	Clamp	91 - 108
1105 0518	Edge Saddle - LES-1010	75 - 106
1105 0551	Clamp: LES-0505	77 - 107
1105 0623	Clamp - LBWS-0206S-V0	75 - 105
1105 0637	Locking Card Spacer: KGLS-10RT	93 - 104
1105 0692	Clamp: LES-0503	29 - 103
1105 0692	Clamp: LES-0503	85 - 107
1105 0692	Clamp: LES-0503	77 - 106
1105 0692	Clamp: LES-0503	79 - 104
1105 0717	Clamp: JDW-1S	85 - 108
1105 0723	Clamps: WES-0507	75 - 107
1150 0377	Power Supply Code: 250V: 10A: EU	93 - 103
1150 0415	Power Supply Code: 125V: NA	93 - 103
1204 2521	Micro Switch	61 - 105
1204 2612	Micro Switch: D3V-16506-3C25	77 - 104

Part No.	Description	Page and Index No.
5206 2686	Snap Ring	71 - 7
5215 2621	Snap Ring - M6	51 - 14
5215 2621	Snap Ring - M6	89 - 19
5442 1924	Exposure Glass Cushion	37 - 4
5447 2681	Snap Ring	47 - 18
5447 2681	Snap Ring	49 - 20
5447 2681	Snap Ring	61 - 7
5447 2681	Snap Ring	89 - 21
5447 2681	Snap Ring	91 - 8

