

CÓPIA NÃO CONTROLADA



RICOH UNIVERSITY

Learning ♦ Knowledge ♦ Performance



M001
PARTS CATALOG

004225MIU

LANIER RICOH SAVIN

CÓPIA NÃO CONTROLADA

CÓPIA NÃO CONTROLADA

CÓPIA NÃO CONTROLADA

CÓPIA NÃO CONTROLADA



M001
PARTS CATALOG

LANIER
RICOH
SAVIN

CÓPIA NÃO CONTROLADA

CÓPIA NÃO CONTROLADA

CÓPIA NÃO CONTROLADA

CÓPIA NÃO CONTROLADA



RICOH UNIVERSITY
Learning ♦ Knowledge ♦ Performance

M001

PARTS CATALOG

004225MIU

LANIER RICOH SAVIN®

CÓPIA NÃO CONTROLADA

CÓPIA NÃO CONTROLADA

CÓPIA NÃO CONTROLADA

It is the reader's responsibility when discussing the information contained within this document to maintain a level of confidentiality that is in the best interest of Ricoh Americas Corporation and its member companies.

**NO PART OF THIS DOCUMENT MAY BE REPRODUCED IN ANY
FASHION AND DISTRIBUTED WITHOUT THE PRIOR
PERMISSION OF RICOH AMERICAS CORPORATION.**

All product names, domain names or product illustrations, including desktop images, used in this document are trademarks, registered trademarks or the property of their respective companies.

They are used throughout this book in an informational or editorial fashion only and for the benefit of such companies. No such use, or the use of any trade name, or web site is intended to convey endorsement or other affiliation with Ricoh products.

© 2009 RICOH Americas Corporation. All rights reserved.

CÓPIA NÃO CONTROLADA

CÓPIA NÃO CONTROLADA

LEGEND

PRODUCT CODE	COMPANY			
	GESTETNER	LANIER	RICOH	SAVIN
M001	SP 4210N	LP37N	Aficio SP 4210N	MLP37N
G362	Envelope Feeder Type 400			
G893	Duplex Unit AD1000			
G894	Paper Feed Unit TK1030			

DOCUMENTATION HISTORY

REV. NO.	DATE	COMMENTS
*	01/2009	Original Printing

CÓPIA NÃO CONTROLADA

CÓPIA NÃO CONTROLADA

M001

TABLE OF CONTENTS

M001 PARTS LOCATION AND LIST

1.Exterior 1 (M001).....	2
2.Exterior 2 (M001).....	4
3.LD Unit (M001).....	6
4.Paper Tray (M001).....	8
5.Paper Registration 1 (M001).....	10
6.Paper Registration 2 (M001).....	12
7.Transfer Section (M001).....	14
8.Fusing Unit 1 (M001).....	16
9.Fusing Unit 2 (M001).....	18
10.Paper Exit (M001).....	20
11.Drive Section (M001).....	22
12.Electrical Section 1 (M001).....	24
13.Electrical Section 2 (M001).....	26
14.Main CTRL Board (M001).....	28
15.Engine Board (M001).....	42
16.Decals and Documents (M001).....	48
17.Special Tools (M001).....	52

M001 PARTS INDEX

PARTS INDEX.....	2
------------------	---

ENVELOPE FEEDER TYPE 400 G362 PARTS LOCATION AND LIST

1. ENVELOPE FEEDER (G362).....	2
2. DECALS AND DOCUMENTS (G362).....	4

G362 PM PARTS INDEX.....

G362 PARTS INDEX.....	3
-----------------------	---

DUPLEX UNIT AD 1000 G893 PARTS LOCATION AND LIST

1. DUPLEX UNIT 1 (G893).....	2
2. DUPLEX UNIT 2 (G893).....	4
3. DUPLEX UNIT 3 (G893).....	6
4. DUPLEX UNIT 4 (G893).....	8

G893 PARTS INDEX.....

PAPER FEED UNIT TK1030 G894 PARTS LOCATION AND LIST

1. PAPER TRAY (G894).....	2
2. PAPER FEED DRIVE (G894).....	4
3. FRAME SECTION (G894).....	6
4. DECALS AND DOCUMENTS (G894).....	8

G894 PM PARTS INDEX.....

G894 PM PARTS INDEX.....	2
--------------------------	---

CÓPIA NÃO CONTROLADA

CÓPIA NÃO CONTROLADA

CÓPIA NÃO CONTROLADA

M001

PARTS LOCATION AND LIST

CÓPIA NÃO CONTROLADA

CÓPIA NÃO CONTROLADA

CÓPIA NÃO CONTROLADA

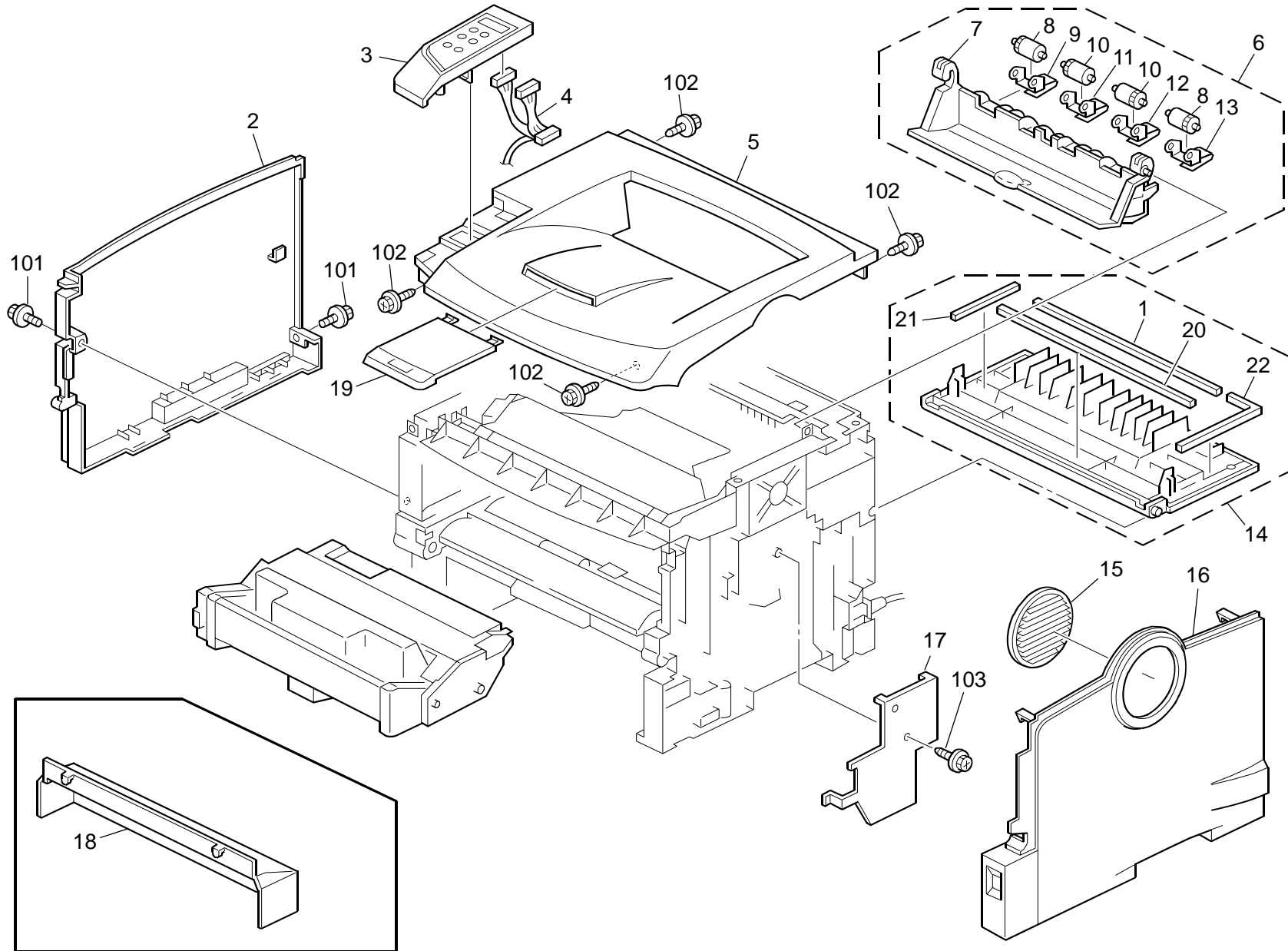
CÓPIA NÃO CONTROLADA

This section instructs you as to the numbers and names of parts on this machine.

CÓPIA NÃO CONTROLADA

1.Exterior 1 (M001)

CÓPIA NÃO CONTROLADA



CÓPIA NÃO CONTROLADA

1.Exterior 1 (M001)

CÓPIA NÃO CONTROLADA

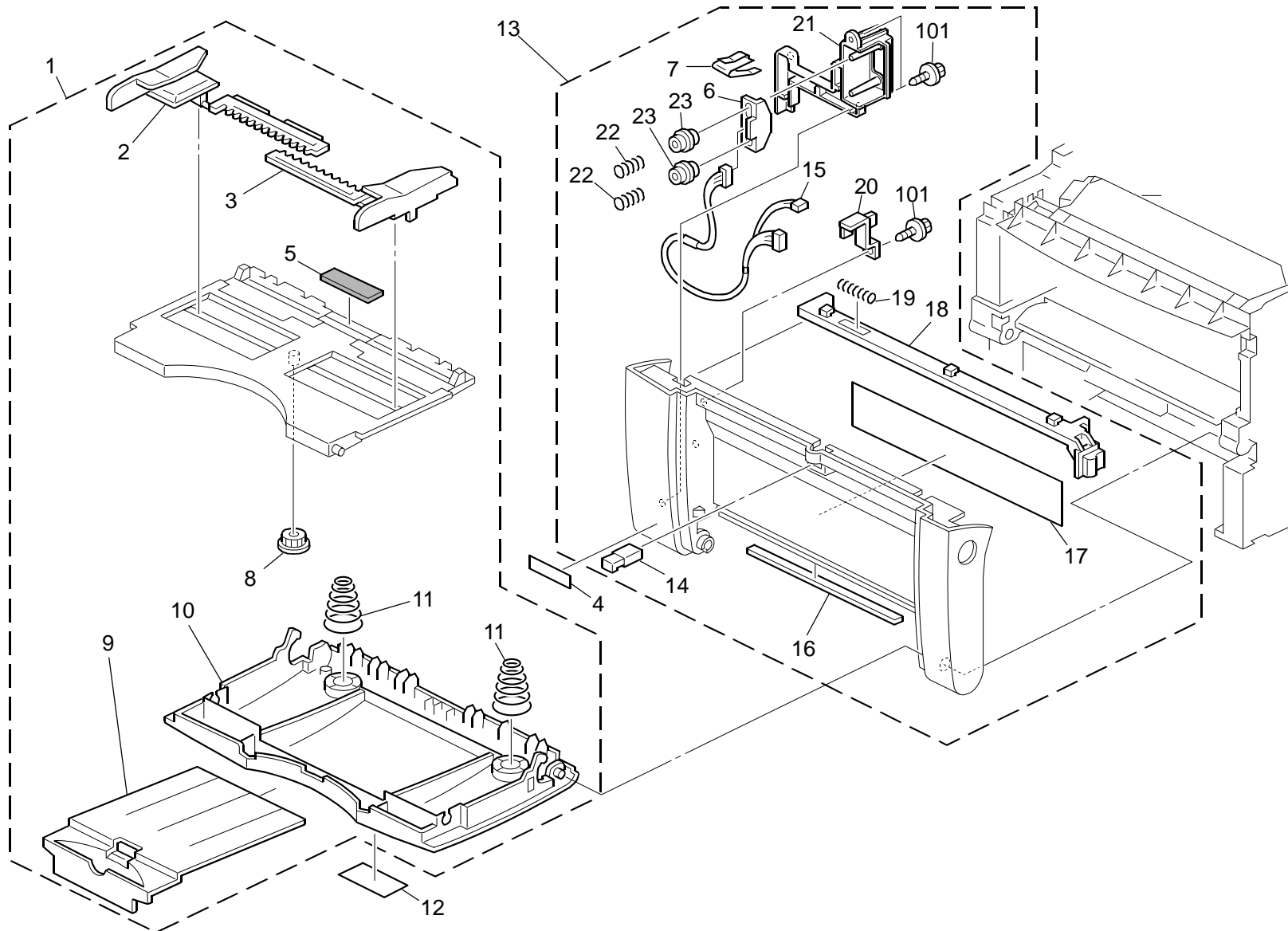
Index No.	Part No.	Description	Q'ty Per Assembly
1	G175 1258	Upper Seal - Rear Cover	1
2	G175 1253	Left Cover	1
3	M001 1402	Operation Panel	1
4	M001 5403	Harness: Exit: Sensor	1
5	M001 1652	Upper Cover	1
6	G096 1509	Paper Exit Sub-unit Ass'y	1
7	G096 1512	Exit Cover	1
8	G052 4875	Inner Exit Cover Roller	2
9	G052 4871	Left Holder - Exit Driven Roller	1
10	G052 4873	Outer Exit Cover Roller	2
11	G052 4876	Left Spring Plate	1
12	G052 4877	Right Spring Plate	1
13	G052 4872	Right Holder - Exit Driven Roller	1
14	G175 1229	Rear Cover	1
15	G175 1651	Louver	1
16	G175 1650	Right Cover	1
17	G096 1257	Warning Cover (Electrical)	1
18	G096 3111	Cassette Cover	1
19	G175 1406	Slide Guide	1
20	G175 1255	Lower Seal - Rear Cover	1
21	G175 1256	Left Seal - Rear Cover	1
22	G175 1257	Right Seal - Rear Cover	1

Index No.	Part No.	Description	Q'ty Per Assembly
101	0451 3006N	Tapping Screw - 3x6	
102	0450 4010N	Tapping Screw: M4x10	
103	0450 3008N	Tapping Screw - M3x8	

CÓPIA NÃO CONTROLADA

2.Exterior 2 (M001)

CÓPIA NÃO CONTROLADA



CÓPIA NÃO CONTROLADA

2.Exterior 2 (M001)

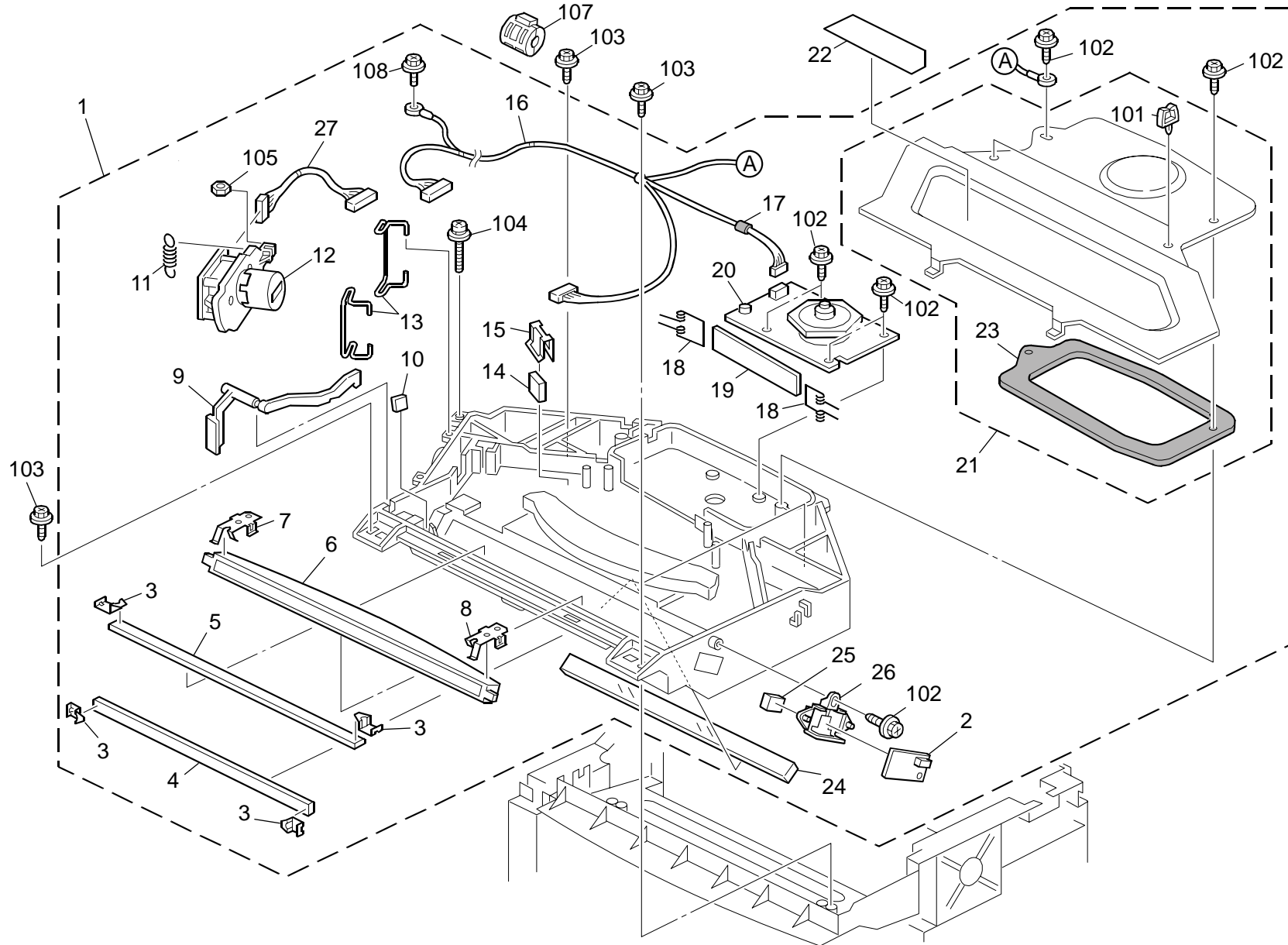
CÓPIA NÃO CONTROLADA

Index No.	Part No.	Description	Q'ty Per Assembly	Index No.	Part No.	Description	Q'ty Per Assembly
1	G175 3271	Manual Feed Table: L: Ass'y	1	23	G052 1542	Collar - Receptacle	2
2	G175 3277	Side Fence: Manual Feed: Left	1				
3	G175 3276	Side Fence: Manual Feed: Right	1				
4	M001 1261	Decal: Model Name Plate: P2: RIC: EXP	1				
4	M001 1265	Decal: Model Name: NAS	1				
4	M001 1262	Decal: Model Name: SAV	1				
4	M001 1266	Decal: Model Name: REX	1				
4	M001 1263	Decal: Model Name: GES: NA	1				
4	M001 1268	Decal: Model Name: GES: EU	1				
4	M001 1264	Decal: Model Name: LAN: NA	1				
4	M001 1267	Decal: Model Name: LAN: EU	1				
5	5215 2713	Bottom Plate Pad	1				
6	G052 5362	Receptacle - 99RH144	1				
7	G052 1544	Spring Plate - Receptacle	1				
8	G800 3133	Side Fence Gear	1				
9	G175 3342	Extension Tray: Manual Feed: L	1				
10	G175 3272	Cover: Manual Feed Table	1				
11	G052 3278	Spring - Bypass	2				
12	G176 0410	Logo: Ricoh	1				
12	J007 1511	Logotype: GES	1				
12	J007 1512	Logotype: NSA	1				
12	J007 1513	Logotype: REX	1				
12	GA00 1051	Plate: Logo: SVN	1				
12	GA00 1052	Plate: Logo: GES	1				
12	GA00 1056	Plate: Logo: LAN	1				
13	G175 1260	Front Door	1				
14	AG07 1007	Latch - By Pass Feed Table	1				
15	G175 3539	Thermistor- Transfer	1				
16	G052 3356	Sheet - Soundproof	1				
17	G096 1551	Misfeed Removal Decal	1				
18	G175 1516	Door Lever	1				
19	G052 1518	Spring - Lock Lever	1				
20	G096 1517	Shutter Feeler	1				
21	G175 1251	Harness Cover	1				
22	G052 1541	Spring - Receptacle	2	101	0450 3008N	Tapping Screw - M3x8	

CÓPIA NÃO CONTROLADA

3.LD Unit (M001)

CÓPIA NÃO CONTROLADA



CÓPIA NÃO CONTROLADA

3.LD Unit (M001)

CÓPIA NÃO CONTROLADA

Rev. 03/11/2009

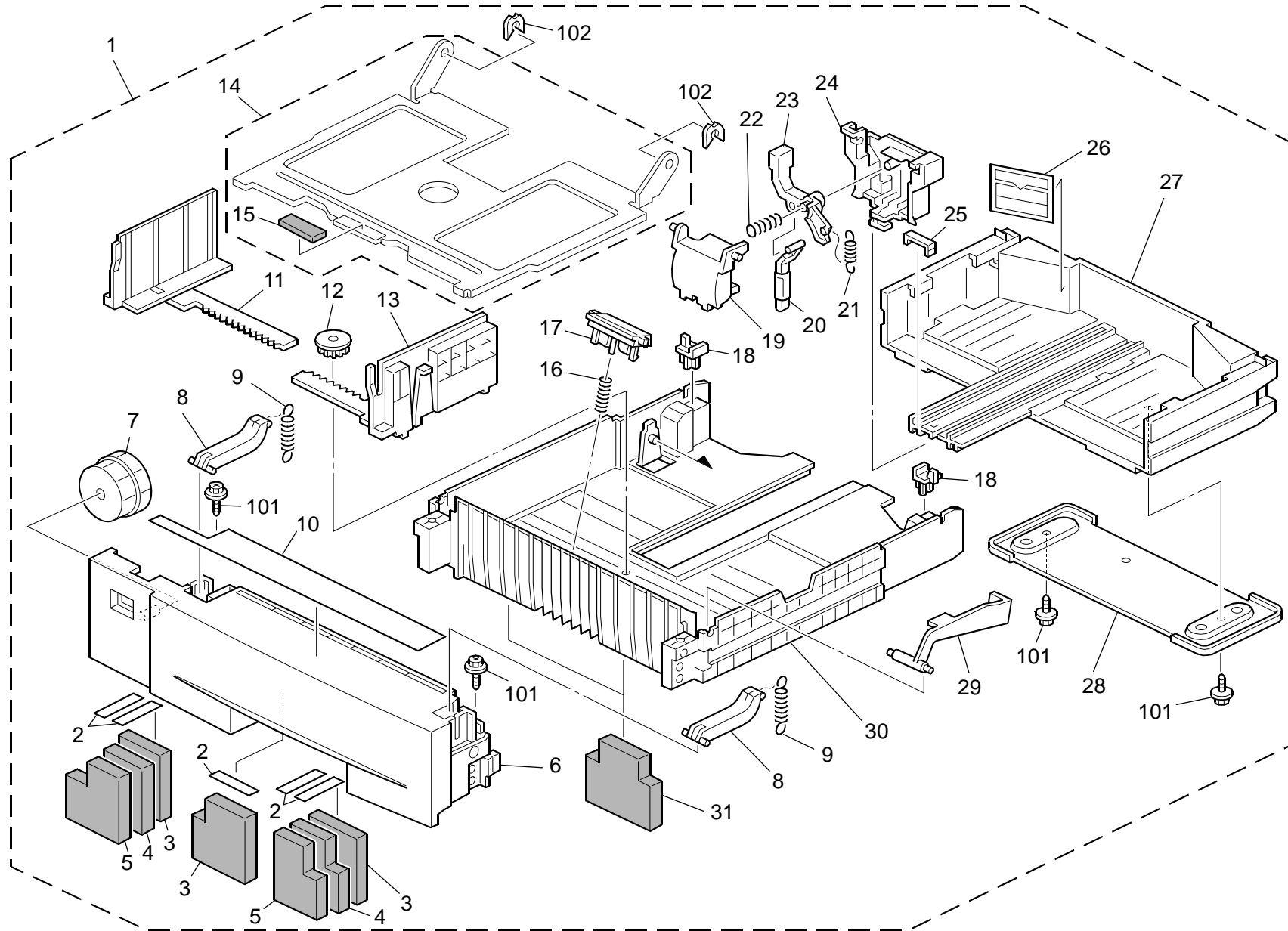
Index No.	Part No.	Description	Q'ty Per Assembly
1	M001 1904	Imaging Unit	1
2	G052 5060	Synchronization Detector	1
3	G052 2774	Mirror Clamp	4
4	GC03 0026	Mirror - 1	1
5	GC03 0027	Mirror - 2	1
6	GC02 5010	DTL	1
7	G052 2771	Right DTL Holder	1
8	G052 2772	Left DTL Holder	1
9	G052 2780	Shutter - LD	1
10	GC03 0028	Mirror - Sync Detector	1
11	G052 2764	Spring - LD Unit	1
12	M001 1916	Laser Diode Unit	1
13	G052 2763	LD Holder	2
14	GC02 5011	Cylindrical Lens	1
15	G052 2773	Cylindrical Lens Holder	1
16	G168 5403	Harness - Polygon Mirror Motor	1
17	G088 2775	Shield: Harness	1
18	G052 2777	Spring Holder - Shield Glass	2
19	GC01 5005	Shield Glass - Polygon Motor	1
20	GX06 0029	Polygon Scanner Motor: DC24V 24W	1
21	G088 2785	Cover: Optical Housing: Ass'y	1
22	G111 1910	Caution Decal - Laser	1
23	G088 2789	Shield: Cover: Polygon Scanner	1
24	G129 1902	Shield Glass	1
25	G029 1975	Cylindrical Lens	1
26	G168 1922	Holder: Sync Detector	1
27	M001 5410	Harness: LDB	1

Index No.	Part No.	Description	Q'ty Per Assembly
101	1105 0229	Clamp	
102	0450 3008N	Tapping Screw - M3x8	
103	0450 3012N	Tapping Screw: 3x12	
104	0951 3016N	Screw: Polished Round: M3x16	
105	0712 0030N	Hexagonal Nut: M3	
107	1607 1714	Ferrite Core: RFC-6	
108	0451 3006N	Tapping Screw - 3x6	

CÓPIA NÃO CONTROLADA

4.Paper Tray (M001)

CÓPIA NÃO CONTROLADA



CÓPIA NÃO CONTROLADA

4.Paper Tray (M001)

CÓPIA NÃO CONTROLADA

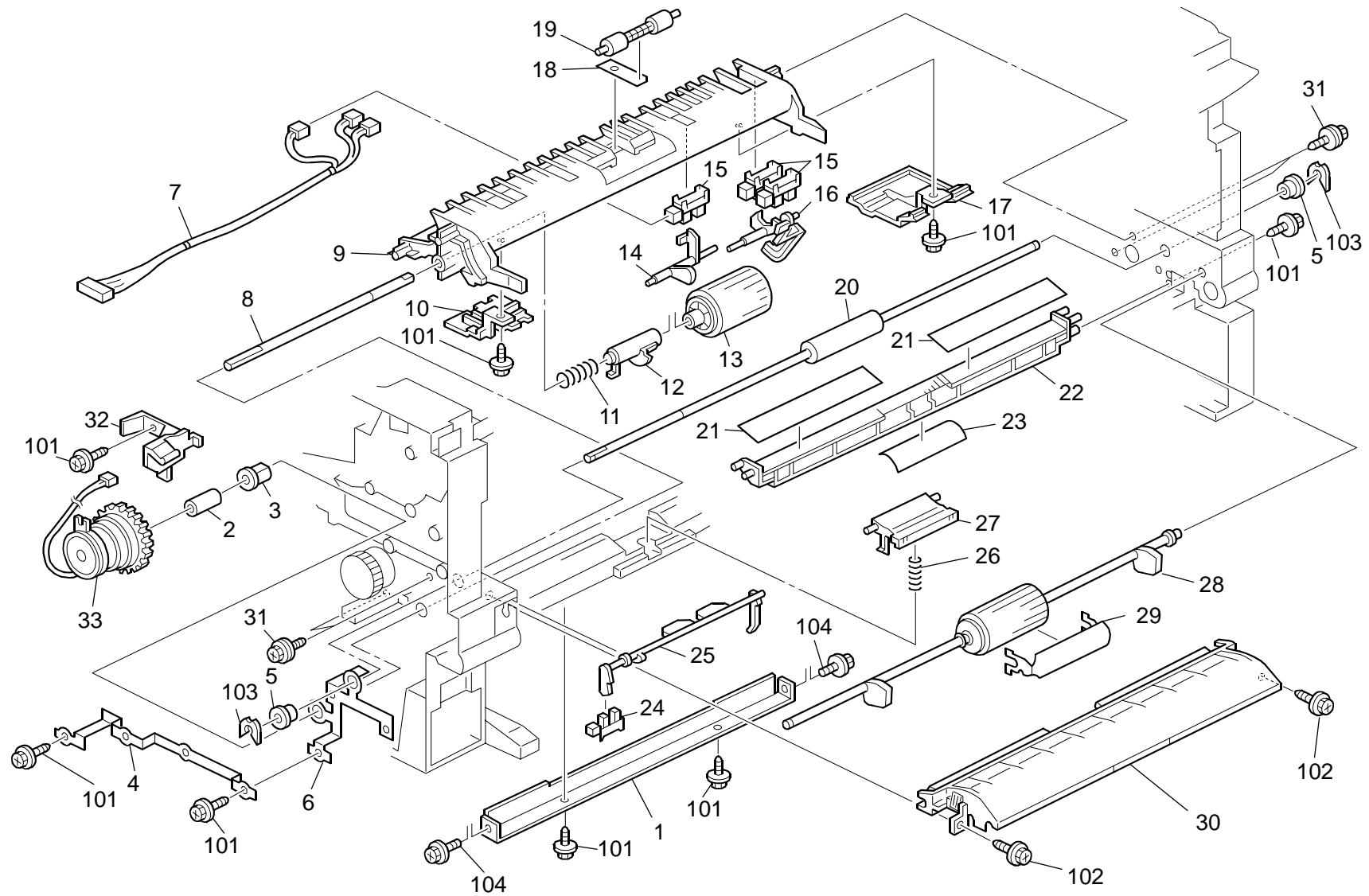
Index No.	Part No.	Description	Q'ty Per Assembly
1	G175 3050	Paper Tray Unit	1
2	G096 3094	Tape - Sheet: Tray	5
3	G360 3091	Tray Sheet 1	3
4	G360 3092	Tray Sheet 2	2
5	G360 3093	Tray Sheet 3	2
6	G096 3052	Paper Tray Cover	1
7	G096 3075	Paper Size Sensor Board	1
8	G096 3071	Paper Tray Arm	2
9	G096 3083	Spring Tension	2
10	G096 3144	Paper Set Direction Label	1
11	G096 3055	Left Side Fence	1
12	A267 2869	Gear - 16Z	1
13	G096 3056	Right Side Fence	1
14	G175 2818	Tray Bottom Plate	1
15	G555 3069	Base pad	1
16	G096 3084	Separation Compression Spring	1
17	G096 3066	Friction Pad Adhesion	1
18	G029 2609	Cassette Protection	2
19	G096 3088	End Fence Pressure	1
20	G096 3087	End Fence Protection	1
21	G096 3090	End Fence Tension Spring 12N	1
22	G096 3089	End Fence Compression Spring 3.5N	1
23	G096 3086	End Fence Lever	1
24	G096 3085	End Fence	1
25	G096 3063	Paper Tray Cap	1
26	G096 3078	Protection Label	1
27	G096 3060	Rear Paper Tray	1
28	G096 3065	Paper Tray Supporting Plate	1
29	G096 3070	Paper Volume Sensor Board	1
30	G096 3051	Paper Tray	1
31	G175 3058	Tray sheet	2

Index No.	Part No.	Description	Q'ty Per Assembly
101	0450 3008N	Tapping Screw - M3x8	
102	0805 0089	Retaining Ring - M4	

CÓPIA NÃO CONTROLADA

5.Paper Registration 1 (M001)

CÓPIA NÃO CONTROLADA



CÓPIA NÃO CONTROLADA

5.Paper Registration 1 (M001)

CÓPIA NÃO CONTROLADA

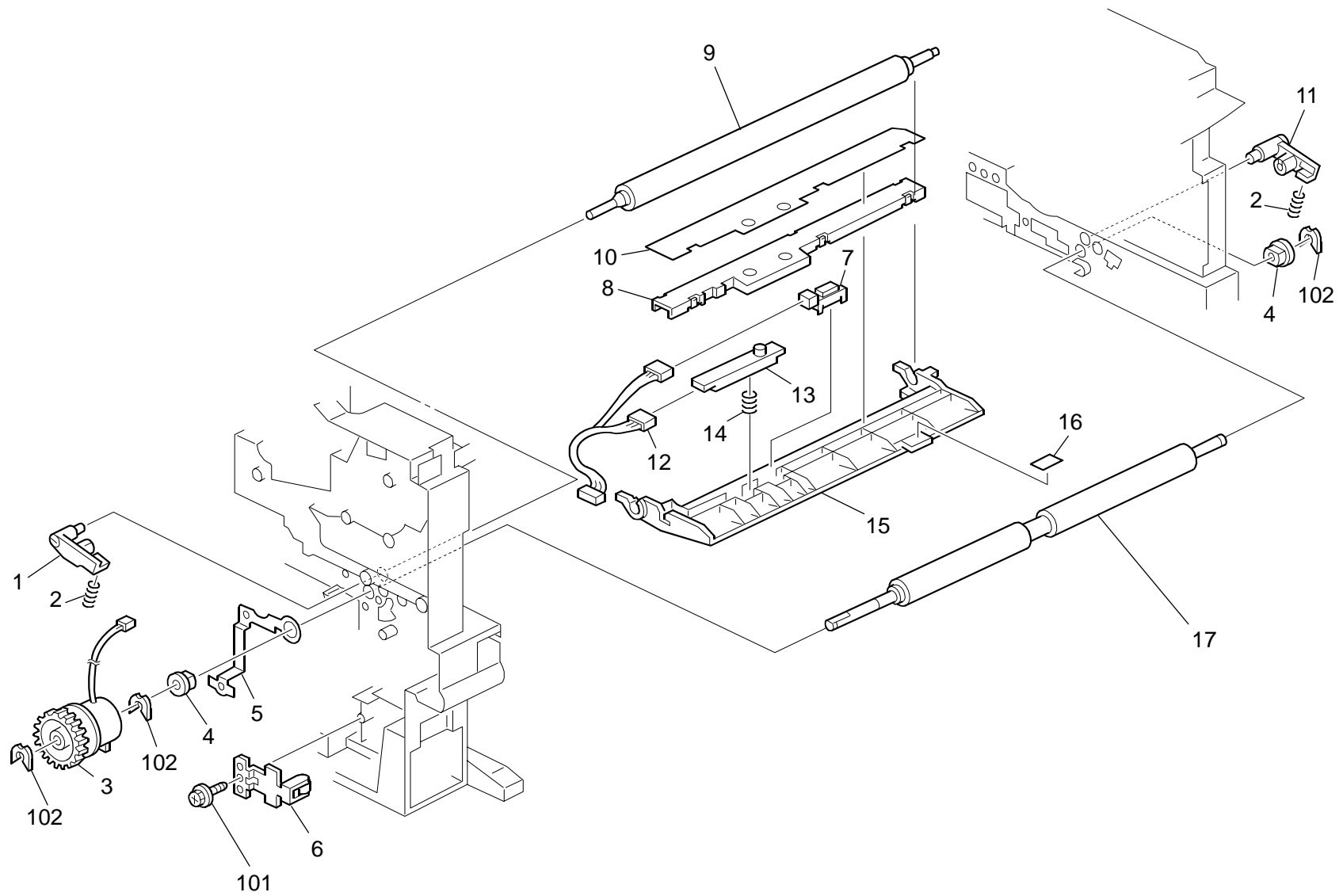
Index No.	Part No.	Description	Q'ty Per Assembly
1	G096 3301	Support Plate Stay: Bypass	1
2	G175 3138	Spacer - Paper Feed	1
3	AA08 2075	Bushing - M6	1
4	G096 3337	Auxiliary Ground Plate	1
5	AA08 2058	Bushing - 6x10x9mm	2
6	G096 3335	Paper Feed Ground Plate	1
7	G175 5400	Interface Harness - FST	1
8	G096 3101	Paper Feed Shaft	1
9	G096 3100	Paper Feed Stay	1
10	G096 3106	Left Stay Cover	1
11	G029 2657	Compression Spring	1
12	G052 3106	Bushing - Paper Feed Roller	1
13	G052 3103	Paper Feed Roller	1
14	G096 3104	Paper End Sensor Feeler	1
15	AW02 0141	Photointerruptor	3
16	G096 3105	Paper Volume Sensor Feeler	1
17	G096 3107	Right Stay Cover	1
18	G052 3304	Spring Plate - Paper Transport	1
19	G052 3303	Paper Transport Roller	1
20	G175 3332	Relay Roller	1
21	G096 3306	Connecting Guide Roller	2
22	G096 3294	Connecting Guide Plate	1
23	G052 3307	Transport Guide Mylar	1
24	GW02 0020	Photointerruptor: LG248NL1	1
25	G175 3286	Manual Feed Feeler	1
26	G096 3292	Spring - Manual Feed	1
27	G175 3290	Friction Pad - Manual Feed	1
28	G129 2552	Paper Feed Roller: Manual Feed	1
29	G175 2767	Feed Roller Cover	1
30	G096 3280	Manual Feed Frame	1
31	G116 4159	Screw: M3x13	4
32	G175 3139	Magnetic Clutch Stopper	1
33	G175 2587	Paper Feed Clutch	1

Index No.	Part No.	Description	Q'ty Per Assembly
101	0450 3008N	Tapping Screw - M3x8	
102	0450 3010N	Tapping Screw - M3x10	
103	0805 0089	Retaining Ring - M4	
104	0451 3008N	Tapping Screw - M3x8	

CÓPIA NÃO CONTROLADA

6.Paper Registration 2 (M001)

CÓPIA NÃO CONTROLADA



CÓPIA NÃO CONTROLADA

6.Paper Registration 2 (M001)

CÓPIA NÃO CONTROLADA

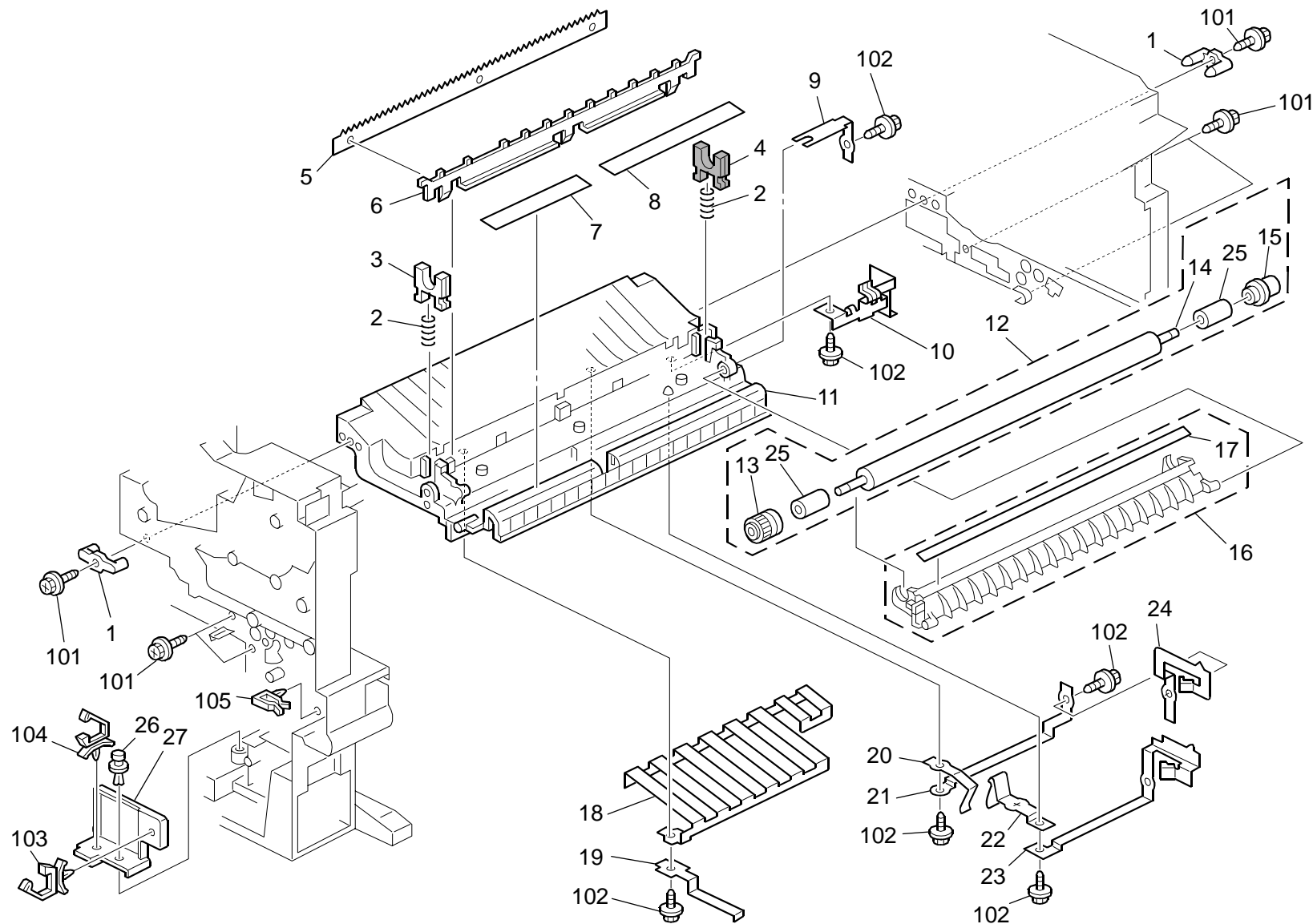
Index No.	Part No.	Description	Q'ty Per Assembly
1	G052 3258	Left Bushing - Registration	1
2	AA06 3539	Spring - Registration Roller	2
3	G175 2585	Magnetic Clutch - Registration	1
4	AA08 2144	Bushing - 8x12x7	2
5	G096 3336	Registration Drive Ground Plate	1
6	G096 1087	Paper Tray Spring Plate Ass'y	1
7	G175 2551	Photosensor	1
8	G175 3268	Registration Sensor Bracket	1
9	G096 3315	Driven Registration Roller Mm14	1
10	G175 3267	Cleaner Film - Registration	1
11	G052 3257	Right Bushing - Registration	1
12	M001 5407	Harness: Sensor: Connecting	1
13	G052 3390	Toner End Sensor	1
14	G052 3396	Spring - Toner End Sensor	1
15	G175 3266	Upper Guide Plate - Registration	1
16	G052 3351	Decal - Registration	1
17	G175 3316	Registration Roller - Drive	1

Index No.	Part No.	Description	Q'ty Per Assembly
101	0450 3012N	Tapping Screw: 3x12	
102	0805 0088	Retaining Ring - M6	

CÓPIA NÃO CONTROLADA

7.Transfer Section (M001)

CÓPIA NÃO CONTROLADA



CÓPIA NÃO CONTROLADA

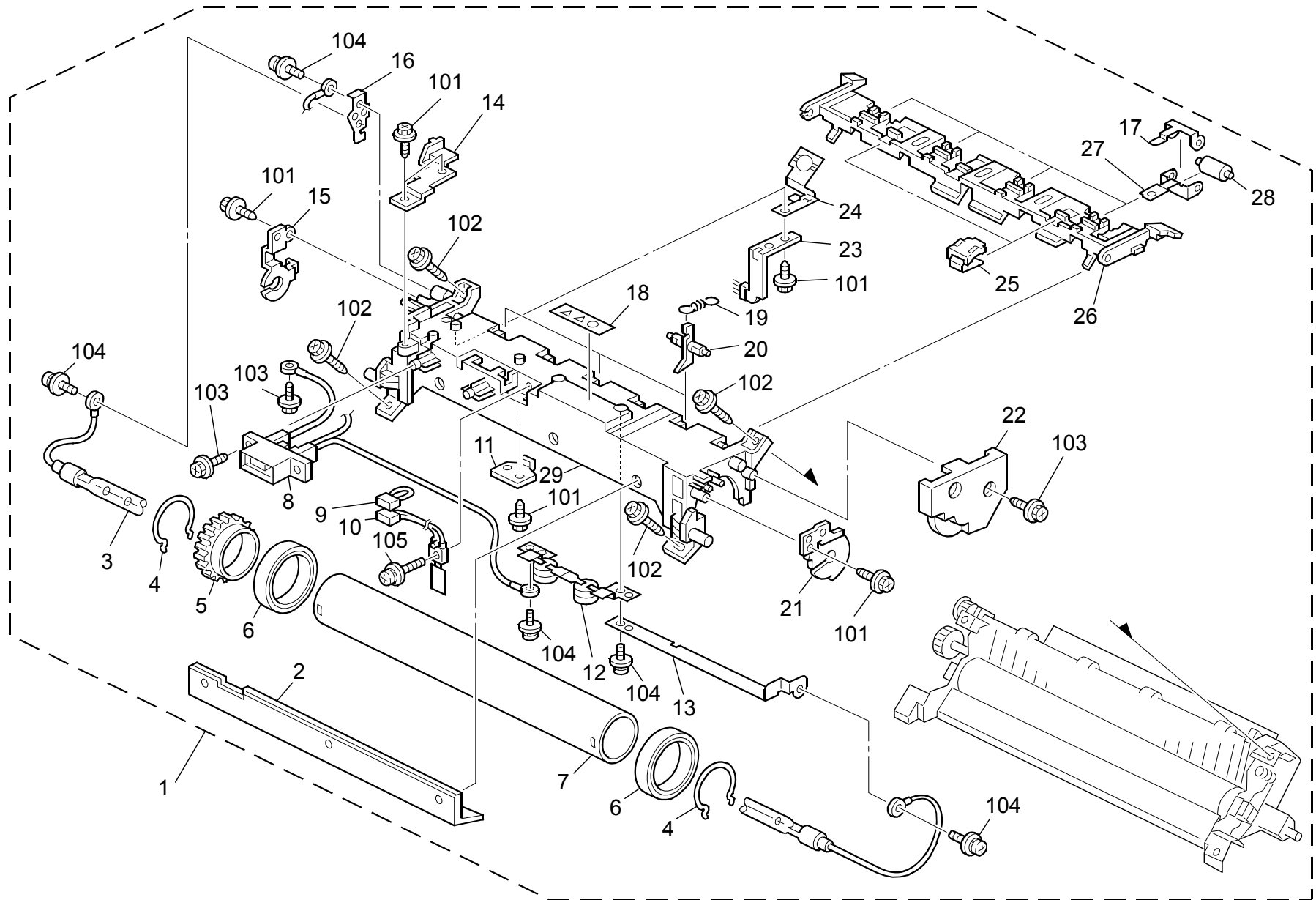
7.Transfer Section (M001)

CÓPIA NÃO CONTROLADA

Index No.	Part No.	Description	Q'ty Per Assembly
1	G096 1019	Transport Guide Pin	2
2	G052 3627	Spring - Transfer	2
3	G052 3626	Left Bushing - Transfer	1
4	G052 3625	Right Bushing - Transfer	1
5	G096 3621	Separation Electrode Plate	1
6	G096 3622	Electrode Plate Cover	1
7	G096 3345	Registration Guide	1
8	G096 3346	Registration Guide Long	1
9	G052 3623	Transfer Terminal	1
10	G052 3624	Separation Terminal	1
11	G096 1018	Transport Guide	1
12	G129 6260	Transfer Roller Ass'y	1
13	G129 6252	Gear - Transfer Roller	1
14	G129 6257	Transfer Roller	1
15	G129 6251	Positioning Roller - Transfer	1
16	G096 3640	Transfer Guide Plate Ass'y	1
17	G096 3641	Transfer Guide Plate Sheet	1
18	G096 3628	Transport Guide Ground Plate	1
19	G096 3629	Transport Terminal Guide	1
20	G052 1255	Charge Terminal - High Voltage	1
21	G052 1254	Inner Terminal - Charge	1
22	G052 1256	Development Terminal - High Voltage	1
23	G052 1253	Development Terminal	1
24	G052 1251	Charge Terminal	1
25	G129 6255	Bushing	2
26	M001 1082	Rivet: DIA3.5	1
27	M001 1081	Supporter: Harness: Main: 2	1

Index No.	Part No.	Description	Q'ty Per Assembly
101	0450 3012N	Tapping Screw: 3x12	
102	0450 3008N	Tapping Screw - M3x8	
103	1105 0534	Clamp	
104	1105 0508	Harness Clamp - LWS-0711	
105	1105 0267	Harness Clamp - YMC-10-0	

CÓPIA NÃO CONTROLADA



8.Fusing Unit 1 (M001)

CÓPIA NÃO CONTROLADA

Rev. 06/09/2009

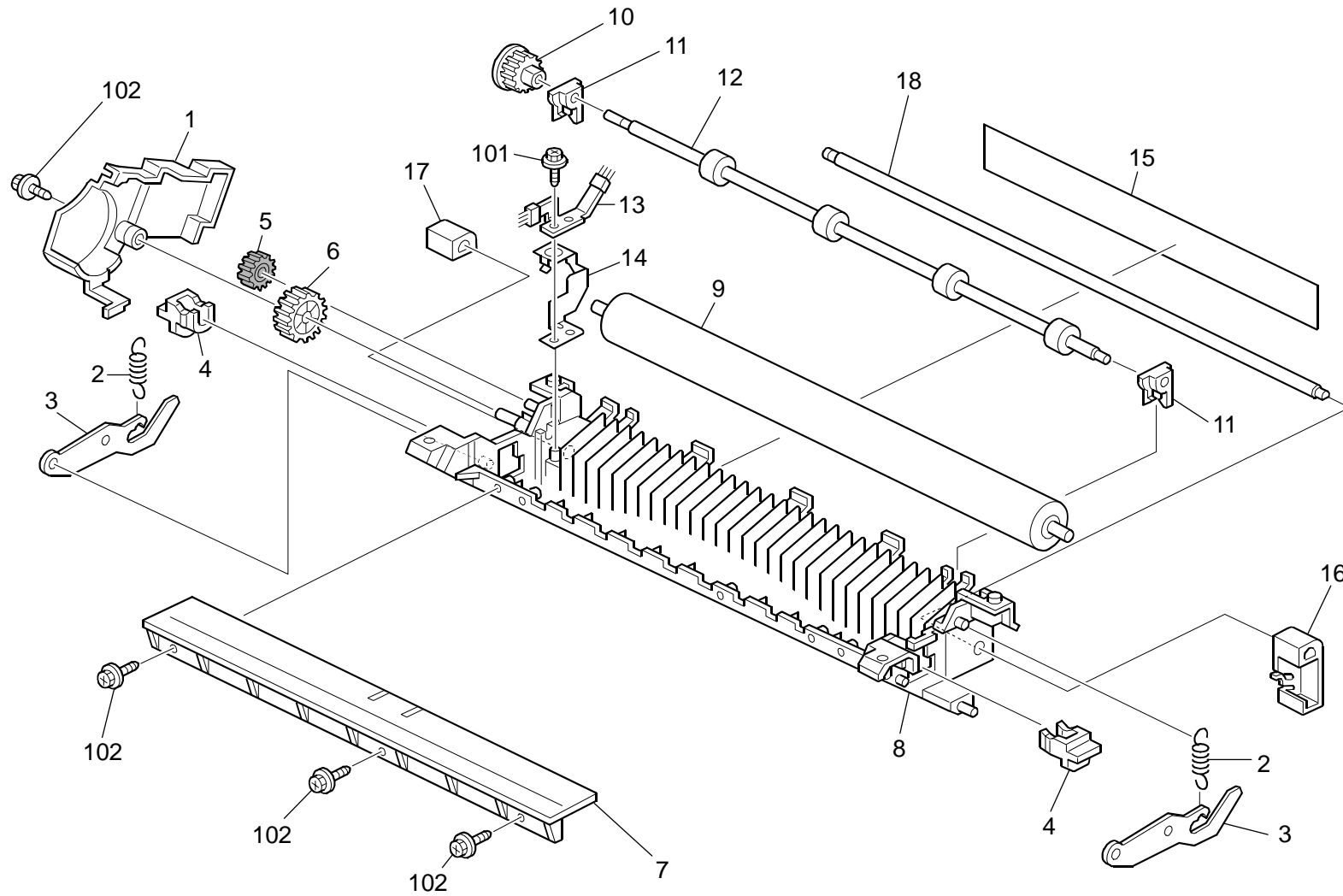
Index No.	Part No.	Description	Q'ty Per Assembly
1	G175 4118	Fusing Unit: NA: Ass'y	1
1	G175 4127	Fusing Unit: EU: Ass'y	1
2	G175 4644	Entrance Guide Plate - Upper	1
3	G175 0180	Heater - 765W 120V	1
3	G175 0179	Heater - 765W 230V	1
4	G052 4700	External Circlip	2
5	G175 4619	Gear - 41Z	1
6	G052 4618	Bearing 30x42x7	2
7	G175 4063	Hot Roller	1
8	G175 5500	Fusing drawer - NA	1
8	G175 5510	Fusing drawer - 230V	1
9	G175 5520	Harness - Fusing Unit Set 120V	1
9	G175 5521	Harness - Fusing Set 230V	1
10	G096 5501	Fusing Thermistor	1
11	G175 4625	Holder Plate - Fusing Harness	1
12	G096 4611	Thermostat Ass'y	1
13	G175 4602	Electrode Plate - Right	1
14	G096 4695	Upper Harness Plate	1
15	G096 4615	Left Fusing Lamp bracket	1
16	G088 4618	Electrode: Heater	1
17	G096 4638	Exit Roller Supporting Plate	4
18	AA00 0301	Decal Warning (High Temperature)	1
19	G052 4622	Spring - Fusing Stripper	3
20	G052 4624	Hot Roller Stripper	3
21	G096 4616	Right Heater Bracket	1
22	G096 4692	Fusing Right Cover	1
23	G175 4642	Discharge Brush - Bearing	1
24	G175 4690	Ground Plate - Fusing	1
25	G052 4647	Spring Plate - Fusing Exit	2
26	G096 4635	Upper Fusing Exit Guide Plate	1
27	G052 4639	Exit Roller Holder	4
28	G800 4854	Exit Roller	4
29	G175 4629	Frame: Fusing: Upper: Ass'y [TSB#001]	1

Index No.	Part No.	Description	Q'ty Per Assembly
101	0450 3008N	Tapping Screw - M3x8	
102	0450 3012N	Tapping Screw: 3x12	
103	0450 3010N	Tapping Screw - M3x10	
104	0954 3008N	Screw - M3x8	
105	0954 3010N	Screw: Polished Round/Spring: M3x10	

CÓPIA NÃO CONTROLADA

9.Fusing Unit 2 (M001)

CÓPIA NÃO CONTROLADA



CÓPIA NÃO CONTROLADA

9.Fusing Unit 2 (M001)

CÓPIA NÃO CONTROLADA

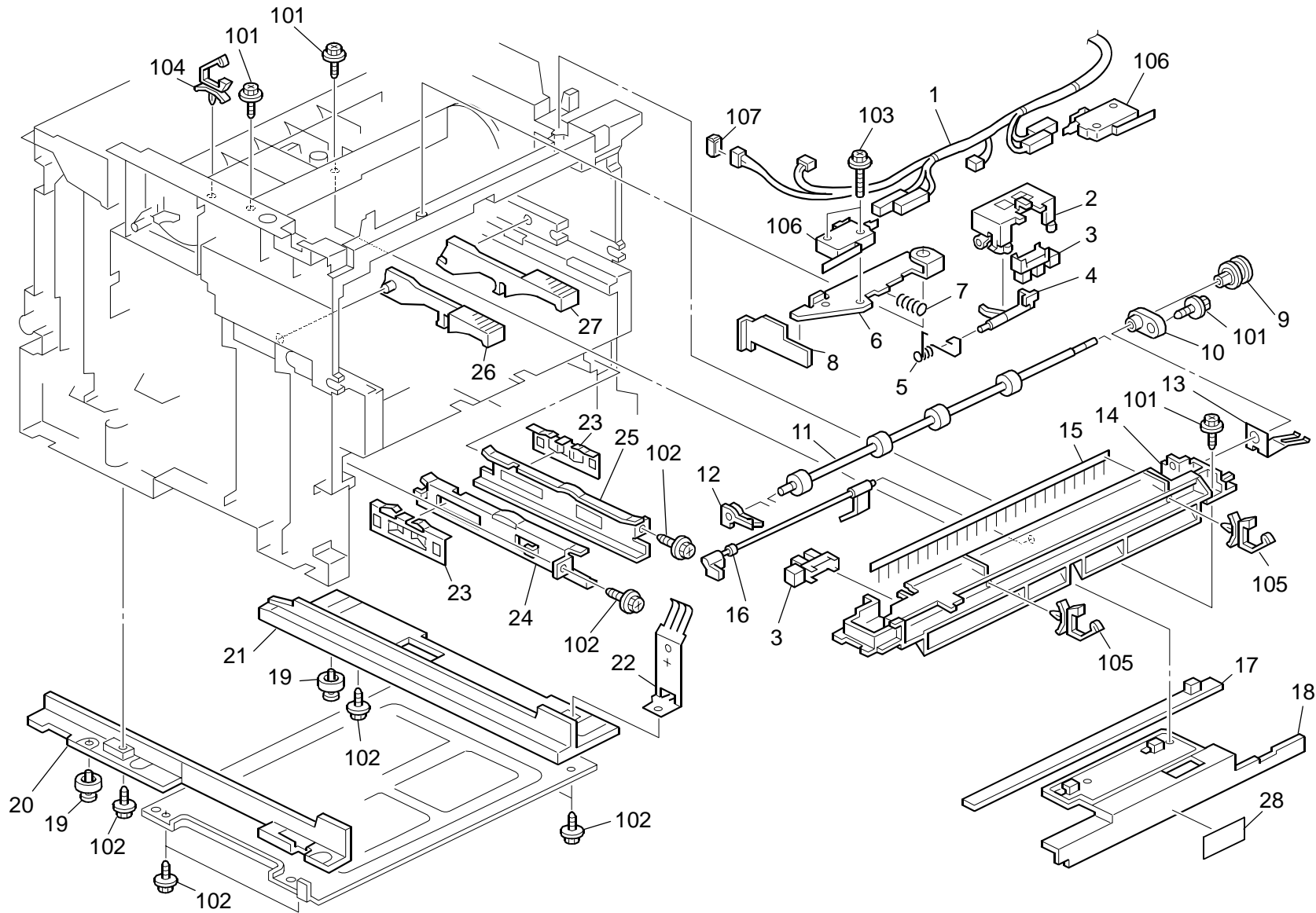
Index No.	Part No.	Description	Q'ty Per Assembly
1	G175 4698	Fusing Left Cover	1
2	G129 4102	Pressure Spring - Fusing	2
3	G175 4662	Pressure Roller Lever	2
4	G052 4665	Bushing - Pressure Roller	2
5	G052 4676	Gear - Fusing Idler	1
6	G052 4677	Gear - Fusing Idler	1
7	G175 4681	Fusing Entrance Guide Plate	1
8	G175 4650	Pressure Frame	1
9	G175 0126	Pressure Roller	1
10	G175 4673	Gear - 15Z	1
11	G800 4851	Bushing	2
12	G096 4674	Fusing Exit Roller	1
13	G052 4692	Discharge Brush - Pressure	1
14	G052 4691	Ground Plate - Fusing Pressure	1
15	G175 4693	Decal - High Temperature	1
16	G175 4183	Right Pressure Lever	1
17	G175 4182	Left Pressure Lever	1
18	G175 4181	Pressure Lever Shaft	1

Index No.	Part No.	Description	Q'ty Per Assembly
101	0450 3008N	Tapping Screw - M3x8	
102	0450 3010N	Tapping Screw - M3x10	

CÓPIA NÃO CONTROLADA

10.Paper Exit (M001)

CÓPIA NÃO CONTROLADA



CÓPIA NÃO CONTROLADA

10.Paper Exit (M001)

CÓPIA NÃO CONTROLADA

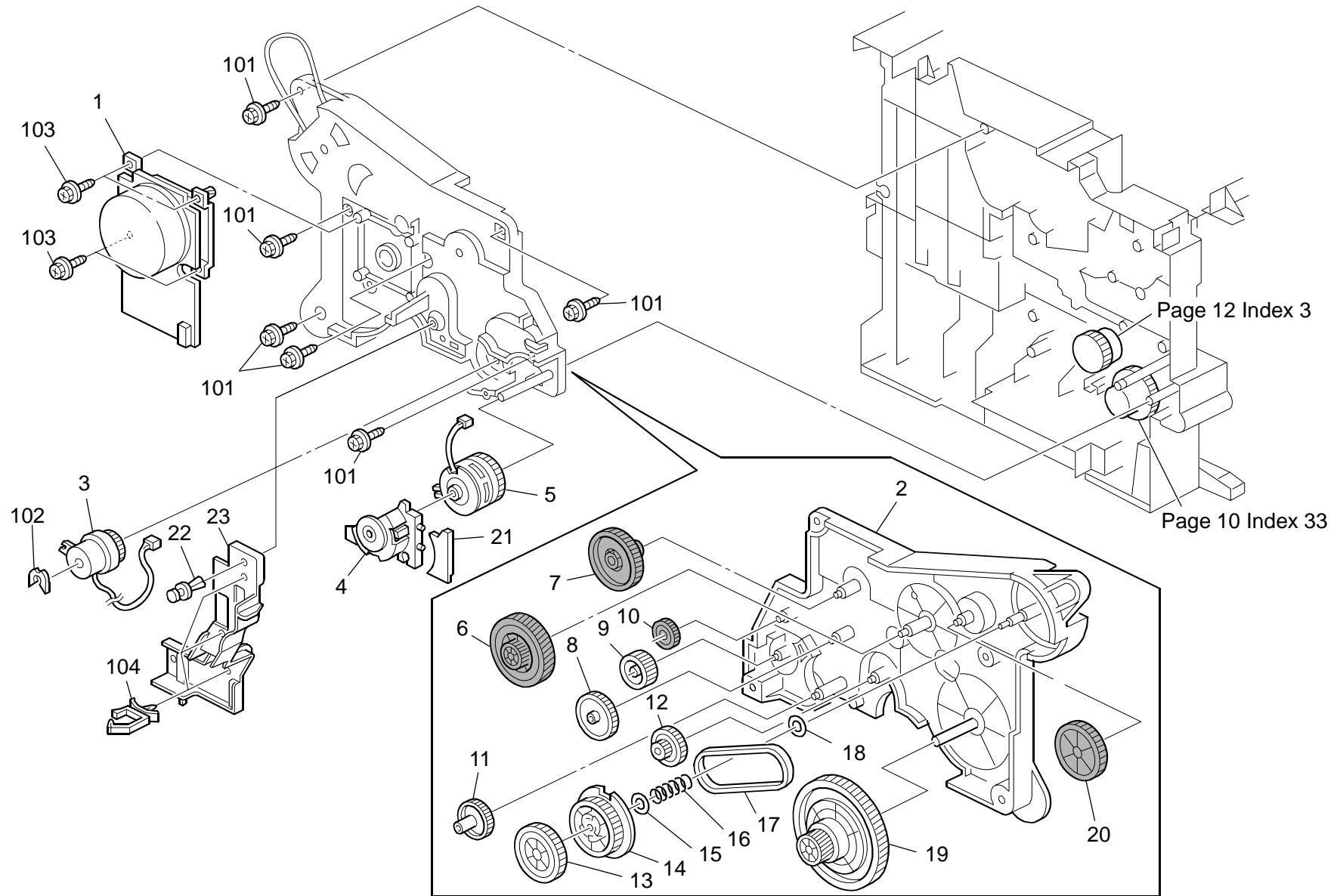
Index No.	Part No.	Description	Q'ty Per Assembly
1	M001 5403	Harness: Exit: Sensor	1
2	G052 1044	Exit Feeler Holder	1
3	GW02 0020	Photointerruptor: LG248NL1	2
4	G052 1042	Fusing Exit Feeler	1
5	G052 1046	Spring - Fusing Exit Feeler	1
6	G052 1272	Rear Cover Sw Bracket	1
7	G052 1273	Spring - Micro Switch	1
8	G052 1274	Micro Switch Lever	1
9	G052 4855	Pulley - Paper Exit	1
10	G052 1049	Bushing - Paper Exit	1
11	G096 4850	Exit Roller	1
12	G800 4851	Bushing	1
13	G096 1262	Exit Roller Ground Plate	1
14	G096 1041	Exit Bracket	1
15	G096 4888	Exit Brush Discharge	1
16	G096 1043	Exhaust Sensor Feeler	1
17	G129 3522	Discharge Lamp: Cassis	1
18	G175 1032	Heat Insulating Plate - Front	1
19	GH01 0007	Rubber Foot - FF-006(P4070)N	2
20	G096 1081	Right Paper Tray Rail	1
21	G096 1082	Left Paper Tray Rail	1
22	G096 1085	Base Ground Plate	1
23	G052 1027	Spring Plate - Duplex Rail	2
24	G096 1021	Right Duplex Rail	1
25	G096 1022	Left Duplex Rail	1
26	G052 4696	Right Fusing Lock Lever	1
27	G052 4697	Left Fusing Lock Lever	1
28	G128 1151	Decal: Warning (High Temperature)	1

Index No.	Part No.	Description	Q'ty Per Assembly
101	0450 3008N	Tapping Screw - M3x8	
102	0450 3012N	Tapping Screw: 3x12	
103	0451 3014N	Tapping Screw: 3x14	
104	1105 0487	Harness Clamp	
105	1105 0516	Clamp	
106	1204 2521	Micro Switch	
107	1102 4559	Connector - 3P	

CÓPIA NÃO CONTROLADA

11.Drive Section (M001)

CÓPIA NÃO CONTROLADA



CÓPIA NÃO CONTROLADA

11. Drive Section (M001)

CÓPIA NÃO CONTROLADA

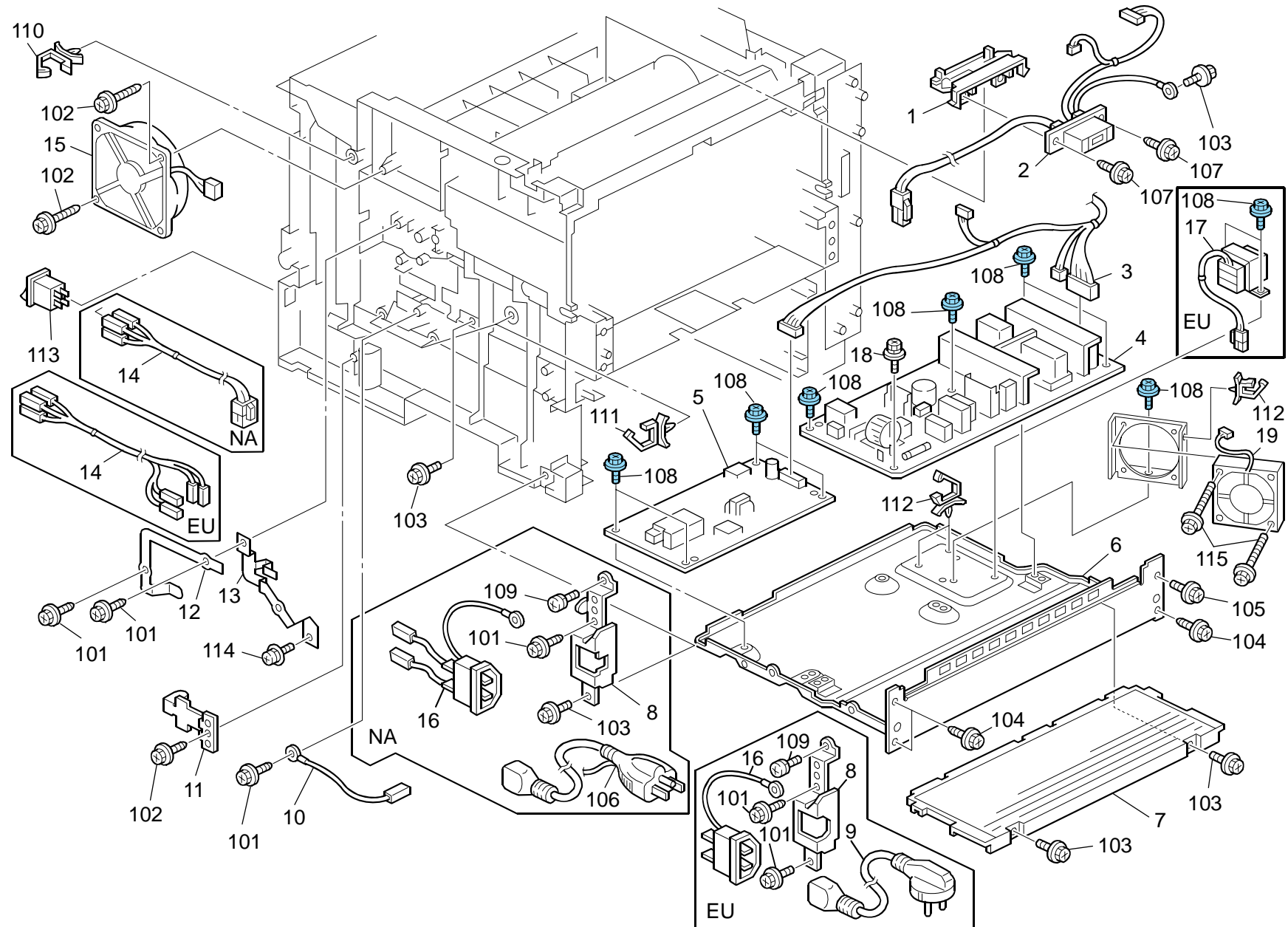
Index No.	Part No.	Description	Q'ty Per Assembly
1	M001 1050	Brushless Motor: DC24V: 31W	1
2	M001 1122	Drive Unit Bracket	1
3	G175 3209	Magnetic Clutch	1
4	G175 2554	Spring Clutch Bracket	1
5	G129 2551	Magnetic Clutch: 1turn: Z41	1
6	G052 1104	Gear - Fusing 1	1
7	G052 1108	Gear - Paper Feed 1	1
8	G052 1109	Gear - Paper Feed 2	1
9	G052 1113	Gear - Paper Feed 6	1
10	G052 1112	Gear - Paper Feed 5	1
11	G052 1111	Gear - Paper Feed 4	1
12	G052 1110	Gear - Paper Feed 3	1
13	G175 1106	Gear - 45Z	1
14	G052 1107	Gear - Pulley - Fusing	1
15	5353 1803	Wave Washer	1
16	G052 1120	Spring - Paper Exit Release	1
17	G052 1121	Drive Belt	1
18	G052 1123	Spacer - Drive Unit	1
19	G088 1103	Gear: PCU	1
20	G052 1105	Gear - Fusing 2	1
21	G175 2555	Harness Holder	1
22	G102 3324	Rivet: Toner Supply: DIA5	1
23	M001 1080	Supporter: Harness: Main	1

Index No.	Part No.	Description	Q'ty Per Assembly
101	0450 3010N	Tapping Screw - M3x10	
102	0805 0089	Retaining Ring - M4	
103	0450 4010N	Tapping Screw: M4x10	
104	1105 0489	Harness Clamp - LWS 1316	

CÓPIA NÃO CONTROLADA

12.Electrical Section 1 (M001)

CÓPIA NÃO CONTROLADA



CÓPIA NÃO CONTROLADA

12.Electrical Section 1 (M001)

CÓPIA NÃO CONTROLADA

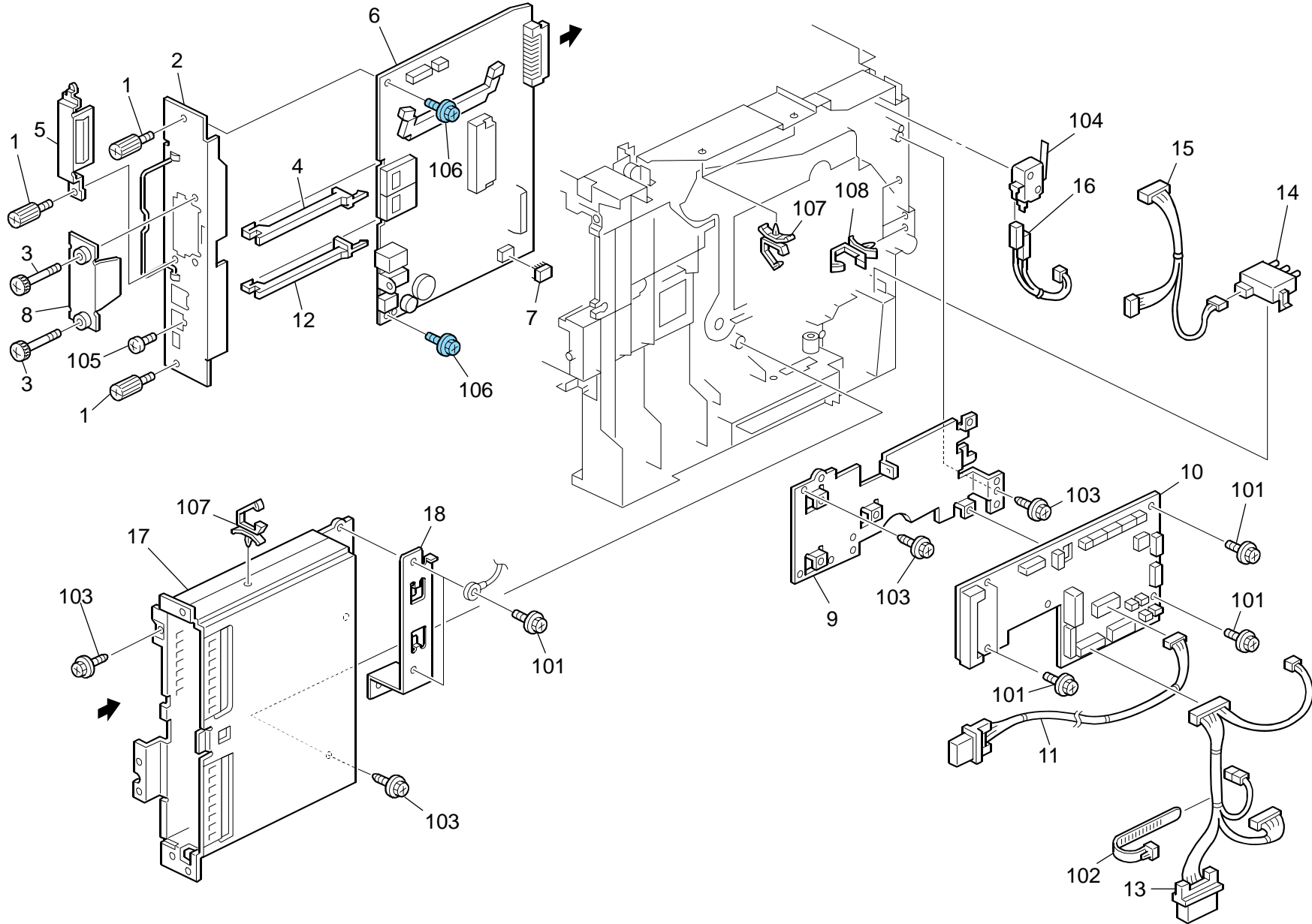
Index No.	Part No.	Description	Q'ty Per Assembly
1	G175 1056	Drawer Bracket - Fusing	1
2	M001 5404	Harness: Fusing: NA	1
2	M001 5409	Harness: Fusing: EU	1
3	M001 5400	Harness- Power Source	1
4	GZ23 0039	DC Power Supply: 136W: DOM/NA	1
4	GZ23 0040	DC Power Supply: 136W: EU/AA	1
5	GZ32 0014	Power Pack - BCT	1
6	M001 1101	Bracket: PSU: Ass'y	1
7	G096 1031	Lower Fusing Heat Insulating Plate	1
8	G096 1271	Inlet Bracket	1
9	G102 5502	Power Supply Cord: EU	1
10	G111 5419	Harness - Power Pack	1
11	G096 1087	Paper Tray Spring Plate Ass'y	1
12	G096 3338	Ground Plate - Registration	1
13	G052 1252	Drum Terminal	1
14	M001 5412	Harness: Main Switch: DOM/NA	1
14	M001 5413	Harness: Main Switch: EU	1
15	G129 1051	Fan Motor MM92: 24V	1
16	G110 5501	Inlet: JPN: Ass'y	1
16	G096 5506	Inlet - EU	1
17	G129 5205	Choke Coil	1
18	G102 1193	Hexagonal Bolt: Double: Screw: Round Point: M3x7	1
19	GX64 0029	Fan: MM40x15: Nidec: L	1

Index No.	Part No.	Description	Q'ty Per Assembly
101	0450 3008N	Tapping Screw - M3x8	
102	0450 3012N	Tapping Screw: 3x12	
103	0451 3006N	Tapping Screw - 3x6	
104	0450 3008N	Tapping Screw - M3x8	
105	0451 4006N	Tapping Screw - 4x6	
106	1150 0415	Power Supply Code: 125V: NA	
107	0450 4010N	Tapping Screw: M4x10	
108	0454 3006Q	Tapping Screw - M3x6	
109	0950 4006N	Screw - M4x6	
110	1105 0487	Harness Clamp	
111	1105 0488	Harness Clamp	
112	1105 0534	Clamp	
113	1204 2537	Rocker Switch: AC250V/10A: Black	
114	0954 3006N	Screw - M3x6	
115	0451 3020N	Tapping Screw: 3x20	

CÓPIA NÃO CONTROLADA

13.Electrical Section 2 (M001)

CÓPIA NÃO CONTROLADA



CÓPIA NÃO CONTROLADA

13.Electrical Section 2 (M001)

CÓPIA NÃO CONTROLADA

Rev. 03/04/2009

Index No.	Part No.	Description	Q'ty Per Assembly
1	G104 5141	Knob Screw: M3	3
2	M001 1106	Panel: Control Board: Ass'y	1
3	B622 5825	Panel Knob Screw	2
4	G108 5107	Left Guide 1	1
5	G168 5115	SD-Card Cover	1
6	M001 5365	PCB: CTL: S-P2: EXP: Ass'y	1
7	M001 9590	NVRAM - Zero Counter	1
8	B132 5836	Panel - Interface	1
9	M001 1105	Bracket: EGB	1
10	M001 5011	PCB: EGB: Ass'y	1
11	M001 5401	Harness: Duplex: Option	1
12	G108 5108	Right Guide 1	1
13	M001 5406	Harness -Paper Feed	1
14	G800 3035	Push SW - Paper Size	1
15	M001 5405	Harness: Motor: Sensor	1
16	G175 5410	Safety Switch Harness	1
17	G096 1241	Control Board Bracket Ass'y	1
18	M001 1156	Cover: EGB	1

Index No.	Part No.	Description	Q'ty Per Assembly
101	0451 3006N	Tapping Screw - 3x6	
102	1105 0720	Wire Binder: RF100	
103	0450 3008N	Tapping Screw - M3x8	
104	1204 2521	Micro Switch	
105	0353 0040N	Screw - M3x4	
106	0454 3006Q	Tapping Screw - M3x6	
107	1105 0487	Harness Clamp	
108	1105 0516	Clamp	

CÓPIA NÃO CONTROLADA

14.Main CTRL Board (M001)

CÓPIA NÃO CONTROLADA

BAT

SYMBOL NO.	INDEX NO.
BAT1	114

BZ

SYMBOL NO.	INDEX NO.
BZ1	153

CAPACITOR

SYMBOL NO.	INDEX NO.
---	---
---	---
C3	181
C4	175
---	---
---	---
C6	179
---	---
C8	181
C9	183
C10	179

SYMBOL NO.	INDEX NO.
---	---
---	---
---	---
C14	183
---	---
---	---
---	---
C17	175
C18	183
C19	189
C20	229

SYMBOL NO.	INDEX NO.
C21	179
C22	176
C23	181
C24	181
C25	183
---	---
C26	185
C27	181
C28	169
C29	183
C30	172

SYMBOL NO.	INDEX NO.
C31	172
---	---
---	---
---	---
C35	194
---	---
C36	192
C37	192
---	---
C38	189
C40	174

SYMBOL NO.	INDEX NO.
C41	174
C42	199
C43	194
C44	197
C45	192
---	---
---	---
C48	183
C49	181
C50	186

CAPACITOR

SYMBOL NO.	INDEX NO.
C51	183
C52	181
C53	238
C54	238
C55	204
---	---
C56	238
C57	238
---	---
---	---
C60	188

SYMBOL NO.	INDEX NO.
C61	183
C62	181
C63	170
---	---
---	---
C66	185
C67	181
---	---
C69	183
---	---

SYMBOL NO.	INDEX NO.
C71	185
---	---
---	---
C74	181
C75	183
---	---
---	---
C78	185
---	---
C80	185

SYMBOL NO.	INDEX NO.
C81	171
---	---
---	---
C83	185
C84	185
C85	175
---	---
C86	185
C87	185
C88	183
C89	185
C90	204

SYMBOL NO.	INDEX NO.
---	---
C92	173
C93	173
C94	175
C95	183
---	---
C96	181
C97	195
C98	175
C99	175
---	---

SYMBOL NO.	INDEX NO.
---	---
---	---
---	---
C104	183
C105	175
---	---
C107	183
C108	183
C109	183
C110	183

SYMBOL NO.	INDEX NO.
C111	183
C112	183
C113	183
C114	181
C115	181
---	---
C116	177
C117	183
C118	183
C119	181
C120	175

CÓPIA NÃO CONTROLADA

14.Main CTRL Board (M001)

CÓPIA NÃO CONTROLADA

CAPACITOR

SYMBOL NO.	INDEX NO.	SYMBOL NO.	INDEX NO.	SYMBOL NO.	INDEX NO.	SYMBOL NO.	INDEX NO.	SYMBOL NO.	INDEX NO.	SYMBOL NO.	INDEX NO.	SYMBOL NO.	INDEX NO.
C121	183	C131	183	C141	193	C151	183	C161	185	C171	181	C181	193
C122	183	---	---	C142	193	C152	202	C162	183	C172	183	C182	183
C123	183	---	---	C143	193	C153	189	C163	188	C173	183	---	---
C124	204	C134	182	C144	204	C154	189	C164	192	C174	182	C184	183
C125	177	C135	182	---	---	C155	202	C165	196	C175	201	C185	183
---	---	C136	182	---	---	C156	183	C166	196	C176	186	C186	184
C127	183	C137	182	C147	184	C157	181	C167	183	C177	186	C187	183
C128	189	C138	196	C148	181	C158	181	C168	193	C178	186	C188	183
C129	183	C139	193	C149	189	C159	188	C169	183	---	---	C189	183
---	---	C140	193	C150	179	C160	185	C170	181	---	---	C190	183

CAPACITOR

SYMBOL NO.	INDEX NO.	SYMBOL NO.	INDEX NO.	SYMBOL NO.	INDEX NO.	SYMBOL NO.	INDEX NO.	SYMBOL NO.	INDEX NO.	SYMBOL NO.	INDEX NO.	SYMBOL NO.	INDEX NO.
C191	169	C201	181	C211	183	C221	183	C231	197	C241	181	C251	181
C192	181	C202	183	C212	183	C222	183	C232	183	---	---	C252	185
C193	193	C203	181	---	---	C223	181	C233	183	C243	185	C253	181
C194	183	C204	181	C214	181	C224	185	C234	183	C244	183	C254	181
C195	183	C205	183	C215	183	C225	183	C235	196	C245	196	C255	183
C196	183	C206	183	C216	183	C226	183	---	---	C246	183	C256	183
C197	183	C207	180	C217	183	C227	185	---	---	C247	185	C257	183
C198	183	C208	181	C218	183	C228	183	---	---	C248	183	C258	181
C199	183	C209	183	C219	180	C229	183	C239	183	---	---	C259	183
C200	181	C210	189	C220	185	C230	196	C240	183	C250	183	C260	183

CÓPIA NÃO CONTROLADA

14.Main CTRL Board (M001)

CÓPIA NÃO CONTROLADA

CAPACITOR

SYMBOL NO.	INDEX NO.	SYMBOL NO.	INDEX NO.	SYMBOL NO.	INDEX NO.	SYMBOL NO.	INDEX NO.	SYMBOL NO.	INDEX NO.	SYMBOL NO.	INDEX NO.	SYMBOL NO.	INDEX NO.
C261	183	C271	181	C281	190	C291	194	C301	183	C311	194	C321	199
C262	181	C272	199	C282	190	C292	181	C302	183	C312	199	C322	183
C263	181	C273	183	C283	190	C293	183	C303	183	C313	181	C323	183
C264	183	C274	181	C284	190	C294	181	C304	199	C314	185	C324	181
C265	181	C275	181	C285	183	C295	183	C305	183	C315	183	C325	180
C266	181	C276	183	C286	196	C296	181	C306	185	C316	180	C326	183
C267	183	C277	185	C287	238	C297	183	C307	185	C317	181	C327	183
C268	183	C278	183	C288	181	C298	181	C308	185	C318	183	C328	183
C269	181	C279	238	C289	181	C299	183	C309	181	C319	189	C329	181
C270	183	C280	183	C290	183	C300	183	C310	183	C320	181	C330	196

CAPACITOR

SYMBOL NO.	INDEX NO.	SYMBOL NO.	INDEX NO.	SYMBOL NO.	INDEX NO.	SYMBOL NO.	INDEX NO.	SYMBOL NO.	INDEX NO.	SYMBOL NO.	INDEX NO.	SYMBOL NO.	INDEX NO.
C331	185	C341	197	C351	199	C361	183	C371	199	C381	185	C391	181
C332	183	C342	183	C352	199	C362	183	C372	185	C382	183	C392	181
C333	183	C343	196	C353	183	C363	183	C373	183	C383	196	C393	181
C334	183	C344	183	C354	196	C364	183	C374	196	C384	183	C394	181
C335	181	C345	183	C355	183	C365	180	---	---	C385	199	C395	183
C336	183	C346	181	C356	185	C366	181	---	---	C386	183	C396	183
C337	181	C347	183	C357	183	C367	183	C377	199	C387	181	C397	183
C338	199	C348	181	C358	183	C368	189	C378	183	C388	183	C398	183
C339	183	C349	181	C359	183	C369	181	C379	183	C389	181	C399	183
C340	185	C350	183	C360	181	C370	183	C380	181	C390	183	C400	183

CÓPIA NÃO CONTROLADA

14.Main CTRL Board (M001)

CÓPIA NÃO CONTROLADA

CAPACITOR

SYMBOL NO.	INDEX NO.	SYMBOL NO.	INDEX NO.	SYMBOL NO.	INDEX NO.	SYMBOL NO.	INDEX NO.	SYMBOL NO.	INDEX NO.	SYMBOL NO.	INDEX NO.	SYMBOL NO.	INDEX NO.
C401	181	C411	183	C421	183	C431	183	---	---	C451	185	C461	183
C402	183	C412	189	C422	183	C432	199	---	---	C452	175	C462	183
C403	181	C413	183	C423	180	C433	179	C443	185	C453	183	C463	183
C404	181	C414	183	C424	183	C434	183	---	---	C454	189	C464	183
C405	183	C415	183	C425	181	C435	197	C445	189	C455	183	---	---
C406	181	C416	200	C426	183	C436	179	---	---	---	---	---	---
C407	183	C417	183	C427	183	---	---	C447	185	C457	183	---	---
C408	181	C418	183	C428	189	C438	179	C448	179	C458	183	---	---
C409	181	C419	183	C429	189	C439	183	---	---	C459	183	---	---
C410	183	C420	189	---	---	---	---	C450	185	C460	183	---	---

CAPACITOR

SYMBOL NO.	INDEX NO.	SYMBOL NO.	INDEX NO.	SYMBOL NO.	INDEX NO.	SYMBOL NO.	INDEX NO.	SYMBOL NO.	INDEX NO.	SYMBOL NO.	INDEX NO.	SYMBOL NO.	INDEX NO.
---	---	C481	179	C491	183	C511	183	C521	181	C531	183	---	---
C472	185	---	---	C492	176	C512	183	---	---	C532	181	---	---
C473	185	C483	179	C493	176	C513	181	---	---	---	---	---	---
C474	185	---	---	C494	176	C514	183	---	---	---	---	C544	175
C475	185	C485	179	C495	176	---	---	---	---	---	---	C545	181
---	---	---	---	C496	197	---	---	---	---	---	---	C546	183
---	---	---	---	C499	181	C517	181	C527	183	---	---	C547	181
---	---	---	---	C503	183	---	---	C528	183	C538	181	C548	183
C479	179	C489	180	C509	180	C519	189	C529	183	C539	183	C549	197
---	---	C490	181	C510	181	C520	183	C530	183	---	---	C550	185

CÓPIA NÃO CONTROLADA

14.Main CTRL Board (M001)

CÓPIA NÃO CONTROLADA

CAPACITOR

SYMBOL NO.	INDEX NO.	SYMBOL NO.	INDEX NO.	SYMBOL NO.	INDEX NO.	SYMBOL NO.	INDEX NO.	SYMBOL NO.	INDEX NO.	SYMBOL NO.	INDEX NO.	SYMBOL NO.	INDEX NO.
C551	181	C561	183	C571	185	---	---	C591	185	C601	187	C611	177
C552	177	C562	183	C572	177	C582	185	C592	181	C602	178	C612	177
C553	183	C563	177	C573	181	C583	197	C593	181	C603	189	C613	177
C554	183	C564	197	C574	181	C584	193	C594	183	C604	183	C614	177
C555	183	C565	197	C575	193	C585	193	C595	193	---	---	C615	177
C556	177	C566	197	C576	177	C586	181	---	---	C606	177	C616	177
C557	177	C567	185	C577	197	C587	197	C597	183	C607	177	C617	193
C558	181	C568	196	C578	185	C588	193	C598	181	C608	177	C618	177
C559	185	C569	177	C579	193	C589	183	C599	185	C609	177	C619	183
C560	181	C570	177	C580	177	C590	181	C600	197	C610	177	C620	183

CAPACITOR

SYMBOL NO.	INDEX NO.	SYMBOL NO.	INDEX NO.	SYMBOL NO.	INDEX NO.	SYMBOL NO.	INDEX NO.
C621	183	C631	198	---	---	---	---
C622	183	---	---	---	---	---	---
C623	183	---	---	---	---	---	---
---	---	---	---	---	---	C654	188
C625	181	C635	199	---	---	C655	181
C626	188	C636	185	C646	169	---	---
C627	203	---	---	---	---	C657	188
C628	185	C638	191	---	---	C658	181
---	---	C639	185	C649	188	---	---
C630	181	---	---	C650	181	---	---

CONNECTOR

SYMBOL NO.	INDEX NO.	SYMBOL NO.	INDEX NO.
---	---	CN701	104
C662	181	CN702	109
C663	183	CN703	106
---	---	---	---
---	---	CN705	107
---	---	CN706	107
---	---	CN707	108
---	---	CN708	105
---	---	CN709	110
---	---	CN710	102
---	---	CN711	103
---	---	---	---
---	---	CN714	101

CÓPIA NÃO CONTROLADA

14.Main CTRL Board (M001)

CÓPIA NÃO CONTROLADA

DIODE

SYMBOL NO.	INDEX NO.
D1	120
D2	119
D3	118
D4	120
---	---
---	---
---	---
---	---
D10	120

FIL

SYMBOL NO.	INDEX NO.
FIL1	207
FIL2	207
FIL3	211
FIL4	211
FIL5	211
---	---
FIL6	208
FIL7	208
FIL8	205
FIL9	208
FIL10	208

FUSE

SYMBOL NO.	INDEX NO.
FIL11	209
FIL12	209
FIL13	205
---	---
FIL15	205

SYMBOL NO.	INDEX NO.
FU1	112

IC

SYMBOL NO.	INDEX NO.
IC1	150
IC2	135
IC3	151
IC4	297
IC5	141
---	---
IC6	152
IC7	297
IC8	132
IC9	141
IC10	134

SYMBOL NO.	INDEX NO.
IC11	140
IC12	141
IC13	297
IC14	141
IC15	133
---	---
IC16	131
IC17	138
IC18	297
IC19	111
IC20	129

SYMBOL NO.	INDEX NO.
IC21	136
---	---
IC23	146
IC24	145
IC25	122
---	---
IC26	122
IC27	137
IC28	147
IC29	123
IC30	123

IC

SYMBOL NO.	INDEX NO.
IC31	139
IC32	127
IC33	296
---	---
---	---
---	---
---	---
IC37	123
---	---
---	---
---	---
---	---

SYMBOL NO.	INDEX NO.
---	---
IC42	126
IC43	125
IC44	143
IC45	295
---	---
IC46	123
IC47	123
---	---
IC49	128
IC50	142

SYMBOL NO.	INDEX NO.
IC51	130
IC52	124
---	---
---	---
---	---
---	---
IC56	148

L

SYMBOL NO.	INDEX NO.
---	---
L2	212
L3	210
L4	212
L5	213
---	---
L7	214
L8	214
L9	206

LED

SYMBOL NO.	INDEX NO.
LED1	121

OSC

SYMBOL NO.	INDEX NO.
OSC1	156
OSC2	155
OSC3	157
OSC4	158
OSC5	159
---	---
OSC6	154

Q

SYMBOL NO.	INDEX NO.
Q1	116
Q2	117
---	---
---	---
---	---
---	---
---	---
---	---
---	---
---	---

CÓPIA NÃO CONTROLADA

14.Main CTRL Board (M001)

CÓPIA NÃO CONTROLADA

Q

RESISTOR

SYMBOL NO.	INDEX NO.
---	---
Q12	115

SYMBOL NO.	INDEX NO.
R1	227
R2	227
R3	227
R4	227
R5	227
R6	227
---	---
R8	294
R9	255
R10	249

SYMBOL NO.	INDEX NO.
R11	227
R12	227
R13	227
R14	227
R15	228
R16	289
R17	228
R18	227
R19	249
R20	249

SYMBOL NO.	INDEX NO.
R21	289
R22	277
R23	294
R24	258
R25	249
R26	289
R27	249
R28	249
R29	249
R30	289

SYMBOL NO.	INDEX NO.
R31	277
R32	227
---	---
R34	249
R35	274
R36	264
R37	280
---	---
R39	266
R40	273

SYMBOL NO.	INDEX NO.
R41	281
R42	249
R43	237
R44	237
R45	249
R46	249
R47	237
R48	277
R49	277
R50	277

SYMBOL NO.	INDEX NO.
R51	277
R52	263
---	---
R54	261
R55	278
R56	228
---	---
R58	267
R59	293
R60	237

RESISTOR

SYMBOL NO.	INDEX NO.
R61	273
R62	284
R63	284
R64	228
R65	228
R66	260
R67	228
R68	262
R69	260
R70	278

SYMBOL NO.	INDEX NO.
R71	229
R72	229
R73	260
---	---
R75	260
R76	260
R77	259
R78	258
R79	243
R80	266

SYMBOL NO.	INDEX NO.
R81	243
R82	260
R83	292
R84	243
R85	266
R86	292
---	---
---	---
R89	278
R90	244

SYMBOL NO.	INDEX NO.
R91	249
R92	278
R93	244
R94	244
R95	292
R96	237
R97	246
R98	276
R99	251
R100	251

SYMBOL NO.	INDEX NO.
R101	251
R102	266
---	---
R104	275
---	---
R106	251
R107	251
---	---
---	---
R110	237

SYMBOL NO.	INDEX NO.
R111	251
R112	237
R113	237
R114	237
---	---
R116	264
R117	237
R118	237
---	---
R120	250

SYMBOL NO.	INDEX NO.
R121	251
R122	266
R123	269
R124	290
---	---
R126	237
R127	251
R128	237
R129	237
R130	237

CÓPIA NÃO CONTROLADA

14.Main CTRL Board (M001)

CÓPIA NÃO CONTROLADA

RESISTOR

SYMBOL NO.	INDEX NO.	SYMBOL NO.	INDEX NO.	SYMBOL NO.	INDEX NO.	SYMBOL NO.	INDEX NO.	SYMBOL NO.	INDEX NO.	SYMBOL NO.	INDEX NO.	SYMBOL NO.	INDEX NO.
R131	250	R141	285	R151	287	R161	252	R171	278	R181	249	R191	237
R132	266	R142	229	R152	250	---	---	R172	244	R182	278	R192	244
R133	266	R143	232	R153	241	R163	287	R173	237	R183	237	R193	244
---	---	---	---	---	---	R164	278	---	---	R184	237	R194	244
R135	242	R145	236	---	---	---	---	---	---	R185	237	R195	244
R136	278	---	---	---	---	R166	238	R176	287	R186	287	R196	287
---	---	R147	250	R157	250	R167	249	R177	235	R187	278	R197	287
---	---	R148	249	R158	249	R168	249	R178	278	R188	236	R198	287
R139	229	R149	249	R159	287	R169	249	R179	286	R189	237	R199	287
R140	232	---	---	R160	287	R170	278	R180	249	R190	237	R200	287

RESISTOR

SYMBOL NO.	INDEX NO.	SYMBOL NO.	INDEX NO.	SYMBOL NO.	INDEX NO.	SYMBOL NO.	INDEX NO.	SYMBOL NO.	INDEX NO.	SYMBOL NO.	INDEX NO.	SYMBOL NO.	INDEX NO.
R201	287	R211	254	R221	251	R231	254	R241	249	R251	249	R261	291
R202	287	R212	266	R222	251	R232	246	R242	249	R252	249	R262	278
R203	287	R213	254	R223	251	R233	249	R243	244	R253	249	R263	278
R204	287	R214	266	R224	251	R234	277	R244	249	R254	249	R264	278
R205	287	R215	249	R225	251	R235	237	R245	249	R255	249	R265	251
---	---	R216	254	R226	251	R236	237	R246	234	R256	228	R266	256
---	---	R217	266	R227	251	---	---	---	---	R257	249	R267	256
R208	244	R218	251	R228	237	R238	249	---	---	R258	249	R268	256
R209	248	R219	266	R229	251	R239	237	R249	249	R259	256	R269	249
R210	237	R220	254	R230	266	---	---	R250	249	R260	237	R270	249

CÓPIA NÃO CONTROLADA

14.Main CTRL Board (M001)

CÓPIA NÃO CONTROLADA

RESISTOR

SYMBOL NO.	INDEX NO.	SYMBOL NO.	INDEX NO.	SYMBOL NO.	INDEX NO.	SYMBOL NO.	INDEX NO.	SYMBOL NO.	INDEX NO.	SYMBOL NO.	INDEX NO.	SYMBOL NO.	INDEX NO.
R271	249	R281	249	R291	249	R301	258	R311	227	---	---	R331	249
R272	249	---	---	R292	228	R302	258	R312	227	R322	235	R332	249
R273	246	R283	249	---	---	R303	227	---	---	R323	249	R333	249
R274	249	R284	249	---	---	R304	258	---	---	R324	249	---	---
R275	249	R285	237	R295	237	R305	226	R315	227	R325	249	R335	277
R276	246	R286	249	R296	227	---	---	R316	253	R326	249	---	---
R277	249	R287	246	R297	227	---	---	---	---	R327	249	---	---
R278	249	R288	237	R298	227	R308	228	---	---	R328	235	R338	227
R279	246	R289	237	R299	227	R309	228	R319	237	R329	249	R339	237
R280	246	R290	256	R300	227	R310	266	---	---	R330	249	---	---

RESISTOR

SYMBOL NO.	INDEX NO.	SYMBOL NO.	INDEX NO.	SYMBOL NO.	INDEX NO.	SYMBOL NO.	INDEX NO.	SYMBOL NO.	INDEX NO.	SYMBOL NO.	INDEX NO.	SYMBOL NO.	INDEX NO.
---	---	---	---	R361	236	---	---	R381	249	R391	268	R401	278
R342	251	R352	237	R362	237	---	---	R382	277	R392	292	---	---
R343	277	---	---	R363	237	R373	237	R383	277	R393	237	R403	265
---	---	---	---	---	---	R374	249	R384	249	R394	268	---	---
R345	227	---	---	R365	235	---	---	R385	249	R395	268	R405	278
---	---	R356	227	---	---	R376	237	R386	256	R396	227	R406	272
R347	264	R357	224	R366	235	---	---	R387	268	R397	237	R407	265
R348	238	R358	237	R367	237	R378	237	---	---	R398	250	R408	250
R349	253	R359	237	---	---	R379	249	R389	249	R399	292	R409	229
R350	237	R360	288	R370	229	---	---	R390	292	---	---	R410	238

CÓPIA NÃO CONTROLADA

14.Main CTRL Board (M001)

CÓPIA NÃO CONTROLADA

RESISTOR

SYMBOL NO.	INDEX NO.	SYMBOL NO.	INDEX NO.	SYMBOL NO.	INDEX NO.	SYMBOL NO.	INDEX NO.	SYMBOL NO.	INDEX NO.	SYMBOL NO.	INDEX NO.	SYMBOL NO.	INDEX NO.
---	---	R421	236	R431	270	R441	286	R451	250	R461	281	R471	250
R412	250	R422	250	R432	244	R442	250	R452	234	R462	268	R472	286
R413	229	R423	229	R433	292	R443	244	R453	234	R463	250	---	---
R414	287	R424	235	R434	247	R444	244	R454	235	R464	250	R474	250
R415	287	R425	286	R435	292	R445	264	R455	266	R465	268	R475	286
---	---	R426	286	R436	292	R446	237	R456	250	R466	237	R476	250
R417	236	R427	237	R437	286	R447	250	R457	281	R468	237	R477	235
---	---	R428	237	R438	247	R448	286	---	---	---	---	---	---
R419	250	R429	250	R439	250	R449	266	R459	266	R469	249	R479	286
R420	229	R430	250	R440	292	R450	250	R460	250	R470	278	R480	286

RESISTOR

SYMBOL NO.	INDEX NO.	SYMBOL NO.	INDEX NO.	SYMBOL NO.	INDEX NO.	SYMBOL NO.	INDEX NO.	SYMBOL NO.	INDEX NO.	SYMBOL NO.	INDEX NO.	SYMBOL NO.	INDEX NO.
---	---	R491	268	R501	240	---	---	---	---	---	---	R541	229
R482	244	---	---	R502	240	R512	287	---	---	R532	237	R542	229
R483	244	---	---	R503	264	R513	249	R523	278	R533	237	R543	229
R484	231	R494	250	R504	266	R514	241	R524	278	R534	229	R544	229
R485	245	R495	237	R505	266	R515	278	R525	237	R535	229	R545	228
---	---	R496	237	---	---	---	---	R526	249	R536	229	R546	228
R487	236	R497	244	R507	249	R517	241	R527	244	R537	229	R547	236
R488	251	---	---	R508	231	R518	249	R528	244	R538	257	---	---
R489	250	R499	244	---	---	R519	266	R529	266	R539	251	R549	229
R490	268	R500	237	---	---	R520	278	R530	235	R540	233	R550	236

CÓPIA NÃO CONTROLADA

14.Main CTRL Board (M001)

CÓPIA NÃO CONTROLADA

RESISTOR

SYMBOL NO.	INDEX NO.	SYMBOL NO.	INDEX NO.	SYMBOL NO.	INDEX NO.	SYMBOL NO.	INDEX NO.	SYMBOL NO.	INDEX NO.	SYMBOL NO.	INDEX NO.	SYMBOL NO.	INDEX NO.
R551	237	R561	257	---	---	R581	244	R591	237	R601	241	---	---
R552	229	---	---	R572	249	---	---	R592	236	---	---	R612	264
R553	257	R563	257	R573	249	---	---	R593	237	R603	236	R613	249
R554	229	R564	237	---	---	R584	236	R594	241	---	---	R614	249
R555	229	R565	237	---	---	R585	235	R595	237	---	---	R615	237
R556	229	---	---	R576	249	R586	237	R596	236	R606	254	R616	249
R557	229	---	---	R577	251	---	---	R597	249	---	---	R617	235
---	---	R568	257	R578	236	---	---	---	---	R608	266	---	---
R559	249	---	---	R579	244	R589	236	R599	236	R609	237	R619	237
R560	249	R570	257	R580	244	R590	229	R600	237	R610	237	---	---

RESISTOR

SYMBOL NO.	INDEX NO.	SYMBOL NO.	INDEX NO.	SYMBOL NO.	INDEX NO.	SYMBOL NO.	INDEX NO.	SYMBOL NO.	INDEX NO.	SYMBOL NO.	INDEX NO.	SYMBOL NO.	INDEX NO.
R621	237	R631	237	R641	225	R651	264	---	---	---	---	RN1	165
---	---	R632	229	R642	223	R652	264	---	---	---	---	RN2	218
R623	237	R633	228	R643	223	R653	264	---	---	---	---	RN3	220
R624	249	---	---	R644	222	---	---	---	---	---	---	RN4	220
R625	283	R635	271	R645	222	---	---	---	---	---	---	RN5	219
R626	249	R636	282	---	---	---	---	---	---	---	---	RN6	219
R627	237	---	---	---	---	---	---	---	---	---	---	RN7	218
R628	237	---	---	R648	229	---	---	---	---	---	---	RN8	164
R629	246	R639	228	---	---	---	---	R679	279	---	---	RN9	216
R630	229	R640	222	---	---	---	---	---	---	---	---	RN10	162

REG

SYMBOL NO.	INDEX NO.
REG1	149
REG2	144

RN

SYMBOL NO.	INDEX NO.
RN1	165
RN2	218
RN3	220
RN4	220
RN5	219
RN6	219
RN7	218
RN8	164
RN9	216
RN10	162

CÓPIA NÃO CONTROLADA

14.Main CTRL Board (M001)

CÓPIA NÃO CONTROLADA

RN

SYMBOL NO.	INDEX NO.	SYMBOL NO.	INDEX NO.	SYMBOL NO.	INDEX NO.	SYMBOL NO.	INDEX NO.	SYMBOL NO.	INDEX NO.	SYMBOL NO.	INDEX NO.	SYMBOL NO.	INDEX NO.
RN11	220	RN21	217	RN31	167	RN41	215	RN51	219	RN61	168	RN71	221
RN12	161	RN22	167	RN32	216	RN42	161	RN52	218	RN62	166	RN72	215
RN13	218	RN23	221	RN33	216	RN43	161	RN53	218	RN63	217	RN73	216
RN14	220	RN24	161	RN34	216	RN44	163	RN54	164	RN64	165	RN74	221
RN15	163	RN25	217	RN35	160	RN45	215	RN55	219	RN65	216	RN75	215
RN16	166	RN26	217	RN36	216	RN46	215	RN56	161	RN66	215	RN76	216
RN17	166	RN27	217	RN37	160	RN47	216	RN57	161	RN67	221	RN77	221
RN18	221	RN28	218	RN38	168	RN48	161	RN58	161	RN68	161	RN78	163
RN19	161	RN29	221	RN39	215	RN49	161	RN59	168	RN69	216		
RN20	221	RN30	221	RN40	215	RN50	219	RN60	221	RN70	215		

SW

SYMBOL NO.	INDEX NO.
SW1	113

CÓPIA NÃO CONTROLADA

14.Main CTRL Board (M001)

CÓPIA NÃO CONTROLADA

Index No.	Part No.	Description	Q'ty Per Assembly
*	M001 5362	PCB: CTL: S-P2: EXP: Ass'y	1

Index No.	Part No.	Description	Q'ty Per Assembly
101	1102 4203	CT Header - 4P	
102	1102 7195	Connector - 50P	
103	1102 7615	Connector - B8B-XH-A	
104	1102 7698	Connector: TX24-60R-LT-N1E	
105	1102 8329	Connector - USB - UBB-4R-D14C	
106	1102 9079	Connector - RHM-88PL-SDK11-1	
107	1102 9336	Connector: FPS009-2300-0	
108	1102 9890	Connector: 5-1605706-2	
109	1103 4043	Connector: 87825-1001	
110	1103 4613	Connector: UAR27-4K5J00	
111	1104 0821	IC Socket: 16008-B0A0020N	
112	1109 0009	Fuse: MINISMDC075F	
113	1204 2791	Dip Switch: DM-04-V	
114	1206 0054	Primary Lithium Cell: CR2032-1HS	
115	1400 0637	Transistor - DTC144EUA	
116	1401 1446	FET Array: SI4816BDY-E3	
117	1401 1484	FET Array: SI4830ADY-E3	
118	1402 1336	Diode - 1SS355	
119	1402 1365	Diode-RB751V-40	
120	1402 1929	Diode: RB160M-30	
121	1403 1131	LED: SML-311UT	
122	1407 5009	CMOS Logic: TC7SET04FU	
123	1407 5351	IC - SN74LV14APW	
124	1407 5367	IC - 74LVC74A	
125	1407 5482	IC - SN74LVC07APW	
126	1407 5520	IC - SN74LVC125APW	
127	1407 5523	ROM - I2C SOP 3V	
128	1407 5528	IC - SN74LVC126APW	
129	1407 5555	IC - SN74AHCT126PW	
130	1407 6145	IC: SN74LVC373APW	
131	1407 6400	Clock Generator - ICS960013BFLF	
132	1407 6453	CPU - RM7035C-466L-REV1.1	
133	1407 6671	USB Controller: UPD720102GC-YEB-A	
134	1407 6723	Custom IC: CORNET	
135	1407 6741	LAN Controller LSI: DP83848JSQ/NOPB	

CÓPIA NÃO CONTROLADA

CÓPIA NÃO CONTROLADA

Index No.	Part No.	Description	Q'ty Per Assembly
136	1407 6785	Custom IC: SELENE2	
137	1407 6803	CMOS Logic: TC7SZ07FU	
138	1407 6869	Real Time Clock: R2023T-F	
139	1407 6898	CMOS Logic: TC7WH126FK	
140	1407 6944	USB Controller IC: ST72681/R21	
141	1407 6951	CMOS Logic: TC7MBL3245SFK	
142	1407 7149	CMOS Logic: TC74LCX16244	
143	1407 7150	CMOS Logic: TC74LCX16245	
144	1408 1823	Series Regulator: RQ5RW20C-FA	
145	1408 1826	IC - R3112Q421A	
146	1408 1911	Comparator - LM2903PW	
147	1408 2053	IC: R3112Q291A-FA	
148	1408 2180	IC: BD3531F	
149	1408 2247	Series Regulator: R1114N181B-F	
150	1408 2550	DC/DC Converter: MP2108DK-LF	
151	1408 2771	DC/DC Converter: BD9131MUV	
152	1408 2817	DC/DC Converter: LTC3850EUF#PBF	
153	1502 0087	Buzzer: PS1720P02B	
154	1503 0773	Crystal Oscillator: 32.768KHz: 7pF	
155	1503 1138	Crystal Oscillator - 48MHz	
156	1503 1355	Crystal Oscillator: 25MHz	
157	1503 1362	Crystal Oscillator: 30MHz	
158	1503 1363	Crystal Oscillator: 12MHz	
159	1503 1379	Crystal Oscillator: 14.31818MHz	
160	1601 7867	Resistor - 33 Ω ±5% 1/16W	
161	1601 7887	Resistor Array - 10K Ω ±5% 1/32W	
162	1601 7896	Resistor Array - 56 Ω ±5% 1/32W	
163	1601 7898	Resistor Array	
164	1601 7913	Resistor 22 Ω ±5% 1/32W	
165	1601 7914	Resistor Array - 47 Ω ±5%	
166	1601 7943	Resistor Array - 68 Ω ±5% 1/32W	
167	1601 7959	Resistor	
168	1601 7981	Resistor Array - 100K Ω±5%1/16W	
169	1604 5713	Capacitor: 220μF: ±20%: 6.3V	
170	1605 1163	Ceramic Capacitor - 560pF: ±5%: 50V	

Index No.	Part No.	Description	Q'ty Per Assembly
171	1605 1176	Ceramic Capacitor 0.47μF+80-20%16V	
172	1605 1192	Capacitor: 1pF: ±0.25pF: 50V	
173	1605 1196	Capacitor - 5pF: ±0.25pF: 50V	
174	1605 1199	Capacitor - 8pF ±0.5pF 50V	
175	1605 1200	Capacitor - 10pF ±0.5pF 50V	
176	1605 1204	Capacitor-pF50V	
177	1605 1205	Capacitor - 33pF ±5% 50V	
178	1605 1207	Capacitor - 68pF ±5% 50V	
179	1605 1208	Capacitor: 100pF: ±5%: 50V	
180	1605 1211	Capacitor - 220pF ±10% 50V	
181	1605 1214	Capacitor - 1000pF ±10% 50V	
182	1605 1216	Capacitor - 2200pF±10%50V	
183	1605 1221	Capacitor - 0.1 μF+80-20%16V	
184	1605 1234	Capacitor: 4700pF: ±10%: 50V	
185	1605 1240	Capacitor - 0.01μF±10% 25V	
186	1605 1282	Capacitor: 22μF: +80-20%: 10V	
187	1605 1283	Capacitor - 680pF ±10% 50V	
188	1605 1289	Capacitor - 0.1μF±10% 10V	
189	1605 1295	Capacitor: 10μF: +80-20%: 10V	
190	1605 1296	Capacitor - 330pF ±10% 50V	
191	1605 1301	Capacitor-6800pF ±10% 50V	
192	1605 1306	Capacitor - 1μF±10% 10V	
193	1605 1347	Capacitor - 1μF: +80-20%: 16V	
194	1605 1406	Capacitor - 10μF±10% 6.3V	
195	1605 1448	Capacitor - 9pF: ±0.5pF 50V	
196	1605 1466	Capacitor - 4.7μF+80-20% 10V	
197	1605 1547	Capacitor: 2.2μF: ±10%: 6.3V	
198	1605 1583	Capacitor - 0.1μF: ±10%: 16V	
199	1605 1587	Capacitor: 22μF: ±20%: 6.3V	
200	1605 1602	Capacitor: 3.3μF: ±10%: 6.3V	
201	1605 1605	Capacitor - 4.7μF±10% 10V	
202	1605 1607	Capacitor: 22μF: +80-20%: 6.3V	
203	1605 1671	Capacitor: 22μF: ±20%: 10V	
204	1606 2319	Capacitor: 100μF: ±20%: 6.3V	
205	1607 1014	EMI Filter - BLM11P600SPB	

CÓPIA NÃO CONTROLADA

CÓPIA NÃO CONTROLADA

Index No.	Part No.	Description	Q'ty Per Assembly
206	1607 1014	EMI Filter - BLM11P600SPB	
207	1607 1051	Filter -FBMJ2125HS420	
208	1607 1061	Filter - BLM11P300SPB	
209	1607 1199	Filter - BLM21PG600SN1B	
210	1607 1477	Inductor - RLF7030-4R7M3R4	
211	1607 1567	Filter: MPZ2012S101A	
212	1607 1637	Coil: ACM2012-900-2P	
213	1607 2061	Inductor: OPA7355-015	
214	1607 2062	Inductor: OPA7355-022	
215	1609 0005	Resistor: 33Ω: ±5%: 1/16W	
216	1609 0006	Resistor: 10KΩ: ±5%: 1/16W	
217	1609 0007	Resistor - 68Ω ±5% 1/16W	
218	1609 0011	Resistor: 22Ω: ±5%: 1/16W	
219	1609 0016	Resistor: 56Ω: ±5%: 1/16W	
220	1609 0020	Resistor: 10Ω: ±5%: 1/16W	
221	1609 0026	Resistor - 47Ω ±5% 1/16W	
222	1610 1746	Resistor - 24K Ω ±0.5% 1/10W	
223	1610 1883	Resistor: 15K0 Ω: ±0.5%: 1/16W 1005	
224	1610 1902	Resistor: 75K Ω: ±0.5%: 1/16W 1005	
225	1610 2174	Chip Resistor: 8M Ω: ±2%: 2/3W: 2125	
226	1610 2175	Chip Resistor: 15M Ω: ±2%: 2/3W: 2125	
227	1632 0000	Resistor - 0 Ω 1/8W	
228	1633 0000	Resistor - 0 Ω 1/10W	
229	1634 0000	Resistor - 0 Ω 1/16W	
230	1644 1101	Resistor - 100μF±20%: 16V	
231	1650 4103	Resistor - 10KΩ ±5% 1/10W	
232	1650 4220	Chip Resistor - 22Ω ±5% 1/10W	
233	1650 4330	Chip Resistor - 33Ω ±5% 1/10W	
234	1650 5100	Chip Resistor - 10 Ω±5%1/16W	
235	1650 5101	Chip Resistor - 100 Ω±5%1/16W	
236	1650 5102	Chip Resistor - 1KΩ±5%1/16W	
237	1650 5103	Chip Resistor - 10KΩ±5%1/16W	
238	1650 5104	Chip Resistor - 100KΩ±5%1/16W	
239	1650 5104	Chip Resistor - 100KΩ±5%1/16W	
240	1650 5109	Chip Resistor 1Ω ±5% 1/16W	

Index No.	Part No.	Description	Q'ty Per Assembly
241	1650 5122	Chip Resistor - 1.2KΩ±5%1/16W	
242	1650 5152	Chip Resistor: 1.5KΩ: ±5%: 1/16W	
243	1650 5203	Resistor - 20KΩ ±5% 1/16W	
244	1650 5220	Resistor - 22Ω ±5% 1/16W	
245	1650 5221	Chip Resistor - 220Ω±5%1/16W	
246	1650 5222	Resistor - 2.2KΩ ±5% 1/16W	
247	1650 5224	Resistor: 220K Ω: ±5%: 1/16W: 1005	
248	1650 5229	Resistor: 2.2 Ω: ±5%: 1/16W: 1005	
249	1650 5330	Chip Resistor - 33Ω±5%1/16W	
250	1650 5470	Chip Resistor 47Ω ±5% 1/16W	
251	1650 5472	Chip Resistor: 4.7KΩ: ±5%: 1/16W	
252	1650 5473	Chip Resistor - 47KΩ ±5% 1/16W	
253	1650 5479	Resistor 4.7Ω ±5% 1/16W	
254	1650 5560	Chip Resistor 56Ω ±5% 1/16W	
255	1650 5621	Chip Resistor 620Ω ±5% 1/16W	
256	1650 5680	Resistor - 68Ω ±5% 1/16W	
257	1650 5822	Chip Resistor: 8.2KΩ: ±5%: 1/16W	
258	1654 1009	Resistor - 10Ω±1% 1/10W	
259	1654 1202	Resistor: 12KΩ: ±1%: 1/10W	
260	1654 1509	Chip Resistor: 15Ω: ±1%: 1/10W	
261	1654 1602	Resistor - 16KΩ ±1% 1/10W	
262	1654 2200	Resistor: 220Ω: ±1%: 1/10W: 1608	
263	1654 7501	Resistor - 7.5KΩ±1%1/10W-1608	
264	1655 0000	Chip Resistor - 0Ω±0%1/16W	
265	1655 1001	Chip Resistor - 1KΩ ±1% 1/16W	
266	1655 1002	Chip Resistor - 10KΩ±1%1/16W	
267	1655 1004	Resistor: 1M Ω: ±1%: 1/16W: 1005	
268	1655 1009	Resistor - 10Ω ±1% 1/16W	
269	1655 1132	Resistor: 11.3K Ω: ±1%: 1/16W: 1005	
270	1655 1200	Resistor - 120 Ω ±1% 1/16W	
271	1655 1202	Resistor: 12K Ω: ±1%: 1/16W: 1005	
272	1655 1242	Resistor: 12.4K Ω: ±1%: 1/16W: 1005	
273	1655 1501	Chip Resistor 1.5KΩ ±1% 1/16W	
274	1655 1502	Resistor - 15KΩ ±1% 1/16W	
275	1655 1601	Resistor: 1.6K Ω: ±1%: 1/16W: 1005	

CÓPIA NÃO CONTROLADA

CÓPIA NÃO CONTROLADA

Index No.	Part No.	Description	Q'ty Per Assembly
276	1655 1651	Resistor: 1.65K Ω: ±1%: 1/16W: 1005	
277	1655 2201	Resistor: 2.2K Ω: ±1%: 1/16W: 1005	
278	1655 2209	Resistor - 22Ω ±1% 1/16W	
279	1655 2321	Resistor: 2.32K Ω: ±1%: 1/16W: 1005	
280	1655 3002	Chip Resistor - 30KΩ±1%1/16W	
281	1655 3309	Resistor - 33Ω ±1% 1/16W	
282	1655 3321	Resistor: 3.32K Ω: ±1%: 1/16W: 1005	
283	1655 3600	Resistor - 360Ω ±1% 1/16W	
284	1655 3909	Resistor 39Ω ±1% 1/16W	
285	1655 4700	Resistor - 470Ω ±1% 1/16W	
286	1655 4701	Chip Resistor - 4.7KΩ±1%1/16W	
287	1655 4709	Resistor - 47Ω ±1% 1/16W	
288	1655 4871	Resistor: 4.87K Ω: ±1%: 1/16W: 1005	
289	1655 4999	Resistor - 49.9Ω ±1% 1/16W	
290	1655 5600	Resistor - 560Ω ±1% 1/16W	
291	1655 5601	Resistor - 5.6KΩ ±1% 1/16W	
292	1655 5609	Resistor - 56Ω ±1% 1/16W	
293	1655 6800	Resistor: 680 Ω: ±1%: 1/16W: 1005	
294	1655 7501	Resistor: 7.5K Ω: ±1%: 1/16W: 1005	
295	1906 0117	Flash Memory: S29GL032A90TFIR20	
296	1906 0120	NAND Flash: 1G: X8: 30NS: 3.3V: 2K	
297	1907 0083	DDR512M: 8Mx16x4: 333MHz: CL2.5G4	

Index No.	Part No.	Description	Q'ty Per Assembly

CÓPIA NÃO CONTROLADA

15.Engine Board (M001)

CÓPIA NÃO CONTROLADA

CAPACITOR

SYMBOL NO.	INDEX NO.	SYMBOL NO.	INDEX NO.	SYMBOL NO.	INDEX NO.	SYMBOL NO.	INDEX NO.	SYMBOL NO.	INDEX NO.	SYMBOL NO.	INDEX NO.	SYMBOL NO.	INDEX NO.
---	---	C11	196	C21	198	C31	191	C41	162	---	---	C61	162
---	---	C12	196	C22	198	---	---	C42	162	C52	198	C62	162
---	---	C13	196	C23	198	C33	191	C43	197	C53	199	C63	162
C4	198	C14	196	C24	198	---	---	C44	154	C54	198	C64	154
C5	198	C15	188	C25	198	C35	198	C45	155	C55	198	---	---
C6	198	C16	198	C26	198	---	---	C46	197	C56	188	C66	156
C7	198	C17	197	C27	198	C37	191	C47	154	C57	154	C67	154
---	---	C18	154	C28	198	C38	189	C48	192	C58	198	C68	197
---	---	---	---	C29	197	---	---	C49	190	C59	154	C69	188
C10	199	C20	198	C30	191	C40	163	C50	194	C60	198	C70	153

CAPACITOR

SYMBOL NO.	INDEX NO.	SYMBOL NO.	INDEX NO.	SYMBOL NO.	INDEX NO.	SYMBOL NO.	INDEX NO.	SYMBOL NO.	INDEX NO.	SYMBOL NO.	INDEX NO.	SYMBOL NO.	INDEX NO.
C71	154	C81	154	C91	197	C101	154	C111	154	C121	199	---	---
C72	197	C82	188	C92	197	C102	153	C112	153	C122	197	C132	193
C73	197	C83	199	C93	156	C103	153	C113	154	C123	198	C133	199
C74	154	---	---	C94	197	C104	197	C114	153	C124	199	---	---
C75	198	---	---	C95	154	C105	156	C115	153	C125	195	C135	199
C76	154	C86	154	C96	153	C106	153	C116	154	---	---	---	---
C77	196	C87	197	C97	156	C107	154	C117	188	C127	188	C137	197
C78	196	C88	197	C98	197	C108	153	C118	188	C128	193	C138	197
C79	196	C89	197	C99	188	C109	153	C119	188	C129	196	C139	197
C80	196	C90	197	C100	198	C110	154	C120	188	---	---	C140	197

CÓPIA NÃO CONTROLADA

15.Engine Board (M001)

CÓPIA NÃO CONTROLADA

CAPACITOR

SYMBOL NO.	INDEX NO.	SYMBOL NO.	INDEX NO.	SYMBOL NO.	INDEX NO.	SYMBOL NO.	INDEX NO.	SYMBOL NO.	INDEX NO.	SYMBOL NO.	INDEX NO.	SYMBOL NO.	INDEX NO.
---	---	---	---	C161	197	C171	199	C181	197	C191	188	C201	197
C142	188	C152	199	C162	154	C172	197	---	---	C192	188	C202	188
C143	197	---	---	C163	197	C173	154	C183	188	C193	188		
C144	197	C154	199	C164	154	C174	188	C184	188	C194	188		
C145	197	C155	199	C165	197	C175	198	C185	188	C195	188		
C146	199	C156	154	C166	154	---	---	C186	197	C196	188		
C147	198	C157	188	C167	188	C177	198	C187	154	C197	188		
C148	199	C158	154	C168	197	---	---	---	---	C198	188		
C149	199	C159	197	C169	197	C179	198	C189	198	C199	188		
C150	188	C160	154	C170	197	C180	199	C190	188	C200	188		

CAPACITOR

SYMBOL NO.	INDEX NO.	SYMBOL NO.	INDEX NO.
CN1	107	CN11	102
CN2	117	CN12	106
CN3	122	CN13	112
CN4	104	CN14	118
CN5	119	CN15	113
CN6	111	CN16	116
CN7	102	CN17	105
CN8	103	CN18	110
CN9	109	---	---
CN10	120	CN20	121

SYMBOL NO.	INDEX NO.
---	---
---	---
CN23	108

DIODE

SYMBOL NO.	INDEX NO.
D1	132
D2	132
---	---
---	---
---	---
---	---
D10	132

SYMBOL NO.	INDEX NO.
---	---
D12	133

FIL

SYMBOL NO.	INDEX NO.
FIL1	158
FIL2	157
FIL3	157

IC

SYMBOL NO.	INDEX NO.
IC1	142
IC2	139
IC3	135
IC4	140
IC5	144
IC6	136
---	---
IC8	143
IC9	137
IC10	138

SYMBOL NO.	INDEX NO.
IC11	141

ICS

SYMBOL NO.	INDEX NO.
---	---
ICS2	123

CÓPIA NÃO CONTROLADA

15.Engine Board (M001)

CÓPIA NÃO CONTROLADA

L

SYMBOL NO.	INDEX NO.
L1	159

LED

SYMBOL NO.	INDEX NO.
LED1	134

OSC

SYMBOL NO.	INDEX NO.
OSC1	147

Q

SYMBOL NO.	INDEX NO.
---	---
Q1	127
Q2	126
Q4	126
Q5	126
Q6	126
Q7	130
Q8	130
Q9	126
Q10	129

SYMBOL NO.	INDEX NO.
Q11	127
Q12	125
Q13	127
Q14	128
Q15	127
Q16	126

RESISTOR

SYMBOL NO.	INDEX NO.
R1	175
R2	175
R3	175
R4	175
R5	175
R6	175
R7	166
R8	165
R9	165
R10	165

SYMBOL NO.	INDEX NO.
R11	165
R12	165
R13	165
R14	165
R15	166
R16	166
R17	166
R18	166
R19	166
R20	166

RESISTOR

SYMBOL NO.	INDEX NO.
R21	166
R22	165
R23	165
R24	165
R25	165
R26	165
R27	165
R28	165
---	---
---	---

SYMBOL NO.	INDEX NO.
R31	161
R32	161
R33	161
---	---
R35	165
R36	178
R37	169
R38	166
R39	164
R40	164

SYMBOL NO.	INDEX NO.
R41	164
R42	164
R43	172
R44	167
R45	167
R46	172
R47	172
R48	165
R49	166
R50	169

SYMBOL NO.	INDEX NO.
R51	165
R52	166
R53	172
R54	172
R55	167
R56	172
R57	167
R58	172
R59	172
R60	172

SYMBOL NO.	INDEX NO.
R61	172
R62	172
R63	166
R64	166
R65	166
R66	168
R67	168
R68	169
R69	174
R70	161

SYMBOL NO.	INDEX NO.
---	---
R72	160
R73	172
R74	165
R75	166
R76	165
R77	166
R78	165
R79	166
R80	165

SYMBOL NO.	INDEX NO.
R81	166
---	---
R83	148
R84	149
R85	166
R86	166
R87	175
R88	171
R89	175
R90	166

CÓPIA NÃO CONTROLADA

15.Engine Board (M001)

CÓPIA NÃO CONTROLADA

RESISTOR

SYMBOL NO.	INDEX NO.	SYMBOL NO.	INDEX NO.	SYMBOL NO.	INDEX NO.	SYMBOL NO.	INDEX NO.	SYMBOL NO.	INDEX NO.	SYMBOL NO.	INDEX NO.	SYMBOL NO.	INDEX NO.
R91	166	R101	172	R111	184	R121	180	R131	165	R141	165	R151	164
R92	175	R102	172	R112	184	R122	180	R132	185	R142	172	R152	164
R93	173	R103	172	R113	166	R123	172	R133	170	R143	170	R153	166
R94	172	R104	172	R114	184	R124	161	R134	183	R144	165	R154	166
R95	172	R105	172	R115	175	R125	165	R135	172	R145	166	R155	166
R96	172	R106	150	R116	166	R126	166	R136	170	R146	168	R156	166
R97	172	R107	182	R117	166	R127	161	R137	172	R147	164	R157	167
R98	172	R108	186	R118	165	R128	170	R138	165	R148	164	R158	168
R99	172	R109	176	R119	180	R129	170	---	---	R149	164	R159	177
R100	172	R110	184	R120	180	R130	176	R140	177	R150	164	R160	164

RESISTOR

SYMBOL NO.	INDEX NO.	SYMBOL NO.	INDEX NO.	SYMBOL NO.	INDEX NO.	SYMBOL NO.	INDEX NO.	SYMBOL NO.	INDEX NO.	SYMBOL NO.	INDEX NO.	SYMBOL NO.	INDEX NO.
R161	164	R171	161	R181	172	R191	168	---	---	R211	173	REG1	145
R162	168	R172	161	R182	166	---	---	R202	161	R212	165	REG2	146
R163	165	R173	161	R183	164	R193	166	---	---	R213	166		
R164	165	R174	161	---	---	R194	168	R204	168	R214	178		
R165	165	---	---	R185	164	R195	164	R205	166	R215	164		
R166	161	---	---	R186	166	R196	164	R206	168	R216	178		
---	---	R177	161	R187	166	R197	161	R207	165	R217	166		
---	---	R178	161	R188	164	R198	179	R208	175	R218	166		
---	---	R179	161	R189	178	R199	166	R209	175	R219	166		
---	---	---	---	R190	169	R200	187	R210	173	R220	181		

REG

SYMBOL NO.	INDEX NO.
REG1	145
REG2	146

CÓPIA NÃO CONTROLADA

15.Engine Board (M001)

CÓPIA NÃO CONTROLADA

RESISTOR

SYMBOL NO.	INDEX NO.
RN1	151
RN2	151
RN3	152
RN4	152
RN5	151
RN6	151

SW

SYMBOL NO.	INDEX NO.
SW1	124

TP

SYMBOL NO.	INDEX NO.
TP1	101
TP2	101
TP3	101
---	---
---	---
TP6	101
TP7	101
TP8	101
TP9	101
TP10	101

SYMBOL NO.	INDEX NO.
TP11	101

ZD

SYMBOL NO.	INDEX NO.
ZD1	131

15.Engine Board (M001)

CÓPIA NÃO CONTROLADA

Index No.	Part No.	Description	Q'ty Per Assembly
*	M001 5011	PCB: EGB: Ass'y	1

Index No.	Part No.	Description	Q'ty Per Assembly
101	1101 0328	Connector Pin Contact	
102	1102 4201	Connector - 2P	
103	1102 4202	Connector: 292132-3	
104	1102 4204	CT Header - 5P	
105	1102 4205	Connector: 292132-6	
106	1102 4631	CT Connector - 2P	
107	1102 5306	Connector - 7P	
108	1102 5943	Connector - 2P	
109	1102 6295	Connector: 53324-0260	
110	1102 8057	Connector - 60P	
111	1102 8470	Connector - 55447-0610	
112	1102 8476	Connector: 55447-1280	
113	1102 8477	Connector - 13P	
116	1103 3988	Connector	
117	1103 4000	Connector	
118	1103 4005	Connector	
119	1103 4007	Connector	
120	1103 4303	Connector	
121	1103 4305	Connector	
122	1103 4308	Connector	
123	1104 0764	IC Socket: 1-390261-2	
124	1204 2733	Switch: SSSS820501	
125	1400 0789	Transistor - IMT17	
126	1400 1078	Transistor: RT2N12M-T111	
127	1400 1152	Transistor: RT1N436M-T111	
128	1400 1281	Transistor: 2SC4155A-T111	
129	1400 1290	Transistor: 2SC3444-T111-DE	
130	1401 1056	FET - 2SK2158	
131	1402 1511	Zener diode - MTZJ13B	
132	1402 1995	Diode: SDS511	
133	1402 2045	Diode: RSX201L-30	
134	1403 0996	LED - SML-310VT	
135	1407 2187	TTLIC - SN74LS07NS	
136	1407 5346	IC - SN74LS74ANS	
137	1407 6051	CMOS Logic: TC74VHC125FT(K)	

CÓPIA NÃO CONTROLADA

CÓPIA NÃO CONTROLADA

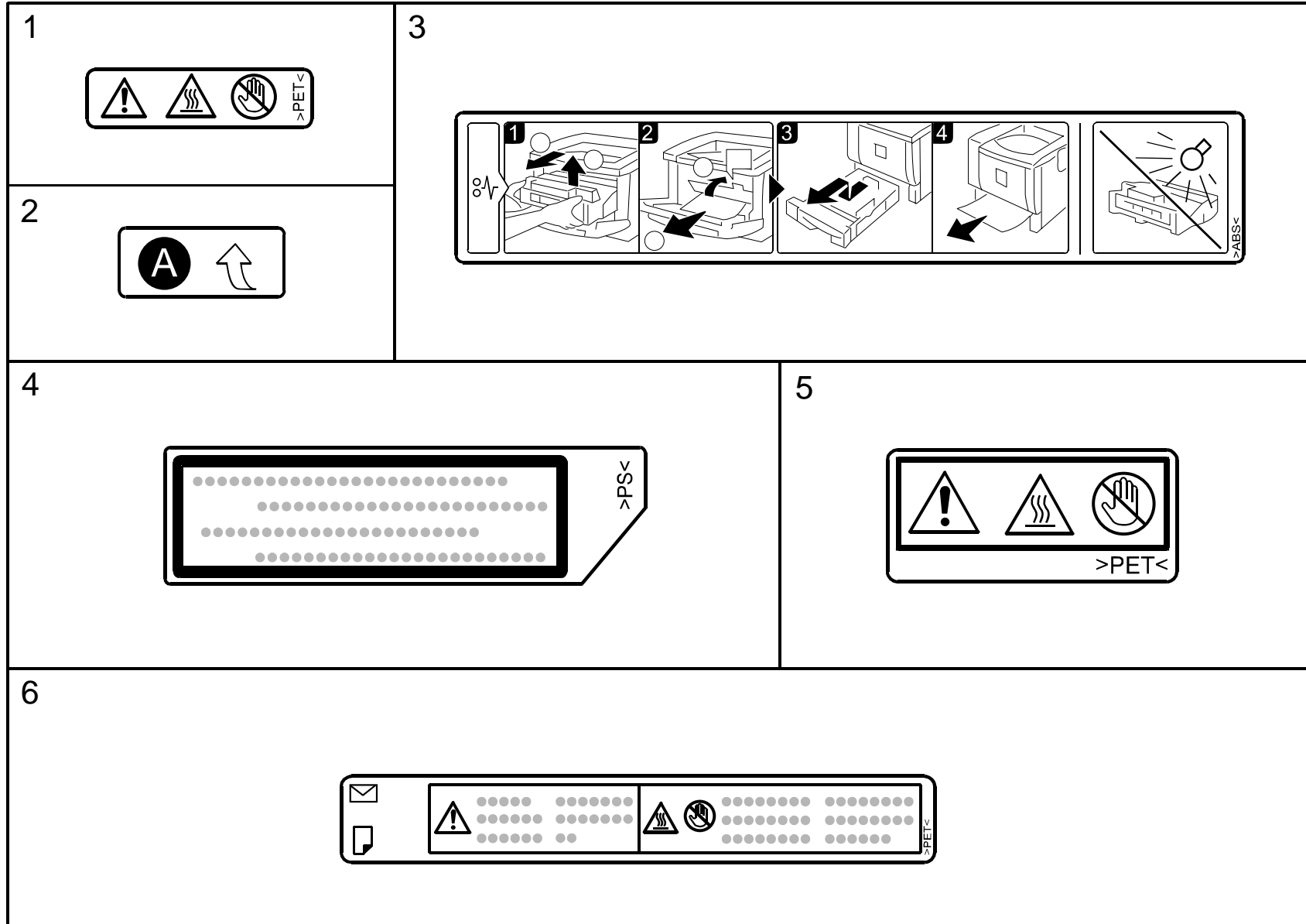
Index No.	Part No.	Description	Q'ty Per Assembly
138	1407 6430	IC - GAVD Type-R	
139	1407 6657	EEPROM: BR93L76-W	
140	1407 6826	CPU: HD64F2364VTE34V	
141	1407 6957	CMOS Logic: TC7SH17FU	
142	1407 6975	Driver: KID65003AP/P	
143	1408 1653	Operational Amplifier: LMV324IPW	
144	1408 1781	IC - R3112N421A	
145	1408 2388	Series Regulator: AIC1117A-33PYJ	
146	1408 2404	Series Regulator: AIC1117A-18PYJ	
147	1503 1066	Crystal Oscillator - 24.576MHZ	
148	1601 5984	Resistor: 270 Ω: ±5%: 1W	
149	1601 5985	Resistor: 6.8 Ω: ±5%: 1W	
150	1601 6576	Carbon Film Resistor: 10 Ω: ±5%: 1/2W	
151	1601 7750	Resistor - 22K Ω ±5.00%	
152	1601 7867	Resistor - 33 Ω ±5% 1/16W	
153	1605 1137	Capacitor - 470pF ±10% 50V	
154	1605 1148	Capacitor - 0.1μF+80-20% 50V	
155	1605 1190	Resistor - 0.022μF±10% 50V	
156	1605 1295	Capacitor: 10μF: +80-20%: 10V	
157	1607 1241	Filter - MMZ1608R102C	
158	1607 1489	Filter - MMZ1608B301C	
159	1607 1606	Inductor - NLFC453232-150K-PF	
160	1611 8102	Resistor - 1KΩ ±5% 1/4W	
161	1634 0000	Resistor - 0 Ω 1/16W	
162	1640 2470	Capacitor - 47μF±20% 25V	
163	1640 5470	Capacitor - 47μF±20% 50V	
164	1650 4101	Resistor - 100Ω±5%1/10W	
165	1650 4102	Resistor - 1KΩ ±5% 1/10W	
166	1650 4103	Resistor - 10KΩ ±5% 1/10W	
167	1650 4152	Resistor - 1.5KΩ ±5% 1/10W	
168	1650 4201	Resistor - 200Ω±5%1/10W	
169	1650 4222	Resistor - 2.2KΩ±5%1/10W	
170	1650 4223	Resistor - 22KΩ±5%1/10W	
171	1650 4302	Resistor - 3K Ω±5%1/10W	
172	1650 4330	Chip Resistor - 33Ω ±5% 1/10W	









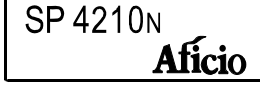
Index No.	Part No.	Description	Q'ty Per Assembly
173	1650 4333	Resistor - 33KΩ±5%1/10W	
174	1650 4470	Resistor - 47Ω±5%1/10W	
175	1650 4472	Resistor - 4.7KΩ ±5% 1/10W	
176	1650 4473	Resistor - 47K Ω±5%1/10W	
177	1650 4560	Chip Resistor - 56Ω ±5% 1/10W	
178	1650 4681	Resistor - 680Ω ±5% 1/10W	
179	1650 4682	Resistor - 6.8KΩ ±5% 1/10W	
180	1654 1000	Resistor - 100Ω ±1% 1/10W	
181	1654 1002	Resistor - 10KΩ±5%1/10W	
182	1654 2201	Resistor - 2.2K Ω ±1% 1/10W 1608	
183	1654 4701	Resistor - 4.7KΩ±1% 1/10W	
184	1654 4709	Resistor - 47Ω±1% 1/10W	
185	1654 5600	Resistor - 560Ω±1% 1/10W	
186	1654 5601	Resistor - 5.6KΩ±1% 1/10W	
187	1654 6801	Resistor - 6.8KΩ±1% 1/10W	
188	1660 2101	Capacitor - 100pF - ±10% - 50V	
189	1660 2120	Capacitor - 12 pF ±5% 50V	
190	1660 2150	Capacitor - 15pF ±5% 50V	
191	1660 2151	Capacitor - 150pF ±20% 35V	
192	1660 2180	Capacitor 18pF ±5% 50V	
193	1660 2181	Capacitor - 180pF ±5% 50V	
194	1660 2220	Capacitor - 22pF ±20% 35V	
195	1660 2391	Capacitor - 390pF ±5% 50V	
196	1660 2560	Capacitor - 56pF ±5% 50V	
197	1660 4102	Capacitor - 1000pF ±10% 50V	
198	1660 4103	Capacitor - 10000pF - ±10% - 50V	
199	1660 4222	Capacitor - 2200pF - ±10% - 50V	

CÓPIA NÃO CONTROLADA

CÓPIA NÃO CONTROLADA

CÓPIA NÃO CONTROLADA

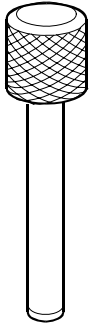
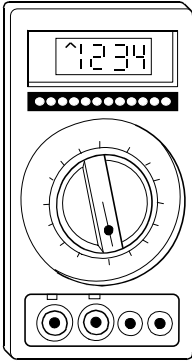
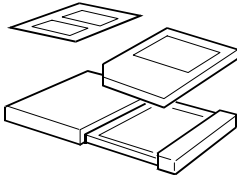
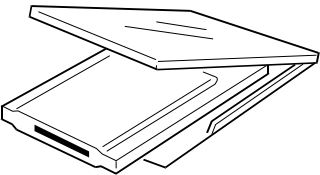
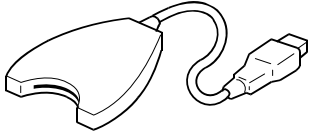


7 	10 	13 
8 	11 	14 
9 	12 	15 

<p>16</p> <div data-bbox="427 363 669 448" style="border: 1px solid black; padding: 5px; text-align: center;"> <p><i>MLP37n</i></p> </div>	<p>19</p> <div data-bbox="983 363 1243 456" style="border: 1px solid black; padding: 5px; text-align: center;"> <p>SP 4210N Aficio</p> </div>	
<p>17</p> <div data-bbox="421 754 680 847" style="border: 1px solid black; padding: 5px; text-align: center;"> <p>SP 4210N Aficio</p> </div>	<p>20</p> <div data-bbox="985 751 1245 842" style="border: 1px solid black; padding: 5px; text-align: center;"> <p><i>LP37N</i></p> </div>	
<p>18</p> <div data-bbox="421 1141 680 1232" style="border: 1px solid black; padding: 5px; text-align: center;"> <p>SP 4210N</p> </div>	<p>21</p> <div data-bbox="985 1141 1245 1232" style="border: 1px solid black; padding: 5px; text-align: center;"> <p><i>SP 4210N</i></p> </div>	

17.Special Tools (M001)

CÓPIA NÃO CONTROLADA

<p>1</p> 	<p>2</p> 	<p>3</p> 
<p>4</p> 	<p>5</p> 	

CÓPIA NÃO CONTROLADA

17.Special Tools (M001)

CÓPIA NÃO CONTROLADA

Index No.	Part No.	Description	Q'ty Per Assembly
1	A006 9104	Adjusting Scanner Pin (4pcs/set)	1
2	VSSM 9000	Digital Multimeter - FLUKE 187	1
3	B645 5010	SD-Card: Ass'y	1
4	B645 6700	SD-Card: Adapter: BN-SDAA2	1
5	B645 6800	SD-Card: USB: Writer: BN-SDCE2	1

Index No.	Part No.	Description	Q'ty Per Assembly
-----------	----------	-------------	-------------------

CÓPIA NÃO CONTROLADA

CÓPIA NÃO CONTROLADA

CÓPIA NÃO CONTROLADA

CÓPIA NÃO CONTROLADA

M001

PARTS INDEX

CÓPIA NÃO CONTROLADA

CÓPIA NÃO CONTROLADA

CÓPIA NÃO CONTROLADA

CÓPIA NÃO CONTROLADA

This section instructs you as to the numbers and names of parts on this machine.

CÓPIA NÃO CONTROLADA

CÓPIA NÃO CONTROLADA

CÓPIA NÃO CONTROLADA

Parts Index

CÓPIA NÃO CONTROLADA

Part No.	Description	Page and Index No.
M001 1050	Brushless Motor: DC24V: 31W	23 - 1
M001 1080	Supporter: Harness: Main	23 - 23
M001 1081	Supporter: Harness: Main: 2	15 - 27
M001 1082	Rivet: DIA3.5	15 - 26
M001 1101	Bracket: PSU: Ass'y	25 - 6
M001 1105	Bracket: EGB	27 - 9
M001 1106	Panel: Control Board: Ass'y	27 - 2
M001 1156	Cover: EGB	27 - 18
M001 1261	Decal: Model Name Plate: P2: RIC: EXP	5 - 4
M001 1261	Decal: Model Name Plate: P2: RIC: EXP	51 - 14
M001 1262	Decal: Model Name: SAV	51 - 16
M001 1262	Decal: Model Name: SAV	5 - 4
M001 1263	Decal: Model Name: GES: NA	51 - 18
M001 1263	Decal: Model Name: GES: NA	5 - 4
M001 1264	Decal: Model Name: LAN: NA	5 - 4
M001 1264	Decal: Model Name: LAN: NA	51 - 20
M001 1265	Decal: Model Name: NAS	51 - 15
M001 1265	Decal: Model Name: NAS	5 - 4
M001 1266	Decal: Model Name: REX	51 - 17
M001 1266	Decal: Model Name: REX	5 - 4
M001 1267	Decal: Model Name: LAN: EU	5 - 4
M001 1267	Decal: Model Name: LAN: EU	51 - 21
M001 1268	Decal: Model Name: GES: EU	51 - 19
M001 1268	Decal: Model Name: GES: EU	5 - 4
M001 1402	Operation Panel	3 - 3
M001 1652	Upper Cover	3 - 5
M001 1904	Imaging Unit	7 - 1
M001 1915	Laser Diode Unit	7 - 12
M001 5011	PCB: EGB: Ass'y	47 - *
M001 5011	PCB: EGB: Ass'y	27 - 10
M001 5362	PCB: CTL: S-P2: EXP: Ass'y	27 - 6
M001 5362	PCB: CTL: S-P2: EXP: Ass'y	39 - *
M001 5400	Harness- Power Source	25 - 3
M001 5401	Harness: Duplex: Option	27 - 11
M001 5403	Harness: Exit: Sensor	3 - 4

Part No.	Description	Page and Index No.
M001 5403	Harness: Exit: Sensor	21 - 1
M001 5404	Harness: Fusing: NA	25 - 2
M001 5405	Harness: Motor: Sensor	27 - 15
M001 5406	Harness -Paper Feed	27 - 13
M001 5407	Harness: Sensor: Connecting	13 - 12
M001 5409	Harness: Fusing: EU	25 - 2
M001 5410	Harness: LDB	7 - 27
M001 5412	Harness: Main Switch: DOM/NA	25 - 14
M001 5413	Harness: Main Switch: EU	25 - 14
M001 9590	NVRAM - Zero Counter	27 - 7

CÓPIA NÃO CONTROLADA

CÓPIA NÃO CONTROLADA

Part No.	Description	Page and Index No.
A006 9104	Adjusting Scanner Pin (4pcs/set)	53 - 1
A267 2869	Gear - 16Z	9 - 12
B132 5836	Panel - Interface	27 - 8
B622 5825	Panel Knob Screw	27 - 3
B645 5010	SD-Card: Ass'y	53 - 3
B645 6700	SD-Card: Adapter: BN-SDAA2	53 - 4
B645 6800	SD-Card: USB: Writer: BN-SDCE2	53 - 5
G029 1975	Cylindrical Lens	7 - 25
G029 2609	Cassette Protection	9 - 18
G029 2657	Compression Spring	11 - 11
G052 1027	Spring Plate - Duplex Rail	21 - 23
G052 1042	Fusing Exit Feeler	21 - 4
G052 1044	Exit Feeler Holder	21 - 2
G052 1046	Spring - Fusing Exit Feeler	21 - 5
G052 1049	Bushing - Paper Exit	21 - 10
G052 1102	Drive Unit Bracket	23 - 2
G052 1104	Gear - Fusing 1	23 - 6
G052 1105	Gear - Fusing 2	23 - 20
G052 1107	Gear - Pulley - Fusing	23 - 14
G052 1108	Gear - Paper Feed 1	23 - 7
G052 1109	Gear - Paper Feed 2	23 - 8
G052 1110	Gear - Paper Feed 3	23 - 12
G052 1111	Gear - Paper Feed 4	23 - 11
G052 1112	Gear - Paper Feed 5	23 - 10
G052 1113	Gear - Paper Feed 6	23 - 9
G052 1120	Spring - Paper Exit Release	23 - 16
G052 1121	Drive Belt	23 - 17
G052 1123	Spacer - Drive Unit	23 - 18
G052 1251	Charge Terminal	15 - 24
G052 1252	Drum Terminal	25 - 13
G052 1253	Development Terminal	15 - 23
G052 1254	Inner Terminal - Charge	15 - 21
G052 1255	Charge Terminal - High Voltage	15 - 20
G052 1256	Development Terminal - High Voltage	15 - 22
G052 1272	Rear Cover Sw Bracket	21 - 6

Part No.	Description	Page and Index No.
G052 1273	Spring - Micro Switch	21 - 7
G052 1274	Micro Switch Lever	21 - 8
G052 1518	Spring - Lock Lever	5 - 19
G052 1541	Spring - Receptacle	5 - 22
G052 1542	Collar - Receptacle	5 - 23
G052 1544	Spring Plate - Receptacle	5 - 7
G052 2763	LD Holder	7 - 13
G052 2764	Spring - LD Unit	7 - 11
G052 2771	Right DTL Holder	7 - 7
G052 2772	Left DTL Holder	7 - 8
G052 2773	Cylindrical Lens Holder	7 - 15
G052 2774	Mirror Clamp	7 - 3
G052 2777	Spring Holder - Shield Glass	7 - 18
G052 2780	Shutter - LD	7 - 9
G052 3103	Paper Feed Roller	11 - 13
G052 3106	Bushing - Paper Feed Roller	11 - 12
G052 3257	Right Bushing - Registration	13 - 11
G052 3258	Left Bushing - Registration	13 - 1
G052 3278	Spring - Bypass	5 - 11
G052 3303	Paper Transport Roller	11 - 19
G052 3304	Spring Plate - Paper Transport	11 - 18
G052 3307	Transport Guide Mylar	11 - 23
G052 3351	Decal - Registration	51 - 2
G052 3351	Decal - Registration	13 - 16
G052 3356	Sheet - Soundproof	5 - 16
G052 3390	Toner End Sensor	13 - 13
G052 3396	Spring - Toner End Sensor	13 - 14
G052 3623	Transfer Terminal	15 - 9
G052 3624	Separation Terminal	15 - 10
G052 3625	Right Bushing - Transfer	15 - 4
G052 3626	Left Bushing - Transfer	15 - 3
G052 3627	Spring - Transfer	15 - 2
G052 4618	Bearing 30x42x7	17 - 6
G052 4622	Spring - Fusing Stripper	17 - 19
G052 4624	Hot Roller Stripper	17 - 20

CÓPIA NÃO CONTROLADA

CÓPIA NÃO CONTROLADA

Part No.	Description	Page and Index No.
G052 4639	Exit Roller Holder	17 - 27
G052 4647	Spring Plate - Fusing Exit	17 - 25
G052 4665	Bushing - Pressure Roller	19 - 4
G052 4676	Gear - Fusing Idler	19 - 5
G052 4677	Gear - Fusing Idler	19 - 6
G052 4691	Ground Plate - Fusing Pressure	19 - 14
G052 4692	Discharge Brush - Pressure	19 - 13
G052 4696	Right Fusing Lock Lever	21 - 26
G052 4697	Left Fusing Lock Lever	21 - 27
G052 4700	External Circlip	17 - 4
G052 4855	Pulley - Paper Exit	21 - 9
G052 4871	Left Holder - Exit Driven Roller	3 - 9
G052 4872	Right Holder - Exit Driven Roller	3 - 13
G052 4873	Outer Exit Cover Roller	3 - 10
G052 4875	Inner Exit Cover Roller	3 - 8
G052 4876	Left Spring Plate	3 - 11
G052 4877	Right Spring Plate	3 - 12
G052 5060	Synchronization Detector	7 - 2
G052 5362	Receptacle - 99RH144	5 - 6
G088 1103	Gear: PCU	23 - 19
G088 2775	Shield: Harness	7 - 17
G088 2785	Cover: Optical Housing: Ass'y	7 - 21
G088 2789	Shield: Cover: Polygon Scanner	7 - 23
G088 4618	Electrode: Heater	17 - 16
G096 1018	Transport Guide	15 - 11
G096 1019	Transport Guide Pin	15 - 1
G096 1021	Right Duplex Rail	21 - 24
G096 1022	Left Duplex Rail	21 - 25
G096 1031	Lower Fusing Heat Insulating Plate	25 - 7
G096 1041	Exit Bracket	21 - 14
G096 1043	Exhaust Sensor Feeler	21 - 16
G096 1081	Right Paper Tray Rail	21 - 20
G096 1082	Left Paper Tray Rail	21 - 21
G096 1085	Base Ground Plate	21 - 22
G096 1087	Paper Tray Spring Plate Ass'y	13 - 6

Part No.	Description	Page and Index No.
G096 1087	Paper Tray Spring Plate Ass'y	25 - 11
G096 1241	Control Board Bracket Ass'y	27 - 17
G096 1257	Warning Cover (Electrical)	3 - 17
G096 1262	Exit Roller Ground Plate	21 - 13
G096 1271	Inlet Bracket	25 - 8
G096 1509	Paper Exit Sub-unit Ass'y	3 - 6
G096 1512	Exit Cover	3 - 7
G096 1517	Shutter Feeler	5 - 20
G096 1551	Misfeed Removal Decal	51 - 3
G096 1551	Misfeed Removal Decal	5 - 17
G096 3051	Paper Tray	9 - 30
G096 3052	Paper Tray Cover	9 - 6
G096 3055	Left Side Fence	9 - 11
G096 3056	Right Side Fence	9 - 13
G096 3060	Rear Paper Tray	9 - 27
G096 3063	Paper Tray Cap	9 - 25
G096 3065	Paper Tray Supporting Plate	9 - 28
G096 3066	Friction Pad Adhesion	9 - 17
G096 3070	Paper Volume Sensor Board	9 - 29
G096 3071	Paper Tray Arm	9 - 8
G096 3075	Paper Size Sensor Board	9 - 7
G096 3078	Protection Label	9 - 26
G096 3083	Spring Tension	9 - 9
G096 3084	Separation Compression Spring	9 - 16
G096 3085	End Fence	9 - 24
G096 3086	End Fence Lever	9 - 23
G096 3087	End Fence Protection	9 - 20
G096 3088	End Fence Pressure	9 - 19
G096 3089	End Fence Compression Spring 3.5N	9 - 22
G096 3090	End Fence Tension Spring 12N	9 - 21
G096 3094	Tape - Sheet: Tray	9 - 2
G096 3100	Paper Feed Stay	11 - 9
G096 3101	Paper Feed Shaft	11 - 8
G096 3104	Paper End Sensor Feeler	11 - 14
G096 3105	Paper Volume Sensor Feeler	11 - 16

CÓPIA NÃO CONTROLADA

CÓPIA NÃO CONTROLADA

Part No.	Description	Page and Index No.
G096 3106	Left Stay Cover	11 - 10
G096 3107	Right Stay Cover	11 - 17
G096 3111	Cassette Cover	3 - 18
G096 3144	Paper Set Direction Label	9 - 10
G096 3280	Manual Feed Frame	11 - 30
G096 3292	Spring - Manual Feed	11 - 26
G096 3294	Connecting Guide Plate	11 - 22
G096 3301	Support Plate Stay: Bypass	11 - 1
G096 3306	Connecting Guide Roller	11 - 21
G096 3315	Driven Registration Roller Mm14	13 - 9
G096 3335	Paper Feed Ground Plate	11 - 6
G096 3336	Registration Drive Ground Plate	13 - 5
G096 3337	Auxiliary Ground Plate	11 - 4
G096 3338	Ground Plate - Registration	25 - 12
G096 3345	Registration Guide	15 - 7
G096 3346	Registration Guide Long	15 - 8
G096 3621	Separation Electrode Plate	15 - 5
G096 3622	Electrode Plate Cover	15 - 6
G096 3628	Transport Guide Ground Plate	15 - 18
G096 3629	Transport Terminal Guide	15 - 19
G096 3640	Transfer Guide Plate Ass'y	15 - 16
G096 3641	Transfer Guide Plate Sheet	15 - 17
G096 4611	Thermostat Ass'y	17 - 12
G096 4615	Left Fusing Lamp bracket	17 - 15
G096 4616	Right Heater Bracket	17 - 21
G096 4635	Upper Fusing Exit Guide Plate	17 - 26
G096 4638	Exit Roller Supporting Plate	17 - 17
G096 4674	Fusing Exit Roller	19 - 12
G096 4692	Fusing Right Cover	17 - 22
G096 4695	Upper Harness Plate	17 - 14
G096 4850	Exit Roller	21 - 11
G096 4888	Exit Brush Discharge	21 - 15
G096 5501	Fusing Thermistor	17 - 10
G096 5506	Inlet - EU	25 - 16

Part No.	Description	Page and Index No.
G102 1193	Hexagonal Bolt: Double: Screw: Round Point: M3x7 18	25 -
G102 3324	Rivet: Toner Supply: DIA5	23 - 22
G102 5502	Power Supply Cord: EU	25 - 9
G104 5141	Knob Screw: M3	27 - 1
G108 5107	Left Guide 1	27 - 4
G108 5108	Right Guide 1	27 - 12
G110 5501	Inlet: JPN: Ass'y	25 - 16
G111 1910	Caution Decal - Laser	51 - 4
G111 1910	Caution Decal - Laser	7 - 22
G111 5419	Harness - Power Pack	25 - 10
G116 4159	Screw: M3x13	11 - 31
G128 1151	Decal: Warning (High Temperature)	21 - 28
G128 1151	Decal: Warning (High Temperature)	51 - 5
G129 1051	Fan Motor MM92: 24V	25 - 15
G129 1902	Shield Glass	7 - 24
G129 2551	Magnetic Clutch: 1turn: Z41	23 - 5
G129 2552	Paper Feed Roller: Manual Feed	11 - 28
G129 3522	Discharge Lamp: Cassis	21 - 17
G129 4102	Pressure Spring - Fusing	19 - 2
G129 5205	Choke Coil	25 - 17
G129 6251	Positioning Roller - Transfer	15 - 15
G129 6252	Gear - Transfer Roller	15 - 13
G129 6255	Bushing	15 - 25
G129 6257	Transfer Roller	15 - 14
G129 6260	Transfer Roller Ass'y	15 - 12
G168 1922	Holder: Sync Detector	7 - 26
G168 5115	SD-Card cover	27 - 5
G168 5403	Harness - Polygon Mirror Motor	7 - 16
G175 0126	Pressure Roller	19 - 9
G175 0179	Heater - 765W 230V	17 - 3
G175 0180	Heater - 765W 120V	17 - 3
G175 1032	Heat Insulating Plate - Front	21 - 18
G175 1056	Drawer Bracket - Fusing	25 - 1
G175 1106	Gear - 45Z	23 - 13

CÓPIA NÃO CONTROLADA

CÓPIA NÃO CONTROLADA

Part No.	Description	Page and Index No.
G175 1229	Rear Cover	3 - 14
G175 1251	Harness Cover	5 - 21
G175 1253	Left Cover	3 - 2
G175 1255	Lower Seal - Rear Cover	3 - 20
G175 1256	Left Seal - Rear Cover	3 - 21
G175 1257	Right Seal - Rear Cover	3 - 22
G175 1258	Upper Seal - Rear Cover	3 - 1
G175 1260	Front Door	5 - 13
G175 1406	Slide Guide	3 - 19
G175 1516	Door Lever	5 - 18
G175 1650	Right Cover	3 - 16
G175 1651	Louver	3 - 15
G175 2551	Photosensor	13 - 7
G175 2554	Spring Clutch Bracket	23 - 4
G175 2555	Harness Holder	23 - 21
G175 2585	Magnetic Clutch - Registration	13 - 3
G175 2587	Paper Feed Clutch	11 - 33
G175 2767	Feed Roller Cover	11 - 29
G175 2818	Tray Bottom Plate	9 - 14
G175 3050	Paper Tray Unit	9 - 1
G175 3058	Tray sheet	9 - 31
G175 3138	Spacer - Paper Feed	11 - 2
G175 3139	Magnetic Clutch Stopper	11 - 32
G175 3209	Magnetic Clutch	23 - 3
G175 3266	Upper Guide Plate - Registration	13 - 15
G175 3267	Cleaner Film - Registration	13 - 10
G175 3268	Registration Sensor Bracket	13 - 8
G175 3271	Manual Feed Table: L: Ass'y	5 - 1
G175 3272	Cover: Manual Feed Table	5 - 10
G175 3276	Side Fence: Manual Feed: Right	5 - 3
G175 3277	Side Fence: Manual Feed: Left	5 - 2
G175 3286	Manual Feed Feeler	11 - 25
G175 3290	Friction Pad - Manual Feed	11 - 27
G175 3316	Registration Roller - Drive	13 - 17
G175 3332	Relay Roller	11 - 20

Part No.	Description	Page and Index No.
G175 3342	Extension Tray: Manual Feed: L	5 - 9
G175 3539	Thermistor- Transfer	5 - 15
G175 4063	Hot Roller	17 - 7
G175 4118	Fusing Unit: NA: Ass'y	17 - 1
G175 4127	Fusing Unit: EU: Ass'y	17 - 1
G175 4181	Pressure Lever Shaft	19 - 18
G175 4182	Left Pressure Lever	19 - 17
G175 4183	Right Pressure Lever	19 - 16
G175 4602	Electrode Plate - Right	17 - 13
G175 4619	Gear - 41Z	17 - 5
G175 4625	Holder Plate - Fusing Harness	17 - 11
G175 4642	Discharge Brush - Bearing	17 - 23
G175 4644	Entrance Guide Plate - Upper	17 - 2
G175 4650	Pressure Frame	19 - 8
G175 4662	Pressure Roller Lever	19 - 3
G175 4673	Gear - 15Z	19 - 10
G175 4681	Fusing Entrance Guide Plate	19 - 7
G175 4690	Ground Plate - Fusing	17 - 24
G175 4693	Decal - High Temperature	19 - 15
G175 4693	Decal - High Temperature	51 - 6
G175 4698	Fusing Left Cover	19 - 1
G175 5400	Interface Harness - FST	11 - 7
G175 5410	Safety Switch Harness	27 - 16
G175 5500	Fusing drawer - NA	17 - 8
G175 5510	Fusing drawer - 230V	17 - 8
G175 5520	Harness - Fusing Unit Set 120V	17 - 9
G175 5521	Harness - Fusing Set 230V	17 - 9
G176 0410	Logo: Ricoh	51 - 7
G176 0410	Logo: Ricoh	5 - 12
G360 3091	Tray Sheet 1	9 - 3
G360 3092	Tray Sheet 2	9 - 4
G360 3093	Tray Sheet 3	9 - 5
G555 3069	Base pad	9 - 15
G800 3035	Push SW - Paper Size	27 - 14
G800 3133	Side Fence Gear	5 - 8

CÓPIA NÃO CONTROLADA

CÓPIA NÃO CONTROLADA

Part No.	Description	Page and Index No.
G800 4851	Bushing	19 - 11
G800 4851	Bushing	21 - 12
G800 4854	Exit Roller	17 - 28
J007 1511	Logotype: GES	51 - 11
J007 1511	Logotype: GES	5 - 12
J007 1512	Logotype: NSA	51 - 12
J007 1512	Logotype: NSA	5 - 12
J007 1513	Logotype: REX	51 - 13
J007 1513	Logotype: REX	5 - 12

Part No.	Description	Page and Index No.
AA00 0301	Decal Warning (High Temperature)	51 - 1
AA00 0301	Decal Warning (High Temperature)	17 - 18
AA06 3539	Spring - Registration Roller	13 - 2
AA08 2058	Bushing - 6x10x9mm	11 - 5
AA08 2075	Bushing - M6	11 - 3
AA08 2144	Bushing - 8x12x7	13 - 4
AG07 1007	Latch - By Pass Feed Table	5 - 14
AW02 0141	Photointerruptor	11 - 15
GA00 1051	Plate: Logo: SVN	51 - 8
GA00 1051	Plate: Logo: SVN	5 - 12
GA00 1052	Plate: Logo: GES	51 - 9
GA00 1052	Plate: Logo: GES	5 - 12
GA00 1056	Plate: Logo: LAN	5 - 12
GA00 1056	Plate: Logo: LAN	51 - 10
GC01 5005	Shield Glass - Polygon Motor	7 - 19
GC02 5010	DTL	7 - 6
GC02 5011	Cylindrical Lens	7 - 14
GC03 0026	Mirror - 1	7 - 4
GC03 0027	Mirror - 2	7 - 5
GC03 0028	Mirror - Sync Detector	7 - 10
GH01 0007	Rubber Foot - FF-006(P4070)N	21 - 19
GW02 0020	Photointerruptor: LG248NL1	21 - 3
GW02 0020	Photointerruptor: LG248NL1	11 - 24
GX06 0029	Polygon Scanner Motor: DC24V 24W	7 - 20
GX64 0029	Fan: MM40x15: Nidec: L	25 - 19
GZ23 0039	DC Power Supply: 136W: DOM/NA	25 - 4
GZ23 0040	DC Power Supply: 136W: EU/AA	25 - 4
GZ32 0014	Power Pack - BCT	25 - 5

CÓPIA NÃO CONTROLADA

CÓPIA NÃO CONTROLADA

Part No.	Description	Page and Index No.
VSSM 9000	Digital Multimeter - FLUKE 187	53 - 2

Part No.	Description	Page and Index No.
0353 0040N	Screw - M3x4	27 - 105
0450 3008N	Tapping Screw - M3x8	9 - 101
0450 3008N	Tapping Screw - M3x8	27 - 103
0450 3008N	Tapping Screw - M3x8	15 - 102
0450 3008N	Tapping Screw - M3x8	19 - 101
0450 3008N	Tapping Screw - M3x8	11 - 101
0450 3008N	Tapping Screw - M3x8	21 - 101
0450 3008N	Tapping Screw - M3x8	17 - 101
0450 3008N	Tapping Screw - M3x8	25 - 101
0450 3008N	Tapping Screw - M3x8	7 - 102
0450 3008N	Tapping Screw - M3x8	5 - 101
0450 3008N	Tapping Screw - M3x8	3 - 103
0450 3008N	Tapping Screw - M3x8	25 - 104
0450 3010N	Tapping Screw - M3x10	23 - 101
0450 3010N	Tapping Screw - M3x10	11 - 102
0450 3010N	Tapping Screw - M3x10	19 - 102
0450 3010N	Tapping Screw - M3x10	17 - 103
0450 3012N	Tapping Screw: 3x12	21 - 102
0450 3012N	Tapping Screw: 3x12	7 - 103
0450 3012N	Tapping Screw: 3x12	25 - 102
0450 3012N	Tapping Screw: 3x12	13 - 101
0450 3012N	Tapping Screw: 3x12	15 - 101
0450 3012N	Tapping Screw: 3x12	17 - 102
0450 4010N	Tapping Screw: M4x10	23 - 103
0450 4010N	Tapping Screw: M4x10	25 - 107
0450 4010N	Tapping Screw: M4x10	3 - 102
0451 3006N	Tapping Screw - 3x6	25 - 103
0451 3006N	Tapping Screw - 3x6	3 - 101
0451 3006N	Tapping Screw - 3x6	27 - 101
0451 3006N	Tapping Screw - 3x6	7 - 108
0451 3008N	Tapping Screw - M3x8	11 - 104
0451 3014N	Tapping Screw: 3x14	21 - 103
0451 3020N	Tapping Screw: 3x20	25 - 115

CÓPIA NÃO CONTROLADA

CÓPIA NÃO CONTROLADA

Part No.	Description	Page and Index No.
0451 4006N	Tapping Screw - 4x6	25 - 105
0454 3006Q	Tapping Screw - M3x6	25 - 108
0454 3006Q	Tapping Screw - M3x6	27 - 106
0712 0030N	Hexagonal Nut: M3	7 - 105
0805 0088	Retaining Ring - M6	13 - 102
0805 0089	Retaining Ring - M4	9 - 102
0805 0089	Retaining Ring - M4	11 - 103
0805 0089	Retaining Ring - M4	23 - 102
0950 4006N	Screw - M4x6	25 - 109
0951 3016N	Screw: Polished Round: M3x16	7 - 104
0954 3006N	Screw - M3x6	25 - 114
0954 3008N	Screw - M3x8	17 - 104
0954 3010N	Screw: Polished Round/Spring: M3x10	17 - 105
1101 0328	Connector Pin Contact	47 - 101
1102 4201	Connector - 2P	47 - 102
1102 4202	Connector: 292132-3	47 - 103
1102 4203	CT Header - 4P	39 - 101
1102 4204	CT Header - 5P	47 - 104
1102 4205	Connector: 292132-6	47 - 105
1102 4559	Connector - 3P	21 - 107
1102 4631	CT Connector - 2P	47 - 106
1102 5306	Connector - 7P	47 - 107
1102 5943	Connector - 2P	47 - 108
1102 6295	Connector: 53324-0260	47 - 109
1102 7195	Connector - 50P	39 - 102
1102 7615	Connector - B8B-XH-A	39 - 103
1102 7698	Connector: TX24-60R-LT-N1E	39 - 104
1102 8057	Connector - 60P	47 - 110
1102 8329	Connector - USB - UBB-4R-D14C	39 - 105
1102 8470	Connector - 55447-0610	47 - 111
1102 8476	Connector: 55447-1280	47 - 112
1102 8477	Connector - 13P	47 - 113
1102 9079	Connector - RHM-88PL-SDK11-1	39 - 106
1102 9336	Connector: FPS009-2300-0	39 - 107
1102 9890	Connector: 5-1605706-2	39 - 108

Part No.	Description	Page and Index No.
1103 3988	Connector	47 - 116
1103 4000	Connector	47 - 117
1103 4005	Connector	47 - 118
1103 4007	Connector	47 - 119
1103 4043	Connector: 87825-1001	39 - 109
1103 4303	Connector	47 - 120
1103 4305	Connector	47 - 121
1103 4308	Connector	47 - 122
1103 4613	Connector: UAR27-4K5J00	39 - 110
1104 0764	IC Socket: 1-390261-2	47 - 123
1104 0821	IC Socket: 16008-B0A0020N	39 - 111
1105 0229	Clamp	7 - 101
1105 0267	Harness Clamp - YMC-10-0	15 - 105
1105 0487	Harness Clamp	21 - 104
1105 0487	Harness Clamp	25 - 110
1105 0487	Harness Clamp	27 - 107
1105 0488	Harness Clamp	25 - 111
1105 0489	Harness Clamp - LWS 1316	23 - 104
1105 0508	Harness Clamp - LWS-0711	15 - 104
1105 0516	Clamp	27 - 108
1105 0516	Clamp	21 - 105
1105 0534	Clamp	25 - 112
1105 0534	Clamp	15 - 103
1105 0720	Wire Binder: RF100	27 - 102
1109 0009	Fuse: MINISMDC075F	39 - 112
1150 0415	Power Supply Code: 125V: NA	25 - 106
1204 2521	Micro Switch	21 - 106
1204 2521	Micro Switch	27 - 104
1204 2537	Rocker Switch: AC250V/10A: Black	25 - 113
1204 2733	Switch: SSSS820501	47 - 124
1204 2791	Dip Switch: DM-04-V	39 - 113
1206 0054	Primary Lithium Cell: CR2032-1HS	39 - 114
1400 0637	Transistor - DTC144EUA	39 - 115
1400 0789	Transistor - IMT17	47 - 125
1400 1078	Transistor: RT2N12M-T111	47 - 126

CÓPIA NÃO CONTROLADA

CÓPIA NÃO CONTROLADA

Part No.	Description	Page and Index No.
1400 1152	Transistor: RT1N436M-T111	47 - 127
1400 1281	Transistor: 2SC4155A-T111	47 - 128
1400 1290	Transistor: 2SC3444-T111-DE	47 - 129
1401 1056	FET - 2SK2158	47 - 130
1401 1446	FET Array: SI4816BDY-E3	39 - 116
1401 1484	FET Array: SI4830ADY-E3	39 - 117
1402 1336	Diode - 1SS355	39 - 118
1402 1365	Diode-RB751V-40	39 - 119
1402 1511	Zener diode - MTZJ13B	47 - 131
1402 1929	Diode: RB160M-30	39 - 120
1402 1995	Diode: SDS511	47 - 132
1402 2045	Diode: RSX201L-30	47 - 133
1403 0996	LED - SML-310VT	47 - 134
1403 1131	LED: SML-311UT	39 - 121
1407 2187	TTLIC - SN74LS07NS	47 - 135
1407 5009	CMOS Logic: TC7SET04FU	39 - 122
1407 5346	IC - SN74LS74ANS	47 - 136
1407 5351	IC - SN74LV14APW	39 - 123
1407 5367	IC - 74LVC74A	39 - 124
1407 5482	IC - SN74LVC07APW	39 - 125
1407 5520	IC - SN74LVC125APW	39 - 126
1407 5523	ROM - I2C SOP 3V	39 - 127
1407 5528	IC - SN74LVC126APW	39 - 128
1407 5555	IC - SN74AHCT126PW	39 - 129
1407 6051	CMOS Logic: TC74VHC125FT(K)	47 - 137
1407 6145	IC: SN74LVC373APW	39 - 130
1407 6400	Clock Generator - ICS960013BFLF	39 - 131
1407 6430	IC - GAVD Type-R	47 - 138
1407 6453	CPU - RM7035C-466L-REV1.1	39 - 132
1407 6657	EEPROM: BR93L76-W	47 - 139
1407 6671	USB Controller: UPD720102GC-YEB-A	39 - 133
1407 6723	Custom IC: CORNET	39 - 134
1407 6741	LAN Controller LSI: DP83848JSQ/NOPB	39 - 135
1407 6785	Custom IC: SELENE2	39 - 136
1407 6803	CMOS Logic: TC7SZ07FU	39 - 137

Part No.	Description	Page and Index No.
1407 6826	CPU: HD64F2364VTE34V	47 - 140
1407 6869	Real Time Clock: R2023T-F	39 - 138
1407 6898	CMOS Logic: TC7WH126FK	39 - 139
1407 6944	USB Controller IC: ST72681/R21	39 - 140
1407 6951	CMOS Logic: TC7MBL3245SFK	39 - 141
1407 6957	CMOS Logic: TC7SH17FU	47 - 141
1407 6975	Driver: KID65003AP/P	47 - 142
1407 7149	CMOS Logic: TC74LCX16244	39 - 142
1407 7150	CMOS Logic: TC74LCX16245	39 - 143
1408 1653	Operational Amplifier: LMV324IPW	47 - 143
1408 1781	IC - R3112N421A	47 - 144
1408 1823	Series Regulator: RQ5RW20C-FA	39 - 144
1408 1826	IC - R3112Q421A	39 - 145
1408 1911	Comparator - LM2903PW	39 - 146
1408 2053	IC: R3112Q291A-FA	39 - 147
1408 2180	IC: BD3531F	39 - 148
1408 2247	Series Regulator: R1114N181B-F	39 - 149
1408 2388	Series Regulator: AIC1117A-33PYJ	47 - 145
1408 2404	Series Regulator: AIC1117A-18PYJ	47 - 146
1408 2550	DC/DC Converter: MP2108DK-LF	39 - 150
1408 2771	DC/DC Converter: BD9131MUV	39 - 151
1408 2817	DC/DC Converter: LTC3850E μ F#PBF	39 - 152
1502 0087	Buzzer: PS1720P02B	39 - 153
1503 0773	Crystal Oscillator: 32.768KHz: 7PF	39 - 154
1503 1066	Crystal Oscillator - 24.576MHZ	47 - 147
1503 1138	Crystal Oscillator - 48MHZ	39 - 155
1503 1355	Crystal Oscillator: 25MHZ	39 - 156
1503 1362	Crystal Oscillator: 30MHZ	39 - 157
1503 1363	Crystal Oscillator: 12MHZ	39 - 158
1503 1379	Crystal Oscillator: 14.31818MHZ	39 - 159
1601 5984	Resistor: 270 Ω : \pm 5%: 1W	47 - 148
1601 5985	Resistor: 6.8 Ω : \pm 5%: 1W	47 - 149
1601 6576	Carbon Film Resistor: 10 Ω : \pm 5%: 1/2W	47 - 150
1601 7750	Resistor - 22K Ω \pm 5.00%	47 - 151
1601 7867	Resistor - 33 Ω \pm 5% 1/16W	47 - 152

CÓPIA NÃO CONTROLADA

CÓPIA NÃO CONTROLADA

Part No.	Description	Page and Index No.
1601 7867	Resistor - 33 Ω ±5% 1/16W	39 - 160
1601 7887	Resistor Array - 10K Ω ±5% 1/32W	39 - 161
1601 7896	Resistor Array - 56 Ω ±5% 1/32W	39 - 162
1601 7898	Resistor Array	39 - 163
1601 7913	Resistor 22 Ω ±5% 1/32W	39 - 164
1601 7914	Resistor Array - 47 Ω ±5%	39 - 165
1601 7943	Resistor Array - 68 Ω ±5% 1/32W	39 - 166
1601 7959	Resistor	39 - 167
1601 7981	Resistor Array - 100K Ω±5%1/16W	39 - 168
1604 5713	Capacitor: 220µF: ±20%: 6.3V	39 - 169
1605 1137	Capacitor - 470pF ±10% 50V	47 - 153
1605 1148	Capacitor - 0.1µF +80-20% 50V	47 - 154
1605 1163	Ceramic Capacitor - 560pF: ±5%: 50V	39 - 170
1605 1176	Ceramic Capacitor 0.47µF +80-20%16V	39 - 171
1605 1190	Resistor - 0.022µF ±10% 50V	47 - 155
1605 1192	Capacitor: 1pF: ±0.25PF: 50V	39 - 172
1605 1196	Capacitor - 5pF: ±0.25PF: 50V	39 - 173
1605 1199	Capacitor - 8pF ±0.5pF 50V	39 - 174
1605 1200	Capacitor - 10pF ±0.5pF 50V	39 - 175
1605 1204	Capacitor-pF50V	39 - 176
1605 1205	Capacitor - 33pF ±5% 50V	39 - 177
1605 1207	Capacitor - 68pF ±5% 50V	39 - 178
1605 1208	Capacitor: 100pF: ±5%: 50V	39 - 179
1605 1211	Capacitor - 220pF ±10% 50V	39 - 180
1605 1214	Capacitor - 1000pF ±10% 50V	39 - 181
1605 1216	Capacitor - 2200pF±10%50V	39 - 182
1605 1221	Capacitor - 0.1 µF+80-20%16V	39 - 183
1605 1234	Capacitor: 4700pF: ±10%: 50V	39 - 184
1605 1240	Capacitor - 0.01µF ±10% 25V	39 - 185
1605 1282	Capacitor: 22µF: +80-20%: 10V	39 - 186
1605 1283	Capacitor - 680pF ±10% 50V	39 - 187
1605 1289	Capacitor - 0.1µF ±10% 10V	39 - 188
1605 1295	Capacitor: 10µF: +80-20%: 10V	39 - 189
1605 1295	Capacitor: 10µF: +80-20%: 10V	47 - 156
1605 1296	Capacitor - 330pF ±10% 50V	39 - 190

Part No.	Description	Page and Index No.
1605 1301	Capacitor-6800pF ±10% 50V	39 - 191
1605 1306	Capacitor - 1µF ±10% 10V	39 - 192
1605 1347	Capacitor - 1µF: +80-20%: 16V	39 - 193
1605 1406	Capacitor - 10µF ±10% 6.3V	39 - 194
1605 1448	Capacitor - 9PF: ±0.5pF 50V	39 - 195
1605 1466	Capacitor - 4.7µF +80-20% 10V	39 - 196
1605 1547	Capacitor: 2.2µF: ±10%: 6.3V	39 - 197
1605 1583	Capacitor - 0.1µF: ±10%: 16V	39 - 198
1605 1587	Capacitor: 22µF: ±20%: 6.3V	39 - 199
1605 1602	Capacitor: 3.3µF: ±10%: 6.3V	39 - 200
1605 1605	Capacitor - 4.7µF ±10% 10V	39 - 201
1605 1607	Capacitor: 22µF: +80-20%: 6.3V	39 - 202
1605 1671	Capacitor: 22µF: ±20%: 10V	39 - 203
1606 2319	Capacitor: 100µF: ±20%: 6.3V	39 - 204
1607 1014	EMI Filter - BLM11P600SPB	39 - 206
1607 1014	EMI Filter - BLM11P600SPB	39 - 205
1607 1051	Filter -FBMJ2125HS420	39 - 207
1607 1061	Filter - BLM11P300SPB	39 - 208
1607 1199	Filter - BLM21PG600SN1B	39 - 209
1607 1241	Filter - MMZ1608R102C	47 - 157
1607 1477	Inductor - RLF7030-4R7M3R4	39 - 210
1607 1489	Filter - MMZ1608B301C	47 - 158
1607 1567	Filter: MPZ2012S101A	39 - 211
1607 1606	Inductor - NLFC453232-150K-PF	47 - 159
1607 1637	Coil: ACM2012-900-2P	39 - 212
1607 1714	Ferrite Core: RFC-6	7 - 107
1607 2061	Inductor: OPA7355-015	39 - 213
1607 2062	Inductor: OPA7355-022	39 - 214
1609 0005	Resistor: 33Ω: ±5%: 1/16W	39 - 215
1609 0006	Resistor: 10KΩ: ±5%: 1/16W	39 - 216
1609 0007	Resistor - 68Ω ±5% 1/16W	39 - 217
1609 0011	Resistor: 22Ω: ±5%: 1/16W	39 - 218
1609 0016	Resistor: 56Ω: ±5%: 1/16W	39 - 219
1609 0020	Resistor: 10Ω: ±5%: 1/16W	39 - 220
1609 0026	Resistor - 47Ω ±5% 1/16W	39 - 221

CÓPIA NÃO CONTROLADA

CÓPIA NÃO CONTROLADA

Part No.	Description	Page and Index No.
1610 1746	Resistor - 24K Ω \pm 0.5% 1/10W	39 - 222
1610 1883	Resistor: 15K0 Ω : \pm 0.5%: 1/16W 1005	39 - 223
1610 1902	Resistor: 75K Ω : \pm 0.5%: 1/16W 1005	39 - 224
1610 2174	Chip Resistor: 8M Ω : \pm 2%: 2/3W: 2125	39 - 225
1610 2175	Chip Resistor: 15M Ω : \pm 2%: 2/3W: 2125	39 - 226
1611 8102	Resistor - 1K Ω \pm 5% 1/4W	47 - 160
1632 0000	Resistor - 0 Ω 1/8W	39 - 227
1633 0000	Resistor - 0 Ω 1/10W	39 - 228
1634 0000	Resistor - 0 Ω 1/16W	39 - 229
1634 0000	Resistor - 0 Ω 1/16W	47 - 161
1640 2470	Capacitor - 47 μ F \pm 20% 25V	47 - 162
1640 5470	Capacitor - 47 μ F \pm 20% 50V	47 - 163
1644 1101	Resistor - 100 μ F \pm 20%: 16V	39 - 230
1650 4101	Resistor - 100 Ω \pm 5%1/10W	47 - 164
1650 4102	Resistor - 1K Ω \pm 5% 1/10W	47 - 165
1650 4103	Resistor - 10K Ω \pm 5% 1/10W	47 - 166
1650 4103	Resistor - 10K Ω \pm 5% 1/10W	39 - 231
1650 4152	Resistor - 1.5K Ω \pm 5% 1/10W	47 - 167
1650 4201	Resistor - 200 Ω \pm 5%1/10W	47 - 168
1650 4220	Chip Resistor - 22 Ω \pm 5% 1/10W	39 - 232
1650 4222	Resistor - 2.2K Ω \pm 5%1/10W	47 - 169
1650 4223	Resistor - 22K Ω \pm 5%1/10W	47 - 170
1650 4302	Resistor - 3K Ω \pm 5%1/10W	47 - 171
1650 4330	Chip Resistor - 33 Ω \pm 5% 1/10W	47 - 172
1650 4330	Chip Resistor - 33 Ω \pm 5% 1/10W	39 - 233
1650 4333	Resistor - 33K Ω \pm 5%1/10W	47 - 173
1650 4470	Resistor - 47 Ω \pm 5%1/10W	47 - 174
1650 4472	Resistor - 4.7K Ω \pm 5% 1/10W	47 - 175
1650 4473	Resistor - 47K Ω \pm 5%1/10W	47 - 176
1650 4560	Chip Resistor - 56 Ω \pm 5% 1/10W	47 - 177
1650 4681	Resistor - 680 Ω \pm 5% 1/10W	47 - 178
1650 4682	Resistor - 6.8K Ω \pm 5% 1/10W	47 - 179
1650 5100	Chip Resistor - 10 Ω \pm 5%1/16W	39 - 234
1650 5101	Chip Resistor - 100 Ω \pm 5%1/16W	39 - 235
1650 5102	Chip Resistor - 1K Ω \pm 5%1/16W	39 - 236

Part No.	Description	Page and Index No.
1650 5103	Chip Resistor - 10K Ω \pm 5%1/16W	39 - 237
1650 5104	Chip Resistor - 100K Ω \pm 5%1/16W	39 - 238
1650 5104	Chip Resistor - 100K Ω \pm 5%1/16W	39 - 239
1650 5109	Chip Resistor 1 Ω \pm 5% 1/16W	39 - 240
1650 5122	Chip Resistor - 1.2K Ω \pm 5%1/16W	39 - 241
1650 5152	Chip Resistor: 1.5K Ω : \pm 5%: 1/16W	39 - 242
1650 5203	Resistor - 20K Ω \pm 5% 1/16W	39 - 243
1650 5220	Resistor - 22 Ω \pm 5% 1/16W	39 - 244
1650 5221	Chip Resistor - 220 Ω \pm 5%1/16W	39 - 245
1650 5222	Resistor - 2.2K Ω \pm 5% 1/16W	39 - 246
1650 5224	Resistor: 220K Ω : \pm 5%: 1/16W: 1005	39 - 247
1650 5229	Resistor: 2.2 Ω : \pm 5%: 1/16W: 1005	39 - 248
1650 5330	Chip Resistor - 33 Ω \pm 5%1/16W	39 - 249
1650 5470	Chip Resistor 47 Ω \pm 5% 1/16W	39 - 250
1650 5472	Chip Resistor: 4.7K Ω : \pm 5%: 1/16W	39 - 251
1650 5473	Chip Resistor - 47K Ω \pm 5% 1/16W	39 - 252
1650 5479	Resistor 4.7 Ω \pm 5% 1/16W	39 - 253
1650 5560	Chip Resistor 56 Ω \pm 5% 1/16W	39 - 254
1650 5621	Chip Resistor 620 Ω \pm 5% 1/16W	39 - 255
1650 5680	Resistor - 68 Ω \pm 5% 1/16W	39 - 256
1650 5822	Chip Resistor: 8.2K Ω : \pm 5%: 1/16W	39 - 257
1654 1000	Resistor - 100 Ω \pm 1% 1/10W	47 - 180
1654 1002	Resistor - 10K Ω \pm 5%1/10W	47 - 181
1654 1009	Resistor - 10 Ω \pm 1% 1/10W	39 - 258
1654 1202	Resistor: 12K Ω : \pm 1%: 1/10W	39 - 259
1654 1509	Chip Resistor: 15 Ω : \pm 1%: 1/10W	39 - 260
1654 1602	Resistor - 16K Ω \pm 1% 1/10W	39 - 261
1654 2200	Resistor: 220 Ω : \pm 1%: 1/10W: 1608	39 - 262
1654 2201	Resistor - 2.2K Ω \pm 1% 1/10W 1608	47 - 182
1654 4701	Resistor - 4.7K Ω \pm 1% 1/10W	47 - 183
1654 4709	Resistor - 47 Ω \pm 1% 1/10W	47 - 184
1654 5600	Resistor - 560 Ω \pm 1% 1/10W	47 - 185
1654 5601	Resistor - 5.6K Ω \pm 1% 1/10W	47 - 186
1654 6801	Resistor - 6.8K Ω \pm 1% 1/10W	47 - 187
1654 7501	Resistor - 7.5K Ω \pm 1%1/10W-1608	39 - 263

CÓPIA NÃO CONTROLADA

CÓPIA NÃO CONTROLADA

Part No.	Description	Page and Index No.
1655 0000	Chip Resistor - $0\Omega \pm 0\%$ 1/16W	39 - 264
1655 1001	Chip Resistor - $1K\Omega \pm 1\%$ 1/16W	39 - 265
1655 1002	Chip Resistor - $10K\Omega \pm 1\%$ 1/16W	39 - 266
1655 1004	Resistor: $1M\Omega \pm 1\%$: 1/16W: 1005	39 - 267
1655 1009	Resistor - $10\Omega \pm 1\%$ 1/16W	39 - 268
1655 1132	Resistor: $11.3K\Omega \pm 1\%$: 1/16W: 1005	39 - 269
1655 1200	Resistor - $120\Omega \pm 1\%$ 1/16W	39 - 270
1655 1202	Resistor: $12K\Omega \pm 1\%$: 1/16W: 1005	39 - 271
1655 1242	Resistor: $12.4K\Omega \pm 1\%$: 1/16W: 1005	39 - 272
1655 1501	Chip Resistor $1.5K\Omega \pm 1\%$ 1/16W	39 - 273
1655 1502	Resistor - $15K\Omega \pm 1\%$ 1/16W	39 - 274
1655 1601	Resistor: $1.6K\Omega \pm 1\%$: 1/16W: 1005	39 - 275
1655 1651	Resistor: $1.65K\Omega \pm 1\%$: 1/16W: 1005	39 - 276
1655 2201	Resistor: $2.2K\Omega \pm 1\%$: 1/16W: 1005	39 - 277
1655 2209	Resistor - $22\Omega \pm 1\%$ 1/16W	39 - 278
1655 2321	Resistor: $2.32K\Omega \pm 1\%$: 1/16W: 1005	39 - 279
1655 3002	Chip Resistor - $30K\Omega \pm 1\%$ 1/16W	39 - 280
1655 3309	Resistor - $33\Omega \pm 1\%$ 1/16W	39 - 281
1655 3321	Resistor: $3.32K\Omega \pm 1\%$: 1/16W: 1005	39 - 282
1655 3600	Resistor - $360\Omega \pm 1\%$ 1/16W	39 - 283
1655 3909	Resistor $39\Omega \pm 1\%$ 1/16W	39 - 284
1655 4700	Resistor - $470\Omega \pm 1\%$ 1/16W	39 - 285
1655 4701	Chip Resistor - $4.7K\Omega \pm 1\%$ 1/16W	39 - 286
1655 4709	Resistor - $47\Omega \pm 1\%$ 1/16W	39 - 287
1655 4871	Resistor: $4.87K\Omega \pm 1\%$: 1/16W: 1005	39 - 288
1655 4999	Resistor - $49.9\Omega \pm 1\%$ 1/16W	39 - 289
1655 5600	Resistor - $560\Omega \pm 1\%$ 1/16W	39 - 290
1655 5601	Resistor - $5.6K\Omega \pm 1\%$ 1/16W	39 - 291
1655 5609	Resistor - $56\Omega \pm 1\%$ 1/16W	39 - 292
1655 6800	Resistor: $680\Omega \pm 1\%$: 1/16W: 1005	39 - 293
1655 7501	Resistor: $7.5K\Omega \pm 1\%$: 1/16W: 1005	39 - 294
1660 2101	Capacitor - $100pF \pm 10\%$ - 50V	47 - 188
1660 2120	Capacitor - $12pF \pm 5\%$ 50V	47 - 189
1660 2150	Capacitor - $15pF \pm 5\%$ 50V	47 - 190
1660 2151	Capacitor - $150pF \pm 20\%$ 35V	47 - 191

Part No.	Description	Page and Index No.
1660 2180	Capacitor $18pF \pm 5\%$ 50V	47 - 192
1660 2181	Capacitor - $180pF \pm 5\%$ 50V	47 - 193
1660 2220	Capacitor - $22pF \pm 20\%$ 35V	47 - 194
1660 2391	Capacitor - $390pF \pm 5\%$ 50V	47 - 195
1660 2560	Capacitor - $56pF \pm 5\%$ 50V	47 - 196
1660 4102	Capacitor - $1000pF \pm 10\%$ 50V	47 - 197
1660 4103	Capacitor - $10000pF \pm 10\%$ - 50V	47 - 198
1660 4222	Capacitor - $2200pF \pm 10\%$ - 50V	47 - 199
1906 0117	Flash Memory: S29GL032A90TFIR20	39 - 295
1906 0120	NAND Flash: 1G: X8: 30NS: 3.3V: 2K	39 - 296
1907 0083	DDR512M: 8Mx16x4: 333MHz: CL2.5G4	39 - 297

CÓPIA NÃO CONTROLADA

CÓPIA NÃO CONTROLADA

Part No.	Description	Page and Index No.
5215 2713 5353 1803	Bottom Plate Pad Wave Washer	5 - 5 23 - 15

Part No.	Description	Page and Index No.
----------	-------------	--------------------

CÓPIA NÃO CONTROLADA

CÓPIA NÃO CONTROLADA

CÓPIA NÃO CONTROLADA