

**Model N-C3  
(D093/D094)**

**PARTS CATALOG**

**First edition, November 2010**

**Ricoh Company, LTD.**

**Model N-C3 (D093/D094)**

**PARTS CATALOG**

This catalog gives the numbers and names of parts on this machine.

<b>Model N-C3</b>	<b>(D093/D094)</b>
<b>Roll Feeder Type 3601A/B</b>	<b>(D503/D504)</b>
<b>Paper Cassette Type 240</b>	<b>(B853)</b>
<b>Table Type 240</b>	<b>(B854)</b>
<b>Original Hanger</b>	<b>(D311)</b>
<b>Rear Stacker</b>	<b>(D312)</b>
<b>MFP Options</b>	<b>(D377/D430/D506/...)</b>

**Model N-C3 (D093/D094)**

## Model N-C3 (D093/D094)

### PARTS CATALOG

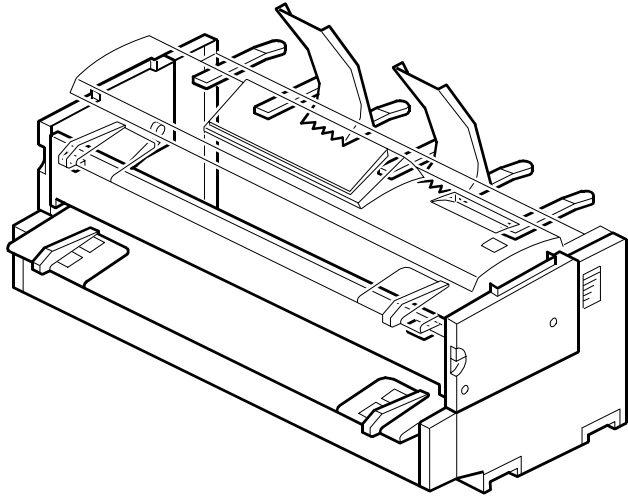
This catalog gives the numbers and names of parts on this machine.

<b>Location of unit.....</b>	<b>2</b>		
1.Exterior 1 (D093/D094).....	6	16.Paper Exit 1 (D093/D094).....	36
2.Exterior 2 (D093/D094).....	8	17.Paper Exit 2 (D093/D094).....	38
3.Operation Panel (D093/D094).....	10	18.Drive Section (D093/D094).....	40
4.Scanner Section 1 (D093/D094).....	12	19.Electrical Section 1 (D093/D094).....	42
5.Scanner Section 2 (D093/D094).....	14	20.Electrical Section 2 (D093/D094).....	44
6.Scanner Section 3 (D093/D094).....	16	21.Electrical Section 3 (D093/D094).....	46
7.Scanner Section 4 (D093/D094).....	18	22.Frame 1 (D093/D094).....	48
8.Paper Registration (D093/D094).....	20	23.Frame 2 (D093/D094).....	50
9.Image Prossessing (D093/D094).....	22	24.Decal And Documents (D093/D094).....	52
10.Drum Section (D093/D094).....	24	25.Special Tools (D093/D094).....	56
11.Development Unit (D093/D094).....	26	<b>Parts Index.....</b>	<b>59</b>
12.Charge & Transfer Unit (D093/D094).....	28		
13.Charge Cleaning Section (D093/D094).....	30		
14.Fusing Unit 1 (D093/D094).....	32		
15.Fusing Unit 2 (D093/D094).....	34		

November 25, 2010

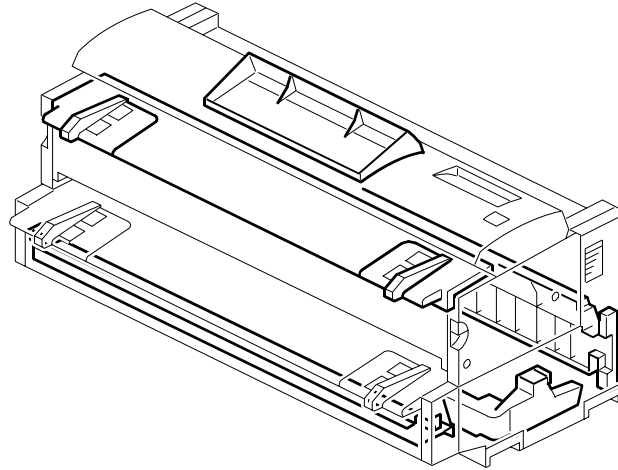
## LOCATIONS OF UNITS

1. Exterior 1 (D093/D094)



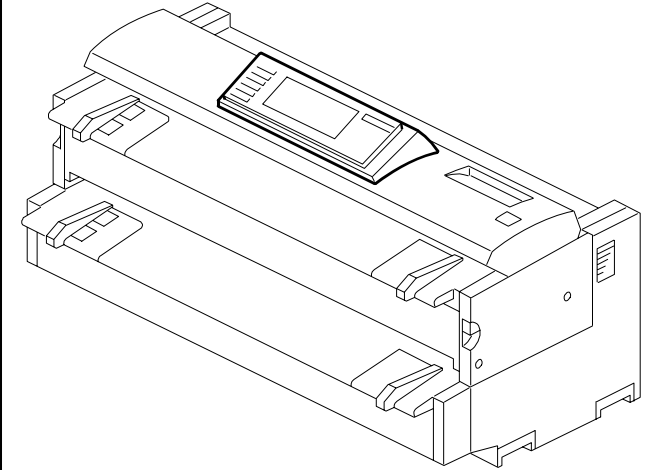
See Page 7

2. Exterior 2 (D093/D094)



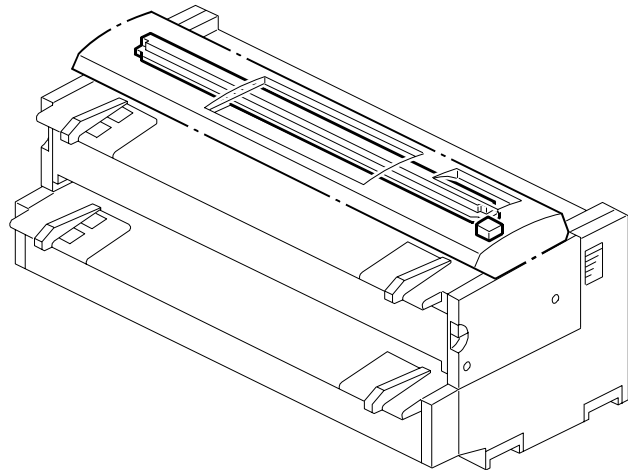
See Page 9

3. Operation Panel (D093/D094)



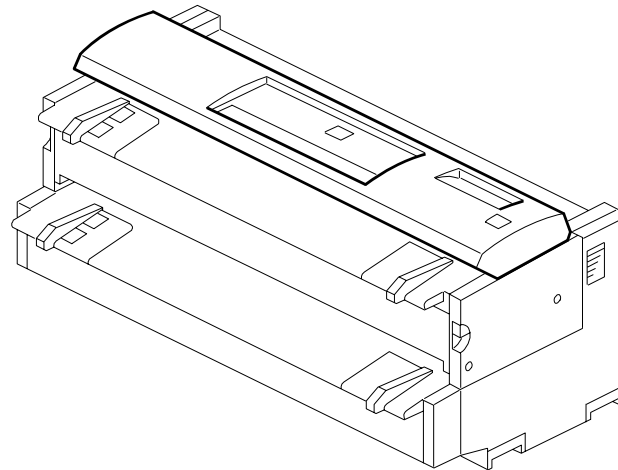
See Page 11

4. Scanner Section 1 (D093/D094)



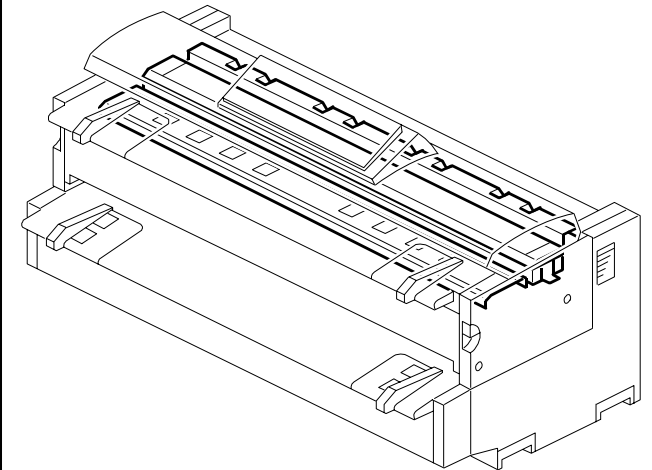
See Page 13

5. Scanner Section 2 (D093/D094)



See Page 15

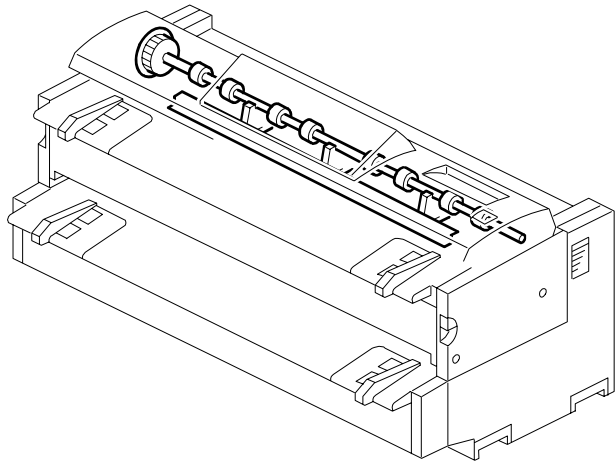
6. Scanner Section 3 (D093/D094)



See Page 17

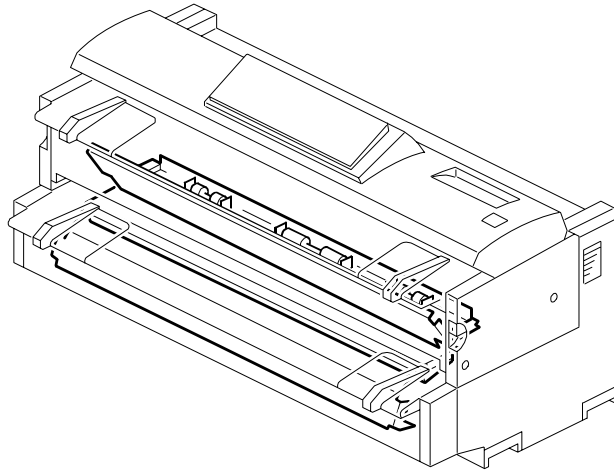
## LOCATIONS OF UNITS

7. Scanner Section 4 (D093/D094)



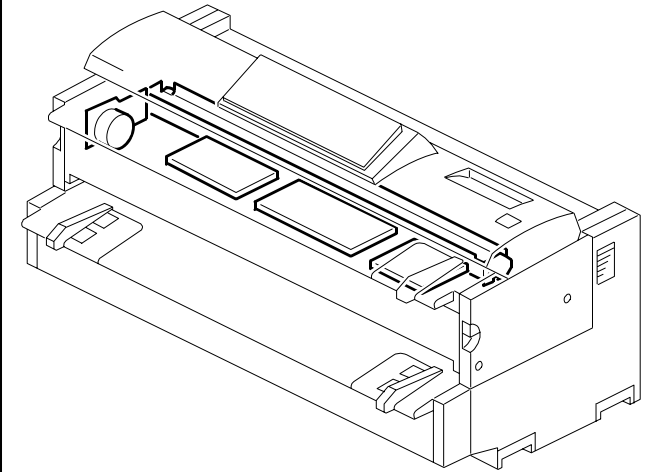
See Page 19

8. Paper Registration (D093/D094)



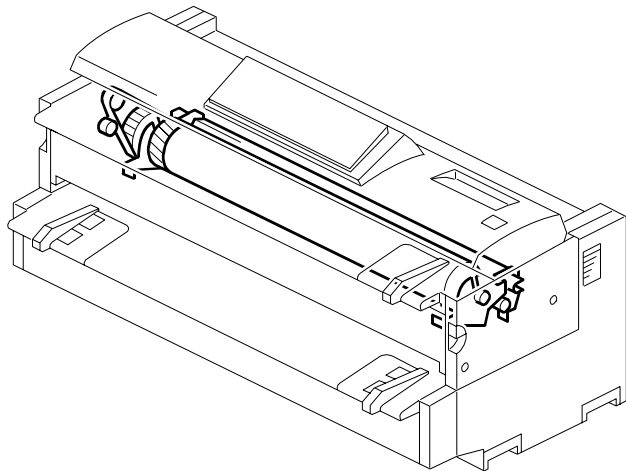
See Page 21

9. Image Processing (D093/D094)



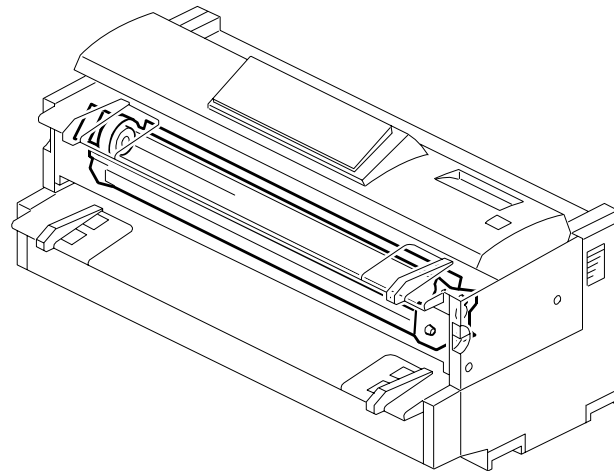
See Page 23

10. Drum Section (D093/D094)



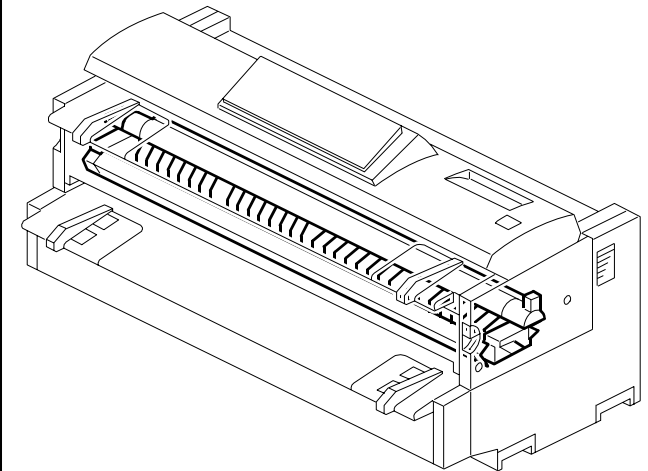
See Page 25

11. Development Unit (D093/D094)



See Page 27

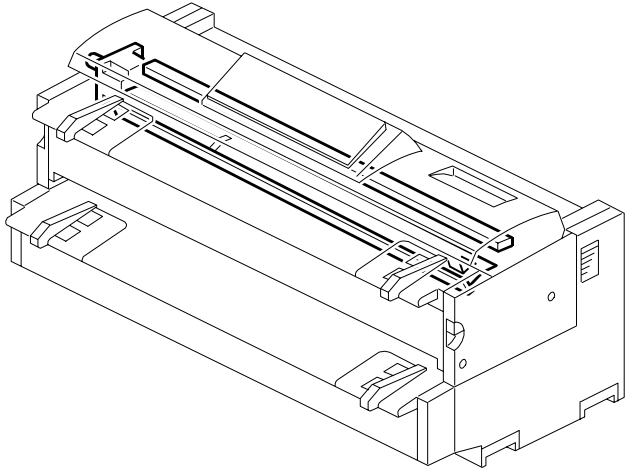
12. Charge & Transfer Unit (D093/D094)



See Page 29

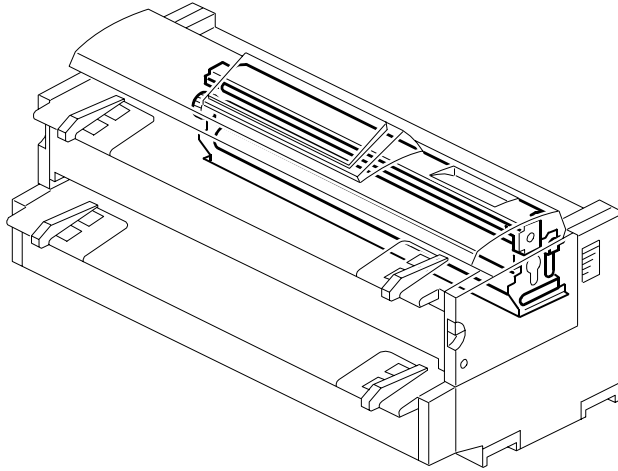
## LOCATIONS OF UNITS

13. Charge Cleaning Section (D093/D094)



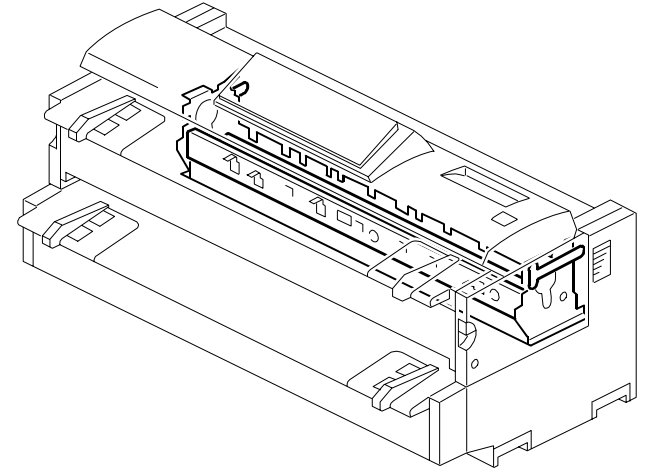
See Page 31

14. Fusing Unit 1 (D093/D094)



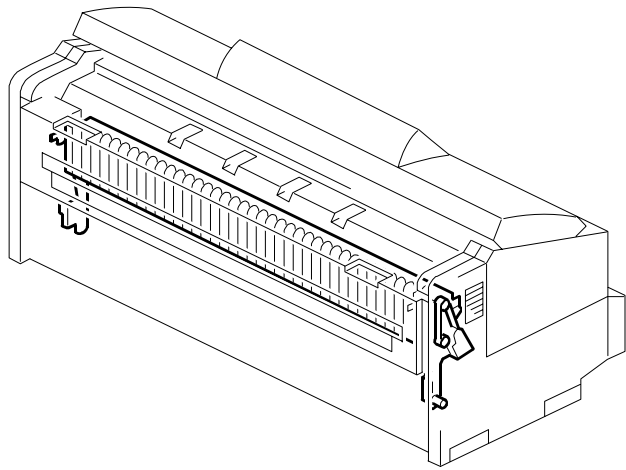
See Page 33

15. Fusing Unit 2 (D093/D094)



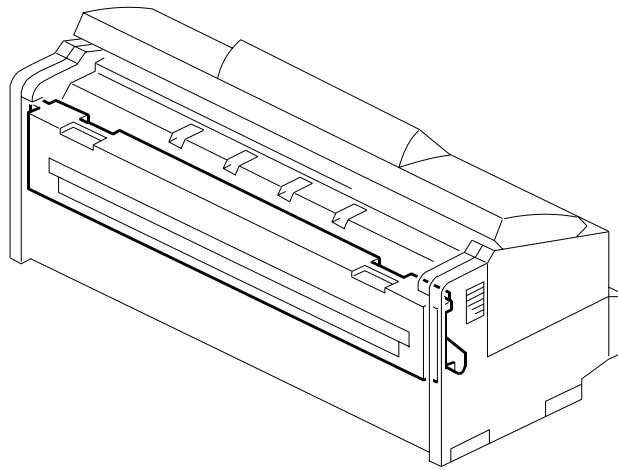
See Page 35

16. Paper Exit 1 (D093/D094)



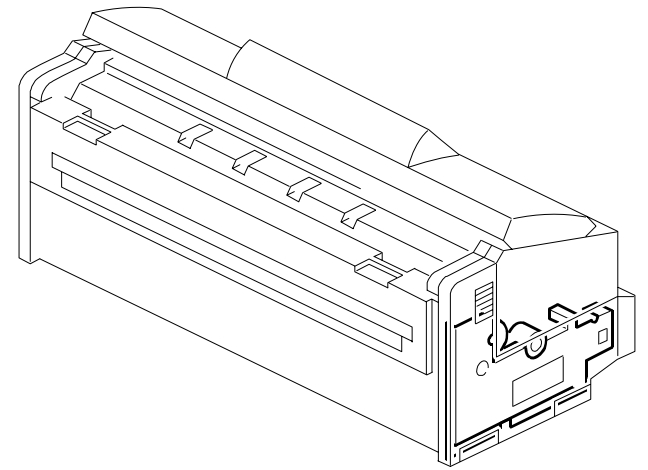
See Page 37

17. Paper Exit 2 (D093/D094)



See Page 39

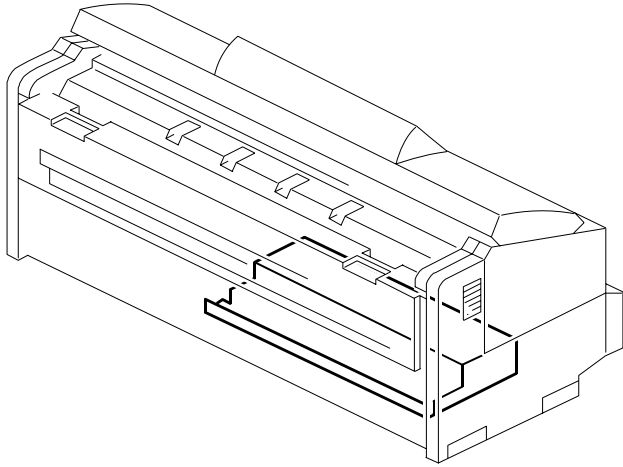
18. Drive Section (D093/D094)



See Page 41

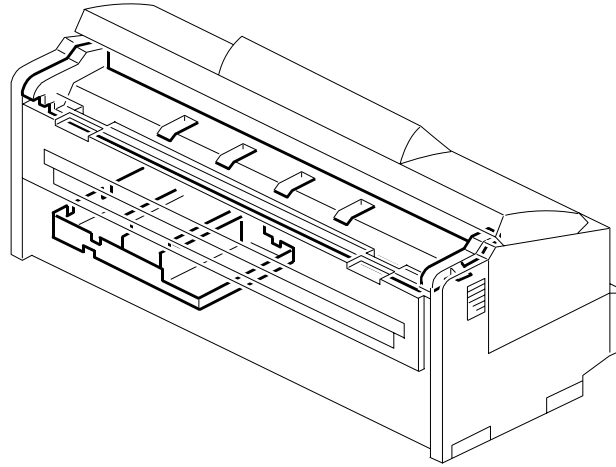
## LOCATIONS OF UNITS

19. Electrical Section 1 (D093/D094)



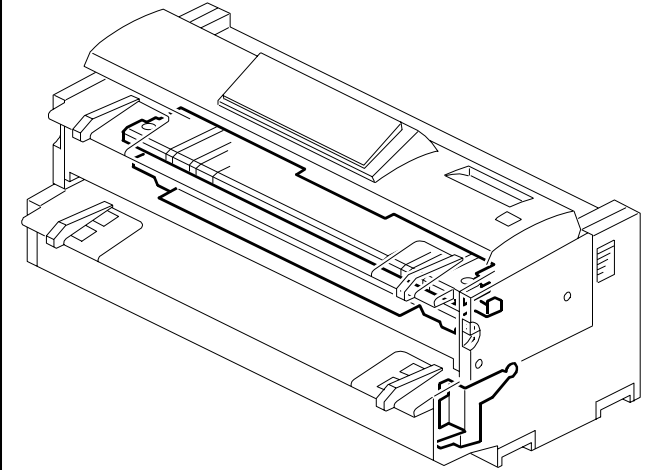
See Page 43

20. Electrical Section 2 (D093/D094)



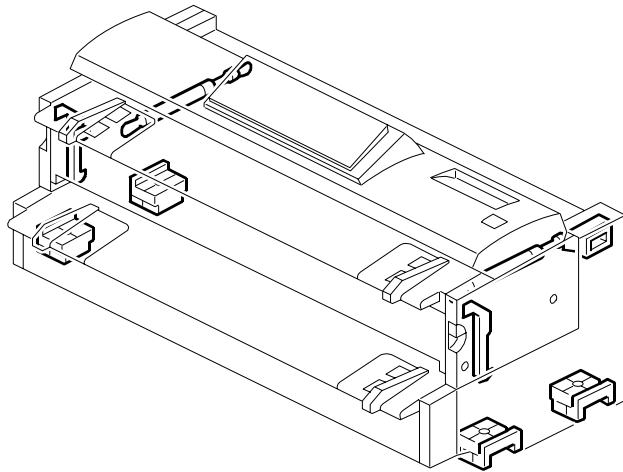
See Page 45

21. Electrical Section 3 (D093/D094)



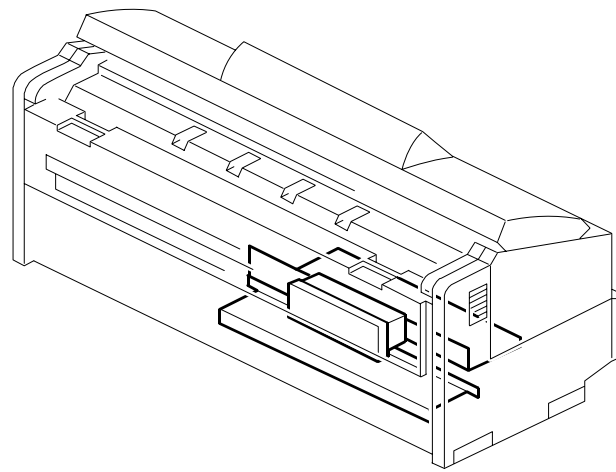
See Page 47

22. Frame 1 (D093/D094)



See Page 49

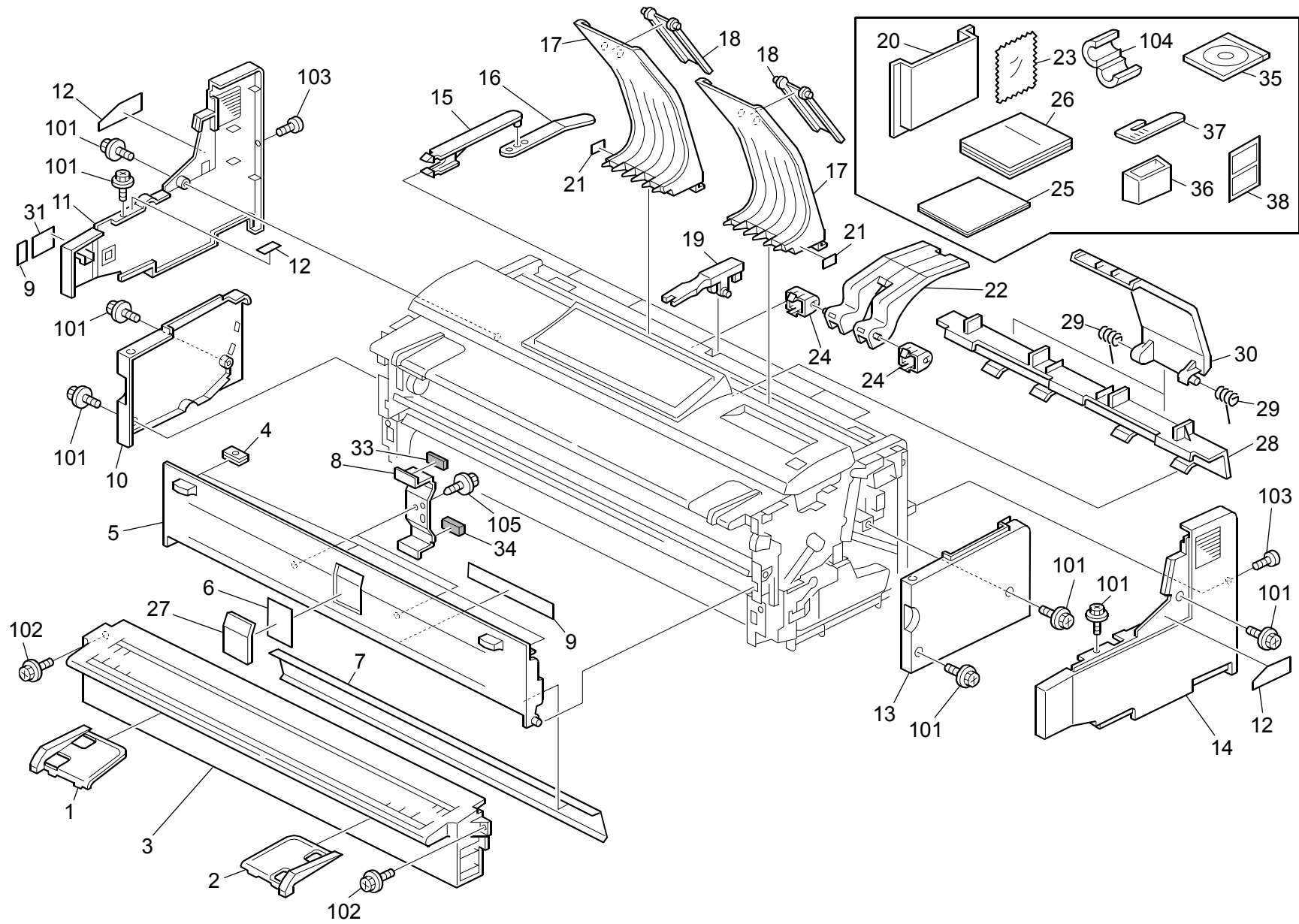
23. Frame 2 (D093/D094)



See Page 51



# 1.Exterior 1 (D093/D094)



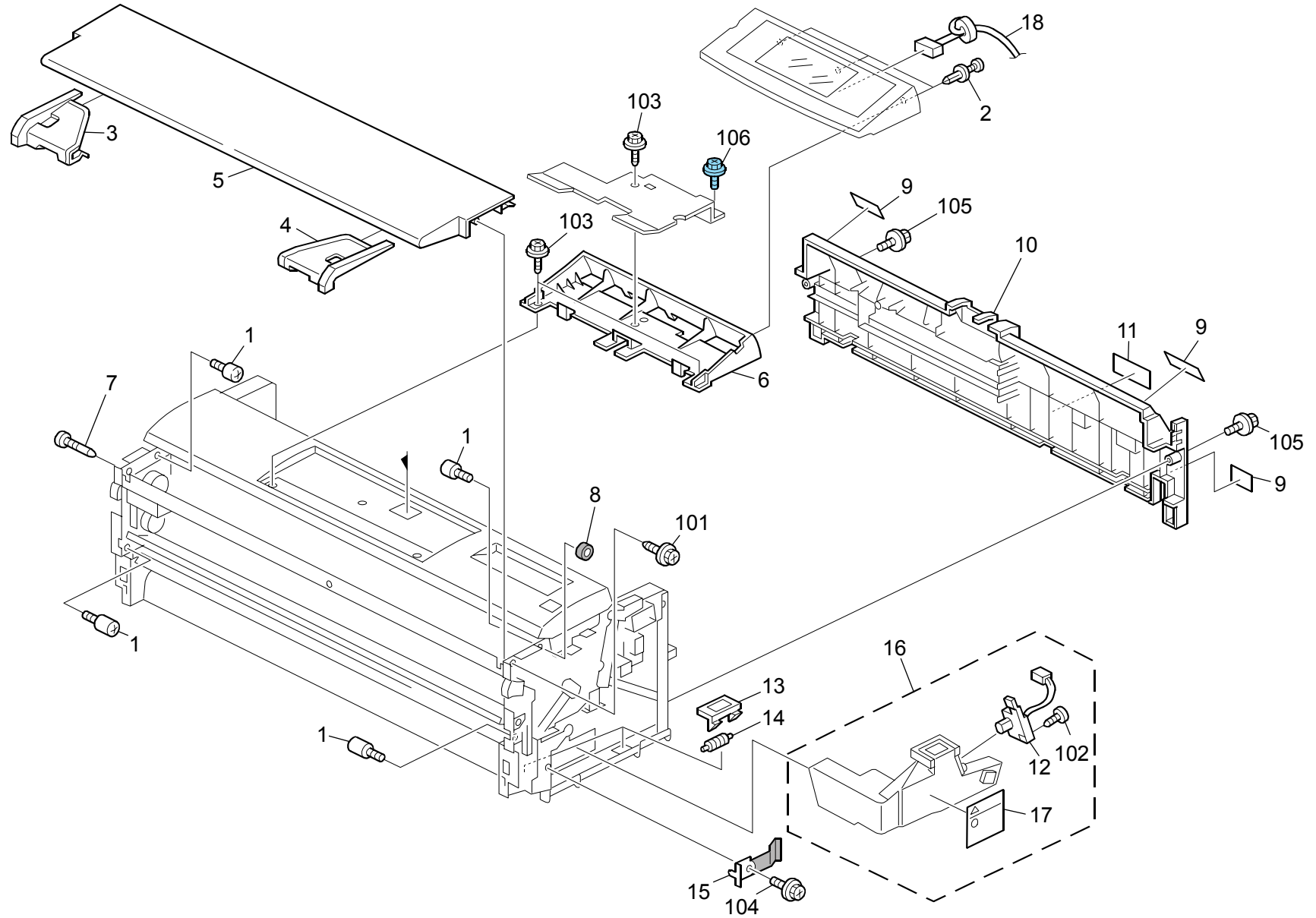
## 1.Exterior 1 (D093/D094)

Index No.	Part No.	Description	Q'ty Per Assembly
1	B125 4720	Side Fence:Left	1
2	B125 4723	Side Fence:Right	1
3	B286 2594	Manual Feed Table	1
4	AG07 0514	Magnet Catch	3
5	B286 4806	Cover - Toner Cartridge	1
6	D093 4811	Decal:Emblem:RIC (D093)	1
6	D094 4811	Decal:Emblem:RIC (D094)	1
7	B125 4841	Cover Sheet - Toner Cartridge	1
8	G180 1265	Ground Plate- Toner Supply	2
9	D093 4885	Decal:Original:Operate:Multi-language:EXP	1
9	D093 4887	Decal:Original:Operate:Multi-language:CHN	1
10	B286 1286	Cover:Left Upper	1
11	B286 1287	Cover:Left Lower	1
12	D093 1265	Decal:H-temp Warning:Exterior: Multi-language	1
13	B125 1283	Cover:Right Upper	1
14	B125 1288	Cover:Right Lower	1
15	B125 1363	Guide:Original	4
16	B125 1364	Guide Plate:Guide:Original	4
17	B286 1352	Copy Tray:Upper	2
18	D093 4462	Copy Tray:Auxiliary	2
19	B125 1358	Guide:Original:Middle	1
20	B010 1359	Operating Instructions Holder	1
21	D093 4464	Decal:Left And Right:Copy Tray	1
22	D093 4470	Guide:Paper:Auxiliary	1
23	B065 1374	Cloth - DF Exposure Glass	1
24	D093 4467	Case:Guide:Copy Tray	2
25	D094 7523	Manual:Troubleshoot:NA	1
25	D094 7696	Manual:Troubleshoot:CN	1
26	D094 7505	Manual>About_Machine:NA	1
26	D094 7693	Manual>About_Machine:CN	1
27	B132 1531	Panel:Logo	1
28	B286 1382	Holder:Original Tray	1
29	AA06 6681	Spring:Original Tray	4
30	B286 1380	Original Tray	2



Index No.	Part No.	Description	Q'ty Per Assembly
31	GA00 0067	Decal:Power Source:Off:English	1
31	B188 1373	Decal - Power Source Off(CHN)	1
33	D093 5321	Gasket:EGUN10313:L35	2
34	D093 5322	Gasket:EGUN10710:L35	2
35	D093 7703	CD-ROM:OI:User:NA:Ass'y	1
35	D093 7707	CD-ROM:Drv/Man:User:CHN:Ass'y	1
35	D093 7709	CD-ROM:Drv/Man:Admin:CHN:Ass'y	1
36	B065 1371	Cloth Holder	1
37	B125 1355	Guide Plate:Brush	1
38	D094 7719	Sheet:Quick_Ref_Copy:CHN	1
38	D094 7739	Sheet:Quick_Ref Prin:CHN	1
38	D094 7759	Sheet:Quick_Ref_Scan:CH	1
101	0451 3008N	Tapping Screw - M3x8	
102	0451 3006N	Tapping Screw - 3x6	
103	0453 3008N	Binding Self Tapping Screw:3x8	
104	1607 1092	Ferrite Core:RFC-10	
105	0450 3008N	Tapping Screw - M3x8	

## 2.Exterior 2 (D093/D094)

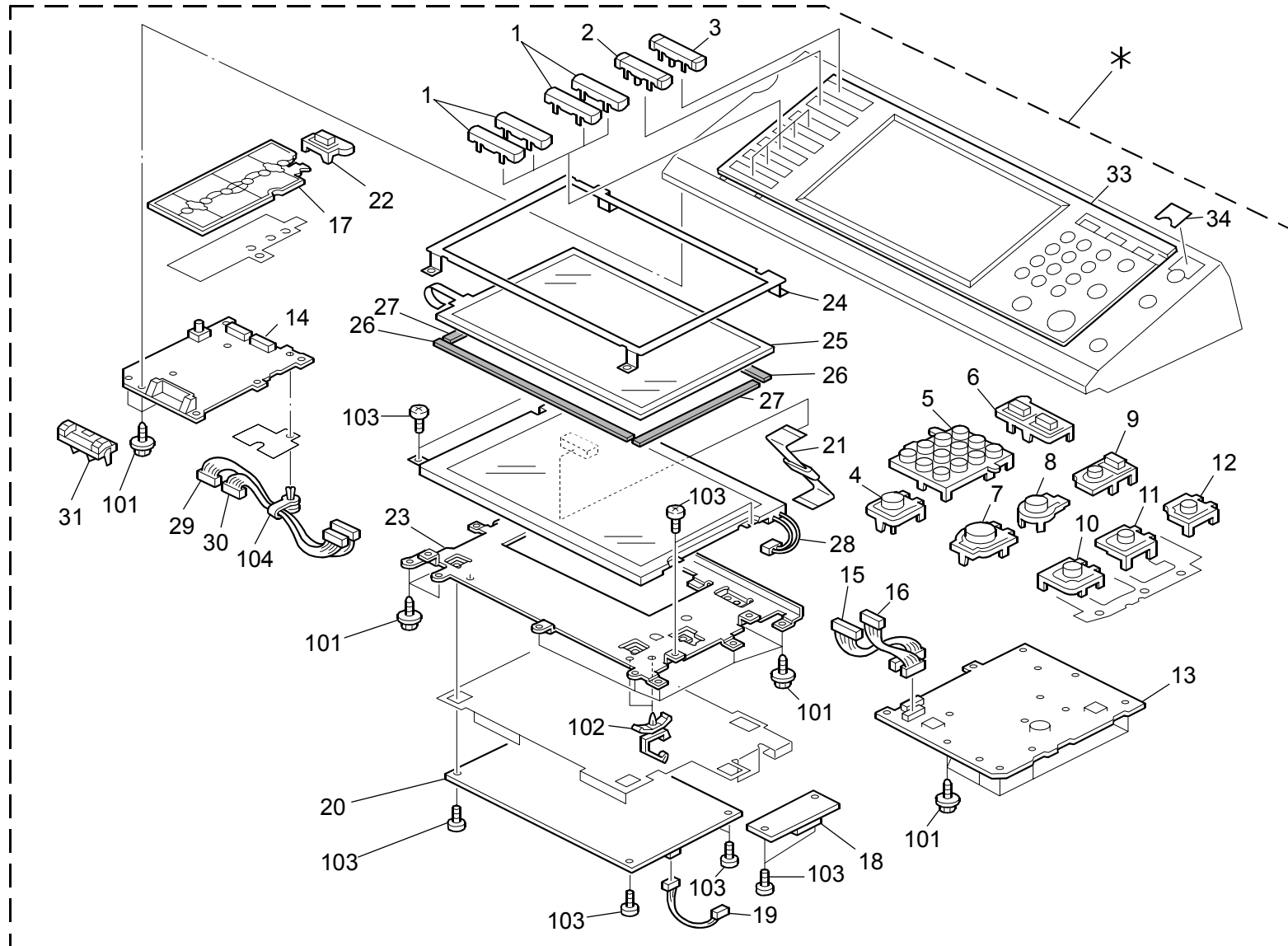


## 2.Exterior 2 (D093/D094)

Index No.	Part No.	Description	Q'ty Per Assembly
1	AA14 3859	Positioning Pin	4
2	B125 1474	Rivet:MM5	3
3	D093 4720	Side Fence:Left:Ass'y	2
4	D093 4723	Side Fence:Right:Ass'y	2
5	D093 4702	Original Table:NA:Printing	1
5	D093 4700	Original Table:Printing	1
6	B286 1500	Cover:Operation Panel	1
7	AA14 3788	Pin:Guide Plate:Paper Feed	7
8	B275 1670	Guard Burring	3
9	D093 1265	Decal:H-temp Warning:Exterior: Multi-language	1
10	D093 1284	Cover:Rear Lower	1
11	D093 4885	Decal:Original:Operate:Multi-language:EXP	1
12	AW40 0014	Used Toner Sensor	1
13	A060 3827	Roller Holder	2
14	A060 3826	Toner Collection Bottle Roller	2
15	B125 3688	Leaf Spring:Collection Bottle	1
16	B286 3661	Collection Bottle	1
17	B286 3662	Decal:Toner Recycling	1
18	B286 5763	Harness:DC:Operation	1

Index No.	Part No.	Description	Q'ty Per Assembly
101	0451 4010N	Tapping Screw:4x10	
102	0452 3006N	Binding Self-tapping Screw:3x6	
103	0450 3010N	Tapping Screw - M3x10	
104	0451 3006N	Tapping Screw - 3x6	
105	0451 3008N	Tapping Screw - M3x8	
106	0454 3006Q	Tapping Screw - M3x6	

### 3.Operation Panel (D093/D094)

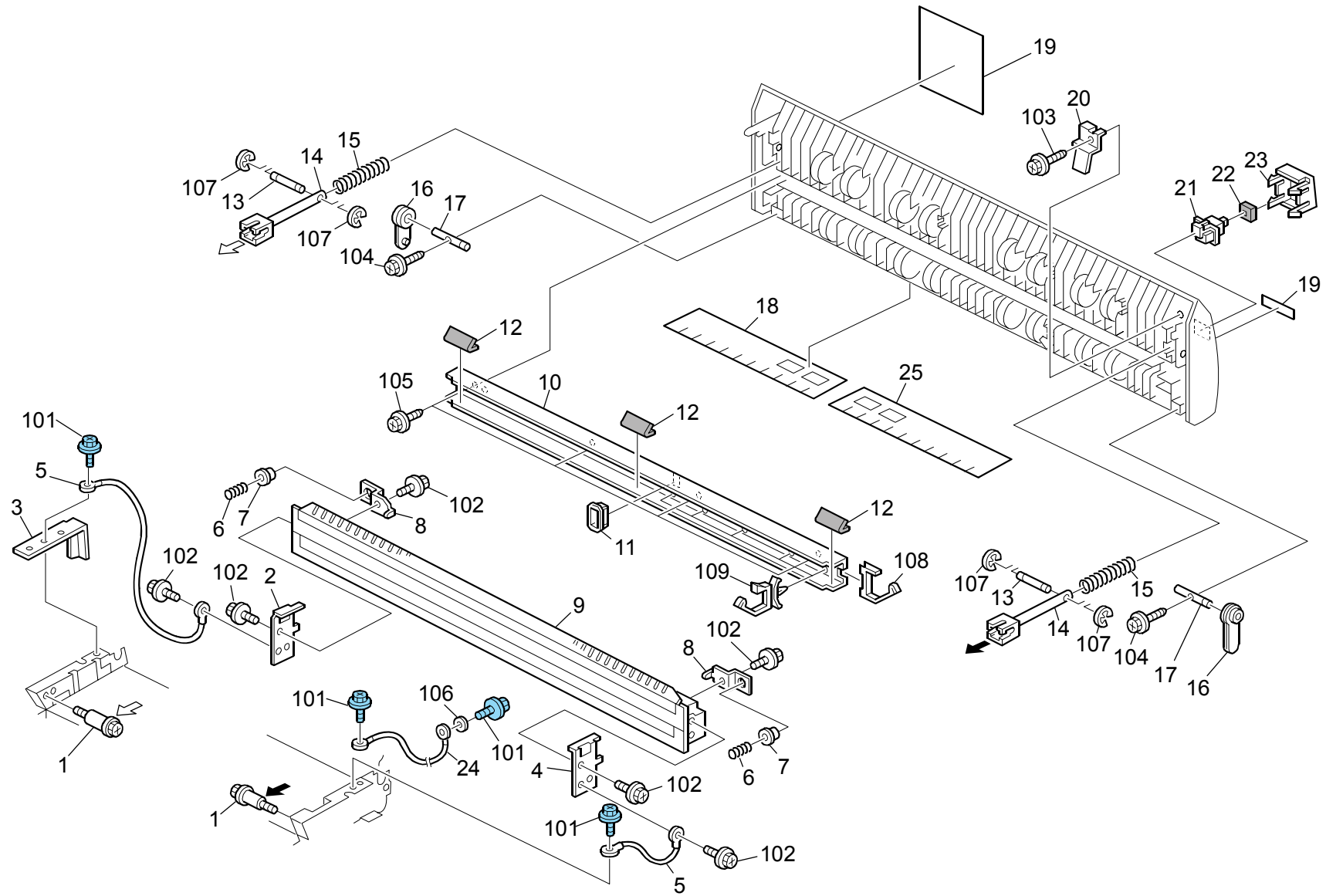


### 3.Operation Panel (D093/D094)

Index No.	Part No.	Description	Q'ty Per Assembly
*	D093 1441	Operation Sub-unit:NA	1
*	D093 1442	Operation Sub-unit:EU/AA	1
*	D093 1443	Operation Sub-unit:CHN	1
1	B223 1518	Keytop - Blank FB	4
2	B223 1529	Keytop - DOC NA	1
2	B223 1535	Keytop:DOC:EU	1
3	B223 1528	Keytop - Copy NA	1
3	B223 1534	Keytop:Copy:EU	1
4	B223 1520	Keytop - Clear/Stop	1
5	B223 1540	Keytop:10key:NA	1
5	B223 1521	Keytop:10key	1
6	B238 1583	Keytop - Clear Modes	1
7	B238 1504	Keytop - Start	1
8	B238 1506	Keytop - Try Print	1
9	B238 1509	Keytop - Interrupt	1
10	B238 1552	Keytop - Kantan	1
11	B238 1550	Keytop - Login	1
12	B238 1549	Keytop - Power Source	1
13	D009 1466	PCB:ALC1:OP-R:Sub-Ass'y	1
14	B286 1497	PCB:NPC2:OP-L:Sub-Ass'y	1
15	D009 1481	Harness:OP-R:13	1
16	D009 1480	Harness:OP-R:10	1
17	B238 1547	Spacer - Keytop	1
18	D009 1486	Invertor:TFT	1
19	D009 1484	Harness:Invertor	1
20	D093 1431	PCB:LCDC:NA	1
20	D093 1432	PCB:LCDC:EU	1
20	D093 1433	PCB:LCDC:CHN	1
21	D009 1487	Cable:FFC:TFT:LCD	1
22	B238 1511	Keytop - Counter	1
23	D046 1475	Bracket:LCDC:BLG-C1:Ass'y	1
24	D029 1507	Shadeing Plate:Touch Panel:Ass'y	1
25	D029 1484	Touch Panel:WVGA:FU-ACF	1
26	B238 1535	LCD Spacer B	2
27	B238 1534	LCD Spacer A	2

Index No.	Part No.	Description	Q'ty Per Assembly
28	D009 1489	LCD:TFT:W-VGA:SH	1
29	D046 1466	Harness:BLG:OP-L:13	1
30	D046 1465	Harness:BLG:OP-L:12	1
31	D046 1474	Lens:Front:BLG-C1	1
33	D009 1556	Panel:Upper:NA	1
33	D009 1557	Panel:Upper:EU	1
34	B238 1539	Sheet:Power Source:Display:NA	1
34	B286 1479	Sheet:Power Source:N-C2:EU	1
101	0450 3010N	Tapping Screw - M3x10	
102	1105 0582	Clamp:RBWS-0510D-V0	
103	0353 0060N	Bind Screw - M3x6	
104	1105 0032	Clamp	

## 4.Scanner Section 1 (D093/D094)



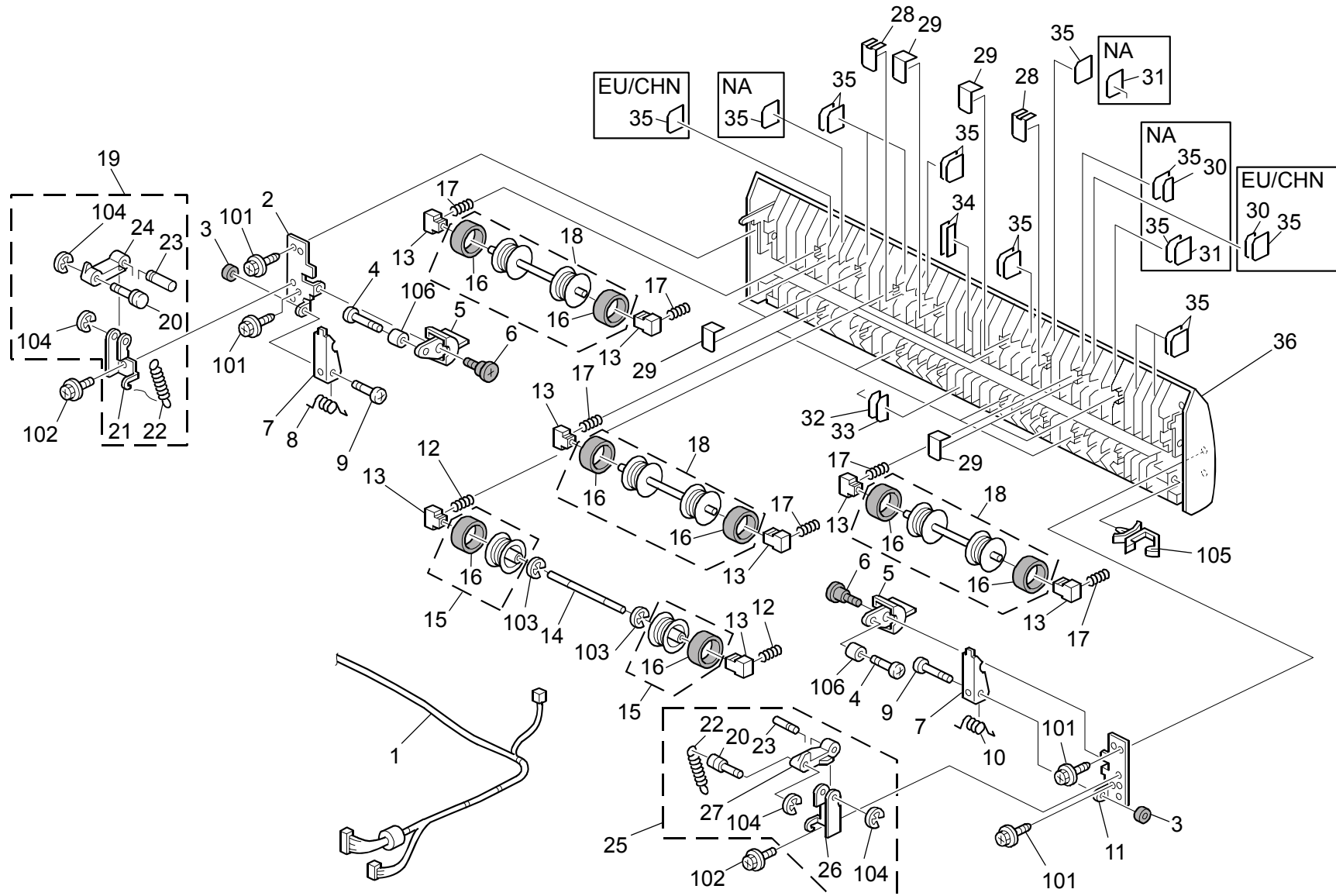
#### 4.Scanner Section 1 (D093/D094)

Index No.	Part No.	Description	Q'ty Per Assembly
1	AA14 3823	Tapping Screw	2
2	B286 4966	Bracket:Pressure Plate:Left	1
3	B125 4809	Cover:Original:Drive	1
4	B286 4967	Bracket:Pressure Plate:Right	1
5	B125 5683	Ground Wire:Pressure Plate	2
6	AA06 3419	Spring - 10n	2
7	B125 4852	Case:Spring	2
8	B125 4853	Plate:Spring	2
9	B286 4940	Pressure Plate	1
10	B125 4742	Supporting Plate:Cover:Original	1
11	H004 3755	Square Bushing	1
12	B286 5750	Gasket:Uc-300281:50mm	3
13	A422 1356	Pin - 3x26mm	2
14	B125 4732	Stopper:Original:Upper	2
15	AA06 3444	Spring:Stopper:Original	2
16	A163 6052	Original Table Bushing	2
17	B125 4761	Shaft:Contact Point:Original:Upper	2
18	D093 4717	Sheet:Block Light:CIS:Left	1
19	D093 4885	Decal:Original:Operate:Multi-language:EXP	1
20	B125 4884	Cover:Original:Switch	1
21	AW50 0022	Push Switch	1
22	B286 4854	Cushion:Keytop:Original:Stop	1
23	B286 4767	Keytop:Original:Stop	1
24	D093 5756	Ground Wire:Scanner Unit:Right	1
25	D093 4718	Sheet:Block Light:CIS:Right	1

Index No.	Part No.	Description	Q'ty Per Assembly
101	0454 3006Q	Tapping Screw - M3x6	
102	0451 3008N	Tapping Screw - M3x8	
103	0450 3008N	Tapping Screw - M3x8	
104	0451 4016N	Tapping Screw:4x16	
105	0450 4008N	Tapping Screw - M4x8	
106	0703 0040N	Spring Washer:DIA4	
107	0720 0020E	Retaining Ring - M2	
108	1105 0724	Clamps:WES-1210	
109	1105 0516	Clamp	



# 5.Scanner Section 2 (D093/D094)

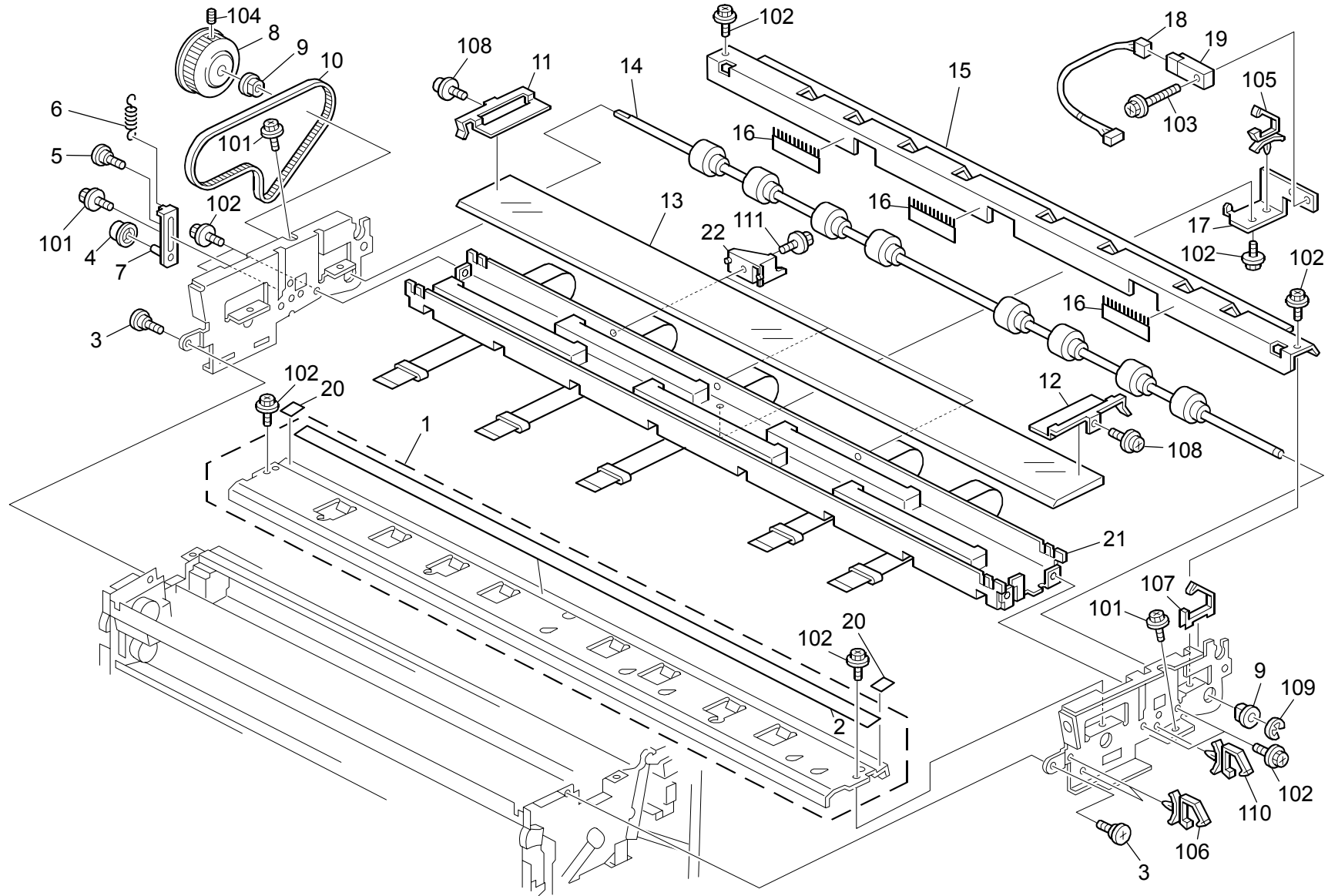


## 5.Scanner Section 2 (D093/D094)

Index No.	Part No.	Description	Q'ty Per Assembly
1	B286 5763	Harness:DC:Operation	1
2	B125 4870	Stand:Pressure Release:Left	1
3	H072 2207	Guard	2
4	AA14 3394	Stepped Screw - M3x10	2
5	B125 4864	Knob:Pressure Release	2
6	AA14 3543	Screw:M4:DIA6x1.7:Black	2
7	B125 4866	Bracket:Pressure Release	2
8	AA06 6370	Left Pressure Release Spring - 5N	1
9	AA14 3569	Screw	2
10	AA06 6371	Right Pressure Release Spring - 5N	1
11	B125 4871	Stand:Pressure Release:Right	1
12	AA06 3416	Spring - 3.4N	4
13	AA08 2135	Bushing - DIA4	16
14	B125 4751	Shaft:Driven	2
15	D093 4772	Roller:Driven:Ass'y	4
16	B286 4752	Driven Roller:Original Insert	16
17	AA06 3955	Spring:Driven:1.7N	12
18	D093 4734	Driven Roller:Ass'y	6
19	B125 4901	Stopper:Open And Close:Left:Unit	1
20	B125 4913	Shaft:Spring:Stopper	2
21	B125 4902	Bracket:Open And Close:Stopper:Left	1
22	B125 4910	Tension Spring:Stopper	2
23	B125 4912	Shaft:Contact Point:Stopper	2
24	B125 4904	Stopper:Open And Close:Left	1
25	B125 4906	Stopper:Open And Close:Right:Unit	1
26	B125 4907	Bracket:Open And Close:Stopper:Right	1
27	B125 4909	Stopper:Open And Close:Right	1
28	B286 4757	Sheet:Original Insert:A	2
29	B286 4758	Sheet:Original Insert:B	6
30	B125 4825	Sheet:Block Light:1	1
31	B125 4826	Sheet:Block Light:2	4
32	B125 4827	Sheet:Block Light:3	1
33	B125 4828	Sheet:Block Light:4	1
34	B125 4829	Sheet:Block Light:5	2
35	B125 4879	Sheet:Shield:Paper Size Sensor	13

Index No.	Part No.	Description	Q'ty Per Assembly
36	B125 4725	Cover:Original:Upper	1
101	0450 3008N	Tapping Screw - M3x8	
102	0451 3006N	Tapping Screw - 3x6	
103	0720 0030E	Retaining Ring - M3	
104	0720 0020E	Retaining Ring - M2	
105	1105 0487	Harness Clamp	
106	0736 0406	Bushing:DIA4x6	

## 6.Scanner Section 3 (D093/D094)

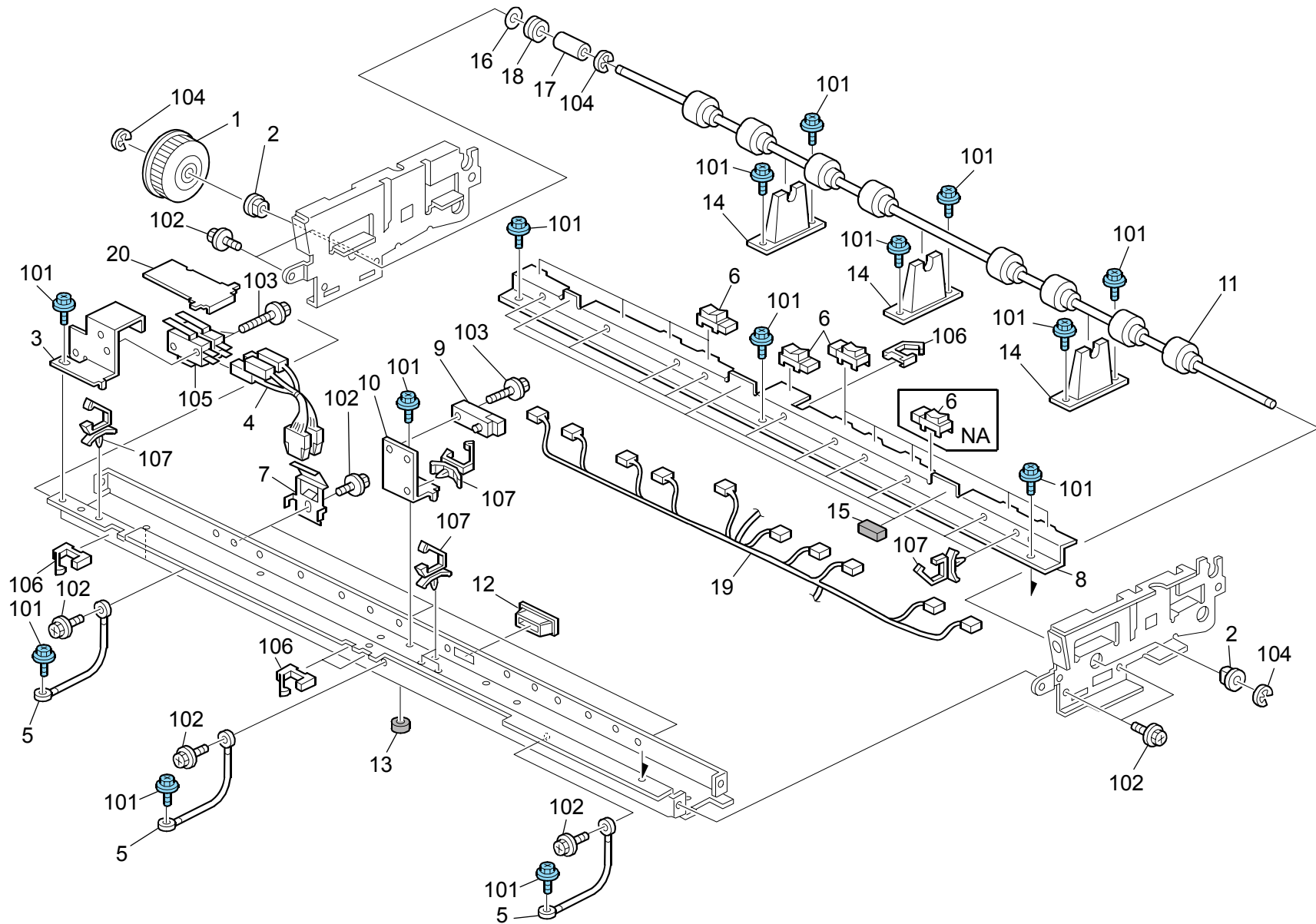


### 6.Scanner Section 3 (D093/D094)

Index No.	Part No.	Description	Q'ty Per Assembly
1	B286 4692	Guide Plate:Front Lower:NA	1
1	B286 4682	Guide Plate:Front Lower:EU	1
2	B125 4689	Front CIS Guide	1
3	B188 3575	Screw:Lever:Release:Blade	2
4	G568 2839	Tightener - M16	1
5	5447 2769	Stepped Screw	1
6	AA06 0943	Belt Tensioner Spring	1
7	B125 4815	Tensioner:Belt	1
8	AB03 0745	Pulley - 76T	1
9	5053 0223	Bushing - 8mm	2
10	AA04 3588	Timing Belt - B60S2M480	1
11	B125 1728	Spring Plate:Exposure Glass:Left	1
12	B125 1727	Spring Plate:Exposure Glass:Right	1
13	AC01 0006	Exposure Glass	1
14	D093 4673	Transport Roller:Original Exhaust:Ass'y	1
15	B286 4696	Guide Plate:Original:Rear Lower	1
16	AA12 0125	Front Discharge Brush	3
17	B286 4616	Bracket:Original:Paper Feed Sensor	1
18	B275 5686	Harness - DC Scanner Unit	1
19	AW01 0109	Photo Reflection Sensor:PS117ED1	2
20	B286 4691	Guide:CIS:Front:Small	2
21	D093 1640	Contact Image Sensor:Service:Ass'y	1
22	B125 4697	Bushing:Arm:Rear	3

Index No.	Part No.	Description	Q'ty Per Assembly
101	0451 4006N	Tapping Screw - 4x6	
102	0451 3006N	Tapping Screw - 3x6	
103	0451 3014N	Tapping Screw:3x14	
104	0574 0050E	Hexagon Headless Set Screw - M4x5	
105	1105 0511	Harness Clamp - LWS-0306ZC	
106	1105 0487	Harness Clamp	
107	1105 0724	Clamps:WES-1210	
108	0951 3006N	Screw - M3x6	
109	0720 0060E	Retaining Ring - M6	
110	1105 0516	Clamp	
111	0451 3008N	Tapping Screw - M3x8	

# 7.Scanner Section 4 (D093/D094)

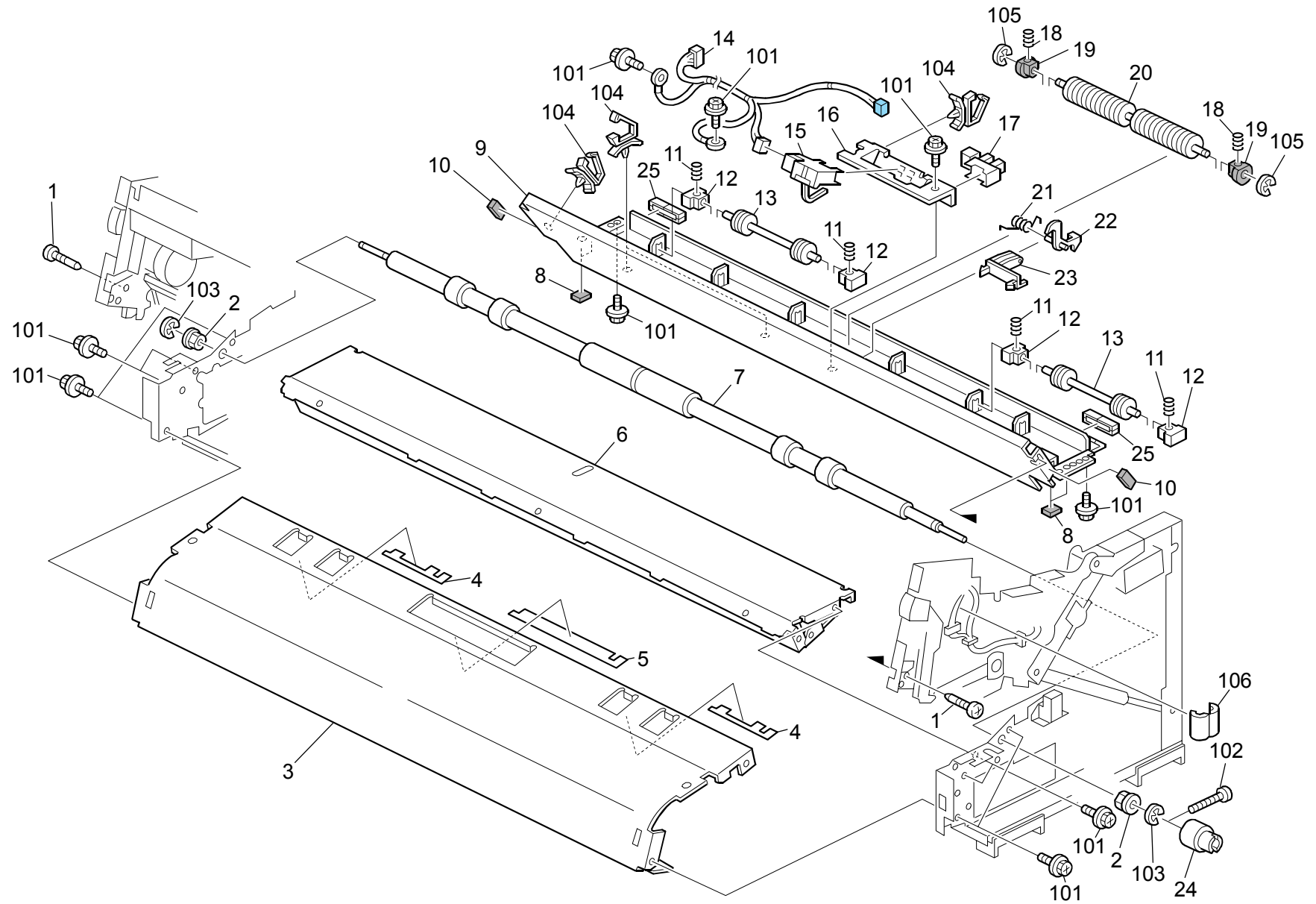


## 7.Scanner Section 4 (D093/D094)

Index No.	Part No.	Description	Q'ty Per Assembly
1	AB03 0746	Pulley - 76T	1
2	5053 0223	Bushing - 8mm	2
3	D093 4652	Bracket:Set Sensor	1
4	D093 5765	Harness:DC:Scanner Unit:Set Sensor: Connecting	1
5	B286 5741	Ground Wire:Scanner Unit:2	3
6	AW01 0107	Paper Feed Sensor	10
7	B125 4753	Grounding Plate:Original:Frontlower	3
8	B286 4631	Bracket:Original Sensor:NA	1
8	B286 4630	Bracket:Original Sensor	1
9	AW01 0109	Photo Reflection Sensor:PS117ED1	2
10	B125 4613	Bracket:Registration Sensor	1
11	D093 4663	Transport Roller:Original Insert:Ass'y	1
12	H004 3755	Square Bushing	1
13	H072 2207	Guard	1
14	B125 4656	Bushing:Arm:Front	3
15	B286 5768	Gasket:Scanner:Guide Plate:Front	3
16	B125 3230	Spacer - 0.3	1
17	B889 1435	Spacer:21.2	1
18	5219 3326	Rubber Seal - Paddle Roller	1
19	B286 5732	Harness:DC:Scanner Unit:NA	1
19	B286 5723	Harness:DC:Scanner Unit (EU/CHN)	1
20	D093 4653	Lever:Micro Switch	1

Index No.	Part No.	Description	Q'ty Per Assembly
101	0454 3006Q	Tapping Screw - M3x6	
102	0451 3006N	Tapping Screw - 3x6	
103	0451 3014N	Tapping Screw:3x14	
104	0720 0060E	Retaining Ring - M6	
105	1204 2529	Switch - V-5F912DN	
106	1105 0723	Clamps:WES-0507	
107	1105 0511	Harness Clamp - LWS-0306ZC	

## 8.Paper Registration (D093/D094)



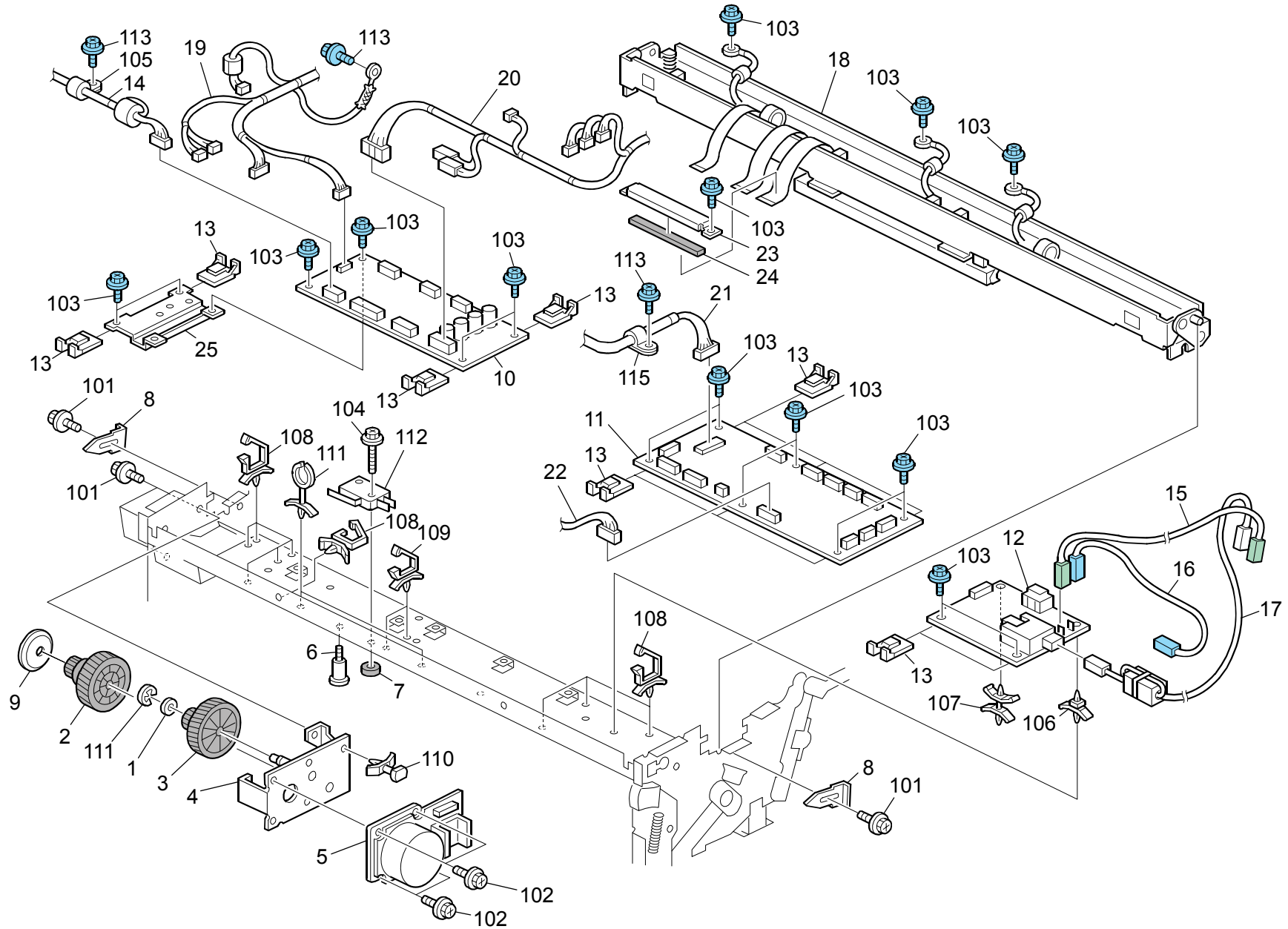
## 8.Paper Registration (D093/D094)

Index No.	Part No.	Description	Q'ty Per Assembly
1	AA14 3788	Pin:Guide Plate:Paper Feed	2
2	AA08 2104	Bushing - 8x12x7	2
3	B125 2571	Guide Plate:Lower	1
4	B125 2585	Sheet:Manual Feed:Left And Right	2
5	B125 2584	Sheet:Manual Feed:Middle	1
6	B125 2572	Guide Plate:Manual Feed	1
7	AF02 0599	Registration Roller	1
8	B286 5769	Gasket:Registration:Guide Plate	4
9	B125 2575	Guide Plate:Registration:Upper	1
10	D002 5688	Gasket:20mm	2
11	AA06 3900	Registration Compression Spring	4
12	AA08 2135	Bushing - DIA4	4
13	AF02 2128	Transport Driven Roller	2
14	B275 5693	Harness - DC Registration Sensor	1
15	AW02 0180	Paper Feed Sensor	1
16	B125 2581	Bracket:Sensor	1
17	GW02 0020	Photointerruptor:LG248NL1	1
18	AA06 3427	Spring:9.8N	2
19	5442 2751	Bushing - Upper Registration Roller	2
20	AF02 0603	Middle Driven Roller	1
21	AA06 6255	Feeler Spring	1
22	B125 2579	Feeler:Registration Sensor	1
23	B125 2580	Holder:Feeler	1
24	A222 2680	Torque Limiter	1
25	D093 3181	Magnetic:Development Unit:Lower:Ass'y	2

Index No.	Part No.	Description	Q'ty Per Assembly
101	0451 3006N	Tapping Screw - 3x6	
102	0801 0228	Pan Head Screw:M2.3x12	
103	0720 0060E	Retaining Ring - M6	
104	1105 0511	Harness Clamp - LWS-0306ZC	
105	0720 0040E	Retaining Ring - M4	
106	1607 1714	Ferrite Core:Rfc-6	



## 9. Image Processing (D093/D094)

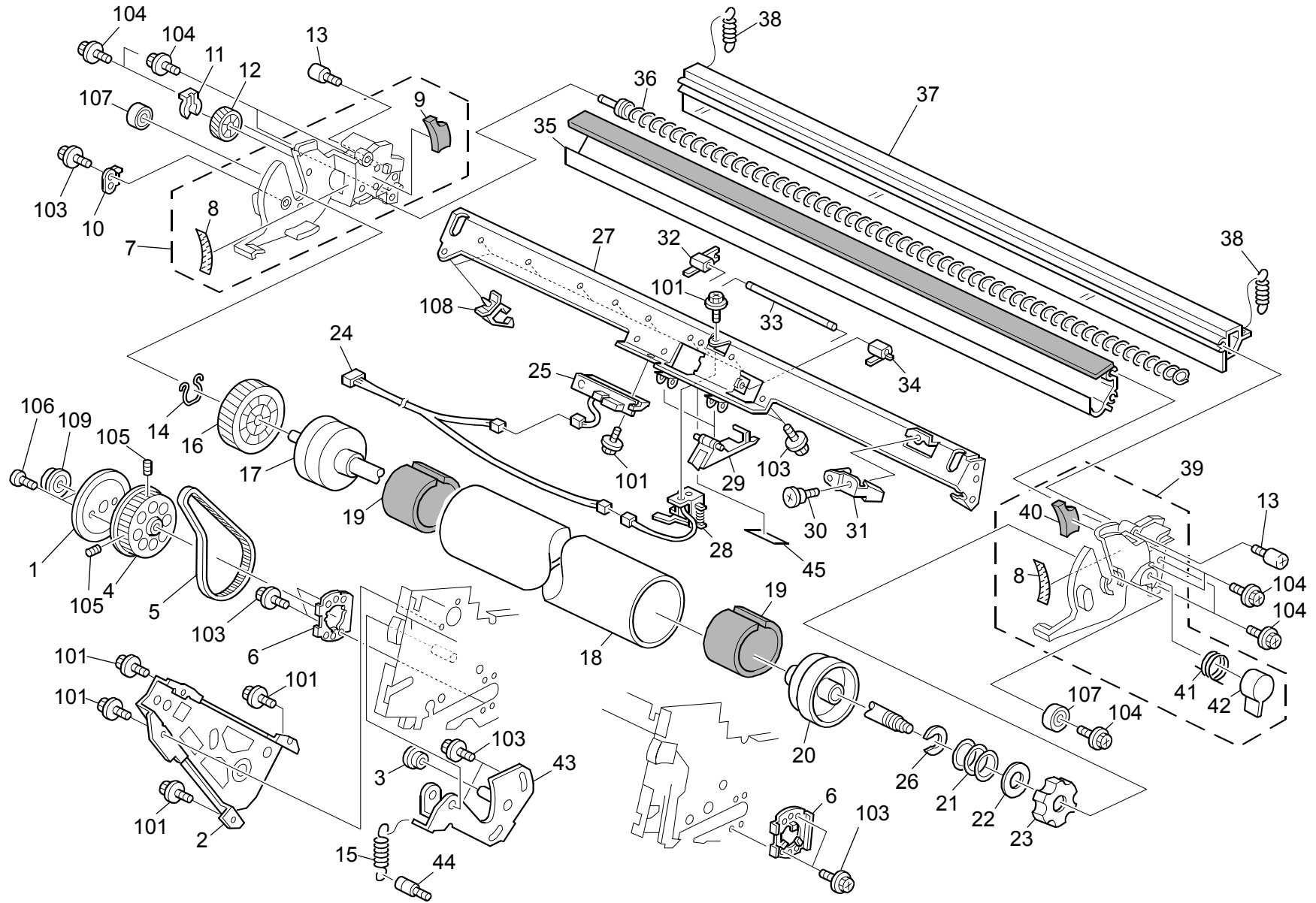


## 9. Image Processing (D093/D094)

Index No.	Part No.	Description	Q'ty Per Assembly
1	AA13 2013	Spacer	2
2	AB01 7741	Gear:Timing Pulley:Z100/T31	1
3	AB01 7676	Gear - 32/100Z	1
4	B286 1135	Bracket:DC Motor:Ass'y	1
5	AX06 0296	Brushless Motor:DC24V 24W:Z9	2
6	AA14 3139	Shoulder Screw - Pressure Arm	1
7	H072 2207	Guard	4
8	B125 1971	Plate:Shaft	2
9	B286 1139	Flange:Pulley	1
10	D093 5450	PCB:VDB:Ass'y	1
11	D093 5870	PCB:SIF:UNI:Ass'y	1
12	AZ32 0151	Power Pack:CGB	1
13	B286 1160	Cover:Printed Circuit Board	12
14	D093 5724	Harness:DC:LVDS:Main	1
15	B286 5715	Harness:High Voltage:Grid	1
16	B286 5714	Harness:High Voltage	1
17	B286 5716	Harness:High Voltage:Charge Corona	1
18	D093 1851	LED Head:Ass'y	1
19	D093 5731	Harness:DC:Main:Left:A (D093)	1
19	D094 5702	Harness:DC:Main:Left:B (D094)	1
20	D093 5701	Harness:DC:Main:Right	1
21	D093 5704	Harness:DC:LVDS:SCN	1
22	D093 5711	Harness:DC:Scanner:Motor	1
23	B286 5617	Stay:FCC	2
24	B286 5620	Gasket:Stay:FFC	1
25	B286 5618	Bracket:VDB	1

Index No.	Part No.	Description	Q'ty Per Assembly
101	0451 3006N	Tapping Screw - 3x6	
102	0451 4008N	Tapping Screw:4x8	
103	0454 3006Q	Tapping Screw - M3x6	
104	0451 3014N	Tapping Screw:3x14	
105	1105 0529	Nylon Clamp-EMT-3N	
106	1105 0193	Nylon Stud	
107	1105 0531	Locking Support-EMSS-4S	
108	1105 0488	Harness Clamp	
109	1105 0516	Clamp	
110	1105 0409	Card Spacer - 6.4mm	
111	1105 0348	Clamp	
112	1204 2529	Switch - V-5F912DN	
113	0454 3008Q	Tapping Screw:3x8	
114	0720 0060E	Retaining Ring - M6	
115	1105 0530	Nylon Clamp-emt-4n	

# 10.Drum Section (D093/D094)

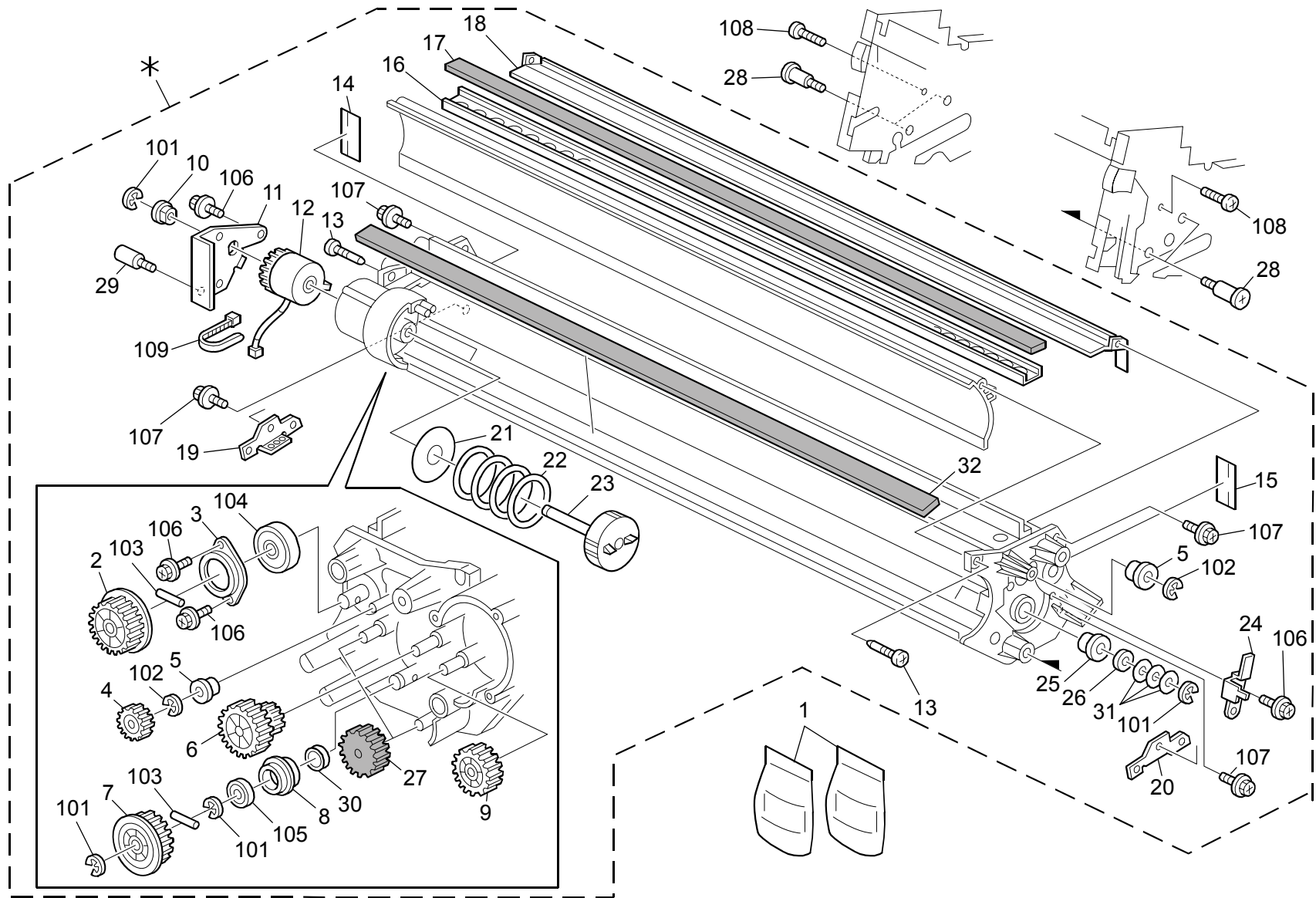


## 10.Drum Section (D093/D094)

Index No.	Part No.	Description	Q'ty Per Assembly
1	B286 1151	Flange:Timing Pulley	1
2	B286 1131	Drum Stay	1
3	B286 1146	Pulley:Tightener	1
4	AB03 0812	Timing Pulley:T102	1
5	AA04 3655	Timing Belt:135S2M426	1
6	D093 2253	Holder:Ball Bearing	2
7	B286 3555	Side Plate:Left	1
8	AA15 3135	Drum Right Shield	2
9	AA15 3134	Blade Left Shield	1
10	B188 2256	Stopper:Ball Bearing	1
11	5206 2686	Snap Ring	1
12	AB01 0364	Gear - 46Z	1
13	AA14 3335	Rear Shutter Pin	2
14	B125 2469	C-ring:Drum Shaft	1
15	B286 1144	Spring:Tightener:Drum	1
16	AB01 0363	Gear - 146Z	1
17	D093 2300	Shaft:Drum:Ass'y	1
18	B010 9510	Drum	1
19	B125 2472	Balancer:OPC Drum	2
20	AD01 4030	Drum Flange	1
21	D093 2304	Compression Spring:Pressure:Drum	1
22	B188 2255	Spacer:Compression Spring:Drum	1
23	A163 2251	Drum Knob	1
24	B275 5692	Harness - DC Cleaning Unit	1
25	B125 3580	Density Sensor:Unit	1
26	D093 2303	Stopper:Drum	1
27	D093 3566	Casing:Pickoff Pawl	1
28	AX10 0032	DC Solenoid:Pickoff Pawl	1
29	A163 3611	Pick-off Pawl	2
30	B188 3575	Screw:Lever:Release:Blade	3
31	B188 3582	Lever:Release:Blade	1
32	A163 3608	Left Pressure Lever	1
33	A163 3609	Lever Shaft	1
34	A163 3607	Right Pressure Lever	1
35	B125 3563	Casing:Cleaning	1

Index No.	Part No.	Description	Q'ty Per Assembly
36	AD04 3085	Toner Collection Coil:Cleaning	1
37	<b>B286 3581</b>	<b>Cleaning Blade</b>	<b>1</b>
38	AA06 2325	Cleaning Blade Spring	2
39	B125 3551	Side Plate:Right	1
40	AA15 3133	Blade Right Shield	1
41	AA06 6664	Toner Outlet Shutter Spring	1
42	B125 3554	Shutter:Discharge Used Toner	1
43	B286 1141	Tightener	1
44	AA14 3546	Anchor:Cassette Sensor	2
45	D093 3569	Decal:Warning (High Temperature): Solenoid:Separation	1
101	0451 3006N	Tapping Screw - 3x6	
103	0451 4008N	Tapping Screw:4x8	
104	0451 4010N	Tapping Screw:4x10	
105	0574 0060E	Hexagon Headless Set Screw - M4x6	
106	0453 3008N	Binding Self Tapping Screw:3x8	
107	0805 3471	Bushing - M8x22x7	
108	1105 0511	Harness Clamp - LWS-0306ZC	
109	0741 3706	Ball Bearing - 6x10x3	

# 11.Development Unit (D093/D094)

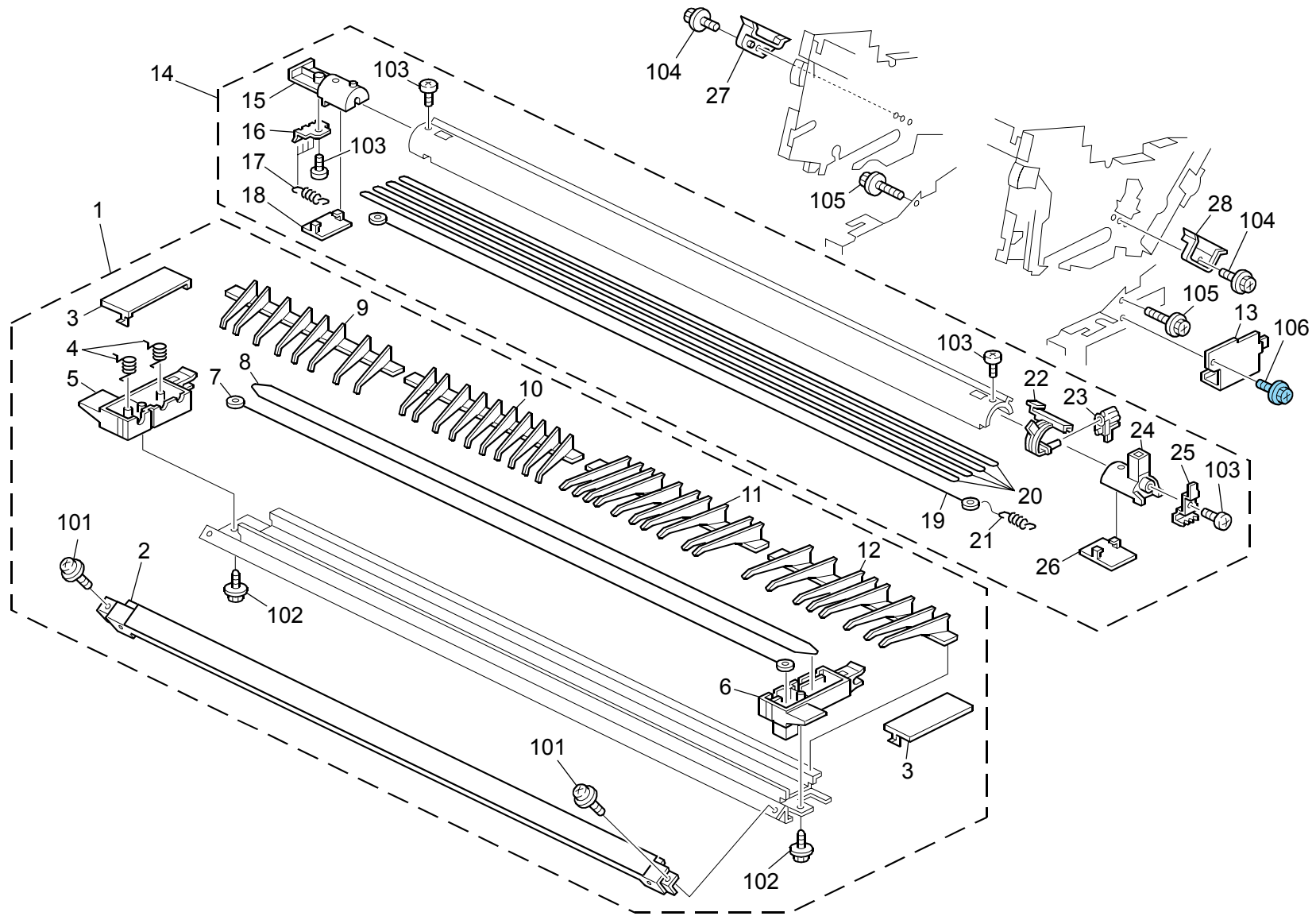


## 11.Development Unit (D093/D094)

Index No.	Part No.	Description	Q'ty Per Assembly
*	D093 3006	Development Unit	1
1	<b>B125 9640</b>	<b>Developer Type 30W Black</b>	<b>1</b>
2	A174 1163	Development Sleeve Gear	1
3	AA08 4057	Bearing Case:DIA26	1
4	AB01 3921	Gear - 20Z	1
5	AA08 0336	Bushing:DIA6	2
6	A174 1164	Auger Gear	1
7	A174 1167	Paddle Gear	1
8	B125 3233	Bearing Case	1
9	A174 1162	Idle Gear - 28Z	1
10	5446 6214	Shaft Holder - Pick-up Roller	1
11	B125 3205	Stay:Toner Hopper	1
12	AX20 0272	Spring Clutch:Toner Hopper	1
13	AA14 3788	Pin:Guide Plate:Paper Feed	2
14	AA15 3451	Left Shield - Side Plate	1
15	AA15 3450	Right Shield - Side Plate	1
16	B188 3101	Filter Bracket	1
17	AA01 2081	Development Filter	1
18	D093 3150	Entrance Seal:Ass'y	1
19	D046 2582	Bracket:Positioning:Left	1
20	D046 2583	Bracket:Positioning:Right	1
21	B010 3211	Drum Stay:Spring	1
22	B010 3212	Spring:Joint	1
23	B010 3206	Joint:Toner Hopper:Unit	1
24	B125 3213	Electrode Plate:Development	1
25	AA08 0340	Bushing DIA8	1
26	AA13 2097	Spacer	1
27	B010 3121	Gear - 28Z	2
28	D093 3319	Shaft:Development	4
29	BA14 6013	Pin - Stopper Click	1
30	5219 3326	Rubber Seal - Paddle Roller	1
31	B125 3230	Spacer - 0.3	3
32	B286 3223	Seal:Toner Supply	1

Index No.	Part No.	Description	Q'ty Per Assembly
101	0720 0060E	Retaining Ring - M6	
102	0720 0050E	Retaining Ring - M5	
103	0633 0200G	Pin - M3x20	
104	0805 3516	Ball Bearing - 10x26x8	
105	0805 3517	Ball Bearing - 8x16x5	
106	0451 4006N	Tapping Screw - 4x6	
107	0451 4010N	Tapping Screw:4x10	
108	0315 0100N	Pan Head Screw:M5x10	
109	1105 0042	Wire Band	

## 12.Charge & Transfer Unit (D093/D094)



## 12.Charge & Transfer Unit (D093/D094)

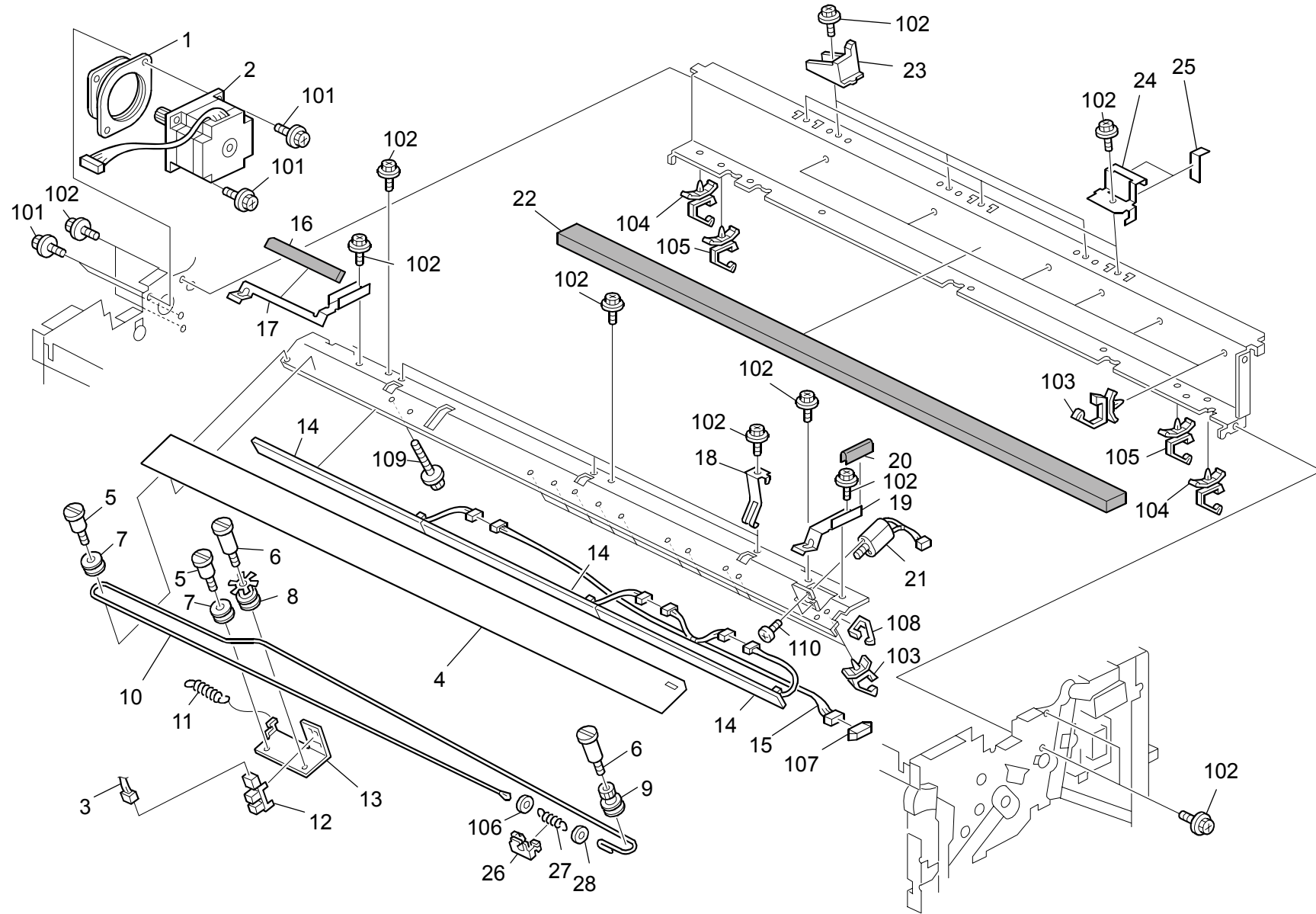
Index No.	Part No.	Description	Q'ty Per Assembly
1	B286 3830	T/S Corona Unit	1
2	B286 3855	Sheet:Entrance:Transfer:Ass'y	1
3	AD02 2320	End Block Cover - T & S	2
4	AA06 6254	Corona Wire Spring	2
5	AD02 2373	End Block:T/S Corona:Left	1
6	AD02 2372	End Block:T/S Corona:Right	1
7	<b>AD02 0059</b>	<b>Corona Wire - Main</b>	<b>1</b>
8	<b>AD02 0072</b>	<b>Corona Wire - Separation</b>	<b>1</b>
9	A174 3938	Left Paper Guide - T/S Outer	1
10	A174 3932	Guide:Paper:T/S Corona:Middle:Left	1
11	A174 3931	Guide:Paper:T/S Corona:Middle:Right	1
12	A174 3937	Right Paper Guide - T/S Outer	1
13	B125 3868	Shielding Plate:Harness	1
14	AD00 4104	Charge Corona Unit	1
15	AD02 2377	Left End Block	1
16	A163 2052	Left Grid Terminal	1
17	AA06 0749	Spring	4
18	AD02 2317	Left End Block Cover - Charge	1
19	<b>AD02 0089</b>	<b>Charge Corona Wire - G</b>	<b>1</b>
20	AD02 0090	Grid Wire	4
21	AA06 0965	Spring:Corona Wire:Charge	1
22	B125 2060	Cleaner:Slider	1
23	<b>B125 2061</b>	<b>Cleaner:Charge Corona</b>	<b>1</b>
24	AD02 2380	End Block:Charge Corona:Right:Ass'y	1
25	B125 2018	Terminal:Grid:Right	1
26	AD02 2369	End Block Cover - Charge Corona	1
27	B010 2062	Left Holder - Charge Corona	1
28	B010 2061	Right Holder - Charge Corona	1

Index No.	Part No.	Description	Q'ty Per Assembly
101	0951 3006N	Screw - M3x6	
102	0450 3008N	Tapping Screw - M3x8	
103	0313 0050N	Philips Pan Head Screw - M3x5	
104	0451 4006N	Tapping Screw - 4x6	
105	0451 3008N	Tapping Screw - M3x8	
106	0454 3006Q	Tapping Screw - M3x6	





### 13.Charge Cleaning Section (D093/D094)

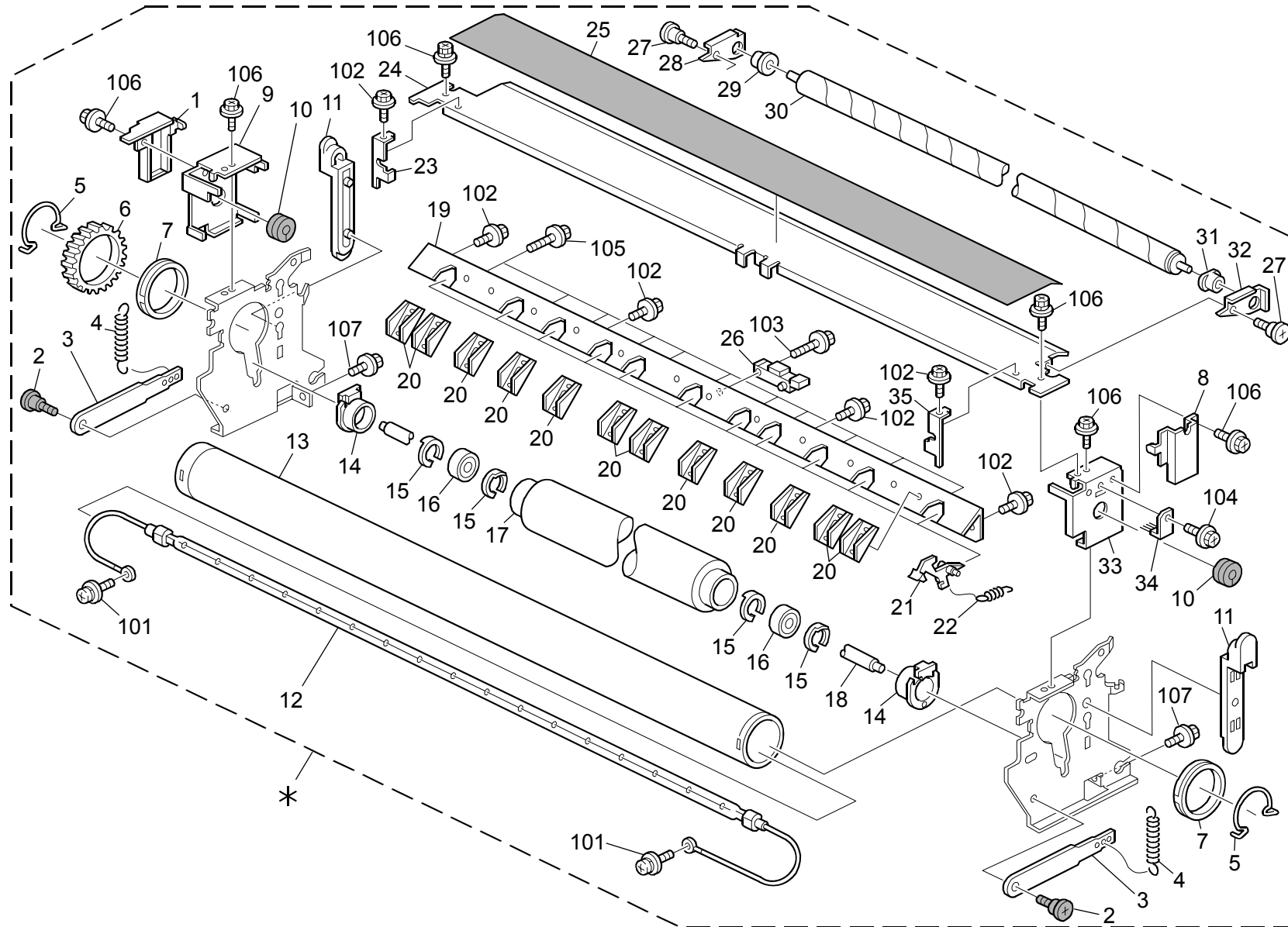


### 13.Charge Cleaning Section (D093/D094)

Index No.	Part No.	Description	Q'ty Per Assembly
1	D093 4677	Cushion:Stepper Motor:47	1
2	D093 4771	Stepper Motor:Press Fit	1
3	B275 5657	Harness - DC Charge 1	1
4	B125 2130	Shielding Plate:Charge Corona	1
5	AA14 3786	Stepped Screw:M3x10.3	2
6	AA14 3787	Stepped Screw:M3x14.2	2
7	AB03 2723	Pulley:Left	2
8	AB03 2724	Pulley:Encoder	1
9	AB01 7664	Gear:Pulley:Right	1
10	AA05 0113	Wire:Cleaner	1
11	B125 2085	Tension Spring:4291mN	1
12	GW02 0020	Photointerruptor:LG248NL1	3
13	B125 2070	Bracket	1
14	AX50 0099	Discharge Lamp:P2	3
15	B275 5690	Harness - DC QL	1
16	B125 2125	Guard:Spring Plate:Left	1
17	B125 2124	Spring Plate:Charge Corona:Left	1
18	B125 2106	Spring Plate:Earth	3
19	B125 2127	Spring Plate:Charge Corona:Right	1
20	B125 2128	Guard:Spring Plate:Right	1
21	AX04 0147	DC Motor:Cleaner:0.5W	1
22	B286 4755	Shield:Block Light	1
23	B125 4697	Bushing:Arm:Rear	3
24	B125 4754	Grounding Plate:Original:Rear Lower	3
25	B125 4756	Guard:Grounding Plate:Rear	6
26	B125 2113	Holder:Wire	1
27	AA06 0965	Spring:Corona Wire:Charge	1
28	B275 2036	Washer - DIA3	1

Index No.	Part No.	Description	Q'ty Per Assembly
101	0451 4010N	Tapping Screw:4x10	
102	0451 3006N	Tapping Screw - 3x6	
103	1105 0511	Harness Clamp - LWS-0306ZC	
104	1105 0489	Harness Clamp - LWS 1316	
105	1105 0348	Clamp	
106	0708 0040N	Washer - DIA4	
107	1102 6245	Relay Connector - 2P	
108	1105 0723	Clamps:WES-0507	
109	0451 3014N	Tapping Screw:3x14	
110	0252 0020N	Pan Head Screw:M2x2	

# 14.Fusing Unit 1 (D093/D094)

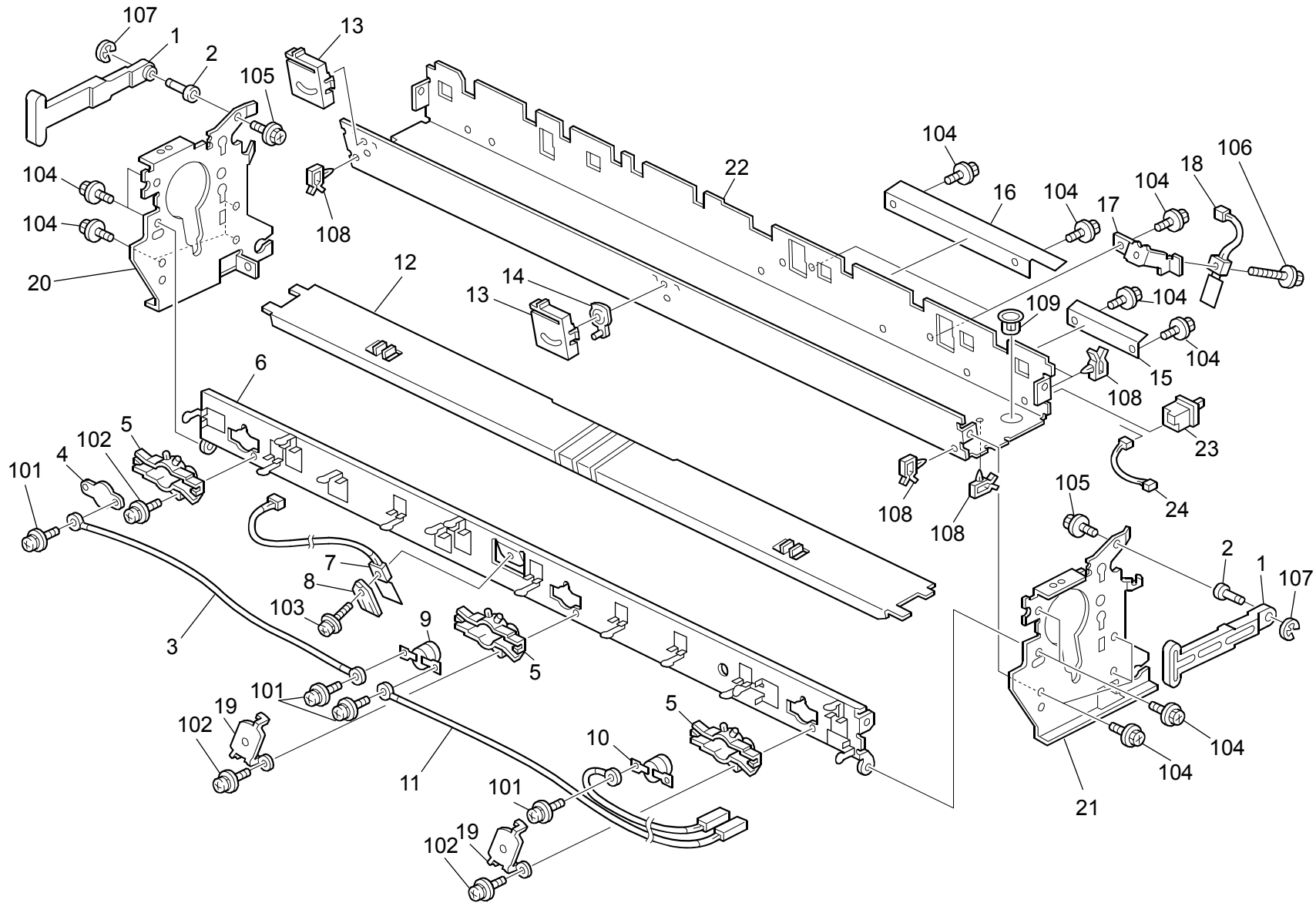


## 14.Fusing Unit 1 (D093/D094)

Index No.	Part No.	Description	Q'ty Per Assembly
*	D093 4006	Fusing Unit:NA:Ass'y	1
*	D093 4007	Fusing Unit:EU/AA:Ass'y	1
1	B286 4137	Cover:Heater:Left	1
2	AA14 3810	Development Cover Screw	2
3	B125 4172	Lever:Pressure	2
4	AA06 2340	Spring - Pressure	2
5	B125 4130	C-Ring:MM50	2
6	AB01 4268	Gear:Drive:Fusing	1
<b>7</b>	<b>AE03 1056</b>	<b>Bushing - Fusing</b>	<b>2</b>
8	B286 4139	Cover:Heater	1
9	B286 4133	Bracket:Heater:Left	1
10	D093 4096	Cushion:Heater:Fusing	2
11	B125 4173	Lever:Pressure Release:Lower	2
12	AX45 0042	Heater:120V:1150W	1
12	AX45 0043	Heater:230V:1150W	1
<b>13</b>	<b>AE01 1122</b>	<b>Hot Roller</b>	<b>1</b>
14	B286 4148	Holder:Pressure Roller	2
15	A163 4109	C - Ring - 19m	4
16	AE03 0050	Ball Bearing - 20x32x7	2
<b>17</b>	<b>AE02 0148</b>	<b>Pressure Roller:MM55</b>	<b>1</b>
18	B125 4145	Shaft:Pressure Roller	1
19	B125 4194	Guide Plate:Fusing Exit:Lower	1
20	B125 4195	Guide:Auxiliary:Fusing Exit	12
21	AE04 4055	Pressure Roller Pickoff Pawl	11
22	AA06 0942	Pressure Roller Pickoff Pawl Spring	11
23	D093 4371	Cover:Harness:Fusing:Left	1
24	B286 4211	Fusing Cover:Upper	1
25	D093 4373	Heat Insulation:Cover:Fusing	1
26	AW01 0127	Paper Feed Sensor	1
27	AA14 3854	Screw	2
28	B286 4214	Arm:Cleaning Roller:Left	1
29	5053 0447	Bushing - 6mm	1
<b>30</b>	<b>AE04 2047</b>	<b>Fusing Cleaning Roller</b>	<b>1</b>
31	AA08 3016	Roller Clutch - 6x14x10	1
32	B286 4213	Arm:Cleaning Roller:Right	1

Index No.	Part No.	Description	Q'ty Per Assembly
33	B286 4132	Bracket:Heater:Right	1
34	AA12 0127	Discharge Brush:Fusing	1
35	D093 4372	Cover:Harness:Fusing:Right	1
101	0954 3006N	Screw - M3x6	
102	0451 3006N	Tapping Screw - 3x6	
103	0451 3014N	Tapping Screw:3x14	
104	0451 4006N	Tapping Screw - 4x6	
105	0451 4010N	Tapping Screw:4x10	
106	0804 6127	Hexagonal Bolt:Double Screw:M3x8	
107	0451 3008N	Tapping Screw - M3x8	

# 15.Fusing Unit 2 (D093/D094)

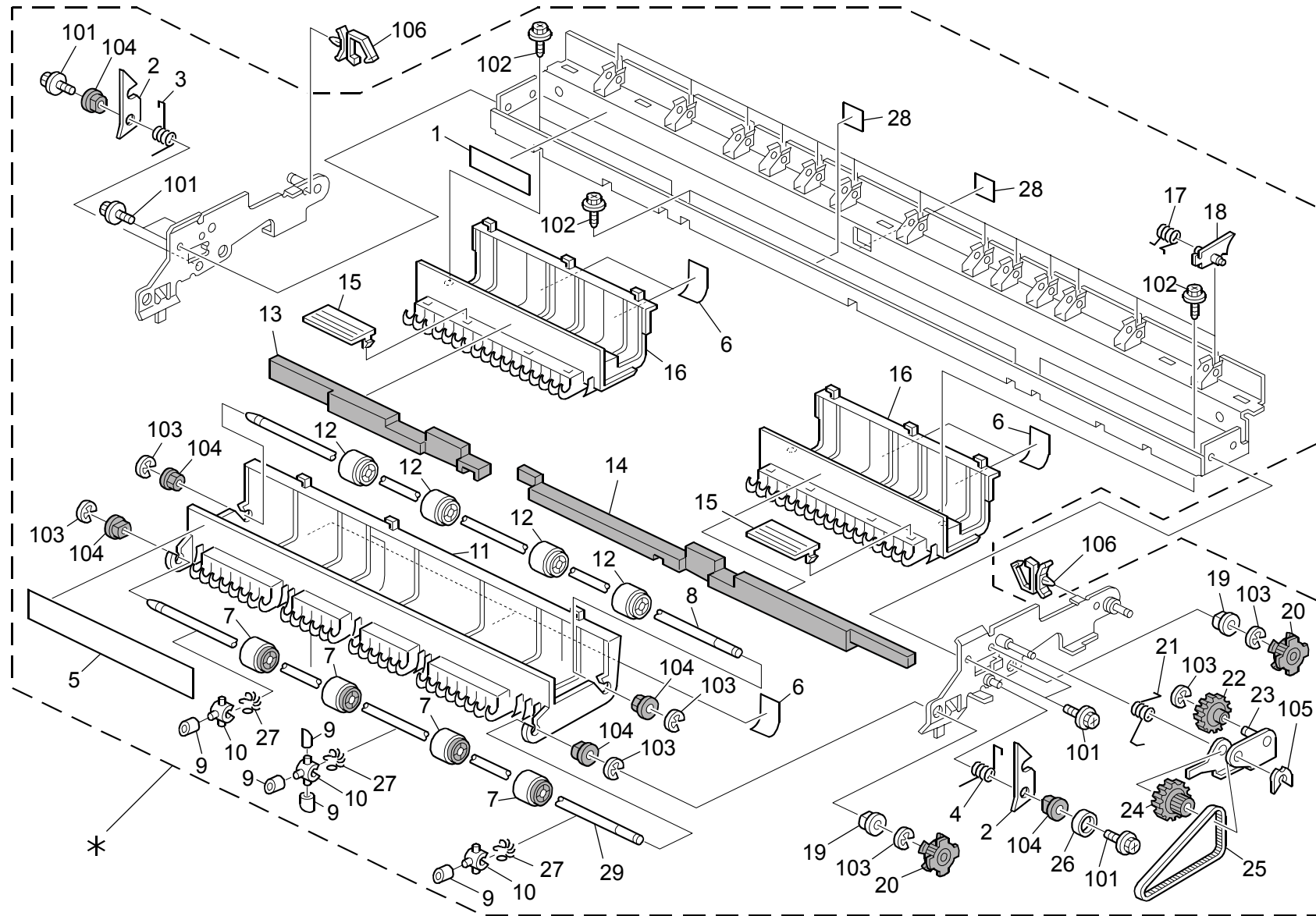


## 15.Fusing Unit 2 (D093/D094)

Index No.	Part No.	Description	Q'ty Per Assembly
1	A163 4183	Upper Pressure Release Lever	2
2	B125 4174	Shaft:Lever:Pressure Release	2
3	B125 5602	Harness:AC:Fusing:Connecting:1	1
4	B125 4156	Electrode Plate:Thermostat	1
5	B104 4084	Thermostat Housing	3
6	B286 4151	Stay:Fusing:Upper:Ass'y	1
7	AW10 0087	Fusing Thermistor	1
8	B004 4087	Plate- Thermistor	1
9	AW11 0053	Thermostat - 199C 250V/10A	1
10	AW11 0054	Thermostat - 200C 250V/10A	1
11	B125 5606	Harness:AC:Fusing:Connect:120V	1
11	B125 5607	Harness:AC:Fusing:Connect:220/230V	1
12	B286 4180	Fusing Entrance Guide Plate	1
13	A163 4122	Entrance Guide Plate Holder	2
14	A163 4124	Holder Cam	1
15	B125 1269	Sheet:Fusing:Small	1
16	B125 1271	Sheet:Fusing:Large	1
17	B125 4162	Bracket:Thermistor	2
18	AW10 0053	Thermistor - Rear	2
19	B104 4086	Cover - Housing Thermostat	2
20	B286 4115	Side Plate:Fusing:Left	1
21	B286 4105	Side Plate:Fusing:Right	1
22	B286 4163	Stay:Lower:Fusing	1
23	G020 5626	Push Switch	1
24	B286 5702	Harness:DC:Fusing:Sensor	1

Index No.	Part No.	Description	Q'ty Per Assembly
101	0954 3006N	Screw - M3x6	
102	0954 3010N	Screw:Polished Round/Spring:M3x10	
103	0954 3012N	Screw - M3x12	
104	0451 3006N	Tapping Screw - 3x6	
105	0451 4008N	Tapping Screw:4x8	
106	0451 3012N	Tapping Screw:3x12	
107	0720 0040E	Retaining Ring - M4	
108	1105 0290	Harness Clamp - Horizontal	
109	1106 0193	Bushing - 7.9mm	

# 16. Paper Exit 1 (D093/D094)



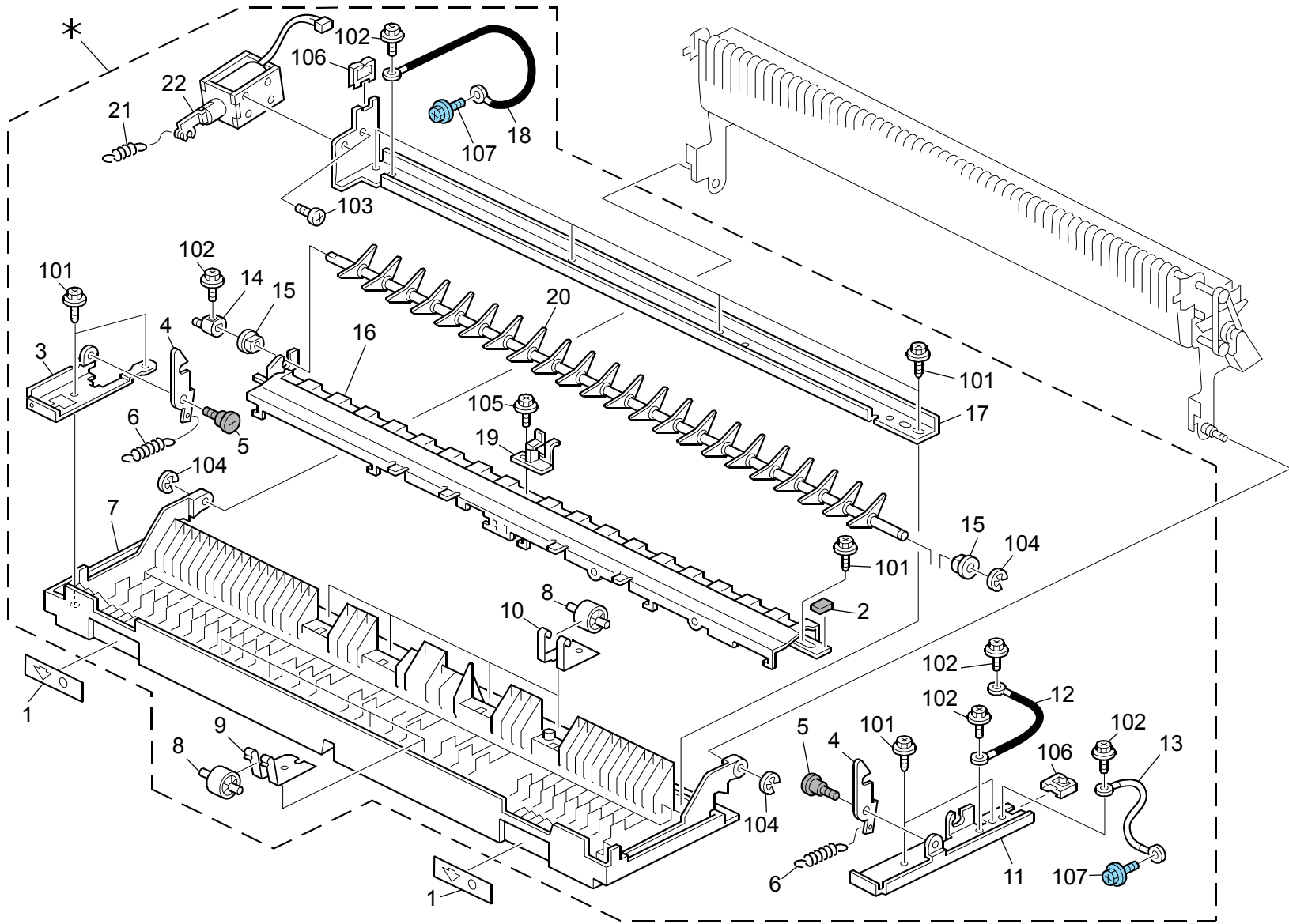
### 16.Paper Exit 1 (D093/D094)

Index No.	Part No.	Description	Q'ty Per Assembly
*	D093 4485	Fusing/Paper Exit Unit:Ass'y	1
1	D093 4427	Decal:Warning (High Temperature): Fusing/Paper Exit Unit	1
2	B188 4159	Positioning Plate:Lock	2
3	AA06 6256	Right Lock Spring	1
4	AA06 6257	Left Lock Spring	1
5	D093 4426	Decal:Warning (High Temperature)	1
6	B010 4312	Upper Guide	6
7	B125 4481	Upper Drive Exit Roller	4
8	AA14 0844	Exit Roller Shaft	1
9	A163 4236	Exit Tube	5
10	A163 4235	Tube Holder	3
11	B125 4477	Guide:Fusing/Paper Exit:Middle	1
12	B125 4479	Lower Drive Exit Roller	4
13	B286 4498	Shield:Guide:Right Upper	1
14	B286 4497	Shield:Guide:Left Upper	1
15	B286 4499	Grip:Exit	2
16	B286 4475	Guide:Fusing/Paper Exit Unit: Left And Right	2
17	AA06 6052	Stripper Spring	13
18	AE04 4054	Stripper Pawls	13
19	AA08 2101	Bushing - 6x10x6	2
20	AB03 0474	Pulley - 24T	2
21	AA06 6643	Arm Spring	1
22	B010 4324	Idler Gear - 30Z	1
23	B125 4488	Arm:Drive:Fusing/Exit Unit	1
24	AB01 7680	Gear/Pulley - 24Z/24T	1
25	AA04 3527	Timing Belt - 230XL	1
26	B257 4231	Arm Stopper	1
27	AA06 1016	Spring:Middle	3
28	B286 4470	Sheet:Block Light:Exit	2
29	D093 4490	Shaft:Exit Roller	1

Index No.	Part No.	Description	Q'ty Per Assembly
101	0451 4006N	Tapping Screw - 4x6	
102	0450 3008N	Tapping Screw - M3x8	
103	0720 0040E	Retaining Ring - M4	
104	0805 3385	Bushing - 6mm	
105	0805 0089	Retaining Ring - M4	
106	1105 0516	Clamp	



# 17. Paper Exit 2 (D093/D094)

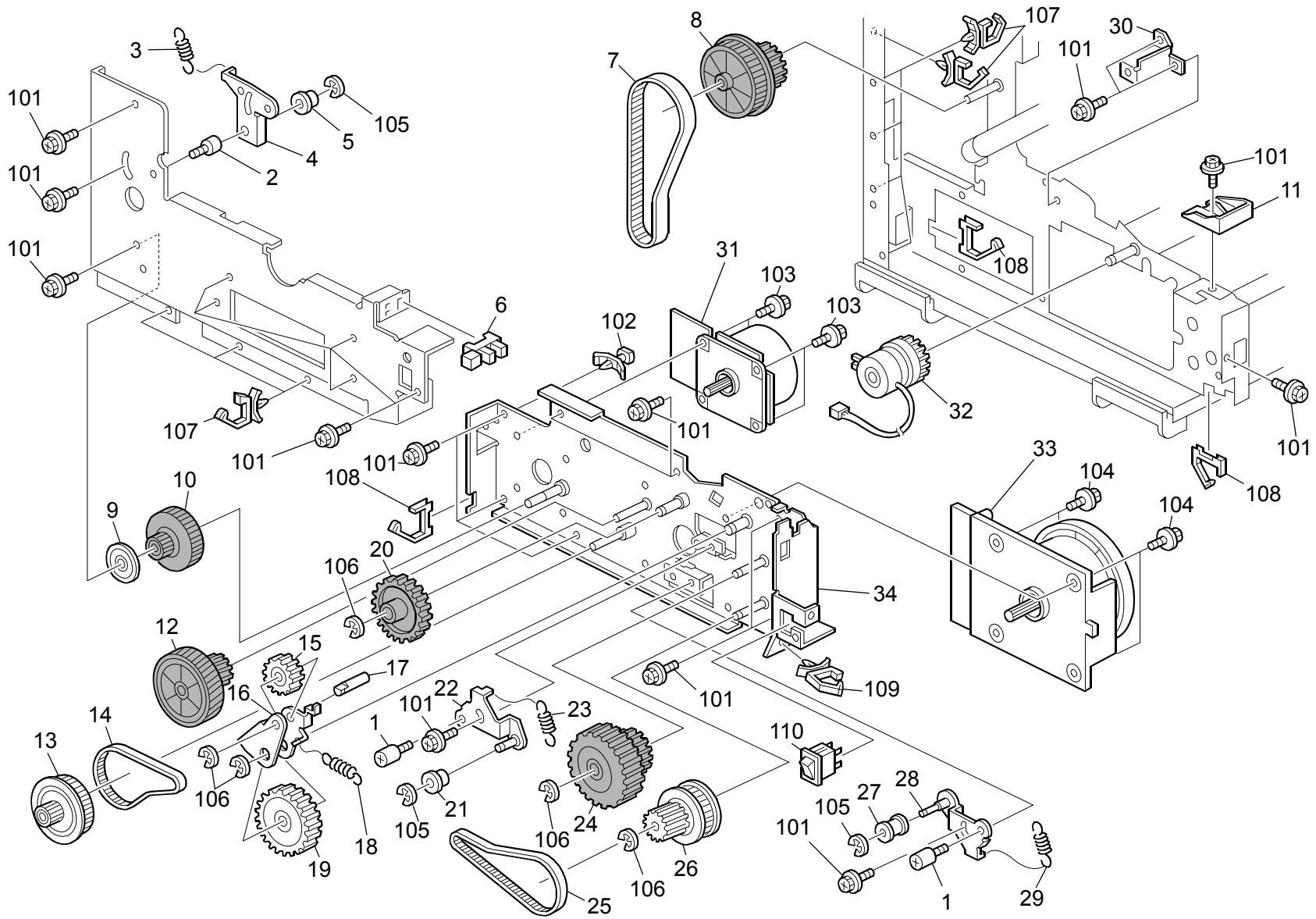


### 17.Paper Exit 2 (D093/D094)

Index No.	Part No.	Description	Q'ty Per Assembly
*	D093 4452	Paper Exit Unit:Ass'y	1
1	AA00 3210	Decal - Grip	2
2	B286 4471	Gasket:Guide Plate:Exit	1
3	B286 4455	Bracket:Lock:Right	1
4	B125 4456	Positioning Plate:Exit	2
5	AA14 3810	Development Cover Screw	2
6	AA06 2337	Spring - Timing Belt Tension	2
7	B286 4451	Cover:Exit	1
8	A163 4453	Exit Driven Roller	8
9	B125 4452	Leaf Spring:Exit Roller:Upper	4
10	B125 4453	Leaf Spring:Exit Roller:Lower	4
11	B125 4460	Bracket:Lock:Exit:Left	1
12	B188 4461	Ground Wire:Paper Exit Unit	1
13	B125 5643	Ground Wire:Scanner Unit:3	1
14	A174 4372	Gate Pawl Drive	1
15	AA08 2101	Bushing - 6x10x6	2
16	B125 4458	Guide Plate:Exit	1
17	B125 4462	Stay:Exit	1
18	B286 5739	Ground Wire:Paper Exit Unit	1
19	B010 4458	Gate Pawl Plate	1
20	AF02 5029	Exit Separation Pawl	1
21	AA06 6366	Spring:Pressure Release	1
22	B286 4463	DC Solenoid:Gate Pawl	1

Index No.	Part No.	Description	Q'ty Per Assembly
101	0450 3010N	Tapping Screw - M3x10	
102	0451 3006N	Tapping Screw - 3x6	
103	0353 0040N	Screw - M3x4	
104	0720 0040E	Retaining Ring - M4	
105	0451 4006N	Tapping Screw - 4x6	
106	1105 0328	Harness Clamp - ES-0505	
107	0454 3006Q	Tapping Screw - M3x6	

# 18. Drive Section (D093/D094)

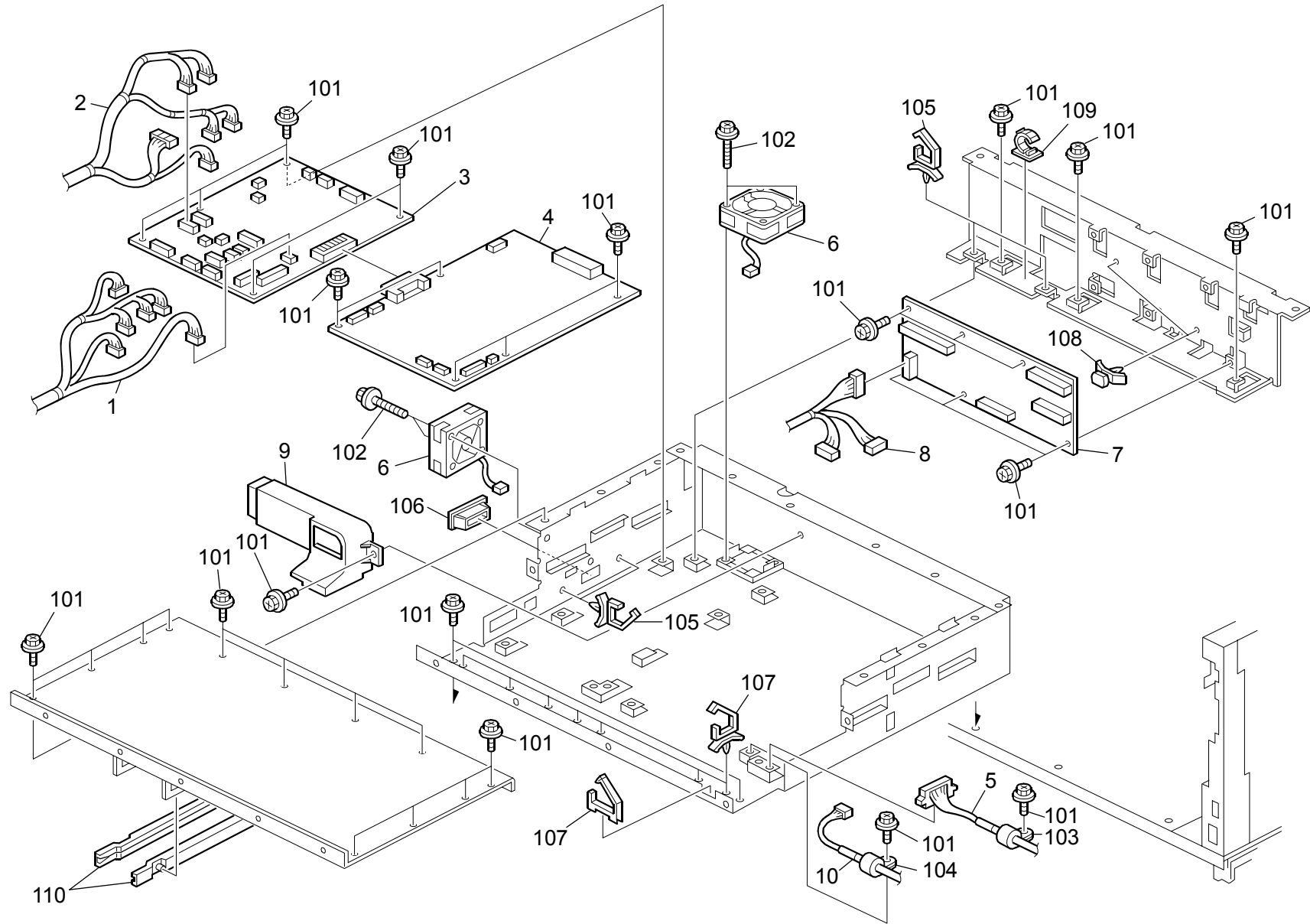


## 18. Drive Section (D093/D094)

Index No.	Part No.	Description	Q'ty Per Assembly
1	AA14 3859	Positioning Pin	2
2	5918 3120	Stud - M4	1
3	AA06 2333	Tension Spring:2.16N	1
4	B125 1136	Tightener:Fusing	1
5	G568 2839	Tightener - M16	2
6	GW02 0020	Photointerruptor:LG248NL1	3
7	AA04 3654	Timing Belt:60S3M471	1
8	AB01 7675	Gear/Pulley - 30Z/63T	1
9	A259 1158	Pulley Flange	1
10	AB01 7740	Gear:Timing Pulley:Z83/T20	1
11	D093 1296	Cover:Gear:Development	1
12	AB01 7739	Gear:Z112/Z19	1
13	AB01 7738	Timing Pulley:Gear:T70/Z40	1
14	AA04 3644	Timing Belt - B60S2M214	1
15	AB01 2049	Gear:Z28	1
16	B125 1146	Arm:Coupling:Development	1
17	B125 1147	Shaft:Coupling:Development	1
18	AA06 0969	Spring:Pressure Release	1
19	AB01 2052	Gear:Z50:Ass'y	1
20	AB01 4267	Gear - 46Z	1
21	G020 4444	Tightener	1
22	B125 1125	Tightener:Development	1
23	AA06 1006	Spring:Blade:Cleaning	1
24	D093 3102	Gear:Z61/Z30:Ass'y	1
25	AA04 3653	Timing Belt:100S2M260	1
26	D093 3100	Timing Pulley:T64/Z19:Ass'y	1
27	A548 2139	Pulley	1
28	B125 1130	Tightener:Registration	1
29	AA06 1011	Tension Spring	1
30	B125 1261	Bracket:Cover:Lower	2
31	AX06 0296	Brushless Motor:DC24V 24W:Z9	2
32	AX21 0099	Magnetic Clutch	1
33	AX06 0334	Brushless Motor DC24V 45W	1
34	B286 1101	Side Plate:Drive	1

Index No.	Part No.	Description	Q'ty Per Assembly
101	0451 3006N	Tapping Screw - 3x6	
102	1105 0409	Card Spacer- 6.4mm	
103	0451 4008N	Tapping Screw:4x8	
104	0451 4006N	Tapping Screw - 4x6	
105	0720 0040E	Retaining Ring - M4	
106	0720 0060E	Retaining Ring - M6	
107	1105 0511	Harness Clamp - LWS-0306ZC	
108	1105 0723	Clamps:WES-0507	
109	1105 0516	Clamp	
110	1204 2533	Switch - AJ76200PZ02	

# 19.Electrical Section 1 (D093/D094)

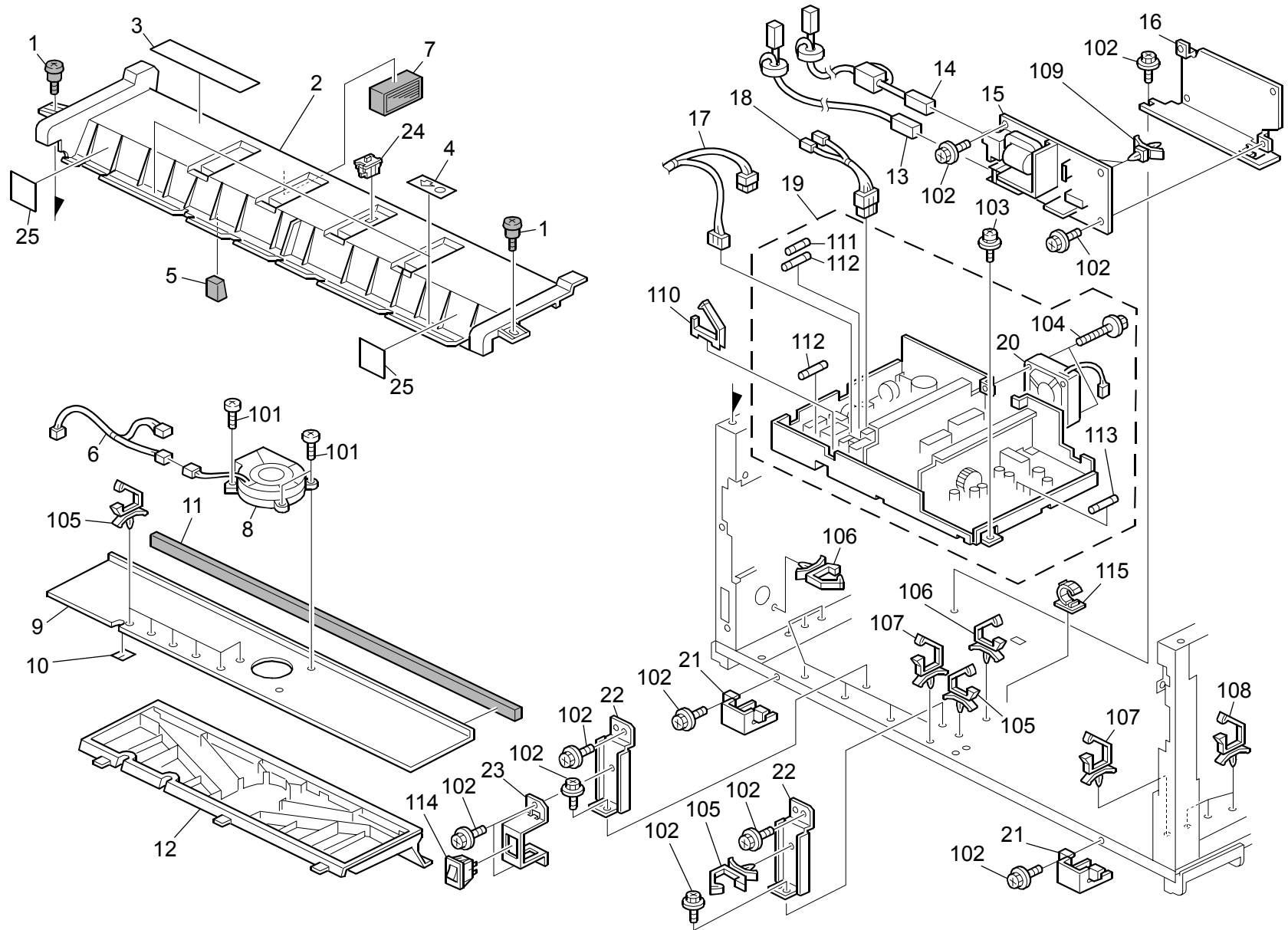


### 19.Electrical Section 1 (D093/D094)

Index No.	Part No.	Description	Q'ty Per Assembly
1	D093 5731	Harness:DC:Main:Left:A (D093)	1
1	D094 5702	Harness:DC:Main:Left:B (D094)	1
2	D093 5701	Harness:DC:Main:Right	1
3	D093 5280	PCB:MCU:Ass'y	1
4	D093 5432	PCB:SIPU:Ass'y	1
5	D093 5704	Harness:DC:LVDS:SCN	1
6	AX64 0181	Fan:MM60:24V	2
7	D093 5435	PCB:MB:Ass'y	1
8	D093 5703	Harness:DC:Power Source:Connecting	1
9	D093 5312	Duct:C/T Box	1
10	D093 5724	Harness:DC:LVDS:Main	1

Index No.	Part No.	Description	Q'ty Per Assembly
101	0451 3006N	Tapping Screw - 3x6	
102	0451 3030N	Tapping Screw:3x30	
103	1105 0530	Nylon Clamp-EMT-4N	
104	1105 0529	Nylon Clamp-EMT-3N	
105	1105 0508	Harness Clamp - LWS-0711	
106	1106 0911	Bushing:SD-1909	
107	1105 0725	Clamps:WES-1117	
108	1105 0409	Card Spacer- 6.4MM	
109	1105 0053	Clamp - 5MM	
110	1005 0883	Guide Rail:180S	

## 20.Electrical Section 2 (D093/D094)



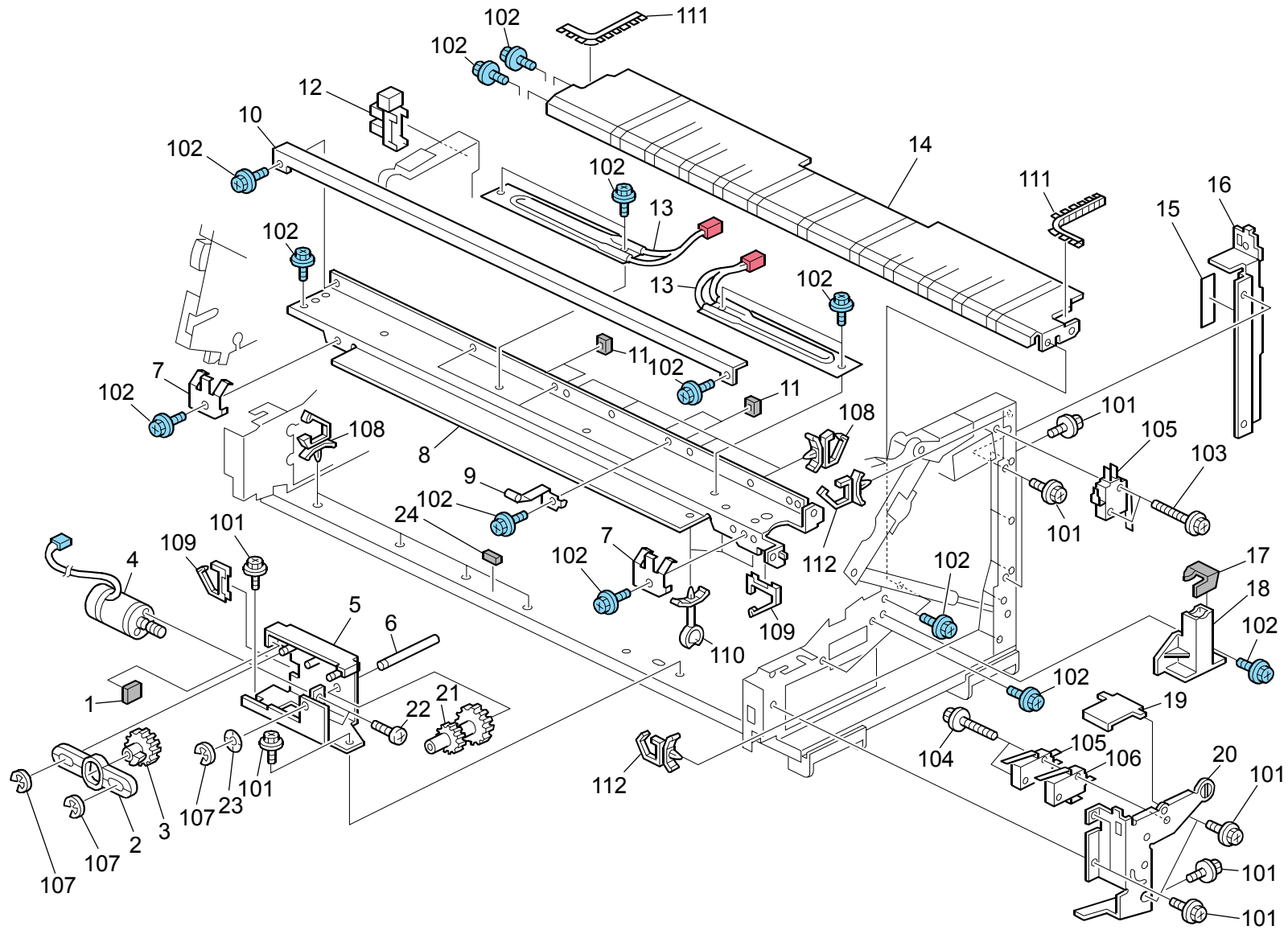
## 20.Electrical Section 2 (D093/D094)

Index No.	Part No.	Description	Q'ty Per Assembly
1	5840 3022	Stopper Screw - M3	2
2	D093 4282	Cover:Fusing:Upper	1
3	D093 4885	Decal:Original:Operate:Multi-language:EXP	1
4	AA00 3210	Decal - Grip	1
5	B286 4285	Shield:Cover:Fusing:Harness	1
6	D093 5752	Harness:DC:Exhaust:Connecting	1
7	<b>AA01 0124</b>	<b>Ozone Filter:Exhaust</b>	<b>1</b>
8	B286 4293	Fan Motor DC24V 8.5W	1
9	B125 4298	Guide Plate:Duct	1
10	A134 1195	Seal - Fan Harness	1
11	B286 4292	Shield:Front:Guide Plate:Duct	1
12	B125 4283	Duct:Louver	1
13	B286 5713	Harness:High Voltage:Transfer	1
14	B286 5712	Harness:High Voltage:Separation	1
15	AZ32 0150	Power Pack TD	1
16	B125 1171	Bracket:Power Pack	1
17	D093 5712	Harness:AC:Main	1
18	D093 5758	Harness:AC:Fusing:NA	1
18	D093 5759	Harness:AC:Fusing:230V	1
19	AZ23 0246	Power Supply Unit:DOM/NA	1
19	AZ23 0247	Power Supply Unit:EU/AA/CHN	1
20	AX64 0207	Fan:MM60	1
21	B125 1057	Cover:Harness Clamp	2
22	D093 4360	Ground Plate:Fusing	2
23	D093 5327	Bracket:Rocker Switch	1
24	G020 5626	Push Switch	1
25	D093 4451	Decal:H-temp Warning:Fusing Exit Section: Outer	1

Index No.	Part No.	Description	Q'ty Per Assembly
101	0314 0100N	Pan Head Screw:M4x10	
102	0451 3006N	Tapping Screw - 3x6	
103	0802 5285	Screw - 3x8	
104	0954 3020N	Screw:Polished Round/Spring:M3x20	
105	1105 0511	Harness Clamp - LWS-0306ZC	
106	1105 0487	Harness Clamp	
107	1105 0490	Harness Clamp - IWS-2218	
108	1105 0517	Harness Clamp - LWS-2111Z	
109	1105 0193	Nylon Stud	
110	1105 0724	Clamps:WES-1210	
111	1107 1319	Fuse:FIH 250V 10A(RM)(NA)	
111	1107 1186	Fuse:FIH 6.3A(EM)(EU/AA/CHN)	
112	1107 1252	Fuse:CES14-15A-N2(NA)	
112	1107 1084	Fuse:CES14-8A-N1(EU/AA/CHN)	
113	1107 1295	Fuse:Glass Cartridge:FSL 250V 6.3A(EM)	
114	1204 2634	Rocker Switch - AJ76200B	
115	1105 0053	Clamp - 5MM	



## 21.Electrical Section 3 (D093/D094)

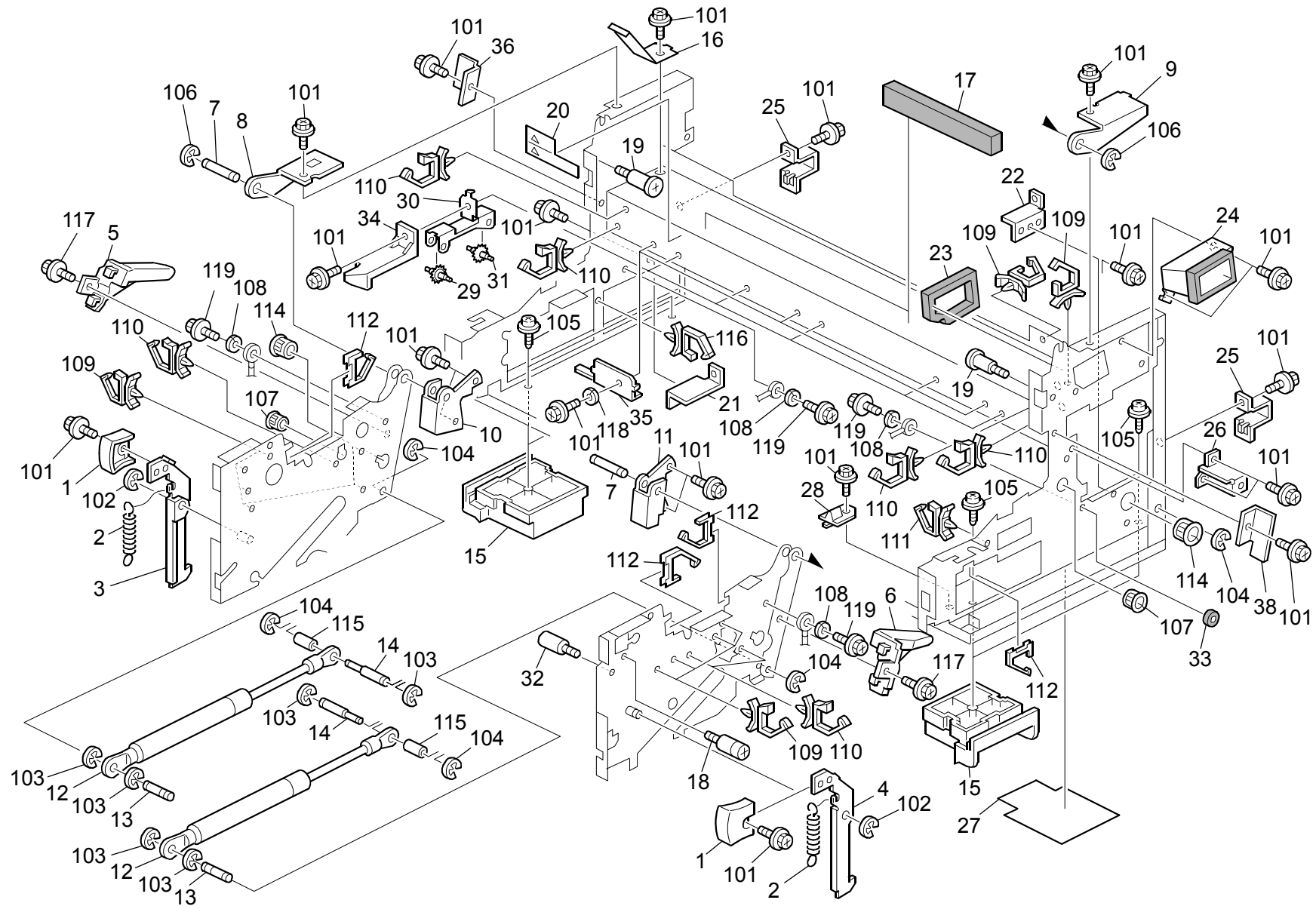


## 21.Electrical Section 3 (D093/D094)

Index No.	Part No.	Description	Q'ty Per Assembly
1	B125 3659	Cushion:Swivel:Stopper	1
2	B125 3671	Vibrating Plate:Collection Bottle	1
3	B125 3674	Cam:Gear:Swivel	1
4	B286 3664	DC Motor 24V 5.85W	1
5	B125 3672	Bracket:Swivel:Collection Bottle	1
6	AA14 5830	Swing Unit Idler Shaft	1
7	B125 3864	Leaf Spring:T/S Corona	2
8	B125 3870	Guide Plate:T/S Corona:Lower	1
9	B125 3871	Grounding Plate:T/S Corona:Mid	3
10	B125 3872	Cover:Transfer Corona:Lower	1
11	B125 3873	Guard:Leaf Spring	4
12	GW02 0020	Photointerruptor:LG248NL1	1
13	AX40 0188	Heater:120V:13W	2
13	AX40 0189	Heater:230V:13W	2
14	B286 3865	Guide Plate:Transport	1
15	D093 1266	Decal:Warning (High Temperature): Lengthwise	1
16	B125 4356	Cover:Safety Switch	1
17	B286 3683	Shield:Joint:Upper	1
18	B125 3681	Joint:Collection Bottle	1
19	B125 1085	Lever:Micro Switch	1
20	B286 1084	Bracket:Latch:Right	1
21	AB01 7347	Idle Gear	1
22	A571 7700	Screw:Spring Washer:M2.6x5	2
23	B125 3687	Spring Washer:WW-6012	1
24	B286 1050	Gasket:20mm	1

Index No.	Part No.	Description	Q'ty Per Assembly
101	0451 3006N	Tapping Screw - 3x6	
102	0454 3006Q	Tapping Screw - M3x6	
103	0451 3014N	Tapping Screw:3x14	
104	0451 3025N	Tapping Screw:M3x25	
105	1204 2529	Switch - V-5F912DN	
106	1204 2521	Micro Switch	
107	0720 0040E	Retaining Ring - M4	
108	1105 0487	Harness Clamp	
109	1105 0723	Clamps:WES-0507	
110	1105 0348	Clamp	
111	1106 0924	Bushing:JKR-40	
112	1105 0511	Harness Clamp - LWS-0306ZC	

# 22.Frame 1 (D093/D094)

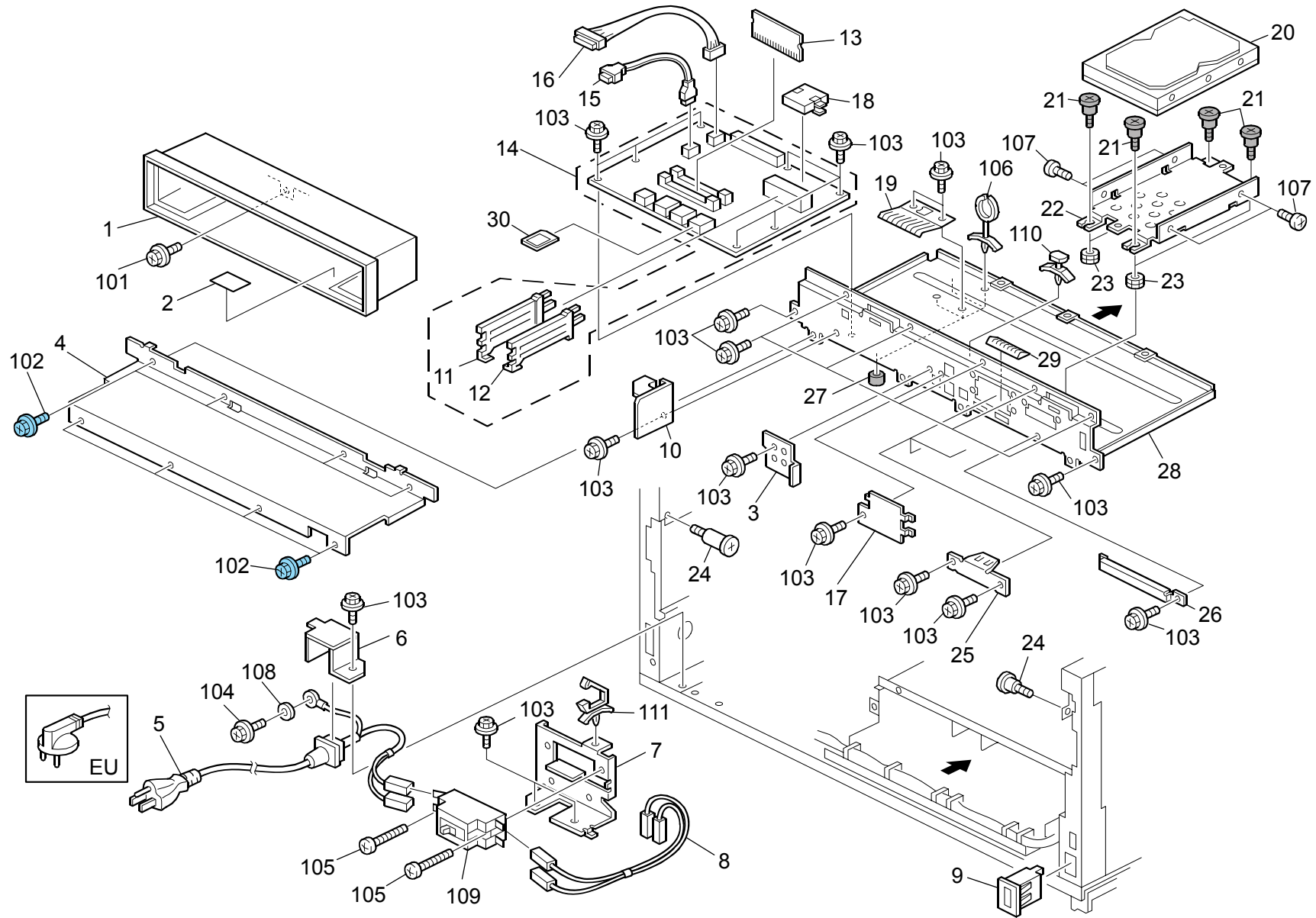


## 22.Frame 1 (D093/D094)

Index No.	Part No.	Description	Q'ty Per Assembly
1	B125 1097	Knob:Lever	2
2	AA06 2338	Tension Spring - Right	2
3	B125 1095	Lever:Machine Or Copier:Left	1
4	B125 1096	Lever:Machine Or Copier:Right	1
5	B125 4344	Cam:Pressure Release:Fusing:Left	1
6	B125 4343	Cam:Pressure Release:Fusing:Right	1
7	B125 1100	Pin:Hinge	2
8	B125 1091	Bracket:Contact Point:Outer:Left	1
9	B125 1092	Bracket:Contact Point:Outer:Right	1
10	B125 1093	Bracket:Contact Point:Inner:Left	1
11	B125 1094	Bracket:Contact Point:Inner:Right	1
12	B275 1086	Gas Spring	2
13	B125 1087	Shaft:Gas Spring:Upper	2
14	B125 1088	Anchor:Gas Spring	2
15	B286 1090	Stand:DOM	4
16	B125 4353	Ground Plate:Exhaust	1
17	AA15 2479	Seal:Block Heat	2
18	AA14 3546	Anchor:Cassette Sensor	1
19	AA14 3844	Screw:Cleaning Felt	2
20	D093 4425	Decal:Warning (High Temperature):120C	1
21	B125 1162	Bracket:Fix:Fusing Unit:Left	1
22	B125 1161	Bracket:Fix:Fusing Unit:Right	1
23	B286 1183	Shield:Duct:Inner	1
24	B286 1003	Duct:Exhaust	1
25	B125 1264	Bracket:Cover:Lower:2	2
26	B125 1261	Bracket:Cover:Lower	1
27	B125 1267	Sheet:LGD	1
28	B286 3583	Slider:Collection Bottle:Lower	1
29	A163 4347	Separation Roller	5
30	B125 4351	Bracket:Roller	5
31	B125 4359	Roller:Separation:Small	5
32	AA14 3855	Screw	1
33	B275 1670	Guard Burring	1
34	B125 4352	Guide:Bracket:Roller	5
35	B286 1098	Cover:Thermostat	3

Index No.	Part No.	Description	Q'ty Per Assembly
36	D093 1103	Cover:Harness:Fusing	2
101	0451 3006N	Tapping Screw - 3x6	
102	0720 0060E	Retaining Ring - M6	
103	0720 0050E	Retaining Ring - M5	
104	0720 0040E	Retaining Ring - M4	
105	0965 5016N	Tapping Screw W/Washer - M5x16	
106	0720 0080E	Retaining Ring - M8	
107	1106 0411	Bushing - 11.5mm	
108	0703 0040N	Spring Washer:DIA4	
109	1105 0511	Harness Clamp - LWS-0306ZC	
110	1105 0489	Harness Clamp - LWS 1316	
111	1105 0516	Clamp	
112	1105 0723	Clamps:WES-0507	
114	1106 0459	Bushing - 20.2mm	
115	0707 6200N	Bushing:DIA6x20	
116	1105 0517	Harness Clamp - LWS-2111Z	
117	0451 3008N	Tapping Screw - M3x8	
118	0703 0030N	Spring Washer:DIA3	
119	0451 4008N	Tapping Screw:4x8	

## 23.Frame 2 (D093/D094)

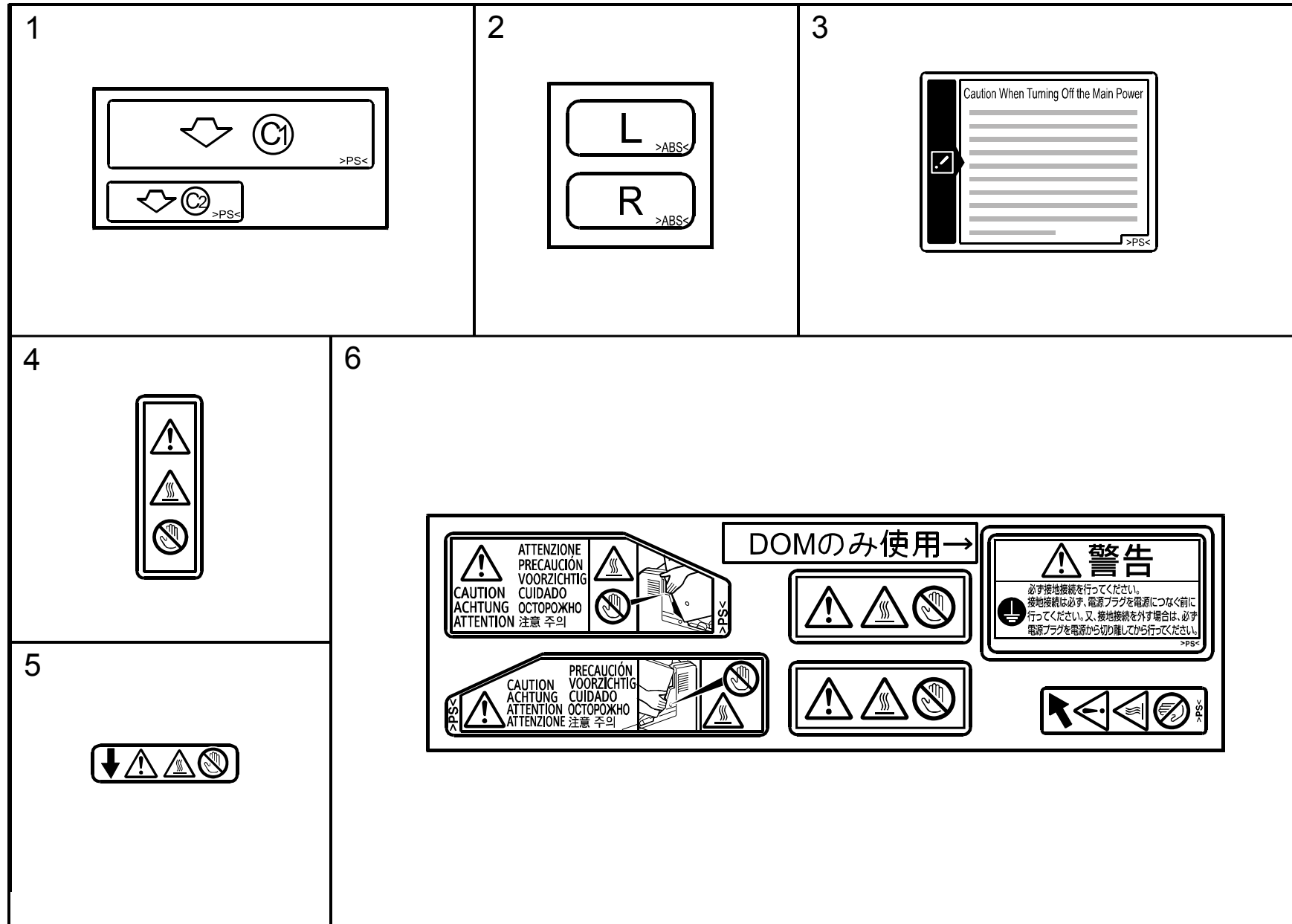


## 23.Frame 2 (D093/D094)

Index No.	Part No.	Description	Q'ty Per Assembly
1	D093 1259	Cover:Middle:Interface	1
2	D093 4885	Decal:Original:Operate:Multi-language:EXP	1
3	D093 5317	Cover:Control Board:Usb	1
4	D093 5307	Cover:Harness	1
5	B286 5767	Power Supply Cord - 120V	1
5	B286 5765	Power Supply Cord - 220V	1
5	B275 5890	Power Supply Cord (230V)(CHN)	1
6	B125 1170	Bracket:Power Supply Cord	1
7	D093 5326	Bracket:Leak Breaker	1
8	D093 5757	Harness:AC:Leak Breaker	1
9	AX31 0045	Total Counter:7FIG:24V	1
10	B286 1260	Cover:Interface	1
11	G133 5795	Rail:Right	1
12	G133 5796	Rail:Left	1
13	G178 6072	PCB:PC4200:RAWCard-A:1GB	2
14	D093 5681	PCB:CTL:EX1	1
15	D029 5371	Cable:HDD:SATA:RED:170	1
16	D029 5370	Cable:HDD:SATA:Power:140	1
17	D014 5974	Cover:Connector:EFI	1
18	D093 9590	PCB:NOVITA-S5K	1
19	A267 1089	Grounding Plate - Upper Rear	1
20	D029 5792	HDD:WD:160GB:63N9A0	1
21	AA14 3548	Screw:M3x4.2	3
22	D093 5308	Bracket:HDD	1
23	AA16 1125	Rubber Cushion	3
24	AA14 3404	Stepped Screw - M4	2
25	B101 5993	Interface Panel	3
26	D093 5309	Cover:Sd-card	1
27	B275 1670	Guard Burring	5
28	D093 5310	Tray:GW/HDD:Peen	1
29	B070 6877	Large Drum Stay Ground Plate	1
30	D093 6007	SD-Card:Z-V4:EXP	1

Index No.	Part No.	Description	Q'ty Per Assembly
101	0451 3008N	Tapping Screw - M3x8	
102	0454 3006Q	Tapping Screw - M3x6	
103	0451 3006N	Tapping Screw - 3x6	
104	0451 4008N	Tapping Screw:4x8	
105	0434 0200N	Pan Self-tapping Screw:4x20	
106	1105 0348	Clamp	
107	0801 0226	Screw:UNC:#6-32	
108	0703 0040N	Spring Washer:DIA4	
109	1107 1286	Fuse:BJS2022F1	
110	1105 0409	Card Spacer - 6.4mm	
111	1105 0487	Harness Clamp	

## 24. Decal And Documents (D093/D094)



## 24.Decal And Documents (D093/D094)

<p>7</p>	<p>8</p>
<p>9</p>	
<p>10</p>	



# 24. Decal And Documents (D093/D094)

11

**Attention**

Carefully insert original so it makes light contact with the feed rollers.

Inserting original when "Copying" and "Scanning" appears on control panel may cause it to jam.

**When black or white streaks appear on copies**

Lift the exposure glass cover, then clean the exposure glass and white strip.

To clean the exposure glass

To clean the white strip

**Opening/Closing the exposure glass cover**

**1/7 Card Slot**

- A Option
- B
- C External CTL/GLGA
- D File Format Converter

**SD Card Slot**

- 1 Option Slot
- 2 Service Slot

**B**

**P**

**C**

**1**

**2**

**3-8**

Scanner Stop

Power On

**3**

**4**

**5**

**6**

**7**

**8**

**C**

**1**

**2**

**3**

**4**

**5**

Attention  
 When black or white streaks appear on copies  
 Opening/Closing the exposure glass cover

Carefully insert original so it makes light contact with the feed rollers.  
 Inserting original when "Copying" and "Scanning" appears on control panel may cause it to jam.

Lift the exposure glass cover, then clean the exposure glass and white strip.  
 To clean the exposure glass  
 To clean the white strip

A Option  
 B  
 C External CTL/GLGA  
 D File Format Converter  
 SD Card Slot  
 1 Option Slot  
 2 Service Slot

Scanner Stop  
 Power On

12

**! WARNING 警告**

\_\_\_\_\_

\_\_\_\_\_

\_\_\_\_\_

\_\_\_\_\_

\_\_\_\_\_

\_\_\_\_\_

\_\_\_\_\_

\_\_\_\_\_

\_\_\_\_\_

\_\_\_\_\_

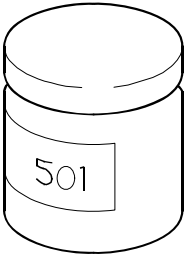
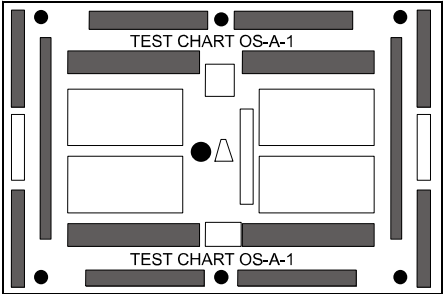
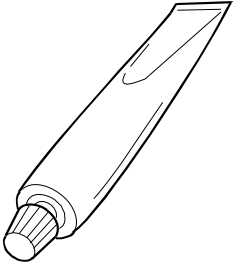
>PS<

## 24.Decal And Documents (D093/D094)

Index No.	Part No.	Description	Q'ty Per Assembly
1	AA00 3210	Decal - Grip	1
2	D093 4464	Decal:Left And Right:Copy Tray	1
3	B188 1373	Decal - Power Source Off(CHN)	1
3	GA00 0067	Decal:Power Source:Off:English	1
4	D093 1266	Decal:Warning (High Temperature): Lengthwise	1
5	D093 3569	Decal:Warning (High Temperature): Solenoid:Separation	1
6	D093 1265	Decal:H-temp Warning:Exterior: Multi-language	1
7	D093 4425	Decal:Warning (High Temperature):120C	1
8	D093 4451	Decal:H-temp Warning:Fusing Exit Section: Outer	1
9	D093 4427	Decal:Warning (High Temperature): Fusing/Paper Exit Unit	1
10	D093 4426	Decal:Warning (High Temperature)	1
11	D093 4885	Decal:Original:Operate:Multi-language:EXP	1
12	B286 3662	Decal:Toner Recycling	1

Index No.	Part No.	Description	Q'ty Per Assembly

## 25.Special Tools (D093/D094)

<p>1</p> 	<p>2</p> 	<p>3</p> 	

### 25.Special Tools (D093/D094)

Index No.	Part No.	Description	Q'ty Per Assembly
1	5203 9501	Grease 501	1
2	A023 9504	Test Chart OS-A-1 (2 Sheets/Set) (D093/D094)	1
3	A257 9300	Grease - Barrierta S552R	1

Index No.	Part No.	Description	Q'ty Per Assembly

# Parts Index

## PM Parts Index

Section Name	Part No.	Description in Service Manual	Description in Parts Catalog	Q'ty Per Assembly	Page and Index No.
Drum Section (D093/D094)	B286 3581	Cleaning Blade	Cleaning Blade	1	25 - 37
Development Unit (D093/D094)	B125 9640	Developer	Developer Type 30W Black	1	27 - 1
Charge & Transfer Unit (D093/D094)	AD02 0059	Transfer Corona Wire	Corona Wire - Main	1	29 - 7
	AD02 0072	Separation Corona Wire	Corona Wire - Separation	1	29 - 8
	AD02 0089	Charge Corona Wire	Charge Corona Wire - G	1	29 - 19
	B125 2061	Corona Wire Cleaner	Cleaner:Charge Corona	1	29 - 23
Fusing Unit 1 (D093/D094)	AE03 1056	Hot Roller Bushing	Bushing - Fusing	2	33 - 7
	AE01 1122	Hot Roller	Hot Roller	1	33 - 13
	AE02 0148	Pressure Roller	Pressure Roller:MM55	1	33 - 17
	AE04 2047	Fusing Cleaning Roller	Fusing Cleaning Roller	1	33 - 30
Electrical Section 2 (D093/D094)	AA01 0124	Ozone Filter	Ozone Filter:Exhaust	1	45 - 7

## Parts Index

Part No.	Description	Page and Index No.
D093 1103	Cover:Harness:Fusing	49 - 36
D093 1259	Cover:Middle:Interface	51 - 1
D093 1265	Decal:H-temp Warning:Exterior: Multi-language	9 - 9
D093 1265	Decal:H-temp Warning:Exterior: Multi-language	7 - 12
D093 1265	Decal:H-temp Warning:Exterior: Multi-language	55 - 6
D093 1266	Decal:Warning (High Temperature): Lengthwise	47 - 15
D093 1266	Decal:Warning (High Temperature): Lengthwise	55 - 4
D093 1284	Cover:Rear Lower	9 - 10
D093 1296	Cover:Gear:Development	41 - 11
D093 1431	PCB:LCDC:NA	11 - 20
D093 1432	PCB:LCDC:EU	11 - 20
D093 1433	PCB:LCDC:CHN	11 - 20
D093 1441	Operation Sub-unit:NA	11 - *
D093 1442	Operation Sub-unit:EU/AA	11 - *
D093 1443	Operation Sub-unit:CHN	11 - *
D093 1640	Contact Image Sensor:Service:Ass'y	17 - 21
D093 1851	LED Head:Ass'y	23 - 18
D093 2253	Holder:Ball Bearing	25 - 6
D093 2300	Shaft:Drum:Ass'y	25 - 17
D093 2303	Stopper:Drum	25 - 26
D093 2304	Compression Spring:Pressure:Drum	25 - 21
D093 3006	Development Unit	27 - *
D093 3100	Timing Pulley:T64/Z19:Ass'y	41 - 26
D093 3102	Gear:Z61/Z30:Ass'y	41 - 24
D093 3150	Entrance Seal:Ass'y	27 - 18
D093 3181	Magnetic:Development Unit:Lower:Ass'y	21 - 25
D093 3319	Shaft:Development	27 - 28
D093 3566	Casing:Pickoff Pawl	25 - 27
D093 3569	Decal:Warning (High Temperature): Solenoid:Separation	55 - 5

Part No.	Description	Page and Index No.
D093 3569	Decal:Warning (High Temperature): Solenoid:Separation	25 - 45
D093 4006	Fusing Unit:NA:Ass'y	33 - *
D093 4007	Fusing Unit:EU/AA:Ass'y	33 - *
D093 4096	Cushion:Heater:Fusing	33 - 10
D093 4282	Cover:Fusing:Upper	45 - 2
D093 4360	Ground Plate:Fusing	45 - 22
D093 4371	Cover:Harness:Fusing:Left	33 - 23
D093 4372	Cover:Harness:Fusing:Right	33 - 35
D093 4373	Heat Insulation:Cover:Fusing	33 - 25
D093 4425	Decal:Warning (High Temperature):120C	55 - 7
D093 4425	Decal:Warning (High Temperature):120C	49 - 20
D093 4426	Decal:Warning (High Temperature)	37 - 5
D093 4426	Decal:Warning (High Temperature)	55 - 10
D093 4427	Decal:Warning (High Temperature): Fusing/Paper Exit Unit	55 - 9
D093 4427	Decal:Warning (High Temperature): Fusing/Paper Exit Unit	37 - 1
D093 4451	Decal:H-temp Warning:Fusing Exit Section: Outer	45 - 25
D093 4451	Decal:H-temp Warning:Fusing Exit Section: Outer	55 - 8
D093 4452	Paper Exit Unit:Ass'y	39 - *
D093 4462	Copy Tray:Auxiliary	7 - 18
D093 4464	Decal:Left And Right:Copy Tray	55 - 2
D093 4464	Decal:Left And Right:Copy Tray	7 - 21
D093 4467	Case:Guide:Copy Tray	7 - 24
D093 4470	Guide:Paper:Auxiliary	7 - 22
D093 4485	Fusing/Paper Exit Unit:Ass'y	37 - *
D093 4490	Shaft:Exit Roller	37 - 29
D093 4652	Bracket:Set Sensor	19 - 3
D093 4653	Lever:Micro Switch	19 - 20
D093 4663	Transport Roller:Original Insert:Ass'y	19 - 11
D093 4673	Transport Roller:Original Exhaust:Ass'y	17 - 14
D093 4677	Cushion:Stepper Motor:47	31 - 1

Part No.	Description	Page and Index No.
D093 4700	Original Table:Printing	9 - 5
D093 4702	Original Table:NA:Printing	9 - 5
D093 4717	Sheet:Block Light:CIS:Left	13 - 18
D093 4718	Sheet:Block Light:CIS:Right	13 - 25
D093 4720	Side Fence:Left:Ass'y	9 - 3
D093 4723	Side Fence:Right:Ass'y	9 - 4
D093 4734	Driven Roller:Ass'y	15 - 18
D093 4771	Stepper Motor:Press Fit	31 - 2
D093 4772	Roller:Driven:Ass'y	15 - 15
D093 4811	Decal:Emblem:RIC (D093)	7 - 6
D093 4885	Decal:Original:Operate:Multi-language:EXP	51 - 2
D093 4885	Decal:Original:Operate:Multi-language:EXP	7 - 9
D093 4885	Decal:Original:Operate:Multi-language:EXP	45 - 3
D093 4885	Decal:Original:Operate:Multi-language:EXP	13 - 19
D093 4885	Decal:Original:Operate:Multi-language:EXP	9 - 11
D093 4885	Decal:Original:Operate:Multi-language:EXP	55 - 11
D093 4887	Decal:Original:Operate:Multi-language:CHN	7 - 9
D093 5280	PCB:MCU:Ass'y	43 - 3
D093 5307	Cover:Harness	51 - 4
D093 5308	Bracket:HDD	51 - 22
D093 5309	Cover:Sd-card	51 - 26
D093 5310	Tray:GW/HDD:Peen	51 - 28
D093 5312	Duct:C/T Box	43 - 9
D093 5317	Cover:Control Board:Usb	51 - 3
D093 5321	Gasket:EGUN10313:L35	7 - 33
D093 5322	Gasket:EGUN10710:L35	7 - 34
D093 5326	Bracket:Leak Breaker	51 - 7
D093 5327	Bracket:Rocker Switch	45 - 23
D093 5432	PCB:SIPU:Ass'y	43 - 4
D093 5435	PCB:MB:Ass'y	43 - 7
D093 5450	PCB:VDB:Ass'y	23 - 10
D093 5681	PCB:CTL:EX1	51 - 14
D093 5701	Harness:DC:Main:Right	43 - 2
D093 5701	Harness:DC:Main:Right	23 - 20
D093 5703	Harness:DC:Power Source:Connecting	43 - 8

Part No.	Description	Page and Index No.
D093 5704	Harness:DC:LVDS:SCN	43 - 5
D093 5704	Harness:DC:LVDS:SCN	23 - 21
D093 5711	Harness:DC:Scanner:Motor	23 - 22
D093 5712	Harness:AC:Main	45 - 17
D093 5724	Harness:DC:LVDS:Main	43 - 10
D093 5724	Harness:DC:LVDS:Main	23 - 14
D093 5731	Harness:DC:Main:Left:A (D093)	23 - 19
D093 5731	Harness:DC:Main:Left:A (D093)	43 - 1
D093 5752	Harness:DC:Exhaust:Connecting	45 - 6
D093 5756	Ground Wire:Scanner Unit:Right	13 - 24
D093 5757	Harness:AC:Leak Breaker	51 - 8
D093 5758	Harness:AC:Fusing:NA	45 - 18
D093 5759	Harness:AC:Fusing:230V	45 - 18
D093 5765	Harness:DC:Scanner Unit:Set Sensor: Connecting	19 - 4
D093 5870	PCB:SIF:UNI:Ass'y	23 - 11
D093 6007	SD-Card:Z-V4:EXP	51 - 30
D093 7703	CD-ROM:OI>User:NA:Ass'y	7 - 35
D093 7707	CD-ROM:Drv/Man>User:CHN:Ass'y	7 - 35
D093 7709	CD-ROM:Drv/Man:Admin:CHN:Ass'y	7 - 35
D093 9590	PCB:NOVITA-S5K	51 - 18
D094 4811	Decal:Emblem:RIC (D094)	7 - 6
D094 5702	Harness:DC:Main:Left:B (D094)	43 - 1
D094 5702	Harness:DC:Main:Left:B (D094)	23 - 19
D094 7505	Manual>About_Machine:NA	7 - 26
D094 7523	Manual:Troubleshoot:NA	7 - 25
D094 7693	Manual>About_Machine:CN	7 - 26
D094 7696	Manual:Troubleshoot:CN	7 - 25
D094 7719	Sheet:Quick_Ref_Copy:CHN	7 - 38
D094 7739	Sheet:Quick_Ref_Prin:CHN	7 - 38
D094 7759	Sheet:Quick_Ref_Scan:CH	7 - 38



Part No.	Description	Page and Index No.
A023 9504	Test Chart OS-A-1 (2 Sheets/Set) (D093/D094)	57 - 2
A060 3826	Toner Collection Bottle Roller	9 - 14
A060 3827	Roller Holder	9 - 13
A134 1195	Seal - Fan Harness	45 - 10
A163 2052	Left Grid Terminal	29 - 16
A163 2251	Drum Knob	25 - 23
A163 3607	Right Pressure Lever	25 - 34
A163 3608	Left Pressure Lever	25 - 32
A163 3609	Lever Shaft	25 - 33
A163 3611	Pick-off Pawl	25 - 29
A163 4109	C - Ring - 19m	33 - 15
A163 4122	Entrance Guide Plate Holder	35 - 13
A163 4124	Holder Cam	35 - 14
A163 4183	Upper Pressure Release Lever	35 - 1
A163 4235	Tube Holder	37 - 10
A163 4236	Exit Tube	37 - 9
A163 4347	Separation Roller	49 - 29
A163 4453	Exit Driven Roller	39 - 8
A163 6052	Original Table Bushing	13 - 16
A174 1162	Idle Gear - 28Z	27 - 9
A174 1163	Development Sleeve Gear	27 - 2
A174 1164	Auger Gear	27 - 6
A174 1167	Paddle Gear	27 - 7
A174 3931	Guide:Paper:T/S Corona:Middle:Right	29 - 11
A174 3932	Guide:Paper:T/S Corona:Middle:Left	29 - 10
A174 3937	Right Paper Guide - T/S Outer	29 - 12
A174 3938	Left Paper Guide - T/S Outer	29 - 9
A174 4372	Gate Pawl Drive	39 - 14
A222 2680	Torque Limiter	21 - 24
A257 9300	Grease - Barrierta S552R	57 - 3
A259 1158	Pulley Flange	41 - 9
A267 1089	Grounding Plate - Upper Rear	51 - 19
A422 1356	Pin - 3x26mm	13 - 13
A548 2139	Pulley	41 - 27

Part No.	Description	Page and Index No.
A571 7700	Screw:Spring Washer:M2.6x5	47 - 22
B004 4087	Plate- Thermistor	35 - 8
B010 1359	Operating Instructions Holder	7 - 20
B010 2061	Right Holder - Charge Corona	29 - 28
B010 2062	Left Holder - Charge Corona	29 - 27
B010 3121	Gear - 28Z	27 - 27
B010 3206	Joint:Toner Hopper:Unit	27 - 23
B010 3211	Drum Stay:Spring	27 - 21
B010 3212	Spring:Joint	27 - 22
B010 4312	Upper Guide	37 - 6
B010 4324	Idler Gear - 30Z	37 - 22
B010 4458	Gate Pawl Plate	39 - 19
B010 9510	Drum	25 - 18
B065 1371	Cloth Holder	7 - 36
B065 1374	Cloth - DF Exposure Glass	7 - 23
B070 6877	Large Drum Stay Ground Plate	51 - 29
B101 5993	Interface Panel	51 - 25
B104 4084	Thermostat Housing	35 - 5
B104 4086	Cover - Housing Thermostat	35 - 19
B125 1057	Cover:Harness Clamp	45 - 21
B125 1085	Lever:Micro Switch	47 - 19
B125 1087	Shaft:Gas Spring:Upper	49 - 13
B125 1088	Anchor:Gas Spring	49 - 14
B125 1091	Bracket:Contact Point:Outer:Left	49 - 8
B125 1092	Bracket:Contact Point:Outer:Right	49 - 9
B125 1093	Bracket:Contact Point:Inner:Left	49 - 10
B125 1094	Bracket:Contact Point:Inner:Right	49 - 11
B125 1095	Lever:Machine Or Copier:Left	49 - 3
B125 1096	Lever:Machine Or Copier:Right	49 - 4
B125 1097	Knob:Lever	49 - 1
B125 1100	Pin:Hinge	49 - 7
B125 1125	Tightener:Development	41 - 22
B125 1130	Tightener:Registration	41 - 28
B125 1136	Tightener:Fusing	41 - 4
B125 1146	Arm:Coupling:Development	41 - 16

Part No.	Description	Page and Index No.
B125 1147	Shaft:Coupling:Development	41 - 17
B125 1161	Bracket:Fix:Fusing Unit:Right	49 - 22
B125 1162	Bracket:Fix:Fusing Unit:Left	49 - 21
B125 1170	Bracket:Power Supply Cord	51 - 6
B125 1171	Bracket:Power Pack	45 - 16
B125 1261	Bracket:Cover:Lower	49 - 26
B125 1261	Bracket:Cover:Lower	41 - 30
B125 1264	Bracket:Cover:Lower:2	49 - 25
B125 1267	Sheet:LGD	49 - 27
B125 1269	Sheet:Fusing:Small	35 - 15
B125 1271	Sheet:Fusing:Large	35 - 16
B125 1283	Cover:Right Upper	7 - 13
B125 1288	Cover:Right Lower	7 - 14
B125 1355	Guide Plate:Brush	7 - 37
B125 1358	Guide:Original:Middle	7 - 19
B125 1363	Guide:Original	7 - 15
B125 1364	Guide Plate:Guide:Original	7 - 16
B125 1474	Rivet:MM5	9 - 2
B125 1727	Spring Plate:Exposure Glass:Right	17 - 12
B125 1728	Spring Plate:Exposure Glass:Left	17 - 11
B125 1971	Plate:Shaft	23 - 8
B125 2018	Terminal:Grid:Right	29 - 25
B125 2060	Cleaner:Slider	29 - 22
B125 2061	Cleaner:Charge Corona	29 - 23
B125 2070	Bracket	31 - 13
B125 2085	Tension Spring:4291mN	31 - 11
B125 2106	Spring Plate:Earth	31 - 18
B125 2113	Holder:Wire	31 - 26
B125 2124	Spring Plate:Charge Corona:Left	31 - 17
B125 2125	Guard:Spring Plate:Left	31 - 16
B125 2127	Spring Plate:Charge Corona:Right	31 - 19
B125 2128	Guard:Spring Plate:Right	31 - 20
B125 2130	Shielding Plate:Charge Corona	31 - 4
B125 2469	C-ring:Drum Shaft	25 - 14
B125 2472	Balancer:OPC Drum	25 - 19

Part No.	Description	Page and Index No.
B125 2571	Guide Plate:Lower	21 - 3
B125 2572	Guide Plate:Manual Feed	21 - 6
B125 2575	Guide Plate:Registration:Upper	21 - 9
B125 2579	Feeler:Registration Sensor	21 - 22
B125 2580	Holder:Feeler	21 - 23
B125 2581	Bracket:Sensor	21 - 16
B125 2584	Sheet:Manual Feed:Middle	21 - 5
B125 2585	Sheet:Manual Feed:Left And Right	21 - 4
B125 3205	Stay:Toner Hopper	27 - 11
B125 3213	Electrode Plate:Development	27 - 24
B125 3230	Spacer - 0.3	19 - 16
B125 3230	Spacer - 0.3	27 - 31
B125 3233	Bearing Case	27 - 8
B125 3551	Side Plate:Right	25 - 39
B125 3554	Shutter:Discharge Used Toner	25 - 42
B125 3563	Casing:Cleaning	25 - 35
B125 3580	Density Sensor:Unit	25 - 25
B125 3659	Cushion:Swivel:Stopper	47 - 1
B125 3671	Vibrating Plate:Collection Bottle	47 - 2
B125 3672	Bracket:Swivel:Collection Bottle	47 - 5
B125 3674	Cam:Gear:Swivel	47 - 3
B125 3681	Joint:Collection Bottle	47 - 18
B125 3687	Spring Washer:WW-6012	47 - 23
B125 3688	Leaf Spring:Collection Bottle	9 - 15
B125 3864	Leaf Spring:T/S Corona	47 - 7
B125 3868	Shielding Plate:Harness	29 - 13
B125 3870	Guide Plate:T/S Corona:Lower	47 - 8
B125 3871	Grounding Plate:T/S Corona:Mid	47 - 9
B125 3872	Cover:Transfer Corona:Lower	47 - 10
B125 3873	Guard:Leaf Spring	47 - 11
B125 4130	C-Ring:MM50	33 - 5
B125 4145	Shaft:Pressure Roller	33 - 18
B125 4156	Electrode Plate:Thermostat	35 - 4
B125 4162	Bracket:Thermistor	35 - 17
B125 4172	Lever:Pressure	33 - 3

Part No.	Description	Page and Index No.
B125 4173	Lever:Pressure Release:Lower	33 - 11
B125 4174	Shaft:Lever:Pressure Release	35 - 2
B125 4194	Guide Plate:Fusing Exit:Lower	33 - 19
B125 4195	Guide:Auxiliary:Fusing Exit	33 - 20
B125 4283	Duct:Louver	45 - 12
B125 4298	Guide Plate:Duct	45 - 9
B125 4343	Cam:Pressure Release:Fusing:Right	49 - 6
B125 4344	Cam:Pressure Release:Fusing:Left	49 - 5
B125 4351	Bracket:Roller	49 - 30
B125 4352	Guide:Bracket:Roller	49 - 34
B125 4353	Ground Plate:Exhaust	49 - 16
B125 4356	Cover:Safety Switch	47 - 16
B125 4359	Roller:Separation:Small	49 - 31
B125 4452	Leaf Spring:Exit Roller:Upper	39 - 9
B125 4453	Leaf Spring:Exit Roller:Lower	39 - 10
B125 4456	Positioning Plate:Exit	39 - 4
B125 4458	Guide Plate:Exit	39 - 16
B125 4460	Bracket:Lock:Exit:Left	39 - 11
B125 4462	Stay:Exit	39 - 17
B125 4477	Guide:Fusing/Paper Exit:Middle	37 - 11
B125 4479	Lower Drive Exit Roller	37 - 12
B125 4481	Upper Drive Exit Roller	37 - 7
B125 4488	Arm:Drive:Fusing/Exit Unit	37 - 23
B125 4613	Bracket:Registration Sensor	19 - 10
B125 4656	Bushing:Arm:Front	19 - 14
B125 4689	Front CIS Guide	17 - 2
B125 4697	Bushing:Arm:Rear	17 - 22
B125 4697	Bushing:Arm:Rear	31 - 23
B125 4720	Side Fence:Left	7 - 1
B125 4723	Side Fence:Right	7 - 2
B125 4725	Cover:Original:Upper	15 - 36
B125 4732	Stopper:Original:Upper	13 - 14
B125 4742	Supporting Plate:Cover:Original	13 - 10
B125 4751	Shaft:Driven	15 - 14
B125 4753	Grounding Plate:Original:Frontlower	19 - 7

Part No.	Description	Page and Index No.
B125 4754	Grounding Plate:Original:Rear Lower	31 - 24
B125 4756	Guard:Grounding Plate:Rear	31 - 25
B125 4761	Shaft>Contact Point:Original:Upper	13 - 17
B125 4809	Cover:Original:Drive	13 - 3
B125 4815	Tensioner:Belt	17 - 7
B125 4825	Sheet:Block Light:1	15 - 30
B125 4826	Sheet:Block Light:2	15 - 31
B125 4827	Sheet:Block Light:3	15 - 32
B125 4828	Sheet:Block Light:4	15 - 33
B125 4829	Sheet:Block Light:5	15 - 34
B125 4841	Cover Sheet - Toner Cartridge	7 - 7
B125 4852	Case:Spring	13 - 7
B125 4853	Plate:Spring	13 - 8
B125 4864	Knob:Pressure Release	15 - 5
B125 4866	Bracket:Pressure Release	15 - 7
B125 4870	Stand:Pressure Release:Left	15 - 2
B125 4871	Stand:Pressure Release:Right	15 - 11
B125 4879	Sheet:Shield:Paper Size Sensor	15 - 35
B125 4884	Cover:Original:Switch	13 - 20
B125 4901	Stopper:Open And Close:Left:Unit	15 - 19
B125 4902	Bracket:Open And Close:Stopper:Left	15 - 21
B125 4904	Stopper:Open And Close:Left	15 - 24
B125 4906	Stopper:Open And Close:Right:Unit	15 - 25
B125 4907	Bracket:Open And Close:Stopper:Right	15 - 26
B125 4909	Stopper:Open And Close:Right	15 - 27
B125 4910	Tension Spring:Stopper	15 - 22
B125 4912	Shaft>Contact Point:Stopper	15 - 23
B125 4913	Shaft:Spring:Stopper	15 - 20
B125 5602	Harness:AC:Fusing:Connecting:1	35 - 3
B125 5606	Harness:AC:Fusing:Connect:120V	35 - 11
B125 5607	Harness:AC:Fusing:Connect:220/230V	35 - 11
B125 5643	Ground Wire:Scanner Unit:3	39 - 13
B125 5683	Ground Wire:Pressure Plate	13 - 5
B125 9640	Developer Type 30W Black	27 - 1
B132 1531	Panel:Logo	7 - 27

Part No.	Description	Page and Index No.
B188 1373	Decal - Power Source Off(CHN)	7 - 31
B188 1373	Decal - Power Source Off(CHN)	55 - 3
B188 2255	Spacer:Compression Spring:Drum	25 - 22
B188 2256	Stopper:Ball Bearing	25 - 10
B188 3101	Filter Bracket	27 - 16
B188 3575	Screw:Lever:Release:Blade	25 - 30
B188 3575	Screw:Lever:Release:Blade	17 - 3
B188 3582	Lever:Release:Blade	25 - 31
B188 4159	Positioning Plate:Lock	37 - 2
B188 4461	Ground Wire:Paper Exit Unit	39 - 12
B223 1518	Keytop - Blank FB	11 - 1
B223 1520	Keytop - Clear/Stop	11 - 4
B223 1521	Keytop:10key	11 - 5
B223 1528	Keytop - Copy NA	11 - 3
B223 1529	Keytop - DOC NA	11 - 2
B223 1534	Keytop:Copy:EU	11 - 3
B223 1535	Keytop:DOC:EU	11 - 2
B223 1540	Keytop:10key:NA	11 - 5
B238 1504	Keytop - Start	11 - 7
B238 1506	Keytop - Try Print	11 - 8
B238 1509	Keytop - Interrupt	11 - 9
B238 1511	Keytop - Counter	11 - 22
B238 1534	LCD Spacer A	11 - 27
B238 1535	LCD Spacer B	11 - 26
B238 1539	Sheet:Power Source:Display:NA	11 - 34
B238 1547	Spacer - Keytop	11 - 17
B238 1549	Keytop - Power Source	11 - 12
B238 1550	Keytop - Login	11 - 11
B238 1552	Keytop - Kantan	11 - 10
B238 1583	Keytop - Clear Modes	11 - 6
B257 4231	Arm Stopper	37 - 26
B275 1086	Gas Spring	49 - 12
B275 1670	Guard Burring	9 - 8
B275 1670	Guard Burring	49 - 33
B275 1670	Guard Burring	51 - 27

Part No.	Description	Page and Index No.
B275 2036	Washer - DIA3	31 - 28
B275 5657	Harness - DC Charge 1	31 - 3
B275 5686	Harness - DC Scanner Unit	17 - 18
B275 5690	Harness - DC QL	31 - 15
B275 5692	Harness - DC Cleaning Unit	25 - 24
B275 5693	Harness - DC Registration Sensor	21 - 14
B275 5890	Power Supply Cord (230V)(CHN)	51 - 5
B286 1003	Duct:Exhaust	49 - 24
B286 1050	Gasket:20mm	47 - 24
B286 1084	Bracket:Latch:Right	47 - 20
B286 1090	Stand:DOM	49 - 15
B286 1098	Cover:Thermostat	49 - 35
B286 1101	Side Plate:Drive	41 - 34
B286 1131	Drum Stay	25 - 2
B286 1135	Bracket:DC Motor:Ass'y	23 - 4
B286 1139	Flange:Pulley	23 - 9
B286 1141	Tightener	25 - 43
B286 1144	Spring:Tightener:Drum	25 - 15
B286 1146	Pulley:Tightener	25 - 3
B286 1151	Flange:Timing Pulley	25 - 1
B286 1160	Cover:Printed Circuit Board	23 - 13
B286 1183	Shield:Duct:Inner	49 - 23
B286 1260	Cover:Interface	51 - 10
B286 1286	Cover:Left Upper	7 - 10
B286 1287	Cover:Left Lower	7 - 11
B286 1352	Copy Tray:Upper	7 - 17
B286 1380	Original Tray	7 - 30
B286 1382	Holder:Original Tray	7 - 28
B286 1479	Sheet:Power Source:N-C2:EU	11 - 34
B286 1497	PCB:NPC2:OP-L:Sub-Ass'y	11 - 14
B286 1500	Cover:Operation Panel	9 - 6
B286 2594	Manual Feed Table	7 - 3
B286 3223	Seal:Toner Supply	27 - 32
B286 3555	Side Plate:Left	25 - 7
B286 3581	Cleaning Blade	25 - 37

Part No.	Description	Page and Index No.
B286 3583	Slider:Collection Bottle:Lower	49 - 28
B286 3661	Collection Bottle	9 - 16
B286 3662	Decal:Toner Recycling	9 - 17
B286 3662	Decal:Toner Recycling	55 - 12
B286 3664	DC Motor 24V 5.85W	47 - 4
B286 3683	Shield:Joint:Upper	47 - 17
B286 3830	T/S Corona Unit	29 - 1
B286 3855	Sheet:Entrance:Transfer:Ass'y	29 - 2
B286 3865	Guide Plate:Transport	47 - 14
B286 4105	Side Plate:Fusing:Right	35 - 21
B286 4115	Side Plate:Fusing:Left	35 - 20
B286 4132	Bracket:Heater:Right	33 - 33
B286 4133	Bracket:Heater:Left	33 - 9
B286 4137	Cover:Heater:Left	33 - 1
B286 4139	Cover:Heater	33 - 8
B286 4148	Holder:Pressure Roller	33 - 14
B286 4151	Stay:Fusing:Upper:Ass'y	35 - 6
B286 4163	Stay:Lower:Fusing	35 - 22
B286 4180	Fusing Entrance Guide Plate	35 - 12
B286 4211	Fusing Cover:Upper	33 - 24
B286 4213	Arm:Cleaning Roller:Right	33 - 32
B286 4214	Arm:Cleaning Roller:Left	33 - 28
B286 4285	Shield:Cover:Fusing:Harness	45 - 5
B286 4292	Shield:Front:Guide Plate:Duct	45 - 11
B286 4293	Fan Motor DC24V 8.5W	45 - 8
B286 4451	Cover:Exit	39 - 7
B286 4455	Bracket:Lock:Right	39 - 3
B286 4463	DC Solenoid:Gate Pawl	39 - 22
B286 4470	Sheet:Block Light:Exit	37 - 28
B286 4471	Gasket:Guide Plate:Exit	39 - 2
B286 4475	Guide:Fusing/Paper Exit Unit: Left And Right	37 - 16
B286 4497	Shield:Guide:Left Upper	37 - 14
B286 4498	Shield:Guide:Right Upper	37 - 13
B286 4499	Grip:Exit	37 - 15

Part No.	Description	Page and Index No.
B286 4616	Bracket:Original:Paper Feed Sensor	17 - 17
B286 4630	Bracket:Original Sensor	19 - 8
B286 4631	Bracket:Original Sensor:NA	19 - 8
B286 4682	Guide Plate:Front Lower:EU	17 - 1
B286 4691	Guide:CIS:Front:Small	17 - 20
B286 4692	Guide Plate:Front Lower:NA	17 - 1
B286 4696	Guide Plate:Original:Rear Lower	17 - 15
B286 4752	Driven Roller:Original Insert	15 - 16
B286 4755	Shield:Block Light	31 - 22
B286 4757	Sheet:Original Insert:A	15 - 28
B286 4758	Sheet:Original Insert:B	15 - 29
B286 4767	Keytop:Original:Stop	13 - 23
B286 4806	Cover - Toner Cartridge	7 - 5
B286 4854	Cushion:Keytop:Original:Stop	13 - 22
B286 4940	Pressure Plate	13 - 9
B286 4966	Bracket:Pressure Plate:Left	13 - 2
B286 4967	Bracket:Pressure Plate:Right	13 - 4
B286 5617	Stay:FCC	23 - 23
B286 5618	Bracket:VDB	23 - 25
B286 5620	Gasket:Stay:FFC	23 - 24
B286 5702	Harness:DC:Fusing:Sensor	35 - 24
B286 5712	Harness:High Voltage:Separation	45 - 14
B286 5713	Harness:High Voltage:Transfer	45 - 13
B286 5714	Harness:High Voltage	23 - 16
B286 5715	Harness:High Voltage:Grid	23 - 15
B286 5716	Harness:High Voltage:Charge Corona	23 - 17
B286 5723	Harness:DC:Scanner Unit (EU/CHN)	19 - 19
B286 5732	Harness:DC:Scanner Unit:NA	19 - 19
B286 5739	Ground Wire:Paper Exit Unit	39 - 18
B286 5741	Ground Wire:Scanner Unit:2	19 - 5
B286 5750	Gasket:Uc-300281:50mm	13 - 12
B286 5763	Harness:DC:Operation	9 - 18
B286 5763	Harness:DC:Operation	15 - 1
B286 5765	Power Supply Cord - 220V	51 - 5
B286 5767	Power Supply Cord - 120V	51 - 5

Part No.	Description	Page and Index No.
B286 5768	Gasket:Scanner:Guide Plate:Front	19 - 15
B286 5769	Gasket:Registration:Guide Plate	21 - 8
B889 1435	Spacer:21.2	19 - 17
D002 5688	Gasket:20mm	21 - 10
D009 1466	PCB:ALC1:OP-R:Sub-Ass'y	11 - 13
D009 1480	Harness:OP-R:10	11 - 16
D009 1481	Harness:OP-R:13	11 - 15
D009 1484	Harness:Invertor	11 - 19
D009 1486	Invertor:TFT	11 - 18
D009 1487	Cable:FFC:TFT:LCD	11 - 21
D009 1489	LCD:TFT:W-VGA:SH	11 - 28
D009 1556	Panel:Upper:NA	11 - 33
D009 1557	Panel:Upper:EU	11 - 33
D014 5974	Cover:Connector:EFI	51 - 17
D029 1484	Touch Panel:WVGA:FU-ACF	11 - 25
D029 1507	Shadeing Plate:Touch Panel:Ass'y	11 - 24
D029 5370	Cable:HDD:SATA:Power:140	51 - 16
D029 5371	Cable:HDD:SATA:RED:170	51 - 15
D029 5792	HDD:WD:160GB:63N9A0	51 - 20
D046 1465	Harness:BLG:OP-L:12	11 - 30
D046 1466	Harness:BLG:OP-L:13	11 - 29
D046 1474	Lens:Front:BLG-C1	11 - 31
D046 1475	Bracket:LCDC:BLG-C1:Ass'y	11 - 23
D046 2582	Bracket:Positioning:Left	27 - 19
D046 2583	Bracket:Positioning:Right	27 - 20
G020 4444	Tightener	41 - 21
G020 5626	Push Switch	45 - 24
G020 5626	Push Switch	35 - 23
G133 5795	Rail:Right	51 - 11
G133 5796	Rail:Left	51 - 12
G178 6072	PCB:PC4200:RAWCard-A:1GB	51 - 13
G180 1265	Ground Plate- Toner Supply	7 - 8
G568 2839	Tightener - M16	41 - 5
G568 2839	Tightener - M16	17 - 4
H004 3755	Square Bushing	19 - 12

Part No.	Description	Page and Index No.
H004 3755	Square Bushing	13 - 11
H072 2207	Guard	23 - 7
H072 2207	Guard	19 - 13
H072 2207	Guard	15 - 3

Part No.	Description	Page and Index No.
AA00 3210	Decal - Grip	55 - 1
AA00 3210	Decal - Grip	39 - 1
AA00 3210	Decal - Grip	45 - 4
AA01 0124	Ozone Filter:Exhaust	45 - 7
AA01 2081	Development Filter	27 - 17
AA04 3527	Timing Belt - 230XL	37 - 25
AA04 3588	Timing Belt - B60S2M480	17 - 10
AA04 3644	Timing Belt - B60S2M214	41 - 14
AA04 3653	Timing Belt:100S2M260	41 - 25
AA04 3654	Timing Belt:60S3M471	41 - 7
AA04 3655	Timing Belt:135S2M426	25 - 5
AA05 0113	Wire:Cleaner	31 - 10
AA06 0749	Spring	29 - 17
AA06 0942	Pressure Roller Pickoff Pawl Spring	33 - 22
AA06 0943	Belt Tensioner Spring	17 - 6
AA06 0965	Spring:Corona Wire:Charge	31 - 27
AA06 0965	Spring:Corona Wire:Charge	29 - 21
AA06 0969	Spring:Pressure Release	41 - 18
AA06 1006	Spring:Blade:Cleaning	41 - 23
AA06 1011	Tension Spring	41 - 29
AA06 1016	Spring:Middle	37 - 27
AA06 2325	Cleaning Blade Spring	25 - 38
AA06 2333	Tension Spring:2.16N	41 - 3
AA06 2337	Spring - Timing Belt Tension	39 - 6
AA06 2338	Tension Spring - Right	49 - 2
AA06 2340	Spring - Pressure	33 - 4
AA06 3416	Spring - 3.4N	15 - 12
AA06 3419	Spring - 10n	13 - 6
AA06 3427	Spring:9.8N	21 - 18
AA06 3444	Spring:Stopper:Original	13 - 15
AA06 3900	Registration Compression Spring	21 - 11
AA06 3955	Spring:Driven:1.7N	15 - 17
AA06 6052	Stripper Spring	37 - 17
AA06 6254	Corona Wire Spring	29 - 4
AA06 6255	Feeler Spring	21 - 21

Part No.	Description	Page and Index No.
AA06 6256	Right Lock Spring	37 - 3
AA06 6257	Left Lock Spring	37 - 4
AA06 6366	Spring:Pressure Release	39 - 21
AA06 6370	Left Pressure Release Spring - 5N	15 - 8
AA06 6371	Right Pressure Release Spring - 5N	15 - 10
AA06 6643	Arm Spring	37 - 21
AA06 6664	Toner Outlet Shutter Spring	25 - 41
AA06 6681	Spring:Original Tray	7 - 29
AA08 0336	Bushing:DIA6	27 - 5
AA08 0340	Bushing DIA8	27 - 25
AA08 2101	Bushing - 6x10x6	37 - 19
AA08 2101	Bushing - 6x10x6	39 - 15
AA08 2104	Bushing - 8x12x7	21 - 2
AA08 2135	Bushing - DIA4	21 - 12
AA08 2135	Bushing - DIA4	15 - 13
AA08 3016	Roller Clutch - 6x14x10	33 - 31
AA08 4057	Bearing Case:DIA26	27 - 3
AA12 0125	Front Discharge Brush	17 - 16
AA12 0127	Discharge Brush:Fusing	33 - 34
AA13 2013	Spacer	23 - 1
AA13 2097	Spacer	27 - 26
AA14 0844	Exit Roller Shaft	37 - 8
AA14 3139	Shoulder Screw - Pressure Arm	23 - 6
AA14 3335	Rear Shutter Pin	25 - 13
AA14 3394	Stepped Screw - M3x10	15 - 4
AA14 3404	Stepped Screw - M4	51 - 24
AA14 3543	Screw:M4:DIA6x1.7:Black	15 - 6
AA14 3546	Anchor:Cassette Sensor	25 - 44
AA14 3546	Anchor:Cassette Sensor	49 - 18
AA14 3548	Screw:M3x4.2	51 - 21
AA14 3569	Screw	15 - 9
AA14 3786	Stepped Screw:M3x10.3	31 - 5
AA14 3787	Stepped Screw:M3x14.2	31 - 6
AA14 3788	Pin:Guide Plate:Paper Feed	27 - 13
AA14 3788	Pin:Guide Plate:Paper Feed	9 - 7

Part No.	Description	Page and Index No.
AA14 3788	Pin:Guide Plate:Paper Feed	21 - 1
AA14 3810	Development Cover Screw	39 - 5
AA14 3810	Development Cover Screw	33 - 2
AA14 3823	Tapping Screw	13 - 1
AA14 3844	Screw:Cleaning Felt	49 - 19
AA14 3854	Screw	33 - 27
AA14 3855	Screw	49 - 32
AA14 3859	Positioning Pin	41 - 1
AA14 3859	Positioning Pin	9 - 1
AA14 5830	Swing Unit Idler Shaft	47 - 6
AA15 2479	Seal:Block Heat	49 - 17
AA15 3133	Blade Right Shield	25 - 40
AA15 3134	Blade Left Shield	25 - 9
AA15 3135	Drum Right Shield	25 - 8
AA15 3450	Right Shield - Side Plate	27 - 15
AA15 3451	Left Shield - Side Plate	27 - 14
AA16 1125	Rubber Cushion	51 - 23
AB01 0363	Gear - 146Z	25 - 16
AB01 0364	Gear - 46Z	25 - 12
AB01 2049	Gear:Z28	41 - 15
AB01 2052	Gear:Z50:Ass'y	41 - 19
AB01 3921	Gear - 20Z	27 - 4
AB01 4267	Gear - 46Z	41 - 20
AB01 4268	Gear:Drive:Fusing	33 - 6
AB01 7347	Idle Gear	47 - 21
AB01 7664	Gear:Pulley:Right	31 - 9
AB01 7675	Gear/Pulley - 30Z/63T	41 - 8
AB01 7676	Gear - 32/100Z	23 - 3
AB01 7680	Gear/Pulley - 24Z/24T	37 - 24
AB01 7738	Timing Pulley:Gear:T70/Z40	41 - 13
AB01 7739	Gear:Z112/Z19	41 - 12
AB01 7740	Gear:Timing Pulley:Z83/T20	41 - 10
AB01 7741	Gear:Timing Pulley:Z100/T31	23 - 2
AB03 0474	Pulley - 24T	37 - 20
AB03 0745	Pulley - 76T	17 - 8

Part No.	Description	Page and Index No.
AB03 0746	Pulley - 76T	19 - 1
AB03 0812	Timing Pulley:T102	25 - 4
AB03 2723	Pulley:Left	31 - 7
AB03 2724	Pulley:Encoder	31 - 8
AC01 0006	Exposure Glass	17 - 13
AD00 4104	Charge Corona Unit	29 - 14
AD01 4030	Drum Flange	25 - 20
AD02 0059	Corona Wire - Main	29 - 7
AD02 0072	Corona Wire - Separation	29 - 8
AD02 0089	Charge Corona Wire - G	29 - 19
AD02 0090	Grid Wire	29 - 20
AD02 2317	Left End Block Cover - Charge	29 - 18
AD02 2320	End Block Cover - T & S	29 - 3
AD02 2369	End Block Cover - Charge Corona	29 - 26
AD02 2372	End Block:T/S Corona:Right	29 - 6
AD02 2373	End Block:T/S Corona:Left	29 - 5
AD02 2377	Left End Block	29 - 15
AD02 2380	End Block:Charge Corona:Right:Ass'y	29 - 24
AD04 3085	Toner Collection Coil:Cleaning	25 - 36
AE01 1122	Hot Roller	33 - 13
AE02 0148	Pressure Roller:MM55	33 - 17
AE03 0050	Ball Bearing - 20x32x7	33 - 16
AE03 1056	Bushing - Fusing	33 - 7
AE04 2047	Fusing Cleaning Roller	33 - 30
AE04 4054	Stripper Pawls	37 - 18
AE04 4055	Pressure Roller Pickoff Pawl	33 - 21
AF02 0599	Registration Roller	21 - 7
AF02 0603	Middle Driven Roller	21 - 20
AF02 2128	Transport Driven Roller	21 - 13
AF02 5029	Exit Separation Pawl	39 - 20
AG07 0514	Magnet Catch	7 - 4
AW01 0107	Paper Feed Sensor	19 - 6
AW01 0109	Photo Reflection Sensor:PS117ED1	17 - 19
AW01 0109	Photo Reflection Sensor:PS117ED1	19 - 9
AW01 0127	Paper Feed Sensor	33 - 26



Part No.	Description	Page and Index No.
AW02 0180	Paper Feed Sensor	21 - 15
AW10 0053	Thermistor - Rear	35 - 18
AW10 0087	Fusing Thermistor	35 - 7
AW11 0053	Thermostat - 199C 250V/10A	35 - 9
AW11 0054	Thermostat - 200C 250V/10A	35 - 10
AW40 0014	Used Toner Sensor	9 - 12
AW50 0022	Push Switch	13 - 21
AX04 0147	DC Motor:Cleaner:0.5W	31 - 21
AX06 0296	Brushless Motor:DC24V 24W:Z9	23 - 5
AX06 0296	Brushless Motor:DC24V 24W:Z9	41 - 31
AX06 0334	Brushless Motor DC24V 45W	41 - 33
AX10 0032	DC Solenoid:Pickoff Pawl	25 - 28
AX20 0272	Spring Clutch:Toner Hopper	27 - 12
AX21 0099	Magnetic Clutch	41 - 32
AX31 0045	Total Counter:7FIG:24V	51 - 9
AX40 0188	Heater:120V:13W	47 - 13
AX40 0189	Heater:230V:13W	47 - 13
AX45 0042	Heater:120V:1150W	33 - 12
AX45 0043	Heater:230V:1150W	33 - 12
AX50 0099	Discharge Lamp:P2	31 - 14
AX64 0181	Fan:MM60:24V	43 - 6
AX64 0207	Fan:MM60	45 - 20
AZ23 0246	Power Supply Unit:DOM/NA	45 - 19
AZ23 0247	Power Supply Unit:EU/AA/CHN	45 - 19
AZ32 0150	Power Pack TD	45 - 15
AZ32 0151	Power Pack:CGB	23 - 12
BA14 6013	Pin - Stopper Click	27 - 29
GA00 0067	Decal:Power Source:Off:English	7 - 31
GA00 0067	Decal:Power Source:Off:English	55 - 3
GW02 0020	Photointerruptor:LG248NL1	21 - 17
GW02 0020	Photointerruptor:LG248NL1	47 - 12
GW02 0020	Photointerruptor:LG248NL1	31 - 12
GW02 0020	Photointerruptor:LG248NL1	41 - 6

Part No.	Description	Page and Index No.
0252 0020N	Pan Head Screw:M2x2	31 - 110
0313 0050N	Philips Pan Head Screw - M3x5	29 - 103
0314 0100N	Pan Head Screw:M4x10	45 - 101
0315 0100N	Pan Head Screw:M5x10	27 - 108
0353 0040N	Screw - M3x4	39 - 103
0353 0060N	Bind Screw - M3x6	11 - 103
0434 0200N	Pan Self-tapping Screw:4x20	51 - 105
0450 3008N	Tapping Screw - M3x8	7 - 105
0450 3008N	Tapping Screw - M3x8	37 - 102
0450 3008N	Tapping Screw - M3x8	29 - 102
0450 3008N	Tapping Screw - M3x8	13 - 103
0450 3008N	Tapping Screw - M3x8	15 - 101
0450 3010N	Tapping Screw - M3x10	39 - 101
0450 3010N	Tapping Screw - M3x10	11 - 101
0450 3010N	Tapping Screw - M3x10	9 - 103
0450 4008N	Tapping Screw - M4x8	13 - 105
0451 3006N	Tapping Screw - 3x6	33 - 102
0451 3006N	Tapping Screw - 3x6	17 - 102
0451 3006N	Tapping Screw - 3x6	35 - 104
0451 3006N	Tapping Screw - 3x6	31 - 102
0451 3006N	Tapping Screw - 3x6	19 - 102
0451 3006N	Tapping Screw - 3x6	25 - 101
0451 3006N	Tapping Screw - 3x6	23 - 101
0451 3006N	Tapping Screw - 3x6	15 - 102
0451 3006N	Tapping Screw - 3x6	21 - 101
0451 3006N	Tapping Screw - 3x6	45 - 102
0451 3006N	Tapping Screw - 3x6	51 - 103
0451 3006N	Tapping Screw - 3x6	9 - 104
0451 3006N	Tapping Screw - 3x6	49 - 101
0451 3006N	Tapping Screw - 3x6	39 - 102
0451 3006N	Tapping Screw - 3x6	47 - 101
0451 3006N	Tapping Screw - 3x6	7 - 102
0451 3006N	Tapping Screw - 3x6	43 - 101
0451 3006N	Tapping Screw - 3x6	41 - 101
0451 3008N	Tapping Screw - M3x8	7 - 101

Part No.	Description	Page and Index No.
0451 3008N	Tapping Screw - M3x8	33 - 107
0451 3008N	Tapping Screw - M3x8	13 - 102
0451 3008N	Tapping Screw - M3x8	29 - 105
0451 3008N	Tapping Screw - M3x8	9 - 105
0451 3008N	Tapping Screw - M3x8	17 - 111
0451 3008N	Tapping Screw - M3x8	49 - 117
0451 3008N	Tapping Screw - M3x8	51 - 101
0451 3012N	Tapping Screw:3x12	35 - 106
0451 3014N	Tapping Screw:3x14	47 - 103
0451 3014N	Tapping Screw:3x14	23 - 104
0451 3014N	Tapping Screw:3x14	31 - 109
0451 3014N	Tapping Screw:3x14	33 - 103
0451 3014N	Tapping Screw:3x14	17 - 103
0451 3014N	Tapping Screw:3x14	19 - 103
0451 3025N	Tapping Screw:M3x25	47 - 104
0451 3030N	Tapping Screw:3x30	43 - 102
0451 4006N	Tapping Screw - 4x6	17 - 101
0451 4006N	Tapping Screw - 4x6	39 - 105
0451 4006N	Tapping Screw - 4x6	41 - 104
0451 4006N	Tapping Screw - 4x6	27 - 106
0451 4006N	Tapping Screw - 4x6	29 - 104
0451 4006N	Tapping Screw - 4x6	33 - 104
0451 4006N	Tapping Screw - 4x6	37 - 101
0451 4008N	Tapping Screw:4x8	35 - 105
0451 4008N	Tapping Screw:4x8	49 - 119
0451 4008N	Tapping Screw:4x8	25 - 103
0451 4008N	Tapping Screw:4x8	41 - 103
0451 4008N	Tapping Screw:4x8	51 - 104
0451 4008N	Tapping Screw:4x8	23 - 102
0451 4010N	Tapping Screw:4x10	25 - 104
0451 4010N	Tapping Screw:4x10	33 - 105
0451 4010N	Tapping Screw:4x10	27 - 107
0451 4010N	Tapping Screw:4x10	31 - 101
0451 4010N	Tapping Screw:4x10	9 - 101
0451 4016N	Tapping Screw:4x16	13 - 104

Part No.	Description	Page and Index No.
0452 3006N	Binding Self-tapping Screw:3x6	9 - 102
0453 3008N	Binding Self Tapping Screw:3x8	25 - 106
0453 3008N	Binding Self Tapping Screw:3x8	7 - 103
0454 3006Q	Tapping Screw - M3x6	19 - 101
0454 3006Q	Tapping Screw - M3x6	9 - 106
0454 3006Q	Tapping Screw - M3x6	51 - 102
0454 3006Q	Tapping Screw - M3x6	23 - 103
0454 3006Q	Tapping Screw - M3x6	29 - 106
0454 3006Q	Tapping Screw - M3x6	39 - 107
0454 3006Q	Tapping Screw - M3x6	13 - 101
0454 3006Q	Tapping Screw - M3x6	47 - 102
0454 3008Q	Tapping Screw:3x8	23 - 113
0574 0050E	Hexagon Headless Set Screw - M4x5	17 - 104
0574 0060E	Hexagon Headless Set Screw - M4x6	25 - 105
0633 0200G	Pin - M3x20	27 - 103
0703 0030N	Spring Washer:DIA3	49 - 118
0703 0040N	Spring Washer:DIA4	13 - 106
0703 0040N	Spring Washer:DIA4	51 - 108
0703 0040N	Spring Washer:DIA4	49 - 108
0707 6200N	Bushing:DIA6x20	49 - 115
0708 0040N	Washer - DIA4	31 - 106
0720 0020E	Retaining Ring - M2	15 - 104
0720 0020E	Retaining Ring - M2	13 - 107
0720 0030E	Retaining Ring - M3	15 - 103
0720 0040E	Retaining Ring - M4	21 - 105
0720 0040E	Retaining Ring - M4	35 - 107
0720 0040E	Retaining Ring - M4	47 - 107
0720 0040E	Retaining Ring - M4	37 - 103
0720 0040E	Retaining Ring - M4	39 - 104
0720 0040E	Retaining Ring - M4	49 - 104
0720 0040E	Retaining Ring - M4	41 - 105
0720 0050E	Retaining Ring - M5	27 - 102
0720 0050E	Retaining Ring - M5	49 - 103
0720 0060E	Retaining Ring - M6	49 - 102
0720 0060E	Retaining Ring - M6	19 - 104

Part No.	Description	Page and Index No.
0720 0060E	Retaining Ring - M6	27 - 101
0720 0060E	Retaining Ring - M6	21 - 103
0720 0060E	Retaining Ring - M6	17 - 109
0720 0060E	Retaining Ring - M6	23 - 114
0720 0060E	Retaining Ring - M6	41 - 106
0720 0080E	Retaining Ring - M8	49 - 106
0736 0406	Bushing:DIA4x6	15 - 106
0741 3706	Ball Bearing - 6x10x3	25 - 109
0801 0226	Screw:UNC:#6-32	51 - 107
0801 0228	Pan Head Screw:M2.3x12	21 - 102
0802 5285	Screw - 3x8	45 - 103
0804 6127	Hexagonal Bolt:Double Screw:M3x8	33 - 106
0805 0089	Retaining Ring - M4	37 - 105
0805 3385	Bushing - 6mm	37 - 104
0805 3471	Bushing - M8x22x7	25 - 107
0805 3516	Ball Bearing - 10x26x8	27 - 104
0805 3517	Ball Bearing - 8x16x5	27 - 105
0951 3006N	Screw - M3x6	17 - 108
0951 3006N	Screw - M3x6	29 - 101
0954 3006N	Screw - M3x6	35 - 101
0954 3006N	Screw - M3x6	33 - 101
0954 3010N	Screw:Polished Round/Spring:M3x10	35 - 102
0954 3012N	Screw - M3x12	35 - 103
0954 3020N	Screw:Polished Round/Spring:M3x20	45 - 104
0965 5016N	Tapping Screw W/Washer - M5x16	49 - 105
1005 0883	Guide Rail:180S	43 - 110
1102 6245	Relay Connector - 2P	31 - 107
1105 0032	Clamp	11 - 104
1105 0042	Wire Band	27 - 109
1105 0053	Clamp - 5MM	43 - 109
1105 0053	Clamp - 5MM	45 - 115
1105 0193	Nylon Stud	23 - 106
1105 0193	Nylon Stud	45 - 109
1105 0290	Harness Clamp - Horizontal	35 - 108
1105 0328	Harness Clamp - ES-0505	39 - 106

Part No.	Description	Page and Index No.
1105 0348	Clamp	31 - 105
1105 0348	Clamp	47 - 110
1105 0348	Clamp	23 - 111
1105 0348	Clamp	51 - 106
1105 0409	Card Spacer - 6.4mm	23 - 110
1105 0409	Card Spacer - 6.4mm	51 - 110
1105 0409	Card Spacer- 6.4MM	43 - 108
1105 0409	Card Spacer- 6.4mm	41 - 102
1105 0487	Harness Clamp	47 - 108
1105 0487	Harness Clamp	45 - 106
1105 0487	Harness Clamp	51 - 111
1105 0487	Harness Clamp	17 - 106
1105 0487	Harness Clamp	15 - 105
1105 0488	Harness Clamp	23 - 108
1105 0489	Harness Clamp - LWS 1316	49 - 110
1105 0489	Harness Clamp - LWS 1316	31 - 104
1105 0490	Harness Clamp - IWS-2218	45 - 107
1105 0508	Harness Clamp - LWS-0711	43 - 105
1105 0511	Harness Clamp - LWS-0306ZC	41 - 107
1105 0511	Harness Clamp - LWS-0306ZC	21 - 104
1105 0511	Harness Clamp - LWS-0306ZC	25 - 108
1105 0511	Harness Clamp - LWS-0306ZC	49 - 109
1105 0511	Harness Clamp - LWS-0306ZC	31 - 103
1105 0511	Harness Clamp - LWS-0306ZC	17 - 105
1105 0511	Harness Clamp - LWS-0306ZC	47 - 112
1105 0511	Harness Clamp - LWS-0306ZC	19 - 107
1105 0511	Harness Clamp - LWS-0306ZC	45 - 105
1105 0516	Clamp	37 - 106
1105 0516	Clamp	41 - 109
1105 0516	Clamp	49 - 111
1105 0516	Clamp	17 - 110
1105 0516	Clamp	23 - 109
1105 0516	Clamp	13 - 109
1105 0517	Harness Clamp - LWS-2111Z	49 - 116
1105 0517	Harness Clamp - LWS-2111Z	45 - 108

Part No.	Description	Page and Index No.
1105 0529	Nylon Clamp-EMT-3N	43 - 104
1105 0529	Nylon Clamp-EMT-3N	23 - 105
1105 0530	Nylon Clamp-emt-4n	23 - 115
1105 0530	Nylon Clamp-EMT-4N	43 - 103
1105 0531	Locking Support-EMSS-4S	23 - 107
1105 0582	Clamp:RBWS-0510D-V0	11 - 102
1105 0723	Clamps:WES-0507	47 - 109
1105 0723	Clamps:WES-0507	19 - 106
1105 0723	Clamps:WES-0507	31 - 108
1105 0723	Clamps:WES-0507	49 - 112
1105 0723	Clamps:WES-0507	41 - 108
1105 0724	Clamps:WES-1210	13 - 108
1105 0724	Clamps:WES-1210	45 - 110
1105 0724	Clamps:WES-1210	17 - 107
1105 0725	Clamps:WES-1117	43 - 107
1106 0193	Bushing - 7.9mm	35 - 109
1106 0411	Bushing - 11.5mm	49 - 107
1106 0459	Bushing - 20.2mm	49 - 114
1106 0911	Bushing:SD-1909	43 - 106
1106 0924	Bushing:JKR-40	47 - 111
1107 1084	Fuse:CES14-8A-N1(EU/AA/CHN)	45 - 112
1107 1186	Fuse:FIH 6.3A(EM)(EU/AA/CHN)	45 - 111
1107 1252	Fuse:CES14-15A-N2(NA)	45 - 112
1107 1286	Fuse:BJS2022F1	51 - 109
1107 1295	Fuse:Glass Cartridge:FSL 250V 6.3A(EM)	45 - 113
1107 1319	Fuse:FIH 250V 10A(RM)(NA)	45 - 111
1204 2521	Micro Switch	47 - 106
1204 2529	Switch - V-5F912DN	23 - 112
1204 2529	Switch - V-5F912DN	47 - 105
1204 2529	Switch - V-5F912DN	19 - 105
1204 2533	Switch - AJ76200PZ02	41 - 110
1204 2634	Rocker Switch - AJ76200B	45 - 114
1607 1092	Ferrite Core:RFC-10	7 - 104
1607 1714	Ferrite Core:Rfc-6	21 - 106

Part No.	Description	Page and Index No.
5053 0223	Bushing - 8mm	17 - 9
5053 0223	Bushing - 8mm	19 - 2
5053 0447	Bushing - 6mm	33 - 29
5203 9501	Grease 501	57 - 1
5206 2686	Snap Ring	25 - 11
5219 3326	Rubber Seal - Paddle Roller	27 - 30
5219 3326	Rubber Seal - Paddle Roller	19 - 18
5442 2751	Bushing - Upper Registration Roller	21 - 19
5446 6214	Shaft Holder - Pick-up Roller	27 - 10
5447 2769	Stepped Screw	17 - 5
5840 3022	Stopper Screw - M3	45 - 1
5918 3120	Stud - M4	41 - 2