



RICOH UNIVERSITY

Learning ♦ Knowledge ♦ Performance



D143/D144 PARTS CATALOG

It is the reader's responsibility when discussing the information contained within this document to maintain a level of confidentiality that is in the best interest of Ricoh Americas Corporation and its member companies.

**NO PART OF THIS DOCUMENT MAY BE REPRODUCED IN ANY
FASHION AND DISTRIBUTED WITHOUT THE PRIOR
PERMISSION OF RICOH AMERICAS CORPORATION.**

All product names, domain names or product illustrations, including desktop images, used in this document are trademarks, registered trademarks or the property of their respective companies.

They are used throughout this book in an informational or editorial fashion only and for the benefit of such companies. No such use, or the use of any trade name, or web site is intended to convey endorsement or other affiliation with Ricoh products.

© 2012 RICOH Americas Corporation. All rights reserved.

WWW.SERVICE-MANUAL.NET

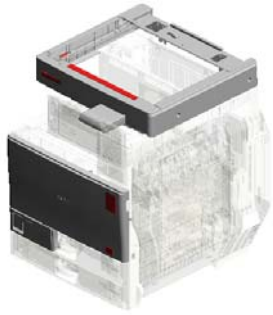
LEGEND

PRODUCT CODE	COMPANY		
	LANIER	RICOH	SAVIN
D143	MP C4502	Aficio MP C4502	MP C4502
D144	MP C5502	Aficio MP C5502	MP C5502
D543	Single Pass DF		
D570	Punch Unit PU3030 NA/EU/SC		
D580	Paper Feed Unit PB3130		
D581	LCIT PB3140		
D588	Finisher SR3090		
D593	Platen Cover Type 3352		
D630	ARDF DF3070		
D631	LCIT RT3020		
D632	1 Bin Tray BN3100		
D633	Internal Shift Tray SH3060		
D634	Bridge Unit BU3060		
D635	Side Tray Type C5502		
D636	Finisher SR3120		
D637	Booklet Finisher SR3110		
D638	Envelope Feeder EF3020		
D643	FAX Option Type C5502		
D647	Scanner Accessibility Option Type C5502		
D651	Color Controller E-5300		
N/A	CTL Option		

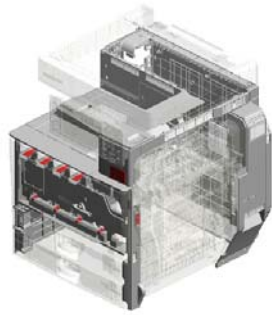
DOCUMENTATION HISTORY

REV. NO.	DATE	COMMENTS
*	02/2012	Original Printing

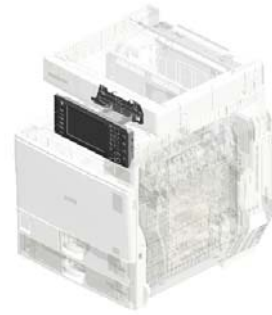
Unit All



U001
Exterior-1



U002
Exterior-2



U003
Operation



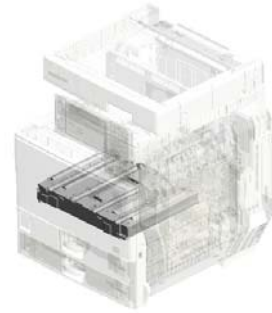
U004
Scanner-1



U005
Scanner-2



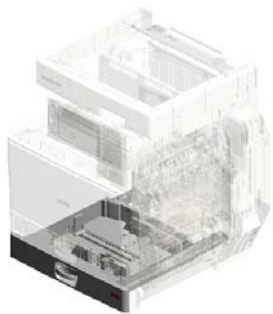
U006
Scanner-3



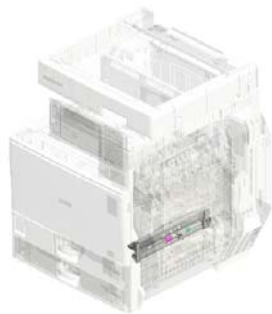
U007
Laser Unit



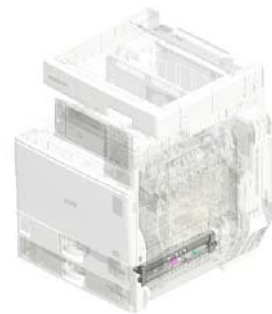
U008
Paper Tray (1st)



U009
Paper Tray (2nd)



U010
Paper Feed (1st)



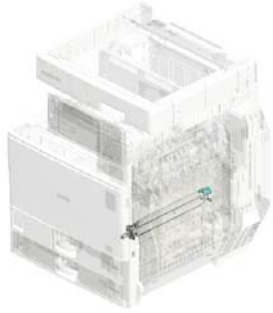
U011
Paper Feed (2nd)



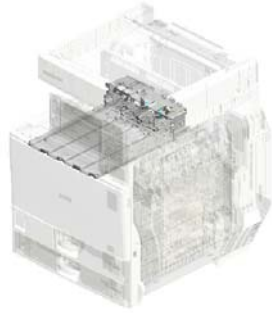
U012
Vertical Transport

WWW.SERVICE-MANUAL.NET

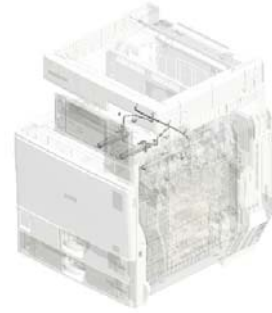
Unit All



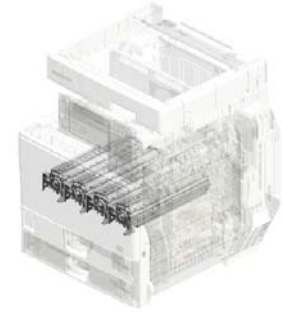
U013
Paper Registration



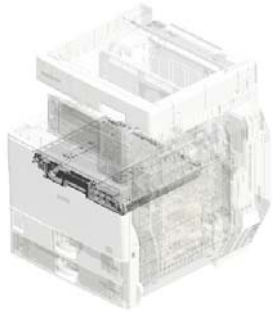
U014
Toner Supply-1



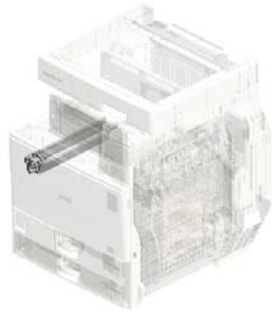
U015
Toner Supply-2



U016
PCDU



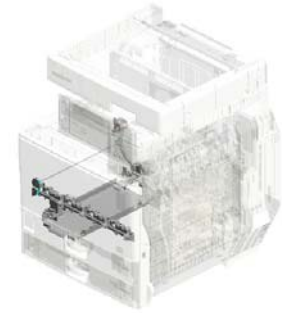
U017
ITB Unit



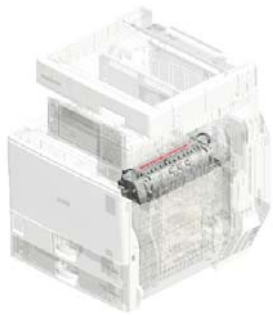
U018
ITB Cleaning



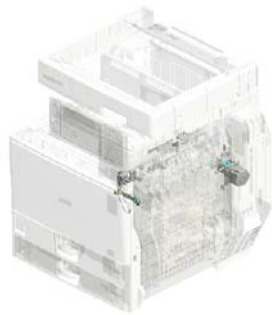
U019
Used Toner-1



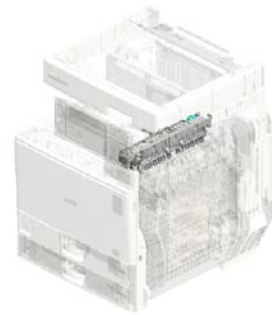
U020
Used Toner-2



U021
Fusing-1



U022
Fusing-2



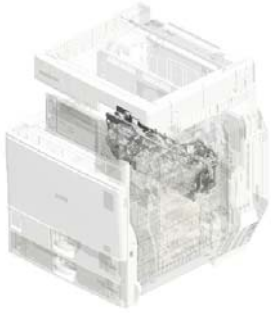
U023
Paper Exit



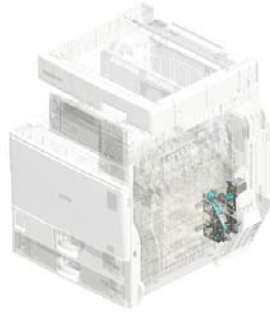
U024
Duplex

WWW.SERVICE-MANUAL.NET

Unit All



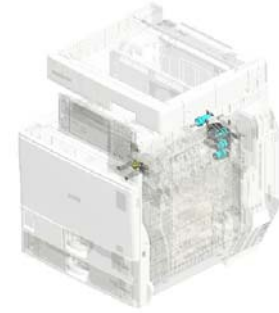
U025
Drive-1 (PCDU)



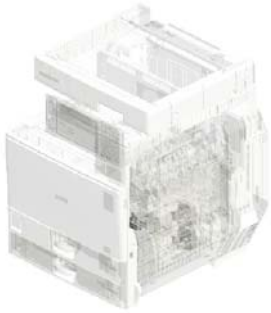
U026
Drive-2 (Paper Feed/Registration)



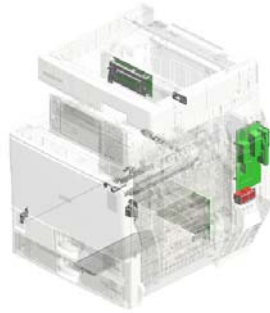
U027
Drive-3 (ITB)



U028
Drive-4 (Fusing/Used Toner)



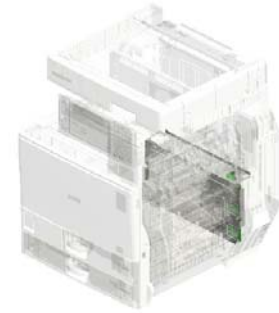
U029
Drive-5 (Paper Tray)



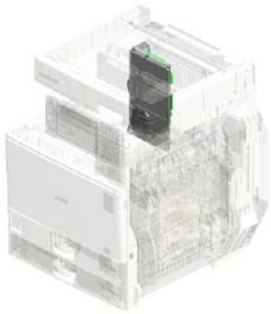
U030
Electrical-1



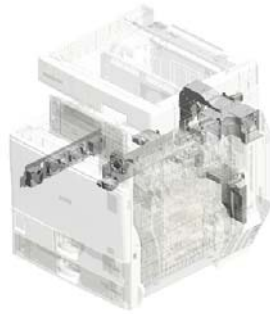
U031
Electrical-2



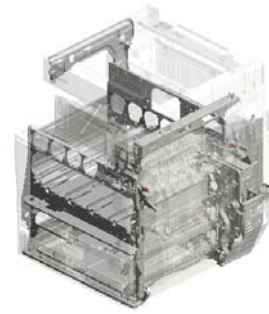
U032
Electrical-3



U033
Controller



U034
Air Cooling



U035
Main Frame

WWW.SERVICE-MANUAL.NET

U001 Exterior-1

15.D1436807
DECAL:MODEL NAME PLATE:EXP:R1C

8.D1201336
CAP:COVER

11.D1291318
COVER:SCANNER:FRONT:EXP

14.D1296610
DECAL:CAUTION:ORIGINAL:ENGLISH

6.B2231807
(x2)
BRACKET:EXTERIOR:REAR



18.D1436826
DECAL:MODEL NAME PLATE:NA:LAN:(for D143)



19.D1436833
DECAL:MODEL NAME PLATE:AP-C3C_A:NA:SVN:(for D143)



20.D1436834
DECAL:MODEL NAME PLATE:AP-C3C_A:NA:LAN:(for D143)



16.D1436808
DECAL:MODEL NAME PLATE:D143A:EXP:RIC:(for D143)



17.D1436825
DECAL:MODEL NAME PLATE:NA:SVN:(for D143)



10.D1291255
COVER:MAIN SWITCH



7.B2371372
DECAL - MAIN SWITCH ON-STANDBY: (Option)



9.D1208868
DECAL:MAIN SWITCH ON-STANDBY:DOM:NA



4.AA001565
PLATE:LOGOTYPE:LAN



5.AA001566
PLATE:LOGOTYPE:SVN



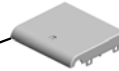
3.AA001564
PLATE:LOGOTYPE:RIC



2.AA001524
DECAL:COLOR:MF P



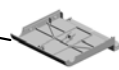
12.D1291321
COVER:BRACKET:OPERATION SUB-UNIT:UPPER-EXP



1.03530050N
SCREW-M3X5



13.D1291322
COVER:BRACKET:OPERATION SUB-UNIT:LOWER-EXP



U001 Exterior-1

29.D1446807
DECAL:MODEL NAME PLATED:EXP:R1C:(for D144)

30.D1446808
DECAL:MODEL NAME PLATE:D144:EXP:RIC:(for D144)

25.D1441334
COVER:SCANNER:LEFT:EXP

27.D1441338
COVER:SCANNER:REAR:EXP

28.D1441340
COVER:SCANNER:REAR:AP-C3-1PASS:EXP:(for 1Pass)



31.D1446825
DECAL:MODEL NAME PLATED:NA:SVN:(for D144)



32.D1446826
DECAL:MODEL NAME PLATED:NA:LAN:(for D144)



34.G0201332
(x2)
HINGE - FRONT COVER



24.D1441295
COVER:OPTION:SCANNER:REAR:SP-IG:(for 1Pass)

26.D1441336
COVER:SCANNER:RIGHT:EXP

35.G1336537
MAGNET CATCH

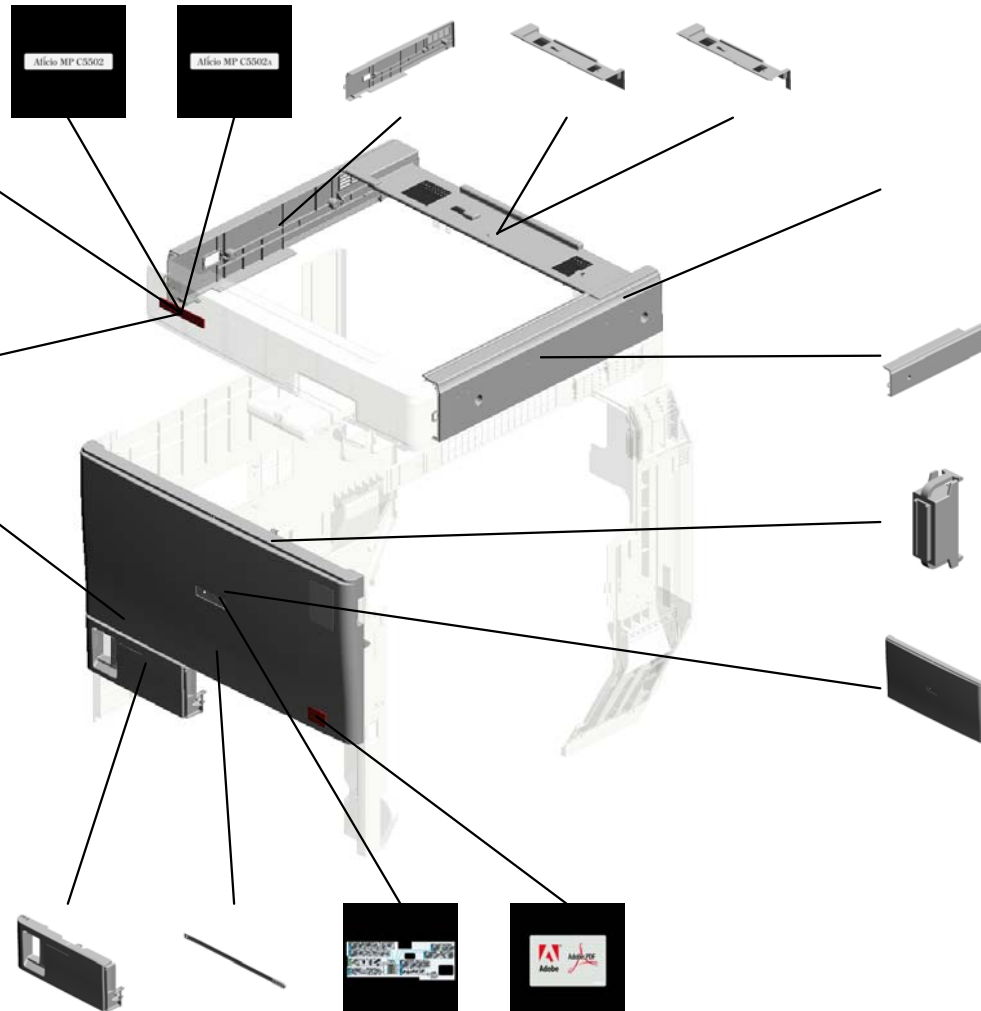
21.D1441250
COVER:FRONT:ASSY

22.D1441257
COVER:FRONT:COLLECTION BOTTLE:EXP

23.D1441279
CLEANER:SHIELD GLASS:ASSY

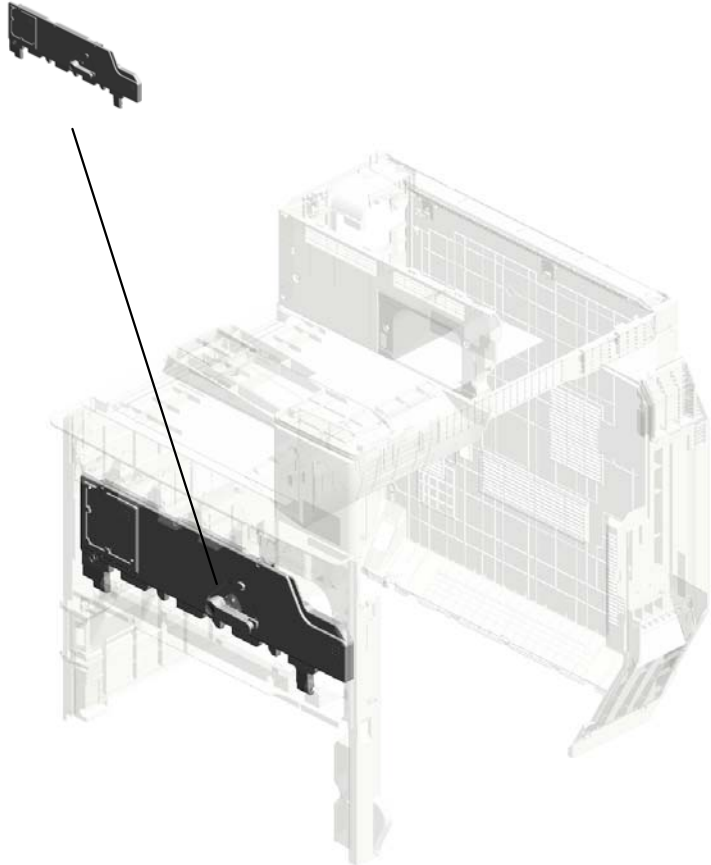
33.D1446856
SHEET:COVER:FRONT

36.GA003268
DECAL:PDF-I:GRAY:ABS



U002.Exterior-2

U002_S001
D1441010
DRUM STAY:PCU:ASSY



U002 Exterior-2

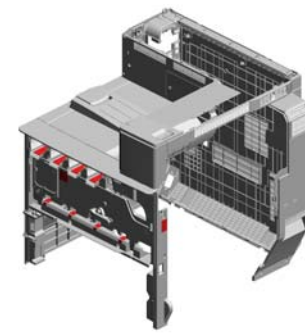
19.D1294487
END FENCE:EXIT

18.D1294486
TRAY:EXIT

7.B2231249
STOPPER:MAGNET CATCH

1.04503010N
(x5)
TAPPING SCREW - M3X10

2.04513008N
(x21)
TAPPING SCREW - M3X8



26.D1441239
INNER COVER:UP
PER:LEFT:EXP

15.D0891389
SEAL:COVER:LEFT
:MIDDLE

3.04513012N
TAPPING SCREW:
3X12

24.D1441233
INNER COVER:MID
DLE

23.D1441230
INNER COVER:LEF
T

25.D1441236
INNER COVER:UP
PER:RIGHT:EXP

17.D1206490
DECAL:CAUTION:INKJET

6.AG071012
MAGNET CATCH:ASSY

4.04543008Q
TAPPING SCREW:
3X8

20.D1296605
DECAL:MISFEED R
EMOVAL:B1

14.D0291278
(x2)
OZONE FILTER:NO
.2

8.B2231276
FILTER:RIGHT REA
R

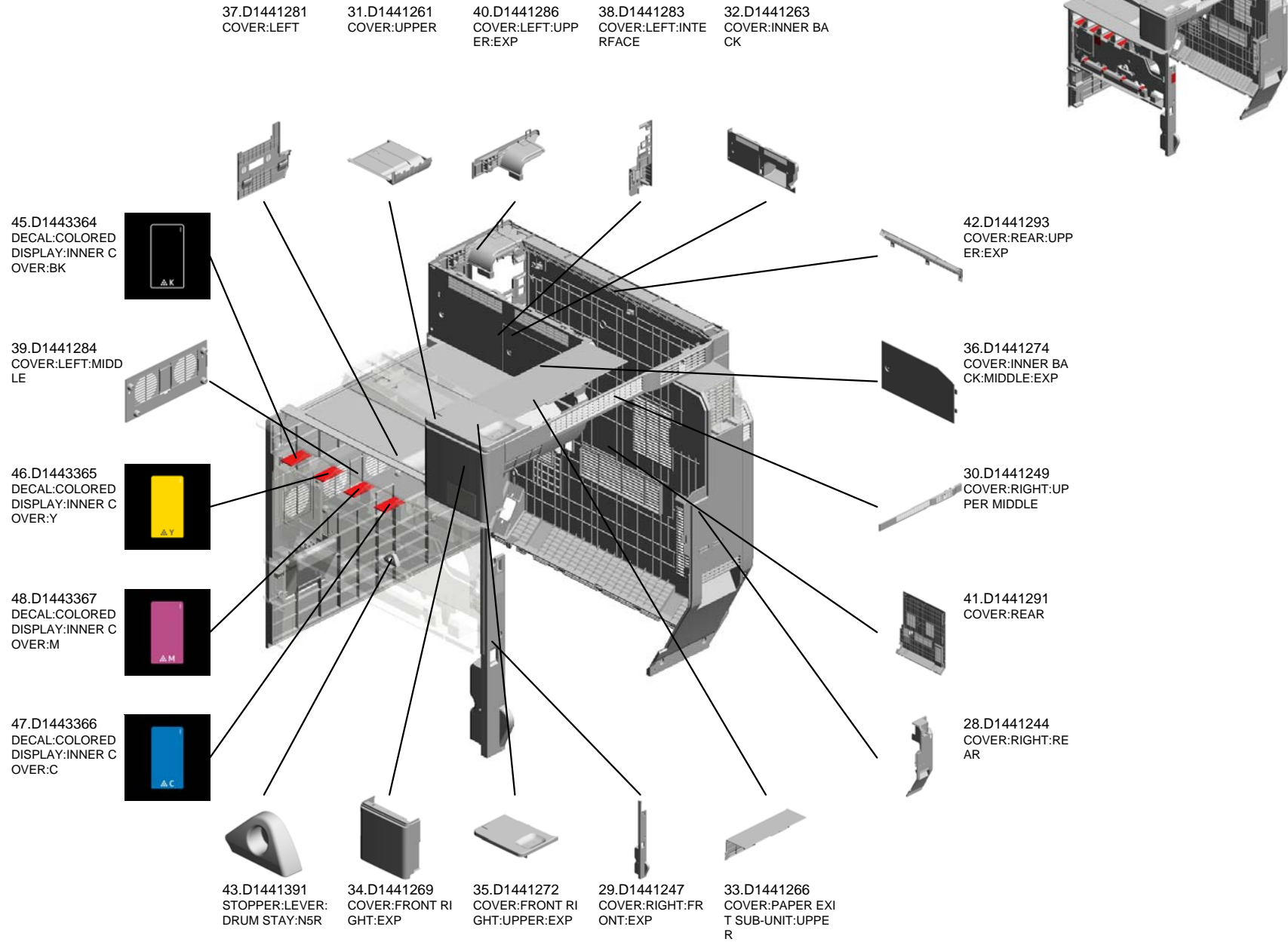
27.D1441242
COVER:RIGHT RE
AR:FAN

16.D1201336
CAP:COVER

5.AA143823
(x4)
TAPPING SCREW

WWW.SERVICE-MANUAL.NET

U002 Exterior-2



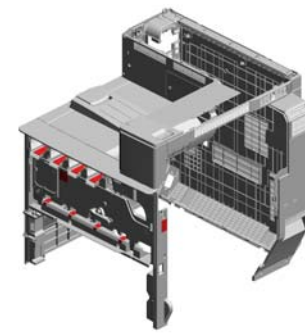
WWW.SERVICE-MANUAL.NET

U001	U002	U003	U004	U005	U006	U007	U008	U009	U010	U011	U012	U013	U014	U015	U016	U017	U018	U019	U020	U021
------	-------------	------	------	------	------	------	------	------	------	------	------	------	------	------	------	------	------	------	------	------

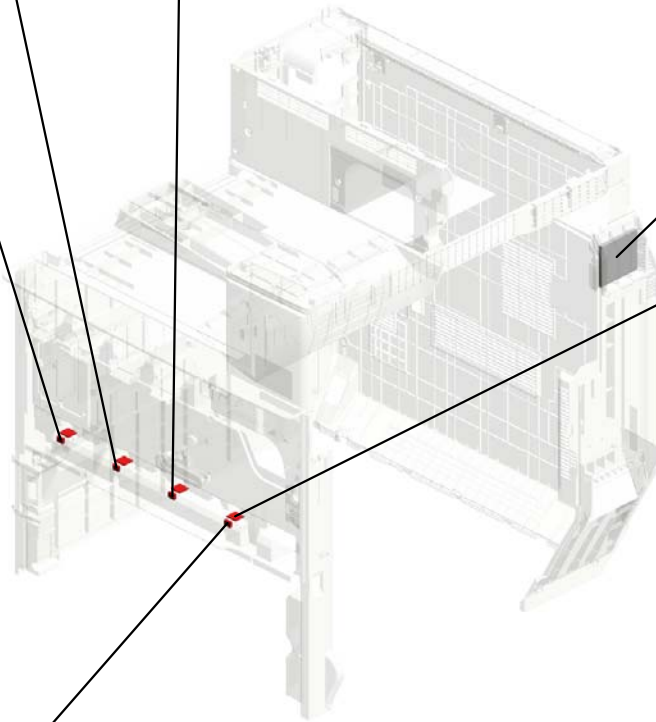
U002 Exterior-2

52.GA003031
DECAL - SHIELDIN
G PLATE M

53.GA003032
DECAL - SHIELDIN
G PLATE C



51.GA003030
DECAL - SHIELDIN
G PLATE Y



50.G1331295
OZONE FILTER



49.D1446809
(x4)
DECAL:CLEANING:
POSITIONING DISP
LAY

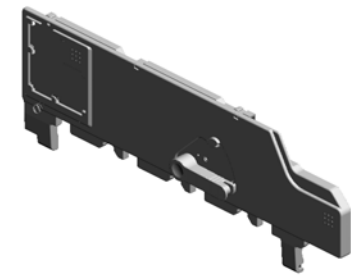


54.GA003033
DECAL - SHIELDIN
G PLATE K

U002_S001
 DRUM STAY:PCU:ASS'Y

11.B2231316 (x4)
 BALL BEARING CLIP

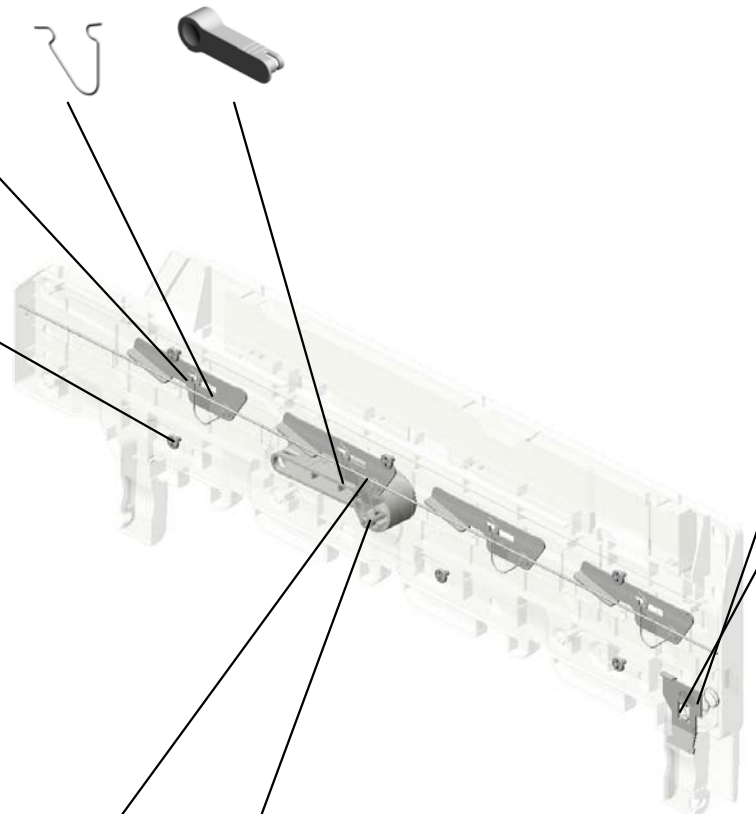
44.D1441392
 LEVER:DRUM STAY:PCU:N5R



21.D1441010
 DRUM STAY:PCU:ASS'Y

10.B2231315 (x4)
 BALL BEARING PLATE

22.D1441087 (x6)
 SCREW:LEVER:DRUM STAY



12.B2231318
 SPRING

9.B2231306
 DRUM STAY

13.B2231319
 WIRE

1.04503010N
 TAPPING SCREW - M3X10

U003.Operation

U003_S001
D1441401
OPERATION SUB-UNIT:NA:A
SS'Y



WWW.SERVICE-MANUAL.NET

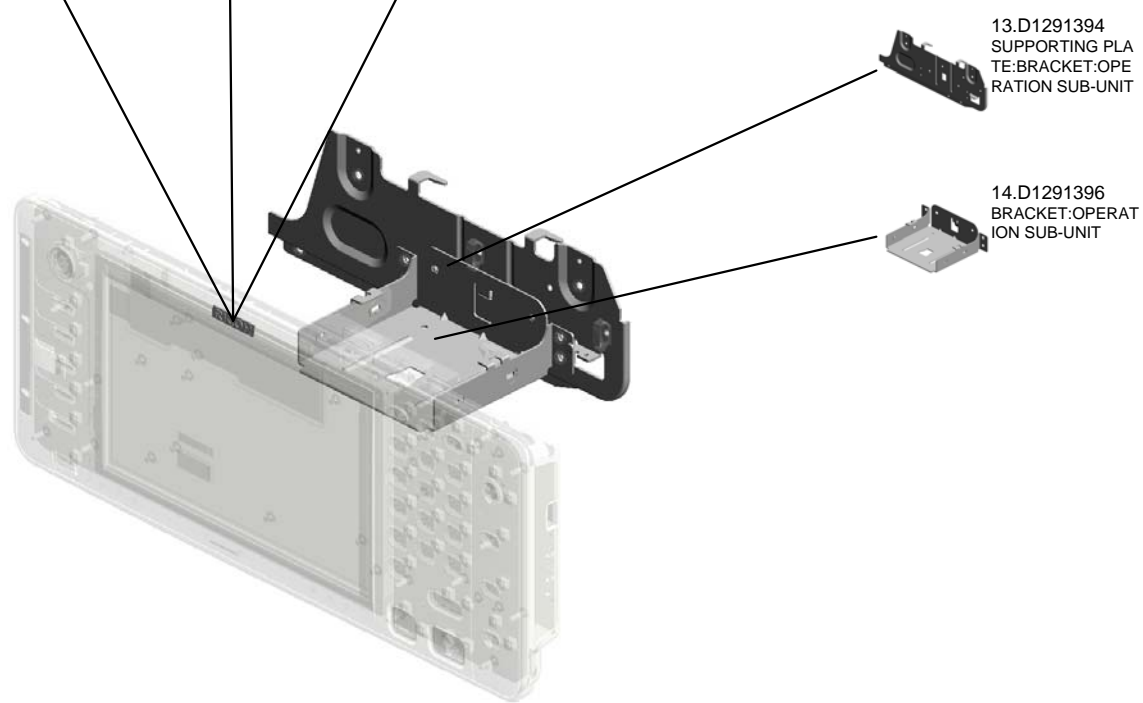
U001	U002	U003	U004	U005	U006	U007	U008	U009	U010	U011	U012	U013	U014	U015	U016	U017	U018	U019	U020	U021
------	------	------	------	------	------	------	------	------	------	------	------	------	------	------	------	------	------	------	------	------

U003 Operation

10.D1201551
SHEET:LOGO

11.D1201556
SHEET:LOGO:LAN

12.D1201561
SHEET:LOGO:SAV



WWW.SERVICE-MANUAL.NET

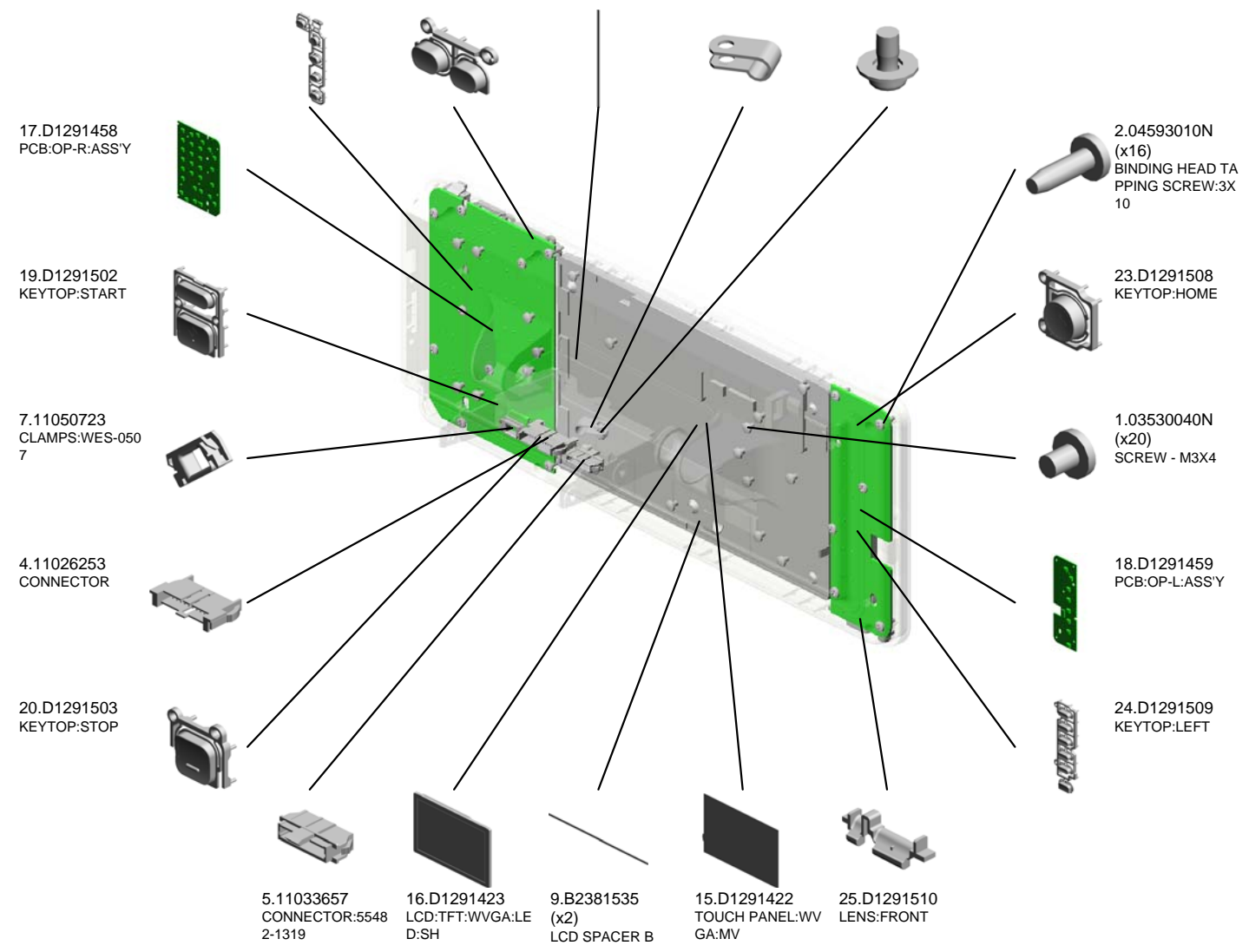
U001	U002	U003	U004	U005	U006	U007	U008	U009	U010	U011	U012	U013	U014	U015	U016	U017	U018	U019	U020	U021
------	------	------	------	------	------	------	------	------	------	------	------	------	------	------	------	------	------	------	------	------

U003_S001
OPERATION SUB-UNIT:NA:ASS'Y



31.D1441401
OPERATION SUB-
UNIT:NA:ASS'Y

22.D1291507 KEYTOP:POWER SOURCE
21.D1291506 KEYTOP:RESET SWITCH
8.B2381534 (x2) LCD SPACER A
6.11050529 NYLON CLAMP:EM T-3N
3.09543006N SCREW - M3X6



WWW.SERVICE-MANUAL.NET

U001	U002	U003	U004	U005	U006	U007	U008	U009	U010	U011	U012	U013	U014	U015	U016	U017	U018	U019	U020	U021
------	------	------	------	------	------	------	------	------	------	------	------	------	------	------	------	------	------	------	------	------

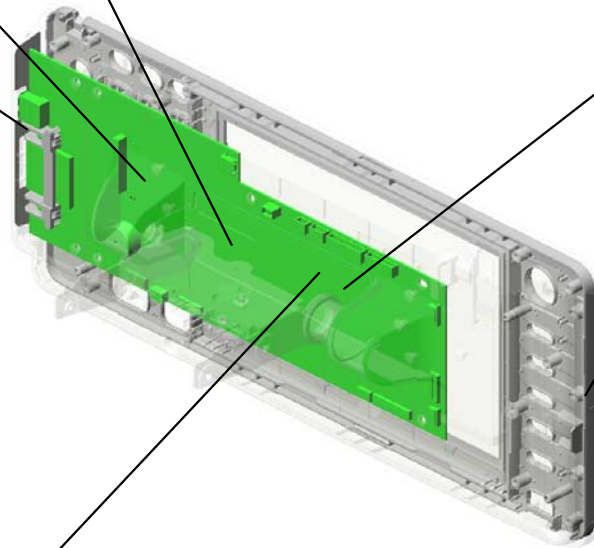
U003_S001
OPERATION SUB-UNIT:NA:ASS'Y

28.D1291533 32.D1441441
KEYTOP:10KEY:NA PCB:LCDC:NA:FT

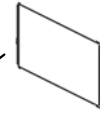


31.D1441401
OPERATION SUB-
UNIT:NA:ASS'Y

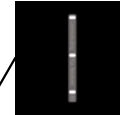
29.D1291545
SHEET:SIDE:NA



26.D1291513
SHADEING PLATE:
TOUCH PANEL



30.D1291573
SHEET:JOURNAL:
AA-C3:NA



27.D1291531
COVER:UPPER:NA



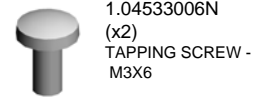
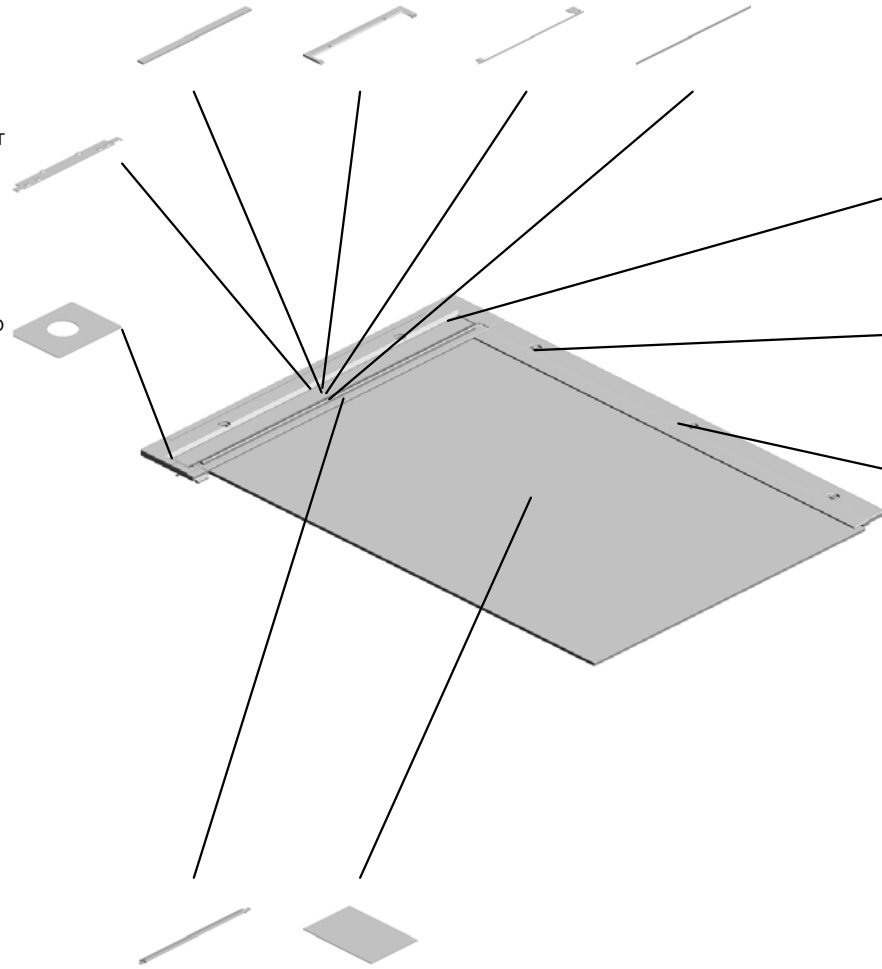
U004
Scanner-1

4.BC012002 EXPOSURE GLASS :SHEET THROUGH :344X20
 8.D1291773 SCALE:MACHINE OR COPIER
 6.D0091732 BRACKET B - LEFT SCALE
 3.B2231774 SEAL:SHEET THROUGH



5.D0091731 BRACKET A - LEFT SCALE

7.D0291774 SEAL:GUARD:EXPOSURE GLASS:DOCUMENT FEEDER



1.04533006N (x2) TAPPING SCREW - M3X6



11.D1441085 (x5) STEPPED SCREW: M3

10.D1291782 SCALE:REAR:PRINTING

9.D1291779 SCALE:LEFT:NA:ASSY

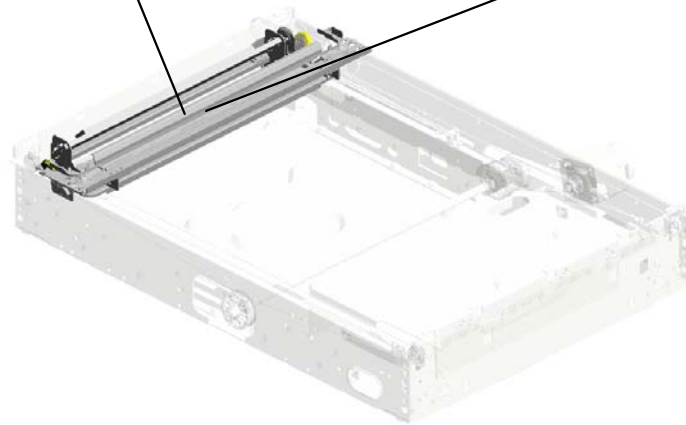
2.A2501752 EXPOSURE GLASS

U005.Scanner-2

U005_S001
D0291731
CARRIAGE:NO.2:ASS'Y



U005_S002
D0291715
CARRIAGE:NO.1:ASS'Y

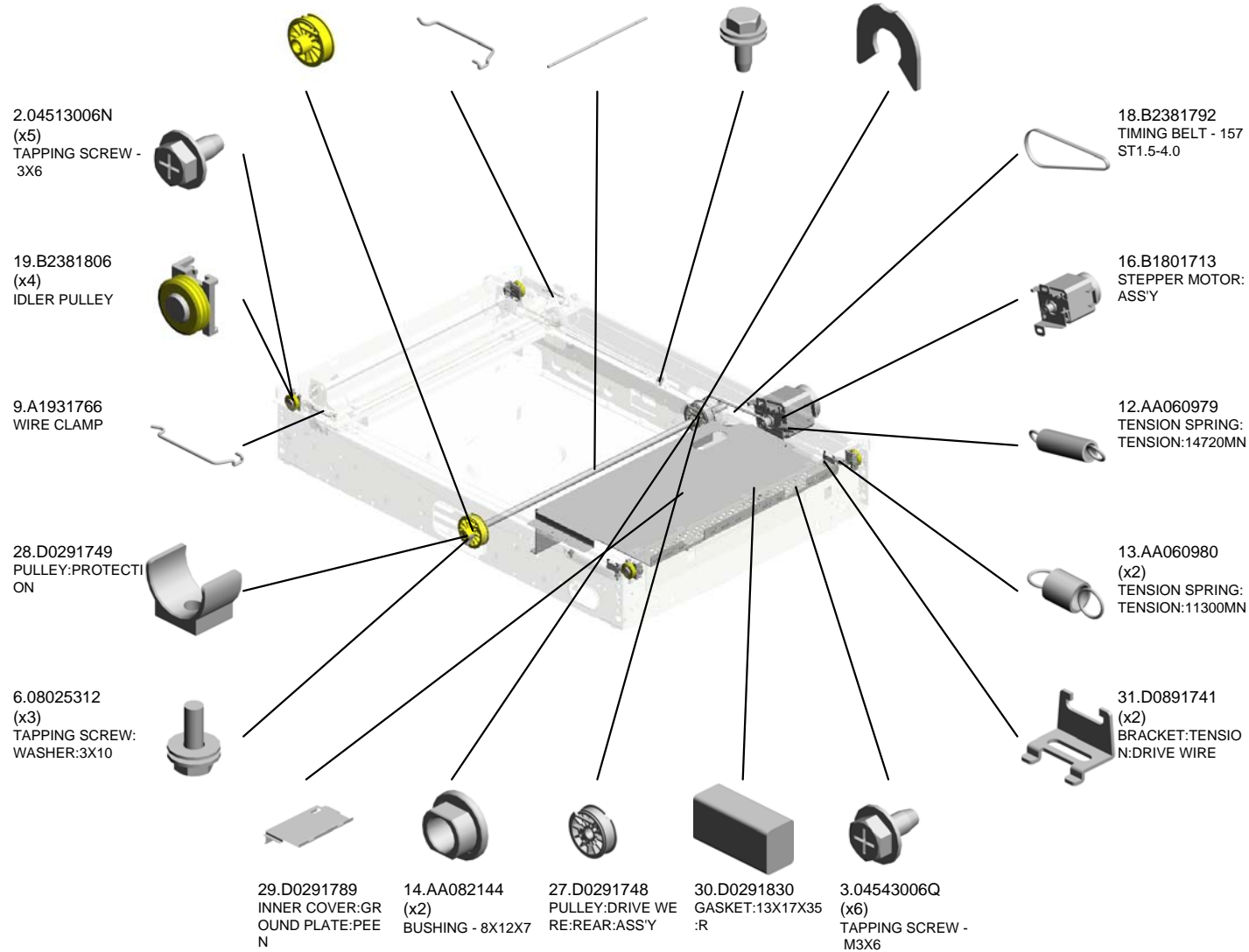


WWW.SERVICE-MANUAL.NET

U001	U002	U003	U004	U005	U006	U007	U008	U009	U010	U011	U012	U013	U014	U015	U016	U017	U018	U019	U020	U021
------	------	------	------	-------------	------	------	------	------	------	------	------	------	------	------	------	------	------	------	------	------

U005 Scanner-2

- 26.D0291745 PULLEY:DRIVE WE RE:FRONT
- 10.A1931769 CLAMP - REAR WIRE
- 17.B1801814 SHAFT:SCANNER: DRIVE
- 5.08025299 (x5) TAPPING SCREW - M3X8
- 7.08050088 (x2) RETAINING RING - M6



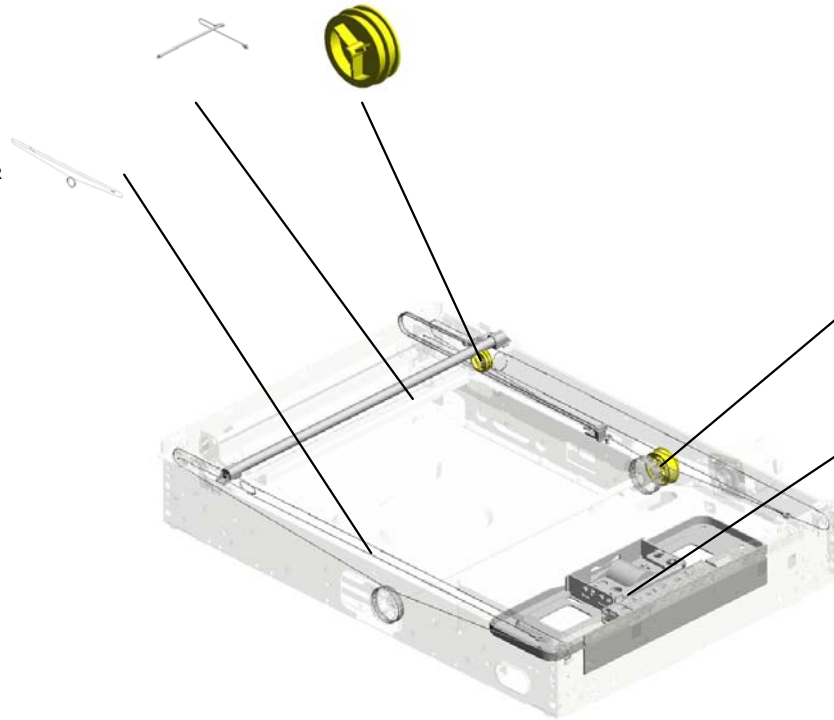
WWW.SERVICE-MANUAL.NET

U005 Scanner-2

33.D0891840 XENON LAMP:ASSY
40.G5702834 PULLEY - HIGH VOLTAGE SUPPLY CORD



34.D1441747 (x2)
DRIVE WERE:CARRIAGE:DIA1.0



36.G5701133
TIMING PULLEY 73



32.D0891771
LENS:HOLDER:ASSY



U005_S001
CARRIAGE:NO.2:ASS'Y

20.B2381807
(x2)
PULLEY

39.G5702833
PULLEY HOLDER

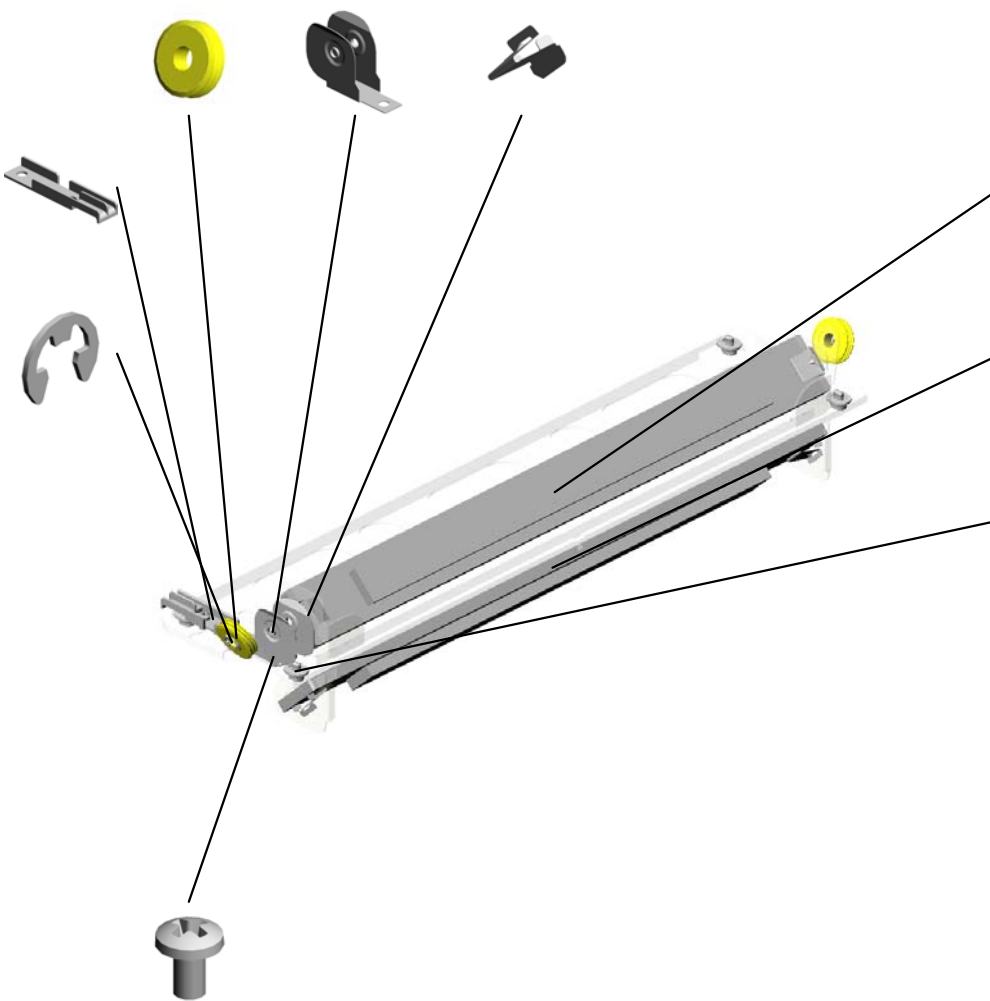
35.G4042810
(x4)
SPRING PLATE - 2
ND MIRROR



23.D0291731
CARRIAGE:NO.2:A
SS'Y

38.G5702832
GUIDE - HIGH VOL
TAGE SUPPLY CO
RD

4.07200040E
(x2)
RETAINING RING -
M4



24.D0291736
MIRROR:NO.2:CON
CAVE:ASS'Y

25.D0291737
MIRROR:NO.2:CON
VAX:ASS'Y

11.A2501791
(x4)
2ND SCANNER SH
OE

1.03530050N
(x2)
SCREW-M3X5

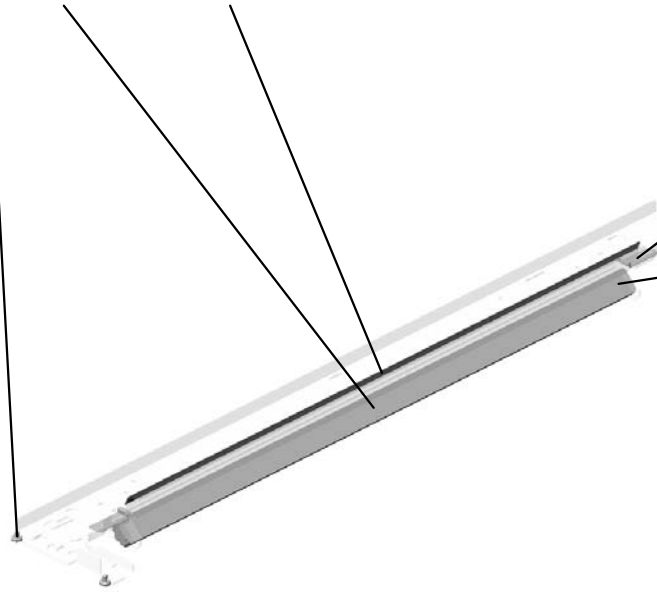
U005_S002
CARRIAGE:NO.1:ASS'Y

15.AC030169
MIRROR:NO.1

8.A1001714
REFLECTOR

21.D0291715
CARRIAGE:NO.1:A
SS'Y

37.G5702730
(x4)
SLIDER - SCANNER



22.D0291719
(x2)
SHEET:CARRIAGE:
NO.1



41.M0261815
(x2)
CLAMP:MIRROR:NO.1



U006 Scanner-3



- 10.11050723 CLAMPS:WES-050 7
- 8.11050516 (x4) CLAMP
- 12.54421924 (x2) EXPOSURE GLASS CUSHION
- 17.AW020146 PHOTOINTERRUPTOR:FLAT:PICH2M M:M4
- 1.03140120N SCREW - M4X12

13.A1931793
SCANNER HOME S
ENSOR STOPPER

16.AW020145
PHOTOINTERRUPT
TOR:FLAT

2.04513006N
(x21)
TAPPING SCREW -
3X6

20.B1801734
(x2)
SLIDE RAIL:NO.2

18.B0511727
FRAME:SCANNER:
FRONT

3.04533006N
(x4)
TAPPING SCREW -
M3X6

15.AW010133
(x2)
ORIGINAL SENSO
R - 66MM

19.B0511814
BRACKET:ORIGIN
AL SENSOR

4.04543006Q
(x10)
TAPPING SCREW -
M3X6

5.11033354
CONNECTOR:B2P5
-VH-TW-R(LF)(SN)

7.11050511
(x2)
HARNESS CLAMP -
LWS-0306ZC

14.A1931816
(x2)
1ST SLIDE RAIL

6.11050488
HARNESS CLAMP

11.11050724
(x3)
CLAMPS:WES-121
0

9.11050517
(x2)
HARNESS CLAMP -
LWS-2111Z

U006 Scanner-3

35.D0891842
STABILIZER

32.D0291299
BRACKET:COVER:
REAR

24.B2231788
FRAME:SCANNER:
REAR

26.B2231808
DOCUMENT FEED
ER:CONNECTOR:BRACKET

25.B2231806
BRACKET:DOCUMENT FEEDER:HOLDER



29.B2291687
HEATER:120V:9W:(Option)



21.B1801803
GUIDE:HIGH VOLTAGE SUPPLY COR:BASE



27.B2231824
SEAL:SCANNER:FRAME:BASE



37.G5701160
(x2)
SPACER BUSHING



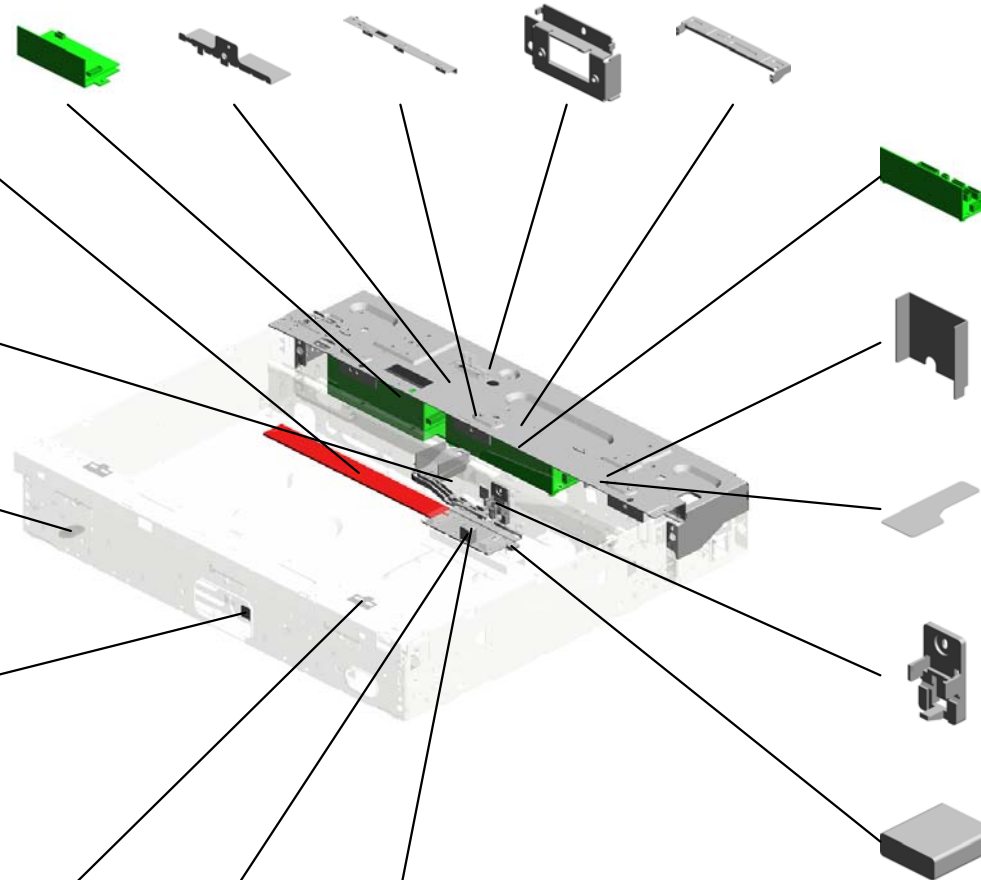
30.B2381845
(x2)
SEAL:EXPOSURE GLASS



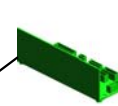
33.D0291831
GASKET:13X17X10:R



31.D0091815
ORIGINAL SENSOR BRACKET - SUB SCAN



36.D1445138
PCB:SIO



22.B2231779
COVER:STEPPER MOTOR:REAR



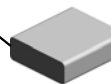
28.B2231833
(x2)
SEAL:EXPOSURE GLASS:REAR



23.B2231786
HOLDER:CONNECTOR

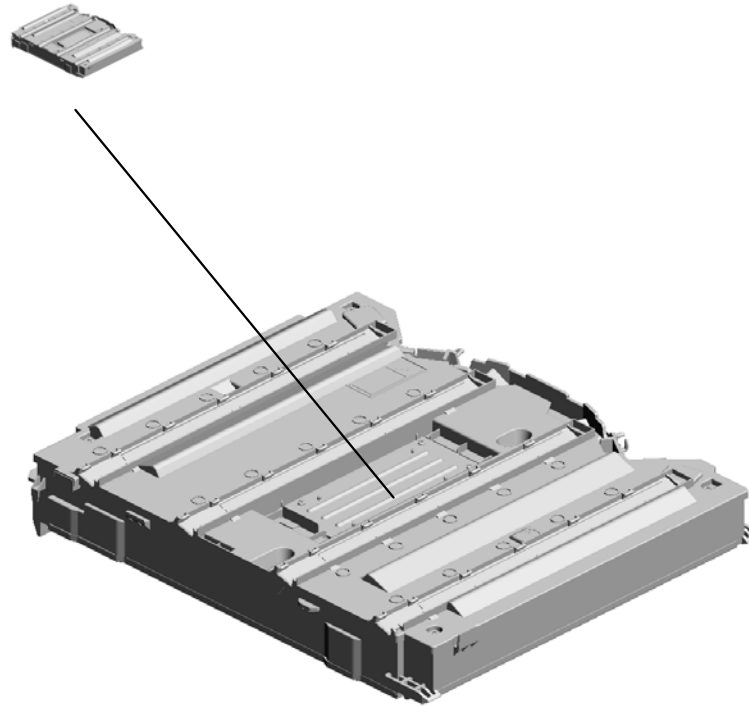


34.D0291832
GASKET:9X3X10



U007.Laser Unit

U007_S001
D1441851
OPTICAL WRITING UNIT:2LD
:ASS'Y



WWW.SERVICE-MANUAL.NET

U001	U002	U003	U004	U005	U006	U007	U008	U009	U010	U011	U012	U013	U014	U015	U016	U017	U018	U019	U020	U021
------	------	------	------	------	------	-------------	------	------	------	------	------	------	------	------	------	------	------	------	------	------

U007
Laser Unit



WWW.SERVICE-MANUAL.NET

U001	U002	U003	U004	U005	U006	U007	U008	U009	U010	U011	U012	U013	U014	U015	U016	U017	U018	U019	U020	U021
------	------	------	------	------	------	------	------	------	------	------	------	------	------	------	------	------	------	------	------	------

U007_S001
OPTICAL WRITING UNIT:2LD:ASS'Y

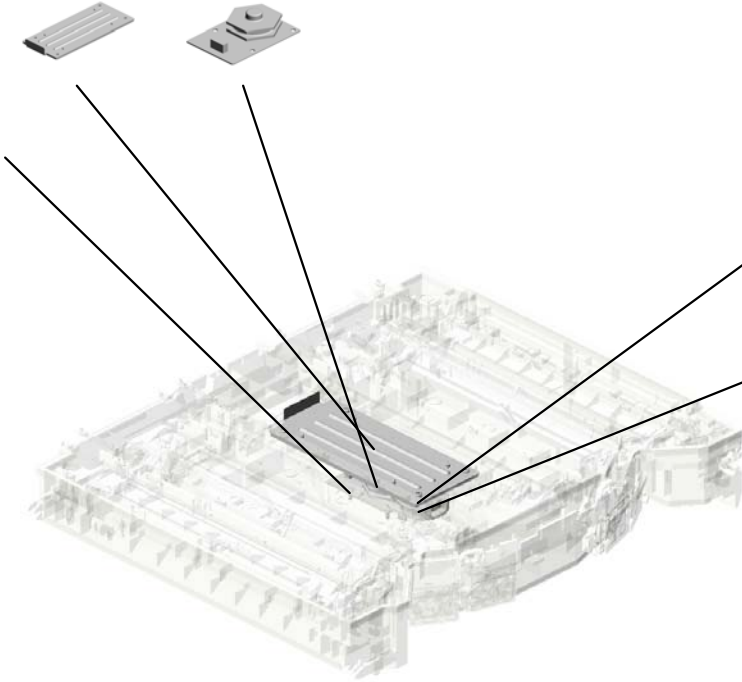
4.B2231882
COVER - POLYGO
N MOTOR

3.AX060396
DC POLYGON MIR
ROR MOTOR:24W



6.D1441851
OPTICAL WRITING
UNIT:2LD:ASS'Y

1.08025317
(x8)
BINDING HEAD TA
PPING SCREW:ES:
3X8



5.B2231903
LOUVER

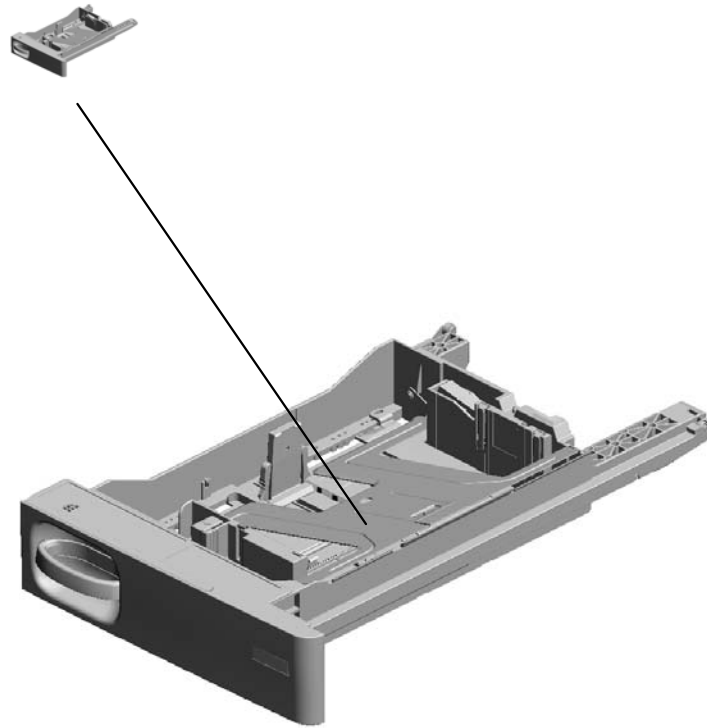


2.08025318
(x2)
BINDING HEAD TA
PPING SCREW:ES:
3X10



U008.Paper Tray (1st)

U008_S001
D1442850
PAPER TRAY:NO.1:ASS'Y



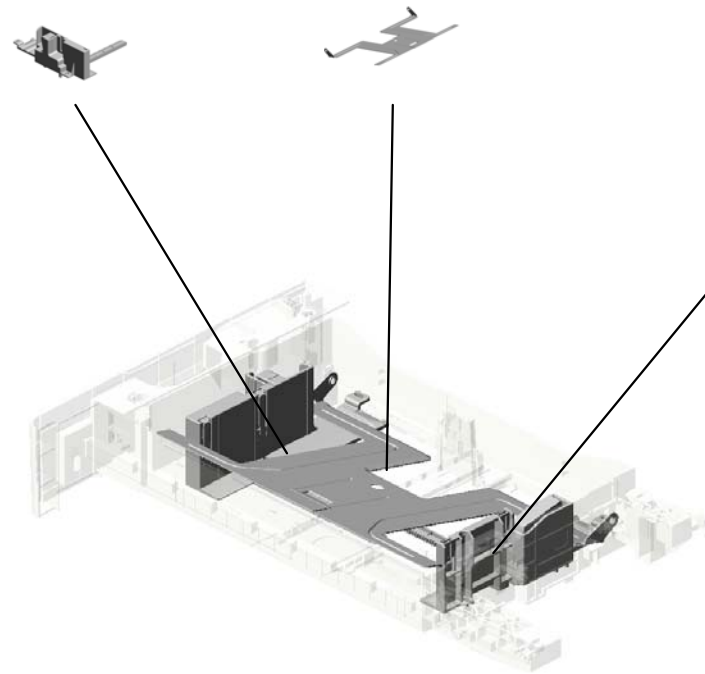
WWW.SERVICE-MANUAL.NET

U001	U002	U003	U004	U005	U006	U007	U008	U009	U010	U011	U012	U013	U014	U015	U016	U017	U018	U019	U020	U021
------	------	------	------	------	------	------	-------------	------	------	------	------	------	------	------	------	------	------	------	------	------

U008_S001.PAPER TRAY:NO.1:ASS'Y

U008_S001_S002
D1442870
SIDE FENCE:FRONT:UNIVER
SAL:NO.1:ASS'Y

U008_S001_S001
D0892940
TRAY BOTTOM PLATE:ASS'Y



U008_S001_S003
D1442880
SIDE FENCE:REAR:UNIVERS
AL:NO.1:ASS'Y

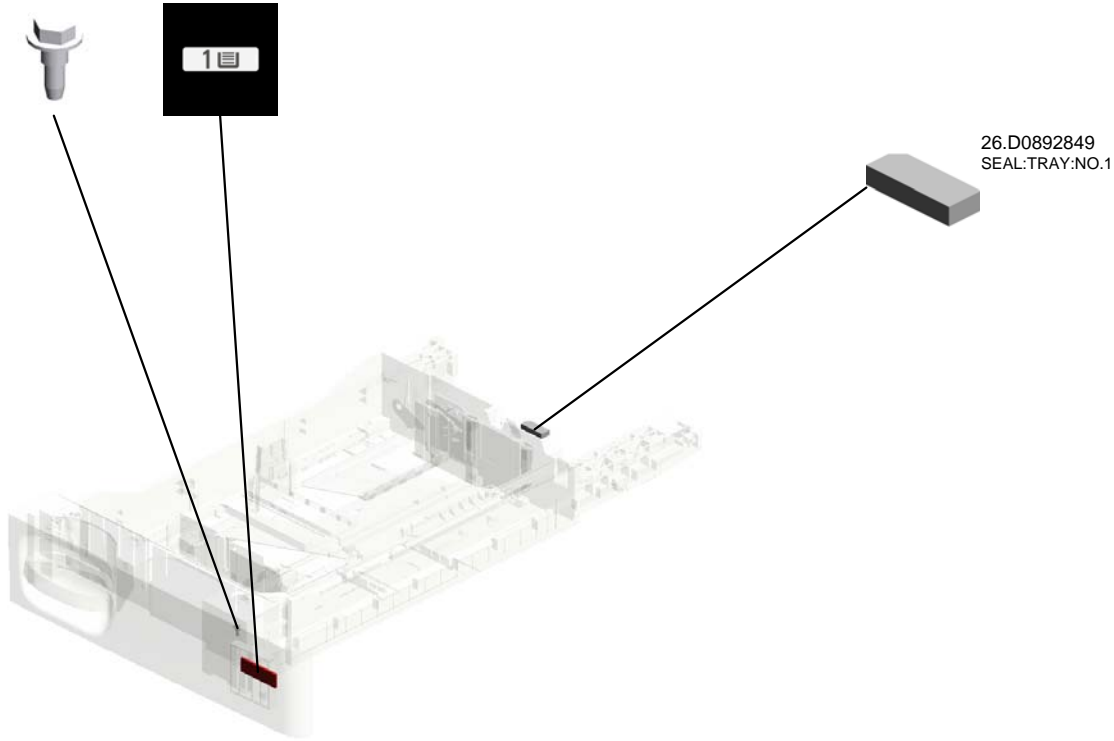
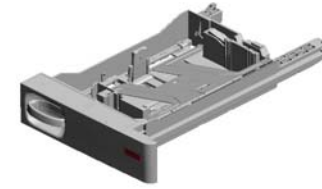
WWW.SERVICE-MANUAL.NET

U001	U002	U003	U004	U005	U006	U007	U008	U009	U010	U011	U012	U013	U014	U015	U016	U017	U018	U019	U020	U021
------	------	------	------	------	------	------	-------------	------	------	------	------	------	------	------	------	------	------	------	------	------

U008 Paper Tray (1st)

10.AA143577
SCREW:TP:M4

30.D1202872
DECAL:PAPER TR
AY:NO.1



WWW.SERVICE-MANUAL.NET

U001	U002	U003	U004	U005	U006	U007	U008	U009	U010	U011	U012	U013	U014	U015	U016	U017	U018	U019	U020	U021
------	------	------	------	------	------	------	-------------	------	------	------	------	------	------	------	------	------	------	------	------	------

U008_S001
PAPER TRAY:NO.1:ASS'Y

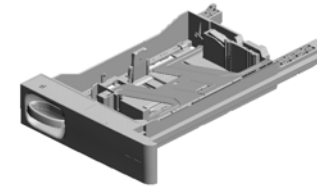
9.AA061014
TENSION SPRING:
GRIP

14.B2232862
LEVER - RELEASE
INNER

1.04503012N
(x2)
TAPPING SCREW:
3X12

13.B2232861
GRIP HOLDER

36.D1442896
(x2)
STEPPED SCREW:
PAPER FEED



32.D1442850
PAPER TRAY:NO.1
:ASS'Y

33.D1442857
COVER:PAPER TR
AY:NO.1

25.D0292863
SHAFT:RELEASE:P
APER TRAY

4.07200080E
RETAINING RING -
M8

16.B2232868
LEVER:RELEASE:P
APER TRAY:OUTE
R

8.AA061003
TENSION SPRING:
SIDE FENCE:REAR

21.B2232918
RISE LEVER

3.04533008N
BINDING SELF TAP
PING SCREW:3X8

2.04504008N
TAPPING SCREW -
M4X8

24.B2232936
GEAR - 16Z

15.B2232865
RISE NO.1 SHAFT

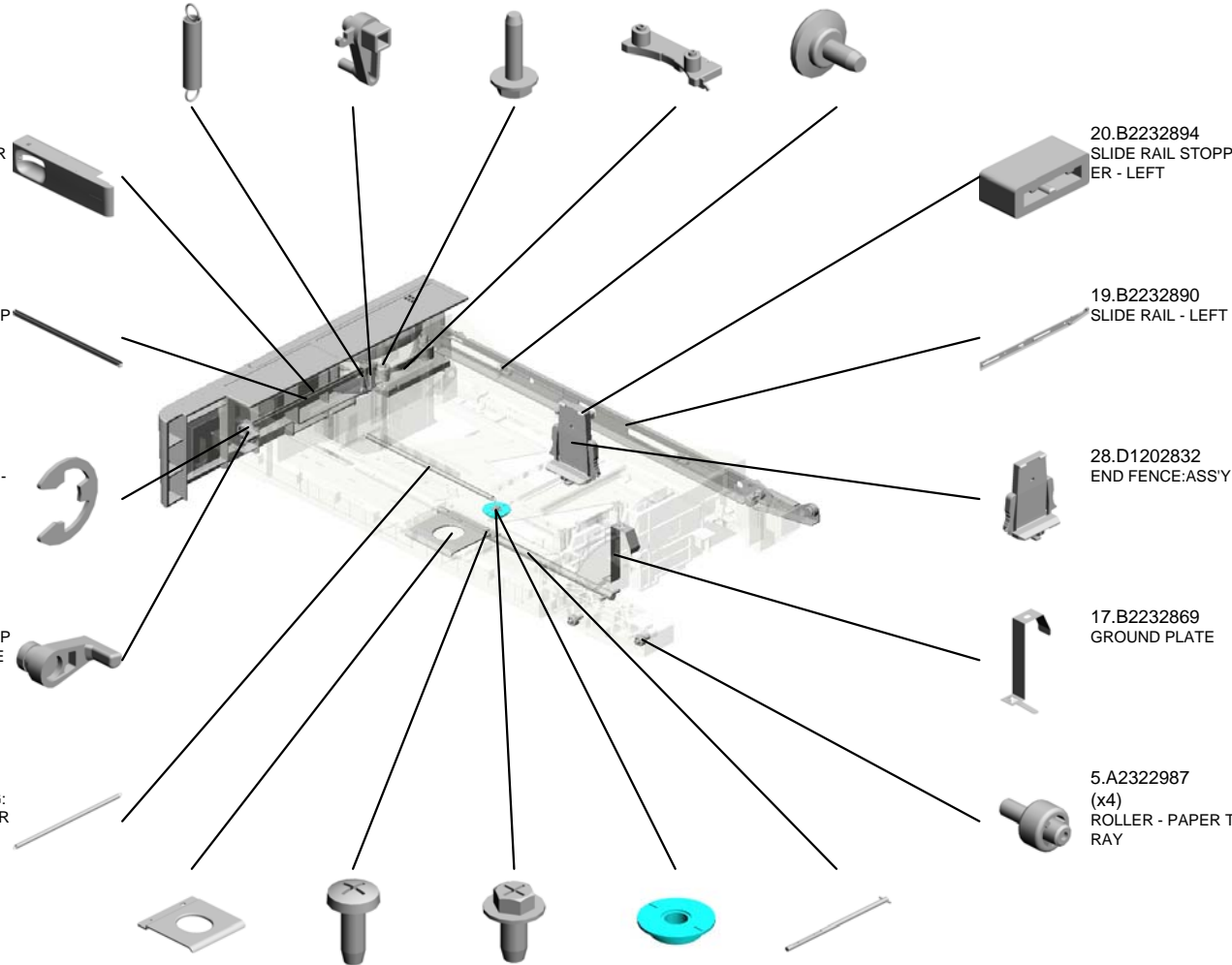
20.B2232894
SLIDE RAIL STOPP
ER - LEFT

19.B2232890
SLIDE RAIL - LEFT

28.D1202832
END FENCE:ASS'Y

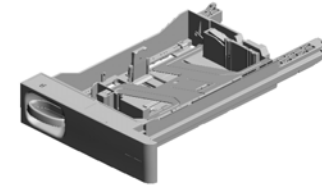
17.B2232869
GROUND PLATE

5.A2322987
(x4)
ROLLER - PAPER T
RAY

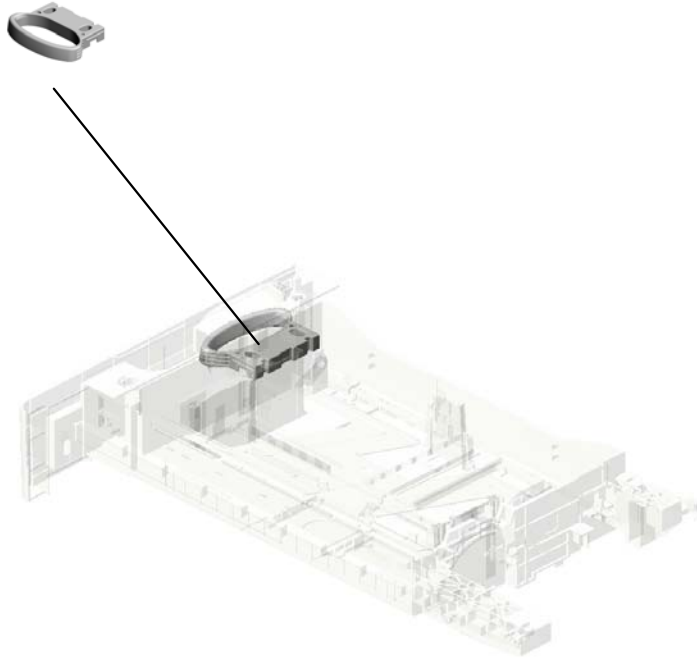


U008_S001
PAPER TRAY:NO.1:ASS'Y

37.D5802870
GRIP:PAPER TRAY

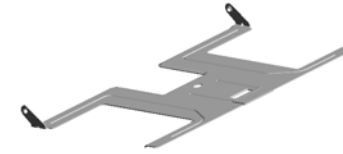


32.D1442850
PAPER TRAY:NO.1
:ASS'Y



U008_S001_S001
TRAY BOTTOM PLATE:ASS'Y

11.AF033010
PAD



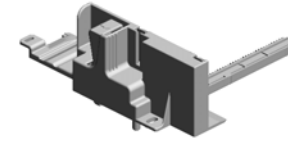
27.D0892940
TRAY BOTTOM PL
ATE:ASS'Y



U008_S001_S002

SIDE FENCE:FRONT:UNIVERSAL:NO.1:ASS'Y

31.D1202924
LEVER:STOPPER:
FRONT

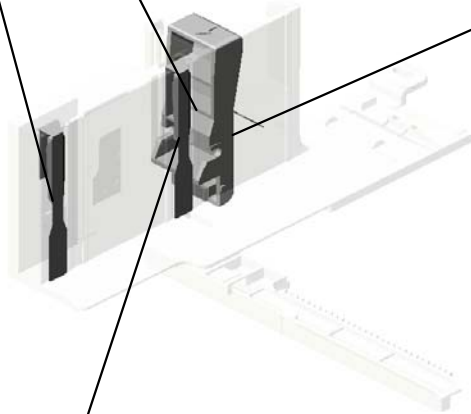


34.D1442870
SIDE FENCE:FRON
T:UNIVERSAL:NO.1
:ASS'Y

23.B2232935
PLATE - SIDE FEN
CE RIGHT



12.B0042923
SPRING PLATE - R
ELEASE LEVER



22.B2232934
PLATE - SIDE FEN
CE

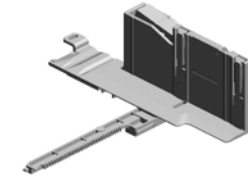


WWW.SERVICE-MANUAL.NET

U001	U002	U003	U004	U005	U006	U007	U008	U009	U010	U011	U012	U013	U014	U015	U016	U017	U018	U019	U020	U021
------	------	------	------	------	------	------	-------------	------	------	------	------	------	------	------	------	------	------	------	------	------

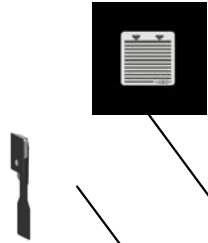
18.B2232873
DECAL - SIDE FEN
CE REAR

22.B2232934
PLATE - SIDE FEN
CE



35.D1442880
SIDE FENCE:REAR
:UNIVERSAL:NO.1:
ASS'Y

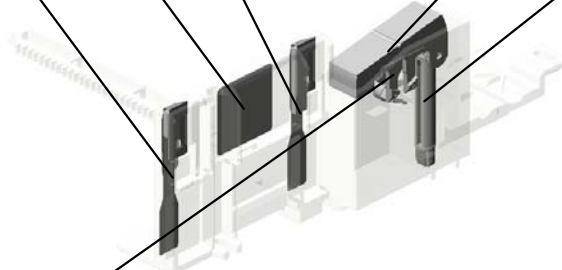
23.B2232935
PLATE - SIDE FEN
CE RIGHT



29.D1202864
LEVER:STOPPER:
POSITIONING



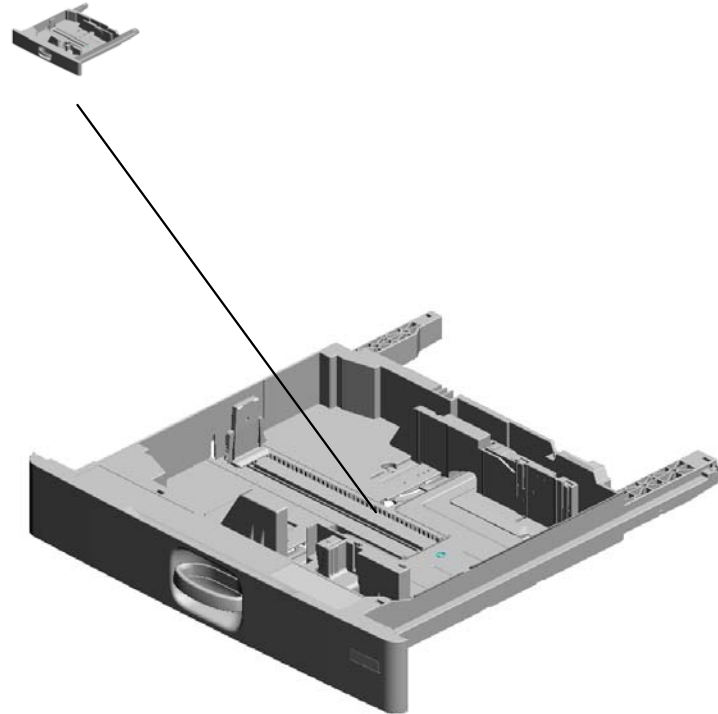
7.A2672859
SIDE FENCE STOP
PER



6.A2672857
SPRING PLATE - SI
DE FENCE

U009.Paper Tray (2nd)

U009_S001
D5802900
PAPER TRAY:NO.2:ASS'Y



WWW.SERVICE-MANUAL.NET

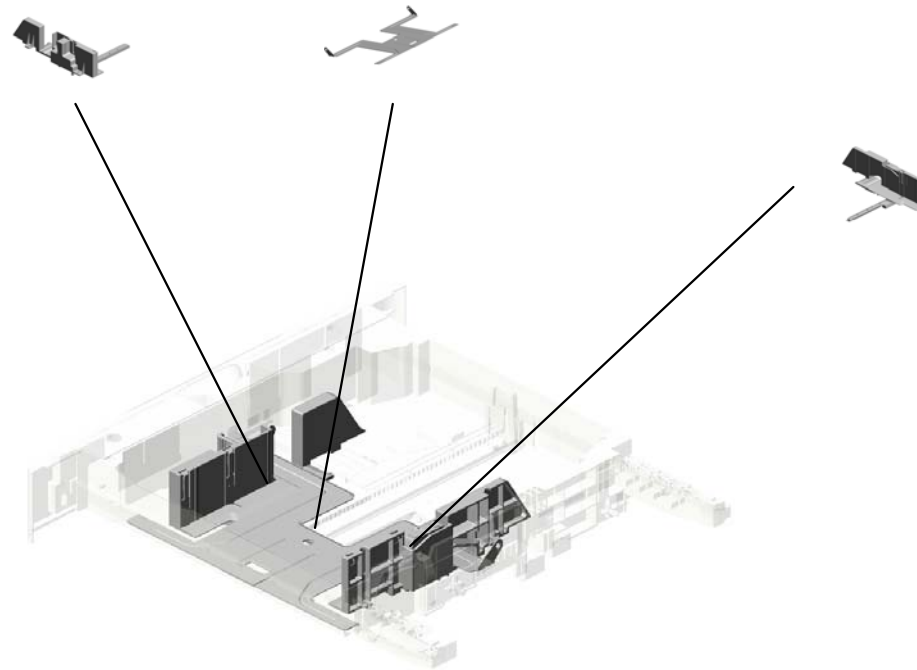
U001	U002	U003	U004	U005	U006	U007	U008	U009	U010	U011	U012	U013	U014	U015	U016	U017	U018	U019	U020	U021
------	------	------	------	------	------	------	------	------	------	------	------	------	------	------	------	------	------	------	------	------

U009_S001.PAPER TRAY:NO.2:ASS'Y

U009_S001_S002
D1292920
SIDE FENCE:FRONT:ASS'Y

U009_S001_S001
D0892940
TRAY BOTTOM PLATE:ASS'Y

U009_S001_S003
D1292930
SIDE FENCE:REAR:ASS'Y



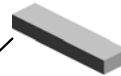
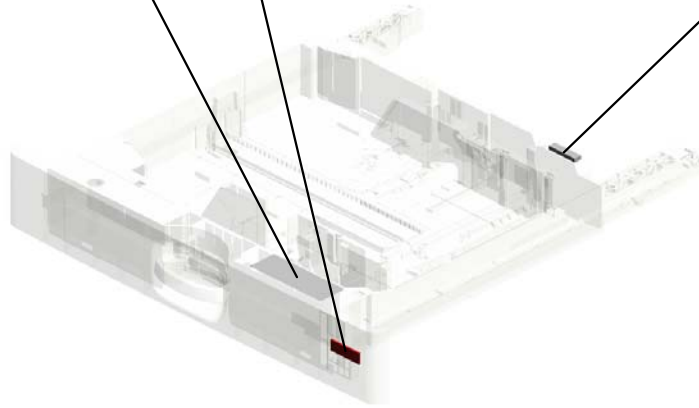
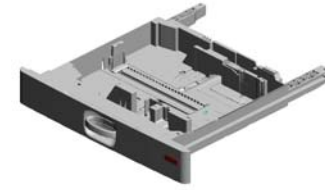
WWW.SERVICE-MANUAL.NET

U001	U002	U003	U004	U005	U006	U007	U008	U009	U010	U011	U012	U013	U014	U015	U016	U017	U018	U019	U020	U021
------	------	------	------	------	------	------	------	------	------	------	------	------	------	------	------	------	------	------	------	------

U009 Paper Tray (2nd)

33.D1442747
DECAL:PAPER SET
DIRECTION:TRAY
Y:RIGHT:EXP

28.D1202873
DECAL:PAPER TRAY:
NO.2



12.B1802782
SEAL:TRAY

U009_S001
PAPER TRAY:NO.2:ASS'Y

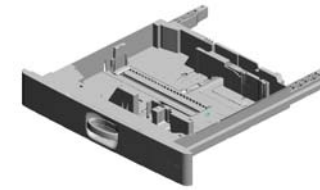
14.B2232862
LEVER - RELEASE
INNER

1.04503012N
(x2)
TAPPING SCREW:
3X12

36.D5802946
COVER:PAPER TR
AY:NO.2

34.D5802870
GRIP:PAPER TRAY

13.B2232861
GRIP HOLDER



35.D5802900
PAPER TRAY:NO.2
:ASS'Y

9.AA061014
TENSION SPRING:
GRIP

24.D0292863
SHAFT:RELEASE:P
APER TRAY

4.07200080E
RETAINING RING -
M8

16.B2232868
LEVER:RELEASE:P
APER TRAY:OUTE
R

8.AA061003
TENSION SPRING:
SIDE FENCE:REAR

19.B2232918
RISE LEVER

3.04533008N
BINDING SELF TAP
PING SCREW:3X8

23.B2232936
GEAR - 16Z

15.B2232865
RISE NO.1 SHAFT

5.A2322987
(x4)
ROLLER - PAPER T
RAY

26.D1202832
END FENCE:ASS'Y

17.B2232910
LINK - PAPER SIZE
SENSOR

2.04504008N
(x2)
TAPPING SCREW -
M4X8

18.B2232911
SPACER

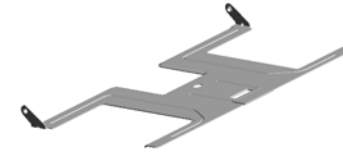
20.B2232919
GROUND PLATE -
PAPER TRAY NO.2

WWW.SERVICE-MANUAL.NET

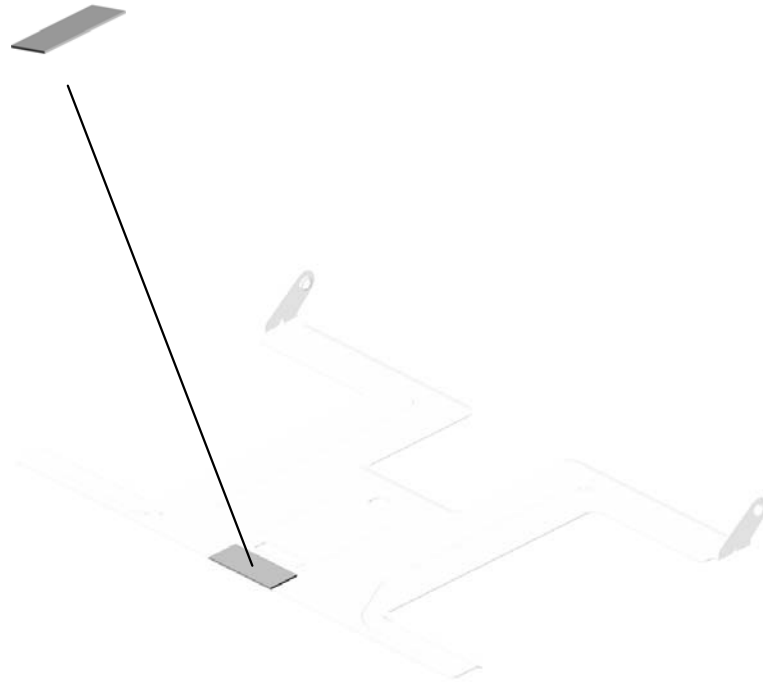
U001	U002	U003	U004	U005	U006	U007	U008	U009	U010	U011	U012	U013	U014	U015	U016	U017	U018	U019	U020	U021
------	------	------	------	------	------	------	------	------	------	------	------	------	------	------	------	------	------	------	------	------

U009_S001_S001
TRAY BOTTOM PLATE:ASS'Y

10.AF033010
PAD



25.D0892940
TRAY BOTTOM PL
ATE:ASS'Y



U009_S001_S002
SIDE FENCE:FRONT:ASS'Y

30.D1202924
LEVER:STOPPER:
FRONT

31.D1292920
SIDE FENCE:FRON
T:ASSY

22.B2232935
PLATE - SIDE FEN
CE RIGHT

11.B0042923
SPRING PLATE - R
ELEASE LEVER

21.B2232934
PLATE - SIDE FEN
CE

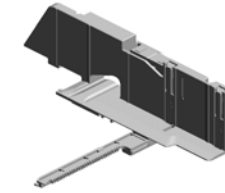
WWW.SERVICE-MANUAL.NET

U001	U002	U003	U004	U005	U006	U007	U008	U009	U010	U011	U012	U013	U014	U015	U016	U017	U018	U019	U020	U021
------	------	------	------	------	------	------	------	------	------	------	------	------	------	------	------	------	------	------	------	------

U009_S001_S003
SIDE FENCE:REAR:ASS'Y

29.D1202875
DECAL:SIDE FENC
E:REAR

21.B2232934
PLATE - SIDE FEN
CE



32.D1292930
SIDE FENCE:REAR
:ASS'Y

22.B2232935
PLATE - SIDE FEN
CE RIGHT



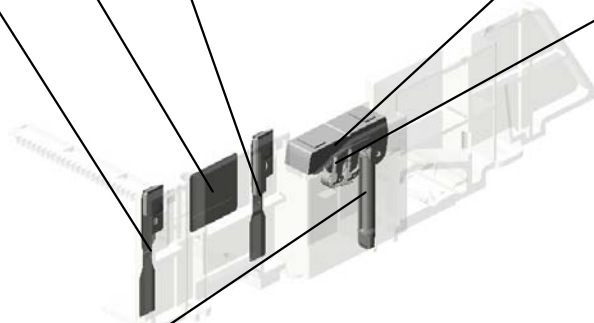
27.D1202864
LEVER:STOPPER:
POSITIONING



6.A2672857
SPRING PLATE - SI
DE FENCE

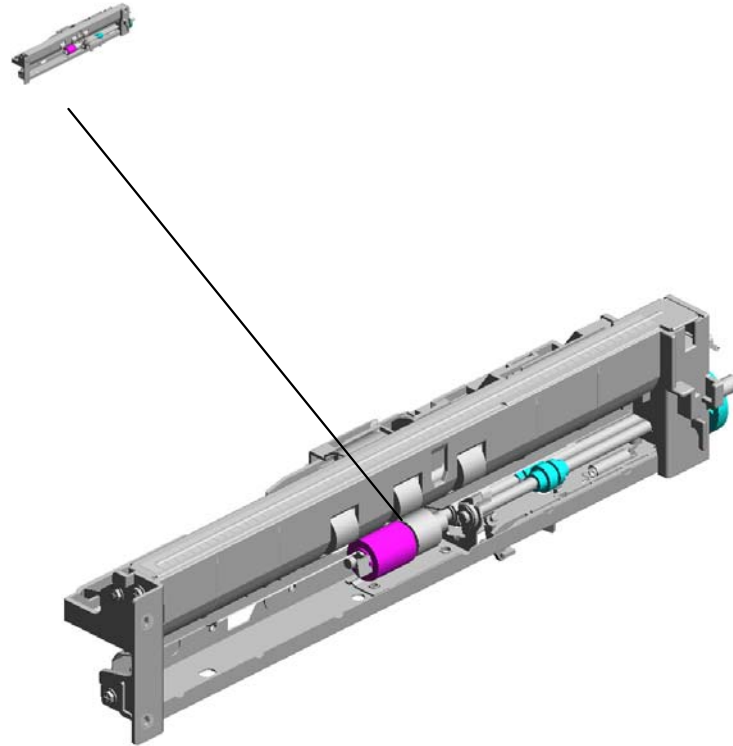


7.A2672859
SIDE FENCE STOP
PER



U010.Paper Feed (1st)

U010_S001
D1442750
PAPER FEED UNIT:ASS'Y

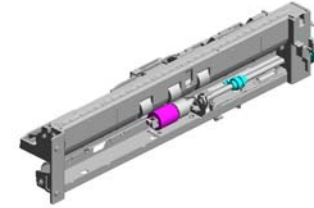


WWW.SERVICE-MANUAL.NET

U001	U002	U003	U004	U005	U006	U007	U008	U009	U010	U011	U012	U013	U014	U015	U016	U017	U018	U019	U020	U021
------	------	------	------	------	------	------	------	------	------	------	------	------	------	------	------	------	------	------	------	------

U010
Paper Feed (1st)

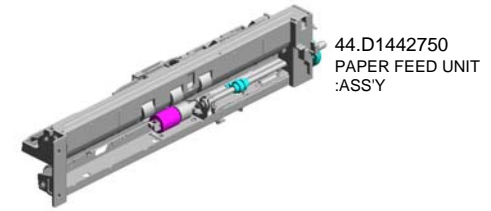
3.04543008Q
(x2)
TAPPING SCREW:
3X8



42.D1202618
DISCHARGE BRUS
H:PAPER FEED UN
IT:UPPER



U010_S001 PAPER FEED UNIT:ASS'Y



- 18.AB011218 GEAR - ROLLER C LUTCH
- 14.AA082150 PLAIN SHAFT BEARING:RING:M6
- 20.AF030085 PAPER FEED ROLLER - PICKUP
- 19.AB011252 GEAR - 20Z
- 4.04563008N TAPPING SCREW - M3X8

13.AA082143
BUSHING - 6X10X6

5.07200040E
RETAINING RING - M4

15.AA100014
(x2)
RETAINING RING C - SEPARATE

21.AF031085
PAPER FEED ROLLER - FEED

6.08050089
(x4)
RETAINING RING - M4

10.AA060693
TENSION SPRING

12.AA082102
(x3)
BUSHING - 6X10X6

16.AB010156
GEAR:SEPARATE:DRIVE

8.52062686
(x2)
SNAP RING

17.AB010157
GEAR:SEPARATE:DRIVEN

7.11050511
(x2)
HARNES CLAMP - LWS-0306ZC

1.04513006N
(x7)
TAPPING SCREW - 3X6

9.AA060691
TENSION SPRING

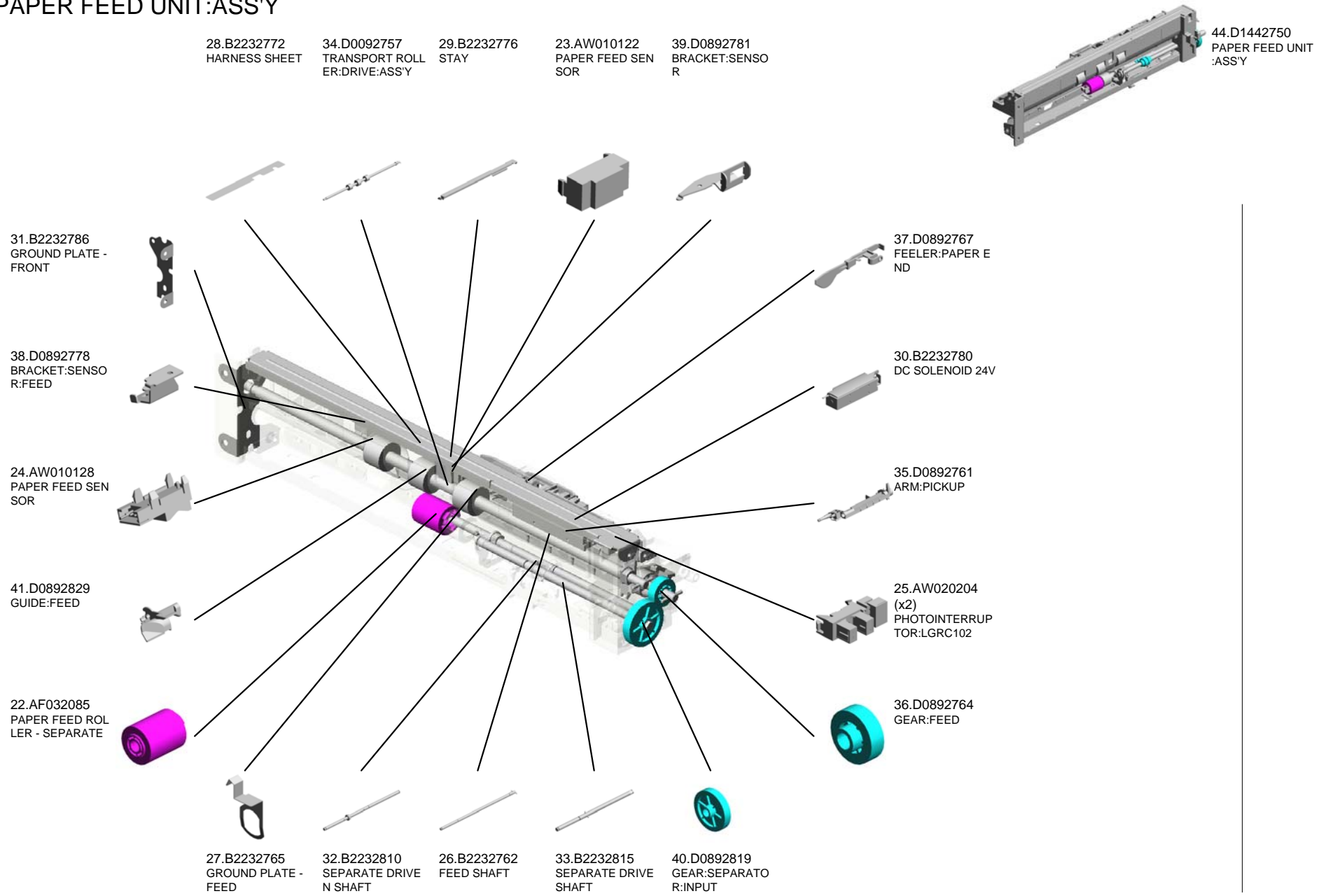
11.AA062259
SPRING - RELEASE

2.04543006Q
(x4)
TAPPING SCREW - M3X6

WWW.SERVICE-MANUAL.NET

U001	U002	U003	U004	U005	U006	U007	U008	U009	U010	U011	U012	U013	U014	U015	U016	U017	U018	U019	U020	U021
------	------	------	------	------	------	------	------	------	------	------	------	------	------	------	------	------	------	------	------	------

U010_S001 PAPER FEED UNIT:ASS'Y

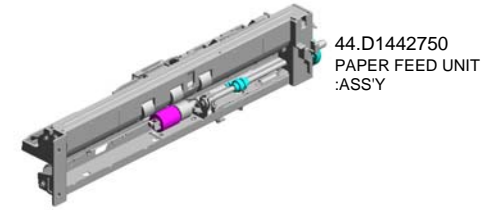


WWW.SERVICE-MANUAL.NET

U001	U002	U003	U004	U005	U006	U007	U008	U009	U010	U011	U012	U013	U014	U015	U016	U017	U018	U019	U020	U021
------	------	------	------	------	------	------	------	------	-------------	------	------	------	------	------	------	------	------	------	------	------

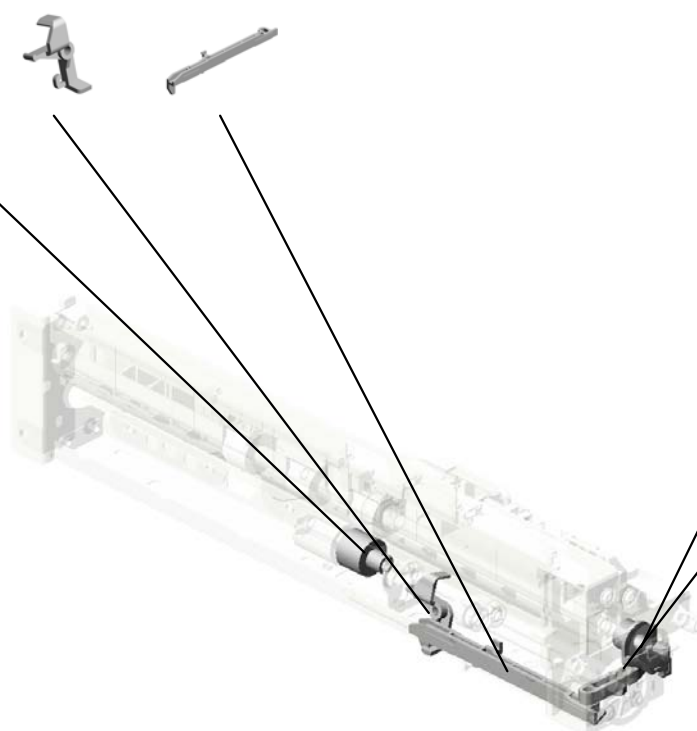
U010_S001
PAPER FEED UNIT:ASS'Y

46.G0652774 47.G0652775
PRESSURE LEVER LINK LEVER



44.D1442750
PAPER FEED UNIT
:ASS'Y

43.D1292783
TORQUE LIMITER
MECHANICAL CLU
TCH:40MMM:DIA18



45.G0652767
LEVER - FEED

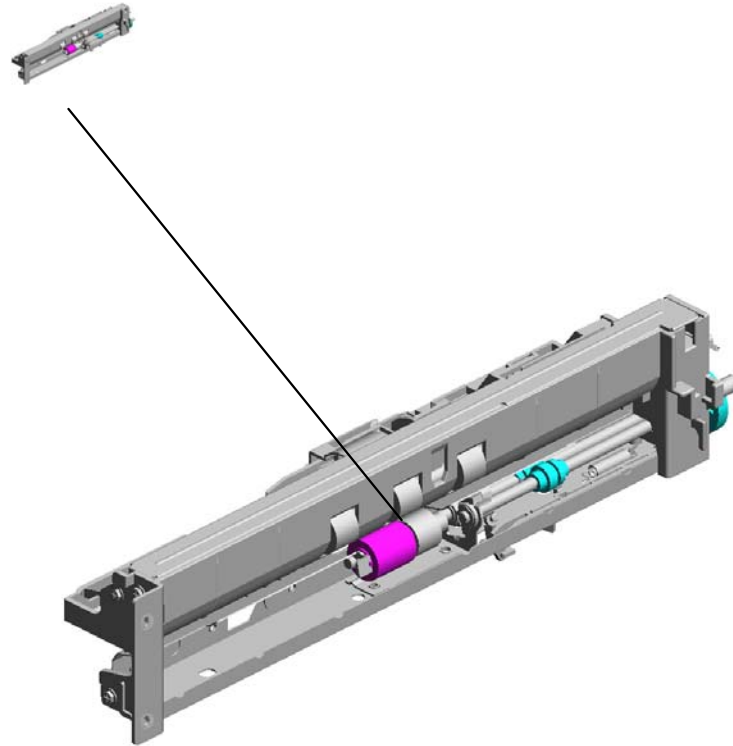


48.G0652776
RELEASE LEVER



U011.Paper Feed (2nd)

U011_S001
D1442750
PAPER FEED UNIT:ASS'Y

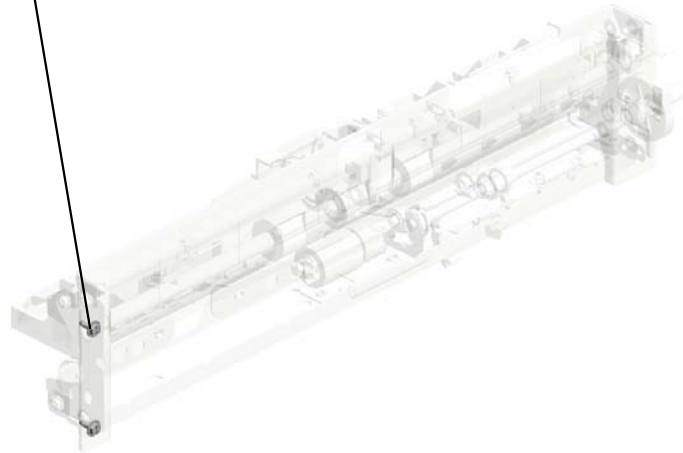
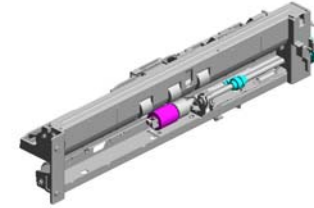


WWW.SERVICE-MANUAL.NET

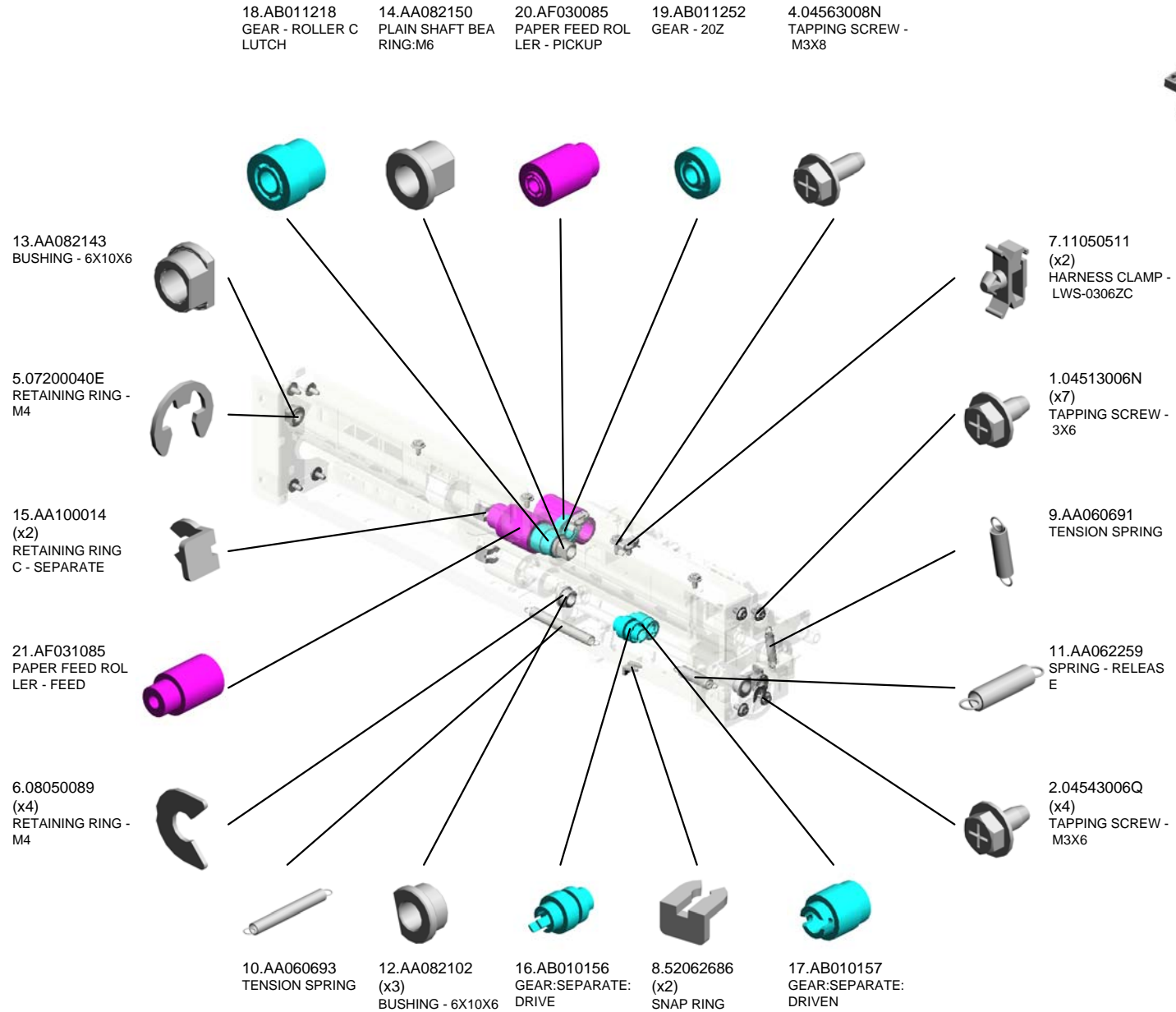
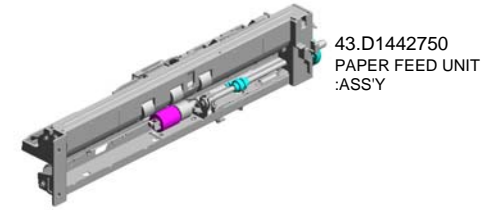
U001	U002	U003	U004	U005	U006	U007	U008	U009	U010	U011	U012	U013	U014	U015	U016	U017	U018	U019	U020	U021
------	------	------	------	------	------	------	------	------	------	------	------	------	------	------	------	------	------	------	------	------

U011
Paper Feed (2nd)

3.04543008Q
(x2)
TAPPING SCREW:
3X8



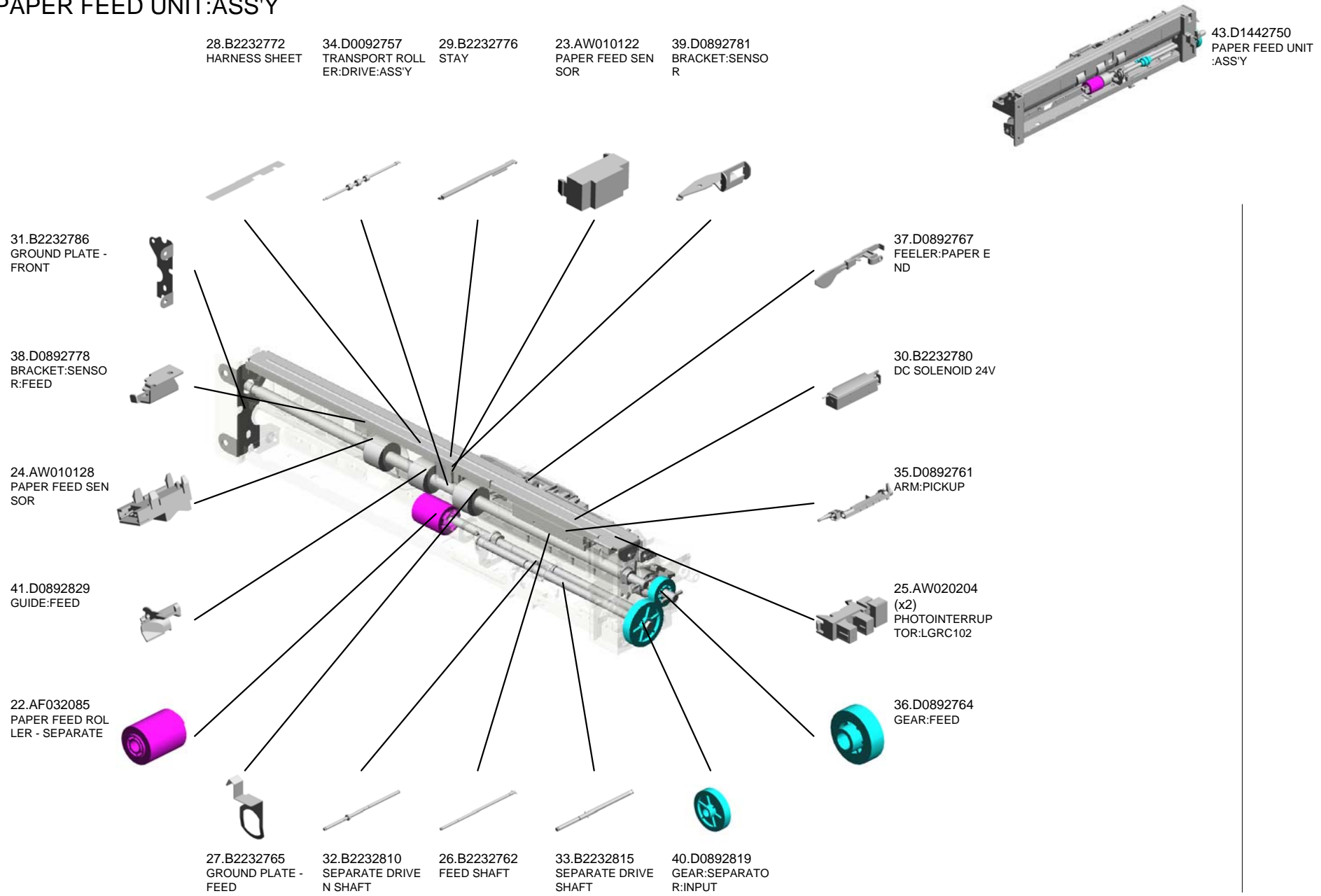
U011_S001 PAPER FEED UNIT:ASS'Y



WWW.SERVICE-MANUAL.NET

U001	U002	U003	U004	U005	U006	U007	U008	U009	U010	U011	U012	U013	U014	U015	U016	U017	U018	U019	U020	U021
------	------	------	------	------	------	------	------	------	------	------	------	------	------	------	------	------	------	------	------	------

U011_S001 PAPER FEED UNIT:ASS'Y

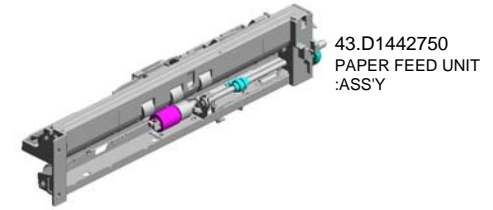


WWW.SERVICE-MANUAL.NET

U001	U002	U003	U004	U005	U006	U007	U008	U009	U010	U011	U012	U013	U014	U015	U016	U017	U018	U019	U020	U021
------	------	------	------	------	------	------	------	------	------	------	------	------	------	------	------	------	------	------	------	------

U011_S001
PAPER FEED UNIT:ASS'Y

45.G0652774 46.G0652775
PRESSURE LEVER LINK LEVER



42.D1292783
TORQUE LIMITER
MECHANICAL CLU
TCH:40MMM:DIA18



44.G0652767
LEVER - FEED



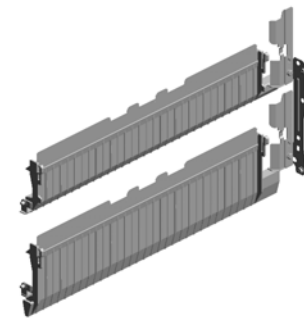
47.G0652776
RELEASE LEVER



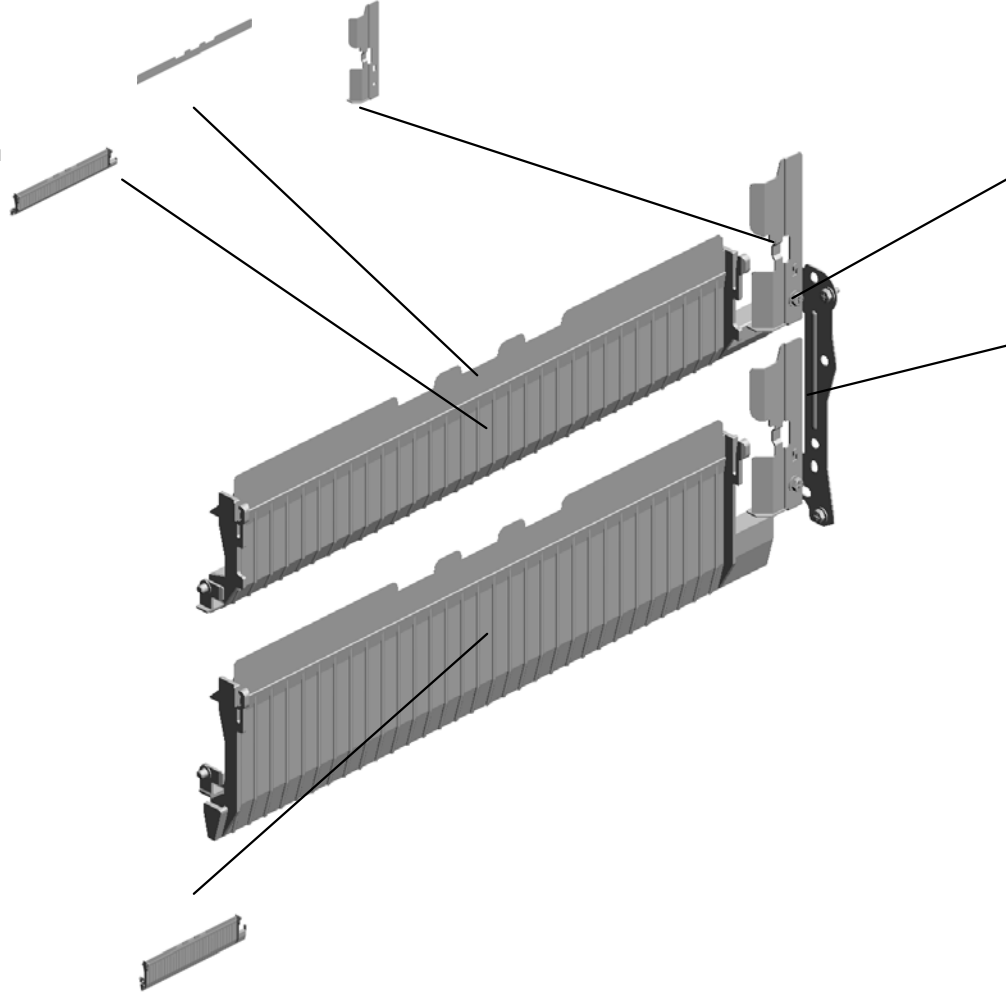
U012 Vertical Transport

2.B2232837
(x2)
GUIDE:SWIVEL

4.B2232848
(x2)
COVER:HARNESS



5.D1292837
GUIDE PLATE:SWI
VEL



1.04513006N
(x4)
TAPPING SCREW -
3X6

3.B2232846
BRACKET:COVER:
HARNESS

6.D1292842
GUIDE PLATE:SWI
VEL:NO.2

WWW.SERVICE-MANUAL.NET

U001	U002	U003	U004	U005	U006	U007	U008	U009	U010	U011	U012	U013	U014	U015	U016	U017	U018	U019	U020	U021
------	------	------	------	------	------	------	------	------	------	------	------	------	------	------	------	------	------	------	------	------

U013 Paper Registration

8.B2382622 COVER - REMOVE PAPER DUST
 13.B2382661 REGISTRATION ROLLER - DRIVEN
 19.D0892560 BRACKET:CLEANER
 17.D0292556 STAY:REGISTRATION
 9.B2382652 REGISTRATION ROLLER - DRIVE



20.D1442558 KNOB:REGISTRATION ROLLER



15.B2382676 (x2) TENSION SPRING



3.08050088 RETAINING RING - M6



14.B2382675 (x2) REGISTRATION ROLLER BUSHING



2.04543006Q (x4) TAPPING SCREW - M3X6



18.D0292570 GUIDE PLATE:REGISTRATION:RIGHT:ADHESION

16.D0292555 GUIDE PLATE:REGISTRATION:LEFT

7.AW010107 PAPER FEED SENSOR

5.11050511 HARNESS CLAMP - LWS-03062C

1.04513006N (x4) TAPPING SCREW - 3X6

4.08050089 (x2) RETAINING RING - M4



11.B2382656 GEAR - 30Z



6.AA082101 (x2) BUSHING - 6X10X6



12.B2382657 GEAR - 18Z



10.B2382655 GEAR - 16Z

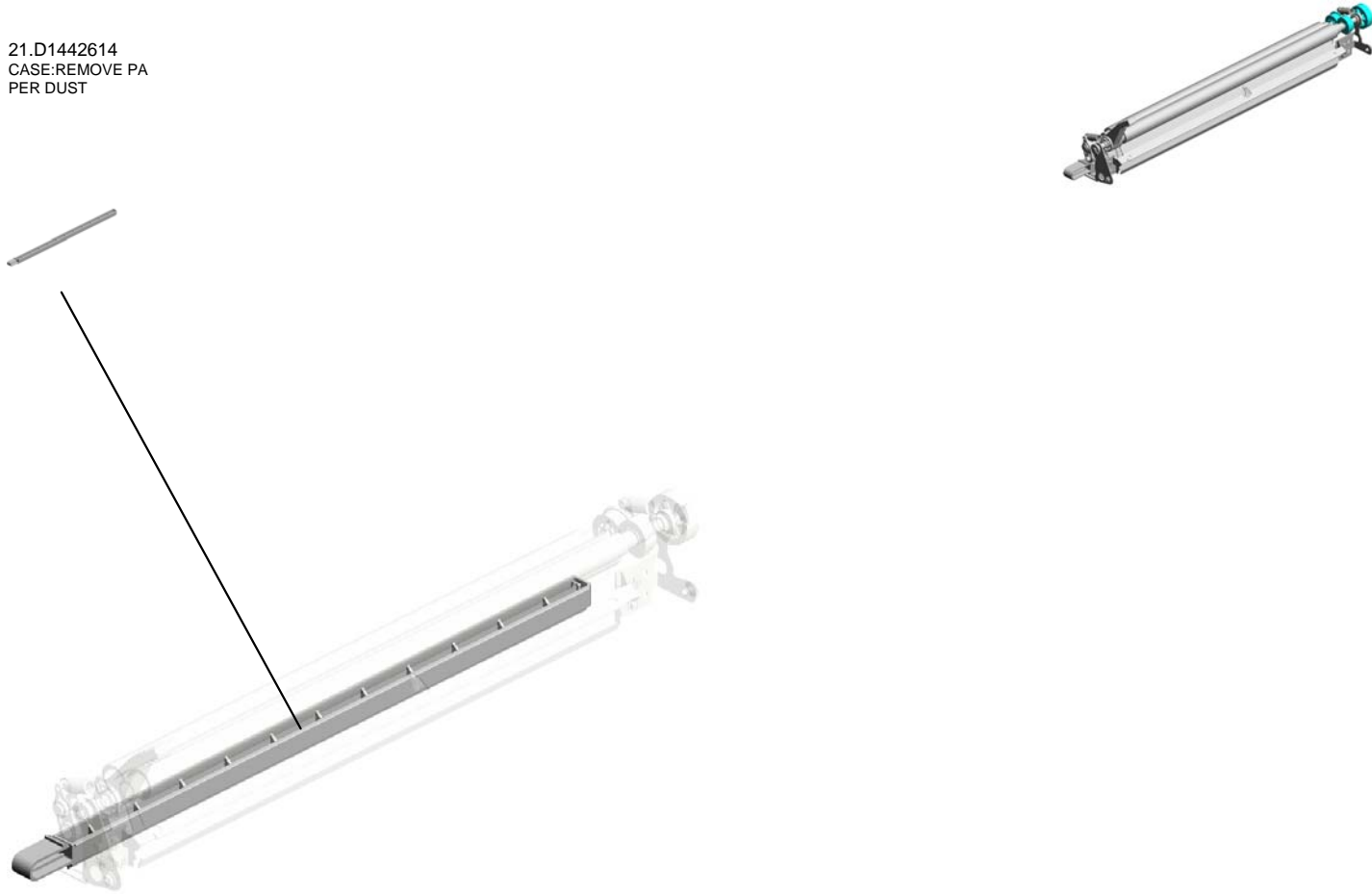


WWW.SERVICE-MANUAL.NET

U001	U002	U003	U004	U005	U006	U007	U008	U009	U010	U011	U012	U013	U014	U015	U016	U017	U018	U019	U020	U021
------	------	------	------	------	------	------	------	------	------	------	------	------	------	------	------	------	------	------	------	------

U013 Paper Registration

21.D1442614
CASE:REMOVE PA
PER DUST



WWW.SERVICE-MANUAL.NET

U001	U002	U003	U004	U005	U006	U007	U008	U009	U010	U011	U012	U013	U014	U015	U016	U017	U018	U019	U020	U021
------	------	------	------	------	------	------	------	------	------	------	------	------	------	------	------	------	------	------	------	------

U014.Toner Supply-1

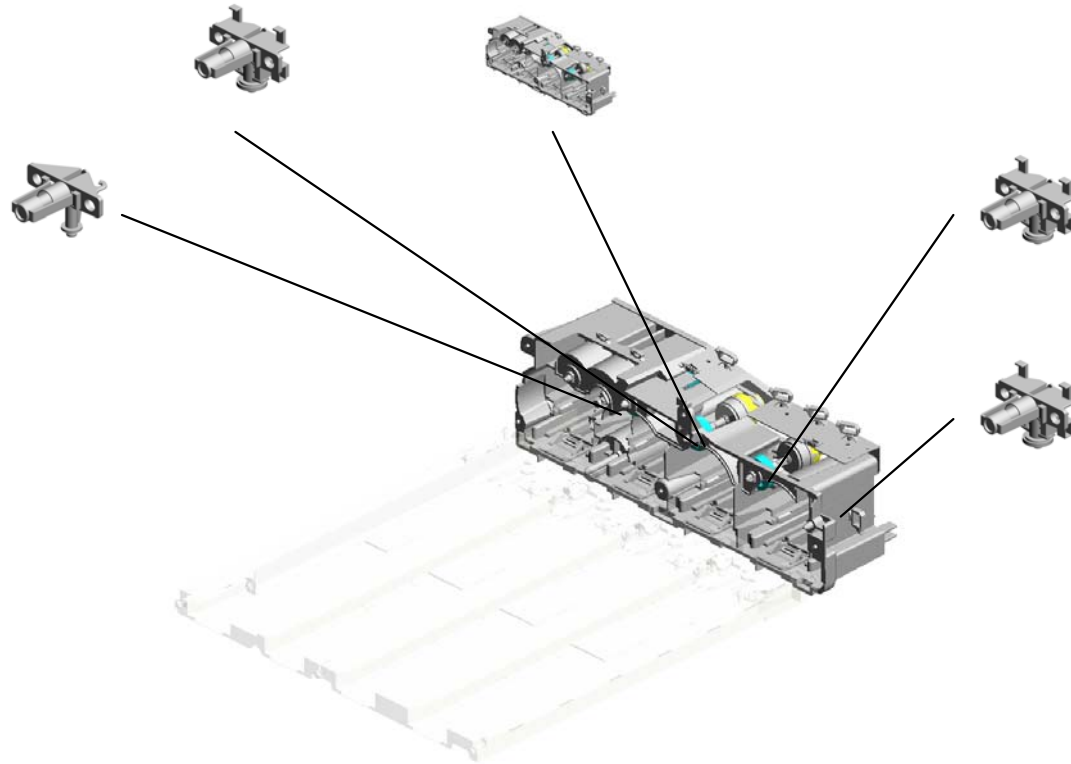
U014_S001
D0893205
NOZZLE:COLOR:ASS'Y

U014_S005
D1443405
DRIVE UNIT:TONER SUPPLY
SUB-UNIT:ASS'Y

U014_S004
D0893286
NOZZLE:BK:ASS'Y

U014_S002
D0893205
NOZZLE:COLOR:ASS'Y

U014_S003
D0893205
NOZZLE:COLOR:ASS'Y



WWW.SERVICE-MANUAL.NET

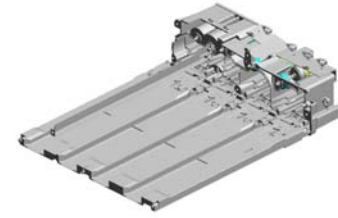
U001	U002	U003	U004	U005	U006	U007	U008	U009	U010	U011	U012	U013	U014	U015	U016	U017	U018	U019	U020	U021
------	------	------	------	------	------	------	------	------	------	------	------	------	------	------	------	------	------	------	------	------

U014 Toner Supply-1

14.B2233328
TONER CARTRIDGE
GUIDE

25.D0893304
BASE:TONER SUP
PLY UNIT:ASSY

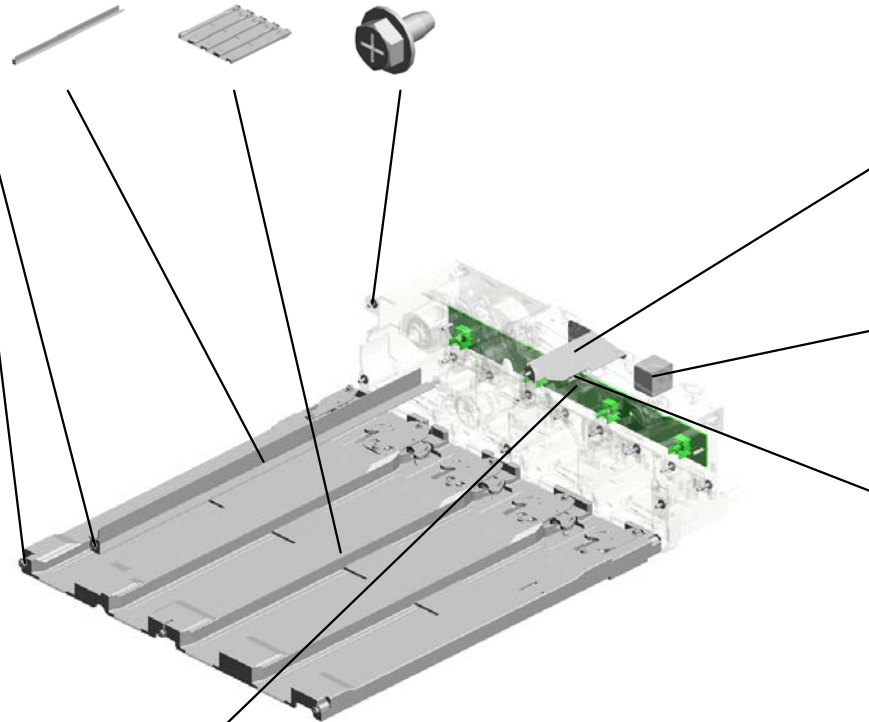
3.04513006N
(x5)
TAPPING SCREW -
3X6



4.04543006Q
TAPPING SCREW -
M3X6



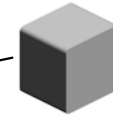
1.04503008N
(x6)
TAPPING SCREW -
M3X8



30.D0893470
GROUND PLATE:R
FID



22.D0293471
GASKET:RFID



2.04503012N
(x12)
TAPPING SCREW:
3X12



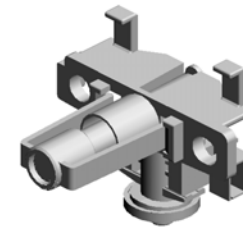
32.D1445119
PCB:BRB



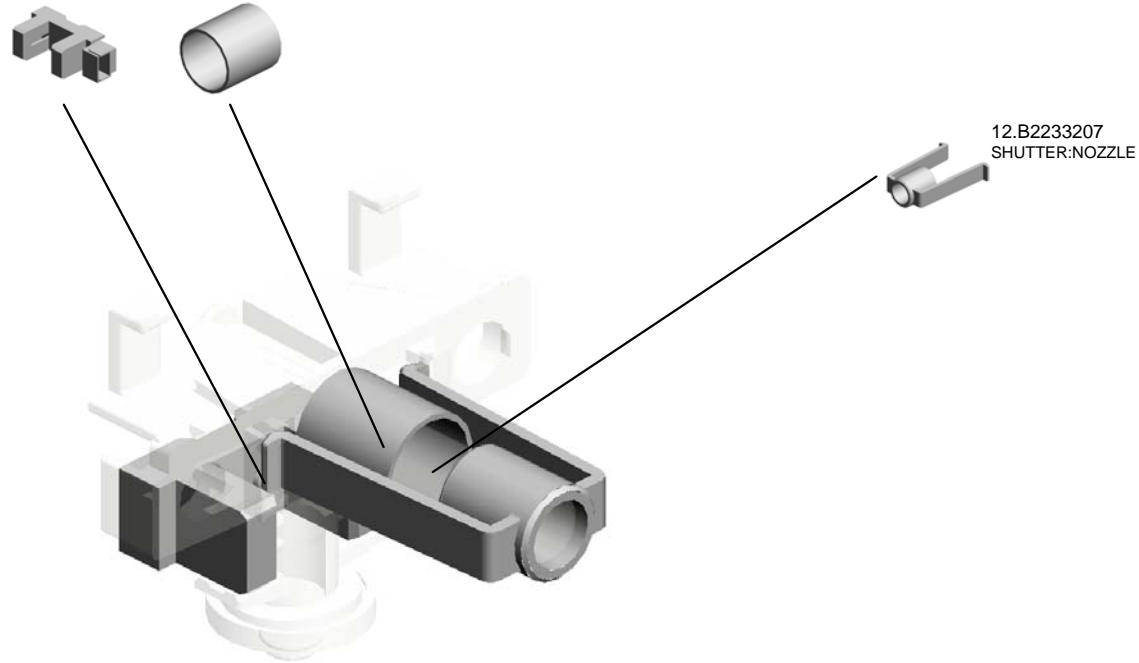
U014_S001
NOZZLE:COLOR:ASS'Y

11.AW020185
TONER END SENS
OR

13.B2233208
SPRING:SHUTTER:
NOZZLE



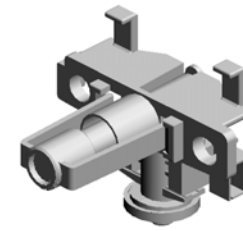
23.D0893205
NOZZLE:COLOR:A
SS'Y



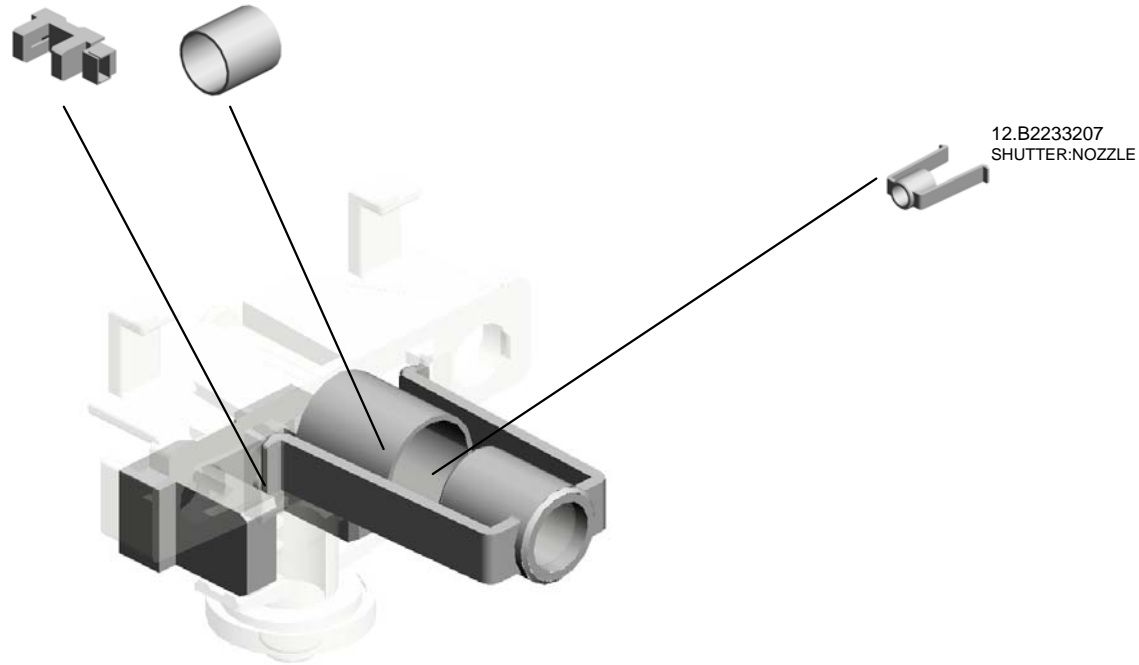
U014_S002
NOZZLE:COLOR:ASS'Y

11.AW020185
TONER END SENS
OR

13.B2233208
SPRING:SHUTTER:
NOZZLE



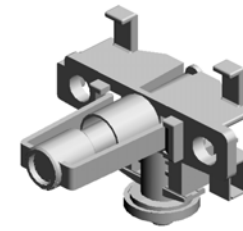
23.D0893205
NOZZLE:COLOR:A
SS'Y



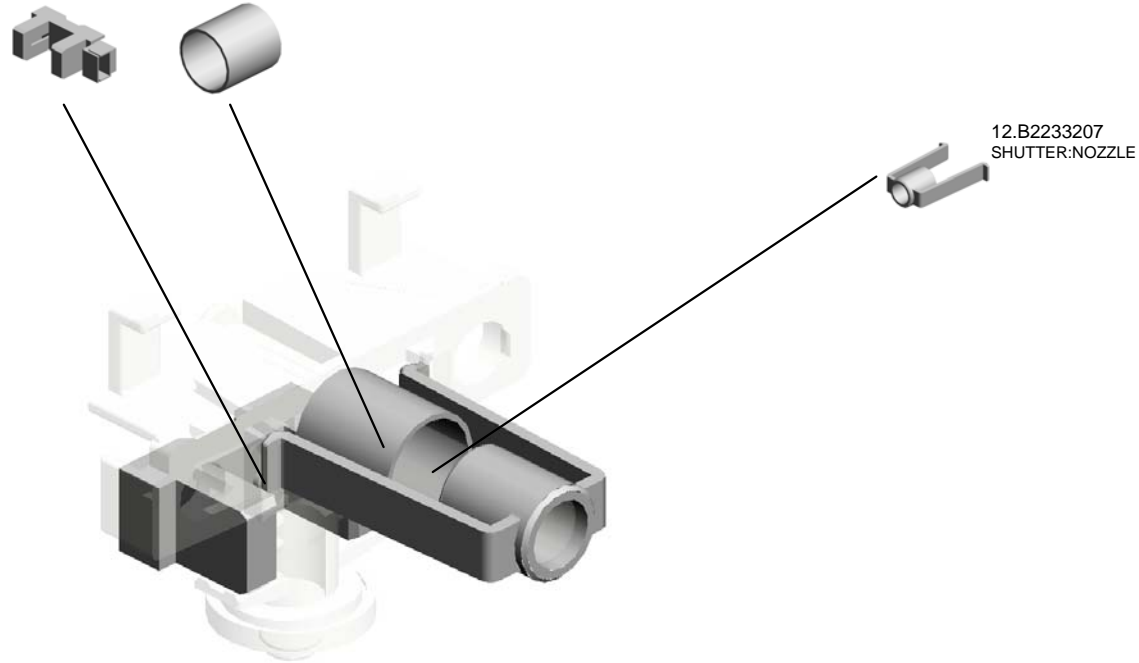
U014_S003
NOZZLE:COLOR:ASS'Y

11.AW020185
TONER END SENS
OR

13.B2233208
SPRING:SHUTTER:
NOZZLE



23.D0893205
NOZZLE:COLOR:A
SS'Y

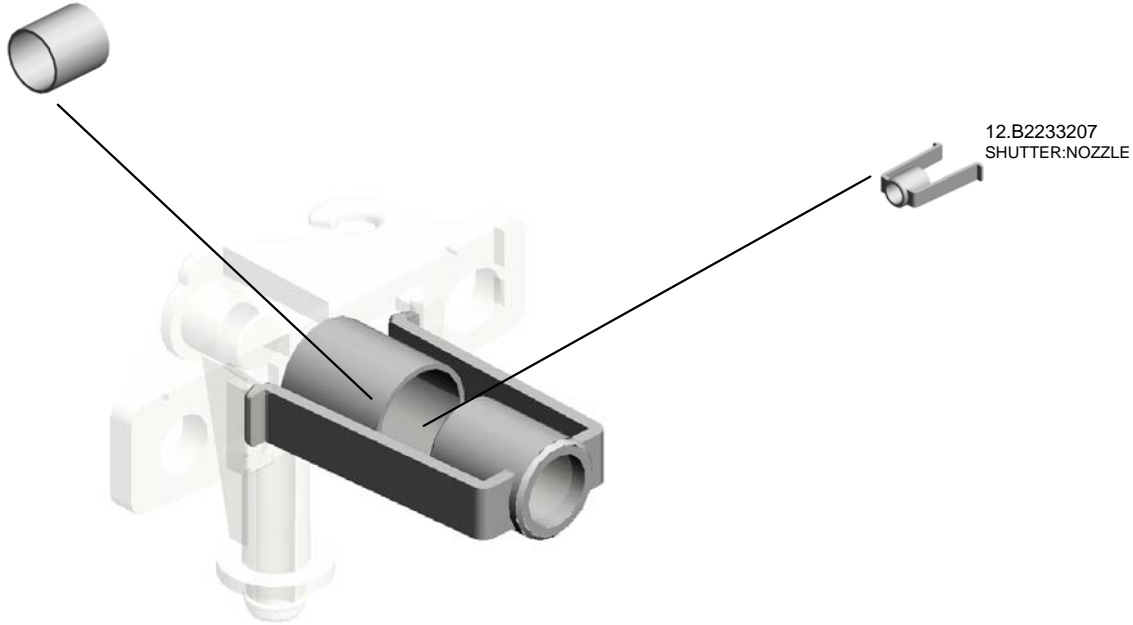


U014_S004
NOZZLE:BK:ASS'Y

13.B2233208
SPRING:SHUTTER:
NOZZLE



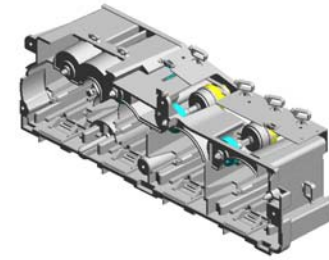
24.D0893286
NOZZLE:BK:ASS'Y



12.B2233207
SHUTTER:NOZZLE

U014_S005

DRIVE UNIT:TONER SUPPLY SUB-UNIT:ASS'Y



31.D1443405
DRIVE UNIT:TONER
SUPPLY SUB-UNIT:
ASS'Y

- 21.B2233464 GEAR:MAGNETIC CLUTCH:Y
- 27.D0893408 (x3) MAGNETIC CLUTCH:TONER BOTTLE:YCM:ASS'Y
- 29.D0893426 (x3) SHAFT:DRIVE:DRIVE UNIT:YCM
- 8.11050511 (x2) HARNESS CLAMP - LWS-0306ZC
- 17.B2233441 (x2) TIMING BELT:TONER BOTTLE

18.B2233461 (x3) PULLEY:TONER BOTTLE:YC

26.D0893407 MAGNETIC CLUTCH:TONER BOTTLE:BK:ASS'Y

28.D0893424 SHAFT:DRIVE:DRIVE UNIT:BK

16.B2233428 (x4) SPRING:DRIVE UNIT:TONER BOTTLE

5.04563010N (x11) TAPPING SCREW - M3X10

15.B2233334 (x4) HOLDER:STOPPER:SHUTTER:ASS'Y

20.B2233463 (x4) GEAR:TONER BOTTLE:DRIVE

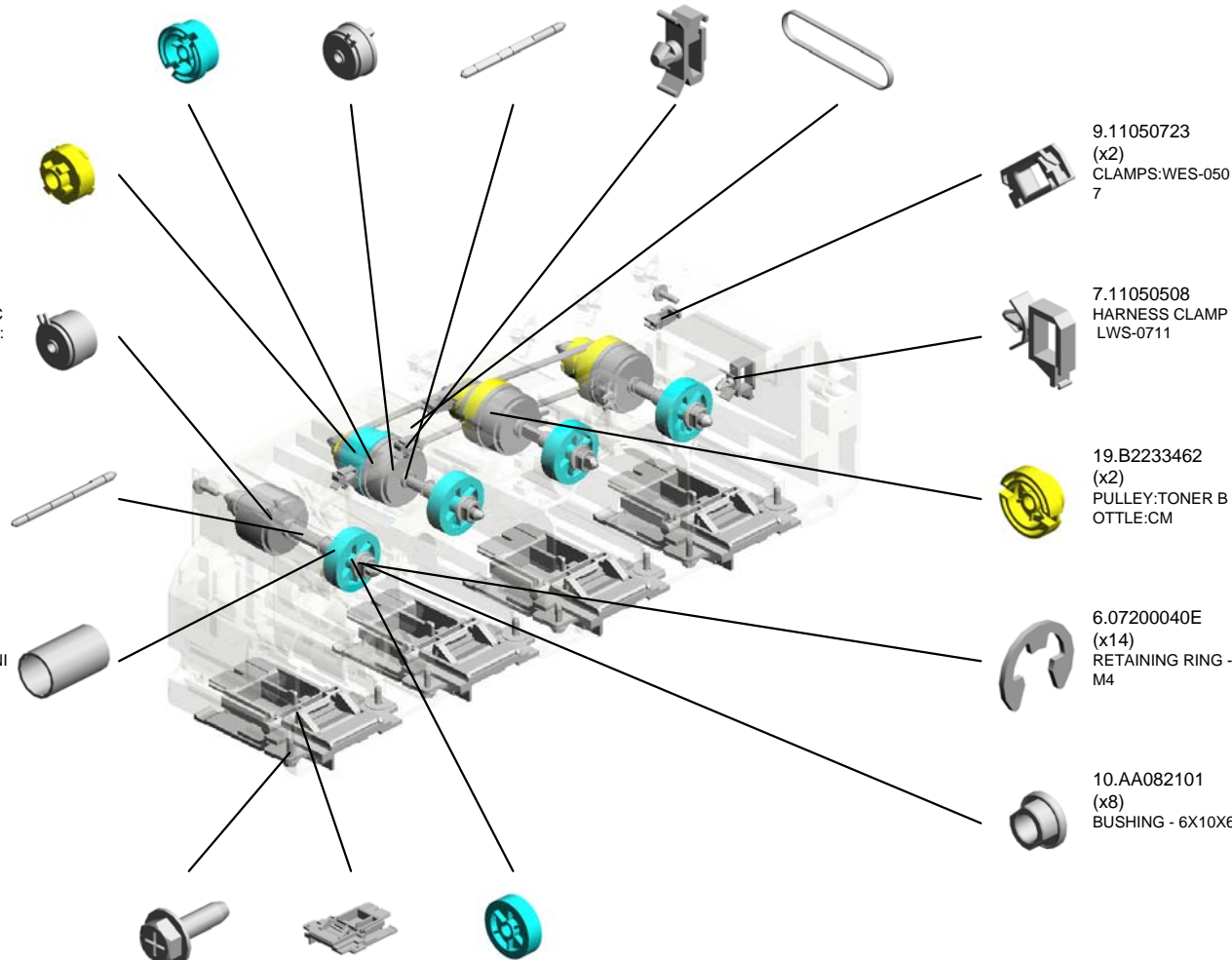
9.11050723 (x2) CLAMPS:WES-0507

7.11050508 HARNESS CLAMP - LWS-0711

19.B2233462 (x2) PULLEY:TONER BOTTLE:CM

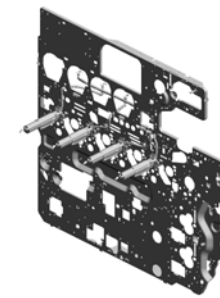
6.07200040E (x14) RETAINING RING - M4

10.AA082101 (x8) BUSHING - 6X10X6

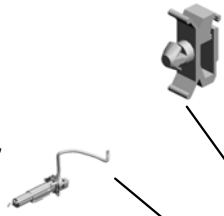


U015 Toner Supply-2

- 4.11050511 (x4) HARNESS CLAMP - LWS-0306ZC
- 2.11026245 (x3) RELAY CONNECT OR - 2P
- 6.B2233209 (x4) TUBE CLIP



8.D1443222
PUMP UNIT:Y:ASS'
Y



9.D1443223
PUMP UNIT:C:ASS'
Y



7.D1443221
PUMP UNIT:BK:AS
S'Y



3.11026259
CONNECTOR - 2P



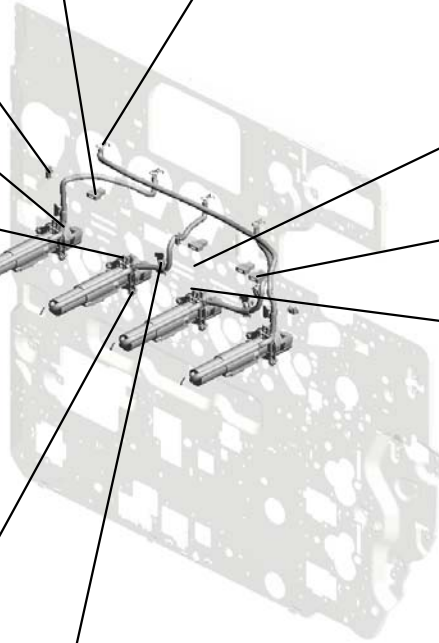
10.D1443224
PUMP UNIT:M:ASS'
Y



1.04513008N
(x8)
TAPPING SCREW -
M3X8



5.B2233206
(x4)
TUBE CLAMP



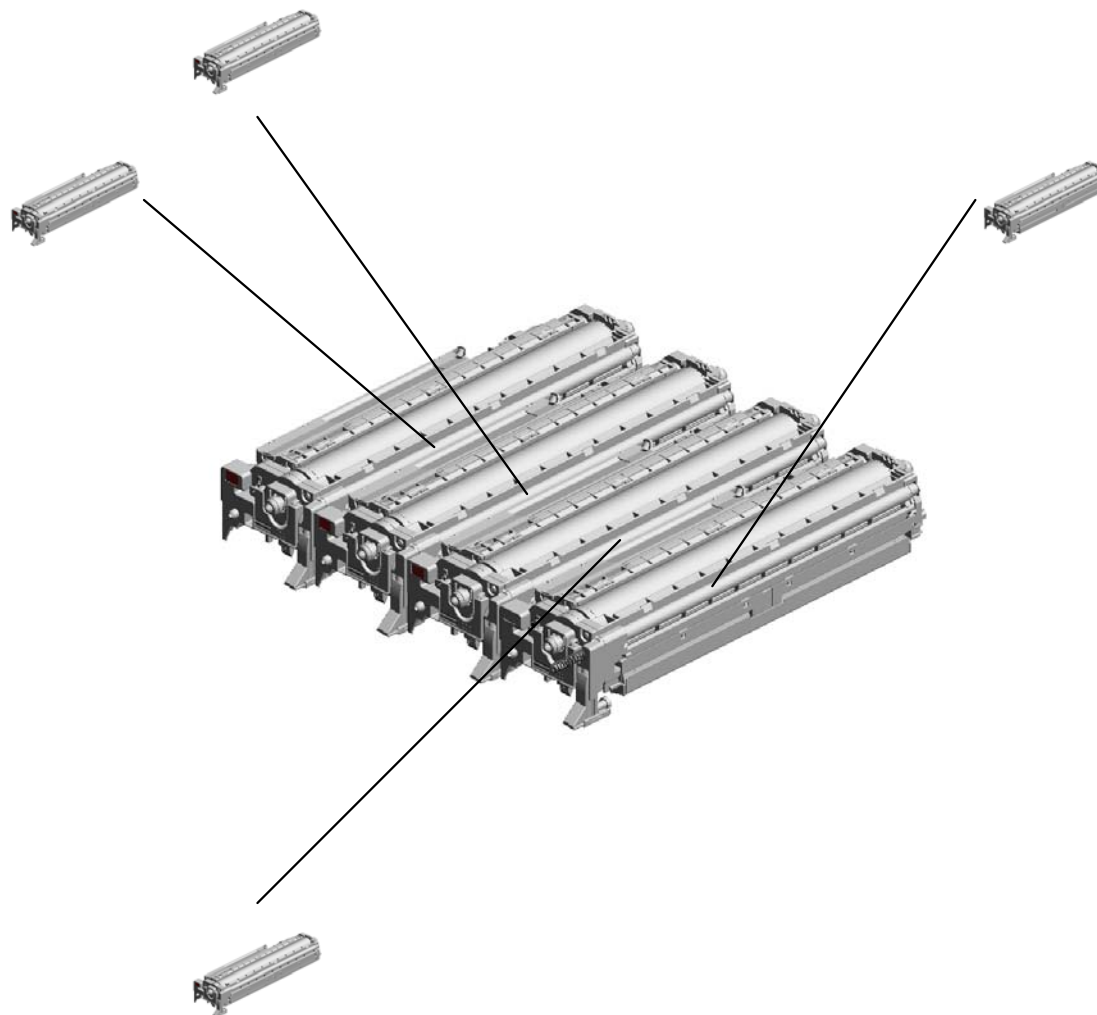
U016.PCDU

U016_S003
D1442201
PCDU:M

U016_S004
D1442203
PCDU:Y

U016_S001
D1442200
PCDU:BK

U016_S002
D1442202
PCDU:C



WWW.SERVICE-MANUAL.NET

U001	U002	U003	U004	U005	U006	U007	U008	U009	U010	U011	U012	U013	U014	U015	U016	U017	U018	U019	U020	U021
------	------	------	------	------	------	------	------	------	------	------	------	------	------	------	-------------	------	------	------	------	------

U016
PCDU



12.D1449640
DEVELOPER:K



13.D1449660
DEVELOPER:C



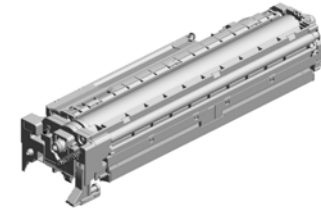
14.D1449670
DEVELOPER:M



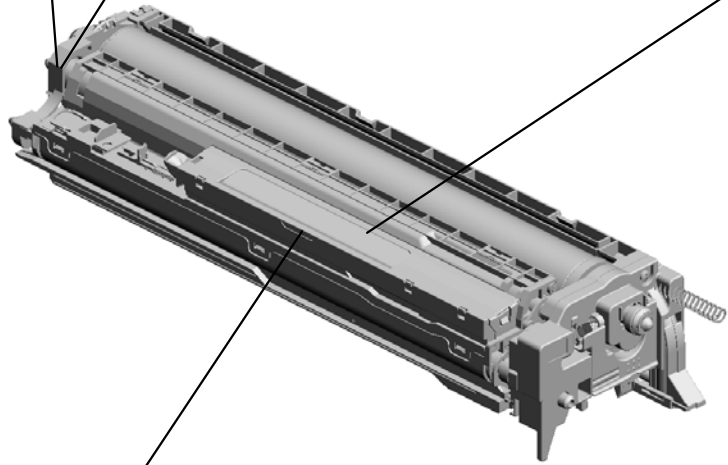
15.D1449680
DEVELOPER:Y

U016_S001
PCDU:BK

1.07200040E 2.AA084000
RETAINING RING - BUSHING:DIA6
M4



3.D1442200
PCDU:BK



7.D1442250
PCU:BK:ASS'Y



9.D1443010
DEVELOPMENT UN
IT:BK:ASS'Y

U016_S002
PCDU:C

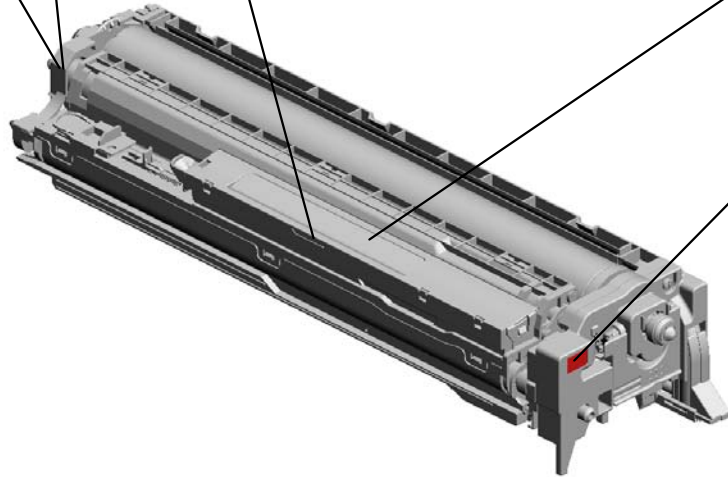
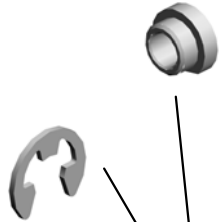
2.AA084000
BUSHING: DIA6

10.D1443030
DEVELOPMENT UN
IT:C:ASS'Y



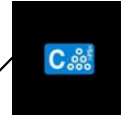
5.D1442202
PCDU:C

1.07200040E
RETAINING RING -
M4



8.D1442252
PCU:COLLAR:ASS'
Y

18.GA003032
DECAL - SHIELDIN
G PLATE C

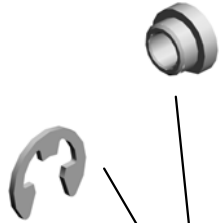


U016_S003
PCDU:M

2.AA084000
BUSHING: DIA6



1.07200040E
RETAINING RING -
M4



17.GA003031
DECAL - SHIELDIN
G PLATE M



8.D1442252
PCU:COLLAR:ASS'
Y



U016_S004
PCDU:Y

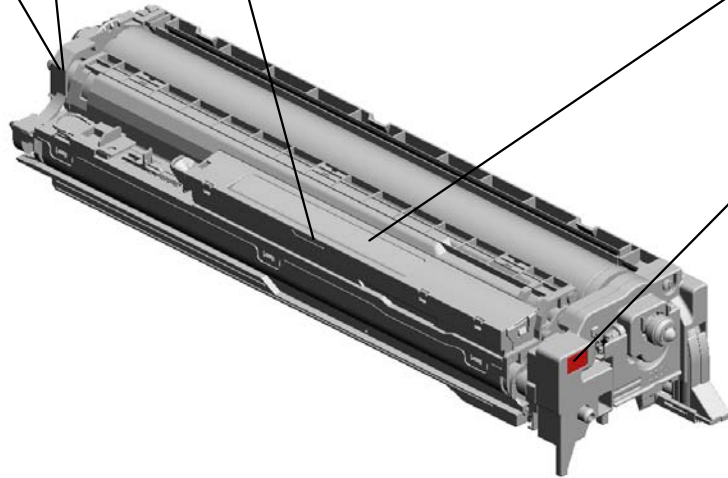
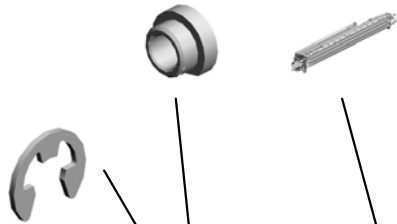
2.AA084000
BUSHING: DIA6

11.D1443040
DEVELOPMENT UN
IT:Y:ASS'Y



6.D1442203
PCDU:Y

1.07200040E
RETAINING RING -
M4



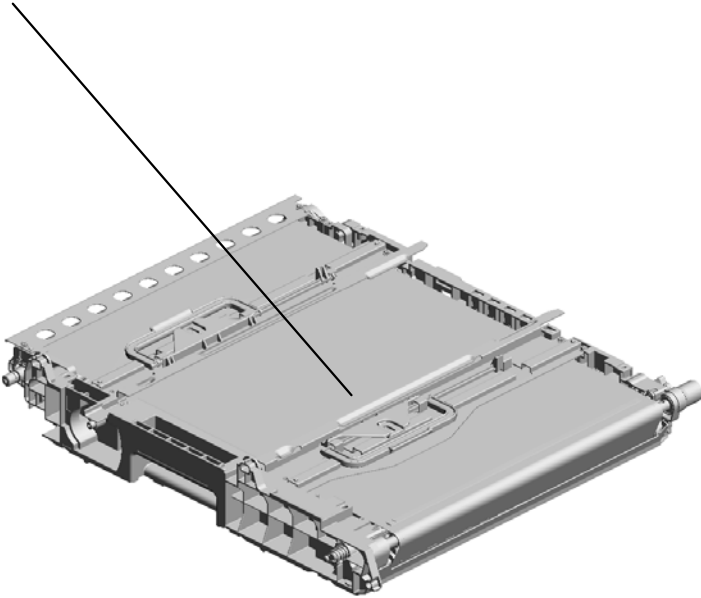
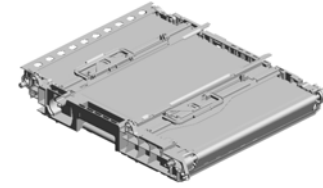
8.D1442252
PCU:COLLAR:ASS'
Y

16.GA003030
DECAL - SHIELDIN
G PLATE Y



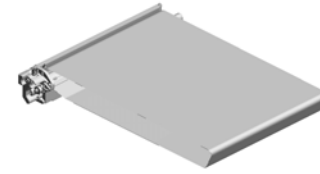
U017
ITB Unit

1.D1446011
TRANSFER UNIT:IN
TERMEDIATE TRA
NSFER:ASS'Y



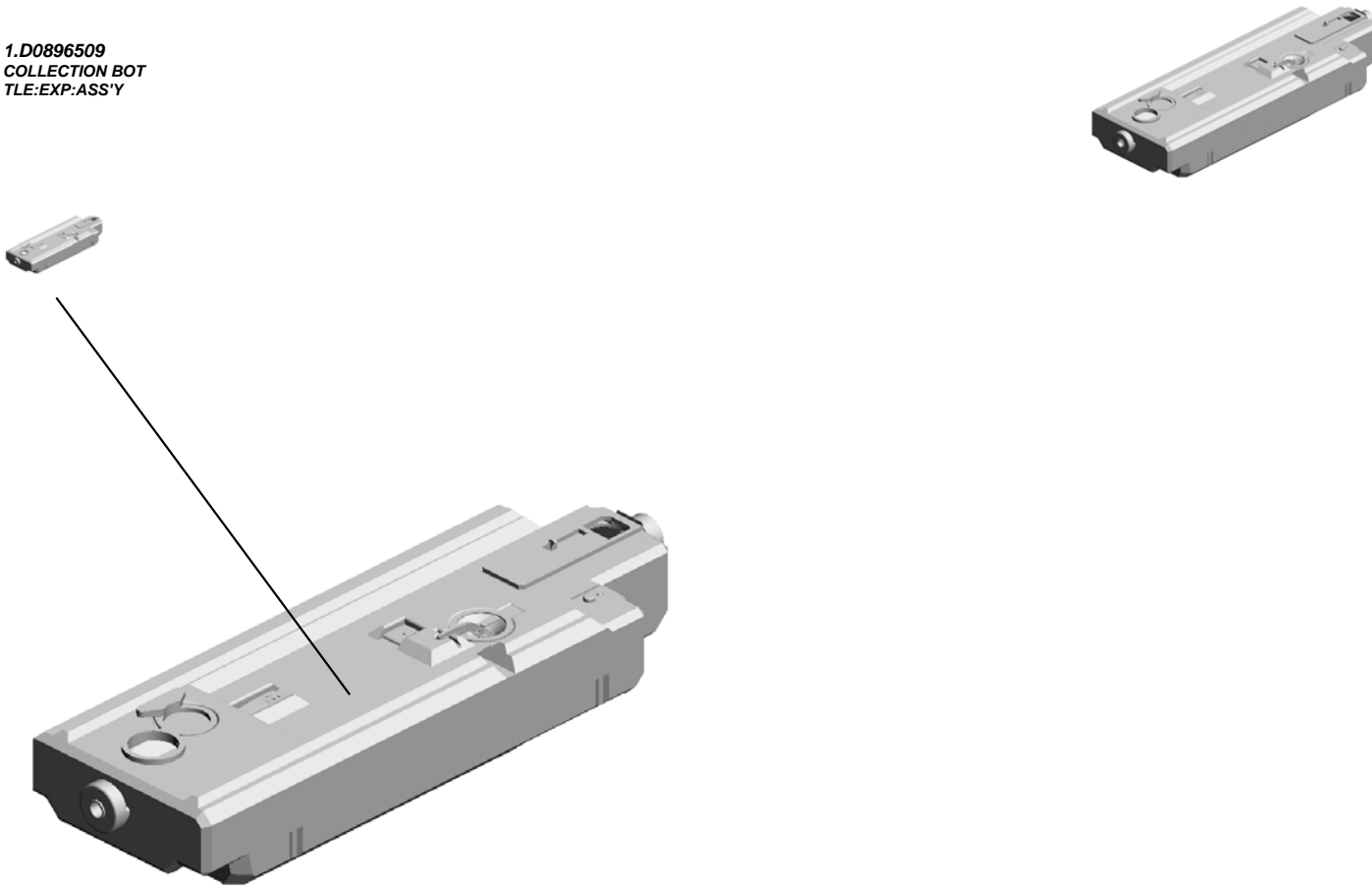
U018
ITB Cleaning

1.D1440621
CLEANING UNIT-IN
TERMEDIATE TRA
NSFER:ASS'Y



U019
Used Toner-1

1.D0896509
COLLECTION BOT
TLE:EXP:ASS'Y



U020.Used Toner-2

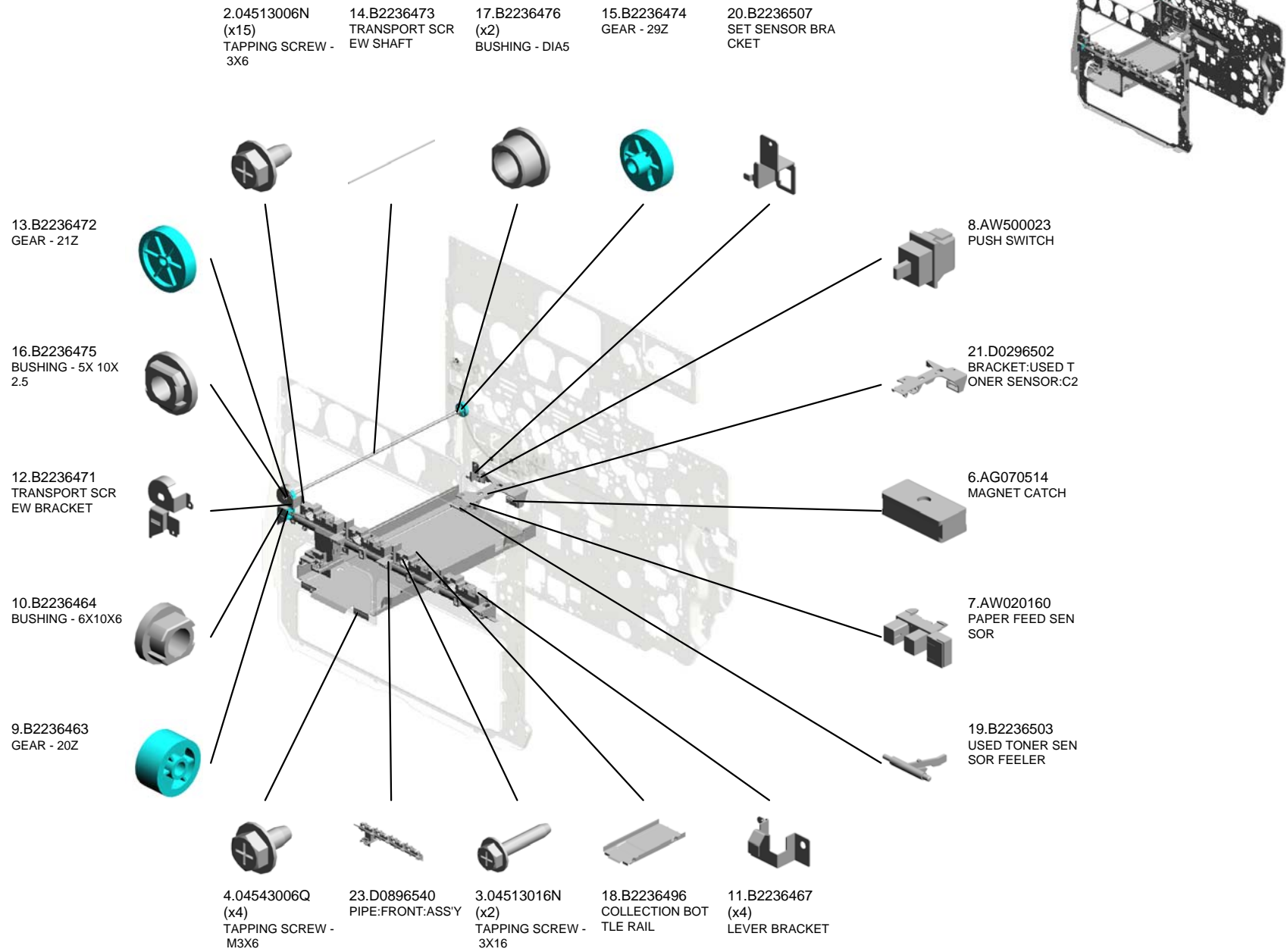
U020_S001
D0896481
PIPE:REAR:ASSY



WWW.SERVICE-MANUAL.NET

U001	U002	U003	U004	U005	U006	U007	U008	U009	U010	U011	U012	U013	U014	U015	U016	U017	U018	U019	U020	U021
------	------	------	------	------	------	------	------	------	------	------	------	------	------	------	------	------	------	------	------	------

U020 Used Toner-2



WWW.SERVICE-MANUAL.NET

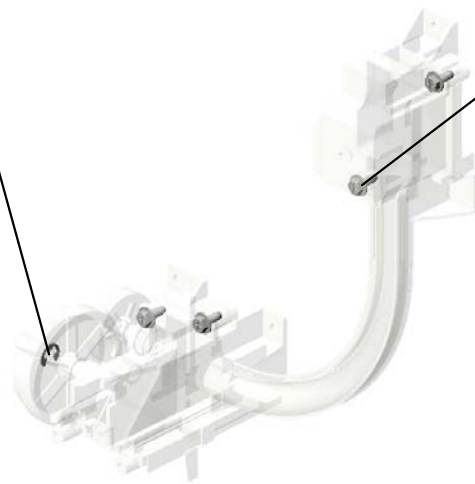
U020_S001
PIPE:REAR:ASS'Y

5.07200040E
RETAINING RING -
M4

22.D0896481
PIPE:REAR:ASS'Y

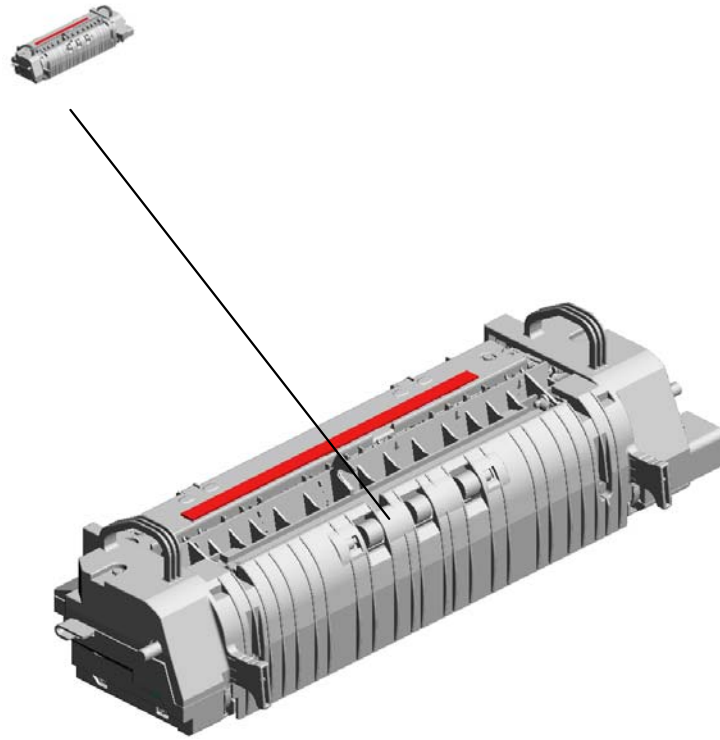


1.04503010N
(x4)
TAPPING SCREW -
M3X10



U021.Fusing-1

U021_S001
D1444021
FUSING UNIT:NA:MAINTENA
NCE:ASS'Y



WWW.SERVICE-MANUAL.NET

U001	U002	U003	U004	U005	U006	U007	U008	U009	U010	U011	U012	U013	U014	U015	U016	U017	U018	U019	U020	U021
------	------	------	------	------	------	------	------	------	------	------	------	------	------	------	------	------	------	------	------	------

U021
Fusing-1



U021_S001 FUSING UNIT:NA:MAINTENANCE:ASS'Y



38.D1444021
FUSING UNIT:NA:MAINTENANCE:ASS'Y

- 14.AA061095 (x2) COMPRESSION SPRING:PRESSURE
- 1.03603006N (x9) SCREW - M3X6
- 13.AA061093 TORSION SPRING:STRIPPER PLATE:REAR
- 16.AA080348 (x2) BUSHING:DRIVEN ROLLER
- 11.AA061026 (x2) COMPRESSION SPRING:DRIVEN ROLLER

2.07010040N (x2) WASHER:DIA4

3.07200040E (x2) RETAINING RING - M4

5.07403506 (x2) BALL BEARING:DIA 6XDIA12X4

19.AA148810 (x2) PIN:LEVER

4.07200060E (x5) RETAINING RING - M6

20.AA148811 (x2) POSITIONING PIN: HOLDER:PRESSURE ROLLER

17.AA143849 (x10) SCREW:DIA4:M3

18.AA143870 STEPPED SCREW

7.08046123 (x10) HEXAGONAL BOLT :WASHER:M3X8

9.09574008N SCREW:SMALL ROLLER/SPRING:M4X8

10.AA060989 (x2) SPRING:FUSING EXIT:PRESSURE

12.AA061092 TORSION SPRING:STRIPPER PLATE:FRONT

15.AA061096 (x2) TENSION SPRING:SHUTTER

6.07403808 (x3) BALL BEARING:DIA 8XDIA16X5

8.09573008N (x2) SCREW:SMALL ROLLER/SPRING:M3X8

WWW.SERVICE-MANUAL.NET

U021_S001
FUSING UNIT:NA:MAINTENANCE:ASS'Y

29.AW110101
THERMOSTAT:LOWER

32.D0094664
DRIVEN ROLLER

33.D0254238
BRACKET:DRIVEN ROLLER

35.D0294163
DECAL:WARNING (HIGH TEMPERATURE):FUSING:1

39.D1444057
PRESSURE ROLLER:ASS'Y



38.D1444021
FUSING UNIT:NA:MAINTENANCE:ASS'Y

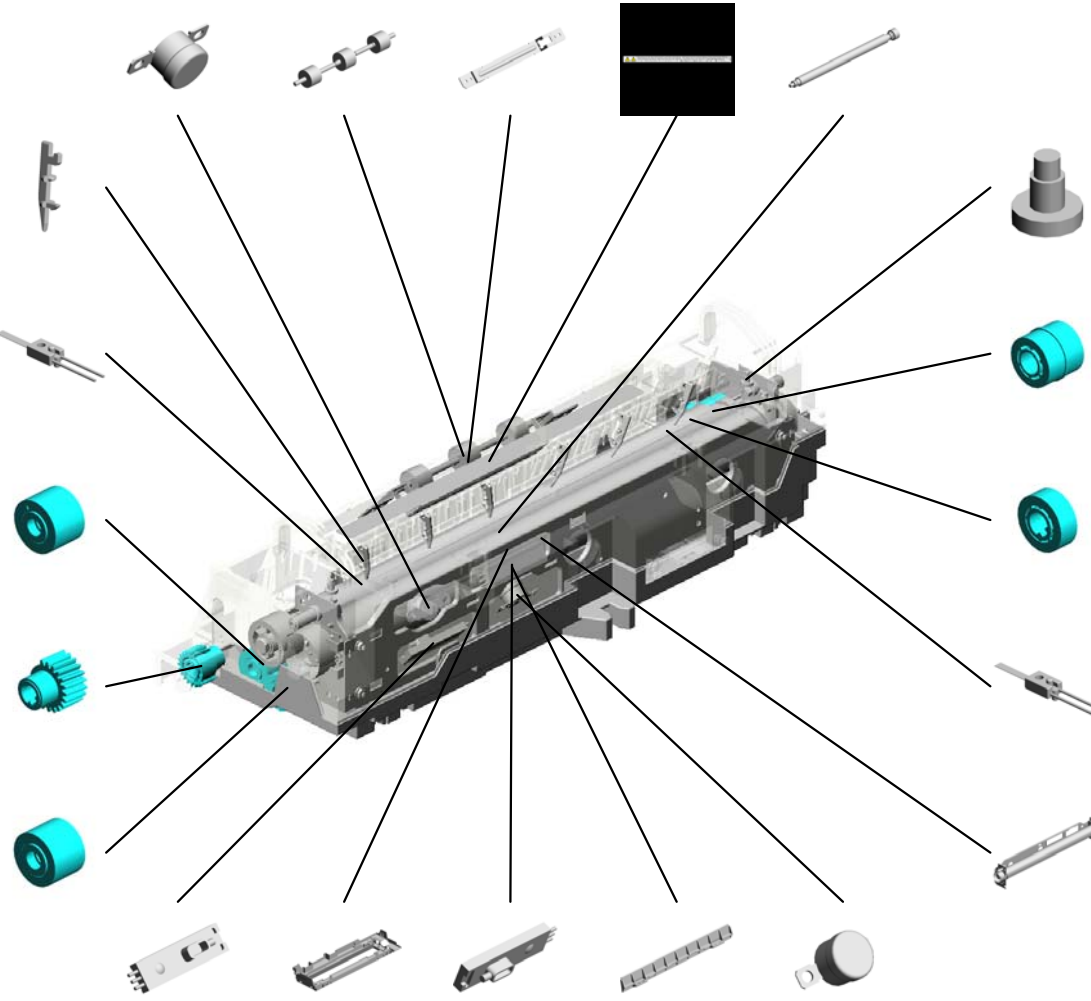
34.D0294129
(x6)
GUIDE:FUSING EXIT:PFA

26.AW100144
THERMISTOR:PRESSURE:MIDDLE

22.AB014331
GEAR:IDLER:PRESSURE ROLLER

37.D0894391
GEAR:ON-OFF:PRESSURE ROLLER

21.AB014330
GEAR:DRIVE:FUSING UNIT



31.B2591131
(x2)
SCREW:PCU

24.AB014335
GEAR:IDLER:SHUTTER

23.AB014334
GEAR:SHUTTER

25.AW100143
THERMISTOR:PRESSURE:FRONT

40.D1444081
SLEEVE:FUSING:NA:ASS'Y

28.AW100146
TEMPERATURE SENSOR:NC-F10:REAR

41.D1444100
FUSING COVER:LOWER

27.AW100145
TEMPERATURE SENSOR:NC-F10:MIDDLE

36.D0394241
FUSING ENTRANCE GUIDE PLATE

30.AW110102
THERMOSTAT:MIDDLE:UPPER

WWW.SERVICE-MANUAL.NET

U021_S001
FUSING UNIT:NA:MAINTENANCE:ASS'Y

57.D1444180
(x2)
ADJUSTING SCRE
W:PRESSURE

53.D1444164
(x2)
ADJUSTING PLATE
:PRESSURE

59.D1444188
SPACER:SHUTTER
:REAR

42.D1444103
FUSING COVER:U
PPER

54.D1444170
GUIDE PLATE:FUSI
NG EXIT:RIGHT



38.D1444021
FUSING UNIT:NA:M
AINTENANCE:ASS'
Y

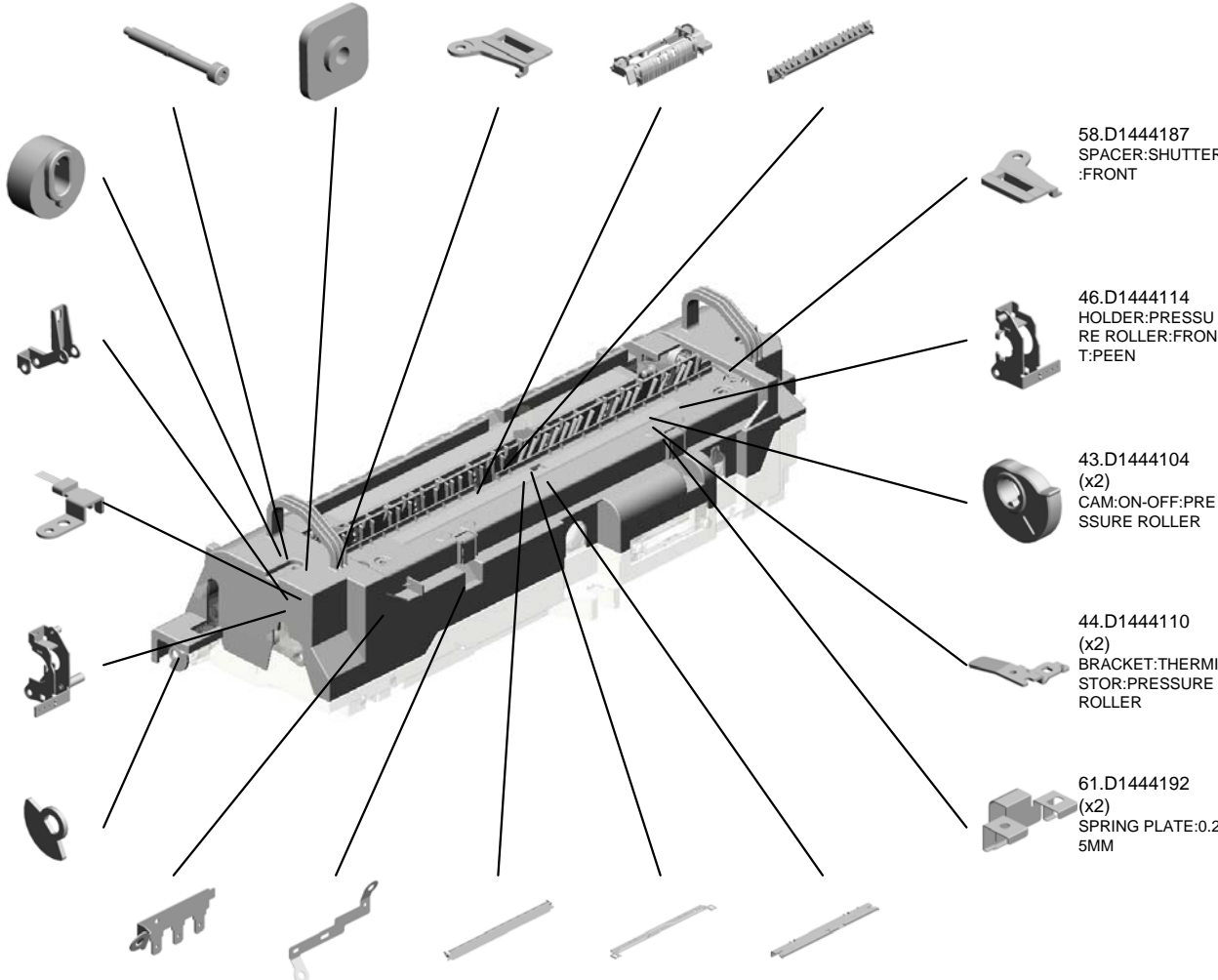
56.D1444175
(x2)
GUIDE:COIL SPRIN
G:PRESSURE SUB
-UNIT

45.D1444113
(x2)
LEVER:PRESSURE
ROLLER

55.D1444173
DISCHARGE BRUS
H:PRESSURE ROL
LER

52.D1444159
HOLDER:PRESSU
RE ROLLER:REAR:
PEEN

51.D1444142
ENCODER:ON-OFF
:PRESSURE ROLL
ER



58.D1444187
SPACER:SHUTTER
:FRONT

46.D1444114
HOLDER:PRESSU
RE ROLLER:FRON
T:PEEN

43.D1444104
(x2)
CAM:ON-OFF:PRE
SSURE ROLLER

44.D1444110
(x2)
BRACKET:THERMI
STOR:PRESSURE
ROLLER

61.D1444192
(x2)
SPRING PLATE:0.2
5MM

49.D1444137
ELECTRODE PLAT
E:HEATER:REAR

50.D1444138
ELECTRODE PLAT
E:CONNECTING:T
HERMOSTAT

48.D1444136
STRIPPER PLATE:
FUSING EXIT

60.D1444191
PLATE:SHUTTER

47.D1444134
GUIDE PLATE:FUSI
NG EXIT:LEFT

WWW.SERVICE-MANUAL.NET

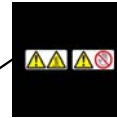
U021_S001
 FUSING UNIT:NA:MAINTENANCE:ASS'Y

66.D1444225 63.D1444211
 SHAFT:ON-OFF:PR SHEET:LEVER
 ESSURE ROLLER



38.D1444021
 FUSING UNIT:NA:M
 AINTENANCE:ASS'
 Y

62.D1444210
 (x2)
 DECAL:C2:BLUE:F
 USING



65.D1444222
 DECAL:H-TEMP W
 ARNING:FUSING:2

67.D1444289
 GUIDE:HARNES:F
 USING

64.D1444219
 (x2)
 PROOFING MATER
 IAL:FUSING COVE
 R:LOWER

WWW.SERVICE-MANUAL.NET

U001	U002	U003	U004	U005	U006	U007	U008	U009	U010	U011	U012	U013	U014	U015	U016	U017	U018	U019	U020	U021
------	------	------	------	------	------	------	------	------	------	------	------	------	------	------	------	------	------	------	------	------

U022 Fusing-2

- 15.AW100138 (x2) THERMOPILE
- 4.04543006Q (x10) TAPPING SCREW - M3X6
- 6.06320120G (x2) PARALLEL PIN - 2X 12
- 3.04503008N TAPPING SCREW - M3X8
- 14.AW020190 (x2) PHOTOINTERRUPTOR



11.11050511 (x2) HARNESS CLAMP - LWS-0306ZC



10.08046123 (x2) HEXAGONAL BOLT :W/WASHER:M3X8



13.AA082101 (x2) BUSHING - 6X10X6



7.07200030E (x2) RETAINING RING - M3



8.07200040E (x6) RETAINING RING - M4



9.07200060E (x3) RETAINING RING - M6



19.D0294202 BRACKET:STEPPE R MOTOR:AUXILIARY:PEEN



5.04543008Q (x3) TAPPING SCREW: 3X8



1.03603006N (x2) SCREW - M3X6



2.03604010N (x5) SCREW:M4X10



12.11050516 (x3) CLAMP



16.BA146036 SHAFT:GEAR:SWI VEL



18.BB013017 GEAR:SLOW DOWN:NO.2



20.D0294204 HOLDER:GEAR



17.BB013016 (x2) GEAR:SLOW DOWN:NO.1



WWW.SERVICE-MANUAL.NET

U001	U002	U003	U004	U005	U006	U007	U008	U009	U010	U011	U012	U013	U014	U015	U016	U017	U018	U019	U020	U021
------	------	------	------	------	------	------	------	------	------	------	------	------	------	------	------	------	------	------	------	------

U022 Fusing-2



- 35.D1444185 GEAR:MECHANICAL ROLLER CLUTCH :Z17
- 31.D1441192 GEAR:PULLEY:FUSING:SHUTTER:NO.2
- 28.D1441187 BRACKET:FUSING:SHUTTER:MAIN ASSY:ASSY
- 38.D1444199 SHAFT:CAM:SHUTTER:FUSING EXIT
- 36.D1444193 BRACKET:CAM:SHUTTER:FUSING EXIT

29.D1441190 TENSION SPRING: 1.5N:23MM

34.D1441197 ROLLER:TIGHTENER:FUSING:SHUTTER

33.D1441194 BRACKET:TIGHTENER:FUSING:SHUTTER:ASSY

32.D1441193 PULLEY:FUSING:SHUTTER:NO.3

27.D1441179 SYNCHRONOUS BELT:S2M:5X316

30.D1441191 GEAR:PULLEY:FUSING:SHUTTER:NO.1

26.D1054365 HOLDER:THERMOPILE

37.D1444194 (x2) CAM:SHUTTER:FUSING EXIT

39.D1444201 BRACKET:GEAR:SLOW DOWN

25.D0894360 GEAR:SLOW DOWN:WORM GEAR

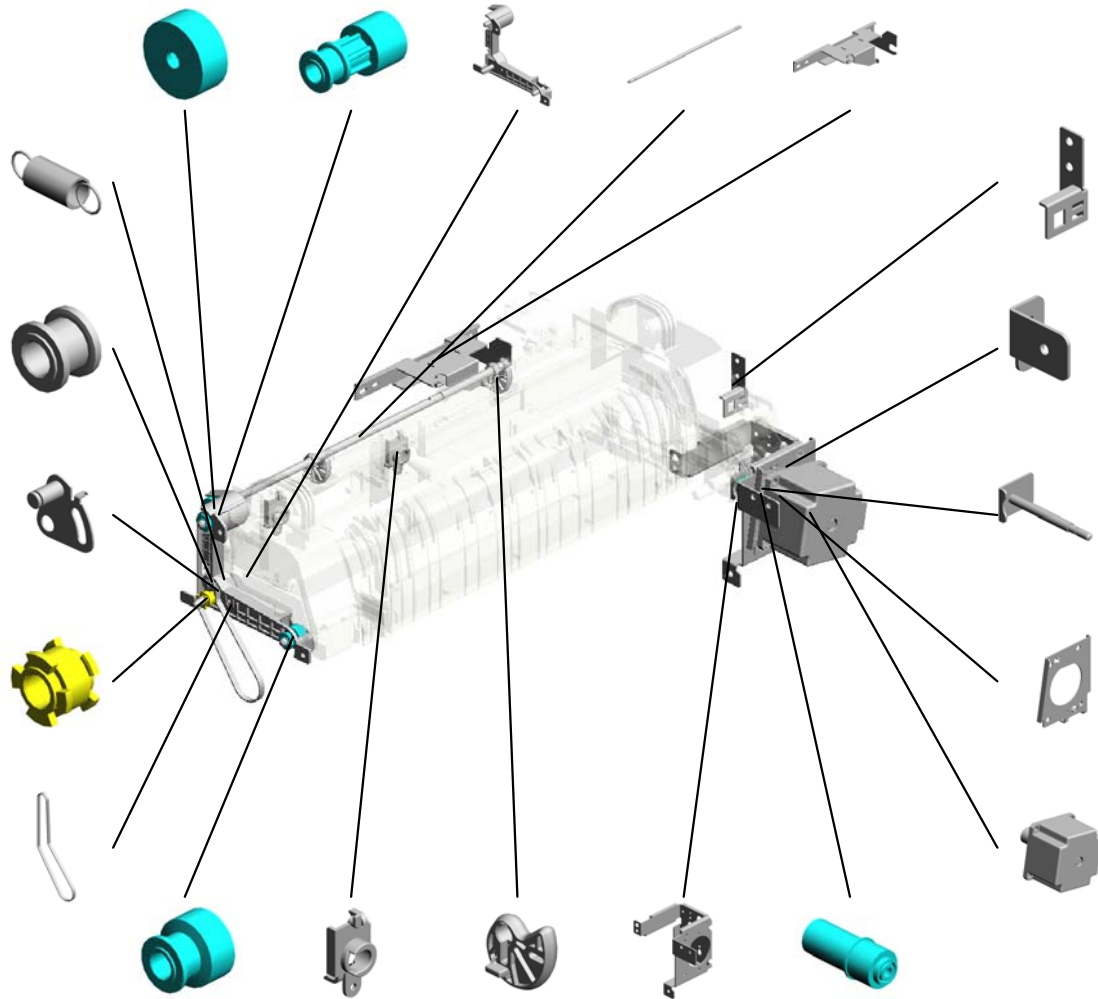
22.D0294339 BRACKET:SENSOR:ON-OFF

21.D0294222 BRACKET:GEAR:SUPPORTING PLATE

24.D0894353 STOPPER

23.D0894351 PLATE:DC STEPPER MOTOR

40.D1444202 STEPPER MOTOR:ASSY



WWW.SERVICE-MANUAL.NET

U001	U002	U003	U004	U005	U006	U007	U008	U009	U010	U011	U012	U013	U014	U015	U016	U017	U018	U019	U020	U021
------	------	------	------	------	------	------	------	------	------	------	------	------	------	------	------	------	------	------	------	------

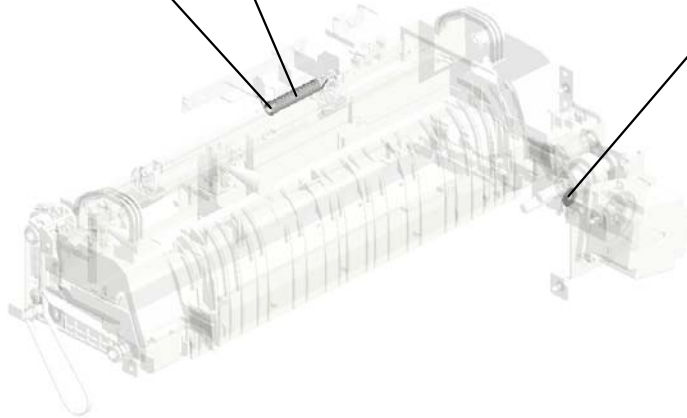
U022 Fusing-2

42.GA082007
PLAIN SHAFT BEA
RING:4XDIA6DIA8

41.D1444204
TORSION SPRING:
CAM:SHUTTER:FU
SING EXIT

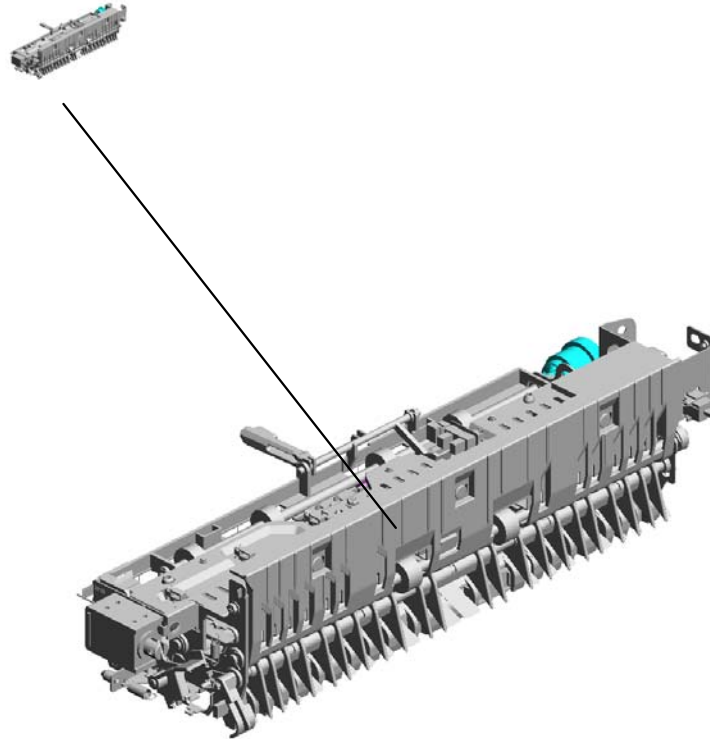


43.GA132007
(x2)
SPACER:GEAR:PH
OTOCONDUCTOR:
NO.1



U023.Paper Exit

U023_S001
D1444405
PAPER EXIT UNIT:MACHINE
OR COPIER:ASSY

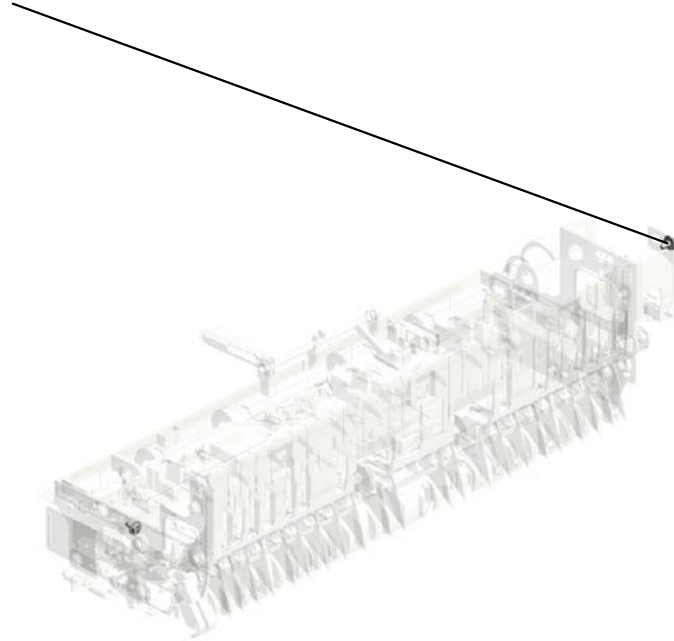
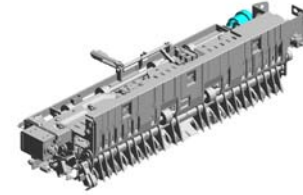


WWW.SERVICE-MANUAL.NET

U001	U002	U003	U004	U005	U006	U007	U008	U009	U010	U011	U012	U013	U014	U015	U016	U017	U018	U019	U020	U021
------	------	------	------	------	------	------	------	------	------	------	------	------	------	------	------	------	------	------	------	------

U023
Paper Exit

2.04543006Q
(x2)
TAPPING SCREW -
M3X6



U023_S001
 PAPER EXIT UNIT:MACHINE OR COPIER:ASS'Y

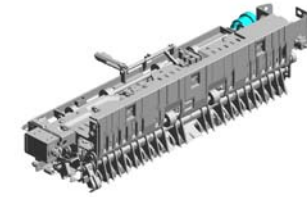
5.08050092
 RETAINING RING -
 3M

15.B1202063
 BUSHING - 4MM

7.11050516
 CLAMP

11.AW010107
 (x2)
 PAPER FEED SEN
 SOR

20.D0094443
 DISCHARGE BRUS
 H - EXIT



36.D1444405
 PAPER EXIT UNIT:
 MACHINE OR COPI
 ER:ASSY

6.11050511
 (x11)
 HARNESS CLAMP -
 LWS-0306ZC

1.04513006N
 (x13)
 TAPPING SCREW -
 3X6

3.04563010N
 (x8)
 TAPPING SCREW -
 M3X10

21.D0294427
 BRACKET:POSITIO
 NING:GUIDE PLAT
 E:MIDDLE

9.AA080156
 PLAIN SHAFT BEA
 RING - M4

16.B2234493
 SHAFT:PRESSURE
 :AUXILIARY

18.B2384458
 COMPRESSION SP
 RING-DRIVEN ROL
 LER

12.AW010147
 PHOTO REFLECTI
 ON SENSOR

10.AA082156
 (x7)
 BUSHING:DIA6XDI
 A10X6

8.11050692
 CLAMP:LES-0503

19.D0094407
 FEELER - OVERFL
 OW

17.B2234497
 SHAFT:FEELER:OV
 ERFLOW

13.AW020145
 PHOTOINTERRUP
 TOR:FLAT

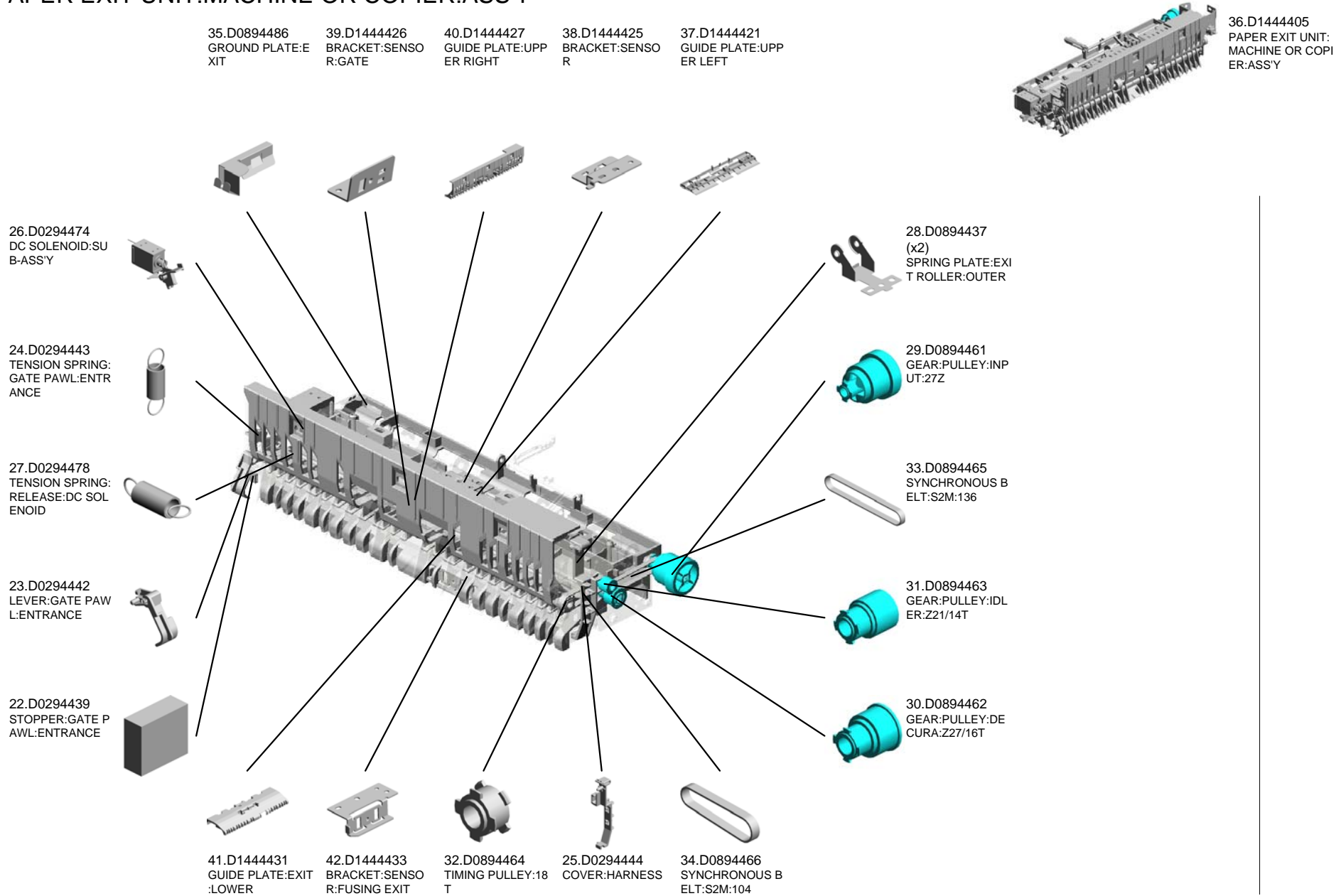
14.AW500023
 PUSH SWITCH

4.08050089
 (x5)
 RETAINING RING -
 M4

WWW.SERVICE-MANUAL.NET

U001	U002	U003	U004	U005	U006	U007	U008	U009	U010	U011	U012	U013	U014	U015	U016	U017	U018	U019	U020	U021
------	------	------	------	------	------	------	------	------	------	------	------	------	------	------	------	------	------	------	------	------

U023_S001
 PAPER EXIT UNIT:MACHINE OR COPIER:ASS'Y

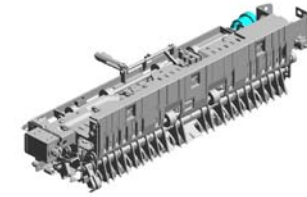


WWW.SERVICE-MANUAL.NET

U001	U002	U003	U004	U005	U006	U007	U008	U009	U010	U011	U012	U013	U014	U015	U016	U017	U018	U019	U020	U021
------	------	------	------	------	------	------	------	------	------	------	------	------	------	------	------	------	------	------	------	------

U023_S001
 PAPER EXIT UNIT:MACHINE OR COPIER:ASS'Y

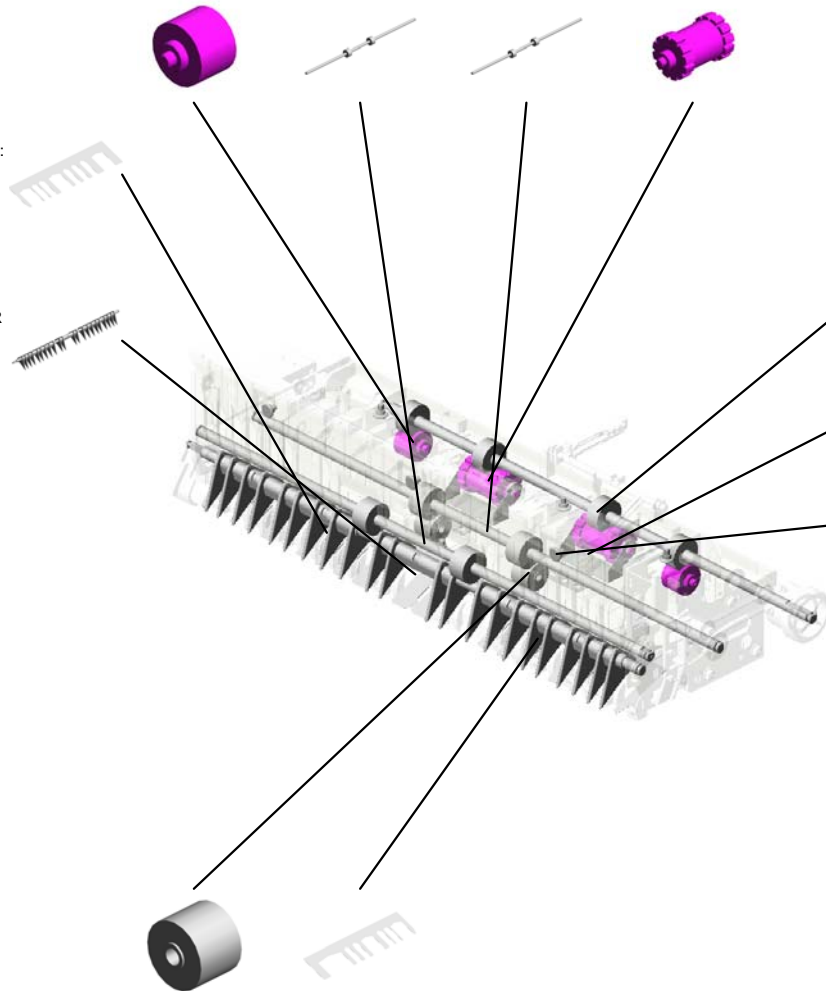
52.D1444495 (x2) EXIT ROLLER:DRIVEN:OUTER
 47.D1444455 TRANSPORT ROLLER:GATE
 49.D1444457 TRANSPORT ROLLER:TRANSPORT
 51.D1444494 (x2) EXIT ROLLER:DRIVEN:INNER



36.D1444405
 PAPER EXIT UNIT:
 MACHINE OR COPIER:
 ASS'Y

46.D1444447
 SHEET:EXIT:PTFE:
 FRONT

44.D1444445
 GATE PAWL:ENTRANCE:
 ASS'Y



48.D1444456
 EXIT ROLLER

43.D1444436 (x2)
 SPRING PLATE:EXIT ROLLER:INNER

50.D1444484 (x7)
 SHOULDER SCREW - M3

53.D1444497 (x2)
 ROLLER:DRIVEN:TRANSPORT

45.D1444446
 SHEET:EXIT:PTFE:REAR

WWW.SERVICE-MANUAL.NET

U001	U002	U003	U004	U005	U006	U007	U008	U009	U010	U011	U012	U013	U014	U015	U016	U017	U018	U019	U020	U021
------	------	------	------	------	------	------	------	------	------	------	------	------	------	------	------	------	------	------	------	------

U024 Duplex



1.03530080N
(x4)
SCREW:M3X8

20.54472681
SNAP RING

5.04543006Q
(x6)
TAPPING SCREW -
M3X6

11.07200040E
RETAINING RING -
M4

13.08010231
HEXAGONAL HEA
D BOLT W/WASHE
R:M3X6

16.08050092
RETAINING RING -
3M

3.04513006N
(x26)
TAPPING SCREW -
3X6

7.04563008N
(x36)
TAPPING SCREW -
M3X8

10.07200030E
(x10)
RETAINING RING -
M3

2.03603006N
(x2)
SCREW - M3X6

12.07200060E
RETAINING RING -
M6

8.04563010N
(x2)
TAPPING SCREW -
M3X10

9.04573008N
(x2)
TAPPING SCREW -
M3X8

4.04513008N
(x2)
TAPPING SCREW -
M3X8

19.11050723
CLAMPS:WES-050
7

15.08050089
(x14)
RETAINING RING -
M4

14.08050088
RETAINING RING -
M6

6.04543008Q
(x2)
TAPPING SCREW:
3X8

17.11050511
HARNES CLAMP -
LWS-0306ZC

18.11050551
CLAMP:LES-0505

WWW.SERVICE-MANUAL.NET

U001 U002 U003 U004 U005 U006 U007 U008 U009 U010 U011 U012 U013 U014 U015 U016 U017 U018 U019 U020 U021

U024 Duplex



- 38.AA143807 (x2) SCREW:A
- 29.AA082144 (x5) BUSHING - 8X12X7
- 25.AA080254 (x4) BUSHING - M4
- 27.AA082104 (x2) BUSHING - 8X12X7
- 33.AA101021 (x4) RUBBER BUSHING - 6 45HS

26.AA082101 (x6) BUSHING - 6X10X6

24.AA063568 PRESSURE SPRING

32.AA100014 (x2) RETAINING RING C - SEPARATE

28.AA082143 (x2) BUSHING - 6X10X6

37.AA143404 STEPPED SCREW - M4

40.AB011387 GEAR - 23Z

23.AA063499 PRESSURE SPRING

35.AA140936 SHAFT:FEED:MANUAL FEED

34.AA140778 SHAFT:SEPARATOR:DRIVE

36.AA143183 STEPPED SCREW

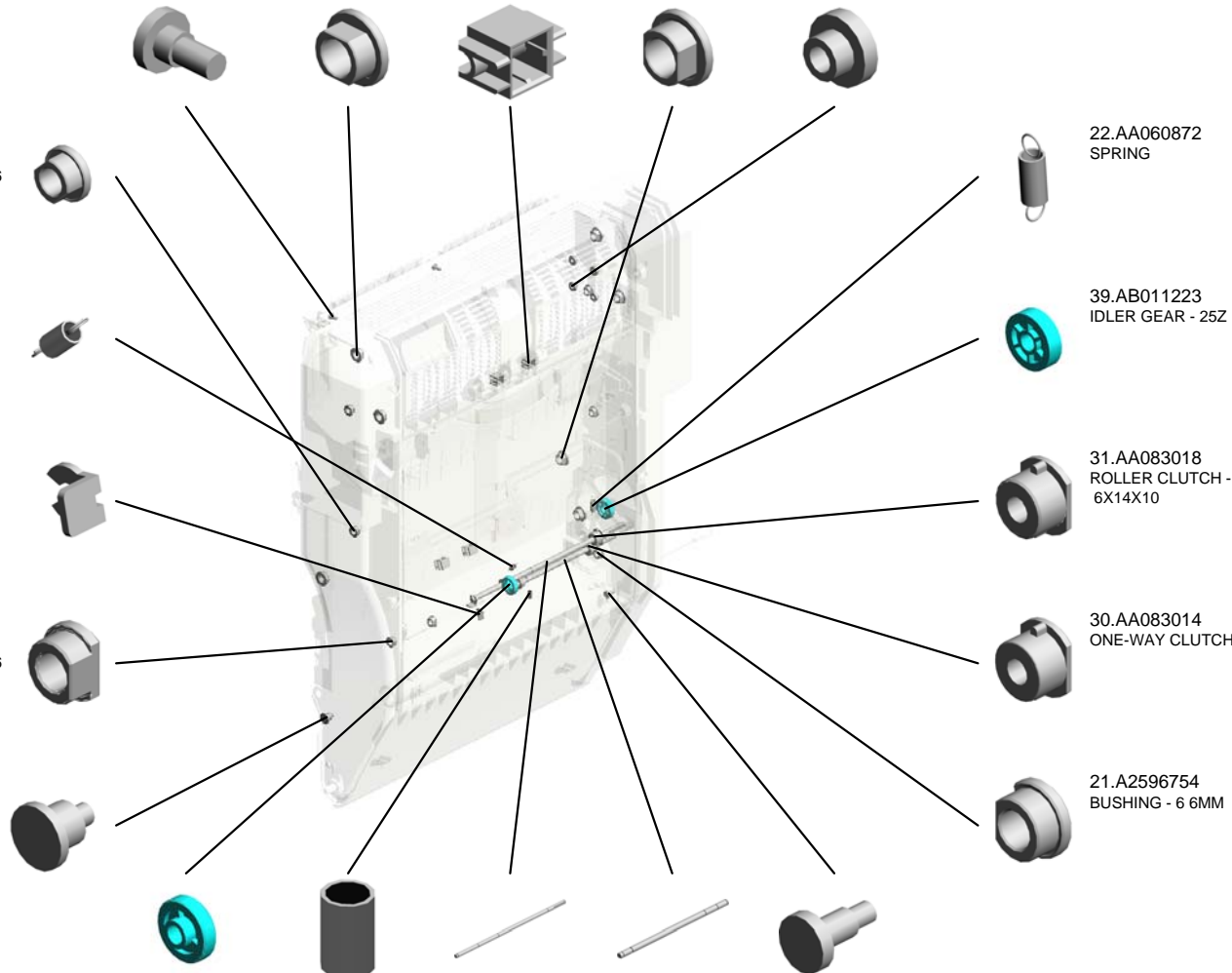
22.AA060872 SPRING

39.AB011223 IDLER GEAR - 25Z

31.AA083018 ROLLER CLUTCH - 6X14X10

30.AA083014 ONE-WAY CLUTCH

21.A2596754 BUSHING - 6 6MM



WWW.SERVICE-MANUAL.NET

U024 Duplex



- 47.AG070514 MAGNET CATCH
- 50.AW020145 (x2) PHOTOINTERRUP TOR:FLAT
- 55.B0441825 (x4) COLLAR
- 42.AB014161 REVERSE ROLLER GEAR
- 56.B0441847 SHOULDER SCREW

48.AW010107 (x2) PAPER FEED SENSOR

54.AZ300060 POWER PACK:ID

49.AW010118 PAPER FEED SENSOR

51.AW500031 PAPER SIZE SENSOR

59.B2232622 GUIDE PLATE:EXIT

52.AW500035 PAPER END SENSOR

45.AF031046 FEED ROLLER - MANUAL FEED

46.AF032046 SEPARATION ROLLER - MANUAL FEED

43.AF013016 BOTTOM PLATE PAD

44.AF030049 PICK-UP ROLLER

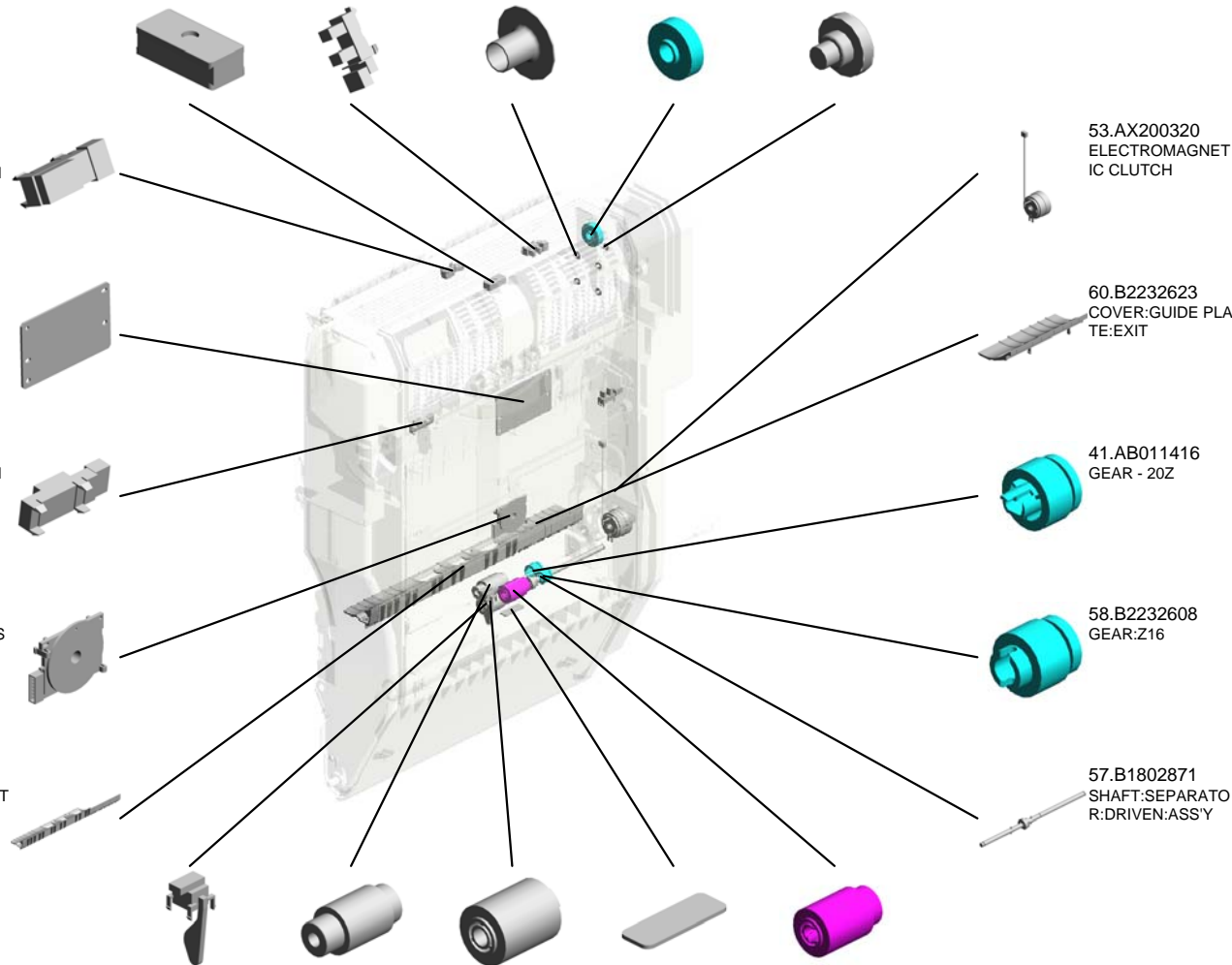
53.AX200320 ELECTROMAGNET IC CLUTCH

60.B2232623 COVER:GUIDE PLATE:EXIT

41.AB011416 GEAR - 20Z

58.B2232608 GEAR:Z16

57.B1802871 SHAFT:SEPARATOR:DRIVEN:ASSY



WWW.SERVICE-MANUAL.NET

U001	U002	U003	U004	U005	U006	U007	U008	U009	U010	U011	U012	U013	U014	U015	U016	U017	U018	U019	U020	U021
------	------	------	------	------	------	------	------	------	------	------	------	------	------	------	------	------	------	------	------	------

U024 Duplex



- 67.B2232648 GUIDE PLATE:TRANSPORT UNIT:EXIT
- 80.B2232713 (x2) RACK:MANUAL FEED
- 61.B2232629 STAY:FEED
- 68.B2232649 (x2) SPRING:PRESSURE:5N
- 72.B2232666 GEAR:16Z

73.B2232668 SPRING PLATE:STOPPER

74.B2232676 (x4) SPRING - 11N

69.B2232651 ARM:MANUAL FEED:FRONT

65.B2232636 TORSION SPRING:27N

64.B2232634 SUPPORT STAY:ARM

71.B2232665 (x2) SPRING:COVER:MANUAL FEED

63.B2232633 SPRING:RELEASE:PICKUP

62.B2232632 DC SOLENOID:PICKUP

66.B2232637 BRACKET:ARM:MANUAL FEED:REAR

78.B2232689 GEAR:Z28

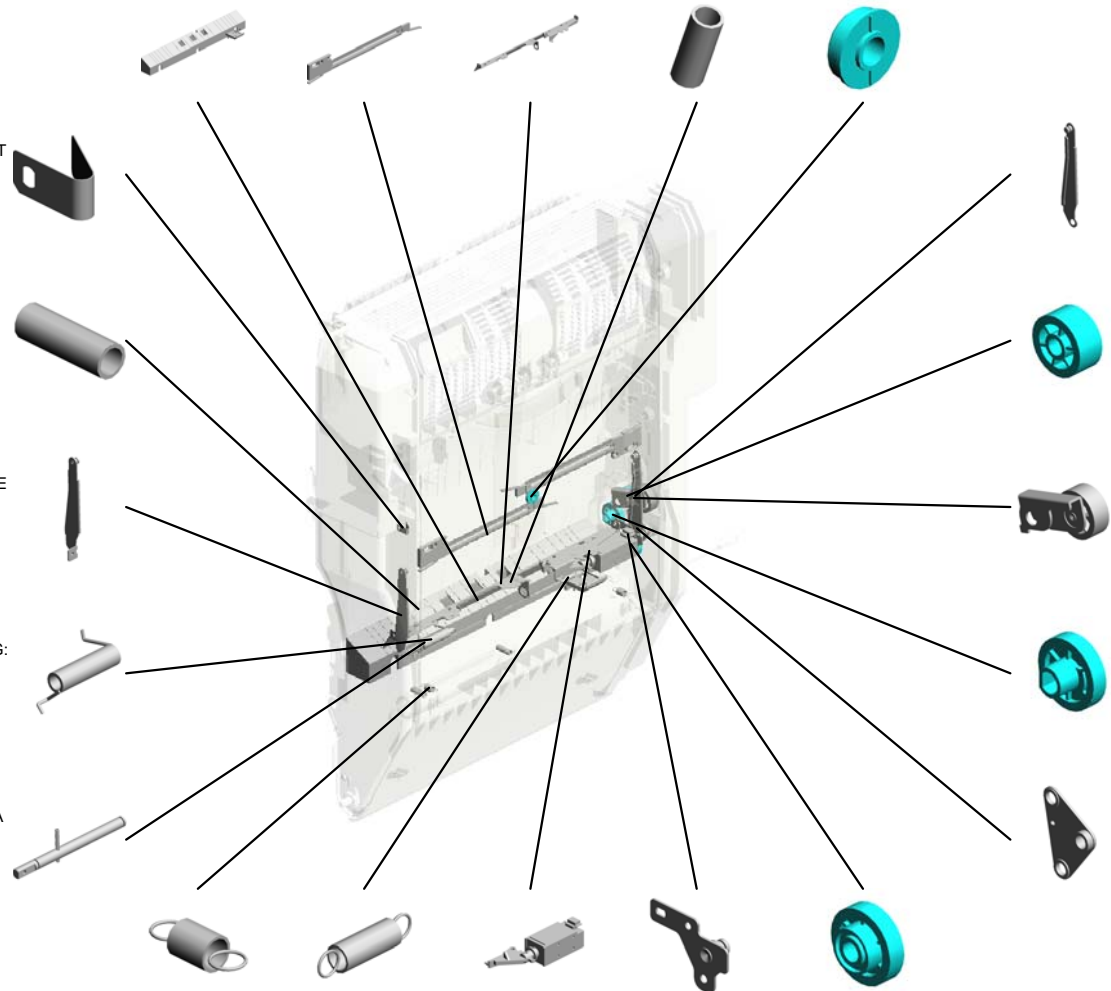
70.B2232652 ARM:MANUAL FEED:REAR

76.B2232683 GEAR:25Z

75.B2232681 ARM:TIGHTENER

77.B2232686 GEAR:Z31

79.B2232696 DRUM STAY:DRIVE



WWW.SERVICE-MANUAL.NET

U001	U002	U003	U004	U005	U006	U007	U008	U009	U010	U011	U012	U013	U014	U015	U016	U017	U018	U019	U020	U021
------	------	------	------	------	------	------	------	------	------	------	------	------	------	------	------	------	------	------	------	------

U024 Duplex



- 81.B2234494 (x2) STOPPER- UPPER GATE PAWL
- 93.B2234532 TENSION SPRING: HOOK:STOPPER
- 82.B2234501 GUIDE PLATE:RIG HT
- 86.B2234514 ROLLER CLUTCH: T24
- 90.B2234526 TIMING BELT:30S2 M268

92.B2234529 ROLLER CLUTCH: T24

85.B2234512 TIMING BELT:30S2 M182

100.B2234544 PULLEY:T35/T33

95.B2234536 TIMING BELT:30S2 M234

91.B2234527 PULLEY:T26/T24

99.B2234542 TORSION SPRING: FRONT

94.B2234535 ROLLER CLUTCH: T26

84.B2234511 TIMING BELT:30S2 M312

89.B2234525 TENSION SPRING: WIRE:180N

87.B2234522 SPACER:WIRE:ST OPPER

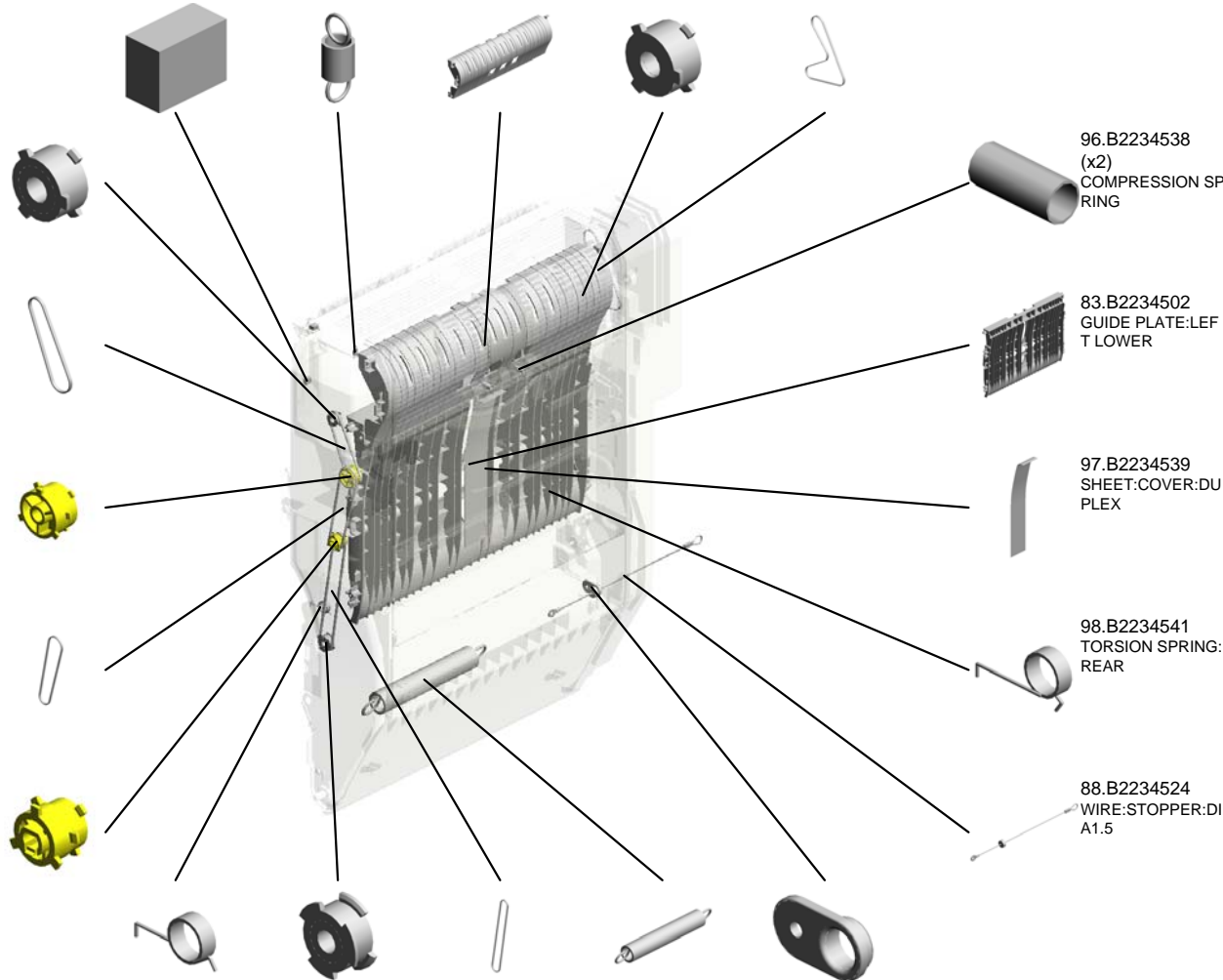
96.B2234538 (x2) COMPRESSION SP RING

83.B2234502 GUIDE PLATE:LEF T LOWER

97.B2234539 SHEET:COVER:DU PLEX

98.B2234541 TORSION SPRING: REAR

88.B2234524 WIRE:STOPPER:DI A1.5



WWW.SERVICE-MANUAL.NET

U001	U002	U003	U004	U005	U006	U007	U008	U009	U010	U011	U012	U013	U014	U015	U016	U017	U018	U019	U020	U021
------	------	------	------	------	------	------	------	------	------	------	------	------	------	------	------	------	------	------	------	------

U024 Duplex



- 110.B2234571 GEAR:PULLEY:Z24 /T40
- 111.B2234572 STEPPER MOTOR: DC4.29V 1.7W
- 112.B2234573 TIMING BELT:30S2 M128
- 113.B2234575 BRACKET:STEPPE R MOTOR
- 114.B2234586 (x2) PULLEY:T30

105.B2234560 (x2) TENSION SPRING: DRIVEN ROLLER

102.B2234552 (x4) BUSHING:DIA4

108.B2234566 BRACKET:SENSO R:ENTRANCE

109.B2234567 STAY:TRANSPOR T:UPPER:PEEN

118.B2384739 COVER - ENTRAN CE SENSOR

101.B2234545 GUIDE PIN:HO LDE R

117.B2384733 ENTRANCE SENS OR BRACKET

119.D0092510 GUIDE PLATE - EXI T

120.D0092552 GUIDE SHEET - MA NUAL FEED

104.B2234556 (x2) COMPRESSION SP RING

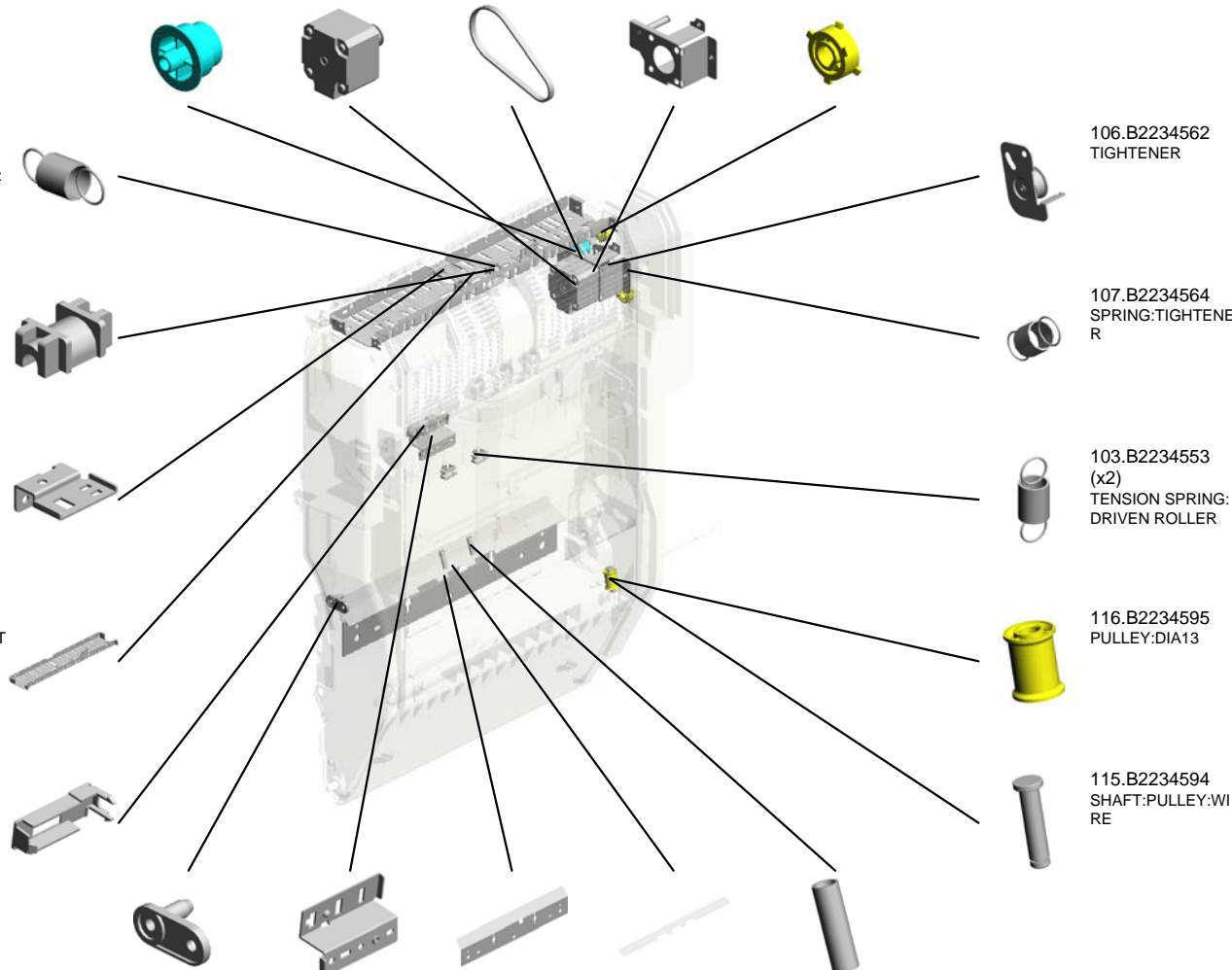
106.B2234562 TIGHTENER

107.B2234564 SPRING:TIGHTENE R

103.B2234553 (x2) TENSION SPRING: DRIVEN ROLLER

116.B2234595 PULLEY:DIA13

115.B2234594 SHAFT:PULLEY:WI RE



WWW.SERVICE-MANUAL.NET

U001	U002	U003	U004	U005	U006	U007	U008	U009	U010	U011	U012	U013	U014	U015	U016	U017	U018	U019	U020	U021
------	------	------	------	------	------	------	------	------	------	------	------	------	------	------	------	------	------	------	------	------

U024 Duplex



- 135.D0094522 TENSION SPRING: GATE PAWL:DUPL EX:0.08N
- 137.D0094577 DUPLEX GATE
- 131.D0094504 UPPER GUIDE PLATE - GATE
- 130.D0094503 GUIDE PLATE - LEFT UPPER
- 126.D0092573 (x6) PULLEY - VERTICAL TRANSPORT

121.D0092554
GUIDE SHEET - VERTICAL TRANSPORT

122.D0092555
TRANSPORT ROLLER - DUPLEX EXIT

129.D0092576
(x2)
SHAFT - VERTICAL TRANSPORT

125.D0092571
(x2)
HOLDER - VERTICAL TRANSPORT

128.D0092575
(x2)
SHAFT - IDLER

134.D0094513
COMPRESSION SPRING: EARTH: DUPL EX UNIT

132.D0094511
SPACER: DIA8.0: 1.5 MM

133.D0094512
LINK: STOPPER

140.D0094589
GUIDE - SET SHAFT

124.D0092563
GUIDE PLATE - VERTICAL TRANSPORT

136.D0094535
HARNES GUIDE

138.D0094587
TENSION SPRING - RELEASE BRACKET

127.D0092574
(x6)
PULLEY - IDLER

123.D0092560
DRIVEN ROLLER

139.D0094588
STOPPER BRACKET - SPRING

WWW.SERVICE-MANUAL.NET

U001	U002	U003	U004	U005	U006	U007	U008	U009	U010	U011	U012	U013	U014	U015	U016	U017	U018	U019	U020	U021
------	------	------	------	------	------	------	------	------	------	------	------	------	------	------	------	------	------	------	------	------

U024 Duplex



- 155.D0294482 GATE PAWL:UPPER ASS'Y
- 159.D0294497 (x2) COMPRESSION SPRING:DRIVEN ROLLER:GATE
- 145.D0094661 (x2) REVERSE ROLLER - FEED
- 158.D0294488 (x2) TENSION SPRING: GUIDE PLATE:RIGHT
- 160.D0294521 BRACKET:HARNES S

156.D0294485
LEVER:GATE PAWL:UPPER

157.D0294486
TENSION SPRING:GATE PAWL:1.5N

146.D0094662
TRANSPORT ROLLER 1

148.D0094664
(x4)
DRIVEN ROLLER

147.D0094663
TRANSPORT ROLLER 2

143.D0094598
SPRING - SET SHAFT

150.D0292612
GROUND PLATE:FRONT:MANUAL FEED

144.D0094599
SHAFT - DUPLEX UNIT

152.D0292677
(x6)
TRANSPORT BELT:DRIVEN:VERTICAL TRANSPORT

153.D0292709
GUIDE PLATE:SEPARATOR:ASS'Y

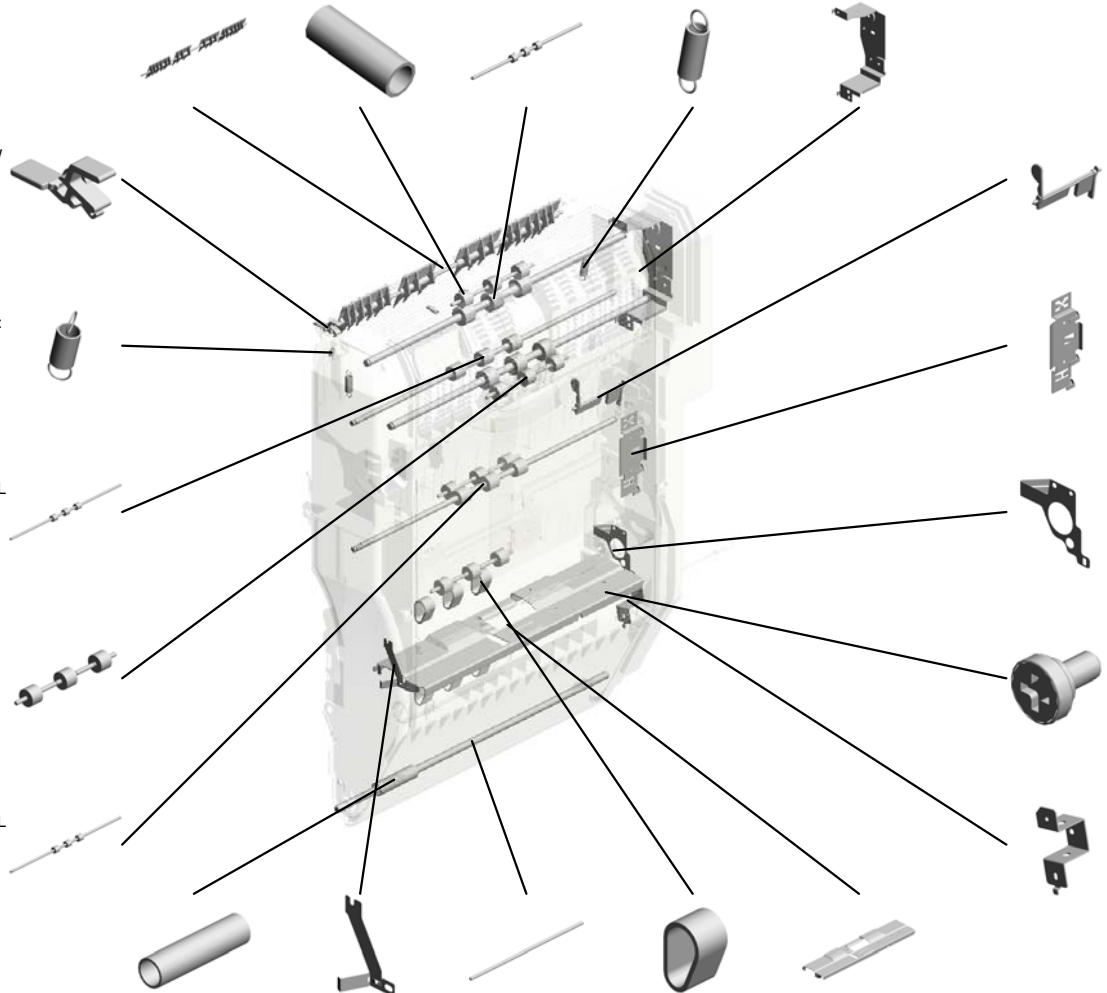
151.D0292664
FEELER:PAPER SIZE SENSOR:MANUAL FEED

154.D0292710
COVER:HARNES:MANUAL FEED TABLE

149.D0292611
GROUND PLATE:REAR:MANUAL FEED

141.D0094593
STEPPED SCREW - M3

142.D0094597
BRACKET - WIRE PULLEY SHAFT



WWW.SERVICE-MANUAL.NET

U001	U002	U003	U004	U005	U006	U007	U008	U009	U010	U011	U012	U013	U014	U015	U016	U017	U018	U019	U020	U021
------	------	------	------	------	------	------	------	------	------	------	------	------	------	------	------	------	------	------	------	------

U024 Duplex



- 173.D0894484 GRIP:GATE PAWL: UPPER
- 172.D0894483 DRIVEN ROLLER: PAPER EXIT UNIT: VERTICAL TRANSPORT
- 163.D0294590 HOOK: STOPPER: DUPLEX UNIT: ASS'Y
- 166.D0296307 (x2) COMPRESSION SPRING: GUIDE PLATE: EXIT: 3.5N
- 164.D0296293 DRUM STAY: REAR

171.D0296335 SHEET: CASE: LOWER

174.D0894663 GUIDE PLATE: TRANSFER UNIT: HOLDER

167.D0296320 BRACKET: LEVER: MIDDLE

168.D0296321 (x2) ANCHOR: SPRING

169.D0296322 SHAFT: LEVER: FRONT

176.D1292657 ARM: MANUAL FEED: SHORT: FRONT

161.D0294554 BRACKET: GUIDE PLATE: TRANSFER UNIT

162.D0294555 SHEET: TRANSPORT SUB-UNIT: FEED PAPER AGAIN

175.D1292621 COVER: MANUAL FEED UNIT

180.D1292664 COVER: MANUAL FEED: ENTRANCE

165.D0296305 (x3) LEVER: RELEASE

170.D0296323 SHAFT: LEVER: REAR

179.D1292662 MANUAL FEED TABLE

178.D1292661 COVER: MANUAL FEED

177.D1292658 ARM: MANUAL FEED: SHORT: REAR

WWW.SERVICE-MANUAL.NET

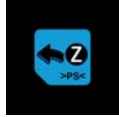
U001	U002	U003	U004	U005	U006	U007	U008	U009	U010	U011	U012	U013	U014	U015	U016	U017	U018	U019	U020	U021
------	------	------	------	------	------	------	------	------	------	------	------	------	------	------	------	------	------	------	------	------

U024 Duplex



- 197.D1444489 (x2) STOPPER:DRIVEN ROLLER
- 193.D1444221 DECAL:WARNING (HIGH TEMPERATURE):GUIDE PLATE:OPEN AND CLOSE
- 194.D1444481 GUIDE PLATE:OPEN AND CLOSE
- 190.D1294531 GUIDE PLATE:COVER:OPEN AND CLOSE
- 195.D1444482 (x7) GUIDE:GUIDE PLATE:OPEN AND CLOSE

196.D1444483
DECAL:KNOB:Z



192.D1294579
GRIP:OPEN AND CLOSE:DUPL
X UNIT



200.D1446204
TRANSFER/SEPARATION UNIT:ASS'Y



199.D1444534
INNER COVER:DU
PLEX



185.D1292726
GRIP:SIDE FENCE:
MANUAL FEED



183.D1292674
SIDE FENCE:FRON
T



187.D1292745
DECAL:PAPER SE
T DIRECTION:MAN
UAL FEED:EXP



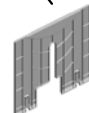
191.D1294540
COVER:DUPL
X



189.D1292783
TORQUE LIMITER
MECHANICAL CL
TCH:40MM:DI
A18



181.D1292667
EXTENSION TRAY:
MANUAL FEED



198.D1444533
INNER COVER:DU
PLEX:REAR



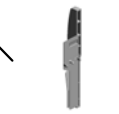
186.D1292743
DECAL:TRAY:MAN
UAL FEED:EXTENS
ION TRAY:EXP



188.D1292748
DECAL:SCALE:MA
NUAL FEED



184.D1292675
DECAL:SIDE FENC
E:MANUAL FEED



182.D1292673
SIDE FENCE:REAR



WWW.SERVICE-MANUAL.NET

U001 U002 U003 U004 U005 U006 U007 U008 U009 U010 U011 U012 U013 U014 U015 U016 U017 U018 U019 U020 U021

U024 Duplex



206.G0604435
(x2)
BUSHING - M4

202.D1446289
TERMINAL:SEPAR
ATION

203.D1446310
(x2)
SPRING:TRANSFE
R



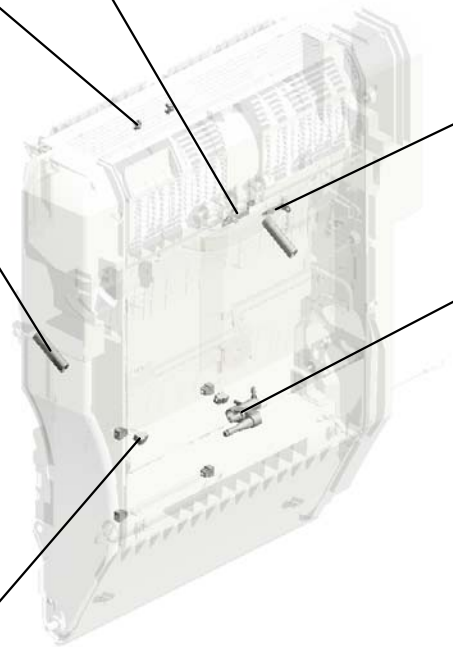
201.D1446285
TERMINAL:TRANS
FER ROLLER



205.G0602932
PICK-UP ARM - MA
NUAL FEED



204.G0602652
(x6)
BUSHING - M4

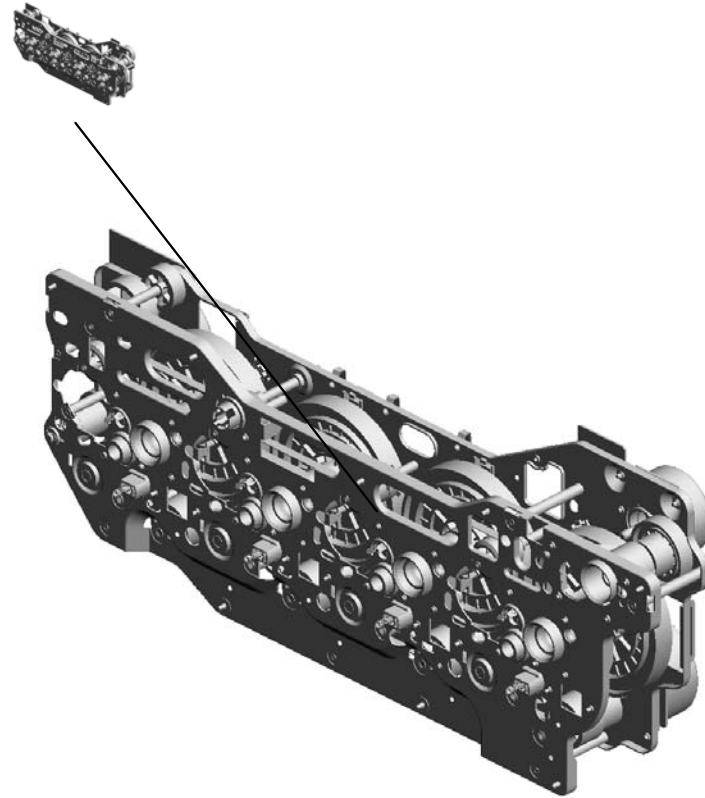


WWW.SERVICE-MANUAL.NET

U001	U002	U003	U004	U005	U006	U007	U008	U009	U010	U011	U012	U013	U014	U015	U016	U017	U018	U019	U020	U021
------	------	------	------	------	------	------	------	------	------	------	------	------	------	------	------	------	------	------	------	------

U025.Drive-1 (PCDU)

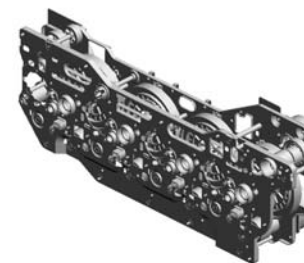
U025_S001
D1441110
DRIVE UNIT:ENGINE:D143/D
144:ASSY



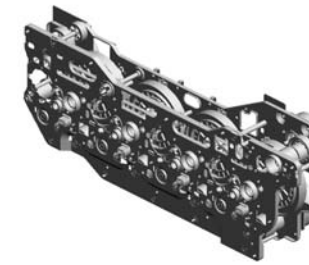
WWW.SERVICE-MANUAL.NET

U001	U002	U003	U004	U005	U006	U007	U008	U009	U010	U011	U012	U013	U014	U015	U016	U017	U018	U019	U020	U021
------	------	------	------	------	------	------	------	------	------	------	------	------	------	------	------	------	------	------	------	------

U025
Drive-1 (PCDU)



U025_S001
DRIVE UNIT:ENGINE:D143/D144:ASS'Y



19.D1441110
DRIVE UNIT:ENGINE:
D143/D144:ASS'Y

10.AX060412 BRUSHLESS MOT (x8)
OR:DC:INTERMEDIATE TRANSFER:10W

2.04543006Q TAPPING SCREW - M3X6

18.D0891145 (x4)
BRACKET:SENSOR COVER

7.AW020145 (x4)
PHOTOINTERRUPTOR:FLAT

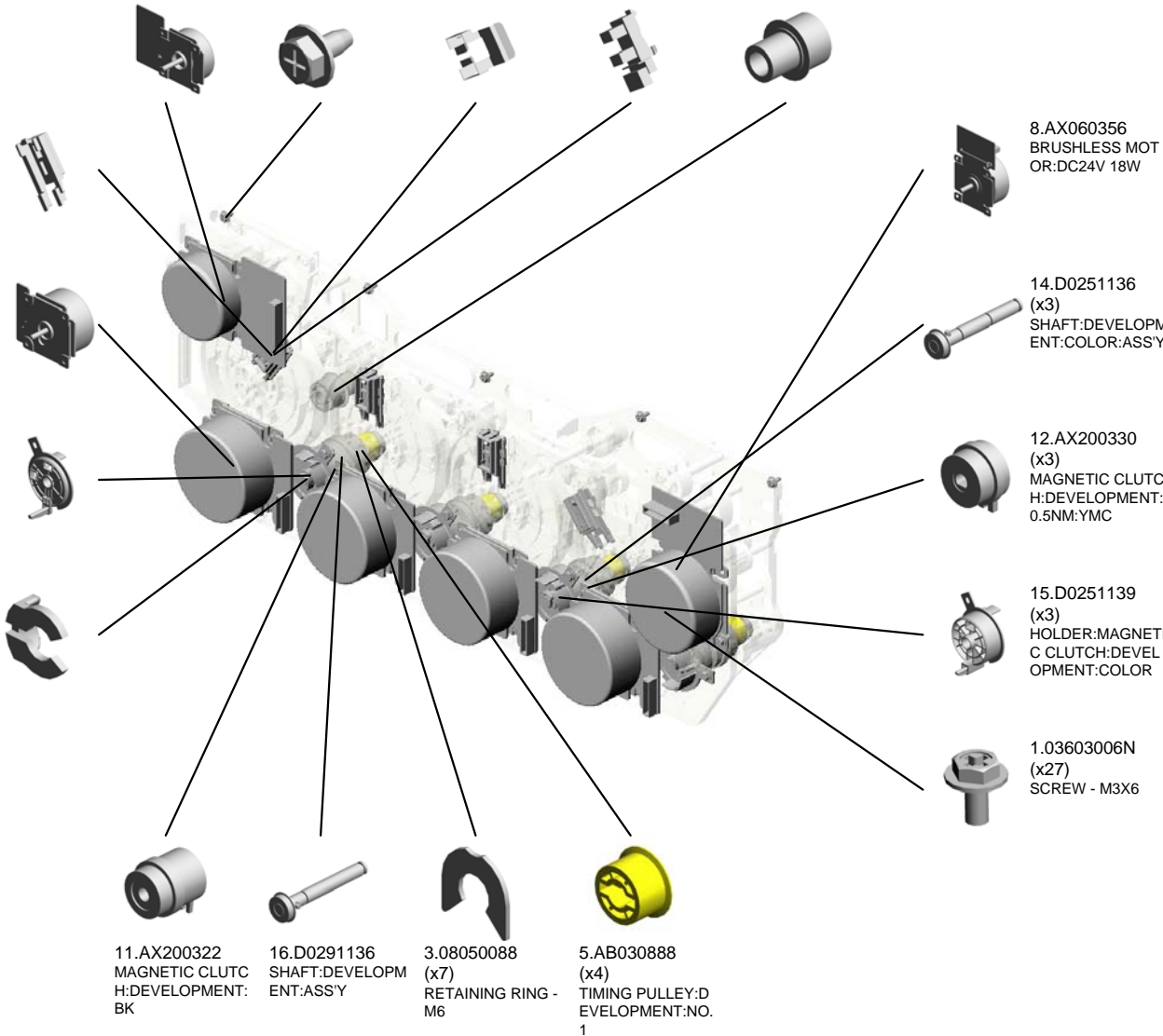
6.AB033000 JOINT:DEVELOPMENT

13.B2231144 (x4)
HOLDER:POSITIONING SENSOR

9.AX060368 (x4)
BRUSHLESS MOTOR:DRIVE:DRUM:28W

17.D0291137 HOLDER:MAGNETIC CLUTCH:DEVELOPMENT

4.AA100015 (x4)
SNAP RING - M6



8.AX060356 BRUSHLESS MOTOR:DC24V 18W

14.D0251136 (x3)
SHAFT:DEVELOPMENT:COLOR:ASS'Y

12.AX200330 (x3)
MAGNETIC CLUTCH:DEVELOPMENT:0.5NM:YMC

15.D0251139 (x3)
HOLDER:MAGNETIC CLUTCH:DEVELOPMENT:COLOR

1.03603006N (x27)
SCREW - M3X6

11.AX200322 MAGNETIC CLUTCH:DEVELOPMENT:BK

16.D0291136 SHAFT:DEVELOPMENT:ASS'Y

3.08050088 (x7)
RETAINING RING - M6

5.AB030888 (x4)
TIMING PULLEY:DEVELOPMENT:NO.1

WWW.SERVICE-MANUAL.NET

U001	U002	U003	U004	U005	U006	U007	U008	U009	U010	U011	U012	U013	U014	U015	U016	U017	U018	U019	U020	U021
------	------	------	------	------	------	------	------	------	------	------	------	------	------	------	------	------	------	------	------	------

U026 Drive-2 (Paper Feed/Registration)

3.04543005Q (x3) TAPPING SCREW:: 3X5
 17.AX060428 DC MOTOR:GEAR: 10W:BRUSHLESS
 1.03530080N (x4) SCREW:M3X8
 11.AA101021 (x4) RUBBER BUSHING - 6 45HS
 19.B0441825 (x4) COLLAR



8.11050723
CLAMPS:WES-050
7



18.AX200289
(x2)
MAGNETIC CLUTCH
H - 32Z



13.AB011259
(x2)
GEAR - 32Z



20.B2231183
(x2)
GRIP SHAFT



5.07200040E
(x4)
RETAINING RING -
M4



12.AB011258
(x2)
GEAR - 38Z



15.AB017699
(x2)
GEAR - 33Z/44Z



7.11050488
HARNES CLAMP



16.AX060425
DC MOTOR:GEAR:
20W:BRUSHLESS



4.04543006Q
(x6)
TAPPING SCREW -
M3X6



14.AB017493
GEAR PULLEY



9.54472681
(x2)
SNAP RING



6.08050089
(x2)
RETAINING RING -
M4



10.AA080346
(x4)
BUSHING:FLANGE
TYPE:DIA6



2.04513006N
(x10)
TAPPING SCREW -
3X6



U026 Drive-2 (Paper Feed/Registration)

32.D1441146
GEAR:REGISTRATI
ON:NO.1

31.D1441142
BRACKET:DRIVE U
NIT:REGISTRATIO
N:ASSY

26.B7002649
TIMING BELT:40S2
M144



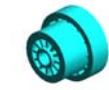
22.B2231187
(x2)
MAGNETIC CLUTC
H BRACKET



23.B2231189
(x2)
FEED DRIVE SHAF
T



21.B2231186
(x4)
DRIVE JOINT



27.D0892745
STEPPER MOTOR:
DUPLEX:DC:1.44W



24.B2232691
BRACKET:STEPPE
R MOTOR



25.B2232694
GUIDE:GEAR

29.D1441135
DRUM STAY:DRIV
E UNIT:PAPER FEE
D:ASSY



28.D1441132
BRACKET:PAPER
FEED:ASSY



30.D1441139
GEAR:PAPER FEE
D:NO.4



WWW.SERVICE-MANUAL.NET

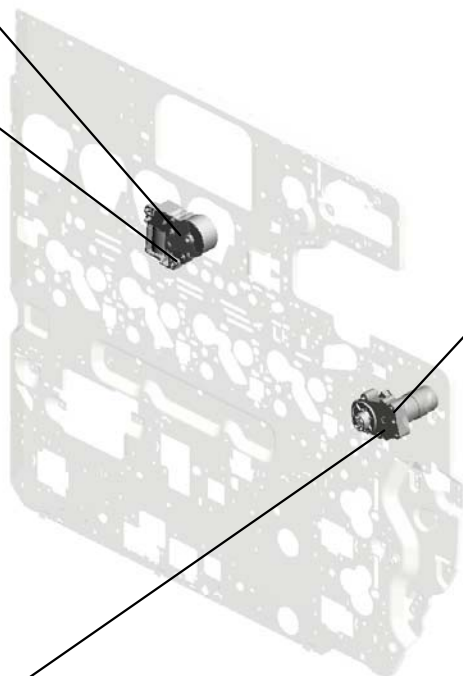
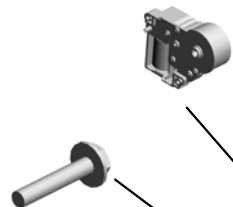
U001	U002	U003	U004	U005	U006	U007	U008	U009	U010	U011	U012	U013	U014	U015	U016	U017	U018	U019	U020	U021
------	------	------	------	------	------	------	------	------	------	------	------	------	------	------	------	------	------	------	------	------

U027 Drive-3 (ITB)

4.D0891199
DRIVE UNIT:ON-OF
F:TRANSFER



1.03603016N
(x2)
SCREW - M3X16



3.D0291199
DRIVE UNIT:ON-OF
F:TRANSFER



2.04543020Q
(x2)
TAPPING SCREW::
3X20



WWW.SERVICE-MANUAL.NET

U001	U002	U003	U004	U005	U006	U007	U008	U009	U010	U011	U012	U013	U014	U015	U016	U017	U018	U019	U020	U021
------	------	------	------	------	------	------	------	------	------	------	------	------	------	------	------	------	------	------	------	------

U028 Drive-4 (Fusing/Used Toner)

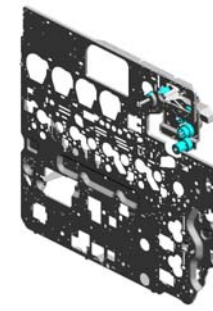
12.AB030551
PULLEY:IDLER:FU
SING

8.AA043583
TIMING BELT - S2
M460

6.08010231
HEXAGONAL HEA
D BOLT W/WASHE
R:M3X6

16.B2231364
GUIDE:HARNESS

1.03603006N
(x7)
SCREW - M3X6



7.08050089
RETAINING RING -
M4



9.AA060722
TENSION SPRING



15.B2231184
PULLEY:TONER S
UPPLY:NO.2:ASS'Y



3.04513006N
(x4)
TAPPING SCREW -
3X6



14.B2231174
DRIVE UNIT:COLL
ECTION BOTTLE



5.07200060E
RETAINING RING -
M6



4.07200040E
RETAINING RING -
M4



11.AB017774
GEAR:FUSING:NO.
3



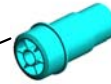
18.D1441172
GEAR:FUSING:NO.
1



19.D1441173
GEAR:FUSING:NO.
2



10.AB017758
GEAR:EXIT:NO.2



17.D0291191
GUIDE:FUSING DR
IVE SUB-UNIT



2.04503012N
(x3)
TAPPING SCREW:
3X12



20.D1441174
GEAR:EXIT:NO.1



13.AX060430
BRUSHLESS MOT
OR:DRIVE:FUSING:
39W

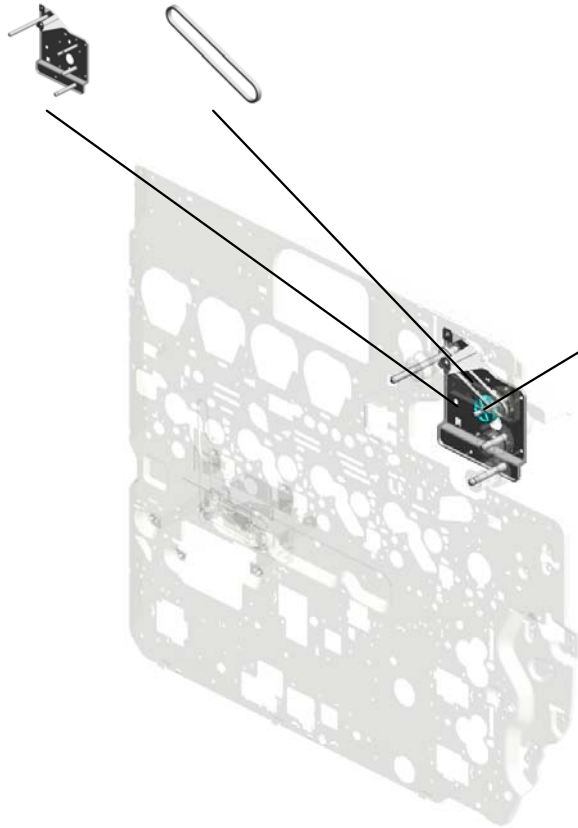


WWW.SERVICE-MANUAL.NET

U001 U002 U003 U004 U005 U006 U007 U008 U009 U010 U011 U012 U013 U014 U015 U016 U017 U018 U019 U020 U021

U028
Drive-4 (Fusing/Used Toner)

22.D1441176 23.D4344265
BRACKET:FUSING/ TIMING BELT:40S3
PAPER EXIT UNIT: M237
ASSY



21.D1441175
GEAR:EXIT:IDLER



U029 Drive-5 (Paper Tray)

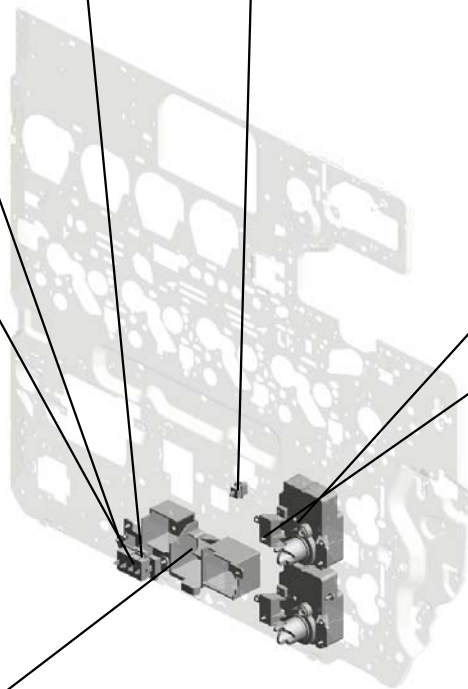
1.04543006Q (x2)
TAPPING SCREW - M3X6

6.B2232721
BRACKET:PUSH SWITCH

3.AW500023
PUSH SWITCH



4.AW500038
PUSH SWITCH:PA
PER SIZE SENSOR



5.AX040154 (x2)
DC MOTOR 24V



2.04543008Q (x6)
TAPPING SCREW:
3X8



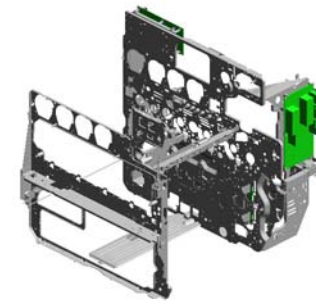
7.B2232722
COVER

WWW.SERVICE-MANUAL.NET

U001	U002	U003	U004	U005	U006	U007	U008	U009	U010	U011	U012	U013	U014	U015	U016	U017	U018	U019	U020	U021
------	------	------	------	------	------	------	------	------	------	------	------	------	------	------	------	------	------	------	------	------

U030 Electrical-1

- 4.04513006N (x25) TAPPING SCREW - 3X6
- 13.11050516 (x2) CLAMP
- 12.11050511 HARNESS CLAMP - LWS-0306ZC
- 3.04503008N (x2) TAPPING SCREW - M3X8
- 10.11029782 CONNECTOR:5140 5-1819



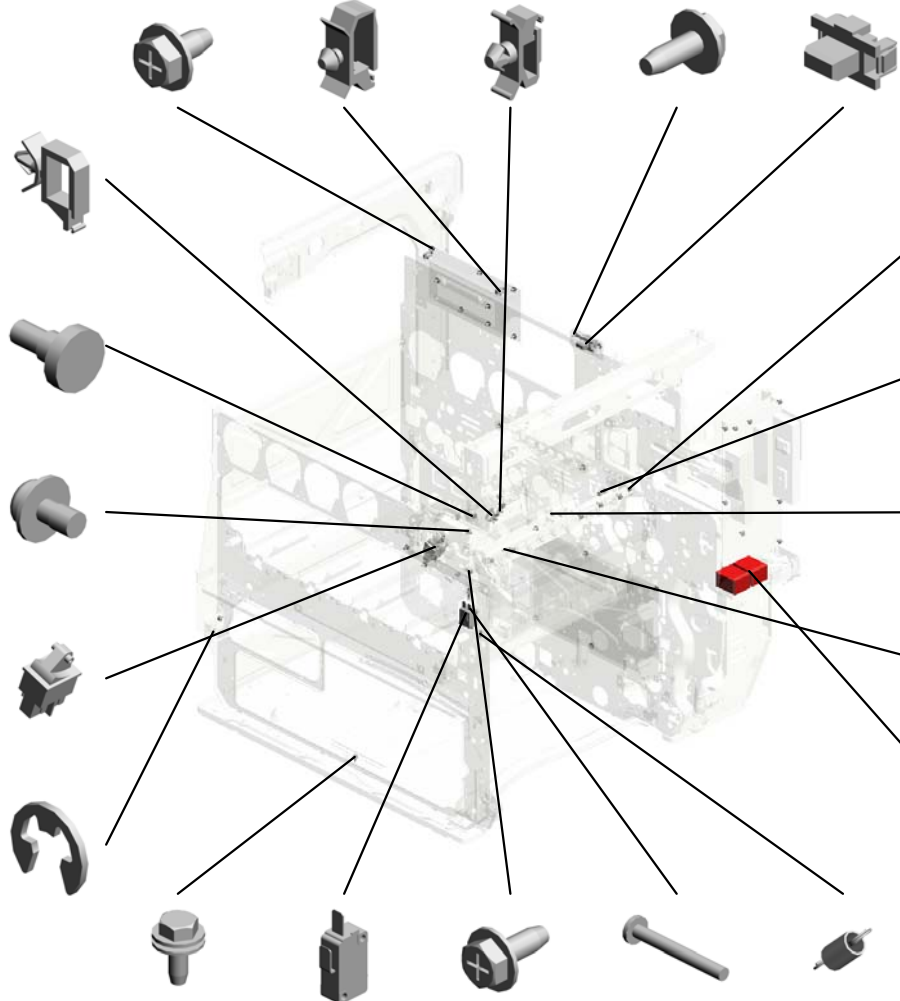
11.11050508
HARNESS CLAMP -
LWS-0711

19.AA143219
(x2)
STEPPED SCREW

9.09544008N
SCREW - M4X8

15.12042877
SWITCH:RS51-AJA
H

7.07200030E
RETAINING RING -
M3



6.04543006Q
(x7)
TAPPING SCREW -
M3X6

14.11050723
CLAMPS:WES-050
7

1.03125040N
(x2)
SCREW - M2.5X4

17.AA060151
TENSION SPRING

20.AX310045
(x2)
TOTAL COUNTER:
7FIG:24V:(Option)

8.08025299
TAPPING SCREW -
M3X8

16.12042912
(x2)
MICRO SWITCH:D3
V-16-3C25(10E)

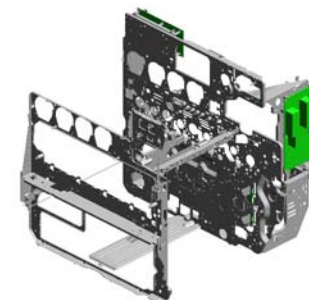
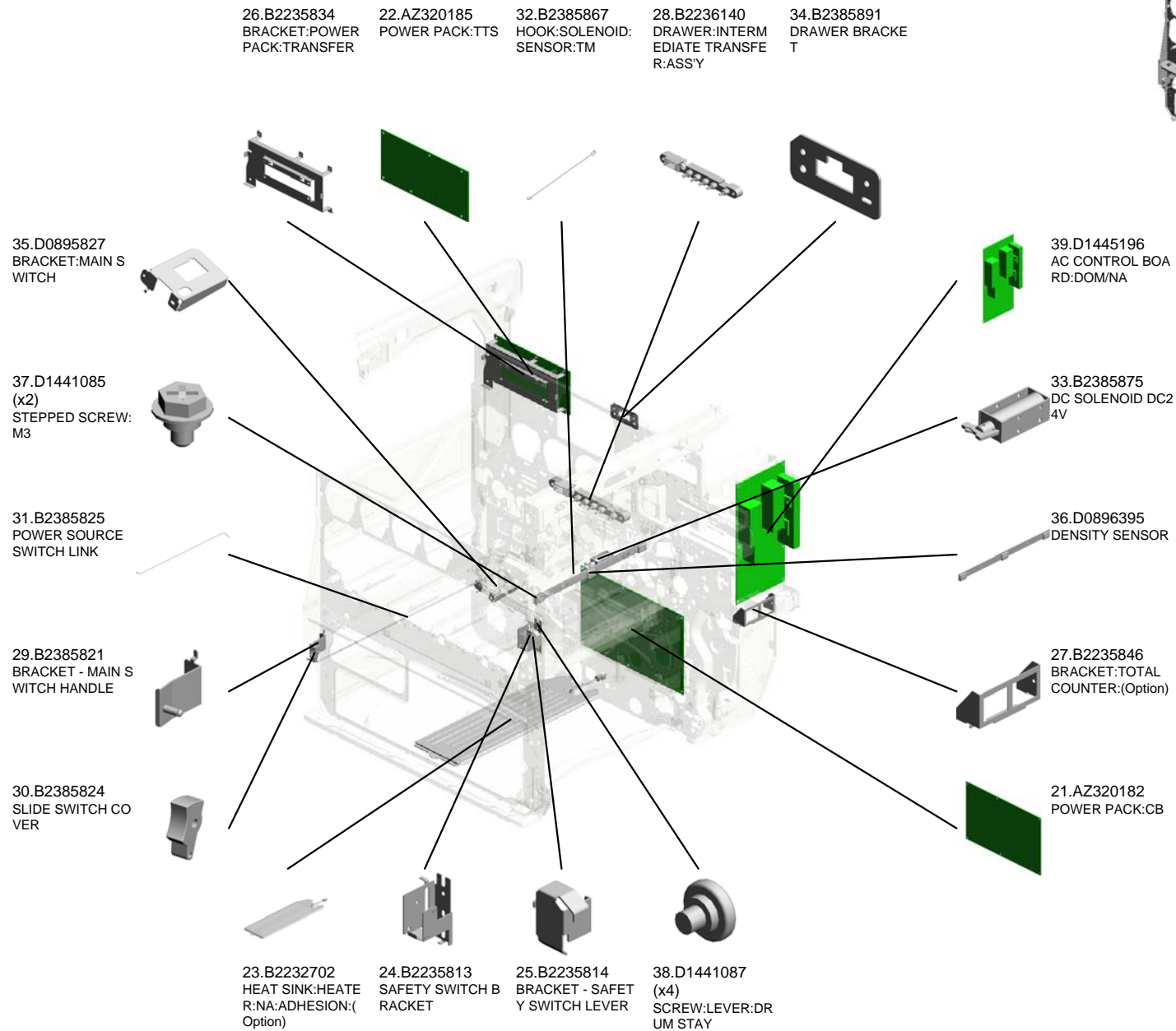
5.04513008N
(x6)
TAPPING SCREW -
M3X8

2.03530250N
(x2)
SCREW:M3X25

18.AA063568
(x2)
PRESSURE SPRIN
G

WWW.SERVICE-MANUAL.NET

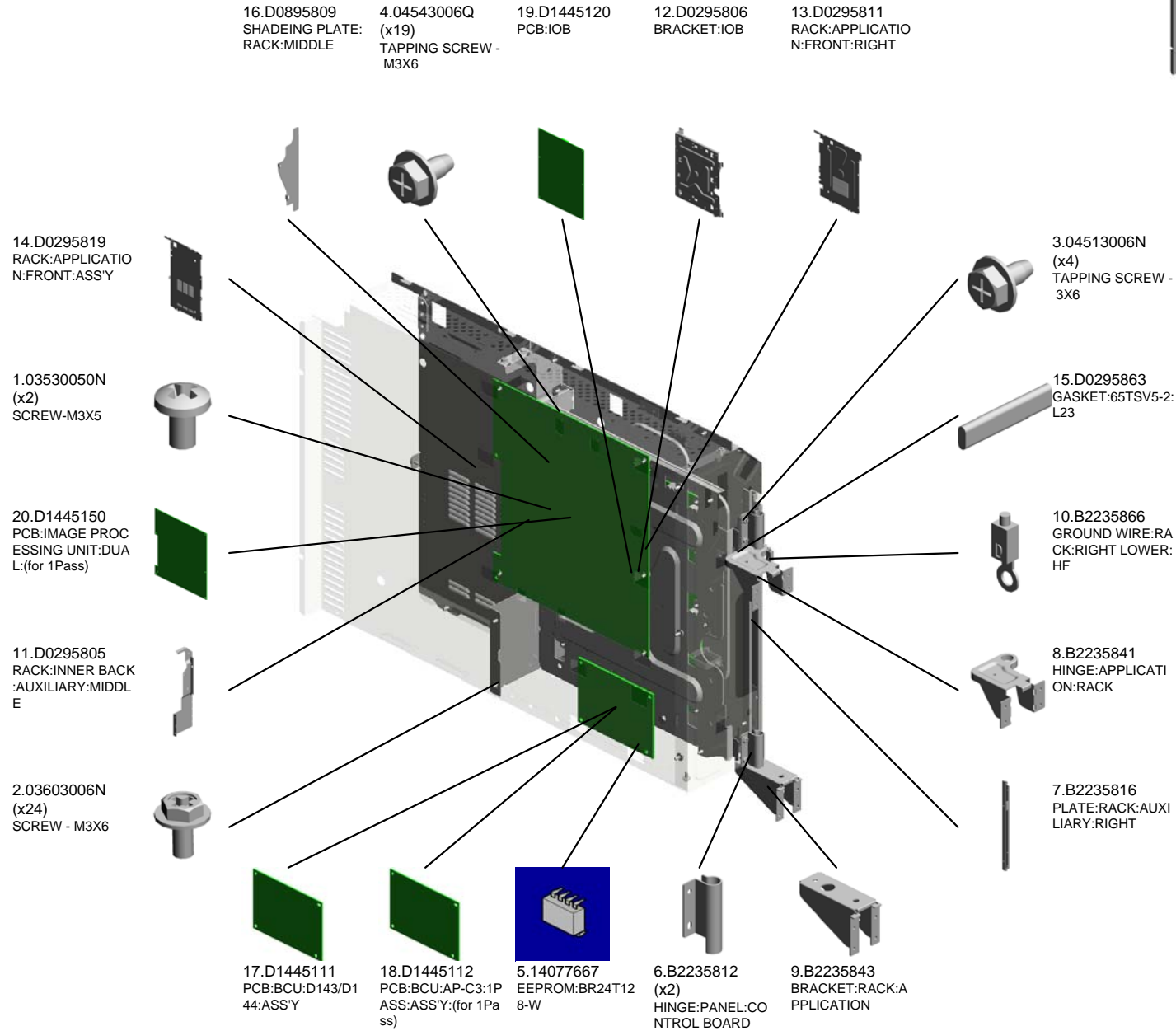
U030 Electrical-1



WWW.SERVICE-MANUAL.NET

U001	U002	U003	U004	U005	U006	U007	U008	U009	U010	U011	U012	U013	U014	U015	U016	U017	U018	U019	U020	U021
------	------	------	------	------	------	------	------	------	------	------	------	------	------	------	------	------	------	------	------	------

U031 Electrical-2

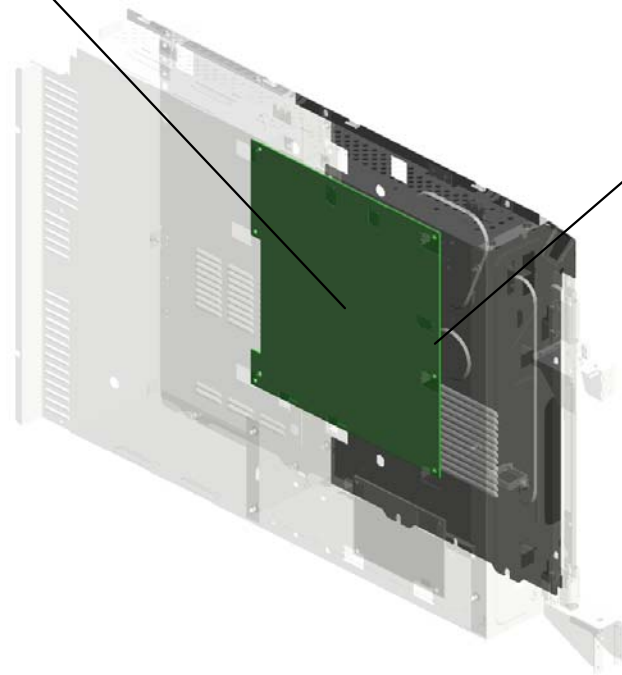


WWW.SERVICE-MANUAL.NET

U001	U002	U003	U004	U005	U006	U007	U008	U009	U010	U011	U012	U013	U014	U015	U016	U017	U018	U019	U020	U021
------	------	------	------	------	------	------	------	------	------	------	------	------	------	------	------	------	------	------	------	------

U031
Electrical-2

21.D1445152
PCB:IPU:EXP



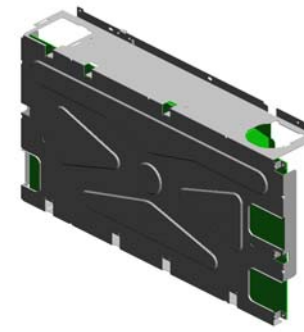
22.D1445811
RACK:APPLICATIO
N:FRONT:RIGHT:(f
or 1Pass)



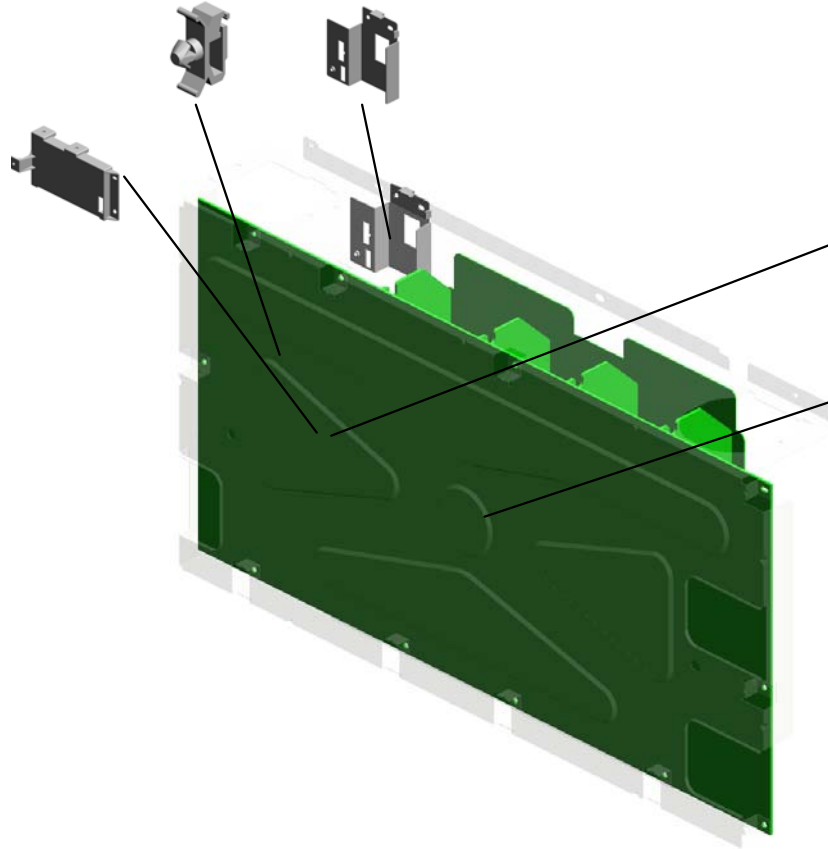
U032
Electrical-3

1.11050511
(x2)
HARNESS CLAMP -
LWS-0306ZC

3.B2235857
BRACKET:SW:DEH
UMIDIFIER:HEATE
R:EXP



4.D1445803
BRACKET:SDB



5.M0265194
PCB:SDB

2.AZ240208
POWER SUPPLY U
NIT:618W:NA:D143/
D144

U033 Controller

10.D0895824 COVER:SD-CARD:
D086/D087

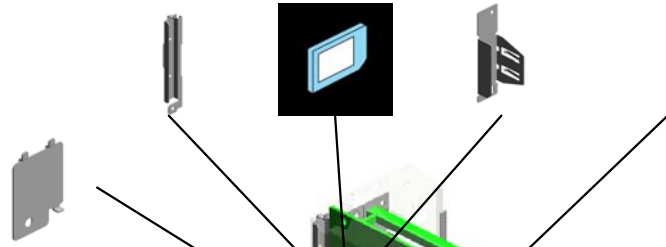
15.D1445795 SD-CARD:PDF/VM_
CALYPSO:EXP:AS
S'Y

11.D0895887 (x2)
PANEL:INTERFAC
E

7.D0295887 GASKET:65TSV5-1:
L150



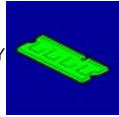
6.D0145974 COVER:CONNECT
OR:EFI



2.04503008N (x2)
TAPPING SCREW -
M3X8



9.D0895761 PCB:PC4200:RAW
CARD-F:2GB:ASS'Y



12.D1435710 PCB:D143:EXP:SE
RVICE:ASS'Y:(for D
143)



1.03603020N (x2)
SCREW:M3X20



5.AX640197 FAN:MM60:DC 0.6
W



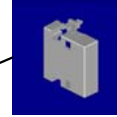
3.AA143848 (x4)
FLANGED HEXAG
ONAL HEAD BOLT:
HDD UNIT:M3X3



4.AA161167 (x4)
BUSHING:HDD



16.D1449590 NV-RAM



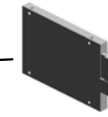
13.D1445710 PCB:D144:EXP:SE
RVICE:ASS'Y:(for D
144)



8.D0295888 GASKET:65TSV5-1:
L100



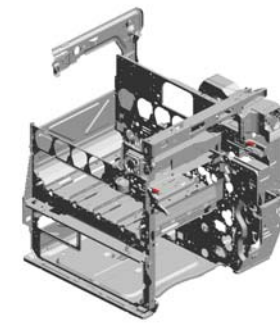
14.D1445765 HDD:WD:320GB



WWW.SERVICE-MANUAL.NET

U001	U002	U003	U004	U005	U006	U007	U008	U009	U010	U011	U012	U013	U014	U015	U016	U017	U018	U019	U020	U021
------	------	------	------	------	------	------	------	------	------	------	------	------	------	------	------	------	------	------	------	------

U034 Air Cooling



- 17.11050534 (x3) CLAMP
- 12.11024559 (x2) CONNECTOR - 3P
- 11.08025308 (x8) TAPPING SCRER:F AN
- 4.04503020N (x2) TAPPING SCREW: 3X20
- 2.03603008N (x2) SCREW:M3X8

15.11050511
HARNESS CLAMP -
LWS-0306ZC

16.11050516
(x3)
CLAMP

7.04513010N
(x2)
TAPPING SCREW:
3X10

9.04563008N
TAPPING SCREW -
M3X8

5.04513006N
(x4)
TAPPING SCREW -
3X6

19.AX650045
SIROCCO FAN:DC
24V 2.6W

10.04563010N
TAPPING SCREW -
M3X10

8.04543006Q
(x2)
TAPPING SCREW -
M3X6

1.03603006N
(x2)
SCREW - M3X6

20.B2231236
DUCT:REAR:1

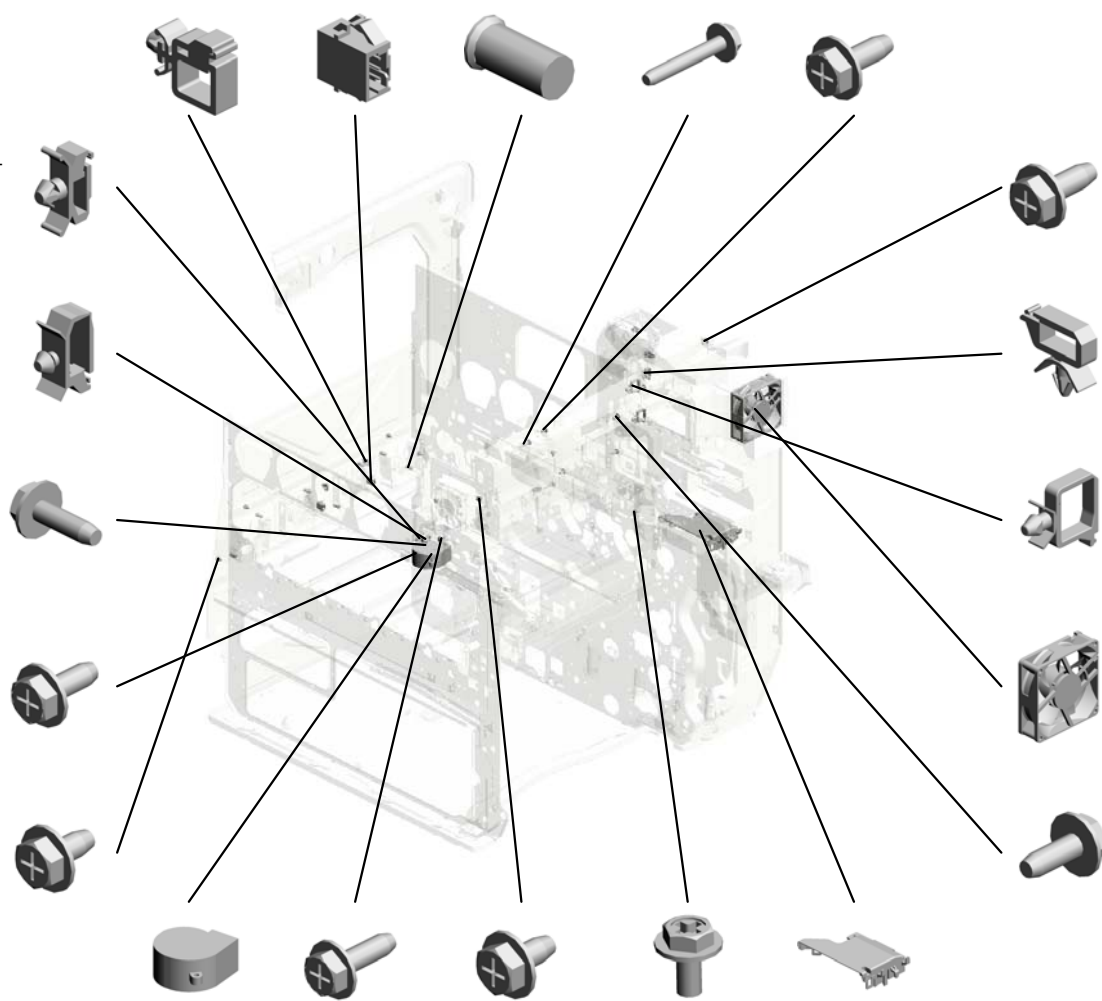
6.04513008N
(x2)
TAPPING SCREW -
M3X8

13.11050487
HARNESS CLAMP

14.11050489
(x2)
HARNESS CLAMP -
LWS 1316

18.AX640199
FAN:MM80:25MM:D
C 2.16W

3.04503010N
(x2)
TAPPING SCREW -
M3X10



U034 Air Cooling

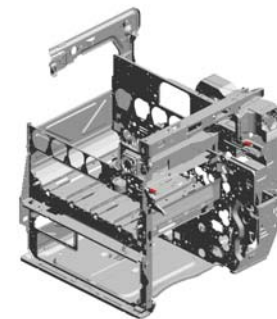
27.B2231332
(x4)
FAN MOTOR - MM6
0 DC24V

31.D0891386
DUCT:EXIT

37.D1441379
GUIDE PLATE:SUP
PLY

30.D0891380
SEAL:GUIDE PLAT
E:SUPPLY

26.B2231329
(x4)
SOUND PROOFIN
G MATERIAL:DUCT



29.D0891370
BRACKET:FAN:IMA
GE FORMING SEC
TION

28.D0291354
BRACKET:FAN:IH

32.D1441354
BRACKET:FAN

33.D1441355
SEAL:BRACKET:FA
N

34.D1441356
BRACKET:FILTER:
FRONT RIGHT:ASS
'y

35.D1441369
DUCT:REAR:LOWE
R RIGHT

36.D1441371
SEAL:DUCT:HEAT
ER:FRONT

21.B2231237
DUCT:REAR:2

22.B2231238
DUCT:REAR:3

23.B2231239
DUCT:REAR:LOWE
R

39.D1441382
DUCT:SUPPLY:RE
AR

38.D1441381
DUCT:SUPPLY:FR
ONT

24.B2231326
DUCT:FUSING

40.D1441383
DUCT:HEATER:FR
ONT

25.B2231327
DUCT:FUSING:REA
R

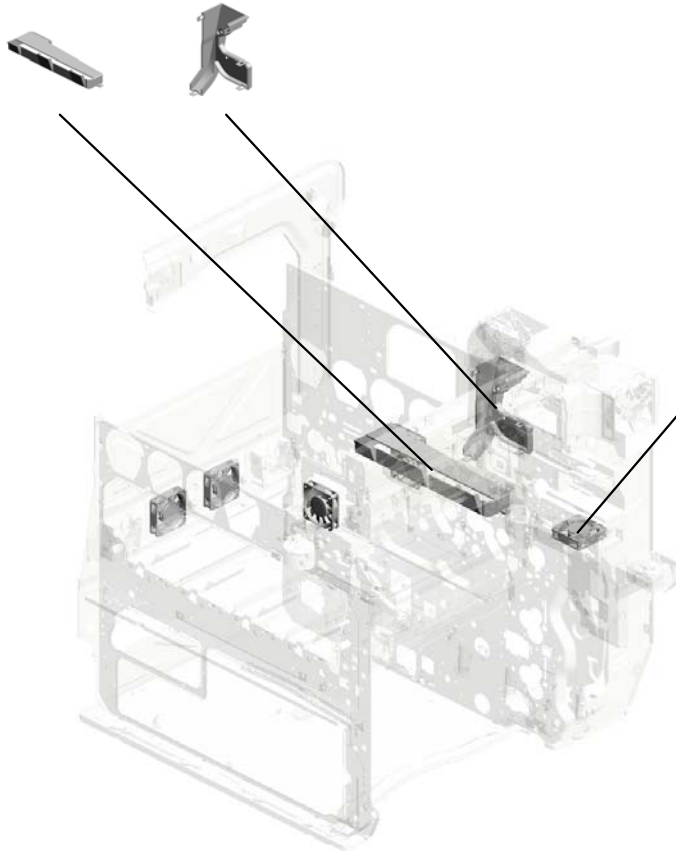
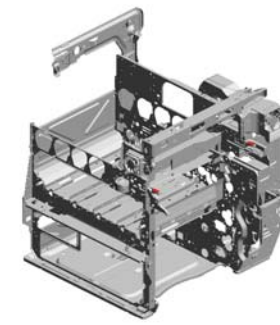
WWW.SERVICE-MANUAL.NET

U001 U002 U003 U004 U005 U006 U007 U008 U009 U010 U011 U012 U013 U014 U015 U016 U017 U018 U019 U020 U021

U034 Air Cooling

42.D1441385
DUCT:SUPPLY:TU
BE

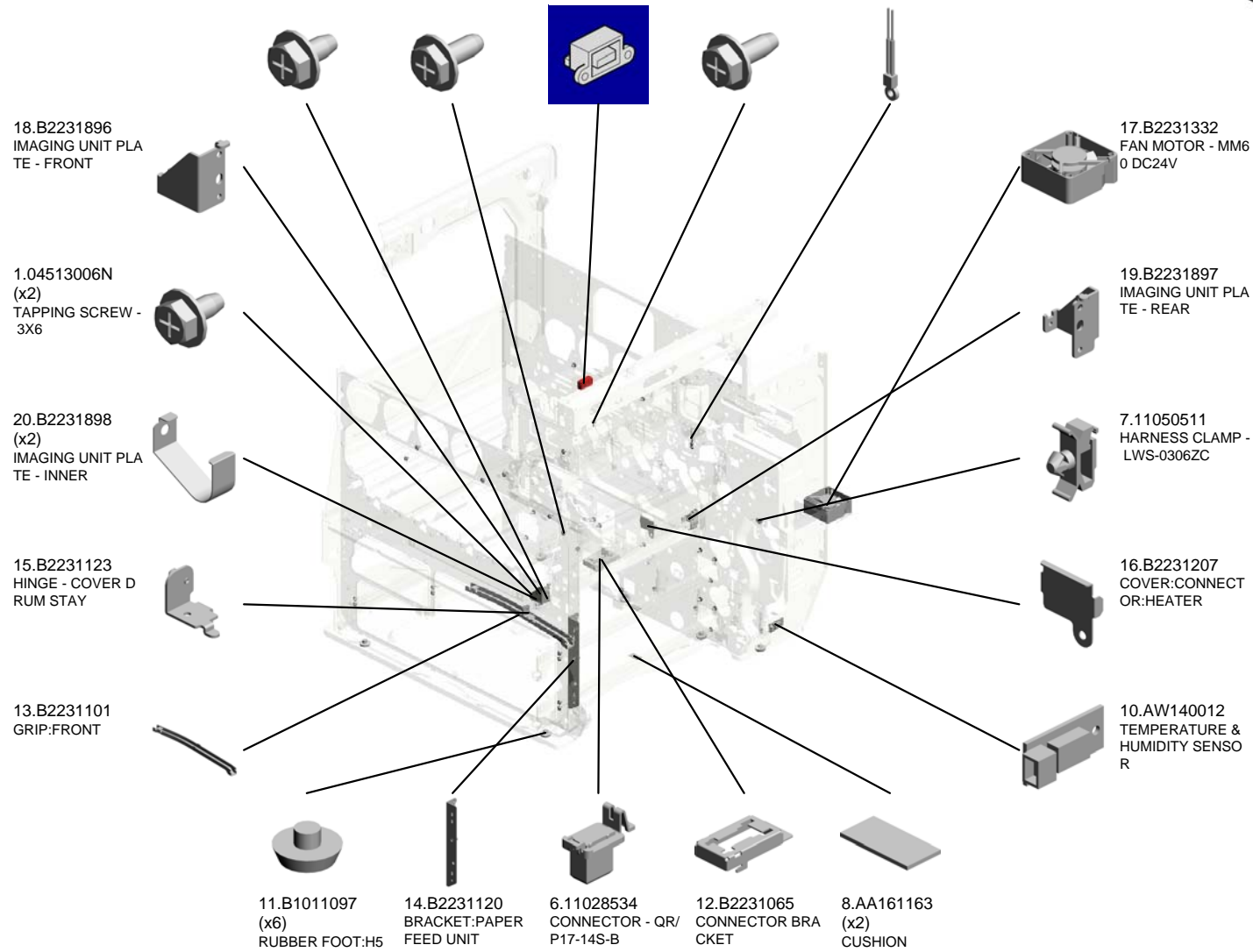
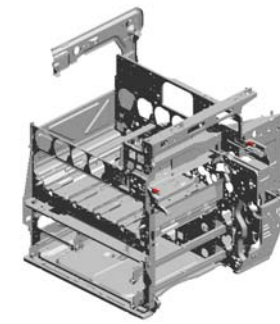
41.D1441384
DUCT:HEATER:RE
AR



43.GX640031
(x5)
FAN MOTOR:DC:2.
64W

U035 Main Frame

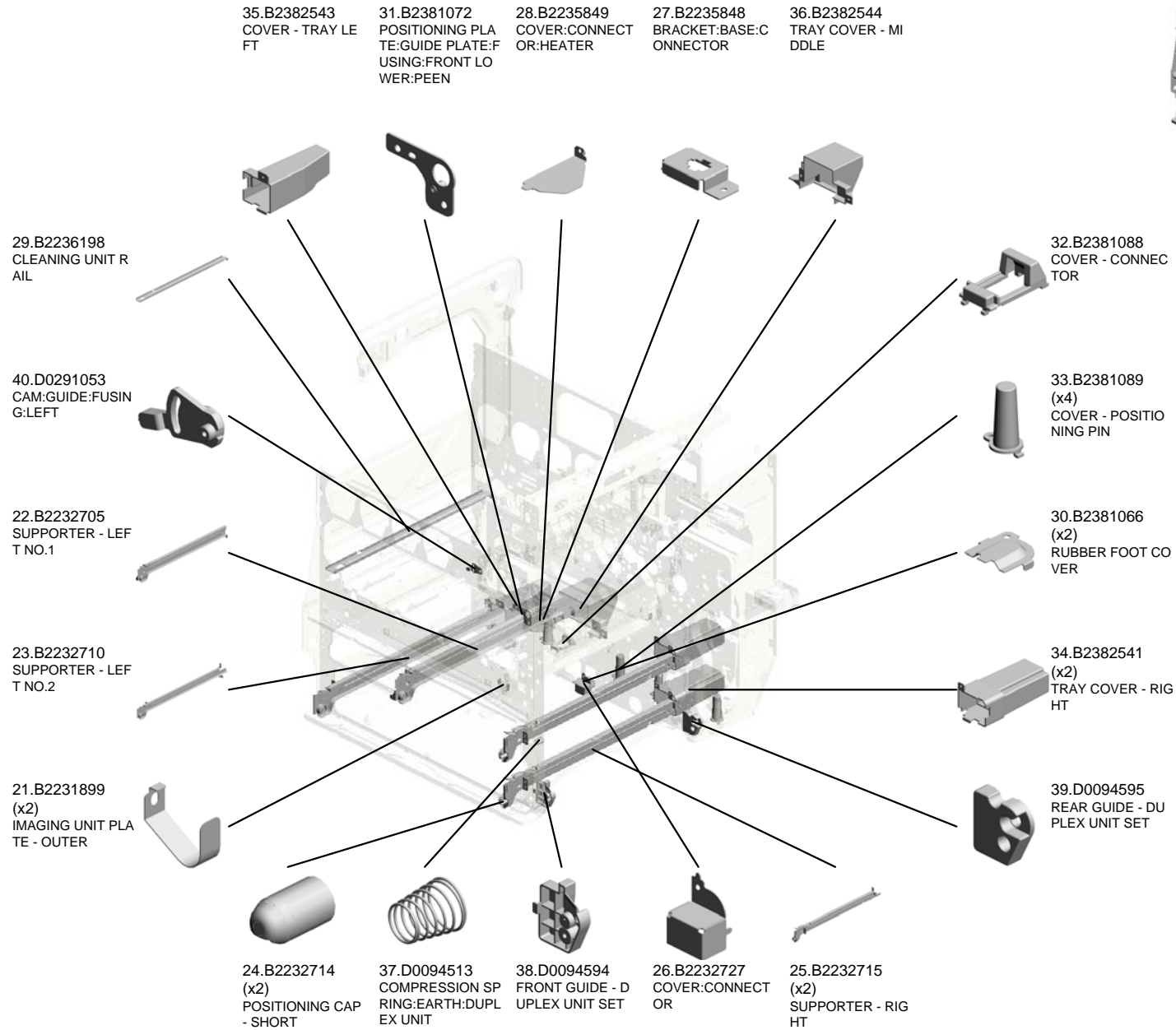
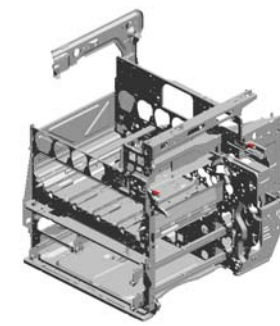
- 3.04543006Q (x28) TAPPING SCREW - M3X6
- 4.04543008Q (x9) TAPPING SCREW: 3X8
- 5.11028502 CONNECTOR - 546 79-1615
- 2.04513008N TAPPING SCREW - M3X8
- 9.AW100142 THERMISTOR:MAIN



WWW.SERVICE-MANUAL.NET

U001	U002	U003	U004	U005	U006	U007	U008	U009	U010	U011	U012	U013	U014	U015	U016	U017	U018	U019	U020	U021
------	------	------	------	------	------	------	------	------	------	------	------	------	------	------	------	------	------	------	------	------

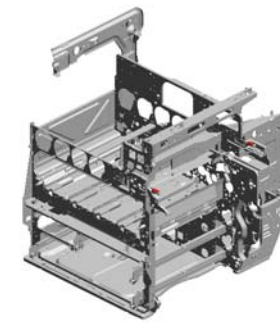
U035 Main Frame



WWW.SERVICE-MANUAL.NET

U001	U002	U003	U004	U005	U006	U007	U008	U009	U010	U011	U012	U013	U014	U015	U016	U017	U018	U019	U020	U021
------	------	------	------	------	------	------	------	------	------	------	------	------	------	------	------	------	------	------	------	------

U035 Main Frame



- 53.D0891388 SEAL:SEPARATION PLATE:OPTICAL WRITING UNIT:LEFT INNER REAR
- 49.D0296146 RAIL:RIGHT:C2
- 41.D0291054 CAM:GUIDE:FUSING
- 56.D1441094 DUCT:FUSING:LEFT
- 47.D0295861 (x3) GASKET:65TFV5-0.5:L90

54.D0891390 SEAL:SIDE PLATE:FRONT:LEFT

48.D0296145 RAIL:LEFT:C2

52.D0891387 SHIELDING PLATE:IMAGE FORMING MD:LEFT

55.D1441054 SEAL:DUCT:FUSING:LEFT:FRONT

44.D0291351 LEVER:LOCK:FUSING UNIT:FRONT

50.D0891053 STOPPER:FUSING UNIT:FRONT

46.D0292586 GUIDE:REGISTRATION:EXIT

42.D0291058 (x2) SEAL:BURRING

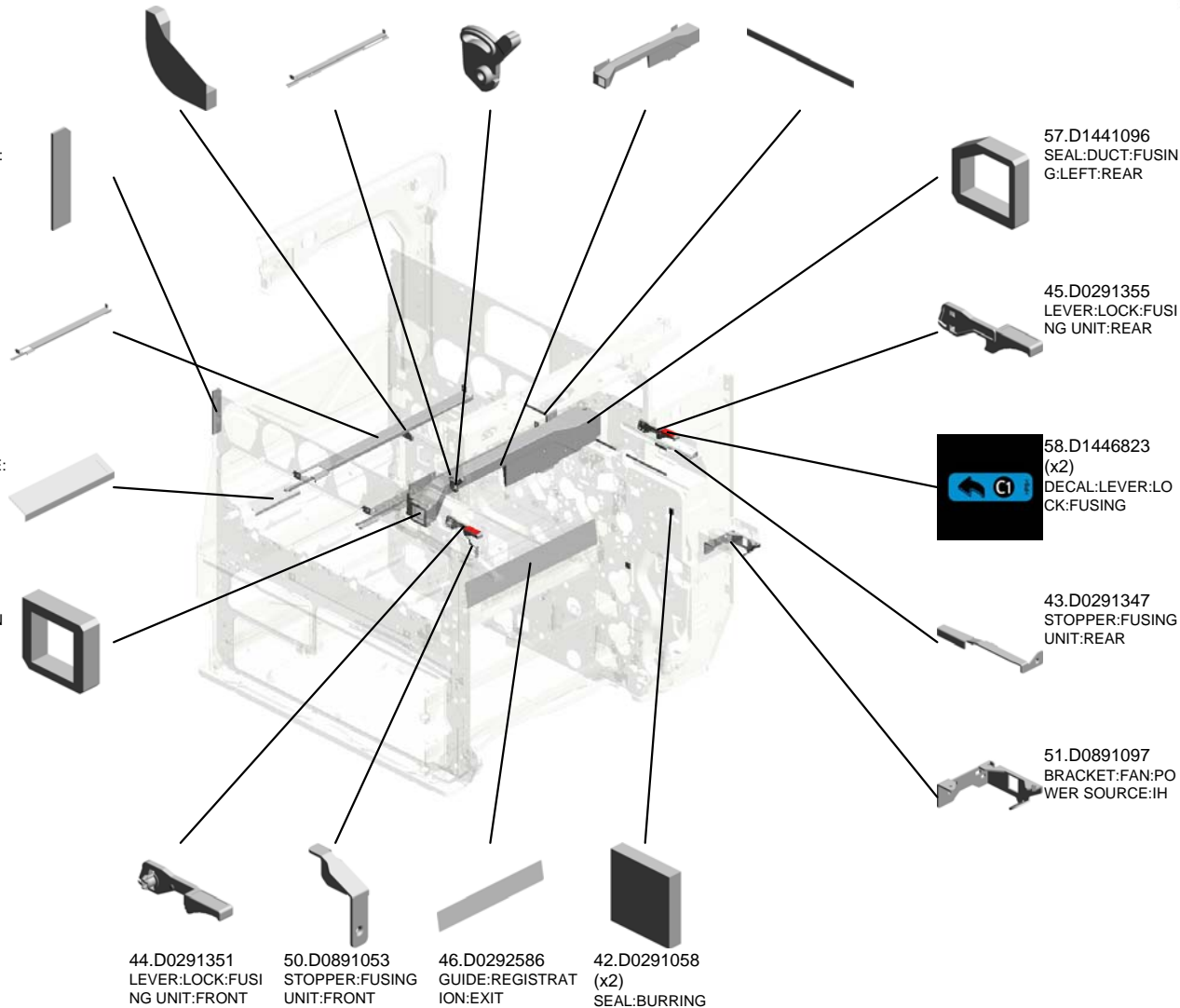
57.D1441096 SEAL:DUCT:FUSING:LEFT:REAR

45.D0291355 LEVER:LOCK:FUSING UNIT:REAR

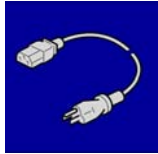
58.D1446823 (x2) DECAL:LEVER:LOCK:FUSING

43.D0291347 STOPPER:FUSING UNIT:REAR

51.D0891097 BRACKET:FAN:POWER SOURCE:IH



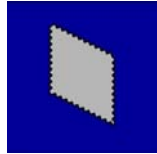
Accessories



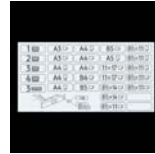
1.11500415
POWER SUPPLY CODE:125V:NA



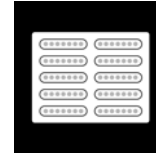
2.16071859
FERRITE CORE:E04SR241336A



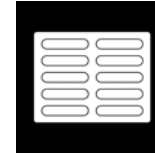
3.B0651374
SHEET:EXPOSURE GLASS



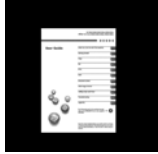
4.D1202874
DECAL:SIZE INDICATION:PAPER TRAY



5.D1291566
SHEET:APPLICATION:MULTI-LANGU
AGE:NA



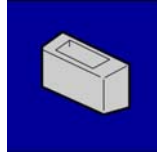
6.D1291568
SHEET:APPLICATION:MULTI-LANGU
AGE:BLANK



7.D1437004
MANUAL:USER_GUIDE:NA



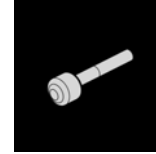
8.D1437008
MANUAL:READ_THIS_FIRST:NA



9.D1441396
HOLDER:EXPOSURE GLASS:IG:ASS
Y

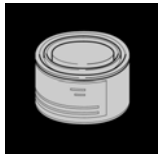


10.D6306022
DECAL:CAUTION:ORIGINAL:MANY L
ANGUAGES



11.H5115007
STAMP

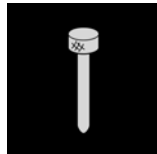
Special Tools



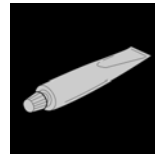
1.52039502
Silicon Grease G-501



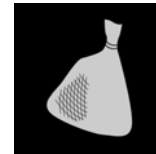
2.A0929503
C4 Color Test Chart (3 pcs/set)



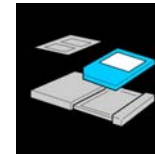
3.A1849501
Scanner Positioning Pin (2pcs/set)



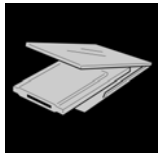
4.A2579300
Grease Barrierta S552R



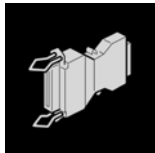
5.B1329700
Lubricant Powder



6.B6455010
SD Card



7.B6456705
PCMCIA Card Adapter



8.B6795100
Plug - IEEE1284 Type C



9.C4019503
20X Magnification Scope



10.G0219350
Loop-back Connector Parallel

Exclusive Parts

Number	Part Name	Group	ID
52039502	Silicon Grease G-501	Special Tools	1
52062686	SNAP RING	U010_S001	8
		U011_S001	8
54421924	EXPOSURE GLASS CUSHION	U006	12
54472681	SNAP RING	U024	20
		U026	9
A0929503	C4 Color Test Chart (3 pcs/set)	Special Tools	2
A1001714	REFLECTOR	U005_S002	8
A1849501	Scanner Positioning Pin (2pcs/set)	Special Tools	3
A1931766	WIRE CLAMP	U005	9
A1931769	CLAMP - REAR WIRE	U005	10
A1931793	SCANNER HOME SENSOR STOPPER	U006	13
A1931816	1ST SLIDE RAIL	U006	14
A2322987	ROLLER - PAPER TRAY	U008_S001	5
		U009_S001	5
A2501752	EXPOSURE GLASS	U004	2
A2501791	2ND SCANNER SHOE	U005_S001	11
A2579300	Grease Barrierta S552R	Special Tools	4
A2596754	BUSHING - 6 6MM	U024	21
A2672857	SPRING PLATE - SIDE FENCE	U008_S001_S003	6
		U009_S001_S003	6
A2672859	SIDE FENCE STOPPER	U008_S001_S003	7
		U009_S001_S003	7
AA001524	DECAL:COLOR:MFP	U001	2
AA001564	PLATE:LOGOTYPE:RIC	U001	3
AA001565	PLATE:LOGOTYPE:LAN	U001	4
AA001566	PLATE:LOGOTYPE:SVN	U001	5
AA043583	TIMING BELT - S2M460	U028	8
AA060151	TENSION SPRING	U030	17
AA060691	TENSION SPRING	U010_S001	9
		U011_S001	9
AA060693	TENSION SPRING	U010_S001	10
		U011_S001	10
AA060722	TENSION SPRING	U028	9
AA060872	SPRING	U024	22
AA060979	TENSION SPRING:TENSION:14720 MN	U005	12

Number	Part Name	Group	ID
AA060980	TENSION SPRING:TENSION:11300 MN	U005	13
AA060989	SPRING:FUSING EXIT:PRESSURE	U021_S001	10
AA061003	TENSION SPRING:SIDE FENCE:REAR	U008_S001	8
		U009_S001	8
AA061014	TENSION SPRING:GRIP	U008_S001	9
		U009_S001	9
AA061026	COMPRESSION SPRING:DRIVEN ROLLER	U021_S001	11
AA061092	TORSION SPRING:STRIPPER PLATE:FRONT	U021_S001	12
AA061093	TORSION SPRING:STRIPPER PLATE:REAR	U021_S001	13
AA061095	COMPRESSION SPRING:PRESSURE	U021_S001	14
AA061096	TENSION SPRING:SHUTTER	U021_S001	15
AA062259	SPRING - RELEASE	U010_S001	11
		U011_S001	11
AA063499	PRESSURE SPRING	U024	23
AA063568	PRESSURE SPRING	U024	24
		U030	18
AA080156	PLAIN SHAFT BEARING - M4	U023_S001	9
AA080254	BUSHING - M4	U024	25
AA080346	BUSHING:FLANGE TYPE:DIA6	U026	10
AA080348	BUSHING:DRIVEN ROLLER	U021_S001	16
AA082101	BUSHING - 6X10X6	U013	6
		U014_S005	10
		U022	13
		U024	26
AA082102	BUSHING - 6X10X6	U010_S001	12
		U011_S001	12
AA082104	BUSHING - 8X12X7	U024	27
AA082143	BUSHING - 6X10X6	U010_S001	13
		U011_S001	13
		U024	28
AA082144	BUSHING - 8X12X7	U005	14
		U024	29
AA082150	PLAIN SHAFT BEARING:M6	U010_S001	14

WWW.SERVICE-MANUAL.NET

Exclusive Parts

Number	Part Name	Group	ID
		U011_S001	14
AA082156	BUSHING:DIA6XDIA10X6	U023_S001	10
AA083014	ONE-WAY CLUTCH	U024	30
AA083018	ROLLER CLUTCH - 6X14X10	U024	31
AA084000	BUSHING:DIA6	U016_S001	2
		U016_S002	2
		U016_S003	2
		U016_S004	2
AA100014	RETAINING RING C - SEPARATE	U010_S001	15
		U011_S001	15
		U024	32
AA100015	SNAP RING - M6	U025_S001	4
AA101021	RUBBER BUSHING - 6 45HS	U024	33
		U026	11
AA140778	SHAFT:SEPARATOR:DRIVE	U024	34
AA140936	SHAFT:FEED:MANUAL FEED	U024	35
AA143183	STEPPED SCREW	U024	36
AA143219	STEPPED SCREW	U030	19
AA143404	STEPPED SCREW - M4	U024	37
AA143577	SCREW:TP:M4	U008	10
AA143807	SCREW:A	U024	38
AA143823	TAPPING SCREW	U002	5
AA143848	FLANGED HEXAGONAL HEAD BOLT:HDD UNIT:M3X3	U033	3
AA143849	SCREW:DIA4:M3	U021_S001	17
AA143870	STEPPED SCREW	U021_S001	18
AA148810	PIN:LEVER	U021_S001	19
AA148811	POSITIONING PIN:HOLDER:PRESSURE ROLLER	U021_S001	20
AA161163	CUSHION	U035	8
AA161167	BUSHING:HDD	U033	4
AB010156	GEAR:SEPARATE:DRIVE	U010_S001	16
		U011_S001	16
AB010157	GEAR:SEPARATE:DRIVEN	U010_S001	17
		U011_S001	17
AB011218	GEAR - ROLLER CLUTCH	U010_S001	18
		U011_S001	18
AB011223	IDLER GEAR - 25Z	U024	39

Number	Part Name	Group	ID
AB011252	GEAR - 20Z	U010_S001	19
		U011_S001	19
AB011258	GEAR - 38Z	U026	12
AB011259	GEAR - 32Z	U026	13
AB011387	GEAR - 23Z	U024	40
AB011416	GEAR - 20Z	U024	41
AB014161	REVERSE ROLLER GEAR	U024	42
AB014330	GEAR:DRIVE:FUSING UNIT	U021_S001	21
AB014331	GEAR:IDLER:PRESSURE ROLLER	U021_S001	22
AB014334	GEAR:SHUTTER	U021_S001	23
AB014335	GEAR:IDLER:SHUTTER	U021_S001	24
AB017493	GEAR PULLEY	U026	14
AB017699	GEAR - 33Z/44Z	U026	15
AB017758	GEAR:EXIT:NO.2	U028	10
AB017774	GEAR:FUSING:NO.3	U028	11
AB030551	PULLEY:IDLER:FUSING	U028	12
AB030888	TIMING PULLEY:DEVELOPMENT:NO.1	U025_S001	5
AB033000	JOINT:DEVELOPMENT	U025_S001	6
AC030169	MIRROR:NO.1	U005_S002	15
AF013016	BOTTOM PLATE PAD	U024	43
AF030049	PICK-UP ROLLER	U024	44
AF030085	PAPER FEED ROLLER - PICKUP	U010_S001	20
		U011_S001	20
AF031046	FEED ROLLER - MANUAL FEED	U024	45
AF031085	PAPER FEED ROLLER - FEED	U010_S001	21
		U011_S001	21
AF032046	SEPARATION ROLLER - MANUAL FEED	U024	46
AF032085	PAPER FEED ROLLER - SEPARATE	U010_S001	22
		U011_S001	22
AF033010	PAD	U008_S001_S001	11
		U009_S001_S001	10
AG070514	MAGNET CATCH	U020	6
		U024	47
AG071012	MAGNET CATCH:ASS'Y	U002	6
AW010107	PAPER FEED SENSOR	U013	7
		U023_S001	11

WWW.SERVICE-MANUAL.NET

Exclusive Parts

Number	Part Name	Group	ID
		U024	48
AW010118	PAPER FEED SENSOR	U024	49
AW010122	PAPER FEED SENSOR	U010_S001	23
		U011_S001	23
AW010128	PAPER FEED SENSOR	U010_S001	24
		U011_S001	24
AW010133	ORIGINAL SENSOR - 66MM	U006	15
AW010147	PHOTO REFLECTION SENSOR	U023_S001	12
AW020145	PHOTOINTERRUPTOR:FLAT	U006	16
		U023_S001	13
		U024	50
		U025_S001	7
AW020146	PHOTOINTERRUPTOR:FLAT:PICH 2MM:M4	U006	17
AW020160	PAPER FEED SENSOR	U020	7
AW020185	TONER END SENSOR	U014_S001	11
		U014_S002	11
		U014_S003	11
AW020190	PHOTOINTERRUPTOR	U022	14
AW020204	PHOTOINTERRUPTOR:LGRC102	U010_S001	25
		U011_S001	25
AW100138	THERMOPILE	U022	15
AW100142	THERMISTOR:MAIN	U035	9
AW100143	THERMISTOR:PRESSURE:FRONT	U021_S001	25
AW100144	THERMISTOR:PRESSURE:MIDDLE	U021_S001	26
AW100145	TEMPERATURE SENSOR:NC-F10: MIDDLE	U021_S001	27
AW100146	TEMPERATURE SENSOR:NC-F10: REAR	U021_S001	28
AW110101	THERMOSTAT:LOWER	U021_S001	29
AW110102	THERMOSTAT:MIDDLE:UPPER	U021_S001	30
AW140012	TEMPERATURE & HUMIDITY SEN SOR	U035	10
AW500023	PUSH SWITCH	U020	8
		U023_S001	14
		U029	3
AW500031	PAPER SIZE SENSOR	U024	51
AW500035	PAPER END SENSOR	U024	52

Number	Part Name	Group	ID
AW500038	PUSH SWITCH:PAPER SIZE SENS OR	U029	4
AX040154	DC MOTOR 24V	U029	5
AX060356	BRUSHLESS MOTOR:DC24V 18W	U025_S001	8
AX060368	BRUSHLESS MOTOR:DRIVE:DRU M:28W	U025_S001	9
AX060396	DC POLYGON MIRROR MOTOR:24 W	U007_S001	3
AX060412	BRUSHLESS MOTOR:DC:INTERME DIATE TRANSFER:10W	U025_S001	10
AX060425	DC MOTOR:GEAR:20W:BRUSHLES S	U026	16
AX060428	DC MOTOR:GEAR:10W:BRUSHLES S	U026	17
AX060430	BRUSHLESS MOTOR:DRIVE:FUSI NG:39W	U028	13
AX200289	MAGNETIC CLUTCH - 32Z	U026	18
AX200320	ELECTROMAGNETIC CLUTCH	U024	53
AX200322	MAGNETIC CLUTCH:DEVELOPME NT:BK	U025_S001	11
AX200330	MAGNETIC CLUTCH:DEVELOPME NT:0.5NM:YMC	U025_S001	12
AX310045	TOTAL COUNTER:7FIG:24V:(Optio n)	U030	20
AX640197	FAN:MM60:DC 0.6W	U033	5
AX640199	FAN:MM80:25MM:DC 2.16W	U034	18
AX650045	SIROCCO FAN:DC24V 2.6W	U034	19
AZ240208	POWER SUPPLY UNIT:618W:NA:D 143/D144	U032	2
AZ300060	POWER PACK:D	U024	54
AZ320182	POWER PACK:CB	U030	21
AZ320185	POWER PACK:TTS	U030	22
B0042923	SPRING PLATE - RELEASE LEVER	U008_S001_S002	12
		U009_S001_S002	11
B0441825	COLLAR	U024	55
		U026	19
B0441847	SHOULDER SCREW	U024	56
B0511727	FRAME:SCANNER:FRONT	U006	18

WWW.SERVICE-MANUAL.NET

Exclusive Parts

Number	Part Name	Group	ID
B0511814	BRACKET:ORIGINAL SENSOR	U006	19
B0651374	SHEET:EXPOSURE GLASS	Accessories	3
B1011097	RUBBER FOOT:H5	U035	11
B1202063	BUSHING - 4MM	U023_S001	15
B1329700	Lubricant Powder	Special Tools	5
B1801713	STEPPER MOTOR:ASS'Y	U005	16
B1801734	SLIDE RAIL:NO.2	U006	20
B1801803	GUIDE:HIGH VOLTAGE SUPPLY C ORD:BASE	U006	21
B1801814	SHAFT:SCANNER:DRIVE	U005	17
B1802782	SEAL:TRAY	U009	12
B1802871	SHAFT:SEPARATOR:DRIVEN:ASS' Y	U024	57
B2231065	CONNECTOR BRACKET	U035	12
B2231101	GRIP:FRONT	U035	13
B2231120	BRACKET:PAPER FEED UNIT	U035	14
B2231123	HINGE - COVER DRUM STAY	U035	15
B2231144	HOLDER:POSITIONING SENSOR	U025_S001	13
B2231174	DRIVE UNIT:COLLECTION BOTTLE	U028	14
B2231183	GRIP SHAFT	U026	20
B2231184	PULLEY:TONER SUPPLY:NO.2:AS S'Y	U028	15
B2231186	DRIVE JOINT	U026	21
B2231187	MAGNETIC CLUTCH BRACKET	U026	22
B2231189	FEED DRIVE SHAFT	U026	23
B2231207	COVER:CONNECTOR:HEATER	U035	16
B2231236	DUCT:REAR:1	U034	20
B2231237	DUCT:REAR:2	U034	21
B2231238	DUCT:REAR:3	U034	22
B2231239	DUCT:REAR:LOWER	U034	23
B2231249	STOPPER:MAGNET CATCH	U002	7
B2231276	FILTER:RIGHT REAR	U002	8
B2231306	DRUM STAY	U002_S001	9
B2231315	BALL BEARING PLATE	U002_S001	10
B2231316	BALL BEARING CLIP	U002_S001	11
B2231318	SPRING	U002_S001	12
B2231319	WIRE	U002_S001	13
B2231326	DUCT:FUSING	U034	24

Number	Part Name	Group	ID
B2231327	DUCT:FUSING:REAR	U034	25
B2231329	SOUND PROOFING MATERIAL:DU CT	U034	26
B2231332	FAN MOTOR - MM60 DC24V	U034	27
		U035	17
B2231364	GUIDE:HARNESS	U028	16
B2231774	SEAL:SHEET THROUGH	U004	3
B2231779	COVER:STEPPER MOTOR:REAR	U006	22
B2231786	HOLDER:CONNECTOR	U006	23
B2231788	FRAME:SCANNER:REAR	U006	24
B2231806	BRACKET:DOCUMENT FEEDER:H OLDER	U006	25
B2231807	BRACKET:EXTERIOR:REAR	U001	6
B2231808	DOCUMENT FEEDER:CONNECTO R:BRACKET	U006	26
B2231824	SEAL:SCANNER:FRAME:BASE	U006	27
B2231833	SEAL:EXPOSURE GLASS:REAR	U006	28
B2231882	COVER - POLYGON MOTOR	U007_S001	4
B2231896	IMAGING UNIT PLATE - FRONT	U035	18
B2231897	IMAGING UNIT PLATE - REAR	U035	19
B2231898	IMAGING UNIT PLATE - INNER	U035	20
B2231899	IMAGING UNIT PLATE - OUTER	U035	21
B2231903	LOUVER	U007_S001	5
B2232608	GEAR:Z16	U024	58
B2232622	GUIDE PLATE:EXIT	U024	59
B2232623	COVER:GUIDE PLATE:EXIT	U024	60
B2232629	STAY:FEED	U024	61
B2232632	DC SOLENOID:PICKUP	U024	62
B2232633	SPRING:RELEASE:PICKUP	U024	63
B2232634	SUPPORT STAY:ARM	U024	64
B2232636	TORSION SPRING:27N	U024	65
B2232637	BRACKET:ARM:MANUAL FEED:RE AR	U024	66
B2232648	GUIDE PLATE:TRANSPORT UNIT: EXIT	U024	67
B2232649	SPRING:PRESSURE:5N	U024	68
B2232651	ARM:MANUAL FEED:FRONT	U024	69
B2232652	ARM:MANUAL FEED:REAR	U024	70

WWW.SERVICE-MANUAL.NET

Exclusive Parts

Number	Part Name	Group	ID
B2232665	SPRING:COVER:MANUAL FEED	U024	71
B2232666	GEAR:16Z	U024	72
B2232668	SPRING PLATE:STOPPER	U024	73
B2232676	SPRING - 11N	U024	74
B2232681	ARM:TIGHTENER	U024	75
B2232683	GEAR:25Z	U024	76
B2232686	GEAR:Z31	U024	77
B2232689	GEAR:Z28	U024	78
B2232691	BRACKET:STEPPER MOTOR	U026	24
B2232694	GUIDE:GEAR	U026	25
B2232696	DRUM STAY:DRIVE	U024	79
B2232702	HEAT SINK:HEATER:NA:ADHESION:(Option)	U030	23
B2232705	SUPPORTER - LEFT NO.1	U035	22
B2232710	SUPPORTER - LEFT NO.2	U035	23
B2232713	RACK:MANUAL FEED	U024	80
B2232714	POSITIONING CAP - SHORT	U035	24
B2232715	SUPPORTER - RIGHT	U035	25
B2232721	BRACKET:PUSH SWITCH	U029	6
B2232722	COVER	U029	7
B2232727	COVER:CONNECTOR	U035	26
B2232762	FEED SHAFT	U010_S001	26
		U011_S001	26
B2232765	GROUND PLATE - FEED	U010_S001	27
		U011_S001	27
B2232772	HARNESS SHEET	U010_S001	28
		U011_S001	28
B2232776	STAY	U010_S001	29
		U011_S001	29
B2232780	DC SOLENOID 24V	U010_S001	30
		U011_S001	30
B2232786	GROUND PLATE - FRONT	U010_S001	31
		U011_S001	31
B2232810	SEPARATE DRIVEN SHAFT	U010_S001	32
		U011_S001	32
B2232815	SEPARATE DRIVE SHAFT	U010_S001	33
		U011_S001	33
B2232837	GUIDE:SWIVEL	U012	2

Number	Part Name	Group	ID
B2232846	BRACKET:COVER:HARNESS	U012	3
B2232848	COVER:HARNESS	U012	4
B2232861	GRIP HOLDER	U008_S001	13
		U009_S001	13
B2232862	LEVER - RELEASE INNER	U008_S001	14
		U009_S001	14
B2232865	RISE NO.1 SHAFT	U008_S001	15
		U009_S001	15
B2232868	LEVER:RELEASE:PAPER TRAY:OUTER	U008_S001	16
		U009_S001	16
B2232869	GROUND PLATE	U008_S001	17
B2232873	DECAL - SIDE FENCE REAR	U008_S001_S003	18
B2232890	SLIDE RAIL - LEFT	U008_S001	19
B2232894	SLIDE RAIL STOPPER - LEFT	U008_S001	20
B2232910	LINK - PAPER SIZE SENSOR	U009_S001	17
B2232911	SPACER	U009_S001	18
B2232918	RISE LEVER	U008_S001	21
		U009_S001	19
B2232919	GROUND PLATE - PAPER TRAY NO.2	U009_S001	20
B2232934	PLATE - SIDE FENCE	U008_S001_S002	22
		U008_S001_S003	22
		U009_S001_S002	21
		U009_S001_S003	21
B2232935	PLATE - SIDE FENCE RIGHT	U008_S001_S002	23
		U008_S001_S003	23
		U009_S001_S002	22
		U009_S001_S003	22
B2232936	GEAR - 16Z	U008_S001	24
		U009_S001	23
B2233206	TUBE CLAMP	U015	5
B2233207	SHUTTER:NOZZLE	U014_S001	12
		U014_S002	12
		U014_S003	12
		U014_S004	12
B2233208	SPRING:SHUTTER:NOZZLE	U014_S001	13
		U014_S002	13
		U014_S003	13

WWW.SERVICE-MANUAL.NET

Exclusive Parts

Number	Part Name	Group	ID
		U014_S004	13
B2233209	TUBE CLIP	U015	6
B2233328	TONER CARTRIDGE GUIDE	U014	14
B2233334	HOLDER:STOPPER:SHUTTER:ASSY	U014_S005	15
B2233428	SPRING:DRIVE UNIT:TONER BOTTLE	U014_S005	16
B2233441	TIMING BELT:TONER BOTTLE	U014_S005	17
B2233461	PULLEY:TONER BOTTLE:YC	U014_S005	18
B2233462	PULLEY:TONER BOTTLE:CM	U014_S005	19
B2233463	GEAR:TONER BOTTLE:DRIVE	U014_S005	20
B2233464	GEAR:MAGNETIC CLUTCH:Y	U014_S005	21
B2234493	SHAFT:PRESSURE:AUXILIARY	U023_S001	16
B2234494	STOPPER- UPPERGATE PAWL	U024	81
B2234497	SHAFT:FEELER:OVERFLOW	U023_S001	17
B2234501	GUIDE PLATE:RIGHT	U024	82
B2234502	GUIDE PLATE:LEFT LOWER	U024	83
B2234511	TIMING BELT:30S2M312	U024	84
B2234512	TIMING BELT:30S2M182	U024	85
B2234514	ROLLER CLUTCH:T24	U024	86
B2234522	SPACER:WIRE:STOPPER	U024	87
B2234524	WIRE:STOPPER:DIA1.5	U024	88
B2234525	TENSION SPRING:WIRE:180N	U024	89
B2234526	TIMING BELT:30S2M268	U024	90
B2234527	PULLEY:T26/T24	U024	91
B2234529	ROLLER CLUTCH:T24	U024	92
B2234532	TENSION SPRING:HOOK:STOPPER	U024	93
B2234535	ROLLER CLUTCH:T26	U024	94
B2234536	TIMING BELT:30S2M234	U024	95
B2234538	COMPRESSION SPRING	U024	96
B2234539	SHEET:COVER:DUPLEX	U024	97
B2234541	TORSION SPRING:REAR	U024	98
B2234542	TORSION SPRING:FRONT	U024	99
B2234544	PULLEY:T35/T33	U024	100
B2234545	GUIDE PIN:HOLDER	U024	101
B2234552	BUSHING:DIA4	U024	102
B2234553	TENSION SPRING:DRIVEN ROLLER	U024	103

Number	Part Name	Group	ID
	R		
B2234556	COMPRESSION SPRING	U024	104
B2234560	TENSION SPRING:DRIVEN ROLLER	U024	105
B2234562	TIGHTENER	U024	106
B2234564	SPRING:TIGHTENER	U024	107
B2234566	BRACKET:SENSOR:ENTRANCE	U024	108
B2234567	STAY:TRANSPORT:UPPER:PEEN	U024	109
B2234571	GEAR:PULLEY:Z24/T40	U024	110
B2234572	STEPPER MOTOR:DC4.29V 1.7W	U024	111
B2234573	TIMING BELT:30S2M128	U024	112
B2234575	BRACKET:STEPPER MOTOR	U024	113
B2234586	PULLEY:T30	U024	114
B2234594	SHAFT:PULLEY:WIRE	U024	115
B2234595	PULLEY:DIA13	U024	116
B2235812	HINGE:PANEL:CONTROL BOARD	U031	6
B2235813	SAFETY SWITCH BRACKET	U030	24
B2235814	BRACKET - SAFETY SWITCH LEVER	U030	25
B2235816	PLATE:RACK:AUXILIARY:RIGHT	U031	7
B2235834	BRACKET:POWER PACK:TRANSFER	U030	26
B2235841	HINGE:APPLICATION:RACK	U031	8
B2235843	BRACKET:RACK:APPLICATION	U031	9
B2235846	BRACKET:TOTAL COUNTER:(Option)	U030	27
B2235848	BRACKET:BASE:CONNECTOR	U035	27
B2235849	COVER:CONNECTOR:HEATER	U035	28
B2235857	BRACKET:SW:DEHUMIDIFIER:HEATER:EXP	U032	3
B2235866	GROUND WIRE:RACK:RIGHT LOWER:HF	U031	10
B2236140	DRAWER:INTERMEDIATE TRANSFER:ASSY	U030	28
B2236198	CLEANING UNIT RAIL	U035	29
B2236463	GEAR - 20Z	U020	9
B2236464	BUSHING - 6X10X6	U020	10
B2236467	LEVER BRACKET	U020	11

WWW.SERVICE-MANUAL.NET

Exclusive Parts

Number	Part Name	Group	ID
B2236471	TRANSPORT SCREW BRACKET	U020	12
B2236472	GEAR - 21Z	U020	13
B2236473	TRANSPORT SCREW SHAFT	U020	14
B2236474	GEAR - 29Z	U020	15
B2236475	BUSHING - 5X 10X2.5	U020	16
B2236476	BUSHING - DIA5	U020	17
B2236496	COLLECTION BOTTLE RAIL	U020	18
B2236503	USED TONER SENSOR FEELER	U020	19
B2236507	SET SENSOR BRACKET	U020	20
B2291687	HEATER:120V:9W:(Option)	U006	29
B2371372	DECAL - MAIN SWITCH ON-STAND BY:(Option)	U001	7
B2381066	RUBBER FOOT COVER	U035	30
B2381072	POSITIONING PLATE:GUIDE PLAT E:FUSING:FRONT LOWER:PEEN	U035	31
B2381088	COVER - CONNECTOR	U035	32
B2381089	COVER - POSITIONING PIN	U035	33
B2381534	LCD SPACER A	U003_S001	8
B2381535	LCD SPACER B	U003_S001	9
B2381792	TIMING BELT - 157ST1.5-4.0	U005	18
B2381806	IDLER PULLEY	U005	19
B2381807	PULLEY	U005_S001	20
B2381845	SEAL:EXPOSURE GLASS	U006	30
B2382541	TRAY COVER - RIGHT	U035	34
B2382543	COVER - TRAY LEFT	U035	35
B2382544	TRAY COVER - MIDDLE	U035	36
B2382622	COVER - REMOVE PAPER DUST	U013	8
B2382652	REGISTRATION ROLLER - DRIVE	U013	9
B2382655	GEAR - 16Z	U013	10
B2382656	GEAR - 30Z	U013	11
B2382657	GEAR - 18Z	U013	12
B2382661	REGISTRATION ROLLER - DRIVEN	U013	13
B2382675	REGISTRATION ROLLER BUSHIN G	U013	14
B2382676	TENSION SPRING	U013	15
B2384458	COMPRESSION SPRING:DRIVEN ROLLER	U023_S001	18
B2384733	ENTRANCE SENSOR BRACKET	U024	117

Number	Part Name	Group	ID
B2384739	COVER - ENTRANCE SENSOR	U024	118
B2385821	BRACKET - MAIN SWITCH HANDL E	U030	29
B2385824	SLIDE SWITCH COVER	U030	30
B2385825	POWER SOURCE SWITCH LINK	U030	31
B2385867	HOOK:SOLENOID:SENSOR:TM	U030	32
B2385875	DC SOLENOID DC24V	U030	33
B2385891	DRAWER BRACKET	U030	34
B2591131	SCREW:PCU	U021_S001	31
B6455010	SD Card	Special Tools	6
B6456705	PCMCIA Card Adapter	Special Tools	7
B6795100	Plug - IEEE1284 Type C	Special Tools	8
B7002649	TIMING BELT:40S2M144	U026	26
BA146036	SHAFT:GEAR:SWIVEL	U022	16
BB013016	GEAR:SLOW DOWN:NO.1	U022	17
BB013017	GEAR:SLOW DOWN:NO.2	U022	18
BC012002	EXPOSURE GLASS:SHEET THRO UGH:344X20	U004	4
C4019503	20X Magnification Scope	Special Tools	9
D0091731	BRACKET A - LEFT SCALE	U004	5
D0091732	BRACKET B - LEFT SCALE	U004	6
D0091815	ORIGINAL SENSOR BRACKET - SU B SCAN	U006	31
D0092510	GUIDE PLATE - EXIT	U024	119
D0092552	GUIDE SHEET - MANUAL FEED	U024	120
D0092554	GUIDE SHEET - VERTICAL TRANS PORT	U024	121
D0092555	TRANSPORT ROLLER - DUPLEX E XIT	U024	122
D0092560	DRIVEN ROLLER	U024	123
D0092563	GUIDE PLATE - VERTICAL TRANS PORT	U024	124
D0092571	HOLDER - VERTICAL TRANSPORT	U024	125
D0092573	PULLEY - VERTICAL TRANSPORT	U024	126
D0092574	PULLEY - IDLER	U024	127
D0092575	SHAFT - IDLER	U024	128
D0092576	SHAFT - VERTICAL TRANSPORT	U024	129
D0092757	TRANSPORT ROLLER:DRIVE:ASS'	U010_S001	34

WWW.SERVICE-MANUAL.NET

Exclusive Parts

Number	Part Name	Group	ID
	Y	U011_S001	34
D0094407	FEELER - OVERFLOW	U023_S001	19
D0094443	DISCHARGE BRUSH - EXIT	U023_S001	20
D0094503	GUIDE PLATE - LEFT UPPER	U024	130
D0094504	UPPER GUIDE PLATE - GATE	U024	131
D0094511	SPACER:DIA8.0:1.5MM	U024	132
D0094512	LINK:STOPPER	U024	133
D0094513	COMPRESSION SPRING:EARTH:DU PLEX UNIT	U024 U035	134 37
D0094522	TENSION SPRING:GATE PAWL:DU PLEX:0.08N	U024	135
D0094535	HARNESS GUIDE	U024	136
D0094577	DUPLEX GATE	U024	137
D0094587	TENSION SPRING - RELEASE BRA CKET	U024	138
D0094588	STOPPER BRACKET - SPRING	U024	139
D0094589	GUIDE - SET SHAFT	U024	140
D0094593	STEPPED SCREW - M3	U024	141
D0094594	FRONT GUIDE - DUPLEX UNIT SE T	U035	38
D0094595	REAR GUIDE - DUPLEX UNIT SET	U035	39
D0094597	BRACKET - WIRE PULLEY SHAFT	U024	142
D0094598	SPRING - SET SHAFT	U024	143
D0094599	SHAFT - DUPLEX UNIT	U024	144
D0094661	REVERSE ROLLER - FEED	U024	145
D0094662	TRANSPORT ROLLER 1	U024	146
D0094663	TRANSPORT ROLLER 2	U024	147
D0094664	DRIVEN ROLLER	U021_S001 U024	32 148
D0145974	COVER:CONNECTOR:EFI	U033	6
D0251136	SHAFT:DEVELOPMENT:COLOR:AS S'Y	U025_S001	14
D0251139	HOLDER:MAGNETIC CLUTCH:DEV ELOPMENT:COLOR	U025_S001	15
D0254238	BRACKET:DRIVEN ROLLER	U021_S001	33
D0291053	CAM:GUIDE:FUSING:LEFT	U035	40
D0291054	CAM:GUIDE:FUSING	U035	41
D0291058	SEAL:BURRING	U035	42

Number	Part Name	Group	ID
D0291136	SHAFT:DEVELOPMENT:ASS'Y	U025_S001	16
D0291137	HOLDER:MAGNETIC CLUTCH:DEV ELOPMENT	U025_S001	17
D0291191	GUIDE:FUSING DRIVE SUB-UNIT	U028	17
D0291199	DRIVE UNIT:ON-OFF:TRANSFER	U027	3
D0291278	OZONE FILTER:NO.2	U002	14
D0291299	BRACKET:COVER:REAR	U006	32
D0291347	STOPPER:FUSING UNIT:REAR	U035	43
D0291351	LEVER:LOCK:FUSING UNIT:FRON T	U035	44
D0291354	BRACKET:FAN:IH	U034	28
D0291355	LEVER:LOCK:FUSING UNIT:REAR	U035	45
D0291715	CARRIAGE:NO.1:ASS'Y	U005_S002	21
D0291719	SHEET:CARRIAGE:NO.1	U005_S002	22
D0291731	CARRIAGE:NO.2:ASS'Y	U005_S001	23
D0291736	MIRROR:NO.2:CONCAVE:ASS'Y	U005_S001	24
D0291737	MIRROR:NO.2:CONVAX:ASS'Y	U005_S001	25
D0291745	PULLEY:DRIVE WERE:FRONT	U005	26
D0291748	PULLEY:DRIVE WERE:REAR:ASS' Y	U005	27
D0291749	PULLEY:PROTECTION	U005	28
D0291774	SEAL:GUARD:EXPOSURE GLASS: DOCUMENT FEEDER	U004	7
D0291789	INNER COVER:GROUND PLATE:P EEN	U005	29
D0291830	GASKET:13X17X35:R	U005	30
D0291831	GASKET:13X17X10:R	U006	33
D0291832	GASKET:9X3X10	U006	34
D0292555	GUIDE PLATE:REGISTRATION:LEF T	U013	16
D0292556	STAY:REGISTRATION	U013	17
D0292570	GUIDE PLATE:REGISTRATION:RIG HT:ADHESION	U013	18
D0292586	GUIDE:REGISTRATION:EXIT	U035	46
D0292611	GROUND PLATE:REAR:MANUAL F EED	U024	149
D0292612	GROUND PLATE:FRONT:MANUAL FEED	U024	150

Exclusive Parts

Number	Part Name	Group	ID
D0292664	FEELER:PAPER SIZE SENSOR:MANUAL FEED	U024	151
D0292677	TRANSPORT BELT:DRIVEN:VERTICAL TRANSPORT	U024	152
D0292709	GUIDE PLATE:SEPARATOR:ASS'Y	U024	153
D0292710	COVER:HARNESS:MANUAL FEED TABLE	U024	154
D0292863	SHAFT:RELEASE:PAPER TRAY	U008_S001	25
		U009_S001	24
D0293471	GASKET:RFID	U014	22
D0294129	GUIDE:FUSING EXIT:PFA	U021_S001	34
D0294163	DECAL:WARNING (HIGH TEMPERATURE):FUSING:1	U021_S001	35
D0294202	BRACKET:STEPPER MOTOR:AUXILIARY:PEEN	U022	19
D0294204	HOLDER:GEAR	U022	20
D0294222	BRACKET:GEAR:SUPPORTING PLATE	U022	21
D0294339	BRACKET:SENSOR:ON-OFF	U022	22
D0294427	BRACKET:POSITIONING:GUIDE PLATE:MIDDLE	U023_S001	21
D0294439	STOPPER:GATE PAWL:ENTRANCE	U023_S001	22
D0294442	LEVER:GATE PAWL:ENTRANCE	U023_S001	23
D0294443	TENSION SPRING:GATE PAWL:ENTRANCE	U023_S001	24
D0294444	COVER:HARNESS	U023_S001	25
D0294474	DC SOLENOID:SUB-ASS'Y	U023_S001	26
D0294478	TENSION SPRING:RELEASE:DC SOLENOID	U023_S001	27
D0294482	GATE PAWL:UPPER:ASS'Y	U024	155
D0294485	LEVER:GATE PAWL:UPPER	U024	156
D0294486	TENSION SPRING:GATE PAWL:1.5N	U024	157
D0294488	TENSION SPRING:GUIDE PLATE:RIGHT	U024	158
D0294497	COMPRESSION SPRING:DRIVEN ROLLER:GATE	U024	159

Number	Part Name	Group	ID
D0294521	BRACKET:HARNESS	U024	160
D0294554	BRACKET:GUIDE PLATE:TRANSFER UNIT	U024	161
D0294555	SHEET:TRANSPORT SUB-UNIT:FEED PAPER AGAIN	U024	162
D0294590	HOOK:STOPPER:DUPLEX UNIT:ASS'Y	U024	163
D0295805	RACK:INNER BACK:AUXILIARY:MIDDLE	U031	11
D0295806	BRACKET:IOB	U031	12
D0295811	RACK:APPLICATION:FRONT:RIGHT	U031	13
D0295819	RACK:APPLICATION:FRONT:ASS'Y	U031	14
D0295861	GASKET:65TFV5-0.5:L90	U035	47
D0295863	GASKET:65TSV5-2:L23	U031	15
D0295887	GASKET:65TSV5-1:L150	U033	7
D0295888	GASKET:65TSV5-1:L100	U033	8
D0296145	RAIL:LEFT:C2	U035	48
D0296146	RAIL:RIGHT:C2	U035	49
D0296293	DRUM STAY:REAR	U024	164
D0296305	LEVER:RELEASE	U024	165
D0296307	COMPRESSION SPRING:GUIDE PLATE:EXIT:3.5N	U024	166
D0296320	BRACKET:LEVER:MIDDLE	U024	167
D0296321	ANCHOR:SPRING	U024	168
D0296322	SHAFT:LEVER:FRONT	U024	169
D0296323	SHAFT:LEVER:REAR	U024	170
D0296335	SHEET:CASE:LOWER	U024	171
D0296502	BRACKET:USED TONER SENSOR:C2	U020	21
D0394241	FUSING ENTRANCE GUIDE PLATE	U021_S001	36
D0891053	STOPPER:FUSING UNIT:FRONT	U035	50
D0891097	BRACKET:FAN:POWER SOURCE:HIGH	U035	51
D0891145	BRACKET:SENSOR COVER	U025_S001	18
D0891199	DRIVE UNIT:ON-OFF:TRANSFER	U027	4
D0891370	BRACKET:FAN:IMAGE FORMING SECTION	U034	29

WWW.SERVICE-MANUAL.NET

Exclusive Parts

Number	Part Name	Group	ID
D0891380	SEAL:GUIDE PLATE:SUPPLY	U034	30
D0891386	DUCT:EXIT	U034	31
D0891387	SHIELDING PLATE:IMAGE FORMING MD:LEFT	U035	52
D0891388	SEAL:SEPARATION PLATE:OPTICAL WRITING UNIT:LEFT INNER REAR	U035	53
D0891389	SEAL:COVER:LEFT:MIDDLE	U002	15
D0891390	SEAL:SIDE PLATE:FRONT:LEFT	U035	54
D0891741	BRACKET:TENSION:DRIVE WIRE	U005	31
D0891771	LENS:HOLDER:ASS'Y	U005	32
D0891840	XENON LAMP:ASS'Y	U005	33
D0891842	STABILIZER	U006	35
D0892560	BRACKET:CLEANER	U013	19
D0892745	STEPPER MOTOR:DUPLX:DC:1.44W	U026	27
D0892761	ARM:PICKUP	U010_S001	35
		U011_S001	35
D0892764	GEAR:FEED	U010_S001	36
		U011_S001	36
D0892767	FEELER:PAPER END	U010_S001	37
		U011_S001	37
D0892778	BRACKET:SENSOR:FEED	U010_S001	38
		U011_S001	38
D0892781	BRACKET:SENSOR	U010_S001	39
		U011_S001	39
D0892819	GEAR:SEPARATOR:INPUT	U010_S001	40
		U011_S001	40
D0892829	GUIDE:FEED	U010_S001	41
		U011_S001	41
D0892849	SEAL:TRAY:NO.1	U008	26
D0892940	TRAY BOTTOM PLATE:ASS'Y	U008_S001_S001	27
		U009_S001_S001	25
D0893205	NOZZLE:COLOR:ASS'Y	U014_S001	23
		U014_S002	23
		U014_S003	23
D0893286	NOZZLE:BK:ASS'Y	U014_S004	24
D0893304	BASE:TONER SUPPLY UNIT:ASS'Y	U014	25

Number	Part Name	Group	ID
D0893407	MAGNETIC CLUTCH:TONER BOTTLE:BK:ASS'Y	U014_S005	26
D0893408	MAGNETIC CLUTCH:TONER BOTTLE:YCM:ASS'Y	U014_S005	27
D0893424	SHAFT:DRIVE:DRIVE UNIT:BK	U014_S005	28
D0893426	SHAFT:DRIVE:DRIVE UNIT:YCM	U014_S005	29
D0893470	GROUND PLATE:RFID	U014	30
D0894351	PLATE:DC STEPPER MOTOR	U022	23
D0894353	STOPPER	U022	24
D0894360	GEAR:SLOW DOWN:WORM GEAR	U022	25
D0894391	GEAR:ON-OFF:PRESSURE ROLLER	U021_S001	37
D0894437	SPRING PLATE:EXIT ROLLER:OUTER	U023_S001	28
D0894461	GEAR:PULLEY:INPUT:27Z	U023_S001	29
D0894462	GEAR:PULLEY:DECURA:Z27/16T	U023_S001	30
D0894463	GEAR:PULLEY:IDLER:Z21/14T	U023_S001	31
D0894464	TIMING PULLEY:18T	U023_S001	32
D0894465	SYNCHRONOUS BELT:S2M:136	U023_S001	33
D0894466	SYNCHRONOUS BELT:S2M:104	U023_S001	34
D0894483	DRIVEN ROLLER:PAPER EXIT UNIT:VERTICAL TRANSPORT	U024	172
D0894484	GRIP:GATE PAWL:UPPER	U024	173
D0894486	GROUND PLATE:EXIT	U023_S001	35
D0894663	GUIDE PLATE:TRANSFER UNIT:HOLDER	U024	174
D0895761	PCB:PC4200:RAWCARD-F:2GB:ASS'Y	U033	9
D0895809	SHADEING PLATE:RACK:MIDDLE	U031	16
D0895824	COVER:SD-CARD:D086/D087	U033	10
D0895827	BRACKET:MAIN SWITCH	U030	35
D0895887	PANEL:INTERFACE	U033	11
D0896395	DENSITY SENSOR	U030	36
D0896481	PIPE:REAR:ASS'Y	U020_S001	22
D0896509	COLLECTION BOTTLE:EXP:ASS'Y	U019	1
D0896540	PIPE:FRONT:ASS'Y	U020	23
D1054365	HOLDER:THERMOPILE	U022	26
D1201336	CAP:COVER	U001	8

Exclusive Parts

Number	Part Name	Group	ID
		U002	16
D1201551	SHEET:LOGO	U003	10
D1201556	SHEET:LOGO:LAN	U003	11
D1201561	SHEET:LOGO:SAV	U003	12
D1202618	DISCHARGE BRUSH:PAPER FEED UNIT:UPPER	U010	42
D1202832	END FENCE:ASS'Y	U008_S001	28
		U009_S001	26
D1202864	LEVER:STOPPER:POSITIONING	U008_S001_S003	29
		U009_S001_S003	27
D1202872	DECAL:PAPER TRAY:NO.1	U008	30
D1202873	DECAL:PAPER TRAY:NO.2	U009	28
D1202874	DECAL:SIZE INDICATION:PAPER TRAY	Accessories	4
D1202875	DECAL:SIDE FENCE:REAR	U009_S001_S003	29
D1202924	LEVER:STOPPER:FRONT	U008_S001_S002	31
		U009_S001_S002	30
D1206490	DECAL:CAUTION:INKJET	U002	17
D1208868	DECAL:MAIN SWITCH:ON-STANDBY:DOM:NA	U001	9
D1291255	COVER:MAIN SWITCH	U001	10
D1291318	COVER:SCANNER:FRONT:EXP	U001	11
D1291321	COVER:BRACKET:OPERATION SUB-UNIT:UPPER-EXP	U001	12
D1291322	COVER:BRACKET:OPERATION SUB-UNIT:LOWER-EXP	U001	13
D1291394	SUPPORTING PLATE:BRACKET:OPERATION SUB-UNIT	U003	13
D1291396	BRACKET:OPERATION SUB-UNIT	U003	14
D1291422	TOUCH PANEL:WVGA:MV	U003_S001	15
D1291423	LCD:TFT:WVGA:LED:SH	U003_S001	16
D1291458	PCB:OP-R:ASS'Y	U003_S001	17
D1291459	PCB:OP-L:ASS'Y	U003_S001	18
D1291502	KEYTOP:START	U003_S001	19
D1291503	KEYTOP:STOP	U003_S001	20
D1291506	KEYTOP:RESET SWITCH	U003_S001	21
D1291507	KEYTOP:POWER SOURCE	U003_S001	22
D1291508	KEYTOP:HOME	U003_S001	23

Number	Part Name	Group	ID
D1291509	KEYTOP:LEFT	U003_S001	24
D1291510	LENS:FRONT	U003_S001	25
D1291513	SHADEING PLATE:TOUCH PANEL	U003_S001	26
D1291531	COVER:UPPER:NA	U003_S001	27
D1291533	KEYTOP:10KEY:NA	U003_S001	28
D1291545	SHEET:SIDE:NA	U003_S001	29
D1291566	SHEET:APPLICATION:MULTI-LANGUAGE:NA	Accessories	5
D1291568	SHEET:APPLICATION:MULTI-LANGUAGE:BLANK	Accessories	6
D1291573	SHEET:JOURNAL:AA-C3:NA	U003_S001	30
D1291773	SCALE:MACHINE OR COPIER	U004	8
D1291779	SCALE:LEFT:NA:ASS'Y	U004	9
D1291782	SCALE:REAR:PRINTING	U004	10
D1292621	COVER:MANUAL FEED UNIT	U024	175
D1292657	ARM:MANUAL FEED:SHORT:FRONT	U024	176
D1292658	ARM:MANUAL FEED:SHORT:REAR	U024	177
D1292661	COVER:MANUAL FEED	U024	178
D1292662	MANUAL FEED TABLE	U024	179
D1292664	COVER:MANUAL FEED:ENTRANCE	U024	180
D1292667	EXTENSION TRAY:MANUAL FEED	U024	181
D1292673	SIDE FENCE:REAR	U024	182
D1292674	SIDE FENCE:FRONT	U024	183
D1292675	DECAL:SIDE FENCE:MANUAL FEED	U024	184
D1292726	GRIP:SIDE FENCE:MANUAL FEED	U024	185
D1292743	DECAL:TRAY:MANUAL FEED:EXTENSION TRAY:EXP	U024	186
D1292745	DECAL:PAPER SET DIRECTION:MANUAL FEED:EXP	U024	187
D1292748	DECAL:SCALE:MANUAL FEED	U024	188
D1292783	TORQUE LIMITER MECHANICAL CLUTCH:40NM:DI18	U010_S001	43
		U011_S001	42
		U024	189
D1292837	GUIDE PLATE:SWIVEL	U012	5
D1292842	GUIDE PLATE:SWIVEL:NO.2	U012	6

WWW.SERVICE-MANUAL.NET

Exclusive Parts

Number	Part Name	Group	ID
D1292920	SIDE FENCE:FRONT:ASS'Y	U009_S001_S002	31
D1292930	SIDE FENCE:REAR:ASS'Y	U009_S001_S003	32
D1294486	TRAY:EXIT	U002	18
D1294487	END FENCE:EXIT	U002	19
D1294531	GUIDE PLATE:COVER:OPEN AND CLOSE	U024	190
D1294540	COVER:DUPLEX	U024	191
D1294579	GRIP:OPEN AND CLOSE:DUPLEX UNIT	U024	192
D1296605	DECAL:MISFEED REMOVAL:B1	U002	20
D1296610	DECAL:CAUTION:ORIGINAL:ENGLISH	U001	14
D1435710	PCB:D143:EXP:SERVICE:ASS'Y:(for D143)	U033	12
D1436807	DECAL:MODEL NAME PLATEC:EXP:RIC	U001	15
D1436808	DECAL:MODEL NAME PLATE:D143A:EXP:RIC:(for D143)	U001	16
D1436825	DECAL:MODEL NAME PLATEC:NA:SVN:(for D143)	U001	17
D1436826	DECAL:MODEL NAME PLATEC:NA:LAN:(for D143)	U001	18
D1436833	DECAL:MODEL NAME PLATE:AP-C3C_A:NA:SVN:(for D143)	U001	19
D1436834	DECAL:MODEL NAME PLATE:AP-C3C_A:NA:LAN:(for D143)	U001	20
D1437004	MANUAL:USER_GUIDE:NA	Accessories	7
D1437008	MANUAL:READ_THIS_FIRST:NA	Accessories	8
D1440621	CLEANING UNIT:INTERMEDIATE TRANSFER:ASS'Y	U018	1
D1441010	DRUM STAY:PCU:ASS'Y	U002_S001	21
D1441054	SEAL:DUCT:FUSING:LEFT:FRONT	U035	55
D1441085	STEPPED SCREW:M3	U004	11
		U030	37
D1441087	SCREW:LEVER:DRUM STAY	U002_S001	22
		U030	38
D1441094	DUCT:FUSING:LEFT	U035	56
D1441096	SEAL:DUCT:FUSING:LEFT:REAR	U035	57

Number	Part Name	Group	ID
D1441110	DRIVE UNIT:ENGINE:D143/D144:ASS'Y	U025_S001	19
D1441132	BRACKET:PAPER FEED:ASS'Y	U026	28
D1441135	DRUM STAY:DRIVE UNIT:PAPER FEED:ASS'Y	U026	29
D1441139	GEAR:PAPER FEED:NO.4	U026	30
D1441142	BRACKET:DRIVE UNIT:REGISTRATION:ASS'Y	U026	31
D1441146	GEAR:REGISTRATION:NO.1	U026	32
D1441172	GEAR:FUSING:NO.1	U028	18
D1441173	GEAR:FUSING:NO.2	U028	19
D1441174	GEAR:EXIT:NO.1	U028	20
D1441175	GEAR:EXIT:IDLER	U028	21
D1441176	BRACKET:FUSING/PAPER EXIT UNIT:ASS'Y	U028	22
D1441179	SYNCHRONOUS BELT:S2M:5X316	U022	27
D1441187	BRACKET:FUSING:SHUTTER:MAIN ASS'Y:ASS'Y	U022	28
D1441190	TENSION SPRING:1.5N:23MM	U022	29
D1441191	GEAR:PULLEY:FUSING:SHUTTER:NO.1	U022	30
D1441192	GEAR:PULLEY:FUSING:SHUTTER:NO.2	U022	31
D1441193	PULLEY:FUSING:SHUTTER:NO.3	U022	32
D1441194	BRACKET:TIGHTENER:FUSING:SHUTTER:ASS'Y	U022	33
D1441197	ROLLER:TIGHTENER:FUSING:SHUTTER	U022	34
D1441230	INNER COVER:LEFT	U002	23
D1441233	INNER COVER:MIDDLE	U002	24
D1441236	INNER COVER:UPPER:RIGHT:EXP	U002	25
D1441239	INNER COVER:UPPER:LEFT:EXP	U002	26
D1441242	COVER:RIGHT REAR:FAN	U002	27
D1441244	COVER:RIGHT:REAR	U002	28
D1441247	COVER:RIGHT:FRONT:EXP	U002	29
D1441249	COVER:RIGHT:UPPER MIDDLE	U002	30
D1441250	COVER:FRONT:ASS'Y	U001	21
D1441257	COVER:FRONT:COLLECTION BOT	U001	22

WWW.SERVICE-MANUAL.NET

Exclusive Parts

Number	Part Name	Group	ID
	TLE:EXP		
D1441261	COVER:UPPER	U002	31
D1441263	COVER:INNER BACK	U002	32
D1441266	COVER:PAPER EXIT SUB-UNIT:UPPER	U002	33
D1441269	COVER:FRONT RIGHT:EXP	U002	34
D1441272	COVER:FRONT RIGHT:UPPER:EXP	U002	35
D1441274	COVER:INNER BACK:MIDDLE:EXP	U002	36
D1441279	CLEANER:SHIELD GLASS:ASS'Y	U001	23
D1441281	COVER:LEFT	U002	37
D1441283	COVER:LEFT:INTERFACE	U002	38
D1441284	COVER:LEFT:MIDDLE	U002	39
D1441286	COVER:LEFT:UPPER:EXP	U002	40
D1441291	COVER:REAR	U002	41
D1441293	COVER:REAR:UPPER:EXP	U002	42
D1441295	COVER:OPTION:SCANNER:REAR:SP-IG:(for 1Pass)	U001	24
D1441334	COVER:SCANNER:LEFT:EXP	U001	25
D1441336	COVER:SCANNER:RIGHT:EXP	U001	26
D1441338	COVER:SCANNER:REAR:EXP	U001	27
D1441340	COVER:SCANNER:REAR:AP-C3-1PASS:EXP:(for 1Pass)	U001	28
D1441354	BRACKET:FAN	U034	32
D1441355	SEAL:BRACKET:FAN	U034	33
D1441356	BRACKET:FILTER:FRONT RIGHT:ASS'Y	U034	34
D1441369	DUCT:REAR:LOWER RIGHT	U034	35
D1441371	SEAL:DUCT:HEATER:FRONT	U034	36
D1441379	GUIDE PLATE:SUPPLY	U034	37
D1441381	DUCT:SUPPLY:FRONT	U034	38
D1441382	DUCT:SUPPLY:REAR	U034	39
D1441383	DUCT:HEATER:FRONT	U034	40
D1441384	DUCT:HEATER:REAR	U034	41
D1441385	DUCT:SUPPLY:TUBE	U034	42
D1441391	STOPPER:LEVER:DRUM STAY:N5R	U002	43
D1441392	LEVER:DRUM STAY:PCU:N5R	U002_S001	44

Number	Part Name	Group	ID
D1441396	HOLDER:EXPOSURE GLASS:IG:ASS'Y	Accessories	9
D1441401	OPERATION SUB-UNIT:NA:ASS'Y	U003_S001	31
D1441441	PCB:LCDC:NA:FT	U003_S001	32
D1441747	DRIVE WERE:CARRIAGE:DIA1.0	U005	34
D1441851	OPTICAL WRITING UNIT:2LD:ASS'Y	U007_S001	6
D1442200	PCDU:BK	U016_S001	3
D1442201	PCDU:M	U016_S003	4
D1442202	PCDU:C	U016_S002	5
D1442203	PCDU:Y	U016_S004	6
D1442250	PCU:BK:ASS'Y	U016_S001	7
D1442252	PCU:COLLAR:ASS'Y	U016_S002	8
		U016_S003	8
		U016_S004	8
D1442558	KNOB:REGISTRATION ROLLER	U013	20
D1442614	CASE:REMOVE PAPER DUST	U013	21
D1442747	DECAL:PAPER SET DIRECTION:TRAY:RIGHT:EXP	U009	33
D1442750	PAPER FEED UNIT:ASS'Y	U010_S001	44
		U011_S001	43
D1442850	PAPER TRAY:NO.1:ASS'Y	U008_S001	32
D1442857	COVER:PAPER TRAY:NO.1	U008_S001	33
D1442870	SIDE FENCE:FRONT:UNIVERSAL:NO.1:ASS'Y	U008_S001_S002	34
D1442880	SIDE FENCE:REAR:UNIVERSAL:NO.1:ASS'Y	U008_S001_S003	35
D1442896	STEPPED SCREW:PAPER FEED	U008_S001	36
D1443010	DEVELOPMENT UNIT:BK:ASS'Y	U016_S001	9
D1443030	DEVELOPMENT UNIT:C:ASS'Y	U016_S002	10
D1443040	DEVELOPMENT UNIT:Y:ASS'Y	U016_S004	11
D1443221	PUMP UNIT:BK:ASS'Y	U015	7
D1443222	PUMP UNIT:Y:ASS'Y	U015	8
D1443223	PUMP UNIT:C:ASS'Y	U015	9
D1443224	PUMP UNIT:M:ASS'Y	U015	10
D1443364	DECAL:COLORED DISPLAY:INNER COVER:BK	U002	45
D1443365	DECAL:COLORED DISPLAY:INNER	U002	46

WWW.SERVICE-MANUAL.NET

Exclusive Parts

Number	Part Name	Group	ID
	COVER:Y		
D1443366	DECAL:COLORED DISPLAY:INNER COVER:C	U002	47
D1443367	DECAL:COLORED DISPLAY:INNER COVER:M	U002	48
D1443405	DRIVE UNIT:TONER SUPPLY SUB-UNIT:ASS'Y	U014_S005	31
D1444021	FUSING UNIT:NA:MAINTENANCE:ASS'Y	U021_S001	38
D1444057	PRESSURE ROLLER:ASS'Y	U021_S001	39
D1444081	SLEEVE:FUSING:NA:ASS'Y	U021_S001	40
D1444100	FUSING COVER:LOWER	U021_S001	41
D1444103	FUSING COVER:UPPER	U021_S001	42
D1444104	CAM:ON-OFF:PRESSURE ROLLER	U021_S001	43
D1444110	BRACKET:THERMISTOR:PRESSURE ROLLER	U021_S001	44
D1444113	LEVER:PRESSURE ROLLER	U021_S001	45
D1444114	HOLDER:PRESSURE ROLLER:FRONT:PEEN	U021_S001	46
D1444134	GUIDE PLATE:FUSING EXIT:LEFT	U021_S001	47
D1444136	STRIPPER PLATE:FUSING EXIT	U021_S001	48
D1444137	ELECTRODE PLATE:HEATER:REAR	U021_S001	49
D1444138	ELECTRODE PLATE:CONNECTING:THERMOSTAT	U021_S001	50
D1444142	ENCODER:ON-OFF:PRESSURE ROLLER	U021_S001	51
D1444159	HOLDER:PRESSURE ROLLER:REAR:PEEN	U021_S001	52
D1444164	ADJUSTING PLATE:PRESSURE	U021_S001	53
D1444170	GUIDE PLATE:FUSING EXIT:RIGHT	U021_S001	54
D1444173	DISCHARGE BRUSH:PRESSURE ROLLER	U021_S001	55
D1444175	GUIDE:COIL SPRING:PRESSURE SUB-UNIT	U021_S001	56
D1444180	ADJUSTING SCREW:PRESSURE	U021_S001	57
D1444185	GEAR:MECHANICAL ROLLER CLUTCH:Z17	U022	35

Number	Part Name	Group	ID
D1444187	SPACER:SHUTTER:FRONT	U021_S001	58
D1444188	SPACER:SHUTTER:REAR	U021_S001	59
D1444191	PLATE:SHUTTER	U021_S001	60
D1444192	SPRING PLATE:0.25MM	U021_S001	61
D1444193	BRACKET:CAM:SHUTTER:FUSING EXIT	U022	36
D1444194	CAM:SHUTTER:FUSING EXIT	U022	37
D1444199	SHAFT:CAM:SHUTTER:FUSING EXIT	U022	38
D1444201	BRACKET:GEAR:SLOW DOWN	U022	39
D1444202	STEPPER MOTOR:ASS'Y	U022	40
D1444204	TORSION SPRING:CAM:SHUTTER:FUSING EXIT	U022	41
D1444210	DECAL:C2:BLUE:FUSING	U021_S001	62
D1444211	SHEET:LEVER	U021_S001	63
D1444219	PROOFING MATERIAL:FUSING COVER:LOWER	U021_S001	64
D1444221	DECAL:WARNING (HIGH TEMPERATURE):GUIDE PLATE:OPEN AND CLOSE	U024	193
D1444222	DECAL:H-TEMP WARNING:FUSING G:2	U021_S001	65
D1444225	SHAFT:ON-OFF:PRESSURE ROLLER	U021_S001	66
D1444289	GUIDE:HARNESS:FUSING	U021_S001	67
D1444405	PAPER EXIT UNIT:MACHINE OR COPIER:ASS'Y	U023_S001	36
D1444421	GUIDE PLATE:UPPER LEFT	U023_S001	37
D1444425	BRACKET:SENSOR	U023_S001	38
D1444426	BRACKET:SENSOR:GATE	U023_S001	39
D1444427	GUIDE PLATE:UPPER RIGHT	U023_S001	40
D1444431	GUIDE PLATE:EXIT:LOWER	U023_S001	41
D1444433	BRACKET:SENSOR:FUSING EXIT	U023_S001	42
D1444436	SPRING PLATE:EXIT ROLLER:INNER	U023_S001	43
D1444445	GATE PAWL:ENTRANCE:ASS'Y	U023_S001	44
D1444446	SHEET:EXIT:PTFE:REAR	U023_S001	45
D1444447	SHEET:EXIT:PTFE:FRONT	U023_S001	46

WWW.SERVICE-MANUAL.NET

Exclusive Parts

Number	Part Name	Group	ID
D1444455	TRANSPORT ROLLER:GATE	U023_S001	47
D1444456	EXIT ROLLER	U023_S001	48
D1444457	TRANSPORT ROLLER:TRANSPOR T	U023_S001	49
D1444481	GUIDE PLATE:OPEN AND CLOSE	U024	194
D1444482	GUIDE:GUIDE PLATE:OPEN AND C LOSE	U024	195
D1444483	DECAL:KNOB:Z	U024	196
D1444484	SHOULDER SCREW - M3	U023_S001	50
D1444489	STOPPER:DRIVEN ROLLER	U024	197
D1444494	EXIT ROLLER:DRIVEN:INNER	U023_S001	51
D1444495	EXIT ROLLER:DRIVEN:OUTER	U023_S001	52
D1444497	ROLLER:DRIVEN:TRANSPORT	U023_S001	53
D1444533	INNER COVER:DUPLEX:REAR	U024	198
D1444534	INNER COVER:DUPLEX	U024	199
D1445111	PCB:BCU:D143/D144:ASS'Y	U031	17
D1445112	PCB:BCU:AP-C3:1PASS:ASS'Y:(for 1Pass)	U031	18
D1445119	PCB:BRB	U014	32
D1445120	PCB:IOB	U031	19
D1445138	PCB:SIO	U006	36
D1445150	PCB:IMAGE PROCESSING UNIT:D UAL:(for 1Pass)	U031	20
D1445152	PCB:IPU:EXP	U031	21
D1445196	AC CONTROL BOARD:DOM/NA	U030	39
D1445710	PCB:D144:EXP:SERVICE:ASS'Y:(for D144)	U033	13
D1445765	HDD:WD:320GB	U033	14
D1445795	SD-CARD:PDF/VM_CALYPSO:EXP: ASS'Y	U033	15
D1445803	BRACKET:SDB	U032	4
D1445811	RACK:APPLICATION:FRONT:RIGH T:(for 1Pass)	U031	22
D1446011	TRANSFER UNIT:INTERMEDIATE TRANSFER:ASS'Y	U017	1
D1446204	TRANSFER/SEPARATION UNIT:AS S'Y	U024	200
D1446285	TERMINAL:TRANSFER ROLLER	U024	201

Number	Part Name	Group	ID
D1446289	TERMINAL:SEPARATION	U024	202
D1446310	SPRING:TRANSFER	U024	203
D1446807	DECAL:MODEL NAME PLATED:EX P:RIC:(for D144)	U001	29
D1446808	DECAL:MODEL NAME PLATE:D144 :EXP:RIC:(for D144)	U001	30
D1446809	DECAL:CLEANING:POSITIONING D ISPLAY	U002	49
D1446823	DECAL:LEVER:LOCK:FUSING	U035	58
D1446825	DECAL:MODEL NAME PLATED:NA: SVN:(for D144)	U001	31
D1446826	DECAL:MODEL NAME PLATED:NA: LAN:(for D144)	U001	32
D1446856	SHEET:COVER:FRONT	U001	33
D1449590	NV-RAM	U033	16
D1449640	DEVELOPER:K	U016	12
D1449660	DEVELOPER:C	U016	13
D1449670	DEVELOPER:M	U016	14
D1449680	DEVELOPER:Y	U016	15
D4344265	TIMING BELT:40S3M237	U028	23
D5802870	GRIP:PAPER TRAY	U008_S001	37
		U009_S001	34
D5802900	PAPER TRAY:NO.2:ASS'Y	U009_S001	35
D5802946	COVER:PAPER TRAY:NO.2	U009_S001	36
D6306022	DECAL:CAUTION:ORIGINAL:MANY LANGUAGES	Accessories	10
G0201332	HINGE - FRONT COVER	U001	34
G0219350	Loop-back Connector Parallel	Special Tools	10
G0602652	BUSHING - M4	U024	204
G0602932	PICK-UP ARM - MANUAL FEED	U024	205
G0604435	BUSHING - M4	U024	206
G0652767	LEVER - FEED	U010_S001	45
		U011_S001	44
G0652774	PRESSURE LEVER	U010_S001	46
		U011_S001	45
G0652775	LINK LEVER	U010_S001	47
		U011_S001	46
G0652776	RELEASE LEVER	U010_S001	48

WWW.SERVICE-MANUAL.NET

Exclusive Parts

Number	Part Name	Group	ID
		U011_S001	47
G1331295	OZONE FILTER	U002	50
G1336537	MAGNET CATCH	U001	35
G4042810	SPRING PLATE - 2ND MIRROR	U005_S001	35
G5701133	TIMING PULLEY 73	U005	36
G5701160	SPACER BUSHING	U006	37
G5702730	SLIDER - SCANNER	U005_S002	37
G5702832	GUIDE - HIGH VOLTAGE SUPPLY CORD	U005_S001	38
G5702833	PULLEY HOLDER	U005_S001	39
G5702834	PULLEY - HIGH VOLTAGE SUPPLY CORD	U005	40
GA003030	DECAL - SHIELDING PLATE Y	U002	51
		U016_S004	16
GA003031	DECAL - SHIELDING PLATE M	U002	52
		U016_S003	17
GA003032	DECAL - SHIELDING PLATE C	U002	53
		U016_S002	18
GA003033	DECAL - SHIELDING PLATE K	U002	54
GA003268	DECAL:PDF:I-GRAY:ABS	U001	36
GA082007	PLAIN SHAFT BEARING:4XDIA6DI A8	U022	42
GA132007	SPACER:GEAR:PHOTOCONDUCTOR:NO.1	U022	43
GX640031	FAN MOTOR:DC:2.64W	U034	43
H5115007	STAMP	Accessories	11
M0261815	CLAMP:MIRROR:NO.1	U005_S002	41
M0265194	PCB:SDB	U032	5

Standard Parts



03125040N
SCREW - M2.5X4



03140120N
SCREW - M4X12



03530040N
SCREW - M3X4



03530050N
SCREW-M3X5



03530080N
SCREW:M3X8



03530250N
SCREW:M3X25



03603006N
SCREW - M3X6



03603008N
SCREW:M3X8



03603016N
SCREW - M3X16



03603020N
SCREW:M3X20



03604010N
SCREW:M4X10



04503008N
TAPPING SCREW - M3X8



04503010N
TAPPING SCREW - M3X10



04503012N
TAPPING SCREW:3X12



04503020N
TAPPING SCREW:3X20



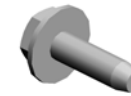
04504008N
TAPPING SCREW - M4X8



04513006N
TAPPING SCREW - 3X6



04513008N
TAPPING SCREW - M3X8



04513010N
TAPPING SCREW:3X10



04513012N
TAPPING SCREW:3X12



04513016N
TAPPING SCREW - 3X16



04533006N
TAPPING SCREW - M3X6



04533008N
BINDING SELF TAPPING SCREW:3X8



04543005Q
TAPPING SCREW::3X5



04543006Q
TAPPING SCREW - M3X6



04543008Q
TAPPING SCREW:3X8



04543020Q
TAPPING SCREW::3X20



04563008N
TAPPING SCREW - M3X8

Standard Parts



04563010N
TAPPING SCREW - M3X10



04573008N
TAPPING SCREW - M3X8



04593010N
BINDING HEAD TAPPING SC
REW:3X10



06320120G
PARALLEL PIN - 2X12



07010040N
WASHER:DIA4



07200030E
RETAINING RING - M3



07200040E
RETAINING RING - M4



07200060E
RETAINING RING - M6



07200080E
RETAINING RING - M8



07403506
BALL BEARING:DIA6XDIA12X
4



07403808
BALL BEARING:DIA8XDIA16X
5



08010231
HEXAGONAL HEAD BOLT W/
WASHER:M3X6



08025299
TAPPING SCREW - M3X8



08025308
TAPPING SCRER:FAN



08025312
TAPPING SCREW:WASHER:3
X10



08025317
BINDING HEAD TAPPING SC
REW:ES:3X8



08025318
BINDING HEAD TAPPING SC
REW:ES:3X10



08046123
HEXAGONAL BOLT:W/WASH
ER:M3X8



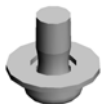
08050088
RETAINING RING - M6



08050089
RETAINING RING - M4



08050092
RETAINING RING - 3M



09543006N
SCREW - M3X6



09544008N
SCREW - M4X8



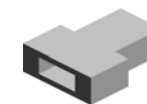
09573008N
SCREW:SMALL ROUND/SPRI
NG:M3X8



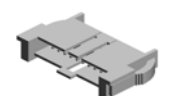
09574008N
SCREW:SMALL ROUND/SPRI
NG:M4X8



11024559
CONNECTOR - 3P



11026245
RELAY CONNECTOR - 2P



11026253
CONNECTOR

Standard Parts



11026259
CONNECTOR - 2P



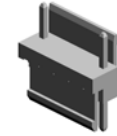
11028502
CONNECTOR - 54679-1615



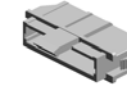
11028534
CONNECTOR - QR/P17-14S-
B



11029782
CONNECTOR:51405-1819



11033354
CONNECTOR:B2P5-VH-TW-R
(LF)(SN)



11033657
CONNECTOR:55482-1319



11050487
HARNESS CLAMP



11050488
HARNESS CLAMP



11050489
HARNESS CLAMP - LWS 131
6



11050508
HARNESS CLAMP - LWS-071
1



11050511
HARNESS CLAMP - LWS-030
6ZC



11050516
CLAMP



11050517
HARNESS CLAMP - LWS-211
1Z



11050529
NYLON CLAMP:EMT-3N



11050534
CLAMP



11050551
CLAMP:LES-0505



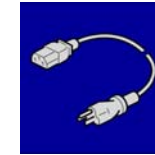
11050692
CLAMP:LES-0503



11050723
CLAMPS:WES-0507



11050724
CLAMPS:WES-1210



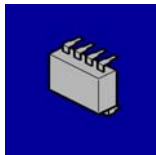
11500415
POWER SUPPLY CODE:125V
:NA



12042877
SWITCH:RS51-AJAH



12042912
MICRO SWITCH:D3V-16-3C2
5(10E)



14077667
EEPROM:BR24T128-W



16071859
FERRITE CORE:E04SR24133
6A

PM Part List

Number	Part Name	Num	Group	ID
B2231276	FILTER:RIGHT REAR	1	U002	8
D0291278	OZONE FILTER:NO.2	2	U002	14
D0896509	COLLECTION BOTTLE:EXP:ASS'Y	1	U019	1
D1440621	CLEANING UNIT:INTERMEDIATE TRANSFER:ASS'Y	1	U018	1
D1441356	BRACKET:FILTER:FRONT RIGHT:ASS'Y	1	U034	34
D1442250	PCU:BK:ASS'Y	1	U016_S001	7
D1442252	PCU:COLLAR:ASS'Y	3	U016_S002	8
			U016_S003	8
			U016_S004	8
D1443010	DEVELOPMENT UNIT:BK:ASS'Y	1	U016_S001	9
D1443030	DEVELOPMENT UNIT:C:ASS'Y	1	U016_S002	10
D1443040	DEVELOPMENT UNIT:Y:ASS'Y	1	U016_S004	11
D1443221	PUMP UNIT:BK:ASS'Y	1	U015	7
D1443222	PUMP UNIT:Y:ASS'Y	1	U015	8
D1443223	PUMP UNIT:C:ASS'Y	1	U015	9
D1443224	PUMP UNIT:M:ASS'Y	1	U015	10
D1444057	PRESSURE ROLLER:ASS'Y	1	U021_S001	39
D1444081	SLEEVE:FUSING:NA:ASS'Y	1	U021_S001	40
D1446011	TRANSFER UNIT:INTERMEDIATE TRANSFER:ASS'Y	1	U017	1
D1446204	TRANSFER/SEPARATION UNIT:ASS'Y	1	U024	200
D1449640	DEVELOPER:K	1	U016	12
D1449660	DEVELOPER:C	1	U016	13
D1449670	DEVELOPER:M	1	U016	14
D1449680	DEVELOPER:Y	1	U016	15
G1331295	OZONE FILTER	1	U002	50

