



RICOH UNIVERSITY

Learning ♦ Knowledge ♦ Performance



D088/D089
PARTS CATALOG

006190MIU

LANIER RICOH SAVIN



D088/D089
PARTS CATALOG

LANIER
RICOH
SAVIN®



RICOH UNIVERSITY
Learning ♦ Knowledge ♦ Performance

D088/D089 PARTS CATALOG

006190MIU

LANIER RICOH SAVIN®

CÓPIA NÃO CONTROLADA

CÓPIA NÃO CONTROLADA

It is the reader's responsibility when discussing the information contained within this document to maintain a level of confidentiality that is in the best interest of Ricoh Americas Corporation and its member companies.

**NO PART OF THIS DOCUMENT MAY BE REPRODUCED IN ANY
FASHION AND DISTRIBUTED WITHOUT THE PRIOR
PERMISSION OF RICOH AMERICAS CORPORATION.**

All product names, domain names or product illustrations, including desktop images, used in this document are trademarks, registered trademarks or the property of their respective companies.

They are used throughout this book in an informational or editorial fashion only and for the benefit of such companies. No such use, or the use of any trade name, or web site is intended to convey endorsement or other affiliation with Ricoh products.

© 2010 RICOH Americas Corporation. All rights reserved.

CÓPIA NÃO CONTROLADA

CÓPIA NÃO CONTROLADA

LEGEND

PRODUCT CODE	COMPANY			
	GESTETNER	LANIER	RICOH	SAVIN
D088	MP C4501	LD645C	Aficio MP C4501	C9145
D089	MP C5501	LD655C	Aficio MP C5501	C9155
B408	SR790			
B804	Booklet Finisher SR3020			
B805	Finisher SR3030			
D386	Bridge Unit BU3030			
D388	Internal Shift Tray SH3040			
D536	1 Bin Tray BN3080			
D537	Paper Feed Unit PB3100			
D538	LCIT PB3110			
D539	LCIT RT3010			
D540	ARDF DF3040			
D542	Side Tray Type C5501			
D545	Fax Option Type C5501			
D546	Controller Options			
D547	Envelope Feeder EF3000			

CÓPIA NÃO CONTROLADA

CÓPIA NÃO CONTROLADA

DOCUMENTATION HISTORY

REV. NO.	DATE	COMMENTS
*	04/2008	Original Printing

CÓPIA NÃO CONTROLADA

CÓPIA NÃO CONTROLADA

CÓPIA NÃO CONTROLADA
Unit All



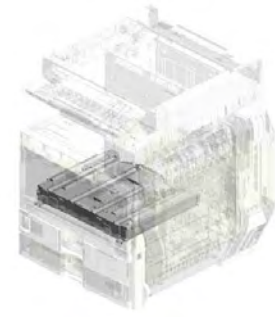
U001
Exterior



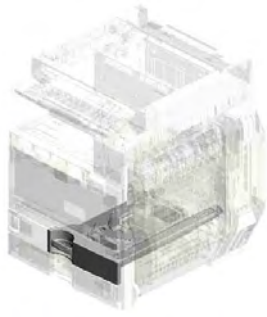
U002
Operation



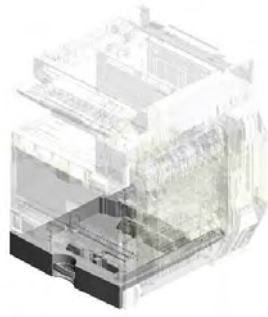
U003
Scanner



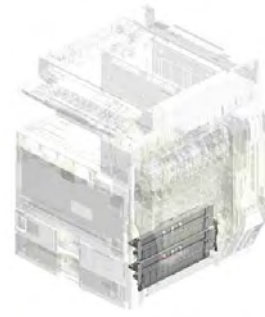
U004
Laser Unit



U005
Paper Tray(1st)



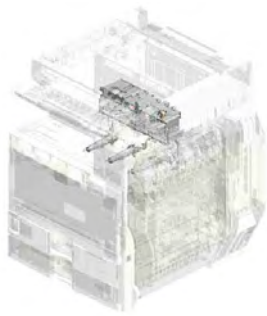
U006
Paper Tray(2nd)



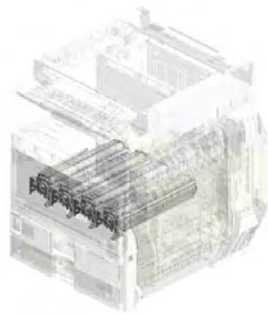
U007
Paper Feed



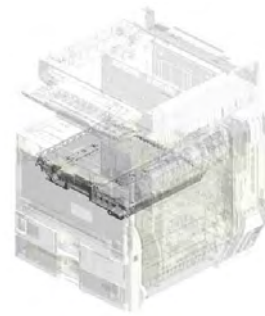
U008
Paper Registration



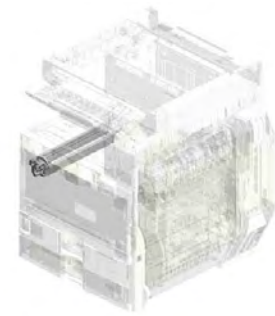
U009
Tonner Suppy



U010
PCDU

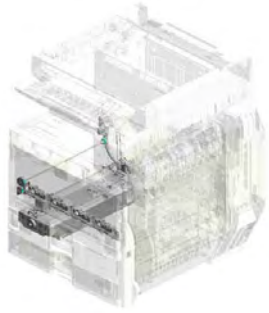


U011
ITB Unit

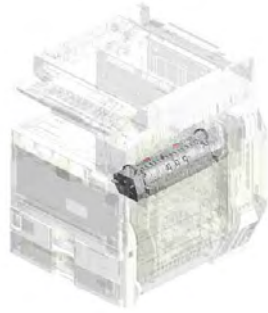


U012
ITB Cleaning

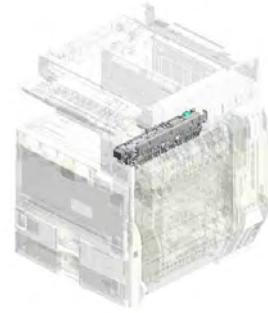
CÓPIA NÃO CONTROLADA
Unit All



U013
Used Toner



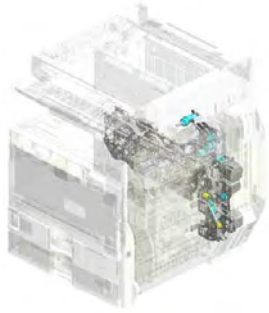
U014
Fusing



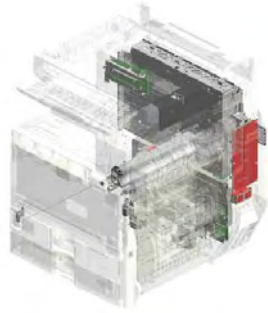
U015
Paper Exit



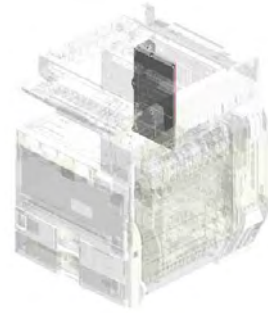
U016
Duplex



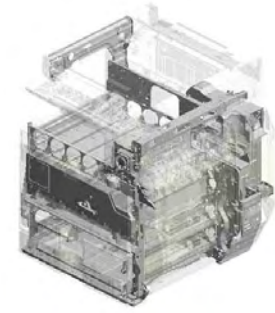
U017
Main Drive



U018
Electrical



U019
Controller



U020
Main Frame

U001
Exterior

CÓPIA NÃO CONTROLADA



- 2.04503010N (x5) TAPPING SCREW - M3X10
- 10.B0241264 MAGNET CATCH
- 1.03530050N (x2) SCREW-M3X5
- 3.04513006N TAPPING SCREW - 3X6
- 12.B2221820 COVER:SCANNER: REAR:EU

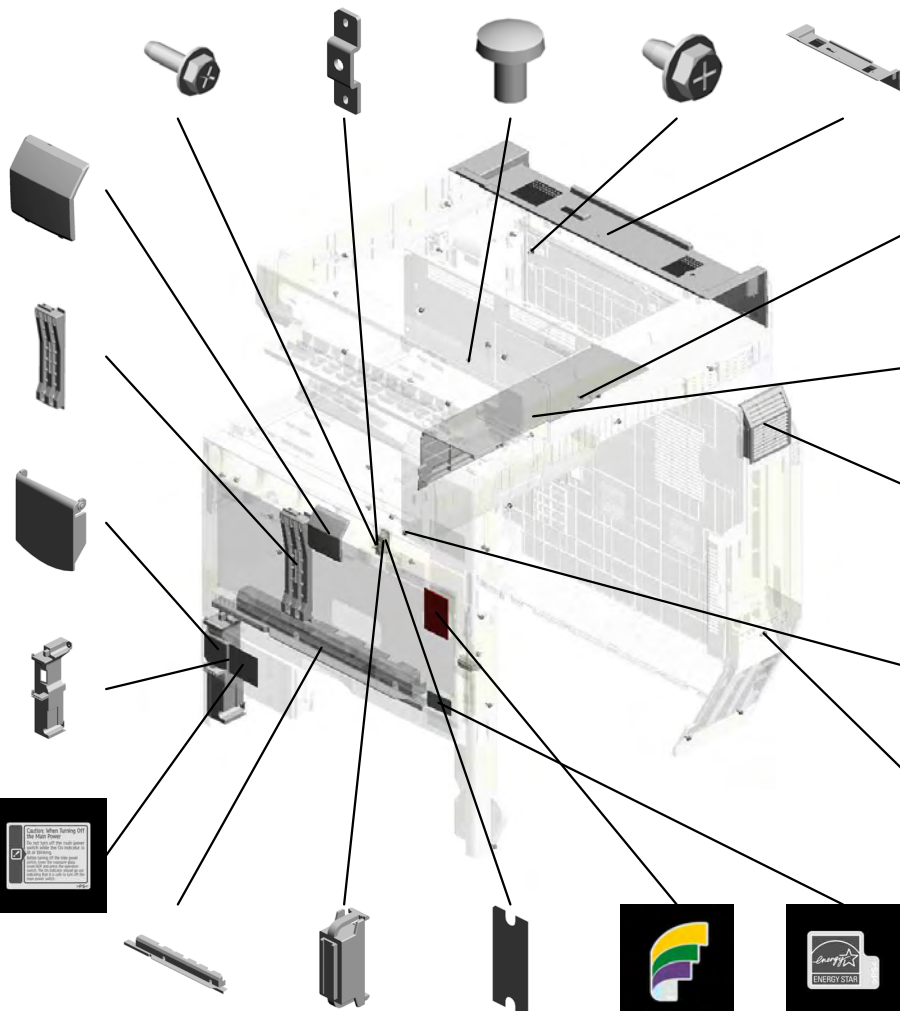
17.B2231253 EMBLEM COVER

15.B2231246 GUIDE PLATE:SCANNER

18.B2231255 COVER - MAIN SWITCH

13.B2231242 INNER COVER - LEFT

11.B1321573 DECAL - POWER SOURCE:OFF



4.04513008N (x37) TAPPING SCREW - M3X8

19.B2231266 COVER:PAPER EXIT UNIT:UPPER

20.B2231274 COVER:RIGHT REAR:FAN

5.04543008Q (x2) TAPPING SCREW: 3X8

8.AA143823 (x4) TAPPING SCREW

14.B2231244 INNER COVER - MIDDLE

9.AG071012 (x2) MAGNET CATCH:ASSY

16.B2231249 STOPPER:MAGNET CATCH

6.AA000239 DECAL:COLOR:MF

7.AA001477 DECAL:ENERGY-STAR

U001	U002	U003	U004	U005	U006	U007	U008	U009	U010	U011	U012	U013	U014	U015	U016	U017	U018	U019	U020
------	------	------	------	------	------	------	------	------	------	------	------	------	------	------	------	------	------	------	------

CÓPIA NÃO CONTROLADA

U001
Exterior

CÓPIA NÃO CONTROLADA



23.B2231293
(x2)
CAP:COVER:REAR

27.B2234487
EXIT END FENCE

38.D0091260
UPPER COVER

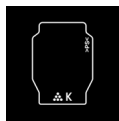
39.D0251261
COVER:INNER BACK

24.B2231807
(x2)
BRACKET:EXTERIOR:REAR

26.B2234486
EXIT TRAY

25.B2231819
COVER:SCANNER:RIGHT

34.B2383364
DECAL:COLORED DISPLAY:BLACK:INNER COVER



30.B2241263
COVER:INNER BACK:MIDDLE:EU

35.B2383365
DECAL:COLORED DISPLAY:YELLOW:INNER COVER



21.B2231276
FILTER:RIGHT REAR

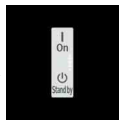
37.B2383367
DECAL:COLORED DISPLAY:MAGENTA:INNER COVER



36.B2383366
DECAL:COLORED DISPLAY:CYAN:INNER COVER



31.B2371372
(x2)
DECAL - MAIN SWITCH ON-STANDBY



32.B2381362
DECAL - MISFEED REMOVAL B1



29.B2241257
COVER:FRONT:COLLECTION BOTTLE

33.B2381368
(x4)
DECAL - CLEANING

22.B2231279
CLEANER:SHIELD GLASS:ASSY

28.B2241251
COVER:FRONT:EU

40.D0281271
COVER:RIGHT:FRONT:NA



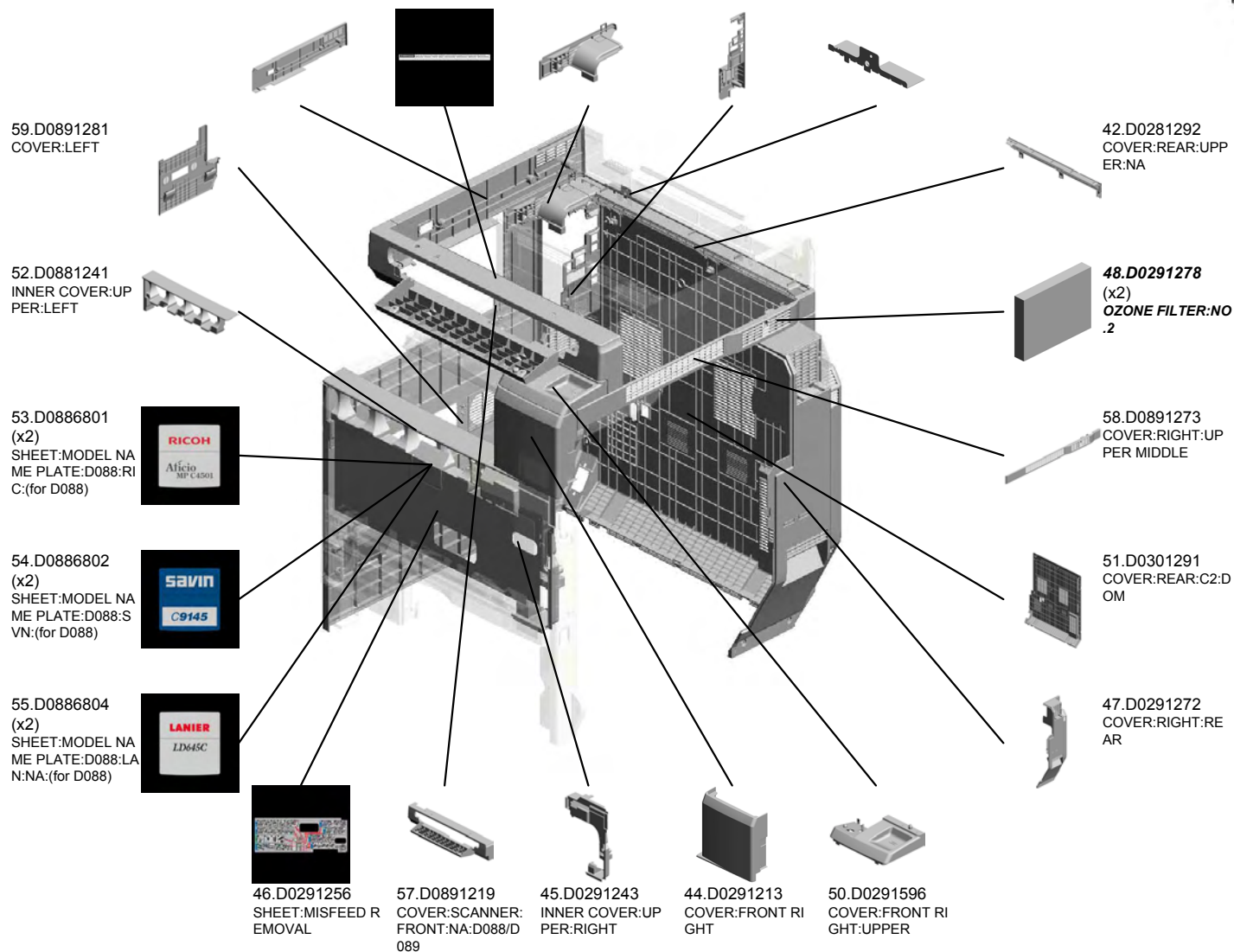
CÓPIA NÃO CONTROLADA

U001
Exterior

CÓPIA NÃO CONTROLADA



- 43.D0281376 COVER:SCANNER:LEFT:NA
- 56.D0886853 DECAL:CAUTION:ORIGINAL:ENGLISH
- 41.D0281282 COVER:LEFT:UPPER:NA
- 60.D0891283 COVER:LEFT:INTER:FACE
- 49.D0291299 BRACKET:COVER:REAR



U001	U002	U003	U004	U005	U006	U007	U008	U009	U010	U011	U012	U013	U014	U015	U016	U017	U018	U019	U020
------	------	------	------	------	------	------	------	------	------	------	------	------	------	------	------	------	------	------	------

CÓPIA NÃO CONTROLADA

U001
Exterior

CÓPIA NÃO CONTROLADA

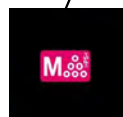
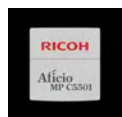


- 61.D0891284
COVER:LEFT:MIDDLE:D088/D089
- 63.D0896801
(x2)
SHEET:MODEL NA
ME PLATE:RIC:EXP
:(for D089)
- 64.D0896802
(x2)
SHEET:MODEL NA
ME PLATE:SVN:(for
D089)
- 65.D0896804
(x2)
SHEET:MODEL NA
ME PLATE:NA:(for
D089)

62.D0891389
SEAL:COVER:LEFT
:MIDDLE

69.GA003030
DECAL - SHIELDIN
G PLATE Y

66.G0201332
(x2)
HINGE - FRONT C
OVER



70.GA003031
DECAL - SHIELDIN
G PLATE M

68.G1336537
MAGNET CATCH

71.GA003032
DECAL - SHIELDIN
G PLATE C



67.G1331295
OZONE FILTER

73.GA003167
DECAL:CAUTION:I
NKJET:NA

72.GA003033
DECAL - SHIELDIN
G PLATE K

74.GA003176
DECAL:SDK

U001	U002	U003	U004	U005	U006	U007	U008	U009	U010	U011	U012	U013	U014	U015	U016	U017	U018	U019	U020
------	------	------	------	------	------	------	------	------	------	------	------	------	------	------	------	------	------	------	------

CÓPIA NÃO CONTROLADA

CÓPIA NÃO CONTROLADA
U002.Operation

U002 S001
D0881411
OPERATION PANEL:D088/D0
89:NA:ASS'Y



U001	U002	U003	U004	U005	U006	U007	U008	U009	U010	U011	U012	U013	U014	U015	U016	U017	U018	U019	U020
------	------	------	------	------	------	------	------	------	------	------	------	------	------	------	------	------	------	------	------



U001	U002	U003	U004	U005	U006	U007	U008	U009	U010	U011	U012	U013	U014	U015	U016	U017	U018	U019	U020
------	------	------	------	------	------	------	------	------	------	------	------	------	------	------	------	------	------	------	------



40.D0881411
OPERATION PANE
L:D088/D089:NA:AS
SY

- 14.B2231540 KEYTOP:10KEY:NA
- 19.B2381519 LENS - FRONT
- 13.B2231533 KEYTOP:FUNCTIO
N:NA
- 12.B2231532 KEYTOP:SCANNE
R:NA
- 11.B2231531 KEYTOP:PRINTER:
NA

8.B2231520
KEYTOP - CLEAR/
STOP

15.B2381504
KEYTOP - START

16.B2381506
KEYTOP - TRY PRI
NT

17.B2381509
KEYTOP - INTERR
UPT

2.04503010N
(x33)
TAPPING SCREW -
M3X10

4.11050511
HARNESS CLAMP -
LWS-03062C

5.16072053
FERRITE CORE:E0
4FG210810

20.B2381527
OPERATION PANE
L BRACKET

7.B2231518
KEYTOP - BLANK F
B

1.03530060N
(x11)
BIND SCREW - M3
X6

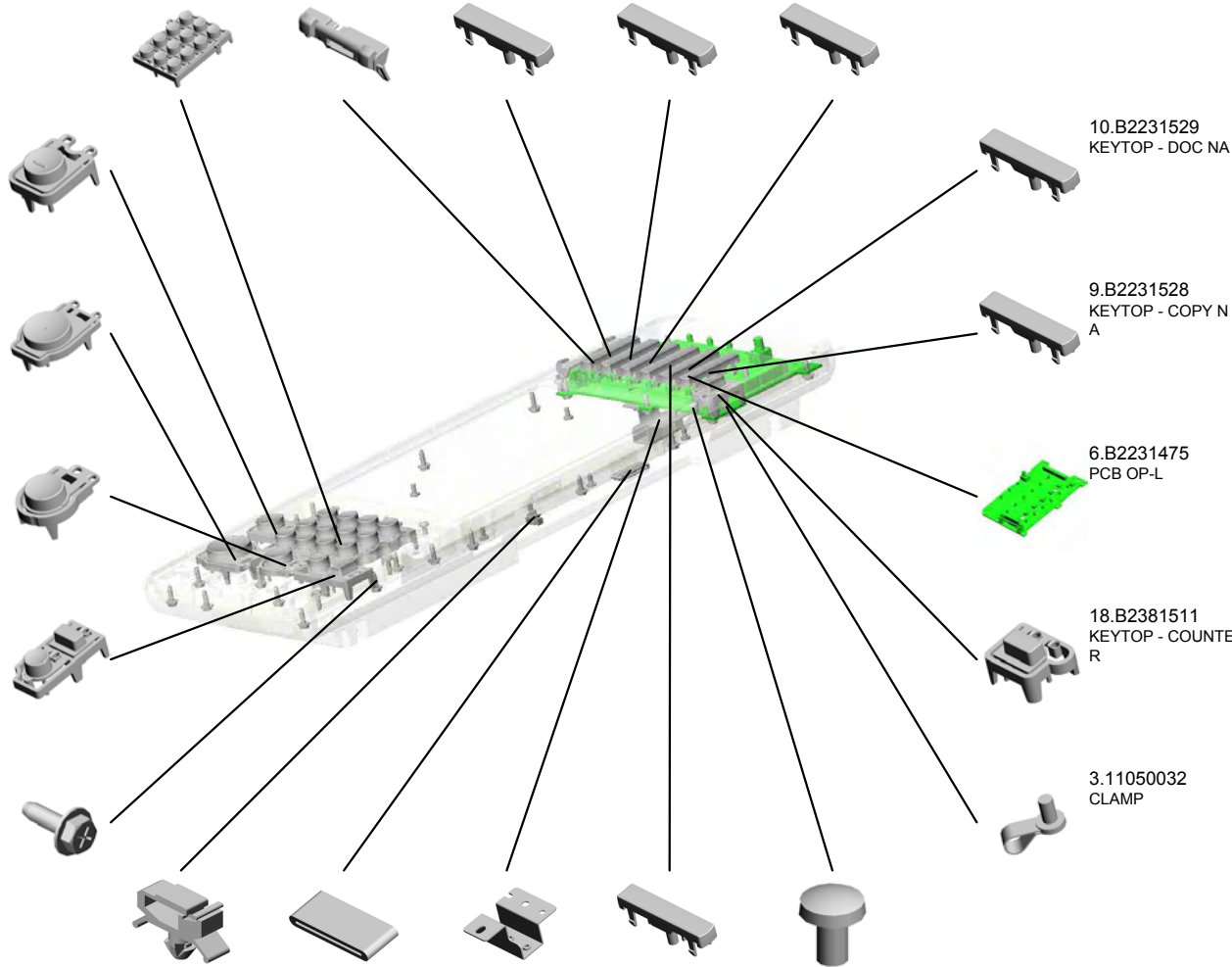
10.B2231529
KEYTOP - DOC NA

9.B2231528
KEYTOP - COPY N
A

6.B2231475
PCB OP-L

18.B2381511
KEYTOP - COUNT
ER

3.11050032
CLAMP



U002_S001

OPERATION PANEL:D088/D089:NA:ASS'Y

CÓPIA NÃO CONTROLADA

26.B2381548
OPERATION PANE
L BRACKET - RIGH
T

21.B2381534
(x2)
LCD SPACER A

22.B2381535
(x2)
LCD SPACER B

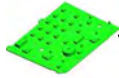
38.D0091556
PANEL:UPPER:NA

34.D0091488
TOUCH PANEL:W-
VGA:MA



40.D0881411
OPERATION PANE
L:D088/D089:NA:AS
S'Y

31.D0091470
PCB:OP-R



29.B2381552
KEYTOP - KANTAN



23.B2381539
SHEET:POWER SO
URCE:DISPLAY:NA



28.B2381550
KEYTOP - LOGIN



27.B2381549
KEYTOP - POWER
SOURCE



30.B2381583
KEYTOP - CLEAR
MODES



32.D0091486
INVERTOR:TFT



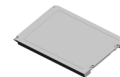
36.D0091502
COVER:LOWER



37.D0091504
SHADEING PLATE:
TOUCH PANEL



35.D0091489
LCD:TFT:W-VGA:S
H



24.B2381540
SHEET:DATA:DISP
LAY:NA



25.B2381547
SPACER - KEYTOP



39.D0861502
BRACKET:LCDC:D
088/D089:ASS'Y



41.D0881481
PCB:LCDC:NA:ASS'
Y:D088/D089



33.D0091487
CABLE:FFC:TFT:LC
D

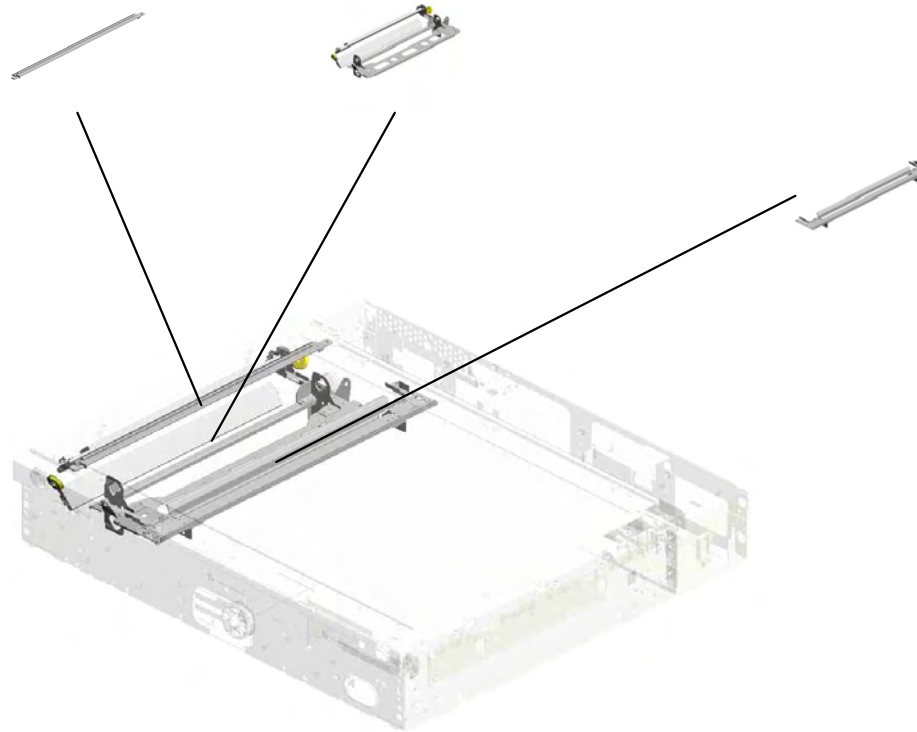


CÓPIA NÃO CONTROLADA
U003.Scanner

U003_S002
D0291778
SCALE:LEFT:NA:ASS'Y

U003_S001
D0291731
CARRIAGE:NO.2:ASS'Y

U003_S003
D0291715
CARRIAGE:NO.1:ASS'Y



U001	U002	U003	U004	U005	U006	U007	U008	U009	U010	U011	U012	U013	U014	U015	U016	U017	U018	U019	U020
------	------	------	------	------	------	------	------	------	------	------	------	------	------	------	------	------	------	------	------

U003
Scanner

CÓPIA NÃO CONTROLADA



- 21.A1931793 SCANNER HOME S
- 14.11050516 (x4) CLAMP
- 20.A1931769 CLAMP - REAR WI
- 17.54421924 (x2) EXPOSURE GLASS
- 1.03140120N SCREW - M4X12

4.04533006N
(x6)
TAPPING SCREW -
M3X6

3.04513006N
(x29)
TAPPING SCREW -
3X6

23.A2501752
EXPOSURE GLASS

19.A1931766
WIRE CLAMP

8.08025312
(x3)
TAPPING SCREW:
WASHER:3X10

16.11050534
(x5)
CLAMP

9.08050088
(x2)
RETAINING RING -
M6

5.04543006Q
(x19)
TAPPING SCREW -
M3X6

10.11033354
CONNECTOR:B2P5
-VH-TW-R(LF)(SN)

11.11050487
(x3)
HARNESS CLAMP

13.11050511
(x2)
HARNESS CLAMP -
LWS-0306ZC

22.A1931816
(x2)
1ST SLIDE RAIL

12.11050488
HARNESS CLAMP

7.08025299
(x5)
TAPPING SCREW -
M3X8

15.11050517
(x2)
HARNESS CLAMP -
LWS-2111Z

U001	U002	U003	U004	U005	U006	U007	U008	U009	U010	U011	U012	U013	U014	U015	U016	U017	U018	U019	U020
------	------	------	------	------	------	------	------	------	------	------	------	------	------	------	------	------	------	------	------

CÓPIA NÃO CONTROLADA

U003
Scanner

CÓPIA NÃO CONTROLADA



- 32.AW020145 PHOTOINTERRUPTOR:FLAT
- 29.AA143520 (x5) SHOULDER SCREW - M3
- 33.AW020146 PHOTOINTERRUPTOR:FLAT:PICH2M M:M4
- 44.B2231788 FRAME:SCANNER:REAR
- 46.B2231808 DOCUMENT FEEDER:CONNECTOR:BRACKET

40.B2231773 SCALE:MACHINE OR COPIER

41.B2231774 SEAL:SHEET THROUGH

37.B1801734 (x2) SLIDE RAIL:NO.2

39.B1801814 SHAFT:SCANNER:DRIVE

34.B0511727 FRAME:SCANNER:FRONT

31.AW010133 (x2) ORIGINAL SENSOR - 66MM

38.B1801803 GUIDE:HIGH VOLTAGE SUPPLY COR:BASE

35.B0511814 BRACKET:ORIGINAL SENSOR

28.AA082144 (x2) BUSHING - 8X12X7

43.B2231786 HOLDER:CONNECTOR

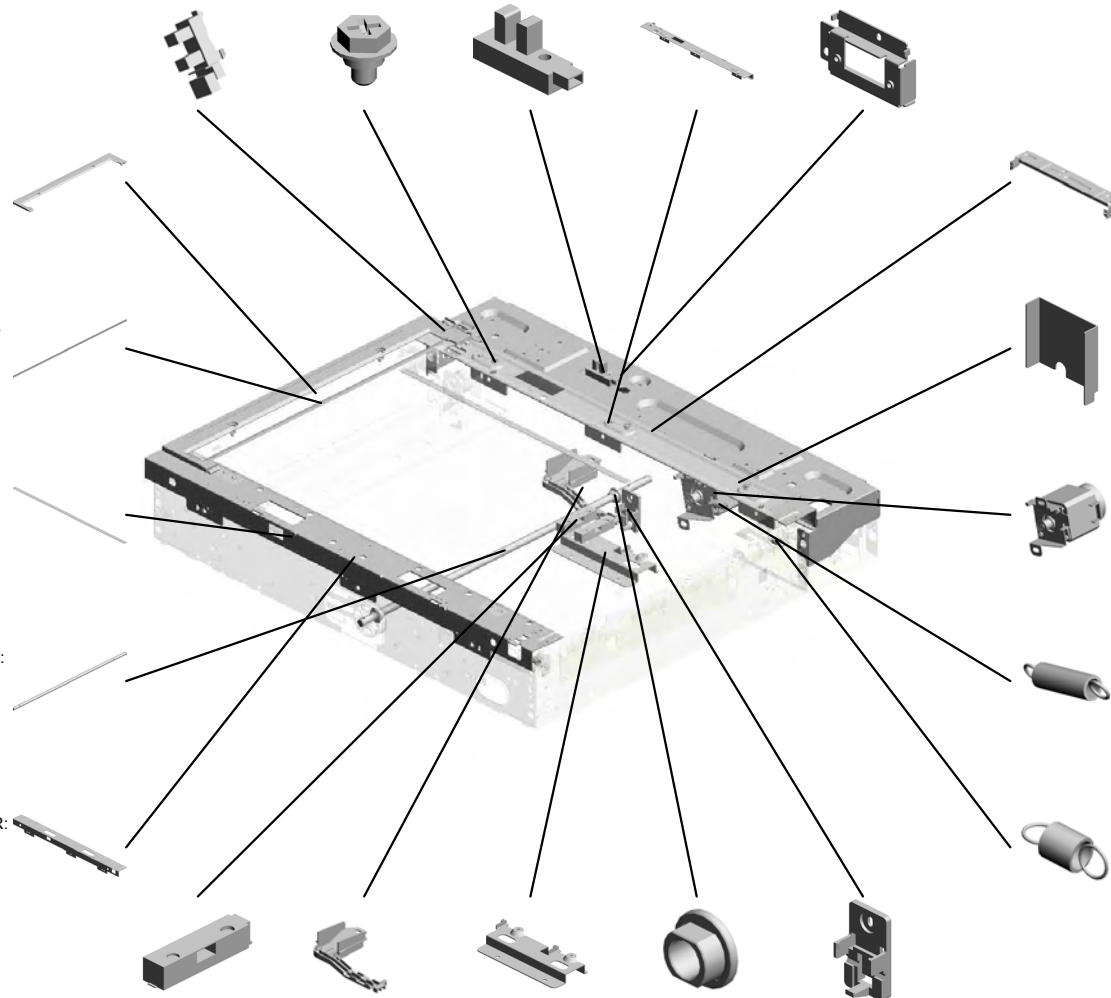
45.B2231806 BRACKET:DOCUMENT FEEDER:HOLDER

42.B2231779 COVER:STEPPER MOTOR:REAR

36.B1801713 STEPPER MOTOR:ASSY

26.AA060979 TENSION SPRING: TENSION:14720MN

27.AA060980 (x2) TENSION SPRING: TENSION:11300MN



U001	U002	U003	U004	U005	U006	U007	U008	U009	U010	U011	U012	U013	U014	U015	U016	U017	U018	U019	U020
------	------	------	------	------	------	------	------	------	------	------	------	------	------	------	------	------	------	------	------

CÓPIA NÃO CONTROLADA

U003
Scanner

CÓPIA NÃO CONTROLADA



- 55.D0091731 BRACKET A - LEFT SCALE
- 54.BC012002 EXPOSURE GLASS :SHEET THROUGH :344X20
- 56.D0091732 BRACKET B - LEFT SCALE
- 64.D0291747 (x2) DRIVE WERE:CAR RIAGE:DIA1.0
- 49.B2291687 HEATER:OPTION:1 20V:9W:(Option)

67.D0291774 SEAL:GUARD:EXP OSURE GLASS:DO CUMENT FEEDER

51.B2381806 (x4) IDLER PULLEY

47.B2231824 SEAL:SCANNER:F RAME:BASE

63.D0291745 PULLEY:DRIVE WE RE:FRONT

66.D0291749 PULLEY:PROTECTI ON

53.B2381845 (x2) SEAL:EXPOSURE GLASS

72.D0291831 GASKET:13X17X10 :R

70.D0291789 INNER COVER:GR OUND PLATE:PEE N

57.D0091815 ORIGINAL SENSO R BRACKET - SUB SCAN

73.D0291832 GASKET:9X3X10

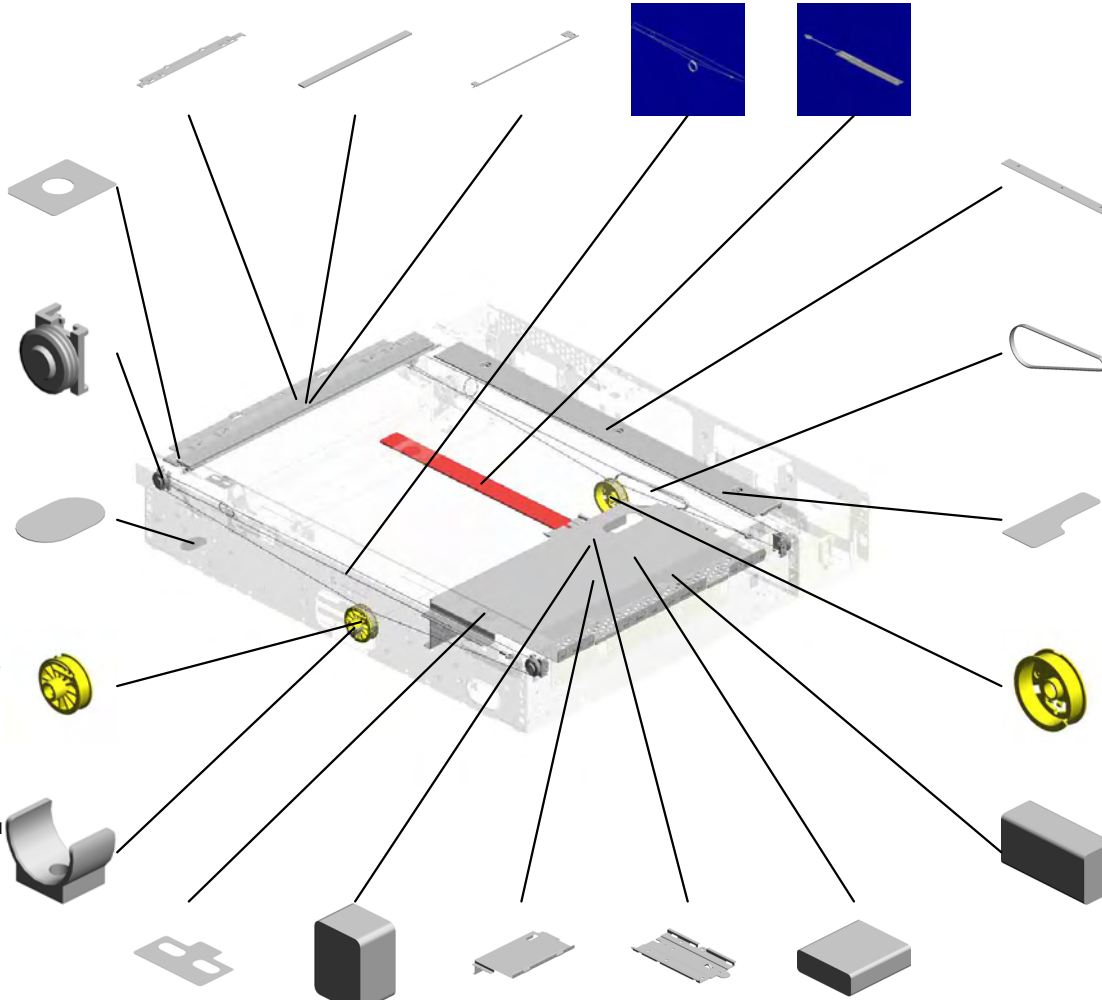
69.D0291782 SCALE:REAR:PRIN TING

50.B2381792 TIMING BELT - 157 ST1.5-4.0

48.B2231833 (x2) SEAL:EXPOSURE GLASS:REAR

65.D0291748 PULLEY:DRIVE WE RE:REAR:ASS'Y

71.D0291830 GASKET:13X17X35 :R



U001	U002	U003	U004	U005	U006	U007	U008	U009	U010	U011	U012	U013	U014	U015	U016	U017	U018	U019	U020
------	------	------	------	------	------	------	------	------	------	------	------	------	------	------	------	------	------	------	------

CÓPIA NÃO CONTROLADA

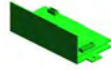
U003
Scanner

CÓPIA NÃO CONTROLADA



85.G5702834
PULLEY - HIGH VOLTAGE SUPPLY CORD

77.D0891842
STABILIZER



76.D0891840
XENON LAMP:ASS'Y



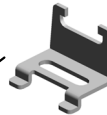
81.G5701160
(x2)
SPACER BUSHING



78.D0895138
PCB:SIO



74.D0891741
(x2)
BRACKET:TENSION DRIVE WIRE



75.D0891771
LENS:HOLDER:ASS'Y



80.G5701133
TIMING PULLEY 73



U001	U002	U003	U004	U005	U006	U007	U008	U009	U010	U011	U012	U013	U014	U015	U016	U017	U018	U019	U020
------	------	------	------	------	------	------	------	------	------	------	------	------	------	------	------	------	------	------	------

CÓPIA NÃO CONTROLADA

U003_S001
CARRIAGE:NO.2:ASS'Y

CÓPIA NÃO CONTROLADA

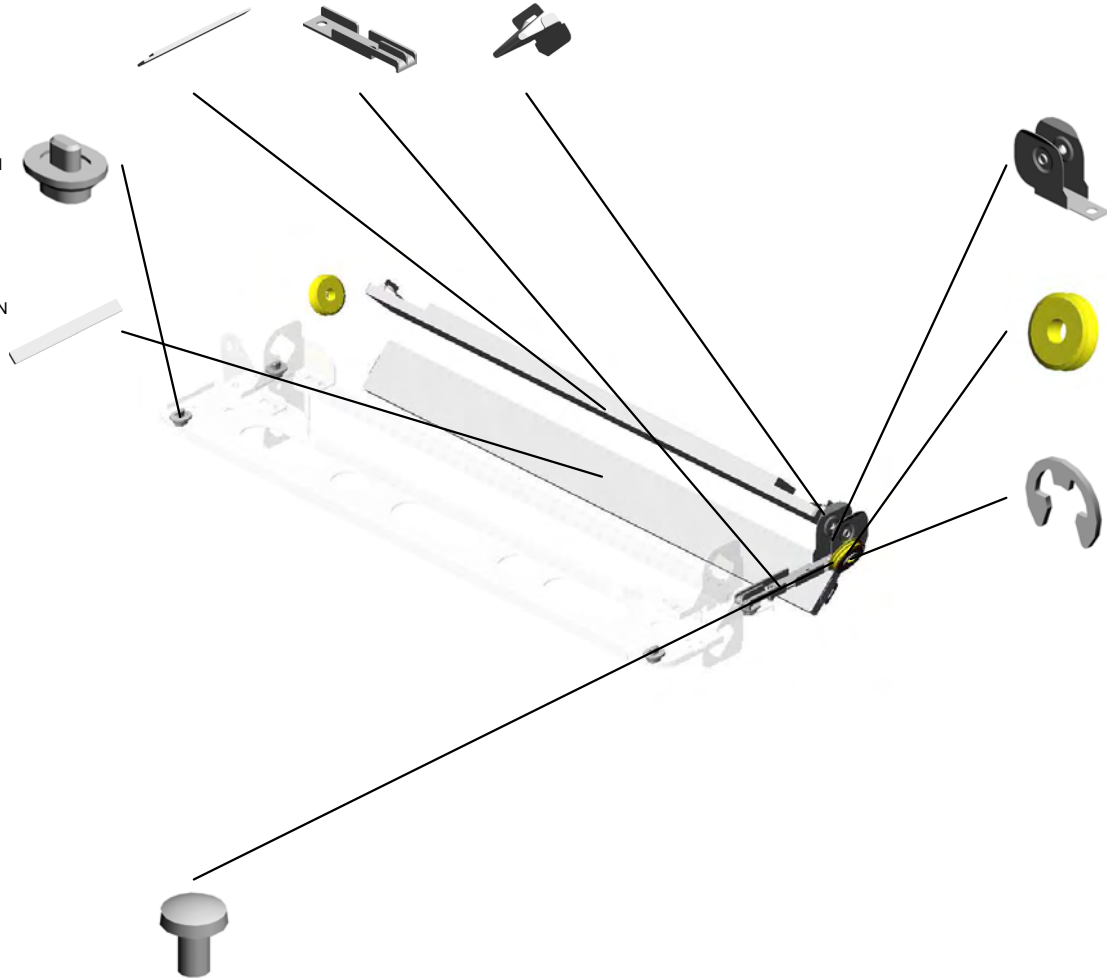
61.D0291736 MIRROR:NO.2:CON
CAVE:ASS'Y
83.G5702832 GUIDE - HIGH VOL
TAGE SUPPLY CO
RD
79.G4042810 (x4)
SPRING PLATE - 2
ND MIRROR



60.D0291731
CARRIAGE:NO.2:A
SS'Y

24.A2501791
(x4)
2ND SCANNER SH
OE

62.D0291737
MIRROR:NO.2:CON
VAX:ASS'Y



84.G5702833
PULLEY HOLDER

52.B2381807
(x2)
PULLEY

6.07200040E
(x2)
RETAINING RING -
M4

2.03530050N
(x2)
SCREW-M3X5

U001	U002	U003	U004	U005	U006	U007	U008	U009	U010	U011	U012	U013	U014	U015	U016	U017	U018	U019	U020
------	------	------	------	------	------	------	------	------	------	------	------	------	------	------	------	------	------	------	------

CÓPIA NÃO CONTROLADA

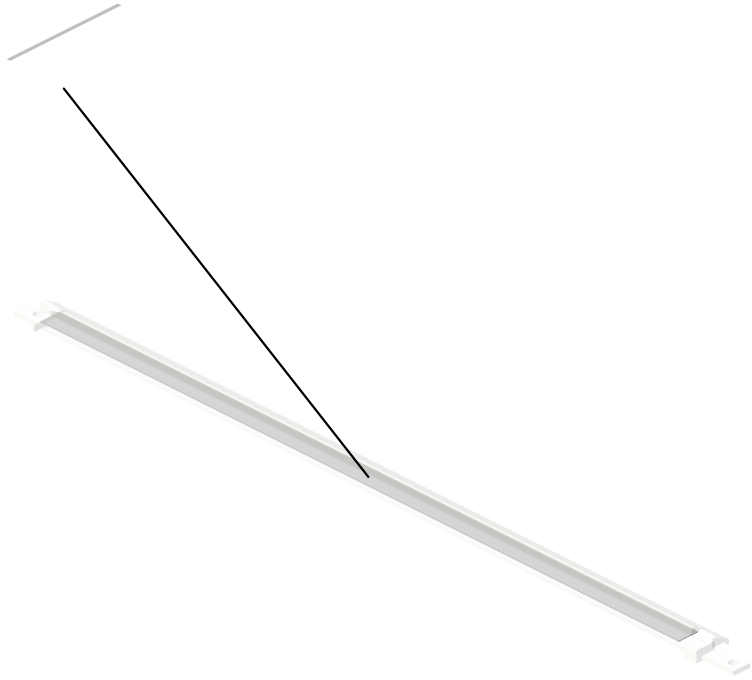
U003_S002

SCALE:LEFT:NA:ASS'Y

CÓPIA NÃO CONTROLADA

25.A6283112
SHIELDING SHEET

68.D0291778
SCALE:LEFT:NA:A
SS'Y



U001	U002	U003	U004	U005	U006	U007	U008	U009	U010	U011	U012	U013	U014	U015	U016	U017	U018	U019	U020
------	------	------	------	------	------	------	------	------	------	------	------	------	------	------	------	------	------	------	------

CÓPIA NÃO CONTROLADA

Copyright (c) 2006-2010 Ricoh Company, Ltd. 2010/11/01 Version 1.00

U003_S003
CARRIAGE:NO.1:ASS'Y

CÓPIA NÃO CONTROLADA

59.D0291719
(x2)
SHEET:CARRIAGE:
NO.1

18.A1001714
REFLECTOR



86.M0261815
(x2)
CLAMP:MIRROR:N
O.1



30.AC030169
MIRROR:NO.1



82.G5702730
(x4)
SLIDER - SCANNE
R

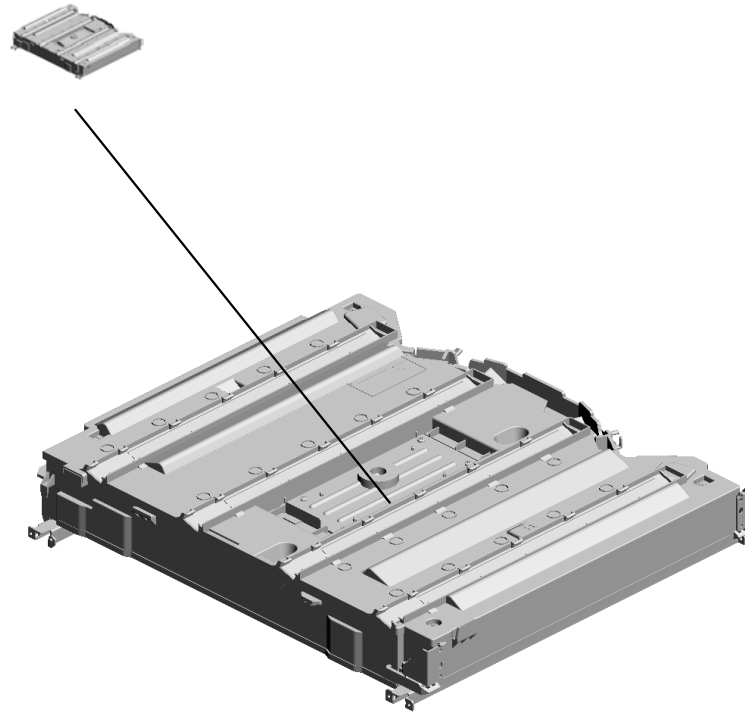


U001	U002	U003	U004	U005	U006	U007	U008	U009	U010	U011	U012	U013	U014	U015	U016	U017	U018	U019	U020
------	------	------	------	------	------	------	------	------	------	------	------	------	------	------	------	------	------	------	------

CÓPIA NÃO CONTROLADA

CÓPIA NÃO CONTROLADA
U004.Laser Unit

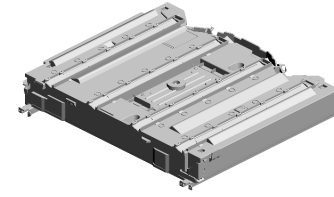
U004 S001
D0891851
LASER OPTICS HOUSING U
NIT



U001	U002	U003	U004	U005	U006	U007	U008	U009	U010	U011	U012	U013	U014	U015	U016	U017	U018	U019	U020
------	------	------	------	------	------	------	------	------	------	------	------	------	------	------	------	------	------	------	------

U004
Laser Unit

CÓPIA NÃO CONTROLADA



U001	U002	U003	U004	U005	U006	U007	U008	U009	U010	U011	U012	U013	U014	U015	U016	U017	U018	U019	U020
------	------	------	------	------	------	------	------	------	------	------	------	------	------	------	------	------	------	------	------

CÓPIA NÃO CONTROLADA

U004_S001
LASER OPTICS HOUSING UNIT

CÓPIA NÃO CONTROLADA

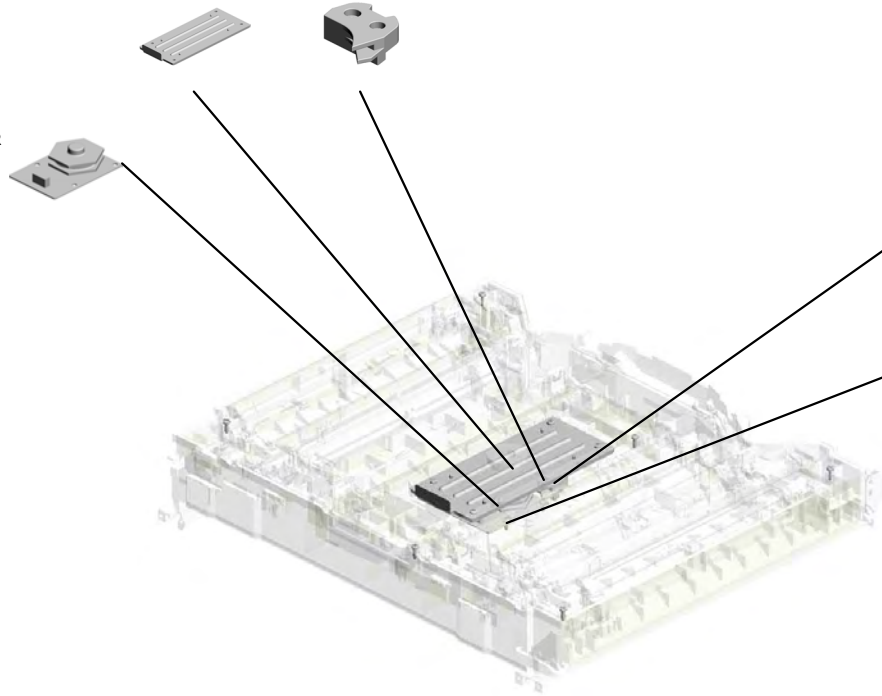
4.B2231882
COVER - POLYGO
N MOTOR

5.B2231903
LOUVER



6.D0891851
LASER OPTICS HO
USING UNIT

3.AX060396
DC POLYGON MIR
ROR MOTOR:24W



2.08025318
(x8)
BINDING HEAD TA
PPING SCREW:ES:
3X10

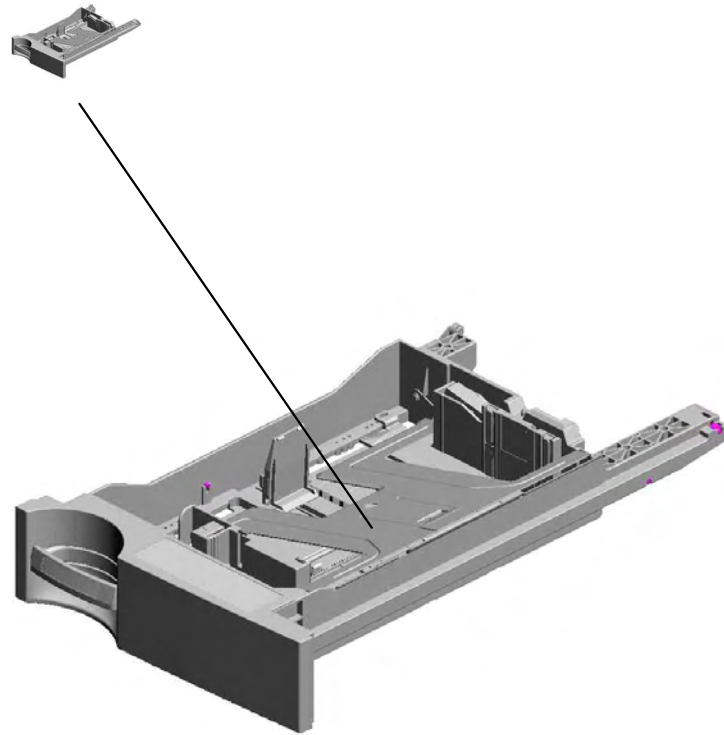
1.08025317
(x8)
BINDING HEAD TA
PPING SCREW:ES:
3X8

U001	U002	U003	U004	U005	U006	U007	U008	U009	U010	U011	U012	U013	U014	U015	U016	U017	U018	U019	U020
------	------	------	------	------	------	------	------	------	------	------	------	------	------	------	------	------	------	------	------

CÓPIA NÃO CONTROLADA

CÓPIA NÃO CONTROLADA
U005.Paper Tray(1st)

U005 S001
D0892850
PAPER TRAY:NO.1:ASS'Y

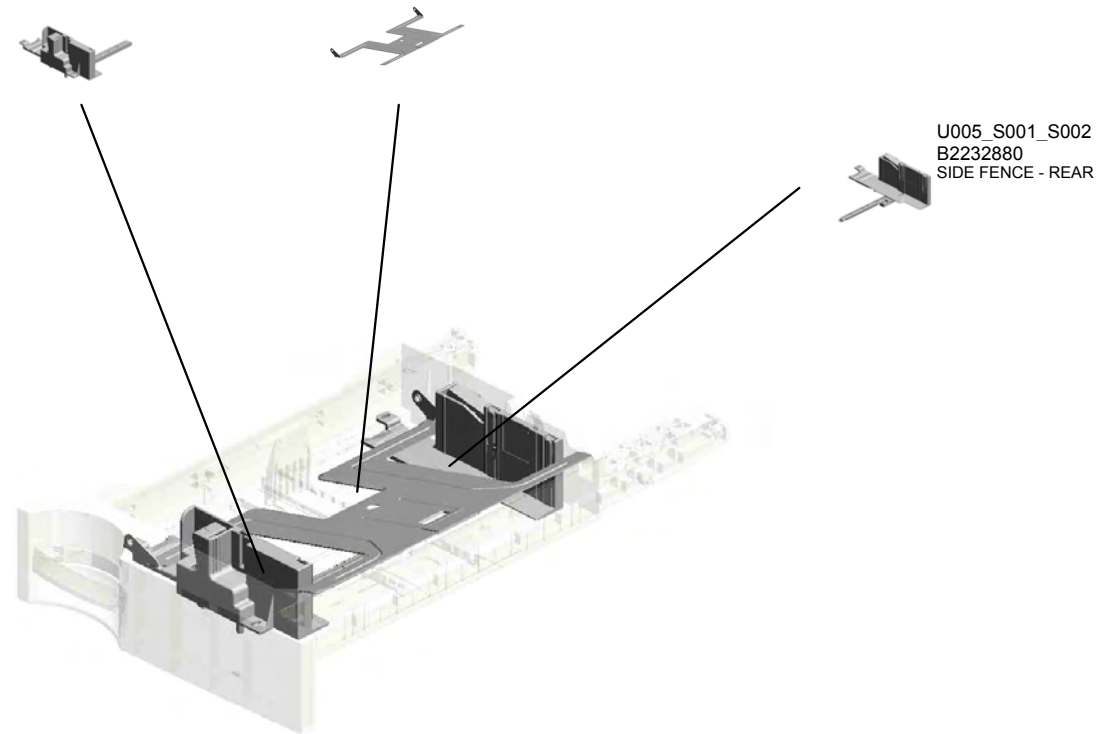


U001	U002	U003	U004	U005	U006	U007	U008	U009	U010	U011	U012	U013	U014	U015	U016	U017	U018	U019	U020
------	------	------	------	------	------	------	------	------	------	------	------	------	------	------	------	------	------	------	------

CÓPIA NÃO CONTROLADA
U005_S001.PAPER TRAY:NO.1:ASS'Y

U005 S001 S001
B2232870
SIDE FENCE - FRONT

U005 S001 S003
D0892940
TRAY BOTTOM PLATE:ASS'Y



U001	U002	U003	U004	U005	U006	U007	U008	U009	U010	U011	U012	U013	U014	U015	U016	U017	U018	U019	U020
------	------	------	------	------	------	------	------	------	------	------	------	------	------	------	------	------	------	------	------

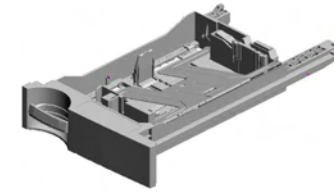
U005
Paper Tray(1st)

CÓPIA NÃO CONTROLADA

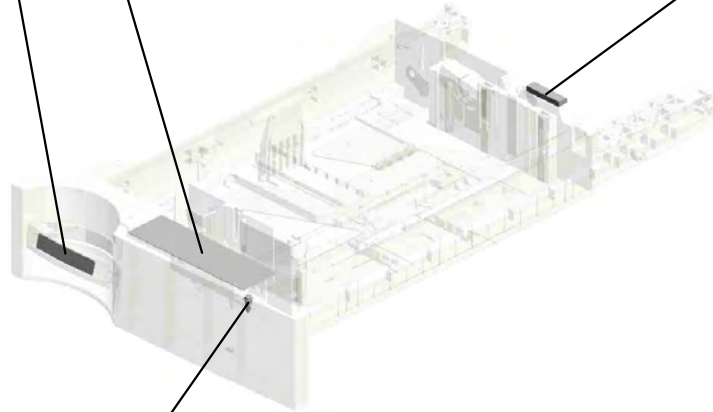
34.B2372521
DECAL - PAPER S
ET DIRECTION NO.
1



35.B2382526
DECAL - GRIP



15.B1802782
SEAL:TRAY



11.AA143577
SCREW:TP:M4



U001	U002	U003	U004	U005	U006	U007	U008	U009	U010	U011	U012	U013	U014	U015	U016	U017	U018	U019	U020
------	------	------	------	-------------	------	------	------	------	------	------	------	------	------	------	------	------	------	------	------

CÓPIA NÃO CONTROLADA

U005_S001
PAPER TRAY:NO.1:ASS'Y

CÓPIA NÃO CONTROLADA

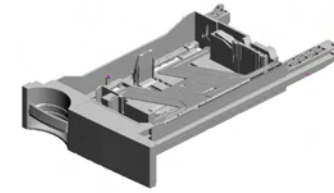
12.AA143843
(x2)
SCREW:DIA6

19.B2232862
LEVER - RELEASE
INNER

27.B2232894
SLIDE RAIL STOPP
ER - LEFT

26.B2232890
SLIDE RAIL - LEFT

28.B2232912
END FENCE



37.D0892850
PAPER TRAY:NO.1
:ASS'Y

1.04503012N
(x2)
TAPPING SCREW:
3X12

17.B2232860
PAPER TRAY GRIP

18.B2232861
GRIP HOLDER

10.AA061014
TENSION SPRING:
GRIP

16.B2232857
COVER - PAPER T
RAY NO.1

9.AA061003
TENSION SPRING:
SIDE FENCE:REAR

4.07200080E
RETAINING RING -
M8

21.B2232868
LEVER:RELEASE:P
APER TRAY:OUTE
R

2.04504008N
TAPPING SCREW -
M4X8

33.B2232936
GEAR - 16Z

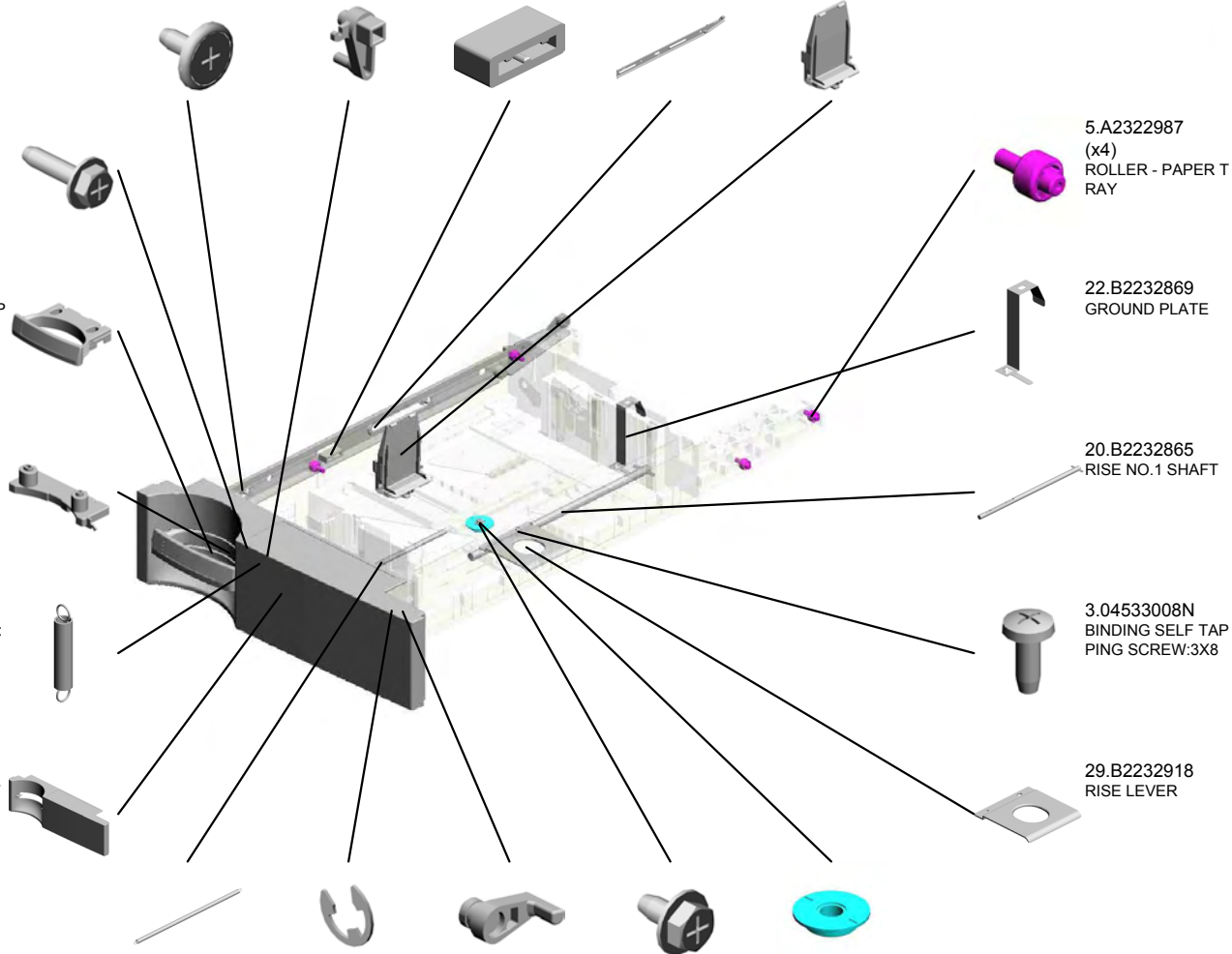
5.A2322987
(x4)
ROLLER - PAPER T
RAY

22.B2232869
GROUND PLATE

20.B2232865
RISE NO.1 SHAFT

3.04533008N
BINDING SELF TAP
PING SCREW:3X8

29.B2232918
RISE LEVER



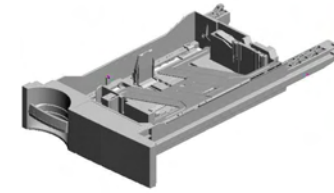
U001	U002	U003	U004	U005	U006	U007	U008	U009	U010	U011	U012	U013	U014	U015	U016	U017	U018	U019	U020
------	------	------	------	------	------	------	------	------	------	------	------	------	------	------	------	------	------	------	------

CÓPIA NÃO CONTROLADA

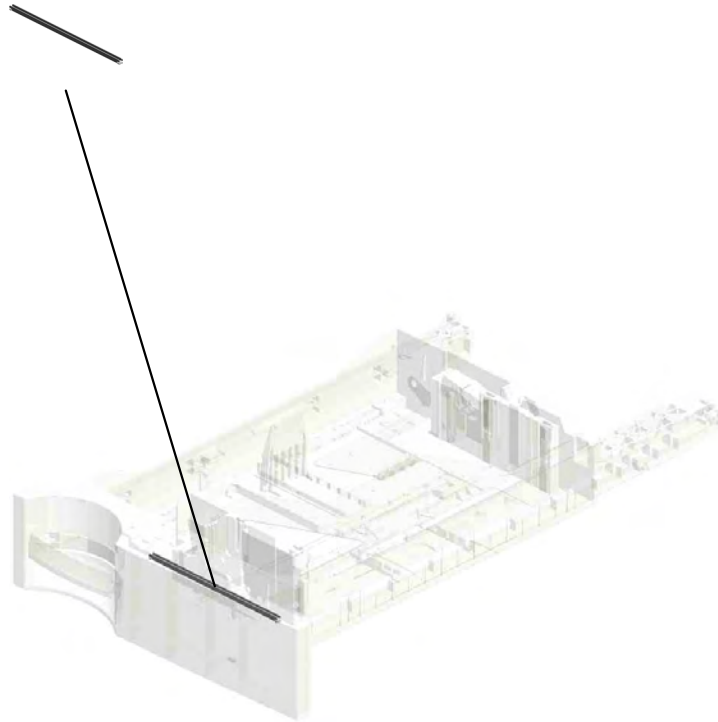
U005_S001
PAPER TRAY:NO.1:ASS'Y

CÓPIA NÃO CONTROLADA

36.D0292863
SHAFT:RELEASE:P
APER TRAY



37.D0892850
PAPER TRAY:NO.1
:ASS'Y



U001	U002	U003	U004	U005	U006	U007	U008	U009	U010	U011	U012	U013	U014	U015	U016	U017	U018	U019	U020
------	------	------	------	-------------	------	------	------	------	------	------	------	------	------	------	------	------	------	------	------

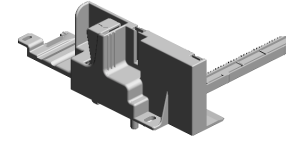
CÓPIA NÃO CONTROLADA

U005_S001_S001
SIDE FENCE - FRONT

CÓPIA NÃO CONTROLADA

30.B2232923
STOPPER LEVER -
FRONT

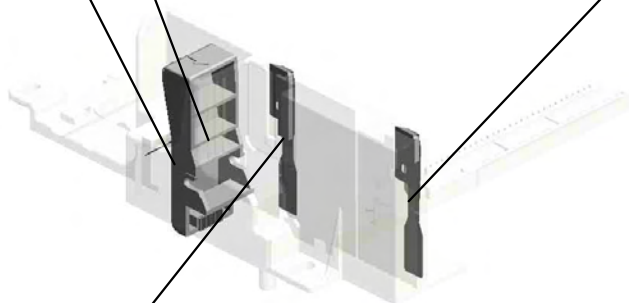
23.B2232870
SIDE FENCE - FRO
NT



14.B0042923
SPRING PLATE - R
RELEASE LEVER



32.B2232935
PLATE - SIDE FEN
CE RIGHT



31.B2232934
PLATE - SIDE FEN
CE



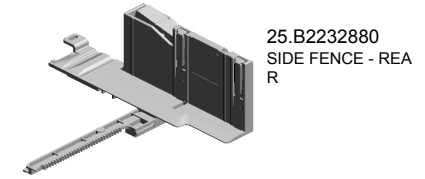
U001	U002	U003	U004	U005	U006	U007	U008	U009	U010	U011	U012	U013	U014	U015	U016	U017	U018	U019	U020
------	------	------	------	-------------	------	------	------	------	------	------	------	------	------	------	------	------	------	------	------

CÓPIA NÃO CONTROLADA

U005_S001_S002
SIDE FENCE - REAR

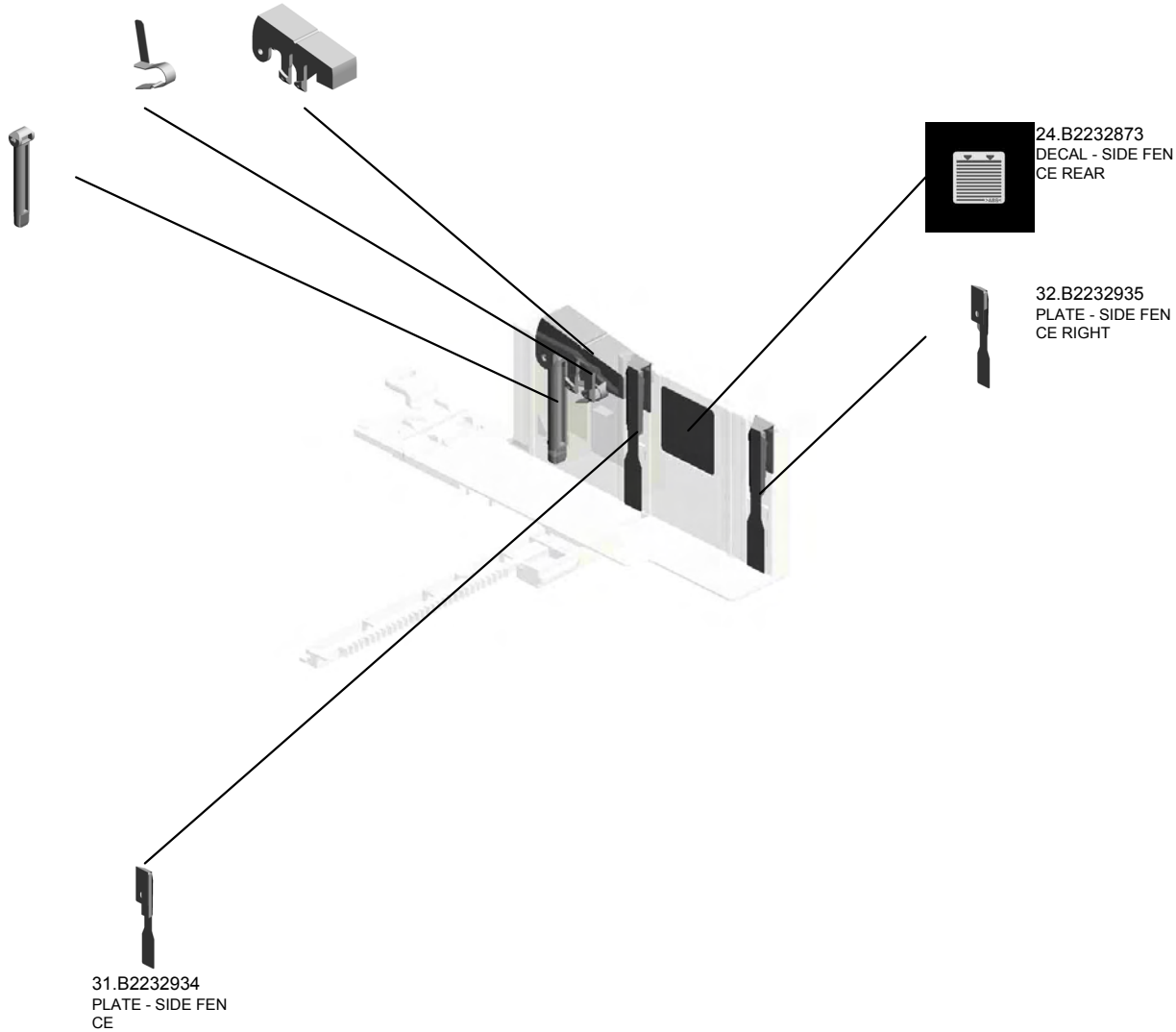
CÓPIA NÃO CONTROLADA

6.A2672857 8.A2672860
SPRING PLATE - SI REAR LEVER STO
DE FENCE PPER



25.B2232880
SIDE FENCE - REA
R

7.A2672859
SIDE FENCE STOP
PER



24.B2232873
DECAL - SIDE FEN
CE REAR

32.B2232935
PLATE - SIDE FEN
CE RIGHT

31.B2232934
PLATE - SIDE FEN
CE

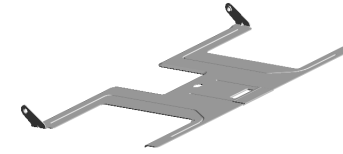
U001	U002	U003	U004	U005	U006	U007	U008	U009	U010	U011	U012	U013	U014	U015	U016	U017	U018	U019	U020
------	------	------	------	-------------	------	------	------	------	------	------	------	------	------	------	------	------	------	------	------

CÓPIA NÃO CONTROLADA

U005_S001_S003
TRAY BOTTOM PLATE:ASS'Y

CÓPIA NÃO CONTROLADA

13.AF033010
PAD



38.D0892940
TRAY BOTTOM PL
ATE:ASS'Y

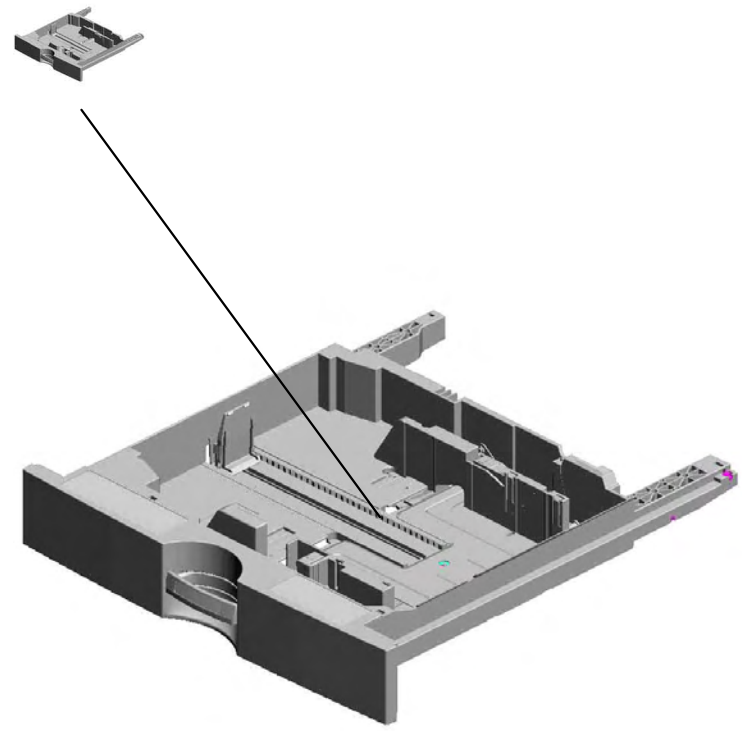


U001	U002	U003	U004	U005	U006	U007	U008	U009	U010	U011	U012	U013	U014	U015	U016	U017	U018	U019	U020
------	------	------	------	------	------	------	------	------	------	------	------	------	------	------	------	------	------	------	------

CÓPIA NÃO CONTROLADA

CÓPIA NÃO CONTROLADA
U006.Paper Tray(2nd)

U006 S001
D0892900
PAPER TRAY:NO.2:ASS'Y



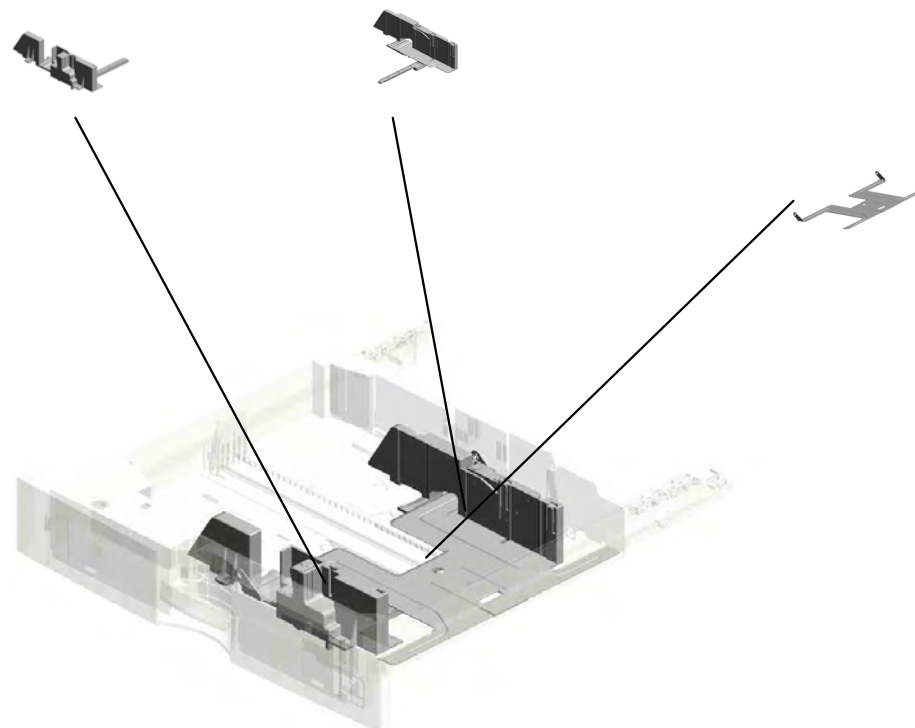
U001	U002	U003	U004	U005	U006	U007	U008	U009	U010	U011	U012	U013	U014	U015	U016	U017	U018	U019	U020
------	------	------	------	------	-------------	------	------	------	------	------	------	------	------	------	------	------	------	------	------

CÓPIA NÃO CONTROLADA
U006_S001.PAPER TRAY:NO.2:ASS'Y

U006 S001 S001
B2232920
FRONT SIDE FENCE

U006 S001 S002
B2232930
REAR SIDE FENCE

U006_S001_S003
D0892940
TRAY BOTTOM PLATE:ASS'Y



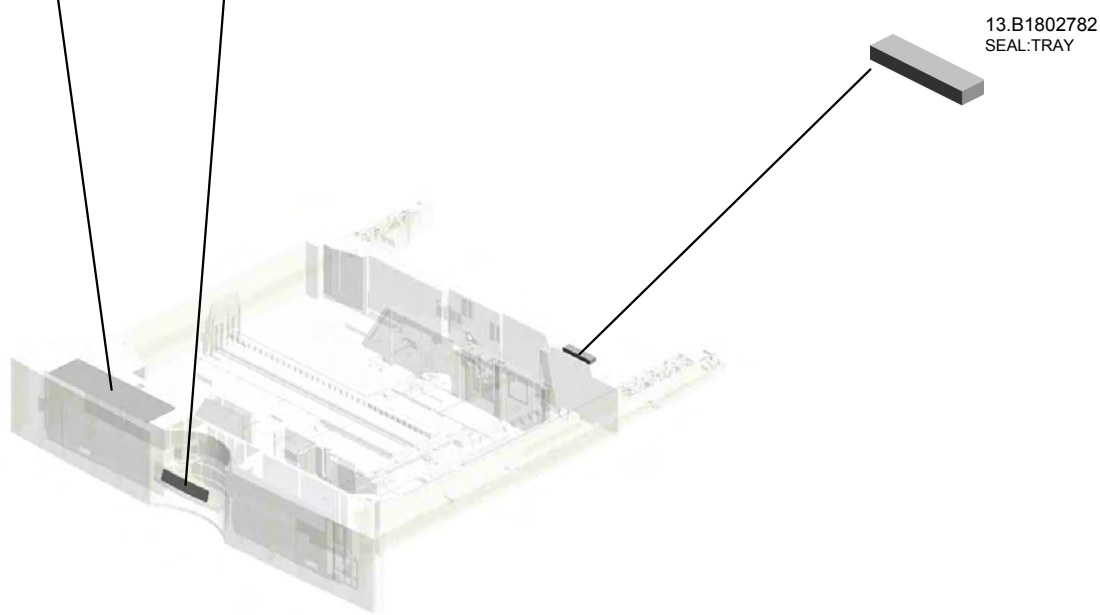
U001	U002	U003	U004	U005	U006	U007	U008	U009	U010	U011	U012	U013	U014	U015	U016	U017	U018	U019	U020
------	------	------	------	------	-------------	------	------	------	------	------	------	------	------	------	------	------	------	------	------

U006
Paper Tray(2nd)

CÓPIA NÃO CONTROLADA

33.B2382523
DECAL - PAPER S
ET DIRECTION NO.
2

34.B2382527
DECAL - GRIP



U001	U002	U003	U004	U005	U006	U007	U008	U009	U010	U011	U012	U013	U014	U015	U016	U017	U018	U019	U020
------	------	------	------	------	-------------	------	------	------	------	------	------	------	------	------	------	------	------	------	------

CÓPIA NÃO CONTROLADA

U006_S001
PAPER TRAY:NO.2:ASS'Y

CÓPIA NÃO CONTROLADA

22.B2232912
END FENCE

16.B2232862
LEVER - RELEASE
INNER

35.D0292863
SHAFT:RELEASE:P
APER TRAY

20.B2232910
LINK - PAPER SIZE
SENSOR

21.B2232911
SPACER



36.D0892900
PAPER TRAY:NO.2
:ASS'Y

1.04503012N
(x2)
TAPPING SCREW:
3X12

14.B2232860
PAPER TRAY GRIP

15.B2232861
GRIP HOLDER

32.B2232946
COVER - PAPER T
RAY NO.2

10.AA061014
TENSION SPRING:
GRIP

9.AA061003
TENSION SPRING:
SIDE FENCE:REAR

4.07200080E
RETAINING RING -
M8

18.B2232868
LEVER:RELEASE:P
APER TRAY:OUTE
R

2.04504008N
(x2)
TAPPING SCREW -
M4X8

31.B2232936
GEAR - 16Z

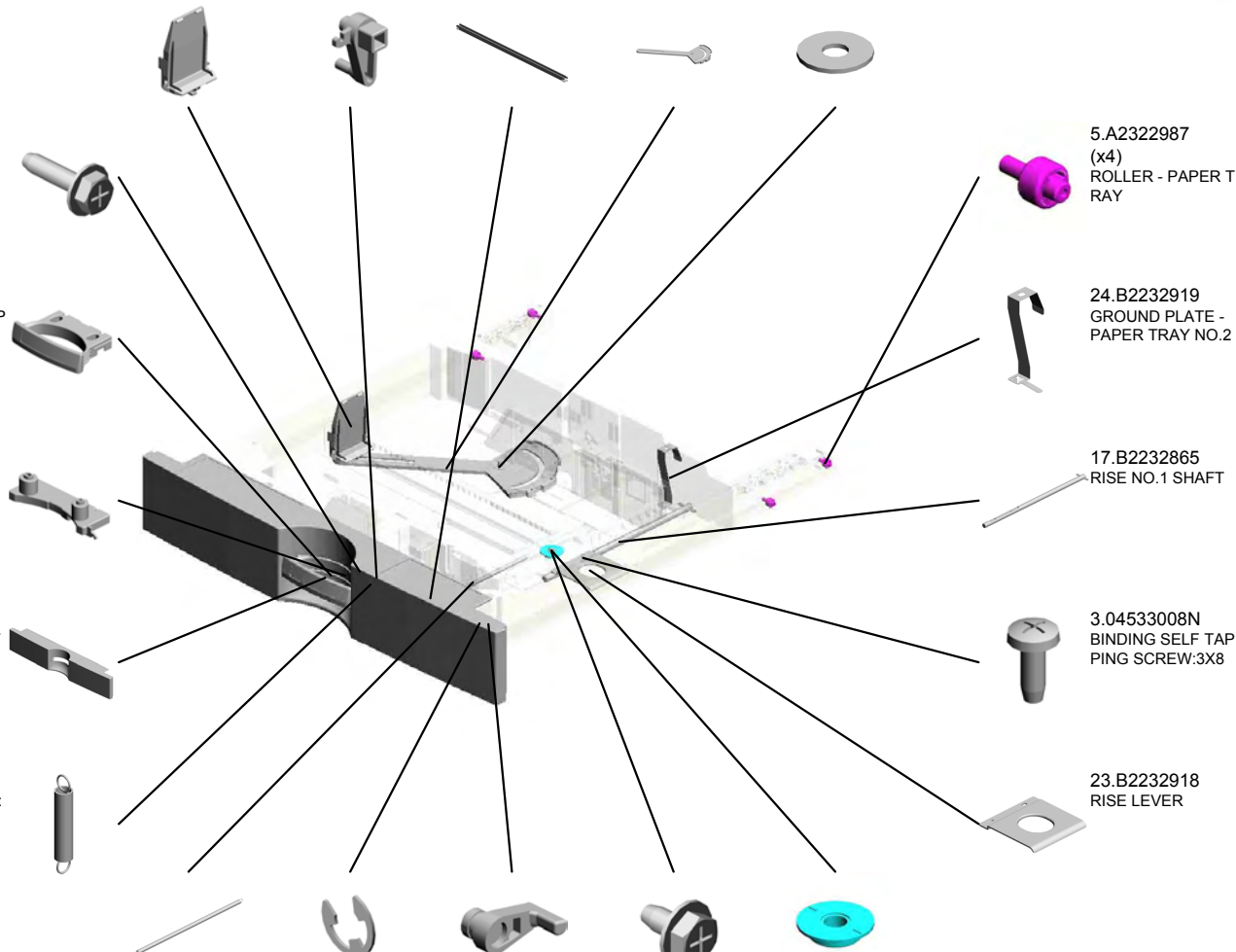
5.A2322987
(x4)
ROLLER - PAPER T
RAY

24.B2232919
GROUND PLATE -
PAPER TRAY NO.2

17.B2232865
RISE NO.1 SHAFT

3.04533008N
BINDING SELF TAP
PING SCREW:3X8

23.B2232918
RISE LEVER



U001	U002	U003	U004	U005	U006	U007	U008	U009	U010	U011	U012	U013	U014	U015	U016	U017	U018	U019	U020
------	------	------	------	------	-------------	------	------	------	------	------	------	------	------	------	------	------	------	------	------

CÓPIA NÃO CONTROLADA

U006_S001_S001
FRONT SIDE FENCE

CÓPIA NÃO CONTROLADA

26.B2232923
STOPPER LEVER -
FRONT

25.B2232920
FRONT SIDE FENC
E

12.B0042923
SPRING PLATE - R
RELEASE LEVER

30.B2232935
PLATE - SIDE FEN
CE RIGHT

29.B2232934
PLATE - SIDE FEN
CE

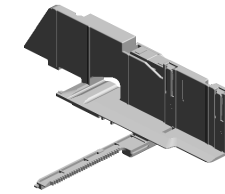
U001	U002	U003	U004	U005	U006	U007	U008	U009	U010	U011	U012	U013	U014	U015	U016	U017	U018	U019	U020
------	------	------	------	------	------	------	------	------	------	------	------	------	------	------	------	------	------	------	------

CÓPIA NÃO CONTROLADA

U006_S001_S002
REAR SIDE FENCE

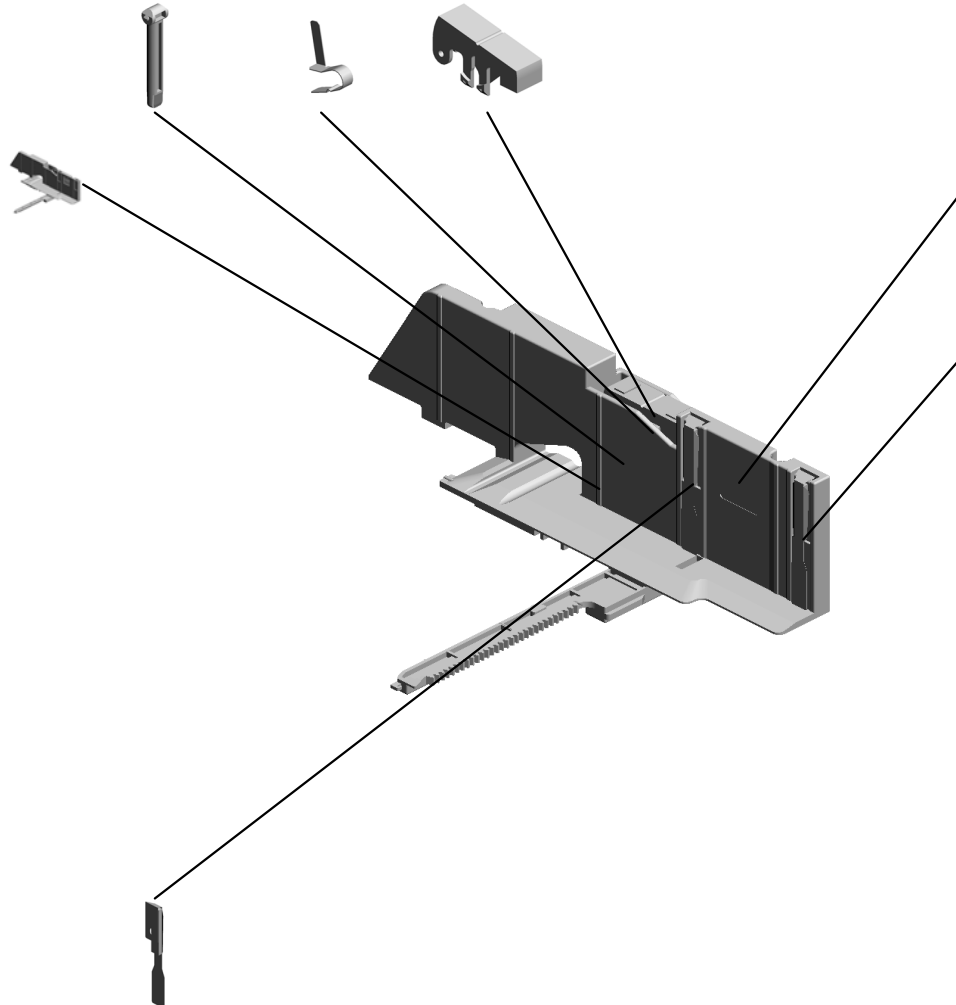
CÓPIA NÃO CONTROLADA

- 7.A2672859
SIDE FENCE STOP
PER
- 6.A2672857
SPRING PLATE - SI
DE FENCE
- 8.A2672860
REAR LEVER STO
PPER



27.B2232930
REAR SIDE FENCE

28.B2232932
SIDE FENCE:REAR
:UNIVERSAL:NO.2



19.B2232873
DECAL - SIDE FEN
CE REAR

30.B2232935
PLATE - SIDE FEN
CE RIGHT

29.B2232934
PLATE - SIDE FEN
CE

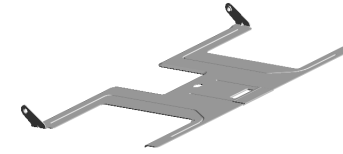
U001	U002	U003	U004	U005	U006	U007	U008	U009	U010	U011	U012	U013	U014	U015	U016	U017	U018	U019	U020
------	------	------	------	------	-------------	------	------	------	------	------	------	------	------	------	------	------	------	------	------

CÓPIA NÃO CONTROLADA

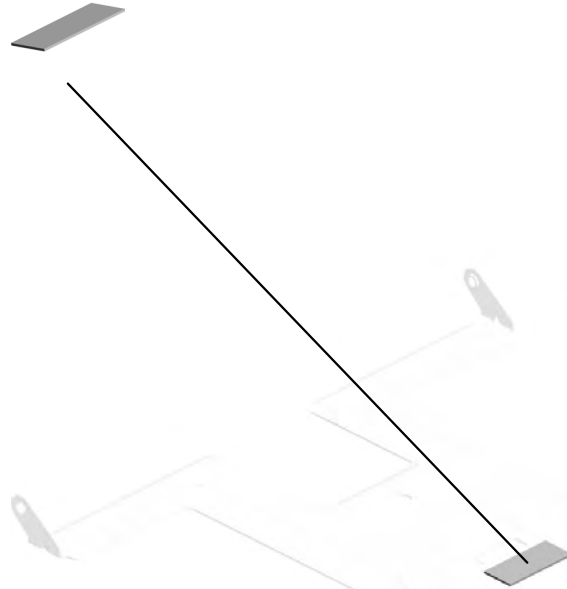
U006_S001_S003
TRAY BOTTOM PLATE:ASS'Y

CÓPIA NÃO CONTROLADA

11.AF033010
PAD



37.D0892940
TRAY BOTTOM PL
ATE:ASS'Y



U001	U002	U003	U004	U005	U006	U007	U008	U009	U010	U011	U012	U013	U014	U015	U016	U017	U018	U019	U020
------	------	------	------	------	------	------	------	------	------	------	------	------	------	------	------	------	------	------	------

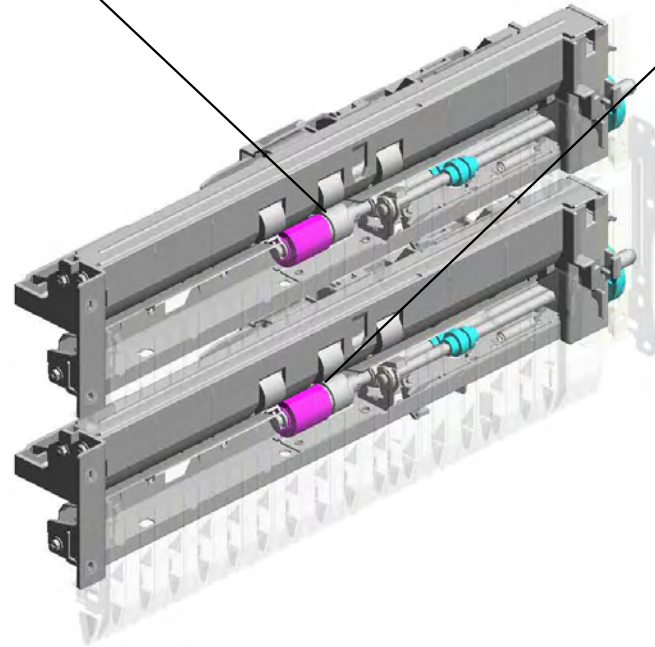
CÓPIA NÃO CONTROLADA

CÓPIA NÃO CONTROLADA
U007.Paper Feed

U007_S001
D0892750
PAPER FEED UNIT



U007_S002
D0892750
PAPER FEED UNIT



U001	U002	U003	U004	U005	U006	U007	U008	U009	U010	U011	U012	U013	U014	U015	U016	U017	U018	U019	U020
------	------	------	------	------	------	------	------	------	------	------	------	------	------	------	------	------	------	------	------

U007
Paper Feed

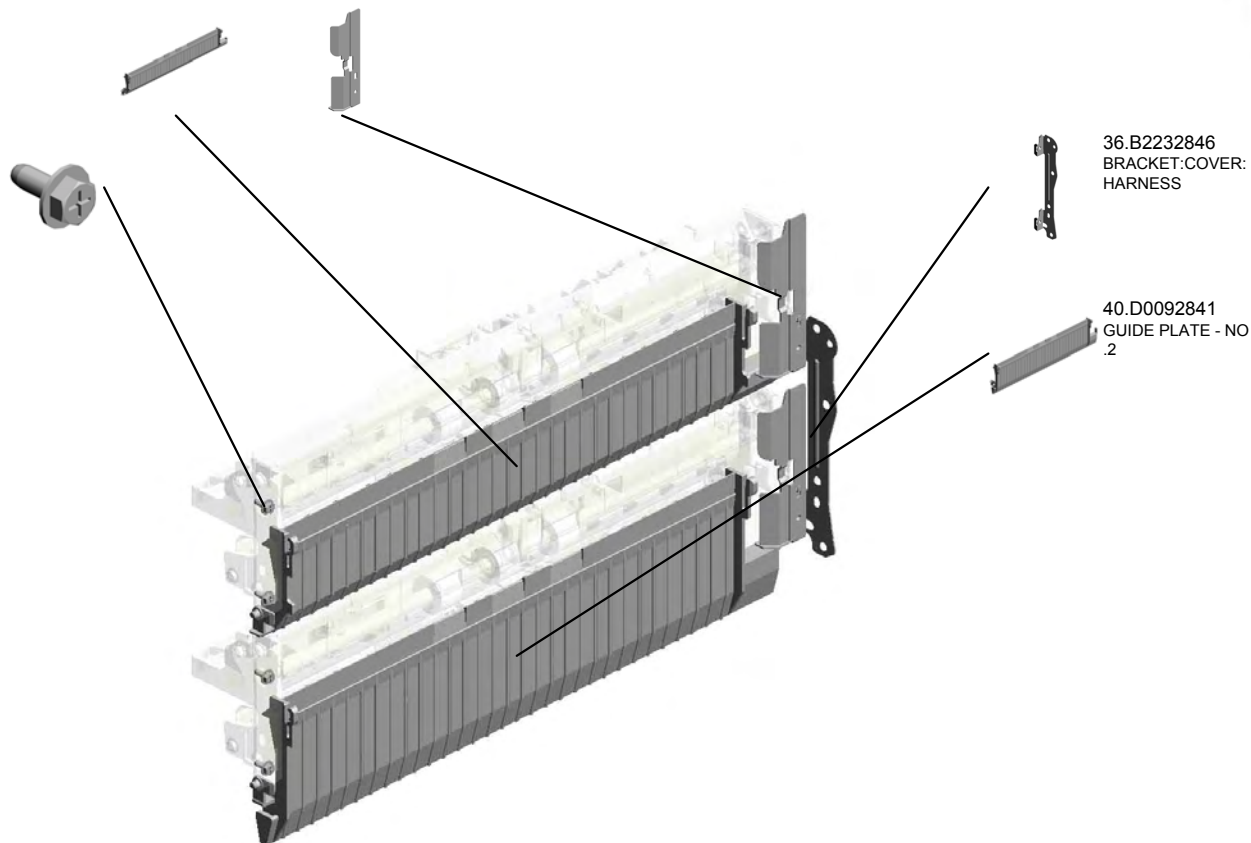
CÓPIA NÃO CONTROLADA

39.D0092836
GUIDE PLATE

37.B2232848
(x2)
COVER:HARNESS



3.04543008Q
(x4)
TAPPING SCREW:
3X8

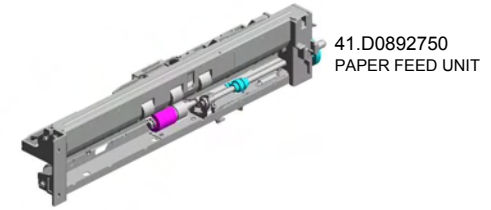


U001	U002	U003	U004	U005	U006	U007	U008	U009	U010	U011	U012	U013	U014	U015	U016	U017	U018	U019	U020
------	------	------	------	------	------	------	------	------	------	------	------	------	------	------	------	------	------	------	------

CÓPIA NÃO CONTROLADA

U007_S001
PAPER FEED UNIT

CÓPIA NÃO CONTROLADA



41.D0892750
PAPER FEED UNIT

- 18.AB011218 GEAR - ROLLER C LUTCH
- 6.08050089 (x4) RETAINING RING - M4
- 14.AA082150 PLAIN SHAFT BEARING: M6
- 4.04563008N TAPPING SCREW - M3X8
- 7.11050511 (x2) HARNESS CLAMP - LWS-0306ZC

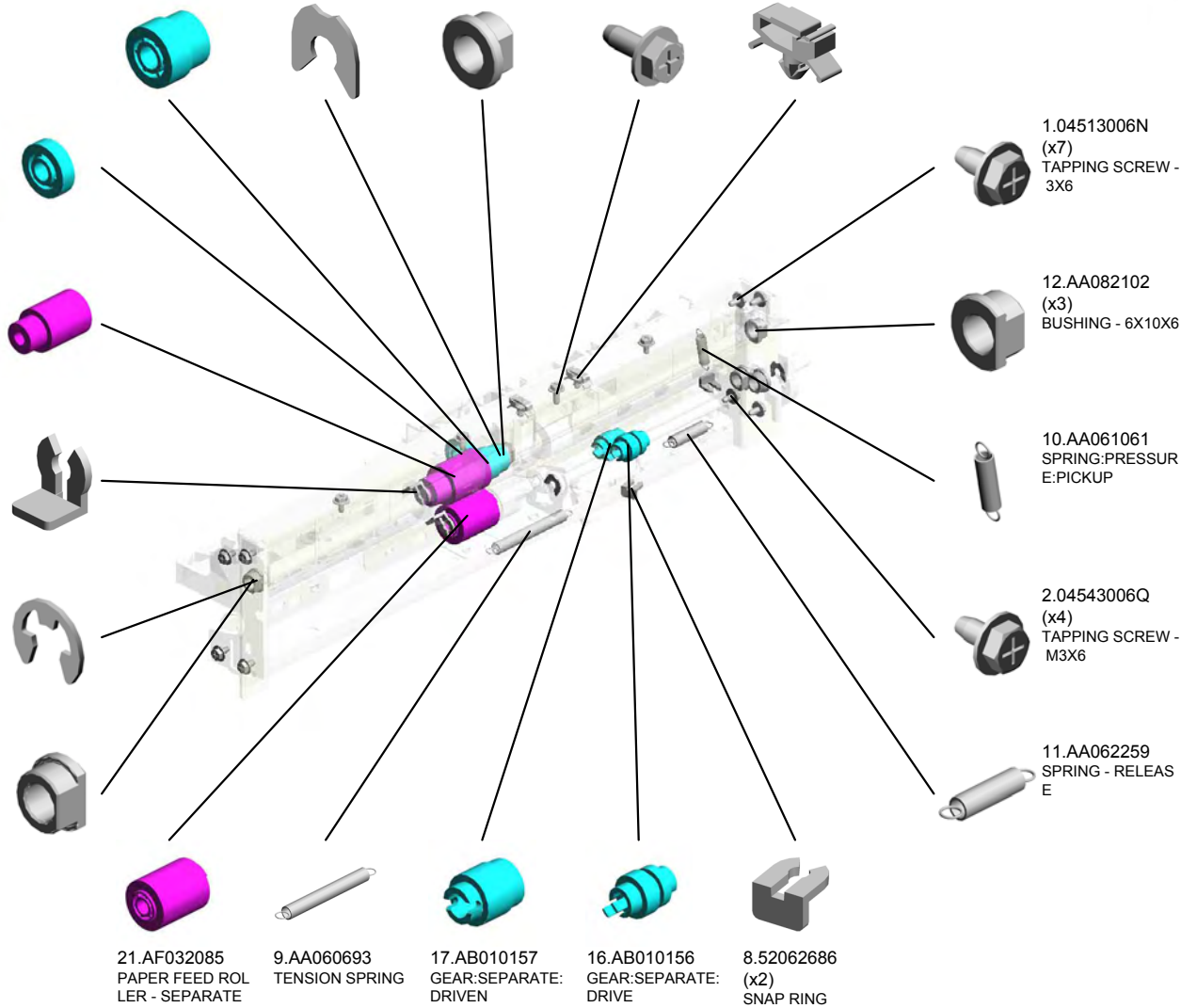
19.AB011252 GEAR - 20Z

20.AF031085 PAPER FEED ROLLER - FEED

15.AA100014 (x2) RETAINING RING C - SEPARATE

5.07200040E RETAINING RING - M4

13.AA082143 BUSHING - 6X10X6



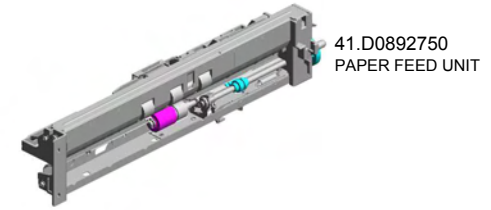
U001	U002	U003	U004	U005	U006	U007	U008	U009	U010	U011	U012	U013	U014	U015	U016	U017	U018	U019	U020
------	------	------	------	------	------	------	------	------	------	------	------	------	------	------	------	------	------	------	------

CÓPIA NÃO CONTROLADA

U007_S001
PAPER FEED UNIT

CÓPIA NÃO CONTROLADA

- 44.D0892767 FEELER:PAPER END
- 26.B0822781 BRACKET:SENSOR
- 30.B2232776 STAY
- 28.B2232765 GROUND PLATE - FEED
- 22.AW010122 PAPER FEED SENSOR



29.B2232772 HARNESS SHEET

46.D0892829 GUIDE:FEED

31.B2232778 SENSOR BRACKET

23.AW010128 PAPER FEED SENSOR

33.B2232786 GROUND PLATE - FRONT

25.B0042783 TORQUE LIMITER

38.D0092757 TRANSPORT ROLLER:DRIVE:ASSY

42.D0892761 ARM:PICKUP

34.B2232810 SEPARATE DRIVE SHAFT

27.B2232762 FEED SHAFT

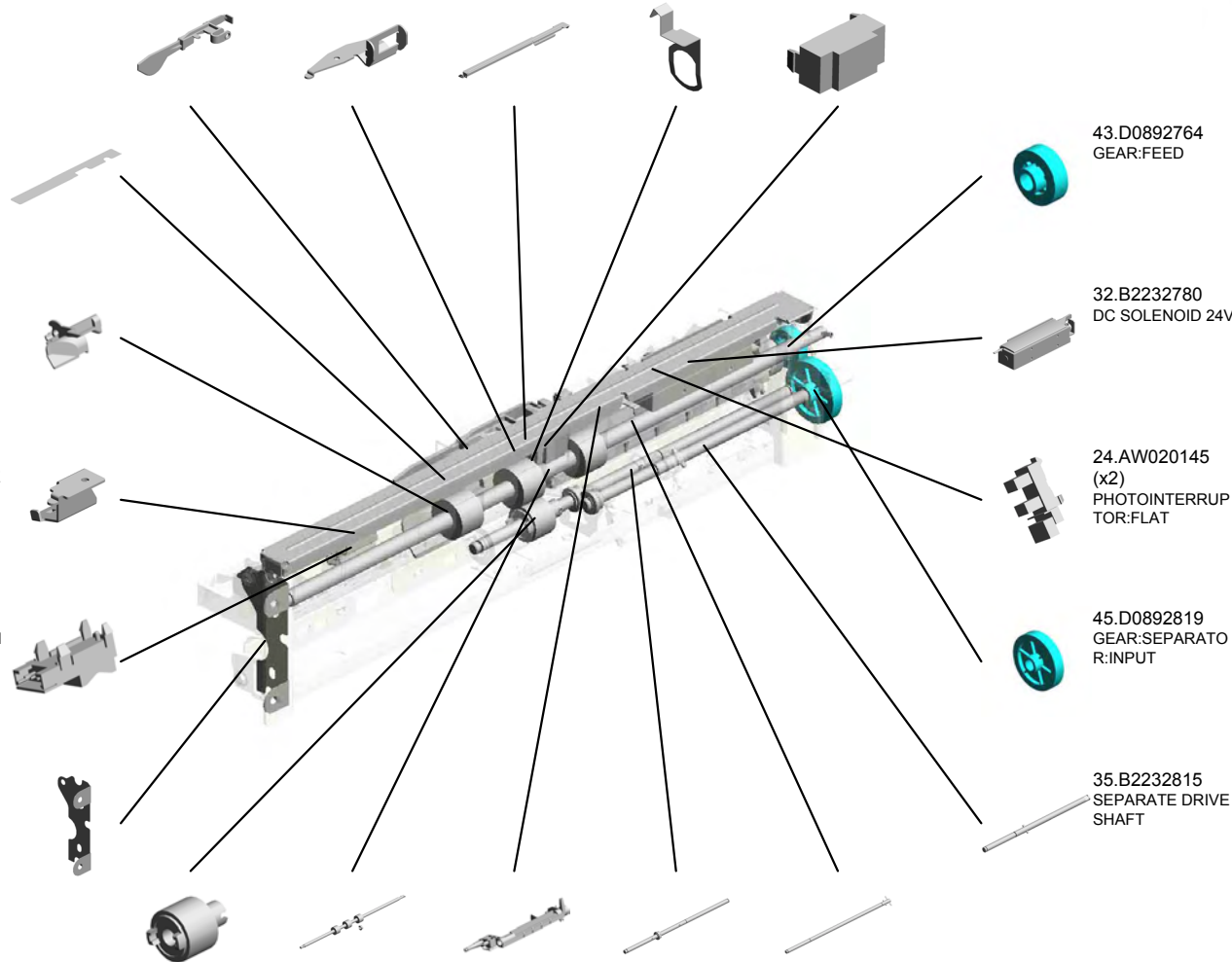
43.D0892764 GEAR:FEED

32.B2232780 DC SOLENOID 24V

24.AW020145 (x2) PHOTOINTERRUPTOR:FLAT

45.D0892819 GEAR:SEPARATOR:INPUT

35.B2232815 SEPARATE DRIVE SHAFT



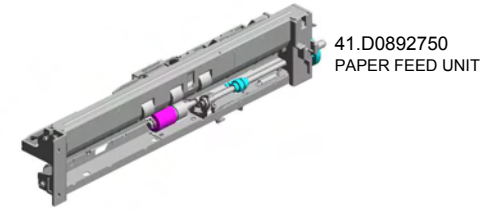
U001	U002	U003	U004	U005	U006	U007	U008	U009	U010	U011	U012	U013	U014	U015	U016	U017	U018	U019	U020
------	------	------	------	------	------	------	------	------	------	------	------	------	------	------	------	------	------	------	------

CÓPIA NÃO CONTROLADA

U007_S001
PAPER FEED UNIT

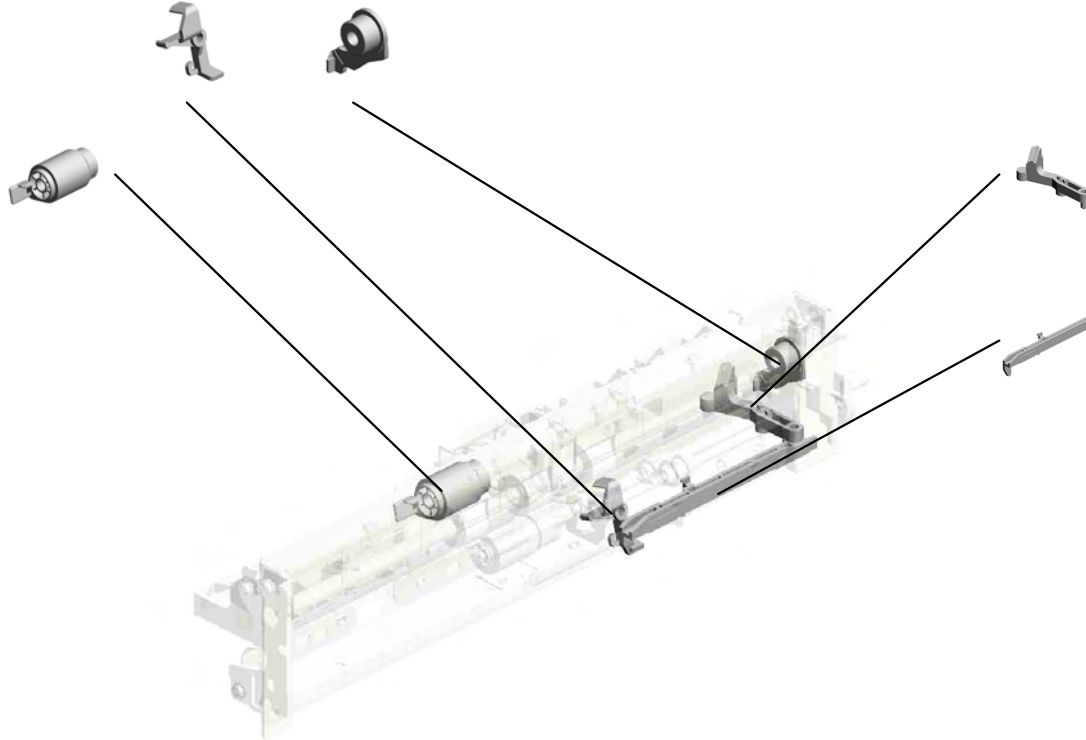
CÓPIA NÃO CONTROLADA

49.G0652774 48.G0652767
PRESSURE LEVER LEVER - FEED



41.D0892750
PAPER FEED UNIT

47.D0892830
PAPER FEED BELT
:PICKUP:ASS'Y



51.G0652776
RELEASE LEVER

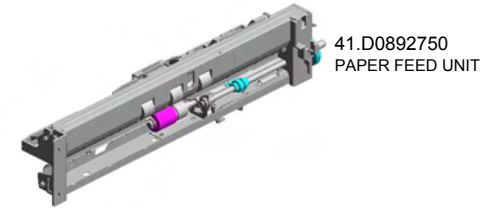
50.G0652775
LINK LEVER

U001	U002	U003	U004	U005	U006	U007	U008	U009	U010	U011	U012	U013	U014	U015	U016	U017	U018	U019	U020
------	------	------	------	------	------	------	------	------	------	------	------	------	------	------	------	------	------	------	------

CÓPIA NÃO CONTROLADA

U007_S002
PAPER FEED UNIT

CÓPIA NÃO CONTROLADA



41.D0892750
PAPER FEED UNIT

- 18.AB011218 GEAR - ROLLER C LUTCH
- 6.08050089 (x4) RETAINING RING - M4
- 14.AA082150 PLAIN SHAFT BEARING: M6
- 4.04563008N TAPPING SCREW - M3X8
- 7.11050511 (x2) HARNESS CLAMP - LWS-0306ZC

19.AB011252 GEAR - 20Z

20.AF031085 PAPER FEED ROLLER - FEED

15.AA100014 (x2) RETAINING RING C - SEPARATE

5.07200040E RETAINING RING - M4

13.AA082143 BUSHING - 6X10X6

21.AF032085 PAPER FEED ROLLER - SEPARATE

9.AA060693 TENSION SPRING

17.AB010157 GEAR:SEPARATE: DRIVEN

16.AB010156 GEAR:SEPARATE: DRIVE

8.52062686 (x2) SNAP RING

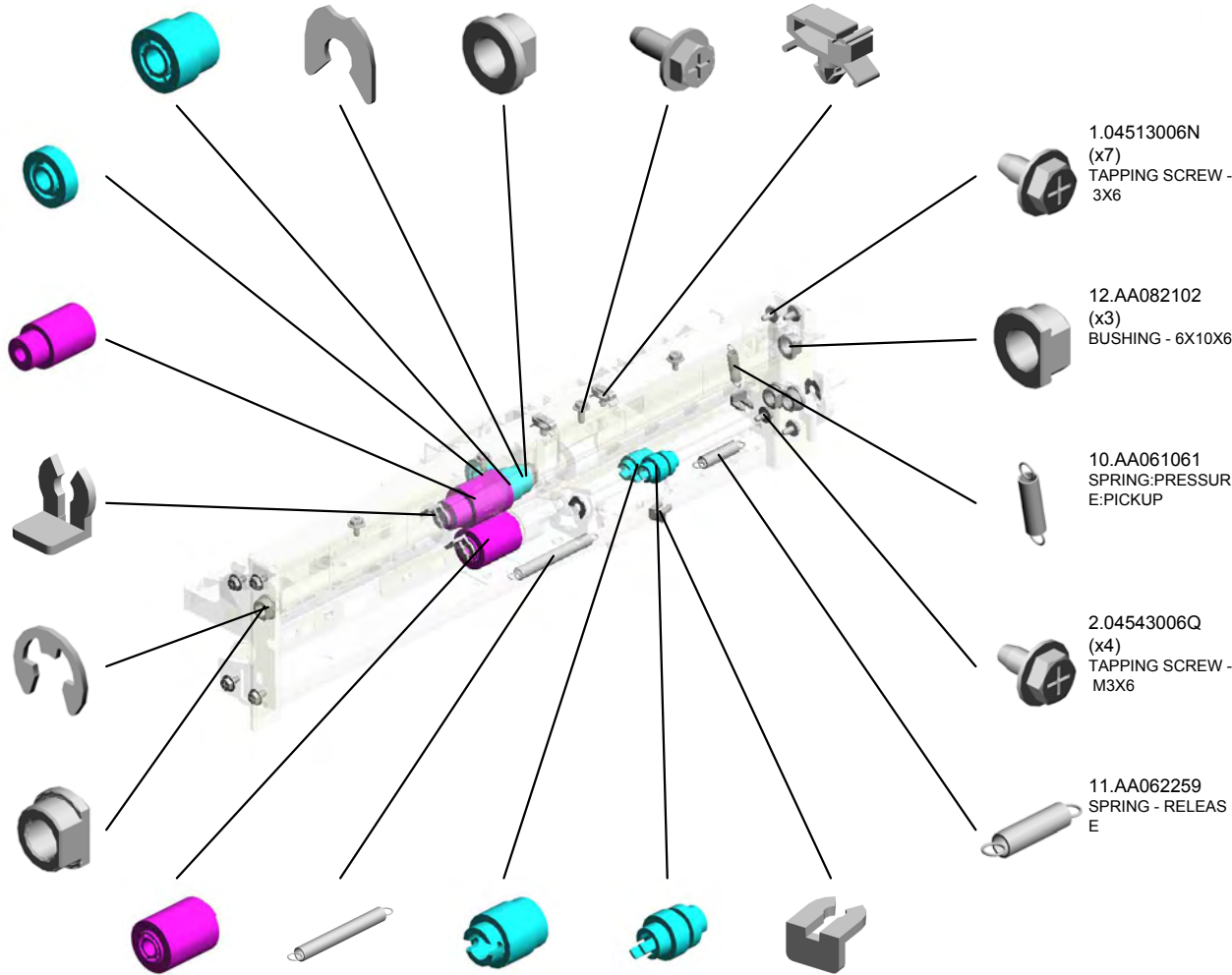
1.04513006N (x7) TAPPING SCREW - 3X6

12.AA082102 (x3) BUSHING - 6X10X6

10.AA061061 SPRING:PRESSURE: PICKUP

2.04543006Q (x4) TAPPING SCREW - M3X6

11.AA062259 SPRING - RELEASE

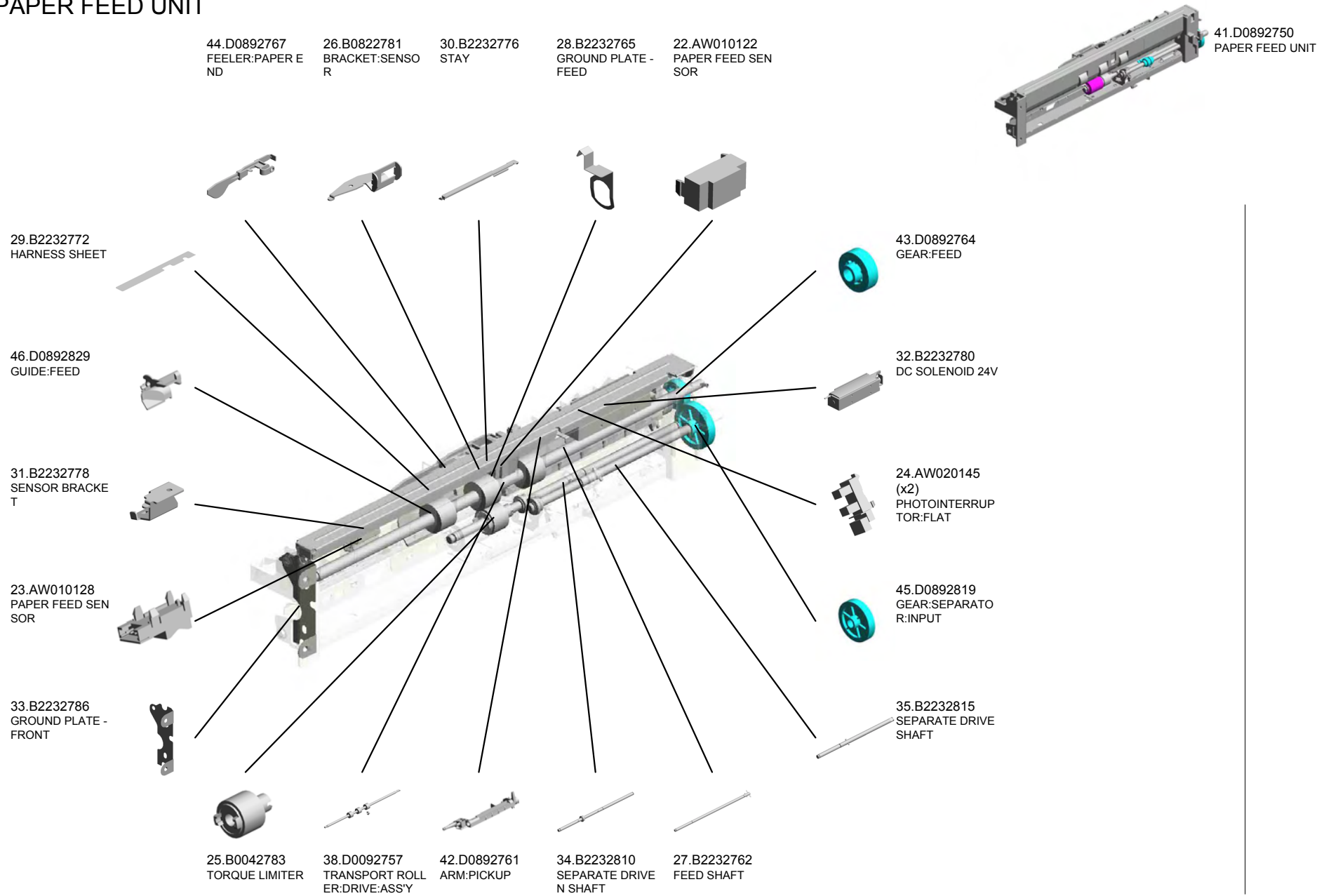


U001	U002	U003	U004	U005	U006	U007	U008	U009	U010	U011	U012	U013	U014	U015	U016	U017	U018	U019	U020
------	------	------	------	------	------	------	------	------	------	------	------	------	------	------	------	------	------	------	------

CÓPIA NÃO CONTROLADA

U007_S002
PAPER FEED UNIT

CÓPIA NÃO CONTROLADA



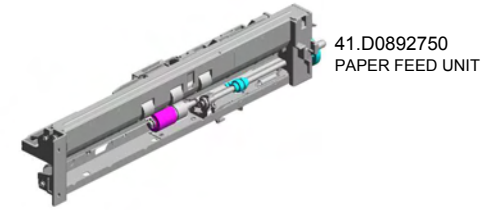
U001	U002	U003	U004	U005	U006	U007	U008	U009	U010	U011	U012	U013	U014	U015	U016	U017	U018	U019	U020
------	------	------	------	------	------	------	------	------	------	------	------	------	------	------	------	------	------	------	------

CÓPIA NÃO CONTROLADA

U007_S002
PAPER FEED UNIT

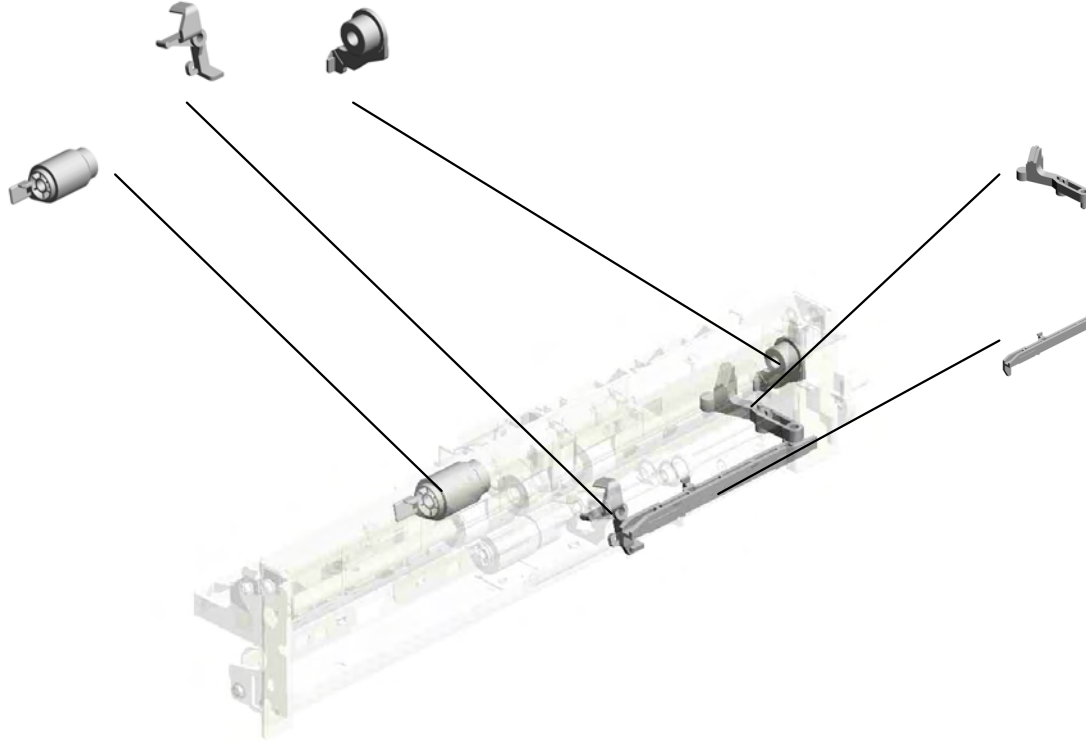
CÓPIA NÃO CONTROLADA

49.G0652774 48.G0652767
PRESSURE LEVER LEVER - FEED



41.D0892750
PAPER FEED UNIT

47.D0892830
PAPER FEED BELT
:PICKUP:ASS'Y



51.G0652776
RELEASE LEVER

50.G0652775
LINK LEVER

U001	U002	U003	U004	U005	U006	U007	U008	U009	U010	U011	U012	U013	U014	U015	U016	U017	U018	U019	U020
------	------	------	------	------	------	------	------	------	------	------	------	------	------	------	------	------	------	------	------

CÓPIA NÃO CONTROLADA

U008
Paper Registration

CÓPIA NÃO CONTROLADA



- 14.B2382661 REGISTRATION ROLLER - DRIVEN
- 20.D0892560 BRACKET:CLEANER
- 19.D0292570 GUIDE PLATE:REGISTRATION:RIGHT:ADHESION
- 18.D0292556 STAY:REGISTRATION
- 10.B2382652 REGISTRATION ROLLER - DRIVE

8.B2382615 CASE - REMOVE PAPER DUST

7.B2232558 REGISTRATION ROLLER KNOB

16.B2382676 (x2) TENSION SPRING

15.B2382675 (x2) REGISTRATION ROLLER BUSHING

2.04543006Q (x4) TAPPING SCREW - M3X6

9.B2382622 COVER - REMOVE PAPER DUST

17.D0292555 GUIDE PLATE:REGISTRATION:LEFT

6.AW010107 PAPER FEED SENSOR

4.11050511 HARNESS CLAMP - LWS-0306ZC

1.04513006N (x4) TAPPING SCREW - 3X6

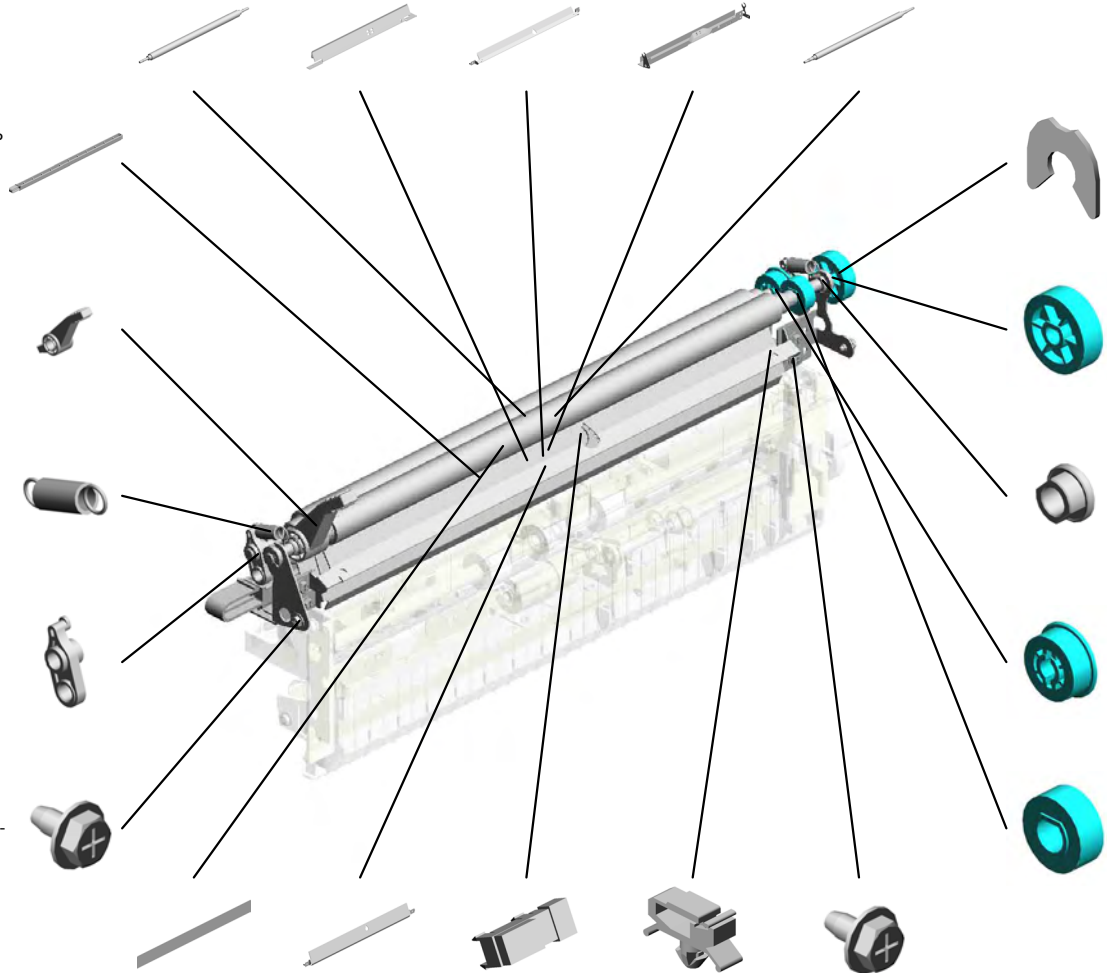
3.08050089 (x3) RETAINING RING - M4

12.B2382656 GEAR - 30Z

5.AA082101 (x2) BUSHING - 6X10X6

13.B2382657 GEAR - 18Z

11.B2382655 GEAR - 16Z



U001	U002	U003	U004	U005	U006	U007	U008	U009	U010	U011	U012	U013	U014	U015	U016	U017	U018	U019	U020
------	------	------	------	------	------	------	------	------	------	------	------	------	------	------	------	------	------	------	------

CÓPIA NÃO CONTROLADA

CÓPIA NÃO CONTROLADA
U009.Toner Supply

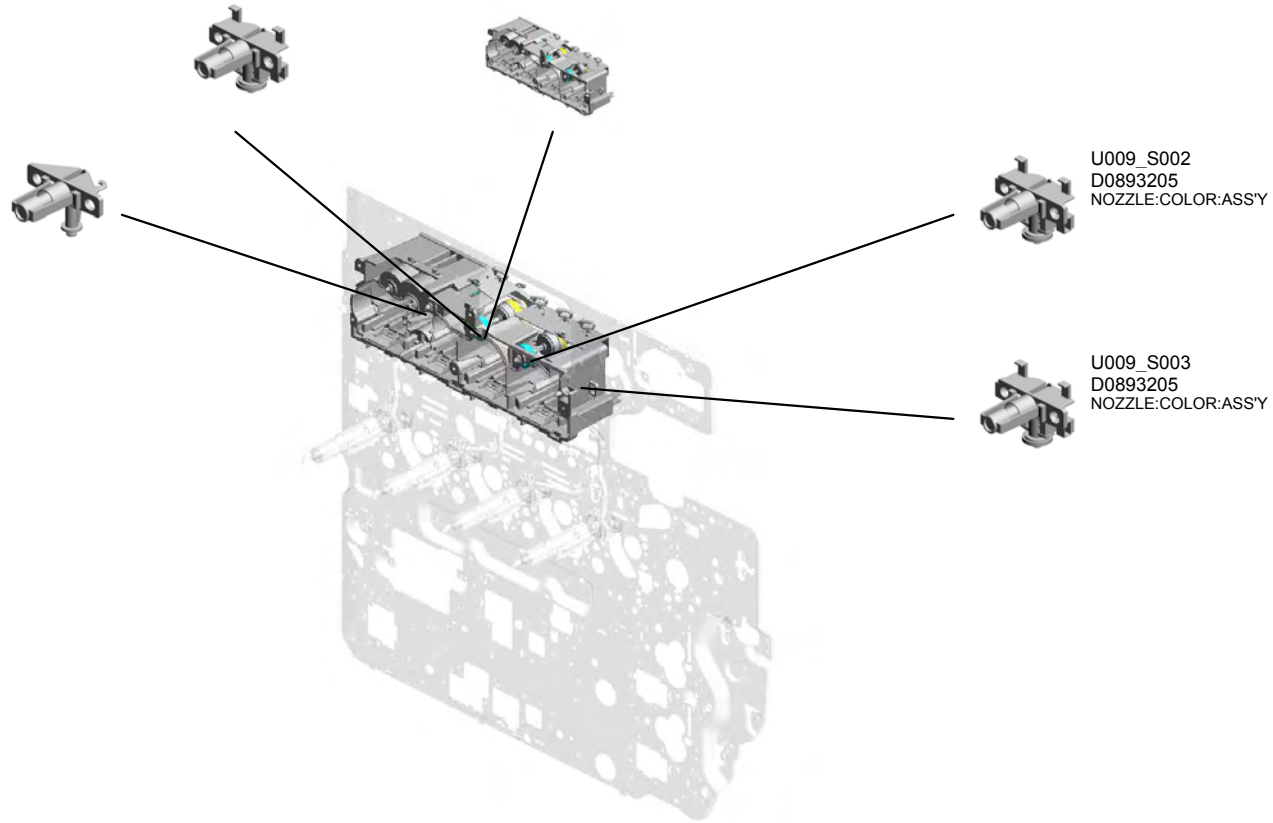
U009_S001
D0893205
NOZZLE:COLOR:ASS'Y

U009_S005
D0893495
DRIVE UNIT:TONER SUPPLY

U009_S004
D0893286
NOZZLE:BK:ASS'Y

U009_S002
D0893205
NOZZLE:COLOR:ASS'Y

U009_S003
D0893205
NOZZLE:COLOR:ASS'Y



U001	U002	U003	U004	U005	U006	U007	U008	U009	U010	U011	U012	U013	U014	U015	U016	U017	U018	U019	U020
------	------	------	------	------	------	------	------	-------------	------	------	------	------	------	------	------	------	------	------	------

U009
Tonner Suppy

CÓPIA NÃO CONTROLADA



- 14.B2233209 (x4) TUBE CLIP
- 1.04503012N (x12) TAPPING SCREW: 3X12
- 33.D0893470 GROUND PLATE:R FID
- 35.D0895177 PCB:RFID

- 2.04513006N (x5) TAPPING SCREW - 3X6

- 7.11050511 (x4) HARNESS CLAMP - LWS-0306ZC

- 23.D0293222 PUMP UNIT:Y:C2:A SS'Y

- 24.D0293223 PUMP UNIT:C:C2:A SS'Y

- 3.04513008N (x8) TAPPING SCREW - M3X8

- 26.D0293471 GASKET:RFID

- 11.B2233206 (x4) TUBE CLAMP

- 22.D0293221 PUMP UNIT:BK:C2: ASS'Y

- 25.D0293224 PUMP UNIT:M:C2:A SS'Y

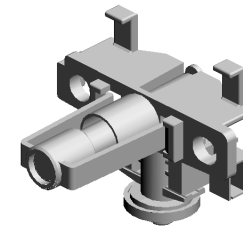
U001	U002	U003	U004	U005	U006	U007	U008	U009	U010	U011	U012	U013	U014	U015	U016	U017	U018	U019	U020
------	------	------	------	------	------	------	------	------	------	------	------	------	------	------	------	------	------	------	------

CÓPIA NÃO CONTROLADA

U009_S001
NOZZLE:COLOR:ASS'Y

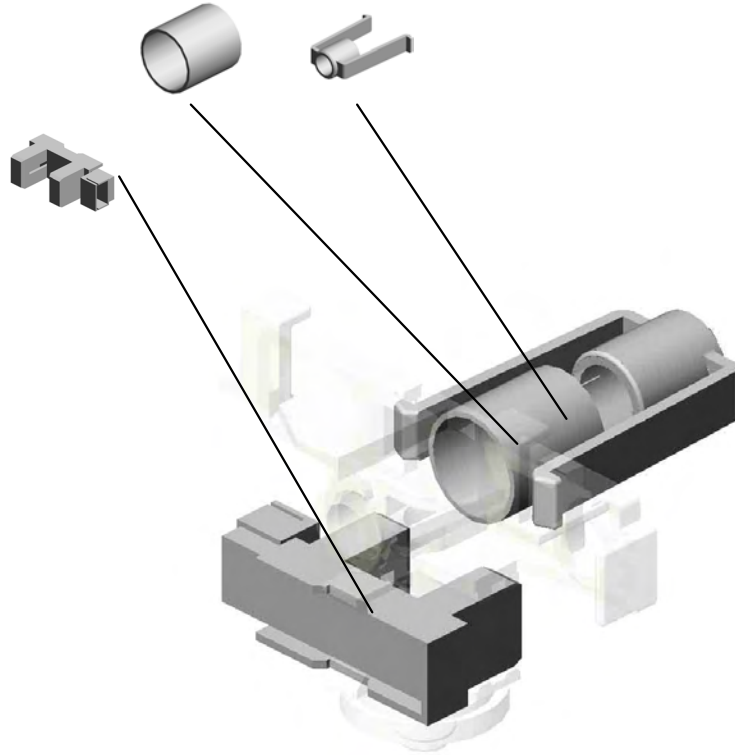
CÓPIA NÃO CONTROLADA

13.B2233208 12.B2233207
SPRING:SHUTTER: SHUTTER:NOZZLE
NOZZLE



27.D0893205
NOZZLE:COLOR:A
SS'Y

10.AW020185
TONER END SENS
OR



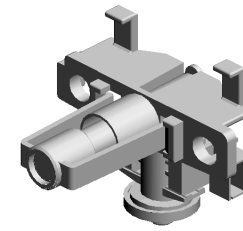
U001	U002	U003	U004	U005	U006	U007	U008	U009	U010	U011	U012	U013	U014	U015	U016	U017	U018	U019	U020
------	------	------	------	------	------	------	------	------	------	------	------	------	------	------	------	------	------	------	------

CÓPIA NÃO CONTROLADA

U009_S002
NOZZLE:COLOR:ASS'Y

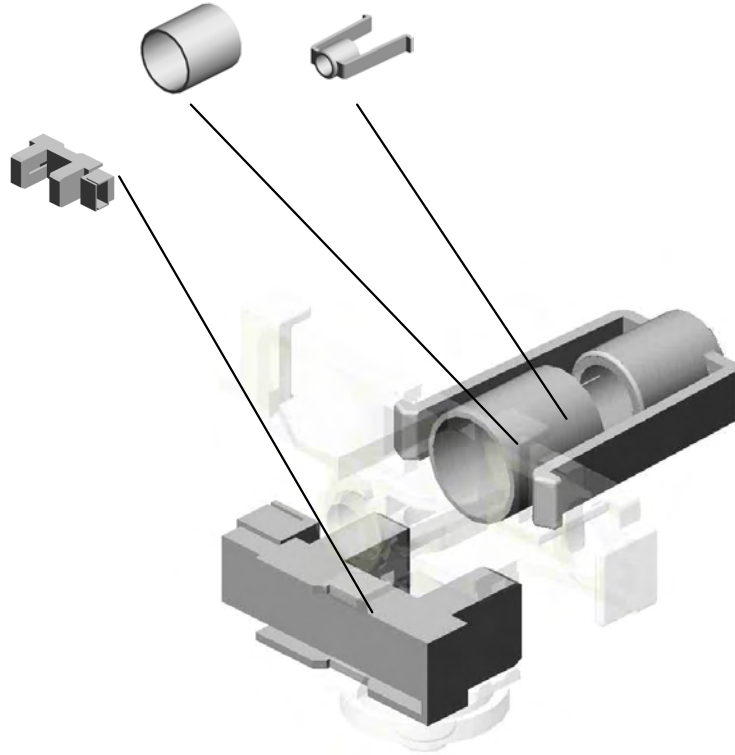
CÓPIA NÃO CONTROLADA

13.B2233208 12.B2233207
SPRING:SHUTTER: SHUTTER:NOZZLE
NOZZLE



27.D0893205
NOZZLE:COLOR:A
SS'Y

10.AW020185
TONER END SENS
OR



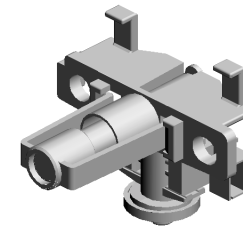
U001	U002	U003	U004	U005	U006	U007	U008	U009	U010	U011	U012	U013	U014	U015	U016	U017	U018	U019	U020
------	------	------	------	------	------	------	------	------	------	------	------	------	------	------	------	------	------	------	------

CÓPIA NÃO CONTROLADA

U009_S003
NOZZLE:COLOR:ASS'Y

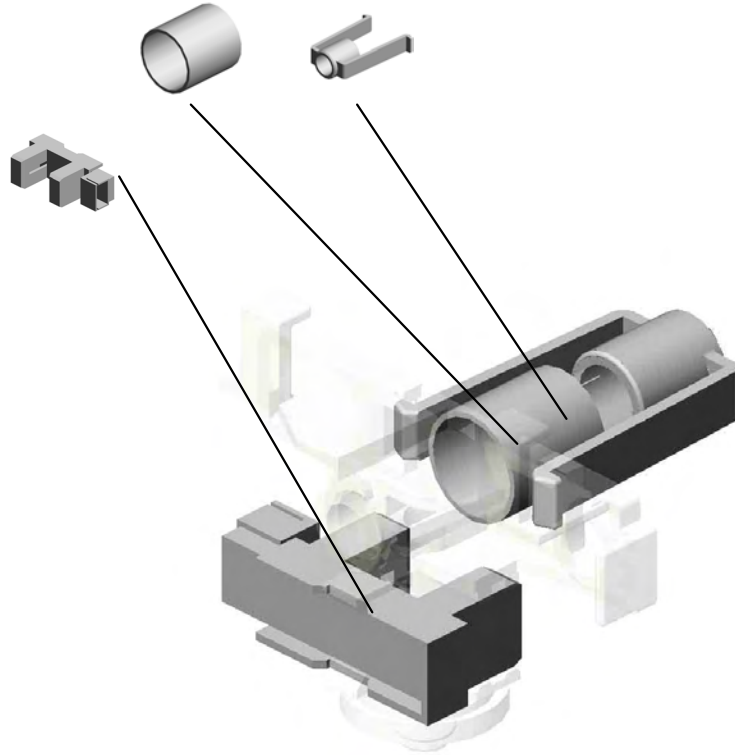
CÓPIA NÃO CONTROLADA

13.B2233208 12.B2233207
SPRING:SHUTTER: SHUTTER:NOZZLE
NOZZLE



27.D0893205
NOZZLE:COLOR:A
SS'Y

10.AW020185
TONER END SENS
OR



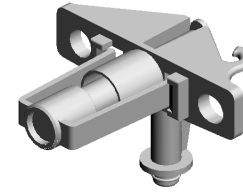
U001	U002	U003	U004	U005	U006	U007	U008	U009	U010	U011	U012	U013	U014	U015	U016	U017	U018	U019	U020
------	------	------	------	------	------	------	------	------	------	------	------	------	------	------	------	------	------	------	------

CÓPIA NÃO CONTROLADA

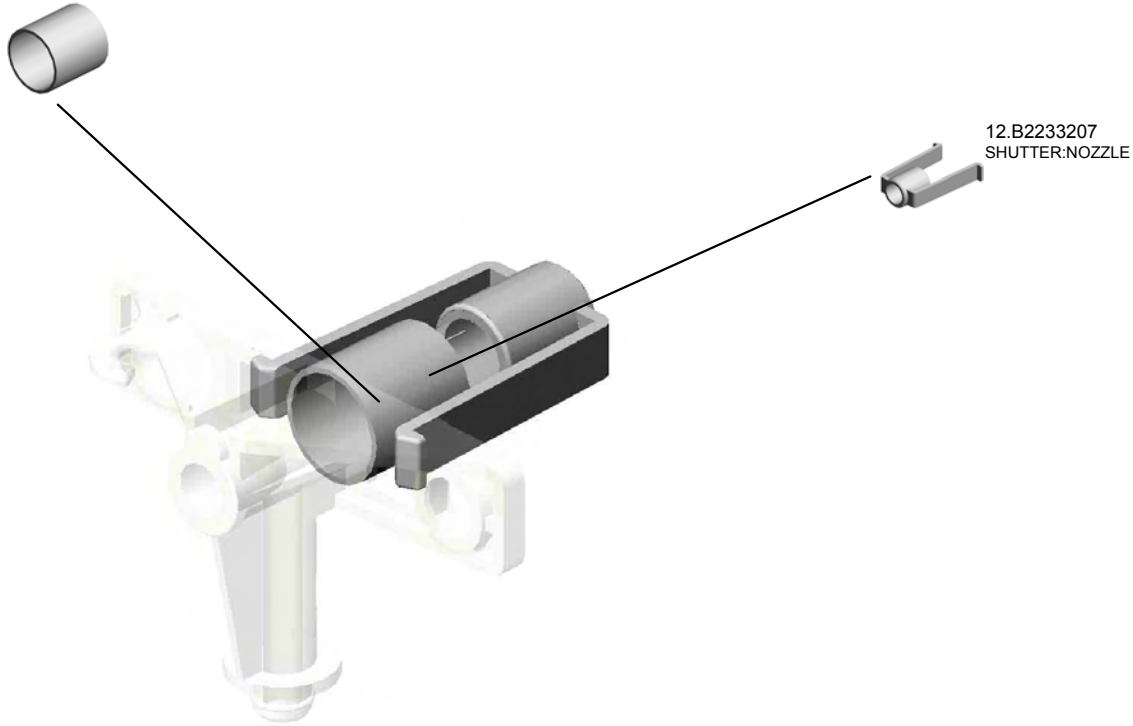
U009_S004
NOZZLE: BK: ASS'Y

CÓPIA NÃO CONTROLADA

13.B2233208
SPRING: SHUTTER:
NOZZLE



28.D0893286
NOZZLE: BK: ASS'Y

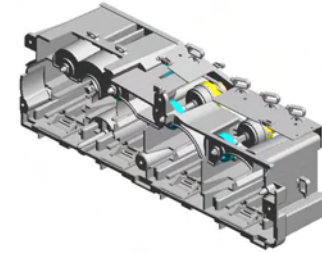


U001	U002	U003	U004	U005	U006	U007	U008	U009	U010	U011	U012	U013	U014	U015	U016	U017	U018	U019	U020
------	------	------	------	------	------	------	------	-------------	------	------	------	------	------	------	------	------	------	------	------

CÓPIA NÃO CONTROLADA

U009_S005
DRIVE UNIT:TONER SUPPLY

CÓPIA NÃO CONTROLADA



34.D0893495
DRIVE UNIT:TONER SUPPLY

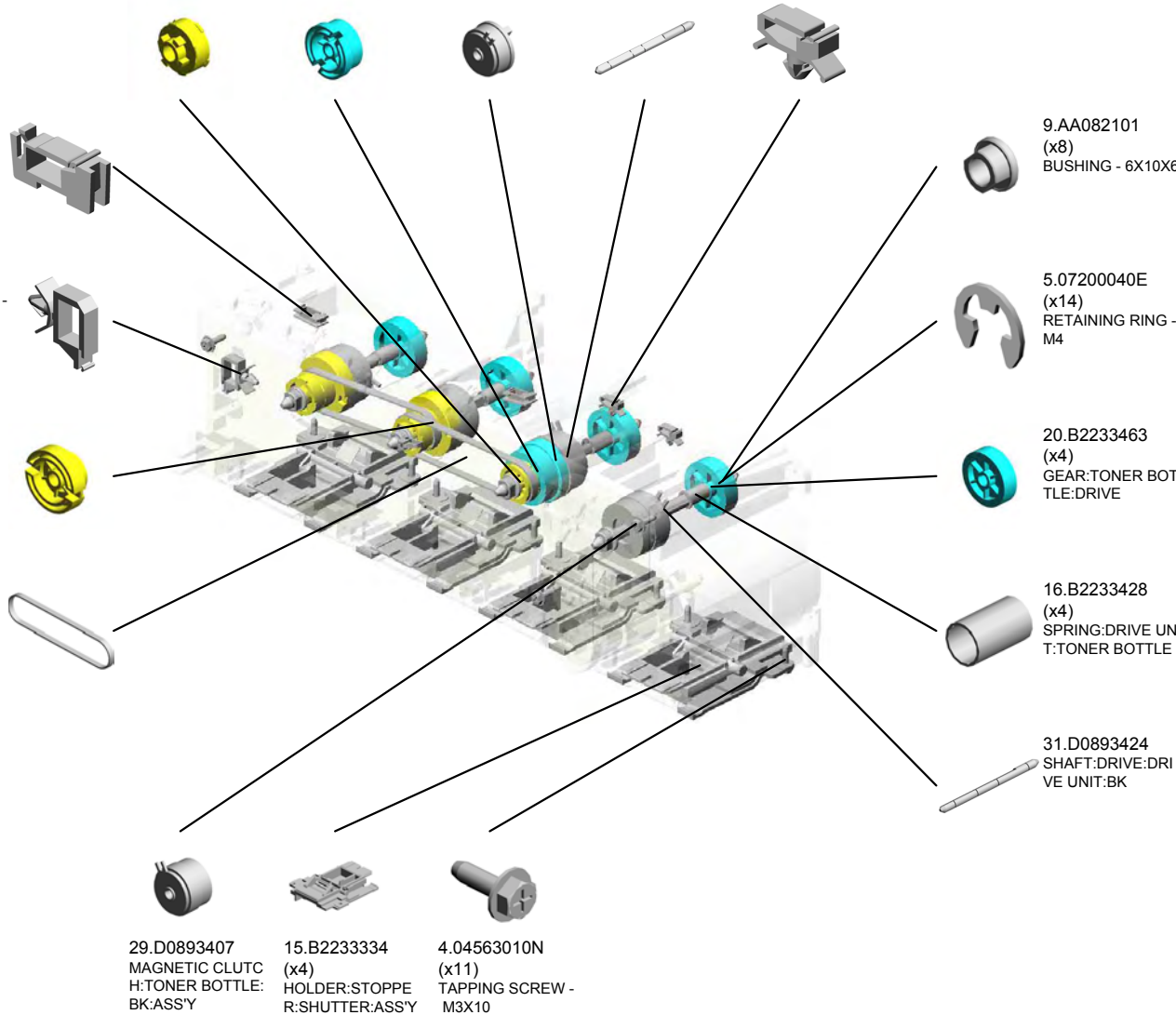
- 18.B2233461 (x3) PULLEY:TONER BOTTLE:YC
- 21.B2233464 GEAR:MAGNETIC CLUTCH:Y
- 30.D0893408 (x3) MAGNETIC CLUTCH:TONER BOTTLE:YCM:ASSY
- 32.D0893426 (x3) SHAFT:DRIVE:DRIVE UNIT:YCM
- 7.11050511 (x2) HARNESS CLAMP - LWS-0306ZC

8.11050723 (x2) CLAMPS:WES-0507

6.11050508 HARNESS CLAMP - LWS-0711

19.B2233462 (x2) PULLEY:TONER BOTTLE:CM

17.B2233441 (x2) TIMING BELT:TONER BOTTLE



U001	U002	U003	U004	U005	U006	U007	U008	U009	U010	U011	U012	U013	U014	U015	U016	U017	U018	U019	U020
------	------	------	------	------	------	------	------	------	------	------	------	------	------	------	------	------	------	------	------

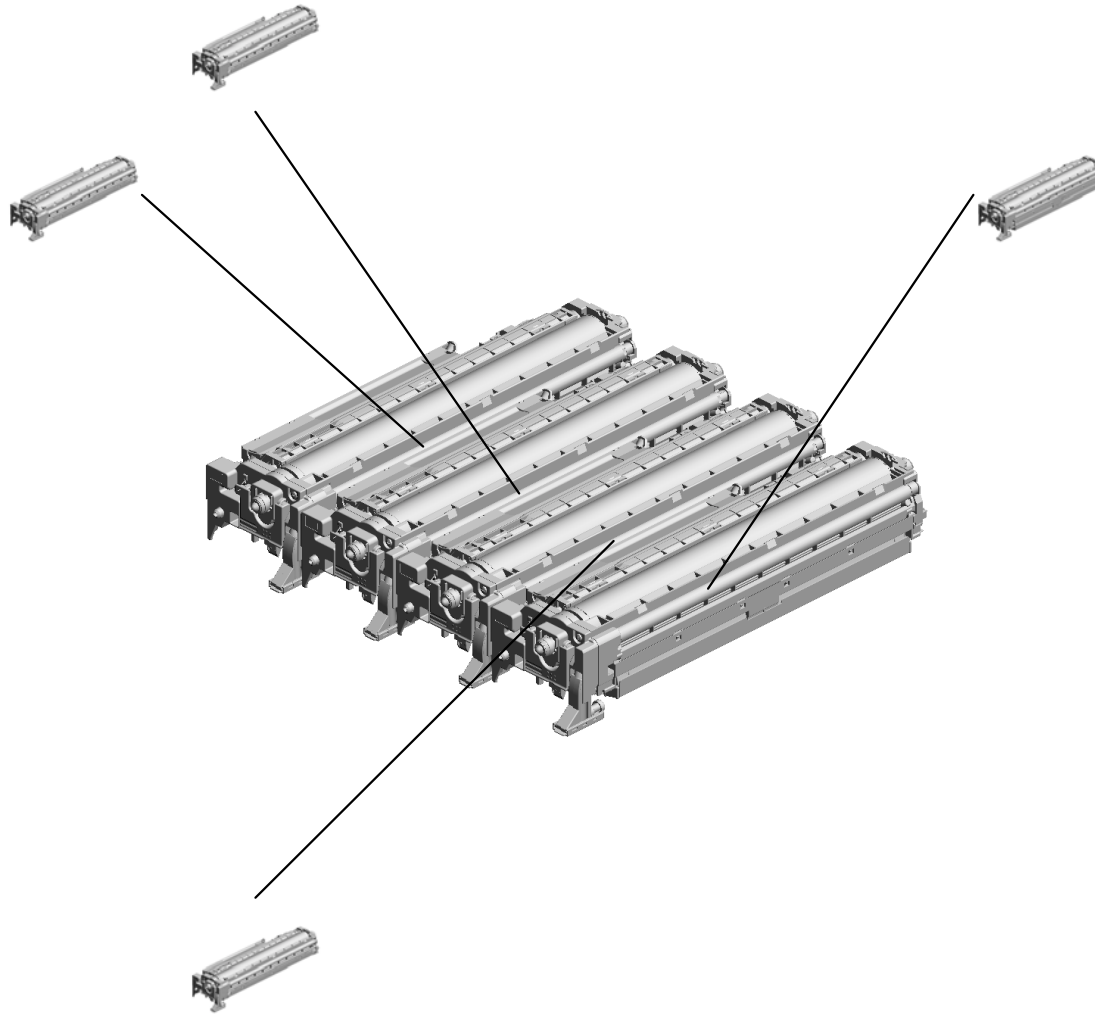
CÓPIA NÃO CONTROLADA

CÓPIA NÃO CONTROLADA
U010.PCDU

U010_S003
D0892202
PCDU - C

U010_S004
D0892203
PCDU - Y

U010_S001
D0892200
PCDU - K

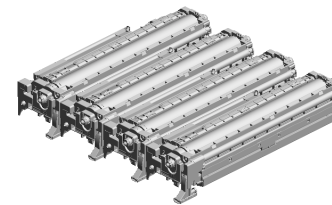


U010_S002
D0892201
PCDU - M

U001	U002	U003	U004	U005	U006	U007	U008	U009	U010	U011	U012	U013	U014	U015	U016	U017	U018	U019	U020
------	------	------	------	------	------	------	------	------	------	------	------	------	------	------	------	------	------	------	------

U010
PCDU

CÓPIA NÃO CONTROLADA



14.D0899660
DEVELOPER - C



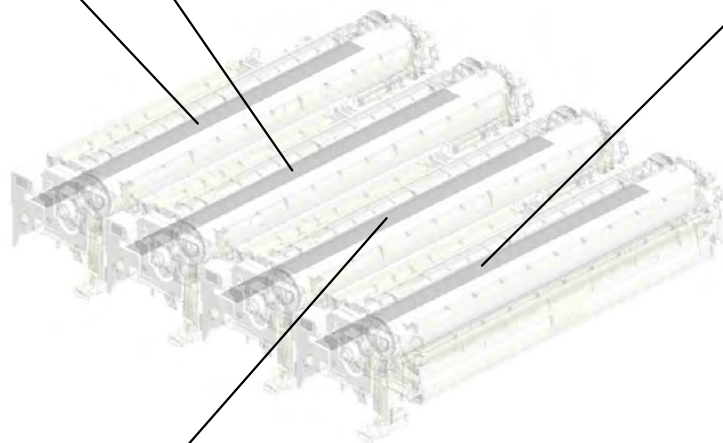
16.D0899680
DEVELOPER - Y



13.D0899640
DEVELOPER- K



15.D0899670
DEVELOPER - M



U001	U002	U003	U004	U005	U006	U007	U008	U009	U010	U011	U012	U013	U014	U015	U016	U017	U018	U019	U020
------	------	------	------	------	------	------	------	------	------	------	------	------	------	------	------	------	------	------	------

CÓPIA NÃO CONTROLADA

U010_S001
PCDU - K

CÓPIA NÃO CONTROLADA

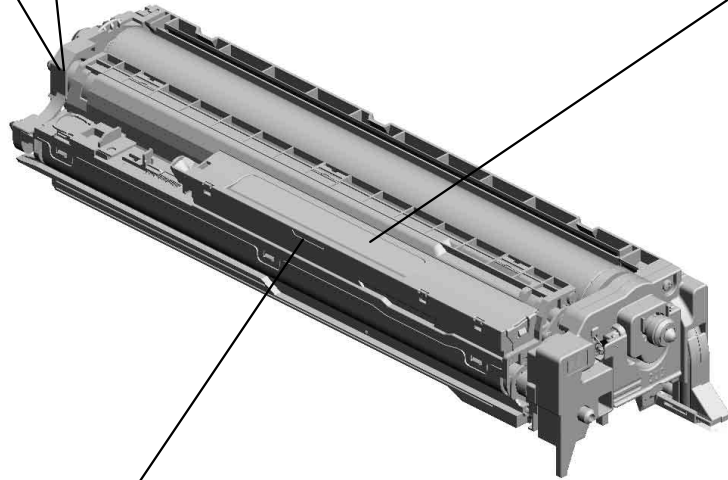
2.AA084000
BUSHING: DIA6



1.07200040E
RETAINING RING -
M4



7.D0892250
DRUM - K



9.D0893010
DEVELOPMENT UN
IT - K



U001	U002	U003	U004	U005	U006	U007	U008	U009	U010	U011	U012	U013	U014	U015	U016	U017	U018	U019	U020
------	------	------	------	------	------	------	------	------	------	------	------	------	------	------	------	------	------	------	------

CÓPIA NÃO CONTROLADA

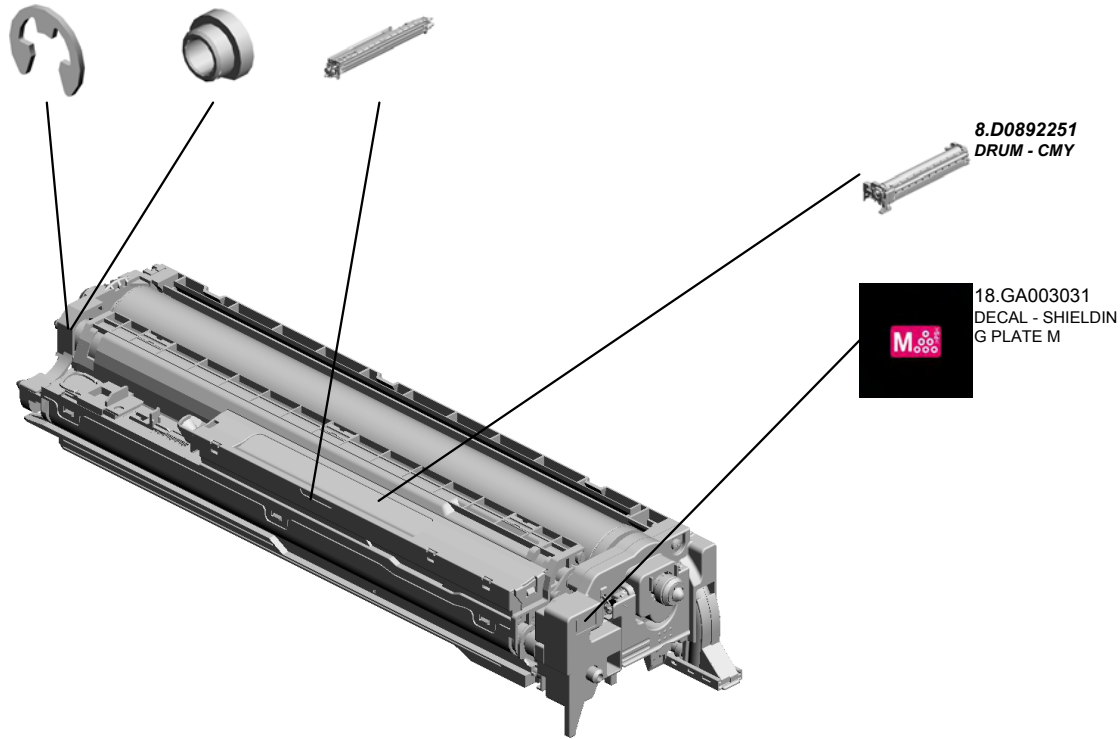
1.07200040E
RETAINING RING -
M4

2.AA084000
BUSHING:DIAG

10.D0893020
DEVELOPMENT UN
IT - M



4.D0892201
PCDU - M



U001	U002	U003	U004	U005	U006	U007	U008	U009	U010	U011	U012	U013	U014	U015	U016	U017	U018	U019	U020
------	------	------	------	------	------	------	------	------	------	------	------	------	------	------	------	------	------	------	------

U010_S003
PCDU - C

CÓPIA NÃO CONTROLADA

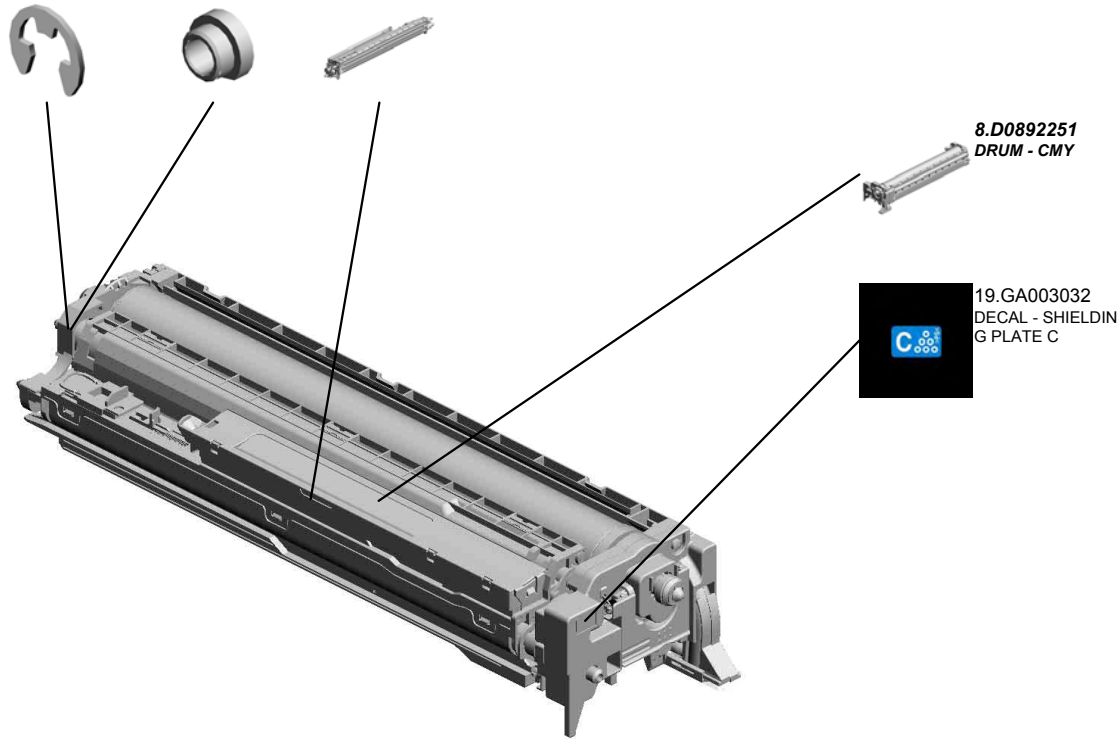
1.07200040E
RETAINING RING -
M4

2.AA084000
BUSHING:DIA6

11.D0893030
DEVELOPMENT UN
IT - C



5.D0892202
PCDU - C



8.D0892251
DRUM - CMY

19.GA003032
DECAL - SHIELDIN
G PLATE C

U001	U002	U003	U004	U005	U006	U007	U008	U009	U010	U011	U012	U013	U014	U015	U016	U017	U018	U019	U020
------	------	------	------	------	------	------	------	------	------	------	------	------	------	------	------	------	------	------	------

CÓPIA NÃO CONTROLADA

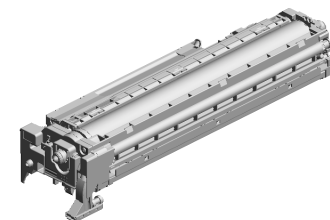
U010_S004
PCDU - Y

CÓPIA NÃO CONTROLADA

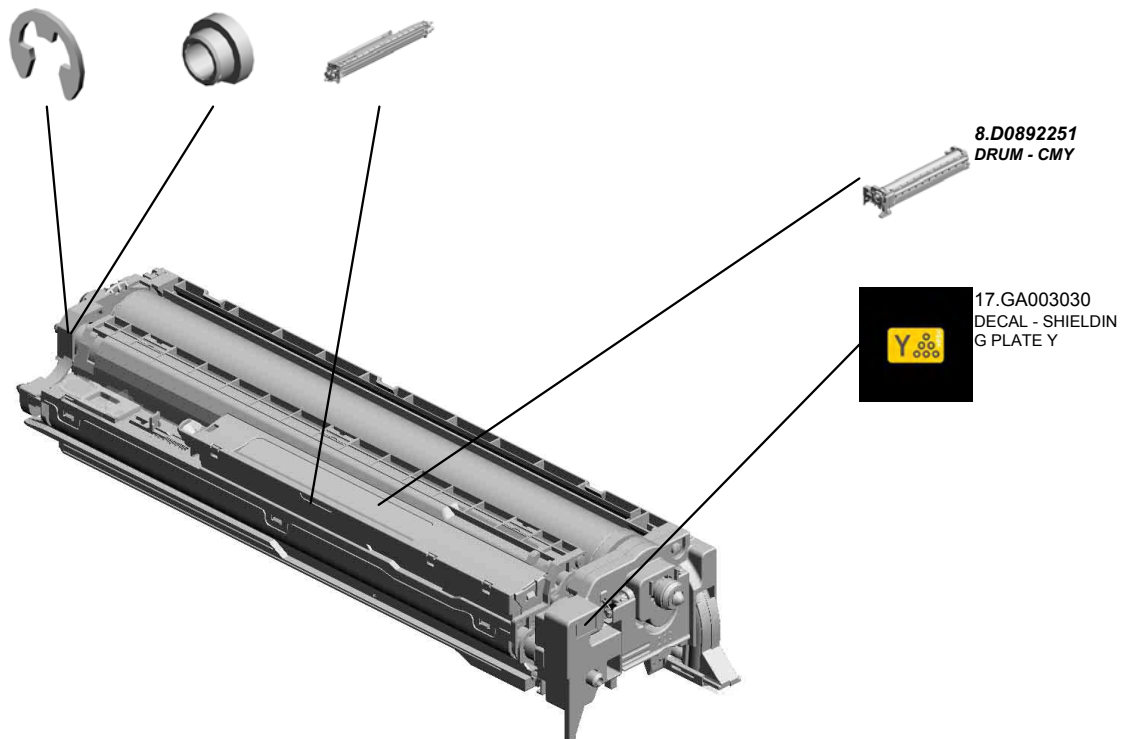
1.07200040E
RETAINING RING -
M4

2.AA084000
BUSHING:DIA6

12.D0893040
DEVELOPMENT UN
IT - Y



6.D0892203
PCDU - Y

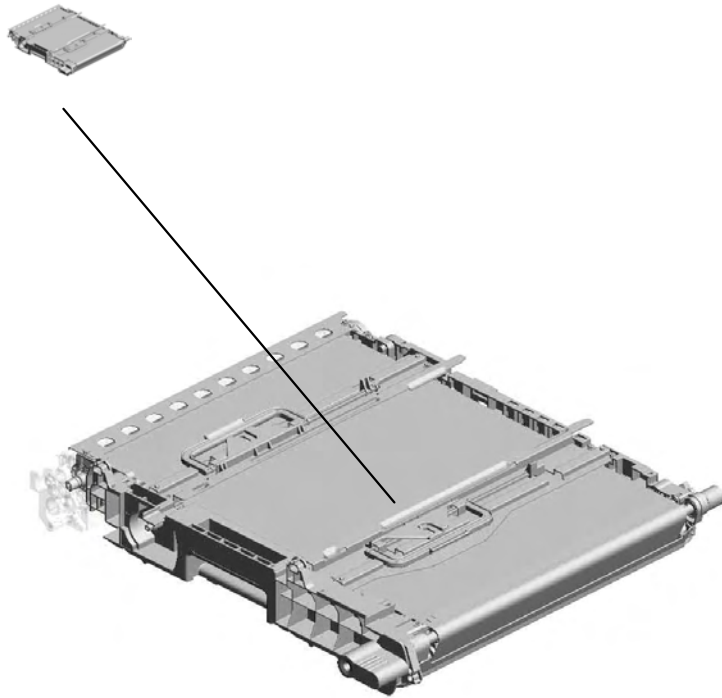


U001	U002	U003	U004	U005	U006	U007	U008	U009	U010	U011	U012	U013	U014	U015	U016	U017	U018	U019	U020
------	------	------	------	------	------	------	------	------	------	------	------	------	------	------	------	------	------	------	------

CÓPIA NÃO CONTROLADA

CÓPIA NÃO CONTROLADA
U011.ITB Unit

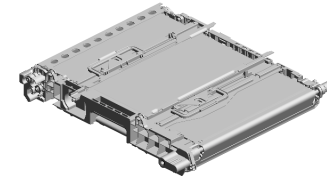
U011 S001
D0896010
ITB UNIT



U001	U002	U003	U004	U005	U006	U007	U008	U009	U010	U011	U012	U013	U014	U015	U016	U017	U018	U019	U020
------	------	------	------	------	------	------	------	------	------	------	------	------	------	------	------	------	------	------	------

U011
ITB Unit

CÓPIA NÃO CONTROLADA

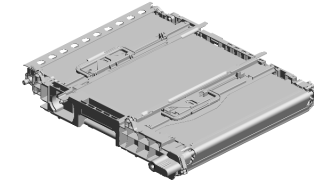


U001	U002	U003	U004	U005	U006	U007	U008	U009	U010	U011	U012	U013	U014	U015	U016	U017	U018	U019	U020
------	------	------	------	------	------	------	------	------	------	------	------	------	------	------	------	------	------	------	------

CÓPIA NÃO CONTROLADA

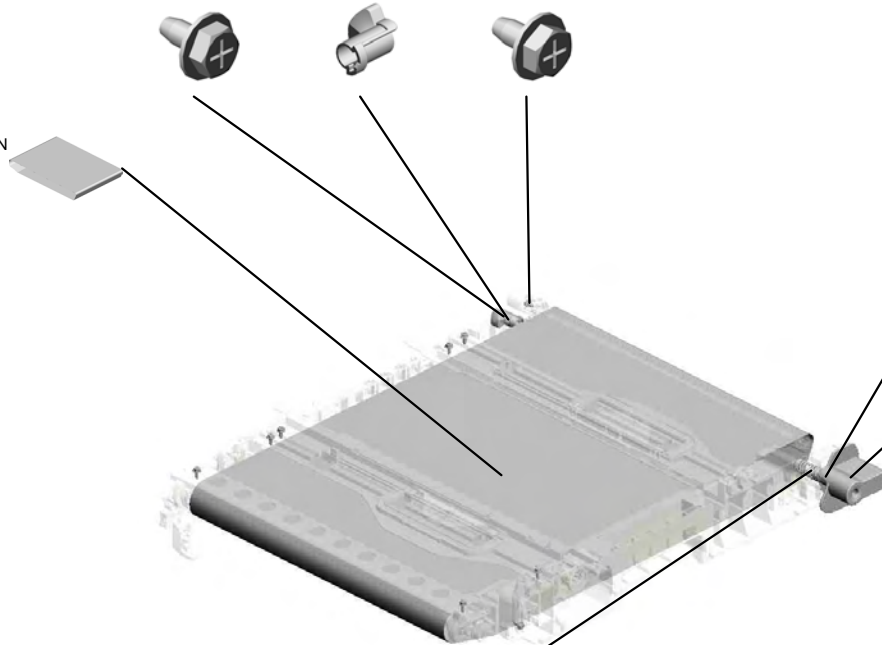
Copyright (c) 2006-2010 Ricoh Company, Ltd. 2010/11/01 Version 1.00

- 2.04513006N (x2) TAPPING SCREW - 3X6
- 5.B2236085 STOPPER:RIGHT:ITB
- 1.04504008N TAPPING SCREW - M4X8



8.D0896010
ITB UNIT

7.D0296090
TRANSFER BELT:N
:ASS'Y



3.04563008N
(x11)
TAPPING SCREW -
M3X8

6.B2236109
LEVER:RIGHT:ITB



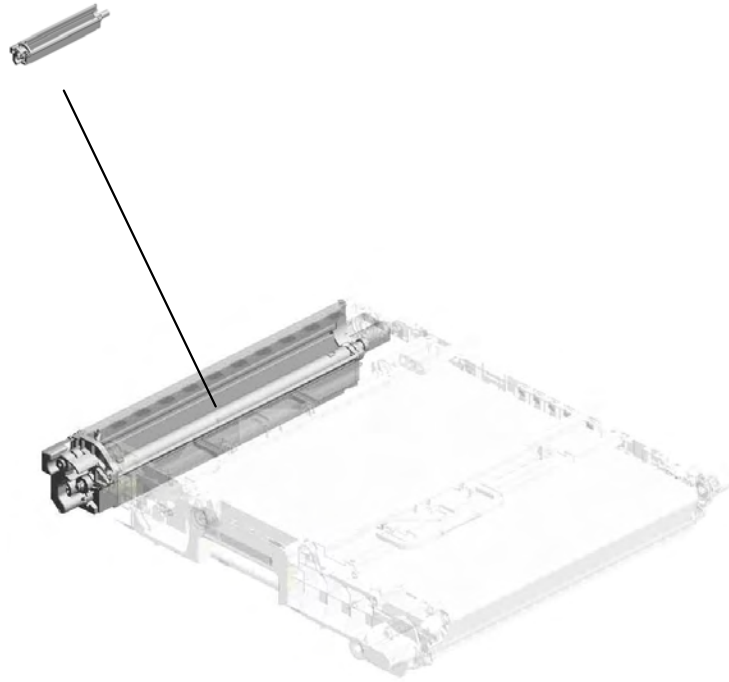
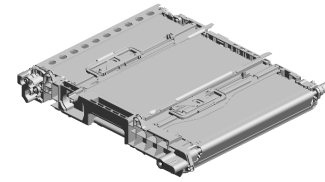
4.AA063999
SPRING:LEVER:RI
GHT:INTERMEDIAT
E TRANSFER

U001	U002	U003	U004	U005	U006	U007	U008	U009	U010	U011	U012	U013	U014	U015	U016	U017	U018	U019	U020
------	------	------	------	------	------	------	------	------	------	------	------	------	------	------	------	------	------	------	------

U012
ITB Cleaning

CÓPIA NÃO CONTROLADA

1.D0896021
ITB CLEANING UNI
T

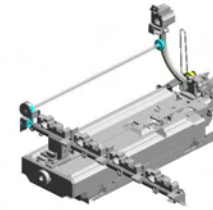


U001	U002	U003	U004	U005	U006	U007	U008	U009	U010	U011	U012	U013	U014	U015	U016	U017	U018	U019	U020
------	------	------	------	------	------	------	------	------	------	------	------	------	------	------	------	------	------	------	------

CÓPIA NÃO CONTROLADA

U013
Used Toner

CÓPIA NÃO CONTROLADA



- 1.04513006N (x18) TAPPING SCREW - 3X6
- 18.B2236473 TRANSPORT SCR EW SHAFT
- 19.B2236474 GEAR - 29Z
- 7.AB030551 PULLEY:IDLER:FU SING
- 5.AA043583 TIMING BELT - S2 M460

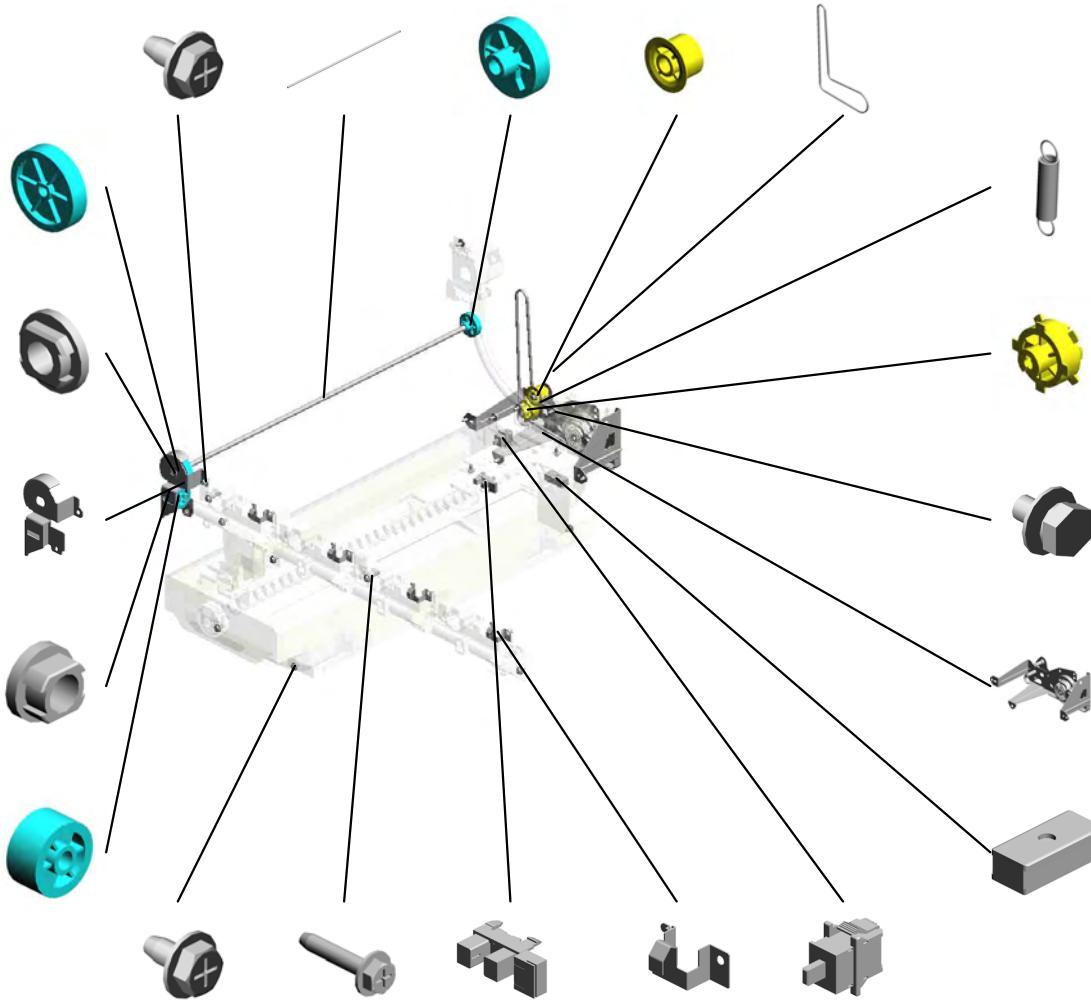
17.B2236472 GEAR - 21Z

20.B2236475 BUSHING - 5X 10X 2.5

16.B2236471 TRANSPORT SCR EW BRACKET

14.B2236464 BUSHING - 6X10X6

13.B2236463 GEAR - 20Z



6.AA060722 TENSION SPRING

12.B2231184 PULLEY:TONER SUPPLY:NO.2:ASSY

4.08010231 HEXAGONAL HEAD BOLT W/WASHER:M3X6

11.B2231174 DRIVE UNIT:COLLECTION BOTTLE

8.AG070514 MAGNET CATCH

3.04543006Q (x4) TAPPING SCREW - M3X6

2.04513016N (x2) TAPPING SCREW - 3X16

9.AW020160 PAPER FEED SENSOR

15.B2236467 (x4) LEVER BRACKET

10.AW500023 PUSH SWITCH

U001	U002	U003	U004	U005	U006	U007	U008	U009	U010	U011	U012	U013	U014	U015	U016	U017	U018	U019	U020
------	------	------	------	------	------	------	------	------	------	------	------	------	------	------	------	------	------	------	------

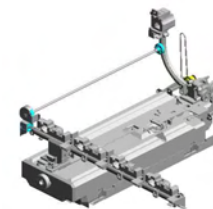
CÓPIA NÃO CONTROLADA

U013
Used Toner

CÓPIA NÃO CONTROLADA

21.B2236476
(x2)
BUSHING - DIA5

26.D0896481
PIPE:REAR:ASSY

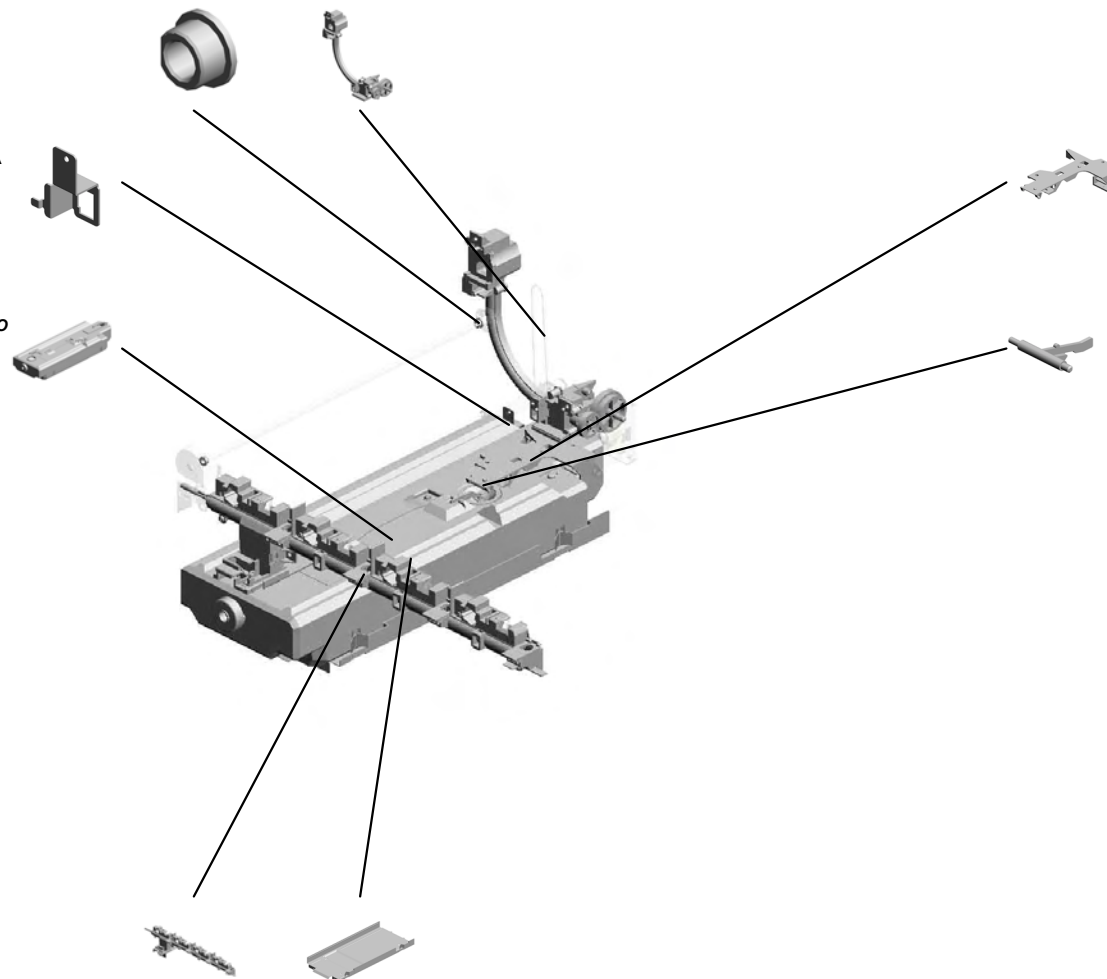


24.B2236507
SET SENSOR BRACKET

25.D0296502
BRACKET:USED TONER SENSOR:C2

27.D0896509
WASTE TONER BOTTLE

23.B2236503
USED TONER SENSOR FEELER



28.D0896540
PIPE:FRONT:ASSY

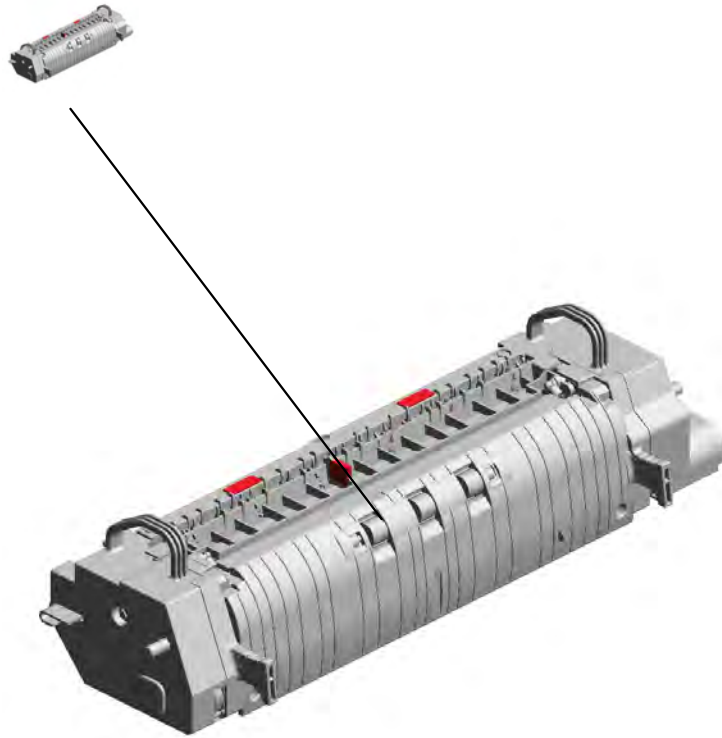
22.B2236496
COLLECTION BOTTLE RAIL

U001	U002	U003	U004	U005	U006	U007	U008	U009	U010	U011	U012	U013	U014	U015	U016	U017	U018	U019	U020
------	------	------	------	------	------	------	------	------	------	------	------	------	------	------	------	------	------	------	------

CÓPIA NÃO CONTROLADA

CÓPIA NÃO CONTROLADA
U014.Fusing

U014 S001
D0894019
FUSING UNIT:D088/D089:120
V



U001	U002	U003	U004	U005	U006	U007	U008	U009	U010	U011	U012	U013	U014	U015	U016	U017	U018	U019	U020
------	------	------	------	------	------	------	------	------	------	------	------	------	------	------	------	------	------	------	------

U014
Fusing

CÓPIA NÃO CONTROLADA



U001	U002	U003	U004	U005	U006	U007	U008	U009	U010	U011	U012	U013	U014	U015	U016	U017	U018	U019	U020
------	------	------	------	------	------	------	------	------	------	------	------	------	------	------	------	------	------	------	------

CÓPIA NÃO CONTROLADA

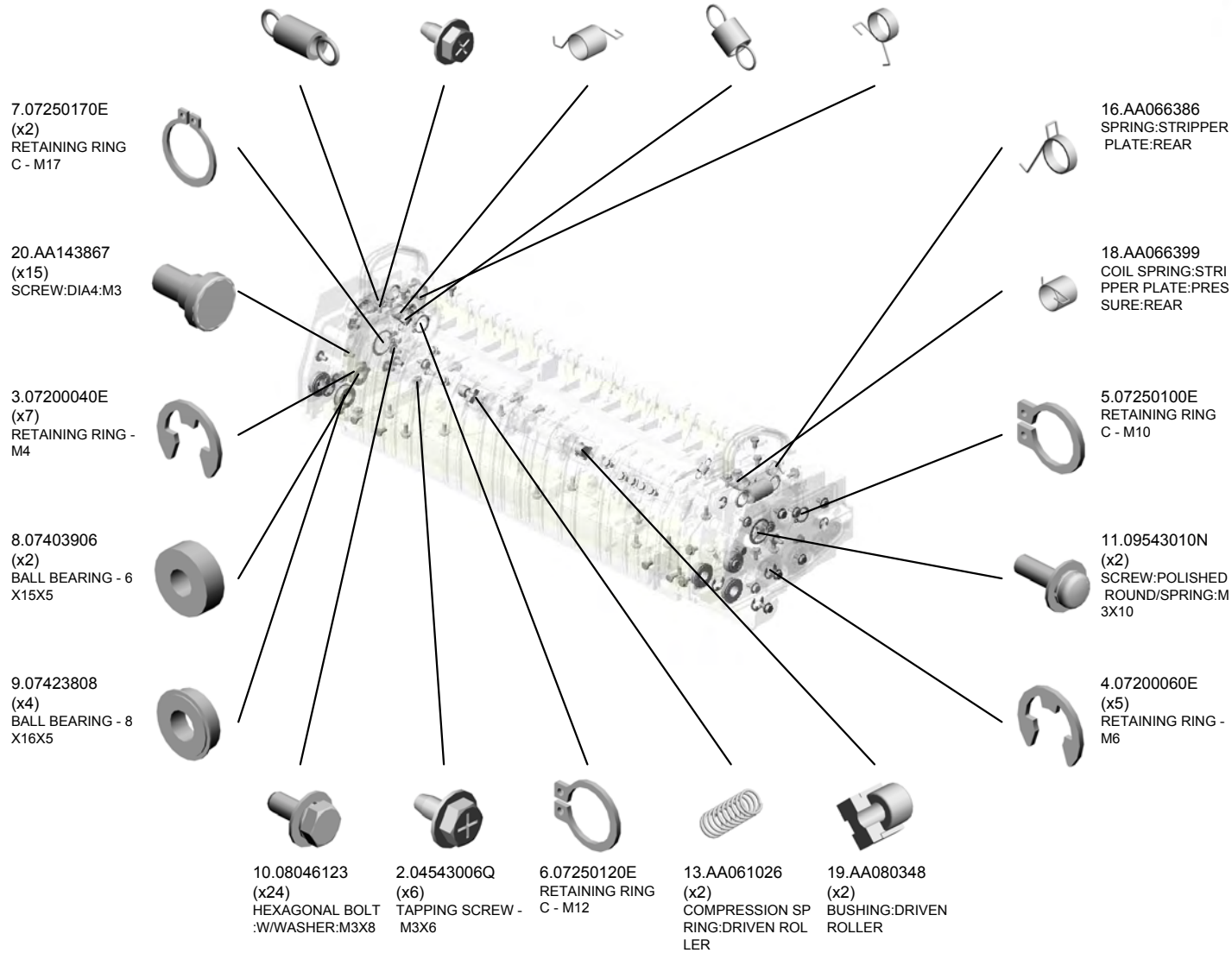
U014_S001
FUSING UNIT:D088/D089:120V

CÓPIA NÃO CONTROLADA



51.D0894019
FUSING UNIT:D088
/D089:120V

- 14.AA061062 (x2) TENSION SPRING: PRESSURE:140N
- 1.03603006N (x29) SCREW - M3X6
- 17.AA066398 COIL SPRING:STRIPPER PLATE:FRONT
- 12.AA060989 (x2) SPRING:FUSING EXIT:PRESSURE
- 15.AA066385 SPRING:STRIPPER PLATE:FRONT



U001	U002	U003	U004	U005	U006	U007	U008	U009	U010	U011	U012	U013	U014	U015	U016	U017	U018	U019	U020
------	------	------	------	------	------	------	------	------	------	------	------	------	------	------	------	------	------	------	------

CÓPIA NÃO CONTROLADA

36.BA146038
(x2)
PIN:SPRING:PRESSURE RELEASE

28.AE020183
PRESSURE ROLLER

35.AX430195
HEATER:INFRARED RAYS:120V:500W

40.D0294134
GUIDE PLATE:FUSING NG EXIT:LEFT

27.AE010079
HEATING ROLLER



51.D0894019
FUSING UNIT:D088/D089:120V

30.AE030081
(x2)
BALL BEARING - DIA17X26X5

32.AW100133
TEMPERATURE SENSOR:NC-F10

37.D0094664
DRIVEN ROLLER

38.D0294103
FUSING COVER:GUIDE:DUPLIX

39.D0294108
HOUSING:THERMOSTAT:PRESSURE

34.AW110072
THERMOSTAT:ASSY

31.AW100120
THERMISTOR:FUSING

33.AW100137
THERMISTOR:FUSING

22.AB014317
GEAR:PRESSURE ROLLER

25.AB014320
GEAR:IDLER:PRESSURE ROLLER

29.AE030080
(x2)
BALL BEARING - DIA12X24X6

23.AB014318
GEAR:HOT ROLLER

26.AB017759
ENCODER:TURN

21.AB014316
GEAR:IDLER:TURN

24.AB014319
GEAR:IDLER:FUSING UNIT

U001	U002	U003	U004	U005	U006	U007	U008	U009	U010	U011	U012	U013	U014	U015	U016	U017	U018	U019	U020
------	------	------	------	------	------	------	------	------	------	------	------	------	------	------	------	------	------	------	------

U014_S001
FUSING UNIT:D088/D089:120V

CÓPIA NÃO CONTROLADA



51.D0894019
FUSING UNIT:D088
/D089:120V

- 57.D0894115 LEVER:PRESSURE RELEASE:FRONT
- 44.D0294163 DECAL:WARNING (HIGH TEMPERATURE):FUSING:1
- 43.D0294162 SHEET:C3:LEVER
- 60.D0894132 FUSING ENTRANCE GUIDE PLATE
- 61.D0894137 STRIPPER PLATE: HOT ROLLER:ASSY

56.D0894114 LEVER:AUXILIARY:FRONT

49.D0874101 FUSING COVER:FRONT

42.D0294160 (x2) DECAL:C2:BLUE:FUSING

48.D0294269 GUIDE:HARNES:FRONT

53.D0894104 (x2) CAM:ON-OFF:PRESSURE ROLLER:SIDE

52.D0894100 FUSING COVER:LOWER

46.D0294169 FUSING CLEANING FELT

41.D0294146 ELECTRODE PLATE:HEATER:REAR

47.D0294186 TERMINAL:HEATER:REAR

55.D0894110 BRACKET:THERMOSTOR:PRESSURE ROLLER

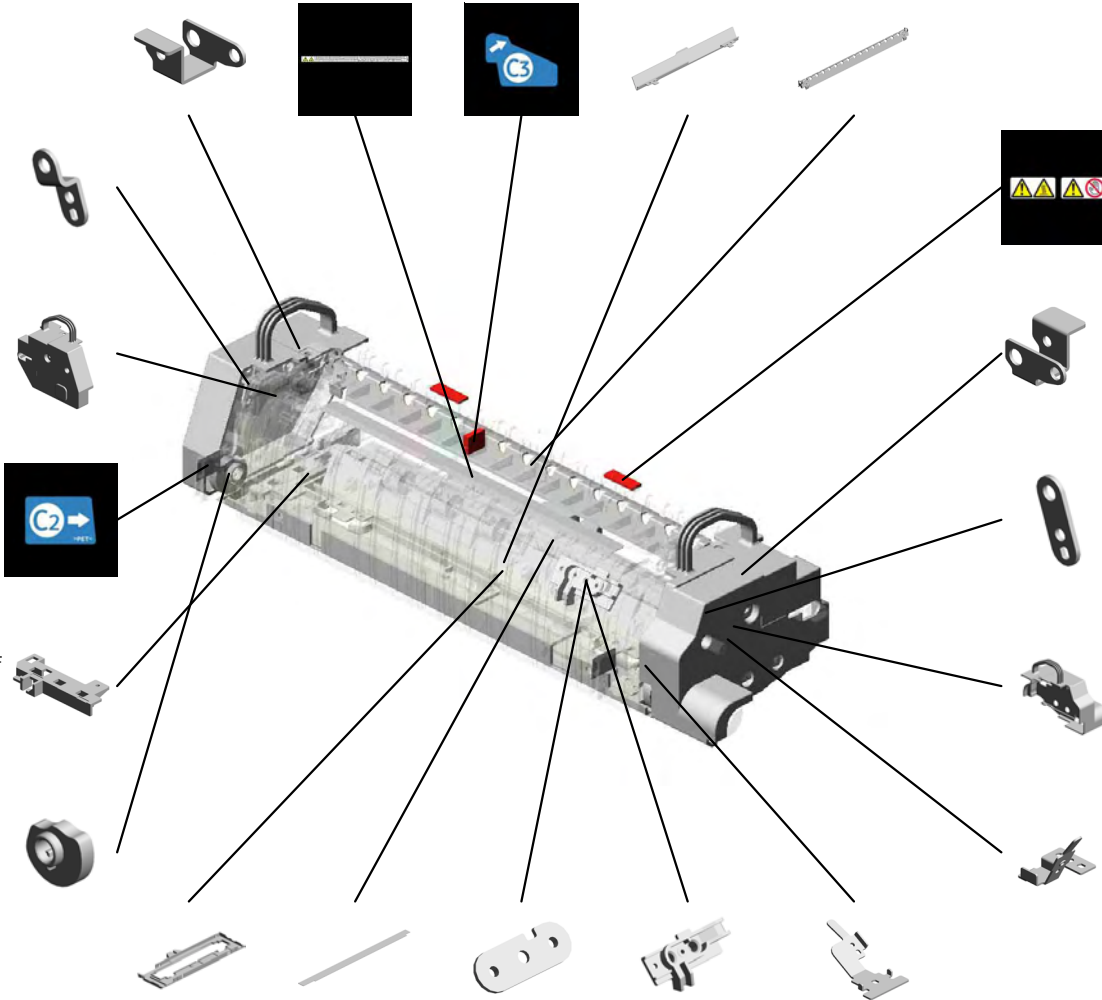
45.D0294164 (x2) DECAL:H-TMP WARNING:FUSING:2

59.D0894122 LEVER:PRESSURE RELEASE:REAR

58.D0894121 LEVER:AUXILIARY:REAR

50.D0874102 FUSING COVER:REAR

54.D0894109 BRACKET:THERMOSTOR:HOT ROLLER



U001	U002	U003	U004	U005	U006	U007	U008	U009	U010	U011	U012	U013	U014	U015	U016	U017	U018	U019	U020
------	------	------	------	------	------	------	------	------	------	------	------	------	-------------	------	------	------	------	------	------

CÓPIA NÃO CONTROLADA

U014_S001
 FUSING UNIT:D088/D089:120V

CÓPIA NÃO CONTROLADA

73.D0894289 HOUSING:TEMPERATURE SENSOR:N
 C-F10
 65.D0894149 HARNESS:FUSING UNIT:115V
 72.D0894253 STRIPPER PLATE:PRESSURE ROLLER
 70.D0894251 GUIDE PLATE:FUSING EXIT:RIGHT



51.D0894019
 FUSING UNIT:D088/D089:120V

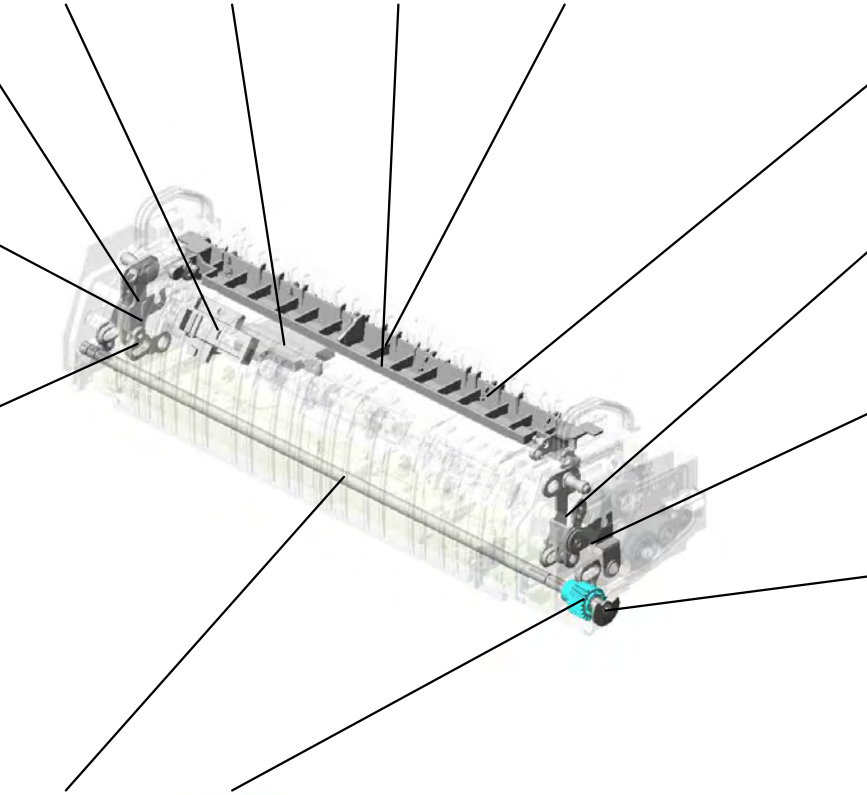
66.D0894220
 LEVER:PRESSURE :FRONT



63.D0894141
 HEATER HOLDER: FRONT



69.D0894238
 (x4)
 PLAIN SHAFT BEARING:LEVER:CONTACT POINT



71.D0894252
 (x6)
 GUIDE:FUSING EXIT:PFA



67.D0894223
 LEVER:PRESSURE :REAR



64.D0894142
 HEATER HOLDER: REAR



62.D0894140
 ENCODER:ON-OFF :PRESSURE ROLLER



68.D0894225
 SHAFT:ON-OFF:PRESSURE ROLLER

74.D0894391
 GEAR:ON-OFF:PRESSURE ROLLER

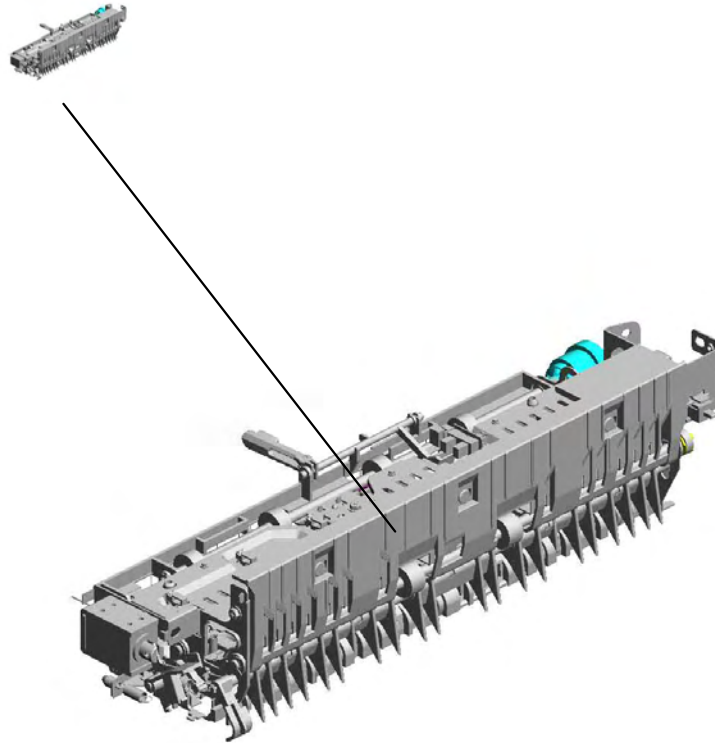


U001	U002	U003	U004	U005	U006	U007	U008	U009	U010	U011	U012	U013	U014	U015	U016	U017	U018	U019	U020
------	------	------	------	------	------	------	------	------	------	------	------	------	------	------	------	------	------	------	------

CÓPIA NÃO CONTROLADA

CÓPIA NÃO CONTROLADA
U015.Paper Exit

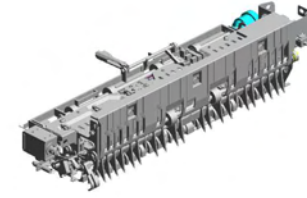
U015 S001
D0894405
PAPER EXIT UNIT:MACHINE
OR COPIER:ASS'Y



U001	U002	U003	U004	U005	U006	U007	U008	U009	U010	U011	U012	U013	U014	U015	U016	U017	U018	U019	U020
------	------	------	------	------	------	------	------	------	------	------	------	------	------	------	------	------	------	------	------

U015
Paper Exit

CÓPIA NÃO CONTROLADA

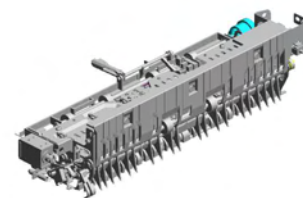


U001	U002	U003	U004	U005	U006	U007	U008	U009	U010	U011	U012	U013	U014	U015	U016	U017	U018	U019	U020
------	------	------	------	------	------	------	------	------	------	------	------	------	------	------	------	------	------	------	------

CÓPIA NÃO CONTROLADA

U015_S001
 PAPER EXIT UNIT:MACHINE OR COPIER:ASS'Y

CÓPIA NÃO CONTROLADA



26.D0894405
 PAPER EXIT UNIT:
 MACHINE OR COPI
 ER:ASSY

- 15.D0094407 FEELER - OVERFLOW
- 16.D0094443 DISCHARGE BRUSH - EXIT
- 9.AW010107 (x2) PAPER FEED SENSOR
- 17.D0294425 BRACKET:SENSOR
- 14.B2234497 SHAFT:FEELER:OVERFLOW

13.B1202063 BUSHING - 4MM



4.08050092 (x2) RETAINING RING - 3M



5.11050511 (x9) HARNESS CLAMP - LWS-0306ZC



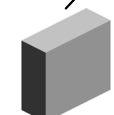
2.04563010N (x8) TAPPING SCREW - M3X10



1.04513006N (x13) TAPPING SCREW - 3X6



20.D0294439 STOPPER:GATE PAWL:ENTRANCE



19.D0294427 BRACKET:POSITIONING:GUIDE PLATE:MIDDLE



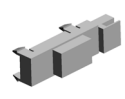
18.D0294426 BRACKET:SENSOR:GATE



6.11050516 CLAMP



10.AW010147 PHOTO REFLECTION SENSOR



8.AA082101 (x5) BUSHING - 6X10X6



12.AW500023 PUSH SWITCH



3.08050089 (x5) RETAINING RING - M4



7.52062684 (x7) SHOULDER SCREW - M3



11.AW020145 PHOTO INTERRUPTOR:FLAT



U001	U002	U003	U004	U005	U006	U007	U008	U009	U010	U011	U012	U013	U014	U015	U016	U017	U018	U019	U020
------	------	------	------	------	------	------	------	------	------	------	------	------	------	------	------	------	------	------	------

CÓPIA NÃO CONTROLADA

U015_S001
 PAPER EXIT UNIT:MACHINE OR COPIER:ASS'Y

CÓPIA NÃO CONTROLADA

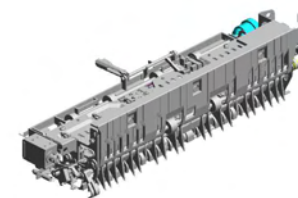
27.D0894421
 GUIDE PLATE:UPP
 ER LEFT

33.D0894438
 (x4)
 EXIT ROLLER:DRIV
 EN:INNER

39.D0894456
 EXIT ROLLER

37.D0894453
 ROLLER:DECURA:
 SPONGE

29.D0894434
 (x2)
 EXIT ROLLER:DRIV
 EN



26.D0894405
 PAPER EXIT UNIT:
 MACHINE OR COPI
 ER:ASSY

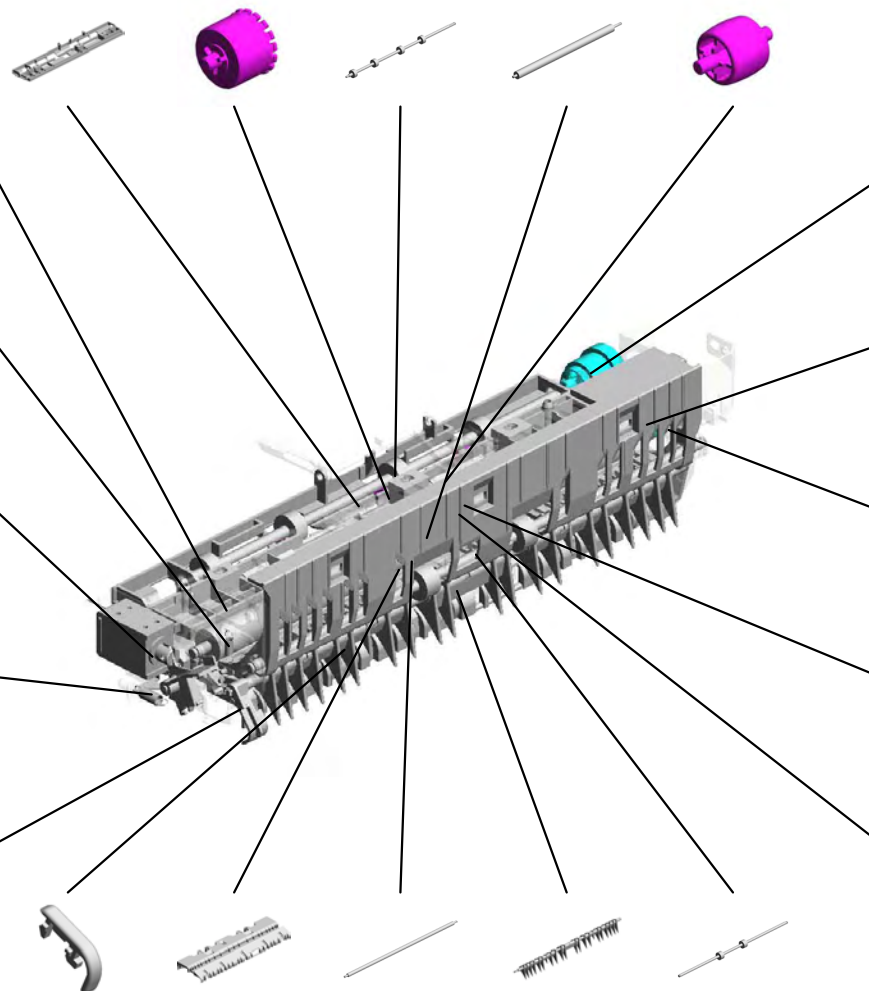
32.D0894437
 (x4)
 SPRING PLATE:EXI
 T ROLLER:OUTER

22.D0294443
 TENSION SPRING:
 GATE PAWL:ENTR
 ANCE

24.D0294474
 DC SOLENOID:SU
 B-ASS'Y

25.D0294478
 TENSION SPRING:
 RELEASE:DC SOL
 ENOID

21.D0294442
 LEVER:GATE PAW
 L:ENTRANCE



40.D0894461
 GEAR:PULLEY:INP
 UT:27Z

41.D0894462
 GEAR:PULLEY:DE
 CURA:Z27/16T

23.D0294444
 COVER:HARNES

30.D0894435
 (x2)
 COIL SPRING:EXI
 T ROLLER

28.D0894427
 GUIDE PLATE:UPP
 ER RIGHT

31.D0894436
 (x5)
 GUIDE:GUIDE PLA
 TE:EXIT:LOWER

34.D0894439
 GUIDE PLATE:EXI
 T:LOWER

36.D0894451
 ROLLER:DECURA:
 ASS'Y

35.D0894445
 GATE PAWL:ENTR
 ANCE:ASS'Y

38.D0894455
 TRANSPORT ROLL
 ER:GATE

U001	U002	U003	U004	U005	U006	U007	U008	U009	U010	U011	U012	U013	U014	U015	U016	U017	U018	U019	U020
------	------	------	------	------	------	------	------	------	------	------	------	------	------	------	------	------	------	------	------

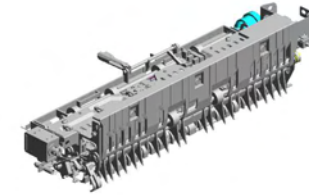
CÓPIA NÃO CONTROLADA

U015_S001
 PAPER EXIT UNIT:MACHINE OR COPIER:ASS'Y

CÓPIA NÃO CONTROLADA

44.D0894465
 SYNCHRONOUS B
 ELT:S2M:136

42.D0894463
 GEAR:PULLEY:IDL
 ER:Z21/14T

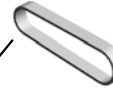


26.D0894405
 PAPER EXIT UNIT:
 MACHINE OR COPI
 ER:ASSY

47.D0894468
 (x2)
 PLAIN SHAFT BEA
 RING:DECURA:DRI
 VEN



45.D0894466
 SYNCHRONOUS B
 ELT:S2M:104



43.D0894464
 TIMING PULLEY:18
 T



46.D0894467
 (x2)
 SPRING:DECURA



U001	U002	U003	U004	U005	U006	U007	U008	U009	U010	U011	U012	U013	U014	U015	U016	U017	U018	U019	U020
------	------	------	------	------	------	------	------	------	------	------	------	------	------	------	------	------	------	------	------

CÓPIA NÃO CONTROLADA

U016
Duplex

CÓPIA NÃO CONTROLADA



1.03530100N
(x4)
SCREW-M3X10

19.54472681
SNAP RING

11.07200040E
RETAINING RING -
M4

13.08010231
HEXAGONAL HEA
D BOLT W/WASHE
R:M3X6

5.04543006Q
(x9)
TAPPING SCREW -
M3X6

10.07200030E
(x10)
RETAINING RING -
M3

15.08050092
RETAINING RING -
3M

3.04513006N
(x30)
TAPPING SCREW -
3X6

12.07200060E
RETAINING RING -
M6

9.04573008N
(x2)
TAPPING SCREW -
M3X8

8.04563010N
(x2)
TAPPING SCREW -
M3X10

2.03603006N
(x3)
SCREW - M3X6

4.04513008N
(x2)
TAPPING SCREW -
M3X8

17.11050551
CLAMP:LES-0505

18.11050723
CLAMPS:WES-050
7

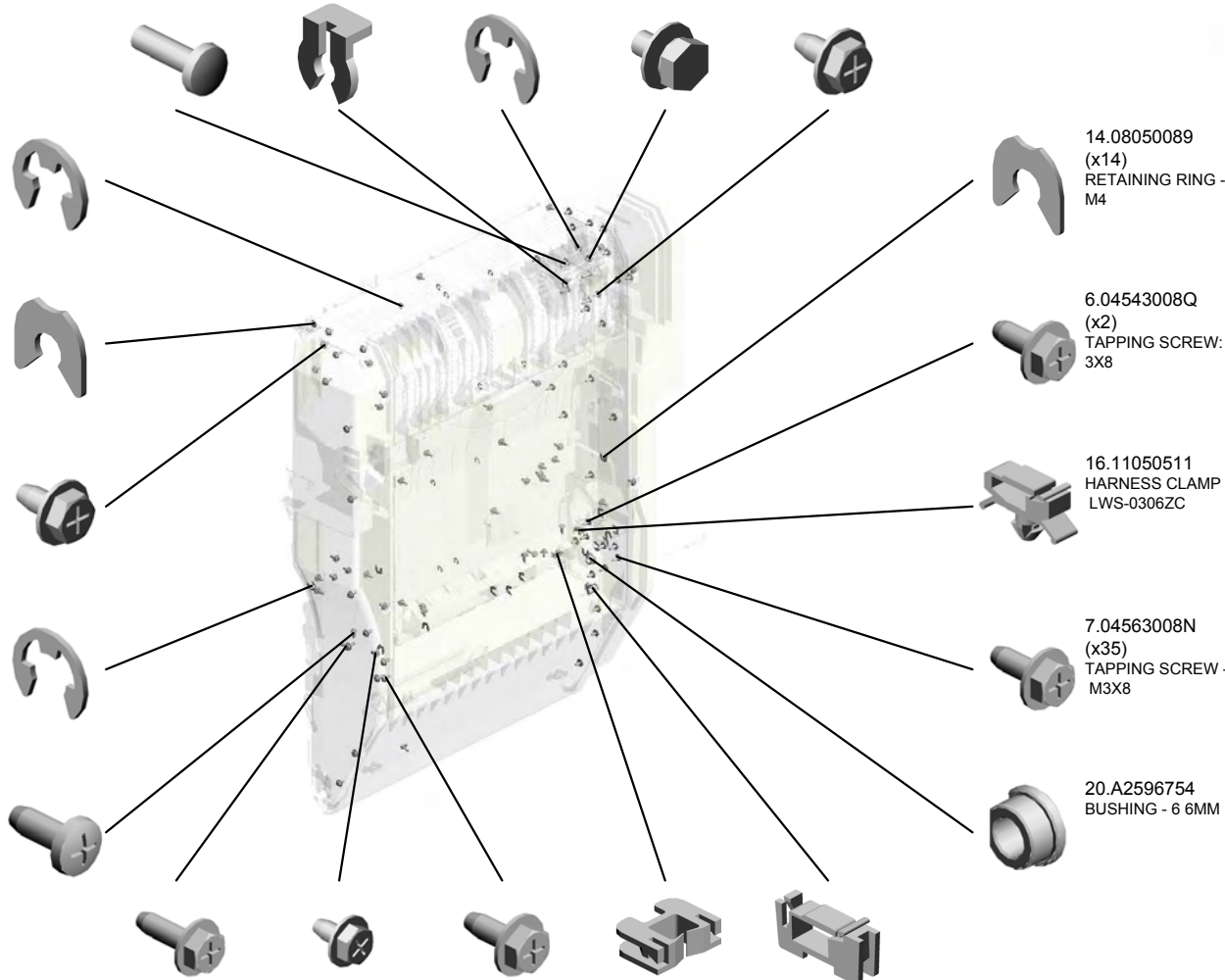
14.08050089
(x14)
RETAINING RING -
M4

6.04543008Q
(x2)
TAPPING SCREW:
3X8

16.11050511
HARNESS CLAMP -
LWS-0306ZC

7.04563008N
(x35)
TAPPING SCREW -
M3X8

20.A2596754
BUSHING - 6 6MM



U001	U002	U003	U004	U005	U006	U007	U008	U009	U010	U011	U012	U013	U014	U015	U016	U017	U018	U019	U020
------	------	------	------	------	------	------	------	------	------	------	------	------	------	------	------	------	------	------	------

CÓPIA NÃO CONTROLADA

U016
Duplex

CÓPIA NÃO CONTROLADA



- 37.AA143807 (x2) SCREW:A
- 28.AA082144 (x5) BUSHING - 8X12X7
- 24.AA080254 (x4) BUSHING - M4
- 26.AA082104 (x2) BUSHING - 8X12X7
- 32.AA101021 (x4) RUBBER BUSHING - 6 45HS

23.AA063568
PRESSURE SPRING

39.AB011387
GEAR - 23Z

31.AA100014
(x2)
RETAINING RING
C - SEPARATE

27.AA082143
(x2)
BUSHING - 6X10X6

36.AA143404
STEPPED SCREW
- M4

25.AA082101
(x6)
BUSHING - 6X10X6

22.AA063499
PRESSURE SPRING

40.AB011416
GEAR - 20Z

34.AA140936
SHAFT:FEED:MAN
UAL FEED

33.AA140778
SHAFT:SEPARATO
R:DRIVE

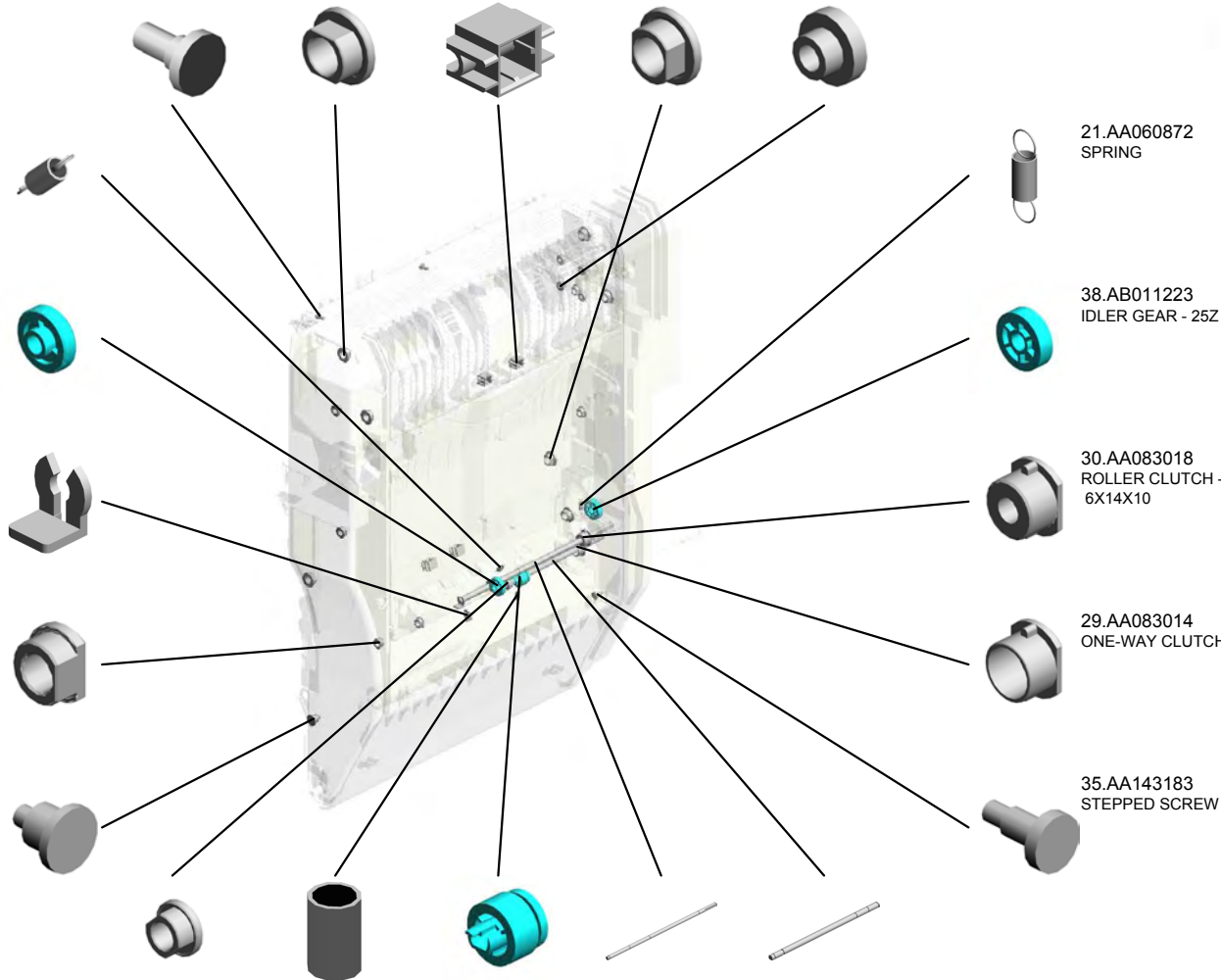
21.AA060872
SPRING

38.AB011223
IDLER GEAR - 25Z

30.AA083018
ROLLER CLUTCH -
6X14X10

29.AA083014
ONE-WAY CLUTCH

35.AA143183
STEPPED SCREW



CÓPIA NÃO CONTROLADA

U016
Duplex

CÓPIA NÃO CONTROLADA



- 46.AG070514 MAGNET CATCH
- 53.B0441825 (x4) COLLAR
- 41.AB014161 REVERSE ROLLER GEAR
- 54.B0441847 SHOULDER SCREW
- 49.AW020145 (x2) PHOTOINTERRUPTOR:FLAT

48.AW010118 PAPER FEED SENSOR

50.AW500031 PAPER SIZE SENSOR

47.AW010107 (x2) PAPER FEED SENSOR

58.B2232621 COVER:MANUAL FEED UNIT

59.B2232622 GUIDE PLATE:EXIT

51.AW500035 PAPER END SENSOR

57.B2232620 HOUSING:MANUAL FEED

45.AF032046 SEPARATION ROLLER - MANUAL FEED

42.AF013016 BOTTOM PLATE PAD

60.B2232623 COVER:GUIDE PLATE:EXIT

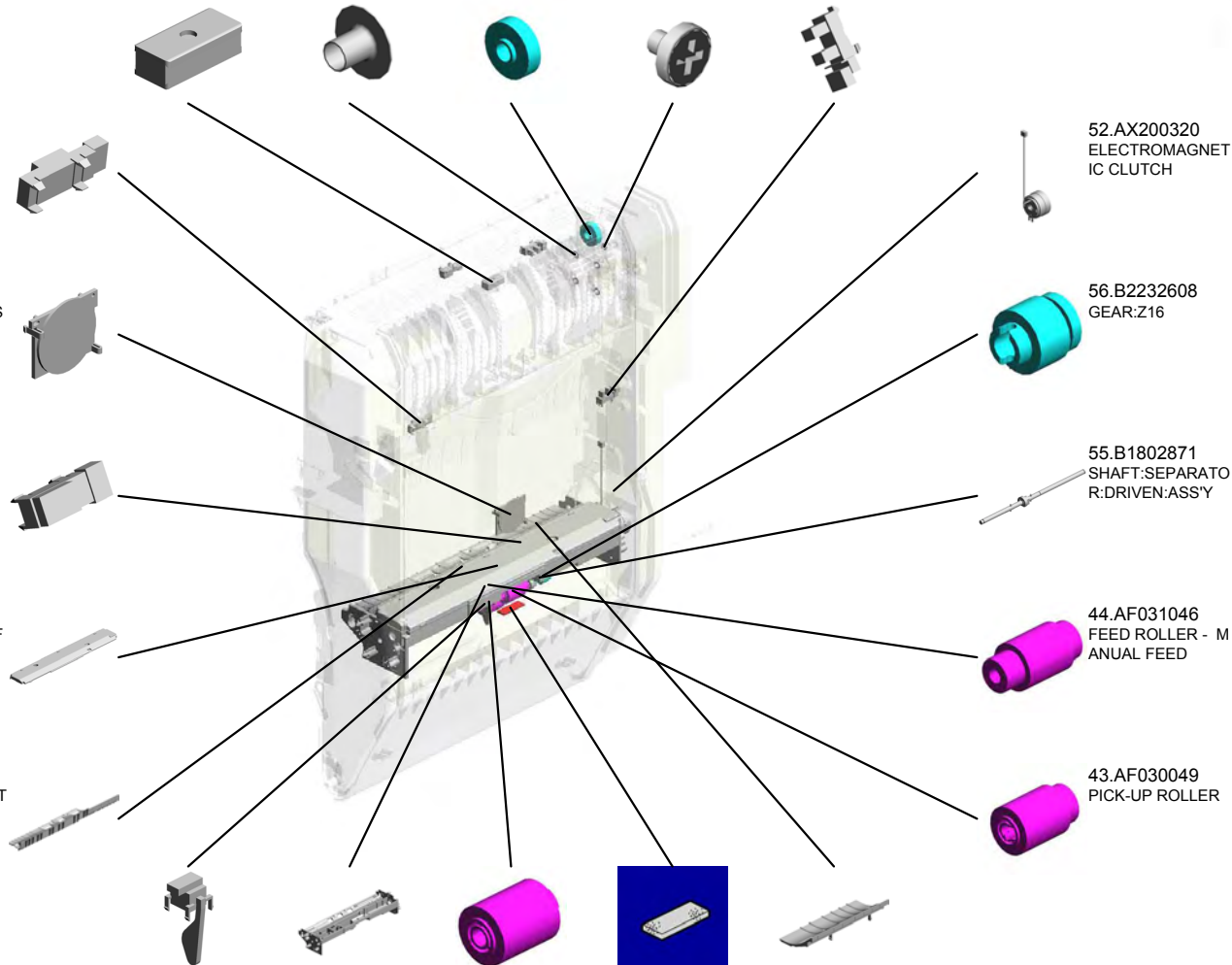
52.AX200320 ELECTROMAGNET IC CLUTCH

56.B2232608 GEAR:Z16

55.B1802871 SHAFT:SEPARATOR:DRIVEN:ASSY

44.AF031046 FEED ROLLER - MANUAL FEED

43.AF030049 PICK-UP ROLLER



U001	U002	U003	U004	U005	U006	U007	U008	U009	U010	U011	U012	U013	U014	U015	U016	U017	U018	U019	U020
------	------	------	------	------	------	------	------	------	------	------	------	------	------	------	------	------	------	------	------

CÓPIA NÃO CONTROLADA

U016
Duplex

CÓPIA NÃO CONTROLADA



- 74.B2232661 COVER:MANUAL FEED
- 78.B2232666 GEAR:16Z
- 75.B2232663 EXTENSION TRAY
- 80.B2232673 SIDE FENCE:REAR
- 67.B2232645 DECAL:SIDE FENCE

79.B2232668 SPRING PLATE:STOPPER

70.B2232651 ARM:MANUAL FEED:FRONT

65.B2232636 TORSION SPRING:27N

64.B2232634 SUPPORT STAY:ARM

72.B2232657 ARM:MANUAL FEED:SHORT:FRONT

77.B2232665 (x2) SPRING:COVER:MANUAL FEED

68.B2232648 GUIDE PLATE:TRANSPORT UNIT:EXT

61.B2232629 STAY:FEED

69.B2232649 (x2) SPRING:PRESSURE:5N

76.B2232664 COVER:MANUAL FEED:ENTRANCE

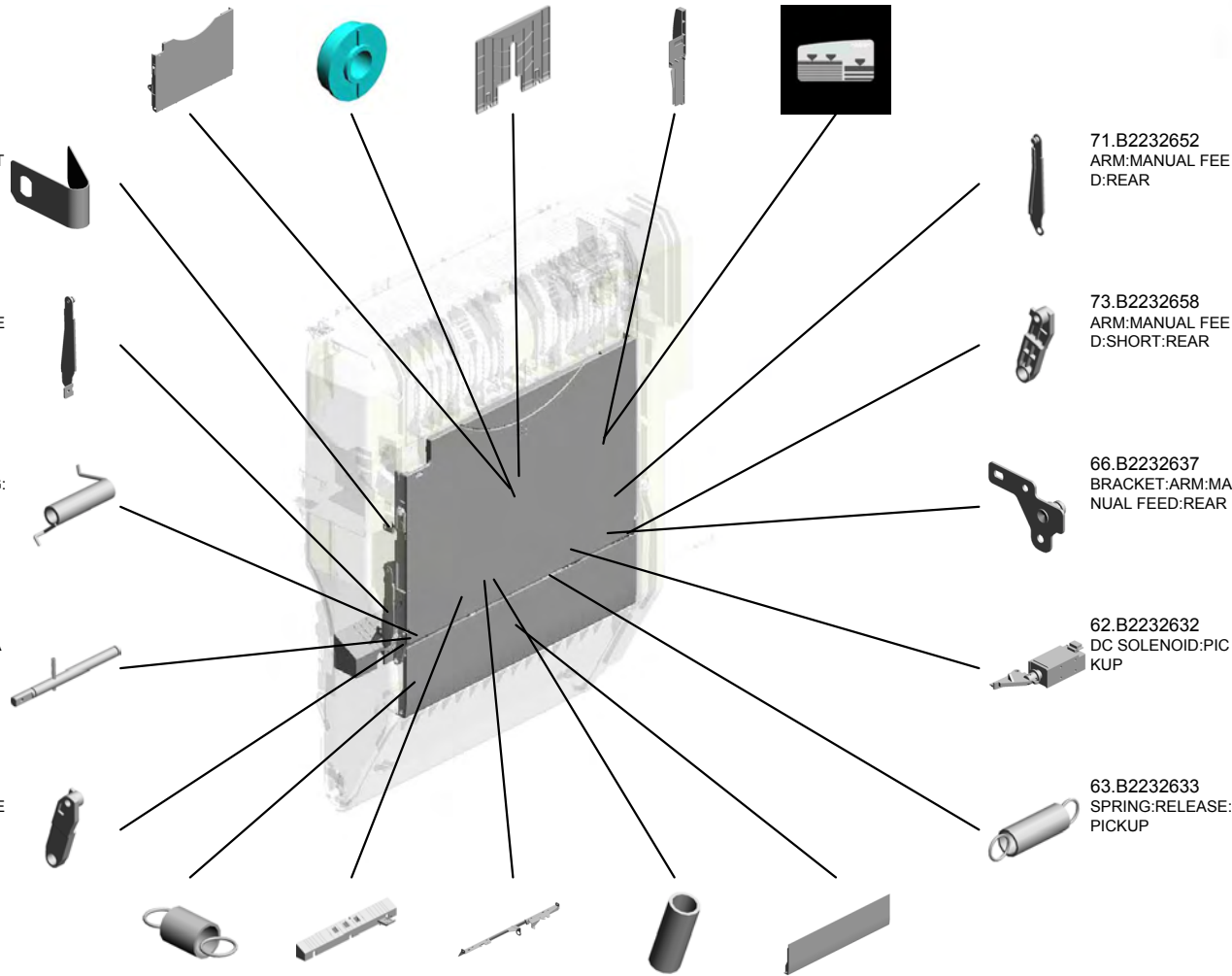
71.B2232652 ARM:MANUAL FEED:REAR

73.B2232658 ARM:MANUAL FEED:SHORT:REAR

66.B2232637 BRACKET:ARM:MANUAL FEED:REAR

62.B2232632 DC SOLENOID:PICKUP

63.B2232633 SPRING:RELEASE:PICKUP



U001	U002	U003	U004	U005	U006	U007	U008	U009	U010	U011	U012	U013	U014	U015	U016	U017	U018	U019	U020
------	------	------	------	------	------	------	------	------	------	------	------	------	------	------	------	------	------	------	------

CÓPIA NÃO CONTROLADA

U016
Duplex

CÓPIA NÃO CONTROLADA



- 90.B2232729 DECAL:PAPER SET DIRECTION:MANUAL FEED:EXP
- 93.B2234502 GUIDE PLATE:LEFT LOWER
- 92.B2234501 GUIDE PLATE:RIGHT
- 96.B2234514 ROLLER CLUTCH:T24
- 100.B2234526 TIMING BELT:30S2 M268

91.B2234494 (x2) STOPPER-UPPER GATE PAWL

95.B2234512 TIMING BELT:30S2 M182

89.B2232726 GRIP:SIDE FENCE:MANUAL FEED

81.B2232674 SIDE FENCE:FRONT

94.B2234511 TIMING BELT:30S2 M312

82.B2232676 (x4) SPRING - 11N

99.B2234525 TENSION SPRING: WIRE:180N

88.B2232713 (x2) RACK:MANUAL FEED

97.B2234522 SPACER:WIRE:STOPPER

98.B2234524 WIRE:STOPPER:DI A1.5

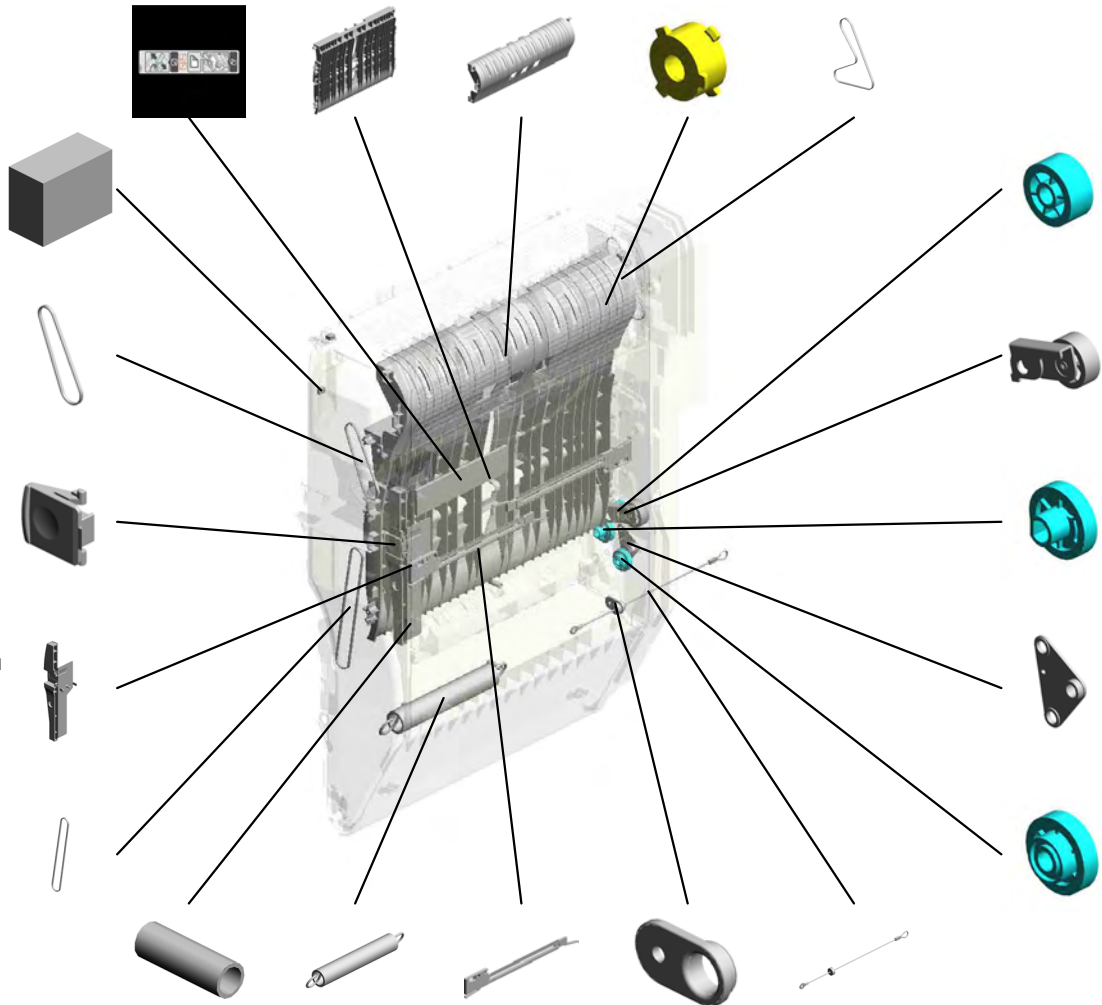
84.B2232683 GEAR:25Z

83.B2232681 ARM:TIGHTENER

85.B2232686 GEAR:Z31

87.B2232696 DRUM STAY:DRIVE

86.B2232689 GEAR:Z28



U001	U002	U003	U004	U005	U006	U007	U008	U009	U010	U011	U012	U013	U014	U015	U016	U017	U018	U019	U020
------	------	------	------	------	------	------	------	------	------	------	------	------	------	------	------	------	------	------	------

CÓPIA NÃO CONTROLADA

U016
Duplex

CÓPIA NÃO CONTROLADA



- 120.B2234567 STAY:TRANSPORT :UPPER:PEEN
- 113.B2234552 (x4) BUSHING:DIA4
- 116.B2234560 (x2) TENSION SPRING: DRIVEN ROLLER
- 103.B2234531 GUIDE PLATE:COV ER
- 117.B2234562 TIGHTENER

119.B2234566 BRACKET:SENSE R:ENTRANCE

118.B2234564 SPRING:TIGHTENE R

104.B2234532 TENSION SPRING: HOOK:STOPPER

107.B2234538 (x2) COMPRESSION SP RING

102.B2234529 ROLLER CLUTCH: T24

114.B2234553 (x2) TENSION SPRING: DRIVEN ROLLER

111.B2234544 PULLEY:T35/T33

108.B2234539 SHEET:COVER:DU PLEX

106.B2234536 TIMING BELT:30S2 M234

109.B2234541 TORSION SPRING: REAR

110.B2234542 TORSION SPRING: FRONT

112.B2234545 GUIDE PIN:HO LDE R

105.B2234535 ROLLER CLUTCH: T26

101.B2234527 PULLEY:T26/T24

115.B2234556 (x2) COMPRESSION SP RING

U001	U002	U003	U004	U005	U006	U007	U008	U009	U010	U011	U012	U013	U014	U015	U016	U017	U018	U019	U020
------	------	------	------	------	------	------	------	------	------	------	------	------	------	------	------	------	------	------	------

CÓPIA NÃO CONTROLADA

U016
Duplex

CÓPIA NÃO CONTROLADA



- 121.B2234571 GEAR:PULLEY:Z24 /T40
- 122.B2234572 STEPPER MOTOR: DC4.29V 1.7W
- 123.B2234573 TIMING BELT:30S2 M128
- 124.B2234575 BRACKET:STEPPE R MOTOR
- 126.B2234586 (x2) PULLEY:T30

125.B2234579 GRIP:OPEN AND C LOSE:DUPLX UNI T

130.B2384739 COVER - ENTRANCE SENSOR

129.B2384733 ENTRANCE SENSOR BRACKET

133.D0092554 GUIDE SHEET - VERTICAL TRANSPORT

132.D0092552 GUIDE SHEET - MANUAL FEED

140.D0092575 (x2) SHAFT - IDLER

137.D0092571 (x2) HOLDER - VERTICAL TRANSPORT

131.D0092510 GUIDE PLATE - EXIT

136.D0092563 GUIDE PLATE - VERTICAL TRANSPORT

135.D0092560 DRIVEN ROLLER

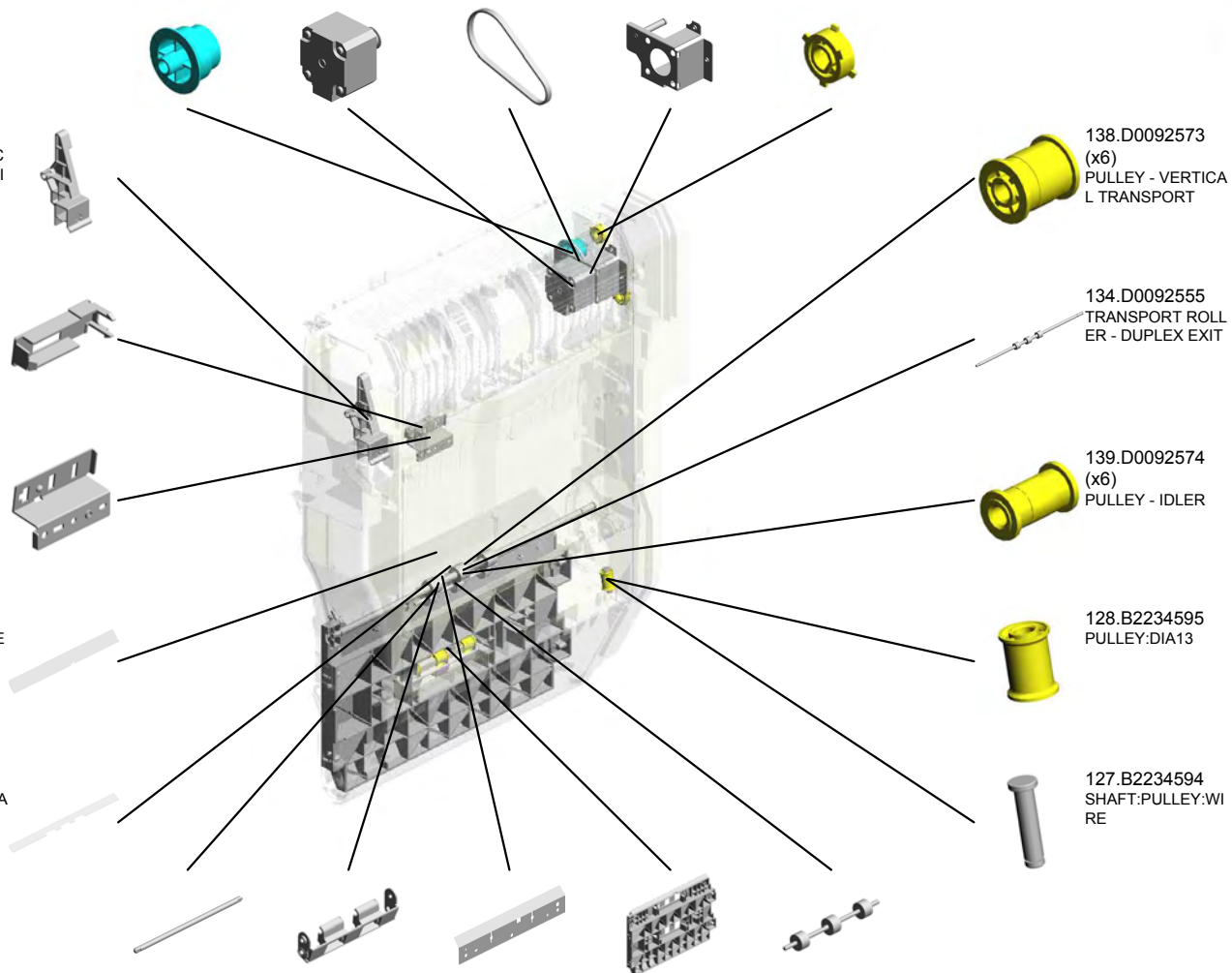
138.D0092573 (x6) PULLEY - VERTICAL TRANSPORT

134.D0092555 TRANSPORT ROLLER - DUPLEX EXIT

139.D0092574 (x6) PULLEY - IDLER

128.B2234595 PULLEY:DI A13

127.B2234594 SHAFT:PULLEY:WI RE



U001	U002	U003	U004	U005	U006	U007	U008	U009	U010	U011	U012	U013	U014	U015	U016	U017	U018	U019	U020
------	------	------	------	------	------	------	------	------	------	------	------	------	------	------	------	------	------	------	------

CÓPIA NÃO CONTROLADA

U016
Duplex

CÓPIA NÃO CONTROLADA



- 150.D0094577 DUPLEX GATE
- 143.D0094504 UPPER GUIDE PLATE - GATE
- 142.D0094503 GUIDE PLATE - LEFT UPPER
- 159.D0094662 TRANSPORT ROLLER 1
- 158.D0094661 (x2) REVERSE ROLLER - FEED

147.D0094522 TENSION SPRING: GATE PAWL:DUPL EX:0.08N

160.D0094663 TRANSPORT ROLLER 2

149.D0094540 COVER - DUPLEX UNIT

141.D0092576 (x2) SHAFT - VERTICAL TRANSPORT

146.D0094513 COMPRESSION SPRING: EARTH: DUPL EX UNIT

144.D0094511 SPACER: DIA8.0:1.5 MM

145.D0094512 LINK: STOPPER

156.D0094598 SPRING - SET SHAFT

153.D0094589 GUIDE - SET SHAFT

157.D0094599 SHAFT - DUPLEX UNIT

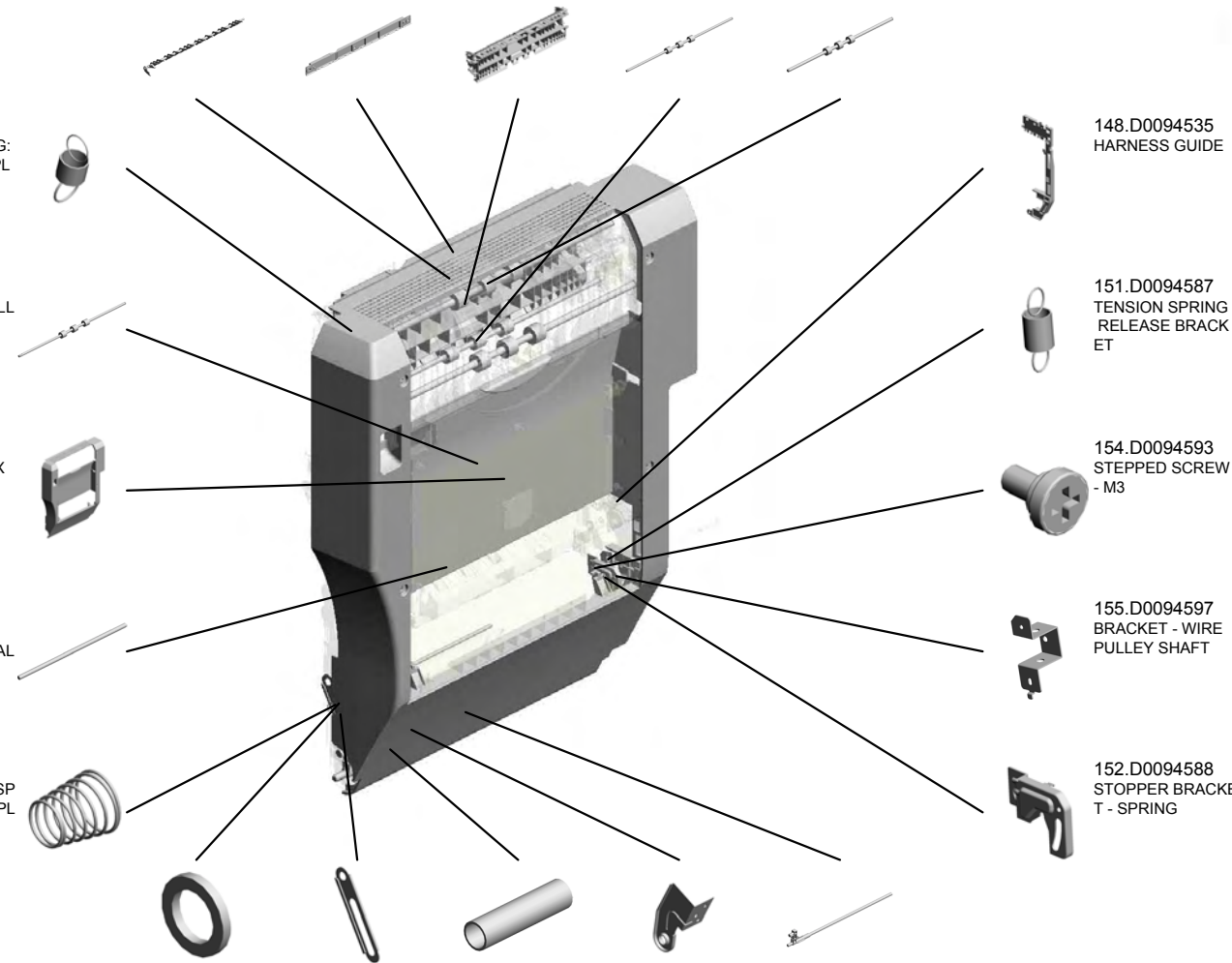
148.D0094535 HARNESS GUIDE

151.D0094587 TENSION SPRING - RELEASE BRACKET

154.D0094593 STEPPED SCREW - M3

155.D0094597 BRACKET - WIRE PULLEY SHAFT

152.D0094588 STOPPER BRACKET - SPRING



U001	U002	U003	U004	U005	U006	U007	U008	U009	U010	U011	U012	U013	U014	U015	U016	U017	U018	U019	U020
------	------	------	------	------	------	------	------	------	------	------	------	------	------	------	------	------	------	------	------

CÓPIA NÃO CONTROLADA

U016
Duplex

CÓPIA NÃO CONTROLADA



- 170.D0294482 GATE PAWL:UPPER ASS'Y
- 174.D0294497 (x2) COMPRESSION SPRING:DRIVEN ROLLER:GATE
- 180.D0294590 HOOK:STOPPER:DUPLX UNIT:ASS'Y
- 173.D0294488 (x2) TENSION SPRING:GUIDE PLATE:RIGHT
- 175.D0294521 BRACKET:HARNES

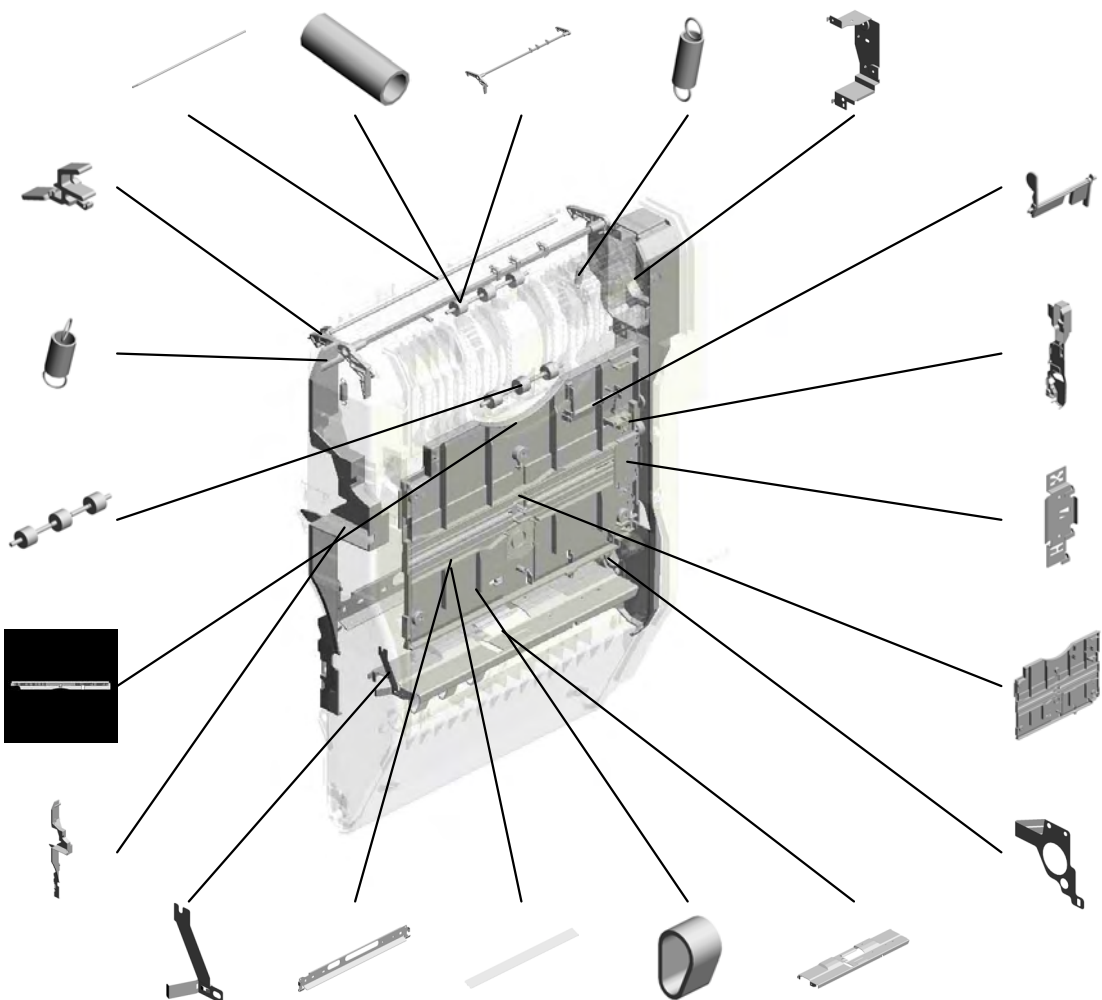
171.D0294485 LEVER:GATE PAWL:UPPER

172.D0294486 TENSION SPRING:GATE PAWL:1.5N

161.D0094664 (x4) DRIVEN ROLLER

164.D0292644 DECAL:SCALE:MANUAL FEED

177.D0294534 INNER COVER:DUPLX



166.D0292664 FEELER:PAPER SIZE SENSOR:MANUAL FEED

176.D0294533 INNER COVER:DUPLX:REAR

169.D0292710 COVER:HARNES:MANUAL FEED TABLE

165.D0292662 MANUAL FEED TABLE

162.D0292611 GROUND PLATE:REAR:MANUAL FEED

163.D0292612 GROUND PLATE:FRONT:MANUAL FEED

178.D0294554 BRACKET:GUIDE PLATE:TRANSFER UNIT

179.D0294555 SHEET:TRANSPORT SUB-UNIT:FEED PAPER AGAIN

167.D0292677 (x6) TRANSPORT BELT:DRIVEN:VERTICAL TRANSPORT

168.D0292709 GUIDE PLATE:SEPARATOR:ASS'Y

U001	U002	U003	U004	U005	U006	U007	U008	U009	U010	U011	U012	U013	U014	U015	U016	U017	U018	U019	U020
------	------	------	------	------	------	------	------	------	------	------	------	------	------	------	------	------	------	------	------

CÓPIA NÃO CONTROLADA

U016
Duplex

CÓPIA NÃO CONTROLADA



- 197.D0894484 GRIP:GATE PAWL: UPPER
- 195.D0894482 (x7) GUIDE:GUIDE PLATE:OPEN AND CLOSE
- 196.D0894483 DRIVEN ROLLER:APER EXIT UNIT:VERTICAL TRANSPORT
- 198.D0894485 DECAL:H-TEMP WARNING:GUIDE PLATE:OPEN AND CLOSE
- 194.D0894481 GUIDE PLATE:OPEN AND CLOSE

200.D0896203
PTR UNIT

182.D0296286 CASE:TRANSFER ROLLER

193.D0296335 SHEET:CASE:LOWER

187.D0296316 STOPPER:HOLDER:SEPARATION:UPPER

189.D0296321 (x2) ANCHOR:SPRING

190.D0296322 SHAFT:LEVER:FRONT

192.D0296331 GROUND WIRE:POWER PACK

188.D0296320 BRACKET:LEVER:MIDDLE

199.D0894663 GUIDE PLATE:TRANSFER UNIT:HOLDER

191.D0296323 SHAFT:LEVER:REAR

186.D0296307 (x2) COMPRESSION SPRING:GUIDE PLATE:EXIT:3.5N

184.D0296293 DRUM STAY:REAR

181.D0296285 TERMINAL:TRANSFER ROLLER

183.D0296287 (x2) PLATE:GROUND WIRE

185.D0296305 (x3) LEVER:RELEASE

U001	U002	U003	U004	U005	U006	U007	U008	U009	U010	U011	U012	U013	U014	U015	U016	U017	U018	U019	U020
------	------	------	------	------	------	------	------	------	------	------	------	------	------	------	------	------	------	------	------

CÓPIA NÃO CONTROLADA

U016
Duplex

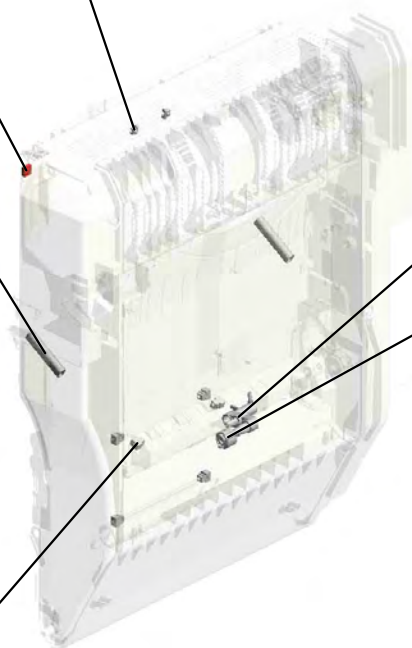
CÓPIA NÃO CONTROLADA



206.GA001073
DECAL:KNOB:Z

204.G0604435
(x2)
BUSHING - M4

201.D0896310
(x2)
SPRING:TRANSFE
R



203.G0602932
PICK-UP ARM - MA
NUAL FEED



205.G0802900
TORQUE LIMITER



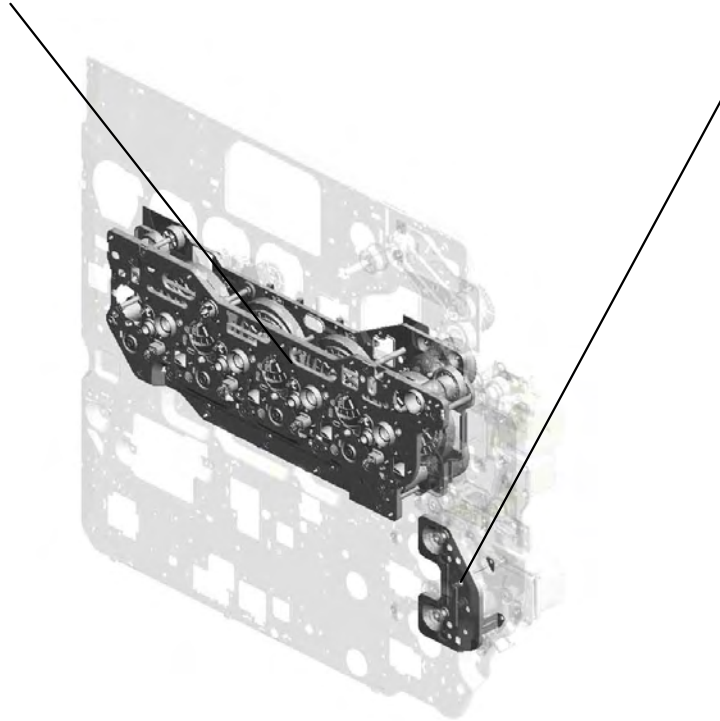
202.G0602652
(x6)
BUSHING - M4

U001	U002	U003	U004	U005	U006	U007	U008	U009	U010	U011	U012	U013	U014	U015	U016	U017	U018	U019	U020
------	------	------	------	------	------	------	------	------	------	------	------	------	------	------	------	------	------	------	------

CÓPIA NÃO CONTROLADA

CÓPIA NÃO CONTROLADA
U017.Main Drive

U017_S001
D0891110
DRIVE UNIT:ENGINE:D088/D
089



U017_S002
B2231354
DRUM STAY:DRIVE UNIT

U001	U002	U003	U004	U005	U006	U007	U008	U009	U010	U011	U012	U013	U014	U015	U016	U017	U018	U019	U020
------	------	------	------	------	------	------	------	------	------	------	------	------	------	------	------	------	------	------	------

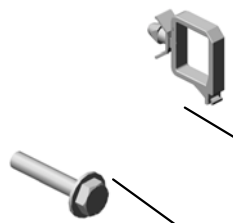
U017
Main Drive

CÓPIA NÃO CONTROLADA



- 19.11050489 6.04503012N 2.03603006N 13.07200030E 20.11050516
- HARNESS CLAMP - (x2) TAPPING SCREW: (x8) SCREW - M3X6 RETAINING RING - CLAMP
- LWS 1316 3X12 M3

3.03603016N
(x2)
SCREW - M3X16



15.07200060E
(x4)
RETAINING RING - M6



11.04543008Q
(x3)
TAPPING SCREW: 3X8



12.04543020Q
(x2)
TAPPING SCREW:: 3X20



9.04543005Q
(x3)
TAPPING SCREW:: 3X5



7.04513006N
(x14)
TAPPING SCREW - 3X6



14.07200040E
(x4)
RETAINING RING - M4



18.11050488
HARNESS CLAMP



10.04543006Q
(x8)
TAPPING SCREW - M3X6



8.04514008N
(x2)
TAPPING SCREW: 4X8



4.03604010N
(x5)
SCREW:M4X10



1.03530080N
(x4)
SCREW:M3X8



21.54472681
(x2)
SNAP RING



17.08050089
(x2)
RETAINING RING - M4



5.04340100N
(x2)
TAPPING SCREW - 4X10



U001	U002	U003	U004	U005	U006	U007	U008	U009	U010	U011	U012	U013	U014	U015	U016	U017	U018	U019	U020
------	------	------	------	------	------	------	------	------	------	------	------	------	------	------	------	------	------	------	------

CÓPIA NÃO CONTROLADA

U017
Main Drive

CÓPIA NÃO CONTROLADA



- 38.AB017758 GEAR:EXIT:NO.2
- 23.AA043336 TIMING BELT:40S3 M267
- 36.AB017754 GEAR:FUSING:NO.1
- 37.AB017757 GEAR:EXIT:NO.1
- 47.AX060369 BRUSHLESS MOT OR:DRIVE:FUSING:27W

33.AB011560
GEAR:FUSING:NO.
2

39.AB017774
GEAR:FUSING:NO.
3

29.AA101021
(x4)
RUBBER BUSHING
- 6 45HS

25.AA043601
TIMING BELT - B40
S2M118

40.AB017830
TIMING PULLEY:R
EGISTRATION

31.AB011258
(x2)
GEAR - 38Z

35.AB017699
(x2)
GEAR - 33Z/44Z

41.AB030781
TIMING PULLEY - 2
8Z/30T

24.AA043585
TIMING BELT:40S3
M162

30.AA161180
CUSHION:DC STE
PPER MOTOR

22.A2324666
CUSHION - STEPP
ER MOTOR

34.AB017493
GEAR PULLEY

49.AX200289
(x2)
MAGNETIC CLUTC
H - 32Z

26.AA080346
(x4)
BUSHING:FLANGE
TYPE:DIA6

32.AB011259
(x2)
GEAR - 32Z

U001	U002	U003	U004	U005	U006	U007	U008	U009	U010	U011	U012	U013	U014	U015	U016	U017	U018	U019	U020
------	------	------	------	------	------	------	------	------	------	------	------	------	------	------	------	------	------	------	------

CÓPIA NÃO CONTROLADA

U017
Main Drive

CÓPIA NÃO CONTROLADA



- 70.D0291163 BRACKET:FUSING/
PAPER EXIT UNIT:
ASSY
- 67.BB013017 GEAR:SLOW DOWN
N:NO.2
- 65.BA146036 SHAFT:GEAR:SWI
VEL
- 74.D0294204 HOLDER:GEAR
- 75.D0294222 BRACKET:GEAR:S
UPPORTING PLAT
E

66.BB013016
(x2)
GEAR:SLOW DOWN
N:NO.1

73.D0294202
BRACKET:STEPPE
R MOTOR:AUXILIA
RY:PEEN

72.D0294201
BRACKET:GEAR:S
LOW DOWN

71.D0291199
DRIVE UNIT:ON-OF
F:TRANSFER

60.B2231191
BRACKET:DRIVE U
NIT:REGISTRATIO
N

56.B2231186
(x4)
DRIVE JOINT

55.B2231183
(x2)
GRIP SHAFT

59.B2231189
(x2)
FEED DRIVE SHAF
T

57.B2231187
(x2)
MAGNETIC CLUTC
H BRACKET

54.B2231180
BRACKET:PAPER
FEED

52.B0441825
(x4)
COLLAR

64.B7002649
TIMING BELT:40S2
M144

62.B2232691
BRACKET:STEPPE
R MOTOR

63.B2232694
GUIDE:GEAR

58.B2231188
STEPPER MOTOR
DC24V

U001	U002	U003	U004	U005	U006	U007	U008	U009	U010	U011	U012	U013	U014	U015	U016	U017	U018	U019	U020
------	------	------	------	------	------	------	------	------	------	------	------	------	------	------	------	------	------	------	------

CÓPIA NÃO CONTROLADA

U017
Main Drive

CÓPIA NÃO CONTROLADA



82.D0894360
GEAR:SLOW DOW
N:WORM GEAR

80.D0894353
STOPPER

77.D0891199
DRIVE UNIT:ON-OF
F:TRANSFER

83.H3103640
(x2)
SPACER

79.D0894351
PLATE:DC STEPPE
R MOTOR

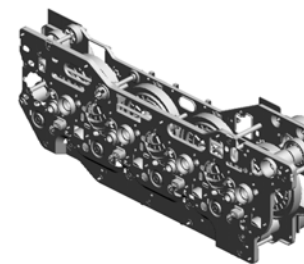
81.D0894356
STEPPER MOTOR:
DC:3.36W

84.M0261190
DC STEPPER MOT
OR:REGIST:1.34W

78.D0892745
STEPPER MOTOR:
DUPLEX:DC:1.44W

U001	U002	U003	U004	U005	U006	U007	U008	U009	U010	U011	U012	U013	U014	U015	U016	U017	U018	U019	U020
------	------	------	------	------	------	------	------	------	------	------	------	------	------	------	------	------	------	------	------

CÓPIA NÃO CONTROLADA



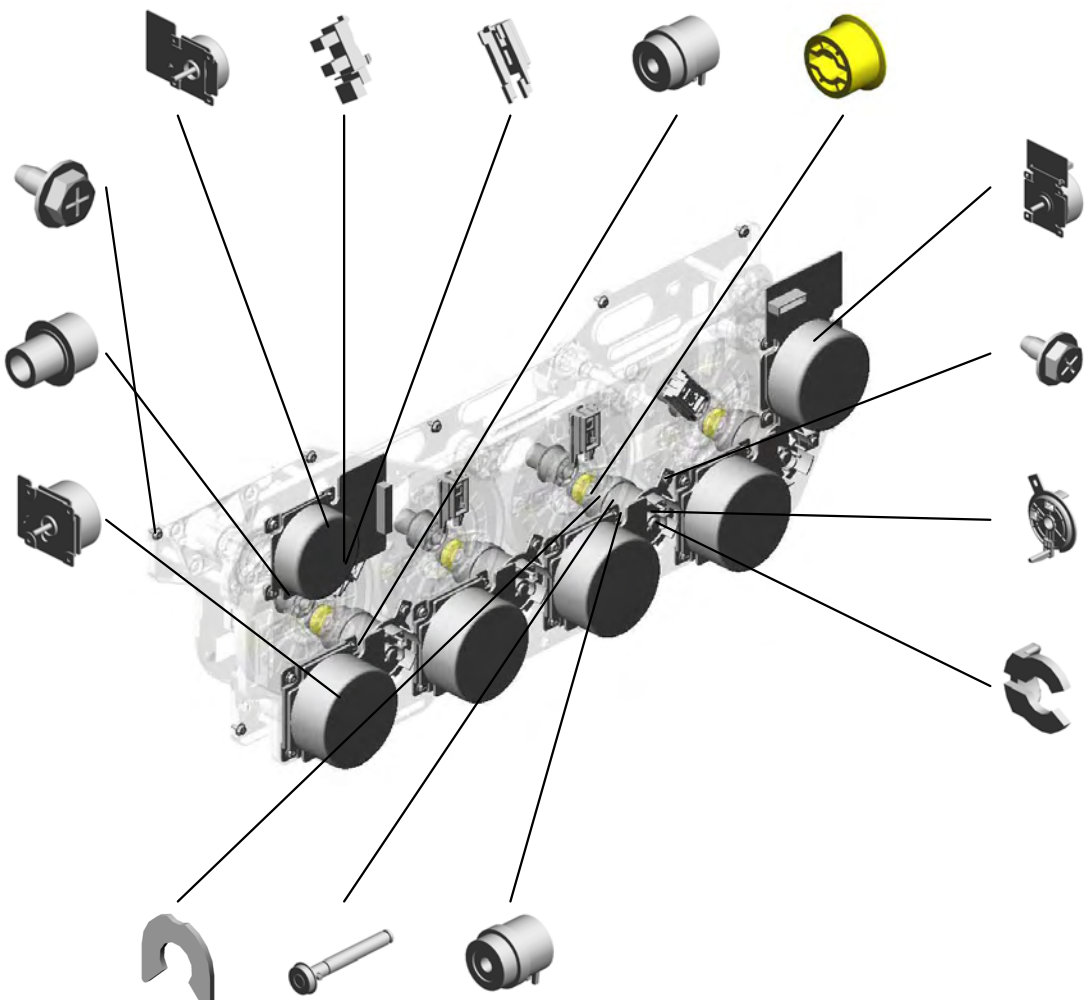
76.D0891110
DRIVE UNIT:ENGIN
E:D088/D089

- 48.AX060412 BRUSHLESS MOT OR:DC:10W:INTERMEDIATE TRANSFER
- 44.AW020145 (x4) PHOTOINTERRUPTOR:FLAT
- 53.B2231144 (x4) HOLDER:POSITIONING SENSOR
- 51.AX200322 MAGNETIC CLUTCH:DEVELOPMENT: BK
- 42.AB030888 (x4) TIMING PULLEY:DEVELOPMENT:NO. 1

10.04543006Q (x8) TAPPING SCREW - M3X6

43.AB033000 (x4) JOINT:DEVELOPMENT

46.AX060368 (x4) BRUSHLESS MOT OR:DRIVE:DRUM:2 8W



45.AX060356 BRUSHLESS MOT OR:DC24V 18W

2.03603006N (x27) SCREW - M3X6

69.D0291137 (x4) HOLDER:MAGNETIC CLUTCH:DEVELOPMENT

28.AA100015 (x4) SNAP RING - M6

16.08050088 (x4) RETAINING RING - M6

68.D0291136 (x4) SHAFT:DEVELOPMENT:ASSY

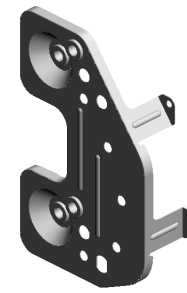
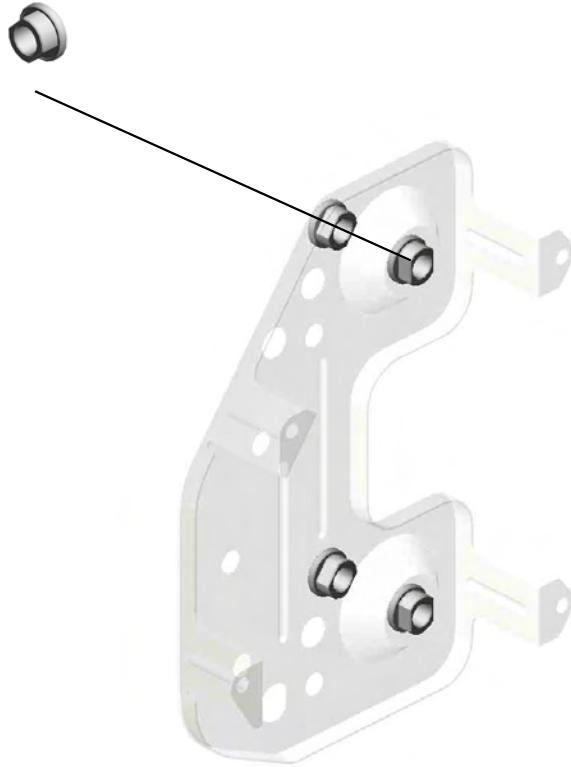
50.AX200314 (x3) MAGNETIC CLUTCH:DEVELOPMENT: 0.5N

U001	U002	U003	U004	U005	U006	U007	U008	U009	U010	U011	U012	U013	U014	U015	U016	U017	U018	U019	U020
------	------	------	------	------	------	------	------	------	------	------	------	------	------	------	------	------	------	------	------

U017_S002
DRUM STAY:DRIVE UNIT

CÓPIA NÃO CONTROLADA

27.AA082101
(x4)
BUSHING - 6X10X6

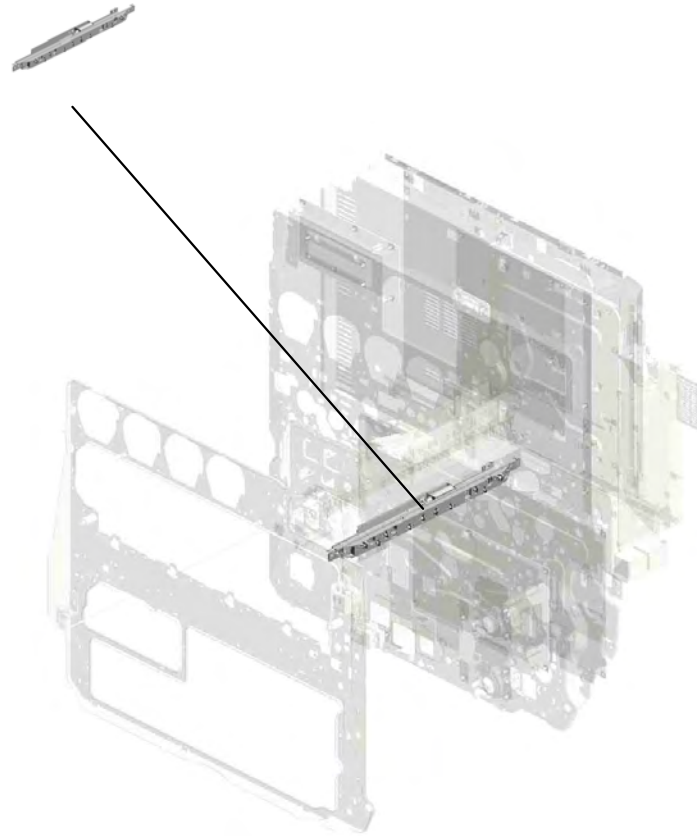


61.B2231354
DRUM STAY:DRIV
E UNIT

U001	U002	U003	U004	U005	U006	U007	U008	U009	U010	U011	U012	U013	U014	U015	U016	U017	U018	U019	U020
------	------	------	------	------	------	------	------	------	------	------	------	------	------	------	------	------	------	------	------

CÓPIA NÃO CONTROLADA

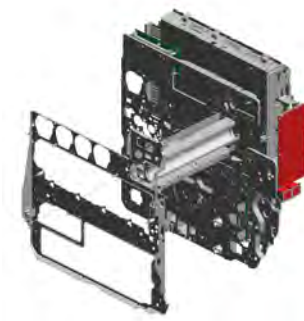
U018 S001
D0895861
DENSITY SENSOR:ASS'Y



U001	U002	U003	U004	U005	U006	U007	U008	U009	U010	U011	U012	U013	U014	U015	U016	U017	U018	U019	U020
------	------	------	------	------	------	------	------	------	------	------	------	------	------	------	------	------	------	------	------

U018
Electrical

CÓPIA NÃO CONTROLADA



- 15.11050516 (x2) CLAMP
- 4.04503008N (x4) TAPPING SCREW - M3X8
- 12.11029782 CONNECTOR:5140 5-1819
- 3.03603006N (x29) SCREW - M3X6
- 20.14077036 EEPROM:AT24C12 8B-PU

5.04513006N (x29) TAPPING SCREW - 3X6

14.11050511 HARNESS CLAMP - LWS-0306ZC

9.04563008N TAPPING SCREW - M3X8

19.12042877 SWITCH:RS51-AJA H

10.07200030E RETAINING RING - M3

24.AA143219 (x2) STEPPED SCREW

18.12042709 (x2) SWITCH - V-5F930 DN

7.04543006Q (x39) TAPPING SCREW - M3X6

2.03530250N (x2) SCREW:M3X25

23.AA063568 (x2) PRESSURE SPRING

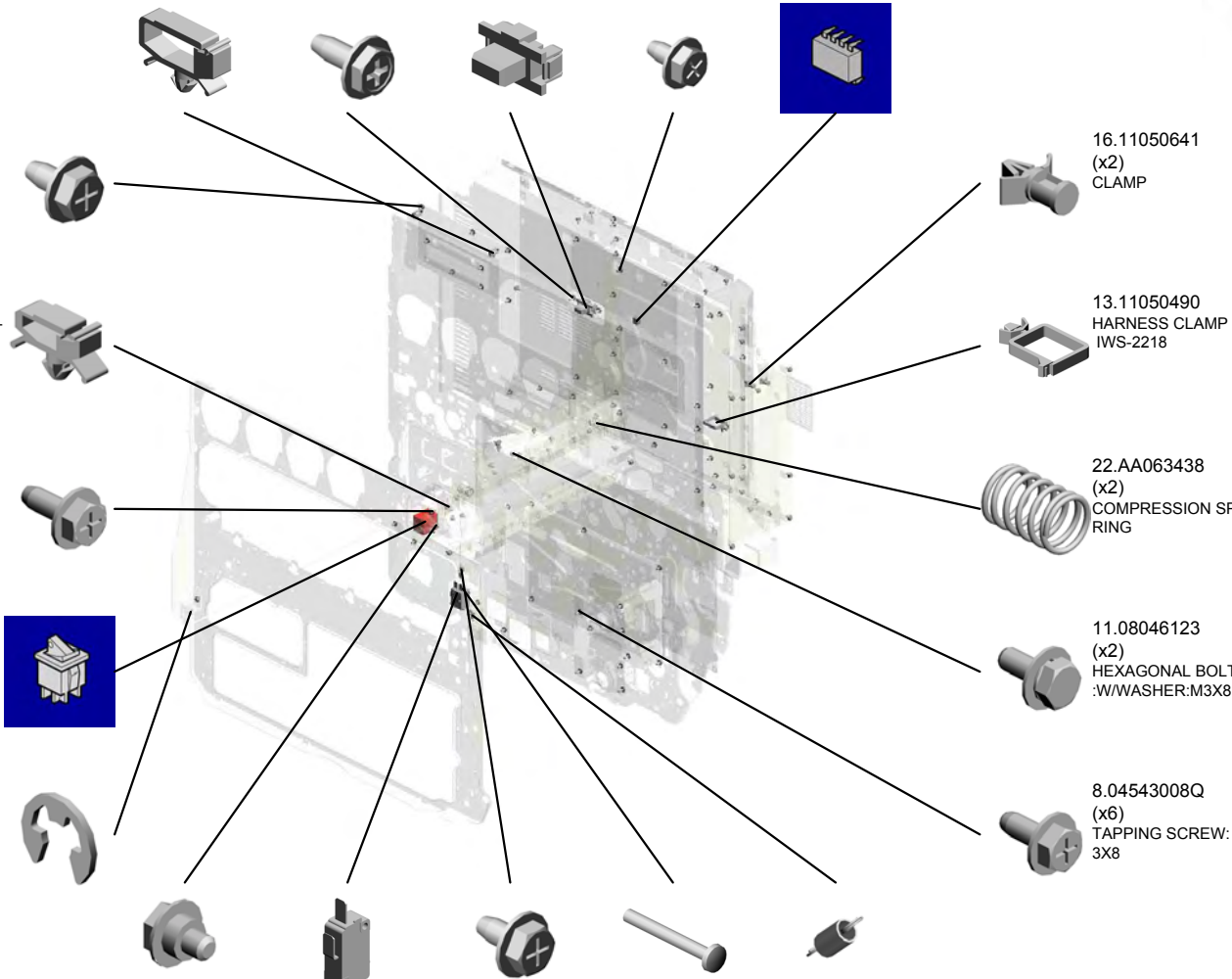
16.11050641 (x2) CLAMP

13.11050490 HARNESS CLAMP - IWS-2218

22.AA063438 (x2) COMPRESSION SPRING

11.08046123 (x2) HEXAGONAL BOLT :W/WASHER:M3X8

8.04543008Q (x6) TAPPING SCREW: 3X8

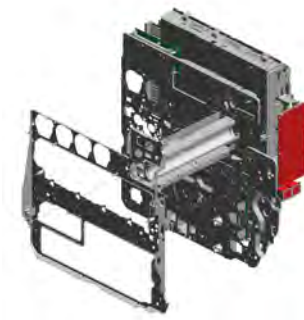


U001	U002	U003	U004	U005	U006	U007	U008	U009	U010	U011	U012	U013	U014	U015	U016	U017	U018	U019	U020
------	------	------	------	------	------	------	------	------	------	------	------	------	------	------	------	------	------	------	------

CÓPIA NÃO CONTROLADA

U018
Electrical

CÓPIA NÃO CONTROLADA



43.B2235834
BRACKET:POWER
PACK:TRANSFER

34.AZ320185
POWER PACK:TTS

27.AW100106
THERMOPILE

38.B2234307
(x2)
GUIDE:IH:UPPER

44.B2235841
HINGE:APPLICATI
ON:RACK

35.B2231317
(x4)
SCREW

40.B2235813
SAFETY SWITCH B
RACKET

41.B2235814
BRACKET - SAFET
Y SWITCH LEVER

36.B2232721
BRACKET:PUSH S
WITCH

29.AW500038
PUSH SWITCH:PA
PER SIZE SENSOR

37.B2232722
COVER

28.AW500023
PUSH SWITCH

33.AZ320182
POWER PACK:CB

32.AZ240157
POWER SUPPLY U
NIT:633W:DOM/NA:
D088/D089

30.AX040154
(x2)
DC MOTOR 24V

42.B2235816
PLATE:RACK:AUXI
LIARY:RIGHT

26.AW020190
(x2)
PHOTOINTERRUP
TOR

39.B2235812
(x2)
HINGE:PANEL:CO
NTROL BOARD

45.B2235843
BRACKET:RACK:A
PPPLICATION

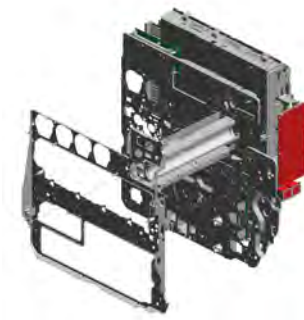
31.AX310045
(x2)
TOTAL COUNTER:
7FIG:24V:(Option)

U001	U002	U003	U004	U005	U006	U007	U008	U009	U010	U011	U012	U013	U014	U015	U016	U017	U018	U019	U020
------	------	------	------	------	------	------	------	------	------	------	------	------	------	------	------	------	------	------	------

CÓPIA NÃO CONTROLADA

U018
Electrical

CÓPIA NÃO CONTROLADA



- 57.D0294335 BRACKET:PRESSURE:COIL:PEEN
- 61.D0294342 BRACKET:THERMOPILE
- 66.D0295819 RACK:APPLICATION:FRONT:ASSY
- 54.B2385891 DRAWER BRACKET
- 63.D0295805 RACK:INNER BACK:AUXILIARY:MIDDLE

56.D0294333 BRACKET:COIL:CONTACT POINT:PEEN

60.D0294341 BRACKET:DRAWER:FUSING UNIT

51.B2385825 POWER SOURCE SWITCH LINK

49.B2385821 BRACKET - MAIN SWITCH HANDLE

50.B2385824 SLIDE SWITCH COVER

55.B5457506 SCREW:BUSHING

67.D0295835 BRACKET:PCB:FFB

62.D0294343 BRACKET:PRESSURE:COIL:PEEN

47.B2235857 BRACKET:SW:DEHUMIDIFIER:HEATER:EXP

59.D0294340 BRACKET:SENSOR:TURN

65.D0295811 RACK:APPLICATION:FRONT:RIGHT

48.B2235866 GROUND WIRE:RACK:RIGHT LOWER:HF

64.D0295806 BRACKET:IOB

58.D0294339 BRACKET:SENSOR:ON-OFF

46.B2235846 BRACKET:TOTAL COUNTER:(Option)

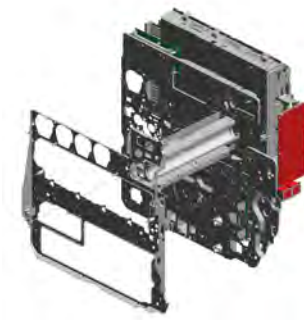
U001	U002	U003	U004	U005	U006	U007	U008	U009	U010	U011	U012	U013	U014	U015	U016	U017	U018	U019	U020
------	------	------	------	------	------	------	------	------	------	------	------	------	------	------	------	------	------	------	------

CÓPIA NÃO CONTROLADA

U018
Electrical

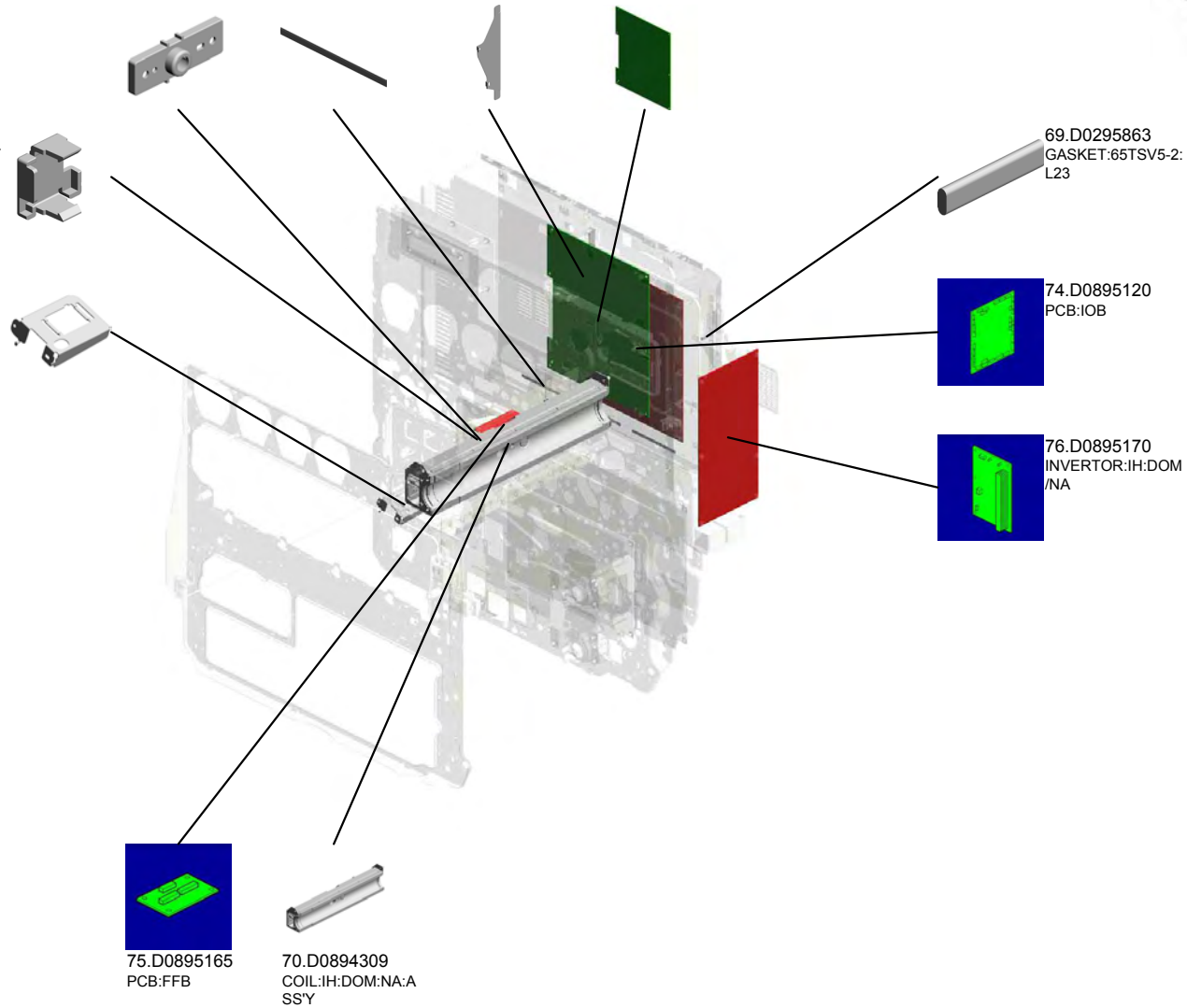
CÓPIA NÃO CONTROLADA

71.D0894365 HOLDER:THERMIS
TOR:LENS
68.D0295861 (x3)
GASKET:65TFV5-0.
5:L90
77.D0895807 SHADEING PLATE:
RACK:MIDDLE
73.D0895105 PCB:BICU:B088/B0
89



72.D0894366 COVER:THERMIST
OR:LENS

78.D0895827 BRACKET:MAIN S
WITCH



U001	U002	U003	U004	U005	U006	U007	U008	U009	U010	U011	U012	U013	U014	U015	U016	U017	U018	U019	U020
------	------	------	------	------	------	------	------	------	------	------	------	------	------	------	------	------	------	------	------

CÓPIA NÃO CONTROLADA

U018_S001
 DENSITY SENSOR:ASS'Y

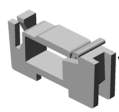
CÓPIA NÃO CONTROLADA

53.B2385875 80.D0896395
 DC SOLENOID DC2 DENSITY SENSOR
 4V

79.D0895861
 DENSITY SENSOR:
 ASS'Y



17.11050723
 CLAMPS:WES-050
 7



1.03125040N
 (x2)
 SCREW - M2.5X4



52.B2385867
 HOOK:SOLENOID:
 SENSOR:TM



21.AA060151
 TENSION SPRING



25.AA143520
 (x2)
 SHOULDER SCRE
 W - M3



6.04513008N
 (x6)
 TAPPING SCREW -
 M3X8



U001	U002	U003	U004	U005	U006	U007	U008	U009	U010	U011	U012	U013	U014	U015	U016	U017	U018	U019	U020
------	------	------	------	------	------	------	------	------	------	------	------	------	------	------	------	------	------	------	------

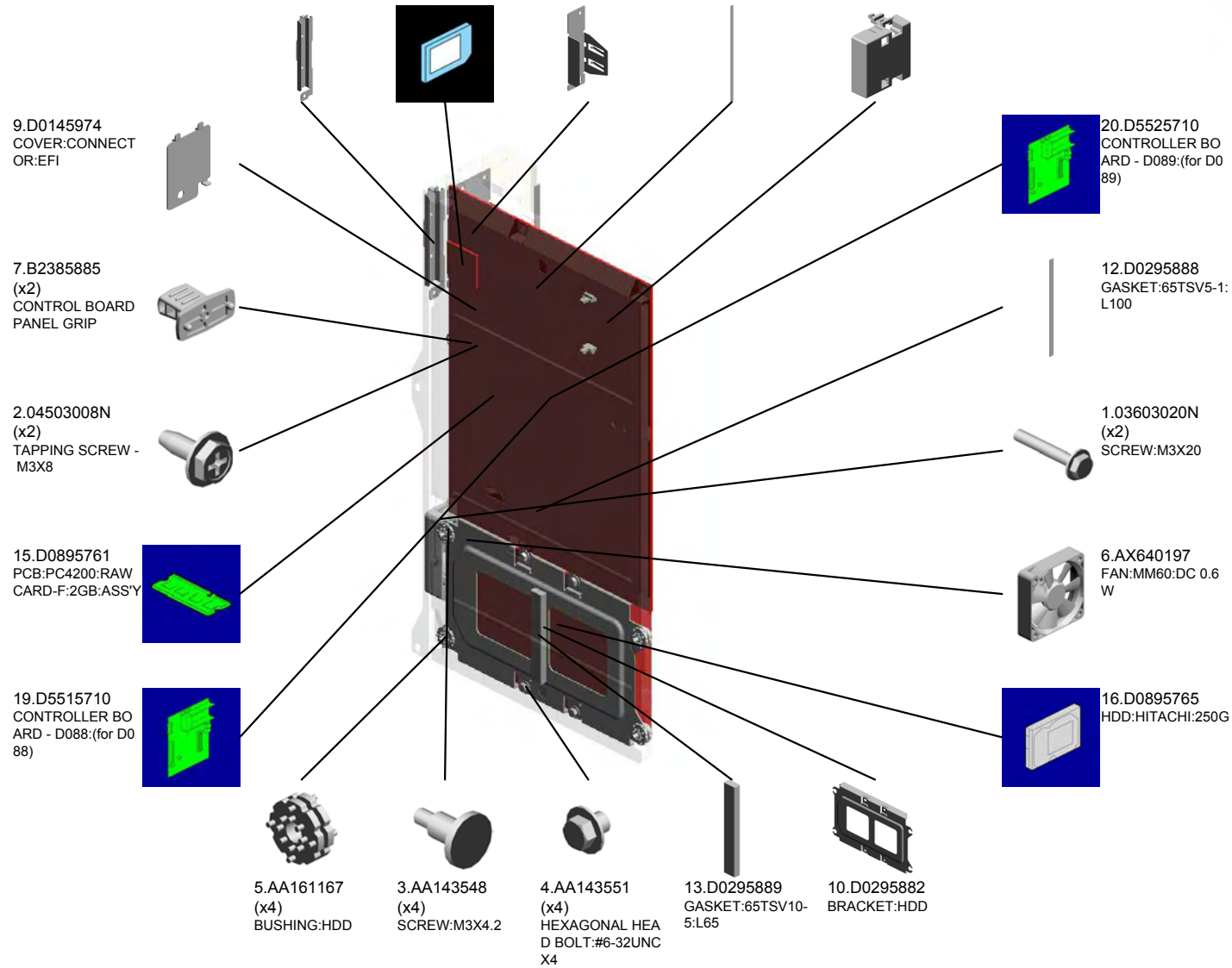
CÓPIA NÃO CONTROLADA

U019
Controller

CÓPIA NÃO CONTROLADA



- 18.D0895824 COVER:SD-CARD: D086/D087
- 17.D0895795 SD-CARD:Z-V4:EX P:ASS'Y
- 8.B2385887 (x2) INTERFACE PANE L
- 11.D0295887 GASKET:65TSV5-1: L150
- 14.D0869590 NV-RAM

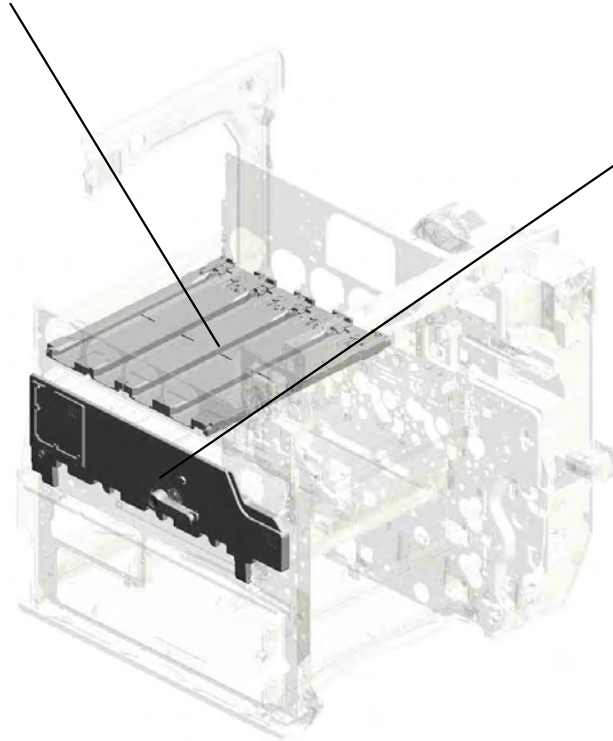


U001	U002	U003	U004	U005	U006	U007	U008	U009	U010	U011	U012	U013	U014	U015	U016	U017	U018	U019	U020
------	------	------	------	------	------	------	------	------	------	------	------	------	------	------	------	------	------	------	------

CÓPIA NÃO CONTROLADA

CÓPIA NÃO CONTROLADA
U020.Main Frame

U020_S002
D0893304
BASE:TONER SUPPLY UNIT:
ASS'Y



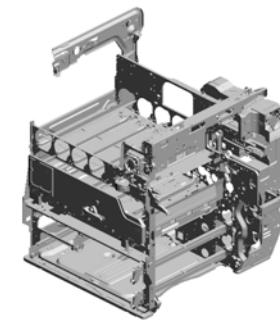
U020_S001
D0891030
DRUM STAY:PCU:ASS'Y



U001	U002	U003	U004	U005	U006	U007	U008	U009	U010	U011	U012	U013	U014	U015	U016	U017	U018	U019	U020
------	------	------	------	------	------	------	------	------	------	------	------	------	------	------	------	------	------	------	------

U020
Main Frame

CÓPIA NÃO CONTROLADA



- 14.08025308 (x8) TAPPING SCREW: FAN
- 12.04563010N (x3) TAPPING SCREW - M3X10
- 8.04514006N (x3) TAPPING SCREW - 4X6
- 3.04503010N (x2) TAPPING SCREW - M3X10
- 19.11050489 (x2) HARNESS CLAMP - LWS 1316

2.04503008N (x6) TAPPING SCREW - M3X8

15.11024559 (x2) CONNECTOR - 3P

6.04513010N (x2) TAPPING SCREW: 3X10

11.04563008N TAPPING SCREW - M3X8

7.04513012N TAPPING SCREW: 3X12

13.08025305 TAPPING SCREW - M3X6

4.04513006N (x28) TAPPING SCREW - 3X6

9.04543006Q (x41) TAPPING SCREW - M3X6

10.04543008Q (x14) TAPPING SCREW: 3X8

16.11028534 CONNECTOR - QR/ P17-14S-B

1.03603006N (x5) SCREW - M3X6

20.11050511 (x2) HARNESS CLAMP - LWS-0306ZC

18.11050488 (x7) HARNESS CLAMP

17.11050487 (x2) HARNESS CLAMP

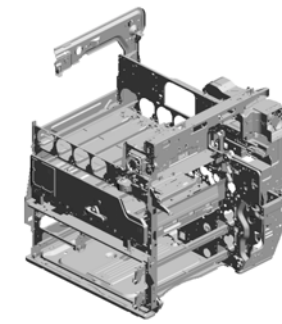
5.04513008N (x4) TAPPING SCREW - M3X8

U001	U002	U003	U004	U005	U006	U007	U008	U009	U010	U011	U012	U013	U014	U015	U016	U017	U018	U019	U020
------	------	------	------	------	------	------	------	------	------	------	------	------	------	------	------	------	------	------	------

CÓPIA NÃO CONTROLADA

U020
Main Frame

CÓPIA NÃO CONTROLADA



- 22.11050534 (x2) CLAMP
- 26.AX650045 SIROCCO FAN:DC 24V 2.6W
- 21.11050516 (x7) CLAMP
- 28.B2231065 CONNECTOR BRACKET
- 36.B2231237 DUCT:REAR:2

41.B2231304 STOPPER:LEVER:DRUM STAY

31.B2231103 BRACKET:HINGE:LEFT

33.B2231123 HINGE - COVER DRUM STAY

29.B2231101 GRIP:FRONT

30.B2231102 BRACKET:GRIP:RIGHT FRONT

27.B1011097 (x6) RUBBER FOOT:H5

39.B2231245 CAP:GRIP

32.B2231120 BRACKET:PAPER FEED UNIT

23.AA161163 (x2) CUSHION

34.B2231207 COVER:CONNECTOR:HEATER

25.AX640199 FAN:MM80:25MM:DC 2.16W

37.B2231238 DUCT:REAR:3

35.B2231236 DUCT:REAR:1

38.B2231239 DUCT:REAR:LOWER

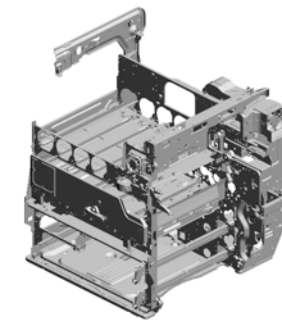
24.AW140012 TEMPERATURE & HUMIDITY SENSOR

U001	U002	U003	U004	U005	U006	U007	U008	U009	U010	U011	U012	U013	U014	U015	U016	U017	U018	U019	U020
------	------	------	------	------	------	------	------	------	------	------	------	------	------	------	------	------	------	------	------

CÓPIA NÃO CONTROLADA

U020
Main Frame

CÓPIA NÃO CONTROLADA



- 54.B2231364 GUIDE:HARNESS
- 50.B2231329 (x2) SOUND PROOFING MATERIAL:DUCT
- 52.B2231341 DUCT:SUPPLY:FRONT
- 53.B2231342 DUCT:SUPPLY:REAR
- 48.B2231326 DUCT:FUSING

65.B2233328 TONER CARTRIDGE GUIDE

66.B2235848 BRACKET:BASE:CONNECTOR

67.B2235849 COVER:CONNECTOR:HEATER

60.B2232705 SUPPORTER - LEFT NO.1

61.B2232710 SUPPORTER - LEFT NO.2

62.B2232714 (x2) POSITIONING CAP - SHORT

57.B2231898 (x2) IMAGING UNIT PLATE - INNER

58.B2231899 (x2) IMAGING UNIT PLATE - OUTER

55.B2231896 IMAGING UNIT PLATE - FRONT

59.B2232702 HEAT SINK:HEATER:NA:(Option)

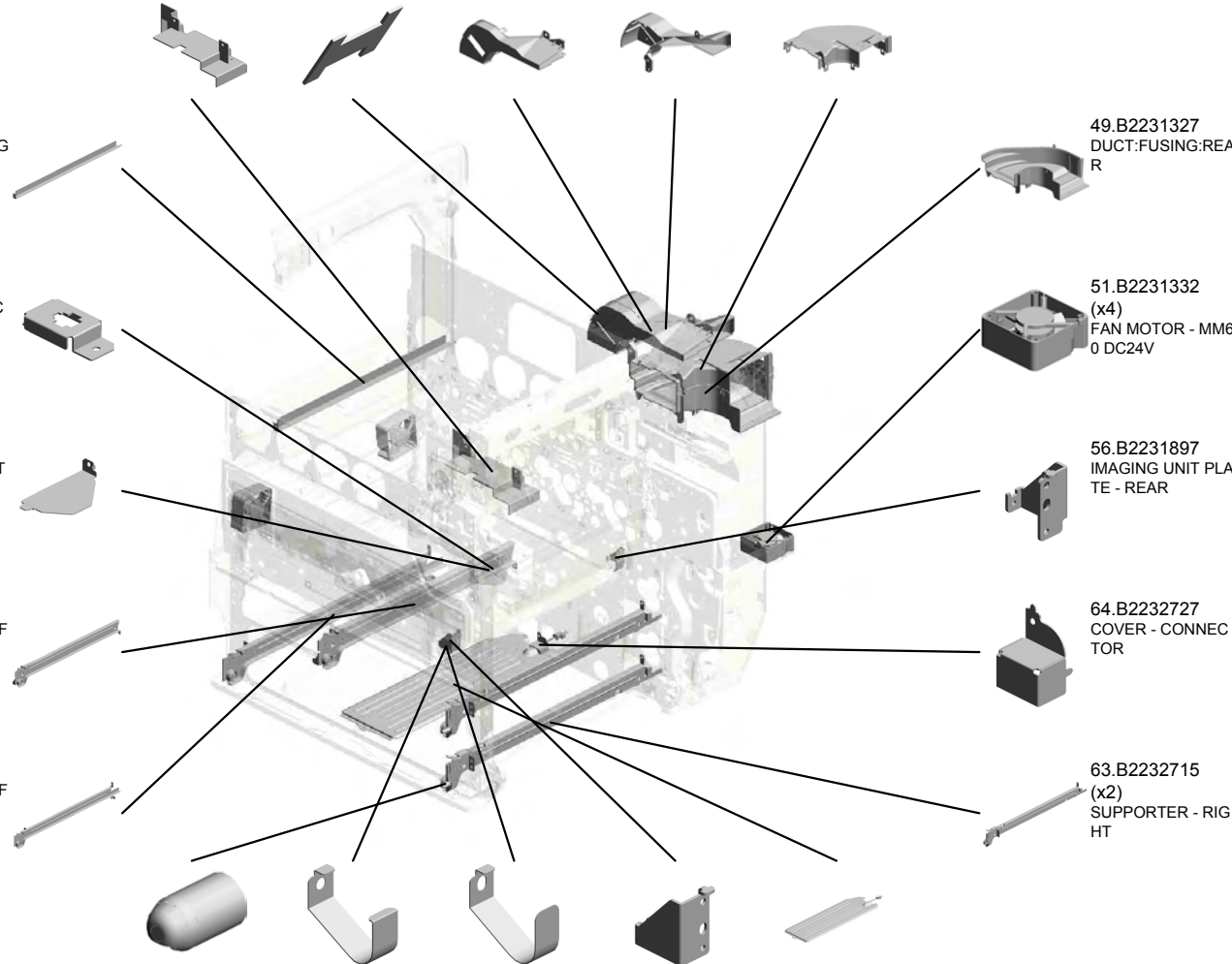
49.B2231327 DUCT:FUSING:REAR

51.B2231332 (x4) FAN MOTOR - MM60 DC24V

56.B2231897 IMAGING UNIT PLATE - REAR

64.B2232727 COVER - CONNECTOR

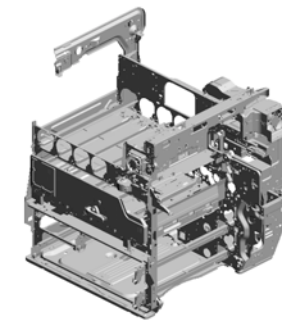
63.B2232715 (x2) SUPPORTER - RIGHT



CÓPIA NÃO CONTROLADA

U020
Main Frame

CÓPIA NÃO CONTROLADA



- 87.D0291345 GUIDE PLATE:FUSING:FRONT
- 80.D0291054 CAM:GUIDE:FUSING
- 68.B2236140 DRAWER:INTERMEDIATE TRANSFER:ASSY
- 84.D0291323 DUCT:IH:FRONT
- 85.D0291324 DUCT:IH:REAR

69.B2236198
CLEANING UNIT RAIL

79.D0291053
CAM:GUIDE:FUSING:LEFT

86.D0291343
SEAL:DUCT:IH:FRONT:#120

75.B2382543
COVER - TRAY LEFT

71.B2381072
POSITIONING PLATE:GUIDE PLATE:FUSING:FRONT LOWER:PEEN

77.D0094594
FRONT GUIDE - DUPLEX UNIT SET

82.D0291061 (x2)
DECAL:LEVER:LOCK:FUSING

72.B2381088
COVER - CONNECTOR

70.B2381066 (x2)
RUBBER FOOT COVER

73.B2381089 (x4)
COVER - POSITIONING PIN

83.D0291191
GUIDE:FUSING DRIVE SUB-UNIT

81.D0291058 (x2)
SEAL:BURRING

76.B2382544
TRAY COVER - MIDDLE

74.B2382541 (x2)
TRAY COVER - RIGHT

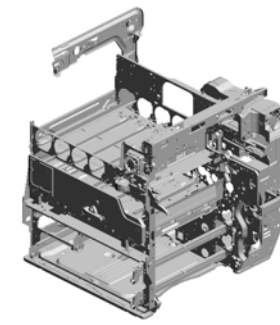
78.D0094595
REAR GUIDE - DUPLEX UNIT SET

U001	U002	U003	U004	U005	U006	U007	U008	U009	U010	U011	U012	U013	U014	U015	U016	U017	U018	U019	U020
------	------	------	------	------	------	------	------	------	------	------	------	------	------	------	------	------	------	------	------

CÓPIA NÃO CONTROLADA

U020
Main Frame

CÓPIA NÃO CONTROLADA



- 108.D0891388 SEAL:SEPARATION PLATE:OPTICAL WRITING UNIT:LEFT INNER REAR
- 97.D0296146 RAIL:RIGHT:C2
- 104.D0891380 SEAL:GUIDE PLATE:SUPPLY
- 103.D0891379 GUIDE PLATE:SUPPLY
- 105.D0891385 DUCT:SUPPLY:TUBE

96.D0296145
RAIL:LEFT:C2

102.D0891370
BRACKET:FAN:IMAGE FORMING SECTION

106.D0891386
DUCT:EXIT

107.D0891387
SHIELDING PLATE:IMAGE FORMING MD:LEFT

93.D0291354
BRACKET:FAN:IH

98.D0296318
GUIDE:POSITIONING:FRONT

92.D0291351
LEVER:LOCK:FUSING UNIT:FRONT

91.D0291350
STOPPER:FUSING UNIT:FRONT

95.D0292586
GUIDE:REGISTRATION:EXIT

99.D0296319
GUIDE:POSITIONING:REAR

90.D0291348
SEAL:DUCT:IH:REAR

94.D0291355
LEVER:LOCK:FUSING UNIT:REAR

88.D0291346
GUIDE PLATE:FUSING:REAR

89.D0291347
STOPPER:FUSING UNIT:REAR

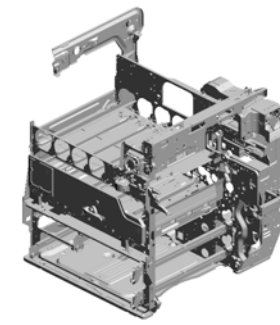
101.D0891097
BRACKET:FAN:POWER SOURCE:IH

U001	U002	U003	U004	U005	U006	U007	U008	U009	U010	U011	U012	U013	U014	U015	U016	U017	U018	U019	U020
------	------	------	------	------	------	------	------	------	------	------	------	------	------	------	------	------	------	------	------

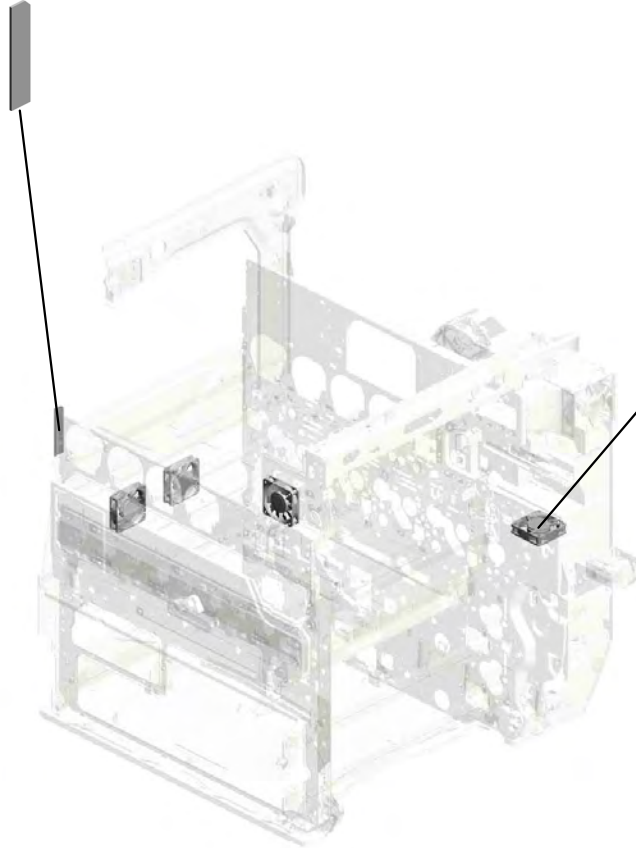
CÓPIA NÃO CONTROLADA

U020
Main Frame

CÓPIA NÃO CONTROLADA



109.D0891390
SEAL:SIDE PLATE:
FRONT:LEFT



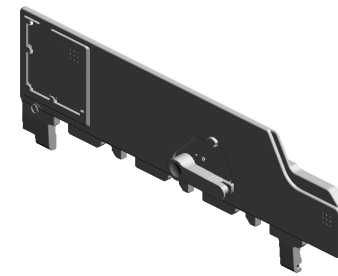
111.GX640031
(x4)
FAN MOTOR:DC:2.
64W

U001	U002	U003	U004	U005	U006	U007	U008	U009	U010	U011	U012	U013	U014	U015	U016	U017	U018	U019	U020
------	------	------	------	------	------	------	------	------	------	------	------	------	------	------	------	------	------	------	------

CÓPIA NÃO CONTROLADA

U020_S001
DRUM STAY:PCU:ASS'Y

CÓPIA NÃO CONTROLADA



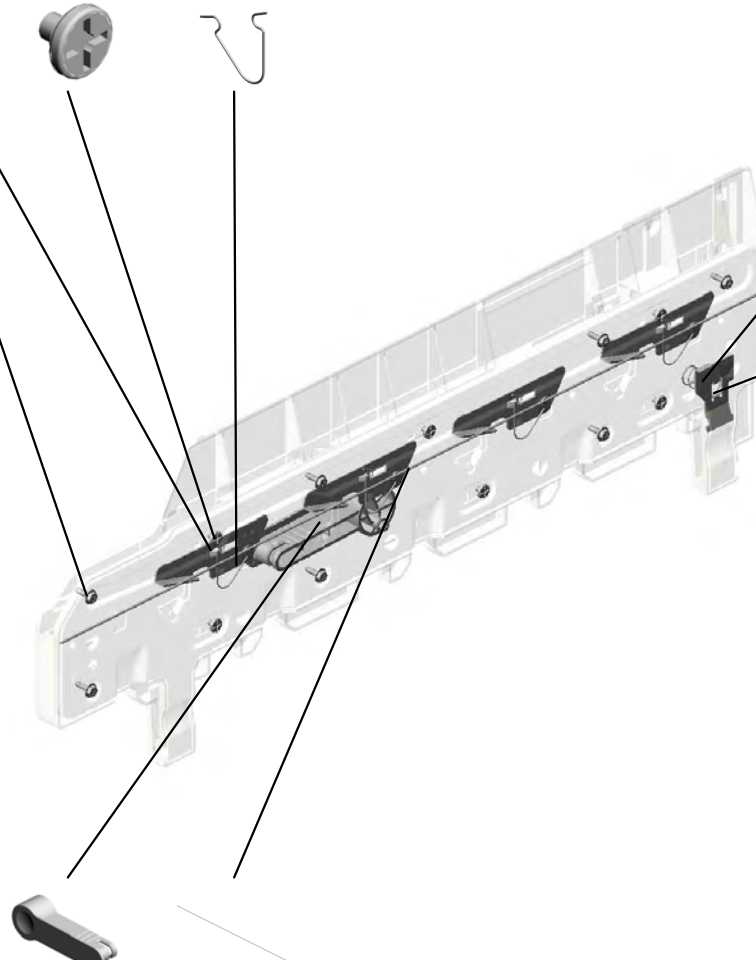
100.D0891030
DRUM STAY:PCU:
ASS'Y

45.B2231317
(x6)
SCREW

44.B2231316
(x4)
BALL BEARING CLI
P

43.B2231315
(x4)
BALL BEARING PL
ATE

3.04503010N
(x8)
TAPPING SCREW -
M3X10



46.B2231318
SPRING

42.B2231306
DRUM STAY

40.B2231303
DRUM STAY LEVE
R

47.B2231319
WIRE

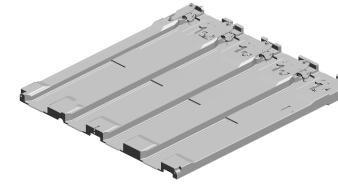
U001	U002	U003	U004	U005	U006	U007	U008	U009	U010	U011	U012	U013	U014	U015	U016	U017	U018	U019	U020
------	------	------	------	------	------	------	------	------	------	------	------	------	------	------	------	------	------	------	------

CÓPIA NÃO CONTROLADA

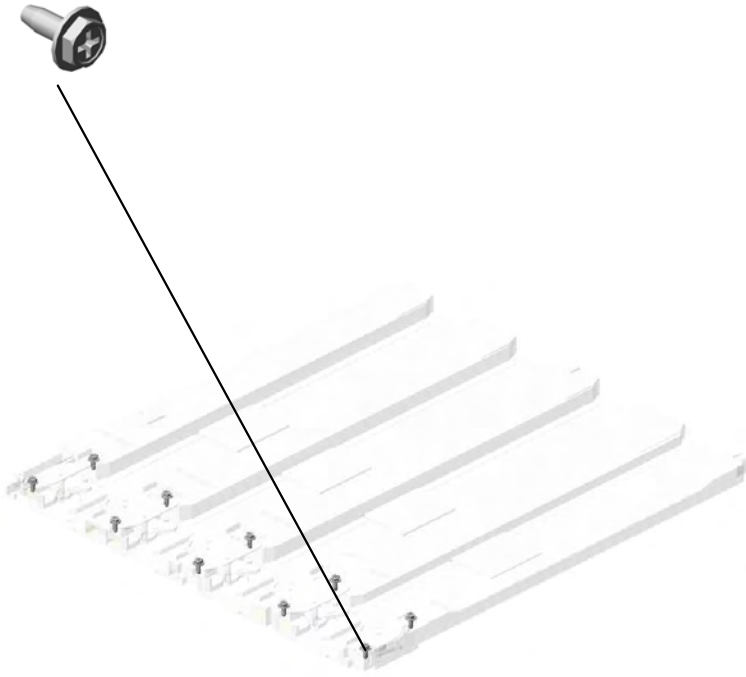
U020_S002
BASE:TONER SUPPLY UNIT:ASS'Y

CÓPIA NÃO CONTROLADA

2.04503008N
(x10)
TAPPING SCREW -
M3X8



110.D0893304
BASE:TONER SUP
PLY UNIT:ASS'Y



U001	U002	U003	U004	U005	U006	U007	U008	U009	U010	U011	U012	U013	U014	U015	U016	U017	U018	U019	U020
------	------	------	------	------	------	------	------	------	------	------	------	------	------	------	------	------	------	------	------

CÓPIA NÃO CONTROLADA

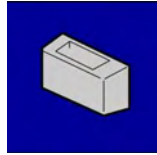
CÓPIA NÃO CONTROLADA
Accessories



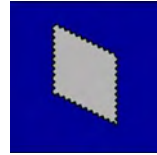
1.11500415
POWER SUPPLY CODE:125V:NA



2.16071859
FERRITE CORE:E04SR241336A



3.B0651371
CLOTH HOLDER



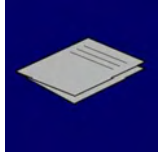
4.B0651374
CLOTH - DF EXPOSURE GLASS



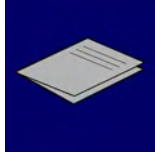
5.B2382524
DECAL - PAPER SIZE



6.B6522379
DECAL:CAUTION:ORIGINAL:5-LANG



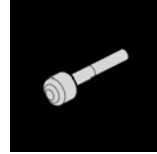
7.D0887603
MANUAL:ABOUT_MACHINE:NA



8.D0887653
MANUAL:TROUBLESHOOT:NA



9.D0895792
SD-CARD:VM/CALYPSO:ASS'Y



10.H5115007
STAMP

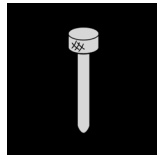
Special Tools



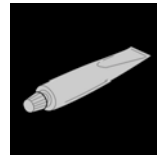
1.52039502
SILICON GREASE G-501



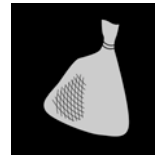
2.A0929503
C4 COLOR TEST CHART (3 PCS/SET)



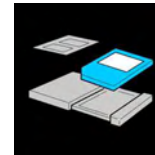
3.A1849501
SCANNER POSITIONING PIN (2PCS/SET)



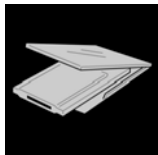
4.A2579300
GREASE BARRIERTA - S552R



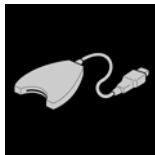
5.B1329700
LUBRICANT POWDER



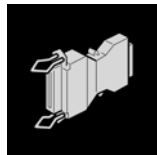
6.B6455010
SD CARD



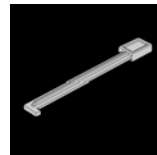
7.B6456705
PCMCIA CARD ADAPTER



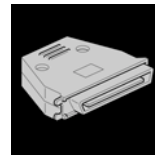
8.B6456830
USB READER/WRITER



9.B6795100
PLUG - IEEE1284 TYPE C



10.C4019503
20X MAGNIFICATION SCOPE



11.G0219350
LOOP-BACK CONNECTOR - PARALL



12.VSSM9000
DIGITAL MULTIMETER - FLUKE87 EL

CÓPIA NÃO CONTROLADA
Decal and Documents



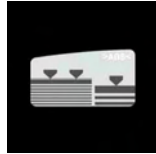
1.AA000239
DECAL:COLOR:MFP



2.AA001477
DECAL:ENERGY-STAR



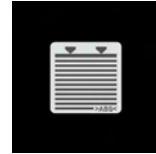
3.B1321573
DECAL - POWER SOURCE:OFF



4.B2232645
DECAL:SIDE FENCE



5.B2232729
DECAL:PAPER SET DIRECTION:MAN
UAL FEED:EXP



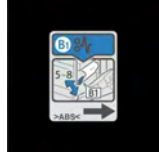
6.B2232873
DECAL - SIDE FENCE REAR



7.B2371372
DECAL - MAIN SWITCH ON-STANDBY



8.B2372521
DECAL - PAPER SET DIRECTION NO
.1



9.B2381362
DECAL - MISFEED REMOVAL B1



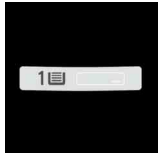
10.B2381368
DECAL - CLEANING



11.B2382523
DECAL - PAPER SET DIRECTION NO
.2



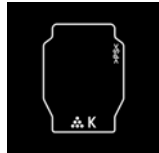
12.B2382524
DECAL - PAPER SIZE



13.B2382526
DECAL - GRIP



14.B2382527
DECAL - GRIP



15.B2383364
DECAL:COLORED DISPLAY:BK:INNE
R COVER



16.B2383365
DECAL:COLORED DISPLAY:Y:INNER
COVER



17.B2383366
DECAL:COLORED DISPLAY:C:INNER
COVER



18.B2383367
DECAL:COLORED DISPLAY:M:INNER
COVER



19.B6522379
DECAL:CAUTION:ORIGINAL:5-LANG



20.D0291061
DECAL:LEVER:LOCK:FUSING



21.D0291256
SHEET:MISFEED REMOVAL



22.D0292644
DECAL:SCALE:MANUAL FEED



23.D0294160
DECAL:C2:BLUE:FUSING



24.D0294163
DECAL:WARNING (HIGH TEMPERAT
URE):FUSING:1

CÓPIA NÃO CONTROLADA
Decal and Documents



25.D0294164
DECAL:H-TEMP WARNING:FUSING:2



26.D0886801
SHEET:MODEL NAME PLATE:D088:R
IC:(for D088)



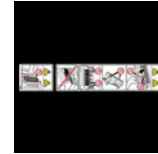
27.D0886802
SHEET:MODEL NAME PLATE:D088:S
VN:(for D088)



28.D0886804
SHEET:MODEL NAME PLATE:D088:L
AN:NA:(for D088)



29.D0886853
DECAL:CAUTION:ORIGINAL:ENGLIS
H



30.D0894485
DECAL:H-TEMP WARNING:GUIDE PL
ATE:OPEN AND CLOSE



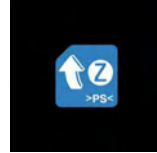
31.D0896801
SHEET:MODEL NAME PLATE:RIC:EX
P:(for D089)



32.D0896802
SHEET:MODEL NAME PLATE:SVN:(fo
r D089)



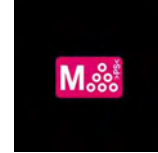
33.D0896804
SHEET:MODEL NAME PLATE:NA:(for
D089)



34.GA001073
DECAL:KNOB:Z



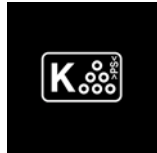
35.GA003030
DECAL - SHIELDING PLATE Y



36.GA003031
DECAL - SHIELDING PLATE M



37.GA003032
DECAL - SHIELDING PLATE C



38.GA003033
DECAL - SHIELDING PLATE K



39.GA003167
DECAL:CAUTION:INKJET:NA



40.GA003176
DECAL:SDK

CÓPIA NÃO CONTROLADA
Exclusive Parts

Number	Part Name	Group	ID
52039502	SILICON GREASE G-501	Special Tools	1
52062684	SHOULDER SCREW - M3	U015_S001	7
52062686	SNAP RING	U007_S001	8
		U007_S002	8
54421924	EXPOSURE GLASS CUSHION	U003	17
54472681	SNAP RING	U016	19
		U017	21
A0929503	C4 COLOR TEST CHART (3 PCS/S ET)	Special Tools	2
A1001714	REFLECTOR	U003_S003	18
A1849501	SCANNER POSITIONING PIN (2PC S/SET)	Special Tools	3
A1931766	WIRE CLAMP	U003	19
A1931769	CLAMP - REAR WIRE	U003	20
A1931793	SCANNER HOME SENSOR STOPPER	U003	21
A1931816	1ST SLIDE RAIL	U003	22
A2322987	ROLLER - PAPER TRAY	U005_S001	5
		U006_S001	5
A2324666	CUSHION - STEPPER MOTOR	U017	22
A2501752	EXPOSURE GLASS	U003	23
A2501791	2ND SCANNER SHOE	U003_S001	24
A2579300	GREASE BARRIERTA - S552R	Special Tools	4
A2596754	BUSHING - 6 6MM	U016	20
A2672857	SPRING PLATE - SIDE FENCE	U005_S001_S002	6
		U006_S001_S002	6
A2672859	SIDE FENCE STOPPER	U005_S001_S002	7
		U006_S001_S002	7
A2672860	REAR LEVER STOPPER	U005_S001_S002	8
		U006_S001_S002	8
A6283112	SHIELDING SHEET	U003_S002	25
AA000239	DECAL:COLOR:MFP	Decal and Documents	1
		U001	6
AA001477	DECAL:ENERGY-STAR	Decal and Documents	2
		U001	7
AA043336	TIMING BELT:40S3M267	U017	23

Number	Part Name	Group	ID
AA043583	TIMING BELT - S2M460	U013	5
AA043585	TIMING BELT:40S3M162	U017	24
AA043601	TIMING BELT - B40S2M118	U017	25
AA060151	TENSION SPRING	U018_S001	21
AA060693	TENSION SPRING	U007_S001	9
		U007_S002	9
AA060722	TENSION SPRING	U013	6
AA060872	SPRING	U016	21
AA060979	TENSION SPRING:TENSION:14720 MN	U003	26
AA060980	TENSION SPRING:TENSION:11300 MN	U003	27
AA060989	SPRING:FUSING EXIT:PRESSURE	U014_S001	12
AA061003	TENSION SPRING:SIDE FENCE:REAR	U005_S001	9
		U006_S001	9
AA061014	TENSION SPRING:GRIP	U005_S001	10
		U006_S001	10
AA061026	COMPRESSION SPRING:DRIVEN ROLLER	U014_S001	13
AA061061	SPRING:PRESSURE:PICKUP	U007_S001	10
		U007_S002	10
AA061062	TENSION SPRING:PRESSURE:140 N	U014_S001	14
AA062259	SPRING - RELEASE	U007_S001	11
		U007_S002	11
AA063438	COMPRESSION SPRING	U018	22
AA063499	PRESSURE SPRING	U016	22
AA063568	PRESSURE SPRING	U016	23
		U018	23
AA063999	SPRING:LEVER:RIGHT:INTERMEDIATE TRANSFER	U011_S001	4
AA066385	SPRING:STRIPPER PLATE:FRONT	U014_S001	15
AA066386	SPRING:STRIPPER PLATE:REAR	U014_S001	16
AA066398	COIL SPRING:STRIPPER PLATE:PRESSURE:FRONT	U014_S001	17
AA066399	COIL SPRING:STRIPPER PLATE:PRESSURE:REAR	U014_S001	18
AA080254	BUSHING - M4	U016	24

Number	Part Name	Group	ID
AA080346	BUSHING:FLANGE TYPE:DIA6	U017	26
AA080348	BUSHING:DRIVEN ROLLER	U014_S001	19
AA082101	BUSHING - 6X10X6	U008	5
		U009_S005	9
		U015_S001	8
		U016	25
		U017_S002	27
AA082102	BUSHING - 6X10X6	U007_S001	12
		U007_S002	12
AA082104	BUSHING - 8X12X7	U016	26
AA082143	BUSHING - 6X10X6	U007_S001	13
		U007_S002	13
		U016	27
AA082144	BUSHING - 8X12X7	U003	28
		U016	28
AA082150	PLAIN SHAFT BEARING:M6	U007_S001	14
		U007_S002	14
AA083014	ONE-WAY CLUTCH	U016	29
AA083018	ROLLER CLUTCH - 6X14X10	U016	30
AA084000	BUSHING:DIA6	U010_S001	2
		U010_S002	2
		U010_S003	2
		U010_S004	2
AA100014	RETAINING RING C - SEPARATE	U007_S001	15
		U007_S002	15
		U016	31
AA100015	SNAP RING - M6	U017_S001	28
AA101021	RUBBER BUSHING - 6 45HS	U016	32
		U017	29
AA140778	SHAFT:SEPARATOR:DRIVE	U016	33
AA140936	SHAFT:FEED:MANUAL FEED	U016	34
AA143183	STEPPED SCREW	U016	35
AA143219	STEPPED SCREW	U018	24
AA143404	STEPPED SCREW - M4	U016	36
AA143520	SHOULDER SCREW - M3	U003	29
		U018_S001	25
AA143548	SCREW:M3X4.2	U019	3
AA143551	HEXAGONAL HEAD BOLT:#6-32UN	U019	4

Number	Part Name	Group	ID
	CX4		
AA143577	SCREW:TP:M4	U005	11
AA143807	SCREW:A	U016	37
AA143823	TAPPING SCREW	U001	8
AA143843	SCREW:DIA6	U005_S001	12
AA143867	SCREW:DIA4:M3	U014_S001	20
AA161163	CUSHION	U020	23
AA161167	BUSHING:HDD	U019	5
AA161180	CUSHION:DC STEPPER MOTOR	U017	30
AB010156	GEAR:SEPARATE:DRIVE	U007_S001	16
		U007_S002	16
AB010157	GEAR:SEPARATE:DRIVEN	U007_S001	17
		U007_S002	17
AB011218	GEAR - ROLLER CLUTCH	U007_S001	18
		U007_S002	18
AB011223	IDLER GEAR - 25Z	U016	38
AB011252	GEAR - 20Z	U007_S001	19
		U007_S002	19
AB011258	GEAR - 38Z	U017	31
AB011259	GEAR - 32Z	U017	32
AB011387	GEAR - 23Z	U016	39
AB011416	GEAR - 20Z	U016	40
AB011560	GEAR:FUSING:NO.2	U017	33
AB014161	REVERSE ROLLER GEAR	U016	41
AB014316	GEAR:IDLER:TURN	U014_S001	21
AB014317	GEAR:PRESSURE ROLLER	U014_S001	22
AB014318	GEAR:HOT ROLLER	U014_S001	23
AB014319	GEAR:IDLER:FUSING UNIT	U014_S001	24
AB014320	GEAR:IDLER:PRESSURE ROLLER	U014_S001	25
AB017493	GEAR PULLEY	U017	34
AB017699	GEAR - 33Z/44Z	U017	35
AB017754	GEAR:FUSING:NO.1	U017	36
AB017757	GEAR:EXIT:NO.1	U017	37
AB017758	GEAR:EXIT:NO.2	U017	38
AB017759	ENCODER:TURN	U014_S001	26
AB017774	GEAR:FUSING:NO.3	U017	39
AB017830	TIMING PULLEY:REGISTRATION	U017	40
AB030551	PULLEY:IDLER:FUSING	U013	7

CÓPIA NÃO CONTROLADA
Exclusive Parts

Number	Part Name	Group	ID
AB030781	TIMING PULLEY - 28Z/30T	U017	41
AB030888	TIMING PULLEY:DEVELOPMENT:N O.1	U017_S001	42
AB033000	JOINT:DEVELOPMENT	U017_S001	43
AC030169	MIRROR:NO.1	U003_S003	30
AE010079	HEATING ROLLER	U014_S001	27
AE020183	PRESSURE ROLLER	U014_S001	28
AE030080	BALL BEARING - DIA12X24X6	U014_S001	29
AE030081	BALL BEARING - DIA17X26X5	U014_S001	30
AF013016	BOTTOM PLATE PAD	U016	42
AF030049	PICK-UP ROLLER	U016	43
AF031046	FEED ROLLER - MANUAL FEED	U016	44
AF031085	PAPER FEED ROLLER - FEED	U007_S001	20
		U007_S002	20
AF032046	SEPARATION ROLLER - MANUAL FEED	U016	45
AF032085	PAPER FEED ROLLER - SEPARAT E	U007_S001	21
		U007_S002	21
AF033010	PAD	U005_S001_S003	13
		U006_S001_S003	11
AG070514	MAGNET CATCH	U013	8
		U016	46
AG071012	MAGNET CATCH:ASS'Y	U001	9
AW010107	PAPER FEED SENSOR	U008	6
		U015_S001	9
		U016	47
AW010118	PAPER FEED SENSOR	U016	48
AW010122	PAPER FEED SENSOR	U007_S001	22
		U007_S002	22
AW010128	PAPER FEED SENSOR	U007_S001	23
		U007_S002	23
AW010133	ORIGINAL SENSOR - 66MM	U003	31
AW010147	PHOTO REFLECTION SENSOR	U015_S001	10
AW020145	PHOTOINTERRUPTOR:FLAT	U003	32
		U007_S001	24
		U007_S002	24
		U015_S001	11
		U016	49

Number	Part Name	Group	ID
		U017_S001	44
AW020146	PHOTOINTERRUPTOR:FLAT:PICH 2MM:M4	U003	33
AW020160	PAPER FEED SENSOR	U013	9
AW020185	TONER END SENSOR	U009_S001	10
		U009_S002	10
		U009_S003	10
AW020190	PHOTOINTERRUPTOR	U018	26
AW100106	THERMOPILE	U018	27
AW100120	THERMISTOR:FUSING	U014_S001	31
AW100133	TEMPERATURE SENSOR:NC-F10	U014_S001	32
AW100137	THERMISTOR:FUSING	U014_S001	33
AW110072	THERMOSTAT:ASS'Y	U014_S001	34
AW140012	TEMPERATURE & HUMIDITY SEN SOR	U020	24
AW500023	PUSH SWITCH	U013	10
		U015_S001	12
		U018	28
AW500031	PAPER SIZE SENSOR	U016	50
AW500035	PAPER END SENSOR	U016	51
AW500038	PUSH SWITCH:PAPER SIZE SENS OR	U018	29
AX040154	DC MOTOR 24V	U018	30
AX060356	BRUSHLESS MOTOR:DC24V 18W	U017_S001	45
AX060368	BRUSHLESS MOTOR:DRIVE:DRU M:28W	U017_S001	46
AX060369	BRUSHLESS MOTOR:DRIVE:FUSI NG:27W	U017	47
AX060396	DC POLYGON MIRROR MOTOR:24 W	U004_S001	3
AX060412	BRUSHLESS MOTOR:DC:10W:INT ERMEDIATE TRANSFER	U017_S001	48
AX200289	MAGNETIC CLUTCH - 32Z	U017	49
AX200314	MAGNETIC CLUTCH:DEVELOPME NT:0.5N	U017_S001	50
AX200320	ELECTROMAGNETIC CLUTCH	U016	52
AX200322	MAGNETIC CLUTCH:DEVELOPME NT:BK	U017_S001	51

CÓPIA NÃO CONTROLADA
Exclusive Parts

Number	Part Name	Group	ID
AX310045	TOTAL COUNTER:7FIG:24V:(Option)	U018	31
AX430195	HEATER:INFRARED RAYS:120V:500W	U014_S001	35
AX640197	FAN:MM60:DC 0.6W	U019	6
AX640199	FAN:MM80:25MM:DC 2.16W	U020	25
AX650045	SIROCCO FAN:DC24V 2.6W	U020	26
AZ240157	POWER SUPPLY UNIT:633W:DOM/NA:D088/D089	U018	32
AZ320182	POWER PACK:CB	U018	33
AZ320185	POWER PACK:TTS	U018	34
B0042783	TORQUE LIMITER	U007_S001	25
		U007_S002	25
B0042923	SPRING PLATE - RELEASE LEVER	U005_S001_S001	14
		U006_S001_S001	12
B0241264	MAGNET CATCH	U001	10
B0441825	COLLAR	U016	53
		U017	52
B0441847	SHOULDER SCREW	U016	54
B0511727	FRAME:SCANNER:FRONT	U003	34
B0511814	BRACKET:ORIGINAL SENSOR	U003	35
B0651371	CLOTH HOLDER	Accessories	3
B0651374	CLOTH - DF EXPOSURE GLASS	Accessories	4
B0822781	BRACKET:SENSOR	U007_S001	26
		U007_S002	26
B1011097	RUBBER FOOT:H5	U020	27
B1202063	BUSHING - 4MM	U015_S001	13
B1321573	DECAL - POWER SOURCE:OFF	Decal and Documents	3
		U001	11
B1329700	LUBRICANT POWDER	Special Tools	5
B1801713	STEPPER MOTOR:ASS'Y	U003	36
B1801734	SLIDE RAIL:NO.2	U003	37
B1801803	GUIDE:HIGH VOLTAGE SUPPLY CORD:BASE	U003	38
B1801814	SHAFT:SCANNER:DRIVE	U003	39
B1802782	SEAL:TRAY	U005	15
		U006	13

Number	Part Name	Group	ID
B1802871	SHAFT:SEPARATOR:DRIVEN:ASS'Y	U016	55
B2221820	COVER:SCANNER:REAR:EU	U001	12
B2231065	CONNECTOR BRACKET	U020	28
B2231101	GRIP:FRONT	U020	29
B2231102	BRACKET:GRIP:RIGHT FRONT	U020	30
B2231103	BRACKET:HINGE:LEFT	U020	31
B2231120	BRACKET:PAPER FEED UNIT	U020	32
B2231123	HINGE - COVER DRUM STAY	U020	33
B2231144	HOLDER:POSITIONING SENSOR	U017_S001	53
B2231174	DRIVE UNIT:COLLECTION BOTTLE	U013	11
B2231180	BRACKET:PAPER FEED	U017	54
B2231183	GRIP SHAFT	U017	55
B2231184	PULLEY:TONER SUPPLY:NO.2:ASS'Y	U013	12
B2231186	DRIVE JOINT	U017	56
B2231187	MAGNETIC CLUTCH BRACKET	U017	57
B2231188	STEPPER MOTOR DC24V	U017	58
B2231189	FEED DRIVE SHAFT	U017	59
B2231191	BRACKET:DRIVE UNIT:REGISTRATION	U017	60
B2231207	COVER:CONNECTOR:HEATER	U020	34
B2231236	DUCT:REAR:1	U020	35
B2231237	DUCT:REAR:2	U020	36
B2231238	DUCT:REAR:3	U020	37
B2231239	DUCT:REAR:LOWER	U020	38
B2231242	INNER COVER - LEFT	U001	13
B2231244	INNER COVER - MIDDLE	U001	14
B2231245	CAP:GRIP	U020	39
B2231246	GUIDE PLATE:SCANNER	U001	15
B2231249	STOPPER:MAGNET CATCH	U001	16
B2231253	EMBLEM COVER	U001	17
B2231255	COVER - MAIN SWITCH	U001	18
B2231266	COVER:PAPER EXIT UNIT:UPPER	U001	19
B2231274	COVER:RIGHT REAR:FAN	U001	20
B2231276	FILTER:RIGHT REAR	U001	21
B2231279	CLEANER:SHIELD GLASS:ASS'Y	U001	22
B2231293	CAP:COVER:REAR	U001	23

Number	Part Name	Group	ID
B2231303	DRUM STAY LEVER	U020_S001	40
B2231304	STOPPER:LEVER:DRUM STAY	U020	41
B2231306	DRUM STAY	U020_S001	42
B2231315	BALL BEARING PLATE	U020_S001	43
B2231316	BALL BEARING CLIP	U020_S001	44
B2231317	SCREW	U018	35
		U020_S001	45
B2231318	SPRING	U020_S001	46
B2231319	WIRE	U020_S001	47
B2231326	DUCT:FUSING	U020	48
B2231327	DUCT:FUSING:REAR	U020	49
B2231329	SOUND PROOFING MATERIAL:DU CT	U020	50
B2231332	FAN MOTOR - MM60 DC24V	U020	51
B2231341	DUCT:SUPPLY:FRONT	U020	52
B2231342	DUCT:SUPPLY:REAR	U020	53
B2231354	DRUM STAY:DRIVE UNIT	U017_S002	61
B2231364	GUIDE:HARNESS	U020	54
B2231475	PCB OP-L	U002_S001	6
B2231518	KEYTOP - BLANK FB	U002_S001	7
B2231520	KEYTOP - CLEAR/STOP	U002_S001	8
B2231528	KEYTOP - COPY NA	U002_S001	9
B2231529	KEYTOP - DOC NA	U002_S001	10
B2231531	KEYTOP:PRINTER:NA	U002_S001	11
B2231532	KEYTOP:SCANNER:NA	U002_S001	12
B2231533	KEYTOP:FUNCTION:NA	U002_S001	13
B2231540	KEYTOP:10KEY:NA	U002_S001	14
B2231773	SCALE:MACHINE OR COPIER	U003	40
B2231774	SEAL:SHEET THROUGH	U003	41
B2231779	COVER:STEPPER MOTOR:REAR	U003	42
B2231786	HOLDER:CONNECTOR	U003	43
B2231788	FRAME:SCANNER:REAR	U003	44
B2231806	BRACKET:DOCUMENT FEEDER:H OLDER	U003	45
B2231807	BRACKET:EXTERIOR:REAR	U001	24
B2231808	DOCUMENT FEEDER:CONNECTO R:BRACKET	U003	46
B2231819	COVER:SCANNER:RIGHT	U001	25

Number	Part Name	Group	ID
B2231824	SEAL:SCANNER:FRAME:BASE	U003	47
B2231833	SEAL:EXPOSURE GLASS:REAR	U003	48
B2231882	COVER - POLYGON MOTOR	U004_S001	4
B2231896	IMAGING UNIT PLATE - FRONT	U020	55
B2231897	IMAGING UNIT PLATE - REAR	U020	56
B2231898	IMAGING UNIT PLATE - INNER	U020	57
B2231899	IMAGING UNIT PLATE - OUTER	U020	58
B2231903	LOUVER	U004_S001	5
B2232558	REGISTRATION ROLLER KNOB	U008	7
B2232608	GEAR:Z16	U016	56
B2232620	HOUSING:MANUAL FEED	U016	57
B2232621	COVER:MANUAL FEED UNIT	U016	58
B2232622	GUIDE PLATE:EXIT	U016	59
B2232623	COVER:GUIDE PLATE:EXIT	U016	60
B2232629	STAY:FEED	U016	61
B2232632	DC SOLENOID:PICKUP	U016	62
B2232633	SPRING:RELEASE:PICKUP	U016	63
B2232634	SUPPORT STAY:ARM	U016	64
B2232636	TORSION SPRING:27N	U016	65
B2232637	BRACKET:ARM:MANUAL FEED:RE AR	U016	66
B2232645	DECAL:SIDE FENCE	Decal and Docum ents	4
		U016	67
B2232648	GUIDE PLATE:TRANSPORT UNIT: EXIT	U016	68
B2232649	SPRING:PRESSURE:5N	U016	69
B2232651	ARM:MANUAL FEED:FRONT	U016	70
B2232652	ARM:MANUAL FEED:REAR	U016	71
B2232657	ARM:MANUAL FEED:SHORT:FRON T	U016	72
B2232658	ARM:MANUAL FEED:SHORT:REAR	U016	73
B2232661	COVER:MANUAL FEED	U016	74
B2232663	EXTENSION TRAY	U016	75
B2232664	COVER:MANUAL FEED:ENTRANC E	U016	76
B2232665	SPRING:COVER:MANUAL FEED	U016	77
B2232666	GEAR:16Z	U016	78

Number	Part Name	Group	ID
B2232668	SPRING PLATE:STOPPER	U016	79
B2232673	SIDE FENCE:REAR	U016	80
B2232674	SIDE FENCE:FRONT	U016	81
B2232676	SPRING - 11N	U016	82
B2232681	ARM:TIGHTENER	U016	83
B2232683	GEAR:25Z	U016	84
B2232686	GEAR:Z31	U016	85
B2232689	GEAR:Z28	U016	86
B2232691	BRACKET:STEPPER MOTOR	U017	62
B2232694	GUIDE:GEAR	U017	63
B2232696	DRUM STAY:DRIVE	U016	87
B2232702	HEAT SINK:HEATER:NA:(Option)	U020	59
B2232705	SUPPORTER - LEFT NO.1	U020	60
B2232710	SUPPORTER - LEFT NO.2	U020	61
B2232713	RACK:MANUAL FEED	U016	88
B2232714	POSITIONING CAP - SHORT	U020	62
B2232715	SUPPORTER - RIGHT	U020	63
B2232721	BRACKET:PUSH SWITCH	U018	36
B2232722	COVER	U018	37
B2232726	GRIP:SIDE FENCE:MANUAL FEED	U016	89
B2232727	COVER - CONNECTOR	U020	64
B2232729	DECAL:PAPER SET DIRECTION:MANUAL FEED:EXP	Decal and Documents U016	5 90
B2232762	FEED SHAFT	U007_S001 U007_S002	27 27
B2232765	GROUND PLATE - FEED	U007_S001 U007_S002	28 28
B2232772	HARNESS SHEET	U007_S001 U007_S002	29 29
B2232776	STAY	U007_S001 U007_S002	30 30
B2232778	SENSOR BRACKET	U007_S001 U007_S002	31 31
B2232780	DC SOLENOID 24V	U007_S001 U007_S002	32 32
B2232786	GROUND PLATE - FRONT	U007_S001 U007_S002	33 33

Number	Part Name	Group	ID
B2232810	SEPARATE DRIVEN SHAFT	U007_S001 U007_S002	34 34
B2232815	SEPARATE DRIVE SHAFT	U007_S001 U007_S002	35 35
B2232846	BRACKET:COVER:HARNESS	U007	36
B2232848	COVER:HARNESS	U007	37
B2232857	COVER - PAPER TRAY NO.1	U005_S001	16
B2232860	PAPER TRAY GRIP	U005_S001 U006_S001	17 14
B2232861	GRIP HOLDER	U005_S001 U006_S001	18 15
B2232862	LEVER - RELEASE INNER	U005_S001 U006_S001	19 16
B2232865	RISE NO.1 SHAFT	U005_S001 U006_S001	20 17
B2232868	LEVER:RELEASE:PAPER TRAY:OUTER	U005_S001 U006_S001	21 18
B2232869	GROUND PLATE	U005_S001	22
B2232870	SIDE FENCE - FRONT	U005_S001_S001	23
B2232873	DECAL - SIDE FENCE REAR	Decal and Documents U005_S001_S002 U006_S001_S002	6 24 19
B2232880	SIDE FENCE - REAR	U005_S001_S002	25
B2232890	SLIDE RAIL - LEFT	U005_S001	26
B2232894	SLIDE RAIL STOPPER - LEFT	U005_S001	27
B2232910	LINK - PAPER SIZE SENSOR	U006_S001	20
B2232911	SPACER	U006_S001	21
B2232912	END FENCE	U005_S001 U006_S001	28 22
B2232918	RISE LEVER	U005_S001 U006_S001	29 23
B2232919	GROUND PLATE - PAPER TRAY NO.2	U006_S001	24
B2232920	FRONT SIDE FENCE	U006_S001_S001	25
B2232923	STOPPER LEVER - FRONT	U005_S001_S001 U006_S001_S001	30 26
B2232930	REAR SIDE FENCE	U006_S001_S002	27

Number	Part Name	Group	ID
B2232932	SIDE FENCE:REAR:UNIVERSAL:N O.2	U006_S001_S002	28
B2232934	PLATE - SIDE FENCE	U005_S001_S001	31
		U005_S001_S002	31
		U006_S001_S001	29
		U006_S001_S002	29
B2232935	PLATE - SIDE FENCE RIGHT	U005_S001_S001	32
		U005_S001_S002	32
		U006_S001_S001	30
		U006_S001_S002	30
B2232936	GEAR - 16Z	U005_S001	33
		U006_S001	31
B2232946	COVER - PAPER TRAY NO.2	U006_S001	32
B2233206	TUBE CLAMP	U009	11
B2233207	SHUTTER:NOZZLE	U009_S001	12
		U009_S002	12
		U009_S003	12
		U009_S004	12
B2233208	SPRING:SHUTTER:NOZZLE	U009_S001	13
		U009_S002	13
		U009_S003	13
		U009_S004	13
B2233209	TUBE CLIP	U009	14
B2233328	TONER CARTRIDGE GUIDE	U020	65
B2233334	HOLDER:STOPPER:SHUTTER:ASS Y	U009_S005	15
B2233428	SPRING:DRIVE UNIT:TONER BOTT LE	U009_S005	16
B2233441	TIMING BELT:TONER BOTTLE	U009_S005	17
B2233461	PULLEY:TONER BOTTLE:YC	U009_S005	18
B2233462	PULLEY:TONER BOTTLE:CM	U009_S005	19
B2233463	GEAR:TONER BOTTLE:DRIVE	U009_S005	20
B2233464	GEAR:MAGNETIC CLUTCH:Y	U009_S005	21
B2234307	GUIDE:IH:UPPER	U018	38
B2234486	EXIT TRAY	U001	26
B2234487	EXIT END FENCE	U001	27
B2234494	STOPPER- UPPERGATE PAWL	U016	91
B2234497	SHAFT:FEELER:OVERFLOW	U015_S001	14

Number	Part Name	Group	ID
B2234501	GUIDE PLATE:RIGHT	U016	92
B2234502	GUIDE PLATE:LEFT LOWER	U016	93
B2234511	TIMING BELT:30S2M312	U016	94
B2234512	TIMING BELT:30S2M182	U016	95
B2234514	ROLLER CLUTCH:T24	U016	96
B2234522	SPACER:WIRE:STOPPER	U016	97
B2234524	WIRE:STOPPER:DIA1.5	U016	98
B2234525	TENSION SPRING:WIRE:180N	U016	99
B2234526	TIMING BELT:30S2M268	U016	100
B2234527	PULLEY:T26/T24	U016	101
B2234529	ROLLER CLUTCH:T24	U016	102
B2234531	GUIDE PLATE:COVER	U016	103
B2234532	TENSION SPRING:HOOK:STOPPE R	U016	104
B2234535	ROLLER CLUTCH:T26	U016	105
B2234536	TIMING BELT:30S2M234	U016	106
B2234538	COMPRESSION SPRING	U016	107
B2234539	SHEET:COVER:DUPLEX	U016	108
B2234541	TORSION SPRING:REAR	U016	109
B2234542	TORSION SPRING:FRONT	U016	110
B2234544	PULLEY:T35/T33	U016	111
B2234545	GUIDE PIN:HOLDER	U016	112
B2234552	BUSHING:DIA4	U016	113
B2234553	TENSION SPRING:DRIVEN ROLLE R	U016	114
B2234556	COMPRESSION SPRING	U016	115
B2234560	TENSION SPRING:DRIVEN ROLLE R	U016	116
B2234562	TIGHTENER	U016	117
B2234564	SPRING:TIGHTENER	U016	118
B2234566	BRACKET:SENSOR:ENTRANCE	U016	119
B2234567	STAY:TRANSPORT:UPPER:PEEN	U016	120
B2234571	GEAR:PULLEY:Z24/T40	U016	121
B2234572	STEPPER MOTOR:DC4.29V 1.7W	U016	122
B2234573	TIMING BELT:30S2M128	U016	123
B2234575	BRACKET:STEPPER MOTOR	U016	124
B2234579	GRIP:OPEN AND CLOSE:DUPLEX UNIT	U016	125

CÓPIA NÃO CONTROLADA
Exclusive Parts

Number	Part Name	Group	ID
B2234586	PULLEY:T30	U016	126
B2234594	SHAFT:PULLEY:WIRE	U016	127
B2234595	PULLEY:DIA13	U016	128
B2235812	HINGE:PANEL:CONTROL BOARD	U018	39
B2235813	SAFETY SWITCH BRACKET	U018	40
B2235814	BRACKET - SAFETY SWITCH LEVER	U018	41
B2235816	PLATE:RACK:AUXILIARY:RIGHT	U018	42
B2235834	BRACKET:POWER PACK:TRANSFER	U018	43
B2235841	HINGE:APPLICATION:RACK	U018	44
B2235843	BRACKET:RACK:APPLICATION	U018	45
B2235846	BRACKET:TOTAL COUNTER:(Option)	U018	46
B2235848	BRACKET:BASE:CONNECTOR	U020	66
B2235849	COVER:CONNECTOR:HEATER	U020	67
B2235857	BRACKET:SW:DEHUMIDIFIER:HEATER:EXP	U018	47
B2235866	GROUND WIRE:RACK:RIGHT LOWER:HF	U018	48
B2236085	STOPPER:RIGHT:ITB	U011_S001	5
B2236109	LEVER:RIGHT:ITB	U011_S001	6
B2236140	DRAWER:INTERMEDIATE TRANSFER:ASS'Y	U020	68
B2236198	CLEANING UNIT RAIL	U020	69
B2236463	GEAR - 20Z	U013	13
B2236464	BUSHING - 6X10X6	U013	14
B2236467	LEVER BRACKET	U013	15
B2236471	TRANSPORT SCREW BRACKET	U013	16
B2236472	GEAR - 21Z	U013	17
B2236473	TRANSPORT SCREW SHAFT	U013	18
B2236474	GEAR - 29Z	U013	19
B2236475	BUSHING - 5X 10X2.5	U013	20
B2236476	BUSHING - DIA5	U013	21
B2236496	COLLECTION BOTTLE RAIL	U013	22
B2236503	USED TONER SENSOR FEELER	U013	23
B2236507	SET SENSOR BRACKET	U013	24
B2241251	COVER:FRONT:EU	U001	28

Number	Part Name	Group	ID
B2241257	COVER:FRONT:COLLECTION BOTTLE	U001	29
B2241263	COVER:INNER BACK:MIDDLE:EU	U001	30
B2291687	HEATER:OPTION:120V:9W:(Option)	U003	49
B2371372	DECAL - MAIN SWITCH ON-STANDBY	Decal and Documents U001	7 31
B2372521	DECAL - PAPER SET DIRECTION NO.1	Decal and Documents U005	8 34
B2381066	RUBBER FOOT COVER	U020	70
B2381072	POSITIONING PLATE:GUIDE PLATE:FUSING:FRONT LOWER:PEEN	U020	71
B2381088	COVER - CONNECTOR	U020	72
B2381089	COVER - POSITIONING PIN	U020	73
B2381362	DECAL - MISFEED REMOVAL B1	Decal and Documents U001	9 32
B2381368	DECAL - CLEANING	Decal and Documents U001	10 33
B2381504	KEYTOP - START	U002_S001	15
B2381506	KEYTOP - TRY PRINT	U002_S001	16
B2381509	KEYTOP - INTERRUPT	U002_S001	17
B2381511	KEYTOP - COUNTER	U002_S001	18
B2381519	LENS - FRONT	U002_S001	19
B2381527	OPERATION PANEL BRACKET	U002_S001	20
B2381534	LCD SPACER A	U002_S001	21
B2381535	LCD SPACER B	U002_S001	22
B2381539	SHEET:POWER SOURCE:DISPLAY:NA	U002_S001	23
B2381540	SHEET:DATA:DISPLAY:NA	U002_S001	24
B2381547	SPACER - KEYTOP	U002_S001	25
B2381548	OPERATION PANEL BRACKET - RIGHT	U002_S001	26
B2381549	KEYTOP - POWER SOURCE	U002_S001	27
B2381550	KEYTOP - LOGIN	U002_S001	28
B2381552	KEYTOP - KANTAN	U002_S001	29

CÓPIA NÃO CONTROLADA
Exclusive Parts

Number	Part Name	Group	ID
B2381583	KEYTOP - CLEAR MODES	U002_S001	30
B2381792	TIMING BELT - 157ST1.5-4.0	U003	50
B2381806	IDLER PULLEY	U003	51
B2381807	PULLEY	U003_S001	52
B2381845	SEAL:EXPOSURE GLASS	U003	53
B2382523	DECAL - PAPER SET DIRECTION NO.2	Decal and Documents U006	11 33
B2382524	DECAL - PAPER SIZE	Accessories Decal and Documents	5 12
B2382526	DECAL - GRIP	Decal and Documents U005	13 35
B2382527	DECAL - GRIP	Decal and Documents U006	14 34
B2382541	TRAY COVER - RIGHT	U020	74
B2382543	COVER - TRAY LEFT	U020	75
B2382544	TRAY COVER - MIDDLE	U020	76
B2382615	CASE - REMOVE PAPER DUST	U008	8
B2382622	COVER - REMOVE PAPER DUST	U008	9
B2382652	REGISTRATION ROLLER - DRIVE	U008	10
B2382655	GEAR - 16Z	U008	11
B2382656	GEAR - 30Z	U008	12
B2382657	GEAR - 18Z	U008	13
B2382661	REGISTRATION ROLLER - DRIVEN	U008	14
B2382675	REGISTRATION ROLLER BUSHING	U008	15
B2382676	TENSION SPRING	U008	16
B2383364	DECAL:COLORED DISPLAY:BK:INNER COVER	Decal and Documents U001	15 34
B2383365	DECAL:COLORED DISPLAY:Y:INNER COVER	Decal and Documents U001	16 35
B2383366	DECAL:COLORED DISPLAY:C:INNER COVER	Decal and Documents	17

Number	Part Name	Group	ID
		U001	36
B2383367	DECAL:COLORED DISPLAY:M:INNER COVER	Decal and Documents U001	18 37
B2384733	ENTRANCE SENSOR BRACKET	U016	129
B2384739	COVER - ENTRANCE SENSOR	U016	130
B2385821	BRACKET - MAIN SWITCH HANDLE	U018	49
B2385824	SLIDE SWITCH COVER	U018	50
B2385825	POWER SOURCE SWITCH LINK	U018	51
B2385867	HOOK:SOLENOID:SENSOR:TM	U018_S001	52
B2385875	DC SOLENOID DC24V	U018_S001	53
B2385885	CONTROL BOARD PANEL GRIP	U019	7
B2385887	INTERFACE PANEL	U019	8
B2385891	DRAWER BRACKET	U018	54
B5457506	SCREW:BUSHING	U018	55
B6455010	SD CARD	Special Tools	6
B6456705	PCMCIA CARD ADAPTER	Special Tools	7
B6456830	USB READER/WRITER	Special Tools	8
B6522379	DECAL:CAUTION:ORIGINAL:5-LAN G	Accessories Decal and Documents	6 19
B6795100	PLUG - IEEE1284 TYPE C	Special Tools	9
B7002649	TIMING BELT:40S2M144	U017	64
BA146036	SHAFT:GEAR:SWIVEL	U017	65
BA146038	PIN:SPRING:PRESSURE RELEASE	U014_S001	36
BB013016	GEAR:SLOW DOWN:NO.1	U017	66
BB013017	GEAR:SLOW DOWN:NO.2	U017	67
BC012002	EXPOSURE GLASS:SHEET THROUGH:344X20	U003	54
C4019503	20X MAGNIFICATION SCOPE	Special Tools	10
D0091260	UPPER COVER	U001	38
D0091470	PCB:OP-R	U002_S001	31
D0091486	INVERTOR:TFT	U002_S001	32
D0091487	CABLE:FFC:TFT:LCD	U002_S001	33
D0091488	TOUCH PANEL:W-VGA:MA	U002_S001	34
D0091489	LCD:TFT:W-VGA:SH	U002_S001	35
D0091502	COVER:LOWER	U002_S001	36

Number	Part Name	Group	ID
D0091504	SHADEING PLATE:TOUCH PANEL	U002_S001	37
D0091556	PANEL:UPPER:NA	U002_S001	38
D0091731	BRACKET A - LEFT SCALE	U003	55
D0091732	BRACKET B - LEFT SCALE	U003	56
D0091815	ORIGINAL SENSOR BRACKET - SU B SCAN	U003	57
D0092510	GUIDE PLATE - EXIT	U016	131
D0092552	GUIDE SHEET - MANUAL FEED	U016	132
D0092554	GUIDE SHEET - VERTICAL TRANS PORT	U016	133
D0092555	TRANSPORT ROLLER - DUPLEX E XIT	U016	134
D0092560	DRIVEN ROLLER	U016	135
D0092563	GUIDE PLATE - VERTICAL TRANS PORT	U016	136
D0092571	HOLDER - VERTICAL TRANSPORT	U016	137
D0092573	PULLEY - VERTICAL TRANSPORT	U016	138
D0092574	PULLEY - IDLER	U016	139
D0092575	SHAFT - IDLER	U016	140
D0092576	SHAFT - VERTICAL TRANSPORT	U016	141
D0092757	TRANSPORT ROLLER:DRIVE:ASS' Y	U007_S001 U007_S002	38 38
D0092836	GUIDE PLATE	U007	39
D0092841	GUIDE PLATE - NO.2	U007	40
D0094407	FEELER - OVERFLOW	U015_S001	15
D0094443	DISCHARGE BRUSH - EXIT	U015_S001	16
D0094503	GUIDE PLATE - LEFT UPPER	U016	142
D0094504	UPPER GUIDE PLATE - GATE	U016	143
D0094511	SPACER:DIA8.0:1.5MM	U016	144
D0094512	LINK:STOPPER	U016	145
D0094513	COMPRESSION SPRING:EARTH:D UPLEX UNIT	U016	146
D0094522	TENSION SPRING:GATE PAWL:DU PLEX:0.08N	U016	147
D0094535	HARNESS GUIDE	U016	148
D0094540	COVER - DUPLEX UNIT	U016	149
D0094577	DUPLEX GATE	U016	150
D0094587	TENSION SPRING - RELEASE BRA	U016	151

Number	Part Name	Group	ID
	CKET		
D0094588	STOPPER BRACKET - SPRING	U016	152
D0094589	GUIDE - SET SHAFT	U016	153
D0094593	STEPPED SCREW - M3	U016	154
D0094594	FRONT GUIDE - DUPLEX UNIT SE T	U020	77
D0094595	REAR GUIDE - DUPLEX UNIT SET	U020	78
D0094597	BRACKET - WIRE PULLEY SHAFT	U016	155
D0094598	SPRING - SET SHAFT	U016	156
D0094599	SHAFT - DUPLEX UNIT	U016	157
D0094661	REVERSE ROLLER - FEED	U016	158
D0094662	TRANSPORT ROLLER 1	U016	159
D0094663	TRANSPORT ROLLER 2	U016	160
D0094664	DRIVEN ROLLER	U014_S001 U016	37 161
D0145974	COVER:CONNECTOR:EFI	U019	9
D0251261	COVER:INNER BACK	U001	39
D0281271	COVER:RIGHT:FRONT:NA	U001	40
D0281282	COVER:LEFT:UPPER:NA	U001	41
D0281292	COVER:REAR:UPPER:NA	U001	42
D0281376	COVER:SCANNER:LEFT:NA	U001	43
D0291053	CAM:GUIDE:FUSING:LEFT	U020	79
D0291054	CAM:GUIDE:FUSING	U020	80
D0291058	SEAL:BURRING	U020	81
D0291061	DECAL:LEVER:LOCK:FUSING	Decal and Docum ents U020	20 82
D0291136	SHAFT:DEVELOPMENT:ASS'Y	U017_S001	68
D0291137	HOLDER:MAGNETIC CLUTCH:DEV ELOPMENT	U017_S001	69
D0291163	BRACKET:FUSING/PAPER EXIT U NIT:ASS'Y	U017	70
D0291191	GUIDE:FUSING DRIVE SUB-UNIT	U020	83
D0291199	DRIVE UNIT:ON-OFF:TRANSFER	U017	71
D0291213	COVER:FRONT RIGHT	U001	44
D0291243	INNER COVER:UPPER:RIGHT	U001	45
D0291256	SHEET:MISFEED REMOVAL	Decal and Docum ents	21

CÓPIA NÃO CONTROLADA
Exclusive Parts

Number	Part Name	Group	ID
		U001	46
D0291272	COVER:RIGHT:REAR	U001	47
D0291278	OZONE FILTER:NO.2	U001	48
D0291299	BRACKET:COVER:REAR	U001	49
D0291323	DUCT:IH:FRONT	U020	84
D0291324	DUCT:IH:REAR	U020	85
D0291343	SEAL:DUCT:IH:FRONT:#120	U020	86
D0291345	GUIDE PLATE:FUSING:FRONT	U020	87
D0291346	GUIDE PLATE:FUSING:REAR	U020	88
D0291347	STOPPER:FUSING UNIT:REAR	U020	89
D0291348	SEAL:DUCT:IH:REAR	U020	90
D0291350	STOPPER:FUSING UNIT:FRONT	U020	91
D0291351	LEVER:LOCK:FUSING UNIT:FRONT	U020	92
D0291354	BRACKET:FAN:IH	U020	93
D0291355	LEVER:LOCK:FUSING UNIT:REAR	U020	94
D0291596	COVER:FRONT RIGHT:UPPER	U001	50
D0291715	CARRIAGE:NO.1:ASS'Y	U003_S003	58
D0291719	SHEET:CARRIAGE:NO.1	U003_S003	59
D0291731	CARRIAGE:NO.2:ASS'Y	U003_S001	60
D0291736	MIRROR:NO.2:CONCAVE:ASS'Y	U003_S001	61
D0291737	MIRROR:NO.2:CONVAX:ASS'Y	U003_S001	62
D0291745	PULLEY:DRIVE WERE:FRONT	U003	63
D0291747	DRIVE WERE:CARRIAGE:DIA1.0	U003	64
D0291748	PULLEY:DRIVE WERE:REAR:ASS'Y	U003	65
D0291749	PULLEY:PROTECTION	U003	66
D0291774	SEAL:GUARD:EXPOSURE GLASS:DOCUMENT FEEDER	U003	67
D0291778	SCALE:LEFT:NA:ASS'Y	U003_S002	68
D0291782	SCALE:REAR:PRINTING	U003	69
D0291789	INNER COVER:GROUND PLATE:FEED	U003	70
D0291830	GASKET:13X17X35:R	U003	71
D0291831	GASKET:13X17X10:R	U003	72
D0291832	GASKET:9X3X10	U003	73
D0292555	GUIDE PLATE:REGISTRATION:LEFT	U008	17

Number	Part Name	Group	ID
D0292556	STAY:REGISTRATION	U008	18
D0292570	GUIDE PLATE:REGISTRATION:RIGHT:ADHESION	U008	19
D0292586	GUIDE:REGISTRATION:EXIT	U020	95
D0292611	GROUND PLATE:REAR:MANUAL FEED	U016	162
D0292612	GROUND PLATE:FRONT:MANUAL FEED	U016	163
D0292644	DECAL:SCALE:MANUAL FEED	Decal and Documents U016	22 164
D0292662	MANUAL FEED TABLE	U016	165
D0292664	FEELER:PAPER SIZE SENSOR:MANUAL FEED	U016	166
D0292677	TRANSPORT BELT:DRIVEN:VERTICAL TRANSPORT	U016	167
D0292709	GUIDE PLATE:SEPARATOR:ASS'Y	U016	168
D0292710	COVER:HARNES:MANUAL FEED TABLE	U016	169
D0292863	SHAFT:RELEASE:PAPER TRAY	U005_S001 U006_S001	36 35
D0293221	PUMP UNIT:BK:C2:ASS'Y	U009	22
D0293222	PUMP UNIT:Y:C2:ASS'Y	U009	23
D0293223	PUMP UNIT:C:C2:ASS'Y	U009	24
D0293224	PUMP UNIT:M:C2:ASS'Y	U009	25
D0293471	GASKET:RFID	U009	26
D0294103	FUSING COVER:GUIDE:DUPLEX	U014_S001	38
D0294108	HOUSING:THERMOSTAT:PRESSURE	U014_S001	39
D0294134	GUIDE PLATE:FUSING EXIT:LEFT	U014_S001	40
D0294146	ELECTRODE PLATE:HEATER:REAR	U014_S001	41
D0294160	DECAL:C2:BLUE:FUSING	Decal and Documents U014_S001	23 42
D0294162	SHEET:C3:LEVER	U014_S001	43
D0294163	DECAL:WARNING (HIGH TEMPERATURE):FUSING:1	Decal and Documents	24

Number	Part Name	Group	ID
		U014_S001	44
D0294164	DECAL:H-TEMP WARNING:FUSING:2	Decal and Documents	25
		U014_S001	45
D0294169	FUSING CLEANING FELT	U014_S001	46
D0294186	TERMINAL:HEATER:REAR	U014_S001	47
D0294201	BRACKET:GEAR:SLOW DOWN	U017	72
D0294202	BRACKET:STEPPER MOTOR:AUXILIARY:PEEN	U017	73
D0294204	HOLDER:GEAR	U017	74
D0294222	BRACKET:GEAR:SUPPORTING PLATE	U017	75
D0294269	GUIDE:HARNESS:FRONT	U014_S001	48
D0294333	BRACKET:COIL:CONTACT POINT:PEEN	U018	56
D0294335	BRACKET:PRESSURE:COIL:PEEN	U018	57
D0294339	BRACKET:SENSOR:ON-OFF	U018	58
D0294340	BRACKET:SENSOR:TURN	U018	59
D0294341	BRACKET:DRAWER:FUSING UNIT	U018	60
D0294342	BRACKET:THERMOPILE	U018	61
D0294343	BRACKET:PRESSURE:COIL:PEEN	U018	62
D0294425	BRACKET:SENSOR	U015_S001	17
D0294426	BRACKET:SENSOR:GATE	U015_S001	18
D0294427	BRACKET:POSITIONING:GUIDE PLATE:MIDDLE	U015_S001	19
D0294439	STOPPER:GATE PAWL:ENTRANCE	U015_S001	20
D0294442	LEVER:GATE PAWL:ENTRANCE	U015_S001	21
D0294443	TENSION SPRING:GATE PAWL:ENTRANCE	U015_S001	22
D0294444	COVER:HARNESS	U015_S001	23
D0294474	DC SOLENOID:SUB-ASS'Y	U015_S001	24
D0294478	TENSION SPRING:RELEASE:DC SOLENOID	U015_S001	25
D0294482	GATE PAWL:UPPER:ASS'Y	U016	170
D0294485	LEVER:GATE PAWL:UPPER	U016	171
D0294486	TENSION SPRING:GATE PAWL:1.5N	U016	172

Number	Part Name	Group	ID
D0294488	TENSION SPRING:GUIDE PLATE:RIGHT	U016	173
D0294497	COMPRESSION SPRING:DRIVEN ROLLER:GATE	U016	174
D0294521	BRACKET:HARNESS	U016	175
D0294533	INNER COVER:DUPLEX:REAR	U016	176
D0294534	INNER COVER:DUPLEX	U016	177
D0294554	BRACKET:GUIDE PLATE:TRANSFER UNIT	U016	178
D0294555	SHEET:TRANSPORT SUB-UNIT:FEED PAPER AGAIN	U016	179
D0294590	HOOK:STOPPER:DUPLEX UNIT:ASS'Y	U016	180
D0295805	RACK:INNER BACK:AUXILIARY:MIDDLE	U018	63
D0295806	BRACKET:IOB	U018	64
D0295811	RACK:APPLICATION:FRONT:RIGHT	U018	65
D0295819	RACK:APPLICATION:FRONT:ASS'Y	U018	66
D0295835	BRACKET:PCB:FFB	U018	67
D0295861	GASKET:65TFV5-0.5:L90	U018	68
D0295863	GASKET:65TSV5-2:L23	U018	69
D0295882	BRACKET:HDD	U019	10
D0295887	GASKET:65TSV5-1:L150	U019	11
D0295888	GASKET:65TSV5-1:L100	U019	12
D0295889	GASKET:65TSV10-5:L65	U019	13
D0296090	TRANSFER BELT:N:ASS'Y	U011_S001	7
D0296145	RAIL:LEFT:C2	U020	96
D0296146	RAIL:RIGHT:C2	U020	97
D0296285	TERMINAL:TRANSFER ROLLER	U016	181
D0296286	CASE:TRANSFER ROLLER	U016	182
D0296287	PLATE:GROUND WIRE	U016	183
D0296293	DRUM STAY:REAR	U016	184
D0296305	LEVER:RELEASE	U016	185
D0296307	COMPRESSION SPRING:GUIDE PLATE:EXIT:3.5N	U016	186
D0296316	STOPPER:HOLDER:SEPARATION:UPPER	U016	187

CÓPIA NÃO CONTROLADA
Exclusive Parts

Number	Part Name	Group	ID
D0296318	GUIDE:POSITIONING:FRONT	U020	98
D0296319	GUIDE:POSITIONING:REAR	U020	99
D0296320	BRACKET:LEVER:MIDDLE	U016	188
D0296321	ANCHOR:SPRING	U016	189
D0296322	SHAFT:LEVER:FRONT	U016	190
D0296323	SHAFT:LEVER:REAR	U016	191
D0296331	GROUND WIRE:POWER PACK	U016	192
D0296335	SHEET:CASE:LOWER	U016	193
D0296502	BRACKET:USED TONER SENSOR: C2	U013	25
D0301291	COVER:REAR:C2:DOM	U001	51
D0861502	BRACKET:LCDC:D088/D089:ASS'Y	U002_S001	39
D0869590	NV-RAM	U019	14
D0874101	FUSING COVER:FRONT	U014_S001	49
D0874102	FUSING COVER:REAR	U014_S001	50
D0881241	INNER COVER:UPPER:LEFT	U001	52
D0881411	OPERATION PANEL:D088/D089:NA :ASS'Y	U002_S001	40
D0881481	PCB:LCDC:NA:ASS'Y:D088/D089	U002_S001	41
D0886801	SHEET:MODEL NAME PLATE:D088 :RIC:(for D088)	Decal and Docum ents U001	26 53
D0886802	SHEET:MODEL NAME PLATE:D088 :SVN:(for D088)	Decal and Docum ents U001	27 54
D0886804	SHEET:MODEL NAME PLATE:D088 :LAN:NA:(for D088)	Decal and Docum ents U001	28 55
D0886853	DECAL:CAUTION:ORIGINAL:ENGLI SH	Decal and Docum ents U001	29 56
D0887603	MANUAL:ABOUT_MACHINE:NA	Accessories	7
D0887653	MANUAL:TROUBLESHOOT:NA	Accessories	8
D0891030	DRUM STAY:PCU:ASS'Y	U020_S001	100
D0891097	BRACKET:FAN:POWER SOURCE:I H	U020	101
D0891110	DRIVE UNIT:ENGINE:D088/D089	U017_S001	76
D0891199	DRIVE UNIT:ON-OFF:TRANSFER	U017	77

Number	Part Name	Group	ID
D0891219	COVER:SCANNER:FRONT:NA:D08 8/D089	U001	57
D0891273	COVER:RIGHT:UPPER MIDDLE	U001	58
D0891281	COVER:LEFT	U001	59
D0891283	COVER:LEFT:INTERFACE	U001	60
D0891284	COVER:LEFT:MIDDLE:D088/D089	U001	61
D0891370	BRACKET:FAN:IMAGE FORMING S ECTION	U020	102
D0891379	GUIDE PLATE:SUPPLY	U020	103
D0891380	SEAL:GUIDE PLATE:SUPPLY	U020	104
D0891385	DUCT:SUPPLY:TUBE	U020	105
D0891386	DUCT:EXIT	U020	106
D0891387	SHIELDING PLATE:IMAGE FORMIN G MD:LEFT	U020	107
D0891388	SEAL:SEPARATION PLATE:OPTIC AL WRITING UNIT:LEFT INNER RE AR	U020	108
D0891389	SEAL:COVER:LEFT:MIDDLE	U001	62
D0891390	SEAL:SIDE PLATE:FRONT:LEFT	U020	109
D0891741	BRACKET:TENSION:DRIVE WIRE	U003	74
D0891771	LENS:HOLDER:ASS'Y	U003	75
D0891840	XENON LAMP:ASS'Y	U003	76
D0891842	STABILIZER	U003	77
D0891851	LASER OPTICS HOUSING UNIT	U004_S001	6
D0892200	PCDU - K	U010_S001	3
D0892201	PCDU - M	U010_S002	4
D0892202	PCDU - C	U010_S003	5
D0892203	PCDU - Y	U010_S004	6
D0892250	DRUM - K	U010_S001	7
D0892251	DRUM - CMY	U010_S002 U010_S003 U010_S004	8 8 8
D0892560	BRACKET:CLEANER	U008	20
D0892745	STEPPER MOTOR:DUPLEX:DC:1.4 4W	U017	78
D0892750	PAPER FEED UNIT	U007_S001 U007_S002	41 41
D0892761	ARM:PICKUP	U007_S001	42

Number	Part Name	Group	ID
		U007_S002	42
D0892764	GEAR:FEED	U007_S001	43
		U007_S002	43
D0892767	FEELER:PAPER END	U007_S001	44
		U007_S002	44
D0892819	GEAR:SEPARATOR:INPUT	U007_S001	45
		U007_S002	45
D0892829	GUIDE:FEED	U007_S001	46
		U007_S002	46
D0892830	PAPER FEED BELT:PICKUP:ASS'Y	U007_S001	47
		U007_S002	47
D0892850	PAPER TRAY:NO.1:ASS'Y	U005_S001	37
D0892900	PAPER TRAY:NO.2:ASS'Y	U006_S001	36
D0892940	TRAY BOTTOM PLATE:ASS'Y	U005_S001_S003	38
		U006_S001_S003	37
D0893010	DEVELOPMENT UNIT - K	U010_S001	9
D0893020	DEVELOPMENT UNIT - M	U010_S002	10
D0893030	DEVELOPMENT UNIT - C	U010_S003	11
D0893040	DEVELOPMENT UNIT - Y	U010_S004	12
D0893205	NOZZLE:COLOR:ASS'Y	U009_S001	27
		U009_S002	27
		U009_S003	27
D0893286	NOZZLE:BK:ASS'Y	U009_S004	28
D0893304	BASE:TONER SUPPLY UNIT:ASS'Y	U020_S002	110
D0893407	MAGNETIC CLUTCH:TONER BOTTLE:BK:ASS'Y	U009_S005	29
D0893408	MAGNETIC CLUTCH:TONER BOTTLE:YCM:ASS'Y	U009_S005	30
D0893424	SHAFT:DRIVE:DRIVE UNIT:BK	U009_S005	31
D0893426	SHAFT:DRIVE:DRIVE UNIT:YCM	U009_S005	32
D0893470	GROUND PLATE:RFID	U009	33
D0893495	DRIVE UNIT:TONER SUPPLY	U009_S005	34
D0894019	FUSING UNIT:D088/D089:120V	U014_S001	51
D0894100	FUSING COVER:LOWER	U014_S001	52
D0894104	CAM:ON-OFF:PRESSURE ROLLER:S2	U014_S001	53
D0894109	BRACKET:THERMISTOR:HOT ROLLER	U014_S001	54

Number	Part Name	Group	ID
D0894110	BRACKET:THERMISTOR:PRESSURE ROLLER	U014_S001	55
D0894114	LEVER:AUXILIARY:FRONT	U014_S001	56
D0894115	LEVER:PRESSURE RELEASE:FRONT	U014_S001	57
D0894121	LEVER:AUXILIARY:REAR	U014_S001	58
D0894122	LEVER:PRESSURE RELEASE:REAR	U014_S001	59
D0894132	FUSING ENTRANCE GUIDE PLATE	U014_S001	60
D0894137	STRIPPER PLATE:HOT ROLLER:ASS'Y	U014_S001	61
D0894140	ENCODER:ON-OFF:PRESSURE ROLLER	U014_S001	62
D0894141	HEATER HOLDER:FRONT	U014_S001	63
D0894142	HEATER HOLDER:REAR	U014_S001	64
D0894149	HARNESS:FUSING UNIT:115V	U014_S001	65
D0894220	LEVER:PRESSURE:FRONT	U014_S001	66
D0894223	LEVER:PRESSURE:REAR	U014_S001	67
D0894225	SHAFT:ON-OFF:PRESSURE ROLLER	U014_S001	68
D0894238	PLAIN SHAFT BEARING:LEVER:CONTACT POINT	U014_S001	69
D0894251	GUIDE PLATE:FUSING EXIT:RIGHT	U014_S001	70
D0894252	GUIDE:FUSING EXIT:PFA	U014_S001	71
D0894253	STRIPPER PLATE:PRESSURE ROLLER	U014_S001	72
D0894289	HOUSING:TEMPERATURE SENSOR:NC-F10	U014_S001	73
D0894309	COIL:IH:DOM:NA:ASS'Y	U018	70
D0894351	PLATE:DC STEPPER MOTOR	U017	79
D0894353	STOPPER	U017	80
D0894356	STEPPER MOTOR:DC:3.36W	U017	81
D0894360	GEAR:SLOW DOWN:WORM GEAR	U017	82
D0894365	HOLDER:THERMISTOR:LENS	U018	71
D0894366	COVER:THERMISTOR:LENS	U018	72
D0894391	GEAR:ON-OFF:PRESSURE ROLLER	U014_S001	74
D0894405	PAPER EXIT UNIT:MACHINE OR C	U015_S001	26

CÓPIA NÃO CONTROLADA
Exclusive Parts

Number	Part Name	Group	ID
	OPIER:ASS'Y		
D0894421	GUIDE PLATE:UPPER LEFT	U015_S001	27
D0894427	GUIDE PLATE:UPPER RIGHT	U015_S001	28
D0894434	EXIT ROLLER:DRIVEN	U015_S001	29
D0894435	COIL SPRING:EXIT ROLLER	U015_S001	30
D0894436	GUIDE:GUIDE PLATE:EXIT:LOWER	U015_S001	31
D0894437	SPRING PLATE:EXIT ROLLER:OUTER	U015_S001	32
D0894438	EXIT ROLLER:DRIVEN:INNER	U015_S001	33
D0894439	GUIDE PLATE:EXIT:LOWER	U015_S001	34
D0894445	GATE PAWL:ENTRANCE:ASS'Y	U015_S001	35
D0894451	ROLLER:DECURA:ASS'Y	U015_S001	36
D0894453	ROLLER:DECURA:SPONGE	U015_S001	37
D0894455	TRANSPORT ROLLER:GATE	U015_S001	38
D0894456	EXIT ROLLER	U015_S001	39
D0894461	GEAR:PULLEY:INPUT:27Z	U015_S001	40
D0894462	GEAR:PULLEY:DECURA:Z27/16T	U015_S001	41
D0894463	GEAR:PULLEY:IDLER:Z21/14T	U015_S001	42
D0894464	TIMING PULLEY:18T	U015_S001	43
D0894465	SYNCHRONOUS BELT:S2M:136	U015_S001	44
D0894466	SYNCHRONOUS BELT:S2M:104	U015_S001	45
D0894467	SPRING:DECURA	U015_S001	46
D0894468	PLAIN SHAFT BEARING:DECURA:DRIVEN	U015_S001	47
D0894481	GUIDE PLATE:OPEN AND CLOSE	U016	194
D0894482	GUIDE:GUIDE PLATE:OPEN AND CLOSE	U016	195
D0894483	DRIVEN ROLLER:PAPER EXIT UNIT:VERTICAL TRANSPORT	U016	196
D0894484	GRIP:GATE PAWL:UPPER	U016	197
D0894485	DECAL:H-TEMP WARNING:GUIDE PLATE:OPEN AND CLOSE	Decal and Documents U016	30 198
D0894663	GUIDE PLATE:TRANSFER UNIT:HOLDER	U016	199
D0895105	PCB:BICU:B088/B089	U018	73
D0895120	PCB:IOB	U018	74
D0895138	PCB:SIO	U003	78

Number	Part Name	Group	ID
D0895165	PCB:FFB	U018	75
D0895170	INVERTOR:IH:DOM/NA	U018	76
D0895177	PCB:RFID	U009	35
D0895761	PCB:PC4200:RAWCARD-F:2GB:ASS'Y	U019	15
D0895765	HDD:HITACHI:250G	U019	16
D0895792	SD-CARD:VM/CALYPSO:ASS'Y	Accessories	9
D0895795	SD-CARD:Z-V4:EXP:ASS'Y	U019	17
D0895807	SHADEING PLATE:RACK:MIDDLE	U018	77
D0895824	COVER:SD-CARD:D086/D087	U019	18
D0895827	BRACKET:MAIN SWITCH	U018	78
D0895861	DENSITY SENSOR:ASS'Y	U018_S001	79
D0896010	ITB UNIT	U011_S001	8
D0896021	ITB CLEANING UNIT	U012	1
D0896203	PTR UNIT	U016	200
D0896310	SPRING:TRANSFER	U016	201
D0896395	DENSITY SENSOR	U018_S001	80
D0896481	PIPE:REAR:ASS'Y	U013	26
D0896509	WASTE TONER BOTTLE	U013	27
D0896540	PIPE:FRONT:ASS'Y	U013	28
D0896801	SHEET:MODEL NAME PLATE:RIC:EXP:(for D089)	Decal and Documents U001	31 63
D0896802	SHEET:MODEL NAME PLATE:SVN:(for D089)	Decal and Documents U001	32 64
D0896804	SHEET:MODEL NAME PLATE:NA:(for D089)	Decal and Documents U001	33 65
D0899640	DEVELOPER- K	U010	13
D0899660	DEVELOPER - C	U010	14
D0899670	DEVELOPER - M	U010	15
D0899680	DEVELOPER - Y	U010	16
D5515710	CONTROLLER BOARD - D088:(for D088)	U019	19
D5525710	CONTROLLER BOARD - D089:(for D089)	U019	20
G0201332	HINGE - FRONT COVER	U001	66

Number	Part Name	Group	ID
G0219350	LOOP-BACK CONNECTOR - PARALLEL	Special Tools	11
G0602652	BUSHING - M4	U016	202
G0602932	PICK-UP ARM - MANUAL FEED	U016	203
G0604435	BUSHING - M4	U016	204
G0652767	LEVER - FEED	U007_S001	48
		U007_S002	48
G0652774	PRESSURE LEVER	U007_S001	49
		U007_S002	49
G0652775	LINK LEVER	U007_S001	50
		U007_S002	50
G0652776	RELEASE LEVER	U007_S001	51
		U007_S002	51
G0802900	TORQUE LIMITER	U016	205
G1331295	OZONE FILTER	U001	67
G1336537	MAGNET CATCH	U001	68
G4042810	SPRING PLATE - 2ND MIRROR	U003_S001	79
G5701133	TIMING PULLEY 73	U003	80
G5701160	SPACER BUSHING	U003	81
G5702730	SLIDER - SCANNER	U003_S003	82
G5702832	GUIDE - HIGH VOLTAGE SUPPLY CORD	U003_S001	83
G5702833	PULLEY HOLDER	U003_S001	84
G5702834	PULLEY - HIGH VOLTAGE SUPPLY CORD	U003	85
GA001073	DECAL:KNOB:Z	Decal and Documents	34
		U016	206
GA003030	DECAL - SHIELDING PLATE Y	Decal and Documents	35
		U001	69
		U010_S004	17
GA003031	DECAL - SHIELDING PLATE M	Decal and Documents	36
		U001	70
		U010_S002	18
GA003032	DECAL - SHIELDING PLATE C	Decal and Documents	37

Number	Part Name	Group	ID
		U001	71
		U010_S003	19
GA003033	DECAL - SHIELDING PLATE K	Decal and Documents	38
		U001	72
GA003167	DECAL:CAUTION:INKJET:NA	Decal and Documents	39
		U001	73
GA003176	DECAL:SDK	Decal and Documents	40
		U001	74
GX640031	FAN MOTOR:DC:2.64W	U020	111
H3103640	SPACER	U017	83
H5115007	STAMP	Accessories	10
M0261190	DC STEPPER MOTOR:REGIST:1.34W	U017	84
M0261815	CLAMP:MIRROR:NO.1	U003_S003	86
VSSM9000	DIGITAL MULTIMETER - FLUKE87	Special Tools	12



03125040N
SCREW - M2.5X4



03140120N
SCREW - M4X12



03530050N
SCREW-M3X5



03530060N
BIND SCREW - M3X6



03530080N
SCREW:M3X8



03530100N
SCREW-M3X10



03530250N
SCREW:M3X25



03603006N
SCREW - M3X6



03603016N
SCREW - M3X16



03603020N
SCREW:M3X20



03604010N
SCREW:M4X10



04340100N
TAPPING SCREW - 4X10



04503008N
TAPPING SCREW - M3X8



04503010N
TAPPING SCREW - M3X10



04503012N
TAPPING SCREW:3X12



04504008N
TAPPING SCREW - M4X8



04513006N
TAPPING SCREW - 3X6



04513008N
TAPPING SCREW - M3X8



04513010N
TAPPING SCREW:3X10



04513012N
TAPPING SCREW:3X12



04513016N
TAPPING SCREW - 3X16



04514006N
TAPPING SCREW - 4X6



04514008N
TAPPING SCREW:4X8



04533006N
TAPPING SCREW - M3X6



04533008N
BINDING SELF TAPPING SCREW:3X8



04543005Q
TAPPING SCREW::3X5



04543006Q
TAPPING SCREW - M3X6



04543008Q
TAPPING SCREW:3X8



04543020Q
TAPPING SCREW::3X20



04563008N
TAPPING SCREW - M3X8



04563010N
TAPPING SCREW - M3X10



04573008N
TAPPING SCREW - M3X8



07200030E
RETAINING RING - M3



07200040E
RETAINING RING - M4



07200060E
RETAINING RING - M6



07200080E
RETAINING RING - M8



07250100E
RETAINING RING C - M10



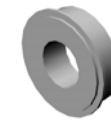
07250120E
RETAINING RING C - M12



07250170E
RETAINING RING C - M17



07403906
BALL BEARING - 6X15X5



07423808
BALL BEARING - 8X16X5



08010231
HEXAGONAL HEAD BOLT W/
WASHER:M3X6



08025299
TAPPING SCREW - M3X8



08025305
TAPPING SCREW - M3X6



08025308
TAPPING SCRER:FAN



08025312
TAPPING SCREW:WASHER:3
X10



08025317
BINDING HEAD TAPPING SC
REW:ES:3X8



08025318
BINDING HEAD TAPPING SC
REW:ES:3X10



08046123
HEXAGONAL BOLT:W/WASH
ER:M3X8



08050088
RETAINING RING - M6



08050089
RETAINING RING - M4



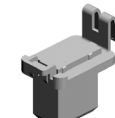
08050092
RETAINING RING - 3M



09543010N
SCREW:POLISHED ROUND/
SPRING:M3X10



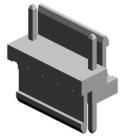
11024559
CONNECTOR - 3P



11028534
CONNECTOR - QR/P17-14S-
B



11029782
CONNECTOR:51405-1819



11033354
CONNECTOR:B2P5-VH-TW-R
(LF)(SN)



11050032
CLAMP



11050487
HARNESS CLAMP



11050488
HARNESS CLAMP



11050489
HARNESS CLAMP - LWS 131
6



11050490
HARNESS CLAMP - IWS-2218



11050508
HARNESS CLAMP - LWS-071
1



11050511
HARNESS CLAMP - LWS-030
6ZC



11050516
CLAMP



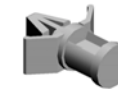
11050517
HARNESS CLAMP - LWS-211
1Z



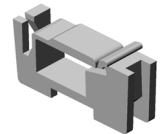
11050534
CLAMP



11050551
CLAMP:LES-0505



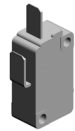
11050641
CLAMP



11050723
CLAMPS:WES-0507



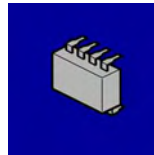
11500415
POWER SUPPLY CODE:125V
:NA



12042709
SWITCH - V-5F930DN



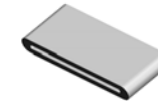
12042877
SWITCH:RS51-AJAH



14077036
EEPROM:AT24C128B-PU



16071859
FERRITE CORE:E04SR24133
6A



16072053
FERRITE CORE:E04FG21081
0

Number	Part Name	Num	Group	ID
AE010079	HEATING ROLLER	1	U014_S001	27
AE020183	PRESSURE ROLLER	1	U014_S001	28
AE030080	BALL BEARING - DIA12X24X 6	2	U014_S001	29
AE030081	BALL BEARING - DIA17X26X 5	2	U014_S001	30
D0291278	OZONE FILTER:NO.2	2	U001	48
D0294169	FUSING CLEANING FELT	1	U014_S001	46
D0892250	DRUM - K	1	U010_S001	7
D0892251	DRUM - CMY	3	U010_S002	8
			U010_S003	8
			U010_S004	8
D0893010	DEVELOPMENT UNIT - K	1	U010_S001	9
D0893020	DEVELOPMENT UNIT - M	1	U010_S002	10
D0893030	DEVELOPMENT UNIT - C	1	U010_S003	11
D0893040	DEVELOPMENT UNIT - Y	1	U010_S004	12
D0896010	ITB UNIT	1	U011_S001	8
D0896021	ITB CLEANING UNIT	1	U012	1
D0896203	PTR UNIT	1	U016	200
D0896509	WASTE TONER BOTTLE	1	U013	27
D0899640	DEVELOPER- K	1	U010	13
D0899660	DEVELOPER - C	1	U010	14
D0899670	DEVELOPER - M	1	U010	15
D0899680	DEVELOPER - Y	1	U010	16
G1331295	OZONE FILTER	1	U001	67

CÓPIA NÃO CONTROLADA

CÓPIA NÃO CONTROLADA