



RICOH UNIVERSITY

Learning ♦ Knowledge ♦ Performance



B222/B224
PARTS CATALOG

002826MIU

Gestetner **LANIER RICOH SAVIN**



B222/B224
PARTS CATALOG

Gestetner
LANIER
RICOH
SAVIN



RICOH UNIVERSITY

Learning ♦ Knowledge ♦ Performance

B222/B224 PARTS CATALOG

002826MIU (rev. 03/30/07)

Gestetner **LANIER RICOH SAVIN**

It is the reader's responsibility when discussing the information contained within this document to maintain a level of confidentiality that is in the best interest of Ricoh Corporation and its member companies.

**NO PART OF THIS DOCUMENT MAY BE REPRODUCED IN ANY
FASHION AND DISTRIBUTED WITHOUT THE PRIOR
PERMISSION OF RICOH CORPORATION.**

All product names, domain names or product illustrations, including desktop images, used in this document are trademarks, registered trademarks or the property of their respective companies.

They are used throughout this book in an informational or editorial fashion only and for the benefit of such companies. No such use, or the use of any trade name, or web site is intended to convey endorsement or other affiliation with Ricoh products.

LEGEND

PRODUCT CODE	COMPANY			
	GESTETNER	LANIER	RICOH	SAVIN
B222	DSc535	LD435c	Aficio MP C3500	C3535
B224	DSc545	LD445c	Aficio MP C4500	C4540
B227	Bridge Unit BU3000			
B408	Finisher SR790			
B702	Punch Unit Type 3260			
B771	Fax Option Type C4500			
B772	G3 Interface Unit Type C4500			
B800	Paper Feed Unit PB3000			
B801	LCIT PB3010			
B802	Auto Reverse Document Feeder DF3010			
B803	1 Bin Tray BN3010			
B804	Booklet Finisher SR3020			
B805	Finisher SR3030			
B838	Scanner Accessibility Option Type 4045			
G329	Platen Cover Type 3800C			

DOCUMENTATION HISTORY

REV. NO.	DATE	COMMENTS
*	09/2006	Original Printing

B222/B224

TABLE OF CONTENTS

B222/B224 PARTS LOCATION AND LIST

Location of unit	3	25.By-pass Feed Section 2 (B222/B224)	60
1.Exterior 1 (B222/B224)	12	26.Toner Supply Unit 1 (B222/B224).....	62
2.Exterior 2 (B222/B224)	14	27.Toner Supply Unit 2 (B222/B224).....	64
3.Exterior 3 (B222/B224)	16	28.Paper Separation (B222/B224)	66
4.Operation Panel (B222/B224)	18	29.Fusing unit 1 (B222/B224)	68
5.ARDf Exterior (B222/B224)	20	30.Fusing unit 2 (B222/B224)	70
6.Original Feed 1 (B222/B224).....	22	31.Fusing unit 3 (B222/B224).....	72
7.Original Feed 2 (B222/B224).....	24	32.Paper Exit Section 1 (B222/B224).....	74
8.Original Feed 3 (B222/B224).....	26	33.Paper Exit Section 2 (B222/B224).....	76
9.Original Transfer 1 (B222/B224)	28	34.Duplex Unit 1 (B222/B224)	78
10.Original Transfer 2 (B222/B224)	30	35.Duplex Unit 2 (B222/B224)	80
11.Original Transfer 3 (B222/B224)	32	36.Duplex Unit 3 (B222/B224)	82
12.ARDf Drive Section 1 (B222/B224)	34	37.Duplex Unit 4 (B222/B224)	84
13.ARDf Drive Section 2 (B222/B224)	36	38.Duplex Unit 5 (B222/B224)	86
14.ARDf Electrical Section (B222/B224)	38	39.Electrical Section 1 (B222/B224).....	88
15.ARDf Frame Section (B222/B224)	40	40.Electrical Section 2 (B222/B224)	90
16.Scanner Section 1 (B222/B224).....	42	41.Electrical Section 3 (B222/B224).....	92
17.Scanner Section 2 (B222/B224).....	44	42.Electrical Section 4 (B222/B224).....	94
18.Scanner Section 3 (B222/B224).....	46	43.Controller Unit (B222/B224)	96
19.LD unit (B222/B224)	48	44.Drive Section 1 (B222/B224)	98
20.1st Paper Tray (B222/B224).....	50	45.Drive Section 2 (B222/B224)	100
21.2nd Paper Tray (B222/B224)	52	46.Drive Section 3 (B222/B224)	102
22.Paper Feed Section (B222/B224)	54	47.Drive Section 4 (B222/B224)	104
23.Paper Registration (B222/B224)	56	48.Drive Section 5 (B222/B224)	106
24.By-pass Feed Section 1 (B222/B224)	58	49.Frame Section 1 (B222/B224)	108
		50.Frame Section 2 (B222/B224)	110

51.Frame Section 3 (B222/B224).....	112
52.Frame Section 4 (B222/B224).....	114
53.IOB Board (B222/B224)	116
54.IPU Board (B222/B224).....	126
55.Controller Board (B222/B224)	138
56.Accessories (B222/B224).....	156
57.Decals and Documents (B222/B224).....	158
58.Special Tools (B222/B224)	162

B222/B224 PARTS INDEX

PARTS INDEX	2
--------------------------	----------

BRIDGE UNIT BU3000 B227 PARTS LOCATION AND LIST

1.BRIDGE UNIT 1 (B227)	2
2.BRIDGE UNIT 2 (B227)	4

BRIDGE UNIT BU3000 B227 PARTS INDEX

PARTS INDEX	2
--------------------------	----------

FINISHER SR790 B408 PARTS LOCATION AND LIST

1.EXTERIOR (B408)	2
2.TRANSPORT SECTION (B408)	4
3.PAPER EXIT SECTION 1 (B408)	6
4.PAPER EXIT SECTION 2 (B408)	8
5.VERTICAL TRANSPORT (B408).....	10
6.STAPLE SECTION 1 (B408).....	12
7.STAPLE SECTION 2 (B408).....	14
8.STAPLE SECTION 3 (B408).....	16
9.SHIFT TRAY DRIVE (B408)	18
10.DRIVE SECTION (B408)	20
11.ELECTRICAL SECTION (B408)	22
12.DECALS AND DOCUMENTS (B408)	24

FINISHER SR790 B408 PARTS INDEX

PARTS INDEX	2
--------------------------	----------

PUNCH UNIT TYPE 3260 B702 PARTS LOCATION AND LIST

1.Punch Unit 1 (B702)	2
2.Punch Unit 2 (B702)	4

PUNCH UNIT TYPE 3260 B702 PARTS INDEX

PARTS INDEX	2
--------------------------	----------

FAX OPTION TYPE C4500 B771 PARTS LOCATION AND LIST

1.Fax Option (B771)	2
2.GWFCU3 - NA (B771).....	4
3.GWFCU3 - EU (B771).....	12

FAX OPTION TYPE C4500 B771 PARTS INDEX

PARTS INDEX	2
--------------------------	----------

G3 INTERFACE UNIT TYPE C4500 B772 PARTS LOCATION AND LIST

1.G3 Unit (B772).....	2
2.SG3-NEO:NA (B772)	4
3.SG3-NEO:EU (B772)	12

G3 INTERFACE UNIT TYPE C4500 B772 PARTS INDEX

PARTS INDEX	2
--------------------------	----------

PAPER FEED UNIT PB3000 B800 PARTS LOCATION AND LIST

1.EXTERIOR (B800)	2
2.FRAME SECTION (B800)	4
3.PAPER TRAY (B800).....	6
4.PAPER FEED SECTION (B800).....	8

5.ELECTRICAL SECTION (B800)	10
6.DRIVE SECTION (B800).....	12
7.DECALS AND DOCUMENTS (B800)	14

PAPER FEED UNIT PB3000 B800 PARTS INDEX PARTS INDEX 2

LCIT PB3010 B801 PARTS LOCATION AND LIST

1.EXTERIOR 1 (B801)	2
2.EXTERIOR 2 (B801)	4
3.RIGHT TRAY 1 (B801).....	6
4.RIGHT TRAY 2 (B801).....	8
5.LEFT TRAY (B801)	10
6.PAPER FEED SECTION (B801).....	12
7.ELECTRICAL SECTION (B801)	14
8.DRIVE SECTION (B801).....	16

LCIT PB3010 B801 PARTS INDEX PARTS INDEX 2

ARDF DF3010 B802 PARTS LOCATION AND LIST

1.Exterior (B802)	2
2.Original Feed 1 (B802)	4
3.Original Feed 2 (B802)	6
4.Original Feed 3 (B802)	8
5.Original Transfer 1 (B802).....	10
6.Original Transfer 2 (B802).....	12
7.Original Transfer 3 (B802).....	14
8.Drive Section 1 (B802)	16
9.Drive Section 2 (B802)	18
10.Electrical Section (B802)	20
11.Frame Section (B802)	22
12.Decals and Documents (B802)	24

ARDF DF3010 B802 PARTS INDEX

PARTS INDEX..... 2

1 BIN TRAY BN3010 B803 PARTS LOCATION AND LIST

1.1Bin Tray (B803).....	2
-------------------------	---

1 BIN TRAY BN3010 B803 PARTS INDEX

PARTS INDEX..... 2

BOOKLET FINISHER SR3020 B804 PARTS LOCATION AND LIST

1.Exterior (B804).....	2
2.Paper Transfer (B804).....	4
3.Shift Transfer Section 1 (B804)	6
4.Shift Transfer Section 2 (B804)	8
5.Shift Transfer Section 3 (B804)	10
6.Paper Exit 1 (B804)	12
7.Paper Exit 2 (B804)	14
8.Staple Transfer Section 1 (B804)	16
9.Staple Transfer Section 2 (B804)	18
10.Staple Tray 1 (B804).....	20
11.Staple Tray 2 (B804).....	22
12.Staple Tray 3 (B804).....	24
13.Staple Tray 4 (B804).....	26
14.Staple Tray 5 (B804).....	28
15.Staple Tray 6 (B804).....	30
16.Paper fold Section 1 (B804)	32
17.Paper fold Section 2 (B804)	34
18.Paper fold Section 3 (B804)	36
19.Shift Tray (B804).....	38
20.Drive Section 1 (B804)	40
21.Drive Section 2 (B804)	42
22.Drive Section 3 (B804)	44

23.Electrical Section (B804)	46
24.Frame Section (B804).....	48
25.Decals and Documents (B804).....	50

**BOOKLET FINISHER SR3020 B804 PARTS INDEX
PARTS INDEX..... 2**

FINISHER SR3030 B805 PARTS LOCATION AND LIST

1.Exterior (B805).....	2
2.Paper Transfer (B805).....	4
3.Shift Transfer Section 1 (B805)	6
4.Shift Transfer Section 2 (B805)	8
5.Shift Transfer Section 3 (B805)	10
6.Paper Exit 1 (B805)	12
7.Paper Exit 2 (B805)	14
8.Staple Transfer Section 1 (B805)	16
9.Staple Transfer Section 2 (B805)	18
10.Staple Tray 1 (B805).....	20
11.Staple Tray 2 (B805).....	22
12.Staple Tray 3 (B805).....	24
13.Staple Tray 4 (B805).....	26
14.Shift Tray (B805).....	28
15.Drive Section 1 (B805).....	30
16.Drive Section 2 (B805).....	32
17.Drive Section 3 (B805).....	34
18.Electrical Section (B805)	36
19.Frame Section (B805).....	38
20.Decals and Documents (B805).....	40

**FINISHER SR3030 B805 PARTS INDEX
PARTS INDEX..... 2**

**SCANNER ACCESSIBILITY OPTION TYPE 4045 B838 PARTS
LOCATION AND LIST**

1.Scanner Accessibility Option (B838)	2
---	---

**SCANNER ACCESSIBILITY OPTION TYPE 4045 B838 PARTS
INDEX**

PARTS INDEX..... 2

**PLATEN COVER TYPE 3800C G329 PARTS LOCATION AND
LIST**

1.Platen Cover (G329)	2
-----------------------------	---

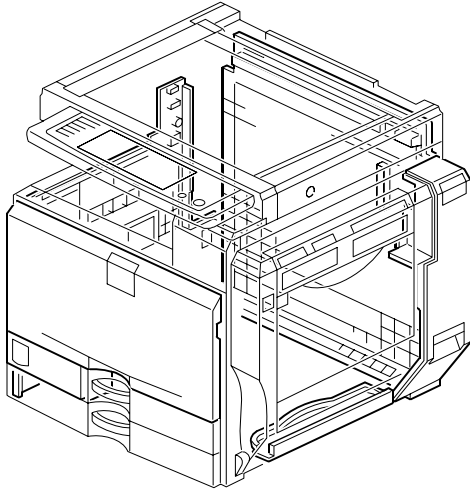
**PLATEN COVER TYPE 3800C G329 PARTS INDEX
PARTS INDEX..... 2**

B222/B224
PARTS LOCATION AND LIST

This section instructs you as to the numbers and names of parts on this machine

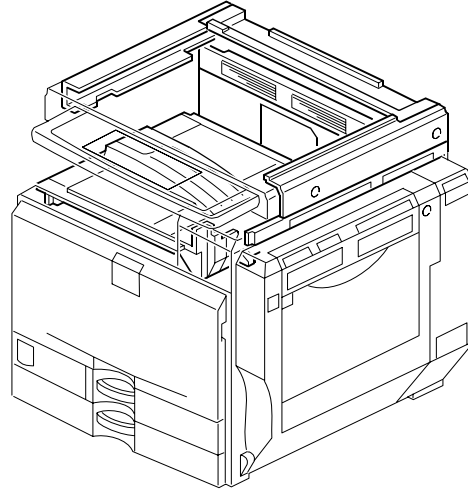
LOCATIONS OF UNITS

1. Exterior 1 (B222/B224)



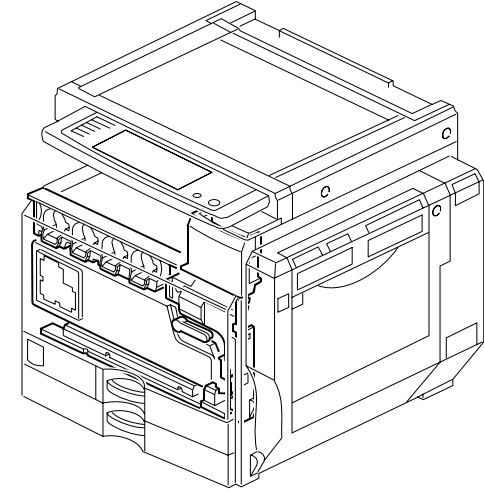
See Page 13

2. Exterior 2 (B222/B224)



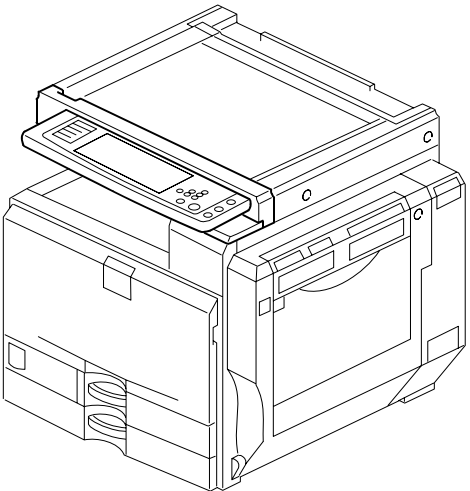
See Page 15

3. Exterior 3 (B222/B224)



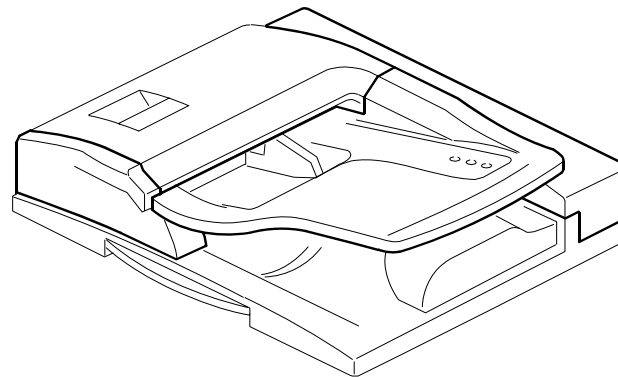
See Page 17

4. Operation Panel (B222/B224)



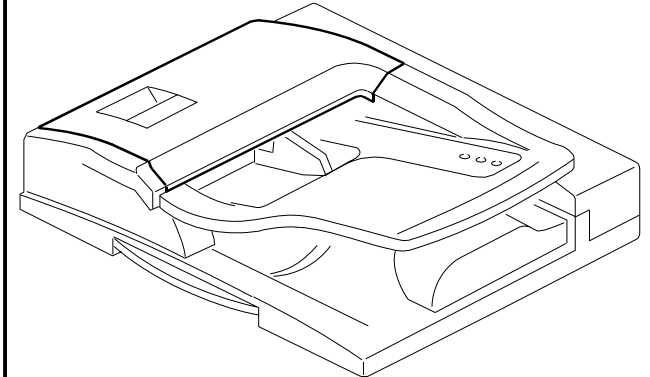
See Page 19

5. ARDF Exterior (B222/B224)



See Page 21

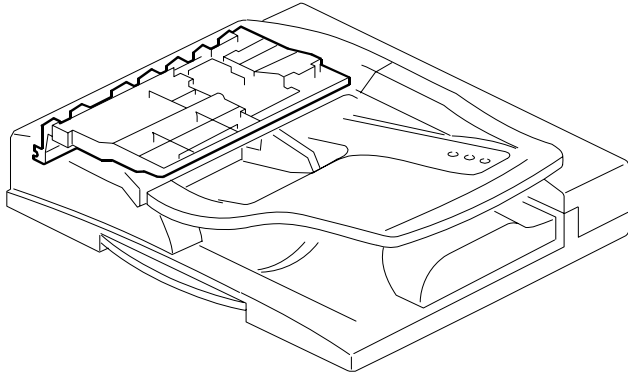
6. Original Feed 1 (B222/B224)



See Page 23

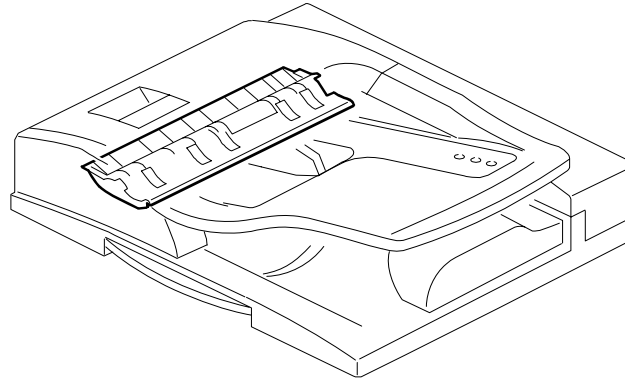
LOCATIONS OF UNITS

7. Original Feed 2 (B222/B224)



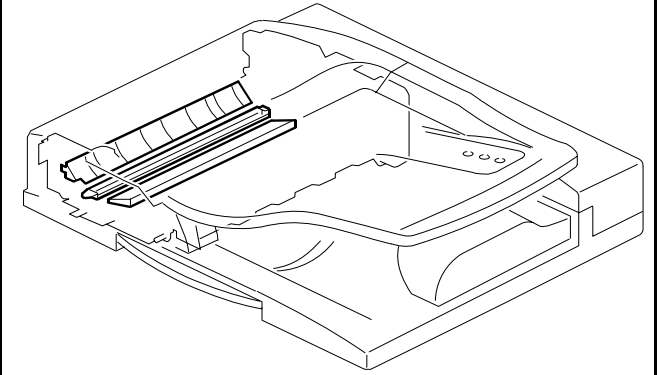
See Page 25

8. Original Feed 3 (B222/B224)



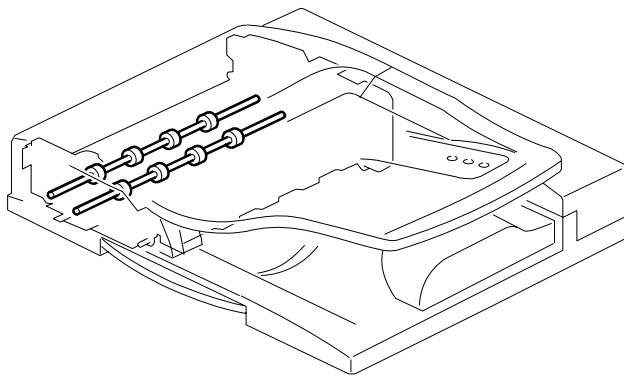
See Page 27

9. Original Transfer 1 (B222/B224)



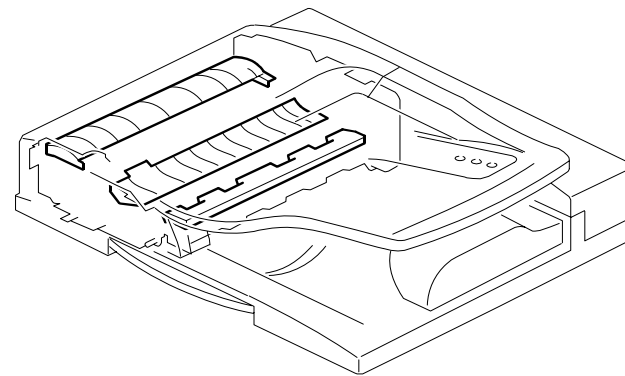
See Page 29

10. Original Transfer 2 (B222/B224)



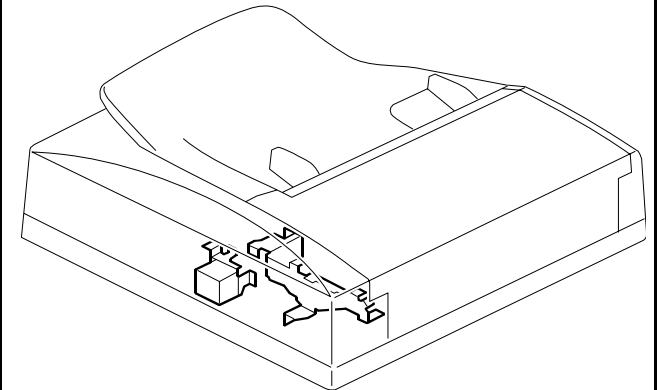
See Page 31

11. Original Transfer 3 (B222/B224)



See Page 33

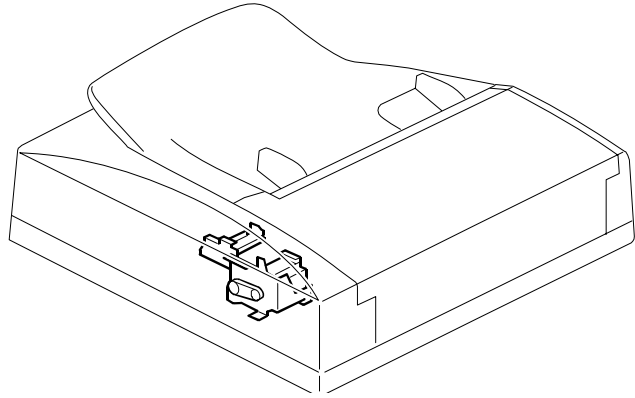
12. ARDF Drive Section 1 (B222/B224)



See Page 35

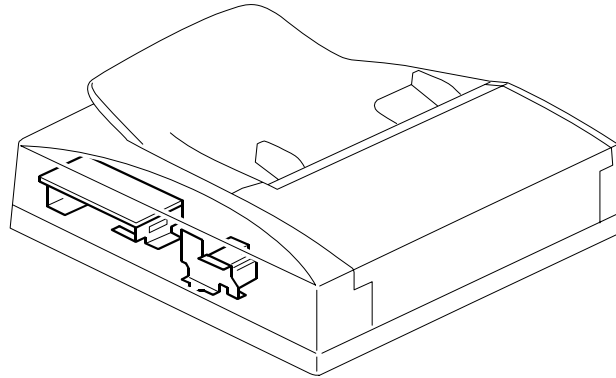
LOCATIONS OF UNITS

13. ARDF Drive Section 2 (B222/B224)



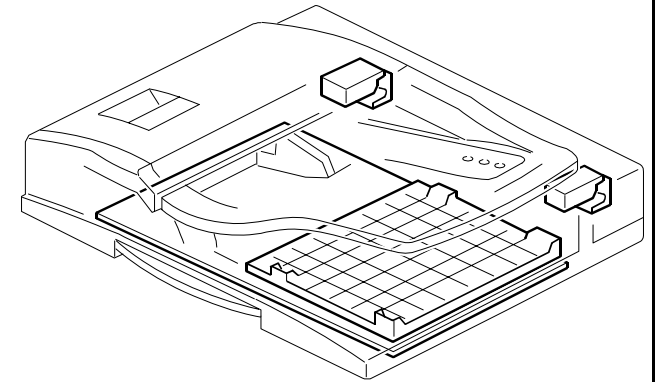
See Page 37

14. ARDF Electrical Section (B222/B224)



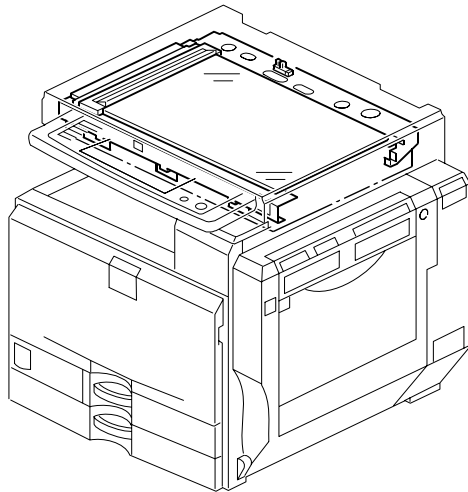
See Page 39

15. ARDF Frame Section (B222/B224)



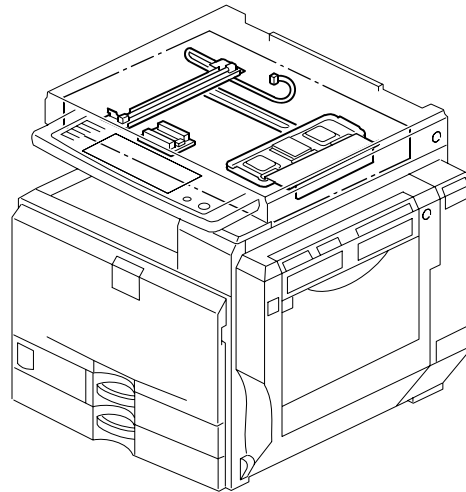
See Page 41

16. Scanner Section 1 (B222/B224)



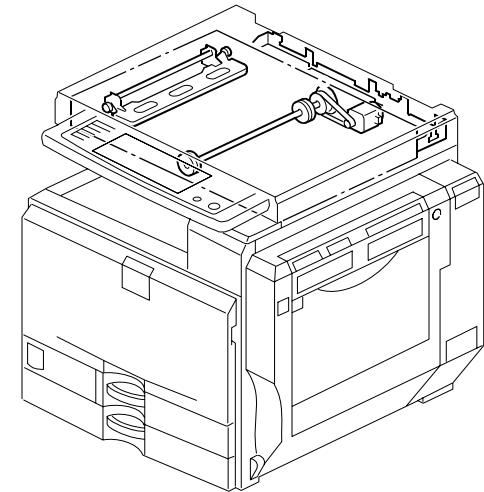
See Page 43

17. Scanner Section 2 (B222/B224)



See Page 45

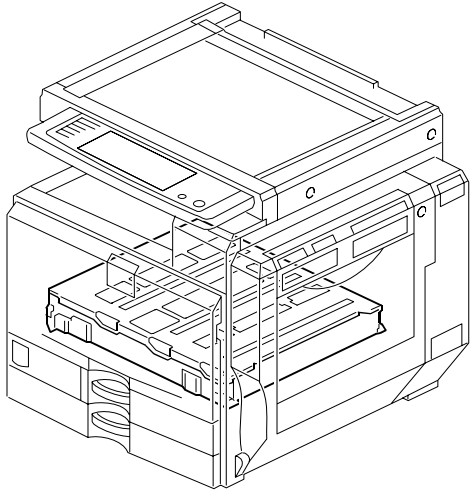
18. Scanner Section 3 (B222/B224)



See Page 47

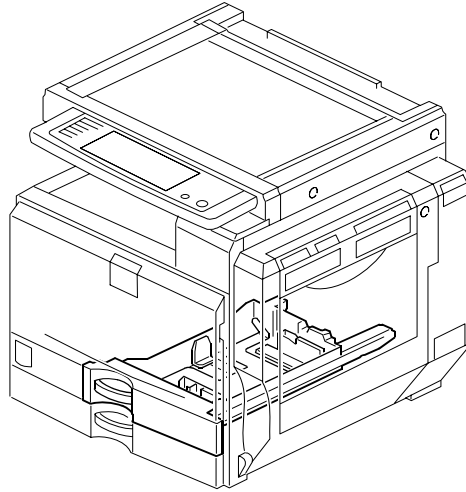
LOCATIONS OF UNITS

19. LD unit (B222/B224)



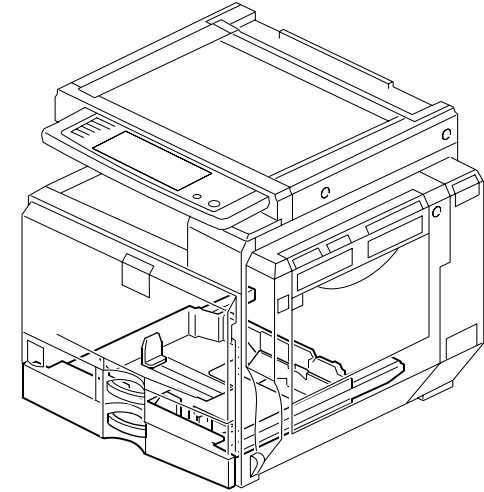
See Page 49

20. 1st Paper Tray (B222/B224)



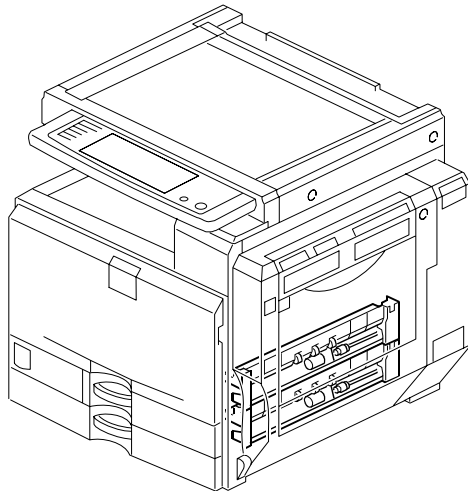
See Page 51

21. 2nd Paper Tray (B222/B224)



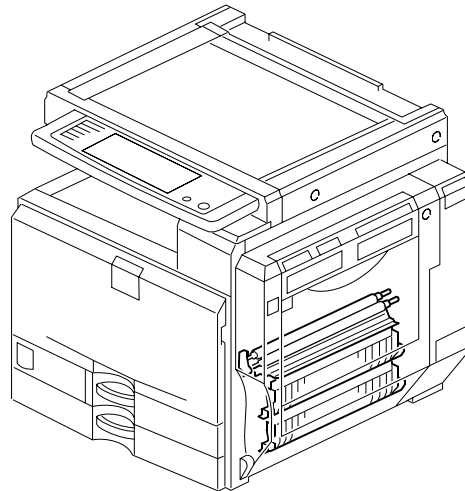
See Page 53

22. Paper Feed Section (B222/B224)



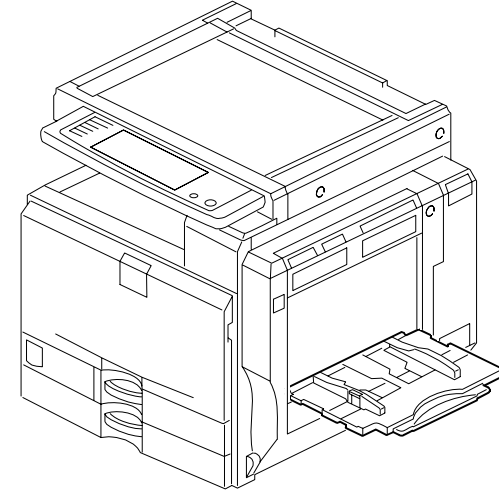
See Page 55

23. Paper Registration (B222/B224)



See Page 57

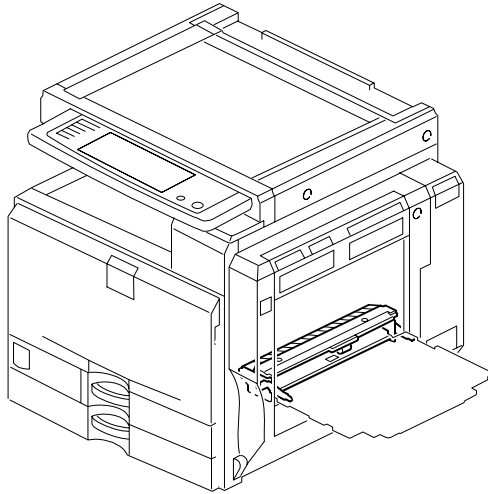
24. By-pass Feed Section 1 (B222/B224)



See Page 59

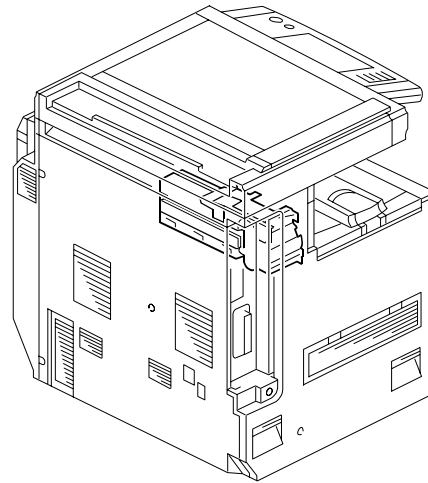
LOCATIONS OF UNITS

25. By-pass Feed Section 2 (B222/B224)



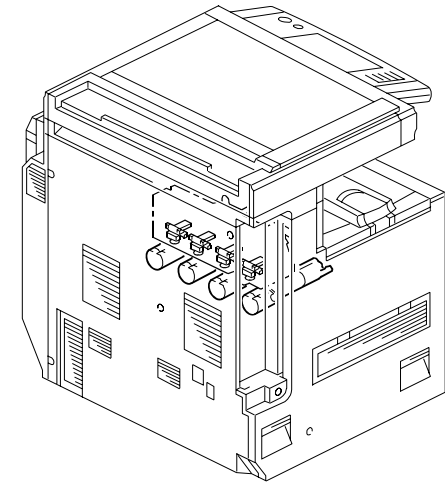
See Page 61

26. Toner Supply Unit 1 (B222/B224)



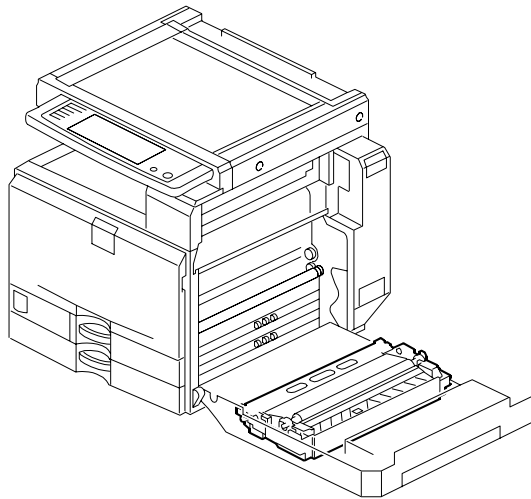
See Page 63

27. Toner Supply Unit 2 (B222/B224)



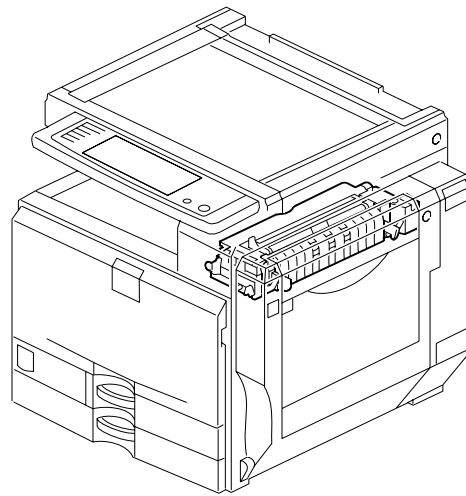
See Page 65

28. Paper Separation (B222/B224)



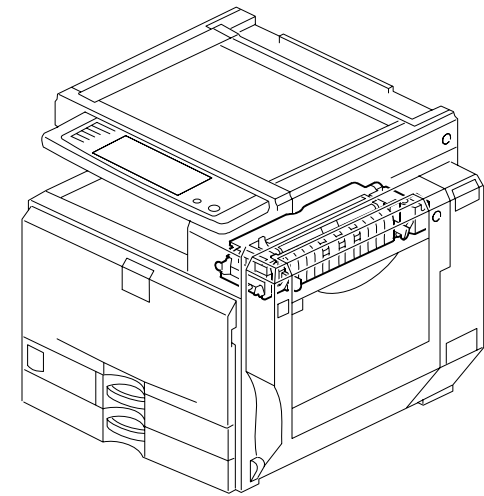
See Page 67

29. Fusing unit 1 (B222/B224)



See Page 69

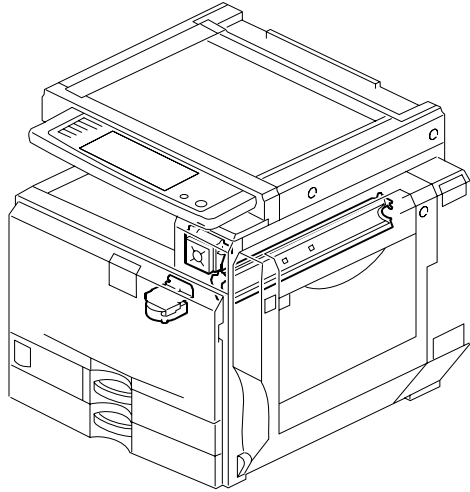
30. Fusing unit 2 (B222/B224)



See Page 71

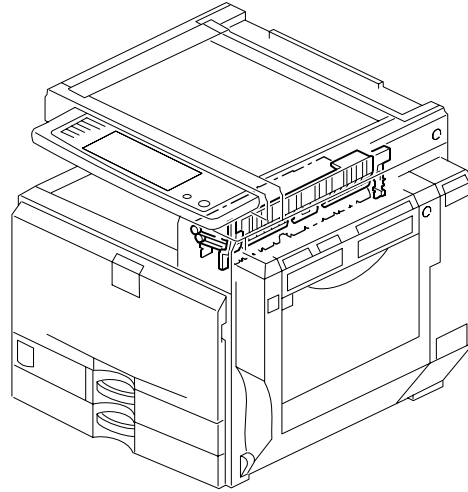
LOCATIONS OF UNITS

31. Fusing unit 3 (B222/B224)



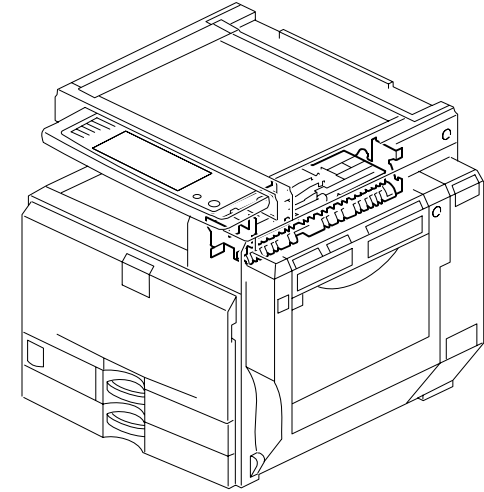
See Page 73

32. Paper Exit Section 1 (B222/B224)



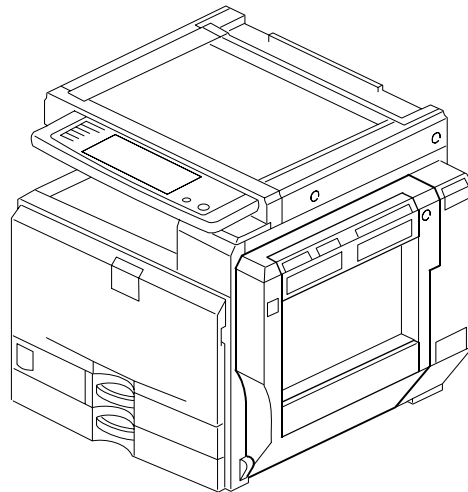
See Page 75

33. Paper Exit Section 2 (B222/B224)



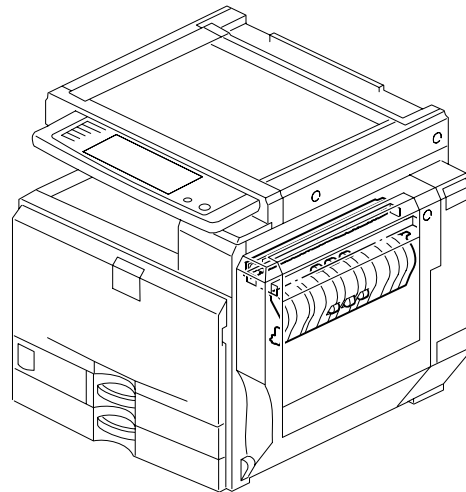
See Page 77

34. Duplex Unit 1 (B222/B224)



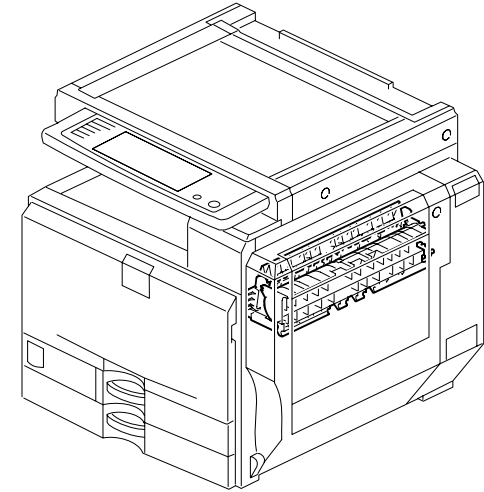
See Page 79

35. Duplex Unit 2 (B222/B224)



See Page 81

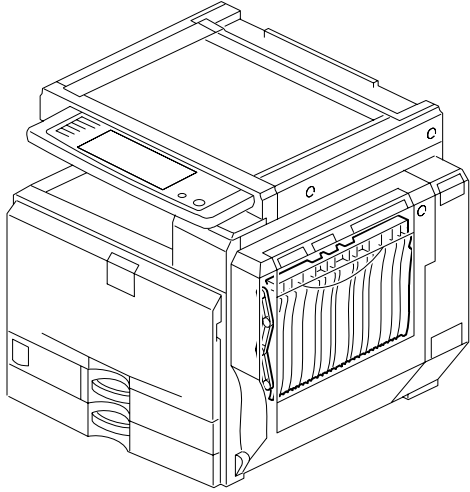
36. Duplex Unit 3 (B222/B224)



See Page 83

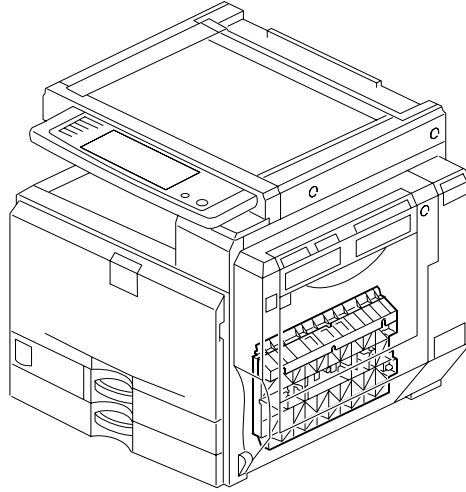
LOCATIONS OF UNITS

37. Duplex Unit 4 (B222/B224)



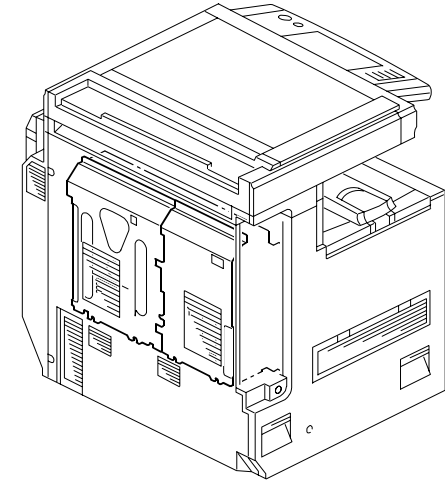
See Page 85

38. Duplex Unit 5 (B222/B224)



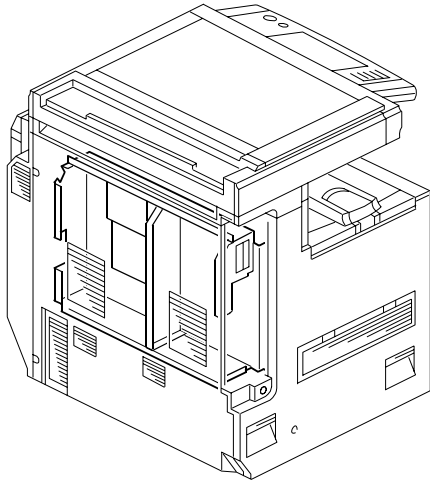
See Page 87

39. Electrical Section 1 (B222/B224)



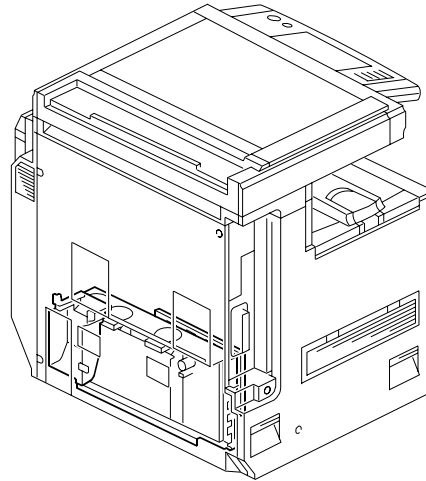
See Page 89

40. Electrical Section 2 (B222/B224)



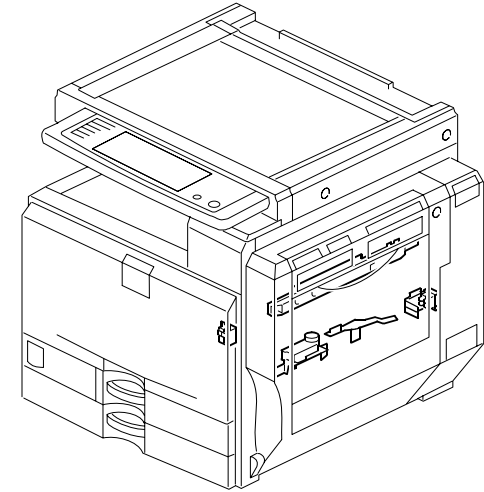
See Page 91

41. Electrical Section 3 (B222/B224)



See Page 93

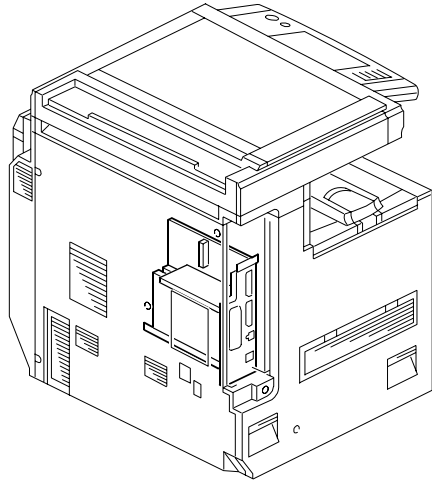
42. Electrical Section 4 (B222/B224)



See Page 95

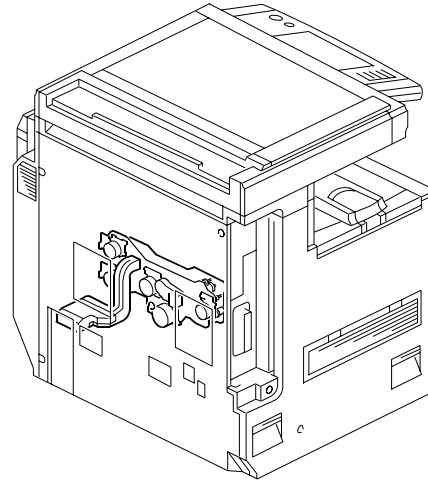
LOCATIONS OF UNITS

43. Controller Unit (B222/B224)



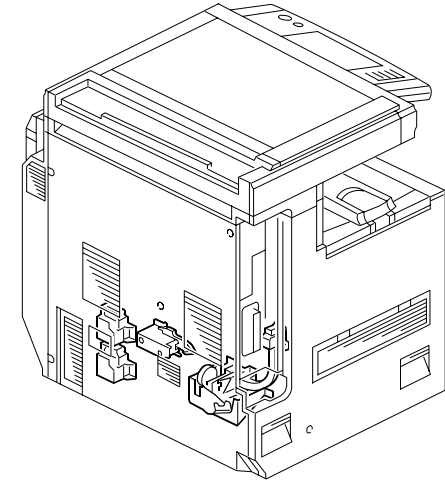
See Page 97

44. Drive Section 1 (B222/B224)



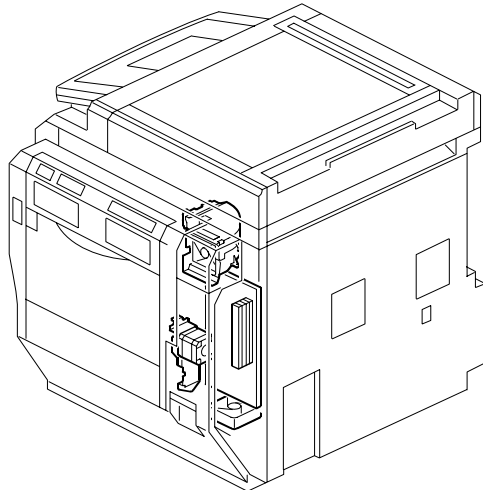
See Page 99

45. Drive Section 2 (B222/B224)



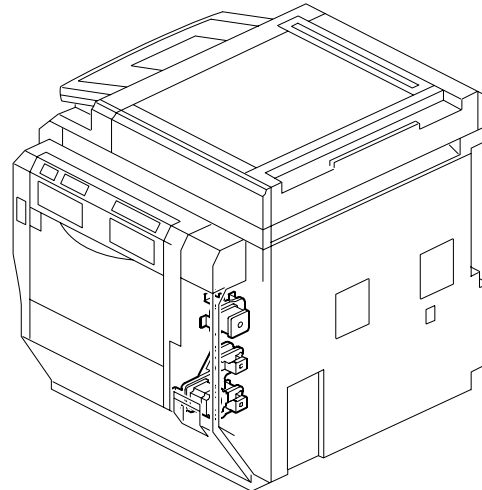
See Page 101

46. Drive Section 3 (B222/B224)



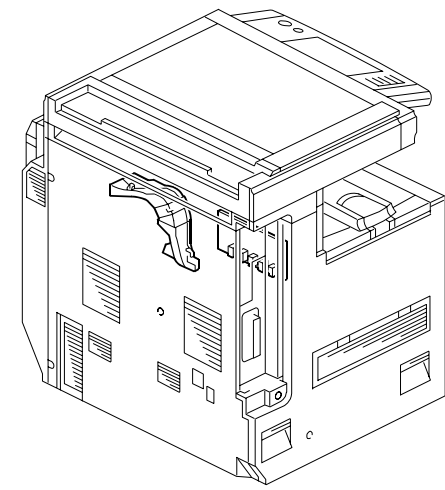
See Page 103

47. Drive Section 4 (B222/B224)



See Page 105

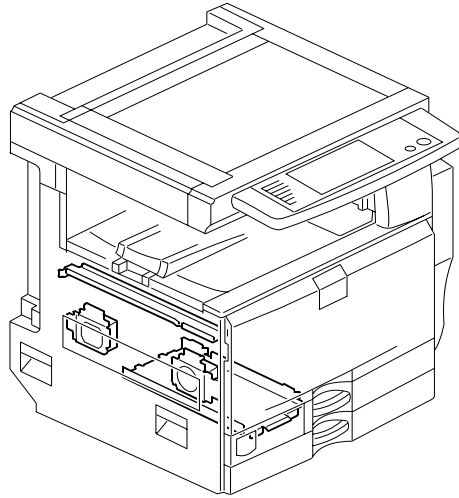
48. Drive Section 5 (B222/B224)



See Page 107

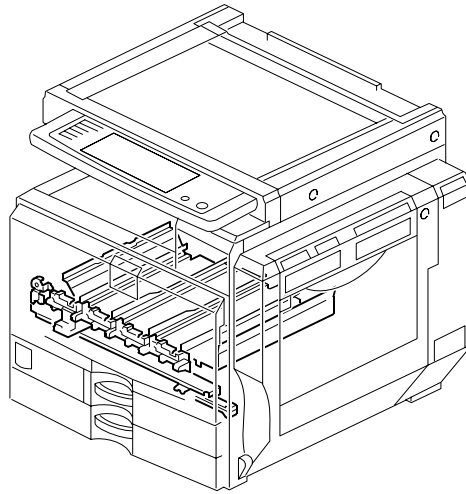
LOCATIONS OF UNITS

49. Frame Section 1 (B222/B224)



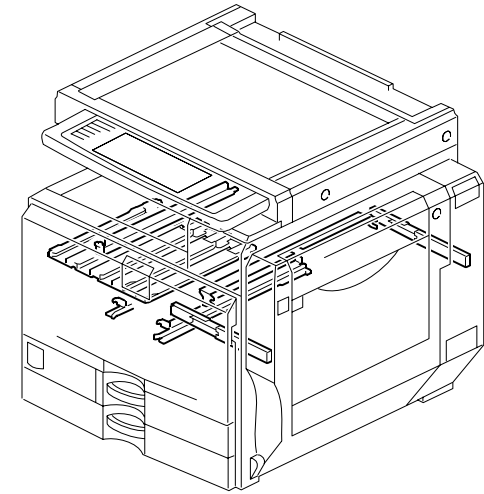
See Page 109

50. Frame Section 2 (B222/B224)



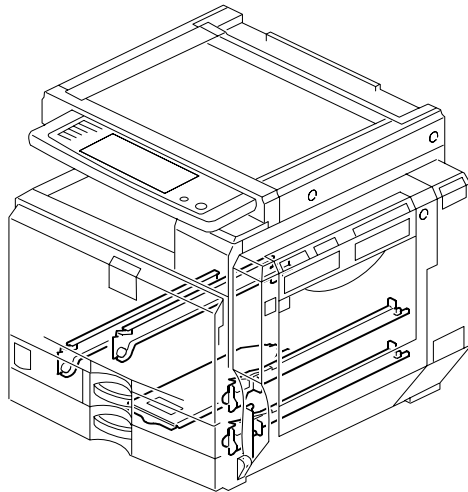
See Page 111

51. Frame Section 3 (B222/B224)



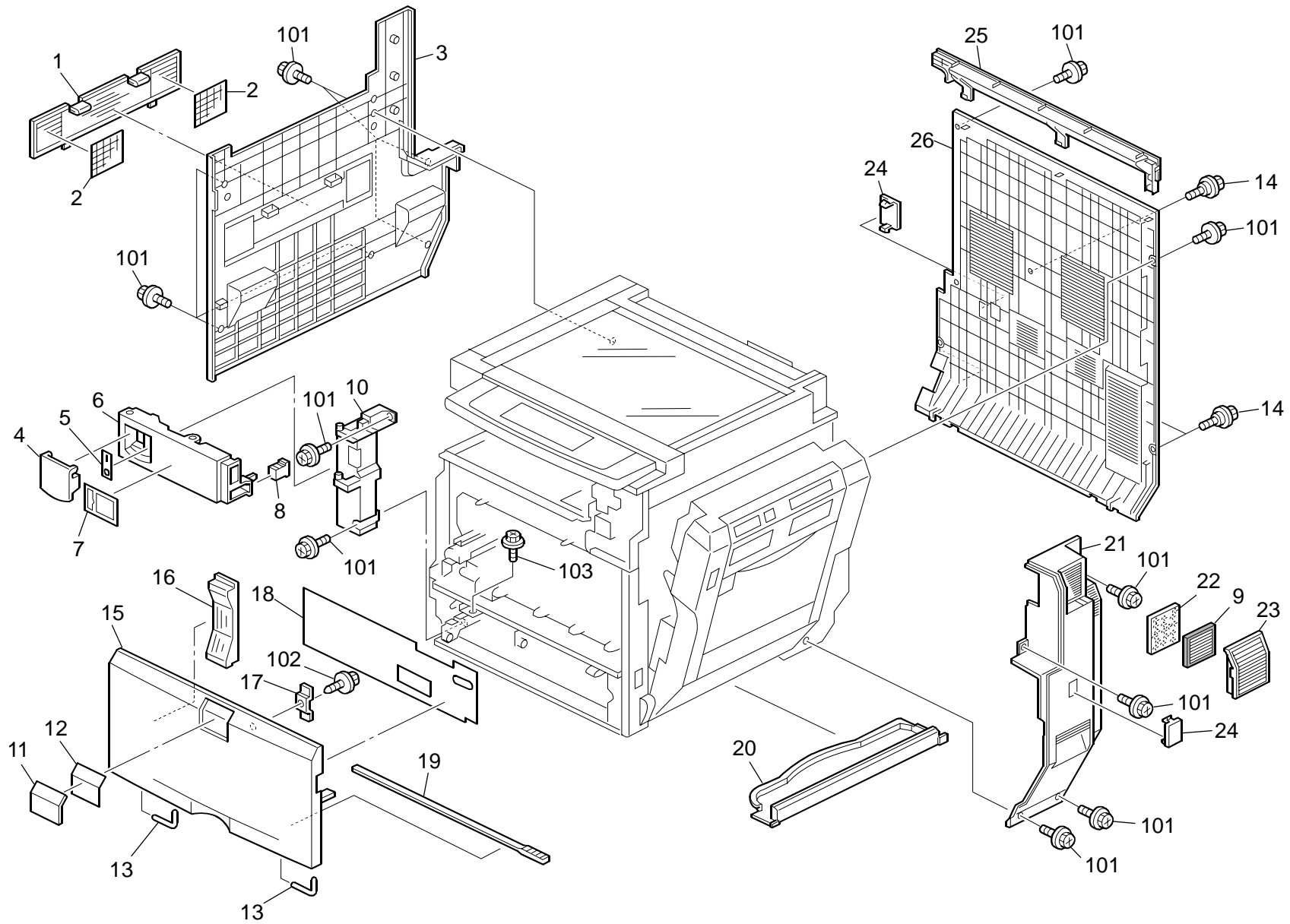
See Page 113

52. Frame Section 4 (B222/B224)



See Page 115

1.Exterior 1 (B222/B224)

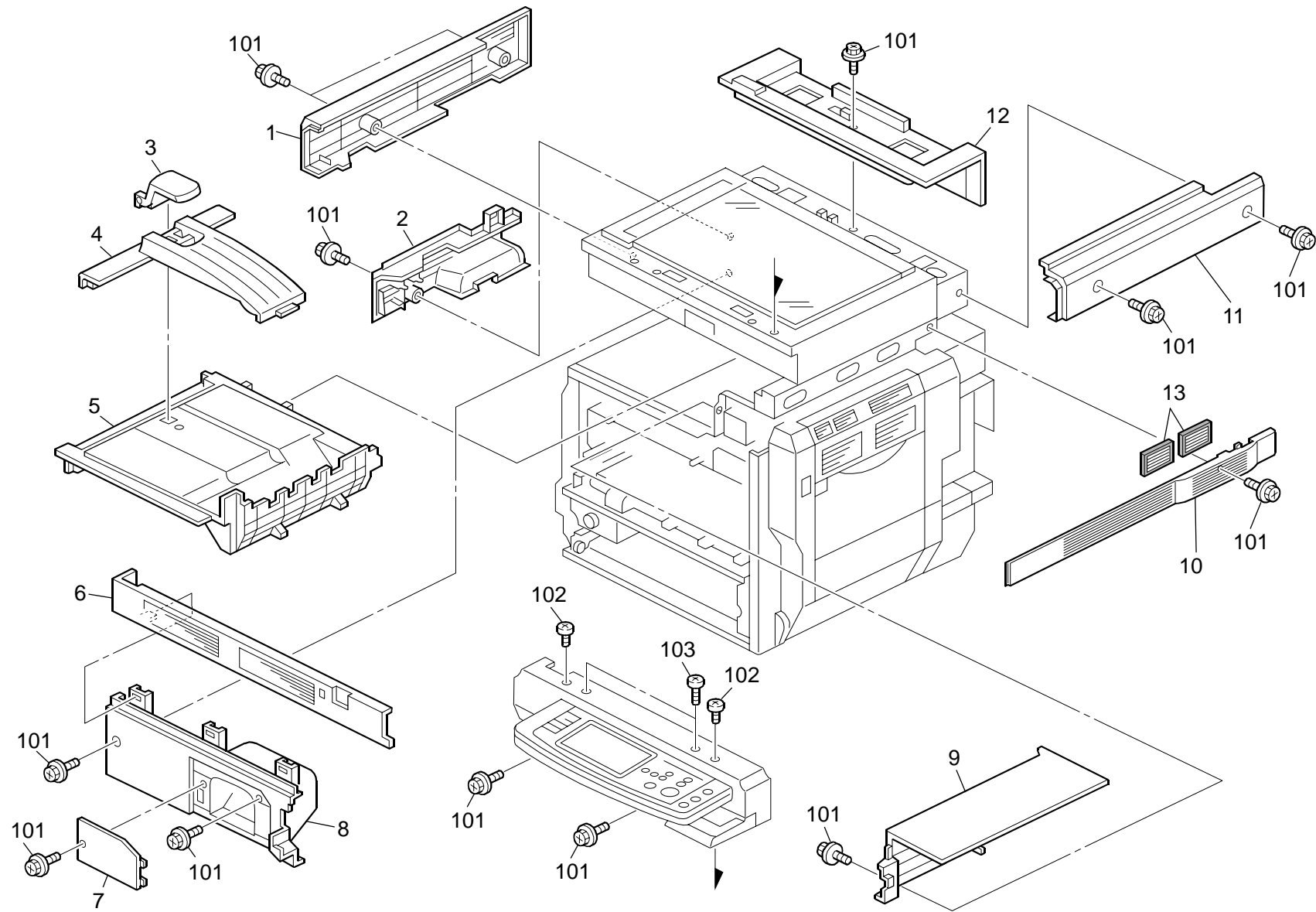


1.Exterior 1 (B222/B224)

Index No.	Part No.	Description	Q'ty Per Assembly
1	B223 1283	Cover:Left:Middle	1
2	B223 1348	Filter:Image Forming MD	2
3	B223 1281	Cover:Left	1
4	B223 1255	Cover - Main Switch	1
5	B238 1372	Decal - Main Switch(on-off)	1
6	B223 1254	Collection Bottlecover - Front	1
7	B132 1573	Decal - Power Source:Off	1
8	AA02 1030	Magnet Catch	1
9	B223 1277	Ozone Filter:No.1	1
10	B223 1242	Inner Cover - Left	1
11	B223 1253	Emblem Cover	1
12	B222 8331	Sheet:Emblem:AP-C1c:RIC	1
12	B222 8332	Sheet:Emblem:AP-C1c:SVN	1
12	B222 8333	Sheet:Emblem:AP-C1c:GES:NA	1
12	B222 8334	Sheet:Emblem:AP-C1c:LAN:NA	1
12	B222 8335	Sheet:Emblem:AP-C1c:INF	1
12	B222 8336	Sheet:Emblem:AP-C1c:NSA	1
12	B222 8337	Sheet:Emblem:AP-C1c:REX	1
12	B222 8338	Sheet:Emblem:AP-C1c:GES:EU	1
12	B222 8339	Sheet:Emblem:AP-C1c:LAN:EU	1
12	B222 8343	Sheet:Emblem:AP-C1c:GES:AA	1
12	B224 8331	Sheet:Emblem:AP-C1d:RIC	1
12	B224 8332	Sheet:Emblem:AP-C1d:SVN	1
12	B224 8333	Sheet:Emblem:AP-C1d:GES:NA	1
12	B224 8334	Sheet:Emblem:AP-C1d:LAN:NA	1
12	B224 8335	Sheet:Emblem:AP-C1d:INF	1
12	B224 8336	Sheet:Emblem:AP-C1d:NSA	1
12	B224 8337	Sheet:Emblem:AP-C1d:REX	1
12	B224 8338	Sheet:Emblem:AP-C1d:GES:EU	1
12	B224 8339	Sheet:Emblem:AP-C1d:LAN:EU	1
12	B224 8343	Sheet:Emblem:AP-C1d:GES:AA	1
13	G020 1332	Hinge - Front Cover	2
14	AA14 3823	Tapping Screw	5
15	B224 1251	Cover:Front:EU	1
16	B223 1246	Guide Plate:Scanner	1

Index No.	Part No.	Description	Q'ty Per Assembly
17	B024 1264	Magnet Catch	1
18	B223 1256	Sheet:Misfeed Removal	1
19	B223 1279	Cleaner:Shield Glass:Ass'y	1
20	B238 1380	Cover - Right	1
21	B223 1272	Cover:Right:Rear	1
22	B223 1276	Filter:Right Rear	1
23	B223 1274	Cover:Right Rear:Fan	1
24	B223 1293	Cap:Cover:Rear	2
25	B223 1292	Cover:Rear:Upper	1
26	B223 1291	Cover:Rear	1
101	0451 3008N	Tapping Screw - M3x8	
102	0450 3010N	Tapping Screw - M3x10	
103	0450 3012N	Tapping Screw:3x12	

2.Exterior 2 (B222/B224)

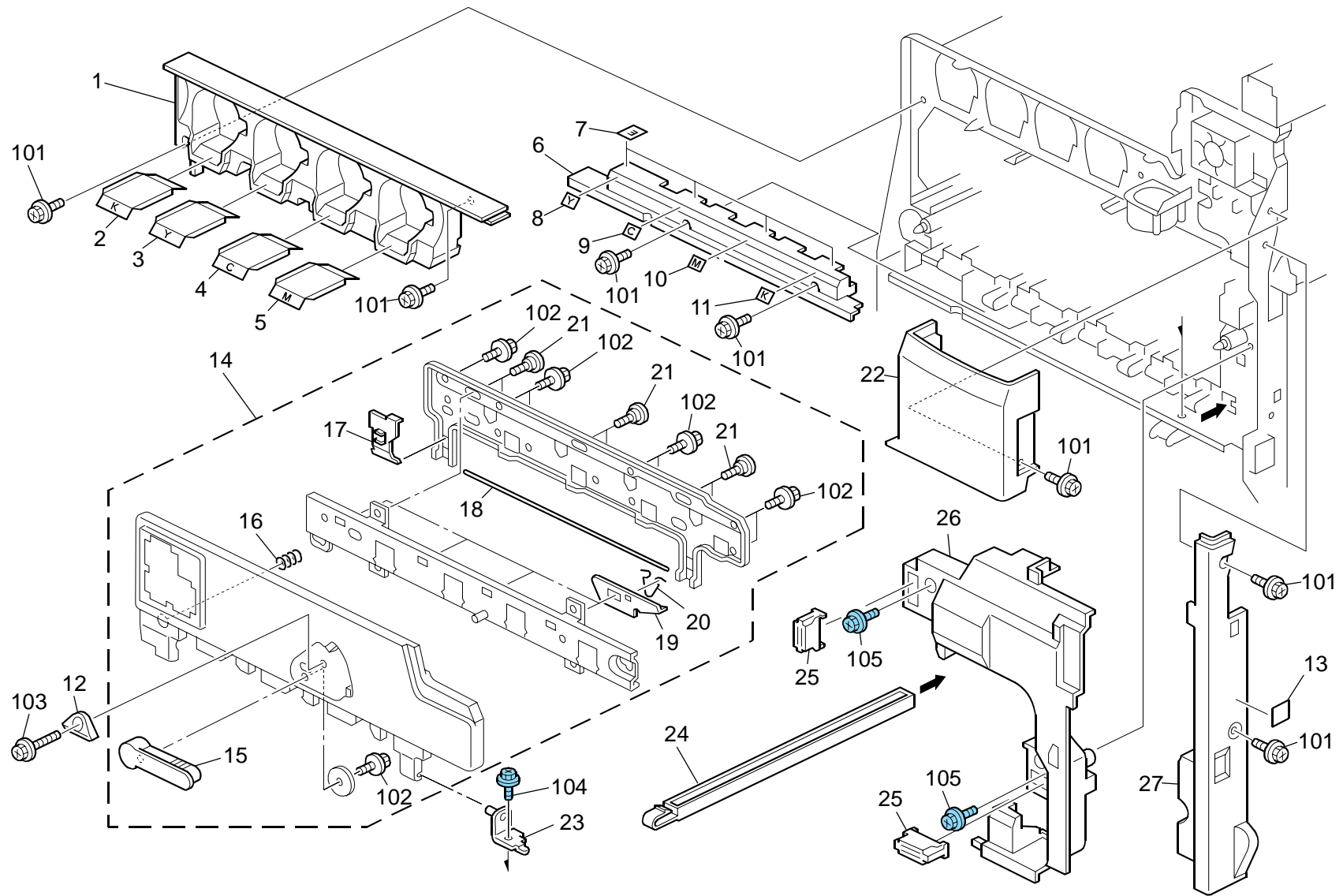


2.Exterior 2 (B222/B224)

Index No.	Part No.	Description	Q'ty Per Assembly
1	B223 1818	Cover:Scanner:Left	1
1	B222 1818	Cover:Scanner:Left:EU	1
2	B223 1282	Cover:Left:Upper	1
3	B223 4487	Exit End Fence	1
4	B223 4486	Exit Tray	1
5	B223 1260	Cover:Upper	1
6	B223 1262	Cover:Inner Back:Upper	1
7	B223 1263	Cover - Inner Back Middle	1
8	B223 1261	Cover:Inner Back	1
9	B223 1266	Cover:Paper Exit Unit:Upper	1
10	B223 1273	Cover:Right:Upper Middle	1
11	B223 1819	Cover:Scanner:Right	1
11	B222 1819	Cover:Scanner:Right:EU	1
12	B223 1820	Cover:Scanner:Rear	1
12	B222 1820	Cover:Scanner:Rear:EU	1
13	B223 1278	Ozone Filter:No.2	2

Index No.	Part No.	Description	Q'ty Per Assembly
101	0451 3008N	Tapping Screw - M3x8	
102	0353 0030N	Screw:M3X3	
103	0353 0050N	Screw-m3x5	

3.Exterior 3 (B222/B224)

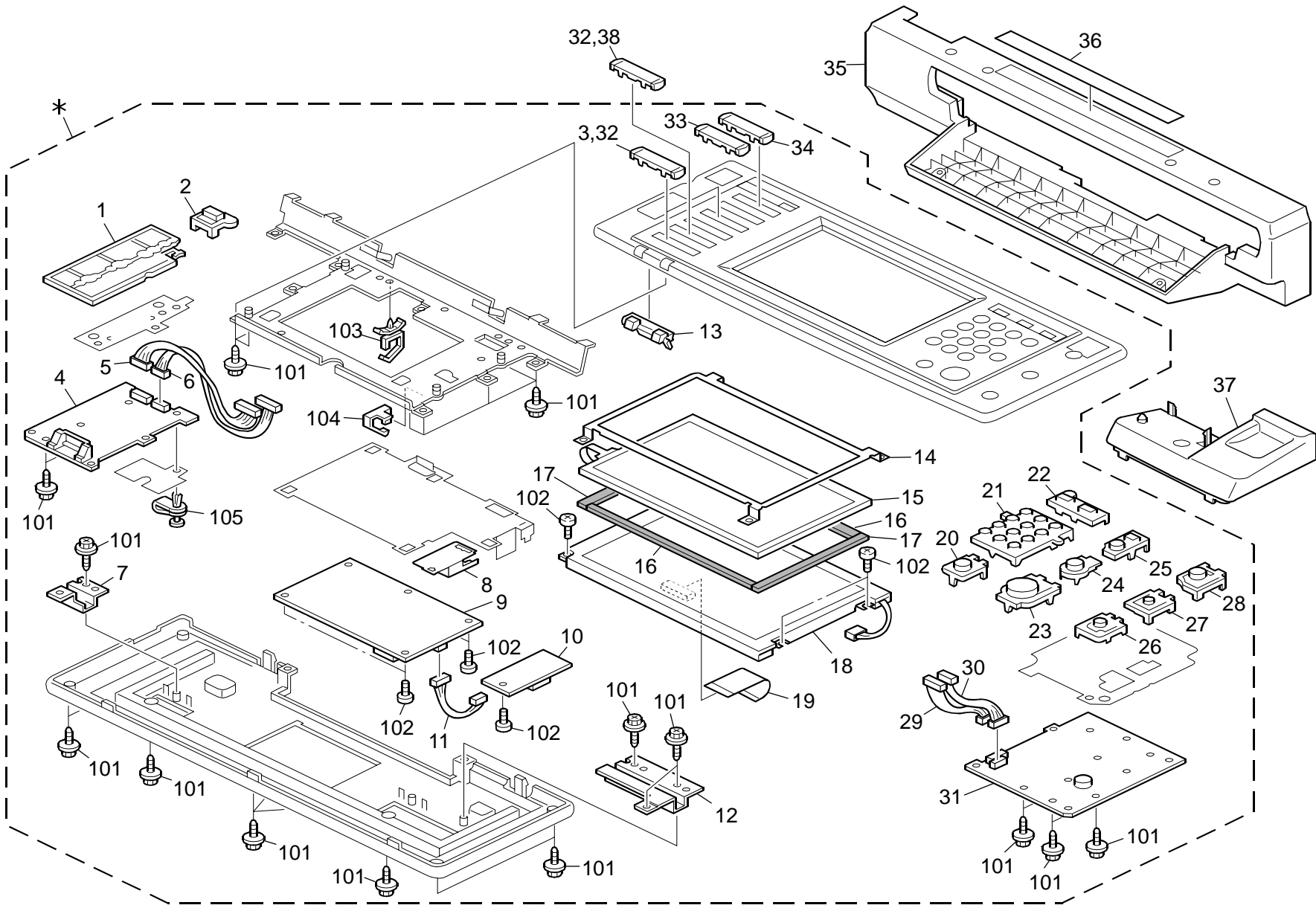


3.Exterior 3 (B222/B224)

Index No.	Part No.	Description	Q'ty Per Assembly
1	B223 1241	Inner Cover:Upper:Left	1
2	B238 3364	Decal:Colored Display:BK:Inner Cover	1
3	B238 3365	Decal:Colored Display:Y:Inner Cover	1
4	B238 3366	Decal:Colored Display:C:Inner Cover	1
5	B238 3367	Decal:Colored Display:M:Inner Cover	1
6	B223 1244	Inner Cover - Middle	1
7	B238 1368	Decal - Cleaning	4
8	GA00 3030	Decal - Shielding Plate Y	1
9	GA00 3032	Decal - Shielding Plate C	1
10	GA00 3031	Decal - Shielding Plate M	1
11	GA00 3033	Decal - Shielding Plate K	1
12	B223 1304	Stopper:Lever:Drum Stay	1
13	B238 1362	Decal - Misfeed Removal B1	1
14	B223 1300	Drum Stay PCU Ass'y	1
15	B223 1303	Drum Stay Lever	1
16	B223 1318	Spring	1
17	B223 1306	Drum Stay	1
18	B223 1319	Wire	1
19	B223 1315	Ball Bearing Plate	4
20	B223 1316	Ball Bearing Clip	4
21	B223 1317	Screw	6
22	B223 1264	Cover:Front Right	1
23	B223 1123	Hinge - Cover Drum Stay	1
24	B238 2615	Case - Remove Paper Dust	1
25	AG07 1012	Magnet Catch:Ass'y	2
26	B223 1243	Inner Cover:Upper:Right	1
27	B223 1271	Cover:Right:Front	1

Index No.	Part No.	Description	Q'ty Per Assembly
101	0451 3008N	Tapping Screw - M3x8	
102	0450 3010N	Tapping Screw - M3x10	
103	0451 3012N	Tapping Screw:3x12	
104	0454 3006Q	Tapping Screw - M3x6	
105	0454 3008Q	Tapping Screw:3x8	

4.Operation Panel (B222/B224)



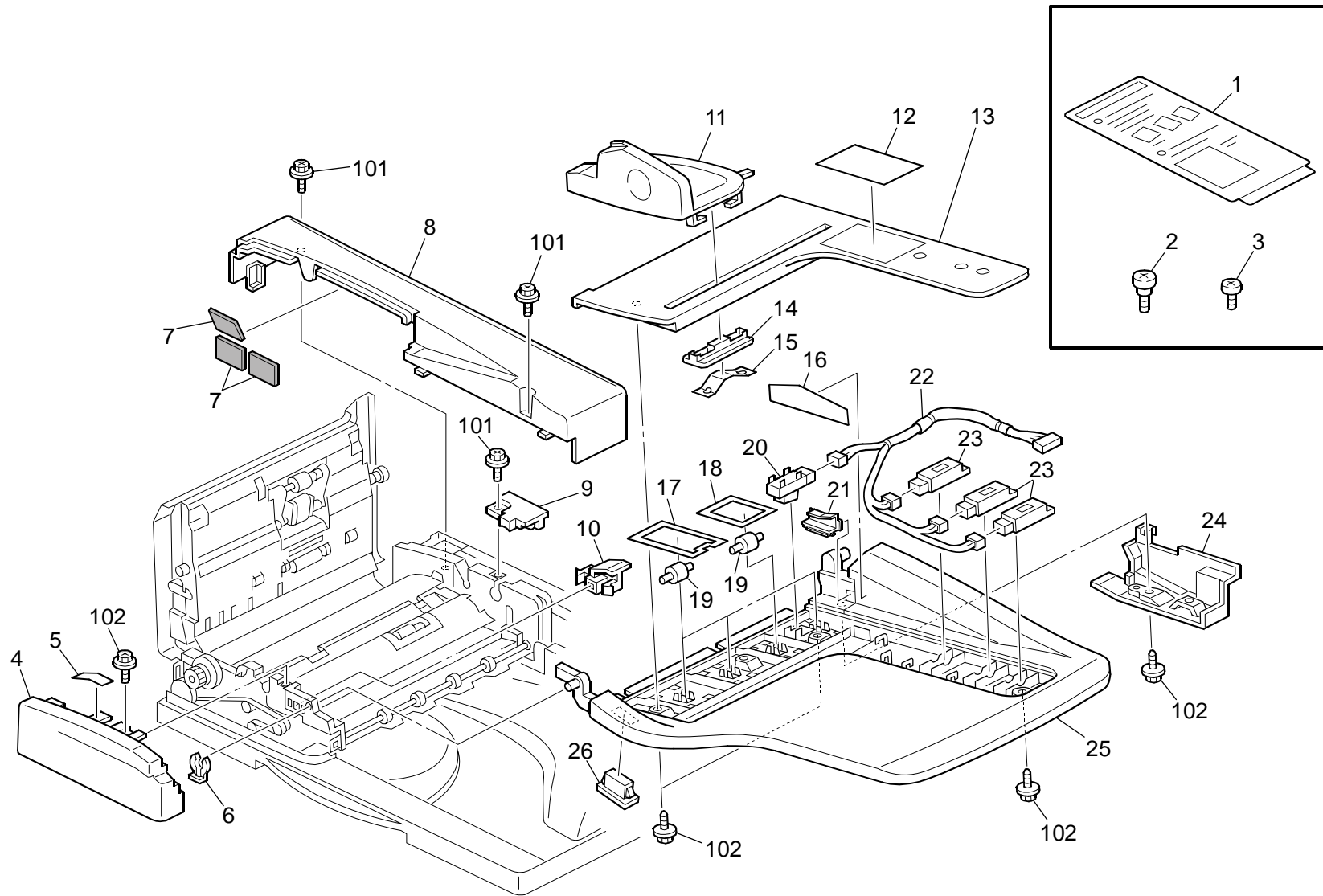
4.Operation Panel (B222/B224)

Rev. 01/22/2007

Index No.	Part No.	Description	Q'ty Per Assembly
*	B224 1411	Operation Panel: NA	1
*	B224 1412	Operation Panel: EU	1
1	B238 1547	Spacer - Keytop	1
2	B238 1511	Keytop - Counter	1
3	B238 1575	Keytop - Scanner NA	1
3	B238 1581	Keytop - Scanner EU	1
4	B223 1475	PCB OP-L	1
5	B238 1480	Harness - OP-R 10p	1
6	B238 1481	Harness - OP-R 13p	1
7	B238 1527	Operation Panel Bracket	1
8	B238 1533	Insulator	1
9	B223 1461	PCB: APC1: LCDC: NA	1
9	B223 1462	PCB: LCDC: EU	1
10	B223 1486	Inverter - TFT	1
11	B238 1484	Harness - Inverter	1
12	B238 1548	Operation Panel Bracket - Right	1
13	B238 1519	Lens - Front	1
14	B223 1507	Shading Plate: Touch Panel: Ass'y	1
15	B223 1494	Touch Panel - W-VGA F	1
16	B238 1534	LCD Spacer A	2
17	B238 1535	LCD Spacer B	2
18	B223 1498	LCD - TFT W-VGA MV	1
19	B223 1487	Cable - FFC TFT LCD	1
20	B238 1505	Keytop - Clear/Stop	1
21	B238 1508	Keytop - 10 Key	1
21	B238 1584	Keytop - 10 Key NA	1
22	B238 1583	Keytop - Clear Modes	1
23	B238 1504	Keytop - Start	1
24	B238 1506	Keytop - Try Print	1
25	B238 1509	Keytop - Interrupt	1
26	B238 1552	Keytop - Kantan	1
27	B238 1550	Keytop - Login	1
28	B238 1549	Keytop - Power Source	1
29	B238 1483	Harness - OP-L 13p	1
30	B238 1482	Harness - OP-L 12p	1

Index No.	Part No.	Description	Q'ty Per Assembly
31	B238 1470	PCB OP-R	1
32	B223 1518	Keytop - Blank FB	2
33	B238 1572	Keytop - Doc NA	1
33	B238 1578	Keytop - Doc EU	1
34	B238 1571	Keytop - Copy NA	1
34	B238 1577	Keytop - Copy EU	1
35	B223 1595	Cover: Scanner: Front	1
35	B222 1595	Cover: Scanner: Front: EU	1
36	B237 1595	Decal - Caution Original	1
37	B223 1596	Cover: Front Right: Upper	1
38	B238 1574	Keytop - Printer NA	1
38	B238 1580	Keytop - Printer EU	1
101	0450 3010N	Tapping Screw - M3x10	
102	0353 0060N	Bind Screw - M3x6	
103	1105 0511	Harness Clamp - LWS-0306ZC	
104	1105 0598	Clamp:LWSS-1N	
105	1105 0032	Clamp	

5.ARDF Exterior (B222/B224)

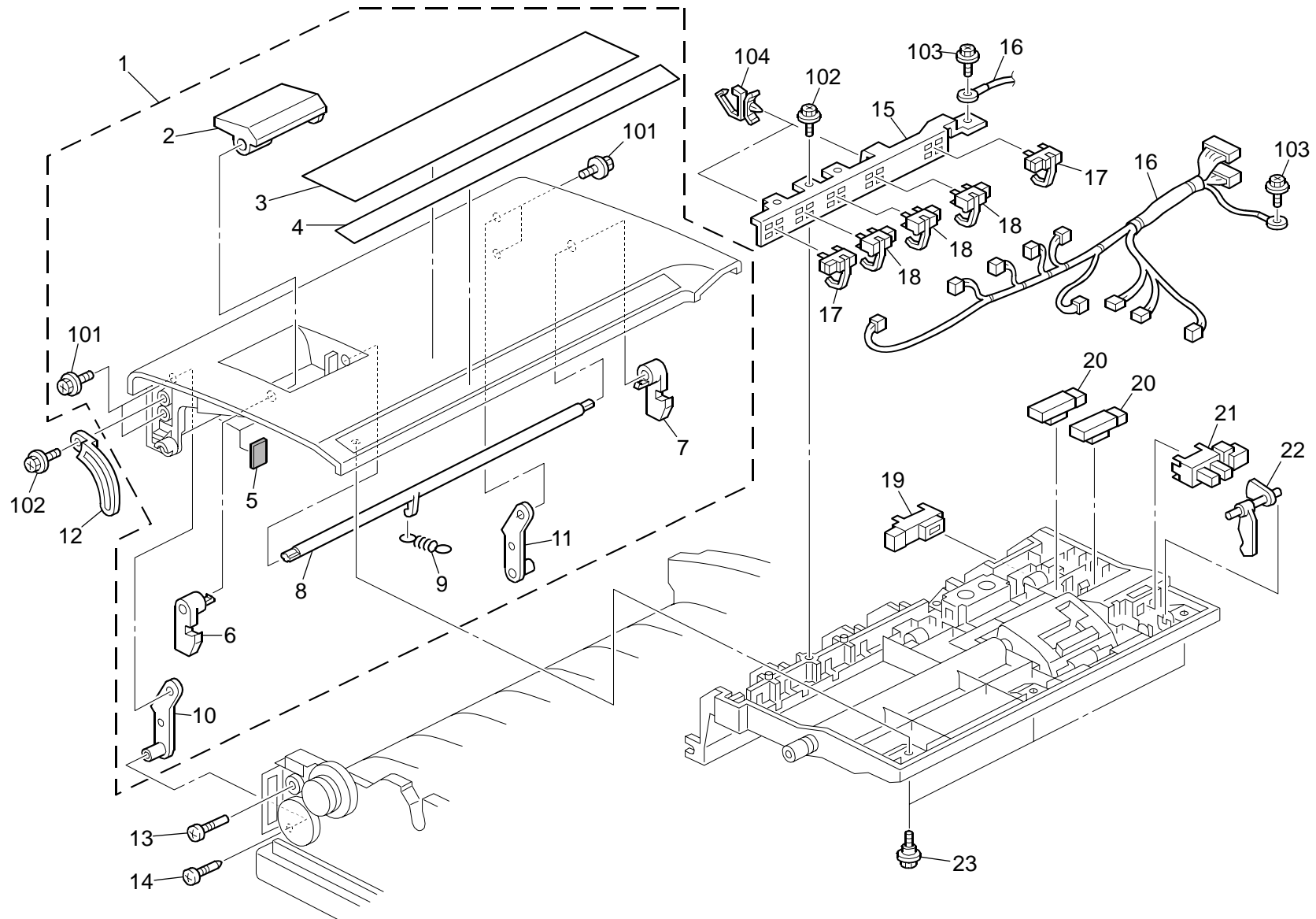


5.ARDF Exterior (B222/B224)

Index No.	Part No.	Description	Q'ty Per Assembly
1	B652 2379	Decal:Caution:Original:5-lang	1
2	A859 7211	Stepped Screw	2
3	A548 6121	Screw - M4	2
4	B802 4411	Cover:Front	1
5	B802 6013	Decal:Display:Misfeed Removal:P1	1
6	5215 2621	Snap Ring - M6	1
7	B802 4712	Sound Proofing Material:Cover:Rear	3
8	B802 4511	Cover:Rear	1
9	B802 2551	Stay:Original Table:Contact Point	1
10	B802 2581	Stopper:Original Table	1
11	B802 2526	Side Fence	1
12	B789 6031	Decal - Original Table	1
13	B802 2522	Original Table:Face Front	1
14	B802 2536	Slider:Side Fence	1
15	B802 2532	Spring Plate:Side Fence	1
16	B802 6011	Decal:Side Fence	1
17	B802 2571	Spring Plate:0.2t	3
18	A858 4676	Spring Plate - Pressure Roller	1
19	A858 4671	Roller Driven	4
20	GW01 0007	Photo Refiection Sensor:Exit	1
21	B802 2541	Guide:Original Insert	1
22	B802 5750	Harness:Original Table	1
23	AW01 0129	Photo Refiection Sensor	3
24	B802 2562	Plate:Contact Point	1
25	B802 2512	Original Table	1
26	AG07 0513	Magnet Catch	1

Index No.	Part No.	Description	Q'ty Per Assembly
101	0451 3006N	Tapping Screw - 3x6	
102	0450 3008N	Tapping Screw - M3x8	

6.Original Feed 1 (B222/B224)

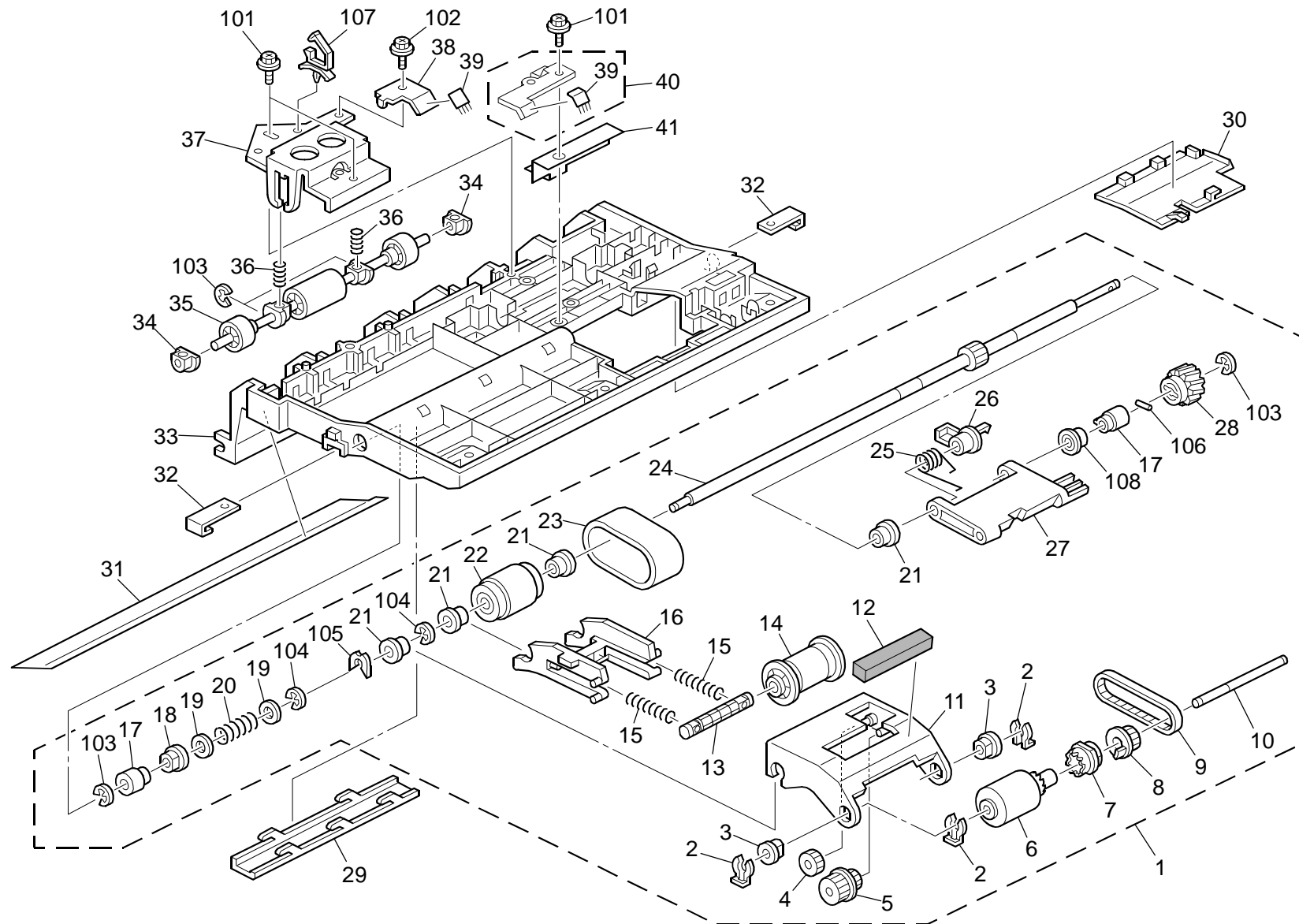


6.Original Feed 1 (B222/B224)

Index No.	Part No.	Description	Q'ty Per Assembly
1	B802 4121	Cover:Paper Feed	1
2	B802 4152	Grip:Cover	1
3	B802 6012	Decal:Misfeed Removal:Original	1
4	B652 1807	Decal:Size:Original	1
5	B802 4711	Sound Proofing Material	2
6	B802 4154	Hook:Grip:Cover:Front	1
7	B802 4155	Hook:Grip:Cover:Inner Back	1
8	B802 4158	Shaft:Grip:Cover	1
9	AA06 2262	Tension Spring	1
10	B802 4241	Bracket:Cover:Front	1
11	B802 4231	Bracket:Cover:Inner Back	1
12	B802 4162	Stopper:Cover	1
13	AA14 3789	Shaft:Cleaner	1
14	AA14 3788	Pin:Guide Plate:Paper Feed	1
15	B802 4252	Bracket:Paper Size Sensor	1
16	B802 5840	Harness:Paper Feed	1
17	AW02 0154	Photointerruptor:Entrance	2
18	AW02 0155	Photointerruptor:Paper Size Sensor	3
19	GW01 0007	Photo Refiection Sensor:Exit	1
20	AW01 0091	Photo Reflection Sensor	2
21	GW02 0020	Photointerruptor:Lg248n1	1
22	B802 4263	Feeler:Original Sensor	1
23	GA14 3003	Screw:Mm5:2.5MM	3

Index No.	Part No.	Description	Q'ty Per Assembly
101	0451 3010N	Tapping Screw:3x10	
102	0450 3008N	Tapping Screw - M3x8	
103	0451 3006N	Tapping Screw - 3x6	
104	1105 0516	Clamp	

7.Original Feed 2 (B222/B224)

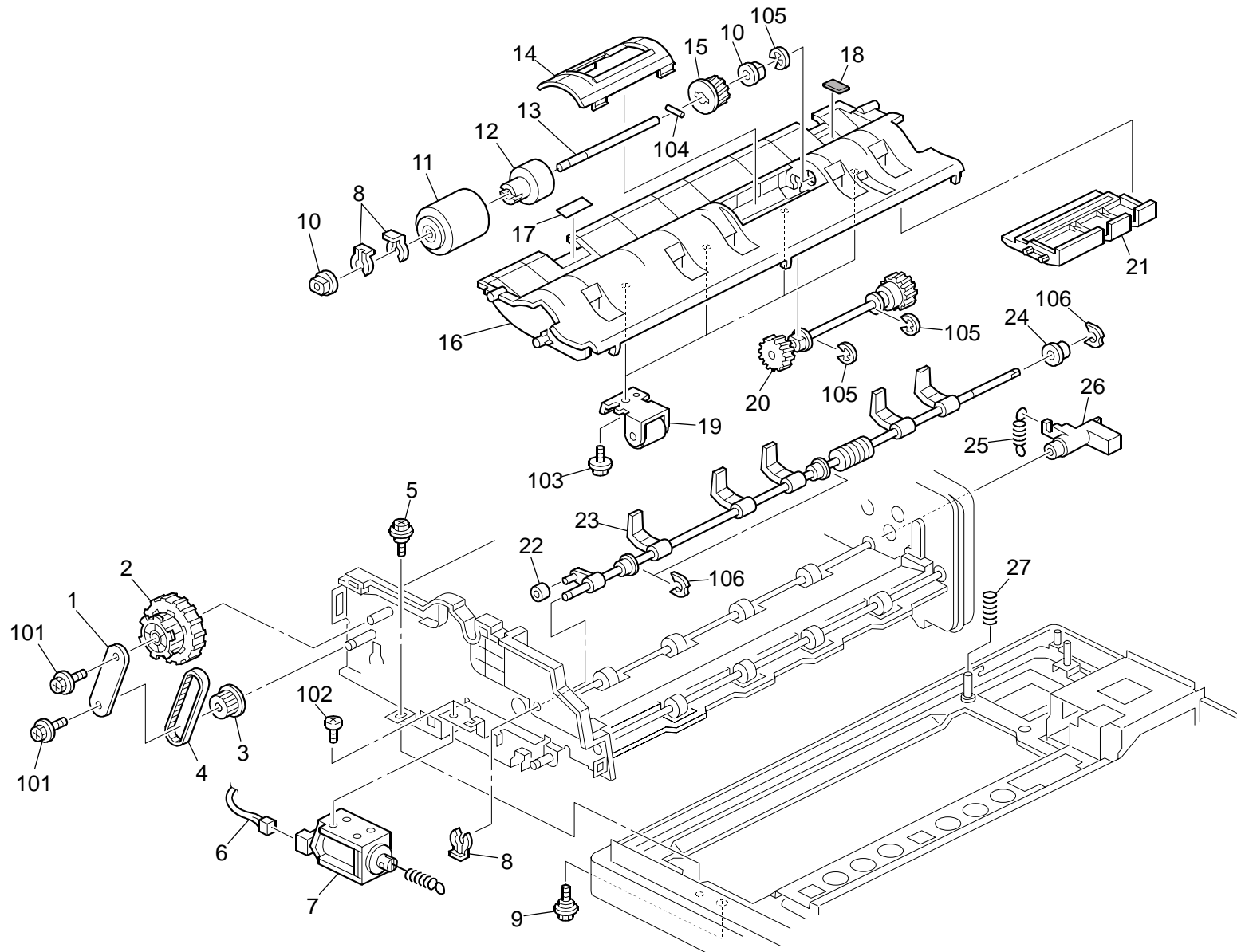


7.Original Feed 2 (B222/B224)

Index No.	Part No.	Description	Q'ty Per Assembly
1	B802 4311	Paper Feed:Unit	1
2	5447 2681	Snap Ring	2
3	AA08 2101	Bushing - 6x10x6	2
4	B802 4357	Gear:Z19	1
5	B802 4358	Timing Pulley:Gear:T19/Z22	1
6	B802 4361	Roller:Pickup	1
7	B387 2163	Pickup Collar	1
8	B802 4372	Timing Pulley:T21	1
9	AA04 3328	Timing Belt:40S2M130	1
10	B802 4352	Shaft:Pickup	1
11	B802 4355	Bracket:Pickup	1
12	B802 4359	Cushion:Pickup	1
13	A859 2112	Drive Shaft - Paper Feed Belt	1
14	B387 2113	Roller - Paper Feed Belt	1
15	B386 3320	Spring:Belt:Paper Feed:8n	2
16	B802 4333	Bracket:Paper Feed Belt	1
17	B802 4326	Collar:Shaft	2
18	AA08 2104	Bushing - 8x12x7	1
19	AA13 2013	Spacer	2
20	AA06 3435	Compression Spring:Paper Feed:Joint	1
21	A628 1225	Bushing - 8mm	4
22	B789 2114	Paper Feed Belt Roller	1
23	A806 1295	Feed Belt	1
24	B802 4322	Shaft:Drive	1
25	AA06 6376	Torsion Spring:Pickup:Pressure	1
26	B802 4323	Holder	1
27	B802 4325	Lever:Pickup:Release	1
28	B802 4328	Gear:Z20	1
29	B802 4228	Drum Stay:Upper:Front	1
30	B802 4227	Drum Stay:Upper:Inner Back	1
31	B802 4229	Sheet:Guide:Upper	1
32	B802 4224	Spring Plate:Upper	2
33	B802 4222	Guide:Upper	1
34	AA08 0288	Bushing:Dia6	2
35	B802 4295	Driven Roller:Pull Out	1

Index No.	Part No.	Description	Q'ty Per Assembly
36	AA06 3441	Compression Spring	2
37	B802 4282	Bracket:Driven Roller:Pull Out	1
38	B802 4292	Ground Plate:Driven Roller:Pull Out	1
39	G052 4892	Discharge Brush:Exit:Small	2
40	B802 4265	Ground Plate	1
41	B802 4225	Sheet:Driven Roller:Pull Out	1
101	0450 3008N	Tapping Screw - M3x8	
102	0451 3006N	Tapping Screw - 3x6	
103	0720 0040E	Retaining Ring - M4	
104	0720 0060E	Retaining Ring - M6	
105	0805 0088	Retaining Ring - M6	
106	0632 0100G	Pin - 2x10mm	
107	1105 0516	Clamp	
108	0741 3506	Ball Bearing - 6x12x4 Mm	

8.Original Feed 3 (B222/B224)

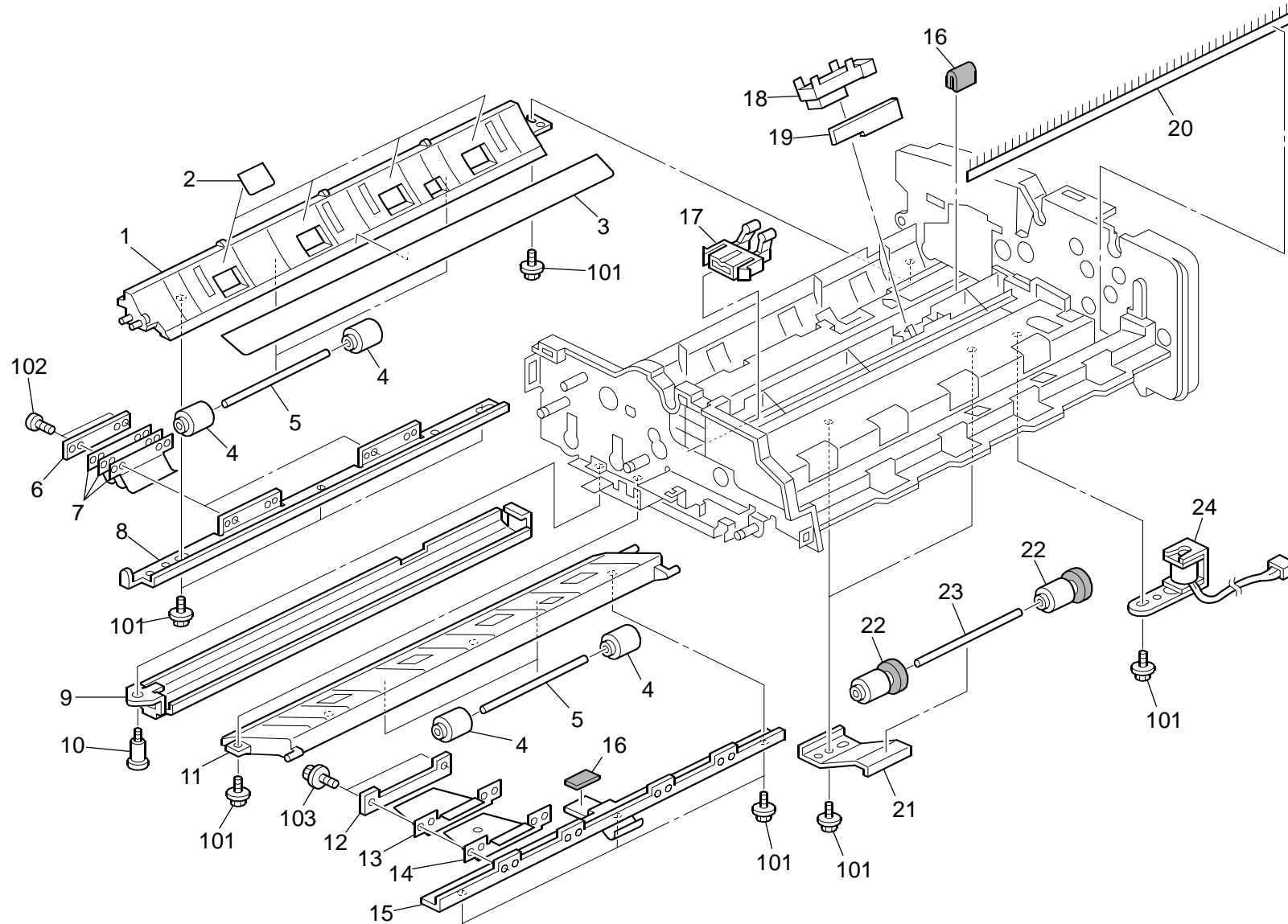


8.Original Feed 3 (B222/B224)

Index No.	Part No.	Description	Q'ty Per Assembly
1	B802 1773	Bracket:Shaft:Side Plate:Front	1
2	B802 1777	Knob:Misfeed Removal:T27	1
3	B312 1615	Tension Roller	1
4	B802 1772	Timing Belt:40S3M189	1
5	AA14 3520	Shoulder Screw - M3	1
6	B802 5790	Harness:Solenoid	1
7	B802 3811	DC Solenoid:24V	1
8	5447 2681	Snap Ring	3
9	AA14 3823	Tapping Screw	1
10	AA08 2101	Bushing - 6x10x6	2
11	A859 2241	Reverse Roller	1
12	A294 6700	Torque Limiter - 53mnm	1
13	B802 2252	Shaft:Roller:Reverse	1
14	B802 2225	Drum Stay:Guide:Reverse	1
15	B802 2253	Gear:Z20	1
16	B802 2222	Guide:Reverse:Open And Close	1
17	B802 6014	Decal:Display:Misfeed Removal:P2	1
18	A422 1063	Seal - 0.7x13x20	1
19	B802 2285	Roller:Reverse Exit:Driven	4
20	B802 2231	Shaft:Reverse:Drive:Press Fit	1
21	B802 2227	Guide:Reverse:Open And Close:Behind	1
22	A458 2251	Cushion - Bin Solenoid Lever	1
23	B802 2111	Stopper Pawl:Paper Feed	1
24	AA08 0265	Bushing:6x8x5	1
25	AA06 0843	Tension Spring	1
26	B802 2115	Lever:Stopper Pawl	1
27	AA06 3919	Spring:Pressure	1

Index No.	Part No.	Description	Q'ty Per Assembly
101	0451 3006N	Tapping Screw - 3x6	
102	0353 0040N	Screw - M3X4	
103	0450 3008N	Tapping Screw - M3x8	
104	0632 0120G	Parallel Pin - 2x12	
105	0720 0040E	Retaining Ring - M4	
106	0805 0089	Retaining Ring - M4	

9.Original Transfer 1 (B222/B224)

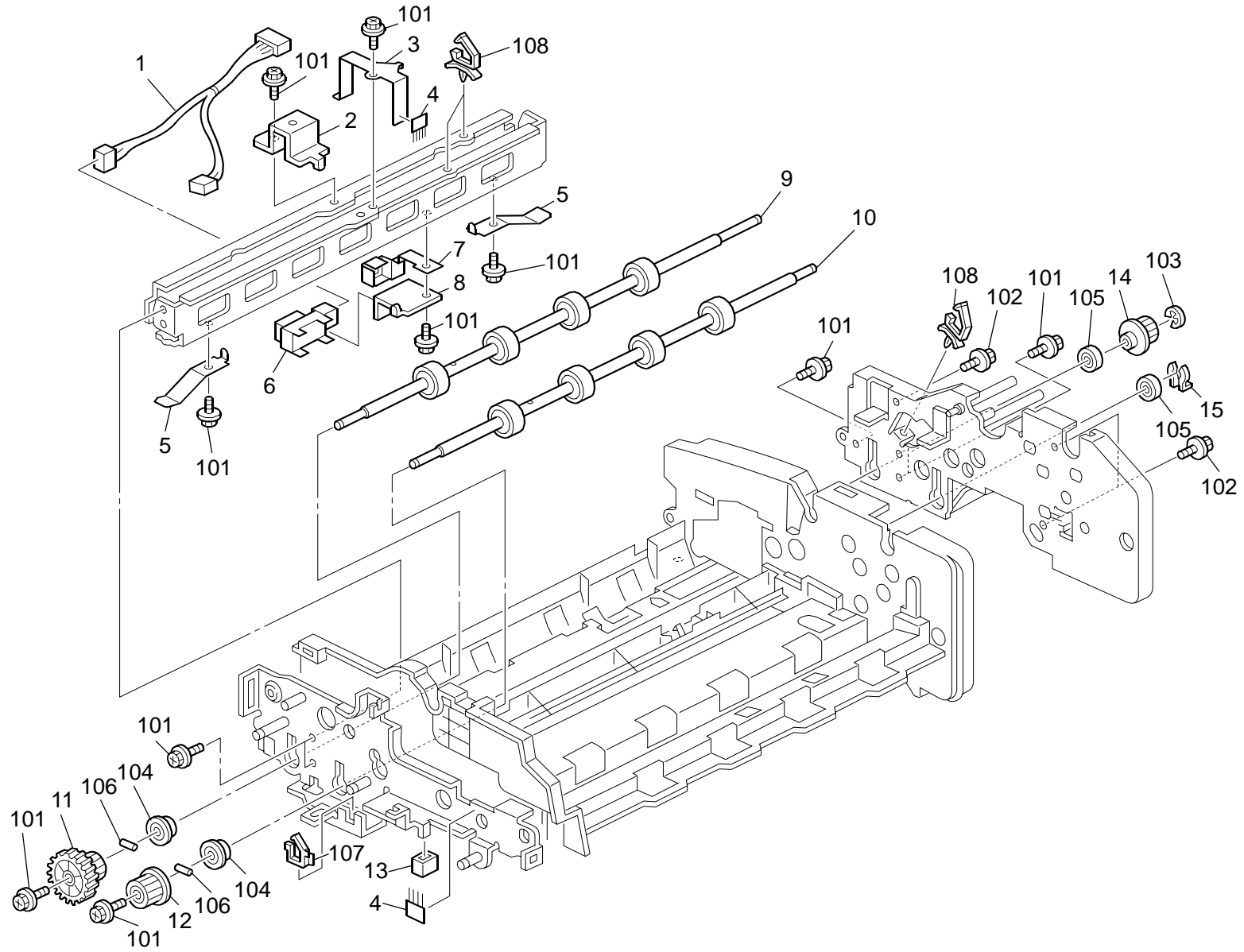


9.Original Transfer 1 (B222/B224)

Index No.	Part No.	Description	Q'ty Per Assembly
1	B802 3412	Guide:Scanning:Entrance:Lower	1
2	B802 3413	Sheet:Roller:Scanning:Entrance	4
3	B802 3414	Sheet:Scanning:Entrance	1
4	B802 3471	Roller:Scanning:Driven	8
5	B802 3592	Shaft:Driven:Exit	4
6	B802 3426	Plate:Entrance:Pressure:Auxiliary	2
7	B802 3427	Spring Plate:Scanning:Entrance:Driven	6
8	B802 3422	Stay:Scanning:Entrance:Lower	1
9	B802 3511	Guide Plate:Scanning	1
10	AA14 3569	Screw	1
11	B802 3553	Guide:Scanning:Exit:Lower	1
12	B802 3566	Plate:Exit:Pressure:Auxiliary	2
13	B802 3567	Spring Plate:Scanning:Exit:Driven:Upper	1
14	B802 3568	Spring Plate:Scanning:Exit:Driven:Lower	1
15	B802 3561	Stay:Scanning:Exit:Lower	1
16	A422 1063	Seal - 0.7x13x20	1
17	B802 2291	Stopper:Guide:Reverse	1
18	GW01 0007	Photo Refiection Sensor:Exit	1
19	B802 3851	Bracket:Sensor:Scanning:Exit	1
20	B802 3755	Discharge Brush:Reverse	1
21	B802 3711	Spring Plate	2
22	B789 3712	Exit Driven Roller	4
23	B789 3491	Scanning Driven Shaft	2
24	B714 5006	DC Solenoid:Transmitted Rubber Stamp	1
25	H511 5007	Stamp	1

Index No.	Part No.	Description	Q'ty Per Assembly
101	0450 3008N	Tapping Screw - M3x8	
102	0453 3006N	Tapping Screw - M3x6	
103	0451 3006N	Tapping Screw - 3x6	

10.Original Transfer 2 (B222/B224)

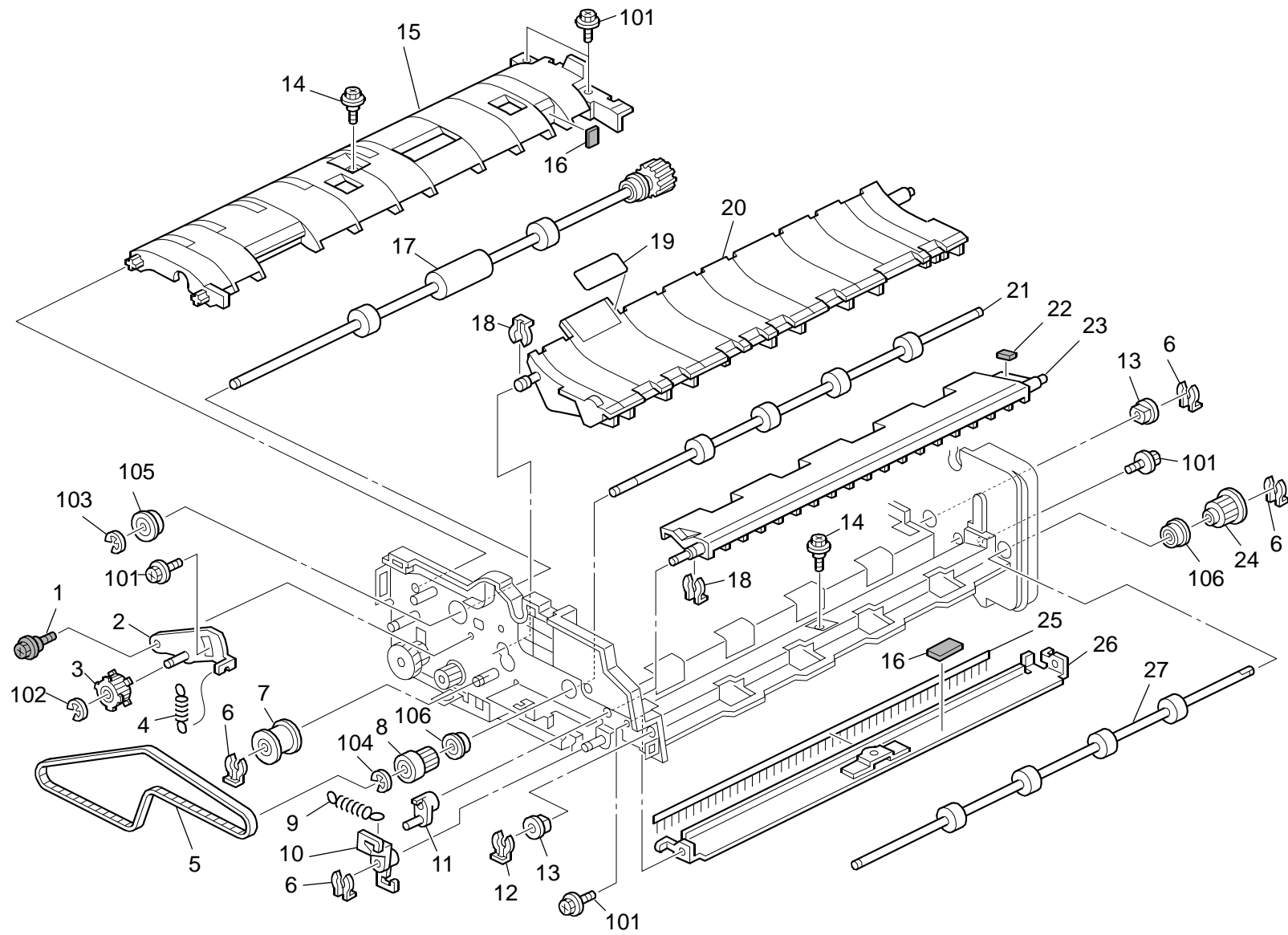


10.Original Transfer 2 (B222/B224)

Index No.	Part No.	Description	Q'ty Per Assembly
1	B802 5810	Harness:Registration Sensor	1
2	B802 3381	Bracket:Guide:Paper Feed:Lower	1
3	B802 3147	Ground Plate:Roller:Scanning	1
4	G052 4892	Discharge Brush:Exit:Small	2
5	B802 3145	Spring Plate	2
6	GW01 0007	Photo Refiection Sensor:Exit	1
7	B802 3833	Shielding Plate:Sensor	1
8	B802 3832	Bracket:Registration Sensor	1
9	B802 3231	Roller:Scanning:Entrance	1
10	B802 3251	Roller:Scanning:Exit	1
11	B802 3234	Timing Pulley:T33/T24	1
12	B802 3252	Timing Pulley:T33	1
13	A697 2102	Damper - Junction Gate Solenoid	1
14	B802 3233	Timing Pulley:T33	1
15	5447 2681	Snap Ring	1

Index No.	Part No.	Description	Q'ty Per Assembly
101	0451 3006N	Tapping Screw - 3x6	
102	0450 3008N	Tapping Screw - M3x8	
103	0720 0040E	Retaining Ring - M4	
104	0741 3506	Ball Bearing - 6x12x4 Mm	
105	0740 3506	Ball Bearimg - 6x12x4 Mm	
106	0632 0100G	Pin - 2x10mm	
107	1105 0514	Edge Saddle - Eds-0607I	
108	1105 0511	Harness Clamp - LWS-0306ZC	

11.Original Transfer 3 (B222/B224)

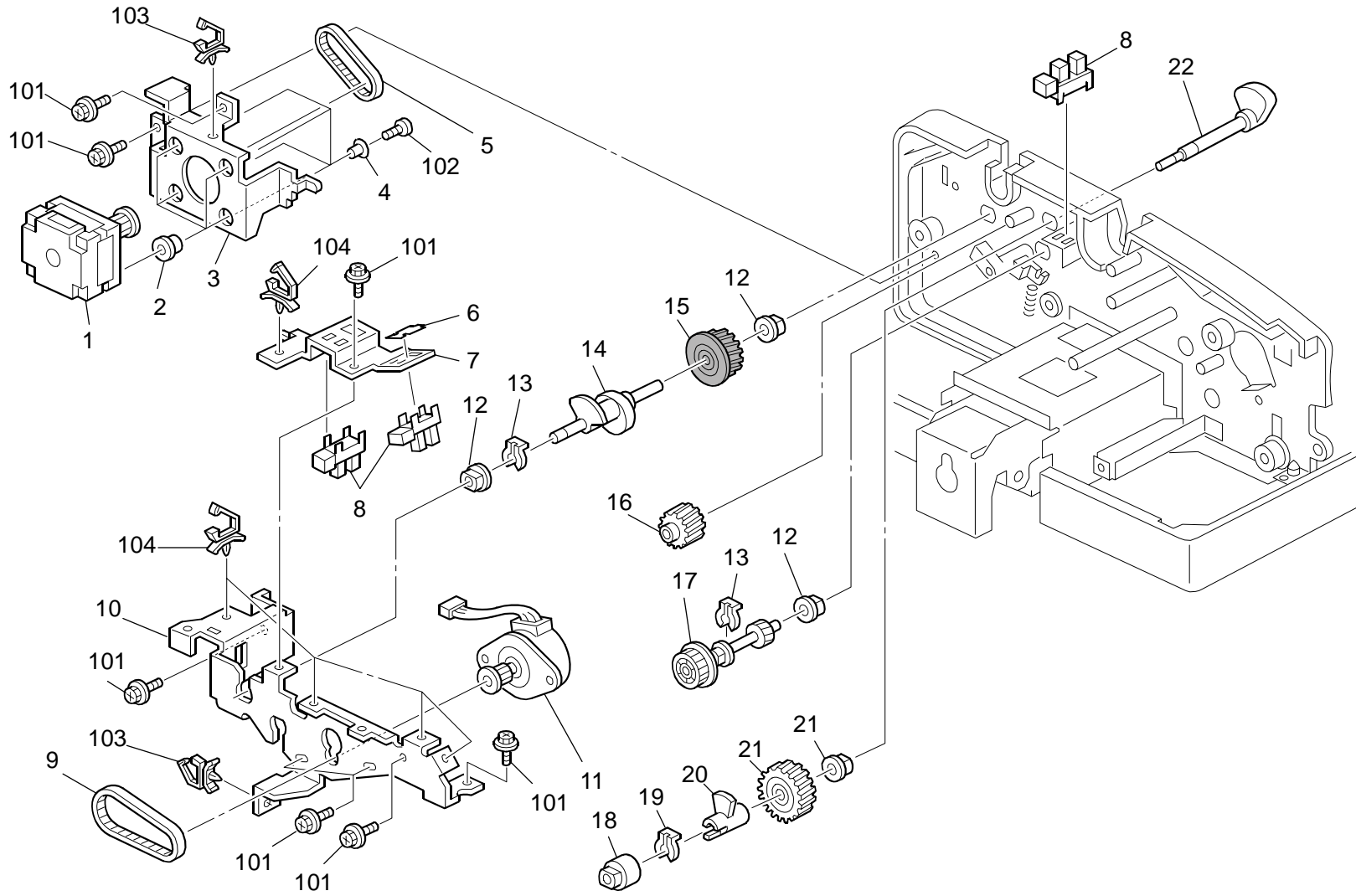


11.Original Transfer 3 (B222/B224)

Index No.	Part No.	Description	Q'ty Per Assembly
1	B238 4483	Screw	1
2	B802 1755	Bracket:Tension	1
3	B802 1762	Timing Pulley:T31	1
4	AA06 0842	Tension Spring	1
5	AA04 3321	Timing Belt:40S1.5M378	1
6	5447 2681	Snap Ring	2
7	B802 1767	Pulley:Idler:DIA16	1
8	B802 3312	Timing Pulley:T26	1
9	AA06 2260	Tension Spring	1
10	B802 3631	Link:Solenoid	1
11	B802 3615	Lever:Exchange Powl:Reverse	1
12	G020 1160	Snap Ring	1
13	AA08 2101	Bushing - 6x10x6	2
14	AA14 3790	Screw:Contact Point	2
15	B802 3351	Guide:Paper Feed:Lower	1
16	A422 1063	Seal - 0.7x13x20	1
17	B802 3211	Roller:Pull Out	1
18	5215 2621	Snap Ring - M6	1
19	B802 6015	Decal:Display:Misfeed Removal:P3	1
20	B802 3651	Guide:Exit:Upper	1
21	B802 3311	Roller:Exit	1
22	B802 3612	Cushion:Exchange Powl	1
23	B802 3611	Exchange Powl:Reverse	1
24	B802 3332	Timing Pulley:T23	1
25	B802 3756	Discharge Brush:Exit	1
26	B802 3751	Stay:Reverse	1
27	B802 3331	Roller:Reverse	1

Index No.	Part No.	Description	Q'ty Per Assembly
101	0451 3006N	Tapping Screw - 3x6	
102	0720 0040E	Retaining Ring - M4	
103	0720 0060E	Retaining Ring - M6	
104	0720 0030E	Retaining Ring - M3	
105	0742 3808	Ball Bearing - 8x16x5	
106	0741 3506	Ball Bearing - 6x12x4 Mm	

12.ARDF Drive Section 1 (B222/B224)

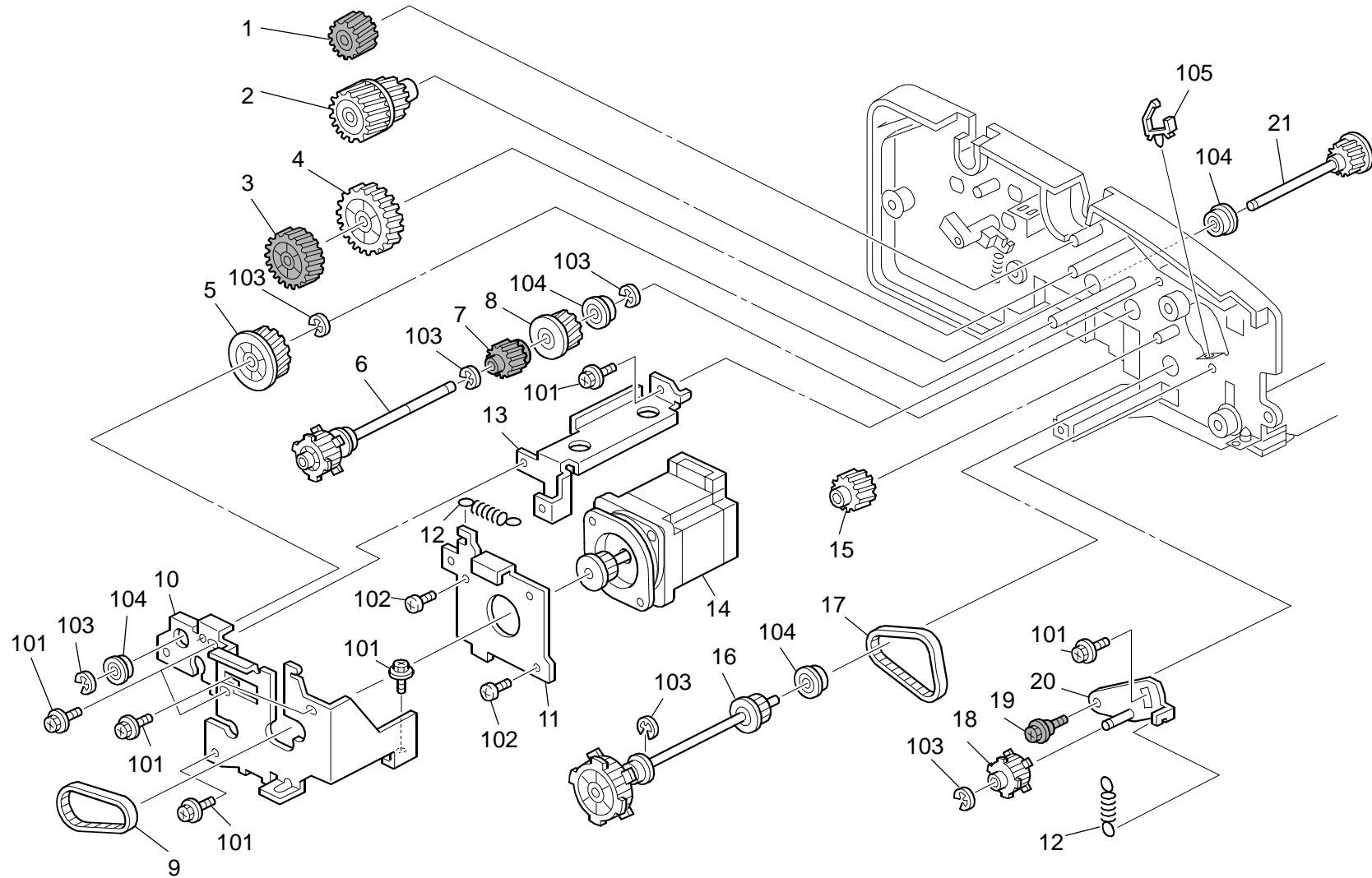


12.ARDF Drive Section 1 (B222/B224)

Index No.	Part No.	Description	Q'ty Per Assembly
1	B802 1812	Stepper Motor:DC4.08V 2.4W	1
2	AA10 1021	Rubber Bushing - 6 45hs	4
3	B802 1815	Bracket:Reverse:Drive	1
4	B044 1825	Collar	4
5	J503 3116	Timing Belt:40S2M128	1
6	G570 1225	Sensor Shielding Plate	1
7	B802 1985	Bracket:Sensor:Pickup	1
8	GW02 0020	Photointerruptor:Lg248nl1	3
9	AA04 3323	Timing Belt:40S2M120	1
10	B802 1925	Bracket:Pickup:Drive	1
11	B700 5805	Stepper Motor:Pm:S2m:T15:Ass'y	1
12	AA08 2101	Bushing - 6x10x6	3
13	5447 2681	Snap Ring	1
14	B802 1951	Cam:Stopper Pawl	1
15	B351 1791	Gear - 25Z	1
16	B351 1781	Gear - 18Z	1
17	B802 1931	Timing Pulley:T33-Z17	1
18	B802 1942	Stopper:Cam:Pickup	1
19	5206 2686	Snap Ring	1
20	B802 1943	Feeler:Cam:Pickup	1
21	A680 2261	Gear - 24Z	1
22	B802 1941	Cam:Pickup	1

Index No.	Part No.	Description	Q'ty Per Assembly
101	0451 3006N	Tapping Screw - 3x6	
102	0353 0060N	Bind Screw - M3x6	
103	1105 0511	Harness Clamp - LWS-0306ZC	
104	1105 0516	Clamp	

13.ARDF Drive Section 2 (B222/B224)

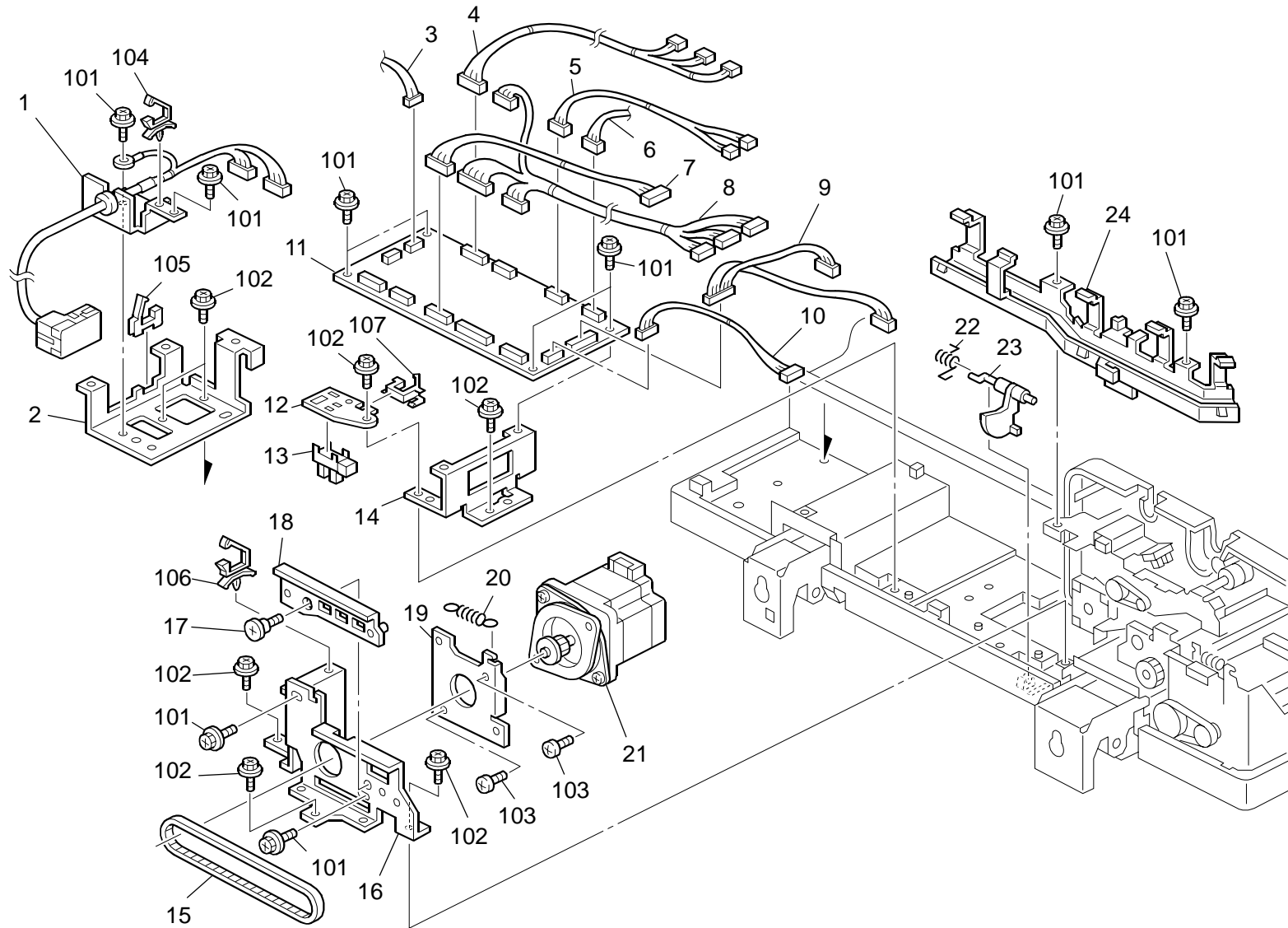


13.ARDF Drive Section 2 (B222/B224)

Index No.	Part No.	Description	Q'ty Per Assembly
1	B802 1671	Gear:Z17	1
2	B802 1661	Gear:Z21/Z23	1
3	B802 1642	Gear:Z37	1
4	B802 1643	Gear:Z26	1
5	B802 1651	Gear:Z25	1
6	B802 1631	Timing Pulley:T31	1
7	B802 1632	Gear:Z18	1
8	B802 1633	Gear:Z19	1
9	AA04 3320	Timing Belt:40S1.5M150	1
10	B802 1715	Bracket:Stepper Motor	1
11	B802 1731	Stay:Motor:Scanning	1
12	AA06 0842	Tension Spring	2
13	B802 1736	Bracket:Protect:Drive	1
14	B802 1721	Stepper Motor:DC1.76V 3.7W	1
15	B802 1681	Gear:Z18	1
16	B802 1741	Timing Pulley:T31/T61	1
17	AA04 3322	Timing Belt:40S1.5M157.5	1
18	B802 1762	Timing Pulley:T31	1
19	B238 4483	Screw	1
20	B802 1755	Bracket:Tension	1
21	B802 1641	Gear:Z18	1

Index No.	Part No.	Description	Q'ty Per Assembly
101	0451 3006N	Tapping Screw - 3x6	
102	0453 4006N	Binding Self Tapping Screw:4x6	
103	0720 0040E	Retaining Ring - M4	
104	0741 3506	Ball Bearing - 6x12x4 Mm	
105	1105 0511	Harness Clamp - LWS-0306ZC	

14.ARDF Electrical Section (B222/B224)

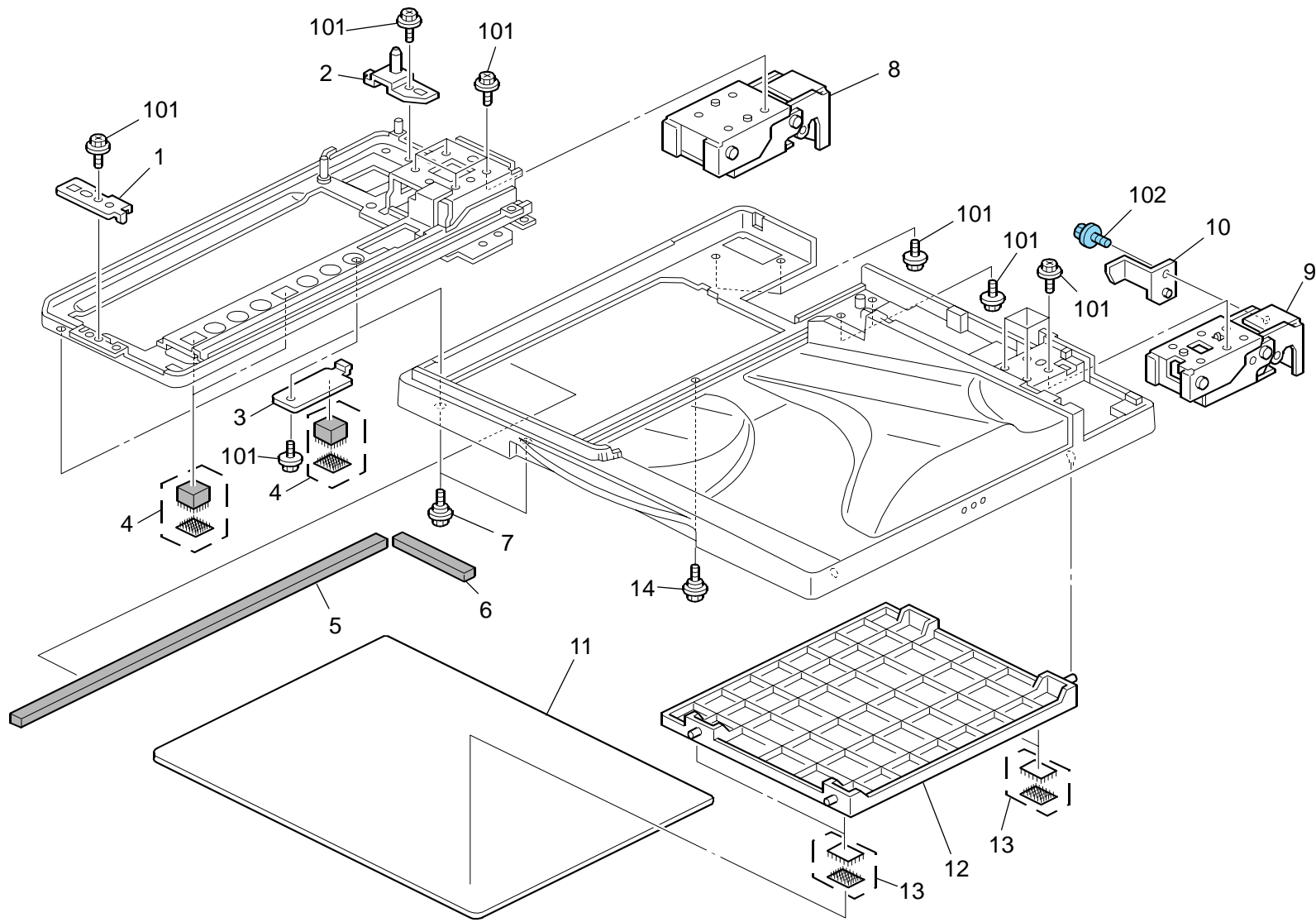


14.ARDF Electrical Section (B222/B224)

Index No.	Part No.	Description	Q'ty Per Assembly
1	B802 5710	Harness:Interface	1
2	B802 1231	Bracket:PCB:Right	1
3	B802 5780	Harness:Lift_up	1
4	B802 5730	Harness:Paper Feed	1
5	B802 5800	Harness:Solenoid	1
6	B802 5770	Harness:Motor:Reverse	1
7	B802 5740	Harness:Original Table	1
8	B802 5830	Harness:Guide	1
9	B802 5760	Harness:Motor:Paper Feed	1
10	B802 5820	Harness:Motor:Pick Up	1
11	B802 5500	PCB:Main	1
12	B802 1246	Bracket:On Off Detector	1
13	GW02 0020	Photointerruptor:Lg248nl1	1
14	B802 1236	Bracket:PCB:Left	1
15	B703 1165	Timing Belt:B40S2M390	1
16	B802 1612	Bracket:Motor	1
17	AA14 3802	Screw:6X1.7	1
18	B802 1624	Bracket:Coupling	1
19	B802 1616	Stay:Motor	1
20	AA06 0842	Tension Spring	1
21	B802 1621	Stepper Motor:DC24V 4.8W	1
22	B387 1951	Spring - Paper Size Sensor	1
23	B789 1942	Paper Size Sensor Feeler	1
24	B802 1412	Plate:Harness:Guide	1

Index No.	Part No.	Description	Q'ty Per Assembly
101	0451 3006N	Tapping Screw - 3x6	
102	0450 3008N	Tapping Screw - M3x8	
103	0453 4006N	Binding Self Tapping Screw:4x6	
104	1105 0511	Harness Clamp - LWS-0306ZC	
105	1105 0522	Edge Saddle - Les0510	
106	1105 0487	Harness Clamp	
107	1105 0514	Edge Saddle - Eds-0607I	

15.ARDF Frame Section (B222/B224)

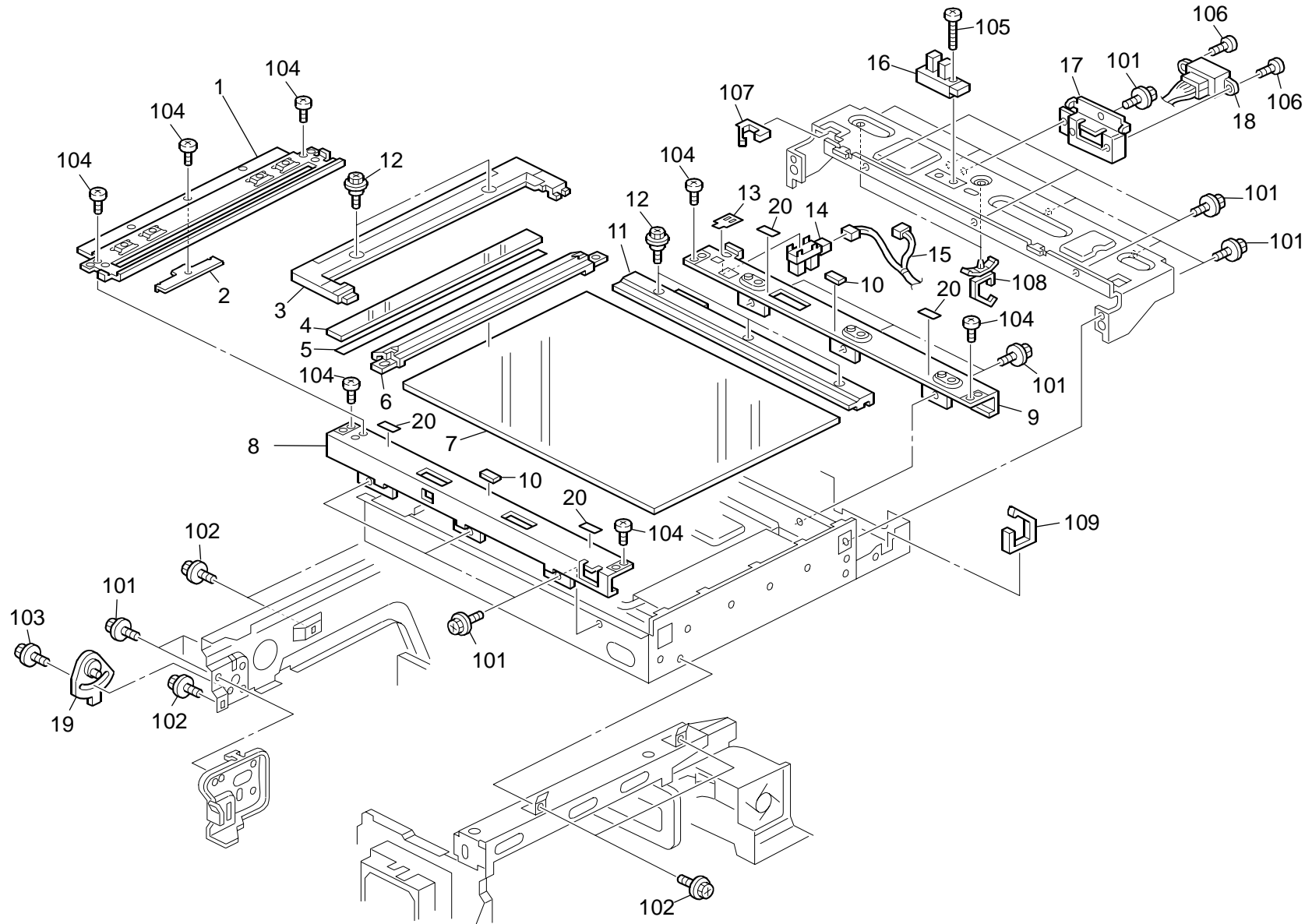


15.ARDF Frame Section (B222/B224)

Index No.	Part No.	Description	Q'ty Per Assembly
1	B802 1121	Positioning Plate:Front	1
2	B802 1131	Positioning Plate:Rear	1
3	B802 1141	Cover:Paper Feed Sensor	1
4	B802 4631	Cushion:Left	3
5	B802 4713	Cushion:Left	1
6	B802 4714	Cushion:Inner Back	1
7	AA14 3790	Screw:Contact Point	2
8	B802 1311	Hinge:Left	1
9	B802 1351	Hinge:Right	1
10	A859 1841	Filter - DF Open Sensor	1
11	B802 4611	Pressure Plate	1
12	B802 4621	Drum Stay:Pressure Plate	1
13	B477 2715	Pressure Plate Tape	2
14	AA14 3520	Shoulder Screw - M3	1

Index No.	Part No.	Description	Q'ty Per Assembly
101	0451 3006N	Tapping Screw - 3x6	
102	0454 3006Q	Tapping Screw - M3x6	

16.Scanner Section 1 (B222/B224)

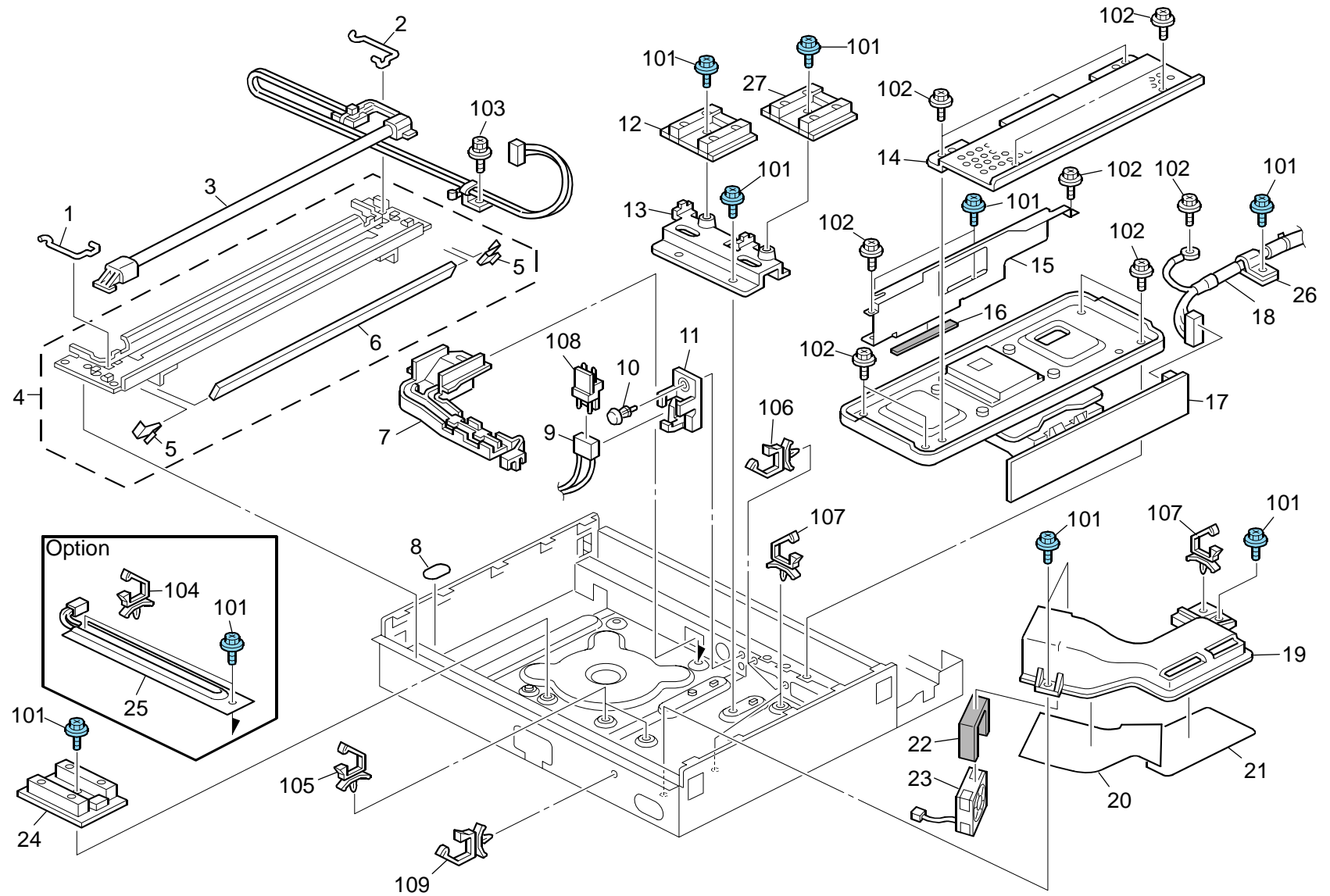


16.Scanner Section 1 (B222/B224)

Index No.	Part No.	Description	Q'ty Per Assembly
1	B180 1731	Bracket:Sheet Through	1
2	B223 1785	Spacer:Bracket:Scale:Left	1
3	B223 1773	Scale:Machine Or Copier	1
4	BC01 2002	Exposure Glass:Sheet Through:344x20	1
5	B223 1774	Seal:Sheet Through	1
6	B223 1787	Scale:Left:Na	1
6	B223 1777	Scale:Left	1
7	A250 1752	Exposure Glass	1
8	B051 1727	Frame:Scanner:Front	1
9	B223 1788	Frame:Scanner:Rear	1
10	5442 1924	Exposure Glass Cushion	2
11	B132 1692	Scale:Rear:Printing	1
12	AA14 3520	Shoulder Screw - M3	5
13	A193 1793	Scanner Home Sensor Stopper	1
14	AW02 0145	Photointerruptor:Flat	1
15	B223 5202	Harness:Sio:Sensor	1
16	AW02 0146	Photointerruptor:Flat:Pich2mm:M4	1
17	B223 1808	Document Feeder:Connector:Bracket	1
18	B223 5203	Harness:Sio:Ardf	1
19	B223 1116	Cam:Guide Plate:Scanner:Left	1

Index No.	Part No.	Description	Q'ty Per Assembly
100	B652 1807	Decal:Size:Original	1
101	0451 3006N	Tapping Screw - 3x6	
102	0451 3008N	Tapping Screw - M3x8	
103	0451 3010N	Tapping Screw:3x10	
104	0453 3006N	Tapping Screw - M3x6	
105	0314 0120N	Screw - M4X12	
106	0453 3008N	Binding Self Tapping Screw:3x8	
107	1105 0522	Edge Saddle - Les0510	
108	1105 0511	Harness Clamp - LWS-0306ZC	
109	1105 0544	Edge Saddle:Les-2017	

17.Scanner Section 2 (B222/B224)

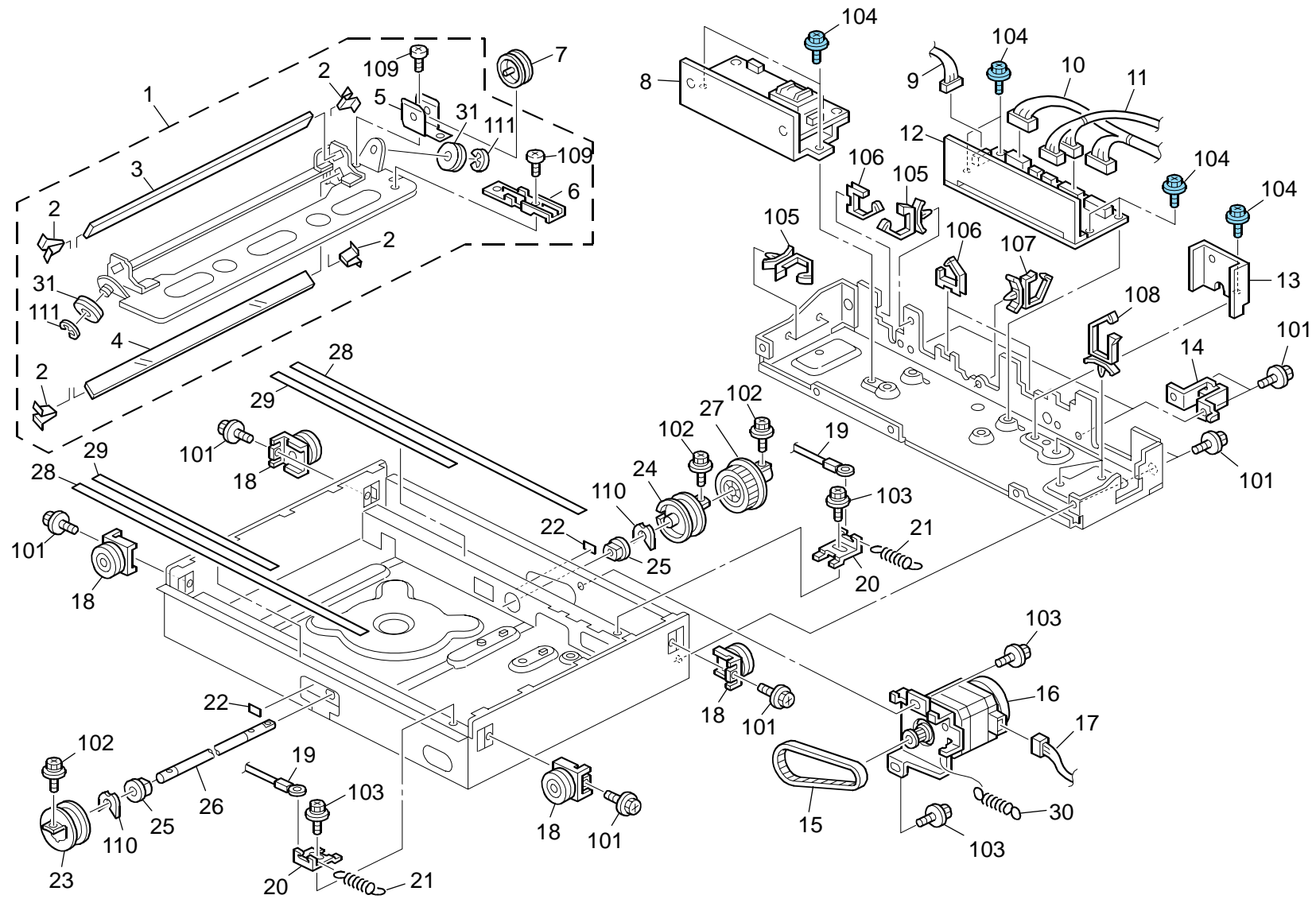


17.Scanner Section 2 (B222/B224)

Index No.	Part No.	Description	Q'ty Per Assembly
1	A193 1766	Wire Clamp	1
2	A193 1769	Clamp - REAR WIRE	1
3	B223 1840	Xenon Lamp	1
4	B180 1716	Carriage:No.1:Ass'y	1
5	A193 1767	1st Mirror Holder	2
6	AC03 0142	1st Mirror	1
7	B180 1803	Guide:High Voltage Supply Cord:Base	1
8	B223 1824	Seal:Scanner:Frame:Base	1
9	B223 5218	Harness:Xenon Lamp	1
10	H020 2318	Rivet - Nrp345	1
11	B223 1786	Holder:Connector	1
12	AW01 0114	Original Sensor:H=2-66	1
13	B051 1814	Bracket:Original Sensor	1
14	B180 1701	Inner Cover	1
15	B223 1790	Ground Plate:Stay:Lens	1
16	B223 1791	Gasket:Rfsg-030100:75	1
17	B223 1771	Lens Unit	1
18	B223 5225	Interface Cable:Scanner:LVDS:HF	1
19	B223 1825	Duct:Scanner	1
20	B223 1827	Seal:Duct:Front:Scanner	1
21	B223 1828	Seal:Duct:Rear:Scanner	1
22	B223 1826	Sheet:Fan:Duct:Scanner	1
23	AX64 0164	Fan Motor:15mm:24V	1
24	AW01 0115	Original Sensor:H=81.5	1
25	A250 1821	Heater - 9W (120V)	1
25	A250 1822	Heater - 9W (230V)	1
26	B154 5879	Plate:Cable	1
27	AW01 0116	Original Sensor:H=1-66	1

Index No.	Part No.	Description	Q'ty Per Assembly
101	0454 3006Q	Tapping Screw - M3x6	
102	0451 3006N	Tapping Screw - 3x6	
103	0802 5299	Tapping Screw - M3x8	
104	1105 0460	Clamp	
105	1105 0511	Harness Clamp - LWS-0306ZC	
106	1105 0516	Clamp	
107	1105 0508	Harness Clamp - LWS-0711	
108	1103 3354	Connector:B2P5-VH-TW-R(LF)(SN)	
109	1105 0534	Clamp	

18.Scanner Section 3 (B222/B224)

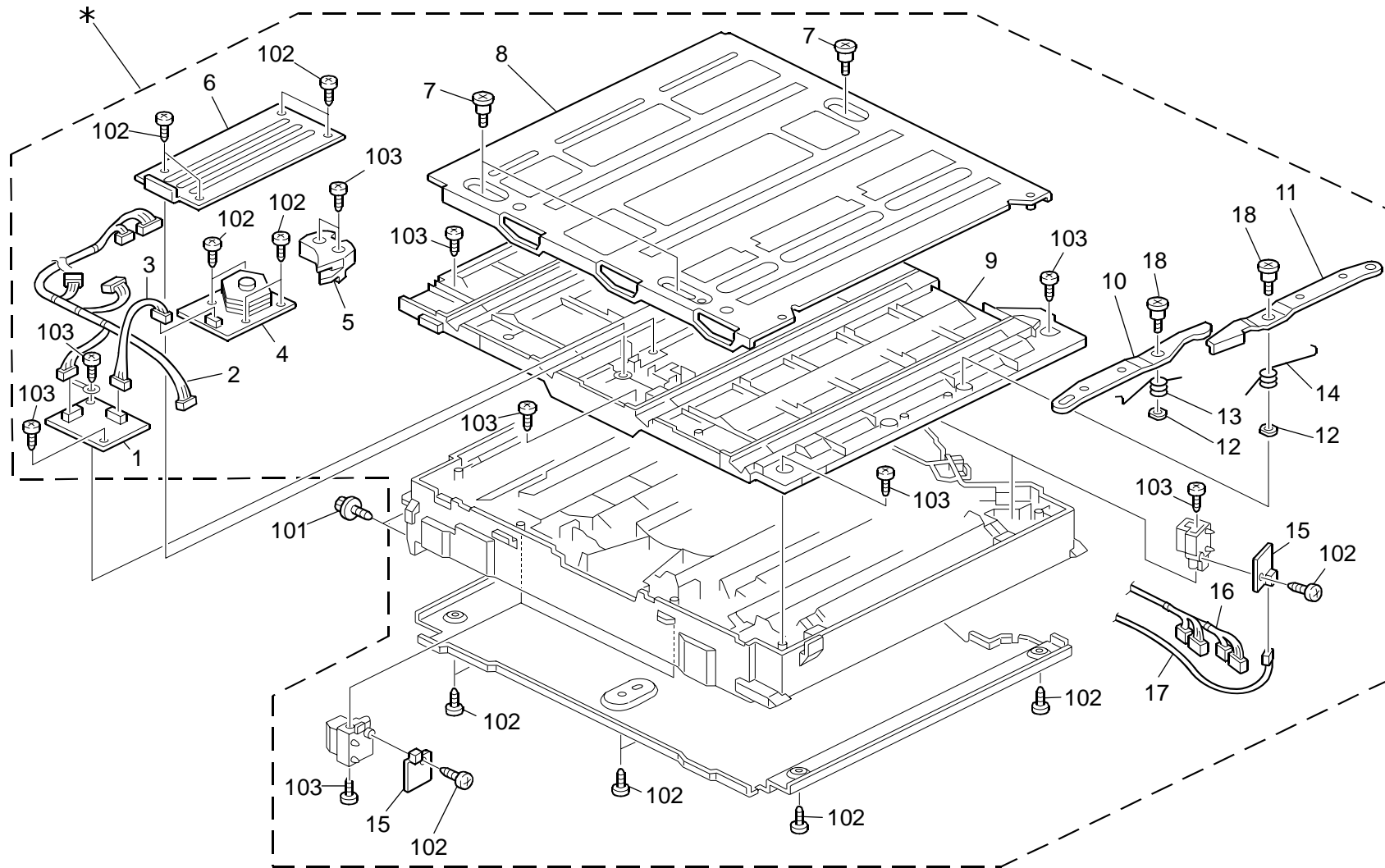


18.Scanner Section 3 (B222/B224)

Index No.	Part No.	Description	Q'ty Per Assembly
1	B223 1721	Carriage:No.2	1
2	G404 2810	Spring Plate - 2nd Mirror	4
3	B223 1754	Mirror:No.2:Concave	1
4	B223 1755	Mirror:No.2:Convax	1
5	G570 2833	Pulley Holder	1
6	G570 2832	Guide - High Voltage Supply Cord	1
7	G570 2834	Pulley - High Voltage Supply Cord	1
8	AZ50 0070	Stabilizer:T	1
9	B223 5204	Harness:Sio:Lamp Regulator	1
10	B223 5223	Harness:Sio:Machine Or Copier	1
11	B223 5226	Harness:Sio:Scanner Unit	1
12	B223 5106	PCB:SIO	1
13	B223 1779	Cover:Stepper Motor:Rear	1
14	B223 1807	Bracket:Exterior:Rear	2
15	B238 1792	Timing Belt - 157ST1.5-4.0	1
16	B180 1713	Stepper Motor:Ass'y	1
17	B223 5216	Harness:SIO:Scanner Motor SMD	1
18	B238 1806	Idler Pulley	4
19	B223 1782	Drive Were	2
20	B180 1704	Bracket:Tension	2
21	AA06 0980	Tension Spring:Tension:11300mn	2
22	G570 1160	Spacer Bushing	2
23	B180 1810	Pulley:Drive Were:Front:Sub-Ass'y	1
24	B180 1812	Pulley:Drive Were:Rear:Sub-Ass'y	1
25	AA08 2144	Bushing - 8x12x7	2
26	B180 1814	Shaft:Scanner:Drive	1
27	G570 1133	Timing Pulley 73	1
28	A193 1816	1st Slide Rail	2
29	B180 1734	Slide Rail:No.2	2
30	AA06 0979	Tension Spring:Tension:14720mn	1
31	B238 1807	Pulley	2

Index No.	Part No.	Description	Q'ty Per Assembly
101	0451 3006N	Tapping Screw - 3x6	
102	0804 6123	Hexagonal Bolt:W/washer:M3x8	
103	0802 5299	Tapping Screw - M3x8	
104	0454 3006Q	Tapping Screw - M3x6	
105	1105 0516	Clamp	
106	1105 0518	Edge Saddle - Les-1010	
107	1105 0488	Harness Clamp	
108	1105 0517	Harness Clamp - LWS-2111Z	
109	0353 0050N	Screw-m3x5	
110	0805 0088	Retaining Ring - M6	
111	0720 0040E	Retaining Ring - M4	

19.LD unit (B222/B224)

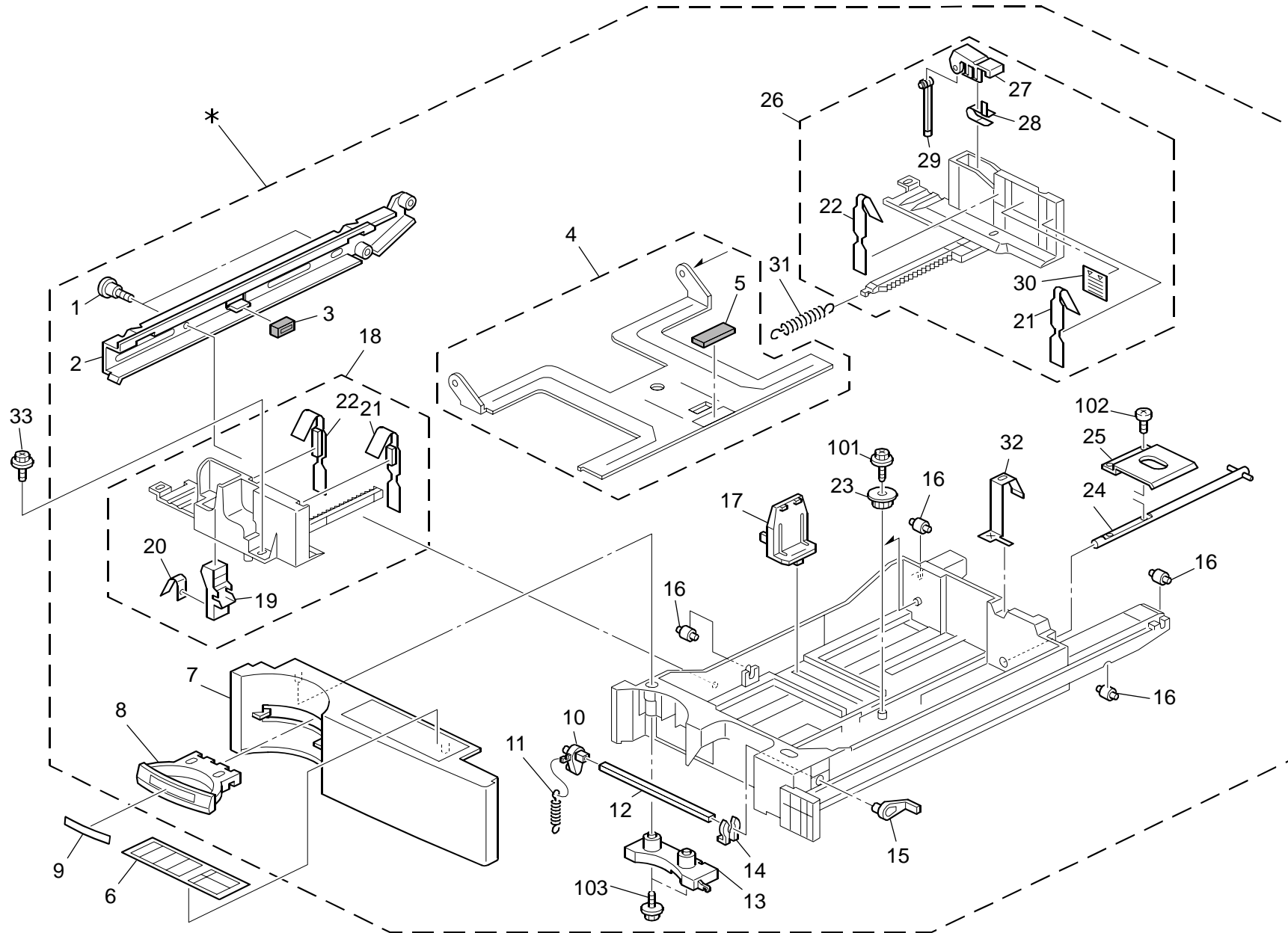


19.LD unit (B222/B224)

Index No.	Part No.	Description	Q'ty Per Assembly
*	B221 1851	Imaging Unit Ass'y C1c	1
*	B223 1851	Imaging Unit Ass'y C1d	1
1	B180 5445	Polygon Mirror Motor Board	1
2	B223 5241	Harness:Polygon Mirror Motor	1
3	B223 5243	Harness:Motor:Driver	1
4	AX06 0286	Polygon Mirror Motor	1
5	B223 1903	Louver	1
6	B223 1882	Cover - Polygon Motor	1
7	B223 1907	Screw	3
8	B223 1885	Shutter Ass'y	1
9	B223 1881	Cover - Upper	1
10	B223 1909	Link:Shutter:2	1
11	B223 1908	Link:Shutter:1	1
12	B223 1989	Plate Nut:Link	2
13	B223 1914	Torsion Spring:Link:2	1
14	B223 1913	Torsion Spring:Link:1	1
15	B238 5144	PCB Sync Detector	4
16	B221 5236	Harness:LDB:1LD	1
16	B223 5235	Harness:LDB:2LD	1
17	B223 5239	Harness:Sync Detector	1
18	B223 1988	Screw:Link:Shutter	2

Index No.	Part No.	Description	Q'ty Per Assembly
101	0451 3008N	Tapping Screw - M3x8	
102	0452 3008N	Tapping Screw - M3x8	
103	0452 3010N	Binding Self-tapping Screw:3x10	

20.1st Paper Tray (B222/B224)

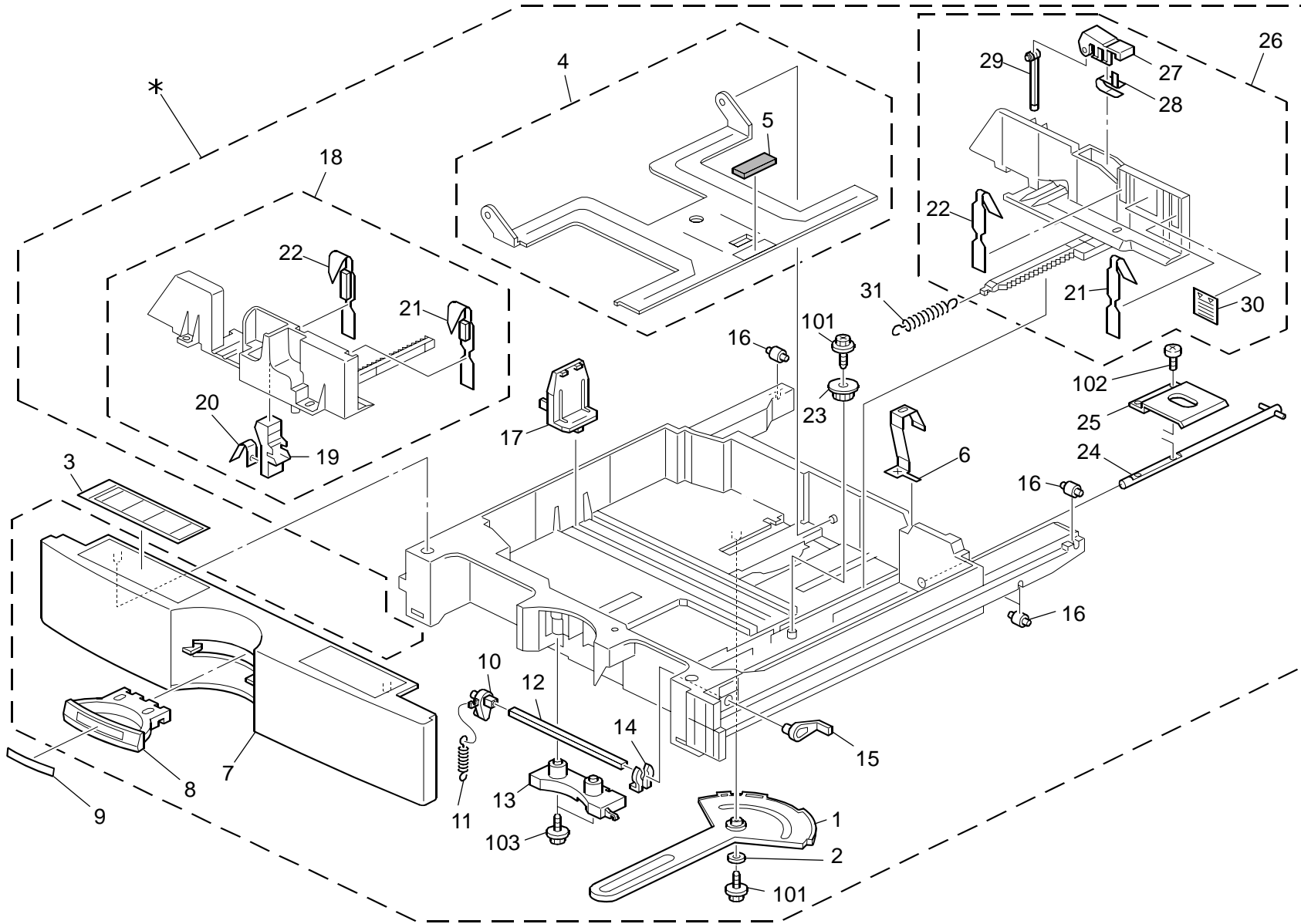


20.1st Paper Tray (B222/B224)

Index No.	Part No.	Description	Q'ty Per Assembly
*	B223 2850	Paper Tray Unit No.1	1
1	AA14 3843	Screw:DIA6	2
2	B223 2890	Slide Rail - Left	1
3	B223 2894	Slide Rail Stopper - Left	1
4	B223 2940	Tray Bottom Plate	1
5	AF01 3006	Bottom Plate Pad	1
6	B237 2521	Decal - Paper Set Direction No.1	1
7	B223 2857	Cover - Paper Tray No.1	1
8	B223 2860	Paper Tray Grip	1
9	B238 2526	Decal - Grip	1
10	B223 2862	Lever - Release Inner	1
11	AA06 1014	Tension Spring:Grip	1
12	B223 2863	Release Shaft	1
13	B223 2861	Grip Holder	1
14	A222 2724	External Circlip - Mm8	1
15	B223 2864	Lever - Release Outer	1
16	A232 2987	Roller - Paper Tray	4
17	B223 2912	End Fence	1
18	B223 2870	Side Fence - Front	1
19	B223 2923	Stopper Lever - Front	1
20	B004 2923	Spring Plate - Release Lever	1
21	B223 2935	Plate - Side Fence Right	2
22	B223 2934	Plate - Side Fence	2
23	B223 2936	Gear - 16Z	1
24	B223 2865	Rise No.1 Shaft	1
25	B223 2918	Rise Lever	1
26	B223 2880	Side Fence - Rear	1
27	A267 2860	Rear Lever Stopper	1
28	A267 2857	Spring Plate - Side Fence	1
29	A267 2859	Side Fence Stopper	1
30	B223 2873	Decal - Side Fence Rear	1
31	AA06 1003	Tension Spring:Side Fence:Rear	1
32	B223 2869	Ground Plate	1
33	AA14 3577	Screw:Tp:M4	1

Index No.	Part No.	Description	Q'ty Per Assembly
101	0450 4008N	Tapping Screw - M4x8	
102	0453 3008N	Binding Self Tapping Screw:3x8	
103	0450 3012N	Tapping Screw:3x12	

21.2nd Paper Tray (B222/B224)

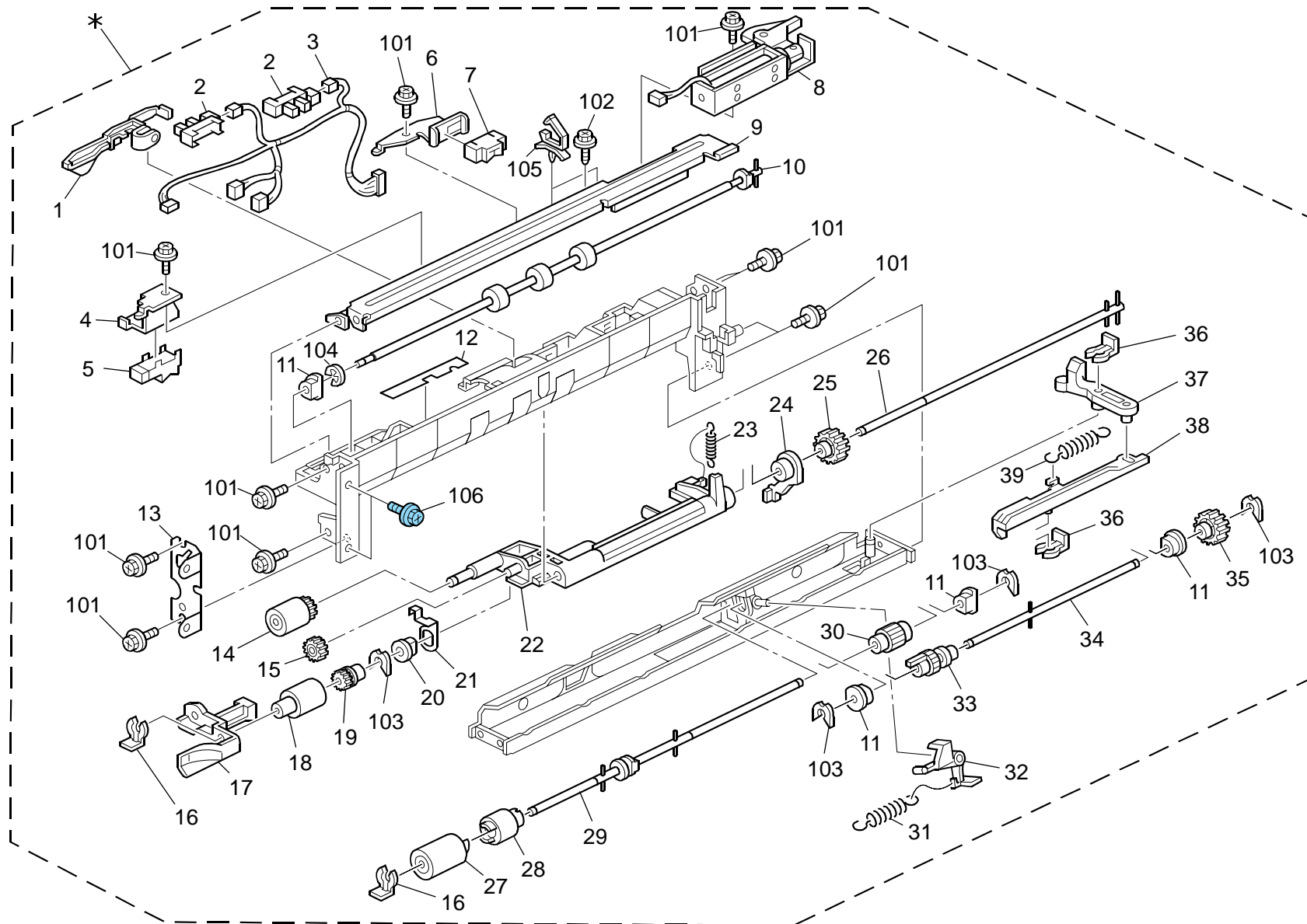


21.2nd Paper Tray (B222/B224)

Index No.	Part No.	Description	Q'ty Per Assembly
*	B223 2900	Paper Tray Unit No.2	1
1	B223 2910	Link - Paper Size Sensor	1
2	B223 2911	Spacer	1
3	B238 2523	Decal - Paper Set Direction No.2	1
4	B223 2940	Tray Bottom Plate	1
5	AF01 3006	Bottom Plate Pad	1
6	B223 2919	Ground Plate - Paper Tray No.2	1
7	B223 2946	Cover - Paper Tray No.2	1
8	B223 2860	Paper Tray Grip	1
9	B238 2527	Decal - Grip	1
10	B223 2862	Lever - Release Inner	1
11	AA06 1014	Tension Spring:Grip	1
12	B223 2863	Release Shaft	1
13	B223 2861	Grip Holder	1
14	A222 2724	External Circlip - Mm8	1
15	B223 2864	Lever - Release Outer	1
16	A232 2987	Roller - Paper Tray	4
17	B223 2912	End Fence	1
18	B223 2920	Front Side Fence	1
19	B223 2923	Stopper Lever - Front	1
20	B004 2923	Spring Plate - Release Lever	1
21	B223 2935	Plate - Side Fence Right	2
22	B223 2934	Plate - Side Fence	2
23	B223 2936	Gear - 16Z	1
24	B223 2865	Rise No.1 Shaft	1
25	B223 2918	Rise Lever	1
26	B223 2930	Rear Side Fence	1
27	A267 2860	Rear Lever Stopper	1
28	A267 2857	Spring Plate - Side Fence	1
29	A267 2859	Side Fence Stopper	1
30	B223 2873	Decal - Side Fence Rear	1
31	AA06 1003	Tension Spring:Side Fence:Rear	1

Index No.	Part No.	Description	Q'ty Per Assembly
101	0450 4008N	Tapping Screw - M4x8	
102	0453 3008N	Binding Self Tapping Screw:3x8	
103	0450 3012N	Tapping Screw:3x12	

22.Paper Feed Section (B222/B224)

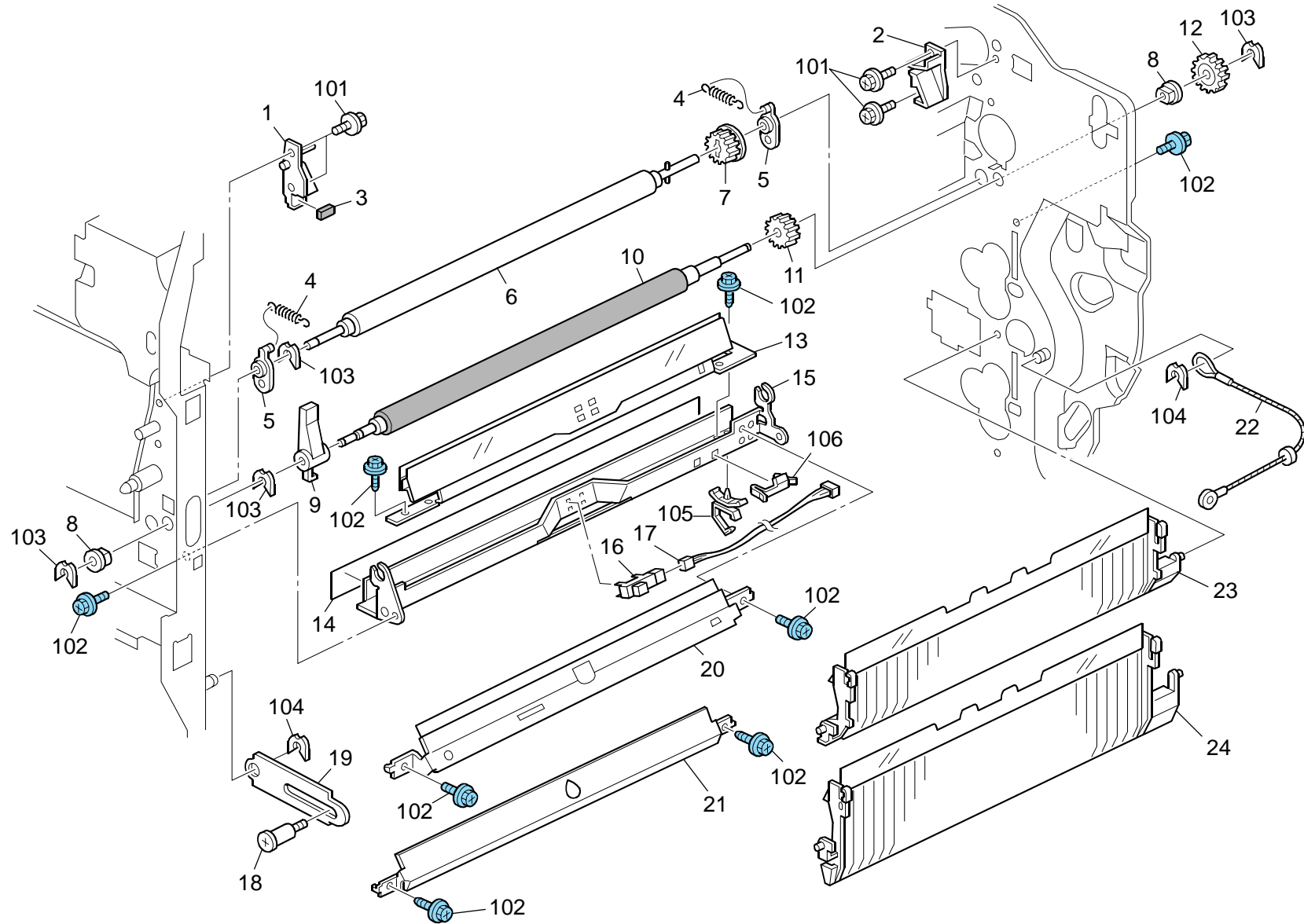


22.Paper Feed Section (B222/B224)

Index No.	Part No.	Description	Q'ty Per Assembly
*	B223 2750	Paper Feed Unit	2
1	B223 2767	Paper End Feeler	1
2	AW02 0145	Photointerruptor:Flat	2
3	B223 2773	Harness - Paper Feed Unit	1
4	B223 2778	Sensor Bracket	1
5	AW01 0128	Paper Feed Sensor	1
6	B082 2781	Bracket:Sensor	1
7	AW01 0122	Paper Feed Sensor	1
8	B223 2780	DC Solenoid 24V	1
9	B223 2776	Stay	1
10	B238 2569	Transport Roller	1
11	AA08 2143	Bushing - 6x10x6	4
12	B223 2772	Harness Sheet	1
13	B223 2786	Ground Plate - Front	1
14	AF03 0090	Paper Feed Roller:Pickup	1
15	AB01 1252	Gear - 20Z	1
16	AA10 0014	Retaining Ring C - Separate	2
17	B223 2829	Feed Guide	1
18	AF03 1090	Paper Feed Roller:Feed	1
19	AB01 1218	Gear - Roller Clutch	1
20	AA08 2101	Bushing - 6x10x6	1
21	B223 2765	Ground Plate - Feed	1
22	B223 2761	Pickup Arm	1
23	AA06 0691	Tension Spring	1
24	G065 2767	Lever - Feed	1
25	B223 2764	Gear-24z	1
26	B223 2762	Feed Shaft	1
27	AF03 2090	Paper Feed Roller:Separate	1
28	B004 2783	Torque Limiter	1
29	B223 2810	Separate Driven Shaft	1
30	AB01 0157	Gear:Separate:Driven	1
31	AA06 0693	Tension Spring	1
32	G065 2774	Pressure Lever	1
33	AB01 0156	Gear:Separate:Drive	1
34	B223 2815	Separate Drive Shaft	1

Index No.	Part No.	Description	Q'ty Per Assembly
35	B223 2819	Gear - 22Z	1
36	5206 2686	Snap Ring	1
37	G065 2776	Release Lever	1
38	G065 2775	Link Lever	1
39	AA06 2259	Spring - Release	1
101	0451 3006N	Tapping Screw - 3x6	
102	0450 3008N	Tapping Screw - M3x8	
103	0805 0089	Retaining Ring - M4	
104	0720 0040E	Retaining Ring - M4	
105	1105 0511	Harness Clamp - LWS-0306ZC	
106	0454 3008Q	Tapping Screw:3x8	

23.Paper Registration (B222/B224)



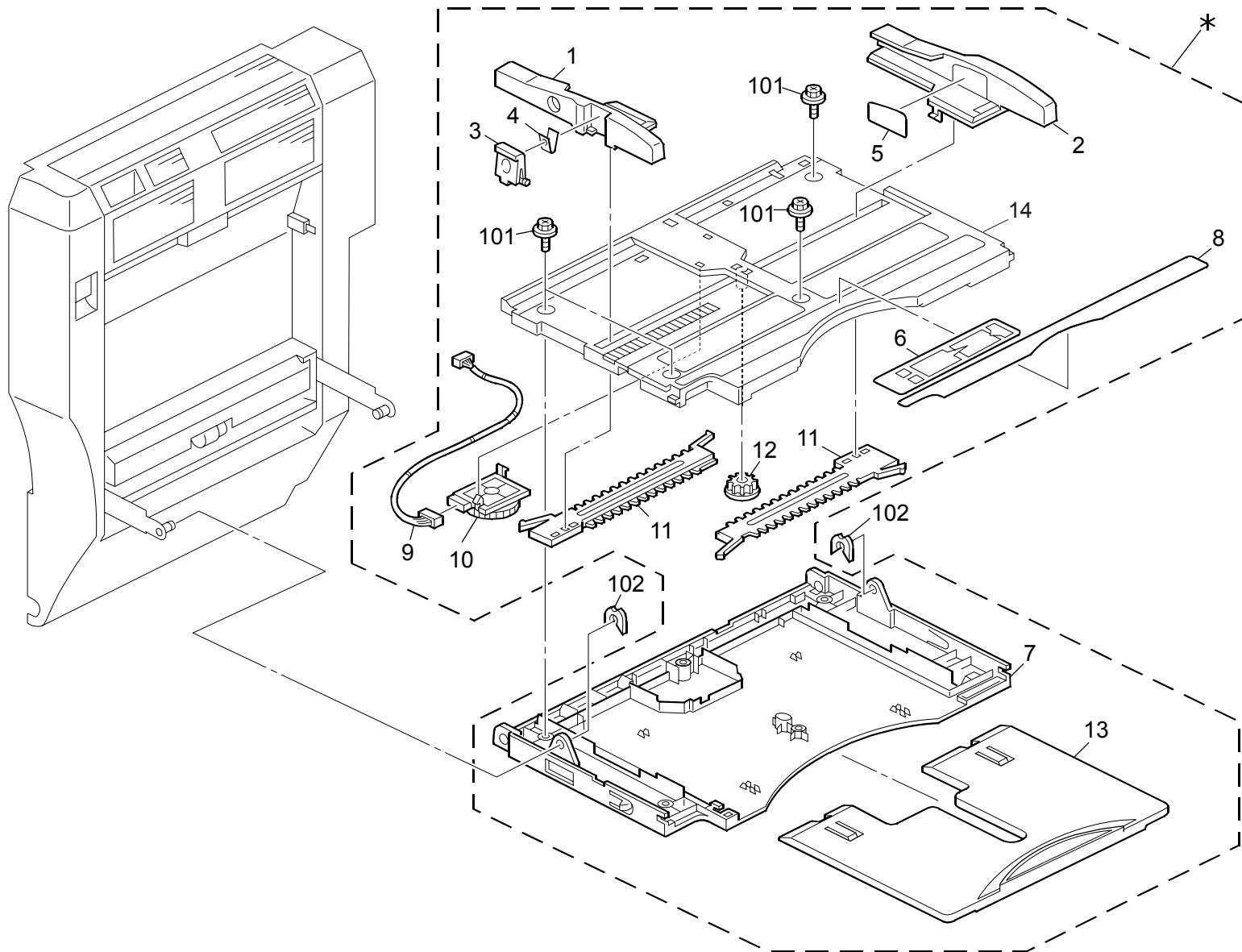
23.Paper Registration (B222/B224)

Index No.	Part No.	Description	Q'ty Per Assembly
1	B223 6311	Positioning Guide - Front	1
2	B223 6312	Positioning Guide - Rear	1
3	B223 6315	Cushion	1
4	B238 2676	Tension Spring	2
5	B238 2675	Registration Roller Bushing	2
6	B238 2661	Registration Roller - Driven	1
7	B238 2657	Gear - 18Z	1
8	AA08 2101	Bushing - 6x10x6	2
9	B223 2558	Registration Roller Knob	1
10	B238 2652	Registration Roller - Drive	1
11	B238 2655	Gear - 16Z	1
12	B238 2656	Gear - 30Z	1
13	B238 2670	Cleaner Bracket	1
14	B238 2622	Cover - Remove Paper Dust	1
15	B238 2621	Stay	1
16	AW01 0107	Paper Feed Sensor	1
17	B223 2599	Harness:Registration Sensor	1
18	AA14 3404	Stepped Screw - M4	1
19	B223 4523	Link:Stopper	1
20	B223 2570	Guide Plate:Registration:Right	1
21	B238 2612	Registration Guide Plate - Left	1
22	B223 4524	Wire:Stopper:Dia1.5	1
23	B223 2835	Guide Plate	1
24	B223 2840	Guide Plate No.2	1

Index No.	Part No.	Description	Q'ty Per Assembly
101	0451 3006N	Tapping Screw - 3x6	
102	0454 3006Q	Tapping Screw - M3x6	
103	0805 0089	Retaining Ring - M4	
104	0805 0088	Retaining Ring - M6	
105	1105 0511	Harness Clamp - LWS-0306ZC	
106	1105 0643	Clamp - RFC-14V0	

24.By-pass Feed Section 1 (B222/B224)

Rev. 01/23/2007



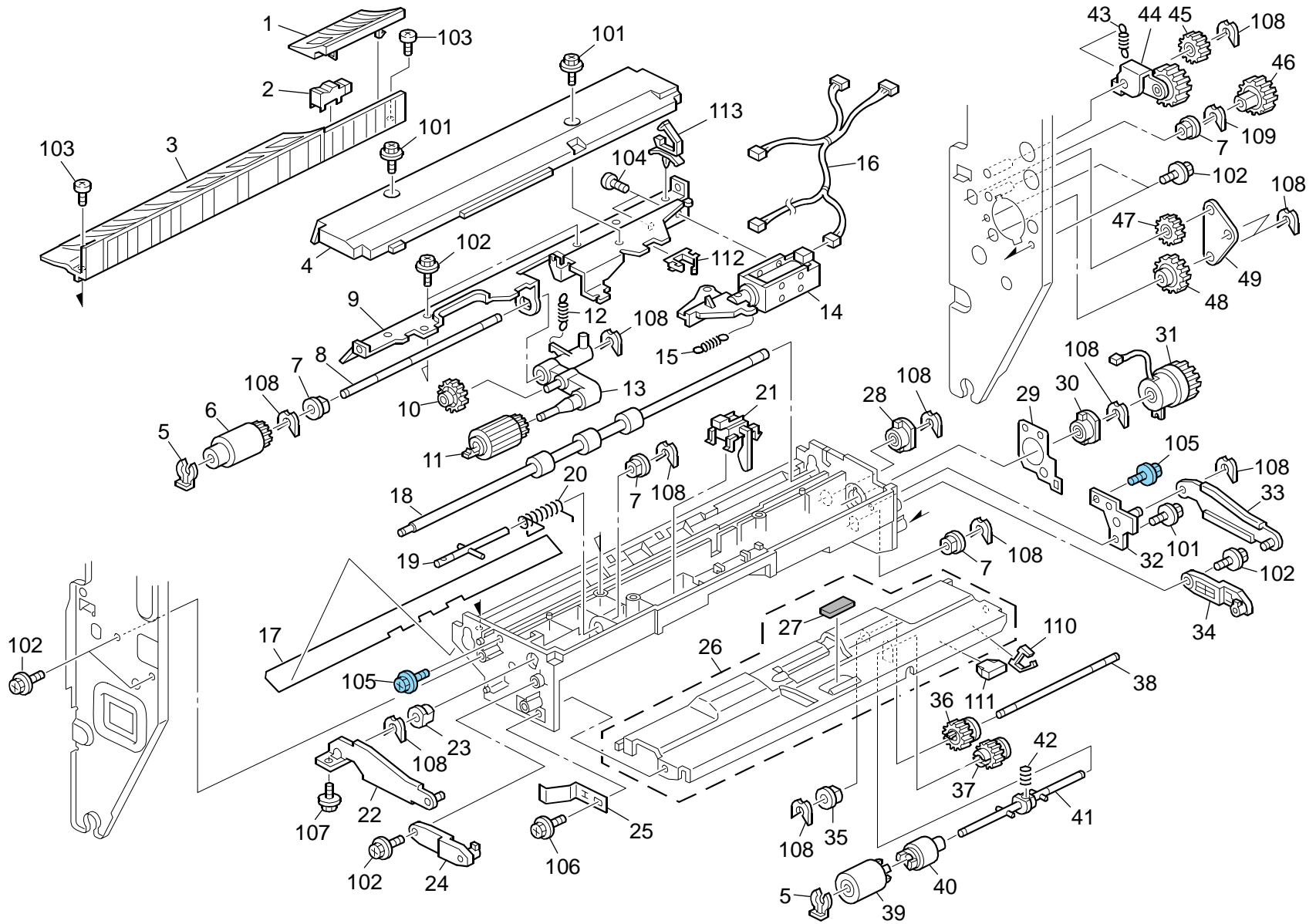
24.By-pass Feed Section 1 (B222/B224)

Rev. 03/01/2007

Index No.	Part No.	Description	Q'ty Per Assembly
*	B223 2700	Manual Feed Table Ass'y [TSB#007]	1
1	B223 2674	Side Fence:Front [TSB#007]	1
2	B223 2673	Side Fence:Rear [TSB#007]	1
3	B223 2667	Grip:Side Fence	1
4	B223 2668	Spring Plate:Stopper	1
5	B223 2645	Decal:Side Fence	1
6	B223 2729	Decal:Paper Set Direction [TSB#007]	1
7	B223 2661	Cover:Manual Feed	1
8	B223 2644	Decal:Scale	1
9	B223 2669	Harness:Paper Size Sensor	1
10	AW50 0031	Paper Size Sensor	1
11	B223 2713	Rack:Manual Feed [TSB#007]	2
12	B223 2666	Gear:16Z	1
13	B223 2663	Extension Tray	1
14	B2232662	Manual Feed Table [TSB#006]	1

Index No.	Part No.	Description	Q'ty Per Assembly
101	0450 3008N	Tapping Screw - M3x8	
102	0805 0089	Retaining Ring - M4	

25.By-pass Feed Section 2 (B222/B224)

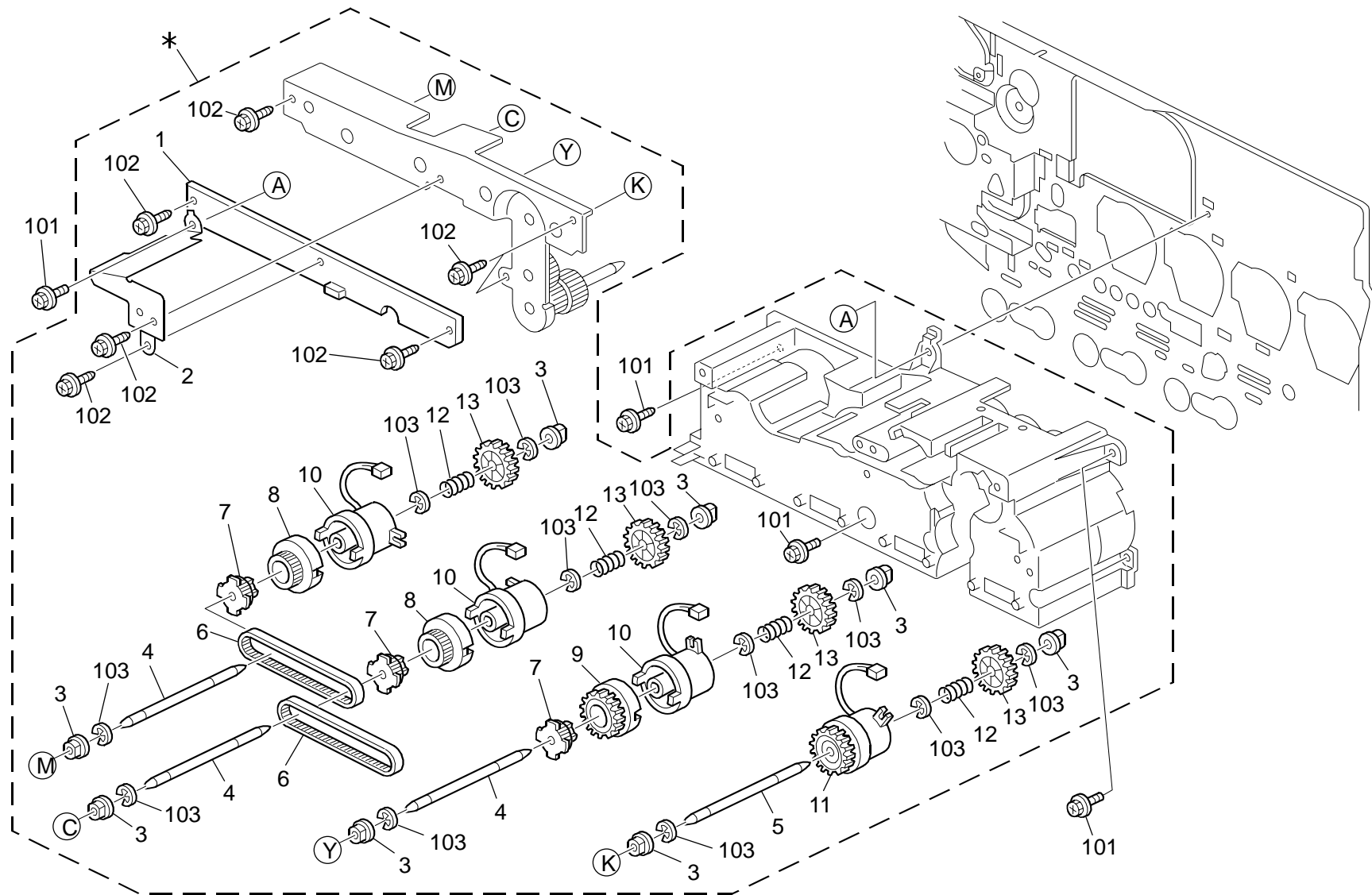


25.By-pass Feed Section 2 (B222/B224)

Index No.	Part No.	Description	Q'ty Per Assembly
1	B223 2623	Cover:Guide Plate:Exit	1
2	AW01 0128	Paper Feed Sensor	1
3	B223 2622	Guide Plate:Exit	1
4	B223 2621	Cover:Manual Feed Unit	1
5	AA10 0014	Retaining Ring C - Separate	2
6	AF03 1046	Feed Roller - Manual Feed	1
7	AA08 2101	Bushing - 6x10x6	4
8	AA14 0777	Shaft:Feed	1
9	B223 2629	Stay:Feed	1
10	AB01 1387	Gear - 23Z	1
11	AF03 0049	Pick-up Roller	1
12	AA06 3568	Pressure Spring	1
13	G060 2932	Pick-up Arm - Manual Feed	1
14	B223 2632	DC Solenoid:Pickup	1
15	B223 2633	Spring:Release:Pickup	1
16	B223 2659	Harness:Manual Feed	1
17	B223 2624	Sheet:Guide:Exit	1
18	B223 2619	Transport Roller:Exit:Duplex	1
19	B223 2634	Support Stay:Arm	1
20	B223 2636	Torsion Spring:27n	1
21	AW50 0035	Paper End Sensor	1
22	B223 2651	Arm:Manual Feed:Front	1
23	AA08 2102	Bushing - 6x10x6	1
24	B223 2657	Arm:Manual Feed:Short:Front	1
25	B223 2607	Ground Plate:Reverse	1
26	B223 2609	Guide Plate:Separator	1
27	AF01 3016	Bottom Plate Pad	1
28	G080 2682	Bushing:Feed	1
29	B223 2606	Ground Plate:Rear	1
30	AA08 3014	One-way Clutch	1
31	AX20 2007	Magnetic Clutch	1
32	B223 2637	Bracket:Arm:Manual Feed:Rear	1
33	B223 2652	Arm:Manual Feed:Rear	1
34	B223 2658	Arm:Manual Feed:Short:Rear	1
35	A259 6754	Bushing - 6 6mm	1

Index No.	Part No.	Description	Q'ty Per Assembly
36	AB01 1416	Gear - 20Z	1
37	B223 2608	Gear:Z16	1
38	AA14 0778	Shaft:Separator:Drive	1
39	AF03 2046	Separation Roller - Manual Feed	1
40	G080 2900	Torque Limiter	1
41	B180 2871	Shaft:Separator:Driven:Ass'y	1
42	AA06 3499	Pressure Spring	1
43	AA06 0872	Spring	1
44	B223 2681	Arm:Tightener	1
45	AB01 1223	Idler Gear - 25z	1
46	B223 2686	Gear:Z31	1
47	B223 2683	Gear:25Z	1
48	B223 2689	Gear:Z28	1
49	B223 2696	Drum Stay:Drive	1
101	0451 3006N	Tapping Screw - 3x6	
102	0450 3008N	Tapping Screw - M3x8	
103	0452 3008N	Tapping Screw - M3x8	
104	0353 0040N	Screw - M3X4	
105	0454 3008Q	Tapping Screw:3x8	
106	0451 3008N	Tapping Screw - M3x8	
107	0360 3006N	Screw - M3X6	
108	0805 0089	Retaining Ring - M4	
109	0805 0088	Retaining Ring - M6	
110	1105 0522	Edge Saddle - Les0510	
111	1102 6248	Connector - 5P	
112	1105 0551	Clamp:LES-0505	
113	1105 0511	Harness Clamp - LWS-0306ZC	

26.Toner Supply Unit 1 (B222/B224)

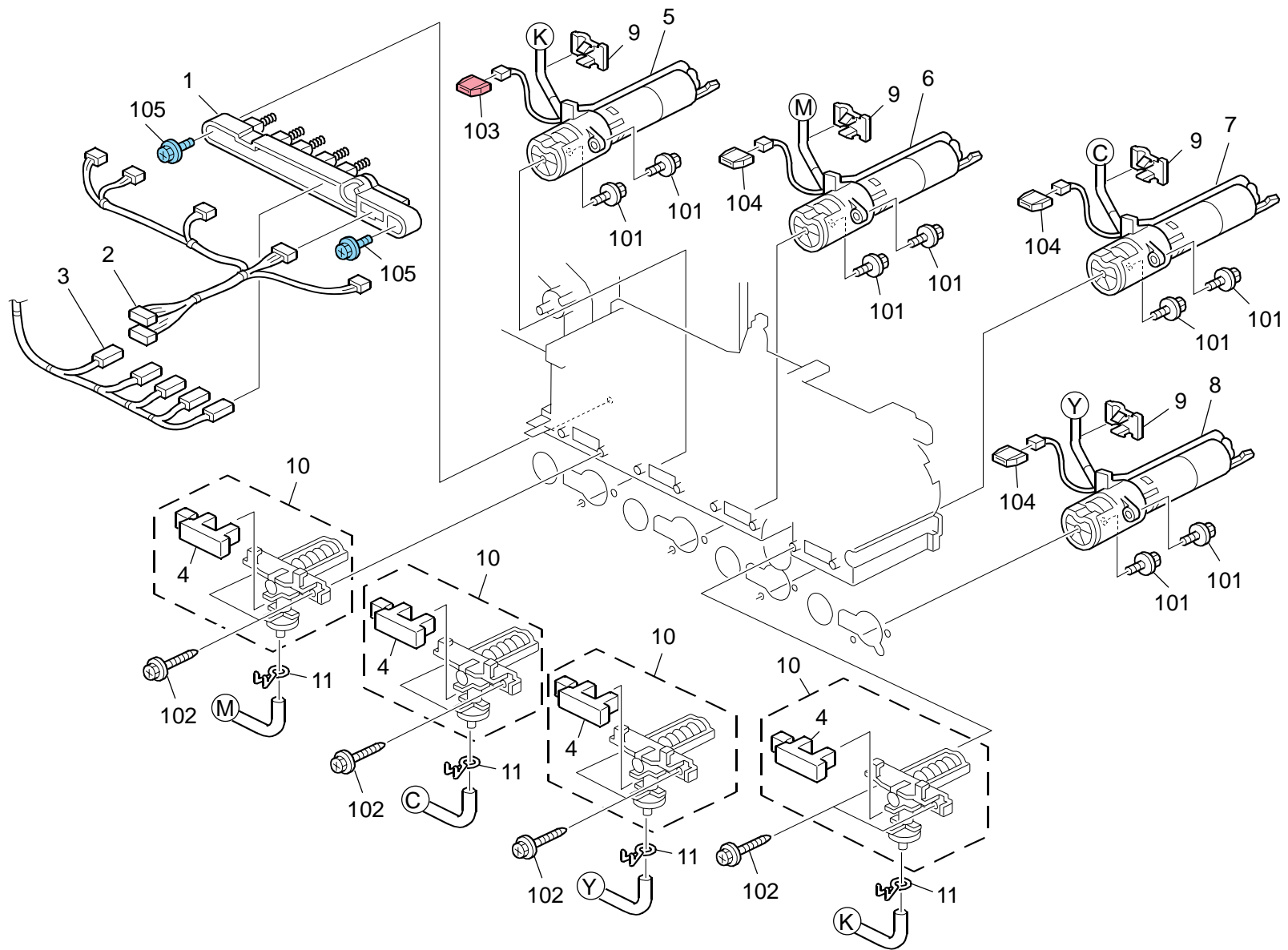


26.Toner Supply Unit 1 (B222/B224)

Index No.	Part No.	Description	Q'ty Per Assembly
*	B223 3400	Toner Supply Drive Unit	1
1	B238 5051	PCB:RFID:RW	1
2	B223 3470	Rfid Ground Plate	1
3	AA08 2101	Bushing - 6x10x6	8
4	B223 3426	Shaft:Drive:Drive Unit:CM	3
5	B223 3424	Shaft:Drive:Drive Unit:BKY	1
6	B223 3441	Timing Belt:Toner Bottle	2
7	B223 3461	Pulley:Toner Bottle:YC	3
8	B223 3462	Pulley:Toner Bottle:CM	2
9	B223 3464	Gear:Magnetic Clutch:Y	1
10	B223 3457	Magnetic Clutch - 0.25n.m YCM	3
11	B223 3455	Magnetic Clutch - 0.25n.m BK	1
12	B223 3428	Spring:Drive Unit:Toner Bottle	4
13	B223 3463	Gear:Toner Bottle:DRIVE	4

Index No.	Part No.	Description	Q'ty Per Assembly
101	0451 3006N	Tapping Screw - 3x6	
102	0450 3012N	Tapping Screw:3x12	
103	0720 0040E	Retaining Ring - M4	

27.Toner Supply Unit 2 (B222/B224)

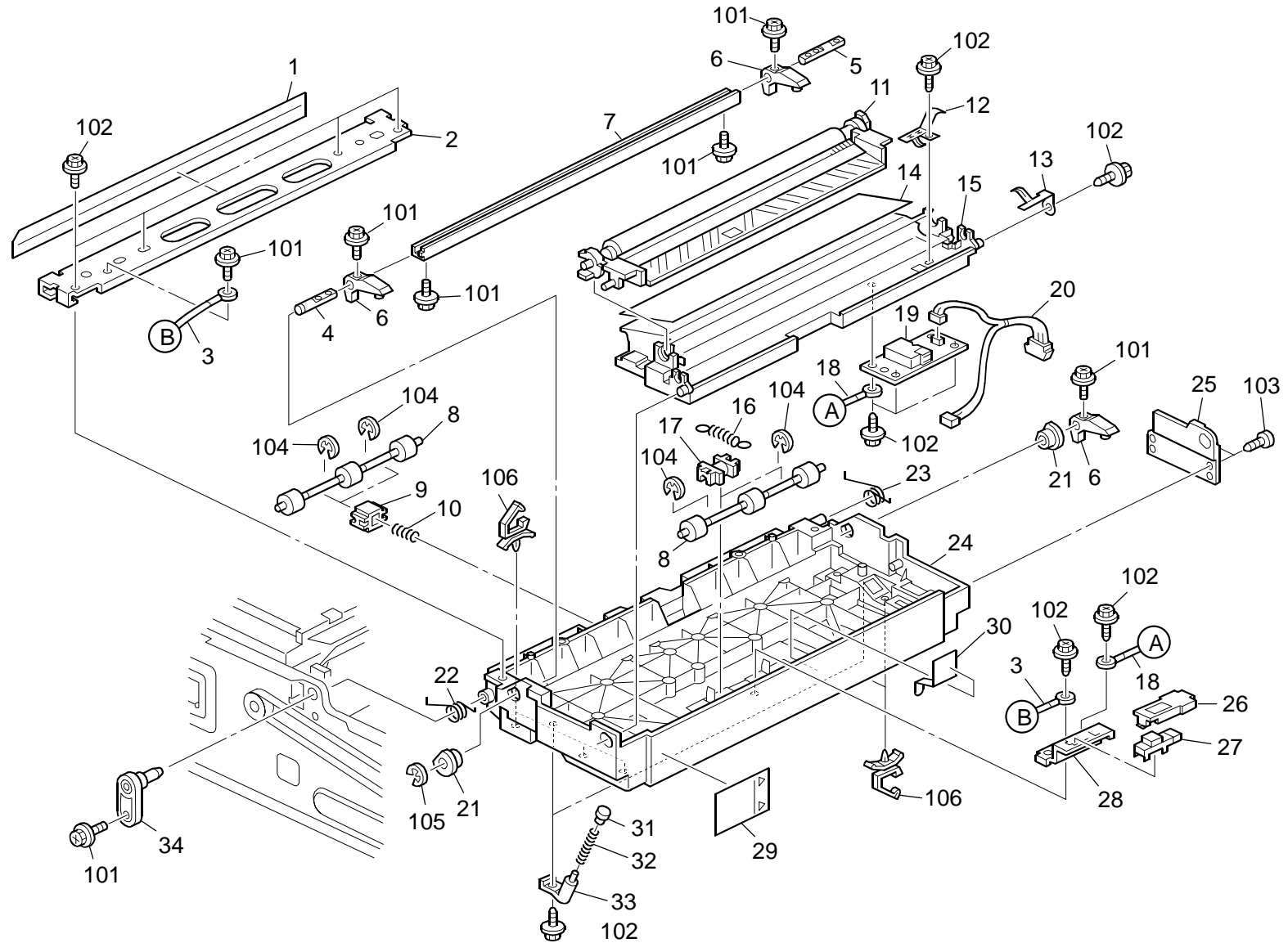


27.Toner Supply Unit 2 (B222/B224)

Index No.	Part No.	Description	Q'ty Per Assembly
1	B223 6140	Drawer:Intermediate Transfer:Ass'y	1
2	B223 5304	Harness:IOB:Toner Supply:CL	1
3	B223 5310	Harness:P.p:High Voltage Line:T/TS	1
4	AW02 0185	Toner End Sensor	4
5	B223 3211	Pump Unit - BK	1
6	B223 3204	Pump Unit - M	1
7	B223 3203	Pump Unit - C	1
8	B223 3202	Pump Unit - Y	1
9	B223 3206	Tube Clamp	4
10	B223 3205	Nozzle Ass'y	4
11	B223 3209	Tube Clip	4

Index No.	Part No.	Description	Q'ty Per Assembly
101	0451 3008N	Tapping Screw - M3x8	
102	0450 3012N	Tapping Screw:3x12	
103	1102 6259	Connector - 2P	
104	1102 6245	Relay Connector - 2P	
105	0454 3006Q	Tapping Screw - M3x6	

28.Paper Separation (B222/B224)



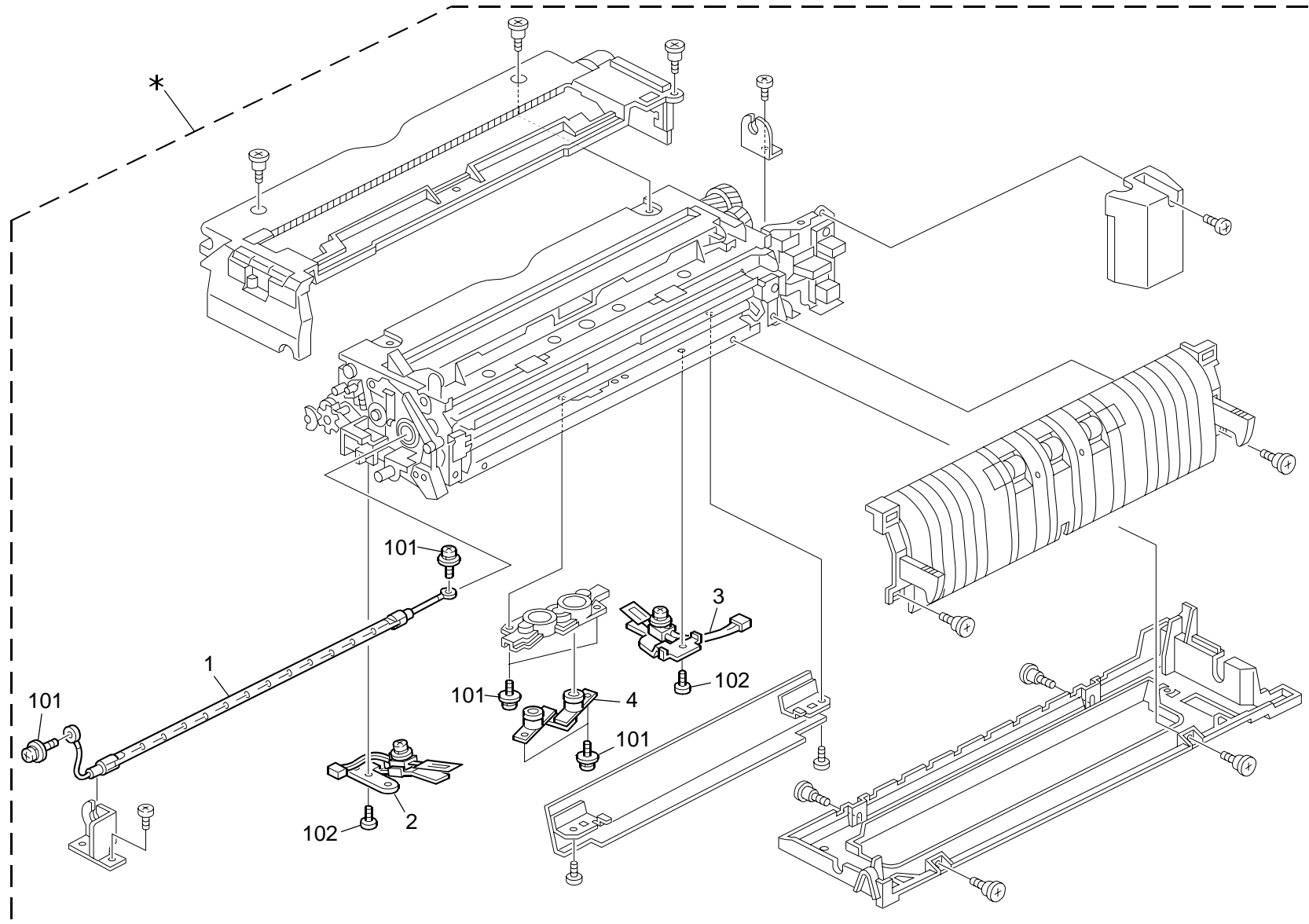
28.Paper Separation (B222/B224)

Rev. 03/30/2007

Index No.	Part No.	Description	Q'ty Per Assembly
1	B223 4555	Sheet:Transport Unit	1
2	B223 4554	Bracket:Guide Plate	1
3	B223 4557	Harness:Ground Wire	1
4	B223 6322	Lever Shaft - Front	1
5	B223 6323	Lever Shaft - Rear	1
6	B223 6306	Release Lever	3
7	B223 6320	Lever Bracket - Middle	1
8	B223 4559	Driven Roller:Dia16	2
9	AA08 0254	Bushing - M4	2
10	B223 4556	Compression Spring	2
11	B223 6263	Transfer/Separation Unit:AP:Ass'y	1
12	B223 6289	Terminal	1
13	B223 6285	Transfer Roller Terminal	1
14	B223 6327	Sheet:Case:Lower	1
15	B223 6281	Transfer Roller Case	1
16	B223 4553	Tension Spring:Driven Roller	2
17	B223 4552	Bushing:Dia4	2
18	B223 6317	Ground Wire - Power Pack	1
19	AZ30 0058	Power Pack:D	1
20	B223 4561	Harness - Second Transfer Unit	1
21	AA08 2145	Bushing - 8x12x7	2
22	B223 4542	Torsion Spring:Front	1
23	B223 4541	Torsion Spring:Rear	1
24	B223 4661	Guide Plate:Transfer Unit:Holder [TSB#017]	1
25	B223 6290	Drum Stay - Rear	1
26	B238 4739	Cover - Entrance Sensor	1
27	AW01 0118	Paper Feed Sensor	1
28	B238 4733	Entrance Sensor Bracket	1
29	B223 4394	Decal:Warning (high Temperature)	1
30	B223 4558	Sheet:Harness	1
31	B223 6319	Spring Cap	2
32	B223 6308	Transfer Spring	2
33	B223 6321	Spring Anchor	2
34	B223 4545	Guide Pin:Holder	1

Index No.	Part No.	Description	Q'ty Per Assembly
101	0451 3006N	Tapping Screw - 3x6	
102	0450 3008N	Tapping Screw - M3x8	
103	0452 3008N	Tapping Screw - M3x8	
104	0720 0030E	Retaining Ring - M3	
105	0720 0060E	Retaining Ring - M6	
106	1105 0511	Harness Clamp - LWS-0306ZC	

29.Fusing unit 1 (B222/B224)



29.Fusing unit 1 (B222/B224)

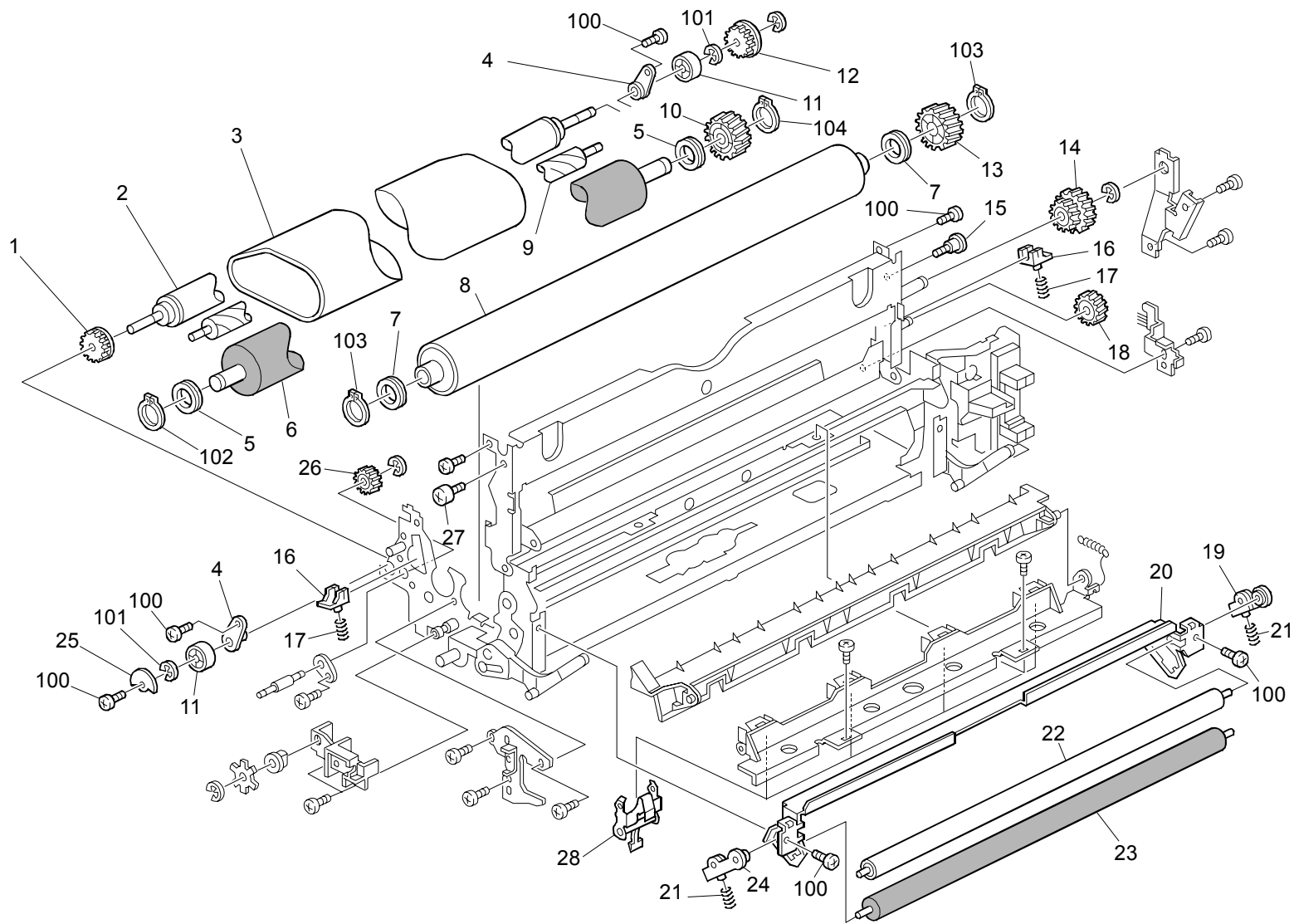
Rev. 03/30/2007

Index No.	Part No.	Description	Q'ty Per Assembly
*	B223 4021	Fusing Section:NA:Ass'y [TSB#017]	1
*	B223 4022	Fusing Section:EU:Ass'y [TSB#017]	1
1	AX43 0156	Heater:120V:500W	1
1	AX43 0157	Heater:230V:500W	1
2	B223 4172	Thermistor:Fusing:Ass'y	2
3	B223 4177	Thermistor:Pressuer:Ass'y	1
4	B223 4162	Thermostat:149c/150c	1

Index No.	Part No.	Description	Q'ty Per Assembly
101	0954 3008N	Screw - M3X8	
102	0353 0060N	Bind Screw - M3x6	

30.Fusing unit 2 (B222/B224)

Rev. 01/23/2007



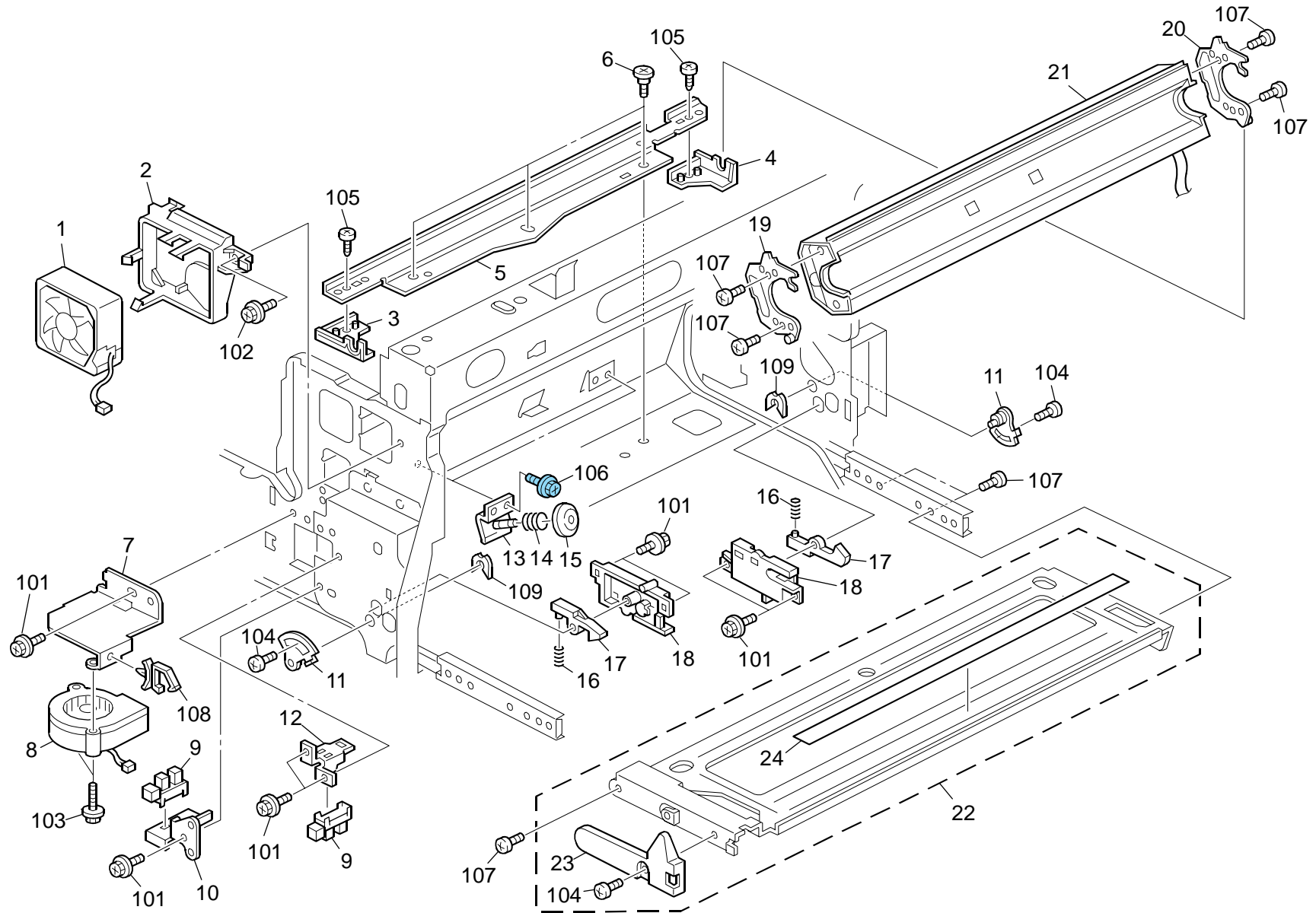
30.Fusing unit 2 (B222/B224)

Rev. 01/23/2007

Index No.	Part No.	Description	Q'ty Per Assembly
1	AB01 0088	Gear:Sensor:Turn	1
2	B223 4235	Roller:Ferrite Core:Ass'y	1
3	B223 4221	Fusing Belt:Dia60:Adhesion	1
4	AE03 1046	Bushing:Heat Roller	2
5	AE03 0069	Ball Bearing:Dia12xdia21x7	2
6	AE01 0059	Hot Roller:Dia35	1
7	AE03 0071	Ball Bearing:Dia17xdia26x5	2
8	AE02 0115	Pressure Roller:Dia40	1
9	B223 4226	Roller:Belt Tensioner:Dia12	1
10	AB01 2044	Gear:Hot Roller	1
11	B223 4233	Spacer:Heat Roller	2
12	AB01 1249	Gear:Turn:Ferrite Core:Z16	1
13	AB01 2045	Gear:Pressure Roller	1
14	AB01 7703	Gear:Drive:Fusing	1
15	AA14 3526	Stepped Screw - M3	1
16	AE03 1065	Bushing:Fusing Sub-unit	2
17	AA06 3954	Compression Spring:Belt Tensioner	2
18	AB01 2051	Gear:Idler:Pressure Roller	1
19	AE03 1062	Rear Bushing - Oil Supply Roller	1
20	B223 4181	Bracket:Oil Supply Roller	1
21	AA06 3953	Compression Spring:Oil Supply Roller	2
22	AE04 0066	Cleaning Roller - Oil Supply Roller	1
23	AE04 0069	Oil Supply Roller [TSB#006]	1
24	AE03 1061	Front Bushing - Oil Supply Roller	1
25	B223 4232	Encoder:Ferrite Core:Change	1
26	AB01 0118	Gear:Turn:Sensor	1
27	B223 4072	Screw:Positioning Control	1
28	B2234266	Holder: Pickoff Pawl: Ass'y [TSB#006]	4

Index No.	Part No.	Description	Q'ty Per Assembly
100	0353 0060N	Bind Screw - M3x6	
101	0720 0040E	Retaining Ring - M4	
102	0725 0100E	Retaining Ring C - M10	
103	0725 0170E	Retaining Ring C - M17	
104	0725 0120E	Retaining Ring C - M12	

31.Fusing unit 3 (B222/B224)

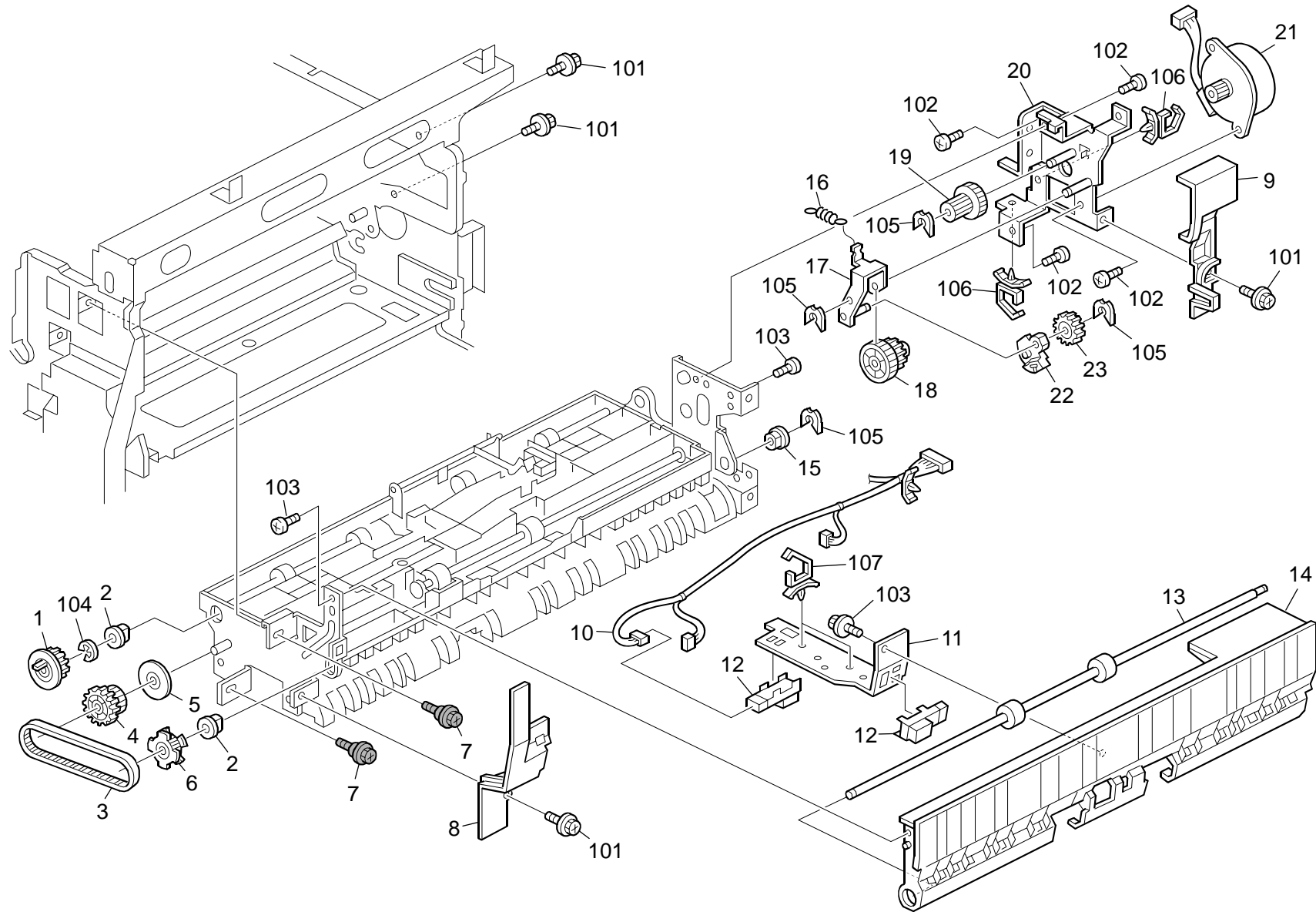


31.Fusing unit 3 (B222/B224)

Index No.	Part No.	Description	Q'ty Per Assembly
1	GX64 0021	Fan Motor DC24V 1.92W	1
2	B223 1336	Duct:Exit	1
3	B223 4311	Holder:Coil:Front Lower	1
4	B223 4312	Holder:Coil:Rear Lower	1
5	B223 4310	Stay:IH:Holder	1
6	5447 2768	Stepped Screw - M3	3
7	B223 1328	Bracket:Fan:Ih	1
8	AX65 0045	Sirocco Fan:DC24V 2.6W	1
9	GW02 0020	Photointerruptor:Lg248n1	2
10	B223 4329	Bracket:Sensor:Machine Or Copier	1
11	B223 4337	Bracket:Pin	2
12	B223 4328	Bracket:Sensor:Turn	1
13	B223 4308	Bracket:Pressure:Coil	2
14	AA06 3438	Compression Spring	2
15	B223 4307	Guide:IH:Upper	2
16	AA06 3439	Compression Spring:Lever	2
17	B223 4327	Lever:Lock:Fusing Unit	2
18	B223 4336	Supporter:Fusing Unit	2
19	B223 4301	Frame:Coil:Front	1
20	B223 4303	Frame:Coil:Rear	1
21	B223 4349	IH Coil Unit	1
21	B223 4011	IH Coilunit:EU	1
22	B223 4360	Holder:Fusing Unit:Ass'y	1
23	B223 4341	Guide:Fusing Unit	1
24	B223 4397	Decal:Warning (high Temperature)	1

Index No.	Part No.	Description	Q'ty Per Assembly
101	0451 3006N	Tapping Screw - 3x6	
102	0451 3008N	Tapping Screw - M3x8	
103	0451 3010N	Tapping Screw:3x10	
104	0353 0060N	Bind Screw - M3x6	
105	0452 3008N	Tapping Screw - M3x8	
106	0454 3006Q	Tapping Screw - M3x6	
107	0353 0040N	Screw - M3X4	
108	1105 0516	Clamp	
109	0805 0088	Retaining Ring - M6	

32.Paper Exit Section 1 (B222/B224)

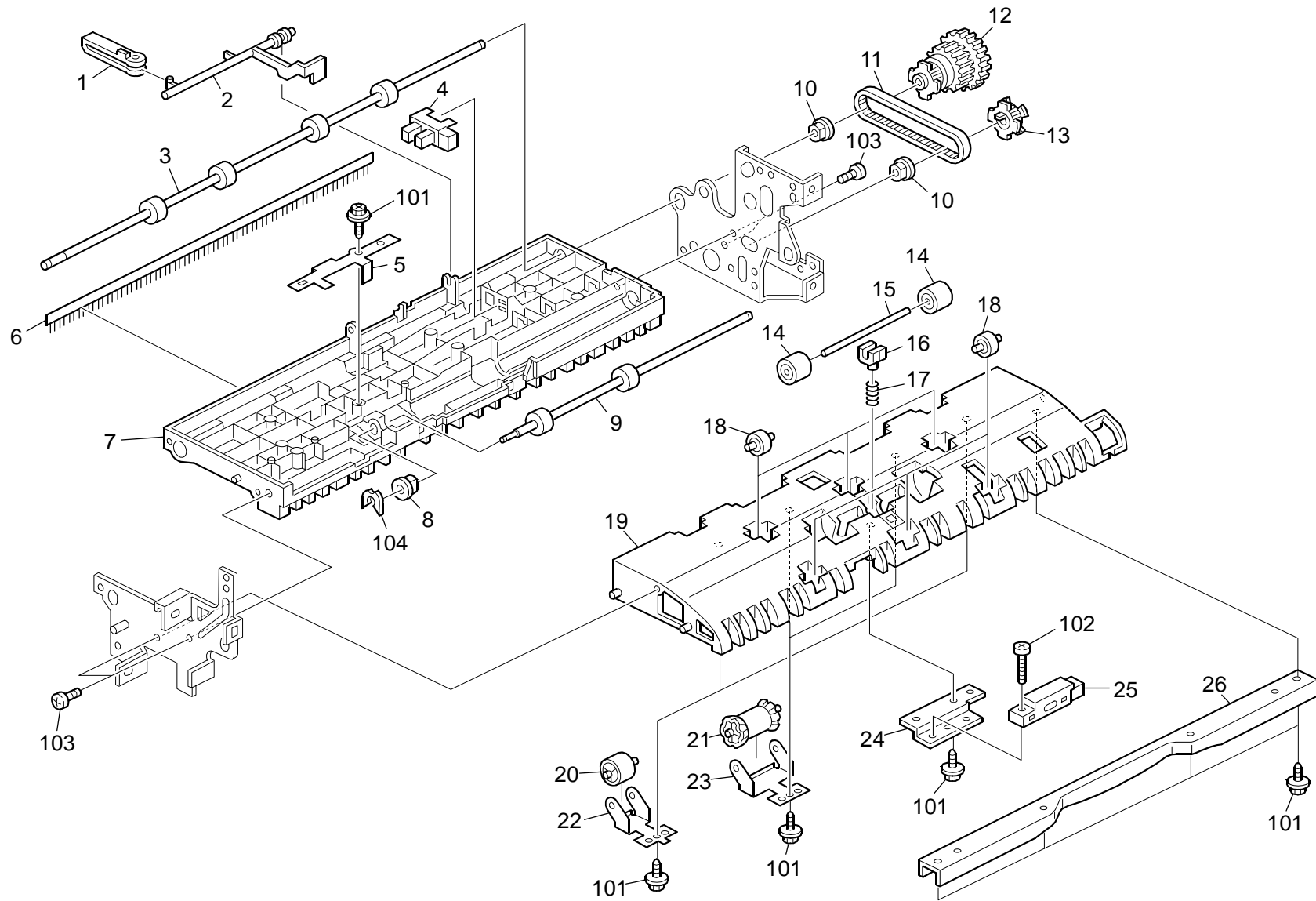


32.Paper Exit Section 1 (B222/B224)

Index No.	Part No.	Description	Q'ty Per Assembly
1	B223 4459	Gear:18Z	1
2	AA08 2101	Bushing - 6x10x6	2
3	AA04 3969	Timing Belt:30S2M216	1
4	B223 4458	Gear:Pulley:Z18/T23	1
5	B223 4456	Spacer:Idler	1
6	B223 4464	Timing Pulley:23T	1
7	B238 4483	Screw	2
8	B223 4437	Inner Cover:Exit:Front	1
9	B223 4438	Inner Cover:Exit:Rear	1
10	B223 4439	Harness:I/OB:Paper Exit Unit:C	1
11	B223 4426	Bracket:Sensor	1
12	AW01 0107	Paper Feed Sensor	2
13	B223 4454	Transport Roller:Dia18	1
14	B223 4461	Guide Plate:Upper Right	1
15	H053 2208	Bushing - M4	1
16	B223 4452	Tension Spring:1.3n	1
17	B223 4447	Bracket:Gear:Coupling	1
18	B223 4451	Gear:Z14/Z40	1
19	B223 4467	Gear:Z20/Z32	1
20	B223 4444	Bracket:Stepper Motor:Gate	1
21	B223 4441	Stepper Motor:DC24V 70.2W	1
22	B223 4468	Stopper	1
23	B223 4450	Gear:Z14	1

Index No.	Part No.	Description	Q'ty Per Assembly
101	0451 3006N	Tapping Screw - 3x6	
102	0453 3006N	Tapping Screw - M3x6	
103	0453 3010N	Binding Self Tapping Screw:3x10	
104	0720 0040E	Retaining Ring - M4	
105	0805 0092	Retaining Ring - 3m	
106	1105 0516	Clamp	
107	1105 0511	Harness Clamp - LWS-0306ZC	

33.Paper Exit Section 2 (B222/B224)



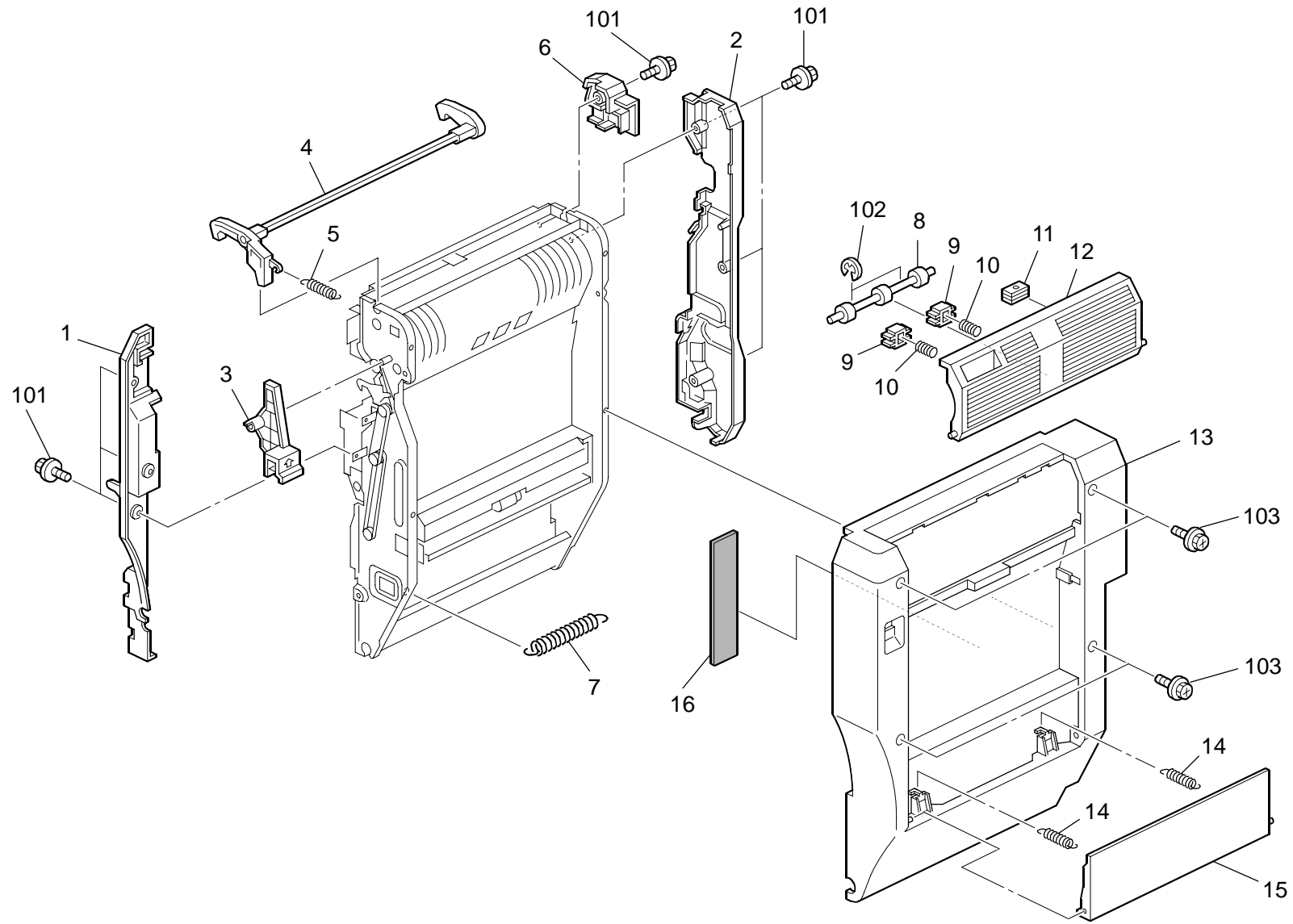
33.Paper Exit Section 2 (B222/B224)

Rev. 03/01/2007

Index No.	Part No.	Description	Q'ty Per Assembly
1	B238 4498	Overflow Feeler [TSB#007]	1
2	B223 4497	Overflow Feeler Shaft [TSB#007]	1
3	B223 4453	Exit Roller	1
4	AW02 0145	Photointerruptor:Flat	1
5	B223 4427	Ground Plate:Bracket:Sensor	1
6	B223 4491	Discharge Brush:Exit	1
7	B223 4421	Guide Plate:Upper Left	1
8	H053 2208	Bushing - M4	1
9	B223 4455	Transport Roller:Auxiliary	1
10	AA08 2101	Bushing - 6x10x6	2
11	AA04 3968	Timing Belt:30S2M160	1
12	B223 4457	Gear:Pulley:Z27/T22	1
13	B223 4463	Timing Pulley:22T	1
14	B223 4435	Roller:Auxiliary:Driven:Dia16:pFA	2
15	B223 4493	Shaft:Pressure:Auxiliary	1
16	AA08 0156	Bushing - M4	1
17	B238 4458	Compression Spring - Driven Roller	1
18	B223 4428	Roller:Guide:pFA	6
19	B223 4488	Guide Plate:Lower	1
20	AF04 0567	Tension Roller	2
21	AF04 0566	Tension Roller	2
22	B238 4436	Spring Plate - Exit Roller Outer	2
23	B223 4436	Spring Plate - Exit Roller	2
24	B238 4454	Sensor Bracket	1
25	AW01 0127	Paper Feed Sensor	1
26	B223 4442	Stay:Protect	1

Index No.	Part No.	Description	Q'ty Per Assembly
101	0450 3010N	Tapping Screw - M3x10	
102	0353 0100N	Screw-m3x10	
103	0452 3010N	Binding Self-tapping Screw:3x10	
104	0805 0092	Retaining Ring - 3m	

34. Duplex Unit 1 (B222/B224)

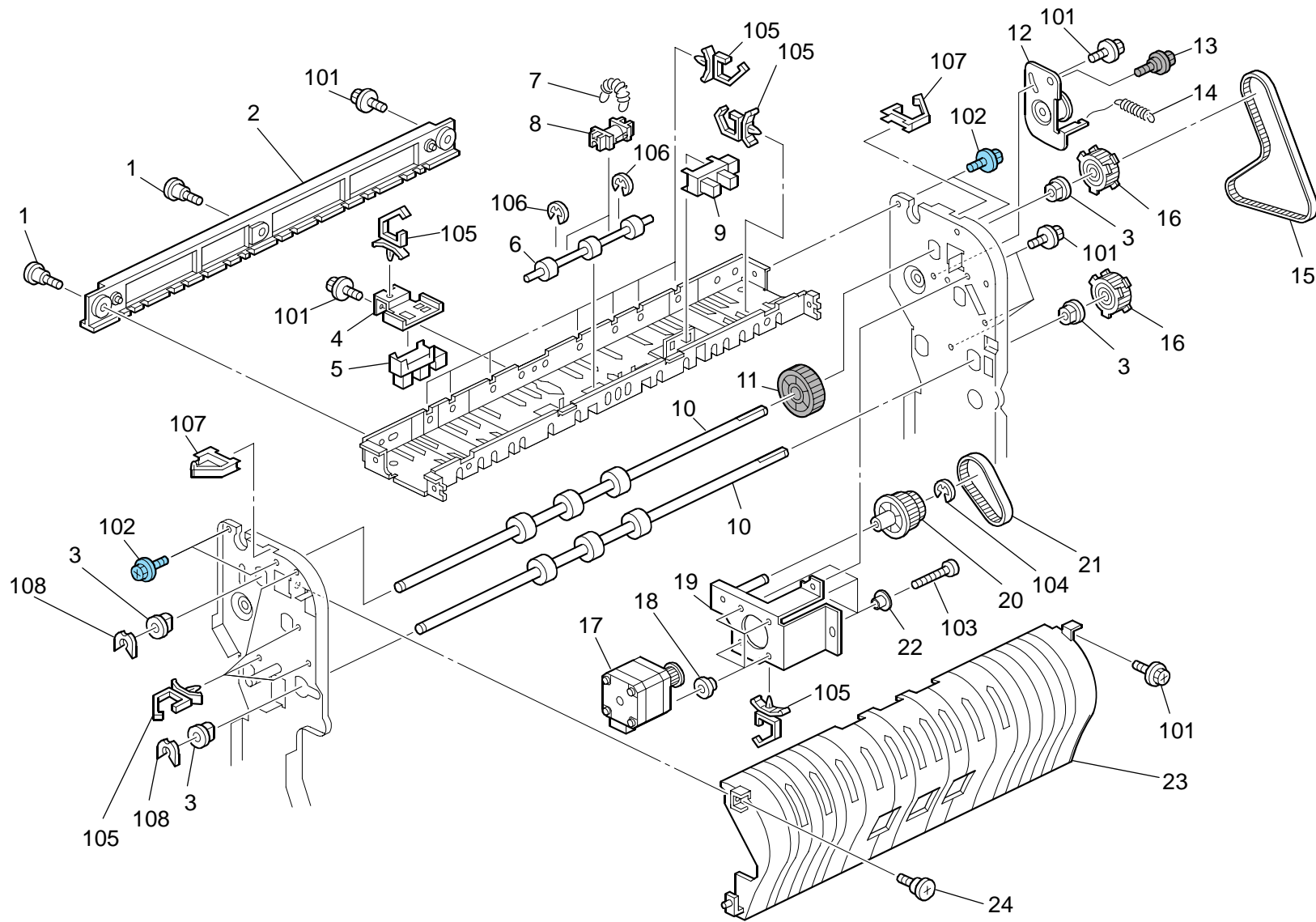


34. Duplex Unit 1 (B222/B224)

Index No.	Part No.	Description	Q'ty Per Assembly
1	B223 4534	Inner Cover: Duplex	1
2	B223 4533	Inner Cover: Duplex: Rear	1
3	B223 4579	Grip: Open And Close: Duplex Unit	1
4	B223 4590	Hook: Stopper	1
5	B223 4532	Tension Spring: Hook: Stopper	1
6	B223 4482	Inner Cover: Sensor	1
7	B223 4525	Tension Spring: Wire: 180n	1
8	B223 4559	Driven Roller: Dia16	1
9	AA08 0254	Bushing - M4	2
10	B223 4538	Compression Spring	2
11	AG07 0514	Magnet Catch	1
12	B223 4531	Guide Plate: Cover	1
13	B223 4540	Cover: Duplex	1
14	B223 2665	Spring: Cover: Manual Feed	2
15	B223 2664	Cover: Manual Feed: Entrance	1
16	B223 4539	Sheet: Cover: Duplex	1

Index No.	Part No.	Description	Q'ty Per Assembly
101	0451 3006N	Tapping Screw - 3x6	
102	0720 0030E	Retaining Ring - M3	
103	0451 3008N	Tapping Screw - M3x8	

35.Duplex Unit 2 (B222/B224)

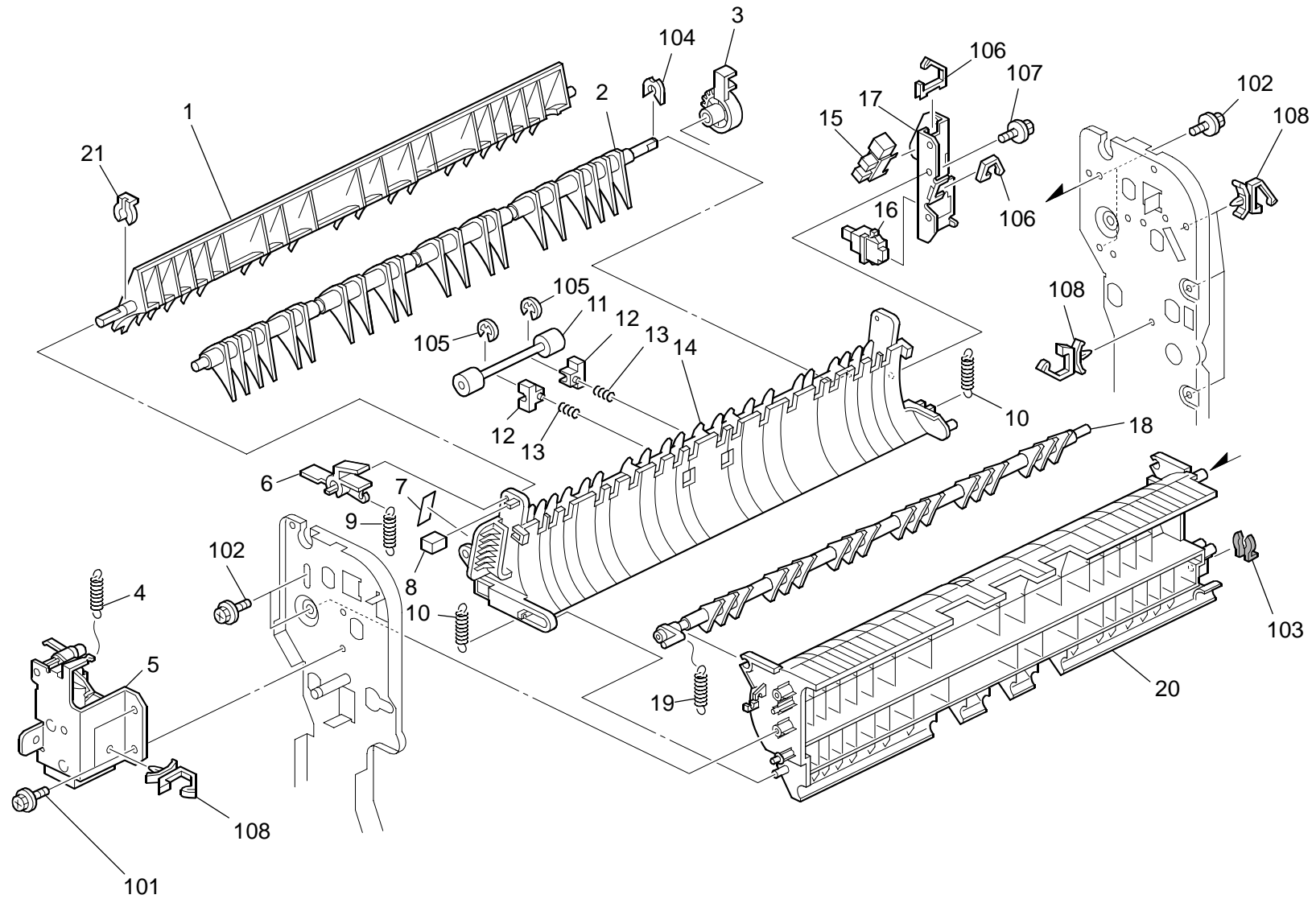


35.Duplex Unit 2 (B222/B224)

Index No.	Part No.	Description	Q'ty Per Assembly
1	AA14 3807	Screw:A	2
2	B223 4483	Guide Plate:Upper:Gate	1
3	AA08 2104	Bushing - 8x12x7	4
4	B223 4566	Bracket:Sensor:Entrance	1
5	AW01 0107	Paper Feed Sensor	1
6	B223 4559	Driven Roller:Dia16	1
7	B223 4560	Tension Spring:Driven Roller	2
8	B223 4552	Bushing:Dia4	2
9	AW02 0145	Photointerruptor:Flat	1
10	B223 4537	Reverse Roller:Feed Paper Again	2
11	AB01 4161	Reverse Roller Gear	1
12	B223 4562	Tightener	1
13	B044 1847	Shoulder Screw	1
14	B223 4564	Spring:Tightener	1
15	B223 4526	Timing Belt:30S2M268	1
16	B223 4586	Pulley:T30	2
17	B223 4572	Stepper Motor:DC4.29V 1.7W	1
18	AA10 1021	Rubber Bushing - 6 45hs	4
19	B223 4575	Bracket:Stepper Motor	1
20	B223 4571	Gear:Pulley:Z24/T40	1
21	B223 4573	Timing Belt:30S2M128	1
22	B044 1825	Collar	4
23	B223 4501	Guide Plate:Right	1
24	5840 3022	Stopper Screw - M3	1

Index No.	Part No.	Description	Q'ty Per Assembly
101	0451 3006N	Tapping Screw - 3x6	
102	0454 3006Q	Tapping Screw - M3x6	
103	0353 0100N	Screw-m3x10	
104	0720 0040E	Retaining Ring - M4	
105	1105 0511	Harness Clamp - LWS-0306ZC	
106	0720 0030E	Retaining Ring - M3	
107	1105 0551	Clamp:LES-0505	
108	0805 0088	Retaining Ring - M6	

36. Duplex Unit 3 (B222/B224)

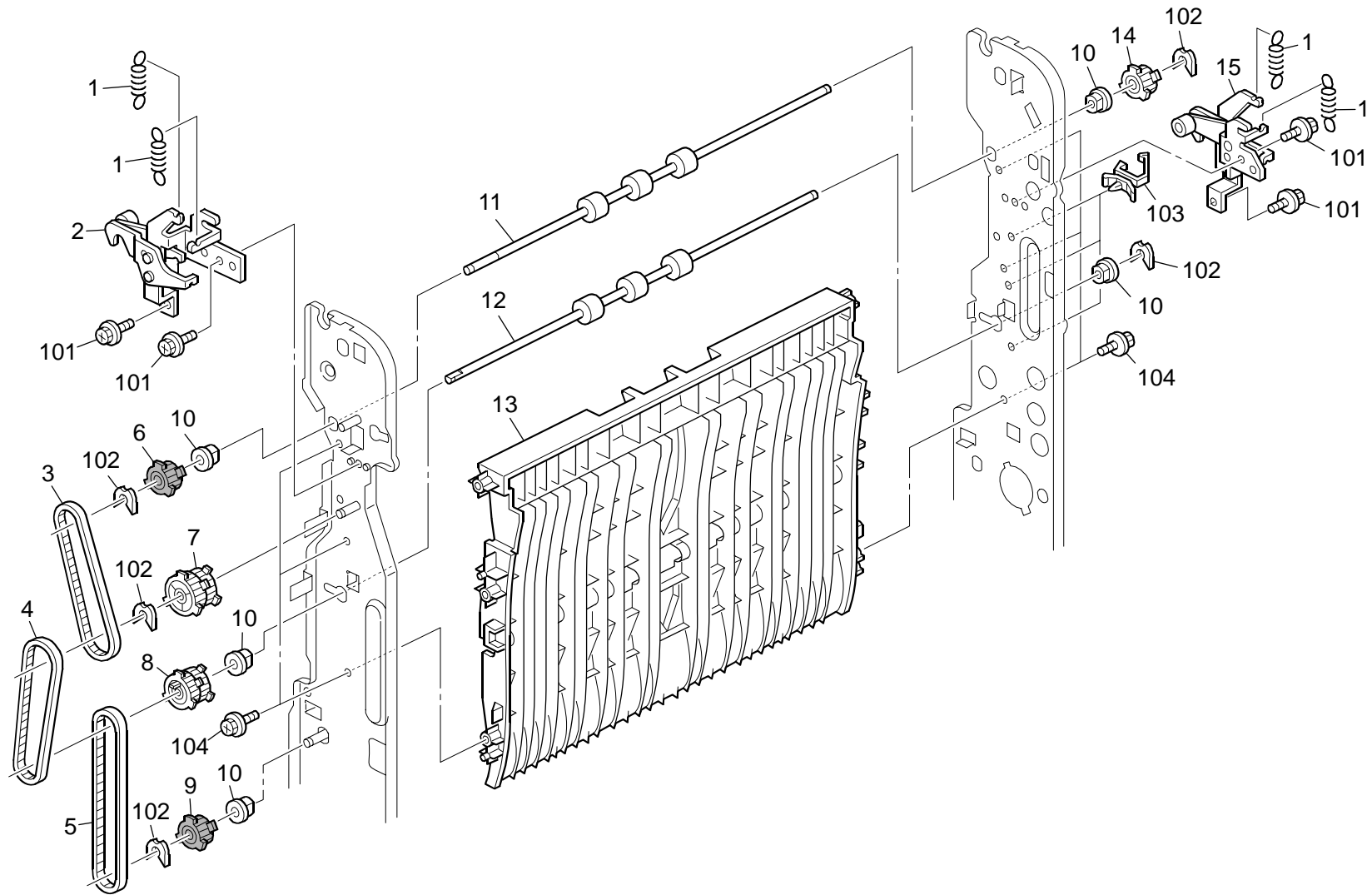


36.Duplex Unit 3 (B222/B224)

Index No.	Part No.	Description	Q'ty Per Assembly
1	B223 4495	Gate Pawl:Upper	1
2	B223 4475	Gate Pawl:Entrance	1
3	B223 4472	Gear:21Z	1
4	B223 4584	Tension Spring:Lever	1
5	B223 4581	DC Solenoid:Duplex	1
6	B223 4477	Lever:Gate Pawl:Upper	1
7	B223 4492	Decal:Open And Close	1
8	B223 4478	Stopper:Gate Pawl:Upper	1
9	B223 4479	Tension Spring:Gate Pawl:1.6n	1
10	B223 4485	Tension Spring:10n	2
11	B223 4474	Driven Roller:Dia16	1
12	G060 4435	Bushing - M4	2
13	B223 4484	Compression Spring:Driven Roller	2
14	B223 4471	Guide Plate:Open And Close	1
15	AW02 0145	Photointerruptor:Flat	1
16	AW50 0023	Push Switch	1
17	B223 4481	Bracket:Paper Exit Unit:Rear	1
18	B223 4578	Gate Pawl:Duplex	1
19	B223 4589	Tension Spring:Gate Pawl:0.5n	1
20	B223 4503	Guide Plate:Left Upper	1
21	5447 2681	Snap Ring	1

Index No.	Part No.	Description	Q'ty Per Assembly
101	0451 3006N	Tapping Screw - 3x6	
102	0450 3008N	Tapping Screw - M3x8	
103	0805 0097	Ring Separator	
104	0805 0089	Retaining Ring - M4	
105	0720 0030E	Retaining Ring - M3	
106	1105 0551	Clamp:LES-0505	
107	0450 3010N	Tapping Screw - M3x10	
108	1105 0511	Harness Clamp - LWS-0306ZC	

37.Duplex Unit 4 (B222/B224)

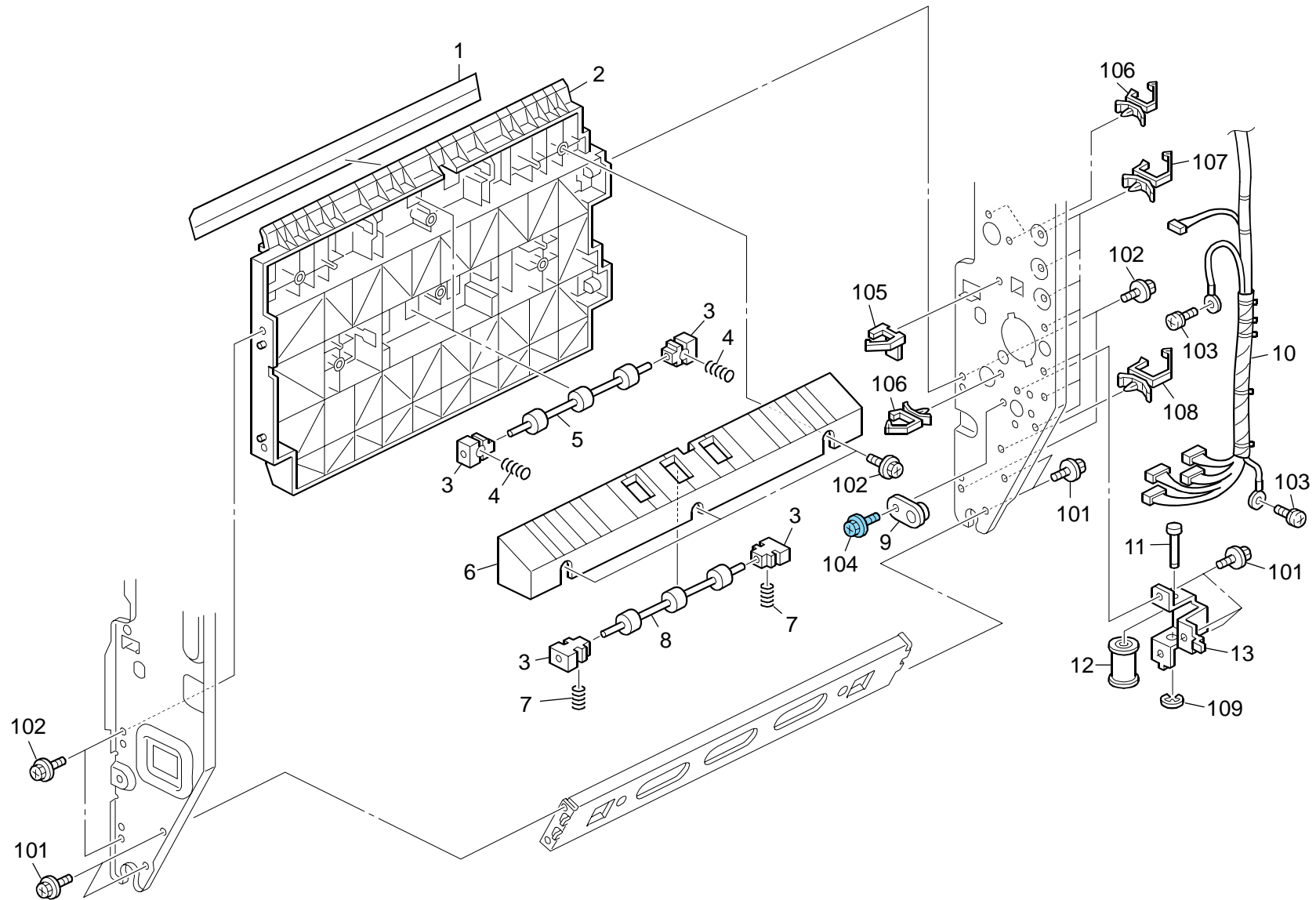


37. Duplex Unit 4 (B222/B224)

Index No.	Part No.	Description	Q'ty Per Assembly
1	AA06 1013	Tension Spring:Arm:Duplex	4
2	B223 4321	Arm:Front	1
3	B223 4512	Timing Belt:30S2M182	1
4	B223 4536	Timing Belt:30S2M234	1
5	B223 4511	Timing Belt:30S2M312	1
6	B223 4529	Roller Clutch:T24	1
7	B223 4544	Pulley:T35/T33	1
8	B223 4527	Pulley:T26/T24	1
9	B223 4535	Roller Clutch:T26	1
10	AA08 2101	Bushing - 6x10x6	5
11	B223 4513	Transport Roller:No.1	1
12	B223 4543	Transport Roller:No.2	1
13	B223 4502	Guide Plate:Left Lower	1
14	B223 4514	Roller Clutch:T24	1
15	B223 4320	Arm:Rear	1

Index No.	Part No.	Description	Q'ty Per Assembly
101	0451 3006N	Tapping Screw - 3x6	
102	0805 0089	Retaining Ring - M4	
103	1105 0511	Harness Clamp - LWS-0306ZC	
104	0450 3008N	Tapping Screw - M3x8	

38.Duplex Unit 5 (B222/B224)

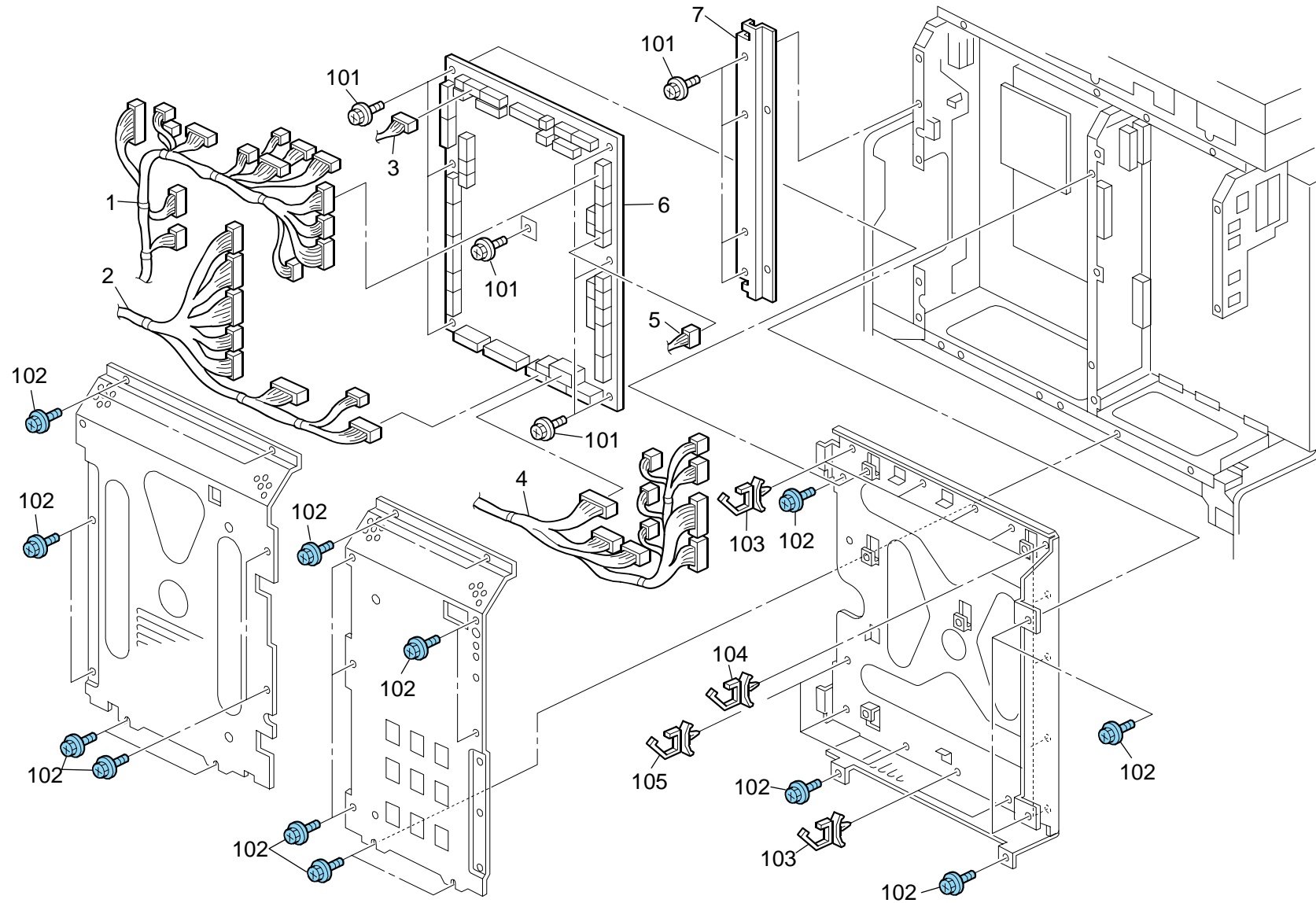


38.Duplex Unit 5 (B222/B224)

Index No.	Part No.	Description	Q'ty Per Assembly
1	B223 2677	Sheet - Transport Sub-unit	1
2	B223 2675	Guide Plate - Vertical Transport	1
3	G060 2652	Bushing - M4	6
4	B223 2676	Spring - 11n	4
5	AF02 0646	Vertical Transport Roller	2
6	B223 2648	Guide Plate:Transport Unit:Exit	1
7	B223 2649	Spring:Pressure:5n	2
8	B223 2641	Roller:Driven:Dia16	1
9	B223 4522	Spacer:Wire:Stopper	1
10	B223 4587	Harness:Duplex Md	1
11	B223 4594	Shaft:Pulley:Wire	1
12	B223 4595	Pulley:DIA13	1
13	B223 4596	Bracket:Shaft:Pulley:Wire	1

Index No.	Part No.	Description	Q'ty Per Assembly
101	0451 3006N	Tapping Screw - 3x6	
102	0450 3008N	Tapping Screw - M3x8	
103	0801 0149	Philips Pan Head Screw - M4x6	
104	0454 3006Q	Tapping Screw - M3x6	
105	1105 0568	Clamp:LWSS-0504	
106	1105 0511	Harness Clamp - LWS-0306ZC	
107	1105 0516	Clamp	
108	1105 0508	Harness Clamp - LWS-0711	
109	0720 0040E	Retaining Ring - M4	

39.Electrical Section 1 (B222/B224)

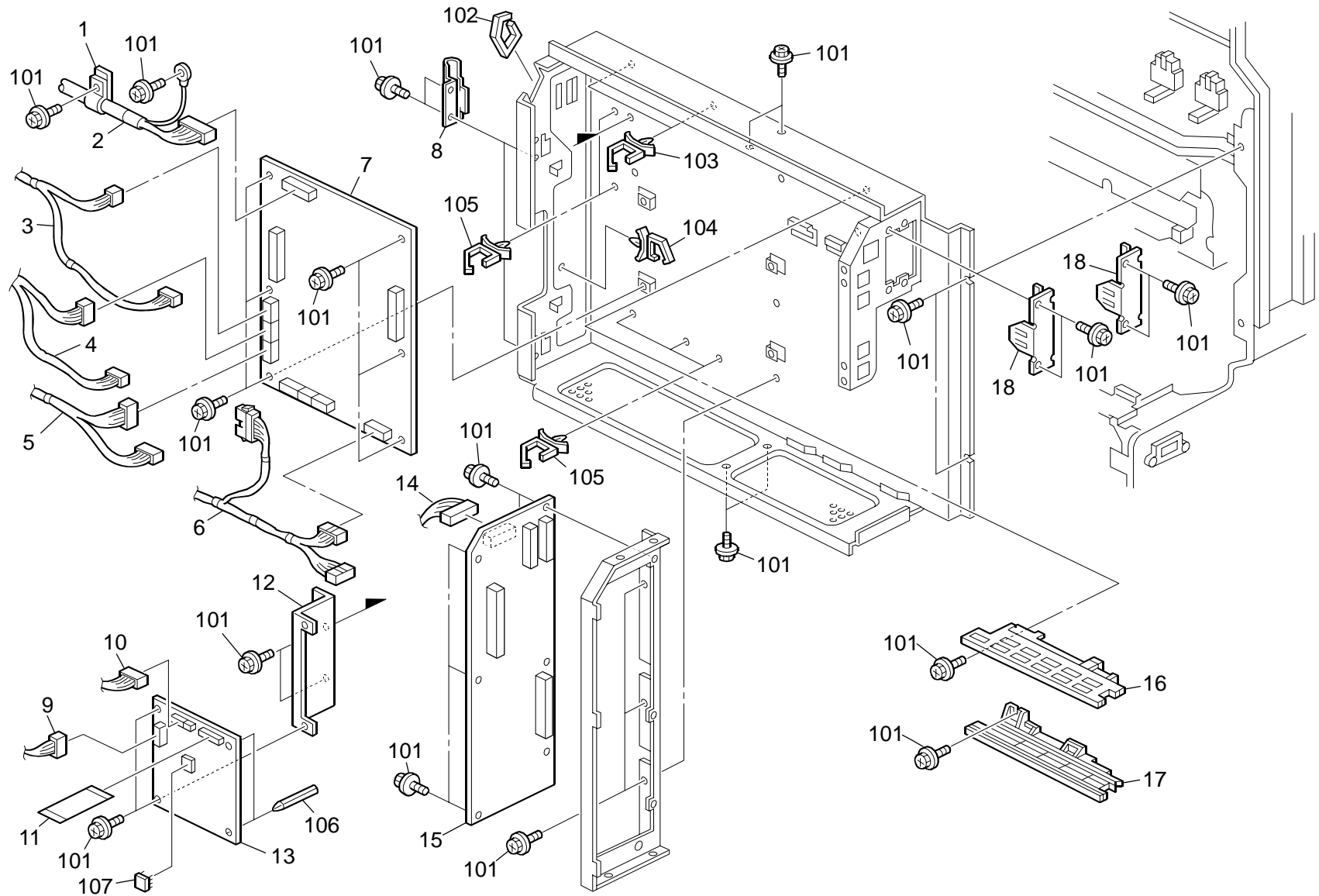


39.Electrical Section 1 (B222/B224)

Index No.	Part No.	Description	Q'ty Per Assembly
1	B223 5302	Harness:IOB:Main:Upper	1
2	B223 5300	Harness:IOB:Main:Lower	1
3	B223 5322	Harness:IOB:1bin	1
4	B223 5301	Harness:IOB:Main:Middle	1
5	B223 5325	Harness:IOB:Counter:EXP	1
6	B223 5120	PCB:IOB	1
7	B223 5816	Plate:Rack:Auxiliary:Right	1

Index No.	Part No.	Description	Q'ty Per Assembly
101	0451 3006N	Tapping Screw - 3x6	
102	0454 3006Q	Tapping Screw - M3x6	
103	1105 0489	Harness Clamp - LWS 1316	
104	1105 0487	Harness Clamp	
105	1105 0490	Harness Clamp - IWS-2218	

40.Electrical Section 2 (B222/B224)

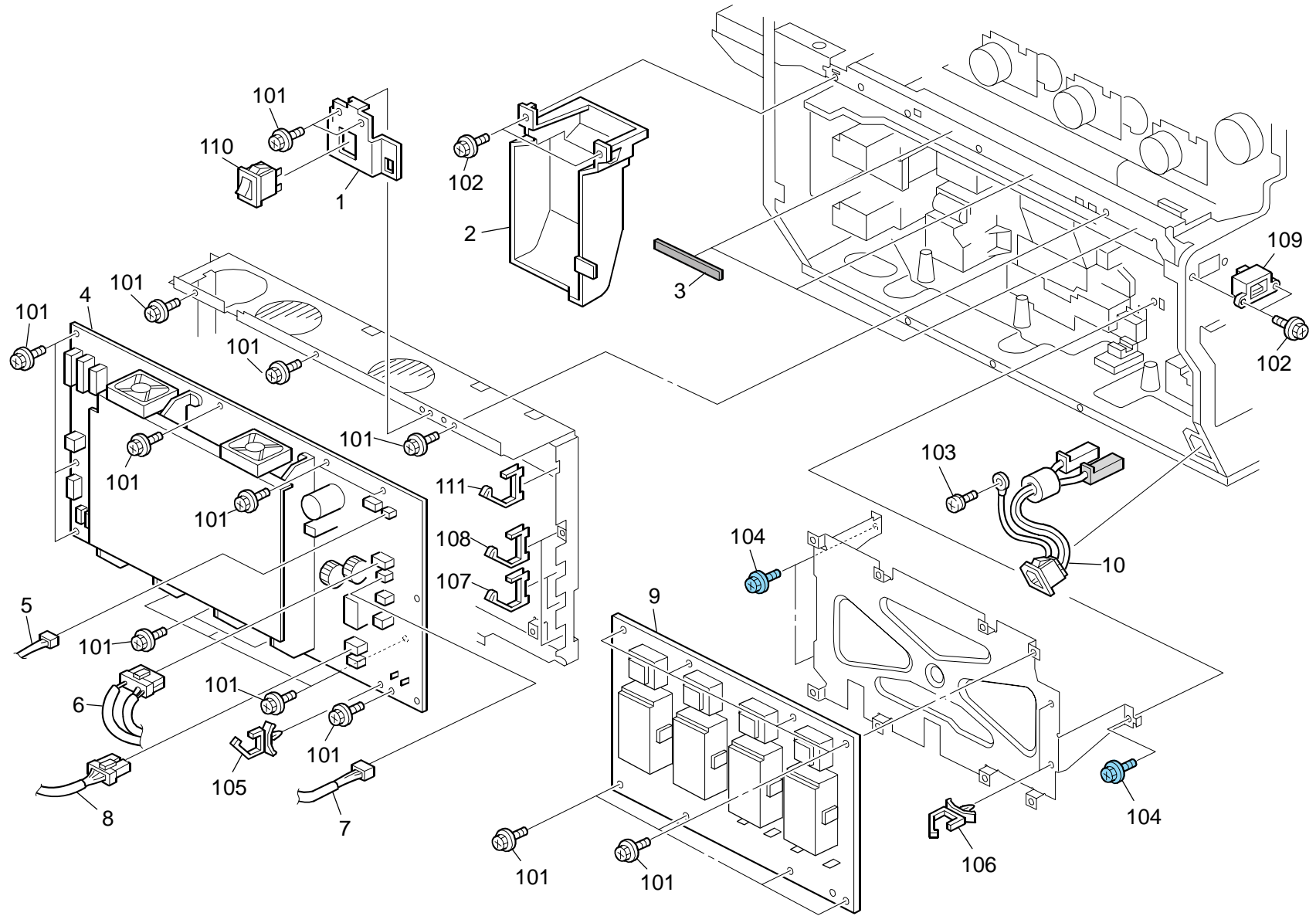


40.Electrical Section 2 (B222/B224)

Index No.	Part No.	Description	Q'ty Per Assembly
1	B154 5879	Plate:Cable	1
2	B223 5225	Interface Cable:Scanner:LVDS:HF	1
3	B221 5247	Harness:LD Unit:LD-Data:1LD	1
3	B223 5246	Harness:IPU:LD-Data:2LD	1
4	B223 5248	Harness:IPU:Sync Detector:Mirror	1
5	B221 5245	Harness:LD Unit:LD-Signal:1LD	1
5	B223 5244	Harness:IPU:LD-Signal:2LD	1
6	B223 5347	Harness:Power Supply Unit:C1	1
7	B223 5725	PCB:IPU	1
8	B223 5812	Hinge:Panel:Control Board	2
9	B223 5321	Harness:Connecting:BCU:SIO	1
10	G133 5328	Harness:EGB:TM/P:Sensor	1
11	B223 5320	Harness:IOB:BCU	1
12	B223 5807	Bracket:BCU	1
13	B223 5113	PCB:BCU	1
14	B223 5327	Harness:MB:OPU	1
15	B223 5747	PCB:MB:AP-C1	1
16	B223 5808	Supporter:Rapi:Upper	1
17	B223 5809	Supporter:Rapi:Lower	1
18	B101 5993	Interface Panel	2

Index No.	Part No.	Description	Q'ty Per Assembly
101	0451 3006N	Tapping Screw - 3x6	
102	1105 0521	Clamp - LES-1017	
103	1105 0516	Clamp	
104	1105 0490	Harness Clamp - IWS-2218	
105	1105 0488	Harness Clamp	
106	1105 0642	PCS-20S-V0	
107	1407 6362	EEPROM:BR24L64-W	

41.Electrical Section 3 (B222/B224)

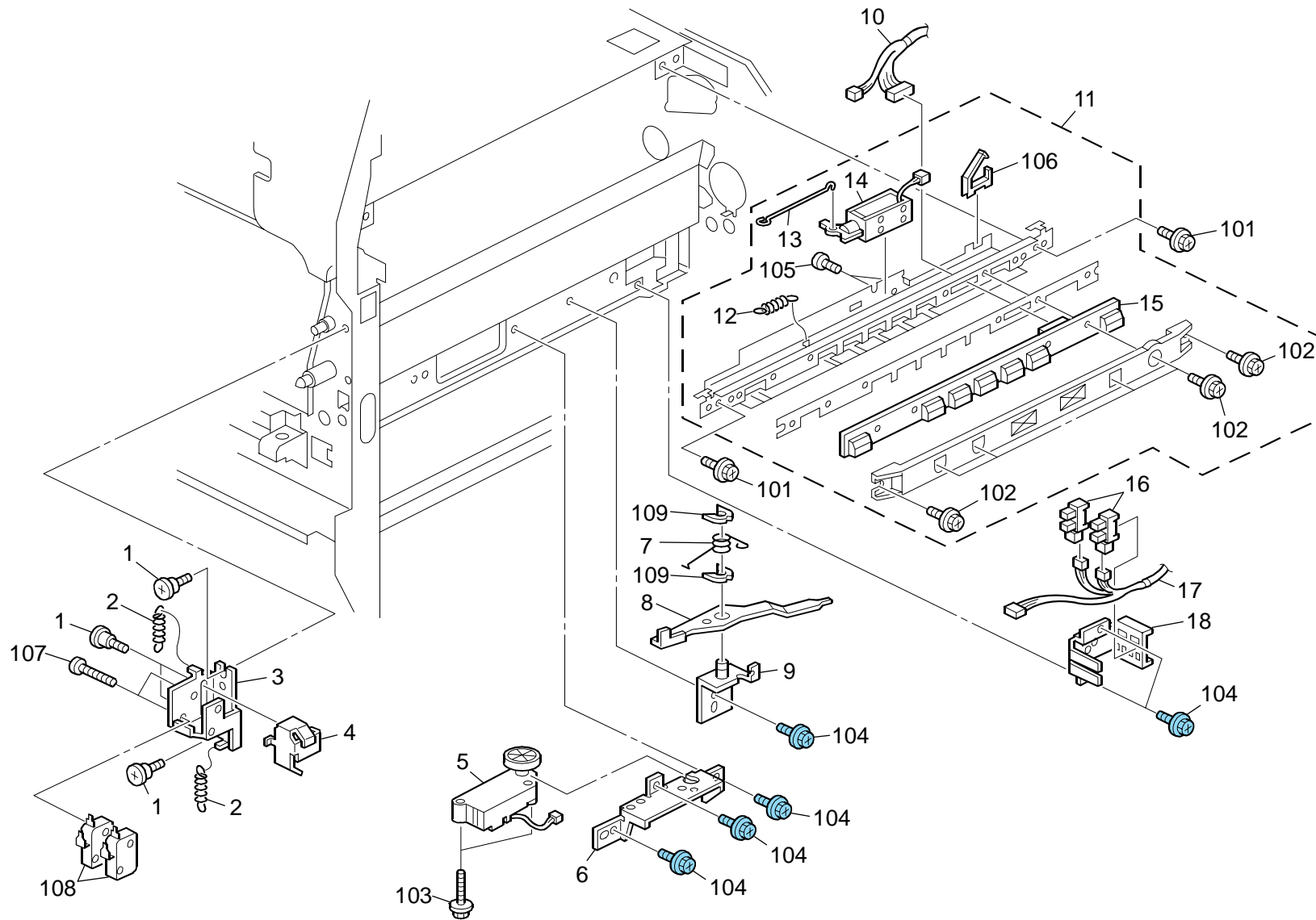


41.Electrical Section 3 (B222/B224)

Index No.	Part No.	Description	Q'ty Per Assembly
1	B223 5857	Bracket:Sw:Dehumidifier:Heater:Exp	1
2	B223 1239	Duct:Rear:Lower	1
3	B223 5861	Gasket:Etnw100-00505:L90	3
4	AZ24 0109	Power Supply Unit:494W:DOM/NA	1
4	AZ24 0110	Power Supply Unit:494W:EU/AA:APO-C1	1
5	B223 5336	Harness:PSU:JIGU	1
6	B223 5345	Harness:Power Supply Unit	1
7	B223 5332	Harness:PSU:SW:NA	1
8	B223 5331	Harness:AC:IH:Power Supply Unit	1
8	B223 5338	Harness:AC:IH:Power Supply Unit:EU	1
9	AZ32 0165	Power Pack:CB:APO-C/P:-80mic	1
10	B223 5333	Harness:AC:Inlet	1

Index No.	Part No.	Description	Q'ty Per Assembly
101	0451 3006N	Tapping Screw - 3x6	
102	0451 3008N	Tapping Screw - M3x8	
103	0954 4008N	Screw - M4X8	
104	0454 3006Q	Tapping Screw - M3x6	
105	1105 0488	Harness Clamp	
106	1105 0487	Harness Clamp	
107	1105 0614	Clamp - EDS-1710L-V0	
108	1105 0613	Clamp:EDS-1010L-V0	
109	1102 8502	Connector - 54679-1615	
110	1204 2570	Rocker Switch:Sddje13200	
111	1105 0612	Clamp:EDS-0704L-V0	

42.Electrical Section 4 (B222/B224)

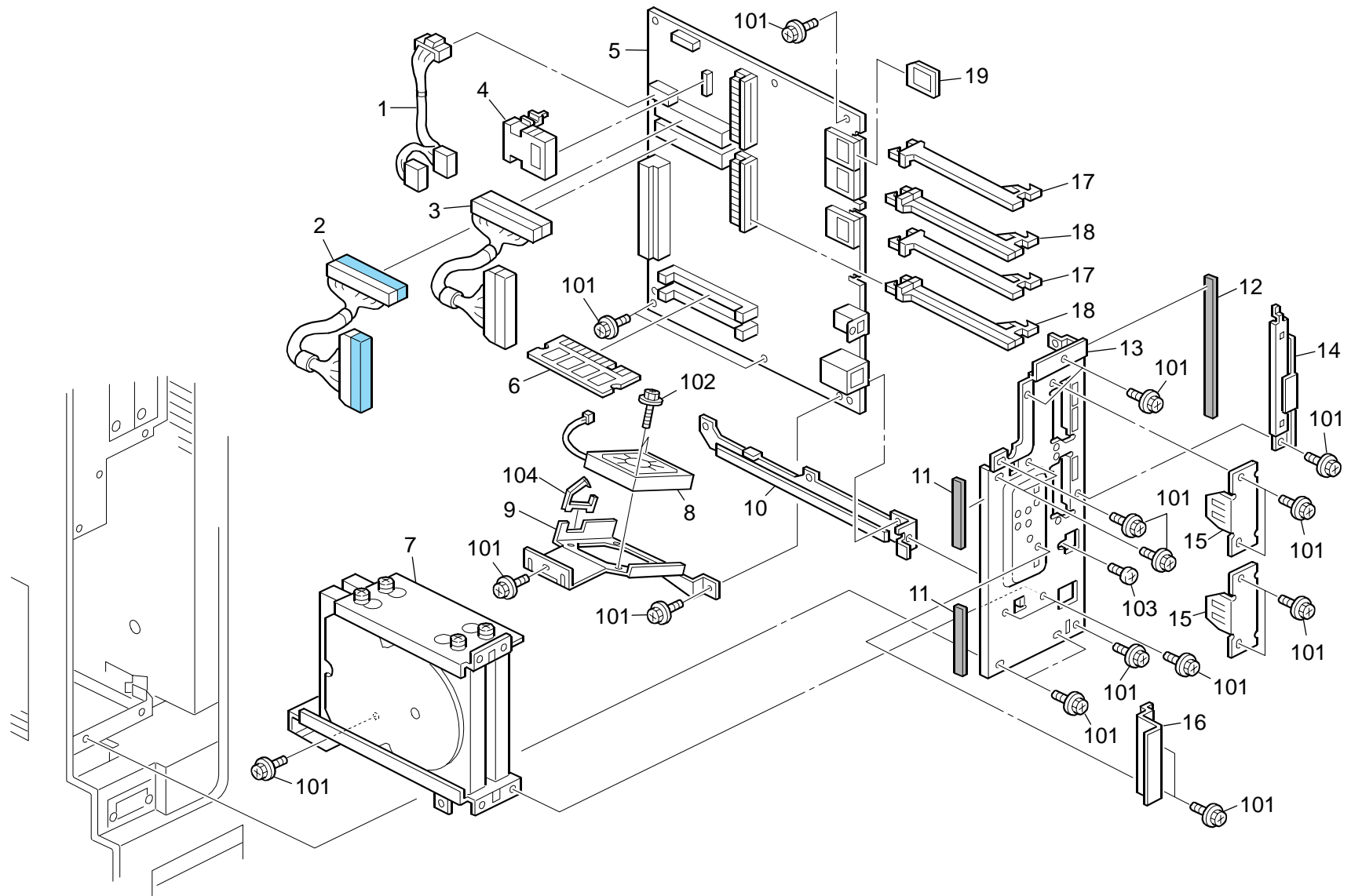


42.Electrical Section 4 (B222/B224)

Index No.	Part No.	Description	Q'ty Per Assembly
1	B223 1317	Screw	2
2	AA06 3568	Pressure Spring	2
3	B223 5813	Safety Switch Bracket	1
4	B223 5814	Bracket - Safety Switch Lever	1
5	B223 1213	DC Motor:Shutter:Ass'y	1
6	B223 1212	DC Motor Bracket	1
7	B223 1224	Torsion Spring	1
8	B223 1225	Shutter Link	1
9	B223 1221	Sensor Link Bracket	1
10	B223 5309	Harness:IOB:Connecting:TM/P:Sensor	1
11	B223 5876	Density Sensor:Ass'y	1
12	AA06 0151	Tension Spring	1
13	B238 5867	Hook:Solenoid:Sensor:TM	1
14	B238 5875	DC Solenoid DC24V	1
15	B223 6395	Density Sensor	1
16	GW02 0020	Photointerruptor:Lg248n1	2
17	B223 5313	Harness:IOB:LD Unit:Shutter	1
18	B223 1227	Sensor Shutter Bracket	1

Index No.	Part No.	Description	Q'ty Per Assembly
101	0451 3006N	Tapping Screw - 3x6	
102	0451 3008N	Tapping Screw - M3x8	
103	0451 3025N	Tapping Screw:M3x25	
104	0454 3006Q	Tapping Screw - M3x6	
105	0312 5040N	Screw - M2.5X4	
106	1105 0612	Clamp:EDS-0704L-V0	
107	0353 0250N	Screw:M3X25	
108	1204 2709	Switch - V-5F930DN	
109	0805 0088	Retaining Ring - M6	

43.Controller Unit (B222/B224)



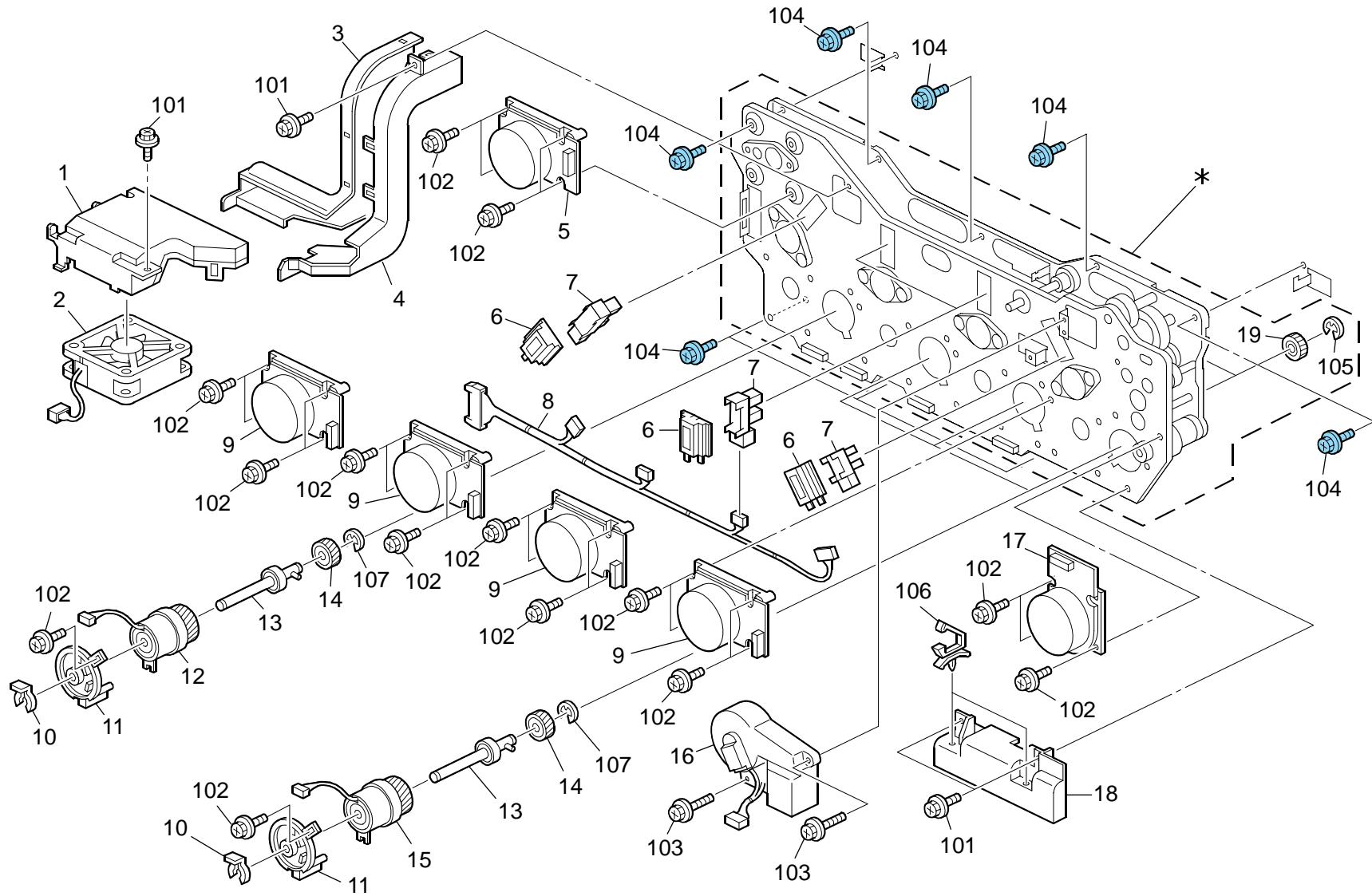
43.Controller Unit (B222/B224)

Rev. 01/23/2007

Index No.	Part No.	Description	Q'ty Per Assembly
1	B223 5736	Harness: HDD: Power Source	1
2	B223 5734	Harness: HDD: Raid: Upper	1
3	B223 5735	Harness: HDD: Raid: Lower	1
4	B230 9590	NVRAM- Zero Counter [TSB#006]	1
5	B224 5741	Controller Board	1
6	G108 5020	PCB: DDR-DIMM: 512Mb	2
7	B223 5090	HDD Unit	1
8	B837 5700	Fan Motor: MM40x10:NMB: 1604KL-01W	1
9	B223 5827	Bracket: Fan: Control Board	1
10	B223 5822	Supporter: Lower	1
11	B223 5864	Gasket: EGUN1-0205: L45	2
12	B223 5862	Gasket: EGUN1-0105: L240	1
13	B223 5821	Rack: Inner Back: Auxiliary: Left Lower	1
14	B223 5824	Cover: SD-Card	1
15	B101 5993	Interface Panel	2
16	B223 5823	Grip: Rack: Left Lower	1
17	G108 5108	Right Guide 1	1
18	G108 5107	Left Guide 1	1
19	B837 5001	SD-Card: Printer/Scanner	1

Index No.	Part No.	Description	Q'ty Per Assembly
101	0451 3006N	Tapping Screw - 3x6	
102	0451 3014N	Tapping Screw: 3x14	
103	0353 0060N	Bind Screw - M3x6	
104	1105 0612	Clamp: EDS-0704L-V0	

44. Drive Section 1 (B222/B224)

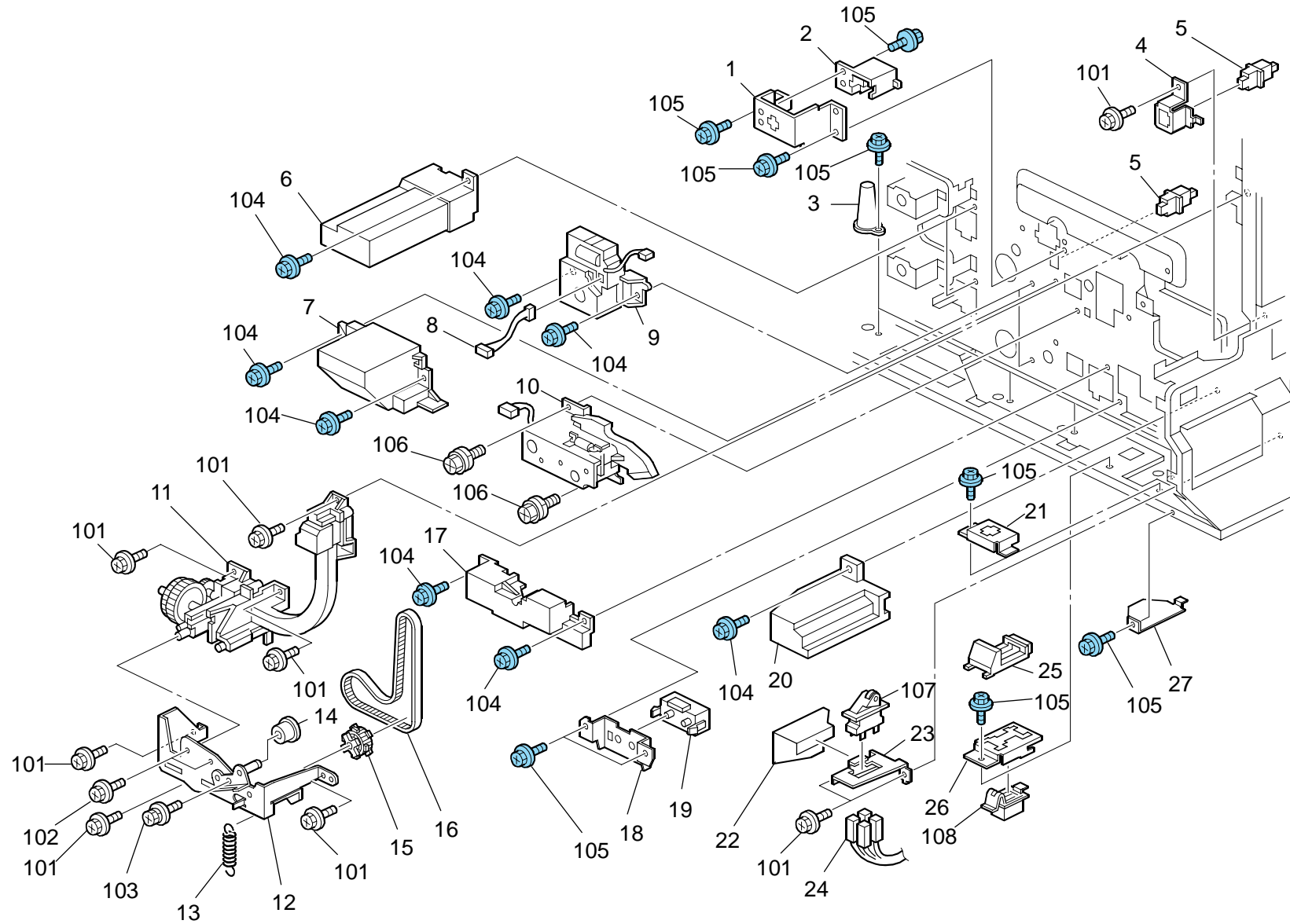


44. Drive Section 1 (B222/B224)

Index No.	Part No.	Description	Q'ty Per Assembly
*	B223 1177	Drive Unit	1
1	B223 1236	Duct:Rear:1	1
2	AX64 0179	Fan Motor:DC24V 2.4W	1
3	B223 1238	Duct:Rear:3	1
4	B223 1237	Duct:Rear:2	1
5	AX05 0249	Brushless Motor DC24V8W	1
6	B223 1144	Holder:Positioning Sensor	4
7	AW02 0145	Photointerruptor:Flat	4
8	B223 5350	Harness:IOB:Connecting:Drum:Sensor	1
9	AX06 0308	Brushless Motor:DC24V 25W	4
10	AA10 0015	Snap Ring - M6	4
11	B223 1370	Holder:Magnetic Clutch	4
12	AX20 0300	Magnetic Clutch:0.5n.m	1
13	B223 1148	Shaft:Development	4
14	AB01 0367	Gear - 23Z	4
15	AX20 0299	Magnetic Clutch:0.5n.m	3
16	B223 1199	DC Motor 24V	1
17	GX06 0015	Brushless Motor:Drive:Paper Feed	1
18	B223 1364	Guide:Harness	1
19	AB01 0368	Gear:Development:NO.4	4

Index No.	Part No.	Description	Q'ty Per Assembly
101	0451 3006N	Tapping Screw - 3x6	
102	0360 3006N	Screw - M3X6	
103	0360 3016N	Screw - M3X16	
104	0454 3006Q	Tapping Screw - M3x6	
105	0720 0060E	Retaining Ring - M6	
106	1105 0516	Clamp	
107	0720 0040E	Retaining Ring - M4	

45. Drive Section 2 (B222/B224)

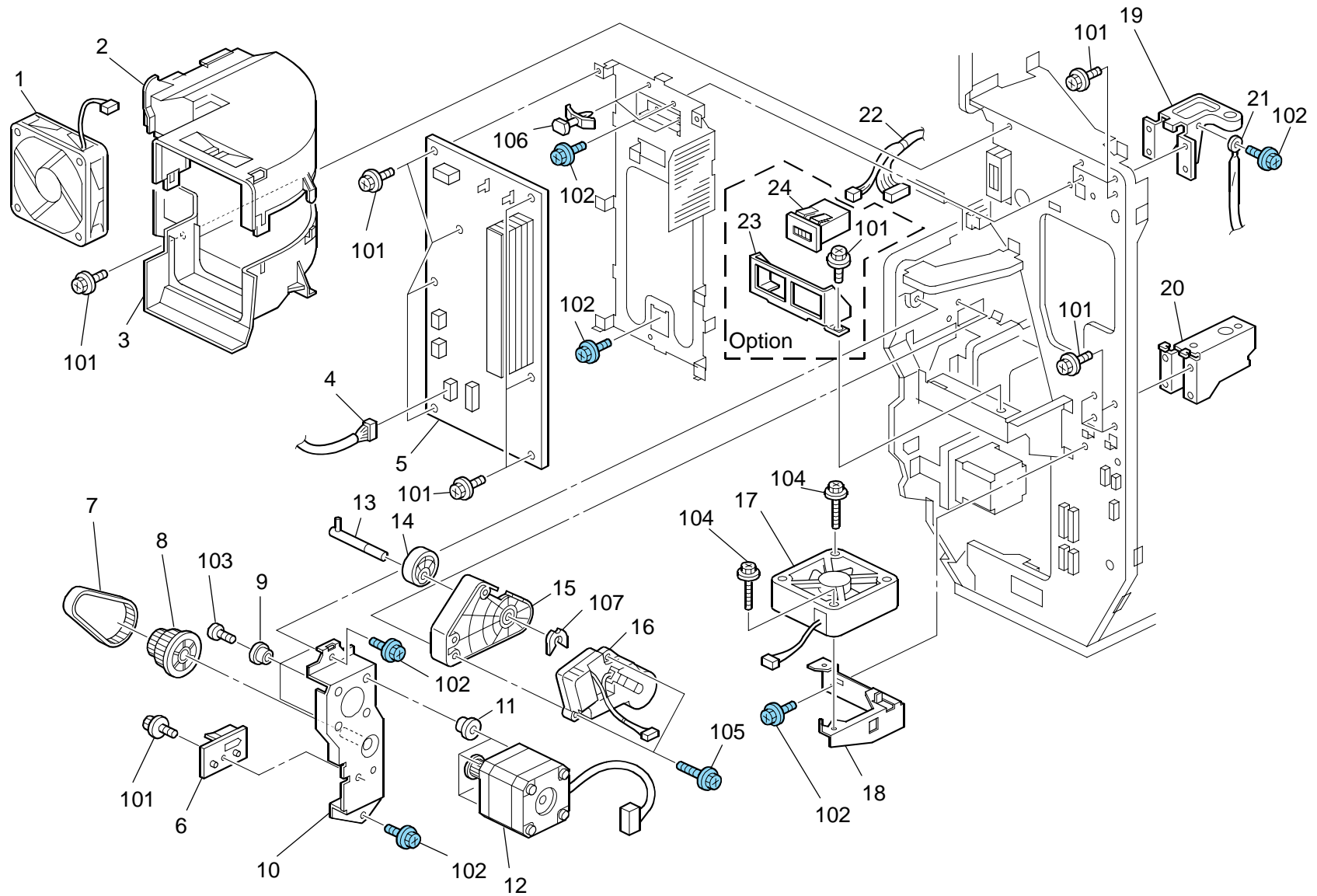


45. Drive Section 2 (B222/B224)

Index No.	Part No.	Description	Q'ty Per Assembly
1	B223 1206	Bracket:Connector:Heater	1
2	B238 1143	Guide:Connector:Heater:Imaging Unit	1
3	B238 1089	Cover - Positioning Pin	4
4	B223 6507	Set Sensor Bracket	1
5	AW50 0023	Push Switch	2
6	B238 2541	Tray Cover - Right	2
7	B238 2544	Tray Cover - Middle	1
8	B238 5325	Harness - Paper Volume Sensor	1
9	AX04 0154	DC Motor 24V	2
10	B223 2730	Paper Tray Stopper Ass'y	1
11	B223 6481	Rear Pipe Ass'y	1
12	B223 1174	Drive Unit:Collection Bottle	1
13	AA06 0722	Tension Spring	1
14	AB03 0551	Pulley:Idler:Fusing	1
15	AB03 0783	Pulley - 34T	1
16	AA04 3583	Timing Belt - S2M460	1
17	B223 2722	Cover	1
18	B223 2721	Bracket:Push Switch	1
19	AW50 0038	Push Switch:Paper Size Sensor	1
20	B238 2543	Cover - Tray Left	1
21	B223 5848	Bracket:Base:Connector	1
22	B238 5828	Main Switch Sheet	1
23	B238 5827	Main Switch Bracket	1
24	B223 5330	Harness:AC:Switch	1
25	B238 1088	Cover - Connector	1
26	B223 1065	Connector Bracket	1
27	B223 5849	Cover:Connector:Heater	1

Index No.	Part No.	Description	Q'ty Per Assembly
101	0451 3006N	Tapping Screw - 3x6	
102	0450 3008N	Tapping Screw - M3x8	
103	0801 0231	Hexagonal Head Bolt W/Washer:M3x6	
104	0454 3008Q	Tapping Screw:3x8	
105	0454 3006Q	Tapping Screw - M3x6	
106	0802 5299	Tapping Screw - M3x8	
107	1204 2704	Switch - RS1A-AB11	
108	1102 8534	Connector - QR/P17-14S-B	

46. Drive Section 3 (B222/B224)

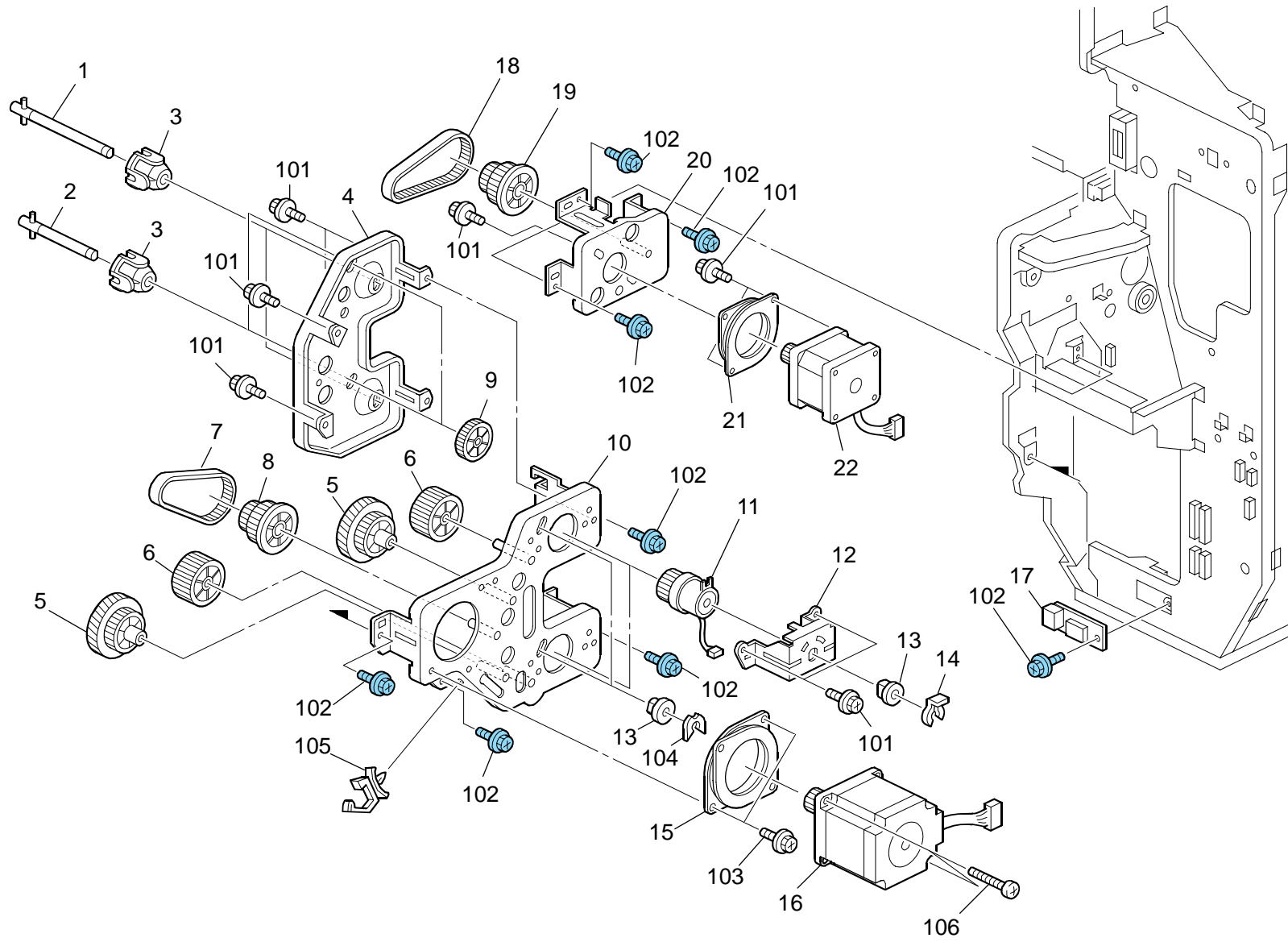


46. Drive Section 3 (B222/B224)

Index No.	Part No.	Description	Q'ty Per Assembly
1	GX64 0020	Fan Motor - DC24V	1
2	B223 1326	Duct:Fusing	1
3	B223 1327	Duct:Fusing:Rear	1
4	B223 5305	Harness:IOB:Connecting:IH	1
5	B223 5170	Invertor:IH	1
5	B223 5172	Invertor:IH:EU	1
6	B223 2694	Guide:Gear	1
7	B700 2649	Timing Belt:40S2M144	1
8	AB01 7493	Gear Pulley	1
9	B044 1825	Collar	4
10	B223 2691	Bracket:Stepper Motor	1
11	AA10 1021	Rubber Bushing - 6 45hs	4
12	B223 2685	Stepper Motor:DC24V 26.4W	1
13	B238 1225	Shaft	1
14	B238 1226	Cam	1
15	B238 1223	Holder	1
16	B223 1199	DC Motor 24V	1
17	B223 1332	Fan Motor - Mm60 DC24V	1
18	B223 5844	Bracket:Fan:Power Source:IH	1
19	B223 5841	Hinge:Application:Rack	1
20	B223 5843	Bracket:Rack:Application	1
21	B223 5866	Ground Wire:Rack:Right Lower:HF	1
22	B223 5335	Harness:IOB:Counter:Option:NA	1
23	B223 5846	Bracket:Total Counter	1
24	AX31 0045	Total Counter:7fig:24V	1

Index No.	Part No.	Description	Q'ty Per Assembly
101	0451 3006N	Tapping Screw - 3x6	
102	0454 3006Q	Tapping Screw - M3x6	
103	0353 0080N	Screw:M3X8	
104	0451 3030N	Tapping Screw:3x30	
105	0802 5304	Tapping Screw - M3x30	
106	1105 0641	Clamp	
107	0805 0089	Retaining Ring - M4	

47. Drive Section 4 (B222/B224)

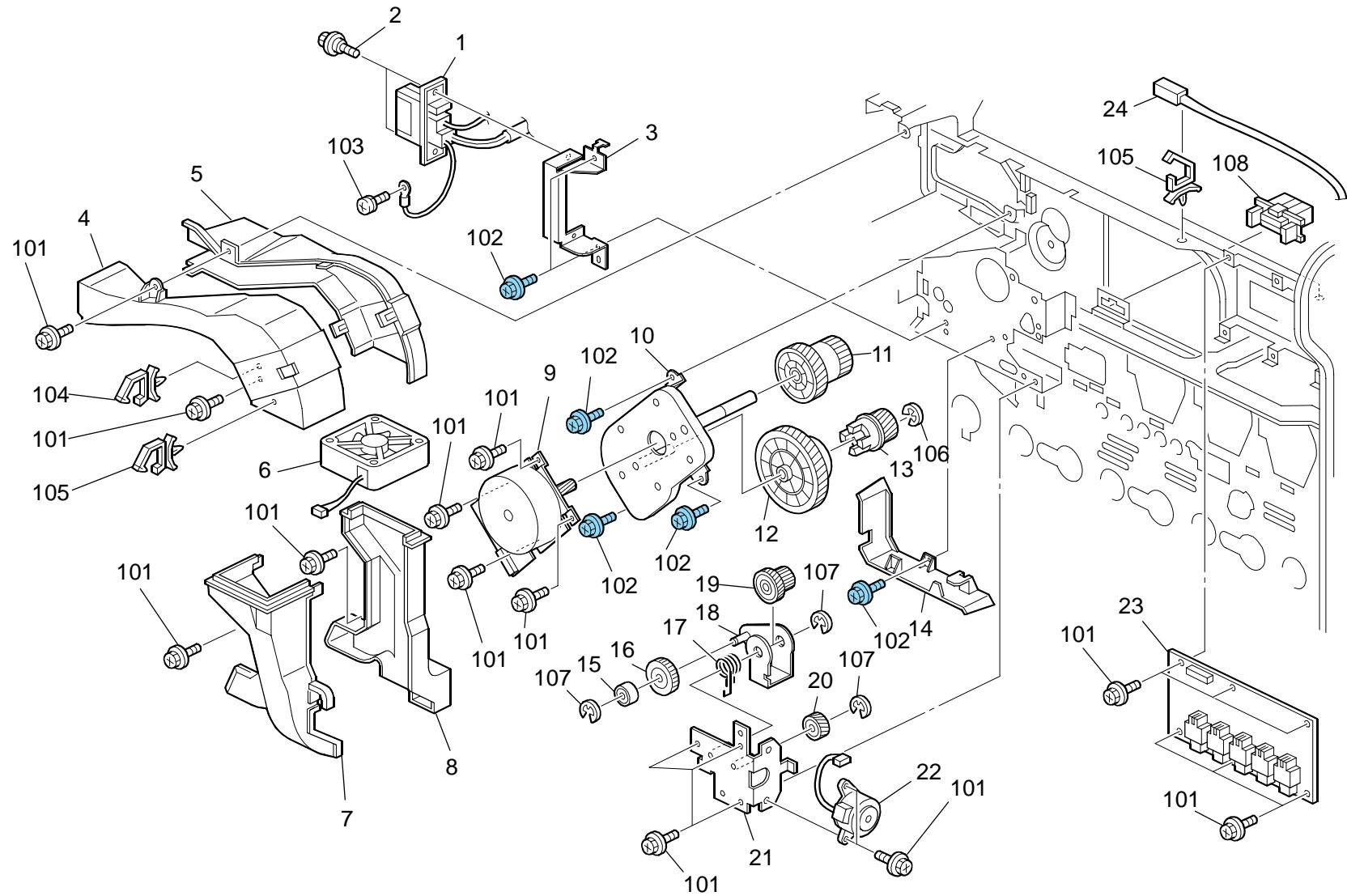


47. Drive Section 4 (B222/B224)

Index No.	Part No.	Description	Q'ty Per Assembly
1	B223 1189	Feed Drive Shaft	1
2	B223 1183	Grip Shaft	1
3	B223 1186	Drive Joint	2
4	B223 1354	Drum Stay:Drive Unit	1
5	AB01 7699	Gear - 33Z/44Z	2
6	AB01 1258	Gear - 38Z	2
7	AA04 3585	Timing Belt:40S3M162	1
8	AB03 0781	Timing Pulley - 28Z/30T	1
9	AB01 1259	Gear - 32Z	2
10	B223 1180	Bracket:Paper Feed	1
11	AX20 0289	Magnetic Clutch - 32z	2
12	B223 1187	Magnetic Clutch Bracket	2
13	GA08 0002	Bushing - 6mm	4
14	5447 2681	Snap Ring	2
15	AA16 1164	Cushion:Stepper Motor	1
16	B223 1188	Stepper Motor DC24V	1
17	AW14 0012	Temperature & Humidity Sensor	1
18	AA04 3601	Timing Belt - B40S2M118	1
19	AB03 0744	Timing Pulley - 27Z/40T	1
20	B223 1191	Bracket:Drive Unit:Registration	1
21	A232 4666	Cushion - Stepper Motor	1
22	B223 1350	Stepper Motor DC5.06V	1

Index No.	Part No.	Description	Q'ty Per Assembly
101	0451 3006N	Tapping Screw - 3x6	
102	0454 3006Q	Tapping Screw - M3x6	
103	0451 4008N	Tapping Screw:4x8	
104	0805 0089	Retaining Ring - M4	
105	1105 0488	Harness Clamp	
106	0434 0100N	Tapping Screw - 4x10	

48. Drive Section 5 (B222/B224)

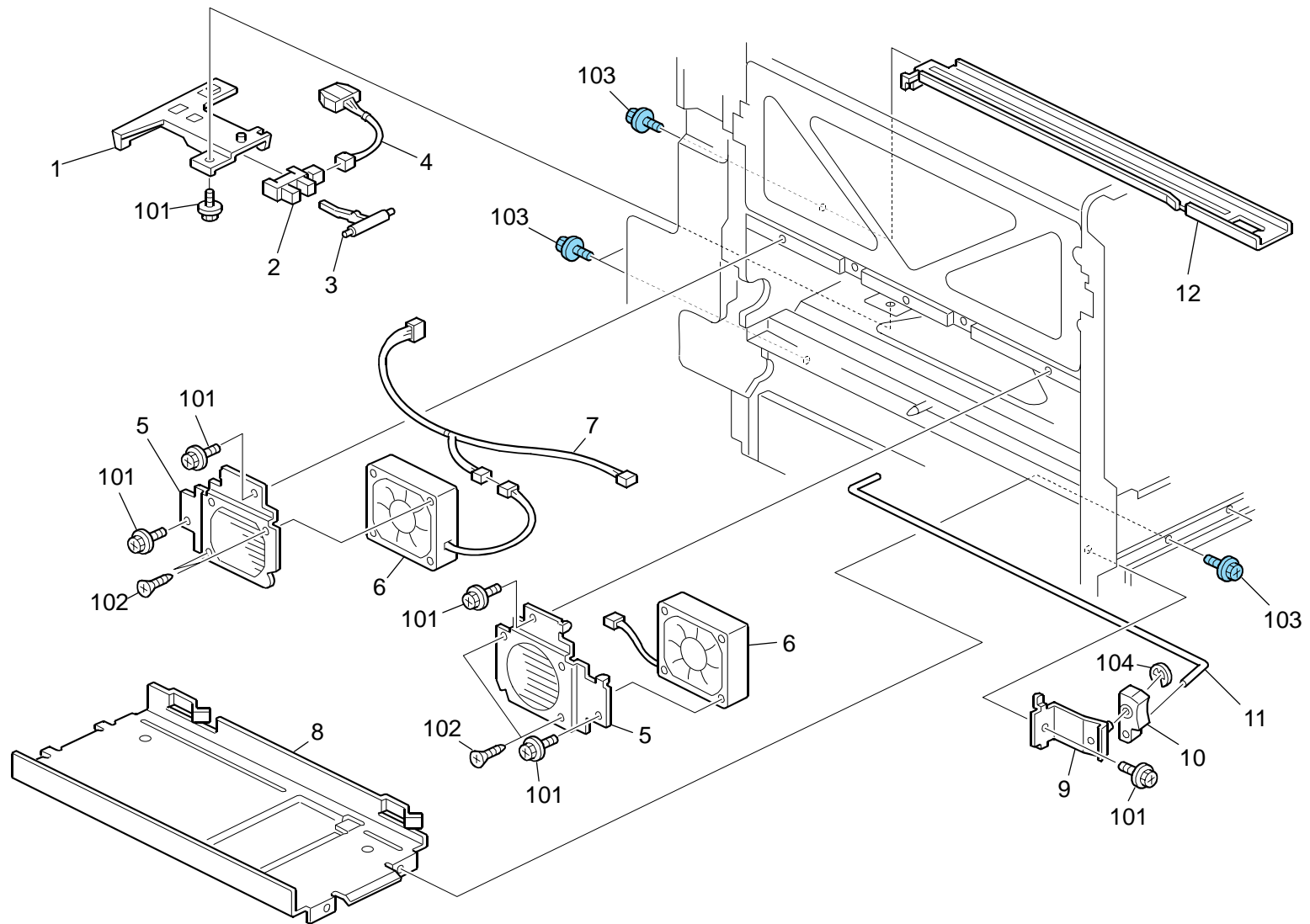


48. Drive Section 5 (B222/B224)

Index No.	Part No.	Description	Q'ty Per Assembly
1	B223 5361	Harness:Fusing Unit (120V)	1
1	B223 5362	Harness:Fusing Unit (230V)	1
2	AA14 3576	Screw:M3	2
3	B223 1069	Bracket:Drawer	1
4	B223 1342	Duct:Supply:Rear	1
5	B223 1341	Duct:Supply:Front	1
6	B223 1332	Fan Motor - Mm60 DC24V	1
7	B223 1324	Duct:IH:Rear	1
8	B223 1323	Duct:IH:Front	1
9	GX06 0015	Brushless Motor:Drive:Paper Feed	1
10	B223 1195	Bracket:Fusing Drive Sub-unit:Ass'y	1
11	AB01 0377	Gear:Z27/Z78	1
12	AB01 0375	Gear:Z120	1
13	AB01 0376	Gear:Z27	1
14	B223 1362	Cover:Fusing Drive Unit:Lower	1
15	B223 4343	Ring:Gear:Heat Roller	1
16	AB01 1264	Gear:Z24	1
17	AA06 6178	Spring	1
18	B223 4315	Bracket:Drive:Gear	1
19	AB01 7706	Gear:Z16/Z40	1
20	AB01 0138	Gear:Z28	1
21	B223 4318	Bracket:Stepper Motor	1
22	B223 4317	Stepper Motor:DC24V 24.3W	1
23	AZ32 0154	Power Pack:TTS:APO-C/P	1
24	B223 5342	Harness:AC:Scanner:Heater	1

Index No.	Part No.	Description	Q'ty Per Assembly
101	0451 3006N	Tapping Screw - 3x6	
102	0454 3006Q	Tapping Screw - M3x6	
103	0954 4008N	Screw - M4X8	
104	1105 0487	Harness Clamp	
105	1105 0516	Clamp	
106	0720 0060E	Retaining Ring - M6	
107	0720 0040E	Retaining Ring - M4	
108	1102 9782	Connector:51405-1819	

49.Frame Section 1 (B222/B224)

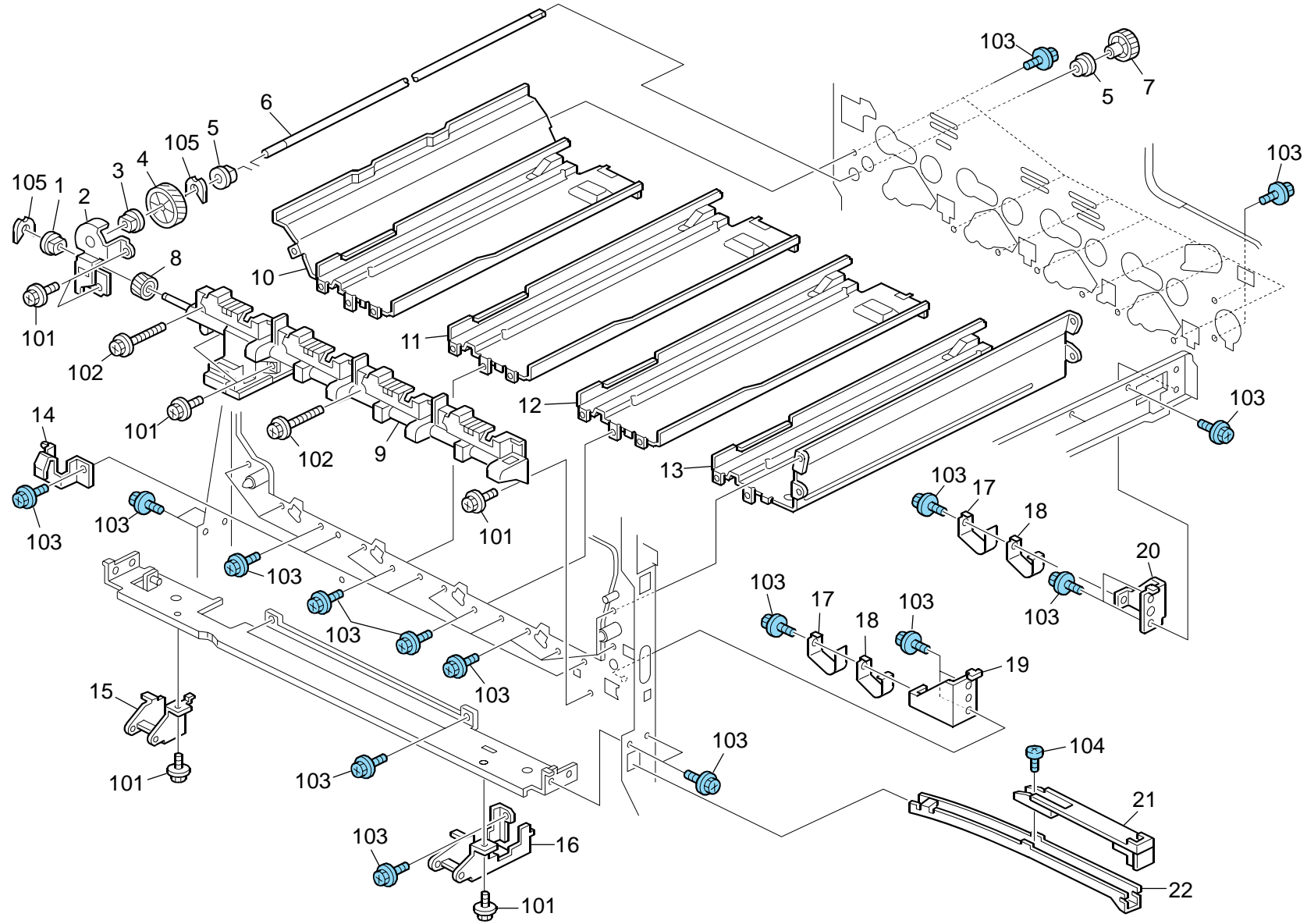


49.Frame Section 1 (B222/B224)

Index No.	Part No.	Description	Q'ty Per Assembly
1	B223 6502	Used Toner Sensor Bracket	1
2	AW02 0160	Paper Feed Sensor	1
3	B223 6503	Used Toner Sensor Feeler	1
4	B238 5313	Harness - Used Toner Sensor	1
5	B223 1331	Bracket:Fan	2
6	B223 1332	Fan Motor - Mm60 DC24V	2
7	B223 5311	Harness:IOB:Fan Motor	1
8	B223 6496	Collection Bottle Rail	1
9	B238 5821	Bracket - Main Switch Handle	1
10	B238 5824	Slide Switch Cover	1
11	B238 5825	Power Source Switch Link	1
12	B223 6198	Cleaning Unit Rail	1

Index No.	Part No.	Description	Q'ty Per Assembly
101	0451 3006N	Tapping Screw - 3x6	
102	0802 5308	Tapping Screr:Fan	
103	0454 3006Q	Tapping Screw - M3x6	
104	0720 0030E	Retaining Ring - M3	

50.Frame Section 2 (B222/B224)

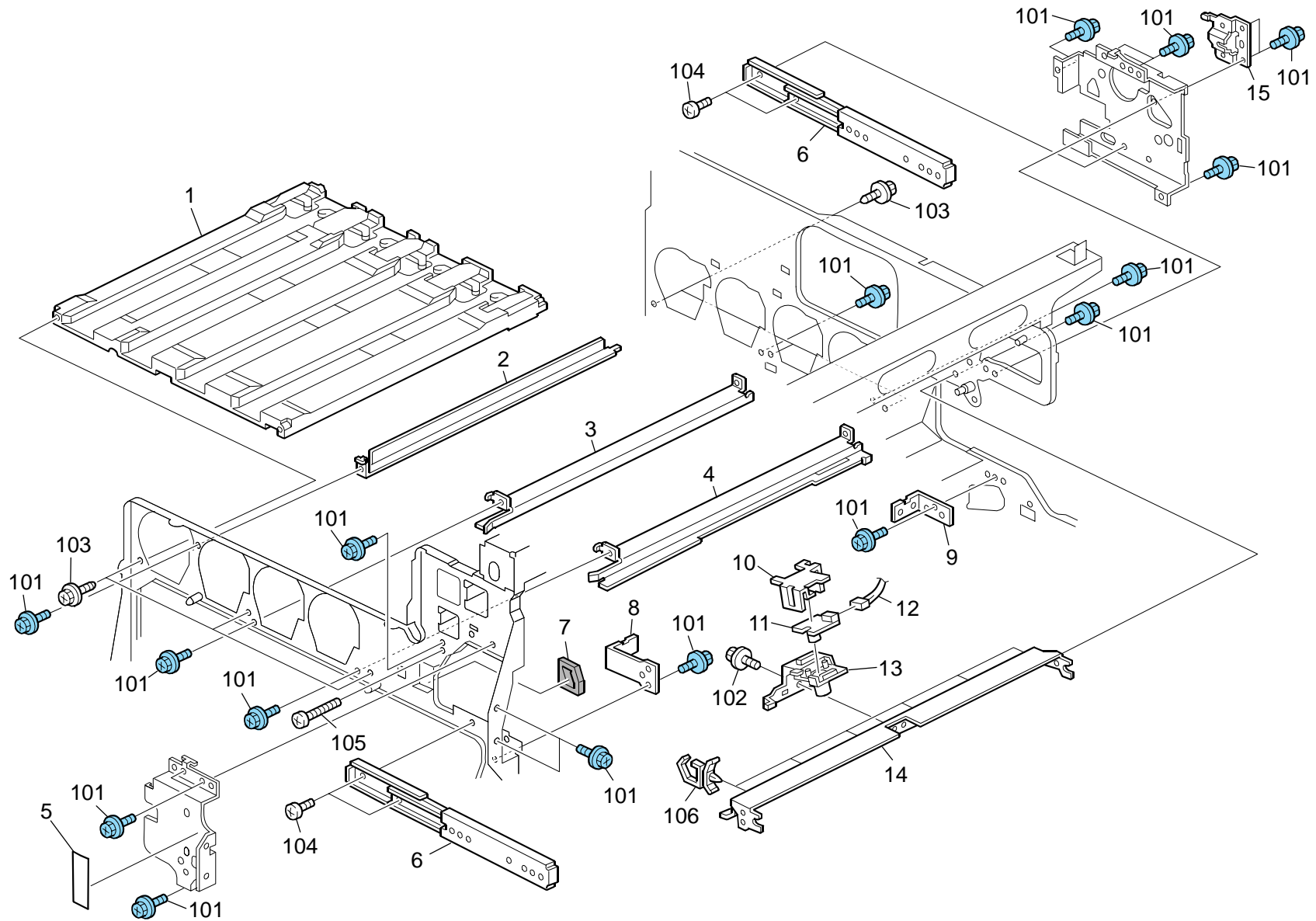


50.Frame Section 2 (B222/B224)

Index No.	Part No.	Description	Q'ty Per Assembly
1	B223 6464	Bushing - 6x10x6	1
2	B223 6471	Transport Screw Bracket	1
3	B223 6475	Bushing - 5x 10x2.5	1
4	B223 6472	Gear - 21Z	1
5	B223 6476	Bushing - Dia5	2
6	B223 6473	Transport Screw Shaft	1
7	B223 6474	Gear - 29Z	1
8	B223 6463	Gear - 20Z	1
9	B223 6451	Pipe:Front:Ass'y	1
10	B223 1087	Separation Plate - Upper Left	1
11	B223 1084	Separation Plate - Upper Middle Left	1
12	B223 1080	Separation Plate - Upper Middle Right	1
13	B223 1076	Separation Plate - Upper Right	1
14	B223 6467	Lever Bracket	4
15	B223 1103	Bracket:Hinge:Left	1
16	B223 1102	Bracket:Grip:Right Front	1
17	B223 1899	Imaging Unit Plate - Outer	2
18	B223 1898	Imaging Unit Plate - Inner	2
19	B223 1896	Imaging Unit Plate - Front	1
20	B223 1897	Imaging Unit Plate - Rear	1
21	B223 1245	Cap:Grip	1
22	B223 1101	Grip:Front	1

Index No.	Part No.	Description	Q'ty Per Assembly
101	0451 3006N	Tapping Screw - 3x6	
102	0451 3016N	Tapping Screw - 3x16	
103	0454 3006Q	Tapping Screw - M3x6	
104	0802 5305	Tapping Screw - M3x6	
105	0805 0089	Retaining Ring - M4	

51.Frame Section 3 (B222/B224)

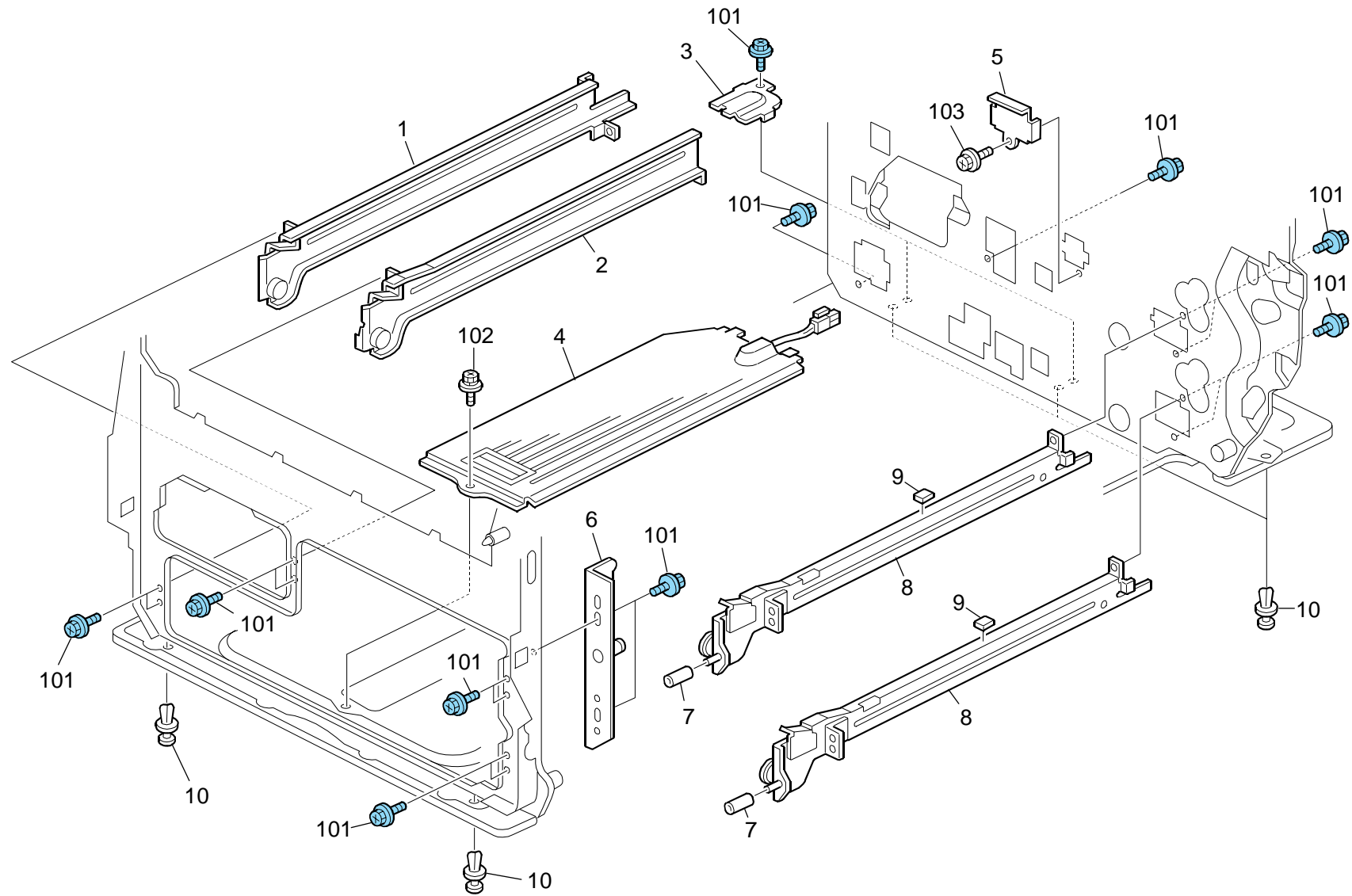


51.Frame Section 3 (B222/B224)

Index No.	Part No.	Description	Q'ty Per Assembly
1	B223 3305	Toner Cartridge Unit	1
2	B223 3328	Toner Cartridge Guide	1
3	B223 6145	Rail:Left:Intermediate Transfer	1
4	B223 6146	Rail:Right:Intermediate Transfer	1
5	B223 4342	Sheet:Harness	1
6	AA07 0080	Slide Rail:Fusing Unit	2
7	B223 1344	Sponge:IH:Fan	1
8	B223 1067	Bracket:Sensor:Front	1
9	B223 1068	Bracket:Sensor:Rear	1
10	B223 4331	Cover:Thermopile	1
11	AW10 0106	Thermopile	1
12	B223 5312	Harness:IOB:Fusing:Thermopile	1
13	B223 4332	Holder:Thermopile	1
14	B223 4314	Stay:Temperature Sensor:Fusing	1
15	B223 4391	Positioning Plate:Fusing Unit	1

Index No.	Part No.	Description	Q'ty Per Assembly
101	0454 3006Q	Tapping Screw - M3x6	
102	0451 3006N	Tapping Screw - 3x6	
103	0450 3008N	Tapping Screw - M3x8	
104	0353 0040N	Screw - M3X4	
105	0353 0120N	Screw M3x12	
106	1105 0487	Harness Clamp	

52.Frame Section 4 (B222/B224)



52.Frame Section 4 (B222/B224)

Index No.	Part No.	Description	Q'ty Per Assembly
1	B223 2710	Supporter - Left No.2	1
2	B223 2705	Supporter - Left No.1	1
3	B238 1066	Rubber Foot Cover	2
4	B223 2702	Heat Sink:Heater:NA	1
4	B223 2703	Heat Sink:Heater:EU	1
5	B223 1207	Cover:Connector:Heater	1
6	B223 1120	Bracket:Paper Feed Unit	1
7	B223 2714	Positioning Cap - Short	2
8	B223 2715	Supporter - Right	2
9	AA16 1163	Cushion	2
10	B101 1097	Rubber Foot:H5	6

Index No.	Part No.	Description	Q'ty Per Assembly
101	0454 3006Q	Tapping Screw - M3x6	
102	0802 5299	Tapping Screw - M3x8	
103	0451 3006N	Tapping Screw - 3x6	

53.IOB Board (B222/B224)

CAPACITOR

SYMBOL NO.	INDEX NO.	SYMBOL NO.	INDEX NO.	SYMBOL NO.	INDEX NO.	SYMBOL NO.	INDEX NO.	SYMBOL NO.	INDEX NO.	SYMBOL NO.	INDEX NO.	SYMBOL NO.	INDEX NO.
C1	252	---	---	C21	255	C31	255	C41	189	C51	255	C61	255
C2	188	C12	182	C22	255	C32	188	C42	189	C52	250	C62	188
C3	188	C13	255	C23	249	C33	255	C43	182	C53	188	C63	255
C4	255	C14	255	C24	249	C34	194	C44	182	C54	250	C64	255
C5	189	C15	253	C25	255	C35	188	C45	251	C55	250	C65	188
C6	253	C16	253	C26	188	C36	188	C46	251	C56	188	C66	188
C7	185	C17	255	C27	255	C37	255	C47	253	C57	255	C67	248
C8	185	C18	255	C28	188	C38	188	---	---	C58	188	C68	255
C9	185	C19	252	C29	188	---	---	---	---	C59	188	C69	188
C10	182	C20	255	C30	255	C40	183	C50	255	C60	255	C70	255

CAPACITOR

SYMBOL NO.	INDEX NO.	SYMBOL NO.	INDEX NO.	SYMBOL NO.	INDEX NO.	SYMBOL NO.	INDEX NO.	SYMBOL NO.	INDEX NO.	SYMBOL NO.	INDEX NO.	SYMBOL NO.	INDEX NO.
C71	188	C81	182	C91	255	C101	188	C111	188	C121	255	C131	188
C72	188	C82	254	C92	188	C102	255	C112	255	C122	255	C132	255
C73	255	C83	184	C93	255	C103	255	C113	255	C123	188	C133	255
C74	255	C84	188	C94	255	C104	188	C114	186	C124	188	C134	254
C75	255	C85	188	C95	188	C105	255	C115	255	C125	188	C135	255
---	---	C86	255	C96	255	C106	194	C116	255	C126	188	C136	255
C77	255	C87	253	C97	255	C107	255	C117	255	C127	255	C137	255
C78	188	C88	255	C98	255	C108	248	C118	188	C128	194	C138	255
C79	187	C89	194	C99	188	C109	188	C119	188	C129	255	C139	188
C80	189	C90	255	C100	188	C110	255	C120	188	C130	255	C140	188

53.IOB Board (B222/B224)

CAPACITOR

SYMBOL NO.	INDEX NO.	SYMBOL NO.	INDEX NO.	SYMBOL NO.	INDEX NO.	SYMBOL NO.	INDEX NO.	SYMBOL NO.	INDEX NO.	SYMBOL NO.	INDEX NO.	SYMBOL NO.	INDEX NO.
C141	255	C151	255	---	---	C171	188	C181	188	C191	255	C201	255
C142	248	C152	188	C162	251	C172	188	C182	251	C192	188	C202	255
C143	255	C153	255	C163	255	C173	188	C183	251	C193	188	C203	188
C144	188	---	---	C164	188	C174	188	C184	255	C194	255	C204	188
C145	188	C155	183	C165	252	C175	188	C185	255	C195	255	C205	253
C146	188	C156	255	C166	252	C176	252	C186	255	C196	255	C206	253
C147	188	C157	251	C167	252	C177	188	C187	251	C197	255	C207	188
C148	188	C158	253	---	---	C178	252	C188	255	C198	255	C208	252
C149	254	C159	188	C169	188	C179	252	C189	188	C199	255	C209	251
C150	188	C160	251	C170	188	C180	255	C190	252	C200	255	C210	252

CAPACITOR

SYMBOL NO.	INDEX NO.
C211	255
C212	188
C213	188
C214	252
C215	194

CA

SYMBOL NO.	INDEX NO.
CA1	193
CA2	192
CA3	192
CA4	193
CA5	193
CA6	193
CA7	193
CA8	191
CA9	191
CA10	191

SYMBOL NO.	INDEX NO.
CA11	191
CA12	193
CA13	190
CA14	190
---	---
CA16	193
CA17	193
CA18	193
CA19	193
---	---

SYMBOL NO.	INDEX NO.
---	---
---	---
CA23	193
CA24	192
CA25	192
CA26	193
CA27	193
CA28	193
CA29	193
CA30	193

SYMBOL NO.	INDEX NO.
CA31	192

CONNECTOR

SYMBOL NO.	INDEX NO.
CN201	103
---	---
CN203	130
CN204	129
CN205	120
---	---
---	---
CN208	128
CN209	114
CN210	125

SYMBOL NO.	INDEX NO.
---	---
CN212	112
---	---
CN214	120
CN215	115
CN216	126
CN217	117
CN218	119
CN219	113
---	---

53.IOB Board (B222/B224)

CONNECTOR

SYMBOL NO.	INDEX NO.
CN221	122
CN222	124
CN223	121
CN224	123
CN225	127
---	---
CN227	109
CN228	130
CN229	132
---	---

SYMBOL NO.	INDEX NO.
---	---
CN232	110
CN233	102
CN234	104
---	---
CN236	112
CN237	106
CN238	107
CN239	107
---	---

SYMBOL NO.	INDEX NO.
CN241	101
CN242	108
CN243	105
CN244	111
---	---
---	---
---	---
---	---
---	---
---	---

SYMBOL NO.	INDEX NO.
---	---
---	---
CN253	124
CN254	104
---	---
---	---
---	---
---	---
---	---

SYMBOL NO.	INDEX NO.
---	---
CN262	118
CN263	119
CN264	119
CN265	121
---	---
CN266	123
CN267	116
CN268	131

DIODE

SYMBOL NO.	INDEX NO.
D1	145
---	---
D3	145
D4	145
D5	145
---	---
D6	145
D7	145
D8	145
---	---
D10	144

SYMBOL NO.	INDEX NO.
D11	144
D12	145
D13	145
D14	146
D15	145
---	---
D16	145
D17	143
D18	143
D19	145
D20	145

FILTER

SYMBOL NO.	INDEX NO.
FIL4	195

IC

SYMBOL NO.	INDEX NO.
IC1	160
IC2	160
IC3	160
IC4	160
IC5	170
---	---
IC6	169
IC7	156
IC8	154
---	---
IC10	168

SYMBOL NO.	INDEX NO.
IC11	168
IC12	152
IC13	152
IC14	152
IC15	152
---	---
IC16	155
IC17	155
IC18	167
IC19	151
IC20	166

SYMBOL NO.	INDEX NO.
IC21	153
IC22	161
IC23	161
IC24	161
IC25	162
---	---
IC26	156
IC27	154
IC28	171
IC29	156
---	---

SYMBOL NO.	INDEX NO.
IC31	165
IC32	152
IC33	163
IC34	164
IC35	152
---	---
IC36	153
IC37	158
IC38	153
IC39	155
IC40	155

SYMBOL NO.	INDEX NO.
IC41	153
IC42	157
IC43	157
---	---
---	---
---	---
IC46	159
---	---
---	---
---	---
IC50	163

SYMBOL NO.	INDEX NO.
IC51	167
IC52	156
IC53	152

53.IOB Board (B222/B224)

LED

SYMBOL NO.	INDEX NO.
LED1	150
LED2	149

OSC

SYMBOL NO.	INDEX NO.
OSC1	173

Q

SYMBOL NO.	INDEX NO.
Q1	134
Q2	142
Q3	136
Q4	136
Q5	136
Q6	136
Q7	134
Q8	134
Q9	139
Q10	136

SYMBOL NO.	INDEX NO.
Q11	138
Q12	138
Q13	138
Q14	138
Q15	137
Q16	140
Q17	137
Q18	133
Q19	135
---	---

SYMBOL NO.	INDEX NO.
---	---
---	---
---	---
Q24	141
Q25	134
Q26	134
Q27	134
Q28	134
---	---
---	---

SYMBOL NO.	INDEX NO.
Q31	133
Q32	133
Q33	134
Q34	140
Q35	134
Q36	134

RESISTOR

SYMBOL NO.	INDEX NO.
R1	210
R2	209
R3	210
R4	209
R5	210
R6	214
R7	214
R8	214
R9	214
R10	236

SYMBOL NO.	INDEX NO.
R11	209
R12	210
R13	236
R14	211
R15	211
R16	214
R17	214
R18	214
R19	214
R20	209

RESISTOR

SYMBOL NO.	INDEX NO.
R21	209
R22	203
R23	203
R24	236
R25	203
R26	209
R27	236
R28	239
R29	210
R30	210

SYMBOL NO.	INDEX NO.
R31	210
R32	203
R33	210
R34	210
R35	233
R36	229
R37	210
R38	210
R39	210
R40	198

SYMBOL NO.	INDEX NO.
---	---
R42	219
R43	210
R44	220
R45	210
R46	210
R47	225
R48	218
R49	210
R50	221

SYMBOL NO.	INDEX NO.
R51	221
R52	225
R53	219
R54	223
R55	223
R56	210
R57	224
R58	224
R59	210
R60	210

SYMBOL NO.	INDEX NO.
---	---
R62	210
R63	207
R64	225
R65	210
R66	210
R67	210
---	---
R69	207
R70	210

SYMBOL NO.	INDEX NO.
R71	210
R72	224
R73	224
R74	221
R75	221
R76	209
R77	222
R78	210
R79	213
R80	220

SYMBOL NO.	INDEX NO.
R81	209
R82	222
R83	225
R84	225
R85	226
R86	226
R87	224
R88	209
R89	209
R90	210

53.IOB Board (B222/B224)

RESISTOR

SYMBOL NO.	INDEX NO.	SYMBOL NO.	INDEX NO.	SYMBOL NO.	INDEX NO.	SYMBOL NO.	INDEX NO.	SYMBOL NO.	INDEX NO.	SYMBOL NO.	INDEX NO.	SYMBOL NO.	INDEX NO.
R91	210	R101	207	---	---	R121	219	R131	225	R141	210	R151	210
R92	227	R102	210	R112	210	R122	210	R132	209	R142	212	R152	219
R93	246	R103	210	R113	225	R123	219	R133	210	R143	209	R153	210
R94	229	---	---	R114	210	R124	210	R134	210	R144	225	R154	210
R95	209	R105	210	R115	225	R125	219	R135	209	R145	209	R155	210
R96	210	R106	207	R116	210	R126	219	R136	210	R146	210	R156	203
R97	200	---	---	R117	225	R127	219	R137	209	R147	225	---	---
R98	225	R108	210	R118	210	R128	210	R138	210	R148	225	R158	203
R99	200	R109	207	R119	224	R129	219	R139	210	R149	225	R159	210
R100	209	R110	210	R120	209	R130	225	R140	210	R150	210	R160	209

RESISTOR

SYMBOL NO.	INDEX NO.	SYMBOL NO.	INDEX NO.	SYMBOL NO.	INDEX NO.	SYMBOL NO.	INDEX NO.	SYMBOL NO.	INDEX NO.	SYMBOL NO.	INDEX NO.	SYMBOL NO.	INDEX NO.
---	---	R171	210	---	---	R191	211	R201	203	R211	219	R221	221
---	---	R172	210	R182	210	R192	216	R202	203	R212	210	R222	221
R163	210	R173	209	R183	206	R193	216	R203	203	---	---	R223	221
R164	210	R174	205	R184	210	R194	210	R204	203	---	---	R224	210
R165	210	R175	210	R185	209	R195	209	R205	221	R215	210	R225	203
R166	210	R176	220	R186	210	R196	225	R206	210	R216	210	R226	210
R167	221	R177	220	R187	209	R197	210	R207	221	---	---	R227	210
R168	221	R178	222	R188	209	R198	225	R208	224	R218	210	R228	210
R169	225	R179	209	R189	210	R199	222	R209	210	---	---	R229	203
R170	209	R180	202	R190	209	R200	209	R210	209	R220	221	R230	241

53.IOB Board (B222/B224)

RESISTOR

SYMBOL NO.	INDEX NO.	SYMBOL NO.	INDEX NO.	SYMBOL NO.	INDEX NO.	SYMBOL NO.	INDEX NO.	SYMBOL NO.	INDEX NO.	SYMBOL NO.	INDEX NO.	SYMBOL NO.	INDEX NO.
R231	231	R241	210	R251	210	R261	210	R271	209	R281	210	R291	210
R232	227	R242	210	R252	203	R262	224	R272	209	R282	210	R292	210
R233	210	R243	210	R253	218	R263	210	R273	210	R283	217	R293	210
R234	210	R244	224	R254	221	R264	225	R274	210	R284	221	R294	225
R235	210	R245	209	R255	221	R265	219	R275	210	R285	221	R295	210
R236	210	R246	209	R256	209	R266	219	R276	210	R286	221	R296	203
R237	209	R247	209	R257	209	R267	219	R277	213	R287	210	---	---
R238	228	R248	210	R258	210	R268	210	R278	219	R288	210	R298	215
R239	224	R249	210	R259	210	R269	224	R279	210	R289	209	R299	222
R240	210	R250	203	R260	209	R270	209	R280	203	R290	210	R300	235

RESISTOR

SYMBOL NO.	INDEX NO.	SYMBOL NO.	INDEX NO.	SYMBOL NO.	INDEX NO.	SYMBOL NO.	INDEX NO.	SYMBOL NO.	INDEX NO.	SYMBOL NO.	INDEX NO.	SYMBOL NO.	INDEX NO.
R301	243	R311	210	R321	204	---	---	R341	225	R351	236	R361	210
R302	242	R312	243	R322	209	---	---	R342	210	R352	239	R362	223
R303	203	R313	240	R323	204	---	---	---	---	R353	245	R363	205
---	---	R314	230	R324	210	R334	245	R344	201	R354	211	R364	210
R305	243	R315	210	R325	204	R335	209	R345	209	R355	223	R365	210
R306	234	R316	210	R326	210	R336	225	R346	210	---	---	R366	210
R307	247	R317	199	R327	204	---	---	R347	210	R357	210	R367	220
R308	243	R318	232	R328	238	R338	207	R348	209	---	---	R368	220
R309	237	R319	209	R329	236	R339	225	R349	236	R359	210	R369	209
R310	244	R320	210	R330	236	R340	225	R350	209	R360	210	R370	208

53.IOB Board (B222/B224)

RESISTOR

SYMBOL NO.	INDEX NO.
R371	208
R372	208

REG

SYMBOL NO.	INDEX NO.
REG1	172

RN

SYMBOL NO.	INDEX NO.
RN1	174
RN2	179
RN3	181
RN4	181
RN5	174
RN6	179
RN7	179
RN8	174
RN9	174
RN10	174

SYMBOL NO.	INDEX NO.
RN11	174
RN12	174
RN13	174
RN14	179
RN15	179
RN16	179
RN17	196
RN18	174
RN19	174
RN20	179

SYMBOL NO.	INDEX NO.
RN21	174
RN22	174
RN23	174
RN24	174
RN25	179
RN26	175
RN27	176
RN28	176
RN29	176
RN30	176

SYMBOL NO.	INDEX NO.
RN31	175
RN32	175
RN33	179
RN34	196
RN35	179
RN36	174
RN37	179
RN38	174
RN39	179
RN40	196

SYMBOL NO.	INDEX NO.
RN41	179
RN42	196
RN43	174
RN44	196
RN45	174
RN46	176
RN47	176
RN48	176
RN49	176
RN50	176

SYMBOL NO.	INDEX NO.
RN51	174
RN52	176
RN53	176
RN54	196
RN55	196
RN56	178
RN57	178
RN58	178
RN59	178
RN60	174

RN

SYMBOL NO.	INDEX NO.
RN61	176
RN62	174
RN63	178
RN64	178
RN65	196
RN66	174
RN67	174
RN68	176
RN69	176
RN70	179

SYMBOL NO.	INDEX NO.
RN71	179
RN72	197
RN73	179
RN74	179
RN75	174
RN76	174
RN77	179
RN78	177
RN79	177
RN80	177

SYMBOL NO.	INDEX NO.
RN81	176
RN82	176
RN83	175
RN84	174
RN85	174
RN86	174
RN87	174
RN88	175
RN89	179
RN90	174

SYMBOL NO.	INDEX NO.
RN91	174
RN92	174
RN93	174
RN94	174
RN95	175
RN96	175
RN97	176
RN98	176
---	---
RN100	176

SYMBOL NO.	INDEX NO.
RN101	176
RN102	176
RN103	174
RN104	179
RN105	180
RN106	174
RN107	178
RN108	178
RN109	179
RN110	174

SYMBOL NO.	INDEX NO.
RN111	179
RN112	179
RN113	196
RN114	179

ZD

SYMBOL NO.	INDEX NO.
ZD1	147
ZD2	147
ZD3	147
ZD4	147
ZD5	148

53.IOB Board (B222/B224)

Index No.	Part No.	Description	Q'ty Per Assembly
*	B223 5120	PCB:IOB	1

Index No.	Part No.	Description	Q'ty Per Assembly
101	1102 6300	Connector - 7P	
102	1102 6397	Box Header	
103	1102 6594	Connector - 10P	
104	1102 8470	Connector - 55447-0610	
105	1102 8471	Connector - 55447-071	
106	1102 8472	Connector - 55447-0810	
107	1102 8477	Connector - 13P	
108	1102 8479	Connector - 15P	
109	1102 8480	Connector - 55447-1610	
110	1102 8481	Connector - 55447-1760	
111	1102 8484	Connector:55447-2080	
112	1102 8488	Connector - 5451-2810	
113	1102 8490	Connector:55451-3210	
114	1102 8491	Connector - 55451-3410	
115	1102 8494	Connector - 55451-4010	
116	1102 8623	Connector:292207-2	
117	1102 8781	Connector - 1-292207-2	
118	1102 8933	Connector:292207-5	
119	1102 9108	Connector - 353297-3	
120	1102 9109	Connector - 353297-4	
121	1102 9110	Connector - 353297-6	
122	1102 9111	Connector - 353297-7	
123	1102 9112	Connector - 353297-8	
124	1102 9113	Connector - 1-353297-0	
125	1102 9114	Connector - 353297-1	
126	1102 9117	Connector - 353297-8	
127	1102 9119	Connector:2-353297-0	
128	1102 9120	Connector - 2-292208-2	
129	1102 9121	Connector:2-353308-4	
130	1102 9122	Connector 2-292208-6	
131	1102 9601	Connector - 5-353297-3	
132	1103 3179	Connector:FH12-50S-0.5SV(89)	
133	1400 0769	Transistor - 2SA1576A	
134	1400 0775	Transistor - 2SC4081	
135	1400 0788	Transistor:DTB113ZK	

Index No.	Part No.	Description	Q'ty Per Assembly
136	1400 0810	Transistor - DTC114EUA	
137	1400 0920	Transistor - DTC143EUA	
138	1400 0968	Transistor: DTA123JUA	
139	1400 1012	Transistor:2SD2656	
140	1400 1140	Transistor - 2SA1577R	
141	1400 1141	Transistor - 2SD1949	
142	1401 0972	Transistor-2sb1260	
143	1402 1289	Diode-array	
144	1402 1385	Diode Dap222	
145	1402 1503	Diode - 1SS400	
146	1402 1584	Diode - DAN217U	
147	1402 1663	Diode - ZTP12B	
148	1402 1952	Diode - TDZ12	
149	1403 0978	LED - SML-310DT	
150	1403 0996	LED - SML-310VT	
151	1407 1535	IC - TD62308AP	
152	1407 2187	TTLIC - SN74LS07NS	
153	1407 2219	IC - TD62003AP	
154	1407 5351	IC - SN74LV14APW	
155	1407 5392	IC:SN74LV541APW	
156	1407 5469	IC - SN74LV07APW	
157	1407 5790	CMOS Logic - SN74AHC2G08HDCU	
158	1407 6077	IC - STA7101M	
159	1407 6101	IC - SN74LVC2G17DCK	
160	1407 6167	IC - EIO	
161	1407 6181	Motor Control Ic:Stk672-600	
162	1407 6196	Motor Control Ic:Stk672-610	
163	1407 6197	Driver:M54563p	
164	1407 6314	Motor Control Ic:Tb6561ng	
165	1407 6318	CMOS Logic:SN74AHC1G00DCK	
166	1407 6395	CMOS Logic:SN74AHC2G00HDCU	
167	1408 1204	IC - TA8083P	
168	1408 1535	Transistor Array - M54585p	
169	1408 1550	IC - LM2902PW	
170	1408 1779	IC - R3112Q281A	

Index No.	Part No.	Description	Q'ty Per Assembly
171	1408 2029	Comparator:LM2901PW	
172	1408 2122	Series Regulator - R1130h331a-fb	
173	1503 1004	Oscillator - 19.6608mhz	
174	1601 7887	Resistor Array - 10K Ω \pm 5% 1/32W	
175	1601 7896	Resistor Array - 56 Ω \pm 5% 1/32W	
176	1601 7898	Resistor Array	
177	1601 7900	Resistor Array - 0 Ω \pm 5%	
178	1601 7943	Resistor Array - 68 Ω \pm 5% 1/32W	
179	1601 7959	Resistor	
180	1601 7981	Resistor Array - 100K Ω \pm 5%1/16W	
181	1601 7984	Capacitor - 22K Ω \pm 5% 1/16W	
182	1604 2237	Capacitor 100 μ F35v	
183	1604 4477	Capacitor - 10 μ F \pm 20% 35V	
184	1604 4666	Capacitor:47mf: \pm 20%:35V	
185	1604 4825	Capacitor - 220 μ F \pm 20% 35V	
186	1604 5452	Capacitor:47uf: \pm 20%:10V	
187	1604 5453	Capacitor:100uf: \pm 20%:10V	
188	1605 1137	Capacitor - 470pF \pm 10% 50V	
189	1605 1148	Capacitor - 0.1 μ F+80-20% 50V	
190	1605 1479	Capacitor - 47pF \pm 10%:50V	
191	1605 1481	Capacitor:1000pF: \pm 20%:50V	
192	1605 1482	Capacitor:4700pF: \pm 20%:50V	
193	1605 1531	Capacitor:470pF: \pm 20%:50V	
194	1605 1597	Capacitor:2.2uf:+80-20%:50V	
195	1607 1002	IC - NFM60R30T222	
196	1609 0006	Register:10k Ω \pm 5%:1/16w	
197	1609 0070	Resistor Array:1m Ω \pm 5%:1/16W	
198	1610 1409	Chip Resistor - 6.8 Ω \pm 5%	
199	1610 1750	Chip Resistor:1komh \pm 1%:1/2w	
200	1610 1771	Chip Resistor:1 Ω \pm 5%:1w	
201	1610 1947	Resistor:220 Ω \pm 5%:1W	
202	1633 0000	Resistor - 0 Ω 1/10W	
203	1634 0000	Resistor - 0 Ω 1/16W	
204	1650 2680	Resistor - 68 Ω \pm 5% 1/4W	
205	1650 2682	Resistor - 6.8K Ω \pm 5% 1/4W	

Index No.	Part No.	Description	Q'ty Per Assembly
206	1650 3153	Resistor:15kΩ±5%:1/8W	
207	1650 4100	Resistor - 10Ω ±5% 1/10W	
208	1650 4101	Resistor - 100Ω±5%1/10W	
209	1650 4102	Resistor - 1KΩ ±5% 1/10W	
210	1650 4103	Resistor - 10KΩ ±5% 1/10W	
211	1650 4104	Resistor - 100KΩ±5%1/10W	
212	1650 4105	Resistor - 1MΩ ±5% 1/10W	
213	1650 4122	Resistor - 1.2KΩ ±5% 1/10W	
214	1650 4154	Resistor 150kΩ ±5% 1/10w	
215	1650 4161	Resistor - 160Ω ±5% 1/10W	
216	1650 4162	Resistor - 1.6KΩ ±5% 1/10W	
217	1650 4202	Resistor - 2KΩ±5%1/10W	
218	1650 4220	Chip Resistor - 22Ω ±5% 1/10w	
219	1650 4222	Resistor - 2.2KΩ±5%1/10W	
220	1650 4223	Resistor - 22KΩ±5%1/10W	
221	1650 4330	Chip Resistor - 33Ω ±5% 1/10w	
222	1650 4472	Resistor - 4.7KΩ ±5% 1/10W	
223	1650 4473	Resistor - 47KΩ±5%1/10W	
224	1650 4560	Chip Resistor - 56Ω ±5% 1/10w	
225	1650 4680	Resistor - 68Ω±5%1/10W	
226	1650 4681	Resistor - 680Ω ±5% 1/10W	
227	1654 1002	Resistor - 10KΩ±5%1/10W	
228	1654 1003	Resistor - 100KΩ±1%1/10W	
229	1654 1004	Chip Resistor - 1mΩ ±1% 1/10w	
230	1654 1101	Resistor - 1.1KΩ±1%1/10W	
231	1654 1201	Resistor - 1.2KΩ ±1% 1/10W	
232	1654 1500	Resistor - 150Ω±1 %1/10W	
233	1654 1501	Resistor - 1.5K Ω ±1% 1/10W 1608	
234	1654 1601	Chip Resistor - 1.6kΩ±1% 1/10w	
235	1654 2001	Chip Resistor - 2kΩ ±1% 1/10w	
236	1654 2002	Resistor - 20KΩ±1%1/10W	
237	1654 2401	Resistor - 2.4KΩ ±1% 1/10W	
238	1654 2741	Resistor - 2.74K Ω ±1% 1/10W	
239	1654 3741	Chip Resistor:3.74k Ω	
240	1654 4300	Resistor - 430Ω ±1% 1/10W	

Index No.	Part No.	Description	Q'ty Per Assembly
241	1654 6200	Resistor - 620Ω±1% 1/10W	
242	1654 6201	Resistor - 6.2KΩ ±1% 1/10W	
243	1654 6801	Resistor - 6.8KΩ±1% 1/10W	
244	1654 7501	Resistor - 7.5KΩ±1%1/10W-1608	
245	1654 7871	Resistor - 7.87KΩ ±1% 1/10W	
246	1654 8201	Resistor - 8.2KΩ ±1% 1/10W	
247	1654 9101	Resistor:9.1kΩ:±1%:1/10W	
248	1660 2101	Capacitor - 100pF - ±10% - 50V	
249	1660 2150	Capacitor - 15pF ±5% 50V	
250	1660 2220	Capacitor - 22pF ±20% 35V	
251	1660 2470	Capacitor - 47pF ±5% 50V	
252	1660 4102	Capacitor - 1000pF ±10% 50V	
253	1660 4472	Capacitor - 4700pF±10% 50V	
254	1660 6103	Capacitor - 10000pF - +80%-20%50V	
255	1660 8104	Capacitor - 0.1μF+80-20% 25V	

54.IPU Board (B222/B224)

CAPACITOR

SYMBOL NO.	INDEX NO.	SYMBOL NO.	INDEX NO.	SYMBOL NO.	INDEX NO.	SYMBOL NO.	INDEX NO.	SYMBOL NO.	INDEX NO.	SYMBOL NO.	INDEX NO.	SYMBOL NO.	INDEX NO.
C1	234	C11	168	C21	169	---	---	C41	238	C51	243	C61	247
---	---	C12	169	---	---	C32	178	C42	238	---	---	---	---
---	---	C13	169	---	---	C33	178	C43	247	---	---	---	---
---	---	C14	169	C24	247	---	---	C44	179	---	---	---	---
C5	235	---	---	C25	247	C35	178	---	---	C55	243	C65	171
C6	169	---	---	C26	178	---	---	---	---	C56	247	C66	171
C7	168	---	---	C27	178	C37	238	C47	243	C57	243	C67	247
C8	171	---	---	C28	178	C38	247	C48	247	C58	243	C68	247
C9	247	---	---	C29	178	C39	238	C49	243	C59	243	C69	171
C10	169	---	---	C30	178	C40	244	C50	243	---	---	C70	247

CAPACITOR

SYMBOL NO.	INDEX NO.	SYMBOL NO.	INDEX NO.	SYMBOL NO.	INDEX NO.	SYMBOL NO.	INDEX NO.	SYMBOL NO.	INDEX NO.	SYMBOL NO.	INDEX NO.	SYMBOL NO.	INDEX NO.
C71	245	C81	182	C91	247	C101	198	---	---	C121	247	C131	243
C72	176	C82	245	C92	169	C102	247	---	---	C122	243	C132	243
C73	247	C83	176	C93	247	---	---	C113	247	C123	235	C133	242
C74	182	C84	247	C94	181	---	---	C114	235	C124	243	C134	242
C75	247	C85	247	C95	235	C105	244	C115	244	C125	244	C135	242
C76	182	C86	247	C96	247	C106	179	C116	235	C126	247	C136	242
C77	247	C87	247	C97	160	C107	179	C117	179	C127	179	C137	247
C78	245	---	---	C98	181	C108	247	C118	247	C128	179	C138	243
C79	176	C89	247	---	---	C109	235	C119	243	---	---	C139	247
C80	247	C90	247	C100	247	---	---	C120	243	C130	243	C140	170

54.IPU Board (B222/B224)

CAPACITOR

SYMBOL NO.	INDEX NO.	SYMBOL NO.	INDEX NO.	SYMBOL NO.	INDEX NO.	SYMBOL NO.	INDEX NO.	SYMBOL NO.	INDEX NO.	SYMBOL NO.	INDEX NO.	SYMBOL NO.	INDEX NO.
---	---	C151	178	C161	169	C171	168	C181	169	C191	235	C201	180
C142	198	C152	178	C162	244	C172	168	C182	244	C192	244	C202	247
C143	168	C153	247	C163	168	C173	244	C183	168	C193	247	C203	244
C144	178	C154	247	C164	247	C174	169	C184	247	C194	247	C204	180
C145	169	C155	247	C165	169	C175	179	---	---	C195	247	C205	247
C146	178	C156	179	C166	179	C176	179	C186	247	C196	247	C206	247
C147	178	C157	169	C167	169	C177	169	C187	247	C197	247	C207	247
C148	178	C158	244	C168	169	C178	244	C188	247	C198	167	C208	159
C149	178	C159	168	C169	244	C179	168	C189	169	C199	177	---	---
C150	178	C160	179	C170	168	C180	179	C190	244	C200	160	C210	247

CAPACITOR

SYMBOL NO.	INDEX NO.	SYMBOL NO.	INDEX NO.	SYMBOL NO.	INDEX NO.	SYMBOL NO.	INDEX NO.	SYMBOL NO.	INDEX NO.	SYMBOL NO.	INDEX NO.	SYMBOL NO.	INDEX NO.
---	---	C221	247	C231	239	C241	247	C251	247	C261	169	C271	179
C212	247	C222	247	C232	247	C242	247	C252	247	C262	168	C272	169
C213	175	C223	247	C233	161	C243	163	C253	168	C263	168	C273	168
C214	247	C224	247	C234	165	C244	169	C254	244	C264	169	C274	168
C215	168	C225	247	C235	164	C245	247	C255	169	C265	247	C275	169
C216	175	C226	247	C236	247	C246	241	C256	179	C266	169	C276	169
C217	175	C227	247	C237	164	C247	241	C257	169	C267	179	C277	169
C218	247	C228	166	C238	165	C248	241	C258	168	C268	168	C278	179
C219	175	C229	247	C239	247	C249	241	C259	247	C269	169	C279	169
C220	247	C230	235	C240	247	C250	247	C260	179	C270	168	C280	168

54.IPU Board (B222/B224)

CAPACITOR

SYMBOL NO.	INDEX NO.	SYMBOL NO.	INDEX NO.	SYMBOL NO.	INDEX NO.	SYMBOL NO.	INDEX NO.	SYMBOL NO.	INDEX NO.	SYMBOL NO.	INDEX NO.	SYMBOL NO.	INDEX NO.
C281	179	C291	169	C301	168	C311	241	C321	247	C331	173	---	---
C282	168	C292	169	C302	168	C312	241	C322	173	C332	247	---	---
C283	169	C293	169	C303	169	C313	247	C323	243	C333	244	---	---
C284	169	C294	168	C304	168	C314	244	C324	173	C334	243	C344	247
C285	179	C295	168	C305	241	C315	243	C325	244	C335	174	C345	247
C286	168	C296	169	C306	241	C316	243	C326	247	C336	244	C346	247
C287	169	C297	179	C307	241	C317	244	C327	174	C337	243	C347	171
C288	168	C298	168	C308	241	C318	247	C328	244	C338	243	C348	169
C289	179	C299	179	C309	241	C319	243	C329	173	C339	244	C349	171
C290	168	C300	169	C310	241	C320	244	C330	243	C340	247	C350	247

CAPACITOR

SYMBOL NO.	INDEX NO.	SYMBOL NO.	INDEX NO.	SYMBOL NO.	INDEX NO.	SYMBOL NO.	INDEX NO.	SYMBOL NO.	INDEX NO.	SYMBOL NO.	INDEX NO.	SYMBOL NO.	INDEX NO.
C351	244	C361	247	C371	173	C381	243	C391	243	---	---	C411	235
C352	247	C362	247	C372	247	C382	247	C392	247	---	---	---	---
C353	247	C363	171	C373	247	C383	247	C393	247	---	---	C413	168
C354	171	C364	243	C374	243	C384	173	C394	247	---	---	C414	243
C355	171	C365	243	C375	173	C385	247	C395	247	---	---	C415	247
C356	179	C366	244	C376	244	C386	244	C396	235	---	---	C416	243
C357	169	C367	244	C377	247	C387	243	C397	235	---	---	C417	247
C358	244	C368	243	C378	174	C388	244	C398	235	---	---	C418	247
C359	168	C369	244	C379	244	C389	244	C399	240	---	---	C419	243
C360	171	C370	174	C380	173	C390	243	C400	240	---	---	C420	243

54.IPU Board (B222/B224)

CAPACITOR

SYMBOL NO.	INDEX NO.	SYMBOL NO.	INDEX NO.	SYMBOL NO.	INDEX NO.	SYMBOL NO.	INDEX NO.	SYMBOL NO.	INDEX NO.	SYMBOL NO.	INDEX NO.	SYMBOL NO.	INDEX NO.
C421	243	C431	243	C441	247	C451	168	---	---	C471	247	C481	247
C422	243	C432	247	C442	243	C452	243	C462	235	C472	243	C482	244
C423	243	C433	247	C443	241	---	---	C463	247	C473	243	C483	169
C424	247	C434	243	C444	247	C454	247	C464	247	C474	247	C484	244
C425	247	C435	243	C445	243	---	---	C465	243	C475	168	C485	169
C426	247	C436	247	C446	247	C456	241	C466	243	---	---	C486	247
C427	247	C437	247	C447	243	C457	241	C467	247	---	---	C487	171
C428	243	C438	243	C448	243	C458	241	C468	243	C478	237	C488	247
C429	247	C439	243	C449	247	C459	241	C469	243	C479	236	C489	247
C430	243	C440	247	---	---	C460	168	C470	243	C480	247	C490	247

CAPACITOR

SYMBOL NO.	INDEX NO.	SYMBOL NO.	INDEX NO.	SYMBOL NO.	INDEX NO.	SYMBOL NO.	INDEX NO.	SYMBOL NO.	INDEX NO.	SYMBOL NO.	INDEX NO.	SYMBOL NO.	INDEX NO.
C491	171	C501	247	C511	172	C521	235	C531	246	C551	243	CN502	108
C492	242	C502	247	C512	172	C522	235	C532	246	C552	243	CN503	106
C493	242	C503	247	C513	172	C523	235	C533	243			CN504	109
C494	242	C504	172	C514	172	C524	235	C534	243			CN505	110
C495	242	C505	172	C515	172	C525	246	C535	169				
C496	242	C506	172	C516	172	C526	246	C536	169			CN506	101
C497	168	C507	172	C517	235	C527	246	C537	242			CN507	102
C498	247	C508	172	C518	235	C528	246	C538	162			CN508	107
C499	247	C509	172	C519	235	C529	246	---	---			CN509	104
C500	247	C510	172	C520	235	C530	246	---	---			CN510	103
												CN511	112

CONNECTOR

SYMBOL NO.	INDEX NO.
CN500	111
CN501	105

54.IPU Board (B222/B224)

DIODE

SYMBOL NO.	INDEX NO.
D1	118
D2	118
D3	118
D4	119

FIL

SYMBOL NO.	INDEX NO.
FIL1	183
FIL2	187
FIL3	183
FIL4	183
FIL5	183
FIL6	183
FIL7	183
FIL8	183
FIL9	184
---	---

SYMBOL NO.	INDEX NO.
FIL11	183
FIL12	183
FIL13	188
FIL14	183
FIL15	183
FIL16	184
FIL17	184
FIL18	187
FIL19	187
FIL20	184

SYMBOL NO.	INDEX NO.
FIL21	183
FIL22	183
FIL23	187
FIL24	183
FIL25	187
FIL26	183
FIL27	183
FIL28	183

FUSE

SYMBOL NO.	INDEX NO.
FU1	113

IC

SYMBOL NO.	INDEX NO.
IC1	133
IC2	136
IC3	136
IC4	138
IC5	1
IC6	2
IC7	134
IC8	135
IC9	123
IC10	123

SYMBOL NO.	INDEX NO.
IC11	128
IC12	127
IC13	124
IC14	140
IC15	140
IC16	126
IC17	126
IC18	126
IC19	124
---	---

IC

SYMBOL NO.	INDEX NO.
---	---
IC22	129
IC23	124
IC24	137
---	---
---	---
IC27	143
IC28	125
---	---
IC30	146

SYMBOL NO.	INDEX NO.
IC31	131
IC32	132
IC33	139
IC34	148
IC35	130
IC36	130
IC37	125

L

SYMBOL NO.	INDEX NO.
---	---
---	---
---	---
L4	189
---	---
L6	185
L7	189
L8	185
---	---
---	---

SYMBOL NO.	INDEX NO.
---	---
---	---
L13	186

LED

SYMBOL NO.	INDEX NO.
LED1	121
LED2	121
LED3	122
LED4	120

OSC

SYMBOL NO.	INDEX NO.
OSC1	150
---	---
---	---
OSC4	149

Q

SYMBOL NO.	INDEX NO.
Q1	115
Q2	114
Q3	114
Q4	114
Q5	116
Q6	117

54.IPU Board (B222/B224)

RESISTOR

SYMBOL NO.	INDEX NO.	SYMBOL NO.	INDEX NO.	SYMBOL NO.	INDEX NO.	SYMBOL NO.	INDEX NO.	SYMBOL NO.	INDEX NO.	SYMBOL NO.	INDEX NO.	SYMBOL NO.	INDEX NO.
R1	201	R11	202	R21	203	R31	197	R41	205	R51	232	R61	232
R2	222	R12	207	R22	211	R32	197	R42	220	R52	232	R62	221
R3	219	R13	221	R23	211	R33	197	R43	205	---	---	R63	221
R4	217	R14	221	R24	202	R34	197	R44	220	---	---	R64	221
R5	202	R15	208	R25	221	R35	197	R45	197	R55	232	R65	221
R6	213	R16	208	R26	202	R36	197	R46	232	R56	232	R66	199
---	---	R17	202	R27	221	R37	205	---	---	---	---	R67	211
R8	207	R18	202	R28	197	R38	220	---	---	R58	232	R68	217
R9	221	R19	213	R29	197	R39	205	R49	232	R59	232	R69	211
R10	221	R20	213	R30	197	R40	220	R50	232	---	---	R70	199

RESISTOR

SYMBOL NO.	INDEX NO.	SYMBOL NO.	INDEX NO.	SYMBOL NO.	INDEX NO.	SYMBOL NO.	INDEX NO.	SYMBOL NO.	INDEX NO.	SYMBOL NO.	INDEX NO.	SYMBOL NO.	INDEX NO.
R71	199	R81	200	R91	197	R101	211	R111	207	R121	225	---	---
R72	199	R82	200	R92	197	---	---	R112	211	R122	225	---	---
R73	199	R83	211	R93	197	R103	211	---	---	R123	225	R133	225
R74	199	R84	211	R94	197	R104	211	R114	211	R124	225	R134	228
R75	225	R85	211	R95	197	---	---	R115	197	R125	228	R135	225
R76	199	R86	211	---	---	---	---	---	---	R126	229	R136	229
R77	221	R87	202	R97	202	---	---	R117	211	R127	197	R137	225
R78	221	R88	202	---	---	R108	211	R118	211	R128	225	R138	225
R79	225	R89	202	R99	211	---	---	R119	202	---	---	R139	229
R80	197	R90	227	---	---	R110	211	R120	197	---	---	R140	225

54.IPU Board (B222/B224)

RESISTOR

SYMBOL NO.	INDEX NO.	SYMBOL NO.	INDEX NO.	SYMBOL NO.	INDEX NO.	SYMBOL NO.	INDEX NO.	SYMBOL NO.	INDEX NO.	SYMBOL NO.	INDEX NO.	SYMBOL NO.	INDEX NO.
R141	228	R151	225	R161	197	R171	197	R181	221	---	---	R201	221
R142	225	R152	229	R162	217	R172	197	R182	221	---	---	R202	221
R143	225	R153	228	R163	232	R173	197	R183	221	R193	197	R203	201
R144	202	R154	232	R164	197	R174	197	R184	221	R194	202	R204	221
R145	232	R155	197	---	---	R175	197	R185	217	R195	211	---	---
R146	202	R156	232	R166	232	R176	197	R186	201	R196	202	---	---
R147	202	---	---	R167	217	R177	197	R187	201	R197	211	R207	217
R148	225	R158	232	R168	217	R178	201	R188	202	R198	221	R208	221
R149	225	R159	200	R169	217	R179	197	R189	197	R199	221	R209	221
R150	225	R160	202	R170	217	R180	205	---	---	R200	202	R210	202

RESISTOR

SYMBOL NO.	INDEX NO.	SYMBOL NO.	INDEX NO.	SYMBOL NO.	INDEX NO.	SYMBOL NO.	INDEX NO.	SYMBOL NO.	INDEX NO.	SYMBOL NO.	INDEX NO.	SYMBOL NO.	INDEX NO.
R211	217	---	---	---	---	R241	202	R251	202	R261	211	R271	233
---	---	R222	211	R232	201	R242	215	R252	202	R262	223	R272	226
R213	202	R223	211	R233	210	R243	215	R253	202	R263	223	R273	151
R214	201	R224	211	R234	202	R244	202	R254	196	R264	214	---	---
---	---	R225	211	R235	202	R245	202	R255	196	R265	212	R275	211
R216	201	R226	211	R236	202	R246	215	R256	201	R266	211	R276	211
R217	201	---	---	R237	202	R247	215	R257	212	R267	211	R277	211
R218	201	---	---	R238	215	R248	202	R258	211	R268	211	R278	211
R219	201	---	---	R239	202	R249	202	R259	217	R269	202	R279	211
---	---	---	---	R240	215	R250	202	R260	212	R270	230	R280	211

54.IPU Board (B222/B224)

RESISTOR

SYMBOL NO.	INDEX NO.	SYMBOL NO.	INDEX NO.	SYMBOL NO.	INDEX NO.	SYMBOL NO.	INDEX NO.	SYMBOL NO.	INDEX NO.	SYMBOL NO.	INDEX NO.	SYMBOL NO.	INDEX NO.
R281	211	R291	211	R301	201	R311	211	R321	211	R331	202	R341	231
R282	211	R292	201	R302	201	R312	211	R322	211	R332	215	R342	231
---	---	R293	202	R303	211	R313	211	R323	211	R333	202	R343	231
R284	202	R294	202	R304	211	R314	211	R324	211	R334	202	R344	231
R285	211	R295	202	R305	211	R315	211	R325	202	R335	202	R345	197
R286	217	R296	201	R306	211	R316	206	R326	202	R336	207	---	---
R287	217	R297	202	R307	211	R317	211	R327	201	R337	208	R347	202
R288	211	R298	201	R308	211	R318	211	R328	202	R338	202	R348	202
R289	211	R299	201	R309	211	R319	211	R329	202	R339	231	---	---
R290	211	R300	201	R310	211	R320	211	R330	215	R340	231	R350	202

RESISTOR

SYMBOL NO.	INDEX NO.	SYMBOL NO.	INDEX NO.	SYMBOL NO.	INDEX NO.	SYMBOL NO.	INDEX NO.	SYMBOL NO.	INDEX NO.	SYMBOL NO.	INDEX NO.	SYMBOL NO.	INDEX NO.
R351	207	R361	211	R371	197	R381	202	R391	231	R401	211	R411	216
R352	197	R362	197	---	---	R382	200	R392	231	R402	211	R412	216
R353	197	R363	202	---	---	R383	202	R393	231	---	---	R413	216
R354	197	---	---	---	---	R384	202	R394	231	---	---	R414	216
R355	197	---	---	---	---	R385	211	R395	211	---	---	R415	218
R356	197	---	---	---	---	R386	204	R396	200	---	---	R416	218
R357	197	---	---	---	---	R387	231	R397	211	R407	216	R417	218
R358	211	R368	197	R378	211	R388	231	R398	209	R408	216	R418	218
R359	202	R369	211	R379	201	R389	231	R399	211	R409	216	R419	224
R360	202	---	---	R380	202	R390	231	R400	211	R410	216	R420	224

54.IPU Board (B222/B224)

RESISTOR

SYMBOL NO.	INDEX NO.
---	---
---	---
---	---
R994	200
R995	200
R996	212
R997	211
R998	211
R999	217

REG

SYMBOL NO.	INDEX NO.
REG2	147
REG3	145
REG4	144
---	---
REG6	144
REG7	142
REG8	141

RN

SYMBOL NO.	INDEX NO.
RN1	192
RN2	152
RN3	154
RN4	152
RN5	154
RN6	192
RN7	191
RN8	190
RN9	191
RN10	190

SYMBOL NO.	INDEX NO.
RN11	152
RN12	152
RN13	192
RN14	192
RN15	192
RN16	192
RN17	192
RN18	192
RN19	192
RN20	192

SYMBOL NO.	INDEX NO.
RN21	192
RN22	193
RN23	193
RN24	193
RN25	193
RN26	194
RN27	194
RN28	194
RN29	194
---	---

SYMBOL NO.	INDEX NO.
RN31	194
RN32	154
RN33	154
RN34	154
RN35	154
RN36	155
RN37	192
RN38	192
RN39	192
RN40	195

SYMBOL NO.	INDEX NO.
RN41	195
RN42	195
RN43	195
RN44	195
RN45	195
RN46	195
RN47	195
RN48	192
RN49	192
RN50	192

RN

SYMBOL NO.	INDEX NO.
RN51	192
RN52	157
RN53	155
RN54	155
RN55	155
RN56	155
RN57	158
RN58	158
RN59	158
RN60	158

SYMBOL NO.	INDEX NO.
RN61	191
RN62	158
RN63	158
RN64	191
RN65	158
RN66	158
RN67	191
RN68	152
RN69	156
RN70	190

SYMBOL NO.	INDEX NO.
RN71	190
RN72	190
RN73	190
RN74	190
RN75	156
RN76	190
RN77	190
RN78	190
RN79	190
RN80	192

SYMBOL NO.	INDEX NO.
RN81	192
---	---
---	---
---	---
---	---
RN86	152
---	---
RN88	154
RN89	154
RN90	153

SYMBOL NO.	INDEX NO.
RN91	154
RN92	155
RN93	154
RN94	154

54.IPU Board (B222/B224)

Index No.	Part No.	Description	Q'ty Per Assembly
*	B223 5725	PCB:IPU	1
1	B101 5160	IC:MB87M1480175	1
2	B188 5350	LSI:MB87M4290	1

Index No.	Part No.	Description	Q'ty Per Assembly
101	1102 4211	CT Header - 12P	
102	1102 6298	Connector - 5P	
103	1102 6592	Connector - 8P	
104	1102 6893	Connector-30p	
105	1102 7358	Connector - 80P	
106	1102 8544	Connector 1-353297-3	
107	1102 8560	Connector - KX14-60K5D1E	
108	1102 8781	Connector - 1-292207-2	
109	1102 9121	Connector:2-353308-4	
110	1102 9122	Connector 2-292208-6	
111	1102 9505	Connector - 140PS-JUK-G-B	
112	1103 3174	Connector - FH12-40S-0.5SH(89)	
113	1107 1107	Fuse - Ccp2e100tbk	
114	1400 0688	Transistor -dte143zua	
115	1400 0810	Transistor - DTC114EUA	
116	1400 0886	Transistor:DTC114GUA	
117	1401 1175	Fet - Hat1043m	
118	1402 1336	Diode - 1SS355	
119	1402 1798	Diode - RSX30	
120	1403 0953	LED - SML-310MT	
121	1403 0996	LED - SML-310VT	
122	1403 1033	LED - SML-310YT	
123	1407 5351	IC - SN74LV14APW	
124	1407 5353	IC - SN74LV244APW	
125	1407 5367	IC - 74LVC74A	
126	1407 5463	IC - SN74LV245APW	
127	1407 5713	IC:SN74LV06APW	
128	1407 6080	CMOS Logic - SN74LVC2G04DCK	
129	1407 6100	IC:SN74LVC1G04DCK	
130	1407 6101	IC - SN74LVC2G17DCK	
131	1407 6123	IC Sn74lvc2g125dcu	
132	1407 6205	CMOS Logic - SN74LVC1G06DCK	
133	1407 6232	Lvds - THC63LVD104A	
134	1407 6280	Controller - Rb5v870	
135	1407 6447	Custom IC - Gavd Type-w	

Index No.	Part No.	Description	Q'ty Per Assembly
136	1407 6466	Field Memory - 3mx12 3.3v	
137	1407 6568	Clock Generator - lcs7152m-11lf	
138	1407 6658	Custom Ic:Rb5c661	
139	1408 1614	IC - LTC1772CS6	
140	1408 1653	Opeamp - Lmv324ipw	
141	1408 1669	Series Regulator:R1170h331b	
142	1408 1850	Regulator - R1170h181b	
143	1408 1907	IC:R3112Q451A-FA	
144	1408 2016	Regulator - R1114q181b-fa	
145	1408 2017	Series Regulator - Pq012fz01zph	
146	1408 2024	IC:R3112Q261A-FA	
147	1408 2236	Regulator - Bh18fb1wg	
148	1408 2376	Switching Regulator Modele:H8D3243A	
149	1503 1013	Crystal Oscilator - 24.3mhz	
150	1503 1260	Crystal Oscilator - 23.8mhz	
151	1600 1946	Resistor - 33M Ω \pm 1% 1W	
152	1601 7752	Resistor Array - 10K Ω \pm 5%	
153	1601 7796	Resistor Array - 2.2KO	
154	1601 7867	Resistor - 33 Ω \pm 5% 1/16W	
155	1601 7871	Resistor - 68 Ω \pm 5% 1/16W	
156	1601 7898	Resistor Array	
157	1601 7959	Resistor	
158	1601 7987	Resistor Array - 82 Ω \pm 5% 1/16W	
159	1604 4728	Capacitor - 100 μ F \pm 20% 16V	
160	1604 4987	Capacitor - 330 μ F \pm 20% 6.3V	
161	1604 5019	Capacitor - 56 μ F \pm 20% 10V	
162	1604 5046	Resistor - 150 μ F \pm 20%:10V	
163	1604 5065	Capacitor 10uf: \pm 20%:50V	
164	1604 5235	Capacitor:120uf: \pm 20%:10V	
165	1604 5236	Capacitor:180uf: \pm 20%:16V	
166	1604 5338	Resistor - 47 μ F \pm 20% 10V	
167	1605 1002	Capacitor - 2700pF \pm 10% 50V	
168	1605 1137	Capacitor - 470pF \pm 10% 50V	
169	1605 1148	Capacitor - 0.1 μ F+80-20% 50V	
170	1605 1190	Resistor - 0.022 μ F \pm 10% 50V	

Index No.	Part No.	Description	Q'ty Per Assembly
171	1605 1212	Capacitor - 470pF \pm 10% 50V	
172	1605 1221	Capacitor - 0.1 UF+80-20%16V	
173	1605 1224	Capacitor 4.7 μ F \pm 10% 6.3v	
174	1605 1287	Capacitor - 0.47 μ F+80-20% 25V	
175	1605 1295	Capacitor:10uf:+80-20%:10V	
176	1605 1296	Capacitor - 330pF \pm 10% 50V	
177	1605 1300	Capacitor - 270pF \pm 5% 50V	
178	1605 1344	Capacitor - 33pF \pm 5% 50V	
179	1605 1347	Capacitor - 1UF:+80-20%:16V	
180	1605 1391	Capacitor - 22UF: \pm 20%:6.3V	
181	1605 1430	Resistor - 1 μ F+80-20% 50V	
182	1605 1464	Resistor - 10 μ F \pm 20% 25V	
183	1607 0861	Filter - Bk2125hs101	
184	1607 1002	IC - NFM60R30T222	
185	1607 1196	Inductor -220uh \pm 20% 0.33a	
186	1607 1326	Inductor - Slf12575-2r7n7r0-pF	
187	1607 1351	Filter Blm21pg221sn1b	
188	1607 1567	Filter:Mpz2012s101a	
189	1607 1606	Inductor - Nlfc453232-150k-pF	
190	1609 0005	Register:33 Ω : \pm 5%:1/16w	
191	1609 0006	Register:10k Ω : \pm 5%:1/16w	
192	1609 0007	Resistor - 68 Ω \pm 5% 1/16W	
193	1609 0008	Register:4.7k Ω : \pm 5%:1/16w	
194	1609 0019	Register:0 Ω :1608	
195	1609 0033	Register - 82 Ω \pm 5% 1/16w	
196	1610 1427	Resistor - 15 Ω \pm 5% 1W	
197	1634 0000	Resistor - 0 Ω 1/16W	
198	1644 0100	Capacitor - 10 μ F \pm 20% 10V	
199	1650 4100	Resistor - 10 Ω \pm 5% 1/10W	
200	1650 4101	Resistor - 100 Ω \pm 5%1/10W	
201	1650 4102	Resistor - 1K Ω \pm 5% 1/10W	
202	1650 4103	Resistor - 10K Ω \pm 5% 1/10W	
203	1650 4104	Resistor - 100K Ω \pm 5%1/10W	
204	1650 4121	Resistor - 120 Ω \pm 5%1/10W	
205	1650 4122	Resistor - 1.2K Ω \pm 5% 1/10W	

Index No.	Part No.	Description	Q'ty Per Assembly
206	1650 4150	Resistor - 15Ω ±5% 1/10W	
207	1650 4220	Chip Resistor - 22Ω ±5% 1/10w	
208	1650 4222	Resistor - 2.2KΩ±5%1/10W	
209	1650 4244	Resistor:240k Ω:±5%:1/10w:1608	
210	1650 4271	Resistor - 270Ω±5%1/10W	
211	1650 4330	Chip Resistor - 33Ω ±5% 1/10w	
212	1650 4331	Resistor - 330Ω±5%1/10W	
213	1650 4332	Resistor - 3.3KΩ±5%1/10W	
214	1650 4431	Resistor - 430Ω±5% 1/10W	
215	1650 4470	Resistor - 47Ω±5%1/10W	
216	1650 4471	Resistor - 470Ω±5%1/10W	
217	1650 4472	Resistor - 4.7KΩ ±5% 1/10W	
218	1650 4560	Chip Resistor - 56Ω ±5% 1/10w	
219	1650 4561	Resistor - 560Ω ±5% 1/10W	
220	1650 4621	Resistor - 620Ω ±5% 1/10W 1608	
221	1650 4680	Resistor - 68Ω±5%1/10W	
222	1650 4682	Resistor - 6.8KΩ ±5% 1/10W	
223	1650 4751	Resistor - 750Ω ±5% 1/10W	
224	1650 4821	Chip Resistor - 820Ω ±5% 1/10w	
225	1654 1000	Resistor - 100Ω ±1% 1/10W	
226	1654 1002	Resistor - 10KΩ±5%1/10W	
227	1654 1300	Resistor - 130Ω±1% 1/10W	
228	1654 4700	Resistor - 470Ω±1%1/10W	
229	1654 4701	Resistor - 4.7KΩ±1% 1/10W	
230	1654 4872	Resistor - 48.7KΩ ±1% 1/10W	
231	1654 5109	Resistor:51Ω:±1%:1/10W	
232	1654 8200	Resistor - 820Ω±1%1/10W	
233	1654 8202	Resistor - 82KΩ ±1% 1/10W	
234	1660 0100	Capacitor - 10PF ±0.5pF 50V	
235	1660 2101	Capacitor - 100pF - ±10% - 50V	
236	1660 2120	Capacitor - 12 pF ±5% 50V	
237	1660 2150	Capacitor - 15pF ±5% 50V	
238	1660 2151	Capacitor - 150pF ±20% 35V	
239	1660 2221	Capacitor - 220pF +80-20% 50V	
240	1660 2270	Capacitor - 27pF ±20% 35V	

Index No.	Part No.	Description	Q'ty Per Assembly
241	1660 2330	Capacitor - 33pF - ±5% - 50V	
242	1660 2470	Capacitor - 47pF ±5% 50V	
243	1660 4102	Capacitor - 1000pF ±10% 50V	
244	1660 4103	Capacitor - 10000pF - ±10% - 50V	
245	1660 4332	Capacitor - 3300pF - ±10% - 50V	
246	1660 4472	Capacitor - 4700pF±10% 50V	
247	1660 8104	Capacitor - 0.1μF+80-20% 25V	

55.Controller Board (B222/B224)

BAT

SYMBOL NO.	INDEX NO.
BAT1	114

CAPACITOR

SYMBOL NO.	INDEX NO.
C1	190
C2	190
C3	176
C4	178
C5	197
C6	176
---	---
C8	176
C9	209
C10	210

SYMBOL NO.	INDEX NO.
C11	204
C12	197
C13	195
---	---
---	---
C16	204
C17	212
C18	204
C19	204
C20	204

SYMBOL NO.	INDEX NO.
C21	204
C22	204
C23	176
C24	204
C25	204
C26	204
C27	204
C28	204
C29	204
C30	175

SYMBOL NO.	INDEX NO.
C31	204
C32	204
C33	201
C34	197
C35	195
C36	204
C37	204
---	---
C39	204
C40	204

SYMBOL NO.	INDEX NO.
C41	204
C42	195
C43	204
C44	204
C45	204
---	---
C47	204
C48	195
C49	204
C50	195

SYMBOL NO.	INDEX NO.
---	---
---	---
C53	204
C54	213
C55	204
C56	204
C57	204
C58	204
C59	204
C60	204

CAPACITOR

SYMBOL NO.	INDEX NO.
C61	204
C62	204
C63	204
C64	204
C65	204
C66	204
C67	204
C68	204
C69	204
C70	204

SYMBOL NO.	INDEX NO.
C71	241
C72	195
C73	197
C74	241
C75	197
C76	178
C77	197
C78	195
C79	197
C80	178

SYMBOL NO.	INDEX NO.
C81	201
C82	201
C83	201
C84	201
C85	189
C86	205
C87	196
C88	197
C89	184
C90	184

SYMBOL NO.	INDEX NO.
C91	184
C92	184
C93	184
C94	184
C95	176
---	---
C97	315
C98	240
---	---
C100	195

SYMBOL NO.	INDEX NO.
C101	197
C102	204
---	---
C104	184
C105	197
C106	316
C107	204
C108	197
C109	195
C110	188

SYMBOL NO.	INDEX NO.
C111	195
C112	185
C113	203
---	---
---	---
C116	197
C117	195
C118	182
---	---
C120	195

SYMBOL NO.	INDEX NO.
C121	197
C122	313
---	---
C124	195
C125	213
C126	213
C127	213
C128	209
C129	201
C130	212

55.Controller Board (B222/B224)

CAPACITOR

SYMBOL NO.	INDEX NO.	SYMBOL NO.	INDEX NO.	SYMBOL NO.	INDEX NO.	SYMBOL NO.	INDEX NO.	SYMBOL NO.	INDEX NO.	SYMBOL NO.	INDEX NO.	SYMBOL NO.	INDEX NO.
C131	212	C141	177	C151	197	C161	197	C171	197	---	---	---	---
C132	197	C142	177	C152	195	C162	197	C172	197	---	---	C192	195
C133	197	C143	195	C153	197	C163	195	C173	213	C183	197	C193	197
C134	178	C144	197	---	---	C164	207	C174	190	C184	192	C194	197
C135	213	C145	197	C155	198	C165	213	C175	195	C185	195	C195	195
C136	213	C146	197	C156	197	C166	179	C176	203	C186	195	C196	197
C137	213	C147	197	---	---	C167	195	C177	190	---	---	---	---
C138	213	C148	195	C158	198	C168	184	C178	203	---	---	C198	197
C139	213	C149	197	C159	195	C169	213	---	---	C189	197	---	---
C140	213	C150	195	C160	209	C170	197	---	---	---	---	---	---

CAPACITOR

SYMBOL NO.	INDEX NO.	SYMBOL NO.	INDEX NO.	SYMBOL NO.	INDEX NO.	SYMBOL NO.	INDEX NO.	SYMBOL NO.	INDEX NO.	SYMBOL NO.	INDEX NO.	SYMBOL NO.	INDEX NO.
C201	184	---	---	C221	186	---	---	C241	199	C251	204	C261	204
---	---	---	---	C222	186	C232	199	---	---	C252	195	---	---
---	---	---	---	---	---	C233	213	C243	199	C253	180	---	---
---	---	---	---	---	---	C234	197	C244	195	C254	197	C264	197
C205	184	C215	209	---	---	C235	197	C245	201	C255	204	C265	195
C206	184	---	---	---	---	---	---	C246	204	C256	195	C266	195
C207	183	C217	201	---	---	C236	199	C247	204	C257	195	C267	195
C208	215	---	---	---	---	---	---	C248	204	C258	204	C268	180
---	---	---	---	---	---	---	---	C249	204	C259	204	C269	197
---	---	C220	213	C229	213	---	---	C250	204	C260	195	C270	204
---	---	---	---	---	---	---	---	---	---	---	---	---	---

55.Controller Board (B222/B224)

CAPACITOR

SYMBOL NO.	INDEX NO.	SYMBOL NO.	INDEX NO.	SYMBOL NO.	INDEX NO.	SYMBOL NO.	INDEX NO.	SYMBOL NO.	INDEX NO.	SYMBOL NO.	INDEX NO.	SYMBOL NO.	INDEX NO.
C271	204	C281	195	C291	204	C301	195	C311	195	C321	180	C331	206
C272	204	C282	195	C292	204	C302	195	C312	197	C322	195	C332	204
C273	197	C283	204	C293	195	C303	204	C313	204	C323	193	C333	199
C274	197	C284	180	C294	180	---	---	C314	204	C324	205	C334	204
C275	204	C285	199	C295	193	C305	197	C315	209	C325	180	C335	199
C276	197	C286	209	C296	197	C306	195	C316	197	C326	207	C336	180
---	---	C287	180	C297	195	C307	209	C317	195	C327	204	C337	180
C278	180	C288	199	C298	197	C308	193	C318	204	C328	195	C338	205
C279	205	C289	195	C299	195	C309	204	C319	197	C329	214	C339	195
C280	204	C290	193	C300	199	C310	195	C320	193	C330	199	C340	197

CAPACITOR

SYMBOL NO.	INDEX NO.	SYMBOL NO.	INDEX NO.	SYMBOL NO.	INDEX NO.	SYMBOL NO.	INDEX NO.	SYMBOL NO.	INDEX NO.	SYMBOL NO.	INDEX NO.	SYMBOL NO.	INDEX NO.
C341	195	C351	195	C361	180	C371	199	C381	195	C391	204	C401	195
C342	193	C352	197	C362	199	C372	195	C382	195	C392	195	C402	204
C343	195	C353	195	C363	204	C373	193	C383	180	C393	180	C403	205
C344	197	C354	204	C364	193	C374	193	C384	204	C394	199	C404	204
C345	204	C355	205	C365	195	C375	204	C385	197	C395	195	C405	205
C346	193	C356	197	C366	199	C376	204	C386	199	C396	193	C406	195
C347	195	C357	214	C367	180	C377	180	C387	204	C397	195	C407	204
C348	199	C358	204	C368	195	C378	204	C388	195	C398	204	C408	195
C349	205	C359	195	C369	204	C379	195	C389	204	C399	193	C409	195
C350	180	C360	197	C370	180	C380	204	C390	195	C400	204	C410	204

55.Controller Board (B222/B224)

CAPACITOR

SYMBOL NO.	INDEX NO.	SYMBOL NO.	INDEX NO.	SYMBOL NO.	INDEX NO.	SYMBOL NO.	INDEX NO.	SYMBOL NO.	INDEX NO.	SYMBOL NO.	INDEX NO.	SYMBOL NO.	INDEX NO.
C411	195	C421	204	C431	204	C441	180	C451	193	C461	197	C471	195
C412	195	C422	203	C432	197	C442	195	C452	184	C462	197	C472	204
C413	204	C423	204	C433	204	C443	195	C453	184	C463	199	C473	204
C414	204	C424	204	C434	197	C444	199	C454	184	---	---	C474	195
C415	204	C425	204	C435	197	C445	195	C455	184	C465	197	C475	195
C416	209	C426	197	C436	195	C446	180	C456	204	C466	207	C476	204
C417	204	C427	195	C437	204	C447	199	C457	189	C467	206	C477	195
C418	195	C428	204	C438	203	C448	195	C458	207	C468	204	C478	204
C419	195	C429	204	C439	197	C449	193	C459	208	C469	197	C479	197
C420	195	C430	205	C440	197	---	---	C460	195	C470	197	C480	204

CAPACITOR

SYMBOL NO.	INDEX NO.	SYMBOL NO.	INDEX NO.	SYMBOL NO.	INDEX NO.	SYMBOL NO.	INDEX NO.	SYMBOL NO.	INDEX NO.	SYMBOL NO.	INDEX NO.	SYMBOL NO.	INDEX NO.
C481	180	C491	193	C501	207	C511	195	C521	209	C531	195	C541	194
C482	180	C492	199	C502	180	C512	204	C522	197	C532	197	C542	194
C483	193	C493	178	C503	199	C513	195	C523	200	C533	193	C543	194
C484	195	C494	204	C504	193	C514	204	C524	204	C534	213	C544	191
C485	199	C495	194	C505	180	C515	195	C525	178	C535	204	C545	203
C486	204	C496	199	C506	194	C516	204	C526	197	C536	181	C546	195
C487	197	C497	199	C507	194	C517	195	C527	200	---	---	C547	197
C488	189	C498	199	C508	194	C518	204	C528	314	C538	195	C548	199
C489	199	C499	199	C509	194	C519	195	C529	207	C539	194	C549	199
C490	195	C500	189	---	---	C520	196	C530	195	C540	194	C550	199

55.Controller Board (B222/B224)

CAPACITOR

SYMBOL NO.	INDEX NO.	SYMBOL NO.	INDEX NO.	SYMBOL NO.	INDEX NO.	SYMBOL NO.	INDEX NO.	SYMBOL NO.	INDEX NO.	SYMBOL NO.	INDEX NO.	SYMBOL NO.	INDEX NO.
C551	199	C561	195	C571	186	C581	204	C591	204	C601	195	C611	195
C552	199	C562	193	---	---	C582	204	---	---	C602	186	C612	197
C553	199	C563	193	C573	186	C583	195	C593	204	C603	184	---	---
---	---	C564	195	---	---	C584	195	C594	204	---	---	C614	204
C555	204	C565	197	C575	186	C585	180	C595	197	C605	189	C615	195
C556	197	C566	199	C576	186	C586	186	C596	197	C606	197	C616	195
C557	180	C567	195	C577	186	C587	198	C597	197	---	---	C617	195
C558	213	C568	197	---	---	C588	207	C598	197	C608	202	C618	204
C559	197	C569	199	C579	195	C589	206	C599	180	C609	197	C619	197
C560	195	C570	186	---	---	C590	197	---	---	C610	195	C620	195

CAPACITOR

SYMBOL NO.	INDEX NO.	SYMBOL NO.	INDEX NO.	SYMBOL NO.	INDEX NO.	SYMBOL NO.	INDEX NO.	SYMBOL NO.	INDEX NO.	SYMBOL NO.	INDEX NO.	SYMBOL NO.	INDEX NO.
C621	197	C631	206	C641	204	C651	195	C661	184	C671	206	---	---
C622	178	C632	204	C642	197	C652	180	C662	204	C672	195	C682	205
C623	197	C633	195	---	---	C653	209	C663	204	C673	206	---	---
C624	195	---	---	C644	195	C654	195	C664	197	C674	206	C684	195
C625	198	C635	207	C645	204	C655	204	C665	195	---	---	C685	197
C626	195	---	---	C646	204	C656	195	C666	206	C676	204	C686	195
C627	197	C637	195	C647	195	C657	195	C667	184	C677	197	C687	206
C628	197	C638	195	C648	197	C658	204	C668	204	C678	197	C688	197
C629	197	C639	205	C649	197	C659	204	C669	195	C679	195	C689	197
---	---	C640	195	---	---	C660	195	C670	205	C680	195	C690	314

55.Controller Board (B222/B224)

CAPACITOR

SYMBOL NO.	INDEX NO.	SYMBOL NO.	INDEX NO.	SYMBOL NO.	INDEX NO.	SYMBOL NO.	INDEX NO.	SYMBOL NO.	INDEX NO.	SYMBOL NO.	INDEX NO.	SYMBOL NO.	INDEX NO.
C691	211	---	---	C711	195	---	---	---	---	C741	199	C751	199
---	---	C702	204	---	---	C722	204	---	---	C742	186	C752	194
---	---	C703	195	C713	197	C723	180	---	---	C743	199	C753	194
C694	195	C704	195	---	---	C724	180	---	---	C744	190	C754	199
---	---	---	---	---	---	C725	180	---	---	C745	199	C755	199
C696	195	---	---	---	---	C726	199	---	---	C746	195	C756	199
C697	204	C707	206	C717	197	---	---	C737	194	C747	195	C757	197
C698	204	C708	207	C718	197	---	---	C738	199	C748	195	---	---
C699	197	C709	186	C719	186	---	---	C739	199	C749	194	---	---
C700	195	C710	197	C720	199	---	---	C740	199	C750	199	---	---

CAPACITOR

SYMBOL NO.	INDEX NO.
---	---
---	---
---	---
---	---
---	---
C766	195
C767	197
C768	195
C769	197
C770	186

SYMBOL NO.	INDEX NO.
C771	186
C772	197
C773	197
C774	194
C775	197
C776	195
C777	197
C778	197
C779	186
C780	187

CONNECTOR

SYMBOL NO.	INDEX NO.
CN100	106
CN101	111
CN102	111
CN103	110
---	---
CN105	103
CN106	105
CN107	105
CN108	105
CN109	104
---	---

SYMBOL NO.	INDEX NO.
CN111	104
CN112	101
CN113	107
CN114	108
CN115	102
---	---
CN117	109

DIODE

SYMBOL NO.	INDEX NO.
D1	121
D2	121
D3	121
D4	123
---	---
D6	124
D7	121
D8	123
D9	123
D10	124

SYMBOL NO.	INDEX NO.
D11	122
D12	121
---	---
D14	121

FILTER

SYMBOL NO.	INDEX NO.
---	---
---	---
FIL3	225
---	---
FIL5	217
FIL6	217
FIL7	225
FIL8	227
FIL9	220
FIL10	227

55.Controller Board (B222/B224)

FILTER

SYMBOL NO.	INDEX NO.
FIL11	227
FIL12	220
FIL13	216
FIL14	216
FIL15	218
FIL16	216
FIL17	218

FU

SYMBOL NO.	INDEX NO.
FU1	112
FU2	112

IC

SYMBOL NO.	INDEX NO.
IC1	141
---	---
---	---
IC4	140
---	---
IC6	135
IC7	135
IC8	159
IC9	148
IC10	1

SYMBOL NO.	INDEX NO.
IC11	129
IC12	129
---	---
IC14	134
IC15	130
IC16	145
IC17	139
IC18	149
IC19	158
IC20	146

SYMBOL NO.	INDEX NO.
---	---
IC22	156
IC23	161
IC24	162
IC25	151
IC26	128
IC27	135
---	---
IC29	144
IC30	133

SYMBOL NO.	INDEX NO.
---	---
---	---
---	---
IC34	127
IC35	317
---	---
---	---
IC38	152
IC39	160
IC40	154

SYMBOL NO.	INDEX NO.
IC41	146
IC42	3
IC43	131
IC44	145
IC45	157
IC46	138
IC47	317
IC48	147
IC49	137
IC50	150

IC

SYMBOL NO.	INDEX NO.
IC51	142
IC52	140
---	---
IC54	139
---	---
IC56	136
---	---
IC58	148
IC59	160
IC60	153

SYMBOL NO.	INDEX NO.
IC61	140
IC62	149
IC63	2
IC64	140
IC65	145
IC66	149
IC67	145
IC68	140
---	---
---	---

SYMBOL NO.	INDEX NO.
IC71	140
IC72	155
IC73	143
---	---
IC75	140
IC76	145
---	---
---	---
---	---
---	---

SYMBOL NO.	INDEX NO.
---	---
IC82	140
IC83	132
---	---
---	---
---	---
IC87	132
IC88	132
IC89	155
IC90	155

SYMBOL NO.	INDEX NO.
IC91	155
IC92	126
IC93	155

LED

SYMBOL NO.	INDEX NO.
L1	219
L2	229
L3	224
L4	224
L5	226
L6	228
L7	221
L8	223
L9	223
L10	223

SYMBOL NO.	INDEX NO.
L11	223
L12	223

55.Controller Board (B222/B224)

LED

SYMBOL NO.	INDEX NO.
LED1	125
---	---
---	---
---	---
---	---
---	---
---	---
---	---
---	---
LED11	125

OSC

SYMBOL NO.	INDEX NO.
OSC1	163
OSC2	166
OSC3	164
OSC4	165

Q

SYMBOL NO.	INDEX NO.
Q1	115
Q2	118
Q3	120
Q4	118
Q5	116
Q6	116
Q7	117
Q8	115
Q9	118
Q10	117

RESISTOR

SYMBOL NO.	INDEX NO.
Q11	119
Q12	115
Q13	115
Q14	115
Q15	115

SYMBOL NO.	INDEX NO.
R1	252
R2	265
R3	265
R4	251
R5	251
R6	265
R7	265
R8	251
R9	265
R10	251

SYMBOL NO.	INDEX NO.
R11	279
R12	269
R13	267
---	---
R15	278
R16	252
R17	278
R18	278
---	---
R20	278

SYMBOL NO.	INDEX NO.
R21	265
R22	278
R23	278
R24	278
R25	271
R26	265
R27	265
R28	265
R29	252
R30	265

RESISTOR

SYMBOL NO.	INDEX NO.
---	---
---	---
R33	288
R34	288
---	---
R36	288
R37	265
---	---
---	---
R39	288
R40	257

SYMBOL NO.	INDEX NO.
R41	271
R42	257
R43	251
R44	251
R45	251
---	---
---	---
---	---
---	---
---	---

SYMBOL NO.	INDEX NO.
---	---
---	---
R53	251
R54	257
---	---
---	---
---	---
---	---
R59	251
R60	251

SYMBOL NO.	INDEX NO.
---	---
R62	265
R63	251
R64	265
---	---
---	---
---	---
---	---
R69	257
R70	265

SYMBOL NO.	INDEX NO.
R71	265
R72	265
R73	265
---	---
---	---
R76	257
R77	251
R78	252
R79	252
R80	257

SYMBOL NO.	INDEX NO.
R81	265
---	---
R83	251
R84	278
R85	278
R86	265
R87	257
R88	278
R89	257
R90	278

SYMBOL NO.	INDEX NO.
R91	265
R92	278
R93	257
R94	257
---	---
R96	267
R97	275
R98	251
R99	239
R100	239

55.Controller Board (B222/B224)

RESISTOR

SYMBOL NO.	INDEX NO.	SYMBOL NO.	INDEX NO.	SYMBOL NO.	INDEX NO.	SYMBOL NO.	INDEX NO.	SYMBOL NO.	INDEX NO.	SYMBOL NO.	INDEX NO.	SYMBOL NO.	INDEX NO.
R101	239	---	---	R121	242	R131	274	R141	274	R151	245	R161	248
R102	239	R112	254	R122	265	R132	271	R142	265	R152	244	---	---
R103	239	R113	265	R123	290	R133	300	R143	265	R153	244	R163	248
R104	239	R114	293	R124	239	R134	292	R144	265	R154	245	R164	276
R105	239	R115	299	R125	263	R135	290	R145	251	R155	245	R165	222
R106	239	R116	265	R126	312	R136	308	---	---	R156	244	---	---
R107	239	R117	265	R127	244	R137	248	R147	246	R157	246	R167	222
R108	239	R118	242	R128	309	R138	248	R148	245	R158	239	---	---
---	---	R119	242	R129	274	---	---	R149	245	R159	239	R169	222
R110	288	R120	242	R130	274	R140	265	R150	244	---	---	---	---

RESISTOR

SYMBOL NO.	INDEX NO.	SYMBOL NO.	INDEX NO.	SYMBOL NO.	INDEX NO.	SYMBOL NO.	INDEX NO.	SYMBOL NO.	INDEX NO.	SYMBOL NO.	INDEX NO.	SYMBOL NO.	INDEX NO.
R171	222	---	---	R191	251	---	---	R211	251	R221	251	R231	251
R172	222	R182	249	---	---	R202	251	---	---	R222	250	R232	251
R173	222	R183	251	---	---	R203	248	R213	250	---	---	R233	265
---	---	---	---	R194	237	---	---	R214	251	R224	265	R234	281
R175	222	R185	251	---	---	R205	267	R215	248	R225	265	R235	250
R176	243	R186	265	R196	265	---	---	R216	265	R226	250	R236	251
R177	243	R187	251	R197	250	R207	244	R217	251	R227	251	R237	248
---	---	R188	265	R198	251	R208	290	R218	251	R228	265	R238	265
---	---	R189	251	---	---	R209	265	R219	251	R229	248	R239	265
---	---	R190	250	---	---	R210	265	R220	290	R230	265	R240	248

55.Controller Board (B222/B224)

RESISTOR

SYMBOL NO.	INDEX NO.	SYMBOL NO.	INDEX NO.	SYMBOL NO.	INDEX NO.	SYMBOL NO.	INDEX NO.	SYMBOL NO.	INDEX NO.	SYMBOL NO.	INDEX NO.	SYMBOL NO.	INDEX NO.
R241	248	---	---	R261	265	R271	265	R281	288	R291	238	R301	251
R242	265	---	---	---	---	R272	256	R282	236	R292	238	R302	250
R243	265	R253	251	R263	265	---	---	---	---	R293	238	R303	250
R244	265	R254	284	R264	265	R274	265	---	---	R294	250	R304	250
R245	281	R255	265	---	---	R275	280	R285	238	R295	265	R305	267
R246	303	R256	265	---	---	R276	280	R286	238	R296	251	R306	267
R247	295	---	---	R267	282	---	---	---	---	R297	250	---	---
R248	252	R258	286	R268	265	R278	283	---	---	R298	265	R308	267
---	---	R259	286	---	---	R279	288	R289	238	R299	252	R309	267
R250	265	R260	265	R270	265	---	---	R290	238	R300	265	R310	251

RESISTOR

SYMBOL NO.	INDEX NO.	SYMBOL NO.	INDEX NO.	SYMBOL NO.	INDEX NO.	SYMBOL NO.	INDEX NO.	SYMBOL NO.	INDEX NO.	SYMBOL NO.	INDEX NO.	SYMBOL NO.	INDEX NO.
R311	277	---	---	R331	265	R341	251	R351	267	R361	257	R371	279
---	---	R322	272	R332	277	R342	252	R352	257	R362	271	R372	265
R313	252	R323	277	R333	278	---	---	R353	267	R363	257	---	---
R314	277	R324	262	R334	265	---	---	R354	257	R364	257	R374	251
---	---	R325	265	R335	252	R345	272	R355	265	R365	269	---	---
R316	267	R326	250	R336	252	R346	252	R356	251	R366	279	R376	269
R317	251	R327	252	R337	277	R347	267	R357	265	R367	251	R377	269
---	---	R328	267	R338	250	R348	257	R358	252	---	---	R378	271
R319	251	R329	265	R339	265	R349	277	R359	265	R369	251	---	---
---	---	R330	262	R340	252	R350	252	R360	274	R370	279	R380	272

55.Controller Board (B222/B224)

RESISTOR

SYMBOL NO.	INDEX NO.	SYMBOL NO.	INDEX NO.	SYMBOL NO.	INDEX NO.	SYMBOL NO.	INDEX NO.	SYMBOL NO.	INDEX NO.	SYMBOL NO.	INDEX NO.	SYMBOL NO.	INDEX NO.
R381	267	R391	271	R401	277	R411	274	R421	266	R431	266	R441	251
R382	248	R392	288	R402	265	R412	266	R422	266	R432	265	---	---
R383	248	R393	271	R403	265	R413	266	R423	251	R433	251	R443	254
R384	248	R394	251	R404	271	R414	266	R424	251	---	---	R444	267
R385	288	R395	248	R405	251	R415	251	R425	248	R435	251	---	---
R386	277	R396	267	R406	265	R416	251	R426	288	R436	271	R446	265
R387	267	R397	251	R407	251	---	---	R427	265	---	---	R447	251
R388	277	R398	277	R408	277	R418	274	R428	265	R438	271	R448	271
---	---	R399	277	R409	248	R419	266	R429	265	---	---	R449	250
R390	254	R400	272	R410	248	R420	266	R430	271	R440	251	R450	265

RESISTOR

SYMBOL NO.	INDEX NO.	SYMBOL NO.	INDEX NO.	SYMBOL NO.	INDEX NO.	SYMBOL NO.	INDEX NO.	SYMBOL NO.	INDEX NO.	SYMBOL NO.	INDEX NO.	SYMBOL NO.	INDEX NO.
---	---	R461	252	R471	262	R481	262	R491	279	R501	274	R511	271
R452	267	R462	265	R472	252	---	---	R492	265	R502	257	R512	249
R453	251	R463	262	R473	278	R483	267	R493	259	R503	265	R513	249
R454	265	R464	271	R474	271	R484	265	R494	257	R504	288	R514	251
---	---	R465	252	R475	251	R485	265	R495	269	---	---	R515	249
R456	265	R466	265	R476	265	R486	265	R496	265	R506	265	R516	288
R457	251	R467	265	R477	265	R487	265	R497	265	R507	265	R517	265
R458	265	R468	252	R478	265	R488	265	R498	264	R508	271	R518	254
R459	251	R469	271	R479	271	R489	265	R499	267	R509	251	R519	266
R460	265	R470	265	R480	271	R490	265	R500	265	R510	265	R520	266

55.Controller Board (B222/B224)

RESISTOR

SYMBOL NO.	INDEX NO.	SYMBOL NO.	INDEX NO.	SYMBOL NO.	INDEX NO.	SYMBOL NO.	INDEX NO.	SYMBOL NO.	INDEX NO.	SYMBOL NO.	INDEX NO.	SYMBOL NO.	INDEX NO.
R521	265	R531	251	R541	265	R551	244	R561	290	R571	267	R581	269
R522	265	---	---	R542	267	R552	244	R562	311	R572	239	R582	251
---	---	R533	267	R543	289	R553	242	R563	270	R573	239	R583	251
R524	267	R534	267	R544	265	R554	242	R564	251	R574	239	---	---
R525	265	R535	267	R545	265	R555	242	---	---	R575	239	R585	279
---	---	R536	250	R546	267	R556	242	---	---	R576	239	R586	260
R527	267	R537	251	R547	258	R557	288	R567	312	R577	265	R587	291
R528	254	---	---	---	---	---	---	R568	251	R578	260	R588	297
R529	267	R539	267	R549	259	R559	288	---	---	R579	251	---	---
R530	267	R540	251	R550	265	---	---	R570	265	---	---	R590	267

RESISTOR

SYMBOL NO.	INDEX NO.	SYMBOL NO.	INDEX NO.	SYMBOL NO.	INDEX NO.	SYMBOL NO.	INDEX NO.	SYMBOL NO.	INDEX NO.	SYMBOL NO.	INDEX NO.	SYMBOL NO.	INDEX NO.
---	---	R601	239	R611	265	R621	267	R631	251	R641	251	R651	304
R592	255	R602	239	---	---	R622	251	R632	251	R642	251	R652	250
R593	255	R603	239	---	---	R623	251	---	---	R643	255	R653	251
---	---	R604	239	---	---	R624	222	---	---	---	---	R654	251
R595	252	R605	251	R615	251	R625	265	---	---	---	---	R655	251
---	---	R606	238	R616	267	R626	288	---	---	R646	249	R656	251
---	---	R607	238	R617	267	R627	265	R637	250	R647	265	R657	251
---	---	R608	296	---	---	R628	250	R638	267	R648	265	---	---
---	---	R609	250	R619	251	R629	250	R639	265	---	---	R659	251
R600	239	---	---	R620	251	R630	255	---	---	---	---	R660	265

55.Controller Board (B222/B224)

RESISTOR

SYMBOL NO.	INDEX NO.	SYMBOL NO.	INDEX NO.	SYMBOL NO.	INDEX NO.	SYMBOL NO.	INDEX NO.	SYMBOL NO.	INDEX NO.	SYMBOL NO.	INDEX NO.	SYMBOL NO.	INDEX NO.
R661	250	R671	251	R681	267	R691	248	R701	251	R721	265	---	---
R662	265	R672	251	R682	267	---	---	R702	265	R722	265	---	---
---	---	R673	259	---	---	R693	248	---	---	R723	306	---	---
R664	251	R674	251	---	---	R694	251	---	---	---	---	R744	263
R665	251	---	---	R685	251	---	---	R705	298	---	---	R745	307
---	---	R676	248	---	---	---	---	R706	288	R726	248	R746	265
R667	251	---	---	R687	251	---	---	---	---	R727	251	---	---
R668	251	---	---	R688	251	---	---	---	---	---	---	---	---
R669	250	R679	267	R689	263	R699	310	---	---	---	---	---	---
---	---	---	---	R690	248	---	---	---	---	---	---	R750	307

RESISTOR

SYMBOL NO.	INDEX NO.	SYMBOL NO.	INDEX NO.	SYMBOL NO.	INDEX NO.	SYMBOL NO.	INDEX NO.	SYMBOL NO.	INDEX NO.	SYMBOL NO.	INDEX NO.	SYMBOL NO.	INDEX NO.
---	---	R761	251	---	---	R791	268	R801	238	---	---	---	---
---	---	---	---	---	---	R792	265	R802	238	---	---	R822	268
---	---	---	---	R783	249	R793	268	R803	238	---	---	R823	261
---	---	R774	284	---	---	---	---	R804	247	R814	238	R824	239
R755	294	---	---	R785	251	R795	251	R805	253	R815	250	R825	250
R756	251	---	---	R786	251	R796	238	---	---	---	---	R826	238
---	---	---	---	---	---	R797	268	---	---	---	---	---	---
R758	301	---	---	R788	249	R798	268	---	---	---	---	R828	247
R759	251	R779	249	R789	238	---	---	---	---	---	---	R829	250
R760	251	R780	251	R790	238	---	---	---	---	---	---	R830	285

55.Controller Board (B222/B224)

RESISTOR

SYMBOL NO.	INDEX NO.
R831	287
R832	261
R833	250
R834	238
R835	273
R836	273
R837	239
R838	239
R839	250
R840	250

SYMBOL NO.	INDEX NO.
R841	250
R842	249
R843	249
R844	249
R845	238
R846	238
R847	238
R848	238
R849	251
---	---

SYMBOL NO.	INDEX NO.
---	---
---	---
---	---
---	---
---	---
R856	252
R857	252
R858	252
R859	252
R860	305

SYMBOL NO.	INDEX NO.
R861	302
R862	250
---	---
---	---
---	---
---	---
---	---
---	---
---	---
---	---

SYMBOL NO.	INDEX NO.
R871	288

RN

SYMBOL NO.	INDEX NO.
RN1	234
RN2	231
RN3	230
RN4	234
RN5	230
RN6	230
RN7	230
RN8	230
RN9	230
RN10	233

SYMBOL NO.	INDEX NO.
RN11	174
RN12	231
RN13	233
RN14	232
RN15	230
RN16	233
RN17	232
RN18	230
RN19	233
RN20	230

RN

SYMBOL NO.	INDEX NO.
RN21	170
RN22	230
RN23	233
RN24	234
RN25	235
RN26	170
RN27	167
RN28	235
RN29	233
RN30	235

SYMBOL NO.	INDEX NO.
RN31	167
RN32	172
RN33	235
RN34	233
RN35	234
RN36	234
RN37	234
RN38	233
RN39	232
RN40	230

SYMBOL NO.	INDEX NO.
RN41	230
RN42	230
RN43	230
RN44	234
RN45	230
RN46	230
---	---
---	---
RN49	230
RN50	230

SYMBOL NO.	INDEX NO.
RN51	230
RN52	230
RN53	168
RN54	230
RN55	230
RN56	230
RN57	230
RN58	167
RN59	230
RN60	231

SYMBOL NO.	INDEX NO.
RN61	169
RN62	169
RN63	231
RN64	168
RN65	173
RN66	173
RN67	173
RN68	173
RN69	173
RN70	173

SYMBOL NO.	INDEX NO.
RN71	173
RN72	173
RN73	168
RN74	173
RN75	234
RN76	230
RN77	234
RN78	232
RN79	231
RN80	234

SYMBOL NO.	INDEX NO.
RN81	231
RN82	232
RN83	234
RN84	167
RN85	168
RN86	234
RN87	233
RN88	234
RN89	168
RN90	171

55.Controller Board (B222/B224)

RN

SYMBOL NO.	INDEX NO.
RN91	234
RN92	168
RN93	234
RN94	233
RN95	234
RN96	234
RN97	231
RN98	231

SW

SYMBOL NO.	INDEX NO.
SW1	113

55.Controller Board (B222/B224)

Index No.	Part No.	Description	Q'ty Per Assembly
*	B224 5740	PCB:Controller	1
1	B180 5891	ASIC:Trumpet3	1
2	B224 5705	EEPROM AP-C1 CTL CONFIG	1
3	B238 5720	ASIC:Shaker5.5	1

Index No.	Part No.	Description	Q'ty Per Assembly
101	1102 5303	Connector - 4P	
102	1102 7615	Connector - B8B-XH-A	
103	1102 8329	Connector - Usb - UBB-4R-D14C	
104	1102 9079	Connector - RHM-88PL-SDK11-1	
105	1102 9336	Connector:FPS009-2300-0	
106	1102 9535	Connector - 200PS-JUK-G-B	
107	1102 9689	Connector 2-440091-4	
108	1102 9697	Connector:2-440091-5	
109	1102 9887	Connector:52588-3090	
110	1102 9890	Connector:5-1605706-2	
111	1102 9928	Connector:29 6406 200 000 856	
112	1107 1099	Fuse Sst 5	
113	1204 1543	Dip Switch	
114	1206 0115	Lithium Cell - Cr1632/v1a	
115	1400 0730	Transistor - 2SD1782K	
116	1401 1209	IC - HAT2093R	
117	1401 1228	Fet:Si3433dv-e3	
118	1401 1296	Fet:Tpc8115	
119	1401 1320	Fet - Tpc8107	
120	1401 1354	Fet Array:Si4804bdy-e3	
121	1402 1336	Diode - 1SS355	
122	1402 1365	Diode-rb751v-40	
123	1402 1698	Diode - RB	
124	1402 1709	Diode:EC21QS06G	
125	1403 1131	LED:SML-311UT	
126	1407 2187	TTLIC - SN74LS07NS	
127	1407 4919	IC - 74VHCT244 TSSOP	
128	1407 5274	CMOS Logic - 74LVCH162244A TSSOP	
129	1407 5300	CMOS Logic - 74LVC16244A TSSOP	
130	1407 5353	IC - SN74LV244APW	
131	1407 5369	IC - SN74AHCT32PW	
132	1407 5377	IC - SN74AHCT1G08DCK	
133	1407 5482	IC - SN74LVC07APW	
134	1407 5520	IC - SN74LVC125APW	
135	1407 5604	IC - SN74LVC16245ADGG	

Index No.	Part No.	Description	Q'ty Per Assembly
136	1407 5733	IC:SN74ALVC244PW	
137	1407 5868	Ethernet Cont Lsi - Dp83847alqa56a	
138	1407 6080	CMOS Logic - SN74LVC2G04DCK	
139	1407 6100	IC:SN74LVC1G04DCK	
140	1407 6101	IC - SN74LVC2G17DCK	
141	1407 6123	IC Sn74lvc2g125dcu	
142	1407 6127	Clock Generator:lcs960008afff	
143	1407 6145	IC:SN74LVC373APW	
144	1407 6161	Clock Generator-ics960009afff	
145	1407 6187	CMOS Logic - SN74LVC1G07DCK	
146	1407 6204	CMOS Logic:SN74LVC2G07DCK	
147	1407 6265	Real Time Clock:R2025s	
148	1407 6268	CMOS Logic:SN74CBTLV3257PW	
149	1407 6335	CMOS Logic:SN74LVC1G17DCK	
150	1407 6372	Eeprom - Br24l01afj-w	
151	1407 6534	Cpu:Rm7935-835k-rev1.2	
152	1408 1750	IC - R3112Q231A	
153	1408 1778	IC:R3112Q101A	
154	1408 1815	IC - R3112Q151A	
155	1408 1826	IC - R3112Q421A	
156	1408 1925	IC:LTC1778EGN#PBF	
157	1408 1956	IC:LTC3728LXCUH#TRPBF	
158	1408 1960	IC:LP2996LQ/NOPB	
159	1408 2034	IC:TPS62042DQG	
160	1408 2053	IC:R3112Q291A-FA	
161	1408 2066	IC:TPS54310PWP	
162	1408 2132	IC:TPS54380PWP	
163	1503 0842	Oscillator - 14.31818MHZ	
164	1503 1181	Crystal Oscilator:30mhz	
165	1503 1304	Crystal Oscilator:25mhz	
166	1503 1305	Crystal Oscilator:25mhz	
167	1601 7887	Resistor Array - 10K Ω \pm 5% 1/32W	
168	1601 7898	Resistor Array	
169	1601 7909	Resistor Array - 10 Ω \pm 5% 1/32W	
170	1601 7913	Resistor 22 Ω \pm 5% 1/32w	

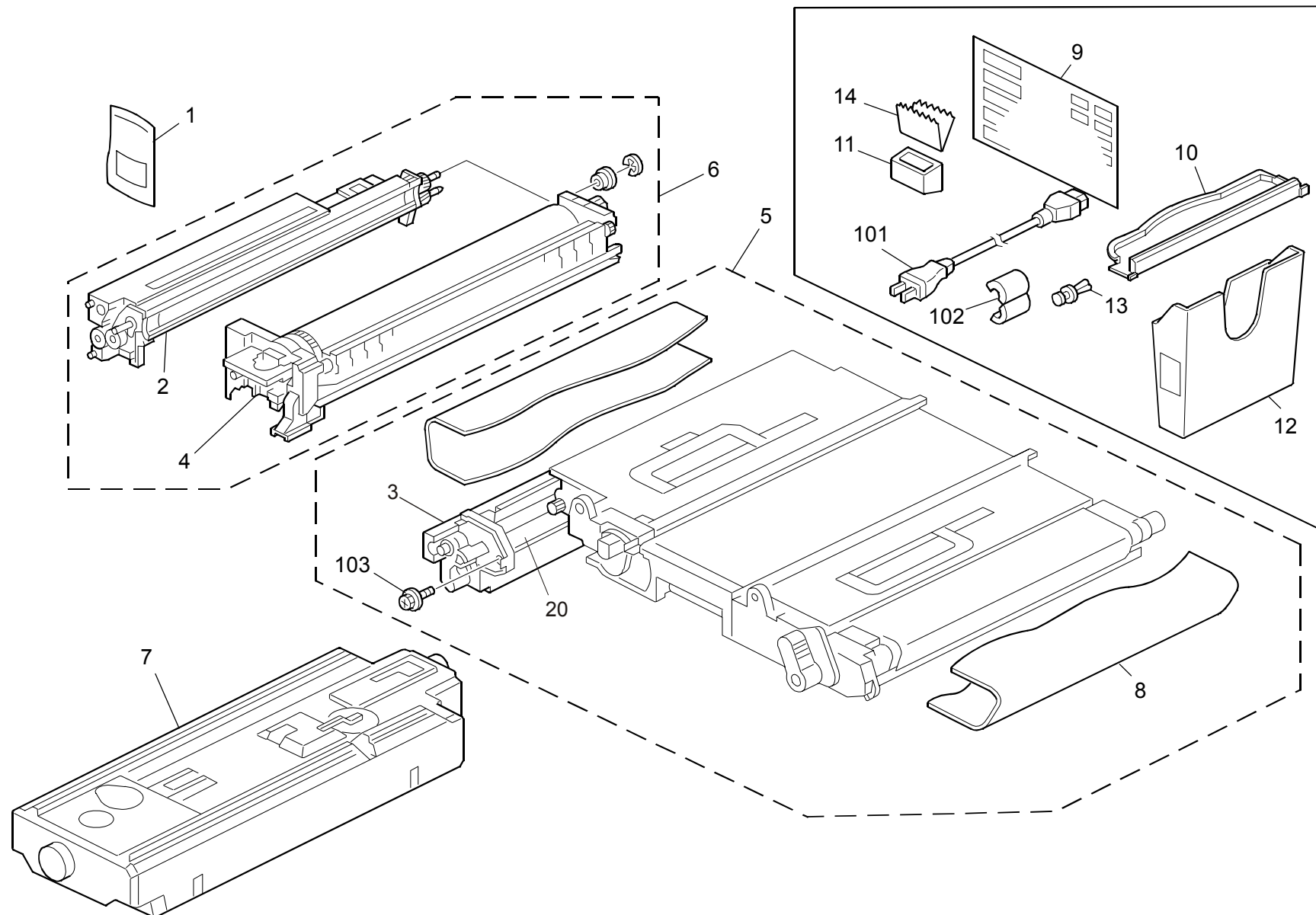
Index No.	Part No.	Description	Q'ty Per Assembly
171	1601 7943	Resistor Array - 68 Ω \pm 5% 1/32W	
172	1601 7959	Resistor	
173	1601 7981	Resistor Array - 100K Ω \pm 5%1/16W	
174	1601 7987	Resistor Array - 82 Ω \pm 5% 1/16W	
175	1604 2527	Capacitor - 100 μ F \pm 20% 25V	
176	1604 4728	Capacitor - 100 μ F \pm 20% 16V	
177	1604 4994	Capacitor - 100 μ F \pm 20% 6.3V	
178	1605 1034	Ceramic Capacitor:1000pF: \pm 10%:50v	
179	1605 1095	Capacitor:180pF: \pm 5%:25V	
180	1605 1124	Capacitor - 4.7 μ F+80 -20% 10V	
181	1605 1165	Capacitor:680pF: \pm 5%:50V	
182	1605 1195	Capacitor:4pf: \pm 0.25pF:50V	
183	1605 1199	Capacitor - 8PF \pm 0.5pF 50V	
184	1605 1200	Capacitor - 10PF \pm 0.5pF 50V	
185	1605 1201	Capacitor - 12pF \pm 5% 50V	
186	1605 1204	Capacitor-pF50v	
187	1605 1205	Capacitor - 33pF \pm 5% 50V	
188	1605 1206	Capacitor - 47pF \pm 5% 50V	
189	1605 1207	Capacitor - 68pF \pm 5% 50V	
190	1605 1208	Capacitor:100pF: \pm 5%:50V	
191	1605 1209	Capacitor - 150pF \pm 5% 50V	
192	1605 1210	Capacitor:180pF: \pm 5%:50V	
193	1605 1211	Capacitor - 220pF \pm 10% 50V	
194	1605 1212	Capacitor - 470pF \pm 10% 50V	
195	1605 1214	Capacitor - 1000pF \pm 10% 50V	
196	1605 1216	Capacitor - 2200pF \pm 10%50V	
197	1605 1221	Capacitor - 0.1 UF+80-20%16V	
198	1605 1234	Capcitor:4700pF: \pm 10%:50v	
199	1605 1240	Capacitor - 0.01 μ F \pm 10% 25V	
200	1605 1249	Capacitor:0.047uf: \pm 10%:16V	
201	1605 1282	Capacitor:22uf:+80-20%:10V	
202	1605 1283	Capacitor - 680pF \pm 10% 50V	
203	1605 1284	Capacitor:1500pF: \pm 10%:50V	
204	1605 1289	Capacitor - 0.1 μ F \pm 10% 10V	
205	1605 1295	Capacitor:10uf:+80-20%:10V	

Index No.	Part No.	Description	Q'ty Per Assembly
206	1605 1296	Capacitor - 330pF ±10% 50V	
207	1605 1303	Capacitor - 0.01µF+80-20% 50V	
208	1605 1305	Capacitor - 1µF+80-20% 6.3V	
209	1605 1347	Capacitor - 1UF:+80-20%:16V	
210	1605 1353	Capacitor - 0.1µF±10% 25V	
211	1605 1354	Capacitor:1200pF:±5%:50V	
212	1605 1359	Capacitor - 10UF:±20%:16V	
213	1605 1391	Capacitor - 22UF:±20%:6.3V	
214	1605 1417	Capacitor:47uf:+80-20%:10V	
215	1605 1448	Capacitor - 9PF:±0.5pF 50V	
216	1607 0978	Inductor - Blm21p300spb	
217	1607 1051	Filter -fbmj2125hs420	
218	1607 1061	Filter - Blm11p300spb	
219	1607 1228	Inductor - Slf7045-4r7m2r0	
220	1607 1351	Filter Blm21pg221sn1b	
221	1607 1362	Coil - ACM3225-800-2P	
222	1607 1387	Filter - Blm18bb600sn1b	
223	1607 1471	Inductor:Lb2518b6r8m	
224	1607 1477	Inductor - Rlf7030-4r7m3r4	
225	1607 1489	Filter - Mmz1608b301c	
226	1607 1556	Inductor:Rlf7030-1r5n6r1	
227	1607 1567	Filter:Mpz2012s101a	
228	1607 1650	Inductor:Rlf7030-6r8m2r8	
229	1607 1827	Inductor:Rlf7030-2r2m5r4	
230	1609 0005	Registor:33 Ω:±5%:1/16w	
231	1609 0006	Registor:10k Ω:±5%:1/16w	
232	1609 0007	Resistor - 68Ω ±5% 1/16W	
233	1609 0011	Registor:22Ω:±5%:1/16w	
234	1609 0016	Registor:56 Ω:±5%:1/16w	
235	1609 0026	Resistor - 47Ω ±5% 1/16W	
236	1610 1734	Resistor:0.02 Ω:±1%:1W	
237	1610 1804	Resistor:0.006 Ω:±1%:1W	
238	1632 0000	Resistor - 0 Ω 1/8W	
239	1634 0000	Resistor - 0 Ω 1/16W	
240	1644 1330	Capacitor	

Index No.	Part No.	Description	Q'ty Per Assembly
241	1644 6101	Capacitor - 100µF±20% 6.3V	
242	1650 4100	Resistor - 10Ω ±5% 1/10W	
243	1650 4150	Resistor - 15Ω ±5% 1/10W	
244	1650 4330	Chip Resistor - 33Ω ±5% 1/10w	
245	1650 4390	Resistor - 39 Ω -5% 1/10W	
246	1650 4470	Resistor - 47Ω±5%1/10W	
247	1650 4680	Resistor - 68Ω±5%1/10W	
248	1650 5100	Chip Resistor - 10 Ω±5%1/16w	
249	1650 5101	Chip Resistor - 100 Ω±5%1/16w	
250	1650 5102	Chip Resistor - 1kΩ±5%1/16w	
251	1650 5103	Chip Resistor - 10kΩ±5%1/16w	
252	1650 5104	Chip Resistor - 100kΩ±5%1/16w	
253	1650 5105	Chip Resistor - 1mΩ±5%1/16w	
254	1650 5109	Chip Resistor 1Ω ±5% 1/16w	
255	1650 5122	Chip Resistor - 1.2kΩ±5%1/16w	
256	1650 5202	Chip Resistor:2kΩ:±5%:1/16w	
257	1650 5220	Resistor - 22Ω ±5% 1/16W	
258	1650 5221	Chip Resistor - 220Ω±5%1/16w	
259	1650 5222	Resistor - 2.2KΩ ±5% 1/16W	
260	1650 5229	Resistor:2.2 Ω:±5%:1/16w:1005	
261	1650 5271	Chip Resistor 270Ω ±5% 1/16w	
262	1650 5272	Chip Resistor:2.7kΩ:±5%:1/16w	
263	1650 5274	Resistor:270k Ω:±5%:1/16w:1005	
264	1650 5303	Chip Resistor 30kΩ ±5% 1/16w	
265	1650 5330	Chip Resistor - 33Ω±5%1/16w	
266	1650 5470	Chip Resistor 47Ω ±5% 1/16w	
267	1650 5472	Chip Resistor:4.7kΩ:±5%:1/16w	
268	1650 5512	Chip Resistor 5.1kΩ ±5% 1/16w	
269	1650 5513	Chip Resistor:51kΩ:±5%:1/16w	
270	1650 5514	Chip Resistor:510kΩ:±5%:1/16w	
271	1650 5560	Chip Resistor 56Ω ±5% 1/16w	
272	1650 5562	Chip Resistor:5.6kΩ:±5%:1/16w	
273	1650 5621	Chip Resistor 620Ω ±5% 1/16w	
274	1650 5680	Resistor - 68Ω ±5% 1/16W	
275	1650 5681	Chip Resistor:680Ω:±5%:1/16w	

Index No.	Part No.	Description	Q'ty Per Assembly
276	1650 5750	Chip Resistor:75Ω:±5%:1/16w	
277	1650 5820	Chip Resistor:82Ω:±5%:1/16w	
278	1650 5822	Chip Resistor:8.2kΩ:±5%:1/16w	
279	1650 5823	Chip Resistor:82kΩ:±5%:1/16w	
280	1653 4999	Resistor - 49.9Ω ±1% 1/8W	
281	1653 5499	Resistor - 54.9Ω ±1% 1/8W	
282	1654 1001	Resistor - 1KΩ±1%1/10W	
283	1654 1004	Chip Resistor - 1mΩ ±1% 1/10w	
284	1654 1501	Resistor - 1.5K Ω ±1% 1/10W 1608	
285	1654 1502	Resistor - 15KΩ±1% 1/10W	
286	1654 3609	Resistor - 36Ω±1%1/10W	
287	1654 8201	Resistor - 8.2KΩ ±1% 1/10W	
288	1655 0000	Chip Resistor - 0Ω±0%1/16w	
289	1655 1001	Chip Resistor - 1kΩ ±1% 1/16w	
290	1655 1002	Chip Resistor - 10kΩ±1%1/16w	
291	1655 1022	Resistor:10.2k Ω:±1%:1/16W	
292	1655 1301	Chip Resistor:1.3kΩ:±1%:1/16w	
293	1655 1502	Resistor - 15KΩ ±1% 1/16W	
294	1655 1602	Resistor:16k Ω:±1%:1/16W	
295	1655 1651	Resistor:1.65k Ω:±1%:1/16w:1005	
296	1655 1800	Chip Resistor:180Ω:±1%:1/16w	
297	1655 1912	Resistor:19.1k Ω:±1%:1/16W	
298	1655 2002	Chip Resistor - 20kΩ±1%1/16w	
299	1655 2402	Resistor - 24KΩ ±1% 1/16W	
300	1655 2742	Resistor:27.4k Ω:±1%:1/16W	
301	1655 3000	Chip Resistor:300Ω:±1%:1/16w	
302	1655 3091	Resistor:3.09k Ω:±1%:1/16W	
303	1655 3402	Resistor:34k Ω:±1%:1/16W	
304	1655 3900	Resistor:390 Ω:±1%:1/16W	
305	1655 4301	Resistor:4.3k Ω:±1%:1/16W	
306	1655 4321	Resistor:4.32k Ω:±1%:1/16W	
307	1655 4701	Chip Resistor - 4.7kΩ±1%1/16w	
308	1655 4870	Resistor:487 Ω:±1%:1/16W	
309	1655 6341	Resistor:6.34k Ω:±1%:1/16W	
310	1655 6342	Resistor:63.4k Ω:±1%:1/16W	

Index No.	Part No.	Description	Q'ty Per Assembly
311	1655 7152	Resistor:71.5k Ω:±1%:1/16W	
312	1655 9761	Resistor:9.76k Ω:±1%:1/16W	
313	1660 2101	Capacitor - 100pF - ±10% - 50V	
314	1660 2121	Capacitor - 120pF ±5% 50V	
315	1660 2470	Capacitor - 47pF ±5% 50V	
316	1660 2471	Capacitor - 470pF - ±5% - 50V	
317	1906 0076	Flash Memory:Mbm29pl12lm12pcn	



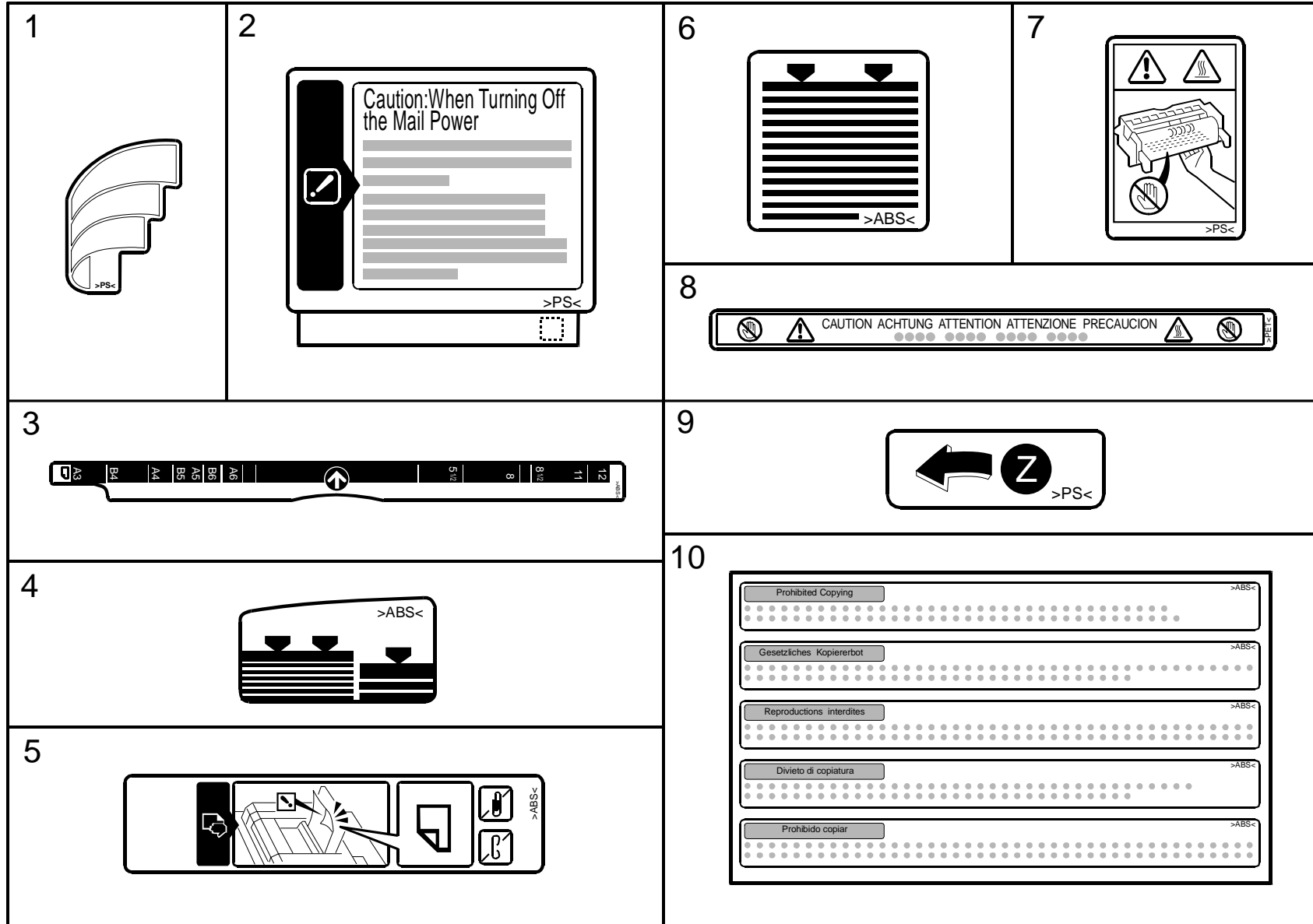
56.Accessories (B222/B224)

Rev. 03/28/2007

Index No.	Part No.	Description	Q'ty Per Assembly
1	B230 9640	Developer:BK	1
1	B230 9660	Developer:C	1
1	B230 9670	Developer:M	1
1	B230 9680	Developer:Y	1
2	B223 3013	Development Unit:BK	1
2	B223 3023	Development Unit:M	1
2	B223 3033	Development Unit:C	1
2	B223 3043	Development Unit:Y	1
3	B223 6023	Cleaning Unit	1
4	B223 2042	Drum Unit:BK [TSB#012]	1
4	B223 2044	Drum Unit:M [TSB#012]	1
4	B223 2043	Drum Unit:C [TSB#012]	1
4	B223 2045	Drum Unit:Y [TSB#012]	1
5	B223 6032	Intermediate Transfer Section:Servi	1
6	B223 2216	PCU:BK [TSB#012]	1
6	B223 2017	PCU:C [TSB#012]	1
6	B223 2018	PCU:M [TSB#012]	1
6	B223 2019	PCU:Y [TSB#012]	1
7	B223 6542	Collection Bottle:Exp:Ass'	1
8	B223 6130	Image Transfer Belt	1
9	B238 2524	Decal - Paper Size	1
10	B238 1380	Cover - Right	1
11	B065 1371	Cloth Holder	1
12	B223 1248	Operating Instructions Holder	1
13	G038 1299	Rivet - 5	1
14	B065 1374	Cloth - DF Exposure Glass	1
20	AA15 2483	Seal: Exit:Belt Cleaning [TSB#012]	1

Index No.	Part No.	Description	Q'ty Per Assembly
101	1150 0373	Power Supply Code:125V 15A NA	
101	1150 0377	Power Supply Code:250V:10A:EU	
102	1607 1715	Ferrite Core - Rfc-5	
103	0450 3008N	Tapping Screw - M3x8	

57.Decals and Documents (B222/B224)



57.Decals and Documents (B222/B224)

<p>11</p>	<p>12</p>	<p>13</p>	
<p>14</p>		<p>17</p>	<p>18</p>
<p>15</p>		<p>19</p>	
<p>16</p>		<p>20</p>	<p>22</p>
<p>21</p>			

57.Decals and Documents (B222/B224)

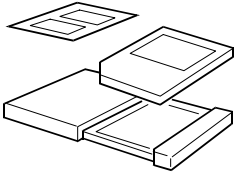
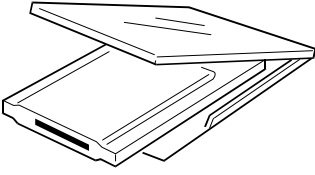
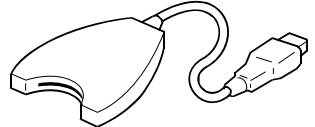
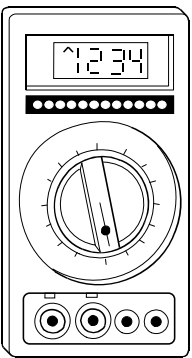
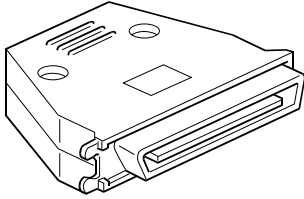
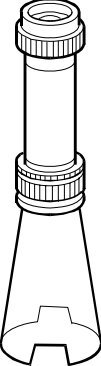
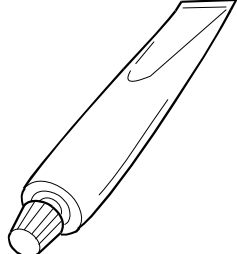
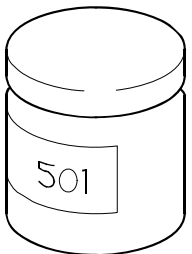
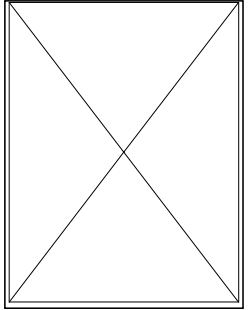
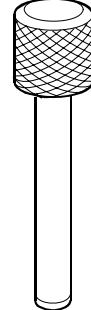
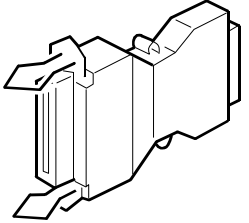
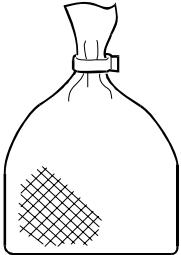
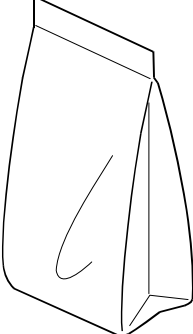
<p>23</p>	<p>27</p>	<p>29</p>
<p>24</p>	<p>30</p>	<p>31</p>
<p>25</p>	<p>28</p>	<p>32</p>

57.Decals and Documents (B222/B224)

Index No.	Part No.	Description	Q'ty Per Assembly
1	AA00 0239	Decal:Color:MFP	1
2	B132 1573	Decal - Power Source:Off	1
3	B223 2644	Decal:Scale	1
4	B223 2645	Decal:Side Fence	1
5	B223 2655	Decal:Paper Set Direction	1
6	B223 2873	Decal - Side Fence Rear	1
7	B223 4394	Decal:Warning (high Temperature)	1
8	B223 4397	Decal:Warning (high Temperature)	1
9	B223 4492	Decal:Open And Close	1
10	B229 1397	Decal:Caution:Original:EU	1
11	B237 1355	Decal - Main Switch EU OP	1
12	B237 1372	Decal - Main Switch On-standby	1
13	B237 1595	Decal - Caution Original	1
14	B237 2521	Decal - Paper Set Direction No.1	1
15	B238 1362	Decal - Misfeed Removal B1	1
16	B238 1368	Decal - Cleaning	1
17	B238 1372	Decal - Main Switch(on-off)	1
18	B238 2523	Decal - Paper Set Direction No.2	1
19	B238 2524	Decal - Paper Size	1
20	B238 2526	Decal - Grip	1
21	B238 2527	Decal - Grip	1
22	B238 3364	Decal:Colored Display:BK:Inner Cover	1
22	B238 3365	Decal:Colored Display:Y:Inner Cover	1
22	B238 3366	Decal:Colored Display:C:Inner Cover	1
22	B238 3367	Decal:Colored Display:M:Inner Cover	1
23	B652 1807	Decal:Size:Original	1
24	B652 2379	Decal:Caution:Original:5-lang	1
25	B789 6031	Decal - Original Table	1
26	B802 6011	Decal:Side Fence	1
27	B802 6012	Decal:Misfeed Removal:Original	1
28	B802 6014	Decal:Display:Misfeed Removal:P2	1
29	B802 6013	Decal:Display:Misfeed Removal:P1	1
30	B802 6015	Decal:Display:Misfeed Removal:P3	1
31	GA00 3030	Decal - Shielding Plate Y	1
31	GA00 3031	Decal - Shielding Plate M	1

Index No.	Part No.	Description	Q'ty Per Assembly
31	GA00 3032	Decal - Shielding Plate C	1
31	GA00 3033	Decal - Shielding Plate K	1
32	GA00 3167	Decal:Caution:Inkjet:NA	1

58.Special Tools (B222/B224)

1 	2 	3 	4 	5 
6 	7 	8 	9 	10 
11 	12 	13 		

58.Special Tools (B222/B224)

Index No.	Part No.	Description	Q'ty Per Assembly
1	B645 5010	SD Card	1
2	B645 6705	PCMCIA Card Adapter	1
3	B645 6820	USB Reader/Writer	1
4	VSSM 9000	Digital Multimeter - FLUKE87	1
5	G021 9350	Loop-back Connector - Parallel	1
6	C401 9503	20X Magnification Scope	1
7	A257 9300	Grease Barrierta - S552R	1
8	5203 9502	Silicone Grease G-501	1
9	A092 9503	C4 Color Test Chart (3 pcs/set)	1
10	A006 9104	Scanner Positioning Pin (4 pcs/set)	1
11	B679 5100	Plug - IEEE1284 Type C	1
12	B132 9700	Lubricant Powder	1
13	B230 9640	Developer:BK	1
13	B230 9660	Developer:C	1
13	B230 9670	Developer:M	1
13	B230 9680	Developer:Y	1

Index No.	Part No.	Description	Q'ty Per Assembly

**B222/B224
PARTS INDEX**

This section instructs you as to the numbers and names of parts on this machine

PM Parts Index

Section Name	Part No.	Description in Service Manual	Description in Parts Catalog	Q'ty Per Assembly	Page and Index No.	
Exterior 1 (B222/B224)	B223 1348	Filter: Image Forming Md	Filter :Image Forming MD	2	13 - 2	
	B223 1277	Ozone Filter:No.1	Ozone Filter:No.1	1	13 - 9	
	B223 1276	Filter: Right Rear	Filter: Right Rear	1	13 - 22	
Exterior 2 (B222/B224)	B223 1278	Ozone Filter:No.2	Ozone Filter:No.2	2	15 - 13	
	Original Feed 2 (B222/B224)	B802 4361	Roller:Pickup	1	25 - 6	
Original Feed 3 (B222/B224)	A806 1295	Feed Belt	Feed Belt	1	25 - 23	
	A859 2241	Reverse Roller	Reverse Roller	1	27 - 11	
Paper Feed Section (B222/B224)	AF03 0090	Paper Feed Roller :Pickup	Paper Feed Roller: Pickup	2	55 - 14	
	AF03 1090	Paper Feed Roller: Feed	Paper Feed Roller: Feed	2	55 - 18	
	AF03 2090	Paper Feed Roller :Separate	Paper Feed Roller: Separate	2	55 - 27	
By-pass Feed Section 2 (B222/B224)	AF03 1046	Feed Roller - Manual Feed	Feed Roller - Manual Feed	1	61 - 6	
	AF03 0049	Pick-up Roller	Pick-up Roller	1	61 - 11	
	AF03 2046	Separation Roller - Manual Feed	Separation Roller - Manual Feed	1	61 - 39	
	G080 2900	Torque Limiter	Torque Limiter	1	61 - 40	
Paper Separation (B222/B224)	B223 6263	Transfer/separation Unit:Ap:Ass'y	Transfer/Separation Unit:AP:Ass'y	1	67 - 11	
Fusing unit 2 (B222/B224)	B223 4235	Roller: Ferrite Core: Ass'y	Roller: Ferrite Core: Ass'y	1	71 - 2	
	B223 4221	Fusing Belt:Dia60:Adhesion	Fusing Belt:Dia60:Adhesion	1	71 - 3	
	AE03 1046	Bushing: Heat Roller	Bushing: Heat Roller	2	71 - 4	
	AE03 0069	Ball Bearing:Dia12xdia21x7	Ball Bearing:Dia12xdia21x7	2	71 - 5	
	AE01 0059	Hot Roller:Dia35	Hot Roller:Dia35	1	71 - 6	
	AE03 0071	Ball Bearing:Dia17xdia26x5	Ball Bearing:Dia17xdia26x5	2	71 - 7	
	AE02 0115	Pressure Roller:Dia40	Pressure Roller:Dia40	1	71 - 8	
	B223 4226	Roller :Belt Tensioner:Dia12	Roller :Belt Tensioner:Dia12	1	71 - 9	
	AB01 1249	Gear: Turn: Ferrite Core:Z16	Gear: Turn :Ferrite Core:Z16	1	71 - 12	
	AE03 1065	Bushing: Fusing Sub-unit	Bushing: Fusing Sub-unit	2	71 - 16	
	AE03 1062	Rear Bushing - Oil Supply Roller	Rear Bushing - Oil Supply Roller	2	71 - 19	
	AE04 0066	Cleaning Roller - Oil Supply Roller	Cleaning Roller - Oil Supply Roller	1	71 - 22	
	AE04 0065	Oil Supply Roller	Oil Supply Roller	1	71 - 23	
	AE03 1061	Front Bushing - Oil Supply Roller	Front Bushing - Oil Supply Roller	1	71 - 24	
	Accessories (B222/B224)	B223 2244	Drum Unit:Bk	Drum Unit:BK	1	157 - 2
		B223 2245	Drum Unit:M	Drum Unit:M	1	157 - 2
		B223 2246	Drum Unit:C	Drum Unit:C	1	157 - 2
		B223 2247	Drum Unit:Y	Drum Unit:Y	1	157 - 2

Parts Index

Part No.	Description	Page and Index No.
B222 1595	Cover: Scanner: Front:EU	19 - 35
B222 1818	Cover: Scanner: Left:EU	15 - 1
B222 1819	Cover :Scanner :Right:EU	15 - 11
B222 1820	Cover: Scanner: Rear:EU	15 - 12
B222 8331	Sheet:Emblem:AP-C1c:RIC	13 - 12
B222 8332	Sheet:Emblem:AP-C1c:SVN	13 - 12
B222 8333	Sheet:Emblem:AP-C1c:GES:NA	13 - 12
B222 8334	Sheet:Emblem:AP-C1c:LAN:NA	13 - 12
B222 8335	Sheet:Emblem:AP-C1c:INF	13 - 12
B222 8336	Sheet:Emblem:AP-C1c:NSA	13 - 12
B222 8337	Sheet:Emblem:AP-C1c:REX	13 - 12
B222 8338	Sheet:Emblem:AP-C1c:GES:EU	13 - 12
B222 8339	Sheet:Emblem:AP-C1c:LAN:EU	13 - 12
B222 8343	Sheet:Emblem:AP-C1c:GES:AA	13 - 12
B224 1251	Cover:Front:EU	13 - 15
B224 1411	Operation Panel:NA	19 - *
B224 1412	Operation Panel:EU	19 - *
B224 5705	EEPROM AP-C1 CTL CONFIG	153 - 2
B224 5740	PCB:Controller	97 - 5
B224 5740	PCB:Controller	153 - *
B224 8331	Sheet:Emblem:AP-C1d:RIC	13 - 12
B224 8332	Sheet:Emblem:AP-C1d:SVN	13 - 12
B224 8333	Sheet:Emblem:AP-C1d:GES:NA	13 - 12
B224 8334	Sheet:Emblem:AP-C1d:LAN:NA	13 - 12
B224 8335	Sheet:Emblem:AP-C1d:INF	13 - 12
B224 8336	Sheet:Emblem:AP-C1d:NSA	13 - 12
B224 8337	Sheet:Emblem:AP-C1d:REX	13 - 12
B224 8338	Sheet:Emblem:AP-C1d:GES:EU	13 - 12
B224 8339	Sheet:Emblem:AP-C1d:LAN:EU	13 - 12
B224 8343	Sheet:Emblem:AP-C1d:GES:AA	13 - 12

Part No.	Description	Page and Index No.
A006 9104	Scanner Positioning Pin (4 pcs/set)	163 - 10
A092 9503	C4 Color Test Chart (3 pcs/set)	163 - 9
A193 1766	Wire Clamp	45 - 1
A193 1767	1st Mirror Holder	45 - 5
A193 1769	Clamp - REAR WIRE	45 - 2
A193 1793	Scanner Home Sensor Stopper	43 - 13
A193 1816	1st Slide Rail	47 - 28
A222 2724	External Circlip - Mm8	53 - 14
A222 2724	External Circlip - Mm8	51 - 14
A232 2987	Roller - Paper Tray	53 - 16
A232 2987	Roller - Paper Tray	51 - 16
A232 4666	Cushion - Stepper Motor	105 - 21
A250 1752	Exposure Glass	43 - 7
A250 1821	Heater - 9W (120V)	45 - 25
A250 1822	Heater - 9W (230V)	45 - 25
A257 9300	Grease Barrierta - S552R	163 - 7
A259 6754	Bushing - 6 6mm	61 - 35
A267 2857	Spring Plate - Side Fence	51 - 28
A267 2857	Spring Plate - Side Fence	53 - 28
A267 2859	Side Fence Stopper	51 - 29
A267 2859	Side Fence Stopper	53 - 29
A267 2860	Rear Lever Stopper	51 - 27
A267 2860	Rear Lever Stopper	53 - 27
A294 6700	Torque Limiter - 53mnm	27 - 12
A422 1063	Seal - 0.7x13x20	27 - 18
A422 1063	Seal - 0.7x13x20	29 - 16
A422 1063	Seal - 0.7x13x20	33 - 16
A458 2251	Cushion - Bin Solenoid Lever	27 - 22
A548 6121	Screw - M4	21 - 3
A628 1225	Bushing - 8mm	25 - 21
A680 2261	Gear - 24Z	35 - 21
A697 2102	Damper - Junction Gate Solenoid	31 - 13
A806 1295	Feed Belt	25 - 23
A858 4671	Roller Driven	21 - 19
A858 4676	Spring Plate - Pressure Roller	21 - 18

Part No.	Description	Page and Index No.
A859 1841	Filter - DF Open Sensor	41 - 10
A859 2112	Drive Shaft - Paper Feed Belt	25 - 13
A859 2241	Reverse Roller	27 - 11
A859 7211	Stepped Screw	21 - 2
B004 2783	Torque Limiter	55 - 28
B004 2923	Spring Plate - Release Lever	53 - 20
B004 2923	Spring Plate - Release Lever	51 - 20
B024 1264	Magnet Catch	13 - 17
B044 1825	Collar	103 - 9
B044 1825	Collar	81 - 22
B044 1825	Collar	35 - 4
B044 1847	Shoulder Screw	81 - 13
B051 1727	Frame:Scanner:Front	43 - 8
B051 1814	Bracket:Original Sensor	45 - 13
B065 1371	Cloth Holder	157 - 11
B065 1374	Cloth - DF Exposure Glass	157 - 14
B082 2781	Bracket:Sensor	55 - 6
B101 1097	Rubber Foot:H5	115 - 10
B101 5160	IC:MB87M1480175	135 - 1
B101 5993	Interface Panel	97 - 15
B101 5993	Interface Panel	91 - 18
B132 1573	Decal - Power Source:Off	161 - 2
B132 1573	Decal - Power Source:Off	13 - 7
B132 1692	Scale:Rear:Printing	43 - 11
B132 9700	Lubricant Powder	163 - 12
B154 5879	Plate:Cable	91 - 1
B154 5879	Plate:Cable	45 - 26
B180 1701	Inner Cover	45 - 14
B180 1704	Bracket:Tension	47 - 20
B180 1713	Stepper Motor:Ass'y	47 - 16
B180 1716	Carriage:No.1:Ass'y	45 - 4
B180 1731	Bracket:Sheet Through	43 - 1
B180 1734	Slide Rail:No.2	47 - 29
B180 1803	Guide:High Voltage Supply Cord:Base	45 - 7
B180 1810	Pulley:Drive Were:Front:Sub-Ass'y	47 - 23

Part No.	Description	Page and Index No.
B180 1812	Pulley:Drive Were:Rear:Sub-Ass'y	47 - 24
B180 1814	Shaft:Scanner:Drive	47 - 26
B180 2871	Shaft:Separator:Driven:Ass'y	61 - 41
B180 5445	Polygon Mirror Motor Board	49 - 1
B180 5891	ASIC:Trumpet3	153 - 1
B188 5350	LSI:MB87M4290	135 - 2
B221 1851	Imaging Unit Ass'y C1c	49 - *
B221 5236	Harness:LDB:1LD	49 - 16
B221 5245	Harness:LD Unit:LD-Signal:1LD	91 - 5
B221 5247	Harness:LD Unit:LD-Data:1LD	91 - 3
B223 0211	Fusing Section:NA:Ass'y	69 - *
B223 0212	Fusing Section:EU:Ass'y	69 - *
B223 1065	Connector Bracket	101 - 26
B223 1067	Bracket:Sensor:Front	113 - 8
B223 1068	Bracket:Sensor:Rear	113 - 9
B223 1069	Bracket:Drawer	107 - 3
B223 1076	Separation Plate - Upper Right	111 - 13
B223 1080	Separation Plate - Upper Middle Right	111 - 12
B223 1084	Separation Plate - Upper Middle Left	111 - 11
B223 1087	Separation Plate - Upper Left	111 - 10
B223 1101	Grip:Front	111 - 22
B223 1102	Bracket:Grip:Right Front	111 - 16
B223 1103	Bracket:Hinge:Left	111 - 15
B223 1116	Cam:Guide Plate:Scanner:Left	43 - 19
B223 1120	Bracket:Paper Feed Unit	115 - 6
B223 1123	Hinge - Cover Drum Stay	17 - 23
B223 1144	Holder:Positioning Sensor	99 - 6
B223 1148	Shaft: Development	99 - 13
B223 1174	Drive Unit:Collection Bottle	101 - 12
B223 1177	Drive Unit	99 - *
B223 1180	Bracket:Paper Feed	105 - 10
B223 1183	Grip Shaft	105 - 2
B223 1186	Drive Joint	105 - 3
B223 1187	Magnetic Clutch Bracket	105 - 12
B223 1188	Stepper Motor DC24V	105 - 16

Part No.	Description	Page and Index No.
B223 1189	Feed Drive Shaft	105 - 1
B223 1191	Bracket :Drive Unit: Registration	105 - 20
B223 1195	Bracket: Fusing Drive Sub-unit:Ass'y	107 - 10
B223 1199	DC Motor 24V	103 - 16
B223 1199	DC Motor 24V	99 - 16
B223 1206	Bracket: Connector: Heater	101 - 1
B223 1207	Cover: Connector: Heater	115 - 5
B223 1212	DC Motor Bracket	95 - 6
B223 1213	DC Motor: Shutter: Ass'y	95 - 5
B223 1221	Sensor Link Bracket	95 - 9
B223 1224	Torsion Spring	95 - 7
B223 1225	Shutter Link	95 - 8
B223 1227	Sensor Shutter Bracket	95 - 18
B223 1236	Duct:Rear:1	99 - 1
B223 1237	Duct:Rear:2	99 - 4
B223 1238	Duct:Rear:3	99 - 3
B223 1239	Duct:Rear:Lower	93 - 2
B223 1241	Inner Cover:Upper:Left	17 - 1
B223 1242	Inner Cover - Left	13 - 10
B223 1243	Inner Cover:Upper:Right	17 - 26
B223 1244	Inner Cover - Middle	17 - 6
B223 1245	Cap:Grip	111 - 21
B223 1246	Guide Plate:Scanner	13 - 16
B223 1248	Operating Instructions Holder	157 - 12
B223 1253	Emblem Cover	13 - 11
B223 1254	Collection Bottlecover - Front	13 - 6
B223 1255	Cover - Main Switch	13 - 4
B223 1256	Sheet:Misfeed Removal	13 - 18
B223 1260	Cover:Upper	15 - 5
B223 1261	Cover:Inner Back	15 - 8
B223 1262	Cover:Inner Back:Upper	15 - 6
B223 1263	Cover - Inner Back Middle	15 - 7
B223 1264	Cover:Front Right	17 - 22
B223 1266	Cover:Paper Exit Unit:Upper	15 - 9
B223 1271	Cover:Right:Front	17 - 27

Part No.	Description	Page and Index No.
B223 1272	Cover:Right:Rear	13 - 21
B223 1273	Cover:Right:Upper Middle	15 - 10
B223 1274	Cover:Right Rear:Fan	13 - 23
B223 1276	Filter:Right Rear	13 - 22
B223 1277	Ozone Filter:No.1	13 - 9
B223 1278	Ozone Filter:No.2	15 - 13
B223 1279	Cleaner:Shield Glass:Ass'y	13 - 19
B223 1281	Cover:Left	13 - 3
B223 1282	Cover:Left:Upper	15 - 2
B223 1283	Cover:Left:Middle	13 - 1
B223 1291	Cover:Rear	13 - 26
B223 1292	Cover:Rear:Upper	13 - 25
B223 1293	Cap:Cover:Rear	13 - 24
B223 1300	Drum Stay PCU Ass'y	17 - 14
B223 1303	Drum Stay Lever	17 - 15
B223 1304	Stopper:Lever:Drum Stay	17 - 12
B223 1306	Drum Stay	17 - 17
B223 1315	Ball Bearing Plate	17 - 19
B223 1316	Ball Bearing Clip	17 - 20
B223 1317	Screw	95 - 1
B223 1317	Screw	17 - 21
B223 1318	Spring	17 - 16
B223 1319	Wire	17 - 18
B223 1323	Duct:IH:Front	107 - 8
B223 1324	Duct:IH:Rear	107 - 7
B223 1326	Duct:Fusing	103 - 2
B223 1327	Duct:Fusing:Rear	103 - 3
B223 1328	Bracket:Fan:lh	73 - 7
B223 1331	Bracket:Fan	109 - 5
B223 1332	Fan Motor - Mm60 DC24V	103 - 17
B223 1332	Fan Motor - Mm60 DC24V	109 - 6
B223 1332	Fan Motor - Mm60 DC24V	107 - 6
B223 1336	Duct:Exit	73 - 2
B223 1341	Duct:Supply:Front	107 - 5
B223 1342	Duct:Supply:Rear	107 - 4

Part No.	Description	Page and Index No.
B223 1344	Sponge:IH:Fan	113 - 7
B223 1348	Filter:Image Forming MD	13 - 2
B223 1350	Stepper Motor DC5.06V	105 - 22
B223 1354	Drum Stay:Drive Unit	105 - 4
B223 1362	Cover:Fusing Drive Unit:Lower	107 - 14
B223 1364	Guide:Harness	99 - 18
B223 1370	Holder:Magnetic Clutch	99 - 11
B223 1461	PCB:APC1:LCDC:NA	19 - 9
B223 1462	PCB:LCDC:EU	19 - 9
B223 1475	PCB OP-L	19 - 4
B223 1486	Invertor - TFT	19 - 10
B223 1487	Cable - FFC TFT LCD	19 - 19
B223 1489	LCD - TFT W-VGA SH	19 - 18
B223 1494	Touch Panel - W-VGA F	19 - 15
B223 1507	Shadeing Plate:Touch Panel:Ass'y	19 - 14
B223 1518	Keytop - Blank FB	19 - 32
B223 1595	Cover:Scanner:Front	19 - 35
B223 1596	Cover:Front Right:Upper	19 - 37
B223 1721	Carriage:No.2	47 - 1
B223 1754	Mirror:No.2:Concave	47 - 3
B223 1755	Mirror:No.2:Convax	47 - 4
B223 1771	Lens Unit	45 - 17
B223 1773	Scale:Machine Or Copier	43 - 3
B223 1774	Seal:Sheet Through	43 - 5
B223 1777	Scale:Left	43 - 6
B223 1779	Cover:Stepper Motor:Rear	47 - 13
B223 1782	Drive Were	47 - 19
B223 1785	Spacer:Bracket:Scale:Left	43 - 2
B223 1786	Holder:Connector	45 - 11
B223 1787	Scale:Left:Na	43 - 6
B223 1788	Frame:Scanner:Rear	43 - 9
B223 1790	Ground Plate:Stay:Lens	45 - 15
B223 1791	Gasket:Rfsg-030100:75	45 - 16
B223 1807	Bracket:Exterior:Rear	47 - 14
B223 1808	Document Feeder:Connector:Bracket	43 - 17

Part No.	Description	Page and Index No.
B223 1818	Cover:Scanner:Left	15 - 1
B223 1819	Cover:Scanner:Right	15 - 11
B223 1820	Cover:Scanner:Rear	15 - 12
B223 1824	Seal:Scanner:Frame:Base	45 - 8
B223 1825	Duct:Scanner	45 - 19
B223 1826	Sheet:Fan:Duct:Scanner	45 - 22
B223 1827	Seal:Duct:Front:Scanner	45 - 20
B223 1828	Seal:Duct:Rear:Scanner	45 - 21
B223 1840	Xenon Lamp	45 - 3
B223 1851	Imaging Unit Ass'y C1d	49 - *
B223 1881	Cover - Upper	49 - 9
B223 1882	Cover - Polygon Motor	49 - 6
B223 1885	Shutter Ass'y	49 - 8
B223 1896	Imaging Unit Plate - Front	111 - 19
B223 1897	Imaging Unit Plate - Rear	111 - 20
B223 1898	Imaging Unit Plate - Inner	111 - 18
B223 1899	Imaging Unit Plate - Outer	111 - 17
B223 1903	Louver	49 - 5
B223 1907	Screw	49 - 7
B223 1908	Link:Shutter:1	49 - 11
B223 1909	Link:Shutter:2	49 - 10
B223 1913	Torsion Spring:Link:1	49 - 14
B223 1914	Torsion Spring:Link:2	49 - 13
B223 1988	Screw:Link:Shutter	49 - 18
B223 1989	Plate Nut:Link	49 - 12
B223 2204	PCU:BK	157 - 6
B223 2205	PCU:C	157 - 6
B223 2206	PCU:M	157 - 6
B223 2207	PCU:Y	157 - 6
B223 2244	Drum Unit:BK	157 - 4
B223 2245	Drum Unit:M	157 - 4
B223 2246	Drum Unit:C	157 - 4
B223 2247	Drum Unit:Y	157 - 4
B223 2558	Registration Roller Knob	57 - 9
B223 2570	Guide Plate:Registration:Right	57 - 20

Part No.	Description	Page and Index No.
B223 2599	Harness:Registration Sensor	57 - 17
B223 2606	Ground Plate:Rear	61 - 29
B223 2607	Ground Plate:Reverse	61 - 25
B223 2608	Gear:Z16	61 - 37
B223 2609	Guide Plate:Separator	61 - 26
B223 2619	Transport Roller:Exit:Duplex	61 - 18
B223 2621	Cover:Manual Feed Unit	61 - 4
B223 2622	Guide Plate:Exit	61 - 3
B223 2623	Cover:Guide Plate:Exit	61 - 1
B223 2624	Sheet:Guide:Exit	61 - 17
B223 2629	Stay:Feed	61 - 9
B223 2631	Rack:Manual Feed	59 - 11
B223 2632	DC Solenoid:Pickup	61 - 14
B223 2633	Spring:Release:Pickup	61 - 15
B223 2634	Support Stay:Arm	61 - 19
B223 2636	Torsion Spring:27n	61 - 20
B223 2637	Bracket:Arm:Manual Feed:Rear	61 - 32
B223 2641	Roller:Driven:Dia16	87 - 8
B223 2644	Decal:Scale	59 - 8
B223 2644	Decal:Scale	161 - 3
B223 2645	Decal:Side Fence	59 - 5
B223 2645	Decal:Side Fence	161 - 4
B223 2648	Guide Plate:Transport Unit:Exit	87 - 6
B223 2649	Spring:Pressure:5n	87 - 7
B223 2651	Arm:Manual Feed:Front	61 - 22
B223 2652	Arm:Manual Feed:Rear	61 - 33
B223 2655	Decal:Paper Set Direction	161 - 5
B223 2655	Decal:Paper Set Direction	59 - 6
B223 2657	Arm:Manual Feed:Short:Front	61 - 24
B223 2658	Arm:Manual Feed:Short:Rear	61 - 34
B223 2659	Harness:Manual Feed	61 - 16
B223 2661	Cover:Manual Feed	59 - 7
B223 2662	Manual Feed Table	59 - *
B223 2663	Extension Tray	59 - 13
B223 2664	Cover:Manual Feed:Entrance	79 - 15

Part No.	Description	Page and Index No.
B223 2665	Spring:Cover:Manual Feed	79 - 14
B223 2666	Gear:16Z	59 - 12
B223 2667	Grip:Side Fence	59 - 3
B223 2668	Spring Plate:Stopper	59 - 4
B223 2669	Harness:Paper Size Sensor	59 - 9
B223 2671	Side Fence:Rear	59 - 2
B223 2675	Guide Plate - Vertical Transport	87 - 2
B223 2676	Spring - 11n	87 - 4
B223 2677	Sheet - Transport Sub-unit	87 - 1
B223 2681	Arm:Tightener	61 - 44
B223 2683	Gear:25Z	61 - 47
B223 2685	Stepper Motor:DC24V 26.4W	103 - 12
B223 2686	Gear:Z31	61 - 46
B223 2688	Side Fence:Front	59 - 1
B223 2689	Gear:Z28	61 - 48
B223 2691	Bracket:Stepper Motor	103 - 10
B223 2694	Guide:Gear	103 - 6
B223 2696	Drum Stay:Drive	61 - 49
B223 2702	Heat Sink:Heater:NA	115 - 4
B223 2703	Heat Sink:Heater:EU	115 - 4
B223 2705	Supporter - Left No.1	115 - 2
B223 2710	Supporter - Left No.2	115 - 1
B223 2714	Positioning Cap - Short	115 - 7
B223 2715	Supporter - Right	115 - 8
B223 2721	Bracket:Push Switch	101 - 18
B223 2722	Cover	101 - 17
B223 2730	Paper Tray Stopper Ass'y	101 - 10
B223 2750	Paper Feed Unit	55 - *
B223 2761	Pickup Arm	55 - 22
B223 2762	Feed Shaft	55 - 26
B223 2764	Gear-24z	55 - 25
B223 2765	Ground Plate - Feed	55 - 21
B223 2767	Paper End Feeler	55 - 1
B223 2772	Harness Sheet	55 - 12
B223 2773	Harness - Paper Feed Unit	55 - 3

Part No.	Description	Page and Index No.
B223 2776	Stay	55 - 9
B223 2778	Sensor Bracket	55 - 4
B223 2780	DC Solenoid 24V	55 - 8
B223 2786	Ground Plate - Front	55 - 13
B223 2810	Separate Driven Shaft	55 - 29
B223 2815	Separate Drive Shaft	55 - 34
B223 2819	Gear - 22Z	55 - 35
B223 2829	Feed Guide	55 - 17
B223 2835	Guide Plate	57 - 23
B223 2840	Guide Plate No.2	57 - 24
B223 2850	Paper Tray Unit No.1	51 - *
B223 2857	Cover - Paper Tray No.1	51 - 7
B223 2860	Paper Tray Grip	53 - 8
B223 2860	Paper Tray Grip	51 - 8
B223 2861	Grip Holder	53 - 13
B223 2861	Grip Holder	51 - 13
B223 2862	Lever - Release Inner	51 - 10
B223 2862	Lever - Release Inner	53 - 10
B223 2863	Release Shaft	51 - 12
B223 2863	Release Shaft	53 - 12
B223 2864	Lever - Release Outer	51 - 15
B223 2864	Lever - Release Outer	53 - 15
B223 2865	Rise No.1 Shaft	51 - 24
B223 2865	Rise No.1 Shaft	53 - 24
B223 2869	Ground Plate	51 - 32
B223 2870	Side Fence - Front	51 - 18
B223 2873	Decal - Side Fence Rear	161 - 6
B223 2873	Decal - Side Fence Rear	51 - 30
B223 2873	Decal - Side Fence Rear	53 - 30
B223 2880	Side Fence - Rear	51 - 26
B223 2890	Slide Rail - Left	51 - 2
B223 2894	Slide Rail Stopper - Left	51 - 3
B223 2900	Paper Tray Unit No.2	53 - *
B223 2910	Link - Paper Size Sensor	53 - 1
B223 2911	Spacer	53 - 2

Part No.	Description	Page and Index No.
B223 2912	End Fence	51 - 17
B223 2912	End Fence	53 - 17
B223 2918	Rise Lever	51 - 25
B223 2918	Rise Lever	53 - 25
B223 2919	Ground Plate - Paper Tray No.2	53 - 6
B223 2920	Front Side Fence	53 - 18
B223 2923	Stopper Lever - Front	51 - 19
B223 2923	Stopper Lever - Front	53 - 19
B223 2930	Rear Side Fence	53 - 26
B223 2934	Plate - Side Fence	51 - 22
B223 2934	Plate - Side Fence	53 - 22
B223 2935	Plate - Side Fence Right	51 - 21
B223 2935	Plate - Side Fence Right	53 - 21
B223 2936	Gear - 16Z	51 - 23
B223 2936	Gear - 16Z	53 - 23
B223 2940	Tray Bottom Plate	51 - 4
B223 2940	Tray Bottom Plate	53 - 4
B223 2946	Cover - Paper Tray No.2	53 - 7
B223 3013	Development Unit:BK	157 - 2
B223 3023	Development Unit:M	157 - 2
B223 3033	Development Unit:C	157 - 2
B223 3043	Development Unit:Y	157 - 2
B223 3202	Pump Unit - Y	65 - 8
B223 3203	Pump Unit - C	65 - 7
B223 3204	Pump Unit - M	65 - 6
B223 3205	Nozzle Ass'y	65 - 10
B223 3206	Tube Clamp	65 - 9
B223 3209	Tube Clip	65 - 11
B223 3211	Pump Unit - BK	65 - 5
B223 3305	Toner Cartridge Unit	113 - 1
B223 3328	Toner Cartridge Guide	113 - 2
B223 3400	Toner Supply Drive Unit	63 - *
B223 3424	Shaft:Drive:Drive Unit:BKY	63 - 5
B223 3426	Shaft:Drive:Drive Unit:CM	63 - 4
B223 3428	Spring:Drive Unit:Toner Bottle	63 - 12

Part No.	Description	Page and Index No.
B223 3441	Timing Belt:Toner Bottle	63 - 6
B223 3455	Magnetic Clutch - 0.25n.m BK	63 - 11
B223 3457	Magnetic Clutch - 0.25n.m YCM	63 - 10
B223 3461	Pulley:Toner Bottle:YC	63 - 7
B223 3462	Pulley:Toner Bottle:CM	63 - 8
B223 3463	Gear:Toner Bottle:DRIVE	63 - 13
B223 3464	Gear:Magnetic Clutch:Y	63 - 9
B223 3470	Rfid Ground Plate	63 - 2
B223 4011	IH Coilunit:EU	73 - 21
B223 4072	Screw:Positioning Control	71 - 27
B223 4162	Thermostat:149c/150c	69 - 4
B223 4172	Thermistor:Fusing:Ass'y	69 - 2
B223 4177	Thermistor:Pressuer:Ass'y	69 - 3
B223 4181	Bracket:Oil Supply Roller	71 - 20
B223 4221	Fusing Belt:Dia60:Adhesion	71 - 3
B223 4226	Roller:Belt Tensioner:Dia12	71 - 9
B223 4232	Encoder:Ferrite Core:Change	71 - 25
B223 4233	Spacer:Heat Roller	71 - 11
B223 4235	Roller:Ferrite Core:Ass'y	71 - 2
B223 4301	Frame:Coil:Front	73 - 19
B223 4303	Frame:Coil:Rear	73 - 20
B223 4307	Guide:IH:Upper	73 - 15
B223 4308	Bracket:Pressure:Coil	73 - 13
B223 4310	Stay:IH:Holder	73 - 5
B223 4311	Holder:Coil:Front Lower	73 - 3
B223 4312	Holder:Coil:Rear Lower	73 - 4
B223 4314	Stay:Temperature Sensor:Fusing	113 - 14
B223 4315	Bracket:Drive:Gear	107 - 18
B223 4317	Stepper Motor:DC24V 24.3W	107 - 22
B223 4318	Bracket:Stepper Motor	107 - 21
B223 4320	Arm:Rear	85 - 15
B223 4321	Arm:Front	85 - 2
B223 4327	Lever:Lock:Fusing Unit	73 - 17
B223 4328	Bracket:Sensor:Turn	73 - 12
B223 4329	Bracket:Sensor:Machine Or Copier	73 - 10

Part No.	Description	Page and Index No.
B223 4331	Cover:Thermopile	113 - 10
B223 4332	Holder:Thermopile	113 - 13
B223 4336	Supporter:Fusing Unit	73 - 18
B223 4337	Bracket:Pin	73 - 11
B223 4341	Guide:Fusing Unit	73 - 23
B223 4342	Sheet:Harness	113 - 5
B223 4343	Ring:Gear:Heat Roller	107 - 15
B223 4349	IH Coil Unit	73 - 21
B223 4360	Holder:Fusing Unit:Ass'y	73 - 22
B223 4391	Positioning Plate:Fusing Unit	113 - 15
B223 4394	Decal:Warning (high Temperature)	161 - 7
B223 4394	Decal:Warning (high Temperature)	67 - 29
B223 4397	Decal:Warning (high Temperature)	161 - 8
B223 4397	Decal:Warning (high Temperature)	73 - 24
B223 4421	Guide Plate:Upper Left	77 - 7
B223 4426	Bracket:Sensor	75 - 11
B223 4427	Ground Plate:Bracket:Sensor	77 - 5
B223 4428	Roller:Guide:PFA	77 - 18
B223 4435	Roller:Auxiliary:Driven:Dia16:PFA	77 - 14
B223 4436	Spring Plate - Exit Roller	77 - 23
B223 4437	Inner Cover:Exit:Front	75 - 8
B223 4438	Inner Cover:Exit:Rear	75 - 9
B223 4439	Harness:IOB:Paper Exit Unit:C	75 - 10
B223 4441	Stepper Motor:DC24V 70.2W	75 - 21
B223 4442	Stay:Protect	77 - 26
B223 4444	Bracket:Stepper Motor:Gate	75 - 20
B223 4447	Bracket:Gear:Coupling	75 - 17
B223 4450	Gear:Z14	75 - 23
B223 4451	Gear:Z14/Z40	75 - 18
B223 4452	Tension Spring:1.3n	75 - 16
B223 4453	Exit Roller	77 - 3
B223 4454	Transport Roller:Dia18	75 - 13
B223 4455	Transport Roller:Auxiliary	77 - 9
B223 4456	Spacer:Idler	75 - 5
B223 4457	Gear:Pulley:Z27/T22	77 - 12

Part No.	Description	Page and Index No.
B223 4458	Gear:Pulley:Z18/T23	75 - 4
B223 4459	Gear:18Z	75 - 1
B223 4461	Guide Plate:Upper Right	75 - 14
B223 4463	Timing Pulley:22T	77 - 13
B223 4464	Timing Pulley:23T	75 - 6
B223 4467	Gear:Z20/Z32	75 - 19
B223 4468	Stopper	75 - 22
B223 4471	Guide Plate:Open And Close	83 - 14
B223 4472	Gear:21Z	83 - 3
B223 4474	Driven Roller:Dia16	83 - 11
B223 4475	Gate Pawl:Entrance	83 - 2
B223 4477	Lever:Gate Pawl:Upper	83 - 6
B223 4478	Stopper:Gate Pawl:Upper	83 - 8
B223 4479	Tension Spring:Gate Pawl:1.6n	83 - 9
B223 4481	Bracket:Paper Exit Unit:Rear	83 - 17
B223 4482	Inner Cover:Sensor	79 - 6
B223 4483	Guide Plate:Upper:Gate	81 - 2
B223 4484	Compression Spring:Driven Roller	83 - 13
B223 4485	Tension Spring:10n	83 - 10
B223 4486	Exit Tray	15 - 4
B223 4487	Exit End Fence	15 - 3
B223 4488	Guide Plate:Lower	77 - 19
B223 4491	Discharge Brush:Exit	77 - 6
B223 4492	Decal:Open And Close	83 - 7
B223 4492	Decal:Open And Close	161 - 9
B223 4493	Shaft:Pressure:Auxiliary	77 - 15
B223 4495	Gate Pawl:Upper	83 - 1
B223 4501	Guide Plate:Right	81 - 23
B223 4502	Guide Plate:Left Lower	85 - 13
B223 4503	Guide Plate:Left Upper	83 - 20
B223 4511	Timing Belt:30S2M312	85 - 5
B223 4512	Timing Belt:30S2M182	85 - 3
B223 4513	Transport Roller:No.1	85 - 11
B223 4514	Roller Clutch:T24	85 - 14
B223 4522	Spacer:Wire:Stopper	87 - 9

Part No.	Description	Page and Index No.
B223 4523	Link:Stopper	57 - 19
B223 4524	Wire:Stopper:Dia1.5	57 - 22
B223 4525	Tension Spring:Wire:180n	79 - 7
B223 4526	Timing Belt:30S2M268	81 - 15
B223 4527	Pulley:T26/T24	85 - 8
B223 4529	Roller Clutch:T24	85 - 6
B223 4531	Guide Plate:Cover	79 - 12
B223 4532	Tension Spring:Hook:Stopper	79 - 5
B223 4533	Inner Cover:Duplex:Rear	79 - 2
B223 4534	Inner Cover:Duplex	79 - 1
B223 4535	Roller Clutch:T26	85 - 9
B223 4536	Timing Belt:30S2M234	85 - 4
B223 4537	Reverse Roller:Feed Paper Again	81 - 10
B223 4538	Compression Spring	79 - 10
B223 4539	Sheet:Cover:Duplex	79 - 16
B223 4540	Cover:Duplex	79 - 13
B223 4541	Torsion Spring:Rear	67 - 23
B223 4542	Torsion Spring:Front	67 - 22
B223 4543	Transport Roller:No.2	85 - 12
B223 4544	Pulley:T35/T33	85 - 7
B223 4545	Guide Pin:Holder	67 - 34
B223 4551	Guide Plate:Transfer Unit:Holder	67 - 24
B223 4552	Bushing:Dia4	67 - 17
B223 4552	Bushing:Dia4	81 - 8
B223 4553	Tension Spring:Driven Roller	67 - 16
B223 4554	Bracket:Guide Plate	67 - 2
B223 4555	Sheet:Transport Unit	67 - 1
B223 4556	Compression Spring	67 - 10
B223 4557	Harness:Ground Wire	67 - 3
B223 4558	Sheet:Harness	67 - 30
B223 4559	Driven Roller:Dia16	81 - 6
B223 4559	Driven Roller:Dia16	67 - 8
B223 4559	Driven Roller:Dia16	79 - 8
B223 4560	Tension Spring:Driven Roller	81 - 7
B223 4561	Harness - Second Transfer Unit	67 - 20

Part No.	Description	Page and Index No.
B223 4562	Tightener	81 - 12
B223 4564	Spring: Tightener	81 - 14
B223 4566	Bracket:Sensor:Entrance	81 - 4
B223 4571	Gear:Pulley:Z24/T40	81 - 20
B223 4572	Stepper Motor:DC4.29V 1.7W	81 - 17
B223 4573	Timing Belt:30S2M128	81 - 21
B223 4575	Bracket:Stepper Motor	81 - 19
B223 4578	Gate Pawl:Duplex	83 - 18
B223 4579	Grip:Open And Close:Duplex Unit	79 - 3
B223 4581	DC Solenoid:Duplex	83 - 5
B223 4584	Tension Spring:Lever	83 - 4
B223 4586	Pulley:T30	81 - 16
B223 4587	Harness:Duplex Md	87 - 10
B223 4589	Tension Spring:Gate Pawl:0.5n	83 - 19
B223 4590	Hook:Stopper	79 - 4
B223 4594	Shaft:Pulley:Wire	87 - 11
B223 4595	Pulley:DIA13	87 - 12
B223 4596	Bracket:Shaft:Pulley:Wire	87 - 13
B223 5090	HDD Unit	97 - 7
B223 5106	PCB:SIO	47 - 12
B223 5113	PCB:BCU	91 - 13
B223 5120	PCB:IOB	123 - *
B223 5120	PCB:IOB	89 - 6
B223 5170	Invertor:IH	103 - 5
B223 5172	Invertor:IH:EU	103 - 5
B223 5202	Harness:Sio:Sensor	43 - 15
B223 5203	Harness:Sio:Ardf	43 - 18
B223 5204	Harness:Sio:Lamp Regulator	47 - 9
B223 5216	Harness:SIO:Scanner Motor SMD	47 - 17
B223 5218	Harness:Xenon Lamp	45 - 9
B223 5223	Harness:Sio:Machine Or Copier	47 - 10
B223 5225	Interface Cable:Scanner:LVDS:HF	91 - 2
B223 5225	Interface Cable:Scanner:LVDS:HF	45 - 18
B223 5226	Harness:Sio:Scanner Unit	47 - 11
B223 5235	Harness:LDB:2LD	49 - 16

Part No.	Description	Page and Index No.
B223 5239	Harness:Sync Detector	49 - 17
B223 5241	Harness:Polygon Mirror Motor	49 - 2
B223 5243	Harness:Motor:Driver	49 - 3
B223 5244	Harness:IPU:LD-Signal:2LD	91 - 5
B223 5246	Harness:IPU:LD-Data:2LD	91 - 3
B223 5248	Harness:IPU:Sync Detector:Mirror	91 - 4
B223 5300	Harness:IOB:Main:Lower	89 - 2
B223 5301	Harness:IOB:Main:Middle	89 - 4
B223 5302	Harness:IOB:Main:Upper	89 - 1
B223 5304	Harness:IOB:Toner Supply:CL	65 - 2
B223 5305	Harness:IOB:Connecting:IH	103 - 4
B223 5309	Harness:IOB:Connecting:TM/P:Sensor	95 - 10
B223 5310	Harness:P.p:High Voltage Line:T/TS	65 - 3
B223 5311	Harness:IOB:Fan Motor	109 - 7
B223 5312	Harness:IOB:Fusing:Thermopile	113 - 12
B223 5313	Harness:IOB:LD Unit:Shutter	95 - 17
B223 5320	Harness:IOB:BCU	91 - 11
B223 5321	Harness:Connecting:BCU:SIO	91 - 9
B223 5322	Harness:IOB:1bin	89 - 3
B223 5325	Harness:IOB:Counter:EXP	89 - 5
B223 5327	Harness:MB:OPU	91 - 14
B223 5330	Harness:AC:Switch	101 - 24
B223 5331	Harness:AC:IH:Power Supply Unit	93 - 8
B223 5332	Harness:PSU:SW:NA	93 - 7
B223 5333	Harness:AC:Inlet	93 - 10
B223 5335	Harness:IOB:Counter:Option:NA	103 - 22
B223 5336	Harness:PSU:JIGU	93 - 5
B223 5338	Harness:AC:IH:Power Supply Unit:EU	93 - 8
B223 5342	Harness:AC:Scanner:Heater	107 - 24
B223 5345	Harness:Power Supply Unit	93 - 6
B223 5347	Harness:Power Supply Unit:C1	91 - 6
B223 5350	Harness:IOB:Connecting:Drum:Sensor	99 - 8
B223 5361	Harness:Fusing Unit (120V)	107 - 1
B223 5362	Harness:Fusing Unit (230V)	107 - 1
B223 5725	PCB:IPU	91 - 7

Part No.	Description	Page and Index No.
B223 5725	PCB:IPU	135 - *
B223 5734	Harness:HDD:Raid:Upper	97 - 2
B223 5735	Harness:HDD:Raid:Lower	97 - 3
B223 5736	Harness:HDD:Power Source	97 - 1
B223 5747	PCB:MB:AP-C1	91 - 15
B223 5807	Bracket:BCU	91 - 12
B223 5808	Supporter:Rapi:Upper	91 - 16
B223 5809	Supporter:Rapi:Lower	91 - 17
B223 5812	Hinge:Panel:Control Board	91 - 8
B223 5813	Safety Switch Bracket	95 - 3
B223 5814	Bracket - Safety Switch Lever	95 - 4
B223 5816	Plate:Rack:Auxiliary:Right	89 - 7
B223 5821	Rack:Inner Back:Auxiliary:Left Lower	97 - 13
B223 5822	Supporter:Lower	97 - 10
B223 5823	Grip:Rack:Left Lower	97 - 16
B223 5824	Cover:Sd-card	97 - 14
B223 5827	Bracket:Fan:Control Board	97 - 9
B223 5841	Hinge:Application:Rack	103 - 19
B223 5843	Bracket:Rack:Application	103 - 20
B223 5844	Bracket:Fan:Power Source:IH	103 - 18
B223 5846	Bracket:Total Counter	103 - 23
B223 5848	Bracket:Base:Connector	101 - 21
B223 5849	Cover:Connector:Heater	101 - 27
B223 5857	Bracket:Sw:Dehumidifier:Heater:Exp	93 - 1
B223 5861	Gasket:Etnw100-00505:L90	93 - 3
B223 5862	Gasket:EGUN1-0105:L240	97 - 12
B223 5864	Gasket:EGUN1-0205:L45	97 - 11
B223 5866	Ground Wire:Rack:Right Lower:HF	103 - 21
B223 5876	Density Sensor:Ass'y	95 - 11
B223 6023	Cleaning Unit	157 - 3
B223 6032	Intermediate Transfer Section:Servi	157 - 5
B223 6130	Image Transfer Belt	157 - 8
B223 6140	Drawer:Intermediate Transfer:Ass'y	65 - 1
B223 6145	Rail:Left:Intermediate Transfer	113 - 3
B223 6146	Rail:Right:Intermediate Transfer	113 - 4

Part No.	Description	Page and Index No.
B223 6198	Cleaning Unit Rail	109 - 12
B223 6263	Transfer/Separation Unit:AP:Ass'y	67 - 11
B223 6281	Transfer Roller Case	67 - 15
B223 6285	Transfer Roller Terminal	67 - 13
B223 6289	Terminal	67 - 12
B223 6290	Drum Stay - Rear	67 - 25
B223 6306	Release Lever	67 - 6
B223 6308	Transfer Spring	67 - 32
B223 6311	Positioning Guide - Front	57 - 1
B223 6312	Positioning Guide - Rear	57 - 2
B223 6315	Cushion	57 - 3
B223 6317	Ground Wire - Power Pack	67 - 18
B223 6319	Spring Cap	67 - 31
B223 6320	Lever Bracket - Middle	67 - 7
B223 6321	Spring Anchor	67 - 33
B223 6322	Lever Shaft - Front	67 - 4
B223 6323	Lever Shaft - Rear	67 - 5
B223 6327	Sheet:Case:Lower	67 - 14
B223 6395	Density Sensor	95 - 15
B223 6451	Pipe:Front:Ass'y	111 - 9
B223 6463	Gear - 20Z	111 - 8
B223 6464	Bushing - 6x10x6	111 - 1
B223 6467	Lever Bracket	111 - 14
B223 6471	Transport Screw Bracket	111 - 2
B223 6472	Gear - 21Z	111 - 4
B223 6473	Transport Screw Shaft	111 - 6
B223 6474	Gear - 29Z	111 - 7
B223 6475	Bushing - 5x 10x2.5	111 - 3
B223 6476	Bushing - Dia5	111 - 5
B223 6481	Rear Pipe Ass'y	101 - 11
B223 6496	Collection Bottle Rail	109 - 8
B223 6502	Used Toner Sensor Bracket	109 - 1
B223 6503	Used Toner Sensor Feeler	109 - 3
B223 6507	Set Sensor Bracket	101 - 4
B223 6542	Collection Bottle:Exp:Ass'	157 - 7

Part No.	Description	Page and Index No.
B229 1397	Decal:Caution:Original:EU	161 - 10
B230 9640	Developer:BK	157 - 1
B230 9640	Developer:BK	163 - 13
B230 9660	Developer:C	157 - 1
B230 9660	Developer:C	163 - 13
B230 9670	Developer:M	163 - 13
B230 9670	Developer:M	157 - 1
B230 9680	Developer:Y	157 - 1
B230 9680	Developer:Y	163 - 13
B237 1355	Decal - Main Switch EU OP	161 - 11
B237 1372	Decal - Main Switch On-standby	161 - 12
B237 1595	Decal - Caution Original	161 - 13
B237 1595	Decal - Caution Original	19 - 36
B237 2521	Decal - Paper Set Direction No.1	161 - 14
B237 2521	Decal - Paper Set Direction No.1	51 - 6
B238 1066	Rubber Foot Cover	115 - 3
B238 1088	Cover - Connector	101 - 25
B238 1089	Cover - Positioning Pin	101 - 3
B238 1143	Guide:Connector:Heater:Imaging Unit	101 - 2
B238 1223	Holder	103 - 15
B238 1225	Shaft	103 - 13
B238 1226	Cam	103 - 14
B238 1362	Decal - Misfeed Removal B1	161 - 15
B238 1362	Decal - Misfeed Removal B1	17 - 13
B238 1368	Decal - Cleaning	161 - 16
B238 1368	Decal - Cleaning	17 - 7
B238 1372	Decal - Main Switch(on-off)	161 - 17
B238 1372	Decal - Main Switch(on-off)	13 - 5
B238 1380	Cover - Right	157 - 10
B238 1380	Cover - Right	13 - 20
B238 1470	PCB OP-R	19 - 31
B238 1480	Harness - OP-R 10p	19 - 5
B238 1481	Harness - OP-R 13p	19 - 6
B238 1482	Harness - OP-L 12p	19 - 30
B238 1483	Harness - OP-L 13p	19 - 29

Part No.	Description	Page and Index No.
B238 1484	Harness - Invertor	19 - 11
B238 1504	Keytop - Start	19 - 23
B238 1505	Keytop - Clear/Stop	19 - 20
B238 1506	Keytop - Try Print	19 - 24
B238 1508	Keytop - 10key	19 - 21
B238 1509	Keytop - Interrupt	19 - 25
B238 1511	Keytop - Counter	19 - 2
B238 1519	Lens - Front	19 - 13
B238 1527	Operation Panel Bracket	19 - 7
B238 1533	Insulator	19 - 8
B238 1534	LCD Spacer A	19 - 16
B238 1535	LCD Spacer B	19 - 17
B238 1547	Spacer - Keytop	19 - 1
B238 1548	Operation Panel Bracket - Right	19 - 12
B238 1549	Keytop - Power Source	19 - 28
B238 1550	Keytop - Login	19 - 27
B238 1552	Keytop - Kantan	19 - 26
B238 1571	Keytop - Copy NA	19 - 34
B238 1572	Keytop - Doc NA	19 - 33
B238 1574	Keytop - Printer NA	19 - 38
B238 1575	Keytop - Scanner NA	19 - 3
B238 1577	Keytop - Copy EU	19 - 34
B238 1578	Keytop - Doc EU	19 - 33
B238 1580	Keytop - Printer EU	19 - 38
B238 1581	Keytop - Scanner EU	19 - 3
B238 1583	Keytop - Clear Modes	19 - 22
B238 1584	Keytop - 10key NA	19 - 21
B238 1792	Timing Belt - 157ST1.5-4.0	47 - 15
B238 1806	Idler Pulley	47 - 18
B238 1807	Pulley	47 - 31
B238 2523	Decal - Paper Set Direction No.2	53 - 3
B238 2523	Decal - Paper Set Direction No.2	161 - 18
B238 2524	Decal - Paper Size	161 - 19
B238 2524	Decal - Paper Size	157 - 9
B238 2526	Decal - Grip	161 - 20

Part No.	Description	Page and Index No.
B238 2526	Decal - Grip	51 - 9
B238 2527	Decal - Grip	161 - 21
B238 2527	Decal - Grip	53 - 9
B238 2541	Tray Cover - Right	101 - 6
B238 2543	Cover - Tray Left	101 - 20
B238 2544	Tray Cover - Middle	101 - 7
B238 2569	Transport Roller	55 - 10
B238 2612	Registration Guide Plate - Left	57 - 21
B238 2615	Case - Remove Paper Dust	17 - 24
B238 2621	Stay	57 - 15
B238 2622	Cover - Remove Paper Dust	57 - 14
B238 2652	Registration Roller - Drive	57 - 10
B238 2655	Gear - 16Z	57 - 11
B238 2656	Gear - 30Z	57 - 12
B238 2657	Gear - 18Z	57 - 7
B238 2661	Registration Roller - Driven	57 - 6
B238 2670	Cleaner Bracket	57 - 13
B238 2675	Registration Roller Bushing	57 - 5
B238 2676	Tension Spring	57 - 4
B238 3364	Decal:Colored Display:BK:Inner Cover	161 - 22
B238 3364	Decal:Colored Display:BK:Inner Cover	17 - 2
B238 3365	Decal:Colored Display:Y:Inner Cover	161 - 22
B238 3365	Decal:Colored Display:Y:Inner Cover	17 - 3
B238 3366	Decal:Colored Display:C:Inner Cover	161 - 22
B238 3366	Decal:Colored Display:C:Inner Cover	17 - 4
B238 3367	Decal:Colored Display:M:Inner Cover	161 - 22
B238 3367	Decal:Colored Display:M:Inner Cover	17 - 5
B238 4436	Spring Plate - Exit Roller Outer	77 - 22
B238 4454	Sensor Bracket	77 - 24
B238 4458	Compression Spring - Driven Roller	77 - 17
B238 4483	Screw	37 - 19
B238 4483	Screw	33 - 1
B238 4483	Screw	75 - 7
B238 4733	Entrance Sensor Bracket	67 - 28
B238 4739	Cover - Entrance Sensor	67 - 26

Part No.	Description	Page and Index No.
B238 4985	Overflow Feeler Shaft	77 - 2
B238 4987	Overflow Feeler	77 - 1
B238 5051	PCB:RFID:RW	63 - 1
B238 5144	PCB Sync Detector	49 - 15
B238 5313	Harness - Used Toner Sensor	109 - 4
B238 5325	Harness - Paper Volume Sensor	101 - 8
B238 5720	ASIC:Shaker5.5	153 - 3
B238 5821	Bracket - Main Switch Handle	109 - 9
B238 5824	Slide Switch Cover	109 - 10
B238 5825	Power Source Switch Link	109 - 11
B238 5827	Main Switch Bracket	101 - 23
B238 5828	Main Switch Sheet	101 - 22
B238 5867	Hook:Solenoid:Sensor:TM	95 - 13
B238 5875	DC Solenoid DC24V	95 - 14
B312 1615	Tension Roller	27 - 3
B351 1781	Gear - 18Z	35 - 16
B351 1791	Gear - 25Z	35 - 15
B386 3320	Spring:Belt:Paper Feed:8n	25 - 15
B387 1951	Spring - Paper Size Sensor	39 - 22
B387 2113	Roller - Paper Feed Belt	25 - 14
B387 2163	Pickup Collar	25 - 7
B477 2715	Pressure Plate Tape	41 - 13
B645 5010	SD Card	163 - 1
B645 6705	PCMCIA Card Adapter	163 - 2
B645 6820	USB Reader/Writer	163 - 3
B652 1807	Decal:Size:Original	23 - 4
B652 1807	Decal:Size:Original	43 - 100
B652 1807	Decal:Size:Original	161 - 23
B652 2379	Decal:Caution:Original:5-lang	21 - 1
B652 2379	Decal:Caution:Original:5-lang	161 - 24
B679 5100	Plug - IEEE1284 Type C	163 - 11
B700 2649	Timing Belt:40S2M144	103 - 7
B700 5805	Stepper Motor:Pm:S2m:T15:Ass'y	35 - 11
B703 1165	Timing Belt:B40S2M390	39 - 15
B714 5006	DC Solenoid:Transmitted Rubber Stamp	29 - 24

Part No.	Description	Page and Index No.
B789 1942	Paper Size Sensor Feeler	39 - 23
B789 2114	Paper Feed Belt Roller	25 - 22
B789 3491	Scanning Driven Shaft	29 - 23
B789 3712	Exit Driven Roller	29 - 22
B789 6031	Decal - Original Table	21 - 12
B789 6031	Decal - Original Table	161 - 25
B802 1121	Positioning Plate:Front	41 - 1
B802 1131	Positioning Plate:Rear	41 - 2
B802 1141	Cover:Paper Feed Sensor	41 - 3
B802 1231	Bracket:PCB:Right	39 - 2
B802 1236	Bracket:PCB:Left	39 - 14
B802 1246	Bracket:On Off Detector	39 - 12
B802 1311	Hinge:Left	41 - 8
B802 1351	Hinge:Right	41 - 9
B802 1412	Plate:Harness:Guide	39 - 24
B802 1612	Bracket:Motor	39 - 16
B802 1616	Stay:Motor	39 - 19
B802 1621	Stepper Motor:DC24V 4.8W	39 - 21
B802 1624	Bracket:Coupling	39 - 18
B802 1631	Timing Pulley:T31	37 - 6
B802 1632	Gear:Z18	37 - 7
B802 1633	Gear:Z19	37 - 8
B802 1641	Gear:Z18	37 - 21
B802 1642	Gear:Z37	37 - 3
B802 1643	Gear:Z26	37 - 4
B802 1651	Gear:Z25	37 - 5
B802 1661	Gear:Z21/Z23	37 - 2
B802 1671	Gear:Z17	37 - 1
B802 1681	Gear:Z18	37 - 15
B802 1715	Bracket:Stepper Motor	37 - 10
B802 1721	Stepper Motor:DC1.76V 3.7W	37 - 14
B802 1731	Stay:Motor:Scanning	37 - 11
B802 1736	Bracket:Protect:Drive	37 - 13
B802 1741	Timing Pulley:T31/T61	37 - 16
B802 1755	Bracket:Tension	33 - 2

Part No.	Description	Page and Index No.
B802 1755	Bracket:Tension	37 - 20
B802 1762	Timing Pulley:T31	33 - 3
B802 1762	Timing Pulley:T31	37 - 18
B802 1767	Pulley:Idler:DIA16	33 - 7
B802 1772	Timing Belt:40S3M189	27 - 4
B802 1773	Bracket:Shaft:Side Plate:Front	27 - 1
B802 1777	Knob:Misfeed Removal:T27	27 - 2
B802 1812	Stepper Motor:DC4.08V 2.4W	35 - 1
B802 1815	Bracket:Reverse:Drive	35 - 3
B802 1925	Bracket:Pickup:Drive	35 - 10
B802 1931	Timing Pulley:T33-Z17	35 - 17
B802 1941	Cam:Pickup	35 - 22
B802 1942	Stopper:Cam:Pickup	35 - 18
B802 1943	Feeler:Cam:Pickup	35 - 20
B802 1951	Cam:Stopper Pawl	35 - 14
B802 1985	Bracket:Sensor:Pickup	35 - 7
B802 2111	Stopper Pawl:Paper Feed	27 - 23
B802 2115	Lever:Stopper Pawl	27 - 26
B802 2222	Guide:Reverse:Open And Close	27 - 16
B802 2225	Drum Stay:Guide:Reverse	27 - 14
B802 2227	Guide:Reverse:Open And Close:Behind	27 - 21
B802 2231	Shaft:Reverse:Drive:Press Fit	27 - 20
B802 2252	Shaft:Roller:Reverse	27 - 13
B802 2253	Gear:Z20	27 - 15
B802 2285	Roller:Reverse Exit:Driven	27 - 19
B802 2291	Stopper:Guide:Reverse	29 - 17
B802 2512	Original Table	21 - 25
B802 2522	Original Table:Face Front	21 - 13
B802 2526	Side Fence	21 - 11
B802 2532	Spring Plate:Side Fence	21 - 15
B802 2536	Slider:Side Fence	21 - 14
B802 2541	Guide:Original Insert	21 - 21
B802 2551	Stay:Original Table:Contact Point	21 - 9
B802 2562	Plate:Contact Point	21 - 24
B802 2571	Spring Plate:0.2t	21 - 17

Part No.	Description	Page and Index No.
B802 2581	Stopper:Original Table	21 - 10
B802 3145	Spring Plate	31 - 5
B802 3147	Ground Plate:Roller:Scanning	31 - 3
B802 3211	Roller:Pull Out	33 - 17
B802 3231	Roller:Scanning:Entrance	31 - 9
B802 3233	Timing Pulley:T33	31 - 14
B802 3234	Timing Pulley:T33/T24	31 - 11
B802 3251	Roller:Scanning:Exit	31 - 10
B802 3252	Timing Pulley:T33	31 - 12
B802 3311	Roller:Exit	33 - 21
B802 3312	Timing Pulley:T26	33 - 8
B802 3331	Roller:Reverse	33 - 27
B802 3332	Timing Pulley:T23	33 - 24
B802 3351	Guide:Paper Feed:Lower	33 - 15
B802 3381	Bracket:Guide:Paper Feed:Lower	31 - 2
B802 3412	Guide:Scanning:Entrance:Lower	29 - 1
B802 3413	Sheet:Roller:Scanning:Entrance	29 - 2
B802 3414	Sheet:Scanning:Entrance	29 - 3
B802 3422	Stay:Scanning:Entrance:Lower	29 - 8
B802 3426	Plate:Entrance:Pressure:Auxiliary	29 - 6
B802 3427	Spring Plate:Scanning:Entrance:Driven	29 - 7
B802 3471	Roller:Scanning:Driven	29 - 4
B802 3511	Guide Plate:Scanning	29 - 9
B802 3553	Guide:Scanning:Exit:Lower	29 - 11
B802 3561	Stay:Scanning:Exit:Lower	29 - 15
B802 3566	Plate:Exit:Pressure:Auxiliary	29 - 12
B802 3567	Spring Plate:Scanning:Exit:Driven:Upper	29 - 13
B802 3568	Spring Plate:Scanning:Exit:Driven:Lower	29 - 14
B802 3592	Shaft:Driven:Exit	29 - 5
B802 3611	Exchange Powl:Reverse	33 - 23
B802 3612	Cushion:Exchange Powl	33 - 22
B802 3615	Lever:Exchange Powl:Reverse	33 - 11
B802 3631	Link: Solenoid	33 - 10
B802 3651	Guide:Exit:Upper	33 - 20
B802 3711	Spring Plate	29 - 21

Part No.	Description	Page and Index No.
B802 3751	Stay:Reverse	33 - 26
B802 3755	Discharge Brush:Reverse	29 - 20
B802 3756	Discharge Brush:Exit	33 - 25
B802 3811	DC Solenoid:24V	27 - 7
B802 3832	Bracket:Registration Sensor	31 - 8
B802 3833	Shielding Plate:Sensor	31 - 7
B802 3851	Bracket:Sensor:Scanning:Exit	29 - 19
B802 4121	Cover:Paper Feed	23 - 1
B802 4152	Grip:Cover	23 - 2
B802 4154	Hook:Grip:Cover:Front	23 - 6
B802 4155	Hook:Grip:Cover:Inner Back	23 - 7
B802 4158	Shaft:Grip:Cover	23 - 8
B802 4162	Stopper:Cover	23 - 12
B802 4222	Guide:Upper	25 - 33
B802 4224	Spring Plate:Upper	25 - 32
B802 4225	Sheet:Driven Roller:Pull Out	25 - 41
B802 4227	Drum Stay:Upper:Inner Back	25 - 30
B802 4228	Drum Stay:Upper:Front	25 - 29
B802 4229	Sheet:Guide:Upper	25 - 31
B802 4231	Bracket:Cover:Inner Back	23 - 11
B802 4241	Bracket:Cover:Front	23 - 10
B802 4252	Bracket:Paper Size Sensor	23 - 15
B802 4263	Feeler:Original Sensor	23 - 22
B802 4265	Ground Plate	25 - 40
B802 4282	Bracket:Driven Roller:Pull Out	25 - 37
B802 4292	Ground Plate:Driven Roller:Pull Out	25 - 38
B802 4295	Driven Roller:Pull Out	25 - 35
B802 4311	Paper Feed:Unit	25 - 1
B802 4322	Shaft:Drive	25 - 24
B802 4323	Holder	25 - 26
B802 4325	Lever:Pickup:Release	25 - 27
B802 4326	Collar:Shaft	25 - 17
B802 4328	Gear:Z20	25 - 28
B802 4333	Bracket:Paper Feed Belt	25 - 16
B802 4352	Shaft:Pickup	25 - 10

Part No.	Description	Page and Index No.
B802 4355	Bracket :Pickup	25 - 11
B802 4357	Gear:Z19	25 - 4
B802 4358	Timing Pulley:Gear:T19/Z22	25 - 5
B802 4359	Cushion:Pickup	25 - 12
B802 4361	Roller:Pickup	25 - 6
B802 4372	Timing Pulley:T21	25 - 8
B802 4411	Cover:Front	21 - 4
B802 4511	Cover:Rear	21 - 8
B802 4611	Pressure Plate	41 - 11
B802 4621	Drum Stay:Pressure Plate	41 - 12
B802 4631	Cushion:Left	41 - 4
B802 4711	Sound Proofing Material	23 - 5
B802 4712	Sound Proofing Material: Cover: Rear	21 - 7
B802 4713	Cushion:Left	41 - 5
B802 4714	Cushion:Inner Back	41 - 6
B802 5500	PCB:Main	39 - 11
B802 5710	Harness:Interface	39 - 1
B802 5730	Harness:Paper Feed	39 - 4
B802 5740	Harness:Original Table	39 - 7
B802 5750	Harness:Original Table	21 - 22
B802 5760	Harness:Motor:Paper Feed	39 - 9
B802 5770	Harness:Motor:Reverse	39 - 6
B802 5780	Harness:Lift_up	39 - 3
B802 5790	Harness:Solenoid	27 - 6
B802 5800	Harness:Solenoid	39 - 5
B802 5810	Harness:Registration Sensor	31 - 1
B802 5820	Harness:Motor:Pick Up	39 - 10
B802 5830	Harness:Guide	39 - 8
B802 5840	Harness:Paper Feed	23 - 16
B802 6011	Decal:Side Fence	21 - 16
B802 6011	Decal:Side Fence	161 - 26
B802 6012	Decal:Misfeed Removal:Original	23 - 3
B802 6012	Decal:Misfeed Removal:Original	161 - 27
B802 6013	Decal:Display:Misfeed Removal:P1	21 - 5
B802 6013	Decal:Display:Misfeed Removal:P1	161 - 29

Part No.	Description	Page and Index No.
B802 6014	Decal:Display:Misfeed Removal:P2	161 - 28
B802 6014	Decal:Display:Misfeed Removal:P2	27 - 17
B802 6015	Decal:Display:Misfeed Removal:P3	33 - 19
B802 6015	Decal:Display:Misfeed Removal:P3	161 - 30
B837 5001	SD-Card:Printer/Scanner	97 - 19
B837 5700	Fan Motor:MM40x10:NMB:1604KL-01W	97 - 8
C401 9503	20X Magnification Scope	163 - 6
G020 1160	Snap Ring	33 - 12
G020 1332	Hinge - Front Cover	13 - 13
G021 9350	Loop-back Connector - Parallel	163 - 5
G038 1299	Rivet - 5	157 - 13
G052 4892	Discharge Brush:Exit:Small	25 - 39
G052 4892	Discharge Brush:Exit:Small	31 - 4
G060 2652	Bushing - M4	87 - 3
G060 2932	Pick-up Arm - Manual Feed	61 - 13
G060 4435	Bushing - M4	83 - 12
G065 2767	Lever - Feed	55 - 24
G065 2774	Pressure Lever	55 - 32
G065 2775	Link Lever	55 - 38
G065 2776	Release Lever	55 - 37
G080 2682	Bushing:Feed	61 - 28
G080 2900	Torque Limiter	61 - 40
G108 5020	PCB:DDR-DIMM:512Mb	97 - 6
G108 5107	Left Guide 1	97 - 18
G108 5108	Right Guide 1	97 - 17
G133 5328	Harness:EGB:TM/P:Sensor	91 - 10
G404 2810	Spring Plate - 2nd Mirror	47 - 2
G570 1133	Timing Pulley 73	47 - 27
G570 1160	Spacer Bushing	47 - 22
G570 1225	Sensor Shielding Plate	35 - 6
G570 2832	Guide - High Voltage Supply Cord	47 - 6
G570 2833	Pulley Holder	47 - 5
G570 2834	Pulley - High Voltage Supply Cord	47 - 7
H020 2318	Rivet - Nrp345	45 - 10
H053 2208	Bushing - M4	75 - 15

Part No.	Description	Page and Index No.
H053 2208	Bushing - M4	77 - 8
H511 5007	Stamp	29 - 25
J503 3116	Timing Belt:40S2M128	35 - 5

Part No.	Description	Page and Index No.
AA00 0239	Decal:Color:μFP	161 - 1
AA02 1030	Magnet Catch	13 - 8
AA04 3320	Timing Belt:40S1.5M150	37 - 9
AA04 3321	Timing Belt:40S1.5M378	33 - 5
AA04 3322	Timing Belt:40S1.5M157.5	37 - 17
AA04 3323	Timing Belt:40S2M120	35 - 9
AA04 3328	Timing Belt:40S2M130	25 - 9
AA04 3583	Timing Belt - S2M460	101 - 16
AA04 3585	Timing Belt:40S3M162	105 - 7
AA04 3601	Timing Belt - B40S2M118	105 - 18
AA04 3968	Timing Belt:30S2M160	77 - 11
AA04 3969	Timing Belt:30S2M216	75 - 3
AA06 0151	Tension Spring	95 - 12
AA06 0691	Tension Spring	55 - 23
AA06 0693	Tension Spring	55 - 31
AA06 0722	Tension Spring	101 - 13
AA06 0842	Tension Spring	37 - 12
AA06 0842	Tension Spring	39 - 20
AA06 0842	Tension Spring	33 - 4
AA06 0843	Tension Spring	27 - 25
AA06 0872	Spring	61 - 43
AA06 0979	Tension Spring:Tension:14720mn	47 - 30
AA06 0980	Tension Spring:Tension:11300mn	47 - 21
AA06 1003	Tension Spring:Side Fence:Rear	51 - 31
AA06 1003	Tension Spring:Side Fence:Rear	53 - 31
AA06 1013	Tension Spring:Arm:Duplex	85 - 1
AA06 1014	Tension Spring:Grip	51 - 11
AA06 1014	Tension Spring:Grip	53 - 11
AA06 2259	Spring - Release	55 - 39
AA06 2260	Tension Spring	33 - 9
AA06 2262	Tension Spring	23 - 9
AA06 3435	Compression Spring:Paper Feed:Joint	25 - 20
AA06 3438	Compression Spring	73 - 14
AA06 3439	Compression Spring:Lever	73 - 16
AA06 3441	Compression Spring	25 - 36

Part No.	Description	Page and Index No.
AA06 3499	Pressure Spring	61 - 42
AA06 3568	Pressure Spring	61 - 12
AA06 3568	Pressure Spring	95 - 2
AA06 3919	Spring:Pressure	27 - 27
AA06 3953	Compression Spring:Oil Supply Roller	71 - 21
AA06 3954	Compression Spring:Belt Tensioner	71 - 17
AA06 6178	Spring	107 - 17
AA06 6376	Torsion Spring:Pickup:Pressure	25 - 25
AA07 0080	Slide Rail:Fusing Unit	113 - 6
AA08 0156	Bushing - M4	77 - 16
AA08 0254	Bushing - M4	79 - 9
AA08 0254	Bushing - M4	67 - 9
AA08 0265	Bushing:6x8x5	27 - 24
AA08 0288	Bushing:Dia6	25 - 34
AA08 2101	Bushing - 6x10x6	61 - 7
AA08 2101	Bushing - 6x10x6	57 - 8
AA08 2101	Bushing - 6x10x6	85 - 10
AA08 2101	Bushing - 6x10x6	77 - 10
AA08 2101	Bushing - 6x10x6	55 - 20
AA08 2101	Bushing - 6x10x6	75 - 2
AA08 2101	Bushing - 6x10x6	63 - 3
AA08 2101	Bushing - 6x10x6	33 - 13
AA08 2101	Bushing - 6x10x6	27 - 10
AA08 2101	Bushing - 6x10x6	35 - 12
AA08 2101	Bushing - 6x10x6	25 - 3
AA08 2102	Bushing - 6x10x6	61 - 23
AA08 2104	Bushing - 8x12x7	81 - 3
AA08 2104	Bushing - 8x12x7	25 - 18
AA08 2143	Bushing - 6x10x6	55 - 11
AA08 2144	Bushing - 8x12x7	47 - 25
AA08 2145	Bushing - 8x12x7	67 - 21
AA08 3014	One-way Clutch	61 - 30
AA10 0014	Retaining Ring C - Separate	55 - 16
AA10 0014	Retaining Ring C - Separate	61 - 5
AA10 0015	Snap Ring - M6	99 - 10

Part No.	Description	Page and Index No.
AA10 1021	Rubber Bushing - 6 45hs	35 - 2
AA10 1021	Rubber Bushing - 6 45hs	81 - 18
AA10 1021	Rubber Bushing - 6 45hs	103 - 11
AA13 2013	Spacer	25 - 19
AA14 0777	Shaft:Feed	61 - 8
AA14 0778	Shaft:Separator:Drive	61 - 38
AA14 3404	Stepped Screw - M4	57 - 18
AA14 3520	Shoulder Screw - M3	41 - 14
AA14 3520	Shoulder Screw - M3	27 - 5
AA14 3520	Shoulder Screw - M3	43 - 12
AA14 3526	Stepped Screw - M3	71 - 15
AA14 3569	Screw	29 - 10
AA14 3576	Screw:M3	107 - 2
AA14 3577	Screw:Tp:M4	51 - 33
AA14 3788	Pin:Guide Plate:Paper Feed	23 - 14
AA14 3789	Shaft:Cleaner	23 - 13
AA14 3790	Screw:Contact Point	41 - 7
AA14 3790	Screw:Contact Point	33 - 14
AA14 3802	Screw:6X1.7	39 - 17
AA14 3807	Screw:A	81 - 1
AA14 3823	Tapping Screw	13 - 14
AA14 3823	Tapping Screw	27 - 9
AA14 3843	Screw:DIA6	51 - 1
AA16 1163	Cushion	115 - 9
AA16 1164	Cushion:Stepper Motor	105 - 15
AB01 0088	Gear:Sensor:Turn	71 - 1
AB01 0118	Gear:Turn:Sensor	71 - 26
AB01 0138	Gear:Z28	107 - 20
AB01 0156	Gear:Separate:Drive	55 - 33
AB01 0157	Gear:Separate:Driven	55 - 30
AB01 0367	Gear - 23Z	99 - 14
AB01 0368	Gear:Development:NO.4	99 - 19
AB01 0375	Gearz120	107 - 12
AB01 0376	Gear:Z27	107 - 13
AB01 0377	Gear:Z27/Z78	107 - 11

Part No.	Description	Page and Index No.
AB01 1218	Gear - Roller Clutch	55 - 19
AB01 1223	Idler Gear - 25z	61 - 45
AB01 1249	Gear:Turn:Ferrite Core:Z16	71 - 12
AB01 1252	Gear - 20Z	55 - 15
AB01 1258	Gear - 38Z	105 - 6
AB01 1259	Gear - 32Z	105 - 9
AB01 1264	Gear:Z24	107 - 16
AB01 1387	Gear - 23Z	61 - 10
AB01 1416	Gear - 20Z	61 - 36
AB01 2044	Gear:Hot Roller	71 - 10
AB01 2045	Gear:Pressure Roller	71 - 13
AB01 2051	Gear:Idler:Pressure Roller	71 - 18
AB01 4161	Reverse Roller Gear	81 - 11
AB01 7493	Gear Pulley	103 - 8
AB01 7699	Gear - 33Z/44Z	105 - 5
AB01 7703	Gear:Drive:Fusing	71 - 14
AB01 7706	Gear:Z16/Z40	107 - 19
AB03 0551	Pulley:Idler:Fusing	101 - 14
AB03 0744	Timing Pulley - 27Z/40T	105 - 19
AB03 0781	Timing Pulley - 28Z/30T	105 - 8
AB03 0783	Pulley - 34T	101 - 15
AC03 0142	1st Mirror	45 - 6
AE01 0059	Hot Roller:Dia35	71 - 6
AE02 0115	Pressure Roller:Dia40	71 - 8
AE03 0069	Ball Bearing:Dia12xdia21x7	71 - 5
AE03 0071	Ball Bearing:Dia17xdia26x5	71 - 7
AE03 1046	Bushing:Heat Roller	71 - 4
AE03 1061	Front Bushing - Oil Supply Roller	71 - 24
AE03 1062	Rear Bushing - Oil Supply Roller	71 - 19
AE03 1065	Bushing:Fusing Sub-unit	71 - 16
AE04 0065	Oil Supply Roller	71 - 23
AE04 0066	Cleaning Roller - Oil Supply Roller	71 - 22
AF01 3006	Bottom Plate Pad	53 - 5
AF01 3006	Bottom Plate Pad	51 - 5
AF01 3016	Bottom Plate Pad	61 - 27

Part No.	Description	Page and Index No.
AF02 0646	Vertical Transport Roller	87 - 5
AF03 0049	Pick-up Roller	61 - 11
AF03 0090	Paper Feed Roller:Pickup	55 - 14
AF03 1046	Feed Roller - Manual Feed	61 - 6
AF03 1090	Paper Feed Roller:Feed	55 - 18
AF03 2046	Separation Roller - Manual Feed	61 - 39
AF03 2090	Paper Feed Roller:Separate	55 - 27
AF04 0566	Tension Roller	77 - 21
AF04 0567	Tension Roller	77 - 20
AG07 0513	Magnet Catch	21 - 26
AG07 0514	Magnet Catch	79 - 11
AG07 1012	Magnet Catch:Ass'y	17 - 25
AW01 0091	Photo Reflection Sensor	23 - 20
AW01 0107	Paper Feed Sensor	75 - 12
AW01 0107	Paper Feed Sensor	81 - 5
AW01 0107	Paper Feed Sensor	57 - 16
AW01 0114	Original Sensor:H=2-66	45 - 12
AW01 0115	Original Sensor:H=81.5	45 - 24
AW01 0116	Original Sensor:H=1-66	45 - 27
AW01 0118	Paper Feed Sensor	67 - 27
AW01 0122	Paper Feed Sensor	55 - 7
AW01 0127	Paper Feed Sensor	77 - 25
AW01 0128	Paper Feed Sensor	55 - 5
AW01 0128	Paper Feed Sensor	61 - 2
AW01 0129	Photo Reflection Sensor	21 - 23
AW02 0145	Photo Interrupter :Flat	83 - 15
AW02 0145	Photo Interrupter :Flat	81 - 9
AW02 0145	Photo Interrupter: Flat	55 - 2
AW02 0145	Photo Interrupter: Flat	43 - 14
AW02 0145	Photo Interrupter: Flat	99 - 7
AW02 0145	Photo Interrupter: Flat	77 - 4
AW02 0146	Photo Interrupter: Flat:Pich2mm:M4	43 - 16
AW02 0154	Photo Interrupter: Entrance	23 - 17
AW02 0155	Photo Interrupter: Paper Size Sensor	23 - 18
AW02 0160	Paper Feed Sensor	109 - 2

Part No.	Description	Page and Index No.
AW02 0185	Toner End Sensor	65 - 4
AW10 0106	Thermopile	113 - 11
AW14 0012	Temperature & Humidity Sensor	105 - 17
AW50 0023	Push Switch	83 - 16
AW50 0023	Push Switch	101 - 5
AW50 0031	Paper Size Sensor	59 - 10
AW50 0035	Paper End Sensor	61 - 21
AW50 0038	Push Switch:Paper Size Sensor	101 - 19
AX04 0154	DC Motor 24V	101 - 9
AX05 0249	Brushless Motor DC24V8W	99 - 5
AX06 0286	Polygon Mirror Motor	49 - 4
AX06 0308	Brushless Motor:DC24V 25W	99 - 9
AX20 0289	Magnetic Clutch - 32z	105 - 11
AX20 0299	Magnetic Clutch:0.5n.m	99 - 15
AX20 0300	Magnetic Clutch:0.5n.m	99 - 12
AX20 2007	Magnetic Clutch	61 - 31
AX31 0045	Total Counter:7FIG:24V	97 - 4
AX31 0045	Total Counter:7fig:24V	103 - 24
AX43 0156	Heater:120V:500W	69 - 1
AX43 0157	Heater:230V:500W	69 - 1
AX64 0164	Fan Motor:15mm:24V	45 - 23
AX64 0179	Fan Motor:DC24V 2.4W	99 - 2
AX65 0045	Sirocco Fan:DC24V 2.6W	73 - 8
AZ24 0109	Power Supply Unit:494W:DOM/NA	93 - 4
AZ24 0110	Power Supply Unit:494W:EU/AA:APO-C1	93 - 4
AZ30 0058	Power Pack:D	67 - 19
AZ32 0154	Power Pack:TTS:APO-C/P	107 - 23
AZ32 0165	Power Pack:CB:APO-C/P:-80mic	93 - 9
AZ50 0070	Stabilizer:T	47 - 8
BC01 2002	Exposure Glass:Sheet Through:344x20	43 - 4
GA00 3030	Decal - Shielding Plate Y	161 - 31
GA00 3030	Decal - Shielding Plate Y	17 - 8
GA00 3031	Decal - Shielding Plate M	17 - 10
GA00 3031	Decal - Shielding Plate M	161 - 31
GA00 3032	Decal - Shielding Plate C	17 - 9

Part No.	Description	Page and Index No.
GA00 3032	Decal - Shielding Plate C	161 - 31
GA00 3033	Decal - Shielding Plate K	17 - 11
GA00 3033	Decal - Shielding Plate K	161 - 31
GA00 3167	Decal:Caution:Inkjet:NA	161 - 32
GA08 0002	Bushing - 6mm	105 - 13
GA14 3003	Screw:Mm5:2.5MM	23 - 23
GW01 0007	Photo Reflection Sensor:Exit	21 - 20
GW01 0007	Photo Reflection Sensor:Exit	23 - 19
GW01 0007	Photo Reflection Sensor:Exit	29 - 18
GW01 0007	Photo Reflection Sensor:Exit	31 - 6
GW02 0020	Photo Interrupter:Lg248n1	95 - 16
GW02 0020	Photo Interrupter:Lg248n1	23 - 21
GW02 0020	Photo Interrupter:Lg248n1	73 - 9
GW02 0020	Photo Interrupter:Lg248n1	35 - 8
GW02 0020	Photo Interrupter:Lg248n1	39 - 13
GX06 0015	Brushless Motor: Drive: Paper Feed	107 - 9
GX06 0015	Brushless Motor: Drive: Paper Feed	99 - 17
GX64 0020	Fan Motor - DC24V	103 - 1
GX64 0021	Fan Motor DC24V 1.92W	73 - 1

Part No.	Description	Page and Index No.
VSSM 9000	Digital Multimeter - FLUKE87	163 - 4

Part No.	Description	Page and Index No.
0312 5040N	Screw - M2.5X4	95 - 105
0314 0120N	Screw - M4X12	43 - 105
0353 0030N	Screw:M3X3	15 - 102
0353 0040N	Screw - M3X4	27 - 102
0353 0040N	Screw - M3X4	113 -104
0353 0040N	Screw - M3X4	73 - 107
0353 0040N	Screw - M3X4	61 - 104
0353 0050N	Screw-m3x5	15 - 103
0353 0050N	Screw-m3x5	47 - 109
0353 0060N	Bind Screw - M3x6	71 - 100
0353 0060N	Bind Screw - M3x6	19 - 102
0353 0060N	Bind Screw - M3x6	69 - 102
0353 0060N	Bind Screw - M3x6	97 - 103
0353 0060N	Bind Screw - M3x6	35 - 102
0353 0060N	Bind Screw - M3x6	73 - 104
0353 0080N	Screw:M3X8	103 -103
0353 0100N	Screw-m3x10	81 - 103
0353 0100N	Screw-m3x10	77 - 102
0353 0120N	Screw M3x12	113 -105
0353 0250N	Screw:M3X25	95 - 107
0360 3006N	Screw - M3X6	61 - 107
0360 3006N	Screw - M3X6	99 - 102
0360 3016N	Screw - M3X16	99 - 103
0434 0100N	Tapping Screw - 4x10	105 -106
0450 3008N	Tapping Screw - M3x8	23 - 102
0450 3008N	Tapping Screw - M3x8	61 - 102
0450 3008N	Tapping Screw - M3x8	67 - 102
0450 3008N	Tapping Screw - M3x8	31 - 102
0450 3008N	Tapping Screw - M3x8	87 - 102
0450 3008N	Tapping Screw - M3x8	59 - 101
0450 3008N	Tapping Screw - M3x8	29 - 101
0450 3008N	Tapping Screw - M3x8	85 - 104
0450 3008N	Tapping Screw - M3x8	101 -102
0450 3008N	Tapping Screw - M3x8	27 - 103
0450 3008N	Tapping Screw - M3x8	55 - 102

Part No.	Description	Page and Index No.
0450 3008N	Tapping Screw - M3x8	157 -103
0450 3008N	Tapping Screw - M3x8	25 - 101
0450 3008N	Tapping Screw - M3x8	113 -103
0450 3008N	Tapping Screw - M3x8	39 - 102
0450 3008N	Tapping Screw - M3x8	83 - 102
0450 3008N	Tapping Screw - M3x8	21 - 102
0450 3010N	Tapping Screw - M3x10	83 - 107
0450 3010N	Tapping Screw - M3x10	77 - 101
0450 3010N	Tapping Screw - M3x10	17 - 102
0450 3010N	Tapping Screw - M3x10	13 - 102
0450 3010N	Tapping Screw - M3x10	19 - 101
0450 3012N	Tapping Screw:3x12	63 - 102
0450 3012N	Tapping Screw:3x12	13 - 103
0450 3012N	Tapping Screw:3x12	65 - 102
0450 3012N	Tapping Screw:3x12	51 - 103
0450 3012N	Tapping Screw:3x12	53 - 103
0450 4008N	Tapping Screw - M4x8	51 - 101
0450 4008N	Tapping Screw - M4x8	53 - 101
0451 3006N	Tapping Screw - 3x6	21 - 101
0451 3006N	Tapping Screw - 3x6	43 - 101
0451 3006N	Tapping Screw - 3x6	67 - 101
0451 3006N	Tapping Screw - 3x6	107 -101
0451 3006N	Tapping Screw - 3x6	91 - 101
0451 3006N	Tapping Screw - 3x6	27 - 101
0451 3006N	Tapping Screw - 3x6	105 -101
0451 3006N	Tapping Screw - 3x6	103 -101
0451 3006N	Tapping Screw - 3x6	55 - 101
0451 3006N	Tapping Screw - 3x6	93 - 101
0451 3006N	Tapping Screw - 3x6	95 - 101
0451 3006N	Tapping Screw - 3x6	45 - 102
0451 3006N	Tapping Screw - 3x6	111 -101
0451 3006N	Tapping Screw - 3x6	81 - 101
0451 3006N	Tapping Screw - 3x6	101 -101
0451 3006N	Tapping Screw - 3x6	63 - 101
0451 3006N	Tapping Screw - 3x6	29 - 103

Part No.	Description	Page and Index No.
0451 3006N	Tapping Screw - 3x6	31 - 101
0451 3006N	Tapping Screw - 3x6	23 - 103
0451 3006N	Tapping Screw - 3x6	47 - 101
0451 3006N	Tapping Screw - 3x6	87 - 101
0451 3006N	Tapping Screw - 3x6	115 -103
0451 3006N	Tapping Screw - 3x6	85 - 101
0451 3006N	Tapping Screw - 3x6	25 - 102
0451 3006N	Tapping Screw - 3x6	73 - 101
0451 3006N	Tapping Screw - 3x6	61 - 101
0451 3006N	Tapping Screw - 3x6	35 - 101
0451 3006N	Tapping Screw - 3x6	33 - 101
0451 3006N	Tapping Screw - 3x6	113 -102
0451 3006N	Tapping Screw - 3x6	37 - 101
0451 3006N	Tapping Screw - 3x6	109 -101
0451 3006N	Tapping Screw - 3x6	41 - 101
0451 3006N	Tapping Screw - 3x6	79 - 101
0451 3006N	Tapping Screw - 3x6	97 - 101
0451 3006N	Tapping Screw - 3x6	39 - 101
0451 3006N	Tapping Screw - 3x6	83 - 101
0451 3006N	Tapping Screw - 3x6	89 - 101
0451 3006N	Tapping Screw - 3x6	57 - 101
0451 3006N	Tapping Screw - 3x6	99 - 101
0451 3006N	Tapping Screw - 3x6	75 - 101
0451 3008N	Tapping Screw - M3x8	15 - 101
0451 3008N	Tapping Screw - M3x8	49 - 101
0451 3008N	Tapping Screw - M3x8	65 - 101
0451 3008N	Tapping Screw - M3x8	95 - 102
0451 3008N	Tapping Screw - M3x8	79 - 103
0451 3008N	Tapping Screw - M3x8	13 - 101
0451 3008N	Tapping Screw - M3x8	43 - 102
0451 3008N	Tapping Screw - M3x8	61 - 106
0451 3008N	Tapping Screw - M3x8	93 - 102
0451 3008N	Tapping Screw - M3x8	73 - 102
0451 3008N	Tapping Screw - M3x8	17 - 101
0451 3010N	Tapping Screw:3x10	43 - 103

Part No.	Description	Page and Index No.
0451 3010N	Tapping Screw:3x10	73 - 103
0451 3010N	Tapping Screw:3x10	23 - 101
0451 3012N	Tapping Screw:3x12	17 - 103
0451 3014N	Tapping Screw:3x14	97 - 102
0451 3016N	Tapping Screw - 3x16	111 -102
0451 3025N	Tapping Screw:M3x25	95 - 103
0451 3030N	Tapping Screw:3x30	103 -104
0451 4008N	Tapping Screw:4x8	105 -103
0452 3008N	Tapping Screw - M3x8	61 - 103
0452 3008N	Tapping Screw - M3x8	73 - 105
0452 3008N	Tapping Screw - M3x8	49 - 102
0452 3008N	Tapping Screw - M3x8	67 - 103
0452 3010N	Binding Self-tapping Screw:3x10	77 - 103
0452 3010N	Binding Self-tapping Screw:3x10	49 - 103
0453 3006N	Tapping Screw - M3x6	43 - 104
0453 3006N	Tapping Screw - M3x6	29 - 102
0453 3006N	Tapping Screw - M3x6	75 - 102
0453 3008N	Binding Self Tapping Screw:3x8	43 - 106
0453 3008N	Binding Self Tapping Screw:3x8	51 - 102
0453 3008N	Binding Self Tapping Screw:3x8	53 - 102
0453 3010N	Binding Self Tapping Screw:3x10	75 - 103
0453 4006N	Binding Self Tapping Screw:4x6	37 - 102
0453 4006N	Binding Self Tapping Screw:4x6	39 - 103
0454 3006Q	Tapping Screw - M3x6	57 - 102
0454 3006Q	Tapping Screw - M3x6	115 -101
0454 3006Q	Tapping Screw - M3x6	95 - 104
0454 3006Q	Tapping Screw - M3x6	81 - 102
0454 3006Q	Tapping Screw - M3x6	65 - 105
0454 3006Q	Tapping Screw - M3x6	93 - 104
0454 3006Q	Tapping Screw - M3x6	103 -102
0454 3006Q	Tapping Screw - M3x6	109 -103
0454 3006Q	Tapping Screw - M3x6	87 - 104
0454 3006Q	Tapping Screw - M3x6	47 - 104
0454 3006Q	Tapping Screw - M3x6	101 -105
0454 3006Q	Tapping Screw - M3x6	107 -102

Part No.	Description	Page and Index No.
0454 3006Q	Tapping Screw - M3x6	73 - 106
0454 3006Q	Tapping Screw - M3x6	45 - 101
0454 3006Q	Tapping Screw - M3x6	105 -102
0454 3006Q	Tapping Screw - M3x6	99 - 104
0454 3006Q	Tapping Screw - M3x6	113 -101
0454 3006Q	Tapping Screw - M3x6	89 - 102
0454 3006Q	Tapping Screw - M3x6	41 - 102
0454 3006Q	Tapping Screw - M3x6	17 - 104
0454 3006Q	Tapping Screw - M3x6	111 -103
0454 3008Q	Tapping Screw:3x8	17 - 105
0454 3008Q	Tapping Screw:3x8	61 - 105
0454 3008Q	Tapping Screw:3x8	55 - 106
0454 3008Q	Tapping Screw:3x8	101 -104
0632 0100G	Pin - 2x10mm	25 - 106
0632 0100G	Pin - 2x10mm	31 - 106
0632 0120G	Parallel Pin - 2x12	27 - 104
0720 0030E	Retaining Ring - M3	67 - 104
0720 0030E	Retaining Ring - M3	81 - 106
0720 0030E	Retaining Ring - M3	79 - 102
0720 0030E	Retaining Ring - M3	83 - 105
0720 0030E	Retaining Ring - M3	33 - 104
0720 0030E	Retaining Ring - M3	109 -104
0720 0040E	Retaining Ring - M4	33 - 102
0720 0040E	Retaining Ring - M4	37 - 103
0720 0040E	Retaining Ring - M4	107 -107
0720 0040E	Retaining Ring - M4	25 - 103
0720 0040E	Retaining Ring - M4	75 - 104
0720 0040E	Retaining Ring - M4	99 - 107
0720 0040E	Retaining Ring - M4	55 - 104
0720 0040E	Retaining Ring - M4	47 - 111
0720 0040E	Retaining Ring - M4	87 - 109
0720 0040E	Retaining Ring - M4	31 - 103
0720 0040E	Retaining Ring - M4	27 - 105
0720 0040E	Retaining Ring - M4	71 - 101
0720 0040E	Retaining Ring - M4	81 - 104

Part No.	Description	Page and Index No.
0720 0040E	Retaining Ring - M4	63 - 103
0720 0060E	Retaining Ring - M6	99 - 105
0720 0060E	Retaining Ring - M6	67 - 105
0720 0060E	Retaining Ring - M6	107 -106
0720 0060E	Retaining Ring - M6	33 - 103
0720 0060E	Retaining Ring - M6	25 - 104
0725 0100E	Retaining Ring C - M10	71 - 102
0725 0120E	Retaining Ring C - M12	71 - 104
0725 0170E	Retaining Ring C - M17	71 - 103
0740 3506	Ball Bearing - 6x12x4 Mm	31 - 105
0741 3506	Ball Bearing - 6x12x4 Mm	37 - 104
0741 3506	Ball Bearing - 6x12x4 Mm	33 - 106
0741 3506	Ball Bearing - 6x12x4 Mm	31 - 104
0741 3506	Ball Bearing - 6x12x4 Mm	25 - 108
0742 3808	Ball Bearing - 8x16x5	33 - 105
0801 0149	Philips Pan Head Screw - M4x6	87 - 103
0801 0231	Hexagonal Head Bolt W/Washer:M3x6	101 -103
0802 5299	Tapping Screw - M3x8	45 - 103
0802 5299	Tapping Screw - M3x8	101 -106
0802 5299	Tapping Screw - M3x8	47 - 103
0802 5299	Tapping Screw - M3x8	115 -102
0802 5304	Tapping Screw - M3x30	103 -105
0802 5305	Tapping Screw - M3x6	111 -104
0802 5308	Tapping Screw :Fan	109 -102
0804 6123	Hexagonal Bolt:W/washer:M3x8	47 - 102
0805 0088	Retaining Ring - M6	47 - 110
0805 0088	Retaining Ring - M6	81 - 108
0805 0088	Retaining Ring - M6	61 - 109
0805 0088	Retaining Ring - M6	57 - 104
0805 0088	Retaining Ring - M6	95 - 109
0805 0088	Retaining Ring - M6	25 - 105
0805 0088	Retaining Ring - M6	73 - 109
0805 0089	Retaining Ring - M4	55 - 103
0805 0089	Retaining Ring - M4	27 - 106
0805 0089	Retaining Ring - M4	111 -105

Part No.	Description	Page and Index No.
0805 0089	Retaining Ring - M4	83 - 104
0805 0089	Retaining Ring - M4	103 -107
0805 0089	Retaining Ring - M4	59 - 102
0805 0089	Retaining Ring - M4	61 - 108
0805 0089	Retaining Ring - M4	85 - 102
0805 0089	Retaining Ring - M4	105 -104
0805 0089	Retaining Ring - M4	57 - 103
0805 0092	Retaining Ring - 3m	75 - 105
0805 0092	Retaining Ring - 3m	77 - 104
0805 0097	Ring Separator	83 - 103
0954 3008N	Screw - M3X8	69 - 101
0954 4008N	Screw - M4X8	107 -103
0954 4008N	Screw - M4X8	93 - 103
1102 4211	CT Header - 12P	135 -101
1102 5303	Connector - 4P	153 -101
1102 6245	Relay Connector - 2P	65 - 104
1102 6248	Connector - 5P	61 - 111
1102 6259	Connector - 2P	65 - 103
1102 6298	Connector - 5P	135 -102
1102 6300	Connector - 7P	123 -101
1102 6397	Box Header	123 -102
1102 6592	Connector - 8P	135 -103
1102 6594	Connector - 10P	123 -103
1102 6893	Connector-30p	135 -104
1102 7358	Connector - 80P	135 -105
1102 7615	Connector - B8B-XH-A	153 -102
1102 8329	Connector - Usb - UBB-4R-D14C	153 -103
1102 8470	Connector - 55447-0610	123 -104
1102 8471	Connector - 55447-071	123 -105
1102 8472	Connector - 55447-0810	123 -106
1102 8477	Connector - 13P	123 -107
1102 8479	Connector - 15P	123 -108
1102 8480	Connector - 55447-1610	123 -109
1102 8481	Connector - 55447-1760	123 -110
1102 8484	Connector:55447-2080	123 -111

Part No.	Description	Page and Index No.
1102 8488	Connector - 5451-2810	123 -112
1102 8490	Connector:55451-3210	123 -113
1102 8491	Connector - 55451-3410	123 -114
1102 8494	Connector - 55451-4010	123 -115
1102 8502	Connector - 54679-1615	93 - 109
1102 8534	Connector - QR/P17-14S-B	101 -108
1102 8544	Connector 1-353297-3	135 -106
1102 8560	Connector - KX14-60K5D1E	135 -107
1102 8623	Connector:292207-2	123 -116
1102 8781	Connector - 1-292207-2	135 -108
1102 8781	Connector - 1-292207-2	123 -117
1102 8933	Connector:292207-5	123 -118
1102 9079	Connector - RHM-88PL-SDK11-1	153 -104
1102 9108	Connector - 353297-3	123 -119
1102 9109	Connector - 353297-4	123 -120
1102 9110	Connector - 353297-6	123 -121
1102 9111	Connector - 353297-7	123 -122
1102 9112	Connector - 353297-8	123 -123
1102 9113	Connector - 1-353297-0	123 -124
1102 9114	Connector - 353297-1	123 -125
1102 9117	Connector - 353297-8	123 -126
1102 9119	Connector:2-353297-0	123 -127
1102 9120	Connector - 2-292208-2	123 -128
1102 9121	Connector:2-353308-4	135 -109
1102 9121	Connector:2-353308-4	123 -129
1102 9122	Connector 2-292208-6	135 -110
1102 9122	Connector 2-292208-6	123 -130
1102 9336	Connector:FPS009-2300-0	153 -105
1102 9505	Connector - 140PS-JUK-G-B	135 -111
1102 9535	Connector - 200PS-JUK-G-B	153 -106
1102 9601	Connector - 5-353297-3	123 -131
1102 9689	Connector 2-440091-4	153 -107
1102 9697	Connector:2-440091-5	153 -108
1102 9782	Connector:51405-1819	107 -108
1102 9887	Connector:52588-3090	153 -109

Part No.	Description	Page and Index No.
1102 9890	Connector:5-1605706-2	153 -110
1102 9928	Connector:29 6406 200 000 856	153 -111
1103 3174	Connector - FH12-40S-0.5SH(89)	135 -112
1103 3179	Connector:FH12-50S-0.5SV(89)	123 -132
1103 3354	Connector:B2P5-VH-TW-R(LF)(SN)	45 - 108
1105 0032	Clamp	19 - 105
1105 0460	Clamp	45 - 104
1105 0487	Harness Clamp	39 - 106
1105 0487	Harness Clamp	93 - 106
1105 0487	Harness Clamp	113 -106
1105 0487	Harness Clamp	89 - 104
1105 0487	Harness Clamp	107 -104
1105 0488	Harness Clamp	47 - 107
1105 0488	Harness Clamp	105 -105
1105 0488	Harness Clamp	91 - 105
1105 0488	Harness Clamp	93 - 105
1105 0489	Harness Clamp - LWS 1316	89 - 103
1105 0490	Harness Clamp - IWS-2218	89 - 105
1105 0490	Harness Clamp - IWS-2218	91 - 104
1105 0508	Harness Clamp - LWS-0711	87 - 108
1105 0508	Harness Clamp - LWS-0711	45 - 107
1105 0511	Harness Clamp - LWS-0306ZC	39 - 104
1105 0511	Harness Clamp - LWS-0306ZC	37 - 105
1105 0511	Harness Clamp - LWS-0306ZC	43 - 108
1105 0511	Harness Clamp - LWS-0306ZC	35 - 103
1105 0511	Harness Clamp - LWS-0306ZC	31 - 108
1105 0511	Harness Clamp - LWS-0306ZC	45 - 105
1105 0511	Harness Clamp - LWS-0306ZC	81 - 105
1105 0511	Harness Clamp - LWS-0306ZC	55 - 105
1105 0511	Harness Clamp - LWS-0306ZC	57 - 105
1105 0511	Harness Clamp - LWS-0306ZC	61 - 113
1105 0511	Harness Clamp - LWS-0306ZC	67 - 106
1105 0511	Harness Clamp - LWS-0306ZC	75 - 107
1105 0511	Harness Clamp - LWS-0306ZC	83 - 108
1105 0511	Harness Clamp - LWS-0306ZC	85 - 103

Part No.	Description	Page and Index No.
1105 0511	Harness Clamp - LWS-0306ZC	87 - 106
1105 0511	Harness Clamp - LWS-0306ZC	19 - 103
1105 0514	Edge Saddle - Eds-0607I	39 - 107
1105 0514	Edge Saddle - Eds-0607I	31 - 107
1105 0516	Clamp	99 - 106
1105 0516	Clamp	107 -105
1105 0516	Clamp	75 - 106
1105 0516	Clamp	73 - 108
1105 0516	Clamp	87 - 107
1105 0516	Clamp	47 - 105
1105 0516	Clamp	45 - 106
1105 0516	Clamp	91 - 103
1105 0516	Clamp	35 - 104
1105 0516	Clamp	23 - 104
1105 0516	Clamp	25 - 107
1105 0517	Harness Clamp - LWS-2111Z	47 - 108
1105 0518	Edge Saddle - Les-1010	47 - 106
1105 0521	Clamp - LES-1017	91 - 102
1105 0522	Edge Saddle - Les0510	61 - 110
1105 0522	Edge Saddle - Les0510	39 - 105
1105 0522	Edge Saddle - Les0510	43 - 107
1105 0534	Clamp	45 - 109
1105 0544	Edge Saddle:Les-2017	43 - 109
1105 0551	Clamp:LES-0505	81 - 107
1105 0551	Clamp:LES-0505	61 - 112
1105 0551	Clamp:LES-0505	83 - 106
1105 0568	Clamp:LWSS-0504	87 - 105
1105 0598	Clamp:LWSS-1N	19 - 104
1105 0612	Clamp:EDS-0704L-V0	97 - 104
1105 0612	Clamp:EDS-0704L-V0	93 - 111
1105 0612	Clamp:EDS-0704L-V0	95 - 106
1105 0613	Clamp:EDS-1010L-V0	93 - 108
1105 0614	Clamp - EDS-1710L-V0	93 - 107
1105 0641	Clamp	103 -106
1105 0642	PCS-20S-V0	91 - 106

Part No.	Description	Page and Index No.
1105 0643	Clamp - RFC-14V0	57 - 106
1107 1099	Fuse Sst 5	153 -112
1107 1107	Fuse - Ccp2e100tbk	135 -113
1150 0373	Power Supply Code:125V 15A NA	157 -101
1150 0377	Power Supply Code:250V:10A:EU	157 -101
1204 1543	Dip Switch	153 -113
1204 2570	Rocker Switch:Sddje13200	93 - 110
1204 2704	Switch - RS1A-AB11	101 -107
1204 2709	Switch - V-5F930DN	95 - 108
1206 0115	Lithium Cell - Cr1632/v1a	153 -114
1400 0688	Transistor -dte143zua	135 -114
1400 0730	Transistor - 2SD1782K	153 -115
1400 0769	Transistor - 2SA1576A	123 -133
1400 0775	Transistor - 2SC4081	123 -134
1400 0788	Transistor:DTB113ZK	123 -135
1400 0810	Transistor - DTC114EUA	123 -136
1400 0810	Transistor - DTC114EUA	135 -115
1400 0886	Transistor:DTC114GUA	135 -116
1400 0920	Transistor - DTC143EUA	123 -137
1400 0968	Transistor: DTA123JUA	123 -138
1400 1012	Transistor:2SD2656	123 -139
1400 1140	Transistor - 2SA1577R	123 -140
1400 1141	Transistor - 2SD1949	123 -141
1401 0972	Transistor-2sb1260	123 -142
1401 1175	Fet - Hat1043m	135 -117
1401 1209	IC - HAT2093R	153 -116
1401 1228	Fet:Si3433dv-e3	153 -117
1401 1296	Fet:Tpc8115	153 -118
1401 1320	Fet - Tpc8107	153 -119
1401 1354	Fet Array:Si4804bdy-e3	153 -120
1402 1289	Diode-array	123 -143
1402 1336	Diode - 1SS355	135 -118
1402 1336	Diode - 1SS355	153 -121
1402 1365	Diode-rb751v-40	153 -122
1402 1385	Diode Dap222	123 -144

Part No.	Description	Page and Index No.
1402 1503	Diode - 1SS400	123 -145
1402 1584	Diode - DAN217U	123 -146
1402 1663	Diode - ZTP12B	123 -147
1402 1698	Diode - RB	153 -123
1402 1709	Diode:EC21QS06G	153 -124
1402 1798	Diode - RSX30	135 -119
1402 1952	Diode - TDZ12	123 -148
1403 0953	LED - SML-310MT	135 -120
1403 0978	LED - SML-310DT	123 -149
1403 0996	LED - SML-310VT	135 -121
1403 0996	LED - SML-310VT	123 -150
1403 1033	LED - SML-310YT	135 -122
1403 1131	LED:SML-311UT	153 -125
1407 1535	IC - TD62308AP	123 -151
1407 2187	TTLIC - SN74LS07NS	153 -126
1407 2187	TTLIC - SN74LS07NS	123 -152
1407 2219	IC - TD62003AP	123 -153
1407 4919	IC - 74VHCT244 TSSOP	153 -127
1407 5274	CMOS Logic - 74LVCH162244A TSSOP	153 -128
1407 5300	CMOS Logic - 74LVC16244A TSSOP	153 -129
1407 5351	IC - SN74LV14APW	123 -154
1407 5351	IC - SN74LV14APW	135 -123
1407 5353	IC - SN74LV244APW	153 -130
1407 5353	IC - SN74LV244APW	135 -124
1407 5367	IC - 74LVC74A	135 -125
1407 5369	IC - SN74AHCT32PW	153 -131
1407 5377	IC - SN74AHCT1G08DCK	153 -132
1407 5392	IC:SN74LV541APW	123 -155
1407 5463	IC - SN74LV245APW	135 -126
1407 5469	IC - SN74LV07APW	123 -156
1407 5482	IC - SN74LVC07APW	153 -133
1407 5520	IC - SN74LVC125APW	153 -134
1407 5604	IC - SN74LVC16245ADGG	153 -135
1407 5713	IC:SN74LV06APW	135 -127
1407 5733	IC:SN74ALVC244PW	153 -136

Part No.	Description	Page and Index No.
1407 5790	CMOS Logic - SN74AHC2G08HDCU	123 -157
1407 5868	Ethernet Cont Lsi - Dp83847alqa56a	153 -137
1407 6077	IC - STA7101M	123 -158
1407 6080	CMOS Logic - SN74LVC2G04DCK	153 -138
1407 6080	CMOS Logic - SN74LVC2G04DCK	135 -128
1407 6100	IC:SN74LVC1G04DCK	153 -139
1407 6100	IC:SN74LVC1G04DCK	135 -129
1407 6101	IC - SN74LVC2G17DCK	123 -159
1407 6101	IC - SN74LVC2G17DCK	153 -140
1407 6101	IC - SN74LVC2G17DCK	135 -130
1407 6123	IC Sn74lvc2g125dcu	153 -141
1407 6123	IC Sn74lvc2g125dcu	135 -131
1407 6127	Clock Generator:ics960008aff	153 -142
1407 6145	IC:SN74LVC373APW	153 -143
1407 6161	Clock Generator-ics960009aff	153 -144
1407 6167	IC - EIO	123 -160
1407 6181	Motor Control Ic:Stk672-600	123 -161
1407 6187	CMOS Logic - SN74LVC1G07DCK	153 -145
1407 6196	Motor Control Ic:Stk672-610	123 -162
1407 6197	Driver:M54563p	123 -163
1407 6204	CMOS Logic:SN74LVC2G07DCK	153 -146
1407 6205	CMOS Logic - SN74LVC1G06DCK	135 -132
1407 6232	Lvds - THC63LVD104A	135 -133
1407 6265	Real Time Clock:R2025s	153 -147
1407 6268	CMOS Logic:SN74CBTLV3257PW	153 -148
1407 6280	Controller - Rb5v870	135 -134
1407 6314	Motor Control Ic:Tb6561ng	123 -164
1407 6318	CMOS Logic:SN74AHC1G00DCK	123 -165
1407 6335	CMOS Logic:SN74LVC1G17DCK	153 -149
1407 6362	EEPROM:BR24L64-W	91 - 107
1407 6372	EEPROM - Br24l01afj-w	153 -150
1407 6395	CMOS Logic:SN74AHC2G00HDCU	123 -166
1407 6447	Custom IC - Gavd Type-w	135 -135
1407 6466	Field Memory - 3mx12 3.3v	135 -136
1407 6534	Cpu:Rm7935-835k-rev1.2	153 -151

Part No.	Description	Page and Index No.
1407 6568	Clock Generator - lcs7152m-11lf	135 -137
1407 6658	Custom Ic:Rb5c661	135 -138
1408 1204	IC - TA8083P	123 -167
1408 1535	Transistor Array - M54585p	123 -168
1408 1550	IC - LM2902PW	123 -169
1408 1614	IC - LTC1772CS6	135 -139
1408 1653	Op amp - Lmv324ipw	135 -140
1408 1669	Series Regulator:R1170h331b	135 -141
1408 1750	IC - R3112Q231A	153 -152
1408 1778	IC:R3112Q101A	153 -153
1408 1779	IC - R3112Q281A	123 -170
1408 1815	IC - R3112Q151A	153 -154
1408 1826	IC - R3112Q421A	153 -155
1408 1850	Regulator - R1170h181b	135 -142
1408 1907	IC:R3112Q451A-FA	135 -143
1408 1925	IC:LTC1778EGN#PBF	153 -156
1408 1956	IC:LTC3728LXCUH#TRPBF	153 -157
1408 1960	IC:LP2996LQ/NOPB	153 -158
1408 2016	Regulator - R1114q181b-fa	135 -144
1408 2017	Series Regulator - Pq012fz01zph	135 -145
1408 2024	IC:R3112Q261A-FA	135 -146
1408 2029	Comparator:LM2901PW	123 -171
1408 2034	IC:TPS62042DGQ	153 -159
1408 2053	IC:R3112Q291A-FA	153 -160
1408 2066	IC:TPS54310PWP	153 -161
1408 2122	Series Regulator - R1130h331a-fb	123 -172
1408 2132	IC:TPS54380PWP	153 -162
1408 2236	Regulator - Bh18fb1wg	135 -147
1408 2376	Switching Regulator Modele:H8D3243A	135 -148
1503 0842	Oscillator - 14.31818MHZ	153 -163
1503 1004	Oscillator - 19.6608mhz	123 -173
1503 1013	Crystal Oscillator - 24.3mhz	135 -149
1503 1181	Crystal Oscillator:30mhz	153 -164
1503 1260	Crystal Oscillator - 23.8mhz	135 -150
1503 1304	Crystal Oscillator:25mhz	153 -165

Part No.	Description	Page and Index No.
1503 1305	Crystal Oscillator:25mhz	153 -166
1600 1946	Resistor - 33M Ω \pm 1% 1W	135 -151
1601 7752	Resistor Array - 10K Ω \pm 5%	135 -152
1601 7796	Resistor Array - 2.2KO	135 -153
1601 7867	Resistor - 33 Ω \pm 5% 1/16W	135 -154
1601 7871	Resistor - 68 Ω \pm 5% 1/16W	135 -155
1601 7887	Resistor Array - 10K Ω \pm 5% 1/32W	123 -174
1601 7887	Resistor Array - 10K Ω \pm 5% 1/32W	153 -167
1601 7896	Resistor Array - 56 Ω \pm 5% 1/32W	123 -175
1601 7898	Resistor Array	123 -176
1601 7898	Resistor Array	135 -156
1601 7898	Resistor Array	153 -168
1601 7900	Resistor Array - 0 Ω \pm 5%	123 -177
1601 7909	Resistor Array - 10 Ω \pm 5% 1/32W	153 -169
1601 7913	Resistor 22 Ω \pm 5% 1/32w	153 -170
1601 7943	Resistor Array - 68 Ω \pm 5% 1/32W	153 -171
1601 7943	Resistor Array - 68 Ω \pm 5% 1/32W	123 -178
1601 7959	Resistor	153 -172
1601 7959	Resistor	123 -179
1601 7959	Resistor	135 -157
1601 7981	Resistor Array - 100K Ω \pm 5%1/16W	153 -173
1601 7981	Resistor Array - 100K Ω \pm 5%1/16W	123 -180
1601 7984	Capacitor - 22K Ω \pm 5% 1/16W	123 -181
1601 7987	Resistor Array - 82 Ω \pm 5% 1/16W	153 -174
1601 7987	Resistor Array - 82 Ω \pm 5% 1/16W	135 -158
1604 2237	Capacitor 100 μ F 35v	123 -182
1604 2527	Capacitor - 100 μ F \pm 20% 25V	153 -175
1604 4477	Capacitor - 10 μ F \pm 20% 35V	123 -183
1604 4666	Capacitor:47 μ F: \pm 20%:35V	123 -184
1604 4728	Capacitor - 100 μ F \pm 20% 16V	135 -159
1604 4728	Capacitor - 100 μ F \pm 20% 16V	153 -176
1604 4825	Capacitor - 220 μ F \pm 20% 35V	123 -185
1604 4987	Capacitor - 330 μ F \pm 20% 6.3V	135 -160
1604 4994	Capacitor - 100 μ F \pm 20% 6.3V	153 -177
1604 5019	Capacitor - 56 μ F \pm 20% 10V	135 -161

Part No.	Description	Page and Index No.
1604 5046	Resistor - 150 μ F \pm 20%:10V	135 -162
1604 5065	Capacitor 10 μ F: \pm 20%:50V	135 -163
1604 5235	Capacitor:120 μ F: \pm 20%:10V	135 -164
1604 5236	Capacitor:180 μ F: \pm 20%:16V	135 -165
1604 5338	Resistor - 47 μ F \pm 20% 10V	135 -166
1604 5452	Capacitor:47 μ F: \pm 20%:10V	123 -186
1604 5453	Capacitor:100 μ F: \pm 20%:10V	123 -187
1605 1002	Capacitor - 2700pF \pm 10% 50V	135 -167
1605 1034	Ceramic Capacitor:1000pf: \pm 10%:50v	153 -178
1605 1095	Capacitor:180pf: \pm 5%:25V	153 -179
1605 1124	Capacitor - 4.7 μ F +80 -20% 10V	153 -180
1605 1137	Capacitor - 470pF \pm 10% 50V	123 -188
1605 1137	Capacitor - 470pF \pm 10% 50V	135 -168
1605 1148	Capacitor - 0.1 μ F +80-20% 50V	135 -169
1605 1148	Capacitor - 0.1 μ F +80-20% 50V	123 -189
1605 1165	Capacitor:680pf: \pm 5%:50V	153 -181
1605 1190	Resistor - 0.022 μ F \pm 10% 50V	135 -170
1605 1195	Capacitor:4pf: \pm 0.25pf:50V	153 -182
1605 1199	Capacitor - 8PF \pm 0.5pF 50V	153 -183
1605 1200	Capacitor - 10PF \pm 0.5pF 50V	153 -184
1605 1201	Capacitor - 12pF \pm 5% 50V	153 -185
1605 1204	Capacitor-pf50v	153 -186
1605 1205	Capacitor - 33pF \pm 5% 50V	153 -187
1605 1206	Capacitor - 47pF \pm 5% 50V	153 -188
1605 1207	Capacitor - 68pF \pm 5% 50V	153 -189
1605 1208	Capacitor:100pf: \pm 5%:50V	153 -190
1605 1209	Capacitor - 150pF \pm 5% 50V	153 -191
1605 1210	Capacitor:180pf: \pm 5%:50V	153 -192
1605 1211	Capacitor - 220pF \pm 10% 50V	153 -193
1605 1212	Capacitor - 470pF \pm 10% 50V	135 -171
1605 1212	Capacitor - 470pF \pm 10% 50V	153 -194
1605 1214	Capacitor - 1000pF \pm 10% 50V	153 -195
1605 1216	Capacitor - 2200PF \pm 10%50V	153 -196
1605 1221	Capacitor - 0.1 μ F+80-20%16V	135 -172
1605 1221	Capacitor - 0.1 μ F+80-20%16V	153 -197

Part No.	Description	Page and Index No.
1605 1224	Capacitor 4.7 μ F \pm 10% 6.3v	135 -173
1605 1234	Capcitor:4700pf: \pm 10%:50v	153 -198
1605 1240	Capacitor - 0.01 μ F \pm 10% 25V	153 -199
1605 1249	Capacitor:0.047 μ F: \pm 10%:16V	153 -200
1605 1282	Capacitor:22 μ F:+80-20%:10V	153 -201
1605 1283	Capacitor - 680pF \pm 10% 50V	153 -202
1605 1284	Capacitor:1500pf: \pm 10%:50V	153 -203
1605 1287	Capacitor - 0.47 μ F +80-20% 25V	135 -174
1605 1289	Capacitor - 0.1 μ F \pm 10% 10V	153 -204
1605 1295	Capacitor:10 μ F:+80-20%:10V	135 -175
1605 1295	Capacitor:10 μ F:+80-20%:10V	153 -205
1605 1296	Capacitor - 330pF \pm 10% 50V	153 -206
1605 1296	Capacitor - 330pF \pm 10% 50V	135 -176
1605 1300	Capacitor - 270pF \pm 5% 50V	135 -177
1605 1303	Capacitor - 0.01 μ F +80-20% 50V	153 -207
1605 1305	Capacitor - 1 μ F +80-20% 6.3V	153 -208
1605 1344	Capacitor - 33pF \pm 5% 50V	135 -178
1605 1347	Capacitor - 1 μ F:+80-20%:16V	135 -179
1605 1347	Capacitor - 1 μ F:+80-20%:16V	153 -209
1605 1353	Capacitor - 0.1 μ F \pm 10% 25V	153 -210
1605 1354	Capacitor:1200pf: \pm 5%:50V	153 -211
1605 1359	Capacitor - 10 μ F: \pm 20%:16V	153 -212
1605 1391	Capacitor - 22 μ F: \pm 20%:6.3V	153 -213
1605 1391	Capacitor - 22 μ F: \pm 20%:6.3V	135 -180
1605 1417	Capacitor:47 μ F:+80-20%:10V	153 -214
1605 1430	Resistor - 1 μ F +80-20% 50V	135 -181
1605 1448	Capacitor - 9PF: \pm 0.5pF 50V	153 -215
1605 1464	Resistor - 10 μ F \pm 20% 25V	135 -182
1605 1479	Capacitor - 47pF \pm 10%:50V	123 -190
1605 1481	Capacitor:1000pf: \pm 20%:50V	123 -191
1605 1482	Capacitor:4700pf: \pm 20%:50V	123 -192
1605 1531	Capacitor:470pf: \pm 20%:50V	123 -193
1605 1597	Capacitor:2.2 μ F:+80-20%:50V	123 -194
1607 0861	Filter - Bk2125hs101	135 -183
1607 0978	Inductor - Blm21p300spb	153 -216

Part No.	Description	Page and Index No.
1607 1002	IC - NFM60R30T222	135 -184
1607 1002	IC - NFM60R30T222	123 -195
1607 1051	Filter -fbmj2125hs420	153 -217
1607 1061	Filter - Blm11p300spb	153 -218
1607 1196	Inductor -220uh ±20% 0.33a	135 -185
1607 1228	Inductor - Slf7045-4r7m2r0	153 -219
1607 1326	Inductor - Slf12575-2r7n7r0-pf	135 -186
1607 1351	Filter Blm21pg221sn1b	153 -220
1607 1351	Filter Blm21pg221sn1b	135 -187
1607 1362	Coil - ACM3225-800-2P	153 -221
1607 1387	Filter - Blm18bb600sn1b	153 -222
1607 1471	Inductor:Lb2518b6r8m	153 -223
1607 1477	Inductor - Rlf7030-4r7m3r4	153 -224
1607 1489	Filter - Mmz1608b301c	153 -225
1607 1556	Inductor:Rlf7030-1r5n6r1	153 -226
1607 1567	Filter:Mpz2012s101a	153 -227
1607 1567	Filter:Mpz2012s101a	135 -188
1607 1606	Inductor - Nlfc453232-150k-pf	135 -189
1607 1650	Inductor:Rlf7030-6r8m2r8	153 -228
1607 1715	Ferrite Core - Rfc-5	157 -102
1607 1827	Inductor:Rlf7030-2r2m5r4	153 -229
1609 0005	Resistor:33 Ω:±5%:1/16w	135 -190
1609 0005	Resistor:33 Ω:±5%:1/16w	153 -230
1609 0006	Resistor:10k Ω:±5%:1/16w	153 -231
1609 0006	Resistor:10k Ω:±5%:1/16w	123 -196
1609 0006	Resistor:10k Ω:±5%:1/16w	135 -191
1609 0007	Resistor - 68Ω ±5% 1/16W	135 -192
1609 0007	Resistor - 68Ω ±5% 1/16W	153 -232
1609 0008	Resistor:4.7k Ω:±5%:1/16w	135 -193
1609 0011	Resistor:22Ω:±5%:1/16w	153 -233
1609 0016	Resistor:56 Ω:±5%:1/16w	153 -234
1609 0019	Resistor:0 Ω:1608	135 -194
1609 0026	Resistor - 47Ω ±5% 1/16W	153 -235
1609 0033	Resistor - 82 Ω ±5% 1/16w	135 -195
1609 0070	Resistor Array:1m OΩ:±5%:1/16W	123 -197

Part No.	Description	Page and Index No.
1610 1409	Chip Resistor - 6.8Ω ±5%	123 -198
1610 1427	Resistor - 15Ω ±5% 1W	135 -196
1610 1734	Resistor:0.02 Ω:±1%:1W	153 -236
1610 1750	Chip Resistor:1komh ±1%:1/2w	123 -199
1610 1771	Chip Resistor:1Ω ±5%:1w	123 -200
1610 1804	Resistor:0.006 Ω:±1%:1W	153 -237
1610 1947	Resistor:220 Ω:±5%:1W	123 -201
1632 0000	Resistor - 0 Ω 1/8W	153 -238
1633 0000	Resistor - 0 Ω 1/10W	123 -202
1634 0000	Resistor - 0 Ω 1/16W	135 -197
1634 0000	Resistor - 0 Ω 1/16W	123 -203
1634 0000	Resistor - 0 Ω 1/16W	153 -239
1644 0100	Capacitor - 10μF ±20% 10V	135 -198
1644 1330	Capacitor	153 -240
1644 6101	Capacitor - 100μF ±20% 6.3V	153 -241
1650 2680	Resistor - 68Ω ±5% 1/4W	123 -204
1650 2682	Resistor - 6.8KΩ ±5% 1/4W	123 -205
1650 3153	Resistor:15kΩ:±5%:1/8W	123 -206
1650 4100	Resistor - 10Ω ±5% 1/10W	153 -242
1650 4100	Resistor - 10Ω ±5% 1/10W	123 -207
1650 4100	Resistor - 10Ω ±5% 1/10W	135 -199
1650 4101	Resistor - 100Ω±5%1/10W	135 -200
1650 4101	Resistor - 100Ω±5%1/10W	123 -208
1650 4102	Resistor - 1KΩ ±5% 1/10W	123 -209
1650 4102	Resistor - 1KΩ ±5% 1/10W	135 -201
1650 4103	Resistor - 10KΩ ±5% 1/10W	123 -210
1650 4103	Resistor - 10KΩ ±5% 1/10W	135 -202
1650 4104	Resistor - 100KΩ±5%1/10W	135 -203
1650 4104	Resistor - 100KΩ±5%1/10W	123 -211
1650 4105	Resistor - 1MΩ ±5% 1/10W	123 -212
1650 4121	Resistor - 120Ω±5%1/10W	135 -204
1650 4122	Resistor - 1.2KΩ ±5% 1/10W	123 -213
1650 4122	Resistor - 1.2KΩ ±5% 1/10W	135 -205
1650 4150	Resistor - 15Ω ±5% 1/10W	153 -243
1650 4150	Resistor - 15Ω ±5% 1/10W	135 -206

Part No.	Description	Page and Index No.
1650 4154	Resistor 150k Ω \pm 5% 1/10w	123 -214
1650 4161	Resistor - 160 Ω \pm 5% 1/10W	123 -215
1650 4162	Resistor - 1.6K Ω \pm 5% 1/10W	123 -216
1650 4202	Resistor - 2K Ω \pm 5%1/10W	123 -217
1650 4220	Chip Resistor - 22 Ω \pm 5% 1/10w	135 -207
1650 4220	Chip Resistor - 22 Ω \pm 5% 1/10w	123 -218
1650 4222	Resistor - 2.2K Ω \pm 5%1/10W	123 -219
1650 4222	Resistor - 2.2K Ω \pm 5%1/10W	135 -208
1650 4223	Resistor - 22K Ω \pm 5%1/10W	123 -220
1650 4244	Resistor:240k Ω : \pm 5%:1/10w:1608	135 -209
1650 4271	Resistor - 270 Ω \pm 5%1/10W	135 -210
1650 4330	Chip Resistor - 33 Ω \pm 5% 1/10w	135 -211
1650 4330	Chip Resistor - 33 Ω \pm 5% 1/10w	153 -244
1650 4330	Chip Resistor - 33 Ω \pm 5% 1/10w	123 -221
1650 4331	Resistor - 330 Ω \pm 5%1/10W	135 -212
1650 4332	Resistor - 3.3K Ω \pm 5%1/10W	135 -213
1650 4390	Resistor - 39 Ω -5% 1/10W	153 -245
1650 4431	Resistor - 430 Ω \pm 5% 1/10W	135 -214
1650 4470	Resistor - 47 Ω \pm 5%1/10W	135 -215
1650 4470	Resistor - 47 Ω \pm 5%1/10W	153 -246
1650 4471	Resistor - 470 Ω \pm 5%1/10W	135 -216
1650 4472	Resistor - 4.7K Ω \pm 5% 1/10W	135 -217
1650 4472	Resistor - 4.7K Ω \pm 5% 1/10W	123 -222
1650 4473	Resistor - 47K Ω \pm 5%1/10W	123 -223
1650 4560	Chip Resistor - 56 Ω \pm 5% 1/10w	123 -224
1650 4560	Chip Resistor - 56 Ω \pm 5% 1/10w	135 -218
1650 4561	Resistor - 560 Ω \pm 5% 1/10W	135 -219
1650 4621	Resistor - 620 Ω \pm 5% 1/10W 1608	135 -220
1650 4680	Resistor - 68 Ω \pm 5%1/10W	135 -221
1650 4680	Resistor - 68 Ω \pm 5%1/10W	153 -247
1650 4680	Resistor - 68 Ω \pm 5%1/10W	123 -225
1650 4681	Resistor - 680 Ω \pm 5% 1/10W	123 -226
1650 4682	Resistor - 6.8K Ω \pm 5% 1/10W	135 -222
1650 4751	Resistor - 750 Ω \pm 5% 1/10W	135 -223
1650 4821	Chip Resistor - 820 Ω \pm 5% 1/10w	135 -224

Part No.	Description	Page and Index No.
1650 5100	Chip Resistor - 10 Ω \pm 5%1/16w	153 -248
1650 5101	Chip Resistor - 100 Ω \pm 5%1/16w	153 -249
1650 5102	Chip Resistor - 1k Ω \pm 5%1/16w	153 -250
1650 5103	Chip Resistor - 10k Ω \pm 5%1/16w	153 -251
1650 5104	Chip Resistor - 100k Ω \pm 5%1/16w	153 -252
1650 5105	Chip Resistor - 1m Ω \pm 5%1/16w	153 -253
1650 5109	Chip Resistor 1 Ω \pm 5% 1/16w	153 -254
1650 5122	Chip Resistor - 1.2k Ω \pm 5%1/16w	153 -255
1650 5202	Chip Resistor:2k Ω : \pm 5%:1/16w	153 -256
1650 5220	Resistor - 22 Ω \pm 5% 1/16W	153 -257
1650 5221	Chip Resistor - 220 Ω \pm 5%1/16w	153 -258
1650 5222	Resistor - 2.2K Ω \pm 5% 1/16W	153 -259
1650 5229	Resistor:2.2 Ω : \pm 5%:1/16w:1005	153 -260
1650 5271	Chip Resistor 270 Ω \pm 5% 1/16w	153 -261
1650 5272	Chip Resistor:2.7k Ω : \pm 5%:1/16w	153 -262
1650 5274	Resistor:270k Ω : \pm 5%:1/16w:1005	153 -263
1650 5303	Chip Resistor 30k Ω \pm 5% 1/16w	153 -264
1650 5330	Chip Resistor - 33 Ω \pm 5%1/16w	153 -265
1650 5470	Chip Resistor 47 Ω \pm 5% 1/16w	153 -266
1650 5472	Chip Resistor:4.7k Ω : \pm 5%:1/16w	153 -267
1650 5512	Chip Resistor 5.1k Ω \pm 5% 1/16w	153 -268
1650 5513	Chip Resistor:51k Ω : \pm 5%:1/16w	153 -269
1650 5514	Chip Resistor:510k Ω : \pm 5%:1/16w	153 -270
1650 5560	Chip Resistor 56 Ω \pm 5% 1/16w	153 -271
1650 5562	Chip Resistor:5.6k Ω : \pm 5%:1/16w	153 -272
1650 5621	Chip Resistor 620 Ω \pm 5% 1/16w	153 -273
1650 5680	Resistor - 68 Ω \pm 5% 1/16W	153 -274
1650 5681	Chip Resistor:680 Ω : \pm 5%:1/16w	153 -275
1650 5750	Chip Resistor:75 Ω : \pm 5%:1/16w	153 -276
1650 5820	Chip Resistor:82 Ω : \pm 5%:1/16w	153 -277
1650 5822	Chip Resistor:8.2k Ω : \pm 5%:1/16w	153 -278
1650 5823	Chip Resistor:82k Ω : \pm 5%:1/16w	153 -279
1653 4999	Resistor - 49.9 Ω \pm 1% 1/8W	153 -280
1653 5499	Resistor - 54.9 Ω \pm 1% 1/8W	153 -281
1654 1000	Resistor - 100 Ω \pm 1% 1/10W	135 -225

Part No.	Description	Page and Index No.
1654 1001	Resistor - 1K Ω \pm 1%/10W	153 -282
1654 1002	Resistor - 10K Ω \pm 5%/10W	123 -227
1654 1002	Resistor - 10K Ω \pm 5%/10W	135 -226
1654 1003	Resistor - 100K Ω \pm 1%/10W	123 -228
1654 1004	Chip Resistor - 1m Ω \pm 1% 1/10w	123 -229
1654 1004	Chip Resistor - 1m Ω \pm 1% 1/10w	153 -283
1654 1101	Resistor - 1.1K Ω \pm 1%/10W	123 -230
1654 1201	Resistor - 1.2K Ω \pm 1% 1/10W	123 -231
1654 1300	Resistor - 130 Ω \pm 1% 1/10W	135 -227
1654 1500	Resistor - 150 Ω \pm 1 %/10W	123 -232
1654 1501	Resistor - 1.5K Ω \pm 1% 1/10W 1608	153 -284
1654 1501	Resistor - 1.5K Ω \pm 1% 1/10W 1608	123 -233
1654 1502	Resistor - 15K Ω \pm 1% 1/10W	153 -285
1654 1601	Chip Resistor - 1.6k Ω \pm 1% 1/10w	123 -234
1654 2001	Chip Resistor - 2k Ω \pm 1% 1/10w	123 -235
1654 2002	Resistor - 20K Ω \pm 1%/10W	123 -236
1654 2401	Resistor - 2.4K Ω \pm 1% 1/10W	123 -237
1654 2741	Resistor - 2.74K Ω \pm 1% 1/10W	123 -238
1654 3609	Resistor - 36 Ω \pm 1%/10W	153 -286
1654 3741	Chip Resistor:3.74k Ω	123 -239
1654 4300	Resistor - 430 Ω \pm 1% 1/10W	123 -240
1654 4700	Resistor - 470 Ω \pm 1%/10W	135 -228
1654 4701	Resistor - 4.7K Ω \pm 1% 1/10W	135 -229
1654 4872	Resistor - 48.7K Ω \pm 1% 1/10W	135 -230
1654 5109	Resistor:51 Ω : \pm 1%:1/10W	135 -231
1654 6200	Resistor - 620 Ω \pm 1% 1/10W	123 -241
1654 6201	Resistor - 6.2K Ω \pm 1% 1/10W	123 -242
1654 6801	Resistor - 6.8K Ω \pm 1% 1/10W	123 -243
1654 7501	Resistor - 7.5K Ω \pm 1%/10W-1608	123 -244
1654 7871	Resistor - 7.87K Ω \pm 1% 1/10W	123 -245
1654 8200	Resistor - 820 Ω \pm 1%/10W	135 -232
1654 8201	Resistor - 8.2K Ω \pm 1% 1/10W	123 -246
1654 8201	Resistor - 8.2K Ω \pm 1% 1/10W	153 -287
1654 8202	Resistor - 82K Ω \pm 1% 1/10W	135 -233
1654 9101	Resistor:9.1k Ω : \pm 1%:1/10W	123 -247

Part No.	Description	Page and Index No.
1655 0000	Chip Resistor - 0 Ω \pm 0%/1/16w	153 -288
1655 1001	Chip Resistor - 1k Ω \pm 1% 1/16w	153 -289
1655 1002	Chip Resistor - 10k Ω \pm 1%/1/16w	153 -290
1655 1022	Resistor:10.2k Ω : \pm 1%:1/16W	153 -291
1655 1301	Chip Resistor:1.3k Ω : \pm 1%:1/16w	153 -292
1655 1502	Resistor - 15K Ω \pm 1% 1/16W	153 -293
1655 1602	Resistor:16k Ω : \pm 1%:1/16W	153 -294
1655 1651	Resistor:1.65k Ω : \pm 1%:1/16w:1005	153 -295
1655 1800	Chip Resistor:180 Ω : \pm 1%:1/16w	153 -296
1655 1912	Resistor:19.1k Ω : \pm 1%:1/16W	153 -297
1655 2002	Chip Resistor - 20k Ω \pm 1%/1/16w	153 -298
1655 2402	Resistor - 24K Ω \pm 1% 1/16W	153 -299
1655 2742	Resistor:27.4k Ω : \pm 1%:1/16W	153 -300
1655 3000	Chip Resistor:300 Ω : \pm 1%:1/16w	153 -301
1655 3091	Resistor:3.09k Ω : \pm 1%:1/16W	153 -302
1655 3402	Resistor:34k Ω : \pm 1%:1/16W	153 -303
1655 3900	Resistor:390 Ω : \pm 1%:1/16W	153 -304
1655 4301	Resistor:4.3k Ω : \pm 1%:1/16W	153 -305
1655 4321	Resistor:4.32k Ω : \pm 1%:1/16W	153 -306
1655 4701	Chip Resistor - 4.7k Ω \pm 1%/1/16w	153 -307
1655 4870	Resistor:487 Ω : \pm 1%:1/16W	153 -308
1655 6341	Resistor:6.34k Ω : \pm 1%:1/16W	153 -309
1655 6342	Resistor:63.4k Ω : \pm 1%:1/16W	153 -310
1655 7152	Resistor:71.5k Ω : \pm 1%:1/16W	153 -311
1655 9761	Resistor:9.76k Ω : \pm 1%:1/16W	153 -312
1660 0100	Capacitor - 10PF \pm 0.5pF 50V	135 -234
1660 2101	Capacitor - 100pF - \pm 10% - 50V	153 -313
1660 2101	Capacitor - 100pF - \pm 10% - 50V	123 -248
1660 2101	Capacitor - 100pF - \pm 10% - 50V	135 -235
1660 2120	Capacitor - 12 pF \pm 5% 50V	135 -236
1660 2121	Capacitor - 120pF \pm 5% 50V	153 -314
1660 2150	Capacitor - 15pF \pm 5% 50V	135 -237
1660 2150	Capacitor - 15pF \pm 5% 50V	123 -249
1660 2151	Capacitor - 150pF \pm 20% 35V	135 -238
1660 2220	Capacitor - 22pF \pm 20% 35V	123 -250

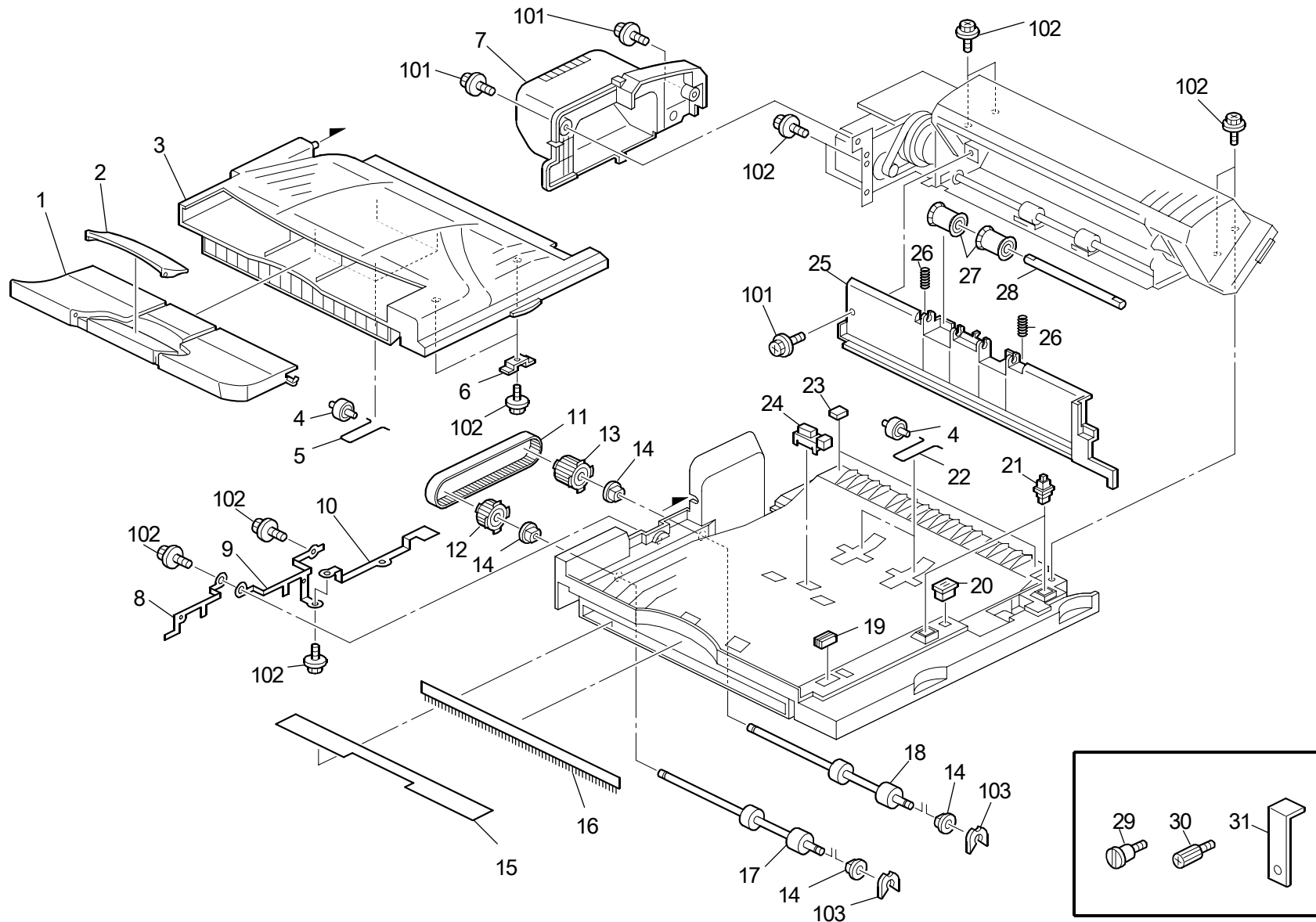
Part No.	Description	Page and Index No.
1660 2221	Capacitor - 220pF +80-20% 50V	135 -239
1660 2270	Capacitor - 27pF ±20% 35V	135 -240
1660 2330	Capacitor - 33pF - ±5% - 50V	135 -241
1660 2470	Capacitor - 47pF ±5% 50V	135 -242
1660 2470	Capacitor - 47pF ±5% 50V	123 -251
1660 2470	Capacitor - 47pF ±5% 50V	153 -315
1660 2471	Capacitor - 470pF - ±5% - 50V	153 -316
1660 4102	Capacitor - 1000pF ±10% 50V	135 -243
1660 4102	Capacitor - 1000pF ±10% 50V	123 -252
1660 4103	Capacitor - 10000pF - ±10% - 50V	135 -244
1660 4332	Capacitor - 3300pF - ±10% - 50V	135 -245
1660 4472	Capacitor - 4700PF±10% 50V	123 -253
1660 4472	Capacitor - 4700PF±10% 50V	135 -246
1660 6103	Capacitor - 10000pF - +80%-20%50V	123 -254
1660 8104	Capacitor - 0.1µF +80-20% 25V	135 -247
1660 8104	Capacitor - 0.1µF +80-20% 25V	123 -255
1906 0076	Flash Memory:Mbm29p12lm12pcn	153 -317

Part No.	Description	Page and Index No.
5203 9502	Silicone Grease G-501	163 - 8
5206 2686	Snap Ring	55 - 36
5206 2686	Snap Ring	35 - 19
5215 2621	Snap Ring - M6	33 - 18
5215 2621	Snap Ring - M6	21 - 6
5442 1924	Exposure Glass Cushion	43 - 10
5447 2681	Snap Ring	31 - 15
5447 2681	Snap Ring	33 - 6
5447 2681	Snap Ring	35 - 13
5447 2681	Snap Ring	27 - 8
5447 2681	Snap Ring	25 - 2
5447 2681	Snap Ring	83 - 21
5447 2681	Snap Ring	105 - 14
5447 2768	Stepped Screw - M3	73 - 6
5840 3022	Stopper Screw - M3	81 - 24

B227
BRIDGE UNIT BU3000
PARTS LOCATION AND LIST

This section instructs you as to the numbers and names of parts on this machine

1.BRIDGE UNIT 1 (B227)

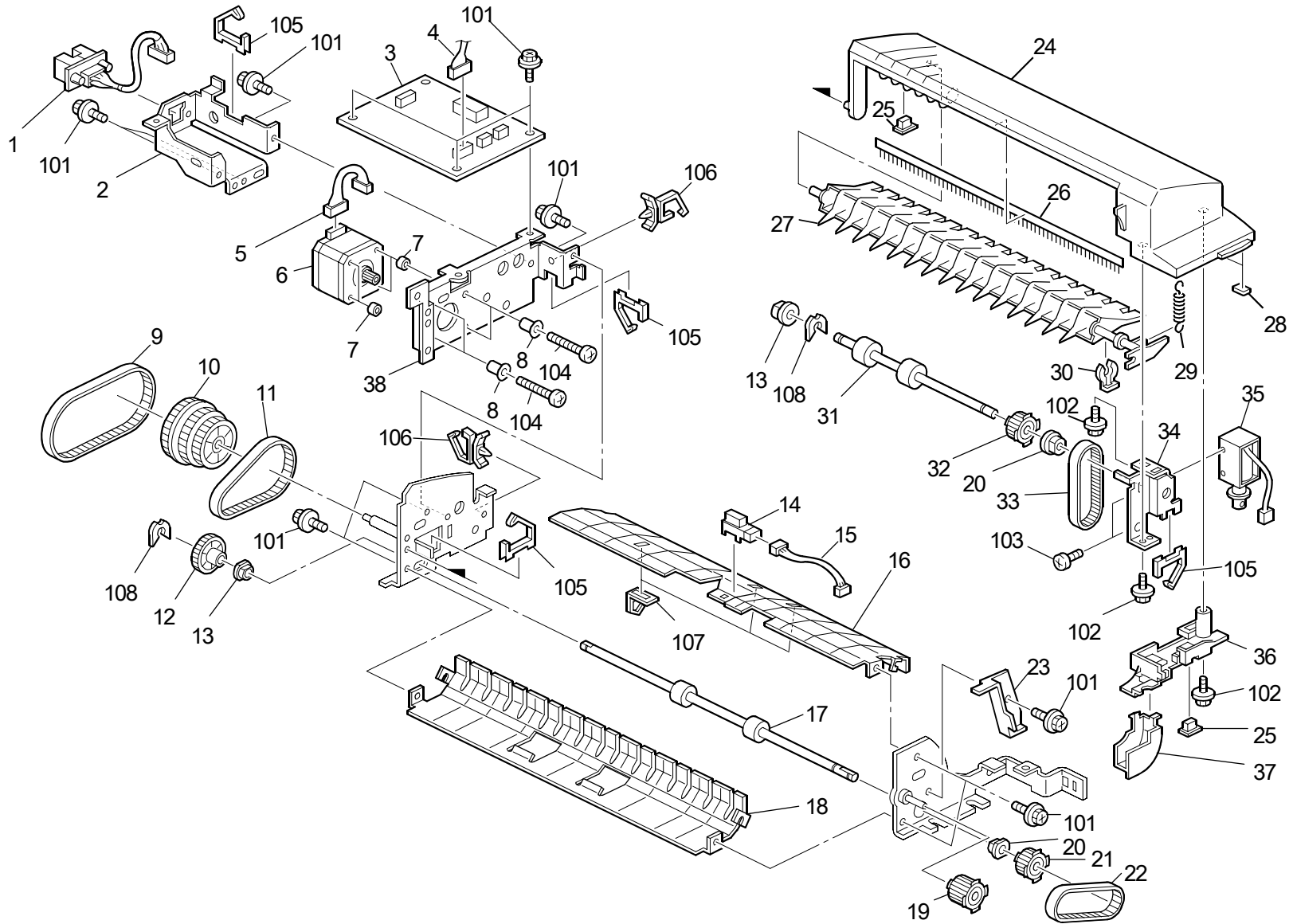


1.BRIDGE UNIT 1 (B227)

Index No.	Part No.	Description	Q'ty Per Assembly
1	B227 4652	Extension Tray	1
2	B227 4655	Turn Extension Tray	1
3	B227 4651	Exit Tray	1
4	AF04 0621	Driven Roller - Dia14	5
5	B227 4654	Spring - 1.6n	2
6	B024 1264	Magnet Catch	2
7	B227 4672	Rear Cover	1
8	B227 4646	Ground Plate - Right	1
9	B227 4647	Ground Plate - Left	1
10	B227 4648	Ground Plate - Pap Feed Sensor	1
11	AA04 3598	Timing Belt - 30S2M308	1
12	AB03 0789	Timing Pulley - 24T	1
13	AB03 0632	Transport Roller Pulley	1
14	AA08 2101	Bushing - 6x10x6	6
15	B227 4642	Guide Sheet	1
16	AA12 0129	Discharge Brush	1
17	AF02 0633	Transport Roller - 3rd	1
18	AF02 0632	Transport Roller - 2nd	1
19	AG07 0514	Magnet Catch	1
20	AA02 1031	Magnetic Catch	1
21	AW50 0023	Push Switch	2
22	B227 4644	Spring - 0.8n	2
23	AA16 1166	Damping Insulation: Gate Pawl: Frame	4
24	AW01 0107	Paper Feed Sensor	2
25	B227 4671	Exit Cover - Lower	1
26	AA06 3596	Compression Spring - Exit Roller	2
27	B227 4673	Exit Roller	2
28	AA14 0875	Driven Shaft	1
29	B227 4633	Knob Screw - M3	1
30	B227 4632	Knob Screw - M3	1
31	B227 4645	Coupling Bracket	1

Index No.	Part No.	Description	Q'ty Per Assembly
101	0451 3006N	Tapping Screw - 3x6	
102	0450 3008N	Tapping Screw - M3x8	
103	0805 0089	Retaining Ring - M4	

2.BRIDGE UNIT 2 (B227)



B227
BRIDGE UNIT BU3000
PARTS INDEX

This section instructs you as to the numbers and names of parts on this machine

Parts Index

Part No.	Description	Page and Index No.
B227 4626	Guide Plate - Middle	5 - 16
B227 4627	Guide Plate - Lower	5 - 18
B227 4632	Knob Screw - M3	3 - 30
B227 4633	Knob Screw - M3	3 - 29
B227 4642	Guide Sheet	3 - 15
B227 4644	Spring - 0.8n	3 - 22
B227 4645	Coupling Bracket	3 - 31
B227 4646	Ground Plate - Right	3 - 8
B227 4647	Ground Plate - Left	3 - 9
B227 4648	Ground Plate - Pap Feed Sensor	3 - 10
B227 4651	Exit Tray	3 - 3
B227 4652	Extension Tray	3 - 1
B227 4654	Spring - 1.6n	3 - 5
B227 4655	Turn Extension Tray	3 - 2
B227 4661	Cover - Right	5 - 24
B227 4662	Inner Cover - Right	5 - 36
B227 4663	DC Solenoid 24v	5 - 35
B227 4665	Solenoid Bracket	5 - 34
B227 4666	Harness Cover	5 - 37
B227 4667	Discharge Brush - Exit	5 - 26
B227 4668	Inner Cover - Drive	5 - 23
B227 4671	Exit Cover - Lower	3 - 25
B227 4672	Rear Cover	3 - 7
B227 4673	Exit Roller	3 - 27
B227 4681	Stepper Motor Dc4.29v	5 - 6
B227 4682	Stepper Motor Bracket	5 - 38
B227 4691	PCB Bracket	5 - 2
B227 5131	Harness -iob	5 - 1
B227 5132	Harness - Main Brb	5 - 4
B227 5133	Harness - Stepper Motor	5 - 5
B227 5134	Harness - Paper Feed Sensor	5 - 15
B227 5150	PCB Brb	5 - 3

Part No.	Description	Page and Index No.
B024 1264	Magnet Catch	3 - 6
B044 1825	Collar	5 - 8

Part No.	Description	Page and Index No.
AA02 1030	Magnet Catch	5 - 25
AA02 1031	Magnetic Catch	3 - 20
AA04 3594	Timing Belt - 30S2M100	5 - 22
AA04 3595	Timing Belt - 30S2M140	5 - 33
AA04 3596	Timing Belt - 50S2M210	5 - 11
AA04 3597	Timing Belt - 30S2M336	5 - 9
AA04 3598	Timing Belt - 30S2M308	3 - 11
AA06 0994	Tension Spring - 1.6n	5 - 29
AA06 3596	Compression Spring - Exit Roller	3 - 26
AA08 2063	Bushing - 8x10x5	5 - 20
AA08 2101	Bushing - 6x10x6	5 - 13
AA08 2101	Bushing - 6x10x6	3 - 14
AA10 1021	Rubber Bushing - 6 45hs	5 - 7
AA12 0129	Discharge Brush	3 - 16
AA14 0875	Driven Shaft	3 - 28
AA16 1166	Damping Insulation: Gate Pawl: Frame	3 - 23
AA16 1166	Damping Insulation: Gate Pawl: Frame	5 - 28
AB01 1265	Gear - 33Z	5 - 12
AB03 0632	Transport Roller Pulley	3 - 13
AB03 0789	Timing Pulley - 24T	5 - 21
AB03 0789	Timing Pulley - 24T	3 - 12
AB03 0790	Pulley - 24T	5 - 19
AB03 0791	Timing Pulley - 24T	5 - 32
AB03 3096	Timing Pulley	5 - 10
AF02 0631	Transport Roller - 1nd	5 - 17
AF02 0632	Transport Roller - 2nd	3 - 18
AF02 0633	Transport Roller - 3rd	3 - 17
AF02 0634	Exit Roller	5 - 31
AF02 5043	Gate Pawl	5 - 27
AF04 0621	Driven Roller - Dia14	3 - 4
AG07 0514	Magnet Catch	3 - 19
AW01 0107	Paper Feed Sensor	5 - 14
AW01 0107	Paper Feed Sensor	3 - 24
AW50 0023	Push Switch	3 - 21

Part No.	Description	Page and Index No.
0353 0040N	Screw - M3x4	5 - 103
0353 0100N	Screw-m3x10	5 - 104
0450 3008N	Tapping Screw - M3x8	5 - 102
0450 3008N	Tapping Screw - M3x8	3 - 102
0451 3006N	Tapping Screw - 3x6	3 - 101
0451 3006N	Tapping Screw - 3x6	5 - 101
0805 0089	Retaining Ring - M4	3 - 103
0805 0089	Retaining Ring - M4	5 - 108
1105 0516	Clamp	5 - 106
1105 0522	Edge Saddle - Les0510	5 - 105
1105 0568	Clamp:Lwss-0504	5 - 107

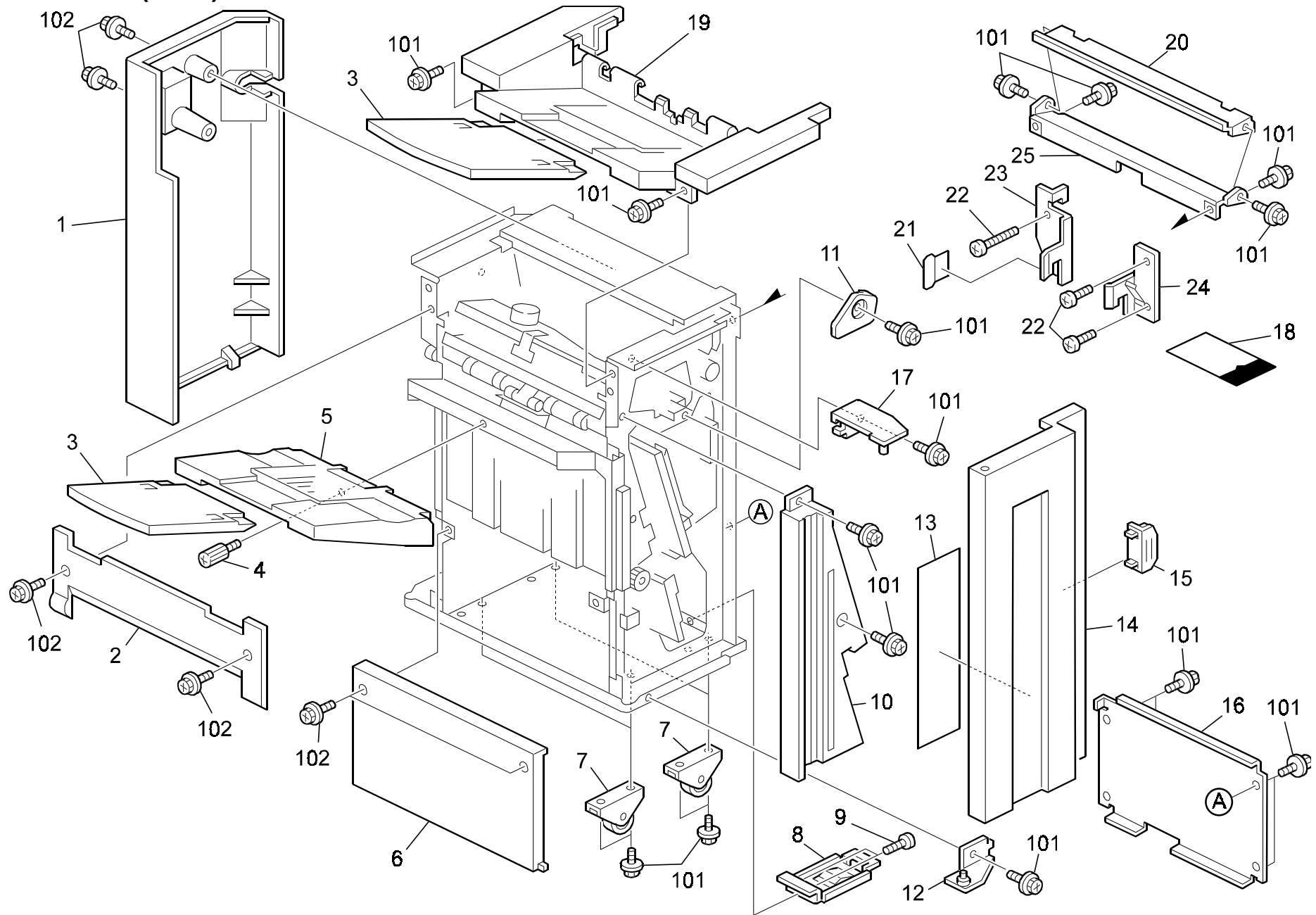
Part No.	Description	Page and Index No.
5447 2681	Snap Ring	5 - 30

Part No.	Description	Page and Index No.

1,000 SHEET FINISHER B408
PARTS LOCATION AND LIST (rev. 11/09/06)

This section instructs you as to the numbers and names of parts on this machine.

1.EXTERIOR (B408)



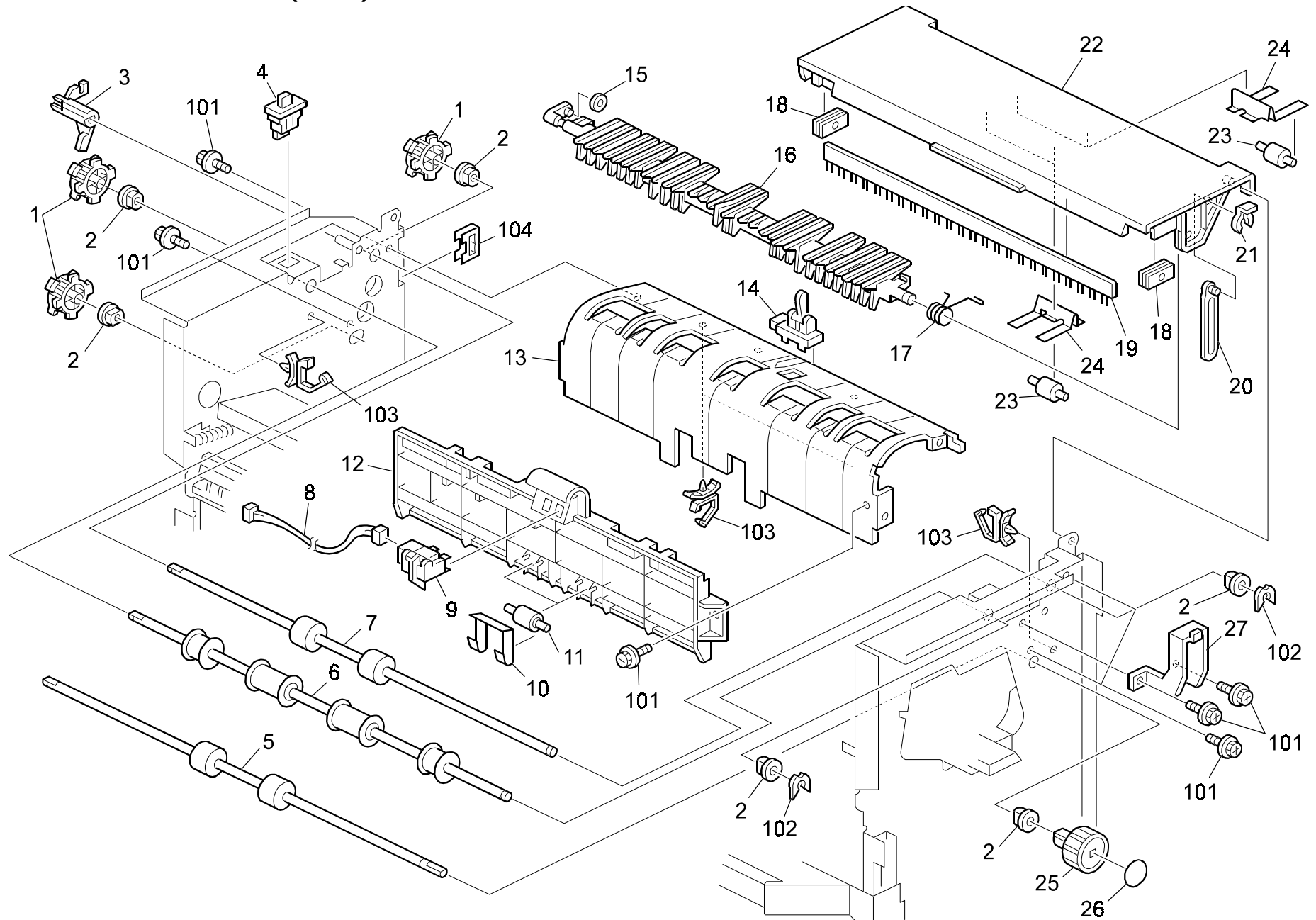
1.EXTERIOR (B408)

Rev. 05/02/2005

Index No.	Part No.	Description	Q'ty Per Assembly
1	B408 6141	Rear Cover	1
2	B408 6151	Left Upper Cover	1
3	B408 3412	Slide Tray	2
4	A628 3115	Knob Screw - M4	1
5	B408 3411	Tray	1
6	B408 6161	Left Lower Cover	1
7	B408 1314	Caster [TSB#005]	4
8	B408 1422	Bracket - Ground Plate	1
9	G020 1391	Screw - M3X4.5	2
10	B408 6131	Left Inner Cover	1
11	B408 1241	Guard - Side Plate Front	1
12	B408 6124	Hinge - Door Lower	1
13	B408 7151	Decal - Misfeed Removal	1
14	B408 6121	Front Cover	1
15	AG07 0512	Magnetic Catch [TSB#005]	1
16	B408 6171	Right Lower Cover	1
17	B408 6122	Hinge - Door Upper	1
18	B408 7171	Decal - Staple	1
19	B408 6111	Upper Cover	1
20	B408 2192	Guide Plate - Connecting Upper	1
21	B408 1418	Mylar - Rear Joint Bracket	1
22	B408 1431	Joint Bracket Screw	4
23	B408 1414	Bracket - Coupling Rear (B022/B027)	1
23	A697 1144	Bracket - Coupling Rear (B079/B082)	1
24	B408 1425	Bracket - Coupling Front	1
25	B408 2191	Guide Plate - Connecting Lower	1

Index No.	Part No.	Description	Q'ty Per Assembly
101	0802 5276	Tapping Screw With Washer - M3x6	
102	0451 3008H	Tapping Screw - M3x8	

2.TRANSPORT SECTION (B408)



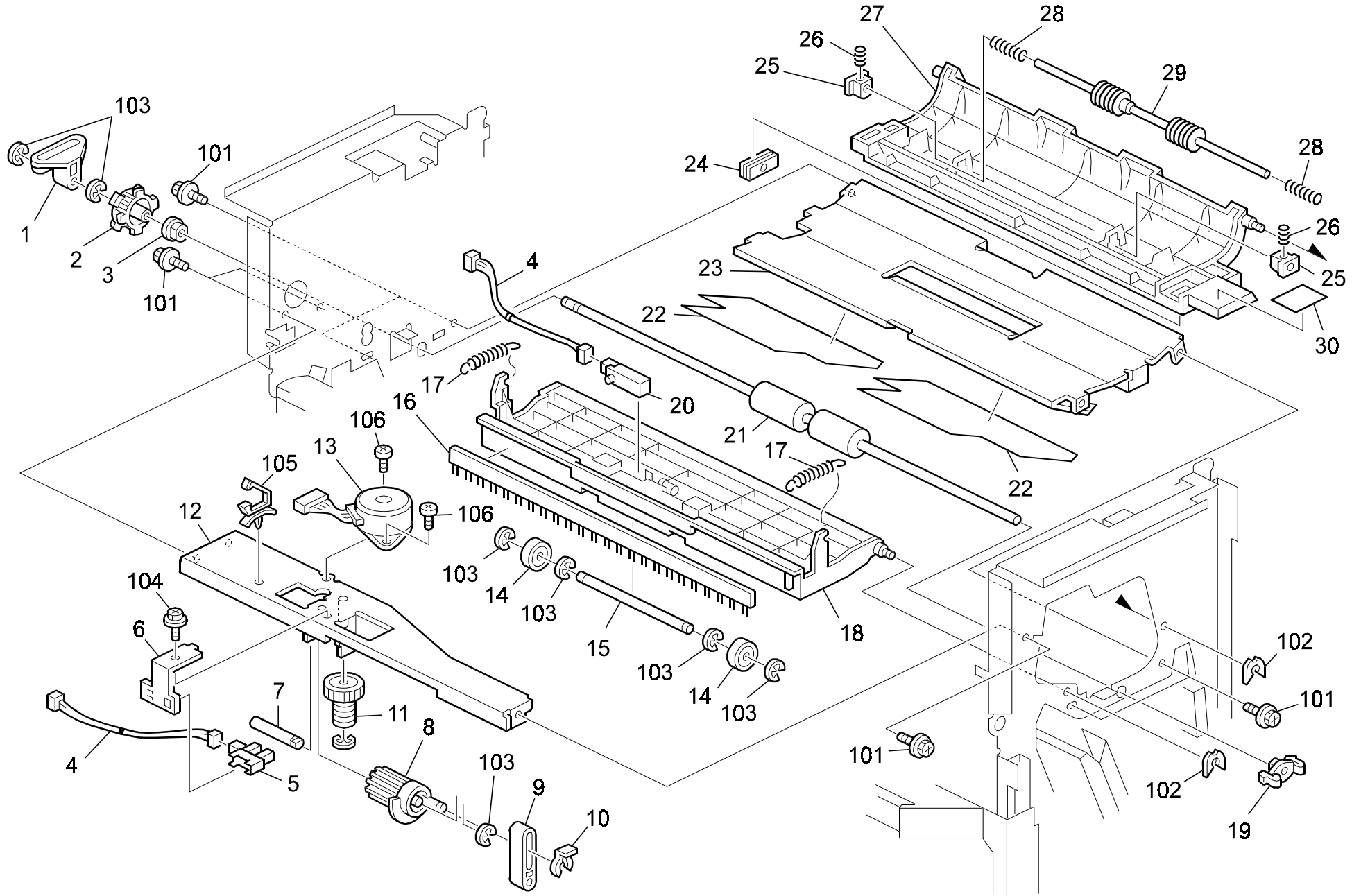
2.TRANSPORT SECTION (B408)

Rev. 05/02/2005

Index No.	Part No.	Description	Q'ty Per Assembly
1	B408 2271	Pulley - T24	1
2	AA08 2101	Bushing - 6x10x6	6
3	B408 2532	Lever - Paper Guide Upper	1
4	G020 5626	Push Switch	1
5	B408 2221	Transfer Roller - Upper	1
6	B408 2231	Exit Roller - Proof Tray	1
7	B408 2211	Transfer Roller	1
8	B408 5310	Harness - Connecting	1
9	AW02 0103	Photointerrupter	1
10	A859 3425	Spring Plate	2
11	A859 3420	Middle Driven Roller	2
12	B408 2157	Left Guide Plate - Entrance	1
13	B408 2152	Guide Plate - Entrance	1
14	AW02 0049	Photointerruptor - OS - 580213-703	1
15	A548 1317	Lever Cushion	1
16	B408 2723	Upper Paper Guide	1
17	B408 2722	Spring - Upper Paper Guide	1
18	AG07 0514	Magnet Catch [TSB#005]	2
19	B408 2715	Discharge Brush	1
20	B408 2731	Arm - Top Cover	1
21	5447 2681	Snap Ring	1
22	B408 2711	Top Cover	1
23	AF04 0558	Driven Roller	4
24	A688 3960	Roller Holder	2
25	B408 2281	Knob - Transfer Roller	1
26	B408 7112	Decal - Knob R2	1
27	B408 1231	Angle - Front Side Plate	1

Index No.	Part No.	Description	Q'ty Per Assembly
101	0802 5276	Tapping Screw With Washer - M3x6	
102	0805 0089	Retaining Ring - M4	
103	1105 0511	Harness Clamp - LWS-0306ZC	
104	1105 0329	Clamp - ES-0510	

3.PAPER EXIT SECTION 1 (B408)



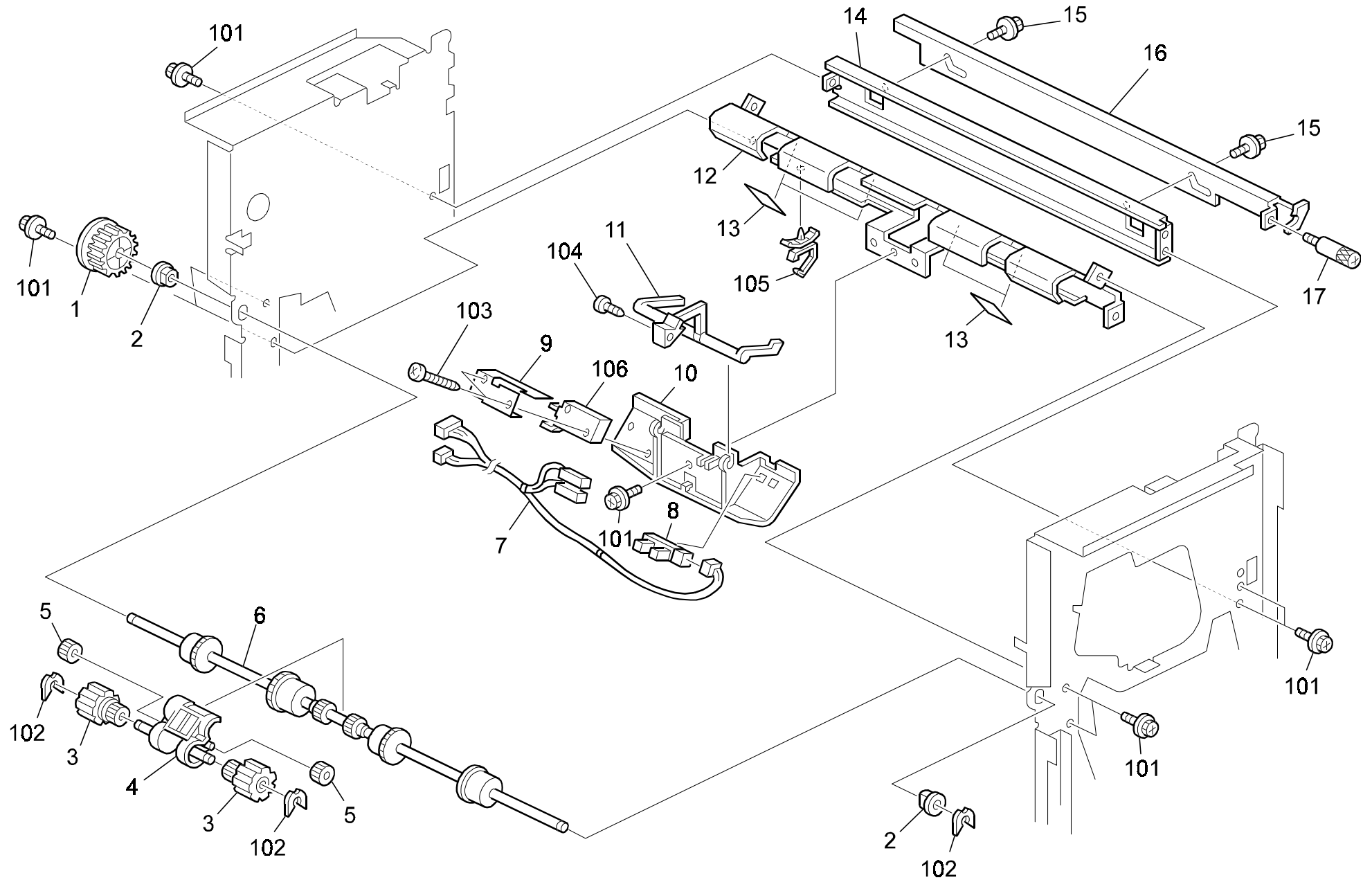
3.PAPER EXIT SECTION 1 (B408)

Rev. 05/02/2005

Index No.	Part No.	Description	Q'ty Per Assembly
1	B408 2314	Arm - Roller Slide	1
2	B408 2313	Pulley - T24	1
3	AA08 2101	Bushing - 6x10x6	1
4	B408 5340	Sensor Relay Harness - 280mm	2
5	AW02 0156	Photointerruptor [TSB#005]	1
6	B408 2841	Bracket - Home Position Sensor	1
7	B408 2833	Shaft - Worm Wheel	1
8	B408 2832	Worm Wheel - Z20	1
9	B408 2861	Arm - Guide Plate	1
10	5447 2681	Snap Ring	1
11	B408 2831	Gear - Z53	1
12	B408 2821	Stay - Guide Plate	1
13	AX05 0160	Stepper Motor - MM42 0.85A	1
14	A681 2742	Driven Exit Roller	2
15	A666 4210	Shaft - Exit Roller	1
16	B352 2203	Discharge Brush - Stapler Tray	1
17	B408 2852	Spring - Guide Plate Exit	1
18	B408 2811	Guide Plate - Exit	1
19	B408 2312	Bushing - Roller Slide	1
20	AW01 0109	Photo Reflection Sensor - PS-17ND1 [TSB#005]	1
21	B408 2311	Slide Roller	1
22	B408 2162	Guide Mylar	2
23	B408 2160	Guide Plate - Shift Ass'y	1
24	AG07 0514	Magnet Catch [TSB#005]	1
25	B408 2175	Bushing - Roller Slide	2
26	A697 2144	Pressure Spring	2
27	B408 2172	Guide Plate - Shift	1
28	B408 2174	Spring	2
29	B408 2173	Slide Roller	1
30	B408 7102	Decal - Shift Tray R1	1

Index No.	Part No.	Description	Q'ty Per Assembly
101	0802 5276	Tapping Screw With Washer - M3x6	
102	0805 0089	Retaining Ring - M4	
103	0720 0040B	Retaining Ring - M4	
104	0451 3006B	Tapping Screw - M3x6	
105	1105 0511	Harness Clamp - LWS-0306ZC	
106	0453 3006B	Tapping Screw - M3x6	

4.PAPER EXIT SECTION 2 (B408)



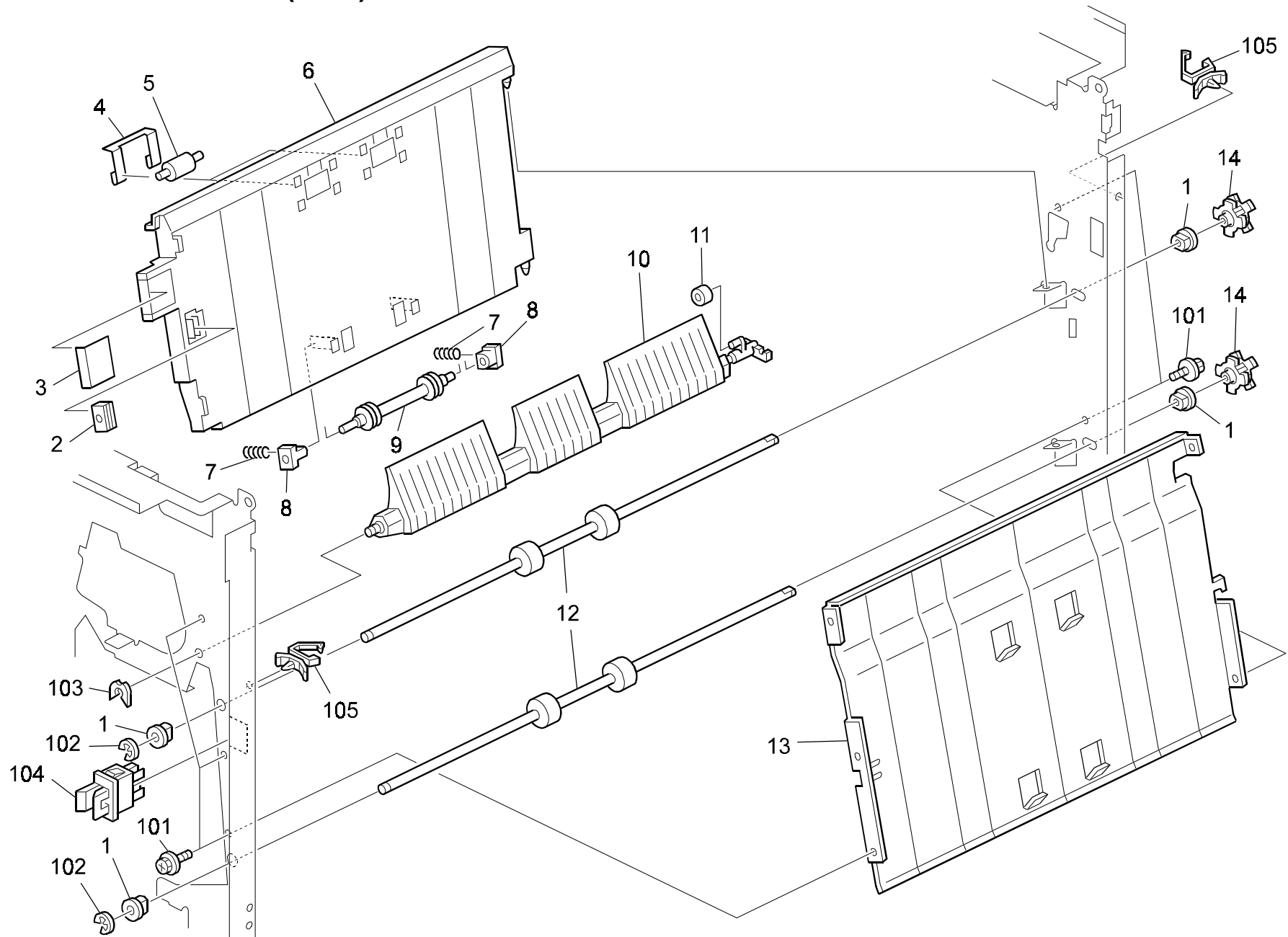
4.PAPER EXIT SECTION 2 (B408)

Rev. 05/02/2005

Index No.	Part No.	Description	Q'ty Per Assembly
1	B408 2272	Pulley - T30	1
2	AA08 2101	Bushing - 6x10x6	2
3	B352 2407	Reverse Roller - 20z	2
4	B408 2246	Reverse Roller Arm	1
5	B352 2409	Idler Gear - 17z	2
6	B408 2241	Exit Roller	1
7	B408 5300	Harness - Paper Sensor	1
8	AW02 0156	Photointerruptor [TSB#005]	1
9	B408 3613	Lever - Micro Switch	1
10	B408 3611	Stay - Paper Sensor	1
11	B408 3612	Paper Sensor Feeler	1
12	B408 2182	Guide Plate - Exit Stapler	1
13	A681 2722	Guide Mylar - Lower Exit Guide	4
14	B408 1413	Coupling Stay	1
15	AA14 3790	Stepped Screw - Lever [TSB#005]	2
16	B408 1411	Coupling Lever	1
17	B408 1412	Flat Screw	1

Index No.	Part No.	Description	Q'ty Per Assembly
101	0802 5276	Tapping Screw With Washer - M3x6	
102	0805 0089	Retaining Ring - M4	
103	0452 3020B	Binding Self Tapping Screw - 3x20	
104	0452 3008B	Tapping Screw - M3x8	
105	1105 0511	Harness Clamp - LWS-0306ZC	
106	1204 2540	Micro Switch - AM50650C3	

5.VERTICAL TRANSPORT (B408)



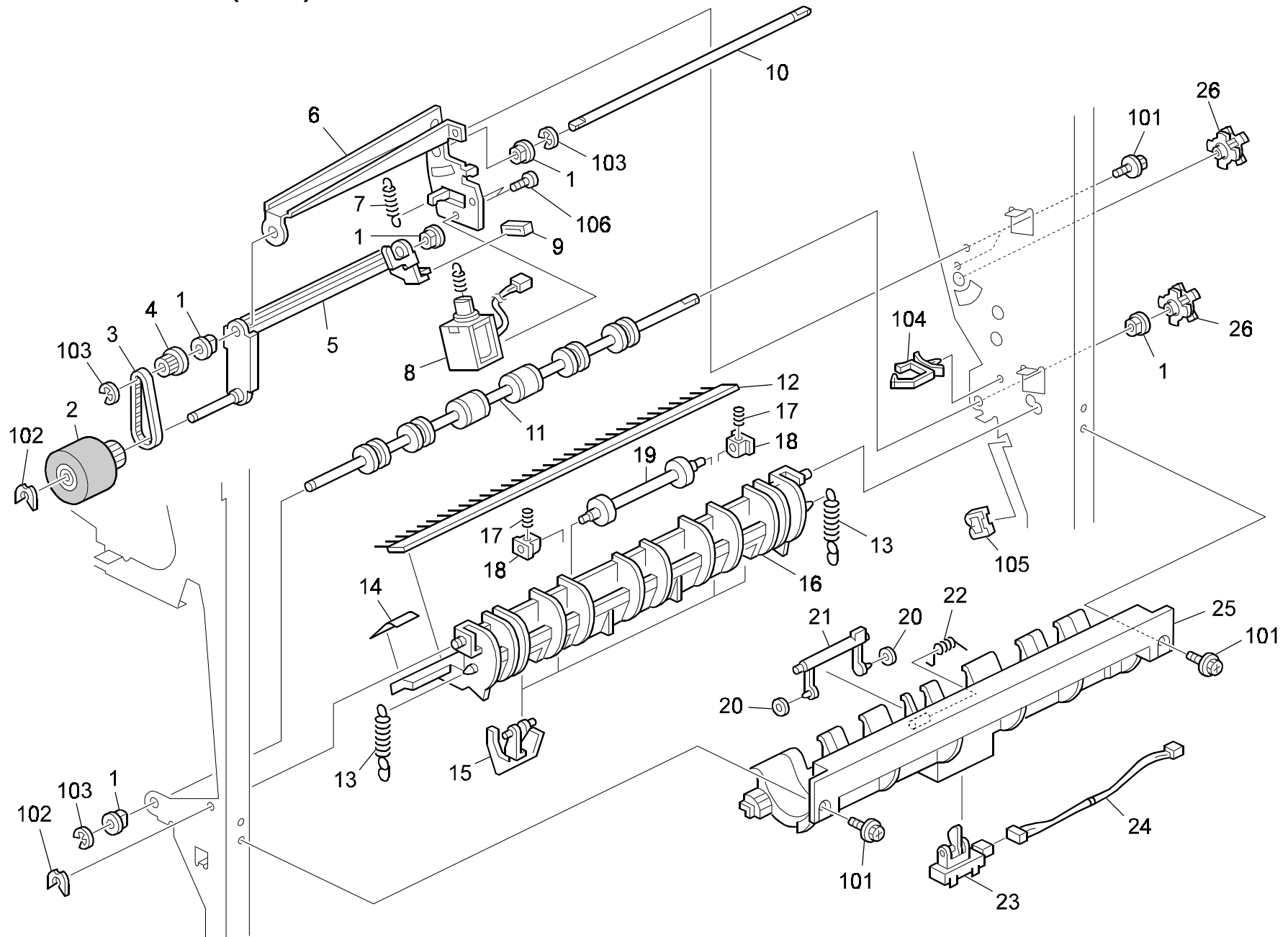
5.VERTICAL TRANSPORT (B408)

Rev. 05/02/2005

Index No.	Part No.	Description	Q'ty Per Assembly
1	AA08 2101	Bushing - 6x10x6	4
2	AG07 0514	Magnet Catch [TSB#005]	1
3	B408 7122	Decal - Stapler Tray R3	1
4	A859 3425	Spring Plate	2
5	A859 3420	Middle Driven Roller	2
6	B408 2142	Guide Plate - Stapler Tray	1
7	A697 2144	Pressure Spring	2
8	AA08 0237	Bushing - 4x5x7	2
9	AF02 2097	Driven Roller	1
10	B408 2541	Lower Paper Guide [TSB#005]	1
11	A548 1317	Lever Cushion	1
12	B408 2211	Transfer Roller	2
13	B408 2131	Upper Guide Plate	1
14	B408 2271	Pulley - T24	2

Index No.	Part No.	Description	Q'ty Per Assembly
101	0802 5276	Tapping Screw With Washer - M3x6	
102	0720 0040B	Retaining Ring - M4	
103	0805 0089	Retaining Ring - M4	
104	1204 2541	Interlock Switch	
105	1105 0511	Harness Clamp - LWS-0306ZC	

6.STAPLE SECTION 1 (B408)



6.STAPLE SECTION 1 (B408)

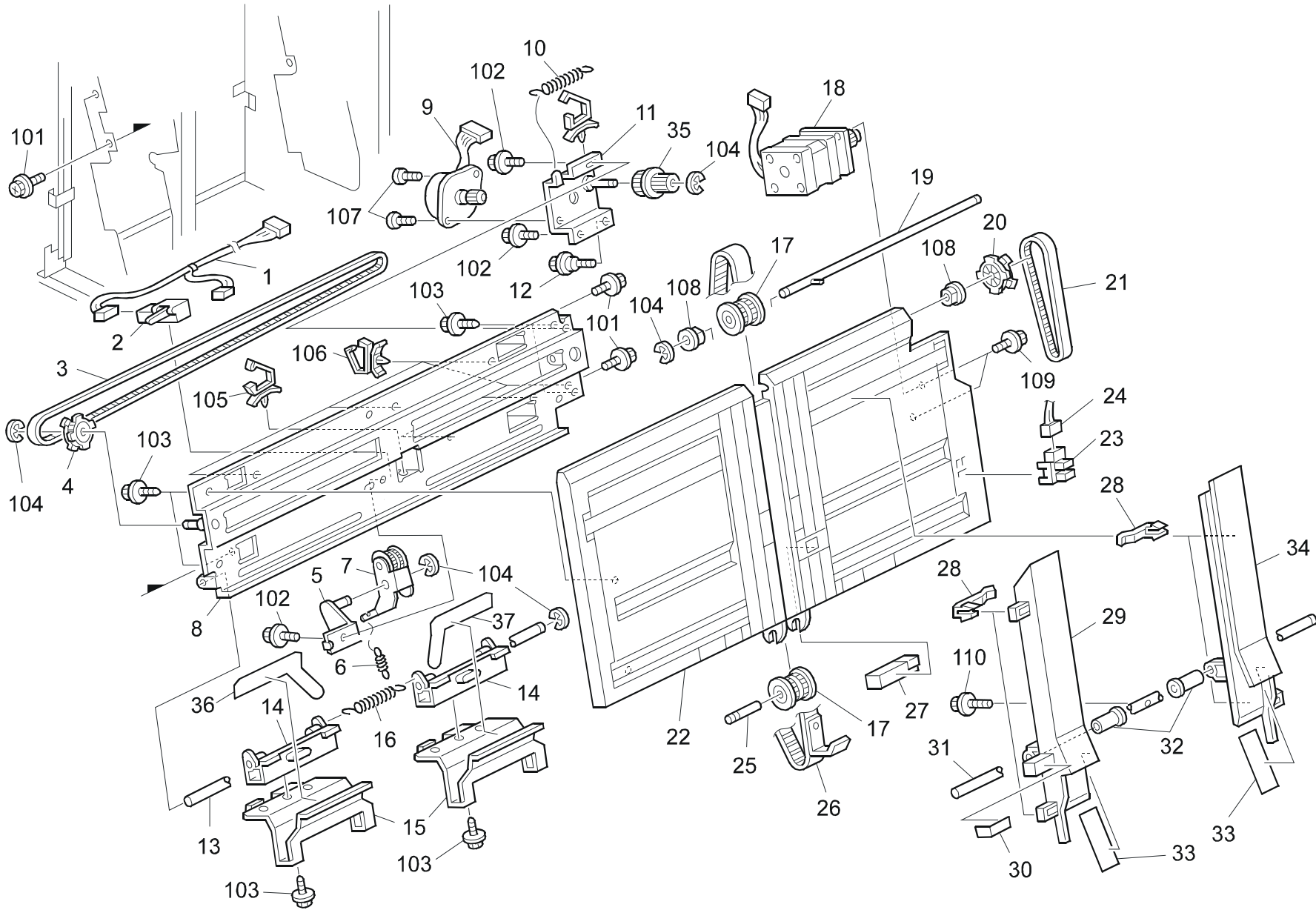
Rev. 03/19/2004

Index No.	Part No.	Description	Q'ty Per Assembly
1	AA08 2101	Bushing - 6x10x6	5
2	B408 2435	Positioning Roller <i>[TSB#004]</i>	1
3	B408 2434	Timing Belt - 124P2M4	1
4	B408 2422	Pulley - T16	1
5	B408 2411	Arm - Positioning Roller	1
6	B408 2421	Bracket - Positioning Roller	1
7	B408 2444	Spring - Positioning Roller	1
8	B408 2451	DC Solenoid - 12.5W	1
9	A498 4625	Arm Cushion	1
10	B408 2441	Shaft - Positioning Roller	1
11	B408 2251	Stapler Exit Roller	1
12	B352 2203	Discharge Brush - Stapler Tray	1
13	B352 2206	Tension Spring - Lower Guide	2
14	B408 7132	Decal - Stapler Tray Exit R4	1
15	B408 2113	Guide - Trailing Edge	4
16	B408 2112	Guide Plate - Lower	1
17	A697 2144	Pressure Spring	2
18	B352 2205	Bushing - Driven Roller	2
19	B352 2204	Driven Roller	1
20	B352 2229	Roller - Paper Guide	2
21	B352 2222	Paper Guide - Trailing Edge	1
22	B352 2232	Torsion Spring	1
23	AW02 0049	Photointerruptor - OS - 580213-703	1
24	B408 5340	Sensor Relay Harness - 280mm	1
25	B408 2122	Guide Plate - Lower	1
26	B408 2271	Pulley - T24	1

Index No.	Part No.	Description	Q'ty Per Assembly
101	0802 5276	Tapping Screw With Washer - M3x6	
102	0805 0089	Retaining Ring - M4	
103	0720 0040B	Retaining Ring - M4	
104	1105 0511	Harness Clamp - LWS-0306ZC	
105	1105 0328	Harness Clamp - ES-0505	
106	0353 0040B	Screw - M3X4	

7.STAPLE SECTION 2 (B408)

Rev. 03/19/2004



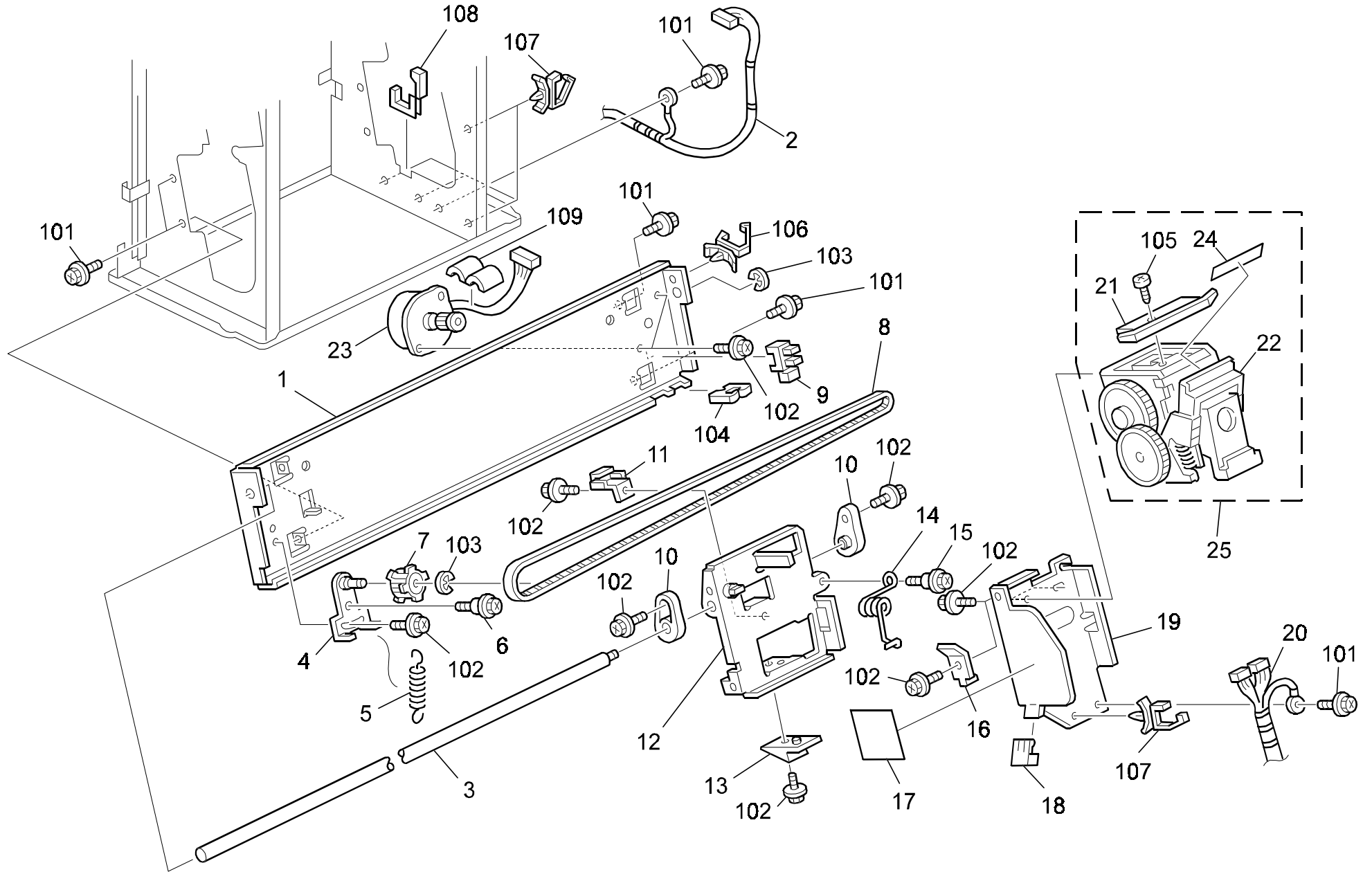
7.STAPLE SECTION 2 (B408)

Rev. 02/14/2006

Index No.	Part No.	Description	Q'ty Per Assembly
1	B408 5330	Harness - Stapler Tray	1
2	AW02 2166	Exit Sensor [TSB#005]	1
3	B408 4336	Timing Belt - 940P2M4	1
4	A697 4170	Pulley - 32T	1
5	B408 4392	Exit Tension Bracket	1
6	B408 4398	Tension Spring	1
7	B408 4395	Pulley - Exit Belt	1
8	B408 4321	Stay - Stapler Tray	1
9	AX05 0160	Stepper Motor - MM42 0.85A	1
10	B408 4337	Spring	1
11	B408 4332	Bracket - Jogger Motor	1
12	AA14 3790	Stepped Screw - Lever [TSB#005]	1
13	B408 4343	Slider Fence Shaft	1
14	B352 4232	Slider - Training Edge Fence	2
15	B408 4342	Trailing Edge Fence	2
16	B700 4107	Spring [TSB#005]	1
17	A666 3180	Timing Pulley - Z32	2
18	B408 5512	Stepper Motor: Sub Ass'y [TSB#006]	1
19	B408 4385	Shaft - Exit Belt	1
20	B408 4382	Pulley - T26	1
21	B408 4371	Timing Belt - 246P3M4	1
22	B408 4311	Stapler Tray	1
23	AW02 0156	Photointerruptor [TSB#005]	1
24	B408 5320	Sensor Harness	1
25	B408 4383	Shaft - Idler Exit Belt	1
26	B408 4372	Exit Belt Ass'y	1
27	AW01 0109	Photo Reflection Sensor - PS-17ND1 [TSB#005]	1
28	B408 4363	Slider - Jogger Fence	2
29	B408 4362	Jogger Fence - Front	1
30	B408 7142	Decal - Jogger Fence R5	1
31	B408 4367	Shaft - Jogger Fence	1
32	A681 4515	Bushing - 6mm	2
33	B408 4364	Film - Jogger Fence	2
34	B408 4366	Jogger Fence - Inner	1

Index No.	Part No.	Description	Q'ty Per Assembly
35	B408 4335	Timing Pulley - Jogger	1
36	B408 4344	Front Fence Mylar [TSB#004]	1
37	B408 4347	Rear Fence Mylar [TSB#004]	1
101	0802 5276	Tapping Screw With Washer - M3x6	
102	0451 3006B	Tapping Screw - M3x6	
103	0450 3008B	Tapping Screw - M3x8	
104	0720 0040B	Retaining Ring - M4	
105	1105 0310	Harness Clamp - LWS-1S	
106	1105 0511	Harness Clamp - LWS-0306ZC	
107	0453 3006B	Tapping Screw - M3x6	
108	0805 3385	Bushing - 6mm	
109	0451 3008B	Tapping Screw - M3x8	
110	0451 3010B	Tapping Screw - M3x10	

8.STAPLE SECTION 3 (B408)



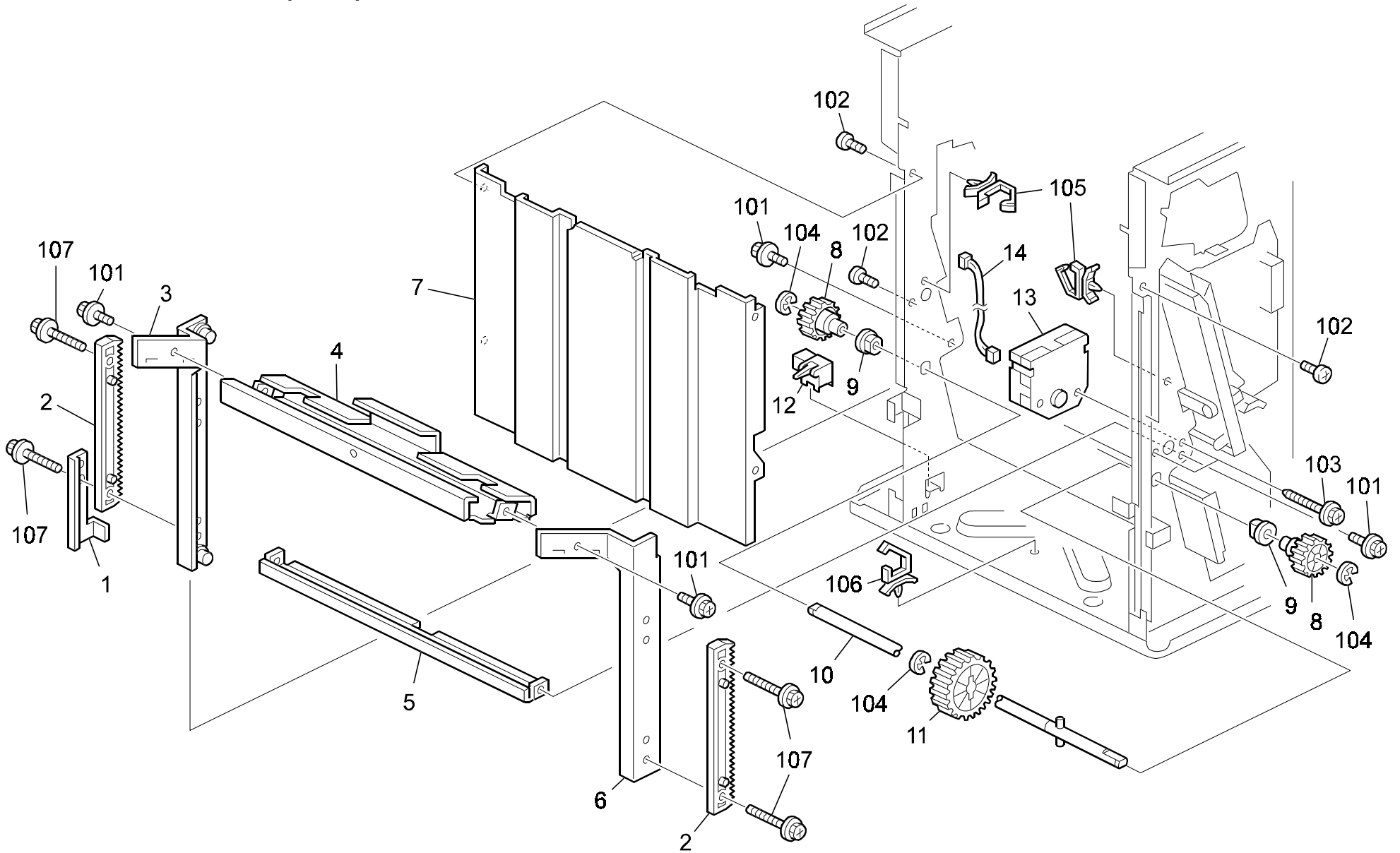
8.STAPLE SECTION 3 (B408)

Rev. 05/02/2005

Index No.	Part No.	Description	Q'ty Per Assembly
1	B408 4211	Stapler Stay	1
2	B408 5220	Harness - Sensor Stapler Tray	1
3	B408 4212	Stapler Guide Rod	1
4	B408 4223	Belt Tensioner - Stapler	1
5	AA06 2334	Spring - Oil Blade [TSB#005]	1
6	AA14 3790	Stepped Screw - Lever [TSB#005]	1
7	A697 4170	Pulley - 32T	1
8	B408 4231	Timing Belt - 846P2M4	1
9	AW02 0156	Photointerruptor [TSB#005]	1
10	B408 4125	Stapler Bushing	2
11	B408 4126	Timing Belt Stay	1
12	B408 4121	Stapler Slider	1
13	B408 4127	Stay Slider	1
14	B408 4128	Spring	1
15	B408 4129	Stepped Screw - M3x6 [TSB#005]	1
16	B408 4114	Stapler Stopper	1
17	B408 7161	Decal - Stapler	1
18	B408 4113	Stapler Knob	1
19	B408 4111	Stapler Base	1
20	B408 5250	Stapler Harness	1
21	B408 4112	Stapler Guide	1
22	B352 4380	Stapler - EH530	1
23	B408 5550	Stepper Motor - 20W	1
24	B408 4115	Stapler Upper Mylar	1
25	B408 4101	Stapler Ass'y	1

Index No.	Part No.	Description	Q'ty Per Assembly
101	0802 5276	Tapping Screw With Washer - M3x6	
102	0451 3006B	Tapping Screw - M3x6	
103	0720 0040B	Retaining Ring - M4	
104	1105 0328	Harness Clamp - ES-0505	
105	0452 3006B	Tapping Screw - M3x6	
106	1105 0511	Harness Clamp - LWS-0306ZC	
107	1105 0310	Harness Clamp - LWS-1S	
108	1105 0334	Edge - 17	
109	1607 0622	Ferrite Core - TFC16816	

9.SHIFT TRAY DRIVE (B408)



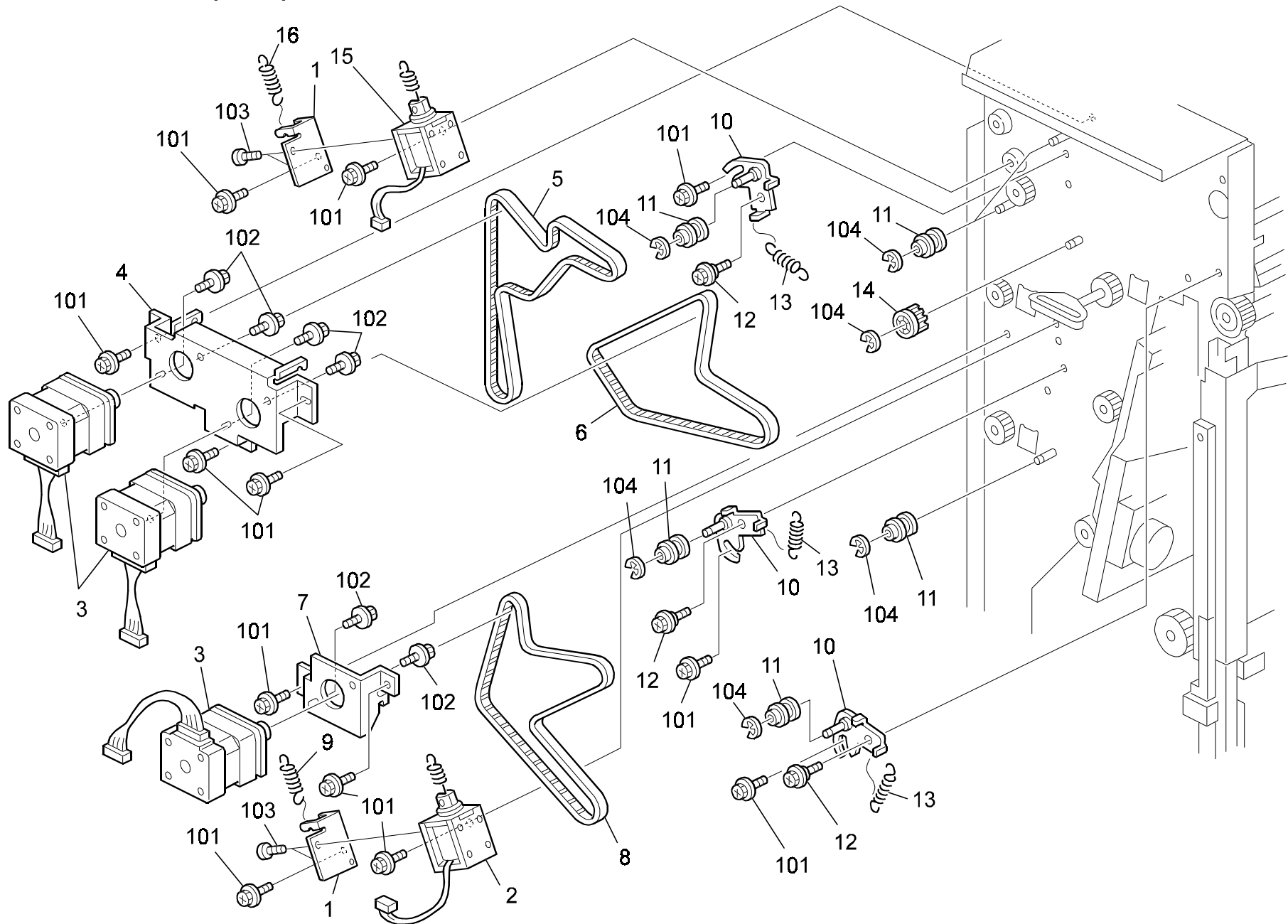
9.SHIFT TRAY DRIVE (B408)

Rev. 05/02/2005

Index No.	Part No.	Description	Q'ty Per Assembly
1	B408 3233	Tray H.P Sensor Feeler	1
2	A666 2331	Rack	2
3	B408 3231	Rear Guide Plate	1
4	B408 3211	Tray Base	1
5	B408 1511	Middle Stay	1
6	B408 3221	Front Guide Plate	1
7	B408 3111	End Fence	1
8	A666 2345	Gear - Z20	2
9	AA08 2070	Bushing - 8x16x7	2
10	B408 3311	Tray Shaft	1
11	A666 2347	Gear - Z45	1
12	AW02 0166	Exit Sensor [TSB#005]	1
13	AX04 0098	Motor - DC 12W	1
14	B408 5320	Sensor Harness	1

Index No.	Part No.	Description	Q'ty Per Assembly
101	0802 5276	Tapping Screw With Washer - M3x6	
102	0453 3006B	Tapping Screw - M3x6	
103	0450 4020B	Tapping Screw - 4x20	
104	0720 0060B	Retaining Ring - M6	
105	1105 0511	Harness Clamp - LWS-0306ZC	
106	1105 0291	Harness Clamp - LWS-3S	
107	0451 3010B	Tapping Screw - M3x10	

10.DRIVE SECTION (B408)



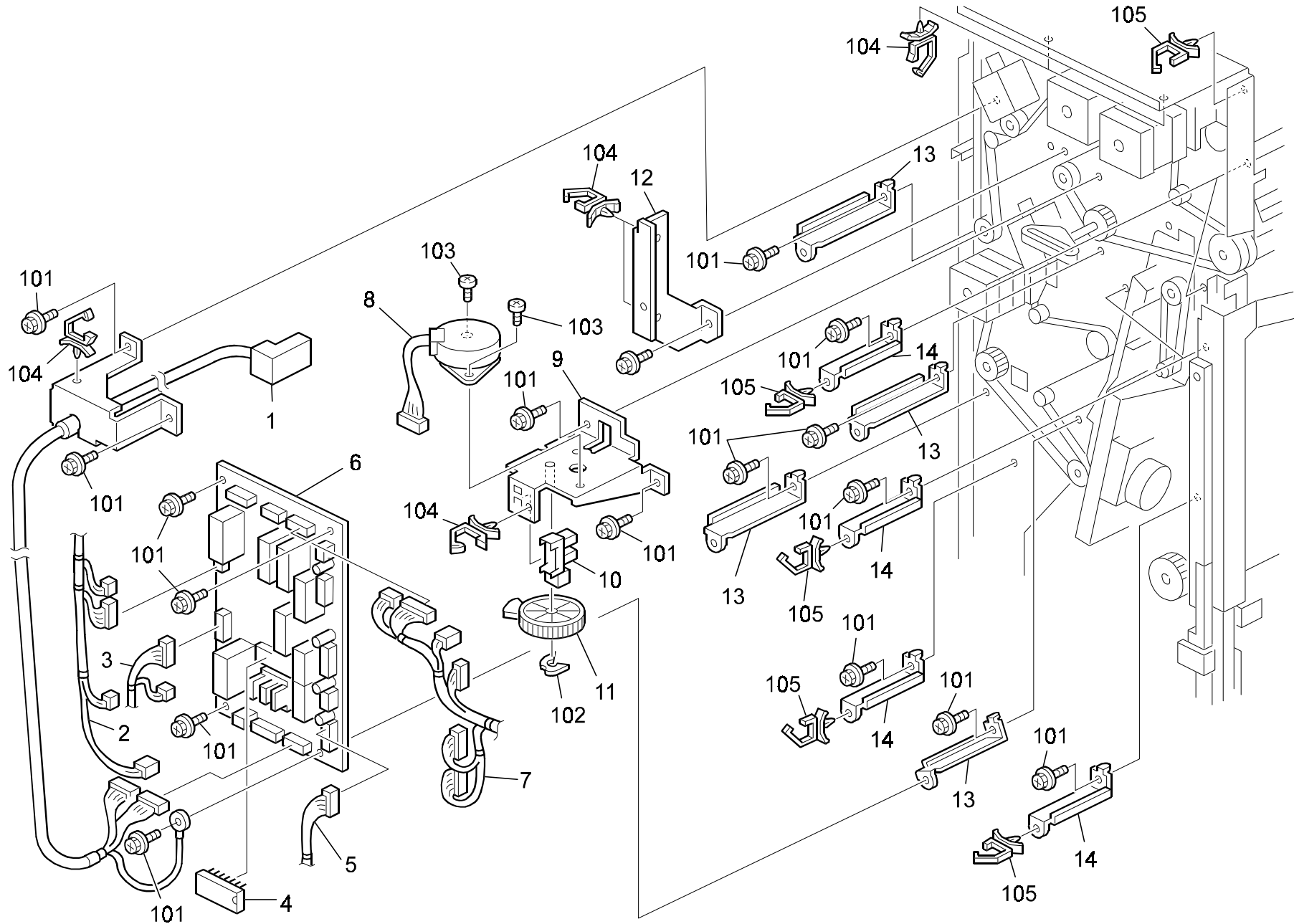
10.DRIVE SECTION (B408)

Rev. 02/14/2006

Index No.	Part No.	Description	Q'ty Per Assembly
1	B408 2512	Bracket - DC Solenoid	2
2	B408 2511	DC Solenoid	2
3	B408 5502	Stepper Motor: Sub Ass'y [TSB#006]	3
4	B408 2912	Bracket - Stepper Motor	1
5	B408 2901	Timing Belt - B40S3M720	1
6	B408 2903	Timing Belt - B40S3M525	1
7	B408 2922	Bracket - Stepper Motor	1
8	B408 2902	Timing Belt - B40S3M579	1
9	AA06 2333	Release Spring [TSB#005]	1
10	B408 2955	Bracket - Tension [TSB#005]	3
11	A548 2139	Pulley	6
12	AA14 3790	Stepped Screw - Lever [TSB#005]	3
13	AA06 2334	Spring - Oil Blade [TSB#005]	3
14	AB03 0354	Pulley - 20T	1
15	AX11 0066	DC Solenoid - 24V 5.76W	1
16	A697 2101	Tension Spring	1

Index No.	Part No.	Description	Q'ty Per Assembly
101	0802 5276	Tapping Screw With Washer - M3x6	
102	0451 3006B	Tapping Screw - M3x6	
103	0353 0040B	Screw - M3X4	
104	0720 0040B	Retaining Ring - M4	

11.ELECTRICAL SECTION (B408)



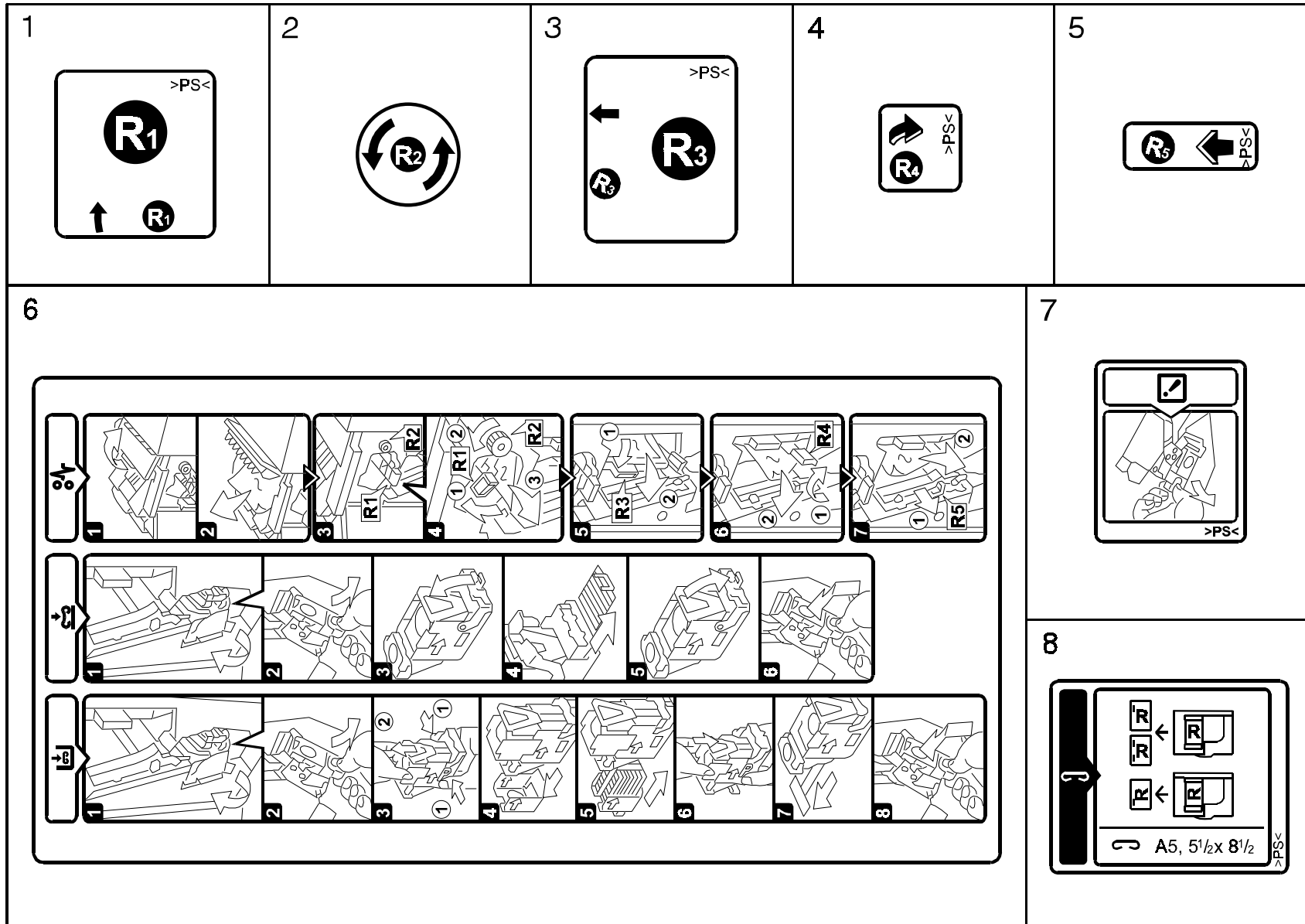
11.ELECTRICAL SECTION (B408)

Rev. 11/09/2006

Index No.	Part No.	Description	Q'ty Per Assembly
1	B408 5205	Interface Harness Ass'y	1
2	B408 5212	Sensor Main Harness	1
3	B408 5230	Sensor Harness - Lower Tray	1
4	B408 5161	EPROM - Main Control [TSB#007]	1
5	B408 5220	Harness - Sensor Stapler Tray	1
6	B408 5152	Main Control Board [TSB#007]	1
7	B408 5240	Main Motor Harness	1
8	B408 5530	Stepper Motor - 11W	1
9	B408 2321	Bracket - Motor Slide	1
10	AW02 0156	Photointerruptor [TSB#005]	1
11	B408 2331	Link Drive Gear	1
12	B408 1121	Angle - Side Plate Rear	1
13	B408 5540	Main Board Bracket	4
14	B408 5545	Harness Bracket	4

Index No.	Part No.	Description	Q'ty Per Assembly
101	0802 5276	Tapping Screw With Washer - M3x6	
102	0805 0089	Retaining Ring - M4	
103	0453 3006B	Tapping Screw - M3x6	
104	1105 0511	Harness Clamp - LWS-0306ZC	
105	1105 0310	Harness Clamp - LWS-1S	

12.DECALS AND DOCUMENTS (B408)



12.DECALS AND DOCUMENTS (B408)

Index No.	Part No.	Description	Q'ty Per Assembly
1	B408 7101	Decal - Shift Tray R1	1
2	B408 7111	Decal - Knob R2	1
3	B408 7121	Decal - Stapler Tray R3	1
4	B408 7131	Decal - Stapler Tray Exit R4	1
5	B408 7141	Decal - Jogger Fence R5	1
6	B408 7151	Decal - Misfeed Removal	1
7	B408 7161	Decal - Stapler	1
8	B408 7171	Decal - Staple	1

Index No.	Part No.	Description	Q'ty Per Assembly

**1,000 SHEET FINISHER B408
PARTS INDEX**

This section instructs you as to the numbers and names of parts on this machine.

Parts Index

Part No.	Description	Page and Index No.
B408 1121	Angle - Side Plate Rear	23- 12
B408 1231	Angle - Front Side Plate	5- 27
B408 1241	Guard - Side Plate Front	3- 11
B408 1312	Caster	3- 7
B408 1411	Coupling Lever	9- 16
B408 1412	Flat Screw	9- 17
B408 1413	Coupling Stay	9- 14
B408 1414	Bracket - Coupling Rear	3- 23
B408 1418	Mylar - Rear Joint Bracket	3- 21
B408 1422	Bracket - Ground Plate	3- 8
B408 1425	Bracket - Coupling Front	3- 24
B408 1511	Middle Stay	19- 5
B408 2112	Guide Plate - Lower	13- 16
B408 2113	Guide - Trailing Edge	13- 15
B408 2122	Guide Plate - Lower	13- 25
B408 2131	Upper Guide Plate	11- 13
B408 2142	Guide Plate - Stapler Tray	11- 6
B408 2152	Guide Plate - Entrance	5- 13
B408 2156	Left Guide Plate - Entrance	5- 12
B408 2160	Guide Plate - Shift Ass'y	7- 23
B408 2162	Guide Mylar	7- 22
B408 2172	Guide Plate - Shift	7- 27
B408 2173	Slide Roller	7- 29
B408 2174	Spring	7- 28
B408 2175	Bushing - Roller Slide	7- 25
B408 2182	Guide Plate - Exit Stapler	9- 12
B408 2191	Guide Plate - Connecting Lower	3- 25
B408 2192	Guide Plate - Connecting Upper	3- 20
B408 2211	Transfer Roller	11- 12
B408 2211	Transfer Roller	5- 7
B408 2221	Transfer Roller - Upper	5- 5
B408 2231	Exit Roller - Proof Tray	5- 6
B408 2241	Exit Roller	9- 6
B408 2246	Reverse Roller Arm	9- 4
B408 2251	Stapler Exit Roller	13- 11

Part No.	Description	Page and Index No.
B408 2271	Pulley - T24	11- 14
B408 2271	Pulley - T24	5- 1
B408 2271	Pulley - T24	13- 26
B408 2272	Pulley - T30	9- 1
B408 2281	Knob - Transfer Roller	5- 25
B408 2311	Slide Roller	7- 21
B408 2312	Bushing - Roller Slide	7- 19
B408 2313	Pulley - T24	7- 2
B408 2314	Arm - Roller Slide	7- 1
B408 2321	Bracket - Motor Slide	23- 9
B408 2331	Link Drive Gear	23- 11
B408 2411	Arm - Positioning Roller	13- 5
B408 2421	Bracket - Positioning Roller	13- 6
B408 2422	Pulley - T16	13- 4
B408 2431	Positioning Roller	13- 2
B408 2434	Timing Belt - 124P2M4	13- 3
B408 2441	Shaft - Positioning Roller	13- 10
B408 2444	Spring - Positioning Roller	13- 7
B408 2451	DC Solenoid - 12.5W	13- 8
B408 2511	DC Solenoid	21- 2
B408 2512	Bracket - DC Solenoid	21- 1
B408 2521	Lower Paper Guide	11- 10
B408 2532	Lever - Paper Guide Upper	5- 3
B408 2711	Top Cover	5- 22
B408 2715	Discharge Brush	5- 19
B408 2721	Upper Paper Guide	5- 16
B408 2722	Spring - Upper Paper Guide	5- 17
B408 2731	Arm - Top Cover	5- 20
B408 2811	Guide Plate - Exit	7- 18
B408 2821	Stay - Guide Plate	7- 12
B408 2831	Gear - Z53	7- 11
B408 2832	Worm Wheel - Z20	7- 8
B408 2833	Shaft - Worm Wheel	7- 7
B408 2841	Bracket - Home Position Sensor	7- 6
B408 2852	Spring - Guide Plate Exit	7- 17

Part No.	Description	Page and Index No.
B408 2861	Arm - Guide Plate	7- 9
B408 2901	Timing Belt - B40S3M720	21- 5
B408 2902	Timing Belt - B40S3M579	21- 8
B408 2903	Timing Belt - B40S3M525	21- 6
B408 2912	Bracket - Stepper Motor	21- 4
B408 2922	Bracket - Stepper Motor	21- 7
B408 2952	Bracket - Tension	21- 10
B408 3111	End Fence	19- 7
B408 3211	Tray Base	19- 4
B408 3221	Front Guide Plate	19- 6
B408 3231	Rear Guide Plate	19- 3
B408 3233	Tray H.P Sensor Feeler	19- 1
B408 3311	Tray Shaft	19- 10
B408 3411	Tray	3- 5
B408 3412	Slide Tray	3- 3
B408 3611	Stay - Paper Sensor	9- 10
B408 3612	Paper Sensor Feeler	9- 11
B408 3613	Lever - Micro Switch	9- 9
B408 4101	Stapler Ass'y	17- 25
B408 4111	Stapler Base	17- 19
B408 4112	Stapler Guide	17- 21
B408 4113	Stapler Knob	17- 18
B408 4114	Stapler Stopper	17- 16
B408 4115	Stapler Upper Mylar	17- 24
B408 4121	Stapler Slider	17- 12
B408 4125	Stapler Bushing	17- 10
B408 4126	Timing Belt Stay	17- 11
B408 4127	Stay Slider	17- 13
B408 4128	Spring	17- 14
B408 4211	Stapler Stay	17- 1
B408 4212	Stapler Guide Rod	17- 3
B408 4223	Belt Tensioner - Stapler	17- 4
B408 4231	Timing Belt - 846P2M4	17- 8
B408 4311	Stapler Tray	15- 22
B408 4321	Stay - Stapler Tray	15- 8

Part No.	Description	Page and Index No.
B408 4332	Bracket - Jogger Motor	15- 11
B408 4335	Timing Pulley - Jogger	15- 35
B408 4336	Timing Belt - 940P2M4	15- 3
B408 4337	Spring	15- 10
B408 4342	Trailing Edge Fence	15- 15
B408 4343	Slider Fence Shaft	15- 13
B408 4362	Jogger Fence - Front	15- 29
B408 4363	Slider - Jogger Fence	15- 28
B408 4364	Film - Jogger Fence	15- 33
B408 4366	Jogger Fence - Inner	15- 34
B408 4367	Shaft - Jogger Fence	15- 31
B408 4371	Timing Belt - 246P3M4	15- 21
B408 4372	Exit Belt Ass'y	15- 26
B408 4382	Pulley - T26	15- 20
B408 4383	Shaft - Idler Exit Belt	15- 25
B408 4385	Shaft - Exit Belt	15- 19
B408 4392	Exit Tension Bracket	15- 5
B408 4395	Pulley - Exit Belt	15- 7
B408 4398	Tension Spring	15- 6
B408 5100	Main Control Board	23- 6
B408 5103	EPROM - Main Control	23- 4
B408 5201	Interface Harness Ass'y	23- 1
B408 5210	Sensor Main Harness	23- 2
B408 5220	Harness - Sensor Stapler Tray	23- 5
B408 5220	Harness - Sensor Stapler Tray	17- 2
B408 5230	Sensor Harness - Lower Tray	23- 3
B408 5240	Main Motor Harness	23- 7
B408 5250	Stapler Harness	17- 20
B408 5300	Harness - Paper Sensor	9- 7
B408 5310	Harness - Connecting	5- 8
B408 5320	Sensor Harness	15- 24
B408 5320	Sensor Harness	19- 14
B408 5330	Harness - Stapler Tray	15- 1
B408 5500	Stepper Motor - 6.2W	21- 3
B408 5510	Stepper Motor - 6.2W	15- 18

Part No.	Description	Page and Index No.
B408 5530	Stepper Motor - 11W	23- 8
B408 5540	Main Board Bracket	23- 13
B408 5545	Harness Bracket	23- 14
B408 5550	Stepper Motor - 20W	17- 23
B408 6111	Upper Cover	3- 19
B408 6121	Front Cover	3- 14
B408 6122	Hinge - Door Upper	3- 17
B408 6124	Hinge - Door Lower	3- 12
B408 6131	Left Inner Cover	3- 10
B408 6141	Rear Cover	3- 1
B408 6151	Left Upper Cover	3- 2
B408 6161	Left Lower Cover	3- 6
B408 6171	Right Lower Cover	3- 16
B408 7101	Decal - Shift Tray R1	7- 30
B408 7101	Decal - Shift Tray R1	25- 1
B408 7111	Decal - Knob R2	5- 26
B408 7111	Decal - Knob R2	25- 2
B408 7121	Decal - Stapler Tray R3	11- 3
B408 7121	Decal - Stapler Tray R3	25- 3
B408 7131	Decal - Stapler Tray Exit R4	13- 14
B408 7131	Decal - Stapler Tray Exit R4	25- 4
B408 7141	Decal - Jogger Fence R5	15- 30
B408 7141	Decal - Jogger Fence R5	25- 5
B408 7151	Decal - Misfeed Removal	25- 6
B408 7151	Decal - Misfeed Removal	3- 13
B408 7161	Decal - Stapler	25- 7
B408 7161	Decal - Stapler	17- 17
B408 7171	Decal - Staple	3- 18
B408 7171	Decal - Staple	25- 8

Part No.	Description	Page and Index No.
AA06 0092	Release Spring	21- 9
AA08 0237	Bushing - 4x5x7	11- 8
AA08 2070	Bushing - 8x16x7	19- 9
AA08 2101	Bushing - 6x10x6	11- 1
AA08 2101	Bushing - 6x10x6	7- 3
AA08 2101	Bushing - 6x10x6	5- 2
AA08 2101	Bushing - 6x10x6	13- 1
AA08 2101	Bushing - 6x10x6	9- 2
AB03 0354	Pulley - 20T	21- 14
AF02 2097	Driven Roller	11- 9
AF04 0558	Driven Roller	5- 23
AG07 0014	Magnet Catch	11- 2
AG07 0014	Magnet Catch	7- 24
AG07 0014	Magnet Catch	5- 18
AW01 0093	Photo Reflection Sensor - PS-17ND1	7- 20
AW01 0093	Photo Reflection Sensor - PS-17ND1	15- 27
AW02 0049	Photointerruptor - OS - 580213-703	13- 23
AW02 0049	Photointerruptor - OS - 580213-703	5- 14
AW02 0086	Photointerruptor	7- 5
AW02 0086	Photointerruptor	9- 8
AW02 0086	Photointerruptor	15- 23
AW02 0086	Photointerruptor	23- 10
AW02 0086	Photointerruptor	17- 9
AW02 0103	Photointerruptor	5- 9
AX04 0098	Motor - DC 12W	19- 13
AX05 0160	Stepper Motor - MM42 0.85A	15- 9
AX05 0160	Stepper Motor - MM42 0.85A	7- 13
AX11 0066	DC Solenoid - 24V 5.76W	21- 15
B352 2203	Discharge Brush - Stapler Tray	13- 12
B352 2203	Discharge Brush - Stapler Tray	7- 16
B352 2204	Driven Roller	13- 19
B352 2205	Bushing - Driven Roller	13- 18
B352 2206	Tension Spring - Lower Guide	13- 13
B352 2222	Paper Guide - Trailing Edge	13- 21
B352 2229	Roller - Paper Guide	13- 20

Part No.	Description	Page and Index No.
B352 2232	Torsion Spring	13- 22
B352 2407	Reverse Roller - 20z	9- 3
B352 2409	Idler Gear - 17z	9- 5
B352 4232	Slider - Training Edge Fence	15- 14
B352 4380	Stapler - EH530	17- 22
B352 5323	Sensor Relay Harness - 280mm	13- 24
B352 5323	Sensor Relay Harness - 280mm	7- 4
G020 1391	Screw - M3X4.5	3- 9
G020 2630	Magnetic Catch	3- 15
G020 4429	Exit Sensor	15- 2
G020 4429	Exit Sensor	19- 12
G020 5626	Push Switch	5- 4

Part No.	Description	Page and Index No.
A300 3759	Spring	15- 16
A498 4625	Arm Cushion	13- 9
A548 1317	Lever Cushion	11- 11
A548 1317	Lever Cushion	5- 15
A548 2139	Pulley	21- 11
A628 3115	Knob Screw - M4	3- 4
A666 2331	Rack	19- 2
A666 2345	Gear - Z20	19- 8
A666 2347	Gear - Z45	19- 11
A666 3180	Timing Pulley - Z32	15- 17
A666 4170	Stepped Screw - M3x6	17- 15
A666 4210	Shaft - Exit Roller	7- 15
A680 4351	Screw - M4X17	3- 22
A681 2722	Guide Mylar - Lower Exit Guide	9- 13
A681 2742	Driven Exit Roller	7- 14
A681 4515	Bushing - 6mm	15- 32
A688 3960	Roller Holder	5- 24
A697 1125	Stepped Screw - Lever	21- 12
A697 1125	Stepped Screw - Lever	17- 6
A697 1125	Stepped Screw - Lever	15- 12
A697 1125	Stepped Screw - Lever	9- 15
A697 2101	Tension Spring	21- 16
A697 2144	Pressure Spring	13- 17
A697 2144	Pressure Spring	11- 7
A697 2144	Pressure Spring	7- 26
A697 4170	Pulley - 32T	15- 4
A697 4170	Pulley - 32T	17- 7
A859 3420	Middle Driven Roller	5- 11
A859 3420	Middle Driven Roller	11- 5
A859 3425	Spring Plate	5- 10
A859 3425	Spring Plate	11- 4

Part No.	Description	Page and Index No.
5442 4121	Spring - Oil Blade	17- 5
5442 4121	Spring - Oil Blade	21- 13
5447 2681	Snap Ring	5- 21
5447 2681	Snap Ring	7- 10

Part No.	Description	Page and Index No.
0353 0040B	Screw - M3X4	13-106
0353 0040B	Screw - M3X4	21-103
0450 3008B	Tapping Screw - M3x8	15-103
0450 4020B	Tapping Screw - 4x20	19-103
0451 3006B	Tapping Screw - M3x6	7-104
0451 3006B	Tapping Screw - M3x6	17-102
0451 3006B	Tapping Screw - M3x6	15-102
0451 3006B	Tapping Screw - M3x6	21-102
0451 3008B	Tapping Screw - M3x8	15-109
0451 3008H	Tapping Screw - M3x8	3-102
0451 3010B	Tapping Screw - M3x10	19-107
0451 3010B	Tapping Screw - M3x10	15-110
0452 3006B	Tapping Screw - M3x6	17-105
0452 3008B	Tapping Screw - M3x8	9-104
0452 3020B	Binding Self Tapping Screw - 3x20	9-103
0453 3006B	Tapping Screw - M3x6	19-102
0453 3006B	Tapping Screw - M3x6	23-103
0453 3006B	Tapping Screw - M3x6	7-106
0453 3006B	Tapping Screw - M3x6	15-107
0720 0040B	Retaining Ring - M4	21-104
0720 0040B	Retaining Ring - M4	11-102
0720 0040B	Retaining Ring - M4	17-103
0720 0040B	Retaining Ring - M4	13-103
0720 0040B	Retaining Ring - M4	15-104
0720 0040B	Retaining Ring - M4	7-103
0720 0060B	Retaining Ring - M6	19-104
0802 5276	Tapping Screw With Washer - M3x6	23-101
0802 5276	Tapping Screw With Washer - M3x6	19-101
0802 5276	Tapping Screw With Washer - M3x6	17-101
0802 5276	Tapping Screw With Washer - M3x6	21-101
0802 5276	Tapping Screw With Washer - M3x6	3-101
0802 5276	Tapping Screw With Washer - M3x6	15-101
0802 5276	Tapping Screw With Washer - M3x6	5-101
0802 5276	Tapping Screw With Washer - M3x6	7-101
0802 5276	Tapping Screw With Washer - M3x6	13-101

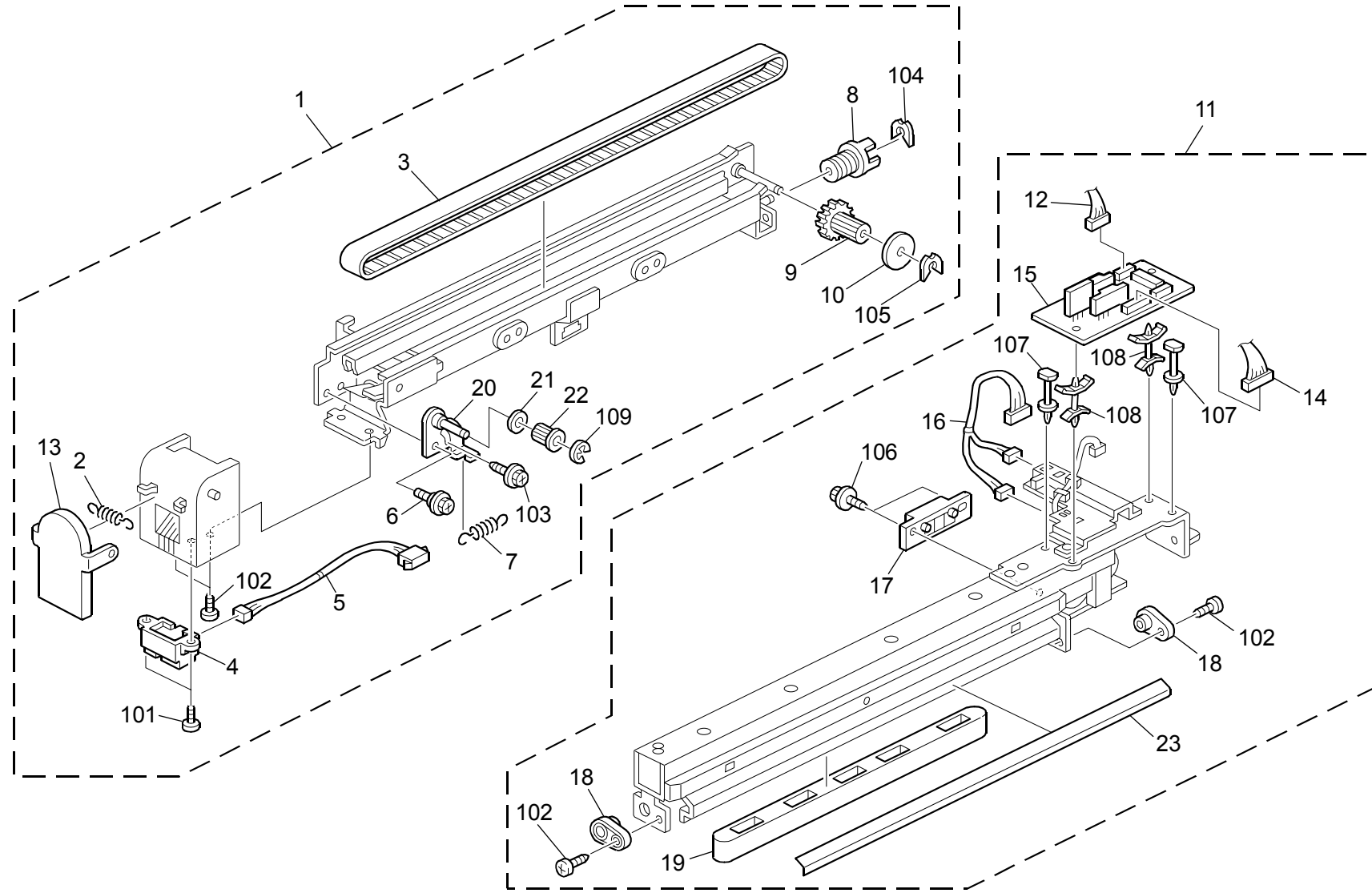
Part No.	Description	Page and Index No.
0802 5276	Tapping Screw With Washer - M3x6	9-101
0802 5276	Tapping Screw With Washer - M3x6	11-101
0805 0089	Retaining Ring - M4	23-102
0805 0089	Retaining Ring - M4	5-102
0805 0089	Retaining Ring - M4	13-102
0805 0089	Retaining Ring - M4	7-102
0805 0089	Retaining Ring - M4	11-103
0805 0089	Retaining Ring - M4	9-102
0805 3385	Bushing - 6mm	15-108
1105 0291	Harness Clamp - LWS-3S	19-106
1105 0310	Harness Clamp - LWS-1S	23-105
1105 0310	Harness Clamp - LWS-1S	17-107
1105 0310	Harness Clamp - LWS-1S	15-105
1105 0328	Harness Clamp - ES-0505	13-105
1105 0328	Harness Clamp - ES-0505	17-104
1105 0329	Clamp - ES-0510	5-104
1105 0334	Edge - 17	17-108
1105 0511	Harness Clamp - LWS-0306ZC	13-104
1105 0511	Harness Clamp - LWS-0306ZC	23-104
1105 0511	Harness Clamp - LWS-0306ZC	15-106
1105 0511	Harness Clamp - LWS-0306ZC	5-103
1105 0511	Harness Clamp - LWS-0306ZC	7-105
1105 0511	Harness Clamp - LWS-0306ZC	11-105
1105 0511	Harness Clamp - LWS-0306ZC	19-105
1105 0511	Harness Clamp - LWS-0306ZC	17-106
1105 0511	Harness Clamp - LWS-0306ZC	9-105
1204 2540	Micro Switch - AM50650C3	9-106
1204 2541	Interlock Switch	11-104
1607 0622	Ferrite Core - TFC16816	17-109

Part No.	Description	Page and Index No.

**PUNCH UNIT TYPE 3260
B702
PARTS LOCATION AND LIST**

This section instructs you as to the numbers and names of parts on this machine.

1.Punch Unit 1 (B702)

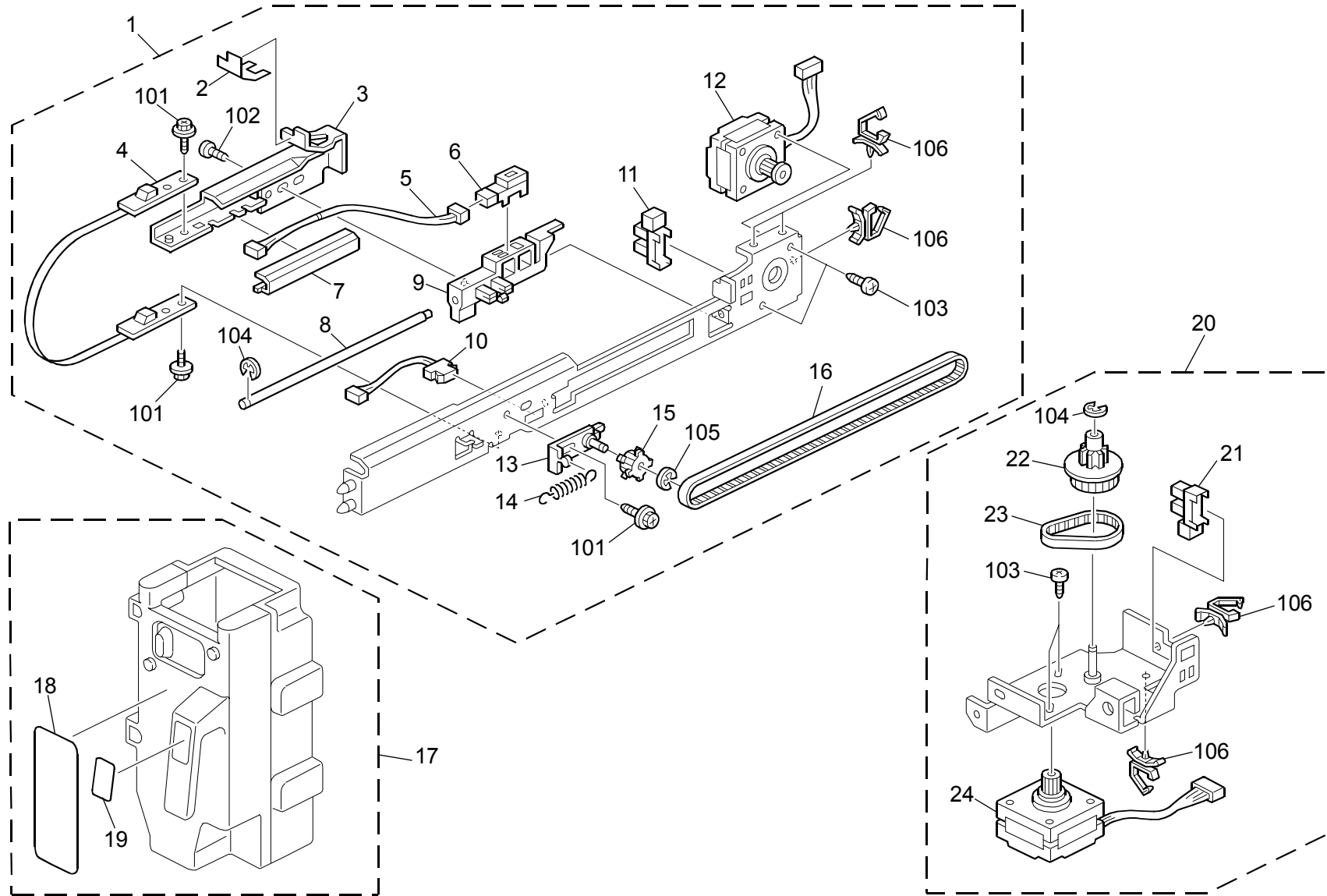


1.Punch Unit 1 (B702)

Index No.	Part No.	Description	Q'ty Per Assembly
1	B702 7031	Punch:Paper Chip:Ass'y	1
2	B702 7550	Tension Spring	1
3	B702 7525	Timing Belt:B175s2m726	1
4	AW01 0104	Paper Feed Sensor	1
5	B702 5304	Harness:Sensor	1
6	AA14 3790	Screw:Contact Point	1
7	A697 1518	Spring - Oil Blade	1
8	B702 7520	Worm Gear:Punch:Transport	1
9	B702 7515	Worm Wheel:Punch:Transport	1
10	B702 7510	Flange:Timing Pulley	1
11	B702 7017	Punch Unit:NA	1
11	B702 7027	Punch Unit:EU	1
11	B702 7028	Punch Unit:NE	1
12	B702 5301	Harness:Punch Unit:Move:Motor	1
13	B702 7545	Cover:Guide:Punch:Exhaust	1
14	B702 5302	Harness:Registration Sensor:Motor	1
15	B702 5100	PCB:Punch:Control	1
16	B702 5303	Harness:Punch Unit:Sensor	1
17	B702 7215	Rack:Punch Unit:Move	1
18	B702 7225	Bushing:Punch Unit:Slide	1
19	B702 7220	Guide:Punch:Toner Hopper	1
20	B702 7555	Belt Tensioner:Bracket	1
21	B702 7565	Flange:Timing Pulley	1
22	B702 7560	Timing Pulley:15t	1
23	B702 7229	Guide:Entrance:Punch	1

Index No.	Part No.	Description	Q'ty Per Assembly
101	0452 3008N	Tapping Screw - M3x8	
102	0453 3006N	Tapping Screw - M3x6	
103	0451 3006N	Tapping Screw - 3x6	
104	0805 0089	Retaining Ring - M4	
105	0805 0092	Retaining Ring - 3M	
106	0451 3008N	Tapping Screw - M3x8	
107	1105 0583	Clamp:Mps-14-0	
108	1105 0585	Clamp:Wls-14-0:V0	
109	0720 0030E	Retaining Ring - M3	

2.Punch Unit 2 (B702)



2.Punch Unit 2 (B702)

Index No.	Part No.	Description	Q'ty Per Assembly
1	B702 7000	Registration Sensor:Move:Unit	1
2	B702 7140	Guide:Plate	1
3	B702 7130	Guide Plate:Lower:Move	1
4	B702 5200	Punch:Sensor:Connecting:Ass'y	1
5	B702 5306	Harness:Registration Sensor	1
6	AW01 0107	Paper Feed Sensor	1
7	B702 7110	Cover:Harness	1
8	B702 7120	Shaft:Slide:Registration Sensor	1
9	B702 7100	Holder:Move:Registration Sensor	1
10	B702 5305	Harness:Registration Sensor:Side	1
11	AW02 0141	Photointerruptor	1
12	B700 5810	Stepper Motor:MM39:S2M:T15:Ass'y	1
13	B702 7125	Bracket:Belt Tensioner:Ass'y	1
14	A697 1518	Spring - Oil Blade	1
15	B702 7135	Timing Pulley:18T	1
16	B702 7105	Timing Belt:B40S2M520	1
17	B702 7038	Toner Hopper:Punch:Ass'y	1
18	B702 7850	Decal:Operation Instructions	1
19	B702 7890	Decal:Positioning Display	1
20	B702 7200	Bracket:Stepper Motor	1
21	AW02 0114	Photo Interruptor - Lower Limit	1
22	B702 7205	Pinion:Punch Unit:Move	1
23	B702 7210	Timing Belt:B60S2M122	1
24	B700 5811	Stepper Motor:MM39:S2M:T20:Ass'y	1

Index No.	Part No.	Description	Q'ty Per Assembly
101	0451 3006N	Tapping Screw - 3x6	
102	0452 3008N	Tapping Screw - M3x8	
103	0353 0040N	Screw - M3X4	
104	0720 0040E	Retaining Ring - M4	
105	0720 0030E	Retaining Ring - M3	
106	1105 0511	Harness Clamp - LWS-0306ZC	

**PUNCH UNIT TYPE 3260
B702
PARTS INDEX**

This section instructs you as to the numbers and names of parts on this machine.

Parts Index

Part No.	Description	Page and Index No.
B702 5100	PCB:Punch:Control	3 - 15
B702 5200	Punch:Sensor:Connecting:Ass'y	5 - 4
B702 5301	Harness:Punch Unit:Move:Motor	3 - 12
B702 5302	Harness:Registration Sensor:Motor	3 - 14
B702 5303	Harness:Punch Unit:Sensor	3 - 16
B702 5304	Harness:Sensor	3 - 5
B702 5305	Harness:Registration Sensor:Side	5 - 10
B702 5306	Harness:Registration Sensor	5 - 5
B702 7000	Registration Sensor:Move:Unit	5 - 1
B702 7017	Punch Unit:NA	3 - 11
B702 7027	Punch Unit:EU	3 - 11
B702 7028	Punch Unit:NE	3 - 11
B702 7031	Punch:Paper Chip:Ass'y	3 - 1
B702 7038	Toner Hopper:Punch:Ass'y	5 - 17
B702 7100	Holder:Move:Registration Sensor	5 - 9
B702 7105	Timing Belt:B40S2M520	5 - 16
B702 7110	Cover:Harness	5 - 7
B702 7120	Shaft:Slide:Registration Sensor	5 - 8
B702 7125	Bracket:Belt Tensioner:Ass'y	5 - 13
B702 7130	Guide Plate:Lower:Move	5 - 3
B702 7135	Timing Pulley:18T	5 - 15
B702 7140	Guide:Plate	5 - 2
B702 7200	Bracket:Stepper Motor	5 - 20
B702 7205	Pinion:Punch Unit:Move	5 - 22
B702 7210	Timing Belt:B60S2M122	5 - 23
B702 7215	Rack:Punch Unit:Move	3 - 17
B702 7220	Guide:Punch:Toner Hopper	3 - 19
B702 7225	Bushing:Punch Unit:Slide	3 - 18
B702 7229	Guide:Entrance:Punch	3 - 23
B702 7510	Flange:Timing Pulley	3 - 10
B702 7515	Worm Wheel:Punch:Transport	3 - 9
B702 7520	Worm Gear:Punch:Transport	3 - 8
B702 7525	Timing Belt:B175s2m726	3 - 3
B702 7545	Cover:Guide:Punch:Exhaust	3 - 13
B702 7550	Tension Spring	3 - 2

Part No.	Description	Page and Index No.
B702 7555	Belt Tensioner:Bracket	3 - 20
B702 7560	Timing Pulley:15t	3 - 22
B702 7565	Flange:Timing Pulley	3 - 21
B702 7850	Decal:Operation Instructions	5 - 18
B702 7890	Decal:Positioning Display	5 - 19

Part No.	Description	Page and Index No.
A697 1518	Spring - Oil Blade	3 - 7
A697 1518	Spring - Oil Blade	5 - 14
B700 5810	Stepper Motor:MM39:S2M:T15:Ass'y	5 - 12
B700 5811	Stepper Motor:MM39:S2M:T20:Ass'y	5 - 24

Part No.	Description	Page and Index No.
AA14 3790	Screw:Contact Point	3 - 6
AW01 0104	Paper Feed Sensor	3 - 4
AW01 0107	Paper Feed Sensor	5 - 6
AW02 0114	Photo Interruptor - Lower Limit	5 - 21
AW02 0141	Photointerruptor	5 - 11

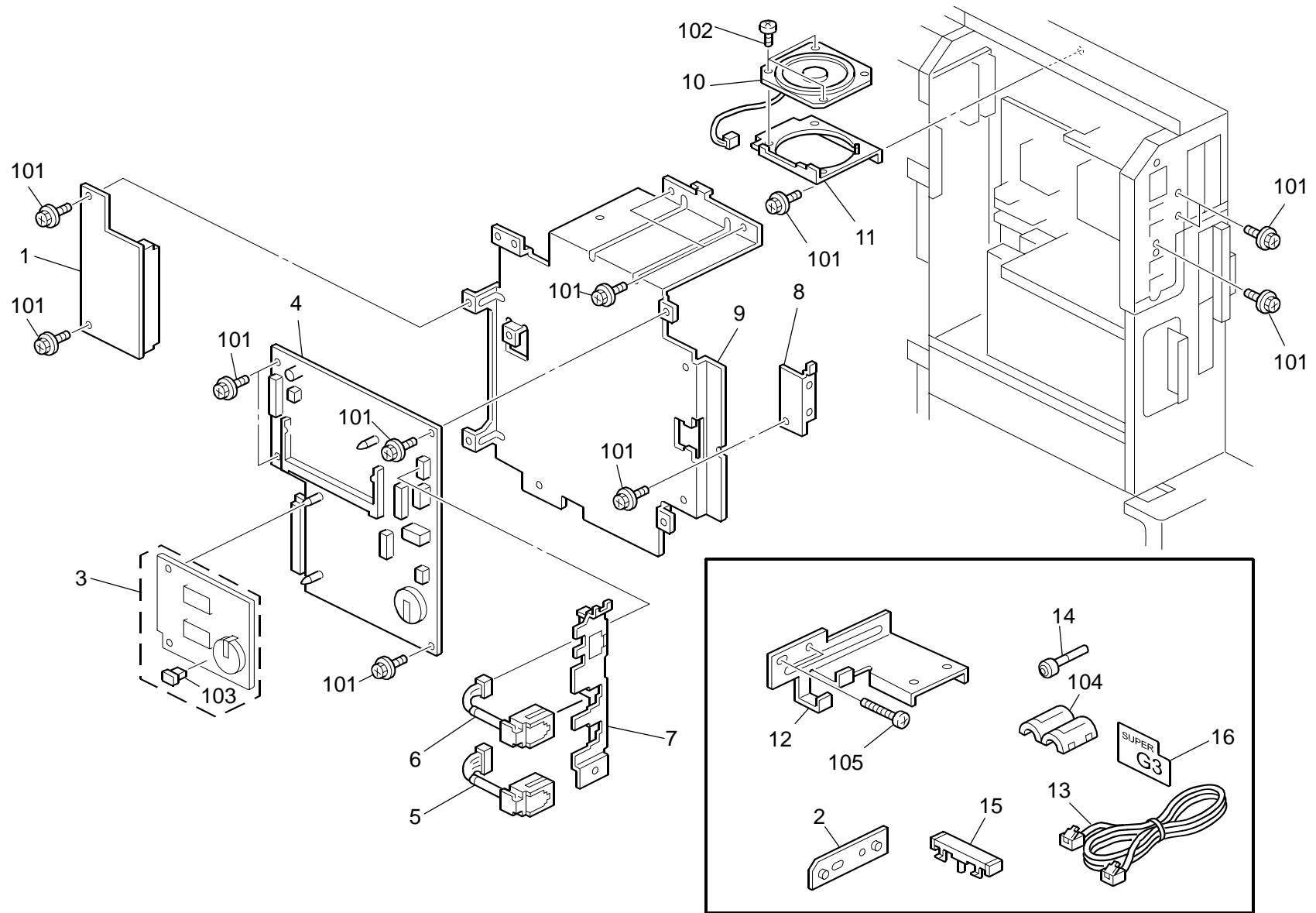
Part No.	Description	Page and Index No.
0353 0040N	Screw - M3X4	5 - 103
0451 3006N	Tapping Screw - 3x6	3 - 103
0451 3006N	Tapping Screw - 3x6	5 - 101
0451 3008N	Tapping Screw - M3x8	3 - 106
0452 3008N	Tapping Screw - M3x8	3 - 101
0452 3008N	Tapping Screw - M3x8	5 - 102
0453 3006N	Tapping Screw - M3x6	3 - 102
0720 0030E	Retaining Ring - M3	5 - 105
0720 0030E	Retaining Ring - M3	3 - 109
0720 0040E	Retaining Ring - M4	5 - 104
0805 0089	Retaining Ring - M4	3 - 104
0805 0092	Retaining Ring - 3M	3 - 105
1105 0511	Harness Clamp - LWS-0306ZC	5 - 106
1105 0583	Clamp:Mps-14-0	3 - 107
1105 0585	Clamp:Wls-14-0:V0	3 - 108

Part No.	Description	Page and Index No.

**FAX OPTION TYPE C4500 B771
PARTS LOCATION AND LIST**

This section instructs you as to the numbers and names of parts on this machine

1.Fax Option (B771)



1.Fax Option (B771)

Index No.	Part No.	Description	Q'ty Per Assembly
1	B786 5732	PCB FCUIF-A	1
2	B223 1835	Bracket: Hand Set	1
3	B771 5181	PCB:MBU:EXP: Ass'y	1
4	B786 5132	PCB:GWFCU3:NA:Ass'y	1
4	B786 5134	GWFCU3 - EU	1
4	B786 5136	GWFCU3 - TWN	1
5	B771 5236	Harness: Modular: Tel: NA	1
6	B771 5230	Harness: Modular: Line	1
7	B771 0523	Bracket: Modular	1
8	B771 0521	Bracket: Auxiliary	1
9	B771 0520	Bracket: FCU	1
10	B771 5050	Speaker	1
11	B771 0522	Bracket: Speaker	1
12	B404 5821	Handset Bracket	1
13	H523 5350	Telephone Cable	1
14	H511 5007	Stamp	1
15	B238 1573	Key top - Fax(NA)	1
15	B238 1579	Key top - Fax(EU)	1
16	B404 3861	SG3 Decal	1

Index No.	Part No.	Description	Q'ty Per Assembly
101	0451 3006N	Tapping Screw - 3x6	
102	0453 3006N	Tapping Screw - M3x6	
103	1104 0730	Short Pin - 2p	
104	1607 1460	Ferrite Core:RFC-9	

2.GWFCU3 - NA (B771)

BAT

SYMBOL NO.	INDEX NO.
BAT1	109

CAPACITOR

SYMBOL NO.	INDEX NO.
---	---
C2	146
C3	145
C4	147
C5	148
C6	148
C7	164
---	---
C9	155
C10	155

SYMBOL NO.	INDEX NO.
C11	152
C12	155
C13	155
C14	168
C15	168
C16	171
C17	167
C18	167
C19	169
C20	169

SYMBOL NO.	INDEX NO.
C21	172
C22	156
C23	158
C24	176
C25	230
C26	165
C27	165
C28	170
---	---
C30	170

SYMBOL NO.	INDEX NO.
C31	227
C32	226
C33	158
C34	149
C35	188
C36	155
C37	155
C38	229
C39	155
C40	155

SYMBOL NO.	INDEX NO.
C41	229
C42	155
C43	155
---	---
---	---
C46	155
C47	229
C48	229
C49	155
C50	155

SYMBOL NO.	INDEX NO.
C51	155
C52	155
C53	229
C54	155
C55	160
C56	155
C57	163
C58	227
C59	228
C60	158

CAPACITOR

SYMBOL NO.	INDEX NO.
C61	151
C62	150
C63	161
C64	229
C65	155
C66	229
C67	155
C68	229
C69	155
C70	229

SYMBOL NO.	INDEX NO.
C71	229
C72	229
C73	229
C74	155
C75	155
C76	159
C77	174
C78	155
---	---
C80	231

SYMBOL NO.	INDEX NO.
C81	155
C82	155
C83	159
C84	155
C85	155
C86	155
C87	155
C88	229
C89	229
C90	154

SYMBOL NO.	INDEX NO.
C91	155
C92	155
C93	151
C94	166
C95	177
C96	155
C97	155
C98	157
C99	157
C100	165

SYMBOL NO.	INDEX NO.
C101	178
C102	151
---	---
C104	153
---	---
C106	155
---	---
---	---
---	---
C110	155

SYMBOL NO.	INDEX NO.
C111	155
C112	149
C113	149
---	---
---	---
C116	153
C117	153
---	---
C119	155
---	---

SYMBOL NO.	INDEX NO.
---	---
---	---
C203	162
C204	175
C205	173

2.GWFCU3 - NA (B771)

CONNECTOR

SYMBOL NO.	INDEX NO.
CN600	104
CN601	105
CN603	107
CN604	103
CN605	101
CN606	102
---	---
---	---
---	---
---	---

SYMBOL NO.	INDEX NO.
---	---
CN622	106
CN623	101

DIODE

SYMBOL NO.	INDEX NO.
D1	120
---	---
D3	120
D4	129
D5	129
D6	125
D7	125
D8	120
D9	126
D10	128

SYMBOL NO.	INDEX NO.
D11	129
D12	129
D13	124

DA

SYMBOL NO.	INDEX NO.
DA1	121

FILTER

SYMBOL NO.	INDEX NO.
FL1	179
---	---
---	---
FL4	182
FL5	182

IC

SYMBOL NO.	INDEX NO.
---	---
IC2	139
IC3	140
IC4	2
IC5	232
IC6	137
IC7	1
IC8	138
---	---
IC10	136

JP

SYMBOL NO.	INDEX NO.
JP3	187

L

SYMBOL NO.	INDEX NO.
L1	183
L2	181
L3	180
L4	180

LED

SYMBOL NO.	INDEX NO.
LED1	131
LED2	132

PC

SYMBOL NO.	INDEX NO.
PC2	130

Q

SYMBOL NO.	INDEX NO.
Q1	115
Q2	116
Q3	115
Q4	114
Q5	111
Q6	112
Q7	112
Q8	111
Q9	112
Q10	112

SYMBOL NO.	INDEX NO.
Q11	112
Q12	118
Q13	113
Q14	117

RESISTOR

SYMBOL NO.	INDEX NO.
---	---
R2	204
R3	204
R4	204
R5	204
R6	204
R7	204
R8	204
R9	204
R10	204

SYMBOL NO.	INDEX NO.
R11	208
R12	208
R13	204
R14	193
R15	204
R16	192
R17	192
R18	192
R19	192
R20	192

SYMBOL NO.	INDEX NO.
R21	194
R22	194
R23	218
R24	200
R25	214
R26	214
R27	196
R28	222
R29	225
R30	197

OSC

SYMBOL NO.	INDEX NO.
OSC1	141
OSC2	142

2.GWFCU3 - NA (B771)

RESISTOR

SYMBOL NO.	INDEX NO.	SYMBOL NO.	INDEX NO.	SYMBOL NO.	INDEX NO.	SYMBOL NO.	INDEX NO.	SYMBOL NO.	INDEX NO.	SYMBOL NO.	INDEX NO.	SYMBOL NO.	INDEX NO.
R31	189	R41	204	R51	187	---	---	R71	213	F81	191	F91	204
---	---	R42	204	R52	192	R62	204	R72	206	F82	207	F92	204
R33	189	R43	204	R53	219	R63	204	R73	206	F83	194	F93	199
R34	192	R44	204	R54	219	R64	204	R74	206	---	---	F94	199
R35	193	R45	204	---	---	R65	215	R75	201	F85	211	F95	204
R36	204	R46	192	R56	187	R66	204	R76	214	F86	205	F96	204
R37	187	R47	191	R57	192	R67	204	R77	206	---	---	F97	204
R38	204	R48	191	R58	187	R68	204	R78	220	F88	187	F98	192
R39	204	R49	204	R59	187	R69	204	R79	220	---	---	F99	204
R40	204	R50	204	---	---	R70	192	R80	224	F90	187	R100	204

RESISTOR

SYMBOL NO.	INDEX NO.	SYMBOL NO.	INDEX NO.	SYMBOL NO.	INDEX NO.	SYMBOL NO.	INDEX NO.	SYMBOL NO.	INDEX NO.	SYMBOL NO.	INDEX NO.	SYMBOL NO.	INDEX NO.
R101	204	R111	216	R121	203	R131	187	R141	217	---	---	---	---
---	---	R112	216	R122	193	R132	195	R142	217	---	---	R212	187
---	---	R113	204	R123	204	R133	192	R143	223	---	---	R213	187
R104	192	R114	187	R124	209	R134	187	R144	221	---	---	R214	202
R105	192	R115	192	R125	192	---	---	R145	217	---	---	R215	202
R106	192	R116	192	R126	192	R136	187	R146	217	---	---	R216	190
R107	192	R117	192	R127	210	---	---	R147	217	---	---	---	---
R108	216	R118	192	R128	198	---	---	---	---	---	---	R218	193
---	---	R119	192	R129	187	R139	192	---	---	---	---	R219	197
R110	193	R120	212	R130	190	R140	217	R150	192	R209	187	R220	199
										---	---	R221	200

2.GWFCU3 - NA (B771)

RN

SYMBOL NO.	INDEX NO.
RN1	185
RN2	185
RN3	184
RN4	184
RN5	144
RN6	184
RN7	184
RN8	184
RN9	184
RN10	184

SYMBOL NO.	INDEX NO.
RN11	184
RN12	144
RN13	184
RN14	184
RN15	186
RN16	186
RN17	184
RN18	184
RN19	185
RN20	185

SYMBOL NO.	INDEX NO.
RN21	143
RN22	185

RY

SYMBOL NO.	INDEX NO.
RY2	110

V

SYMBOL NO.	INDEX NO.
V1	134
V2	135
V3	134
V4	133

ZD

SYMBOL NO.	INDEX NO.
ZD1	119
ZD2	123
ZD3	123
ZD4	127
ZD5	122

2.GWFCU3 - NA (B771)

Index No.	Part No.	Description	Q'ty Per Assembly
*	B786 5132	PCB:GWFCU3:NA:Ass'y	1
*	B786 5136	GWFCU3 - TWN	1
1	B620 5511	lc-fame-rl5t818-0001	1
2	B620 5513	lc-face3-rb5a264	1

Index No.	Part No.	Description	Q'ty Per Assembly
101	1102 4201	Connector - 2P	
102	1102 4633	CT Header - 4P	
103	1102 8189	Dimm Connector - 54534-1440	
104	1102 9093	Connector:RHM-88R-SSK-	
105	1102 9634	Connector - WR-60P-VF50-1	
106	1102 9999	Connector - B03B-CZHK-B(LF)(V)	
107	1103 3188	Connector:FH12S-50S-0.5SH(89)	
108	1105 0338	Spacer - 8mm	
109	1206 0084	2ndary Lithium Cell:VI2330/1hf	
110	1208 1438	Relay - EC2 5ND	
111	1400 0769	Transistor - 2SA1576A	
112	1400 0775	Transistor - 2SC4081	
113	1400 0781	Transistor:2SB1132R	
114	1400 0841	Transistor:2SD1898Q	
115	1400 1018	Transistor - MMBTA42	
116	1400 1019	Transistor - MMBTA92	
117	1401 1056	Fet - 2sk2158	
118	1401 1116	Transistor - 2SC5053	
119	1402 0506	Diode - RD43EB	
120	1402 1336	Diode - 1SS355	
121	1402 1343	Diode - RB106L-40	
122	1402 1384	Diode - UDZS12B	
123	1402 1505	Diode - UDZS5.6B	
124	1402 1530	Diode - RB520S-30	
125	1402 1584	Diode - DAN217U	
126	1402 1599	Diode - RB551	
127	1402 1647	Diode - UDZS3.6B	
128	1402 1698	Diode - RB	
129	1402 1734	Diode - 1SR156-400	
130	1403 0908	Photocoupler:Tlp620(d4gb-lf2,pF	
131	1403 0953	LED - SML-310MT	
132	1403 0996	LED - SML-310VT	
133	1404 0129	Varistor - Vr - 63b	
134	1404 1033	Varistor - Tnr9se431k	
135	1404 1070	Varistor - Tisp4290h3bj	

Index No.	Part No.	Description	Q'ty Per Assembly
136	1407 5441	IC - 74LVC00A:TSOP	
137	1407 5858	IC - SI3016	
138	1408 1829	Op Amp - Lm358pw	
139	1408 1861	Regulator - Upc2918t	
140	1408 2080	IC - RN5RK	
141	1503 0460	Oscillator - 32.768KHZ	
142	1503 1004	Oscillator - 19.6608mhz	
143	1601 7752	Resistor Array - 10K Ω \pm 5%	
144	1601 7867	Resistor - 33 Ω \pm 5% 1/16W	
145	1604 5210	Capacitor - 22 μ F \pm 20% 16V	
146	1604 5211	Capacitor - 47 μ F \pm 20% 16V	
147	1604 5212	Capacitor - 100 μ F \pm 20% 16V	
148	1604 5213	Capacitor - 220 μ F \pm 20% 10V	
149	1605 1148	Capacitor - 0.1 μ F+80-20% 50V	
150	1605 1163	Ceramic Capacitor - 560pF: \pm 5%:50v	
151	1605 1190	Resistor - 0.022 μ F \pm 10% 50V	
152	1605 1200	Capacitor - 10PF \pm 0.5pF 50V	
153	1605 1214	Capacitor - 1000pF \pm 10% 50V	
154	1605 1216	Capacitor - 2200pF \pm 10%50V	
155	1605 1221	Capacitor - 0.1 UF+80-20%16V	
156	1605 1225	Capacitor - 0.1 μ F \pm 10% 50V	
157	1605 1275	Capacitor - 820pF \pm 5% 50V	
158	1605 1281	Capacitor - 0.22 μ F \pm 10% 16V	
159	1605 1289	Capacitor - 0.1 μ F \pm 10% 10V	
160	1605 1295	Capacitor:10uf:+80-20%:10V	
161	1605 1299	Resistor - 56pF \pm 5% 50V	
162	1605 1300	Capacitor - 270pF \pm 5% 50V	
163	1605 1306	Capacitor - 1 μ F \pm 10% 10V	
164	1605 1347	Capacitor - 1UF:+80-20%:16V	
165	1605 1353	Capacitor - 0.1 μ F \pm 10% 25V	
166	1605 1396	Capacitor - 0.33 μ F \pm 10% 50V	
167	1605 1397	Capacitor - 560pF \pm 10% 630V	
168	1605 1398	Capacitor - 1000pF \pm 20% AC250V	
169	1605 1399	Capacitor - 3900pF \pm 5% 50V	
170	1605 1400	Capacitor - 150pF \pm 10% AC250V	

Index No.	Part No.	Description	Q'ty Per Assembly
171	1605 1401	Capacitor - 0.01 μ F \pm 10% 250V	
172	1605 1402	Capacitor - 1800pF \pm 5% 50V	
173	1605 1417	Capacitor:47uf:+80-20%:10V	
174	1605 1446	Resistor - 120pF \pm 5% 50V	
175	1605 1460	Capacitor:0.022uf: \pm 10%:250V	
176	1605 1475	Resistor - 1 μ F \pm 10% 16V	
177	1605 1539	Resistor - 1.5 μ F \pm 10% 16V	
178	1605 1544	Resistor - 330pF \pm 5% 50V	
179	1607 0069	Fuse - BI02rn2-r62-pb	
180	1607 0425	Coil: SBT-0260	
181	1607 0612	St-110av	
182	1607 0824	Filter - Blm11a601spb	
183	1607 1196	Inductor -220uh \pm 20% 0.33a	
184	1609 0005	Resistor:33 Ω : \pm 5%:1/16w	
185	1609 0006	Resistor:10k Ω : \pm 5%:1/16w	
186	1609 0026	Resistor - 47 Ω \pm 5% 1/16W	
187	1634 0000	Resistor - 0 Ω 1/16W	
188	1640 3221	Capacitor:220uf: \pm 20%:35V	
189	1650 4100	Resistor - 10 Ω \pm 5% 1/10W	
190	1650 4101	Resistor - 100 Ω \pm 5%1/10W	
191	1650 4102	Resistor - 1K Ω \pm 5% 1/10W	
192	1650 4103	Resistor - 10K Ω \pm 5% 1/10W	
193	1650 4104	Resistor - 100K Ω \pm 5%1/10W	
194	1650 4106	Resistor - 10M Ω \pm 5%1/10W	
195	1650 4121	Resistor - 120 Ω \pm 5%1/10W	
196	1650 4124	Resistor:120k Ω : \pm 5%:1/10W	
197	1650 4151	Resistor - 150 Ω \pm 5%1/10W	
198	1650 4204	Resistor - 200K Ω \pm 5%1/10W	
199	1650 4220	Chip Resistor - 22 Ω \pm 5% 1/10w	
200	1650 4222	Resistor - 2.2K Ω \pm 5%1/10W	
201	1650 4223	Resistor - 22K Ω \pm 5%1/10W	
202	1650 4224	Resistor:220k Ω : \pm 5%:1/10W	
203	1650 4304	Resistor:300k Ω : \pm 5%:1/10W	
204	1650 4330	Chip Resistor - 33 Ω \pm 5% 1/10w	
205	1650 4331	Resistor - 330 Ω \pm 5%1/10W	

3.GWFCU3 - EU (B771)

A

CAPACITOR

SYMBOL NO.	INDEX NO.
A1	135
A2	135

SYMBOL NO.	INDEX NO.
---	---
C2	147
C3	146
C4	148
C5	149
C6	149
C7	166
---	---
C9	157
C10	157

SYMBOL NO.	INDEX NO.
C11	154
C12	157
C13	157
---	---
---	---
C16	171
C17	169
C18	169
C19	170
C20	170

SYMBOL NO.	INDEX NO.
C21	172
C22	158
C23	160
C24	177
C25	232
C26	167
C27	167
---	---
---	---
---	---

SYMBOL NO.	INDEX NO.
C31	229
C32	228
C33	160
C34	151
C35	189
C36	157
C37	157
C38	231
C39	157
C40	157

SYMBOL NO.	INDEX NO.
C41	231
C42	157
C43	157
---	---
---	---
C46	157
C47	231
C48	231
C49	157
C50	157

SYMBOL NO.	INDEX NO.
C51	157
C52	157
C53	231
C54	157
C55	162
C56	157
C57	165
C58	229
C59	230
C60	160

BAT

SYMBOL NO.	INDEX NO.
BAT1	110

CAPACITOR

SYMBOL NO.	INDEX NO.
C61	153
C62	152
C63	163
C64	231
C65	157
C66	231
C67	157
C68	231
C69	157
C70	231

SYMBOL NO.	INDEX NO.
C71	231
C72	231
C73	231
C74	157
C75	157
C76	161
C77	176
C78	157
---	---
C80	233

SYMBOL NO.	INDEX NO.
C81	157
C82	157
C83	161
C84	157
C85	157
C86	157
C87	157
C88	231
C89	231
C90	156

SYMBOL NO.	INDEX NO.
C91	157
C92	157
C93	153
C94	168
C95	178
C96	157
C97	157
C98	159
C99	159
C100	167

SYMBOL NO.	INDEX NO.
C101	179
C102	153
---	---
C104	155
---	---
C106	157
C107	150
C108	150
---	---
C110	157

SYMBOL NO.	INDEX NO.
C111	157
C112	151
C113	151
C114	175
C115	175
C116	155
C117	155
---	---
C119	157
---	---

SYMBOL NO.	INDEX NO.
---	---
---	---
---	---
---	---
---	---
---	---
---	---
---	---
C128	174
C129	174
C130	174

3.GWFCU3 - EU (B771)

CAPACITOR

SYMBOL NO.	INDEX NO.
---	---
---	---
C203	164
---	---
C205	173
---	---
---	---
---	---
---	---

CONNECTOR

SYMBOL NO.	INDEX NO.
CN600	106
CN601	107
---	---
CN603	108
CN604	104
CN605	101
CN606	103
---	---
---	---
---	---
---	---

SYMBOL NO.	INDEX NO.
---	---
CN622	105
CN623	102

DIODE

SYMBOL NO.	INDEX NO.
D1	121
---	---
D3	121
D4	130
D5	130
---	---
D6	126
D7	126
D8	121
D9	127
D10	129

SYMBOL NO.	INDEX NO.
D11	130
D12	130
D13	125

DA

SYMBOL NO.	INDEX NO.
DA1	122

FILTER

SYMBOL NO.	INDEX NO.
FI L1	180
---	---
---	---
FI L4	181
FI L5	181

IC

SYMBOL NO.	INDEX NO.
---	---
I C2	140
I C3	141
I C4	2
I C5	234
---	---
I C6	138
I C7	1
I C8	139
---	---
I C10	137

JP

SYMBOL NO.	INDEX NO.
JP3	188

LED

SYMBOL NO.	INDEX NO.
LED1	132
LED2	133

PC

SYMBOL NO.	INDEX NO.
PC2	131

Q

SYMBOL NO.	INDEX NO.
Q1	116
Q2	117
Q3	116
Q4	115
Q5	112
---	---
Q6	113
Q7	113
Q8	112
Q9	113
Q10	113

RN

SYMBOL NO.	INDEX NO.
Q11	113
Q12	119
Q13	114
Q14	118

RESISTOR

SYMBOL NO.	INDEX NO.
---	---
R2	205
R3	205
R4	205
R5	205
---	---
R6	205
R7	205
R8	205
R9	205
R10	205

SYMBOL NO.	INDEX NO.
R11	209
R12	209
R13	205
R14	194
R15	205
---	---
R16	193
R17	193
R18	193
R19	193
R20	193

L

SYMBOL NO.	INDEX NO.
L1	182
L2	183
L3	184
L4	184

OSC

SYMBOL NO.	INDEX NO.
OSC1	142
OSC2	143

3.GWFCU3 - EU (B771)

RESISTOR

SYMBOL NO.	INDEX NO.	SYMBOL NO.	INDEX NO.	SYMBOL NO.	INDEX NO.	SYMBOL NO.	INDEX NO.	SYMBOL NO.	INDEX NO.	SYMBOL NO.	INDEX NO.	SYMBOL NO.	INDEX NO.
R21	195	R31	190	R41	205	R51	188	---	---	R71	214	F81	192
R22	195	---	---	R42	205	R52	193	R62	205	R72	207	F82	208
R23	220	R33	190	R43	205	R53	221	R63	205	R73	207	F83	195
R24	201	R34	193	R44	205	R54	221	R64	205	R74	207	---	---
R25	215	R35	194	R45	205	---	---	R65	216	R75	202	F85	212
R26	215	R36	205	R46	193	R56	188	R66	205	R76	215	F86	206
R27	197	R37	188	R47	192	R57	193	R67	205	R77	207	---	---
R28	224	R38	205	R48	192	R58	188	R68	205	R78	222	F88	188
R29	227	R39	205	R49	205	R59	188	R69	205	R79	222	---	---
R30	198	R40	205	R50	205	---	---	R70	193	F80	226	F90	188

RESISTOR

SYMBOL NO.	INDEX NO.	SYMBOL NO.	INDEX NO.	SYMBOL NO.	INDEX NO.	SYMBOL NO.	INDEX NO.	SYMBOL NO.	INDEX NO.	SYMBOL NO.	INDEX NO.	SYMBOL NO.	INDEX NO.
R91	205	R101	205	R111	217	R121	204	R131	188	R141	218	---	---
R92	205	---	---	R112	217	R122	194	R132	196	R142	218	---	---
R93	200	---	---	R113	205	R123	205	R133	193	R143	225	---	---
R94	200	R104	193	R114	188	R124	210	R134	188	R144	223	---	---
R95	205	R105	193	R115	193	R125	193	---	---	R145	218	---	---
R96	205	R106	193	R116	193	R126	193	R136	188	R146	218	---	---
R97	205	R107	193	R117	193	R127	211	---	---	R147	218	---	---
R98	193	R108	217	R118	193	R128	199	---	---	R148	219	---	---
R99	205	---	---	R119	193	R129	188	R139	193	R149	219	R209	188
R100	205	R110	194	R120	213	R130	191	R140	218	R150	193	---	---

3.GWFCU3 - EU (B771)

RESISTOR

SYMBOL NO.	INDEX NO.
---	---
R212	188
R213	188
R214	203
R215	203
R216	191
---	---
---	---
R219	198
R220	200

SYMBOL NO.	INDEX NO.
R221	201

RN

SYMBOL NO.	INDEX NO.
RN1	186
RN2	186
RN3	185
RN4	185
RN5	145
RN6	185
RN7	185
RN8	185
RN9	185
RN10	185

SYMBOL NO.	INDEX NO.
RN11	185
RN12	145
RN13	185
RN14	185
RN15	187
RN16	187
RN17	185
RN18	185
RN19	186
RN20	186

SYMBOL NO.	INDEX NO.
RN21	144
RN22	186

RY

SYMBOL NO.	INDEX NO.
RY2	111

V

SYMBOL NO.	INDEX NO.
---	---
V2	136
---	---
V4	134

ZD

SYMBOL NO.	INDEX NO.
ZD1	120
ZD2	124
ZD3	124
ZD4	128
ZD5	123

3.GWFCU3 - EU (B771)

Index No.	Part No.	Description	Q'ty Per Assembly
*	B786 5134	Gwfcu3 - Eu	1
1	B620 5511	lc-fame-rl5t818-0001	1
2	B620 5513	lc-face3-rb5a264	1

Index No.	Part No.	Description	Q'ty Per Assembly
101	1102 4201	Connector - 2P	
102	1102 4205	CT Header - 6P	
103	1102 4633	CT Header - 4P	
104	1102 8189	Dimm Connector - 54534-1440	
105	1102 8396	Connector - B06B-CZHK-B-1(LF)(V)	
106	1102 9093	Connector:RHM-88R-SSK-	
107	1102 9634	Connector - WR-60P-VF50-1	
108	1103 3188	Connector:FH12S-50S-0.5SH(89)	
109	1105 0338	Spacer - 8mm	
110	1206 0084	2ndary Lithium Cell:VI2330/1hf	
111	1208 1438	Relay - EC2 5ND	
112	1400 0769	Transistor - 2SA1576A	
113	1400 0775	Transistor - 2SC4081	
114	1400 0781	Transistor:2SB1132R	
115	1400 0841	Transistor:2SD1898Q	
116	1400 1018	Transistor - MMBTA42	
117	1400 1019	Transistor - MMBTA92	
118	1401 1056	Fet - 2sk2158	
119	1401 1116	Transistor - 2SC5053	
120	1402 0506	Diode - RD43EB	
121	1402 1336	Diode - 1SS355	
122	1402 1343	Diode - RB106L-40	
123	1402 1384	Diode - UDZS12B	
124	1402 1505	Diode - UDZS5.6B	
125	1402 1530	Diode - RB520S-30	
126	1402 1584	Diode - DAN217U	
127	1402 1599	Diode - RB551	
128	1402 1647	Diode - UDZS3.6B	
129	1402 1698	Diode - RB	
130	1402 1734	Diode - 1SR156-400	
131	1403 0908	Photocoupler:Tlp620(d4gb-lf2,pF	
132	1403 0953	LED - SML-310MT	
133	1403 0996	LED - SML-310VT	
134	1404 0129	Varistor - Vr - 63b	
135	1404 0983	Arrestor- Ra-102ms-v7-f(5)	

Index No.	Part No.	Description	Q'ty Per Assembly
136	1404 1070	Varistor - Tisp4290h3bj	
137	1407 5441	IC - 74LVC00A:TSOP	
138	1407 5858	IC - SI3016	
139	1408 1829	Open Amp - Lm358pw	
140	1408 1861	Regulator - Upc2918t	
141	1408 2080	IC - RN5RK	
142	1503 0460	Oscillator - 32.768KHZ	
143	1503 1004	Oscillator - 19.6608mhz	
144	1601 7752	Resistor Array - 10K Ω \pm 5%	
145	1601 7867	Resistor - 33 Ω \pm 5% 1/16W	
146	1604 5210	Capacitor - 22 μ F \pm 20% 16V	
147	1604 5211	Capacitor - 47 μ F \pm 20% 16V	
148	1604 5212	Capacitor - 100 μ F \pm 20% 16V	
149	1604 5213	Capacitor - 220 μ F \pm 20% 10V	
150	1605 0832	Capacitor - 8PF \pm 0.5pF 50V	
151	1605 1148	Capacitor - 0.1 μ F+80-20% 50V	
152	1605 1163	Ceramic Capacitor - 560pF: \pm 5%:50v	
153	1605 1190	Resistor - 0.022 μ F \pm 10% 50V	
154	1605 1200	Capacitor - 10PF \pm 0.5pF 50V	
155	1605 1214	Capacitor - 1000pF \pm 10% 50V	
156	1605 1216	Capacitor - 2200pF \pm 10%50V	
157	1605 1221	Capacitor - 0.1 UF+80-20%16V	
158	1605 1225	Capacitor - 0.1 μ F \pm 10% 50V	
159	1605 1275	Capacitor - 820pF \pm 5% 50V	
160	1605 1281	Capacitor - 0.22 μ F \pm 10% 16V	
161	1605 1289	Capacitor - 0.1 μ F \pm 10% 10V	
162	1605 1295	Capacitor:10uf:+80-20%:10V	
163	1605 1299	Resistor - 56pF \pm 5% 50V	
164	1605 1300	Capacitor - 270pF \pm 5% 50V	
165	1605 1306	Capacitor - 1 μ F \pm 10% 10V	
166	1605 1347	Capacitor - 1UF:+80-20%:16V	
167	1605 1353	Capacitor - 0.1 μ F \pm 10% 25V	
168	1605 1396	Capacitor - 0.33 μ F \pm 10% 50V	
169	1605 1397	Capacitor - 560pF \pm 10% 630V	
170	1605 1399	Capacitor - 3900pF \pm 5% 50V	

Index No.	Part No.	Description	Q'ty Per Assembly
171	1605 1401	Capacitor - 0.01 μ F \pm 10% 250V	
172	1605 1402	Capacitor - 1800pF \pm 5% 50V	
173	1605 1417	Capacitor:47uf:+80-20%:10V	
174	1605 1421	Capacitor - 150pF \pm 10% AC250V	
175	1605 1422	Capacitor - 1000pF \pm 20% AC250V	
176	1605 1446	Resistor - 120pF \pm 5% 50V	
177	1605 1475	Resistor - 1 μ F \pm 10% 16V	
178	1605 1539	Resistor - 1.5 μ F \pm 10% 16V	
179	1605 1544	Resistor - 330pF \pm 5% 50V	
180	1607 0069	Fuse - BI02rn2-r62-pb	
181	1607 0824	Filter - Blm11a601spb	
182	1607 1196	Inductor -220uh \pm 20% 0.33a	
183	1607 1284	Choke Coil - St-110bv	
184	1607 1584	Inductor - Lav35vb151j	
185	1609 0005	Resistor:33 Ω : \pm 5%:1/16w	
186	1609 0006	Resistor:10k Ω : \pm 5%:1/16w	
187	1609 0026	Resistor - 47 Ω \pm 5% 1/16W	
188	1634 0000	Resistor - 0 Ω 1/16W	
189	1640 3221	Capacitor:220uf: \pm 20%:35V	
190	1650 4100	Resistor - 10 Ω \pm 5% 1/10W	
191	1650 4101	Resistor - 100 Ω \pm 5%1/10W	
192	1650 4102	Resistor - 1K Ω \pm 5% 1/10W	
193	1650 4103	Resistor - 10K Ω \pm 5% 1/10W	
194	1650 4104	Resistor - 100K Ω \pm 5%1/10W	
195	1650 4106	Resistor - 10M Ω \pm 5%1/10W	
196	1650 4121	Resistor - 120 Ω \pm 5%1/10W	
197	1650 4124	Resistor:120k Ω : \pm 5%:1/10W	
198	1650 4151	Resistor - 150 Ω \pm 5%1/10W	
199	1650 4204	Resistor - 200K Ω \pm 5%1/10W	
200	1650 4220	Chip Resistor - 22 Ω \pm 5% 1/10w	
201	1650 4222	Resistor - 2.2K Ω \pm 5%1/10W	
202	1650 4223	Resistor - 22K Ω \pm 5%1/10W	
203	1650 4224	Resistor:220k Ω : \pm 5%:1/10W	
204	1650 4304	Resistor:300k Ω : \pm 5%:1/10W	
205	1650 4330	Chip Resistor - 33 Ω \pm 5% 1/10w	

**FAX OPTION TYPE C4500 B771
PARTS INDEX**

This section instructs you as to the numbers and names of parts on this machine

Parts Index

Part No.	Description	Page and Index No.
B771 0520	Bracket: FCU	3 - 9
B771 0521	Bracket: Auxiliary	3 - 8
B771 0522	Bracket: Speaker	3 - 11
B771 0523	Bracket: Modular	3 - 7
B771 5050	Speaker	3 - 10
B771 5181	PCB: MBU: EXP: Ass'y	3 - 3
B771 5230	Harness: Modular: Line	3 - 6
B771 5236	Harness: Modular: Tel: NA	3 - 5

Part No.	Description	Page and Index No.
B223 1835	Bracket: Hand Set	3 - 2
B238 1573	Key top - Fax(NA)	3 - 15
B238 1579	Key top - Fax(EU)	3 - 15
B404 3861	SG3 Decal	3 - 16
B404 5821	Handset Bracket	3 - 12
B620 5511	Ic-fame-rl5t818-0001	13 - 1
B620 5511	Ic-fame-rl5t818-0001	7 - 1
B620 5513	Ic-face3-rb5a264	7 - 2
B620 5513	Ic-face3-rb5a264	13 - 2
B786 5132	PCB:GWFCU3:NA:Ass'y	7 - *
B786 5132	PCB:GWFCU3:NA:Ass'y	3 - 4
B786 5134	GWFCU3 - EU	3 - 4
B786 5134	Gwfcu3 - Eu	13 - *
B786 5136	GWFCU3 - TWN	7 - *
B786 5136	GWFCU3 - TWN	3 - 4
B786 5732	PCB FCUIF-A	3 - 1
H511 5007	Stamp	3 - 14
H523 5350	Telephone Cable	3 - 13

Part No.	Description	Page and Index No.
0451 3006N	Tapping Screw - 3x6	3 - 101
0453 3006N	Tapping Screw - M3x6	3 - 102
1102 4201	Connector - 2P	7 - 101
1102 4201	Connector - 2P	13 - 101
1102 4205	CT Header - 6P	13 - 102
1102 4633	CT Header - 4P	13 - 103
1102 4633	CT Header - 4P	7 - 102
1102 8189	Dimm Connector - 54534-1440	13 - 104
1102 8189	Dimm Connector - 54534-1440	7 - 103
1102 8396	Connector - B06B-CZHK-B-1(LF)(V)	13 - 105
1102 9093	Connector:RHM-88R-SSK-	7 - 104
1102 9093	Connector:RHM-88R-SSK-	13 - 106
1102 9634	Connector - WR-60P-VF50-1	13 - 107
1102 9634	Connector - WR-60P-VF50-1	7 - 105
1102 9999	Connector - B03B-CZHK-B(LF)(V)	7 - 106
1103 3188	Connector:FH12S-50S-0.5SH(89)	7 - 107
1103 3188	Connector:FH12S-50S-0.5SH(89)	13 - 108
1104 0730	Short Pin - 2p	3 - 103
1105 0338	Spacer - 8mm	7 - 108
1105 0338	Spacer - 8mm	13 - 109
1206 0084	2ndary Lithium Cell:VI2330/1hf	13 - 110
1206 0084	2ndary Lithium Cell:VI2330/1hf	7 - 109
1208 1438	Relay - EC2 5ND	13 - 111
1208 1438	Relay - EC2 5ND	7 - 110
1400 0769	Transistor - 2SA1576A	13 - 112
1400 0769	Transistor - 2SA1576A	7 - 111
1400 0775	Transistor - 2SC4081	7 - 112
1400 0775	Transistor - 2SC4081	13 - 113
1400 0781	Transistor:2SB1132R	13 - 114
1400 0781	Transistor:2SB1132R	7 - 113
1400 0841	Transistor:2SD1898Q	7 - 114
1400 0841	Transistor:2SD1898Q	13 - 115
1400 1018	Transistor - MMBTA42	7 - 115
1400 1018	Transistor - MMBTA42	13 - 116
1400 1019	Transistor - MMBTA92	13 - 117

Part No.	Description	Page and Index No.
1400 1019	Transistor - MMBTA92	7 - 116
1401 1056	Fet - 2sk2158	13 - 118
1401 1056	Fet - 2sk2158	7 - 117
1401 1116	Transistor - 2SC5053	13 - 119
1401 1116	Transistor - 2SC5053	7 - 118
1402 0506	Diode - RD43EB	7 - 119
1402 0506	Diode - RD43EB	13 - 120
1402 1336	Diode - 1SS355	7 - 120
1402 1336	Diode - 1SS355	13 - 121
1402 1343	Diode - RB106L-40	7 - 121
1402 1343	Diode - RB106L-40	13 - 122
1402 1384	Diode - UDZS12B	7 - 122
1402 1384	Diode - UDZS12B	13 - 123
1402 1505	Diode - UDZS5.6B	7 - 123
1402 1505	Diode - UDZS5.6B	13 - 124
1402 1530	Diode - RB520S-30	13 - 125
1402 1530	Diode - RB520S-30	7 - 124
1402 1584	Diode - DAN217U	7 - 125
1402 1584	Diode - DAN217U	13 - 126
1402 1599	Diode - RB551	7 - 126
1402 1599	Diode - RB551	13 - 127
1402 1647	Diode - UDZS3.6B	7 - 127
1402 1647	Diode - UDZS3.6B	13 - 128
1402 1698	Diode - RB	7 - 128
1402 1698	Diode - RB	13 - 129
1402 1734	Diode - 1SR156-400	13 - 130
1402 1734	Diode - 1SR156-400	7 - 129
1403 0908	Photocoupler:Tlp620(d4gb-lf2,pf	7 - 130
1403 0908	Photocoupler:Tlp620(d4gb-lf2,pf	13 - 131
1403 0953	LED - SML-310MT	7 - 131
1403 0953	LED - SML-310MT	13 - 132
1403 0996	LED - SML-310VT	7 - 132
1403 0996	LED - SML-310VT	13 - 133
1404 0129	Varistor - Vr - 63b	7 - 133
1404 0129	Varistor - Vr - 63b	13 - 134

Part No.	Description	Page and Index No.
1404 0983	Arrestor- Ra-102ms-v7-f(5)	13 - 135
1404 1033	Varistor - Tnr9se431k	7 - 134
1404 1070	Varistor - Tisp4290h3bj	13 - 136
1404 1070	Varistor - Tisp4290h3bj	7 - 135
1407 5441	IC - 74LVC00A:TSOP	7 - 136
1407 5441	IC - 74LVC00A:TSOP	13 - 137
1407 5858	IC - SI3016	7 - 137
1407 5858	IC - SI3016	13 - 138
1408 1829	Op Amp - Lm358pw	7 - 138
1408 1829	Op Amp - Lm358pw	13 - 139
1408 1861	Regulator - Upc2918t	13 - 140
1408 1861	Regulator - Upc2918t	7 - 139
1408 2080	IC - RN5RK	13 - 141
1408 2080	IC - RN5RK	7 - 140
1503 0460	Oscillator - 32.768KHZ	13 - 142
1503 0460	Oscillator - 32.768KHZ	7 - 141
1503 1004	Oscillator - 19.6608mhz	13 - 143
1503 1004	Oscillator - 19.6608mhz	7 - 142
1601 7752	Resistor Array - 10K ±5%	13 - 144
1601 7752	Resistor Array - 10K ±5%	7 - 143
1601 7867	Resistor - 33 <+>5% 1/16W	7 - 144
1601 7867	Resistor - 33 <+>5% 1/16W	13 - 145
1604 5210	Capacitor - 22 F <+>20% 16V	13 - 146
1604 5210	Capacitor - 22 F <+>20% 16V	7 - 145
1604 5211	Capacitor - 47 F <+>20% 16V	13 - 147
1604 5211	Capacitor - 47 F <+>20% 16V	7 - 146
1604 5212	Capacitor - 100 F±20% 16V	13 - 148
1604 5212	Capacitor - 100 F±20% 16V	7 - 147
1604 5213	Capacitor - 220 F±20% 10V	13 - 149
1604 5213	Capacitor - 220 F±20% 10V	7 - 148
1605 0832	Capacitor - 8PF <+>0.5pF 50V	13 - 150
1605 1148	Capacitor - 0.1 F 20% 50V	13 - 151
1605 1148	Capacitor - 0.1 F 20% 50V	7 - 149
1605 1163	Ceramic Capacitor - 560pf±5%:50v	13 - 152
1605 1163	Ceramic Capacitor - 560pf±5%:50v	7 - 150

Part No.	Description	Page and Index No.
1605 1190	Resistor - 0.022 F <+>10% 50V	13 - 153
1605 1190	Resistor - 0.022 F <+>10% 50V	7 - 151
1605 1200	Capacitor - 10PF <+>0.5pF 50V	13 - 154
1605 1200	Capacitor - 10PF <+>0.5pF 50V	7 - 152
1605 1214	Capacitor - 1000pF <+>10% 50V	7 - 153
1605 1214	Capacitor - 1000pF <+>10% 50V	13 - 155
1605 1216	Capacitor - 2200PF<+>10%50V	7 - 154
1605 1216	Capacitor - 2200PF<+>10%50V	13 - 156
1605 1221	Capacitor - 0.1 F20%16V	13 - 157
1605 1221	Capacitor - 0.1 F20%16V	7 - 155
1605 1225	Capacitor - 0.1 F±10% 50V	13 - 158
1605 1225	Capacitor - 0.1 F±10% 50V	7 - 156
1605 1275	Capacitor - 820pF±5% 50V	7 - 157
1605 1275	Capacitor - 820pF±5% 50V	13 - 159
1605 1281	Capacitor - 0.22 F <+>10% 16V	7 - 158
1605 1281	Capacitor - 0.22 F <+>10% 16V	13 - 160
1605 1289	Capacitor - 0.1 F±10% 10V	13 - 161
1605 1289	Capacitor - 0.1 F±10% 10V	7 - 159
1605 1295	Capacitor:10 F:20%:10V	13 - 162
1605 1295	Capacitor:10 F:20%:10V	7 - 160
1605 1299	Resistor - 56pF <+>5% 50V	13 - 163
1605 1299	Resistor - 56pF <+>5% 50V	7 - 161
1605 1300	Capacitor - 270pF±5% 50V	13 - 164
1605 1300	Capacitor - 270pF±5% 50V	7 - 162
1605 1306	Capacitor - 1 F <+>10% 10V	13 - 165
1605 1306	Capacitor - 1 F <+>10% 10V	7 - 163
1605 1347	Capacitor - 1 F:20%:16V	13 - 166
1605 1347	Capacitor - 1 F:20%:16V	7 - 164
1605 1353	Capacitor - 0.1 F±10% 25V	13 - 167
1605 1353	Capacitor - 0.1 F±10% 25V	7 - 165
1605 1396	Capacitor - 0.33 F <+>10% 50V	13 - 168
1605 1396	Capacitor - 0.33 F <+>10% 50V	7 - 166
1605 1397	Capacitor - 560pF±10% 630V	13 - 169
1605 1397	Capacitor - 560pF±10% 630V	7 - 167
1605 1398	Capacitor - 1000pF <+>20% AC250V	7 - 168

Part No.	Description	Page and Index No.
1605 1399	Capacitor - 3900pF <+>5% 50V	7 - 169
1605 1399	Capacitor - 3900pF <+>5% 50V	13 - 170
1605 1400	Capacitor - 150pF±10% AC250V	7 - 170
1605 1401	Capacitor - 0.01 F <+>10% 250V	13 - 171
1605 1401	Capacitor - 0.01 F <+>10% 250V	7 - 171
1605 1402	Capacitor - 1800pF <+>5% 50V	7 - 172
1605 1402	Capacitor - 1800pF <+>5% 50V	13 - 172
1605 1417	Capacitor:47 F:20%:10V	13 - 173
1605 1417	Capacitor:47 F:20%:10V	7 - 173
1605 1421	Capacitor - 150pF±10% AC250V	13 - 174
1605 1422	Capacitor - 1000pF <+>20% AC250V	13 - 175
1605 1446	Resistor - 120pF±5% 50V	7 - 174
1605 1446	Resistor - 120pF±5% 50V	13 - 176
1605 1460	Capacitor:0.022 F±10%:250V	7 - 175
1605 1475	Resistor - 1 F <+>10% 16V	7 - 176
1605 1475	Resistor - 1 F <+>10% 16V	13 - 177
1605 1539	Resistor - 1.5 F±10% 16V	13 - 178
1605 1539	Resistor - 1.5 F±10% 16V	7 - 177
1605 1544	Resistor - 330pF±5% 50V	13 - 179
1605 1544	Resistor - 330pF±5% 50V	7 - 178
1607 0069	Fuse - BI02rn2-r62-pb	13 - 180
1607 0069	Fuse - BI02rn2-r62-pb	7 - 179
1607 0425	Coil: SBT-0260	7 - 180
1607 0612	St-110av	7 - 181
1607 0824	Filter - Blm11a601spb	13 - 181
1607 0824	Filter - Blm11a601spb	7 - 182
1607 1196	Inductor -220uh±20% 0.33a	13 - 182
1607 1196	Inductor -220uh±20% 0.33a	7 - 183
1607 1284	Choke Coil - St-110bv	13 - 183
1607 1460	Ferrite Core:RFC-9	3 - 104
1607 1584	Inductor - Lav35vb151j	13 - 184
1609 0005	Resistor:33 :<+>5%:1/16w	7 - 184
1609 0005	Resistor:33 :<+>5%:1/16w	13 - 185
1609 0006	Resistor:10k ±5%:1/16w	7 - 185
1609 0006	Resistor:10k ±5%:1/16w	13 - 186

Part No.	Description	Page and Index No.
1609 0026	Resistor - 47 <+>5% 1/16W	7 - 186
1609 0026	Resistor - 47 <+>5% 1/16W	13 - 187
1634 0000	Resistor - 0 1/16W	7 - 187
1634 0000	Resistor - 0 1/16W	13 - 188
1640 3221	Capacitor:220 F:<+>20%:35V	7 - 188
1640 3221	Capacitor:220 F:<+>20%:35V	13 - 189
1650 4100	Resistor - 10 <+>5% 1/10W	7 - 189
1650 4100	Resistor - 10 <+>5% 1/10W	13 - 190
1650 4101	Resistor - 100 <+>5%1/10W	7 - 190
1650 4101	Resistor - 100 <+>5%1/10W	13 - 191
1650 4102	Resistor - 1K <+>5% 1/10W	7 - 191
1650 4102	Resistor - 1K <+>5% 1/10W	13 - 192
1650 4103	Resistor - 10K <+>5% 1/10W	7 - 192
1650 4103	Resistor - 10K <+>5% 1/10W	13 - 193
1650 4104	Resistor - 100K <+>5%1/10W	13 - 194
1650 4104	Resistor - 100K <+>5%1/10W	7 - 193
1650 4106	Resistor - 10M <+>5%1/10W	7 - 194
1650 4106	Resistor - 10M <+>5%1/10W	13 - 195
1650 4121	Resistor - 120 <+>5%1/10W	13 - 196
1650 4121	Resistor - 120 <+>5%1/10W	7 - 195
1650 4124	Resistor:120k ±5%:1/10W	13 - 197
1650 4124	Resistor:120k ±5%:1/10W	7 - 196
1650 4151	Resistor - 150 <+>5%1/10W	13 - 198
1650 4151	Resistor - 150 <+>5%1/10W	7 - 197
1650 4204	Resistor - 200K <+>5%1/10W	7 - 198
1650 4204	Resistor - 200K <+>5%1/10W	13 - 199
1650 4220	Chip Resistor - 22 <+>5% 1/10w	13 - 200
1650 4220	Chip Resistor - 22 <+>5% 1/10w	7 - 199
1650 4222	Resistor - 2.2K <+>5%1/10W	7 - 200
1650 4222	Resistor - 2.2K <+>5%1/10W	13 - 201
1650 4223	Resistor - 22K <+>5%1/10W	13 - 202
1650 4223	Resistor - 22K <+>5%1/10W	7 - 201
1650 4224	Resistor:220k ±5%:1/10W	13 - 203
1650 4224	Resistor:220k ±5%:1/10W	7 - 202
1650 4304	Resistor:300k ±5%:1/10W	7 - 203

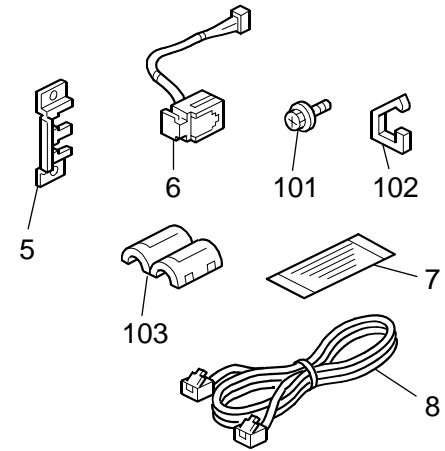
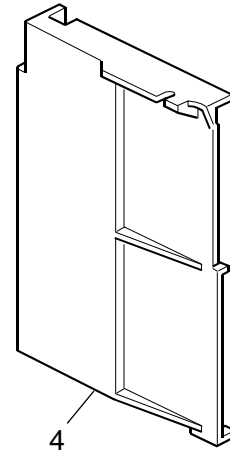
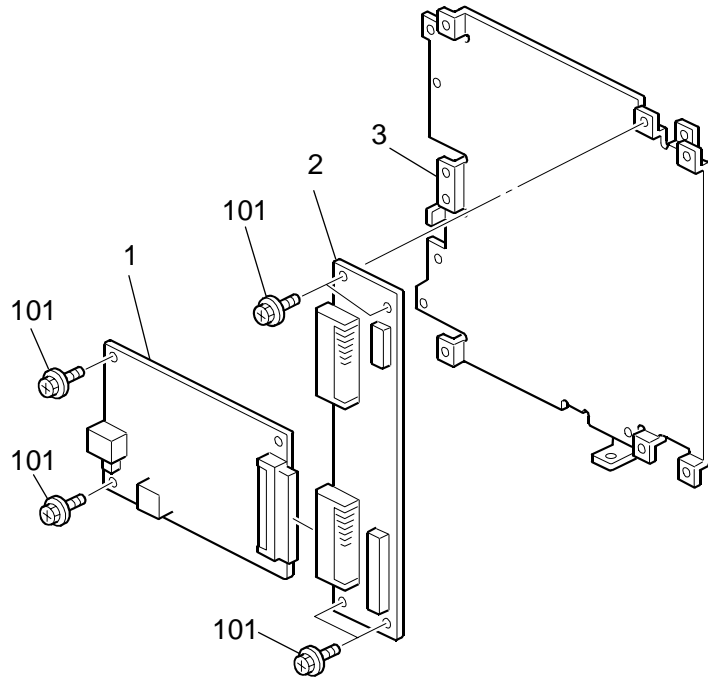
Part No.	Description	Page and Index No.
1650 4304	Resistor:300k ±5%:1/10W	13 - 204
1650 4330	Chip Resistor - 33 <+>5% 1/10w	13 - 205
1650 4330	Chip Resistor - 33 <+>5% 1/10w	7 - 204
1650 4331	Resistor - 330 <+>5%1/10W	13 - 206
1650 4331	Resistor - 330 <+>5%1/10W	7 - 205
1650 4333	Resistor - 33K <+>5%1/10W	13 - 207
1650 4333	Resistor - 33K <+>5%1/10W	7 - 206
1650 4334	Resistor - 330K <+>5%1/10W	13 - 208
1650 4334	Resistor - 330K <+>5%1/10W	7 - 207
1650 4470	Resistor - 47 <+>5%1/10W	13 - 209
1650 4470	Resistor - 47 <+>5%1/10W	7 - 208
1650 4472	Resistor - 4.7K ±5% 1/10W	13 - 210
1650 4472	Resistor - 4.7K ±5% 1/10W	7 - 209
1650 4474	Chip Resistor:470k ±5%:1/10w	7 - 210
1650 4474	Chip Resistor:470k ±5%:1/10w	13 - 211
1650 4511	Resistor - 510 <+>5%1/10W	13 - 212
1650 4511	Resistor - 510 <+>5%1/10W	7 - 211
1650 4561	Resistor - 560 <+>5% 1/10W	7 - 212
1650 4561	Resistor - 560 <+>5% 1/10W	13 - 213
1650 4562	Resistor - 5.6K ±5% 1/10W	13 - 214
1650 4562	Resistor - 5.6K ±5% 1/10W	7 - 213
1650 4563	Resistor - 56K <+>5%1/10W	13 - 215
1650 4563	Resistor - 56K <+>5%1/10W	7 - 214
1650 4680	Resistor - 68 <+>5%1/10W	7 - 215
1650 4680	Resistor - 68 <+>5%1/10W	13 - 216
1650 4912	Resistor - 9.1K <+>5%1/10W	13 - 217
1650 4912	Resistor - 9.1K <+>5%1/10W	7 - 216
1652 5361	Resistor - 5.36K <+>1%1/4W	13 - 218
1652 5361	Resistor - 5.36K <+>1%1/4W	7 - 217
1654 1001	Resistor - 1K <+>1%1/10W	13 - 219
1654 1003	Resistor - 100K <+>1%1/10W	13 - 220
1654 1003	Resistor - 100K <+>1%1/10W	7 - 218
1654 1200	Resistor - 120 <+>1% 1/10W	13 - 221
1654 1200	Resistor - 120 <+>1% 1/10W	7 - 219
1654 2002	Resistor - 20K <+>1%1/10W	13 - 222

Part No.	Description	Page and Index No.
1654 2002	Resistor - 20K <+>1%1/10W	7 - 220
1654 2200	Resistor:220 :<+>1%:1/10w:1608	7 - 221
1654 2200	Resistor:220 :<+>1%:1/10w:1608	13 - 223
1654 2430	Resistor - 243 <+>1% 1/10W	7 - 222
1654 2430	Resistor - 243 <+>1% 1/10W	13 - 224
1654 3609	Resistor - 36 <+>1%1/10W	13 - 225
1654 3609	Resistor - 36 <+>1%1/10W	7 - 223
1654 4301	Resistor - 4.3K <+>1%1/10W	13 - 226
1654 4301	Resistor - 4.3K <+>1%1/10W	7 - 224
1654 9311	Resistor - 9.31K <+>1% 1/10W	13 - 227
1654 9311	Resistor - 9.31K <+>1% 1/10W	7 - 225
1660 2120	Capacitor - 12 pF±5% 50V	13 - 228
1660 2120	Capacitor - 12 pF±5% 50V	7 - 226
1660 2150	Capacitor - 15pF <+>5% 50V	13 - 229
1660 2150	Capacitor - 15pF <+>5% 50V	7 - 227
1660 2180	Capacitor 18pF <+>5% 50v	13 - 230
1660 2180	Capacitor 18pF <+>5% 50v	7 - 228
1660 2471	Capacitor - 470pF - <+>5% - 50V	13 - 231
1660 2471	Capacitor - 470pF - <+>5% - 50V	7 - 229
1660 4103	Capacitor - 10000pF - <+>10% - 50V	13 - 232
1660 4103	Capacitor - 10000pF - <+>10% - 50V	7 - 230
1660 4682	Capacitor - 6800pF 50V 1608	13 - 233
1660 4682	Capacitor - 6800pF 50V 1608	7 - 231
1907 0031	SDRAM - 128m 2mx16x4 133mhz G3	7 - 232
1907 0031	SDRAM - 128m 2mx16x4 133mhz G3	13 - 234

**G3 INTERFACE UNIT TYPE C4500
B772
PARTS LOCATION AND LIST**

This section instructs you as to the numbers and names of parts on this machine

1.G3 Unit (B772)



1.G3 Unit (B772)

Index No.	Part No.	Description	Q'ty Per Assembly
1	B713 5172	PCB:SG3-NEO:NA	1
1	B713 5174	PCB:SG3-NEO:EU	1
2	B768 5140	PCB CCUIF	1
3	B772 0520	Bracket:G3/G4	1
4	B772 0523	Cover:Base:G3/G4	1
5	B772 0524	Bracket:G3	1
6	B772 5243	Harness:G3	1
7	B780 5240	Harness: FCU-CCU	1
8	H523 5350	Telephone Cable	1

Index No.	Part No.	Description	Q'ty Per Assembly
101	0451 3006N	Tapping Screw - 3x6	
102	1105 0613	Clamp:EDS-1010L-V0	
103	1607 1460	Ferrite Core:RFC-9	

2.SG3-NEO:NA (B772)

CAPACITOR

SYMBOL NO.	INDEX NO.	SYMBOL NO.	INDEX NO.	SYMBOL NO.	INDEX NO.	SYMBOL NO.	INDEX NO.	SYMBOL NO.	INDEX NO.	SYMBOL NO.	INDEX NO.	SYMBOL NO.	INDEX NO.
C1	134	C11	137	C21	152	C31	135	C41	135	C51	135	C61	135
C2	151	---	---	C22	142	C32	135	C42	135	C52	141	C62	185
C3	135	C13	137	C23	141	---	---	C43	135	C53	132	---	---
C4	150	C14	137	C24	135	C34	135	C44	135	C54	132	C64	133
C5	131	C15	135	C25	135	C35	139	C45	135	C55	135	---	---
C6	137	C16	135	C26	135	C36	135	C46	135	C56	132	C66	137
C7	137	C17	135	C27	135	C37	135	C47	135	C57	135	C67	140
C8	137	C18	135	C28	135	C38	139	C48	135	C58	132	C68	136
C9	149	C19	135	C29	152	C39	135	C49	141	C59	138	C69	137
C10	135	C20	135	---	---	C40	135	C50	135	C60	136	C70	132

CN

SYMBOL NO.	INDEX NO.
---	---
---	---
---	---
---	---
---	---
---	---
---	---
---	---
---	---
---	---
CN690	101

SYMBOL NO.	INDEX NO.
CN691	102
CN692	103

D

SYMBOL NO.	INDEX NO.
D1	112
D2	113
D3	112
D4	112
D5	112
D6	112

DB

SYMBOL NO.	INDEX NO.
---	---
DB2	111

FIL

SYMBOL NO.	INDEX NO.
FIL1	143

IC

SYMBOL NO.	INDEX NO.
IC1	1
---	---
IC3	125
IC4	186
IC5	187
IC6	122
IC7	121
IC8	124

JP

SYMBOL NO.	INDEX NO.
---	---
JP2	172
JP3	172
---	---
---	---
JP6	172
JP7	172
JP8	172
---	---
JP10	172

SYMBOL NO.	INDEX NO.
JP11	172
---	---
---	---
JP14	148
JP15	166
JP16	163
---	---
JP18	172

2.SG3-NEO:NA (B772)

CAPACITOR

SYMBOL NO.	INDEX NO.
L1	144

PC

SYMBOL NO.	INDEX NO.
---	---
PC2	115
---	---
PC4	114
PC5	116

Q

SYMBOL NO.	INDEX NO.
Q1	109
Q2	106
Q3	107
Q4	105
Q5	105
---	---
Q7	108
Q8	110

R

SYMBOL NO.	INDEX NO.
R1	178
R2	175
R3	182
R4	180
R5	146
---	---
R6	167
R7	161
R8	162
R9	162
R10	162

SYMBOL NO.	INDEX NO.
R11	162
R12	158
---	---
R14	161
R15	161
---	---
R16	169
R17	161
R18	159
---	---
R20	158

SYMBOL NO.	INDEX NO.
R21	158
R22	158
R23	158
R24	158
R25	158
---	---
R26	158
R27	158
R28	158
R29	158
R30	158

SYMBOL NO.	INDEX NO.
R31	158
R32	158
R33	158
R34	157
R35	158
---	---
R36	158
R37	158
R38	158
R39	158
R40	158

OSC

SYMBOL NO.	INDEX NO.
OSC1	126

RESISTOR

SYMBOL NO.	INDEX NO.
R41	165
R42	158
R43	158
R44	158
R45	162
---	---
R46	147
---	---
R48	156
---	---
---	---

SYMBOL NO.	INDEX NO.
R51	155
R52	175
R53	158
---	---
---	---
R56	168
---	---
---	---
---	---
R60	158

SYMBOL NO.	INDEX NO.
R61	158
R62	165
R63	165
R64	158
R65	158
---	---
R66	158
R67	160
R68	162
R69	161
---	---

SYMBOL NO.	INDEX NO.
R71	153
R72	153
R73	161
R74	164
R75	171
---	---
R76	174
R77	174
R78	162
R79	173
R80	174

SYMBOL NO.	INDEX NO.
R81	176
R82	164
R83	170
R84	183
R85	183
---	---
R86	181
R87	164
R88	177
R89	179
R90	184

SYMBOL NO.	INDEX NO.
R91	154
R92	181
R93	175
R94	175
R95	174
---	---
R96	178

SYMBOL NO.	INDEX NO.
REG1	123

2.SG3-NEO:NA (B772)

CAPACITOR

SYMBOL NO.	INDEX NO.
RN1	129
RN2	128
RN3	129
RN4	128
RN5	128
RN6	128
RN7	128
RN8	128
RN9	128
RN10	128

BAT

SYMBOL NO.	INDEX NO.
RN11	127
RN12	127
RN13	127
RN14	127
RN15	127
RN16	127
RN17	127
RN18	127
RN19	130
RN20	130

FU

SYMBOL NO.	INDEX NO.
RY1	104

IC

SYMBOL NO.	INDEX NO.
V1	118
V2	119
V3	119
V4	117
V5	120

T

SYMBOL NO.	INDEX NO.
T1	145

2.SG3-NEO:NA (B772)

Index No.	Part No.	Description	Q'ty Per Assembly
*	B713 5172	PCB:SG3-NEO:NA	1
*	b713 5174	PCB:SG3-NEO:EU	1
1	H310 7103	IC - LSI NCCP RF5T894	1

Index No.	Part No.	Description	Q'ty Per Assembly
101	1102 6730	Connector - 60P	
102	1102 7604	Connector - 52830-6245	
103	1103 1392	Connector - 2P	
104	1208 1438	Relay - EC2 5ND	
105	1400 0775	Transistor - 2SC4081	
106	1400 0909	Transistor - DTA143EUA	
107	1400 0918	Transistor - DTC123JUA	
108	1400 1053	Transistor - 2SA2026	
109	1400 1054	Transistor - 2SD2211	
110	1401 1056	Fet - 2sk2158	
111	1402 1315	Diode - S1ZB60	
112	1402 1336	Diode - 1SS355	
113	1402 1584	Diode - DAN217U	
114	1403 0598	Photo Coupler - Ps2501-2	
115	1403 0812	Photo coupler - Ps2532-1-v	
116	1403 1249	Photo coupler - Ps2861-1-v-a	
117	1404 0129	Varistor - Vr - 63b	
118	1404 0987	Varistor - Tnr7v331k	
119	1404 0988	Varistor - Tnr7v431k	
120	1404 0989	Varistor - Tnr7v121k	
121	1407 5349	IC - SN74LV4066APW	
122	1407 5659	IC - RL5T882SB	
123	1408 1233	Regulator - Lm1117mp-3.3	
124	1408 1653	Op Amp - Lmv324ipw	
125	1408 2053	IC:R3112Q291A-FA	
126	1503 1070	Crystal Oscillator - 18.432mhz	
127	1601 7900	Resistor Array - 0 Ω \pm 5%	
128	1601 7909	Resistor Array - 10 Ω \pm 5% 1/32W	
129	1601 7960	Resistor Array - 100 Ω \pm 5% 1/16W	
130	1601 7981	Resistor Array - 100K Ω \pm 5%1/16W	
131	1604 5316	Capacitor - 33 μ F \pm 20% 10V	
132	1605 0976	Capacitor - 1 μ F+80% -20% 10V	
133	1605 1214	Capacitor - 1000pF \pm 10% 50V	
134	1605 1216	Capacitor - 2200pF \pm 10%50V	
135	1605 1221	Capacitor - 0.1 UF+80-20%16V	

Index No.	Part No.	Description	Q'ty Per Assembly
136	1605 1240	Capacitor - 0.01 μ F \pm 10% 25V	
137	1605 1251	Capacitor - 270pF \pm 5%25V	
138	1605 1289	Capacitor - 0.1 μ F \pm 10% 10V	
139	1605 1293	Capacitor - 27pF \pm 5%50V	
140	1605 1301	Capacitor-6800pF \pm 10% 50v	
141	1605 1303	Capacitor - 0.01 μ F+80-20% 50V	
142	1605 1449	Capacitor - 0.47 μ F \pm 10% 250V	
143	1607 0069	Fuse - BI02rn2-r62-pb	
144	1607 1284	Choke Coil - St-110bv	
145	1607 1396	Transformer - Flt319	
146	1610 1234	Resistor - 47 Ω 1W \pm 5%	
147	1610 1526	Resistor - 47K Ω \pm 5% 0.75W	
148	1634 0000	Resistor - 0 Ω 1/16W	
149	1640 5470	Capacitor - 47 μ F \pm 20% 50V	
150	1640 5479	Capacitor - 4.7 μ F \pm 20% 50V	
151	1644 0100	Capacitor - 10 μ F \pm 20% 10V	
152	1644 1101	Resistor - 100 μ F \pm 20%:16V	
153	1650 2120	Resistor - 12 Ω \pm 5% 1/4W	
154	1650 4103	Resistor - 10K Ω \pm 5% 1/10W	
155	1650 4151	Resistor - 150 Ω \pm 5%1/10W	
156	1650 4180	Chip Resistor - 18 Ω \pm 5%1/10w	
157	1650 4392	Chip Resistor - 3.9k Ω \pm 5%1/10w	
158	1650 5100	Chip Resistor - 10 Ω \pm 5%1/16w	
159	1650 5101	Chip Resistor - 100 Ω \pm 5%1/16w	
160	1650 5102	Chip Resistor - 1k Ω \pm 5%1/16w	
161	1650 5103	Chip Resistor - 10k Ω \pm 5%1/16w	
162	1650 5104	Chip Resistor - 100k Ω \pm 5%1/16w	
163	1650 5105	Chip Resistor - 1m Ω \pm 5%1/16w	
164	1650 5122	Chip Resistor - 1.2k Ω \pm 5%1/16w	
165	1650 5204	Chip Resistor - 200k Ω \pm 5%1/16w	
166	1650 5221	Chip Resistor - 220 Ω \pm 5%1/16w	
167	1650 5330	Chip Resistor - 33 Ω \pm 5%1/16w	
168	1650 5361	Chip Resistor - 360 Ω \pm 5%1/16w	
169	1650 5510	Chip Resistor - 51 Ω \pm 5%1/16w	
170	1653 1602	Resistor - 16K Ω \pm 1%1/8W	

Index No.	Part No.	Description	Q'ty Per Assembly
171	1654 7501	Resistor - 7.5K Ω \pm 1%1/10W-1608	
172	1655 0000	Chip Resistor - 0 Ω \pm 0%1/16w	
173	1655 1001	Chip Resistor - 1k Ω \pm 1% 1/16w	
174	1655 1002	Chip Resistor - 10k Ω \pm 1%1/16w	
175	1655 1003	Chip Resistor - 100k Ω \pm 1%1/16w	
176	1655 2002	Chip Resistor - 20k Ω \pm 1%1/16w	
177	1655 2003	Chip Resistor - 200k Ω \pm 1%1/16w	
178	1655 2202	Chip Resistor - 22k Ω \pm 1%1/16w	
179	1655 4701	Chip Resistor - 4.7k Ω \pm 1%1/16w	
180	1655 5602	Chip Resistor - 56k Ω \pm 1%1/16w	
181	1655 6202	Chip Resistor - 62k Ω \pm 1%1/16w	
182	1655 6809	Chip Resistor - 68 Ω \pm 1%1/16w	
183	1655 7501	Chip Resistor - 7.5k Ω \pm 1%1/16w	
184	1655 8200	Chip Resistor - 820 Ω \pm 1%1/16w	
185	1660 4102	Capacitor - 1000pF \pm 10% 50V	
186	1906 0014	IC - F ROM MBM29LV800BA-70pFTN-SFK	
187	1907 0050	SDRAM - 64m 1mx16x4:133mhz G4	

3.SG3-NEO:EU (B772)

A

CAPACITOR

SYMBOL NO.	INDEX NO.
A1	118

SYMBOL NO.	INDEX NO.
C1	135
C2	152
C3	136
C4	151
C5	132
C6	138
C7	138
C8	138
C9	150
C10	136

SYMBOL NO.	INDEX NO.
C11	138
---	---
C13	138
C14	138
C15	136
C16	136
C17	136
C18	136
C19	136
C20	136

SYMBOL NO.	INDEX NO.
C21	153
C22	143
C23	142
C24	136
C25	136
C26	136
C27	136
C28	136
C29	153
C30	187

SYMBOL NO.	INDEX NO.
C31	136
C32	136
---	---
C34	136
C35	140
C36	136
C37	136
C38	140
C39	136
C40	136

SYMBOL NO.	INDEX NO.
C41	136
C42	136
C43	136
C44	136
C45	136
C46	136
C47	136
C48	136
C49	142
C50	136

SYMBOL NO.	INDEX NO.
C51	136
C52	142
C53	133
C54	133
C55	136
C56	133
C57	136
C58	133
C59	139
C60	137

CAPACITOR

SYMBOL NO.	INDEX NO.
C61	136
C62	186
---	---
C64	134
---	---
C66	138
C67	141
C68	137
C69	138
C70	133

CN

SYMBOL NO.	INDEX NO.
---	---
---	---
---	---
---	---
---	---
---	---
---	---
---	---
CN690	101

SYMBOL NO.	INDEX NO.
CN691	102
CN692	103

D

SYMBOL NO.	INDEX NO.
D1	113
D2	114
D3	113
D4	113
D5	113
D6	113

DB

SYMBOL NO.	INDEX NO.
---	---
DB2	112

FIL

SYMBOL NO.	INDEX NO.
FIL1	144

IC

SYMBOL NO.	INDEX NO.
IC1	1
IC2	116
IC3	125
IC4	188
IC5	189
IC6	122
IC7	121
IC8	124

JP

SYMBOL NO.	INDEX NO.
---	---
JP2	173
JP3	173
---	---
---	---
JP6	173
JP7	173
JP8	173
---	---
JP10	173

3.SG3-NEO:EU (B772)

JP

SYMBOL NO.	INDEX NO.
JP11	173
---	---
---	---
JP14	149
JP15	167
JP16	163
---	---
JP18	173

L

SYMBOL NO.	INDEX NO.
L1	146

OSC

SYMBOL NO.	INDEX NO.
OSC1	126

PC

SYMBOL NO.	INDEX NO.
PC1	115
PC2	115
PC3	115
---	---
PC5	117

Q

SYMBOL NO.	INDEX NO.
Q1	109
Q2	106
Q3	107
Q4	105
Q5	105
Q6	110
Q7	108
Q8	111

RESISTOR

SYMBOL NO.	INDEX NO.
R1	179
R2	176
R3	183
R4	181
R5	147
R6	168
R7	161
R8	162
R9	162
R10	162

SYMBOL NO.	INDEX NO.
R11	162
R12	158
---	---
R14	161
R15	161
R16	170
R17	161
R18	159
R19	127
R20	158

SYMBOL NO.	INDEX NO.
R21	158
R22	158
R23	158
R24	158
R25	158
R26	158
R27	158
R28	158
R29	158
R30	158

RESISTOR

SYMBOL NO.	INDEX NO.
R31	158
R32	158
R33	158
R34	156
R35	158
R36	158
R37	158
R38	158
R39	158
R40	158

SYMBOL NO.	INDEX NO.
R41	166
R42	158
R43	158
R44	158
R45	162
R46	148
---	---
---	---
---	---
---	---

SYMBOL NO.	INDEX NO.
---	---
R52	176
R53	158
---	---
R55	169
---	---
R57	169
---	---
R59	165
R60	158

SYMBOL NO.	INDEX NO.
R61	158
R62	166
R63	166
R64	158
R65	158
R66	158
R67	160
R68	162
R69	161
R70	157

SYMBOL NO.	INDEX NO.
R71	154
R72	154
R73	161
R74	164
R75	172
R76	175
R77	175
R78	162
R79	174
R80	175

SYMBOL NO.	INDEX NO.
R81	177
R82	164
R83	171
R84	184
R85	184
R86	182
R87	164
R88	178
R89	180
R90	185

SYMBOL NO.	INDEX NO.
R91	155
R92	182
R93	176
R94	176
R95	175
R96	179

3.SG3-NEO:EU (B772)

REG

SYMBOL NO.	INDEX NO.
REG1	123

RN

SYMBOL NO.	INDEX NO.
RN1	130
RN2	129
RN3	130
RN4	129
RN5	129
RN6	129
RN7	129
RN8	129
RN9	129
RN10	129

SYMBOL NO.	INDEX NO.
RN11	128
RN12	128
RN13	128
RN14	128
RN15	128
RN16	128
RN17	128
RN18	128
RN19	131
RN20	131

RY

SYMBOL NO.	INDEX NO.
RY1	104

T

SYMBOL NO.	INDEX NO.
T1	145

V

SYMBOL NO.	INDEX NO.
V1	119
---	---
---	---
---	---
V5	120

3.SG3-NEO:EU (B772)

Index No.	Part No.	Description	Q'ty Per Assembly
*	B713 5174	PCB:SG3-NEO:EA	1
1	H310 7103	IC - LSI NCCP RF5T894	1

Index No.	Part No.	Description	Q'ty Per Assembly
101	1102 6730	Connector - 60P	
102	1102 7604	Connector - 52830-6245	
103	1103 1392	Connector - 2P	
104	1208 1438	Relay - EC2 5ND	
105	1400 0775	Transistor - 2SC4081	
106	1400 0909	Transistor - DTA143EUA	
107	1400 0918	Transistor - DTC123JUA	
108	1400 1053	Transistor - 2SA2026	
109	1400 1054	Transistor - 2SD2211	
110	1400 1055	Transistor - 2SA2047-Q	
111	1401 1056	Fet - 2sk2158	
112	1402 1315	Diode - S1ZB60	
113	1402 1336	Diode - 1SS355	
114	1402 1584	Diode - DAN217U	
115	1403 0812	Photo coupler - Ps2532-1-v	
116	1403 1237	Sensor - Ths-56f	
117	1403 1249	Photo coupler - Ps2861-1-v-a	
118	1404 0983	Arrestor- Ra-102ms-v7-f(5)	
119	1404 0988	Varistor - Tnr7v431k	
120	1404 0989	Varistor - Tnr7v121k	
121	1407 5349	IC - SN74LV4066APW	
122	1407 5659	IC - RL5T882SB	
123	1408 1233	Regulator - Lm1117mp-3.3	
124	1408 1653	Open amp - Lmv324ipw	
125	1408 2053	IC:R3112Q291A-FA	
126	1503 1070	Crystal Oscillator - 18.432mhz	
127	1600 1153	Resistor - 2W 120 Ω	
128	1601 7900	Resistor Array - 0 Ω ±5%	
129	1601 7909	Resistor Array - 10 Ω ±5% 1/32W	
130	1601 7960	Resistor Array - 100 Ω ±5% 1/16W	
131	1601 7981	Resistor Array - 100K Ω±5%1/16W	
132	1604 5316	Capacitor - 33μF±20% 10V	
133	1605 0976	Capacitor - 1μF+80% -20% 10V	
134	1605 1214	Capacitor - 1000pF ±10% 50V	
135	1605 1216	Capacitor - 2200pF±10%50V	

Index No.	Part No.	Description	Q'ty Per Assembly
136	1605 1221	Capacitor - 0.1 UF+80-20%16V	
137	1605 1240	Capacitor - 0.01μF±10% 25V	
138	1605 1251	Capacitor - 270pF±5%25V	
139	1605 1289	Capacitor - 0.1μF±10% 10V	
140	1605 1293	Capacitor - 27pF±5%50V	
141	1605 1301	Capacitor-6800pF ±10% 50v	
142	1605 1303	Capacitor - 0.01μF+80-20% 50V	
143	1605 1449	Capacitor - 0.47μF±10% 250V	
144	1607 0069	Fuse - BI02rn2-r62-pb	
145	1607 1246	Transformer P3356	
146	1607 1284	Choke Coil - St-110bv	
147	1610 1234	Resistor - 47Ω 1W ±5%	
148	1610 1802	Resistor - 39KΩ ±5% 1/2W	
149	1634 0000	Resistor - 0 Ω 1/16W	
150	1640 5470	Capacitor - 47μF±20% 50V	
151	1640 5479	Capacitor - 4.7μF±20% 50V	
152	1644 0100	Capacitor - 10μF±20% 10V	
153	1644 1101	Resistor - 100μF±20%:16V	
154	1650 2120	Resistor - 12Ω ±5% 1/4W	
155	1650 4103	Resistor - 10KΩ ±5% 1/10W	
156	1650 4202	Resistor - 2KΩ±5%1/10W	
157	1650 4302	Resistor - 3KΩ±5%1/10W	
158	1650 5100	Chip Resistor - 10 Ω±5%1/16w	
159	1650 5101	Chip Resistor - 100 Ω±5%1/16w	
160	1650 5102	Chip Resistor - 1kΩ±5%1/16w	
161	1650 5103	Chip Resistor - 10kΩ±5%1/16w	
162	1650 5104	Chip Resistor - 100kΩ±5%1/16w	
163	1650 5105	Chip Resistor - 1mΩ±5%1/16w	
164	1650 5122	Chip Resistor - 1.2kΩ±5%1/16w	
165	1650 5182	Chip Resistor - 1.8kΩ±5%1/16w	
166	1650 5204	Chip Resistor - 200kΩ±5%1/16w	
167	1650 5221	Chip Resistor - 220Ω±5%1/16w	
168	1650 5330	Chip Resistor - 33Ω±5%1/16w	
169	1650 5361	Chip Resistor - 360Ω±5%1/16w	
170	1650 5510	Chip Resistor - 51Ω±5%1/16w	

Index No.	Part No.	Description	Q'ty Per Assembly
171	1653 1602	Resistor - 16KΩ±1%1/8W	
172	1654 7501	Resistor - 7.5KΩ±1%1/10W-1608	
173	1655 0000	Chip Resistor - 0Ω±0%1/16w	
174	1655 1001	Chip Resistor - 1kΩ ±1% 1/16w	
175	1655 1002	Chip Resistor - 10kΩ±1%1/16w	
176	1655 1003	Chip Resistor - 100kΩ±1%1/16w	
177	1655 2002	Chip Resistor - 20kΩ±1%1/16w	
178	1655 2003	Chip Resistor - 200kΩ±1%1/16w	
179	1655 2202	Chip Resistor - 22kΩ±1%1/16w	
180	1655 4701	Chip Resistor - 4.7kΩ±1%1/16w	
181	1655 5602	Chip Resistor - 56kΩ±1%1/16w	
182	1655 6202	Chip Resistor - 62kΩ±1%1/16w	
183	1655 6809	Chip Resistor - 68Ω±1%1/16w	
184	1655 7501	Chip Resistor - 7.5kΩ±1%1/16w	
185	1655 8200	Chip Resistor - 820Ω±1%1/16w	
186	1660 4102	Capacitor - 1000pF ±10% 50V	
187	1660 8104	Capacitor - 0.1μF+80-20% 25V	
188	1906 0014	IC - F ROM MBM29LV800BA-70pFTN-SFK	
189	1907 0050	SDRAM - 64m 1mx16x4:133mhz G4	

**G3 INTERFACE UNIT TYPE C4500
B772
PARTS INDEX**

This section instructs you as to the numbers and names of parts on this machine

Parts Index

Part No.	Description	Page and Index No.
B772 0520	Bracket:G3/G4	3 - 3
B772 0523	Cover:Base:G3/G4	3 - 4
B772 0524	Bracket:G3	3 - 5
B772 5243	Harness:G3	3 - 6

Part No.	Description	Page and Index No.
B713 5172	PCB:SG3-NEO:NA	3 - 1
B713 5172	PCB:SG3-NEO:NA	7 - *
B713 5174	PCB:SG3-NEO:EU	3 - 1
B713 5174	PCB:SG3-NEO:EA	11 - *
B768 5140	PCB CCUIF	3 - 2
B780 5240	Harness: FCU-CCU	3 - 7
H310 7103	IC - LSI NCCP RF5T894	7 - 1
H310 7103	IC - LSI NCCP RF5T894	11 - 1
H523 5350	Telephone Cable	3 - 8

Part No.	Description	Page and Index No.
b713 5174	PCB:SG3-NEO:EU	7 - *

Part No.	Description	Page and Index No.
0451 3006N	Tapping Screw - 3x6	3 - 101
1102 6730	Connector - 60P	11 - 101
1102 6730	Connector - 60P	7 - 101
1102 7604	Connector - 52830-6245	7 - 102
1102 7604	Connector - 52830-6245	11 - 102
1103 1392	Connector - 2P	7 - 103
1103 1392	Connector - 2P	11 - 103
1105 0613	Clamp:EDS-1010L-V0	3 - 102
1208 1438	Relay - EC2 5ND	7 - 104
1208 1438	Relay - EC2 5ND	11 - 104
1400 0775	Transistor - 2SC4081	11 - 105
1400 0775	Transistor - 2SC4081	7 - 105
1400 0909	Transistor - DTA143EUA	7 - 106
1400 0909	Transistor - DTA143EUA	11 - 106
1400 0918	Transistor - DTC123JUA	7 - 107
1400 0918	Transistor - DTC123JUA	11 - 107
1400 1053	Transistor - 2SA2026	7 - 108
1400 1053	Transistor - 2SA2026	11 - 108
1400 1054	Transistor - 2SD2211	11 - 109
1400 1054	Transistor - 2SD2211	7 - 109
1400 1055	Transistor - 2SA2047-Q	11 - 110
1401 1056	Fet - 2sk2158	7 - 110
1401 1056	Fet - 2sk2158	11 - 111
1402 1315	Diode - S1ZB60	11 - 112
1402 1315	Diode - S1ZB60	7 - 111
1402 1336	Diode - 1SS355	11 - 113
1402 1336	Diode - 1SS355	7 - 112
1402 1584	Diode - DAN217U	7 - 113
1402 1584	Diode - DAN217U	11 - 114
1403 0598	Photo Coupler - Ps2501-2	7 - 114
1403 0812	Photo coupler - Ps2532-1-v	11 - 115
1403 0812	Photo coupler - Ps2532-1-v	7 - 115
1403 1237	Sensor - Ths-56f	11 - 116
1403 1249	Photo coupler - Ps2861-1-v-a	11 - 117
1403 1249	Photo coupler - Ps2861-1-v-a	7 - 116

Part No.	Description	Page and Index No.
1404 0129	Varistor - Vr - 63b	7 - 117
1404 0983	Arrestor- Ra-102ms-v7-f(5)	11 - 118
1404 0987	Varistor - Tnr7v331k	7 - 118
1404 0988	Varistor - Tnr7v431k	11 - 119
1404 0988	Varistor - Tnr7v431k	7 - 119
1404 0989	Varistor - Tnr7v121k	11 - 120
1404 0989	Varistor - Tnr7v121k	7 - 120
1407 5349	IC - SN74LV4066APW	11 - 121
1407 5349	IC - SN74LV4066APW	7 - 121
1407 5659	IC - RL5T882SB	11 - 122
1407 5659	IC - RL5T882SB	7 - 122
1408 1233	Regulator - Lm1117mp-3.3	7 - 123
1408 1233	Regulator - Lm1117mp-3.3	11 - 123
1408 1653	Op Amp - Lmv324ipw	11 - 124
1408 1653	Op Amp - Lmv324ipw	7 - 124
1408 2053	IC:R3112Q291A-FA	11 - 125
1408 2053	IC:R3112Q291A-FA	7 - 125
1503 1070	Crystal Oscillator - 18.432mhz	7 - 126
1503 1070	Crystal Oscillator - 18.432mhz	11 - 126
1600 1153	Resistor - 2W 120 Ω	11 - 127
1601 7900	Resistor Array - 0 Ω \pm 5%	7 - 127
1601 7900	Resistor Array - 0 Ω \pm 5%	11 - 128
1601 7909	Resistor Array - 10 Ω \pm 5% 1/32W	7 - 128
1601 7909	Resistor Array - 10 Ω \pm 5% 1/32W	11 - 129
1601 7960	Resistor Array - 100 Ω \pm 5% 1/16W	7 - 129
1601 7960	Resistor Array - 100 Ω \pm 5% 1/16W	11 - 130
1601 7981	Resistor Array - 100K Ω \pm 5% 1/16W	7 - 130
1601 7981	Resistor Array - 100K Ω \pm 5% 1/16W	11 - 131
1604 5316	Capacitor - 33 μ F \pm 20% 10V	11 - 132
1604 5316	Capacitor - 33 μ F \pm 20% 10V	7 - 131
1605 0976	Capacitor - 1 μ F +80% -20% 10V	7 - 132
1605 0976	Capacitor - 1 μ F +80% -20% 10V	11 - 133
1605 1214	Capacitor - 1000pF \pm 10% 50V	7 - 133
1605 1214	Capacitor - 1000pF \pm 10% 50V	11 - 134
1605 1216	Capacitor - 2200PF \pm 10%50V	7 - 134

Part No.	Description	Page and Index No.
1605 1216	Capacitor - 2200PF \pm 10%50V	11 - 135
1605 1221	Capacitor - 0.1 μ F+80-20%16V	11 - 136
1605 1221	Capacitor - 0.1 μ F+80-20%16V	7 - 135
1605 1240	Capacitor - 0.01 μ F \pm 10% 25V	7 - 136
1605 1240	Capacitor - 0.01 μ F \pm 10% 25V	11 - 137
1605 1251	Capacitor - 270PF \pm 5%25V	7 - 137
1605 1251	Capacitor - 270PF \pm 5%25V	11 - 138
1605 1289	Capacitor - 0.1 μ F \pm 10% 10V	11 - 139
1605 1289	Capacitor - 0.1 μ F \pm 10% 10V	7 - 138
1605 1293	Capacitor - 27PF \pm 5%50V	11 - 140
1605 1293	Capacitor - 27PF \pm 5%50V	7 - 139
1605 1301	Capacitor-6800pF \pm 10% 50v	7 - 140
1605 1301	Capacitor-6800pF \pm 10% 50v	11 - 141
1605 1303	Capacitor - 0.01 μ F +80-20% 50V	11 - 142
1605 1303	Capacitor - 0.01 μ F +80-20% 50V	7 - 141
1605 1449	Capacitor - 0.47 μ F \pm 10% 250V	11 - 143
1605 1449	Capacitor - 0.47 μ F \pm 10% 250V	7 - 142
1607 0069	Fuse - BI02rn2-r62-pb	11 - 144
1607 0069	Fuse - BI02rn2-r62-pb	7 - 143
1607 1246	Transformer P3356	11 - 145
1607 1284	Choke Coil - St-110bv	11 - 146
1607 1284	Choke Coil - St-110bv	7 - 144
1607 1396	Transformer - Flt319	7 - 145
1607 1460	Ferrite Core:RFC-9	3 - 103
1610 1234	Resistor - 47 Ω 1W \pm 5%	7 - 146
1610 1234	Resistor - 47 Ω 1W \pm 5%	11 - 147
1610 1526	Resistor - 47K Ω \pm 5% 0.75W	7 - 147
1610 1802	Resistor - 39K Ω \pm 5% 1/2W	11 - 148
1634 0000	Resistor - 0 Ω 1/16W	11 - 149
1634 0000	Resistor - 0 Ω 1/16W	7 - 148
1640 5470	Capacitor - 47 μ F \pm 20% 50V	11 - 150
1640 5470	Capacitor - 47 μ F \pm 20% 50V	7 - 149
1640 5479	Capacitor - 4.7 μ F \pm 20% 50V	11 - 151
1640 5479	Capacitor - 4.7 μ F \pm 20% 50V	7 - 150
1644 0100	Capacitor - 10 μ F \pm 20% 10V	7 - 151

Part No.	Description	Page and Index No.
1644 0100	Capacitor - 10 μ F \pm 20% 10V	11 - 152
1644 1101	Resistor - 100 μ F \pm 20%:16V	11 - 153
1644 1101	Resistor - 100 μ F \pm 20%:16V	7 - 152
1650 2120	Resistor - 12 Ω \pm 5% 1/4W	7 - 153
1650 2120	Resistor - 12 Ω \pm 5% 1/4W	11 - 154
1650 4103	Resistor - 10K Ω \pm 5% 1/10W	11 - 155
1650 4103	Resistor - 10K Ω \pm 5% 1/10W	7 - 154
1650 4151	Resistor - 150 Ω \pm 5%1/10W	7 - 155
1650 4180	Chip Resistor - 18 Ω \pm 5%1/10w	7 - 156
1650 4202	Resistor - 2K Ω \pm 5%1/10W	11 - 156
1650 4302	Resistor - 3K Ω \pm 5%1/10W	11 - 157
1650 4392	Chip Resistor - 3.9k Ω \pm 5%1/10w	7 - 157
1650 5100	Chip Resistor - 10 Ω \pm 5%1/16w	11 - 158
1650 5100	Chip Resistor - 10 Ω \pm 5%1/16w	7 - 158
1650 5101	Chip Resistor - 100 Ω \pm 5%1/16w	11 - 159
1650 5101	Chip Resistor - 100 Ω \pm 5%1/16w	7 - 159
1650 5102	Chip Resistor - 1k Ω \pm 5%1/16w	11 - 160
1650 5102	Chip Resistor - 1k Ω \pm 5%1/16w	7 - 160
1650 5103	Chip Resistor - 10k Ω \pm 5%1/16w	11 - 161
1650 5103	Chip Resistor - 10k Ω \pm 5%1/16w	7 - 161
1650 5104	Chip Resistor - 100k Ω \pm 5%1/16w	11 - 162
1650 5104	Chip Resistor - 100k Ω \pm 5%1/16w	7 - 162
1650 5105	Chip Resistor - 1m Ω \pm 5%1/16w	11 - 163
1650 5105	Chip Resistor - 1m Ω \pm 5%1/16w	7 - 163
1650 5122	Chip Resistor - 1.2k Ω \pm 5%1/16w	7 - 164
1650 5122	Chip Resistor - 1.2k Ω \pm 5%1/16w	11 - 164
1650 5182	Chip Resistor - 1.8k Ω \pm 5%1/16w	11 - 165
1650 5204	Chip Resistor - 200k Ω \pm 5%1/16w	11 - 166
1650 5204	Chip Resistor - 200k Ω \pm 5%1/16w	7 - 165
1650 5221	Chip Resistor - 220 Ω \pm 5%1/16w	7 - 166
1650 5221	Chip Resistor - 220 Ω \pm 5%1/16w	11 - 167
1650 5330	Chip Resistor - 33 Ω \pm 5%1/16w	11 - 168
1650 5330	Chip Resistor - 33 Ω \pm 5%1/16w	7 - 167
1650 5361	Chip Resistor - 360 Ω \pm 5%1/16w	11 - 169
1650 5361	Chip Resistor - 360 Ω \pm 5%1/16w	7 - 168

Part No.	Description	Page and Index No.
1650 5510	Chip Resistor - 51 Ω \pm 5%1/16w	7 - 169
1650 5510	Chip Resistor - 51 Ω \pm 5%1/16w	11 - 170
1653 1602	Resistor - 16K Ω \pm 1%1/8W	7 - 170
1653 1602	Resistor - 16K Ω \pm 1%1/8W	11 - 171
1654 7501	Resistor - 7.5K Ω \pm 1%1/10W-1608	11 - 172
1654 7501	Resistor - 7.5K Ω \pm 1%1/10W-1608	7 - 171
1655 0000	Chip Resistor - 0 Ω \pm 0%1/16w	11 - 173
1655 0000	Chip Resistor - 0 Ω \pm 0%1/16w	7 - 172
1655 1001	Chip Resistor - 1k Ω \pm 1% 1/16w	11 - 174
1655 1001	Chip Resistor - 1k Ω \pm 1% 1/16w	7 - 173
1655 1002	Chip Resistor - 10k Ω \pm 1%1/16w	11 - 175
1655 1002	Chip Resistor - 10k Ω \pm 1%1/16w	7 - 174
1655 1003	Chip Resistor - 100k Ω \pm 1%1/16w	11 - 176
1655 1003	Chip Resistor - 100k Ω \pm 1%1/16w	7 - 175
1655 2002	Chip Resistor - 20k Ω \pm 1%1/16w	7 - 176
1655 2002	Chip Resistor - 20k Ω \pm 1%1/16w	11 - 177
1655 2003	Chip Resistor - 200k Ω \pm 1%1/16w	11 - 178
1655 2003	Chip Resistor - 200k Ω \pm 1%1/16w	7 - 177
1655 2202	Chip Resistor - 22k Ω \pm 1%1/16w	11 - 179
1655 2202	Chip Resistor - 22k Ω \pm 1%1/16w	7 - 178
1655 4701	Chip Resistor - 4.7k Ω \pm 1%1/16w	11 - 180
1655 4701	Chip Resistor - 4.7k Ω \pm 1%1/16w	7 - 179
1655 5602	Chip Resistor - 56k Ω \pm 1%1/16w	11 - 181
1655 5602	Chip Resistor - 56k Ω \pm 1%1/16w	7 - 180
1655 6202	Chip Resistor - 62k Ω \pm 1%1/16w	11 - 182
1655 6202	Chip Resistor - 62k Ω \pm 1%1/16w	7 - 181
1655 6809	Chip Resistor - 68 Ω \pm 1%1/16w	11 - 183
1655 6809	Chip Resistor - 68 Ω \pm 1%1/16w	7 - 182
1655 7501	Chip Resistor - 7.5k Ω \pm 1%1/16w	11 - 184
1655 7501	Chip Resistor - 7.5k Ω \pm 1%1/16w	7 - 183
1655 8200	Chip Resistor - 820 Ω \pm 1%1/16w	11 - 185
1655 8200	Chip Resistor - 820 Ω \pm 1%1/16w	7 - 184
1660 4102	Capacitor - 1000pF \pm 10% 50V	11 - 186
1660 4102	Capacitor - 1000pF \pm 10% 50V	7 - 185
1660 8104	Capacitor - 0.1 μ F +80-20% 25V	11 - 187

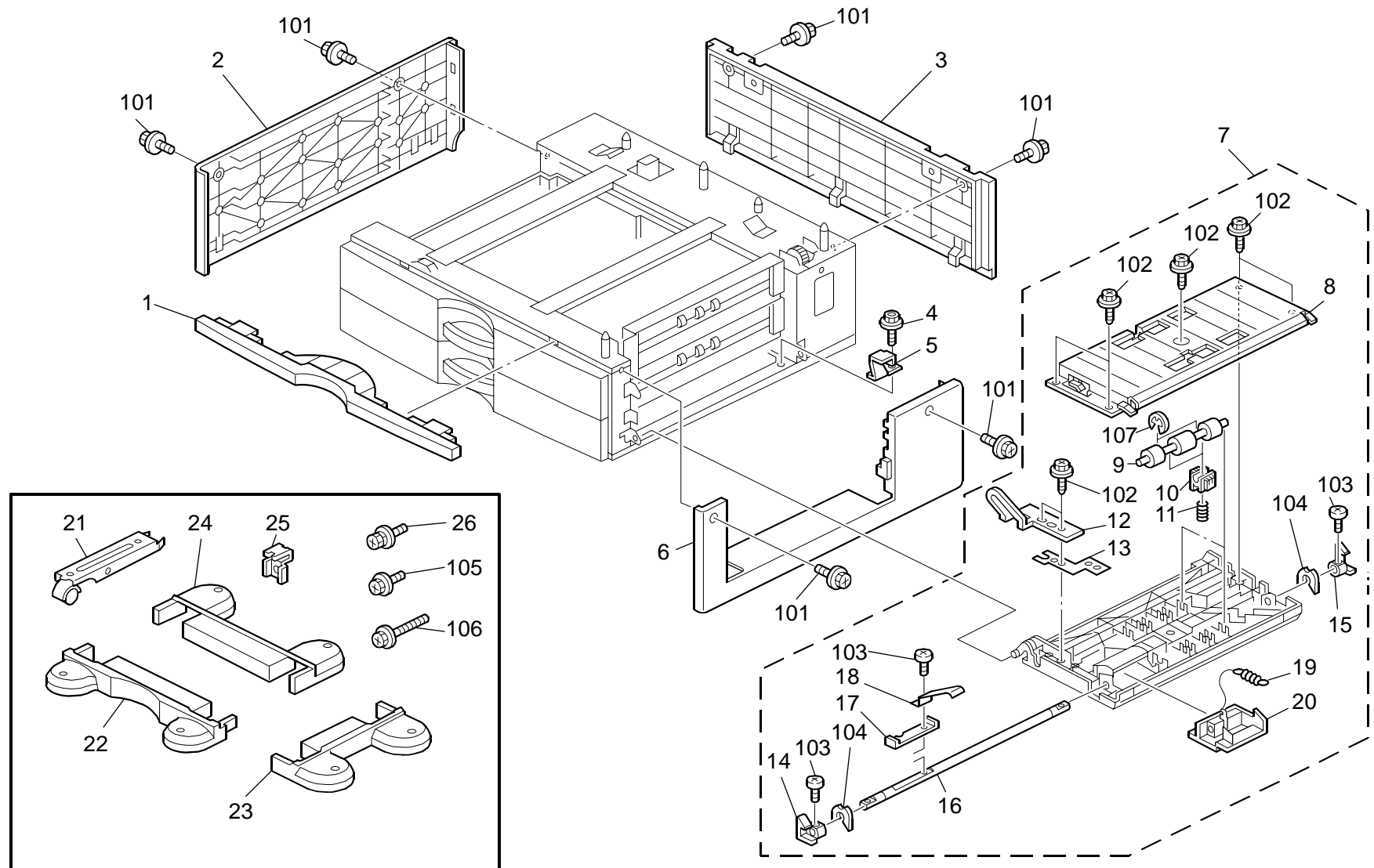
Part No.	Description	Page and Index No.
1906 0014	IC - F ROM MBM29LV800BA-70PFTN-SFK	11 - 188
1906 0014	IC - F ROM MBM29LV800BA-70PFTN-SFK	7 - 186
1907 0050	SDRAM - 64m 1mx16x4:133mhz G4	11 - 189
1907 0050	SDRAM - 64m 1mx16x4:133mhz G4	7 - 187

Part No.	Description	Page and Index No.
----------	-------------	--------------------

B800
PAPER FEED UNIT PB3000
PARTS LOCATION AND LIST

This section instructs you as to the numbers and names of parts on this machine

1.EXTERIOR (B800)

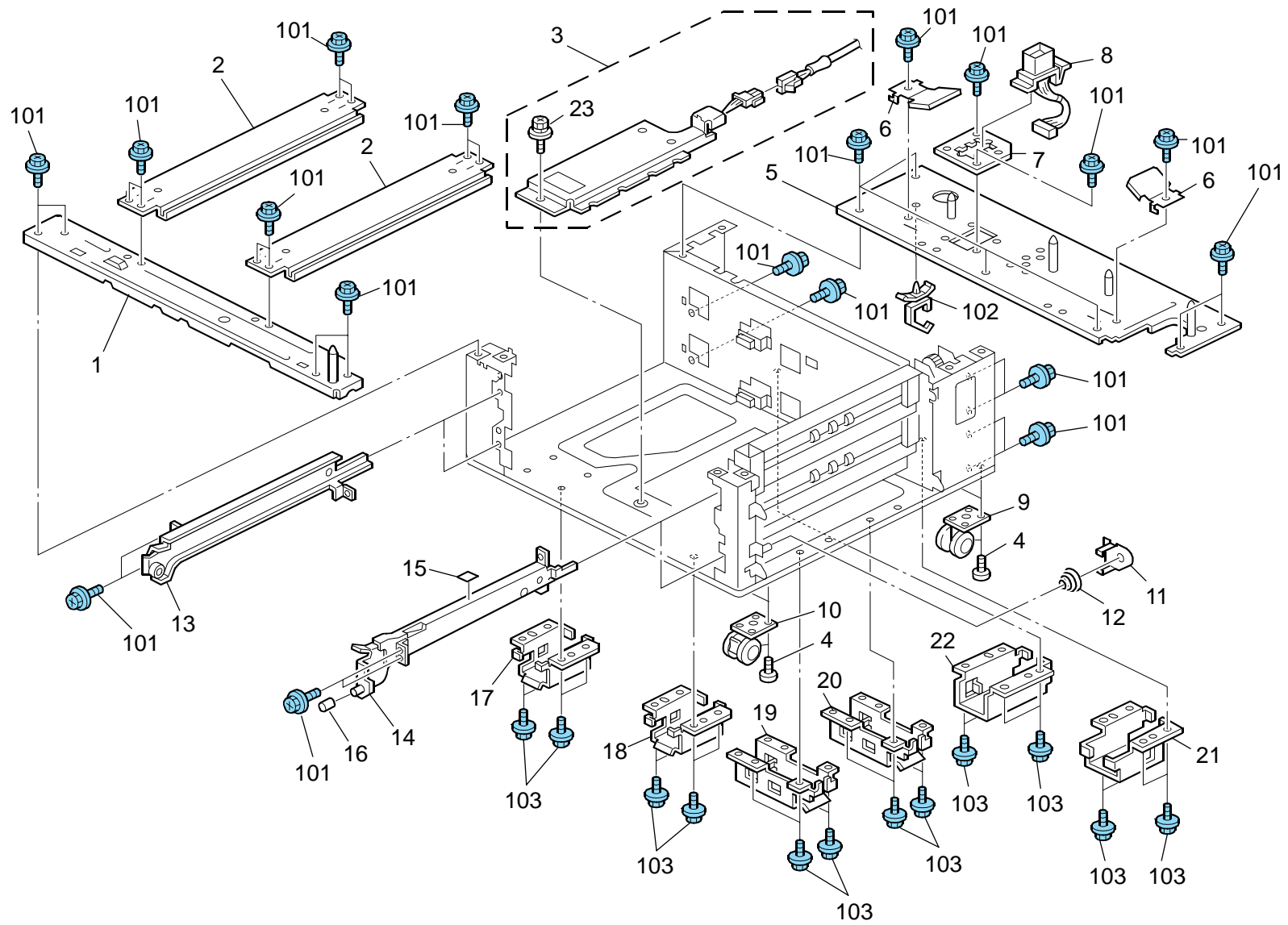


1.EXTERIOR (B800)

Index No.	Part No.	Description	Q'ty Per Assembly
1	G832 1290	Cover - Upper Front	1
2	B801 1260	Cover - Left	1
3	B801 1281	Cover - Rear	1
4	B793 4247	Screw - M3X8	1
5	B800 2588	Base Stopper Stay	1
6	B800 1271	Cover - Right	1
7	B800 2564	Guide Plate Ass'y	1
8	B800 2566	Guide Plate	1
9	B542 2560	Driven Roller	2
10	AA08 0275	Bushing:Pressure:Mm4	4
11	AA06 3920	Compression Spring - 8n	4
12	B800 2574	Stopper Bracket	1
13	B800 2575	Ground Plate	1
14	A682 2552	Front Hook - Vertical Transport	1
15	A682 2553	Rear Hook - Vertical Transport	1
16	B800 2568	Shaft	1
17	B800 2578	Stay	1
18	G569 2570	Grounding Plate - Vertical Transport	1
19	B800 2580	Spring	1
20	B800 2577	Lever	1
21	B800 6110	Arm Ass'y	1
22	B801 6115	Arm Cover - Front	1
22	B801 6116	Arm Cover - Right	1
24	B801 6117	Arm Cover - Rear	1
25	G832 8510	Coupling Bracket	1
26	G832 7900	Screw:Spring Washer:Round Point:M4x10	1

Index No.	Part No.	Description	Q'ty Per Assembly
101	0451 3008N	Tapping Screw - M3x8	
102	0450 3008N	Tapping Screw - M3x8	
103	0353 0080N	Screw:M3x8	
104	0805 0088	Retaining Ring - M6	
105	0360 3006N	Screw - M3X6	
106	0360 4010N	Screw:M4x10	
107	0720 0030E	Retaining Ring - M3	

2.FRAME SECTION (B800)

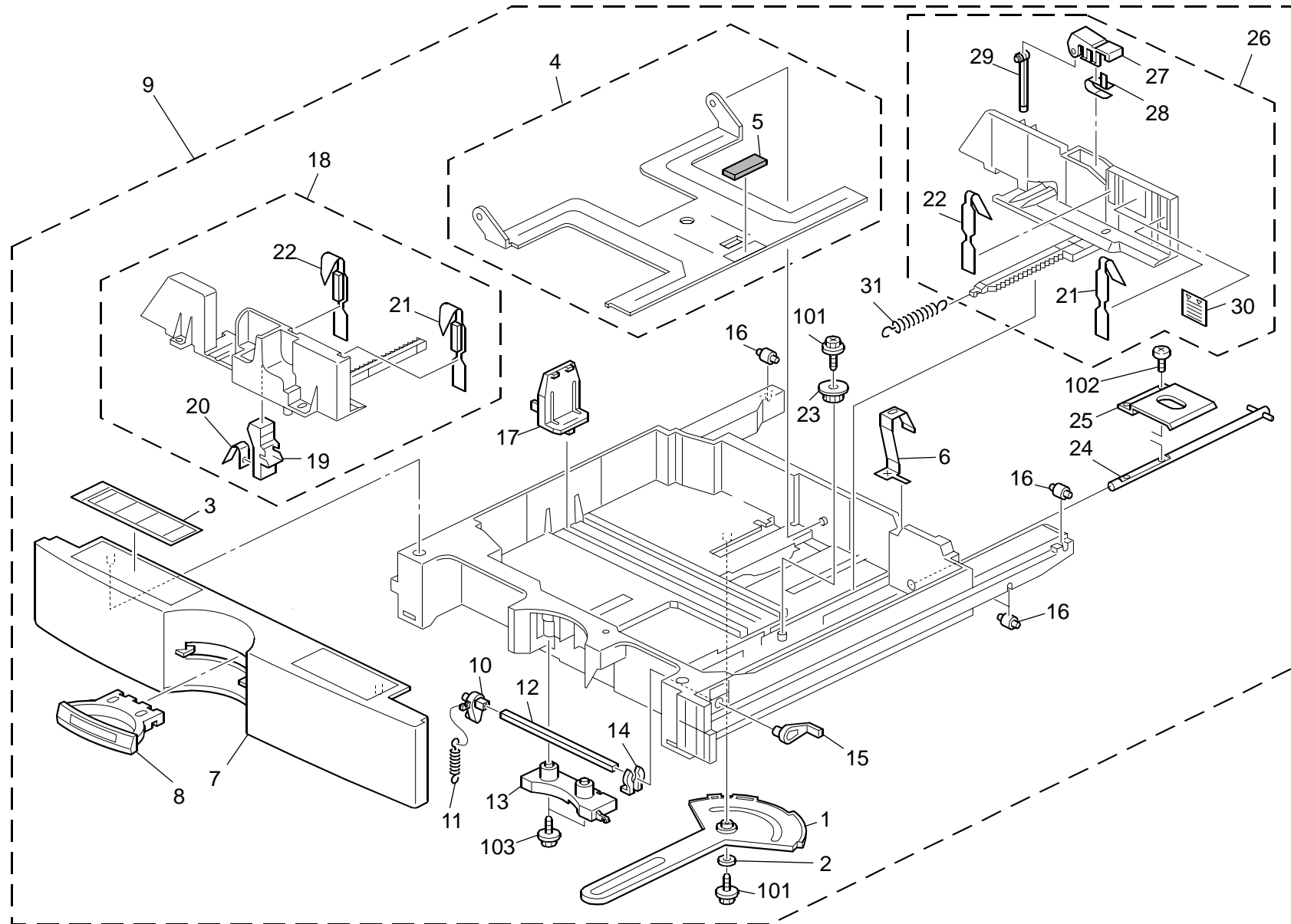


2.FRAME SECTION (B800)

Index No.	Part No.	Description	Q'ty Per Assembly
1	G832 1133	Upper Front Stay	1
2	B801 1117	Upper Stay - Front Rear	2
3	B801 6617	Option Heater - 110V9W	1
3	B801 6627	Option Heater - 230V 9W	1
4	A507 1096	Philips Screw - M5x6	8
5	G832 1143	Upper Rear Stay	1
6	B384 1146	Spring Plate	2
7	G832 1146	Connector Bracket	1
8	B801 5312	Harness - Interface Cable	1
9	AH01 2033	Caster - Stopper	2
10	C410 7632	Caster - No Stopper	2
11	B800 2586	Ground Plate - Shaft	1
12	B800 2587	Spring - Earth Stopper	1
13	B223 2710	Supporter - Left No.2	2
14	B223 2715	Supporter - Right	2
15	AA16 1163	Cushion	2
16	B223 2714	Positioning Cap - Short	2
17	B801 6121	Bracket:Arm:Remover/Install:Front L	1
18	B801 6122	Bracket:Arm:Remover/Install:Front R	1
19	B801 6123	Bracket:Arm:Remover/Install:Right	1
20	B801 6124	Bracket:Arm:Remover/Install:Right I	1
21	B801 6126	Bracket:Arm:Remover/Install:Rear Ri	1
22	B801 6125	Bracket:Arm:Remover/Install:Rear Le	1
23	G832 7900	Screw:Spring Washer:Roung Point:M4x10	1

Index No.	Part No.	Description	Q'ty Per Assembly
101	0454 3006Q	Tapping Screw - M3x6	
102	1105 0516	Clamp	
103	0454 4006Q	Tapping Screw:4x6	

3.PAPER TRAY (B800)

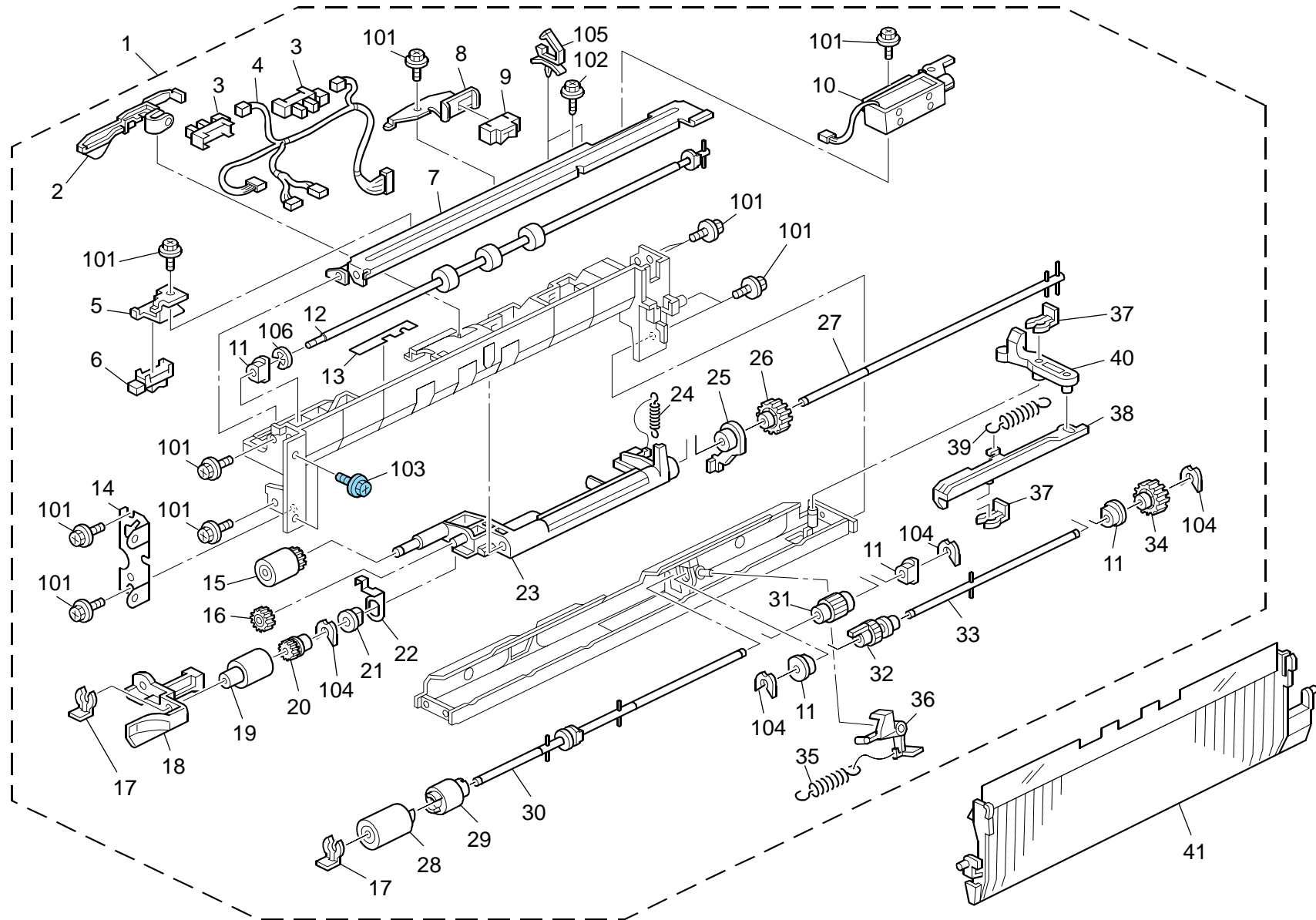


3.PAPER TRAY (B800)

Index No.	Part No.	Description	Q'ty Per Assembly
1	B223 2910	Link - Paper Size Sensor	1
2	B223 2911	Spacer	1
3	B238 2523	Decal - Paper Set Direction No.2	1
4	B223 2940	Tray Bottom Plate	1
5	AF01 3006	Bottom Plate Pad	1
6	B223 2919	Ground Plate - Paper Tray No.2	1
7	B223 2946	Cover - Paper Tray No.2	1
8	B223 2860	Paper Tray Grip	1
9	B223 2900	Paper Tray Unit No.2	1
10	B223 2862	Lever - Release Inner	1
11	AA06 0900	Spring	1
12	B223 2863	Release Shaft	1
13	B223 2861	Grip Holder	1
14	A222 2724	External Circlip - Mm8	1
15	B223 2864	Lever - Release Outer	1
16	A232 2987	Roller - Paper Tray	4
17	B223 2912	End Fence	1
18	B223 2920	Front Side Fence	1
19	B223 2923	Stopper Lever - Front	1
20	B004 2923	Spring Plate - Release Lever	1
21	B223 2935	Plate - Side Fence Right	2
22	B223 2934	Plate - Side Fence	2
23	B223 2936	Gear - 16Z	1
24	B223 2865	Rise No.1 Shaft	1
25	B223 2918	Rise Lever	1
26	B223 2930	Rear Side Fence	1
27	A267 2860	Rear Lever Stopper	1
28	A267 2857	Spring Plate - Side Fence	1
29	A267 2859	Side Fence Stopper	1
30	B223 2873	Decal - Side Fence Rear	1
31	AA06 1003	Tension Spring:Side Fence:Rear	1

Index No.	Part No.	Description	Q'ty Per Assembly
101	0450 4008N	Tapping Screw - M4x8	
102	0453 3008N	Binding Self Tapping Screw:3x8	
103	0450 3012N	Tapping Screw:3x12	

4.PAPER FEED SECTION (B800)

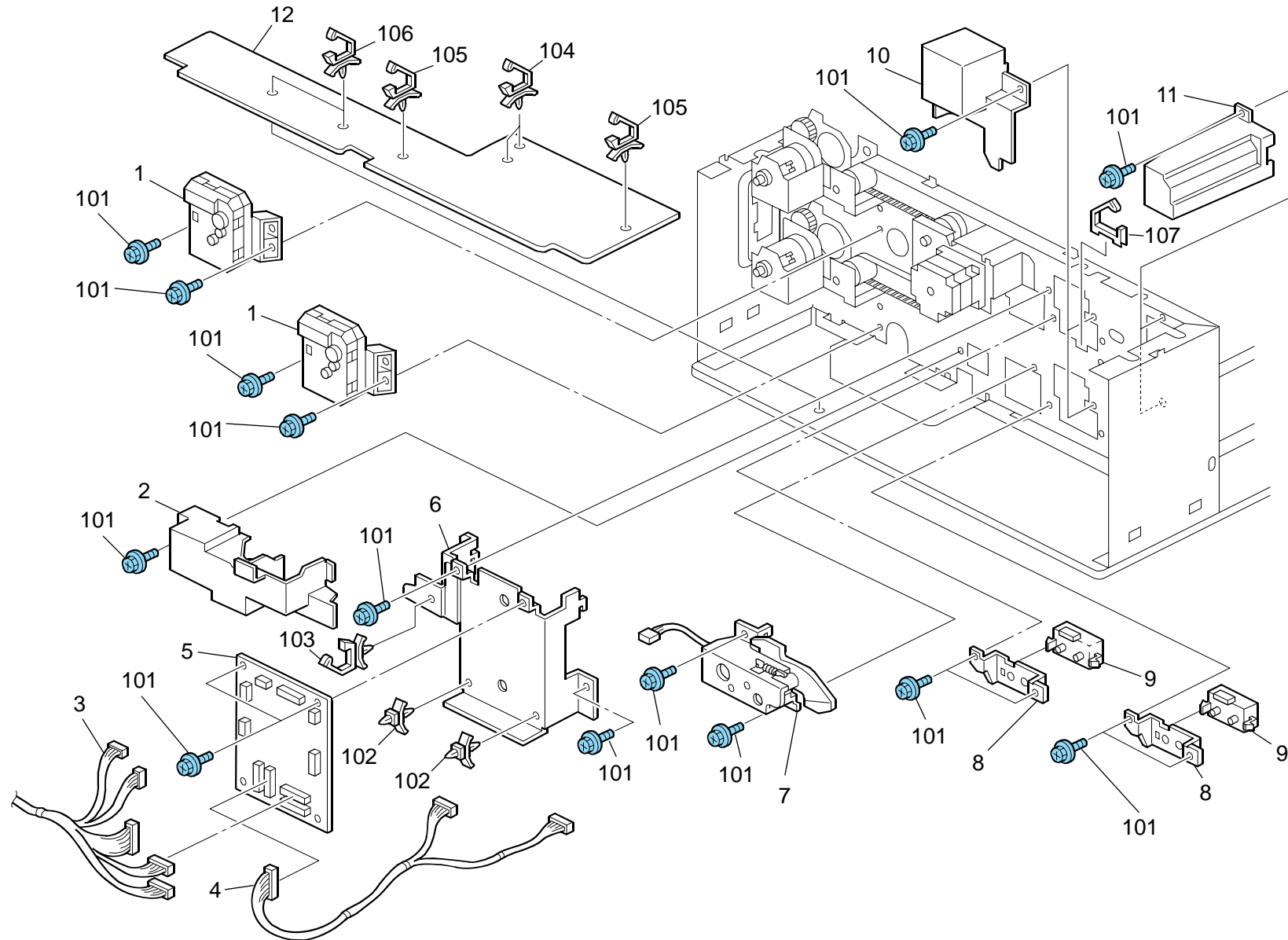


4.PAPER FEED SECTION (B800)

Index No.	Part No.	Description	Q'ty Per Assembly
1	B223 2750	Paper Feed Unit	1
2	B223 2767	Paper End Feeler	1
3	AW02 0145	Photo Interrupter: Flat	2
4	B223 2773	Harness - Paper Feed Unit	1
5	B223 2778	Sensor Bracket	1
6	AW01 0128	Paper Feed Sensor	1
7	B223 2776	Stay	1
8	B082 2781	Bracket:Sensor	1
9	AW01 0122	Paper Feed Sensor	1
10	B223 2780	DC Solenoid 24V	1
11	AA08 2143	Bushing - 6x10x6	4
12	B238 2569	Transport Roller	1
13	B223 2772	Harness Sheet	1
14	B223 2786	Ground Plate - Front	1
15	AF03 0090	Paper Feed Roller:Pickup	1
16	AB01 1252	Gear - 20Z	1
17	AA10 0014	Retaining Ring C - Separate	2
18	B223 2829	Feed Guide	1
19	AF03 1090	Paper Feed Roller:Feed	1
20	AB01 1218	Gear - Roller Clutch	1
21	AA08 2101	Bushing - 6x10x6	1
22	B223 2765	Ground Plate - Feed	1
23	B223 2761	Pickup Arm	1
24	AA06 0691	Tension Spring	1
25	G065 2767	Lever - Feed	1
26	B223 2764	Gear-24z	1
27	B223 2762	Feed Shaft	1
28	AF03 2090	Paper Feed Roller:Separate	1
29	B004 2783	Torque Limiter	1
30	B223 2810	Separate Driven Shaft	1
31	AB01 0157	Gear:Separate:Driven	1
32	AB01 0156	Gear:Separate:Drive	1
33	B223 2815	Separate Drive Shaft	1
34	B223 2819	Gear - 22Z	1
35	AA06 0693	Tension Spring	1

Index No.	Part No.	Description	Q'ty Per Assembly
36	G065 2774	Pressure Lever	1
37	5206 2686	Snap Ring	2
38	G065 2775	Link Lever	1
39	AA06 2259	Spring - Release	1
40	G065 2776	Release Lever	1
41	B223 2835	Guide Plate	1
101	0451 3006N	Tapping Screw - 3x6	
102	0450 3008N	Tapping Screw - M3x8	
103	0454 3006Q	Tapping Screw - M3x6	
104	0805 0089	Retaining Ring - M4	
105	1105 0511	Harness Clamp - LWS-0306ZC	
106	0720 0040E	Retaining Ring - M4	

5.ELECTRICAL SECTION (B800)

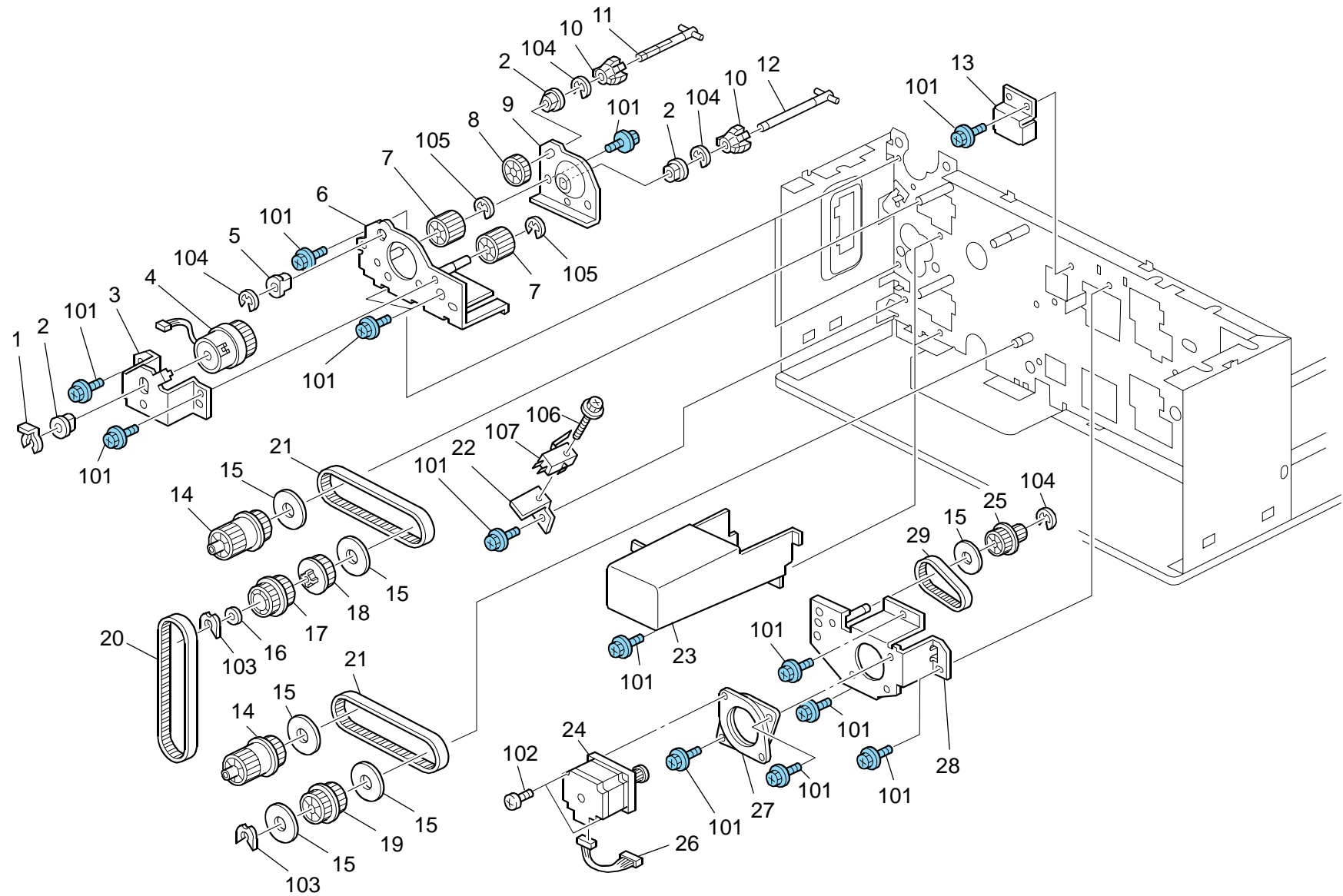


5.ELECTRICAL SECTION (B800)

Index No.	Part No.	Description	Q'ty Per Assembly
1	AX04 0191	DC Motor 24V	2
2	B800 1088	Inner Cover - Lower	1
3	B800 5310	Harnes - Main	1
4	B800 5311	Harness - Paper Size Sensor	1
5	B800 5111	PCB:Sicilia:Ass'y	1
6	B801 1193	PCB Bracket	1
7	B223 2730	Paper Tray Stopper Ass'y	1
8	B223 2721	Bracket:Push Switch	2
9	AW50 0038	Push Switch:Paper Size Sensor	2
10	B800 1089	Inner Cover - Upper	1
11	B238 2543	Cover - Tray Left	1
12	B801 1059	Cover:Burring:Base	1

Index No.	Part No.	Description	Q'ty Per Assembly
101	0454 3006Q	Tapping Screw - M3x6	
102	1105 0192	Locking Support	
103	1105 0511	Harness Clamp - LWS-0306ZC	
104	1105 0516	Clamp	
105	1105 0488	HARNES CLAMP	
106	1105 0487	Harness Clamp	
107	1105 0522	EDGE SADDLE - LES0510	

6.DRIVE SECTION (B800)



6.DRIVE SECTION (B800)

Index No.	Part No.	Description	Q'ty Per Assembly
1	AA10 0014	Retaining Ring C - Separate	1
2	AA08 2101	Bushing - 6x10x6	3
3	G832 3619	Magnetic Clutch Bracket	1
4	AX20 0289	Magnetic Clutch - 32z	1
5	AA08 2102	Bushing - 6x10x6	1
6	G832 1158	Drive Unit Bracket	1
7	AB01 1500	Gear - 27Z	2
8	AB01 1259	Gear - 32Z	1
9	G832 1161	Drum Stay	1
10	B223 1186	Drive Joint	2
11	G832 1178	Grip Shaft	1
12	G832 1175	Feed Shaft	1
13	B800 1087	Inner Cover - Rear Middle	1
14	AB01 7707	Gear - 28Z/28T	2
15	B801 1184	Timing Belt Spacer	6
16	B598 2840	Pulley Collar	1
17	AB01 7729	Gear/pulley - 28Z/28T	1
18	AB03 0785	Timing Pulley - 27T	1
19	AB03 0784	Pulley - 27T	1
20	AA04 3592	Timing Belt - 40S3M297	1
21	AA04 3593	Timing Belt - 40S3M324	2
22	G832 1183	Micro Switch Bracket	1
23	G832 2951	Cover - Rear Right	1
24	B154 4521	Stepper Motor:Mm56:Ass'y	1
25	AB01 7705	Gear/pulley - 21Z/27T	1
26	B801 5314	Harness - Motor	1
27	B802 1622	Stepper Motor Damper	1
28	B801 1180	Stepper Motor Bracket	1
29	AA04 3318	Timing Belt - 40S3M144	1
101	0454 3006Q	Tapping Screw - M3x6	
102	0314 0080N	Philips Pan Head Screw - M4x8	
103	0805 0088	Retaining Ring - M6	
104	0720 0040E	Retaining Ring - M4	
105	0720 0060E	Retaining Ring - M6	
106	0451 3014N	Tapping Screw:3x14	

Index No.	Part No.	Description	Q'ty Per Assembly
107	1204 2529	Switch - V-5F912DN	

B800
PAPER FEED UNIT PB3000
PARTS INDEX

This section instructs you as to the numbers and names of parts on this machine

Parts Index

Part No.	Description	Page and Index No.
B800 1087	Inner Cover - Rear Middle	13 - 13
B800 1088	Inner Cover - Lower	11 - 2
B800 1089	Inner Cover - Upper	11 - 10
B800 1271	Cover - Right	3 - 6
B800 2564	Guide Plate Ass'y	3 - 7
B800 2566	Guide Plate	3 - 8
B800 2568	Shaft	3 - 16
B800 2574	Stopper Bracket	3 - 12
B800 2575	Ground Plate	3 - 13
B800 2577	Lever	3 - 20
B800 2578	Stay	3 - 17
B800 2580	Spring	3 - 19
B800 2586	Ground Plate - Shaft	5 - 11
B800 2587	Spring - Earth Stopper	5 - 12
B800 2588	Base Stopper Stay	3 - 5
B800 5111	PCB:Sicilia:Ass'y	11 - 5
B800 5310	Harnes - Main	11 - 3
B800 5311	Harness - Paper Size Sensor	11 - 4
B800 6110	Arm Ass'y	3 - 21

Part No.	Description	Page and Index No.
A222 2724	External Circlip - Mm8	7 - 14
A232 2987	Roller - Paper Tray	7 - 16
A267 2857	Spring Plate - Side Fence	7 - 28
A267 2859	Side Fence Stopper	7 - 29
A267 2860	Rear Lever Stopper	7 - 27
A507 1096	Philips Screw - M5x6	5 - 4
A682 2552	Front Hook - Vertical Transport	3 - 14
A682 2553	Rear Hook - Vertical Transport	3 - 15
B004 2783	Torque Limiter	9 - 29
B004 2923	Spring Plate - Release Lever	7 - 20
B082 2781	Bracket:Sensor	9 - 8
B154 4521	Stepper Motor:Mm56:Ass'y	13 - 24
B223 1186	Drive Joint	13 - 10
B223 2710	Supporter - Left No.2	5 - 13
B223 2714	Positioning Cap - Short	5 - 16
B223 2715	Supporter - Right	5 - 14
B223 2721	Bracket:Push Switch	11 - 8
B223 2730	Paper Tray Stopper Ass'y	11 - 7
B223 2750	Paper Feed Unit	9 - 1
B223 2761	Pickup Arm	9 - 23
B223 2762	Feed Shaft	9 - 27
B223 2764	Gear-24z	9 - 26
B223 2765	Ground Plate - Feed	9 - 22
B223 2767	Paper End Feeler	9 - 2
B223 2772	Harness Sheet	9 - 13
B223 2773	Harness - Paper Feed Unit	9 - 4
B223 2776	Stay	9 - 7
B223 2778	Sensor Bracket	9 - 5
B223 2780	DC Solenoid 24V	9 - 10
B223 2786	Ground Plate - Front	9 - 14
B223 2810	Separate Driven Shaft	9 - 30
B223 2815	Separate Drive Shaft	9 - 33
B223 2819	Gear - 22Z	9 - 34
B223 2829	Feed Guide	9 - 18
B223 2835	Guide Plate	9 - 41

Part No.	Description	Page and Index No.
B223 2860	Paper Tray Grip	7 - 8
B223 2861	Grip Holder	7 - 13
B223 2862	Lever - Release Inner	7 - 10
B223 2863	Release Shaft	7 - 12
B223 2864	Lever - Release Outer	7 - 15
B223 2865	Rise No.1 Shaft	7 - 24
B223 2873	Decal - Side Fence Rear	7 - 30
B223 2900	Paper Tray Unit No.2	7 - 9
B223 2910	Link - Paper Size Sensor	7 - 1
B223 2911	Spacer	7 - 2
B223 2912	End Fence	7 - 17
B223 2918	Rise Lever	7 - 25
B223 2919	Ground Plate - Paper Tray No.2	7 - 6
B223 2920	Front Side Fence	7 - 18
B223 2923	Stopper Lever - Front	7 - 19
B223 2930	Rear Side Fence	7 - 26
B223 2934	Plate - Side Fence	7 - 22
B223 2935	Plate - Side Fence Right	7 - 21
B223 2936	Gear - 16Z	7 - 23
B223 2940	Tray Bottom Plate	7 - 4
B223 2946	Cover - Paper Tray No.2	7 - 7
B238 2523	Decal - Paper Set Direction No.2	7 - 3
B238 2543	Cover - Tray Left	11 - 11
B238 2569	Transport Roller	9 - 12
B384 1146	Spring Plate	5 - 6
B542 2560	Driven Roller	3 - 9
B598 2840	Pulley Collar	13 - 16
B793 4247	Screw - M3X8	3 - 4
B801 1059	Cover:Burring:Base	11 - 12
B801 1117	Upper Stay - Front Rear	5 - 2
B801 1180	Stepper Motor Bracket	13 - 28
B801 1184	Timing Belt Spacer	13 - 15
B801 1193	PCB Bracket	11 - 6
B801 1260	Cover - Left	3 - 2
B801 1281	Cover - Rear	3 - 3

Part No.	Description	Page and Index No.
B801 5312	Harness - Interface Cable	5 - 8
B801 5314	Harness - Motor	13 - 26
B801 6115	Arm Cover - Front	3 - 22
B801 6116	Arm Cover - Right	3 - 22
B801 6117	Arm Cover - Rear	3 - 24
B801 6121	Bracket:Arm:Remover/Install:Front L	5 - 17
B801 6122	Bracket:Arm:Remover/Install:Front R	5 - 18
B801 6123	Bracket:Arm:Remover/Install:Right	5 - 19
B801 6124	Bracket:Arm:Remover/Install:Right I	5 - 20
B801 6125	Bracket:Arm:Remover/Install:Rear Le	5 - 22
B801 6126	Bracket:Arm:Remover/Install:Rear Ri	5 - 21
B801 6617	Option Heater - 110V9W	5 - 3
B801 6627	Option Heater - 230V 9W	5 - 3
B802 1622	Stepper Motor Damper	13 - 27
C410 7632	Caster - No Stopper	5 - 10
G065 2767	Lever - Feed	9 - 25
G065 2774	Pressure Lever	9 - 36
G065 2775	Link Lever	9 - 38
G065 2776	Release Lever	9 - 40
G569 2570	Grounding Plate - Vertical Transport	3 - 18
G832 1133	Upper Front Stay	5 - 1
G832 1143	Upper Rear Stay	5 - 5
G832 1146	Connector Bracket	5 - 7
G832 1158	Drive Unit Bracket	13 - 6
G832 1161	Drum Stay	13 - 9
G832 1175	Feed Shaft	13 - 12
G832 1178	Grip Shaft	13 - 11
G832 1183	Micro Switch Bracket	13 - 22
G832 1290	Cover - Upper Front	3 - 1
G832 2951	Cover - Rear Right	13 - 23
G832 3619	Magnetic Clutch Bracket	13 - 3
G832 7900	Screw:Spring Washer:Roung Point:M4x10	5 - 23
G832 7900	Screw:Spring Washer:Round Point:M4x10	3 - 26
G832 8510	Coupling Bracket	3 - 25

Part No.	Description	Page and Index No.
AA04 3318	Timing Belt - 40S3M144	13 - 29
AA04 3592	Timing Belt - 40S3M297	13 - 20
AA04 3593	Timing Belt - 40S3M324	13 - 21
AA06 0691	Tension Spring	9 - 24
AA06 0693	Tension Spring	9 - 35
AA06 0900	Spring	7 - 11
AA06 1003	Tension Spring:Side Fence:Rear	7 - 31
AA06 2259	Spring - Release	9 - 39
AA06 3920	Compression Spring - 8n	3 - 11
AA08 0275	Bushing:Pressure:Mm4	3 - 10
AA08 2101	Bushing - 6x10x6	13 - 2
AA08 2101	Bushing - 6x10x6	9 - 21
AA08 2102	Bushing - 6x10x6	13 - 5
AA08 2143	Bushing - 6x10x6	9 - 11
AA10 0014	Retaining Ring C - Separate	9 - 17
AA10 0014	Retaining Ring C - Separate	13 - 1
AA16 1163	Cushion	5 - 15
AB01 0156	Gear:Separate:Drive	9 - 32
AB01 0157	Gear:Separate:Driven	9 - 31
AB01 1218	Gear - Roller Clutch	9 - 20
AB01 1252	Gear - 20Z	9 - 16
AB01 1259	Gear - 32Z	13 - 8
AB01 1500	Gear - 27Z	13 - 7
AB01 7705	Gear/pulley - 21Z/27T	13 - 25
AB01 7707	Gear - 28Z/28T	13 - 14
AB01 7729	Gear/pulley - 28Z/28T	13 - 17
AB03 0784	Pulley - 27T	13 - 19
AB03 0785	Timing Pulley - 27T	13 - 18
AF01 3006	Bottom Plate Pad	7 - 5
AF03 0090	Paper Feed Roller:Pickup	9 - 15
AF03 1090	Paper Feed Roller:Feed	9 - 19
AF03 2090	Paper Feed Roller:Separate	9 - 28
AH01 2033	Caster - Stopper	5 - 9
AW01 0122	Paper Feed Sensor	9 - 9
AW01 0128	Paper Feed Sensor	9 - 6

Part No.	Description	Page and Index No.
AW02 0145	Photo Interrupter: Flat	9 - 3
AW50 0038	Push Switch:Paper Size Sensor	11 - 9
AX04 0191	DC Motor 24V	11 - 1
AX20 0289	Magnetic Clutch - 32z	13 - 4

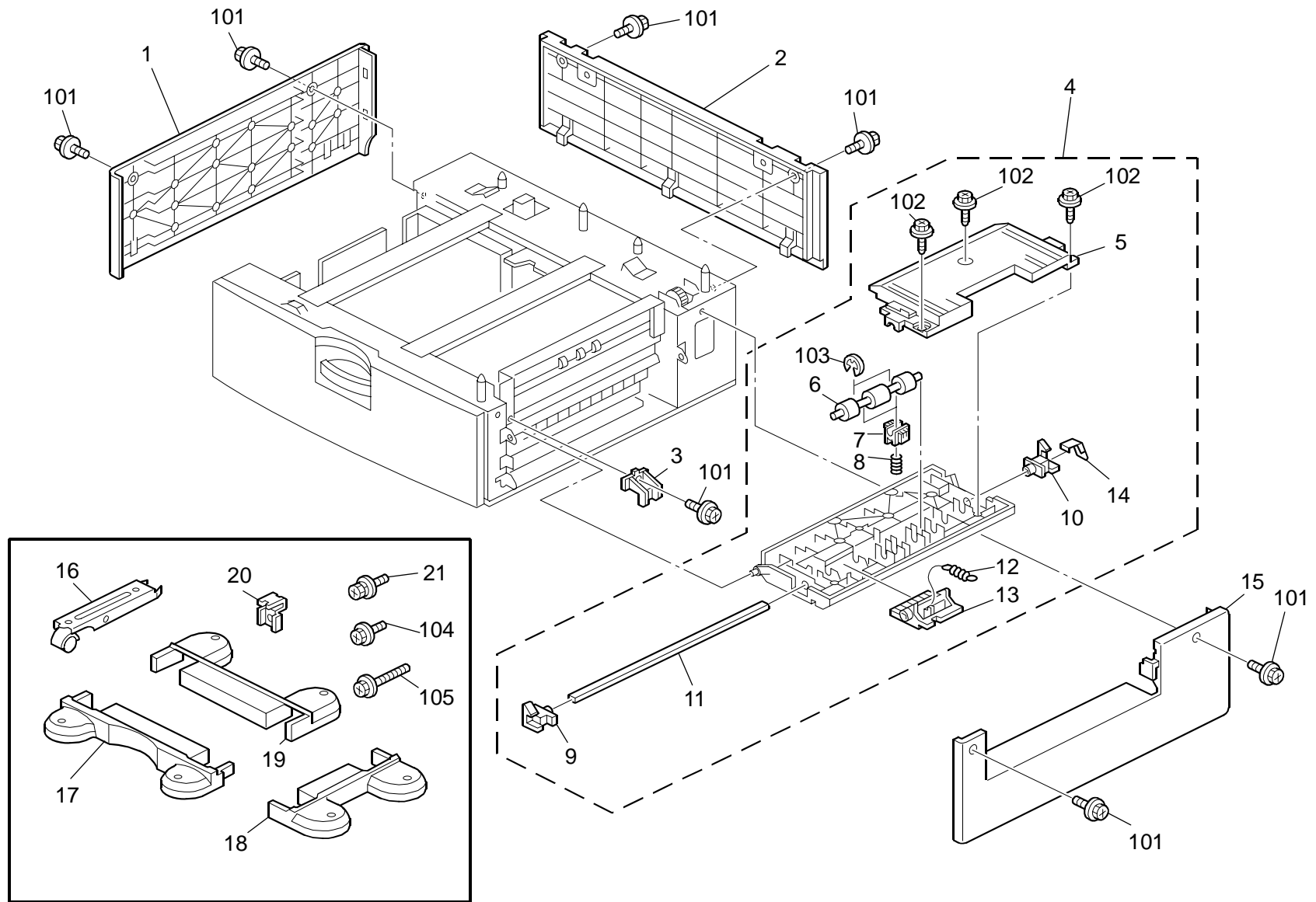
Part No.	Description	Page and Index No.
0314 0080N	Philips Pan Head Screw - M4x8	13 -102
0353 0080N	Screw:M3x8	3 - 103
0360 3006N	Screw - M3X6	3 - 105
0360 4010N	Screw:M4x10	3 - 106
0450 3008N	Tapping Screw - M3x8	3 - 102
0450 3008N	Tapping Screw - M3x8	9 - 102
0450 3012N	Tapping Screw:3x12	7 - 103
0450 4008N	Tapping Screw - M4x8	7 - 101
0451 3006N	Tapping Screw - 3x6	9 - 101
0451 3008N	Tapping Screw - M3x8	3 - 101
0451 3014N	Tapping Screw:3x14	13 -106
0453 3008N	Binding Self Tapping Screw:3x8	7 - 102
0454 3006Q	Tapping Screw - M3x6	5 - 101
0454 3006Q	Tapping Screw - M3x6	9 - 103
0454 3006Q	Tapping Screw - M3x6	11 -101
0454 3006Q	Tapping Screw - M3x6	13 -101
0454 4006Q	Tapping Screw:4x6	5 - 103
0720 0030E	Retaining Ring - M3	3 - 107
0720 0040E	Retaining Ring - M4	9 - 106
0720 0040E	Retaining Ring - M4	13 -104
0720 0060E	Retaining Ring - M6	13 -105
0805 0088	Retaining Ring - M6	3 - 104
0805 0088	Retaining Ring - M6	13 -103
0805 0089	Retaining Ring - M4	9 - 104
1105 0192	Locking Support	11 -102
1105 0487	Harness Clamp	11 -106
1105 0488	HARNESS CLAMP	11 -105
1105 0511	Harness Clamp - LWS-0306ZC	11 -103
1105 0511	Harness Clamp - LWS-0306ZC	9 - 105
1105 0516	Clamp	11 -104
1105 0516	Clamp	5 - 102
1105 0522	EDGE SADDLE - LES0510	11 -107
1204 2529	Switch - V-5F912DN	13 -107

Part No.	Description	Page and Index No.
5206 2686	Snap Ring	9 - 37

B801
LCIT PB3010
PARTS LOCATION AND LIST

This section instructs you as to the numbers and names of parts on this machine

1.EXTERIOR 1 (B801)

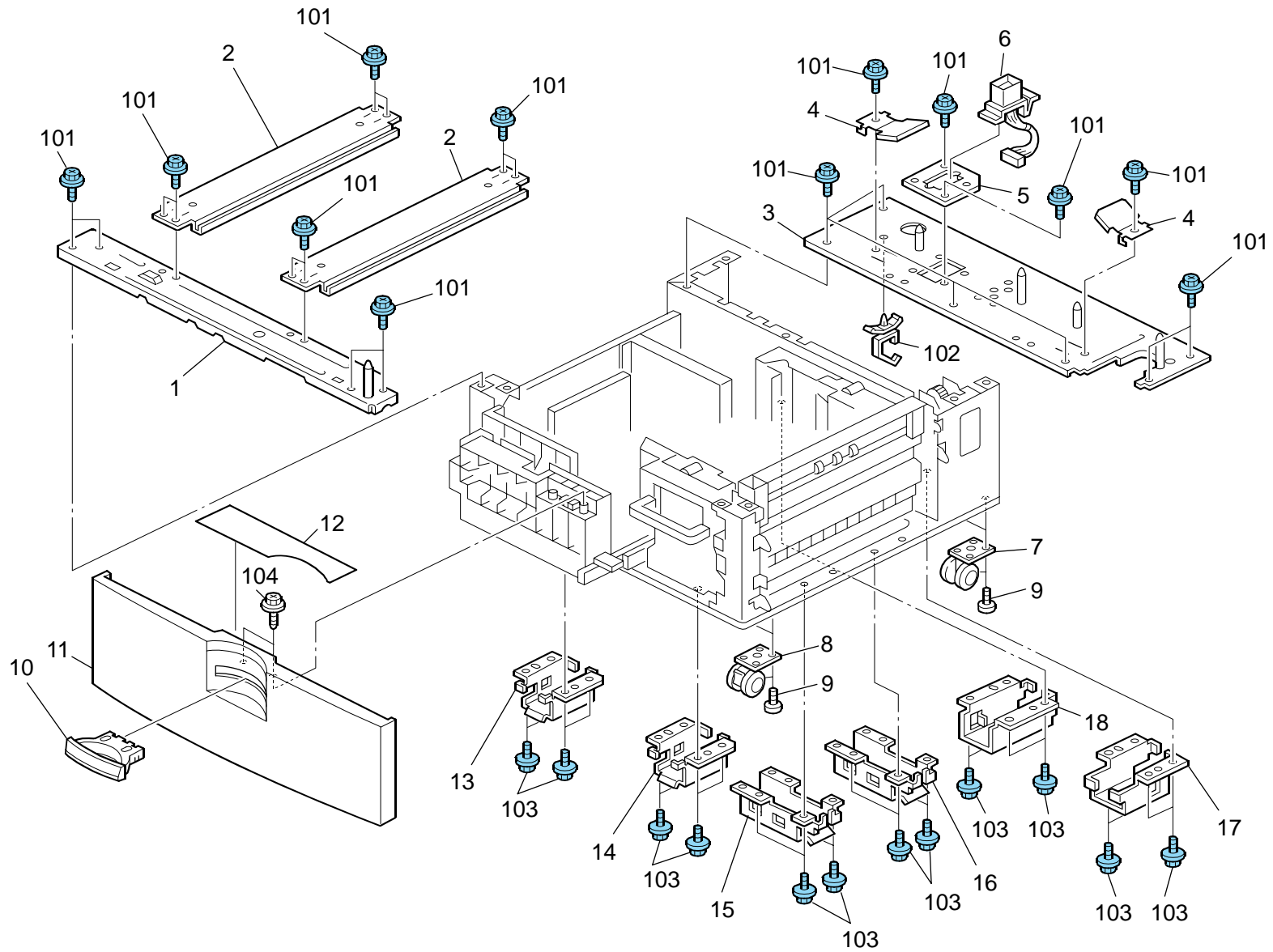


1.EXTERIOR 1 (B801)

Index No.	Part No.	Description	Q'ty Per Assembly
1	B801 1260	Cover - Left	1
2	B801 1281	Cover - Rear	1
3	G832 2580	Stopper	1
4	G832 2560	Guide Ass'y	1
5	G832 2553	Guide	1
6	B542 2560	Driven Roller	1
7	AA08 0275	Bushing:Pressure:Mm4	2
8	AA06 3920	Compression Spring - 8n	2
9	G832 2583	Front Hook	1
10	G832 2584	Rear Hook	1
11	G832 2582	Shaft	1
12	AA06 2332	Spring	1
13	G832 2581	Lever - Open And Close	1
14	G832 2570	Ground Plate	1
15	B801 1271	Cover - Right	1
16	B800 6110	Arm Ass'y	1
17	B801 6115	Arm Cover - Front	1
18	B801 6116	Arm Cover - Right	1
19	B801 6117	Arm Cover - Rear	1
20	G832 8510	Coupling Bracket	1
21	G832 7900	Screw:Spring Washer:Round Point:M4x	1

Index No.	Part No.	Description	Q'ty Per Assembly
101	0451 3008N	Tapping Screw - M3x8	
102	0450 3010N	Tapping Screw - M3x10	
103	0720 0030E	Retaining Ring - M3	
104	0360 3006N	Screw - M3X6	
105	0360 4010N	Screw:M4x10	

2.EXTERIOR 2 (B801)

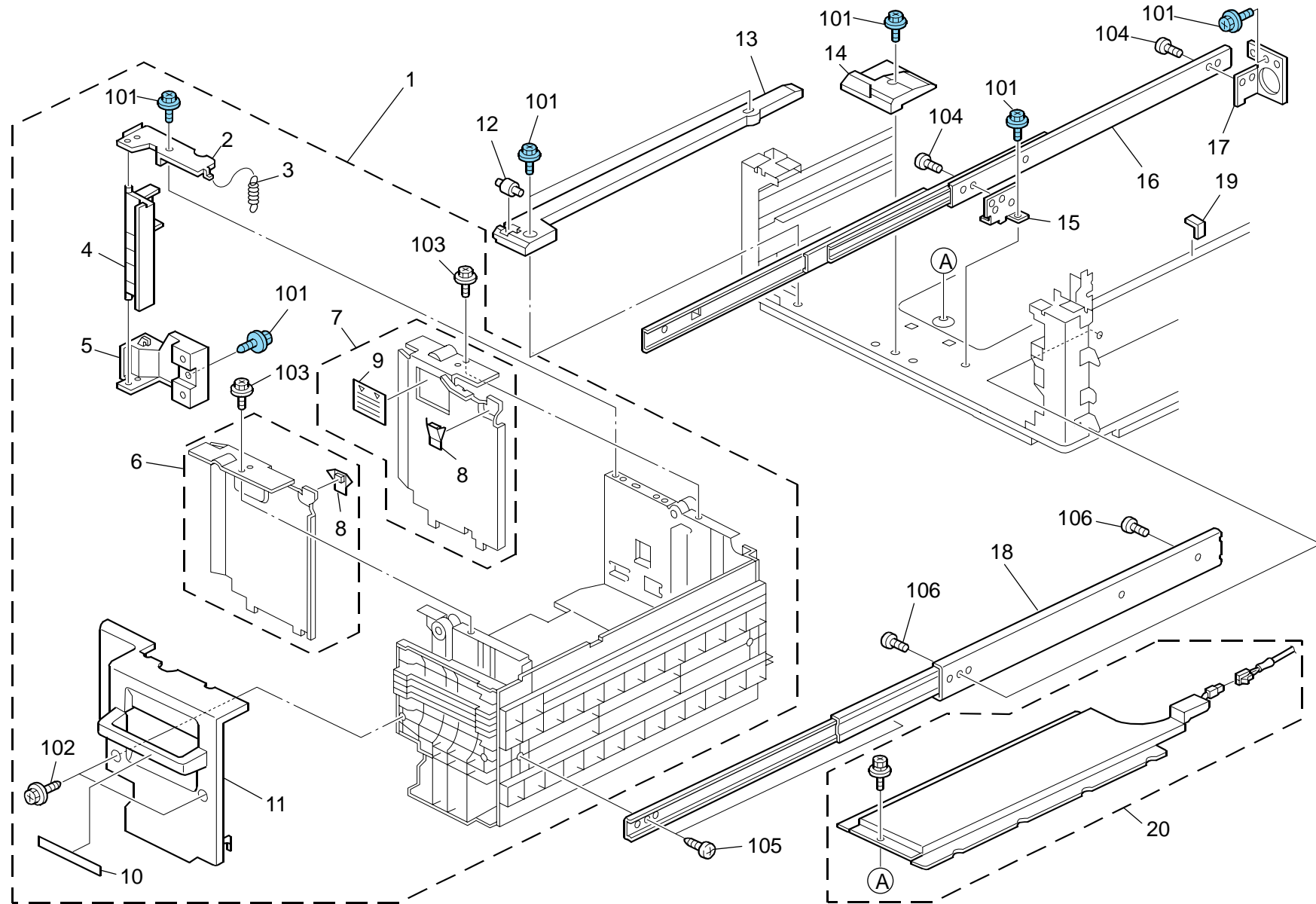


2.EXTERIOR 2 (B801)

Index No.	Part No.	Description	Q'ty Per Assembly
1	G832 1133	Upper Front Stay	1
2	B801 1117	Upper Stay - Front Rear	2
3	G832 1143	Upper Rear Stay	1
4	B384 1146	Spring Plate	2
5	G832 1146	Connector Bracket	1
6	B801 5312	Harness - Interface Cable	1
7	C410 7632	Caster - No Stopper	2
8	AH01 2033	Caster - Stopper	2
9	A507 1096	Philips Screw - M5x6	8
10	B223 2860	Paper Tray Grip	1
11	B801 2793	Cover - LCT Front	1
12	B801 2795	Sheet - Paper Set Direction	1
13	B801 6121	Bracket:Arm:Remover/Install:Front L	1
14	B801 6122	Bracket:Arm:Remover/Install:Front R	1
15	B801 6123	Bracket:Arm:Remover/Install:Right	1
16	B801 6124	Bracket:Arm:Remover/Install:Right I	1
17	B801 6126	Bracket:Arm:Remover/Install:Rear Ri	1
18	B801 6125	Bracket:Arm:Remover/Install:Rear Le	1

Index No.	Part No.	Description	Q'ty Per Assembly
101	0454 3006Q	Tapping Screw - M3x6	
102	1105 0516	Clamp	
103	0454 4006Q	Tapping Screw:4x6	
104	0450 3010N	Tapping Screw - M3x10	

3.RIGHT TRAY 1 (B801)

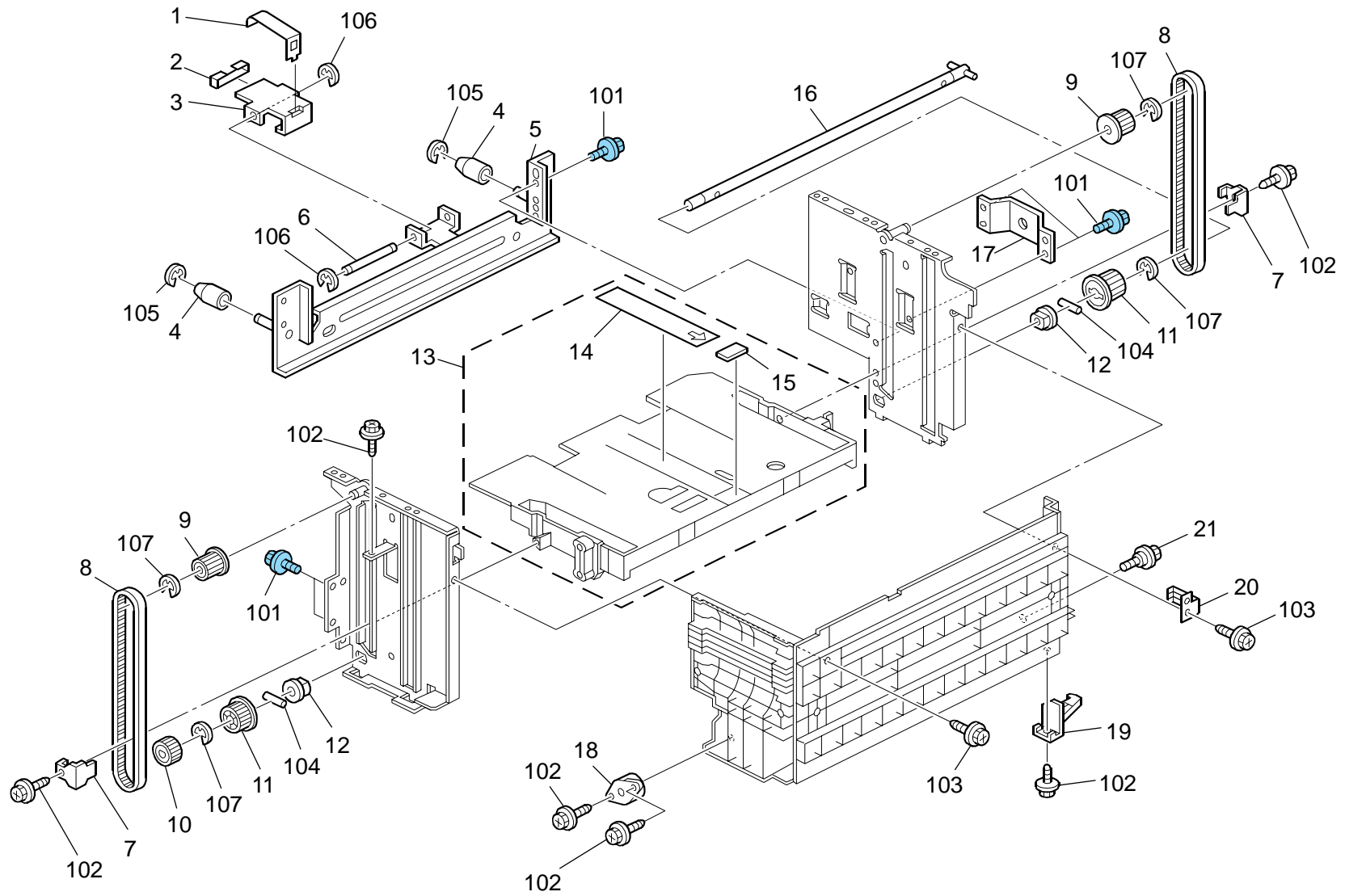


3.RIGHT TRAY 1 (B801)

Index No.	Part No.	Description	Q'ty Per Assembly
1	B801 2610	Tandem LCT Unit - Right	1
2	B801 2677	End Fence Bracket	1
3	G569 2712	Tension Spring	1
4	B801 2665	End Fence	1
5	B801 2678	End Fence Guide Plate	1
6	B801 2695	Side Fence Ass'y - Right Front	1
7	B801 2690	Side Fence Ass'y - Right Rear	1
8	B801 2801	Paper Plate	2
9	AA00 0713	Decal - Side Fence Rear	1
10	B801 2681	Decal - Grip Inner Cover Right	1
11	B801 2680	Inner Cover Grip - Right	1
12	A232 2987	Roller - Paper Tray	1
13	B801 1123	Guide - Left Lower	1
14	B801 1135	Tray Stopper - Left	1
15	B801 1128	Slide Rail Bracket - Front	1
16	AA07 0074	Slide Rail - Middle	1
17	B801 1131	Slide Rail Bracket - Rear	1
18	AA07 0073	Slide Rail - Right	1
19	AA16 1163	Cushion	1
20	B801 6617	Option Heater - 110V9W	1
20	B801 6627	Option Heater - 230V9W	1

Index No.	Part No.	Description	Q'ty Per Assembly
101	0454 3006Q	Tapping Screw - M3x6	
102	0450 3010N	Tapping Screw - M3x10	
103	0451 4008N	Tapping Screw:4x8	
104	0354 0050N	Screw - M4X5	
105	0452 3008N	Tapping Screw - M3x8	
106	0453 3006N	Tapping Screw - M3x6	

4. RIGHT TRAY 2 (B801)

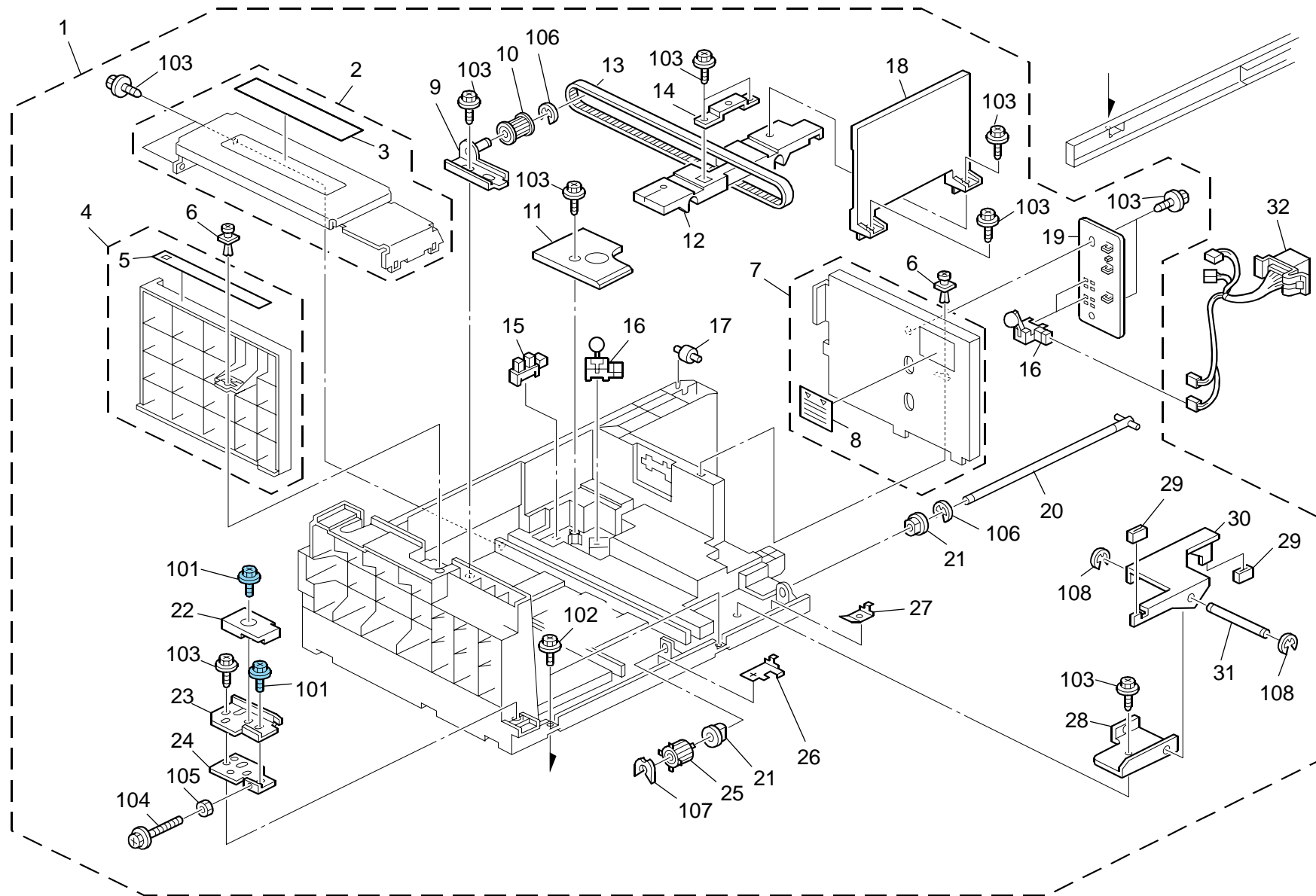


4.RIGHT TRAY 2 (B801)

Index No.	Part No.	Description	Q'ty Per Assembly
1	B801 2654	Lock Lever	1
2	B801 2652	-coupling Bracket Sheet	1
3	B801 2653	Base Coupling Bracket	1
4	B801 2651	Guide Roller	2
5	B801 2657	Tandem Tray Stay - Right	1
6	B801 2649	Tray Stay Shaft - Right	1
7	B801 2684	Timing Belt Holder	2
8	AA04 3600	Timing Belt - 60S3M378	2
9	G569 2710	Timing Pulley - Tray Bottom Plate	2
10	C410 7626	Gear Damper - 18Z	1
11	AB03 0633	Timing Pulley - Tray Bottom Plate	2
12	AA08 2104	Bushing - 8x12x7	2
13	B801 2655	Tray Bottom Plate	1
14	AA00 0714	Decal - Right Paper Set	1
15	A421 2543	Friction Pad	1
16	C410 2681	Shaft - Tray Bottom Plate Rise	1
17	B801 2638	Supporting Plate:Side Plate:Large C	1
18	C410 7534	Oil Damper	1
19	B801 2624	Lock Tray Arm	1
20	B801 2679	Tray Ground Plate - Right	1
21	AA14 3823	Tapping Screw	1

Index No.	Part No.	Description	Q'ty Per Assembly
101	0454 3006Q	Tapping Screw - M3x6	
102	0450 3010N	Tapping Screw - M3x10	
103	0451 3008N	Tapping Screw - M3x8	
104	0623 0140E	Spring Pin - 3x14mm	
105	0720 0040E	Retaining Ring - M4	
106	0720 0030E	Retaining Ring - M3	
107	0720 0060E	Retaining Ring - M6	

5.LEFT TRAY (B801)

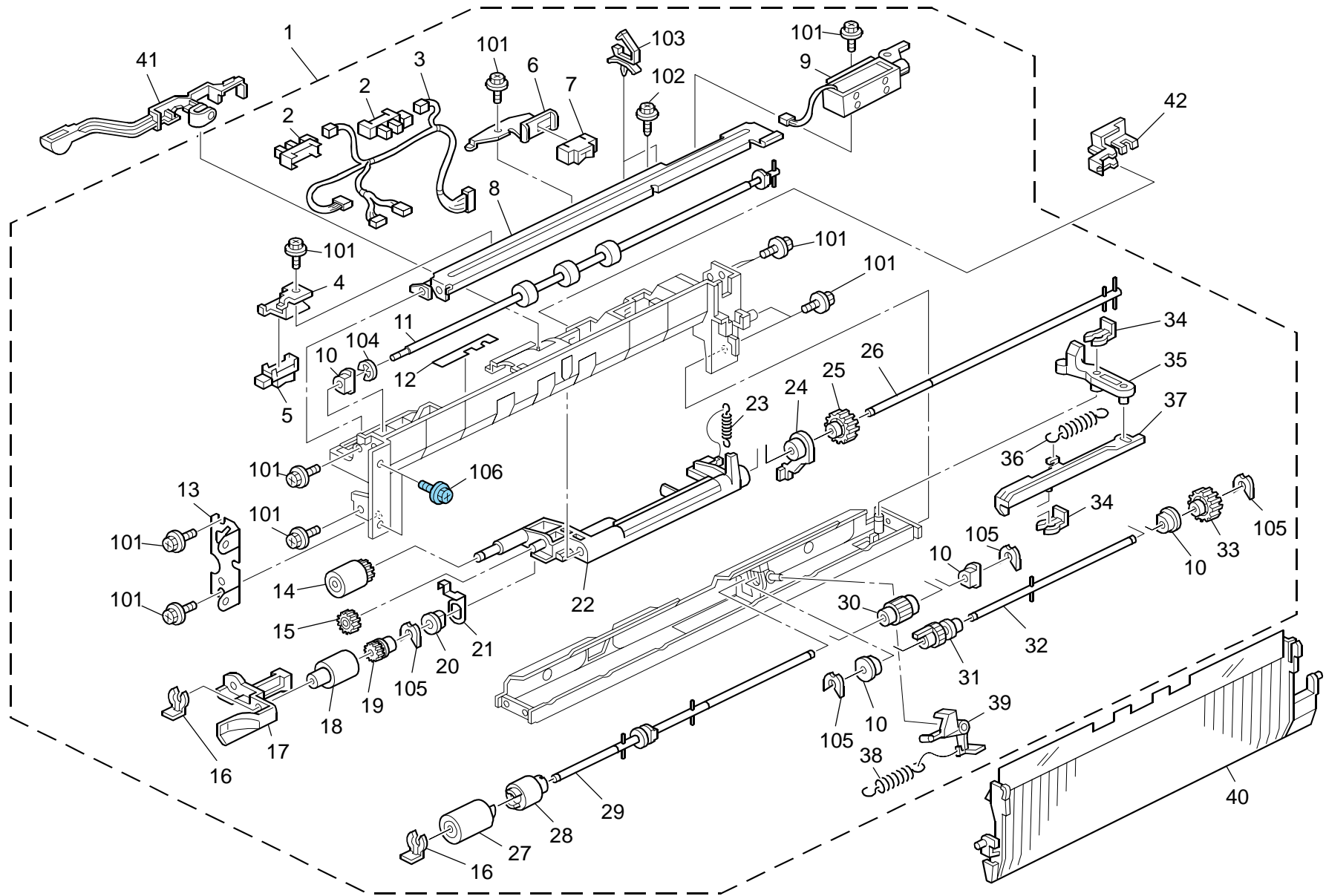


5.LEFT TRAY (B801)

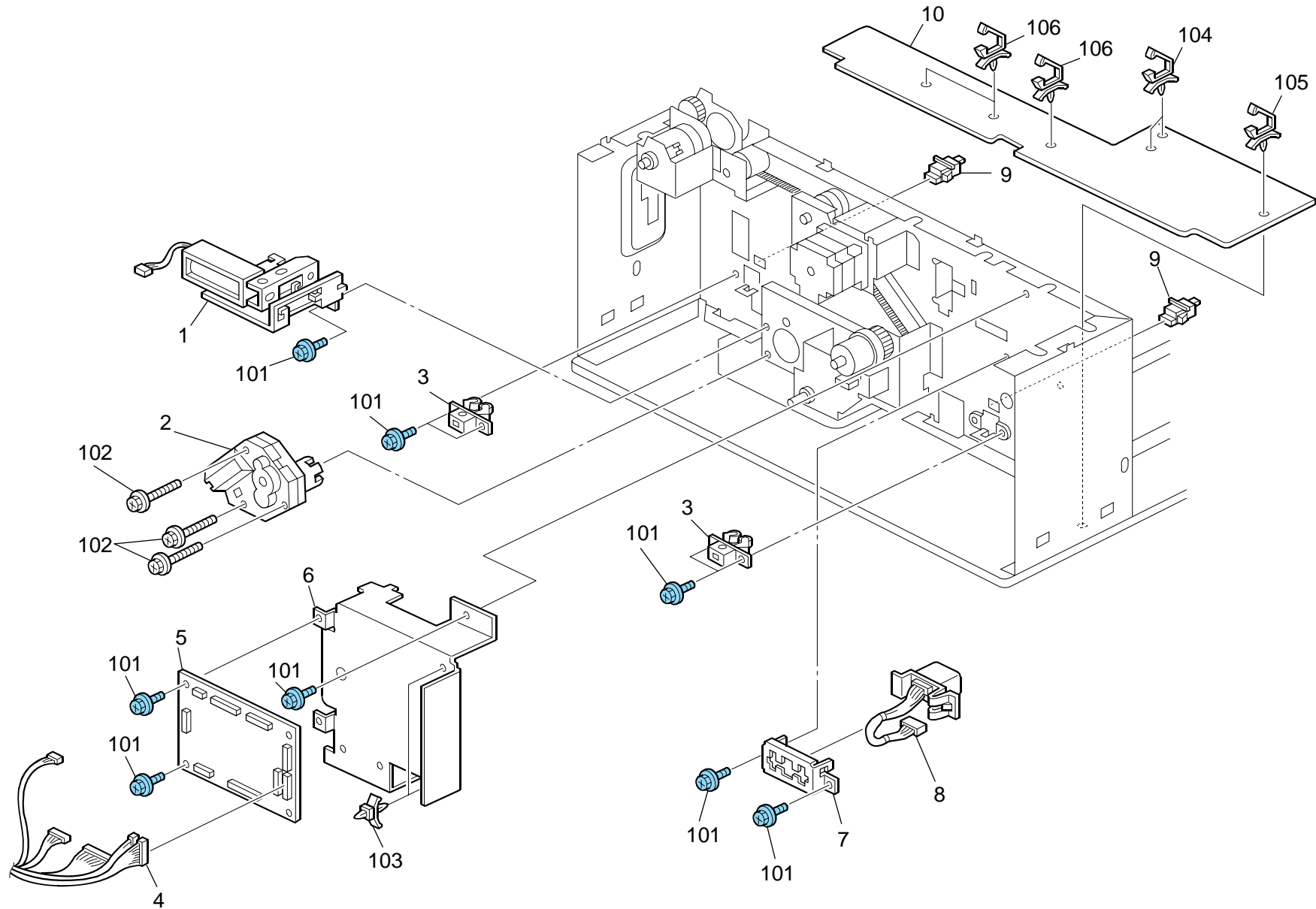
Index No.	Part No.	Description	Q'ty Per Assembly
1	B801 2711	Tandem LCT Unit - Left	1
2	B801 2742	Timing Belt Cover	1
3	AA00 0715	Decal - Left Paper Set	1
4	B801 2758	Side Fence - Left Front	1
5	AA00 0712	Decal - Caution Inkhet Paper	1
6	G569 2761	Rivet - 31j5	2
7	B801 2753	Side Fence - Left Rear	1
8	AA00 0713	Decal - Side Fence Rear	1
9	B801 2735	Timing Belt Bracket	1
10	AB03 3085	Timing Pulley - 15T	1
11	B801 2748	Cover:Positioning Sensor	1
12	B801 2744	Back Fence Slider	1
13	AA04 3599	Timing Belt - 60S3M588	1
14	B801 2746	Timing Belt Slider Stopper	1
15	AW02 0145	Photo Interrupter: Flat	1
16	AW02 0162	Photo Interrupter: Paper Volume Sensor	2
17	A232 2987	Roller - Paper Tray	1
18	B801 2745	Back Fence	1
19	B801 2756	Paper Volume Sensor Bracket	1
20	B801 2730	Shaft - Slider Drive	1
21	AA08 2101	Bushing - 6x10x6	2
22	B801 2727	Tray Cover Plate- Right	1
23	B801 2726	Tray Plate - Right	1
24	B801 2728	Tray Plate Bracket - Right	1
25	AB03 0787	Timing Pulley - 15T	1
26	B801 2811	Ground Plate - Cover Timing Belt	1
27	B801 2812	Ground Plate - Joint Drive	1
28	B801 2762	Lever Lock Bracket	1
29	B801 2765	Lever Cap	2
30	B801 2764	Coupling Lever	1
31	B801 2763	Lock Lever Shaft	1
32	B801 5311	Harness - Tandem Tray	1

Index No.	Part No.	Description	Q'ty Per Assembly
101	0454 3006Q	Tapping Screw - M3x6	
102	0451 3008N	Tapping Screw - M3x8	
103	0450 3010N	Tapping Screw - M3x10	
104	0360 3010N	Screw:M3x10	
105	0711 0030N	Hexagonal Nut:M3	
106	0720 0040E	Retaining Ring - M4	
107	0805 0089	Retaining Ring - M4	
108	0720 0030E	Retaining Ring - M3	

6.PAPER FEED SECTION (B801)



7.ELECTRICAL SECTION (B801)

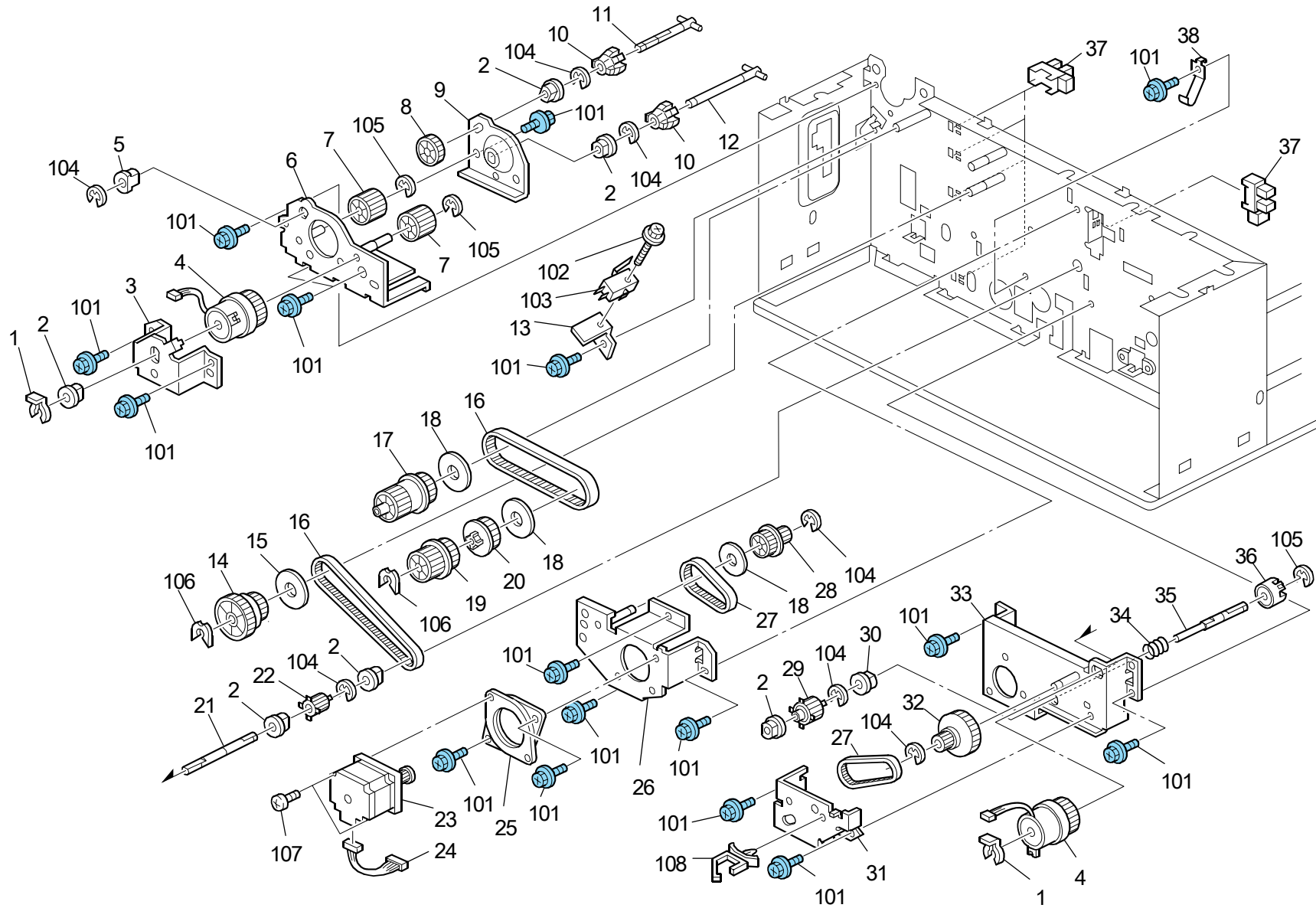


7.ELECTRICAL SECTION (B801)

Index No.	Part No.	Description	Q'ty Per Assembly
1	B801 1140	Lock:Tray Bracket Ass'y - Right	1
2	C410 5710	DC Motor 24V	1
3	B600 1082	Holder:Paper Tray	1
4	B801 5310	Harness - Main	1
5	B801 5111	PCB:Cebu:Ass'y	1
6	B801 1152	Main Board Bracket	1
7	B600 1085	Bracket:Drawer:Arabia	1
8	B801 5313	Harness - Tandem Tray	1
9	AW50 0023	Push Switch	2
10	B801 1059	Cover:Burring:Base	1

Index No.	Part No.	Description	Q'ty Per Assembly
101	0454 3006Q	Tapping Screw - M3x6	
102	0451 3030N	Tapping Screw:3x30	
103	1105 0192	Locking Support	
104	1105 0516	Clamp	
105	1105 0508	Harness Clamp - LWS-0711	
106	1105 0487	Harness Clamp	

8.DRIVE SECTION (B801)



8.DRIVE SECTION (B801)

Index No.	Part No.	Description	Q'ty Per Assembly
1	AA10 0014	Retaining Ring C - Separate	2
2	AA08 2101	Bushing - 6x10x6	5
3	G832 3619	Magnetic Clutch Bracket	1
4	AX20 0289	Magnetic Clutch - 32z	1
5	AA08 2102	Bushing - 6x10x6	1
6	G832 1158	Drive Unit Bracket	1
7	AB01 1500	Gear - 27Z	2
8	AB01 1259	Gear - 32Z	1
9	G832 1161	Drum Stay	1
10	B223 1186	Drive Joint	2
11	G832 1178	Grip Shaft	1
12	G832 1175	Feed Shaft	1
13	G832 1183	Micro Switch Bracket	1
14	AB01 7708	Gear - 43Z	1
15	B801 1078	Timing Belt Spacer	1
16	AA04 3591	Timing Belt - 40S3M285	2
17	AB01 7707	Gear - 28Z/28T	1
18	B801 1184	Timing Belt Spacer	2
19	AB01 7704	Gear/pulley - 30Z/27T	1
20	AB03 0785	Timing Pulley - 27T	1
21	B801 1077	Joint:Drive Shaft	1
22	AB03 0787	Timing Pulley - 15T	1
23	B154 4521	Stepper Motor:Mm56:Ass'y	1
24	B801 5314	Harness - Motor	1
25	B802 1622	Stepper Motor Damper	1
26	B801 1180	Stepper Motor Bracket	1
27	AA04 3318	Timing Belt - 40S3M144	2
28	AB01 7705	Gear/pulley - 21Z/27T	1
29	AB03 0786	Timing Pulley - 22T	1
30	AA08 2104	Bushing - 8x12x7	3
31	B801 1115	Joint Bracket	1
32	AB01 7709	Gear/pulley - 46Z/15T	1
33	B801 1113	Motor Bracket	1
34	G569 2901	Spring - Lift Motor	1
35	B801 1118	Joint Shaft	1

Index No.	Part No.	Description	Q'ty Per Assembly
36	B801 1116	Joint	1
37	AW02 0145	Photo Interrupter: Flat	5
38	B801 1079	Ground Plate - Slide Rail	1
101	0454 3006Q	Tapping Screw - M3x6	
102	0451 3014N	Tapping Screw:3x14	
103	1204 2529	Switch - V-5F912DN	
104	0720 0040E	Retaining Ring - M4	
105	0720 0060E	Retaining Ring - M6	
106	0805 0088	Retaining Ring - M6	
107	0314 0080N	Philips Pan Head Screw - M4x8	
108	1105 0516	Clamp	

B801
LCIT PB3010
PARTS INDEX

This section instructs you as to the numbers and names of parts on this machine

Parts Index

Part No.	Description	Page and Index No.
B801 1059	Cover: Burring: Base	15 - 10
B801 1077	Joint: Drive Shaft	17 - 21
B801 1078	Timing Belt Spacer	17 - 15
B801 1079	Ground Plate - Slide Rail	17 - 38
B801 1113	Motor Bracket	17 - 33
B801 1115	Joint Bracket	17 - 31
B801 1116	Joint	17 - 36
B801 1117	Upper Stay - Front Rear	5 - 2
B801 1118	Joint Shaft	17 - 35
B801 1123	Guide - Left Lower	7 - 13
B801 1128	Slide Rail Bracket - Front	7 - 15
B801 1131	Slide Rail Bracket - Rear	7 - 17
B801 1135	Tray Stopper - Left	7 - 14
B801 1140	Lock:Tray Bracket Ass'y - Right	15 - 1
B801 1152	Main Board Bracket	15 - 6
B801 1180	Stepper Motor Bracket	17 - 26
B801 1184	Timing Belt Spacer	17 - 18
B801 1260	Cover - Left	3 - 1
B801 1271	Cover - Right	3 - 15
B801 1281	Cover - Rear	3 - 2
B801 2512	Paper Feed Unit:Ass'y	13 - 1
B801 2610	Tandem LCT Unit - Right	7 - 1
B801 2624	Lock Tray Arm	9 - 19
B801 2638	Supporting Plate:Side Plate:Large C	9 - 17
B801 2649	Tray Stay Shaft - Right	9 - 6
B801 2651	Guide Roller	9 - 4
B801 2652	-coupling Bracket Sheet	9 - 2
B801 2653	Base Coupling Bracket	9 - 3
B801 2654	Lock Lever	9 - 1
B801 2655	Tray Bottom Plate	9 - 13
B801 2657	Tandem Tray Stay - Right	9 - 5
B801 2665	End Fence	7 - 4
B801 2677	End Fence Bracket	7 - 2
B801 2678	End Fence Guide Plate	7 - 5
B801 2679	Tray Ground Plate - Right	9 - 20

Part No.	Description	Page and Index No.
B801 2680	Inner Cover Grip - Right	7 - 11
B801 2681	Decal - Grip Inner Cover Right	7 - 10
B801 2684	Timing Belt Holder	9 - 7
B801 2690	Side Fence Ass'y - Right Rear	7 - 7
B801 2695	Side Fence Ass'y - Right Front	7 - 6
B801 2711	Tandem LCT Unit - Left	11 - 1
B801 2726	Tray Plate - Right	11 - 23
B801 2727	Tray Cover Plate- Right	11 - 22
B801 2728	Tray Plate Bracket - Right	11 - 24
B801 2730	Shaft - Slider Drive	11 - 20
B801 2735	Timing Belt Bracket	11 - 9
B801 2742	Timing Belt Cover	11 - 2
B801 2744	Back Fence Slider	11 - 12
B801 2745	Back Fence	11 - 18
B801 2746	Timing Belt Slider Stopper	11 - 14
B801 2748	Cover: Positioning Sensor	11 - 11
B801 2753	Side Fence - Left Rear	11 - 7
B801 2756	Paper Volume Sensor Bracket	11 - 19
B801 2758	Side Fence - Left Front	11 - 4
B801 2762	Lever Lock Bracket	11 - 28
B801 2763	Lock Lever Shaft	11 - 31
B801 2764	Coupling Lever	11 - 30
B801 2765	Lever Cap	11 - 29
B801 2793	Cover - LCT Front	5 - 11
B801 2795	Sheet - Paper Set Direction	5 - 12
B801 2801	Paper Plate	7 - 8
B801 2811	Ground Plate - Cover Timing Belt	11 - 26
B801 2812	Ground Plate - Joint Drive	11 - 27
B801 2821	Feeler - Paper End Sensor	13 - 41
B801 2822	Bracket - Paper End Sensor	13 - 42
B801 5111	PCB:Cebu:Ass'y	15 - 5
B801 5310	Harness - Main	15 - 4
B801 5311	Harness - Tandem Tray	11 - 32
B801 5312	Harness - Interface Cable	5 - 6
B801 5313	Harness - Tandem Tray	15 - 8

Part No.	Description	Page and Index No.
B801 5314	Harness - Motor	17 - 24
B801 6115	Arm Cover - Front	3 - 17
B801 6116	Arm Cover - Right	3 - 18
B801 6117	Arm Cover - Rear	3 - 19
B801 6121	Bracket:Arm:Remover/Install:Front L	5 - 13
B801 6122	Bracket:Arm:Remover/Install:Front R	5 - 14
B801 6123	Bracket:Arm:Remover/Install:Right	5 - 15
B801 6124	Bracket:Arm:Remover/Install:Right I	5 - 16
B801 6125	Bracket:Arm:Remover/Install:Rear Le	5 - 18
B801 6126	Bracket:Arm:Remover/Install:Rear Ri	5 - 17
B801 6617	Option Heater - 110V9W	7 - 20
B801 6627	Option Heater - 230V9W	7 - 20

Part No.	Description	Page and Index No.
A232 2987	Roller - Paper Tray	7 - 12
A232 2987	Roller - Paper Tray	11 - 17
A421 2543	Friction Pad	9 - 15
A507 1096	Philips Screw - M5x6	5 - 9
B004 2783	Torque Limiter	13 - 28
B082 2781	Bracket: Sensor	13 - 6
B154 4521	Stepper Motor:Mm56:Ass'y	17 - 23
B223 1186	Drive Joint	17 - 10
B223 2761	Pickup Arm	13 - 22
B223 2762	Feed Shaft	13 - 26
B223 2764	Gear-24z	13 - 25
B223 2765	Ground Plate - Feed	13 - 21
B223 2772	Harness Sheet	13 - 12
B223 2773	Harness - Paper Feed Unit	13 - 3
B223 2776	Stay	13 - 8
B223 2778	Sensor Bracket	13 - 4
B223 2780	DC Solenoid 24v	13 - 9
B223 2786	Ground Plate - Front	13 - 13
B223 2810	Separate Driven Shaft	13 - 29
B223 2815	Separate Drive Shaft	13 - 32
B223 2819	Gear - 22Z	13 - 33
B223 2829	Feed Guide	13 - 17
B223 2835	Guide Plate	13 - 40
B223 2860	Paper Tray Grip	5 - 10
B238 2569	Transport Roller	13 - 11
B384 1146	Spring Plate	5 - 4
B542 2560	Driven Roller	3 - 6
B600 1082	Holder:Paper Tray	15 - 3
B600 1085	Bracket:Drawer: Arabia	15 - 7
B800 6110	Arm Ass'y	3 - 16
B802 1622	Stepper Motor Damper	17 - 25
C410 2681	Shaft - Tray Bottom Plate Rise	9 - 16
C410 5710	DC Motor 24V	15 - 2
C410 7534	Oil Damper	9 - 18
C410 7626	Gear Damper - 18Z	9 - 10

Part No.	Description	Page and Index No.
C410 7632	Caster - No Stopper	5 - 7
G065 2767	Lever - Feed	13 - 24
G065 2774	Pressure Lever	13 - 39
G065 2775	Link Lever	13 - 37
G065 2776	Release Lever	13 - 35
G569 2710	Timing Pulley - Tray Bottom Plate	9 - 9
G569 2712	Tension Spring	7 - 3
G569 2761	Rivet - 31j5	11 - 6
G569 2901	Spring - Lift Motor	17 - 34
G832 1133	Upper Front Stay	5 - 1
G832 1143	Upper Rear Stay	5 - 3
G832 1146	Connector Bracket	5 - 5
G832 1158	Drive Unit Bracket	17 - 6
G832 1161	Drum Stay	17 - 9
G832 1175	Feed Shaft	17 - 12
G832 1178	Grip Shaft	17 - 11
G832 1183	Micro Switch Bracket	17 - 13
G832 2553	Guide	3 - 5
G832 2560	Guide Ass'y	3 - 4
G832 2570	Ground Plate	3 - 14
G832 2580	Stopper	3 - 3
G832 2581	Lever - Open And Close	3 - 13
G832 2582	Shaft	3 - 11
G832 2583	Front Hook	3 - 9
G832 2584	Rear Hook	3 - 10
G832 3619	Magnetic Clutch Bracket	17 - 3
G832 7900	Screw:Spring Washer:Round Point:M4x	3 - 21
G832 8510	Coupling Bracket	3 - 20

Part No.	Description	Page and Index No.
AA00 0712	Decal - Caution Inkhet Paper	11 - 5
AA00 0713	Decal - Side Fence Rear	11 - 8
AA00 0713	Decal - Side Fence Rear	7 - 9
AA00 0714	Decal - Right Paper Set	9 - 14
AA00 0715	Decal - Left Paper Set	11 - 3
AA04 3318	Timing Belt - 40S3M144	17 - 27
AA04 3591	Timing Belt - 40S3M285	17 - 16
AA04 3599	Timing Belt - 60S3M588	11 - 13
AA04 3600	Timing Belt - 60S3M378	9 - 8
AA06 0691	Tension Spring	13 - 23
AA06 0693	Tension Spring	13 - 38
AA06 2259	Spring - Release	13 - 36
AA06 2332	Spring	3 - 12
AA06 3920	Compression Spring - 8n	3 - 8
AA07 0073	Slide Rail - Right	7 - 18
AA07 0074	Slide Rail - Middle	7 - 16
AA08 0275	Bushing:Pressure:Mm4	3 - 7
AA08 2101	Bushing - 6x10x6	13 - 20
AA08 2101	Bushing - 6x10x6	17 - 2
AA08 2101	Bushing - 6x10x6	11 - 21
AA08 2102	Bushing - 6x10x6	17 - 5
AA08 2104	Bushing - 8x12x7	9 - 12
AA08 2104	Bushing - 8x12x7	17 - 30
AA08 2143	Bushing - 6x10x6	13 - 10
AA10 0014	Retaining Ring C - Separate	17 - 1
AA10 0014	Retaining Ring C - Separate	13 - 16
AA14 3823	Tapping Screw	9 - 21
AA16 1163	Cushion	7 - 19
AB01 0156	Gear:Separate:Drive	13 - 31
AB01 0157	Gear:Separate:Driven	13 - 30
AB01 1218	Gear - Roller Clutch	13 - 19
AB01 1252	Gear - 20Z	13 - 15
AB01 1259	Gear - 32Z	17 - 8
AB01 1500	Gear - 27Z	17 - 7
AB01 7704	Gear/pulley - 30Z/27T	17 - 19

Part No.	Description	Page and Index No.
AB01 7705	Gear/pulley - 21Z/27T	17 - 28
AB01 7707	Gear - 28Z/28T	17 - 17
AB01 7708	Gear - 43Z	17 - 14
AB01 7709	Gear/pulley - 46Z/15T	17 - 32
AB03 0633	Timing Pulley - Tray Bottom Plate	9 - 11
AB03 0785	Timing Pulley - 27T	17 - 20
AB03 0786	Timing Pulley - 22T	17 - 29
AB03 0787	Timing Pulley - 15T	11 - 25
AB03 0787	Timing Pulley - 15T	17 - 22
AB03 3085	Timing Pulley - 15T	11 - 10
AF03 0090	Paper Feed Roller:Pickup	13 - 14
AF03 1090	Paper Feed Roller:Feed	13 - 18
AF03 2090	Paper Feed Roller:Separate	13 - 27
AH01 2033	Caster - Stopper	5 - 8
AW01 0122	Paper Feed Sensor	13 - 7
AW01 0128	Paper Feed Sensor	13 - 5
AW02 0145	Photo Interrupter: Flat	17 - 37
AW02 0145	Photo Interrupter: Flat	11 - 15
AW02 0145	Photo Interrupter: Flat	13 - 2
AW02 0162	Photo Interrupter: Paper Volume Sensor	11 - 16
AW50 0023	Push Switch	15 - 9
AX20 0289	Magnetic Clutch - 32z	17 - 4

Part No.	Description	Page and Index No.
0314 0080N	Philips Pan Head Screw - M4x8	17 -107
0354 0050N	Screw - M4X5	7 - 104
0360 3006N	Screw - M3X6	3 - 104
0360 3010N	Screw:M3x10	11 -104
0360 4010N	Screw:M4x10	3 - 105
0450 3008N	Tapping Screw - M3x8	13 -102
0450 3010N	Tapping Screw - M3x10	9 - 102
0450 3010N	Tapping Screw - M3x10	3 - 102
0450 3010N	Tapping Screw - M3x10	11 -103
0450 3010N	Tapping Screw - M3x10	5 - 104
0450 3010N	Tapping Screw - M3x10	7 - 102
0451 3006N	Tapping Screw - M3x6	13 -101
0451 3008N	Tapping Screw - M3x8	11 -102
0451 3008N	Tapping Screw - M3x8	9 - 103
0451 3008N	Tapping Screw - M3x8	3 - 101
0451 3014N	Tapping Screw:3x14	17 -102
0451 3030N	Tapping Screw:3x30	15 -102
0451 4008N	Tapping Screw:4x8	7 - 103
0452 3008N	Tapping Screw - M3x8	7 - 105
0453 3006N	Tapping Screw - M3x6	7 - 106
0454 3006Q	Tapping Screw - M3x6	17 -101
0454 3006Q	Tapping Screw - M3x6	15 -101
0454 3006Q	Tapping Screw - M3x6	13 -106
0454 3006Q	Tapping Screw - M3x6	5 - 101
0454 3006Q	Tapping Screw - M3x6	11 -101
0454 3006Q	Tapping Screw - M3x6	9 - 101
0454 3006Q	Tapping Screw - M3x6	7 - 101
0454 4006Q	Tapping Screw:4x6	5 - 103
0623 0140E	Spring Pin - 3x14mm	9 - 104
0711 0030N	Hexagonal Nut:M3	11 -105
0720 0030E	Retaining Ring - M3	3 - 103
0720 0030E	Retaining Ring - M3	9 - 106
0720 0030E	Retaining Ring - M3	11 -108
0720 0040E	Retaining Ring - M4	17 -104
0720 0040E	Retaining Ring - M4	13 -104

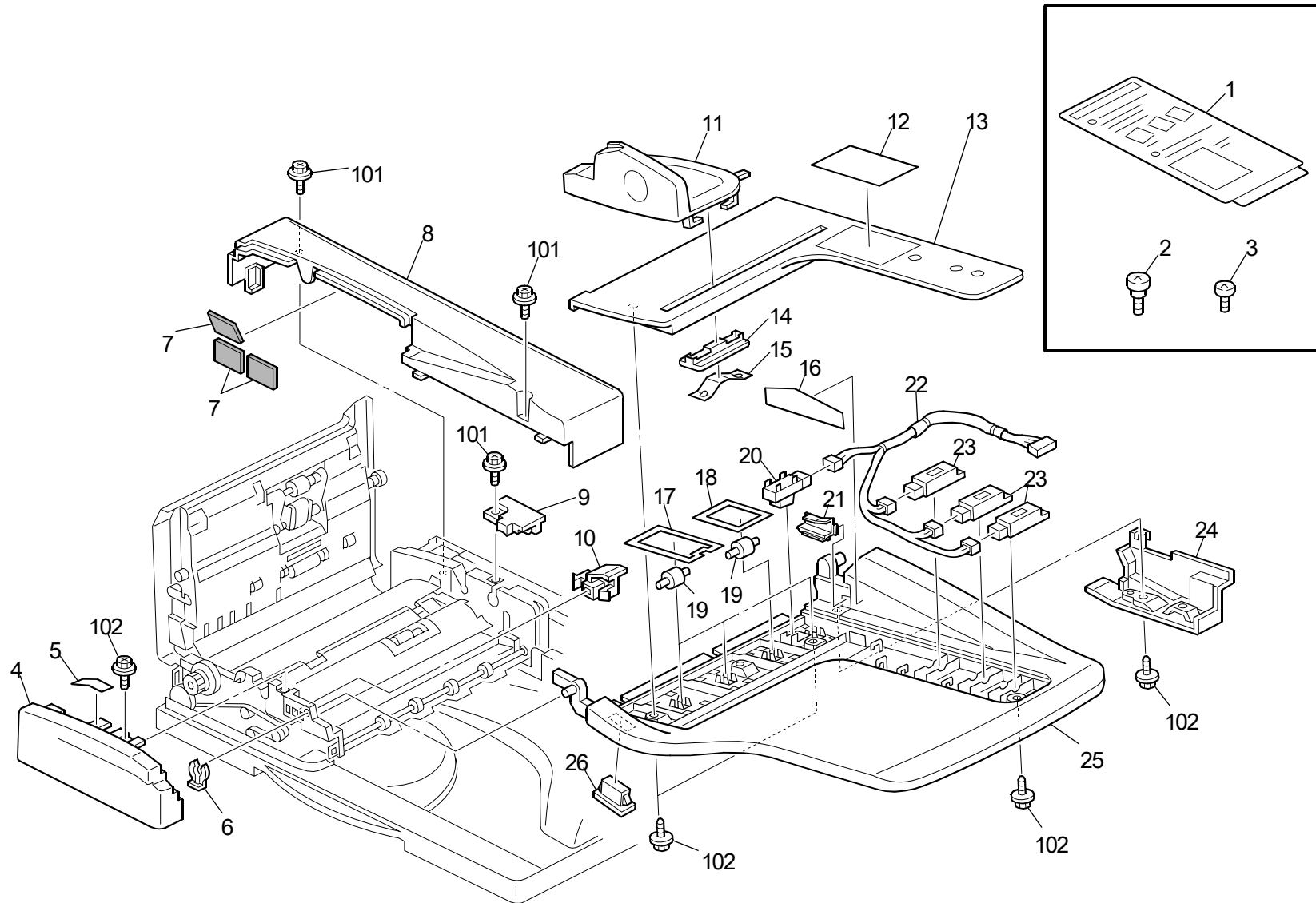
Part No.	Description	Page and Index No.
0720 0040E	Retaining Ring - M4	9 - 105
0720 0040E	Retaining Ring - M4	11 - 106
0720 0060E	Retaining Ring - M6	9 - 107
0720 0060E	Retaining Ring - M6	17 - 105
0805 0088	Retaining Ring - M6	17 - 106
0805 0089	Retaining Ring - M4	13 - 105
0805 0089	Retaining Ring - M4	11 - 107
1105 0192	Locking Support	15 - 103
1105 0487	Harness Clamp	15 - 106
1105 0508	Harness Clamp - LWS-0711	15 - 105
1105 0511	Harness Clamp - LWS-0306ZC	13 - 103
1105 0516	Clamp	15 - 104
1105 0516	Clamp	5 - 102
1105 0516	Clamp	17 - 108
1204 2529	Switch - V-5F912DN	17 - 103

Part No.	Description	Page and Index No.
5206 2686	Snap Ring	13 - 34

**AUTO REVERSE DOCUMENT FEEDER
DF3010
B802
PARTS LOCATION AND LIST**

This section instructs you as to the numbers and names of parts on this machine

1.Exterior (B802)

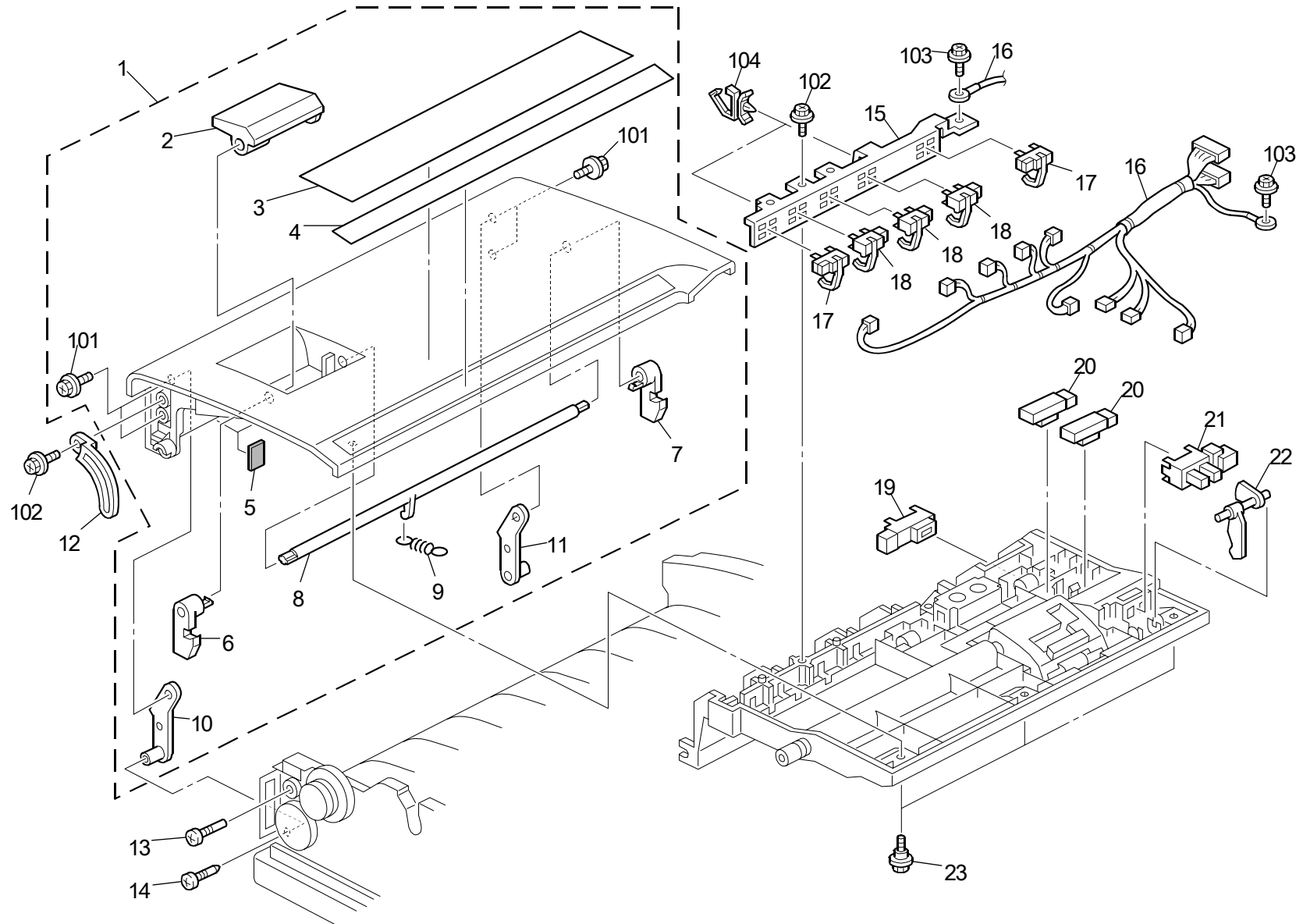


1.Exterior (B802)

Index No.	Part No.	Description	Q'ty Per Assembly
1	B652 2379	Decal:Caution:Original:5-Lang	1
2	A859 7211	Stepped Screw	2
3	A548 6121	Screw - M4	2
4	B802 4411	Cover:Front	1
5	B802 6013	Decal:Display:Misfeed Removal:P1	1
6	5215 2621	Snap Ring - M6	3
7	B802 4712	Sound Proofing Material:Cover:Rear	3
8	B802 4511	Cover:Rear	1
9	B802 2551	Stay:Original Table:Contact Point	1
10	B802 2581	Stopper:Original Table	1
11	B802 2526	Side Fence	1
12	B789 6031	Decal - Original Table	1
13	B802 2522	Original Table:Face Front	1
14	B802 2536	Slider:Side Fence	1
15	B802 2532	Spring Plate:Side Fence	1
16	B802 6011	Decal:Side Fence	1
17	B802 2571	Spring Plate:0.2t	3
18	A858 4676	Spring Plate - Pressure Roller	1
19	A858 4671	Roller Driven	4
20	GW01 0007	Photo Refiection Sensor:Exit	4
21	B802 2541	Guide: Original Insert	1
22	B802 5750	Harness: Original Table	1
23	AW01 0129	Photo Reflection Sensor	3
24	B802 2562	Plate: Contact Point	1
25	B802 2512	Original Table	1
26	AG07 0513	Magnet Catch	1

Index No.	Part No.	Description	Q'ty Per Assembly
101	0451 3006N	Tapping Screw - 3x6	
102	0450 3008N	Tapping Screw - M3x8	

2.Original Feed 1 (B802)

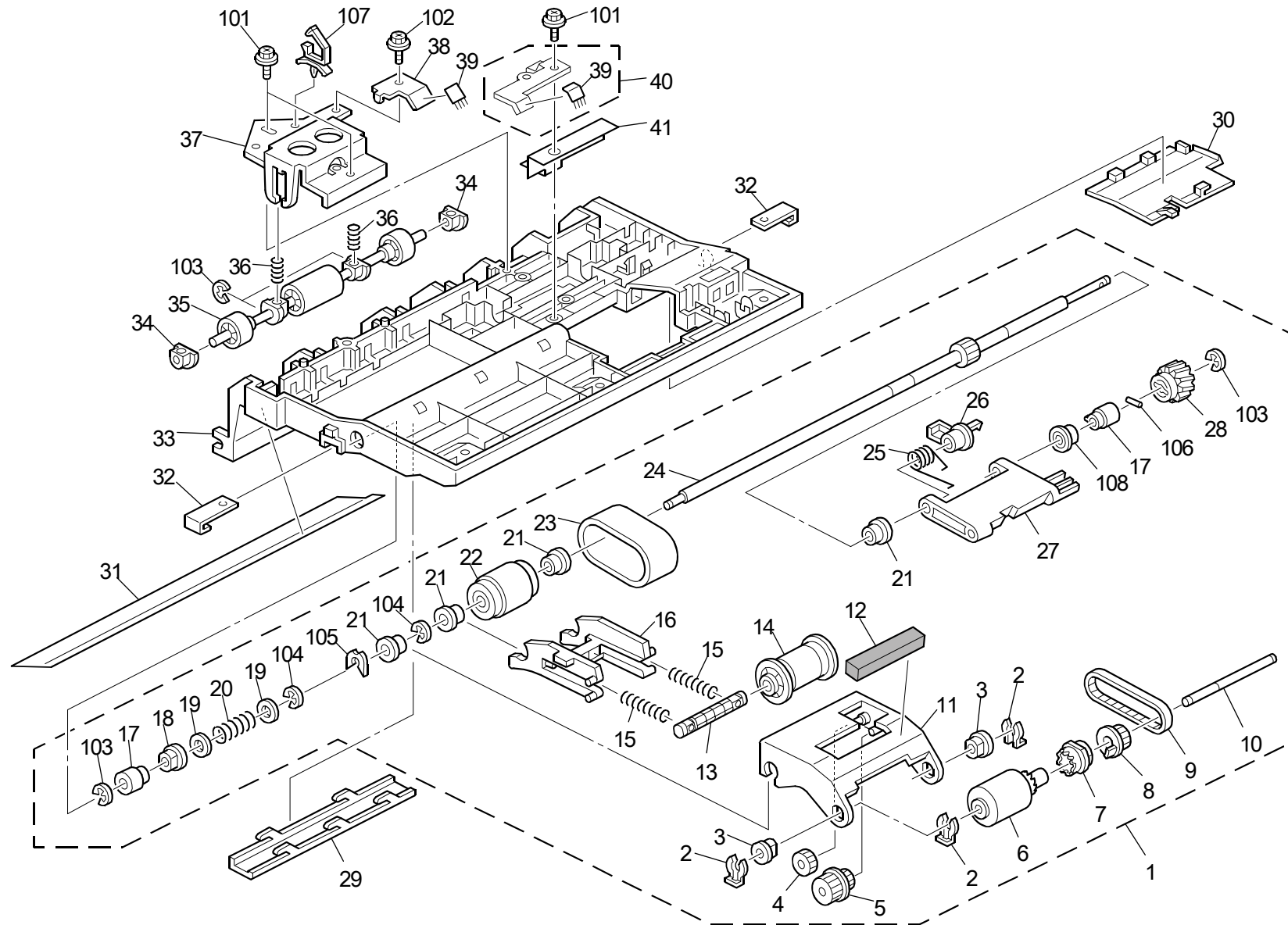


2.Original Feed 1 (B802)

Index No.	Part No.	Description	Q'ty Per Assembly
1	B802 4121	Cover:Paper Feed	1
2	B802 4152	Grip:Cover	1
3	B802 6012	Decal:Misfeed Removal:Original	1
4	B652 1807	Decal:Size:Original	1
5	B802 4711	Sound Proofing Material	5
6	B802 4154	Hook:Grip:Cover:Front	1
7	B802 4155	Hook:Grip:Cover:Inner Back	1
8	B802 4158	Shaft:Grip:Cover	1
9	AA06 2262	Tension Spring	1
10	B802 4241	Bracket:Cover:Front	1
11	B802 4231	Bracket:Cover:Inner Back	1
12	B802 4162	Stopper:Cover	1
13	AA14 3789	Shaft:Cleaner	1
14	AA14 3788	Pin:Guide Plate:Paper Feed	1
15	B802 4252	Bracket:Paper Size Sensor	1
16	B802 5840	Harness:Paper Feed	1
17	AW02 0154	Photo Interrupter: Entrance	2
18	AW02 0155	Photo Interrupter: Paper Size Sensor	3
19	GW01 0007	Photo Reflection Sensor:Exit	4
20	AW01 0091	Photo Reflection Sensor	2
21	GW02 0020	Photo Interrupter: Lg248n1	5
22	B802 4263	Feeler:Original Sensor	1
23	GA14 3003	Screw:Mm5:2.5MM	3

Index No.	Part No.	Description	Q'ty Per Assembly
101	0451 3010N	Tapping Screw:3x10	
102	0450 3008N	Tapping Screw - M3x8	
103	0451 3006N	Tapping Screw - 3x6	
104	1105 0516	Clamp	

3.Original Feed 2 (B802)

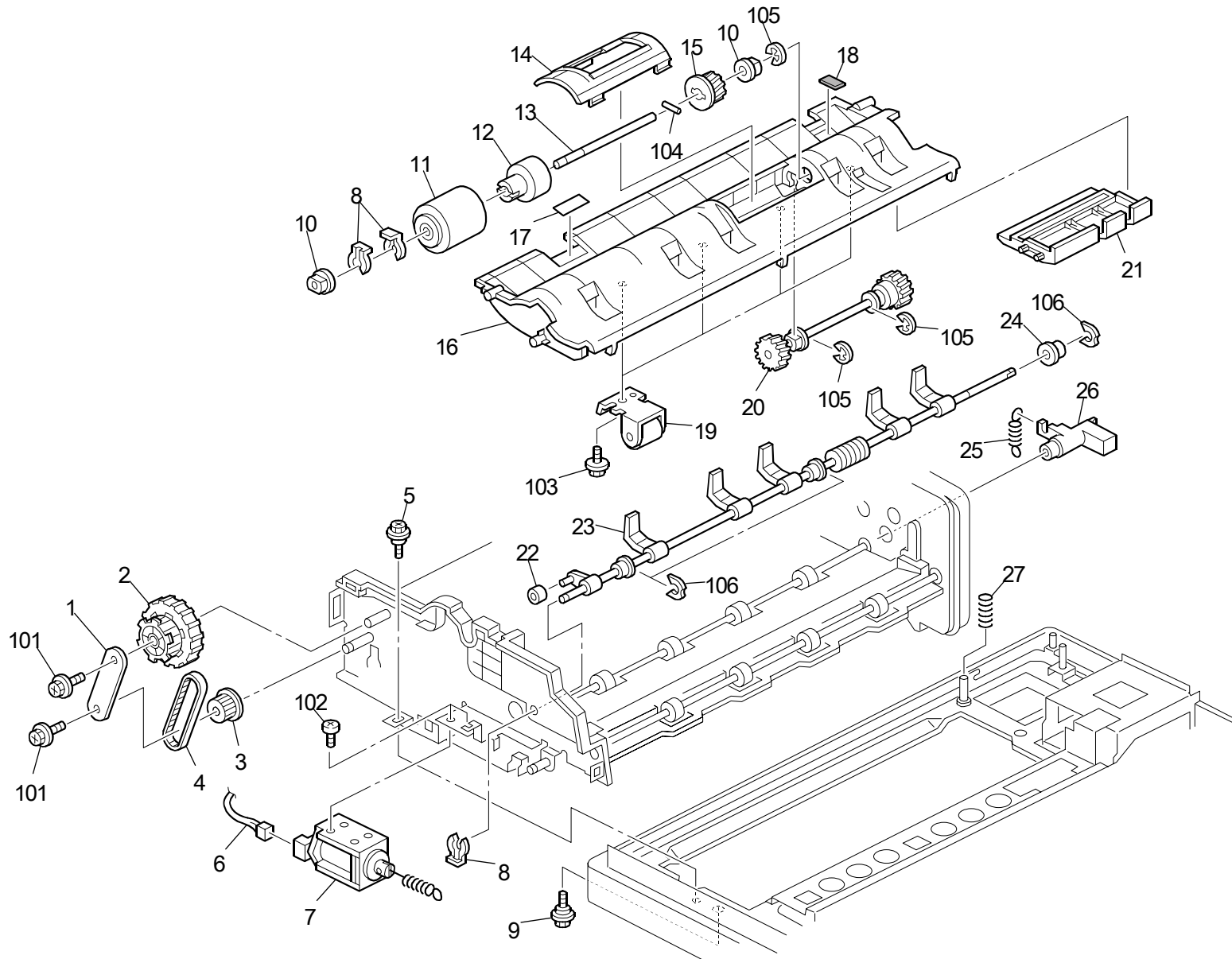


3.Original Feed 2 (B802)

Index No.	Part No.	Description	Q'ty Per Assembly
1	B802 4311	Paper Feed:Unit	1
2	5447 2681	Snap Ring	14
3	AA08 2101	Bushing - 6x10x6	11
4	B802 4357	Gear:Z19	1
5	B802 4358	Timing Pulley:Gear:T19/Z22	1
6	B802 4361	Roller:Pickup	1
7	B387 2163	Pickup Collar	1
8	B802 4372	Timing Pulley:T21	1
9	AA04 3328	Timing Belt:40S2M130	1
10	B802 4352	Shaft:Pickup	1
11	B802 4355	Bracket:Pickup	1
12	B802 4359	Cushion:Pickup	1
13	A859 2112	Drive Shaft - Paper Feed Belt	1
14	B387 2113	Roller - Paper Feed Belt	1
15	B386 3320	Spring:Belt:Paper Feed:8n	2
16	B802 4333	Bracket:Paper Feed Belt	1
17	B802 4326	Collar:Shaft	2
18	AA08 2104	Bushing - 8x12x7	1
19	AA13 2013	Spacer	2
20	AA06 3435	Compression Spring: Paper Feed: Joint	1
21	A628 1225	Bushing - 8mm	4
22	B789 2114	Paper Feed Belt Roller	1
23	A806 1295	Feed Belt	1
24	B802 4322	Shaft:Drive	1
25	AA06 6376	Torsion Spring:Pickup:Pressure	1
26	B802 4323	Holder	1
27	B802 4325	Lever:Pickup:Release	1
28	B802 4328	Gear:Z20	1
29	B802 4228	Drum Stay:Upper:Front	1
30	B802 4227	Drum Stay:Upper:Inner Back	1
31	B802 4229	Sheet:Guide:Upper	1
32	B802 4224	Spring Plate:Upper	2
33	B802 4222	Guide:Upper	1
34	AA08 0288	Bushing:Dia6	2
35	B802 4295	Driven Roller:Pull Out	1

Index No.	Part No.	Description	Q'ty Per Assembly
36	AA06 3441	Compression Spring	2
37	B802 4282	Bracket: Driven Roller: Pull Out	1
38	B802 4292	Ground Plate: Driven Roller :Pull Out	1
39	G052 4892	Discharge Brush :Exit: Small	5
40	B802 4265	Ground Plate	1
41	B802 4225	Sheet: Driven Roller: Pull Out	1
101	0450 3008N	Tapping Screw - M3x8	
102	0451 3006N	Tapping Screw - 3x6	
103	0720 0040E	Retaining Ring - M4	
104	0720 0060E	Retaining Ring - M6	
105	0805 0088	Retaining Ring - M6	
106	0632 0100G	Pin - 2x10mm	
107	1105 0516	Clamp	
108	0741 3506	Ball Bearing - 6x12x4 Mm	

4.Original Feed 3 (B802)

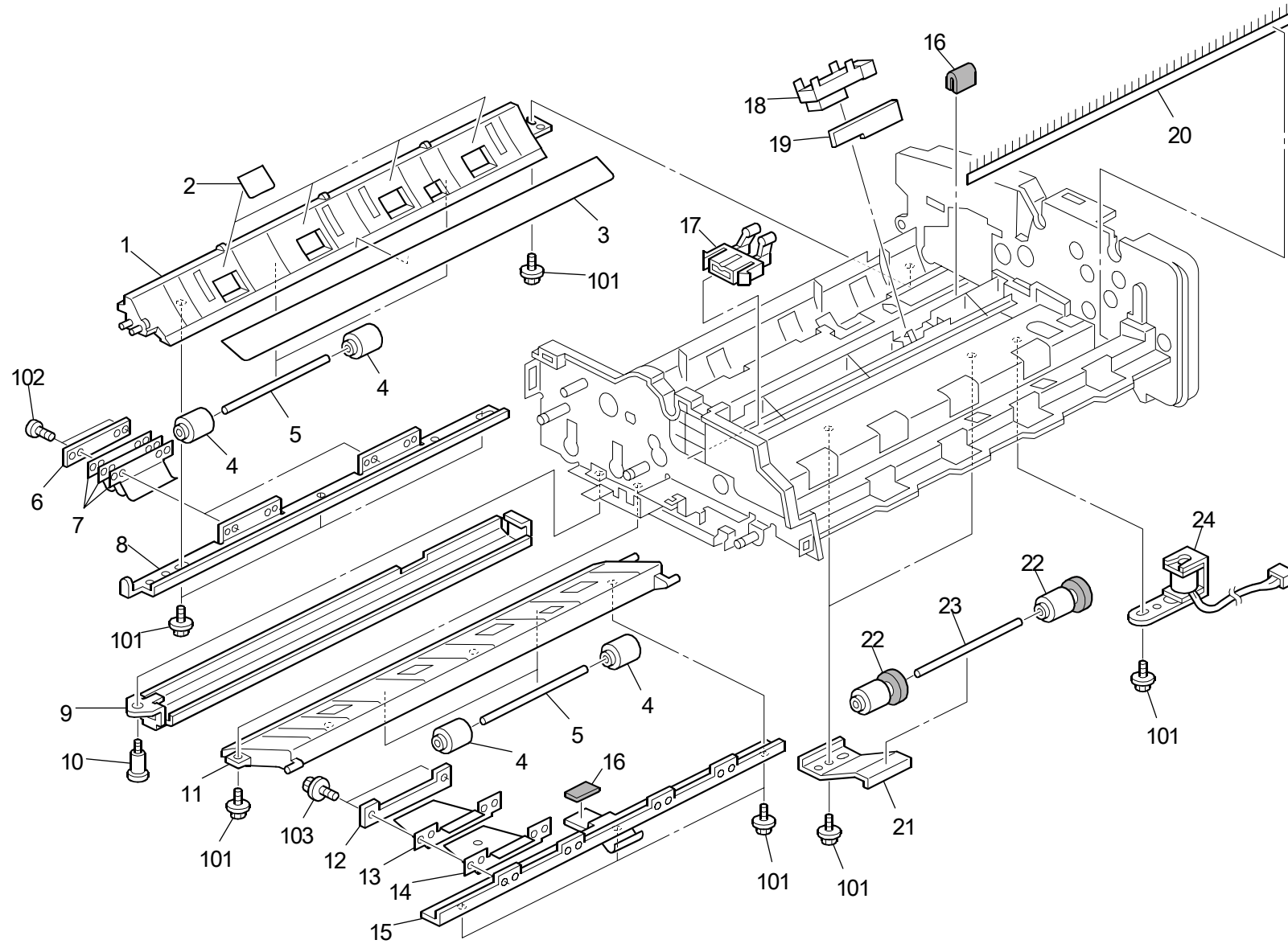


4.Original Feed 3 (B802)

Index No.	Part No.	Description	Q'ty Per Assembly
1	B802 1773	Bracket:Shaft:Side Plate:Front	1
2	B802 1777	Knob:Misfeed Removal:T27	1
3	B312 1615	Tension Roller	1
4	B802 1772	Timing Belt:40S3M189	1
5	AA14 3520	Shoulder Screw - M3	1
6	B802 5790	Harness:Solenoid	1
7	B802 3811	DC Solenoid:24V	1
8	5447 2681	Snap Ring	14
9	AA14 3823	Tapping Screw	1
10	AA08 2101	Bushing - 6x10x6	11
11	A859 2241	Reverse Roller	1
12	A294 6700	Torque Limiter - 53mnm	1
13	B802 2252	Shaft:Roller:Reverse	1
14	B802 2225	Drum Stay:Guide:Reverse	1
15	B802 2253	Gear:Z20	1
16	B802 2222	Guide:Reverse:Open And Close	1
17	B802 6014	Decal:Display:Misfeed Removal:P2	1
18	A422 1063	Seal - 0.7x13x20	5
19	B802 2285	Roller:Reverse Exit:Driven	4
20	B802 2231	Shaft:Reverse:Drive:Press Fit	1
21	B802 2227	Guide:Reverse:Open And Close:Behind	1
22	A458 2251	Cushion - Bin Solenoid Lever	1
23	B802 2111	Stopper Pawl:Paper Feed	1
24	AA08 0265	Bushing:6x8x5	3
25	AA06 0843	Tension Spring	1
26	B802 2115	Lever:Stopper Pawl	1
27	AA06 3919	Spring:Pressure	1

Index No.	Part No.	Description	Q'ty Per Assembly
101	0451 3006N	Tapping Screw - 3x6	
102	0353 0040N	Screw - M3X4	
103	0450 3008N	Tapping Screw - M3x8	
104	0632 0120G	Parallel Pin - 2x12	
105	0720 0040E	Retaining Ring - M4	
106	0805 0089	Retaining Ring - M4	

5.Original Transfer 1 (B802)

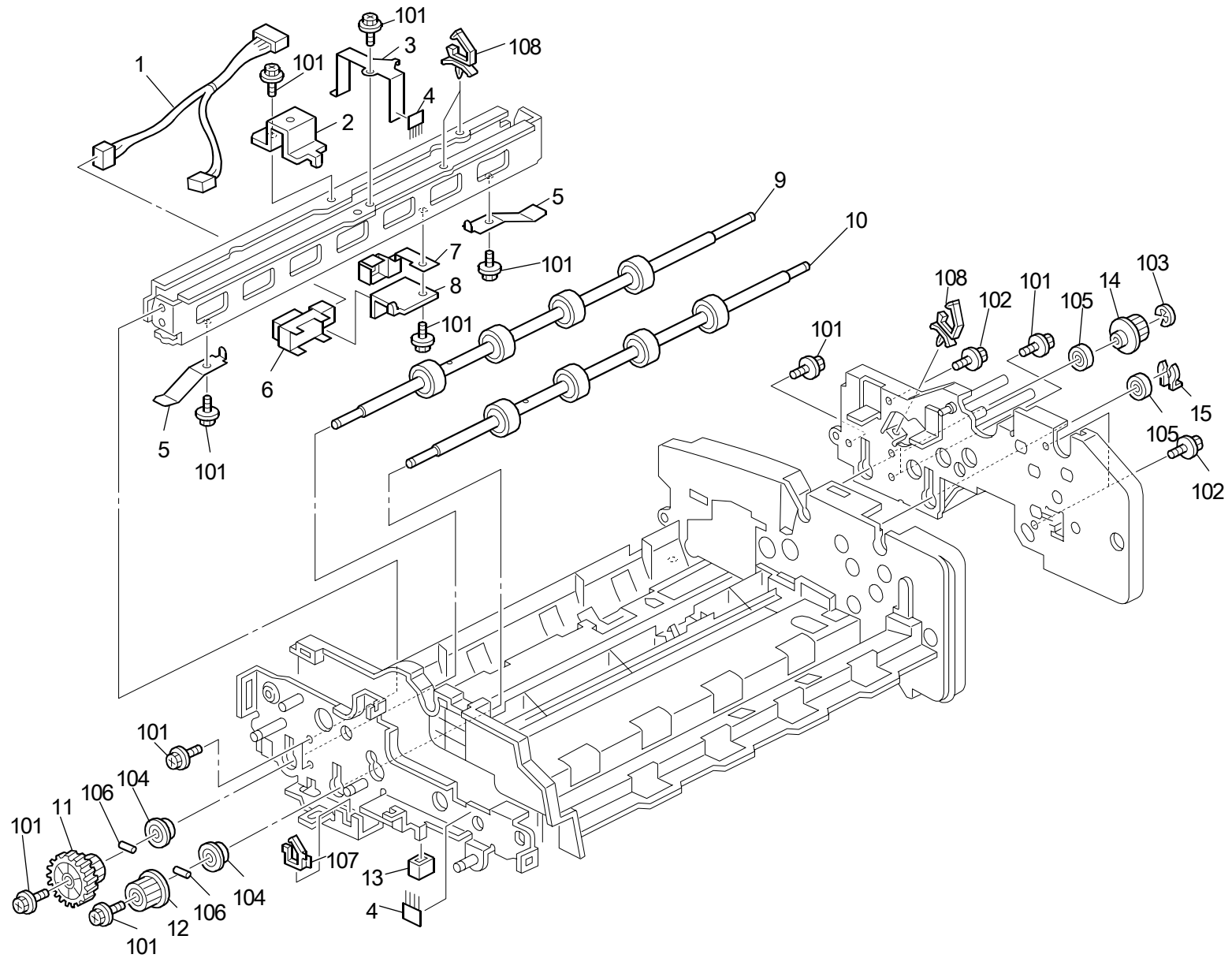


5.Original Transfer 1 (B802)

Index No.	Part No.	Description	Q'ty Per Assembly
1	B802 3412	Guide:Scanning:Entrance:Lower	1
2	B802 3413	Sheet:Roller:Scanning:Entrance	4
3	B802 3414	Sheet:Scanning:Entrance	1
4	B802 3471	Roller:Scanning:Driven	8
5	B802 3592	Shaft:Driven:Exit	4
6	B802 3426	Plate:Entrance:Pressure:Auxiliary	2
7	B802 3427	Spring Plate:Scanning:Entrance:Driven	6
8	B802 3422	Stay:Scanning:Entrance:Lower	1
9	B802 3511	Guide Plate:Scanning	1
10	AA14 3569	Screw	1
11	B802 3553	Guide:Scanning:Exit:Lower	1
12	B802 3566	Plate:Exit:Pressure:Auxiliary	2
13	B802 3567	Spring Plate:Scanning:Exit:Driven:Upper	2
14	B802 3568	Spring Plate:Scanning:Exit:Driven:Lower	2
15	B802 3561	Stay:Scanning:Exit:Lower	1
16	A422 1063	Seal - 0.7x13x20	5
17	B802 2291	Stopper:Guide:Reverse	1
18	GW01 0007	Photo Reflection Sensor:Exit	4
19	B802 3851	Bracket: Sensor: Scanning:Exit	1
20	B802 3755	Discharge Brush: Reverse	1
21	B802 3711	Spring Plate	2
22	B789 3712	Exit Driven Roller	4
23	B789 3491	Scanning Driven Shaft	2
24	B714 5006	DC Solenoid: Transmitted Rubber Stamp	1

Index No.	Part No.	Description	Q'ty Per Assembly
101	0450 3008N	Tapping Screw - M3x8	
102	0453 3006N	Tapping Screw - M3x6	
103	0451 3006N	Tapping Screw - 3x6	

6.Original Transfer 2 (B802)

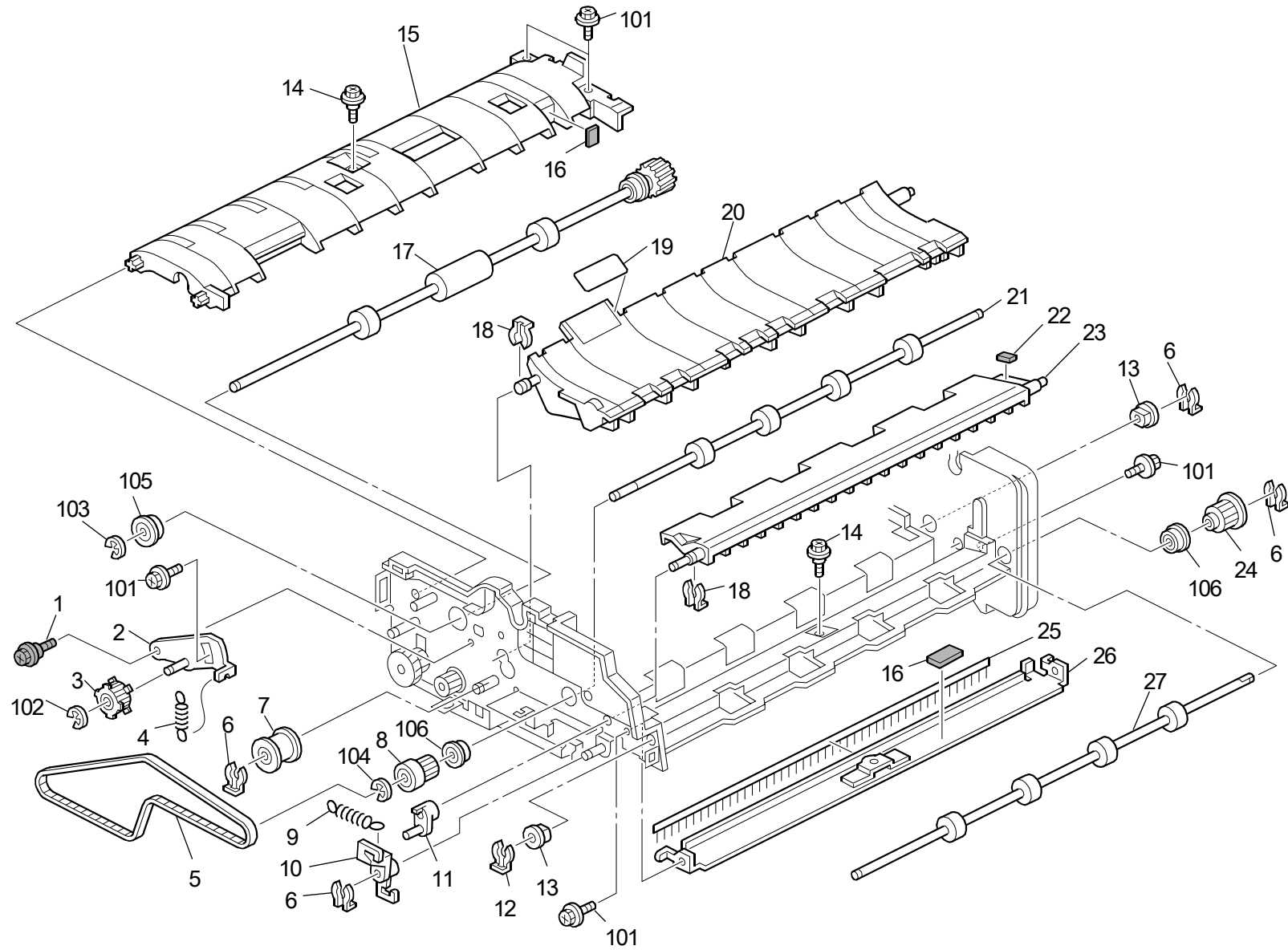


6.Original Transfer 2 (B802)

Index No.	Part No.	Description	Q'ty Per Assembly
1	B802 5810	Harness:Registration Sensor	1
2	B802 3381	Bracket:Guide:Paper Feed:Lower	1
3	B802 3147	Ground Plate:Roller:Scanning	1
4	G052 4892	Discharge Brush:Exit:Small	5
5	B802 3145	Spring Plate	2
6	GW01 0007	Photo Reflection Sensor:Exit	4
7	B802 3833	Shielding Plate: Sensor	1
8	B802 3832	Bracket: Registration Sensor	1
9	B802 3231	Roller: Scanning: Entrance	1
10	B802 3251	Roller: Scanning: Exit	1
11	B802 3234	Timing Pulley:T33/T24	1
12	B802 3252	Timing Pulley:T33	1
13	A697 2102	Damper - Junction Gate Solenoid	1
14	B802 3233	Timing Pulley:T33	1
15	5447 2681	Snap Ring	14

Index No.	Part No.	Description	Q'ty Per Assembly
101	0451 3006N	Tapping Screw - 3x6	
102	0450 3008N	Tapping Screw - M3x8	
103	0720 0040E	Retaining Ring - M4	
104	0741 3506	Ball Bearing - 6x12x4 Mm	
105	0740 3506	Ball Bearing - 6x12x4 Mm	
106	0632 0100G	Pin - 2x10mm	
107	1105 0514	Edge Saddle - Eds-0607I	
108	1105 0511	Harness Clamp - LWS-0306ZC	

7.Original Transfer 3 (B802)

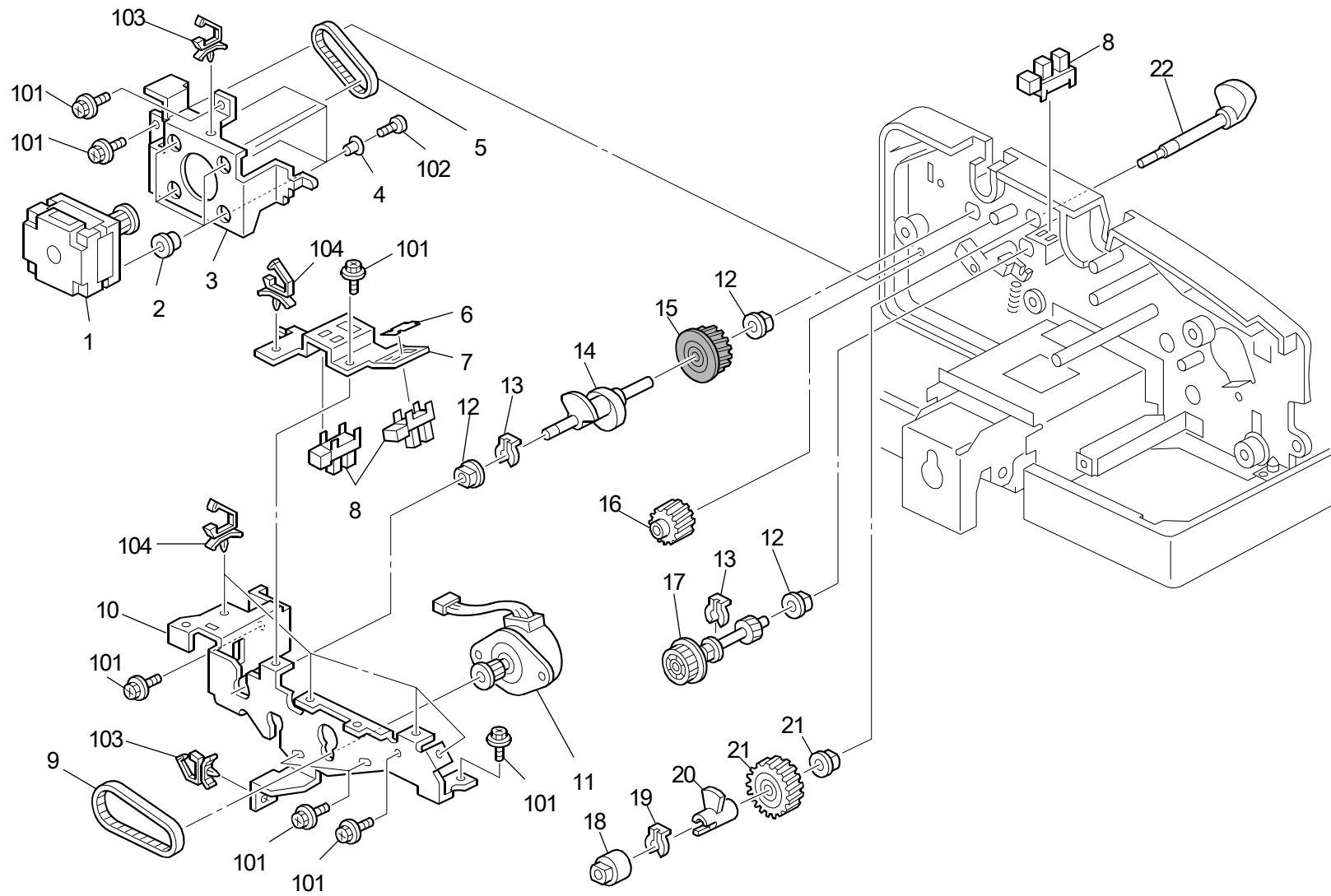


7.Original Transfer 3 (B802)

Index No.	Part No.	Description	Q'ty Per Assembly
1	B238 4483	Screw	2
2	B802 1755	Bracket: Tension	2
3	B802 1762	Timing Pulley:T31	2
4	AA06 0842	Tension Spring	4
5	AA04 3321	Timing Belt:40S1.5M378	1
6	5447 2681	Snap Ring	14
7	B802 1767	Pulley:Idler:DIA16	1
8	B802 3312	Timing Pulley:T26	1
9	AA06 2260	Tension Spring	1
10	B802 3631	Link: Solenoid	1
11	B802 3615	Lever: Exchange Pawl: Reverse	1
12	G020 1160	Snap Ring	1
13	AA08 2101	Bushing - 6x10x6	11
14	AA14 3790	Screw: CONTACT POINT	4
15	B802 3351	Guide: Paper Feed: Lower	1
16	A422 1063	Seal - 0.7x13x20	5
17	B802 3211	Roller :Pull Out	1
18	5215 2621	Snap Ring - M6	3
19	B802 6015	Decal: Display: Misfeed Removal:P3	1
20	B802 3651	Guide :Exit: Upper	1
21	B802 3311	Roller: Exit	1
22	B802 3612	Cushion: Exchange Pawl	2
23	B802 3611	Exchange Pawl: Reverse	1
24	B802 3332	Timing Pulley:T23	1
25	B802 3756	Discharge Brush: Exit	1
26	B802 3751	Stay: Reverse	1
27	B802 3331	Roller: Reverse	1

Index No.	Part No.	Description	Q'ty Per Assembly
101	0451 3006N	Tapping Screw - 3x6	
102	0720 0040E	Retaining Ring - M4	
103	0720 0060E	Retaining Ring - M6	
104	0720 0030E	Retaining Ring - M3	
105	0742 3808	Ball Bearing - 8x16x5	
106	0741 3506	Ball Bearing - 6x12x4 Mm	

8. Drive Section 1 (B802)

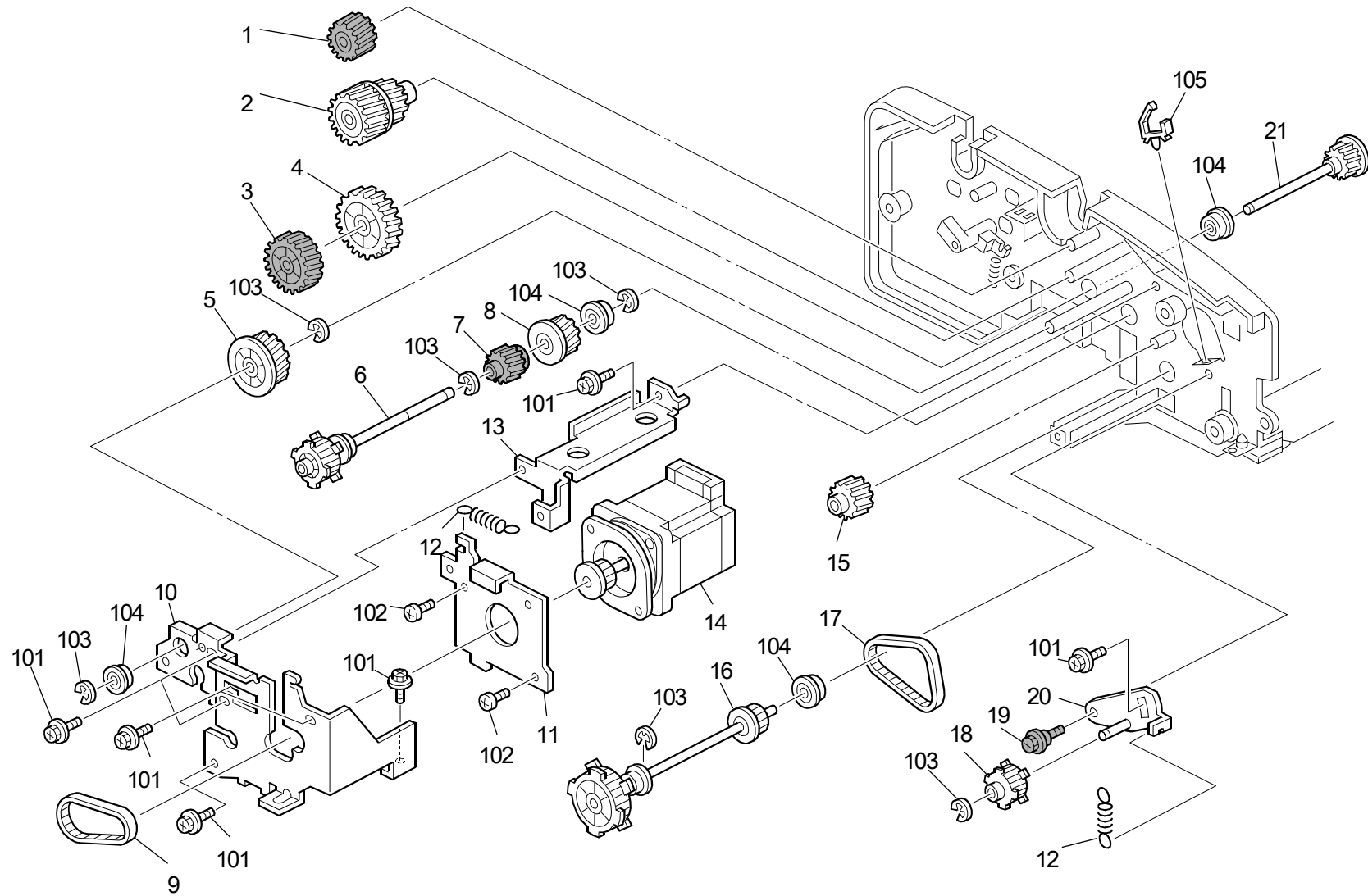


8. Drive Section 1 (B802)

Index No.	Part No.	Description	Q'ty Per Assembly
1	B802 1812	Stepper Motor:Dc4.08v 2.4w	1
2	AA10 1021	Rubber Bushing - 6 45hs	4
3	B802 1815	Bracket: Reverse: Drive	1
4	B044 1825	Collar	4
5	J503 3116	Timing Belt:40S2M128	1
6	G570 1225	Sensor Shielding Plate	1
7	B802 1985	Bracket: Sensor: Pickup	1
8	GW02 0020	Photo Interrupter:Lg248nl1	5
9	AA04 3323	Timing Belt:40S2M120	1
10	B802 1925	Bracket: Pickup: Drive	1
11	B700 5805	Stepper Motor:Pm:S2m:T15:Ass'y	1
12	AA08 2101	Bushing - 6x10x6	11
13	5447 2681	Snap Ring	14
14	B802 1951	Cam: Stopper Pawl	1
15	B351 1791	Gear - 25Z	1
16	B351 1781	Gear - 18Z	1
17	B802 1931	Timing Pulley:T33-Z17	1
18	B802 1942	Stopper: Cam: Pickup	1
19	5206 2686	Snap Ring	1
20	B802 1943	Feeler :Cam: Pickup	1
21	A680 2261	Gear - 24Z	1
22	B802 1941	Cam: Pickup	1

Index No.	Part No.	Description	Q'ty Per Assembly
101	0451 3006N	Tapping Screw - 3x6	
102	0353 0060N	Bind Screw - M3x6	
103	1105 0511	Harness Clamp - LWS-0306ZC	
104	1105 0516	Clamp	

9. Drive Section 2 (B802)

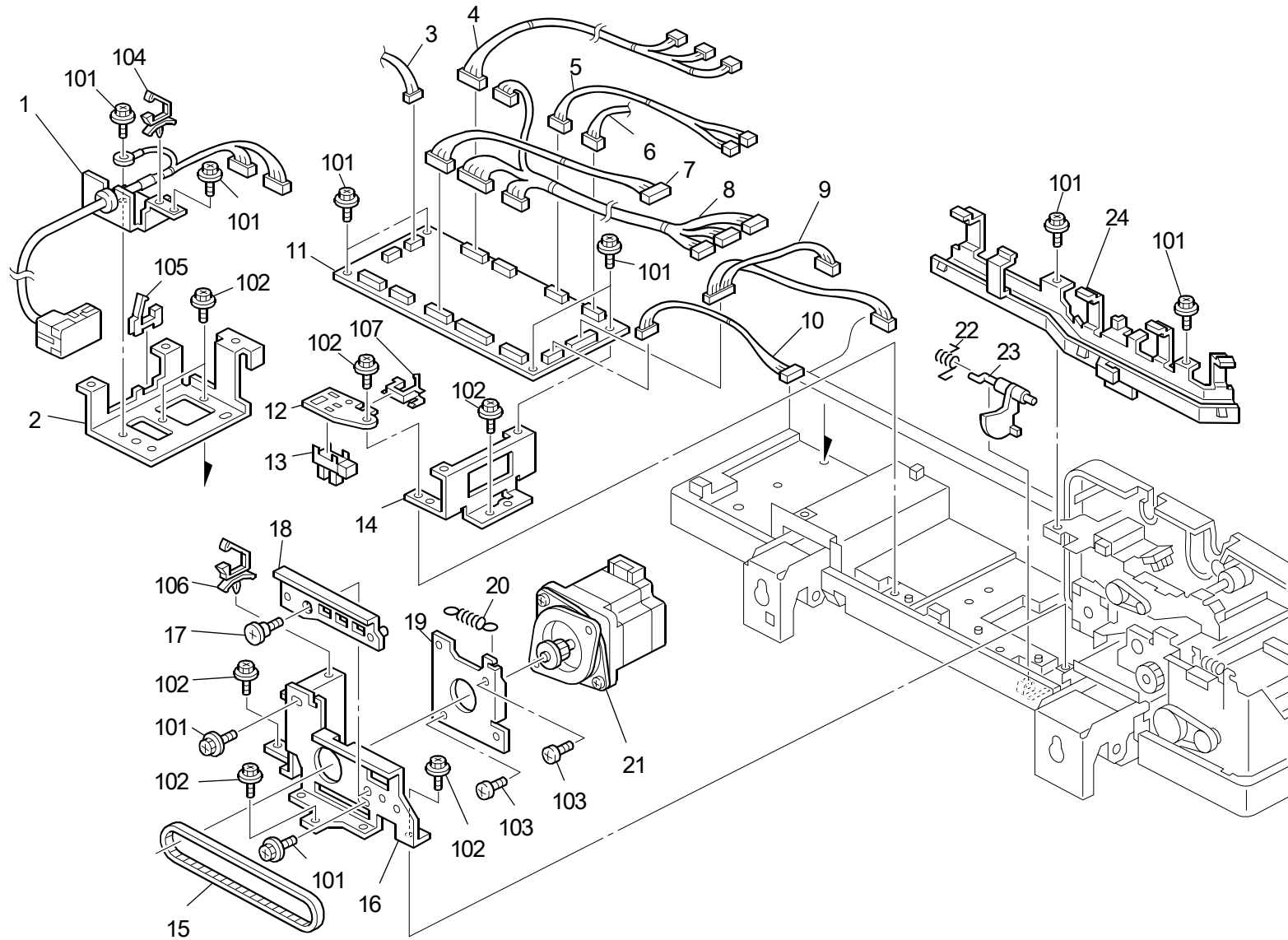


9. Drive Section 2 (B802)

Index No.	Part No.	Description	Q'ty Per Assembly
1	B802 1671	Gear:Z17	1
2	B802 1661	Gear:Z21/Z23	1
3	B802 1642	Gear:Z37	1
4	B802 1643	Gear:Z26	1
5	B802 1651	Gear:Z25	1
6	B802 1631	Timing Pulley:T31	1
7	B802 1632	Gear:Z18	1
8	B802 1633	Gear:Z19	1
9	AA04 3320	Timing Belt:40S1.5M150	1
10	B802 1715	Bracket: Stepper Motor	1
11	B802 1731	Stay: Motor: Scanning	1
12	AA06 0842	Tension Spring	4
13	B802 1736	Bracket: Protect: Drive	1
14	B802 1721	Stepper Motor:DC1.76V 3.7W	1
15	B802 1681	Gear:Z18	1
16	B802 1741	Timing Pulley:T31/T61	1
17	AA04 3322	Timing Belt:40S1.5M157.5	1
18	B802 1762	Timing Pulley:T31	2
19	B238 4483	Screw	2
20	B802 1755	Bracket: Tension	2
21	B802 1641	Gear:Z18	1

Index No.	Part No.	Description	Q'ty Per Assembly
101	0451 3006N	Tapping Screw - 3x6	
102	0453 4006N	Binding Self Tapping Screw:4x6	
103	0720 0040E	Retaining Ring - M4	
104	0741 3506	Ball Bearing - 6x12x4 Mm	
105	1105 0511	Harness Clamp - LWS-0306ZC	

10.Electrical Sectio (B802)

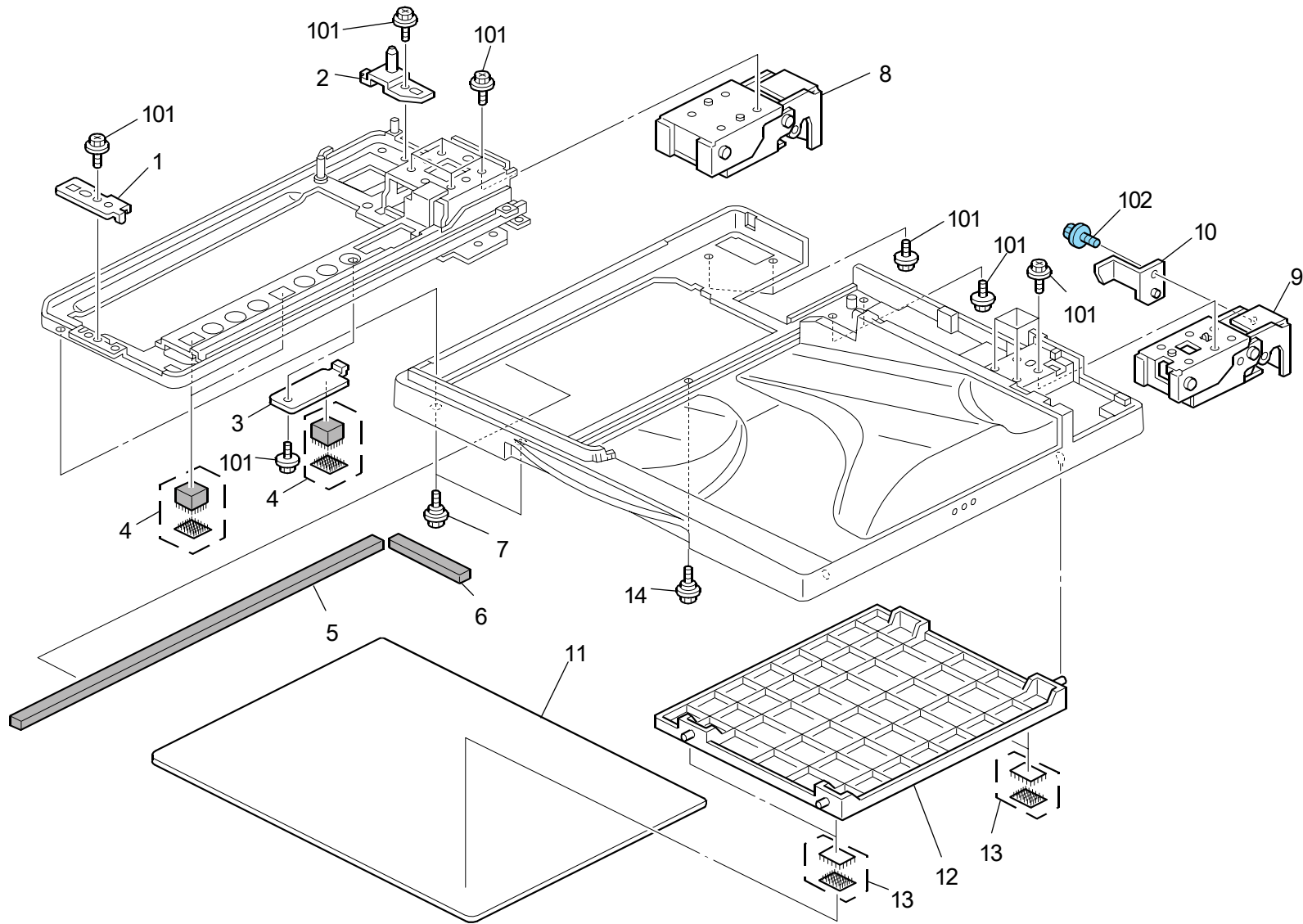


10.Electrical Sectio (B802)

Index No.	Part No.	Description	Q'ty Per Assembly
1	B802 5710	Harness: Interface	1
2	B802 1231	Bracket: PCB: Right	1
3	B802 5780	Harness: Lift_up	1
4	B802 5730	Harness: Paper Feed	1
5	B802 5800	Harness: Solenoid	1
6	B802 5770	Harness :Motor: Reverse	1
7	B802 5740	Harness: Original Table	1
8	B802 5830	Harness: Guide	1
9	B802 5760	Harness: Motor: Paper Feed	1
10	B802 5820	Harness: Motor: Pick Up	1
11	B802 5500	PCB: Main	1
12	B802 1246	Bracket: On Off Detector	1
13	GW02 0020	Photo Interrupter:Lg248n1	5
14	B802 1236	Bracket: PCB: Left	1
15	B703 1165	Timing Belt:B40S2M390	1
16	B802 1612	Bracket: Motor	1
17	AA14 3802	Screw:6X1.7	1
18	B802 1624	Bracket: Coupling	1
19	B802 1616	Stay: Motor	1
20	AA06 0842	Tension Spring	4
21	B802 1621	Stepper Motor:DC24V 4.8W	1
22	B387 1951	Spring - Paper Size Sensor	1
23	B789 1942	Paper Size Sensor Feeler	1
24	B802 1412	Plate: Harness: Guide	1

Index No.	Part No.	Description	Q'ty Per Assembly
101	0451 3006N	Tapping Screw - 3x6	
102	0450 3008N	Tapping Screw - M3x8	
103	0453 4006N	Binding Self Tapping Screw:4x6	
104	1105 0511	Harness Clamp - LWS-0306ZC	
105	1105 0522	Edge Saddle - Les0510	
106	1105 0487	Harness Clamp	
107	1105 0514	Edge Saddle - Eds-0607I	

11.Frame Section (B802)

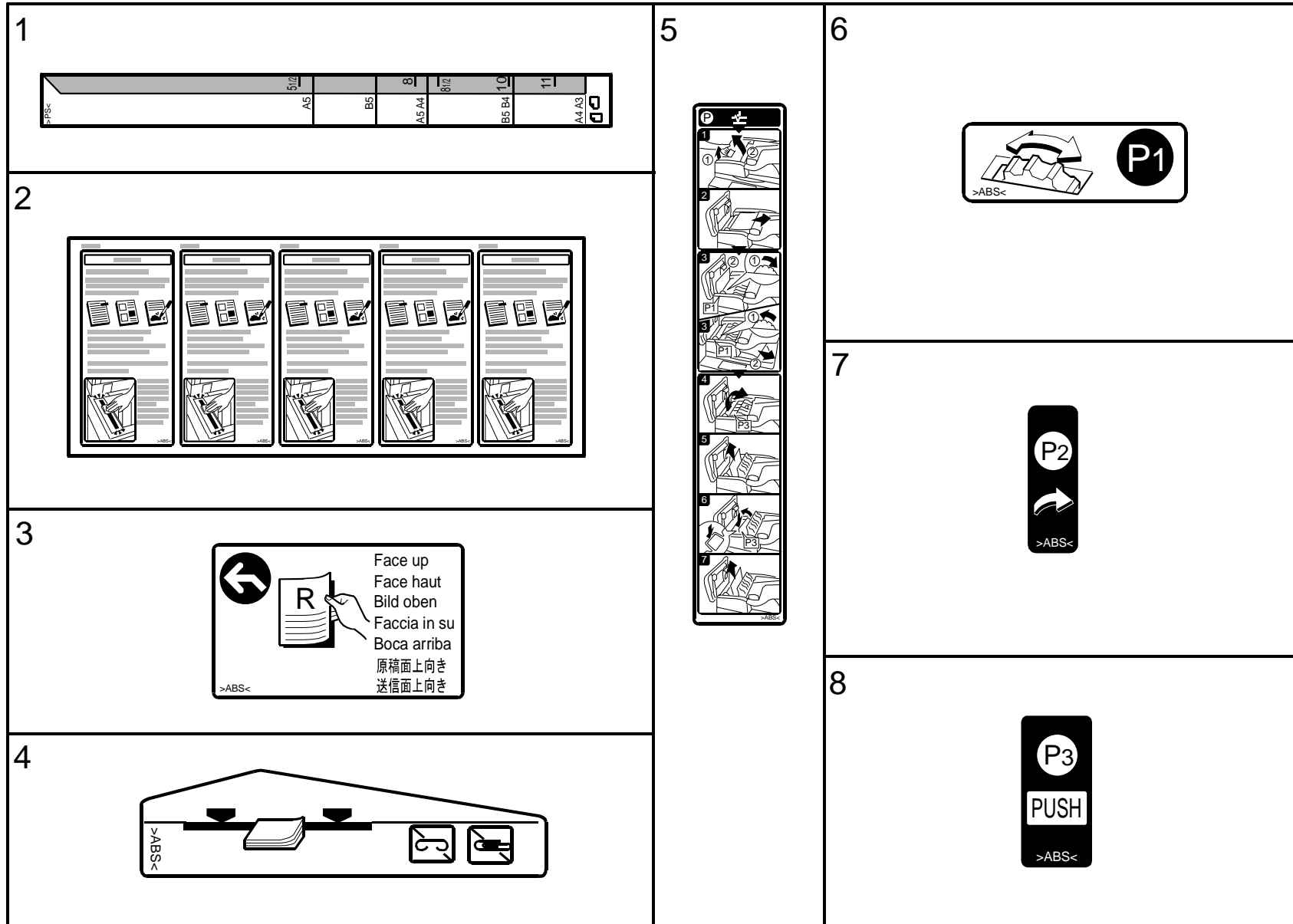


11.Frame Section (B802)

Index No.	Part No.	Description	Q'ty Per Assembly
1	B802 1121	Positioning Plate: Front	1
2	B802 1131	Positioning Plate: Rear	1
3	B802 1141	Cover: Paper Feed Sensor	1
4	B802 4631	Cushion: Left	3
5	B802 4713	Cushion: Left	1
6	B802 4714	Cushion: Inner Back	1
7	AA14 3790	Screw: Contact Point	4
8	B802 1311	Hinge: Left	1
9	B802 1351	Hinge: Right	1
10	A859 1841	Filter - DF Open Sensor	1
11	B802 4611	Pressure Plate	1
12	B802 4621	Drum Stay: Pressure Plate	1
13	B477 2715	Pressure Plate Tape	4
14	AA14 3520	Shoulder Screw - M3	1

Index No.	Part No.	Description	Q'ty Per Assembly
101	0451 3006N	Tapping Screw - 3x6	
102	0454 3006Q	Tapping Screw - M3x6	

12.Decals and Documents (B802)



12.Decals and Documents (B802)

Index No.	Part No.	Description	Q'ty Per Assembly
1	B652 1807	Decal:Size:Original	1
2	B652 2379	Decal:Caution:Original:5-lang	1
3	B789 6031	Decal - Original Table	1
4	B802 6011	Decal:Side Fence	1
5	B802 6012	Decal:Misfeed Removal:Original	1
6	B802 6013	Decal:Display:Misfeed Removal:P1	1
7	B802 6014	Decal:Display:Misfeed Removal:P2	1
8	B802 6015	Decal:Display:Misfeed Removal:P3	1

Index No.	Part No.	Description	Q'ty Per Assembly

AUTO REVERSE DOCUMENT FEEDER
DF3010
B802
PARTS INDEX

This section instructs you as to the numbers and names of parts on this machine

Parts Index

Part No.	Description	Page and Index No.
B802 1121	Positioning Plate: Front	23 - 1
B802 1131	Positioning Plate: Rear	23 - 2
B802 1141	Cover: Paper Feed Sensor	23 - 3
B802 1231	Bracket: PCB: Right	21 - 2
B802 1236	Bracket: PCB :Left	21 - 14
B802 1246	Bracket:On Off Detector	21 - 12
B802 1311	Hinge:Left	23 - 8
B802 1351	Hinge:Right	23 - 9
B802 1412	Plate:Harness:Guide	21 - 24
B802 1612	Bracket:Motor	21 - 16
B802 1616	Stay:Motor	21 - 19
B802 1621	Stepper Motor:DC24V 4.8W	21 - 21
B802 1624	Bracket: Coupling	21 - 18
B802 1631	Timing Pulley:T31	19 - 6
B802 1632	Gear:Z18	19 - 7
B802 1633	Gear:Z19	19 - 8
B802 1641	Gear:Z18	19 - 21
B802 1642	Gear:Z37	19 - 3
B802 1643	Gear:Z26	19 - 4
B802 1651	Gear:Z25	19 - 5
B802 1661	Gear:Z21/Z23	19 - 2
B802 1671	Gear:Z17	19 - 1
B802 1681	Gear:Z18	19 - 15
B802 1715	Bracket:Stepper Motor	19 - 10
B802 1721	Stepper Motor:DC1.76V 3.7W	19 - 14
B802 1731	Stay:Motor:Scanning	19 - 11
B802 1736	Bracket:Protect:Drive	19 - 13
B802 1741	Timing Pulley:T31/T61	19 - 16
B802 1755	Bracket:Tension	19 - 20
B802 1755	Bracket:Tension	15 - 2
B802 1762	Timing Pulley:T31	19 - 18
B802 1762	Timing Pulley:T31	15 - 3
B802 1767	Pulley:Idler:DIA16	15 - 7
B802 1772	Timing Belt:40S3M189	9 - 4
B802 1773	Bracket:Shaft:Side Plate:Front	9 - 1

Part No.	Description	Page and Index No.
B802 1777	Knob: Misfeed Removal:T27	9 - 2
B802 1812	Stepper Motor:Dc4.08v 2.4w	17 - 1
B802 1815	Bracket: Reverse: Drive	17 - 3
B802 1925	Bracket: Pickup :Drive	17 - 10
B802 1931	Timing Pulley:T33-Z17	17 - 17
B802 1941	Cam:Pickup	17 - 22
B802 1942	Stopper:Cam:Pickup	17 - 18
B802 1943	Feeler:Cam:Pickup	17 - 20
B802 1951	Cam:Stopper Pawl	17 - 14
B802 1985	Bracket: Sensor: Pickup	17 - 7
B802 2111	Stopper Pawl: Paper Feed	9 - 23
B802 2115	Lever: Stopper Pawl	9 - 26
B802 2222	Guide: Reverse: Open And Close	9 - 16
B802 2225	Drum Stay: Guide: Reverse	9 - 14
B802 2227	Guide: Reverse: Open And Close: Behind	9 - 21
B802 2231	Shaft:Reverse:Drive:Press Fit	9 - 20
B802 2252	Shaft:Roller:Reverse	9 - 13
B802 2253	Gear:Z20	9 - 15
B802 2285	Roller:Reverse Exit:Driven	9 - 19
B802 2291	Stopper:Guide:Reverse	11 - 17
B802 2512	Original Table	3 - 25
B802 2522	Original Table:Face Front	3 - 13
B802 2526	Side Fence	3 - 11
B802 2532	Spring Plate:Side Fence	3 - 15
B802 2536	Slider:Side Fence	3 - 14
B802 2541	Guide:Original Insert	3 - 21
B802 2551	Stay:Original Table:Contact Point	3 - 9
B802 2562	Plate:Contact Point	3 - 24
B802 2571	Spring Plate:0.2t	3 - 17
B802 2581	Stopper:Original Table	3 - 10
B802 3145	Spring Plate	13 - 5
B802 3147	Ground Plate:Roller:Scanning	13 - 3
B802 3211	Roller:Pull Out	15 - 17
B802 3231	Roller:Scanning:Entrance	13 - 9
B802 3233	Timing Pulley:T33	13 - 14

Part No.	Description	Page and Index No.
B802 3234	Timing Pulley:T33/T24	13 - 11
B802 3251	Roller:Scanning:Exit	13 - 10
B802 3252	Timing Pulley:T33	13 - 12
B802 3311	Roller:Exit	15 - 21
B802 3312	Timing Pulley:T26	15 - 8
B802 3331	Roller:Reverse	15 - 27
B802 3332	Timing Pulley:T23	15 - 24
B802 3351	Guide: Paper Feed: Lower	15 - 15
B802 3381	Bracket:Guide:Paper Feed:Lower	13 - 2
B802 3412	Guide:Scanning:Entrance:Lower	11 - 1
B802 3413	Sheet:Roller:Scanning:Entrance	11 - 2
B802 3414	Sheet:Scanning:Entrance	11 - 3
B802 3422	Stay:Scanning:Entrance:Lower	11 - 8
B802 3426	Plate:Entrance:Pressure:Auxiliary	11 - 6
B802 3427	Spring Plate:Scanning:Entrance:Driven	11 - 7
B802 3471	Roller:Scanning:Driven	11 - 4
B802 3511	Guide Plate:Scanning	11 - 9
B802 3553	Guide:Scanning:Exit:Lower	11 - 11
B802 3561	Stay:Scanning:Exit:Lower	11 - 15
B802 3566	Plate:Exit:Pressure:Auxiliary	11 - 12
B802 3567	Spring Plate: Scanning: Exit: Driven: Upper	11 - 13
B802 3568	Spring Plate:Scanning:Exit:Driven:Lower	11 - 14
B802 3592	Shaft:Driven:Exit	11 - 5
B802 3611	Exchange Pawl: Reverse	15 - 23
B802 3612	Cushion:Exchange Pawl	15 - 22
B802 3615	Lever:Exchange Pawl:Reverse	15 - 11
B802 3631	Link:Solenoid	15 - 10
B802 3651	Guide:Exit:Upper	15 - 20
B802 3711	Spring Plate	11 - 21
B802 3751	Stay:Reverse	15 - 26
B802 3755	Discharge Brush:Reverse	11 - 20
B802 3756	Discharge Brush:Exit	15 - 25
B802 3811	DC Solenoid:24V	9 - 7
B802 3832	Bracket:Registration Sensor	13 - 8
B802 3833	Shielding Plate:Sensor	13 - 7

Part No.	Description	Page and Index No.
B802 3851	Bracket:Sensor:Scanning:Exit	11 - 19
B802 4121	Cover:Paper Feed	5 - 1
B802 4152	Grip:Cover	5 - 2
B802 4154	Hook:Grip:Cover:Front	5 - 6
B802 4155	Hook:Grip:Cover:Inner Back	5 - 7
B802 4158	Shaft:Grip:Cover	5 - 8
B802 4162	Stopper:Cover	5 - 12
B802 4222	Guide:Upper	7 - 33
B802 4224	Spring Plate:Upper	7 - 32
B802 4225	Sheet:Driven Roller:Pull Out	7 - 41
B802 4227	Drum Stay:Upper:Inner Back	7 - 30
B802 4228	Drum Stay:Upper:Front	7 - 29
B802 4229	Sheet:Guide:Upper	7 - 31
B802 4231	Bracket:Cover:Inner Back	5 - 11
B802 4241	Bracket:Cover:Front	5 - 10
B802 4252	Bracket:Paper Size Sensor	5 - 15
B802 4263	Feeler:Original Sensor	5 - 22
B802 4265	Ground Plate	7 - 40
B802 4282	Bracket:Driven Roller:Pull Out	7 - 37
B802 4292	Ground Plate:Driven Roller:Pull Out	7 - 38
B802 4295	Driven Roller:Pull Out	7 - 35
B802 4311	Paper Feed:Unit	7 - 1
B802 4322	Shaft:Drive	7 - 24
B802 4323	Holder	7 - 26
B802 4325	Lever:Pickup:Release	7 - 27
B802 4326	Collar:Shaft	7 - 17
B802 4328	Gear:Z20	7 - 28
B802 4333	Bracket:Paper Feed Belt	7 - 16
B802 4352	Shaft:Pickup	7 - 10
B802 4355	Bracket:Pickup	7 - 11
B802 4357	Gear:Z19	7 - 4
B802 4358	Timing Pulley:Gear:T19/Z22	7 - 5
B802 4359	Cushion:Pickup	7 - 12
B802 4361	Roller:Pickup	7 - 6
B802 4372	Timing Pulley:T21	7 - 8

Part No.	Description	Page and Index No.
B802 4411	Cover:Front	3 - 4
B802 4511	Cover:Rear	3 - 8
B802 4611	Pressure Plate	23 - 11
B802 4621	Drum Stay:Pressure Plate	23 - 12
B802 4631	Cushion:Left	23 - 4
B802 4711	Sound Proofing Material	5 - 5
B802 4712	Sound Proofing Material:Cover:Rear	3 - 7
B802 4713	Cushion:Left	23 - 5
B802 4714	Cushion:Inner Back	23 - 6
B802 5500	PCB:Main	21 - 11
B802 5710	Harness :Interface	21 - 1
B802 5730	Harness: Paper Feed	21 - 4
B802 5740	Harness: Original Table	21 - 7
B802 5750	Harness :Original Table	3 - 22
B802 5760	Harness: Motor: Paper Feed	21 - 9
B802 5770	Harness: Motor: Reverse	21 - 6
B802 5780	Harness: Lift_up	21 - 3
B802 5790	Harness: Solenoid	9 - 6
B802 5800	Harness:Solenoid	21 - 5
B802 5810	Harness:Registration Sensor	13 - 1
B802 5820	Harness:Motor:Pick Up	21 - 10
B802 5830	Harness:Guide	21 - 8
B802 5840	Harness:Paper Feed	5 - 16
B802 6011	Decal:Side Fence	3 - 16
B802 6011	Decal:Side Fence	25 - 4
B802 6012	Decal:Misfeed Removal:Original	5 - 3
B802 6012	Decal:Misfeed Removal:Original	25 - 5
B802 6013	Decal:Display:Misfeed Removal:P1	3 - 5
B802 6013	Decal:Display:Misfeed Removal:P1	25 - 6
B802 6014	Decal:Display:Misfeed Removal:P2	9 - 17
B802 6014	Decal:Display:Misfeed Removal:P2	25 - 7
B802 6015	Decal:Display:Misfeed Removal:P3	15 - 19
B802 6015	Decal:Display:Misfeed Removal:P3	25 - 8

Part No.	Description	Page and Index No.
A294 6700	Torque Limiter - 53mnm	9 - 12
A422 1063	Seal - 0.7x13x20	15 - 16
A422 1063	Seal - 0.7x13x20	11 - 16
A422 1063	Seal - 0.7x13x20	9 - 18
A458 2251	Cushion - Bin Solenoid Lever	9 - 22
A548 6121	Screw - M4	3 - 3
A628 1225	Bushing - 8mm	7 - 21
A680 2261	Gear - 24Z	17 - 21
A697 2102	Damper - Junction Gate Solenoid	13 - 13
A806 1295	Feed Belt	7 - 23
A858 4671	Roller Driven	3 - 19
A858 4676	Spring Plate - Pressure Roller	3 - 18
A859 1841	Filter - DF Open Sensor	23 - 10
A859 2112	Drive Shaft - Paper Feed Belt	7 - 13
A859 2241	Reverse Roller	9 - 11
A859 7211	Stepped Screw	3 - 2
B044 1825	Collar	17 - 4
B238 4483	Screw	15 - 1
B238 4483	Screw	19 - 19
B312 1615	Tension Roller	9 - 3
B351 1781	Gear - 18Z	17 - 16
B351 1791	Gear - 25Z	17 - 15
B386 3320	Spring:Belt:Paper Feed:8n	7 - 15
B387 1951	Spring - Paper Size Sensor	21 - 22
B387 2113	Roller - Paper Feed Belt	7 - 14
B387 2163	Pickup Collar	7 - 7
B477 2715	Pressure Plate Tape	23 - 13
B652 1807	Decal:Size:Original	5 - 4
B652 1807	Decal:Size:Original	25 - 1
B652 2379	Decal:Caution:Original:5-Lang	3 - 1
B652 2379	Decal:Caution:Original:5-lang	25 - 2
B700 5805	Stepper Motor:Pm:S2m:T15:Ass'y	17 - 11
B703 1165	Timing Belt:B40S2M390	21 - 15
B714 5006	DC Solenoid:Transmitted Rubber Stamp	11 - 24
B789 1942	Paper Size Sensor Feeler	21 - 23

Part No.	Description	Page and Index No.
B789 2114	Paper Feed Belt Roller	7 - 22
B789 3491	Scanning Driven Shaft	11 - 23
B789 3712	Exit Driven Roller	11 - 22
B789 6031	Decal - Original Table	3 - 12
B789 6031	Decal - Original Table	25 - 3
G020 1160	Snap Ring	15 - 12
G052 4892	Discharge Brush:Exit:Small	13 - 4
G052 4892	Discharge Brush:Exit:Small	7 - 39
G570 1225	Sensor Shielding Plate	17 - 6
J503 3116	Timing Belt:40S2M128	17 - 5

Part No.	Description	Page and Index No.
AA04 3320	Timing Belt:40S1.5M150	19 - 9
AA04 3321	Timing Belt:40S1.5M378	15 - 5
AA04 3322	Timing Belt:40S1.5M157.5	19 - 17
AA04 3323	Timing Belt:40S2M120	17 - 9
AA04 3328	Timing Belt:40S2M130	7 - 9
AA06 0842	Tension Spring	21 - 20
AA06 0842	Tension Spring	15 - 4
AA06 0842	Tension Spring	19 - 12
AA06 0843	Tension Spring	9 - 25
AA06 2260	Tension Spring	15 - 9
AA06 2262	Tension Spring	5 - 9
AA06 3435	Compression Spring:Paper Feed:Joint	7 - 20
AA06 3441	Compression Spring	7 - 36
AA06 3919	Spring:Pressure	9 - 27
AA06 6376	Torsion Spring:Pickup:Pressure	7 - 25
AA08 0265	Bushing:6x8x5	9 - 24
AA08 0288	Bushing:Dia6	7 - 34
AA08 2101	Bushing - 6x10x6	15 - 13
AA08 2101	Bushing - 6x10x6	7 - 3
AA08 2101	Bushing - 6x10x6	17 - 12
AA08 2101	Bushing - 6x10x6	9 - 10
AA08 2104	Bushing - 8x12x7	7 - 18
AA10 1021	Rubber Bushing - 6 45hs	17 - 2
AA13 2013	Spacer	7 - 19
AA14 3520	Shoulder Screw - M3	23 - 14
AA14 3520	Shoulder Screw - M3	9 - 5
AA14 3569	Screw	11 - 10
AA14 3788	Pin:Guide Plate:Paper Feed	5 - 14
AA14 3789	Shaft:Cleaner	5 - 13
AA14 3790	Screw:Contact Point	23 - 7
AA14 3790	Screw:CONTACT POINT	15 - 14
AA14 3802	Screw:6X1.7	21 - 17
AA14 3823	Tapping Screw	9 - 9
AG07 0513	Magnet Catch	3 - 26
AW01 0091	Photo Reflection Sensor	5 - 20

Part No.	Description	Page and Index No.
AW01 0129	Photo Reflection Sensor	3 - 23
AW02 0154	Photo Interrupter: Entrance	5 - 17
AW02 0155	Photo Interrupter: Paper Size Sensor	5 - 18
GA14 3003	Screw:Mm5:2.5MM	5 - 23
GW01 0007	Photo Reflection Sensor:Exit	3 - 20
GW01 0007	Photo Reflection Sensor:Exit	5 - 19
GW01 0007	Photo Reflection Sensor:Exit	13 - 6
GW01 0007	Photo Reflection Sensor:Exit	11 - 18
GW02 0020	Photo Interrupter:Lg248n1	21 - 13
GW02 0020	Photo Interrupter:Lg248n1	5 - 21
GW02 0020	Photo Interrupter:Lg248n1	17 - 8

Part No.	Description	Page and Index No.
0353 0040N	Screw - M3X4	9 - 102
0353 0060N	Bind Screw - M3x6	17 - 102
0450 3008N	Tapping Screw - M3x8	3 - 102
0450 3008N	Tapping Screw - M3x8	5 - 102
0450 3008N	Tapping Screw - M3x8	11 - 101
0450 3008N	Tapping Screw - M3x8	7 - 101
0450 3008N	Tapping Screw - M3x8	21 - 102
0450 3008N	Tapping Screw - M3x8	9 - 103
0450 3008N	Tapping Screw - M3x8	13 - 102
0451 3006N	Tapping Screw - 3x6	9 - 101
0451 3006N	Tapping Screw - 3x6	11 - 103
0451 3006N	Tapping Screw - 3x6	3 - 101
0451 3006N	Tapping Screw - 3x6	15 - 101
0451 3006N	Tapping Screw - 3x6	17 - 101
0451 3006N	Tapping Screw - 3x6	13 - 101
0451 3006N	Tapping Screw - 3x6	19 - 101
0451 3006N	Tapping Screw - 3x6	21 - 101
0451 3006N	Tapping Screw - 3x6	7 - 102
0451 3006N	Tapping Screw - 3x6	23 - 101
0451 3006N	Tapping Screw - 3x6	5 - 103
0451 3010N	Tapping Screw:3x10	5 - 101
0453 3006N	Tapping Screw - M3x6	11 - 102
0453 4006N	Binding Self Tapping Screw:4x6	21 - 103
0453 4006N	Binding Self Tapping Screw:4x6	19 - 102
0454 3006Q	Tapping Screw - M3x6	23 - 102
0632 0100G	Pin - 2x10mm	13 - 106
0632 0100G	Pin - 2x10mm	7 - 106
0632 0120G	Parallel Pin - 2x12	9 - 104
0720 0030E	Retaining Ring - M3	15 - 104
0720 0040E	Retaining Ring - M4	7 - 103
0720 0040E	Retaining Ring - M4	19 - 103
0720 0040E	Retaining Ring - M4	9 - 105
0720 0040E	Retaining Ring - M4	15 - 102
0720 0040E	Retaining Ring - M4	13 - 103
0720 0060E	Retaining Ring - M6	7 - 104

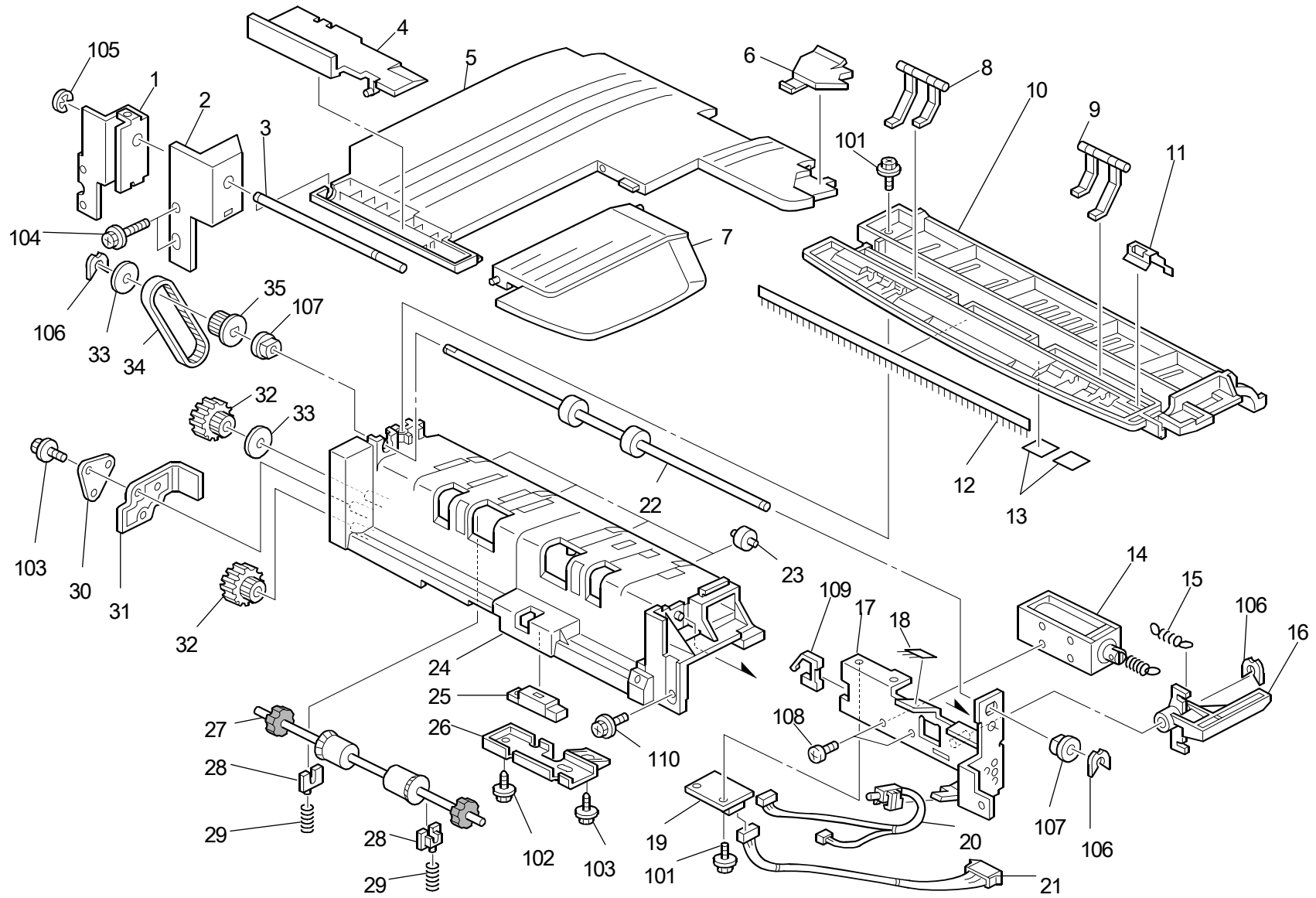
Part No.	Description	Page and Index No.
0720 0060E	Retaining Ring - M6	15 - 103
0740 3506	Ball Bearing - 6x12x4 Mm	13 - 105
0741 3506	Ball Bearing - 6x12x4 Mm	7 - 108
0741 3506	Ball Bearing - 6x12x4 Mm	13 - 104
0741 3506	Ball Bearing - 6x12x4 Mm	19 - 104
0741 3506	Ball Bearing - 6x12x4 Mm	15 - 106
0742 3808	Ball Bearing - 8x16x5	15 - 105
0805 0088	Retaining Ring - M6	7 - 105
0805 0089	Retaining Ring - M4	9 - 106
1105 0487	Harness Clamp	21 - 106
1105 0511	Harness Clamp - LWS-0306ZC	17 - 103
1105 0511	Harness Clamp - LWS-0306ZC	21 - 104
1105 0511	Harness Clamp - LWS-0306ZC	19 - 105
1105 0511	Harness Clamp - LWS-0306ZC	13 - 108
1105 0514	Edge Saddle - Eds-0607I	13 - 107
1105 0514	Edge Saddle - Eds-0607I	21 - 107
1105 0516	Clamp	7 - 107
1105 0516	Clamp	5 - 104
1105 0516	Clamp	17 - 104
1105 0522	Edge Saddle - Les0510	21 - 105

Part No.	Description	Page and Index No.
5206 2686	Snap Ring	17 - 19
5215 2621	Snap Ring - M6	3 - 6
5215 2621	Snap Ring - M6	15 - 18
5447 2681	Snap Ring	7 - 2
5447 2681	Snap Ring	9 - 8
5447 2681	Snap Ring	13 - 15
5447 2681	Snap Ring	15 - 6
5447 2681	Snap Ring	17 - 13

**1BIN TRAY BN3010
B803
PARTS LOCATION AND LIST**

This section instructs you as to the numbers and names of parts on this machine

1.1 Bin Tray (B803)



1.1 Bin Tray (B803)

Index No.	Part No.	Description	Q'ty Per Assembly
1	B803 6111	Bracket: Tray: Support	1
2	B803 6112	Cover: Bracket: Tray :Support	1
3	B803 6113	Tray Support Stay	1
4	B803 6014	End Fence - Exit Tray	1
5	B803 6011	Tray - Exit Main	1
6	B803 6013	Tray - Exit LED	1
7	B803 6012	Tray - Exit Sub Swivel	1
8	B803 1117	Rear Feeler	1
9	B803 1116	Front Feeler	1
10	B803 1111	Frame: Upper	1
11	B803 1112	Ground Plate - Exit	1
12	AA12 0131	Discharge Brush - Exit	1
13	C408 6691	Shield	2
14	B803 5300	DC Solenoid:24V	1
15	AA06 0949	Tension Spring	1
16	B803 1133	Lever: Dc Solenoid	1
17	B803 1130	Bracket: Dc Solenoid	1
18	AA12 0132	Discharge Brush	1
19	B803 5500	PCB: Main Control	1
20	B803 5700	Harness LED	1
21	B803 5705	Harness: Interface	1
22	AF04 0057	Exit Roller: Drive	1
23	B803 1122	Entrance Roller	4

Index No.	Part No.	Description	Q'ty Per Assembly
24	B803 1121	Frame: Lower	1
25	AW01 0129	Photo Reflection Sensor	1
26	B803 1123	Cover: Original Sensor: Frame: Lower	1
27	B803 1211	Exit Roller: Driven	1
28	AA08 0287	Bushing - Dia4	2
29	AA06 3692	Compression Spring:2.7n	2
30	B803 1411	Cover: Drive	1
31	B803 1412	Cover: Drive: Mo: Baikal	1
32	AB01 7813	Timing Pulley:Z22/15T	2
33	AA13 2413	Timing Pulley:15T	2
34	AA04 3853	Timing Belt - 40S3M162	1
35	AB03 0814	Timing Pulley:15T	1
101	0450 3008N	Tapping Screw - M3x8	
102	0450 3016N	Tapping Screw:3x16	
103	0450 3010N	Tapping Screw - M3x10	
104	0360 3016N	Screw - M3X16	
105	0720 0040E	Retaining Ring - M4	
106	0805 0089	Retaining Ring - M4	
107	0805 3480	Bushing - 6mm	
108	0353 0030N	Screw:M3X3	
109	1105 0522	Edge Saddle - Les0510	
110	0451 3008N	Tapping Screw - 3x8	

**1BIN TRAY BN3010
B803
PARTS INDEX**

This section instructs you as to the numbers and names of parts on this machine

Parts Index

Part No.	Description	Page and Index No.
B803 1111	Frame: Upper	3 - 10
B803 1112	Ground Plate - Exit	3 - 11
B803 1116	Front Feeler	3 - 9
B803 1117	Rear Feeler	3 - 8
B803 1121	Frame: Lower	3 - 24
B803 1122	Entrance Roller	3 - 23
B803 1123	Cover: Original Sensor: Frame: Lower	3 - 26
B803 1130	Bracket: Dc Solenoid	3 - 17
B803 1133	Lever: Dc Solenoid	3 - 16
B803 1211	Exit Roller: Driven	3 - 27
B803 1411	Cover: Drive	3 - 30
B803 1412	Cover: Drive: Mo :Baikal	3 - 31
B803 5300	DC Solenoid:24V	3 - 14
B803 5500	PCB: Main Control	3 - 19
B803 5700	Harness: LED	3 - 20
B803 5705	Harness :Interface	3 - 21
B803 6011	Tray - Exit Main	3 - 5
B803 6012	Tray - Exit Sub Swivel	3 - 7
B803 6013	Tray - Exit LED	3 - 6
B803 6014	End Fence - Exit Tray	3 - 4
B803 6111	Bracket: Tray: Support	3 - 1
B803 6112	Cover: Bracket: Tray: Support	3 - 2
B803 6113	Tray Support Stay	3 - 3

Part No.	Description	Page and Index No.
C408 6691	Shield	3 - 13

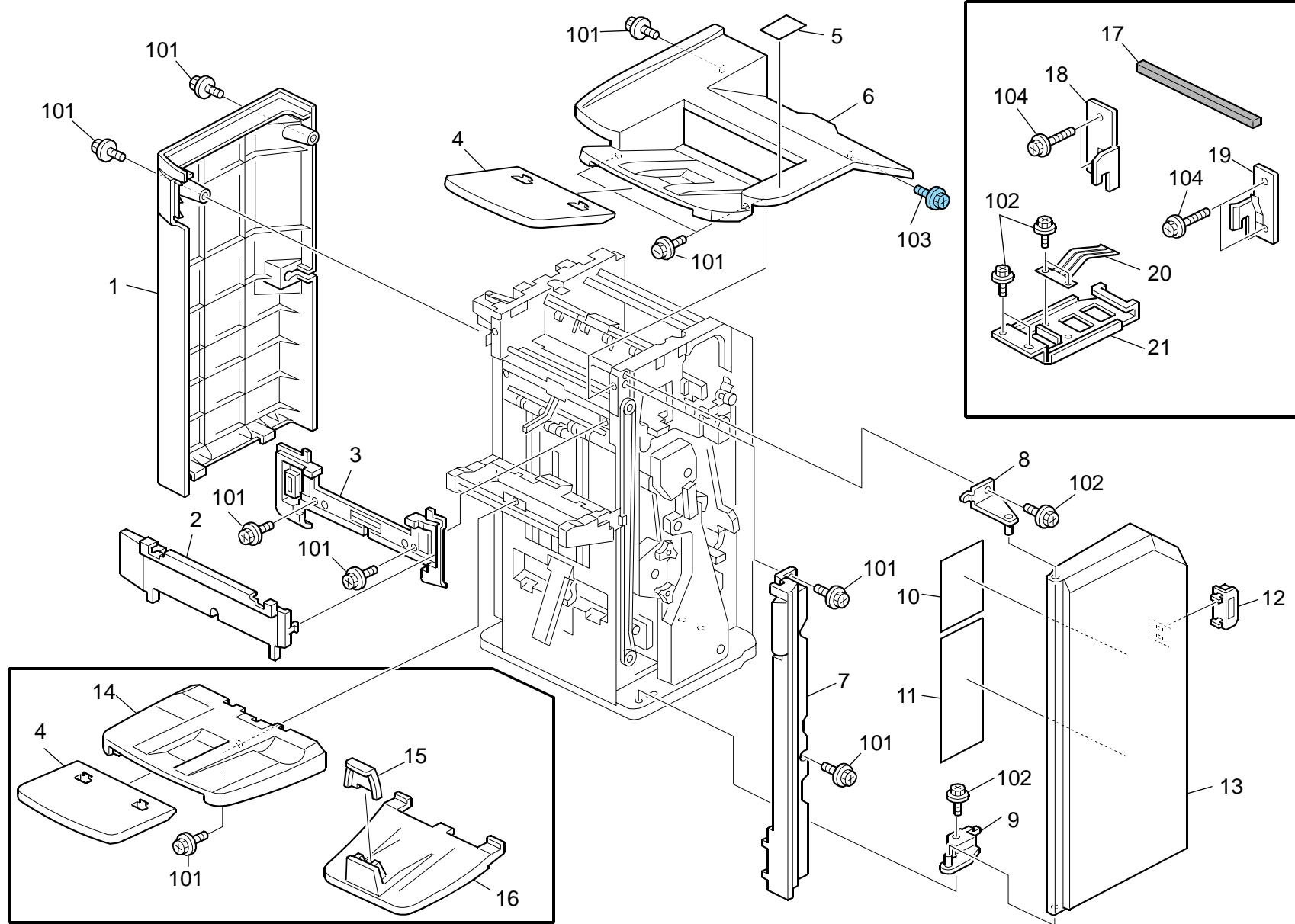
Part No.	Description	Page and Index No.
AA04 3853	Timing Belt - 40S3M162	3 - 34
AA06 0949	Tension Spring	3 - 15
AA06 3692	Compression Spring:2.7n	3 - 29
AA08 0287	Bushing - Dia4	3 - 28
AA12 0131	Discharge Brush - Exit	3 - 12
AA12 0132	Discharge Brush	3 - 18
AA13 2413	Timing Pulley:15T	3 - 33
AB01 7813	Timing Pulley:Z22/15T	3 - 32
AB03 0814	Timing Pulley:15T	3 - 35
AF04 0057	Exit Roller: Drive	3 - 22
AW01 0129	Photo Reflection Sensor	3 - 25

Part No.	Description	Page and Index No.
0353 0030N	Screw:M3X3	3 - 108
0360 3016N	Screw - M3X16	3 - 104
0450 3008N	Tapping Screw - M3x8	3 - 101
0450 3010N	Tapping Screw - M3x10	3 - 103
0450 3016N	Tapping Screw:3x16	3 - 102
0451 3008N	Tapping Screw - 3x8	3 - 110
0720 0040E	Retaining Ring - M4	3 - 105
0805 0089	Retaining Ring - M4	3 - 106
0805 3480	Bushing - 6mm	3 - 107
1105 0522	Edge Saddle - Les0510	3 - 109

**BOOKLET FINISHER SR3020
B804
PARTS LOCATION AND LIST**

This section instructs you as to the numbers and names of parts on this machine

1.Exterior (B804)

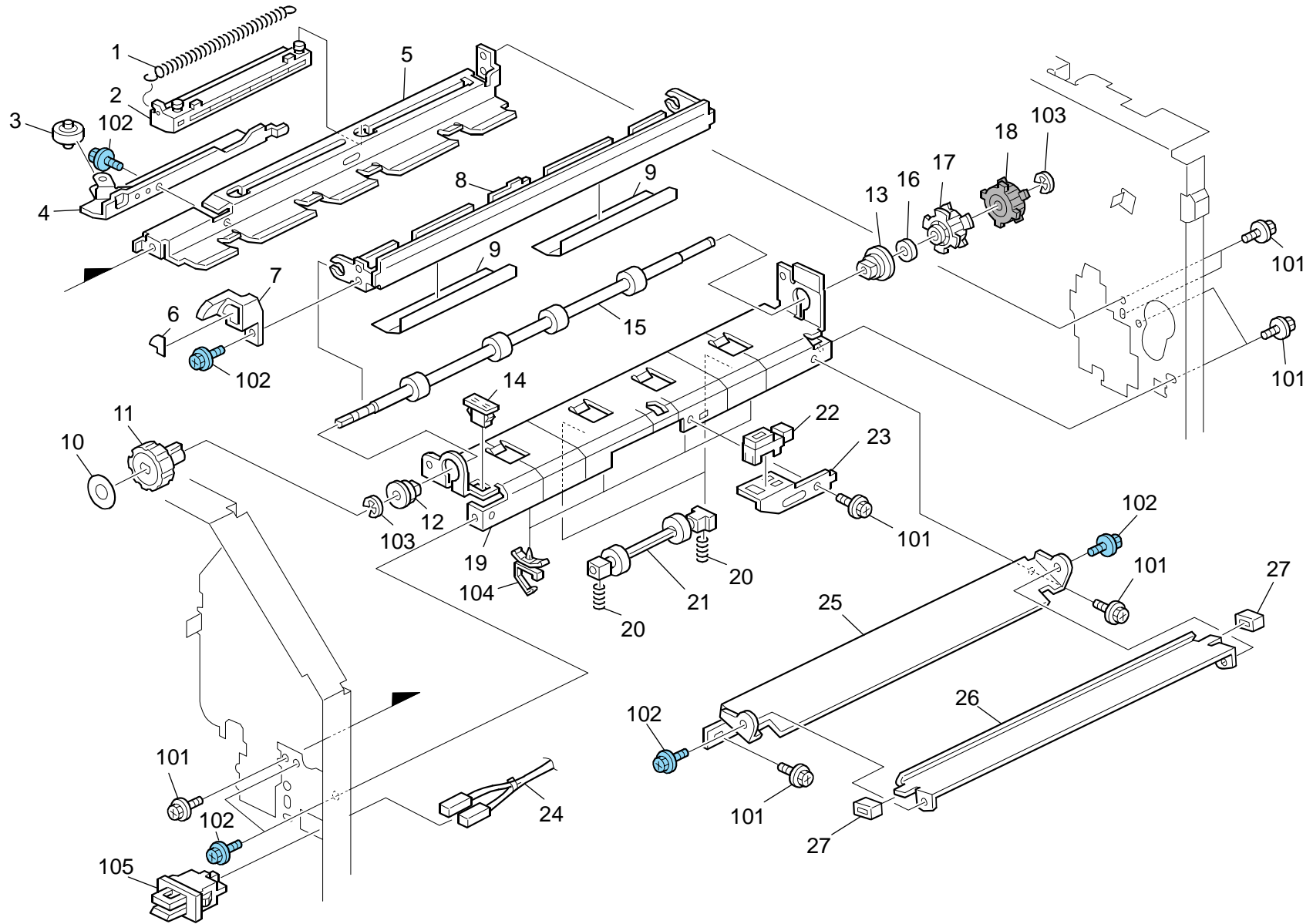


1.Exterior (B804)

Index No.	Part No.	Description	Q'ty Per Assembly
1	B804 6175	Cover :Rear	1
2	B804 6155	Cover: Jogger	1
3	B804 6150	Cover :Left Upper	1
4	B700 3420	Tray: Auxiliary	2
5	B468 7812	Caution Decal - Tray Fall	1
6	B804 6135	Cover: Upper	1
7	B804 6145	Cover: Left :Front	1
8	B700 6125	Hinge: Door: Upper :Ass'y	1
9	B700 6120	Hinge: Door: Lower :Ass'y	1
10	B804 7850	Decal: Misfeed Removal Bind: Yes	1
11	B700 7851	Decal: Staple Exchange	1
12	AG07 0512	Magnet Catch: Ass'y	1
13	B804 6115	Cover :Front	1
14	B804 3417	Tray	1
15	B804 3852	Tray :Paper Crimp Unit: Small	1
16	B804 3853	Tray: Paper Crimp Sub-unit	1
17	B468 6511	Spacer Cushion - 20mm	1
18	B700 1191	Bracket: Coupling: Ass'y	1
19	B700 1198	Coupling Bracket - Front	1
20	B408 1428	Ground Plate: Coupling	1
21	B804 1164	Bracket: Ground Plate: Coupling	1

Index No.	Part No.	Description	Q'ty Per Assembly
101	0451 3008N	Tapping Screw - M3x8	
102	0451 3006N	Tapping Screw - 3x6	
103	0454 3008Q	Tapping Screw:3x8	
104	0451 4014N	Tapping Screw:M4x14	

2.Paper Transfer (B804)

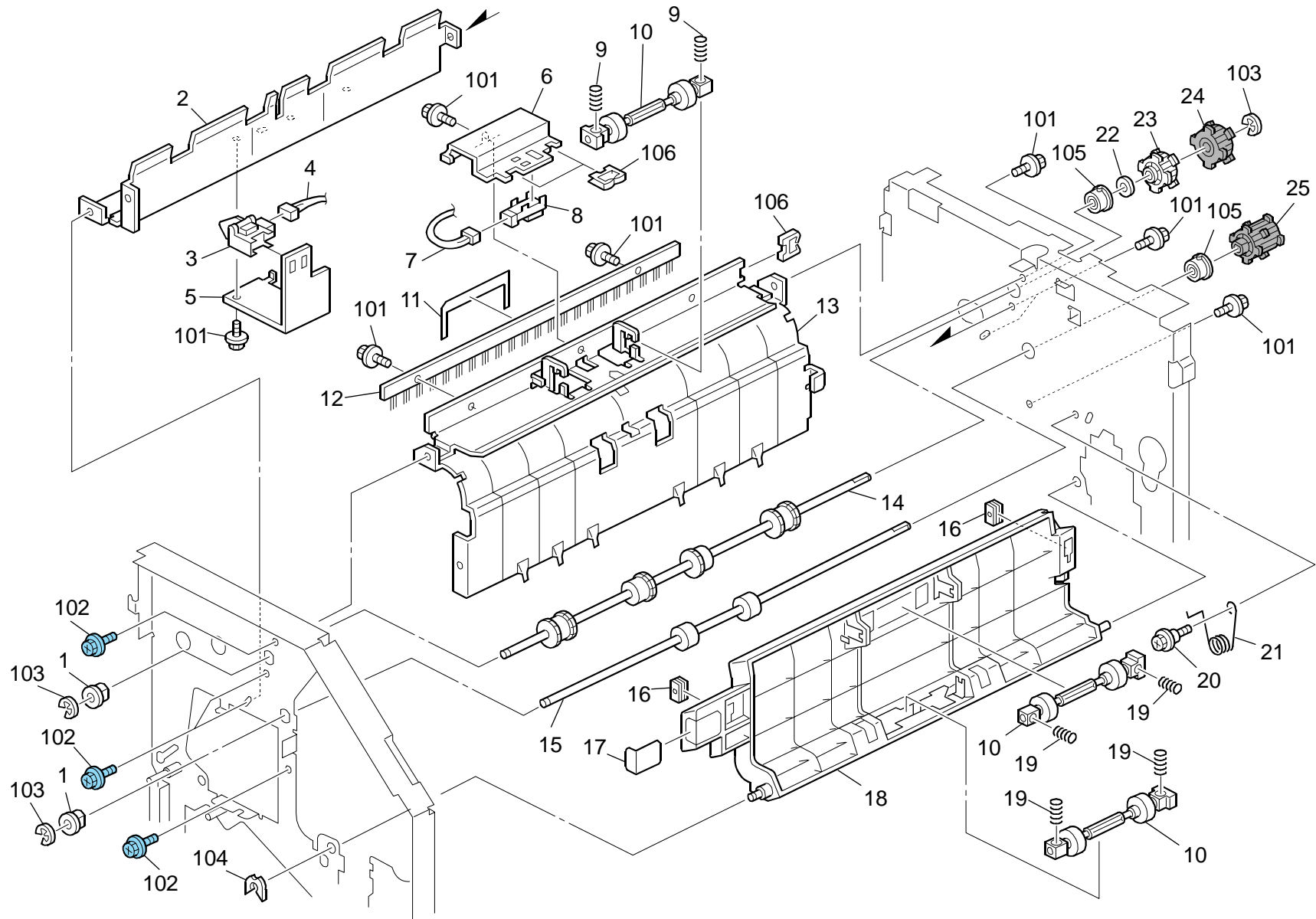


2.Paper Transfer (B804)

Index No.	Part No.	Description	Q'ty Per Assembly
1	B700 2200	Tension Spring: Guide Plate :Move	1
2	B700 2215	Guide Plate :Upper :Move	1
3	A666 4270	Roller: Driven: Entrance	1
4	B804 2205	Guide Plate: Upper	1
5	B804 2210	Guide Plate: Transport: Entrance :Upper	1
6	B700 7861	Decal:Knob:Entrance:R1	1
7	B700 2125	Knob: Guide Plate: Entrance	1
8	B804 2120	Guide Plate: Entrance :Upper	1
9	B700 2126	Sheet: Entrance	2
10	B700 7862	Decal:Knob:Entrance:R2	1
11	B408 2281	Knob - Transfer Roller	1
12	B700 2135	Bushing: Transport Roller :Front	1
13	B700 2140	Bushing:Transport Roller:Rear	1
14	AG07 0513	Magnet Catch	2
15	B700 2130	Transport Roller:Entrance:Upper	1
16	A697 1606	Spacer - 6x12x2.7mm	2
17	AB03 0374	Timing Pulley - 20Z	2
18	B700 1605	Timing Pulley:26T	2
19	B804 2110	Guide Plate:Entrance:Lower	1
20	B700 2119	Compression Spring:Entrance:Driven	4
21	AF02 2148	Roller:Driven:L=125	2
22	GW01 0007	Photo Reflection Sensor:Exit	6
23	B700 2145	Bracket: Entrance Sensor	1
24	B700 5301	Harness:Safety Switch	1
25	B804 2105	Guide Plate: Connecting :Lower	1
26	B804 2100	Guide Plate: Connecting :Upper	1
27	B700 2729	Cushion: Arm	3

Index No.	Part No.	Description	Q'ty Per Assembly
101	0451 3006N	Tapping Screw - 3x6	
102	0454 3006Q	Tapping Screw - M3x6	
103	0720 0040E	Retaining Ring - M4	
104	1105 0516	Clamp	
105	1204 2541	Interlock Switch	

3.Shift Transfer Section 1 (B804)

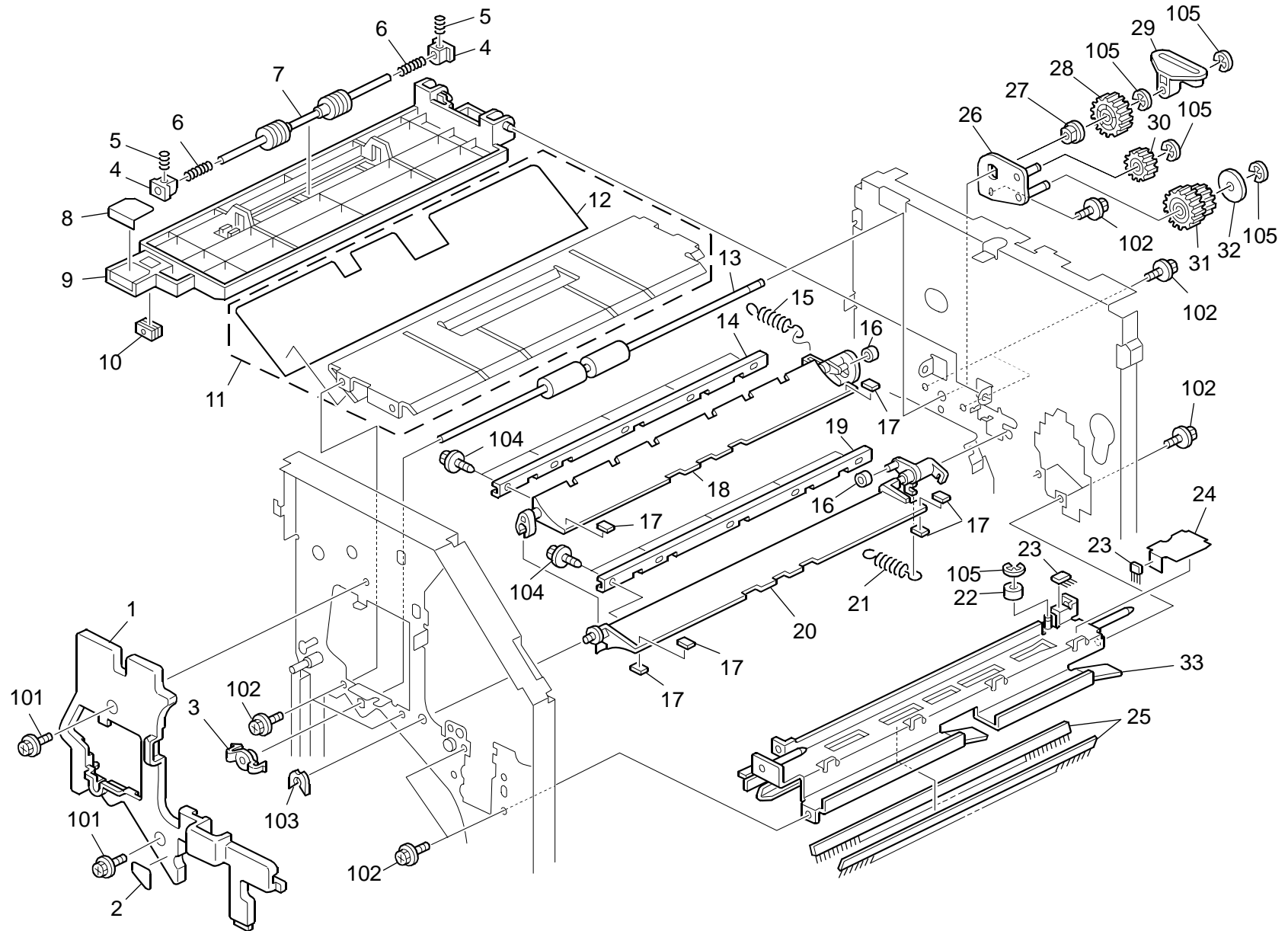


3.Shift Transfer Section 1 (B804)

Index No.	Part No.	Description	Q'ty Per Assembly
1	AA08 2101	Bushing - 6x10x6	18
2	B700 2330	Guide Plate:Exit:Proof Tray	1
3	AW02 0172	Photo Interrupter: Overflow:CT	1
4	B700 5365	Harness:Connecting:Sensor	1
5	B700 2331	Bracket:Photo Interrupter: Overflow	1
6	B700 2320	Bracket:Sensor:Proof Tray	1
7	B700 5366	Harness:Connecting:Sensor	1
8	GW01 0007	Photo Refiection Sensor:Exit	6
9	A697 2187	Pressure Spring - 14.1mm	2
10	AF02 2147	Driven Roller	7
11	B302 2216	Exit Guide - Upper Exit Guide	1
12	B700 2317	Discharge Brush	1
13	B700 2310	Guide Plate:Proof Tray:Ass'y	1
14	B700 2300	Exit Roller:Proof Tray	1
15	B700 2325	Transport Roller:Long	2
16	AG07 0514	Magnet Catch	6
17	B700 7863	Decal:Proof Tray:R3	1
18	B700 2315	Guide Plate:Proof Tray	1
19	AA06 3529	Pressure Spring - 14.5mm	8
20	AA14 3790	Screw:Contact Point	15
21	B700 2316	Torsion Spring	1
22	A697 1606	Spacer - 6x12x2.7mm	2
23	AB03 0374	Timing Pulley - 20Z	2
24	B700 1605	Timing Pulley:26T	2
25	B700 1645	Timing Pulley:20T	2

Index No.	Part No.	Description	Q'ty Per Assembly
101	0451 3006N	Tapping Screw - 3x6	
102	0454 3006Q	Tapping Screw - M3x6	
103	0720 0040E	Retaining Ring - M4	
104	0805 0089	Retaining Ring - M4	
105	0805 3537	Ball Bearing:Dia6xdia13x5:Dia14.5	
106	1105 0328	Harness Clamp - ES-0505	

4.Shift Transfer Section 2 (B804)

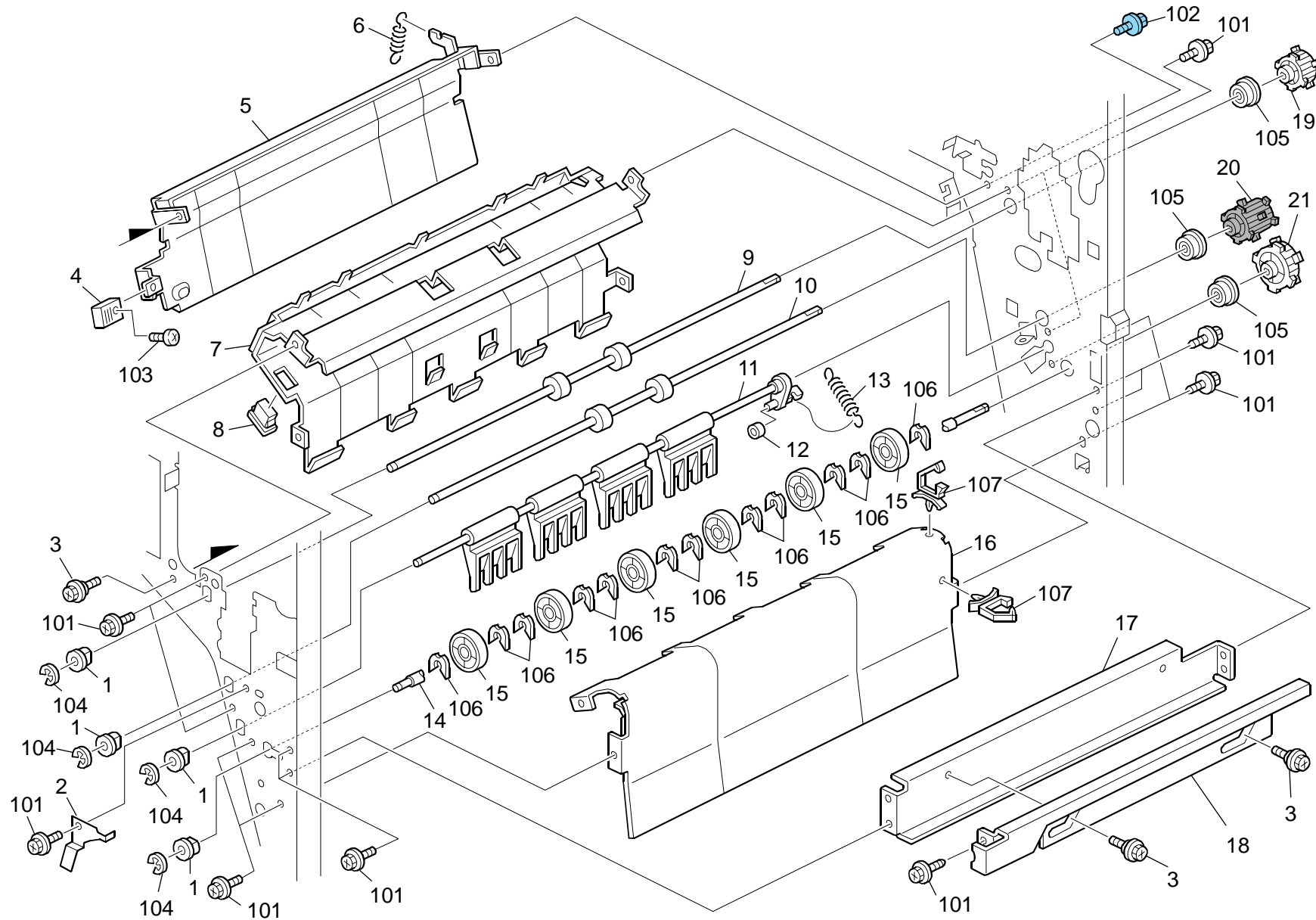


4.Shift Transfer Section 2 (B804)

Index No.	Part No.	Description	Q'ty Per Assembly
1	B700 6100	Inner Cover:Upper	1
2	B700 7867	Decal:Turn:Open And Close:R7	1
3	B408 2312	Bushing - Roller Slide	1
4	B408 2175	Bushing - Roller Slide	2
5	AA06 3529	Pressure Spring - 14.5mm	8
6	B408 2174	Spring	2
7	B408 2173	Slide Roller	1
8	B700 7864	Decal:Shift:R4	1
9	B804 2245	Guide Plate:Horizontal:Shift	1
10	AG07 0514	Magnet Catch	6
11	B804 2037	Guide Plate:Horizontal:Lower	1
12	B700 2241	Sheet:Guide:Staple	1
13	B700 2220	Transport Roller:Shift	1
14	B700 2525	Supporting Plate:Gate Pawl	1
15	B700 2545	Tension Spring	1
16	A458 2251	Cushion - Bin Solenoid Lever	7
17	B700 2520	Cushion:Gate Pawl	10
18	B700 2505	Gate Pawl:Proof Tray	1
19	B700 2530	Supporting Plate:Gate Pawl:Staple	1
20	B700 2500	Gate Pawl:Staple	1
21	B700 2540	Tension Spring	1
22	5201 2722	Bushing - M6x5	1
23	B804 1180	Discharge Brush:Punch Unit	2
24	B700 1183	Sheet:Guide:Punch	1
25	B804 1182	Discharge Brush:Punch:Transport	2
26	B700 1660	Bracket:Gear:Middle:Ass'y	1
27	AA08 2101	Bushing - 6x10x6	18
28	B700 2225	Gear:30Z	1
29	B793 2321	Slide Roller Link	1
30	B700 1665	Gear:25Z	1
31	B700 1650	Gear:30Z	1
32	B478 3569	Spacer	3
33	B700 1170	Stay:Punch Unit:Slide:Ass'y	1

Index No.	Part No.	Description	Q'ty Per Assembly
101	0451 3008N	Tapping Screw - M3x8	
102	0451 3006N	Tapping Screw - 3x6	
103	0805 0089	Retaining Ring - M4	
104	0450 3008N	Tapping Screw - M3x8	
105	0720 0040E	Retaining Ring - M4	

5.Shift Transfer Section 3 (B804)

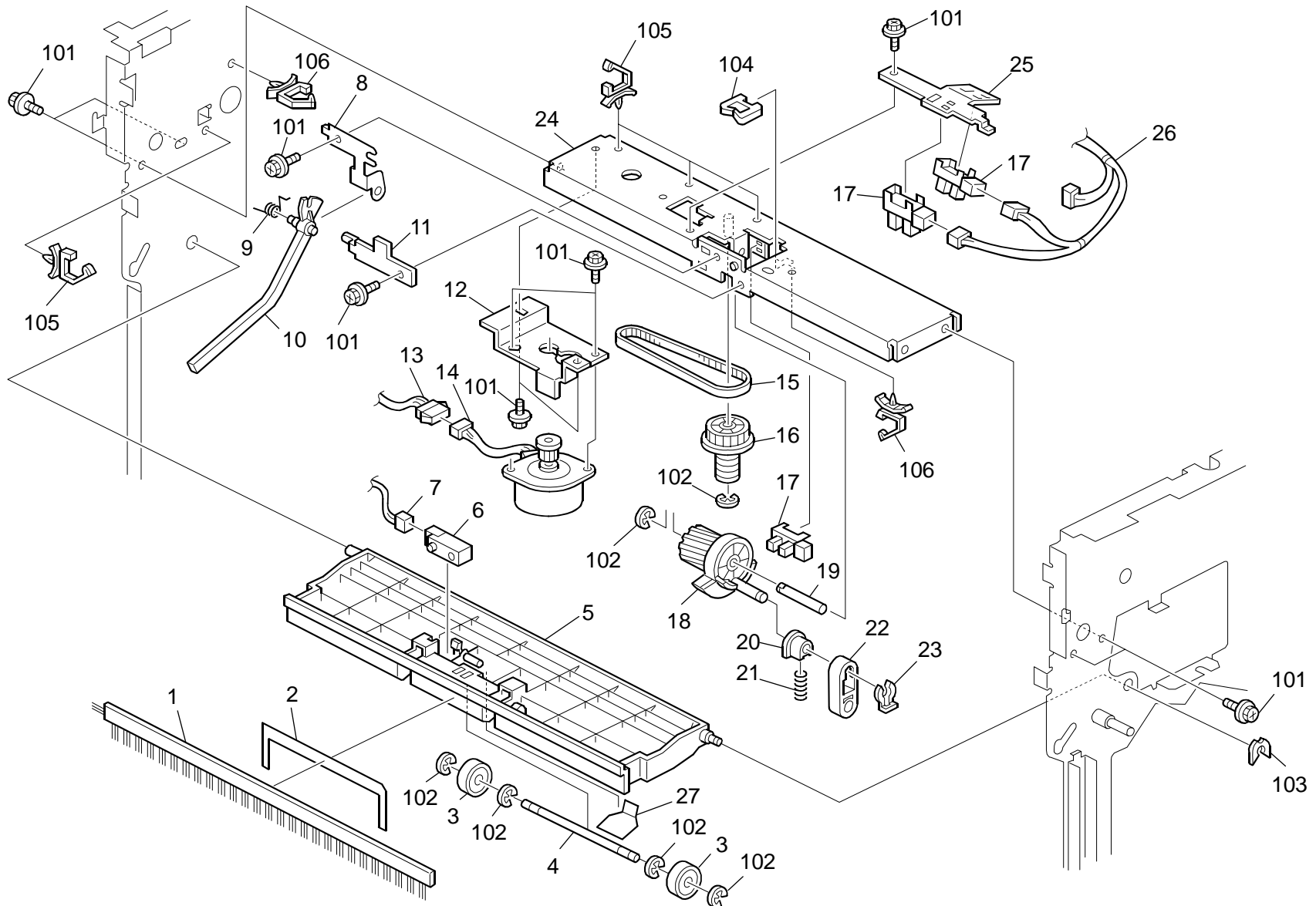


5.Shift Transfer Section 3 (B804)

Index No.	Part No.	Description	Q'ty Per Assembly
1	AA08 2101	Bushing - 6x10x6	18
2	B700 1185	Ground Plate:Toner Hopper:Punch	1
3	AA14 3790	Screw:Contact Point	15
4	A353 2243	Lever Knob	1
5	B700 2421	Guide Plate:Turn:Open And Close	1
6	B700 2422	Tension Spring:Turn:Open And Close	1
7	B700 2411	Guide Plate:Turn:Ass'y	1
8	AG07 0513	Magnet Catch	2
9	B700 2305	Transport Roller:Short	1
10	B700 2325	Transport Roller:Long	2
11	B700 2431	Polarization Powl:Duplex Stack	1
12	A458 2251	Cushion - Bin Solenoid Lever	7
13	B700 2432	Tension Spring	1
14	B700 2452	Shaft:Turn:Guide	1
15	B700 2453	Guide:Turn	6
16	B700 2441	Guide Plate:Duplex Stack:Ass'y	1
17	B700 1151	Stay:Coupling	1
18	A697 1128	Joint Lever	1
19	B352 1607	Timing Pulley - T20-S3M	5
20	B700 1645	Timing Pulley:20T	2
21	B700 1701	Timing Pulley:40T	1

Index No.	Part No.	Description	Q'ty Per Assembly
101	0451 3006N	Tapping Screw - 3x6	
102	0454 3008Q	Tapping Screw:3x8	
103	0353 0040N	Screw - M3X4	
104	0720 0040E	Retaining Ring - M4	
105	0805 3537	Ball Bearing:Dia6xdia13x5:Dia14.5	
106	0805 0088	Retaining Ring - M6	
107	1105 0516	Clamp	

6.Paper Exit 1 (B804)

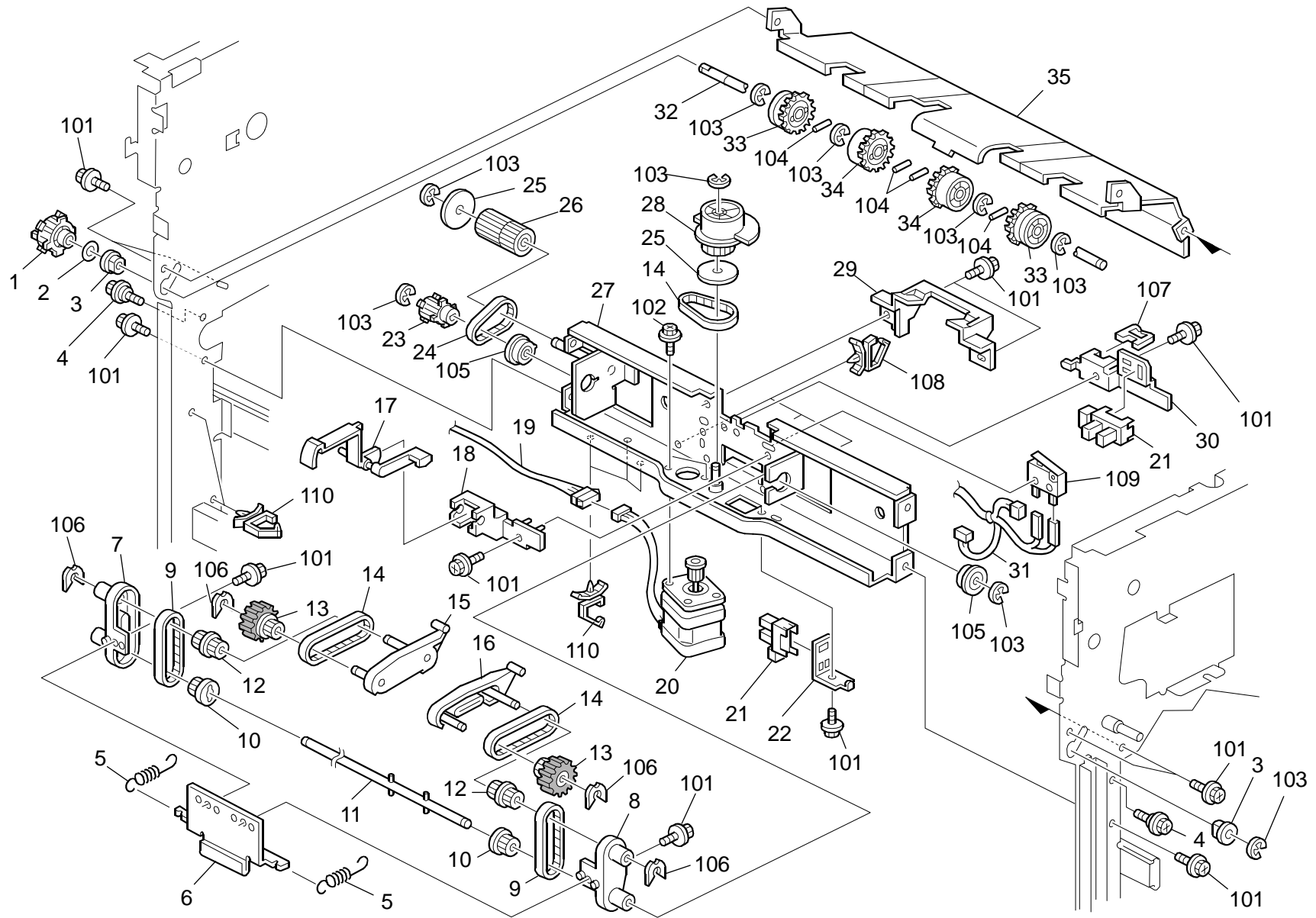


6.Paper Exit 1 (B804)

Index No.	Part No.	Description	Q'ty Per Assembly
1	B700 3156	Discharge Brush	1
2	G565 2135	Exit Plate	1
3	A681 2742	Driven Exit Roller	2
4	B700 3157	Shaft:Exit Roller:Driven	1
5	B700 3155	Guide Plate:Exit:Upper	1
6	AW01 0109	Photo Reflection Sensor:Ps117ed1	2
7	B700 5373	Harness:Connecting:Sensor	1
8	A353 3172	Actuator Bracket	1
9	A353 3173	Pressure Spring	1
10	B302 1145	Actuator - Paper Height Sensor	1
11	B700 3145	Bracket:Feeler:Plate	1
12	B700 3105	Bracket:Stepper Motor:Guide Plate	1
13	B700 5311	Harness:Exit:Open And Close:Motor	1
14	B700 5805	Stepper Motor:Pm:S2m:T15:Ass'y	1
15	B700 3125	Timing Belt:B40S2M232	1
16	B700 3115	Worm Gear:37t	1
17	AW02 0141	Photo Interrupter	16
18	B700 3120	Worm Wheel:20z	1
19	B408 2833	Shaft - Worm Wheel	1
20	B700 3130	Bushing:Joint	1
21	B700 3140	Compression Spring	1
22	B700 3135	Joint:Guide Plate:Open And Close	1
23	5447 2681	Snap Ring	9
24	B700 3100	Stay:Drive:Guide Plate:Ass'y	1
25	B700 3150	Bracket:Surface Of Paper Sensor	1
26	B700 5361	Harness:Connecting:Sensor:Exit	1
27	B804 4405	Guide:Leading Edge:Middle	1

Index No.	Part No.	Description	Q'ty Per Assembly
101	0451 3006N	Tapping Screw - 3x6	
102	0720 0040E	Retaining Ring - M4	
103	0805 0089	Retaining Ring - M4	
104	1105 0328	Harness Clamp - ES-0505	
105	1105 0516	Clamp	
106	1105 0623	Clamp - LBWS-0206S-V0	

7.Paper Exit 2 (B804)

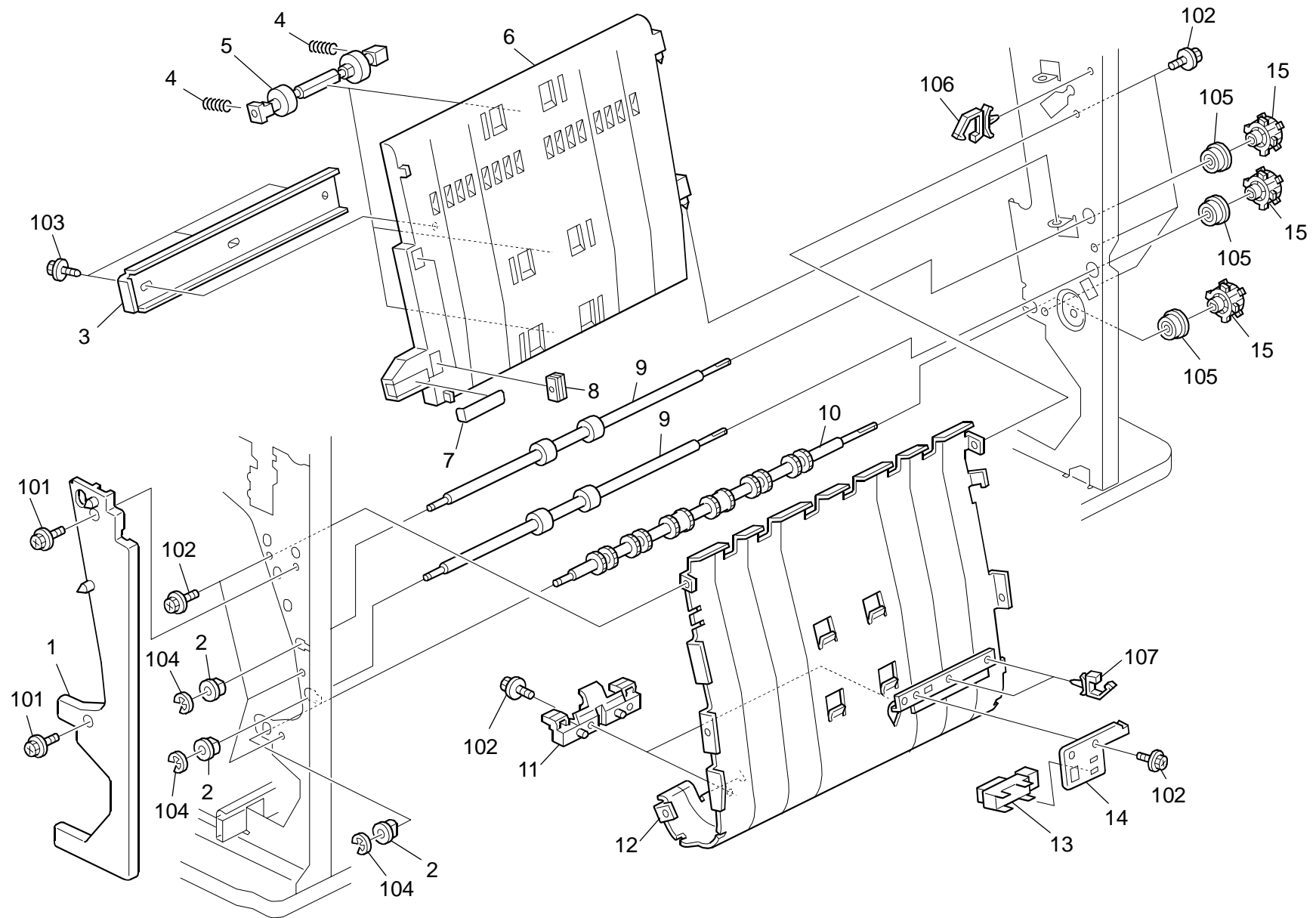


7.Paper Exit 2 (B804)

Index No.	Part No.	Description	Q'ty Per Assembly
1	B352 1607	Timing Pulley - T20-S3M	5
2	H072 2220	Spacer - M6x10	1
3	AA08 2101	Bushing - 6x10x6	18
4	AA14 3823	Tapping Screw	2
5	B700 3545	Tension Spring	2
6	B700 3540	Bracket Coupling:Lever:Drive	1
7	B478 3507	Lever:Drive: Gathering Roller: Back	1
8	B478 3506	Lever:Drive:Gathering Roller:Front	1
9	B478 3504	Timing Belt:B40S2M100	2
10	B478 3501	Pulley:Drive:Roller:Sponge	2
11	B700 3515	Shaft:Gathering Roller:Drive:Ass'y	1
12	B478 3502	Pulley:Driven:Roller:Sponge	2
13	B478 3503	Gathering Roller:Sponge	2
14	B700 3535	Timing Belt:B40S2M116	3
15	B700 3530	Lever:Driven:Gathering Roller:Rear	1
16	B700 3525	Lever:Driven:Gathering Roller:Front	1
17	B700 3555	Feeler:Paper Senser	1
18	B700 3550	Bracket:Feeler:Paper Senser	1
19	B700 5415	Harness:Drive:Swivel:Motor	2
20	B700 5807	Stepper Motor:Mm42:S2m:T15:Ass'y	1
21	AW02 0141	Photo Interrupter	16
22	B700 3565	Bracket:Home Position Sensor	1
23	B700 3520	Timing Pulley:18T	1
24	B700 3504	Timing Belt:B40S2M92	1
25	B478 3569	Spacer	3
26	B700 3505	Timing Pulley:20/30T	1
27	B700 3500	Stay:Uniform:Ass'y	1
28	B700 3575	Cam:Lever:Drive	1
29	B700 3570	Cam:Gathering Roller	1
30	B700 3560	Bracket:Sensor:Paper Senser	1
31	B700 5304	Harness:Surface Of Paper Sensor	1
32	B700 3176	Shaft:Exit Roller	1
33	B352 2405	Outer Exit Roller	2
34	B352 2400	Exit Roller	2
35	B804 3161	Guide Plate:Exit:Lower	1

Index No.	Part No.	Description	Q'ty Per Assembly
101	0451 3006N	Tapping Screw - 3x6	
102	0451 4006N	Tapping Screw - 4x6	
103	0720 0040E	Retaining Ring - M4	
104	0632 0100G	Pin - 2x10mm	
105	0805 3537	Ball Bearing:Dia6xdia13x5:Dia14.5	
106	0805 0089	Retaining Ring - M4	
107	1105 0328	Harness Clamp - ES-0505	
108	1105 0623	Clamp - LBWS-0206S-V0	
109	1204 2520	Switch:DE2L-FJ20	
110	1105 0487	Harness Clamp	

8.Staple Transfer Section 1 (B804)

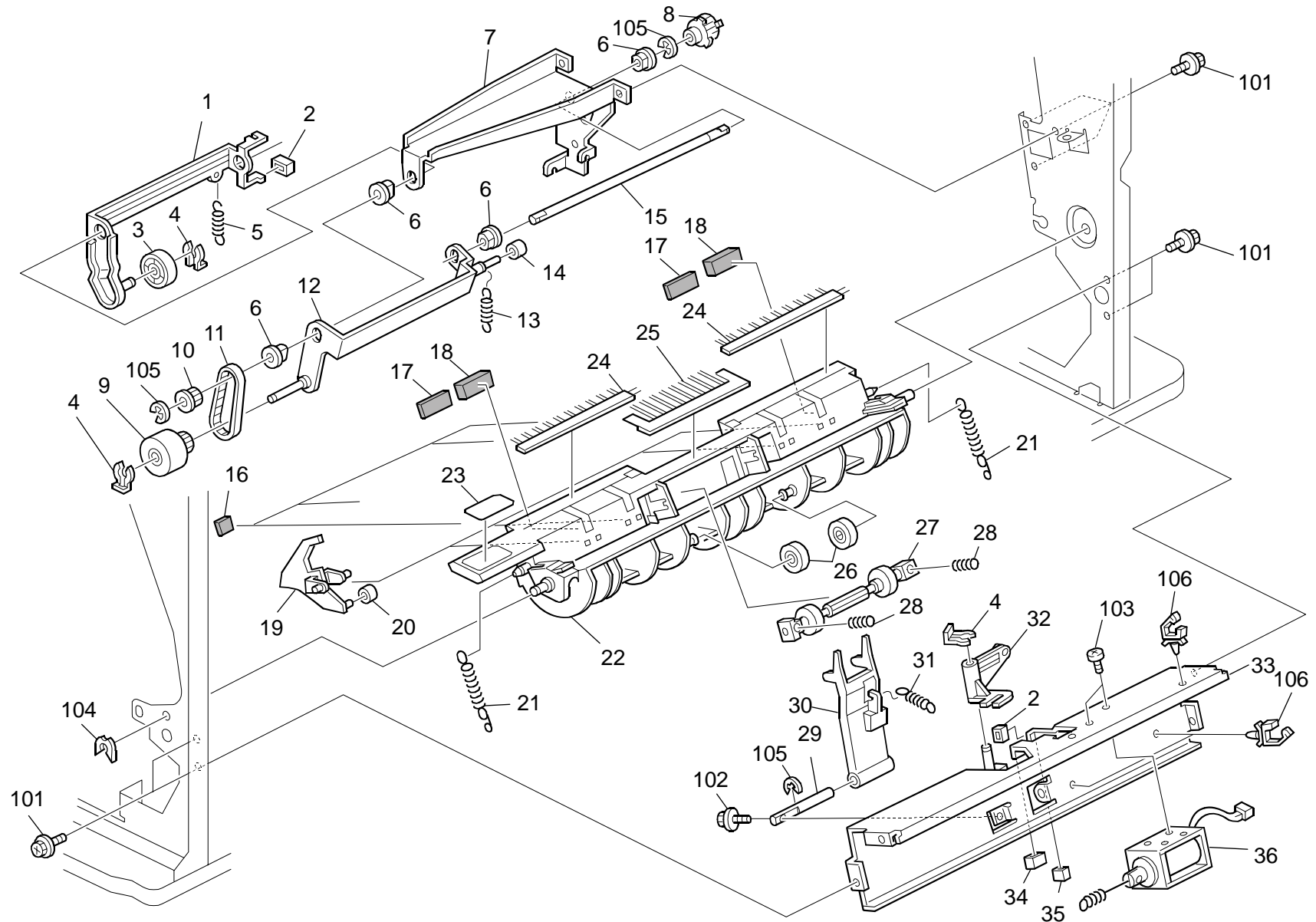


8.Staple Transfer Section 1 (B804)

Index No.	Part No.	Description	Q'ty Per Assembly
1	B700 6105	Inner Cover:Lower	1
2	AA08 2101	Bushing - 6x10x6	18
3	A612 2435	Support Plate	1
4	B700 2476	Compression Spring:Exit:Driven	8
5	AF02 2147	Driven Roller	7
6	B700 2471	Guide Plate:Lengthwise	1
7	B700 7865	Decal:Vertical Transport:R5	1
8	AG07 0514	Magnet Catch	6
9	B700 2461	Transport Roller:Duplex Stack:Lower	2
10	B700 2491	Exit Roller:Stapler Tray	1
11	B700 2486	Guide Plate:Exit:Stapler Tray	2
12	B700 2481	Guide Plate:Lengthwise:Ass'y	1
13	GW01 0007	Photo Reflection Sensor:Exit	6
14	B700 2485	Bracket:Sensor:Duplex Tray	1
15	B352 1607	Timing Pulley - T20-S3M	5

Index No.	Part No.	Description	Q'ty Per Assembly
101	0451 3008N	Tapping Screw - M3x8	
102	0451 3006N	Tapping Screw - 3x6	
103	0450 3008N	Tapping Screw - M3x8	
104	0720 0040E	Retaining Ring - M4	
105	0805 3537	Ball Bearing:Dia6xdia13x5:Dia14.5	
106	1105 0516	Clamp	
107	1105 0623	Clamp - LBWS-0206S-V0	

9.Staple Transfer Section 2 (B804)

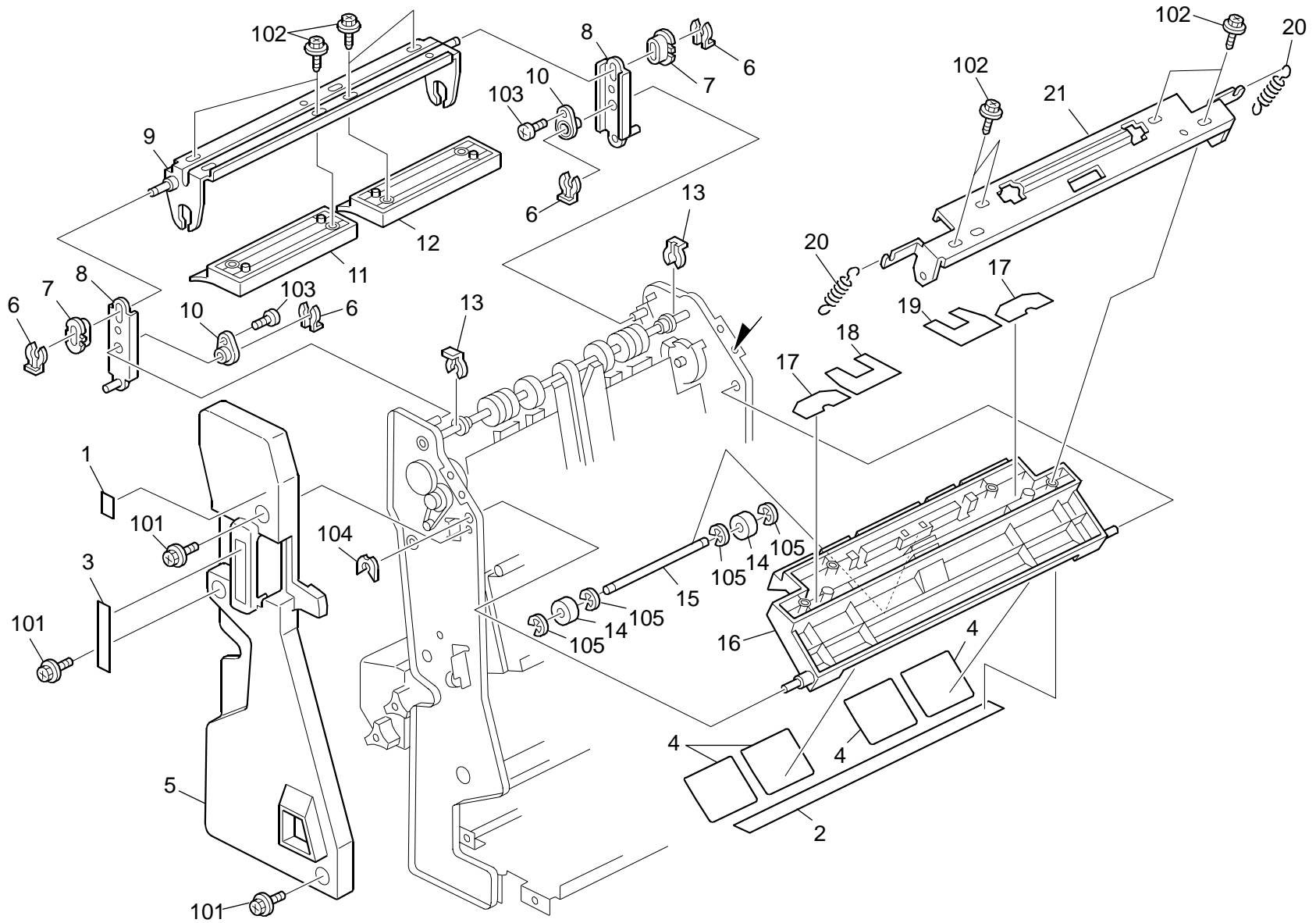


9.Staple Transfer Section 2 (B804)

Index No.	Part No.	Description	Q'ty Per Assembly
1	B700 2631	Arm:Plate:Ass'y	1
2	A498 4625	Arm Cushion	2
3	B804 2625	Roller:Mm28	1
4	5447 2681	Snap Ring	9
5	B700 2635	Tension Spring	1
6	AA08 2058	Bushing - 6x10x9mm	4
7	B700 2611	Bracket:Gathering Roller	1
8	B352 1600	Timing Pulley - S2M T24	1
9	B408 2435	Gathering Roller:Ass'y	1
10	B408 2422	Pulley - T16	1
11	B700 2649	Timing Belt:40S2M144	1
12	B700 2621	Arm:Gathering Roller:Ass'y	1
13	AA06 0557	Positioning Roller Spring	1
14	AA16 1099	Lever Cushion	1
15	B700 2612	Shaft:Gathering Roller:Drive	1
16	B700 2520	Cushion:Gate Pawl	10
17	B477 2333	Motor Bracket Cushion	2
18	A680 4223	Cushion	2
19	B408 2113	Guide - Trailing Edge	4
20	A458 2251	Cushion - Bin Solenoid Lever	7
21	B700 2478	Tension Spring	2
22	B700 2473	Guide Plate:Lower:Open And Close	1
23	B700 7866	Decal:Exit:R6	1
24	B804 2474	Discharge Brush:Exit	2
25	B804 2477	Discharge Brush:Exit:Middle	1
26	B468 2832	Driven Exit Roller	2
27	AF02 2147	Driven Roller	7
28	B700 2476	Compression Spring:Exit:Driven	8
29	B700 2722	Shaft:Contact Point:Swivel	1
30	B804 2721	Guide:Trailing Edge	1
31	B700 2723	Tension Spring:Release:Swivel	1
32	B700 2725	Arm:Solenoid:Swivel	1
33	B700 2711	Stay:Swivel:Ass'y	1
34	B700 2729	Cushion:Arm	3
35	A697 2102	Damper - Junction Gate Solenoid	3

Index No.	Part No.	Description	Q'ty Per Assembly
36	B700 2731	DC Solenoid:Swivel:Ass'y	1
101	0451 3006N	Tapping Screw - 3x6	
102	0451 3008N	Tapping Screw - M3x8	
103	0353 0040N	Screw - M3X4	
104	0805 0089	Retaining Ring - M4	
105	0720 0040E	Retaining Ring - M4	
106	1105 0623	Clamp - LBWS-0206S-V0	

10. Staple Tray 1 (B804)

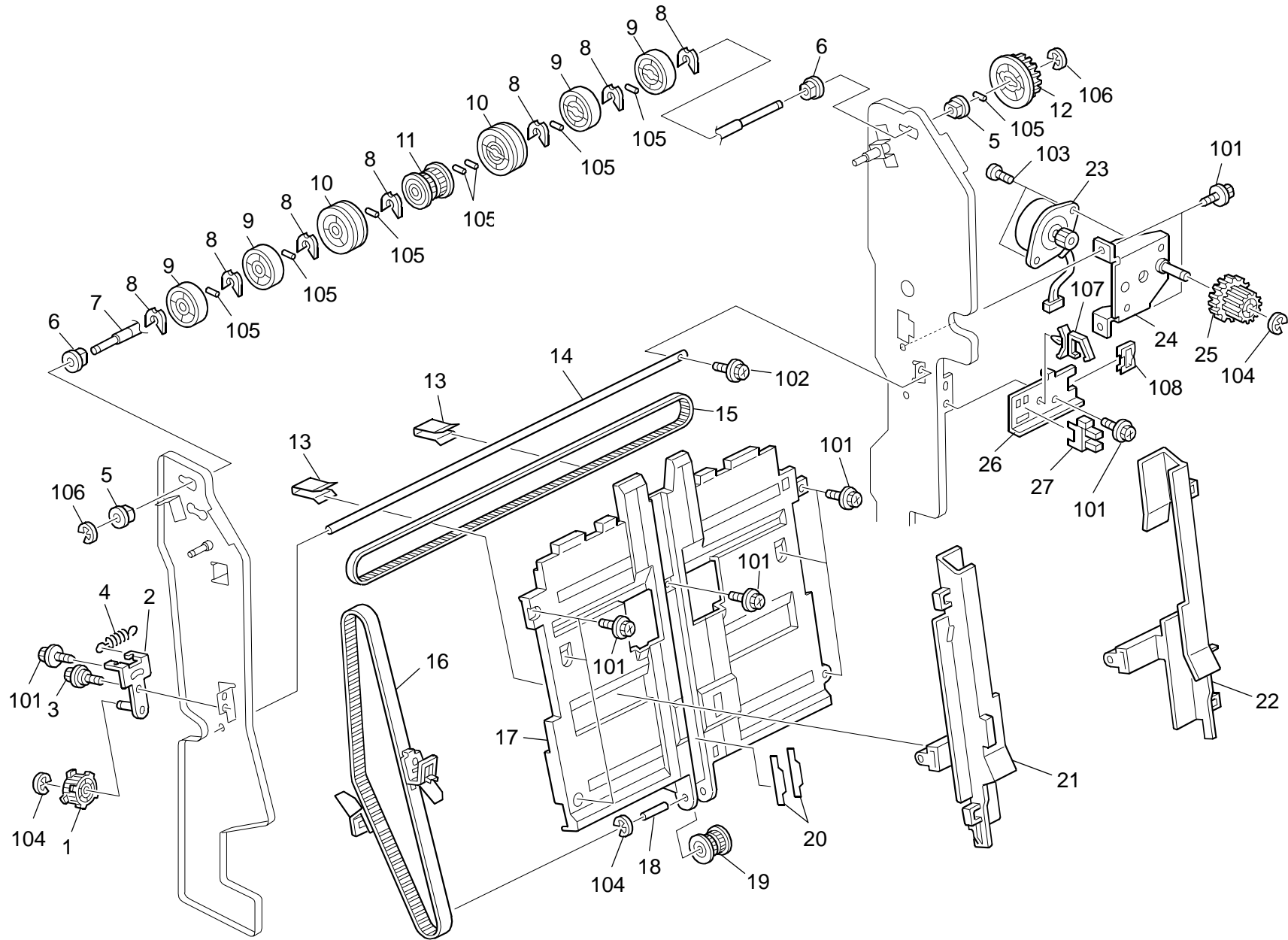


10.Staple Tray 1 (B804)

Index No.	Part No.	Description	Q'ty Per Assembly
1	B700 7892	Decal:Stapler:S2	1
2	B700 4407	Sheet:Plate:Leading Edge	1
3	B700 7870	Decal:Stapler Tray:R10	1
4	B700 4431	Guide:Leading Edge:Upper	4
5	B700 4540	Inner Cover:Stapler Unit	1
6	5447 2681	Snap Ring	9
7	B700 4419	Slider:Guide:Reverse	2
8	B700 4422	Lever:Reverse:Stapler Tray:Ass'y	2
9	B700 4416	Supporting Plate:Reverse:Ass'y	1
10	B702 7225	Bushing:Punch Unit:Slide	1
11	B700 4414	Guide Plate:Reverse:Front	1
12	B700 4415	Guide Plate:Reverse:Inner Back	1
13	5215 2621	Snap Ring - M6	2
14	B700 4410	Roller:Dia22	2
15	B700 4411	Shaft:Driven:Turn	1
16	B700 4401	Guide Plate:Pressure:Reverse:Stapler Tray	1
17	B700 4408	Guide:Leading Edge:Outer	2
18	B700 4405	Guide:Leading Edge:Front	1
19	B700 4406	Guide:Leading Edge:Rear	1
20	B700 4412	Tension Spring:Pressure:Turn	2
21	B700 4444	Guide Plate:Pressure	1

Index No.	Part No.	Description	Q'ty Per Assembly
101	0451 3008N	Tapping Screw - M3x8	
102	0450 3008N	Tapping Screw - M3x8	
103	0453 3006N	Tapping Screw - M3x6	
104	0805 0089	Retaining Ring - M4	
105	0720 0040E	Retaining Ring - M4	

11.Staple Tray 2 (B804)

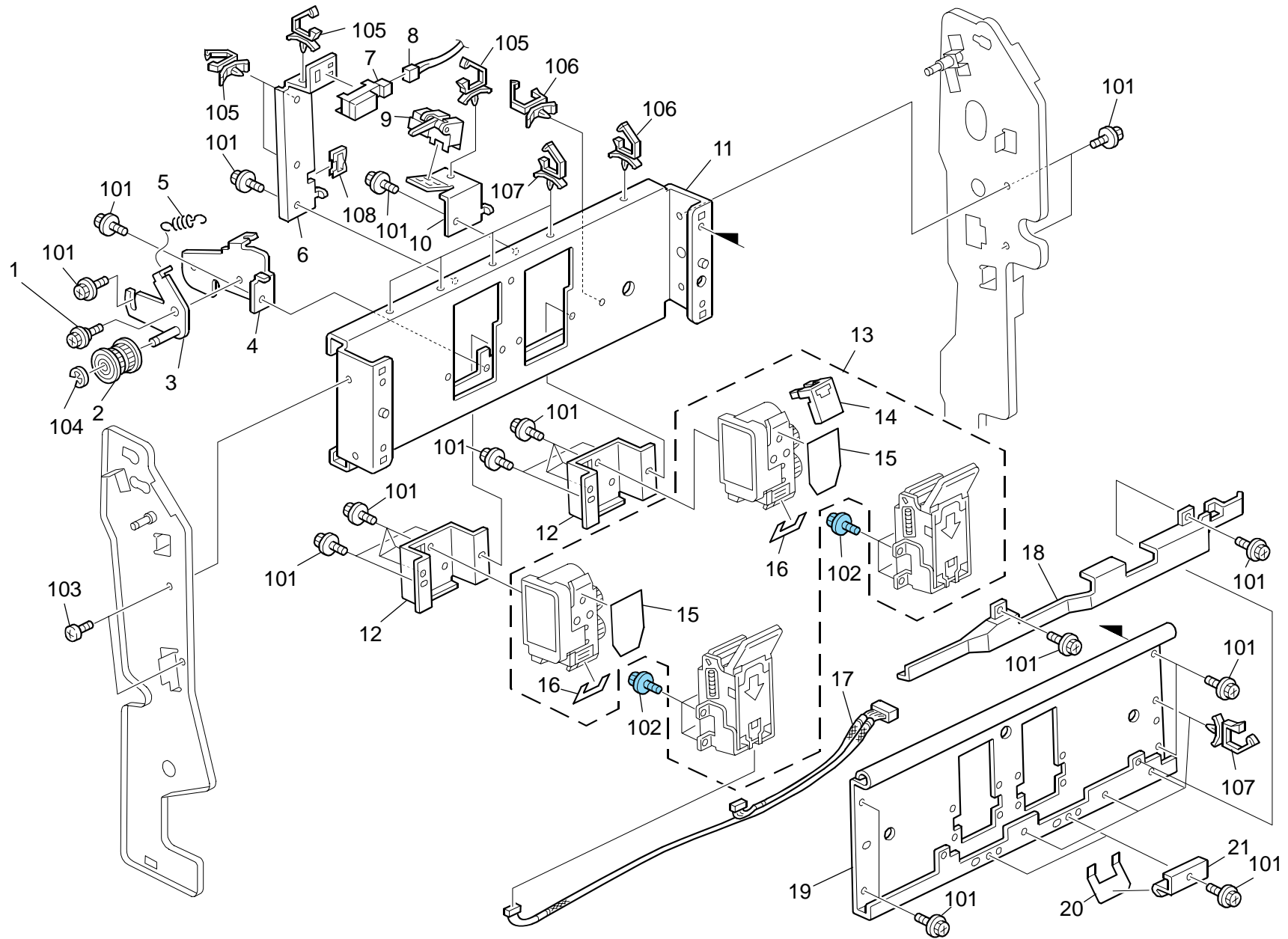


11.Staple Tray 2 (B804)

Index No.	Part No.	Description	Q'ty Per Assembly
1	A697 4170	Pulley - 32T	1
2	B408 4223	Belt Tensioner - Stapler	1
3	AA14 3790	Screw:Contact Point	15
4	B700 1501	Tension Spring - Pressure	6
5	AA08 2104	Bushing - 8x12x7	6
6	5053 0419	Bushing - 10mm	2
7	B700 4258	Shaft:Exit	1
8	AA10 0011	Retaining Ring:Silencer:Mm7	7
9	B700 4260	Collar:Mm40	4
10	B700 4259	Exit Roller:Mm45	2
11	B700 4261	Timing Pulley:55T	1
12	B700 4271	Timing Pulley:55T	1
13	B468 4381	Stopper - Timing Belt	2
14	B700 4200	Shaft:Guide:Jogger Fence	1
15	B700 4213	Timing Belt:1040S2M4-E	1
16	B700 4250	Exit Belt:Ass'y	1
17	B700 4180	Stapler Tray	1
18	B700 4181	Shaft:Idler:Exit	1
19	A666 3180	Timing Pulley - Z32	2
20	B700 4182	Guide:Transport:Stapler Tray	2
21	B700 4201	Jogger Fence:Front:Ass'y	1
22	B700 4204	Jogger Fence:Rear:Ass'y	1
23	B700 5804	Stepper Motor:Dia42:Z17:Ass'y	2
24	B700 4210	Bracket:Motor:Jogger:Ass'y	1
25	B700 4209	Pulley:32T	1
26	B700 4207	Bracket:Sensor:Jogger	1
27	AW02 0141	Photo Interrupter	16

Index No.	Part No.	Description	Q'ty Per Assembly
101	0451 3006N	Tapping Screw - 3x6	
102	0451 3010N	Tapping Screw:3x10	
103	0453 3006N	Tapping Screw - M3x6	
104	0720 0040E	Retaining Ring - M4	
105	0632 0160G	Parallel Pin-m2x16	
106	0720 0060E	Retaining Ring - M6	
107	1105 0623	Clamp - LBWS-0206S-V0	
108	1105 0328	Harness Clamp - ES-0505	

12.Staple Tray 3 (B804)

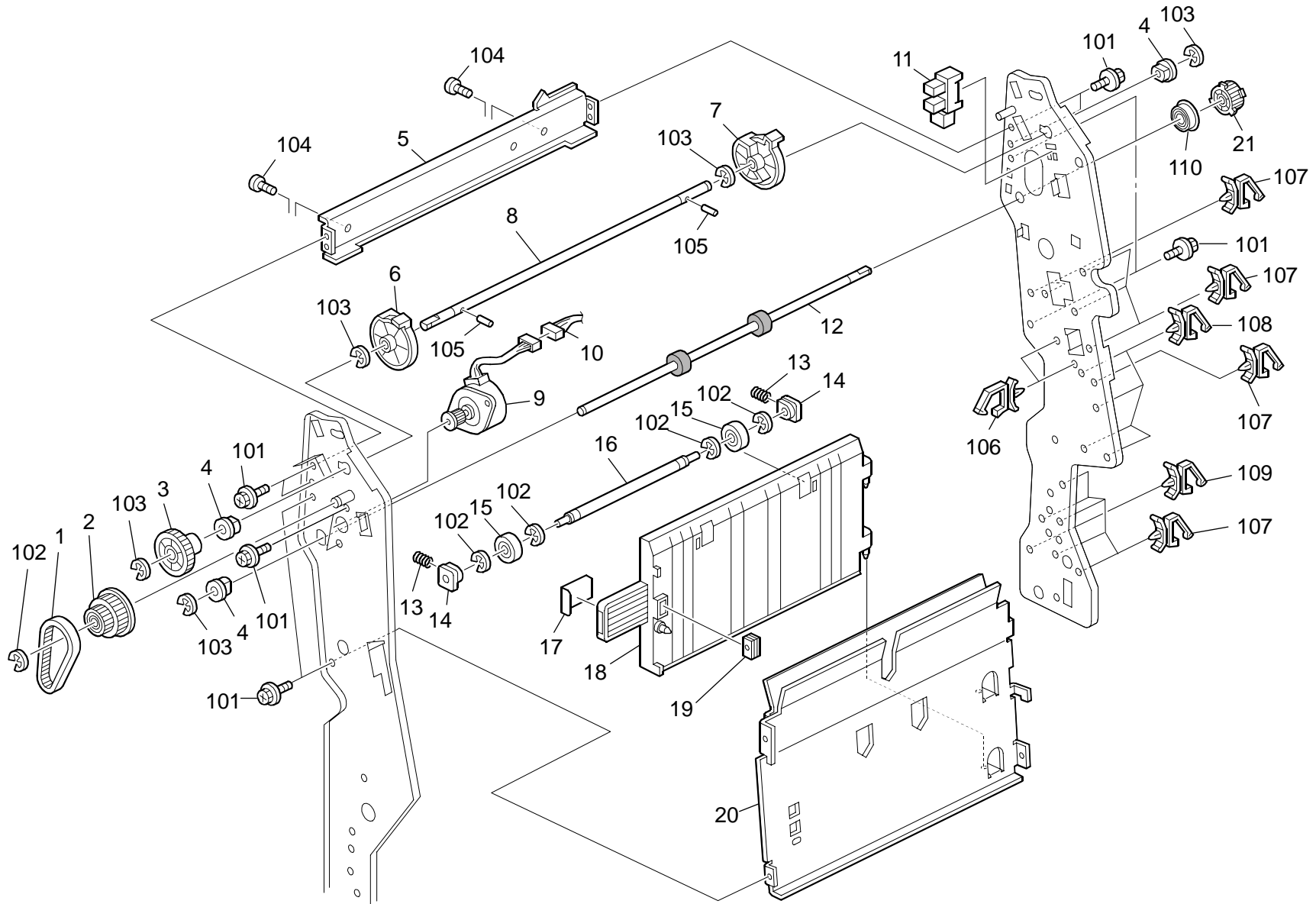


12.Staple Tray 3 (B804)

Index No.	Part No.	Description	Q'ty Per Assembly
1	AA14 3790	Screw:Contact Point	15
2	A666 3180	Timing Pulley - Z32	2
3	B700 4267	Bracket:Tightener:Exit:Ass'y	1
4	B700 4265	Bracket:Tightener:Exit:Fix	1
5	B700 4276	Tension Spring	1
6	B700 4170	Bracket:Positioning Sensor	1
7	GW01 0007	Photo Reflection Sensor:Exit	6
8	B700 5418	Harness:Connecting:Sensor	1
9	AW02 0166	Photo Interrupter: Paper Feed Sensor	1
10	B700 4255	Bracket:Home Position Sensor:Pawl	1
11	B700 4161	Stay:Middle:Stapler Tray	1
12	B700 4351	Bracket:Stapler	2
13	B700 7852	Stapler:Service Parts:Ass'y	
14	B468 6411	Adjusting Pin - Booklet Stapler	1
15	B468 4136	Middle Myler	3
16	B700 4352	Sheet:Guide:Stapler	3
17	B700 5405	Harness:Stapler:Staple Exchange	1
18	B700 4356	Cover:Harness:Stapler	1
19	B700 4353	Stay:Middle:Stapler Tray:Small	1
20	B700 4355	Guide:Stapler:Middle	2
21	B700 4354	Guide:Stapler:Middle	2

Index No.	Part No.	Description	Q'ty Per Assembly
101	0451 3006N	Tapping Screw - 3x6	
102	0454 3006Q	Tapping Screw - M3x6	
103	0453 3006N	Tapping Screw - M3x6	
104	0720 0040E	Retaining Ring - M4	
105	1105 0623	Clamp - LBWS-0206S-V0	
106	1105 0489	Harness Clamp - LWS 1316	
107	1105 0487	Harness Clamp	
108	1105 0328	Harness Clamp - ES-0505	

13. Staple Tray 4 (B804)

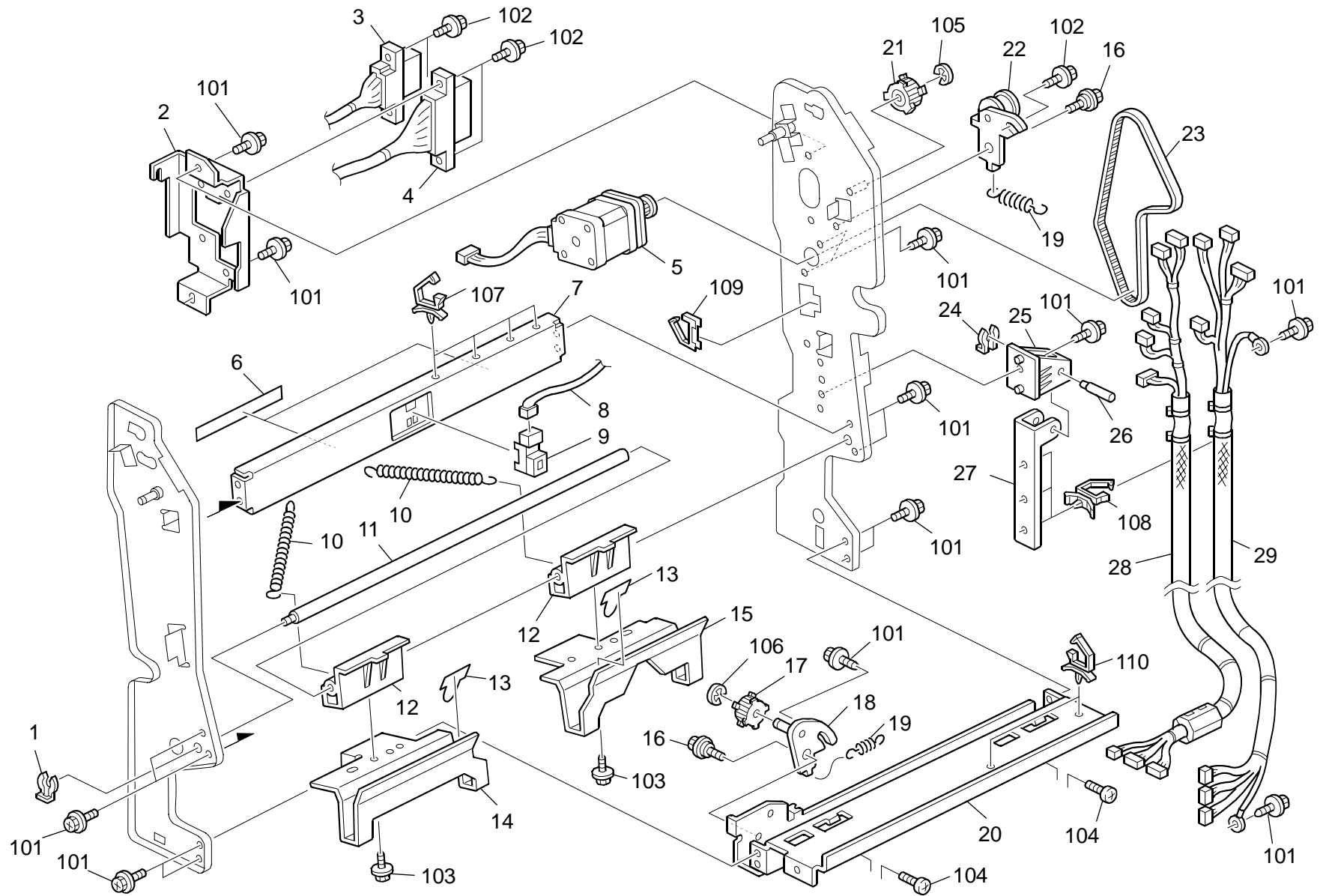


13.Staple Tray 4 (B804)

Index No.	Part No.	Description	Q'ty Per Assembly
1	B700 4428	Timing Belt:B40S2M158	1
2	B700 4429	Gear:Pulley:17Z/48T	1
3	B700 4430	Gear:43Z	1
4	AA08 2104	Bushing - 8x12x7	6
5	B700 4159	Stay:Upper:Slide Rail	1
6	B700 4426	Cam:Guide Plate:Front	1
7	B700 4427	Cam:Guide Plate:Inner Back	1
8	B700 4425	Shaft:Drive:Cam	1
9	B700 5802	Stepper Motor:Pm:S2m:T12:Ass'y	1
10	B700 5414	Harness:Gate:Open And Close:Motor	1
11	AW02 0141	Photo Interrupter	16
12	B700 4457	Transport Roller:Transport Unit	1
13	AA06 3529	Pressure Spring - 14.5mm	8
14	B352 2205	Bushing - Driven Roller	2
15	B478 2328	Exit Roller:Driven	6
16	B700 4455	Shaft:Driven:Transport Unit	1
17	B700 7871	Decal:Transport Unit:R11	1
18	B700 4454	Guide Plate:Transport Unit	1
19	AG07 0514	Magnet Catch	6
20	B804 4450	Guide Plate:Lengthwise	1
21	B700 4272	Timing Pulley:30T	1

Index No.	Part No.	Description	Q'ty Per Assembly
101	0451 3006N	Tapping Screw - 3x6	
102	0720 0040E	Retaining Ring - M4	
103	0720 0060E	Retaining Ring - M6	
104	0453 3006N	Tapping Screw - M3x6	
105	0632 0160G	Parallel Pin-m2x16	
106	1105 0623	Clamp - LBWS-0206S-V0	
107	1105 0487	Harness Clamp	
108	1105 0488	Harness Clamp	
109	1105 0516	Clamp	
110	0805 3537	Ball Bearing:Dia6xdia13x5:Dia14.5	

14.Staple Tray 5 (B804)

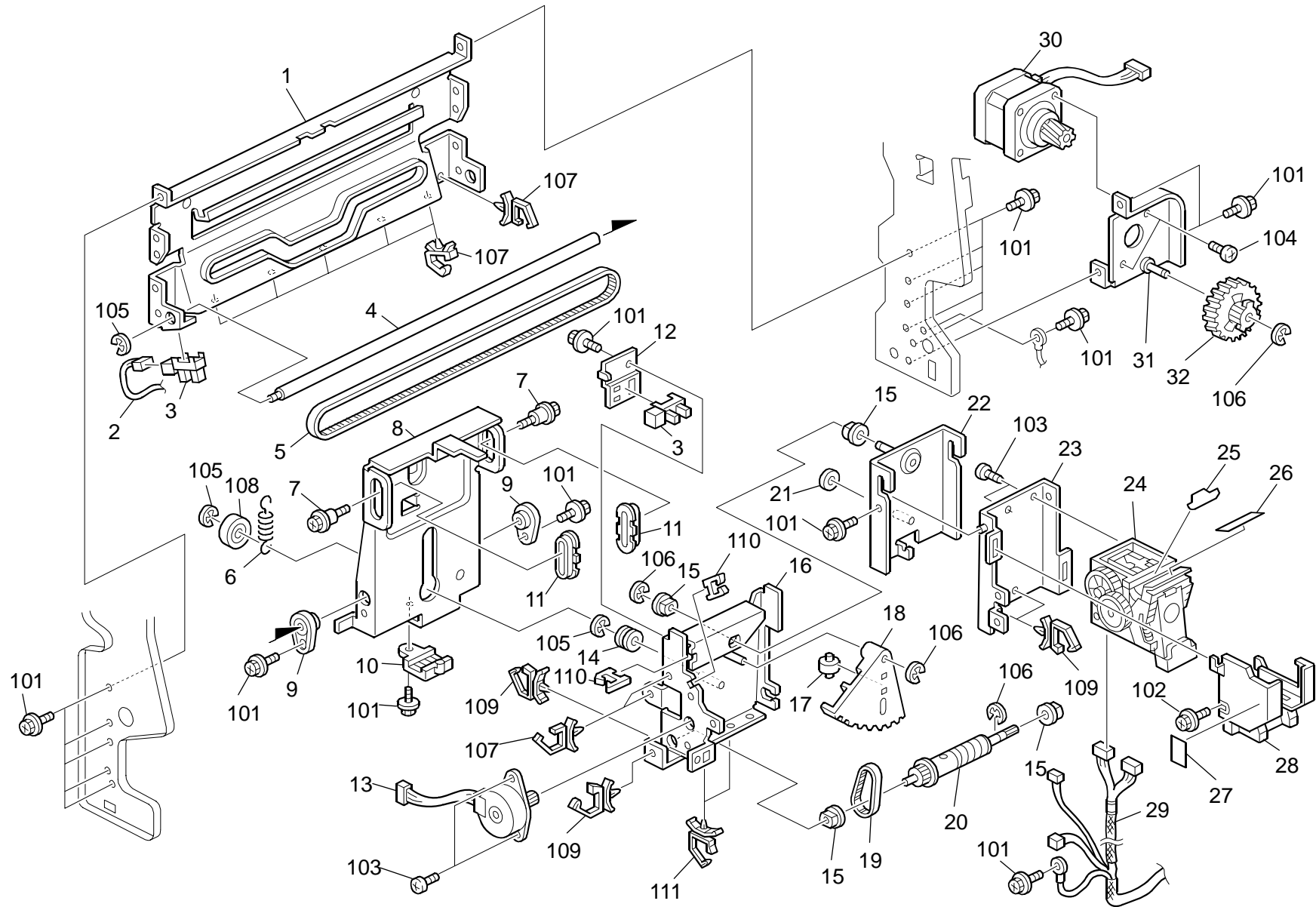


14.Staple Tray 5 (B804)

Index No.	Part No.	Description	Q'ty Per Assembly
1	5447 2681	Snap Ring	9
2	B700 4524	Bracket:Stapler Tray:Moveable	1
3	B700 5341	Harness - Stapler Tray Sensor	1
4	B700 5431	Harness - Staple	1
5	B700 5808	Stepper Motor:Exit:Ass'y	1
6	B700 4168	Sheet:Slider	2
7	B700 4167	Stay:Lower:Positioning Sensor	1
8	B700 5419	Harness:Connecting:Sensor	1
9	GW01 0007	Photo Reflection Sensor:Exit	6
10	B700 4107	Spring:Return:Standard Fence	2
11	B700 4100	Shaft:Slider:Standard Fence	1
12	B700 4103	Slider:Standard Fence	2
13	B700 4104	Guide:Entrance:Stapler:Inner Back	2
14	B700 4102	Standard Fence:Front:Staple	1
15	B700 4106	Standard Fence:Rear:Staple	1
16	AA14 3790	Screw:CONTACT POINT	15
17	AB03 0278	Idler - 20z	1
18	B700 4308	Bracket:Tightener:Stapler:Ass'y	1
19	B700 1501	Tension Spring - Pressure	6
20	B700 4165	Stay:Lower:Slide Rail	1
21	B700 4273	Timing Pulley:30T	1
22	B312 1600	Tightener	4
23	B700 4275	Timing Belt:B40S2M474	1
24	5206 2686	Snap Ring	2
25	B700 4521	Holder:Arm:Harness	1
26	B700 4523	Pin:Fix:Arm	1
27	B700 4522	Arm:Harness:Stapler Unit	1
28	B804 5317	Harness:Connecting:Motor:Stapler Unit	1
29	B700 5413	Harness:Staple:Motor	1

Index No.	Part No.	Description	Q'ty Per Assembly
101	0451 3006N	Tapping Screw - 3x6	
102	0451 3008N	Tapping Screw - M3x8	
103	0450 3008N	Tapping Screw - M3x8	
104	0453 3006N	Tapping Screw - M3x6	
105	0720 0040E	Retaining Ring - M4	
106	0720 0060E	Retaining Ring - M6	
107	1105 0623	Clamp - LBWS-0206S-V0	
108	1105 0488	Harness Clamp	
109	1105 0334	Edge - 17	
110	1105 0487	Harness Clamp	

15.Staple Tray 6 (B804)

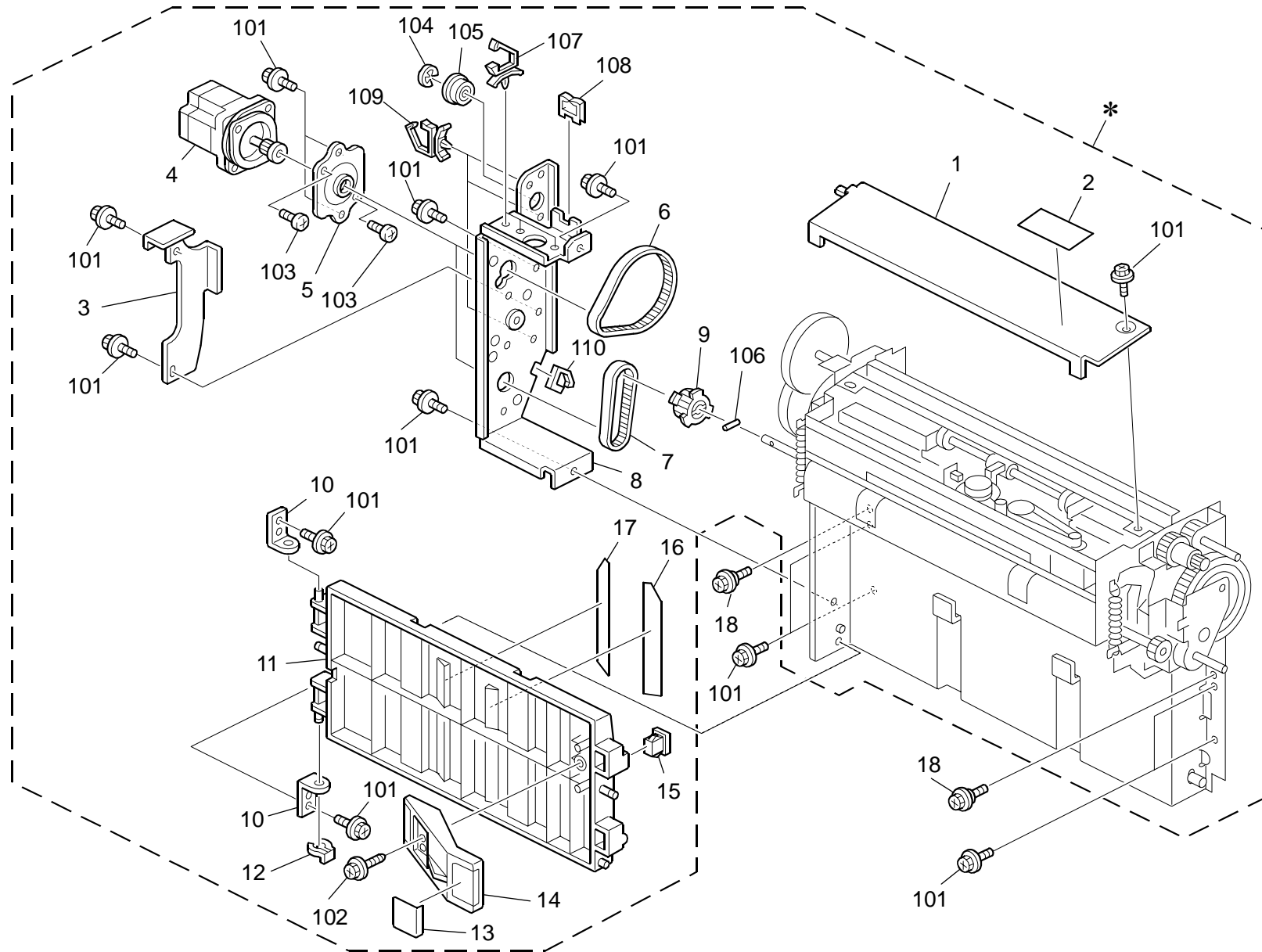


15.Staple Tray 6 (B804)

Index No.	Part No.	Description	Q'ty Per Assembly
1	B700 4163	Stay:Guide:Stapler:Move	1
2	B700 5371	Harness:Connecting:Sensor	1
3	AW02 0141	Photo Interrupter	16
4	B700 4300	Shaft:Guide:Stapler	1
5	B700 4335	Timing Belt:B60S3M954	1
6	B700 4337	Tension Spring	1
7	AA14 3702	Screw:Pin:Positioning	7
8	B700 4329	Bracket:Stapler:Move:Ass'y	1
9	B352 4318	Bushing - Lower Slider	2
10	B302 4292	Belt Holder	1
11	B700 4334	Guide:Slide:Stapler	2
12	B700 4324	Bracket:Sensor:Diagonal,slanted	1
13	B700 5801	Stepper Motor:Ass'y	1
14	B700 4333	Roller:Guide:Slide:Stapler	1
15	AA08 2101	Bushing - 6x10x6	18
16	B700 4320	Bracket:Stapler:Slide:Ass'y	1
17	A376 1343	Original Pressure Roller	1
18	A697 4140	Sector Gear - 144z	1
19	B700 4327	Timing Belt:B40S2M90	1
20	B700 4326	Worm Gear:Pulley:19t	1
21	AA13 2024	Spacer - M6	1
22	B700 4316	Bracket:Stapler:Turn:Ass'y	1
23	B700 4313	Bracket:Fix:Stapler:Ass'y	1
24	AJ01 1015	Stapler:Eh-530	1
25	B700 4312	Guide:Stapler:Entrance:Lower	1
26	B700 4311	Guide:Stapler:Entrance:Upper	1
27	B700 7891	Decal:Stapler:S1	1
28	B700 4336	Inner Cover:Stapler	1
29	B700 5368	Harness:Connecting:Stapler	1
30	B700 5809	Stepper Motor:Stapler:Moveable:Ass'y	1
31	B700 4302	Bracket:Drive:Stapler:Move:Ass'y	1
32	B700 4305	Gear Pulley:52Z/20T	1

Index No.	Part No.	Description	Q'ty Per Assembly
101	0451 3006N	Tapping Screw - 3x6	
102	0451 3008N	Tapping Screw - M3x8	
103	0453 3006N	Tapping Screw - M3x6	
104	0353 0050N	Screw-m3x5	
105	0720 0060E	Retaining Ring - M6	
106	0720 0040E	Retaining Ring - M4	
107	1105 0623	Clamp - LBWS-0206S-V0	
108	0740 3008	Ball Bearing - 8x22x7	
109	1105 0487	Harness Clamp	
110	1105 0328	Harness Clamp - ES-0505	
111	1105 0516	Clamp	

16. Paper fold Section 1 (B804)

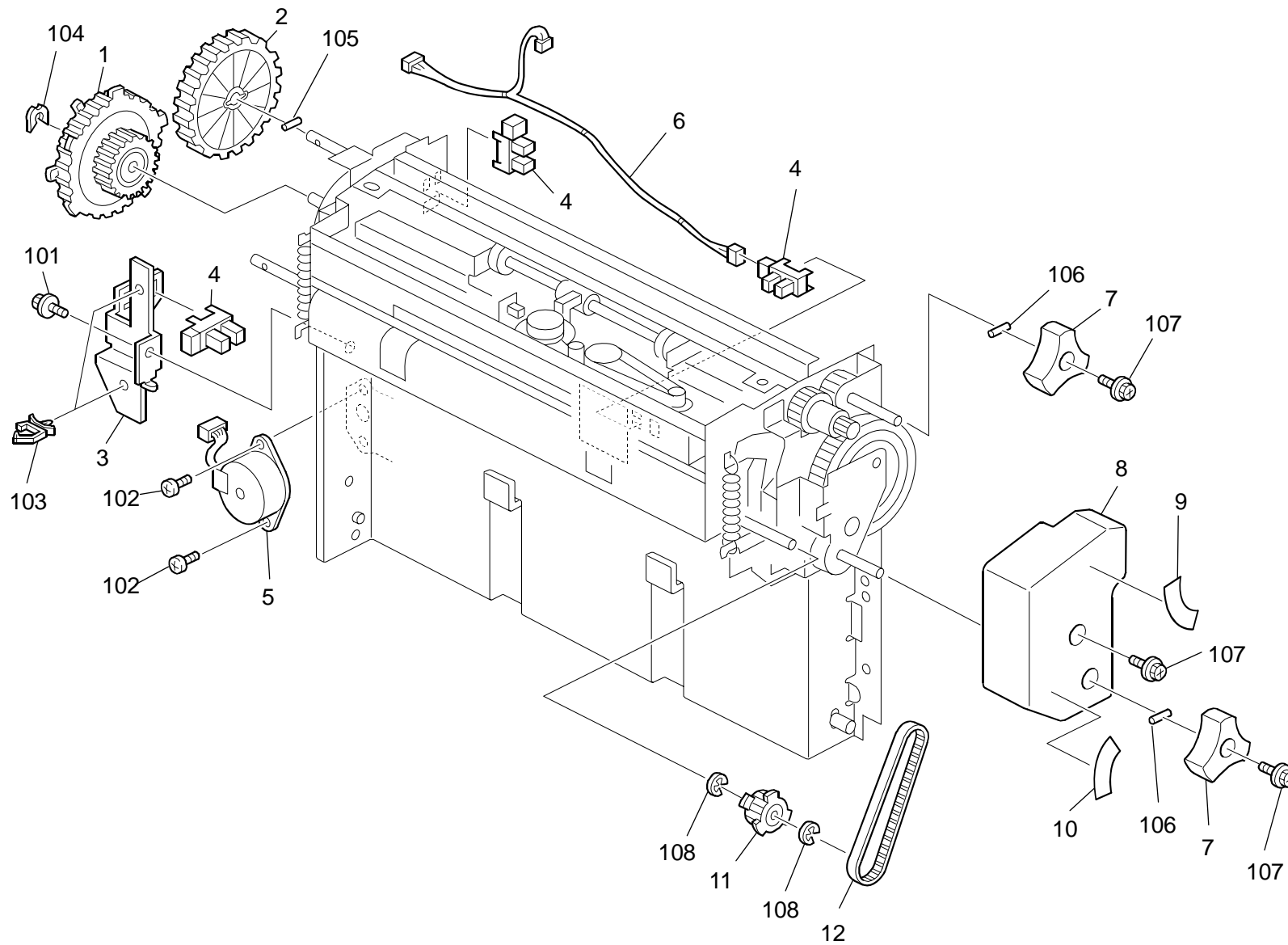


16.Paper fold Section 1 (B804)

Index No.	Part No.	Description	Q'ty Per Assembly
*	B804 4061	Paper Crimp Unit	1
1	B700 4897	Cover:Upper	1
2	B804 7896	Decal:Paper Crimp	1
3	B700 4895	Cover:Drive	1
4	B700 5812	Stepper Motor:Mm56:S3m:T14:Ass'y	2
5	B700 4797	Bracket:Motor:Mm56	2
6	B700 4787	Timing Belt:B80S3M237	1
7	B700 4785	Timing Belt:B80S3M156	1
8	B700 4790	Bracket:Auxiliary:Rear	1
9	B700 4784	Pulley:22T	1
10	B700 4879	Bracket:Contact Point	2
11	B700 4875	Guide Plate:Open And Close:Lower	1
12	5206 2686	Snap Ring	2
13	B700 7872	Decal:Paper Crimp Sub-unit:R12	1
14	B700 4877	Grip:Guide Plate	1
15	B352 2650	Magnet Catch - 5n	1
16	B700 4873	Guide:Open And Close:Front	1
17	B700 4874	Guide:Open And Close:Rear	1
18	AA14 3790	Screw:CONTACT POINT	15

Index No.	Part No.	Description	Q'ty Per Assembly
101	0451 3006N	Tapping Screw - 3x6	
102	0450 3008N	Tapping Screw - M3x8	
103	0453 4006N	Binding Self Tapping Screw:4x6	
104	0720 0060E	Retaining Ring - M6	
105	0742 3808	Ball Bearing - 8x16x5	
106	0633 0140G	Parallel Pin - 3x14	
107	1105 0516	Clamp	
108	1105 0328	Harness Clamp - ES-0505	
109	1105 0487	Harness Clamp	
110	1105 0522	Edge Saddle - Les0510	

17.Paper fold Section 2 (B804)

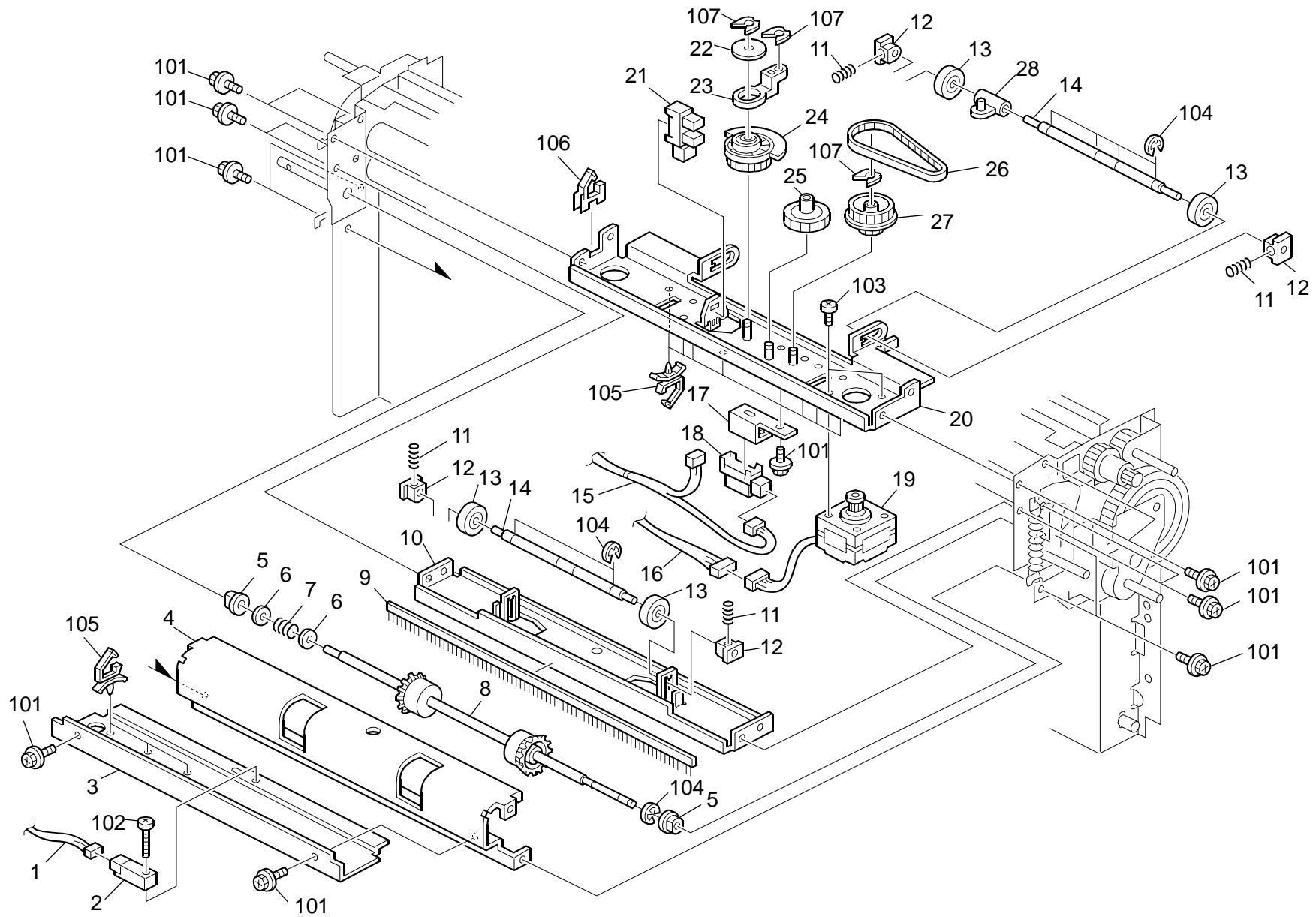


17.Paper fold Section 2 (B804)

Index No.	Part No.	Description	Q'ty Per Assembly
1	B700 4782	Pulley:31T	1
2	B700 4781	Gear:62T	1
3	B700 4770	Bracket:Home Position Sensor:Blade	1
4	AW02 0141	Photo Interrupter	16
5	B700 5804	Stepper Motor:Dia42:Z17:Ass'y	2
6	B700 5411	Harness:Sensor:Plate:End Fence	1
7	B700 4885	Knob:Paper Crimp	2
8	B700 4891	Inner Cover	1
9	B700 7869	Decal:Knob:Roller:R9	1
10	B700 7868	Decal:Knob:Blade:R8	1
11	B700 4718	Pulley:27T	1
12	B700 4720	Timing Belt:B40S2M214	2

Index No.	Part No.	Description	Q'ty Per Assembly
101	0451 3006N	Tapping Screw - 3x6	
102	0453 3006N	Tapping Screw - M3x6	
103	1105 0623	Clamp - LBWS-0206S-V0	
104	0805 0088	Retaining Ring - M6	
105	0633 0140G	Parallel Pin - 3x14	
106	0633 0180G	Parallel Pin - 3x18mm	
107	0451 3008N	Tapping Screw - M3x8	
108	0720 0040E	Retaining Ring - M4	

18.Paper fold Section 3 (B804)

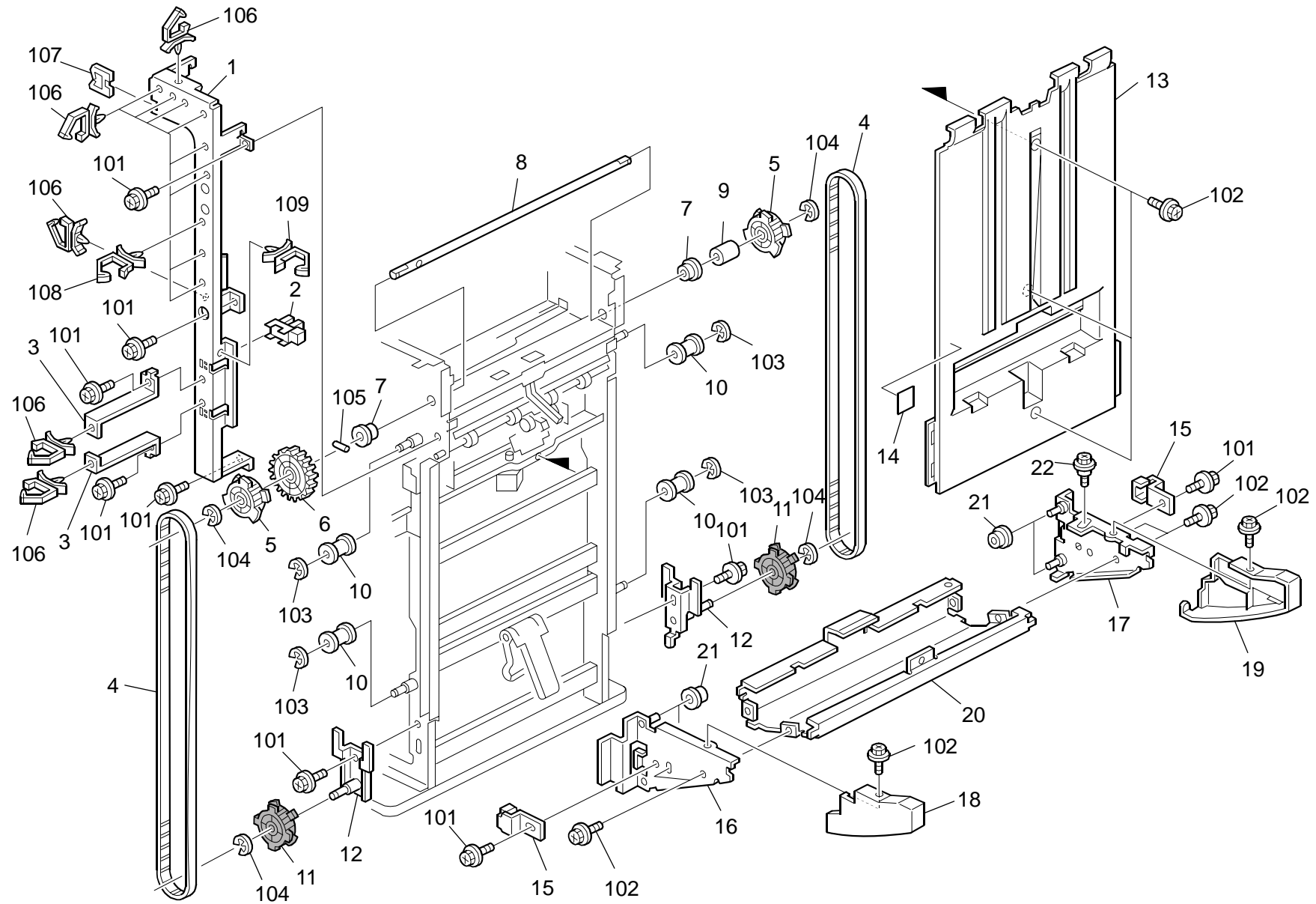


18.Paper fold Section 3 (B804)

Index No.	Part No.	Description	Q'ty Per Assembly
1	B700 5412	Harness:Connecting:Sensor	1
2	AW01 0109	Photo Reflection Sensor:Ps117ed1	2
3	B700 4763	Guide Plate:Roller:Lower	1
4	B700 4745	Guide Plate:Exit:Lower	1
5	AA08 2101	Bushing - 6x10x6	18
6	AA13 2208	Spacer - M6	1
7	B700 4713	Compression Spring	2
8	B700 4715	Exit Roller:Paper Crimp Sub-unit	1
9	B793 4808	Discharge Brush:Exit	1
10	B700 4753	Guide Plate:Exit:Upper	1
11	B700 4757	Compression Spring:Transport Roller	4
12	AA08 0237	Bushing - 4x5x7	4
13	B478 2328	Exit Roller:Driven	6
14	B700 4755	Shaft:Driven	2
15	B700 5410	Harness:Sensor	1
16	B700 5415	Harness:Drive:Swivel:Motor	2
17	B700 4835	Bracket:Paper Feed Sensor	1
18	GW01 0007	Photo Reflection Sensor:Exit	6
19	B700 5810	Stepper Motor:DC24V 2.5W	1
20	B700 4805	Stay:Release:Transport	1
21	AW02 0141	Photo Interrupter	16
22	B700 4829	Spacer:Release:Transport	1
23	B700 4827	Joint:Release:Transport	1
24	B700 4821	Cam:Release:Transport	1
25	B700 4823	Gear:56Z	1
26	B700 4720	Timing Belt:B40S2M214	2
27	B700 4825	Gear:28Z	1
28	B700 4810	Shaft:Driven:Release	1

Index No.	Part No.	Description	Q'ty Per Assembly
101	0451 3006N	Tapping Screw - 3x6	
102	0453 3014N	Binding Self Tapping Screw 3x14	
103	0353 0040N	Screw - M3X4	
104	0720 0040E	Retaining Ring - M4	
105	1105 0623	Clamp - LBWS-0206S-V0	
106	1105 0522	Edge Saddle - Les0510	
107	0805 0089	Retaining Ring - M4	

19.Shift Tray (B804)

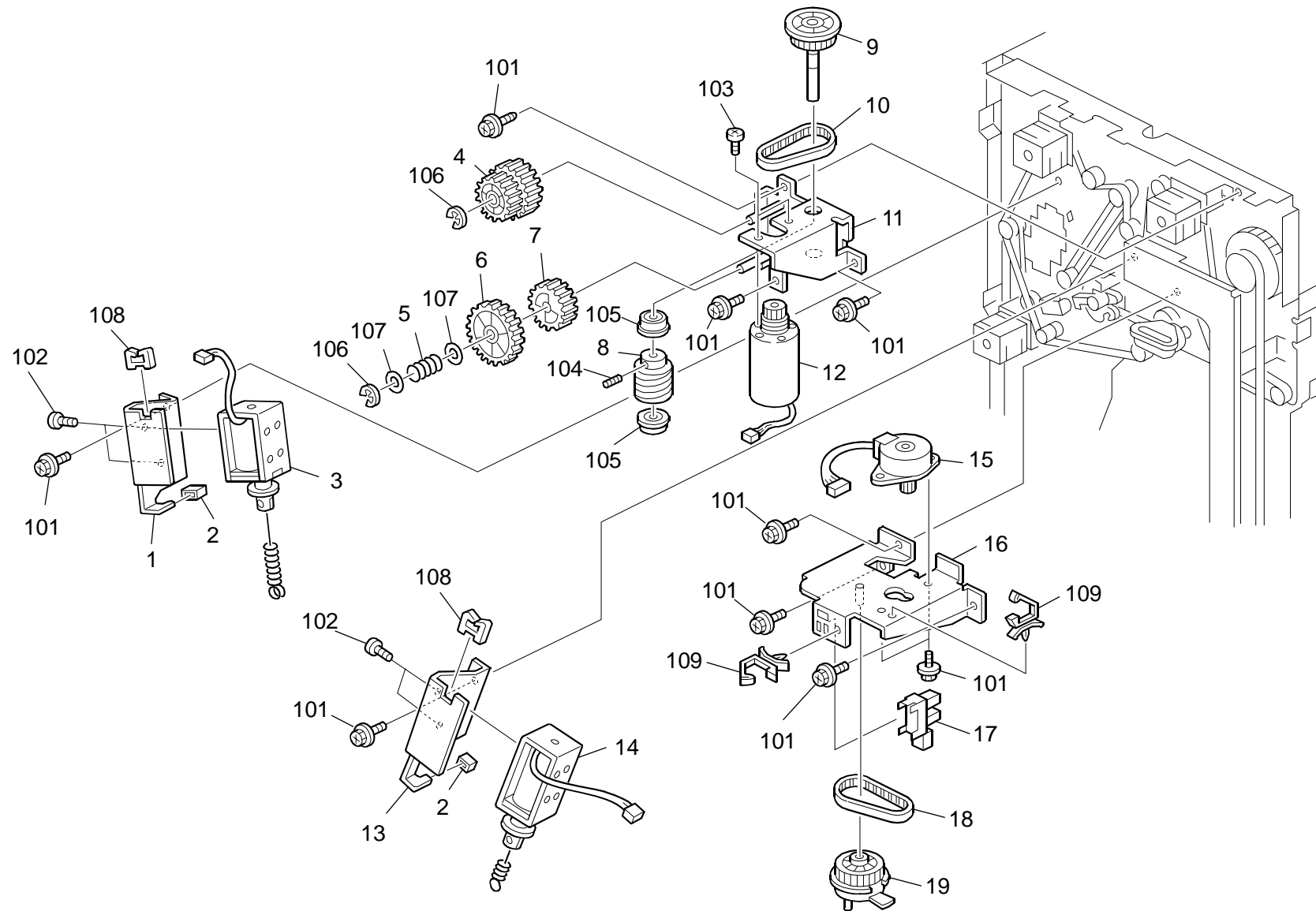


19.Shift Tray (B804)

Index No.	Part No.	Description	Q'ty Per Assembly
1	B700 3325	Bracket:Sensor:Paper Volume Sensor	1
2	AW02 0114	Photo Interrupter - Lower Limit	1
3	B468 5991	Harness Bracket	4
4	B700 3320	Timing Belt:B60S5M1530	2
5	A697 3180	Pulley - 18T	2
6	A697 3170	Gear - 42Z	1
7	C203 5135	Bushing - 10x14x5.9	2
8	A697 3165	Tray Drive Shaft	1
9	A697 3175	Spacer - 10x14x13.5mm	1
10	A548 2139	Pulley	4
11	B700 3315	Timing Pulley:22T	2
12	B700 3310	Tightener:Tray:Drive:Ass'y	2
13	B804 3165	End Fence:Bind:Yes	1
14	B793 7898	Decal:Paper Exit Sub-unit	1
15	A697 3150	Fixing Plate - Timing Belt	2
16	B700 3405	Side Plate:Tray:Inner Back:Ass'y	1
17	B700 3400	Side Plate:Tray:Front:Ass'y	1
18	B804 6165	Cover:Tray:Support:Rear	1
19	B804 6160	Cover:Tray:Support:Front	1
20	B700 3410	Base:Tray	1
21	A379 3316	Shift Guide Roller	4
22	AA14 3702	Screw:Pin:Positioning	7

Index No.	Part No.	Description	Q'ty Per Assembly
101	0451 3006N	Tapping Screw - 3x6	
102	0451 3008N	Tapping Screw - M3x8	
103	0720 0040E	Retaining Ring - M4	
104	0720 0060E	Retaining Ring - M6	
105	0634 0200G	Parallel Pin - 4x20	
106	1105 0488	Harness Clamp	
107	1105 0328	Harness Clamp - ES-0505	
108	1105 0490	Harness Clamp - IWS-2218	
109	1105 0623	Clamp - LBWS-0206S-V0	

20. Drive Section 1 (B804)

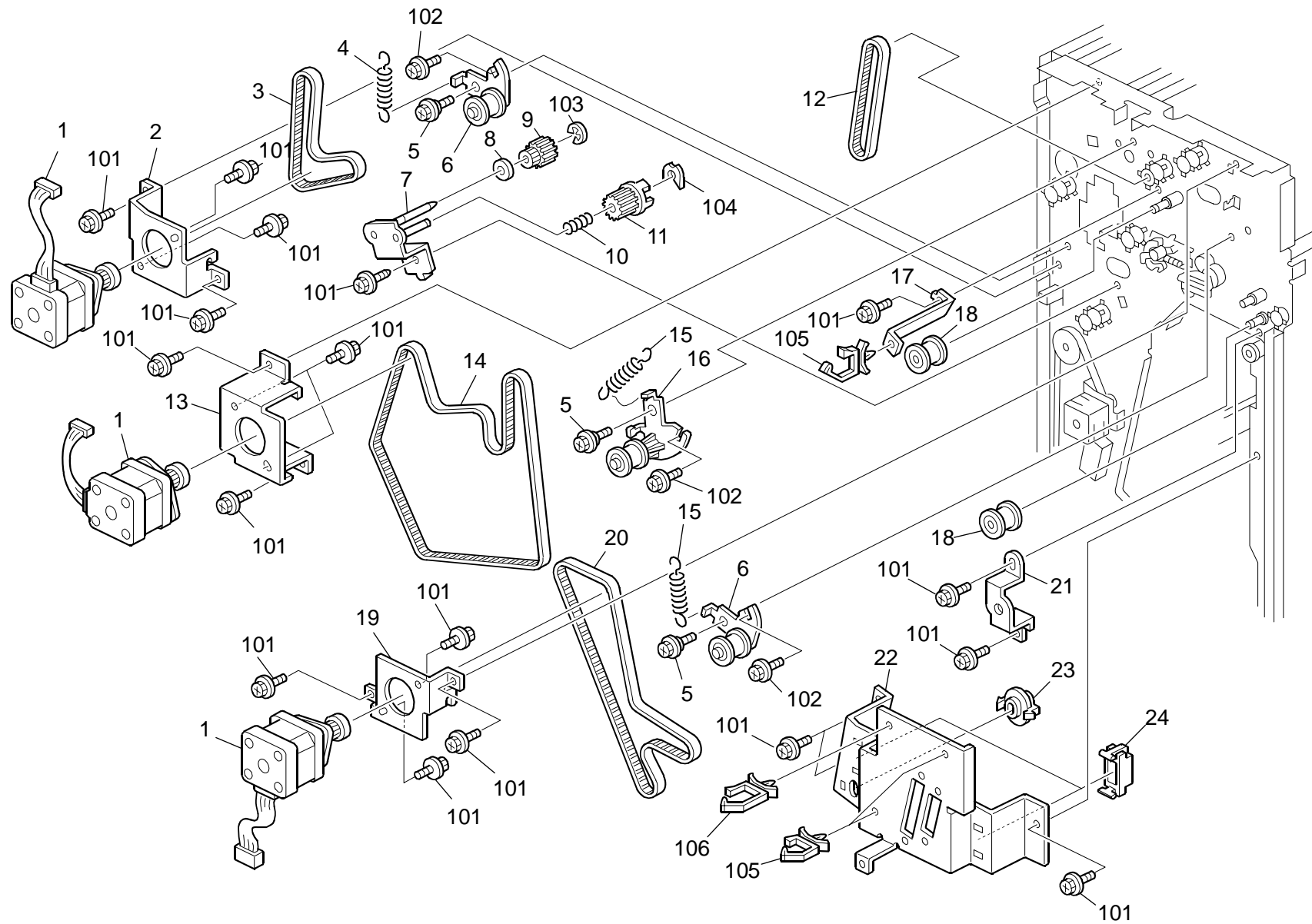


20. Drive Section 1 (B804)

Index No.	Part No.	Description	Q'ty Per Assembly
1	B700 2515	Bracket:Dcsol:Gate Pawl:Staple	1
2	A697 2102	Damper - Junction Gate Solenoid	3
3	B700 2535	DC Solenoid:Gate Pawl:Staple:Ass'y	1
4	A697 3145	Gear - 36Z/18Z	1
5	B700 3322	Compression Spring - 10n	1
6	A697 3140	Gear - 30Z	1
7	A697 3135	Gear - 18Z	1
8	A300 2736	Worm Gear	1
9	A697 3225	Worm Wheel Shaft	1
10	B700 3305	Timing Belt:B40S2M152	1
11	B700 3300	Bracket:Drive:Tray:Ass'y	1
12	AX06 0282	DC Motor:25.1W	1
13	B700 2510	Bracket:Dcsol:Gate Pawl:Proof Tray	1
14	B700 2550	DC Solenoid: Gate Pawl: Ass'y	1
15	B700 5813	Stepper Motor:Pm:S2m:T12:Ass'y	1
16	B700 1675	Bracket: Shift: Drive: Ass'y	1
17	AW02 0141	Photo Interrupter	16
18	B700 1680	Timing Belt:B40S2M142	1
19	B468 2425	Drive Pulley	1

Index No.	Part No.	Description	Q'ty Per Assembly
101	0451 3006N	Tapping Screw - 3x6	
102	0353 0040N	Screw - M3X4	
103	0353 0060N	Bind Screw - M3x6	
104	0574 0040E	Hexagon Headless Set Screw - M4x4	
105	0741 3506	Ball Bearing - 6x12x4 Mm	
106	0720 0060E	Retaining Ring - M6	
107	0807 5056	Washer - 8.1mm	
108	1105 0328	Harness Clamp - ES-0505	
109	1105 0623	Clamp - LBWS-0206S-V0	

21.Drive Section 2 (B804)

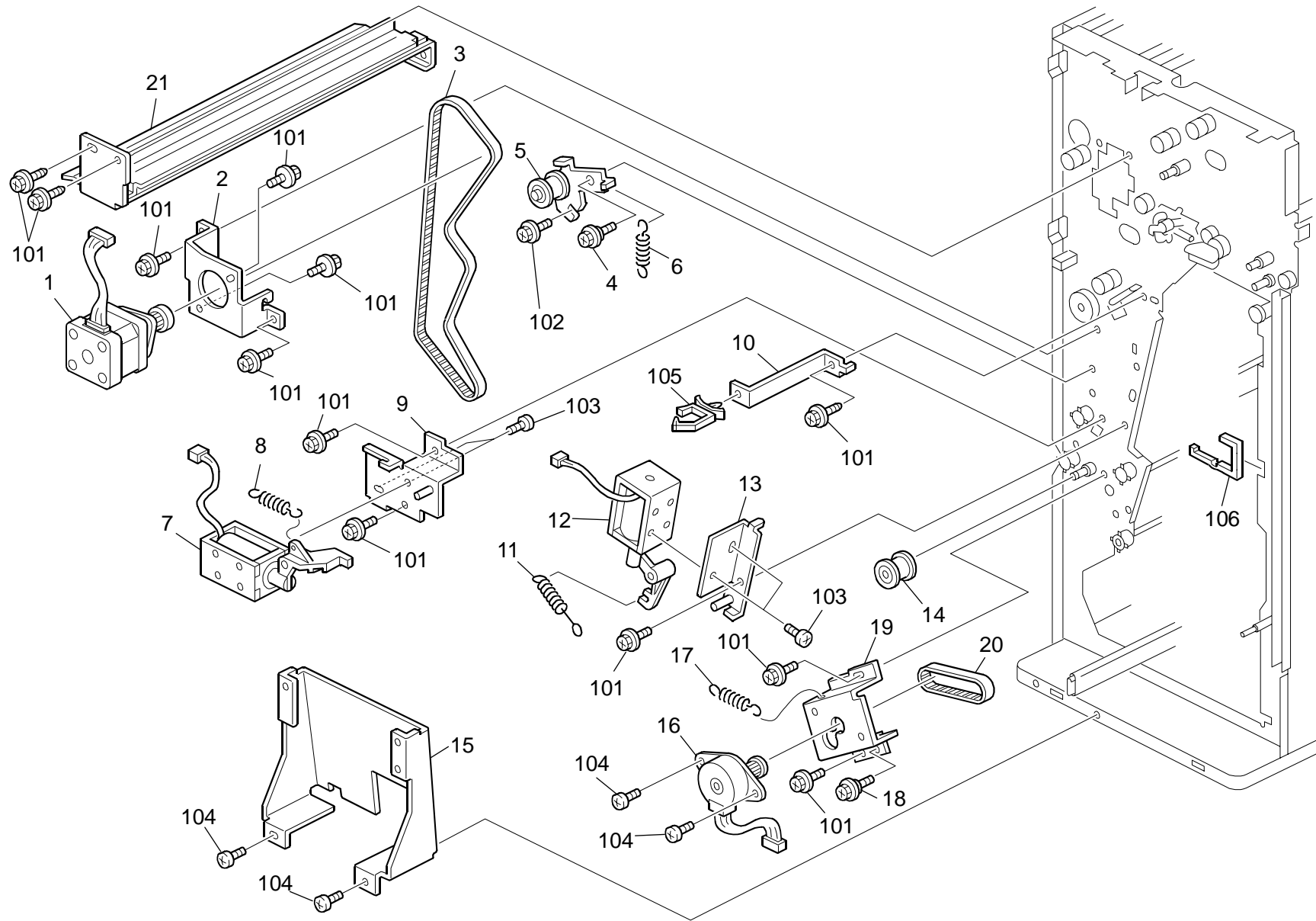


21. Drive Section 2 (B804)

Index No.	Part No.	Description	Q'ty Per Assembly
1	B804 5806	Stepper Motor:Mm42:S3m:T14:Ass'y	4
2	B700 1600	Bracket:Stepper Motor:Transport	2
3	B700 1610	Timing Belt:40S3M384	1
4	B700 1601	Tension Spring	1
5	AA14 3790	Screw:Contact Point	15
6	B312 1600	Tightener	4
7	B700 1620	Bracket:Pulley:Punch:Move:Ass'y	1
8	AA13 2169	Spacer - 5.7x16x1.5	1
9	B700 1625	Gear:Pulley:14Z/14T	1
10	B700 1635	Compression Spring	1
11	B700 1630	Gear:14Z	1
12	B700 1615	Timing Belt:B40S3M303	1
13	B700 1640	Bracket:Stepper Motor:Transport	1
14	B700 1670	Timing Belt:B40S3M927	1
15	B700 1501	Tension Spring - Pressure	6
16	B312 1610	Tightener	1
17	B468 5991	Harness Bracket	4
18	B312 1615	Tension Roller	3
19	B700 3205	Bracket:Stepper Motor:Exit	1
20	B700 3215	Timing Belt:B40S3M648	1
21	B700 3210	Bracket:Support:Stud:Return	1
22	B700 1162	Bracket:Connector:Stapler Tray	1
23	B700 1165	Holder:Coupling:Stapler Unit	2
24	AG07 1012	Magnet Catch:Ass'y	2

Index No.	Part No.	Description	Q'ty Per Assembly
101	0451 3006N	Tapping Screw - 3x6	
102	0451 3008N	Tapping Screw - M3x8	
103	0720 0040E	Retaining Ring - M4	
104	0805 0089	Retaining Ring - M4	
105	1105 0488	Harness Clamp	
106	1105 0490	Harness Clamp - IWS-2218	

22.Drive Section 3 (B804)

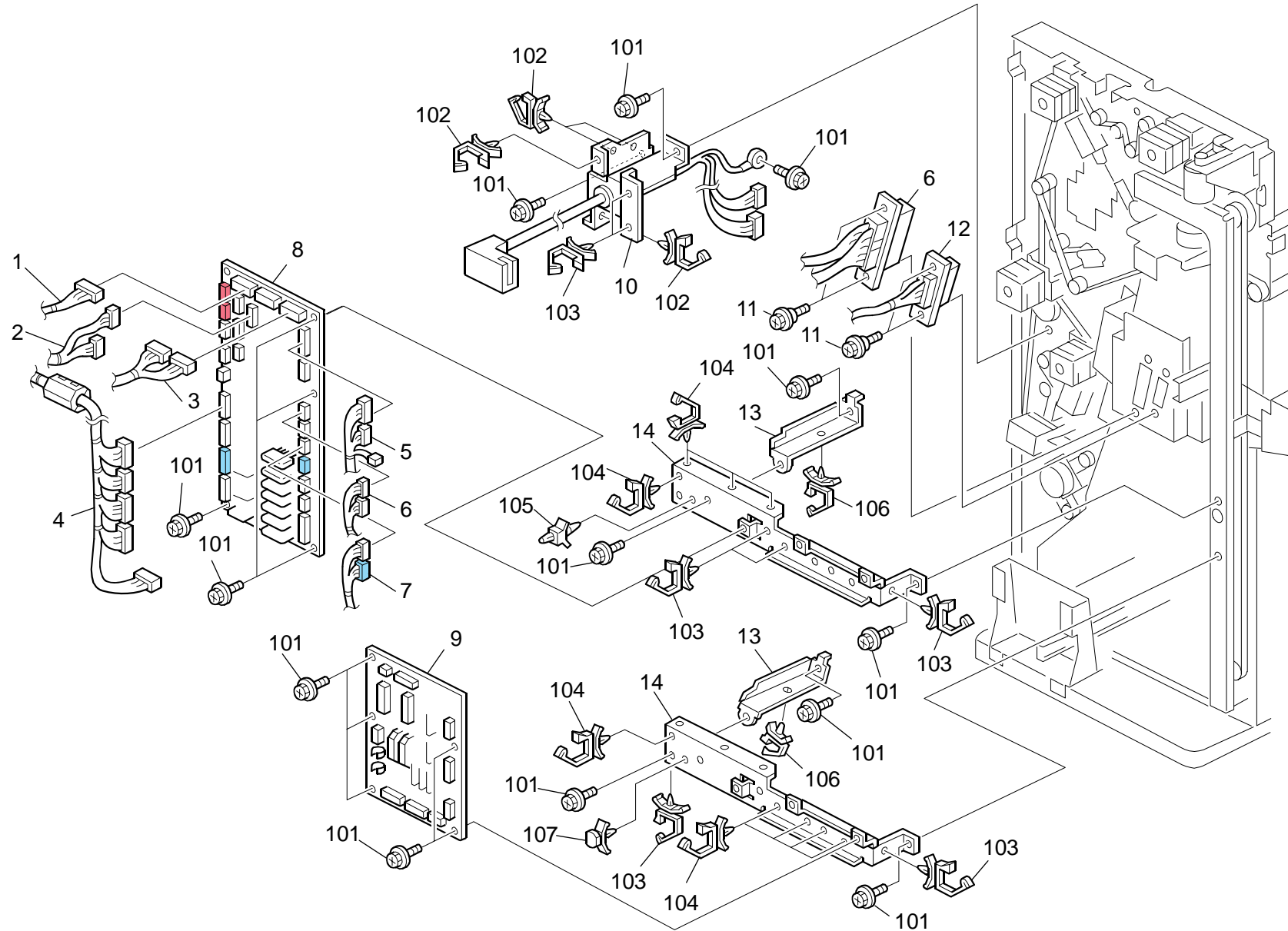


22. Drive Section 3 (B804)

Index No.	Part No.	Description	Q'ty Per Assembly
1	B804 5806	Stepper Motor:Mm42:S3m:T14:Ass'y	4
2	B700 1600	Bracket:Stepper Motor:Transport	2
3	B700 1702	Timing Belt:B40S3M789	1
4	AA14 3790	Screw:Contact Point	15
5	B312 1600	Tightener	4
6	B700 1501	Tension Spring - Pressure	6
7	B700 2655	DC Solenoid:Gathering Roller:Ass'y	1
8	A300 3865	Release Spring	1
9	B700 2651	Bracket:Solenoid:Gathering Roller	1
10	B468 5991	Harness Bracket	4
11	B700 2667	Tension Spring:Solenoid:Plate	1
12	B700 2665	DC Solenoid:Plate:Ass'y	1
13	B700 2661	Bracket:Solenoid:Plate:Ass'y	1
14	B312 1615	Tension Roller	3
15	B700 5957	Bracket:Main Control Board:Lower	1
16	B700 5803	Stepper Motor:Pm:T17:Ass'y	1
17	B700 1803	Tension Spring	1
18	B700 4867	Screw:Contact Point:M3	5
19	B700 1801	Bracket:Stepper Motor	1
20	B700 1802	Timing Belt:B40S2M134	1
21	B804 2235	Guide Plate:Punch:Exhaust	1

Index No.	Part No.	Description	Q'ty Per Assembly
101	0451 3006N	Tapping Screw - 3x6	
102	0451 3008N	Tapping Screw - M3x8	
103	0353 0040N	Screw - M3X4	
104	0453 3006N	Tapping Screw - M3x6	
105	1105 0488	Harness Clamp	
106	1105 0334	Edge - 17	

23.Electrical Section (B804)

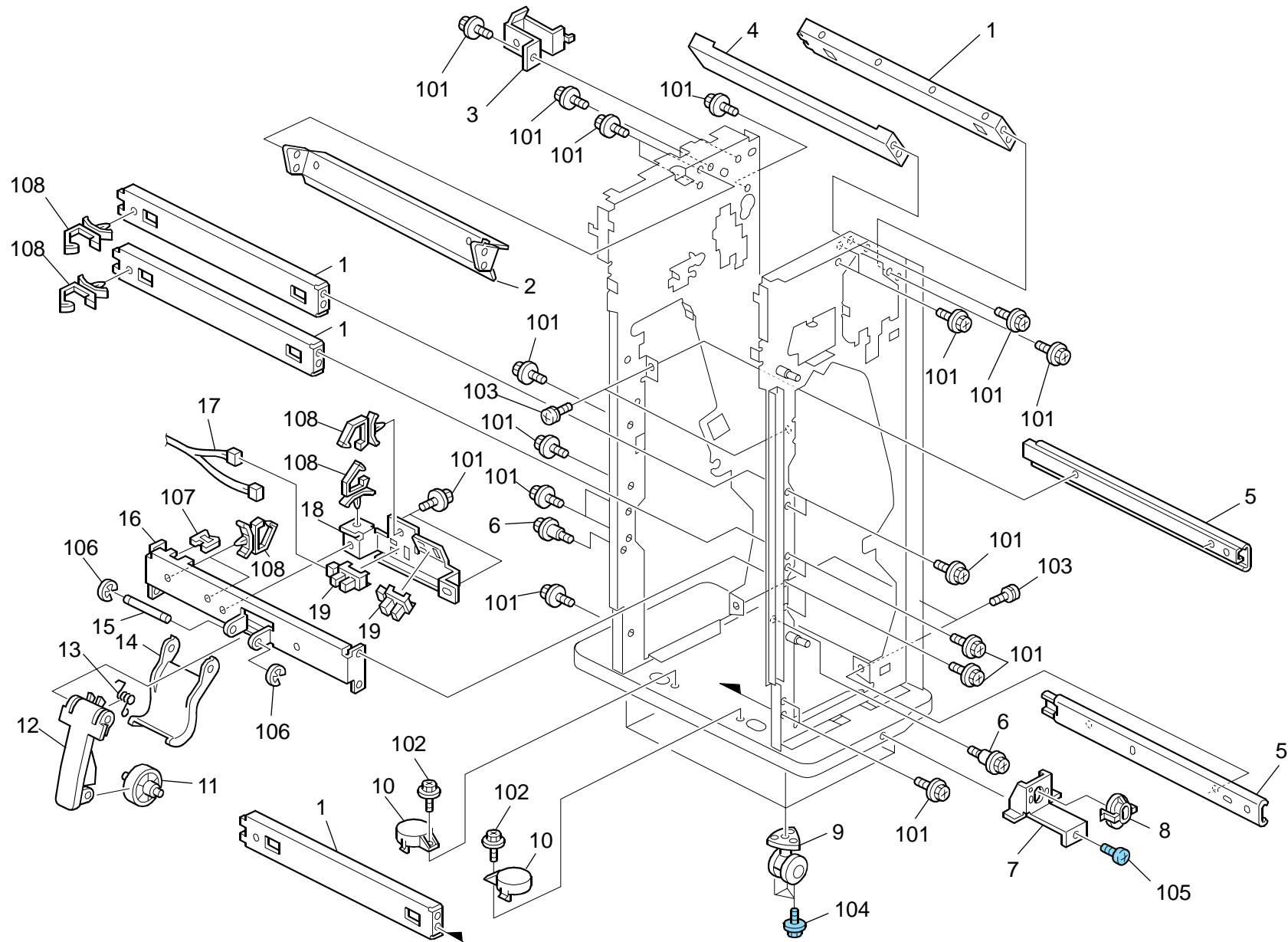


23.Electrical Section (B804)

Index No.	Part No.	Description	Q'ty Per Assembly
1	B700 5302	Harness:Entrance Sensor	1
2	B700 5451	Harness:Punch Unit	1
3	B700 5305	Harness:Exit:Tray	1
4	B700 5310	Harness:Stepper Motor	1
5	B700 5401	Harness:Staple	1
6	B700 5340	Harness - Stapler Tray Unit	1
7	B804 5309	Harness:Exit:Tray	1
8	B804 5502	PCB:Main Control	1
9	B804 5200	PCB:STP:Control	1
10	B700 5350	Harness:Interface:Sub-ass'y	1
11	B700 1163	Screw:Connector	4
12	B700 5430	Harness - Staple	1
13	B700 5956	Bracket:Printed Circuit Board	2
14	B700 5955	Stay:Fix:Main Control Board	2

Index No.	Part No.	Description	Q'ty Per Assembly
101	0451 3006N	Tapping Screw - 3x6	
102	1105 0516	Clamp	
103	1105 0487	Harness Clamp	
104	1105 0488	Harness Clamp	
105	1105 0192	Locking Support	
106	1105 0623	Clamp - LBWS-0206S-V0	
107	1105 0367	Spacer	

24.Frame Section (B804)

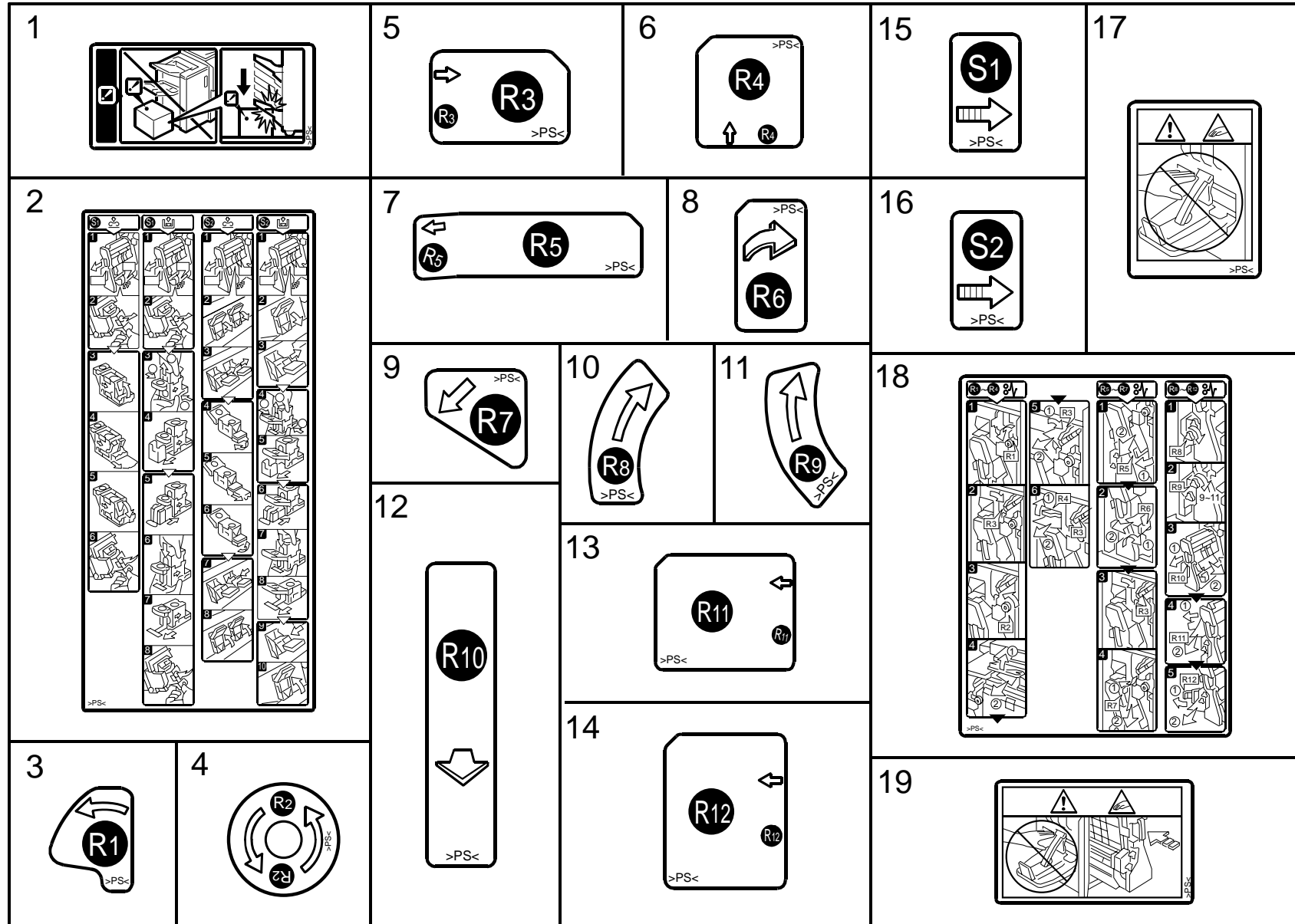


24.Frame Section (B804)

Index No.	Part No.	Description	Q'ty Per Assembly
1	B700 3163	Stay:Coupling	4
2	B804 2321	Guide Plate:Proof Tray	1
3	B804 6132	Bracket:Cover:Upper	1
4	B804 1152	Stay:Coupling	1
5	B700 1161	Slide Rail:Stapler Unit:508mm	2
6	AA14 3702	Screw:Pin:Positioning	7
7	B700 1166	Bracket:Stopper:Stapler Unit	1
8	B700 1165	Holder:Coupling:Stapler Unit	2
9	AH01 2030	Caster:Dia50:400n	4
10	B804 1117	Cap - Base	2
11	B700 3730	Roller:Plate:Paper Exit Sub-unit	1
12	B804 3720	Arm:Paper Senser:Paper Exit Sub-unit	1
13	B700 3740	Spring:Arm:16mn.m	1
14	B700 3725	Arm:Plate:Paper Exit Sub-unit	1
15	B700 3715	Shaft:Arm:Paper Exit Sub-unit	1
16	B700 3705	Guide Plate:Paper Exit Sub-unit	1
17	B700 5407	Harness:Paper Exit Sub-unit	1
18	B700 3710	Bracket:Surface Of Paper Sensor	1
19	AW02 0141	Photo Interrupter	16

Index No.	Part No.	Description	Q'ty Per Assembly
101	0451 3006N	Tapping Screw - 3x6	
102	0451 3008N	Tapping Screw - M3x8	
103	0950 3005N	Screw:Spring Washer:M3X5	
104	0454 4008Q	Tapping Screw - M4x8	
105	0802 5305	Tapping Screw - M3x6	
106	0720 0040E	Retaining Ring - M4	
107	1105 0328	Harness Clamp - ES-0505	
108	1105 0623	Clamp - LBWS-0206S-V0	

25. Decals and Documents (B804)



25.Decals and Documents (B804)

Index No.	Part No.	Description	Q'ty Per Assembly
1	B468 7812	Caution Decal - Tray Fall	1
2	B700 7851	Decal:Staple Exchange	1
3	B700 7861	Decal:Knob:Entrance:R1	1
4	B700 7862	Decal:Knob:Entrance:R2	1
5	B700 7863	Decal:Proof Tray:R3	1
6	B700 7864	Decal:Shift:R4	1
7	B700 7865	Decal:Vertical Transport:R5	1
8	B700 7866	Decal:Exit:R6	1
9	B700 7867	Decal:Turn:Open And Close:R7	1
10	B700 7868	Decal:Knob:Blade:R8	1
11	B700 7869	Decal:Knob:Roller:R9	1
12	B700 7870	Decal:Stapler Tray:R10	1
13	B700 7871	Decal:Transport Unit:R11	1
14	B700 7872	Decal:Paper Crimp Sub-unit:R12	1
15	B700 7891	Decal:Stapler:S1	1
16	B700 7892	Decal:Stapler:S2	1
17	B793 7898	Decal:Paper Exit Sub-unit	1
18	B804 7850	Decal:Misfeed Removal:Bind:Yes	1
19	B804 7896	Decal:Paper Crimp	1

Index No.	Part No.	Description	Q'ty Per Assembly

**BOOKLET FINISHER SR3020
B804
PARTS INDEX**

This section instructs you as to the numbers and names of parts on this machine

Parts Index

Part No.	Description	Page and Index No.
B804 1117	Cap - Base	49 - 10
B804 1152	Stay: Coupling	49 - 4
B804 1164	Bracket: Ground Plate: Coupling	3 - 21
B804 1180	Discharge Brush: Punch Unit	9 - 23
B804 1182	Discharge Brush: Punch: Transport	9 - 25
B804 2037	Guide Plate: Horizontal: Lower	9 - 11
B804 2100	Guide Plate :Connecting: Upper	5 - 26
B804 2105	Guide Plate: Connecting: Lower	5 - 25
B804 2110	Guide Plate: Entrance: Lower	5 - 19
B804 2120	Guide Plate: Entrance: Upper	5 - 8
B804 2205	Guide Plate: Upper	5 - 4
B804 2210	Guide Plate: Transport: Entrance:U pper	5 - 5
B804 2235	Guide Plate:Punch:Exhaust	45 - 21
B804 2245	Guide Plate:Horizontal:Shift	9 - 9
B804 2321	Guide Plate:Proof Tray	49 - 2
B804 2474	Discharge Brush:Exit	19 - 24
B804 2477	Discharge Brush:Exit:Middle	19 - 25
B804 2625	Roller:Mm28	19 - 3
B804 2721	Guide: Trailing Edge	19 - 30
B804 3161	Guide Plate:Exit:Lower	15 - 35
B804 3165	End Fence:Bind:Yes	39 - 13
B804 3417	Tray	3 - 14
B804 3720	Arm:Paper Senser:Paper Exit Sub-unit	49 - 12
B804 3852	Tray:Paper Crimp Unit:Small	3 - 15
B804 3853	Tray:Paper Crimp Sub-unit	3 - 16
B804 4061	Paper Crimp Unit	33 - *
B804 4405	Guide:Leading Edge:Middle	13 - 27
B804 4450	Guide Plate:Lengthwise	27 - 20
B804 5200	PCB:STP:Control	47 - 9
B804 5309	Harness:Exit:Tray	47 - 7
B804 5317	Harness:Connecting:Motor:Stapler Unit	29 - 28
B804 5502	PCB:Main Control	47 - 8
B804 5806	Stepper Motor:Mm42:S3m:T14:Ass'y	43 - 1
B804 5806	Stepper Motor:Mm42:S3m:T14:Ass'y	45 - 1
B804 6115	Cover:Front	3 - 13

Part No.	Description	Page and Index No.
B804 6132	Bracket: Cover: Upper	49 - 3
B804 6135	Cover: Upper	3 - 6
B804 6145	Cover: Left :Front	3 - 7
B804 6150	Cover :Left Upper	3 - 3
B804 6155	Cover: Jogger	3 - 2
B804 6160	Cover: Tray:Support:Front	39 - 19
B804 6165	Cover: Tray:Support:Rear	39 - 18
B804 6175	Cover:Rear	3 - 1
B804 7850	Decal: Misfeed Removal: Bind: Yes	3 - 10
B804 7850	Decal: Misfeed Removal: Bind: Yes	51 - 18
B804 7896	Decal :Paper Crimp	33 - 2
B804 7896	Decal: Paper Crimp	51 - 19

Part No.	Description	Page and Index No.
A300 2736	Worm Gear	41 - 8
A300 3865	Release Spring	45 - 8
A353 2243	Lever Knob	11 - 4
A353 3172	Actuator Bracket	13 - 8
A353 3173	Pressure Spring	13 - 9
A376 1343	Original Pressure Roller	31 - 17
A379 3316	Shift Guide Roller	39 - 21
A458 2251	Cushion - Bin Solenoid Lever	19 - 20
A458 2251	Cushion - Bin Solenoid Lever	11 - 12
A458 2251	Cushion - Bin Solenoid Lever	9 - 16
A498 4625	Arm Cushion	19 - 2
A548 2139	Pulley	39 - 10
A612 2435	Support Plate	17 - 3
A666 3180	Timing Pulley - Z32	23 - 19
A666 3180	Timing Pulley - Z32	25 - 2
A666 4270	Roller:Driven:Entrance	5 - 3
A680 4223	Cushion	19 - 18
A681 2742	Driven Exit Roller	13 - 3
A697 1128	Joint Lever	11 - 18
A697 1606	Spacer - 6x12x2.7mm	5 - 16
A697 1606	Spacer - 6x12x2.7mm	7 - 22
A697 2102	Damper - Junction Gate Solenoid	41 - 2
A697 2102	Damper - Junction Gate Solenoid	19 - 35
A697 2187	Pressure Spring - 14.1mm	7 - 9
A697 3135	Gear - 18Z	41 - 7
A697 3140	Gear - 30Z	41 - 6
A697 3145	Gear - 36Z/18Z	41 - 4
A697 3150	Fixing Plate - Timing Belt	39 - 15
A697 3165	Tray Drive Shaft	39 - 8
A697 3170	Gear - 42Z	39 - 6
A697 3175	Spacer - 10x14x13.5mm	39 - 9
A697 3180	Pulley - 18T	39 - 5
A697 3225	Worm Wheel Shaft	41 - 9
A697 4140	Sector Gear - 144z	31 - 18
A697 4170	Pulley - 32T	23 - 1

Part No.	Description	Page and Index No.
B302 1145	Actuator - Paper Height Sensor	13 - 10
B302 2216	Exit Guide - Upper Exit Guide	7 - 11
B302 4292	Belt Holder	31 - 10
B312 1600	Tightener	29 - 22
B312 1600	Tightener	43 - 6
B312 1600	Tightener	45 - 5
B312 1610	Tightener	43 - 16
B312 1615	Tension Roller	43 - 18
B312 1615	Tension Roller	45 - 14
B352 1600	Timing Pulley - S2M T24	19 - 8
B352 1607	Timing Pulley - T20-S3M	17 - 15
B352 1607	Timing Pulley - T20-S3M	11 - 19
B352 1607	Timing Pulley - T20-S3M	15 - 1
B352 2205	Bushing - Driven Roller	27 - 14
B352 2400	Exit Roller	15 - 34
B352 2405	Outer Exit Roller	15 - 33
B352 2650	Magnet Catch - 5n	33 - 15
B352 4318	Bushing - Lower Slider	31 - 9
B408 1428	Ground Plate: Coupling	3 - 20
B408 2113	Guide - Trailing Edge	19 - 19
B408 2173	Slide Roller	9 - 7
B408 2174	Spring	9 - 6
B408 2175	Bushing - Roller Slide	9 - 4
B408 2281	Knob - Transfer Roller	5 - 11
B408 2312	Bushing - Roller Slide	9 - 3
B408 2422	Pulley - T16	19 - 10
B408 2435	Gathering Roller:Ass'y	19 - 9
B408 2833	Shaft - Worm Wheel	13 - 19
B408 4223	Belt Tensioner - Stapler	23 - 2
B468 2425	Drive Pulley	41 - 19
B468 2832	Driven Exit Roller	19 - 26
B468 4136	Middle Myler	25 - 15
B468 4381	Stopper - Timing Belt	23 - 13
B468 5991	Harness Bracket	45 - 10
B468 5991	Harness Bracket	43 - 17

Part No.	Description	Page and Index No.
B468 5991	Harness Bracket	39 - 3
B468 6411	Adjusting Pin - Booklet Stapler	25 - 14
B468 6511	Spacer Cushion - 20mm	3 - 17
B468 7812	Caution Decal - Tray Fall	3 - 5
B468 7812	Caution Decal - Tray Fall	51 - 1
B477 2333	Motor Bracket Cushion	19 - 17
B478 2328	Exit Roller:Driven	37 - 13
B478 2328	Exit Roller:Driven	27 - 15
B478 3501	Pulley:Drive:Roller:Sponge	15 - 10
B478 3502	Pulley:Driven:Roller:Sponge	15 - 12
B478 3503	Gathering Roller:Sponge	15 - 13
B478 3504	Timing Belt:B40S2M100	15 - 9
B478 3506	Lever:Drive:Gathering Roller:Front	15 - 8
B478 3507	Lever:Drive:Gathering Roller:Back	15 - 7
B478 3569	Spacer	15 - 25
B478 3569	Spacer	9 - 32
B700 1151	Stay:Coupling	11 - 17
B700 1161	Slide Rail:Stapler Unit:508mm	49 - 5
B700 1162	Bracket:Connector:Stapler Tray	43 - 22
B700 1163	Screw:Connector	47 - 11
B700 1165	Holder:Coupling:Stapler Unit	49 - 8
B700 1165	Holder:Coupling:Stapler Unit	43 - 23
B700 1166	Bracket:Stopper:Stapler Unit	49 - 7
B700 1170	Stay:Punch Unit:Slide:Ass'y	9 - 33
B700 1183	Sheet:Guide:Punch	9 - 24
B700 1185	Ground Plate:Toner Hopper:Punch	11 - 2
B700 1191	Bracket:Coupling:Ass'y	3 - 18
B700 1198	Coupling Bracket - Front	3 - 19
B700 1501	Tension Spring - Pressure	29 - 19
B700 1501	Tension Spring - Pressure	45 - 6
B700 1501	Tension Spring - Pressure	43 - 15
B700 1501	Tension Spring - Pressure	23 - 4
B700 1600	Bracket:Stepper Motor:Transport	45 - 2
B700 1600	Bracket:Stepper Motor:Transport	43 - 2
B700 1601	Tension Spring	43 - 4

Part No.	Description	Page and Index No.
B700 1605	Timing Pulley:26T	7 - 24
B700 1605	Timing Pulley:26T	5 - 18
B700 1610	Timing Belt:40S3M384	43 - 3
B700 1615	Timing Belt:B40S3M303	43 - 12
B700 1620	Bracket:Pulley:Punch:Move:Ass'y	43 - 7
B700 1625	Gear:Pulley:14Z/14T	43 - 9
B700 1630	Gear:14Z	43 - 11
B700 1635	Compression Spring	43 - 10
B700 1640	Bracket:Stepper Motor:Transport	43 - 13
B700 1645	Timing Pulley:20T	7 - 25
B700 1645	Timing Pulley:20T	11 - 20
B700 1650	Gear:30Z	9 - 31
B700 1660	Bracket:Gear:Middle:Ass'y	9 - 26
B700 1665	Gear:25Z	9 - 30
B700 1670	Timing Belt:B40S3M927	43 - 14
B700 1675	Bracket:Shift:Drive:Ass'y	41 - 16
B700 1680	Timing Belt:B40S2M142	41 - 18
B700 1701	Timing Pulley:40T	11 - 21
B700 1702	Timing Belt:B40S3M789	45 - 3
B700 1801	Bracket:Stepper Motor	45 - 19
B700 1802	Timing Belt:B40S2M134	45 - 20
B700 1803	Tension Spring	45 - 17
B700 2119	Compression Spring:Entrance:Driven	5 - 20
B700 2125	Knob:Guide Plate:Entrance	5 - 7
B700 2126	Sheet:Entrance	5 - 9
B700 2130	Transport Roller:Entrance:Upper	5 - 15
B700 2135	Bushing:Transport Roller:Front	5 - 12
B700 2140	Bushing:Transport Roller:Rear	5 - 13
B700 2145	Bracket:Entrance Sensor	5 - 23
B700 2200	Tension Spring:Guide Plate:Move	5 - 1
B700 2215	Guide Plate:Upper:Move	5 - 2
B700 2220	Transport Roller:Shift	9 - 13
B700 2225	Gear:30Z	9 - 28
B700 2241	Sheet:Guide:Staple	9 - 12
B700 2300	Exit Roller:Proof Tray	7 - 14

Part No.	Description	Page and Index No.
B700 2305	Transport Roller:Short	11 - 9
B700 2310	Guide Plate:Proof Tray:Ass'y	7 - 13
B700 2315	Guide Plate:Proof Tray	7 - 18
B700 2316	Torsion Spring	7 - 21
B700 2317	Discharge Brush	7 - 12
B700 2320	Bracket:Sensor:Proof Tray	7 - 6
B700 2325	Transport Roller:Long	7 - 15
B700 2325	Transport Roller:Long	11 - 10
B700 2330	Guide Plate:Exit:Proof Tray	7 - 2
B700 2331	Bracket:Photo Interrupter: Overflow	7 - 5
B700 2411	Guide Plate:Turn:Ass'y	11 - 7
B700 2421	Guide Plate:Turn:Open And Close	11 - 5
B700 2422	Tension Spring:Turn:Open And Close	11 - 6
B700 2431	Polarization Powl:Duplex Stack	11 - 11
B700 2432	Tension Spring	11 - 13
B700 2441	Guide Plate:Duplex Stack:Ass'y	11 - 16
B700 2452	Shaft:Turn:Guide	11 - 14
B700 2453	Guide:Turn	11 - 15
B700 2461	Transport Roller:Duplex Stack:Lower	17 - 9
B700 2471	Guide Plate:Lengthwise	17 - 6
B700 2473	Guide Plate:Lower:Open And Close	19 - 22
B700 2476	Compression Spring:Exit:Driven	17 - 4
B700 2476	Compression Spring:Exit:Driven	19 - 28
B700 2478	Tension Spring	19 - 21
B700 2481	Guide Plate:Lengthwise:Ass'y	17 - 12
B700 2485	Bracket:Sensor:Duplex Tray	17 - 14
B700 2486	Guide Plate:Exit:Stapler Tray	17 - 11
B700 2491	Exit Roller:Stapler Tray	17 - 10
B700 2500	Gate Pawl:Staple	9 - 20
B700 2505	Gate Pawl:Proof Tray	9 - 18
B700 2510	Bracket:Dcsol:Gate Pawl:Proof Tray	41 - 13
B700 2515	Bracket:Dcsol:Gate Pawl:Staple	41 - 1
B700 2520	Cushion:Gate Pawl	19 - 16
B700 2520	Cushion:Gate Pawl	9 - 17
B700 2525	Supporting Plate: Gate Pawl	9 - 14

Part No.	Description	Page and Index No.
B700 2530	Supporting Plate:Gate Pawl:Staple	9 - 19
B700 2535	DC Solenoid:Gate Pawl:Staple:Ass'y	41 - 3
B700 2540	Tension Spring	9 - 21
B700 2545	Tension Spring	9 - 15
B700 2550	DC Solenoid:Gate Pawl:Ass'y	41 - 14
B700 2611	Bracket: Gathering Roller	19 - 7
B700 2612	Shaft: Gathering Roller:Drive	19 - 15
B700 2621	Arm: Gathering Roller: Ass'y	19 - 12
B700 2631	Arm:Plate:Ass'y	19 - 1
B700 2635	Tension Spring	19 - 5
B700 2649	Timing Belt:40S2M144	19 - 11
B700 2651	Bracket: Solenoid: Gathering Roller	45 - 9
B700 2655	DC Solenoid:Gathering Roller:Ass'y	45 - 7
B700 2661	Bracket:Solenoid:Plate:Ass'y	45 - 13
B700 2665	DC Solenoid:Plate:Ass'y	45 - 12
B700 2667	Tension Spring:Solenoid:Plate	45 - 11
B700 2711	Stay:Swivel:Ass'y	19 - 33
B700 2722	Shaft:Contact Point:Swivel	19 - 29
B700 2723	Tension Spring:Release:Swivel	19 - 31
B700 2725	Arm:Solenoid:Swivel	19 - 32
B700 2729	Cushion:Arm	19 - 34
B700 2729	Cushion:Arm	5 - 27
B700 2731	DC Solenoid:Swivel:Ass'y	19 - 36
B700 3100	Stay:Drive:Guide Plate:Ass'y	13 - 24
B700 3105	Bracket:Stepper Motor:Guide Plate	13 - 12
B700 3115	Worm Gear:37t	13 - 16
B700 3120	Worm Wheel:20z	13 - 18
B700 3125	Timing Belt:B40S2M232	13 - 15
B700 3130	Bushing:Joint	13 - 20
B700 3135	Joint:Guide Plate:Open And Close	13 - 22
B700 3140	Compression Spring	13 - 21
B700 3145	Bracket:Feeler:Plate	13 - 11
B700 3150	Bracket:Surface Of Paper Sensor	13 - 25
B700 3155	Guide Plate:Exit:Upper	13 - 5
B700 3156	Discharge Brush	13 - 1

Part No.	Description	Page and Index No.
B700 3157	Shaft:Exit Roller:Driven	13 - 4
B700 3163	Stay:Coupling	49 - 1
B700 3176	Shaft:Exit Roller	15 - 32
B700 3205	Bracket:Stepper Motor:Exit	43 - 19
B700 3210	Bracket:Support:Stud:Return	43 - 21
B700 3215	Timing Belt:B40S3M648	43 - 20
B700 3300	Bracket:Drive:Tray:Ass'y	41 - 11
B700 3305	Timing Belt:B40S2M152	41 - 10
B700 3310	Tightener:Tray:Drive:Ass'y	39 - 12
B700 3315	Timing Pulley:22T	39 - 11
B700 3320	Timing Belt:B60S5M1530	39 - 4
B700 3322	Compression Spring - 10n	41 - 5
B700 3325	Bracket:Sensor:Paper Volume Sensor	39 - 1
B700 3400	Side Plate:Tray:Front:Ass'y	39 - 17
B700 3405	Side Plate:Tray:Inner Back:Ass'y	39 - 16
B700 3410	Base:Tray	39 - 20
B700 3420	Tray:Auxiliary	3 - 4
B700 3500	Stay:Uniform:Ass'y	15 - 27
B700 3504	Timing Belt:B40S2M92	15 - 24
B700 3505	Timing Pulley:20/30T	15 - 26
B700 3515	Shaft: Gathering Roller:Drive:Ass'y	15 - 11
B700 3520	Timing Pulley:18T	15 - 23
B700 3525	Lever: Driven: Gathering Roller: Front	15 - 16
B700 3530	Lever: Driven: Gathering Roller: Rear	15 - 15
B700 3535	Timing Belt:B40S2M116	15 - 14
B700 3540	Bracket:Coupling:Lever:Drive	15 - 6
B700 3545	Tension Spring	15 - 5
B700 3550	Bracket:Feeler:Paper Senser	15 - 18
B700 3555	Feeler:Paper Senser	15 - 17
B700 3560	Bracket:Sensor:Paper Senser	15 - 30
B700 3565	Bracket:Home Position Sensor	15 - 22
B700 3570	Cam:Gathering Roller	15 - 29
B700 3575	Cam:Lever:Drive	15 - 28
B700 3705	Guide Plate:Paper Exit Sub-unit	49 - 16
B700 3710	Bracket:Surface Of Paper Sensor	49 - 18

Part No.	Description	Page and Index No.
B700 3715	Shaft:Arm:Paper Exit Sub-unit	49 - 15
B700 3725	Arm:Plate:Paper Exit Sub-unit	49 - 14
B700 3730	Roller:Plate:Paper Exit Sub-unit	49 - 11
B700 3740	Spring:Arm:16mn.m	49 - 13
B700 4100	Shaft:Slider:Standard Fence	29 - 11
B700 4102	Standard Fence:Front:Staple	29 - 14
B700 4103	Slider:Standard Fence	29 - 12
B700 4104	Guide:Entrance:Stapler:Inner Back	29 - 13
B700 4106	Standard Fence:Rear:Staple	29 - 15
B700 4107	Spring:Return:Standard Fence	29 - 10
B700 4159	Stay:Upper:Slide Rail	27 - 5
B700 4161	Stay:Middle:Stapler Tray	25 - 11
B700 4163	Stay:Guide:Stapler:Move	31 - 1
B700 4165	Stay:Lower:Slide Rail	29 - 20
B700 4167	Stay:Lower: Positioning Sensor	29 - 7
B700 4168	Sheet:Slider	29 - 6
B700 4170	Bracket :Positioning Sensor	25 - 6
B700 4180	Stapler Tray	23 - 17
B700 4181	Shaft:Idler:Exit	23 - 18
B700 4182	Guide:Transport:Stapler Tray	23 - 20
B700 4200	Shaft:Guide:Jogger Fence	23 - 14
B700 4201	Jogger Fence:Front:Ass'y	23 - 21
B700 4204	Jogger Fence:Rear:Ass'y	23 - 22
B700 4207	Bracket:Sensor:Jogger	23 - 26
B700 4209	Pulley:32T	23 - 25
B700 4210	Bracket:Motor:Jogger:Ass'y	23 - 24
B700 4213	Timing Belt:1040S2M4-E	23 - 15
B700 4250	Exit Belt:Ass'y	23 - 16
B700 4255	Bracket:Home Position Sensor:Pawl	25 - 10
B700 4258	Shaft:Exit	23 - 7
B700 4259	Exit Roller:Mm45	23 - 10
B700 4260	Collar:Mm40	23 - 9
B700 4261	Timing Pulley:55T	23 - 11
B700 4265	Bracket:Tightener:Exit:Fix	25 - 4
B700 4267	Bracket:Tightener:Exit:Ass'y	25 - 3

Part No.	Description	Page and Index No.
B700 4271	Timing Pulley:55T	23 - 12
B700 4272	Timing Pulley:30T	27 - 21
B700 4273	Timing Pulley:30T	29 - 21
B700 4275	Timing Belt:B40S2M474	29 - 23
B700 4276	Tension Spring	25 - 5
B700 4300	Shaft:Guide:Stapler	31 - 4
B700 4302	Bracket:Drive:Stapler:Move:Ass'y	31 - 31
B700 4305	Gear Pulley:52Z/20T	31 - 32
B700 4308	Bracket:Tightener:Stapler:Ass'y	29 - 18
B700 4311	Guide:Stapler:Entrance:Upper	31 - 26
B700 4312	Guide:Stapler:Entrance:Lower	31 - 25
B700 4313	Bracket:Fix:Stapler:Ass'y	31 - 23
B700 4316	Bracket:Stapler:Turn:Ass'y	31 - 22
B700 4320	Bracket:Stapler:Slide:Ass'y	31 - 16
B700 4324	Bracket:Sensor:Diagonal,slanted	31 - 12
B700 4326	Worm Gear:Pulley:19t	31 - 20
B700 4327	Timing Belt:B40S2M90	31 - 19
B700 4329	Bracket:Stapler:Move:Ass'y	31 - 8
B700 4333	Roller:Guide:Slide:Stapler	31 - 14
B700 4334	Guide:Slide:Stapler	31 - 11
B700 4335	Timing Belt:B60S3M954	31 - 5
B700 4336	Inner Cover:Stapler	31 - 28
B700 4337	Tension Spring	31 - 6
B700 4351	Bracket:Stapler	25 - 12
B700 4352	Sheet:Guide:Stapler	25 - 16
B700 4353	Stay:Middle:Stapler Tray:Small	25 - 19
B700 4354	Guide:Stapler:Middle	25 - 21
B700 4355	Guide:Stapler:Middle	25 - 20
B700 4356	Cover:Harness:Stapler	25 - 18
B700 4401	Guide Plate:Pressure:Reverse:Stapler Tray	21 - 16
B700 4405	Guide:Leading Edge:Front	21 - 18
B700 4406	Guide:Leading Edge:Rear	21 - 19
B700 4407	Sheet:Plate:Leading Edge	21 - 2
B700 4408	Guide:Leading Edge:Outer	21 - 17
B700 4410	Roller:Dia22	21 - 14

Part No.	Description	Page and Index No.
B700 4411	Shaft:Driven:Turn	21 - 15
B700 4412	Tension Spring:Pressure:Turn	21 - 20
B700 4414	Guide Plate:Reverse:Front	21 - 11
B700 4415	Guide Plate:Reverse:Inner Back	21 - 12
B700 4416	Supporting Plate:Reverse:Ass'y	21 - 9
B700 4419	Slider:Guide:Reverse	21 - 7
B700 4422	Lever:Reverse:Stapler Tray:Ass'y	21 - 8
B700 4425	Shaft:Drive:Cam	27 - 8
B700 4426	Cam:Guide Plate:Front	27 - 6
B700 4427	Cam:Guide Plate:Inner Back	27 - 7
B700 4428	Timing Belt:B40S2M158	27 - 1
B700 4429	Gear:Pulley:17Z/48T	27 - 2
B700 4430	Gear:43Z	27 - 3
B700 4431	Guide:Leading Edge:Upper	21 - 4
B700 4444	Guide Plate:Pressure	21 - 21
B700 4454	Guide Plate:Transport Unit	27 - 18
B700 4455	Shaft:Driven:Transport Unit	27 - 16
B700 4457	Transport Roller:Transport Unit	27 - 12
B700 4521	Holder:Arm:Harness	29 - 25
B700 4522	Arm:Harness:Stapler Unit	29 - 27
B700 4523	Pin :Fix: Arm	29 - 26
B700 4524	Bracket: Stapler Tray: Moveable	29 - 2
B700 4540	Inner Cover: Stapler Unit	21 - 5
B700 4713	Compression Spring	37 - 7
B700 4715	Exit Roller: Paper Crimp Sub-unit	37 - 8
B700 4718	Pulley:27T	35 - 11
B700 4720	Timing Belt:B40S2M214	35 - 12
B700 4720	Timing Belt:B40S2M214	37 - 26
B700 4745	Guide Plate :Exit: Lower	37 - 4
B700 4753	Guide Plate: Exit: Upper	37 - 10
B700 4755	Shaft: Driven	37 - 14
B700 4757	Compression Spring: Transport Roller	37 - 11
B700 4763	Guide Plate :Roller :Lower	37 - 3
B700 4770	Bracket: Home Position Sensor: Blade	35 - 3
B700 4781	Gear:62T	35 - 2

Part No.	Description	Page and Index No.
B700 4782	Pulley:31T	35 - 1
B700 4784	Pulley:22T	33 - 9
B700 4785	Timing Belt:B80S3M156	33 - 7
B700 4787	Timing Belt:B80S3M237	33 - 6
B700 4790	Bracket:Auxiliary:Rear	33 - 8
B700 4797	Bracket:Motor:Mm56	33 - 5
B700 4805	Stay:Release:Transport	37 - 20
B700 4810	Shaft:Driven:Release	37 - 28
B700 4821	Cam:Release:Transport	37 - 24
B700 4823	Gear:56Z	37 - 25
B700 4825	Gear:28Z	37 - 27
B700 4827	Joint:Release:Transport	37 - 23
B700 4829	Spacer:Release:Transport	37 - 22
B700 4835	Bracket:Paper Feed Sensor	37 - 17
B700 4867	Screw:Contact Point:M3	45 - 18
B700 4873	Guide:Open And Close:Front	33 - 16
B700 4874	Guide:Open And Close:Rear	33 - 17
B700 4875	Guide Plate:Open And Close:Lower	33 - 11
B700 4877	Grip:Guide Plate	33 - 14
B700 4879	Bracket:Contact Point	33 - 10
B700 4885	Knob:Paper Crimp	35 - 7
B700 4891	Inner Cover	35 - 8
B700 4895	Cover:Drive	33 - 3
B700 4897	Cover:Upper	33 - 1
B700 5301	Harness:Safety Switch	5 - 24
B700 5302	Harness:Entrance Sensor	47 - 1
B700 5304	Harness:Surface Of Paper Sensor	15 - 31
B700 5305	Harness:Exit:Tray	47 - 3
B700 5310	Harness:Stepper Motor	47 - 4
B700 5311	Harness:Exit:Open And Close:Motor	13 - 13
B700 5340	Harness - Stapler Tray Unit	47 - 6
B700 5341	Harness - Stapler Tray Sensor	29 - 3
B700 5350	Harness:Interface:Sub-ass'y	47 - 10
B700 5361	Harness:Connecting:Sensor:Exit	13 - 26
B700 5365	Harness:Connecting:Sensor	7 - 4

Part No.	Description	Page and Index No.
B700 5366	Harness: Connecting: Sensor	7 - 7
B700 5368	Harness: Connecting: Stapler	31 - 29
B700 5371	Harness: Connecting: Sensor	31 - 2
B700 5373	Harness: Connecting: Sensor	13 - 7
B700 5401	Harness: Staple	47 - 5
B700 5405	Harness: Stapler: Staple Exchange	25 - 17
B700 5407	Harness: Paper Exit Sub-unit	49 - 17
B700 5410	Harness: Sensor	37 - 15
B700 5411	Harness: Sensor: Plate: End Fence	35 - 6
B700 5412	Harness: Connecting: Sensor	37 - 1
B700 5413	Harness: Staple: Motor	29 - 29
B700 5414	Harness: Gate: Open And Close :Motor	27 - 10
B700 5415	Harness: Drive: Swivel :Motor	37 - 16
B700 5415	Harness: Drive: Swivel: Motor	15 - 19
B700 5418	Harness: Connecting: Sensor	25 - 8
B700 5419	Harness: Connecting: Sensor	29 - 8
B700 5430	Harness - Staple	47 - 12
B700 5431	Harness - Staple	29 - 4
B700 5451	Harness: Punch Unit	47 - 2
B700 5801	Stepper Motor: Ass'y	31 - 13
B700 5802	Stepper Motor:Pm:S2m:T12:Ass'y	27 - 9
B700 5803	Stepper Motor:Pm:T17:Ass'y	45 - 16
B700 5804	Stepper Motor:Dia42:Z17:Ass'y	35 - 5
B700 5804	Stepper Motor:Dia42:Z17:Ass'y	23 - 23
B700 5805	Stepper Motor:Pm:S2m:T15:Ass'y	13 - 14
B700 5807	Stepper Motor:Mm42:S2m:T15:Ass'y	15 - 20
B700 5808	Stepper Motor: Exit: Ass'y	29 - 5
B700 5809	Stepper Motor: Stapler :Moveable: Ass'y	31 - 30
B700 5810	Stepper Motor:DC24V 2.5W	37 - 19
B700 5812	Stepper Motor:Mm56:S3m:T14:Ass'y	33 - 4
B700 5813	Stepper Motor:Pm:S2m:T12:Ass'y	41 - 15
B700 5955	Stay :Fix: Main Control Board	47 - 14
B700 5956	Bracket: Printed Circuit Board	47 - 13
B700 5957	Bracket: Main Control Board: Lower	45 - 15
B700 6100	Inner Cover: Upper	9 - 1

Part No.	Description	Page and Index No.
B700 6105	Inner Cover:Lower	17 - 1
B700 6120	Hinge:Door:Lower:Ass'y	3 - 9
B700 6125	Hinge:Door:Upper:Ass'y	3 - 8
B700 7851	Decal:Staple Exchange	51 - 2
B700 7851	Decal:Staple Exchange	3 - 11
B700 7852	Stapler:Service Parts:Ass'y	25 - 13
B700 7861	Decal :Knob: Entrance:R1	51 - 3
B700 7861	Decal: Knob: Entrance:R1	5 - 6
B700 7862	Decal: Knob: Entrance:R2	5 - 10
B700 7862	Decal: Knob: Entrance:R2	51 - 4
B700 7863	Decal: Proof Tray:R3	51 - 5
B700 7863	Decal: Proof Tray:R3	7 - 17
B700 7864	Decal:Shift:R4	51 - 6
B700 7864	Decal:Shift:R4	9 - 8
B700 7865	Decal:Vertical Transport:R5	51 - 7
B700 7865	Decal:Vertical Transport:R5	17 - 7
B700 7866	Decal:Exit:R6	19 - 23
B700 7866	Decal:Exit:R6	51 - 8
B700 7867	Decal:Turn:Open And Close:R7	9 - 2
B700 7867	Decal:Turn:Open And Close:R7	51 - 9
B700 7868	Decal:Knob:Blade:R8	35 - 10
B700 7868	Decal:Knob:Blade:R8	51 - 10
B700 7869	Decal:Knob:Roller:R9	35 - 9
B700 7869	Decal:Knob:Roller:R9	51 - 11
B700 7870	Decal:Stapler Tray:R10	51 - 12
B700 7870	Decal:Stapler Tray:R10	21 - 3
B700 7871	Decal:Transport Unit:R11	27 - 17
B700 7871	Decal:Transport Unit:R11	51 - 13
B700 7872	Decal:Paper Crimp Sub-unit:R12	51 - 14
B700 7872	Decal:Paper Crimp Sub-unit:R12	33 - 13
B700 7891	Decal:Stapler:S1	51 - 15
B700 7891	Decal:Stapler:S1	31 - 27
B700 7892	Decal:Stapler:S2	21 - 1
B700 7892	Decal:Stapler:S2	51 - 16
B702 7225	Bushing:Punch Unit:Slide	21 - 10

Part No.	Description	Page and Index No.
B793 2321	Slide Roller Link	9 - 29
B793 4808	Discharge Brush:Exit	37 - 9
B793 7898	Decal: Paper Exit Sub-unit	51 - 17
B793 7898	Decal: Paper Exit Sub-unit	39 - 14
C203 5135	Bushing - 10x14x5.9	39 - 7
G565 2135	Exit Plate	13 - 2
H072 2220	Spacer - M6x10	15 - 2

Part No.	Description	Page and Index No.
AA06 0557	Positioning Roller Spring	19 - 13
AA06 3529	Pressure Spring - 14.5mm	9 - 5
AA06 3529	Pressure Spring - 14.5mm	27 - 13
AA06 3529	Pressure Spring - 14.5mm	7 - 19
AA08 0237	Bushing - 4x5x7	37 - 12
AA08 2058	Bushing - 6x10x9mm	19 - 6
AA08 2101	Bushing - 6x10x6	31 - 15
AA08 2101	Bushing - 6x10x6	17 - 2
AA08 2101	Bushing - 6x10x6	15 - 3
AA08 2101	Bushing - 6x10x6	11 - 1
AA08 2101	Bushing - 6x10x6	9 - 27
AA08 2101	Bushing - 6x10x6	37 - 5
AA08 2101	Bushing - 6x10x6	7 - 1
AA08 2104	Bushing - 8x12x7	27 - 4
AA08 2104	Bushing - 8x12x7	23 - 5
AA10 0011	Retaining Ring:Silencer:Mm7	23 - 8
AA13 2024	Spacer - M6	31 - 21
AA13 2169	Spacer - 5.7x16x1.5	43 - 8
AA13 2208	Spacer - M6	37 - 6
AA14 3702	Screw:Pin: Positioning	39 - 22
AA14 3702	Screw:Pin: Positioning	49 - 6
AA14 3702	Screw:Pin: Positioning	31 - 7
AA14 3790	Screw:Contact Point	45 - 4
AA14 3790	Screw:Contact Point	25 - 1
AA14 3790	Screw:Contact Point	23 - 3
AA14 3790	Screw:CONTACT POINT	33 - 18
AA14 3790	Screw:Contact Point	11 - 3
AA14 3790	Screw:Contact Point	43 - 5
AA14 3790	Screw:CONTACT POINT	29 - 16
AA14 3790	Screw:Contact Point	7 - 20
AA14 3823	Tapping Screw	15 - 4
AA16 1099	Lever Cushion	19 - 14
AB03 0278	Idler - 20z	29 - 17
AB03 0374	Timing Pulley - 20Z	7 - 23
AB03 0374	Timing Pulley - 20Z	5 - 17

Part No.	Description	Page and Index No.
AF02 2147	Driven Roller	19 - 27
AF02 2147	Driven Roller	7 - 10
AF02 2147	Driven Roller	17 - 5
AF02 2148	Roller:Driven:L=125	5 - 21
AG07 0512	Magnet Catch:Ass'y	3 - 12
AG07 0513	Magnet Catch	11 - 8
AG07 0513	Magnet Catch	5 - 14
AG07 0514	Magnet Catch	27 - 19
AG07 0514	Magnet Catch	7 - 16
AG07 0514	Magnet Catch	17 - 8
AG07 0514	Magnet Catch	9 - 10
AG07 1012	Magnet Catch:Ass'y	43 - 24
AH01 2030	Caster:Dia50:400n	49 - 9
AJ01 1015	Stapler:Eh-530	31 - 24
AW01 0109	Photo Reflection Sensor:Ps117ed1	37 - 2
AW01 0109	Photo Reflection Sensor:Ps117ed1	13 - 6
AW02 0114	Photo Interrupter - Lower Limit	39 - 2
AW02 0141	Photo Interrupter	49 - 19
AW02 0141	Photo Interrupter	41 - 17
AW02 0141	Photo Interrupter	37 - 21
AW02 0141	Photo Interrupter	27 - 11
AW02 0141	Photo Interrupter	35 - 4
AW02 0141	Photo Interrupter	13 - 17
AW02 0141	Photo Interrupter	15 - 21
AW02 0141	Photo Interrupter	31 - 3
AW02 0141	Photo Interrupter	23 - 27
AW02 0166	Photo Interrupter: Paper Feed Sensor	25 - 9
AW02 0172	Photo Interrupter: Overflow:CT	7 - 3
AX06 0282	DC Motor:25.1W	41 - 12
GW01 0007	Photo Reflection Sensor:Exit	37 - 18
GW01 0007	Photo Reflection Sensor:Exit	17 - 13
GW01 0007	Photo Reflection Sensor:Exit	7 - 8
GW01 0007	Photo Reflection Sensor:Exit	5 - 22
GW01 0007	Photo Reflection Sensor:Exit	25 - 7
GW01 0007	Photo Reflection Sensor:Exit	29 - 9

Part No.	Description	Page and Index No.
0353 0040N	Screw - M3X4	11 - 103
0353 0040N	Screw - M3X4	19 - 103
0353 0040N	Screw - M3X4	37 - 103
0353 0040N	Screw - M3X4	45 - 103
0353 0040N	Screw - M3X4	41 - 102
0353 0050N	Screw-m3x5	31 - 104
0353 0060N	Bind Screw - M3x6	41 - 103
0450 3008N	Tapping Screw - M3x8	17 - 103
0450 3008N	Tapping Screw - M3x8	33 - 102
0450 3008N	Tapping Screw - M3x8	9 - 104
0450 3008N	Tapping Screw - M3x8	29 - 103
0450 3008N	Tapping Screw - M3x8	21 - 102
0451 3006N	Tapping Screw - 3x6	15 - 101
0451 3006N	Tapping Screw - 3x6	29 - 101
0451 3006N	Tapping Screw - 3x6	27 - 101
0451 3006N	Tapping Screw - 3x6	31 - 101
0451 3006N	Tapping Screw - 3x6	25 - 101
0451 3006N	Tapping Screw - 3x6	13 - 101
0451 3006N	Tapping Screw - 3x6	33 - 101
0451 3006N	Tapping Screw - 3x6	23 - 101
0451 3006N	Tapping Screw - 3x6	19 - 101
0451 3006N	Tapping Screw - 3x6	17 - 102
0451 3006N	Tapping Screw - 3x6	35 - 101
0451 3006N	Tapping Screw - 3x6	37 - 101
0451 3006N	Tapping Screw - 3x6	11 - 101
0451 3006N	Tapping Screw - 3x6	39 - 101
0451 3006N	Tapping Screw - 3x6	9 - 102
0451 3006N	Tapping Screw - 3x6	41 - 101
0451 3006N	Tapping Screw - 3x6	43 - 101
0451 3006N	Tapping Screw - 3x6	3 - 102
0451 3006N	Tapping Screw - 3x6	7 - 101
0451 3006N	Tapping Screw - 3x6	45 - 101
0451 3006N	Tapping Screw - 3x6	49 - 101
0451 3006N	Tapping Screw - 3x6	47 - 101
0451 3006N	Tapping Screw - 3x6	5 - 101

Part No.	Description	Page and Index No.
0451 3008N	Tapping Screw - M3x8	21 - 101
0451 3008N	Tapping Screw - M3x8	35 - 107
0451 3008N	Tapping Screw - M3x8	49 - 102
0451 3008N	Tapping Screw - M3x8	19 - 102
0451 3008N	Tapping Screw - M3x8	43 - 102
0451 3008N	Tapping Screw - M3x8	45 - 102
0451 3008N	Tapping Screw - M3x8	29 - 102
0451 3008N	Tapping Screw - M3x8	31 - 102
0451 3008N	Tapping Screw - M3x8	39 - 102
0451 3008N	Tapping Screw - M3x8	3 - 101
0451 3008N	Tapping Screw - M3x8	17 - 101
0451 3008N	Tapping Screw - M3x8	9 - 101
0451 3010N	Tapping Screw:3x10	23 - 102
0451 4006N	Tapping Screw - 4x6	15 - 102
0451 4014N	Tapping Screw:M4x14	3 - 104
0453 3006N	Tapping Screw - M3x6	29 - 104
0453 3006N	Tapping Screw - M3x6	35 - 102
0453 3006N	Tapping Screw - M3x6	45 - 104
0453 3006N	Tapping Screw - M3x6	27 - 104
0453 3006N	Tapping Screw - M3x6	25 - 103
0453 3006N	Tapping Screw - M3x6	31 - 103
0453 3006N	Tapping Screw - M3x6	21 - 103
0453 3006N	Tapping Screw - M3x6	23 - 103
0453 3014N	Binding Self Tapping Screw 3x14	37 - 102
0453 4006N	Binding Self Tapping Screw:4x6	33 - 103
0454 3006Q	Tapping Screw - M3x6	25 - 102
0454 3006Q	Tapping Screw - M3x6	5 - 102
0454 3006Q	Tapping Screw - M3x6	7 - 102
0454 3008Q	Tapping Screw:3x8	11 - 102
0454 3008Q	Tapping Screw:3x8	3 - 103
0454 4008Q	Tapping Screw - M4x8	49 - 104
0574 0040E	Hexagon Headless Set Screw - M4x4	41 - 104
0632 0100G	Pin - 2x10mm	15 - 104
0632 0160G	Parallel Pin-m2x16	27 - 105
0632 0160G	Parallel Pin-m2x16	23 - 105

Part No.	Description	Page and Index No.
0633 0140G	Parallel Pin - 3x14	33 - 106
0633 0140G	Parallel Pin - 3x14	35 - 105
0633 0180G	Parallel Pin - 3x18mm	35 - 106
0634 0200G	Parallel Pin - 4x20	39 - 105
0720 0040E	Retaining Ring - M4	49 - 106
0720 0040E	Retaining Ring - M4	29 - 105
0720 0040E	Retaining Ring - M4	17 - 104
0720 0040E	Retaining Ring - M4	11 - 104
0720 0040E	Retaining Ring - M4	31 - 106
0720 0040E	Retaining Ring - M4	13 - 102
0720 0040E	Retaining Ring - M4	35 - 108
0720 0040E	Retaining Ring - M4	27 - 102
0720 0040E	Retaining Ring - M4	5 - 103
0720 0040E	Retaining Ring - M4	15 - 103
0720 0040E	Retaining Ring - M4	19 - 105
0720 0040E	Retaining Ring - M4	9 - 105
0720 0040E	Retaining Ring - M4	37 - 104
0720 0040E	Retaining Ring - M4	43 - 103
0720 0040E	Retaining Ring - M4	25 - 104
0720 0040E	Retaining Ring - M4	7 - 103
0720 0040E	Retaining Ring - M4	39 - 103
0720 0040E	Retaining Ring - M4	23 - 104
0720 0040E	Retaining Ring - M4	21 - 105
0720 0060E	Retaining Ring - M6	39 - 104
0720 0060E	Retaining Ring - M6	41 - 106
0720 0060E	Retaining Ring - M6	31 - 105
0720 0060E	Retaining Ring - M6	33 - 104
0720 0060E	Retaining Ring - M6	27 - 103
0720 0060E	Retaining Ring - M6	23 - 106
0720 0060E	Retaining Ring - M6	29 - 106
0740 3008	Ball Bearing - 8x22x7	31 - 108
0741 3506	Ball Bearing - 6x12x4 Mm	41 - 105
0742 3808	Ball Bearing - 8x16x5	33 - 105
0802 5305	Tapping Screw - M3x6	49 - 105
0805 0088	Retaining Ring - M6	11 - 106

Part No.	Description	Page and Index No.
0805 0088	Retaining Ring - M6	35 - 104
0805 0089	Retaining Ring - M4	9 - 103
0805 0089	Retaining Ring - M4	7 - 104
0805 0089	Retaining Ring - M4	21 - 104
0805 0089	Retaining Ring - M4	37 - 107
0805 0089	Retaining Ring - M4	43 - 104
0805 0089	Retaining Ring - M4	15 - 106
0805 0089	Retaining Ring - M4	19 - 104
0805 0089	Retaining Ring - M4	13 - 103
0805 3537	Ball Bearing: Dia6x dia13x5: Dia14.5	15 - 105
0805 3537	Ball Bearing: Dia6x dia13x5: Dia14.5	27 - 110
0805 3537	Ball Bearing: Dia6x dia13x5: Dia14.5	7 - 105
0805 3537	Ball Bearing: Dia6x dia13x5: Dia14.5	17 - 105
0805 3537	Ball Bearing: Dia6x dia13x5: Dia14.5	11 - 105
0807 5056	Washer - 8.1mm	41 - 107
0950 3005N	Screw: Spring Washer: M3X5	49 - 103
1105 0192	Locking Support	47 - 105
1105 0328	Harness Clamp - ES-0505	15 - 107
1105 0328	Harness Clamp - ES-0505	41 - 108
1105 0328	Harness Clamp - ES-0505	7 - 106
1105 0328	Harness Clamp - ES-0505	39 - 107
1105 0328	Harness Clamp - ES-0505	23 - 108
1105 0328	Harness Clamp - ES-0505	49 - 107
1105 0328	Harness Clamp - ES-0505	13 - 104
1105 0328	Harness Clamp - ES-0505	25 - 108
1105 0328	Harness Clamp - ES-0505	31 - 110
1105 0328	Harness Clamp - ES-0505	33 - 108
1105 0334	Edge - 17	45 - 106
1105 0334	Edge - 17	29 - 109
1105 0367	Spacer	47 - 107
1105 0487	Harness Clamp	33 - 109
1105 0487	Harness Clamp	25 - 107
1105 0487	Harness Clamp	29 - 110
1105 0487	Harness Clamp	31 - 109
1105 0487	Harness Clamp	27 - 107

Part No.	Description	Page and Index No.
1105 0487	Harness Clamp	15 - 110
1105 0487	Harness Clamp	47 - 103
1105 0488	Harness Clamp	45 - 105
1105 0488	Harness Clamp	43 - 105
1105 0488	Harness Clamp	47 - 104
1105 0488	Harness Clamp	29 - 108
1105 0488	Harness Clamp	39 - 106
1105 0488	Harness Clamp	27 - 108
1105 0489	Harness Clamp - LWS 1316	25 - 106
1105 0490	Harness Clamp - IWS-2218	43 - 106
1105 0490	Harness Clamp - IWS-2218	39 - 108
1105 0516	Clamp	47 - 102
1105 0516	Clamp	5 - 104
1105 0516	Clamp	33 - 107
1105 0516	Clamp	31 - 111
1105 0516	Clamp	11 - 107
1105 0516	Clamp	17 - 106
1105 0516	Clamp	13 - 105
1105 0516	Clamp	27 - 109
1105 0522	Edge Saddle - Les0510	37 - 106
1105 0522	Edge Saddle - Les0510	33 - 110
1105 0623	Clamp - LBWS-0206S-V0	17 - 107
1105 0623	Clamp - LBWS-0206S-V0	47 - 106
1105 0623	Clamp - LBWS-0206S-V0	49 - 108
1105 0623	Clamp - LBWS-0206S-V0	31 - 107
1105 0623	Clamp - LBWS-0206S-V0	29 - 107
1105 0623	Clamp - LBWS-0206S-V0	19 - 106
1105 0623	Clamp - LBWS-0206S-V0	15 - 108
1105 0623	Clamp - LBWS-0206S-V0	41 - 109
1105 0623	Clamp - LBWS-0206S-V0	13 - 106
1105 0623	Clamp - LBWS-0206S-V0	35 - 103
1105 0623	Clamp - LBWS-0206S-V0	39 - 109
1105 0623	Clamp - LBWS-0206S-V0	23 - 107
1105 0623	Clamp - LBWS-0206S-V0	27 - 106
1105 0623	Clamp - LBWS-0206S-V0	25 - 105

Part No.	Description	Page and Index No.
1105 0623	Clamp - LBWS-0206S-V0	37 - 105
1204 2520	Switch:DE2L-FJ20	15 - 109
1204 2541	Interlock Switch	5 - 105

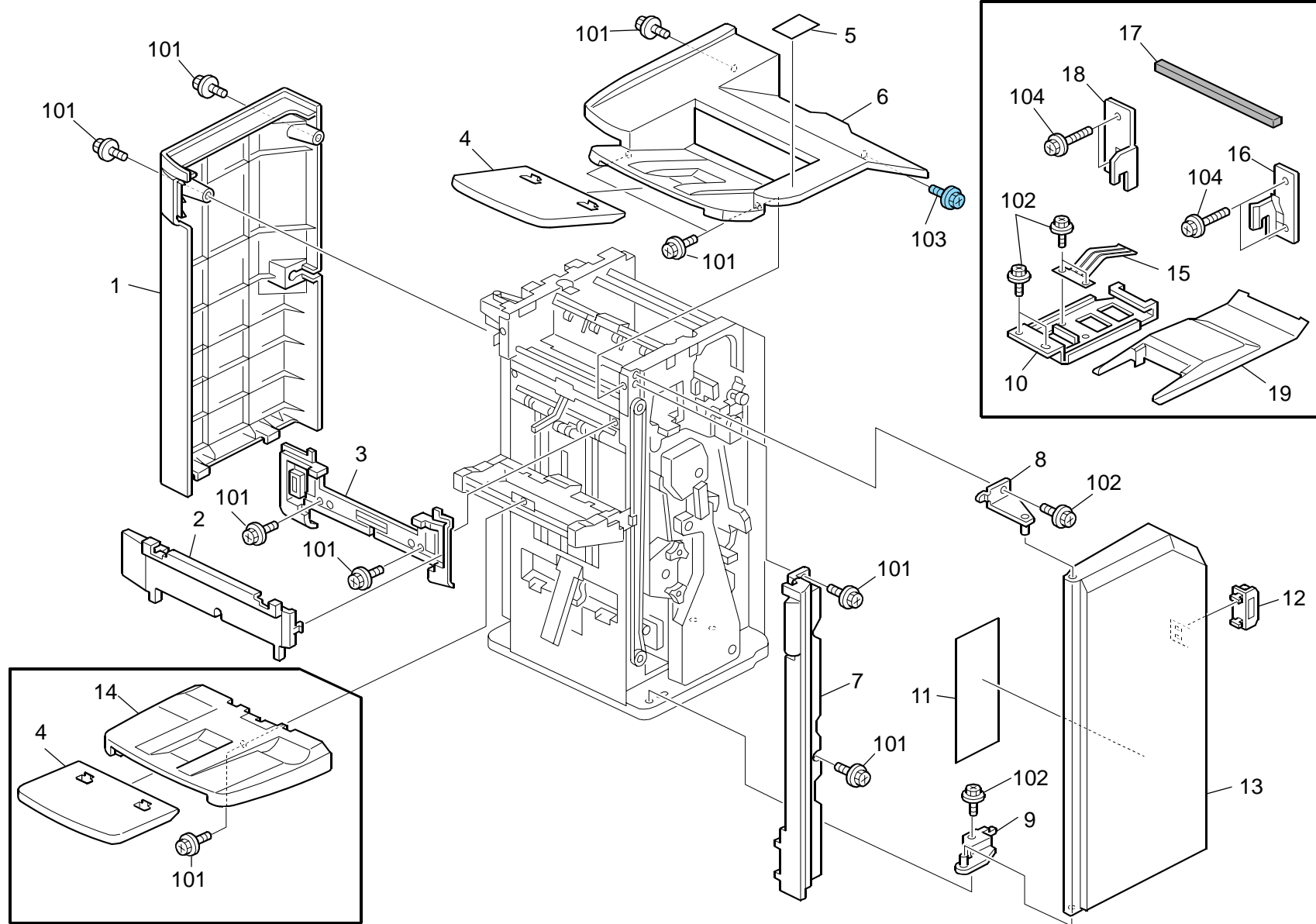
Part No.	Description	Page and Index No.
5053 0419	Bushing - 10mm	23 - 6
5201 2722	Bushing - M6x5	9 - 22
5206 2686	Snap Ring	29 - 24
5206 2686	Snap Ring	33 - 12
5215 2621	Snap Ring - M6	21 - 13
5447 2681	Snap Ring	13 - 23
5447 2681	Snap Ring	19 - 4
5447 2681	Snap Ring	21 - 6
5447 2681	Snap Ring	29 - 1

Part No.	Description	Page and Index No.

**FINISHER SR3030 B805
PARTS LOCATION AND LIST**

This section instructs you as to the numbers and names of parts on this machine

1.Exterior (B805)

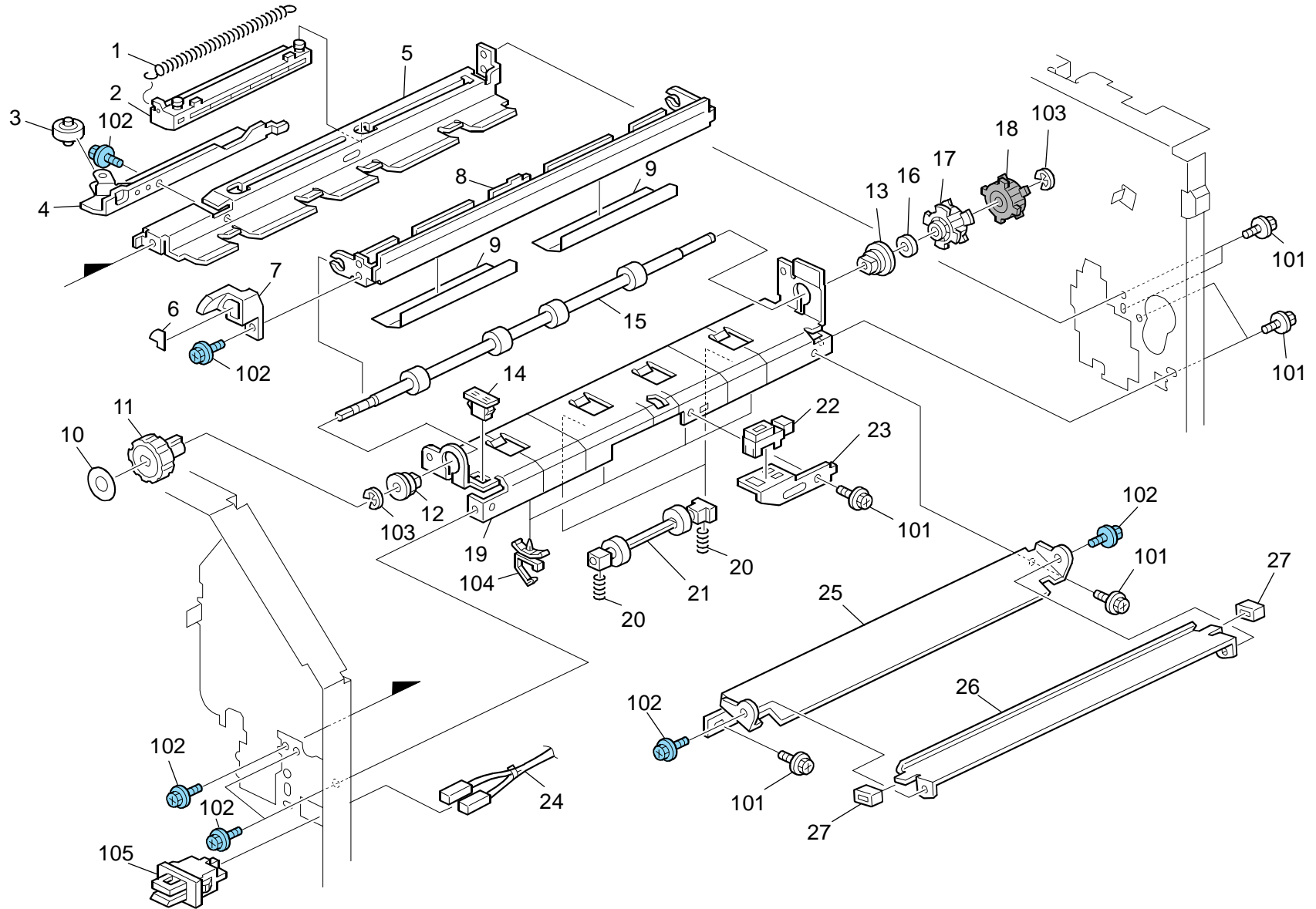


1.Exterior (B805)

Index No.	Part No.	Description	Q'ty Per Assembly
1	B804 6175	Cover: Rear	1
2	B804 6155	Cover: Jogger	1
3	B804 6150	Cover: Left Upper	1
4	B700 3420	Tray: Auxiliary	2
5	B468 7812	Caution Decal - Tray Fall	1
6	B804 6135	Cover: Upper	1
7	B804 6145	Cover: Left: Front	1
8	B700 6125	Hinge :Door :Upper: Ass'y	1
9	B700 6120	Hinge :Door: Lower :Ass'y	1
10	B804 1164	Bracket: Ground Plate: Coupling	1
11	B805 7850	Decal: Misfeed Removal: Bind: No	1
12	AG07 0512	Magnet Catch: Ass'y	1
13	B804 6115	Cover: Front	1
14	B804 3417	Tray	1
15	B408 1428	Ground Plate :Coupling	1
16	B700 1198	Coupling Bracket - Front	1
17	B468 6511	Spacer Cushion - 20mm	1
18	B700 1191	Bracket: Coupling Ass'y	1
19	B700 6139	Proof Tray: Auxiliary	1

Index No.	Part No.	Description	Q'ty Per Assembly
101	0451 3008N	Tapping Screw - M3x8	
102	0451 3006N	Tapping Screw - 3x6	
103	0454 3008Q	Tapping Screw:3x8	
104	0451 4014N	Tapping Screw:M4x14	

2.Paper Transfer (B805)

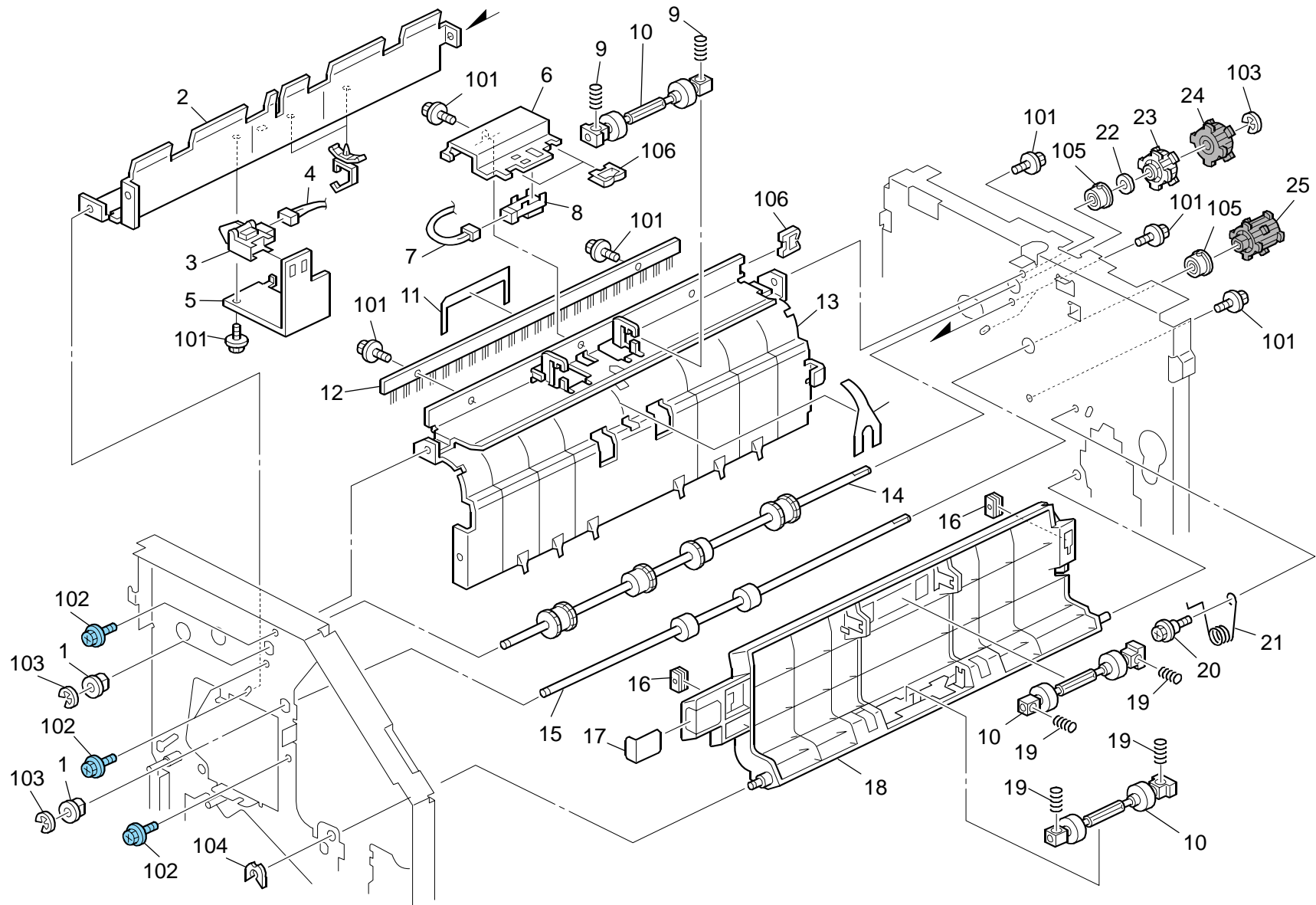


2.Paper Transfer (B805)

Index No.	Part No.	Description	Q'ty Per Assembly
1	B700 2200	Tension Spring Guide Plate Move	1
2	B700 2215	Guide Plate Upper Move	1
3	A666 4270	Roller Driven Entrance	1
4	B804 2205	Guide Plate Upper	1
5	B804 2210	Guide Plate Transport Entrance Upper	1
6	B700 7861	Decal:Knob:Entrance:R1	1
7	B700 2125	Knob Guide Plate Entrance	1
8	B804 2120	Guide Plate Entrance Upper	1
9	B700 2126	Sheet: Entrance	2
10	B700 7862	Decal:Knob:Entrance:R2	1
11	B408 2281	Knob - Transfer Roller	1
12	B700 2135	Bushing Transport Roller Front	1
13	B700 2140	Bushing Transport Roller Rear	1
14	AG07 0513	Magnet Catch	2
15	B700 2130	Transport Roller Entrance Upper	1
16	A697 1606	Spacer - 6x12x2.7mm	2
17	AB03 0374	Timing Pulley - 20Z	2
18	B700 1605	Timing Pulley:26T	2
19	B804 2110	Guide Plate: Entrance: Lower	1
20	B700 2119	Compression Spring: Entrance: Driven	4
21	AF02 2148	Roller: Driven L=125	2
22	GW01 0007	Photo Reflection Sensor:Exit	4
23	B700 2145	Bracket: Entrance Sensor	1
24	B700 5301	Harness: Safety Switch	1
25	B804 2105	Guide Plate: Connecting: Lower	1
26	B804 2100	Guide Plate: Connecting: Upper	1
27	B700 2729	Cushion: Arm	3

Index No.	Part No.	Description	Q'ty Per Assembly
101	0451 3006N	Tapping Screw - 3x6	
102	0454 3006Q	Tapping Screw - M3x6	
103	0720 0040E	Retaining Ring - M4	
104	1105 0516	Clamp	
105	1204 2541	Interlock Switch	

3.Shift Transfer Section 1 (B805)

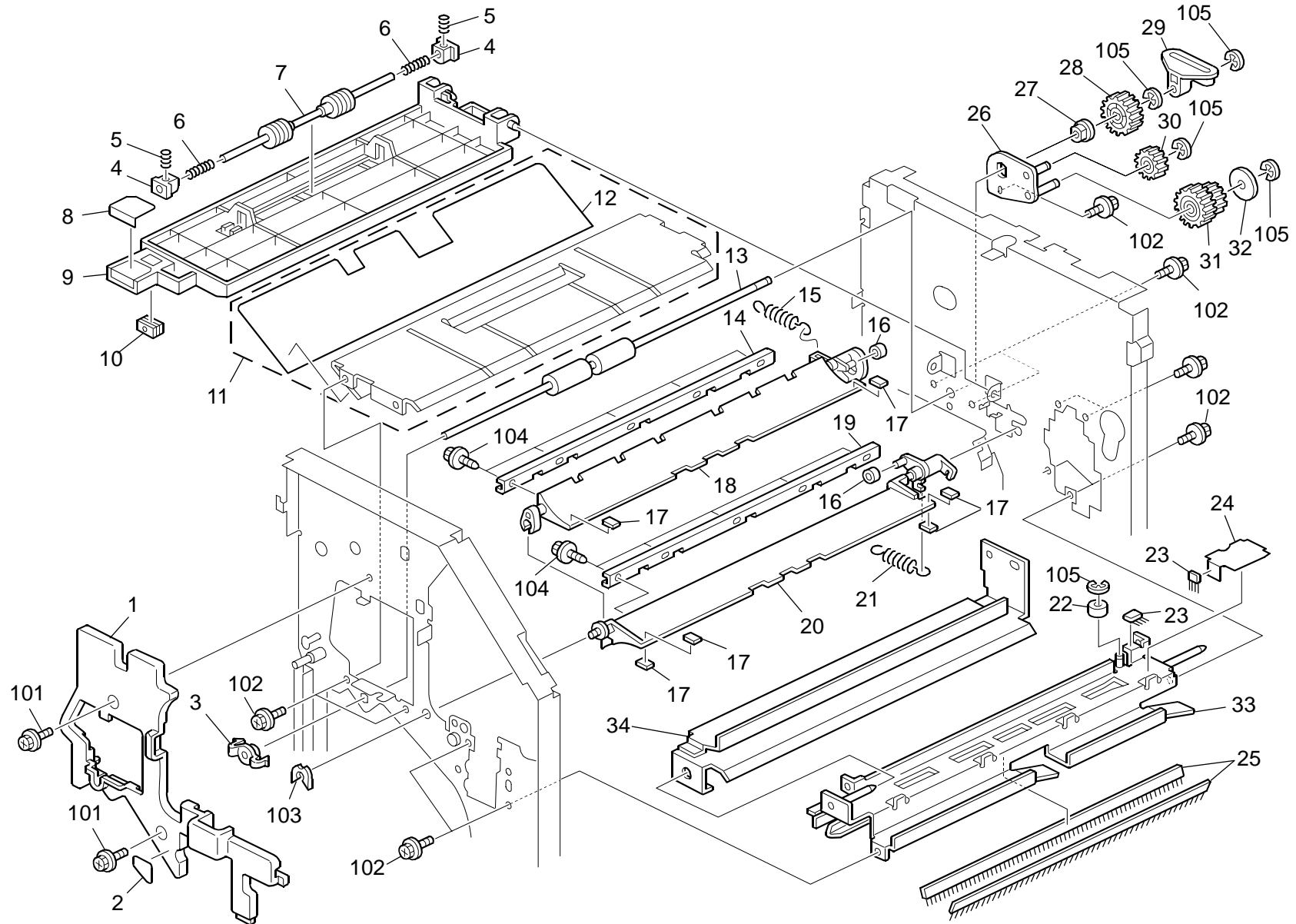


3.Shift Transfer Section 1 (B805)

Index No.	Part No.	Description	Q'ty Per Assembly
1	AA08 2101	Bushing - 6x10x6	16
2	B700 2330	Guide Plate:Exit:Proof Tray	1
3	AW02 0172	Photo Interrupter: Overflow: CT	1
4	B700 5365	Harness: Connecting: Sensor	1
5	B700 2331	Bracket: Photo Interrupter: Overflow	1
6	B700 2320	Bracket: Sensor: Proof Tray	1
7	B700 5366	Harness: Connecting: Sensor	1
8	GW01 0007	Photo Reflection Sensor:Exit	4
9	A697 2187	Pressure Spring - 14.1mm	2
10	AF02 2147	Driven Roller	7
11	B302 2216	Exit Guide - Upper Exit Guide	1
12	B700 2317	Discharge Brush	1
13	B700 2310	Guide Plate: Proof Tray:Ass'y	1
14	B700 2300	Exit Roller :Proof Tray	1
15	B700 2325	Transport Roller: Long	2
16	AG07 0514	Magnet Catch	5
17	B700 7863	Decal: Proof Tray:R3	1
18	B700 2315	Guide Plate: Proof Tray	1
19	AA06 3529	Pressure Spring - 14.5mm	6
20	AA14 3790	Screw: Contact Point	12
21	B700 2316	Torsion Spring	1
22	A697 1606	Spacer - 6x12x2.7mm	2
23	AB03 0374	Timing Pulley - 20Z	2
24	B700 1605	Timing Pulley:26T	2
25	B700 1645	Timing Pulley:20T	2

Index No.	Part No.	Description	Q'ty Per Assembly
101	0451 3006N	Tapping Screw - 3x6	
102	0454 3006Q	Tapping Screw - M3x6	
103	0720 0040E	Retaining Ring - M4	
104	0805 0089	Retaining Ring - M4	
105	0805 3537	Ball Bearing:Dia6xdia13x5:Dia14.5	
106	1105 0328	Harness Clamp - ES-0505	

4.Shift Transfer Section 2 (B805)

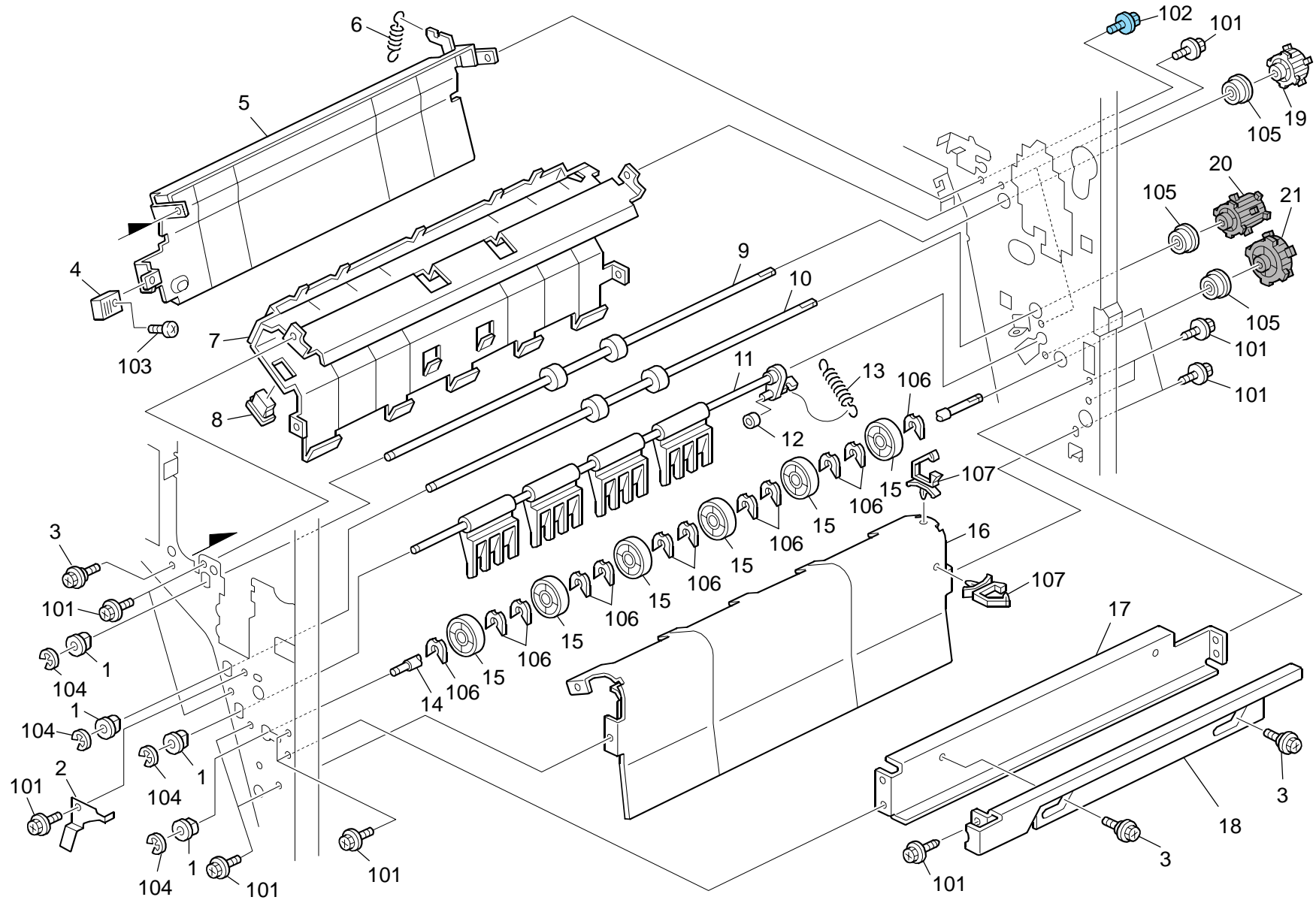


4.Shift Transfer Section 2 (B805)

Index No.	Part No.	Description	Q'ty Per Assembly
1	B700 6100	Inner Cover: Upper	1
2	B700 7867	Decal Turn: Open And Close:R7	1
3	B408 2312	Bushing - Roller Slide	1
4	B408 2175	Bushing - Roller Slide	2
5	AA06 3529	Pressure Spring - 14.5mm	6
6	B408 2174	Spring	2
7	B408 2173	Slide Roller	1
8	B700 7864	Decal:Shift:R4	1
9	B804 2245	Guide Plate :Horizontal: Shift	1
10	AG07 0514	Magnet Catch	5
11	B804 2037	Guide Plate Horizontal Lower	1
12	B700 2241	Sheet Guide Staple	1
13	B700 2220	Transport Roller Shift	1
14	B700 2525	Supporting Plate Gate Pawl	1
15	B700 2545	Tension Spring	1
16	A458 2251	Cushion - Bin Solenoid Lever	7
17	B700 2520	Cushion Gate Pawl	10
18	B700 2505	Gate Pawl Proof Tray	1
19	B700 2530	Supporting Plate Gate Pawl Staple	1
20	B700 2500	Gate Pawl Staple	1
21	B700 2540	Tension Spring	1
22	5201 2722	Bushing - M6x5	1
23	B804 1180	Discharge Brush Punch Unit	2
24	B700 1183	Sheet Guide Punch	1
25	B804 1182	Discharge Brush Punch Transport	2
26	B700 1660	Bracket :Gear :Middle :Ass'y	1
27	AA08 2101	Bushing - 6x10x6	16
28	B700 2225	Gear:30Z	1
29	B793 2321	Slide Roller Link	1
30	B700 1665	Gear:25Z	1
31	B700 1650	Gear:30Z	1
32	B478 3569	Spacer	3
33	B700 1170	Stay :Punch Unit :Slide :Ass'y	1
34	B804 2235	Guide Plate: Punch Unit	1

Index No.	Part No.	Description	Q'ty Per Assembly
101	0451 3008N	Tapping Screw - M3x8	
102	0451 3006N	Tapping Screw - 3x6	
103	0805 0089	Retaining Ring - M4	
104	0450 3008N	Tapping Screw - M3x8	
105	0720 0040E	Retaining Ring - M4	

5.Shift Transfer Section 3 (B805)

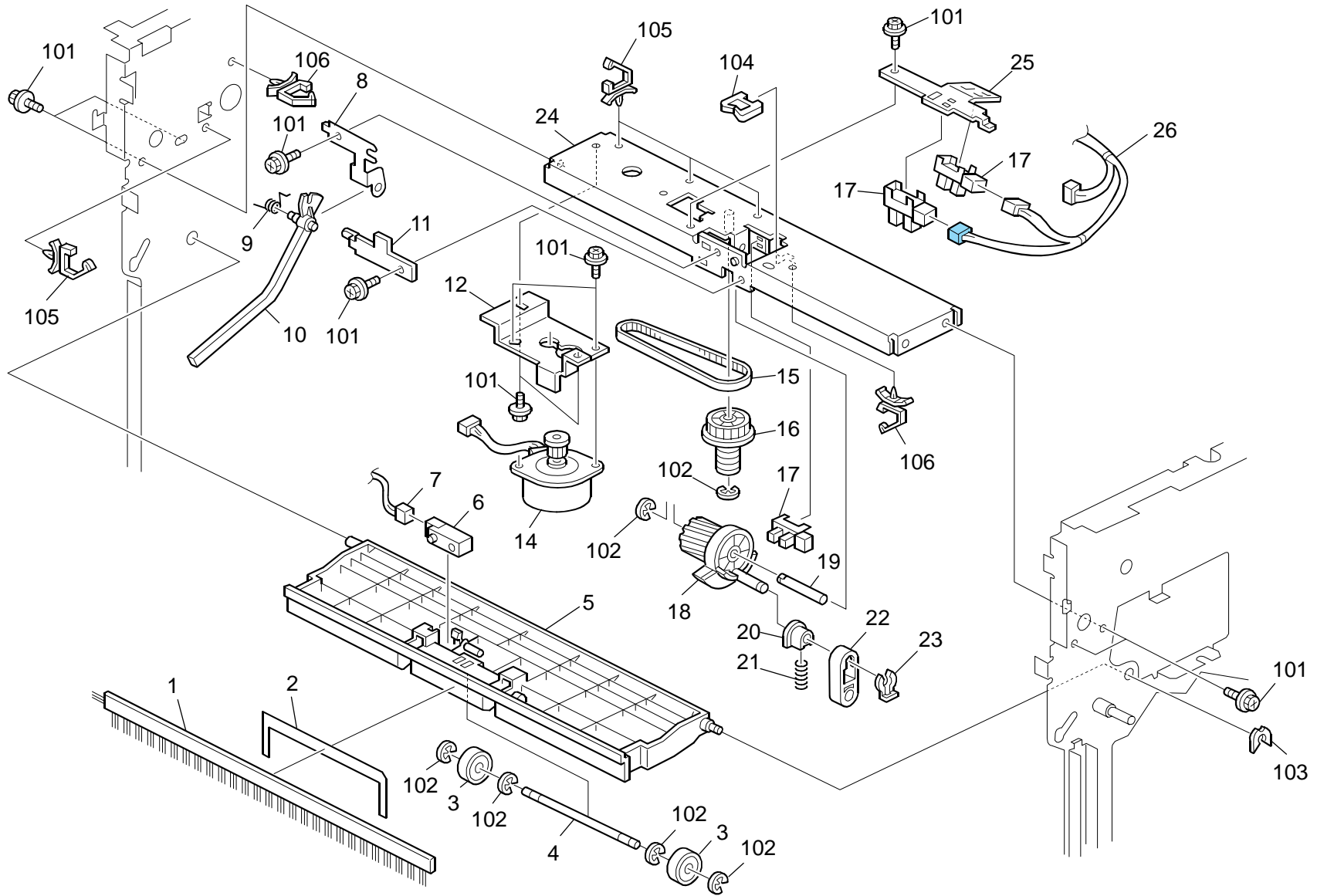


5.Shift Transfer Section 3 (B805)

Index No.	Part No.	Description	Q'ty Per Assembly
1	AA08 2101	Bushing - 6x10x6	16
2	B700 1185	Ground Plate:Toner Hopper: Punch	1
3	AA14 3790	Screw: Contact Point	12
4	A353 2243	Lever Knob	1
5	B700 2421	Guide Plate Turn: Open And Close	1
6	B700 2422	Tension Spring Turn: Open And Close	1
7	B700 2411	Guide Plate Turn: Ass'y	1
8	AG07 0513	Magnet Catch	2
9	B700 2305	Transport Roller Short	1
10	B700 2325	Transport Roller Long	2
11	B700 2431	Polarization Pawl Duplex Stack	1
12	A458 2251	Cushion - Bin Solenoid Lever	7
13	B700 2432	Tension Spring	1
14	B700 2452	Shaft: Turn: Guide	1
15	B700 2453	Guide: Turn	6
16	B700 2441	Guide Plate Duplex Stack: Ass'y	1
17	B700 1151	Stay Coupling	1
18	A697 1128	Joint Lever	1
19	B352 1607	Timing Pulley - T20-S3M	5
20	B700 1645	Timing Pulley:20T	2
21	B700 1701	Timing Pulley:40T	1

Index No.	Part No.	Description	Q'ty Per Assembly
101	0451 3006N	Tapping Screw - 3x6	
102	0454 3008Q	Tapping Screw:3x8	
103	0353 0040N	Screw - M3X4	
104	0720 0040E	Retaining Ring - M4	
105	0805 3537	Ball Bearing:Dia6xdia13x5:Dia14.5	
106	0805 0088	Retaining Ring - M6	
107	1105 0516	Clamp	

6.Paper Exit 1 (B805)

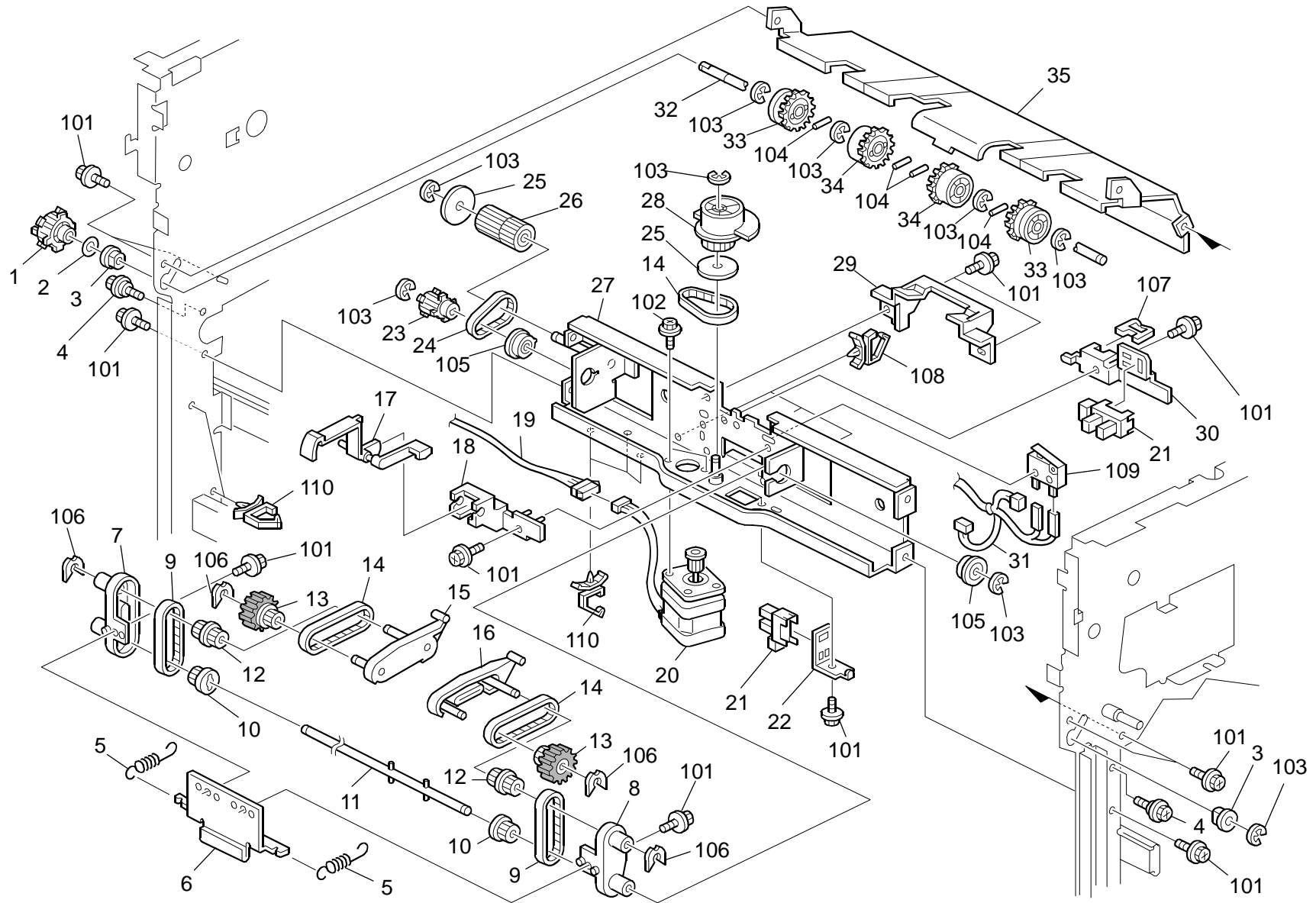


6.Paper Exit 1 (B805)

Index No.	Part No.	Description	Q'ty Per Assembly
1	B700 3156	Discharge Brush	1
2	G565 2135	Exit Plate	1
3	A681 2742	Driven Exit Roller	2
4	B700 3157	Shaft Exit Roller Driven	1
5	B700 3155	Guide Plate Exit Upper	1
6	AW01 0109	Photo Reflection Sensor:Ps117ed1	1
7	B700 5373	Harness Connecting Sensor	1
8	A353 3172	Actuator Bracket	1
9	A353 3173	Pressure Spring	1
10	B302 1145	Actuator - Paper Height Sensor	1
11	B700 3145	Bracket: Feeler: Plate	1
12	B700 3105	Bracket: Stepper Motor: Guide Plate	1
13	B700 5311	Harness: Exit: Open And Close: Motor	1
14	B700 5805	Stepper Motor:Pm:S2m:T15:Ass'y	1
15	B700 3125	Timing Belt:B40S2M232	1
16	B700 3115	Worm Gear:37t	1
17	AW02 0141	Photo Interrupter	9
18	B700 3120	Worm Wheel:20z	1
19	B408 2833	Shaft - Worm Wheel	1
20	B700 3130	Bushing: Joint	1
21	B700 3140	Compression Spring	1
22	B700 3135	Joint: Guide Plate: Open And Close	1
23	5447 2681	Snap Ring	4
24	B700 3100	Stay: Drive: Guide Plate: Ass'y	1
25	B700 3150	Bracket: Surface Of Paper Sensor	1
26	B700 5361	Harness: Connecting: Sensor:Exit	1

Index No.	Part No.	Description	Q'ty Per Assembly
101	0451 3006N	Tapping Screw - 3x6	
102	0720 0040E	Retaining Ring - M4	
103	0805 0089	Retaining Ring - M4	
104	1105 0328	Harness Clamp - ES-0505	
105	1105 0516	Clamp	
106	1105 0623	Clamp - LBWS-0206S-V0	

7.Paper Exit 2 (B805)

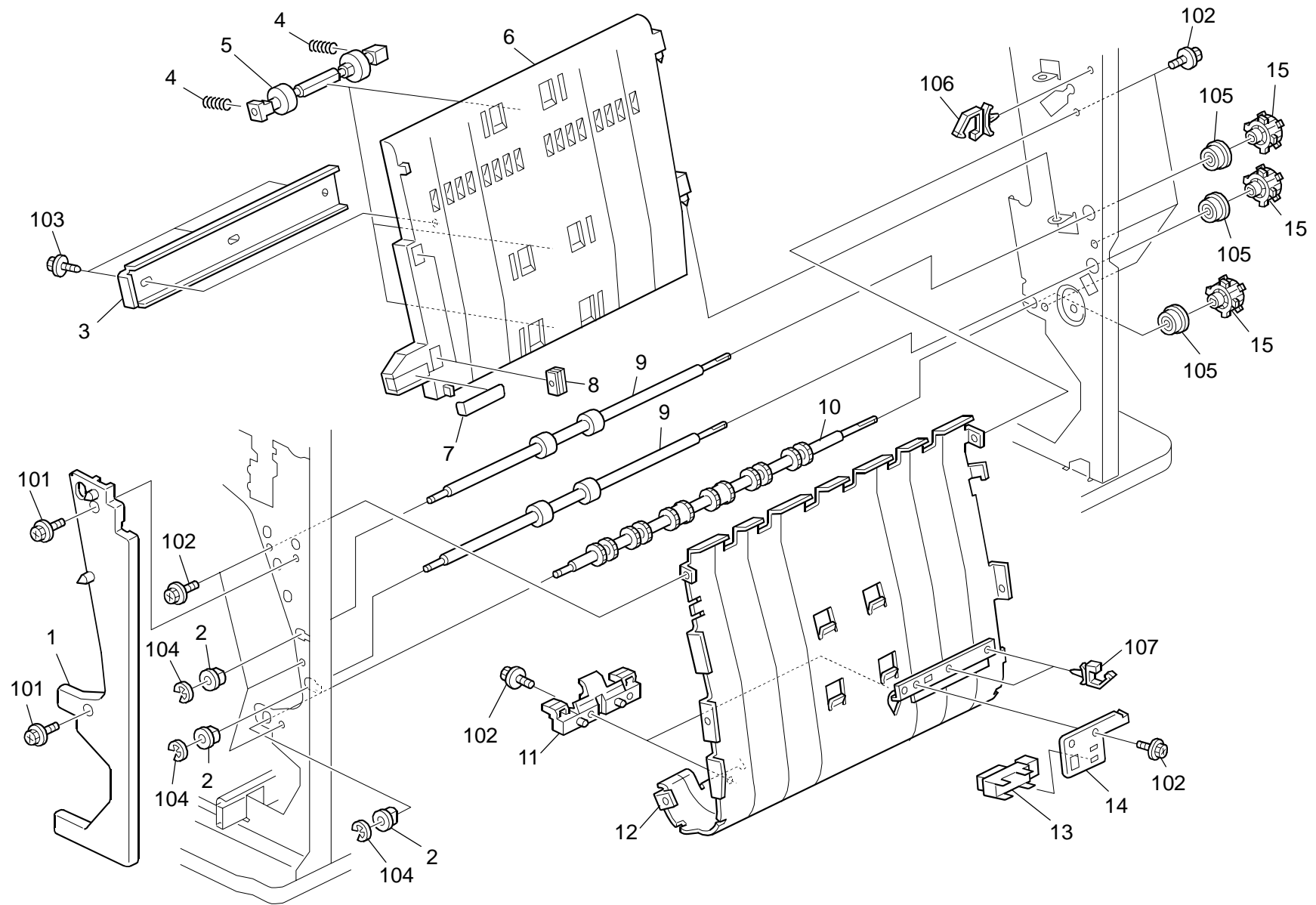


7.Paper Exit 2 (B805)

Index No.	Part No.	Description	Q'ty Per Assembly
1	B352 1607	Timing Pulley - T20-S3M	5
2	H072 2220	Spacer - M6x10	1
3	AA08 2101	Bushing - 6x10x6	16
4	AA14 3823	Tapping Screw	2
5	B700 3545	Tension Spring	2
6	B700 3540	Bracket: Coupling: Lever: Drive	1
7	B478 3507	Lever: Drive: Gathering Roller: Back	1
8	B478 3506	Lever: Drive: Gathering Roller: Front	1
9	B478 3504	Timing Belt:B40S2M100	2
10	B478 3501	Pulley: Drive: Roller: Sponge	2
11	B700 3515	Shaft: Gathering Roller: Drive: Ass'y	1
12	B478 3502	Pulley: Driven: Roller: Sponge	2
13	B478 3503	Gathering Roller: Sponge	2
14	B700 3535	Timing Belt:B40S2M116	3
15	B700 3530	Lever: Driven: Gathering Roller: Rear	1
16	B700 3525	Lever: Driven: Gathering Roller: Front	1
17	B700 3555	Feeler: Paper Sensor	10
18	B700 3550	Bracket: Feeler: Paper Sensor	1
19	B700 5415	Harness: Drive: Swivel: Motor	1
20	B700 5807	Stepper Motor:Mm42:S2m:T15:Ass'y	1
21	AW02 0141	Photo Interrupter	9
22	B700 3565	Bracket: Home Position Sensor	1
23	B700 3520	Timing Pulley:18T	1
24	B700 3504	Timing Belt:B40S2M92	1
25	B478 3569	Spacer	3
26	B700 3505	Timing Pulley:20/30T	1
27	B700 3500	Stay: Uniform:Ass'y	1
28	B700 3575	Cam: Lever: Drive	1
29	B700 3570	Cam: Gathering Roller	1
30	B700 3560	Bracket: Sensor: Paper Sensor	1
31	B700 5304	Harness: Surface Of Paper Sensor	1
32	B700 3176	Shaft: Exit Roller	1
33	B352 2405	Outer Exit Roller	2
34	B352 2400	Exit Roller	2
35	B804 3161	Guide Plate: Exit: Lower	1

Index No.	Part No.	Description	Q'ty Per Assembly
101	0451 3006N	Tapping Screw - 3x6	
102	0451 4006N	Tapping Screw - 4x6	
103	0720 0040E	Retaining Ring - M4	
104	0632 0100G	Pin - 2x10mm	
105	0805 3537	Ball Bearing:Dia6xdia13x5:Dia14.5	
106	0805 0089	Retaining Ring - M4	
107	1105 0328	Harness Clamp - ES-0505	
108	1105 0623	Clamp - LBWS-0206S-V0	
109	1204 2520	Switch:DE2L-FJ20	
110	1105 0487	Harness Clamp	

8.Staple Transfer Section 1 (B805)

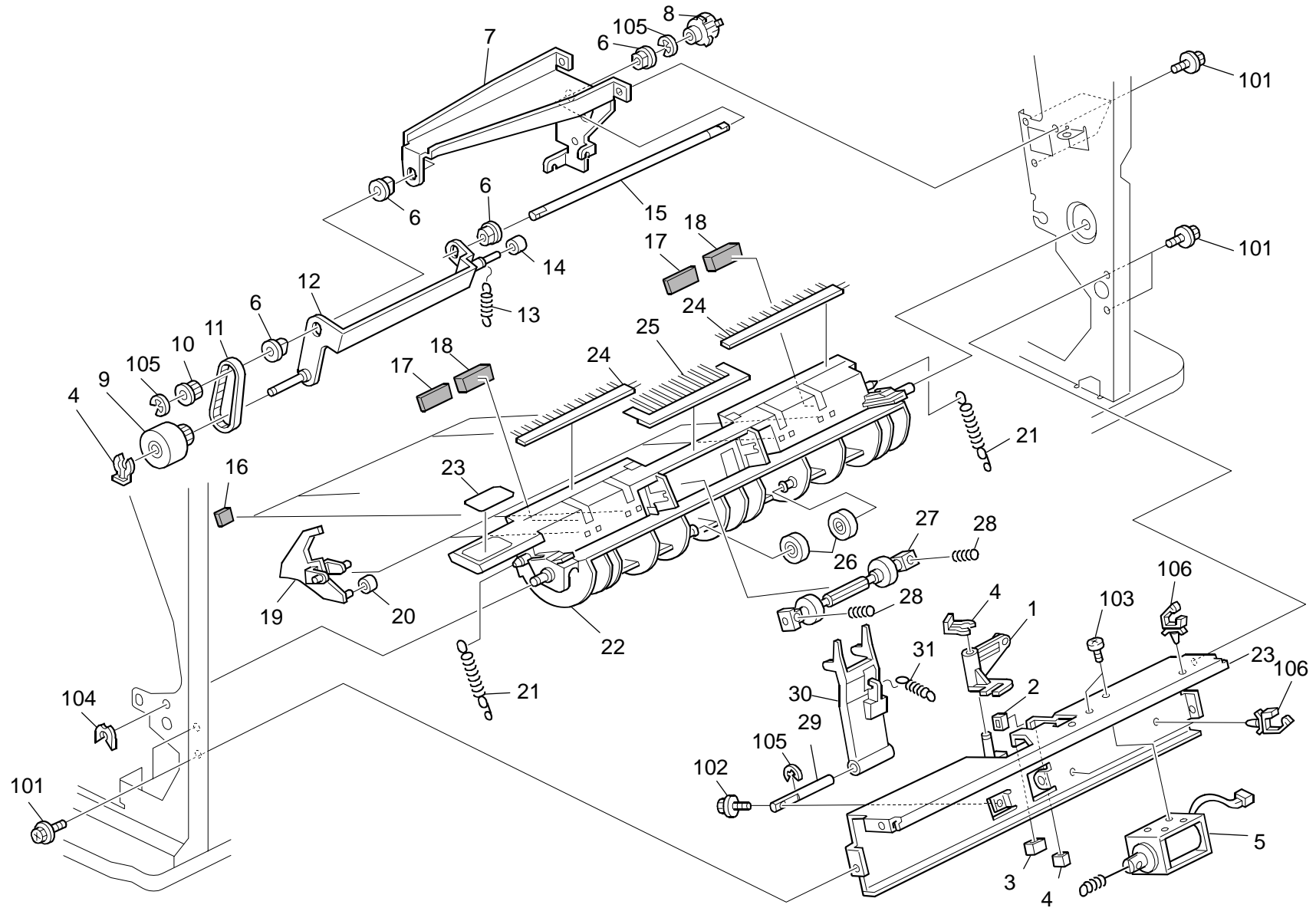


8.Staple Transfer Section 1 (B805)

Index No.	Part No.	Description	Q'ty Per Assembly
1	B700 6105	Inner Cover: Lower	1
2	AA08 2101	Bushing - 6x10x6	16
3	A612 2435	Support Plate	1
4	B700 2476	Compression Spring:Exit:Driven	8
5	AF02 2147	Driven Roller	7
6	B700 2471	Guide Plate :Lengthwise	1
7	B700 7865	Decal: Vertical Transport:R5	1
8	AG07 0514	Magnet Catch	5
9	B700 2461	Transport Roller: Duplex Stack: Lower	2
10	B700 2491	Exit Roller: Stapler Tray	1
11	B700 2486	Guide Plate: Exit: Stapler Tray	2
12	B700 2481	Guide Plate: Lengthwise Ass'y	1
13	GW01 0007	Photo Reflection Sensor:Exit	4
14	B700 2485	Bracket: Sensor: Duplex Tray	1
15	B352 1607	Timing Pulley - T20-S3M	5

Index No.	Part No.	Description	Q'ty Per Assembly
101	0451 3008N	Tapping Screw - M3x8	
102	0451 3006N	Tapping Screw - 3x6	
103	0450 3008N	Tapping Screw - M3x8	
104	0720 0040E	Retaining Ring - M4	
105	0805 3537	Ball Bearing:Dia6xdia13x5:Dia14.5	
106	1105 0516	Clamp	
107	1105 0623	Clamp - LBWS-0206S-V0	

9.Staple Transfer Section 2 (B805)



9.Staple Transfer Section 2 (B805)

Index No.	Part No.	Description	Q'ty Per Assembly
1	B700 2725	Arm: Solenoid: Swivel	1
2	A498 4625	Arm Cushion	1
3	B700 2729	Cushion: Arm	3
4	A697 2102	Damper - Junction Gate Solenoid	3
5	B700 2731	DC Solenoid: Swivel: Ass'y	1
6	AA08 2058	Bushing - 6x10x9mm	4
7	B700 2611	Bracket: Gathering Roller	1
8	B352 1600	Timing Pulley - S2M T24	1
9	B408 2435	Gathering Roller: Ass'y	1
10	B408 2422	Pulley - T16	1
11	B700 2649	Timing Belt:40S2M144	1
12	B700 2621	Arm: Gathering Roller: Ass'y	1
13	AA06 0557	Positioning Roller Spring	1
14	AA16 1099	Lever Cushion	1
15	B700 2612	Shaft: Gathering Roller: Drive	1
16	B700 2520	Cushion :Gate Pawl	10
17	B477 2333	Motor Bracket Cushion	2
18	A680 4223	Cushion	2
19	B408 2113	Guide - Trailing Edge	4
20	A458 2251	Cushion - Bin Solenoid Lever	7
21	B700 2478	Tension Spring	2
22	B700 2473	Guide Plate: Lower: Open And Close	1
23	B700 7866	Decal:Exit:R6	1
24	B804 2474	Discharge Brush :Exit	2
25	B804 2477	Discharge Brush: Exit: Middle	1
26	B468 2832	Driven Exit Roller	2
27	AF02 2147	Driven Roller	7
28	B700 2476	Compression Spring :Exit: Driven	8
29	B700 2722	Shaft: Contact Point: Swivel	1
30	B804 2721	Guide: Trailing Edge	1
31	B700 2723	Tension Spring: Release: Swivel	1
32	B700 2711	Stay: Swivel: Ass'y	1

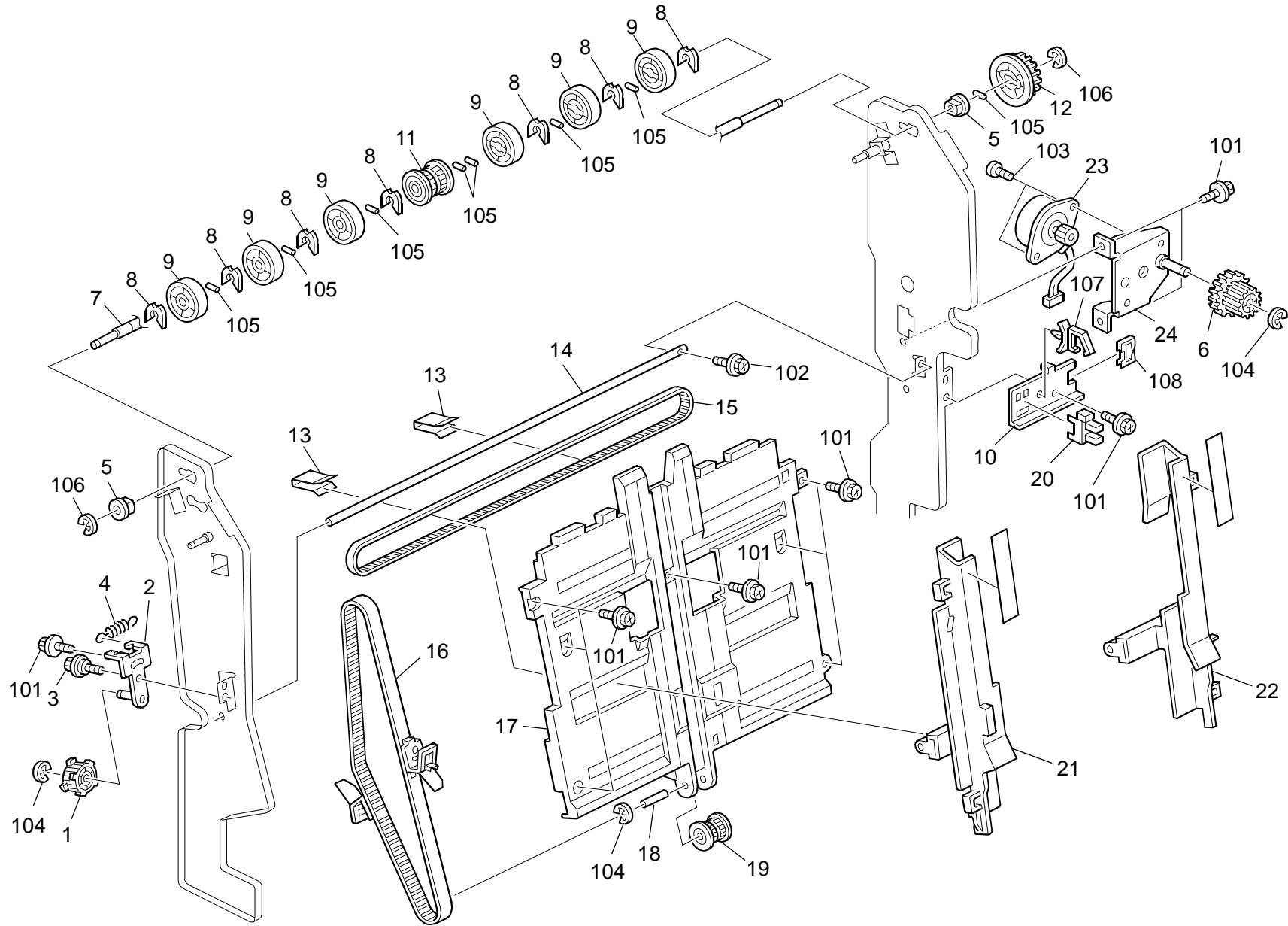
Index No.	Part No.	Description	Q'ty Per Assembly
101	0451 3006N	Tapping Screw - 3x6	
102	0451 3008N	Tapping Screw - M3x8	
103	0353 0040N	Screw - M3X4	
104	0805 0089	Retaining Ring - M4	
105	0720 0040E	Retaining Ring - M4	
106	1105 0623	Clamp - LBWS-0206S-V0	

10.Staple Tray 1 (B805)

Index No.	Part No.	Description	Q'ty Per Assembly
1	B701 7888	Decal: Stapler Tray:R8	1
2	B700 4540	Inner Cover: Stapler Unit	1
3	B700 4159	Stay: Upper: Slide Rail	1
4	B805 4500	Guide Plate: Exit	1
5	B805 4162	Cover: Stay: Middle: Behind	1
6	AW02 0166	Photo Interrupter: Paper Feed Sensor	1
7	B700 4255	Bracket: Home Position Sensor: Pawl	1
8	B700 4265	Bracket: Tightener: Exit: Fix	1
9	B700 4276	Tension Spring	1
10	B700 4267	Bracket: Tightener Exit: Ass'y	1
11	A666 3180	Timing Pulley - Z32	1
12	B700 4161	Stay: Middle: Stapler Tray	1
13	B701 4161	Cover: Stay: Middle	2
14	AA14 3790	Screw: Contact Point	1
15	B805 4551	Guide Plate: Exit: Small	1

Index No.	Part No.	Description	Q'ty Per Assembly
101	0451 3008N	Tapping Screw - M3x8	
102	0453 3006N	Tapping Screw - M3x6	
103	0451 3006N	Tapping Screw - 3x6	
104	0720 0040E	Retaining Ring - M4	
105	1105 0623	Clamp - LBWS-0206S-V0	
106	1105 0489	Harness Clamp - LWS 1316	
107	1105 0487	Harness Clamp	
108	1105 0488	Harness Clamp	
109	1105 0516	Clamp	

11.Staple Tray 2 (B805)

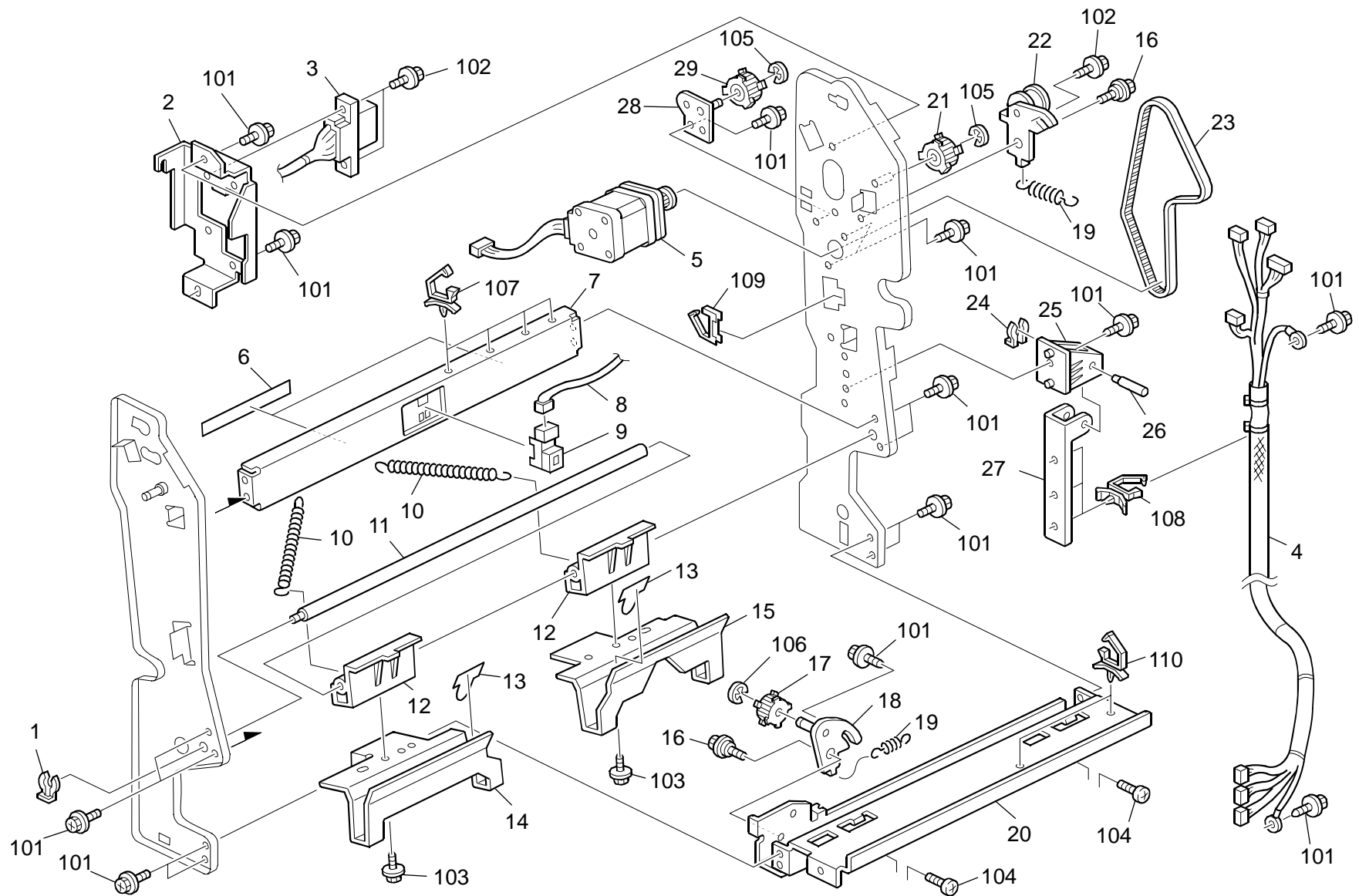


11.Staple Tray 2 (B805)

Index No.	Part No.	Description	Q'ty Per Assembly
1	A697 4170	Pulley - 32T	1
2	B408 4223	Belt Tensioner - Stapler	1
3	AA14 3790	Screw: Contact Point	12
4	B700 1501	Tension Spring - Pressure	6
5	AA08 2104	Bushing - 8x12x7	2
6	B700 4209	Pulley:32T	1
7	B700 4258	Shaft: Exit	1
8	AA10 0011	Retaining Ring:Silencer:Mm7	7
9	B700 4260	Collar:Mm40	6
10	B700 4207	Bracket: Sensor: Jogger	1
11	B700 4261	Timing Pulley:55T	1
12	B700 4271	Timing Pulley:55T	1
13	B468 4381	Stopper - Timing Belt	2
14	B700 4200	Shaft: Guide: Jogger Fence	1
15	B700 4213	Timing Belt:1040S2M4-E	1
16	B700 4250	Exit Belt: Ass'y	1
17	B700 4180	Stapler Tray	1
18	B700 4181	Shaft: Idler :Exit	1
19	A666 3180	Timing Pulley - Z32	2
20	AW02 0141	Photo Interrupter	9
21	B701 4201	Jogger Fence: Front: Ass'y	1
22	B701 4204	Jogger Fence: Rear Ass'y	1
23	B700 5804	Stepper Motor:Dia42:Z17:Ass'y	1
24	B700 4210	Bracket :Motor: Jogger Ass'y	1

Index No.	Part No.	Description	Q'ty Per Assembly
101	0451 3006N	Tapping Screw - 3x6	
102	0451 3010N	Tapping Screw:3x10	
103	0453 3006N	Tapping Screw - M3x6	
104	0720 0040E	Retaining Ring - M4	
105	0632 0160G	Parallel Pin-m2x16	
106	0720 0060E	Retaining Ring - M6	
107	1105 0623	Clamp - LBWS-0206S-V0	
108	1105 0328	Harness Clamp - ES-0505	

12.Staple Tray 3 (B805)

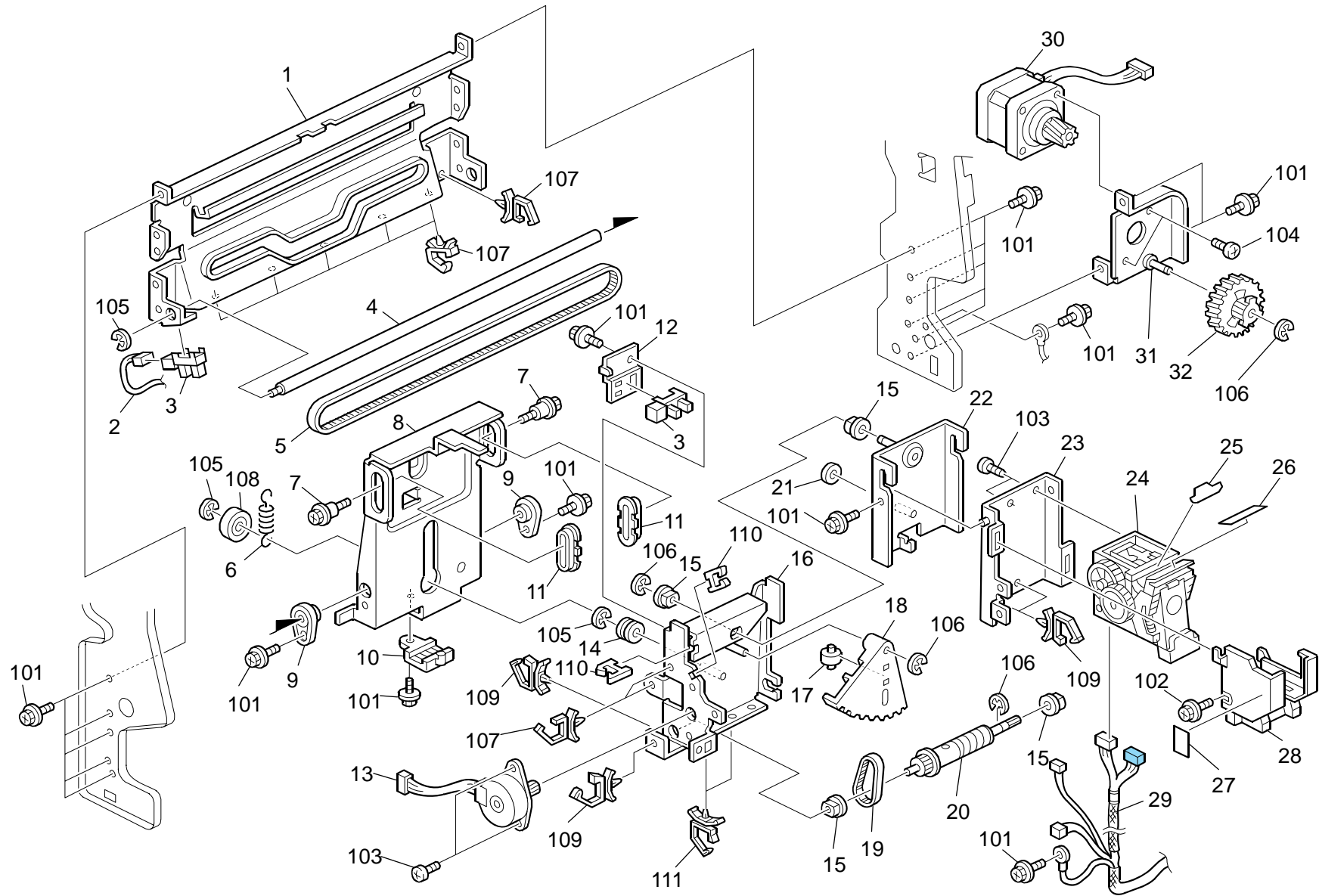


12.Staple Tray 3 (B805)

Index No.	Part No.	Description	Q'ty Per Assembly
1	5447 2681	Snap Ring	4
2	B700 4524	Bracket: Stapler Tray :Moveable	1
3	B700 5341	Harness - Stapler Tray Sensor	1
4	B804 5317	Harness :Connecting: Motor: Stapler Unit	1
5	B700 5808	Stepper Motor: Exit: Ass'y	1
6	B700 4168	Sheet: Slider	2
7	B700 4167	Stay: Lower :Positioning Sensor	1
8	B700 5419	Harness: Connecting: Sensor	1
9	GW01 0007	Photo Reflection Sensor:Exit	4
10	B700 4107	Spring: Return: Standard Fence	2
11	B700 4100	Shaft: Slider :Standard Fence	1
12	B700 4103	Slider: Standard Fence	2
13	B700 4104	Guide: Entrance: Stapler :Inner Back	2
14	B700 4102	Standard Fence :Front: Staple	1
15	B700 4106	Standard Fence: Rear:Staple	1
16	AA14 3790	Screw: Contact Point	12
17	AB03 0278	Idler - 20z	1
18	B700 4308	Bracket: Tightener: Stapler:Ass'y	1
19	B700 1501	Tension Spring - Pressure	6
20	B700 4165	Stay: Lower: Slide Rail	1
21	B700 4273	Timing Pulley:30T	2
22	B312 1600	Tightener	4
23	B700 4275	Timing Belt:B40S2M474	1
24	5206 2686	Snap Ring	1
25	B700 4521	Holder Arm: Harness	1
26	B700 4523	Pin: Fix: Arm	1
27	B700 4522	Arm: Harness: Stapler Unit	1
28	B701 4271	Bracket: Idler: Ass'y	1
29	B700 4273	Timing Pulley:30T	1

Index No.	Part No.	Description	Q'ty Per Assembly
101	0451 3006N	Tapping Screw - 3x6	
102	0451 3008N	Tapping Screw - M3x8	
103	0450 3008N	Tapping Screw - M3x8	
104	0453 3006N	Tapping Screw - M3x6	
105	0720 0040E	Retaining Ring - M4	
106	0720 0060E	Retaining Ring - M6	
107	1105 0623	Clamp - LBWS-0206S-V0	
108	1105 0488	Harness Clamp	
109	1105 0334	Edge - 17	
110	1105 0487	Harness Clamp	

13.Staple Tray 4 (B805)

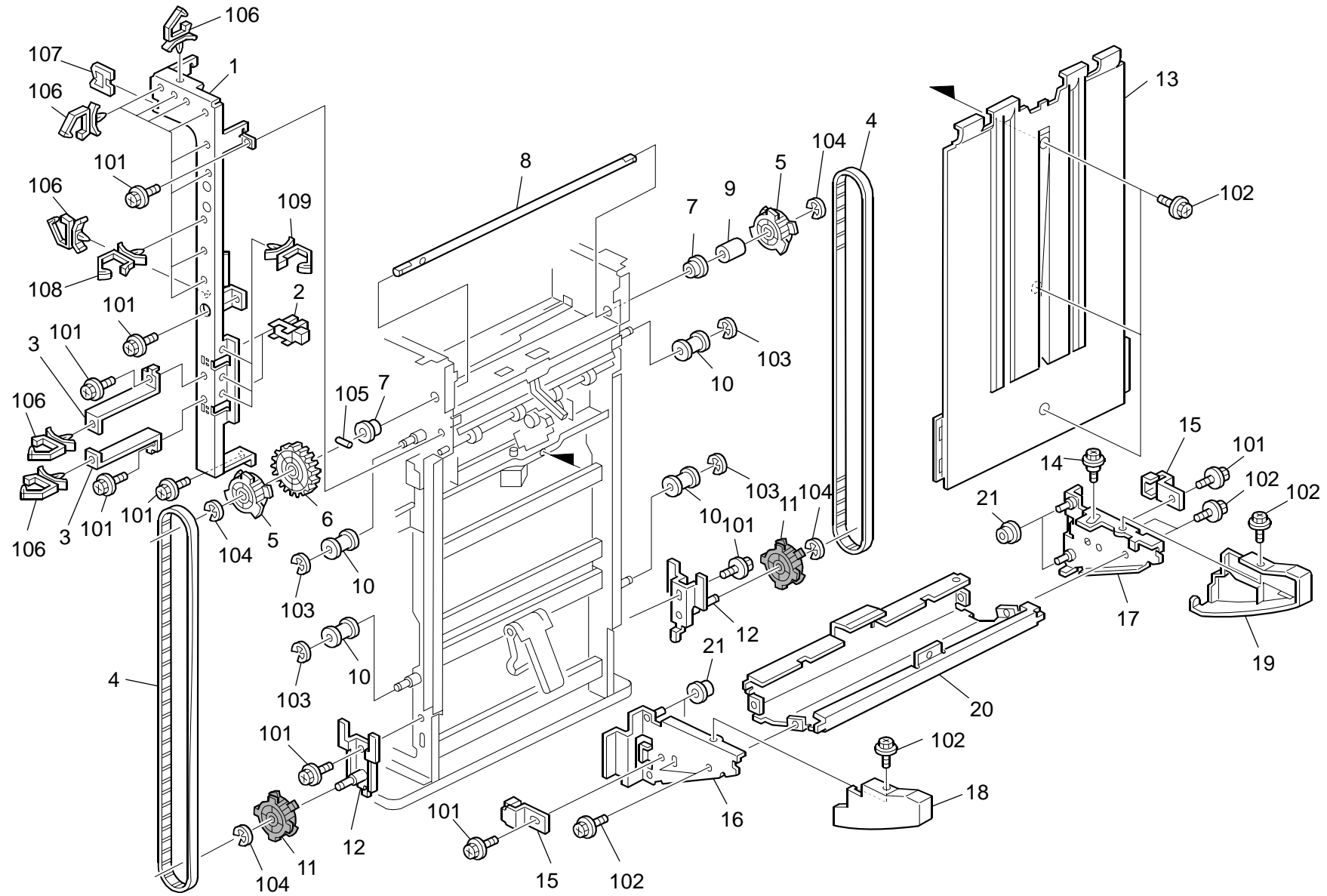


13.Staple Tray 4 (B805)

Index No.	Part No.	Description	Q'ty Per Assembly
1	B700 4163	Stay: Guide: Stapler :Move	1
2	B700 5371	Harness: Connecting: Sensor	1
3	AW02 0141	Photo Interrupter	9
4	B700 4300	Shaft: Guide: Stapler	1
5	B700 4335	Timing Belt:B60S3M954	1
6	B700 4337	Tension Spring	1
7	AA14 3702	Screw: Pin: Positioning	3
8	B700 4329	Bracket: Stapler :Move: Ass'y	1
9	B352 4318	Bushing - Lower Slider	2
10	B302 4292	Belt Holder	1
11	B700 4334	Guide: Slide: Stapler	2
12	B700 4324	Bracket: Sensor: Diagonal, slanted	1
13	B700 5801	Stepper Motor: Ass'y	1
14	B700 4333	Roller: Guide: Slide: Stapler	1
15	AA08 2101	Bushing - 6x10x6	16
16	B700 4320	Bracket: Stapler: Slide: Ass'y	1
17	A376 1343	Original Pressure Roller	1
18	A697 4140	Sector Gear - 144z	1
19	B700 4327	Timing Belt:B40S2M90	1
20	B700 4326	Worm Gear:Pulley:19t	1
21	AA13 2024	Spacer - M6	1
22	B700 4316	Bracket: Stapler: Turn:Ass'y	1
23	B700 4313	Bracket: Fix: Stapler: Ass'y	1
24	AJ01 1015	Stapler:EH-530	1
25	B700 4312	Guide: Stapler :Entrance: Lower	1
26	B700 4311	Guide: Stapler: Entrance: Upper	1
27	B700 7891	Decal:Stapler:S1	1
28	B700 4336	Inner Cover: Stapler	1
29	B700 5368	Harness: Connecting: Stapler	1
30	B700 5809	Stepper Motor: Stapler Moveable: Ass'y	1
31	B700 4302	Bracket: Drive: Stapler :Move: Ass'y	1
32	B700 4305	Gear Pulley:52Z/20T	1

Index No.	Part No.	Description	Q'ty Per Assembly
101	0451 3006N	Tapping Screw - 3x6	
102	0451 3008N	Tapping Screw - M3x8	
103	0453 3006N	Tapping Screw - M3x6	
104	0353 0050N	Screw-m3x5	
105	0720 0060E	Retaining Ring - M6	
106	0720 0040E	Retaining Ring - M4	
107	1105 0623	Clamp - LBWS-0206S-V0	
108	0740 3008	Ball Bearing - 8x22x7	
109	1105 0487	Harness Clamp	
110	1105 0328	Harness Clamp - ES-0505	
111	1105 0516	Clamp	

14.Shift Tray (B805)

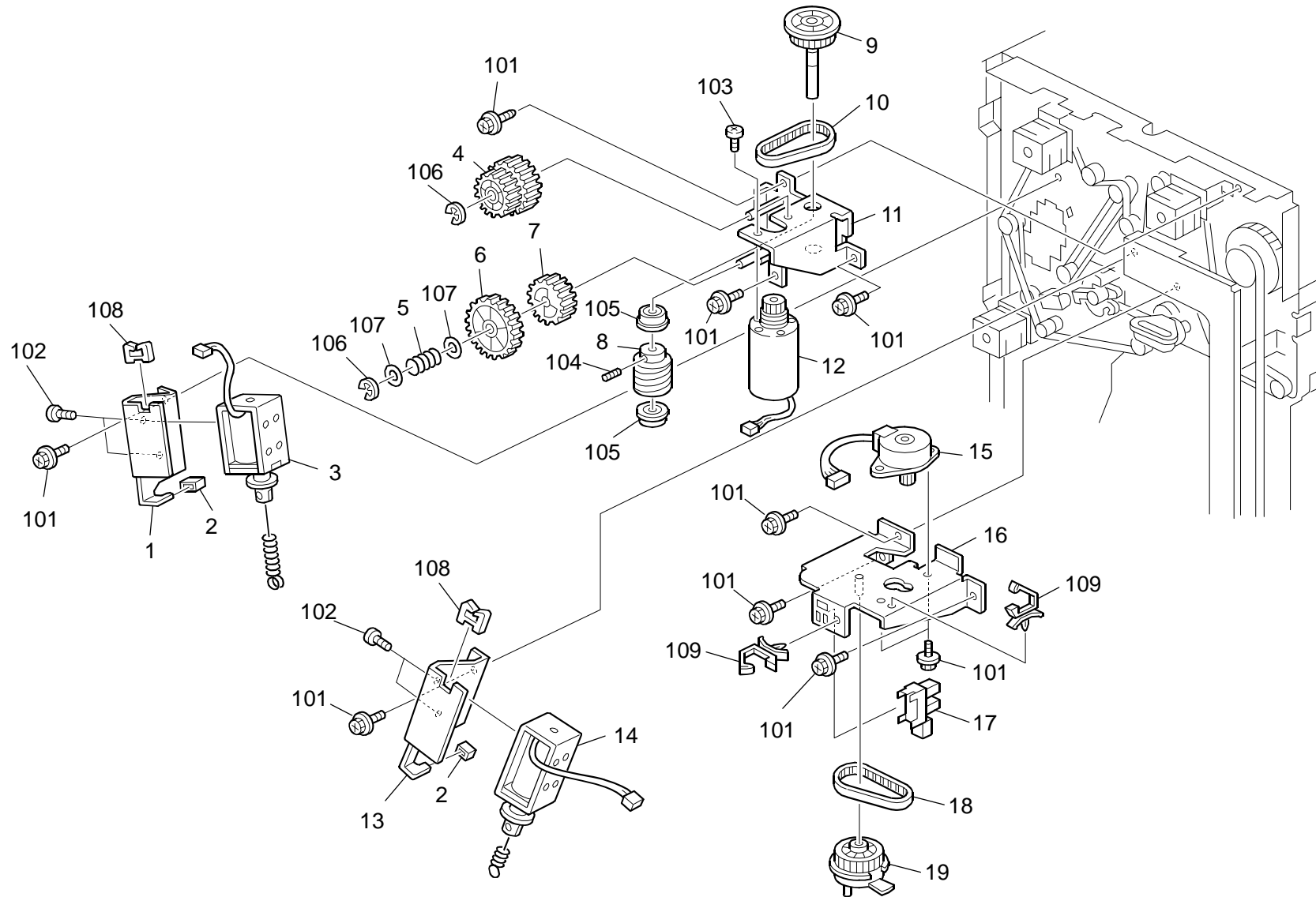


14.Shift Tray (B805)

Index No.	Part No.	Description	Q'ty Per Assembly
1	B700 3325	Bracket: Sensor: Paper Volume Sensor	1
2	AW02 0114	Photo Interrupter - Lower Limit	2
3	B468 5991	Harness Bracket	4
4	B700 3320	Timing Belt:B60S5M1530	2
5	A697 3180	Pulley - 18T	2
6	A697 3170	Gear - 42Z	1
7	C203 5135	Bushing - 10x14x5.9	2
8	A697 3165	Tray Drive Shaft	1
9	A697 3175	Spacer - 10x14x13.5mm	1
10	A548 2139	Pulley	4
11	B700 3315	Timing Pulley:22T	2
12	B700 3310	Tightener:Tray:Drive:Ass'y	2
13	B805 3170	End Fence:Bind:No	1
14	AA14 3702	Screw Pin: Positioning	3
15	A697 3150	Fixing Plate - Timing Belt	2
16	B700 3405	Side Plate:Tray:Inner Back:Ass'y	1
17	B700 3400	Side Plate:Tray:Front:Ass'y	1
18	B804 6165	Cover:Tray:Support:Rear	1
19	B804 6160	Cover:Tray:Support:Front	1
20	B700 3410	Base:Tray	1
21	A379 3316	Shift Guide Roller	4

Index No.	Part No.	Description	Q'ty Per Assembly
101	0451 3006N	Tapping Screw - 3x6	
102	0451 3008N	Tapping Screw - M3x8	
103	0720 0040E	Retaining Ring - M4	
104	0720 0060E	Retaining Ring - M6	
105	0634 0200G	Parallel Pin - 4x20	
106	1105 0488	Harness Clamp	
107	1105 0328	Harness Clamp - ES-0505	
108	1105 0490	Harness Clamp - IWS-2218	
109	1105 0623	Clamp - LBWS-0206S-V0	

15. Drive Section 1 (B805)

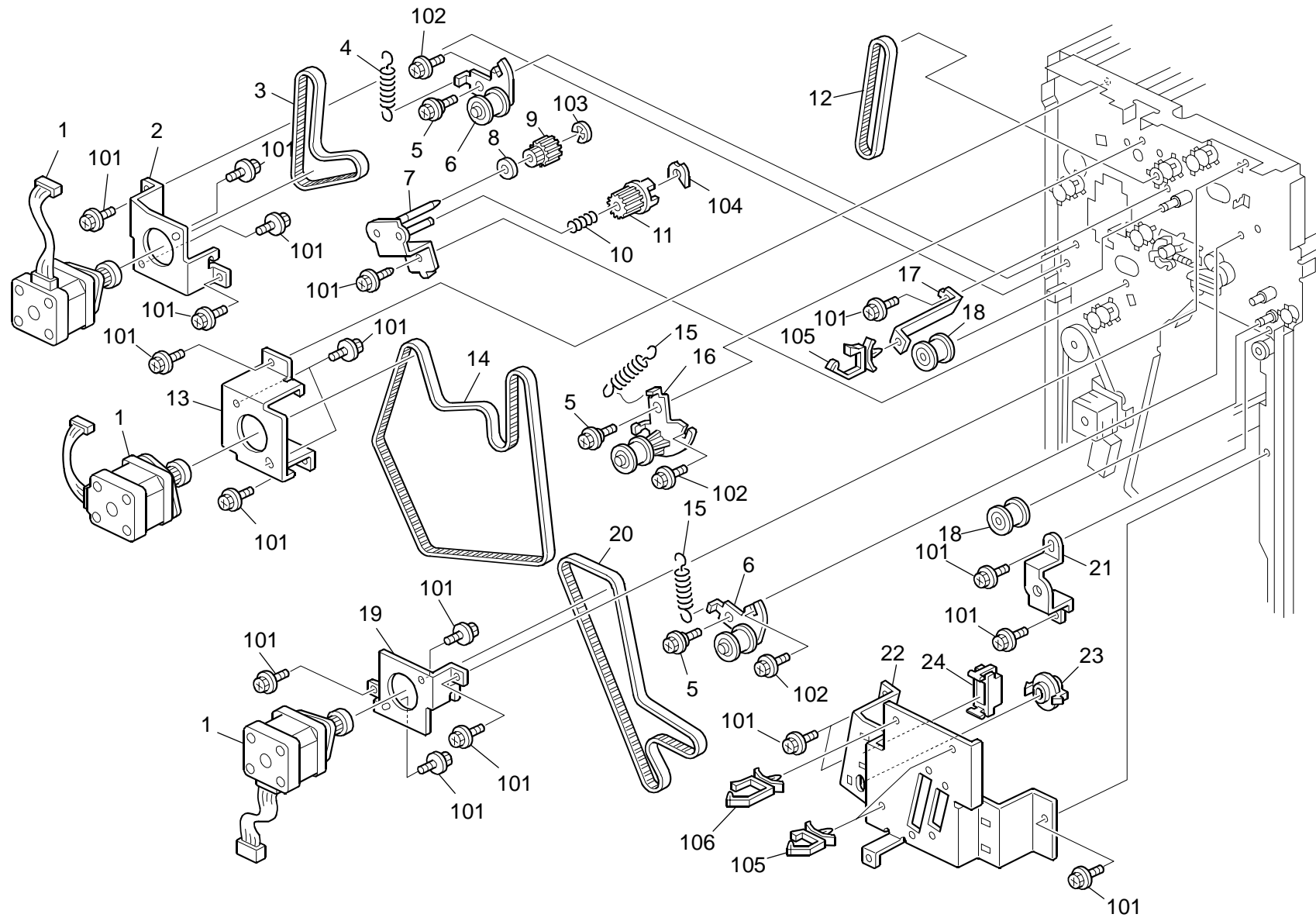


15. Drive Section 1 (B805)

Index No.	Part No.	Description	Q'ty Per Assembly
1	B700 2515	Bracket: Dcsol: Gate Pawl: Staple	1
2	A697 2102	Damper - Junction Gate Solenoid	3
3	B700 2535	DC Solenoid: Gate Pawl: Staple: Ass'y	1
4	A697 3145	Gear - 36Z/18Z	1
5	B700 3322	Compression Spring - 10n	1
6	A697 3140	Gear - 30Z	1
7	A697 3135	Gear - 18Z	1
8	A300 2736	Worm Gear	1
9	A697 3225	Worm Wheel Shaft	1
10	B700 3305	Timing Belt:B40S2M152	1
11	B700 3300	Bracket: Drive: Tray: Ass'y	1
12	AX06 0282	DC Motor:25.1W	1
13	B700 2510	Bracket: Dcsol: Gate Pawl: Proof Tray	1
14	B700 2550	DC Solenoid: Gate Pawl: Ass'y	1
15	B700 5813	Stepper Motor:Pm:S2m:T12:Ass'y	1
16	B700 1675	Bracket: Shift: Drive: Ass'y	1
17	AW02 0141	Photo Interrupter	9
18	B700 1680	Timing Belt:B40S2M142	1
19	B468 2425	Drive Pulley	1

Index No.	Part No.	Description	Q'ty Per Assembly
101	0451 3006N	Tapping Screw - 3x6	
102	0353 0040N	Screw - M3X4	
103	0353 0060N	Bind Screw - M3x6	
104	0574 0040E	Hexagon Headless Set Screw - M4x4	
105	0741 3506	Ball Bearing - 6x12x4 Mm	
106	0720 0060E	Retaining Ring - M6	
107	0807 5056	Washer - 8.1mm	
108	1105 0328	Harness Clamp - ES-0505	
109	1105 0623	Clamp - LBWS-0206S-V0	

16. Drive Section 2 (B805)

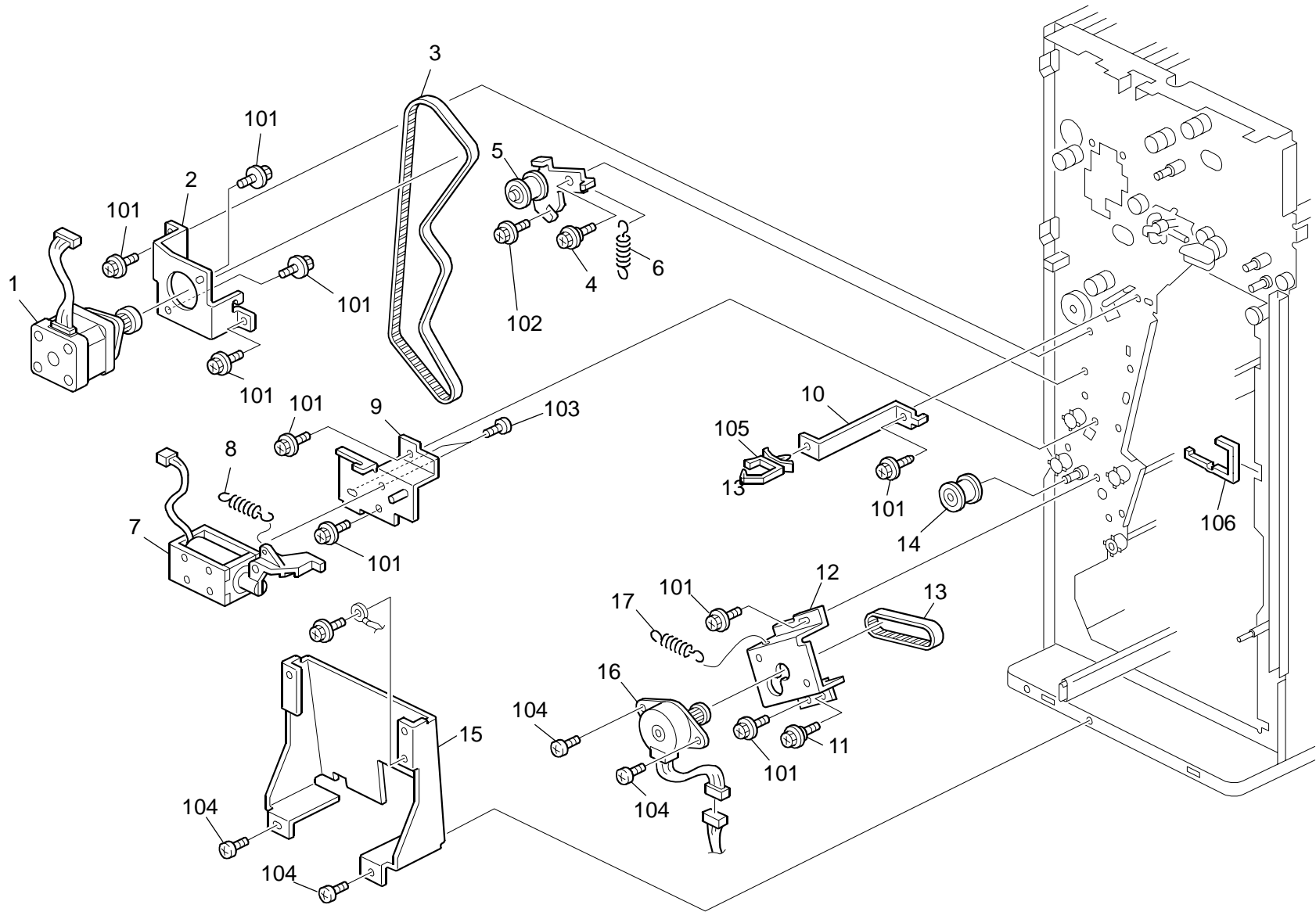


16. Drive Section 2 (B805)

Index No.	Part No.	Description	Q'ty Per Assembly
1	B804 5806	Stepper Motor:Mm42:S3m:T14:Ass'y	4
2	B700 1600	Bracket:Stepper Motor:Transport	2
3	B700 1610	Timing Belt:40S3M384	1
4	B700 1601	Tension Spring	1
5	AA14 3790	Screw:Contact Point	12
6	B312 1600	Tightener	4
7	B700 1620	Bracket:Pulley:Punch:Move:Ass'y	1
8	AA13 2169	Spacer - 5.7x16x1.5	1
9	B700 1625	Gear:Pulley:14Z/14T	1
10	B700 1635	Compression Spring	1
11	B700 1630	Gear:14Z	1
12	B700 1615	Timing Belt:B40S3M303	1
13	B700 1640	Bracket:Stepper Motor:Transport	1
14	B700 1670	Timing Belt:B40S3M927	1
15	B700 1501	Tension Spring - Pressure	6
16	B312 1610	Tightener	1
17	B468 5991	Harness Bracket	4
18	B312 1615	Tension Roller	4
19	B700 3205	Bracket:Stepper Motor:Exit	1
20	B700 3215	Timing Belt:B40S3M648	1
21	B700 3210	Bracket:Support:Stud:Return	1
22	B700 1162	Bracket:Connector:Stapler Tray	1
23	B700 1165	Holder:Coupling:Stapler Unit	1
24	AG07 1012	Magnet Catch:Ass'y	1

Index No.	Part No.	Description	Q'ty Per Assembly
101	0451 3006N	Tapping Screw - 3x6	
102	0451 3008N	Tapping Screw - M3x8	
103	0720 0040E	Retaining Ring - M4	
104	0805 0089	Retaining Ring - M4	
105	1105 0488	Harness Clamp	
106	1105 0490	Harness Clamp - IWS-2218	

17. Drive Section 3 (B805)

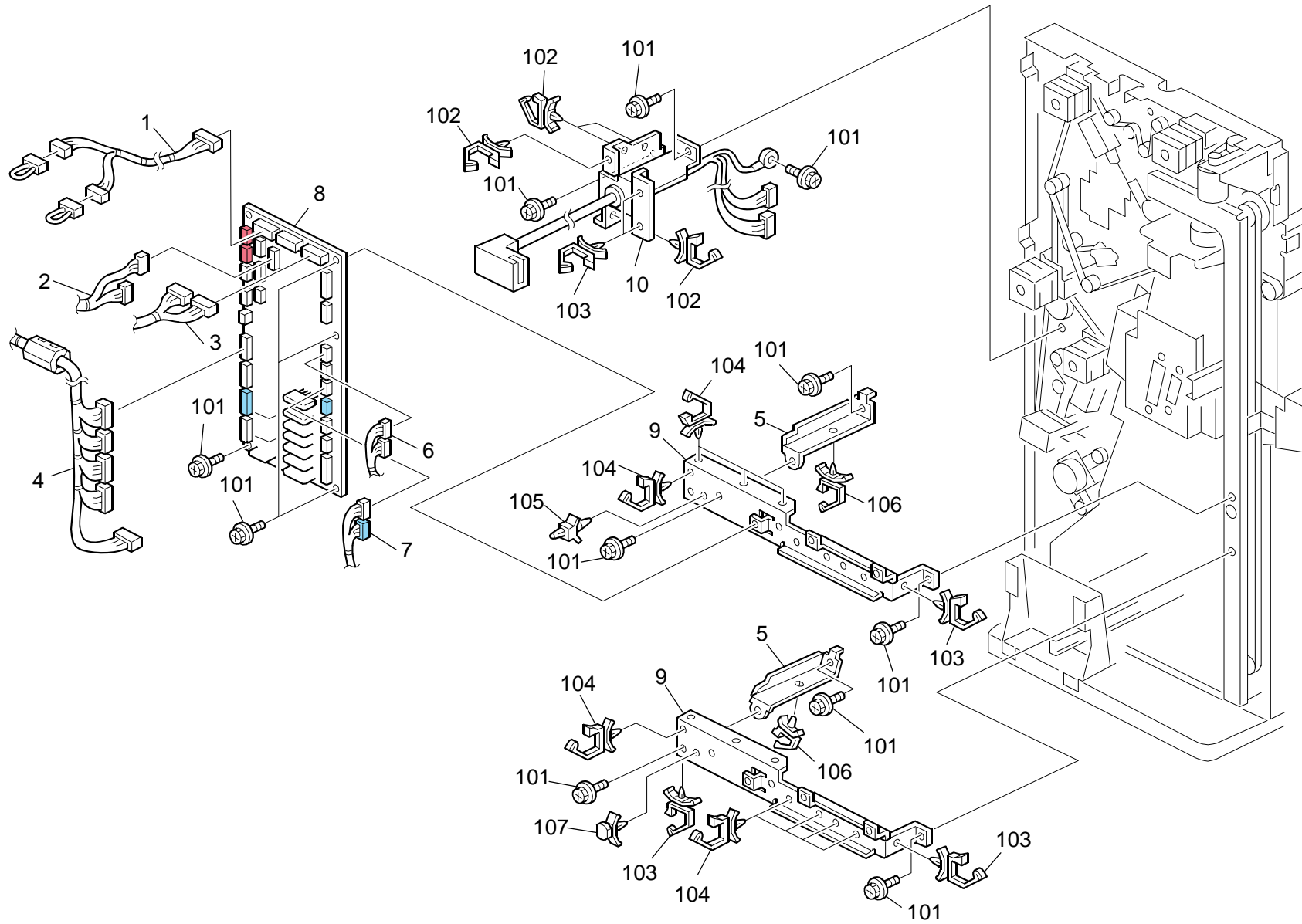


17. Drive Section 3 (B805)

Index No.	Part No.	Description	Q'ty Per Assembly
1	B804 5806	Stepper Motor:Mm42:S3m:T14:Ass'y	4
2	B700 1600	Bracket: Stepper Motor: Transport	2
3	B700 1702	Timing Belt:B40S3M789	1
4	AA14 3790	Screw:Contact Point	12
5	B312 1600	Tightener	4
6	B700 1501	Tension Spring - Pressure	6
7	B700 2655	DC Solenoid: Gathering Roller:Ass'y	1
8	A300 3865	Release Spring	1
9	B700 2651	Bracket: Solenoid: Gathering Roller	1
10	B468 5991	Harness Bracket	4
11	B700 4867	Screw: Contact Point:M3	1
12	B700 1801	Bracket:Stepper Motor	1
13	B700 1802	Timing Belt:B40S2M134	1
14	B312 1615	Tension Roller	4
15	B700 5957	Bracket:Main Control Board:Lower	1
16	B700 5803	Stepper Motor:Pm:T17:Ass'y	1
17	B700 1803	Tension Spring	1

Index No.	Part No.	Description	Q'ty Per Assembly
101	0451 3006N	Tapping Screw - 3x6	
102	0451 3008N	Tapping Screw - M3x8	
103	0353 0040N	Screw - M3X4	
104	0453 3006N	Tapping Screw - M3x6	
105	1105 0488	Harness Clamp	
106	1105 0334	Edge - 17	

18. Electrical Section (B805)

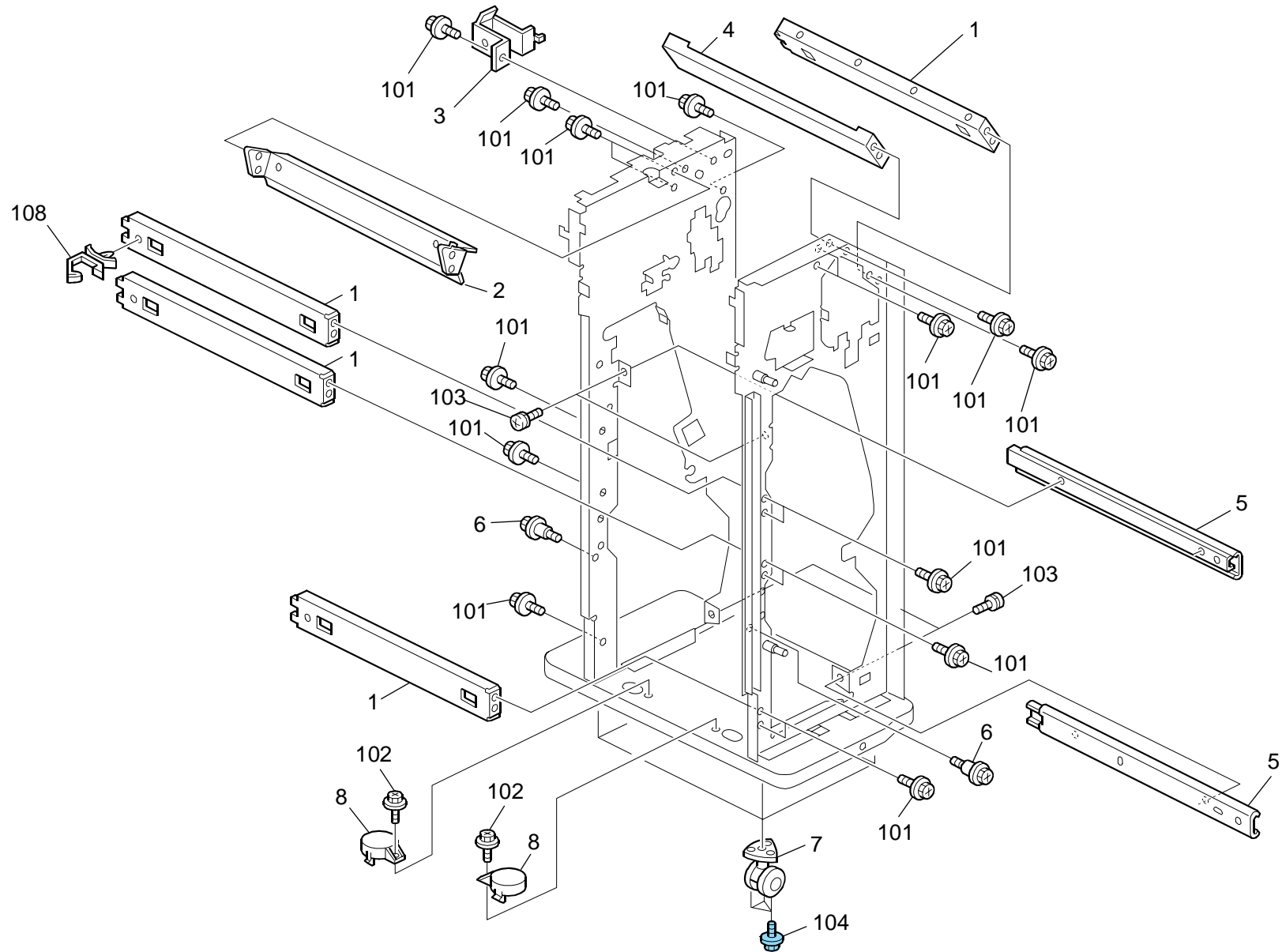


18.Electrical Section (B805)

Index No.	Part No.	Description	Q'ty Per Assembly
1	B700 5302	Harness:Entrance Sensor	1
2	B700 5451	Harness:Punch Unit	1
3	B700 5305	Harness:Exit:Tray	1
4	B700 5310	Harness:Stepper Motor	1
5	B700 5956	Bracket:Printed Circuit Board	2
6	B700 5340	Harness - Stapler Tray Unit	1
7	B804 5309	Harness:Exit:Tray	1
8	B804 5502	PCB:Main Control	1
9	B700 5955	Stay:Fix:Main Control Board	2
10	B700 5350	Harness:Interface:Sub-ass'y	1
11	B700 1163	Screw:Connector	2

Index No.	Part No.	Description	Q'ty Per Assembly
101	0451 3006N	Tapping Screw - 3x6	
102	1105 0516	Clamp	
103	1105 0487	Harness Clamp	
104	1105 0488	Harness Clamp	
105	1105 0192	Locking Support	
106	1105 0623	Clamp - LBWS-0206S-V0	
107	1105 0367	Spacer	

19.Frame Section (B805)

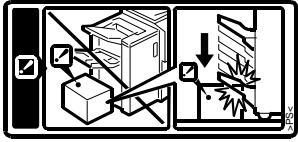
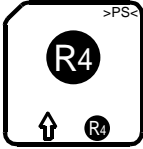
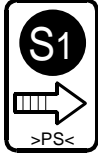
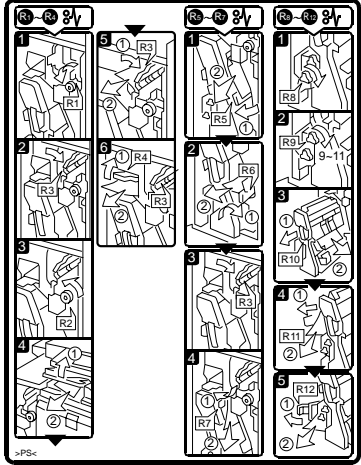


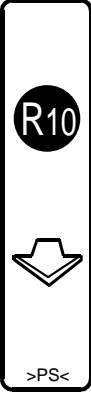
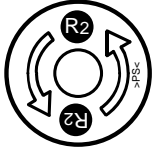
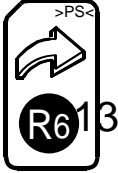




19.Frame Section (B805)

Index No.	Part No.	Description	Q'ty Per Assembly
1	B700 3163	Stay: Coupling	4
2	B804 2321	Guide Plate :Proof Tray	1
3	B804 6132	Bracket: Cover: Upper	1
4	B804 1152	Stay: Coupling	1
5	B701 1166	Slide Rail:432mm	1
6	AA14 3702	Screw :Pin: Positioning	3
7	AH01 2030	Caster:Dia50:400n	4
8	B804 1117	Cap - Base	2

Index No.	Part No.	Description	Q'ty Per Assembly
101	0451 3006N	Tapping Screw - 3x6	
102	0451 3008N	Tapping Screw - M3x8	
103	0950 3005N	Screw: Spring Washer:M3X5	
104	0454 4008Q	Tapping Screw - M4x8	
105	1105 0623	Clamp - LBWS-0206S-V0	

20. Decals and Documents (B805)

<p>1</p> 	<p>5</p> 	<p>9</p> 	<p>11</p> 
<p>2</p> 	<p>6</p>  <p>10</p>	<p>10</p> 	
<p>3</p> 	<p>7</p> 		
<p>4</p> 	<p>8</p> 		

20.Decals and Documents (B805)

Index No.	Part No.	Description	Q'ty Per Assembly
1	B468 7812	Caution Decal - Tray Fall	1
2	B700 7861	Decal:Knob:Entrance:R1	1
3	B700 7862	Decal:Knob:Entrance:R2	1
4	B700 7863	Decal Proof Tray:R3	1
5	B700 7864	Decal:Shift:R4	1
6	B700 7865	Decal Vertical Transport:R5	1
7	B700 7866	Decal:Exit:R6	1
8	B700 7867	Decal Turn Open And Close:R7	1
9	B700 7891	Decal:Stapler:S1	1
10	B701 7888	Decal Stapler Tray:R8	1
11	B805 7850	Decal Misfeed Removal Bind:No	1

Index No.	Part No.	Description	Q'ty Per Assembly

FINISHER SR3030 B805
PARTS INDEX

This section instructs you as to the numbers and names of parts on this machine

Parts Index

Part No.	Description	Page and Index No.
B805 3170	End Fence: Bind: No	29 - 13
B805 4162	Cover: Stay: Middle :Behind	21 - 5
B805 4500	Guide Plate :Exit	21 - 4
B805 4551	Guide Plate: Exit: Small	21 - 15
B805 7850	Decal: Misfeed Removal: Bind : No	3 - 11
B805 7850	Decal: Misfeed Removal: Bind: No	41 - 11

Part No.	Description	Page and Index No.
A300 2736	Worm Gear	31 - 8
A300 3865	Release Spring	35 - 8
A353 2243	Lever Knob	11 - 4
A353 3172	Actuator Bracket	13 - 8
A353 3173	Pressure Spring	13 - 9
A376 1343	Original Pressure Roller	27 - 17
A379 3316	Shift Guide Roller	29 - 21
A458 2251	Cushion - Bin Solenoid Lever	19 - 20
A458 2251	Cushion - Bin Solenoid Lever	11 - 12
A458 2251	Cushion - Bin Solenoid Lever	9 - 16
A498 4625	Arm Cushion	19 - 2
A548 2139	Pulley	29 - 10
A612 2435	Support Plate	17 - 3
A666 3180	Timing Pulley - Z32	21 - 11
A666 3180	Timing Pulley - Z32	23 - 19
A666 4270	Roller: Driven: Entrance	5 - 3
A680 4223	Cushion	19 - 18
A681 2742	Driven Exit Roller	13 - 3
A697 1128	Joint Lever	11 - 18
A697 1606	Spacer - 6x12x2.7mm	7 - 22
A697 1606	Spacer - 6x12x2.7mm	5 - 16
A697 2102	Damper - Junction Gate Solenoid	31 - 2
A697 2102	Damper - Junction Gate Solenoid	19 - 4
A697 2187	Pressure Spring - 14.1mm	7 - 9
A697 3135	Gear - 18Z	31 - 7
A697 3140	Gear - 30Z	31 - 6
A697 3145	Gear - 36Z/18Z	31 - 4
A697 3150	Fixing Plate - Timing Belt	29 - 15
A697 3165	Tray Drive Shaft	29 - 8
A697 3170	Gear - 42Z	29 - 6
A697 3175	Spacer - 10x14x13.5mm	29 - 9
A697 3180	Pulley - 18T	29 - 5
A697 3225	Worm Wheel Shaft	31 - 9
A697 4140	Sector Gear - 144z	27 - 18
A697 4170	Pulley - 32T	23 - 1

Part No.	Description	Page and Index No.
B302 1145	Actuator - Paper Height Sensor	13 - 10
B302 2216	Exit Guide - Upper Exit Guide	7 - 11
B302 4292	Belt Holder	27 - 10
B312 1600	Tightener	25 - 22
B312 1600	Tightener	33 - 6
B312 1600	Tightener	35 - 5
B312 1610	Tightener	33 - 16
B312 1615	Tension Roller	33 - 18
B312 1615	Tension Roller	35 - 14
B352 1600	Timing Pulley - S2M T24	19 - 8
B352 1607	Timing Pulley - T20-S3M	15 - 1
B352 1607	Timing Pulley - T20-S3M	11 - 19
B352 1607	Timing Pulley - T20-S3M	17 - 15
B352 2400	Exit Roller	15 - 34
B352 2405	Outer Exit Roller	15 - 33
B352 4318	Bushing - Lower Slider	27 - 9
B408 1428	Ground Plate: Coupling	3 - 15
B408 2113	Guide - Trailing Edge	19 - 19
B408 2173	Slide Roller	9 - 7
B408 2174	Spring	9 - 6
B408 2175	Bushing - Roller Slide	9 - 4
B408 2281	Knob - Transfer Roller	5 - 11
B408 2312	Bushing - Roller Slide	9 - 3
B408 2422	Pulley - T16	19 - 10
B408 2435	Gathering Roller :Ass'y	19 - 9
B408 2833	Shaft - Worm Wheel	13 - 19
B408 4223	Belt Tensioner - Stapler	23 - 2
B468 2425	Drive Pulley	31 - 19
B468 2832	Driven Exit Roller	19 - 26
B468 4381	Stopper - Timing Belt	23 - 13
B468 5991	Harness Bracket	29 - 3
B468 5991	Harness Bracket	35 - 10
B468 5991	Harness Bracket	33 - 17
B468 6511	Spacer Cushion - 20mm	3 - 17
B468 7812	Caution Decal - Tray Fall	3 - 5

Part No.	Description	Page and Index No.
B468 7812	Caution Decal - Tray Fall	41 - 1
B477 2333	Motor Bracket Cushion	19 - 17
B478 3501	Pulley: Drive: Roller: Sponge	15 - 10
B478 3502	Pulley: Driven: Roller :Sponge	15 - 12
B478 3503	Gathering Roller: Sponge	15 - 13
B478 3504	Timing Belt:B40S2M100	15 - 9
B478 3506	Lever: Drive: Gathering Roller: Front	15 - 8
B478 3507	Lever: Drive: Gathering Roller Back	15 - 7
B478 3569	Spacer	9 - 32
B478 3569	Spacer	15 - 25
B700 1151	Stay: Coupling	11 - 17
B700 1162	Bracket: Connector Stapler Tray	33 - 22
B700 1163	Screw: Connector	37 - 11
B700 1165	Holder: Coupling: Stapler Unit	33 - 23
B700 1170	Stay :Punch Unit: Slide: Ass'y	9 - 33
B700 1183	Sheet: Guide: Punch	9 - 24
B700 1185	Ground Plate: Toner Hopper :Punch	11 - 2
B700 1191	Bracket Coupling :Ass'y	3 - 18
B700 1198	Coupling Bracket - Front	3 - 16
B700 1501	Tension Spring - Pressure	35 - 6
B700 1501	Tension Spring - Pressure	23 - 4
B700 1501	Tension Spring - Pressure	25 - 19
B700 1501	Tension Spring - Pressure	33 - 15
B700 1600	Bracket :Stepper Motor :Transport	33 - 2
B700 1600	Bracket: Stepper Motor: Transport	35 - 2
B700 1601	Tension Spring	33 - 4
B700 1605	Timing Pulley:26T	7 - 24
B700 1605	Timing Pulley:26T	5 - 18
B700 1610	Timing Belt:40S3M384	33 - 3
B700 1615	Timing Belt:B40S3M303	33 - 12
B700 1620	Bracket: Pulley: Punch: Move :Ass'y	33 - 7
B700 1625	Gear:Pulley:14Z/14T	33 - 9
B700 1630	Gear:14Z	33 - 11
B700 1635	Compression Spring	33 - 10
B700 1640	Bracket: Stepper Motor: Transport	33 - 13

Part No.	Description	Page and Index No.
B700 1645	Timing Pulley:20T	11 - 20
B700 1645	Timing Pulley:20T	7 - 25
B700 1650	Gear:30Z	9 - 31
B700 1660	Bracket: Gear :Middle :Ass'y	9 - 26
B700 1665	Gear:25Z	9 - 30
B700 1670	Timing Belt:B40S3M927	33 - 14
B700 1675	Bracket: Shift: Drive: Ass'y	31 - 16
B700 1680	Timing Belt:B40S2M142	31 - 18
B700 1701	Timing Pulley:40T	11 - 21
B700 1702	Timing Belt:B40S3M789	35 - 3
B700 1801	Bracket Stepper Motor	35 - 12
B700 1802	Timing Belt:B40S2M134	35 - 13
B700 1803	Tension Spring	35 - 17
B700 2119	Compression Spring: Entrance: Driven	5 - 20
B700 2125	Knob: Guide Plate Entrance	5 - 7
B700 2126	Sheet: Entrance	5 - 9
B700 2130	Transport Roller: Entrance: Upper	5 - 15
B700 2135	Bushing Transport Roller :Front	5 - 12
B700 2140	Bushing: Transport Roller: Rear	5 - 13
B700 2145	Bracket: Entrance Sensor	5 - 23
B700 2200	Tension Spring: Guide Plate: Move	5 - 1
B700 2215	Guide Plate: Upper: Move	5 - 2
B700 2220	Transport Roller :Shift	9 - 13
B700 2225	Gear:30Z	9 - 28
B700 2241	Sheet: Guide: Staple	9 - 12
B700 2300	Exit Roller: Proof Tray	7 - 14
B700 2305	Transport Roller: Short	11 - 9
B700 2310	Guide Plate: Proof Tray: Ass'y	7 - 13
B700 2315	Guide Plate: Proof Tray	7 - 18
B700 2316	Torsion Spring	7 - 21
B700 2317	Discharge Brush	7 - 12
B700 2320	Bracket: Sensor: Proof Tray	7 - 6
B700 2325	Transport Roller: Long	11 - 10
B700 2325	Transport Roller: Long	7 - 15
B700 2330	Guide Plate Exit: Proof Tray	7 - 2

Part No.	Description	Page and Index No.
B700 2331	Bracket: Photo Interrupter Overflow	7 - 5
B700 2411	Guide Plate :Turn :Ass'y	11 - 7
B700 2421	Guide Plate: Turn: Open And Close	11 - 5
B700 2422	Tension Spring: Turn: Open And Close	11 - 6
B700 2431	Polarization Powl: Duplex Stack	11 - 11
B700 2432	Tension Spring	11 - 13
B700 2441	Guide Plate: Duplex Stack: Ass'y	11 - 16
B700 2452	Shaft: Turn: Guide	11 - 14
B700 2453	Guide: Turn	11 - 15
B700 2461	Transport Roller: Duplex Stack: Lower	17 - 9
B700 2471	Guide Plate: Lengthwise	17 - 6
B700 2473	Guide Plate: Lower :Open And Close	19 - 22
B700 2476	Compression Spring: Exit: Driven	17 - 4
B700 2476	Compression Spring :Exit: Driven	19 - 28
B700 2478	Tension Spring	19 - 21
B700 2481	Guide Plate: Lengthwise: Ass'y	17 - 12
B700 2485	Bracket: Sensor :Duplex Tray	17 - 14
B700 2486	Guide Plate: Exit: Stapler Tray	17 - 11
B700 2491	Exit Roller: Stapler Tray	17 - 10
B700 2500	Gate Pawl: Staple	9 - 20
B700 2505	Gate Pawl: Proof Tray	9 - 18
B700 2510	Bracket :Dcsol :Gate Pawl: Proof Tray	31 - 13
B700 2515	Bracket: Dcsol: Gate Pawl: Staple	31 - 1
B700 2520	Cushion: Gate Pawl	19 - 16
B700 2520	Cushion: Gate Pawl	9 - 17
B700 2525	Supporting Plate: Gate Pawl	9 - 14
B700 2530	Supporting Plate Gate Pawl: Staple	9 - 19
B700 2535	DC Solenoid: Gate Pawl Staple :Ass'y	31 - 3
B700 2540	Tension Spring	9 - 21
B700 2545	Tension Spring	9 - 15
B700 2550	DC Solenoid: Gate Pawl : Ass'y	31 - 14
B700 2611	Bracket: Gathering Roller	19 - 7
B700 2612	Shaft: Gathering Roller: Drive	19 - 15
B700 2621	Arm : Gathering Roller :Ass'y	19 - 12
B700 2649	Timing Belt:40S2M144	19 - 11

Part No.	Description	Page and Index No.
B700 2651	Bracket: Solenoid :Gathering Roller	35 - 9
B700 2655	DC Solenoid: Gathering Roller :Ass'y	35 - 7
B700 2711	Stay: Swivel :Ass'y	19 - 32
B700 2722	Shaft: Contact Point :Swivel	19 - 29
B700 2723	Tension Spring :Release: Swivel	19 - 31
B700 2725	Arm: Solenoid: Swivel	19 - 1
B700 2729	Cushion :Arm	19 - 3
B700 2729	Cushion: Arm	5 - 27
B700 2731	DC Solenoid: Swivel :Ass'y	19 - 5
B700 3100	Stay: Drive :Guide Plate :Ass'y	13 - 24
B700 3105	Bracket: Stepper Motor: Guide Plate	13 - 12
B700 3115	Worm Gear:37t	13 - 16
B700 3120	Worm Wheel:20z	13 - 18
B700 3125	Timing Belt:B40S2M232	13 - 15
B700 3130	Bushing: Joint	13 - 20
B700 3135	Joint: Guide Plate: Open And Close	13 - 22
B700 3140	Compression Spring	13 - 21
B700 3145	Bracket: Feeler: Plate	13 - 11
B700 3150	Bracket: Surface Of Paper Sensor	13 - 25
B700 3155	Guide Plate :Exit: Upper	13 - 5
B700 3156	Discharge Brush	13 - 1
B700 3157	Shaft: Exit Roller: Driven	13 - 4
B700 3163	Stay: Coupling	39 - 1
B700 3176	Shaft: Exit Roller	15 - 32
B700 3205	Bracket: Stepper Motor: Exit	33 - 19
B700 3210	Bracket: Support: Stud: Return	33 - 21
B700 3215	Timing Belt:B40S3M648	33 - 20
B700 3300	Bracket Drive: Tray: Ass'y	31 - 11
B700 3305	Timing Belt:B40S2M152	31 - 10
B700 3310	Tightener: Tray: Drive :Ass'y	29 - 12
B700 3315	Timing Pulley:22T	29 - 11
B700 3320	Timing Belt:B60S5M1530	29 - 4
B700 3322	Compression Spring - 10n	31 - 5
B700 3325	Bracket: Sensor :Paper Volume Sensor	29 - 1
B700 3400	Side Plate: Tray: Front: Ass'y	29 - 17

Part No.	Description	Page and Index No.
B700 3405	Side Plate: Tray:Inner Back: Ass'y	29 - 16
B700 3410	Base: Tray	29 - 20
B700 3420	Tray: Auxiliary	3 - 4
B700 3500	Stay: Uniform: Ass'y	15 - 27
B700 3504	Timing Belt:B40S2M92	15 - 24
B700 3505	Timing Pulley:20/30T	15 - 26
B700 3515	Shaft: Gathering Roller: Drive :Ass'y	15 - 11
B700 3520	Timing Pulley:18T	15 - 23
B700 3525	Lever: Driven: Gathering Roller :Front	15 - 16
B700 3530	Lever: Driven: Gathering Roller: Rear	15 - 15
B700 3535	Timing Belt:B40S2M116	15 - 14
B700 3540	Bracket: Coupling: Lever: Drive	15 - 6
B700 3545	Tension Spring	15 - 5
B700 3550	Bracket: Feeler: Paper Sensor	15 - 18
B700 3555	Feeler :Paper Sensor	15 - 17
B700 3560	Bracket: Sensor: Paper Sensor	15 - 30
B700 3565	Bracket Home Position Sensor	15 - 22
B700 3570	Cam: Gathering Roller	15 - 29
B700 3575	Cam: Lever Drive	15 - 28
B700 4100	Shaft: Slider: Standard Fence	25 - 11
B700 4102	Standard Fence :Front: Staple	25 - 14
B700 4103	Slider: Standard Fence	25 - 12
B700 4104	Guide: Entrance: Stapler Inner Back	25 - 13
B700 4106	Standard Fence: Rear: Staple	25 - 15
B700 4107	Spring Return: Standard Fence	25 - 10
B700 4159	Stay :Upper :Slide Rail	21 - 3
B700 4161	Stay: Middle: Stapler Tray	21 - 12
B700 4163	Stay: Guide :Stapler: Move	27 - 1
B700 4165	Stay Lower: Slide Rail	25 - 20
B700 4167	Stay: Lower: Positioning Sensor	25 - 7
B700 4168	Sheet Slider	25 - 6
B700 4180	Stapler Tray	23 - 17
B700 4181	Shaft: Idler: Exit	23 - 18
B700 4200	Shaft: Guide: Jogger Fence	23 - 14
B700 4207	Bracket Sensor: Jogger	23 - 10

Part No.	Description	Page and Index No.
B700 4209	Pulley:32T	23 - 6
B700 4210	Bracket: Motor: Jogger :Ass'y	23 - 24
B700 4213	Timing Belt:1040S2M4-E	23 - 15
B700 4250	Exit Belt: Ass'y	23 - 16
B700 4255	Bracket: Home Position Sensor: Pawl	21 - 7
B700 4258	Shaft :Exit	23 - 7
B700 4260	Collar:Mm40	23 - 9
B700 4261	Timing Pulley:55T	23 - 11
B700 4265	Bracket: Tightener: Exit: Fix	21 - 8
B700 4267	Bracket: Tightener :Exit: Ass'y	21 - 10
B700 4271	Timing Pulley:55T	23 - 12
B700 4273	Timing Pulley:30T	25 - 21
B700 4273	Timing Pulley:30T	25 - 29
B700 4275	Timing Belt:B40S2M474	25 - 23
B700 4276	Tension Spring	21 - 9
B700 4300	Shaft: Guide: Stapler	27 - 4
B700 4302	Brake :Drive: Stapler :Move :Ass'y	27 - 31
B700 4305	Gear Pulley:52Z/20T	27 - 32
B700 4308	Bracket: Tightener: Stapler: Ass'y	25 - 18
B700 4311	Guide: Stapler: Entrance :Upper	27 - 26
B700 4312	Guide: Stapler: Entrance: Lower	27 - 25
B700 4313	Bracket: Fix: Stapler: Ass'y	27 - 23
B700 4316	Bracket: Stapler: Turn: Ass'y	27 - 22
B700 4320	Bracket: Stapler: Slide: Ass'y	27 - 16
B700 4324	Bracket: Sensor: Diagonal, slanted	27 - 12
B700 4326	Worm Gear:Pulley:19t	27 - 20
B700 4327	Timing Belt:B40S2M90	27 - 19
B700 4329	Bracket: Stapler: Move: Ass'y	27 - 8
B700 4333	Roller: Guide: Slide: Stapler	27 - 14
B700 4334	Guide: Slide: Stapler	27 - 11
B700 4335	Timing Belt:B60S3M954	27 - 5
B700 4336	Inner Cover: Stapler	27 - 28
B700 4337	Tension Spring	27 - 6
B700 4521	Holder: Arm: Harness	25 - 25
B700 4522	Arm: Harness: Stapler Unit	25 - 27

Part No.	Description	Page and Index No.
B700 4523	Pin Fix: Arm	25 - 26
B700 4524	Bracket: Stapler Tray: Moveable	25 - 2
B700 4540	Inner Cover: Stapler Unit	21 - 2
B700 4867	Screw: Contact Point:M3	35 - 11
B700 5301	Harness: Safety Switch	5 - 24
B700 5302	Harness: Entrance Sensor	37 - 1
B700 5304	Harness: Surface Of Paper Sensor	15 - 31
B700 5305	Harness: Exit: Tray	37 - 3
B700 5310	Harness: Stepper Motor	37 - 4
B700 5311	Harness: Exit: Open And Close: Motor	13 - 13
B700 5340	Harness - Stapler Tray Unit	37 - 6
B700 5341	Harness - Stapler Tray Sensor	25 - 3
B700 5350	Harness: Interface: Sub- ass'y	37 - 10
B700 5361	Harness: Connecting: Sensor: Exit	13 - 26
B700 5365	Harness: Connecting: Sensor	7 - 4
B700 5366	Harness: Connecting: Sensor	7 - 7
B700 5368	Harness: Connecting: Stapler	27 - 29
B700 5371	Harness: Connecting: Sensor	27 - 2
B700 5373	Harness: Connecting: Sensor	13 - 7
B700 5415	Harness: Drive Swivel: Motor	15 - 19
B700 5419	Harness: Connecting: Sensor	25 - 8
B700 5451	Harness: Punch Unit	37 - 2
B700 5801	Stepper Motor: Ass'y	27 - 13
B700 5803	Stepper Motor:Pm:T17:Ass'y	35 - 16
B700 5804	Stepper Motor:Dia42:Z17:Ass'y	23 - 23
B700 5805	Stepper Motor:Pm:S2m:T15:Ass'y	13 - 14
B700 5807	Stepper Motor:Mm42:S2m:T15:Ass'y	15 - 20
B700 5808	Stepper Motor: Exit: Ass'y	25 - 5
B700 5809	Stepper Motor: Stapler: Moveable: Ass'y	27 - 30
B700 5813	Stepper Motor:Pm:S2m:T12:Ass'y	31 - 15
B700 5955	Stay :Fix: Main Control Board	37 - 9
B700 5956	Bracket: Printed Circuit Board	37 - 5
B700 5957	Bracket: Main Control Board: Lower	35 - 15
B700 6100	Inner Cover: Upper	9 - 1
B700 6105	Inner Cover: Lower	17 - 1

Part No.	Description	Page and Index No.
B700 6120	Hinge: Door: Lower: Ass'y	3 - 9
B700 6125	Hinge: Door: Upper: Ass'y	3 - 8
B700 6139	Proof Tray: Auxiliary	3 - 19
B700 7861	Decal:Knob:Entrance:R1	5 - 6
B700 7861	Decal:Knob:Entrance:R1	41 - 2
B700 7862	Decal:Knob:Entrance:R2	5 - 10
B700 7862	Decal:Knob:Entrance:R2	41 - 3
B700 7863	Decal: Proof Tray:R3	41 - 4
B700 7863	Decal: Proof Tray:R3	7 - 17
B700 7864	Decal:Shift:R4	9 - 8
B700 7864	Decal:Shift:R4	41 - 5
B700 7865	Decal: Vertical Transport:R5	41 - 6
B700 7865	Decal: Vertical Transport:R5	17 - 7
B700 7866	Decal:Exit:R6	41 - 7
B700 7866	Decal:Exit:R6	19 - 23
B700 7867	Decal: Turn: Open And Close:R7	9 - 2
B700 7867	Decal: Turn: Open And Close:R7	41 - 8
B700 7891	Decal:Stapler:S1	27 - 27
B700 7891	Decal:Stapler:S1	41 - 9
B701 1166	Slide Rail:432mm	39 - 5
B701 4161	Cover: Stay: Middle	21 - 13
B701 4201	Jogger Fence :Front: Ass'y	23 - 21
B701 4204	Jogger Fence: Rear: Ass'y	23 - 22
B701 4271	Bracket: Idler: Ass'y	25 - 28
B701 7888	Decal: Stapler Tray:R8	41 - 10
B701 7888	Decal: Stapler Tray:R8	21 - 1
B793 2321	Slide Roller Link	9 - 29
B804 1117	Cap - Base	39 - 8
B804 1152	Stay: Coupling	39 - 4
B804 1164	Bracket: Ground Plate: Coupling	3 - 10
B804 1180	Discharge Brush: Punch Unit	9 - 23
B804 1182	Discharge Brush: Punch: Transport	9 - 25
B804 2037	Guide Plate: Horizontal: Lower	9 - 11
B804 2100	Guide Plate: Connecting: Upper	5 - 26
B804 2105	Guide Plate: Connecting: Lower	5 - 25

Part No.	Description	Page and Index No.
B804 2110	Guide Plate: Entrance: Lower	5 - 19
B804 2120	Guide Plate: Entrance: Upper	5 - 8
B804 2205	Guide Plate: Upper	5 - 4
B804 2210	Guide Plate: Transport: Entrance Upper	5 - 5
B804 2235	Guide Plate: Punch Unit	9 - 34
B804 2245	Guide Plate: Horizontal :Shift	9 - 9
B804 2321	Guide Plate: Proof Tray	39 - 2
B804 2474	Discharge Brush: Exit	19 - 24
B804 2477	Discharge Brush: Exit: Middle	19 - 25
B804 2721	Guide: Trailing Edge	19 - 30
B804 3161	Guide Plate: Exit: Lower	15 - 35
B804 3417	Tray	3 - 14
B804 5309	Harness: Exit: Tray	37 - 7
B804 5317	Harness: Connecting: Motor: Stapler Unit	25 - 4
B804 5502	PCB: Main Control	37 - 8
B804 5806	Stepper Motor:Mm42:S3m:T14:Ass'y	35 - 1
B804 5806	Stepper Motor:Mm42:S3m:T14:Ass'y	33 - 1
B804 6115	Cover: Front	3 - 13
B804 6132	Bracket: Cover :Upper	39 - 3
B804 6135	Cover: Upper	3 - 6
B804 6145	Cover: Left: Front	3 - 7
B804 6150	Cover: Left Upper	3 - 3
B804 6155	Cover: Jogger	3 - 2
B804 6160	Cover: Tray: Support: Front	29 - 19
B804 6165	Cover T ray: Support: Rear	29 - 18
B804 6175	Cover: Rear	3 - 1
C203 5135	Bushing - 10x14x5.9	29 - 7
G565 2135	Exit Plate	13 - 2
H072 2220	Spacer - M6x10	15 - 2

Part No.	Description	Page and Index No.
AA06 0557	Positioning Roller Spring	19 - 13
AA06 3529	Pressure Spring - 14.5mm	9 - 5
AA06 3529	Pressure Spring - 14.5mm	7 - 19
AA08 2058	Bushing - 6x10x9mm	19 - 6
AA08 2101	Bushing - 6x10x6	15 - 3
AA08 2101	Bushing - 6x10x6	27 - 15
AA08 2101	Bushing - 6x10x6	11 - 1
AA08 2101	Bushing - 6x10x6	7 - 1
AA08 2101	Bushing - 6x10x6	9 - 27
AA08 2101	Bushing - 6x10x6	17 - 2
AA08 2104	Bushing - 8x12x7	23 - 5
AA10 0011	Retaining Ring:Silencer:Mm7	23 - 8
AA13 2024	Spacer - M6	27 - 21
AA13 2169	Spacer - 5.7x16x1.5	33 - 8
AA14 3702	Screw: Pin: Positioning	39 - 6
AA14 3702	Screw: Pin: Positioning	29 - 14
AA14 3702	Screw: Pin: Positioning	27 - 7
AA14 3790	Screw: Contact Point	21 - 14
AA14 3790	Screw: Contact Point	23 - 3
AA14 3790	Screw: Contact Point	33 - 5
AA14 3790	Screw: Contact Point	25 - 16
AA14 3790	Screw: Contact Point	7 - 20
AA14 3790	Screw: Contact Point	11 - 3
AA14 3790	Screw :Contact Point	35 - 4
AA14 3823	Tapping Screw	15 - 4
AA16 1099	Lever Cushion	19 - 14
AB03 0278	Idler - 20z	25 - 17
AB03 0374	Timing Pulley - 20Z	7 - 23
AB03 0374	Timing Pulley - 20Z	5 - 17
AF02 2147	Driven Roller	17 - 5
AF02 2147	Driven Roller	19 - 27
AF02 2147	Driven Roller	7 - 10
AF02 2148	Roller: Driven :L=125	5 - 21
AG07 0512	Magnet Catch : Ass'y	3 - 12
AG07 0513	Magnet Catch	5 - 14

Part No.	Description	Page and Index No.
AG07 0513	Magnet Catch	11 - 8
AG07 0514	Magnet Catch	17 - 8
AG07 0514	Magnet Catch	7 - 16
AG07 0514	Magnet Catch	9 - 10
AG07 1012	Magnet Catch:Ass'y	33 - 24
AH01 2030	Caster:Dia50:400n	39 - 7
AJ01 1015	Stapler:EH-530	27 - 24
AW01 0109	Photo Reflection Sensor:Ps117ed1	13 - 6
AW02 0114	Photo Interrupter - Lower Limit	29 - 2
AW02 0141	Photo Interrupter	27 - 3
AW02 0141	Photo Interrupter	23 - 20
AW02 0141	Photo Interrupter	15 - 21
AW02 0141	Photo Interrupter	31 - 17
AW02 0141	Photo Interrupter	13 - 17
AW02 0166	Photo Interrupter Paper Feed Sensor	21 - 6
AW02 0172	Photo Interrupter Overflow CT	7 - 3
AX06 0282	DC Motor:25.1W	31 - 12
GW01 0007	Photo Reflection Sensor:Exit	25 - 9
GW01 0007	Photo Reflection Sensor:Exit	7 - 8
GW01 0007	Photo Reflection Sensor:Exit	5 - 22
GW01 0007	Photo Reflection Sensor:Exit	17 - 13

Part No.	Description	Page and Index No.
0353 0040N	Screw - M3X4	35 - 103
0353 0040N	Screw - M3X4	19 - 103
0353 0040N	Screw - M3X4	11 - 103
0353 0040N	Screw - M3X4	31 - 102
0353 0050N	Screw-m3x5	27 - 104
0353 0060N	Bind Screw - M3x6	31 - 103
0450 3008N	Tapping Screw - M3x8	25 - 103
0450 3008N	Tapping Screw - M3x8	9 - 104
0450 3008N	Tapping Screw - M3x8	17 - 103
0451 3006N	Tapping Screw - 3x6	5 - 101
0451 3006N	Tapping Screw - 3x6	19 - 101
0451 3006N	Tapping Screw - 3x6	17 - 102
0451 3006N	Tapping Screw - 3x6	3 - 102
0451 3006N	Tapping Screw - 3x6	21 - 103
0451 3006N	Tapping Screw - 3x6	23 - 101
0451 3006N	Tapping Screw - 3x6	15 - 101
0451 3006N	Tapping Screw - 3x6	25 - 101
0451 3006N	Tapping Screw - 3x6	27 - 101
0451 3006N	Tapping Screw - 3x6	13 - 101
0451 3006N	Tapping Screw - 3x6	29 - 101
0451 3006N	Tapping Screw - 3x6	7 - 101
0451 3006N	Tapping Screw - 3x6	11 - 101
0451 3006N	Tapping Screw - 3x6	31 - 101
0451 3006N	Tapping Screw - 3x6	35 - 101
0451 3006N	Tapping Screw - 3x6	39 - 101
0451 3006N	Tapping Screw - 3x6	37 - 101
0451 3006N	Tapping Screw - 3x6	9 - 102
0451 3006N	Tapping Screw - 3x6	33 - 101
0451 3008N	Tapping Screw - M3x8	3 - 101
0451 3008N	Tapping Screw - M3x8	35 - 102
0451 3008N	Tapping Screw - M3x8	17 - 101
0451 3008N	Tapping Screw - M3x8	19 - 102
0451 3008N	Tapping Screw - M3x8	33 - 102
0451 3008N	Tapping Screw - M3x8	21 - 101
0451 3008N	Tapping Screw - M3x8	29 - 102

Part No.	Description	Page and Index No.
0451 3008N	Tapping Screw - M3x8	9 - 101
0451 3008N	Tapping Screw - M3x8	25 - 102
0451 3008N	Tapping Screw - M3x8	39 - 102
0451 3008N	Tapping Screw - M3x8	27 - 102
0451 3010N	Tapping Screw:3x10	23 - 102
0451 4006N	Tapping Screw - 4x6	15 - 102
0451 4014N	Tapping Screw:M4x14	3 - 104
0453 3006N	Tapping Screw - M3x6	35 - 104
0453 3006N	Tapping Screw - M3x6	21 - 102
0453 3006N	Tapping Screw - M3x6	25 - 104
0453 3006N	Tapping Screw - M3x6	27 - 103
0453 3006N	Tapping Screw - M3x6	23 - 103
0454 3006Q	Tapping Screw - M3x6	5 - 102
0454 3006Q	Tapping Screw - M3x6	7 - 102
0454 3008Q	Tapping Screw:3x8	3 - 103
0454 3008Q	Tapping Screw:3x8	11 - 102
0454 4008Q	Tapping Screw - M4x8	39 - 104
0574 0040E	Hexagon Headless Set Screw - M4x4	31 - 104
0632 0100G	Pin - 2x10mm	15 - 104
0632 0160G	Parallel Pin-m2x16	23 - 105
0634 0200G	Parallel Pin - 4x20	29 - 105
0720 0040E	Retaining Ring - M4	13 - 102
0720 0040E	Retaining Ring - M4	33 - 103
0720 0040E	Retaining Ring - M4	23 - 104
0720 0040E	Retaining Ring - M4	15 - 103
0720 0040E	Retaining Ring - M4	9 - 105
0720 0040E	Retaining Ring - M4	7 - 103
0720 0040E	Retaining Ring - M4	27 - 106
0720 0040E	Retaining Ring - M4	5 - 103
0720 0040E	Retaining Ring - M4	21 - 104
0720 0040E	Retaining Ring - M4	11 - 104
0720 0040E	Retaining Ring - M4	29 - 103
0720 0040E	Retaining Ring - M4	19 - 105
0720 0040E	Retaining Ring - M4	17 - 104
0720 0040E	Retaining Ring - M4	25 - 105

Part No.	Description	Page and Index No.
0720 0060E	Retaining Ring - M6	31 - 106
0720 0060E	Retaining Ring - M6	27 - 105
0720 0060E	Retaining Ring - M6	25 - 106
0720 0060E	Retaining Ring - M6	23 - 106
0720 0060E	Retaining Ring - M6	29 - 104
0740 3008	Ball Bearing - 8x22x7	27 - 108
0741 3506	Ball Bearing - 6x12x4 Mm	31 - 105
0805 0088	Retaining Ring - M6	11 - 106
0805 0089	Retaining Ring - M4	9 - 103
0805 0089	Retaining Ring - M4	7 - 104
0805 0089	Retaining Ring - M4	15 - 106
0805 0089	Retaining Ring - M4	13 - 103
0805 0089	Retaining Ring - M4	19 - 104
0805 0089	Retaining Ring - M4	33 - 104
0805 3537	Ball Bearing:Dia6xdia13x5:Dia14.5	7 - 105
0805 3537	Ball Bearing:Dia6xdia13x5:Dia14.5	11 - 105
0805 3537	Ball Bearing:Dia6xdia13x5:Dia14.5	15 - 105
0805 3537	Ball Bearing:Dia6xdia13x5:Dia14.5	17 - 105
0807 5056	Washer - 8.1mm	31 - 107
0950 3005N	Screw: Spring Washer:M3X5	39 - 103
1105 0192	Locking Support	37 - 105
1105 0328	Harness Clamp - ES-0505	29 - 107
1105 0328	Harness Clamp - ES-0505	7 - 106
1105 0328	Harness Clamp - ES-0505	15 - 107
1105 0328	Harness Clamp - ES-0505	31 - 108
1105 0328	Harness Clamp - ES-0505	27 - 110
1105 0328	Harness Clamp - ES-0505	23 - 108
1105 0328	Harness Clamp - ES-0505	13 - 104
1105 0334	Edge - 17	25 - 109
1105 0334	Edge - 17	35 - 106
1105 0367	Spacer	37 - 107
1105 0487	Harness Clamp	37 - 103
1105 0487	Harness Clamp	27 - 109
1105 0487	Harness Clamp	21 - 107
1105 0487	Harness Clamp	15 - 110

Part No.	Description	Page and Index No.
1105 0487	Harness Clamp	25 - 110
1105 0488	Harness Clamp	25 - 108
1105 0488	Harness Clamp	35 - 105
1105 0488	Harness Clamp	21 - 108
1105 0488	Harness Clamp	33 - 105
1105 0488	Harness Clamp	37 - 104
1105 0488	Harness Clamp	29 - 106
1105 0489	Harness Clamp - LWS 1316	21 - 106
1105 0490	Harness Clamp - IWS-2218	33 - 106
1105 0490	Harness Clamp - IWS-2218	29 - 108
1105 0516	Clamp	17 - 106
1105 0516	Clamp	13 - 105
1105 0516	Clamp	11 - 107
1105 0516	Clamp	21 - 109
1105 0516	Clamp	27 - 111
1105 0516	Clamp	5 - 104
1105 0516	Clamp	37 - 102
1105 0623	Clamp - LBWS-0206S-V0	17 - 107
1105 0623	Clamp - LBWS-0206S-V0	19 - 106
1105 0623	Clamp - LBWS-0206S-V0	39 - 105
1105 0623	Clamp - LBWS-0206S-V0	37 - 106
1105 0623	Clamp - LBWS-0206S-V0	15 - 108
1105 0623	Clamp - LBWS-0206S-V0	29 - 109
1105 0623	Clamp - LBWS-0206S-V0	21 - 105
1105 0623	Clamp - LBWS-0206S-V0	23 - 107
1105 0623	Clamp - LBWS-0206S-V0	13 - 106
1105 0623	Clamp - LBWS-0206S-V0	25 - 107
1105 0623	Clamp - LBWS-0206S-V0	31 - 109
1105 0623	Clamp - LBWS-0206S-V0	27 - 107
1204 2520	Switch:DE2L-FJ20	15 - 109
1204 2541	Interlock Switch	5 - 105

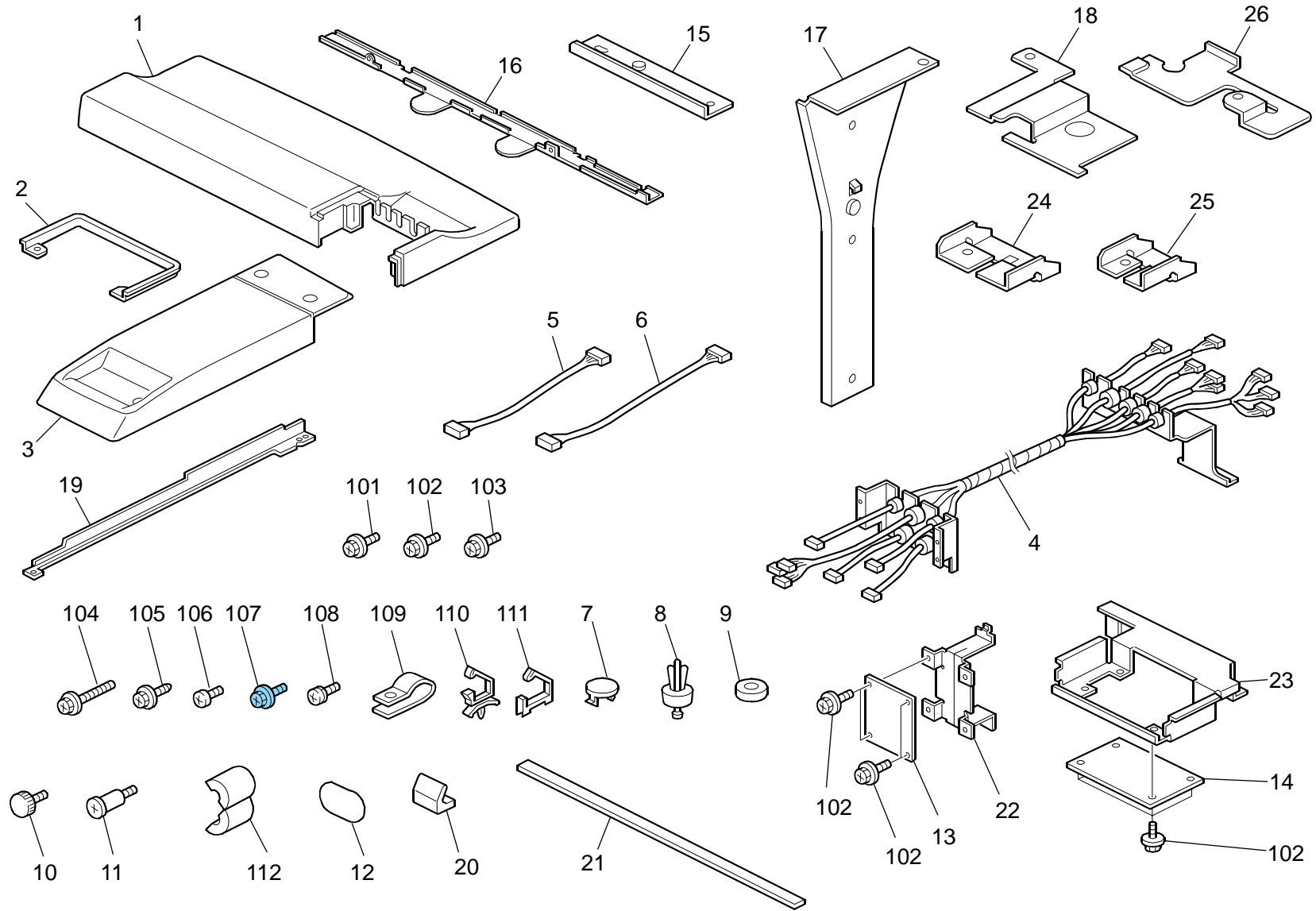
Part No.	Description	Page and Index No.
5201 2722	Bushing - M6x5	9 - 22
5206 2686	Snap Ring	25 - 24
5447 2681	Snap Ring	13 - 23
5447 2681	Snap Ring	25 - 1

Part No.	Description	Page and Index No.
----------	-------------	--------------------

**SCANNER ACCESSIBILITY OPTION
TYPE 4045
B838
PARTS LOCATION AND LIST**

This section instructs you as to the numbers and names of parts on this machine

1.Scanner Accessibility Option (B838)



1.Scanner Accesibility Option (B838)

Index No.	Part No.	Description	Q'ty Per Assembly
1	B838 1267	Cover: Upper: Rear	1
2	B838 1826	Cover: Scanner: Rear	1
3	B838 1268	Cover: Upper: Right	1
4	B838 5235	Harness: Scanner: Separation :NA	1
4	B838 5236	Harness: Scanner: Separation: EU	1
5	B838 5222	Harness: Lvds: OPU: Separation	1
6	B838 5223	Harness: Lvds: MB: Separation	1
7	G133 1269	Cap:Dia17	1
8	G570 1540	Rubber Foot H=10	1
9	G570 1543	Spacer - Adjusting Screw	1
10	AA14 3829	Adjusting Screw: Scanner	1
11	AA14 3842	Screw:Dia6:14.5:M4	1
12	B223 1824	Seal: Scanner: Frame: Base	1
13	B838 1410	PCB:LVDS:MB	1
14	B838 1460	PCB:LVDS:OPU	1
15	B838 1261	Bracket: Key Counter: Rear	1
16	B838 1823	Bracket: Cover :Rear Lower	1
17	B838 1269	Bracket: Left Rear: Option	1
18	B838 1832	Shielding Plate:Base:1	1
19	B838 1822	Bracket: Cover: Left Lower	1
20	B838 1835	Gasket:UC-300284T:20	1
21	B838 1836	Gasket:RFSG-010100:20	1
22	B838 5891	Bracket: Base: Operation Panel	1

Index No.	Part No.	Description	Q'ty Per Assembly
23	B838 1490	Bracket: LVDS:OPU	1
24	B862 1241	Stopper: Hinge: Left	1
25	B862 1242	Stopper: Hinge: Right	1
26	B838 1833	Shielding Plate:Base:2	1
101	0451 3008N	Tapping Screw - M3x8	
102	0451 3006N	Tapping Screw - 3x6	
103	0451 4008N	Tapping Screw:4x8	
104	0451 4016N	Tapping Screw:4x16	
105	0450 3008N	Tapping Screw - M3x8	
106	0453 3006N	Tapping Screw - M3x6	
107	0454 3006Q	Tapping Screw - M3x6	
108	0954 4008N	Screw - M4X8	
109	1105 0428	Clamp	
110	1105 0488	Harness Clamp	
111	1105 0521	Clamp - LES-1017	
112	1607 0622	Ferrite Core Tfc16816	
112	1607 1139	Ferrite Core:Rfc-8	
112	1607 1460	Ferrite Core:Rfc-9	
112	1607 1461	Ferrite Core	
112	1607 1715	Ferrite Core - Rfc-5	
112	1607 1929	Ferrite Core:Tfcm-41-27-16	

**SCANNER ACCESIBILITY OPTION
TYPE 4045
B838
PARTS INDEX**

This section instructs you as to the numbers and names of parts on this machine

Parts Index

Part No.	Description	Page and Index No.
B838 1261	Bracket: Key Counter: Rear	3 - 15
B838 1267	Cover: Upper: Rear	3 - 1
B838 1268	Cover: Upper: Right	3 - 3
B838 1269	Bracket: Left Rear: Option	3 - 17
B838 1410	PCB:LVDS:MB	3 - 13
B838 1460	PCB:LVDS: OPU	3 - 14
B838 1490	Bracket LVDS: OPU	3 - 23
B838 1822	Bracket Cover Left Lower	3 - 19
B838 1823	Bracket: Cover :Rear Lower	3 - 16
B838 1826	Cover :Scanner: Rear	3 - 2
B838 1832	Shielding Plate:Base:1	3 - 18
B838 1833	Shielding Plate:Base:2	3 - 26
B838 1835	Gasket:UC-300284T:20	3 - 20
B838 1836	Gasket:RFSG-010100:20	3 - 21
B838 5222	Harness: Lvds: OPU: Separation	3 - 5
B838 5223	Harness :Lvds:MB :Separation	3 - 6
B838 5235	Harness: Scanner: Separation: NA	3 - 4
B838 5236	Harness: Scanner: Separation: EU	3 - 4
B838 5891	Bracket: Base: Operation Panel	3 - 22

Part No.	Description	Page and Index No.
B223 1824	Seal: Scanner: Frame: Base	3 - 12
B862 1241	Stopper: Hinge :Left	3 - 24
B862 1242	Stopper :Hinge :Right	3 - 25
G133 1269	Cap:Dia17	3 - 7
G570 1540	Rubber Foot H=10	3 - 8
G570 1543	Spacer - Adjusting Screw	3 - 9

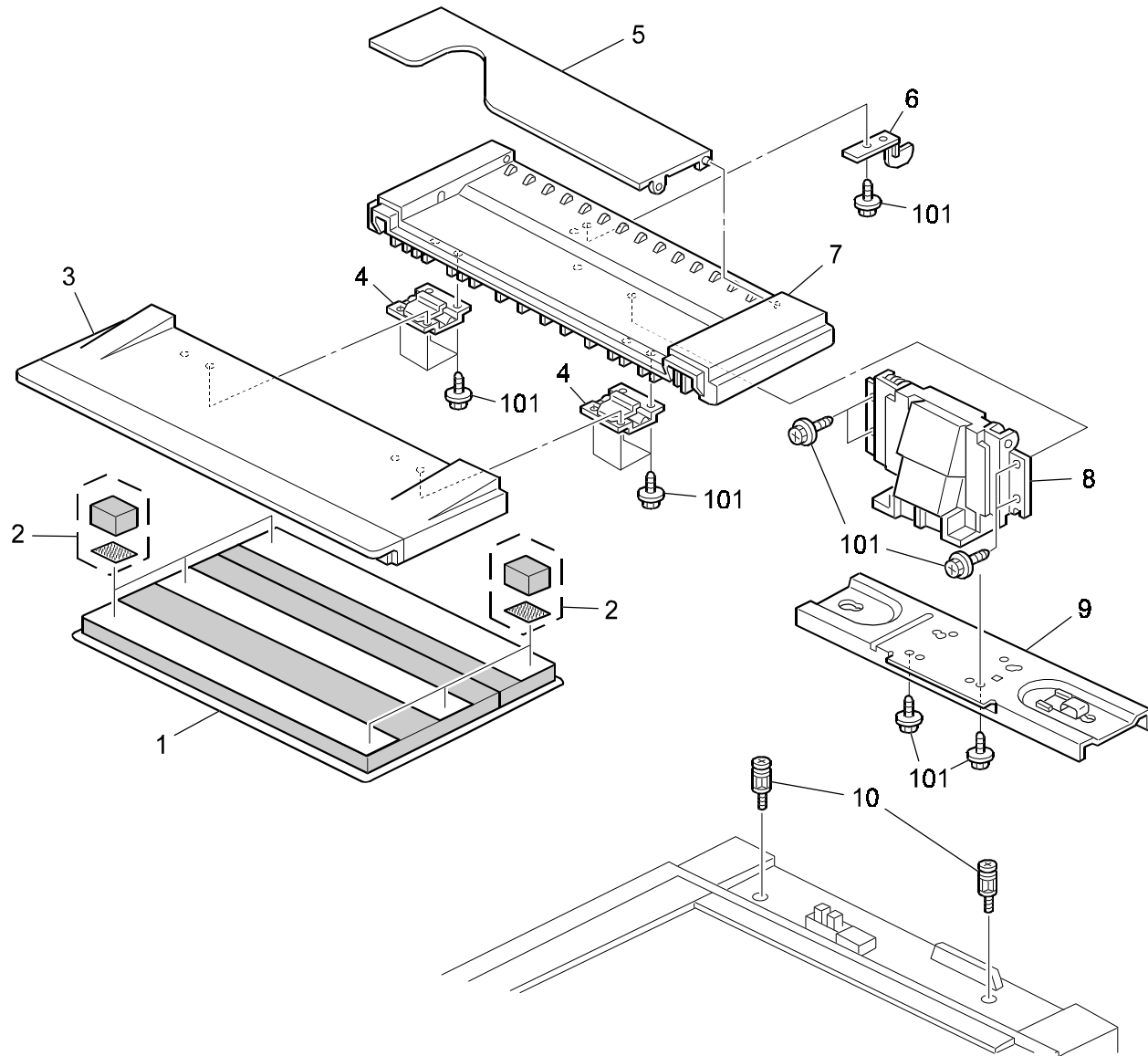
Part No.	Description	Page and Index No.
AA14 3829	Adjusting Screw: Scanner	3 - 10
AA14 3842	Screw: Dia6:14.5:M4	3 - 11

Part No.	Description	Page and Index No.
0450 3008N	Tapping Screw - M3x8	3 - 105
0451 3006N	Tapping Screw - 3x6	3 - 102
0451 3008N	Tapping Screw - M3x8	3 - 101
0451 4008N	Tapping Screw:4x8	3 - 103
0451 4016N	Tapping Screw:4x16	3 - 104
0453 3006N	Tapping Screw - M3x6	3 - 106
0454 3006Q	Tapping Screw - M3x6	3 - 107
0954 4008N	Screw - M4X8	3 - 108
1105 0428	Clamp	3 - 109
1105 0488	Harness Clamp	3 - 110
1105 0521	Clamp - LES-1017	3 - 111
1607 0622	Ferrite Core Tfc16816	3 - 112
1607 1139	Ferrite Core:Rfc-8	3 - 112
1607 1460	Ferrite Core:Rfc-9	3 - 112
1607 1461	Ferrite Core	3 - 112
1607 1715	Ferrite Core - Rfc-5	3 - 112
1607 1929	Ferrite Core:Tfcm-41-27-16	3 - 112

**PLATEN COVER TYPE 3800C
G329
PARTS LOCATION AND LIST**

This section instructs you as to the numbers and names of parts on this machine.

1. Platen Cover (G329)



1.Platen Cover (G329)

Index No.	Part No.	Description	Q'ty Per Assembly
1	G329 1320	Platen Cover Sheet	1
2	G329 1330	Cushion - Platen Cover	6
3	B406 1387	Front Platen Cover	1
4	A053 1957	Flex Hinge - Platen Cover	2
5	B406 1397	Original Holder	1
6	G329 1383	Feeler - Platen Cover Sensor	1
7	B406 1392	Rear Platen Cover	1
8	A193 1248	Platen Cover Hinge Assembly	1
9	G329 1384	Bracket - Platen Cover	1
10	5215 1667	Platen Cover Stud	2

Index No.	Part No.	Description	Q'ty Per Assembly
101	0450 4012B	Tapping Screw - M4x12	

**PLATEN COVER TYPE 3800C
G329
PARTS INDEX**

This section instructs you as to the numbers and names of parts on this machine.

Parts Index

Part No.	Description	Page and Index No.
G329 1320	Platen Cover Sheet	3- 1
G329 1330	Cushion - Platen Cover	3- 2
G329 1383	Feeler - Platen Cover Sensor	3- 6
G329 1384	Bracket - Platen Cover	3- 9

Part No.	Description	Page and Index No.
A053 1957	Flex Hinge - Platen Cover	3- 4
A193 1248	Platen Cover Hinge Assembly	3- 8
B406 1387	Front Platen Cover	3- 3
B406 1392	Rear Platen Cover	3- 7
B406 1397	Original Holder	3- 5
0450 4012B	Tapping Screw - M4x12	3-
1015215 1667	Platen Cover Stud	3- 10