

Product Support Guide D111/D142

Introduction

Model Type	Color MFP
Launch Date	2/20/2012
S/N Configuration	W49yfmxxxxx W50yfmxxxxx
Product Code	D111 D142

Brand/Model Name

Product Code	Lanier	Ricoh	Savin
D111	MP C3002	Aficio MP C3002	MP C3002
D142	MP C3502	Aficio MP C3502	MP C3502

Product Concept

The D111/D142 series is the replacement for the D086/D087 Series.

The new D111/D142 will be launched to enhance our competitiveness with the highly strengthened GW+ controller specs, expanded color space, shortened warm up time and improved ECO spec.

RICOH decided to equip D111/D142 with our most advanced controller, GW+, in order to compete against others. D111/D142 will be using the new "SPR-F" toner, which will certainly improve the image quality. Moreover, the warm up/recovery time will be reduced and the total ECO spec including TEC value is planned to be #1. Lastly, D111/D142 will be adopting the new product design concept, I-Style (Intelligent Style), which will attract customer with its design and suite to any office environment.



Product Support Guide

D111/D142

Order Number Main Frame

Item	Model Name	EDP Code	Notes
Lanier Ricoh Savin	MP C3502 Aficio MP C3502 MP C3502	416036	Standard Mainframe Configuration Printer Scanner
Lanier Ricoh Savin	MP C3002 Aficio MP C3002 MP C3002	416035	Standard Mainframe Configuration Printer Scanner
Lanier Ricoh Savin	MP C3502G Aficio MP C3502G MP C3502G	416038	Printer Scanner Government Version
Lanier Ricoh Savin	MP C3002G Aficio MP C3002G MP C3002G	416037	Printer Scanner Government Version

Options

Item	Description	Product Code	EDP Code	Common / Unique
PostScript3	Postscript3 Unit Type C5502	D645-11	415998	U
Fax Option	Fax Option Type C5502	D643-01	415991	C
1 Bin Tray	1 Bin Tray BN3100	D632	415986	C
Side Tray	Side Tray Type C5502	D635	415989	C
Paper Feed Unit (550 x 2)	Paper Feed Unit PB3130	D580	415793	C
1000 x 2LCT	LCIT PB3140	D581	415795	C
Side LCT	LCIT RT3020	D631	415984	C
Envelope Feeder	Envelope Feeder EF3020	D638	416272	C
Card Reader Bracket	Card Reader Bracket Type 3352	D593-61	415814	C
ADF Handle	ADF Handle Type C	D593-81	416213	C

Product Support Guide D111/D142

Item	Description	Product Code	EDP Code	Common / Unique
IPDS	IPDS Unit Type C5502	D645-07	416003	C
Fiery Controller (E-3300)	Color Controller E-3300 (US)	D650	416363	U
File Format Converter	File Format Converter Type E	D377-04	414007	C
Internal Shift Tray	Internal Shift Tray SH3060	D633	415987	C
G3 Unit	G3 Interface Unit Type C5502	D643-11	415996	C
Platen Cover	Platen Cover Type 3352	D593	415809	C
Bridge Unit	Bridge Unit BU3060	D634	415988	C
PU3000 Punch Kit for US 2/3 hole	2/3 Hole Punch Kit PU3000 NA for SR3000 Booklet Finisher	B807-17	412855	C
1000 Sheet Finisher	Finisher SR3090	D588	415804	C
500 Sheet Finisher	Finisher SR3070	D585	415799	C
1000 Sheet Booklet Finisher	Booklet Finisher SR3100	D589	415810	C
Wireless LAN	IEEE802.11a/g Unit (Wireless Interface) Type J	D377-01	414008	C
Gigabit Ethernet	Gigabit Ethernet Board Type B	D377-21	414204	C
IEEE 1284	IEEE1284 Interface Board (Parallel)Type A	B679-17	411699	C
Optional Counter Interface Unit	Optional Counter Interface Unit Type A	B870-11	413012	C
Key Counter Bracket	Key Counter Bracket Type H	A674-05	412552	C
Hand Set	Hand Set Type C5502	D645-27	416324	C
Memory Unit	Fax 32MB SAF Memory Unit Type B	N/A	001342MIU	C

Product Support Guide

D111/D142

Item	Description	Product Code	EDP Code	Common / Unique
Paper Feed Unit (550 x 1)	Paper Feed Unit PB3120	D579	415794	C
Caster Table	Caster Table Type D	D593-11	415811	C
FAC52 Cabinet	FAC52 Cabinet	5K6123	416337	C
Copy Data Security Unit	Copy Data Security Unit Type G	D640-41	416391	C
Bluetooth (USB)	Bluetooth (USB)	D566-01	415818	C
Fax Connection Unit	Fax Connection Unit Type B	D645-19	416022	C
NetWare	SD card for NetWare printing Type H	D645-23	416001	C
Browser Unit	Browser Unit Type F	D645-17	416002	C
PictBridge	Camera Direct Print Card Type J	D645-15	416006	C
Type MP C3502 RHD	External Hard Drive Kit		007102MIU	U
Type MP C3502 ARHD	External Hard Drive Kit		007103MIU	U

Peripheral Serial Numbers

ARDF

Destination	Name	Product Code	EDP	Serial #
Generic	ARDF DF3060	D578	415791	W71yfmxxxxx

Envelope Feeder

Destination	Name	Product Code	EDP	Serial #
Generic	Envelope Feeder EF3020	D638	416272	W78yfmxxxxx

Product Support Guide

D111/D142

1-Tray Paper Feed Unit

Destination	Name	Product Code	EDP	Serial #
Generic	Paper Feed Unit PB3120	D579	415794	W56yfmxxxxx

2-Tray Paper Feed Unit

Destination	Name	Product Code	EDP	Serial #
Generic	Paper Feed Unit PB3130	D580	415793	W57yfmxxxxx

LCT (2000-Sheet)

Destination	Name	Product Code	EDP	Serial #
North America/ Latin America	LCIT PB3140	D581	415795	W58yfmxxxxx

LCT (1200-Sheet)

Destination	Name	Product Code	EDP	Serial #
North America/ Latin America	LCIT RT3020	D631	415984	W61yfmxxxxx

1 Bin Tray Unit

Destination	Name	Product Code	EDP	Serial #
Generic	BN 3100	D632	415986	W62yfmxxxxx

Side Tray

Destination	Name	Product Code	EDP	Serial #
Generic	Side Tray Type C5502	D635	415989	W64yfmxxxxx

Shift Tray Unit

Destination	Name	Product Code	EDP	Serial #
Generic	SH3060	D633	415987	TBA

500-Sheet Finisher

Destination	Name	Product Code	EDP	Serial #

Product Support Guide

D111/D142

Generic	Finisher SR3070	D585	415799	W73yfmxxxxx
---------	-----------------	------	--------	-------------

1000-Sheet Finisher

Destination	Name	Product Code	EDP	Serial #
North America/ Latin America/ Europe/Asia/ Taiwan/Australia/Latin America	SR3090	D588	415804	W75yfmxxxxx

1000-Sheet Booklet Finisher

Destination	Name	Product Code	EDP	Serial #
Generic	Booklet Finisher SR3100	D589	415810	W76yfmxxxxx

Bridge Unit

Destination	Name	Product Code	EDP	Serial #
Generic	Bridge Unit BU3060	D634	415988	W63yfmxxxxx

Fax Unit

Destination	Name	Product Code	EDP	Serial #
North America/ Latin America/	Fax Option Type C5502	D643-01	415991	W65yfmxxxxx

Product Support Guide

D111/D142

Supplies/Yields

Item	Name	Order Code	Target Yield
Gestetner / Lanier / Ricoh / Savin			
Toner BK	Print Cartridge Black MP C3502	841647	28,000prints/bottle*
Toner Y	Print Cartridge Yellow MP C3502	841648	18,000prints/bottle
Toner M	Print Cartridge Magenta MP C3502	841649	18,000prints/bottle
Toner C	Print Cartridge Cyan MP C3502	841650	18,000prints/bottle
Developer	BK	D1449640	300k
Developer	C	D1449660	240k
Developer	M	D1449670	240k
Developer	Y	D1449680	240K
Staple Set Cartridge	Ricoh Staple Type S	412874	5,000shots
Staple Set Cartridge	Ricoh Staple Type K	410801	5,000shots
Staple Refill Cartridge	Ricoh Refill Staple Type K	410802	5,000shots x 3

Supply Yield Condition:

- 1) The condition is standard temperature and humidity.
- 2) This yield number may change depending on the circumstances and printing conditions.

The yield figures in the above table are based on the following conditions:

- A4 (LT) long-edge feed
- 5% image coverage ratio
- Color ratio: 30%
- 3 print/job

Product Support Guide

D111/D142

Option Compatibility

Category	Item	Product Name	You Must Install	You Cannot Install
Original Feeding	Platen Cover	Platen Cover Type 3352	-	ARDF
	ARDF	ARDF DF3060	-	Platen Cover
	ADF Handle	ADF Handle Type C	ARDF	
Paper Feeding	2 tray Paper Bank	Paper Feed Unit PB3130	-	1 tray Paper Bank, LCT
	Caster Table	Caster Table Type D	-	1000 Sheets Booklet Finisher, 1000 Sheets Finisher, 2 tray Paper Bank, LCT, Side LCT
	LCT	LCIT PB3140	-	2 tray Paper Bank 1 tray Paper Bank
	Side LCT	LCIT RT3020	2 tray Paper Bank or LCT	1 tray Paper Bank
	1 tray Paper Bank	Paper Feed Unit PB3120	Caster Table	1000 Sheets Booklet Finisher, 1000 Sheets Finisher, 2 tray Paper Bank, LCT, Side LCT
	Envelope Feeder	Envelope Feeder EF3020	-	-
Finishing	1 Bin Tray	1 Bin Tray BN 3100	-	-
	Internal Shift Tray	Internal Shift Tray SH3060	-	1000 Sheets Booklet Finisher, 1000 Sheets Finisher, 500 Sheets Finisher, Bridge Unit, Side Tray
	Side Tray	Side Tray Type C5502	-	1000 Sheets Booklet Finisher, 1000 Sheets Finisher, 500 Sheets Finisher, Bridge Unit, Shift Tray
	1000 Sheets Finisher	Finisher SR3090	Bridge Unit and 2 Tray Paper Bank or LCT	1000 Sheets Booklet Finisher, 500 Sheets Finisher, Shift Tray, Side Tray
	500 Sheets Finisher	Finisher SR3070	Bridge Unit	1000 Sheets Booklet Finisher, 1000 Sheets Finisher, Shift Tray, Side Tray

Product Support Guide

D111/D142

Category	Item	Product Name	You Must Install	You Cannot Install
	1000 Sheets Booklet Finisher	Booklet Finisher SR3100	Bridge Unit and 2 Tray Paper Bank or LCT	1000 Sheets Finisher, 500 Sheets Finisher, Shift Tray, Side Tray
	Punch Unit	Punch Kit PU3000 NA/EU/SC	1000 Sheets Booklet Finisher	-
	Bridge Unit	Bridge Unit BU3060	1000 Sheets Booklet Finisher or 1000 Sheets Finisher or 500 Sheets Finisher	Shift Tray, Side Tray
Fax	Fax Option	Fax Option Type C5502	-	-
	G3 Unit	G3 Interface Unit Type C5502	Fax Option	-
	FAX Connection	Fax Connection Unit Type B	Fax Option (for Main unit)	-
	SAF Memory	Memory Unit Type B	Fax Option	-
	Handset	Hand Set Type 3352	Fax Option	-
	FAX Stamp	Marker Type 30	Fax Option	-
Printer Option	PostScript3	Postscript3 Unit Type C5502	-	EFI Controller
	PictBridge	Camera Direct Print Card Type J	-	EFI Controller
	IPDS	IPDS Unit Type C5502	-	EFI Controller
Network Option	Wireless LAN Interface	IEEE 802.11a/g Interface Unit Type J	-	Bluetooth, IEEE 1284, EFI Controller
	Wireless LAN Interface	IEEE 802.11g Interface Unit Type K	-	Bluetooth, IEEE 1284, EFI Controller
	IEEE 1284 Interface	IEEE 1284 Interface Board Type A	-	Wireless LAN, EFI Controller
	Gigabit Ethernet	Gigabit Ethernet Type B	-	EFI Controller
	Bluetooth	Bluetooth Interface Unit Type D	-	Wireless LAN
Security	Copy Guard Security	Copy Data Security Unit Type G	-	-
Others	Browser Unit	Browser Unit Type F	-	-
	Netware	SD card for NetWare printing Type E	-	EFI Controller
	Optional Counter Interface	Optional Counter Interface Unit Type A	-	EFI Controller
	Key Counter Bracket	Key Counter Bracket Type H	-	EFI Controller
	File Format Converter	File Format Converter Type E	-	-
	Card Reader Bracket	Card Reader Bracket Type 3352	-	ADF Handle

Product Support Guide

D111/D142

Branding Information

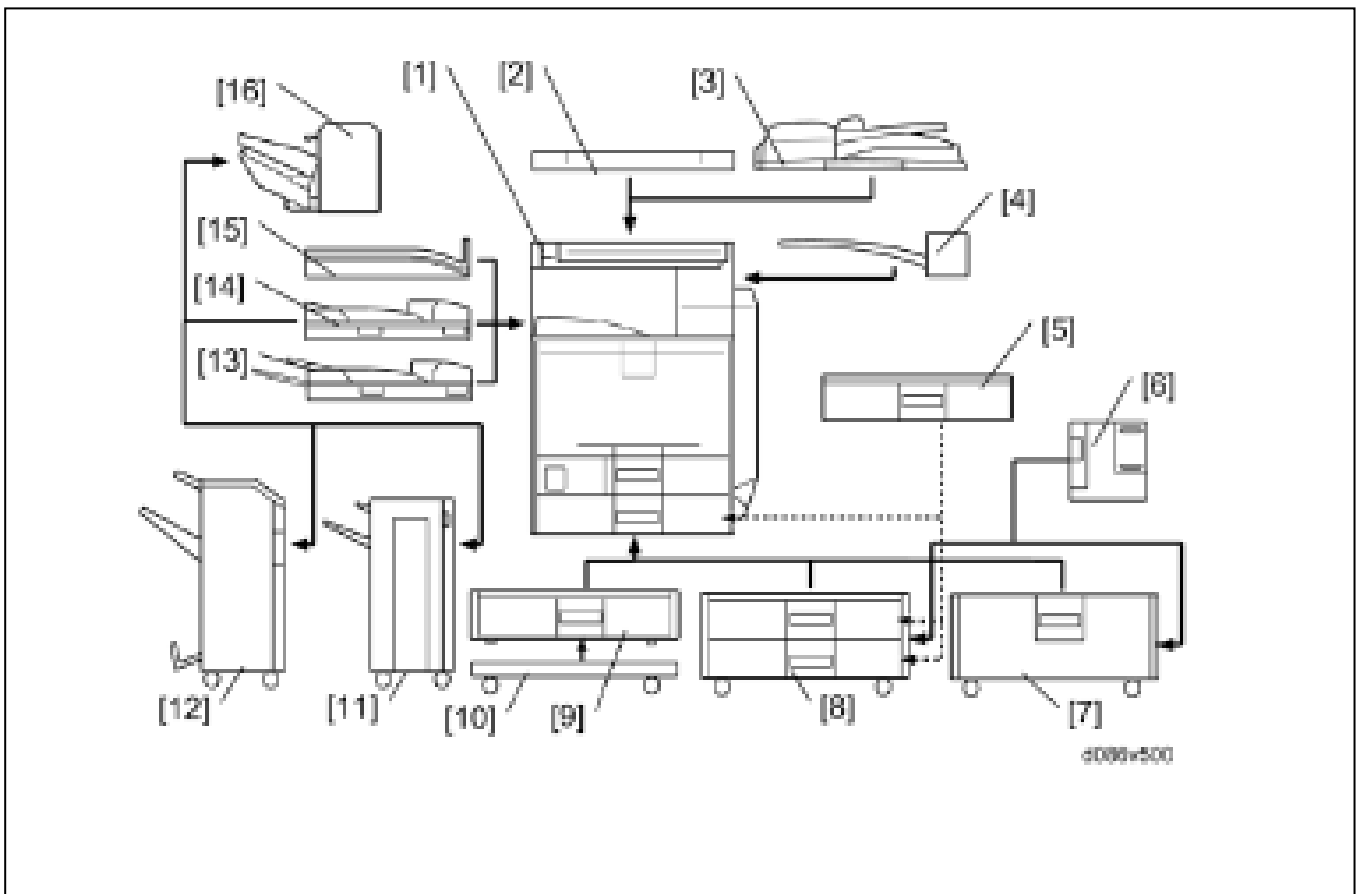
Branding is required as the machines are shipped as a generic version.

Ricoh version machines: You must attach the model label (provided) to the front cover.

Savin/Lanier: You must attach the model label (provided) to the front cover and set the Plug and Play name with SP 5-907.

Configuration

Main Frame Configuration



Product Support Guide

D111/D142

Item	Machine Code	Call Out	Remarks
Mainframe	D111/D142	1	
Platen cover	D593	2	One from the two for all models
ARDF	D578	3	
1 Bin Tray	D632	4	
Envelope Feeder	D638	5	Requires Tray 2 of the Mainframe or 8
1200 Sheet LCT	D631	6	Requires 7 or 8

*1: The Envelope Feeder EF3020 (D638) cannot be used in the One Tray Paper Feed Unit (D579)

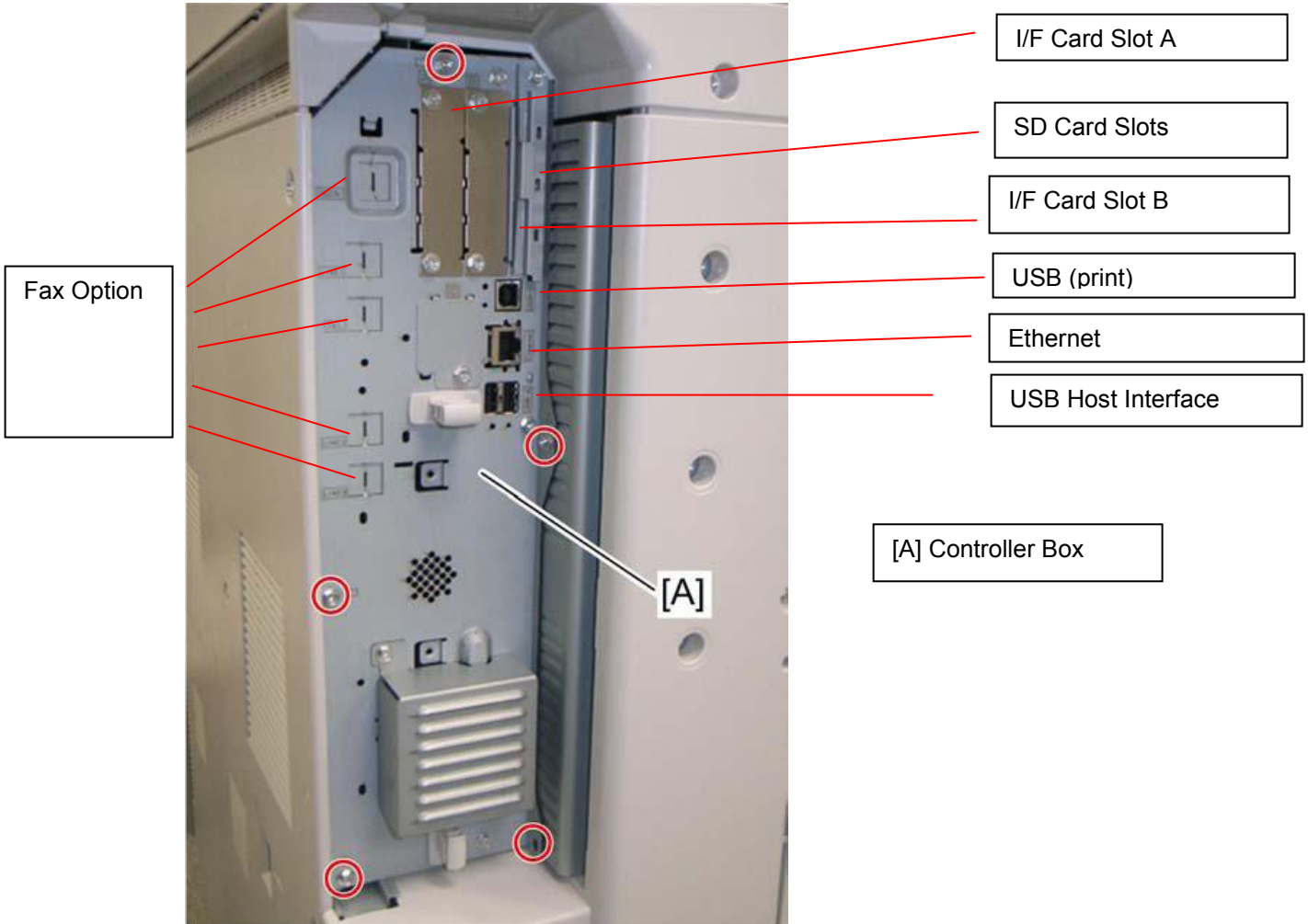
Item	Machine Code	Call Out	Remarks
2000 Sheet LCT	D581	7	One from 7, 8 and 9 – 9 Requires 10
Two Tray Paper Feed Unit	D580	8	
One Tray Paper Feed Unit	D579	9	
Caster Table	D593	10	-
1000 Sheet Finisher	D588	11	One from 11, 12, and 16 Requires 14 and 1 from 7 and 6
1000 Sheet Booklet Finisher	D589	12	
Side Tray	D635	13	One from 13, 14 and 15
Bridge Unit	D634	14	
Shift Tray	D633	15	
500 Sheet Finisher	D585	16	Requires 14
Punch Unit 3/2 Hole	B807	-	Requires 12
Punch Unit 2/3 Holes	D570 (NA)	-	
Card Reader bracket	D593		One from the two
Key Counter Bracket	A674	-	
Optional Counter Interface Unit	B870	-	-
Scanner Accessibility Option	D423	-	-
ADF Handle	D593	-	-

Product Support Guide

D111/D142

MFP Options

MFP Option Board Slot / SD Card Assignments



Product Support Guide

D111/D142

Feature Comparison to Previous version

	Mode		D086 /D087	D111 /D142	
Printer Features	Sample Print		Yes	Yes	
	Locked Print		Yes	Yes	
	Hold Print		Yes	Yes	
	Scheduled Print		No	Yes	
	Stored Print		Yes	Yes	
	Store and Print		Yes	Yes	
	Black Over Print		Yes	Yes	
	CLP Simulation		Yes	Yes	
	PDF Direct Print		Yes	Yes	
	PictBridge		Yes	Yes	
	Mail to Print		Yes	Yes	
	Classification Code		Yes	Yes	
	Bonjour (Rendezvous) Support			Yes	Yes
	Windows Active Directory Support			Yes	Yes
	DDNS Support			Yes	Yes
	PCL resident font adoption			Yes	Yes
	Tray-Parameter Change from WebImageMonitor			Yes	Yes
	1200dpi Support			Yes	Yes
	Mobile Driver			Yes	Yes
	XPS Support			Yes	Yes
	WS Printer			Yes	Yes
	Wireless LAN interface option *1			Yes	Yes
	Media Direct Print (Print from USB/SD)			Yes	Yes
	Auto Job Promotion			No	Yes
	AirPrint*2			No	Yes
*1 Not only IEEE802.11b, but also IEEE802.11a/g are supported.					
*2 To announce that this model supports AirPrint function on external sales materials such as brochures, acquiring a certification from Apple is required. And also, this function is disabled until this model is certified by Apple.					

Product Support Guide

D111/D142

	Mode		D086 /D087	D111 /D142	
Scanner Features	Scan to USB/SD		Yes	Yes	
	WS-Scanner		Yes	Yes	
	Scan to E-mail		Yes	Yes	
		E-mail message attached		Yes	Yes
		Subject attached		Yes	Yes
		SMTP Auth		Yes	Yes
		POP before SMTP		Yes	Yes
	Scan to SMB			Yes	Yes
	Scan to FTP			Yes	Yes
	Scan to URL			Yes	Yes
	Scan to NCP			Yes	Yes
	Scanned file naming			Yes	Yes
		Reference # Setting (ex. SCAN0001)		Yes	Yes
	Scan file type selection			Yes	Yes
		Single TIFF		Yes	Yes
		Single JPEG (Gray Scale)		Yes	Yes
		Single PDF		Yes	Yes
		Single High Compression PDF		Yes	Yes
		Multi page TIFF/PDF		Yes	Yes
		Multi page High Compression PDF		Yes	Yes
	LDAP Support			Yes	Yes
		E-mail Address search		Yes	Yes
		FAX address search		Yes	Yes
		Preview before transmission (TX Preview)		Yes	Yes
		PDF Encryption		Yes	Yes
		Drop out Color Send		Yes	Yes
		Twain Scan		Yes	Yes
		Universal Send (Simultaneous FAX & Scan)		No Yes	No Yes
		Document Clipper *1		No	No
		(*1) Data Processing / OCR Package			
FAX Features	Detection of misplaced document		Yes	Yes	
	Double-check of destination address		Yes	Yes	
	Direct SMTP		Yes	Yes	
	IP Fax (T.38)		Yes	Yes	
	Internet Fax (T.37)		Yes	Yes	
	Forward to E-mail				
		Inbound fax (G3/Internet)		Yes	Yes
		G3 Fax Transmission result		Yes	Yes
		G3 LAN Fax Transmission result		Yes	Yes
		Internet fax sending result (to		Yes	Yes

Product Support Guide

D111/D142

	Mode		D086 /D087	D111 /D142
		SMTP)		
		Fax to e-mail result (to SMTP)	Yes	Yes
		IP Fax sending result	Yes	Yes
		Journal	Yes	Yes
		Fax from special sender	Yes	Yes
		Fax and forward designated receiver (SUB)	Yes	Yes
	Fax forward to folder		Yes	Yes
		with E-mail Notification	Yes	Yes
	Paperless fax (HDD received)		Yes	Yes
		with E-mail Notification	Yes	Yes
	Lan-fax with cover sheet editor		Yes	Yes
	LDAP Support			
		Fax address search	Yes	Yes
	Max G3 lines		3	3
	Universal Send (Simultaneous FAX & Scan)		Yes	Yes
	DS stored data sending		No Yes	No Yes
Security Features	HDD Data Overwrite Security*1		YES(std)	YES(st d)
		Option Type A	411853	
		Option Type B	411854	
		Option Type C	411989	
		Option Type D	412152	
		Option Type F	413107	
		Option Type H	414002	v
		Option Type I	413955	
		ISO/IEC15408 Certification		T.B.A
	Authentication *2			
		Windows Authentication	YES	YES
		LDAP Authentication	YES	YES
		Kerberos *3	YES	YES
		Basic Authentication	YES	YES
		User Code Authentication	YES	YES
		802.1.x Wired Authentication	YES	YES
	Encryption			
		Address Book Encryption	YES	YES
		Authentication Pwd Encryption	YES	YES
		SSL communication	YES	YES
		S/MIME	YES	YES

Product Support Guide

D111/D142

	Mode		D086 /D087	D111 /D142
		IPsec communication	YES	YES
		HDD Encryption (*1)	YES	YES
		Type A 414021	v	
		Locked Print password Encryption	YES	YES
	Others			
		Network Protocol On/Off	YES	YES
		IP filtering (Access Control)	YES	YES
		Mask Type for Copying/Data Security for Copying *1	NO	YES
		Copy Data Security Unit Option (*1)	NO	YES
		Type A 412320		
		Type C 412808		
		Type E 412986		
		Type F 413985		v
		Printout User Trace *5	NO	NO
		Alteration Detection *5	NO	NO
		Revival Copy *5	NO	NO
		Upgraded Data Security for Copying	NO	NO
		Quota Setting/Account Limit	YES	YES
		Single Sign On	NO	NO
		SMTP over SSL	YES	YES
		Mandatory Security Information Print	NO	YES
		(*1) Option required for some models.		
		(*2) Please refer to "printer driver specification" for details of compatible PDL.		
		(*3) Applicable for Windows Authentication and LDAP Authentication.		
		(*4) To be provided as optional function package.		
		(*5) To be provided as Marking Package.		
UI Features		UI Customization	NO	YES
		My Operation Panel	NO	YES
		Remote Operation Panel	NO	NO
		MFP Full Browser	NO	YES
		Operation Manual on Operation Panel	NO	NO
		Workflow improvement with one-button	NO	YES
		External USB Keyboard	NO	YES
		QWERTZ Layout Keyboard	NO	YES
		AZERTY Layout Keyboard	YES	YES
		(*1) Ad-C4.5 and Al-C1 have this feature with special customization.		

Product Support Guide

D111/D142

	Mode	D086 /D087	D111 /D142
Accessibility Features	Easy Touch Screen	YES	YES
	Normal/Reverse Grip & Light drawing	YES	YES
	Scanner Separation	YES*1 (Optional)	YES*1 (Optional)
	Tilt Operation Panel	NO	YES
	Distinguishable LED	YES	YES
	Single Hand Operation	YES	YES
	Electronic Manual (CD manual)	YES	YES
	*AP-C, A-C or AL-C only		
Other Value Added Features	Hierarchy Document Management (Document Server)	No	No
	Import/Export of Preference Settings	NO	YES
	Information Screen (Eco-Friendly Indicator)	NO	YES

Product Support Guide

D111/D142

Installation

Installation Requirements

- Temperature Range: 10° C to 32° C (50° F to 89.6° F)
Humidity Range: 15% to 80% RH
Ambient Illumination: Less than 1,500 lux (do not expose to direct sunlight)
Ventilation: 3 times/hr/person
Ambient Dust: Less than 0.075 mg/m³ (2.0 x 10⁻⁶oz/yd³)
Avoid areas exposed to sudden temperature changes:

- Areas directly exposed to cool air from an air conditioner.
- Areas directly exposed to heat from a heater.

Do not place machine where it will be exposed to corrosive gas or vapor.

Do not install the machine at any location over 2,500m(8,200 ft.) above sea level.

Place the machine on a strong and level base. Inclination on any side should be no more than 5mm (0.2")

Do not place the machine where it may be subject to strong vibrations.

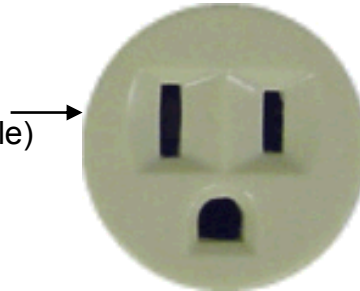
- Machine level
- Front to back: within 5mm (0.2") of level
 - Right to left: within 5mm (0.2") of level

Power Requirements

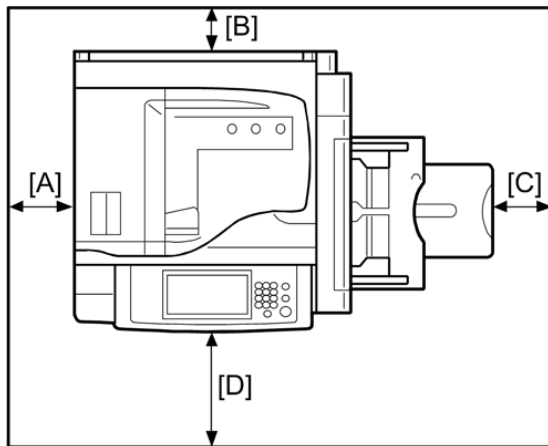
Input voltage level: 110 - 120 V, 60Hz:12A

Do not place anything on power cord.

The required wall outlet is a NEMA 5-15R (receptacle)



Space



b222i109a

- A (Left) Over 100 mm (3.9")
- B (Rear) Over 100 mm (3.9")
- C (Right) Over 550 mm (21.7")
- D (Front) Over 750 mm (29.5")

The recommended 750 mm (30") front space is sufficient to allow the paper tray to be pulled out. Additional the front space is required to allow operators to stand at the front of the machine.

Foot Print

Dimensions (W x D x H): 670 x 682 x 760 (Standard), 670 x 766 x 1,020 (with 2-Tray Paper Bank and fall-prevention material)

Product Support Guide

D111/D142

Power Consumption / Noise Emission

Power Consumption

Power Consumption				
Power Consumption *Power Consumption may differ depending on the conditions and environment of the machine.	Max Power		-	W
	Full Option Max Power	US	1,584 or less	W
	Operating Power	US (Guaranteed value)	700	W
		US (Nominal value)	D111:567.0 D142:588.5	
	Ready Mode	US(Guaranteed value)	240 or less	W
		US (Nominal value)	92	
	Panel Off	US(Guaranteed value)	-	W
		US(Nominal value)	-	
		Shift time(Default) US	-	min
		Recovery US	-	sec
	Low Power	Power US(Guaranteed value)	150 or less	W
		US (Nominal value)	79	W
		Shift time(Default) US	-	min
		Recovery US(Guaranteed value)	10	sec
		US(Nominal value)	4.5	sec
	Sleep Mode	Power US (Guaranteed value)	1.2 or less	W
		US (Nominal value)	1.0	
		Shift time(Default) US	1	min
		Recovery US(Guaranteed value)	10	sec
		US(Nominal value)	7.8	sec
	TEC	D111	US:1,435/ 1,364 (for brochure)	Wh
	(Typical Electricity Consumption)	D142	US:1,631 1,554 (for brochure)	Wh

Product Support Guide

D111/D142

Noise Emission				
Sound Power Level (Mainframe Only)	Stand-by	D111	40 or less	dB
		D142	40 or less	dB
	Copying	D111	66.5(BW), 67.0(FC) or less	dB
		D142	68.3(BW), 68.5(FC) or less	dB
Sound Power Level (Full System)	Stand-by	D111	40 or less	dB
		D142	40 or less	dB
	Copying	D111	70.5(BW), 71.0(FC) or less	dB
		D142	72.3(BW), 72.5(FC) or less	dB
Sound Pressure Level (Mainframe Only)	Stand-by	D111	34 or less	dB
		D142	34 or less	dB
	Copying	D111	60.5(BW), 61.0(FC) or less	dB
		D142	62.3(BW), 62.5(FC) or less	dB
Sound Pressure Level (Full System)	Stand-by	D111	34 or less	dB
		D142	34 or less	dB
	Copying	D111	64.5(BW), 65.0(FC) or less	dB
		D142	66.3(BW), 66.5(FC) or less	dB

Product Support Guide

D111/D142

Installation Times

Mainframe: 30 minutes

Peripherals:

Peripherals	Installation Time (minutes)	Peripherals	Installation Time (minutes)
ARDF	15	Card Reader Bracket	10
1-Tray Paper Feed unit	10	PostScript3	5
2-Tray Paper Feed unit	10	Browser Unit	5
LCT(2000 sheets)	10	Bluetooth	5
LCT(1200 sheets)	10	Gigabit Ethernet	5
1 bin Tray	10	IEEE 1284	5
Internal Shift Tray	10	IEEE802.11a/ g	5
Bridge Unit	10	File Format Converter	10
Side Tray	10	IPDS	5
500-Sheet Finisher	15	PictBridge	5
1000-Sheet Finisher	15	FAX Option	15
1000-SheetBooklet Finisher	15	Envelop Feeder	10
Punch Unit	15		

Storage/Transportation

Item	Description	Amount	
Storage Condition	Temperature	-30 ~ 40C	c
	Humidity	Less than 85% RH	% RH
	Storage Period	Max: 12 months	
	Max Stack	3 cartons	
Transportation Condition	Temperature	-30 ~ 40C	c
	Humidity	15% ~ 95% RH	% RH
	Max Stack	2 cartons	
Installation environment	Temperature	10 ~ 32C	c
	Humidity	15% ~ 80% RH	% RH
	Luminance	Less than 1500 lux	lux
	Ventilation	More than 3 times/hr/people	times/hr/people

Remarks:

- * Store in a dry, dark place where temperature does not exceed 45°C on continuance storage/transportation conditions.
- * Do not store more than 12 hours under the temperature between 41 and 45°C. (for Developer Y/M/C, between 41 and 50°C)
- * Do not store more than a month under the temperature between 36 and 40°C.
- * Do not store more than 14 days under the temperature 40°C and the humidity 70%.. (except Developer Y/M/C)
- * Ideal temperature of toner use is between 10°C and 32°C

Product Support Guide D111/D142

Parts / Special Tools / Maintenance PM Parts / Yields

Mainframe

Unique/Common
U: Unique for this model
C: Common with listed model

Part Number	Description	Q'ty/ Unit	Expected Yield (Pages)	Yield affected by P/J (see Note 4)	Unique or Common
PCDU					
D1443010	Development Unit – K	1	600k	Yes	U (Note 1 and 2)
D1443020	Development Unit - M	1	480k	Yes	
D1443030	Development Unit - C	1	480k	Yes	
D1443040	Development Unit - Y	1	480k	Yes	
D1449670	Developer - M	1	240k	Yes	
D1449660	Developer - C	1	240k	Yes	
D1449680	Developer - Y	1	240k	Yes	
Transfer					
D1446011	ITB Unit	1	600k	Yes	U (Note 3)

NOTE 1: These items are common with D143/D144.

NOTE 2: The color development units and color developer are treated as EM parts, as the actual yield of these units depends on the actual color ratio.

NOTE 3: The ITB Unit is also an EM part, as its expected yield is relatively long

NOTE 4: For above yield parts, the yield will depend on P/J (pages per job). For more details, see "APPENDIX 1: PM UNIT YIELD" below.

Product Support Guide

D111/D142

Mainframe: D111/D142

Unique/Common

U: Unique for this model

C: Common with listed model

Part Number	Description	Q'ty/ Unit	Target Yield (Pages)	Yield affected by P/J (see Note below)	Unique or Common
PCDU					
D1442250	Drum Unit-K	1	300k	Yes	U (Note 1)
D1442252	Drum Unit-CMY	1	150k	Yes	U (Note 1)
D1449640	Developer-K	1	300k	Yes	U (Note 1)
Transfer					
D1446204	ITB Cleaning Unit	1	300k	Yes	U (Note 1)
D1440621	PTR Unit	1	300k	Yes	U (Note 1)
Fusing					
D1424081	Fusing Belt Unit (116V)	1	300k	Yes	U
D1424082	Fusing Belt Unit (223V)	1	300k	Yes	U
D1444057	Pressure Roller	1	300k	Yes	U (Note 1)
Other					
D0896509	Waste Toner Bottle (Note 2)	1	150k	No	U (Note 1)
TBA	Dust Filter	2	TBA	No	TBA

NOTE 5: These items are common with D143/D144

NOTE 6: The yield figures in the above table are based on the following conditions:

- A4 (LT) long-edge feed
- 5% image coverage ratio
- Color ratio: 30%
- 3 print/job

Auto Reverse Document Feeder: D578

Part Number	Description	Q'ty /Unit	Expected Yield (Originals)	Unique or Common
A8061295	Paper Feed Belt	1	80k	C D086/D087
B3872161	Pick-up Roller	1	80k	C D086/D087
A8592241	Reverse Roller	1	80k	C D086/D087

Note: Due to their durability and extended service life, the paper feed belt, pick-up roller, and reverse roller are treated as EM parts.

Product Support Guide

D111/D142

Special Tools & Lubricants

The following special tools should be prepared for maintenance of the new model in the field:

Unique or Common:

U: Unique for this model

C: Common with listed model

Item	Part Number	Description	Q'ty	Unique or Common
1	A1849501	Scanner Positioning Pin (2pcs/set)	1	C (General)
2	B6455010	SD Card	1	C (General)
3	52039502	Silicon Grease G-501	1	C (General)
4	A2579300	Grease Barrierta – S552R	1	C (General)
5	B6456705	PCMCIA Card Adapter	1	C (General)
6	G0219350	Loop-back Connector – Parallel	1	C (General)
7	C4019503	20X Magnification Scope	1	C (General)
8	A0929503	C4 Color Test Chart (3 pcs/set)	1	C (General)
9	B6795100	Plug - IEEE1284 Type C	1	C (General)
10	B1329700	Lubricant Powder	1	C (General)

NOTE 7: Loop-back Connector – Parallel (item 6) requires Plug - IEEE1284 Type C (item 9).

NOTE 8: The color development units and color developer are treated as EM parts, as the actual yield of these units depends on the actual color ratio.

Target Reliability

Items	D111	D142
APV	5k/Month	7k/Month
Max Monthly Volume	20K	
PM Interval	150k	
Color ratio	30%	

Notes:

The figures above are calculated based on the following:

- PM is regularly performed.
- Recommended paper types are used.
- The machine is installed under operable environmental conditions
- A4 (LT) short-edge feed
- 5% image coverage ratio
- 3P/J

Product Support Guide D111/D142

Specifications / Documentation

Mainframe				
General Spec	Configuration		Desk Top	
	Scanning Element		One-dimensional solid scanning through CCD	
	Printing Process		Dry Electrostatic Transfer System with Dual Component Development; 4-Drum Method	
	Development		Dry two-component magnetic brush development system	
	Fusing		QSU-DH Fusing System	
	Max Image Area		297x432mm	mm
			11"x17"	inch
	First Copy Time (LT/A4 LEF, 1st tray)	Guaranteed value	D111: FC-7.4 /BW 4.9, D142: FC 7.4 /BW 4.9	sec
		Nominal value	D111: FC 7.3/BW 4.7, D142: FC 7.2/BW 4.8	sec
	Warm-up Time (From main switch)	US: Guaranteed value	D111: FC 22.1 /BW 22.1, D142: FC 22.1/BW 22.1	sec
		US : Nominal value	D111: FC 20/BW 20, D142: FC 20/BW 20	sec
	CPU		Intel Celeron-M 600MHz	GHz
	RAM		1.5	GB
	HDD		190GB *1 (250GB x 1)	GB
	Power Source	US	120V-127V 60Hz	V/Hz
	Max Power Consumption	US	1,584W or less	W
	Dimension(WxDxH)		670 x 682 x 760 (Standard), 670 x 766 x 1,020 (with 2-Tray Paper Bank and fall-	mm

Product Support Guide

D111/D142

Mainframe				
			prevention material)	
			26.4 x 27.0 x 30 (Standard), 26.4 x 30.2 x 40.2 (with 2-Tray Paper Bank and fall-prevention material)	inch
	Weight		Less than 120kg (with- ARDF) Less than 110kg (without ARDF)	kg
			Less than 266lbs (with † ARDF) Less than 243lbs (without ARDF)	lbs.
	Simplified Display		Yes	
	Login/Logout Button		Yes	
	SMC Report Print out (Logging Data)		Yes	
	NRS Option		Yes	
	Java VM		Standard (ver10.01.05*)	
	MFP browser		Opt (version 1.01.0*)	
	Document Server		Yes	
	Auto Off Timer		Yes (1-240min)	
	Energy Saver Timer		Yes (1-240min)	
	Panel Off Timer		No	
	System Reset Timer		Yes (Default: 60sec. / 10-999sec.)	

Paper Handling				
Paper Handling	Recommended Paper Size	1st Paper Tray	A4 LEF, 11"x8 ½ " (LT) LEF (A5 LEF and B5 LEF are able to set by using SP mode.)	

Product Support Guide

D111/D142

Paper Handling			
		2/3/4 Paper Tray	A3 SEF, B4 SEF, A4 LEF/SEF, B5 SEF/LEF, A5 LEF, 11"x17"(DLT) SEF, 8 ½"x14" (LG) SEF, 8 ½"x13" (Foolscap) SEF, 8 ½"x11" (LT) LEF/SEF, 8¼"x14" (Government LG), 8 ¼"x13" (Folio) SEF, 8"x13"(F/GL), 8"x10" (Eng Quatro) 7 ¼"x10 ½" (Executive) SEF/LEF, 11"x15" SEF, 10"x14" SEF, Envelopes (COM10 LEF, C5 LEF), 8K, 16K <Custom Size Paper> Width: 182–297mm, Length: 148–432mm *2
		LCT	A4 LEF, 8 ½"x11" (LT) LEF
		Side LCT	A4 LEF, B5 LEF, 8 ½"x11" (LT) LEF
		Bypass Tray	12"x18"/305x458mm*, A3/DLT-A6SEF <Custom Size Paper> Width: 90–305mm, Length: 148–1260mm *3
	Envelope Printing		Yes (from Tray 2-4*, Bypass and optional Envelope Feeder)
	Paper Feeding Capacity(LT/A4)	Std	550sheet x 2trays (less than 55.5mm) Bypass Tray: 100sheets (less than 10mm,)
		Max	4,400 sheets (with LCT and side LCT)
		Option	Paper Bank Unit: 550sheet x 2 trays or 1 Tray Paper Bank Unit: 550sheet x 1 tray or LCT: 1,000sheet x 2 Side LCT: 1.200 sheets

Product Support Guide

D111/D142

Paper Handling				
	Paper Output Capacity(LT/A4)	Std	Face Down: 500sheets(A4 or smaller/80gsm), 250sheets(B4 or larger/80gsm) *When Bridge Unit or Side Tray is attached: 250sheets(A4 or smaller/80gsm), 125sheets(B4 or larger/80gsm)	
		Max	1,625 sheets (Internal output tray with Bridge Unit + 1 Bin Tray + 1000 sheets Finisher)	
		Option	1 Bin Tray: 125 sheets or Shift Sort Tray: 250 sheets (A4/LT or smaller/80gsm), 125 sheets(B4 or larger) Side Tray: 125 sheets or 500 sheets Finisher: 500 sheets or Booklet Finisher: 1,000 + 100 sheets or 1000 sheets Finisher: 1,000 + 250 sheets	
	Paper Weight	Std Tray/Optional 550x2 or 550x1 Tray/Tandem LCT	52-256 *4	g/m2
		Side LCT	52-216 *4	g/m2
		Bypass	52-300 *4	g/m2
		Duplex Unit	52-169	g/m2

Copier Spec				
Copier Spec	CPM Black		D111 : 30, D142 : 35	cpm
	CPM Color		D111 : 30, D142 : 35	cpm
	Copy Resolution		600dpi / 4bit	
	Multiple Copying		Up to 999 copies	
	Reproduction Ratio	US	400%, 200%, 155%, 129%, 121%, 100%, 93%, 85%, 78%, 73%, 65%, 50%, 25%	
	Zoom		From 25% to 400% in 1% step	

Product Support Guide

D111/D142

Copier Spec			
	Number of Copy Reservations		8
	Image Density		Auto, Manual
	Color Mode		Default = Black & White Mode Auto Color Selection (ACS) Full Color Black & White Single Color (Default: not indicated) Preset: 12 colors x4 Density (Default = Red), User color: 15 colors x4 Density Two Color (Default: not indicated) - Black and Other Color - Red and Black
	Copy Mode		Default = Auto Text & Photo Separation Separation (Printed/Glossy/Copied) Auto Text & Photo Separation (Printed/Glossy/Copied) Photo (Printed/Glossy/Copied) Text Map Pale Generation
	Paper Selection		Default = Auto Paper Selection (APS) Auto Paper Selection (APS) 1st Tray 2nd Tray 3rd Tray (with Paper Bank) 4th Tray (with Paper Bank) Tandem LCT* Side LCT Bypass Tray

Product Support Guide

D111/D142

Copier Spec			
	Paper Type Capability	Std Tray	<p>[Paper Type] Plain Paper (No Display Paper Type), Recycle Paper, Special Paper 1-3, Color Paper, Letterhead, Cardstock, Preprinted Paper, Bond Paper, High-gloss coated paper, Envelope*, Coated*</p> <p>[Thickness] Thin Paper, Normal Paper, Middle Thick, Thick Paper 1, Thick Paper 2, Thick Paper 3</p>
		Bank, LCT	<p>[Paper Type] Plain Paper (No Display Paper Type), Recycle Paper, Special Paper 1-3, Color Paper, Letterhead, Cardstock, Preprinted Paper, Bond Paper, High-gloss coated paper, Envelope*, Coated</p> <p>[Thickness] Thin Paper**, Normal Paper, Middle Thick, Thick Paper 1, Thick Paper 2**, Thick Paper 3**</p>
		Bypass Tray	<p>[Paper Type] Plain Paper (No Display Paper Type), Recycle Paper, Special Paper 1-3, Color Paper, Letterhead, Cardstock, Preprinted Paper, Bond Paper, High-gloss coated paper, Envelope, Coated, Label Paper, OHP,</p> <p>[Thickness] Thin Paper, Normal Paper, Middle Thick, Thick Paper 1, Thick Paper 2, Thick Paper 3, Thick Paper 4</p>
	Auto Tray Switch		Yes
	Duplex		1 sided to 2 sided, 2sided to 2 sided(w/ARDF), Book to 2 sided, Front and Back to 2 sided
	Book	Booklet	Yes
		Magazine	Yes
		Layout &	Yes

Product Support Guide

D111/D142

Copier Spec			
		Booklet	
Series		Book to simplex	Yes
		2 sided original to simplex	Yes
Combine (Layout)		2 into 1 simplex	Yes
		4 into 1 simplex	Yes
		8 into 1 simplex	Yes
		1 duplex into 1 simplex	Yes
		2 duplex into 1 simplex	Yes
		4 duplex into 1 simplex	Yes
		4 into 1 duplex	Yes
		8 into 1 duplex	Yes
		16 into 1 duplex	Yes
		2 duplex into 1 duplex	Yes
		4 duplex into 1 duplex	Yes
		8 duplex into 1 duplex	Yes
	Shift/Erase/Margin Adjustment		Centering
		Cornering	No
		Margin Adjustment	1mm step (0-30mm)
		Erase Center	1mm step (2-99mm)
		Erase Border	1mm step (2-99mm)
Cover Sheet/Chapter/Slip Sheets		Front Cover	Copy or Blank (Default=Copy)
		Front & Back Cover	Copy or Blank (Default=Copy)
		Chapter	Yes
		Slip Sheets	Yes
Image Rotation			Yes (A4/LT and B5 size)
Electronic Sort		Without Shift Sort	Yes
		Rotate Sort	Yes
		Shift Sort	Yes (only with Finisher)
Electronic Stack			Yes
Stapling			Yes (with Finisher)
Color Creation		Color Conversion	Yes
		Color Erase	Yes

Product Support Guide

D111/D142

Copier Spec				
	Image Creation	Color Overlay	Yes	
		Repeat	Yes	
		Double Copy	Yes	
		Mirror	Yes	
		Posiive/Negative	Yes	
	Stamp/Numbering	Preset Stamp	Yes (8 Stamps)	
		User Stamp	Yes (4 Stamps can be registered)	
		Date Stamp	Yes (5 styles)	
		Page Number	Yes (6 styles)	
		Bates Numbering	Yes (9 digits / zero suppression: no)	
	Color Balance Adjustment		Yes	
	Color Balance Program		Yes	
	Auto Color Calibration(ACC)		Yes	
	Sharp/Soft		7 levels	
	Contrast		9 levels	
	Background Density Adjustment		9 levels	
	Under Color Removal(UCR) Adjustment		9 levels	
	Text & Photo Separation Sensitivity Adjustment		9 levels	
	Color Erase Sensitivity Adjustment		5 levels	
	Job Programs		25	
	User Code		8 digits / 1000 user codes	
	Interrupt Copy		Yes	
	Auto Start		Yes	
Job Preset		Yes(8 jobs)		
Sample Copy		Yes		

Printer Spec				
Printer Spec	PDL	Std	PCL5c, PCL6(XL), PDF	
		Option	Adobe PostScript3, IPDS	
	Print Resolution	Max	1200 x 1200 dpi / 1bit	dpi
		PCL5c	-300 x 300 dpi (available only with B/W mode) -600 x 600 dpi <Gradation *5> Fast (1bit) / Standard (2bit) / Fine (4bit)	dpi

Product Support Guide

D111/D142

Printer Spec				
		PCL6	-600 x 600 dpi <Gradation *5> Fast (1bit) / Standard (2bit) / Fine (4bit) -1200 x 1200 dpi	dpi
		PS3	-600 x 600 dpi <Gradation *5> Fast (1bit) / Standard (2bit) / Fine (4bit) -1200 x 1200 dpi (1bit)	dpi
		XPS *6	-600 x 600 dpi <Printing Mode *5> Standard (1bit) / Quality Preference (2bit) / High Quality (4bit) -1200 x 1200 dpi	dpi
		IPDS	-300 x 300 dpi -600 x 600 dpi	dpi
Fonts		Std	PCL: Scalable 45 fonts + International 13 fonts *7 PS3: 136 Roman fonts	
		Option	IPDS : 108 Roman fonts	
Host Interfaces		Std	Ethernet (RJ-45 network port : 10Base-T /100Base-TX), USB2.0 Type B, USB2.0 Type A(2 port), Front USB/SD Slot (1 port)	
		Option	Ethernet (1000Base-T) IEEE1284/ECP, Wireless LAN (IEEE802.11a,b,g, WPA support), Bluetooth	
Network Protocol			TCP/IP (IP v4, IP v6), IPX/SPX*8	
Standard MIB			MIB-II(RFC1213), HostResource(RFC1514), PrinterMib(RFC1759), Printer Port Monitor MIB	
Private MIB			Ricoh Original	

Product Support Guide

D111/D142

Printer Spec			
	Network/Operating System		Windows XP/Vista/7/Server 2003/Server 2008/Server 2008R2 Netware 6.5*9 Unix; Sun Solaris, HP-UX, SCO OpenServer, RedHat Linux, IBM AIX Mac OS X v.10.2 or later SAP R/3, NDPS Gateway IBM iSeries/ AS/400-using OS/400 Host Print Transform

Scanner Spec				
Scanner Spec	Color Scan		Std	
	Scanning Speed (normal DF)	B&W	51pages/minute (A4/LET LEF / 200dpi), 47pages/minute (A4/LET LEF / 300dpi) Push Scan	ipm
		Color	51pages/minute (A4/LET LEF / 200dpi), 41pages/minute (A4/LET LEF / 300dpi) Push Scan	ipm
	Scanning Resolution	Std	100 / 200 / 300 / 400 / 600/ 1200* dpi	dpi
		Default	200dpi	dpi
	Auto Size Detection	Contact Glass	11"x17"(DLT) SEF, 8 1/2"x14"(LG) SEF, 8 1/2"x11"(LT) LEF/SEF, 8 1/2"x5 1/2"(HLT) LEF, *SP mode adjustment is required : 8 1/2"x5 1/2"(HLT)SEF	
	(US Model)	ARDF *9	11"x17" (DLT)SEF, 8 1/2"x14" (LG)SEF, 8 1/2"x11"(LT) LEF/SEF, 5 1/2"x8 1/2"(HLT) LEF/SEF, 8 1/2"x13"(Foolscap) SEF 10"x14"SEF, 11"x15"SEF (detected the same as DLT SEF, Default = DLT SEF), 8"x10"SEF (detected the same as LT SEF, Default = LT SEF) 7 1/4"x10 1/2"(EXE) LEF/SEF	

Product Support Guide

D111/D142

Scanner Spec				
	Auto Size Detection	Contact Glass	A3 SEF, B4 SEF, A4 LEF/SEF, B5 LEF/SEF, A5 LEF, 8 1/2"x13"(F) SEF, *SP mode adjustment is required : A5 SEF, 8"x13"(F) SEF, 1/4"x13"(Folio) SEF, 8K SEF, 16K LEF/SEF	
	(EU/ASIA/CHINA Model)	ARDF *9	A3 SEF, B4 SEF, A4 LEF/SEF, B5 LEF/SEF, A5 LEF/SEF, DLT SEF, LT SEF/LEF, 8"x13"(F) SEF (detected the same as Foolscap SEF, Default = Foolscap SEF), 8 1/2"x13" (Foolscap) SEF, 8 1/4"x13"(Folio) SEF	
	Scan Area	Main Scan	297mm	mm
		Sub Scan	432mm	mm
	sRGB Support		Std	
	Network Interface		Ethernet 10BASE-T / 100 BASE-TX/ 1000BASE-T, Wireless LAN (IEEE802.11a,b,g, WPA support),	
	Protocol		Network: TCP/IP Sending E-mail: SMTP, POP, IMAP4 Scan to Folder: SMB, FTP, NCP* Web Services on Devices for Scanning	
	Compression Method	B&W	1bit(MH, MR, MMR, JBIG2*), Grayscale(JPEG)	
		Color	JPEG	
	Scan Mode		BW Text/Line Art, BW Text, BW Text/Photo, BW Photo, BW Grayscale, FC Text/Photo, FC Glossy Photo, ACS(Auto Color Selection)	
	Image Density		Auto Density Selection(Effective in BW/Grayscale and FC scan mode) Manual: 7 levels (Effective in BW/Grayscale and FC	

Product Support Guide

D111/D142

Scanner Spec			
			scan mode)
	Image Rotation		Yes
	SADF/Batch Mode		Yes
	Mixed Size Mode		Yes
	Reduce and Enlarge		Yes
	Split scan from Booklet type original		Yes
	Digital Signature for PDF		Yes
	File Format	Compression On / Off	Data / Compression Method
	Single Page TIFF	On	BW 1bit / (MH, MR or MMR)
		Off	BW 1bit, BW Grayscale or Full Color
	Multi Page TIFF	On	BW 1bit / (MH, MR or MMR)
		Off	BW 1bit, BW Grayscale or Full Color
	Single Page JPEG	On	BW Grayscale or Full color / (JPEG)
		Off	-
	Single Page PDF	On	BW 1bit / (MH, MR, MMR or JBIG2), BW Grayscale / (JPEG), Full Color / (JPEG)
		Off	BW 1bit, BW Grayscale or Full Color
	Multi Page PDF	On	BW 1bit / (MH, MR, MMR or JBIG2), BW Grayscale / (JPEG), Full Color / (JPEG)
		Off	BW 1bit, BW Grayscale or Full Color
	Single Page High Compression PDF	On	BW Grayscale / (JPEG or JPEG2000), Full Color / (JPEG or JPEG2000)
		Off	-
	Multi Page High Compression PDF	On	BW Grayscale / (JPEG or JPEG2000), Full Color / (JPEG or JPEG2000)
		Off	-
	Single Page PDF-A	On	BW 1bit / (MH, MR, MMR or JBIG2), BW Grayscale / (JPEG), Full Color / (JPEG)

Product Support Guide

D111/D142

Scanner Spec					
		Off	BW 1bit, BW Grayscale or Full Color		
	Multi Page PDF-A	On	BW 1bit / (MH, MR, MMR or JBIG2), BW Grayscale / (JPEG), Full Color / (JPEG)		
		Off	BW 1bit, BW Grayscale or Full Color		
Scan to Email	Requirement (Mail Protocol, Transmission Protocol, Protocol)		SMTP (Mail Server) Gateway and TCP/IP		
	Authorization Function		SMTP authentication POP before SMTP authentication		
	Resolution	Std	100, 200, 300, 400, 600	dpi	
		Default	200	dpi	
	Max Email Address in HDD		2000		
	Register Group Address in HDD		Max. 100 Group (Max. 500 addresses in one group address)		
	Maintain Email Address in HDD		Direct input on operation panel, Web Image Monitor, Smart Device Monitor for Admin		
	Input of Destination E-mail Address via Soft Key			Possible, Max. 100 destinations per job	
	Search method of Email Address in HDD		By name and E-mail address		
	LDAP Search		Yes		
	Max Address Numbers Per Send		Max. 500 addresses per send *10		
	Address Numbers Per Send	from HDD	Max 500 *10		
		direct input	Max 100 *11		

Product Support Guide

D111/D142

Scanner Spec			
		via LDAP	Max 100 *11
	Simultaneous Transmission		Max.550
	Attention		To, cc, bcc
	Email Size	with Restriction	128 - 102,400KB
		w/o Restriction	725MB
	Input Subject	Manual	Max. 128 Characters via soft key
		User Pre-register	22 subjects. Max. 20 Characters per a subject
	Input Main Body Text	Manual	Max. 80 Characters via keyboard
		User Pre-register	5 BODY MESSAGES. 80 CHARACTERS X 5 LINES PER A BODY MESSAGE Title name of the body message: Max. 20 characters per a name
		Preset	Message: "This e-mail included attached file sent from xxxx(machine model name)."
	Input File Name		Yes
Scan to Email (continued)	File Type		Single Page TIFF/JPEG/PDF/PDF-A/High Compression PDF Multi Page TIFF/PDF/PDF-A/High Compression PDF
	Program User Settings		Up to 25 programs
	Divide and send Email (If the file size exceed the max size.)		Yes (By page or size) / No, Default = Yes(By size) *13
	Resend		Yes / No, Default = Yes
Scan to Folder	Protocol Support		SMB, FTP, NCP*
	Security		Client folder log-in (log-in name and password), Encryption of log-in name and password during transmission

Product Support Guide

D111/D142

Scanner Spec				
	Resolution	Std	100dpi, 200dpi, 300dpi, 400dpi, 600dpi	dpi
		Default	200	dpi
	Register client folder address in HDD		Max. 2,000 folders	
	Maintain client folder address in HDD		Direct input on operation panel, WebImageMonitor, SmartDeviceMonitor	
	Direct addressing of destination client folder via soft key		Yes	
	Search client folder		SMB: Browsing directly to the designated folders FTP: By client folder name NCP: Browsing*	
	Homefolder over LDAP		Yes	
	Max. client folder numbers per send		Max. 50 client folders / PCs per send	
	Simultaneous Transmission		Max.550	
	Group address		Max. 500 destinations (Folder destination must be less than 50) e.g. 500 destinations (50 folders included) >OK 500 destinations (51 folders included) >Failure	
	Input File Name		Yes	
	Scan to File size		2,000	MB
	File Size when combined Scan to Folder & Scan to E-mail		128 - 102,400kB, Default = 2,048KB (With restriction) 725MB (Without restriction) (Scan to E-mail file size applied).	
	File Type		Single Page TIFF/JPEG/PDF/PDF-A/High Compression PDF Multi Page TIFF/PDF/PDF-A/High Compression PDF	
	Program User Settings		Up to 25 programs	
	Resend		Yes / No, Default = Yes	

Product Support Guide

D111/D142

Scanner Spec				
Network TWAIN Driver	OS		32bit/64bit: Windows XP, Vista, 7, Server2003/2008 64bit: Windows Server 2008R2(Operates in 32-bit compatibility mode on 64-bit operating systems)	
	Scanning Speed(A4LEF)	B&W	Simplex(200dpi): with MLB 50(compressed), without MLB 52(compressed & uncompressed) Duplex(200dpi): with MLB 24(compressed), without MLB 24(compressed & uncompressed)	ipm
		Color	Simplex(200dpi): with MLB 51(compressed), without MLB 52(compressed & uncompressed) Duplex(200dpi): with MLB 24(compressed), without MLB 24(compressed & uncompressed)	ipm
	Resolution	B&W	100 – 1200dpi (Black and White / Grayscale)	dpi
		Color	100 – 1200dpi (Full Color)	dpi
	Scan Mode		Standard / Photo / OCR / Filing	
	Image Adjustment		Brightness / Contrast / Threshold /Gamma Adjustment / Halftone Pattern	
	Endorser		Supported	
	Stamp		Date / Page Number / Text	

Fax Spec				
Fax Spec	Circuit		PSTN, PBX	
	Compatibility		ITU-T (CCITT) G3,	
	Resolution		Standard mode: 8 x 3.85 line/mm, 200 x 100dpi, Detail mode: 8 x 7.7 line/mm, 200 x 200dpi, Super Fine mode*: 8 x 15.4 line/mm, 16 x 15.4 line/mm, 400 x 400dpi	

Product Support Guide

D111/D142

Fax Spec			
Compression Method		MH, MR, MMR, JBIG	
Scanning Speed (Platen used)		1.0sec.(A4/LT SEF, 200 x 100 dpi),	
Scan Page per Minute(ADF used)	A4/LT SEF	Standard mode: 42 spm Detail mode: 42 spm Super Fine mode: 32 spm	spm
	A4/LT LEF Image Rotation	Standard mode: 49 spm Detail mode: 49 spm Super Fine mode: 27 spm	spm
Modem Speed		33.6K – 2,400bps (G3, Standard with Automatic Shift Down) (33600, 31200, 28800, 26400, 24000, 21600, 19200, 16800, 14400, 12000, 9600, 7200, 4800, 2400 bps)	
Transmission Speed		G3: Approx.2 seconds (200x100 dpi, JBIG, ITUT #1 chart TTI off, memory transmission) G3: Approx.3 seconds (200x100dpi, MMR, ITUT #1 chart, TTI off, memory transmission)	
SAF Memory Size	Std	4MB (Approx.320 pages)	MB
	with Optional Memory	28MB (Approx. 2,240 pages)	MB
Memory Backup		One hour	
Smoothing		Standard (1bit)	
TTI/RTI		Standard	
CSI		Standard	
Quick dial/ Speed dial		Standard: 2,000 numbers	
Group Dial		Standard: 100 groups	
Program		Standard: 100 numbers	
Redial		Standard	
Direct Fax Number Entry		Standard	
Dual access		Standard	
User Code		Standard 1000 Codes	
Page Counter		Standard	
Auto Reduction		Standard	
Wild Cards for Special Senders		Standard	
Summer Time		Standard	

Product Support Guide

D111/D142

Fax Spec			
	Memory Lock ID Code		Standard
	SID Code (Sender ID)		Standard
	Programming by OMR		No
	User Function Key		Standard (3 keys)
	Energy Saver		Standard
	Remaining Memory Indication		Standard
	Clock Adjustment		Standard
	User Parameter Settings		Standard
	Remote FAX		Optional
Fax Transmission Spec	Immediate Transmission		Standard
	Parallel Memory Transmission		Standard
	Memory Transmission		Standard
	Pulse/Tone Selection		Standard
	Pause		Standard
	Serial Broadcasting		Standard (Max. 500 numbers)
	Preview before Transmission		Standard
	Displaying the destination prior to transmission		Standard
	Send Later		Standard
	Error Correction Mode		Standard
	Page Retransmission		Standard
	Forwarding		Standard
	Image Rotation		Standard
	Book Fax		Standard
	Closed Network Transmission		Standard
	Double Sided Transmission		Standard
	Handset/Telephone		Option
	Telephone Connection		Option
	Automatic Voice Message		No
	On Hook Dial		Standard
	Tone Transmission		Standard
	Chain Dialing		No
	Reception Mode Selection		Standard
	Automatic Fax/Phone change		No
	Answering Machine interface		No
	Auto Answer Delay Time		Standard (SP mode)
Busy Tone Detection		Standard	
Silent Ringing Detection		No	
Fax Reception Spec	Automatic Reception		Standard
	Manual Reception		Standard
	Substitute Reception		Standard
	Authorized Reception		Standard
	Multi Copy		Standard
	Closed Network		Standard

Product Support Guide

D111/D142

Fax Spec			
	Reception Time Printing		Standard
	Center Mark		Standard
	Checkered Mark		Standard
	Night Timer (Weekly timer)		Standard
	Printing by Specified Color		No
	Toner Saving Mode		No
	2 in 1 Reception		Standard
	Duplex Reception		Standard
Internet Fax Spec	Requirement of Mainframe		G3 fax option is required.
	Number of Address		2,000
	Email Address Input		From LCD operation panel, Web Image Monitor, Smart Device Monitor for Admin
	Attention		"to" or "bcc" (select only one), max 500 attentions
	Destination Combination		G3 Fax destination, IP Fax destination, e-mail destination, folder destination
	Network		Ethernet 10BASE-T / 100BASE-TX / 1000BASE-T, Wireless LAN (IEEE802.11a,b,g, WPA support)
	Transmit Function		E-mail
	Scan Line Density		200 x 100 dpi(Standard character), 200 x 200 dpi(Detail character), 200 x 400 dpi(Fine character: optional) *14 , 400 x 400 dpi(Super Fine character: optional) *14
	Maximum Original Size		A3/DLT *14
	Communication Protocol		Transmission SMTP, TCP/IP Reception POP3, SMTP, IMAP4, TCP/IP
	IPv6 support		Yes
	Email Format		Single/Multi-part, MIME Conversion Attached file forms: TIFF-F(MH, MR *14, MMR*14 compression)
	Authentication Method		SMTP-AUTH, POP before SMTP, A-POP

Product Support Guide

D111/D142

Fax Spec				
	Internet Communication		Send and receive e-mail with a computer that has an e-mail address	
	Email Send Functions		Automatic conversion of sent documents to e-mail format and e-mail transmission. Memory transmission only.	
	Email Receive Functions		Automatic detection and printing of appended TIFF-F(MH) files and ASCII text. Memory reception only.	
LAN Fax Spec	Paper Size		A3, DLT, B4, A4 (default for EU/Asia model), Letter (default for NA model), Legal, B5, A5	
	Resolution		Super Fine (400 x 400 dpi) Detail (200 x 200 dpi) *default Standard (200 x 100 dpi)	dpi
	The Number of Selectable Address at one time		500	
	OS		Windows XP, Server2003, Vista, Server2008, 7, Server2008R2	
	LAN-Fax Editor Support Language		1.English, 2.German, 3.French, 4.Italian, 5.Spanish, 6.Dutch, 7.Swedish, 8.Norwegian, 9.Danish, 10.Finnish, 11.Hungarian, 12.Czech, 13.Polish, 14.Portuguese, 15.Russian, -16.Brazilian Portuguese, 17.Greek, 18.Traditional Chinese, 19.Simplified Chinese 20.Catalan, 21.Turkish Condition: OS need to have the same language.	
IP Fax Spec	Network		Ethernet 10BASE-T / 100 BASE-TX/ 1000BASE-T, Wireless LAN (IEEE802.11a,b,g, WPA support)	
	Scan Line Density		Standard mode: 8 x 3.85 line/mm, 200 x 100dpi, Detail mode: 8 x 7.7 line/mm, 200 x 200dpi, Super Fine mode*: 8 x 15.4 line/mm, 16 x 15.4 line/mm, 400 x 400dpi	

Product Support Guide

D111/D142

Fax Spec				
	Original Size		Maximum A3 or 11" x 17" (DLT)	
	Max Scanning Size		Standard: A3, 297mm x 432mm, Irregular: 297mm x 1200mm	
	Transmission Protocol		Recommended: T.38, TCP, UDP/IP communication, SIP(RFC 3261 compliant), H.323 v2	
	IPv6 support		No	
	Compatible Machines		IP-Fax compatible machines	
	IP-Fax Transmission Function		Specify an IP address and send faxes to an IP-Fax compatible fax through a network. Also capable of sending faxes from a G3 fax connected to a telephone line via a VoIP gateway.	
	IP-Fax Reception Function		Receive faxes sent from an IP-Fax compatible fax through a network. Also capable of receiving faxes from a G3 fax connected to a telephone line via a VoIP gateway	

Document Server Spec				
Document Server Spec	HDD Capacity		190	GB
	Max Stored Documents		3,000	
	Max Pages Per Documents		2,000	
	Max Pages of All Stored Documents		9,000	
	Storage Period		1-180 days, or "no limit"	

Security Spec				
Security Spec	Network User Authentication		Yes	
	IP Address Filtering		Yes	
	MAC Address Filtering		No	
	HDD Overwrite		Yes(std)	
	HDD Encryption		Yes(std)	
	Copy Guard Security		Yes	
	Secure Print		Yes	
	Encrypted Secure Print		Yes	
	Encrypted PDF Mode		Yes	
	Digitally signed PDF		Yes	

Product Support Guide

D111/D142

Security Spec			
	IP Sec		Yes
	Secure Sockets Layer(SSL)		Yes
	SNMPv3		Yes
	SMTP over SSL		Yes
	IPv6		Yes
	Transport Layer Security		Yes
	Removable HDD		No

Productivity

Model	Mode	gsm	lb. Bond	BK CPM	FC CPM
D111	Thin Paper	-52-59	-14~15	30	30
	Plain Paper	-81	-22	30	30
	Middle Thick	-105	-28	30	30
	Thick Paper 1	-169	-45	17.5	17.5
	Thick Paper 2	-220	-58	17.5	17.5
	Thick Paper 3	-256	-68	17.5	17.5
	Thick Paper 4	-300	-80	17.5	17.5
	OHP, 1200dpi printing High gloss paper	-	-	17.5	17.5
D142	Thin Paper	-52-59	-14~15	35	35
	Plain Paper	-81	-22	35	35
	Middle Thick	-105	-28	35	35
	Thick Paper 1	-169	-45	17.5	17.5
	Thick Paper 2	-220	-58	17.5	17.5
	Thick Paper 3	-256	-68	17.5	17.5
	Thick Paper 4	-300	-80	17.5	17.5
	OHP, 1200dpi printing High gloss paper	-	-	17.5	17.5

Product Support Guide

D111/D142

D111

B&W Copy

ADF1to1 Simplex to Simplex (cpm)

	A3/DLT	A4	LT	A4R
1st Tray	-	30.46	30.23	-
2nd Tray	18.03	30.49	30.33	23.71
3rd Tray	17.99	30.36	30.35	23.78
4th Tray	18.05	30.49	30.49	23.82
LCT	-	30.38	30.44	-

ADF1to1 Simplex to Duplex (cpm)

	A3/DLT	A4	LT	A4R
1st Tray	-	30.38	30.77	-
2nd Tray	18.01	30.29	30.30	23.78
3rd Tray	18.01	30.40	30.29	23.69
4th Tray	18.00	30.41	30.44	23.81
LCT	-	30.44	30.40	-

ADF1to1 Duplex to Duplex (cpm)

	A3/DLT	A4	LT	A4R
1st Tray	-	17.46	17.16	-
2nd Tray	12.14	17.42	18.52	14.80
3rd Tray	12.14	17.37	17.15	14.83
4th Tray	12.08	17.37	17.20	14.83
LCT	-	17.35	17.19	-

Full Color Copy

ADF1to1 Simplex to Simplex (cpm)

	A3/DLT	A4	LT	A4R
1st Tray	-	30.49	30.44	-
2nd Tray	17.97	30.46	30.30	23.75
3rd Tray	17.96	30.53	30.44	23.79
4th Tray	17.97	30.46	30.58	23.74
LCT	-	30.47	30.61	-

ADF1to1 Simplex to Duplex (cpm)

	A3/DLT	A4	LT	A4R
1st Tray	-	30.47	30.50	-
2nd Tray	18.04	30.46	30.36	23.58
3rd Tray	17.99	30.46	30.45	23.77
4th Tray	17.97	30.43	30.36	23.73
LCT	-	30.41	31.25	-

ADF1to1 Duplex to Duplex (cpm)

	A3/DLT	A4	LT	A4R
1st Tray	-	17.42	18.61	-
2nd Tray	12.33	17.37	18.47	14.82
3rd Tray	12.34	17.43	18.31	14.89
4th Tray	12.32	17.41	17.37	14.80
LCT	-	17.35	17.22	-

Product Support Guide

D111/D142

D142

B&W Copy

ADF1to1 Simplex to Simplex (cpm)

	A3/DLT	A4	LT	A4R
1st Tray	-	35.07	35.25	-
2nd Tray	19.67	35.01	35.09	26.56
3rd Tray	19.61	35.13	35.15	26.79
4th Tray	19.63	35.17	35.19	26.57
LCT	-	35.15	35.23	-

ADF1to1 Simplex to Duplex (cpm)

	A3/DLT	A4	LT	A4R
1st Tray	-	35.05	35.03	-
2nd Tray	19.65	35.07	35.01	25.23
3rd Tray	19.64	35.03	35.19	25.37
4th Tray	19.58	35.03	35.27	25.31
LCT	-	35.11	35.25	-

ADF1to1 Duplex to Duplex (cpm)

	A3/DLT	A4	LT	A4R
1st Tray	-	17.42	17.17	-
2nd Tray	12.08	17.44	17.15	14.91
3rd Tray	12.15	17.41	17.14	14.80
4th Tray	12.08	17.44	17.14	14.78
LCT	-	17.42	17.20	-

Full Color Copy

ADF1to1 Simplex to Simplex (cpm)

	A3/DLT	A4	LT	A4R
1st Tray	-	35.09	35.10	-
2nd Tray	19.69	35.05	35.08	26.65
3rd Tray	19.70	35.23	35.14	26.71
4th Tray	19.70	35.21	35.19	26.61
LCT	-	35.09	35.23	-

ADF1to1 Simplex to Duplex (cpm)

	A3/DLT	A4	LT	A4R
1st Tray	-	35.11	35.14	-
2nd Tray	20.03	35.05	35.02	25.19
3rd Tray	19.63	35.01	35.14	25.13
4th Tray	20.09	35.23	35.10	24.53
LCT	-	35.01	35.23	-

ADF1to1 Duplex to Duplex (cpm)

	A3/DLT	A4	LT	A4R
1st Tray	-	17.45	18.17	-
2nd Tray	12.39	17.43	17.18	14.85
3rd Tray	12.41	17.42	18.31	14.82
4th Tray	12.41	17.45	17.37	14.78
LCT	-	17.45	17.22	-

Product Support Guide

D111/D142

Options

ARDF DF3060				
ARDF	Original Size	Simplex	5 ½"x 8 ½" (HLT) LEF/SEF – 11"x17"(DLT) SEF/ A5 LEF/SEF, A4 LEF/SEF, A3 SEF, B4 SEF, B5 LEF/SEF Vertical: 5.1"-11.7" / 128-297mm Horizontal: 5.1"-49.6" / 128-1,260mm (5.1"-17.0" / 128-432mm for copy & scanner function)	
		Duplex	5 ½"x 8 ½" (HLT) LEF/SEF – 11"x17"(DLT) SEF/ A5 LEF/SEF, A4 LEF/SEF, A3 SEF, B4 SEF, B5 LEF/SEF	
	Original Weight	Simplex	40-128g/m2	g/m2
			11-34lbs	lbs
		Duplex	52.3-105g/m2 DLT: 64-105g/m2	g/m2
			14-28lbs DLT: 17-28lbs	lbs
	Stack Capacity		50 sheets with 21lbs / 81.4g/m2 paper	
	Power Consumption		Less than 50 W	W
	Dimension(WxDxH)		550(W)x496(D)x120(H)	mm
			21.7"x19.3"x4.7"	inch
	Weight		Less than 10kg	kg
			Less than 22.1lbs	lbs.

Platen Cover Type 3352				
Platen Cover	Dimension(WxDxH)		569(W) x 513(D) x 68(H) 22.76" x 20.52" x 2.72"	
	Weight		less than 2.6kg less than 5.7lbs	g/m2 lbs

Paper Feed Unit PB3130				
Paper Feed Unit 2 Tray Paper Bank	Paper Size		A5 LEF – 11"x17"(DLT) SEF / A3 SEF	
	Paper Weight		52-256 g/m2	g/m2
			14-68lbs	lbs
	Paper Output Capacity		550sheets (550 sheets x 2 tray with 80g/m2 paper)	

Product Support Guide

D111/D142

Paper Feed Unit PB3130				
	Power Consumption		Max: Less than 40W (for Print function) Average: Less than 25W (for Print function)	W
	Dimension(WxDxH)		580(W)x620(D)x260(H)mm	mm
			22.8"x24.4"x10.2"	inch
	Weight		Less than 26kg	kg
			Less than 57.3lbs	lbs.

LCIT PB3140				
LCIT 1000 Sheet x 2 LCT)	Paper Size		8 ½"x11"(LT) LEF / A4 LEF	
	Paper Weight		52- 256g/m2	g/m2
			14- 68lbs	lbs
	Paper Output Capacity		2,000sheets(1000 sheets x 2 trays with 80g/m2 paper)	
	Power Consumption		Max: Less than 45W (for Print function) Average: Less than 27W (for Print function)	W
	Dimension(WxDxH)		580(W) x 620(D) x 260(H)mm	mm
			22.8"x24.4"x10.2"	inch
	Weight		Less than 26kg	kg
		Less than 57.3lbs	lbs.	

LCIT RT3020				
LCIT	Paper Size		8 ½"x11" LEF (LT)/ A4 LEF/B5LEF	
	Paper Weight		60-216g/m2 *170-216 g/m2 :paper type is limited	g/m2
			16-57.5lbs *45-57.5lbs :paper type is limited	lbs
	Paper Output Capacity		1,200 sheets (80g/m2 paper)	
	Power Consumption		MAX 41W (Power is supplied from mainframe)	W
	Dimension(WxDxH)		540(W) x 384(D) x 290(H)mm	mm
			21.3"x15.1"x11.4"	inch
	Weight		less than 14kg	kg
		less than 30.9lbs	lbs.	

Product Support Guide

D111/D142

1 Bin Tray BN3100			
1 Bin Tray	Paper Size	5½" x 8½" SEF - 11" x 17", A5 LEF - A3 SEF,	
	Paper Weight	60-169 g/m2	g/m2
		16 - 50 lbs	lbs
	Paper Output Capacity	125 sheet with 80 g/m2 paper	
	Power Consumption	Max 12W (Power is supplied from mainframe)	W
	Dimension(WxDxH)	565(W) x 410(D) x 115(H)mm	mm
		22.2" x 16.1" x 4.6"	inch
	Weight	Less than 2.5kg	kg
Less than 5.5lbs		lbs.	

Internal Shift Tray SH3060			
Internal Shift Tray	Paper Size	5½" x 8½" SEF - 12" x 18", A6 SEF - A3 SEF, 305mm x 432mm or smaller, Max. 305mm x 1260mm by using SP mode	
	Paper Weight	52-300 g/m2 *221-300 g/m2 :paper type is limited	g/m2
		14 - 80 lbs *221-300 g/m2 :paper type is limited	lbs
	Paper Output Capacity	250 sheets (A4 / 8 ½"x11" or smaller, less than 80gms) 125 sheets (B4 / 8 ½"x14" or larger, less than 80gms)	
	Power Consumption	Max 10W (Power is supplied from mainframe)	W
	Dimension(WxDxH)	423(W) x 468(D) x 114(H)mm	mm
		16.7" x 18.4" x 4.5"	inch
	Weight	Less than 2kg	kg
Less than 4.4lbs		lbs.	

Product Support Guide

D111/D142

Side Tray Type C5502			
Side Tray	Paper Size	<output to internal tray> width: 90-305mm length: 148-600mm <output to left side> width: 90-305mm length: 148-432mm	
	Paper Weight	52-300 g/m2	g/m2
		14 - 80 lbs	lbs
	Paper Output Capacity	<output to internal tray> 250 sheets with 80g/m2 paper (A4, LT) 125 sheets with 80g/m2 paper (B4, LG) <output to left side> 125 sheets with 80g/m2 paper	
	Power Consumption	Max 10W (Power is supplied from mainframe)	W
	Dimension(WxDxH)	780(W) x 412(D) x 138(H)mm	mm
		30.7" x 16.2" x 5.4"	inch
	Weight	Less than 4.5kg	kg
Less than 9.9lbs		lbs.	

Envelope Feeder EF3020			
Envelope Feeder	Paper Size	A4, A5, A6, B5, B6, 8 1/2 x 11 , 7 ^{1/4} x 10 1/2, 5 1/2 x 8 1/2 , 4 ^{1/8} x 9 1/2, 3 ^{7/8} x 7 1/2 , C5 Env , C6 Env , DL Env , Com10 Env	
	Paper Weight	52-256	g/m2
		14-68	lbs
	Paper Output Capacity	550 sheets (80g/m2, 20lb. bond)	
	Power Consumption	-	W
	Dimension(WxDxH)	595(W) x 581(D) x 92(H)mm	mm
		23.4" x 22.9" x 3.6"	inch
Weight	Less than 2.5kg	kg	

Product Support Guide

D111/D142

Envelope Feeder EF3020			
		Less than 5.5lbs	lbs.

500 Sheets Finisher SR3070				
500 Sheets Finisher	Paper Size		5 ½"x8 ½"(HLT) – 11"x17"(DLT) SEF/ A6 SEF – A3 SEF/ 12"x18" SEF (Shifting is supported for B5 SEF or larger.)	
	Paper Weight		52-157 g/m2	g/m2
			14-42lbs	lbs
	Stack Capacity	Shift Tray	500 sheets (8 ½"x11" LEF/SEF, A4 LEF/SEF or smaller) 250 sheets (8 ½"x14", B4 or larger)	
		Normal Staple Sort	LT LEF, B5 LEF, A4 LEF: 10 - 45 sets (50 - 10 sheets/set) 46 - 55 sets (2 - 9 sheets/set) LT SEF, B5 SEF, A4 SEF: 8 - 25 sets (50 - 10 sheets/set) 27 - 55 sets (2 - 9 sheets/set) LG, DLT, B4, A3: 8 - 25 sets (30 - 10 sheets/set) 27 - 55 sets (2 - 9 sheets/set)	
	Staple Capacity	Without Mixed Size	50 sheets (8 ½"x11" LEF/SEF, A4 LEF/SEF or smaller) 30 sheets (8 ½"x14", B4 or larger)	
		With Mixed Size	30 sheets (8 ½"x14", B4 or larger)	
	Staple Paper Size		B5 LEF/SEF – A3 SEF	
	Supported Paper Size for Mixed Size Mode		A4 LEF + A3 SEF, B5 LEF + B4 SEF, LT LEF + DLT SEF	
	Staple Paper Weight		52-157g/m2	g/m2
			14-42 lb	lbs
	Staple Position		1 staple / 4 positions 2 staples / 1 position	
	Staple Cartridge Capacity		5,000pcs/ cartridge	
	Power Consumption		Less than 50W	W
	Dimension(WxDxH)		492(W)x662(D)x460(H)mm	mm

Product Support Guide

D111/D142

500 Sheets Finisher SR3070			
		19.4"x26.1"x18.1"	inch
	Weight	17kg	kg
		37.5 lb.	lbs.

1000 Sheets Finisher SR3090				
1000 Sheets Finisher	Paper Size	Proof Tray	5 ½"x8 ½"LEF/SEF(HLT) – 11"x17"(DLT), A6 SEF - A3 SEF, 12"x18"	
		Shift Tray	5 ½"x8 ½"LEF/SEF(HLT) – 11"x17"(DLT), A6 SEF - A3 SEF, 12"x18"	
	Paper Weight	Proof Tray	52-260g/m2	g/m2
			14-69lbs	lbs
		Shift Tray	52-163g/m2	g/m2
			14-43lbs	lbs
	Stack Capacity	Proof Tray	250 sheets (A4 / 8 ½"x11" or smaller / 80g/m2 / 21.3lbs) 50 sheets (B4 / 8 ½"x14" or larger / 80g/m2 / 21.3lbs)	
		Shift Tray	1000 sheets (A4 / 8 ½"x11" or smaller / 80g/m2 / 21.3lbs) 500 sheets (B4 / 8 ½"x14" or larger / 80g/m2 / 21.3lbs)	
		Normal Staple Sort	LT LEF, A4 LEF: 20-100 sets (50 – 10 sheets/set) 100 sets (2 – 9 sheets/set) LT SEF, B5, A4 SEF: 10 - 50 sets (50 - 10 sheets/set) 100 sets (2 – 9 sheets/set) 12"x18", LG, DLT, B4, A3: 10 - 50 sets (30 – 10 sheets/set) 50 sets (2– 9 sheets/set)	
	Staple Capacity		50 sheets (A4 / 8 ½"x11" or smaller / 80g/m2 / 21.3lbs) 30 sheets (B4 / 8 ½"x14" or larger / 80g/m2 / 21.3lbs)	
	Staple Paper Size		8 ½"x11"(LT) – 11"x17"(DLT), B5 LEF/SEF – A3 SEF, 12"x18"	

Product Support Guide

D111/D142

1000 Sheets Finisher SR3090			
	Staple Paper Weight	64-90g/m2	g/m2
		17-24lbs	lbs
	Staple Position	1 staple / 2 positions 2 staples / 1 positions	
	Staple Cartridge Capacity	5,000pcs. /cartridge	
	Power Consumption	Less than 50W	W
	Dimension(WxDxH)	270x520x790mm	mm
		10.7"x20.5"x31.2"	inch
	Weight	Less than 25Kg	kg
Less than 55.2lbs		lbs.	

1000 Sheets Booklet Finisher SR3100				
1000 Sheets Booklet Finisher	Paper Size	Proof Tray	5 ½"x8 ½"LEF/SEF(HLT) – 11"x17"(DLT), 12"x18" A6 SEF - A3 SEF	
		Shift Tray	5 ½"x8 ½"LEF/SEF(HLT) – 11"x17"(DLT), 12"x18" A6 SEF - A3 SEF	
	Paper Weight	Proof Tray	52-105g/m2	g/m2
			14-28lbs	lbs
		Shift Tray	52-256g/m2	g/m2
			14-68lbs	lbs
	Stack Capacity	Proof Tray	100 sheets (A4 / 8 ½"x11" or smaller / 80g/m2 / 21.3lbs) 50 sheets (B4 / 8 ½"x14" or larger / 80g/m2 / 21.3lbs)	
		Shift Tray	1000 sheets (A4 LEF / 8 ½"x11" LEF or smaller / 80g/m2 / 21.3lbs) 500 sheets (B4 / 8 ½"x14" or larger / 80g/m2 / 21.3lbs)	
		Normal Staple Sort	LT LEF, A4 LEF: 20 – 100 sets (50 – 10 sheets/set) 100 sets (2 – 9 sheets/set) LT SEF, B5, A4 SEF: 10 - 50 sets (50 - 10 sheets/set) 100 sets (2 – 9 sheets/set) LG, DLT, B4, A3: 10 - 50 sets (30 – 10 sheets/set) 50 sets (2– 9 sheets/set)	

Product Support Guide

D111/D142

1000 Sheets Booklet Finisher SR3100

		Saddle Stitch Staple Sort	20 sets (2 – 5 sheets/set, all size for saddle stitch) 10 sets (6 – 10 sheets/set, all size for saddle stitch)	
	Staple Capacity	Normal Staple - Same size papers	50 sheets (A4 / 8 ½"x11" or smaller / 90g/m2 / 24lbs) 30 sheets (B4 / 8 ½"x14" or larger / 90g/m2 / 24lbs)	
		Normal Staple - Different size papers (Mixed)	22 sheets (A4 LEF / A3) (8 ½"x11" LEF / 11"x17") (B5 LEF / B4) 90g/m2 / 24lbs	
		Saddle Stitch Staple	10 sheets (80g/m2 / 21.3lbs)	
	Staple Paper Size	Normal Staple	8 ½"x11" (LT) – 11"x17"(DLT) B5 LEF/SEF – A3 SEF	
		Saddle Stitch Staple	8 ½"x11"(LT) SEF, 8 ½"x14" (LG), 11"x17"(DLT) SEF B5 SEF, A4 SEF, B4 SEF, A3 SEF	
	Staple Paper Weight	Normal Staple	64-90g/m2	g/m2
			17-24lbs	lbs
		Saddle Stitch Staple	64-90g/m2	g/m2
			17-24lbs	lbs
	Staple Position		1 staple / 2 positions 2 staples / 3 positions	
	Staple Cartridge Capacity		5,000pcs. /cartridge	
	Power Consumption		60W	W
	Dimension(WxDxH)		535(W) x 600(D) x 930(H)mm	mm
			21.1"x23.7"x36.7"	inch
	Weight		Approx. 48kg w/o Punch Unit Approx. 50kg with Punch Unit	kg
			Approx. 105.9lbs w/o Punch Unit Approx. 110.3lbs with Punch Unit	lbs.
Punch Unit(Optional)	Paper Size	NA/2 Holes	[Paper size] SEF: HLT – DLT/ A5 – A3 LEF: HLT, LT, A4-A5	
		NA/3 Holes	[Paper size] SEF: DLT, B4, A3, LEF: LT, B5, A4	
		EU/2 Holes	[Paper size] SEF: HLT – DLT/ A5 – A3 LEF: HLT, LT, A4-A5	
		EU/4 Holes	[Paper size] SEF: DLT, B4, A3, LEF: LT, B5, A4	
		SC/4 Holes	[Paper size] SEF: HLT – DLT/ A5 – A3 LEF: HLT, LT, A4-A5	
	Paper Weight	NA/2 Holes	[Paper Weight] 52-163g/m2	g/m2
			[Paper Weight] 14 – 43 lbs	lbs

Product Support Guide

D111/D142

1000 Sheets Booklet Finisher SR3100				
		NA/3 Holes	[Paper Weight] 52-163g/m2	g/m2
			[Paper Weight] 14 – 43 lbs	lbs

MFP Supported Environments

OS	Type	PCL5c	PCL6	PostScript3	XPS
Windows 2000	Professional	N	N	N	N
	Server	N	N	N	N
	Advanced Server	N	N	N	N
	Data center Server	N	N	N	N
Windows XP	Professional	Y	Y	Y	N
	Home Edition	Y	Y	Y	N
Windows Vista	Starter	N	N	N	N
	Home Basic	Y	Y	Y	Y
	Home Premium	Y	Y	Y	Y
	Business	Y	Y	Y	Y
	Ultimate	Y	Y	Y	Y
	Enterprise	Y	Y	Y	Y
Windows 7	Starter	N	N	N	N
	Home Basic	N	N	N	N
	Home Premium	Y	Y	Y	Y
	Professional	Y	Y	Y	Y
	Ultimate	Y	Y	Y	Y
	Enterprise	Y	Y	Y	Y
Windows Server 2003	Standard Edition	Y	Y	Y	N
	Enterprise Edition	Y	Y	Y	N
	Datacenter Edition	N	N	N	N
	Web Edition	N	N	N	N
Windows Server 2008	Standard Edition	Y	Y	Y	Y
	Enterprise Edition	Y	Y	Y	Y
	Datacenter Edition	N	N	N	N
	Web Edition	N	N	N	N
Windows Server 2008R2	Standard Edition	Y	Y	Y	Y
	Enterprise Edition	Y	Y	Y	Y
	Datacenter Edition	N	N	N	N
	Web Edition	N	N	N	N

*RPCS driver has been discontinued.

Product Support Guide

D111/D142

Windows OS		Drivers		
Server	Client(Push to)	PCL5c/6	PS	XPS
Windows Server 2003	7	Y	Y	N
	Vista	Y	Y	N
	XP	Y	Y	N
	W2K Pro	N	N	N
Windows Server 2008	7	Y	Y	Y
	Vista	Y	Y	Y
	XP	Y	Y	N
	W2K Pro	N	N	N
Windows Server 2008R2	7	Y	Y	Y
	Vista	Y	Y	Y
	XP	Y	Y	N
	W2K Pro	N	N	N
Windows 2000 Professional Server & Advanced Server	7	N	N	N
	Vista	N	N	N
	XP	N	N	N
	W2K Pro	N	N	N
Windows XP Professional	7	Y	Y	N
	Vista	Y	Y	N
	XP	Y	Y	N
	W2K Pro	N	N	N
Windows Vista	7	Y	Y	Y
	Vista	Y	Y	Y
	XP	Y	Y	N
	W2K Pro	N	N	N

*RPCS driver has been discontinued.

Terminal Service and Citrix MetaFrame

Server	Driver	
	PCL5c/6	PS
Win Server 2008R2	Y	Y
Win Server 2008	Y	Y
Win Server 2003	Y	Y
Win 2000 Server	N	N
Win Server 2003 + MetaFrame	Y	N
Win 2000 Server + MetaFrame	N	N
Win Server 2003 + Citrix PresentationServer4.0	Y	N

Product Support Guide

D111/D142

Win 2000 Server + Citrix PresentationServer4.0	N	N
Win Server 2003 + Citrix PresentationServer4.5	Y	Y
Win Server 2008 + XenApp5.0	Y	Y
Win Server 2008R2 + XenApp6.0	Y	Y

*RPCS driver has been discontinued.

*XPS driver is not supported in the environment of terminal service and Citrix MetaFrame.

*Even "Yes" is put in the cell, there is a case driver is not supported under the combination of FR and Service Pack of Meta Frame.

*Following combinations of operating system and Citrix MetaFrame are supported.

Windows 2003 Server

1. Windows Terminal Service (RDP protocol)
2. Citrix PresentationServer4.5

Windows 2008 Server

1. Windows Terminal Service (RDP protocol)
2. Citrix XenApp5.0

Windows 2008R2 Server

1. Windows Terminal Service (RDP protocol)
2. Citrix XenApp6.0

Mac OS Environment

	PostScript3	Printer Utility for Mac
Mac OS 8.6 or later, Mac OS X classic	N	N
Mac OS X Native: v.10.2 or later ^{*1}	Y	N

*1: Mac OS X v10.0.x and v.10.1.x are not supported.

UNIX Environment

Supported platforms for Unix filter

UNIX Platforms	Version
Sun Solaris	2.6/7/8/9/10
HP-UX	10.x/11.x/11i v2/11i v3
Red Hat Linux	Enterprise 4, 5, 6
SCO OpenServer	5.0.6/5.0.7/6.0
IBM AIX	5L Version 5.3, 6.1, 7.1

Product Support Guide

D111/D142

Novell Netware

Netware Server*	Supported Version	Netware 6.5
	Client OS	Windows XP professional/Vista/2008/7

* Netware option is required.

SAP R/3 Environment (Device Type / Barcode & OCR Package)

Device Type will be provided from SAP itself in SAP Printer Vendor Program.

For the detailed specification, please refer to another announcement to be issued in the future.

Supported Barcode & OCR Fonts	Barcode Fonts	Code 128, Code 39, Code 93, Codabar, 2 of 5 interleaved/Industrial/Matrix, MSI, USPS, UPC/EAN
	OCR Fonts	OCR A, OCR B

Printer Driver Features

Features	PCL5c/6	PostScript3 Windows XP/Vista/7	PostScript3 Mac OS X v.10.2 or later	XPS
Send to job Binding	N	N	N	N
Send to Document Server	Y	Y	Y	Y
Sample Print	Y	Y	Y	Y
Locked Print	Y	Y	Y	Y
Hold Print	Y	Y	Y	Y
Scheduled Print	Y*1	Y	Y*2	N
Stored Print	Y	Y	Y	Y
Stored Print(Shared)	Y	N	N	N
Store and Print	Y	Y	Y	Y
Store and Print(Shared)	Y	N	N	N
Reduce/Enlarge(Zoom/Scaling)	Y*3	Y	Y	Y
Reduce/Enlarge Centering	N	N	N	N
Fit to Paper Size	Y	Y	Y	N
Unauthorized Copy Control	Y*1	Y	Y	N
Layout(N-up, Page per sheet)	Y	Y	Y	Y
Poster	N	N	N	N
Duplex	Y	Y	Y	Y
Booklet1	N	N	N	N
Booklet2(Magazine)	Y	Y	Y	Y

Product Support Guide

D111/D142

Non-Reduction Booklet	Y	N	N	N
Layout + Booklet	Y*1	Y	Y	N
Watermark	Y	Y	Y	N
Overlay	N	N	N	N
Header/Footer	N	N	N	N
Adjust Image Position	N	N	N	N
Binding Margins	N	N	N	N
Collate	Y	Y	Y	Y
Punch	Y	Y	Y	Y
Staple	Y	Y	Y	Y
Cover Sheet(Front Cover)	Y	N	N	N
Front and Back Cover	Y	N	N	N
Slip Sheet	Y	N	N	Y
Banner Page Print	Y	Y	Y	N
Chaptering	Y	N	N	N
Rotate by 180 degrees	Y	Y	Y	Y
Reverse Order Print	N	Y	N	Y
Do not print Blank Pages	PCL5 : Y*4 PCL6 : N	N	N	N
Dithering	Y	Y	Y	N
Toner Saving	N	Y	Y	Y*5
Black Over Print	Y	Y	Y	N
CLP Color Simulation	Y	Y	Y	N
Gray Reproduction	Y	Y	Y	Y
POP Display	N	Y	Y	N
Print Priority Setting :Quality	N	N	N	N
Print Priority Setting :Speed	N	N	N	N
Print Priority Setting :High Speed	N	N	N	N
User ID	Y	Y	Y	Y
User Code	Y	Y	Y	Y
User Authentication	Y	N	N	N
Encryption/Encoding	Y	N	N	N
Mirror image Print	N	Y	N	N
Negative Image Print	N	N	N	N
Edge to Edge Print	Y	Y	Y	N
Limitation Setting	PCL5 : Y PCL6 : N	N	N	N
Classification Code	Y	N	N	N

*RPCS driver has been discontinued.

*1: This function is not supported for PCL5c driver.

*2: This function is available on Mac OS 10.5 or later.

*3: "Centering" feature cannot be selected from PCL driver. However PCL has this feature as the original function. When printing with Reduce/Enlarge (Zoom) feature of PCL driver, the output will be automatically centered by the PCL's original centering function.

Product Support Guide

D111/D142

*4: This feature cannot be set from printer driver but is set "On" at "PCL setting" of MFP.

*5: This function is available only when "Black and White" is selected.

Utility Software

Software	Description
For GW Controller Font Manager	This software enables you to use screen fonts.
Smart Device Monitor for Admin	This software enables you to manage and monitor printers and other devices over the network.
DeskTopBinder – SmartDeviceMonitor for Client	This software enables you to access networked printers to print, monitor or to receive notifications. With DeskTopBinder Lite you can connect client computers to I/O devices enabling you to efficiently manage data.
Device Graphic Update Module	Device Graphic Update Module provides bitmap images used to represent the various statuses of devices graphically within Smart Device Monitor or Web Smart Device Monitor. Available on website.
Printer Utility for Mac	This is a utility for Macintosh that provides access to several network printing administrative features.
PS Descriptions	PPD for Mac By interacting with the Adobe PostScript 3 controller in the device, this PPD is able to produce an accurate representation of the screen image.
Mac OS X PPD Installer	This PPD installer is used to install a PPD (Postscript Printer Description) file on Mac OSX. PPD files contain descriptions of printer capabilities such as paper sizes, number of input trays and duplexing. Once the PPD file is installed on the system using the PPD installer, the PS driver that comes bundled with Mac OS X can use the information in the PPD to control the print device and enable full functionality. It supports the Mac OS X 10.1 or later. Please see the Readme file for information about compatibility with versions of Mac OS X.
LAN FAX Driver M10	This software enables you to fax documents directly from your computer. The Address Book Editor and Cover Sheet Editor are installed as well. This software requires the optional fax unit to be installed on the machine. M10 Driver
PCL 6 Driver	Printer driver for B/W printing in Windows. It supports HP PCL XL commands and is optimized for the Windows GDI. High performance printing can be expected.
PCL 5e Driver	Printer driver for printing in Windows. It supports HP PCL 5e commands.
Post Script Driver	By interacting with the Adobe PostScript 3 controller in the device, this driver is able to produce an accurate representation of the screen image.
GW Controller Network TWAIN Driver	TWAIN scanner driver for network connections with new features Combine/Series, compatible with SNMP V3 and Network Connection Tool.

Product Support Guide

D111/D142

Other MFP Support Information

Not Applicable

Counters

- User Tools / Counter → Counter → OK → Print → Start
- User Tools / Counter → Arrow Down → System Settings → OK → Arrow up until Administrator Tools → OK → Arrow up until Display / Print Counter → OK → Print → Start
- Maximum 9 digits

Auto Color Selection (ACS)

The following is the same as the ACS mechanism on the previous model.

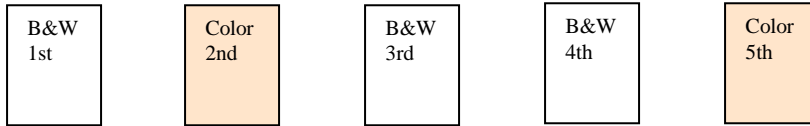
In B&W mode, B&W pages printed after a color page is counted as black and white. In ACS mode, these pages are counted as color mixed pages.

By default, once the ITB (image transfer belt) unit has moved into contact with all the color drums to print a color page, it remains in this position throughout the end of the job, even if there are B&W pages following the color page. (See Note 2

Product Support Guide

D111/D142

below). For example, when sending 10 copies of 5 originals as one job and only the second page contains color data, the ITB unit moves into contact with all the color drums just before printing the second page. It then remains in contact with the drums until all 50 pages have been printed out.



In this example, the counters would then increment as shown in the table below.

SP Number	Counter	Counter Value
SP8-581-004	D: Color	6
SP8-581-005	D: B&W	5
SP8-581-006	C: Color	2
SP8-581-007	C: B&W	3

D: Developments (Color = CMY drums, B&W = Bk drum)

C: Copies

The counters count up in the manner explained above, in order to accurately reflect the number of color and B&W outputs made. This means that when printing B&W pages after a color page has been printed, the color counters do not count up (even when the color drums and development units rotate). So the usage of the various drums is not reflected accurately.

On this model, there is an SP mode (Sp2-907-001: ACS Setting) which makes it possible to move the ITB back to the default position, separated from the four drums, in the middle of a job. The default is 0, which produces the same result as with previous products which use ACS, i.e. once the ITB contacts the four drums to print a color page, it does not separate from the drums until job end. All other values of this SP set the number of Bk sheets that need to pass the ITB consecutively for the ITB to return to default position. For example, with a setting of 3, the ITB will separate from the drums after three consecutive Bk sheets are printed (at that time, in the middle of the job). Changing the position of the ITB takes a few seconds and increases the wear on the drums.

Paper

Recommended Throughput Material

At this time, RCL has no ETA as to if or when this information will be available.

Product Support Guide

D111/D142

Non Recommended Throughput Material

Refer to pages in the Operators Instructions Hardware Guide.

Do not use any of the following kinds of paper or a fault might occur:

- Aluminum Foil, Carbon paper,
- Conductive paper
- Paper meant for an inkjet printer
- Bent, folded, or creased paper
- Torn paper
- Thermal fax paper
- Art paper
- Paper with perforated lines
- Hemmed-edge paper
- Tab stock
- Slippery paper
- Perforated paper
- Rough paper
- Thin paper with little stiffness
- Paper with a dusty surface

Special Paper

Not Applicable

Firmware Information

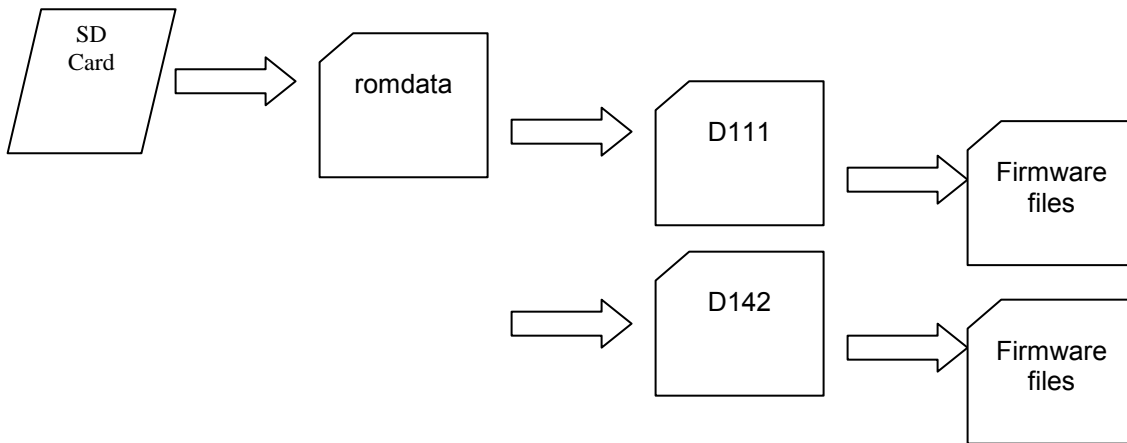
Firmware

Firmware SD Card	Firmware Type
aics	aics
animation	animation
browser	browser
Engine	Engine
Fax	Fax
Finisher_ELBE-B	500-sheet Finisher (SR3070)
Finisher_KING-B	1000-sheet Finisher (SR3090)
Finisher_TIGRIS-B	Booklet Finisher (SR3100)
Font EXP	Font EXP
GWFCU3.5-4(WW)	GWFCU3.5-4(WW)
Language Install	Language Install
Network Support	Network Support
NetworkDocBox	NetworkDocBox
OpePanel.EXP	OpePanel.EXP_USA
Option Netware	Option Netware
PCL	PCL
PCL Font	PCL Font
PDF	PDF
PowerSaving Sys	PowerSaving Sys
Printer	Printer

Product Support Guide D111/D142

Firmware SD Card	Firmware Type
PS3	PS3
PS3 Font	PS3 Font
RemoteFax	RemoteFax
RPCS	RPCS
Scanner	Scanner
SG3-ND	SG3-ND
System/Copy	System/Copy
Web Support	Web Support
Web Uapl	Web Uapl

SD Card Arrangement



Contact Information

Name	Contact
Technical Services Call Center (Hotline)	Ricoh: (800) 537-4264 Savin: (800) 291-6044 Lanier: (800) 333-3147
Application Help Desk (Software Issues)	Ricoh Phone Card: 2 Call - 000781MIU, 5 Call - 000900MIU Savin Phone Card: 2 Call - 12992, 5 Call - 12993
Hytec Parts and Logistics Control	(800) 557-4264 http://www.nrc-usa.com
Technology Solutions Resource Center	http://www.tscweb.net
Headquarter Web Sites	Ricoh Corporation: http://www.ricoh-usa.com Savin Corporation: http://www.savin.com Lanier Corporation: http://www.lanier.com
Material Safety Data Sheets	(800) 336-MSDS (6737)
Ricoh University	973.882.2200. http://www.ricohuniversity.com

Product Support Guide

D111/D142

Training Information

Documentation

Description	EDP Code	RFG E-Source Number
D111/D142 Series Self-Paced Training Package	NA	http://www.ricohuniversity.com/
D111/D142 Service Manual	NA	rfg051239
D111/D142 Parts Catalog	NA	rfg051240
D111/D142 Point-to-Point	NA	rfg051241

Please refer to the <http://www.ricohuniversity.com/> web site for the most up to date training information.

MFP Update Certified Service Personnel

Product Support Guide

D111/D142

Revisions

- 1.0 Original
- 1.1 Minor changes to accessory product codes and added supply yield information.
- 1.2 Added External Hard Drive option page 4.
- 1.3 Corrected the part numbers for magenta and cyan developers.