



RICOH UNIVERSITY

Learning ♦ Knowledge ♦ Performance



D111/D142 PARTS CATALOG

LANIER RICOH SAVIN®

It is the reader's responsibility when discussing the information contained within this document to maintain a level of confidentiality that is in the best interest of Ricoh Americas Corporation and its member companies.

**NO PART OF THIS DOCUMENT MAY BE REPRODUCED IN ANY
FASHION AND DISTRIBUTED WITHOUT THE PRIOR
PERMISSION OF RICOH AMERICAS CORPORATION.**

All product names, domain names or product illustrations, including desktop images, used in this document are trademarks, registered trademarks or the property of their respective companies.

They are used throughout this book in an informational or editorial fashion only and for the benefit of such companies. No such use, or the use of any trade name, or web site is intended to convey endorsement or other affiliation with Ricoh products.

LEGEND

| PRODUCT CODE | COMPANY | | |
|--------------|----------------------------|-----------------|----------|
| | LANIER | RICOH | SAVIN |
| D111 | MP C3002 | Aficio MP C3002 | MP C3002 |
| D142 | MP C3502 | Aficio MP C3502 | MP C3502 |
| B807 | Punch Kit PU3000 NA/EU/SC | | |
| D578 | ARDF DF3060 | | |
| D579 | Paper Feed Unit PB3120 | | |
| D580 | Paper Feed Unit PB3130 | | |
| D581 | LCIT PB3140 | | |
| D585 | Finisher SR3070 | | |
| D588 | Finisher SR3090 | | |
| D589 | Booklet Finisher SR3100 | | |
| D593 | Platen Cover Type 3352 | | |
| D631 | LCIT RT3020 | | |
| D632 | 1 Bin Tray BN3100 | | |
| D633 | Internal Shift Tray SH3060 | | |
| D634 | Bridge Unit BU3060 | | |
| D635 | Side Tray Type C5502 | | |
| D638 | Envelope Feeder EF3020 | | |
| D643 | FAX Option | | |
| D650 | Color Controller E-3300 | | |

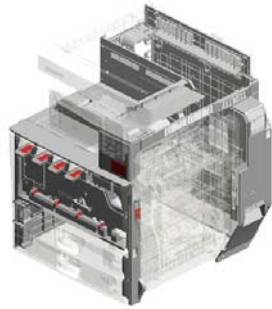
DOCUMENTATION HISTORY

| REV. NO. | DATE | COMMENTS |
|----------|---------|-------------------|
| * | 03/2012 | Original Printing |
| | | |

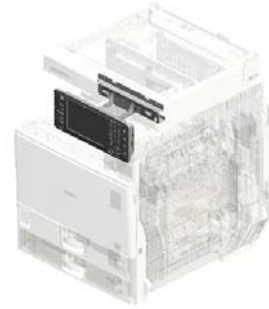
Unit All



U001
Exterior-1



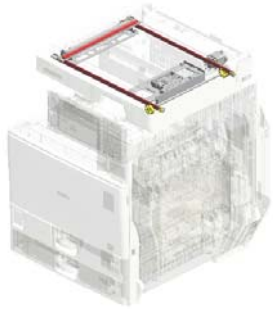
U002
Exterior-2



U003
Operation



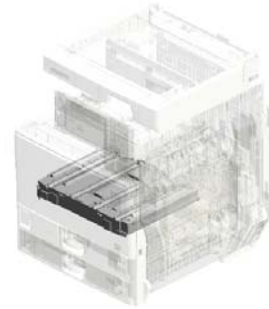
U004
Scanner-1



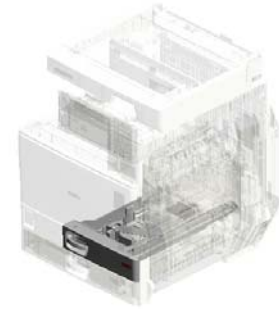
U005
Scanner-2



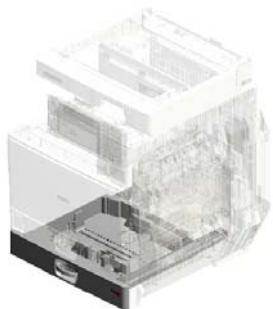
U006
Scanner-3



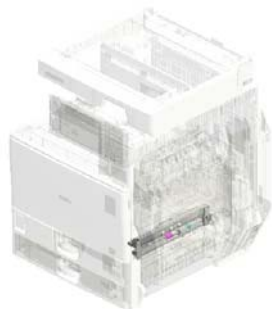
U007
Laser Unit



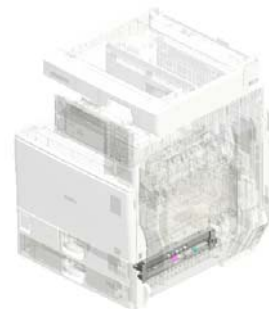
U008
Paper Tray (1st)



U009
Paper Tray (2nd)



U010
Paper Feed (1st)

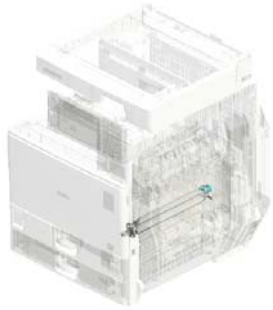


U011
Paper Feed (2nd)

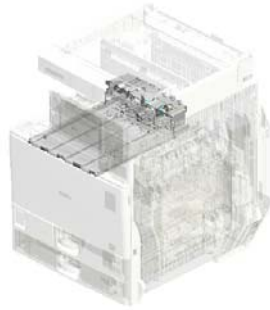


U012
Vertical Transport

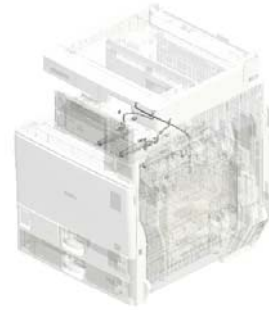
Unit All



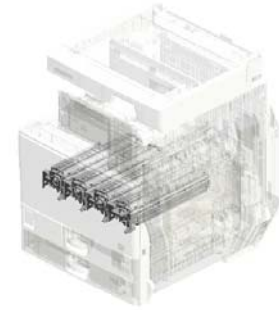
U013
Paper Registration



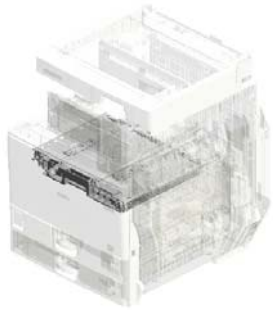
U014
Toner Supply-1



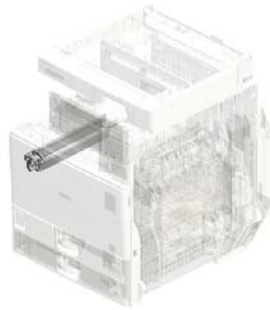
U015
Toner Supply-2



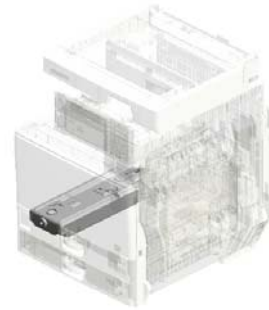
U016
PCDU



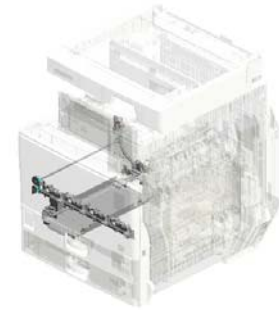
U017
ITB Unit



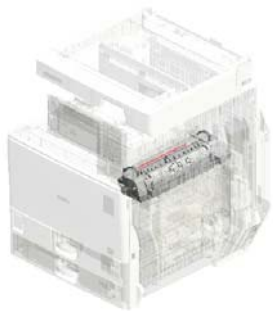
U018
ITB Cleaning



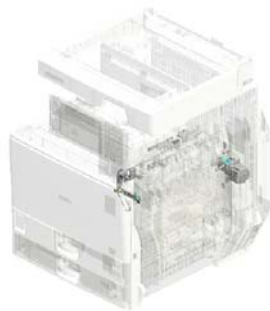
U019
Used Toner-1



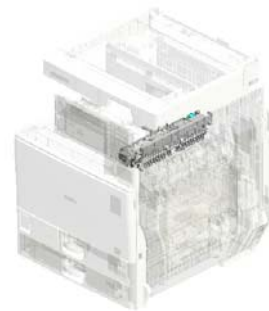
U020
Used Toner-2



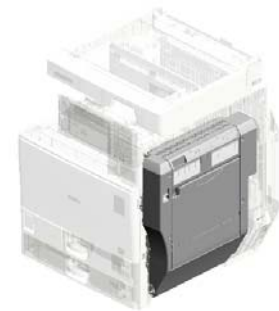
U021
Fusing-1



U022
Fusing-2

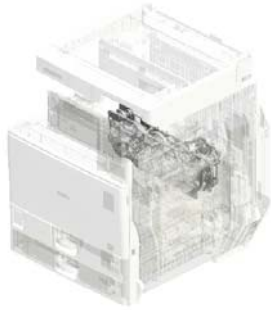


U023
Paper Exit

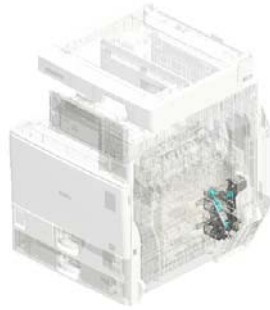


U024
Duplex

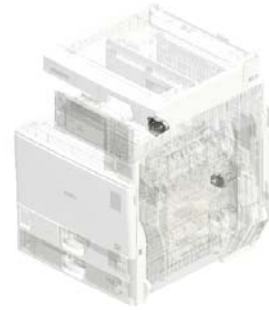
Unit All



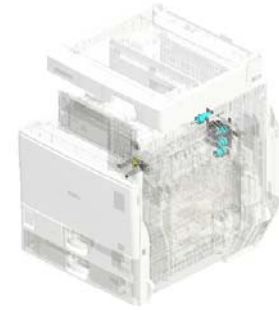
U025
Drive-1 (PCDU)



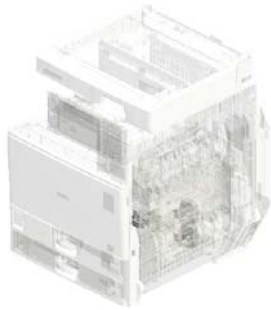
U026
Drive-2 (Paper Feed/Registration)



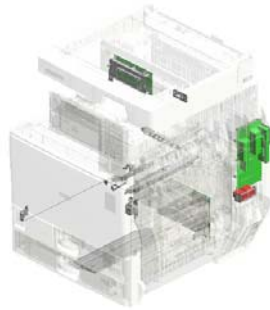
U027
Drive-3 (ITB)



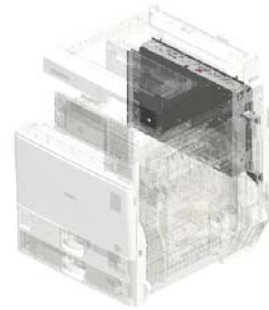
U028
Drive-4 (Fusing/Used Toner)



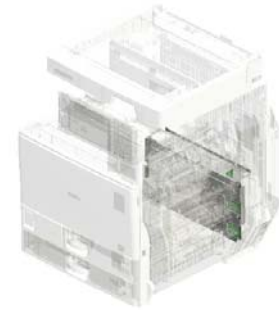
U029
Drive-5 (Paper Tray)



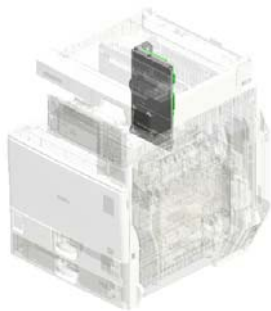
U030
Electrical-1



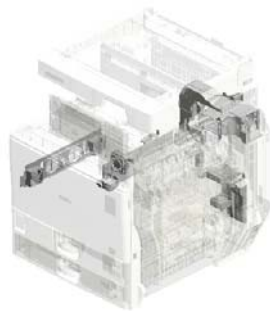
U031
Electrical-2



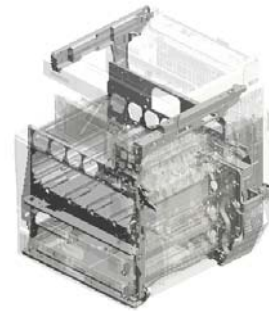
U032
Electrical-3



U033
Controller



U034
Air Cooling



U035
Main Frame

U001 Exterior-1

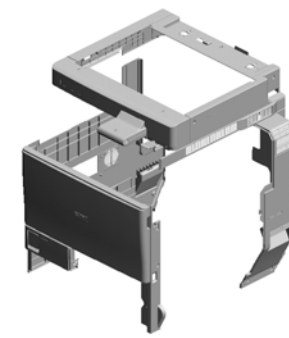
9.D1201336
CAP:COVER

1.03530050N
SCREW-M3X5

16.D1421334
COVER:SCANNER:
LEFT:EXP

15.D1421332
COVER:SCANNER:
FRONT:EXP

12.D1296610
DECAL:CAUTION:O
RIGINAL:ENGLISH



6.D1116806
DECAL:MODEL NA
ME PLATEA:EXP:RI
C:(for D111)



7.D1116825
DECAL:MODEL NA
ME PLATEA:SVN:N
A:(for D111)



8.D1116826
DECAL:MODEL NA
ME PLATEA:LAN:N
A:(for D111)



19.D1426806
DECAL:MODEL NA
ME PLATE:D142:EX
P:RIC:(for D142)



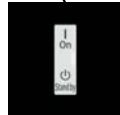
20.D1426825
DECAL:MODEL NA
ME PLATE:AT-C3B:
NA:SVN:(for D142)



11.D1291255
COVER:MAIN SWIT
CH



10.D1208868
DECAL:MAIN SWIT
CH:ON-STANDBY:
DOM:NA



3.AA001564
PLATE:LOGOTYPE
:RIC



4.AA001565
PLATE:LOGOTYPE
:LAN



5.AA001566
PLATE:LOGOTYPE
:SVN



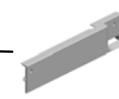
2.AA001524
DECAL:COLOR:MF
P



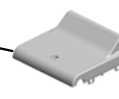
18.D1421338
COVER:SCANNER:
REAR:D111/D142:E
XP



17.D1421336
COVER:SCANNER:
RIGHT:EXP



13.D1421323
COVER:BRACKET:
OPERATION SUB-
UNIT:UPPER-EXP



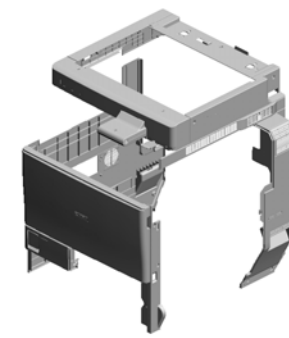
14.D1421326
COVER:BRACKET:
OPERATION SUB-
UNIT:LOWER-EXP



U001
Exterior-1

21.D1426826
DECAL:MODEL NAME PLATE:AT-C3B:NA:LAN:(for D142)

22.D1441250
COVER:FRONT:ASSY



26.G0201332
(x2)
HINGE - FRONT COVER



23.D1441257
COVER:FRONT:COLLECTION BOTTLE:EXP



25.D1446856
SHEET:COVER:FRONT



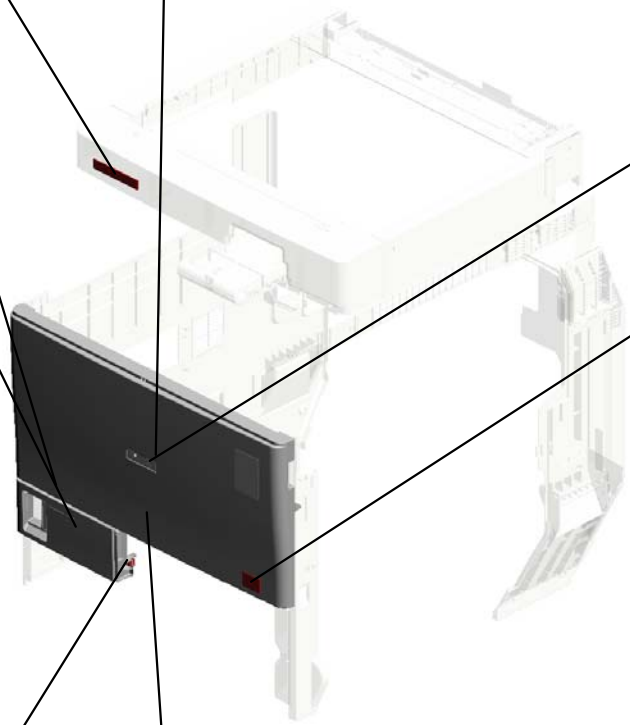
28.GA003268
DECAL:PDF-I-GRAPHY:ABS



27.G1336537
MAGNET CATCH

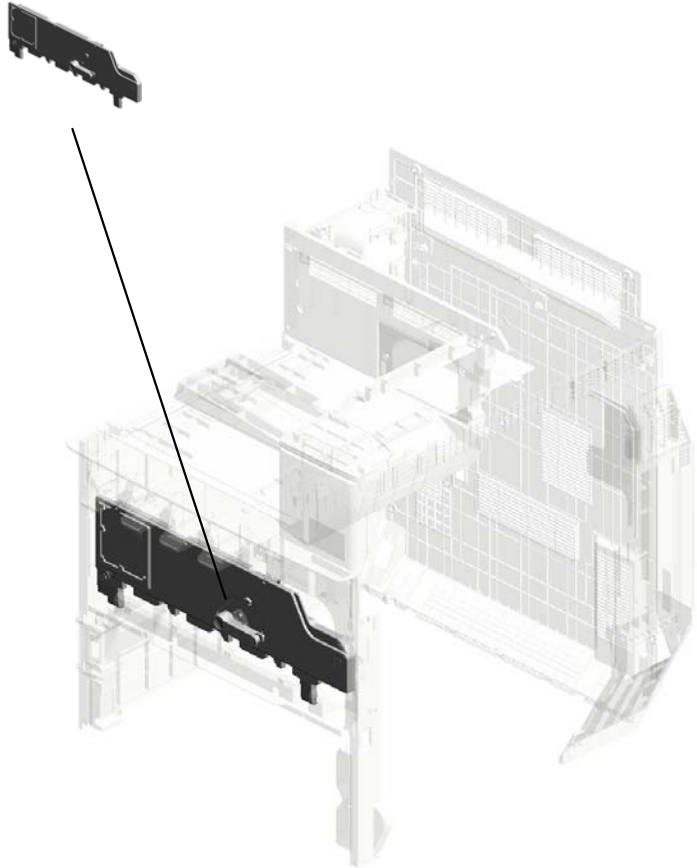


24.D1441279
CLEANER:SHIELD GLASS:ASSY



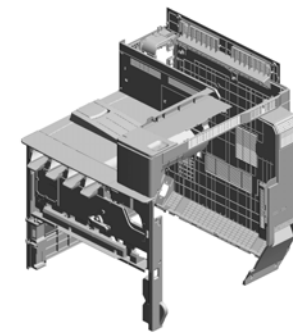
U002.Exterior-2

U002_S001
D1441010
DRUM STAY:PCU:ASSY



| | | | | | | | | | | | | | | | | | | | | |
|------|-------------|------|------|------|------|------|------|------|------|------|------|------|------|------|------|------|------|------|------|------|
| U001 | U002 | U003 | U004 | U005 | U006 | U007 | U008 | U009 | U010 | U011 | U012 | U013 | U014 | U015 | U016 | U017 | U018 | U019 | U020 | U021 |
|------|-------------|------|------|------|------|------|------|------|------|------|------|------|------|------|------|------|------|------|------|------|

U002 Exterior-2



- 20.D1294487 END FENCE:EXIT
- 1.04503010N (x5) TAPPING SCREW - M3X10
- 2.04513008N (x21) TAPPING SCREW - M3X8
- 23.D1421263 COVER:INNER BACK:UPPER:EXP
- 24.D1421267 COVER:PAPER EXIT UNIT:UPPER:AUXILIARY:D111/D142

19.D1294486 TRAY:EXIT

22.D1421239 INNER COVER:UPPER:LEFT:EXP

25.D1421284 COVER:LEFT:MIDDLE:D111/D142

16.D0891389 SEAL:COVER:LEFT:MIDDLE

6.AG071012 MAGNET CATCH:ASSY

3.04513012N TAPPING SCREW: 3X12

7.B2231249 STOPPER:MAGNET CATCH

18.D1206490 DECAL:CAUTION:INKJET

4.04543008Q TAPPING SCREW: 3X8

21.D1296605 DECAL:MISFEED REMOVAL:B1

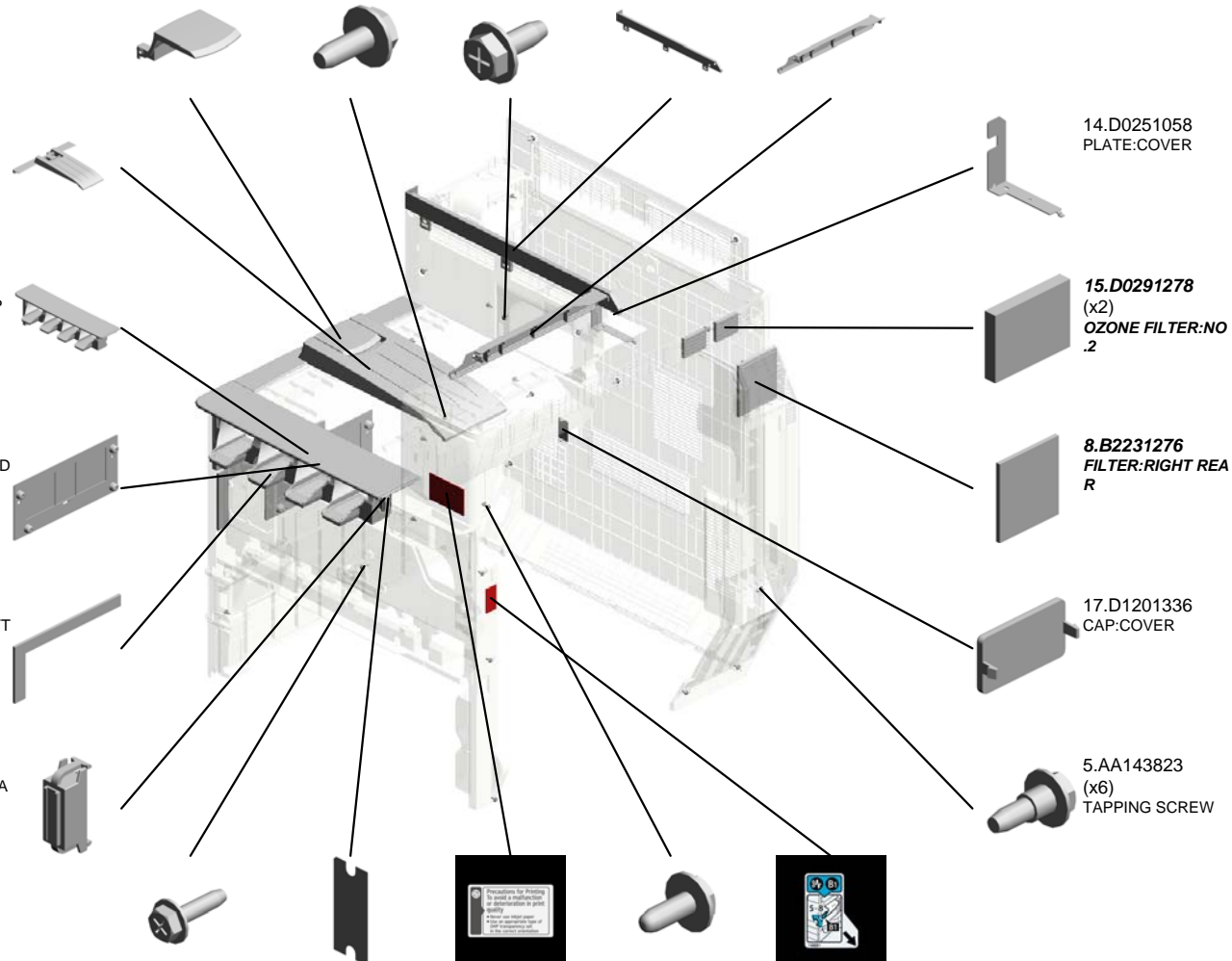
5.AA143823 (x6) TAPPING SCREW

17.D1201336 CAP:COVER

8.B2231276 FILTER:RIGHT REAR

15.D0291278 (x2) OZONE FILTER:NO.2

14.D0251058 PLATE:COVER



U002 Exterior-2

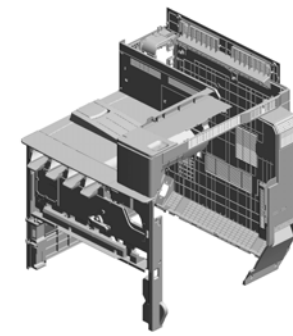
44.D1441286
COVER:LEFT:UPP
ER:EXP

43.D1441283
COVER:LEFT:INTE
RFACE

37.D1441263
COVER:INNER BA
CK

41.D1441274
COVER:INNER BA
CK:MIDDLE:EXP

26.D1421293
COVER:REAR:UPP
ER:EXP



36.D1441261
COVER:UPPER

35.D1441249
COVER:RIGHT:UP
PER MIDDLE

40.D1441272
COVER:FRONT RI
GHT:UPPER:EXP

38.D1441266
COVER:PAPER EXI
T SUB-UNIT:UPPE
R

42.D1441281
COVER:LEFT

32.D1441242
COVER:RIGHT RE
AR:FAN

48.D1443364
DECAL:COLORED
DISPLAY:INNER C
OVER:BK

45.D1441291
COVER:REAR

29.D1441230
INNER COVER:LEF
T

33.D1441244
COVER:RIGHT:RE
AR

30.D1441233
INNER COVER:MID
DLE

46.D1441391
STOPPER:LEVER:
DRUM STAY:N5R

31.D1441236
INNER COVER:UP
PER:RIGHT:EXP

39.D1441269
COVER:FRONT RI
GHT:EXP

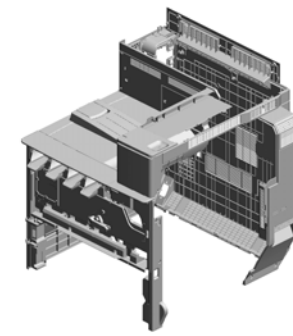
34.D1441247
COVER:RIGHT:FR
ONT:EXP

U002
Exterior-2

49.D1443365
DECAL:COLORED
DISPLAY:INNER C
OVER:Y

51.D1443367
DECAL:COLORED
DISPLAY:INNER C
OVER:M

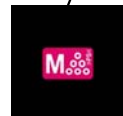
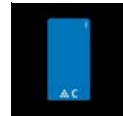
50.D1443366
DECAL:COLORED
DISPLAY:INNER C
OVER:C



52.D1446809
(x4)
DECAL:CLEANING:
POSITIONING DISP
LAY



54.GA003030
DECAL - SHIELDIN
G PLATE Y



55.GA003031
DECAL - SHIELDIN
G PLATE M

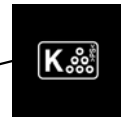
53.G1331295
OZONE FILTER



56.GA003032
DECAL - SHIELDIN
G PLATE C



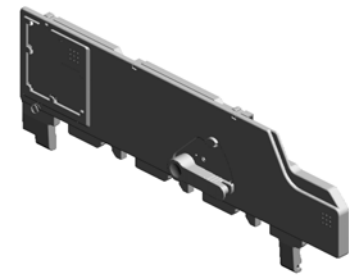
57.GA003033
DECAL - SHIELDIN
G PLATE K



U002_S001
DRUM STAY:PCU:ASS'Y

28.D1441087 (x6)
SCREW:LEVER:DRUM STAY

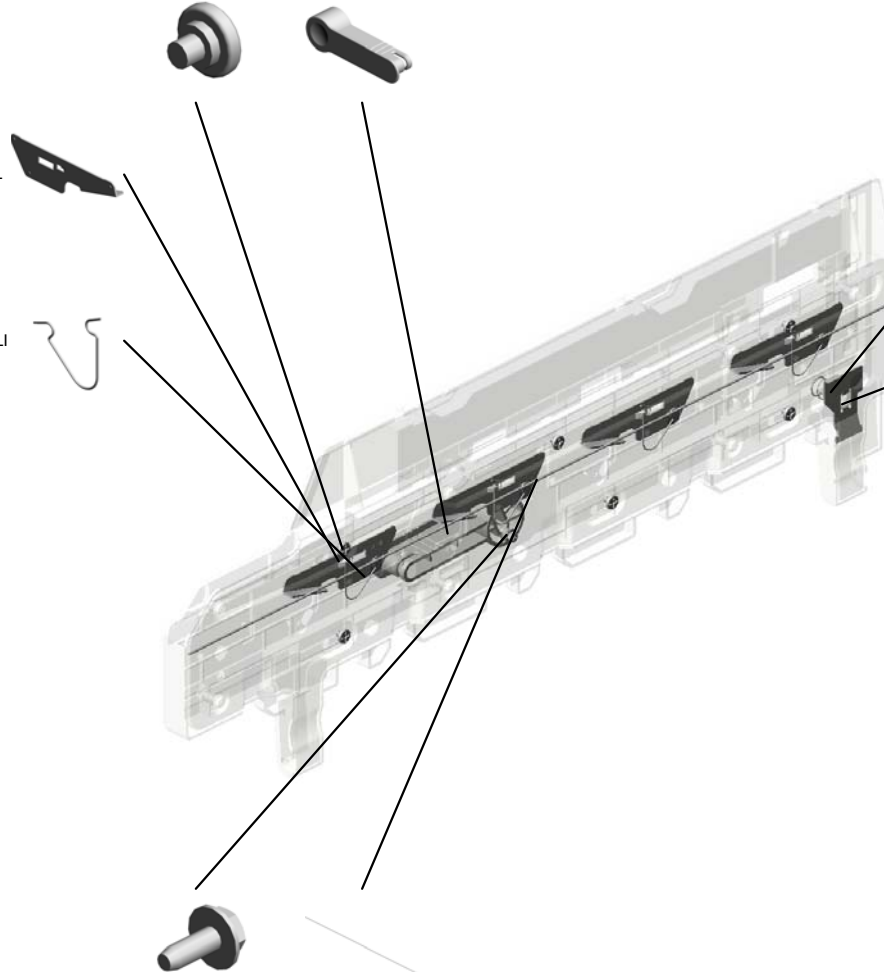
47.D1441392
LEVER:DRUM STAY:PCU:N5R



27.D1441010
DRUM STAY:PCU:ASS'Y

10.B2231315 (x4)
BALL BEARING PLATE

11.B2231316 (x4)
BALL BEARING CLIP



1.04503010N
TAPPING SCREW - M3X10

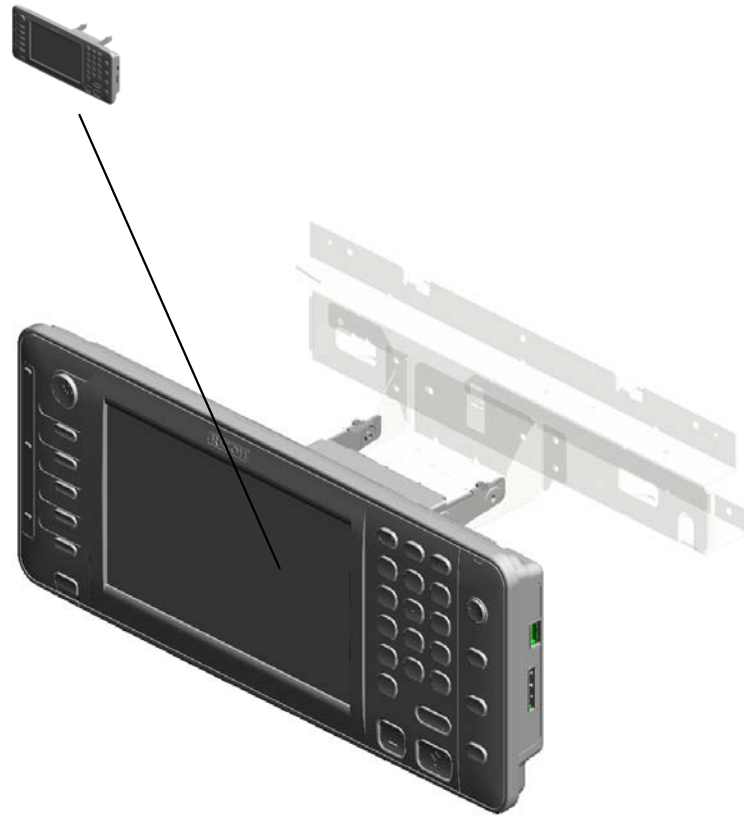
13.B2231319
WIRE

12.B2231318
SPRING

9.B2231306
DRUM STAY

U003.Operation

U003_S001
D1421401
OPERATION SUB-UNIT:NA:A
SS'Y



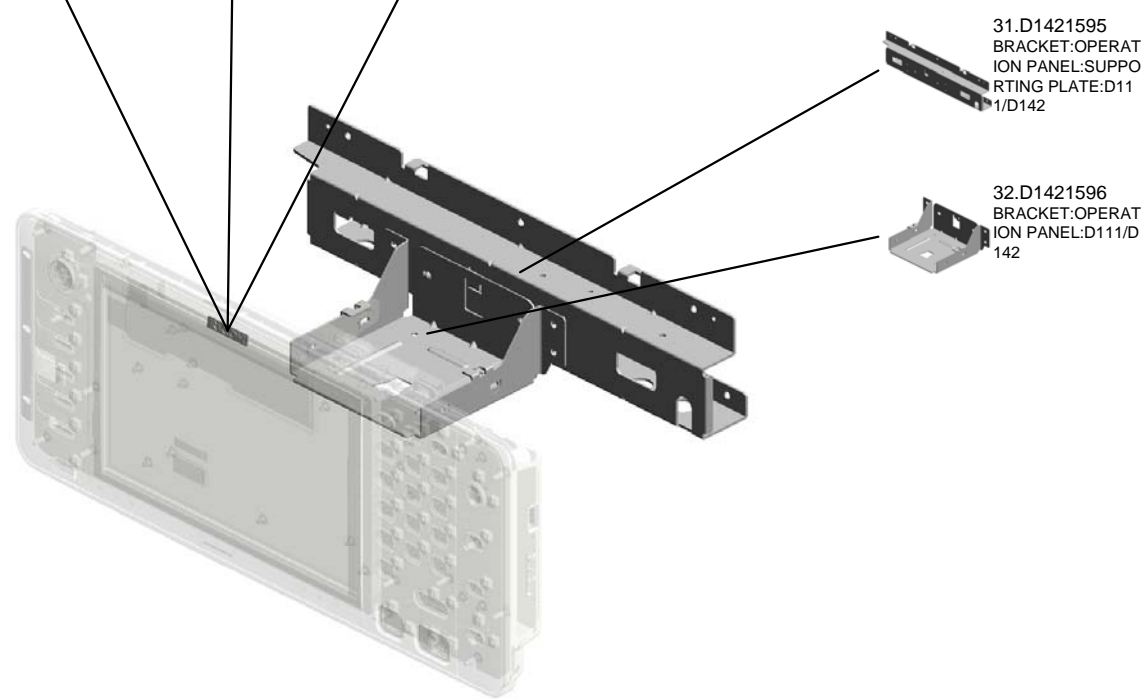
| | | | | | | | | | | | | | | | | | | | | |
|------|------|------|------|------|------|------|------|------|------|------|------|------|------|------|------|------|------|------|------|------|
| U001 | U002 | U003 | U004 | U005 | U006 | U007 | U008 | U009 | U010 | U011 | U012 | U013 | U014 | U015 | U016 | U017 | U018 | U019 | U020 | U021 |
|------|------|------|------|------|------|------|------|------|------|------|------|------|------|------|------|------|------|------|------|------|

U003 Operation

10.D1201551
SHEET:LOGO

11.D1201556
SHEET:LOGO:LAN

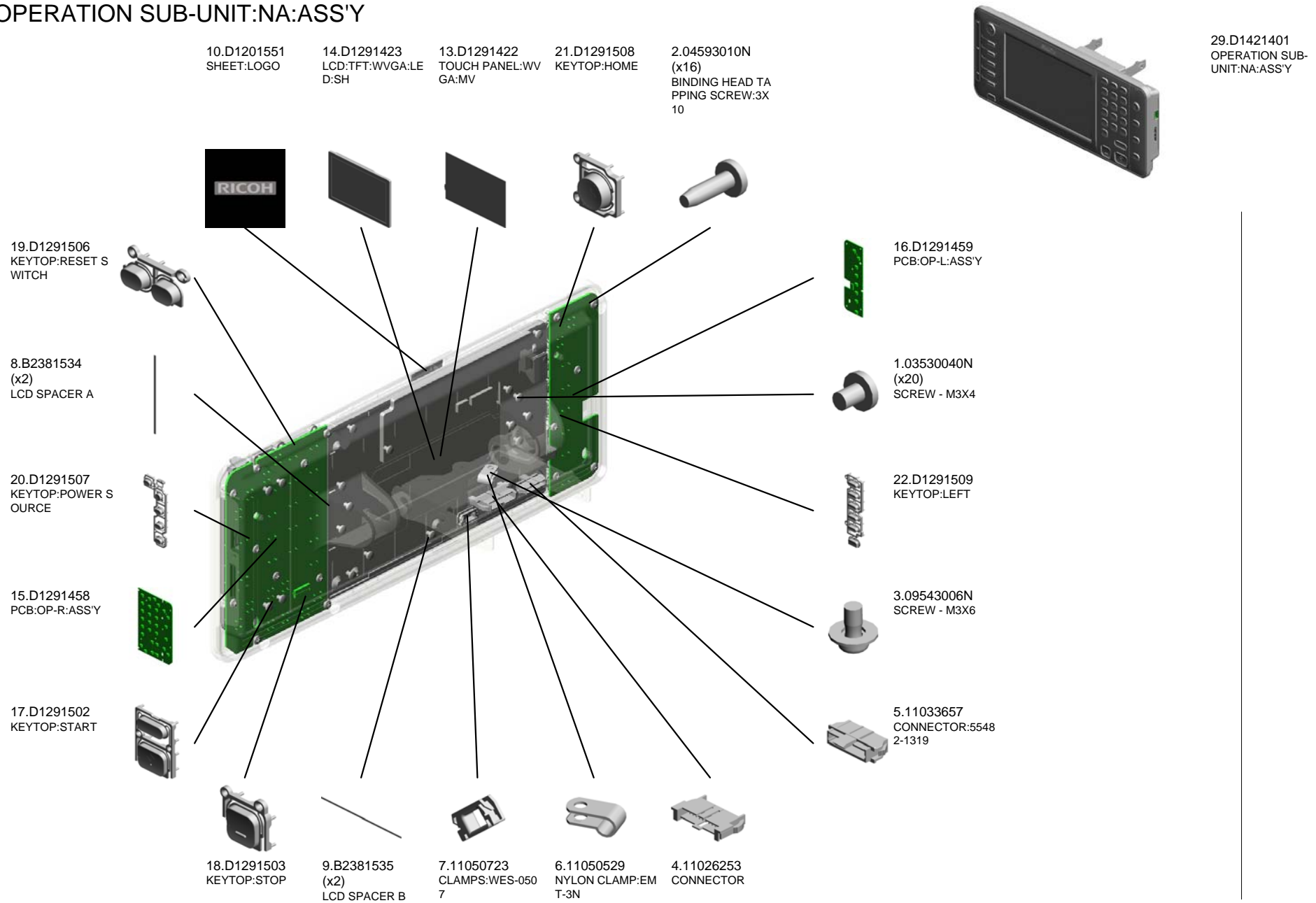
12.D1201561
SHEET:LOGO:SAV



31.D1421595
BRACKET:OPERAT
ION PANEL:SUPPO
RTING PLATE:D11
1/D142

32.D1421596
BRACKET:OPERAT
ION PANEL:D111/D
142

U003_S001
OPERATION SUB-UNIT:NA:ASS'Y



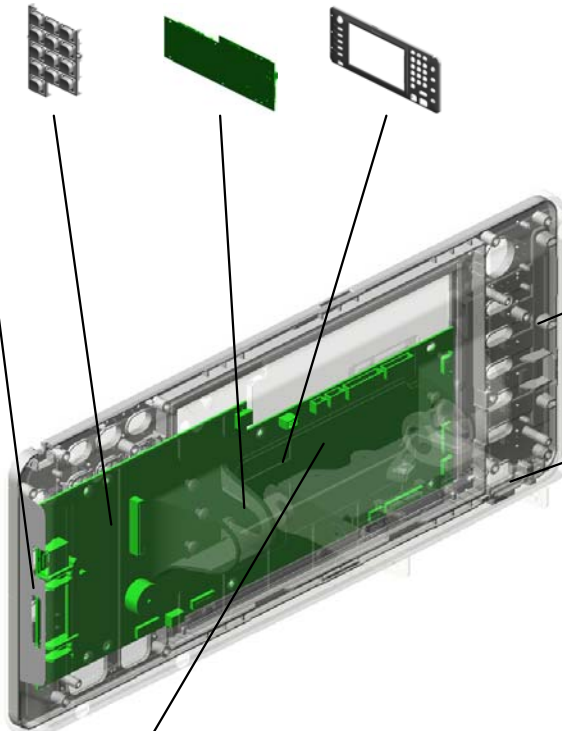
U003_S001
OPERATION SUB-UNIT:NA:ASS'Y

26.D1291533 30.D1421441 25.D1291531
KEYTOP:10KEY:NA PCB:LCDC:NA:FT COVER:UPPER:NA

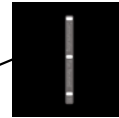


29.D1421401
OPERATION SUB-
UNIT:NA:ASS'Y

27.D1291545
SHEET:SIDE:NA



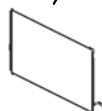
28.D1291573
SHEET:JOURNAL:
AA-C3:NA



23.D1291510
LENS:FRONT



24.D1291513
SHADEING PLATE:
TOUCH PANEL



| | | | | | | | | | | | | | | | | | | | | |
|------|------|------|------|------|------|------|------|------|------|------|------|------|------|------|------|------|------|------|------|------|
| U001 | U002 | U003 | U004 | U005 | U006 | U007 | U008 | U009 | U010 | U011 | U012 | U013 | U014 | U015 | U016 | U017 | U018 | U019 | U020 | U021 |
|------|------|------|------|------|------|------|------|------|------|------|------|------|------|------|------|------|------|------|------|------|

U004 Scanner-1

4.B2381795 EXPOSURE GLASS
 8.D1421801 SCALE:LEFT:A
 7.D1421786 SCALE:LEFT:B:NA:
 ASS'Y



1.04533006N
 (x3)
 TAPPING SCREW -
 M3X6



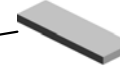
5.B2381803
 DOCUMENT FEED
 ER BRACKET



9.D1421805
 (x7)
 SHAFT:SCALE



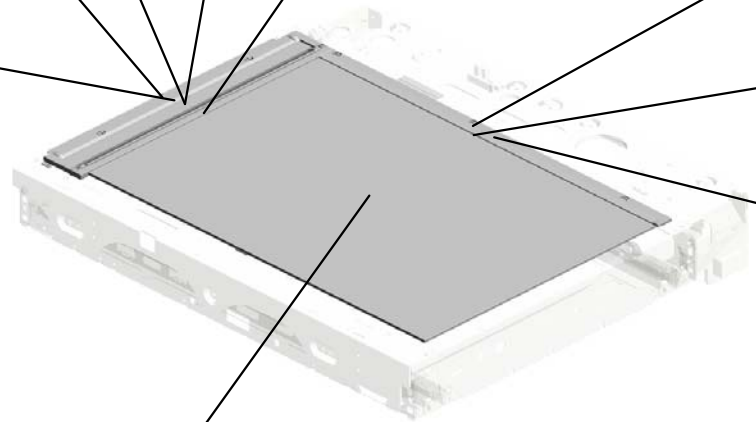
2.54421924
 (x2)
 EXPOSURE GLASS
 CUSHION



6.D1421750
 SCALE:INNER BAC
 K:PRINTING

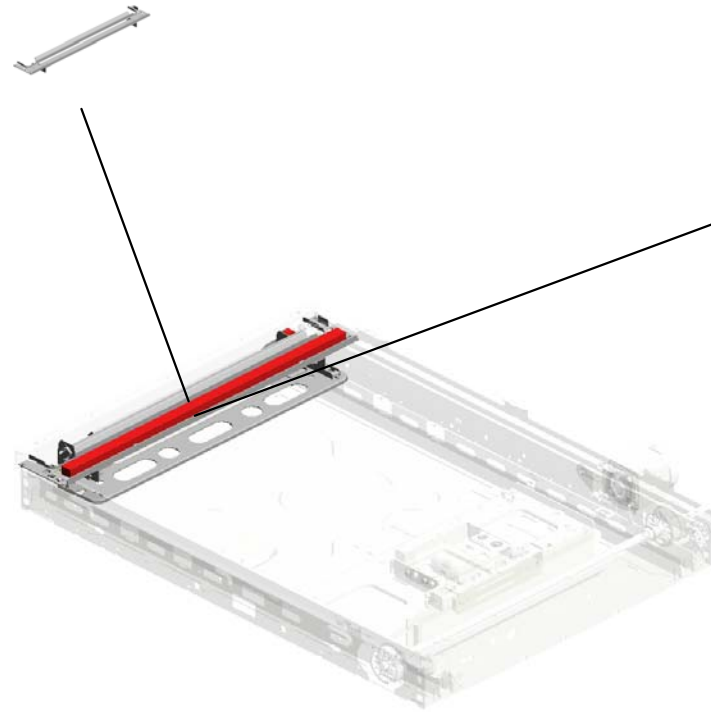


3.A2501752
 EXPOSURE GLASS



U005.Scanner-2

U005_S001
D1291721
CARRIAGE:NO.1:ASS'Y



U005_S002
D1421721
CARRIAGE:NO.2:ASS'Y

| | | | | | | | | | | | | | | | | | | | | |
|------|------|------|------|------|------|------|------|------|------|------|------|------|------|------|------|------|------|------|------|------|
| U001 | U002 | U003 | U004 | U005 | U006 | U007 | U008 | U009 | U010 | U011 | U012 | U013 | U014 | U015 | U016 | U017 | U018 | U019 | U020 | U021 |
|------|------|------|------|------|------|------|------|------|------|------|------|------|------|------|------|------|------|------|------|------|

U005 Scanner-2

7.A1931769 CLAMP - REAR WIRE
 28.D1201710 GUIDE:FFC:CARRIAGE:NO.1
 26.D0291749 PULLEY:PROTECTI
 23.D0251831 GASKET:13X10X13
 5.11050516 CLAMP



6.A1931766
WIRE CLAMP

2.03530060N
BIND SCREW - M3
X6

10.AA060980
(x2)
TENSION SPRING:
TENSION:11300MN

13.B1801704
(x2)
BRACKET:TENSIO
N

25.D0291748
PULLEY:DRIVE WE
RE:REAR:ASSY

11.AA082144
(x2)
BUSHING - 8X12X7

19.B2381806
(x4)
IDLER PULLEY

16.B2381786
SCANNER DRIVE S
HAFT

9.AA060979
TENSION SPRING:
TENSION:14720MN

17.B2381788
STEPPER MOTOR
BRACKET

14.B2381715
STEPPER MOTOR
DC3.9V

15.B2381762
GROUND PLATE -
STEPPER MOTOR

3.04513006N
(x8)
TAPPING SCREW -
3X6

18.B2381792
TIMING BELT - 157
ST1.5-4.0

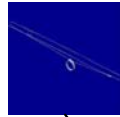
24.D0291745
PULLEY:DRIVE WE
RE:FRONT

| | | | | | | | | | | | | | | | | | | | | |
|------|------|------|------|------|------|------|------|------|------|------|------|------|------|------|------|------|------|------|------|------|
| U001 | U002 | U003 | U004 | U005 | U006 | U007 | U008 | U009 | U010 | U011 | U012 | U013 | U014 | U015 | U016 | U017 | U018 | U019 | U020 | U021 |
|------|------|------|------|------|------|------|------|------|------|------|------|------|------|------|------|------|------|------|------|------|

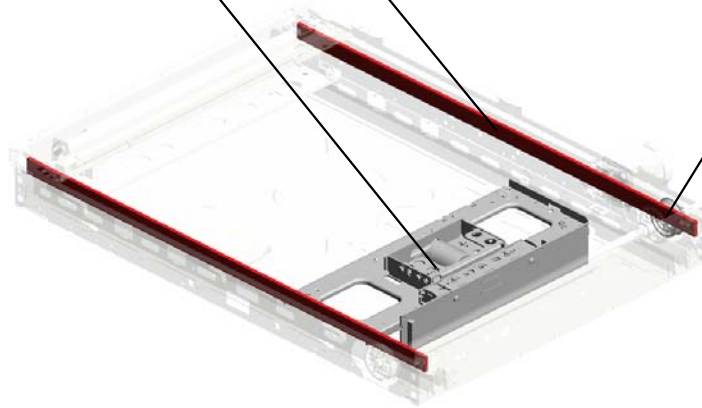
U005
Scanner-2

32.D1421703
LENS:HOLDER:AS
S'Y

34.D1421747
(x2)
DRIVE WERE:CAR
RIAGE:DIA1.0



36.G5701133
TIMING PULLEY 73



U005_S001
CARRIAGE:NO.1:ASS'Y

31.D1291722
ILLUMINATION UNIT:LED:ASS'Y

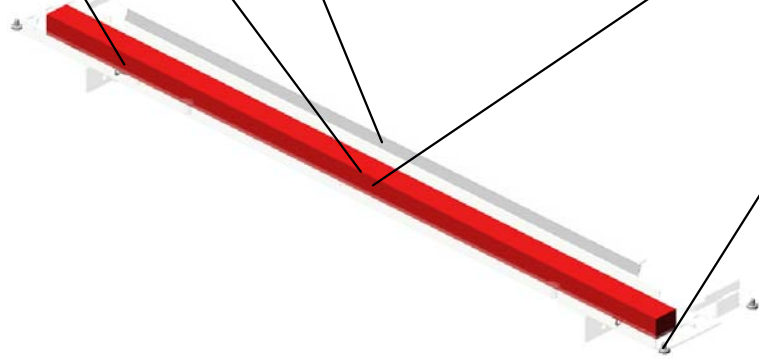
27.D1201705
REFLECTOR:SCANNER



30.D1291721
CARRIAGE:NO.1:ASS'Y



39.M0261815
(x2)
CLAMP:MIRROR:NO.1



12.AC030169
MIRROR:NO.1



37.G5702730
(x4)
SLIDER - SCANNER



| | | | | | | | | | | | | | | | | | | | | |
|------|------|------|------|------|------|------|------|------|------|------|------|------|------|------|------|------|------|------|------|------|
| U001 | U002 | U003 | U004 | U005 | U006 | U007 | U008 | U009 | U010 | U011 | U012 | U013 | U014 | U015 | U016 | U017 | U018 | U019 | U020 | U021 |
|------|------|------|------|------|------|------|------|------|------|------|------|------|------|------|------|------|------|------|------|------|

U005_S002
CARRIAGE:NO.2:ASS'Y

35.G4042810
(x4)
SPRING PLATE - 2
ND MIRROR

21.D0251727
MIRROR:NO.2:CON
CAVE:ASS'Y

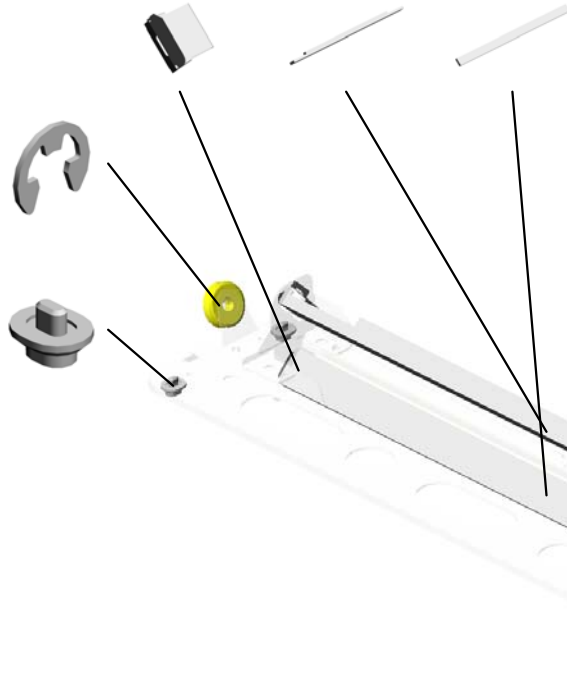
22.D0251728
MIRROR:NO.2:CON
VAX:ASS'Y



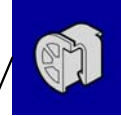
33.D1421721
CARRIAGE:NO.2:A
SS'Y

4.07200040E
(x2)
RETAINING RING -
M4

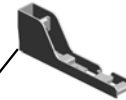
8.A2501791
(x4)
2ND SCANNER SH
OE



1.03530050N
SCREW-M3X5



38.M0261778
GUIDE:FFC



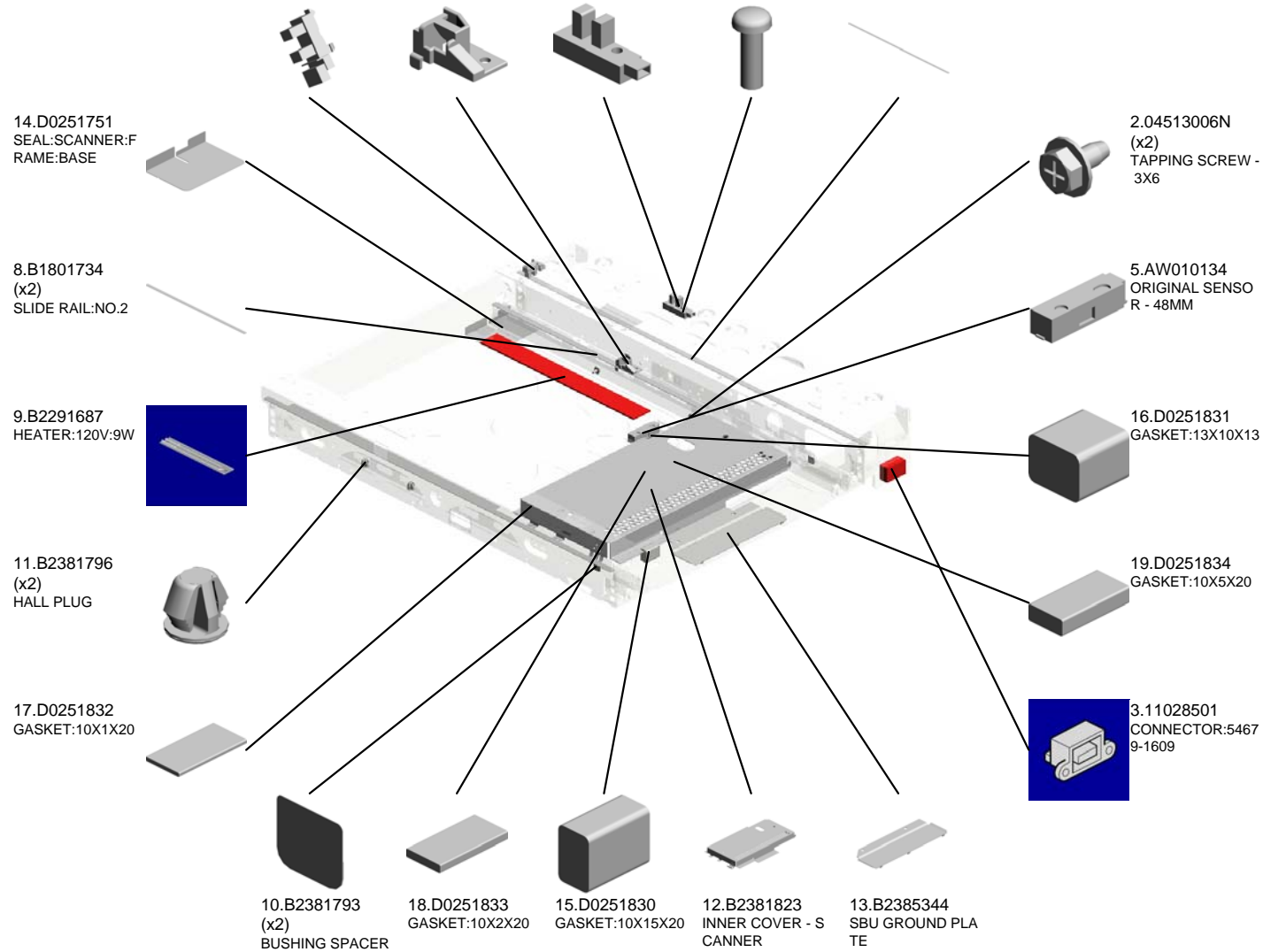
29.D1201711
GUIDE:FFC:CARRI
AGE:NO.2



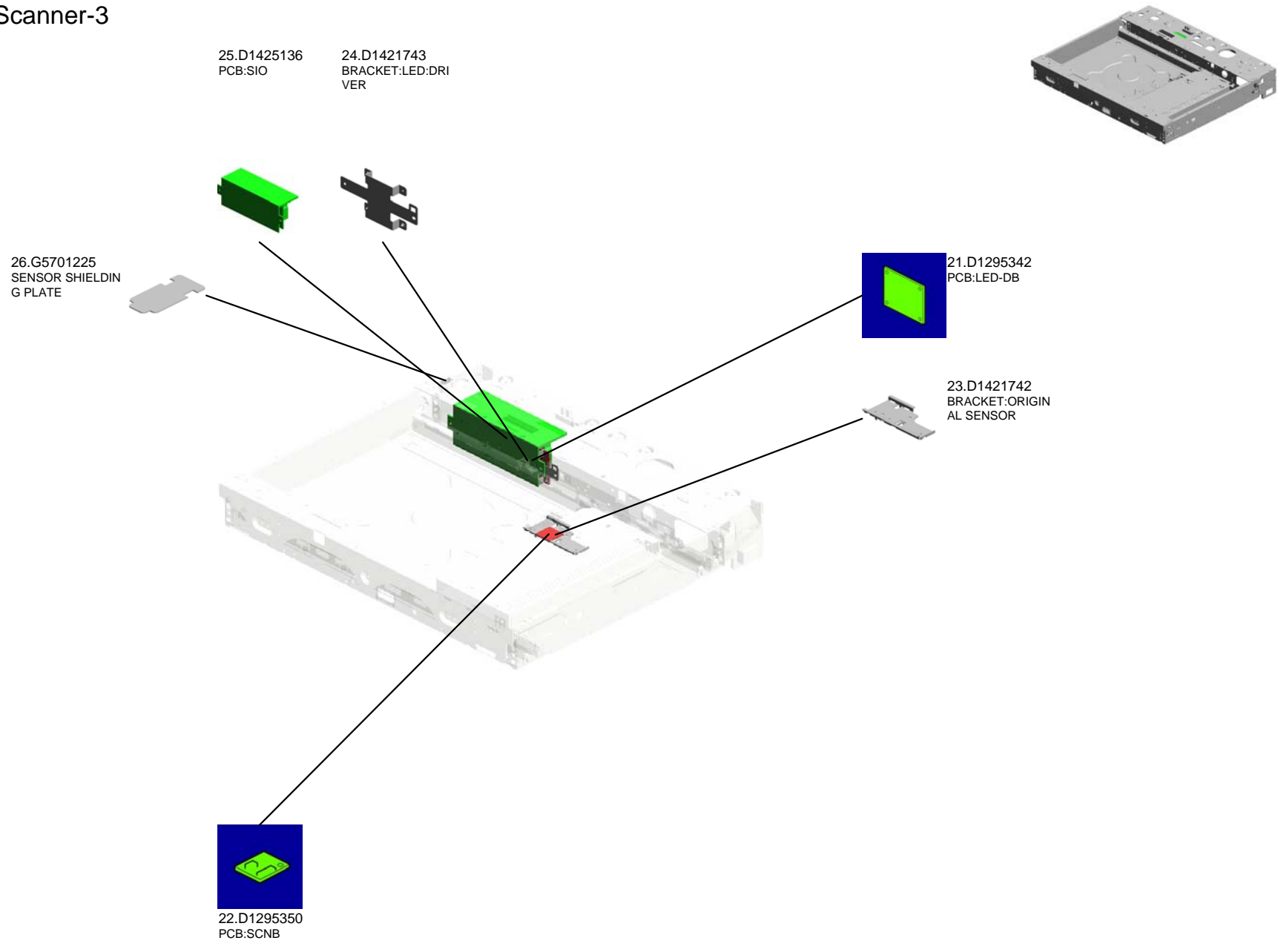
20.B2381807
(x2)
PULLEY

U006 Scanner-3

- 6.AW020145 PHOTOINTERRUPTOR:FLAT
- 20.D1291801 GUIDE:FLAT CABLE
- 7.AW020146 PHOTOINTERRUPTOR:FLAT:PICH2MM:M:M4
- 1.03140120N SCREW - M4X12
- 4.A1931816 (x2) 1ST SLIDE RAIL



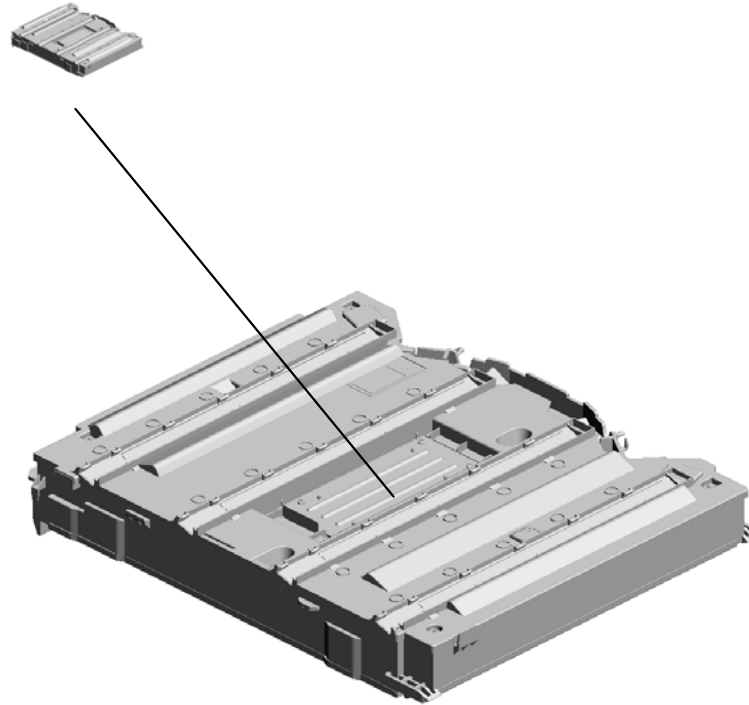
U006 Scanner-3



| | | | | | | | | | | | | | | | | | | | | |
|------|------|------|------|------|-------------|------|------|------|------|------|------|------|------|------|------|------|------|------|------|------|
| U001 | U002 | U003 | U004 | U005 | U006 | U007 | U008 | U009 | U010 | U011 | U012 | U013 | U014 | U015 | U016 | U017 | U018 | U019 | U020 | U021 |
|------|------|------|------|------|-------------|------|------|------|------|------|------|------|------|------|------|------|------|------|------|------|

U007.Laser Unit

U007_S001
D1421851
OPTICAL WRITING UNIT:1LD
:ASS'Y



| | | | | | | | | | | | | | | | | | | | | |
|------|------|------|------|------|------|------|------|------|------|------|------|------|------|------|------|------|------|------|------|------|
| U001 | U002 | U003 | U004 | U005 | U006 | U007 | U008 | U009 | U010 | U011 | U012 | U013 | U014 | U015 | U016 | U017 | U018 | U019 | U020 | U021 |
|------|------|------|------|------|------|------|------|------|------|------|------|------|------|------|------|------|------|------|------|------|

U007
Laser Unit



| | | | | | | | | | | | | | | | | | | | | |
|------|------|------|------|------|------|------|------|------|------|------|------|------|------|------|------|------|------|------|------|------|
| U001 | U002 | U003 | U004 | U005 | U006 | U007 | U008 | U009 | U010 | U011 | U012 | U013 | U014 | U015 | U016 | U017 | U018 | U019 | U020 | U021 |
|------|------|------|------|------|------|------|------|------|------|------|------|------|------|------|------|------|------|------|------|------|

U007_S001
OPTICAL WRITING UNIT:1LD:ASS'Y

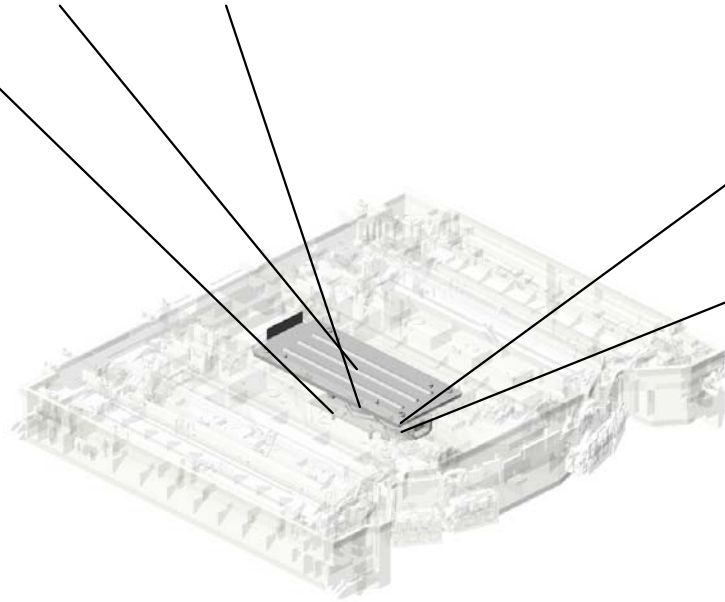
4.B2231882
COVER - POLYGO
N MOTOR

3.AX060396
DC POLYGON MIR
ROR MOTOR:24W



6.D1421851
OPTICAL WRITING
UNIT:1LD:ASS'Y

1.08025317
(x8)
BINDING HEAD TA
PPING SCREW:ES:
3X8



5.B2231903
LOUVER

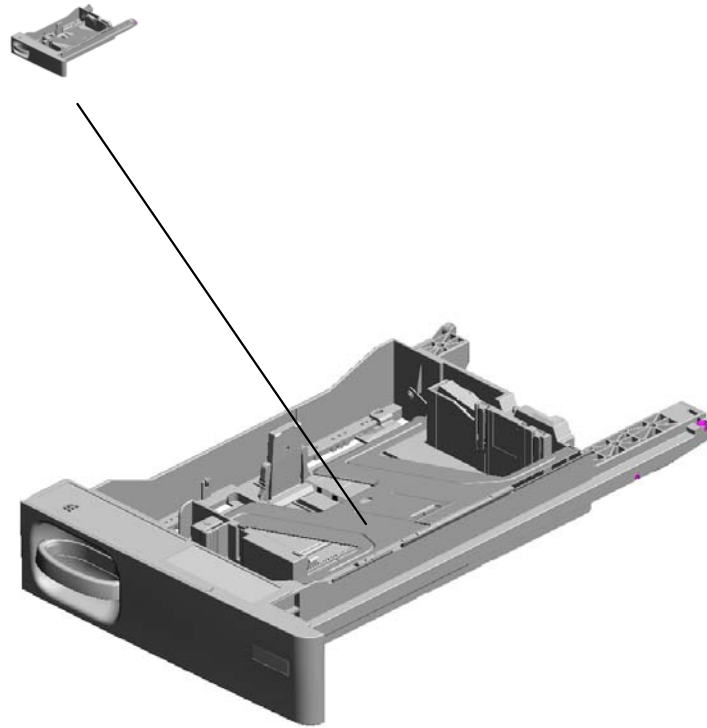


2.08025318
(x2)
BINDING HEAD TA
PPING SCREW:ES:
3X10



U008.Paper Tray (1st)

U008_S001
D1442850
PAPER TRAY:NO.1:ASS'Y

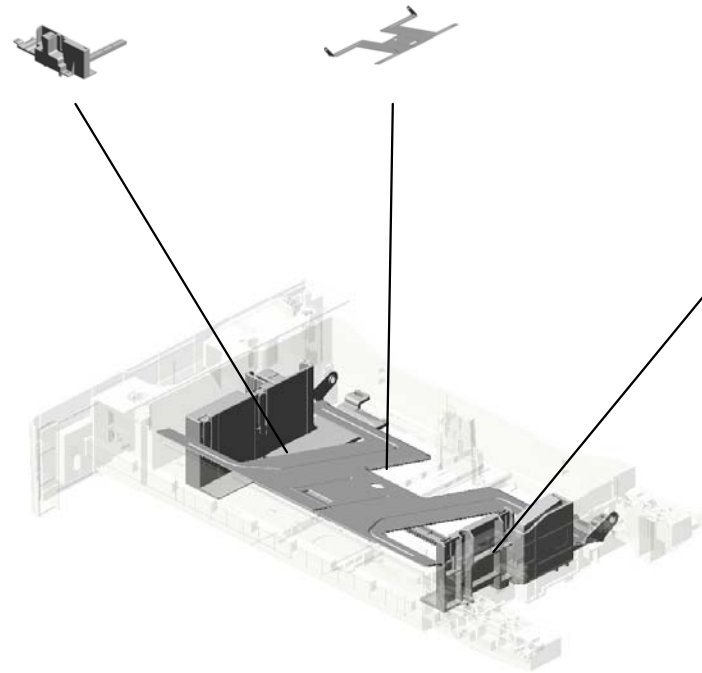


| | | | | | | | | | | | | | | | | | | | | |
|------|------|------|------|------|------|------|-------------|------|------|------|------|------|------|------|------|------|------|------|------|------|
| U001 | U002 | U003 | U004 | U005 | U006 | U007 | U008 | U009 | U010 | U011 | U012 | U013 | U014 | U015 | U016 | U017 | U018 | U019 | U020 | U021 |
|------|------|------|------|------|------|------|-------------|------|------|------|------|------|------|------|------|------|------|------|------|------|

U008_S001.PAPER TRAY:NO.1:ASS'Y

U008_S001_S002
D1442870
SIDE FENCE:FRONT:UNIVER
SAL:NO.1:ASS'Y

U008_S001_S001
D0892940
TRAY BOTTOM PLATE:ASS'Y

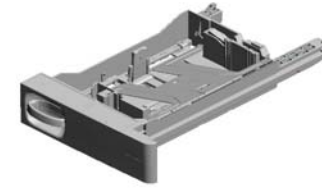


U008_S001_S003
D1442880
SIDE FENCE:REAR:UNIVERS
AL:NO.1:ASS'Y

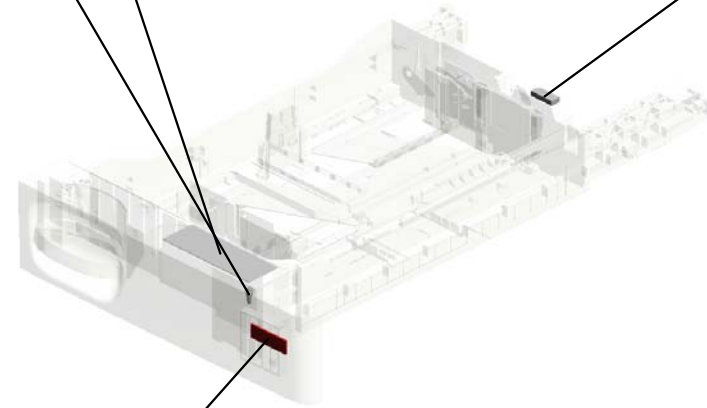
| | | | | | | | | | | | | | | | | | | | | |
|------|------|------|------|------|------|------|-------------|------|------|------|------|------|------|------|------|------|------|------|------|------|
| U001 | U002 | U003 | U004 | U005 | U006 | U007 | U008 | U009 | U010 | U011 | U012 | U013 | U014 | U015 | U016 | U017 | U018 | U019 | U020 | U021 |
|------|------|------|------|------|------|------|-------------|------|------|------|------|------|------|------|------|------|------|------|------|------|

U008 Paper Tray (1st)

37.D5802523
DECAL:PAPER SE
T DIRECTION:TRA
Y:NO.2



10.AA143577
SCREW:TP:M4



26.D0892849
SEAL:TRAY:NO.1



30.D1202872
DECAL:PAPER TR
AY:NO.1

| | | | | | | | | | | | | | | | | | | | | |
|------|------|------|------|------|------|------|-------------|------|------|------|------|------|------|------|------|------|------|------|------|------|
| U001 | U002 | U003 | U004 | U005 | U006 | U007 | U008 | U009 | U010 | U011 | U012 | U013 | U014 | U015 | U016 | U017 | U018 | U019 | U020 | U021 |
|------|------|------|------|------|------|------|-------------|------|------|------|------|------|------|------|------|------|------|------|------|------|

U008_S001
PAPER TRAY:NO.1:ASS'Y

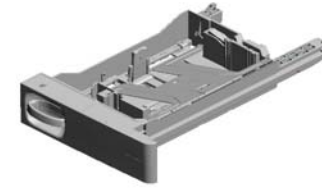
9.AA061014
TENSION SPRING:
GRIP

14.B2232862
LEVER - RELEASE
INNER

1.04503012N
(x2)
TAPPING SCREW:
3X12

13.B2232861
GRIP HOLDER

36.D1442896
(x2)
STEPPED SCREW:
PAPER FEED



32.D1442850
PAPER TRAY:NO.1
:ASS'Y

33.D1442857
COVER:PAPER TR
AY:NO.1

25.D0292863
SHAFT:RELEASE:P
APER TRAY

4.07200080E
RETAINING RING -
M8

16.B2232868
LEVER:RELEASE:P
APER TRAY:OUTE
R

8.AA061003
TENSION SPRING:
SIDE FENCE:REAR

21.B2232918
RISE LEVER

3.04533008N
BINDING SELF TAP
PING SCREW:3X8

2.04504008N
TAPPING SCREW -
M4X8

24.B2232936
GEAR - 16Z

15.B2232865
RISE NO.1 SHAFT

20.B2232894
SLIDE RAIL STOPP
ER - LEFT

19.B2232890
SLIDE RAIL - LEFT

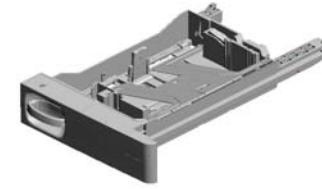
28.D1202832
END FENCE:ASS'Y

17.B2232869
GROUND PLATE

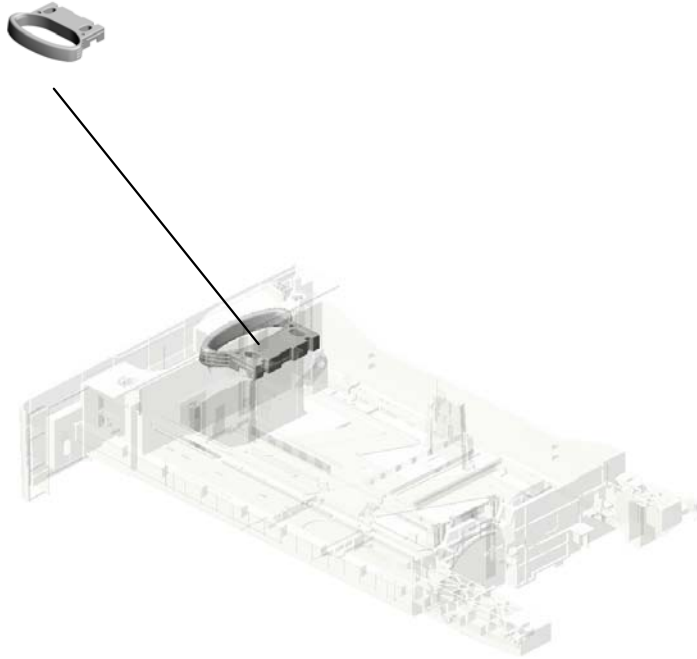
5.A2322987
(x4)
ROLLER - PAPER T
RAY

U008_S001
PAPER TRAY:NO.1:ASS'Y

38.D5802870
GRIP:PAPER TRAY



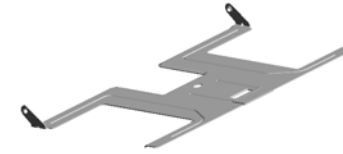
32.D1442850
PAPER TRAY:NO.1
:ASS'Y



| | | | | | | | | | | | | | | | | | | | | |
|------|------|------|------|------|------|------|-------------|------|------|------|------|------|------|------|------|------|------|------|------|------|
| U001 | U002 | U003 | U004 | U005 | U006 | U007 | U008 | U009 | U010 | U011 | U012 | U013 | U014 | U015 | U016 | U017 | U018 | U019 | U020 | U021 |
|------|------|------|------|------|------|------|-------------|------|------|------|------|------|------|------|------|------|------|------|------|------|

U008_S001_S001
TRAY BOTTOM PLATE:ASS'Y

11.AF033010
PAD



27.D0892940
TRAY BOTTOM PL
ATE:ASS'Y

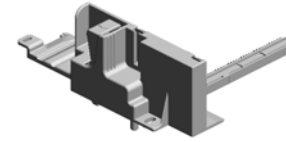


| | | | | | | | | | | | | | | | | | | | | |
|------|------|------|------|------|------|------|-------------|------|------|------|------|------|------|------|------|------|------|------|------|------|
| U001 | U002 | U003 | U004 | U005 | U006 | U007 | U008 | U009 | U010 | U011 | U012 | U013 | U014 | U015 | U016 | U017 | U018 | U019 | U020 | U021 |
|------|------|------|------|------|------|------|-------------|------|------|------|------|------|------|------|------|------|------|------|------|------|

U008_S001_S002

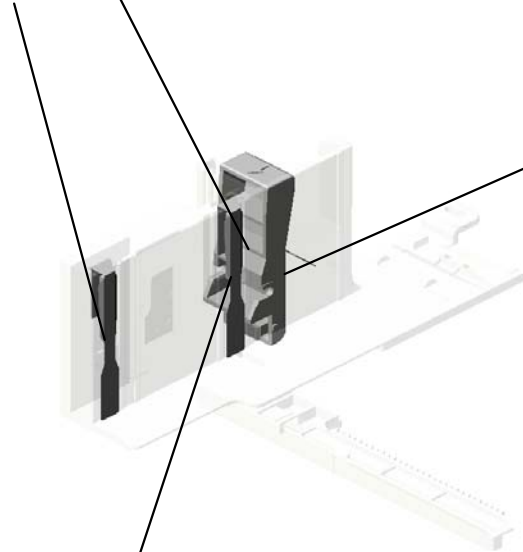
SIDE FENCE:FRONT:UNIVERSAL:NO.1:ASS'Y

31.D1202924
LEVER:STOPPER:
FRONT



34.D1442870
SIDE FENCE:FRON
T:UNIVERSAL:NO.1
:ASS'Y

23.B2232935
PLATE - SIDE FEN
CE RIGHT



12.B0042923
SPRING PLATE - R
ELEASE LEVER



22.B2232934
PLATE - SIDE FEN
CE



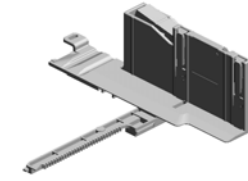
| | | | | | | | | | | | | | | | | | | | | |
|------|------|------|------|------|------|------|------|------|------|------|------|------|------|------|------|------|------|------|------|------|
| U001 | U002 | U003 | U004 | U005 | U006 | U007 | U008 | U009 | U010 | U011 | U012 | U013 | U014 | U015 | U016 | U017 | U018 | U019 | U020 | U021 |
|------|------|------|------|------|------|------|------|------|------|------|------|------|------|------|------|------|------|------|------|------|

U008_S001_S003

SIDE FENCE:REAR:UNIVERSAL:NO.1:ASS'Y

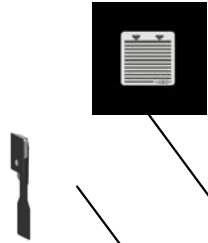
18.B2232873
DECAL - SIDE FEN
CE REAR

22.B2232934
PLATE - SIDE FEN
CE



35.D1442880
SIDE FENCE:REAR
:UNIVERSAL:NO.1:
ASS'Y

23.B2232935
PLATE - SIDE FEN
CE RIGHT



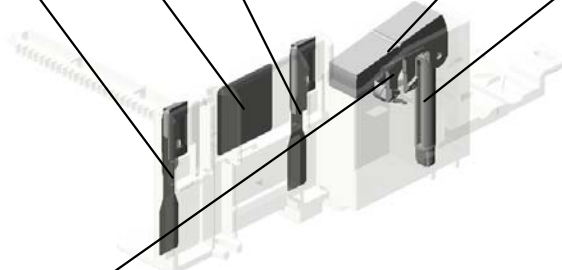
29.D1202864
LEVER:STOPPER:
POSITIONING



7.A2672859
SIDE FENCE STOP
PER



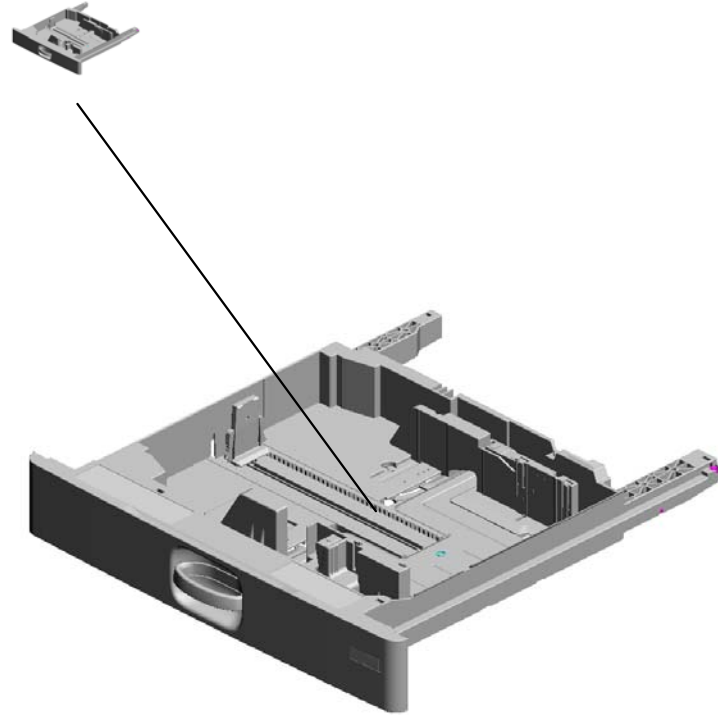
6.A2672857
SPRING PLATE - SI
DE FENCE



| | | | | | | | | | | | | | | | | | | | | |
|------|------|------|------|------|------|------|-------------|------|------|------|------|------|------|------|------|------|------|------|------|------|
| U001 | U002 | U003 | U004 | U005 | U006 | U007 | U008 | U009 | U010 | U011 | U012 | U013 | U014 | U015 | U016 | U017 | U018 | U019 | U020 | U021 |
|------|------|------|------|------|------|------|-------------|------|------|------|------|------|------|------|------|------|------|------|------|------|

U009.Paper Tray (2nd)

U009_S001
D5802900
PAPER TRAY:NO.2:ASS'Y



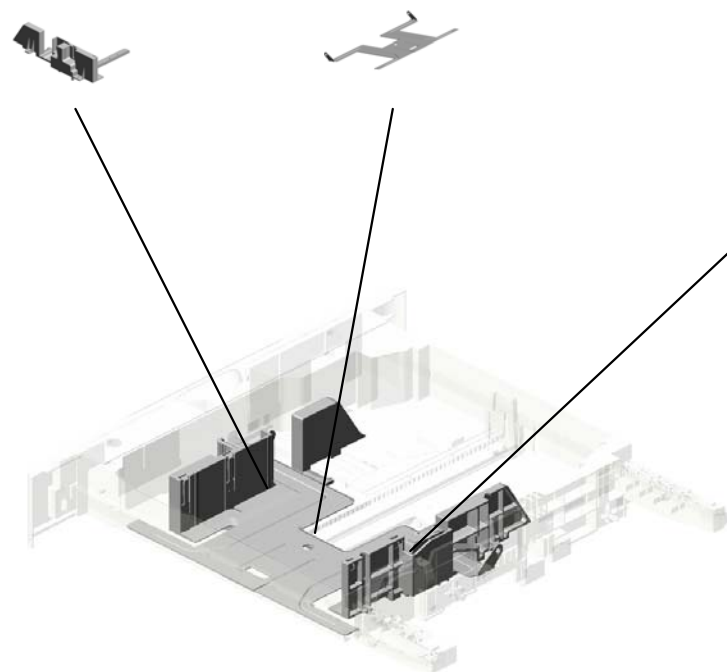
| | | | | | | | | | | | | | | | | | | | | |
|------|------|------|------|------|------|------|------|------|------|------|------|------|------|------|------|------|------|------|------|------|
| U001 | U002 | U003 | U004 | U005 | U006 | U007 | U008 | U009 | U010 | U011 | U012 | U013 | U014 | U015 | U016 | U017 | U018 | U019 | U020 | U021 |
|------|------|------|------|------|------|------|------|------|------|------|------|------|------|------|------|------|------|------|------|------|

U009_S001.PAPER TRAY:NO.2:ASS'Y

U009_S001_S002
D1292920
SIDE FENCE:FRONT:ASS'Y

U009_S001_S001
D0892940
TRAY BOTTOM PLATE:ASS'Y

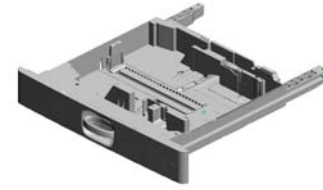
U009_S001_S003
D1292930
SIDE FENCE:REAR:ASS'Y



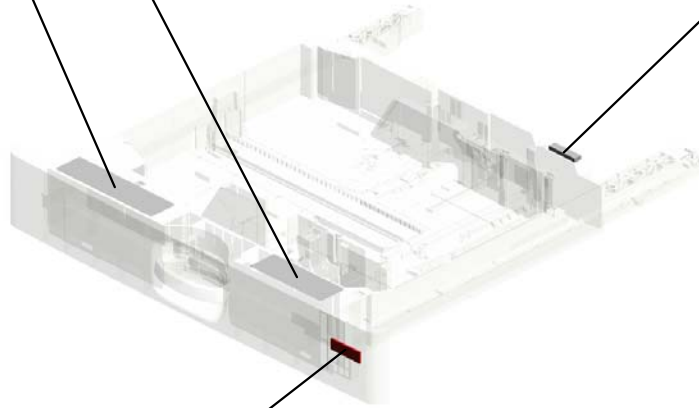
| | | | | | | | | | | | | | | | | | | | | |
|------|------|------|------|------|------|------|------|------|------|------|------|------|------|------|------|------|------|------|------|------|
| U001 | U002 | U003 | U004 | U005 | U006 | U007 | U008 | U009 | U010 | U011 | U012 | U013 | U014 | U015 | U016 | U017 | U018 | U019 | U020 | U021 |
|------|------|------|------|------|------|------|------|------|------|------|------|------|------|------|------|------|------|------|------|------|

U009 Paper Tray (2nd)

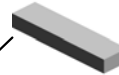
47.D1442747
DECAL:PAPER SE
T DIRECTION:TRA
Y:RIGHT:EXP



37.D5802523
DECAL:PAPER SE
T DIRECTION:TRA
Y:NO.2



39.B1802782
SEAL:TRAY



43.D1202873
DECAL:PAPER TR
AY:NO.2

| | | | | | | | | | | | | | | | | | | | | |
|------|------|------|------|------|------|------|------|------|------|------|------|------|------|------|------|------|------|------|------|------|
| U001 | U002 | U003 | U004 | U005 | U006 | U007 | U008 | U009 | U010 | U011 | U012 | U013 | U014 | U015 | U016 | U017 | U018 | U019 | U020 | U021 |
|------|------|------|------|------|------|------|------|------|------|------|------|------|------|------|------|------|------|------|------|------|

U009_S001
PAPER TRAY:NO.2:ASS'Y

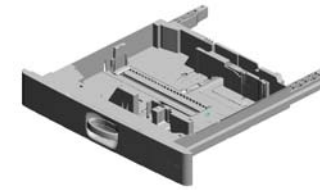
14.B2232862
LEVER - RELEASE
INNER

1.04503012N
(x2)
TAPPING SCREW:
3X12

49.D5802946
COVER:PAPER TR
AY:NO.2

38.D5802870
GRIP:PAPER TRAY

13.B2232861
GRIP HOLDER



48.D5802900
PAPER TRAY:NO.2
:ASS'Y

9.AA061014
TENSION SPRING:
GRIP

25.D0292863
SHAFT:RELEASE:P
APER TRAY

4.07200080E
RETAINING RING -
M8

16.B2232868
LEVER:RELEASE:P
APER TRAY:OUTE
R

8.AA061003
TENSION SPRING:
SIDE FENCE:REAR

21.B2232918
RISE LEVER

3.04533008N
BINDING SELF TAP
PING SCREW:3X8

24.B2232936
GEAR - 16Z

15.B2232865
RISE NO.1 SHAFT

5.A2322987
(x4)
ROLLER - PAPER T
RAY

28.D1202832
END FENCE:ASS'Y

40.B2232910
LINK - PAPER SIZE
SENSOR

2.04504008N
(x2)
TAPPING SCREW -
M4X8

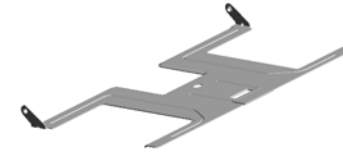
41.B2232911
SPACER

42.B2232919
GROUND PLATE -
PAPER TRAY NO.2

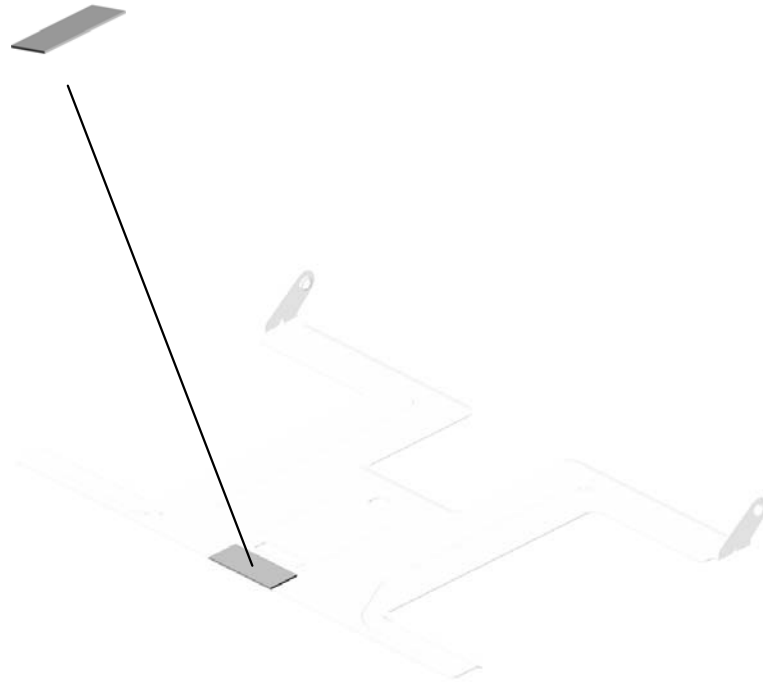
| | | | | | | | | | | | | | | | | | | | | |
|------|------|------|------|------|------|------|------|------|------|------|------|------|------|------|------|------|------|------|------|------|
| U001 | U002 | U003 | U004 | U005 | U006 | U007 | U008 | U009 | U010 | U011 | U012 | U013 | U014 | U015 | U016 | U017 | U018 | U019 | U020 | U021 |
|------|------|------|------|------|------|------|------|------|------|------|------|------|------|------|------|------|------|------|------|------|

U009_S001_S001
TRAY BOTTOM PLATE:ASS'Y

11.AF033010
PAD



27.D0892940
TRAY BOTTOM PL
ATE:ASS'Y



| | | | | | | | | | | | | | | | | | | | | |
|------|------|------|------|------|------|------|------|------|------|------|------|------|------|------|------|------|------|------|------|------|
| U001 | U002 | U003 | U004 | U005 | U006 | U007 | U008 | U009 | U010 | U011 | U012 | U013 | U014 | U015 | U016 | U017 | U018 | U019 | U020 | U021 |
|------|------|------|------|------|------|------|------|------|------|------|------|------|------|------|------|------|------|------|------|------|

U009_S001_S002
SIDE FENCE:FRONT:ASS'Y

31.D1202924
LEVER:STOPPER:
FRONT

45.D1292920
SIDE FENCE:FRON
T:ASSY

23.B2232935
PLATE - SIDE FEN
CE RIGHT

12.B0042923
SPRING PLATE - R
ELEASE LEVER

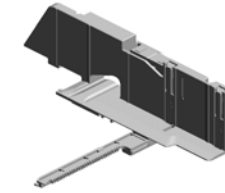
22.B2232934
PLATE - SIDE FEN
CE

| | | | | | | | | | | | | | | | | | | | | |
|------|------|------|------|------|------|------|------|------|------|------|------|------|------|------|------|------|------|------|------|------|
| U001 | U002 | U003 | U004 | U005 | U006 | U007 | U008 | U009 | U010 | U011 | U012 | U013 | U014 | U015 | U016 | U017 | U018 | U019 | U020 | U021 |
|------|------|------|------|------|------|------|------|------|------|------|------|------|------|------|------|------|------|------|------|------|

U009_S001_S003
SIDE FENCE:REAR:ASS'Y

44.D1202875
DECAL:SIDE FENC
E:REAR

22.B2232934
PLATE - SIDE FEN
CE



46.D1292930
SIDE FENCE:REAR
:ASS'Y

23.B2232935
PLATE - SIDE FEN
CE RIGHT



29.D1202864
LEVER:STOPPER:
POSITIONING



6.A2672857
SPRING PLATE - SI
DE FENCE



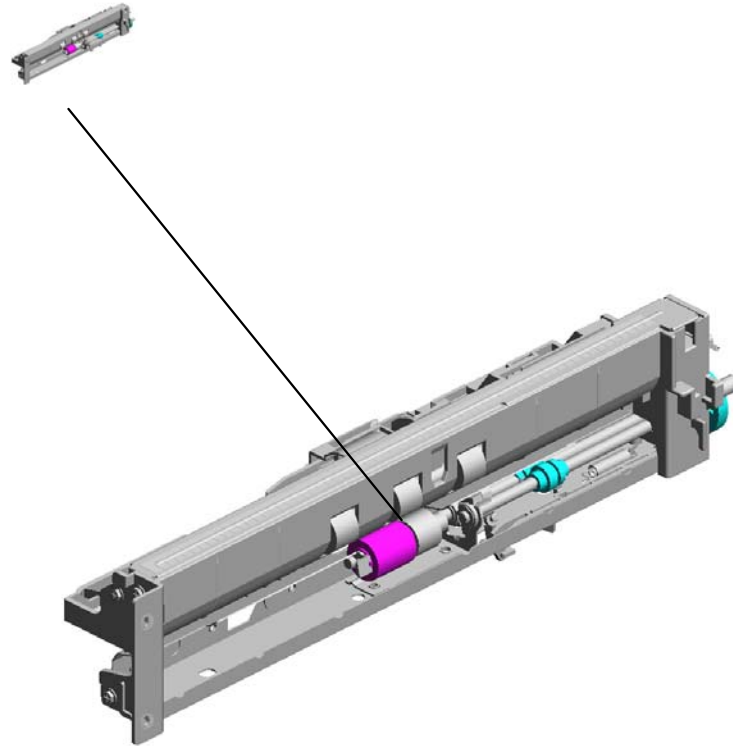
7.A2672859
SIDE FENCE STOP
PER



| | | | | | | | | | | | | | | | | | | | | |
|------|------|------|------|------|------|------|------|------|------|------|------|------|------|------|------|------|------|------|------|------|
| U001 | U002 | U003 | U004 | U005 | U006 | U007 | U008 | U009 | U010 | U011 | U012 | U013 | U014 | U015 | U016 | U017 | U018 | U019 | U020 | U021 |
|------|------|------|------|------|------|------|------|------|------|------|------|------|------|------|------|------|------|------|------|------|

U010.Paper Feed (1st)

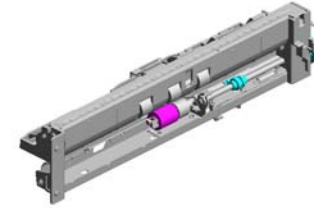
U010_S001
D1422750
PAPER FEED UNIT:ASS'Y



| | | | | | | | | | | | | | | | | | | | | |
|------|------|------|------|------|------|------|------|------|------|------|------|------|------|------|------|------|------|------|------|------|
| U001 | U002 | U003 | U004 | U005 | U006 | U007 | U008 | U009 | U010 | U011 | U012 | U013 | U014 | U015 | U016 | U017 | U018 | U019 | U020 | U021 |
|------|------|------|------|------|------|------|------|------|------|------|------|------|------|------|------|------|------|------|------|------|

U010
Paper Feed (1st)

3.04543008Q
(x2)
TAPPING SCREW:
3X8

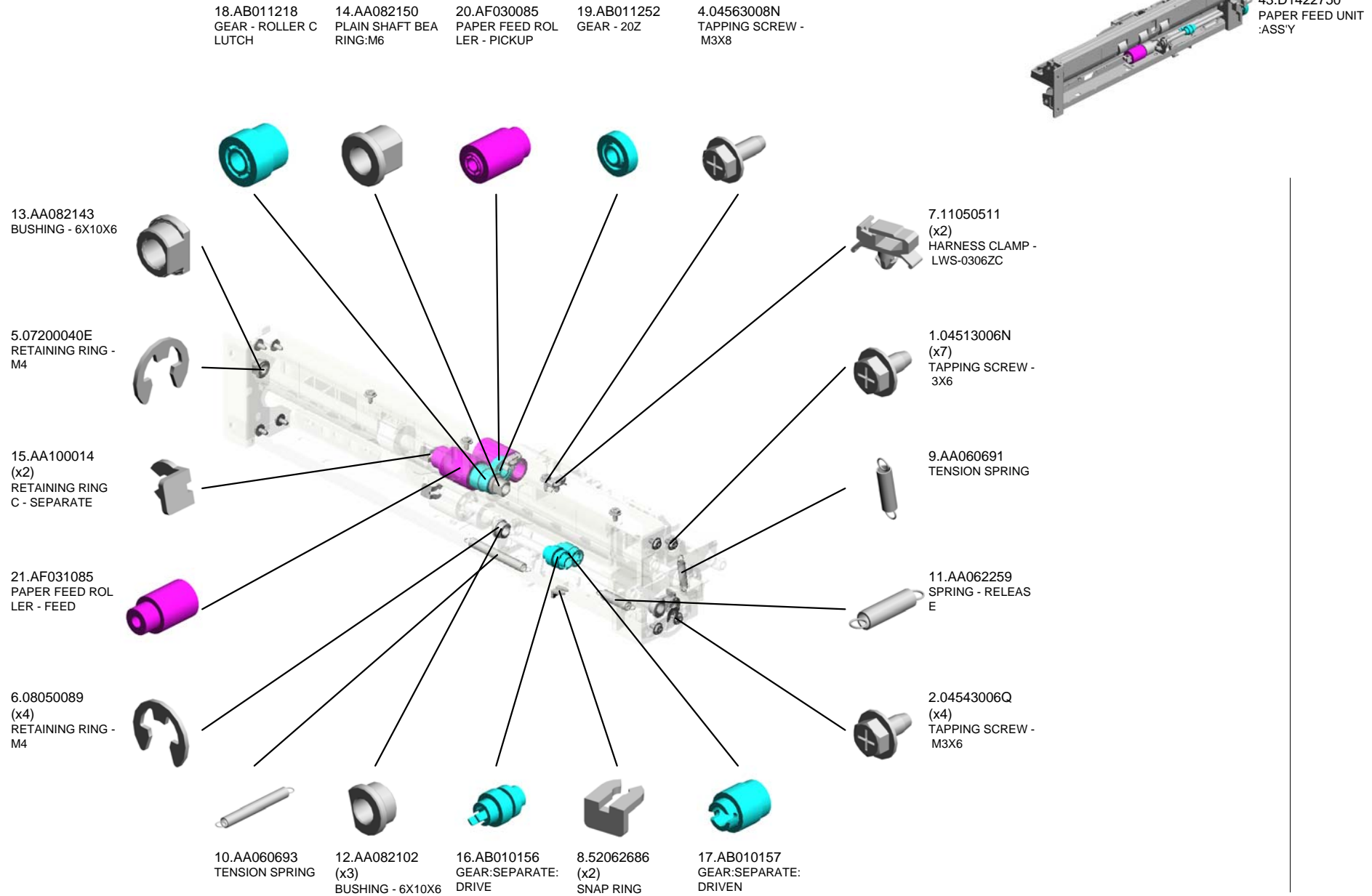


42.D1202618
DISCHARGE BRUS
H:PAPER FEED UN
IT:UPPER



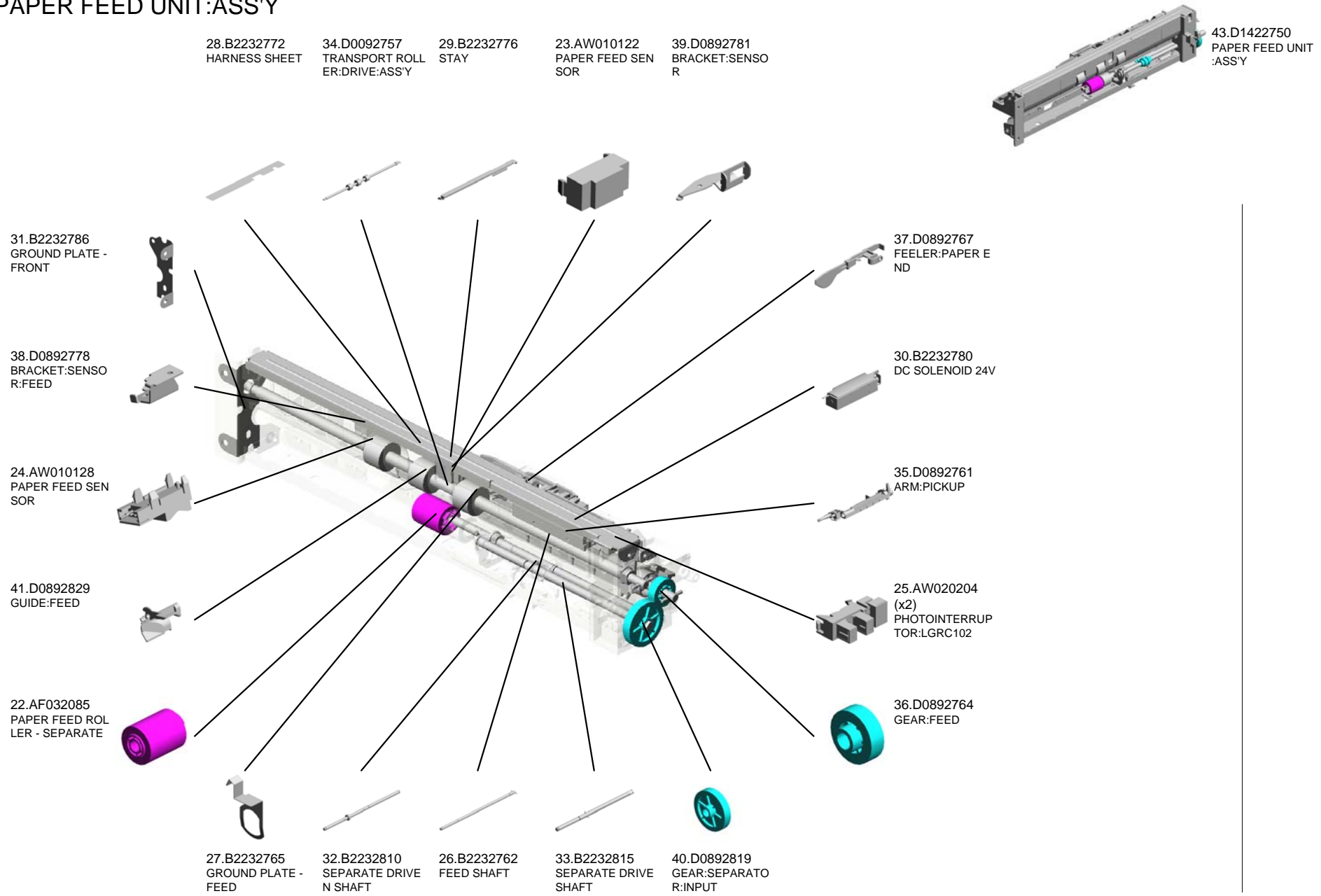
| | | | | | | | | | | | | | | | | | | | | |
|------|------|------|------|------|------|------|------|------|------|------|------|------|------|------|------|------|------|------|------|------|
| U001 | U002 | U003 | U004 | U005 | U006 | U007 | U008 | U009 | U010 | U011 | U012 | U013 | U014 | U015 | U016 | U017 | U018 | U019 | U020 | U021 |
|------|------|------|------|------|------|------|------|------|------|------|------|------|------|------|------|------|------|------|------|------|

U010_S001 PAPER FEED UNIT:ASS'Y



| | | | | | | | | | | | | | | | | | | | | |
|------|------|------|------|------|------|------|------|------|-------------|------|------|------|------|------|------|------|------|------|------|------|
| U001 | U002 | U003 | U004 | U005 | U006 | U007 | U008 | U009 | U010 | U011 | U012 | U013 | U014 | U015 | U016 | U017 | U018 | U019 | U020 | U021 |
|------|------|------|------|------|------|------|------|------|-------------|------|------|------|------|------|------|------|------|------|------|------|

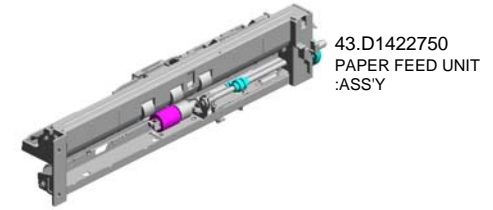
U010_S001 PAPER FEED UNIT:ASS'Y



| | | | | | | | | | | | | | | | | | | | | |
|------|------|------|------|------|------|------|------|------|------|------|------|------|------|------|------|------|------|------|------|------|
| U001 | U002 | U003 | U004 | U005 | U006 | U007 | U008 | U009 | U010 | U011 | U012 | U013 | U014 | U015 | U016 | U017 | U018 | U019 | U020 | U021 |
|------|------|------|------|------|------|------|------|------|------|------|------|------|------|------|------|------|------|------|------|------|

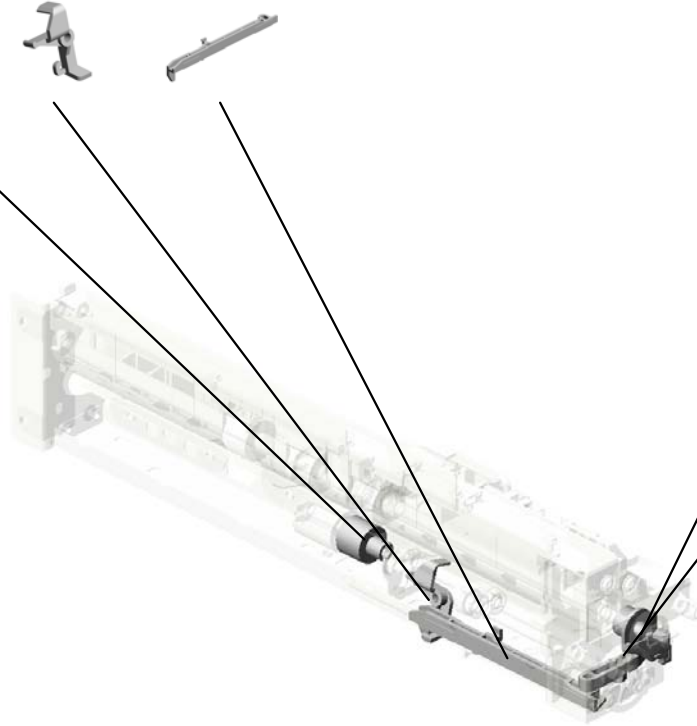
U010_S001
PAPER FEED UNIT:ASS'Y

46.G0652774 47.G0652775
PRESSURE LEVER LINK LEVER



43.D1422750
PAPER FEED UNIT
:ASS'Y

44.D1422930
TORQUE LIMITER:
40MN#M:DIA18:CW



45.G0652767
LEVER - FEED



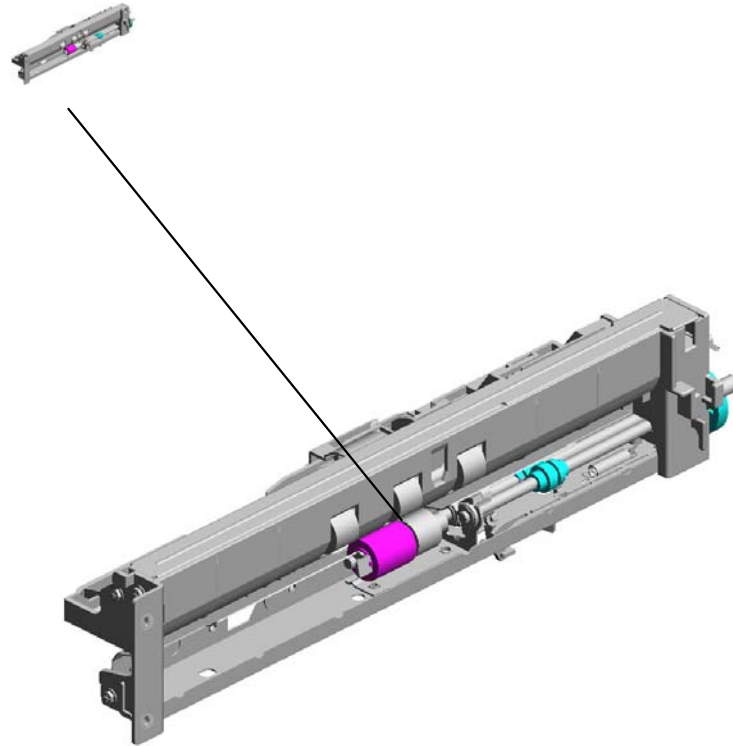
48.G0652776
RELEASE LEVER



| | | | | | | | | | | | | | | | | | | | | |
|------|------|------|------|------|------|------|------|------|------|------|------|------|------|------|------|------|------|------|------|------|
| U001 | U002 | U003 | U004 | U005 | U006 | U007 | U008 | U009 | U010 | U011 | U012 | U013 | U014 | U015 | U016 | U017 | U018 | U019 | U020 | U021 |
|------|------|------|------|------|------|------|------|------|------|------|------|------|------|------|------|------|------|------|------|------|

U011.Paper Feed (2nd)

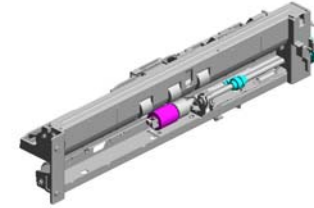
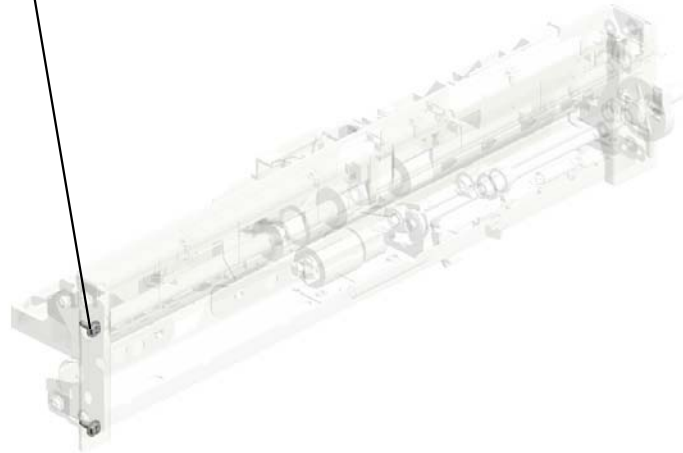
U011_S001
D1422750
PAPER FEED UNIT:ASS'Y



| | | | | | | | | | | | | | | | | | | | | |
|------|------|------|------|------|------|------|------|------|------|------|------|------|------|------|------|------|------|------|------|------|
| U001 | U002 | U003 | U004 | U005 | U006 | U007 | U008 | U009 | U010 | U011 | U012 | U013 | U014 | U015 | U016 | U017 | U018 | U019 | U020 | U021 |
|------|------|------|------|------|------|------|------|------|------|------|------|------|------|------|------|------|------|------|------|------|

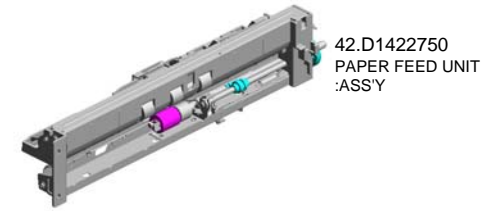
U011
Paper Feed (2nd)

3.04543008Q
(x2)
TAPPING SCREW:
3X8



| | | | | | | | | | | | | | | | | | | | | |
|------|------|------|------|------|------|------|------|------|------|------|------|------|------|------|------|------|------|------|------|------|
| U001 | U002 | U003 | U004 | U005 | U006 | U007 | U008 | U009 | U010 | U011 | U012 | U013 | U014 | U015 | U016 | U017 | U018 | U019 | U020 | U021 |
|------|------|------|------|------|------|------|------|------|------|------|------|------|------|------|------|------|------|------|------|------|

U011_S001 PAPER FEED UNIT:ASS'Y



- 18.AB011218 GEAR - ROLLER C LUTCH
- 14.AA082150 PLAIN SHAFT BEARING:RING:M6
- 20.AF030085 PAPER FEED ROLLER - PICKUP
- 19.AB011252 GEAR - 20Z
- 4.04563008N TAPPING SCREW - M3X8

13.AA082143
BUSHING - 6X10X6

5.07200040E
RETAINING RING - M4

15.AA100014
(x2)
RETAINING RING C - SEPARATE

21.AF031085
PAPER FEED ROLLER - FEED

6.08050089
(x4)
RETAINING RING - M4

10.AA060693
TENSION SPRING

12.AA082102
(x3)
BUSHING - 6X10X6

16.AB010156
GEAR:SEPARATE:DRIVE

8.52062686
(x2)
SNAP RING

17.AB010157
GEAR:SEPARATE:DRIVEN

7.11050511
(x2)
HARNESSE CLAMP - LWS-0306ZC

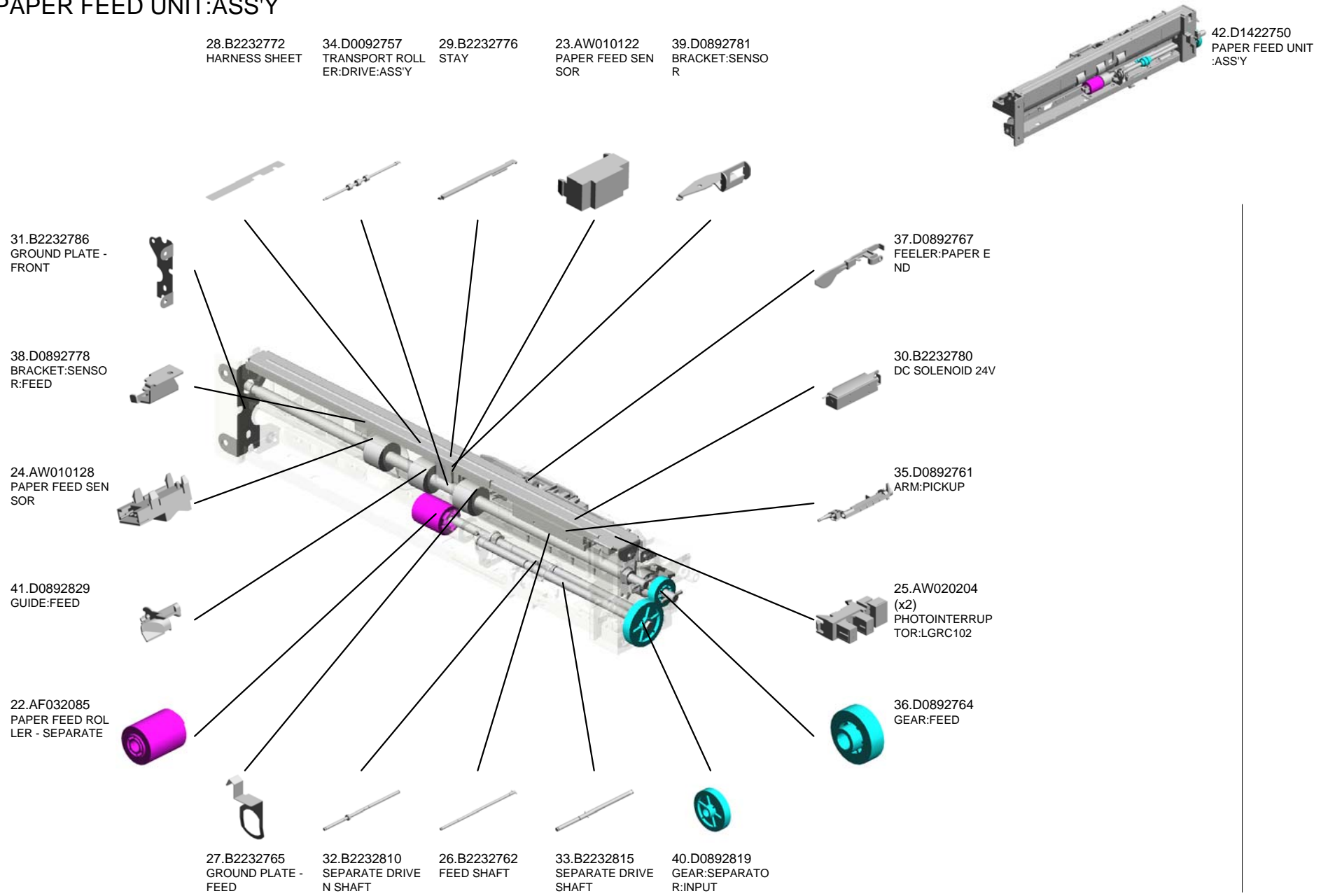
1.04513006N
(x7)
TAPPING SCREW - 3X6

9.AA060691
TENSION SPRING

11.AA062259
SPRING - RELEASE

2.04543006Q
(x4)
TAPPING SCREW - M3X6

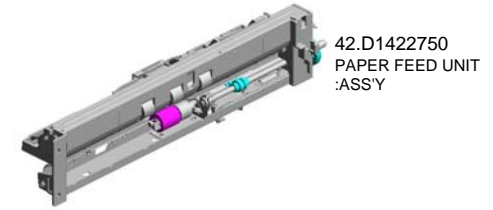
U011_S001 PAPER FEED UNIT:ASS'Y



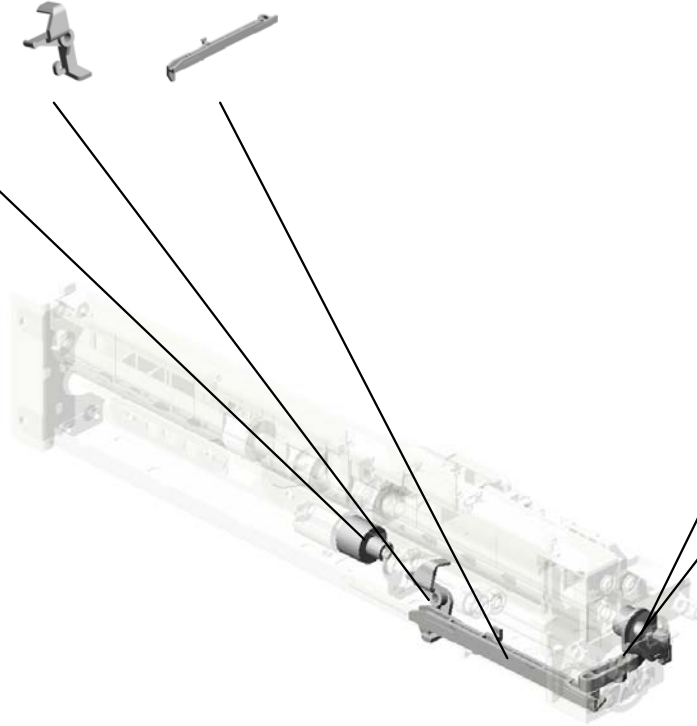
| | | | | | | | | | | | | | | | | | | | | |
|------|------|------|------|------|------|------|------|------|------|------|------|------|------|------|------|------|------|------|------|------|
| U001 | U002 | U003 | U004 | U005 | U006 | U007 | U008 | U009 | U010 | U011 | U012 | U013 | U014 | U015 | U016 | U017 | U018 | U019 | U020 | U021 |
|------|------|------|------|------|------|------|------|------|------|------|------|------|------|------|------|------|------|------|------|------|

U011_S001
PAPER FEED UNIT:ASS'Y

45.G0652774 46.G0652775
PRESSURE LEVER LINK LEVER



43.D1422930
TORQUE LIMITER:
40MN#M:DIA18:CW



44.G0652767
LEVER - FEED



47.G0652776
RELEASE LEVER



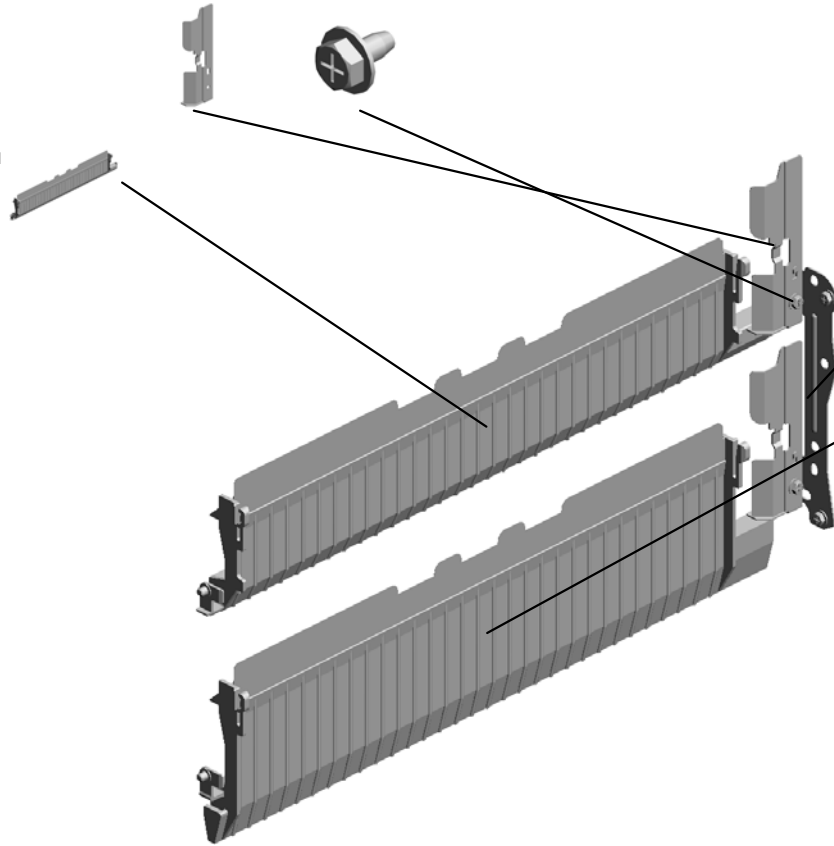
| | | | | | | | | | | | | | | | | | | | | |
|------|------|------|------|------|------|------|------|------|------|------|------|------|------|------|------|------|------|------|------|------|
| U001 | U002 | U003 | U004 | U005 | U006 | U007 | U008 | U009 | U010 | U011 | U012 | U013 | U014 | U015 | U016 | U017 | U018 | U019 | U020 | U021 |
|------|------|------|------|------|------|------|------|------|------|------|------|------|------|------|------|------|------|------|------|------|

U012 Vertical Transport

3.B2232848
(x2)
COVER:HARNESS

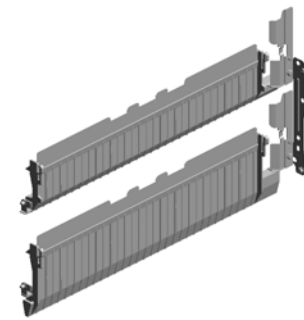
1.04513006N
(x4)
TAPPING SCREW -
3X6

4.D1292836
GUIDE PLATE:SWI
VEL:ASS'Y



2.B2232846
BRACKET:COVER:
HARNESS

5.D1292841
GUIDE PLATE:SWI
VEL:NO.2:ASS'Y



| | | | | | | | | | | | | | | | | | | | | |
|------|------|------|------|------|------|------|------|------|------|------|------|------|------|------|------|------|------|------|------|------|
| U001 | U002 | U003 | U004 | U005 | U006 | U007 | U008 | U009 | U010 | U011 | U012 | U013 | U014 | U015 | U016 | U017 | U018 | U019 | U020 | U021 |
|------|------|------|------|------|------|------|------|------|------|------|------|------|------|------|------|------|------|------|------|------|

U013 Paper Registration

8.B2382622 COVER - REMOVE PAPER DUST
 13.B2382661 REGISTRATION ROLLER - DRIVEN
 19.D0892560 BRACKET:CLEANER
 17.D0292556 STAY:REGISTRATION
 9.B2382652 REGISTRATION ROLLER - DRIVE



20.D1442558 KNOB:REGISTRATION ROLLER



15.B2382676 (x2) TENSION SPRING



3.08050088 RETAINING RING - M6



14.B2382675 (x2) REGISTRATION ROLLER BUSHING



2.04543006Q (x4) TAPPING SCREW - M3X6



18.D0292570 GUIDE PLATE:REGISTRATION:RIGHT:ADHESION

16.D0292555 GUIDE PLATE:REGISTRATION:LEFT

7.AW010107 PAPER FEED SENSOR

5.11050511 HARNESS CLAMP - LWS-03062C

1.04513006N (x4) TAPPING SCREW - 3X6

4.08050089 (x2) RETAINING RING - M4



11.B2382656 GEAR - 30Z



6.AA082101 (x2) BUSHING - 6X10X6



12.B2382657 GEAR - 18Z

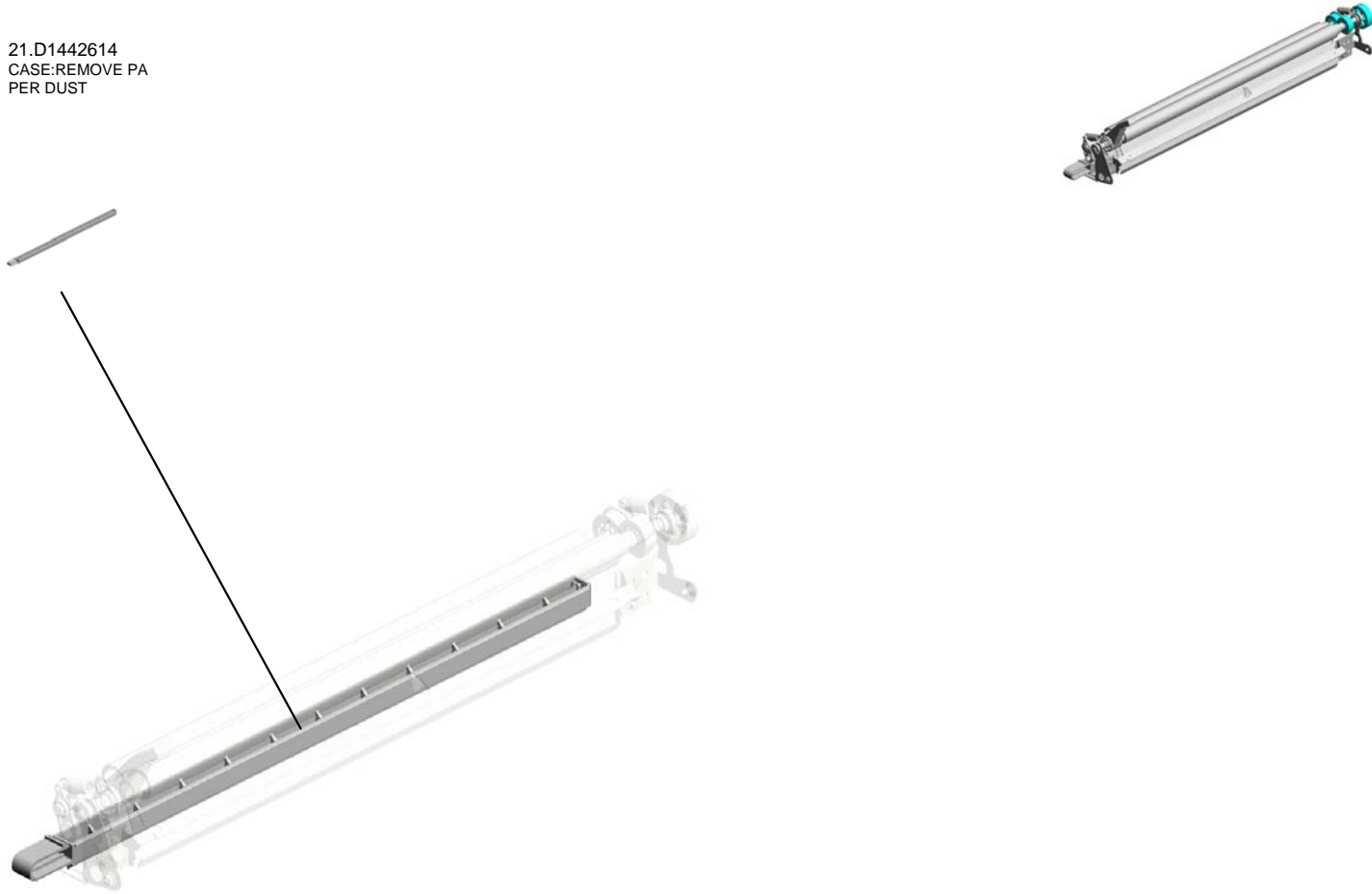


10.B2382655 GEAR - 16Z



U013 Paper Registration

21.D1442614
CASE:REMOVE PA
PER DUST



| | | | | | | | | | | | | | | | | | | | | |
|------|------|------|------|------|------|------|------|------|------|------|------|------|------|------|------|------|------|------|------|------|
| U001 | U002 | U003 | U004 | U005 | U006 | U007 | U008 | U009 | U010 | U011 | U012 | U013 | U014 | U015 | U016 | U017 | U018 | U019 | U020 | U021 |
|------|------|------|------|------|------|------|------|------|------|------|------|------|------|------|------|------|------|------|------|------|

U014.Toner Supply-1

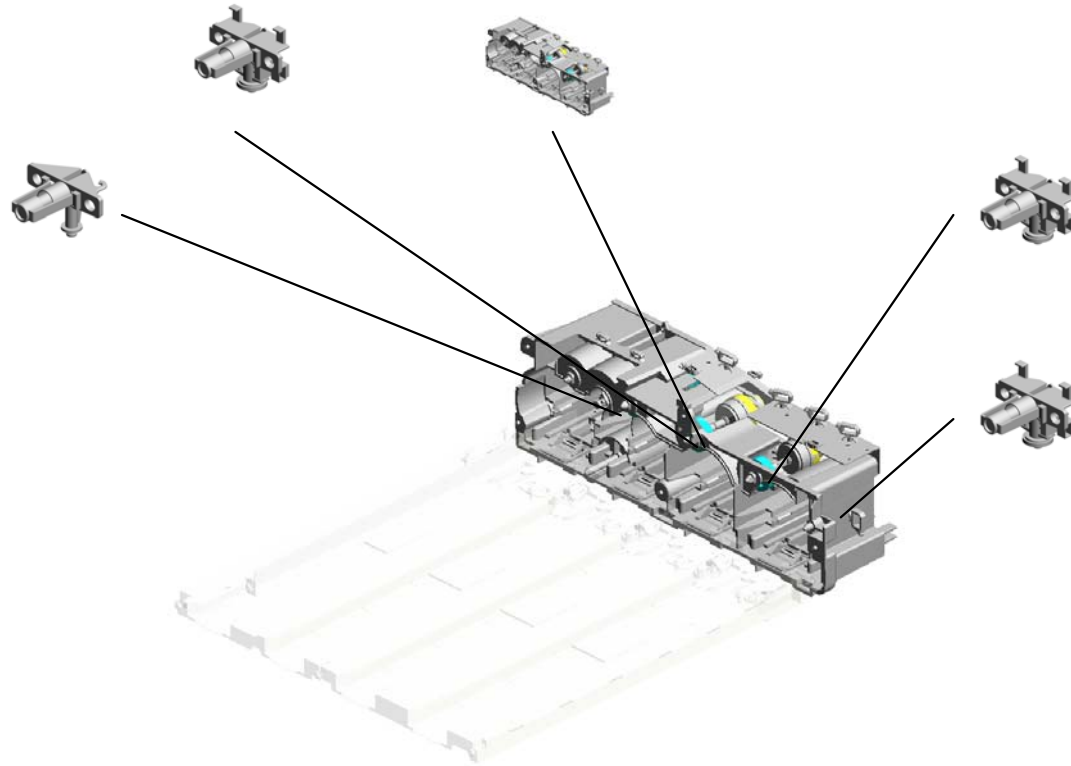
U014_S001
D0893205
NOZZLE:COLOR:ASS'Y

U014_S005
D1443405
DRIVE UNIT:TONER SUPPLY
SUB-UNIT:ASS'Y

U014_S004
D0893286
NOZZLE:BK:ASS'Y

U014_S002
D0893205
NOZZLE:COLOR:ASS'Y

U014_S003
D0893205
NOZZLE:COLOR:ASS'Y



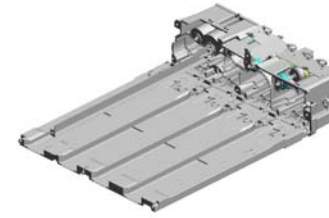
| | | | | | | | | | | | | | | | | | | | | |
|------|------|------|------|------|------|------|------|------|------|------|------|------|------|------|------|------|------|------|------|------|
| U001 | U002 | U003 | U004 | U005 | U006 | U007 | U008 | U009 | U010 | U011 | U012 | U013 | U014 | U015 | U016 | U017 | U018 | U019 | U020 | U021 |
|------|------|------|------|------|------|------|------|------|------|------|------|------|------|------|------|------|------|------|------|------|

U014 Toner Supply-1

15.B2233328
TONER CARTRIDGE
GUIDE

26.D0893304
BASE:TONER SUP
PLY UNIT:ASSY

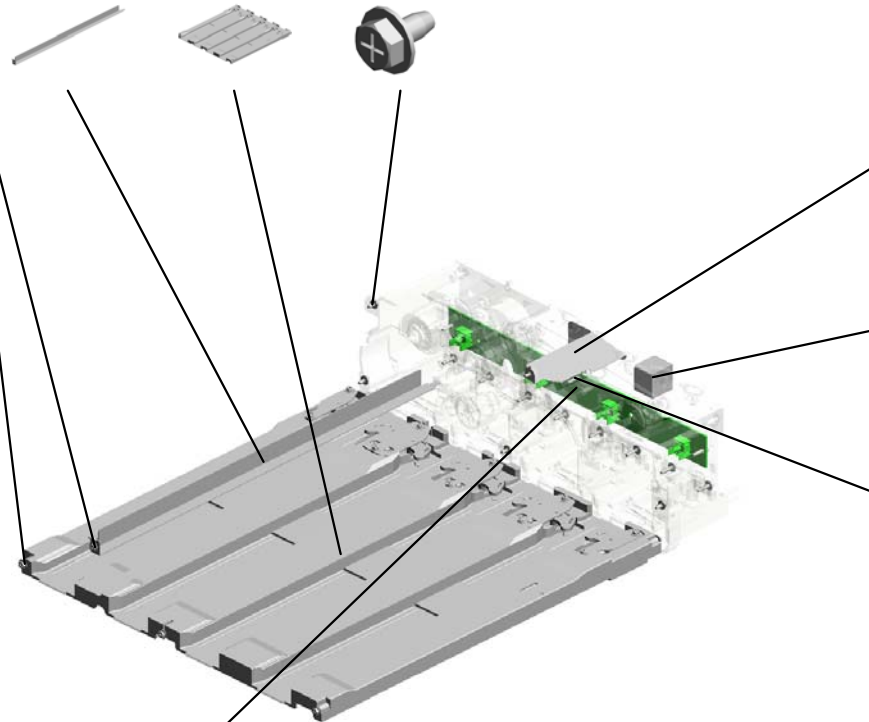
3.04513006N
(x5)
TAPPING SCREW -
3X6



4.04543006Q
TAPPING SCREW -
M3X6



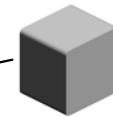
1.04503008N
(x6)
TAPPING SCREW -
M3X8



31.D0893470
GROUND PLATE:R
FID



23.D0293471
GASKET:RFID



2.04503012N
(x12)
TAPPING SCREW:
3X12



33.D1445119
PCB:BRB

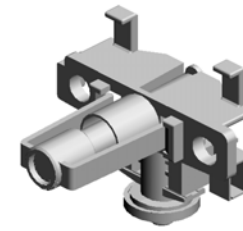


| | | | | | | | | | | | | | | | | | | | | |
|------|------|------|------|------|------|------|------|------|------|------|------|------|-------------|------|------|------|------|------|------|------|
| U001 | U002 | U003 | U004 | U005 | U006 | U007 | U008 | U009 | U010 | U011 | U012 | U013 | U014 | U015 | U016 | U017 | U018 | U019 | U020 | U021 |
|------|------|------|------|------|------|------|------|------|------|------|------|------|-------------|------|------|------|------|------|------|------|

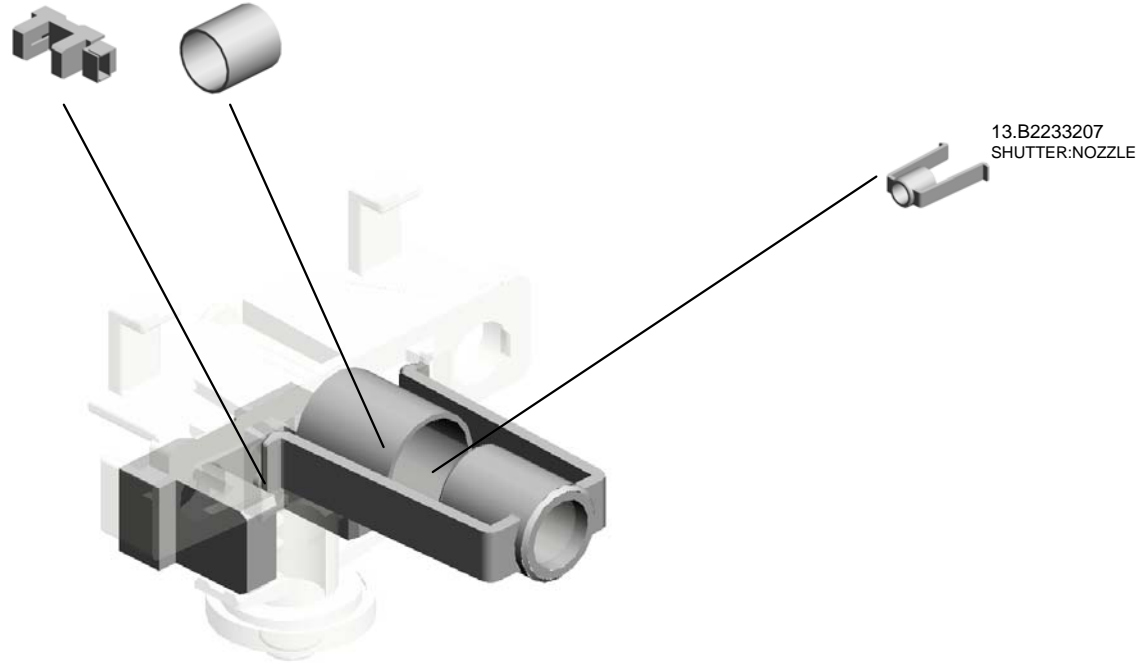
U014_S001
NOZZLE:COLOR:ASS'Y

12.AW020185
TONER END SENS
OR

14.B2233208
SPRING:SHUTTER:
NOZZLE



24.D0893205
NOZZLE:COLOR:A
SS'Y

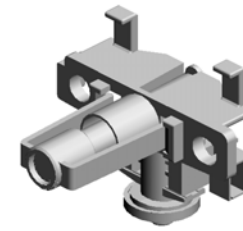


| | | | | | | | | | | | | | | | | | | | | |
|------|------|------|------|------|------|------|------|------|------|------|------|------|------|------|------|------|------|------|------|------|
| U001 | U002 | U003 | U004 | U005 | U006 | U007 | U008 | U009 | U010 | U011 | U012 | U013 | U014 | U015 | U016 | U017 | U018 | U019 | U020 | U021 |
|------|------|------|------|------|------|------|------|------|------|------|------|------|------|------|------|------|------|------|------|------|

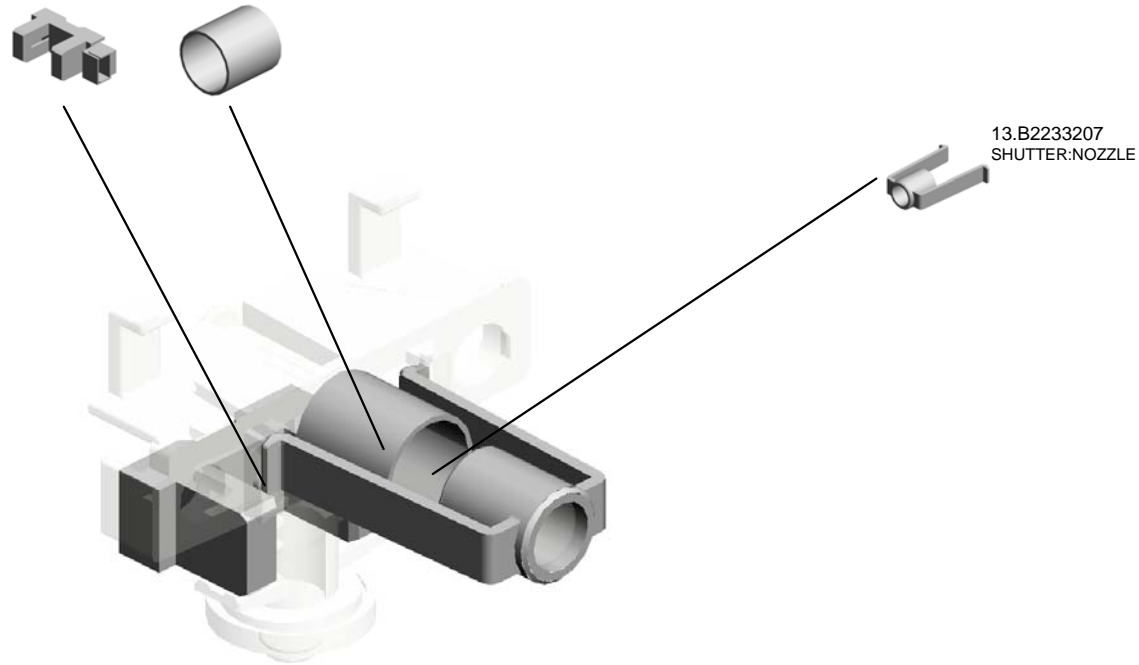
U014_S002
NOZZLE:COLOR:ASS'Y

12.AW020185
TONER END SENS
OR

14.B2233208
SPRING:SHUTTER:
NOZZLE



24.D0893205
NOZZLE:COLOR:A
SS'Y

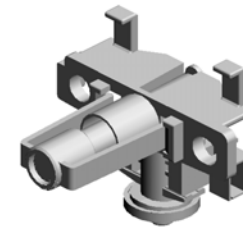


| | | | | | | | | | | | | | | | | | | | | |
|------|------|------|------|------|------|------|------|------|------|------|------|------|------|------|------|------|------|------|------|------|
| U001 | U002 | U003 | U004 | U005 | U006 | U007 | U008 | U009 | U010 | U011 | U012 | U013 | U014 | U015 | U016 | U017 | U018 | U019 | U020 | U021 |
|------|------|------|------|------|------|------|------|------|------|------|------|------|------|------|------|------|------|------|------|------|

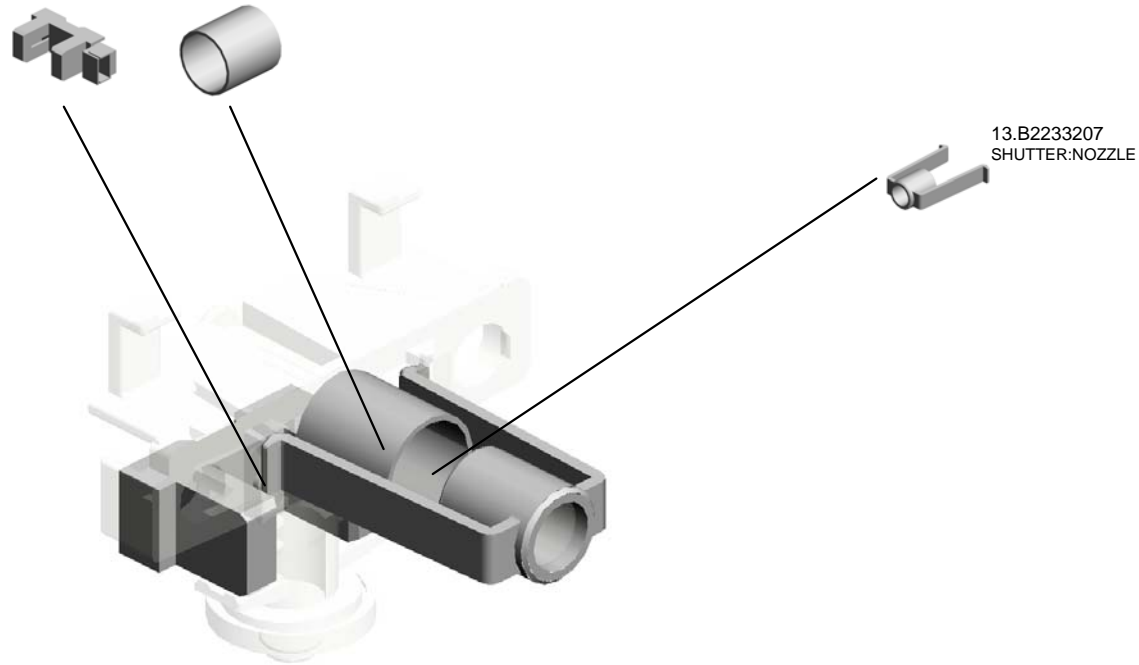
U014_S003
NOZZLE:COLOR:ASS'Y

12.AW020185
TONER END SENS
OR

14.B2233208
SPRING:SHUTTER:
NOZZLE



24.D0893205
NOZZLE:COLOR:A
SS'Y



13.B2233207
SHUTTER:NOZZLE

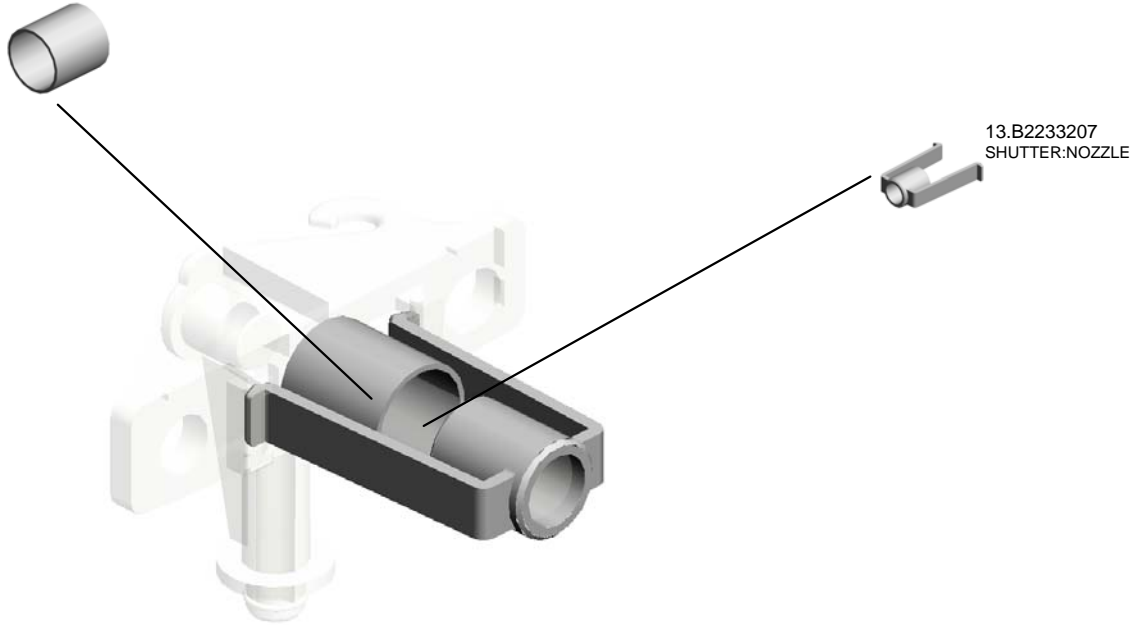
| | | | | | | | | | | | | | | | | | | | | |
|------|------|------|------|------|------|------|------|------|------|------|------|------|------|------|------|------|------|------|------|------|
| U001 | U002 | U003 | U004 | U005 | U006 | U007 | U008 | U009 | U010 | U011 | U012 | U013 | U014 | U015 | U016 | U017 | U018 | U019 | U020 | U021 |
|------|------|------|------|------|------|------|------|------|------|------|------|------|------|------|------|------|------|------|------|------|

U014_S004
NOZZLE:BK:ASS'Y

14.B2233208
SPRING:SHUTTER:
NOZZLE



25.D0893286
NOZZLE:BK:ASS'Y



13.B2233207
SHUTTER:NOZZLE

| | | | | | | | | | | | | | | | | | | | | |
|------|------|------|------|------|------|------|------|------|------|------|------|------|------|------|------|------|------|------|------|------|
| U001 | U002 | U003 | U004 | U005 | U006 | U007 | U008 | U009 | U010 | U011 | U012 | U013 | U014 | U015 | U016 | U017 | U018 | U019 | U020 | U021 |
|------|------|------|------|------|------|------|------|------|------|------|------|------|------|------|------|------|------|------|------|------|

U014_S005

DRIVE UNIT:TONER SUPPLY SUB-UNIT:ASS'Y

19.B2233461
(x3)
PULLEY:TONER B
OTTLE:YC

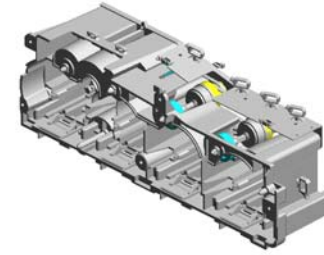
22.B2233464
GEAR:MAGNETIC
CLUTCH:Y

30.D0893426
(x3)
SHAFT:DRIVE:DRI
VE UNIT:YCM

8.11050511
(x2)
HARNES CLAMP -
LWS-0306ZC

18.B2233441
(x2)
TIMING BELT:TON
ER BOTTLE

32.D1443405
DRIVE UNIT:TON
R SUPPLY SUB-UN
IT:ASS'Y



28.D0893408
(x3)
MAGNETIC CLUTC
H:TONER BOTTLE:
YCM:ASS'Y

27.D0893407
MAGNETIC CLUTC
H:TONER BOTTLE:
BK:ASS'Y

29.D0893424
SHAFT:DRIVE:DRI
VE UNIT:BK

17.B2233428
(x4)
SPRING:DRIVE UNI
T:TONER BOTTLE

5.04563010N
(x11)
TAPPING SCREW -
M3X10

16.B2233334
(x4)
HOLDER:STOPPE
R:SHUTTER:ASS'Y

21.B2233463
(x4)
GEAR:TONER BOT
TLE:DRIVE

6.07200040E
(x14)
RETAINING RING -
M4

9.11050683
(x4)
CLAMP:LWSR-051
1S

10.11050723
(x2)
CLAMPS:WES-050
7

7.11050508
HARNES CLAMP -
LWS-0711

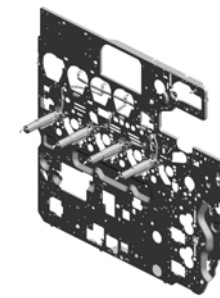
20.B2233462
(x2)
PULLEY:TONER B
OTTLE:CM

11.AA082101
(x8)
BUSHING - 6X10X6

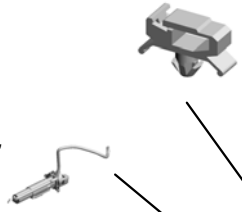
U015 Toner Supply-2

2.11050511 (x4)
HARNESS CLAMP - LWS-0306ZC

4.B2233209 (x4)
TUBE CLIP



6.D1443222
PUMP UNIT:Y:ASS'
Y



7.D1443223
PUMP UNIT:C:ASS'
Y



5.D1443221
PUMP UNIT:BK:AS
S'Y



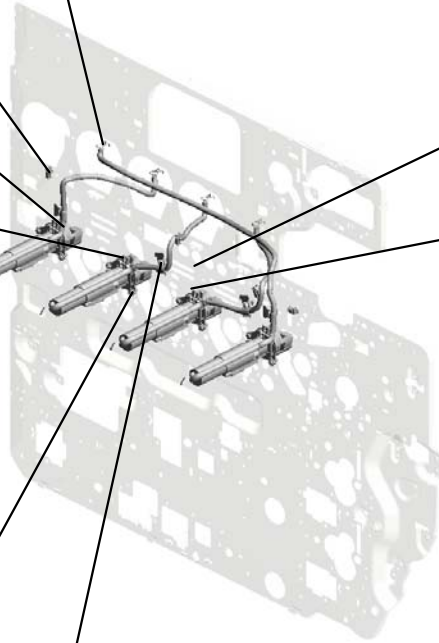
8.D1443224
PUMP UNIT:M:ASS'
Y



1.04513008N (x8)
TAPPING SCREW - M3X8



3.B2233206 (x4)
TUBE CLAMP



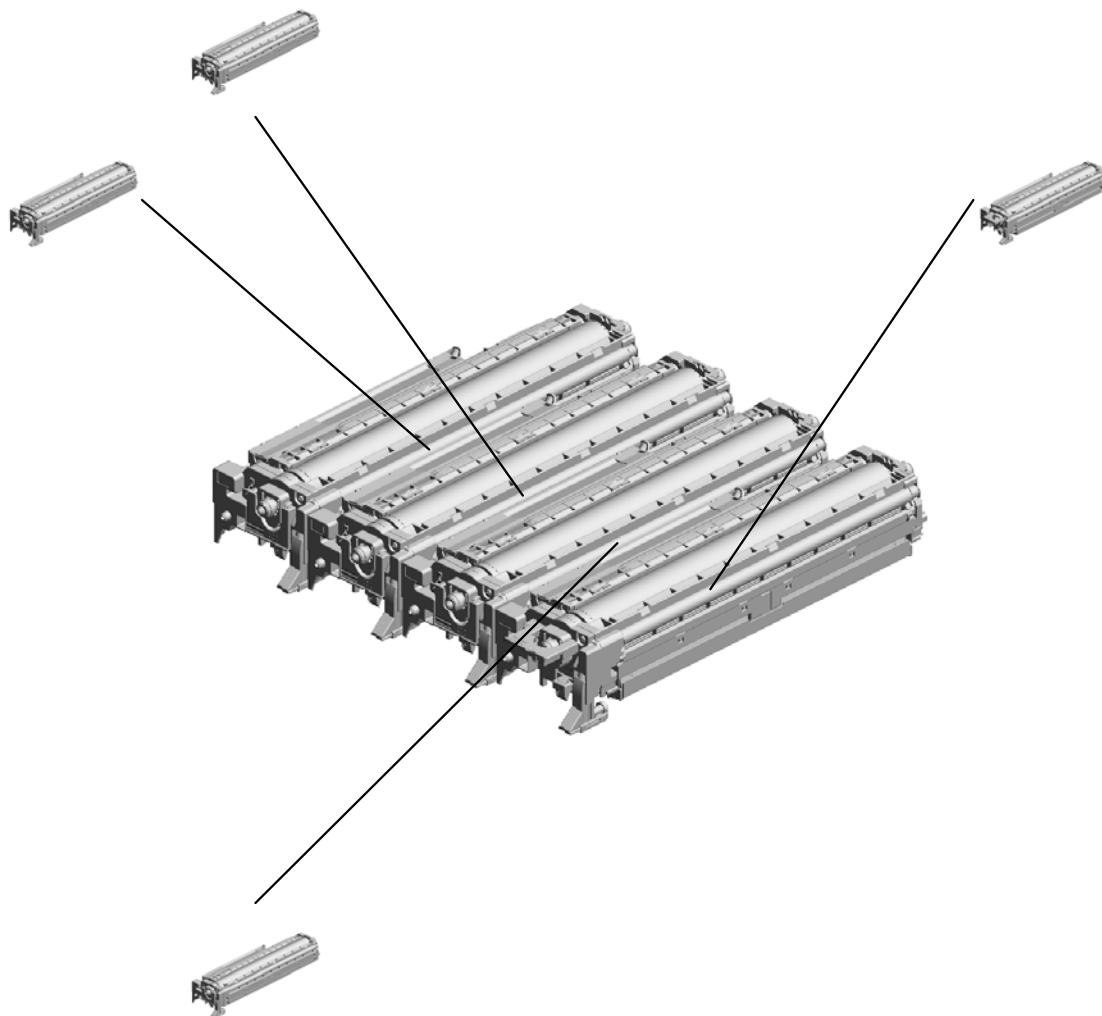
U016.PCDU

U016_S003
D1442201
PCDU:M

U016_S004
D1442203
PCDU:Y

U016_S001
D1442200
PCDU:BK

U016_S002
D1442202
PCDU:C



| | | | | | | | | | | | | | | | | | | | | |
|------|------|------|------|------|------|------|------|------|------|------|------|------|------|------|------|------|------|------|------|------|
| U001 | U002 | U003 | U004 | U005 | U006 | U007 | U008 | U009 | U010 | U011 | U012 | U013 | U014 | U015 | U016 | U017 | U018 | U019 | U020 | U021 |
|------|------|------|------|------|------|------|------|------|------|------|------|------|------|------|------|------|------|------|------|------|

U016
PCDU



13.D1449640
DEVELOPER:K



14.D1449660
DEVELOPER:C



15.D1449670
DEVELOPER:M



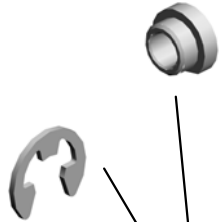
16.D1449680
DEVELOPER:Y

U016_S001
PCDU:BK

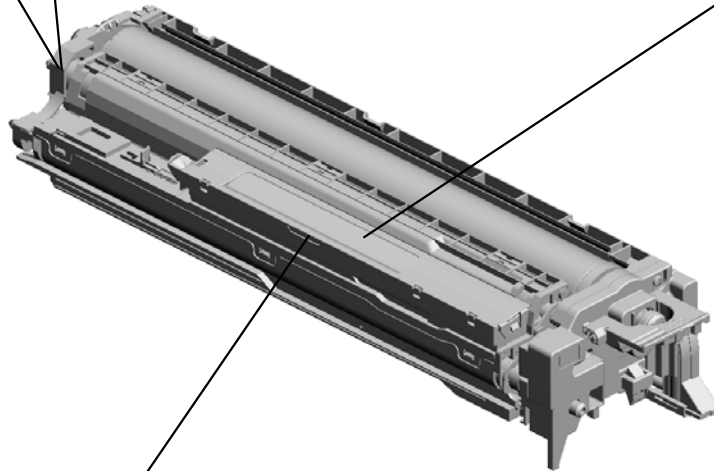
2.AA084000
PLAIN SHAFT BEA
RING:DIA6



1.07200040E
RETAINING RING -
M4



7.D1442250
PCU:BK:ASS'Y



9.D1443010
DEVELOPMENT UN
IT:BK:ASS'Y



| | | | | | | | | | | | | | | | | | | | | |
|------|------|------|------|------|------|------|------|------|------|------|------|------|------|------|------|------|------|------|------|------|
| U001 | U002 | U003 | U004 | U005 | U006 | U007 | U008 | U009 | U010 | U011 | U012 | U013 | U014 | U015 | U016 | U017 | U018 | U019 | U020 | U021 |
|------|------|------|------|------|------|------|------|------|------|------|------|------|------|------|------|------|------|------|------|------|

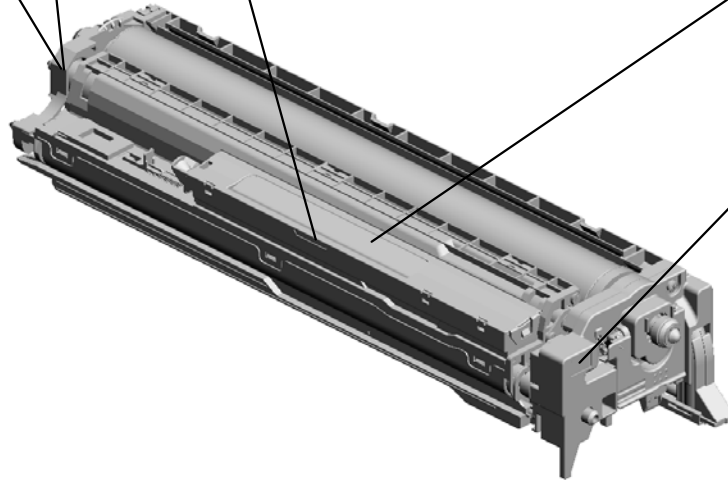
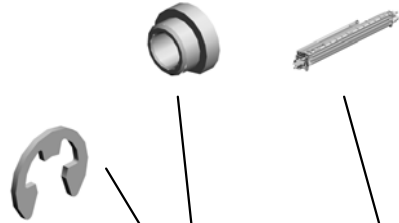
U016_S002
PCDU:C

2.AA084000
PLAIN SHAFT BEA
RING:DIA6

11.D1443030
DEVELOPMENT UN
IT:C:ASS'Y



1.07200040E
RETAINING RING -
M4



8.D1442252
PCU:COLLAR:ASS'
Y



| | | | | | | | | | | | | | | | | | | | | |
|------|------|------|------|------|------|------|------|------|------|------|------|------|------|------|------|------|------|------|------|------|
| U001 | U002 | U003 | U004 | U005 | U006 | U007 | U008 | U009 | U010 | U011 | U012 | U013 | U014 | U015 | U016 | U017 | U018 | U019 | U020 | U021 |
|------|------|------|------|------|------|------|------|------|------|------|------|------|------|------|------|------|------|------|------|------|

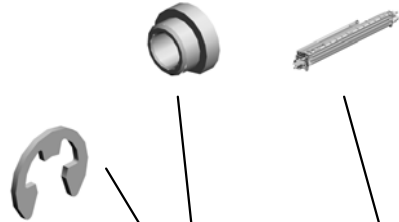
U016_S003
PCDU:M

2.AA084000
PLAIN SHAFT BEA
RING:DIA6

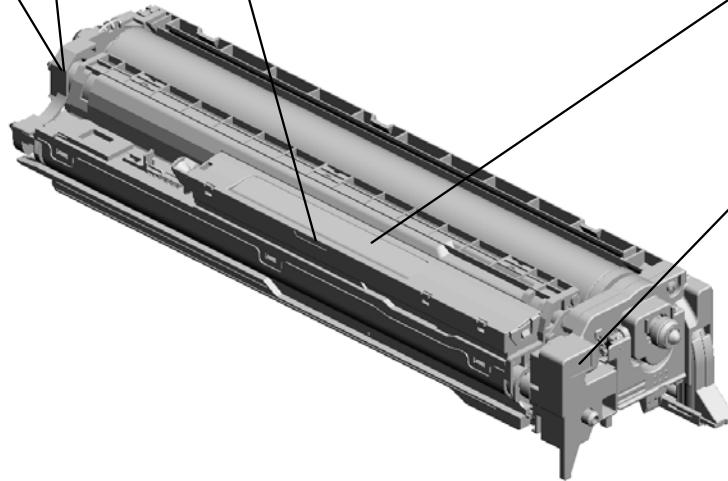
10.D1443020
DEVELOPMENT UN
IT:M:ASS'Y



1.07200040E
RETAINING RING -
M4



8.D1442252
PCU:COLLAR:ASS'
Y



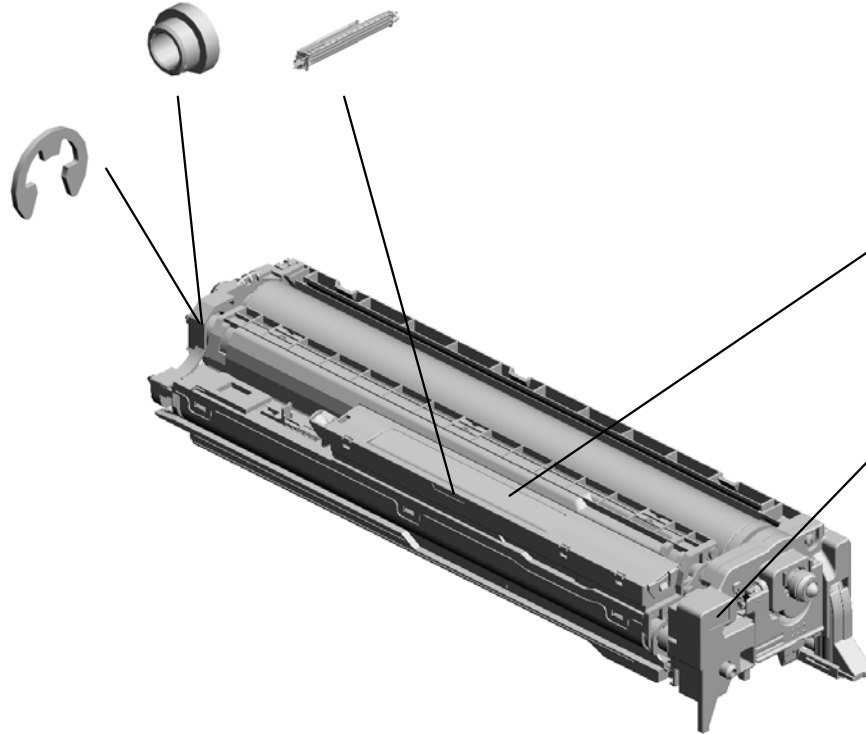
U016_S004
PCDU:Y

2.AA084000
PLAIN SHAFT BEA
RING:DIA6

12.D1443040
DEVELOPMENT UN
IT:Y:ASS'Y

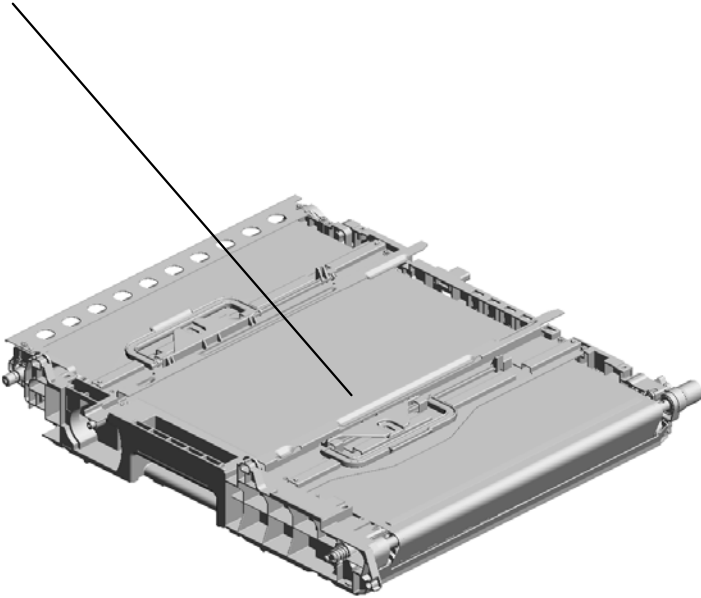
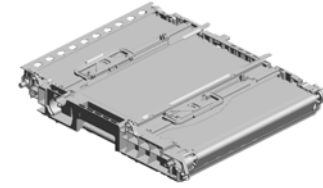


1.07200040E
RETAINING RING -
M4



U017
ITB Unit

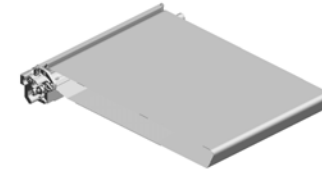
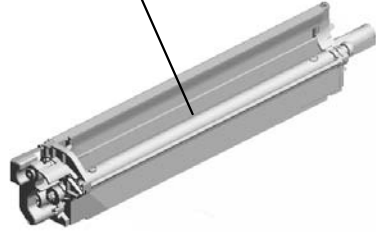
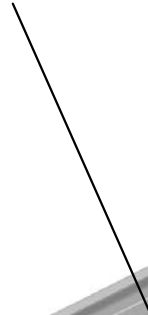
1.D1446011
TRANSFER UNIT:IN
TERMEDIATE TRA
NSFER:ASS'Y



| | | | | | | | | | | | | | | | | | | | | |
|------|------|------|------|------|------|------|------|------|------|------|------|------|------|------|------|------|------|------|------|------|
| U001 | U002 | U003 | U004 | U005 | U006 | U007 | U008 | U009 | U010 | U011 | U012 | U013 | U014 | U015 | U016 | U017 | U018 | U019 | U020 | U021 |
|------|------|------|------|------|------|------|------|------|------|------|------|------|------|------|------|------|------|------|------|------|

U018
ITB Cleaning

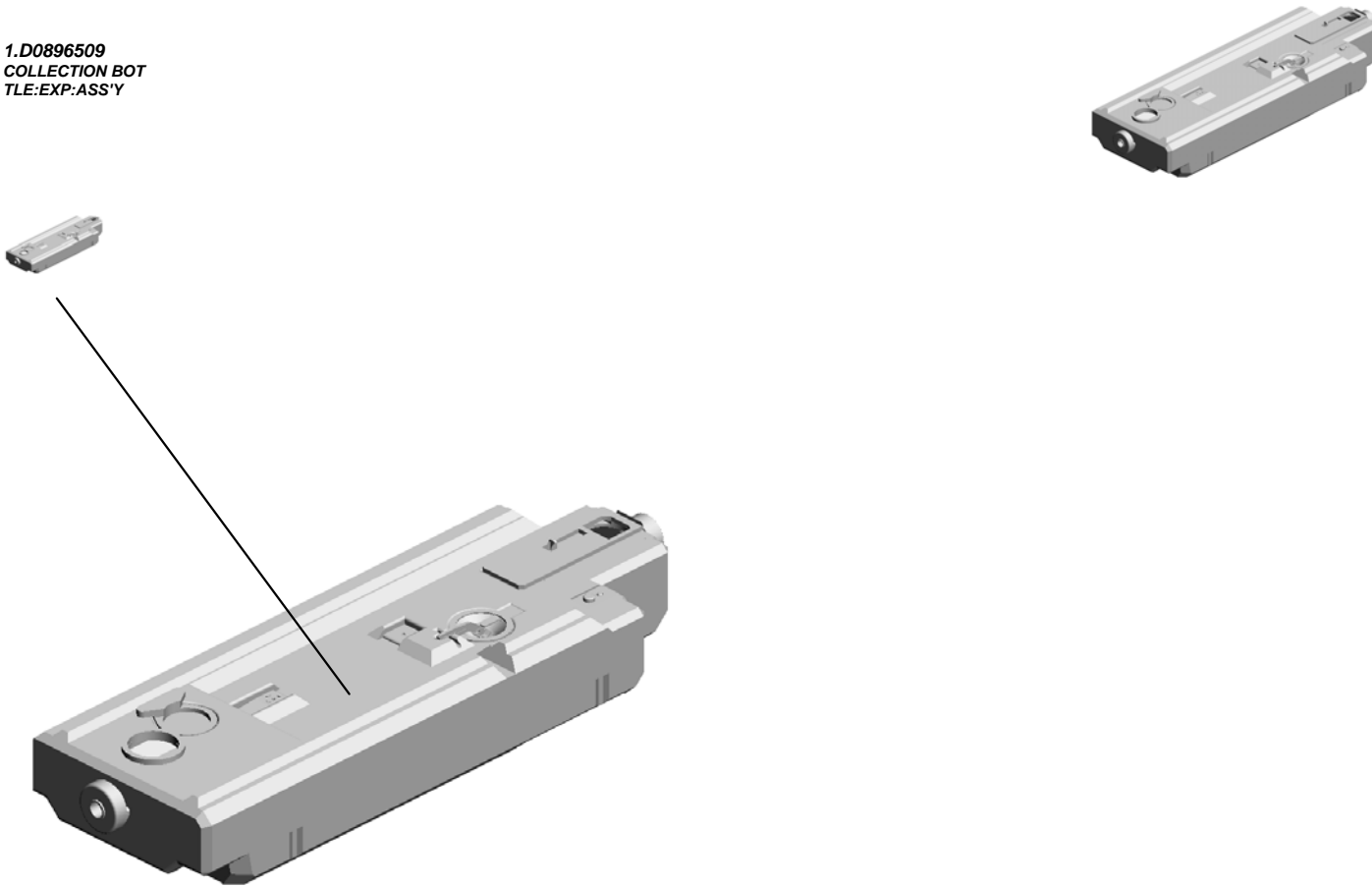
1.D1440621
CLEANING UNIT:IN
TERMEDIATE TRA
NSFER:ASS'Y



| | | | | | | | | | | | | | | | | | | | | |
|------|------|------|------|------|------|------|------|------|------|------|------|------|------|------|------|------|------|------|------|------|
| U001 | U002 | U003 | U004 | U005 | U006 | U007 | U008 | U009 | U010 | U011 | U012 | U013 | U014 | U015 | U016 | U017 | U018 | U019 | U020 | U021 |
|------|------|------|------|------|------|------|------|------|------|------|------|------|------|------|------|------|------|------|------|------|

U019
Used Toner-1

1.D0896509
COLLECTION BOT
TLE:EXP:ASS'Y



| | | | | | | | | | | | | | | | | | | | | |
|------|------|------|------|------|------|------|------|------|------|------|------|------|------|------|------|------|------|------|------|------|
| U001 | U002 | U003 | U004 | U005 | U006 | U007 | U008 | U009 | U010 | U011 | U012 | U013 | U014 | U015 | U016 | U017 | U018 | U019 | U020 | U021 |
|------|------|------|------|------|------|------|------|------|------|------|------|------|------|------|------|------|------|------|------|------|

U020 Used Toner-2

- 3.08050089 RETAINING RING - M4
- 1.04513006N (x15) TAPPING SCREW - 3X6
- 12.B2236473 TRANSPORT SCR EW SHAFT
- 15.B2236476 (x2) BUSHING - DIA5
- 13.B2236474 GEAR - 29Z



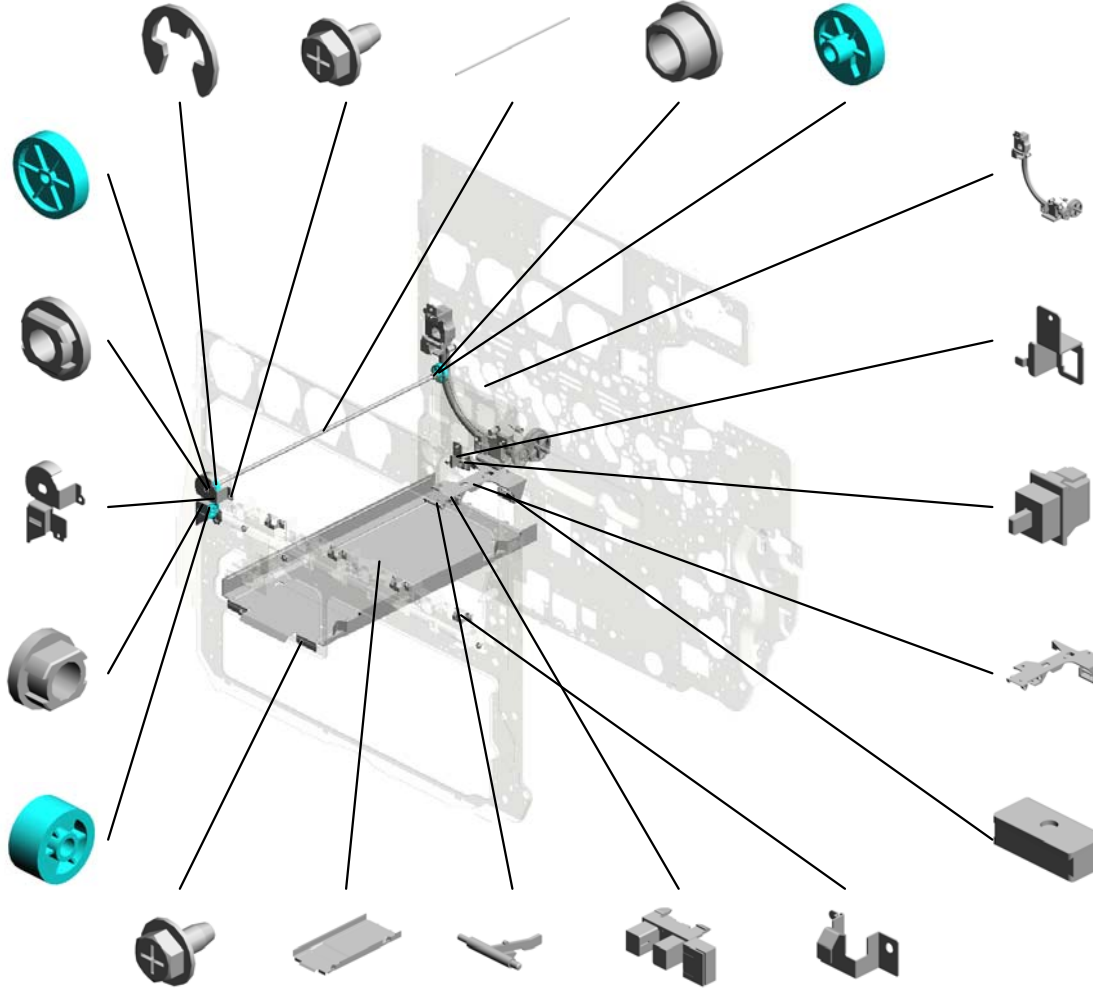
11.B2236472
GEAR - 21Z

14.B2236475
BUSHING - 5X 10X 2.5

10.B2236471
TRANSPORT SCR EW BRACKET

8.B2236464
BUSHING - 6X10X6

7.B2236463
GEAR:DRIVE:TRANSPORT SCREW:FRONT



2.04543006Q (x4) TAPPING SCREW - M3X6

16.B2236496
COLLECTION BOT TLE RAIL

17.B2236503
USED TONER SENSOR FEELER

5.AW020160
PAPER FEED SENSOR

9.B2236467 (x4) BRACKET:LEVER:AIO:0.5

20.D0896481
PIPE:REAR:ASS'Y

18.B2236507
SET SENSOR BRACKET

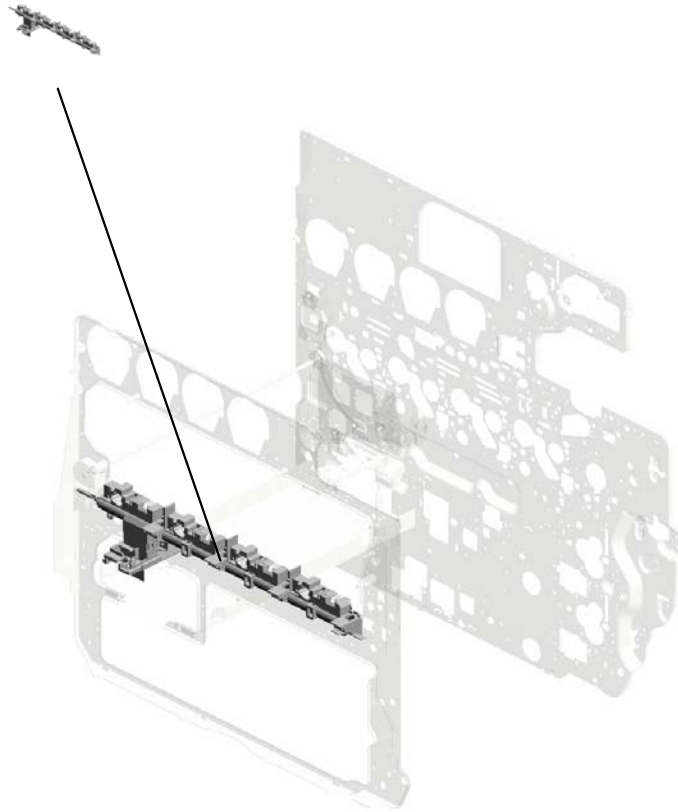
6.AW500023
PUSH SWITCH

19.D0296502
BRACKET:USED TONER SENSOR:C2

4.AG070514
MAGNET CATCH

U020
Used Toner-2

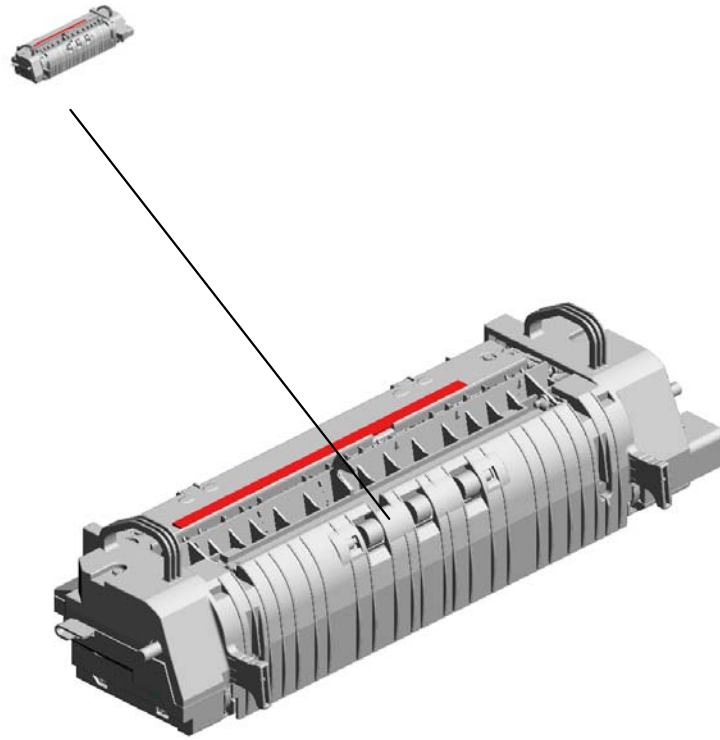
21.D0896540
PIPE:FRONT:ASSY



| | | | | | | | | | | | | | | | | | | | | |
|------|------|------|------|------|------|------|------|------|------|------|------|------|------|------|------|------|------|------|-------------|------|
| U001 | U002 | U003 | U004 | U005 | U006 | U007 | U008 | U009 | U010 | U011 | U012 | U013 | U014 | U015 | U016 | U017 | U018 | U019 | U020 | U021 |
|------|------|------|------|------|------|------|------|------|------|------|------|------|------|------|------|------|------|------|-------------|------|

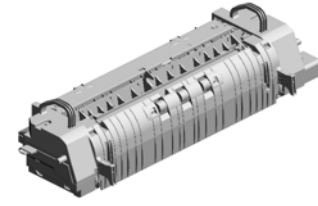
U021.Fusing-1

U021_S001
D1424021
FUSING UNIT:NA:MAINTENA
NCE:ASS'Y



| | | | | | | | | | | | | | | | | | | | | |
|------|------|------|------|------|------|------|------|------|------|------|------|------|------|------|------|------|------|------|------|------|
| U001 | U002 | U003 | U004 | U005 | U006 | U007 | U008 | U009 | U010 | U011 | U012 | U013 | U014 | U015 | U016 | U017 | U018 | U019 | U020 | U021 |
|------|------|------|------|------|------|------|------|------|------|------|------|------|------|------|------|------|------|------|------|------|

U021
Fusing-1



U021_S001

FUSING UNIT:NA:MAINTENANCE:ASS'Y

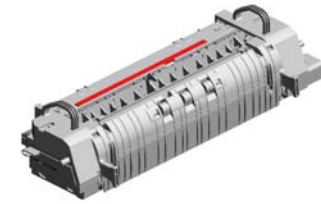
14.AA061095
(x2)
COMPRESSION SP
RING:PRESSURE

1.03603006N
(x11)
SCREW - M3X6

13.AA061093
TORSION SPRING:
STRIPPER PLATE:
REAR

16.AA080348
(x2)
BUSHING:DRIVEN
ROLLER

11.AA061026
(x2)
COMPRESSION SP
RING:DRIVEN ROL
LER



38.D1424021
FUSING UNIT:NA:M
AINTENANCE:ASS'
Y

2.07010040N
(x2)
WASHER:DIA4

3.07200040E
(x4)
RETAINING RING -
M4

5.07403506
(x2)
BALL BEARING:DIA
6XDIA12X4

19.AA148810
(x2)
PIN:LEVER

4.07200060E
(x5)
RETAINING RING -
M6

20.AA148811
(x2)
POSITIONING PIN:
HOLDER:PRESSU
RE ROLLER

17.AA143849
(x10)
SCREW:DIA4:M3

18.AA143870
STEPPED SCREW

7.08046123
(x10)
HEXAGONAL BOLT
:W/WASHER:M3X8

9.09574008N
SCREW:SMALL RO
UND/SPRING:M4X8

10.AA060989
(x2)
SPRING:FUSING E
XIT:PRESSURE

12.AA061092
TORSION SPRING:
STRIPPER PLATE:
FRONT

15.AA061096
(x2)
TENSION SPRING:
SHUTTER

6.07403808
(x3)
BALL BEARING:DIA
8XDIA16X5

8.09573008N
(x2)
SCREW:SMALL RO
UND/SPRING:M3X8

U021_S001
FUSING UNIT:NA:MAINTENANCE:ASS'Y

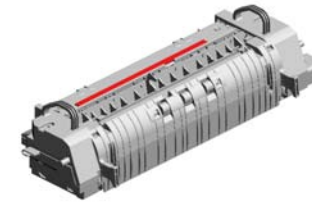
29.AW110101
THERMOSTAT:LOWER

32.D0094664
DRIVEN ROLLER

33.D0254238
BRACKET:DRIVEN ROLLER

35.D0294163
DECAL:WARNING (HIGH TEMPERATURE):FUSING:1

41.D1444057
PRESSURE ROLLER:ASS'Y



38.D1424021
FUSING UNIT:NA:MAINTENANCE:ASS'Y

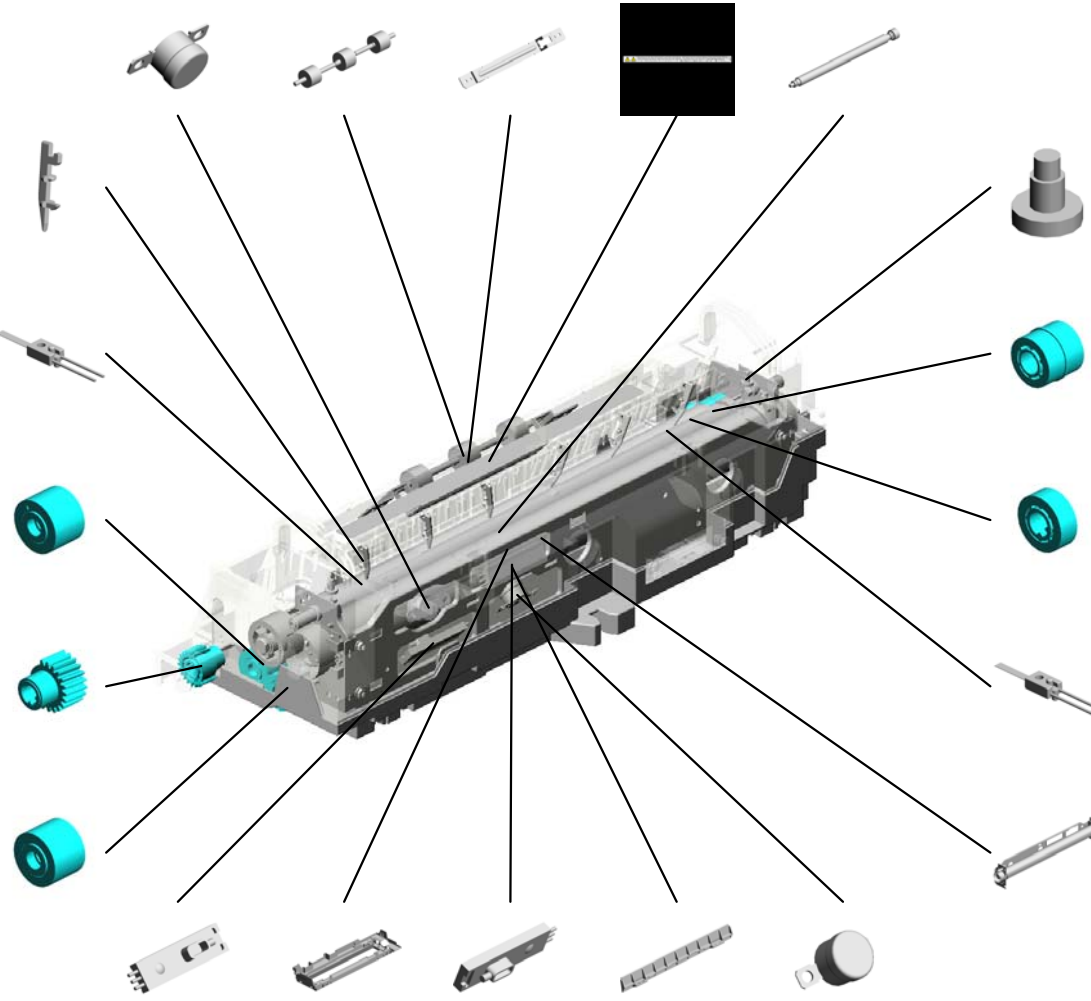
34.D0294129
(x6)
GUIDE:FUSING EXIT:PFA

26.AW100144
THERMISTOR:PRESSURE:MIDDLE

22.AB014331
GEAR:IDLER:PRESSURE ROLLER

37.D0894391
GEAR:ON-OFF:PRESSURE ROLLER

21.AB014330
GEAR:DRIVE:FUSING UNIT



31.B2591131
(x2)
SCREW:PCU

24.AB014335
GEAR:IDLER:SHUTTER

23.AB014334
GEAR:SHUTTER

25.AW100143
THERMISTOR:PRESSURE:FRONT

39.D1424081
SLEEVE:FUSING:NA:ASS'Y

28.AW100146
TEMPERATURE SENSOR:NC-F10:REAR

40.D1424100
FUSING COVER:LOWER

27.AW100145
TEMPERATURE SENSOR:NC-F10:MIDDLE

36.D0394241
FUSING ENTRANCE GUIDE PLATE

30.AW110102
THERMOSTAT:MIDDLE:UPPER

U021_S001
FUSING UNIT:NA:MAINTENANCE:ASS'Y

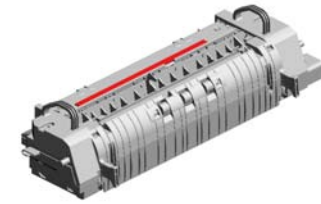
57.D1444180
(x2)
ADJUSTING SCREW:PRESSURE

53.D1444164
(x2)
ADJUSTING PLATE:PRESSURE

59.D1444188
SPACER:SHUTTER:REAR

42.D1444103
FUSING COVER:UPPER

54.D1444170
GUIDE PLATE:FUSING EXIT:RIGHT



38.D1424021
FUSING UNIT:NA:MAINTENANCE:ASS'Y

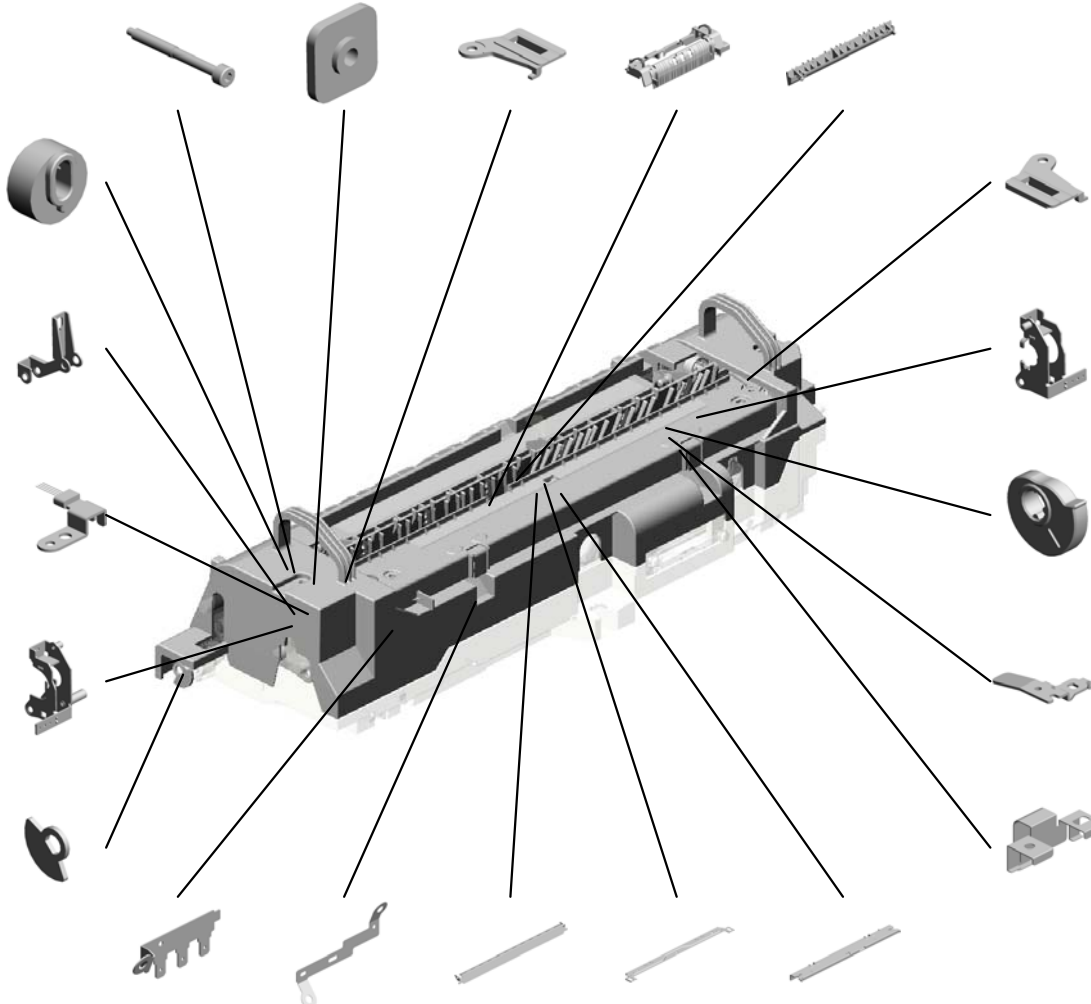
56.D1444175
(x2)
GUIDE:COIL SPRING:PRESSURE SUB-UNIT

45.D1444113
(x2)
LEVER:PRESSURE ROLLER

55.D1444173
DISCHARGE BRUSH:PRESSURE ROLLER

52.D1444159
HOLDER:PRESSURE ROLLER:REAR:PEEN

51.D1444142
ENCODER:ON-OFF:PRESSURE ROLLER



58.D1444187
SPACER:SHUTTER:FRONT

46.D1444114
HOLDER:PRESSURE ROLLER:FRONT:PEEN

43.D1444104
(x2)
CAM:ON-OFF:PRESSURE ROLLER

44.D1444110
(x2)
BRACKET:THERMOSTOR:PRESSURE ROLLER

61.D1444192
(x2)
SPRING PLATE:0.25MM

49.D1444137
ELECTRODE PLATE:HEATER:REAR

50.D1444138
ELECTRODE PLATE:CONNECTING:THERMOSTAT

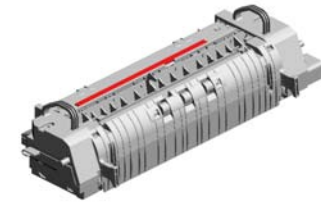
48.D1444136
STRIPPER PLATE:FUSING EXIT

60.D1444191
PLATE:SHUTTER

47.D1444134
GUIDE PLATE:FUSING EXIT:LEFT

U021_S001
 FUSING UNIT:NA:MAINTENANCE:ASS'Y

66.D1444225 63.D1444211
 SHAFT:ON-OFF:PR SHEET:LEVER
 ESSURE ROLLER



38.D1424021
 FUSING UNIT:NA:M
 AINTENANCE:ASS'
 Y

62.D1444210
 (x2)
 DECAL:C2:BLUE:F
 USING



65.D1444222
 DECAL:H-TEMP W
 ARNING:FUSING:2

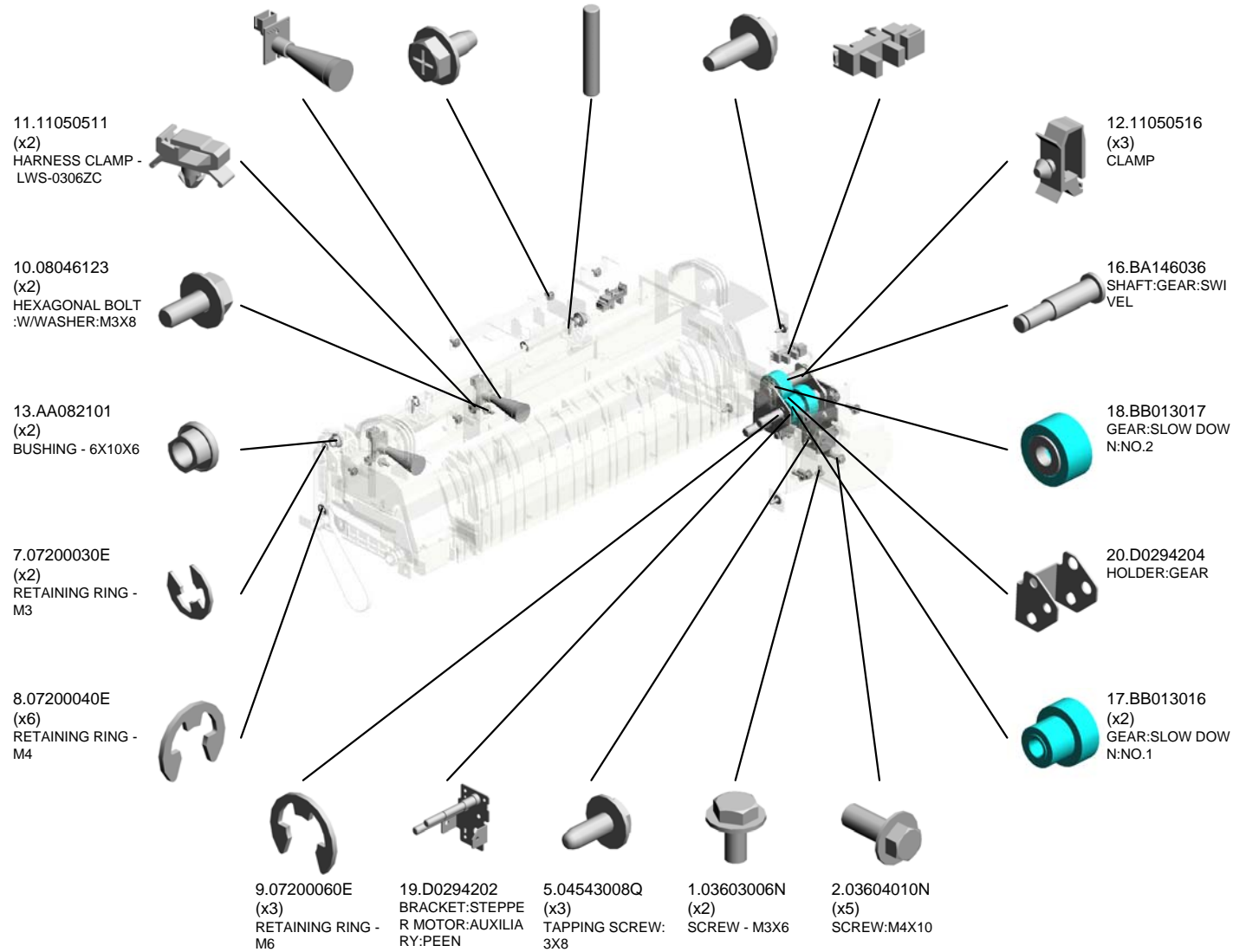
67.D1444289
 GUIDE:HARNES:F
 USING

64.D1444219
 (x2)
 PROOFING MATER
 IAL:FUSING COVE
 R:LOWER

| | | | | | | | | | | | | | | | | | | | | |
|------|------|------|------|------|------|------|------|------|------|------|------|------|------|------|------|------|------|------|------|------|
| U001 | U002 | U003 | U004 | U005 | U006 | U007 | U008 | U009 | U010 | U011 | U012 | U013 | U014 | U015 | U016 | U017 | U018 | U019 | U020 | U021 |
|------|------|------|------|------|------|------|------|------|------|------|------|------|------|------|------|------|------|------|------|------|

U022 Fusing-2

- 15.AW100138 (x2) THERMOPILE
- 4.04543006Q (x10) TAPPING SCREW - M3X6
- 6.06320120G (x2) PARALLEL PIN - 2X 12
- 3.04503008N TAPPING SCREW - M3X8
- 14.AW020190 (x2) PHOTOINTERRUPTOR



| | | | | | | | | | | | | | | | | | | | | | |
|------|------|------|------|------|------|------|------|------|------|------|------|------|------|------|------|------|------|------|------|------|------|
| U001 | U002 | U003 | U004 | U005 | U006 | U007 | U008 | U009 | U010 | U011 | U012 | U013 | U014 | U015 | U016 | U017 | U018 | U019 | U020 | U021 | U022 |
|------|------|------|------|------|------|------|------|------|------|------|------|------|------|------|------|------|------|------|------|------|------|

U022 Fusing-2



- 35.D1444185 GEAR:MECHANICAL ROLLER CLUTCH :Z17
- 31.D1441192 GEAR:PULLEY:FUSING:SHUTTER:NO.2
- 28.D1441187 BRACKET:FUSING:SHUTTER:MAIN ASSY:ASSY
- 38.D1444199 SHAFT:CAM:SHUTTER:FUSING EXIT
- 36.D1444193 BRACKET:CAM:SHUTTER:FUSING EXIT

29.D1441190 TENSION SPRING: 1.5N:23MM

34.D1441197 ROLLER:TIGHTENER:FUSING:SHUTTER

33.D1441194 BRACKET:TIGHTENER:FUSING:SHUTTER:ASSY

32.D1441193 PULLEY:FUSING:SHUTTER:NO.3

27.D1441179 SYNCHRONOUS BELT:S2M:5X316

30.D1441191 GEAR:PULLEY:FUSING:SHUTTER:NO.1

26.D1054365 HOLDER:THERMOPILE

37.D1444194 (x2) CAM:SHUTTER:FUSING EXIT

39.D1444201 BRACKET:GEAR:SLOW DOWN

25.D0894360 GEAR:SLOW DOWN:WORM GEAR

22.D0294339 BRACKET:SENSOR:ON-OFF

21.D0294222 BRACKET:GEAR:SUPPORTING PLATE

24.D0894353 STOPPER

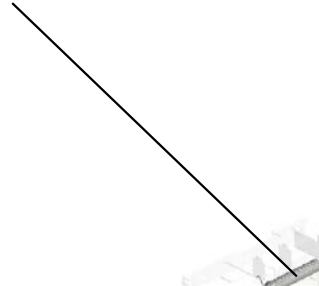
23.D0894351 PLATE:DC STEPPER MOTOR

40.D1444202 STEPPER MOTOR: ASSY

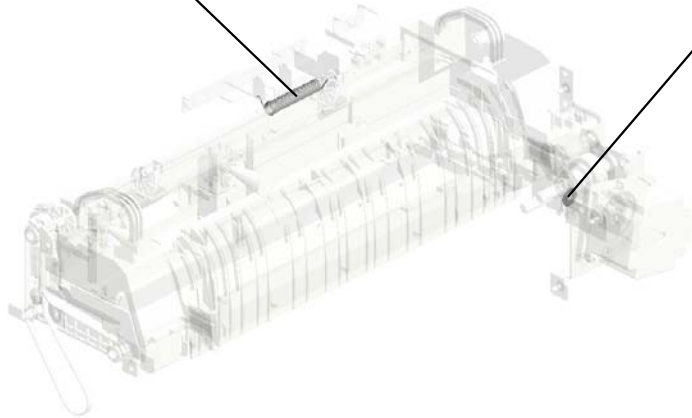
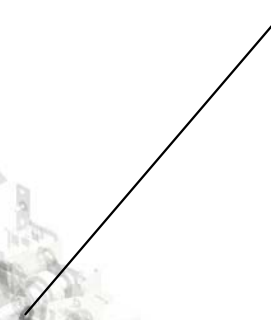
| | | | | | | | | | | | | | | | | | | | | |
|------|------|------|------|------|------|------|------|------|------|------|------|------|------|------|------|------|------|------|------|------|
| U001 | U002 | U003 | U004 | U005 | U006 | U007 | U008 | U009 | U010 | U011 | U012 | U013 | U014 | U015 | U016 | U017 | U018 | U019 | U020 | U021 |
|------|------|------|------|------|------|------|------|------|------|------|------|------|------|------|------|------|------|------|------|------|

U022
Fusing-2

41.D1444204
TORSION SPRING:
CAM:SHUTTER:FU
SING EXIT



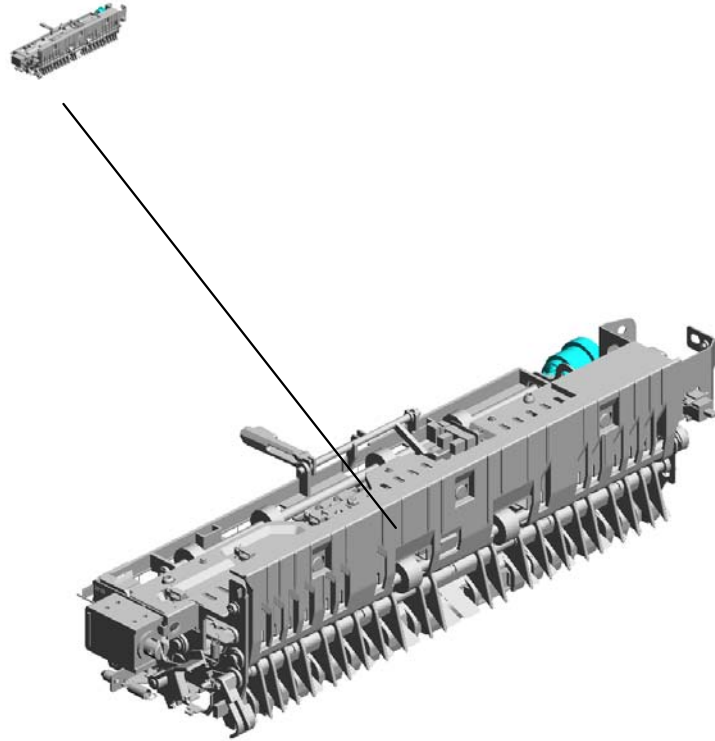
42.GA132007
(x2)
SPACER:GEAR:PH
OTOCONDUCTOR:
NO.1



| | | | | | | | | | | | | | | | | | | | | |
|------|------|------|------|------|------|------|------|------|------|------|------|------|------|------|------|------|------|------|------|------|
| U001 | U002 | U003 | U004 | U005 | U006 | U007 | U008 | U009 | U010 | U011 | U012 | U013 | U014 | U015 | U016 | U017 | U018 | U019 | U020 | U021 |
|------|------|------|------|------|------|------|------|------|------|------|------|------|------|------|------|------|------|------|------|------|

U023.Paper Exit

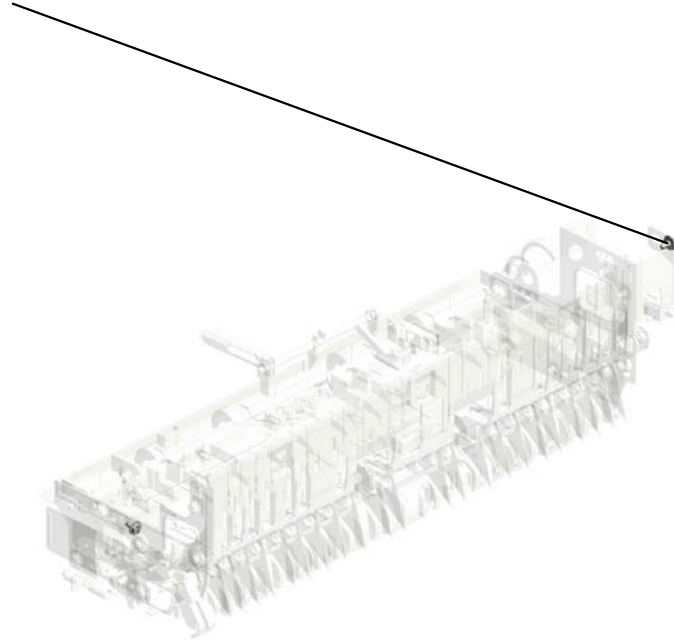
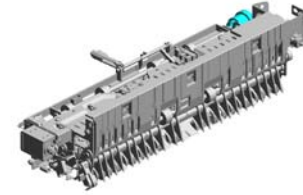
U023_S001
D1444405
PAPER EXIT UNIT:MACHINE
OR COPIER:ASSY



| | | | | | | | | | | | | | | | | | | | | |
|------|------|------|------|------|------|------|------|------|------|------|------|------|------|------|------|------|------|------|------|------|
| U001 | U002 | U003 | U004 | U005 | U006 | U007 | U008 | U009 | U010 | U011 | U012 | U013 | U014 | U015 | U016 | U017 | U018 | U019 | U020 | U021 |
|------|------|------|------|------|------|------|------|------|------|------|------|------|------|------|------|------|------|------|------|------|

U023
Paper Exit

2.04543006Q
(x2)
TAPPING SCREW -
M3X6



U023_S001
 PAPER EXIT UNIT:MACHINE OR COPIER:ASS'Y

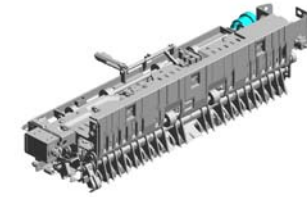
5.08050092
 RETAINING RING -
 3M

15.B1202063
 BUSHING - 4MM

7.11050516
 CLAMP

11.AW010107
 (x2)
 PAPER FEED SEN
 SOR

20.D0094443
 DISCHARGE BRUS
 H - EXIT



35.D1444405
 PAPER EXIT UNIT:
 MACHINE OR COPI
 ER:ASSY

6.11050511
 (x11)
 HARNESS CLAMP -
 LWS-0306ZC

1.04513006N
 (x13)
 TAPPING SCREW -
 3X6

3.04563010N
 (x8)
 TAPPING SCREW -
 M3X10

21.D0294427
 BRACKET:POSITIO
 NING:GUIDE PLAT
 E:MIDDLE

9.AA080156
 BUSHING - M4

16.B2234493
 SHAFT:PRESSURE
 :AUXILIARY

18.B2384458
 COMPRESSION SP
 RING - DRIVEN RO
 LLER

12.AW010147
 PHOTO REFLECTI
 ON SENSOR

10.AA082156
 (x7)
 BUSHING:DIA6XDI
 A10X6

8.11050692
 CLAMP:LES-0503

19.D0094407
 FEELER - OVERFL
 OW

17.B2234497
 SHAFT:FEELER:OV
 ERFLOW

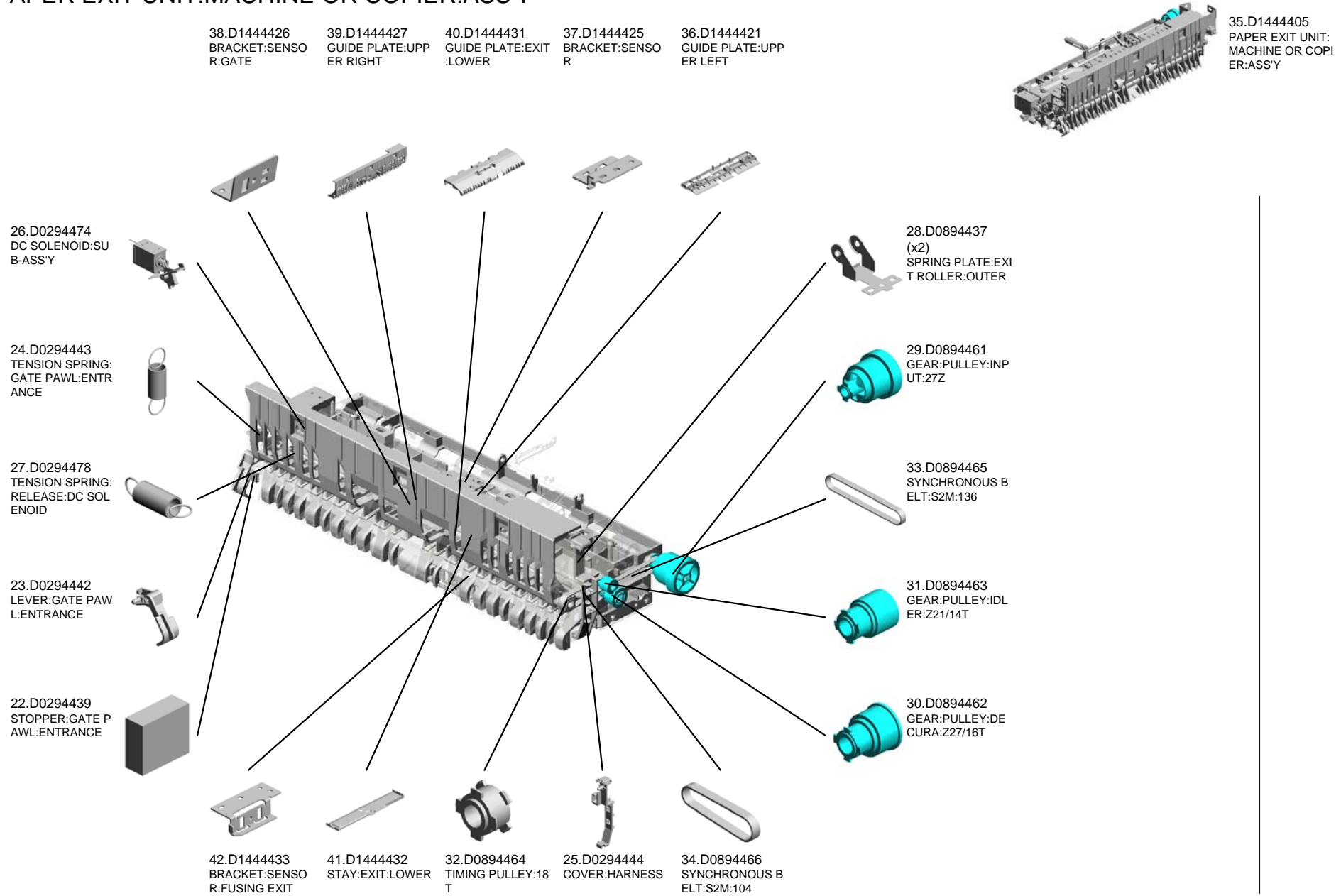
13.AW020145
 PHOTOINTERRUP
 TOR:FLAT

14.AW500023
 PUSH SWITCH

4.08050089
 (x5)
 RETAINING RING -
 M4

| | | | | | | | | | | | | | | | | | | | | |
|------|------|------|------|------|------|------|------|------|------|------|------|------|------|------|------|------|------|------|------|------|
| U001 | U002 | U003 | U004 | U005 | U006 | U007 | U008 | U009 | U010 | U011 | U012 | U013 | U014 | U015 | U016 | U017 | U018 | U019 | U020 | U021 |
|------|------|------|------|------|------|------|------|------|------|------|------|------|------|------|------|------|------|------|------|------|

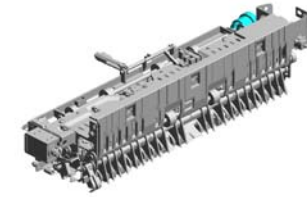
U023_S001
 PAPER EXIT UNIT:MACHINE OR COPIER:ASS'Y



| | | | | | | | | | | | | | | | | | | | | |
|------|------|------|------|------|------|------|------|------|------|------|------|------|------|------|------|------|------|------|------|------|
| U001 | U002 | U003 | U004 | U005 | U006 | U007 | U008 | U009 | U010 | U011 | U012 | U013 | U014 | U015 | U016 | U017 | U018 | U019 | U020 | U021 |
|------|------|------|------|------|------|------|------|------|------|------|------|------|------|------|------|------|------|------|------|------|

U023_S001
 PAPER EXIT UNIT:MACHINE OR COPIER:ASS'Y

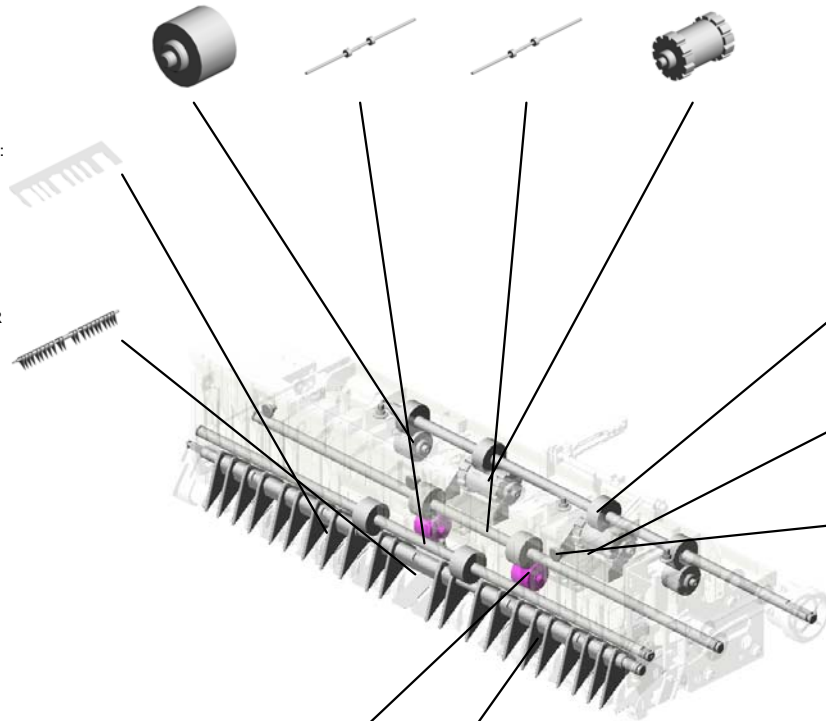
52.D1444495 (x2) EXIT ROLLER:DRIVEN:OUTER
 47.D1444455 TRANSPORT ROLLER:GATE
 49.D1444457 TRANSPORT ROLLER:TRANSPORT
 51.D1444494 (x2) EXIT ROLLER:DRIVEN:INNER



35.D1444405
 PAPER EXIT UNIT:
 MACHINE OR COPIER:
 ASS'Y

46.D1444447
 SHEET:EXIT:PTFE:
 FRONT

44.D1444445
 GATE PAWL:ENTRANCE:
 ASS'Y



48.D1444456
 EXIT ROLLER

43.D1444436 (x2)
 SPRING PLATE:EXIT ROLLER:INNER

50.D1444484 (x7)
 SHOULDER SCREW - M3

53.D1444497 (x2)
 ROLLER:DRIVEN:TRANSPORT

45.D1444446
 SHEET:EXIT:PTFE:REAR

| | | | | | | | | | | | | | | | | | | | | |
|------|------|------|------|------|------|------|------|------|------|------|------|------|------|------|------|------|------|------|------|------|
| U001 | U002 | U003 | U004 | U005 | U006 | U007 | U008 | U009 | U010 | U011 | U012 | U013 | U014 | U015 | U016 | U017 | U018 | U019 | U020 | U021 |
|------|------|------|------|------|------|------|------|------|------|------|------|------|------|------|------|------|------|------|------|------|

U024 Duplex



- 1.03530080N (x4) SCREW:M3X8
- 5.04543006Q (x6) TAPPING SCREW - M3X6
- 11.07200040E RETAINING RING - M4
- 15.08050089 (x17) RETAINING RING - M4
- 13.08010231 HEXAGONAL HEAD BOLT W/WASHER:M3X6

20.54472681
SNAP RING



10.07200030E (x10)
RETAINING RING - M3



16.08050092
RETAINING RING - 3M



14.08050088
RETAINING RING - M6



3.04513006N (x26)
TAPPING SCREW - 3X6



6.04543008Q (x2)
TAPPING SCREW: 3X8



7.04563008N (x36)
TAPPING SCREW - M3X8



17.11050511
HARNES CLAMP - LWS-0306ZC



2.03603006N (x2)
SCREW - M3X6



18.11050551
CLAMP:LES-0505



12.07200060E
RETAINING RING - M6



8.04563010N (x2)
TAPPING SCREW - M3X10



9.04573008N (x2)
TAPPING SCREW - M3X8



4.04513008N (x2)
TAPPING SCREW - M3X8



19.11050723
CLAMPS:WES-050



U024 Duplex



- 38.AA143807 (x2) SCREW:A
- 29.AA082144 (x5) BUSHING - 8X12X7
- 25.AA080254 (x4) BUSHING - M4
- 27.AA082104 (x2) BUSHING - 8X12X7
- 33.AA101021 (x4) RUBBER BUSHING - 6 45HS

26.AA082101 (x6) BUSHING - 6X10X6

24.AA063568 PRESSURE SPRING

32.AA100014 (x2) RETAINING RING C - SEPARATE

28.AA082143 (x2) BUSHING - 6X10X6

37.AA143404 STEPPED SCREW - M4

40.AB011387 GEAR - 23Z

23.AA063499 PRESSURE SPRING

35.AA140936 SHAFT:FEED:MANUAL FEED

34.AA140778 SHAFT:SEPARATOR:DRIVE

36.AA143183 STEPPED SCREW

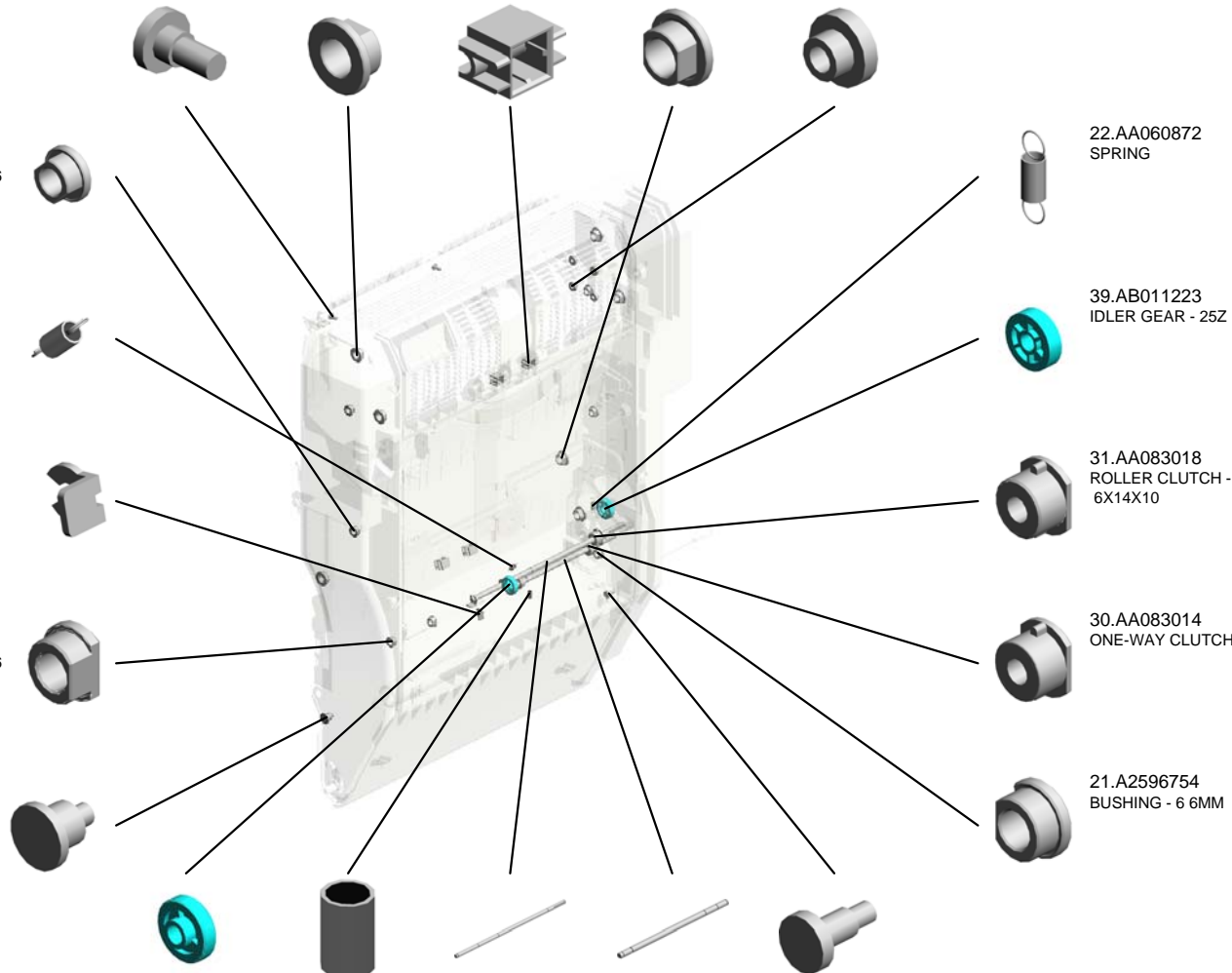
22.AA060872 SPRING

39.AB011223 IDLER GEAR - 25Z

31.AA083018 ROLLER CLUTCH - 6X14X10

30.AA083014 ONE-WAY CLUTCH

21.A2596754 BUSHING - 6 6MM



U024 Duplex



- 47.AG070514 MAGNET CATCH
- 50.AW020145 (x2) PHOTOINTERRUP TOR:FLAT
- 55.B0441825 (x4) COLLAR
- 42.AB014161 REVERSE ROLLER GEAR
- 56.B0441847 SHOULDER SCREW

48.AW010107 (x2) PAPER FEED SENSOR

54.AZ300060 POWER PACK:DATA/AP-C2

49.AW010118 PAPER FEED SENSOR

51.AW500031 PAPER SIZE SENSOR

59.B2232622 GUIDE PLATE:EXIT

52.AW500035 PAPER END SENSOR

45.AF031046 FEED ROLLER - MANUAL FEED

46.AF032046 SEPARATION ROLLER - MANUAL FEED

43.AF013016 BOTTOM PLATE PAD

44.AF030049 PICK-UP ROLLER

53.AX200320 ELECTROMAGNET IC CLUTCH

60.B2232623 COVER:GUIDE PLATE:EXIT

41.AB011416 GEAR - 20Z

58.B2232608 GEAR:Z16

57.B1802871 SHAFT:SEPARATOR:DRIVEN:ASSY

| | | | | | | | | | | | | | | | | | | | | |
|------|------|------|------|------|------|------|------|------|------|------|------|------|------|------|------|------|------|------|------|------|
| U001 | U002 | U003 | U004 | U005 | U006 | U007 | U008 | U009 | U010 | U011 | U012 | U013 | U014 | U015 | U016 | U017 | U018 | U019 | U020 | U021 |
|------|------|------|------|------|------|------|------|------|------|------|------|------|------|------|------|------|------|------|------|------|

U024 Duplex



- 67.B2232648 GUIDE PLATE:TRANSPORT UNIT:EXIT
- 80.B2232713 (x2) RACK:MANUAL FEED
- 61.B2232629 STAY:FEED
- 68.B2232649 (x2) SPRING:PRESSURE:5N
- 72.B2232666 GEAR:16Z

73.B2232668
SPRING PLATE:STOPPER

74.B2232676
(x4)
SPRING - 11N

69.B2232651
ARM:MANUAL FEED:FRONT

65.B2232636
TORSION SPRING:27N

64.B2232634
SUPPORT STAY:ARM

71.B2232665
(x2)
SPRING:COVER:MANUAL FEED

63.B2232633
SPRING:RELEASE:PICKUP

62.B2232632
DC SOLENOID:PICKUP

66.B2232637
BRACKET:ARM:MANUAL FEED:REAR

78.B2232689
GEAR:Z28

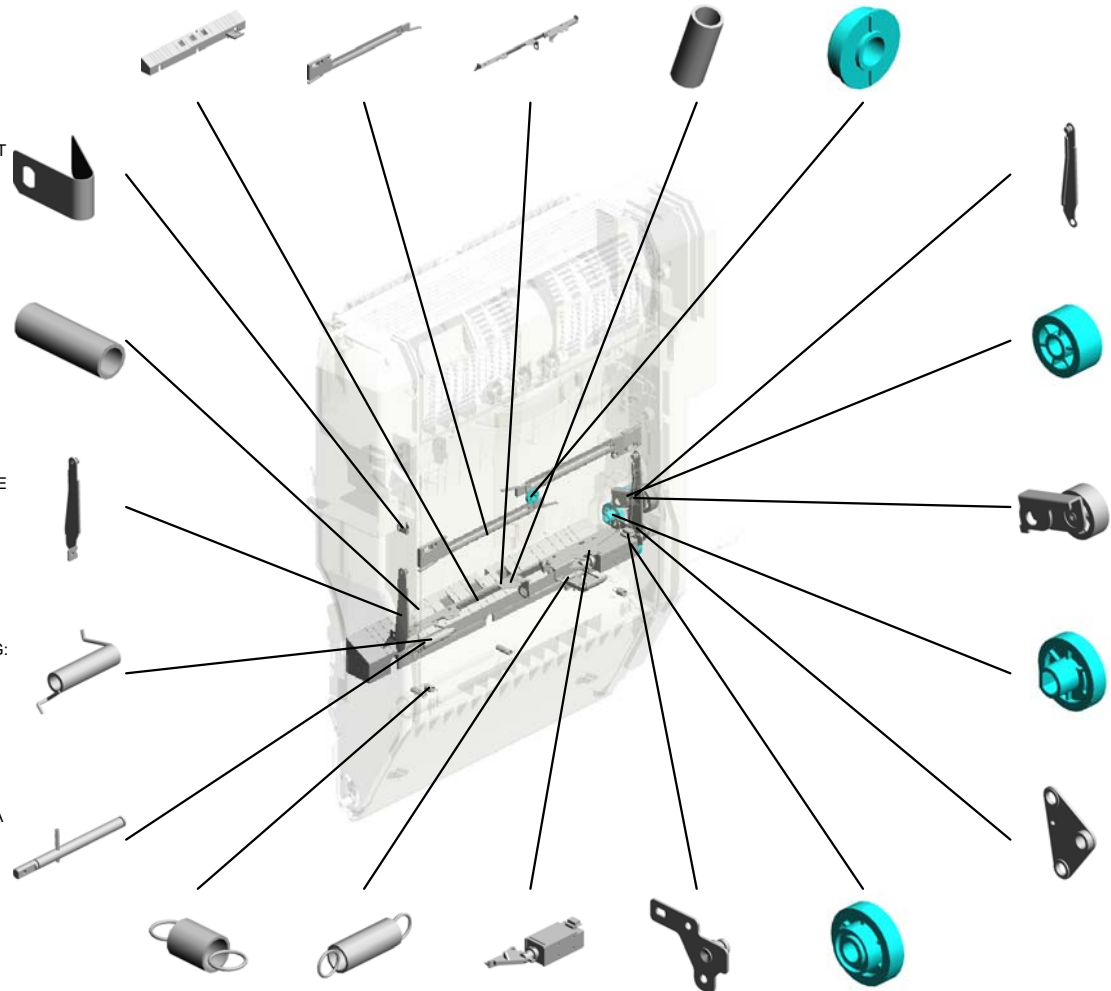
70.B2232652
ARM:MANUAL FEED:REAR

76.B2232683
GEAR:25Z

75.B2232681
ARM:TIGHTENER

77.B2232686
GEAR:Z31

79.B2232696
DRUM STAY:DRIVE



U024 Duplex



- 81.B2234494 (x2) STOPPER- UPPER GATE PAWL
- 93.B2234532 TENSION SPRING: HOOK:STOPPER
- 82.B2234501 GUIDE PLATE:RIG HT
- 86.B2234514 ROLLER CLUTCH: T24
- 90.B2234526 TIMING BELT:30S2 M268

92.B2234529 ROLLER CLUTCH: T24

85.B2234512 TIMING BELT:30S2 M182

100.B2234544 PULLEY:T35/T33

95.B2234536 TIMING BELT:30S2 M234

91.B2234527 PULLEY:T26/T24

99.B2234542 TORSION SPRING: FRONT

94.B2234535 ROLLER CLUTCH: T26

84.B2234511 TIMING BELT:30S2 M312

89.B2234525 TENSION SPRING: WIRE:180N

87.B2234522 SPACER:WIRE:ST OPPER

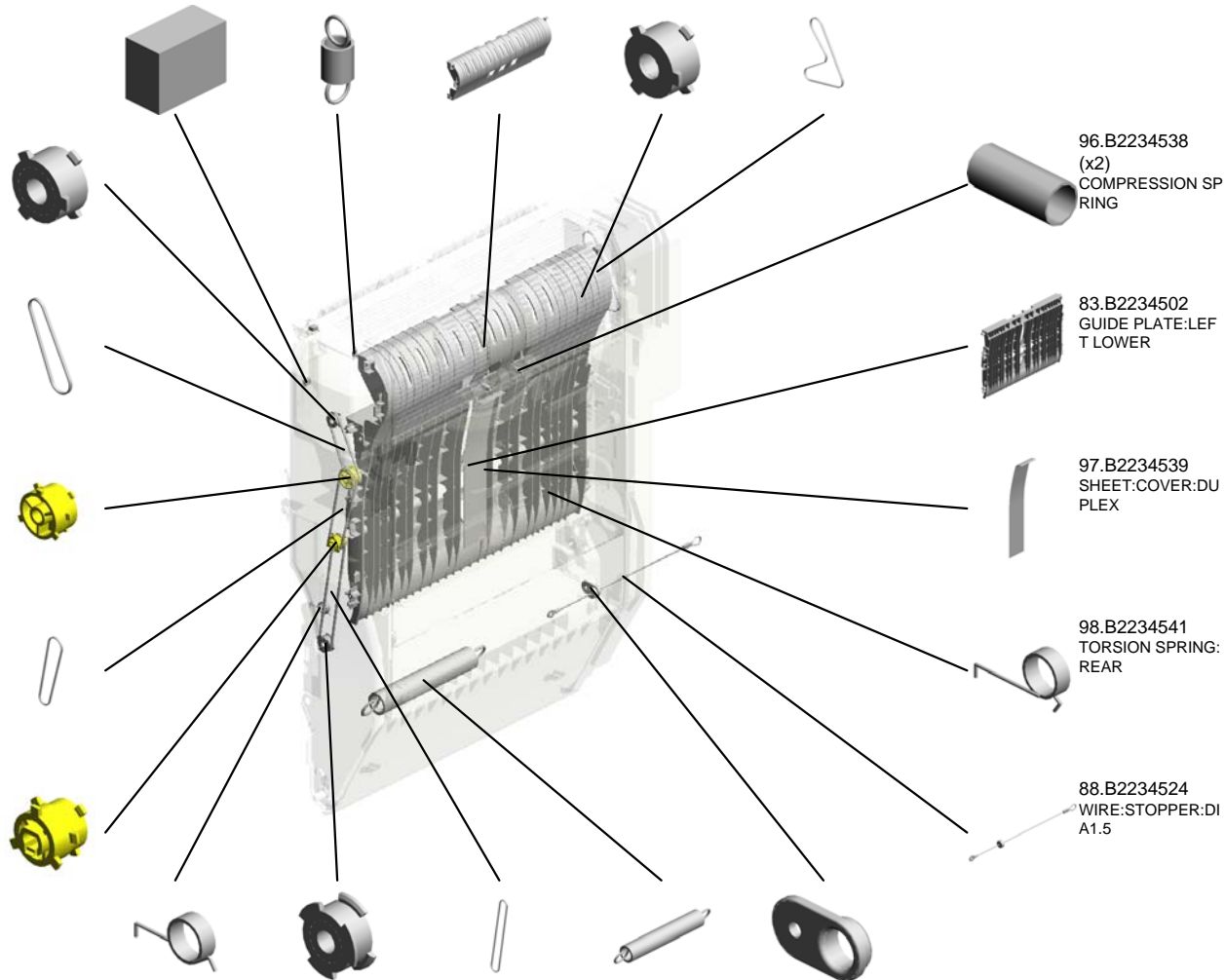
96.B2234538 (x2) COMPRESSION SP RING

83.B2234502 GUIDE PLATE:LEF T LOWER

97.B2234539 SHEET:COVER:DU PLEX

98.B2234541 TORSION SPRING: REAR

88.B2234524 WIRE:STOPPER:DI A1.5



U024 Duplex



- 110.B2234571 GEAR:PULLEY:Z24 /T40
- 111.B2234572 STEPPER MOTOR: DC4.29V 1.7W
- 112.B2234573 TIMING BELT:30S2 M128
- 113.B2234575 BRACKET:STEPPE R MOTOR
- 114.B2234586 (x2) PULLEY:T30

105.B2234560 (x2) TENSION SPRING: DRIVEN ROLLER

102.B2234552 (x4) BUSHING:DIA4

108.B2234566 BRACKET:SENSO R:ENTRANCE

109.B2234567 STAY:TRANSPORT :UPPER:PEEN

118.B2384739 COVER - ENTRAN CE SENSOR

101.B2234545 GUIDE PIN:HO LDE R

117.B2384733 ENTRANCE SENS OR BRACKET

119.D0092510 GUIDE PLATE - EXI T

120.D0092552 GUIDE SHEET - MA NUAL FEED

104.B2234556 (x2) COMPRESSION SP RING

106.B2234562 TIGHTENER

107.B2234564 SPRING:TIGHTENE R

103.B2234553 (x2) TENSION SPRING: DRIVEN ROLLER

116.B2234595 PULLEY:DIA13

115.B2234594 SHAFT:PULLEY:WI RE

| | | | | | | | | | | | | | | | | | | | | |
|------|------|------|------|------|------|------|------|------|------|------|------|------|------|------|------|------|------|------|------|------|
| U001 | U002 | U003 | U004 | U005 | U006 | U007 | U008 | U009 | U010 | U011 | U012 | U013 | U014 | U015 | U016 | U017 | U018 | U019 | U020 | U021 |
|------|------|------|------|------|------|------|------|------|------|------|------|------|------|------|------|------|------|------|------|------|

U024 Duplex



- 135.D0094522 TENSION SPRING: GATE PAWL:DUPL EX:0.08N
- 137.D0094577 DUPLEX GATE
- 131.D0094504 UPPER GUIDE PLATE - GATE
- 130.D0094503 GUIDE PLATE - LEFT UPPER
- 126.D0092573 (x6) PULLEY - VERTICAL TRANSPORT

121.D0092554
GUIDE SHEET - VERTICAL TRANSPORT

122.D0092555
TRANSPORT ROLLER - DUPLEX EXIT

129.D0092576
(x2)
SHAFT - VERTICAL TRANSPORT

125.D0092571
(x2)
HOLDER - VERTICAL TRANSPORT

128.D0092575
(x2)
SHAFT - IDLER

134.D0094513
COMPRESSION SPRING: EARTH: DUPL EX UNIT

132.D0094511
SPACER: DIA8.0: 1.5 MM

133.D0094512
LINK: STOPPER

140.D0094589
GUIDE - SET SHAFT

124.D0092563
GUIDE PLATE - VERTICAL TRANSPORT

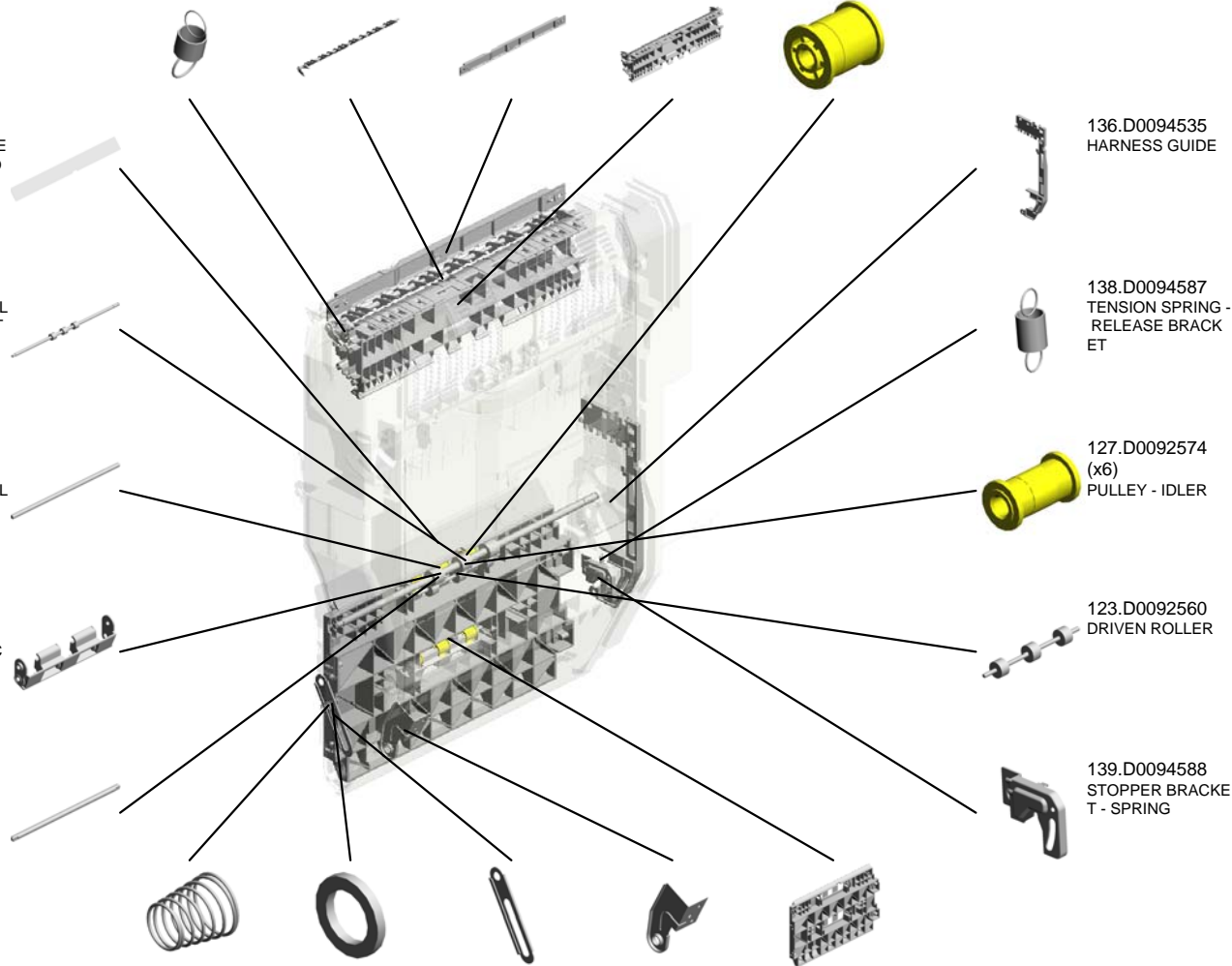
136.D0094535
HARNES GUIDE

138.D0094587
TENSION SPRING - RELEASE BRACKET

127.D0092574
(x6)
PULLEY - IDLER

123.D0092560
DRIVEN ROLLER

139.D0094588
STOPPER BRACKET - SPRING



U024 Duplex



- 155.D0294482 GATE PAWL:UPPER ASS'Y
- 159.D0294497 (x2) COMPRESSION SPRING:DRIVEN ROLLER:GATE
- 145.D0094661 (x2) REVERSE ROLLER - FEED
- 158.D0294488 (x2) TENSION SPRING: GUIDE PLATE:RIGHT
- 160.D0294521 BRACKET:HARNES S

156.D0294485 LEVER:GATE PAWL:UPPER

157.D0294486 TENSION SPRING: GATE PAWL:1.5N

146.D0094662 TRANSPORT ROLLER 1

148.D0094664 (x4) DRIVEN ROLLER

147.D0094663 TRANSPORT ROLLER 2

143.D0094598 SPRING - SET SHAFT

150.D0292612 GROUND PLATE:FRONT:MANUAL FEED

144.D0094599 SHAFT - DUPLEX UNIT

152.D0292677 (x6) TRANSPORT BELT :DRIVEN:VERTICAL TRANSPORT

153.D0292709 GUIDE PLATE:SEPARATOR:ASS'Y

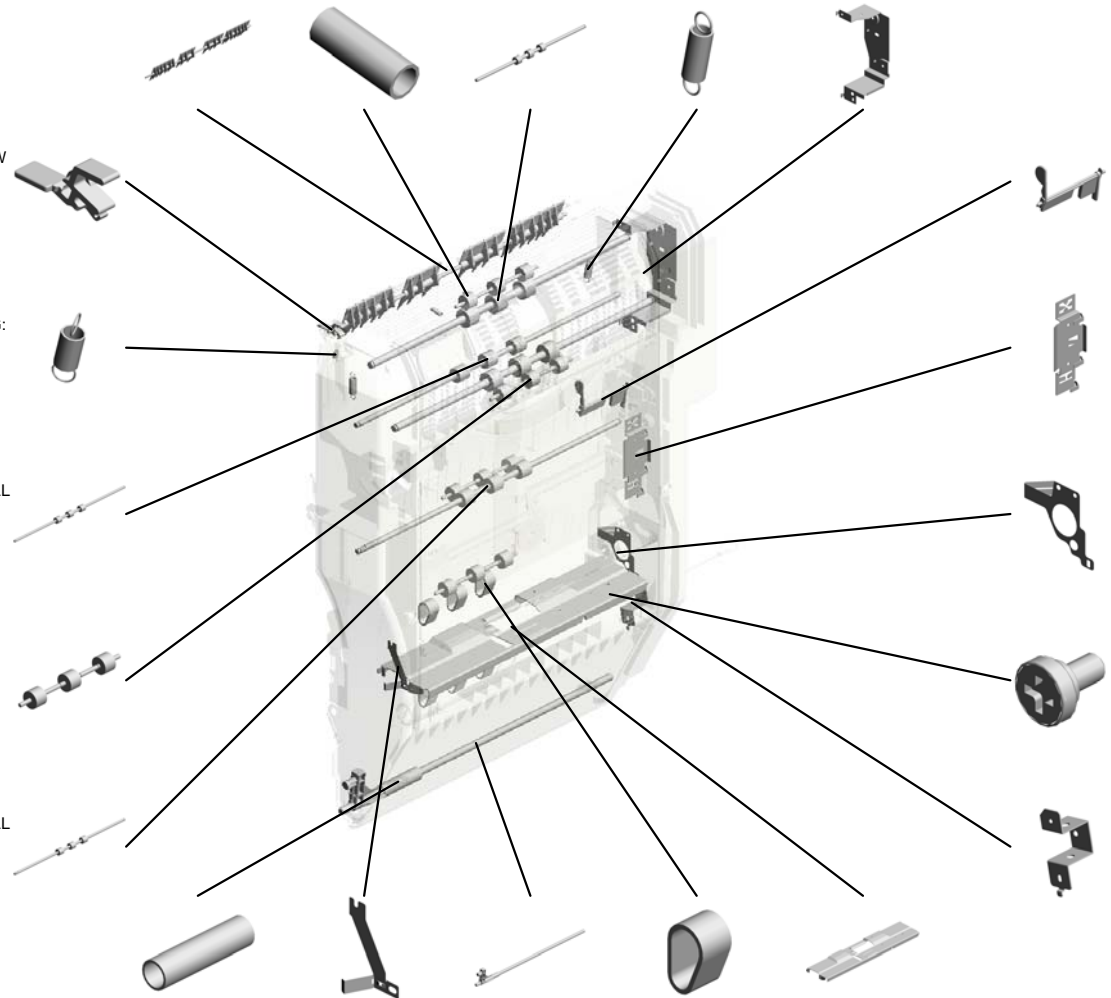
151.D0292664 FEELER:PAPER SIZE SENSOR:MANUAL FEED

154.D0292710 COVER:HARNES:MANUAL FEED TABLE

149.D0292611 GROUND PLATE:REAR:MANUAL FEED

141.D0094593 STEPPED SCREW - M3

142.D0094597 BRACKET - WIRE PULLEY SHAFT



U024 Duplex



- 173.D0894484 GRIP:GATE PAWL: UPPER
- 172.D0894483 DRIVEN ROLLER: PAPER EXIT UNIT: VERTICAL TRANSPORT
- 163.D0294590 HOOK: STOPPER: DUPLEX UNIT: ASS'Y
- 166.D0296307 (x2) COMPRESSION SPRING: GUIDE PLATE: EXIT: 3.5N
- 164.D0296293 DRUM STAY: REAR

171.D0296335 SHEET: CASE: LOWER

174.D0894663 GUIDE PLATE: TRANSFER UNIT: HOLDER

167.D0296320 BRACKET: LEVER: MIDDLE

168.D0296321 (x2) ANCHOR: SPRING

169.D0296322 SHAFT: LEVER: FRONT

175.D1292657 ARM: MANUAL FEED: SHORT: FRONT

161.D0294554 BRACKET: GUIDE PLATE: TRANSFER UNIT

162.D0294555 SHEET: TRANSPORT SUB-UNIT: FEED PAPER AGAIN

177.D1292661 COVER: MANUAL FEED

179.D1292664 COVER: MANUAL FEED: ENTRANCE

165.D0296305 (x3) LEVER: RELEASE

170.D0296323 SHAFT: LEVER: REAR

180.D1292667 EXTENSION TRAY: MANUAL FEED

178.D1292662 MANUAL FEED TABLE

176.D1292658 ARM: MANUAL FEED: SHORT: REAR

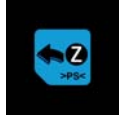
| | | | | | | | | | | | | | | | | | | | | |
|------|------|------|------|------|------|------|------|------|------|------|------|------|------|------|------|------|------|------|------|------|
| U001 | U002 | U003 | U004 | U005 | U006 | U007 | U008 | U009 | U010 | U011 | U012 | U013 | U014 | U015 | U016 | U017 | U018 | U019 | U020 | U021 |
|------|------|------|------|------|------|------|------|------|------|------|------|------|------|------|------|------|------|------|------|------|

U024 Duplex



- 196.D1444489 (x2) STOPPER:DRIVEN ROLLER
- 192.D1444221 DECAL:WARNING (HIGH TEMPERATURE):GUIDE PLATE:OPEN AND CLOSE
- 193.D1444481 GUIDE PLATE:OPEN AND CLOSE
- 188.D1294531 GUIDE PLATE:COVER:OPEN AND CLOSE
- 194.D1444482 (x7) GUIDE:GUIDE PLATE:OPEN AND CLOSE

195.D1444483
DECAL:KNOB:Z



190.D1294579
GRIP:OPEN AND CLOSE:DUPL
X UNIT



199.D1446204
TRANSFER/SEPARATION UNIT:ASSY



198.D1444534
INNER COVER:DUPL
EX



184.D1292726
GRIP:SIDE FENCE:MANUAL FEED



182.D1292674
SIDE FENCE:FRONT



186.D1292745
DECAL:PAPER SE
T DIRECTION:MAN
UAL FEED:EXP



189.D1294540
COVER:DUPL
EX



191.D1422929
TORQUE LIMITER:
40NM:DI18:CC
W



187.D1292748
DECAL:SCALE:MAN
UAL FEED



200.D1446285
TERMINAL:TRANS
FER ROLLER



197.D1444533
INNER COVER:DU
PLEX:REAR



185.D1292743
DECAL:TRAY:MAN
UAL FEED:EXTENS
ION TRAY:EXP



183.D1292675
DECAL:SIDE FENC
E:MANUAL FEED



181.D1292673
SIDE FENCE:REAR



U024 Duplex



203.D1446316
STOPPER:HOLDE
R:SEPARATION:UP
PER

206.G0604435
(x2)
BUSHING - M4



202.D1446310
(x2)
SPRING:TRANSFE
R



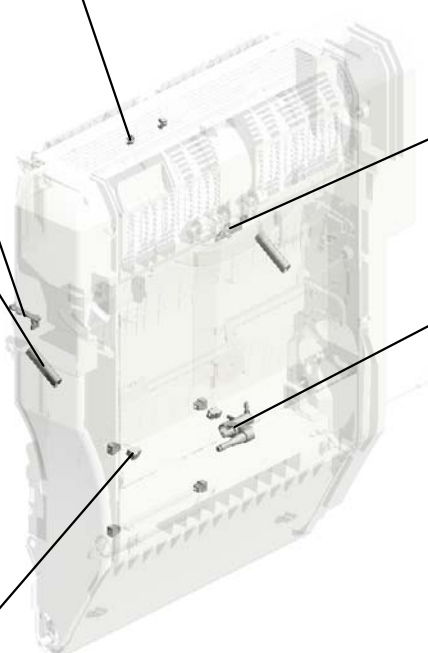
201.D1446289
TERMINAL:SEPAR
ATION



205.G0602932
PICK-UP ARM - MA
NUAL FEED

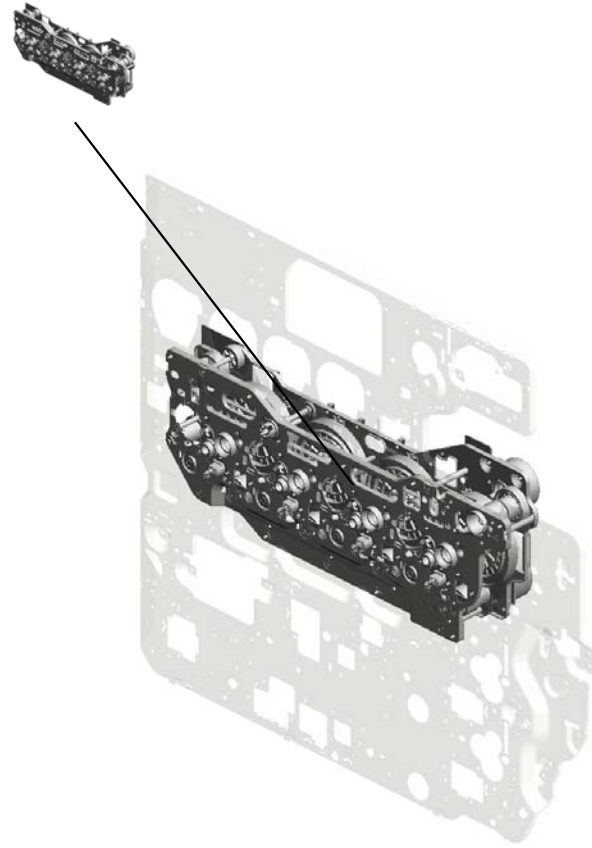


204.G0602652
(x6)
BUSHING - M4



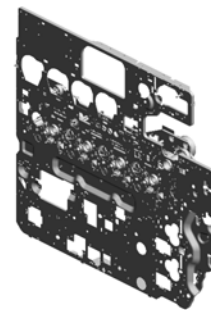
U025.Drive-1 (PCDU)

U025_S001
D1421110
DRIVE UNIT:ENGINE:ATHEN
A-C3:ASS'Y



| | | | | | | | | | | | | | | | | | | | | |
|------|------|------|------|------|------|------|------|------|------|------|------|------|------|------|------|------|------|------|------|------|
| U001 | U002 | U003 | U004 | U005 | U006 | U007 | U008 | U009 | U010 | U011 | U012 | U013 | U014 | U015 | U016 | U017 | U018 | U019 | U020 | U021 |
|------|------|------|------|------|------|------|------|------|------|------|------|------|------|------|------|------|------|------|------|------|

U025
Drive-1 (PCDU)

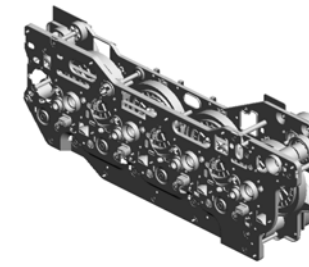


| | | | | | | | | | | | | | | | | | | | | |
|------|------|------|------|------|------|------|------|------|------|------|------|------|------|------|------|------|------|------|------|------|
| U001 | U002 | U003 | U004 | U005 | U006 | U007 | U008 | U009 | U010 | U011 | U012 | U013 | U014 | U015 | U016 | U017 | U018 | U019 | U020 | U021 |
|------|------|------|------|------|------|------|------|------|------|------|------|------|------|------|------|------|------|------|------|------|

U025_S001

DRIVE UNIT:ENGINE:ATHENA-C3:ASS'Y

- 9.AX060413 BRUSHLESS MOT OR:DRIVE:DC:10W
- 2.04543006Q (x8) TAPPING SCREW - M3X6
- 6.AW020145 (x4) PHOTOINTERUP TOR:FLAT
- 14.D0891145 (x4) BRACKET:SENSO R COVER



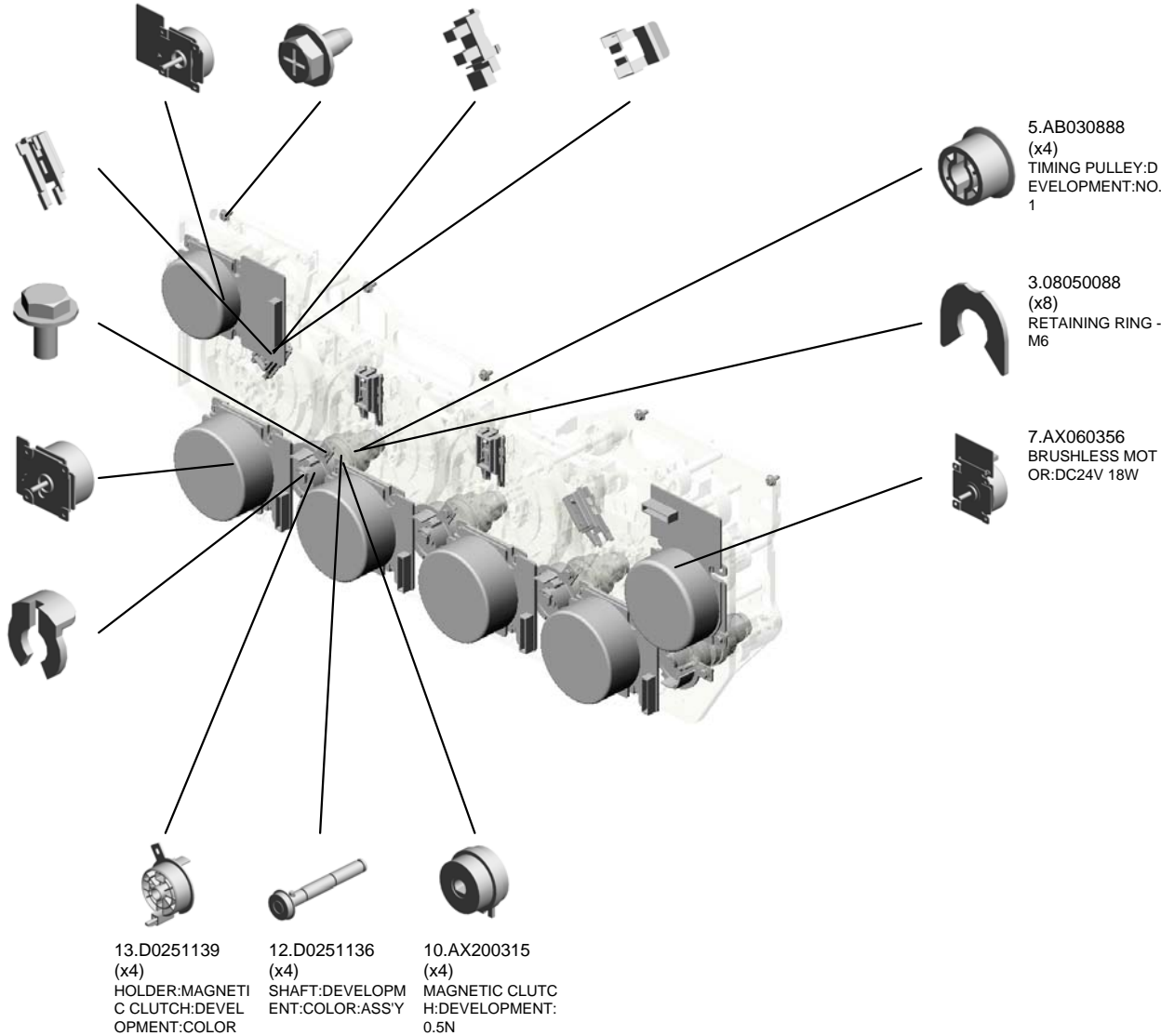
15.D1421110
DRIVE UNIT:ENGIN
E:ATHENA-C3:ASS'
Y

11.B2231144
(x4)
HOLDER:POSITIO
NING SENSOR

1.03603006N
(x27)
SCREW - M3X6

8.AX060368
(x4)
BRUSHLESS MOT
OR:DRIVE:DRUM:2
8W

4.AA100015
(x4)
SNAP RING - M6



5.AB030888
(x4)
TIMING PULLEY:D
EVELOPMENT:NO.
1

3.08050088
(x8)
RETAINING RING -
M6

7.AX060356
BRUSHLESS MOT
OR:DC24V 18W

13.D0251139
(x4)
HOLDER:MAGNETI
C CLUTCH:DEVEL
OPMENT:COLOR

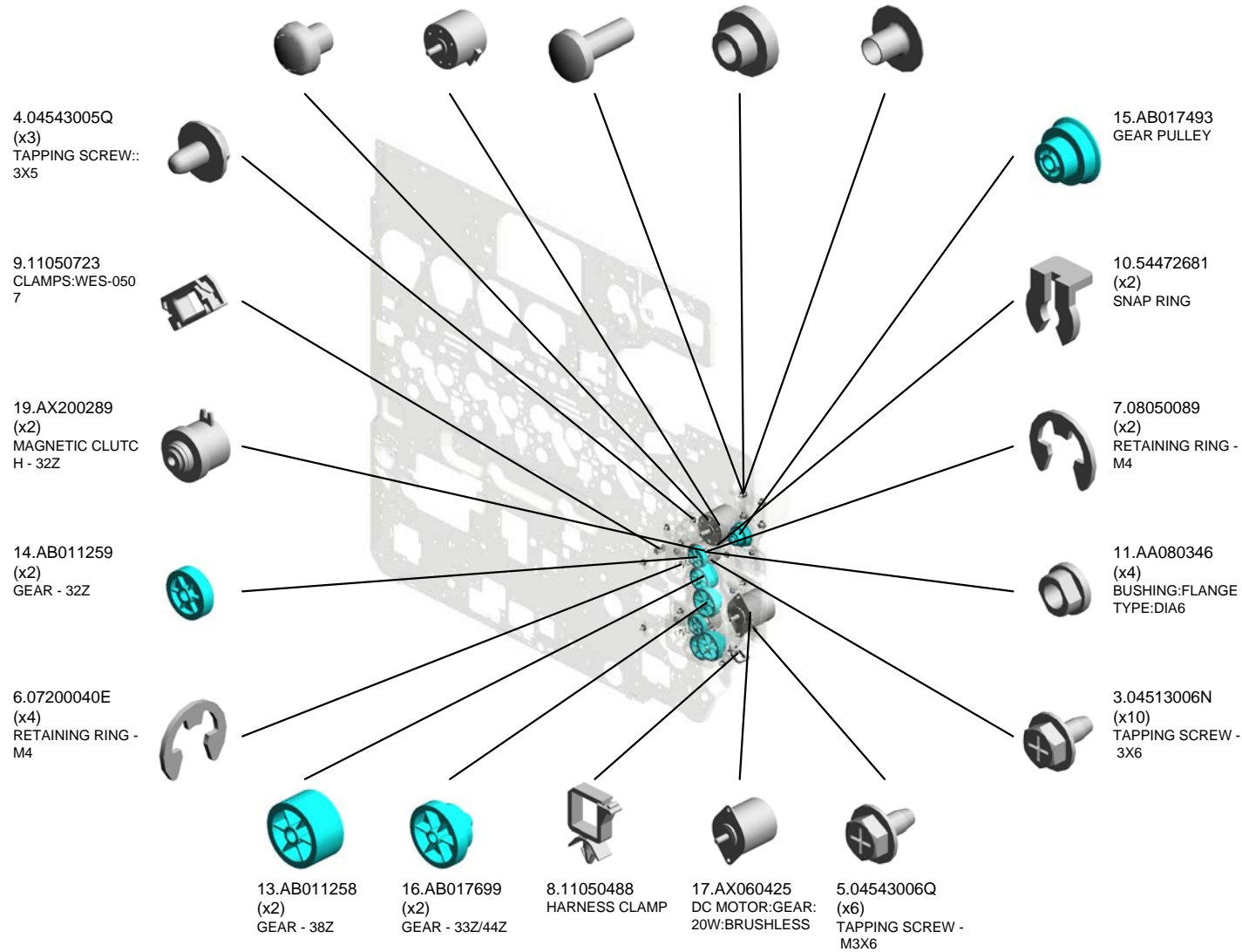
12.D0251136
(x4)
SHAFT:DEVELOPM
ENT:COLOR:ASS'Y

10.AX200315
(x4)
MAGNETIC CLUTC
H:DEVELOPMENT:
0.5N

| | | | | | | | | | | | | | | | | | | | | |
|------|------|------|------|------|------|------|------|------|------|------|------|------|------|------|------|------|------|------|------|------|
| U001 | U002 | U003 | U004 | U005 | U006 | U007 | U008 | U009 | U010 | U011 | U012 | U013 | U014 | U015 | U016 | U017 | U018 | U019 | U020 | U021 |
|------|------|------|------|------|------|------|------|------|------|------|------|------|------|------|------|------|------|------|------|------|

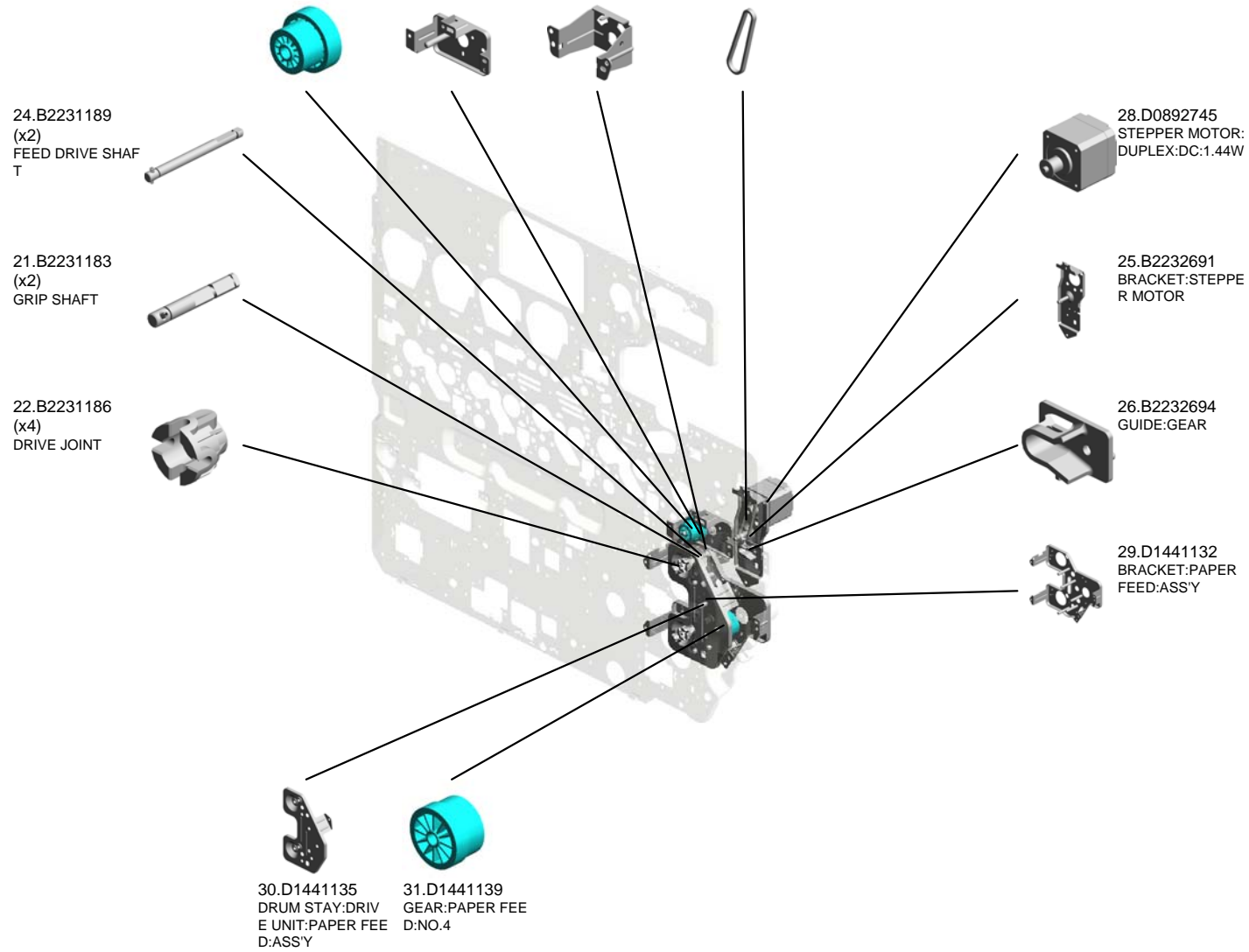
U026 Drive-2 (Paper Feed/Registration)

1.03130030N (x2) PAN HEAD SCREW :M3X3
 18.AX060428 DC MOTOR:GEAR: 10W:BRUSHLESS
 2.03530080N (x4) SCREW:M3X8
 12.AA101021 (x4) RUBBER BUSHING - 6 45HS
 20.B0441825 (x4) COLLAR



U026 Drive-2 (Paper Feed/Registration)

33.D1441146 GEAR:REGISTRATI
ON:NO.1
32.D1441142 BRACKET:DRIVE U
NIT:REGISTRATIO
N:ASSY
23.B2231187 (x2)
MAGNETIC CLUTC
H BRACKET
27.B7002649
TIMING BELT:40S2
M144

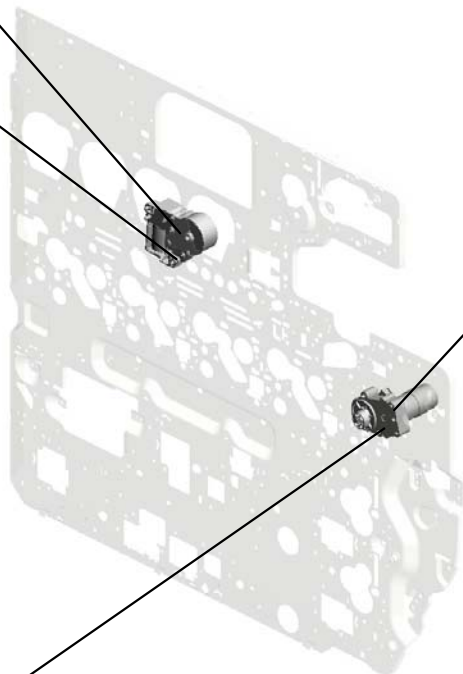
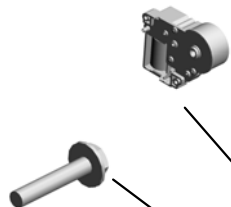


U027 Drive-3 (ITB)

4.D0891199
DRIVE UNIT:ON-OF
F:TRANSFER



1.03603016N
(x2)
SCREW - M3X16



3.D0291199
DRIVE UNIT:ON-OF
F:TRANSFER



2.04543020Q
(x2)
TAPPING SCREW::
3X20



| | | | | | | | | | | | | | | | | | | | | |
|------|------|------|------|------|------|------|------|------|------|------|------|------|------|------|------|------|------|------|------|------|
| U001 | U002 | U003 | U004 | U005 | U006 | U007 | U008 | U009 | U010 | U011 | U012 | U013 | U014 | U015 | U016 | U017 | U018 | U019 | U020 | U021 |
|------|------|------|------|------|------|------|------|------|------|------|------|------|------|------|------|------|------|------|------|------|

U028 Drive-4 (Fusing/Used Toner)

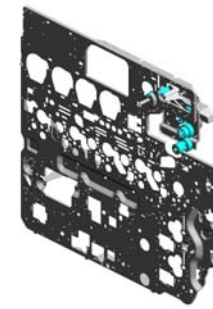
12.AB030551
PULLEY:IDLER:FU
SING

8.AA043583
TIMING BELT - S2
M460

6.08010231
HEXAGONAL HEA
D BOLT W/WASHE
R:M3X6

16.B2231364
GUIDE:HARNESS

1.03603006N
(x7)
SCREW - M3X6



7.08050089
RETAINING RING -
M4

9.AA060722
TENSION SPRING

15.B2231184
PULLEY:TONER S
UPPLY:NO.2:ASS'Y

3.04513006N
(x4)
TAPPING SCREW -
3X6

14.B2231174
DRIVE UNIT:COLL
ECTION BOTTLE

5.07200060E
RETAINING RING -
M6

4.07200040E
RETAINING RING -
M4

11.AB017774
GEAR:FUSING:NO.
3

18.D1441172
GEAR:FUSING:NO.
1

19.D1441173
GEAR:FUSING:NO.
2

10.AB017758
GEAR:EXIT:NO.2

17.D0291191
GUIDE:FUSING DR
IVE SUB-UNIT

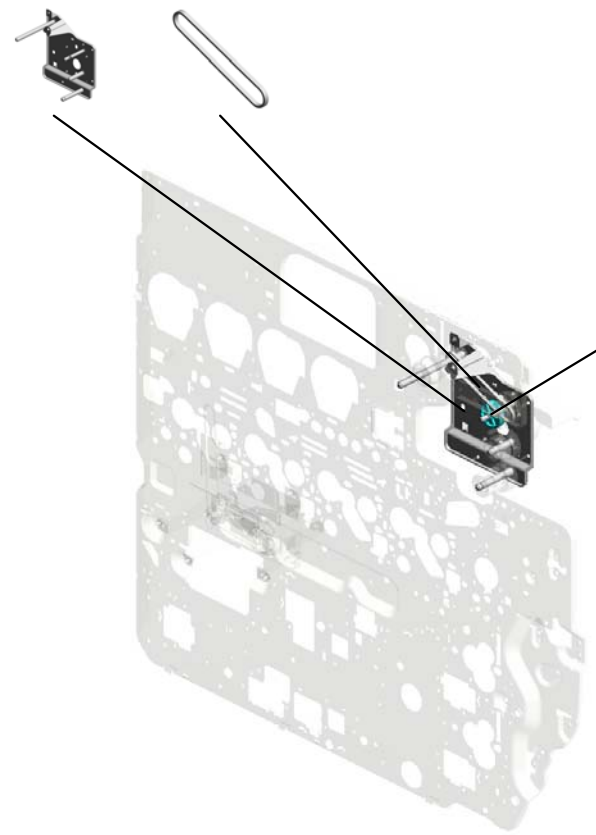
2.04503012N
(x3)
TAPPING SCREW:
3X12

20.D1441174
GEAR:EXIT:NO.1

13.AX060430
BRUSHLESS MOT
OR:DRIVE:FUSING:
39W

U028
Drive-4 (Fusing/Used Toner)

22.D1441176 23.D4344265
BRACKET:FUSING/ TIMING BELT:40S3
PAPER EXIT UNIT: M237
ASSY



21.D1441175
GEAR:EXIT:IDLER

| | | | | | | | | | | | | | | | | | | | | |
|------|------|------|------|------|------|------|------|------|------|------|------|------|------|------|------|------|------|------|------|------|
| U001 | U002 | U003 | U004 | U005 | U006 | U007 | U008 | U009 | U010 | U011 | U012 | U013 | U014 | U015 | U016 | U017 | U018 | U019 | U020 | U021 |
|------|------|------|------|------|------|------|------|------|------|------|------|------|------|------|------|------|------|------|------|------|

U029 Drive-5 (Paper Tray)

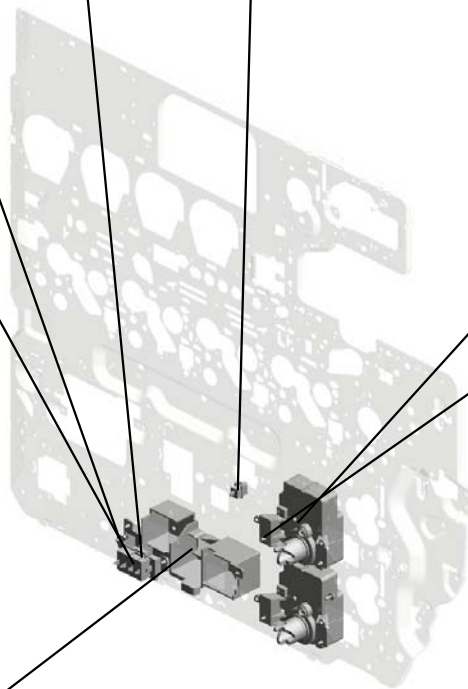
1.04543006Q (x2)
TAPPING SCREW - M3X6

6.B2232721
BRACKET:PUSH SWITCH

3.AW500023
PUSH SWITCH



4.AW500038
PUSH SWITCH:PA
PER SIZE SENSOR



5.AX040154 (x2)
DC MOTOR 24V



2.04543008Q (x6)
TAPPING SCREW:
3X8

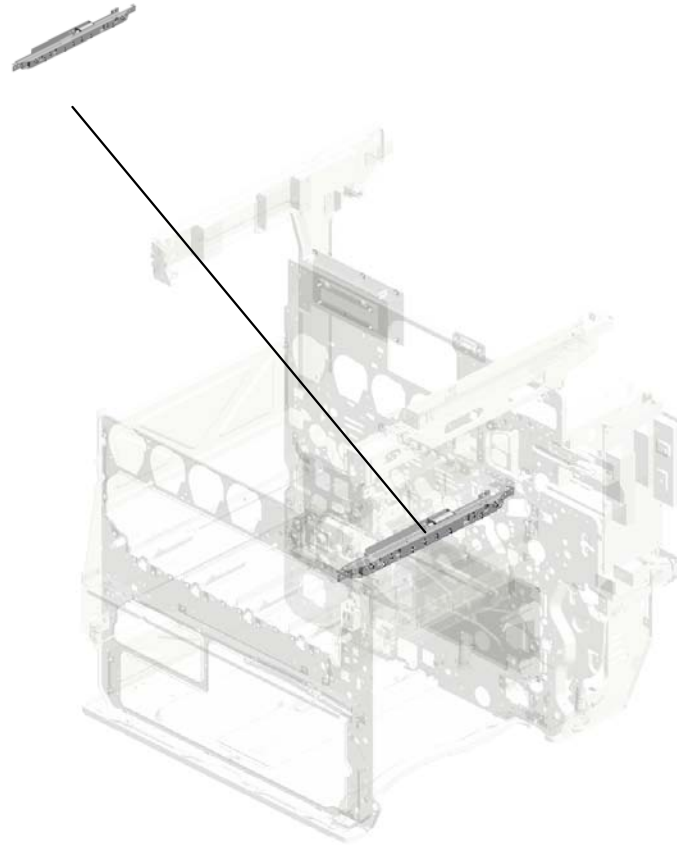


7.B2232722
COVER

| | | | | | | | | | | | | | | | | | | | | |
|------|------|------|------|------|------|------|------|------|------|------|------|------|------|------|------|------|------|------|------|------|
| U001 | U002 | U003 | U004 | U005 | U006 | U007 | U008 | U009 | U010 | U011 | U012 | U013 | U014 | U015 | U016 | U017 | U018 | U019 | U020 | U021 |
|------|------|------|------|------|------|------|------|------|------|------|------|------|------|------|------|------|------|------|------|------|

U030.Electrical-1

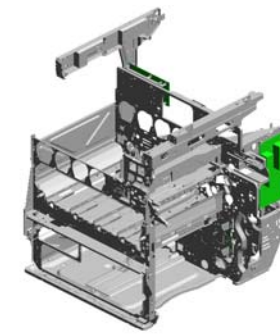
U030_S001
D1445861
DENSITY SENSOR:ASS'Y



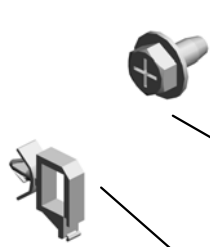
| | | | | | | | | | | | | | | | | | | | | |
|------|------|------|------|------|------|------|------|------|------|------|------|------|------|------|------|------|------|------|------|------|
| U001 | U002 | U003 | U004 | U005 | U006 | U007 | U008 | U009 | U010 | U011 | U012 | U013 | U014 | U015 | U016 | U017 | U018 | U019 | U020 | U021 |
|------|------|------|------|------|------|------|------|------|------|------|------|------|------|------|------|------|------|------|------|------|

U030 Electrical-1

4.04513006N (x26) TAPPING SCREW - 3X6
 21.AZ320180 POWER PACK:TTS :AT-C2
 13.11050516 (x2) CLAMP
 3.04503008N (x2) TAPPING SCREW - M3X8
 10.11029782 (x2) CONNECTOR:5140 5-1819



11.11050508 HARNESS CLAMP - LWS-0711



19.AA143219 (x2) STEPPED SCREW



9.09544008N SCREW - M4X8



15.12042877 SWITCH:RS51-AJA H



7.07200030E RETAINING RING - M3



8.08025299 TAPPING SCREW - M3X8



23.B2232702 HEAT SINK:HEATE R:NA:ADHESION



16.12042912 (x2) MICRO SWITCH:D3 V-16-3C25(10E)



24.B2235813 SAFETY SWITCH B RACKET



18.AA063568 (x2) PRESSURE SPRING



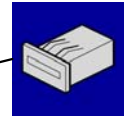
6.04543006Q (x8) TAPPING SCREW - M3X6



12.11050511 HARNESS CLAMP - LWS-0306ZC



20.AX310045 (x2) TOTAL COUNTER: 7FIG:24V



22.AZ320182 POWER PACK:CB

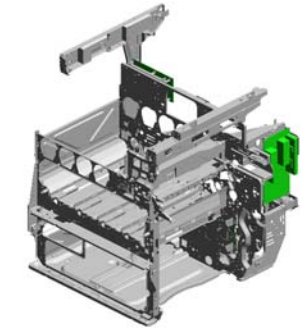
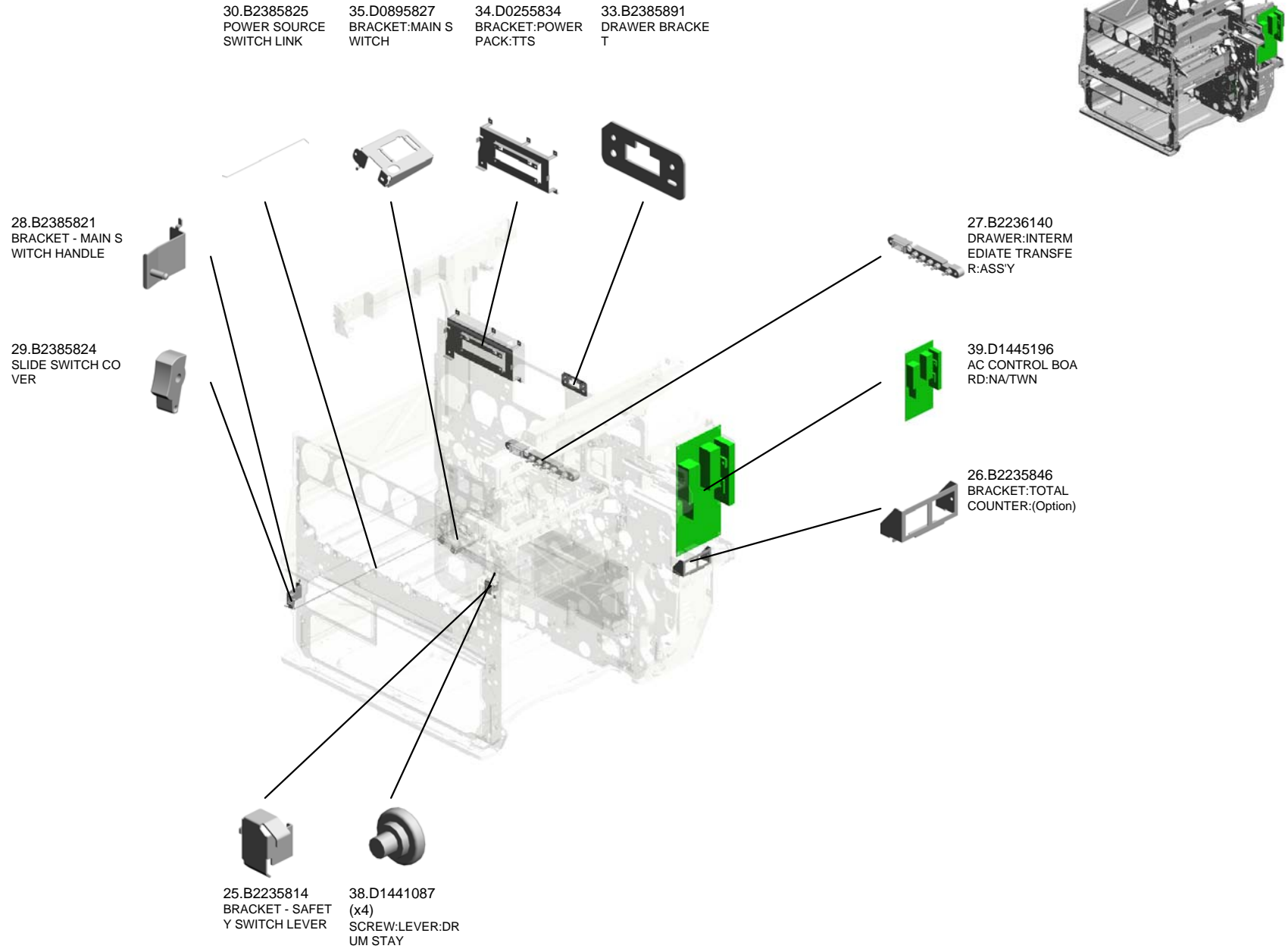


2.03530250N (x2) SCREW:M3X25



| | | | | | | | | | | | | | | | | | | | | |
|------|------|------|------|------|------|------|------|------|------|------|------|------|------|------|------|------|------|------|------|------|
| U001 | U002 | U003 | U004 | U005 | U006 | U007 | U008 | U009 | U010 | U011 | U012 | U013 | U014 | U015 | U016 | U017 | U018 | U019 | U020 | U021 |
|------|------|------|------|------|------|------|------|------|------|------|------|------|------|------|------|------|------|------|------|------|

U030 Electrical-1



| | | | | | | | | | | | | | | | | | | | | |
|------|------|------|------|------|------|------|------|------|------|------|------|------|------|------|------|------|------|------|------|------|
| U001 | U002 | U003 | U004 | U005 | U006 | U007 | U008 | U009 | U010 | U011 | U012 | U013 | U014 | U015 | U016 | U017 | U018 | U019 | U020 | U021 |
|------|------|------|------|------|------|------|------|------|------|------|------|------|------|------|------|------|------|------|------|------|

U030_S001
 DENSITY SENSOR:ASS'Y

17.AA060151
 TENSION SPRING

31.B2385867
 HOOK:SOLENOID:
 SENSOR:TM

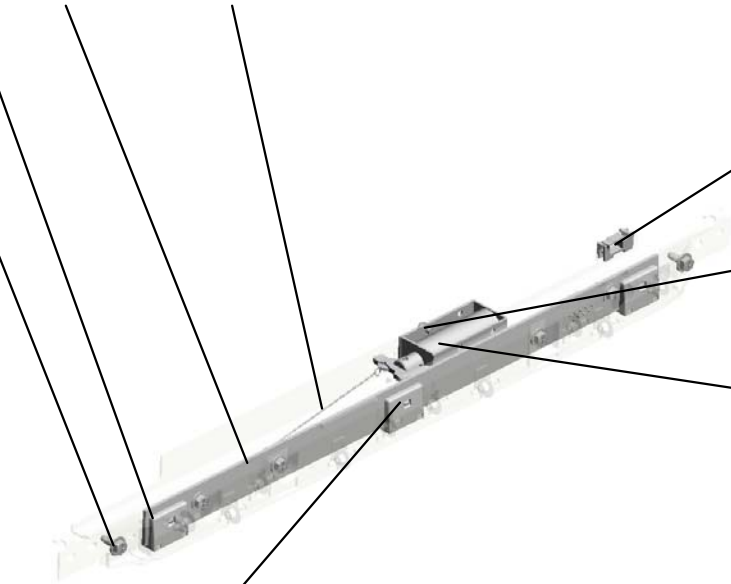


40.D1445861
 DENSITY SENSOR:
 ASS'Y

37.D1441085
 (x2)
 STEPPED SCREW:
 M3



5.04513008N
 (x6)
 TAPPING SCREW -
 M3X8



14.11050723
 CLAMPS:WES-050
 7



1.03125040N
 (x2)
 SCREW - M2.5X4



32.B2385875
 DC SOLENOID DC2
 4V



36.D0896395
 DENSITY SENSOR



| | | | | | | | | | | | | | | | | | | | | |
|------|------|------|------|------|------|------|------|------|------|------|------|------|------|------|------|------|------|------|------|------|
| U001 | U002 | U003 | U004 | U005 | U006 | U007 | U008 | U009 | U010 | U011 | U012 | U013 | U014 | U015 | U016 | U017 | U018 | U019 | U020 | U021 |
|------|------|------|------|------|------|------|------|------|------|------|------|------|------|------|------|------|------|------|------|------|

U031 Electrical-2

- 12.D0251755 (x2) GROUND WIRE:SCANNER:RACK
- 2.03603006N (x25) SCREW - M3X6
- 4.04543006Q (x18) TAPPING SCREW - M3X6
- 13.D0255886 (x18) GASKET:UC-30028 1V0:L20
- 16.D0295811 RACK:APPLICATION:FRONT:RIGHT



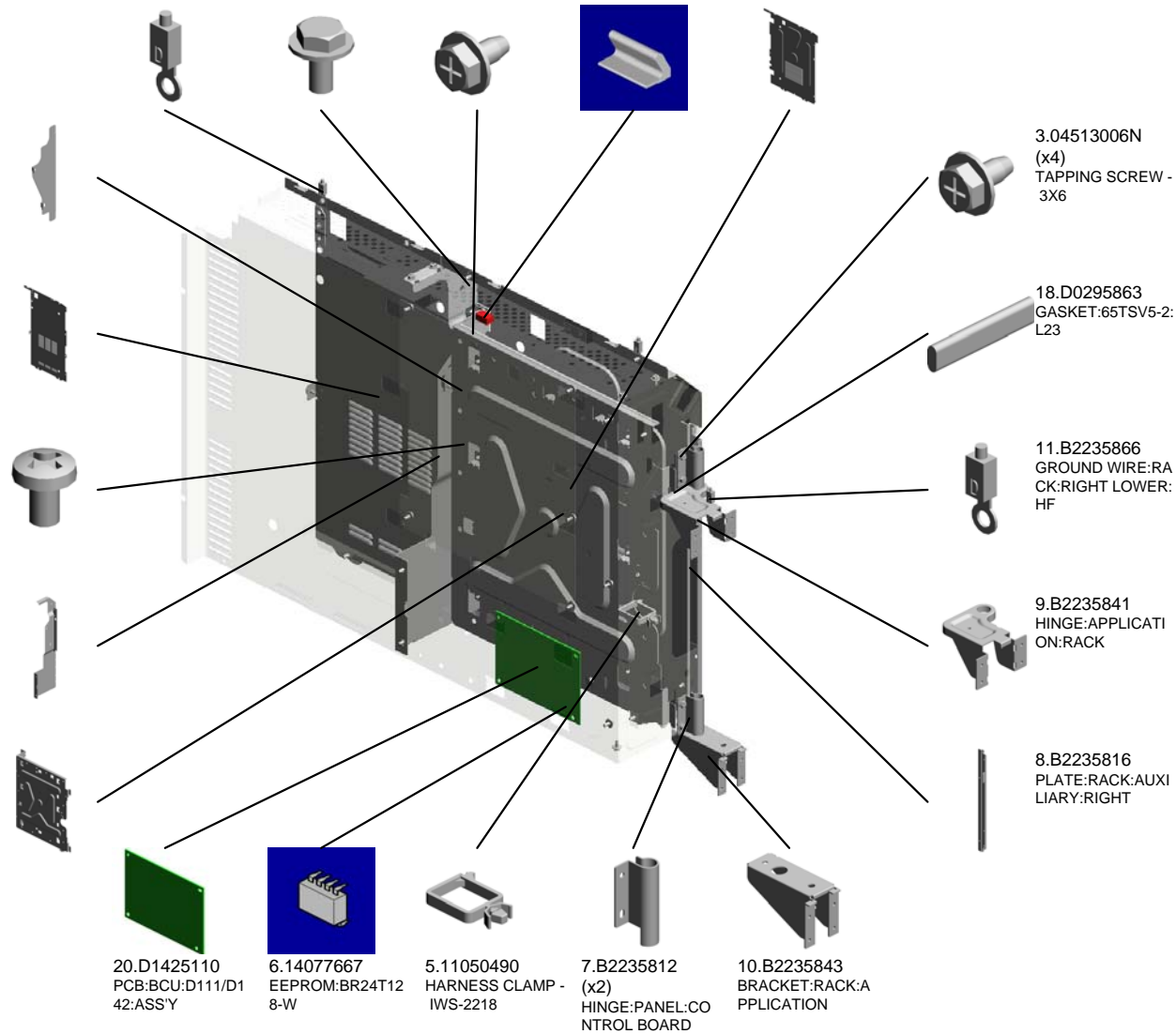
19.D0895809
SHADING PLATE:
RACK:MIDDLE

17.D0295819
RACK:APPLICATION:
FRONT:ASSY

1.03530050N
(x2)
SCREW-M3X5

14.D0295805
RACK:INNER BACK
:AUXILIARY:MIDDLE

15.D0295806
BRACKET:IOB



20.D1425110
PCB:BCU:D111/D1
42:ASSY

6.14077667
EEPROM:BR24T12
8-W

5.11050490
HARNESS CLAMP -
IWS-2218

7.B2235812
(x2)
HINGE:PANEL:CO
NTROL BOARD

10.B2235843
BRACKET:RACK:A
PPLICATION

3.04513006N
(x4)
TAPPING SCREW -
3X6

18.D0295863
GASKET:65TSV5-2:
L23

11.B2235866
GROUND WIRE:RA
CK:RIGHT LOWER:
HF

9.B2235841
HINGE:APPLICATI
ON:RACK

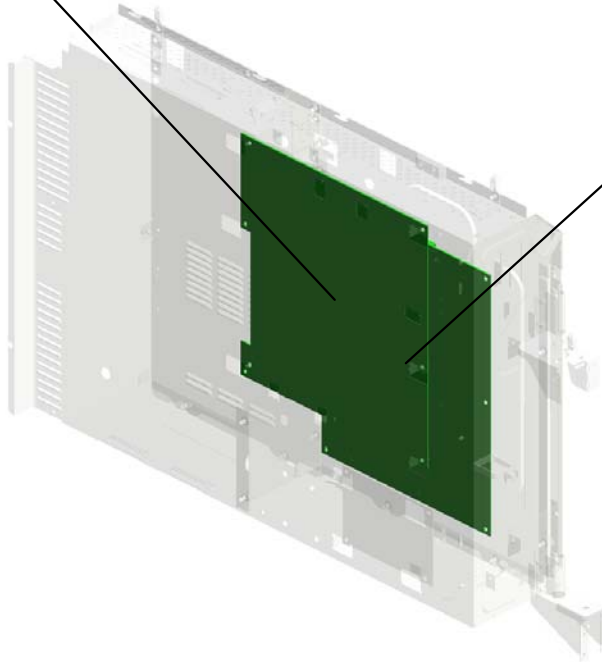
8.B2235816
PLATE:RACK:AUXI
LIARY:RIGHT

U031
Electrical-2

21.D1425150
PCB:IPU:D111/D14
2



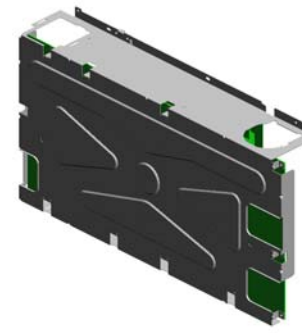
22.D1445120
PCB:IOB



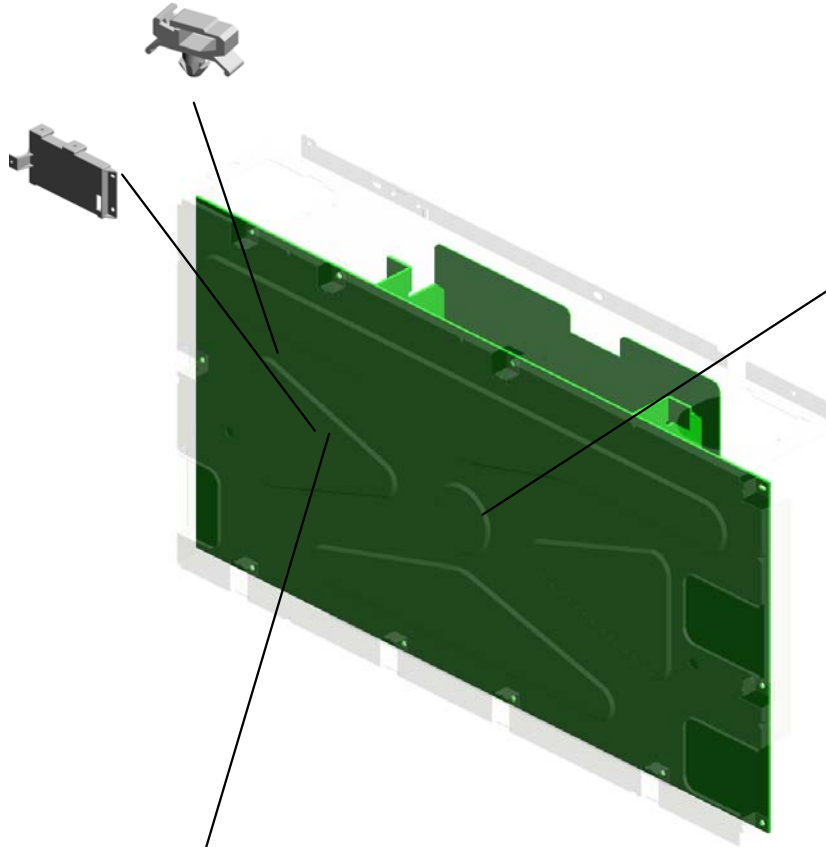
| | | | | | | | | | | | | | | | | | | | | |
|------|------|------|------|------|------|------|------|------|------|------|------|------|------|------|------|------|------|------|------|------|
| U001 | U002 | U003 | U004 | U005 | U006 | U007 | U008 | U009 | U010 | U011 | U012 | U013 | U014 | U015 | U016 | U017 | U018 | U019 | U020 | U021 |
|------|------|------|------|------|------|------|------|------|------|------|------|------|------|------|------|------|------|------|------|------|

U032
Electrical-3

1.11050511
(x2)
HARNESS CLAMP -
LWS-0306ZC



3.D1445803
BRACKET:SDB



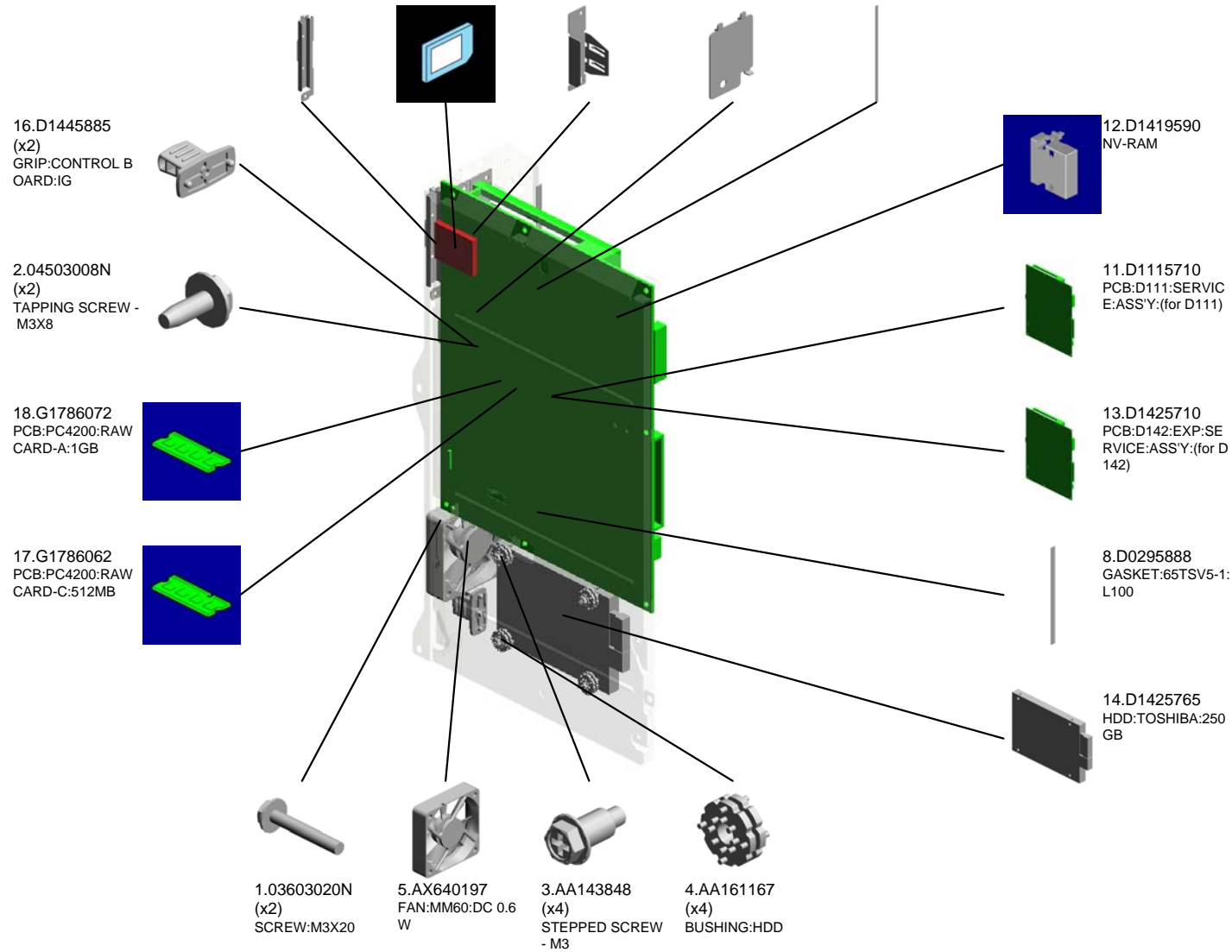
2.AZ240210
POWER SUPPLY U
NIT:450W:NA/TWN:
D111/D114

4.M0265194
PCB:SDB

| | | | | | | | | | | | | | | | | | | | | |
|------|------|------|------|------|------|------|------|------|------|------|------|------|------|------|------|------|------|------|------|------|
| U001 | U002 | U003 | U004 | U005 | U006 | U007 | U008 | U009 | U010 | U011 | U012 | U013 | U014 | U015 | U016 | U017 | U018 | U019 | U020 | U021 |
|------|------|------|------|------|------|------|------|------|------|------|------|------|------|------|------|------|------|------|------|------|

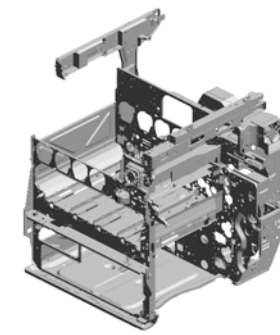
U033 Controller

- 9.D0895824 COVER:SD-CARD: D086/D087
- 15.D1445795 SD-CARD:PDF/VM_ CALYPSO:EXP:AS S'Y
- 10.D0895887 (x2) PANEL:INTERFAC E
- 6.D0145974 COVER:CONNECT OR:EFI
- 7.D0295887 GASKET:65TSV5-1: L150



U034 Air Cooling

- 10.08025308 (x4) TAPPING SCREW: FAN
- 9.04563010N TAPPING SCREW - M3X10
- 7.04543006Q (x2) TAPPING SCREW - M3X6
- 2.03603008N (x2) SCREW: M3X8
- 11.11050489 (x2) HARNESS CLAMP - LWS 1316



12.11050511
HARNESS CLAMP -
LWS-0306ZC



13.11050516
CLAMP



6.04513010N
(x2)
TAPPING SCREW:
3X10



8.04563008N
TAPPING SCREW -
M3X8



15.AX650045
SIROCCO FAN:DC
24V 2.6W



17.B2231237
DUCT:REAR:2



18.B2231238
DUCT:REAR:3



3.04503010N
(x2)
TAPPING SCREW -
M3X10



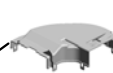
5.04513008N
(x2)
TAPPING SCREW -
M3X8



19.B2231239
DUCT:REAR:LOWE
R



20.B2231326
DUCT:FUSING



14.AX640199
FAN:MM80:25MM:D
C 2.16W



4.04513006N
(x6)
TAPPING SCREW -
3X6



1.03603006N
SCREW - M3X6



16.B2231236
DUCT:REAR:1



U034 Air Cooling

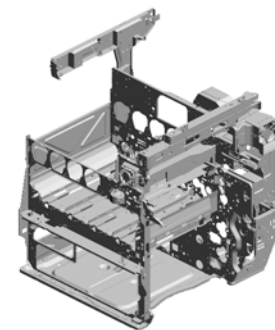
23.B2231332
(x3)
FAN MOTOR - MM6
0 DC24V

24.D0291354
BRACKET:FAN:IH

27.D0891386
DUCT:EXIT

33.D1441379
GUIDE PLATE:SUP
PLY

26.D0891380
SEAL:GUIDE PLAT
E:SUPPLY



25.D0891370
BRACKET:FAN:IMA
GE FORMING SEC
TION

28.D1441354
BRACKET:FAN

29.D1441355
SEAL:BRACKET:FA
N

30.D1441356
BRACKET:FILTER:
FRONT RIGHT:ASS
'Y

31.D1441369
DUCT:REAR:LOWE
R RIGHT

36.D1441383
DUCT:HEATER:FR
ONT

32.D1441371
SEAL:DUCT:HEAT
ER:FRONT

38.GX640031
(x2)
FAN MOTOR:DC:2.
64W

35.D1441382
DUCT:SUPPLY:RE
AR

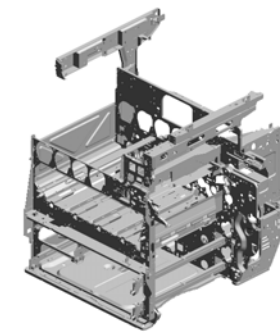
34.D1441381
DUCT:SUPPLY:FR
ONT

22.B2231329
(x2)
SOUND PROOFIN
G MATERIAL:DUCT

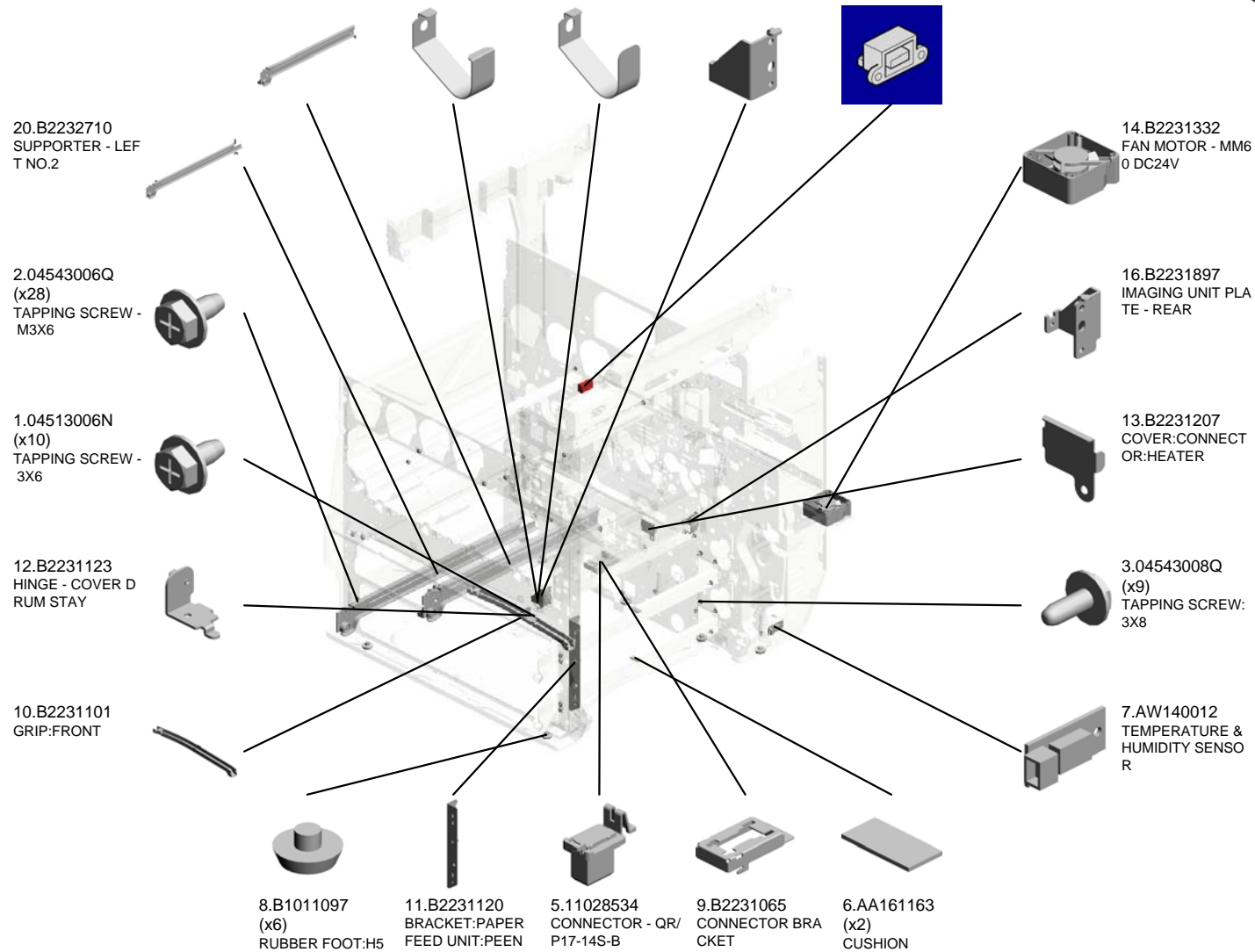
37.D1441384
DUCT:HEATER:RE
AR

21.B2231327
DUCT:FUSING:REA
R

U035 Main Frame

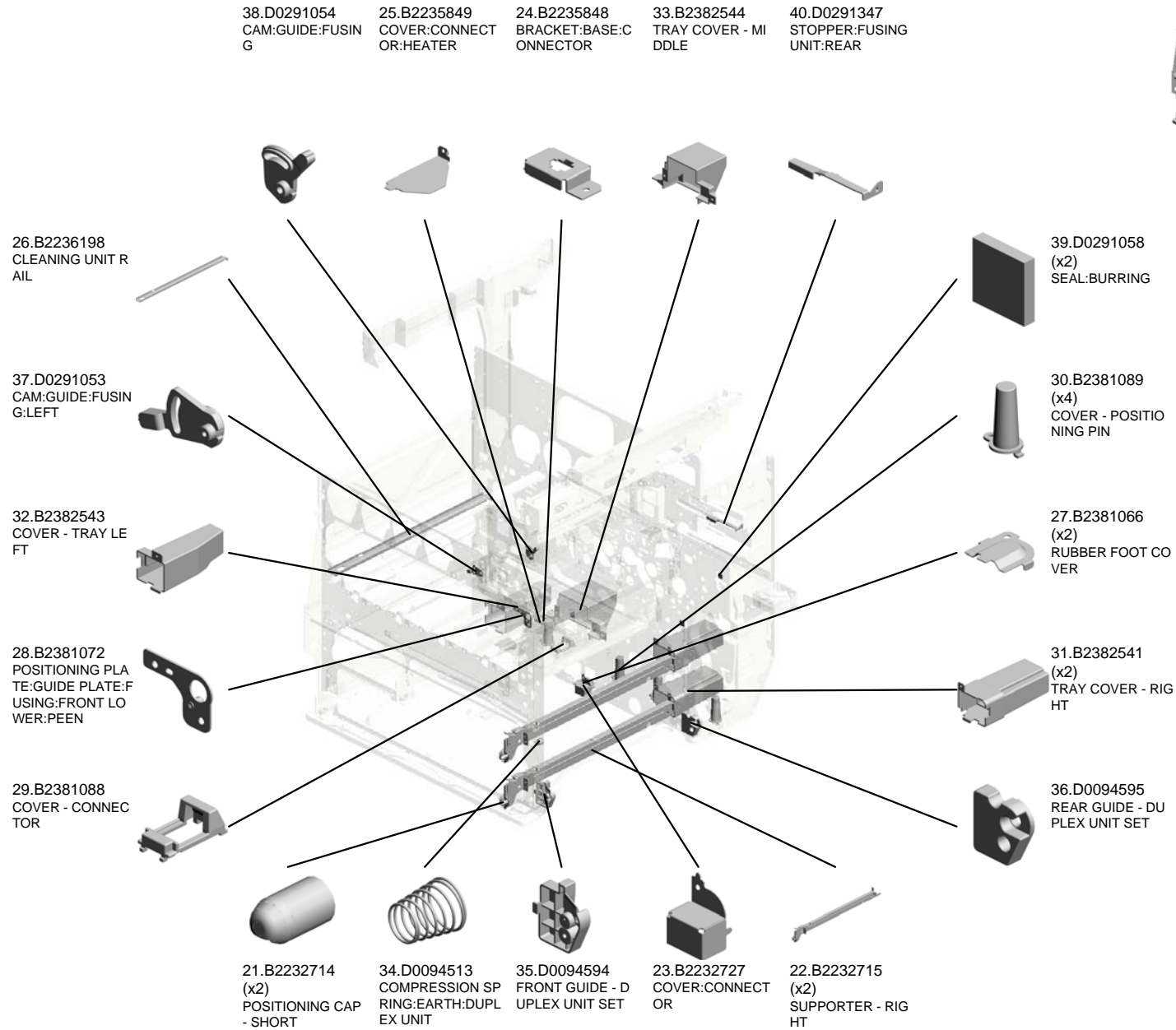
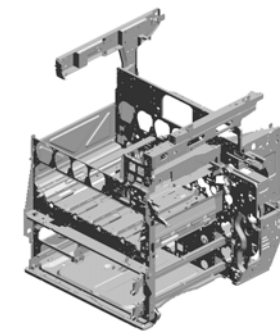


- 19.B2232705 SUPPORTER - LEFT NO.1
- 17.B2231898 (x2) IMAGING UNIT PLATE - INNER
- 18.B2231899 (x2) IMAGING UNIT PLATE - OUTER
- 15.B2231896 IMAGING UNIT PLATE - FRONT
- 4.11028502 CONNECTOR - 54679-1615



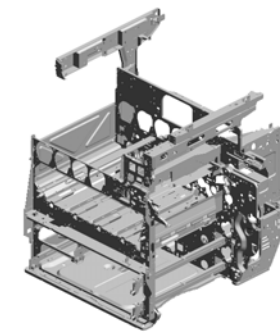
| | | | | | | | | | | | | | | | | | | | | |
|------|------|------|------|------|------|------|------|------|------|------|------|------|------|------|------|------|------|------|------|------|
| U001 | U002 | U003 | U004 | U005 | U006 | U007 | U008 | U009 | U010 | U011 | U012 | U013 | U014 | U015 | U016 | U017 | U018 | U019 | U020 | U021 |
|------|------|------|------|------|------|------|------|------|------|------|------|------|------|------|------|------|------|------|------|------|

U035 Main Frame



| | | | | | | | | | | | | | | | | | | | | |
|------|------|------|------|------|------|------|------|------|------|------|------|------|------|------|------|------|------|------|------|------|
| U001 | U002 | U003 | U004 | U005 | U006 | U007 | U008 | U009 | U010 | U011 | U012 | U013 | U014 | U015 | U016 | U017 | U018 | U019 | U020 | U021 |
|------|------|------|------|------|------|------|------|------|------|------|------|------|------|------|------|------|------|------|------|------|

U035 Main Frame



- 49.D0891388 SEAL:SEPARATION PLATE:OPTICAL WRITING UNIT:LEFT INNER REAR
- 45.D0296146 RAIL:RIGHT:C2
- 54.D1441094 DUCT:FUSING:LEFT
- 43.D0295861 (x3) GASKET:65TFV5-0.5:L90

50.D0891390 SEAL:SIDE PLATE:FRONT:LEFT

44.D0296145 RAIL:LEFT:C2

48.D0891387 SHIELDING PLATE:IMAGE FORMING MD:LEFT

52.D1441054 SEAL:DUCT:FUSING:LEFT:FRONT

51.D1291245 CAP:GRIP

41.D0291351 LEVER:LOCK:FUSING UNIT:FRONT

46.D0891053 STOPPER:FUSING UNIT:FRONT

55.D1441096 SEAL:DUCT:FUSING:LEFT:REAR

42.D0291355 LEVER:LOCK:FUSING UNIT:REAR

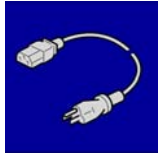
56.D1446823 (x2) DECAL:LEVER:LOCK:FUSING

53.D1441058 GUIDE PLATE:FUSING:REAR

47.D0891097 BRACKET:FAN:POWER SOURCE:IH

| | | | | | | | | | | | | | | | | | | | | |
|------|------|------|------|------|------|------|------|------|------|------|------|------|------|------|------|------|------|------|------|------|
| U001 | U002 | U003 | U004 | U005 | U006 | U007 | U008 | U009 | U010 | U011 | U012 | U013 | U014 | U015 | U016 | U017 | U018 | U019 | U020 | U021 |
|------|------|------|------|------|------|------|------|------|------|------|------|------|------|------|------|------|------|------|------|------|

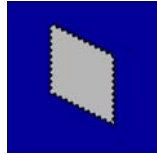
Accessories



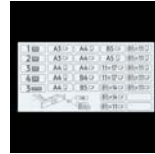
1.11500415
POWER SUPPLY CODE:125V:NA



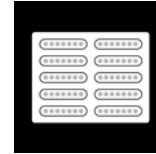
2.16071859
FERRITE CORE:E04SR241336A



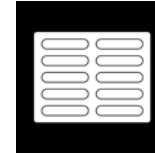
3.B0651374
SHEET:EXPOSURE GLASS



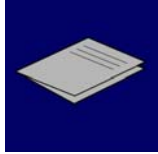
4.D1202874
DECAL:SIZE INDICATION:PAPER TRAY



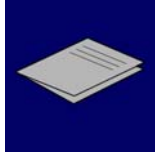
5.D1291566
SHEET:APPLICATION:MULTI-LANGUAGE:NA



6.D1291568
SHEET:APPLICATION:MULTI-LANGUAGE:BLANK



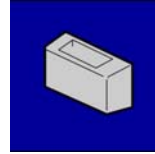
7.D1437004
MANUAL:USER_GUIDE:NA



8.D1437008
MANUAL:READ_THIS_FIRST:NA



9.D1437348
SHEET:SECURITY_PASSWORD:NA



10.D1441396
HOLDER:EXPOSURE GLASS:IG:ASS'Y



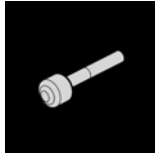
11.D5786062
DECAL::ORIGINAL:MANY LANGUAGES



12.D6457901
SHEET:EULA:20LANGUAGES:CHN

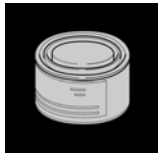


13.D6457902
SEAL:CAUTION:20LANGUAGES



14.H5115007
STAMP

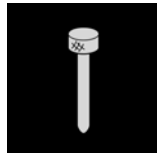
Special Tools



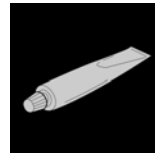
1.52039502
Silicon Grease G-501



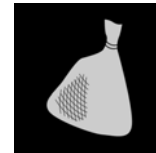
2.A0929503
C4 Color Test Chart (3 pcs/set)



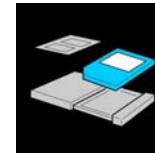
3.A1849501
Scanner Positioning Pin (2pcs/set)



4.A2579300
Grease Barrierta S552R

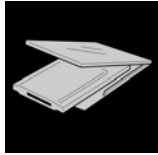


5.B1329700
Lubricant Powder

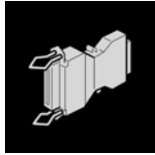


6.B6455010
SD Card

Special Tools



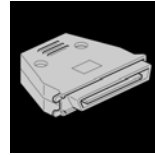
7.B6456705
PCMCIA Card Adapter



8.B6795100
Plug - IEEE1284 Type C



9.C4019503
20X Magnification Scope



10.G0219350
Loop-back Connector Parallel

Exclusive Parts

| Number | Part Name | Group | ID |
|----------|------------------------------------|----------------|----|
| 52039502 | Silicon Grease G-501 | Special Tools | 1 |
| 52062686 | SNAP RING | U010_S001 | 8 |
| | | U011_S001 | 8 |
| | | U004 | 2 |
| 54421924 | EXPOSURE GLASS CUSHION | U004 | 2 |
| 54472681 | SNAP RING | U024 | 20 |
| | | U026 | 10 |
| A0929503 | C4 Color Test Chart (3 pcs/set) | Special Tools | 2 |
| A1849501 | Scanner Positioning Pin (2pcs/set) | Special Tools | 3 |
| A1931766 | WIRE CLAMP | U005 | 6 |
| A1931769 | CLAMP - REAR WIRE | U005 | 7 |
| A1931816 | 1ST SLIDE RAIL | U006 | 4 |
| A2322987 | ROLLER - PAPER TRAY | U008_S001 | 5 |
| | | U009_S001 | 5 |
| A2501752 | EXPOSURE GLASS | U004 | 3 |
| A2501791 | 2ND SCANNER SHOE | U005_S002 | 8 |
| A2579300 | Grease Barrierta S552R | Special Tools | 4 |
| A2596754 | BUSHING - 6 6MM | U024 | 21 |
| A2672857 | SPRING PLATE - SIDE FENCE | U008_S001_S003 | 6 |
| | | U009_S001_S003 | 6 |
| A2672859 | SIDE FENCE STOPPER | U008_S001_S003 | 7 |
| | | U009_S001_S003 | 7 |
| AA001524 | DECAL:COLOR:MFP | U001 | 2 |
| AA001564 | PLATE:LOGOTYPE:RIC | U001 | 3 |
| AA001565 | PLATE:LOGOTYPE:LAN | U001 | 4 |
| AA001566 | PLATE:LOGOTYPE:SVN | U001 | 5 |
| AA043583 | TIMING BELT - S2M460 | U028 | 8 |
| AA060151 | TENSION SPRING | U030_S001 | 17 |
| AA060691 | TENSION SPRING | U010_S001 | 9 |
| | | U011_S001 | 9 |
| AA060693 | TENSION SPRING | U010_S001 | 10 |
| | | U011_S001 | 10 |
| AA060722 | TENSION SPRING | U028 | 9 |
| AA060872 | SPRING | U024 | 22 |
| AA060979 | TENSION SPRING:TENSION:14720 MN | U005 | 9 |
| AA060980 | TENSION SPRING:TENSION:11300 MN | U005 | 10 |
| AA060989 | SPRING:FUSING EXIT:PRESSURE | U021_S001 | 10 |

| Number | Part Name | Group | ID |
|----------|-------------------------------------|-----------|----|
| AA061003 | TENSION SPRING:SIDE FENCE:REAR | U008_S001 | 8 |
| | | U009_S001 | 8 |
| AA061014 | TENSION SPRING:GRIP | U008_S001 | 9 |
| | | U009_S001 | 9 |
| AA061026 | COMPRESSION SPRING:DRIVEN ROLLER | U021_S001 | 11 |
| AA061092 | TORSION SPRING:STRIPPER PLATE:FRONT | U021_S001 | 12 |
| AA061093 | TORSION SPRING:STRIPPER PLATE:REAR | U021_S001 | 13 |
| AA061095 | COMPRESSION SPRING:PRESSURE | U021_S001 | 14 |
| AA061096 | TENSION SPRING:SHUTTER | U021_S001 | 15 |
| AA062259 | SPRING - RELEASE | U010_S001 | 11 |
| | | U011_S001 | 11 |
| AA063499 | PRESSURE SPRING | U024 | 23 |
| AA063568 | PRESSURE SPRING | U024 | 24 |
| | | U030 | 18 |
| AA080156 | BUSHING - M4 | U023_S001 | 9 |
| AA080254 | BUSHING - M4 | U024 | 25 |
| AA080346 | BUSHING:FLANGE TYPE:DIA6 | U026 | 11 |
| AA080348 | BUSHING:DRIVEN ROLLER | U021_S001 | 16 |
| AA082101 | BUSHING - 6X10X6 | U013 | 6 |
| | | U014_S005 | 11 |
| | | U022 | 13 |
| | | U024 | 26 |
| AA082102 | BUSHING - 6X10X6 | U010_S001 | 12 |
| | | U011_S001 | 12 |
| AA082104 | BUSHING - 8X12X7 | U024 | 27 |
| AA082143 | BUSHING - 6X10X6 | U010_S001 | 13 |
| | | U011_S001 | 13 |
| | | U024 | 28 |
| AA082144 | BUSHING - 8X12X7 | U005 | 11 |
| | | U024 | 29 |
| AA082150 | PLAIN SHAFT BEARING:M6 | U010_S001 | 14 |
| | | U011_S001 | 14 |
| AA082156 | BUSHING:DIA6XDIA10X6 | U023_S001 | 10 |
| AA083014 | ONE-WAY CLUTCH | U024 | 30 |

Exclusive Parts

| Number | Part Name | Group | ID |
|----------|--|-----------|----|
| AA083018 | ROLLER CLUTCH - 6X14X10 | U024 | 31 |
| AA084000 | PLAIN SHAFT BEARING:DIA6 | U016_S001 | 2 |
| | | U016_S002 | 2 |
| | | U016_S003 | 2 |
| | | U016_S004 | 2 |
| AA100014 | RETAINING RING C - SEPARATE | U010_S001 | 15 |
| | | U011_S001 | 15 |
| | | U024 | 32 |
| AA100015 | SNAP RING - M6 | U025_S001 | 4 |
| AA101021 | RUBBER BUSHING - 6 45HS | U024 | 33 |
| | | U026 | 12 |
| AA140778 | SHAFT:SEPARATOR:DRIVE | U024 | 34 |
| AA140936 | SHAFT:FEED:MANUAL FEED | U024 | 35 |
| AA143183 | STEPPED SCREW | U024 | 36 |
| AA143219 | STEPPED SCREW | U030 | 19 |
| AA143404 | STEPPED SCREW - M4 | U024 | 37 |
| AA143577 | SCREW:TP:M4 | U008 | 10 |
| AA143807 | SCREW:A | U024 | 38 |
| AA143823 | TAPPING SCREW | U002 | 5 |
| AA143848 | STEPPED SCREW - M3 | U033 | 3 |
| AA143849 | SCREW:DIA4:M3 | U021_S001 | 17 |
| AA143870 | STEPPED SCREW | U021_S001 | 18 |
| AA148810 | PIN:LEVER | U021_S001 | 19 |
| AA148811 | POSITIONING PIN:HOLDER:PRES SURE ROLLER | U021_S001 | 20 |
| AA161163 | CUSHION | U035 | 6 |
| AA161167 | BUSHING:HDD | U033 | 4 |
| AB010156 | GEAR:SEPARATE:DRIVE | U010_S001 | 16 |
| | | U011_S001 | 16 |
| AB010157 | GEAR:SEPARATE:DRIVEN | U010_S001 | 17 |
| | | U011_S001 | 17 |
| AB011218 | GEAR - ROLLER CLUTCH | U010_S001 | 18 |
| | | U011_S001 | 18 |
| AB011223 | IDLER GEAR - 25Z | U024 | 39 |
| AB011252 | GEAR - 20Z | U010_S001 | 19 |
| | | U011_S001 | 19 |
| AB011258 | GEAR - 38Z | U026 | 13 |
| AB011259 | GEAR - 32Z | U026 | 14 |

| Number | Part Name | Group | ID |
|----------|------------------------------------|----------------|----|
| AB011387 | GEAR - 23Z | U024 | 40 |
| AB011416 | GEAR - 20Z | U024 | 41 |
| AB014161 | REVERSE ROLLER GEAR | U024 | 42 |
| AB014330 | GEAR:DRIVE:FUSING UNIT | U021_S001 | 21 |
| AB014331 | GEAR:IDLER:PRESSURE ROLLER | U021_S001 | 22 |
| AB014334 | GEAR:SHUTTER | U021_S001 | 23 |
| AB014335 | GEAR:IDLER:SHUTTER | U021_S001 | 24 |
| AB017493 | GEAR PULLEY | U026 | 15 |
| AB017699 | GEAR - 33Z/44Z | U026 | 16 |
| AB017758 | GEAR:EXIT:NO.2 | U028 | 10 |
| AB017774 | GEAR:FUSING:NO.3 | U028 | 11 |
| AB030551 | PULLEY:IDLER:FUSING | U028 | 12 |
| AB030888 | TIMING PULLEY:DEVELOPMENT:N O.1 | U025_S001 | 5 |
| | | | |
| AC030169 | MIRROR:NO.1 | U005_S001 | 12 |
| AF013016 | BOTTOM PLATE PAD | U024 | 43 |
| AF030049 | PICK-UP ROLLER | U024 | 44 |
| AF030085 | PAPER FEED ROLLER - PICKUP | U010_S001 | 20 |
| | | U011_S001 | 20 |
| AF031046 | FEED ROLLER - MANUAL FEED | U024 | 45 |
| AF031085 | PAPER FEED ROLLER - FEED | U010_S001 | 21 |
| | | U011_S001 | 21 |
| AF032046 | SEPARATION ROLLER - MANUAL FEED | U024 | 46 |
| AF032085 | PAPER FEED ROLLER - SEPARAT E | U010_S001 | 22 |
| | | U011_S001 | 22 |
| AF033010 | PAD | U008_S001_S001 | 11 |
| | | U009_S001_S001 | 11 |
| AG070514 | MAGNET CATCH | U020 | 4 |
| | | U024 | 47 |
| AG071012 | MAGNET CATCH:ASS'Y | U002 | 6 |
| AW010107 | PAPER FEED SENSOR | U013 | 7 |
| | | U023_S001 | 11 |
| | | U024 | 48 |
| AW010118 | PAPER FEED SENSOR | U024 | 49 |
| AW010122 | PAPER FEED SENSOR | U010_S001 | 23 |
| | | U011_S001 | 23 |
| AW010128 | PAPER FEED SENSOR | U010_S001 | 24 |

Exclusive Parts

| Number | Part Name | Group | ID |
|----------|--------------------------------------|-----------|----|
| | | U011_S001 | 24 |
| AW010134 | ORIGINAL SENSOR - 48MM | U006 | 5 |
| AW010147 | PHOTO REFLECTION SENSOR | U023_S001 | 12 |
| AW020145 | PHOTOINTERRUPTOR:FLAT | U006 | 6 |
| | | U023_S001 | 13 |
| | | U024 | 50 |
| | | U025_S001 | 6 |
| AW020146 | PHOTOINTERRUPTOR:FLAT:PICH 2MM:M4 | U006 | 7 |
| AW020160 | PAPER FEED SENSOR | U020 | 5 |
| AW020185 | TONER END SENSOR | U014_S001 | 12 |
| | | U014_S002 | 12 |
| | | U014_S003 | 12 |
| AW020190 | PHOTOINTERRUPTOR | U022 | 14 |
| AW020204 | PHOTOINTERRUPTOR:LGRC102 | U010_S001 | 25 |
| | | U011_S001 | 25 |
| AW100138 | THERMOPILE | U022 | 15 |
| AW100143 | THERMISTOR:PRESSURE:FRONT | U021_S001 | 25 |
| AW100144 | THERMISTOR:PRESSURE:MIDDLE | U021_S001 | 26 |
| AW100145 | TEMPERATURE SENSOR:NC-F10: MIDDLE | U021_S001 | 27 |
| AW100146 | TEMPERATURE SENSOR:NC-F10: REAR | U021_S001 | 28 |
| AW110101 | THERMOSTAT:LOWER | U021_S001 | 29 |
| AW110102 | THERMOSTAT:MIDDLE:UPPER | U021_S001 | 30 |
| AW140012 | TEMPERATURE & HUMIDITY SEN SOR | U035 | 7 |
| AW500023 | PUSH SWITCH | U020 | 6 |
| | | U023_S001 | 14 |
| | | U029 | 3 |
| AW500031 | PAPER SIZE SENSOR | U024 | 51 |
| AW500035 | PAPER END SENSOR | U024 | 52 |
| AW500038 | PUSH SWITCH:PAPER SIZE SENS OR | U029 | 4 |
| AX040154 | DC MOTOR 24V | U029 | 5 |
| AX060356 | BRUSHLESS MOTOR:DC24V 18W | U025_S001 | 7 |
| AX060368 | BRUSHLESS MOTOR:DRIVE:DRU M:28W | U025_S001 | 8 |

| Number | Part Name | Group | ID |
|----------|---|----------------|----|
| AX060396 | DC POLYGON MIRROR MOTOR:24 W | U007_S001 | 3 |
| AX060413 | BRUSHLESS MOTOR:DRIVE:DC:10 W | U025_S001 | 9 |
| AX060425 | DC MOTOR:GEAR:20W:BRUSHLES S | U026 | 17 |
| AX060428 | DC MOTOR:GEAR:10W:BRUSHLES S | U026 | 18 |
| AX060430 | BRUSHLESS MOTOR:DRIVE:FUSI NG:39W | U028 | 13 |
| AX200289 | MAGNETIC CLUTCH - 32Z | U026 | 19 |
| AX200315 | MAGNETIC CLUTCH:DEVELOPME NT:0.5N | U025_S001 | 10 |
| AX200320 | ELECTROMAGNETIC CLUTCH | U024 | 53 |
| AX310045 | TOTAL COUNTER:7FIG:24V | U030 | 20 |
| AX640197 | FAN:MM60:DC 0.6W | U033 | 5 |
| AX640199 | FAN:MM80:25MM:DC 2.16W | U034 | 14 |
| AX650045 | SIROCCO FAN:DC24V 2.6W | U034 | 15 |
| AZ240210 | POWER SUPPLY UNIT:450W:NA/T WN:D111/D114 | U032 | 2 |
| AZ300060 | POWER PACK:D:AT/AP-C2 | U024 | 54 |
| AZ320180 | POWER PACK:TTS:AT-C2 | U030 | 21 |
| AZ320182 | POWER PACK:CB | U030 | 22 |
| B0042923 | SPRING PLATE - RELEASE LEVER | U008_S001_S002 | 12 |
| | | U009_S001_S002 | 12 |
| B0441825 | COLLAR | U024 | 55 |
| | | U026 | 20 |
| B0441847 | SHOULDER SCREW | U024 | 56 |
| B0651374 | SHEET:EXPOSURE GLASS | Accessories | 3 |
| B1011097 | RUBBER FOOT:H5 | U035 | 8 |
| B1202063 | BUSHING - 4MM | U023_S001 | 15 |
| B1329700 | Lubricant Powder | Special Tools | 5 |
| B1801704 | BRACKET:TENSION | U005 | 13 |
| B1801734 | SLIDE RAIL:NO.2 | U006 | 8 |
| B1802782 | SEAL:TRAY | U009 | 39 |
| B1802871 | SHAFT:SEPARATOR:DRIVEN:ASS' Y | U024 | 57 |
| B2231065 | CONNECTOR BRACKET | U035 | 9 |

Exclusive Parts

| Number | Part Name | Group | ID |
|----------|------------------------------------|-----------|----|
| B2231101 | GRIP:FRONT | U035 | 10 |
| B2231120 | BRACKET:PAPER FEED UNIT:PEE N | U035 | 11 |
| B2231123 | HINGE - COVER DRUM STAY | U035 | 12 |
| B2231144 | HOLDER:POSITIONING SENSOR | U025_S001 | 11 |
| B2231174 | DRIVE UNIT:COLLECTION BOTTLE | U028 | 14 |
| B2231183 | GRIP SHAFT | U026 | 21 |
| B2231184 | PULLEY:TONER SUPPLY:NO.2:AS S'Y | U028 | 15 |
| B2231186 | DRIVE JOINT | U026 | 22 |
| B2231187 | MAGNETIC CLUTCH BRACKET | U026 | 23 |
| B2231189 | FEED DRIVE SHAFT | U026 | 24 |
| B2231207 | COVER:CONNECTOR:HEATER | U035 | 13 |
| B2231236 | DUCT:REAR:1 | U034 | 16 |
| B2231237 | DUCT:REAR:2 | U034 | 17 |
| B2231238 | DUCT:REAR:3 | U034 | 18 |
| B2231239 | DUCT:REAR:LOWER | U034 | 19 |
| B2231249 | STOPPER:MAGNET CATCH | U002 | 7 |
| B2231276 | FILTER:RIGHT REAR | U002 | 8 |
| B2231306 | DRUM STAY | U002_S001 | 9 |
| B2231315 | BALL BEARING PLATE | U002_S001 | 10 |
| B2231316 | BALL BEARING CLIP | U002_S001 | 11 |
| B2231318 | SPRING | U002_S001 | 12 |
| B2231319 | WIRE | U002_S001 | 13 |
| B2231326 | DUCT:FUSING | U034 | 20 |
| B2231327 | DUCT:FUSING:REAR | U034 | 21 |
| B2231329 | SOUND PROOFING MATERIAL:DU CT | U034 | 22 |
| B2231332 | FAN MOTOR - MM60 DC24V | U034 | 23 |
| | | U035 | 14 |
| B2231364 | GUIDE:HARNESS | U028 | 16 |
| B2231882 | COVER - POLYGON MOTOR | U007_S001 | 4 |
| B2231896 | IMAGING UNIT PLATE - FRONT | U035 | 15 |
| B2231897 | IMAGING UNIT PLATE - REAR | U035 | 16 |
| B2231898 | IMAGING UNIT PLATE - INNER | U035 | 17 |
| B2231899 | IMAGING UNIT PLATE - OUTER | U035 | 18 |
| B2231903 | LOUVER | U007_S001 | 5 |
| B2232608 | GEAR:Z16 | U024 | 58 |

| Number | Part Name | Group | ID |
|----------|-------------------------------------|-----------|----|
| B2232622 | GUIDE PLATE:EXIT | U024 | 59 |
| B2232623 | COVER:GUIDE PLATE:EXIT | U024 | 60 |
| B2232629 | STAY:FEED | U024 | 61 |
| B2232632 | DC SOLENOID:PICKUP | U024 | 62 |
| B2232633 | SPRING:RELEASE:PICKUP | U024 | 63 |
| B2232634 | SUPPORT STAY:ARM | U024 | 64 |
| B2232636 | TORSION SPRING:27N | U024 | 65 |
| B2232637 | BRACKET:ARM:MANUAL FEED:RE AR | U024 | 66 |
| B2232648 | GUIDE PLATE:TRANSPORT UNIT: EXIT | U024 | 67 |
| B2232649 | SPRING:PRESSURE:5N | U024 | 68 |
| B2232651 | ARM:MANUAL FEED:FRONT | U024 | 69 |
| B2232652 | ARM:MANUAL FEED:REAR | U024 | 70 |
| B2232665 | SPRING:COVER:MANUAL FEED | U024 | 71 |
| B2232666 | GEAR:16Z | U024 | 72 |
| B2232668 | SPRING PLATE:STOPPER | U024 | 73 |
| B2232676 | SPRING - 11N | U024 | 74 |
| B2232681 | ARM:TIGHTENER | U024 | 75 |
| B2232683 | GEAR:25Z | U024 | 76 |
| B2232686 | GEAR:Z31 | U024 | 77 |
| B2232689 | GEAR:Z28 | U024 | 78 |
| B2232691 | BRACKET:STEPPER MOTOR | U026 | 25 |
| B2232694 | GUIDE:GEAR | U026 | 26 |
| B2232696 | DRUM STAY:DRIVE | U024 | 79 |
| B2232702 | HEAT SINK:HEATER:NA:ADHESIO N | U030 | 23 |
| B2232705 | SUPPORTER - LEFT NO.1 | U035 | 19 |
| B2232710 | SUPPORTER - LEFT NO.2 | U035 | 20 |
| B2232713 | RACK:MANUAL FEED | U024 | 80 |
| B2232714 | POSITIONING CAP - SHORT | U035 | 21 |
| B2232715 | SUPPORTER - RIGHT | U035 | 22 |
| B2232721 | BRACKET:PUSH SWITCH | U029 | 6 |
| B2232722 | COVER | U029 | 7 |
| B2232727 | COVER:CONNECTOR | U035 | 23 |
| B2232762 | FEED SHAFT | U010_S001 | 26 |
| | | U011_S001 | 26 |
| B2232765 | GROUND PLATE - FEED | U010_S001 | 27 |

Exclusive Parts

| Number | Part Name | Group | ID |
|----------|--------------------------------|----------------|----|
| | | U011_S001 | 27 |
| B2232772 | HARNESS SHEET | U010_S001 | 28 |
| | | U011_S001 | 28 |
| B2232776 | STAY | U010_S001 | 29 |
| | | U011_S001 | 29 |
| B2232780 | DC SOLENOID 24V | U010_S001 | 30 |
| | | U011_S001 | 30 |
| B2232786 | GROUND PLATE - FRONT | U010_S001 | 31 |
| | | U011_S001 | 31 |
| B2232810 | SEPARATE DRIVEN SHAFT | U010_S001 | 32 |
| | | U011_S001 | 32 |
| B2232815 | SEPARATE DRIVE SHAFT | U010_S001 | 33 |
| | | U011_S001 | 33 |
| B2232846 | BRACKET:COVER:HARNESS | U012 | 2 |
| B2232848 | COVER:HARNESS | U012 | 3 |
| B2232861 | GRIP HOLDER | U008_S001 | 13 |
| | | U009_S001 | 13 |
| B2232862 | LEVER - RELEASE INNER | U008_S001 | 14 |
| | | U009_S001 | 14 |
| B2232865 | RISE NO.1 SHAFT | U008_S001 | 15 |
| | | U009_S001 | 15 |
| B2232868 | LEVER:RELEASE:PAPER TRAY:OUTER | U008_S001 | 16 |
| | | U009_S001 | 16 |
| B2232869 | GROUND PLATE | U008_S001 | 17 |
| B2232873 | DECAL - SIDE FENCE REAR | U008_S001_S003 | 18 |
| B2232890 | SLIDE RAIL - LEFT | U008_S001 | 19 |
| B2232894 | SLIDE RAIL STOPPER - LEFT | U008_S001 | 20 |
| B2232910 | LINK - PAPER SIZE SENSOR | U009_S001 | 40 |
| B2232911 | SPACER | U009_S001 | 41 |
| B2232918 | RISE LEVER | U008_S001 | 21 |
| | | U009_S001 | 21 |
| B2232919 | GROUND PLATE - PAPER TRAY NO.2 | U009_S001 | 42 |
| B2232934 | PLATE - SIDE FENCE | U008_S001_S002 | 22 |
| | | U008_S001_S003 | 22 |
| | | U009_S001_S002 | 22 |
| | | U009_S001_S003 | 22 |
| B2232935 | PLATE - SIDE FENCE RIGHT | U008_S001_S002 | 23 |

| Number | Part Name | Group | ID |
|----------|--------------------------------|----------------|----|
| | | U008_S001_S003 | 23 |
| | | U009_S001_S002 | 23 |
| | | U009_S001_S003 | 23 |
| B2232936 | GEAR - 16Z | U008_S001 | 24 |
| | | U009_S001 | 24 |
| B2233206 | TUBE CLAMP | U015 | 3 |
| B2233207 | SHUTTER:NOZZLE | U014_S001 | 13 |
| | | U014_S002 | 13 |
| | | U014_S003 | 13 |
| | | U014_S004 | 13 |
| B2233208 | SPRING:SHUTTER:NOZZLE | U014_S001 | 14 |
| | | U014_S002 | 14 |
| | | U014_S003 | 14 |
| | | U014_S004 | 14 |
| B2233209 | TUBE CLIP | U015 | 4 |
| B2233328 | TONER CARTRIDGE GUIDE | U014 | 15 |
| B2233334 | HOLDER:STOPPER:SHUTTER:ASSY | U014_S005 | 16 |
| B2233428 | SPRING:DRIVE UNIT:TONER BOTTLE | U014_S005 | 17 |
| B2233441 | TIMING BELT:TONER BOTTLE | U014_S005 | 18 |
| B2233461 | PULLEY:TONER BOTTLE:YC | U014_S005 | 19 |
| B2233462 | PULLEY:TONER BOTTLE:CM | U014_S005 | 20 |
| B2233463 | GEAR:TONER BOTTLE:DRIVE | U014_S005 | 21 |
| B2233464 | GEAR:MAGNETIC CLUTCH:Y | U014_S005 | 22 |
| B2234493 | SHAFT:PRESSURE:AUXILIARY | U023_S001 | 16 |
| B2234494 | STOPPER- UPPERGATE PAWL | U024 | 81 |
| B2234497 | SHAFT:FEELER:OVERFLOW | U023_S001 | 17 |
| B2234501 | GUIDE PLATE:RIGHT | U024 | 82 |
| B2234502 | GUIDE PLATE:LEFT LOWER | U024 | 83 |
| B2234511 | TIMING BELT:30S2M312 | U024 | 84 |
| B2234512 | TIMING BELT:30S2M182 | U024 | 85 |
| B2234514 | ROLLER CLUTCH:T24 | U024 | 86 |
| B2234522 | SPACER:WIRE:STOPPER | U024 | 87 |
| B2234524 | WIRE:STOPPER:DIA1.5 | U024 | 88 |
| B2234525 | TENSION SPRING:WIRE:180N | U024 | 89 |
| B2234526 | TIMING BELT:30S2M268 | U024 | 90 |
| B2234527 | PULLEY:T26/T24 | U024 | 91 |

Exclusive Parts

| Number | Part Name | Group | ID |
|----------|--------------------------------|-------|-----|
| B2234529 | ROLLER CLUTCH:T24 | U024 | 92 |
| B2234532 | TENSION SPRING:HOOK:STOPPER | U024 | 93 |
| B2234535 | ROLLER CLUTCH:T26 | U024 | 94 |
| B2234536 | TIMING BELT:30S2M234 | U024 | 95 |
| B2234538 | COMPRESSION SPRING | U024 | 96 |
| B2234539 | SHEET:COVER:DUPLEX | U024 | 97 |
| B2234541 | TORSION SPRING:REAR | U024 | 98 |
| B2234542 | TORSION SPRING:FRONT | U024 | 99 |
| B2234544 | PULLEY:T35/T33 | U024 | 100 |
| B2234545 | GUIDE PIN:HOLDER | U024 | 101 |
| B2234552 | BUSHING:DIA4 | U024 | 102 |
| B2234553 | TENSION SPRING:DRIVEN ROLLER | U024 | 103 |
| B2234556 | COMPRESSION SPRING | U024 | 104 |
| B2234560 | TENSION SPRING:DRIVEN ROLLER | U024 | 105 |
| B2234562 | TIGHTENER | U024 | 106 |
| B2234564 | SPRING:TIGHTENER | U024 | 107 |
| B2234566 | BRACKET:SENSOR:ENTRANCE | U024 | 108 |
| B2234567 | STAY:TRANSPORT:UPPER:PEEN | U024 | 109 |
| B2234571 | GEAR:PULLEY:Z24/T40 | U024 | 110 |
| B2234572 | STEPPER MOTOR:DC4.29V 1.7W | U024 | 111 |
| B2234573 | TIMING BELT:30S2M128 | U024 | 112 |
| B2234575 | BRACKET:STEPPER MOTOR | U024 | 113 |
| B2234586 | PULLEY:T30 | U024 | 114 |
| B2234594 | SHAFT:PULLEY:WIRE | U024 | 115 |
| B2234595 | PULLEY:DIA13 | U024 | 116 |
| B2235812 | HINGE:PANEL:CONTROL BOARD | U031 | 7 |
| B2235813 | SAFETY SWITCH BRACKET | U030 | 24 |
| B2235814 | BRACKET - SAFETY SWITCH LEVER | U030 | 25 |
| B2235816 | PLATE:RACK:AUXILIARY:RIGHT | U031 | 8 |
| B2235841 | HINGE:APPLICATION:RACK | U031 | 9 |
| B2235843 | BRACKET:RACK:APPLICATION | U031 | 10 |
| B2235846 | BRACKET:TOTAL COUNTER:(Option) | U030 | 26 |
| B2235848 | BRACKET:BASE:CONNECTOR | U035 | 24 |

| Number | Part Name | Group | ID |
|----------|---|-----------|----|
| B2235849 | COVER:CONNECTOR:HEATER | U035 | 25 |
| B2235866 | GROUND WIRE:RACK:RIGHT LOWER:HF | U031 | 11 |
| B2236140 | DRAWER:INTERMEDIATE TRANSFER:ASS'Y | U030 | 27 |
| B2236198 | CLEANING UNIT RAIL | U035 | 26 |
| B2236463 | GEAR:DRIVE:TRANSPORT SCREW:FRONT | U020 | 7 |
| B2236464 | BUSHING - 6X10X6 | U020 | 8 |
| B2236467 | BRACKET:LEVER:AIO:0.5 | U020 | 9 |
| B2236471 | TRANSPORT SCREW BRACKET | U020 | 10 |
| B2236472 | GEAR - 21Z | U020 | 11 |
| B2236473 | TRANSPORT SCREW SHAFT | U020 | 12 |
| B2236474 | GEAR - 29Z | U020 | 13 |
| B2236475 | BUSHING - 5X 10X2.5 | U020 | 14 |
| B2236476 | BUSHING - DIA5 | U020 | 15 |
| B2236496 | COLLECTION BOTTLE RAIL | U020 | 16 |
| B2236503 | USED TONER SENSOR FEELER | U020 | 17 |
| B2236507 | SET SENSOR BRACKET | U020 | 18 |
| B2291687 | HEATER:120V:9W | U006 | 9 |
| B2381066 | RUBBER FOOT COVER | U035 | 27 |
| B2381072 | POSITIONING PLATE:GUIDE PLATE:FUSING:FRONT LOWER:PEEN | U035 | 28 |
| B2381088 | COVER - CONNECTOR | U035 | 29 |
| B2381089 | COVER - POSITIONING PIN | U035 | 30 |
| B2381534 | LCD SPACER A | U003_S001 | 8 |
| B2381535 | LCD SPACER B | U003_S001 | 9 |
| B2381715 | STEPPER MOTOR DC3.9V | U005 | 14 |
| B2381762 | GROUND PLATE - STEPPER MOTOR | U005 | 15 |
| B2381786 | SCANNER DRIVE SHAFT | U005 | 16 |
| B2381788 | STEPPER MOTOR BRACKET | U005 | 17 |
| B2381792 | TIMING BELT - 157ST1.5-4.0 | U005 | 18 |
| B2381793 | BUSHING SPACER | U006 | 10 |
| B2381795 | EXPOSURE GLASS | U004 | 4 |
| B2381796 | HALL PLUG | U006 | 11 |
| B2381803 | DOCUMENT FEEDER BRACKET | U004 | 5 |
| B2381806 | IDLER PULLEY | U005 | 19 |

Exclusive Parts

| Number | Part Name | Group | ID |
|----------|------------------------------------|---------------|-----|
| B2381807 | PULLEY | U005_S002 | 20 |
| B2381823 | INNER COVER - SCANNER | U006 | 12 |
| B2382541 | TRAY COVER - RIGHT | U035 | 31 |
| B2382543 | COVER - TRAY LEFT | U035 | 32 |
| B2382544 | TRAY COVER - MIDDLE | U035 | 33 |
| B2382622 | COVER - REMOVE PAPER DUST | U013 | 8 |
| B2382652 | REGISTRATION ROLLER - DRIVE | U013 | 9 |
| B2382655 | GEAR - 16Z | U013 | 10 |
| B2382656 | GEAR - 30Z | U013 | 11 |
| B2382657 | GEAR - 18Z | U013 | 12 |
| B2382661 | REGISTRATION ROLLER - DRIVEN | U013 | 13 |
| B2382675 | REGISTRATION ROLLER BUSHING | U013 | 14 |
| B2382676 | TENSION SPRING | U013 | 15 |
| B2384458 | COMPRESSION SPRING - DRIVEN ROLLER | U023_S001 | 18 |
| B2384733 | ENTRANCE SENSOR BRACKET | U024 | 117 |
| B2384739 | COVER - ENTRANCE SENSOR | U024 | 118 |
| B2385344 | SBU GROUND PLATE | U006 | 13 |
| B2385821 | BRACKET - MAIN SWITCH HANDLE | U030 | 28 |
| B2385824 | SLIDE SWITCH COVER | U030 | 29 |
| B2385825 | POWER SOURCE SWITCH LINK | U030 | 30 |
| B2385867 | HOOK:SOLENOID:SENSOR:TM | U030_S001 | 31 |
| B2385875 | DC SOLENOID DC24V | U030_S001 | 32 |
| B2385891 | DRAWER BRACKET | U030 | 33 |
| B2591131 | SCREW:PCU | U021_S001 | 31 |
| B6455010 | SD Card | Special Tools | 6 |
| B6456705 | PCMCIA Card Adapter | Special Tools | 7 |
| B6795100 | Plug - IEEE1284 Type C | Special Tools | 8 |
| B7002649 | TIMING BELT:40S2M144 | U026 | 27 |
| BA146036 | SHAFT:GEAR:SWIVEL | U022 | 16 |
| BB013016 | GEAR:SLOW DOWN:NO.1 | U022 | 17 |
| BB013017 | GEAR:SLOW DOWN:NO.2 | U022 | 18 |
| C4019503 | 20X Magnification Scope | Special Tools | 9 |
| D0092510 | GUIDE PLATE - EXIT | U024 | 119 |
| D0092552 | GUIDE SHEET - MANUAL FEED | U024 | 120 |
| D0092554 | GUIDE SHEET - VERTICAL TRANS | U024 | 121 |

| Number | Part Name | Group | ID |
|----------|---------------------------------------|-----------|-----|
| | PORT | | |
| D0092555 | TRANSPORT ROLLER - DUPLEX EXIT | U024 | 122 |
| D0092560 | DRIVEN ROLLER | U024 | 123 |
| D0092563 | GUIDE PLATE - VERTICAL TRANSPORT | U024 | 124 |
| D0092571 | HOLDER - VERTICAL TRANSPORT | U024 | 125 |
| D0092573 | PULLEY - VERTICAL TRANSPORT | U024 | 126 |
| D0092574 | PULLEY - IDLER | U024 | 127 |
| D0092575 | SHAFT - IDLER | U024 | 128 |
| D0092576 | SHAFT - VERTICAL TRANSPORT | U024 | 129 |
| D0092757 | TRANSPORT ROLLER:DRIVE:ASS'Y | U010_S001 | 34 |
| | | U011_S001 | 34 |
| D0094407 | FEELER - OVERFLOW | U023_S001 | 19 |
| D0094443 | DISCHARGE BRUSH - EXIT | U023_S001 | 20 |
| D0094503 | GUIDE PLATE - LEFT UPPER | U024 | 130 |
| D0094504 | UPPER GUIDE PLATE - GATE | U024 | 131 |
| D0094511 | SPACER:DIA8.0:1.5MM | U024 | 132 |
| D0094512 | LINK:STOPPER | U024 | 133 |
| D0094513 | COMPRESSION SPRING:EARTH:DUPLEX UNIT | U024 | 134 |
| | | U035 | 34 |
| D0094522 | TENSION SPRING:GATE PAWL:DUPLEX:0.08N | U024 | 135 |
| D0094535 | HARNESS GUIDE | U024 | 136 |
| D0094577 | DUPLEX GATE | U024 | 137 |
| D0094587 | TENSION SPRING - RELEASE BRACKET | U024 | 138 |
| D0094588 | STOPPER BRACKET - SPRING | U024 | 139 |
| D0094589 | GUIDE - SET SHAFT | U024 | 140 |
| D0094593 | STEPPED SCREW - M3 | U024 | 141 |
| D0094594 | FRONT GUIDE - DUPLEX UNIT SET | U035 | 35 |
| | | | |
| D0094595 | REAR GUIDE - DUPLEX UNIT SET | U035 | 36 |
| D0094597 | BRACKET - WIRE PULLEY SHAFT | U024 | 142 |
| D0094598 | SPRING - SET SHAFT | U024 | 143 |
| D0094599 | SHAFT - DUPLEX UNIT | U024 | 144 |
| D0094661 | REVERSE ROLLER - FEED | U024 | 145 |
| D0094662 | TRANSPORT ROLLER 1 | U024 | 146 |

Exclusive Parts

| Number | Part Name | Group | ID |
|----------|--|-----------|-----|
| D0094663 | TRANSPORT ROLLER 2 | U024 | 147 |
| D0094664 | DRIVEN ROLLER | U021_S001 | 32 |
| | | U024 | 148 |
| D0145974 | COVER:CONNECTOR:EFI | U033 | 6 |
| D0251058 | PLATE:COVER | U002 | 14 |
| D0251136 | SHAFT:DEVELOPMENT:COLOR:ASS'Y | U025_S001 | 12 |
| D0251139 | HOLDER:MAGNETIC CLUTCH:DEVELOPMENT:COLOR | U025_S001 | 13 |
| D0251727 | MIRROR:NO.2:CONCAVE:ASS'Y | U005_S002 | 21 |
| D0251728 | MIRROR:NO.2:CONVAX:ASS'Y | U005_S002 | 22 |
| D0251751 | SEAL:SCANNER:FRAME:BASE | U006 | 14 |
| D0251755 | GROUND WIRE:SCANNER:RACK | U031 | 12 |
| D0251830 | GASKET:10X15X20 | U006 | 15 |
| D0251831 | GASKET:13X10X13 | U005 | 23 |
| | | U006 | 16 |
| D0251832 | GASKET:10X1X20 | U006 | 17 |
| D0251833 | GASKET:10X2X20 | U006 | 18 |
| D0251834 | GASKET:10X5X20 | U006 | 19 |
| D0254238 | BRACKET:DRIVEN ROLLER | U021_S001 | 33 |
| D0255834 | BRACKET:POWER PACK:TTS | U030 | 34 |
| D0255886 | GASKET:UC-300281V0:L20 | U031 | 13 |
| D0291053 | CAM:GUIDE:FUSING:LEFT | U035 | 37 |
| D0291054 | CAM:GUIDE:FUSING | U035 | 38 |
| D0291058 | SEAL:BURRING | U035 | 39 |
| D0291191 | GUIDE:FUSING DRIVE SUB-UNIT | U028 | 17 |
| D0291199 | DRIVE UNIT:ON-OFF:TRANSFER | U027 | 3 |
| D0291278 | OZONE FILTER:NO.2 | U002 | 15 |
| D0291347 | STOPPER:FUSING UNIT:REAR | U035 | 40 |
| D0291351 | LEVER:LOCK:FUSING UNIT:FRONT | U035 | 41 |
| D0291354 | BRACKET:FAN:IH | U034 | 24 |
| D0291355 | LEVER:LOCK:FUSING UNIT:REAR | U035 | 42 |
| D0291745 | PULLEY:DRIVE WERE:FRONT | U005 | 24 |
| D0291748 | PULLEY:DRIVE WERE:REAR:ASS'Y | U005 | 25 |
| D0291749 | PULLEY:PROTECTION | U005 | 26 |
| D0292555 | GUIDE PLATE:REGISTRATION:LEFT | U013 | 16 |

| Number | Part Name | Group | ID |
|----------|---|-----------|-----|
| | T | | |
| D0292556 | STAY:REGISTRATION | U013 | 17 |
| D0292570 | GUIDE PLATE:REGISTRATION:RIGHT:ADHESION | U013 | 18 |
| D0292611 | GROUND PLATE:REAR:MANUAL FEED | U024 | 149 |
| D0292612 | GROUND PLATE:FRONT:MANUAL FEED | U024 | 150 |
| D0292664 | FEELER:PAPER SIZE SENSOR:MANUAL FEED | U024 | 151 |
| D0292677 | TRANSPORT BELT:DRIVEN:VERTICAL TRANSPORT | U024 | 152 |
| D0292709 | GUIDE PLATE:SEPARATOR:ASS'Y | U024 | 153 |
| D0292710 | COVER:HARNESS:MANUAL FEED TABLE | U024 | 154 |
| D0292863 | SHAFT:RELEASE:PAPER TRAY | U008_S001 | 25 |
| | | U009_S001 | 25 |
| D0293471 | GASKET:RFID | U014 | 23 |
| D0294129 | GUIDE:FUSING EXIT:PFA | U021_S001 | 34 |
| D0294163 | DECAL:WARNING (HIGH TEMPERATURE):FUSING:1 | U021_S001 | 35 |
| D0294202 | BRACKET:STEPPER MOTOR:AUXILIARY:PEEN | U022 | 19 |
| D0294204 | HOLDER:GEAR | U022 | 20 |
| D0294222 | BRACKET:GEAR:SUPPORTING PLATE | U022 | 21 |
| D0294339 | BRACKET:SENSOR:ON-OFF | U022 | 22 |
| D0294427 | BRACKET:POSITIONING:GUIDE PLATE:MIDDLE | U023_S001 | 21 |
| D0294439 | STOPPER:GATE PAWL:ENTRANCE | U023_S001 | 22 |
| D0294442 | LEVER:GATE PAWL:ENTRANCE | U023_S001 | 23 |
| D0294443 | TENSION SPRING:GATE PAWL:ENTRANCE | U023_S001 | 24 |
| D0294444 | COVER:HARNESS | U023_S001 | 25 |
| D0294474 | DC SOLENOID:SUB-ASS'Y | U023_S001 | 26 |
| D0294478 | TENSION SPRING:RELEASE:DC SOLENOID | U023_S001 | 27 |

Exclusive Parts

| Number | Part Name | Group | ID |
|----------|---|-------|-----|
| D0294482 | GATE PAWL:UPPER:ASS'Y | U024 | 155 |
| D0294485 | LEVER:GATE PAWL:UPPER | U024 | 156 |
| D0294486 | TENSION SPRING:GATE PAWL:1.5 N | U024 | 157 |
| D0294488 | TENSION SPRING:GUIDE PLATE:R IGHT | U024 | 158 |
| D0294497 | COMPRESSION SPRING:DRIVEN ROLLER:GATE | U024 | 159 |
| D0294521 | BRACKET:HARNESS | U024 | 160 |
| D0294554 | BRACKET:GUIDE PLATE:TRANSFE R UNIT | U024 | 161 |
| D0294555 | SHEET:TRANSPORT SUB-UNIT:FE ED PAPER AGAIN | U024 | 162 |
| D0294590 | HOOK:STOPPER:DUPLEX UNIT:AS S'Y | U024 | 163 |
| D0295805 | RACK:INNER BACK:AUXILIARY:MI DDLE | U031 | 14 |
| D0295806 | BRACKET:IOB | U031 | 15 |
| D0295811 | RACK:APPLICATION:FRONT:RIGH T | U031 | 16 |
| D0295819 | RACK:APPLICATION:FRONT:ASS'Y | U031 | 17 |
| D0295861 | GASKET:65TFV5-0.5:L90 | U035 | 43 |
| D0295863 | GASKET:65TSV5-2:L23 | U031 | 18 |
| D0295887 | GASKET:65TSV5-1:L150 | U033 | 7 |
| D0295888 | GASKET:65TSV5-1:L100 | U033 | 8 |
| D0296145 | RAIL:LEFT:C2 | U035 | 44 |
| D0296146 | RAIL:RIGHT:C2 | U035 | 45 |
| D0296293 | DRUM STAY:REAR | U024 | 164 |
| D0296305 | LEVER:RELEASE | U024 | 165 |
| D0296307 | COMPRESSION SPRING:GUIDE PL ATE:EXIT:3.5N | U024 | 166 |
| D0296320 | BRACKET:LEVER:MIDDLE | U024 | 167 |
| D0296321 | ANCHOR:SPRING | U024 | 168 |
| D0296322 | SHAFT:LEVER:FRONT | U024 | 169 |
| D0296323 | SHAFT:LEVER:REAR | U024 | 170 |
| D0296335 | SHEET:CASE:LOWER | U024 | 171 |
| D0296502 | BRACKET:USED TONER SENSOR: C2 | U020 | 19 |

| Number | Part Name | Group | ID |
|----------|--|----------------|----|
| D0394241 | FUSING ENTRANCE GUIDE PLATE | U021_S001 | 36 |
| D0891053 | STOPPER:FUSING UNIT:FRONT | U035 | 46 |
| D0891097 | BRACKET:FAN:POWER SOURCE:I H | U035 | 47 |
| D0891145 | BRACKET:SENSOR COVER | U025_S001 | 14 |
| D0891199 | DRIVE UNIT:ON-OFF:TRANSFER | U027 | 4 |
| D0891370 | BRACKET:FAN:IMAGE FORMING S ECTION | U034 | 25 |
| D0891380 | SEAL:GUIDE PLATE:SUPPLY | U034 | 26 |
| D0891386 | DUCT:EXIT | U034 | 27 |
| D0891387 | SHIELDING PLATE:IMAGE FORMIN G MD:LEFT | U035 | 48 |
| D0891388 | SEAL:SEPARATION PLATE:OPTIC AL WRITING UNIT:LEFT INNER RE AR | U035 | 49 |
| D0891389 | SEAL:COVER:LEFT:MIDDLE | U002 | 16 |
| D0891390 | SEAL:SIDE PLATE:FRONT:LEFT | U035 | 50 |
| D0892560 | BRACKET:CLEANER | U013 | 19 |
| D0892745 | STEPPER MOTOR:DUPLEX:DC:1.4 4W | U026 | 28 |
| D0892761 | ARM:PICKUP | U010_S001 | 35 |
| | | U011_S001 | 35 |
| D0892764 | GEAR:FEED | U010_S001 | 36 |
| | | U011_S001 | 36 |
| D0892767 | FEELER:PAPER END | U010_S001 | 37 |
| | | U011_S001 | 37 |
| D0892778 | BRACKET:SENSOR:FEED | U010_S001 | 38 |
| | | U011_S001 | 38 |
| D0892781 | BRACKET:SENSOR | U010_S001 | 39 |
| | | U011_S001 | 39 |
| D0892819 | GEAR:SEPARATOR:INPUT | U010_S001 | 40 |
| | | U011_S001 | 40 |
| D0892829 | GUIDE:FEED | U010_S001 | 41 |
| | | U011_S001 | 41 |
| D0892849 | SEAL:TRAY:NO.1 | U008 | 26 |
| D0892940 | TRAY BOTTOM PLATE:ASS'Y | U008_S001_S001 | 27 |
| | | U009_S001_S001 | 27 |
| D0893205 | NOZZLE:COLOR:ASS'Y | U014_S001 | 24 |

Exclusive Parts

| Number | Part Name | Group | ID |
|----------|--|-----------|-----|
| | | U014_S002 | 24 |
| | | U014_S003 | 24 |
| D0893286 | NOZZLE:BK:ASS'Y | U014_S004 | 25 |
| D0893304 | BASE:TONER SUPPLY UNIT:ASS'Y | U014 | 26 |
| D0893407 | MAGNETIC CLUTCH:TONER BOTTLE:BK:ASS'Y | U014_S005 | 27 |
| D0893408 | MAGNETIC CLUTCH:TONER BOTTLE:YCM:ASS'Y | U014_S005 | 28 |
| D0893424 | SHAFT:DRIVE:DRIVE UNIT:BK | U014_S005 | 29 |
| D0893426 | SHAFT:DRIVE:DRIVE UNIT:YCM | U014_S005 | 30 |
| D0893470 | GROUND PLATE:RFID | U014 | 31 |
| D0894351 | PLATE:DC STEPPER MOTOR | U022 | 23 |
| D0894353 | STOPPER | U022 | 24 |
| D0894360 | GEAR:SLOW DOWN:WORM GEAR | U022 | 25 |
| D0894391 | GEAR:ON-OFF:PRESSURE ROLLER | U021_S001 | 37 |
| D0894437 | SPRING PLATE:EXIT ROLLER:OUTER | U023_S001 | 28 |
| D0894461 | GEAR:PULLEY:INPUT:27Z | U023_S001 | 29 |
| D0894462 | GEAR:PULLEY:DECURA:Z27/16T | U023_S001 | 30 |
| D0894463 | GEAR:PULLEY:IDLER:Z21/14T | U023_S001 | 31 |
| D0894464 | TIMING PULLEY:18T | U023_S001 | 32 |
| D0894465 | SYNCHRONOUS BELT:S2M:136 | U023_S001 | 33 |
| D0894466 | SYNCHRONOUS BELT:S2M:104 | U023_S001 | 34 |
| D0894483 | DRIVEN ROLLER:PAPER EXIT UNIT:VERTICAL TRANSPORT | U024 | 172 |
| D0894484 | GRIP:GATE PAWL:UPPER | U024 | 173 |
| D0894663 | GUIDE PLATE:TRANSFER UNIT:HOLDER | U024 | 174 |
| D0895809 | SHADEING PLATE:RACK:MIDDLE | U031 | 19 |
| D0895824 | COVER:SD-CARD:D086/D087 | U033 | 9 |
| D0895827 | BRACKET:MAIN SWITCH | U030 | 35 |
| D0895887 | PANEL:INTERFACE | U033 | 10 |
| D0896395 | DENSITY SENSOR | U030_S001 | 36 |
| D0896481 | PIPE:REAR:ASS'Y | U020 | 20 |
| D0896509 | COLLECTION BOTTLE:EXP:ASS'Y | U019 | 1 |
| D0896540 | PIPE:FRONT:ASS'Y | U020 | 21 |
| D1054365 | HOLDER:THERMOPILE | U022 | 26 |

| Number | Part Name | Group | ID |
|----------|--|----------------|----|
| D1115710 | PCB:D111:SERVICE:ASS'Y:(for D111) | U033 | 11 |
| D1116806 | DECAL:MODEL NAME PLATEA:EXP:RIC:(for D111) | U001 | 6 |
| D1116825 | DECAL:MODEL NAME PLATEA:SVN:NA:(for D111) | U001 | 7 |
| D1116826 | DECAL:MODEL NAME PLATEA:LAN:NA:(for D111) | U001 | 8 |
| D1201336 | CAP:COVER | U001 | 9 |
| | | U002 | 17 |
| D1201551 | SHEET:LOGO | U003 | 10 |
| | | U003_S001 | 10 |
| D1201556 | SHEET:LOGO:LAN | U003 | 11 |
| D1201561 | SHEET:LOGO:SAV | U003 | 12 |
| D1201705 | REFLECTOR:SCANNER | U005_S001 | 27 |
| D1201710 | GUIDE:FFC:CARRIAGE:NO.1 | U005 | 28 |
| D1201711 | GUIDE:FFC:CARRIAGE:NO.2 | U005_S002 | 29 |
| D1202618 | DISCHARGE BRUSH:PAPER FEED UNIT:UPPER | U010 | 42 |
| D1202832 | END FENCE:ASS'Y | U008_S001 | 28 |
| | | U009_S001 | 28 |
| D1202864 | LEVER:STOPPER:POSITIONING | U008_S001_S003 | 29 |
| | | U009_S001_S003 | 29 |
| D1202872 | DECAL:PAPER TRAY:NO.1 | U008 | 30 |
| D1202873 | DECAL:PAPER TRAY:NO.2 | U009 | 43 |
| D1202874 | DECAL:SIZE INDICATION:PAPER TRAY | Accessories | 4 |
| D1202875 | DECAL:SIDE FENCE:REAR | U009_S001_S003 | 44 |
| D1202924 | LEVER:STOPPER:FRONT | U008_S001_S002 | 31 |
| | | U009_S001_S002 | 31 |
| D1206490 | DECAL:CAUTION:INKJET | U002 | 18 |
| D1208868 | DECAL:MAIN SWITCH:ON-STANDBY:DOM:NA | U001 | 10 |
| D1291245 | CAP:GRIP | U035 | 51 |
| D1291255 | COVER:MAIN SWITCH | U001 | 11 |
| D1291422 | TOUCH PANEL:WVGA:MV | U003_S001 | 13 |
| D1291423 | LCD:TFT:WVGA:LED:SH | U003_S001 | 14 |
| D1291458 | PCB:OP-R:ASS'Y | U003_S001 | 15 |

Exclusive Parts

| Number | Part Name | Group | ID |
|----------|---|-------------|-----|
| D1291459 | PCB:OP-L:ASS'Y | U003_S001 | 16 |
| D1291502 | KEYTOP:START | U003_S001 | 17 |
| D1291503 | KEYTOP:STOP | U003_S001 | 18 |
| D1291506 | KEYTOP:RESET SWITCH | U003_S001 | 19 |
| D1291507 | KEYTOP:POWER SOURCE | U003_S001 | 20 |
| D1291508 | KEYTOP:HOME | U003_S001 | 21 |
| D1291509 | KEYTOP:LEFT | U003_S001 | 22 |
| D1291510 | LENS:FRONT | U003_S001 | 23 |
| D1291513 | SHADEING PLATE:TOUCH PANEL | U003_S001 | 24 |
| D1291531 | COVER:UPPER:NA | U003_S001 | 25 |
| D1291533 | KEYTOP:10KEY:NA | U003_S001 | 26 |
| D1291545 | SHEET:SIDE:NA | U003_S001 | 27 |
| D1291566 | SHEET:APPLICATION:MULTI-LANG UAGE:NA | Accessories | 5 |
| D1291568 | SHEET:APPLICATION:MULTI-LANG UAGE:BLANK | Accessories | 6 |
| D1291573 | SHEET:JOURNAL:AA-C3:NA | U003_S001 | 28 |
| D1291721 | CARRIAGE:NO.1:ASS'Y | U005_S001 | 30 |
| D1291722 | ILLUMINATION UNIT:LED:ASS'Y | U005_S001 | 31 |
| D1291801 | GUIDE:FLAT CABLE | U006 | 20 |
| D1292657 | ARM:MANUAL FEED:SHORT:FRON T | U024 | 175 |
| D1292658 | ARM:MANUAL FEED:SHORT:REAR | U024 | 176 |
| D1292661 | COVER:MANUAL FEED | U024 | 177 |
| D1292662 | MANUAL FEED TABLE | U024 | 178 |
| D1292664 | COVER:MANUAL FEED:ENTRANC E | U024 | 179 |
| D1292667 | EXTENSION TRAY:MANUAL FEED | U024 | 180 |
| D1292673 | SIDE FENCE:REAR | U024 | 181 |
| D1292674 | SIDE FENCE:FRONT | U024 | 182 |
| D1292675 | DECAL:SIDE FENCE:MANUAL FEE D | U024 | 183 |
| D1292726 | GRIP:SIDE FENCE:MANUAL FEED | U024 | 184 |
| D1292743 | DECAL:TRAY:MANUAL FEED:EXTE NSION TRAY:EXP | U024 | 185 |
| D1292745 | DECAL:PAPER SET DIRECTION:M ANUAL FEED:EXP | U024 | 186 |
| D1292748 | DECAL:SCALE:MANUAL FEED | U024 | 187 |

| Number | Part Name | Group | ID |
|----------|--|----------------|-----|
| D1292836 | GUIDE PLATE:SWIVEL:ASS'Y | U012 | 4 |
| D1292841 | GUIDE PLATE:SWIVEL:NO.2:ASS'Y | U012 | 5 |
| D1292920 | SIDE FENCE:FRONT:ASS'Y | U009_S001_S002 | 45 |
| D1292930 | SIDE FENCE:REAR:ASS'Y | U009_S001_S003 | 46 |
| D1294486 | TRAY:EXIT | U002 | 19 |
| D1294487 | END FENCE:EXIT | U002 | 20 |
| D1294531 | GUIDE PLATE:COVER:OPEN AND CLOSE | U024 | 188 |
| D1294540 | COVER:DUPLEX | U024 | 189 |
| D1294579 | GRIP:OPEN AND CLOSE:DUPLEX UNIT | U024 | 190 |
| D1295342 | PCB:LED-DB | U006 | 21 |
| D1295350 | PCB:SCNB | U006 | 22 |
| D1296605 | DECAL:MISFEED REMOVAL:B1 | U002 | 21 |
| D1296610 | DECAL:CAUTION:ORIGINAL:ENGLI SH | U001 | 12 |
| D1419590 | NV-RAM | U033 | 12 |
| D1421110 | DRIVE UNIT:ENGINE:ATHENA-C3: ASS'Y | U025_S001 | 15 |
| D1421239 | INNER COVER:UPPER:LEFT:EXP | U002 | 22 |
| D1421263 | COVER:INNER BACK:UPPER:EXP | U002 | 23 |
| D1421267 | COVER:PAPER EXIT UNIT:UPPER: AUXILIARY:D111/D142 | U002 | 24 |
| D1421284 | COVER:LEFT:MIDDLE:D111/D142 | U002 | 25 |
| D1421293 | COVER:REAR:UPPER:EXP | U002 | 26 |
| D1421323 | COVER:BRACKET:OPERATION SU B-UNIT:UPPER-EXP | U001 | 13 |
| D1421326 | COVER:BRACKET:OPERATION SU B-UNIT:LOWER-EXP | U001 | 14 |
| D1421332 | COVER:SCANNER:FRONT:EXP | U001 | 15 |
| D1421334 | COVER:SCANNER:LEFT:EXP | U001 | 16 |
| D1421336 | COVER:SCANNER:RIGHT:EXP | U001 | 17 |
| D1421338 | COVER:SCANNER:REAR:D111/D14 2:EXP | U001 | 18 |
| D1421401 | OPERATION SUB-UNIT:NA:ASS'Y | U003_S001 | 29 |
| D1421441 | PCB:LCDC:NA:FT | U003_S001 | 30 |
| D1421595 | BRACKET:OPERATION PANEL:SU PPORTING PLATE:D111/D142 | U003 | 31 |

Exclusive Parts

| Number | Part Name | Group | ID |
|----------|---|-------------|-----|
| D1421596 | BRACKET:OPERATION PANEL:D111/D142 | U003 | 32 |
| D1421703 | LENS:HOLDER:ASS'Y | U005 | 32 |
| D1421721 | CARRIAGE:NO.2:ASS'Y | U005_S002 | 33 |
| D1421742 | BRACKET:ORIGINAL SENSOR | U006 | 23 |
| D1421743 | BRACKET:LED:DRIVER | U006 | 24 |
| D1421747 | DRIVE WERE:CARRIAGE:DIA1.0 | U005 | 34 |
| D1421750 | SCALE:INNER BACK:PRINTING | U004 | 6 |
| D1421786 | SCALE:LEFT:B:NA:ASS'Y | U004 | 7 |
| D1421801 | SCALE:LEFT:A | U004 | 8 |
| D1421805 | SHAFT:SCALE | U004 | 9 |
| D1421851 | OPTICAL WRITING UNIT:1LD:ASS'Y | U007_S001 | 6 |
| D1422750 | PAPER FEED UNIT:ASS'Y | U010_S001 | 43 |
| | | U011_S001 | 42 |
| D1422929 | TORQUE LIMITER:40MNM:DIA18:CCW | U024 | 191 |
| D1422930 | TORQUE LIMITER:40MNM:M:DIA18:CCW | U010_S001 | 44 |
| | | U011_S001 | 43 |
| D1424021 | FUSING UNIT:NA:MAINTENANCE:ASS'Y | U021_S001 | 38 |
| D1424081 | SLEEVE:FUSING:NA:ASS'Y | U021_S001 | 39 |
| D1424100 | FUSING COVER:LOWER | U021_S001 | 40 |
| D1425110 | PCB:BCU:D111/D142:ASS'Y | U031 | 20 |
| D1425136 | PCB:SIO | U006 | 25 |
| D1425150 | PCB:IPU:D111/D142 | U031 | 21 |
| D1425710 | PCB:D142:EXP:SERVICE:ASS'Y:(for D142) | U033 | 13 |
| D1425765 | HDD:TOSHIBA:250GB | U033 | 14 |
| D1426806 | DECAL:MODEL NAME PLATE:D142:EXP:RIC:(for D142) | U001 | 19 |
| D1426825 | DECAL:MODEL NAME PLATE:AT-C3B:NA:SVN:(for D142) | U001 | 20 |
| D1426826 | DECAL:MODEL NAME PLATE:AT-C3B:NA:LAN:(for D142) | U001 | 21 |
| D1437004 | MANUAL:USER_GUIDE:NA | Accessories | 7 |
| D1437008 | MANUAL:READ_THIS_FIRST:NA | Accessories | 8 |
| D1437348 | SHEET:SECURITY_PASSWORD:NA | Accessories | 9 |

| Number | Part Name | Group | ID |
|----------|---|-----------|----|
| | A | | |
| D1440621 | CLEANING UNIT:INTERMEDIATE TRANSFER:ASS'Y | U018 | 1 |
| D1441010 | DRUM STAY:PCU:ASS'Y | U002_S001 | 27 |
| D1441054 | SEAL:DUCT:FUSING:LEFT:FRONT | U035 | 52 |
| D1441058 | GUIDE PLATE:FUSING:REAR | U035 | 53 |
| D1441085 | STEPPED SCREW:M3 | U030_S001 | 37 |
| D1441087 | SCREW:LEVER:DRUM STAY | U002_S001 | 28 |
| | | U030 | 38 |
| D1441094 | DUCT:FUSING:LEFT | U035 | 54 |
| D1441096 | SEAL:DUCT:FUSING:LEFT:REAR | U035 | 55 |
| D1441132 | BRACKET:PAPER FEED:ASS'Y | U026 | 29 |
| D1441135 | DRUM STAY:DRIVE UNIT:PAPER FEED:ASS'Y | U026 | 30 |
| D1441139 | GEAR:PAPER FEED:NO.4 | U026 | 31 |
| D1441142 | BRACKET:DRIVE UNIT:REGISTRATION:ASS'Y | U026 | 32 |
| D1441146 | GEAR:REGISTRATION:NO.1 | U026 | 33 |
| D1441172 | GEAR:FUSING:NO.1 | U028 | 18 |
| D1441173 | GEAR:FUSING:NO.2 | U028 | 19 |
| D1441174 | GEAR:EXIT:NO.1 | U028 | 20 |
| D1441175 | GEAR:EXIT:IDLER | U028 | 21 |
| D1441176 | BRACKET:FUSING/PAPER EXIT UNIT:ASS'Y | U028 | 22 |
| D1441179 | SYNCHRONOUS BELT:S2M:5X316 | U022 | 27 |
| D1441187 | BRACKET:FUSING:SHUTTER:MAIN ASS'Y:ASS'Y | U022 | 28 |
| D1441190 | TENSION SPRING:1.5N:23MM | U022 | 29 |
| D1441191 | GEAR:PULLEY:FUSING:SHUTTER:NO.1 | U022 | 30 |
| D1441192 | GEAR:PULLEY:FUSING:SHUTTER:NO.2 | U022 | 31 |
| D1441193 | PULLEY:FUSING:SHUTTER:NO.3 | U022 | 32 |
| D1441194 | BRACKET:TIGHTENER:FUSING:SHUTTER:ASS'Y | U022 | 33 |
| D1441197 | ROLLER:TIGHTENER:FUSING:SHUTTER | U022 | 34 |
| D1441230 | INNER COVER:LEFT | U002 | 29 |

Exclusive Parts

| Number | Part Name | Group | ID |
|----------|---------------------------------------|-------------|----|
| D1441233 | INNER COVER:MIDDLE | U002 | 30 |
| D1441236 | INNER COVER:UPPER:RIGHT:EXP | U002 | 31 |
| D1441242 | COVER:RIGHT REAR:FAN | U002 | 32 |
| D1441244 | COVER:RIGHT:REAR | U002 | 33 |
| D1441247 | COVER:RIGHT:FRONT:EXP | U002 | 34 |
| D1441249 | COVER:RIGHT:UPPER MIDDLE | U002 | 35 |
| D1441250 | COVER:FRONT:ASS'Y | U001 | 22 |
| D1441257 | COVER:FRONT:COLLECTION BOT TLE:EXP | U001 | 23 |
| D1441261 | COVER:UPPER | U002 | 36 |
| D1441263 | COVER:INNER BACK | U002 | 37 |
| D1441266 | COVER:PAPER EXIT SUB-UNIT:UP PER | U002 | 38 |
| D1441269 | COVER:FRONT RIGHT:EXP | U002 | 39 |
| D1441272 | COVER:FRONT RIGHT:UPPER:EX P | U002 | 40 |
| D1441274 | COVER:INNER BACK:MIDDLE:EXP | U002 | 41 |
| D1441279 | CLEANER:SHIELD GLASS:ASS'Y | U001 | 24 |
| D1441281 | COVER:LEFT | U002 | 42 |
| D1441283 | COVER:LEFT:INTERFACE | U002 | 43 |
| D1441286 | COVER:LEFT:UPPER:EXP | U002 | 44 |
| D1441291 | COVER:REAR | U002 | 45 |
| D1441354 | BRACKET:FAN | U034 | 28 |
| D1441355 | SEAL:BRACKET:FAN | U034 | 29 |
| D1441356 | BRACKET:FILTER:FRONT RIGHT:A SS'Y | U034 | 30 |
| D1441369 | DUCT:REAR:LOWER RIGHT | U034 | 31 |
| D1441371 | SEAL:DUCT:HEATER:FRONT | U034 | 32 |
| D1441379 | GUIDE PLATE:SUPPLY | U034 | 33 |
| D1441381 | DUCT:SUPPLY:FRONT | U034 | 34 |
| D1441382 | DUCT:SUPPLY:REAR | U034 | 35 |
| D1441383 | DUCT:HEATER:FRONT | U034 | 36 |
| D1441384 | DUCT:HEATER:REAR | U034 | 37 |
| D1441391 | STOPPER:LEVER:DRUM STAY:N5 R | U002 | 46 |
| D1441392 | LEVER:DRUM STAY:PCU:N5R | U002_S001 | 47 |
| D1441396 | HOLDER:EXPOSURE GLASS:IG:AS S'Y | Accessories | 10 |

| Number | Part Name | Group | ID |
|----------|--|----------------|----|
| D1442200 | PCDU:BK | U016_S001 | 3 |
| D1442201 | PCDU:M | U016_S003 | 4 |
| D1442202 | PCDU:C | U016_S002 | 5 |
| D1442203 | PCDU:Y | U016_S004 | 6 |
| D1442250 | PCU:BK:ASS'Y | U016_S001 | 7 |
| D1442252 | PCU:COLLAR:ASS'Y | U016_S002 | 8 |
| | | U016_S003 | 8 |
| | | U016_S004 | 8 |
| D1442558 | KNOB:REGISTRATION ROLLER | U013 | 20 |
| D1442614 | CASE:REMOVE PAPER DUST | U013 | 21 |
| D1442747 | DECAL:PAPER SET DIRECTION:T RAY:RIGHT:EXP | U009 | 47 |
| D1442850 | PAPER TRAY:NO.1:ASS'Y | U008_S001 | 32 |
| D1442857 | COVER:PAPER TRAY:NO.1 | U008_S001 | 33 |
| D1442870 | SIDE FENCE:FRONT:UNIVERSAL: NO.1:ASS'Y | U008_S001_S002 | 34 |
| D1442880 | SIDE FENCE:REAR:UNIVERSAL:N O.1:ASS'Y | U008_S001_S003 | 35 |
| D1442896 | STEPPED SCREW:PAPER FEED | U008_S001 | 36 |
| D1443010 | DEVELOPMENT UNIT:BK:ASS'Y | U016_S001 | 9 |
| D1443020 | DEVELOPMENT UNIT:M:ASS'Y | U016_S003 | 10 |
| D1443030 | DEVELOPMENT UNIT:C:ASS'Y | U016_S002 | 11 |
| D1443040 | DEVELOPMENT UNIT:Y:ASS'Y | U016_S004 | 12 |
| D1443221 | PUMP UNIT:BK:ASS'Y | U015 | 5 |
| D1443222 | PUMP UNIT:Y:ASS'Y | U015 | 6 |
| D1443223 | PUMP UNIT:C:ASS'Y | U015 | 7 |
| D1443224 | PUMP UNIT:M:ASS'Y | U015 | 8 |
| D1443364 | DECAL:COLORED DISPLAY:INNER COVER:BK | U002 | 48 |
| D1443365 | DECAL:COLORED DISPLAY:INNER COVER:Y | U002 | 49 |
| D1443366 | DECAL:COLORED DISPLAY:INNER COVER:C | U002 | 50 |
| D1443367 | DECAL:COLORED DISPLAY:INNER COVER:M | U002 | 51 |
| D1443405 | DRIVE UNIT:TONER SUPPLY SUB- UNIT:ASS'Y | U014_S005 | 32 |
| D1444057 | PRESSURE ROLLER:ASS'Y | U021_S001 | 41 |

Exclusive Parts

| Number | Part Name | Group | ID |
|----------|---------------------------------------|-----------|----|
| D1444103 | FUSING COVER:UPPER | U021_S001 | 42 |
| D1444104 | CAM:ON-OFF:PRESSURE ROLLER | U021_S001 | 43 |
| D1444110 | BRACKET:THERMISTOR:PRESSURE ROLLER | U021_S001 | 44 |
| D1444113 | LEVER:PRESSURE ROLLER | U021_S001 | 45 |
| D1444114 | HOLDER:PRESSURE ROLLER:FRONT:PEEN | U021_S001 | 46 |
| D1444134 | GUIDE PLATE:FUSING EXIT:LEFT | U021_S001 | 47 |
| D1444136 | STRIPPER PLATE:FUSING EXIT | U021_S001 | 48 |
| D1444137 | ELECTRODE PLATE:HEATER:REAR | U021_S001 | 49 |
| D1444138 | ELECTRODE PLATE:CONNECTING:THERMOSTAT | U021_S001 | 50 |
| D1444142 | ENCODER:ON-OFF:PRESSURE ROLLER | U021_S001 | 51 |
| D1444159 | HOLDER:PRESSURE ROLLER:REAR:PEEN | U021_S001 | 52 |
| D1444164 | ADJUSTING PLATE:PRESSURE | U021_S001 | 53 |
| D1444170 | GUIDE PLATE:FUSING EXIT:RIGHT | U021_S001 | 54 |
| D1444173 | DISCHARGE BRUSH:PRESSURE ROLLER | U021_S001 | 55 |
| D1444175 | GUIDE:COIL SPRING:PRESSURE SUB-UNIT | U021_S001 | 56 |
| D1444180 | ADJUSTING SCREW:PRESSURE | U021_S001 | 57 |
| D1444185 | GEAR:MECHANICAL ROLLER CLUTCH:Z17 | U022 | 35 |
| D1444187 | SPACER:SHUTTER:FRONT | U021_S001 | 58 |
| D1444188 | SPACER:SHUTTER:REAR | U021_S001 | 59 |
| D1444191 | PLATE:SHUTTER | U021_S001 | 60 |
| D1444192 | SPRING PLATE:0.25MM | U021_S001 | 61 |
| D1444193 | BRACKET:CAM:SHUTTER:FUSING EXIT | U022 | 36 |
| D1444194 | CAM:SHUTTER:FUSING EXIT | U022 | 37 |
| D1444199 | SHAFT:CAM:SHUTTER:FUSING EXIT | U022 | 38 |
| D1444201 | BRACKET:GEAR:SLOW DOWN | U022 | 39 |
| D1444202 | STEPPER MOTOR:ASS'Y | U022 | 40 |
| D1444204 | TORSION SPRING:CAM:SHUTTER: | U022 | 41 |

| Number | Part Name | Group | ID |
|----------|---|-----------|-----|
| | FUSING EXIT | | |
| D1444210 | DECAL:C2:BLUE:FUSING | U021_S001 | 62 |
| D1444211 | SHEET:LEVER | U021_S001 | 63 |
| D1444219 | PROOFING MATERIAL:FUSING COVER:LOWER | U021_S001 | 64 |
| D1444221 | DECAL:WARNING (HIGH TEMPERATURE):GUIDE PLATE:OPEN AND CLOSE | U024 | 192 |
| D1444222 | DECAL:H-TEMP WARNING:FUSING:2 | U021_S001 | 65 |
| D1444225 | SHAFT:ON-OFF:PRESSURE ROLLER | U021_S001 | 66 |
| D1444289 | GUIDE:HARNESS:FUSING | U021_S001 | 67 |
| D1444405 | PAPER EXIT UNIT:MACHINE OR COPIER:ASS'Y | U023_S001 | 35 |
| D1444421 | GUIDE PLATE:UPPER LEFT | U023_S001 | 36 |
| D1444425 | BRACKET:SENSOR | U023_S001 | 37 |
| D1444426 | BRACKET:SENSOR:GATE | U023_S001 | 38 |
| D1444427 | GUIDE PLATE:UPPER RIGHT | U023_S001 | 39 |
| D1444431 | GUIDE PLATE:EXIT:LOWER | U023_S001 | 40 |
| D1444432 | STAY:EXIT:LOWER | U023_S001 | 41 |
| D1444433 | BRACKET:SENSOR:FUSING EXIT | U023_S001 | 42 |
| D1444436 | SPRING PLATE:EXIT ROLLER:INNER | U023_S001 | 43 |
| D1444445 | GATE PAWL:ENTRANCE:ASS'Y | U023_S001 | 44 |
| D1444446 | SHEET:EXIT:PTFE:REAR | U023_S001 | 45 |
| D1444447 | SHEET:EXIT:PTFE:FRONT | U023_S001 | 46 |
| D1444455 | TRANSPORT ROLLER:GATE | U023_S001 | 47 |
| D1444456 | EXIT ROLLER | U023_S001 | 48 |
| D1444457 | TRANSPORT ROLLER:TRANSPORT | U023_S001 | 49 |
| D1444481 | GUIDE PLATE:OPEN AND CLOSE | U024 | 193 |
| D1444482 | GUIDE:GUIDE PLATE:OPEN AND CLOSE | U024 | 194 |
| D1444483 | DECAL:KNOB:Z | U024 | 195 |
| D1444484 | SHOULDER SCREW - M3 | U023_S001 | 50 |
| D1444489 | STOPPER:DRIVEN ROLLER | U024 | 196 |
| D1444494 | EXIT ROLLER:DRIVEN:INNER | U023_S001 | 51 |

Exclusive Parts

| Number | Part Name | Group | ID |
|----------|--|------------------------|----------|
| D1444495 | EXIT ROLLER:DRIVEN:OUTER | U023_S001 | 52 |
| D1444497 | ROLLER:DRIVEN:TRANSPORT | U023_S001 | 53 |
| D1444533 | INNER COVER:DUPLEX:REAR | U024 | 197 |
| D1444534 | INNER COVER:DUPLEX | U024 | 198 |
| D1445119 | PCB:BRB | U014 | 33 |
| D1445120 | PCB:IOB | U031 | 22 |
| D1445196 | AC CONTROL BOARD:NA/TWN | U030 | 39 |
| D1445795 | SD-CARD:PDF/VM_CALYPSO:EXP: ASS'Y | U033 | 15 |
| D1445803 | BRACKET:SDB | U032 | 3 |
| D1445861 | DENSITY SENSOR:ASS'Y | U030_S001 | 40 |
| D1445885 | GRIP:CONTROL BOARD:IG | U033 | 16 |
| D1446011 | TRANSFER UNIT:INTERMEDIATE TRANSFER:ASS'Y | U017 | 1 |
| D1446204 | TRANSFER/SEPARATION UNIT:AS S'Y | U024 | 199 |
| D1446285 | TERMINAL:TRANSFER ROLLER | U024 | 200 |
| D1446289 | TERMINAL:SEPARATION | U024 | 201 |
| D1446310 | SPRING:TRANSFER | U024 | 202 |
| D1446316 | STOPPER:HOLDER:SEPARATION: UPPER | U024 | 203 |
| D1446809 | DECAL:CLEANING:POSITIONING D ISPLAY | U002 | 52 |
| D1446823 | DECAL:LEVER:LOCK:FUSING | U035 | 56 |
| D1446856 | SHEET:COVER:FRONT | U001 | 25 |
| D1449640 | DEVELOPER:K | U016 | 13 |
| D1449660 | DEVELOPER:C | U016 | 14 |
| D1449670 | DEVELOPER:M | U016 | 15 |
| D1449680 | DEVELOPER:Y | U016 | 16 |
| D4344265 | TIMING BELT:40S3M237 | U028 | 23 |
| D5786062 | DECAL::ORIGINAL:MANY LANGUA GES | Accessories | 11 |
| D5802523 | DECAL:PAPER SET DIRECTION:T RAY:NO.2 | U008 U009 | 37 37 |
| D5802870 | GRIP:PAPER TRAY | U008_S001 U009_S001 | 38 38 |
| D5802900 | PAPER TRAY:NO.2:ASS'Y | U009_S001 | 48 |
| D5802946 | COVER:PAPER TRAY:NO.2 | U009_S001 | 49 |

| Number | Part Name | Group | ID |
|----------|-------------------------------------|------------------------|----------|
| D6457901 | SHEET:EULA:20LANGUAGES:CHN | Accessories | 12 |
| D6457902 | SEAL:CAUTION:20LANGUAGES | Accessories | 13 |
| G0201332 | HINGE - FRONT COVER | U001 | 26 |
| G0219350 | Loop-back Connector Parallel | Special Tools | 10 |
| G0602652 | BUSHING - M4 | U024 | 204 |
| G0602932 | PICK-UP ARM - MANUAL FEED | U024 | 205 |
| G0604435 | BUSHING - M4 | U024 | 206 |
| G0652767 | LEVER - FEED | U010_S001 U011_S001 | 45 44 |
| G0652774 | PRESSURE LEVER | U010_S001 U011_S001 | 46 45 |
| G0652775 | LINK LEVER | U010_S001 U011_S001 | 47 46 |
| G0652776 | RELEASE LEVER | U010_S001 U011_S001 | 48 47 |
| G1331295 | OZONE FILTER | U002 | 53 |
| G1336537 | MAGNET CATCH | U001 | 27 |
| G1786062 | PCB:PC4200:RAWCARD-C:512MB | U033 | 17 |
| G1786072 | PCB:PC4200:RAWCARD-A:1GB | U033 | 18 |
| G4042810 | SPRING PLATE - 2ND MIRROR | U005_S002 | 35 |
| G5701133 | TIMING PULLEY 73 | U005 | 36 |
| G5701225 | SENSOR SHIELDING PLATE | U006 | 26 |
| G5702730 | SLIDER - SCANNER | U005_S001 | 37 |
| GA003030 | DECAL - SHIELDING PLATE Y | U002 U016_S004 | 54 17 |
| GA003031 | DECAL - SHIELDING PLATE M | U002 U016_S003 | 55 18 |
| GA003032 | DECAL - SHIELDING PLATE C | U002 U016_S002 | 56 19 |
| GA003033 | DECAL - SHIELDING PLATE K | U002 | 57 |
| GA003268 | DECAL:PDF:I-GRAY:ABS | U001 | 28 |
| GA132007 | SPACER:GEAR:PHOTOCONDUCT OR:NO.1 | U022 | 42 |
| GX640031 | FAN MOTOR:DC:2.64W | U034 | 38 |
| H5115007 | STAMP | Accessories | 14 |
| M0261778 | GUIDE:FFC | U005_S002 | 38 |
| M0261815 | CLAMP:MIRROR:NO.1 | U005_S001 | 39 |
| M0265194 | PCB:SDB | U032 | 4 |

Standard Parts



03125040N
SCREW - M2.5X4



03130030N
PAN HEAD SCREW:M3X3



03140120N
SCREW - M4X12



03530040N
SCREW - M3X4



03530050N
SCREW-M3X5



03530060N
BIND SCREW - M3X6



03530080N
SCREW:M3X8



03530250N
SCREW:M3X25



03603006N
SCREW - M3X6



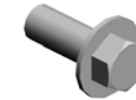
03603008N
SCREW:M3X8



03603016N
SCREW - M3X16



03603020N
SCREW:M3X20



03604010N
SCREW:M4X10



04503008N
TAPPING SCREW - M3X8



04503010N
TAPPING SCREW - M3X10



04503012N
TAPPING SCREW:3X12



04504008N
TAPPING SCREW - M4X8



04513006N
TAPPING SCREW - 3X6



04513008N
TAPPING SCREW - M3X8



04513010N
TAPPING SCREW:3X10



04513012N
TAPPING SCREW:3X12



04533006N
TAPPING SCREW - M3X6



04533008N
BINDING SELF TAPPING SCREW:3X8



04543005Q
TAPPING SCREW::3X5



04543006Q
TAPPING SCREW - M3X6



04543008Q
TAPPING SCREW:3X8



04543020Q
TAPPING SCREW::3X20



04563008N
TAPPING SCREW - M3X8

Standard Parts



04563010N
TAPPING SCREW - M3X10



04573008N
TAPPING SCREW - M3X8



04593010N
BINDING HEAD TAPPING SC
REW:3X10



06320120G
PARALLEL PIN - 2X12



07010040N
WASHER: DIA4



07200030E
RETAINING RING - M3



07200040E
RETAINING RING - M4



07200060E
RETAINING RING - M6



07200080E
RETAINING RING - M8



07403506
BALL BEARING: DIA6XDIA12X
4



07403808
BALL BEARING: DIA8XDIA16X
5



08010231
HEXAGONAL HEAD BOLT W/
WASHER: M3X6



08025299
TAPPING SCREW - M3X8



08025308
TAPPING SCREW: FAN



08025317
BINDING HEAD TAPPING SC
REW: ES:3X8



08025318
BINDING HEAD TAPPING SC
REW: ES:3X10



08046123
HEXAGONAL BOLT: W/WASH
ER: M3X8



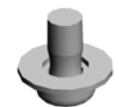
08050088
RETAINING RING - M6



08050089
RETAINING RING - M4



08050092
RETAINING RING - 3M



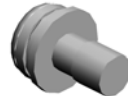
09543006N
SCREW - M3X6



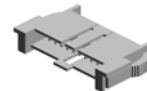
09544008N
SCREW - M4X8



09573008N
SCREW: SMALL ROUND/SPRI
NG: M3X8



09574008N
SCREW: SMALL ROUND/SPRI
NG: M4X8



11026253
CONNECTOR



11028501
CONNECTOR: 54679-1609



11028502
CONNECTOR - 54679-1615

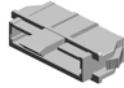


11028534
CONNECTOR - QR/P17-14S-
B

Standard Parts



11029782
CONNECTOR:51405-1819



11033657
CONNECTOR:55482-1319



11050488
HARNESS CLAMP



11050489
HARNESS CLAMP - LWS 131
6



11050490
HARNESS CLAMP - IWS-2218
1



11050508
HARNESS CLAMP - LWS-071
1



11050511
HARNESS CLAMP - LWS-030
6ZC



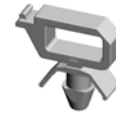
11050516
CLAMP



11050529
NYLON CLAMP:EMT-3N



11050551
CLAMP:LES-0505



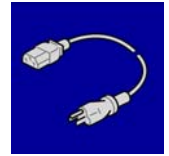
11050683
CLAMP:LWSR-0511S



11050692
CLAMP:LES-0503



11050723
CLAMPS:WES-0507



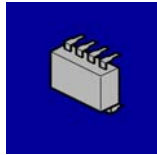
11500415
POWER SUPPLY CODE:125V
:NA



12042877
SWITCH:RS51-AJAH



12042912
MICRO SWITCH:D3V-16-3C2
5(10E)



14077667
EEPROM:BR24T128-W



16071859
FERRITE CORE:E04SR24133
6A

PM Part List

| Number | Part Name | Num | Group | ID |
|----------|---|-----|-----------|-----|
| B2231276 | FILTER:RIGHT REAR | 1 | U002 | 8 |
| D0291278 | OZONE FILTER:NO.2 | 2 | U002 | 15 |
| D0896509 | COLLECTION BOTTLE:EXP:ASS'Y | 1 | U019 | 1 |
| D1424081 | SLEEVE:FUSING:NA:ASS'Y | 1 | U021_S001 | 39 |
| D1440621 | CLEANING UNIT:INTERMEDIATE TRANSFER:ASS'Y | 1 | U018 | 1 |
| D1441356 | BRACKET:FILTER:FRONT RIGHT:ASS'Y | 1 | U034 | 30 |
| D1442250 | PCU:BK:ASS'Y | 1 | U016_S001 | 7 |
| D1442252 | PCU:COLLAR:ASS'Y | 3 | U016_S002 | 8 |
| | | | U016_S003 | 8 |
| | | | U016_S004 | 8 |
| D1443010 | DEVELOPMENT UNIT:BK:ASS'Y | 1 | U016_S001 | 9 |
| D1443020 | DEVELOPMENT UNIT:M:ASS'Y | 1 | U016_S003 | 10 |
| D1443030 | DEVELOPMENT UNIT:C:ASS'Y | 1 | U016_S002 | 11 |
| D1443040 | DEVELOPMENT UNIT:Y:ASS'Y | 1 | U016_S004 | 12 |
| D1443221 | PUMP UNIT:BK:ASS'Y | 1 | U015 | 5 |
| D1443222 | PUMP UNIT:Y:ASS'Y | 1 | U015 | 6 |
| D1443223 | PUMP UNIT:C:ASS'Y | 1 | U015 | 7 |
| D1443224 | PUMP UNIT:M:ASS'Y | 1 | U015 | 8 |
| D1444057 | PRESSURE ROLLER:ASS'Y | 1 | U021_S001 | 41 |
| D1446011 | TRANSFER UNIT:INTERMEDIATE TRANSFER:ASS'Y | 1 | U017 | 1 |
| D1446204 | TRANSFER/SEPARATION UNIT:ASS'Y | 1 | U024 | 199 |
| D1449640 | DEVELOPER:K | 1 | U016 | 13 |
| D1449660 | DEVELOPER:C | 1 | U016 | 14 |
| D1449670 | DEVELOPER:M | 1 | U016 | 15 |
| D1449680 | DEVELOPER:Y | 1 | U016 | 16 |
| G1331295 | OZONE FILTER | 1 | U002 | 53 |

