

Product Support Guide D086 / D087

Introduction

Model Type	Color MFP
Launch Date	11/19/2010
S/N Configuration	V93YMMxxxxx V94YMMxxxxx
Product Code	D086 D087

Brand/Model Name

Product Code	Lanier	Ricoh	Savin
D086	LD630C	Aficio MP C3001	C9130
D087	LD635C	Aficio MP C3501	C9135

Product Concept

New D086 / D087 will be launched to enhance our competitiveness with higher productivity, wide solutions, improved eco spec and advanced security features. RICOH decided to equip D086 / D087 with not only new hardware module to improve productivity and ECO specification, but also various functions such as "Print from USB/SD", "Quota Setting" and "App2Me" to accelerate solution approach. Therefore, D086 / D087 can be proposed as the most reliable and functional office device to customers.



Product Support Guide

D086 / D087

Order Number Main Frame

Item	Model Name	EDP Code	Notes
Lanier Ricoh Savin	LD630C Aficio MP C3001 C9130	415464	Standard Mainframe Configuration Printer Scanner
Lanier Ricoh Savin	LD635C Aficio MP C3501 C9135	415473	Standard Mainframe Configuration Printer Scanner
Lanier Ricoh Savin	LD630CG Aficio MP C3001G C9130G	415559	Printer Scanner Government Version
Lanier Ricoh Savin	LD635CG Aficio MP C3501G C9135G	415561	Printer Scanner Government Version

Options

Item	Description	Product Code	EDP Code	Common / Unique
PostScript3 Unit Type C5501	PostScript3 Unit Type C5501	D54609	415483	U
Fax Option Type C5501	Fax Option Type C5501	D54501	415489	U
1-Bin Tray BN3080	Inner 1-Bin Tray BN3080	D53617	415456	U
Side Tray Type C5501	Side Tray Type C5501	D54217	415448	U
Camera Direct Print Card Type I	Camera Direct Print Card Type I (eye, not one)	D54621	415575	U
Paper Feed Unit PB3100	2x550-Sheet Paper Feed Unit PB3100	D53717	415455	U
LCIT PB3110	Tandem Large Capacity Tray (2x1000) LCIT PB3110	D53817	415453	U
LCIT RT3010	Side LCT (1,200 sheets) LCIT RT3010	D53917	415451	U
Envelope Feeder EF3000	Envelope Feeder EF3000	D54701	415494	U
Card Reader Bracket Type C5501	Card Reader Bracket Type C5501	D54703	415495	U

Product Support Guide

D086 / D087

Item	Description	Product Code	EDP Code	Common / Unique
ADF Handle Type B	ADF Handle Type B	D36610	414965	U
USB 2.0/SD Slot Type F	USB 2.0/SD Slot Type F	D54623	415673	
IPDS	IPDS Unit Type C5501	D54605	415480	U
E3200 Fiery Controller	E3200 Fiery Controller	D55701	415675	
File Format Converter Type E	File Format Converter Type E	D377-04	414007	C
Internal Shift Tray SH3040	Internal Shift/Sort Tray SH3040	D38817	414719	C
G3 Interface Unit Type C5000	G3 Interface Unit Type C5000	D39307	414706	C
Platen Cover Type 3800C	Platen Cover Type 3800C	G32957	412551	C
Bridge Unit	Bridge Unit BU3030	D386-17	414175	C
PU3000 Punch Kit for US 2/3 hole	2/3 Hole Punch Kit PU3000 NA for SR3000 Booklet Finisher	B80717	412855	C
PU3000 Punch Kit for EU 2/4 hole	2/4 Hole Punch Kit PU3000 EU for SR3000 Booklet Finisher	B80727	412856	C
PU3000 Punch Kit for Scandinavian 4 hole	4 Hole Punch Kit PU3000 SC for SR3000 Booklet Finisher	B80730	412857	C
1000-Sheet Finisher SR790	1000-Sheet Finisher SR790	N/A	412730	C
500-Sheet Finisher SR3050	500-Sheet Finisher SR3050	N/A	414130	C
1000-Sheet Booklet Finisher SR3000	1000-Sheet Booklet Finisher SR3000	N/A	412851	C
IEEE802.11a/g Interface Unit Type J	IEEE802.11a/g Unit (Wireless Interface) Type J	D377-01	414008	C
DataOverwrite Security System Type H	DataOverwriteSecurity (DOSS) Unit Type H	D37706	414002	C

Product Support Guide

D086 / D087

Item	Description	Product Code	EDP Code	Common / Unique
Gigabit Ethernet Board Type B	Gigabit Ethernet Board Type B	D37721	414204	C
IEEE1284 Interface Board Type A	IEEE1284 Interface Board (Parallel)Type A	B679-17	411699	C
Optional Counter Interface Unit Type A	Optional Counter Interface Unit Type A	B870-11	413012	C
Key Counter Bracket Type H	Key Counter Bracket Type H	A674-05	412552	C
Hand Set Type 1018	Hand Set Type 1018	B433-01	410781	C
Fax 32MB SAF Memory Unit Type B	Fax 32MB SAF Memory Unit Type B	N/A	N/A	C
Paper Feed Unit PB3080	1x550-Sheet Paper Feed Unit PB3080	D38717	414720	C
Caster Table Type A	Caster Table Type A	D44601	414557	C
FAC33 Cabinet Stand	FAC33 Cabinet Stand	5K6107	413762	C
Copy Data Security Unit Type F	Copy Data Security Unit Type F	-	413985	Not Compatible RPCS driver no longer available

The peripherals produced from the following serial numbers can be used with the D086/D087.

1-Tray Paper Feed Unit

Destination	Name	Product Code	Serial #
Generic	Paper Feed Unit PB3080	D387	V3589200001

Shift Tray Unit

Destination	Name	Product Code	Serial #
Generic	SH 3040	D388	V3389200001

500-Sheet Finisher

Destination	Name	Product Code	Serial #
Generic	SR3050	D372	J1007803285

Product Support Guide

D086 / D087

1000-Sheet Finisher

Destination	Name	Product Code	Serial #
Generic	Finisher SR790	B408	M7807800168

1000-Sheet Booklet Finisher

Destination	Name	Product Code	Serial #
Generic	Finisher SR3000	B793	L4407800033

Bridge Unit

Destination	Name	Product Code	Serial #
Generic	Bridge Unit BU3030	D386	M8108800001

Envelope Feeder

Destination	Name	Product Code	Serial #
Generic	Envelope Feeder EF3000	D547	W2506900001

Supplies/Yields

Item	Name	Order Code	Target Yield
Ricoh / Savin / Lanier			
Toner BK	Print Cartridge Black Type MP C3501/C9135/LD635C	841420	22,500prints/bottle *1
Toner Y	Print Cartridge Yellow Type MP C3501/C9135/LD635C/ MP C3300/C3333/LD533C	841421	16,000prints/bottle
Toner M	Print Cartridge Magenta Type MP C3501/C9135/LD635C/ MP C3300/C3333/LD533C	841422	16,000prints/bottle
Toner C	Print Cartridge Cyan Type MP C3501/C9135/LD635C/ MP C3300/C3333/LD533C	841423	16,000prints/bottle
Developer	BK	D0899640	300k
Developer	C	D0899660	240k
Developer	M	D0899670	240k
Developer	Y	D0899680	240K
Staple Set	Ricoh Staple Type S	412874	5,000shots

Product Support Guide D086 / D087

Item	Name	Order Code	Target Yield
Cartridge			
Staple Set Cartridge	Ricoh Staple Type K	410801	5,000shots
Staple Refill Cartridge	Ricoh Refill Staple Type K	410802	5,000shots x 3

Supply Yield Condition:

- 1) ISO/IEC19752 is used to measure the above toner yield.
- 2) The condition is standard temperature and humidity.
- 3) This yield number may change depending on the circumstances and printing conditions.
- 4) Starter AIO (included in a carton box of main unit): 6K pages / Cartridge.

Product Support Guide

D086 / D087

Option Compatibility

Category	Item	Product Name	You Must Install	You Cannot Install
Original Feeding	Platen Cover	Platen Cover Type 3800C	-	ARDF
	ARDF	ARDF DF3050	-	Platen Cover
	ADF Handle	ADF Handle Type B	ARDF	Card Reader Bracket
Paper Feeding	2 tray Paper Bank	Paper Feed Unit PB3100	-	1 tray Paper Bank, LCT
	Caster Table	Caster Table Type A	-	EFI Controller
	LCT	Paper Feed Unit PB3110	-	2 tray Paper Bank 1 tray Paper Bank
	Side LCT	LCIT RT3010	2 tray Paper Bank or LCT	1 tray Paper Bank
Finishing	1 tray Paper Bank	Paper Feed Unit PB3080	Caster Table	1000 Sheets Booklet Finisher, 1000 Sheets Finisher, 2 tray Paper Bank, LCT, Side LCT, Envelope Feeder(You can't install Envelope Feeder to 1 tray Paper Bank, but can install to 2nd standard tray.), EFI Controller
	Envelope Feeder	Envelope Feeder EF3000	-	1 tray Paper Bank(You can install it only to 2nd standard tray if 1 tray paper bank is attached.)
	1 Bin Tray	1 Bin Tray BN 3080	-	-
	Internal Shift Tray	Internal Shift Tray SH3040	-	1000 Sheets Booklet Finisher, 1000 Sheets Finisher, 500 Sheets Finisher, Bridge Unit, Side Tray

Product Support Guide

D086 / D087

	Side Tray	Side Tray Type C5501	-	1000 Sheets Booklet Finisher, 1000 Sheets Finisher, 500 Sheets Finisher, Bridge Unit, Shift Tray, EFI Controller
	1000 Sheets Finisher	1000 Sheets Finisher SR790	Bridge Unit and 2 Tray Paper Bank or LCT	1000 Sheets Booklet Finisher, 500 Sheets Finisher, Shift Tray, Side Tray
	500 Sheets Finisher	500 Sheets Finisher SR3050	Bridge Unit	1000 Sheets Booklet Finisher, 1000 Sheets Finisher, Shift Tray, Side Tray
	1000 Sheets Booklet Finisher	1000 Sheets Booklet Finisher SR3000	Bridge Unit and 2 Tray Paper Bank or LCT	1000 Sheets Finisher, 500 Sheets Finisher, Shift Tray, Side Tray
Fax	Punch Unit	Punch Kit PU3000 NA/EU/SC	1000 Sheets Booklet Finisher	-
	Bridge Unit	Bridge Unit BU3030	1000 Sheets Booklet Finisher or 1000 Sheets Finisher or 500 Sheets Finisher	Shift Tray, Side Tray
	Fax Option	Fax Option Type C5501	-	-
	G3 Unit	G3 Interface Unit Type C5000	Fax Option	-
	SAF Memory	Memory Unit Type B	Fax Option	-
Printer Option	Handset	Handset Type 1018	Fax Option	-
	FAX Stamp	Marker Type 30	Fax Option	-
	PostScript3	PostScript3 Unit Type C5501	-	EFI Controller
Network Option	PictBridge	Camera Direct Print Card Type I	-	EFI Controller
	IPDS	IPDS Unit Type C5501	-	EFI Controller
	Wireless LAN Interface	IEEE 802.11a/g Interface Unit Type J	-	IEEE 1284, EFI Controller
	Gigabit Ethernet	Gigabit Ethernet Type B	-	EFI Controller
Security	HDD Data	Data Overwrite Security Unit Type H	-	-

Product Support Guide

D086 / D087

Others	Overwrite Security			
	Browser Unit	Browser Unit Type E	-	-
	Optional Counter Interface	Optional Counter Interface Unit Type A	-	EFI Controller
	Key Counter Bracket	Key Counter Bracket Type H	-	EFI Controller
	File Format Converter	File Format Converter Type E	-	-
	USB2.0/SD Slot	USB2.0/SD Slot Type F	-	-
	Card Reader Bracket	Card Reader Bracket Type C5501	-	ADF Handle

Product Support Guide

D086 / D087

Branding Information

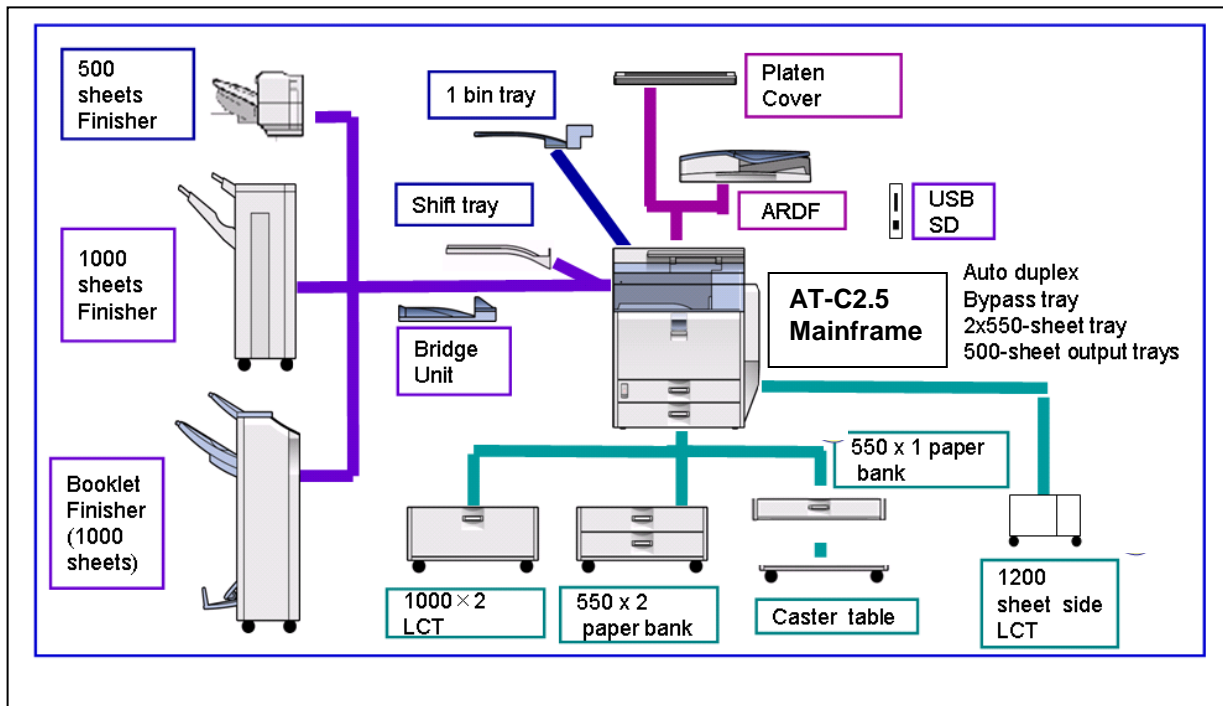
Branding is required as the machines are shipped as a generic version.

Ricoh version machines: You must attach the model label (provided) to the front cover.

Savin/Lanier: You must attach the model label (provided) to the front cover and set the Plug and Play name with SP 5-907.

Configuration

Main Frame Configuration

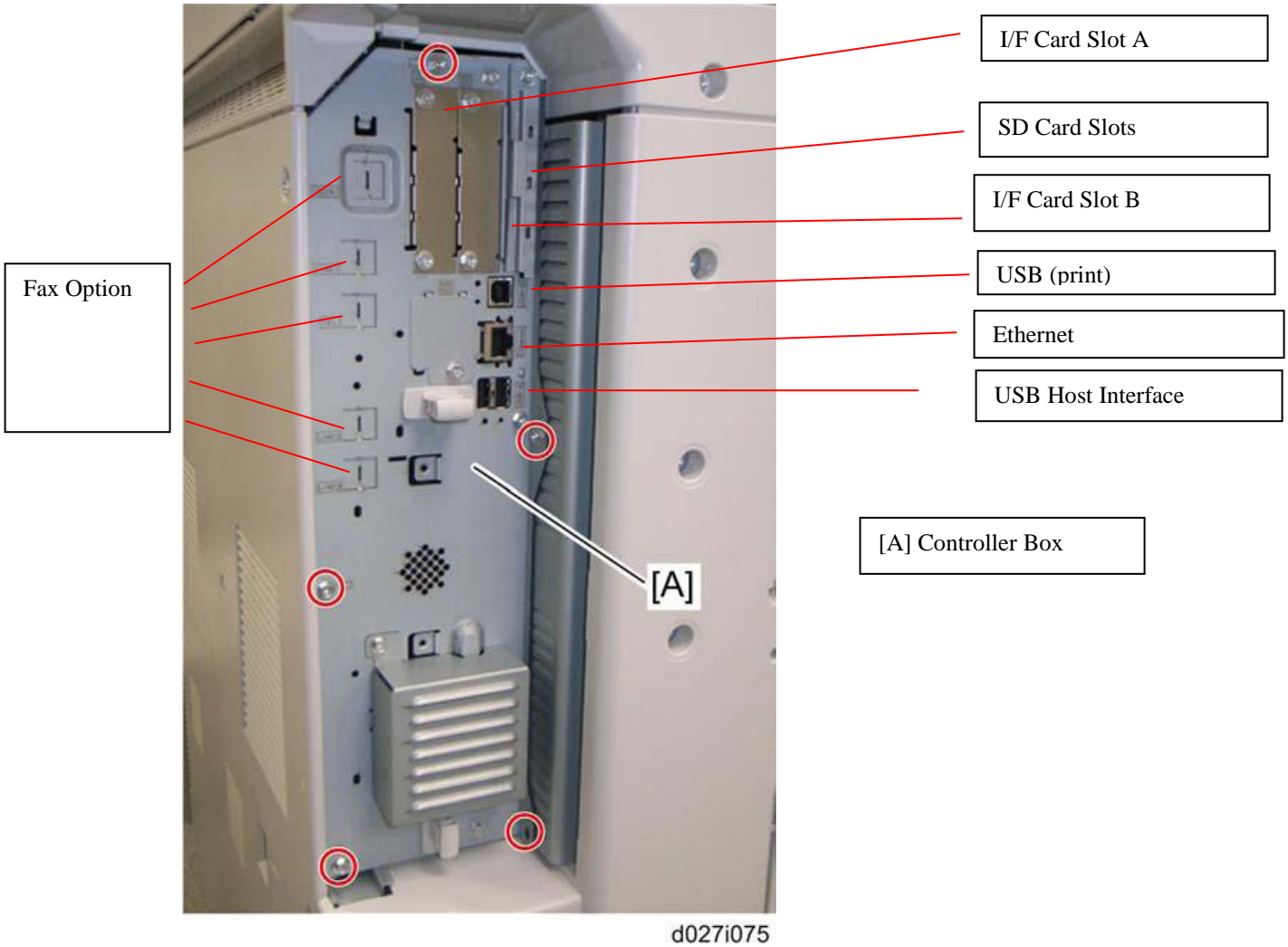


Product Support Guide

D086 / D087

MFP Options

MFP Option Board Slot / SD Card Assignments



Product Support Guide

D086 / D087

Feature Comparison To Previous version

	Mode			D023 / D025	D086 / D087	
Printer Features	Sample Print			Yes	Yes	
	Locked Print			Yes	Yes	
	Hold Print			Yes	Yes	
	Stored Print			Yes	Yes	
	Store and Print			Yes	Yes	
	Black Over Print			Yes	Yes	
	CLP Simulation			Yes	Yes	
	PDF Direct Print			Yes	Yes	
	PictBridge			Yes	Yes	
	Mail to Print			Yes	Yes	
	Classification Code			Yes	Yes	
	Bonjour (Rendezvous) Support			Yes	Yes	
	Windows Active Directory Support			Yes	Yes	
	DDNS Support			Yes	Yes	
	PCL resident font adoption			Yes	Yes	
	Tray-Parameter Change from WebImageMonitor			Yes	Yes	
	1200dpi Support			Yes	Yes	
	Mobile Driver			Yes	Yes	
	XPS Support			Yes	Yes	
	WS Printer			Yes	Yes	
	Wireless LAN interface option *1			Yes	Yes	
	Media Direct Print (Print from USB/SD)			No	Yes	
	*1 Not only IEEE802.11b, but also IEEE802.11a/g are supported.					
Scanner Features	Scan to USB/SD			Yes	Yes	
	WS-Scanner			Yes	Yes	
	Scan to E-mail			Yes	Yes	
		E-mail message attached			Yes	Yes
		Subject attached			Yes	Yes

Product Support Guide

D086 / D087

		SMTP Auth		Yes	Yes
		POP before SMTP		Yes	Yes
	Scan to SMB			Yes	Yes
	Scan to FTP			Yes	Yes
	Scan to URL			Yes	Yes
	Scan to NCP			Yes	Yes
	Scanned file naming			Yes	Yes
		Reference # Setting (ex. SCAN0001)		Yes	Yes
	Scan file type selection			Yes	Yes
		Single TIFF		Yes	Yes
		Single JPEG (Gray Scale)		Yes	Yes
		Single PDF		Yes	Yes
		Single High Compression PDF		Yes	Yes
		Multi page TIFF/PDF		Yes	Yes
		Multi page High Compression PDF		Yes	Yes
	LDAP Support			Yes	Yes
		E-mail Address search		Yes	Yes
		FAX address search		Yes	Yes
	Preview before transmission (TX Preview)			Yes	Yes
	PDF Encryption			Yes	Yes
	Drop out Color Send			Yes	Yes
	Twain Scan			Yes	Yes
	Universal Send (Temporary)			No	No
	Document Clipper *1			No	No
	(*1) Data Processing / OCR Package				
FAX Features	Detection of misplaced document			Yes	Yes
	Double-check of destination address			Yes	Yes
	Direct SMTP			Yes	Yes
	IP Fax (T.38)			Yes	Yes
	Internet Fax (T.37)			Yes	Yes
	Forward to E-mail				
		Inbound		Yes	Yes

Product Support Guide

D086 / D087

		fax (G3/Internet)			
		G3 Fax Transmission result		Yes	Yes
		G3 LAN Fax Transmission result		Yes	Yes
		Internet fax sending result (to SMTP)		Yes	Yes
		Fax to e-mail result (to SMTP)		Yes	Yes
		IP Fax sending result		Yes	Yes
		Journal		Yes	Yes
		Fax from special sender		Yes	Yes
		Fax and forward designated receiver (SUB)		Yes	Yes
	Fax forward to folder			Yes	Yes
		with E-mail Notification		Yes	Yes
	Paperless fax (HDD received)			Yes	Yes
		with E-mail Notification		Yes	Yes
	Lan-fax with cover sheet editor			Yes	Yes
	LDAP Support				
		Fax address search		Yes	Yes
	Max G3 lines			3	3
	Universal Send (Temporary)			No	No
	DS stored data sending			No	No
Security Features	HDD Data Overwrite Security*1			YES	YES
		Option Type A	411853		
		Option Type B	411854		
		Option Type C	411989		
		Option Type D	412152		
		Option Type F	413107		
		Option	414002	v	v

Product Support Guide D086 / D087

		Type H			
		Option Type I	413955		
		ISO/IEC15408 Certification		T.B.A	T.B.A
	Authentication *2				
		Windows Authentication		YES	YES
		LDAP Authentication		YES	YES
			Kerberos *3	YES	YES
		Basic Authentication		YES	YES
		User Code Authentication		YES	YES
		802.1.x Wired Authentication		YES	YES
	Encryption				
		Address Book Encryption		YES	YES
		Authentication Pwd Encryption		YES	YES
		SSL communication		YES	YES
		S/MIME		YES	YES
		IPsec communication		YES	YES
		HDD Encryption (*1)		YES	YES
		Type A	414021	v	v
		Locked Print password Encryption		YES	YES
	Others				
		Network Protocol On/Off		YES	YES
		IP filtering (Access Control)		YES	YES
		Mask Type for Copying/Data Security for Copying *1		YES	NO

Product Support Guide

D086 / D087

		Copy Data Security Unit Option (*1)		YES	NO
		Type A	412320		
		Type C	412808		
		Type E	412986		
		Type F	413985	v	v
	Printout User Trace *5			NO	NO
	Alteration Detection *5			NO	NO
	Revival Copy *5			NO	NO
	Upgraded Data Security for Copying			NO	NO
	Quota Setting/Account Limit			NO	YES
	Single Sign On			NO	NO
	(*1) Option required.				
	(*2) Please refer to "printer driver specification" for details of compatible PDL.				
	(*3) Applicable for Windows Authentication and LDAP Authentication.				
	(*4) To be provided as optional function package.				
	(*5) To be provided as Marking Package.				
UI Features	UI Customization			NO	NO
	My Operation Panel			NO	NO
	Remote Operation Panel			NO	NO
	MFP Browser			NO	NO
	Operation Manual on Operation Panel			NO	NO
	Workflow improvement with one-button			NO	NO
	(*1) Ad-C4.5 and AI-C1 have this feature with special customization.				
Environmental Features	QSU				
	Hybrid QSU				
	IH QSU				
	Duplex				
	Combine				
	PxP Toner				
	New PxP Toner				
	Toner Recycle				
	Corn Plastic				
	Label	Energy Star			

Product Support Guide

D086 / D087

		BAM			
		RoHS			
	Reporting				
	10 seconds Recovery				
Accessibility Features	Easy Touch Screen		YES	YES	YES
	Normal/Reverse Grip & Light drawing		YES	YES	YES
	Scanner Separation		YES	YES	YES
	Tilt Operation Panel		NO	NO	NO
	Distinguishable LED		YES	YES	YES
	Single Hand Operation		YES	YES	YES
	Certified Visual Barrier Free		YES	YES	YES
	Screen Reader		YES(Optional)	YES(Optional)	YES(Optional)
	Electronic Manual		NO	NO	NO

Product Support Guide

D086 / D087

Installation

Installation Requirements

Temperature Range: 10° C to 32° C (50° F to 89.6° F)
Humidity Range: 15% to 80% RH
Ambient Illumination: Less than 1,500 lux (do not expose to direct sunlight)
Ventilation: 3 times/hr/person
Ambient Dust: Less than 0.075 mg/m³ (2.0 x 10⁻⁶oz/yd³)
Avoid areas exposed to sudden temperature changes:

- Areas directly exposed to cool air from an air conditioner.
- Areas directly exposed to heat from a heater.

Do not place machine where it will be exposed to corrosive gas or vapor.
Do not install the machine at any location over 2,500m(8,200 ft.) above sea level.
Place the machine on a strong and level base. Inclination on any side should be no more than 5mm (0.2")
Do not place the machine where it may be subject to strong vibrations.

Machine level

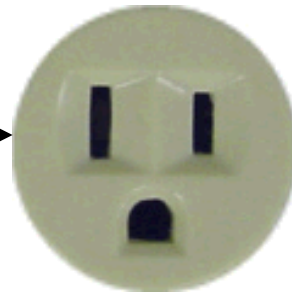
- Front to back: within 5mm (0.2") of level
- Right to left: within 5mm (0.2") of level

Power Requirements

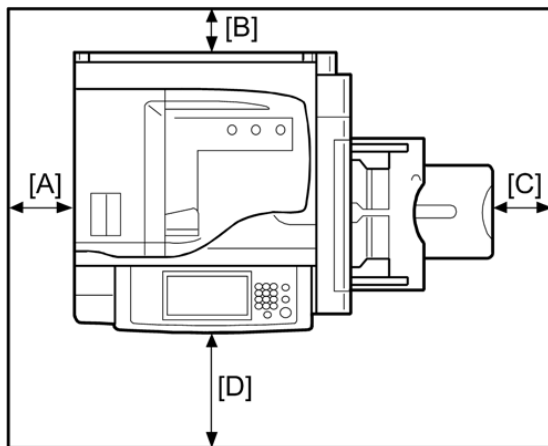
Input voltage level: 110 - 120 V, 60Hz:12A

Do not place anything on power cord.

The required wall outlet is a NEMA 5-15R (receptacle) →



Space



b222i109a

A (Left) Over 100 mm (3.9")
B (Rear) Over 100 mm (3.9")
C (Right) Over 550 mm (21.7")
D (Front) Over 750 mm (29.5")

The recommended 750 mm (30") front space is sufficient to allow the paper tray to be pulled out. Additional the front space is required to allow operators to stand at the front of the machine.

Foot Print

Dimensions (W x D x H): 26.4 x 26.5 30.2 x 40.2 (with 2-Tray Paper Bank and fall-prevention material)

Product Support Guide

D086 / D087

Power Consumption / Noise Emission

Power Consumption

Max Power		-
Full Option Max Power	US	1,584W or less
Operating Power	US (Guaranteed value)	900W
Ready Mode	US (Guaranteed value)	240W or less
Panel Off	Power US (Guaranteed value)	200W or less
	Shift time(Default) US	-
	Recovery US	-
Low Power	Power US (Guaranteed value)	150W or less
	Shift time(Default) US	-
	EU/Asia	10 min
	Recovery US	-
Sleep Mode	Power US (Guaranteed value)	2.0W or less
	Shift time(Default) US	1 min
	Recovery US(Guaranteed value)	17.1 sec
TEC	D086	US:1620Wh/=
(Typical Electricity Consumption)	D087	US:1830Wh/

Noise Emission

Sound Power Level	Stand-by	D086	40 or less
(Mainframe Only)		D087	40 or less
	Copying	D086	66.5(BW), 67.0(FC) or less
		D087	68.3(BW), 68.5(FC) or less
Sound Power Level	Stand-by	D086	40 or less
(Full System)		D087	40 or less
	Copying	D086	71 or less
		D087	72.5 or less
Sound Pressure Level	Stand-by	D086	34 or less
(Mainframe Only)		D087	34 or less
	Copying	D086	60.5(BW), 61.0(FC) or less
		D087	62.3(BW), 62.5(FC) or less
Sound Pressure Level	Stand-by	D086	34 or less
(Full System)		D087	34 or less
	Copying	D086	65 or less
		D087	66.5 or less

Product Support Guide

D086 / D087

Installation Times

Unit	Installation Time (Minutes)	Unit	Installation Time (Minutes)
ARDF	15	USB/SD Slot Type A	15
1-Tray Paper Feed Unit	10	Card Reader Bracket	10
2-Tray Paper Feed Unit	10	PostScript3	5
LCT PB 2000	10	Browser Unit	5
LCT PB 1200	10	Bluetooth	5
1 bin Tray	10	Gigabit Ethernet	5
Internal Shift Tray	10	IEEE 1284	5
Bridge Unit	10	IEEE802.11a/ g	5
Side Tray	10	File Format Converter	10
500 Sheet Finisher	15	Data Overwrite Security Unit	10
1000 Sheet Finisher	15	Copy Data Security Unit	10
1000 Sheet Booklet Finisher	15	HDD Encryption Unit	5
Punch Unit	15	IPDS	5
FAX Option	15	PictBridge	5
Envelop Feeder	10		

Product Support Guide

D086 / D087

Storage/Transportation

	Storage	Transportation
Mainframe	Temperature -30 ~ 40C Humidity Less than 80% RH Storage Period Max: 12 months	Temperature -30 ~ 50C Humidity 15% ~ 95% RH

	Conditions for Storage & Transportation			
	Temperature	Humidity	Storage Period	Stack Max
Toner (Bk)	under 45°C	15 ~ 80%	240 days	8 cartons
Toner (Y/M/C)	under 45°C	15 ~ 80%	240 days	10 cartons
Developer (Bk)	under 45°C	15 ~ 80%	240 days	20 cartons
Developer (Y/M/C)	under 50°C	15 ~ 80%	240 days	20 cartons

Remarks:

- * Store in a dry, dark place where temperature does not exceed 45°C on continuance storage/transportation conditions.
- * Do not store more than 12 hours under the temperature between 41 and 45°C. (for Developer Y/M/C, between 41 and 45°C)
- * Do not store more than a month under the temperature between 36 and 40°C.
- * Do not store more than 14 days under the temperature 40°C and the humidity 70%.. (except Developer Y/M/C)
- * Ideal temperature of toner use is between 10°C and 32°C

Product Support Guide

D086 / D087

Parts / Special Tools / Maintenance

PM Parts / Yields

Mainframe

Unique/Common
U: Unique for this model
C: Common with listed model

*1 part of the PM Kit #:
 * 2 part of the PM KIT #:

Part Number	Description	Q'ty/ Unit	Target Yield (Pages)	Yield affected by P/J (see Note 4)	Unique or Common
PCDU					
D0893010	Development Unit – K	1	600k	No	U (Note 1 and 2)
D0893020	Development Unit - M	1	480k	Yes	
D0893030	Development Unit - C	1	480k	Yes	
D0893040	Development Unit - Y	1	480k	Yes	
D0899670	Developer - M	1	240k	Yes	
D0899660	Developer - C	1	240k	Yes	
D0899680	Developer - Y	1	240k	Yes	
Fusing					
AE010088	Fusing Roller	1	300k	Yes	U (Note 3)
AE030072	Ball Bearing: Dia 12 X 21 X5	2	300k	Yes	
AE020187	Pressure Roller	1	300k	Yes	
AE030081	Ball Bearing: Dia 17 X 30 X 7	2	300k	Yes	
D0294169	Fusing Cleaning Felt	1	300k	Yes	
Transfer					
D0896010	ITB Unit	1	600k	Yes	U (Note 3)

NOTE 1: These items are common with D088 / D089.

NOTE 2: The color development units and color developer are treated as EM parts, as the actual yield of these units depends on the actual color ratio.

NOTE 3: The ITB Unit is also an EM part, as its expected yield is relatively long

NOTE 4: For above yield parts, the yield will depend on P/J (pages per job). For more details, see "APPENDIX 1: PM UNIT YIELD" below.

Product Support Guide D086 / D087

Part Number	Description	Q'ty/ Unit	Target Yield (Pages)	Yield affected by P/J (see Note 4)	Unique or Common
PCDU					
D0892250	Drum Unit – K	1	200k	Yes	U (Note 1)
D0892251	Drum Unit -CMY	1	120k	Yes	U (Note 1)
D0899640	Developer- K	1	300k	No	U (Note 1)
Transfer					
D0896021	ITB Cleaning Unit	1	200k	Yes	U (Note 1)
D0896203	PTR Unit	1	300k	Yes	U (Note 1)
Other					
D0896509	Waste Toner Bottle (Note 2)	1	150k	No	U (Note 1)
B2231348	Dust Filter	2	200k	No	C (AP-C2)

NOTE 5: These items are common with D088 / D089.

NOTE 6: This item is also user-replaceable.

NOTE 7: The yield figures in the above table are based on the following conditions:

- A4 (LT) long-edge feed
- 5% image coverage ratio
- Color ratio: 30%
- 4 print/job

NOTE 4: For most PM parts, the yield will depend on P/J (pages per job). For more details, see “APPENDIX 1: PM UNIT YIELD” below.

Product Support Guide

D086 / D087

Special Tools & Lubricants

The following special tools should be prepared for maintenance of the new model in the field:

Unique or Common:

U: **Unique for this model**

Item	Part Number	Description	Q'ty	Unique or Common
1	B6455010	SD Card	1	C (General)
2	B6456705	PCMCIA Card Adapter	1	C (General)
3	B6456830	USB Reader/Writer	1	C (General)
4	VSSM9000	Digital Multimeter – FLUKE87	1	C (General)
5	G021 9350	Loop-back Connector – Parallel	1	C (General)
6	C401 9503	20X Magnification Scope	1	C (General)
7	A2579300	Grease Barrierta – S552R	1	C (General)
8	52039502	Silicon Grease G-501	1	C (General)
9	A0929503	C4 Color Test Chart (3 pcs/set)	1	C (General)
10	A1849501	Scanner Positioning Pin (2pcs/set)	2	C (General)
11	B6795100	Plug - IEEE1284 Type C	1	C (General)
12	B1329700	Lubricant Powder	1	C (V-C1)

C: Common with listed model

Loop-back Connector – Parallel (item 5) requires Plug - IEEE1284 Type C (item 11).

Product Support Guide

D086 / D087

Target Reliability

Model	D088	D089
Average Monthly Volume	5K	7K
Max. Monthly Volume	20K	
PM Interval	150/200K	

Specifications / Documentation

Mainframe		
Configuration		Desk Top
Scanning Element		One-dimensional solid scanning through CCD
Printing Process		Dry Electrostatic Transfer System with Dual Component Development; 4-Drum Method
Development		Dry two-component magnetic brush development system
Fusing		IH Roller Fusing System
Max Imageable Area		297x432mm
		11"x17"
First Copy Time (LT/A4 LEF, 1st tray)	Guaranteed value	FC 7.8/BW 5.0
Warm-up Time (From main switch)	US : Guaranteed value	25.3 sec
Power Source	US	120V-127V 60Hz
Max Power Consumption	US	1584W or less
Dimension(WxDxH)		670 x 671 x 760 (Standard), 670 x 766 x 1,020 (with 2-Tray Paper Bank and fall-prevention material)
		26.4 x 26.5 x 30 (Standard), 26.4 x 30.2 x 40.2 (with 2-Tray Paper Bank and fall-prevention material)
Weight		Less than 120kg (with ARDF) Less than 110kg (without ARDF)
		Less than 265lbs (with ARDF) Less than 243lbs (without ARDF)

Product Support Guide

D086 / D087

Enhanced Features		
Image Density		Auto Density Selection, Manual : 9 levels
Color Mode		Default = Black & White Mode Auto Color Selection (ACS) Full Color Black & White Single Color (Default: not indicated) Preset: 12 colors x4 Density (Default = Red), User color: 15 colors x4 Density Two Color (Default: not indicated) - Black and Other Color - Red and Black
Copy Mode		Default = Auto Text & Photo Separation (Printed/Glossy/Copied) Auto Text & Photo Separation (Printed/Glossy/Copied) Photo (Printed/Glossy/Copied) Text Map Pale Generation
Copy Mode -Photo Type Selection		
Peper Selection		Default = Auto Paper Selection (APS) Auto Paper Selection (APS) 1st Tray 2nd Tray 3rd Tray (with Paper Bank) 4th Tray (with Paper Bank) Bypass Tray

Product Support Guide

D086 / D087

Enhanced Features		
Paper Type Capability	Std Tray	Plain Paper (No Display Paper Type), Recycle Paper, Special Paper 1-3, Color Paper, Letterhead, Cardstock, Preprinted Paper, Bond Paper Tray1: High-gloss coated paper Tray2: Envelope, Coated, High-gloss coated paper [Thickness] Thin Paper, Normal Paper, Thick Paper 1, Thick Paper 2, Thick Paper 3
	Bank, LCT	Plain Paper (No Display Paper Type), Recycle Paper, Special Paper 1-3, Color Paper, Letterhead, Cardstock, Label Paper, Preprinted Paper, Bond Paper, Plain Paper Backside [Thickness] Thin Paper, Normal Paper, Thick Paper 1, Thick Paper 2, Thick Paper 3
	Bypass Tray	[Paper Type] Normal Paper (No Display Paper Type), Recycle Paper, Special Paper 1-3, Color Paper, Letterhead, Cardstock, Label Paper, OHP, Preprinted Paper, Bond Paper, Envelope, Coated, High-gloss coated paper [Thickness] Thin Paper, Normal Paper, Thick Paper 1, Thick Paper 2, Thick Paper 3, Thick Paper 4
Auto Tray Switch		Yes
Duplex		1 sided to 2 sided, 2sided to 2 sided(w/ARDF), Book o 2 sided, Front and Back to 2 sided
Book	Booklet	Yes
	Magazine	Yes

Product Support Guide

D086 / D087

Enhanced Features		
Series	Book to simplex	Yes
	2 sided original to simplex	Yes
Combine	2 into 1 simplex	Yes
	4 into 1 simplex	Yes
	8 into 1 simplex	Yes
	1 duplex into 1 simplex	Yes
	2 duplex into 1 simplex	Yes
	4 duplex into 1 simplex	Yes
	4 into 1 duplex	Yes
	8 into 1 duplex	Yes
	16 into 1 duplex	Yes
	2 duplex into 1 duplex	Yes
	4 duplex into 1 duplex	Yes
	8 duplex into 1 duplex	Yes
	Shift/Erase/Margin Adjustment	Centering
Cornering		No
Margin Adjustment		1mm step (0-30mm) Default=Front Page:5mm left, Back Page:5mm right
Erase Center		1mm step (2-99mm), Default=10mm
Erase Border		1mm step (2-99mm) Default = 10mm
Erase Center/Border		1mm step (2-99mm) Default = Center: 10mm, Border: 10mm
Cover Sheet/Chapter/Slip Sheets	Front Cover	Copy or Blank (Default=Copy)
	Front & Back Cover	Copy or Blank (Default=Copy)
	Chapter	Yes
	Slip Sheets	Yes
	OHP Slip Sheets	Yes
Image Rotation		Yes (A4/LT and B5 size)
Electronic Sort	Without Shift Sort	Yes
	Rotate Sort	Yes
	Shift Sort	Yes (only with Finisher)
Electronic Stack		Yes

Product Support Guide

D086 / D087

Enhanced Features		
Stapling		Yes (with Finisher)
Color Creation	Color Conversion	Yes
	Color Erase	Yes
	Color Background	Yes
	Repeat	Yes
Image Creation	Double Copy	Yes
	Mirror	Yes
	Positive/Negative	Yes
Stamp/Numbering	Preset Stamp	Yes (8 Stamps / 2 sizes / RGBCMYK 7colors)
	User Stamp	Yes (5 Stamps can be registered / RGBCMYK)
	Date Stamp	Yes (6 styles/ RGBCMYK)
	Page Number	Yes (7 styles / RGBCMYK)
Color Balance Adjustment		Yes
Color Balance Program		Yes
Auto Color Calibration(ACC)		Yes
Sharp/Soft		7 levels
Contrast		9 levels
Background Density Adjustment		9 levels
Under Color Removal(UCR) Adjustment		9 levels
Text & Photo Separation Sensitivity Adjustment		9 levels
Color Erase Sensitivity Adjustment		5 levels
Job Programs		10
User Code		8 digits / 500 user codes
Interrupt Copy		Yes
Auto Start		Yes
Job Preset		Yes(8 jobs)
Sample Copy		Yes
Simplified Display		Yes
Login/Logout Button		Yes
SMC Report Print out (Logging Data)		Yes
NRS Option		Yes
Document Server		Yes
Auto Off Timer		Yes (US model: 1min, 1-60min)
Energy Saver Timer		Yes (US model: 1min, 1-30min)
Panel Off Timer		Yes (US model: 1min, 1-30min)
System Reset Timer		Yes (Default: 60sec. / 10-999sec.)

Product Support Guide

D086 / D087

Paper Handling		
Recommended Paper Size	1st Paper Tray	A4 LEF, 11"x8 ½ " (LT) LEF (A5 LEF and B5 LEF are able to set by using SP mode.)
	2nd Paper Tray	A3 SEF, B4 SEF, A4 LEF/SEF, B5 SEF/LEF, A5 LEF, 11"x17"(DLT) SEF, 8 ½"x14" (LG) SEF, 8 ½"x13" (Foolscap) SEF, 8 ½"x11" (LT) LEF/SEF, 8¼"x14" (Government LG), 8 ¼"x13" (Folio) SEF, 8"x13"(F/GL), 8"x10" (Eng Quatro) 7 ¼"x10 ½" (Executive) SEF/LEF, 11"x15" SEF, 10"x14" SEF, Envelopes(COM10 LEF and C5 LEF) <Custom Size Paper> Width: 182 – 297mm, Length: 148 – 432mm *1
	LCT	A4 LEF, 8 ½"x11" (LT) LEF
	Side LCT	A4 LEF, B5 LEF, 8 ½"x11" (LT) LEF
	Bypass Tray	12"x18"/305x458mm, A3/DLT-A6SEF <Custom Size Paper> Width: 90 – 305mm, Length: 148 – 1260mm *2
Envelope Printing		Yes (from bypass or optional envelope feeder)
Paper Feeding Capacity(LT/A4)	Std	550sheet x 2trays (less than 55.5mm) Bypass Tray: 100sheets (less than 10mm)
	Max	4,400 sheets (with LCT, side LCT)
	Option	Paper Bank Unit: 550sheet x 2 trays Or LCT: 1,000sheet x 2 Side LCT: 1.200 sheets

Product Support Guide

D086 / D087

Paper Handling		
Paper Output Capacity(LT/A4)	Std	Face Down: 500sheets(A4 or smaller/80gms), 250sheets(B4 or larger/80gms) *When Bridge Unit or Side Tray is attached: 250sheets(A4 or smaller/80gms), 125sheets(B4 or larger/80gms)
	Max	1,625 sheets (with standard 250 sheets + 1000 sheets Finisher + 1 Bin tray)
	Option	1 Bin Tray: 125 sheets Or Shift Sort Tray: 250 sheets (Larger than A4/LT) 500 sheets Finisher: 500 sheets Or 1000 sheets Finisher: 1000 + 250 sheets Or Booklet Finisher: 1000 + 100 sheets Or Side Tray : 125 sheets
Paper Weight *3	Std Tray	60-256
		16 - 68lb.Bond - 140 lb.Index
	Bypass	60-300
		16 - 68 lb.Bond - 110 lb.Cover
	Duplex Unit	60-169
		16-45

Copy Specifications		
CPM Black		D086: 30, D087: 35
CPM Color		D086: 30, D087: 35
Copy Resolution		600dpi / 4bit
Multiple Copying		Up to 999 copies
Reproduction Ratio	US	400%, 200%, 155%, 129%, 121%, 100%, 93%, 85%, 78%, 73%, 65%, 50%, 25%
Zoom		From 25% to 400% in 1% step
Number of Copy Reservations		8

Printer Specifications		
CPU		Intel Celeron-M 600MHz
RAM		1.5

Product Support Guide

D086 / D087

Printer Specifications		
HDD		160GB *4 (250GB x 1)
PDL	Std	PCL5c, PCL6(XL)
	Opiton	Adobe PostScript3, IPDS
Print Resolution	Max	1200 x 1200 dpi / 1bit
	PCL5c	-300 x 300 dpi (available only with B/W mode) -600 x 600 dpi <Gradation *5> Fast (1bit) / Standard (2bit) / Fine (4bit)
	PCL6	-600 x 600 dpi <Gradation *5> Fast (1bit) / Standard (2bit) / Fine (4bit) -1200 x 1200 dpi
	PS3	-600 x 600 dpi <Gradation *5> Fast (1bit) / Standard (2bit) / Fine (4bit) -1200 x 1200 dpi (1bit)
	XPS *6	-600 x 600 dpi <Printing Mode *5> Standard (1bit) / Quality Preference (2bit) / High Quality (4bit) -1200 x 1200 dpi
	IPDS	-300 x 300 dpi -600 x 600 dpi
Fonts	Std	PCL: Scalable 45 fonts + Bitmapped: 6 fonts + International 13 fonts *7
	Opiton	PS3 : 136 Roman fonts IPDS : 108 Roman fonts
Host Interfaces	Std	Ethernet (RJ-45 network port : 10Base-T /100Base-TX), USB2.0[TypeB], USB2.0 Host I/F[TypeA](2 port)

Product Support Guide

D086 / D087

Printer Specifications		
	Opiton	Ethernet (1000Base-T) IEEE1284/ECP, USB2.0/SD Slot Wireless LAN (IEEE802.11a,b,g, WPA support),
Network Protocol		TCP/IP (IP v4, IP v6), IPX/SPX
Standard MIB		MIB-II(RFC1213), HostResource(RFC1514), PrinterMib(RFC1759), Printer Port Monitor MIB
Private MIB		Ricoh Original
Network/Operating System *5		Windows 2000/XP/Vista/7/Server 2003/Server 2008/Server 2008R2, Netware 6.5 Unix; Sun Solaris, HP-UX, SCO OpenServer, RedHat Linux, IBM AIX Mac OS X v.10.2 or later SAP R/3, NDPS Gateway IBM iSeries/ AS/400-using OS/400 Host Print Transform

Scanner Specifications		
Color Scan		Std
Scanning Speed (normal DF)	B&W	51pages/minute (A4/LET LEF / 200dpi), 47pages/minute (A4/LET LEF / 300dpi) Push Scan
	Color	51pages/minute (A4/LET LEF / 200dpi), 41pages/minute (A4/LET LEF / 300dpi) Push Scan
Scanning Resolution	Std	100 / 200 / 300 / 400 / 600/ 1200 dpi *only twain driver
	Default	200dpi
Auto Size Detection	Contact Glass	11"x17"(DLT) SEF, 8 ½"x14"(LG) SEF, 8 ½"x11"(LT) LEF/SEF *SP mode adjustment is required : 8 1/2"x5 1/2"(HLT)LEF/SEF

Product Support Guide

D086 / D087

Scanner Specifications		
(US Model)	ARDF *9	11"x17" (DLT)SEF, 8 ½"x14" (LG)SEF, 8 ½"x11"(LT) LEF/SEF, 5 ½"x8 ½"(HLT) LEF/SEF, 8 1/2"x13"(Foolscap) SEF 10"x14"SEF, 11"x15"SEF (detected the same as DLT SEF, Default = DLT SEF), 8"x10"SEF (detected the same as LT SEF, Default = LT SEF) 7 1/4"x10½"(EXE) LEF/SEF
Auto Size Detection	Contact Glass	A3 SEF, B4 SEF, A4 LEF/SEF, B5 LEF/SEF, A5 LEF/SEF, 8"x13"(F) SEF, *SP mode adjustment is required : 8 ½"x13"(Foolscap) SEF, 8 1/4"x13"(Folio) SEF, 8K SEF, 16K LEF/SEF
(EU/ASIA/CHINA Model)	ARDF *9	A3 SEF, B4 SEF, A4 LEF/SEF, B5 LEF/SEF, A5 LEF/SEF, DLT SEF, LT SEF/LEF, 8"x13"(F) SEF (detected the same as Foolscap SEF, Default = Foolscap SEF), 8 ½"x13" (Foolscap) SEF, 8 1/4"x13"(Folio) SEF
Scan Area	Main Scan	297
	Sub Scan	432
sRGB Support		Std
Network Interface		Ethernet 10BASE-T / 100BaseTX / 1000BASE-T, Wireless LAN (IEEE802.11a,b,g, WPA support), USB2.0 TypeA(with USB2.0/SD Slot Option), SD Card Slot(with USB2.0/SD Slot Option)
Protocol		Network: TCP/IP Sending E-mail: SMTP, POP3 Scan to Folder: SMB, FTP, NCP Web Services on Devices for Scanning

Product Support Guide

D086 / D087

Scanner Specifications		
Compression Method	B&W	TIFF (MH, MR, MMR), Grayscale
	Color	JPEG
Scan Mode		Standard: BW Text/Line Art, BW Text, BW Text/Photo, BW Photo, BW Grayscale, FC Photo, FC Text Standard: ACS
Image Density		Auto Density Selection Selection (Effective in BW/Grayscale and FC scan mode) Manual: 7 levels (Effective in BW/Grayscale and FC scan mode)
Image Rotation		Yes
SADF/Batch Mode		Yes
Mixed Size Mode		Yes
File Format	Compression On / Off	Data / Compression Method
Single Page TIFF	On	BW 1bit / (MH, MR, MMR)
	Off	BW 1bit, BW Grayscale, FullColor
Multi Page TIFF	On	BW 1bit / (MH, MR, MMR)
	Off	BW 1bit, BW Grayscale, FullColor
Single Page JPEG	On	BW Grayscale, FullColor/ JPEG
	Off	-
Single Page PDF	On	BW 1bit(MH, MR, MMR), BW Grayscale(JPEG), FullColor(JPEG)
	Off	BW 1bit, BW Grayscale, FullColor
Multi PagePDF	On	BW 1bit(MH, MR, MMR), BW Grayscale(JPEG), FullColor(JPEG)
	Off	BW 1bit, BW Grayscale, FullColor
High Compression PDF	On	BW Grayscale(JPEG, JPEG2000), FullColor(JPEG, JPEG2000)
	Off	-
Requirement (Mail Protocol, Transmission Protocol, Protocol)		SMTP (Mail Server) Gateway and TCP/IP
Authorization Function		SMTP authentication POP before SMTP authentication
Resolution	Std	100, 200, 300, 400, 600
	Default	200
Max Email Address in HDD		2000
Register Group Address in HDD		Max. 100 Group (Max. 500 addresses in one group address)

Product Support Guide

D086 / D087

Scanner Specifications		
Maintain Email Address in HDD		Direct input on operation panel, Web Image Monitor, Smart Device Monitor for Admin
Input of Destination E-mail Address via Soft Key		Possible, Max. 100 destinations per job
Search method of Email Address in HDD		By name and E-mail address
LDAP Search		Yes
Max Address Numbers Per Send		Max. 500 addresses per send *10
Address Numbers Per Send	from HDD	Max 500 *10
	direct input	Max 100*11 *12
	via LDAP	Max 100*11 *12
Attention		To, cc, bcc
Email Size	with Restriction	128 - 102,400KB
	w/o Restriction	725MB
Input Subject	Manual	Max. 128 Characters via soft key
	User Pre-register	22 subjects. Max. 20 Characters per a subject
Input Main Body Text	Manual	Max. 80 Characters via soft key
	User Pre-register	5 BODY MESSAGES. 80 CHARACTERS X 5 LINES PER A BODY MESSAGE Title name of the body message: Max. 20 characters per a name
	Preset	Message: "This e-mail included attached file sent from xxxx(machine model name)."
Input File Name		Yes
File Type		Single Page TIFF/JPEG, Single Page PDF, Multi Page TIFF, Multi Page PDF, High Compression PDF (Multi / Single)
Program User Settings		Up to 10 programs
Divide and send Email (If the file size exceed the max size.)		Yes (By page or size) / No, Default = Yes(By size) *13
Resend		Yes / No, Default = Yes

Product Support Guide

D086 / D087

Scanner Specifications		
Max Address Numbers Per Send (Combination with Folder)	Input via Address Book	Condition 1(Max address can select or input) :500
		Condition 2(Max address allow in single operation) :500
		Condition 3(Combination of addresses: Max) :550
	Manual input	Condition 1(Max address can select or input) :100
		Condition 2(Max address allow in single operation) :500
		Condition 3(Combination of addresses: Max) :550
Protocol Support		SMB, FTP, NCP
Security		Client folder log-in (log-in name and password), Encryption of log-in name and password during transmission
Resolution	Std	100dpi, 200dpi, 300dpi, 400dpi, 600dpi
	Default	200
Register client folder address in HDD		Max. 2,000 folders
Maintain client folder address in HDD		Direct input on operation panel, WebImageMonitor, SmartDeviceMonitor
Destination client folder address input via soft key		Yes SMB: Network path -> Client folder -> Password FTP: Server -> Network path -> User account -> Password NCP: Network path -> User account -> Password -> Bindery or NDS
Search client folder		SMB: Browsing directly to the designated folders FTP: By client folder name
Max. client folder numbers per send		Max. 50 client folders / PCs per send
Simultaneous Transmission		Max.550

Product Support Guide

D086 / D087

Scanner Specifications		
Group address		Max. 100 destinations (To Folder: 50, To E-mail: 100) (*1) e.g. 100 destinations 50 folders included >>>OK 100 destinations 51 folders included>>>Failure
Input File Name		No
Scan to File size		2,000
File Size when combined Scan to Folder & Scan to E-mail		128 - 102,400kB, Default = 2,048KB (With restriction) 725MB (Without restriction) (Scan to E-mail file size applied).
File Type		Single Page TIFF/JPEG, Single Page PDF, Multi Page TIFF, Multi Page PDF, High Compression PDF
Program User Settings		Up to 10 programs
Divide the File in Scan to Email (If the file size exceed the max size.)		Yes (By page or size) / No, Default = Yes(By size) (When Scan to PC combine with Scan to E-mail)
Resend		Yes / No, Default = Yes
Max Address Numbers Per Send (Combination with E-mail)	Input via Address Book	Condition 1(Max address can select or input) :50
		Condition 2(Max address allow in single operation) :50
		Condition 3(Combination of addresses: Max) :550
	Manual input	Condition 1(Max address can select or input) :50
		Condition 2(Max address allow in single operation) :50
		Condition 3(Combination of addresses: Max) :550
OS		Windows 2000, Server 2003, Server 2008, XP, Vista, 7

Product Support Guide

D086 / D087

Scanner Specifications		
Scanning Speed	B&W	Simplex(200dpi) : with MLB 34(compressed), without MLB 35 (compressed)/35 (uncompressed) Duplex(200dpi) : with MLB 24(compressed), without MLB 24 (compressed)/24 (uncompressed)
	Color	Simplex(200dpi) : with MLB 22(compressed), without MLB 23 (compressed)/13 (uncompressed) Duplex(200dpi) : with MLB 20(compressed), without MLB 21 (compressed)/12 (uncompressed)
Resolution	B&W	100 – 1200dpi (Black and White / Grayscale)
	Color	100 – 1200dpi (Full Color)
Scan Mode		Standard / Photo / OCR / Filing
Image Adjustment		Brightness / Contrast / Threshold /Gamma Adjustment / Halftone Pattern
Stamp		Date / Page Number / Text
Endorse		Supported

Fax Specifications		
Circuit		PSTN, PBX
Compatibility		ITU-T (CCITT) G3, Additional G3 (option),
Resolution		8 x 3.85 line/mm, 200 x 100dpi (std.), 8 x 7.7 line/mm, 200 x 200dpi (std.), 8 x 15.4 line/mm, 16 x 15.4 line/mm, 400 x 400dpi (with optional SAF memory)
Compression Method		MH, MR, MMR, JBIG

Product Support Guide

D086 / D087

Fax Specifications		
Scanning Speed (Platen used)		1.2sec.(A4/LT SEF, Standard/Detail/Super Fine mode), *ITU-T No1 chart, 200 x 100 dpi(Standard mode), 200dpi(Detail mode), 400dpi(Super Fine mode)
Scan Page per Minute(DF used)	A4/LT SEF	Standard mode: 42 spm Detail mode: 42 spm Super Fine mode: 32 spm
	A4/LT LEF Image Rotation	Standard mode: 49 spm Detail mode: 49 spm Super Fine mode: 27 spm
Modem Speed		33.6K – 2,400bps (G3, Standard with Automatic Shift Down) (33600, 31200, 28800, 26400, 24000, 21600, 19200, 16800, 14400, 12000, 9600, 7200, 4800, 2400 bps)
Transmission Speed		G3: Approx.2 seconds (200x100 dpi, JBIG, ITUT #1 chart TTI off, memory transmission) G3: Approx.3 seconds (200x100dpi, MMR, ITUT #1 chart, TTI off, memory transmission)
Page Memory Size	Std	4
	with Additional Memory	8
SAF Memory Size	Std	4MB (Approx.320 pages)
	with Additional Memory	28MB (Approx. 2,240 pages)
	Option	32MB SD-RAM (24MB SAF Memory + 4MB Page Memory)
Memory Backup		One hour
Smoothing		Standard
TTI/RTI		Standard
CSI		Standard
Quick dial/ Speed dial		Standard: 2,000 numbers
Group Dial		Standard: 100 groups (500 numbers per 1 group)

Product Support Guide

D086 / D087

Fax Specifications		
Program		Standard: 100 numbers
Redial		Standard
Direct Fax Number Entry		Standard
Dual access		Standard
User Code		Standard 500 Codes
Page Counter		Standard
Auto Reduction		Standard
Wild Cards		Standard
Summer Time		Standard
Memory Lock ID Code		Standard
SID Code (Sender ID)		Standard
Programming by OMR		No
User Function Key		Standard (3 keys)
Night Timer		No
Energy Saver		Standard
LCD Prompt		Standard
Remaining Memory Indication		Standard
Clock Adjustment		Standard
User Parameter Settings		Standard
User Data Transfer		Standard
Immediate Transmission		Standard
Parallel Memory Transmission		Standard
Memory Transmission		Standard
Serial Broadcasting		Standard (Max. 500 numbers)
Send Later		Standard
Error Correction Mode		Standard
Page Retransmission		Standard
Forwarding		Standard
Image Rotation		Standard
Book Fax		No
Closed Network Transmission		Standard
Double Sided Transmission		Yes
Automatic Reception		Standard
Manual Reception		Standard
Substitute Reception		Standard
Authorized Reception		Standard
Multi Copy		Standard
Closed Network		Standard
Reception Time Printing		Standard
Center Mark		Standard
Checkered Mark		Standard
Economy Printing Mode		No
Duplex Reception		Standard

Product Support Guide

D086 / D087

Fax Specifications		
Handset/Telephone		Option
Telephone Connection		Standard
Monitor Speaker		Standard
Automatic Voice Message		No
On Hook Dial		Standard
Tone Transmission		Standard
Pause		Standard
Pulse/Tone Selection		Standard
Chain Dialing		No
Reception Mode Selection		Standard
Automatic Fax/Phone change		No
Reception Mode Switch over (remote)		No
Answering Machine interface		No
Reception Mode Switching Timer		No
Auto Answer Delay Time		Standard (SP mode)
Busy Tone Detection		Standard
Silent Ringing Detection		No
Requirement of Mainframe		G3 fax option is required. Printer Scanner option is required
Number of Address		2,000 HDD storage
Email Address Input		From LCD operation panel, Web Image Monitor, Smart Device Monitor for Admin
Attention		"to" or "bcc" (select only one), max 500 attentions
Destination Combination		Internet Fax + G3 Fax, Internet Fax to PC + G3 Fax
Network		Ethernet 10BASE-T / 100BaseTX / 1000BASE-T, Wireless LAN (IEEE802.11a,b,g, WPA support)
Transmit Function		E-mail
Scan Line Density		200 x 100 dpi(Standard character), 200 x 200 dpi(Detail character), 200 x 400 dpi(Fine character: optional) *14 , 400 x 400 dpi(Super Fine character: optional) *14
Original Size: Scanning width		A3 *14, B4 *14, A4

Product Support Guide

D086 / D087

Fax Specifications		
Communication Protocol		Transmission SMTP, TCP/IP Reception POP3, SMTP, IMAP4, TCP/IP
Email Format		Single/Multi-part, MIME Conversion Attached file forms: TIFF-F(MH, MR *14, MMR*14 compression)
Authentication Method		SMTP-AUTH, POP before SMTP, A-POP
Internet Communication		Send and receive e-mail with a computer that has an e-mail address
Email Send Functions		Automatic conversion of sent documents to e-mail format and e-mail transmission. Memory transmission only.
Email Receive Functions		Automatic detection and printing of appended TIFF-F(MH) files and ASCII text. Memory reception only.
Paper Size		A3, DLT, B4, A4 (default for EU/Asia model), Letter (default for NA model), Legal, B5, A5
Resolution		Super Fine (400 x 400 dpi) Detail (200 x 200 dpi) *default Standard (200 x 100 dpi)
Gray Scale		Off On normal *default On lighter
Number of Address		500
OS		Windows 2000, Windows XP, Windows Vista
LAN-Fax Editor Support Language		1.English, 2.German, 3.French, 4.Italian, 5.Spanish, 6.Dutch, 7.Swedish, 8.Norwegian, 9.Danish, 10.Finnish, 11.Hungarian, 12.Czech, 13.Polish, 14.Portuguese, 15.Russian, 16.Korean, 17.Traditional Chinese, 18.Simplified Chinese Condition: OS need to have the same language.
Memory		Minimum required for each OS
CPU		Minimum required for each OS
HDD		Minimum required for each OS

Product Support Guide

D086 / D087

Fax Specifications		
Network		Ethernet 10BASE-T / 100BaseTX / 1000BASE-T, Wireless LAN (IEEE802.11a,b,g, WPA support)
Scan Line Density		8 x 3.85 lines/mm, 200 x 100 dpi(Standard character), 8 x 7.7 lines/mm, 200 x 200 dpi(Details character), 8 x 15.4 lines/mm(Fine character: optional expansion memory required), 16 x 15.4 lines/mm, 400 x 400 dpi(Super Fine character: optional expansion memory required)
Original Size		Maximum A3 or 11" x 17" (DLT)
Max Scanning Size		Standard: A3, 297mm x 432mm, Irregular: 297mm x 1200mm
Transmission Protocol		Recommended: T.38, TCP, UDP/IP communication, SIP(RFC 3261 compliant), H.323 v2
Compatible Machines		IP-Fax compatible machines
IP-Fax Transmission Function		Specify an IP address and send faxes to an IP-Fax compatible fax through a network. Also capable of sending faxes from a G3 fax connected to a telephone line via a VoIP gateway.
IP-Fax Reception Function		Receive faxes sent from an IP-Fax compatible fax through a network. Also capable of receiving faxes from a G3 fax connected to a telephone line via a VoIP gateway

Document Server		
HDD Capacity		160
Max Stored Documents		3,000
Max Pages Per Documents		2,000
Max Pages of All Stored Documents		9,000

Product Support Guide

D086 / D087

Security Specifications		
Network User Authentication		Yes
IP Address Filtering		Yes
MAC Address Filtering		No
HDD Overwrite		Yes
HDD Encryption		Yes
Secure Print		Yes
Encrypted Secure Print		Yes
Encrypted PDF Mode		Yes
IP Sec		Yes
Secure Sockets Layer(SSL)		Yes
SNMPv3		Yes
IPv6		Yes
Transport Layer Security		TBD
Removable HDD		No

Model	Mode	Paper Thickness		BK CPM	FC CPM
		gsm	lb. Bond		
D086	Thin Paper	-52-59	-14~15	30	30
	Plain Paper	-81	-21	30	30
	Middle Thick	-105	-28	30	30
	Thick Paper 1	-169	-45	17.5	17.5
	Thick Paper 2	-220	-58	17.5	17.5
	Thick Paper 3	-256	-68	17.5	17.5
	Thick Paper 4	-300	-80	15	15
	OHP, 1200dpi printing High gloss paper	-	-	17.5	17.5
D087	Thin Paper	-52-59	-14~15	35	35
	Plain Paper	-81	-21	35	35
	Middle Thick	-105	-28	35	35
	Thick Paper 1	-169	-45	17.5	17.5
	Thick Paper 2	-220	-58	17.5	17.5
	Thick Paper 3	-256	-68	17.5	17.5
	Thick Paper 4	-300	-80	15	15
	OHP, 1200dpi printing High gloss paper	-	-	17.5	17.5

Product Support Guide

D086 / D087

D086

B&W Copy

ADF1to1 Simplex to Simplex (cpm)

	A3/DLT	B4	A4/LT	A4R	B5	B5R
1st Tray	-	-	30.3	-	34.9	-
2nd Tray	18.0	20.1	30.3	23.6	34.9	26.3
3rd Tray	17.9	20.1	30.4	23.5	34.9	26.3
4th Tray	18.0	20.1	30.4	23.6	34.9	26.3
LCT	-	-	30.3	-	-	-

ADF1to1 Simplex to Duplex (cpm)

	A3/DLT	B4	A4/LT	A4R	B5	B5R
1st Tray	-	-	30.3	-	34.8	-
2nd Tray	17.9	20.1	30.3	23.5	34.7	25.6
3rd Tray	18.0	20.1	30.3	23.6	34.8	25.5
4th Tray	17.9	20.1	30.3	23.6	34.9	25.5
LCT	-	-	30.3	-	-	-

ADF1to1 Duplex to Duplex (cpm)

	A3/DLT	B4	A4/LT	A4R	B5	B5R
1st Tray	-	-	17.3	-	18.5	-
2nd Tray	12.1	13.1	17.4	14.7	18.5	15.7
3rd Tray	12.1	13.1	17.3	14.7	18.4	15.7
4th Tray	12.0	13.1	17.3	14.6	18.5	15.7
LCT	-	-	17.3	-	-	-

FullColor Copy

ADF1to1 Simplex to Simplex (cpm)

	A3/DLT	B4	A4/LT	A4R	B5	B5R
1st Tray	—	—	30.3	—	34.7	—
2nd Tray	18.0	20.1	30.3	23.6	34.7	26.3
3rd Tray	18.0	20.1	30.3	23.6	34.7	26.3
4th Tray	18.0	20.1	30.4	23.6	34.7	26.3
LCT	—	—	30.3	—	—	—

ADF1to1 Simplex to Duplex (cpm)

	A3/DLT	B4	A4/LT	A4R	B5	B5R
--	--------	----	-------	-----	----	-----

Product Support Guide

D086 / D087

1st Tray	—	—	30.3	—	34.8	—
2nd Tray	18.0	15.3	30.2	23.6	34.8	25.5
3rd Tray	18.0	15.2	30.4	23.6	34.8	25.5
4th Tray	18.0	15.4	30.3	23.7	34.9	25.5
LCT	—	—	30.3	—	—	—

ADF1to1 Duplex to Duplex (cpm)

	A3/DLT	B4	A4/LT	A4R	B5	B5R
1st Tray	—	—	17.4	—	18.2	—
2nd Tray	12.2	13.1	17.3	14.7	18.2	15.7
3rd Tray	12.1	13.1	17.3	14.6	18.4	15.7
4th Tray	12.1	13.1	17.3	14.6	18.4	15.7
LCT	—	—	17.3	—	—	—

D087

B&W Copy

ADF1to1 Simplex to Simplex (cpm)

	A3/DLT	B4	A4/LT	A4R	B5	B5R
1st Tray	—	—	35.1	—	39.4	—
2nd Tray	19.6	22.2	35.1	26.4	39.6	29.9
3rd Tray	19.6	22.2	35.3	26.5	39.6	30.0
4th Tray	19.6	22.2	35.2	26.5	39.5	30.0
LCT	—	—	35.1	—	—	—

ADF1to1 Simplex to Duplex (cpm)

	A3/DLT	B4	A4/LT	A4R	B5	B5R
1st Tray	—	—	35.1	—	39.4	—
2nd Tray	19.8	22.3	35.1	24.9	39.5	26.2
3rd Tray	19.6	22.2	35.0	25.3	39.5	27.0
4th Tray	19.6	22.2	35.1	25.2	39.3	27.0
LCT	—	—	35.1	—	—	—

ADF1to1 Duplex to Duplex (cpm)

	A3/DLT	B4	A4/LT	A4R	B5	B5R
1st Tray	—	—	17.3	—	18.4	—
2nd Tray	12.0	12.9	17.3	14.7	18.4	15.8
3rd Tray	12.1	12.9	17.3	14.7	18.4	15.7
4th Tray	12.0	12.9	17.3	14.7	18.4	15.8
LCT	—	—	17.3	—	—	—

Product Support Guide

D086 / D087

FullColor Copy

ADF1to1 Simplex to Simplex (cpm)

	A3/DLT	B4	A4/LT	A4R	B5	B5R
1st Tray	—	—	35.0	—	39.4	—
2nd Tray	19.6	22.2	35.1	26.5	39.5	29.9
3rd Tray	19.6	22.2	35.3	26.4	39.5	30.0
4th Tray	19.6	22.2	35.1	26.5	39.8	30.1
LCT	—	—	35.1	—	—	—

ADF1to1 Simplex to Duplex (cpm)

	A3/DLT	B4	A4/LT	A4R	B5	B5R
1st Tray	—	—	35.5	—	39.3	—
2nd Tray	19.0	21.9	35.2	24.8	39.3	26.1
3rd Tray	18.9	22.1	35.0	24.5	39.3	26.7
4th Tray	19.0	22.2	35.1	24.4	39.3	26.8
LCT	—	—	35.1	—	—	—

ADF1to1 Duplex to Duplex (cpm)

	A3/DLT	B4	A4/LT	A4R	B5	B5R
1st Tray	—	—	17.3	—	18.4	—
2nd Tray	12.0	13.1	17.3	14.7	18.4	15.8
3rd Tray	12.0	13.1	17.4	14.7	18.4	15.8
4th Tray	12.0	13.1	17.3	14.7	18.4	15.8
LCT	—	—	17.3	—	—	—

D086

B&W Copy

Platen Cover : Simplex (cpm)

	A3/DLT	B4	A4/LT	A4R	B5	B5R
1st Tray	-	-	30.3	-	34.9	-
2nd Tray	18.0	20.1	30.3	23.6	34.9	26.3
3rd Tray	18.0	20.1	30.3	23.6	34.9	26.3
4th Tray	18.0	20.1	30.3	23.6	34.9	26.3
LCT	-	-	30.3	-	-	-

Platen Cover : Duplex (cpm)

	A3/DLT	B4	A4/LT	A4R	B5	B5R
--	--------	----	-------	-----	----	-----

Product Support Guide

D086 / D087

1st Tray	-	-	30.3	-	34.9	-
2nd Tray	18.0	20.1	30.3	23.6	34.8	25.5
3rd Tray	18.0	20.1	30.3	23.6	34.9	25.5
4th Tray	18.0	20.1	30.3	23.6	34.9	25.5
LCT	-	-	30.3	-	-	-

FullColor Copy

Platen Cover : Simplex (cpm)

	A3/DLT	B4	A4/LT	A4R	B5	B5R
1st Tray	—	—	30.3	—	34.8	—
2nd Tray	18.0	20.1	30.3	23.6	34.8	26.3
3rd Tray	18.0	20.1	30.3	23.6	34.8	26.3
4th Tray	18.0	20.1	30.3	23.6	34.8	26.3
LCT	—	—	30.3	—	—	—

Platen Cover : Duplex (cpm)

	A3/DLT	B4	A4/LT	A4R	B5	B5R
1st Tray	—	—	30.3	—	34.8	—
2nd Tray	18.0	20.2	30.3	23.6	34.8	25.4
3rd Tray	18.0	20.1	30.3	23.6	34.8	25.4
4th Tray	18.0	20.1	30.3	23.6	34.8	25.4
LCT	—	—	30.3	—	—	—

D087

B&W Copy

Platen Cover : Simplex (cpm)

	A3/DLT	B4	A4/LT	A4R	B5	B5R
1st Tray	—	—	35.1	—	39.5	—
2nd Tray	19.6	22.2	35.1	26.4	39.5	29.9
3rd Tray	19.6	22.2	35.1	26.4	39.5	29.9
4th Tray	19.6	22.2	35.1	26.4	39.5	29.8
LCT	—	—	35.1	—	—	—

Platen Cover : Duplex (cpm)

	A3/DLT	B4	A4/LT	A4R	B5	B5R
1st Tray	—	—	35.5	—	39.7	—
2nd Tray	19.6	22.2	35.4	24.9	39.7	26.3
3rd Tray	19.6	22.2	35.5	24.9	39.7	26.4
4th Tray	19.6	22.2	35.4	24.9	39.7	26.4

Product Support Guide

D086 / D087

LCT	—	—	35.4	—	—	—
-----	---	---	------	---	---	---

FullColor Copy

Platen Cover : Simplex (cpm)

	A3/DLT	B4	A4/LT	A4R	B5	B5R
1st Tray	—	—	35.1	—	39.5	—
2nd Tray	19.6	22.2	35.1	26.5	39.6	29.9
3rd Tray	19.6	22.2	35.1	26.5	39.5	30.0
4th Tray	19.6	22.2	35.1	26.5	39.5	30.0
LCT	—	—	35.1	—	—	—

Platen Cover : Duplex (cpm)

	A3/DLT	B4	A4/LT	A4R	B5	B5R
1st Tray	—	—	35.3	—	39.5	—
2nd Tray	19.6	22.2	35.3	24.6	39.5	26.2
3rd Tray	19.6	22.2	35.3	24.6	39.6	26.2
4th Tray	19.6	22.2	35.3	24.7	39.6	26.2
LCT	—	—	35.3	—	—	—

Options

LCIT PB3110		
Paper Size		8 ½"x11" LEF (LT)/ A4 LEF
Paper Weight		60-256g/m2 *169-256 g/m2 :paper type is limited
		16-68lbs *169-256 g/m2 :paper type is limited
Paper Output Capacity		2,000 sheets (1,000 sheets x 2 with 80g/m2 paper)
Power Consumption		Less than 55W (Power is supplied from mainframe)
Dimension(WxDxH)		668×766×260mm (incl. Fall-prevention material)

Product Support Guide

D086 / D087

LCIT PB3110		
		26.3"x30.1"x10.2" (incl. Fall-prevention material)
Weight		Less than 26kg
		Less than 57lbs

LCIT RT 3010		
Paper Size		8 ½"x11" LEF (LT)/ A4 LEF/B5LEF
Paper Weight		60-216g/m2 *169-216 g/m2 :paper type is limited
		16-57.5lbs *169-216 g/m2 :paper type is limited
Paper Output Capacity		1,200 sheets (80g/m2 paper)
Power Consumption		Less than 55W (Power is supplied from mainframe)
Dimension(WxDxH)		348 x 540 x 290mm
		13.7"x21.3"x11.4"
Weight		Less than 14kg

Paper Feed Unit PB 3100		
Paper Size		A5 LEF – 11"x17"(DLT) / A3 SEF
Paper Weight		60-256g/m2 *169-256 g/m2 :paper type is limited
		16-68lbs *169-256 g/m2 :paper type is limited
Paper Output Capacity		1,100sheets(550 sheets x 2 trays with 80g/m2 paper)
Power Consumption		Less than 60W (Power is supplied from mainframe)

Product Support Guide

D086 / D087

Paper Feed Unit PB 3100		
Dimension(WxDxH)		668x766x260mm (incl. Fall-prevention material)
		26.3"x30.1"x10.2" (incl. Fall-prevention material)
Weight		Less than 26kg
		Less than 57lbs

MFP Supported Environments

OS	Type	PCL5c	PCL6	PostScript3	XPS
Windows 2000	Professional	Y	Y	Y	N
	Server	Y	Y	Y	N
	Advanced Server	Y	Y	Y	N
	Detacener Server	N	N	N	N
Windows XP	Professional	Y	Y	Y	N
	Home Edition	Y	Y	Y	N
Windows Vista	Starter	N	N	N	N
	Home Basic	Y	Y	Y	Y
	Home Premium	Y	Y	Y	Y
	Business	Y	Y	Y	Y
	Ultimate	Y	Y	Y	Y
	Enterprise	Y	Y	Y	Y
Windows 7	Starter	N	N	N	N
	Home Basic	N	N	N	N
	Home Premium	Y	Y	Y	Y
	Professional	Y	Y	Y	Y
	Ultimate	Y	Y	Y	Y
	Enterprise	Y	Y	Y	Y
Windows Server 2003	Standard Edition	Y	Y	Y	N
	Enterprise Edition	Y	Y	Y	N
	Datacenter Edition	N	N	N	N
	Web Edition	N	N	N	N
Windows Server 2008	Standard Edition	Y	Y	Y	Y
	Enterprise Edition	Y	Y	Y	Y
	Datacenter Edition	N	N	N	N
	Web Edition	N	N	N	N

Product Support Guide

D086 / D087

OS	Type	PCL5c	PCL6	PostScript3	XPS
Windows Server 2008R2	Standard Edition	Y	Y	Y	Y
	Enterprise Edition	Y	Y	Y	Y
	Datacenter Edition	N	N	N	N
	Web Edition	N	N	N	N
*RPCS driver has been discontinued.					

Point & Print				
Windows OS		Drivers		
Server	Client(Push to)	PCL5c/6	PS	XPS
Windows Server 2003	7	Y	Y	N
	Vista	Y	Y	N
	XP	Y	Y	N
	W2K Pro	Y	Y	N
Windows Server 2008	7	Y	Y	Y
	Vista	Y	Y	Y
	XP	Y	Y	N
	W2K Pro	Y	Y	N
Windows Server 2008R2	7	Y	Y	Y
	Vista	Y	Y	Y
	XP	Y	Y	N
	W2K Pro	Y	Y	N
Windows 2000 Professional Server & Advanced Server	7	Y	Y	N
	Vista	Y	Y	N
	XP	Y	Y	N
Windows XP Professional	7	Y	Y	N
	Vista	Y	Y	N
	XP	Y	Y	N
	W2K Pro	Y	Y	N
Windows Vista	7	Y	Y	Y
	Vista	Y	Y	Y
	XP	Y	Y	N
	W2K Pro	Y	Y	N
*RPCS driver has been discontinued.				

Product Support Guide

D086 / D087

Terminal Service and Citrix MetaFrame		
Server	Driver	
	PCL5c/6	PS
Win Server 2008R2	Y	Y
Win Server 2008	Y	Y
Win Server 2003	Y	Y
Win 2000 Server	Y	Y
Win Server 2003 + MetaFrame	Y	Y
Win 2000 Server + MetaFrame	Y	Y
Win Server 2003 + Citrix PresentationServer4.0	Y	Y
Win 2000 Server + Citrix PresentationServer4.0	Y	Y
Win Server 2003 + Citrix PresentationServer4.5	Y	Y
Win Server 2008 + XenApp5.0	Y	Y

Product Support Guide

D086 / D087

*RPCS driver has been discontinued.

*XPS driver is not supported in the environment of terminal service and Citrix MetaFrame.

*Even "Yes" is put in the cell, there is a case driver is not supported under the combination of FR and Service Pack

*Following combinations of operating system and Citrix MetaFrame are supported.

Windows 2000 Server /Advanced Server

1. Windows Terminal Service (RDP protocol)
2. MetaFrame XP 1.0 SP1/SP2/SP3/SP4 /FR1/FR2/FR3 (ICA protocol)
3. MetaFrame PresentationServer3.0
4. Citrix PresentationServer4.0

Windows 2003 Server

1. Windows Terminal Service (RDP protocol)
2. MetaFrame XP 1.0 SP4 /FR3 (ICA protocol)
3. MetaFrame PresentationServer3.0
4. Citrix PresentationServer4.0
5. Citrix PresentationServer4.5

Windows 2008 Server

1. Windows Terminal Service (RDP protocol)
2. Citrix XenApp5.0

Mac OS Environment		
	PostScript3	Printer Utility for Mac
Mac OS 8.6 or later, Mac OS X classic	N	N
Mac OS X Native: v.10.2 or later ^{*1}	Y	Y ^{*2}
*1: Mac OS X v10.0.x and v.10.1.x are not supported.		
*2: Mac OS X v10.2.0 is not supported.		
UNIX Environment		
Supported platforms for Unix filter		
UNIX Platforms	Version	
Sun Solaris	2.6/7/8/9/10	
HP-UX	10.x/11.x/11i v2/11i v3	
Red Hat Linux	6.x/7.x/8.x/9.x/Enterprise	
SCO OpenServer	5.0.6/5.0.7/6.0	
IBM AIX	V4.3 & 5L Version 5.1/5.2/5.3	

Product Support Guide

D086 / D087

Novell Netware		
Netware Server	Supported Version	Netware 6.5
	Client OS	Windows 2000/XP professional/Vista/2008/7

SAP R/3 Environment (Device Type / Barcode & OCR Package)

Device Type will be provided from SAP itself in SAP Printer Vendor Program.

For the detailed specification, please refer to another announcement to be issued in the future.

Supported Barcode & OCR Fonts	Barcode Fonts	Code 128, Code 39, Code 93, Codabar, 2 of 5 interleaved/Industrial/Matrix, MSI, USPS, UPC/EAN
	OCR Fonts	OCR A, OCR B

Printer Driver Features					
RPCS Features	PCL5c/ 6	PostScript3			XPS
		Windows	Mac OS X		
		2000/XP/Vista/7	v.10.2 or later		
Send to job Binding	N	N	N	N	
Send to Document Server	Y	Y	Y	Y	
Sample Print	Y	Y	Y	Y	
Locked Print	Y	Y	Y	Y	
Hold Print	Y	Y	Y	Y	
Stored Print	Y	Y	Y	Y	
Stored Print(Shared)	Y	N	N	N	
Store and Print	Y	Y	Y	Y	
Store and Print(Shared)	Y	N	N	N	
Reduce/Enlarge(Zoom/Scaling)	Y*1	Y	Y	Y	
Reduce/Enlarge Centering	N	N	N	N	
Fit to Paper Size	Y	Y	Y	N	
Unauthorized Copy Control	N	N	N	N	
Layout(N-up, Page per sheet)	Y	Y	Y	Y	
Poster	N	N	N	N	
Duplex	Y	Y	Y	Y	
Booklet1	N	N	N	N	
Booklet2(Magazine)	Y	Y	N	Y	
Non-Reduction Booklet	Y	N	N	N	
Watermark	Y	Y	Y	N	
Overlay	N	N	N	N	

Product Support Guide

D086 / D087

Header/Footer	N	N	N	N
Adjust Image Position	N	N	N	N
Binding Margins	N	N	N	N
Collate	Y	Y	Y	Y
Punch	Y	Y	Y	Y
Staple	Y	Y	Y	Y
Cover Sheet(Front Cover)	Y	N	N	N
Front and Back Cover	Y	N	N	N
Slip Sheet	Y	N	N	Y
Chaptering	Y	N	N	N
Rotate by 180 degrees	Y	Y	Y	Y
Reverse Order Print	N	Y	Y	Y
Do not print Blank Pages	Y*2	N	N	N
Dithering	Y	Y	Y	N
Toner Saving	N	Y	Y	Y*3
Black Over Print	Y	Y	Y	N
CLP Color Simulation	Y	Y	Y	N
Print Priority Setting :Quality	N	N	N	N
Print Priority Setting :Speed	N	N	N	N
Print Priority Setting :High Speed	N	N	N	N
User ID	Y	Y	Y	Y
User Code	Y	Y	Y	Y
User Authentication	Y	N	N	N
Encryption/Encoding	Y	N	N	N
Mirror image Print	N	Y	N	N
Negative Image Print	N	N	N	N
Edge to Edge Print	Y	Y	Y	N
Limitation Seting	Y	N	N	N
Classification Code	Y	N	N	N

Utility Software

Software	Description
For GW Controller Font Manager	This software enables you to use screen fonts.
Smart Device Monitor for Admin	This software enables you to manage and monitor printers and other devices over the network.
DeskTopBinder – SmartDeviceMonitor for Client	This software enables you to access networked printers to print, monitor or to receive notifications. With DeskTopBinder Lite you can connect client computers to I/O devices enabling you to efficiently manage data.
Device Graphic Update Module	Device Graphic Update Module provides bitmap images used to represent the various statuses of devices graphically within Smart Device Monitor or Web Smart Device Monitor. Available on website.
Printer Utility for Mac	This is a utility for Macintosh that provides access to several network printing administrative features.
PS Descriptions	PPD for Mac By interacting with the Adobe PostScript 3 controller in

Product Support Guide

D086 / D087

Software	Description
	the device, this PPD is able to produce an accurate representation of the screen image.
Mac OS X PPD Installer	This PPD installer is used to install a PPD (Postscript Printer Description) file on Mac OSX. PPD files contain descriptions of printer capabilities such as paper sizes, number of input trays and duplexing. Once the PPD file is installed on the system using the PPD installer, the PS driver that comes bundled with Mac OS X can use the information in the PPD to control the print device and enable full functionality. It supports the Mac OS X 10.1 or later. Please see the Readme file for information about compatibility with versions of Mac OS X.
LAN FAX Driver M10	This software enables you to fax documents directly from your computer. The Address Book Editor and Cover Sheet Editor are installed as well. This software requires the optional fax unit to be installed on the machine. M10 Driver
PCL 6 Driver	Printer driver for B/W printing in Windows. It supports HP PCL XL commands and is optimized for the Windows GDI. High performance printing can be expected.
PCL 5e Driver	Printer driver for printing in Windows. It supports HP PCL 5e commands.
DDST Print Driver PCL5e	Printer driver for Windows: The user-friendly DDST driver rasterizes print-data on the Windows host that is submitting the job. Data is submitted to the printer as PCL. This driver is only intended for use with DDST products that support PCL printing. Note: As this is a mini-driver, less functions are available than the PCL6 driver for DDST. This is downloaded from the web only
DDST Print Driver PCL6	Printer driver for Windows: The user-friendly DDST driver rasterizes print-data on the Windows host that is submitting the job. Data is submitted to the printer as PCL. This driver is only intended for use with DDST products that support PCL printing.
DDST TWAIN Driver	TWAIN scanner driver for network connections or USB.
Post Script Driver	By interacting with the Adobe PostScript 3 controller in the device, this driver is able to produce an accurate representation of the screen image.
GW Controller Network TWAIN Driver	TWAIN scanner driver for network connections with new features Combine/Series, compatible with SNMP V3 and Network Connection Tool.

Other MFP Support Information

Not Applicable

Counters

- User Tools / Counter → Counter → OK → Print → Start
- User Tools / Counter → Arrow Down → System Settings → OK → Arrow up until Administrator Tools → OK → Arrow up until Display / Print Counter → OK → Print → Start
- Maximum 8 digits

Product Support Guide

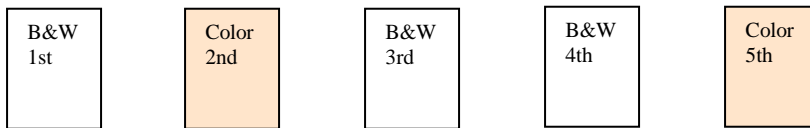
D086 / D087

Auto Color Selection (ACS)

The following is the same as the ACS mechanism on the previous model.

In B&W mode, B&W pages printed after a color page is counted as black and white. In ACS mode, these pages are counted as color mixed pages.

By default, once the ITB (image transfer belt) unit has moved into contact with all the color drums to print a color page, it remains in this position throughout the end of the job, even if there are B&W pages following the color page. (See Note 2 below). For example, when sending 10 copies of 5 originals as one job and only the second page contains color data, the ITB unit moves into contact with all the color drums just before printing the second page. It then remains in contact with the drums until all 50 pages have been printed out.



In this example, the counters would then increment as shown in the table below.

SP Number	Counter	Counter Value
SP8-581-004	D: Color	6
SP8-581-005	D: B&W	5
SP8-581-006	C: Color	2
SP8-581-007	C: B&W	3

D: Developments (Color = CMY drums, B&W = Bk drum)

C: Copies

The counters count up in the manner explained above, in order to accurately reflect the number of color and B&W outputs made. This means that when printing B&W pages after a color page has been printed, the color counters do not count up (even when the color drums and development units rotate). So the usage of the various drums is not reflected accurately.

On this model, there is an SP mode (Sp2-907-001: ACS Setting) which makes it possible to move the ITB back to the default position, separated from the four drums, in the middle of a job. The default is 0, which produces the same result as with previous products which use ACS, i.e. once the ITB contacts the four drums to print a color page, it does not separate from the drums until job end. All other values of this SP set the number of Bk sheets that need to pass the ITB consecutively for the ITB to return to default position. For example, with a setting of 3, the ITB will separate from the drums after three consecutive Bk sheets are printed (at that time, in the middle of the job). Changing the position of the ITB takes a few seconds and increases the wear on the drums.

Product Support Guide

D086 / D087

Paper

Recommended Throughput Material

TBA

Product Support Guide

D086 / D087

Non Recommended Throughput Material

Refer to pages in the Operators Instructions Hardware Guide.

Do not use any of the following kinds of paper or a fault might occur:

- Aluminum Foil, Carbon paper,
- Conductive paper
- Paper meant for an inkjet printer
- Bent, folded, or creased paper
- Torn paper
- Thermal fax paper
- Art paper
- Paper with perforated lines
- Hemmed-edge paper
- Tab stock
- Slippery paper
- Perforated paper
- Rough paper
- Thin paper with little stiffness
- Paper with a dusty surface

Special Paper

Not Applicable

Product Support Guide

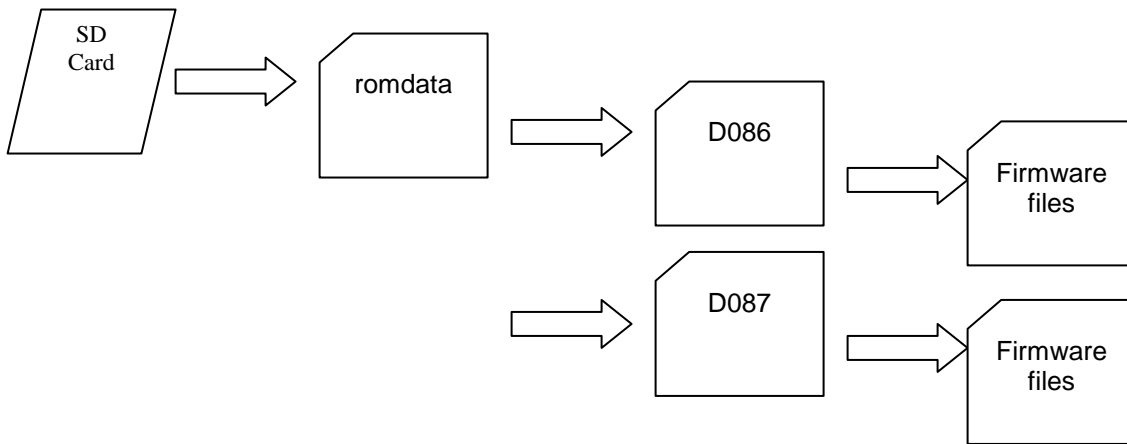
D086 / D087

Firmware Information

Firmware

Firmware SD Card	Firmware Type
ARDF(DF3050)	ARDF(DF3050)
browser	Browser option Type E
Data Erase Std	Data Erase Std
Engine	Engine
Finisher(SR3050)	500 sheet Finisher (SR3050)
Language Install	Language
MediaPrint	MediaPrint
Network DocBox	NetDocBox
Network Support	Network Support
OpePanel.EXP	LCDC
PCL	PCL
Printer	Printer
RPCS	RPCS
Scanner	Scanner
System/Copy	System/Copy

SD Card Arrangement



NOTE: Base machine, DDST and PCL for DDST require a IC card. When the GW controller is installed an SD card is require. For more information on the romdata folder structure refer to D359 printer/scanner option firmware update procedure.

Product Support Guide

D086 / D087

Contact Information

Name	Contact
Technical Services Call Center (Hotline)	Ricoh: (800) 537-4264 Savin/Gestetner: (800) 291-6044 Lanier: (800) 333-3147
Application Help Desk (Software Issues)	Ricoh Phone Card: 2 Call - 000781MIU, 5 Call - 000900MIU Savin Phone Card: 2 Call - 12992, 5 Call - 12993 Gestetner Phone Card: 2 Call - 12994, 5 Call - 12995
National Reclamation Center	(800) 557-4264 http://www.nrc-usa.com
Technology Solutions Center Web Site	http://www.tscweb.net
Configurator	http://www.connectivity-cafe.com
Ricoh Web Site	http://www.ricoh-usa.com/
Savin iLINC Web Site	http://www.savin.com
Headquarter Web Sites	Ricoh Corporation: http://www.ricoh-usa.com Savin Corporation: http://www.savin.com Gestetner Corporation: http://www.gestetnerusa.com/ Lanier Corporation: http://www.lanier.com
Material Safety Data Sheets	(800) 336-MSDS (6737)
Ricoh University	973.882.2200. http://www.ricohuniversity.com

Product Support Guide

D086 / D087

Training Information

Documentation

Description	EDP Code	RFG E-Source Number
D086/D088 Series Self-Paced Training Package	006188MIU	TBD
D086/D087 Service Manual	006185MIU	TBD
D086/D087 Parts Catalog	006186MIU	TBD
D086/D087 Point-to-Point	006187MIU	TBD

Please refer to the <http://www.ricohuniversity.com/> web site for the most up to date training information.

MFP Update Certified Service Personnel

Product Support Guide

D086 / D087

Revisions

1.0 Original

- 1.1 Developer Part number
- 1.2 Removed D025 series From Black Toner compatibility
- 1.3 Added Table for Accessories Serial Number Cut in. Copy Data Security Option removed as option.