



RICOH UNIVERSITY

Learning ♦ Knowledge ♦ Performance



M022/M024/M026/M028
PARTS CATALOG

006179MIU

LANIER RICOH SAVIN

WWW.SERVICE-MANUAL.NET



**M022/M024/M026/M028
PARTS CATALOG**

**LANIER
RICOH
SAVIN®**



RICOH UNIVERSITY

Learning ♦ Knowledge ♦ Performance

M022/M024/M026/M028 PARTS CATALOG

006179MIU

LANIER RICOH SAVIN®

WWW.SERVICE-MANUAL.NET

It is the reader's responsibility when discussing the information contained within this document to maintain a level of confidentiality that is in the best interest of Ricoh Americas Corporation and its member companies.

**NO PART OF THIS DOCUMENT MAY BE REPRODUCED IN ANY
FASHION AND DISTRIBUTED WITHOUT THE PRIOR
PERMISSION OF RICOH AMERICAS CORPORATION.**

All product names, domain names or product illustrations, including desktop images, used in this document are trademarks, registered trademarks or the property of their respective companies.

They are used throughout this book in an informational or editorial fashion only and for the benefit of such companies. No such use, or the use of any trade name, or web site is intended to convey endorsement or other affiliation with Ricoh products.

© 2011 RICOH Americas Corporation. All rights reserved.

WWW.SERVICE-MANUAL.NET

LEGEND

PRODUCT CODE	COMPANY			
	GESTETNER	LANIER	RICOH	SAVIN
M022	MP C300	LD130C	Aficio MP C300	C230
M024	MP C300SR	LD130CSR	Aficio MP C300SR	C230SR
M025	MP C400	LD140C	Aficio MP C400	C240
M026	MP C400SR	LD140CSR	Aficio MP C400SR	C240SR

DOCUMENTATION HISTORY

REV. NO.	DATE	COMMENTS
*	01/2011	Original Printing

Digital Color Copiers
(M022/M026-NA)
Parts Catalog

WWW.SERVICE-MANUAL.NET

Model	Product Code	PC Style
Ricoh Aficio MP C300/Ricoh Aficio MP C300SR/ Ricoh Aficio MP C400/Ricoh Aficio MP C400SR	M022/M024/M026/M028	3D
Paper Feed Unit PB1000	M367	3D
Paper Feed Unit PB1010	M368	3D
1 Bin Tray BN1000	M370	3D
Side Tray Type C400	M369	3D
Fax Option Type C400		Traditional
IEEE 802.11a/g Interface Unit Type J	D377	Traditional
Gigabit Ethernet Type B	D377	Traditional

Digital Color Copiers
(M022/M026-NA)
Parts Catalog

WWW.SERVICE-MANUAL.NET

Parts change information sample

 **Add**

 **Update**

 **Delete**

Model	Product Code	PC Style
Ricoh Aficio MP C300/Ricoh Aficio MP C300SR/ Ricoh Aficio MP C400/Ricoh Aficio MP C400SR	M022/M024/M026/M028	3D
Paper Feed Unit PB1000	M367	3D
Paper Feed Unit PB1010	M368	3D
1 Bin Tray BN1000	M370	3D
Side Tray Type C400	M369	3D
Fax Option Type C400		Traditional
IEEE 802.11a/g Interface Unit Type J	D377	Traditional
Gigabit Ethernet Type B	D377	Traditional

Unit All



U001
EXTERIOR



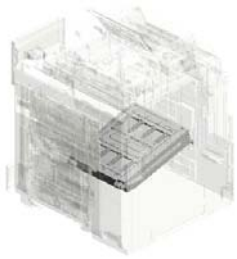
U002
OPERATION



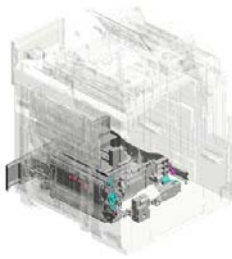
U003
ADF



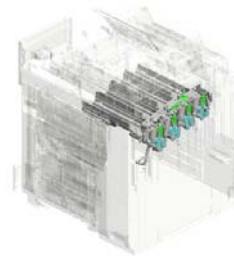
U004
SCANNER



U005
LASER UNIT



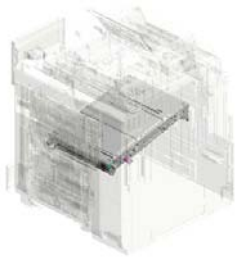
U006
PAPER FEED



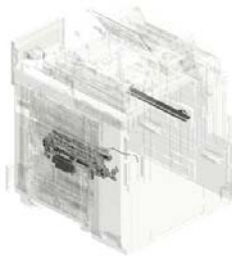
U007
TONER SUPPLY



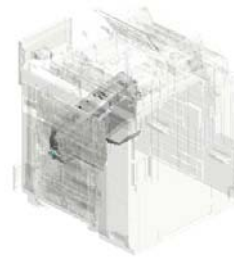
U008
PCU



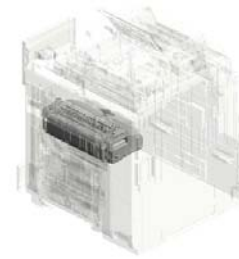
U009
ITB CLEANING



U010
IMAGE TRANSFER



U011
USED TONER



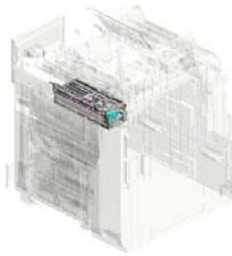
U012
FUSING

WWW.SERVICE-MANUAL.NET

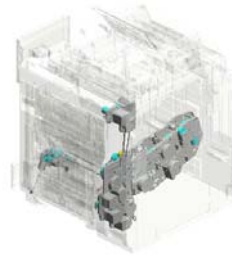
Unit All



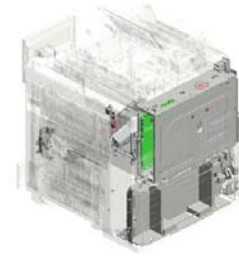
U013
DUPLEX



U014
PAPER EXIT



U015
MAIN DRIVE



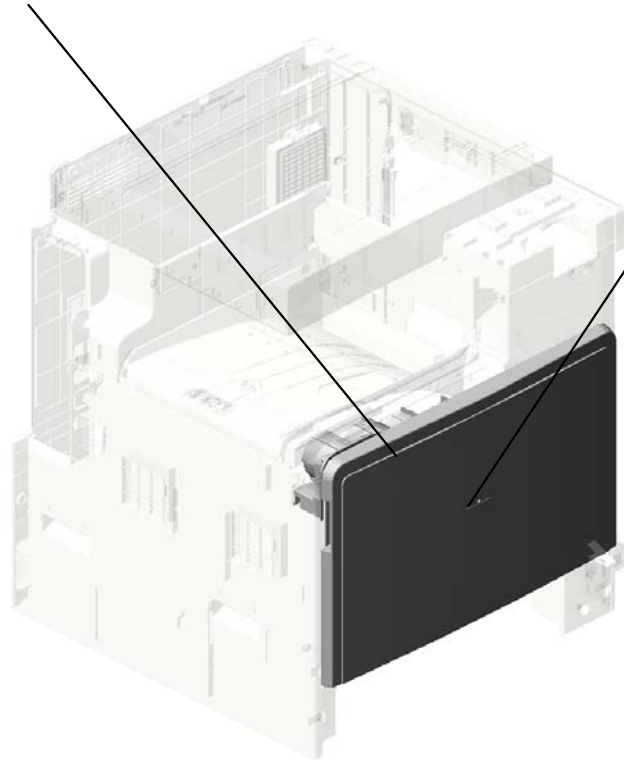
U016
ELECTRICAL



U017
MAIN FRAME

U001.EXTERIOR

U001_S002
M0261285
INNER COVER:TONER BOTT
LE

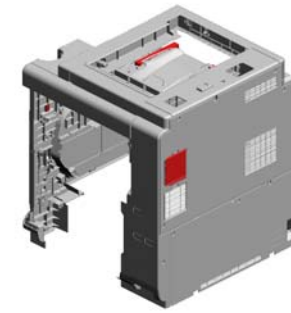


U001_S001
M0261250
COVER:FRONT:ASS'Y

WWW.SERVICE-MANUAL.NET

U001	U002	U003	U004	U005	U006	U007	U008	U009	U010	U011	U012	U013	U014	U015	U016	U017
------	------	------	------	------	------	------	------	------	------	------	------	------	------	------	------	------

U001 EXTERIOR



3.AA010122
(x2)
FILTER:REAR

15.M0261257
COVER:UPPER:EXI
T

19.M0261262
COVER:RIGHT:UP
PER

20.M0261263
BRACKET:COVER:
RIGHT:UPPER

1.03603006N
(x5)
SCREW - M3X6

4.AA143584
(x8)
STEPPED SCREW:
M3X2

14.M0261256
COVER:UPPER:IN
NER BACK

13.M0261255
COVER:UPPER:IN
NER BACK:SMALL

22.M0261265
(x3)
CAP:TOTAL COUN
TER

18.M0261260
COVER:RIGHT:RE
AR

2.AA010121
(x2)
FILTER:IMAGE FO
RMING MD

12.M0261254
BRACKET:HINGE:L
EFT

7.D0391253
BAND:COVER:FRO
NT

11.M0261252
BRACKET:HINGE:R
IGHT

21.M0261264
COVER:RIGHT FR
ONT:LOWER

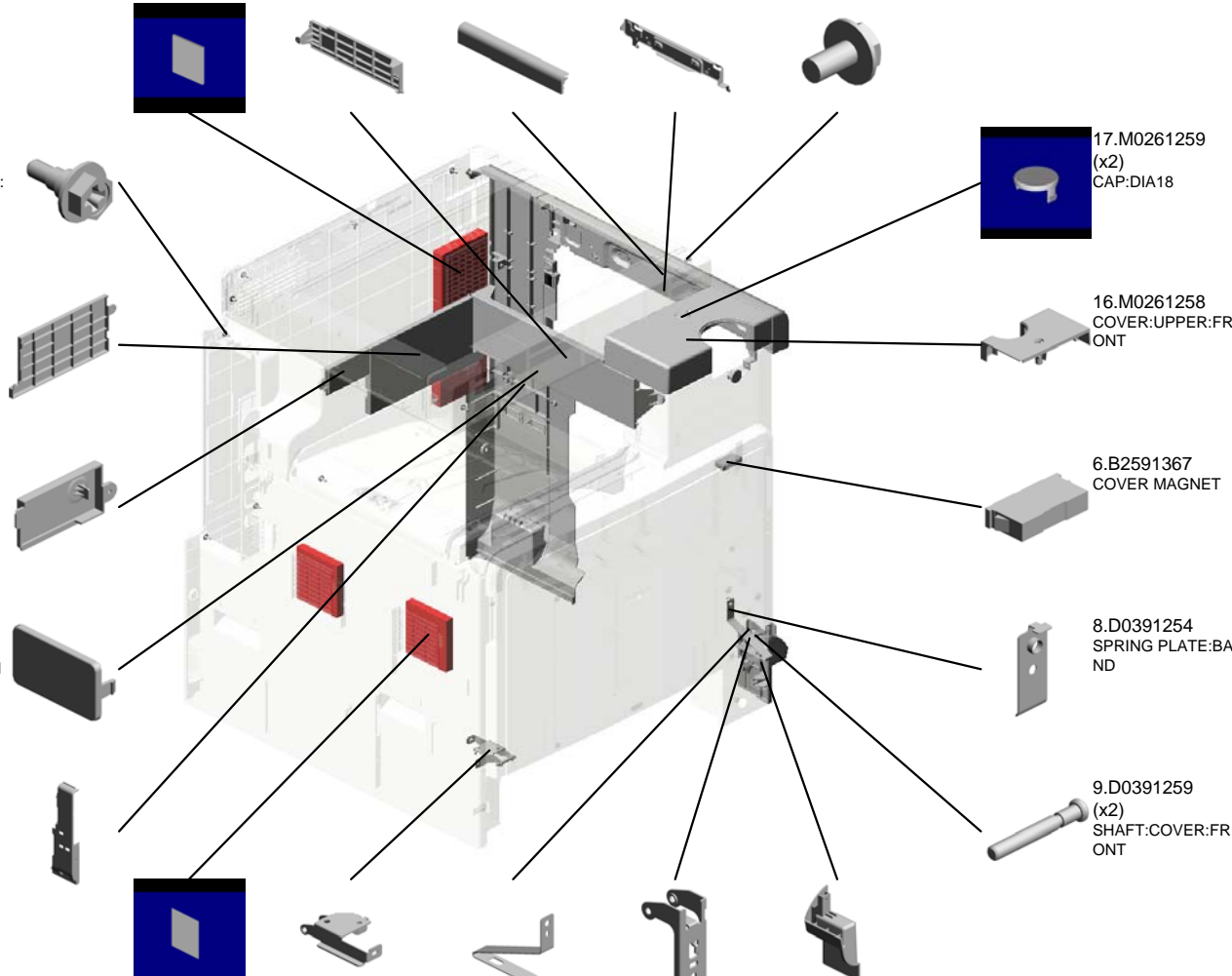
17.M0261259
(x2)
CAP:DIA18

16.M0261258
COVER:UPPER:FR
ONT

6.B2591367
COVER MAGNET

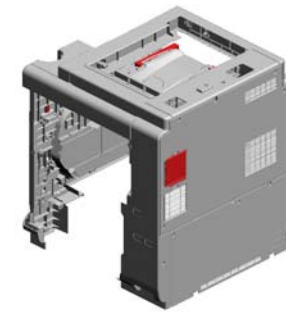
8.D0391254
SPRING PLATE:BA
ND

9.D0391259
(x2)
SHAFT:COVER:FR
ONT



WWW.SERVICE-MANUAL.NET

U001 EXTERIOR



- 42.M0261298 COVER:SCANNER: LEFT
- 32.M0261280 COVER:REAR:UPPER
- 40.M0261296 COVER:SCANNER: REAR
- 34.M0261282 (x2) CAP:LOUVER:MM80
- 41.M0261297 COVER:SCANNER: RIGHT

28.M0261275
COVER:LEFT:RACK

27.M0261274
COVER:LEFT:UPPER

33.M0261281
COVER:REAR:LOWER

29.M0261276
(x2)
CAP:LOUVER:LEFT

26.M0261272
(x2)
GRIP:UPPER

25.M0261271
COVER:LEFT

30.M0261278
COVER:UPPER

38.M0261290
INNER COVER:LEFT UPPER

39.M0261291
INNER COVER:LEFT LOWER

31.M0261279
COVER:UPPER: AUXILIARY

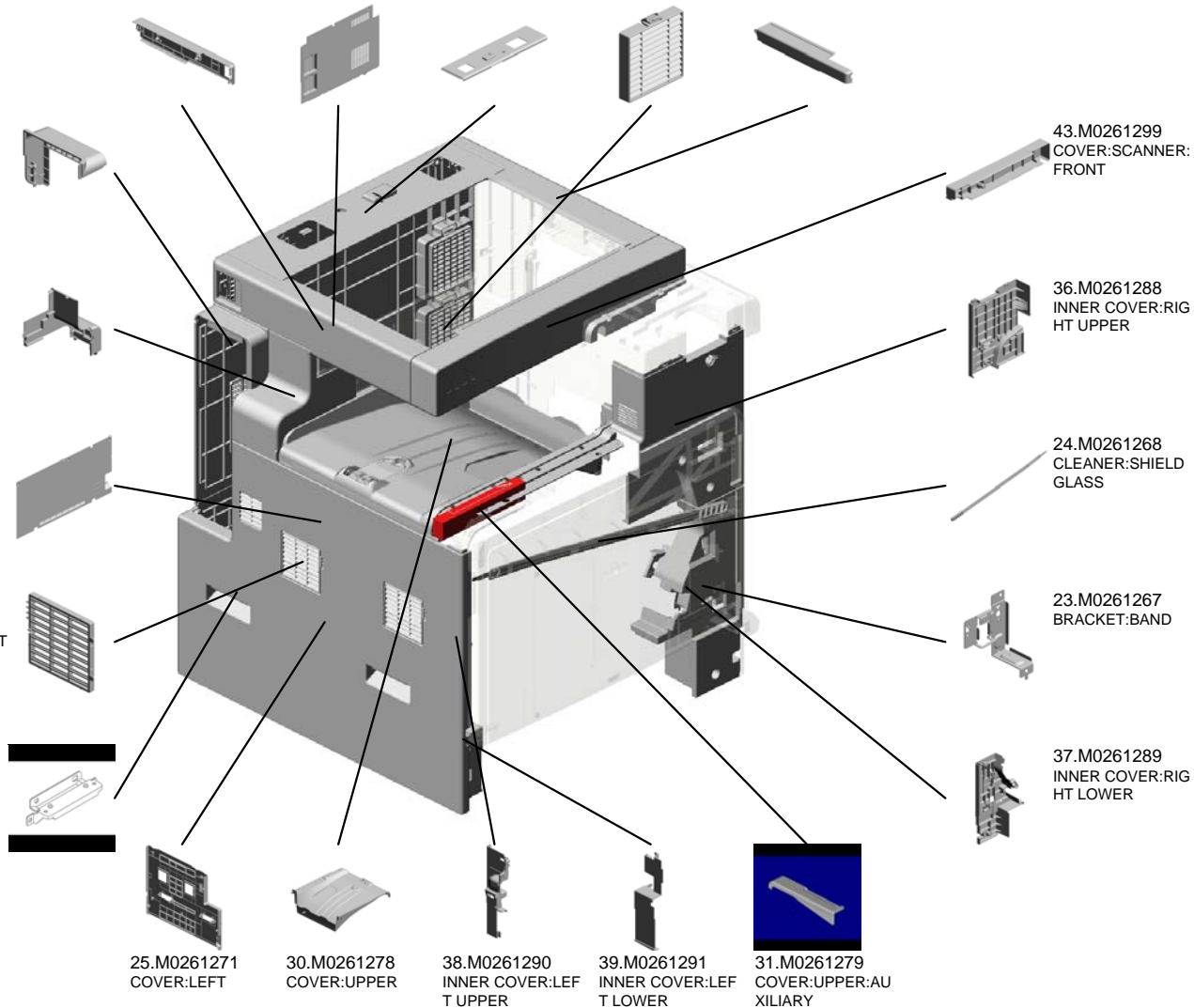
43.M0261299
COVER:SCANNER: FRONT

36.M0261288
INNER COVER:RIGHT UPPER

24.M0261268
CLEANER:SHIELD GLASS

23.M0261267
BRACKET:BAND

37.M0261289
INNER COVER:RIGHT LOWER



U001 EXTERIOR

44.M0264476
STOPPER:END FE
NCE:EXIT

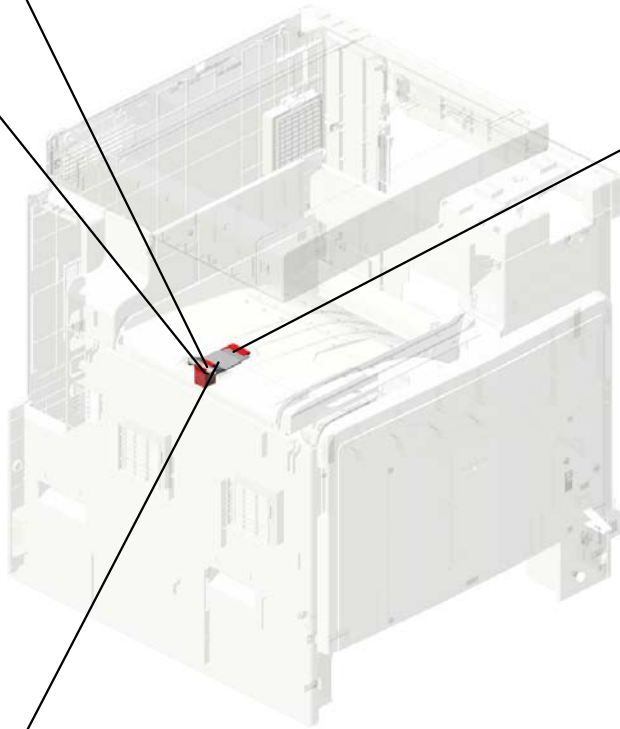
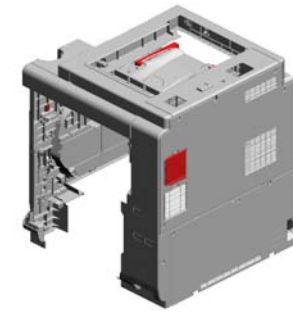


46.M0264478
COMPRESSION SP
RING:END FENCE:
EXIT



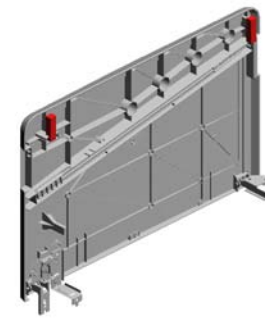
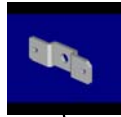
47.M0264498
DECAL:END FENC
E:EXIT

45.M0264477
END FENCE:EXIT



U001_S001
COVER:FRONT:ASS'Y

5.B0241264
(x2)
MAGNET CATCH



10.M0261250
COVER:FRONT:AS
SY

U001_S002
INNER COVER:TONER BOTTLE

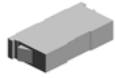
6.B2591367
COVER MAGNET

49.M0266881
DECAL:COLORED
DISPLAY:INNER C
OVER:M



35.M0261285
INNER COVER:TO
NER BOTTLE

50.M0266882
DECAL:COLORED
DISPLAY:INNER C
OVER:Y



51.M0266883
DECAL:COLORED
DISPLAY:INNER C
OVER:BK

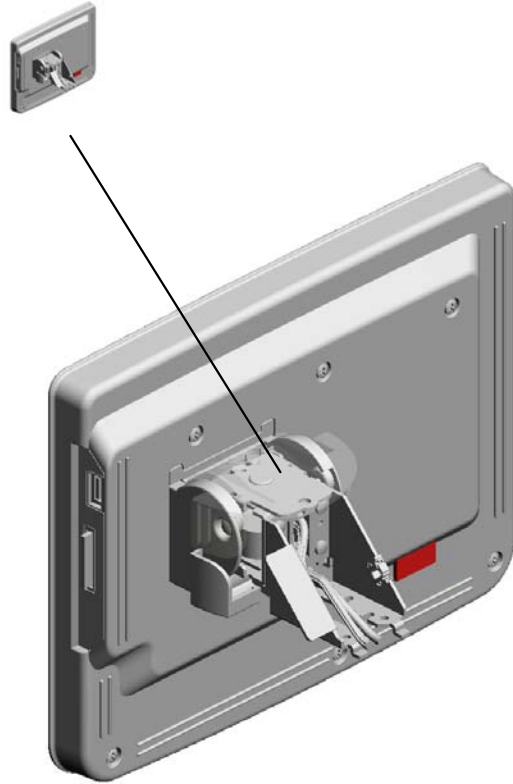


48.M0266880
DECAL:COLORED
DISPLAY:INNER C
OVER:C



U002.OPERATION

U002_S001
M0261440
OPERATION PANEL:NA:ASS'
Y

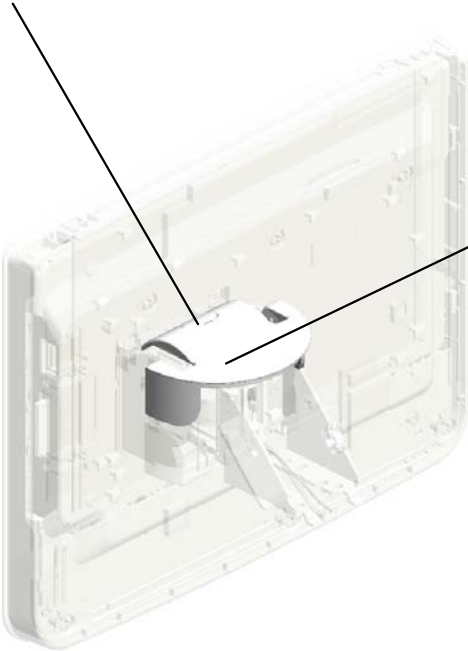


WWW.SERVICE-MANUAL.NET

U001	U002	U003	U004	U005	U006	U007	U008	U009	U010	U011	U012	U013	U014	U015	U016	U017
------	-------------	------	------	------	------	------	------	------	------	------	------	------	------	------	------	------

U002 OPERATION

20.M0261523
CAP:COVER:HING
E:UPPER



17.M0261518
COVER:HINGE:UP
PER

U002_S001
OPERATION PANEL:NA:ASS'Y

12.M0261495 PCB:LDC:NA:FT
15.M0261516 COVER:HINGE:LEF
T
13.M0261498 LCD:TFT:W-VGA:M
V
5.D0291484 TOUCH PANEL:WV
GA:FU-ACF
1.03530040N (x29)
SCREW - M3X4



6.M0261440
OPERATION PANE
L:NA:ASS'Y

3.B2381534
(x2)
LCD SPACER A

21.M0261524
COVER:HINGE:CL
AMP

14.M0261515
HINGE:ASS'Y

7.M0261452
PCB:KEY:SUB:ASS'
Y

16.M0261517
COVER:HINGE:RIG
HT

11.M0261484
CABLE:FFC:KEY:S
UB

22.M0261532
KEYTOP:START

23.M0261533
KEYTOP:CLEAR/S
TOP

18.M0261519
COVER:HINGE:LO
WER

8.M0261458
PCB:KEY:MAIN:AS
S'Y

10.M0261483
CABLE:FFC:KEY:M
AIN

19.M0261520
COVER:HINGE:MID
DLE

9.M0261482
CABLE:FFC:LCD

4.B2381535
(x2)
LCD SPACER B

2.11050692
CLAMP:LES-0503

WWW.SERVICE-MANUAL.NET

U001	U002	U003	U004	U005	U006	U007	U008	U009	U010	U011	U012	U013	U014	U015	U016	U017
------	-------------	------	------	------	------	------	------	------	------	------	------	------	------	------	------	------

U002_S001
OPERATION PANEL:NA:ASS'Y

29.M0261547
COVER:REAR

31.M0261555
SHEET:LCDC

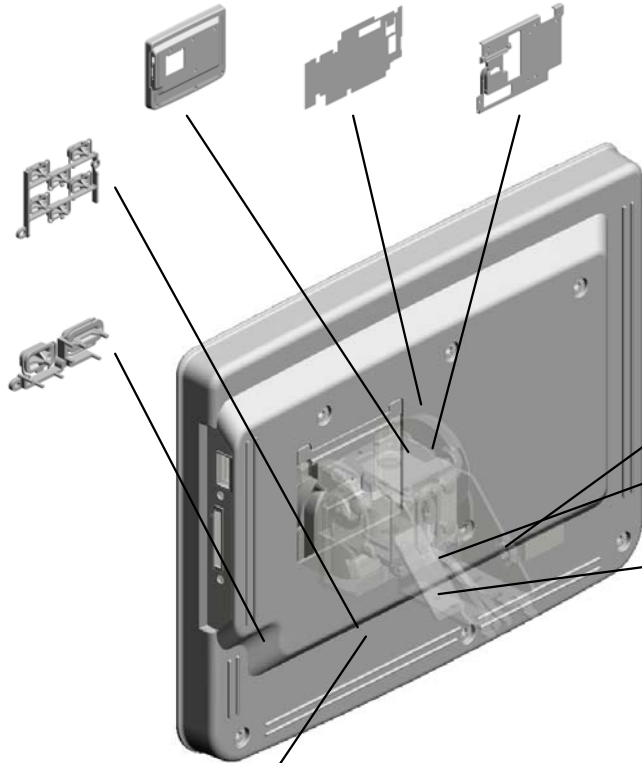
30.M0261548
COVER:INNER



6.M0261440
OPERATION PANE
L:NA:ASS'Y

25.M0261536
KEYTOP:10KEY:1:
NA

24.M0261534
KEYTOP:RESET S
WITCH



27.M0261541
KEYTOP:APPLICAT
ION:NA

32.M0261556
KEYTOP:BLANK

28.M0261545
KEYTOP:OTHER:N
A

26.M0261538
KEYTOP:10KEY:2:
NA

WWW.SERVICE-MANUAL.NET

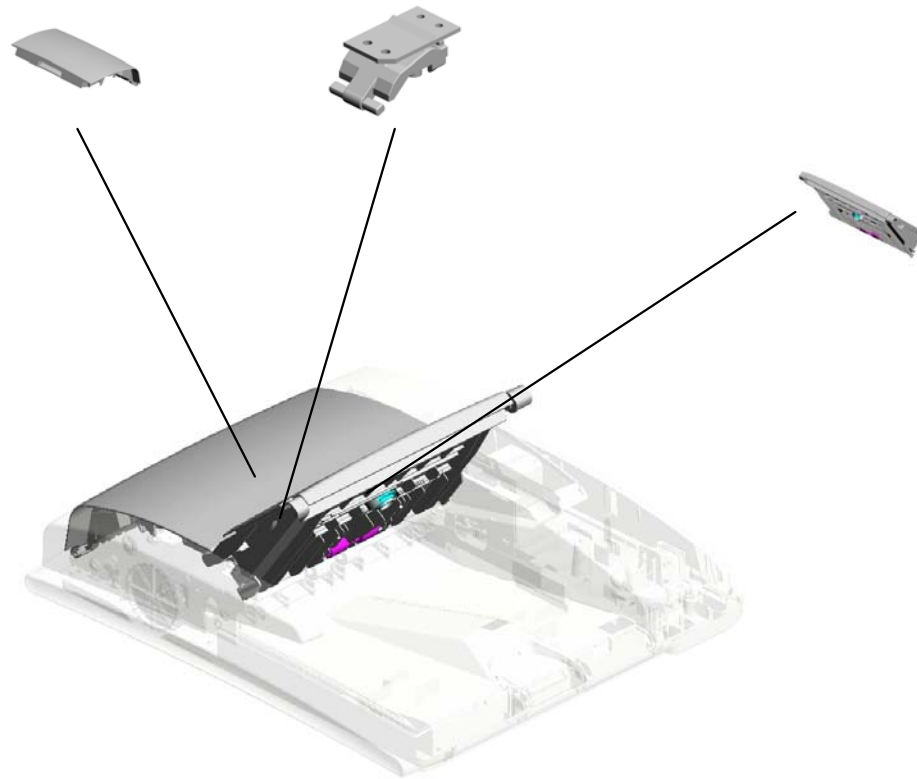
U001	U002	U003	U004	U005	U006	U007	U008	U009	U010	U011	U012	U013	U014	U015	U016	U017
------	-------------	------	------	------	------	------	------	------	------	------	------	------	------	------	------	------

U003.ADF

U003_S002
M3644610
COVER:PAPER FEED:ASS'Y

U003_S001
M3642216
HOLDER:FRICTION PAD:ASS
'Y

U003_S003
M3644720
ORIGINAL TABLE:ASS'Y



WWW.SERVICE-MANUAL.NET

U001	U002	U003	U004	U005	U006	U007	U008	U009	U010	U011	U012	U013	U014	U015	U016	U017
------	------	------	------	------	------	------	------	------	------	------	------	------	------	------	------	------

U003 ADF

5.06320100G
PIN - 2X10MM

22.AA143788
(x2)
PIN:GUIDE PLATE:
PAPER FEED

10.08050089
(x9)
RETAINING RING -
M4

13.11050692
CLAMP:LES-0503

12.11050511
HARNESS CLAMP -
LWS-0306ZC



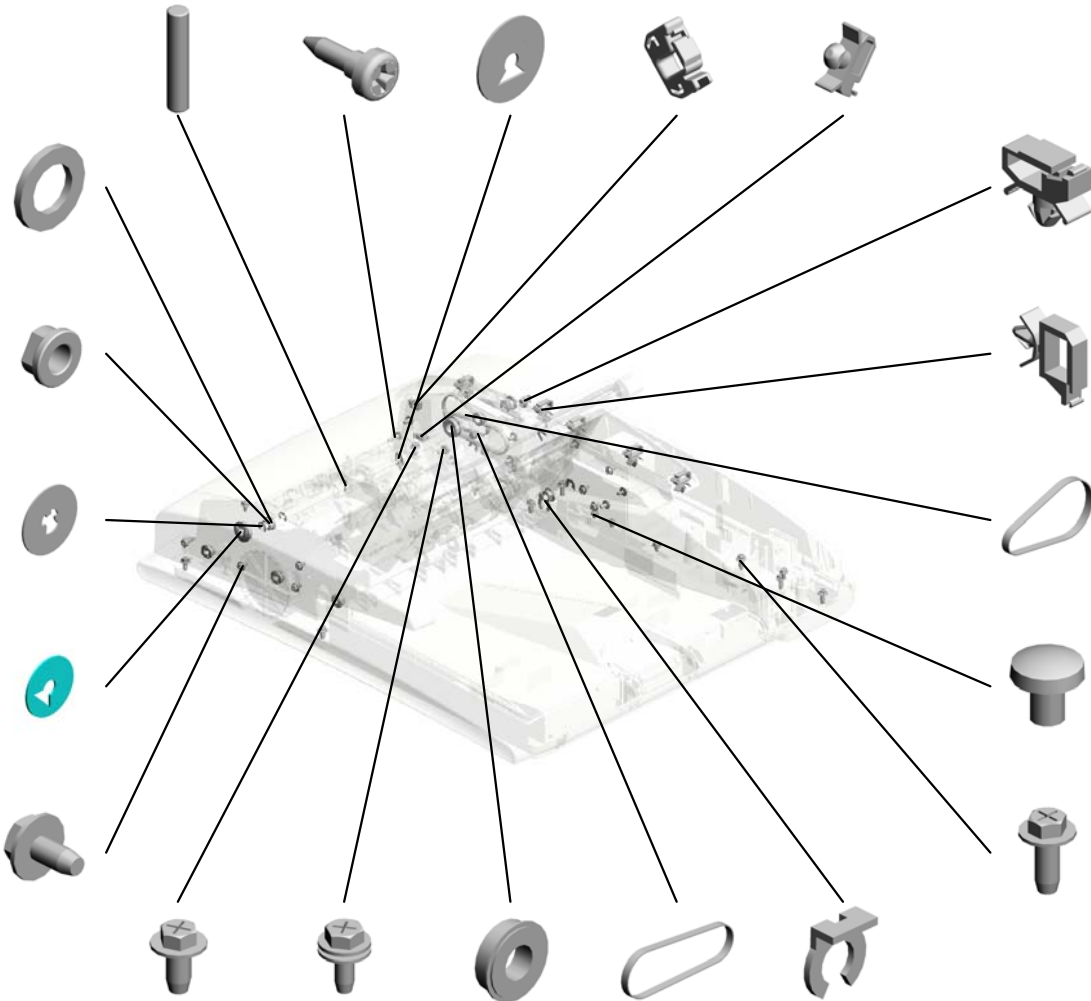
20.AA132208
SPACER - M6

19.AA082101
(x7)
BUSHING - 6X10X6

6.07200040E
(x2)
RETAINING RING -
M4

9.08050088
RETAINING RING -
M6

4.04513006N
(x23)
TAPPING SCREW -
3X6



14.11050717
CLAMP:JDW-1S

11.11050487
(x5)
HARNESS CLAMP

18.AA043603
TIMING BELT:B40S
2M128

1.03530040N
(x2)
SCREW - M3X4

3.04504010N
(x5)
TAPPING SCREW:
M4X10

2.04504008N
(x4)
TAPPING SCREW -
M4X8

8.08025299
TAPPING SCREW -
M3X8

7.07423808
(x2)
BALL BEARING - 8
X16X5

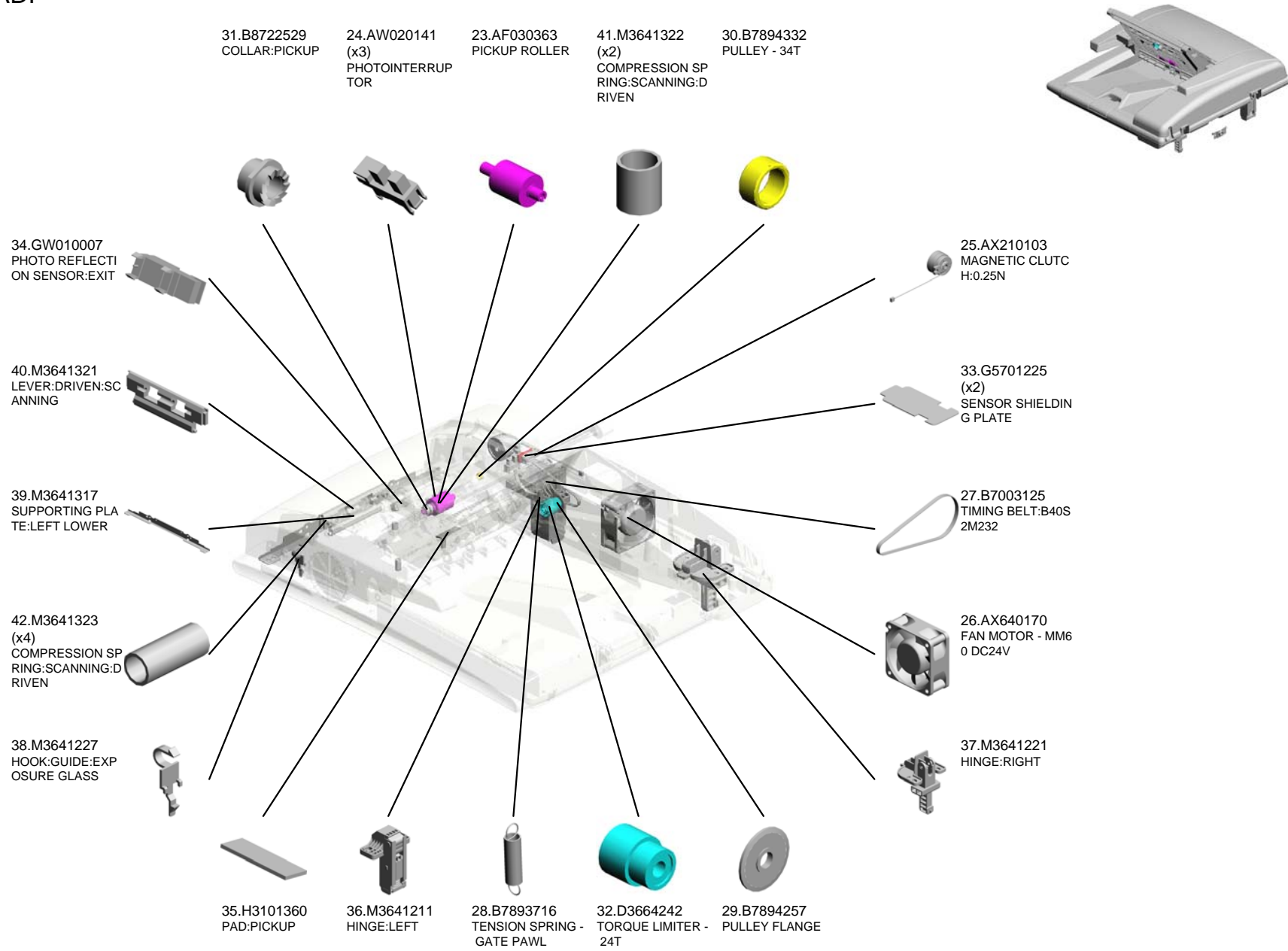
17.AA043319
TIMING BELT - 40S
2M156

15.A2222724
EXTERNAL CIRCLI
P - MM8

WWW.SERVICE-MANUAL.NET

U001	U002	U003	U004	U005	U006	U007	U008	U009	U010	U011	U012	U013	U014	U015	U016	U017
------	------	------	------	------	------	------	------	------	------	------	------	------	------	------	------	------

U003 ADF

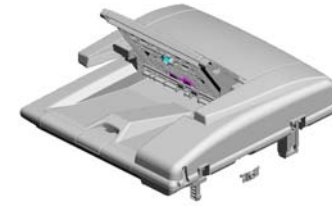


WWW.SERVICE-MANUAL.NET

U001	U002	U003	U004	U005	U006	U007	U008	U009	U010	U011	U012	U013	U014	U015	U016	U017
------	------	------	------	------	------	------	------	------	------	------	------	------	------	------	------	------

U003 ADF

51.M3642123 TIMING PULLEY:PI
CKUP:DRIVE
64.M3642222 GUIDE PLATE:OPE
N AND CLOSE
49.M3642110 SHAFT:PAPER FEE
D UNIT
50.M3642121 FEED ROLLER
56.M3642143 TORSION SPRING:
PAPER STOPPER



53.M3642132 TORQUE LIMITER:
PICKUP



46.M3641342 (x2)
ROLLER:SCANNIN
G:DRIVEN:SHORT



43.M3641326 GUIDE PLATE:SCA
NNING:FRONT LO
WER



52.M3642124 COMPRESSION SP
RING:PAPER FEED
UNIT



44.M3641327 (x2)
SHEET:SCANNING:
FRONT LOWER



48.M3641387 (x2)
BRACKET:PRESSU
RE PLATE



61.M3642163 TIMING BELT:40S2
M130



45.M3641335 EXIT ROLLER:DRIV
EN:ASSY



60.M3642162 TIMING PULLEY:PI
CKUP



55.M3642142 PAPER STOPPER



58.M3642151 HOLDER:PICKUP



54.M3642141 ARM:PAPER STOP
PER



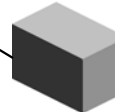
57.M3642144 LINK:PAPER STOP
PER



59.M3642161 SHAFT:PICKUP



47.M3641386 (x2)
CUSHION:PRESSU
RE PLATE



WWW.SERVICE-MANUAL.NET

U001	U002	U003	U004	U005	U006	U007	U008	U009	U010	U011	U012	U013	U014	U015	U016	U017
------	------	------	------	------	------	------	------	------	------	------	------	------	------	------	------	------

U003 ADF

71.M3643121 TRANSPORT ROLLER:SCANNING
 83.M3643416 GUIDE PLATE:REVERSE
 74.M3643211 GUIDE PLATE:TRANSPORT
 69.M3643111 TRANSPORT ROLLER:PULL OUT
 77.M3643227 CUSHION:HARNES



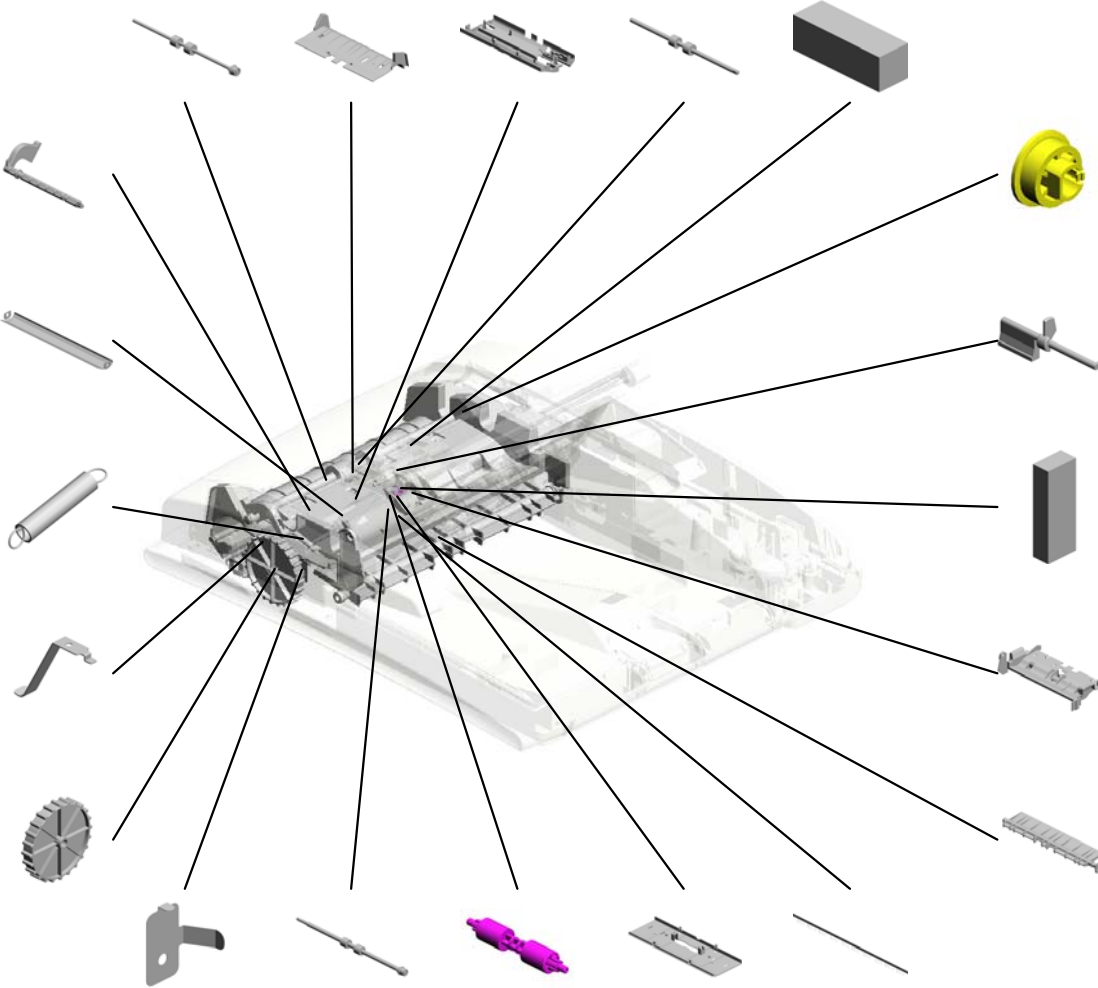
67.M3642314 LEVER:PRESSURE RELEASE:SEPARATION

80.M3643311 GUIDE PLATE:SCANNING

66.M3642313 TENSION SPRING:PRESSURE RELEASE

81.M3643321 (x2) SPRING PLATE:GUIDE:EXPOSURE GLASS

73.M3643136 KNOB:MISFEED REMOVAL



70.M3643116 TIMING PULLEY:PULL OUT

82.M3643412 FEELER:REVERSE

68.M3642315 (x2) CUSHION:SEPARATION

65.M3642311 GUIDE PLATE:PAPER FEED

84.M3643421 GATE PAWL:REVERSE

76.M3643221 SPRING PLATE:EXIT:RTH:EXIT

72.M3643131 EXIT ROLLER

78.M3643232 EXIT ROLLER:DRIVEN

79.M3643241 GUIDE PLATE:REVERSE:UPPER

75.M3643212 DISCHARGE BRUSH:EXIT:SUS

WWW.SERVICE-MANUAL.NET

U001	U002	U003	U004	U005	U006	U007	U008	U009	U010	U011	U012	U013	U014	U015	U016	U017
------	------	------	------	------	------	------	------	------	------	------	------	------	------	------	------	------

U003
ADF

- 96.M3644341 (x2) TENSION SPRING: MOTOR
- 93.M3644251 SHAFT:ELECTROMAGNETIC CLUTCH
- 88.M3644124 GEAR:TIMING PULLEY:COUPLING
- 87.M3644122 GEAR:TIMING PULLEY:SLOW DOWN:PAPER FEED
- 86.M3644121 TIMING PULLEY:SLOW DOWN:PAPER FEED



91.M3644244 TENSION SPRING: TIGHTENER:TRANSPORT

90.M3644231 TIGHTENER:TRANSPORT:ASSY

92.M3644245 TIMING BELT:B80S 1.5M236

108.M3644641 SHAFT:DRIVEN

111.M3644648 (x4) PLAIN SHAFT BEARING: M4

100.M3644521 COVER:FRONT

85.M3643422 CUSHION:GATE PAWL:REVERSE

98.M3644411 DC SOLENOID:GATE PAWL:REVERSE

102.M3644536 TRAY:AUXILIARY

101.M3644531 COVER:RIGHT

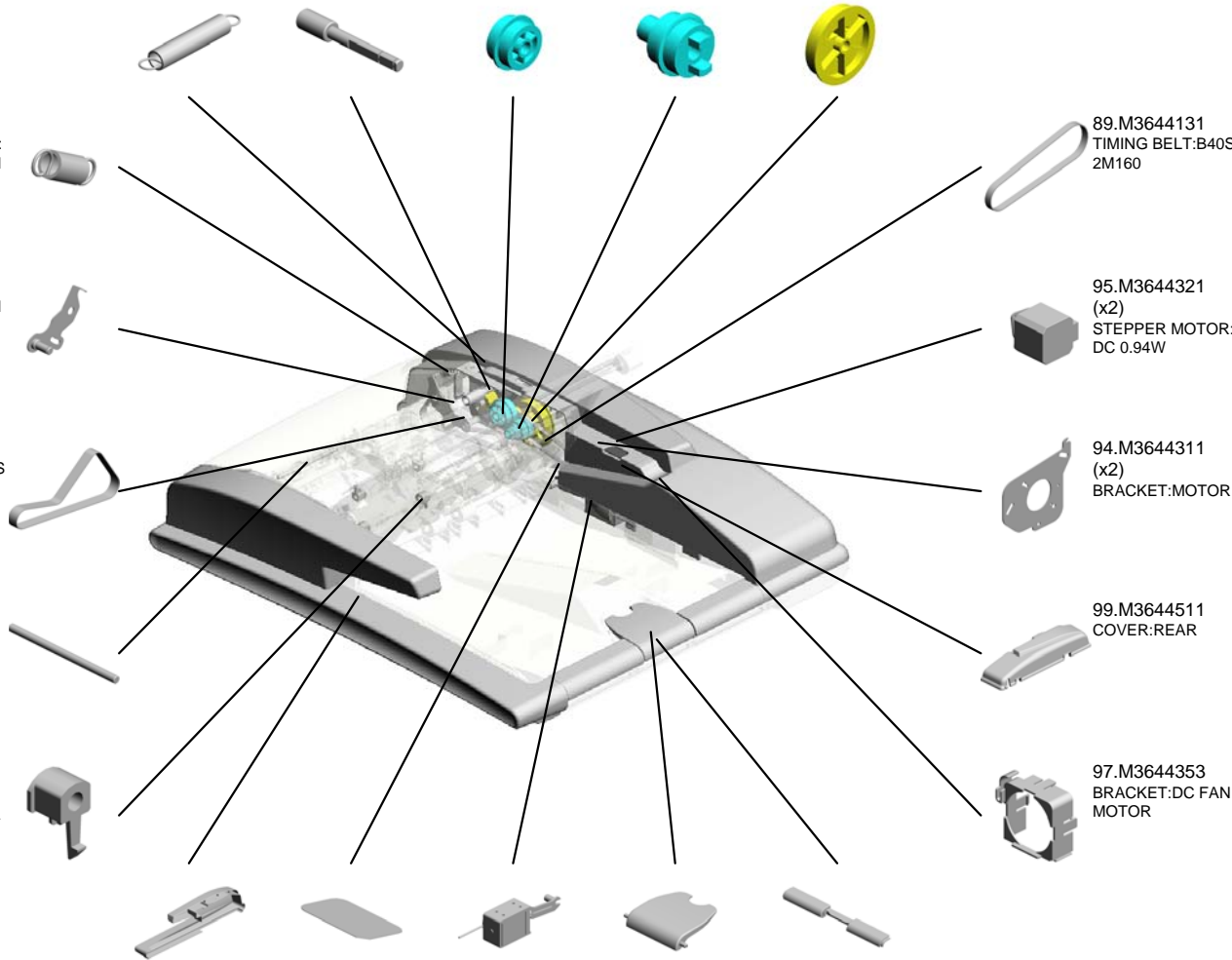
89.M3644131 TIMING BELT:B40S 2M160

95.M3644321 (x2) STEPPER MOTOR: DC 0.94W

94.M3644311 (x2) BRACKET:MOTOR

99.M3644511 COVER:REAR

97.M3644353 BRACKET:DC FAN MOTOR



U003
ADF

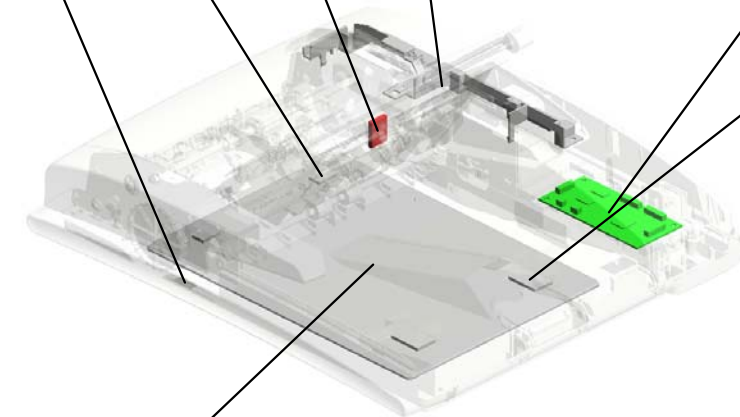
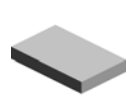
121.M3644821
(x2)
TAPE:PRESSURE
PLATE:LEFT

125.M3646021
DECAL:ORIGINAL
TABLE

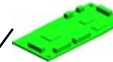
124.M3645751
GUIDE:HARNESS



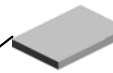
129.M3646051
DECAL:LEVER:KN
OB



123.M3645022
PCB:MAIN CONTR
OL:ASS'Y



122.M3644823
(x2)
TAPE:PRESSURE
PLATE

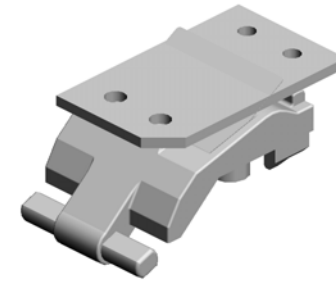
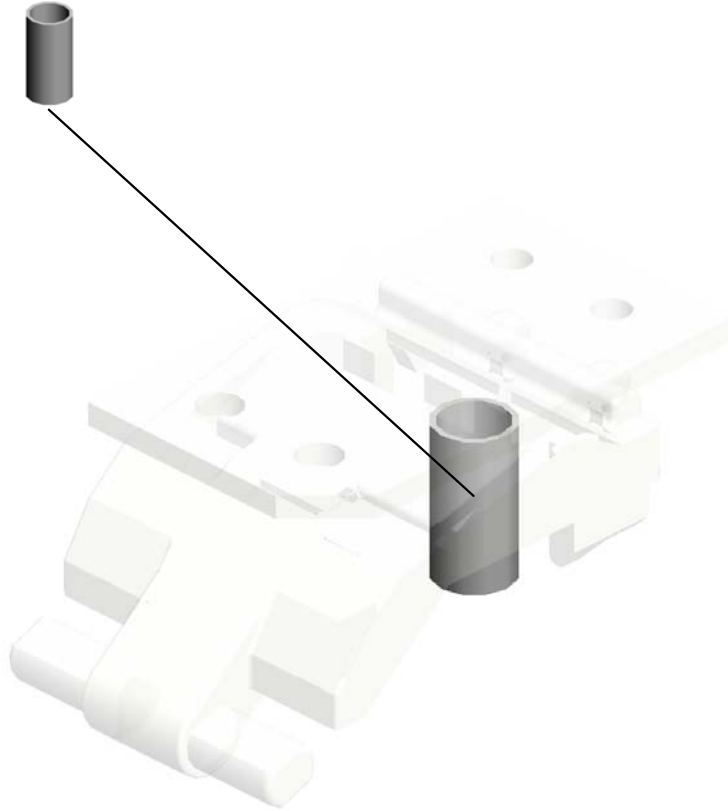


120.M3644811
PRESSURE PLATE



U003_S001
HOLDER: FRICTION PAD: ASS'Y

63.M3642213
COMPRESSION SP
RING: SEPARATIO
N

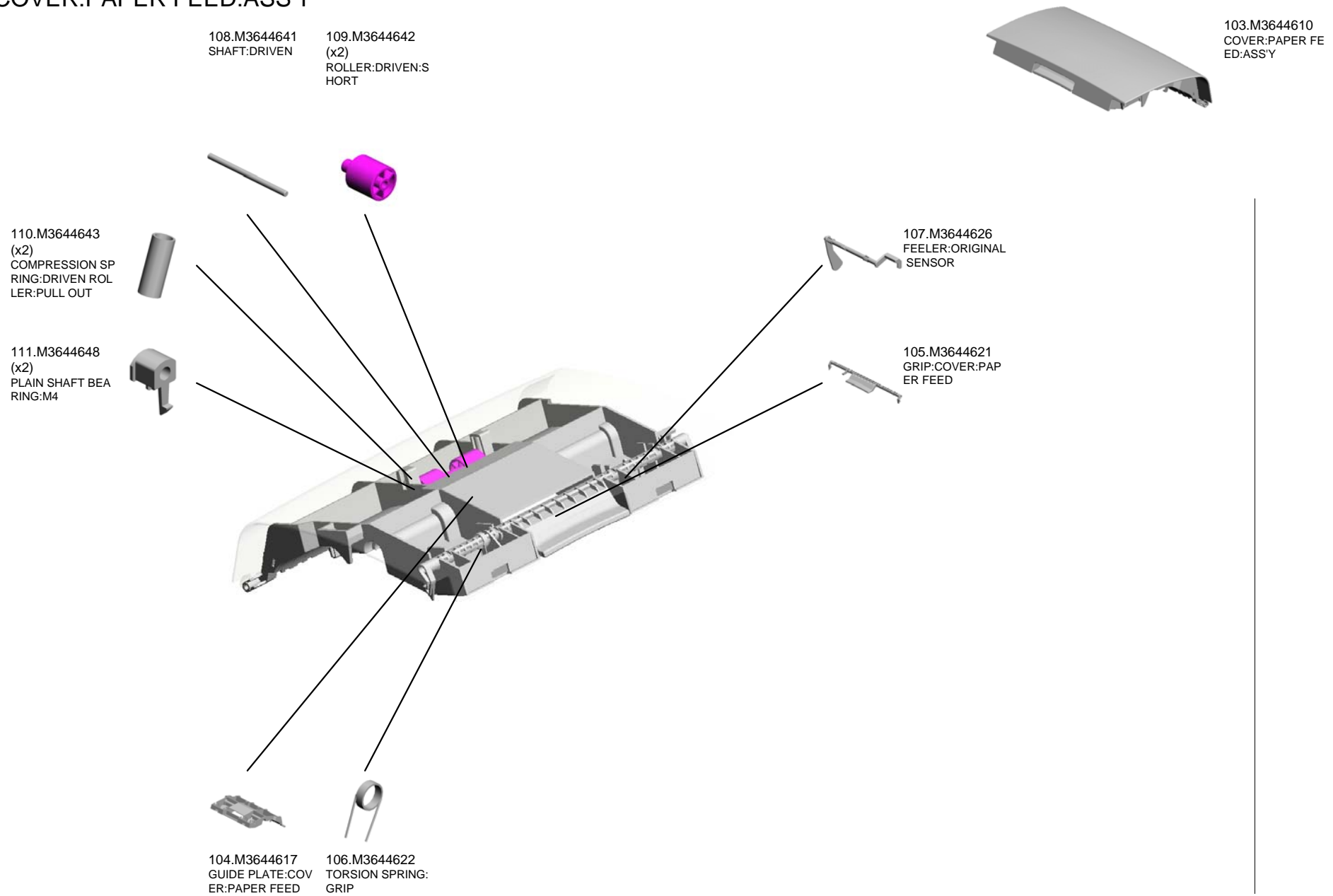


130.M3642216
[A]
HOLDER: FRICTION
PAD: ASS'Y
201108-01 X/O



M3642211
[A]
HOLDER: FRICTION
PAD: ASS'Y
201108-01 X/O

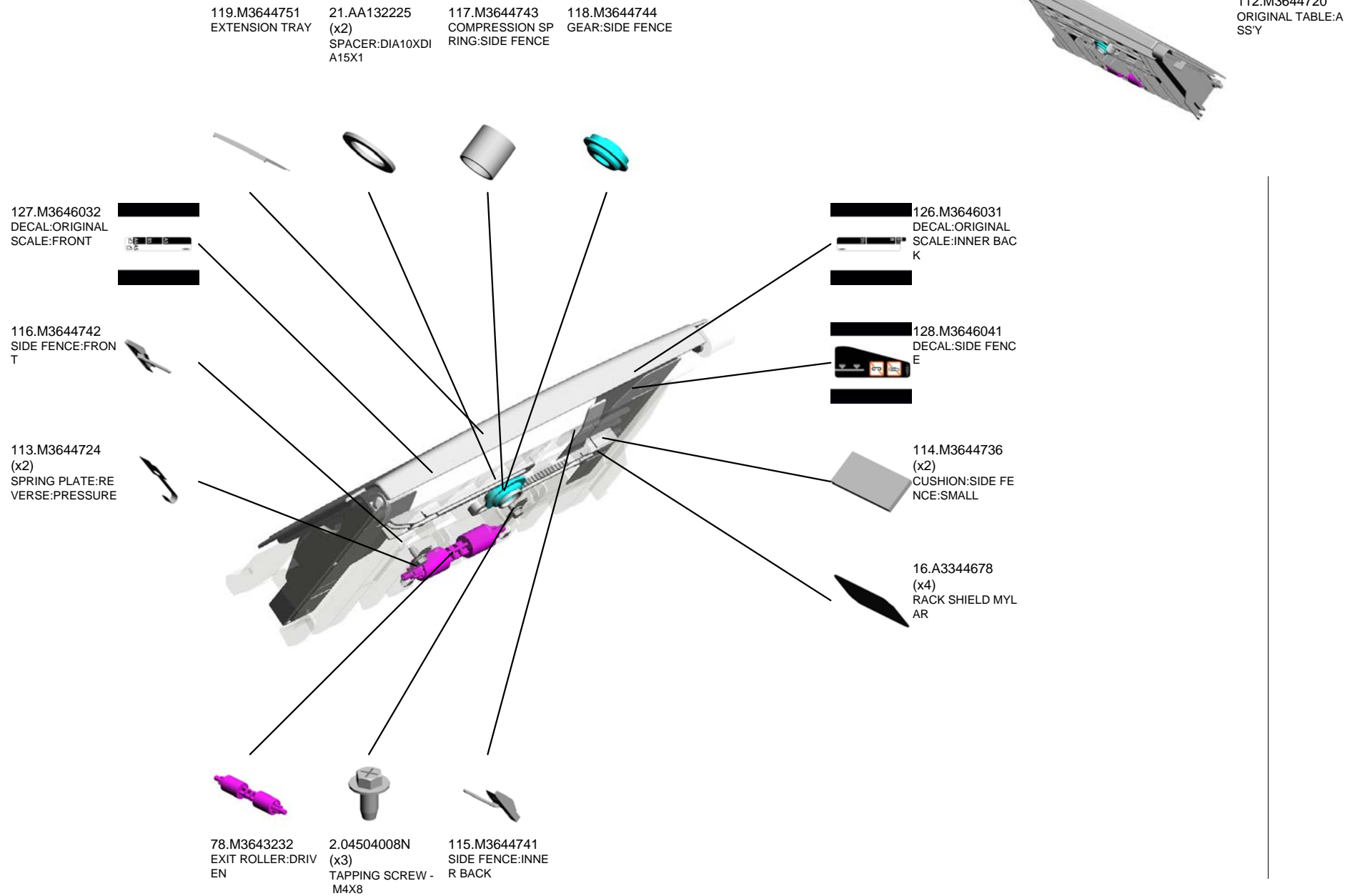
U003_S002
COVER:PAPER FEED:ASS'Y



WWW.SERVICE-MANUAL.NET

U001	U002	U003	U004	U005	U006	U007	U008	U009	U010	U011	U012	U013	U014	U015	U016	U017
------	------	------	------	------	------	------	------	------	------	------	------	------	------	------	------	------

U003_S003
ORIGINAL TABLE:ASS'Y

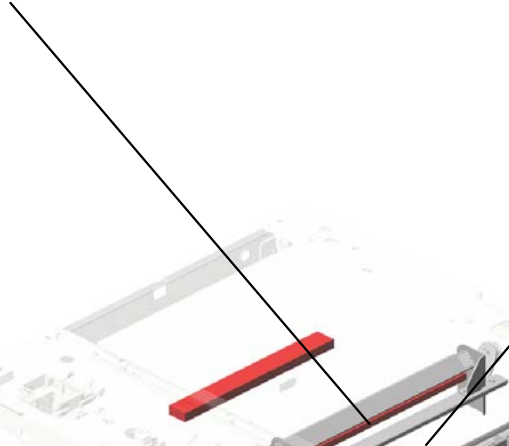


WWW.SERVICE-MANUAL.NET

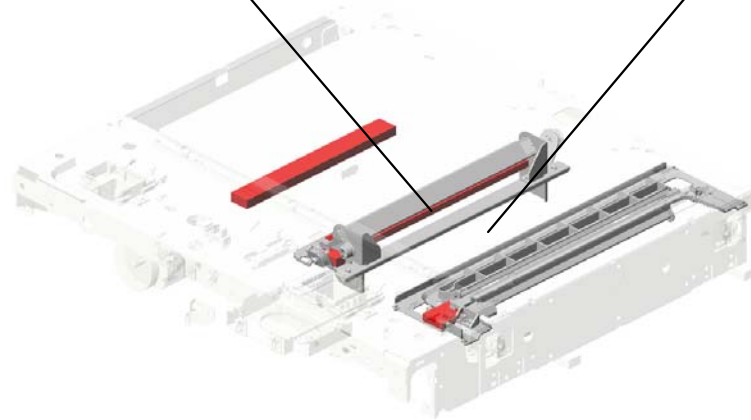
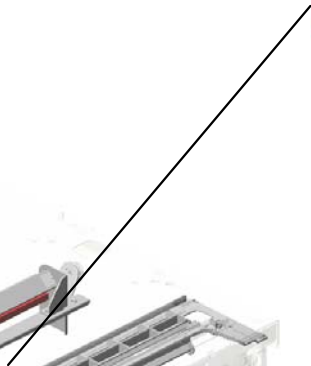
U001	U002	U003	U004	U005	U006	U007	U008	U009	U010	U011	U012	U013	U014	U015	U016	U017
------	------	------	------	------	------	------	------	------	------	------	------	------	------	------	------	------

U004.SCANNER

U004_S002
M0261771
CARRIAGE:NO.2:ASS'Y



U004_S001
M0261800
CARRIAGE:NO.1:ASS'Y



WWW.SERVICE-MANUAL.NET

U001	U002	U003	U004	U005	U006	U007	U008	U009	U010	U011	U012	U013	U014	U015	U016	U017
------	------	------	------	------	------	------	------	------	------	------	------	------	------	------	------	------

U004_S001.CARRIAGE:NO.1:ASS'Y

U004_S001_S001
M0261802
ILLUMINATION UNIT:LED-B:A
SS'Y

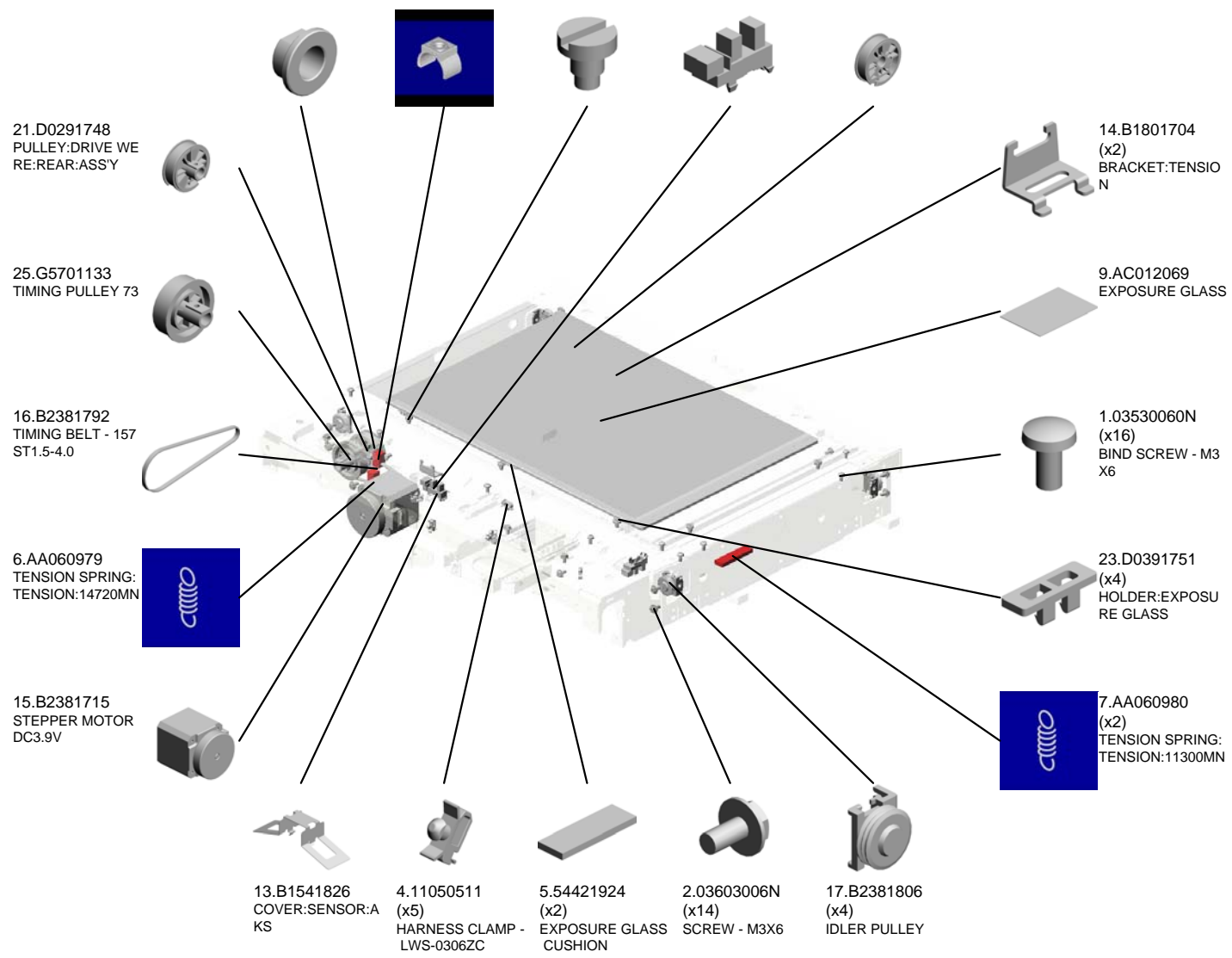


WWW.SERVICE-MANUAL.NET

U001	U002	U003	U004	U005	U006	U007	U008	U009	U010	U011	U012	U013	U014	U015	U016	U017
------	------	------	------	------	------	------	------	------	------	------	------	------	------	------	------	------

U004 SCANNER

- 8.AA082144 (x2) BUSHING - 8X12X7
- 22.D0291749 PULLEY:PROTECTI ON
- 19.B3901759 (x5) SHAFT:SCALE
- 12.AW020145 (x2) PHOTOINTERRUPTOR:FLAT
- 20.D0291745 PULLEY:DRIVE WE RE:FRONT

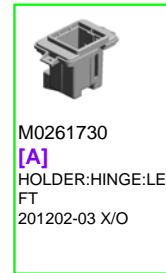
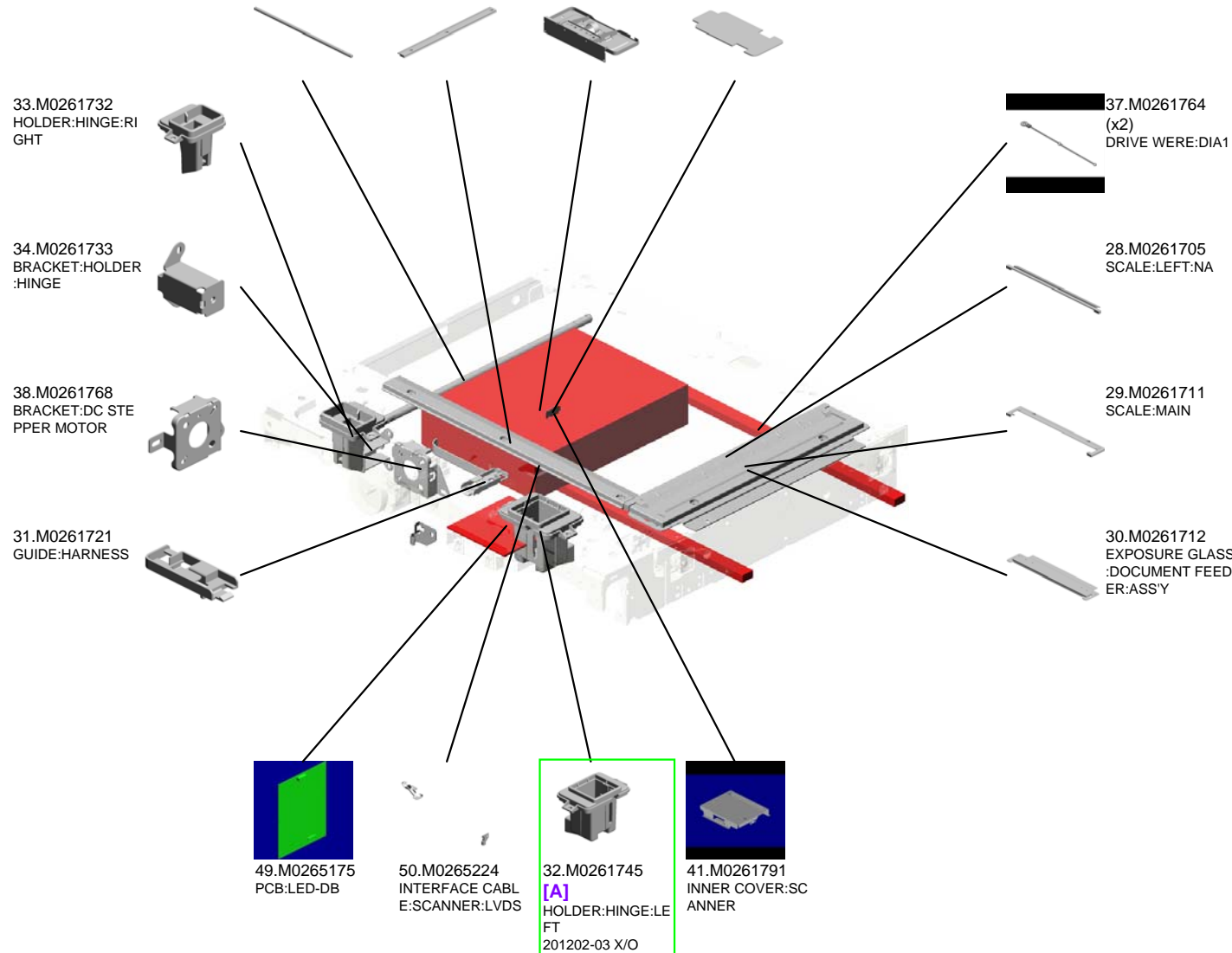


WWW.SERVICE-MANUAL.NET

U001	U002	U003	U004	U005	U006	U007	U008	U009	U010	U011	U012	U013	U014	U015	U016	U017
------	------	------	------	------	------	------	------	------	------	------	------	------	------	------	------	------

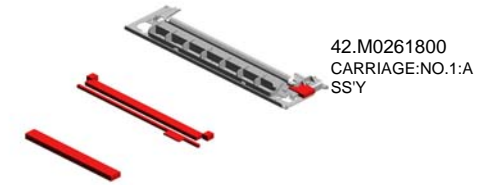
U004 SCANNER

36.M0261762 SHAFT:SCANNER:DRIVE
 27.M0261700 SCALE:INNER BACK:PRINTING
 35.M0261751 HOLDER:LENS:ASSY
 26.G5701225 SENSOR SHIELDING PLATE



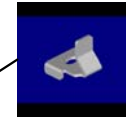
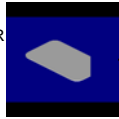
U004_S001
CARRIAGE:NO.1:ASS'Y

44.M0261805 10.AC030177
REFLECTOR:SCAN MIRROR:NO.1
NER



42.M0261800
CARRIAGE:NO.1:A
SS'Y

47.M0261814
SHEET:GUIDE:HAR
NESS:LED-B



46.M0261813
(x2)
CLAMP:WIRE



48.M0261815
(x2)
CLAMP:MIRROR:NO.1



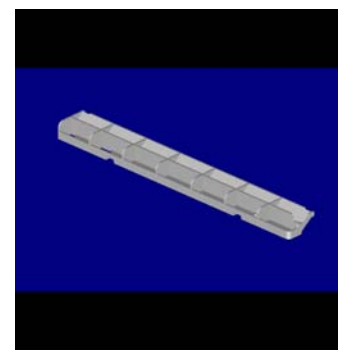
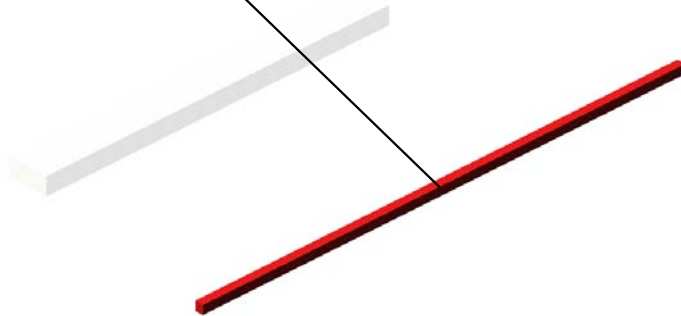
45.M0261812
GUIDE:HARNESS:LED-B

WWW.SERVICE-MANUAL.NET

U001	U002	U003	U004	U005	U006	U007	U008	U009	U010	U011	U012	U013	U014	U015	U016	U017
------	------	------	------	------	------	------	------	------	------	------	------	------	------	------	------	------

U004_S001_S001
ILLUMINATION UNIT:LED-B:ASS'Y

44.M0261805
REFLECTOR:SCAN
NER



43.M0261802
ILLUMINATION UNI
T:LED-B:ASS'Y

U001	U002	U003	U004	U005	U006	U007	U008	U009	U010	U011	U012	U013	U014	U015	U016	U017
------	------	------	------	------	------	------	------	------	------	------	------	------	------	------	------	------

U004_S002
CARRIAGE:NO.2:ASS'Y

18.B2381807
(x2)
PULLEY

40.M0261778
GUIDE:FFC



39.M0261771
CARRIAGE:NO.2:A
SS'Y

3.07200040E
(x2)
RETAINING RING -
M4



11.AC030178
(x2)
MIRROR:NO.2



24.G4042810
(x4)
SPRING PLATE - 2
ND MIRROR



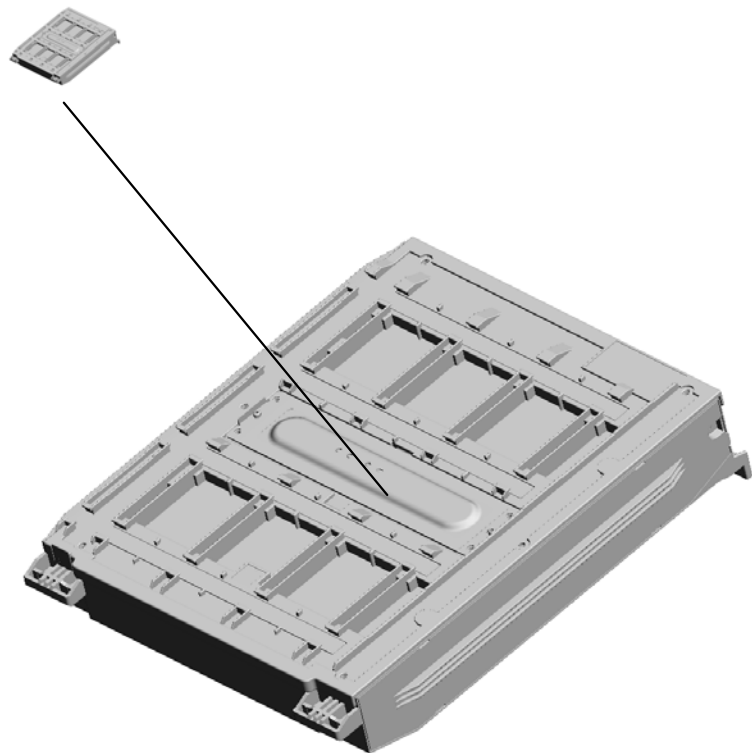
1.03530060N
BIND SCREW - M3
X6



U001	U002	U003	U004	U005	U006	U007	U008	U009	U010	U011	U012	U013	U014	U015	U016	U017
------	------	------	-------------	------	------	------	------	------	------	------	------	------	------	------	------	------

U005 LASER UNIT

1.M0261855
IMAGING UNIT:SE
RVICE PARTS



WWW.SERVICE-MANUAL.NET

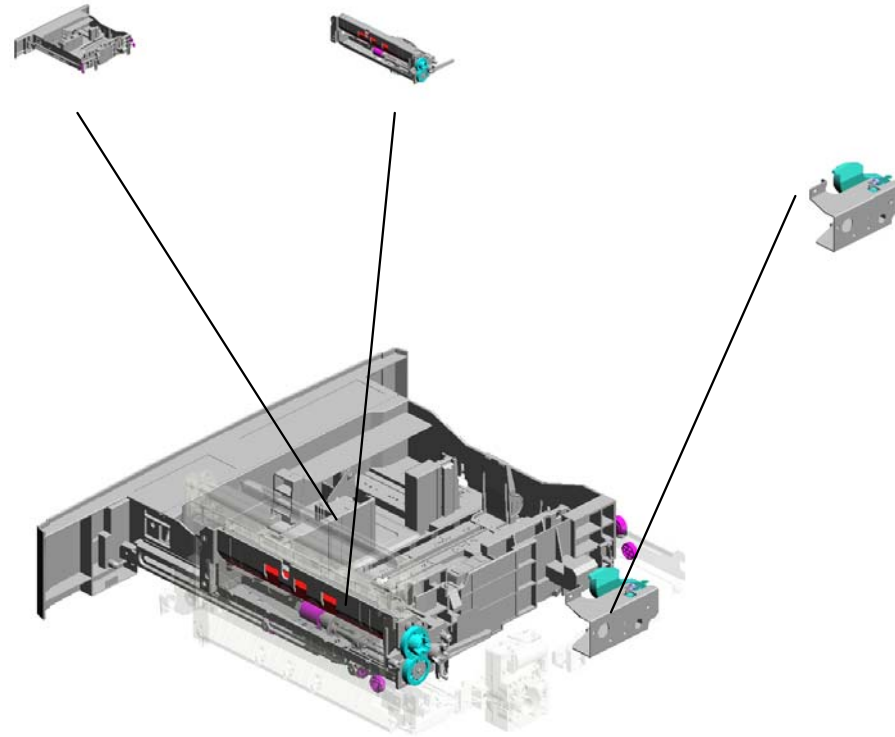
U001	U002	U003	U004	U005	U006	U007	U008	U009	U010	U011	U012	U013	U014	U015	U016	U017
------	------	------	------	-------------	------	------	------	------	------	------	------	------	------	------	------	------

U006.PAPER FEED

U006_S003
M0262900
PAPER TRAY:ASSY

U006_S002
M0262750
PAPER FEED UNIT

U006_S001
B2232730
PAPER TRAY STOPPER ASS'
Y

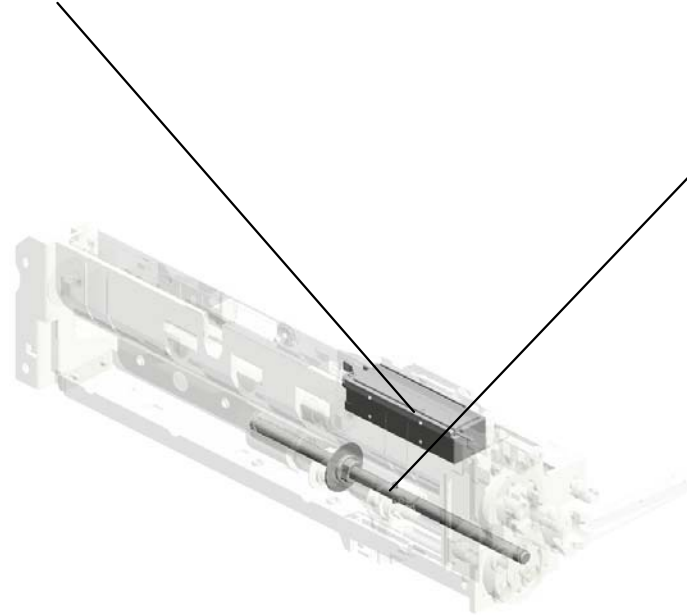


WWW.SERVICE-MANUAL.NET

U001	U002	U003	U004	U005	U006	U007	U008	U009	U010	U011	U012	U013	U014	U015	U016	U017
------	------	------	------	------	-------------	------	------	------	------	------	------	------	------	------	------	------

U006_S002.PAPER FEED UNIT

U006_S002_S001
M0262780
DC SOLENOID:PICKUP:ASS'
Y



U006_S002_S002
M0262810
SHAFT:SEPARATE:DRIVEN:A
SSY



WWW.SERVICE-MANUAL.NET

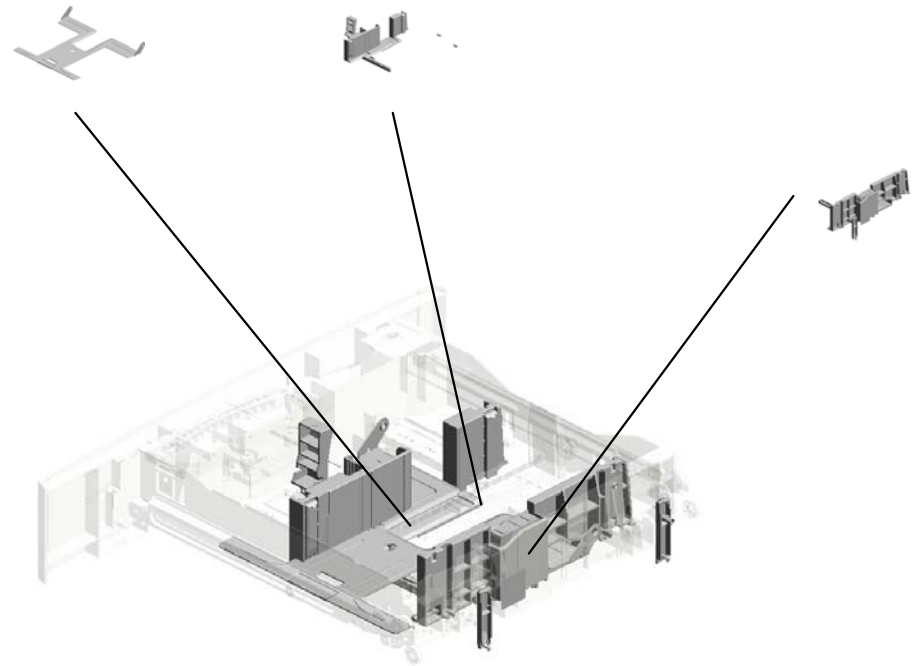
U001	U002	U003	U004	U005	U006	U007	U008	U009	U010	U011	U012	U013	U014	U015	U016	U017
------	------	------	------	------	-------------	------	------	------	------	------	------	------	------	------	------	------

U006_S003.PAPER TRAY:ASS'Y

U006_S003_S003
M0262940
TRAY BOTTOM PLATE:ASS'Y

U006_S003_S001
M0262920
SIDE FENCE:FRONT:ASS'Y

U006_S003_S002
M0262930
SIDE FENCE:REAR:ASS'Y



WWW.SERVICE-MANUAL.NET

U001	U002	U003	U004	U005	U006	U007	U008	U009	U010	U011	U012	U013	U014	U015	U016	U017
------	------	------	------	------	-------------	------	------	------	------	------	------	------	------	------	------	------

U006 PAPER FEED

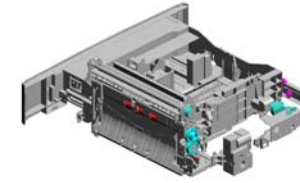
51.M0262552
REGISTRATION R
OLLER:DRIVEN

33.AW010107
PAPER FEED SEN
SOR

7.08025299
TAPPING SCREW -
M3X8

46.B2382655
GEAR - 16Z

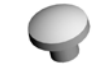
9.08050092
(x2)
RETAINING RING -
3M



18.AA082075
(x2)
BUSHING - M6



1.03530030N
(x2)
SCREW:M3X3



50.M0262551
REGISTRATION R
OLLER:DRIVE



23.AA161163
CUSHION



32.AF040571
(x3)
GUIDE ROLLER



12.52062686
(x2)
SNAP RING



5.04543008Q
(x6)
TAPPING SCREW:
3X8



4.04543006Q
(x16)
TAPPING SCREW -
M3X6



52.M0262553
GEAR:REGISTRATI
ON:26Z



10.11050511
HARNESS CLAMP -
LWS-0306ZC



53.M0262554
GEAR:REGISTRATI
ON:DRIVEN:14Z



47.B2382675
(x2)
REGISTRATION R
OLLER BUSHING



8.08050089
(x3)
RETAINING RING -
M4



36.AW500038
PUSH SWITCH:PA
PER SIZE SENSOR



37.AX040154
DC MOTOR 24V



WWW.SERVICE-MANUAL.NET

U001	U002	U003	U004	U005	U006	U007	U008	U009	U010	U011	U012	U013	U014	U015	U016	U017
------	------	------	------	------	------	------	------	------	------	------	------	------	------	------	------	------

U006 PAPER FEED

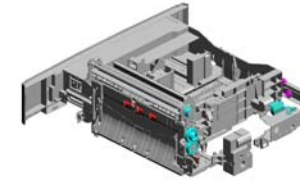
57.M0262574
ROLLER:REMOVE
PAPER DUST

56.M0262571
CASE:REMOVE PA
PER DUST

61.M0262583
COVER:REMOVE P
APER DUST:ADHE
SION

59.M0262577
SHEET:COVER:RE
MOVE PAPER DUS
T

67.M0262719
ROLLER:SUPPORT
ER:LEFT:PAPER T
RAY



60.M0262581
GEAR:ROLLER:RE
MOVE PAPER DUS
T



55.M0262567
GUIDE PLATE:REG
ISTRATION:RIGHT



58.M0262575
CUSHION:REMOV
E PAPER DUST



62.M0262584
SHEET:REMOVE P
APER DUST:RIGHT



71.M0262726
ROLLER:SUPPORT
ER:RIGHT:PAPER
TRAY



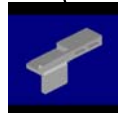
66.M0262715
SUPPORTER:RIGH
T:ASS'Y



89.M0262835
GUIDE PLATE:SWI
VEL



65.M0262714
SPACER:SEPARAT
E



63.M0262585
GUIDE:HARNES
S:REGISTRATION



90.M0262848
COVER:HARNES



64.M0262710
SUPPORTER:LEFT
:ASS'Y



54.M0262555
(x2)
TENSION SPRING:
REGISTRATION:7N



69.M0262722
COVER:STOPPER:
PAPER TRAY



68.M0262721
BRACKET:PUSH S
WITCH



70.M0262723
BRACKET:HARNES
S:HEATER

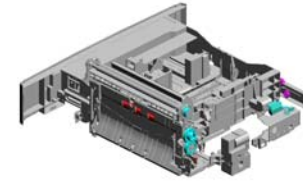


WWW.SERVICE-MANUAL.NET

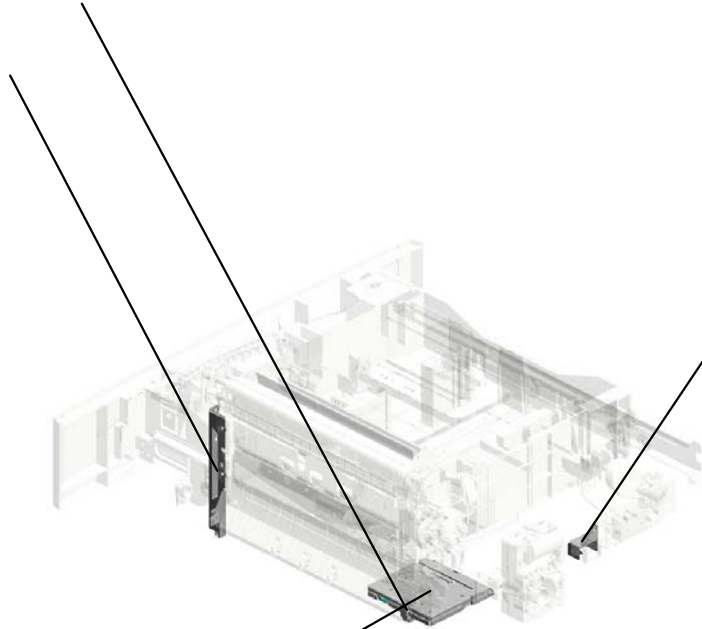
U001	U002	U003	U004	U005	U006	U007	U008	U009	U010	U011	U012	U013	U014	U015	U016	U017
------	------	------	------	------	------	------	------	------	------	------	------	------	------	------	------	------

U006 PAPER FEED

118.M0262988
CLIP:STRETCH:UN
I



116.M0262950
BRACKET:PAPER
FEED UNIT



115.M0262948
COVER:CONNECT
OR



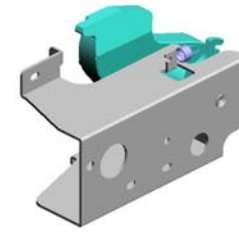
117.M0262985
LEVER:STRETCH:T
RAY

WWW.SERVICE-MANUAL.NET

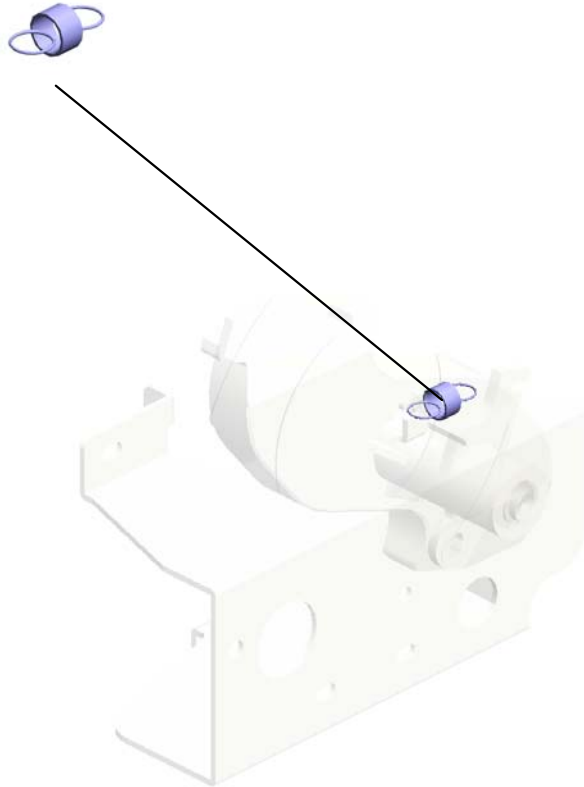
U001	U002	U003	U004	U005	U006	U007	U008	U009	U010	U011	U012	U013	U014	U015	U016	U017
------	------	------	------	------	-------------	------	------	------	------	------	------	------	------	------	------	------

U006_S001
PAPER TRAY STOPPER ASS'Y

17.AA062257
SPRING:UN LOCK



39.B2232730
PAPER TRAY STO
PPER ASS'Y



WWW.SERVICE-MANUAL.NET

U001	U002	U003	U004	U005	U006	U007	U008	U009	U010	U011	U012	U013	U014	U015	U016	U017
------	------	------	------	------	-------------	------	------	------	------	------	------	------	------	------	------	------

U006_S002 PAPER FEED UNIT

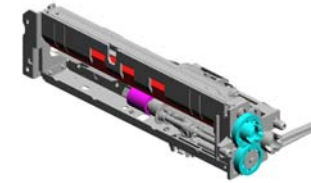
3.04513006N
(x11)
TAPPING SCREW -
3X6

30.AF031090
PAPER FEED ROL-
LER:FEED

34.AW010146
PHOTO REFLECTIO
N SENSOR:PAPER
FEED

11.11050723
CLAMPS:WES-050
7

31.AF032090
PAPER FEED ROL-
LER:SEPARATE



72.M0262750
PAPER FEED UNIT

10.11050511
HARNESS CLAMP -
LWS-0306ZC

20.AA082143
(x5)
BUSHING - 6X10X6

33.AW010107
PAPER FEED SEN-
SOR

22.AA100014
(x2)
RETAINING RING
C - SEPARATE

29.AF030090
PAPER FEED ROL-
LER:PICKUP

8.08050089
(x3)
RETAINING RING -
M4

26.AB011218
GEAR - ROLLER C
LUTCH

24.AB010156
GEAR:SEPARATE:
DRIVE

12.52062686
(x2)
SNAP RING

25.AB010157
GEAR:SEPARATE:
DRIVEN

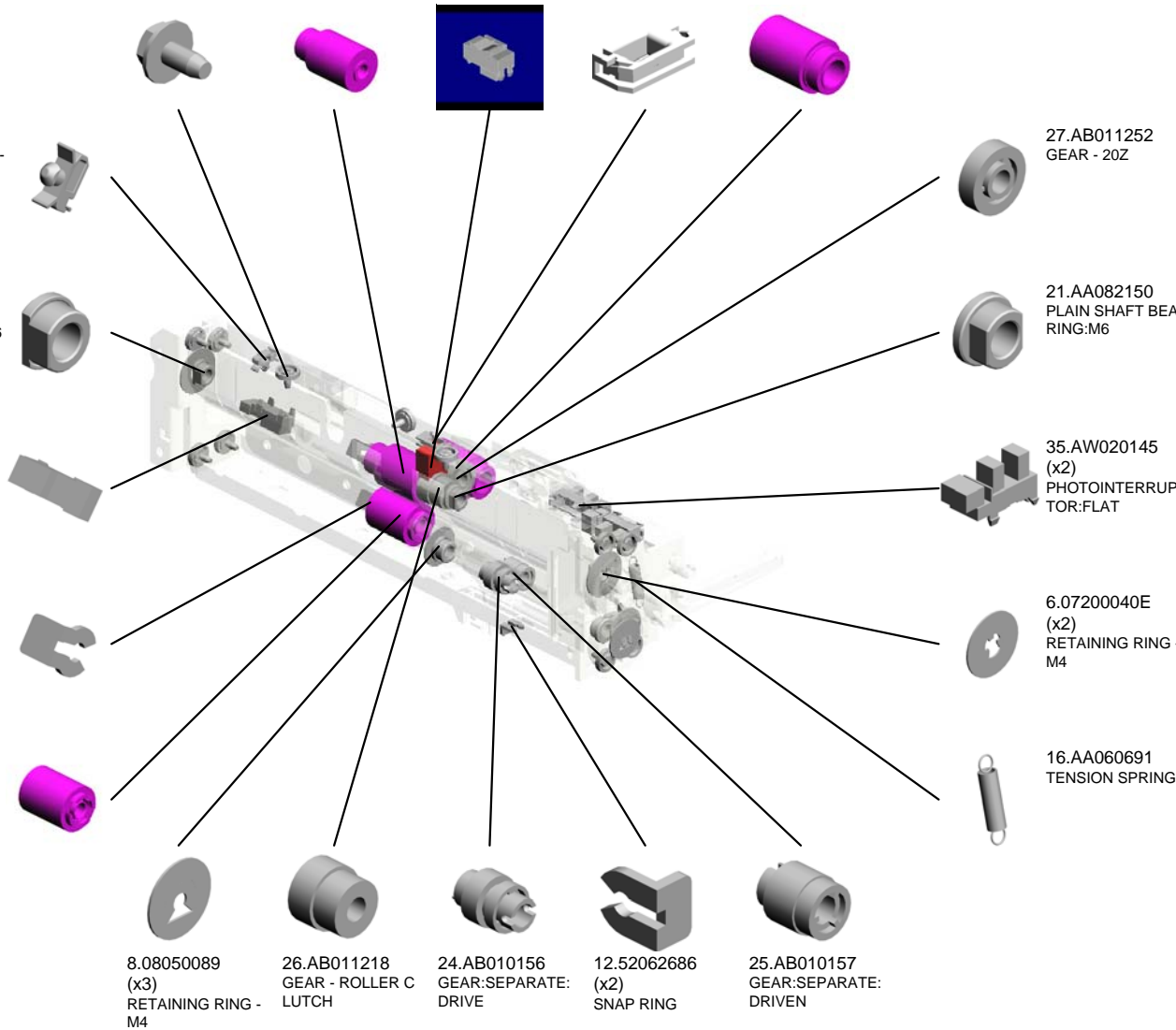
27.AB011252
GEAR - 20Z

21.AA082150
PLAIN SHAFT BEA
RING:M6

35.AW020145
(x2)
PHOTOINTERRUP
TOR:FLAT

6.07200040E
(x2)
RETAINING RING -
M4

16.AA060691
TENSION SPRING

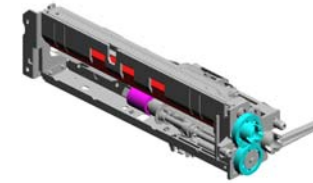


WWW.SERVICE-MANUAL.NET

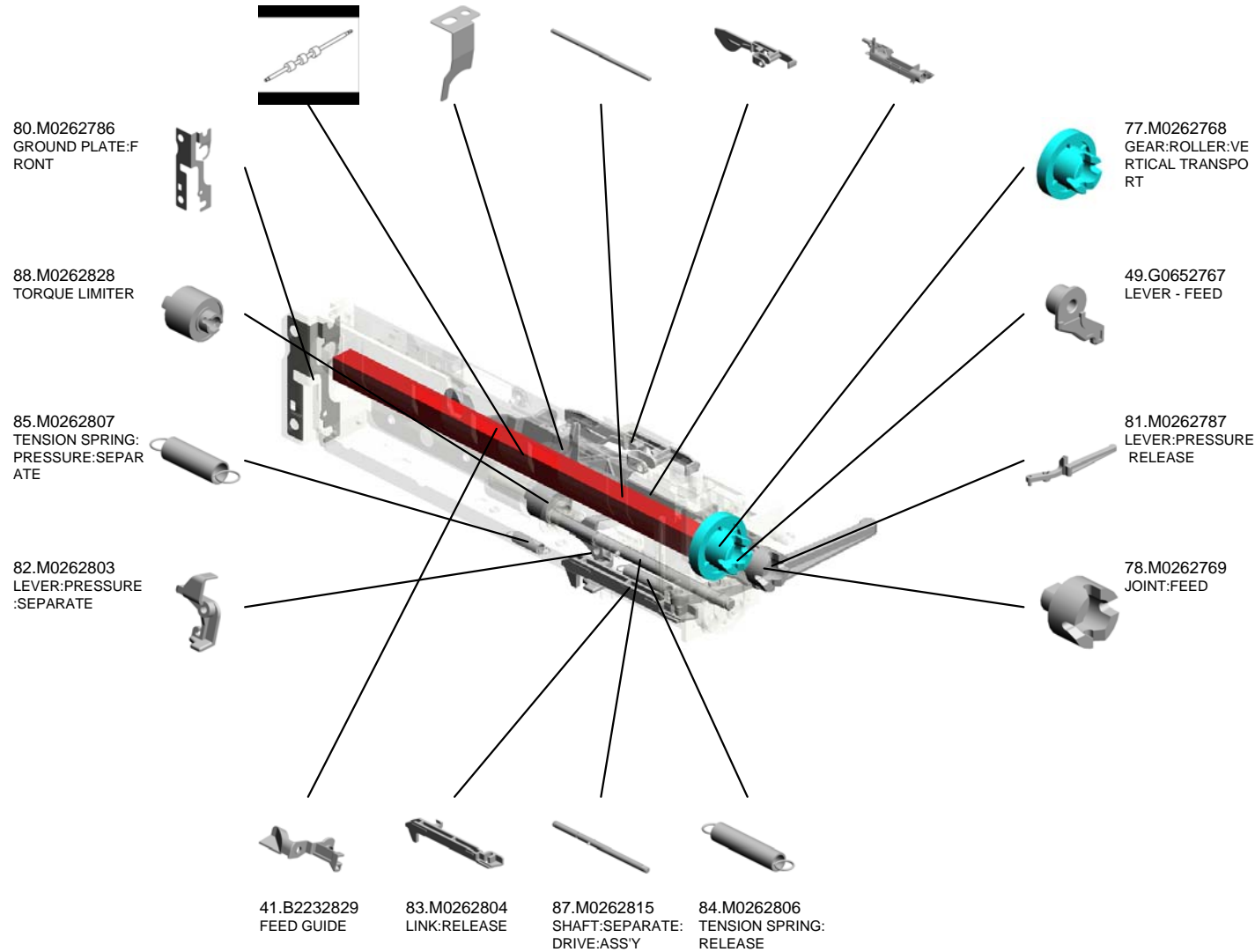
U001	U002	U003	U004	U005	U006	U007	U008	U009	U010	U011	U012	U013	U014	U015	U016	U017
------	------	------	------	------	-------------	------	------	------	------	------	------	------	------	------	------	------

U006_S002 PAPER FEED UNIT

76.M0262766 ROLLER:VERTICAL TRANSPORT:DRIVE
 75.M0262765 GROUND PLATE:FEED
 74.M0262763 SHAFT:FEED
 40.B2232767 PAPER END FEELER
 73.M0262761 ARM:PICKUP



72.M0262750
PAPER FEED UNIT

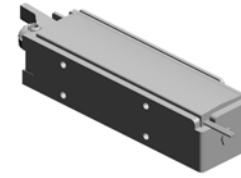


WWW.SERVICE-MANUAL.NET

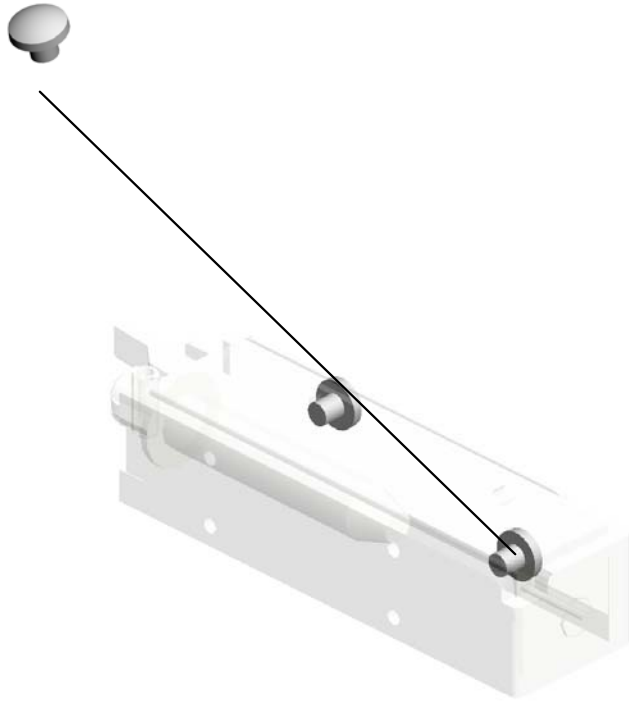
U001	U002	U003	U004	U005	U006	U007	U008	U009	U010	U011	U012	U013	U014	U015	U016	U017
------	------	------	------	------	-------------	------	------	------	------	------	------	------	------	------	------	------

U006_S002_S001
DC SOLENOID:PICKUP:ASS'Y

1.03530030N
(x2)
SCREW:M3X3

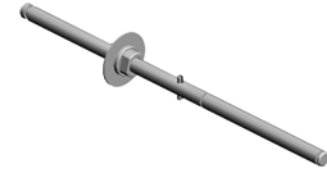


79.M0262780
DC SOLENOID:PIC
KUP:ASS'Y



U006_S002_S002
SHAFT:SEPARATE:DRIVEN:ASS'Y

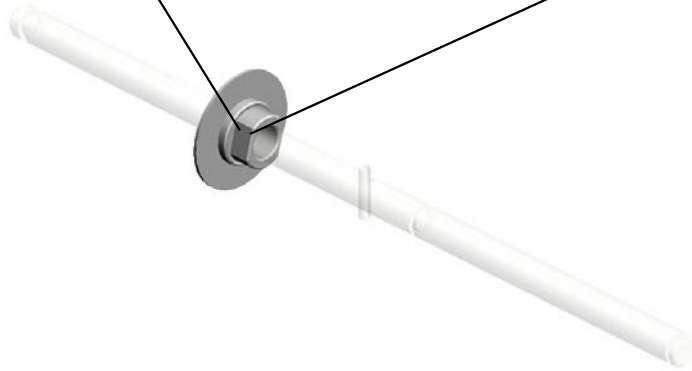
6.07200040E
RETAINING RING -
M4



86.M0262810
SHAFT:SEPARATE:
DRIVEN:ASS'Y



19.AA082101
BUSHING - 6X10X6



WWW.SERVICE-MANUAL.NET

U001	U002	U003	U004	U005	U006	U007	U008	U009	U010	U011	U012	U013	U014	U015	U016	U017
------	------	------	------	------	-------------	------	------	------	------	------	------	------	------	------	------	------

U006_S003 PAPER TRAY:ASS'Y

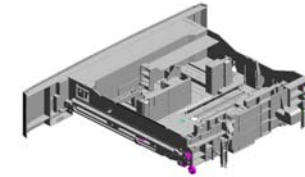
42.B2232861
GRIP HOLDER

97.M0262882
TENSION SPRING:
SIDE FENCE

94.M0262873
TENSION SPRING:
GRIP:LEFT

2.04504008N
TAPPING SCREW -
M4X8

45.B2232936
GEAR - 16Z



103.M0262900
PAPER TRAY:ASS'
Y

91.M0262860
GRIP:PAPER TRAY

104.M0262908
SPACER:TRAY

93.M0262872
TENSION SPRING:
GRIP

96.M0262880
SLIDE RAIL:AUXILI
ARY:RIGHT:PEEN

108.M0262918
LEVER:RISE

98.M0262884
(x4)
SPACER:SLIDE RA
IL

107.M0262914
(x4)
ROLLER:PAPER T
RAY

99.M0262885
ROLLER:SLIDER:R
EAR:RIGHT

92.M0262865
SHAFT:RISE:ASS'Y

102.M0262896
(x2)
ROLLER:SLIDER:F
RONT

101.M0262890
SLIDE RAIL:AUXILI
ARY:LEFT:PEEN

106.M0262912
END FENCE

100.M0262886
ROLLER:SLIDER:R
EAR:LEFT

105.M0262910
LINK:PAPER SIZE
SENSOR

43.B2232869
GROUND PLATE

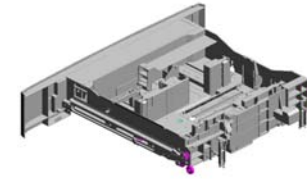
WWW.SERVICE-MANUAL.NET

U001	U002	U003	U004	U005	U006	U007	U008	U009	U010	U011	U012	U013	U014	U015	U016	U017
------	------	------	------	------	-------------	------	------	------	------	------	------	------	------	------	------	------

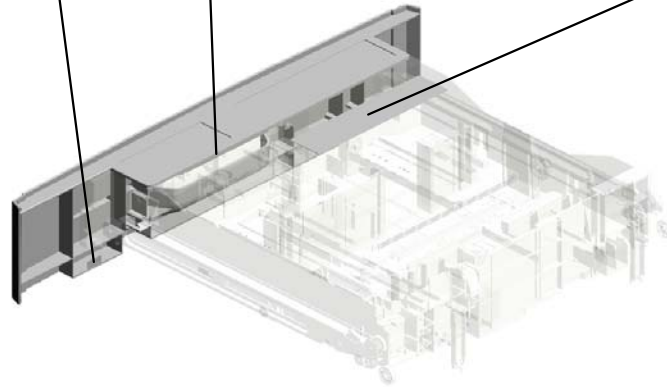
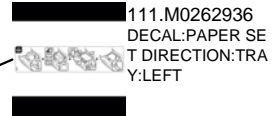
U006_S003
PAPER TRAY:ASS'Y

112.M0262938
DECAL:COVER:PA
PER TRAY

114.M0262946
COVER:PAPER TR
AY

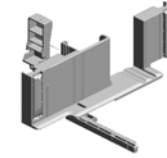


103.M0262900
PAPER TRAY:ASS'
Y



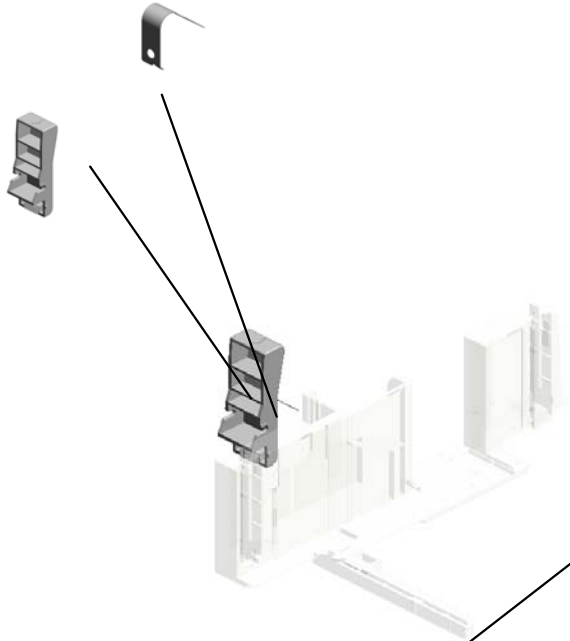
U006_S003_S001
SIDE FENCE:FRONT:ASS'Y

38.B0042923
SPRING PLATE - R
RELEASE LEVER

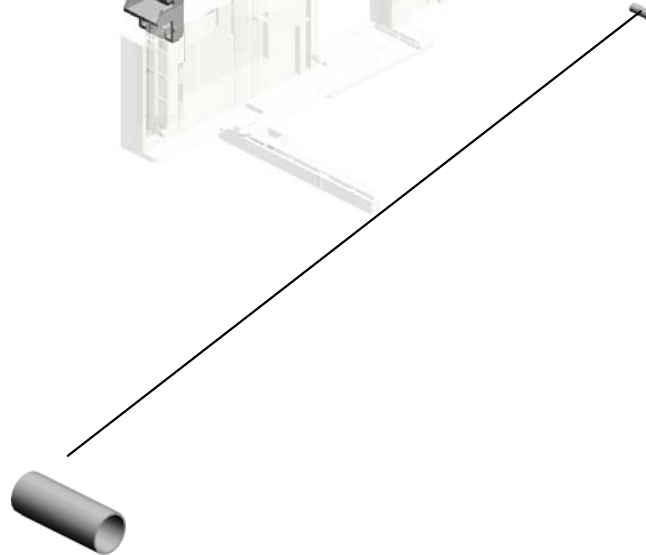
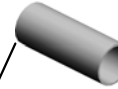


109.M0262920
SIDE FENCE:FRON
T:ASS'Y

44.B2232923
STOPPER LEVER -
FRONT



48.D0392823
COMPRESSION SP
RING:SIDE FENCE:
PLATE:FRONT



95.M0262874
COMPRESSION SP
RING:SIDE FENCE:
PLATE:REAR

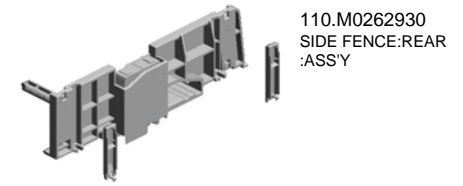


WWW.SERVICE-MANUAL.NET

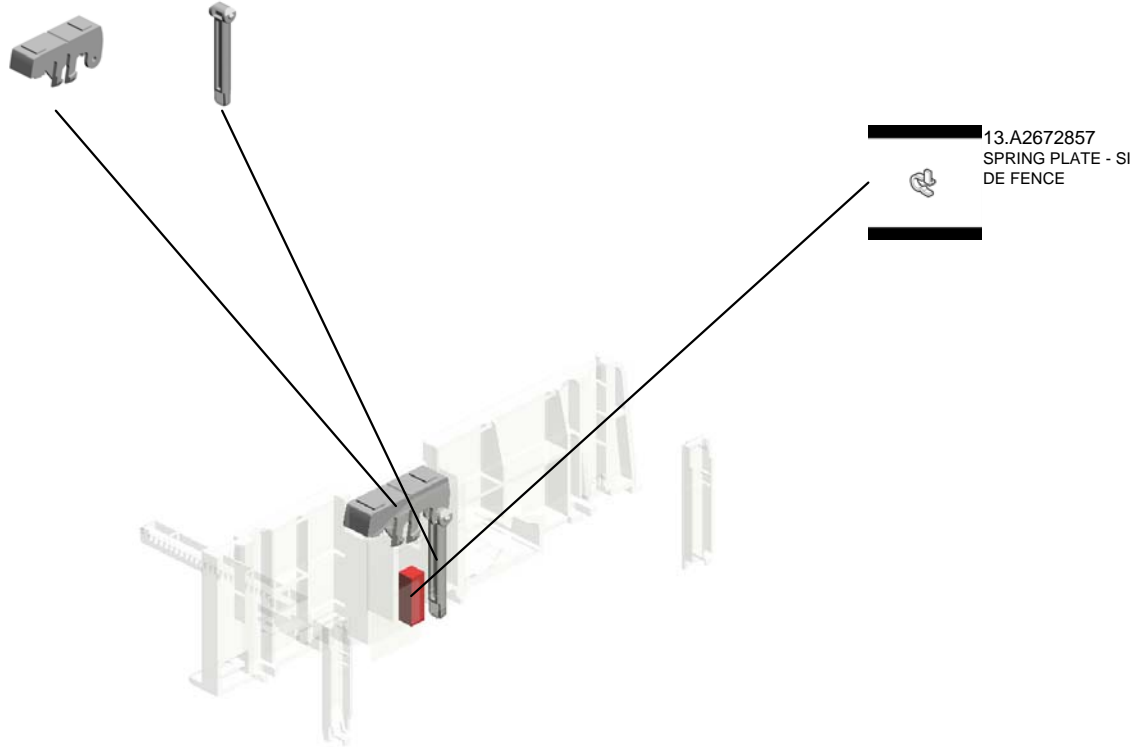
U001	U002	U003	U004	U005	U006	U007	U008	U009	U010	U011	U012	U013	U014	U015	U016	U017
------	------	------	------	------	-------------	------	------	------	------	------	------	------	------	------	------	------

U006_S003_S002
SIDE FENCE:REAR:ASS'Y

15.A2672860 REAR LEVER STOPPER
14.A2672859 SIDE FENCE STOPPER

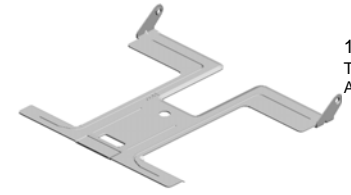


110.M0262930
SIDE FENCE:REAR
:ASS'Y

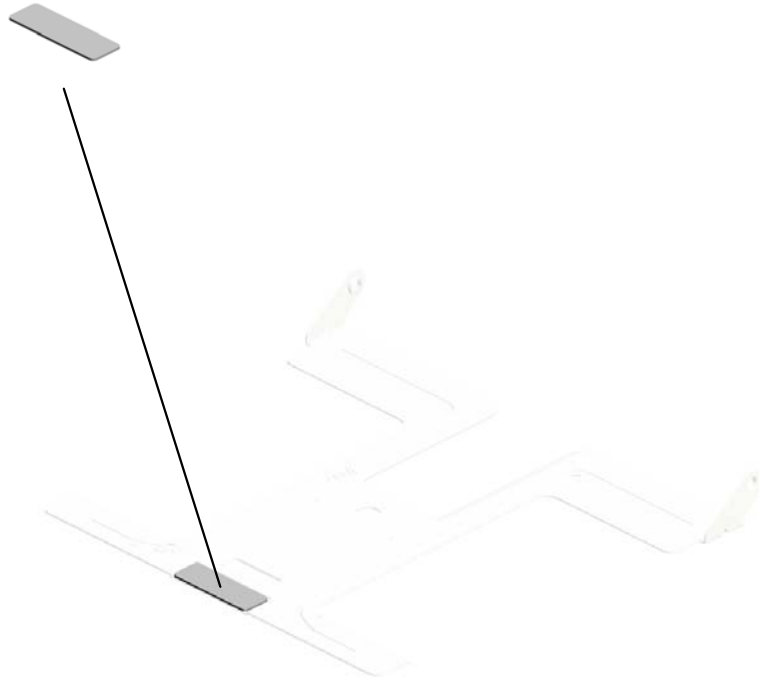


U006_S003_S003
TRAY BOTTOM PLATE:ASS'Y

28.AF013006
BOTTOM PLATE P
AD



113.M0262940
TRAY BOTTOM PL
ATE:ASS'Y



WWW.SERVICE-MANUAL.NET

U001	U002	U003	U004	U005	U006	U007	U008	U009	U010	U011	U012	U013	U014	U015	U016	U017
------	------	------	------	------	-------------	------	------	------	------	------	------	------	------	------	------	------

U007.TONER SUPPLY

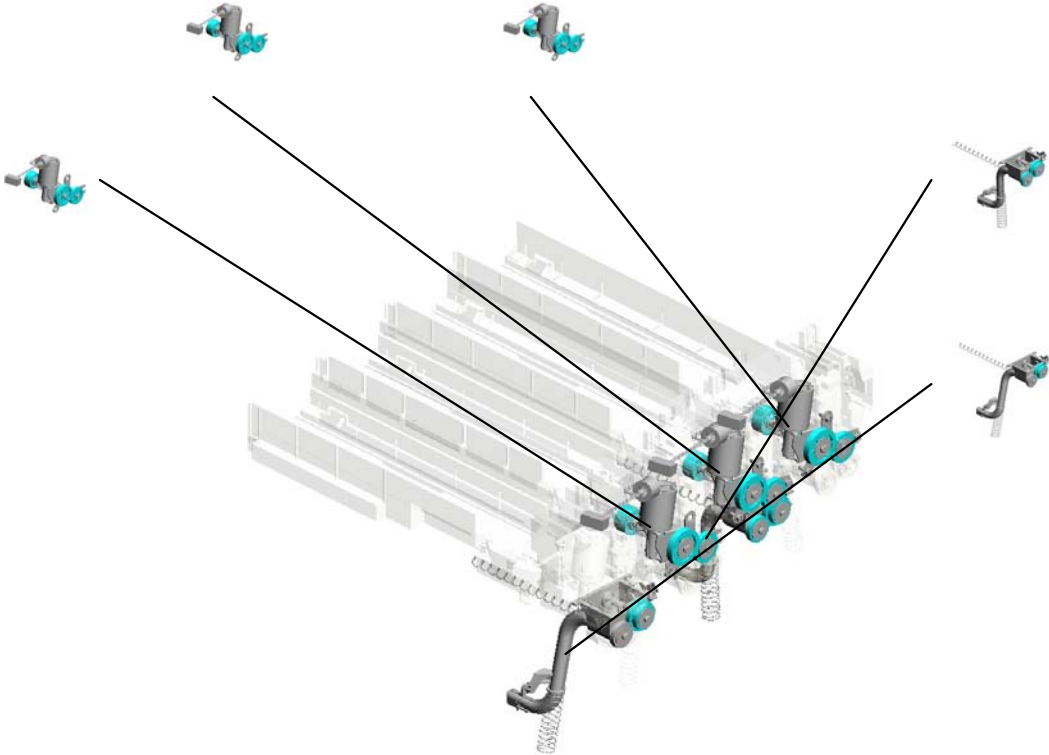
U007_S004
M0263208
DC MOTOR:LINE:ASS'Y:0.53
W

U007_S005
M0263208
DC MOTOR:LINE:ASS'Y:0.53
W

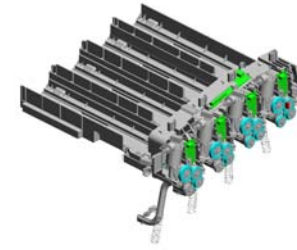
U007_S002
M0263208
DC MOTOR:LINE:ASS'Y:0.53
W

U007_S003
M0263206
TONER SUPPLY UNIT:M

U007_S001
M0263204
TONER SUPPLY UNIT:BK



U007 TONER SUPPLY



12.M0263374
(x4)
ARM:LEFT LOWER

17.M0265108
PCB:RFID-CPU

14.M0263376
(x4)
BRACKET:ARM:RI
GHT

15.M0263377
(x4)
COMPRESSION SP
RING:ARM:RIGHT:
10N

10.M0263372
(x4)
ARM:RIGHT

16.M0263380
(x4)
TENSION SPRING:
ARM:LEFT

13.M0263375
(x4)
TORSION SPRING:
LEVER:LEFT

11.M0263373
(x4)
ARM:LEFT UPPER

9.M0263371
(x4)
BRACKET:ARM:LE
FT

8.M0263208
DC MOTOR:LINE:A
SSY:0.53W

18.M0265152
PCB:RFID-AFE:K

5.M0263205
TONER SUPPLY U
NIT:C

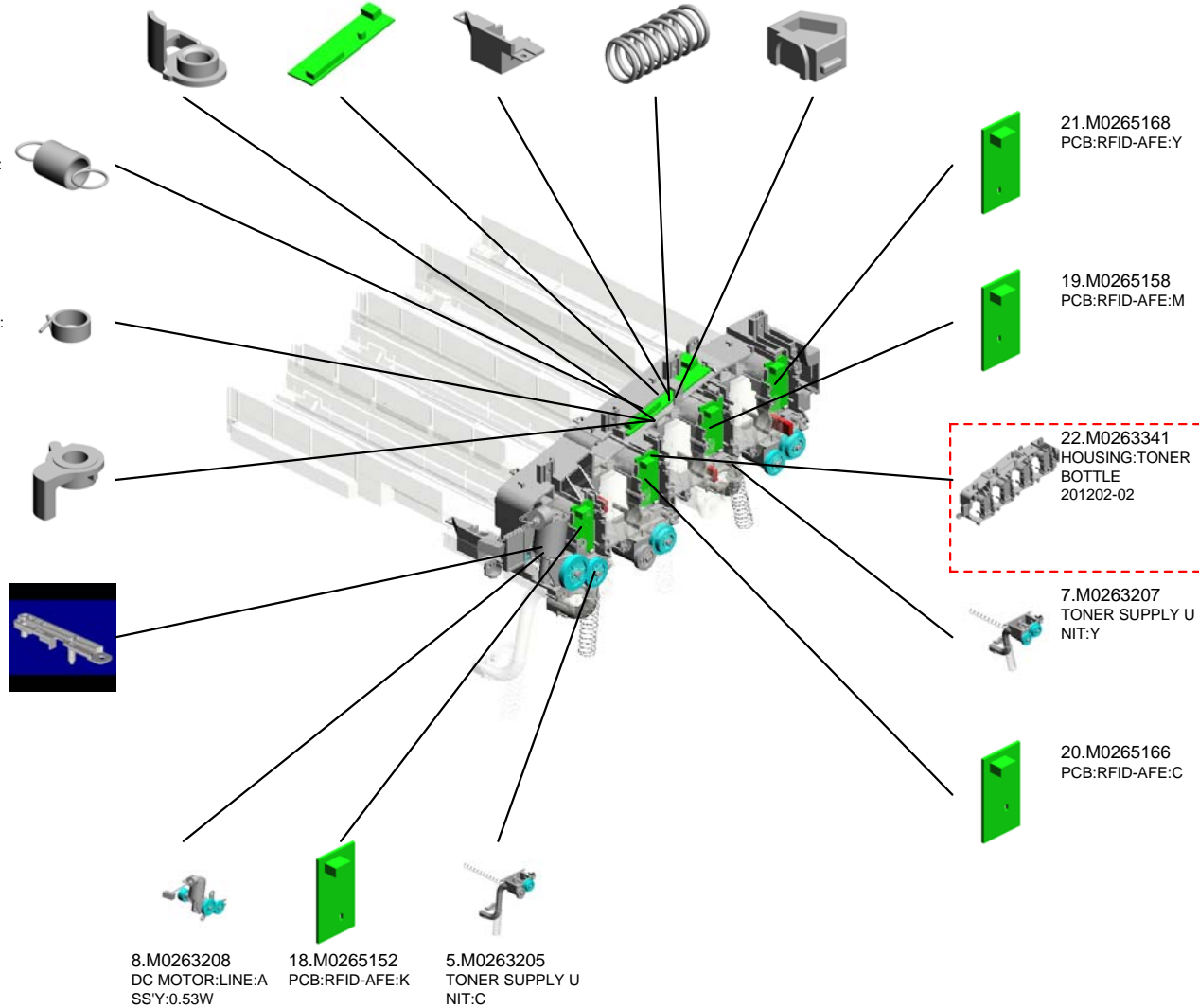
21.M0265168
PCB:RFID-AFE:Y

19.M0265158
PCB:RFID-AFE:M

22.M0263341
HOUSING:TONER
BOTTLE
201202-02

7.M0263207
TONER SUPPLY U
NIT:Y

20.M0265166
PCB:RFID-AFE:C



U007_S001
TONER SUPPLY UNIT: BK

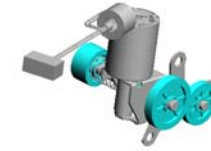
2.07200030E
(x3)
RETAINING RING -
M3



4.M0263204
TONER SUPPLY U
NIT: BK

U007_S002
DC MOTOR:LINE:ASS'Y:0.53W

1.03530030N
(x2)
SCREW:M3X3



8.M0263208
DC MOTOR:LINE:A
SS'Y:0.53W



2.07200030E
(x3)
RETAINING RING -
M3



WWW.SERVICE-MANUAL.NET

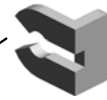
U001	U002	U003	U004	U005	U006	U007	U008	U009	U010	U011	U012	U013	U014	U015	U016	U017
------	------	------	------	------	------	------	------	------	------	------	------	------	------	------	------	------

U007_S003
TONER SUPPLY UNIT:M

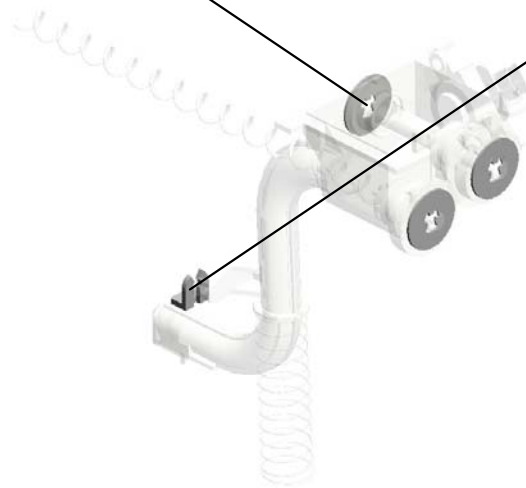
2.07200030E
(x3)
RETAINING RING -
M3



6.M0263206
TONER SUPPLY U
NIT:M

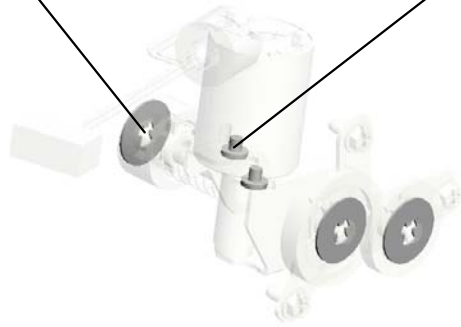


3.52062686
SNAP RING

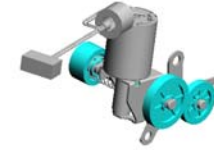


U007_S004
DC MOTOR:LINE:ASS'Y:0.53W

2.07200030E
(x3)
RETAINING RING -
M3



1.03530030N
(x2)
SCREW:M3X3



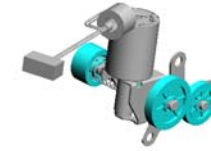
8.M0263208
DC MOTOR:LINE:A
SS'Y:0.53W

WWW.SERVICE-MANUAL.NET

U001	U002	U003	U004	U005	U006	U007	U008	U009	U010	U011	U012	U013	U014	U015	U016	U017
------	------	------	------	------	------	------	------	------	------	------	------	------	------	------	------	------

U007_S005
DC MOTOR:LINE:ASS'Y:0.53W

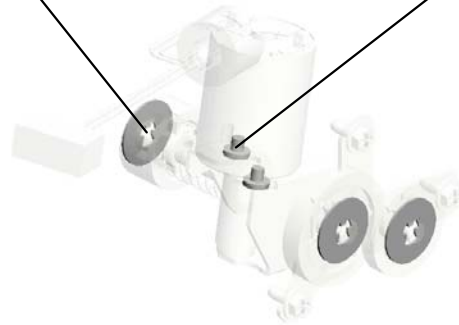
2.07200030E
(x3)
RETAINING RING -
M3



8.M0263208
DC MOTOR:LINE:A
SS'Y:0.53W



1.03530030N
(x2)
SCREW:M3X3



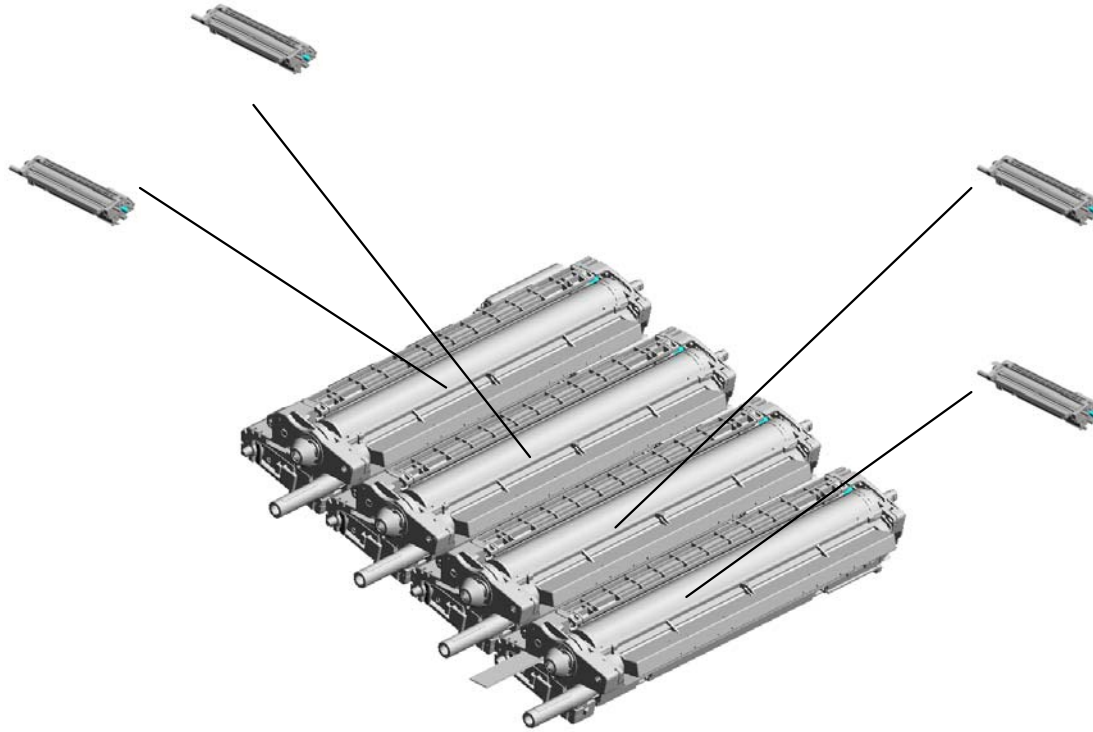
U008.PCU

U008_S003
M0262022
PCDU:M:NA:SUPPLY:ASS'Y

U008_S004
M0262023
PCDU:Y:NA:SUPPLY:ASS'Y

U008_S002
M0262021
PCDU:C:NA:SUPPLY:ASS'Y

U008_S001
M0262020
PCDU:BK:NA:SUPPLY:ASS'Y

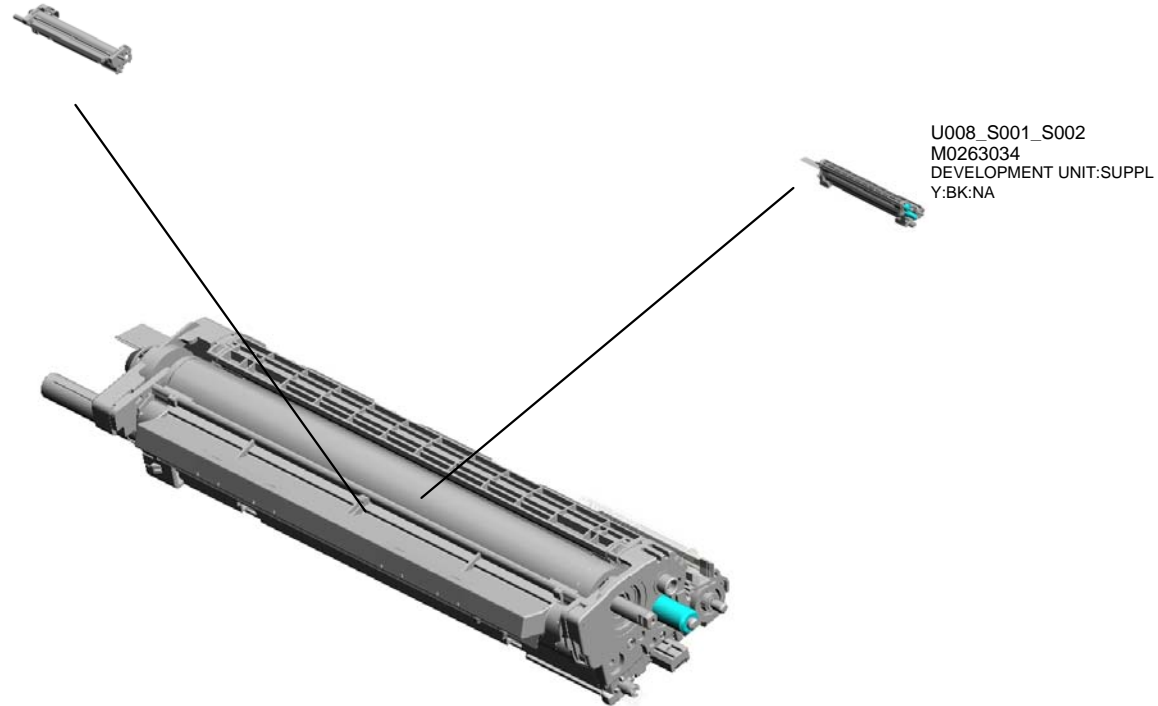


WWW.SERVICE-MANUAL.NET

U001	U002	U003	U004	U005	U006	U007	U008	U009	U010	U011	U012	U013	U014	U015	U016	U017
------	------	------	------	------	------	------	-------------	------	------	------	------	------	------	------	------	------

U008_S001.PCDU:BK:NA:SUPPLY:ASS'Y

U008_S001_S001
M0262024
PCU:BK:NA:NEW:ASS'Y



WWW.SERVICE-MANUAL.NET

U001	U002	U003	U004	U005	U006	U007	U008	U009	U010	U011	U012	U013	U014	U015	U016	U017
------	------	------	------	------	------	------	------	------	------	------	------	------	------	------	------	------

U008_S002.PCDU:C:NA:SUPPLY:ASS'Y

U008_S002_S001
M0262025
PCU:ZEUS-C1:CMY_NA:NEW
:ASS'Y



U008_S002_S002
M0263035
DEVELOPMENT UNIT:SUPPL
Y:C:NA



WWW.SERVICE-MANUAL.NET

U001	U002	U003	U004	U005	U006	U007	U008	U009	U010	U011	U012	U013	U014	U015	U016	U017
------	------	------	------	------	------	------	-------------	------	------	------	------	------	------	------	------	------

U008_S003.PCDU:M:NA:SUPPLY:ASS'Y

U008_S003_S001
M0262025
PCU:ZEUS-C1:CMY_NA:NEW
:ASS'Y



U008_S003_S002
M0263036
DEVELOPMENT UNIT:SUPPL
Y:M:NA



WWW.SERVICE-MANUAL.NET

U001	U002	U003	U004	U005	U006	U007	U008	U009	U010	U011	U012	U013	U014	U015	U016	U017
------	------	------	------	------	------	------	------	------	------	------	------	------	------	------	------	------

U008_S004.PCDU:Y:NA:SUPPLY:ASS'Y

U008_S004_S001
M0262025
PCU:ZEUS-C1:CMY_NA:NEW
:ASS'Y



U008_S004_S002
M0263037
DEVELOPMENT UNIT:SUPPL
Y:Y:NA



WWW.SERVICE-MANUAL.NET

U001	U002	U003	U004	U005	U006	U007	U008	U009	U010	U011	U012	U013	U014	U015	U016	U017
------	------	------	------	------	------	------	-------------	------	------	------	------	------	------	------	------	------

U008
PCU



U001	U002	U003	U004	U005	U006	U007	U008	U009	U010	U011	U012	U013	U014	U015	U016	U017
------	------	------	------	------	------	------	------	------	------	------	------	------	------	------	------	------

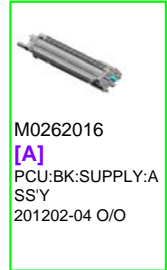
WWW.SERVICE-MANUAL.NET

U008_S001
PCDU:BK:NA:SUPPLY:ASS'Y

11.M0262255
KEY:COLLAR



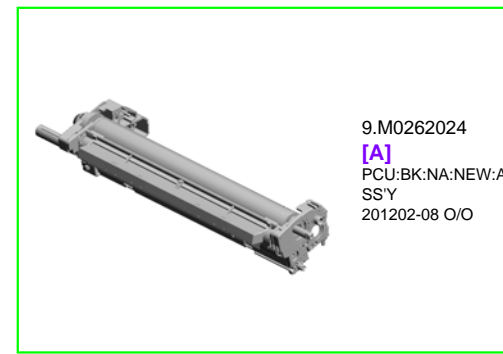
20.M0262020
[A]
PCDU:BK:NA:SUPP
LY:ASS'Y
201202-04 O/O



M0262016
[A]
PCU:BK:SUPPLY:A
SS'Y
201202-04 O/O

U008_S001_S001
PCU:BK:NA:NEW:ASS'Y

1.03530060N
(x2)
BIND SCREW - M3
X6



9.M0262024
[A]
PCU:BK:NA:NEW:A
SS'Y
201202-08 O/O



M0262014
[A]
PCU:BK:ASS'Y
201202-08 O/O

U008_S001_S002

DEVELOPMENT UNIT: SUPPLY: BK: NA

4.08050089 2.03603006N
RETAINING RING - (x2)
M4 SCREW - M3X6



3.07200030E
(x4)
RETAINING RING -
M3



16.M0263034
[A]
DEVELOPMENT U
NIT: SUPPLY: BK: NA
201202-10 O/O



M0263030
[A]
DEVELOPMENT U
NIT: BK
201202-10 O/O

U008_S002
PCDU:C:NA:SUPPLY:ASS'Y

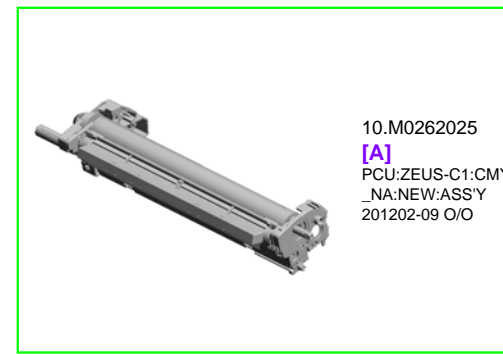
11.M0262255
KEY:COLLAR



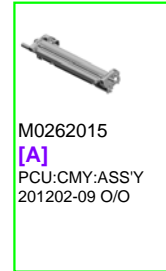
U001	U002	U003	U004	U005	U006	U007	U008	U009	U010	U011	U012	U013	U014	U015	U016	U017
------	------	------	------	------	------	------	------	------	------	------	------	------	------	------	------	------

U008_S002_S001
PCU:ZEUS-C1:CMY_NA:NEW:ASS'Y

1.03530060N
(x2)
BIND SCREW - M3
X6



10.M0262025
[A]
PCU:ZEUS-C1:CMY
_NA:NEW:ASS'Y
201202-09 O/O



M0262015
[A]
PCU:CMY:ASS'Y
201202-09 O/O

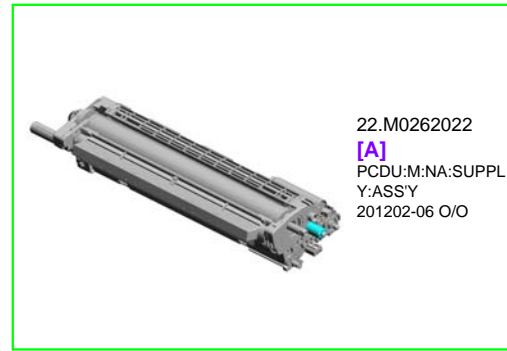
U008_S002_S002
DEVELOPMENT UNIT: SUPPLY: C: NA

4.08050089 2.03603006N
RETAINING RING - (x2)
M4 SCREW - M3X6

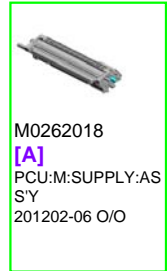


U008_S003
PCDU:M:NA:SUPPLY:ASS'Y

11.M0262255
KEY:COLLAR



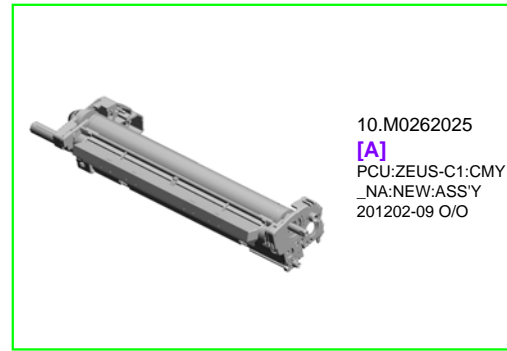
22.M0262022
[A]
PCDU:M:NA:SUPPL
Y:ASS'Y
201202-06 O/O



M0262018
[A]
PCU:M:SUPPLY:AS
S'Y
201202-06 O/O

U008_S003_S001
PCU:ZEUS-C1:CMY_NA:NEW:ASS'Y

1.03530060N
(x2)
BIND SCREW - M3
X6



U008_S003_S002
DEVELOPMENT UNIT: SUPPLY: M: NA

4.08050089 2.03603006N
RETAINING RING - (x2)
M4 SCREW - M3X6



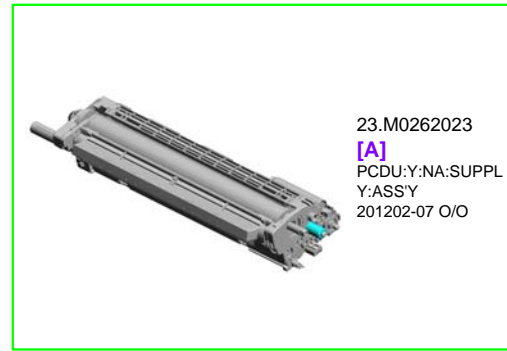
18.M0263036
[A]
DEVELOPMENT U
NIT: SUPPLY: M: NA
201202-12 O/O



M0263032
[A]
DEVELOPMENT U
NIT: M
201202-12 O/O

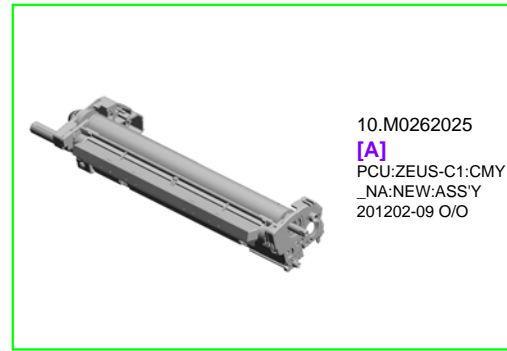
U008_S004
PCDU:Y:NA:SUPPLY:ASS'Y

11.M0262255
KEY:COLLAR



U008_S004_S001
PCU:ZEUS-C1:CMY_NA:NEW:ASS'Y

1.03530060N
(x2)
BIND SCREW - M3
X6



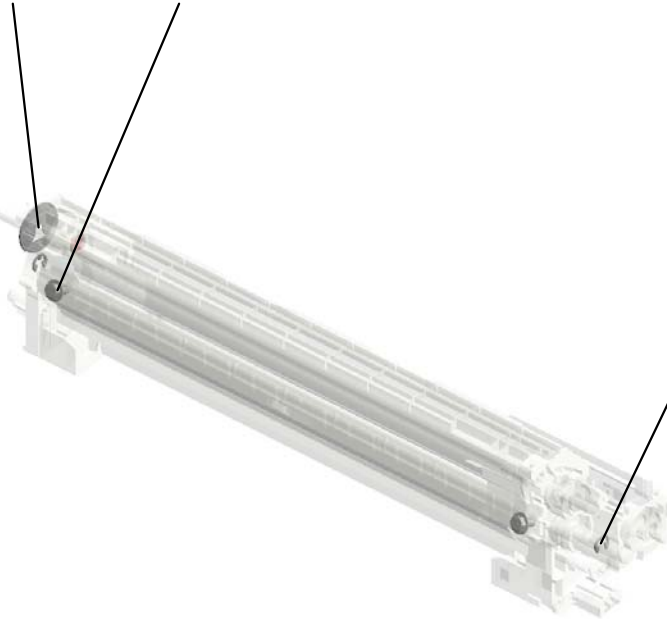
10.M0262025
[A]
PCU:ZEUS-C1:CMY
_NA:NEW:ASS'Y
201202-09 O/O



M0262015
[A]
PCU:CMY:ASS'Y
201202-09 O/O

U008_S004_S002
DEVELOPMENT UNIT: SUPPLY: Y: NA

4.08050089 2.03603006N
RETAINING RING - (x2)
M4 SCREW - M3X6



3.07200030E
(x4)
RETAINING RING -
M3



19.M0263037
[A]
DEVELOPMENT U
NIT: SUPPLY: Y: NA
201202-13 O/O



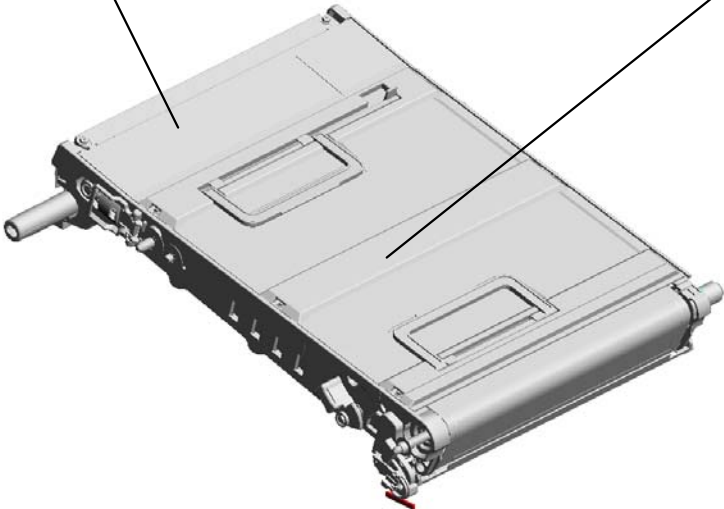
M0263033
[A]
DEVELOPMENT U
NIT: Y
201202-13 O/O

U009.ITB CLEANING

U009_S001
M0263800
CLEANING UNIT:ITB



U009_S002
M0266000
TRANSFER UNIT



U001	U002	U003	U004	U005	U006	U007	U008	U009	U010	U011	U012	U013	U014	U015	U016	U017
------	------	------	------	------	------	------	------	-------------	------	------	------	------	------	------	------	------

U009
ITB CLEANING



WWW.SERVICE-MANUAL.NET

U001	U002	U003	U004	U005	U006	U007	U008	U009	U010	U011	U012	U013	U014	U015	U016	U017
------	------	------	------	------	------	------	------	------	------	------	------	------	------	------	------	------

U009_S001
CLEANING UNIT:ITB

1.AA082101
BUSHING - 6X10X6

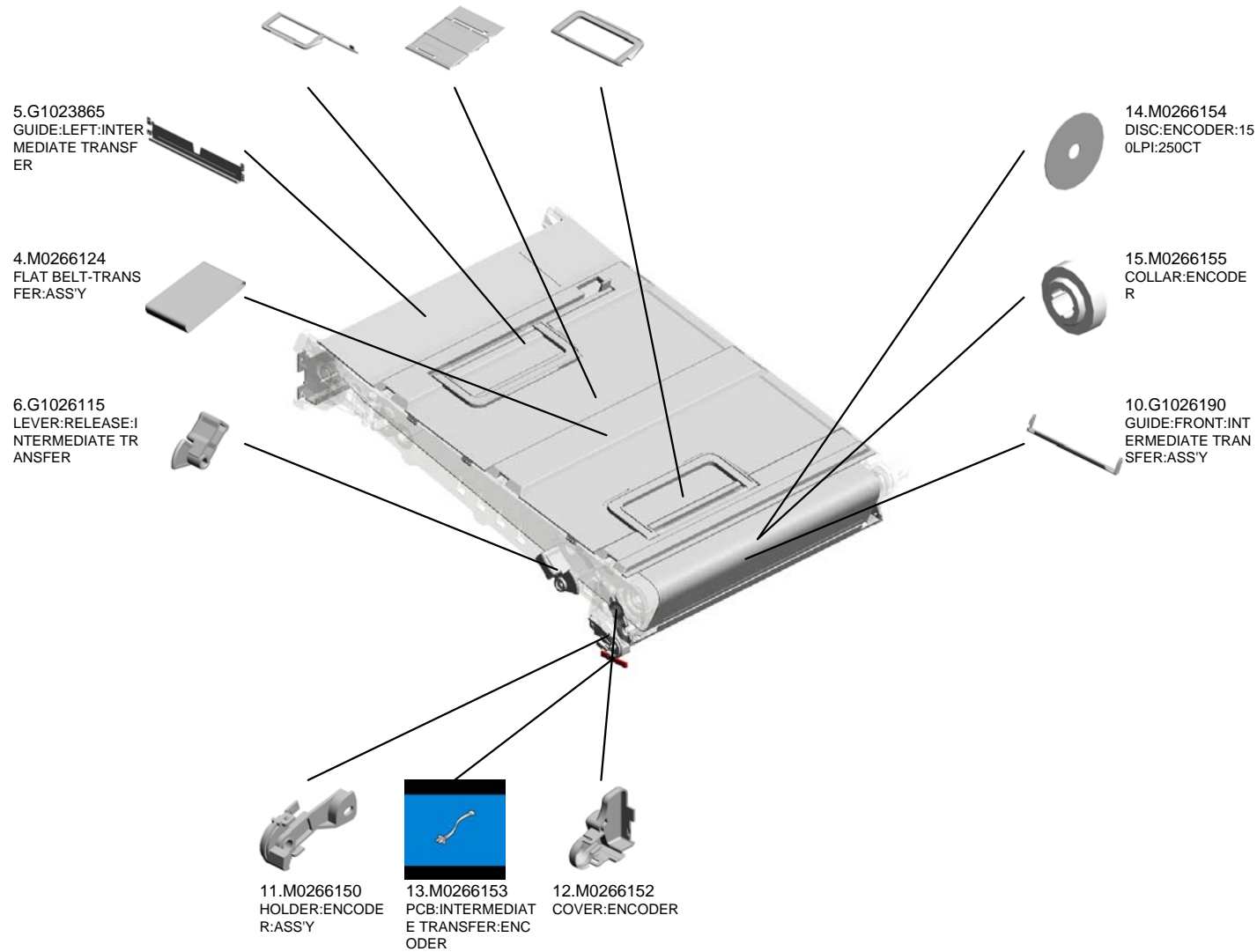
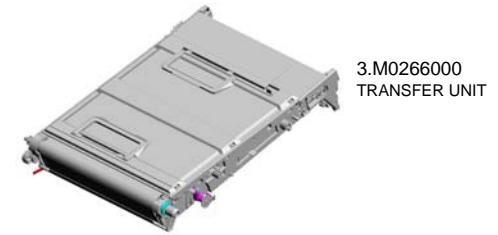


2.M0263800
CLEANING UNIT:IT
B

U001	U002	U003	U004	U005	U006	U007	U008	U009	U010	U011	U012	U013	U014	U015	U016	U017
------	------	------	------	------	------	------	------	------	------	------	------	------	------	------	------	------

U009_S002 TRANSFER UNIT

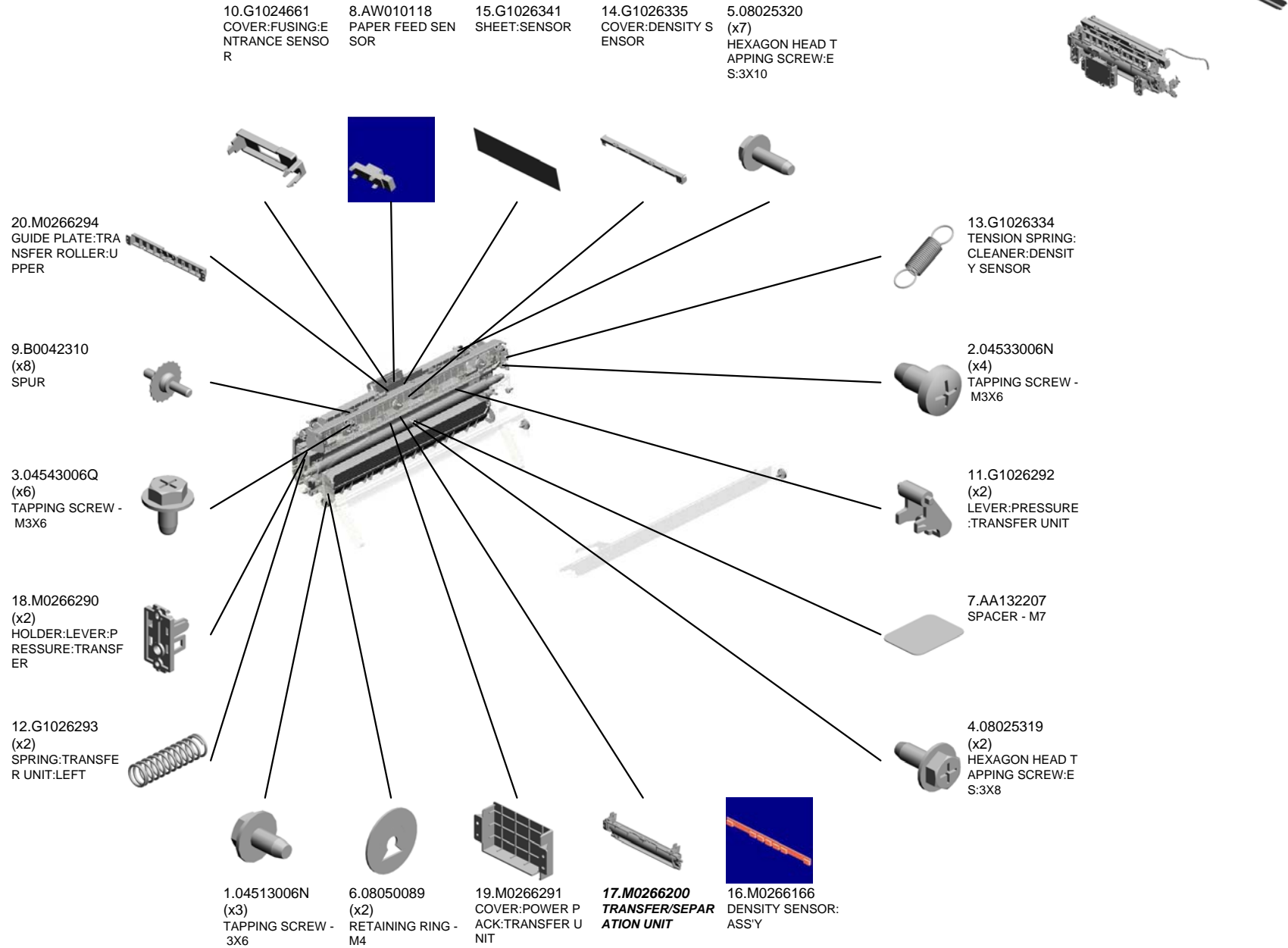
7.G1026136 GRIP:INTERMEDIATE TRANSFER:LEFT
 9.G1026140 COVER:INTERMEDIATE TRANSFER
 8.G1026137 GRIP:INTERMEDIATE TRANSFER:RIGHT



WWW.SERVICE-MANUAL.NET

U001	U002	U003	U004	U005	U006	U007	U008	U009	U010	U011	U012	U013	U014	U015	U016	U017
------	------	------	------	------	------	------	------	------	------	------	------	------	------	------	------	------

U010 IMAGE TRANSFER



WWW.SERVICE-MANUAL.NET

U001	U002	U003	U004	U005	U006	U007	U008	U009	U010	U011	U012	U013	U014	U015	U016	U017
------	------	------	------	------	------	------	------	------	-------------	------	------	------	------	------	------	------

U010 IMAGE TRANSFER

32.M0266365
DECAL:WARNING (HIGH VOLTAGE)

25.M0266329
SHUTTER:DENSITY SENSOR

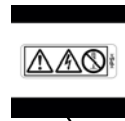
21.M0266295
SPRING PLATE:DISHCHARGE



26.M0266332
INSULATING SHEET:DENSITY SENSOR

30.M0266355
GUIDE:POSITIONING:REAR

31.M0266356
GROUND PLATE:TRANSFER:SECOND

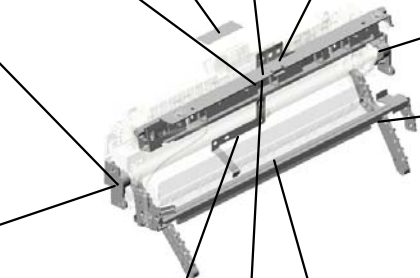


29.M0266354
GUIDE:POSITIONING:FRONT



23.M0266301 (x2)
LEVER:ON-OFF:TRANSFER UNIT

28.M0266351
RAIL:CLEANING UNIT



22.M0266296
GROUND PLATE:POWER SOURCE:TRANSFER

27.M0266333
HOLDER:DENSITY SENSOR

24.M0266302
RAIL:MAIN:ASSY

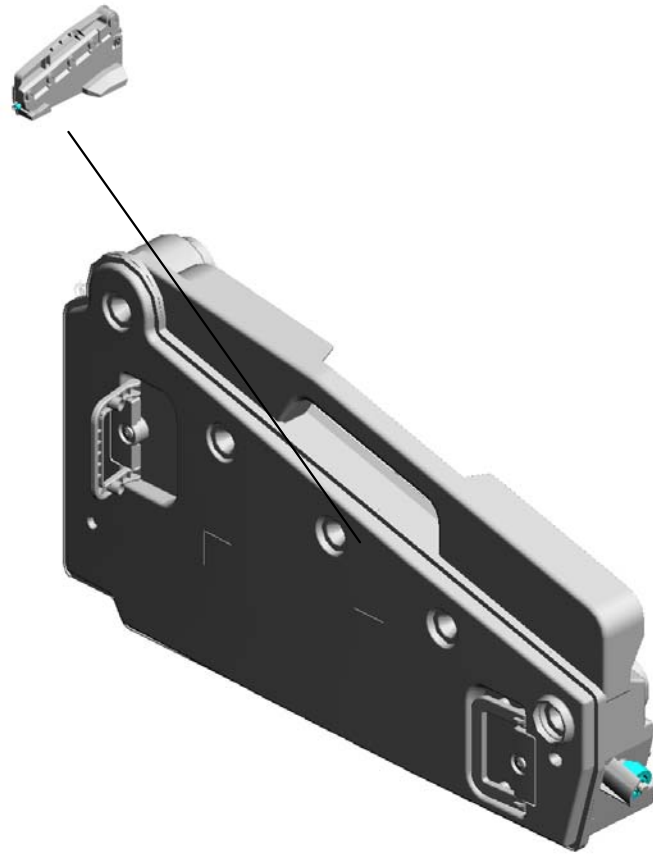


WWW.SERVICE-MANUAL.NET

U001	U002	U003	U004	U005	U006	U007	U008	U009	U010	U011	U012	U013	U014	U015	U016	U017
------	------	------	------	------	------	------	------	------	------	------	------	------	------	------	------	------

U011.USED TONER

U011_S001
M0226400
WASTE TONER BOTTLE



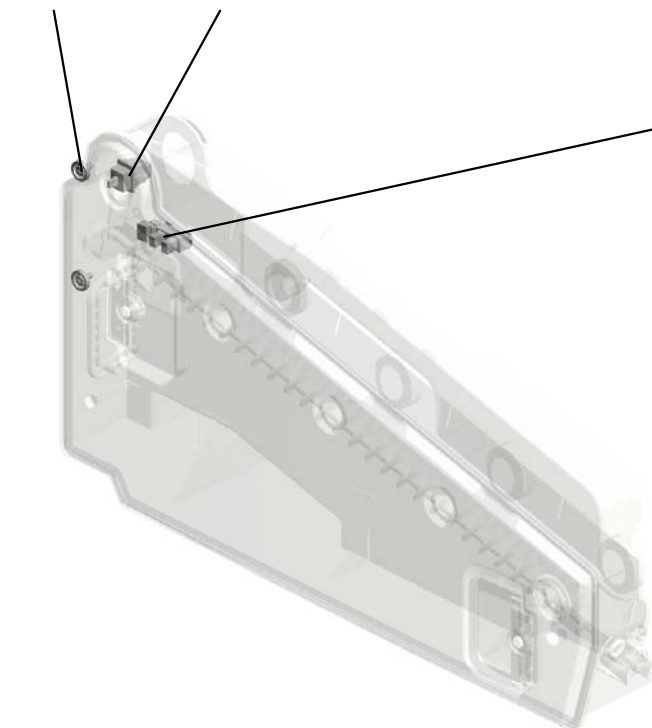
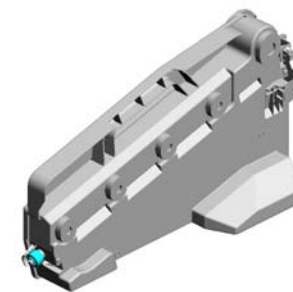
WWW.SERVICE-MANUAL.NET

U001	U002	U003	U004	U005	U006	U007	U008	U009	U010	U011	U012	U013	U014	U015	U016	U017
------	------	------	------	------	------	------	------	------	------	------	------	------	------	------	------	------

U011 USED TONER

1.04513006N
(x2)
TAPPING SCREW -
3X6

4.AW500023
PUSH SWITCH



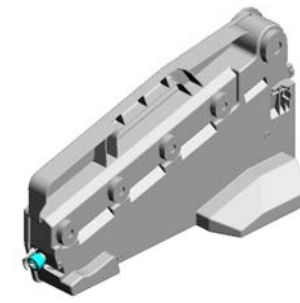
WWW.SERVICE-MANUAL.NET

U001	U002	U003	U004	U005	U006	U007	U008	U009	U010	U011	U012	U013	U014	U015	U016	U017
------	------	------	------	------	------	------	------	------	------	------	------	------	------	------	------	------

U011_S001
WASTE TONER BOTTLE

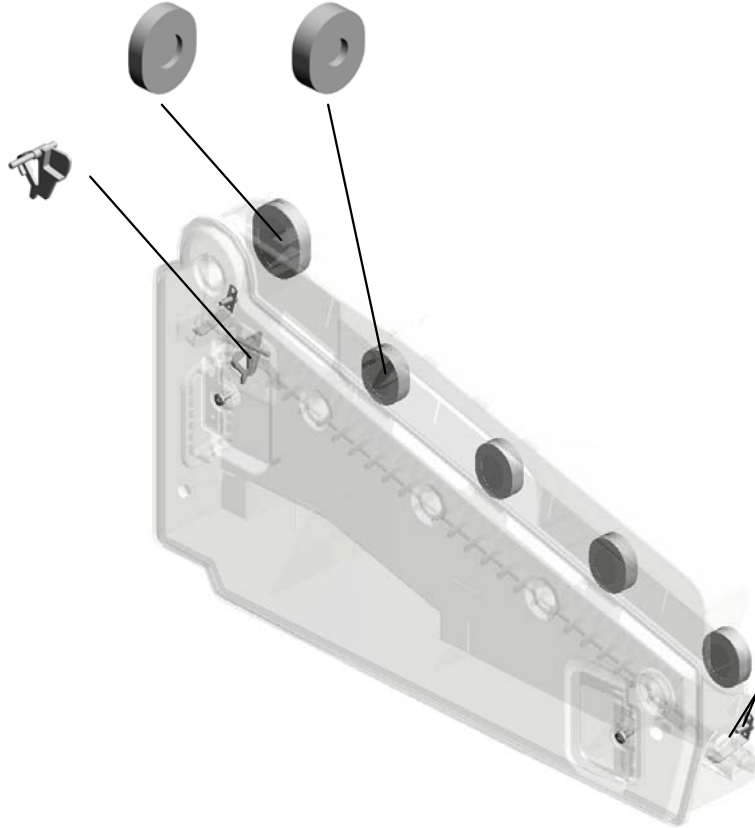
9.M0266467
ENTRANCE SEAL:
COLLECTION BOT
TLE:INTERMEDIAT
E TRANSFER:ASS'
Y

6.GA152022
(x4)
ENTRANCE SEAL:
COLLECTION BOT
TLE:PCU:ASS'Y



5.M0226400
WASTE TONER BO
TTLE

7.M0266463
FEELER:USED TO
NER SENSOR



2.08025317
(x4)
BINDING HEAD TA
PPING SCREW:ES:
3X8

8.M0266464
(x2)
SPRING PLATE:SE
T:COLLECTION BO
TTLE

U012.FUSING

U012_S001
M0264011
FUSING UNIT:NA:SERVICE



WWW.SERVICE-MANUAL.NET

U001	U002	U003	U004	U005	U006	U007	U008	U009	U010	U011	U012	U013	U014	U015	U016	U017
------	------	------	------	------	------	------	------	------	------	------	------	------	------	------	------	------

U012_S001.FUSING UNIT:NA:SERVICE

U012_S001_S001
M0264295
FUSING COVER:RIGHT:ASS'
Y



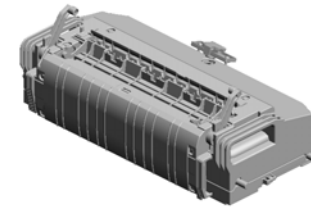
WWW.SERVICE-MANUAL.NET

U001	U002	U003	U004	U005	U006	U007	U008	U009	U010	U011	U012	U013	U014	U015	U016	U017
------	------	------	------	------	------	------	------	------	------	------	------	------	------	------	------	------

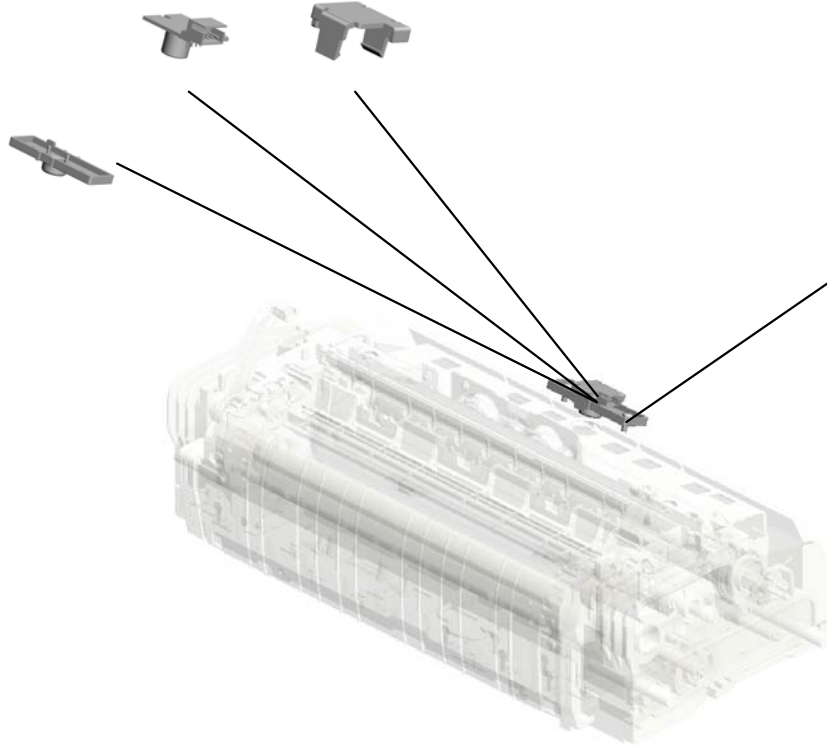
U012 FUSING

37.AW100106
THERMOPILE

45.B2384366
LENS COVER



44.B2384365
LENS HOLDER

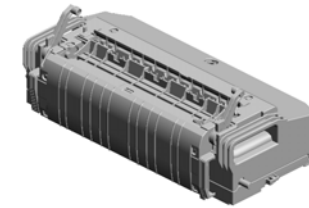


8.08046127
(x2)
HEXAGONAL BOLT
:DOUBLE SCREW:
M3X8

WWW.SERVICE-MANUAL.NET

U001	U002	U003	U004	U005	U006	U007	U008	U009	U010	U011	U012	U013	U014	U015	U016	U017
------	------	------	------	------	------	------	------	------	------	------	------	------	------	------	------	------

U012_S001 FUSING UNIT:NA:SERVICE



47.M0264011
FUSING UNIT:NA:SERVICE

- 17.AA143792 (x2) SCREW:DRAWER
- 13.AA061035 (x2) COIL SPRING:PRE SSURE:55N
- 15.AA063461 (x2) COMPRESSION SPRING:BELT TENSIONER
- 5.07250200E (x2) RETAINING RING C - M20
- 10.09543010N SCREW:POLISHED ROUND/SPRING:M 3X10

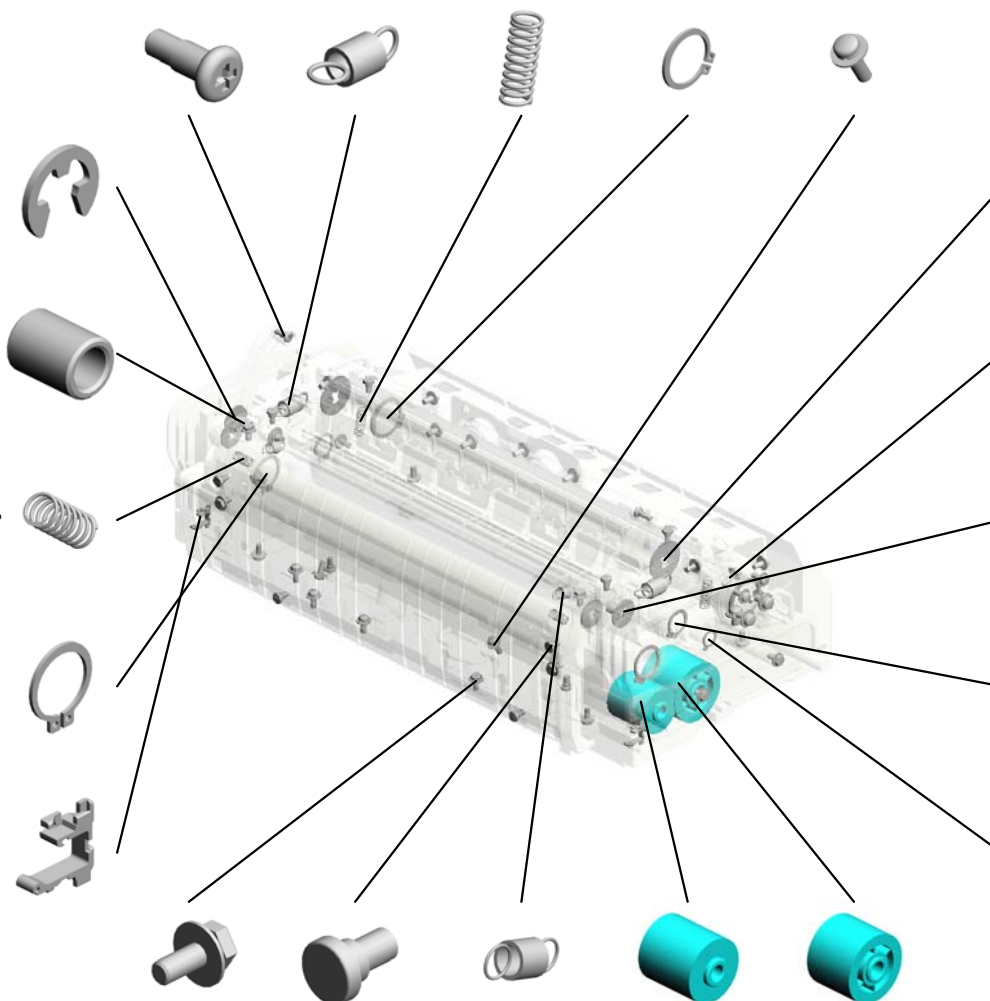
1.07200030E (x4) RETAINING RING - M3

7.07330408 (x2) BUSHING:4X8

14.AA063460 (x2) COMPRESSION SPRING:OIL SUPPLY ROLLER

4.07250170E (x2) RETAINING RING C - M17

11.11050551 (x2) CLAMP:LES-0505



2.07200040E (x2) RETAINING RING - M4

9.08046128 HEXAGONAL BOLT :DOUBLE SCREW: M3X10

16.AA143593 (x2) SCREW:M4X4

3.07250120E (x2) RETAINING RING C - M12

6.07270080E RETAINING RING - M8

8.08046127 (x31) HEXAGONAL BOLT :DOUBLE SCREW: M3X8

18.AA143867 (x11) SCREW:DIA4:M3

12.AA060989 (x2) SPRING:FUSING EXIT:PRESSURE

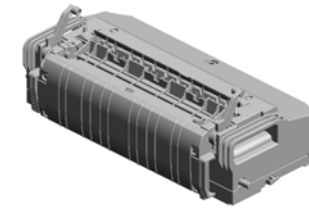
20.AB012064 GEAR:IDLER:Z23

19.AB012063 GEAR:IDLER:FUSING UNIT:Z31

WWW.SERVICE.MANUAL.NET

U001	U002	U003	U004	U005	U006	U007	U008	U009	U010	U011	U012	U013	U014	U015	U016	U017
------	------	------	------	------	------	------	------	------	------	------	------	------	------	------	------	------

U012_S001
FUSING UNIT:NA:SERVICE



47.M0264011
FUSING UNIT:NA:SERVICE

27.AE030069
(x2)
BALL BEARING:DIA
12XDIA21X7

29.AE031045
(x2)
BUSHING - BELT T
ENSION ROLLER

25.AE020179
PRESSURE ROLLE
R

39.AW110090
THERMOSTAT:WE
LDING

34.AE040075
ROLLER:BELT TEN
SIONER

28.AE030074
(x2)
BALL BEARING:DIA
17XDIA26X5

30.AE031061
FRONT BUSHING -
OIL SUPPLY ROLL
ER

33.AE040074
OIL SUPPLY ROLL
ER:DIA18

35.AE042087
CLEANING ROLLE
R:OIL SUPPLY RO
LLER

40.AW110093
THERMOSTAT:WE
LDING

38.AW100129
THERMISTOR:PRE
SSURE

23.AE010076
HOT ROLLER

31.AE031062
REAR BUSHING -
OIL SUPPLY ROLL
ER

24.AE012037
HEAT ROLLER

21.AB012065
GEAR:PRESSURE
ROLLER:Z27

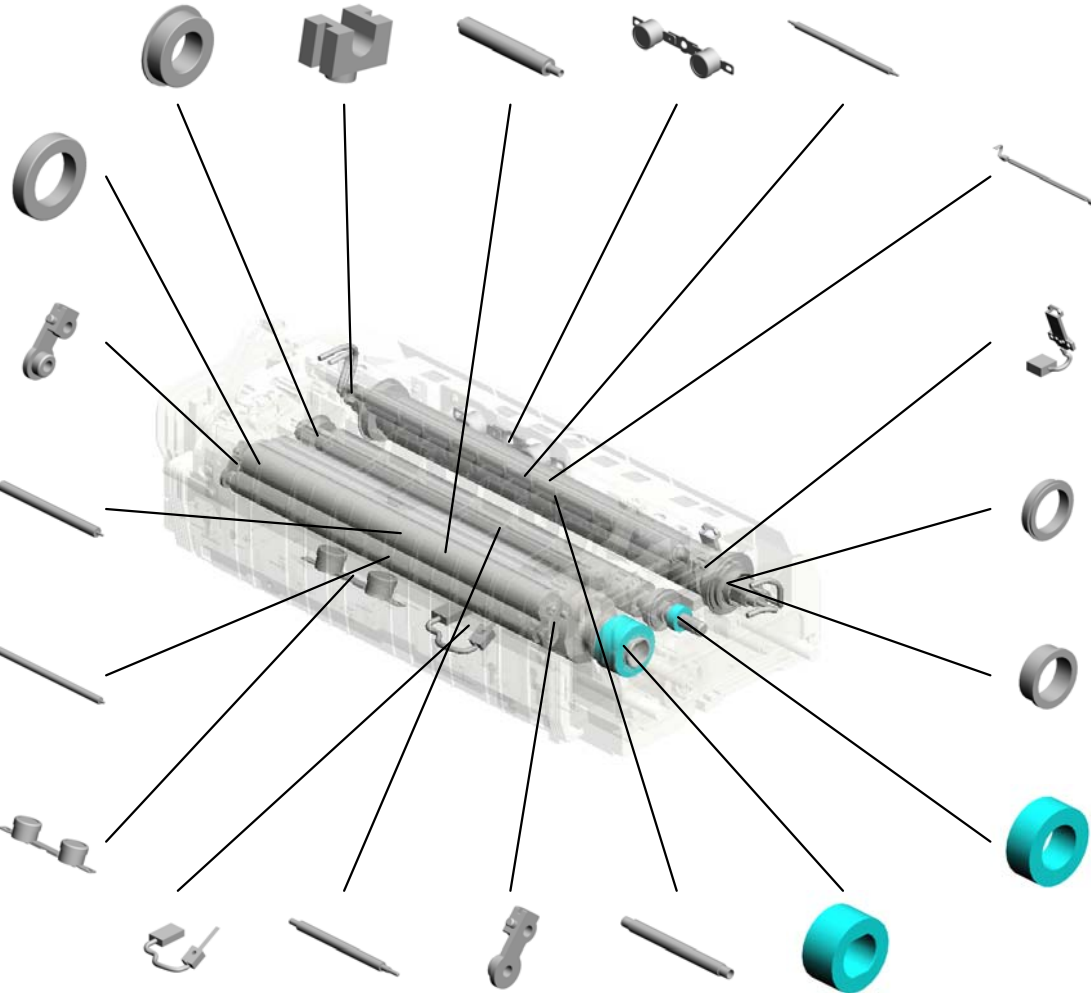
41.AX440311
HEATER:120V:550
W/450W

36.AW100105
THERMISTOR:FUSI
NG

26.AE030066
(x2)
BALL BEARING:MM
25XMM32X7

32.AE032030
(x2)
BUSHING - 20X25

22.AB012066
GEAR:HOT ROLLE
R:MECHANICAL R
OLLER CLUTCH:Z2
5



WWW.SERVICE-MANUAL.NET

U001	U002	U003	U004	U005	U006	U007	U008	U009	U010	U011	U012	U013	U014	U015	U016	U017
------	------	------	------	------	------	------	------	------	------	------	------	------	------	------	------	------

U012_S001
FUSING UNIT:NA:SERVICE

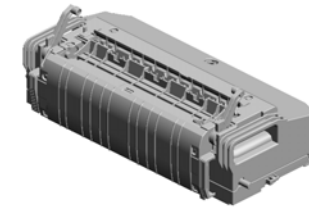
46.G1024203
(x2)
ROLLER:LEVER:PRESSURE

48.M0264041
(x2)
TORSION SPRING:STRIPPER PLATE

57.M0264245
BRACKET:HEATER:FUSING:FRONT

64.M0264291
GUIDE PLATE:FUSING:EXIT:ASSY

50.M0264163
HOUSING:THERMOSTAT



47.M0264011
FUSING UNIT:NA:SERVICE

54.M0264206
LEVER:PRESSURE RELEASE:FRONT

43.B2384197
(x2)
LEVER:LOCK:PRESSURE

60.M0264253
BRACKET:HEATER:PRESSURE:FRONT

53.M0264198
LEVER:PRESSURE:FRONT

51.M0264167
HOUSING:THERMOSTAT:PRESSURE

52.M0264172
(x2)
ELECTRODE PLATE:THERMOSTAT

42.AX440312
HEATER:120V:300W

62.M0264283
FUSING ENTRANCE GUIDE PLATE

63.M0264287
FUSING COVER:LOWER

55.M0264218
LEVER:PRESSURE:REAR

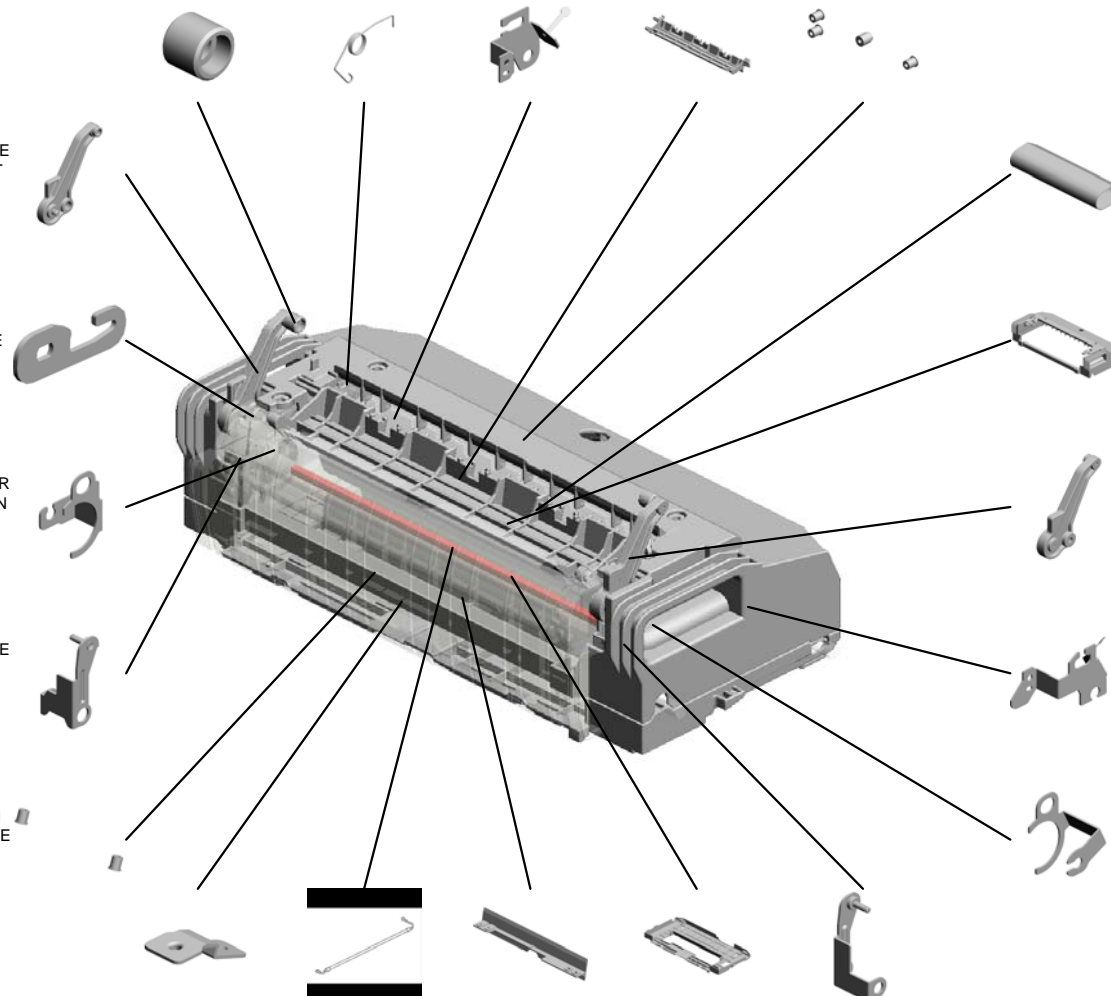
49.M0264106
FUSING BELT

61.M0264280
FUSING COVER:UPPER

56.M0264226
LEVER:PRESSURE RELEASE:REAR

58.M0264247
BRACKET:HEATER:FUSING:REAR

59.M0264252
BRACKET:HEATER:PRESSURE:REAR

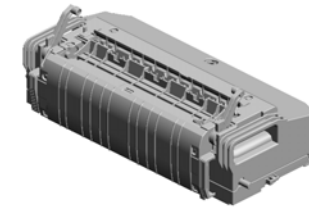


WWW.SERVICE-MANUAL.NET

U001	U002	U003	U004	U005	U006	U007	U008	U009	U010	U011	U012	U013	U014	U015	U016	U017
------	------	------	------	------	------	------	------	------	------	------	------	------	------	------	------	------

U012_S001
FUSING UNIT:NA:SERVICE

72.M0264338 ELECTRODE PLAT
E:TERMINAL:PRES
SURE
74.M0264352 ELECTRODE PLAT
E:THERMOSTAT
69.M0264312 STRIPPER PLATE:
COAT



47.M0264011
FUSING UNIT:NA:S
ERVICE

77.M0264359
TERMINAL:PRESS
URE



75.M0264354
BRACKET:TERMIN
AL:PRESSURE



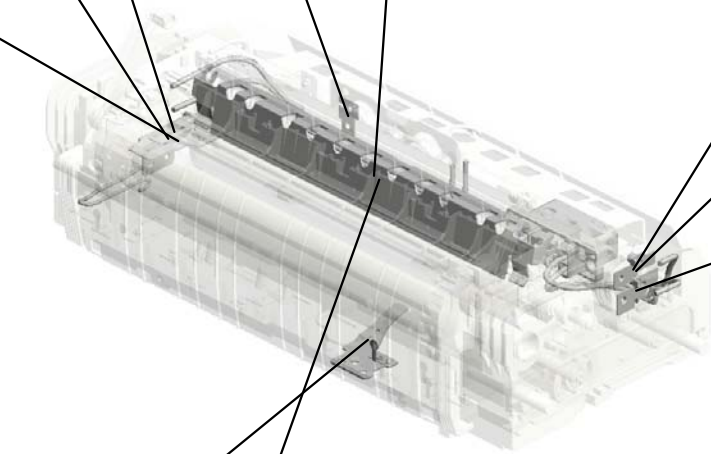
70.M0264336
ELECTRODE PLAT
E:REAR:M3



76.M0264357
TERMINAL:REAR



71.M0264337
ELECTRODE PLAT
E:REAR:M4



68.M0264308 BRACKET:THERMI
STOR:PRESSURE:
ASSY
73.M0264349 HARNESS:FUSING
UNIT:NA



WWW.SERVICE-MANUAL.NET

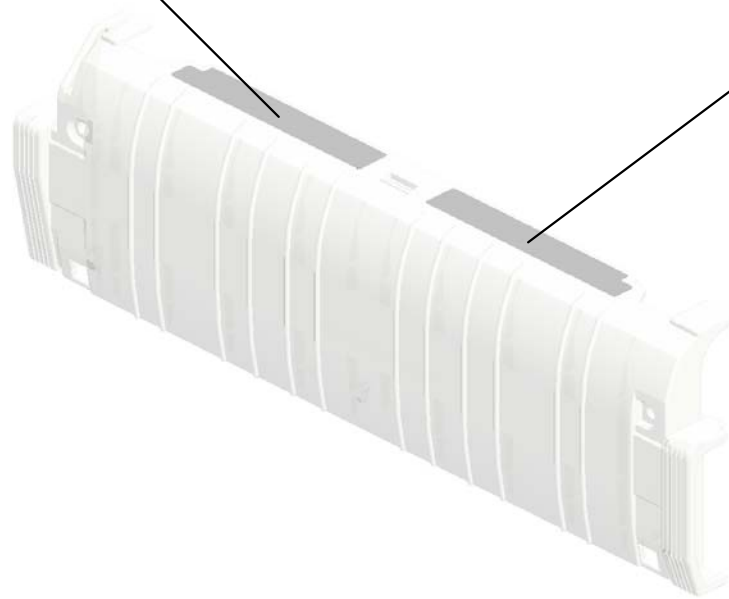
U001	U002	U003	U004	U005	U006	U007	U008	U009	U010	U011	U012	U013	U014	U015	U016	U017
------	------	------	------	------	------	------	------	------	------	------	------	------	------	------	------	------

U012_S001_S001
FUSING COVER:RIGHT:ASS'Y

66.M0264296
DECAL:H-TEMP W
ARNING:FUSING:1



65.M0264295
FUSING COVER:RI
GHT:ASS'Y

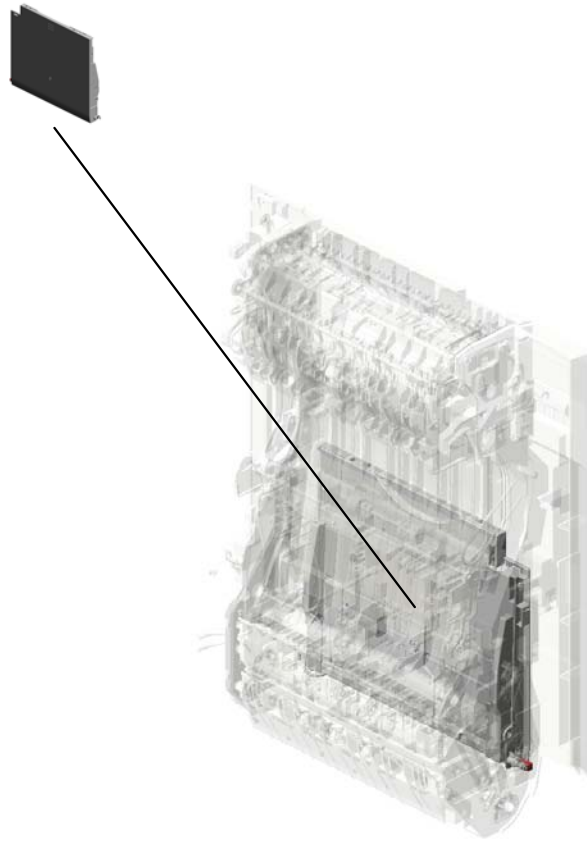


67.M0264299
DECAL:H-TEMP W
ARNING:FUSING:2



U013.DUPLEX

U013_S001
M0262640
MANUAL FEED TABLE:ASS'Y



WWW.SERVICE-MANUAL.NET

U001	U002	U003	U004	U005	U006	U007	U008	U009	U010	U011	U012	U013	U014	U015	U016	U017
------	------	------	------	------	------	------	------	------	------	------	------	------	------	------	------	------

U013 DUPLEX



- 7.08050089 (x19) RETAINING RING - M4
- 1.03530030N (x2) SCREW:M3X3
- 3.04513006N (x15) TAPPING SCREW - 3X6
- 5.08025320 (x2) HEXAGON HEAD TAPPING SCREW:E S:3X10
- 8.08050092 (x5) RETAINING RING - 3M

16.AA082101 (x9) BUSHING - 6X10X6

10.11050511 (x4) HARNESS CLAMP - LWS-0306ZC

2.04504008N TAPPING SCREW - M4X8

18.AA083014 ONE-WAY CLUTCH

20.AB011416 GEAR - 20Z

14.A2596754 BUSHING - 6 6MM

17.AA082102 (x2) BUSHING - 6X10X6

19.AB011252 GEAR - 20Z

13.54472681 (x2) SNAP RING

6.08046127 (x3) HEXAGONAL BOLT ;DOUBLE SCREW: M3X8

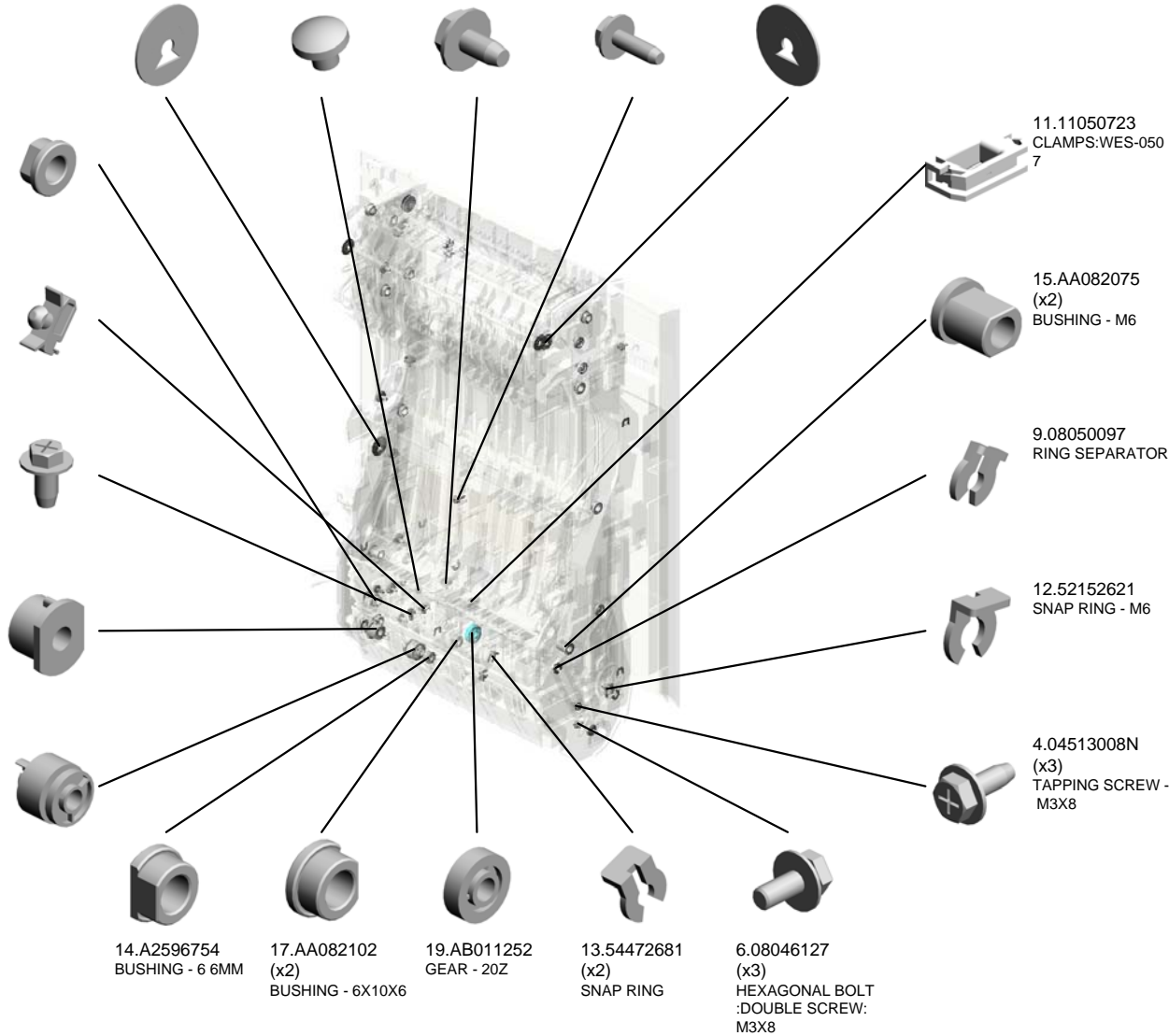
11.11050723 CLAMPS:WES-050 7

15.AA082075 (x2) BUSHING - M6

9.08050097 RING SEPARATOR

12.52152621 SNAP RING - M6

4.04513008N (x3) TAPPING SCREW - M3X8



WWW.SERVICE-MANUAL.NET

U013 DUPLEX

27.AW500023
PUSH SWITCH

26.AW020145
PHOTOINTERRUP
TOR:FLAT

36.B2234464
TIMING PULLEY:23
T

24.AG070516
(x2)
MAGNET CATCH:1
8N:ASS'Y

25.AW010107
(x3)
PAPER FEED SEN
SOR



37.B2234494
(x4)
STOPPER- UPPER
GATE PAWL

39.D0094485
(x4)
BUSHING - GATE

32.B2232676
(x2)
SPRING - 11N

42.G0602652
(x2)
BUSHING - M4

33.B2232689
GEAR:Z28

31.B2232608
GEAR:Z16

35.B2234433
(x5)
ROLLER - DIA16

34.B2234428
(x3)
ROLLER:GUIDE:PF
A

23.AF032046
SEPARATION ROL
LER - MANUAL FE
ED

22.AF031046
FEED ROLLER - M
ANUAL FEED

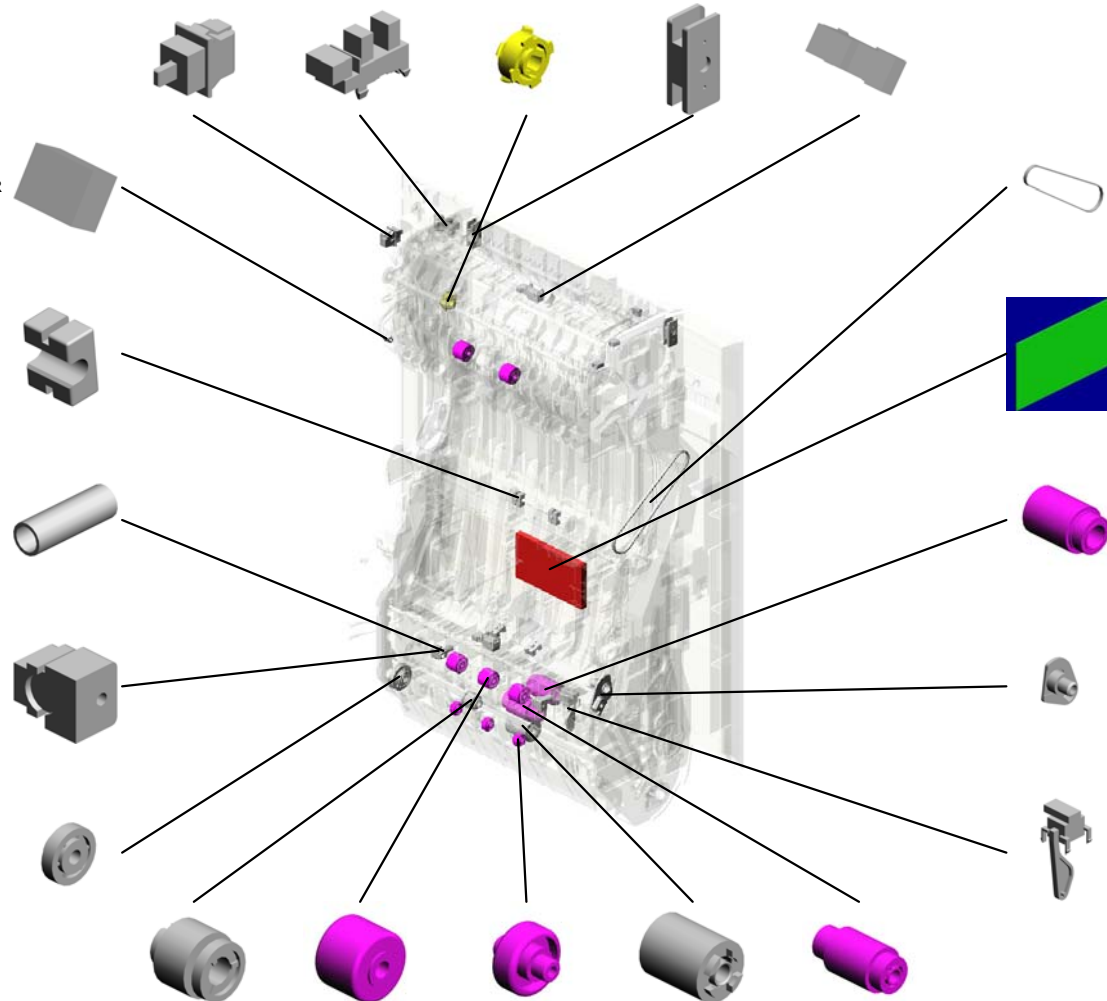
38.B2234536
TIMING BELT:30S2
M234

30.AZ300131
POWER PACK:D

21.AF030049
PICK-UP ROLLER

41.D0394539
GUIDE PLATE:GUI
DE PLATE:ROLLER
:DRIVEN

29.AW500035
PAPER END SENS
OR



WWW.SERVICE-MANUAL.NET

U001	U002	U003	U004	U005	U006	U007	U008	U009	U010	U011	U012	U013	U014	U015	U016	U017
------	------	------	------	------	------	------	------	------	------	------	------	-------------	------	------	------	------

U013 DUPLEX



- 52.M0262616 BRACKET:DC SOL
ENOID
- 53.M0262619 DC SOLENOID:PIC
KUP
- 54.M0262621 COIL SPRING:PRE
SSURE:PICKUP
- 61.M0262632 LINK:PAPER STOP
PER:MANUAL FEE
D
- 44.H0532208 BUSHING - M4

45.M0262602
GEAR:FEED:Z35



59.M0262629
GROUND PLATE:F
EED



56.M0262624
GROUND PLATE:M
ANUAL FEED



46.M0262603
SHAFT:FEED



51.M0262614
SHAFT:SEPARATO
R:DRIVE



49.M0262610
SHAFT:SEPARATO
R:DRIVEN:ASSY



60.M0262631
PAPER STOPPER:
MANUAL FEED



62.M0262633
SHAFT:PAPER ST
OPPER



43.G0802900
TORQUE LIMITER



48.M0262606
GUIDE:SEPARATE



58.M0262628
GUIDE:MANUAL FE
ED:UPPER



55.M0262622
COIL SPRING:PRE
SSURE RELEASE



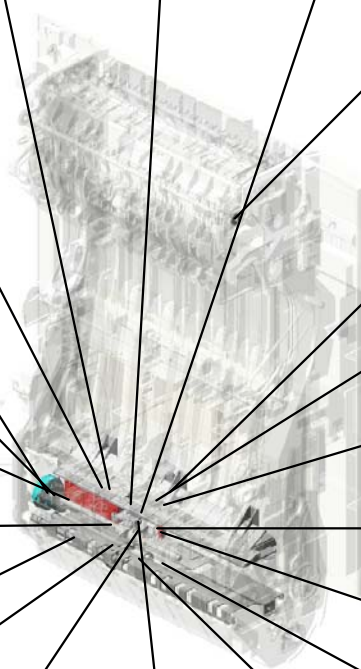
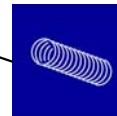
57.M0262627
COVER:GUIDE:MA
NUAL FEED:UPPE
R



47.M0262604
ARM:PICKUP



50.M0262612
COIL SPRING:PRE
SSURE:SEPARATO
R



U013 DUPLEX



93.M0264514
LINK:DUPLEX

83.M0262662
STOPPER:MANUAL
L FEED:REAR

92.M0264419
(x2)
DRIVEN ROLLER:D
IA16

94.M0264521
COVER:DUPLEX

80.M0262657
(x2)
SHEET:VERTICAL
TRANSPORT:SENS
OR

63.M0262634
SHAFT:LINK

65.M0262636
TORSION SPRING:
LINK

79.M0262656
GUIDE PLATE:VER
TICAL TRANSPOR
T:UPPER

64.M0262635
TORSION SPRING:
PAPER STOPPER

88.M0262667
(x2)
COIL SPRING:COV
ER:MANUAL FEED

76.M0262651
GUIDE PLATE:VER
TICAL TRANSPOR
T:LOWER

81.M0262658
SHAFT:DRIVEN:VE
RTICAL TRANSPO
RT

66.M0262637
COMPRESSION SP
RING:COVER

87.M0262666
COVER:MANUAL F
EED:LOWER

95.M0264529
LEVER:CONTACT
POINT:DUPLEX

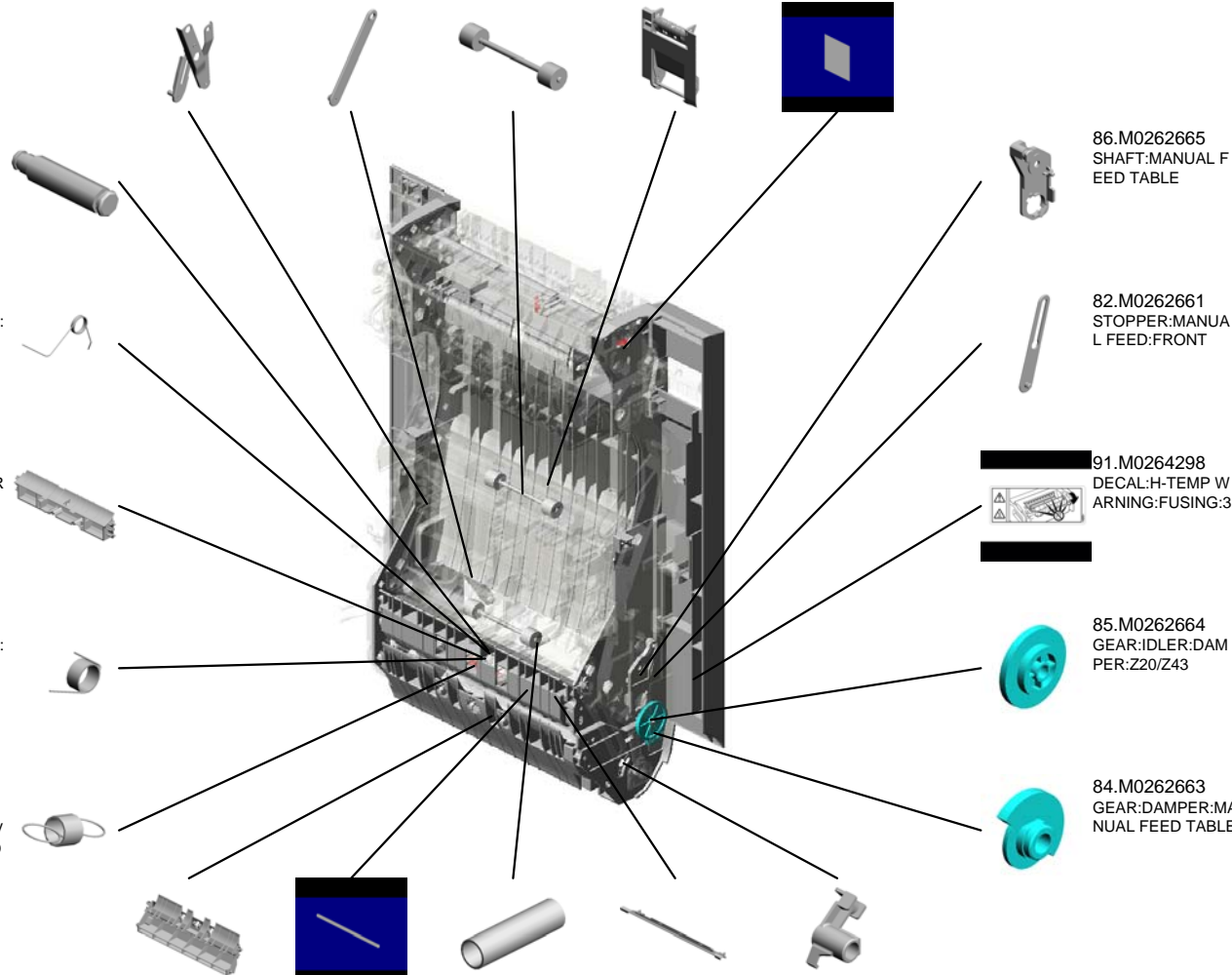
86.M0262665
SHAFT:MANUAL F
EED TABLE

82.M0262661
STOPPER:MANUA
L FEED:FRONT

91.M0264298
DECAL:H-TEMP W
ARNING:FUSING:3

85.M0262664
GEAR:IDLER:DAM
PER:Z20/Z43

84.M0262663
GEAR:DAMPER:MA
NUAL FEED TABLE



WWW.SERVICE-MANUAL.NET

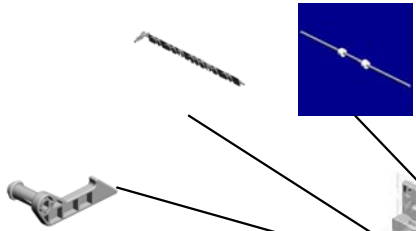
U001	U002	U003	U004	U005	U006	U007	U008	U009	U010	U011	U012	U013	U014	U015	U016	U017
------	------	------	------	------	------	------	------	------	------	------	------	------	------	------	------	------

U013 DUPLIX



- 113.M0264566 GATE PAWL:ENTRANCE:DUPLIX:ASY
- 106.M0264554 REVERSE ROLLER:UPPER
- 109.M0264558 (x6) ROLLER:DRIVEN:DA12
- 115.M0264569 GATE PAWL:TRAY:RIGHT
- 108.M0264557 GUIDE PLATE:COVER:RIGHT

101.M0264543 HOOK:STOPPER:DUPLIX:REAR



107.M0264555 REVERSE ROLLER:RIGHT



110.M0264559 STOPPER:DRIVEN ROLLER



111.M0264561 GUIDE PLATE:OPEN AND CLOSE



98.M0264538 INNER COVER:REAR:DUPLIX



103.M0264548 BUSHING:GUIDE:DUPLIX UNIT:SET:REAR



105.M0264553 TRANSPORT ROLLER:FEED PAPER AGAIN



96.M0264530 SHAFT:CONTACT POINT:DUPLIX



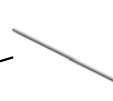
99.M0264539 ARM:FRONT



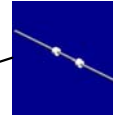
102.M0264547 BUSHING:GUIDE:DUPLIX UNIT:SET:FRONT



100.M0264541 SHAFT:HOOK:STOPPER



104.M0264552 (x2) TRANSPORT ROLLER:DUPLIX



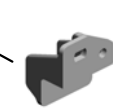
97.M0264531 SPACER:LINK:MANUAL FEED



112.M0264563 GUIDE PLATE:TRANSFER:HOLDER



114.M0264567 STOPPER:TRANSFER:HOLDER



U013 DUPLEX



- 129.M0264593 GEAR:PULLEY:R ROLLER:UPPER:Z22/T23
- 128.M0264592 TIMING BELT:REVERSE ROLLER:30S2M184
- 119.M0264578 GUIDE PLATE:UPPER:DUPLEX
- 132.M0264597 COVER:REVERSE:UPPER
- 135.M0264629 STAY:COVER:OPEN AND CLOSE:RIGHT

134.M0264628
GROUND PLATE:COVER:RIGHT



117.M0264573
GATE PAWL:UPPER



130.M0264594
SUPPORT PLATE:GUIDE PLATE:ASY



118.M0264576
SHAFT:DRIVEN:DUPLEX:EXIT



133.M0264627
SPRING PLATE:DAMPER:DUPLEX



125.M0264587
GEAR:FEED PAPER AGAIN:Z22



120.M0264581
GEAR:IDLER:Z40



127.M0264589
GEAR:COUPLING:MANUAL FEED:Z22/T22



121.M0264583
PULLEY:FEED PAPER AGAIN:T26



122.M0264584
TIMING BELT:TRANSPORT:30S2M330



123.M0264585
(x2)
PULLEY:TRANSPORT ROLLER:DUPLEX:T26



126.M0264588
TIMING BELT:TRANSPORT:30S2M174



124.M0264586
PULLEY:CONNECTING:T24/T24



116.M0264570
GUIDE PLATE:VERTICAL TRANSPORT:DUPLEX



131.M0264596
INNER COVER:FRONT:DUPLEX

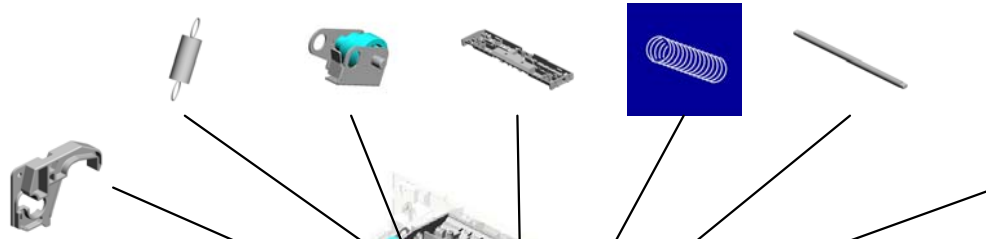


U013 DUPLEX



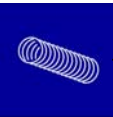
- 149.M0264655 COIL SPRING:BRACKET:GEAR:REVERSE
- 136.M0264631 BRACKET:GEAR:REVERSE
- 155.M0264673 GUIDE PLATE:REVERSE:UPPER
- 138.M0264635 (x2) COIL SPRING:ROLLER:OPEN AND CLOSE
- 154.M0264672 (x3) SHAFT:DRIVEN:ROLLER:DUPLEX:RIGHT

153.M0264671
ARM:PRESSURE RELEASE:REAR

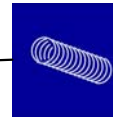


142.M0264640
TENSION SPRING:GATE PAWL:TRAY:RIGHT

137.M0264634
(x2)
COIL SPRING:ROLLER:OPEN AND CLOSE



141.M0264638
(x4)
COIL SPRING:ROLLER:REVERSE



151.M0264664
TORSION SPRING:DAMPER:DUPLEX:84N



143.M0264641
TENSION SPRING:GATE PAWL



150.M0264663
GEAR:DAMPER:DUPLEX



139.M0264636
LINK:GATE PAWL:UPPER



146.M0264644
GUIDE PLATE:LINK:DUPLEX:ASSY



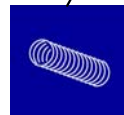
152.M0264669
ARM:PRESSURE RELEASE:FRONT



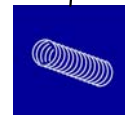
148.M0264652
GUIDE:GEAR:DUPLEX:MANUAL FEED



144.M0264642
(x2)
COIL SPRING:ROLLER:TRANSFER:5.5N



145.M0264643
(x2)
COIL SPRING:ROLLER:TRANSFER:3N



140.M0264637
TENSION SPRING:GATE PAWL:UPPER



147.M0264645
SUPPORTING PLATE:FRONT:DUPLEX



WWW.SERVICE-MANUAL.NET

U001	U002	U003	U004	U005	U006	U007	U008	U009	U010	U011	U012	U013	U014	U015	U016	U017
------	------	------	------	------	------	------	------	------	------	------	------	------	------	------	------	------

U013 DUPLIX



160.M0264682 SHAFT:GUIDE PLATE:TRANSFER:HOLDER
 159.M0264681 GUIDE:COVER:SENSOR:TRAY:RIGHT
 168.M0264696 TENSION SPRING:LEVER:DUPLIX
 169.M0264697 HOOK:STOPPER:DUPLIX:FRONT

161.M0264683 STOPPER:GUIDE PLATE:REAR

167.M0264695 TENSION SPRING:LEVER:TRANSFER

156.M0264674 GEAR:LINK:DUPLIX

158.M0264678 GROUND WIRE:DUPLIX:ENTRANCE:SENSOR

163.M0264686 DECAL:TRANSFER:HOLDER

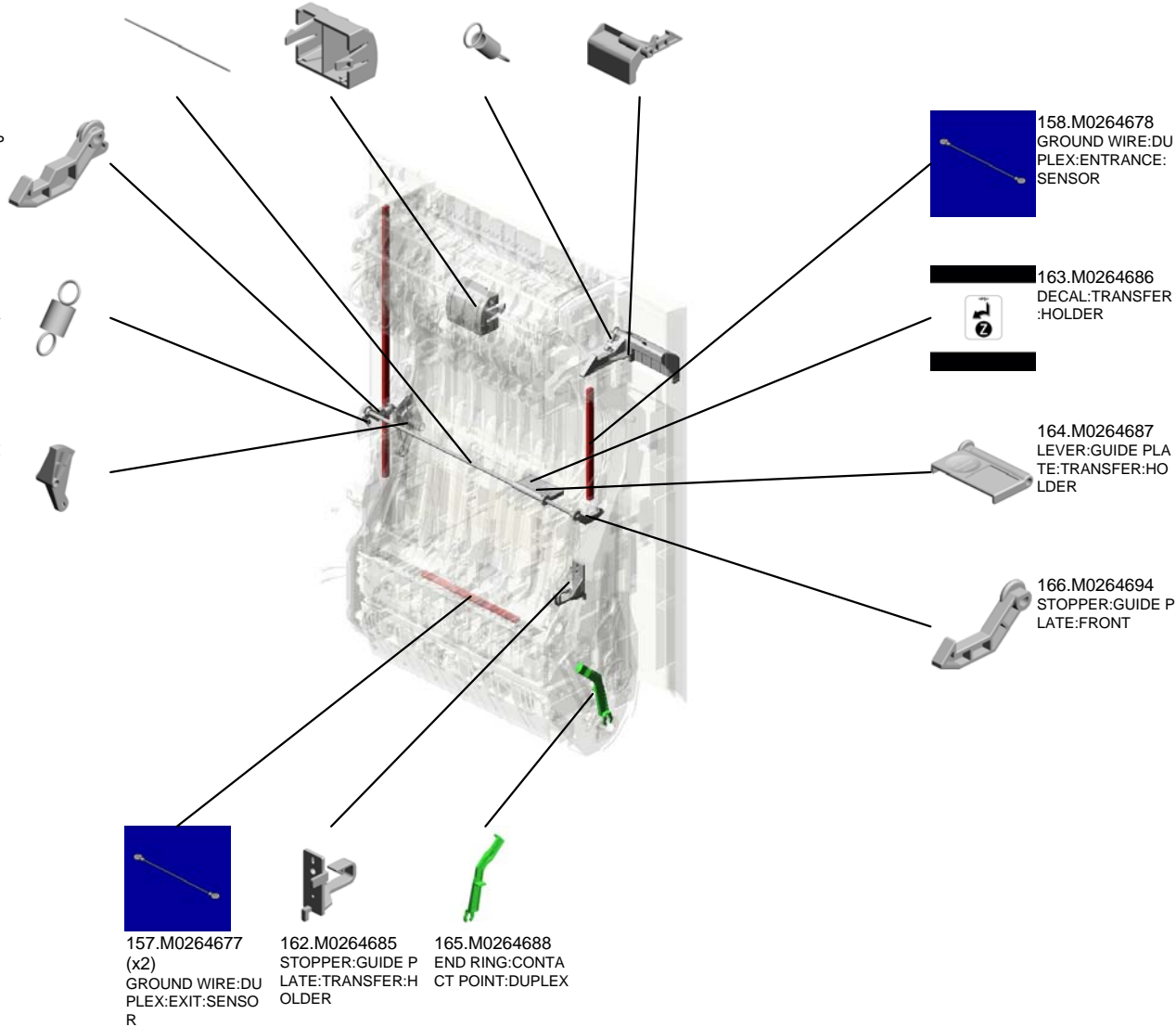
164.M0264687 LEVER:GUIDE PLATE:TRANSFER:HOLDER

166.M0264694 STOPPER:GUIDE PLATE:FRONT

157.M0264677 (x2) GROUND WIRE:DUPLIX:EXIT:SENSOR

162.M0264685 STOPPER:GUIDE PLATE:TRANSFER:HOLDER

165.M0264688 END RING:CONTACT POINT:DUPLIX



U013_S001
MANUAL FEED TABLE:ASS'Y

71.M0262645 (x2) RACK:MANUAL FEED
 89.M0262691 DECAL:SCALE:MANUAL FEED
 68.M0262642 COVER:MANUAL FEED
 72.M0262646 EXTENSION TRAY



67.M0262640
MANUAL FEED TABLE:ASS'Y

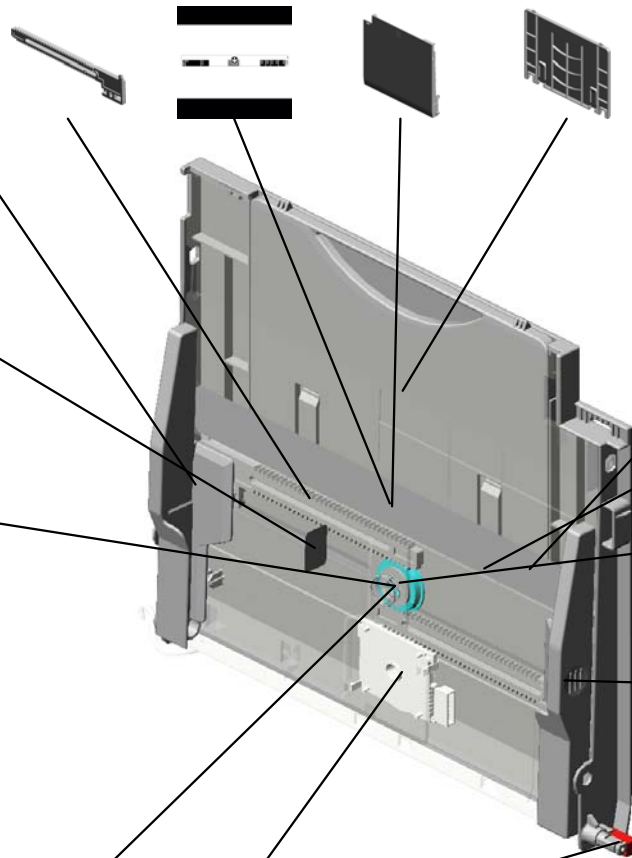
70.M0262644
SIDE FENCE:MANUAL FEED:REAR



90.M0262993
DECAL:SIDE FENCE:MANUAL FEED



40.D0392752
DISC:SIDE FENCE



75.M0262649 (x2)
COMPRESSION SPRING:EXTENSION TRAY:5N



78.M0262654
TENSION SPRING:SIDE FENCE:1N



73.M0262647
GEAR:SIDE FENCE



69.M0262643
SIDE FENCE:MANUAL FEED:FRONT

77.M0262653
COIL SPRING:SIDE FENCE



28.AW500031
PAPER SIZE SENSOR



74.M0262648
PIN:SIDE FENCE

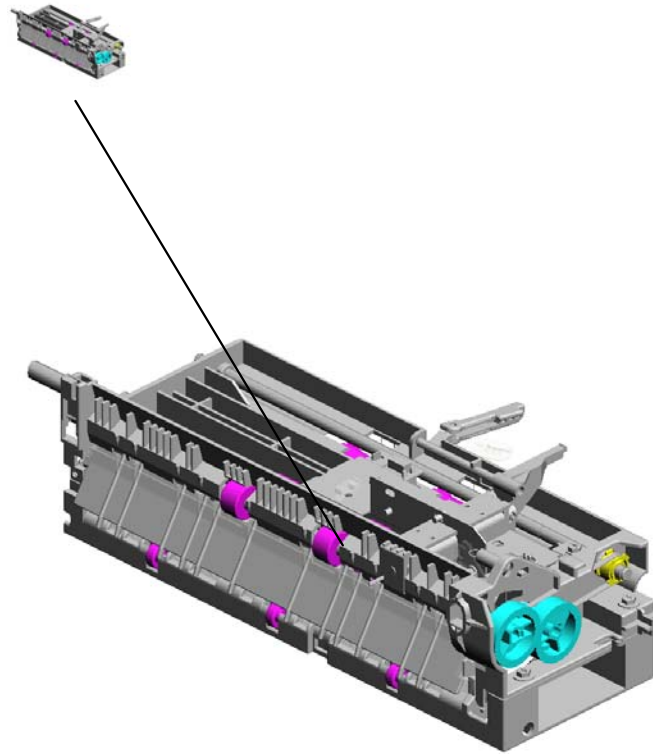


WWW.SERVICE-MANUAL.NET

U001	U002	U003	U004	U005	U006	U007	U008	U009	U010	U011	U012	U013	U014	U015	U016	U017
------	------	------	------	------	------	------	------	------	------	------	------	------	------	------	------	------

U014.PAPER EXIT

U014_S001
M0264410
PAPER EXIT UNIT:MAIN:ASS'
Y

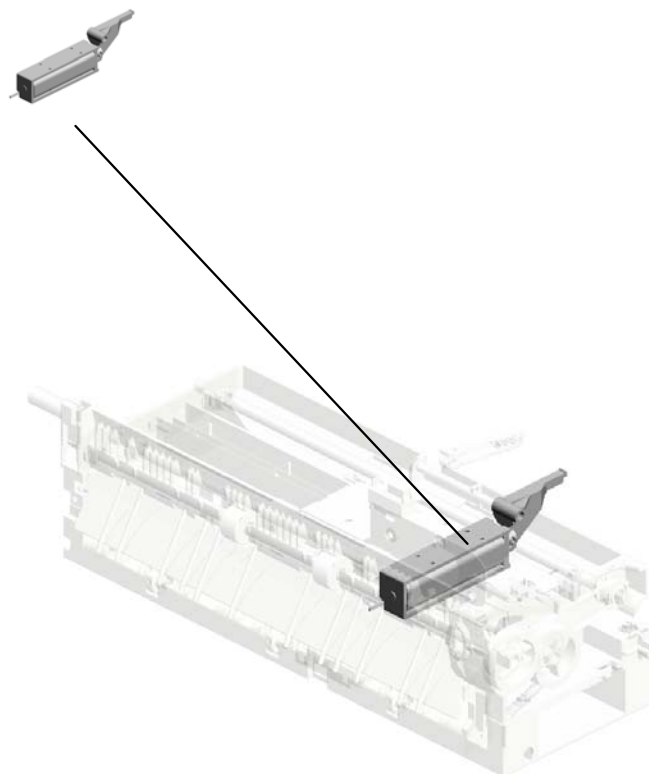


WWW.SERVICE-MANUAL.NET

U001	U002	U003	U004	U005	U006	U007	U008	U009	U010	U011	U012	U013	U014	U015	U016	U017
------	------	------	------	------	------	------	------	------	------	------	------	------	------	------	------	------

U014_S001.PAPER EXIT UNIT:MAIN:ASS'Y

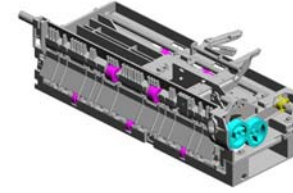
U014_S001_S001
M0264441
DC SOLENOID:EXIT:ASS'Y



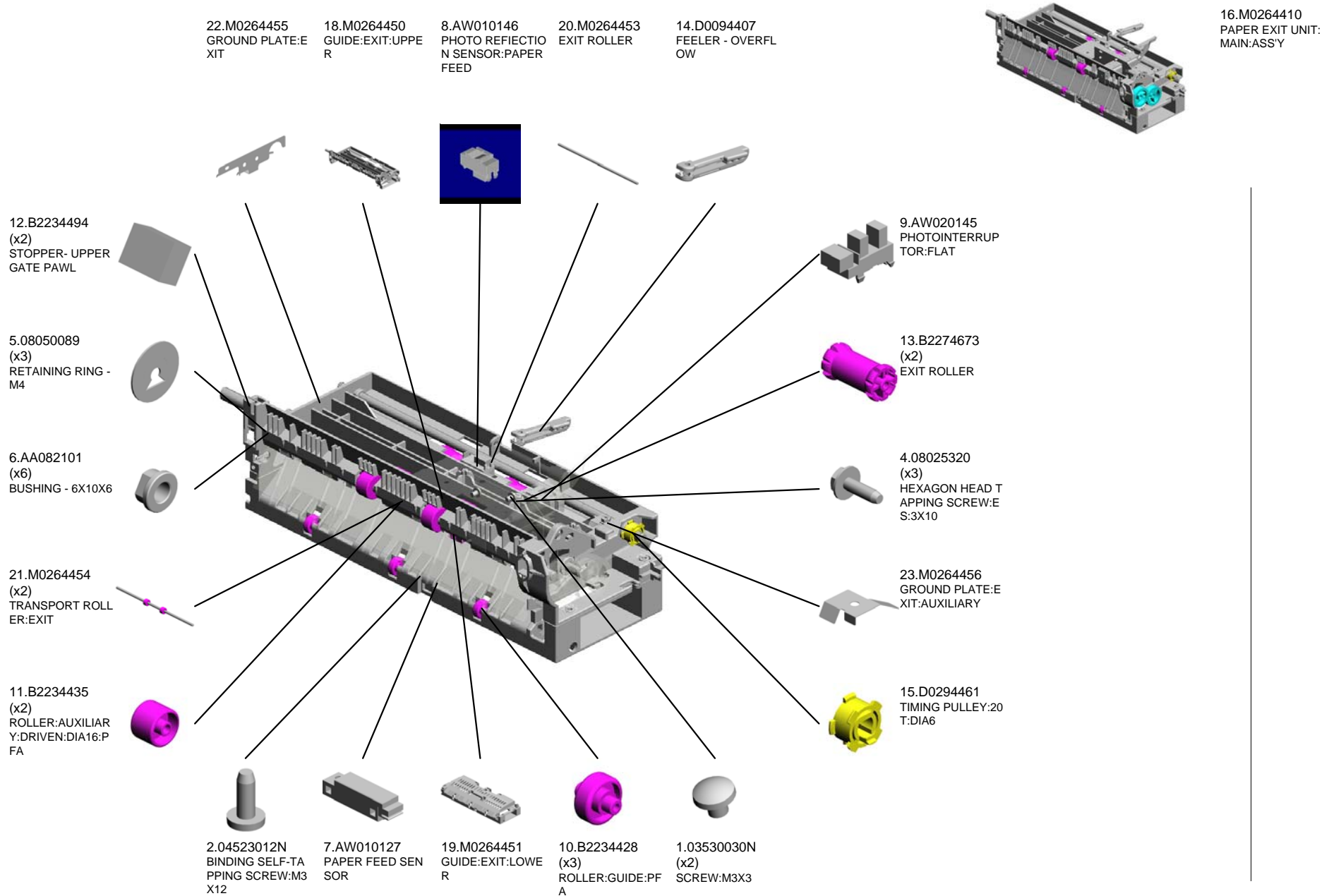
WWW.SERVICE-MANUAL.NET

U001	U002	U003	U004	U005	U006	U007	U008	U009	U010	U011	U012	U013	U014	U015	U016	U017
------	------	------	------	------	------	------	------	------	------	------	------	------	------	------	------	------

U014
PAPER EXIT



U014_S001 PAPER EXIT UNIT:MAIN:ASS'Y

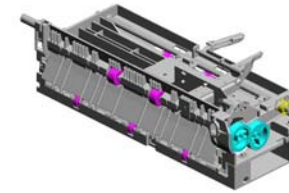


WWW.SERVICE-MANUAL.NET

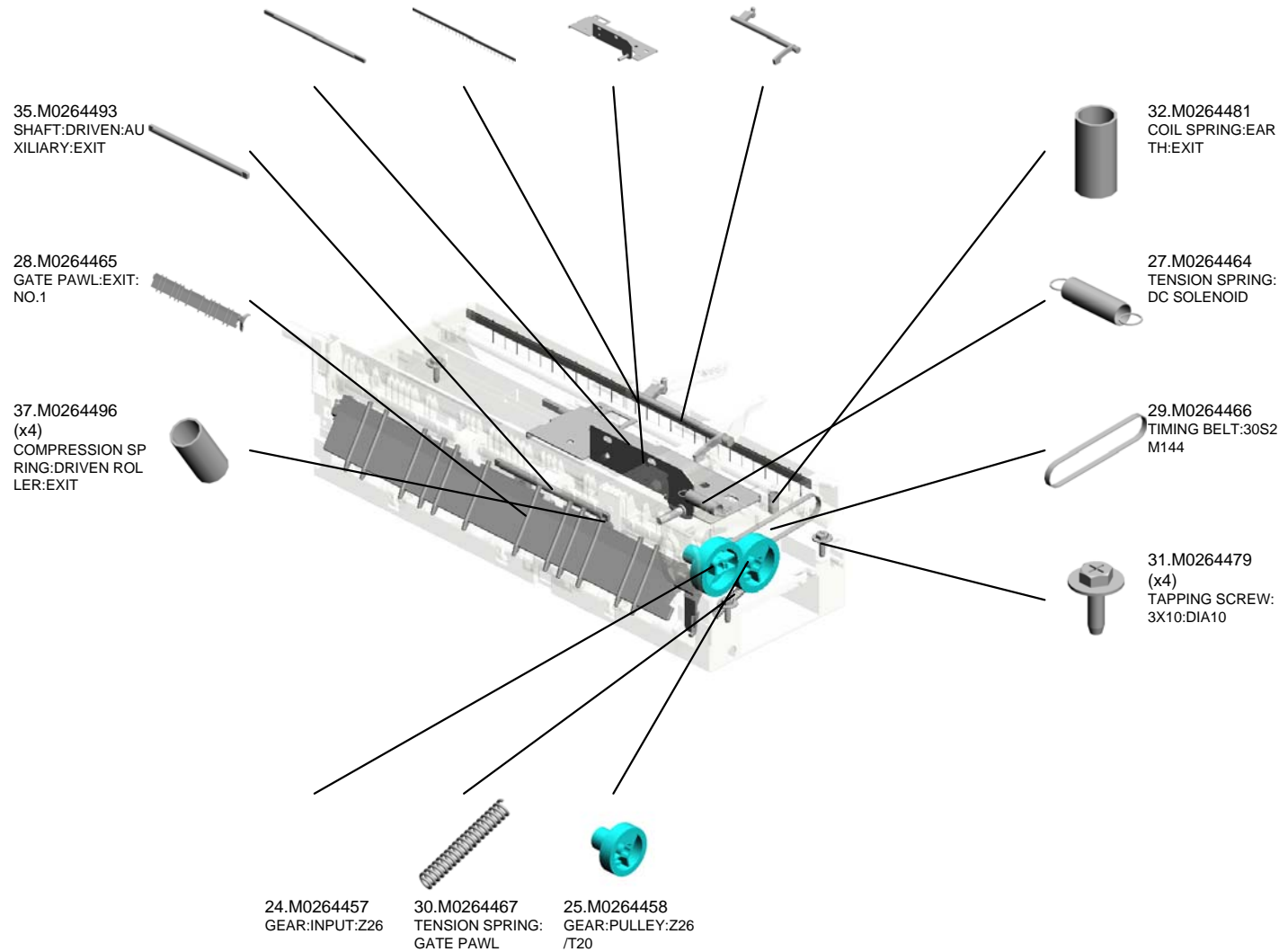
U001	U002	U003	U004	U005	U006	U007	U008	U009	U010	U011	U012	U013	U014	U015	U016	U017
------	------	------	------	------	------	------	------	------	------	------	------	------	------	------	------	------

U014_S001
PAPER EXIT UNIT:MAIN:ASS'Y

36.M0264494 SHAFT:DRIVEN:EXIT
34.M0264491 DISCHARGE BRUSH:EXIT
26.M0264461 BRACKET:SENSOR:DC SOLENOID
33.M0264483 SHAFT:FEELER:OVERFLOW



16.M0264410
PAPER EXIT UNIT:
MAIN:ASS'Y



WWW.SERVICE-MANUAL.NET

U001	U002	U003	U004	U005	U006	U007	U008	U009	U010	U011	U012	U013	U014	U015	U016	U017
------	------	------	------	------	------	------	------	------	------	------	------	------	------	------	------	------

U014_S001_S001
DC SOLENOID:EXIT:ASS'Y

3.06230080E
SPRING PIN - 3X8
MM



17.M0264441
DC SOLENOID:EXI
T:ASS'Y



U015.MAIN DRIVE

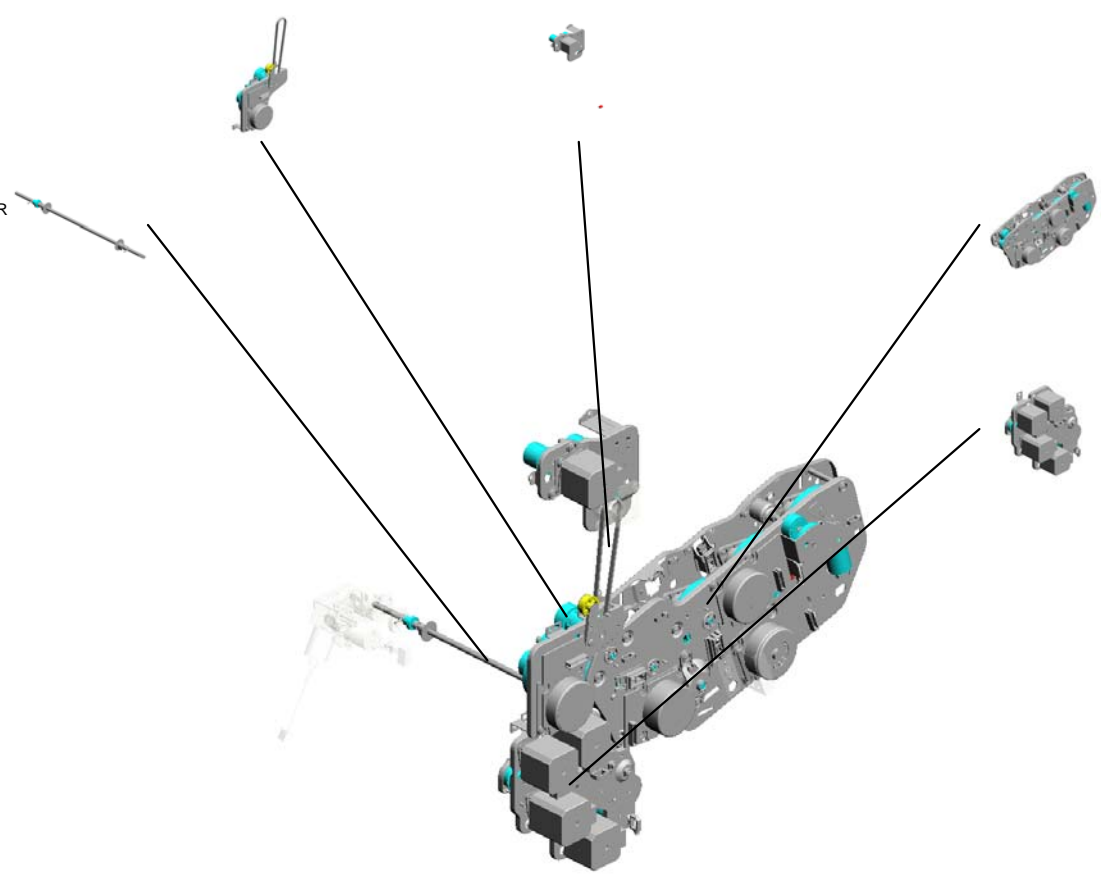
U015_S003
M0261165
DRIVE UNIT:FUSING

U015_S004
M0281169
DRIVE UNIT:PAPER EXIT SU
B-UNIT:NO.2

U015_S002
M0281148
SHAFT:ON-OFF:SECOND:PR
ESS FIT

U015_S001
M0261135
DRIVE UNIT:DRUM:DEVELO
PMENT:TRANSFER

U015_S005
M0261180
DRIVE UNIT:PAPER FEED

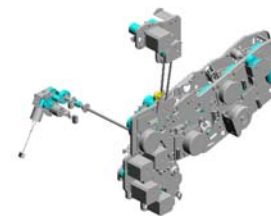


WWW.SERVICE-MANUAL.NET

U001	U002	U003	U004	U005	U006	U007	U008	U009	U010	U011	U012	U013	U014	U015	U016	U017
------	------	------	------	------	------	------	------	------	------	------	------	------	------	------	------	------

U015 MAIN DRIVE

- 26.AB017787 GEAR:IDLER:ON-O
FF:SECOND
- 4.07200040E (x8)
RETAINING RING -
M4
- 20.AB010390 GEAR:DRIVE:ON-O
FF:SECOND
- 19.AA145294 PARALLEL PIN - 2X
12MM
- 18.AA082101 (x2)
BUSHING - 6X10X6



- 64.M0266481 GEAR:IDLER:COLL
ECTION BOTTLE:2
0Z

- 66.M0266483 SHAFT:GEAR:IDLE
R:COLLECTION BO
TTLE

- 65.M0266482 GEAR:IDLER:DC M
OTOR:30Z

- 25.AB017786 GEAR:SLOW DOW
N:ON-OFF:SECON
D

- 1.03530030N (x4)
SCREW:M3X3

- 67.M0266485 DC MOTOR:2.64W

- 52.M0261127 (x2)
CAM:ON-OFF:TRA
NSFER:SECOND

- 51.M0261126 SHIELDING PLATE:
ON-OFF:SECOND

- 53.M0261130 BRACKET:SENSO
R:ON-OFF:SECON
D

- 48.GW020020 PHOTOINTERRUP
TOR:LG248NL1

- 33.AB017795 GEAR:DRIVE UNIT:
PAPER EXIT:NO.1

- 6.08025319 (x2)
HEXAGON HEAD T
APPING SCREW: E
S:3X8

- 3.04543006Q (x19)
TAPPING SCREW -
M3X6

- 2.04513006N (x4)
TAPPING SCREW -
3X6

- 63.M0265810 COVER:HARNESS:
DRIVE

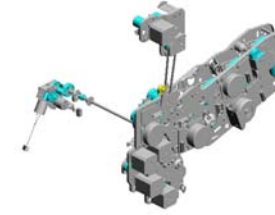
WWW.SERVICE-MANUAL.NET

U001	U002	U003	U004	U005	U006	U007	U008	U009	U010	U011	U012	U013	U014	U015	U016	U017
------	------	------	------	------	------	------	------	------	------	------	------	------	------	------	------	------

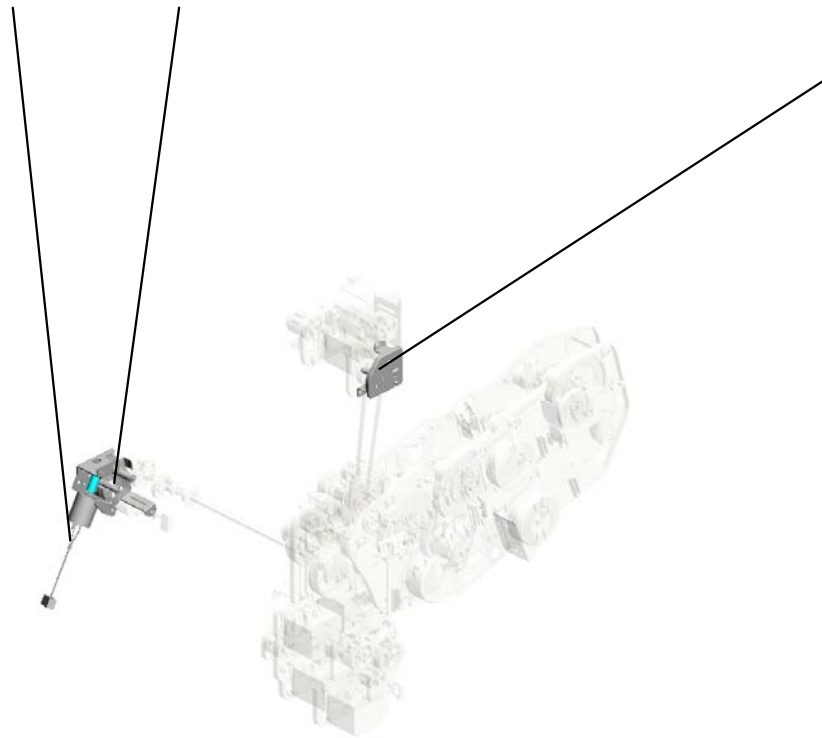
U015 MAIN DRIVE

68.M0281031 DC MOTOR:ON-OFF
F:1.56W

69.M0281032 BRACKET:ON-OFF:
USED TONER



71.M0281165
BRACKET:DRIVE U
NIT:PAPER EXIT:N
O.1



WWW.SERVICE-MANUAL.NET

U001	U002	U003	U004	U005	U006	U007	U008	U009	U010	U011	U012	U013	U014	U015	U016	U017
------	------	------	------	------	------	------	------	------	------	------	------	------	------	------	------	------

U015_S001
 DRIVE UNIT:DRUM:DEVELOPMENT:TRANSFER



54.M0261135
 DRIVE UNIT:DRUM
 :DEVELOPMENT:T
 RANSFER

13.11050723 (x5) CLAMPS:WES-0507
 42.AX060388 DC BRUSHLESS MOTOR:DRUM:COLOR:25W
 24.AB017785 GEAR:ON-OFF:TRANSFER:NO.2
 4.07200040E (x14) RETAINING RING - M4
 3.04543006Q (x24) TAPPING SCREW - M3X6

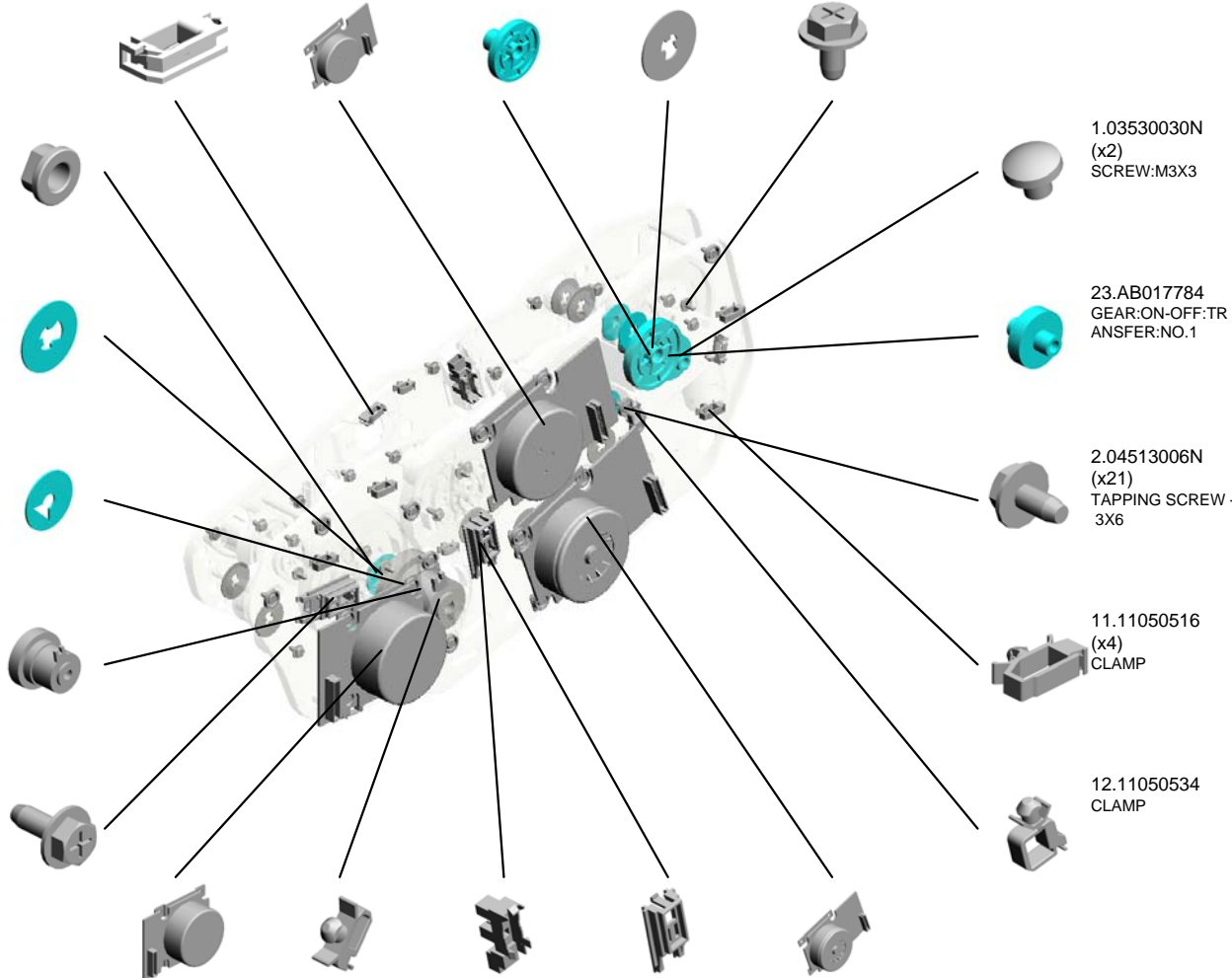
18.AA082101 (x2) BUSHING - 6X10X6

5.07200060E RETAINING RING - M6

7.08050088 RETAINING RING - M6

44.AX200319 MAGNETIC CLUTCH:DEVELOPMENT

6.08025319 (x4) HEXAGON HEAD TAPPING SCREW:ES:3X8



1.03530030N (x2) SCREW:M3X3

23.AB017784 GEAR:ON-OFF:TRANSFER:NO.1

2.04513006N (x21) TAPPING SCREW - 3X6

11.11050516 (x4) CLAMP

12.11050534 CLAMP

43.AX060389 DC BRUSHLESS MOTOR:DRUM:BLACK:31W
 10.11050511 (x6) HARNESS CLAMP - LWS-0306ZC
 48.GW020020 (x3) PHOTOINTERRUPTOR:LG248NL1
 45.B2231144 (x2) HOLDER:POSITIONING SENSOR
 41.AX060387 DC BRUSHLESS MOTOR:DEV:COLOR:40W

WWW.SERVICE-MANUAL.NET

U001	U002	U003	U004	U005	U006	U007	U008	U009	U010	U011	U012	U013	U014	U015	U016	U017
------	------	------	------	------	------	------	------	------	------	------	------	------	------	------	------	------

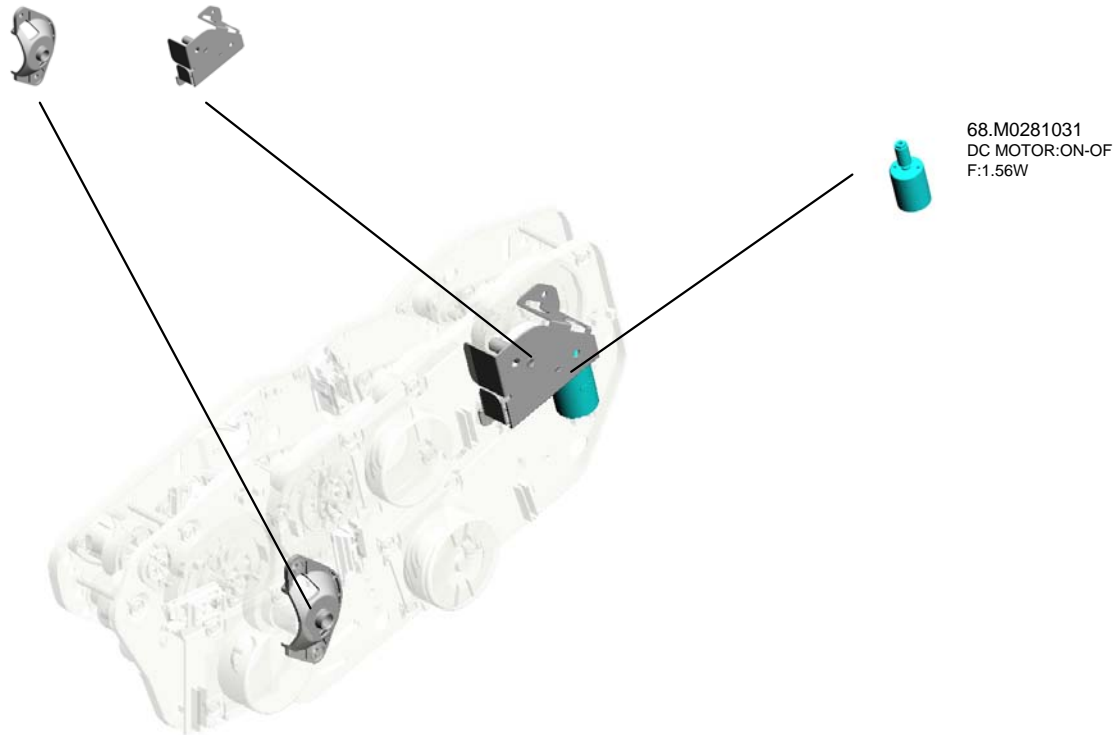
U015_S001
DRIVE UNIT:DRUM:DEVELOPMENT:TRANSFER

49.M0261033
HOLDER:CLUTCH:
DEVELOPMENT

50.M0261049
BRACKET:ON-OFF:
TRANSFER



54.M0261135
DRIVE UNIT:DRUM
:DEVELOPMENT:T
RANSFER



68.M0281031
DC MOTOR:ON-OF
F:1.56W

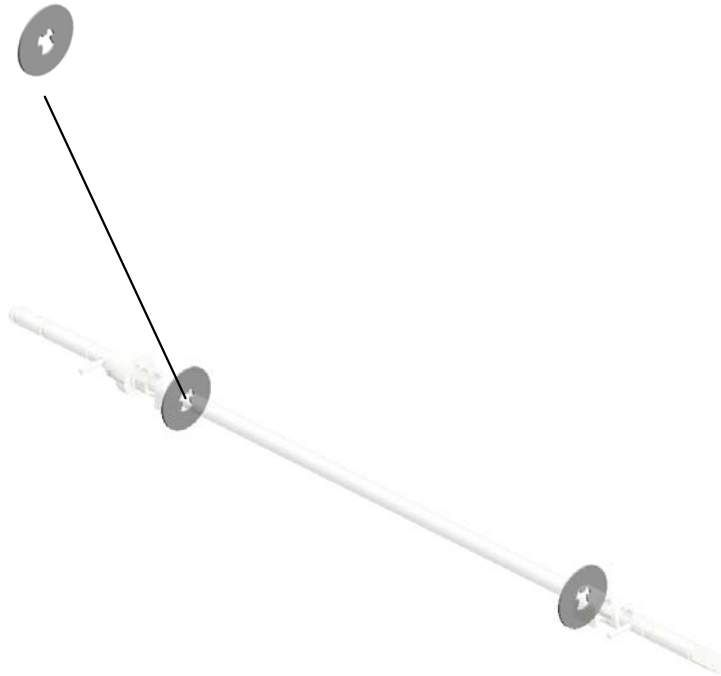
WWW.SERVICE-MANUAL.NET

U001	U002	U003	U004	U005	U006	U007	U008	U009	U010	U011	U012	U013	U014	U015	U016	U017
------	------	------	------	------	------	------	------	------	------	------	------	------	------	------	------	------

U015_S002

SHAFT:ON-OFF:SECOND:PRESS FIT

4.07200040E
(x2)
RETAINING RING -
M4



70.M0281148
SHAFT:ON-OFF:SE
COND:PRESS FIT

U015_S003 DRIVE UNIT:FUSING

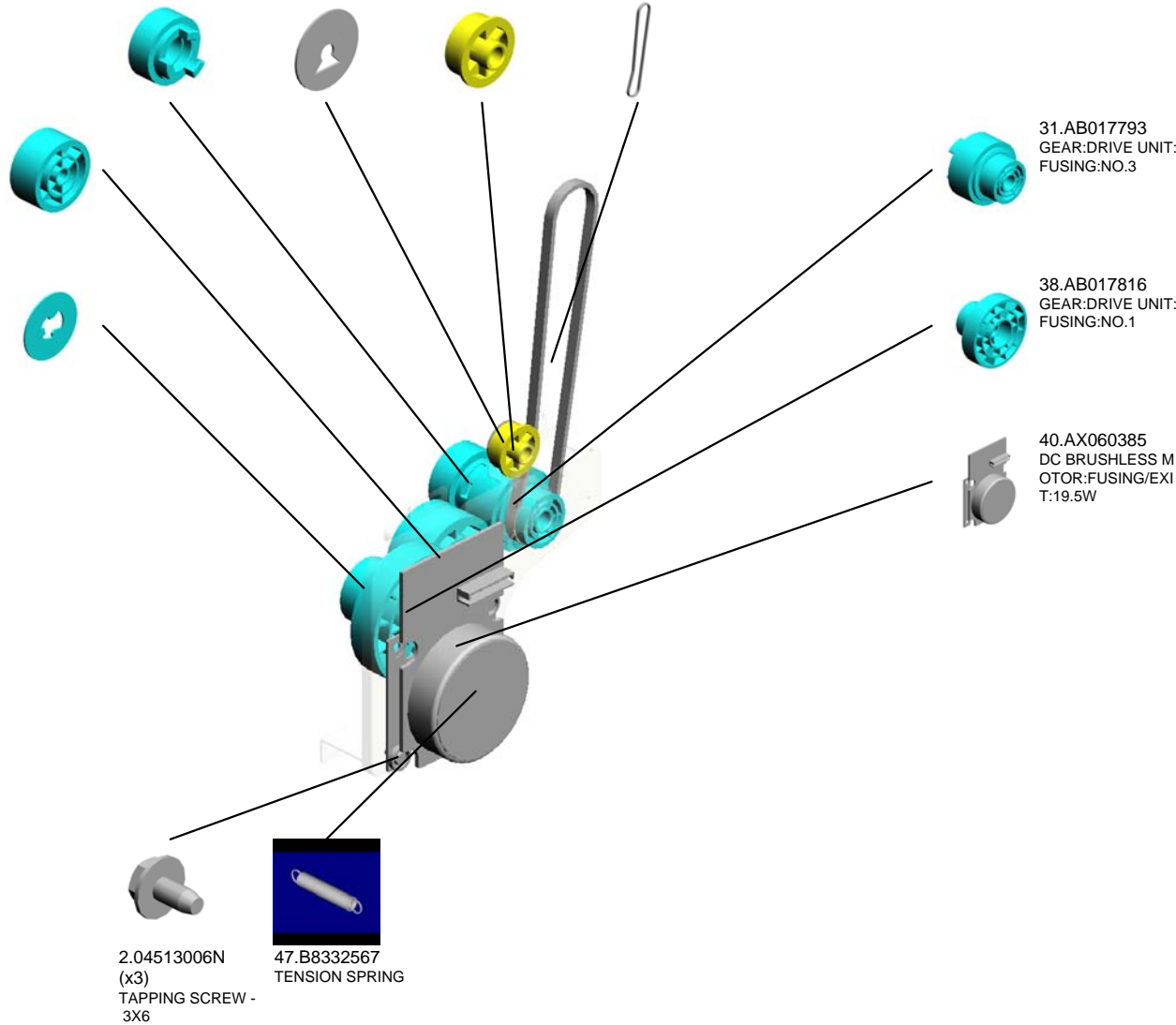
32.AB017794 GEAR:DRIVE UNIT:
FUSING:NO.4
8.08050089 RETAINING RING -
M4
39.AB030828 PULLEY:DRIVE UNI
T:FUSING:TIGHTE
NER
14.AA043338 TIMING BELT:DRIV
E UNIT:50S3M351



55.M0261165
DRIVE UNIT:FUSIN
G

30.AB017792
GEAR:DRIVE UNIT:
FUSING:NO.2

5.07200060E
(x3)
RETAINING RING -
M6



WWW.SERVICE-MANUAL.NET

U001	U002	U003	U004	U005	U006	U007	U008	U009	U010	U011	U012	U013	U014	U015	U016	U017
------	------	------	------	------	------	------	------	------	------	------	------	------	------	------	------	------

U015_S004

DRIVE UNIT:PAPER EXIT SUB-UNIT:NO.2

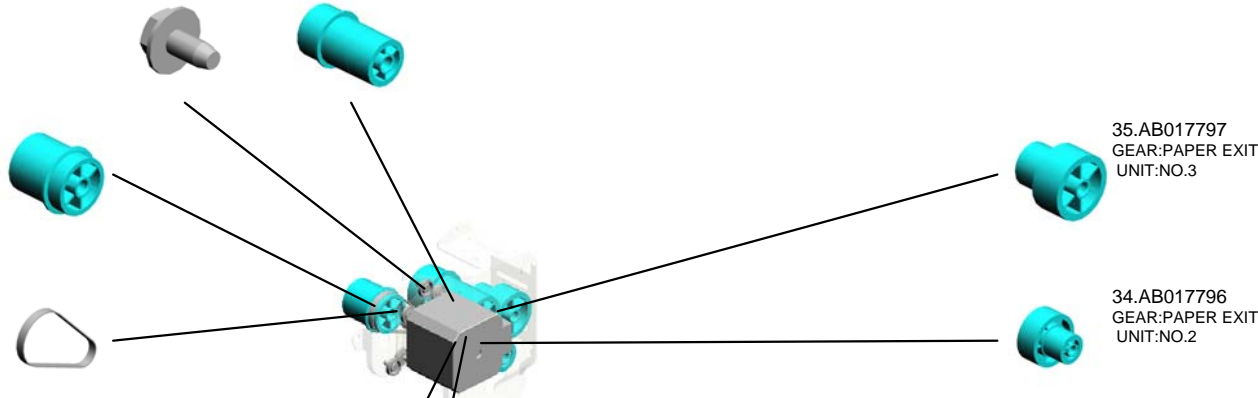


72.M0281169
DRIVE UNIT:PAPE
R EXIT SUB-UNIT:
NO.2

2.04513006N (x6)
TAPPING SCREW - 3X6
36.AB017798
GEAR:PAPER EXIT
UNIT:NO.4

37.AB017799
GEAR:REVERSE:C
OUPLING

15.AA043339
TIMING BELT:PAP
ER EXIT:40S2M122



35.AB017797
GEAR:PAPER EXIT
UNIT:NO.3

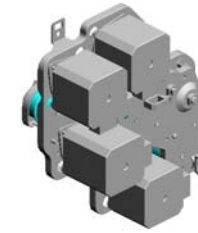
34.AB017796
GEAR:PAPER EXIT
UNIT:NO.2

73.M0281178
DC STEPPER MOT
OR:REVERSE:0.94
W
8.08050089
RETAINING RING -
M4

WWW.SERVICE-MANUAL.NET

U001	U002	U003	U004	U005	U006	U007	U008	U009	U010	U011	U012	U013	U014	U015	U016	U017
------	------	------	------	------	------	------	------	------	------	------	------	------	------	------	------	------

U015_S005 DRIVE UNIT:PAPER FEED



56.M0261180
DRIVE UNIT:PAPE
R FEED

27.AB017788 (x2)
GEAR:TRANSPOR
T
28.AB017789
GEAR:REGISTRATI
ON:COUPLING
60.M0261192 (x2)
JOINT:PAPER FEE
D:DRIVE
62.M0261194 (x2)
SHAFT:TRANSPOR
T:DRIVE
18.AA082101 (x4)
BUSHING - 6X10X6

59.M0261190
(x2)
DC STEPPER MOT
OR:REGIST:1.34W

16.AA043601
(x2)
TIMING BELT - B40
S2M118

29.AB017790
GEAR:DUPLEX:DRIVE

46.B2382676
TENSION SPRING

17.AA043613
(x2)
TIMING BELT - 40S
3M177

58.M0261189
DC STEPPER MOT
OR:TRANSPORT:1.
56W

2.04513006N
(x25)
TAPPING SCREW -
3X6

57.M0261188
DC STEPPER MOT
OR:PAPER FEED:0
.94W

21.AB011258
(x2)
GEAR - 38Z

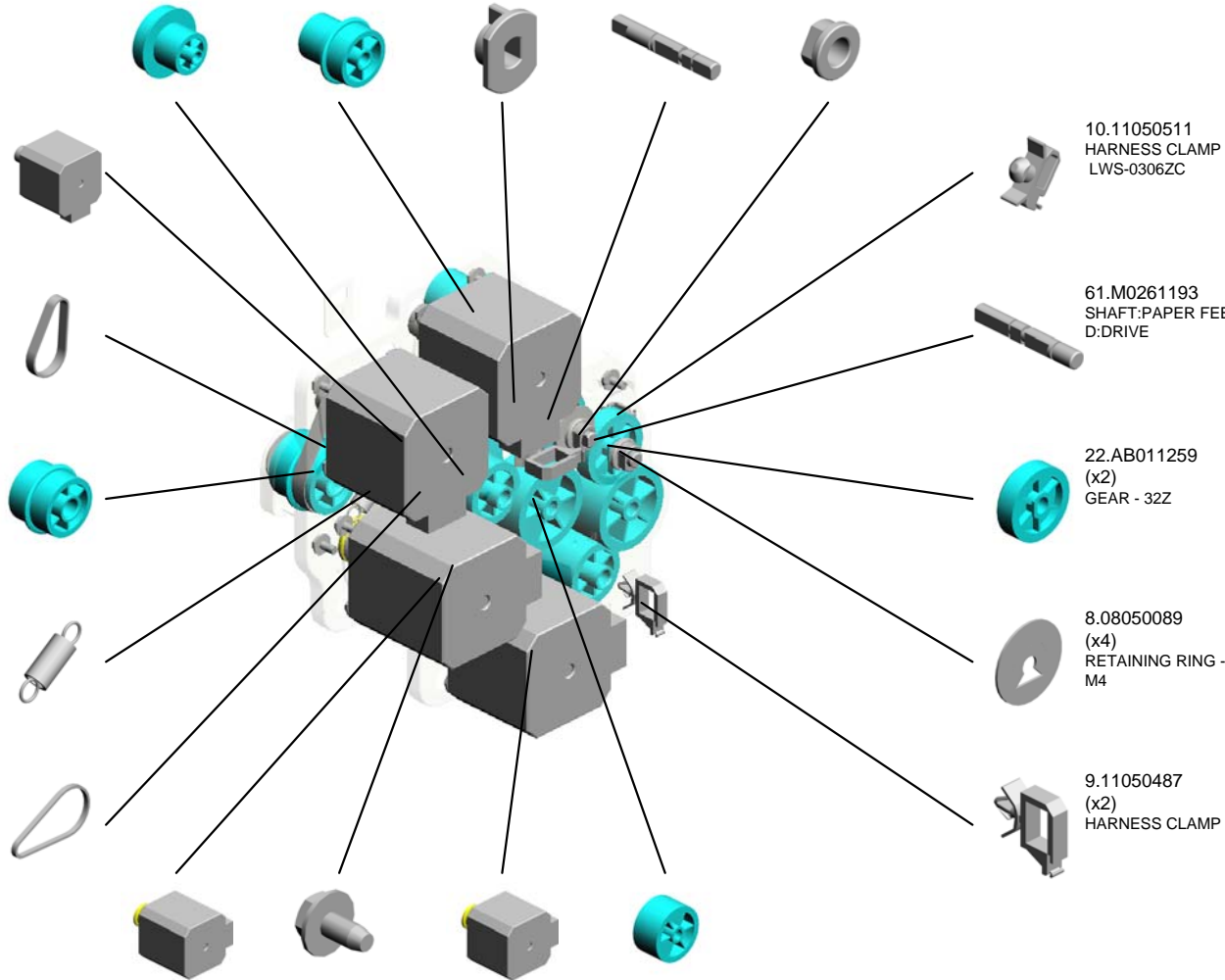
10.11050511
HARNES CLAMP -
LWS-0306ZC

61.M0261193
SHAFT:PAPER FEE
D:DRIVE

22.AB011259
(x2)
GEAR - 32Z

8.08050089
(x4)
RETAINING RING -
M4

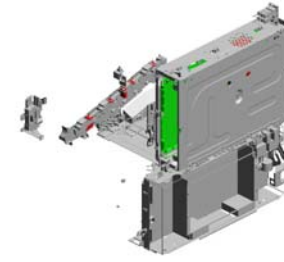
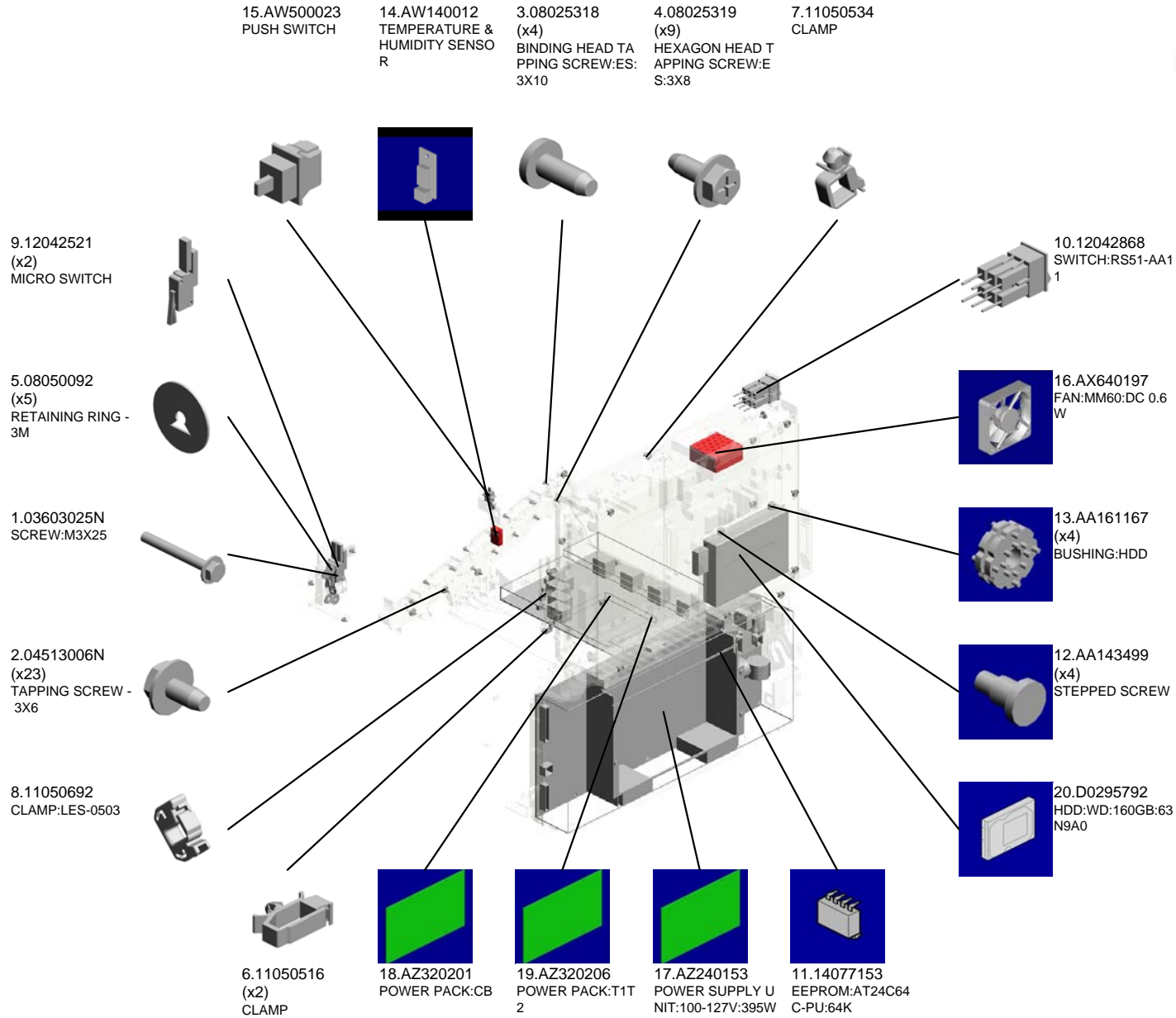
9.11050487
(x2)
HARNES CLAMP



WWW.SERVICE-MANUAL.NET

U001 U002 U003 U004 U005 U006 U007 U008 U009 U010 U011 U012 U013 U014 U015 U016 U017

U016 ELECTRICAL



WWW.SERVICE-MANUAL.NET

U001	U002	U003	U004	U005	U006	U007	U008	U009	U010	U011	U012	U013	U014	U015	U016	U017
------	------	------	------	------	------	------	------	------	------	------	------	------	------	------	------	------

U016 ELECTRICAL

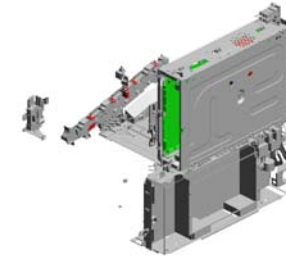
28.GA003033
DECAL - SHIELDIN
G PLATE K

31.M0265124
PCB:IPU

37.M0265660
BRACKET:FAN

33.M0265272
CABLE:HDD:SATA:
RED135

36.M0265659
PANEL:SD



27.GA003032
DECAL - SHIELDIN
G PLATE C



26.GA003031
DECAL - SHIELDIN
G PLATE M



25.GA003030
DECAL - SHIELDIN
G PLATE Y



21.D0395846
(x2)
SPRING:SAFETY S
WITCH:FRONT



29.M0261186
GUIDE:HARNESS



30.M0265101
PCB:BCU:ASS'Y



34.M0265636
COVER:RACK



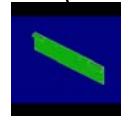
39.M0265663
(x2)
GROUND PLATE:H
DD



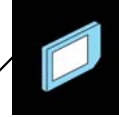
38.M0265662
BRACKET:HDD



32.M0265194
PCB:SDB



22.D0895795
SD-CARD:Z-V4:EX
P:ASSY



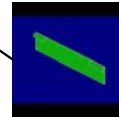
35.M0265652
PANEL:CTL



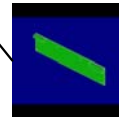
40.M0265712
SERVICE PARTS:P
CB:EX2:M026:ASS'
Y



24.G1786072
PCB:PC4200:RAW
CARD-A:1GB:ASS'
Y



23.G1786062
PWB:DDR2-DIMM:
RAWCARD-C

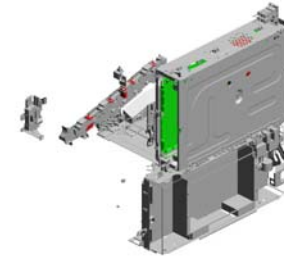


WWW.SERVICE-MANUAL.NET

U001 U002 U003 U004 U005 U006 U007 U008 U009 U010 U011 U012 U013 U014 U015 **U016** U017

U016 ELECTRICAL

- 55.M0265876 LEVER:SAFETY SWITCH:NO.1
- 51.M0265870 ARM:SAFETY SWITCH:NO.2
- 49.M0265866 BRACKET:SAFETY SWITCH:MAIN
- 54.M0265875 SHAFT:SAFETY SWITCH:NO.5
- 58.M0265879 LEVER:SAFETY SWITCH:NO.4



- 50.M0265868 ARM:SAFETY SWITCH:NO.1

- 57.M0265878 LEVER:SAFETY SWITCH:NO.3

- 52.M0265871 (x2) SHAFT:SAFETY SWITCH:NO.1

- 56.M0265877 LEVER:SAFETY SWITCH:NO.2

- 53.M0265874 SHAFT:SAFETY SWITCH:NO.4



- 43.M0265816 BRACKET:MAIN SWITCH

- 48.M0265857 (x2) PANEL:INTERFACE:HE-71

- 42.M0265782 CABLE:HDD:S-ATA:POWER:120

- 41.M0265713 SERVICE PARTS:PCB:EX2:M022:ASSY

- 46.M0265831 COVER:HARNESS:POWER PACK

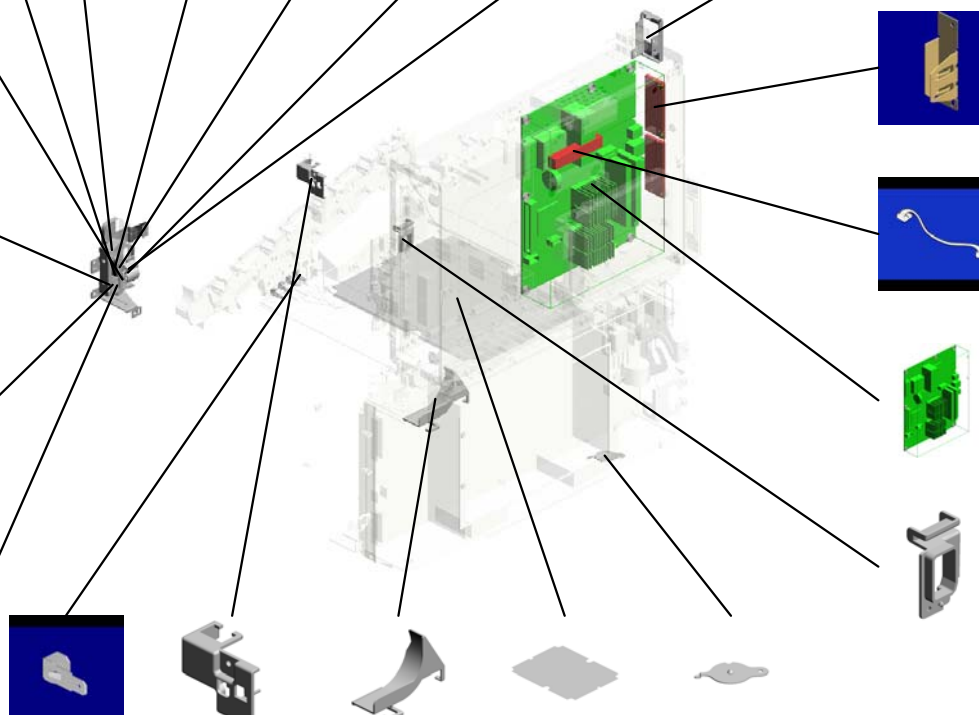
- 60.M0265882 (x4) TERMINAL:DEVELOPMENT

- 47.M0265847 BRACKET:PUSH SWITCH

- 45.M0265828 GUARD:HARNESS:BCU

- 59.M0265881 INSULATING SHEET:POWER PACK

- 44.M0265819 COVER:POWER SUPPLY UNIT:HEATER



U016 ELECTRICAL

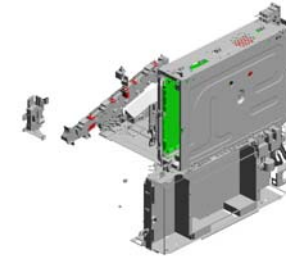
67.M0265891
WIRE:HIGH VOLTA
GE:DEVELOPMEN
T:C

70.M0265894
INNER COVER:TE
RMINAL

65.M0265888
TERMINAL:POWER
PACK

62.M0265884
(x4)
SPRING PLATE:CH
ARGE

63.M0265886
(x4)
SPRING PLATE:DE
VELOPMENT



71.M0265895
(x4)
PLATE:SPRING PL
ATE:DEVELOPMEN
T

66.M0265889
WIRE:HIGH VOLTA
GE:DEVELOPMEN
T:K

77.M0662490
DECAL:GUIDE:SET
:PCU
201104-06

73.M0265897
PLATE:SPRING PL
ATE:CHARGE

72.M0265896
INNER COVER:GU
ARD:HARNESS

68.M0265892
WIRE:HIGH VOLTA
GE:DEVELOPMEN
T:M

64.M0265887
(x5)
TERMINAL:TRANS
FER UNIT

74.M0269590
NV-RAM

69.M0265893
WIRE:HIGH VOLTA
GE:DEVELOPMEN
T:Y

76.M0261244
COVER:FAN:C/T B
OX

61.M0265883
HOLDER:TERMINA
L:DEVELOPMENT

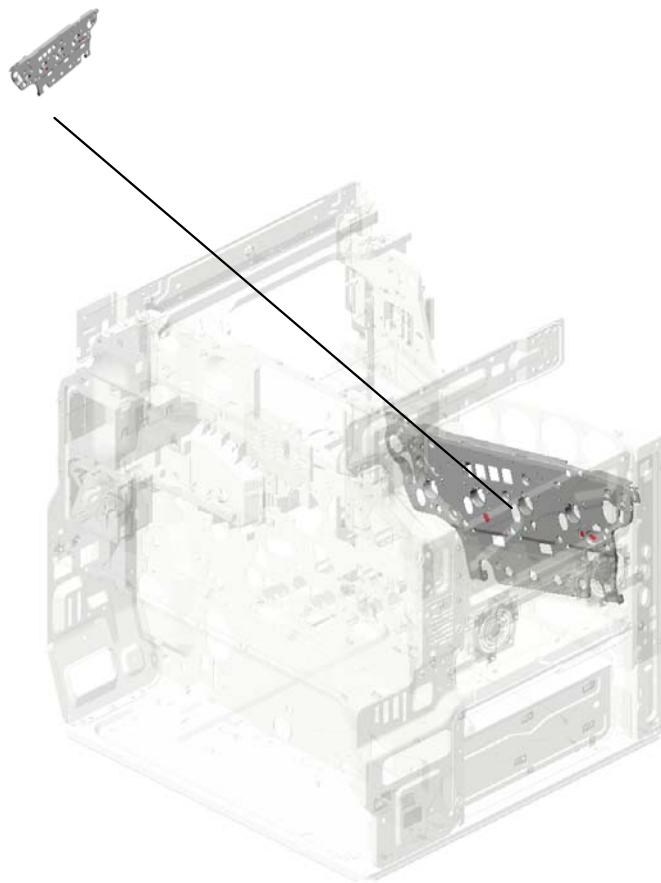
75.M0281168
COVER:DRIVE UNI
T:SYNCHRONOUS
BELT

WWW.SERVICE-MANUAL.NET

U001	U002	U003	U004	U005	U006	U007	U008	U009	U010	U011	U012	U013	U014	U015	U016	U017
------	------	------	------	------	------	------	------	------	------	------	------	------	------	------	------	------

U017.MAIN FRAME

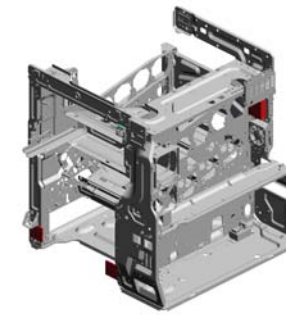
U017_S001
M0261301
DRUM STAY:PCU:ASSY



WWW.SERVICE-MANUAL.NET

U001	U002	U003	U004	U005	U006	U007	U008	U009	U010	U011	U012	U013	U014	U015	U016	U017
------	------	------	------	------	------	------	------	------	------	------	------	------	------	------	------	------

U017 MAIN FRAME



- 10.AB017800 GEAR:DRIVE UNIT: TRAY:COUPLING
- 18.M0261067 LEVER:LOCK:FUSI NG UNIT:FRONT
- 20.M0261117 LEVER:GUIDE PLA TE:UPPER
- 6.04543008Q (x14) TAPPING SCREW: 3X8
- 3.04513006N (x85) TAPPING SCREW - 3X6

9.AA143584 STEPPED SCREW: M3X2

8.08025320 HEXAGON HEAD T APPING SCREW:E S:3X10

19.M0261069 LEVER:LOCK:FUSI NG UNIT:REAR

17.M0261063 GUIDE PLATE:FUSI NG:REAR

14.B2591106 FAN MOTOR:MM80 :DC24V 3.6W

5.04543006Q (x55) TAPPING SCREW - M3X6

15.G0201332 (x2) HINGE - FRONT C OVER

7.04543020Q (x2) TAPPING SCREW:: 3X20

13.AX640206 FAN MOTOR:DC 1. 44W

11.AX640194 (x4) FAN MOTOR - DC 2 .16W

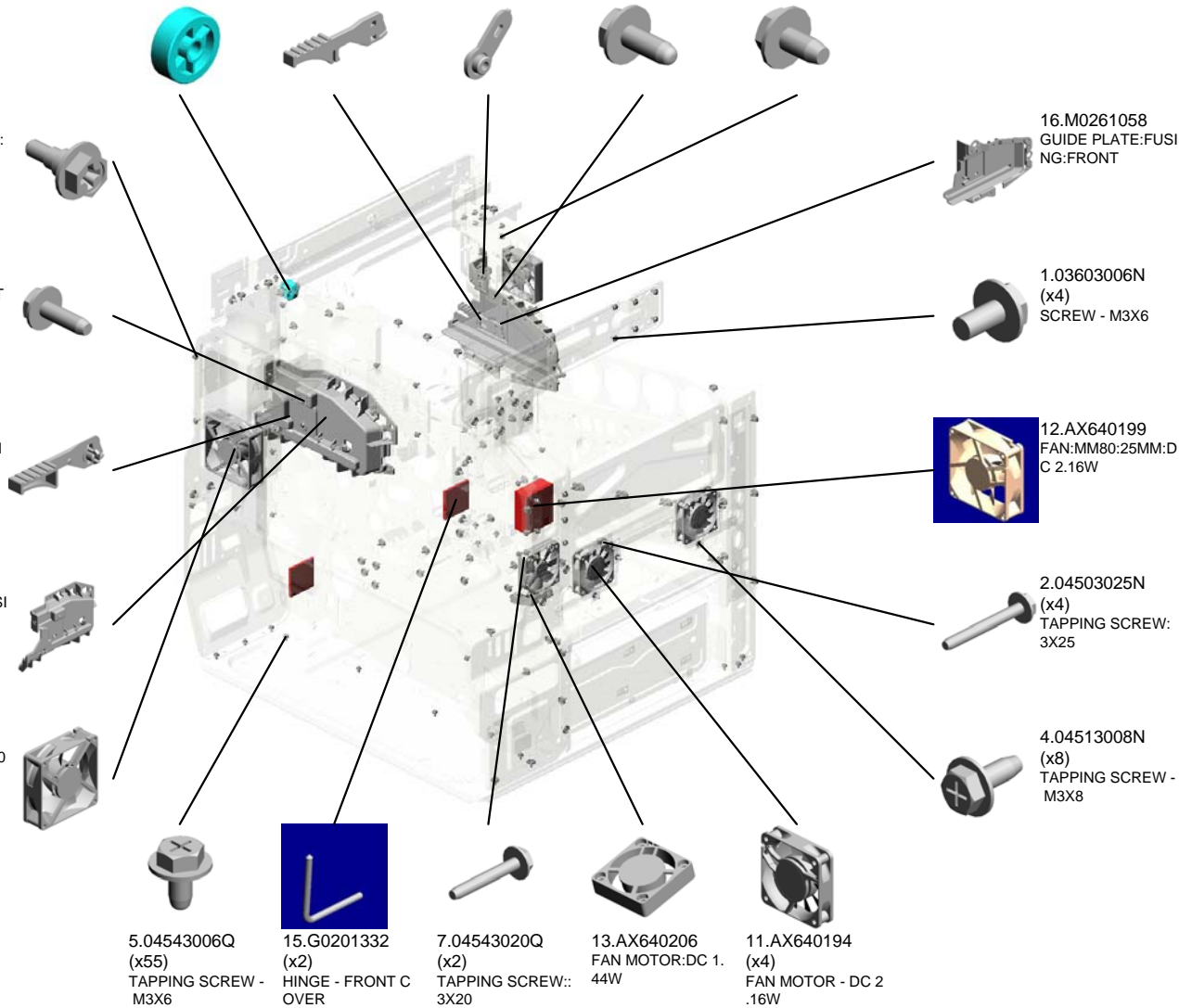
16.M0261058 GUIDE PLATE:FUSI NG:FRONT

1.03603006N (x4) SCREW - M3X6

12.AX640199 FAN:MM80:25MM:D C 2.16W

2.04503025N (x4) TAPPING SCREW: 3X25

4.04513008N (x8) TAPPING SCREW - M3X8

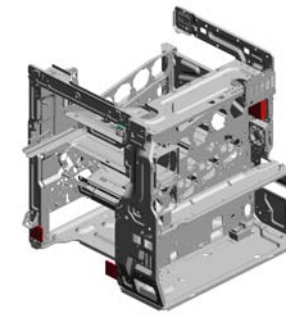


WWW.SERVICE-MANUAL.NET

U001	U002	U003	U004	U005	U006	U007	U008	U009	U010	U011	U012	U013	U014	U015	U016	U017
------	------	------	------	------	------	------	------	------	------	------	------	------	------	------	------	------

U017 MAIN FRAME

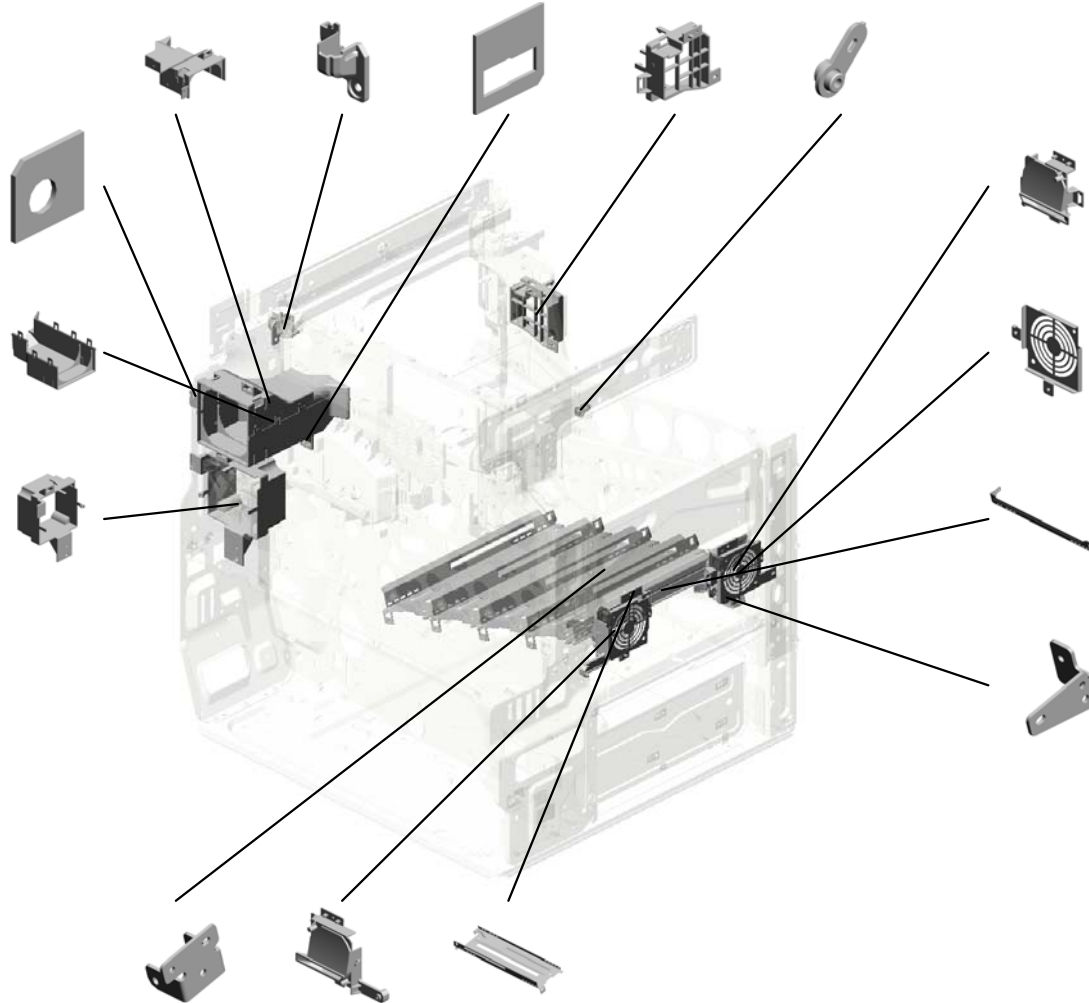
25.M0261351 DUCT:FUSING:UPPER
 36.M0281196 COVER:GEAR:REVERSE SUB-UNIT
 28.M0261354 SHEET:DAMPING INSULATION:DUCT:LOWER
 32.M0261366 DUCT:PAPER EXIT UNIT:FRONT
 21.M0261118 LEVER:GUIDE PLATE:LEFT



27.M0261353 SHEET:DAMPING INSULATION:DUCT:UPPER

26.M0261352 DUCT:FUSING:LOWER

33.M0261371 DUCT:DRIVE UNIT



29.M0261356 DUCT:DEVELOPMENT UNIT:FRONT

31.M0261358 (x2) GUARD:FAN:DEVELOPMENT UNIT

35.M0262455 GUIDE:PCU

23.M0261330 HINGE:LEFT

24.M0261331 HINGE:RIGHT

30.M0261357 DUCT:DEVELOPMENT UNIT:REAR

34.M0262450 (x4) RAIL:PCU:ASS'Y

WWW.SERVICE-MANUAL.NET

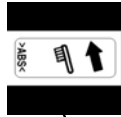
U017_S001
DRUM STAY:PCU:ASS'Y

39.M0261329
(x4)
DECAL:CLEANING:
POSITIONING DISP
LAY

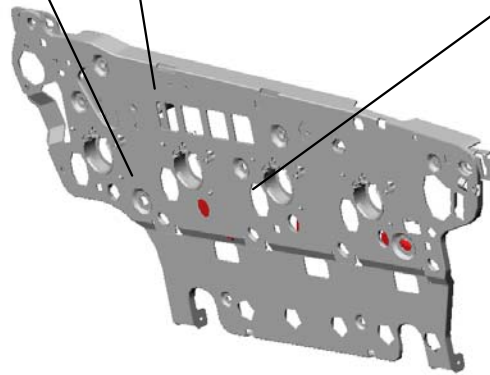
38.M0261310
LEVER:LOCK:DRU
M STAY



37.M0261301
DRUM STAY:PCU:
ASSY



22.M0261302
DRUM STAY:FRAM
E:ASSY



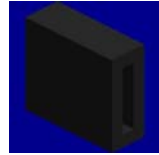
ACCESSORIES



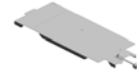
1.04573008N
TAPPING SCREW - M3X8



2.11500433
POWER SUPPLY CODE:125V:15A:NA



3.AX310049
TOTAL COUNTER:7FIG:24V



4.M0262727
(x2)
HEAT SINK:HEATER:NA



5.M0262939
DECAL:PAPER TRAY:SIZE INDICATI
ON



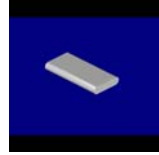
6.M0265737
SD-CARD:VM/CALYPSO



7.M0266884
DECAL:MAIN SWITCH:ON-STANDBY:
NA



8.M0266890
DECAL:CAUTION:ORIGINAL:ENGLIS
H

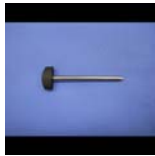


9.M0521563
GASKET:BRACKET:REAR:SMALL

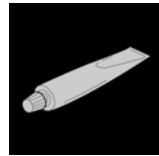
SPECIAL TOOLS



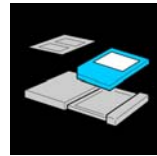
1.52039502
Silicon Grease G-501



2.A1849501
OPTICS ADJUSTMENT TOOL (2pcs/s
et)



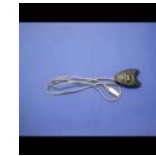
3.A2579300
Grease Barrierta - S552R



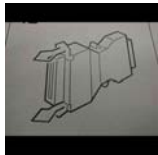
4.B6455010
SD Card



5.B6456705
PCMCIA Card Adapter



6.B6456820
USB Reader/Writer



7.B6795100
Plug - IEEE1284 Type C



8.C4019503
20X Magnification Scope



9.D0159500
G104 YELLOW TONER



10.G0219350
Loop-back Connector - Parallel



11.VSSM9000
Digital Multimeter - FLUKE87

DECALS AND DOCUMENTS



1.AA001527
PLATE:LOGOTYPE:GES



2.AA001531
PLATE:LOGO:LAN



3.AA001532
PLATE:LOGO:RIC



4.GA001067
PLATE:LOGOTYPE:SVN



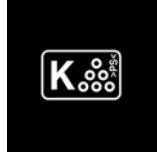
5.GA003030
DECAL - SHIELDING PLATE Y



6.GA003031
DECAL - SHIELDING PLATE M



7.GA003032
DECAL - SHIELDING PLATE C



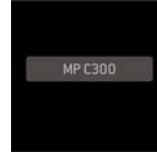
8.GA003033
DECAL - SHIELDING PLATE K



9.M0226801
DECAL:MODEL NAME PLATE:Z-C1A:
RIC:EXP



10.M0226802
DECAL:MODEL NAME PLATE:Z-C1A:
SVN



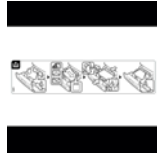
11.M0226803
DECAL:MODEL NAME PLATE:Z-C1A:
GES:NA



12.M0226804
DECAL:MODEL NAME PLATE:Z-C1A:
LAN:NA



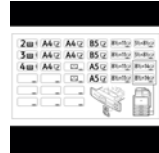
13.M0262691
DECAL:SCALE:MANUAL FEED



14.M0262936
DECAL:PAPER SET DIRECTION:TRA
Y:LEFT



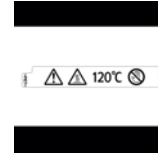
15.M0262938
DECAL:COVER:PAPER TRAY



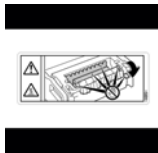
16.M0262939
DECAL:PAPER TRAY:SIZE INDICATI
ON



17.M0262993
DECAL:SIDE FENCE:MANUAL FEED



18.M0264296
DECAL:H-TEMP WARNING:FUSING:1



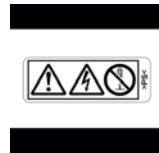
19.M0264298
DECAL:H-TEMP WARNING:FUSING:3



20.M0264299
DECAL:H-TEMP WARNING:FUSING:2



21.M0264686
DECAL:TRANSFER:HOLDER



22.M0266365
DECAL:WARNING (HIGH VOLTAGE)



23.M0266801
DECAL:MODEL NAME:M026:RIC



24.M0266802
DECAL:MODEL NAME:M026:SVN

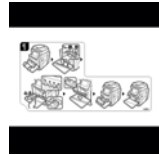
DECALS AND DOCUMENTS



25.M0266803
DECAL:MODEL NAME:M026:GES:NA



26.M0266804
DECAL:MODEL NAME:M026:LAN:NA



27.M0266850
DECAL:CLEANING:SHIELD GLASS



28.M0266880
DECAL:COLORED DISPLAY:INNER C
OVER:C



29.M0266881
DECAL:COLORED DISPLAY:INNER C
OVER:M



30.M0266882
DECAL:COLORED DISPLAY:INNER C
OVER:Y



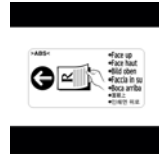
31.M0266883
DECAL:COLORED DISPLAY:INNER C
OVER:BK



32.M0266884
DECAL:MAIN SWITCH:ON-STANDBY:
NA



33.M0266890
DECAL:CAUTION:ORIGINAL:ENGLIS
H



34.M3646021
DECAL:ORIGINAL TABLE



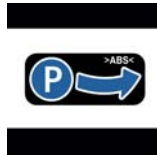
35.M3646031
DECAL:ORIGINAL SCALE:INNER BA
OVER:CK



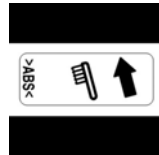
36.M3646032
DECAL:ORIGINAL SCALE:FRONT



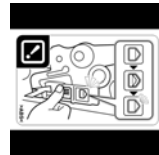
37.M3646041
DECAL:SIDE FENCE



38.M3646051
DECAL:LEVER:KNOB



39.M0261329
DECAL:CLEANING:POSITIONING DIS
PLAY
201104-15



40.M0662490
DECAL:GUIDE:SET:PCU
201104-06

Exclusive Parts

Number	Part Name	Group	ID
52039502	Silicon Grease G-501	SPECIAL TOOLS	1
52062686	SNAP RING	U006	12
		U006_S002	12
		U007_S003	3
52152621	SNAP RING - M6	U013	12
54421924	EXPOSURE GLASS CUSHION	U004	5
54472681	SNAP RING	U013	13
A1849501	OPTICS ADJUSTMENT TOOL (2pcs /set)	SPECIAL TOOLS	2
A2222724	EXTERNAL CIRCLIP - MM8	U003	15
A2579300	Grease Barrierta - S552R	SPECIAL TOOLS	3
A2596754	BUSHING - 6 6MM	U013	14
A2672857	SPRING PLATE - SIDE FENCE	U006_S003_S002	13
A2672859	SIDE FENCE STOPPER	U006_S003_S002	14
A2672860	REAR LEVER STOPPER	U006_S003_S002	15
A3344678	RACK SHIELD MYLAR	U003_S003	16
AA001527	PLATE:LOGOTYPE:GES	DECALS AND DOCUMENTS	1
AA001531	PLATE:LOGO:LAN	DECALS AND DOCUMENTS	2
AA001532	PLATE:LOGO:RIC	DECALS AND DOCUMENTS	3
AA010121	FILTER:IMAGE FORMING MD	U001	2
AA010122	FILTER:REAR	U001	3
AA043319	TIMING BELT - 40S2M156	U003	17
AA043338	TIMING BELT:DRIVE UNIT:50S3M351	U015_S003	14
AA043339	TIMING BELT:PAPER EXIT:40S2M122	U015_S004	15
AA043601	TIMING BELT - B40S2M118	U015_S005	16
AA043603	TIMING BELT:B40S2M128	U003	18
AA043613	TIMING BELT - 40S3M177	U015_S005	17
AA060691	TENSION SPRING	U006_S002	16
AA060979	TENSION SPRING:TENSION:14720 MN	U004	6
AA060980	TENSION SPRING:TENSION:11300 MN	U004	7
AA060989	SPRING:FUSING EXIT:PRESSURE	U012_S001	12

Number	Part Name	Group	ID
AA061035	COIL SPRING:PRESSURE:55N	U012_S001	13
AA062257	SPRING:UN LOCK	U006_S001	17
AA063460	COMPRESSION SPRING:OIL SUPPLY ROLLER	U012_S001	14
		U012_S001	15
AA063461	COMPRESSION SPRING:BELT TENSIONER	U012_S001	15
AA082075	BUSHING - M6	U006	18
		U013	15
AA082101	BUSHING - 6X10X6	U003	19
		U006_S002_S002	19
		U009_S001	1
		U013	16
		U014_S001	6
		U015	18
		U015_S001	18
AA082102	BUSHING - 6X10X6	U013	17
AA082143	BUSHING - 6X10X6	U006_S002	20
AA082144	BUSHING - 8X12X7	U004	8
AA082150	PLAIN SHAFT BEARING:M6	U006_S002	21
AA083014	ONE-WAY CLUTCH	U013	18
AA100014	RETAINING RING C - SEPARATE	U006_S002	22
AA132207	SPACER - M7	U010	7
AA132208	SPACER - M6	U003	20
AA132225	SPACER:DIA10XDIA15X1	U003_S003	21
AA143499	STEPPED SCREW	U016	12
AA143584	STEPPED SCREW:M3X2	U001	4
		U017	9
AA143593	SCREW:M4X4	U012_S001	16
AA143788	PIN:GUIDE PLATE:PAPER FEED	U003	22
AA143792	SCREW:DRAWER	U012_S001	17
AA143867	SCREW:DIA4:M3	U012_S001	18
AA145294	PARALLEL PIN - 2X12MM	U015	19
AA161163	CUSHION	U006	23
AA161167	BUSHING:HDD	U016	13
AB010156	GEAR:SEPARATE:DRIVE	U006_S002	24
AB010157	GEAR:SEPARATE:DRIVEN	U006_S002	25
AB010390	GEAR:DRIVE:ON-OFF:SECOND	U015	20

WWW.SERVICE-MANUAL.NET

Exclusive Parts

Number	Part Name	Group	ID
AB011218	GEAR - ROLLER CLUTCH	U006_S002	26
AB011252	GEAR - 20Z	U006_S002	27
		U013	19
AB011258	GEAR - 38Z	U015_S005	21
AB011259	GEAR - 32Z	U015_S005	22
AB011416	GEAR - 20Z	U013	20
AB012063	GEAR:IDLER:FUSING UNIT:Z31	U012_S001	19
AB012064	GEAR:IDLER:Z23	U012_S001	20
AB012065	GEAR:PRESSURE ROLLER:Z27	U012_S001	21
AB012066	GEAR:HOT ROLLER:MECHANICAL ROLLER CLUTCH:Z25	U012_S001	22
AB017784	GEAR:ON-OFF:TRANSFER:NO.1	U015_S001	23
AB017785	GEAR:ON-OFF:TRANSFER:NO.2	U015_S001	24
AB017786	GEAR:SLOW DOWN:ON-OFF:SECOND	U015	25
AB017787	GEAR:IDLER:ON-OFF:SECOND	U015	26
AB017788	GEAR:TRANSPORT	U015_S005	27
AB017789	GEAR:REGISTRATION:COUPLING	U015_S005	28
AB017790	GEAR:DUPLEX:DRIVE	U015_S005	29
AB017792	GEAR:DRIVE UNIT:FUSING:NO.2	U015_S003	30
AB017793	GEAR:DRIVE UNIT:FUSING:NO.3	U015_S003	31
AB017794	GEAR:DRIVE UNIT:FUSING:NO.4	U015_S003	32
AB017795	GEAR:DRIVE UNIT:PAPER EXIT:NO.1	U015	33
AB017796	GEAR:PAPER EXIT UNIT:NO.2	U015_S004	34
AB017797	GEAR:PAPER EXIT UNIT:NO.3	U015_S004	35
AB017798	GEAR:PAPER EXIT UNIT:NO.4	U015_S004	36
AB017799	GEAR:REVERSE:COUPLING	U015_S004	37
AB017800	GEAR:DRIVE UNIT:TRAY:COUPLING	U017	10
AB017816	GEAR:DRIVE UNIT:FUSING:NO.1	U015_S003	38
AB030828	PULLEY:DRIVE UNIT:FUSING:TIGHTENER	U015_S003	39
AC012069	EXPOSURE GLASS	U004	9
AC030177	MIRROR:NO.1	U004_S001	10
AC030178	MIRROR:NO.2	U004_S002	11
AE010076	HOT ROLLER	U012_S001	23
AE012037	HEAT ROLLER	U012_S001	24

Number	Part Name	Group	ID
AE020179	PRESSURE ROLLER	U012_S001	25
AE030066	BALL BEARING:MM25XMM32X7	U012_S001	26
AE030069	BALL BEARING:DIA12XDIA21X7	U012_S001	27
AE030074	BALL BEARING:DIA17XDIA26X5	U012_S001	28
AE031045	BUSHING - BELT TENSION ROLLER	U012_S001	29
AE031061	FRONT BUSHING - OIL SUPPLY ROLLER	U012_S001	30
AE031062	REAR BUSHING - OIL SUPPLY ROLLER	U012_S001	31
AE032030	BUSHING - 20X25	U012_S001	32
AE040074	OIL SUPPLY ROLLER:DIA18	U012_S001	33
AE040075	ROLLER:BELT TENSIONER	U012_S001	34
AE042087	CLEANING ROLLER:OIL SUPPLY ROLLER	U012_S001	35
AF013006	BOTTOM PLATE PAD	U006_S003_S003	28
AF030049	PICK-UP ROLLER	U013	21
AF030090	PAPER FEED ROLLER:PICKUP	U006_S002	29
AF030363	PICKUP ROLLER	U003	23
AF031046	FEED ROLLER - MANUAL FEED	U013	22
AF031090	PAPER FEED ROLLER:FEED	U006_S002	30
AF032046	SEPARATION ROLLER - MANUAL FEED	U013	23
AF032090	PAPER FEED ROLLER:SEPARATE	U006_S002	31
AF040571	GUIDE ROLLER	U006	32
AG070516	MAGNET CATCH:18N:ASS'Y	U013	24
AW010107	PAPER FEED SENSOR	U006	33
		U006_S002	33
		U013	25
AW010118	PAPER FEED SENSOR	U010	8
AW010127	PAPER FEED SENSOR	U014_S001	7
AW010146	PHOTO REFLECTION SENSOR:PAPER FEED	U006_S002	34
		U014_S001	8
AW020141	PHOTOINTERRUPTOR	U003	24
AW020145	PHOTOINTERRUPTOR:FLAT	U004	12
		U006_S002	35
		U011	3
		U013	26

WWW.SERVICE-MANUAL.NET

Exclusive Parts

Number	Part Name	Group	ID
		U014_S001	9
AW100105	THERMISTOR:FUSING	U012_S001	36
AW100106	THERMOPILE	U012	37
AW100129	THERMISTOR:PRESSURE	U012_S001	38
AW110090	THERMOSTAT:WELDING	U012_S001	39
AW110093	THERMOSTAT:WELDING	U012_S001	40
AW140012	TEMPERATURE & HUMIDITY SENSOR	U016	14
AW500023	PUSH SWITCH	U011	4
		U013	27
		U016	15
AW500031	PAPER SIZE SENSOR	U013_S001	28
AW500035	PAPER END SENSOR	U013	29
AW500038	PUSH SWITCH:PAPER SIZE SENSOR	U006	36
AX040154	DC MOTOR 24V	U006	37
AX060385	DC BRUSHLESS MOTOR:FUSING/EXIT:19.5W	U015_S003	40
AX060387	DC BRUSHLESS MOTOR:DEV:COLOR:40W	U015_S001	41
AX060388	DC BRUSHLESS MOTOR:DRUM:COLOR:25W	U015_S001	42
AX060389	DC BRUSHLESS MOTOR:DRUM:BLACK:31W	U015_S001	43
AX200319	MAGNETIC CLUTCH:DEVELOPMENT	U015_S001	44
AX210103	MAGNETIC CLUTCH:0.25N	U003	25
AX310049	TOTAL COUNTER:7FIG:24V	ACCESSORIES	3
AX440311	HEATER:120V:550W/450W	U012_S001	41
AX440312	HEATER:120V:300W	U012_S001	42
AX640170	FAN MOTOR - MM60 DC24V	U003	26
AX640194	FAN MOTOR - DC 2.16W	U017	11
AX640197	FAN:MM60:DC 0.6W	U016	16
AX640199	FAN:MM80:25MM:DC 2.16W	U017	12
AX640206	FAN MOTOR:DC 1.44W	U017	13
AZ240153	POWER SUPPLY UNIT:100-127V:395W	U016	17
AZ300131	POWER PACK:D	U013	30

Number	Part Name	Group	ID
AZ320201	POWER PACK:CB	U016	18
AZ320206	POWER PACK:T1T2	U016	19
B0042310	SPUR	U010	9
B0042923	SPRING PLATE - RELEASE LEVER	U006_S003_S001	38
B0241264	MAGNET CATCH	U001_S001	5
B1541826	COVER:SENSOR:AKS	U004	13
B1801704	BRACKET:TENSION	U004	14
B2231144	HOLDER:POSITIONING SENSOR	U015_S001	45
B2232608	GEAR:Z16	U013	31
B2232676	SPRING - 11N	U013	32
B2232689	GEAR:Z28	U013	33
B2232730	PAPER TRAY STOPPER ASS'Y	U006_S001	39
B2232767	PAPER END FEELER	U006_S002	40
B2232829	FEED GUIDE	U006_S002	41
B2232861	GRIP HOLDER	U006_S003	42
B2232869	GROUND PLATE	U006_S003	43
B2232923	STOPPER LEVER - FRONT	U006_S003_S001	44
B2232936	GEAR - 16Z	U006_S003	45
B2234428	ROLLER:GUIDE:PFA	U013	34
		U014_S001	10
B2234433	ROLLER - DIA16	U013	35
B2234435	ROLLER:AUXILIARY:DRIVEN:DIA16:PFA	U014_S001	11
B2234464	TIMING PULLEY:23T	U013	36
B2234494	STOPPER- UPPERGATE PAWL	U013	37
		U014_S001	12
B2234536	TIMING BELT:30S2M234	U013	38
B2274673	EXIT ROLLER	U014_S001	13
B2381534	LCD SPACER A	U002_S001	3
B2381535	LCD SPACER B	U002_S001	4
B2381715	STEPPER MOTOR DC3.9V	U004	15
B2381792	TIMING BELT - 157ST1.5-4.0	U004	16
B2381806	IDLER PULLEY	U004	17
B2381807	PULLEY	U004_S002	18
B2382655	GEAR - 16Z	U006	46
B2382675	REGISTRATION ROLLER BUSHING	U006	47
B2382676	TENSION SPRING	U015_S005	46

WWW.SERVICE-MANUAL.NET

Exclusive Parts

Number	Part Name	Group	ID
B2384197	LEVER:LOCK:PRESSURE	U012_S001	43
B2384365	LENS HOLDER	U012	44
B2384366	LENS COVER	U012	45
B2591106	FAN MOTOR:MM80:DC24V 3.6W	U017	14
B2591367	COVER MAGNET	U001	6
		U001_S002	6
B3901759	SHAFT:SCALE	U004	19
B6455010	SD Card	SPECIAL TOOLS	4
B6456705	PCMCIA Card Adapter	SPECIAL TOOLS	5
B6456820	USB Reader/Writer	SPECIAL TOOLS	6
B6795100	Plug - IEEE1284 Type C	SPECIAL TOOLS	7
B7003125	TIMING BELT:B40S2M232	U003	27
B7893716	TENSION SPRING - GATE PAWL	U003	28
B7894257	PULLEY FLANGE	U003	29
B7894332	PULLEY - 34T	U003	30
B8332567	TENSION SPRING	U015_S003	47
B8722529	COLLAR:PICKUP	U003	31
C4019503	20X Magnification Scope	SPECIAL TOOLS	8
D0094407	FEELER - OVERFLOW	U014_S001	14
D0094485	BUSHING - GATE	U013	39
D0159500	G104 YELLOW TONER	SPECIAL TOOLS	9
D0291484	TOUCH PANEL:WVGA:FU-ACF	U002_S001	5
D0291745	PULLEY:DRIVE WERE:FRONT	U004	20
D0291748	PULLEY:DRIVE WERE:REAR:ASS'Y	U004	21
D0291749	PULLEY:PROTECTION	U004	22
D0294461	TIMING PULLEY:20T:DIA6	U014_S001	15
D0295792	HDD:WD:160GB:63N9A0	U016	20
D0391253	BAND:COVER:FRONT	U001	7
D0391254	SPRING PLATE:BAND	U001	8
D0391259	SHAFT:COVER:FRONT	U001	9
D0391751	HOLDER:EXPOSURE GLASS	U004	23
D0392752	DISC:SIDE FENCE	U013_S001	40
D0392823	COMPRESSION SPRING:SIDE FENCE:PLATE:FRONT	U006_S003_S001	48
D0394539	GUIDE PLATE:GUIDE PLATE:ROLLER:DRIVEN	U013	41
D0395846	SPRING:SAFETY SWITCH:FRONT	U016	21

Number	Part Name	Group	ID
D0895795	SD-CARD:Z-V4:EXP:ASS'Y	U016	22
D3664242	TORQUE LIMITER - 24T	U003	32
G0201332	HINGE - FRONT COVER	U017	15
G0219350	Loop-back Connector - Parallel	SPECIAL TOOLS	10
G0602652	BUSHING - M4	U013	42
G0652767	LEVER - FEED	U006_S002	49
G0802900	TORQUE LIMITER	U013	43
G1023865	GUIDE:LEFT:INTERMEDIATE TRANSFER	U009_S002	5
G1024203	ROLLER:LEVER:PRESSURE	U012_S001	46
G1024661	COVER:FUSING:ENTRANCE SENSOR	U010	10
G1026115	LEVER:RELEASE:INTERMEDIATE TRANSFER	U009_S002	6
G1026136	GRIP:INTERMEDIATE TRANSFER:LEFT	U009_S002	7
G1026137	GRIP:INTERMEDIATE TRANSFER:RIGHT	U009_S002	8
G1026140	COVER:INTERMEDIATE TRANSFER	U009_S002	9
G1026190	GUIDE:FRONT:INTERMEDIATE TRANSFER:ASS'Y	U009_S002	10
G1026292	LEVER:PRESSURE:TRANSFER UNIT	U010	11
G1026293	SPRING:TRANSFER UNIT:LEFT	U010	12
G1026334	TENSION SPRING:CLEANER:DENSITY SENSOR	U010	13
G1026335	COVER:DENSITY SENSOR	U010	14
G1026341	SHEET:SENSOR	U010	15
G1786062	PWB:DDR2-DIMM:RAWCARD-C	U016	23
G1786072	PCB:PC4200:RAWCARD-A:1GB:ASS'Y	U016	24
G4042810	SPRING PLATE - 2ND MIRROR	U004_S002	24
G5701133	TIMING PULLEY 73	U004	25
G5701225	SENSOR SHIELDING PLATE	U003	33
		U004	26
GA001067	PLATE:LOGOTYPE:SVN	DECALS AND DOCUMENTS	4

WWW.SERVICE-MANUAL.NET

Exclusive Parts

Number	Part Name	Group	ID
GA003030	DECAL - SHIELDING PLATE Y	DECALS AND DOCUMENTS	5
		U016	25
GA003031	DECAL - SHIELDING PLATE M	DECALS AND DOCUMENTS	6
		U016	26
GA003032	DECAL - SHIELDING PLATE C	DECALS AND DOCUMENTS	7
		U016	27
GA003033	DECAL - SHIELDING PLATE K	DECALS AND DOCUMENTS	8
		U016	28
GA152022	ENTRANCE SEAL:COLLECTION BOTTLE:PCU:ASS'Y	U011_S001	6
GW010007	PHOTO REFLECTION SENSOR:EXIT	U003	34
GW020020	PHOTOINTERRUPTOR:LG248NL1	U015	48
		U015_S001	48
H0532208	BUSHING - M4	U013	44
H3101360	PAD:PICKUP	U003	35
M0226400	WASTE TONER BOTTLE	U011_S001	5
M0226801	DECAL:MODEL NAME PLATE:Z-C1A:RIC:EXP	DECALS AND DOCUMENTS	9
M0226802	DECAL:MODEL NAME PLATE:Z-C1A:SVN	DECALS AND DOCUMENTS	10
M0226803	DECAL:MODEL NAME PLATE:Z-C1A:GES:NA	DECALS AND DOCUMENTS	11
M0226804	DECAL:MODEL NAME PLATE:Z-C1A:LAN:NA	DECALS AND DOCUMENTS	12
M0261033	HOLDER:CLUTCH:DEVELOPMENT	U015_S001	49
M0261049	BRACKET:ON-OFF:TRANSFER	U015_S001	50
M0261058	GUIDE PLATE:FUSING:FRONT	U017	16
M0261063	GUIDE PLATE:FUSING:REAR	U017	17
M0261067	LEVER:LOCK:FUSING UNIT:FRONT	U017	18
M0261069	LEVER:LOCK:FUSING UNIT:REAR	U017	19
M0261117	LEVER:GUIDE PLATE:UPPER	U017	20
M0261118	LEVER:GUIDE PLATE:LEFT	U017	21

Number	Part Name	Group	ID
M0261126	SHIELDING PLATE:ON-OFF:SECOND	U015	51
M0261127	CAM:ON-OFF:TRANSFER:SECOND	U015	52
M0261130	BRACKET:SENSOR:ON-OFF:SECOND	U015	53
M0261135	DRIVE UNIT:DRUM:DEVELOPMENT:TRANSFER	U015_S001	54
M0261165	DRIVE UNIT:FUSING	U015_S003	55
M0261180	DRIVE UNIT:PAPER FEED	U015_S005	56
M0261186	GUIDE:HARNESS	U016	29
M0261188	DC STEPPER MOTOR:PAPER FEED:0.94W	U015_S005	57
M0261189	DC STEPPER MOTOR:TRANSPORT:1.56W	U015_S005	58
M0261190	DC STEPPER MOTOR:REGIST:1.34W	U015_S005	59
M0261192	JOINT:PAPER FEED:DRIVE	U015_S005	60
M0261193	SHAFT:PAPER FEED:DRIVE	U015_S005	61
M0261194	SHAFT:TRANSPORT:DRIVE	U015_S005	62
M0261244	COVER:FAN:C/T BOX	U016	76
M0261250	COVER:FRONT:ASS'Y	U001_S001	10
M0261252	BRACKET:HINGE:RIGHT	U001	11
M0261254	BRACKET:HINGE:LEFT	U001	12
M0261255	COVER:UPPER:INNER BACK:SMALL	U001	13
M0261256	COVER:UPPER:INNER BACK	U001	14
M0261257	COVER:UPPER:EXIT	U001	15
M0261258	COVER:UPPER:FRONT	U001	16
M0261259	CAP:DIA18	U001	17
M0261260	COVER:RIGHT:REAR	U001	18
M0261262	COVER:RIGHT:UPPER	U001	19
M0261263	BRACKET:COVER:RIGHT:UPPER	U001	20
M0261264	COVER:RIGHT FRONT:LOWER	U001	21
M0261265	CAP:TOTAL COUNTER	U001	22
M0261267	BRACKET:BAND	U001	23
M0261268	CLEANER:SHIELD GLASS	U001	24
M0261271	COVER:LEFT	U001	25
M0261272	GRIP:UPPER	U001	26

WWW.SERVICE-MANUAL.NET

Exclusive Parts

Number	Part Name	Group	ID
M0261274	COVER:LEFT:UPPER	U001	27
M0261275	COVER:LEFT:RACK	U001	28
M0261276	CAP:LOUVER:LEFT	U001	29
M0261278	COVER:UPPER	U001	30
M0261279	COVER:UPPER:AUXILIARY	U001	31
M0261280	COVER:REAR:UPPER	U001	32
M0261281	COVER:REAR:LOWER	U001	33
M0261282	CAP:LOUVER:MM80	U001	34
M0261285	INNER COVER:TONER BOTTLE	U001_S002	35
M0261288	INNER COVER:RIGHT UPPER	U001	36
M0261289	INNER COVER:RIGHT LOWER	U001	37
M0261290	INNER COVER:LEFT UPPER	U001	38
M0261291	INNER COVER:LEFT LOWER	U001	39
M0261296	COVER:SCANNER:REAR	U001	40
M0261297	COVER:SCANNER:RIGHT	U001	41
M0261298	COVER:SCANNER:LEFT	U001	42
M0261299	COVER:SCANNER:FRONT	U001	43
M0261301	DRUM STAY:PCU:ASS'Y	U017_S001	37
M0261302	DRUM STAY:FRAME:ASS'Y	U017_S001	22
M0261310	LEVER:LOCK:DRUM STAY	U017_S001	38
M0261329	DECAL:CLEANING:POSITIONING DISPLAY	DECALS AND DOCUMENTS U017_S001	39 39
M0261330	HINGE:LEFT	U017	23
M0261331	HINGE:RIGHT	U017	24
M0261351	DUCT:FUSING:UPPER	U017	25
M0261352	DUCT:FUSING:LOWER	U017	26
M0261353	SHEET:DAMPING INSULATION:DUCT:UPPER	U017	27
M0261354	SHEET:DAMPING INSULATION:DUCT:LOWER	U017	28
M0261356	DUCT:DEVELOPMENT UNIT:FRONT	U017	29
M0261357	DUCT:DEVELOPMENT UNIT:REAR	U017	30
M0261358	GUARD:FAN:DEVELOPMENT UNIT	U017	31
M0261366	DUCT:PAPER EXIT UNIT:FRONT	U017	32
M0261371	DUCT:DRIVE UNIT	U017	33
M0261440	OPERATION PANEL:NA:ASS'Y	U002_S001	6

Number	Part Name	Group	ID
M0261452	PCB:KEY:SUB:ASS'Y	U002_S001	7
M0261458	PCB:KEY:MAIN:ASS'Y	U002_S001	8
M0261482	CABLE:FFC:LCD	U002_S001	9
M0261483	CABLE:FFC:KEY:MAIN	U002_S001	10
M0261484	CABLE:FFC:KEY:SUB	U002_S001	11
M0261495	PCB:LCDC:NA:FT	U002_S001	12
M0261498	LCD:TFT:W-VGA:MV	U002_S001	13
M0261515	HINGE:ASS'Y	U002_S001	14
M0261516	COVER:HINGE:LEFT	U002_S001	15
M0261517	COVER:HINGE:RIGHT	U002_S001	16
M0261518	COVER:HINGE:UPPER	U002	17
M0261519	COVER:HINGE:LOWER	U002_S001	18
M0261520	COVER:HINGE:MIDDLE	U002_S001	19
M0261523	CAP:COVER:HINGE:UPPER	U002	20
M0261524	COVER:HINGE:CLAMP	U002_S001	21
M0261532	KEYTOP:START	U002_S001	22
M0261533	KEYTOP:CLEAR/STOP	U002_S001	23
M0261534	KEYTOP:RESET SWITCH	U002_S001	24
M0261536	KEYTOP:10KEY:1:NA	U002_S001	25
M0261538	KEYTOP:10KEY:2:NA	U002_S001	26
M0261541	KEYTOP:APPLICATION:NA	U002_S001	27
M0261545	KEYTOP:OTHER:NA	U002_S001	28
M0261547	COVER:REAR	U002_S001	29
M0261548	COVER:INNER	U002_S001	30
M0261555	SHEET:LCDC	U002_S001	31
M0261556	KEYTOP:BLANK	U002_S001	32
M0261700	SCALE:INNER BACK:PRINTING	U004	27
M0261705	SCALE:LEFT:NA	U004	28
M0261711	SCALE:MAIN	U004	29
M0261712	EXPOSURE GLASS:DOCUMENT FEEDER:ASS'Y	U004	30
M0261721	GUIDE:HARNES	U004	31
M0261732	HOLDER:HINGE:RIGHT	U004	33
M0261733	BRACKET:HOLDER:HINGE	U004	34
M0261745	HOLDER:HINGE:LEFT	U004	32
M0261751	HOLDER:LENS:ASS'Y	U004	35
M0261762	SHAFT:SCANNER:DRIVE	U004	36
M0261764	DRIVE WERE:DIA1	U004	37

Exclusive Parts

Number	Part Name	Group	ID
M0261768	BRACKET:DC STEPPER MOTOR	U004	38
M0261771	CARRIAGE:NO.2:ASS'Y	U004_S002	39
M0261778	GUIDE:FFC	U004_S002	40
M0261791	INNER COVER:SCANNER	U004	41
M0261800	CARRIAGE:NO.1:ASS'Y	U004_S001	42
M0261802	ILLUMINATION UNIT:LED-B:ASS'Y	U004_S001_S001	43
M0261805	REFLECTOR:SCANNER	U004_S001	44
		U004_S001_S001	44
M0261812	GUIDE:HARNESS:LED-B	U004_S001	45
M0261813	CLAMP:WIRE	U004_S001	46
M0261814	SHEET:GUIDE:HARNESS:LED-B	U004_S001	47
M0261815	CLAMP:MIRROR:NO.1	U004_S001	48
M0261855	IMAGING UNIT:SERVICE PARTS	U005	1
M0262020	PCDU:BK:NA:SUPPLY:ASS'Y	U008_S001	20
M0262021	PCDU:C:NA:SUPPLY:ASS'Y	U008_S002	21
M0262022	PCDU:M:NA:SUPPLY:ASS'Y	U008_S003	22
M0262023	PCDU:Y:NA:SUPPLY:ASS'Y	U008_S004	23
M0262024	PCU:BK:NA:NEW:ASS'Y	U008_S001_S001	9
M0262025	PCU:ZEUS-C1:CMY_NA:NEW:ASS'Y	U008_S002_S001	10
		U008_S003_S001	10
		U008_S004_S001	10
M0262255	KEY:COLLAR	U008_S001	11
		U008_S002	11
		U008_S003	11
		U008_S004	11
M0262450	RAIL:PCU:ASS'Y	U017	34
M0262455	GUIDE:PCU	U017	35
M0262551	REGISTRATION ROLLER:DRIVE	U006	50
M0262552	REGISTRATION ROLLER:DRIVEN	U006	51
M0262553	GEAR:REGISTRATION:26Z	U006	52
M0262554	GEAR:REGISTRATION:DRIVEN:14Z	U006	53
M0262555	TENSION SPRING:REGISTRATION:7N	U006	54
M0262567	GUIDE PLATE:REGISTRATION:RIGHT	U006	55
M0262571	CASE:REMOVE PAPER DUST	U006	56
M0262574	ROLLER:REMOVE PAPER DUST	U006	57

Number	Part Name	Group	ID
M0262575	CUSHION:REMOVE PAPER DUST	U006	58
M0262577	SHEET:COVER:REMOVE PAPER DUST	U006	59
M0262581	GEAR:ROLLER:REMOVE PAPER DUST	U006	60
M0262583	COVER:REMOVE PAPER DUST:ADHESION	U006	61
M0262584	SHEET:REMOVE PAPER DUST:RIGHT	U006	62
M0262585	GUIDE:HARNESS:REGISTRATION	U006	63
M0262602	GEAR:FEED:Z35	U013	45
M0262603	SHAFT:FEED	U013	46
M0262604	ARM:PICKUP	U013	47
M0262606	GUIDE:SEPARATE	U013	48
M0262610	SHAFT:SEPARATOR:DRIVEN:ASS'Y	U013	49
M0262612	COIL SPRING:PRESSURE:SEPARATOR	U013	50
M0262614	SHAFT:SEPARATOR:DRIVE	U013	51
M0262616	BRACKET:DC SOLENOID	U013	52
M0262619	DC SOLENOID:PICKUP	U013	53
M0262621	COIL SPRING:PRESSURE:PICKUP	U013	54
M0262622	COIL SPRING:PRESSURE RELEASE	U013	55
M0262624	GROUND PLATE:MANUAL FEED	U013	56
M0262627	COVER:GUIDE:MANUAL FEED:UPPER	U013	57
M0262628	GUIDE:MANUAL FEED:UPPER	U013	58
M0262629	GROUND PLATE:FEED	U013	59
M0262631	PAPER STOPPER:MANUAL FEED	U013	60
M0262632	LINK:PAPER STOPPER:MANUAL FEED	U013	61
M0262633	SHAFT:PAPER STOPPER	U013	62
M0262634	SHAFT:LINK	U013	63
M0262635	TORSION SPRING:PAPER STOPPER	U013	64
M0262636	TORSION SPRING:LINK	U013	65
M0262637	COMPRESSION SPRING:COVER	U013	66

WWW.SERVICE-MANUAL.NET

Exclusive Parts

Number	Part Name	Group	ID
M0262640	MANUAL FEED TABLE:ASS'Y	U013_S001	67
M0262642	COVER:MANUAL FEED	U013_S001	68
M0262643	SIDE FENCE:MANUAL FEED:FRONT	U013_S001	69
M0262644	SIDE FENCE:MANUAL FEED:REAR	U013_S001	70
M0262645	RACK:MANUAL FEED	U013_S001	71
M0262646	EXTENSION TRAY	U013_S001	72
M0262647	GEAR:SIDE FENCE	U013_S001	73
M0262648	PIN:SIDE FENCE	U013_S001	74
M0262649	COMPRESSION SPRING:EXTENSION TRAY:5N	U013_S001	75
M0262651	GUIDE PLATE:VERTICAL TRANSPORT:LOWER	U013	76
M0262653	COIL SPRING:SIDE FENCE	U013_S001	77
M0262654	TENSION SPRING:SIDE FENCE:1N	U013_S001	78
M0262656	GUIDE PLATE:VERTICAL TRANSPORT:UPPER	U013	79
M0262657	SHEET:VERTICAL TRANSPORT:SENSOR	U013	80
M0262658	SHAFT:DRIVEN:VERTICAL TRANSPORT	U013	81
M0262661	STOPPER:MANUAL FEED:FRONT	U013	82
M0262662	STOPPER:MANUAL FEED:REAR	U013	83
M0262663	GEAR:DAMPER:MANUAL FEED TABLE	U013	84
M0262664	GEAR:IDLER:DAMPER:Z20/Z43	U013	85
M0262665	SHAFT:MANUAL FEED TABLE	U013	86
M0262666	COVER:MANUAL FEED:LOWER	U013	87
M0262667	COIL SPRING:COVER:MANUAL FEED	U013	88
M0262691	DECAL:SCALE:MANUAL FEED	DECALS AND DOCUMENTS	13
		U013_S001	89
M0262710	SUPPORTER:LEFT:ASS'Y	U006	64
M0262714	SPACER:SEPARATE	U006	65
M0262715	SUPPORTER:RIGHT:ASS'Y	U006	66
M0262719	ROLLER:SUPPORTER:LEFT:PAPER TRAY	U006	67

Number	Part Name	Group	ID
M0262721	BRACKET:PUSH SWITCH	U006	68
M0262722	COVER:STOPPER:PAPER TRAY	U006	69
M0262723	BRACKET:HARNESS:HEATER	U006	70
M0262726	ROLLER:SUPPORTER:RIGHT:PAPER TRAY	U006	71
M0262727	HEAT SINK:HEATER:NA	ACCESSORIES	4
M0262750	PAPER FEED UNIT	U006_S002	72
M0262761	ARM:PICKUP	U006_S002	73
M0262763	SHAFT:FEED	U006_S002	74
M0262765	GROUND PLATE:FEED	U006_S002	75
M0262766	ROLLER:VERTICAL TRANSPORT:DRIVE	U006_S002	76
M0262768	GEAR:ROLLER:VERTICAL TRANSPORT	U006_S002	77
M0262769	JOINT:FEED	U006_S002	78
M0262780	DC SOLENOID:PICKUP:ASS'Y	U006_S002_S001	79
M0262786	GROUND PLATE:FRONT	U006_S002	80
M0262787	LEVER:PRESSURE RELEASE	U006_S002	81
M0262803	LEVER:PRESSURE:SEPARATE	U006_S002	82
M0262804	LINK:RELEASE	U006_S002	83
M0262806	TENSION SPRING:RELEASE	U006_S002	84
M0262807	TENSION SPRING:PRESSURE:SEPARATE	U006_S002	85
M0262810	SHAFT:SEPARATE:DRIVEN:ASS'Y	U006_S002_S002	86
M0262815	SHAFT:SEPARATE:DRIVE:ASS'Y	U006_S002	87
M0262828	TORQUE LIMITER	U006_S002	88
M0262835	GUIDE PLATE:SWIVEL	U006	89
M0262848	COVER:HARNESS	U006	90
M0262860	GRIP:PAPER TRAY	U006_S003	91
M0262865	SHAFT:RISE:ASS'Y	U006_S003	92
M0262872	TENSION SPRING:GRIP	U006_S003	93
M0262873	TENSION SPRING:GRIP:LEFT	U006_S003	94
M0262874	COMPRESSION SPRING:SIDE FENCE:PLATE:REAR	U006_S003_S001	95
M0262880	SLIDE RAIL:AUXILIARY:RIGHT:PEEN	U006_S003	96
M0262882	TENSION SPRING:SIDE FENCE	U006_S003	97
M0262884	SPACER:SLIDE RAIL	U006_S003	98

WWW.SERVICE-MANUAL.NET

Exclusive Parts

Number	Part Name	Group	ID
M0262885	ROLLER:SLIDER:REAR:RIGHT	U006_S003	99
M0262886	ROLLER:SLIDER:REAR:LEFT	U006_S003	100
M0262890	SLIDE RAIL:AUXILIARY:LEFT:PEE N	U006_S003	101
M0262896	ROLLER:SLIDER:FRONT	U006_S003	102
M0262900	PAPER TRAY:ASS'Y	U006_S003	103
M0262908	SPACER:TRAY	U006_S003	104
M0262910	LINK:PAPER SIZE SENSOR	U006_S003	105
M0262912	END FENCE	U006_S003	106
M0262914	ROLLER:PAPER TRAY	U006_S003	107
M0262918	LEVER:RISE	U006_S003	108
M0262920	SIDE FENCE:FRONT:ASS'Y	U006_S003_S001	109
M0262930	SIDE FENCE:REAR:ASS'Y	U006_S003_S002	110
M0262936	DECAL:PAPER SET DIRECTION:T RAY:LEFT	DECALS AND DO CUMENTS	14
		U006_S003	111
M0262938	DECAL:COVER:PAPER TRAY	DECALS AND DO CUMENTS	15
		U006_S003	112
M0262939	DECAL:PAPER TRAY:SIZE INDICA TION	ACCESSORIES	5
		DECALS AND DO CUMENTS	16
M0262940	TRAY BOTTOM PLATE:ASS'Y	U006_S003_S003	113
M0262946	COVER:PAPER TRAY	U006_S003	114
M0262948	COVER:CONNECTOR	U006	115
M0262950	BRACKET:PAPER FEED UNIT	U006	116
M0262985	LEVER:STRETCH:TRAY	U006	117
M0262988	CLIP:STRETCH:UNI	U006	118
M0262993	DECAL:SIDE FENCE:MANUAL FEE D	DECALS AND DO CUMENTS	17
		U013_S001	90
M0263034	DEVELOPMENT UNIT:SUPPLY:BK: NA	U008_S001_S002	16
M0263035	DEVELOPMENT UNIT:SUPPLY:C:N A	U008_S002_S002	17
M0263036	DEVELOPMENT UNIT:SUPPLY:M:N A	U008_S003_S002	18
M0263037	DEVELOPMENT UNIT:SUPPLY:Y:N	U008_S004_S002	19

Number	Part Name	Group	ID
	A		
M0263204	TONER SUPPLY UNIT:BK	U007_S001	4
M0263205	TONER SUPPLY UNIT:C	U007	5
M0263206	TONER SUPPLY UNIT:M	U007_S003	6
M0263207	TONER SUPPLY UNIT:Y	U007	7
M0263208	DC MOTOR:LINE:ASS'Y:0.53W	U007	8
		U007_S002	8
		U007_S004	8
		U007_S005	8
M0263341	HOUSING:TONER BOTTLE	U007	22
M0263371	BRACKET:ARM:LEFT	U007	9
M0263372	ARM:RIGHT	U007	10
M0263373	ARM:LEFT UPPER	U007	11
M0263374	ARM:LEFT LOWER	U007	12
M0263375	TORSION SPRING:LEVER:LEFT	U007	13
M0263376	BRACKET:ARM:RIGHT	U007	14
M0263377	COMPRESSION SPRING:ARM:RIG HT:10N	U007	15
M0263380	TENSION SPRING:ARM:LEFT	U007	16
M0263800	CLEANING UNIT:ITB	U009_S001	2
M0264011	FUSING UNIT:NA:SERVICE	U012_S001	47
M0264041	TORSION SPRING:STRIPPER PLA TE	U012_S001	48
M0264106	FUSING BELT	U012_S001	49
M0264163	HOUSING:THERMOSTAT	U012_S001	50
M0264167	HOUSING:THERMOSTAT:PRESSU RE	U012_S001	51
M0264172	ELECTRODE PLATE:THERMOSTA T	U012_S001	52
M0264198	LEVER:PRESSURE:FRONT	U012_S001	53
M0264206	LEVER:PRESSURE RELEASE:FRO NT	U012_S001	54
M0264218	LEVER:PRESSURE:REAR	U012_S001	55
M0264226	LEVER:PRESSURE RELEASE:REA R	U012_S001	56
M0264245	BRACKET:HEATER:FUSING:FRON T	U012_S001	57
M0264247	BRACKET:HEATER:FUSING:REAR	U012_S001	58

WWW.SERVICE-MANUAL.NET

Exclusive Parts

Number	Part Name	Group	ID
M0264252	BRACKET:HEATER:PRESSURE:REAR	U012_S001	59
M0264253	BRACKET:HEATER:PRESSURE:FRONT	U012_S001	60
M0264280	FUSING COVER:UPPER	U012_S001	61
M0264283	FUSING ENTRANCE GUIDE PLATE	U012_S001	62
M0264287	FUSING COVER:LOWER	U012_S001	63
M0264291	GUIDE PLATE:FUSING EXIT:ASS'Y	U012_S001	64
M0264295	FUSING COVER:RIGHT:ASS'Y	U012_S001_S001	65
M0264296	DECAL:H-TEMP WARNING:FUSING:1	DECALS AND DOCUMENTS	18
		U012_S001_S001	66
M0264298	DECAL:H-TEMP WARNING:FUSING:3	DECALS AND DOCUMENTS	19
		U013	91
M0264299	DECAL:H-TEMP WARNING:FUSING:2	DECALS AND DOCUMENTS	20
		U012_S001_S001	67
M0264308	BRACKET:THERMISTOR:PRESSURE:ASS'Y	U012_S001	68
M0264312	STRIPPER PLATE:COAT	U012_S001	69
M0264336	ELECTRODE PLATE:REAR:M3	U012_S001	70
M0264337	ELECTRODE PLATE:REAR:M4	U012_S001	71
M0264338	ELECTRODE PLATE:TERMINAL:PRESSURE	U012_S001	72
M0264349	HARNESS:FUSING UNIT:NA	U012_S001	73
M0264352	ELECTRODE PLATE:THERMOSTAT	U012_S001	74
M0264354	BRACKET:TERMINAL:PRESSURE	U012_S001	75
M0264357	TERMINAL:REAR	U012_S001	76
M0264359	TERMINAL:PRESSURE	U012_S001	77
M0264410	PAPER EXIT UNIT:MAIN:ASS'Y	U014_S001	16
M0264419	DRIVEN ROLLER:DIA16	U013	92
M0264441	DC SOLENOID:EXIT:ASS'Y	U014_S001_S001	17
M0264450	GUIDE:EXIT:UPPER	U014_S001	18
M0264451	GUIDE:EXIT:LOWER	U014_S001	19
M0264453	EXIT ROLLER	U014_S001	20
M0264454	TRANSPORT ROLLER:EXIT	U014_S001	21

Number	Part Name	Group	ID
M0264455	GROUND PLATE:EXIT	U014_S001	22
M0264456	GROUND PLATE:EXIT:AUXILIARY	U014_S001	23
M0264457	GEAR:INPUT:Z26	U014_S001	24
M0264458	GEAR:PULLEY:Z26/T20	U014_S001	25
M0264461	BRACKET:SENSOR:DC SOLENOID	U014_S001	26
M0264464	TENSION SPRING:DC SOLENOID	U014_S001	27
M0264465	GATE PAWL:EXIT:NO.1	U014_S001	28
M0264466	TIMING BELT:30S2M144	U014_S001	29
M0264467	TENSION SPRING:GATE PAWL	U014_S001	30
M0264476	STOPPER:END FENCE:EXIT	U001	44
M0264477	END FENCE:EXIT	U001	45
M0264478	COMPRESSION SPRING:END FENCE:EXIT	U001	46
M0264479	TAPPING SCREW:3X10:DIA10	U014_S001	31
M0264481	COIL SPRING:EARTH:EXIT	U014_S001	32
M0264483	SHAFT:FEELER:OVERFLOW	U014_S001	33
M0264491	DISCHARGE BRUSH:EXIT	U014_S001	34
M0264493	SHAFT:DRIVEN:AUXILIARY:EXIT	U014_S001	35
M0264494	SHAFT:DRIVEN:EXIT	U014_S001	36
M0264496	COMPRESSION SPRING:DRIVEN ROLLER:EXIT	U014_S001	37
M0264498	DECAL:END FENCE:EXIT	U001	47
M0264514	LINK:DUPLEX	U013	93
M0264521	COVER:DUPLEX	U013	94
M0264529	LEVER:CONTACT POINT:DUPLEX	U013	95
M0264530	SHAFT:CONTACT POINT:DUPLEX	U013	96
M0264531	SPACER:LINK:MANUAL FEED	U013	97
M0264538	INNER COVER:REAR:DUPLEX	U013	98
M0264539	ARM:FRONT	U013	99
M0264541	SHAFT:HOOK:STOPPER	U013	100
M0264543	HOOK:STOPPER:DUPLEX:REAR	U013	101
M0264547	BUSHING:GUIDE:DUPLEX UNIT:SET:FRONT	U013	102
M0264548	BUSHING:GUIDE:DUPLEX UNIT:SET:REAR	U013	103
M0264552	TRANSPORT ROLLER:DUPLEX	U013	104
M0264553	TRANSPORT ROLLER:FEED PAPER AGAIN	U013	105

WWW.SERVICE-MANUAL.NET

Exclusive Parts

Number	Part Name	Group	ID
M0264554	REVERSE ROLLER:UPPER	U013	106
M0264555	REVERSE ROLLER:RIGHT	U013	107
M0264557	GUIDE PLATE:COVER:RIGHT	U013	108
M0264558	ROLLER:DRIVEN:DIA12	U013	109
M0264559	STOPPER:DRIVEN ROLLER	U013	110
M0264561	GUIDE PLATE:OPEN AND CLOSE	U013	111
M0264563	GUIDE PLATE:TRANSFER:HOLDE R	U013	112
M0264566	GATE PAWL:ENTRANCE:DUPLEX: ASS'Y	U013	113
M0264567	STOPPER:TRANSFER:HOLDER	U013	114
M0264569	GATE PAWL:TRAY:RIGHT	U013	115
M0264570	GUIDE PLATE:V TRANSPORT:DUP LEX	U013	116
M0264573	GATE PAWL:UPPER	U013	117
M0264576	SHAFT:DRIVEN:DUPLEX:EXIT	U013	118
M0264578	GUIDE PLATE:UPPER:DUPLEX	U013	119
M0264581	GEAR:IDLER:Z40	U013	120
M0264583	PULLEY:FEED PAPER AGAIN:T26	U013	121
M0264584	TIMING BELT:TRANSPORT:30S2M 330	U013	122
M0264585	PULLEY:TRANSPORT ROLLER:DU PLEX:T26	U013	123
M0264586	PULLEY:CONNECTING:T24/T24	U013	124
M0264587	GEAR:FEED PAPER AGAIN:Z22	U013	125
M0264588	TIMING BELT:TRANSPORT:30S2M 174	U013	126
M0264589	GEAR:COUPLING:MANUAL FEED: Z22/Z22	U013	127
M0264592	TIMING BELT:REVERSE ROLLER:3 0S2M184	U013	128
M0264593	GEAR:PULLEY:R ROLLER:UPPER: Z22/T23	U013	129
M0264594	SUPPORT PLATE:GUIDE PLATE:A SS'Y	U013	130
M0264596	INNER COVER:FRONT:DUPLEX	U013	131
M0264597	COVER:REVERSE:UPPER	U013	132
M0264627	SPRING PLATE:DAMPER:DUPLEX	U013	133

Number	Part Name	Group	ID
M0264628	GROUND PLATE:COVER:RIGHT	U013	134
M0264629	STAY:COVER:OPEN AND CLOSE: RIGHT	U013	135
M0264631	BRACKET:GEAR:REVERSE	U013	136
M0264634	COIL SPRING:ROLLER:OPEN AND CLOSE	U013	137
M0264635	COIL SPRING:ROLLER:OPEN AND CLOSE	U013	138
M0264636	LINK:GATE PAWL:UPPER	U013	139
M0264637	TENSION SPRING:GATE PAWL:UP PER	U013	140
M0264638	COIL SPRING:ROLLER:REVERSE	U013	141
M0264640	TENSION SPRING:GATE PAWL:TR AY:RIGHT	U013	142
M0264641	TENSION SPRING:GATE PAWL	U013	143
M0264642	COIL SPRING:ROLLER:TRANSFER :5.5N	U013	144
M0264643	COIL SPRING:ROLLER:TRANSFER :3N	U013	145
M0264644	GUIDE PLATE:LINK:DUPLEX:ASS'Y	U013	146
M0264645	SUPPORTING PLATE:FRONT:DUP LEX	U013	147
M0264652	GUIDE:GEAR:DUPLEX:MANUAL FE ED	U013	148
M0264655	COIL SPRING:BRACKET:GEAR:RE VERSE	U013	149
M0264663	GEAR:DAMPER:DUPLEX	U013	150
M0264664	TORSION SPRING:DAMPER:DUPL EX:84N	U013	151
M0264669	ARM:PRESSURE RELEASE:FRON T	U013	152
M0264671	ARM:PRESSURE RELEASE:REAR	U013	153
M0264672	SHAFT:DRIVEN:ROLLER:DUPLEX: RIGHT	U013	154
M0264673	GUIDE PLATE:REVERSE:UPPER	U013	155
M0264674	GEAR:LINK:DUPLEX	U013	156
M0264677	GROUND WIRE:DUPLEX:EXIT:SEN SOR	U013	157

Exclusive Parts

Number	Part Name	Group	ID
M0264678	GROUND WIRE:DUPLEX:ENTRANCE:SENSOR	U013	158
M0264681	GUIDE:COVER:SENSOR:TRAY:RIGHT	U013	159
M0264682	SHAFT:GUIDE PLATE:TRANSFER:HOLDER	U013	160
M0264683	STOPPER:GUIDE PLATE:REAR	U013	161
M0264685	STOPPER:GUIDE PLATE:TRANSFER:HOLDER	U013	162
M0264686	DECAL:TRANSFER:HOLDER	DECALS AND DOCUMENTS	21
		U013	163
M0264687	LEVER:GUIDE PLATE:TRANSFER:HOLDER	U013	164
M0264688	END RING:CONTACT POINT:DUPLEX	U013	165
M0264694	STOPPER:GUIDE PLATE:FRONT	U013	166
M0264695	TENSION SPRING:LEVER:TRANSFER	U013	167
M0264696	TENSION SPRING:LEVER:DUPLEX	U013	168
M0264697	HOOK:STOPPER:DUPLEX:FRONT	U013	169
M0265101	PCB:BCU:ASS'Y	U016	30
M0265108	PCB:RFID-CPU	U007	17
M0265124	PCB:IPU	U016	31
M0265152	PCB:RFID-AFE:K	U007	18
M0265158	PCB:RFID-AFE:M	U007	19
M0265166	PCB:RFID-AFE:C	U007	20
M0265168	PCB:RFID-AFE:Y	U007	21
M0265175	PCB:LED-DB	U004	49
M0265194	PCB:SDB	U016	32
M0265224	INTERFACE CABLE:SCANNER:LVDS	U004	50
M0265272	CABLE:HDD:SATA:RED135	U016	33
M0265636	COVER:RACK	U016	34
M0265652	PANEL:CTL	U016	35
M0265659	PANEL:SD	U016	36
M0265660	BRACKET:FAN	U016	37
M0265662	BRACKET:HDD	U016	38

Number	Part Name	Group	ID
M0265663	GROUND PLATE:HDD	U016	39
M0265712	SERVICE PARTS:PCB:EX2:M026:ASS'Y	U016	40
M0265713	SERVICE PARTS:PCB:EX2:M022:ASS'Y	U016	41
M0265737	SD-CARD:VM/CALYPSO	ACCESSORIES	6
M0265782	CABLE:HDD:S-ATA:POWER:120	U016	42
M0265810	COVER:HARNESS:DRIVE	U015	63
M0265816	BRACKET:MAIN SWITCH	U016	43
M0265819	COVER:POWER SUPPLY UNIT:HEATER	U016	44
M0265828	GUARD:HARNESS:BCU	U016	45
M0265831	COVER:HARNESS:POWER PACK	U016	46
M0265847	BRACKET:PUSH SWITCH	U016	47
M0265857	PANEL:INTERFACE:HE-71	U016	48
M0265866	BRACKET:SAFETY SWITCH:MAIN	U016	49
M0265868	ARM:SAFETY SWITCH:NO.1	U016	50
M0265870	ARM:SAFETY SWITCH:NO.2	U016	51
M0265871	SHAFT:SAFETY SWITCH:NO.1	U016	52
M0265874	SHAFT:SAFETY SWITCH:NO.4	U016	53
M0265875	SHAFT:SAFETY SWITCH:NO.5	U016	54
M0265876	LEVER:SAFETY SWITCH:NO.1	U016	55
M0265877	LEVER:SAFETY SWITCH:NO.2	U016	56
M0265878	LEVER:SAFETY SWITCH:NO.3	U016	57
M0265879	LEVER:SAFETY SWITCH:NO.4	U016	58
M0265881	INSULATING SHEET:POWER PACK	U016	59
M0265882	TERMINAL:DEVELOPMENT	U016	60
M0265883	HOLDER:TERMINAL:DEVELOPMENT	U016	61
M0265884	SPRING PLATE:CHARGE	U016	62
M0265886	SPRING PLATE:DEVELOPMENT	U016	63
M0265887	TERMINAL:TRANSFER UNIT	U016	64
M0265888	TERMINAL:POWER PACK	U016	65
M0265889	WIRE:HIGH VOLTAGE:DEVELOPMENT:K	U016	66
M0265891	WIRE:HIGH VOLTAGE:DEVELOPMENT:C	U016	67

Exclusive Parts

Number	Part Name	Group	ID
M0265892	WIRE:HIGH VOLTAGE:DEVELOPMENT:M	U016	68
M0265893	WIRE:HIGH VOLTAGE:DEVELOPMENT:Y	U016	69
M0265894	INNER COVER:TERMINAL	U016	70
M0265895	PLATE:SPRING PLATE:DEVELOPMENT	U016	71
M0265896	INNER COVER:GUARD:HARNESS	U016	72
M0265897	PLATE:SPRING PLATE:CHARGE	U016	73
M0266000	TRANSFER UNIT	U009_S002	3
M0266124	FLAT BELT-TRANSFER:ASS'Y	U009_S002	4
M0266150	HOLDER:ENCODER:ASS'Y	U009_S002	11
M0266152	COVER:ENCODER	U009_S002	12
M0266153	PCB:INTERMEDIATE TRANSFER:ENCODER	U009_S002	13
M0266154	DISC:ENCODER:150LPI:250CT	U009_S002	14
M0266155	COLLAR:ENCODER	U009_S002	15
M0266166	DENSITY SENSOR:ASS'Y	U010	16
M0266200	TRANSFER/SEPARATION UNIT	U010	17
M0266290	HOLDER:LEVER:PRESSURE:TRANSFER	U010	18
M0266291	COVER:POWER PACK:TRANSFER UNIT	U010	19
M0266294	GUIDE PLATE:TRANSFER ROLLER:UPPER	U010	20
M0266295	SPRING PLATE:DISCHARGE	U010	21
M0266296	GROUND PLATE:POWER SOURCE:TRANSFER	U010	22
M0266301	LEVER:ON-OFF:TRANSFER UNIT	U010	23
M0266302	RAIL:MAIN:ASS'Y	U010	24
M0266329	SHUTTER:DENSITY SENSOR	U010	25
M0266332	INSULATING SHEET:DENSITY SENSOR	U010	26
M0266333	HOLDER:DENSITY SENSOR	U010	27
M0266351	RAIL:CLEANING UNIT	U010	28
M0266354	GUIDE:POSITIONING:FRONT	U010	29
M0266355	GUIDE:POSITIONING:REAR	U010	30
M0266356	GROUND PLATE:TRANSFER:SEC	U010	31

Number	Part Name	Group	ID
	OND		
M0266365	DECAL:WARNING (HIGH VOLTAGE)	DECALS AND DOCUMENTS	22
		U010	32
M0266463	FEELER:USED TONER SENSOR	U011_S001	7
M0266464	SPRING PLATE:SET:COLLECTION BOTTLE	U011_S001	8
M0266467	ENTRANCE SEAL:COLLECTION BOTTLE:INTERMEDIATE TRANSFER:ASS'Y	U011_S001	9
M0266481	GEAR:IDLER:COLLECTION BOTTLE:20Z	U015	64
M0266482	GEAR:IDLER:DC MOTOR:30Z	U015	65
M0266483	SHAFT:GEAR:IDLER:COLLECTION BOTTLE	U015	66
M0266485	DC MOTOR:2.64W	U015	67
M0266801	DECAL:MODEL NAME:M026:RIC	DECALS AND DOCUMENTS	23
M0266802	DECAL:MODEL NAME:M026:SVN	DECALS AND DOCUMENTS	24
M0266803	DECAL:MODEL NAME:M026:GES:NA	DECALS AND DOCUMENTS	25
M0266804	DECAL:MODEL NAME:M026:LAN:NA	DECALS AND DOCUMENTS	26
M0266850	DECAL:CLEANING:SHIELD GLASS	DECALS AND DOCUMENTS	27
M0266880	DECAL:COLORED DISPLAY:INNER COVER:C	DECALS AND DOCUMENTS	28
		U001_S002	48
M0266881	DECAL:COLORED DISPLAY:INNER COVER:M	DECALS AND DOCUMENTS	29
		U001_S002	49
M0266882	DECAL:COLORED DISPLAY:INNER COVER:Y	DECALS AND DOCUMENTS	30
		U001_S002	50
M0266883	DECAL:COLORED DISPLAY:INNER COVER:BK	DECALS AND DOCUMENTS	31
		U001_S002	51

Exclusive Parts

Number	Part Name	Group	ID
M0266884	DECAL:MAIN SWITCH:ON-STANDBY:NA	ACCESSORIES	7
		DECALS AND DOCUMENTS	32
M0266890	DECAL:CAUTION:ORIGINAL:ENGLISH	ACCESSORIES	8
		DECALS AND DOCUMENTS	33
M0269590	NV-RAM	U016	74
M0281031	DC MOTOR:ON-OFF:1.56W	U015	68
		U015_S001	68
M0281032	BRACKET:ON-OFF:USED TONER	U015	69
M0281148	SHAFT:ON-OFF:SECOND:PRESS FIT	U015_S002	70
M0281165	BRACKET:DRIVE UNIT:PAPER EXIT:NO.1	U015	71
M0281168	COVER:DRIVE UNIT:SYNCHRONOUS BELT	U016	75
M0281169	DRIVE UNIT:PAPER EXIT SUB-UNIT:NO.2	U015_S004	72
M0281178	DC STEPPER MOTOR:REVERSE:0.94W	U015_S004	73
M0281196	COVER:GEAR:REVERSE SUB-UNIT	U017	36
M0521563	GASKET:BRACKET:REAR:SMALL	ACCESSORIES	9
M0662490	DECAL:GUIDE:SET:PCU	DECALS AND DOCUMENTS	40
		U016	77
M3641211	HINGE:LEFT	U003	36
M3641221	HINGE:RIGHT	U003	37
M3641227	HOOK:GUIDE:EXPOSURE GLASS	U003	38
M3641317	SUPPORTING PLATE:LEFT LOWER	U003	39
M3641321	LEVER:DRIVEN:SCANNING	U003	40
M3641322	COMPRESSION SPRING:SCANNING:DRIVEN	U003	41
M3641323	COMPRESSION SPRING:SCANNING:DRIVEN	U003	42
M3641326	GUIDE PLATE:SCANNING:FRONT LOWER	U003	43

Number	Part Name	Group	ID
M3641327	SHEET:SCANNING:FRONT LOWER	U003	44
M3641335	EXIT ROLLER:DRIVEN:ASS'Y	U003	45
M3641342	ROLLER:SCANNING:DRIVEN:SHORT	U003	46
M3641386	CUSHION:PRESSURE PLATE	U003	47
M3641387	BRACKET:PRESSURE PLATE	U003	48
M3642110	SHAFT:PAPER FEED UNIT	U003	49
M3642121	FEED ROLLER	U003	50
M3642123	TIMING PULLEY:PICKUP:DRIVE	U003	51
M3642124	COMPRESSION SPRING:PAPER FEED UNIT	U003	52
M3642132	TORQUE LIMITER:PICKUP	U003	53
M3642141	ARM:PAPER STOPPER	U003	54
M3642142	PAPER STOPPER	U003	55
M3642143	TORSION SPRING:PAPER STOPPER	U003	56
M3642144	LINK:PAPER STOPPER	U003	57
M3642151	HOLDER:PICKUP	U003	58
M3642161	SHAFT:PICKUP	U003	59
M3642162	TIMING PULLEY:PICKUP	U003	60
M3642163	TIMING BELT:40S2M130	U003	61
M3642213	COMPRESSION SPRING:SEPARATION	U003_S001	63
M3642216	HOLDER:FRICITION PAD:ASS'Y	U003_S001	130
M3642222	GUIDE PLATE:OPEN AND CLOSE	U003	64
M3642311	GUIDE PLATE:PAPER FEED	U003	65
M3642313	TENSION SPRING:PRESSURE RELEASE	U003	66
M3642314	LEVER:PRESSURE RELEASE:SEPARATION	U003	67
M3642315	CUSHION:SEPARATION	U003	68
M3643111	TRANSPORT ROLLER:PULL OUT	U003	69
M3643116	TIMING PULLEY:PULL OUT	U003	70
M3643121	TRANSPORT ROLLER:SCANNING	U003	71
M3643131	EXIT ROLLER	U003	72
M3643136	KNOB:MISFEED REMOVAL	U003	73
M3643211	GUIDE PLATE:TRANSPORT	U003	74
M3643212	DISCHARGE BRUSH:EXIT:SUS	U003	75

WWW.SERVICE-MANUAL.NET

Exclusive Parts

Number	Part Name	Group	ID
M3643221	SPRING PLATE:EARTH:EXIT	U003	76
M3643227	CUSHION:HARNESS	U003	77
M3643232	EXIT ROLLER:DRIVEN	U003	78
		U003_S003	78
M3643241	GUIDE PLATE:REVERSE:UPPER	U003	79
M3643311	GUIDE PLATE:SCANNING	U003	80
M3643321	SPRING PLATE:GUIDE:EXPOSURE GLASS	U003	81
M3643412	FEELER:REVERSE	U003	82
M3643416	GUIDE PLATE:REVERSE	U003	83
M3643421	GATE PAWL:REVERSE	U003	84
M3643422	CUSHION:GATE PAWL:REVERSE	U003	85
M3644121	TIMING PULLEY:SLOW DOWN:PAPER FEED	U003	86
M3644122	GEAR:TIMING PULLEY:SLOW DOWN:PAPER FEED	U003	87
M3644124	GEAR:TIMING PULLEY:COUPLING	U003	88
M3644131	TIMING BELT:B40S2M160	U003	89
M3644231	TIGHTENER:TRANSPORT:ASS'Y	U003	90
M3644244	TENSION SPRING:TIGHTENER:TRANSPORT	U003	91
M3644245	TIMING BELT:B80S1.5M236	U003	92
M3644251	SHAFT:ELECTROMAGNETIC CLUTCH	U003	93
M3644311	BRACKET:MOTOR	U003	94
M3644321	STEPPER MOTOR:DC 0.94W	U003	95
M3644341	TENSION SPRING:MOTOR	U003	96
M3644353	BRACKET:DC FAN MOTOR	U003	97
M3644411	DC SOLENOID:GATE PAWL:REVERSE	U003	98
M3644511	COVER:REAR	U003	99
M3644521	COVER:FRONT	U003	100
M3644531	COVER:RIGHT	U003	101
M3644536	TRAY:AUXILIARY	U003	102
M3644610	COVER:PAPER FEED:ASS'Y	U003_S002	103
M3644617	GUIDE PLATE:COVER:PAPER FEED	U003_S002	104
M3644621	GRIP:COVER:PAPER FEED	U003_S002	105

Number	Part Name	Group	ID
M3644622	TORSION SPRING:GRIP	U003_S002	106
M3644626	FEELER:ORIGINAL SENSOR	U003_S002	107
M3644641	SHAFT:DRIVEN	U003	108
		U003_S002	108
M3644642	ROLLER:DRIVEN:SHORT	U003_S002	109
M3644643	COMPRESSION SPRING:DRIVEN ROLLER:PULL OUT	U003_S002	110
M3644648	PLAIN SHAFT BEARING:M4	U003	111
		U003_S002	111
M3644720	ORIGINAL TABLE:ASS'Y	U003_S003	112
M3644724	SPRING PLATE:REVERSE:PRESSURE	U003_S003	113
M3644736	CUSHION:SIDE FENCE:SMALL	U003_S003	114
M3644741	SIDE FENCE:INNER BACK	U003_S003	115
M3644742	SIDE FENCE:FRONT	U003_S003	116
M3644743	COMPRESSION SPRING:SIDE FENCE	U003_S003	117
M3644744	GEAR:SIDE FENCE	U003_S003	118
M3644751	EXTENSION TRAY	U003_S003	119
M3644811	PRESSURE PLATE	U003	120
M3644821	TAPE:PRESSURE PLATE:LEFT	U003	121
M3644823	TAPE:PRESSURE PLATE	U003	122
M3645022	PCB:MAIN CONTROL:ASS'Y	U003	123
M3645751	GUIDE:HARNESS	U003	124
M3646021	DECAL:ORIGINAL TABLE	DECALS AND DOCUMENTS	34
		U003	125
M3646031	DECAL:ORIGINAL SCALE:INNER BACK	DECALS AND DOCUMENTS	35
		U003_S003	126
M3646032	DECAL:ORIGINAL SCALE:FRONT	DECALS AND DOCUMENTS	36
		U003_S003	127
M3646041	DECAL:SIDE FENCE	DECALS AND DOCUMENTS	37
		U003_S003	128
M3646051	DECAL:LEVER:KNOB	DECALS AND DOCUMENTS	38

WWW.SERVICE-MANUAL.NET

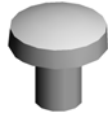
Exclusive Parts

Number	Part Name	Group	ID
		U003	129
VSSM9000	Digital Multimeter - FLUKE87	SPECIAL TOOLS	11

Standard Parts



03530030N
SCREW:M3X3



03530040N
SCREW - M3X4



03530060N
BIND SCREW - M3X6



03603006N
SCREW - M3X6



03603025N
SCREW:M3X25



04503025N
TAPPING SCREW:3X25



04504008N
TAPPING SCREW - M4X8



04504010N
TAPPING SCREW:M4X10



04513006N
TAPPING SCREW - 3X6



04513008N
TAPPING SCREW - M3X8



04523012N
BINDING SELF-TAPPING SCREW:M3X12



04533006N
TAPPING SCREW - M3X6



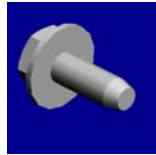
04543006Q
TAPPING SCREW - M3X6



04543008Q
TAPPING SCREW:3X8



04543020Q
TAPPING SCREW::3X20



04573008N
TAPPING SCREW - M3X8



06230080E
SPRING PIN - 3X8MM



06320100G
PIN - 2X10MM



07200030E
RETAINING RING - M3



07200040E
RETAINING RING - M4



07200060E
RETAINING RING - M6



07250120E
RETAINING RING C - M12



07250170E
RETAINING RING C - M17



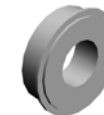
07250200E
RETAINING RING C - M20



07270080E
RETAINING RING - M8



07330408
BUSHING:4X8



07423808
BALL BEARING - 8X16X5

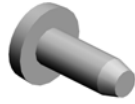


08025299
TAPPING SCREW - M3X8

Standard Parts



08025317
BINDING HEAD TAPPING SC
REW:ES:3X8



08025318
BINDING HEAD TAPPING SC
REW:ES:3X10



08025319
HEXAGON HEAD TAPPING S
CREW:ES:3X8



08025320
HEXAGON HEAD TAPPING S
CREW:ES:3X10



08046127
HEXAGONAL BOLT:DOUBLE
SCREW:M3X8



08046128
HEXAGONAL BOLT:DOUBLE
SCREW:M3X10



08050088
RETAINING RING - M6



08050089
RETAINING RING - M4



08050092
RETAINING RING - 3M



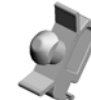
08050097
RING SEPARATOR



09543010N
SCREW:POLISHED ROUND/
SPRING:M3X10



11050487
HARNES CLAMP



11050511
HARNES CLAMP - LWS-030
6ZC



11050516
CLAMP



11050534
CLAMP



11050551
CLAMP:LES-0505



11050692
CLAMP:LES-0503



11050717
CLAMP:JDW-1S



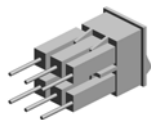
11050723
CLAMPS:WES-0507



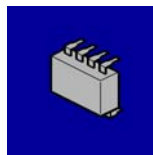
11500433
POWER SUPPLY CODE:125V
:15A:NA



12042521
MICRO SWITCH



12042868
SWITCH:RS51-AA11



14077153
EEPROM:AT24C64C-PU:64K

PM Part List

Number	Part Name	Num	Group	ID
AA010122	FILTER:REAR	2	U001	3
AE010076	HOT ROLLER	1	U012_S001	23
AE020179	PRESSURE ROLLER	1	U012_S001	25
AE031045	BUSHING - BELT TENSION ROLLER	2	U012_S001	29
AE031061	FRONT BUSHING - OIL SUPPLY ROLLER	1	U012_S001	30
AE031062	REAR BUSHING - OIL SUPPLY ROLLER	1	U012_S001	31
AE040074	OIL SUPPLY ROLLER:DIA18	1	U012_S001	33
AE040075	ROLLER:BELT TENSIONER	1	U012_S001	34
AE042087	CLEANING ROLLER:OIL SUPPLY ROLLER	1	U012_S001	35
M0226400	WASTE TONER BOTTLE	1	U011_S001	5
M0263800	CLEANING UNIT:ITB	1	U009_S001	2
M0264106	FUSING BELT	1	U012_S001	49
M0266200	TRANSFER/SEPARATION UNIT	1	U010	17

Design Change List

Number	Title	Set	Old Part		New Part		Index No.		Q'ty	Interchg		Reason	Cut-in S/N
			P/N	Name	P/N	Name	Group	ID		Indiv.	Set		
201202-01	1202 Modification	-			G1025534	HARNESS:INTERMEDIATE TRANSFER:DRAWER							M02617:
201202-02	1202 Modification	-			M0263341	HOUSING:TONE R BOTTLE	U007	22	1				M02617:
201202-03	1202 Modification	-	M0261730	HOLDER:HINGE:LEFT	M0261745	HOLDER:HINGE:LEFT	U004	32	1	X/O			M02617:
201202-04	1202 Modification	-	M0262016	PCU:BK:SUPPLY:ASS'Y	M0262020	PCDU:BK:NA:SUPPLY:ASS'Y	U008_S001	20	1	O/O			M02617:
201202-05	1202 Modification	-	M0262017	PCU:C:SUPPLY:ASS'Y	M0262021	PCDU:C:NA:SUPPLY:ASS'Y	U008_S002	21	1	O/O			M02617:
201202-06	1202 Modification	-	M0262018	PCU:M:SUPPLY:ASS'Y	M0262022	PCDU:M:NA:SUPPLY:ASS'Y	U008_S003	22	1	O/O			M02617:
201202-07	1202 Modification	-	M0262019	PCU:Y:SUPPLY:ASS'Y	M0262023	PCDU:Y:NA:SUPPLY:ASS'Y	U008_S004	23	1	O/O			M02617:
201202-08	1202 Modification	-	M0262014	PCU:BK:ASS'Y	M0262024	PCU:BK:NA:NEW:ASS'Y	U008_S001_S001	9	1	O/O			M02617:
201202-09	1202 Modification	-	M0262015	PCU:CMY:ASS'Y	M0262025	PCU:ZEUS-C1:CMY_NA:NEW:ASS'Y	U008_S002_S001	10	1	O/O			M02617:
			M0262015	PCU:CMY:ASS'Y	M0262025	PCU:ZEUS-C1:CMY_NA:NEW:ASS'Y	U008_S003_S001	10	1	O/O			
			M0262015	PCU:CMY:ASS'Y	M0262025	PCU:ZEUS-C1:CMY_NA:NEW:ASS'Y	U008_S004_S001	10	1	O/O			
201202-10	1202 Modification	-	M0263030	DEVELOPMENT UNIT:BK	M0263034	DEVELOPMENT UNIT:SUPPLY:BK:NA	U008_S001_S002	16	1	O/O			M02617:
201202-11	1202 Modification	-	M0263031	DEVELOPMENT	M0263035	DEVELOPMENT	U008_S002	17	1	O/O			M02617:

Design Change List

Number	Title	Set	Old Part		New Part		Index No.		Q'ty	Interchg		Reason	Cut-in S/N
			P/N	Name	P/N	Name	Group	ID		Indiv.	Set		
		-		UNIT:C		UNIT:SUPPLY:C: NA	_S002						
201202-12	1202 Modification	-	M0263032	DEVELOPMENT UNIT:M	M0263036	DEVELOPMENT UNIT:SUPPLY:M: NA	U008_S003 _S002	18	1	O/O			M02617:
201202-13	1202 Modification	-	M0263033	DEVELOPMENT UNIT:Y	M0263037	DEVELOPMENT UNIT:SUPPLY:Y: NA	U008_S004 _S002	19	1	O/O			M02617:
201108-01	1108 Modification	-	M3642211	HOLDER:FRICTI ON PAD:ASS'Y	M3642216	HOLDER:FRICTI ON PAD:ASS'Y	U003_S001	130	1	X/O			M02617:
201108-02	1108 Modification	-	M0262010	PCDU:BK	M0262016	PCU:BK:SUPPLY: ASS'Y	U008	20	1	O/O			M02617:
201108-03	1108 Modification	-	M0262011	PCDU:C	M0262017	PCU:C:SUPPLY: ASS'Y	U008	21	1	O/O			M02617:
201108-04	1108 Modification	-	M0262012	PCDU:M	M0262018	PCU:M:SUPPLY: ASS'Y	U008	22	1	O/O			M02617:
201108-05	1108 Modification	-	M0262013	PCDU:Y	M0262019	PCU:Y:SUPPLY:A SS'Y	U008	23	1	O/O			M02617:
201107-01	1107 Modification	-	M0263021	DEVELOPMENT UNIT:BK	M0263030	DEVELOPMENT UNIT:BK	U008_S001	16	1	O/O			M02617:
201107-02	1107 Modification	-	M0263022	DEVELOPMENT UNIT:C	M0263031	DEVELOPMENT UNIT:C	U008_S002	17	1	O/O			M02617:
201107-03	1107 Modification	-	M0263023	DEVELOPMENT UNIT:M	M0263032	DEVELOPMENT UNIT:M	U008_S003	18	1	O/O			M02617:
201107-04	1107 Modification	-	M0263024	DEVELOPMENT UNIT:Y	M0263033	DEVELOPMENT UNIT:Y	U008_S004	19	1	O/O			M02617:
201104-01	1104 Modification	-			M0261244	COVER:FAN:C/T BOX	U016	76	1				M02617:
201104-02	1104 Modification	-			M0266463	FEELER:USED T ONER SENSOR	U011_S001	7	1				M02617:

Design Change List

Number	Title	Set	Old Part		New Part		Index No.		Q'ty	Interchg		Reason	Cut-in S/N
			P/N	Name	P/N	Name	Group	ID		Indiv.	Set		
201104-03	1104 Modification	-			M0266464	SPRING PLATE:SET:COLLECTION BOTTLE	U011_S001	8	2				M02617:
201104-04	1104 Modification	-			GA152022	ENTRANCE SEAL:COLLECTION BOTTLE:PCU:ASS'Y	U011_S001	6	4				M02617:
201104-05	1104 Modification	-			M0266467	ENTRANCE SEAL:COLLECTION BOTTLE:INTERMEDIATE TRANSFER:ASS'Y	U011_S001	9	1				M02617:
201104-06	1104 Modification	-			M0662490	DECAL:GUIDE:SET:PCU	U016	77	1				M02617:
					M0662490	DECAL:GUIDE:SET:PCU	DECALS AND DOCUMENTS	40	1				
201104-07	1104 Modification	-			G1026136	GRIP:INTERMEDIATE TRANSFER:LEFT	U009_S002	7	1				M02617:
201104-08	1104 Modification	-			G1026137	GRIP:INTERMEDIATE TRANSFER:RIGHT	U009_S002	8	1				M02617:
201104-09	1104 Modification	-			G1026140	COVER:INTERMEDIATE TRANSFER	U009_S002	9	1				M02617:
201104-10	1104 Modification	-			G1026115	LEVER:RELEASE:INTERMEDIATE TRANSFER	U009_S002	6	1				M02617:
201104-11	1104 Modification	-			G1026190	GUIDE:FRONT:IN	U009_S002	10	1				M02617:

Design Change List

Number	Title	Set	Old Part		New Part		Index No.		Q'ty	Interchg		Reason	Cut-in S/N
			P/N	Name	P/N	Name	Group	ID		Indiv.	Set		
		-				TERMEDIATE TR ANSFER:ASS'Y							
201104-12	1104 Modification	-			G1023865	GUIDE:LEFT:INT ERMEDIATE TRA NSFER	U009_S002	5	1				M02617:
201104-13	1104 Modification	-			M0261301	DRUM STAY:PC U:ASS'Y	U017_S001	37	1				M02617:
201104-14	1104 Modification	-			M0261310	LEVER:LOCK:DR UM STAY	U017_S001	38	1				M02617:
201104-15	1104 Modification	-			M0261329	DECAL:CLEANIN G:POSITIONING DISPLAY	DECALS A	39	1				M02617:
							ND DOCU MENTS	39					
							DECALS A	39	1				
					M0261329	DECAL:CLEANIN G:POSITIONING DISPLAY	DECALS A	39	1				
201104-17	1104 Modification	-			M0266150	HOLDER:ENCOD ER:ASS'Y	U009_S002	11	1				M02617:
201104-18	1104 Modification	-			M0266152	COVER:ENCODE R	U009_S002	12	1				M02617:
201104-19	1104 Modification	-			M0266153	PCB:INTERMEDI ATE TRANSFER: ENCODER	U009_S002	13	1				M02617:
201104-20	1104 Modification	-			M0266154	DISC:ENCODER: 150LPI:250CT	U009_S002	14	1				M02617:
201104-21	1104 Modification	-			M0266155	COLLAR:ENCOD ER	U009_S002	15	1				M02617:

Digital Color Copiers
(M024/M028-NA)
Parts Catalog

WWW.SERVICE-MANUAL.NET

Parts change information sample

 **Add**

 **Update**

 **Delete**

Model	Product Code	PC Style
Ricoh Aficio MP C300/Ricoh Aficio MP C300SR/ Ricoh Aficio MP C400/Ricoh Aficio MP C400SR	M022/M024/M026/M028	3D
Paper Feed Unit PB1000	M367	3D
Paper Feed Unit PB1010	M368	3D
1 Bin Tray BN1000	M370	3D
Side Tray Type C400	M369	3D
Fax Option Type C400		Traditional
IEEE 802.11a/g Interface Unit Type J	D377	Traditional
Gigabit Ethernet Type B	D377	Traditional

Unit All



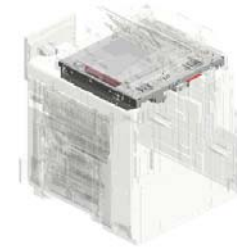
U001
EXTERIOR



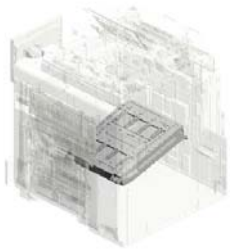
U002
OPERATION



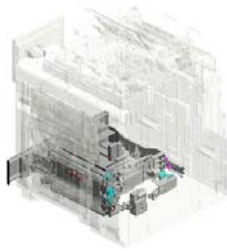
U003
ADF



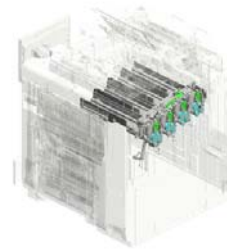
U004
SCANNER



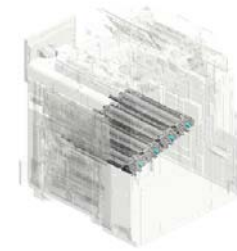
U005
LASER UNIT



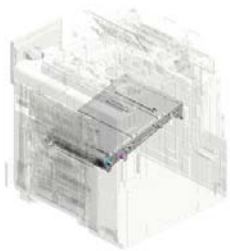
U006
PAPER FEED



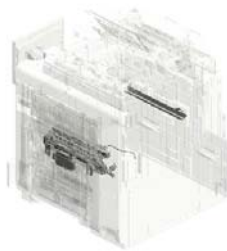
U007
TONER SUPPLY



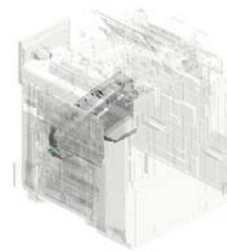
U008
PCU



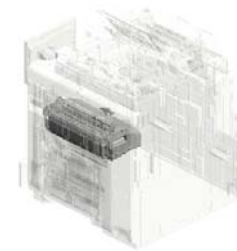
U009
ITB CLEANING



U010
IMAGE TRANSFER



U011
USED TONER



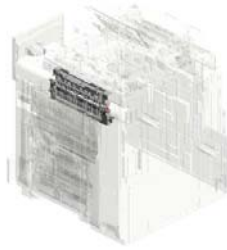
U012
FUSING

WWW.SERVICE-MANUAL.NET

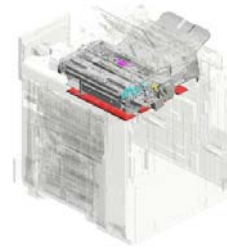
Unit All



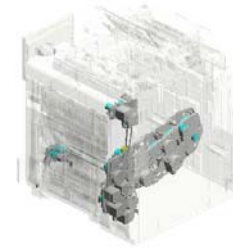
U013
DUPLEX



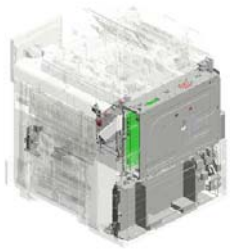
U014
PAPER EXIT



U015
FINISHER



U016
MAIN DRIVE



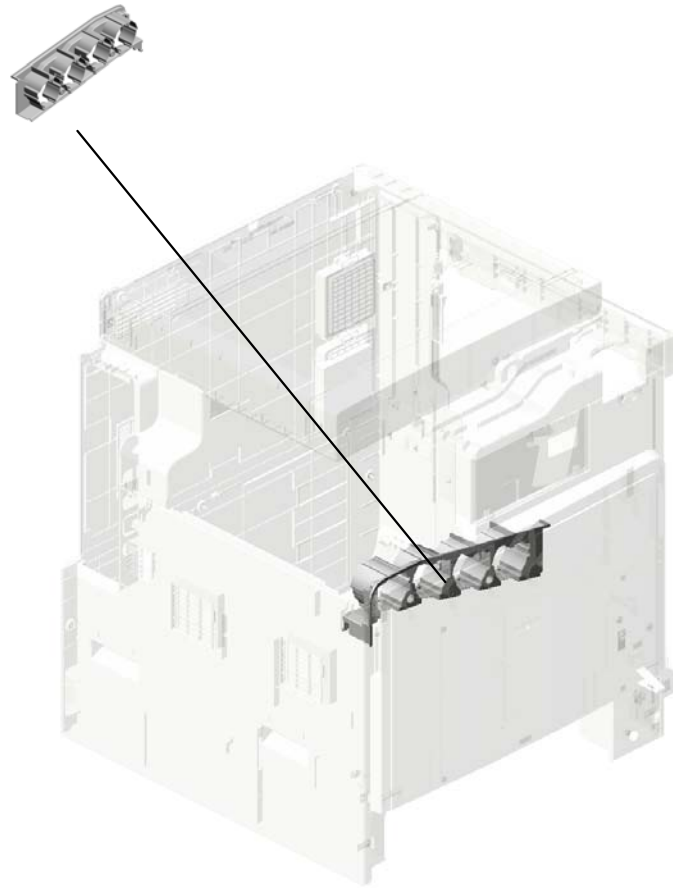
U017
ELECTRICAL



U018
MAIN FRAME

U001.EXTERIOR

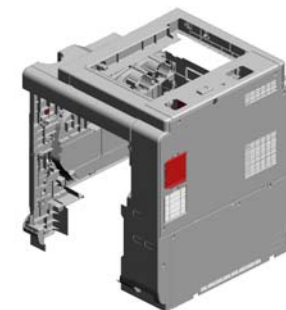
U001_S001
M0261285
INNER COVER:TONER BOTT
LE



WWW.SERVICE-MANUAL.NET

U001	U002	U003	U004	U005	U006	U007	U008	U009	U010	U011	U012	U013	U014	U015	U016	U017	U018
------	------	------	------	------	------	------	------	------	------	------	------	------	------	------	------	------	------

U001 EXTERIOR



4.AA010122
(x2)
FILTER:REAR

2.04513008N
(x4)
TAPPING SCREW -
M3X8

16.M0261262
COVER:RIGHT:UP
PER

17.M0261263
BRACKET:COVER:
RIGHT:UPPER

14.M0261259
(x2)
CAP:DIA18

13.M0261255
COVER:UPPER:IN
NER BACK:SMALL

19.M0261265
(x3)
CAP:TOTAL COUN
TER

15.M0261260
COVER:RIGHT:RE
AR

5.AA143584
(x8)
STEPPED SCREW:
M3X2

3.AA010121
(x2)
FILTER:IMAGE FO
RMING MD

12.M0261254
BRACKET:HINGE:L
EFT

10.M0261250
COVER:FRONT:AS
SY

20.M0261267
BRACKET:BAND

11.M0261252
BRACKET:HINGE:R
IGHT

18.M0261264
COVER:RIGHT FR
ONT:LOWER

6.B2591367
COVER MAGNET

1.04513006N
TAPPING SCREW -
3X6

8.D0391254
SPRING PLATE:BA
ND

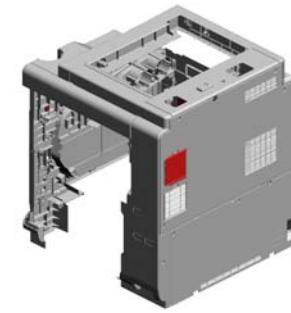
7.D0391253
BAND:COVER:FRO
NT

9.D0391259
(x2)
SHAFT:COVER:FR
ONT

WWW.SERVICE-MANUAL.NET

U001 U002 U003 U004 U005 U006 U007 U008 U009 U010 U011 U012 U013 U014 U015 U016 U017 U018

U001 EXTERIOR



- 36.M0261298 COVER:SCANNER: LEFT
- 27.M0261280 COVER:REAR:UPPER
- 34.M0261296 COVER:SCANNER: REAR
- 29.M0261282 (x2) CAP:LOUVER:MM80
- 35.M0261297 COVER:SCANNER: RIGHT

25.M0261275
COVER:LEFT:RACK

24.M0261274
COVER:LEFT:UPPER

28.M0261281
COVER:REAR:LOWER

26.M0261276
(x2)
CAP:LOUVER:LEFT

23.M0261272
(x2)
GRIP:UPPER

22.M0261271
COVER:LEFT

32.M0261290
INNER COVER:LEFT UPPER

33.M0261291
INNER COVER:LEFT LOWER

21.M0261268
CLEANER:SHIELD GLASS

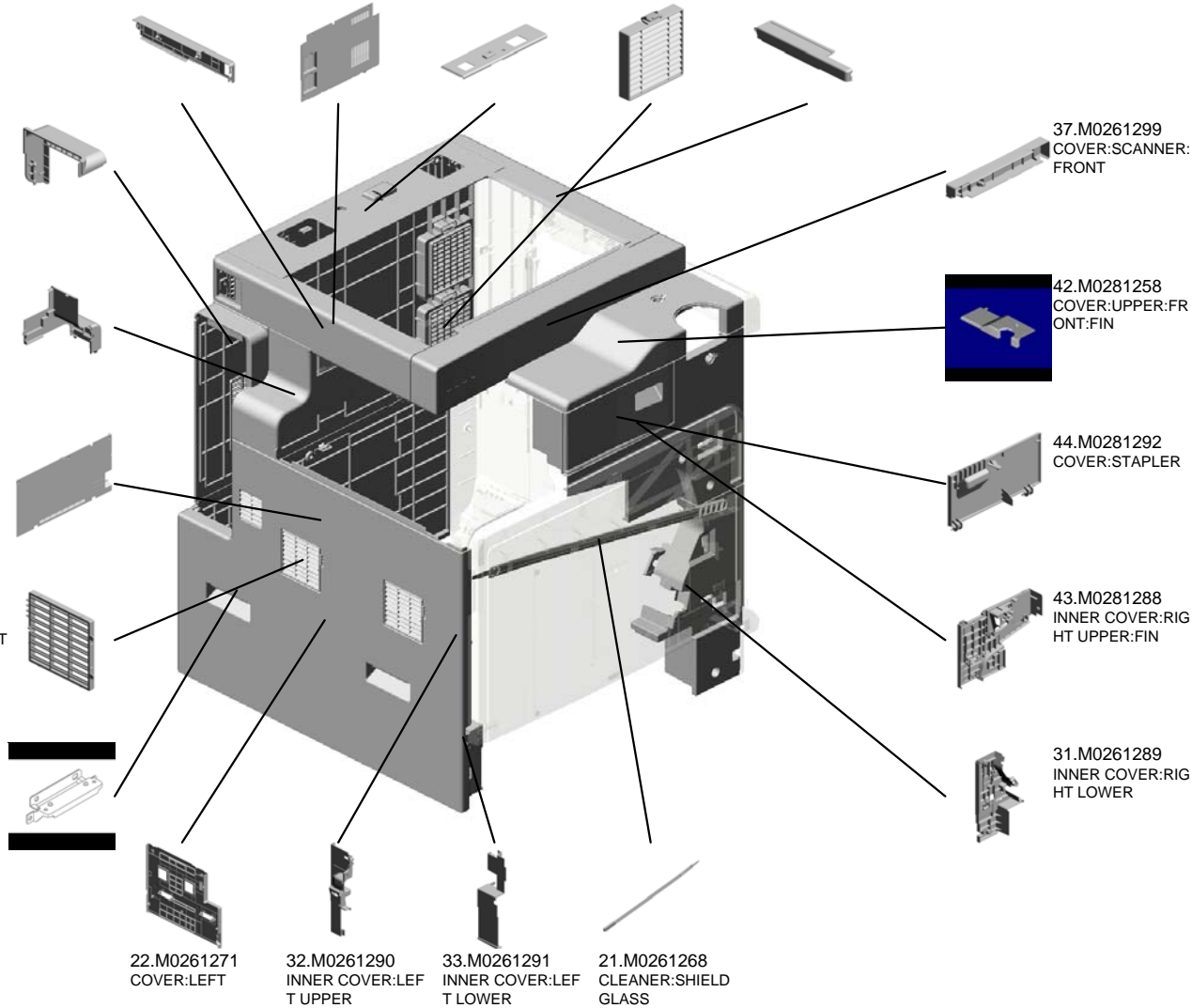
37.M0261299
COVER:SCANNER: FRONT

42.M0281258
COVER:UPPER:FRONT:FIN

44.M0281292
COVER:STAPLER

43.M0281288
INNER COVER:RIGHT UPPER:FIN

31.M0261289
INNER COVER:RIGHT LOWER



U001_S001
INNER COVER:TONER BOTTLE

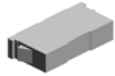
6.B2591367
COVER MAGNET

39.M0266881
DECAL:COLORED
DISPLAY:INNER C
OVER:M



30.M0261285
INNER COVER:TO
NER BOTTLE

40.M0266882
DECAL:COLORED
DISPLAY:INNER C
OVER:Y



41.M0266883
DECAL:COLORED
DISPLAY:INNER C
OVER:BK

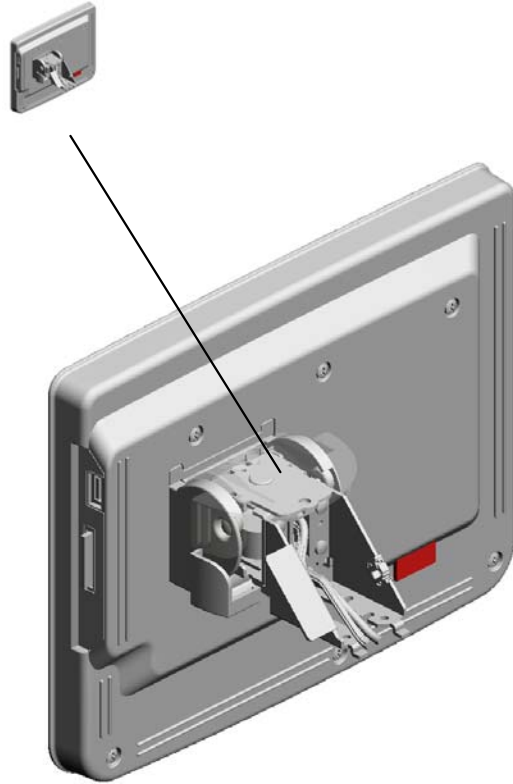


38.M0266880
DECAL:COLORED
DISPLAY:INNER C
OVER:C



U002.OPERATION

U002_S001
M0261440
OPERATION PANEL:NA:ASS'
Y

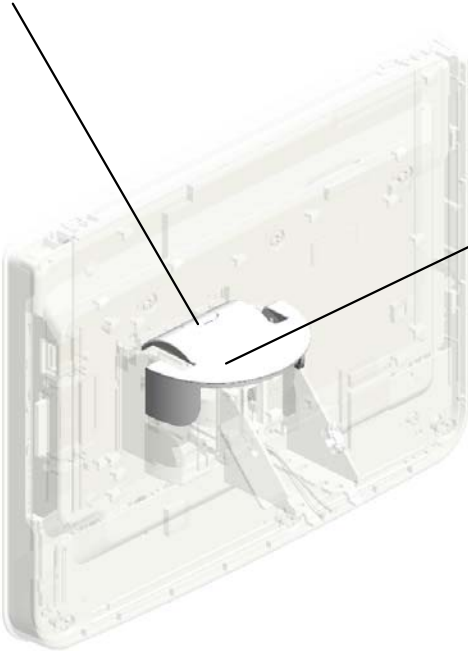


WWW.SERVICE-MANUAL.NET

U001	U002	U003	U004	U005	U006	U007	U008	U009	U010	U011	U012	U013	U014	U015	U016	U017	U018
------	-------------	------	------	------	------	------	------	------	------	------	------	------	------	------	------	------	------

U002 OPERATION

20.M0261523
CAP:COVER:HING
E:UPPER



17.M0261518
COVER:HINGE:UP
PER

U002_S001
OPERATION PANEL:NA:ASS'Y

12.M0261495 PCB:L CDC:NA:FT
15.M0261516 COVER:HINGE:LEF T
13.M0261498 LCD:TFT:W-VGA:M V
5.D0291484 TOUCH PANEL:WV GA:FU-ACF
1.03530040N (x29) SCREW - M3X4



6.M0261440 OPERATION PANE L:NA:ASS'Y

3.B2381534 (x2) LCD SPACER A

21.M0261524 COVER:HINGE:CL AMP

14.M0261515 HINGE:ASS'Y

7.M0261452 PCB:KEY:SUB:ASS' Y

16.M0261517 COVER:HINGE:RIG HT

11.M0261484 CABLE:FFC:KEY:S UB

22.M0261532 KEYTOP:START

23.M0261533 KEYTOP:CLEAR/S TOP

18.M0261519 COVER:HINGE:LO WER

8.M0261458 PCB:KEY:MAIN:AS S'Y

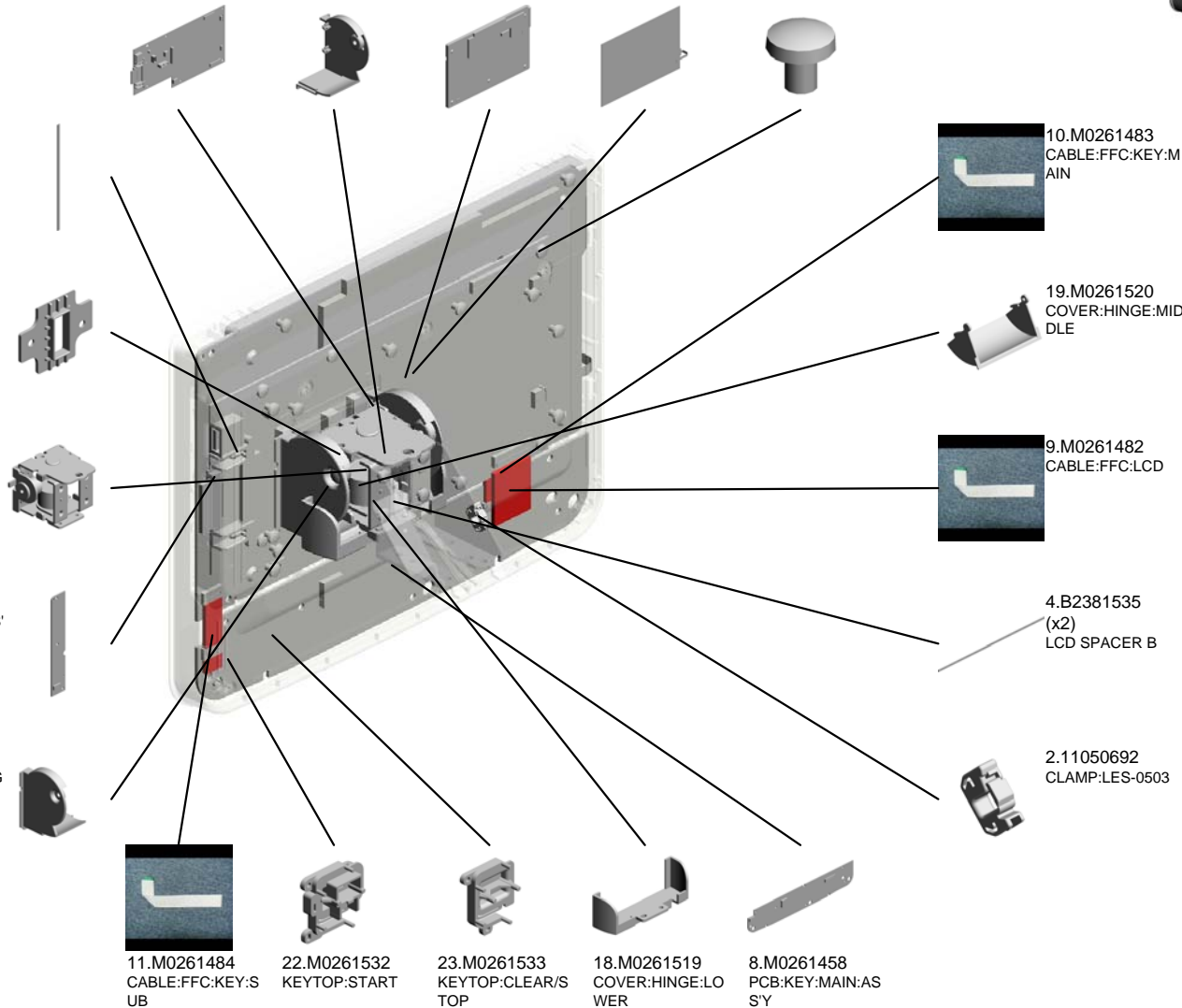
10.M0261483 CABLE:FFC:KEY:M AIN

19.M0261520 COVER:HINGE:MID DLE

9.M0261482 CABLE:FFC:LCD

4.B2381535 (x2) LCD SPACER B

2.11050692 CLAMP:LES-0503



U002_S001
OPERATION PANEL:NA:ASS'Y

29.M0261547
COVER:REAR

31.M0261555
SHEET:LCDC

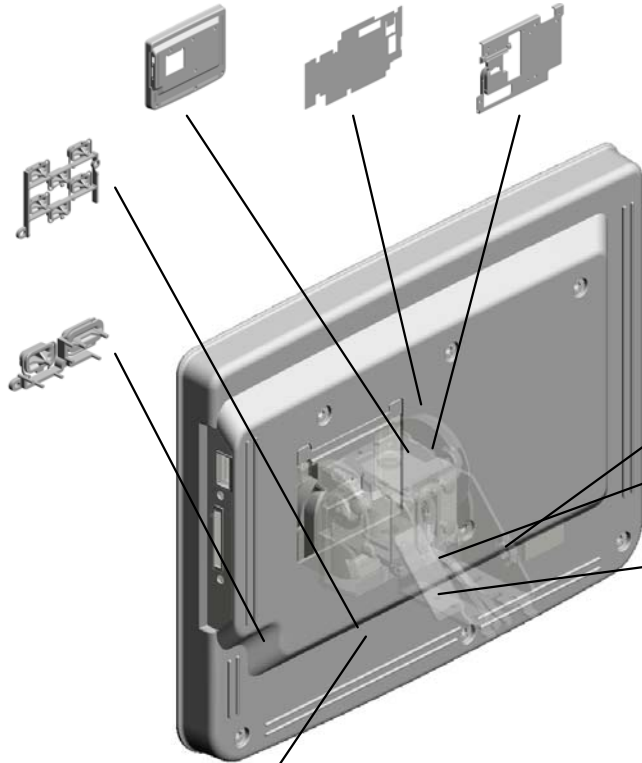
30.M0261548
COVER:INNER



6.M0261440
OPERATION PANE
L:NA:ASS'Y

25.M0261536
KEYTOP:10KEY:1:
NA

24.M0261534
KEYTOP:RESET S
WITCH



27.M0261541
KEYTOP:APPLICAT
ION:NA

32.M0261556
KEYTOP:BLANK

28.M0261545
KEYTOP:OTHER:N
A

26.M0261538
KEYTOP:10KEY:2:
NA

WWW.SERVICE-MANUAL.NET

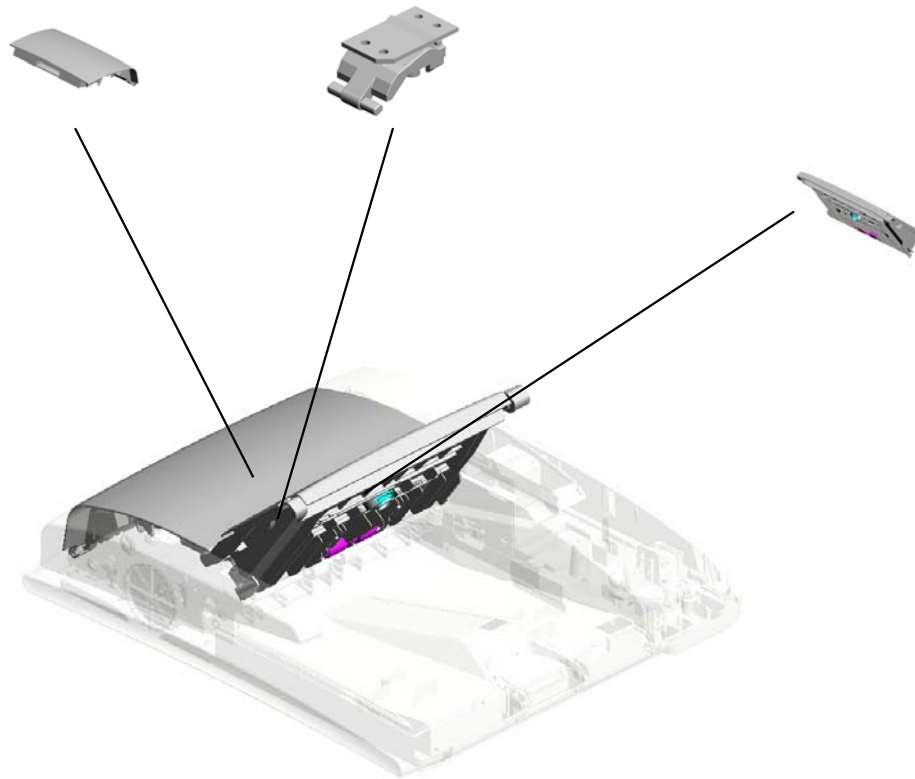
U001	U002	U003	U004	U005	U006	U007	U008	U009	U010	U011	U012	U013	U014	U015	U016	U017	U018
------	------	------	------	------	------	------	------	------	------	------	------	------	------	------	------	------	------

U003.ADF

U003_S002
M3644610
COVER:PAPER FEED:ASS'Y

U003_S001
M3642216
HOLDER:FRICTION PAD:ASS
'Y

U003_S003
M3644720
ORIGINAL TABLE:ASS'Y



WWW.SERVICE-MANUAL.NET

U001	U002	U003	U004	U005	U006	U007	U008	U009	U010	U011	U012	U013	U014	U015	U016	U017	U018
------	------	------	------	------	------	------	------	------	------	------	------	------	------	------	------	------	------

U003 ADF

5.06320100G
PIN - 2X10MM

22.AA143788
(x2)
PIN:GUIDE PLATE:
PAPER FEED

10.08050089
(x9)
RETAINING RING -
M4

13.11050692
CLAMP:LES-0503

12.11050511
HARNESS CLAMP -
LWS-0306ZC



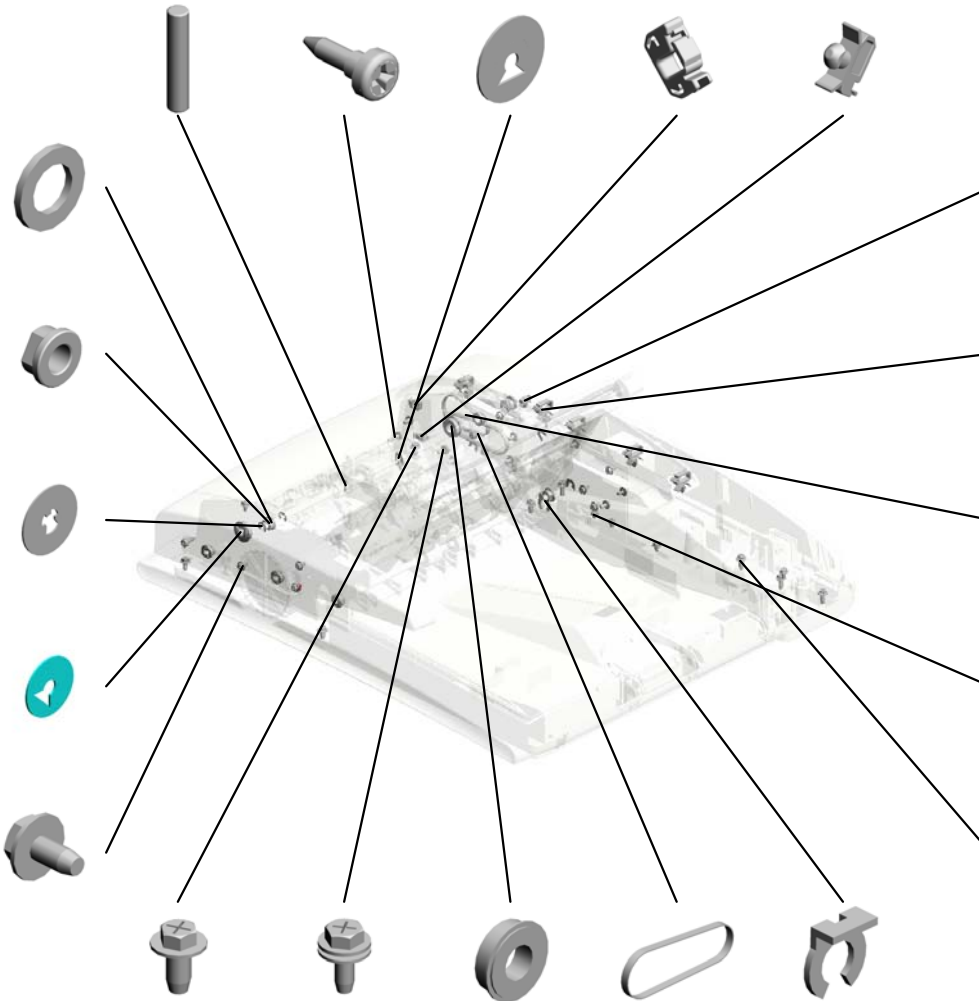
20.AA132208
SPACER - M6

19.AA082101
(x7)
BUSHING - 6X10X6

6.07200040E
(x2)
RETAINING RING -
M4

9.08050088
RETAINING RING -
M6

4.04513006N
(x24)
TAPPING SCREW -
3X6



14.11050717
CLAMP:JDW-1S

11.11050487
(x5)
HARNESS CLAMP

18.AA043603
TIMING BELT:B40S
2M128

1.03530040N
(x2)
SCREW - M3X4

3.04504010N
(x5)
TAPPING SCREW:
M4X10

2.04504008N
(x4)
TAPPING SCREW -
M4X8

8.08025299
TAPPING SCREW -
M3X8

7.07423808
(x2)
BALL BEARING - 8
X16X5

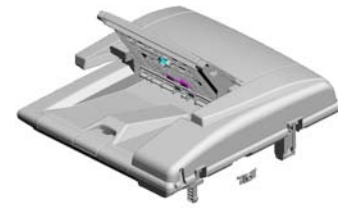
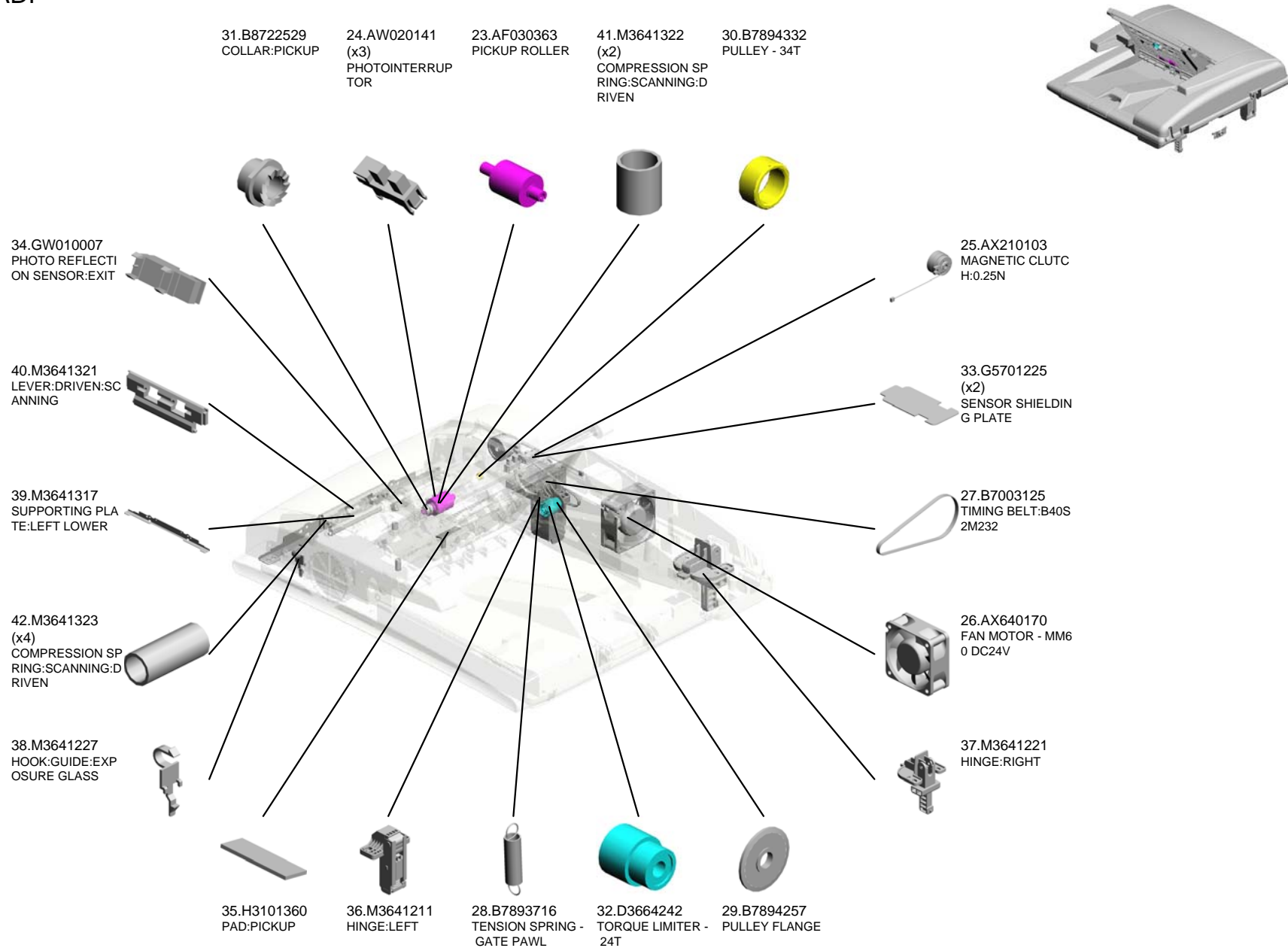
17.AA043319
TIMING BELT - 40S
2M156

15.A2222724
EXTERNAL CIRCLI
P - MM8

WWW.SERVICE-MANUAL.NET

U001	U002	U003	U004	U005	U006	U007	U008	U009	U010	U011	U012	U013	U014	U015	U016	U017	U018
------	------	------	------	------	------	------	------	------	------	------	------	------	------	------	------	------	------

U003 ADF



WWW.SERVICE-MANUAL.NET

U001	U002	U003	U004	U005	U006	U007	U008	U009	U010	U011	U012	U013	U014	U015	U016	U017	U018
------	------	------	------	------	------	------	------	------	------	------	------	------	------	------	------	------	------

U003 ADF

51.M3642123 TIMING PULLEY:PI
CKUP:DRIVE
64.M3642222 GUIDE PLATE:OPE
N AND CLOSE
49.M3642110 SHAFT:PAPER FEE
D UNIT
50.M3642121 FEED ROLLER
56.M3642143 TORSION SPRING:
PAPER STOPPER



53.M3642132 TORQUE LIMITER:
PICKUP



46.M3641342 (x2)
ROLLER:SCANNIN
G:DRIVEN:SHORT



43.M3641326 GUIDE PLATE:SCA
NNING:FRONT LO
WER



52.M3642124 COMPRESSION SP
RING:PAPER FEED
UNIT



44.M3641327 (x2)
SHEET:SCANNING:
FRONT LOWER



48.M3641387 (x2)
BRACKET:PRESSU
RE PLATE



61.M3642163 TIMING BELT:40S2
M130



45.M3641335 EXIT ROLLER:DRIV
EN:ASSY



60.M3642162 TIMING PULLEY:PI
CKUP



55.M3642142 PAPER STOPPER



58.M3642151 HOLDER:PICKUP



54.M3642141 ARM:PAPER STOP
PER



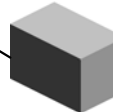
57.M3642144 LINK:PAPER STOP
PER



59.M3642161 SHAFT:PICKUP



47.M3641386 (x2)
CUSHION:PRESSU
RE PLATE



WWW.SERVICE-MANUAL.NET

U001	U002	U003	U004	U005	U006	U007	U008	U009	U010	U011	U012	U013	U014	U015	U016	U017	U018
------	------	------	------	------	------	------	------	------	------	------	------	------	------	------	------	------	------

U003 ADF

71.M3643121 TRANSPORT ROLLER:SCANNING
 83.M3643416 GUIDE PLATE:REVERSE
 74.M3643211 GUIDE PLATE:TRANSPORT
 69.M3643111 TRANSPORT ROLLER:PULL OUT
 77.M3643227 CUSHION:HARNES



67.M3642314 LEVER:PRESSURE RELEASE:SEPARATION

80.M3643311 GUIDE PLATE:SCANNING

66.M3642313 TENSION SPRING:PRESSURE RELEASE

81.M3643321 (x2) SPRING PLATE:GUIDE:EXPOSURE GLASS

73.M3643136 KNOB:MISFEED REMOVAL

76.M3643221 SPRING PLATE:EXIT:RTH:EXIT

72.M3643131 EXIT ROLLER

78.M3643232 EXIT ROLLER:DRIVEN

79.M3643241 GUIDE PLATE:REVERSE:UPPER

75.M3643212 DISCHARGE BRUSH:EXIT:SUS

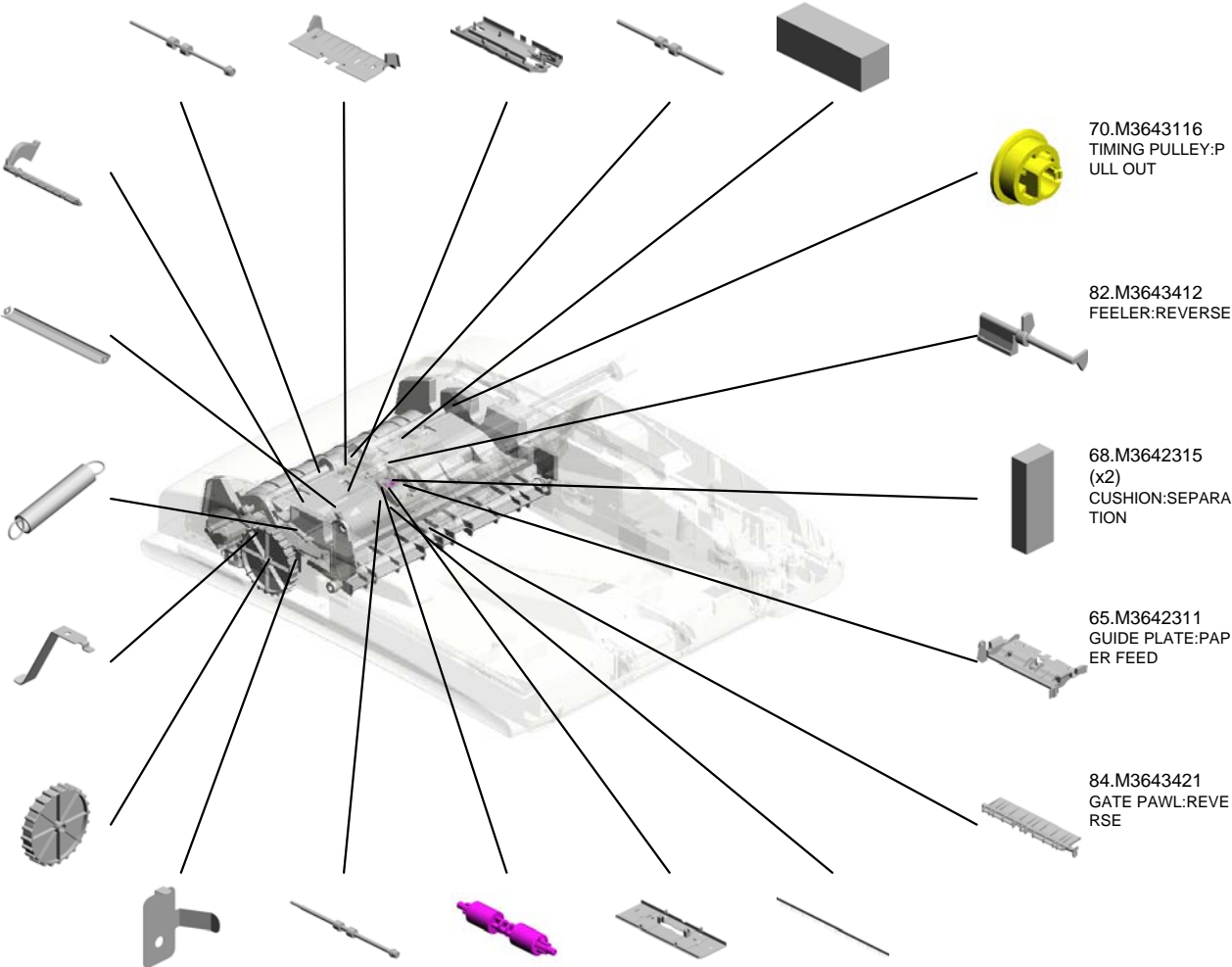
70.M3643116 TIMING PULLEY:PULL OUT

82.M3643412 FEELER:REVERSE

68.M3642315 (x2) CUSHION:SEPARATION

65.M3642311 GUIDE PLATE:PAPER FEED

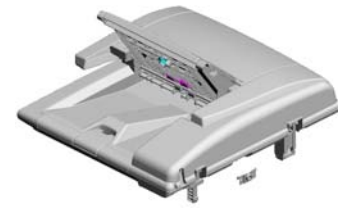
84.M3643421 GATE PAWL:REVERSE



WWW.SERVICE-MANUAL.NET

U001	U002	U003	U004	U005	U006	U007	U008	U009	U010	U011	U012	U013	U014	U015	U016	U017	U018
------	------	------	------	------	------	------	------	------	------	------	------	------	------	------	------	------	------

U003
ADF



- 96.M3644341 (x2) TENSION SPRING: MOTOR
- 93.M3644251 SHAFT:ELECTROMAGNETIC CLUTCH
- 88.M3644124 GEAR:TIMING PULLEY:COUPLING
- 87.M3644122 GEAR:TIMING PULLEY:SLOW DOWN: PAPER FEED
- 86.M3644121 TIMING PULLEY:SLOW DOWN:PAPER FEED

91.M3644244 TENSION SPRING: TIGHTENER:TRANSPORT

90.M3644231 TIGHTENER:TRANSPORT:ASSY

92.M3644245 TIMING BELT:B80S 1.5M236

108.M3644641 SHAFT:DRIVEN

111.M3644648 (x4) PLAIN SHAFT BEARING:M4

100.M3644521 COVER:FRONT

85.M3643422 CUSHION:GATE PAWL:REVERSE

98.M3644411 DC SOLENOID:GATE PAWL:REVERSE

102.M3644536 TRAY:AUXILIARY

101.M3644531 COVER:RIGHT

89.M3644131 TIMING BELT:B40S 2M160

95.M3644321 (x2) STEPPER MOTOR: DC 0.94W

94.M3644311 (x2) BRACKET:MOTOR

99.M3644511 COVER:REAR

97.M3644353 BRACKET:DC FAN MOTOR

WWW.SERVICE-MANUAL.NET

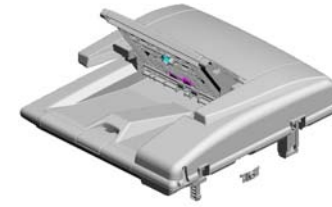
U001	U002	U003	U004	U005	U006	U007	U008	U009	U010	U011	U012	U013	U014	U015	U016	U017	U018
------	------	------	------	------	------	------	------	------	------	------	------	------	------	------	------	------	------

U003
ADF

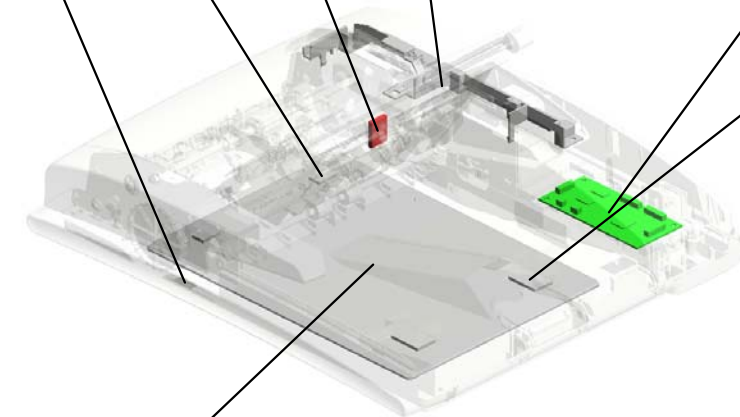
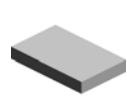
121.M3644821
(x2)
TAPE:PRESSURE
PLATE:LEFT

125.M3646021
DECAL:ORIGINAL
TABLE

124.M3645751
GUIDE:HARNES



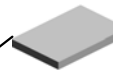
129.M3646051
DECAL:LEVER:KN
OB



123.M3645022
PCB:MAIN CONTR
OL:ASS'Y



122.M3644823
(x2)
TAPE:PRESSURE
PLATE

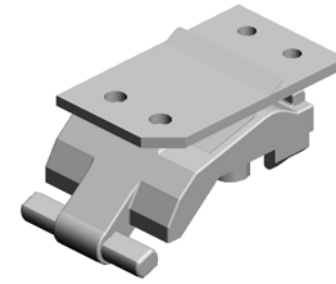
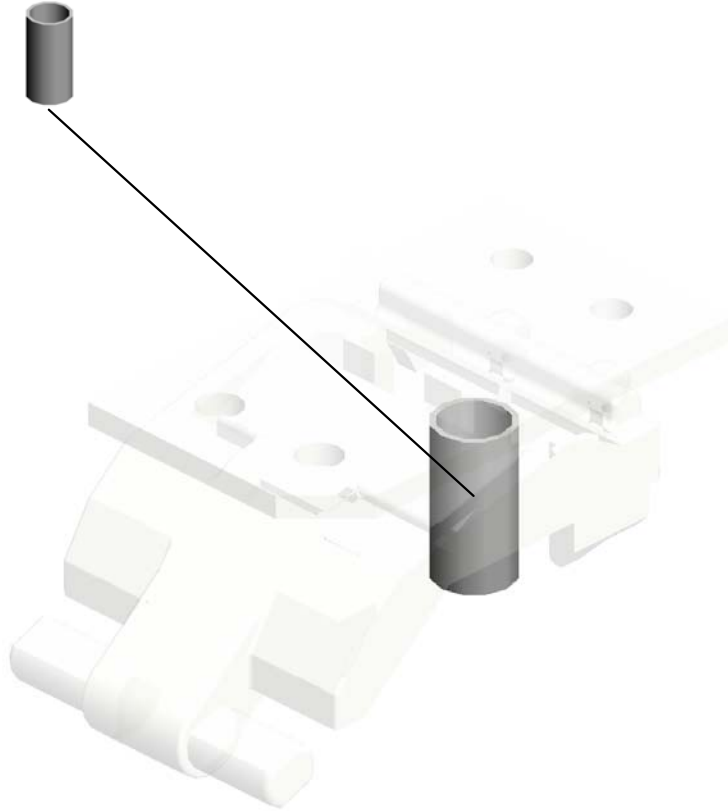


120.M3644811
PRESSURE PLATE



U003_S001
HOLDER: FRICTION PAD: ASS'Y

63.M3642213
COMPRESSION SP
RING: SEPARATIO
N

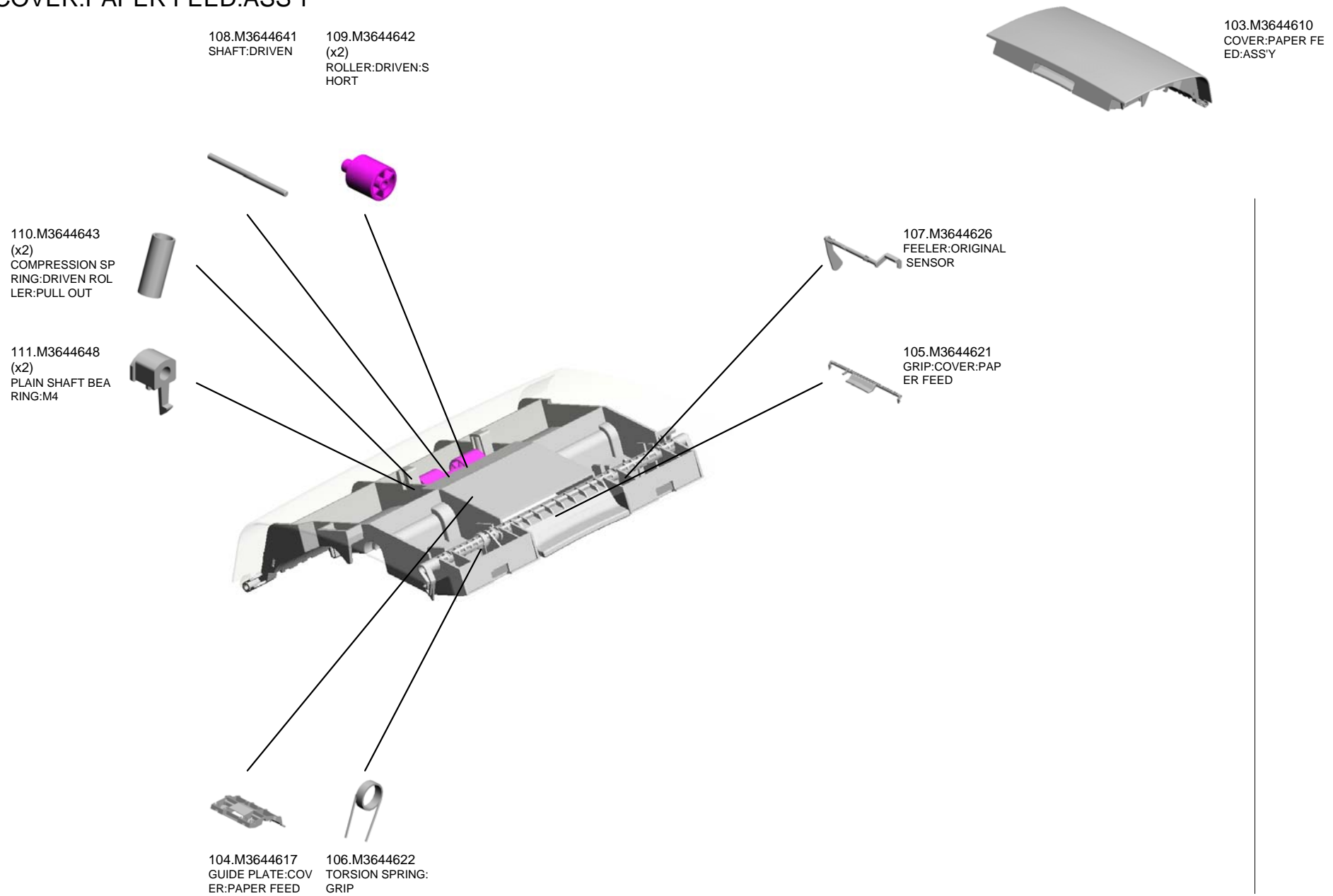


130.M3642216
[A]
HOLDER: FRICTION
PAD: ASS'Y
201108-01 X/O



M3642211
[A]
HOLDER: FRICTION
PAD: ASS'Y
201108-01 X/O

U003_S002
COVER:PAPER FEED:ASS'Y



WWW.SERVICE-MANUAL.NET

U001	U002	U003	U004	U005	U006	U007	U008	U009	U010	U011	U012	U013	U014	U015	U016	U017	U018
------	------	------	------	------	------	------	------	------	------	------	------	------	------	------	------	------	------

U003_S003
ORIGINAL TABLE:ASS'Y

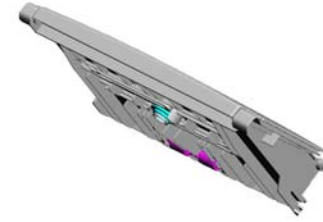
119.M3644751
EXTENSION TRAY

21.AA132225
(x2)
SPACER:DIA10XDI
A15X1

117.M3644743
COMPRESSION SP
RING:SIDE FENCE

118.M3644744
GEAR:SIDE FENCE

112.M3644720
ORIGINAL TABLE:A
SS'Y



127.M3646032
DECAL:ORIGINAL
SCALE:FRONT



116.M3644742
SIDE FENCE:FRON
T



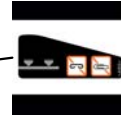
113.M3644724
(x2)
SPRING PLATE:RE
VERSE:PRESSURE



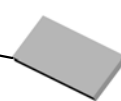
126.M3646031
DECAL:ORIGINAL
SCALE:INNER BAC
K



128.M3646041
DECAL:SIDE FENC
E



114.M3644736
(x2)
CUSHION:SIDE FE
NCE:SMALL



16.A3344678
(x4)
RACK SHIELD MYL
AR



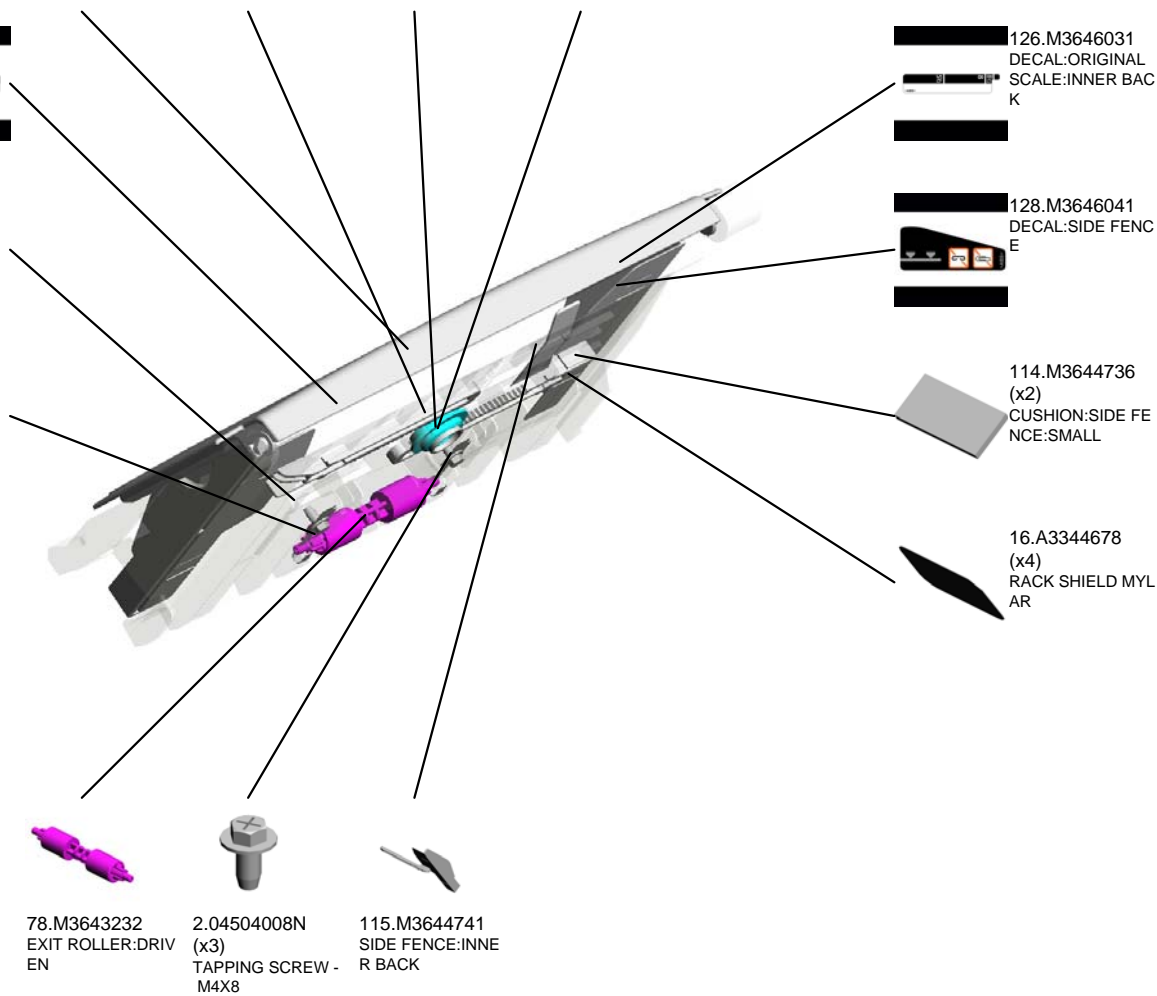
78.M3643232
EXIT ROLLER:DRIV
EN



2.04504008N
(x3)
TAPPING SCREW -
M4X8

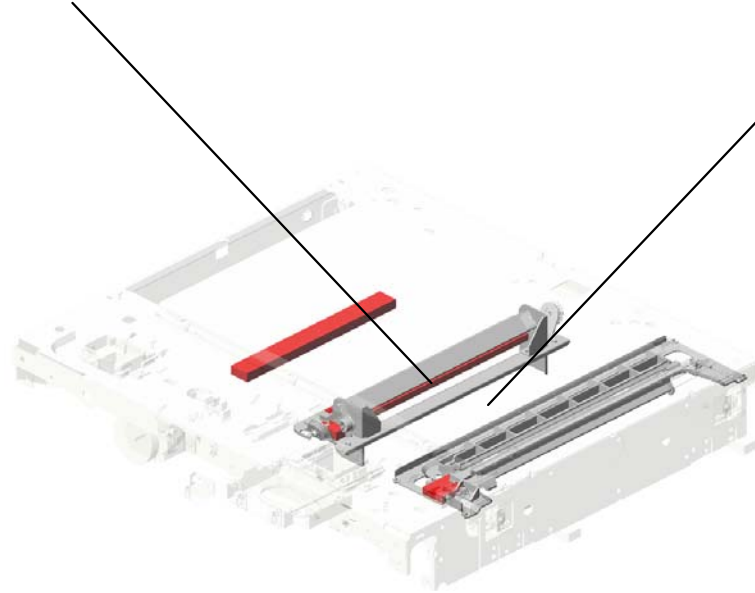


115.M3644741
SIDE FENCE:INNE
R BACK



U004.SCANNER

U004_S002
M0261771
CARRIAGE:NO.2:ASS'Y



U004_S001
M0261800
CARRIAGE:NO.1:ASS'Y



WWW.SERVICE-MANUAL.NET

U001	U002	U003	U004	U005	U006	U007	U008	U009	U010	U011	U012	U013	U014	U015	U016	U017	U018
------	------	------	------	------	------	------	------	------	------	------	------	------	------	------	------	------	------

U004_S001.CARRIAGE:NO.1:ASS'Y

U004_S001_S001
M0261802
ILLUMINATION UNIT:LED-B:A
SS'Y

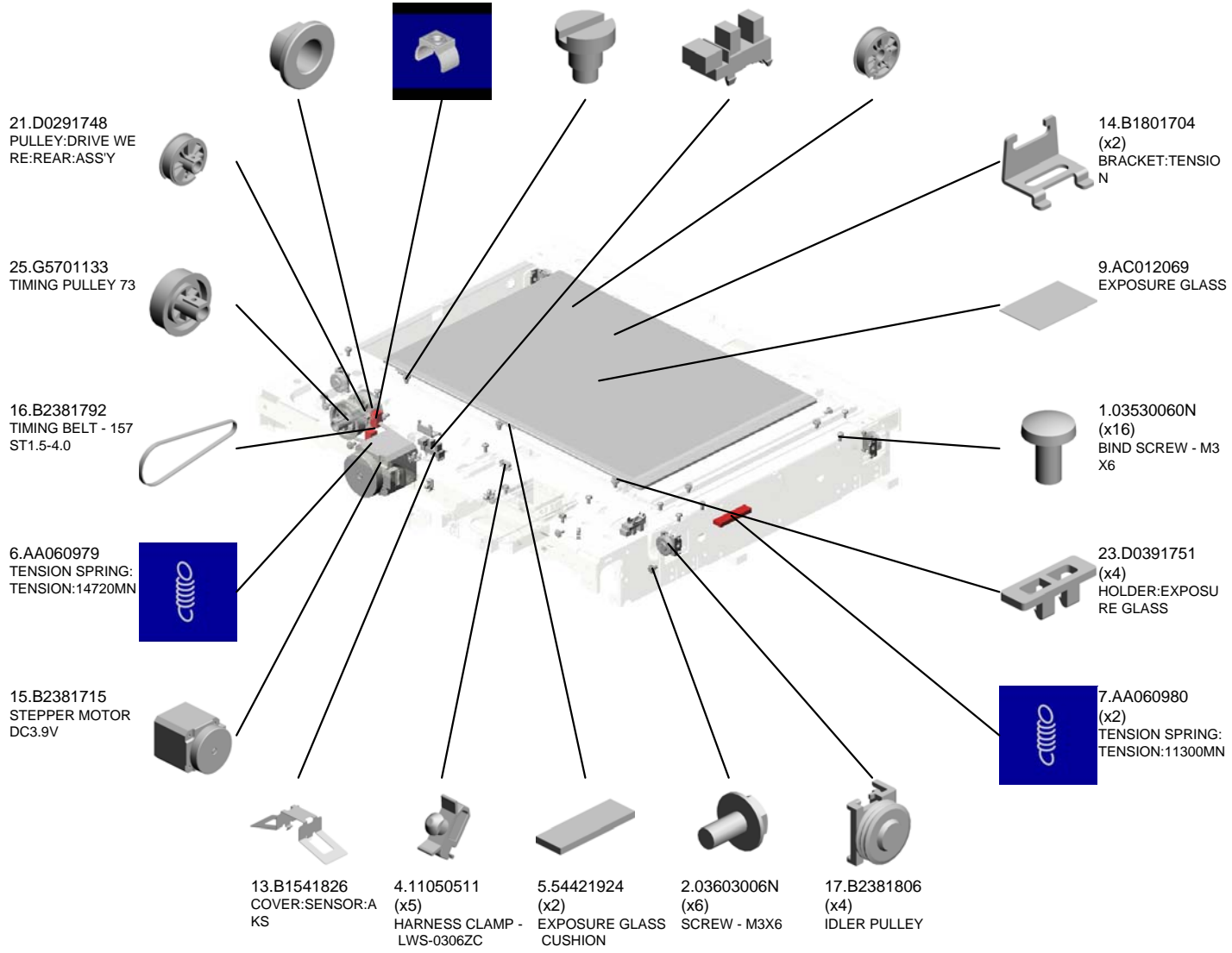


WWW.SERVICE-MANUAL.NET

U001	U002	U003	U004	U005	U006	U007	U008	U009	U010	U011	U012	U013	U014	U015	U016	U017	U018
------	------	------	------	------	------	------	------	------	------	------	------	------	------	------	------	------	------

U004 SCANNER

- 8.AA082144 (x2) BUSHING - 8X12X7
- 22.D0291749 PULLEY:PROTECTI ON
- 19.B3901759 (x5) SHAFT:SCALE
- 12.AW020145 (x2) PHOTOINTERRUPTOR:FLAT
- 20.D0291745 PULLEY:DRIVE WE RE:FRONT

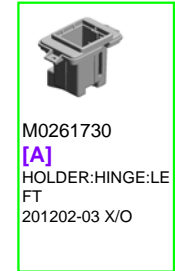
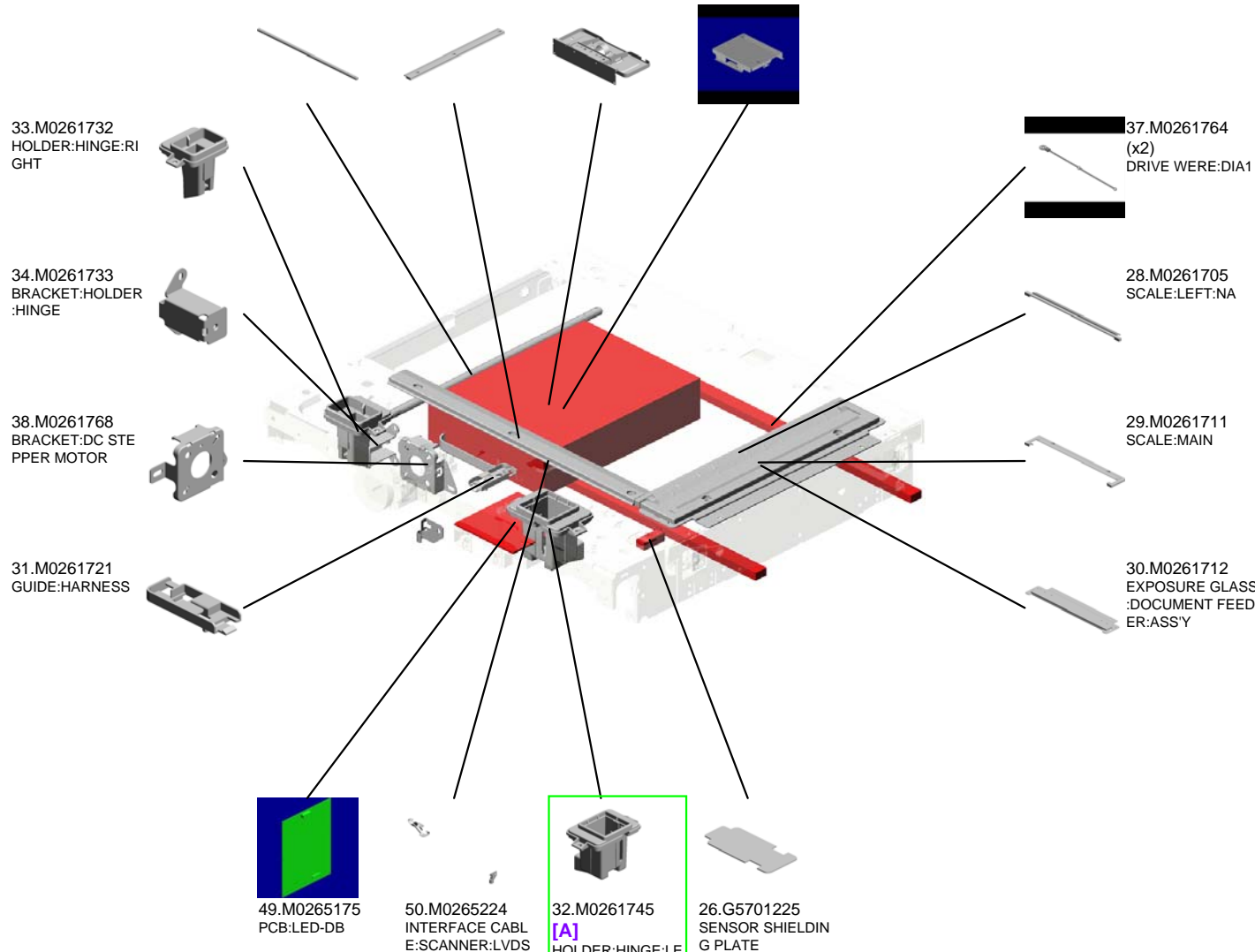


WWW.SERVICE-MANUAL.NET

U001	U002	U003	U004	U005	U006	U007	U008	U009	U010	U011	U012	U013	U014	U015	U016	U017	U018
------	------	------	------	------	------	------	------	------	------	------	------	------	------	------	------	------	------

U004 SCANNER

36.M0261762 SHAFT:SCANNER:DRIVE
 27.M0261700 SCALE:INNER BACK:PRINTING
 35.M0261751 HOLDER:LENS:ASSY
 41.M0261791 INNER COVER:SCANNER

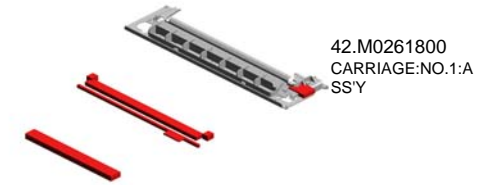


WWW.SERVICE-MANUAL.NET

U001	U002	U003	U004	U005	U006	U007	U008	U009	U010	U011	U012	U013	U014	U015	U016	U017	U018
------	------	------	------	------	------	------	------	------	------	------	------	------	------	------	------	------	------

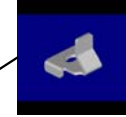
U004_S001
CARRIAGE:NO.1:ASS'Y

44.M0261805 10.AC030177
REFLECTOR:SCAN MIRROR:NO.1
NER



42.M0261800
CARRIAGE:NO.1:A
SS'Y

47.M0261814
SHEET:GUIDE:HAR
NESS:LED-B



46.M0261813
(x2)
CLAMP:WIRE



48.M0261815
(x2)
CLAMP:MIRROR:N
O.1



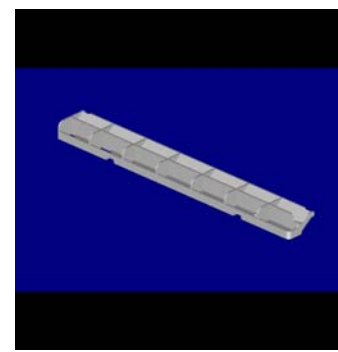
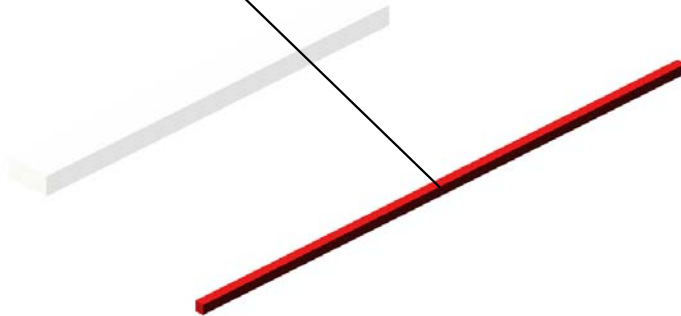
45.M0261812
GUIDE:HARNESS:L
ED-B

WWW.SERVICE-MANUAL.NET

U001	U002	U003	U004	U005	U006	U007	U008	U009	U010	U011	U012	U013	U014	U015	U016	U017	U018
------	------	------	------	------	------	------	------	------	------	------	------	------	------	------	------	------	------

U004_S001_S001
ILLUMINATION UNIT:LED-B:ASS'Y

44.M0261805
REFLECTOR:SCAN
NER



43.M0261802
ILLUMINATION UNI
T:LED-B:ASS'Y

U001	U002	U003	U004	U005	U006	U007	U008	U009	U010	U011	U012	U013	U014	U015	U016	U017	U018
------	------	------	------	------	------	------	------	------	------	------	------	------	------	------	------	------	------

U004_S002
CARRIAGE:NO.2:ASS'Y

18.B2381807
(x2)
PULLEY

40.M0261778
GUIDE:FFC



39.M0261771
CARRIAGE:NO.2:A
SS'Y

3.07200040E
(x2)
RETAINING RING -
M4



11.AC030178
(x2)
MIRROR:NO.2



24.G4042810
(x4)
SPRING PLATE - 2
ND MIRROR

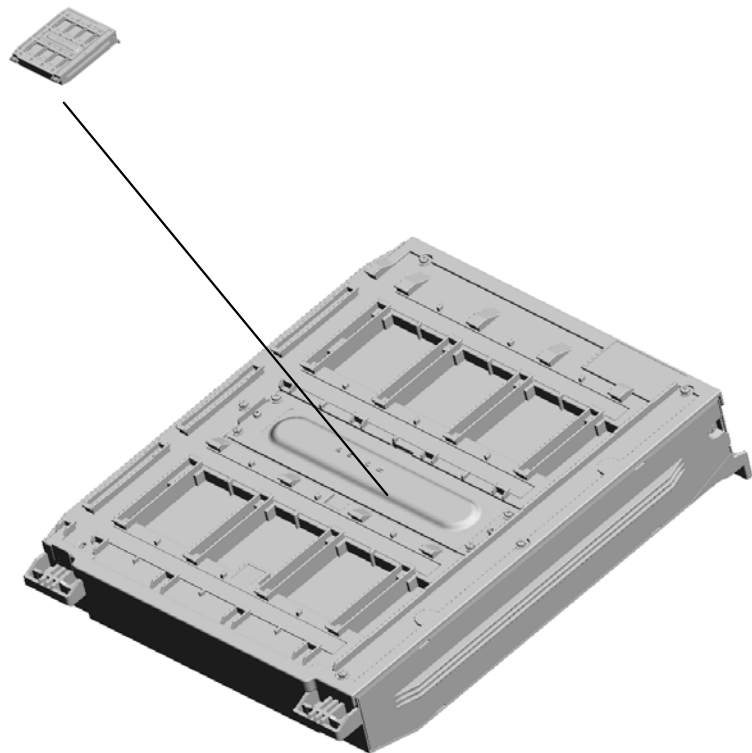


1.03530060N
BIND SCREW - M3
X6



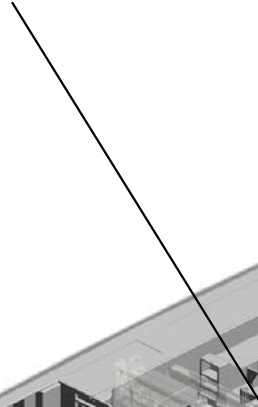
U005
LASER UNIT

1.M0261855
IMAGING UNIT:SE
RVICE PARTS

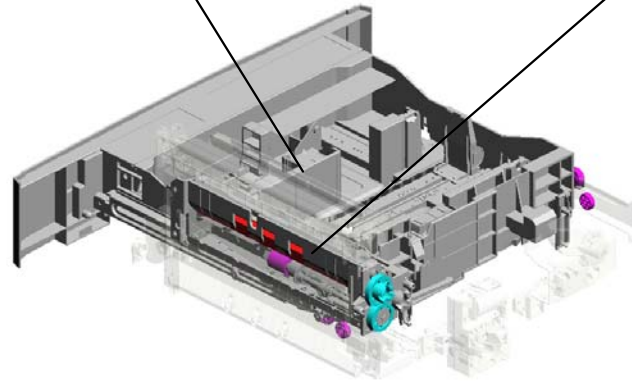
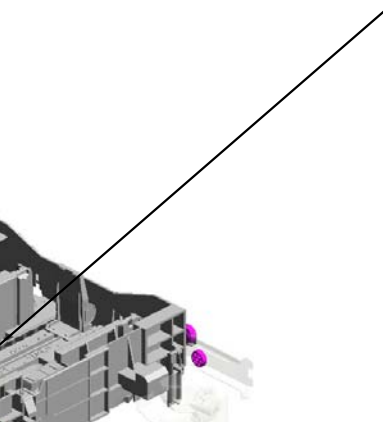


U006.PAPER FEED

U006_S002
M0262900
PAPER TRAY:ASSY



U006_S001
M0262750
PAPER FEED UNIT

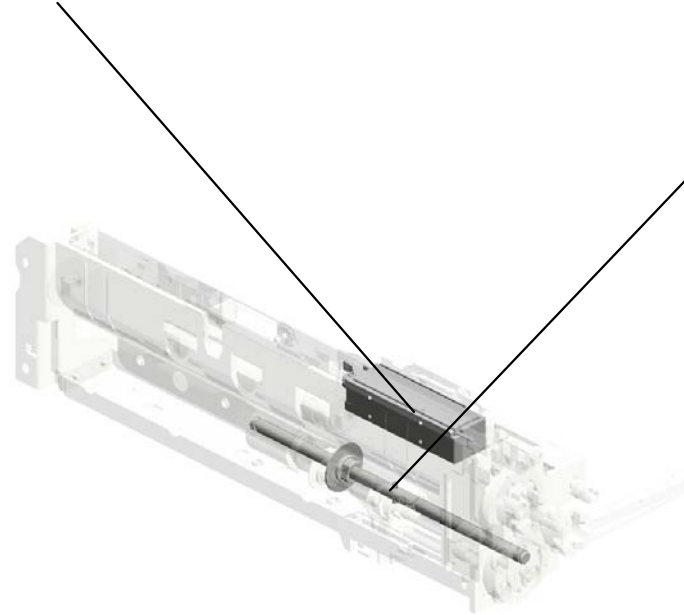


WWW.SERVICE-MANUAL.NET

U001	U002	U003	U004	U005	U006	U007	U008	U009	U010	U011	U012	U013	U014	U015	U016	U017	U018
------	------	------	------	------	-------------	------	------	------	------	------	------	------	------	------	------	------	------

U006_S001.PAPER FEED UNIT

U006_S001_S001
M0262780
DC SOLENOID:PICKUP:ASS'
Y



U006_S001_S002
M0262810
SHAFT:SEPARATE:DRIVEN:A
SS'Y

WWW.SERVICE-MANUAL.NET

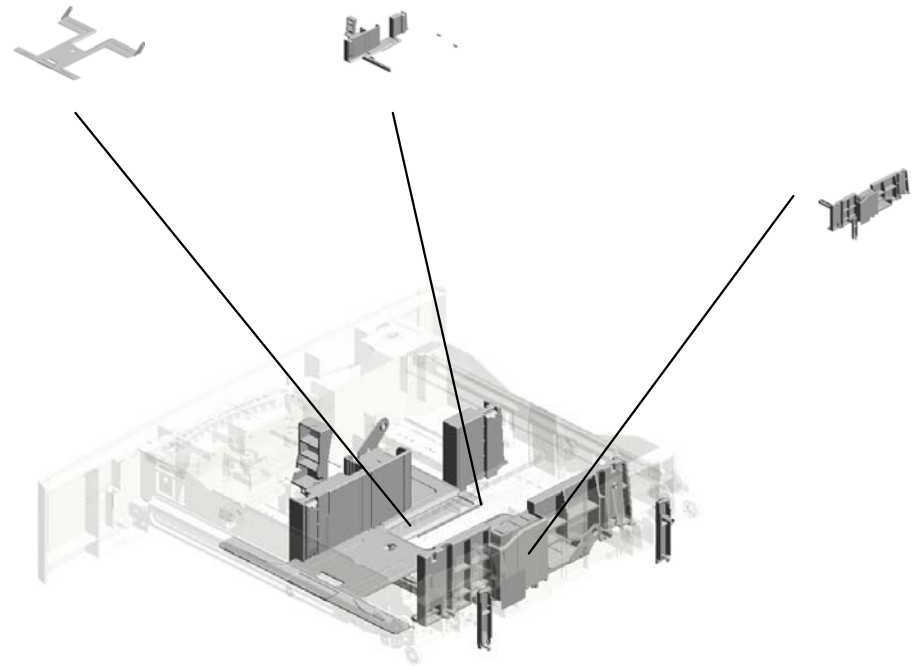
U001	U002	U003	U004	U005	U006	U007	U008	U009	U010	U011	U012	U013	U014	U015	U016	U017	U018
------	------	------	------	------	-------------	------	------	------	------	------	------	------	------	------	------	------	------

U006_S002.PAPER TRAY:ASS'Y

U006_S002_S003
M0262940
TRAY BOTTOM PLATE:ASS'Y

U006_S002_S001
M0262920
SIDE FENCE:FRONT:ASS'Y

U006_S002_S002
M0262930
SIDE FENCE:REAR:ASS'Y



WWW.SERVICE-MANUAL.NET

U001	U002	U003	U004	U005	U006	U007	U008	U009	U010	U011	U012	U013	U014	U015	U016	U017	U018
------	------	------	------	------	-------------	------	------	------	------	------	------	------	------	------	------	------	------

U006 PAPER FEED

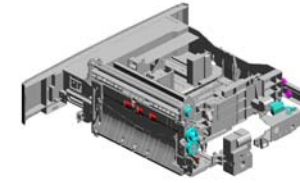
49.M0262552
REGISTRATION R
OLLER:DRIVEN

31.AW010107
PAPER FEED SEN
SOR

7.08025299
TAPPING SCREW -
M3X8

44.B2382655
GEAR - 16Z

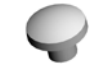
9.08050092
(x2)
RETAINING RING -
3M



16.AA082075
(x2)
BUSHING - M6



1.03530030N
(x2)
SCREW:M3X3



48.M0262551
REGISTRATION R
OLLER:DRIVE



21.AA161163
CUSHION



30.AF040571
(x3)
GUIDE ROLLER



11.52062686
(x2)
SNAP RING



5.04543008Q
(x6)
TAPPING SCREW:
3X8



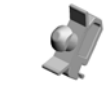
4.04543006Q
(x17)
TAPPING SCREW -
M3X6



50.M0262553
GEAR:REGISTRATI
ON:26Z



10.11050511
(x2)
HARNES CLAMP -
LWS-0306ZC



45.B2382675
(x2)
REGISTRATION R
OLLER BUSHING



8.08050089
(x3)
RETAINING RING -
M4



37.B2232730
PAPER TRAY STO
PPER ASSY



34.AW500038
PUSH SWITCH:PA
PER SIZE SENSOR



35.AX040154
DC MOTOR 24V



WWW.SERVICE-MANUAL.NET

U001	U002	U003	U004	U005	U006	U007	U008	U009	U010	U011	U012	U013	U014	U015	U016	U017	U018
------	------	------	------	------	-------------	------	------	------	------	------	------	------	------	------	------	------	------

U006 PAPER FEED

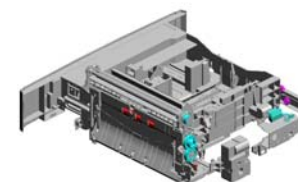
55.M0262574
ROLLER:REMOVE
PAPER DUST

54.M0262571
CASE:REMOVE PA
PER DUST

59.M0262583
COVER:REMOVE P
APER DUST:ADHE
SION

57.M0262577
SHEET:COVER:RE
MOVE PAPER DUS
T

65.M0262719
ROLLER:SUPPORT
ER:LEFT:PAPER T
RAY



58.M0262581
GEAR:ROLLER:RE
MOVE PAPER DUS
T

53.M0262567
GUIDE PLATE:REG
ISTRATION:RIGHT

56.M0262575
CUSHION:REMOV
E PAPER DUST

60.M0262584
SHEET:REMOVE P
APER DUST:RIGHT

69.M0262726
ROLLER:SUPPORT
ER:RIGHT:PAPER
TRAY

64.M0262715
SUPPORTER:RIGH
T:ASS'Y

87.M0262835
GUIDE PLATE:SWI
VEL

63.M0262714
SPACER:SEPARAT
E

61.M0262585
GUIDE:HARNES
S:REGISTRATION

51.M0262554
GEAR:REGISTRATI
ON-DRIVEN:14Z

62.M0262710
SUPPORTER:LEFT
:ASS'Y

52.M0262555
(x2)
TENSION SPRING:
REGISTRATION:7N

67.M0262722
COVER:STOPPER:
PAPER TRAY

66.M0262721
BRACKET:PUSH S
WITCH

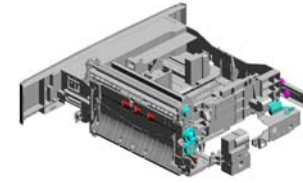
68.M0262723
BRACKET:HARNES
S:HEATER

WWW.SERVICE-MANUAL.NET

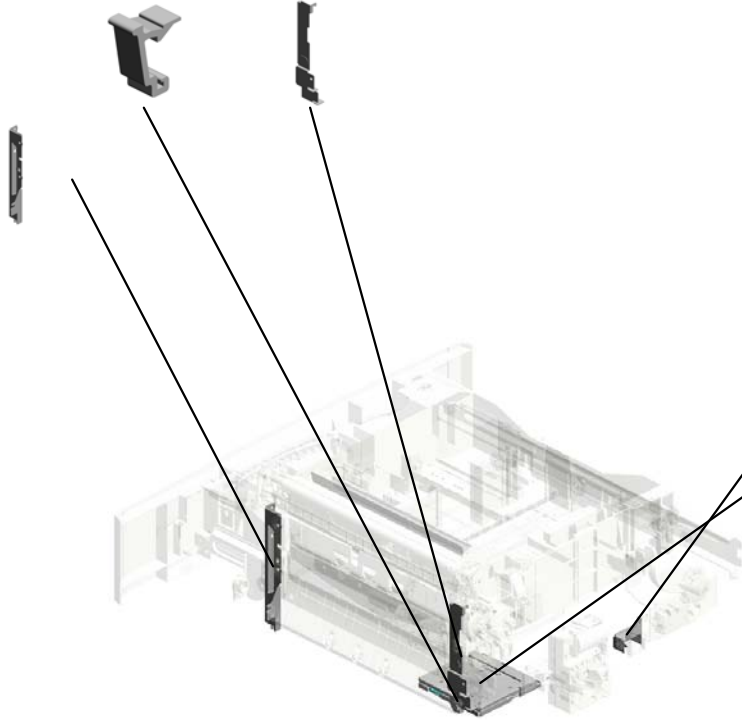
U001	U002	U003	U004	U005	U006	U007	U008	U009	U010	U011	U012	U013	U014	U015	U016	U017	U018
------	------	------	------	------	------	------	------	------	------	------	------	------	------	------	------	------	------

U006 PAPER FEED

117.M0262988 88.M0262848
CLIP:STRETCH:UN COVER:HARNES



115.M0262950
BRACKET:PAPER
FEED UNIT



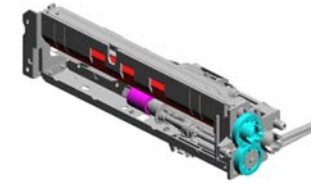
114.M0262948
COVER:CONNECT
OR



116.M0262985
LEVER:STRETCH:T
RAY



U006_S001 PAPER FEED UNIT



70.M0262750
PAPER FEED UNIT

- 3.04513006N (x11) TAPPING SCREW - 3X6
- 28.AF031090 PAPER FEED ROLLER:FEED
- 32.AW010146 PHOTO REFLECTIVE SENSOR:PAPER FEED
- 24.AB011218 GEAR - ROLLER CLUTCH
- 29.AF032090 PAPER FEED ROLLER:SEPARATE

10.11050511 HARNESS CLAMP - LWS-0306ZC

18.AA082143 (x5) BUSHING - 6X10X6

31.AW010107 PAPER FEED SENSOR

20.AA100014 (x2) RETAINING RING C - SEPARATE

27.AF030090 PAPER FEED ROLLER:PICKUP

8.08050089 (x3) RETAINING RING - M4

19.AA082150 PLAIN SHAFT BEARING:M6

22.AB010156 GEAR:SEPARATE:DRIVE

11.52062686 (x2) SNAP RING

23.AB010157 GEAR:SEPARATE:DRIVEN

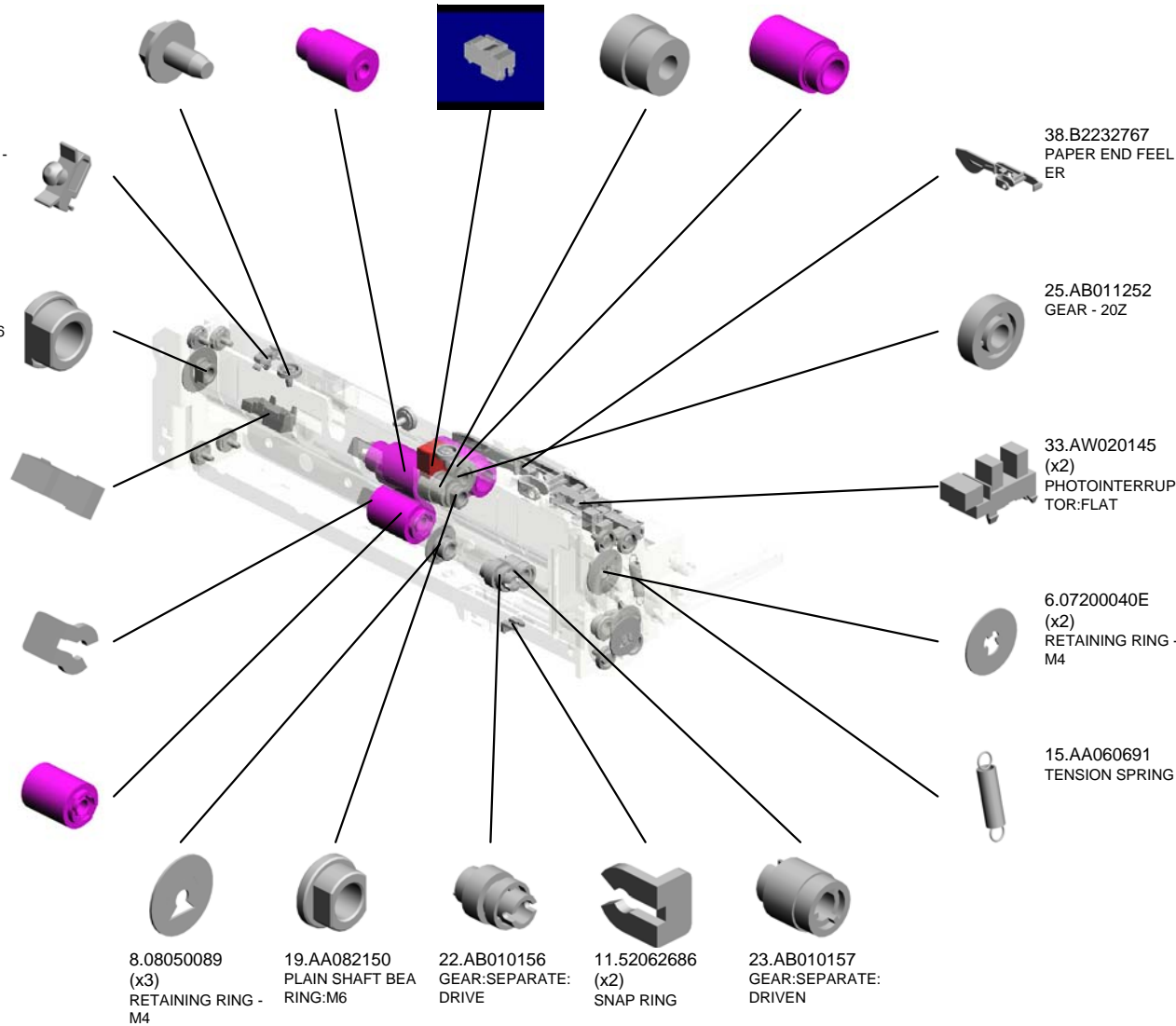
38.B2232767 PAPER END FEELER

25.AB011252 GEAR - 20Z

33.AW020145 (x2) PHOTO INTERRUPTOR:FLAT

6.07200040E (x2) RETAINING RING - M4

15.AA060691 TENSION SPRING



WWW.SERVICE-MANUAL.NET

U001	U002	U003	U004	U005	U006	U007	U008	U009	U010	U011	U012	U013	U014	U015	U016	U017	U018
------	------	------	------	------	------	------	------	------	------	------	------	------	------	------	------	------	------

U006_S001 PAPER FEED UNIT

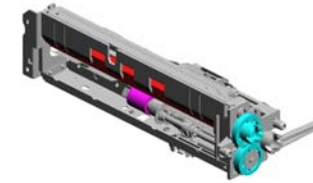
39.B2232829
FEED GUIDE

74.M0262766
ROLLER:VERTICAL
TRANSPORT:DRIV
E

73.M0262765
GROUND PLATE:F
EED

72.M0262763
SHAFT:FEED

71.M0262761
ARM:PICKUP



70.M0262750
PAPER FEED UNIT

78.M0262786
GROUND PLATE:F
RONT

86.M0262828
TORQUE LIMITER

83.M0262807
TENSION SPRING:
PRESSURE:SEPAR
ATE

80.M0262803
LEVER:PRESSURE
:SEPARATE

81.M0262804
LINK:RELEASE

85.M0262815
SHAFT:SEPARATE:
DRIVE:ASSY

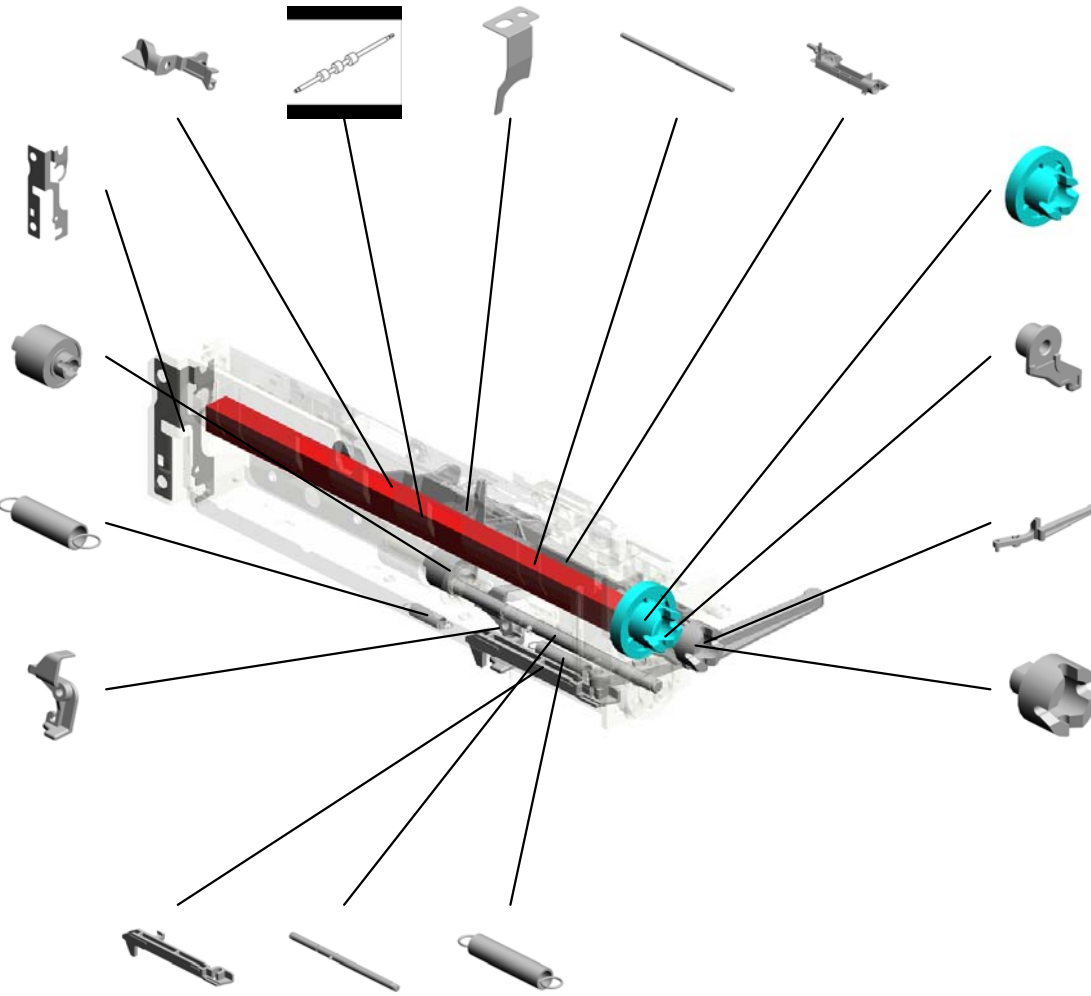
82.M0262806
TENSION SPRING:
RELEASE

75.M0262768
GEAR:ROLLER:VE
RTICAL TRANSPO
RT

47.G0652767
LEVER - FEED

79.M0262787
LEVER:PRESSURE
RELEASE

76.M0262769
JOINT:FEED

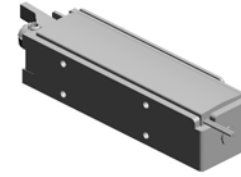


WWW.SERVICE-MANUAL.NET

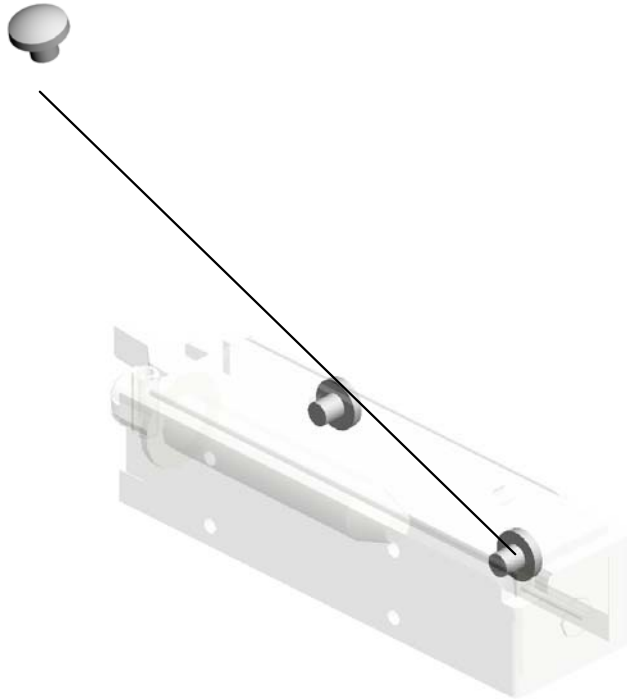
U001	U002	U003	U004	U005	U006	U007	U008	U009	U010	U011	U012	U013	U014	U015	U016	U017	U018
------	------	------	------	------	------	------	------	------	------	------	------	------	------	------	------	------	------

U006_S001_S001
DC SOLENOID:PICKUP:ASS'Y

1.03530030N
(x2)
SCREW:M3X3

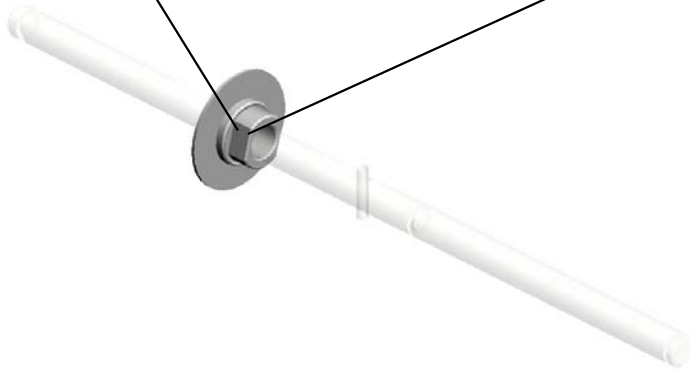


77.M0262780
DC SOLENOID:PIC
KUP:ASS'Y

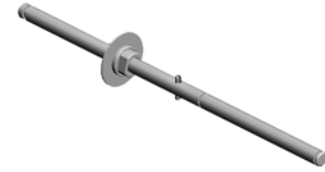


U006_S001_S002
SHAFT:SEPARATE:DRIVEN:ASS'Y

6.07200040E
RETAINING RING -
M4

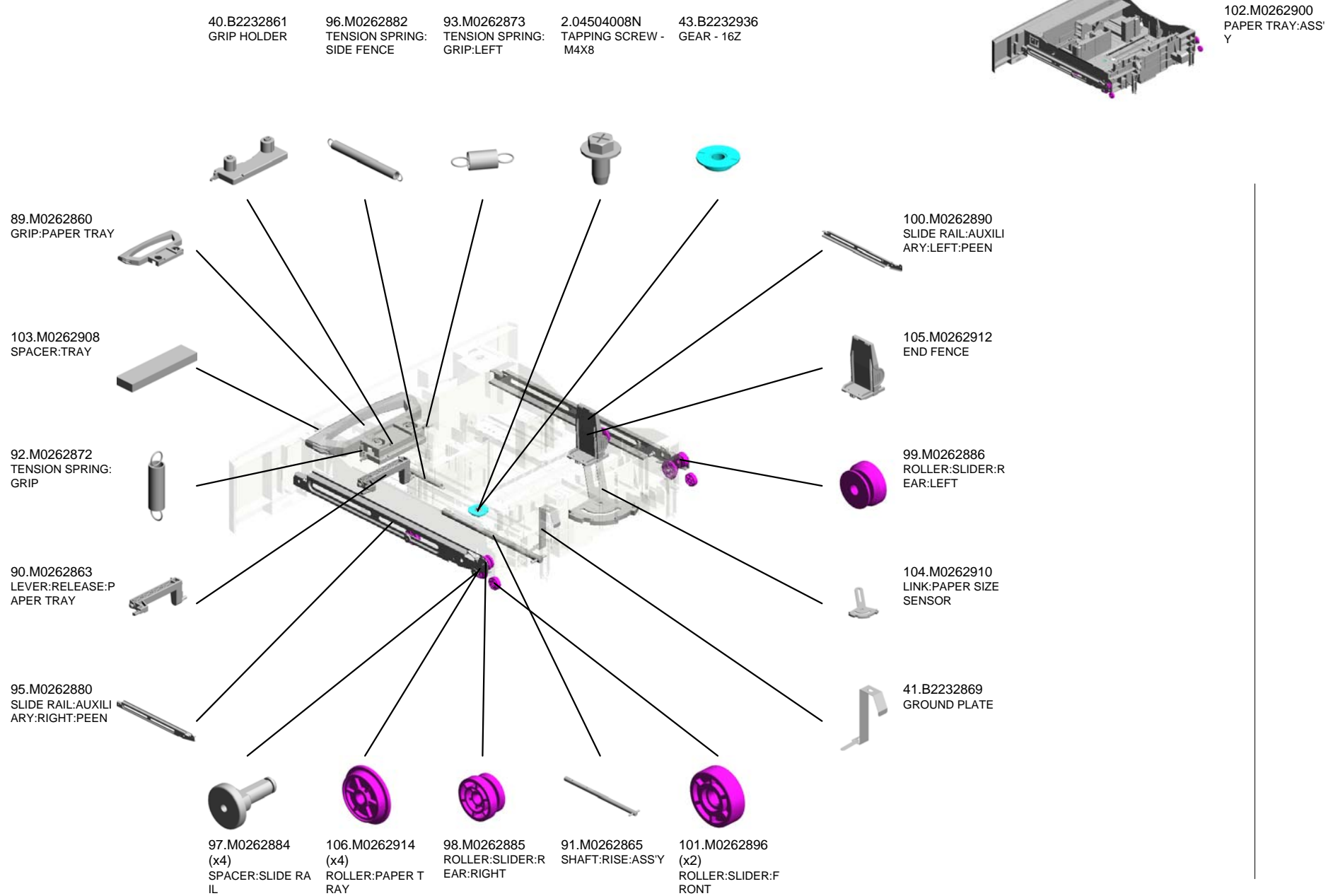


17.AA082101
BUSHING - 6X10X6



84.M0262810
SHAFT:SEPARATE:
DRIVEN:ASS'Y

U006_S002 PAPER TRAY:ASS'Y

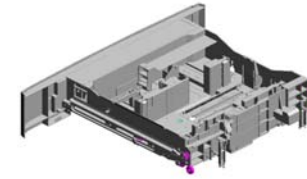


WWW.SERVICE-MANUAL.NET

U001	U002	U003	U004	U005	U006	U007	U008	U009	U010	U011	U012	U013	U014	U015	U016	U017	U018
------	------	------	------	------	-------------	------	------	------	------	------	------	------	------	------	------	------	------

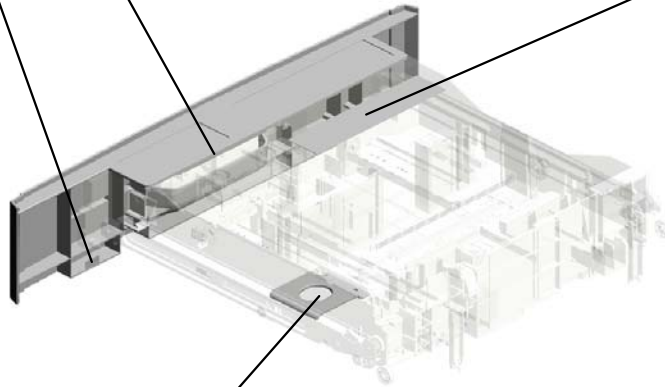
U006_S002
PAPER TRAY:ASS'Y

113.M0262946
COVER:PAPER TR
AY

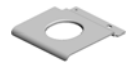
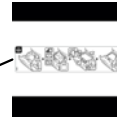


102.M0262900
PAPER TRAY:ASS'
Y

111.M0262938
DECAL:COVER:PA
PER TRAY



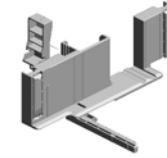
110.M0262936
DECAL:PAPER SE
T DIRECTION:TRA
Y:LEFT



107.M0262918
LEVER:RISE

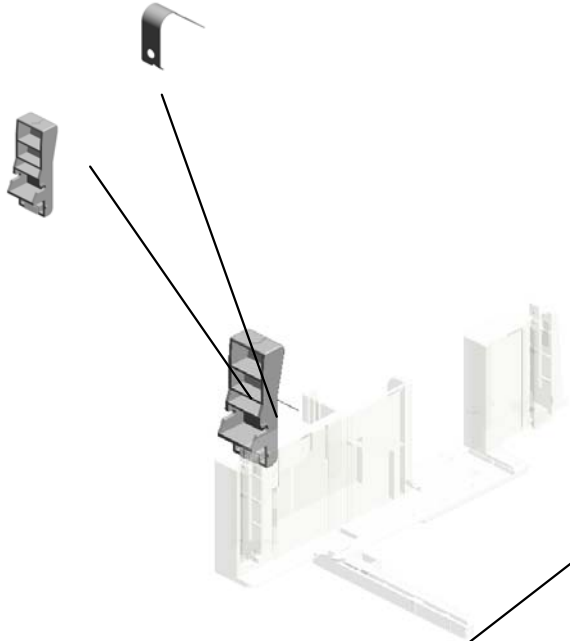
U006_S002_S001
SIDE FENCE:FRONT:ASS'Y

36.B0042923
SPRING PLATE - R
RELEASE LEVER

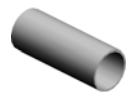


108.M0262920
SIDE FENCE:FRON
T:ASS'Y

42.B2232923
STOPPER LEVER -
FRONT



46.D0392823
COMPRESSION SP
RING:SIDE FENCE:
PLATE:FRONT



94.M0262874
COMPRESSION SP
RING:SIDE FENCE:
PLATE:REAR

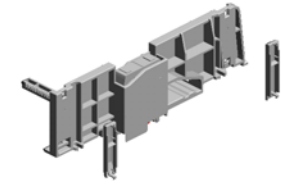
WWW.SERVICE-MANUAL.NET

U001	U002	U003	U004	U005	U006	U007	U008	U009	U010	U011	U012	U013	U014	U015	U016	U017	U018
------	------	------	------	------	-------------	------	------	------	------	------	------	------	------	------	------	------	------

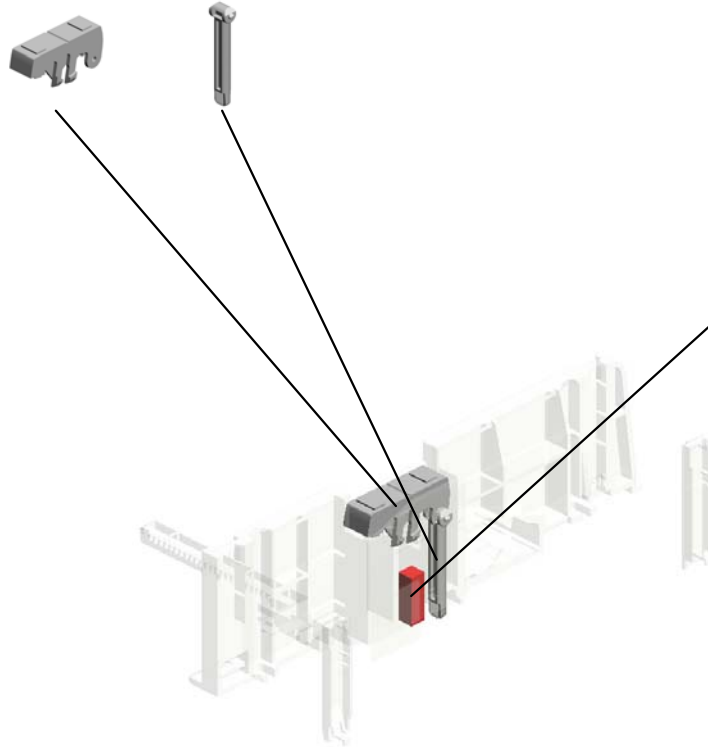
U006_S002_S002
SIDE FENCE:REAR:ASS'Y

14.A2672860
REAR LEVER STOP
PPER

13.A2672859
SIDE FENCE STOP
PER



109.M0262930
SIDE FENCE:REAR
:ASS'Y



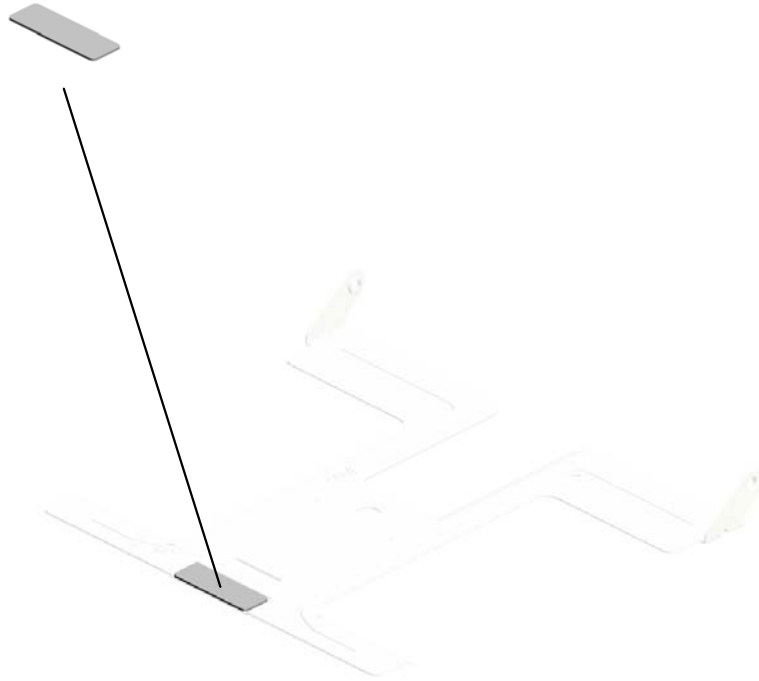
12.A2672857
SPRING PLATE - SI
DE FENCE

U006_S002_S003
TRAY BOTTOM PLATE:ASS'Y

26.AF013006
BOTTOM PLATE P
AD



112.M0262940
TRAY BOTTOM PL
ATE:ASS'Y



WWW.SERVICE-MANUAL.NET

U001	U002	U003	U004	U005	U006	U007	U008	U009	U010	U011	U012	U013	U014	U015	U016	U017	U018
------	------	------	------	------	-------------	------	------	------	------	------	------	------	------	------	------	------	------

U007.TONER SUPPLY

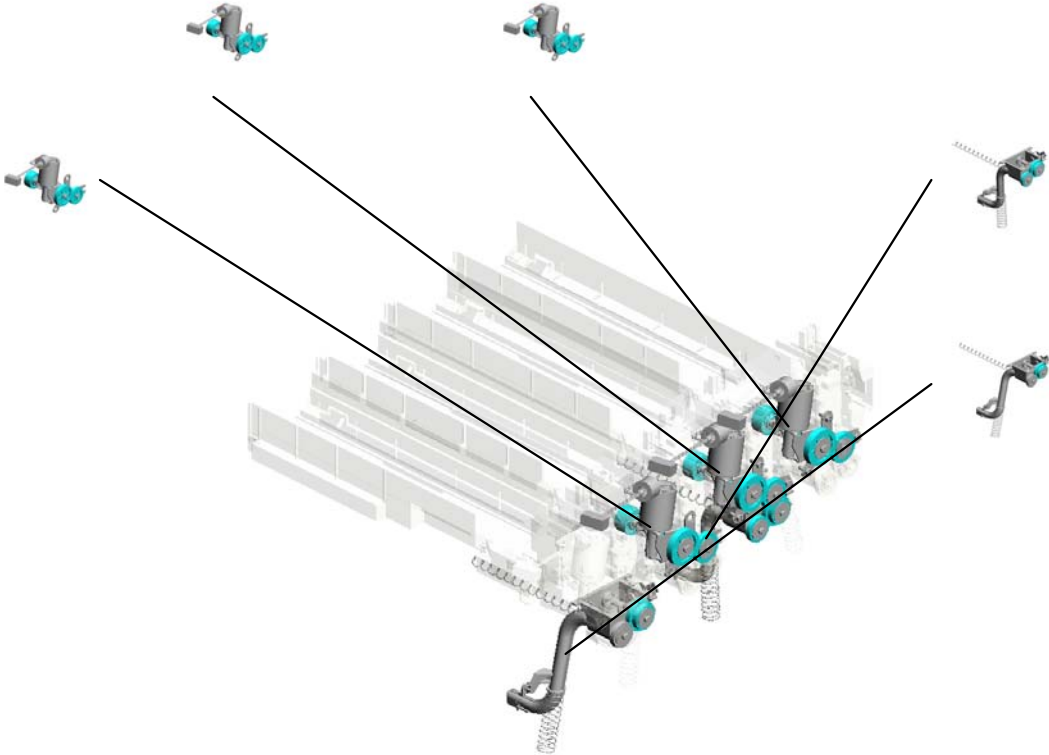
U007_S004
M0263208
DC MOTOR:LINE:ASS'Y:0.53
W

U007_S005
M0263208
DC MOTOR:LINE:ASS'Y:0.53
W

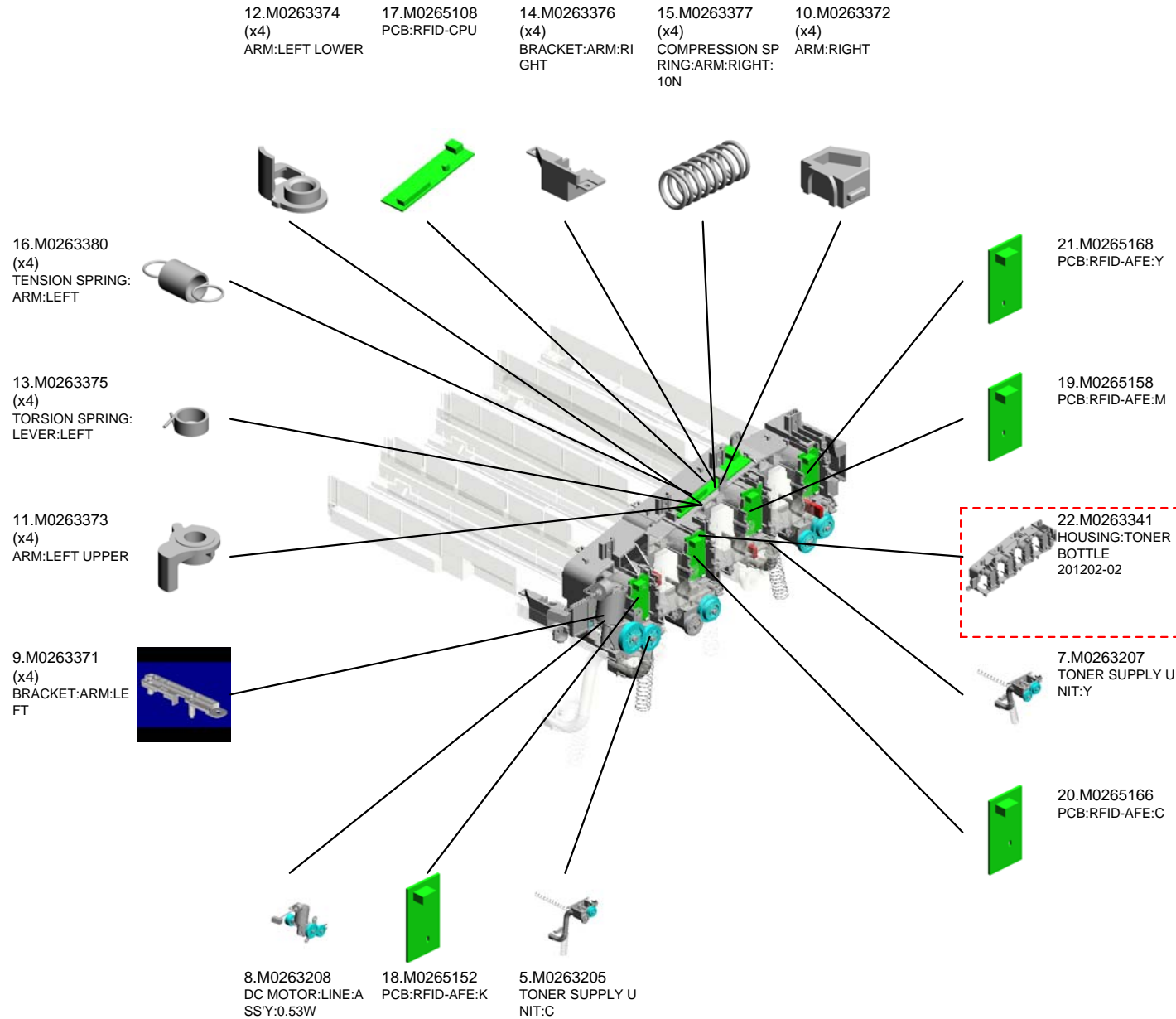
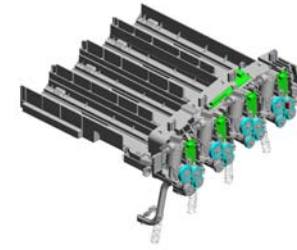
U007_S002
M0263208
DC MOTOR:LINE:ASS'Y:0.53
W

U007_S003
M0263206
TONER SUPPLY UNIT:M

U007_S001
M0263204
TONER SUPPLY UNIT:BK



U007 TONER SUPPLY



WWW.SERVICE-MANUAL.NET

U001	U002	U003	U004	U005	U006	U007	U008	U009	U010	U011	U012	U013	U014	U015	U016	U017	U018
------	------	------	------	------	------	------	------	------	------	------	------	------	------	------	------	------	------

U007_S001
TONER SUPPLY UNIT: BK

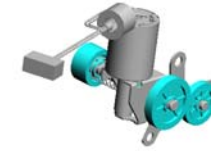
2.07200030E
(x3)
RETAINING RING -
M3



4.M0263204
TONER SUPPLY U
NIT: BK

U007_S002
DC MOTOR:LINE:ASS'Y:0.53W

1.03530030N
(x2)
SCREW:M3X3



8.M0263208
DC MOTOR:LINE:A
SS'Y:0.53W



2.07200030E
(x3)
RETAINING RING -
M3



WWW.SERVICE-MANUAL.NET

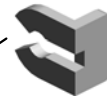
U001	U002	U003	U004	U005	U006	U007	U008	U009	U010	U011	U012	U013	U014	U015	U016	U017	U018
------	------	------	------	------	------	------	------	------	------	------	------	------	------	------	------	------	------

U007_S003
TONER SUPPLY UNIT:M

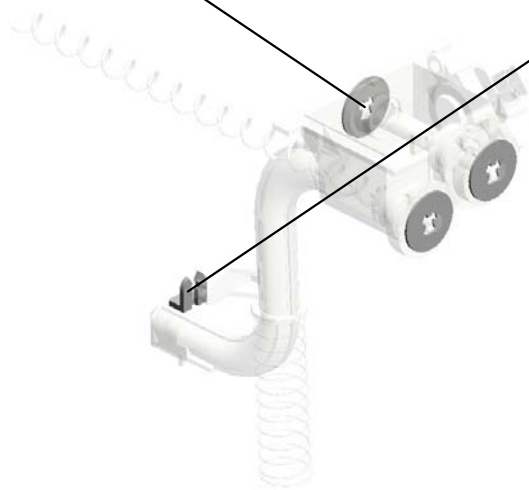
2.07200030E
(x3)
RETAINING RING -
M3



6.M0263206
TONER SUPPLY U
NIT:M

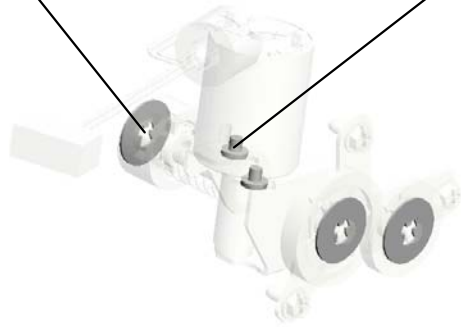


3.52062686
SNAP RING

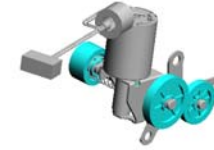


U007_S004
DC MOTOR:LINE:ASS'Y:0.53W

2.07200030E
(x3)
RETAINING RING -
M3



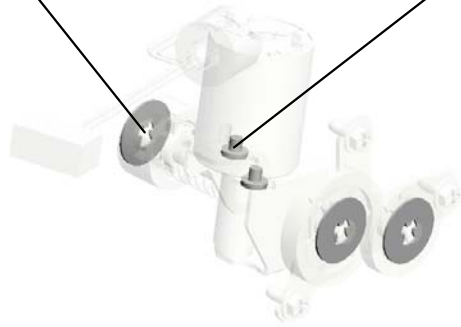
1.03530030N
(x2)
SCREW:M3X3



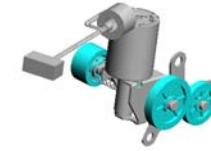
8.M0263208
DC MOTOR:LINE:A
SS'Y:0.53W

U007_S005
DC MOTOR:LINE:ASS'Y:0.53W

2.07200030E
(x3)
RETAINING RING -
M3



1.03530030N
(x2)
SCREW:M3X3



8.M0263208
DC MOTOR:LINE:A
SS'Y:0.53W

U001	U002	U003	U004	U005	U006	U007	U008	U009	U010	U011	U012	U013	U014	U015	U016	U017	U018
------	------	------	------	------	------	------	------	------	------	------	------	------	------	------	------	------	------

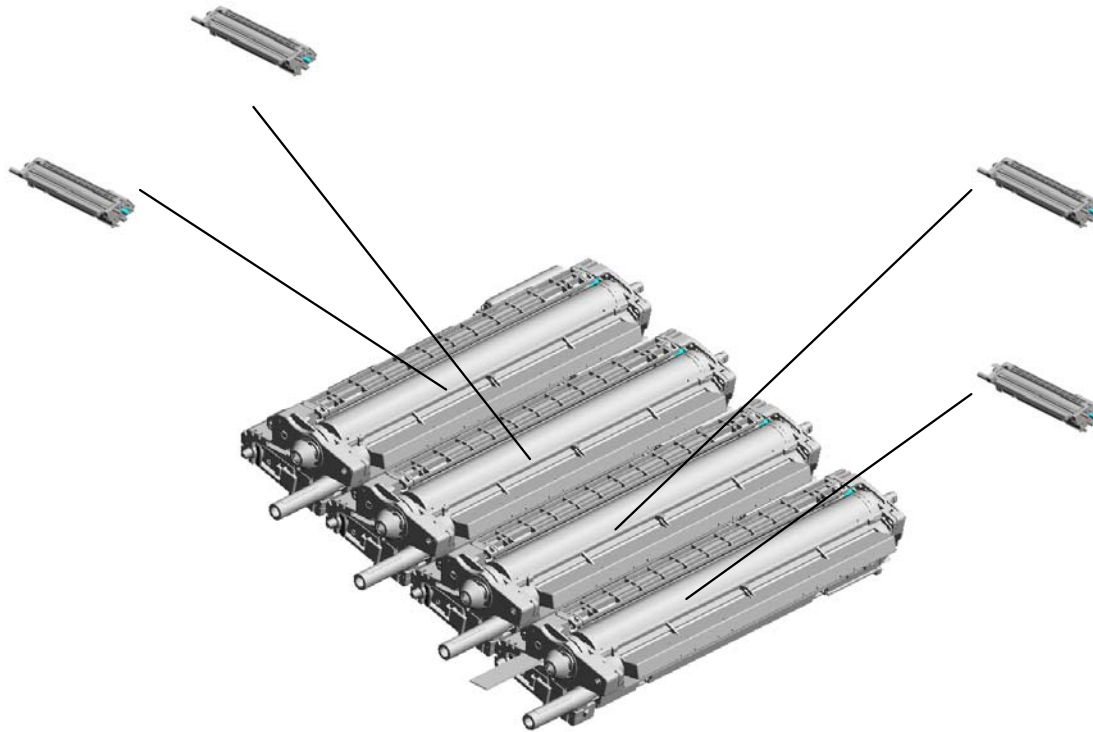
U008.PCU

U008_S003
M0262022
PCDU:M:NA:SUPPLY:ASS'Y

U008_S004
M0262023
PCDU:Y:NA:SUPPLY:ASS'Y

U008_S002
M0262021
PCDU:C:NA:SUPPLY:ASS'Y

U008_S001
M0262020
PCDU:BK:NA:SUPPLY:ASS'Y

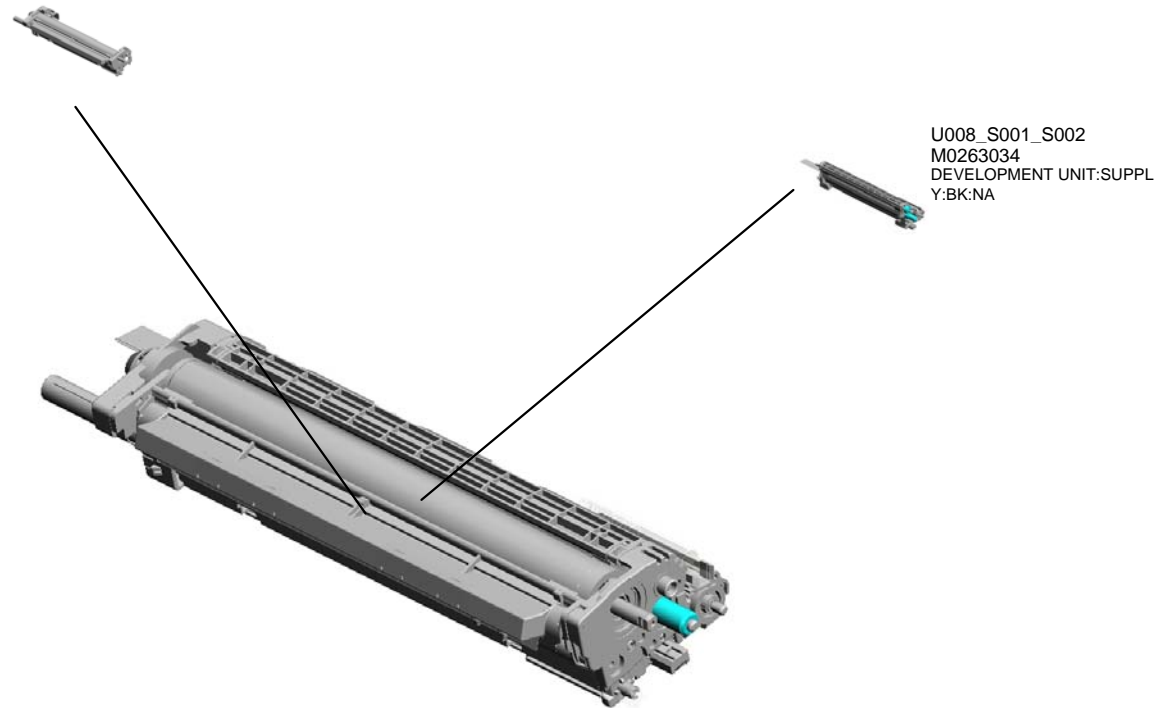


WWW.SERVICE-MANUAL.NET

U001	U002	U003	U004	U005	U006	U007	U008	U009	U010	U011	U012	U013	U014	U015	U016	U017	U018
------	------	------	------	------	------	------	-------------	------	------	------	------	------	------	------	------	------	------

U008_S001.PCDU:BK:NA:SUPPLY:ASS'Y

U008_S001_S001
M0262024
PCU:BK:NA:NEW:ASS'Y



WWW.SERVICE-MANUAL.NET

U001	U002	U003	U004	U005	U006	U007	U008	U009	U010	U011	U012	U013	U014	U015	U016	U017	U018
------	------	------	------	------	------	------	------	------	------	------	------	------	------	------	------	------	------

U008_S002.PCDU:C:NA:SUPPLY:ASS'Y

U008_S002_S001
M0262025
PCU:ZEUS-C1:CMY_NA:NEW
:ASS'Y



U008_S002_S002
M0263035
DEVELOPMENT UNIT:SUPPL
Y:C:NA

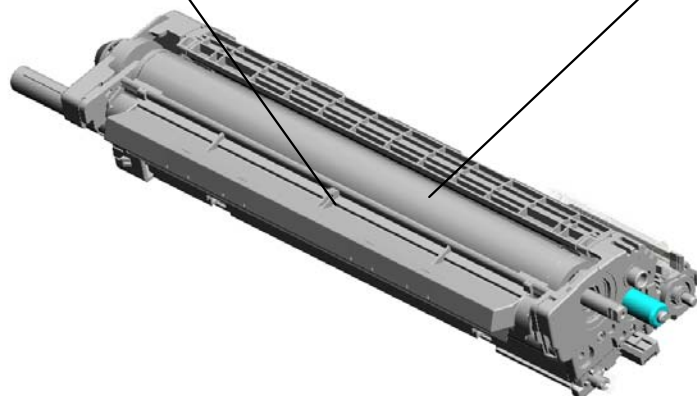


U008_S003.PCDU:M:NA:SUPPLY:ASS'Y

U008_S003_S001
M0262025
PCU:ZEUS-C1:CMY_NA:NEW
:ASS'Y



U008_S003_S002
M0263036
DEVELOPMENT UNIT:SUPPL
Y:M:NA



WWW.SERVICE-MANUAL.NET

U001	U002	U003	U004	U005	U006	U007	U008	U009	U010	U011	U012	U013	U014	U015	U016	U017	U018
------	------	------	------	------	------	------	------	------	------	------	------	------	------	------	------	------	------

U008_S004.PCDU:Y:NA:SUPPLY:ASS'Y

U008_S004_S001
M0262025
PCU:ZEUS-C1:CMY_NA:NEW
:ASS'Y



U008_S004_S002
M0263037
DEVELOPMENT UNIT:SUPPL
Y:Y:NA



WWW.SERVICE-MANUAL.NET

U001	U002	U003	U004	U005	U006	U007	U008	U009	U010	U011	U012	U013	U014	U015	U016	U017	U018
------	------	------	------	------	------	------	------	------	------	------	------	------	------	------	------	------	------

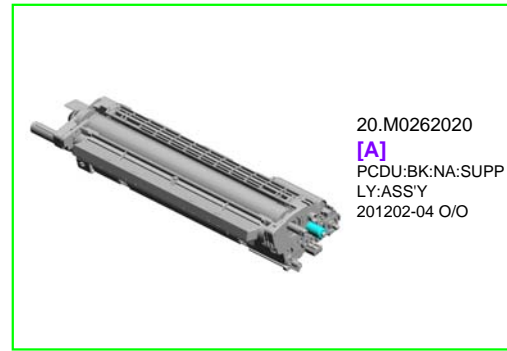
U008
PCU



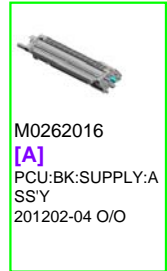
U001	U002	U003	U004	U005	U006	U007	U008	U009	U010	U011	U012	U013	U014	U015	U016	U017	U018
------	------	------	------	------	------	------	------	------	------	------	------	------	------	------	------	------	------

U008_S001
PCDU:BK:NA:SUPPLY:ASS'Y

11.M0262255
KEY:COLLAR



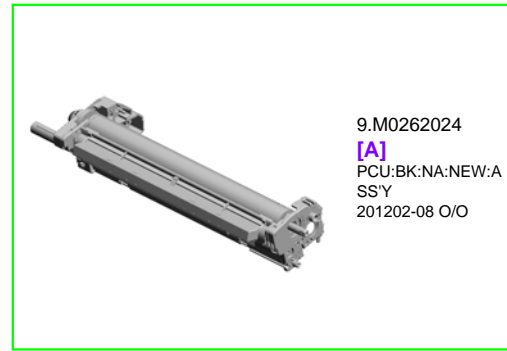
20.M0262020
[A]
PCDU:BK:NA:SUPP
LY:ASS'Y
201202-04 O/O



M0262016
[A]
PCU:BK:SUPPLY:A
SS'Y
201202-04 O/O

U008_S001_S001
PCU:BK:NA:NEW:ASS'Y

1.03530060N
(x2)
BIND SCREW - M3
X6



9.M0262024
[A]
PCU:BK:NA:NEW:A
SS'Y
201202-08 O/O



M0262014
[A]
PCU:BK:ASS'Y
201202-08 O/O

U008_S001_S002

DEVELOPMENT UNIT: SUPPLY: BK: NA

4.08050089 2.03603006N
RETAINING RING - (x2)
M4 SCREW - M3X6



3.07200030E
(x4)
RETAINING RING -
M3



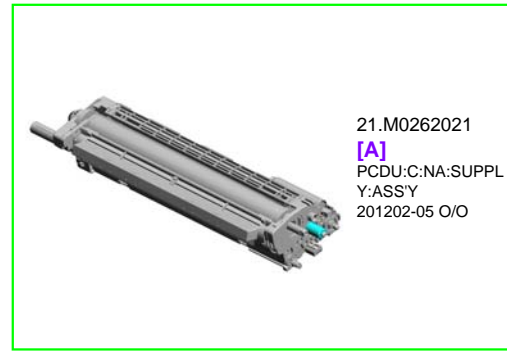
16.M0263034
[A]
DEVELOPMENT U
NIT: SUPPLY: BK: NA
201202-10 O/O



M0263030
[A]
DEVELOPMENT U
NIT: BK
201202-10 O/O

U008_S002
PCDU:C:NA:SUPPLY:ASS'Y

11.M0262255
KEY:COLLAR



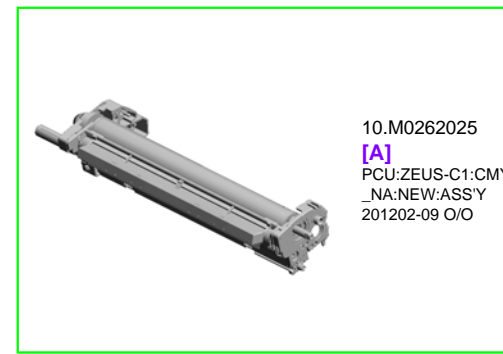
21.M0262021
[A]
PCDU:C:NA:SUPPL
Y:ASS'Y
201202-05 O/O



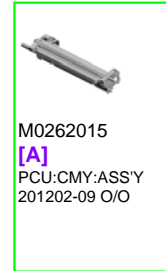
M0262017
[A]
PCU:C:SUPPLY:AS
S'Y
201202-05 O/O

U008_S002_S001
PCU:ZEUS-C1:CMY_NA:NEW:ASS'Y

1.03530060N
(x2)
BIND SCREW - M3
X6



10.M0262025
[A]
PCU:ZEUS-C1:CMY
_NA:NEW:ASS'Y
201202-09 O/O



M0262015
[A]
PCU:CMY:ASS'Y
201202-09 O/O

U008_S002_S002
DEVELOPMENT UNIT: SUPPLY: C: NA

4.08050089 2.03603006N
RETAINING RING - (x2)
M4 SCREW - M3X6



U008_S003
PCDU:M:NA:SUPPLY:ASS'Y

11.M0262255
KEY:COLLAR



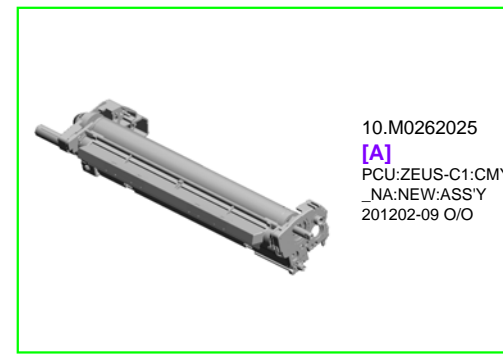
22.M0262022
[A]
PCDU:M:NA:SUPPL
Y:ASS'Y
201202-06 O/O



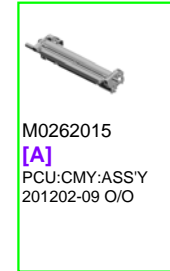
M0262018
[A]
PCU:M:SUPPLY:AS
S'Y
201202-06 O/O

U008_S003_S001
PCU:ZEUS-C1:CMY_NA:NEW:ASS'Y

1.03530060N
(x2)
BIND SCREW - M3
X6



10.M0262025
[A]
PCU:ZEUS-C1:CMY
_NA:NEW:ASS'Y
201202-09 O/O



M0262015
[A]
PCU:CMY:ASS'Y
201202-09 O/O

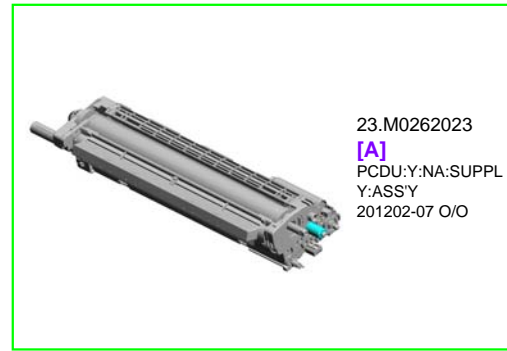
U008_S003_S002
DEVELOPMENT UNIT: SUPPLY: M: NA

4.08050089 2.03603006N
RETAINING RING - (x2)
M4 SCREW - M3X6



U008_S004
PCDU:Y:NA:SUPPLY:ASS'Y

11.M0262255
KEY:COLLAR



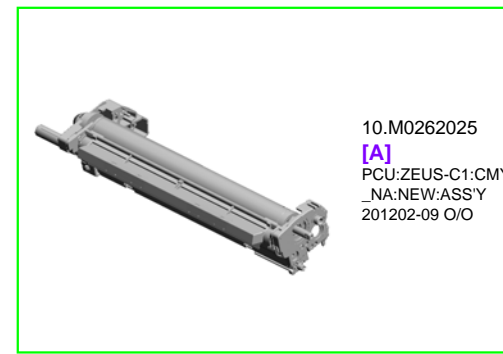
23.M0262023
[A]
PCDU:Y:NA:SUPPL
Y:ASS'Y
201202-07 O/O



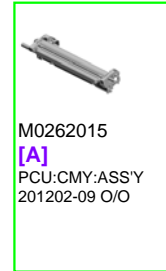
M0262019
[A]
PCU:Y:SUPPLY:AS
S'Y
201202-07 O/O

U008_S004_S001
PCU:ZEUS-C1:CMY_NA:NEW:ASS'Y

1.03530060N
(x2)
BIND SCREW - M3
X6



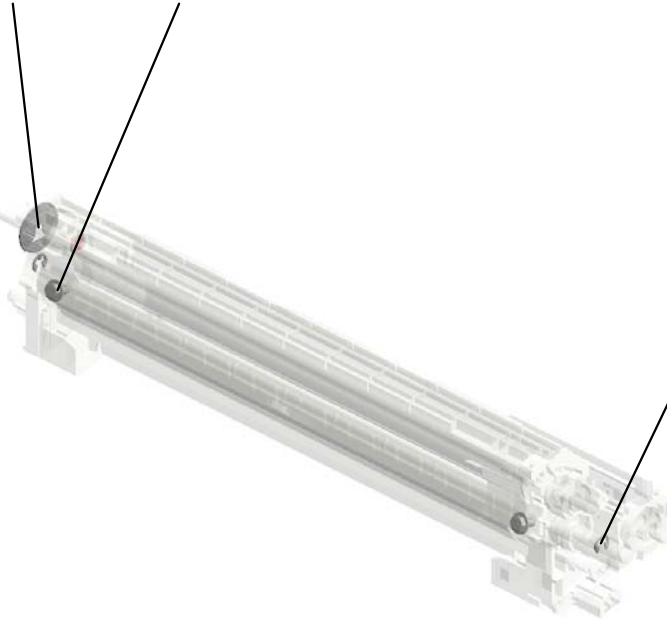
10.M0262025
[A]
PCU:ZEUS-C1:CMY
_NA:NEW:ASS'Y
201202-09 O/O



M0262015
[A]
PCU:CMY:ASS'Y
201202-09 O/O

U008_S004_S002
DEVELOPMENT UNIT: SUPPLY: Y: NA

4.08050089 2.03603006N
RETAINING RING - (x2)
M4 SCREW - M3X6



3.07200030E
(x4)
RETAINING RING -
M3



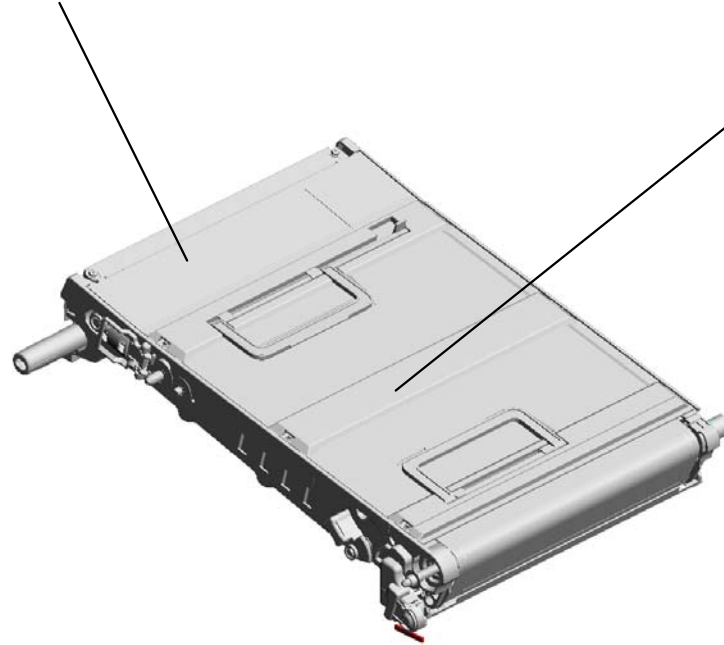
19.M0263037
[A]
DEVELOPMENT U
NIT: SUPPLY: Y: NA
201202-13 O/O



M0263033
[A]
DEVELOPMENT U
NIT: Y
201202-13 O/O

U009.ITB CLEANING

U009_S001
M0263800
CLEANING UNIT:ITB



U009_S002
M0266000
TRANSFER UNIT



WWW.SERVICE-MANUAL.NET

U001	U002	U003	U004	U005	U006	U007	U008	U009	U010	U011	U012	U013	U014	U015	U016	U017	U018
------	------	------	------	------	------	------	------	------	------	------	------	------	------	------	------	------	------

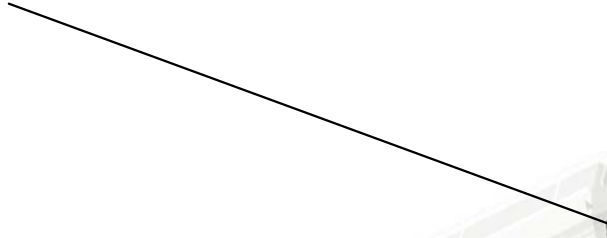
U009
ITB CLEANING



U001	U002	U003	U004	U005	U006	U007	U008	U009	U010	U011	U012	U013	U014	U015	U016	U017	U018
------	------	------	------	------	------	------	------	------	------	------	------	------	------	------	------	------	------

U009_S001
CLEANING UNIT:ITB

1.AA082101
BUSHING - 6X10X6

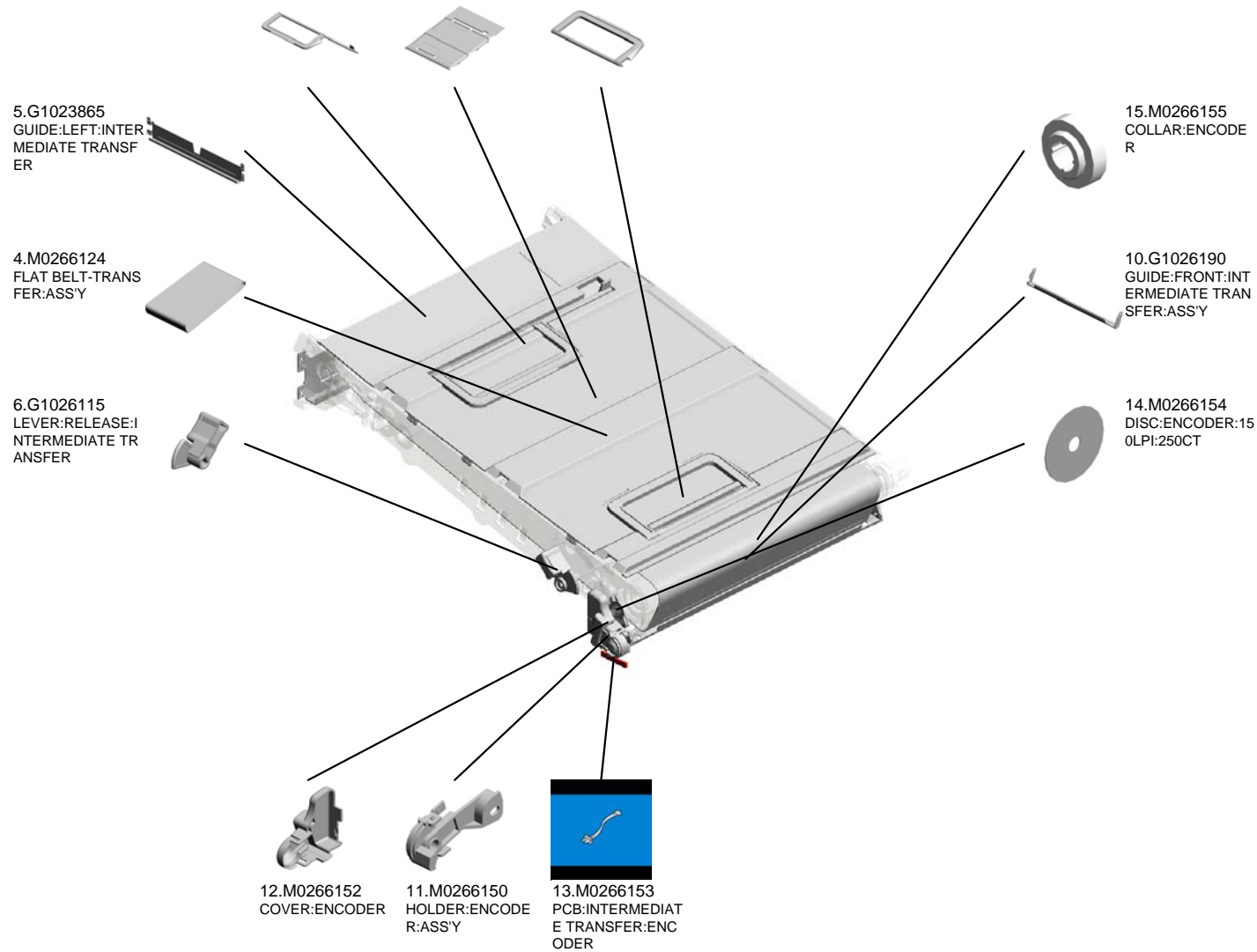
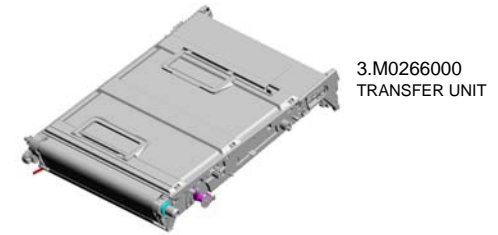


2.M0263800
CLEANING UNIT:IT
B

U001	U002	U003	U004	U005	U006	U007	U008	U009	U010	U011	U012	U013	U014	U015	U016	U017	U018
------	------	------	------	------	------	------	------	------	------	------	------	------	------	------	------	------	------

U009_S002 TRANSFER UNIT

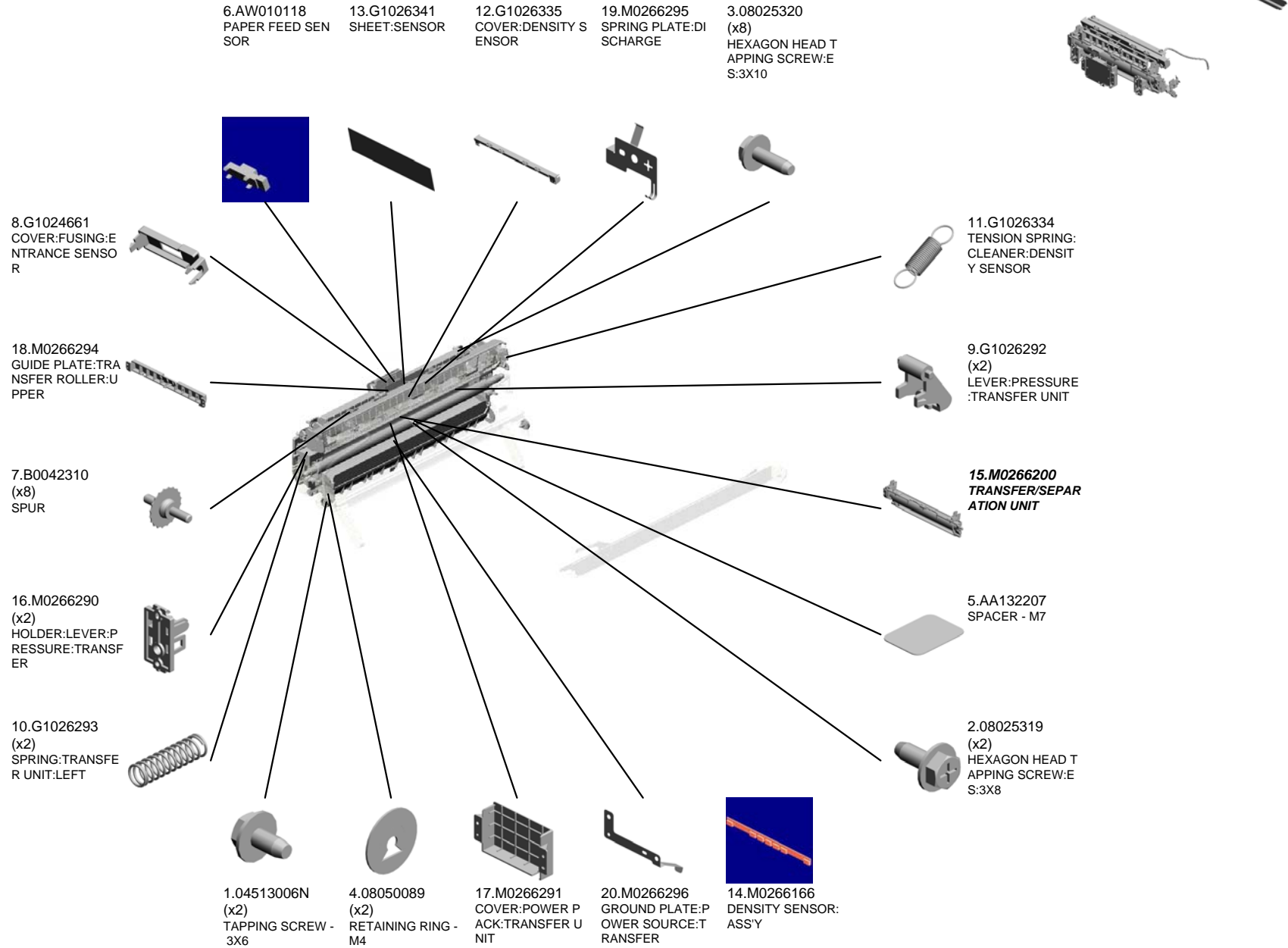
7.G1026136 GRIP:INTERMEDIATE TRANSFER:LEFT
 9.G1026140 COVER:INTERMEDIATE TRANSFER
 8.G1026137 GRIP:INTERMEDIATE TRANSFER:RIGHT



WWW.SERVICE-MANUAL.NET

U001	U002	U003	U004	U005	U006	U007	U008	U009	U010	U011	U012	U013	U014	U015	U016	U017	U018
------	------	------	------	------	------	------	------	------	------	------	------	------	------	------	------	------	------

U010 IMAGE TRANSFER



WWW.SERVICE-MANUAL.NET

U001	U002	U003	U004	U005	U006	U007	U008	U009	U010	U011	U012	U013	U014	U015	U016	U017	U018
------	------	------	------	------	------	------	------	------	------	------	------	------	------	------	------	------	------

U010 IMAGE TRANSFER

30.M0266365
DECAL:WARNING (HIGH VOLTAGE)

24.M0266332
INSULATING SHEET:DENSITY SENSOR

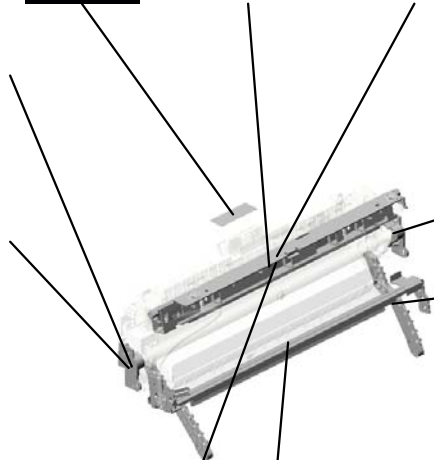
23.M0266329
SHUTTER:DENSITY SENSOR



28.M0266355
GUIDE:POSITIONING:REAR



29.M0266356
GROUND PLATE:TRANSFER:SECOND



27.M0266354
GUIDE:POSITIONING:FRONT



21.M0266301 (x2)
LEVER:ON-OFF:TRANSFER UNIT



26.M0266351
RAIL:CLEANING UNIT



25.M0266333
HOLDER:DENSITY SENSOR

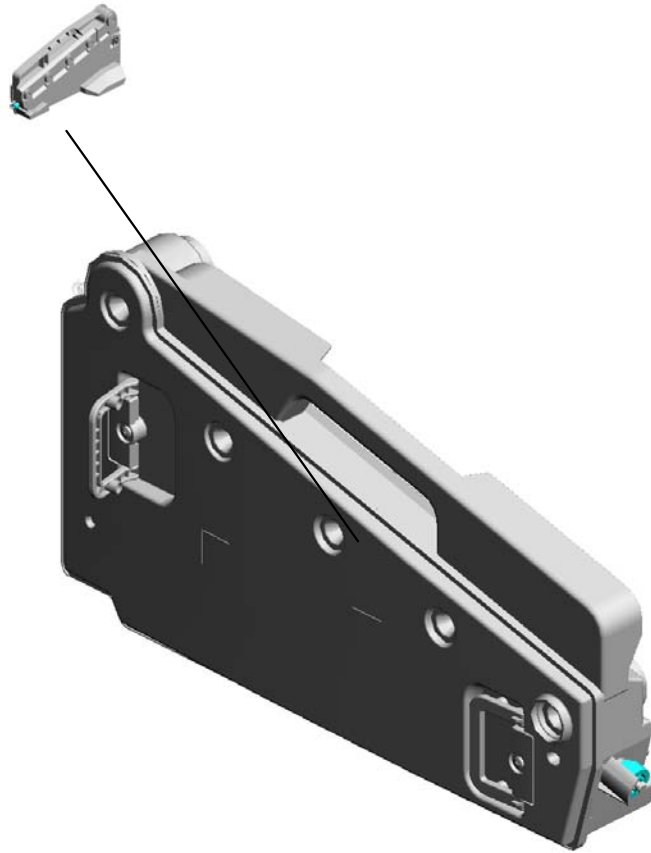


22.M0266302
RAIL:MAIN:ASSY



U011.USED TONER

U011_S001
M0226400
WASTE TONER BOTTLE



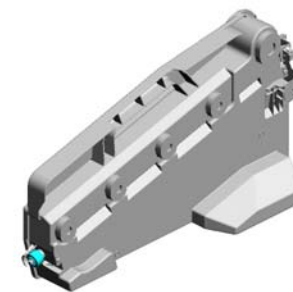
WWW.SERVICE-MANUAL.NET

U001	U002	U003	U004	U005	U006	U007	U008	U009	U010	U011	U012	U013	U014	U015	U016	U017	U018
------	------	------	------	------	------	------	------	------	------	------	------	------	------	------	------	------	------

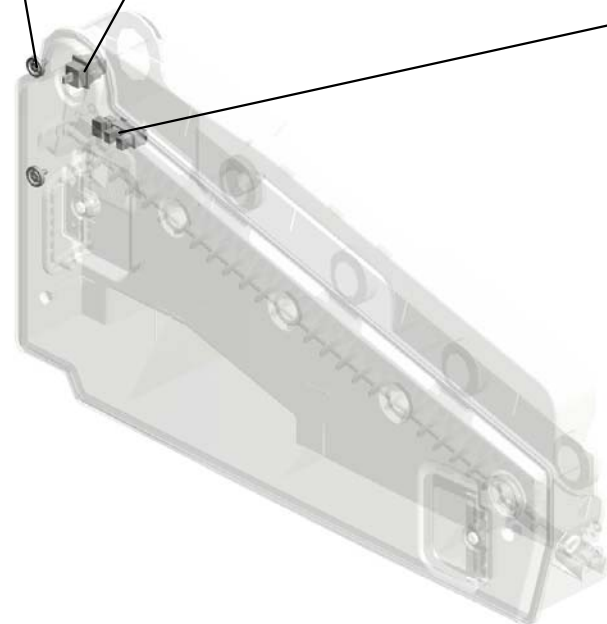
U011 USED TONER

1.04513006N
(x2)
TAPPING SCREW -
3X6

3.AW500023
PUSH SWITCH



2.AW020145
PHOTOINTERRUP
TOR:FLAT

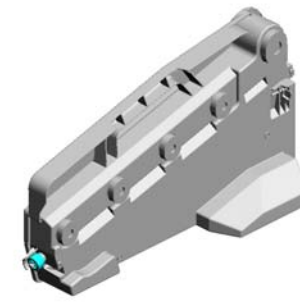


WWW.SERVICE-MANUAL.NET

U001	U002	U003	U004	U005	U006	U007	U008	U009	U010	U011	U012	U013	U014	U015	U016	U017	U018
------	------	------	------	------	------	------	------	------	------	------	------	------	------	------	------	------	------

U011_S001 WASTE ROLLER BOTTLE

8.M0266467
ENTRANCE SEAL:
COLLECTION BOT
TLE:INTERMEDIAT
E TRANSFER:ASS'
Y

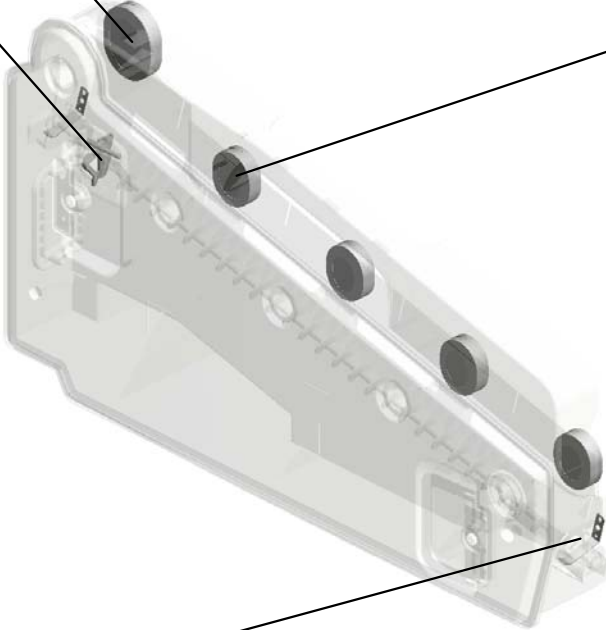


4.M0226400
WASTE ROLLER BO
TTLE

6.M0266463
FEELER:USED TO
NER SENSOR



5.GA152022
(x4)
ENTRANCE SEAL:
COLLECTION BOT
TLE:PCU:ASS'Y



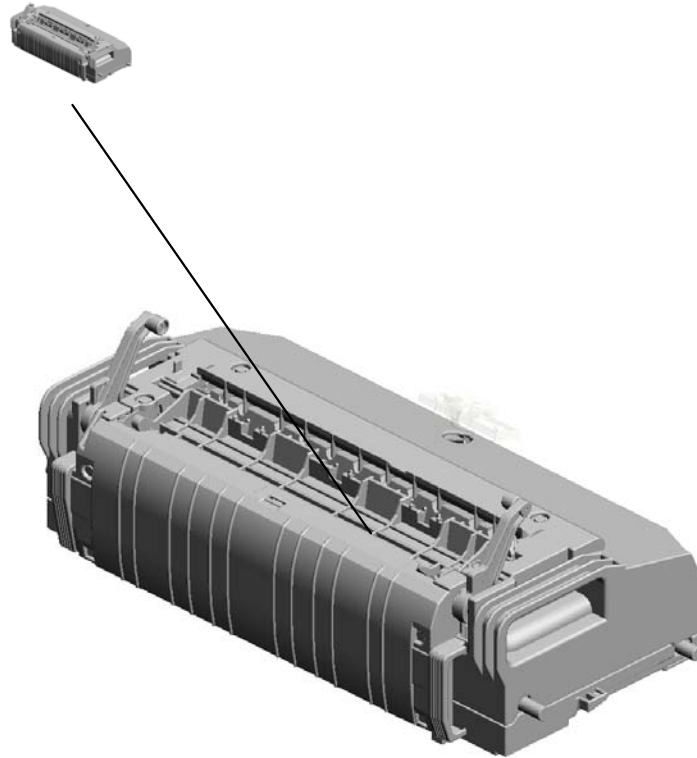
7.M0266464
(x2)
SPRING PLATE:SE
T:COLLECTION BO
TTLE

WWW.SERVICE-MANUAL.NET

U001	U002	U003	U004	U005	U006	U007	U008	U009	U010	U011	U012	U013	U014	U015	U016	U017	U018
------	------	------	------	------	------	------	------	------	------	------	------	------	------	------	------	------	------

U012.FUSING

U012_S001
M0264011
FUSING UNIT:NA:SERVICE



WWW.SERVICE-MANUAL.NET

U001	U002	U003	U004	U005	U006	U007	U008	U009	U010	U011	U012	U013	U014	U015	U016	U017	U018
------	------	------	------	------	------	------	------	------	------	------	------	------	------	------	------	------	------

U012_S001.FUSING UNIT:NA:SERVICE

U012_S001_S001
M0264295
FUSING COVER:RIGHT:ASS'
Y



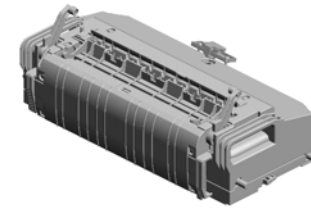
WWW.SERVICE-MANUAL.NET

U001	U002	U003	U004	U005	U006	U007	U008	U009	U010	U011	U012	U013	U014	U015	U016	U017	U018
------	------	------	------	------	------	------	------	------	------	------	------	------	------	------	------	------	------

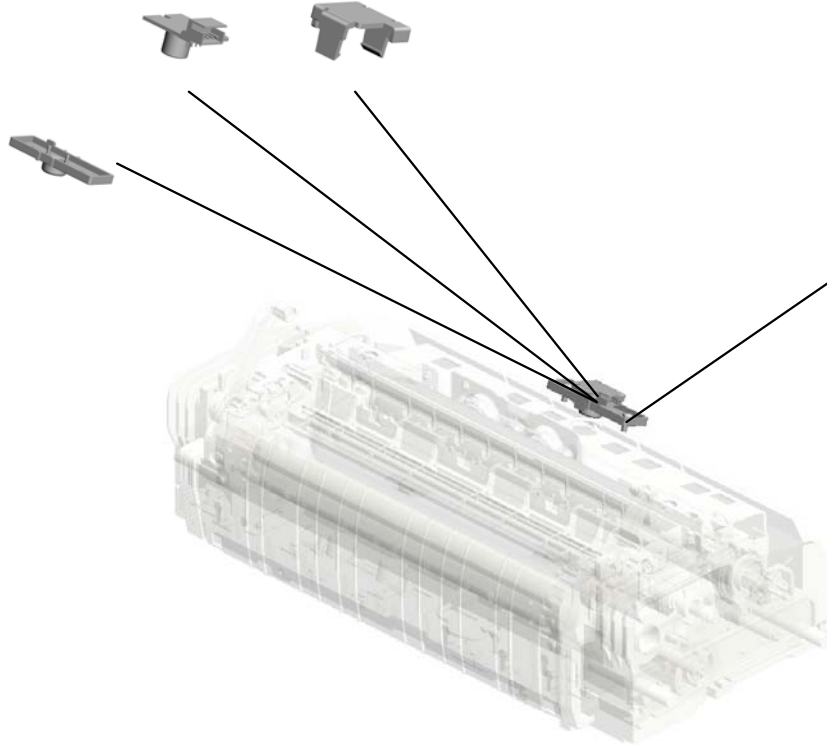
U012 FUSING

37.AW100106
THERMOPILE

45.B2384366
LENS COVER

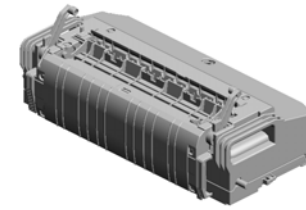


44.B2384365
LENS HOLDER



8.08046127
(x2)
HEXAGONAL BOLT
:DOUBLE SCREW:
M3X8

U012_S001 FUSING UNIT:NA:SERVICE



47.M0264011
FUSING UNIT:NA:SERVICE

- 17.AA143792 (x2) SCREW:DRAWER
- 13.AA061035 (x2) COIL SPRING:PRE SSURE:55N
- 15.AA063461 (x2) COMPRESSION SPRING:BELT TENSIONER
- 5.07250200E (x2) RETAINING RING C - M20
- 10.09543010N SCREW:POLISHED ROUND/SPRING:M 3X10

1.07200030E (x4) RETAINING RING - M3

7.07330408 (x2) BUSHING:4X8

14.AA063460 (x2) COMPRESSION SPRING:OIL SUPPLY ROLLER

4.07250170E (x2) RETAINING RING C - M17

11.11050551 (x2) CLAMP:LES-0505

8.08046127 (x32) HEXAGONAL BOLT :DOUBLE SCREW: M3X8

18.AA143867 (x11) SCREW:DIA4:M3

12.AA060989 (x2) SPRING:FUSING EXIT:PRESSURE

20.AB012064 (x2) GEAR:IDLER:Z23

19.AB012063 (x2) GEAR:IDLER:FUSING UNIT:Z31

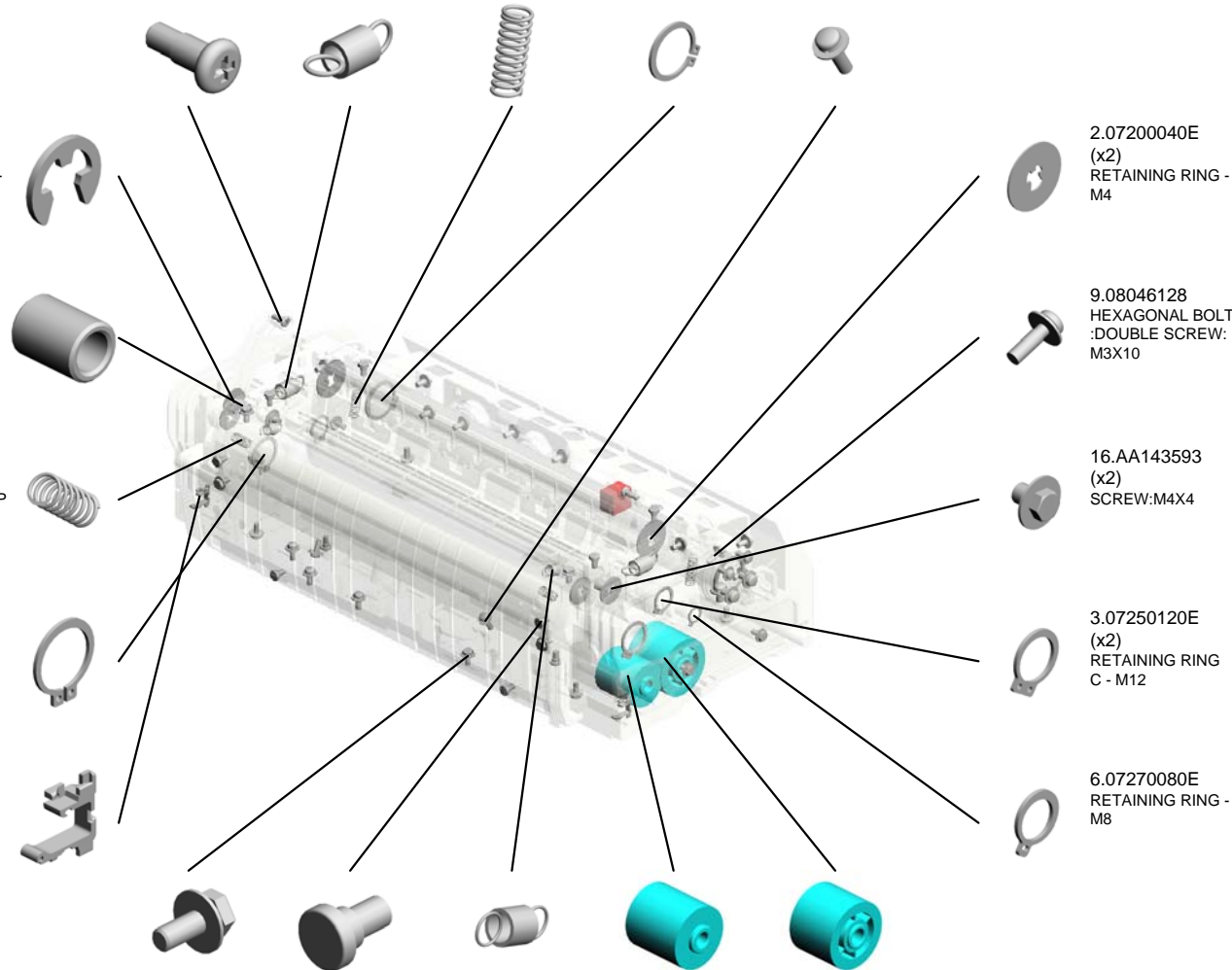
2.07200040E (x2) RETAINING RING - M4

9.08046128 (x2) HEXAGONAL BOLT :DOUBLE SCREW: M3X10

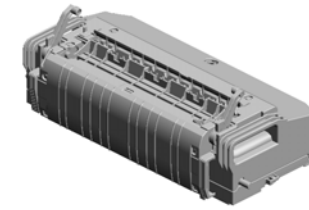
16.AA143593 (x2) SCREW:M4X4

3.07250120E (x2) RETAINING RING C - M12

6.07270080E (x2) RETAINING RING - M8



U012_S001
FUSING UNIT:NA:SERVICE



47.M0264011
FUSING UNIT:NA:SERVICE

27.AE030069
(x2)
BALL BEARING:DIA
12XDIA21X7

29.AE031045
(x2)
BUSHING - BELT T
ENSION ROLLER

25.AE020179
PRESSURE ROLLE
R

39.AW110090
THERMOSTAT:WE
LDING

34.AE040075
ROLLER:BELT TEN
SIONER

28.AE030074
(x2)
BALL BEARING:DIA
17XDIA26X5

30.AE031061
FRONT BUSHING -
OIL SUPPLY ROLL
ER

33.AE040074
OIL SUPPLY ROLL
ER:DIA18

35.AE042087
CLEANING ROLLE
R:OIL SUPPLY RO
LLER

40.AW110093
THERMOSTAT:WE
LDING

38.AW100129
THERMISTOR:PRE
SSURE

23.AE010076
HOT ROLLER

31.AE031062
REAR BUSHING -
OIL SUPPLY ROLL
ER

24.AE012037
HEAT ROLLER

21.AB012065
GEAR:PRESSURE
ROLLER:Z27

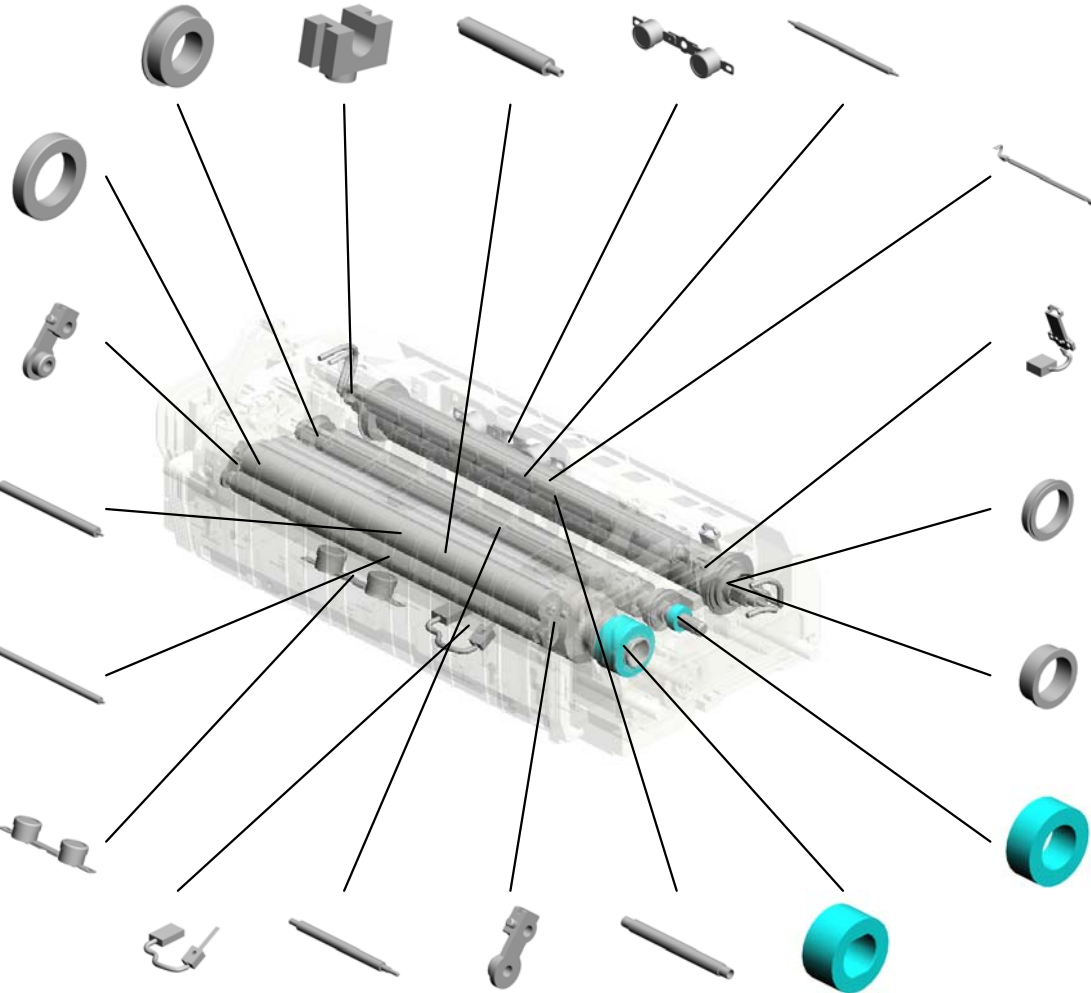
41.AX440311
HEATER:120V:550
W/450W

36.AW100105
THERMISTOR:FUSI
NG

26.AE030066
(x2)
BALL BEARING:MM
25XMM32X7

32.AE032030
(x2)
BUSHING - 20X25

22.AB012066
GEAR:HOT ROLLE
R:MECHANICAL R
OLLER CLUTCH:Z2
5



WWW.SERVICE-MANUAL.NET

U001	U002	U003	U004	U005	U006	U007	U008	U009	U010	U011	U012	U013	U014	U015	U016	U017	U018
------	------	------	------	------	------	------	------	------	------	------	------	------	------	------	------	------	------

U012_S001
FUSING UNIT:NA:SERVICE

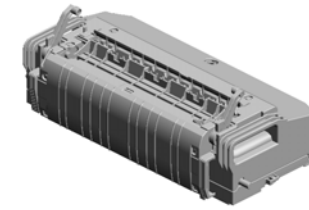
46.G1024203
(x2)
ROLLER:LEVER:PRESSURE

48.M0264041
(x2)
TORSION SPRING:STRIPPER PLATE

57.M0264245
BRACKET:HEATER:FUSING:FRONT

64.M0264291
GUIDE PLATE:FUSING:EXIT:ASSY

50.M0264163
HOUSING:THERMOSTAT



47.M0264011
FUSING UNIT:NA:SERVICE

54.M0264206
LEVER:PRESSURE RELEASE:FRONT

43.B2384197
(x2)
LEVER:LOCK:PRESSURE

60.M0264253
BRACKET:HEATER:PRESSURE:FRONT

53.M0264198
LEVER:PRESSURE:FRONT

51.M0264167
HOUSING:THERMOSTAT:PRESSURE

52.M0264172
(x2)
ELECTRODE PLATE:THERMOSTAT

42.AX440312
HEATER:120V:300W

62.M0264283
FUSING ENTRANCE GUIDE PLATE

63.M0264287
FUSING COVER:LOWER

55.M0264218
LEVER:PRESSURE:REAR

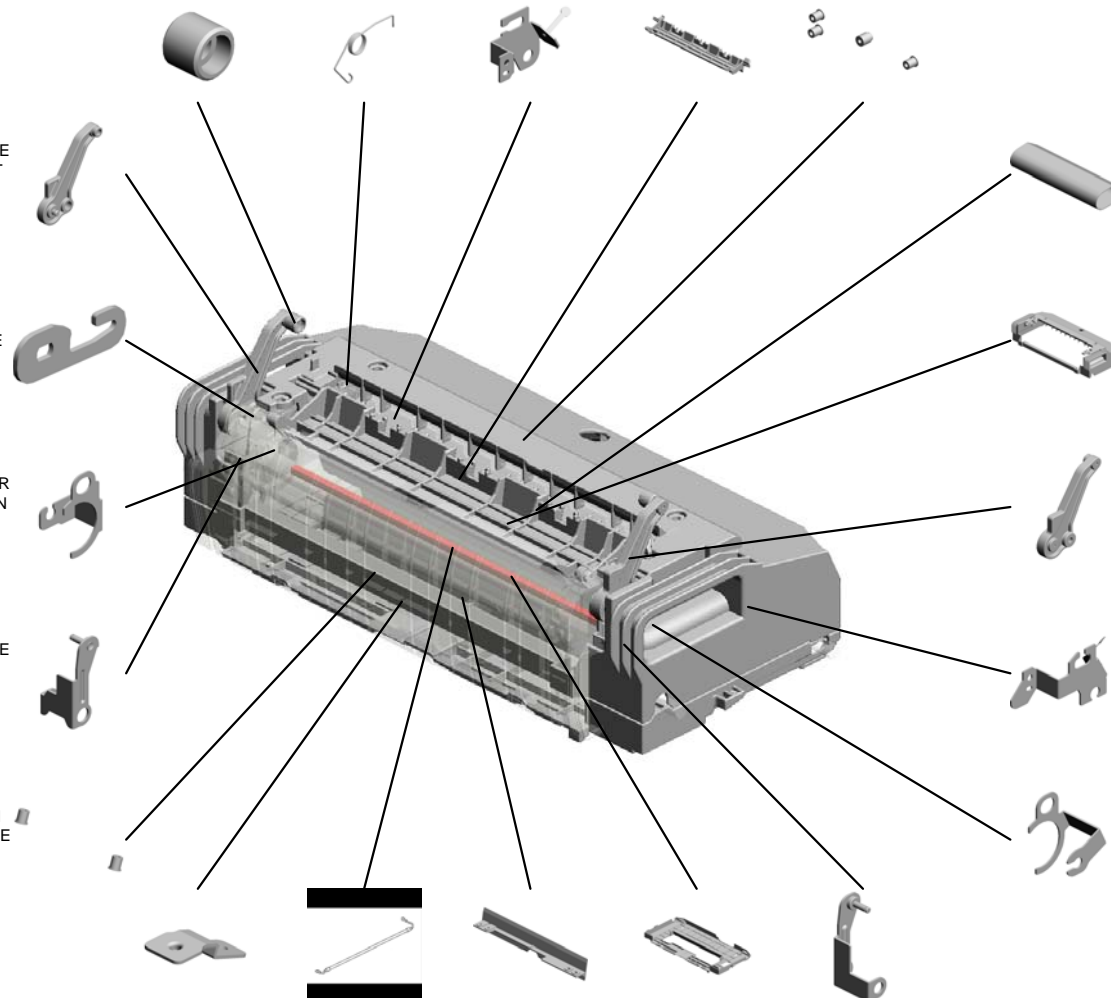
49.M0264106
FUSING BELT

61.M0264280
FUSING COVER:UPPER

56.M0264226
LEVER:PRESSURE RELEASE:REAR

58.M0264247
BRACKET:HEATER:FUSING:REAR

59.M0264252
BRACKET:HEATER:PRESSURE:REAR

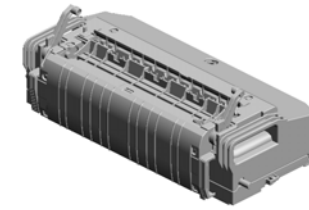


WWW.SERVICE-MANUAL.NET

U001	U002	U003	U004	U005	U006	U007	U008	U009	U010	U011	U012	U013	U014	U015	U016	U017	U018
------	------	------	------	------	------	------	------	------	------	------	------	------	------	------	------	------	------

U012_S001
FUSING UNIT:NA:SERVICE

72.M0264338 ELECTRODE PLAT
E:TERMINAL:PRES
SURE
74.M0264352 ELECTRODE PLAT
E:THERMOSTAT
69.M0264312 STRIPPER PLATE:
COAT



47.M0264011
FUSING UNIT:NA:S
ERVICE

77.M0264359
TERMINAL:PRESS
URE



75.M0264354
BRACKET:TERMIN
AL:PRESSURE



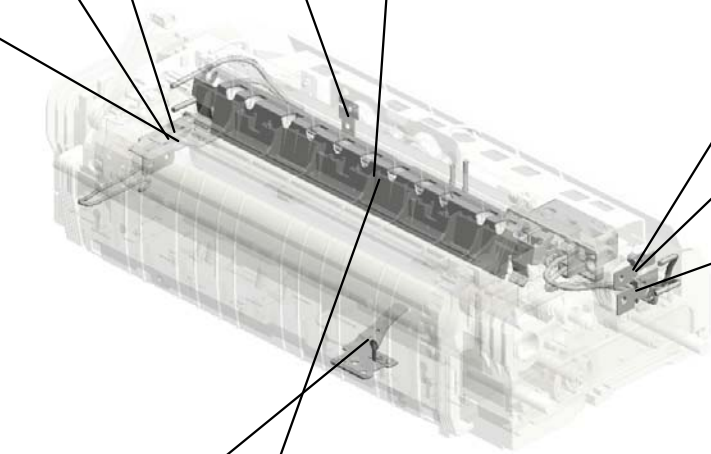
70.M0264336
ELECTRODE PLAT
E:REAR:M3



76.M0264357
TERMINAL:REAR



71.M0264337
ELECTRODE PLAT
E:REAR:M4



68.M0264308 BRACKET:THERMI
STOR:PRESSURE:
ASSY
73.M0264349 HARNESS:FUSING
UNIT:NA



WWW.SERVICE-MANUAL.NET

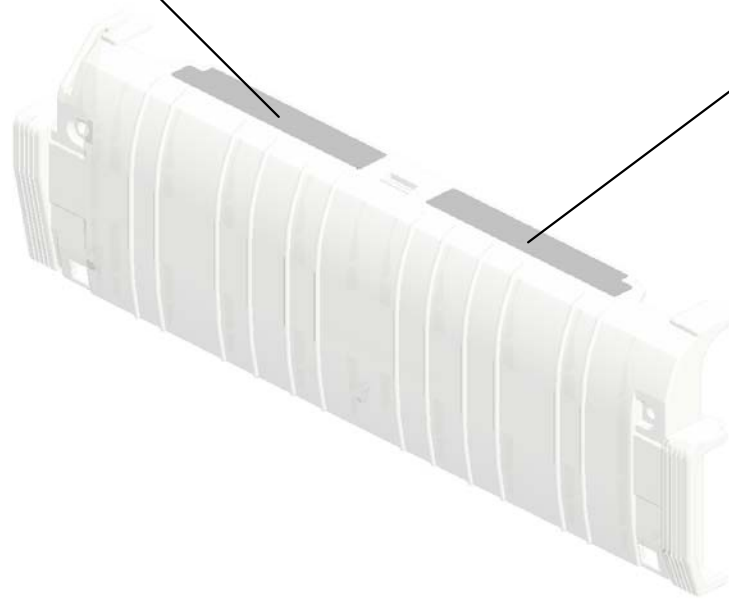
U001	U002	U003	U004	U005	U006	U007	U008	U009	U010	U011	U012	U013	U014	U015	U016	U017	U018
------	------	------	------	------	------	------	------	------	------	------	------	------	------	------	------	------	------

U012_S001_S001
FUSING COVER:RIGHT:ASS'Y

66.M0264296
DECAL:H-TEMP W
ARNING:FUSING:1



65.M0264295
FUSING COVER:RI
GHT:ASS'Y

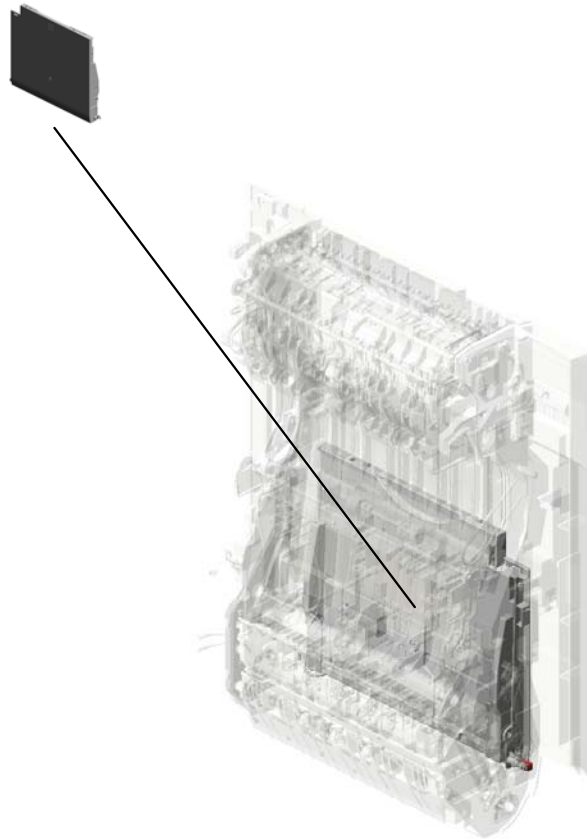


67.M0264299
DECAL:H-TEMP W
ARNING:FUSING:2



U013.DUPLEX

U013_S001
M0262640
MANUAL FEED TABLE:ASS'Y



WWW.SERVICE-MANUAL.NET

U001	U002	U003	U004	U005	U006	U007	U008	U009	U010	U011	U012	U013	U014	U015	U016	U017	U018
------	------	------	------	------	------	------	------	------	------	------	------	------	------	------	------	------	------

U013 DUPLEX



- 6.08050089 (x19) RETAINING RING - M4
- 1.03530030N (x2) SCREW:M3X3
- 3.04513006N (x15) TAPPING SCREW - 3X6
- 10.11050723 (x5) CLAMPS:WES-050 7
- 7.08050092 (x5) RETAINING RING - 3M

15.AA082101
(x9)
BUSHING - 6X10X6

9.11050511
(x4)
HARNESS CLAMP -
LWS-0306ZC

2.04504008N
TAPPING SCREW -
M4X8

17.AA083014
ONE-WAY CLUTCH

19.AB011416
GEAR - 20Z

13.A2596754
BUSHING - 6 6MM

16.AA082102
(x2)
BUSHING - 6X10X6

18.AB011252
GEAR - 20Z

12.54472681
(x2)
SNAP RING

5.08046127
(x3)
HEXAGONAL BOLT
;DOUBLE SCREW:
M3X8

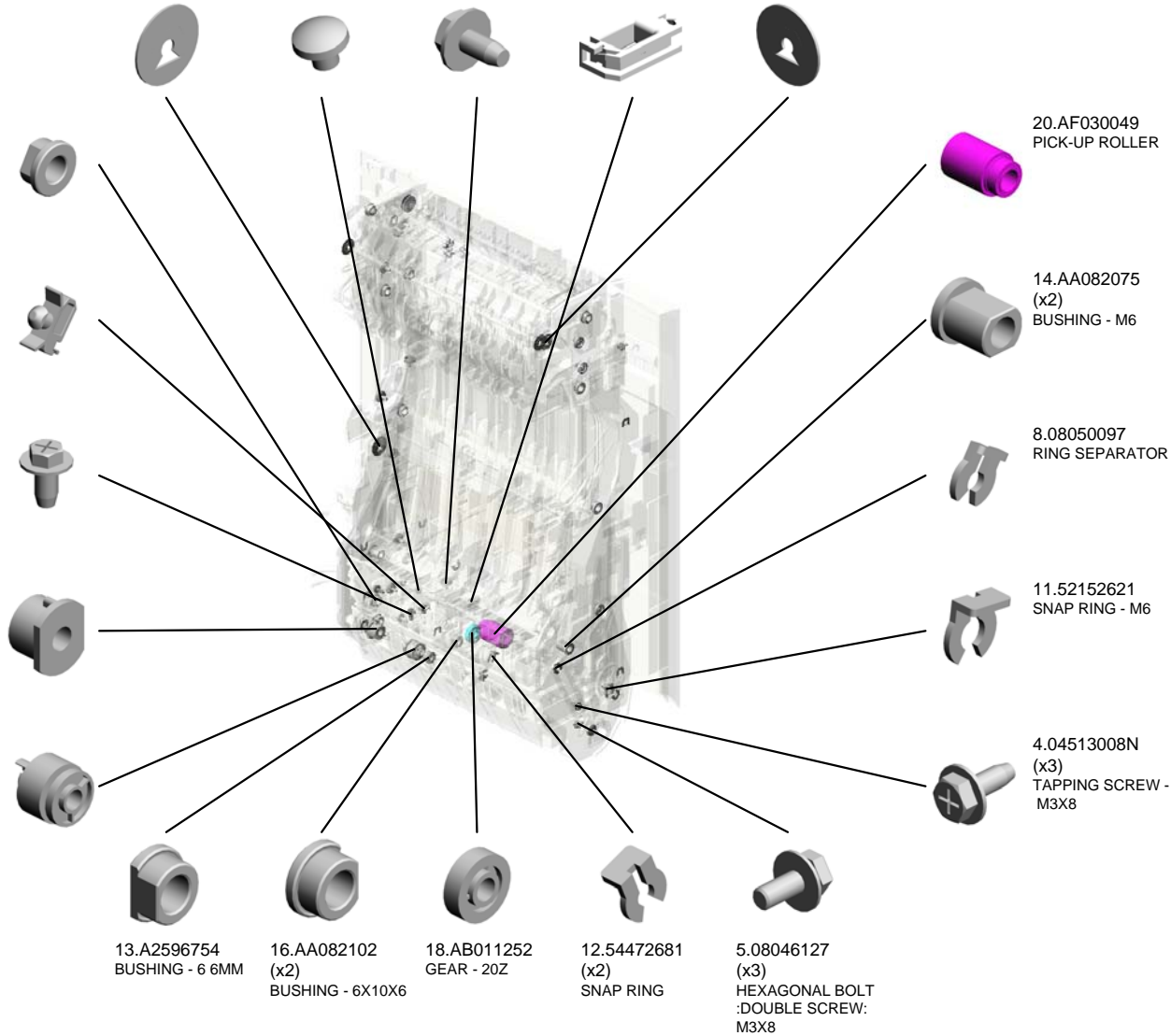
20.AF030049
PICK-UP ROLLER

14.AA082075
(x2)
BUSHING - M6

8.08050097
RING SEPARATOR

11.52152621
SNAP RING - M6

4.04513008N
(x3)
TAPPING SCREW -
M3X8



WWW.SERVICE-MANUAL.NET

U001	U002	U003	U004	U005	U006	U007	U008	U009	U010	U011	U012	U013	U014	U015	U016	U017	U018
------	------	------	------	------	------	------	------	------	------	------	------	------	------	------	------	------	------

U013 DUPLEX



- 26.AW500023 PUSH SWITCH
- 25.AW020145 PHOTOINTERRUPTOR:FLAT
- 35.B2234464 TIMING PULLEY:23 T
- 23.AG070516 (x2) MAGNET CATCH:18N:ASS'Y
- 24.AW010107 (x3) PAPER FEED SENSOR

36.B2234494 (x4) STOPPER- UPPER GATE PAWL

38.D0094485 (x4) BUSHING - GATE

31.B2232676 (x2) SPRING - 11N

41.G0602652 (x2) BUSHING - M4

32.B2232689 GEAR:Z28

30.B2232608 GEAR:Z16

34.B2234433 (x5) ROLLER - DIA16

42.G0802900 TORQUE LIMITER

33.B2234428 (x3) ROLLER:GUIDE:PF A

22.AF032046 SEPARATION ROLLER - MANUAL FEED

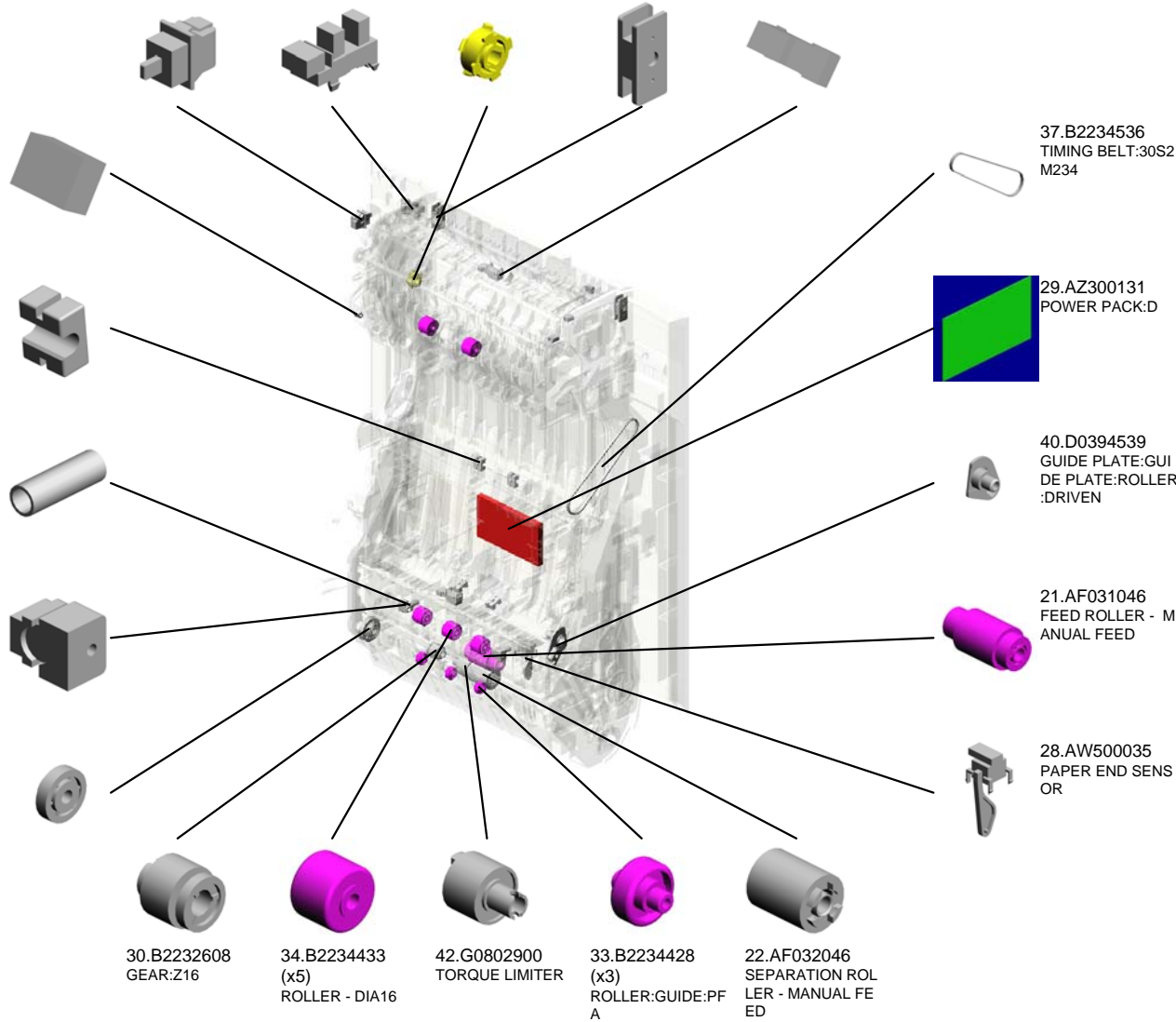
37.B2234536 TIMING BELT:30S2 M234

29.AZ300131 POWER PACK:D

40.D0394539 GUIDE PLATE:GUIDE PLATE:ROLLER :DRIVEN

21.AF031046 FEED ROLLER - MANUAL FEED

28.AW500035 PAPER END SENSOR



WWW.SERVICE-MANUAL.NET

U001	U002	U003	U004	U005	U006	U007	U008	U009	U010	U011	U012	U013	U014	U015	U016	U017	U018
------	------	------	------	------	------	------	------	------	------	------	------	------	------	------	------	------	------

U013 DUPLEX



- 51.M0262616 BRACKET:DC SOL ENOID
- 52.M0262619 DC SOLENOID:PIKUP
- 53.M0262621 COIL SPRING:PRE SSURE:PICKUP
- 62.M0262634 SHAFT:LINK
- 43.H0532208 BUSHING - M4

44.M0262602
GEAR:FEED:Z35



58.M0262629
GROUND PLATE:FEED



55.M0262624
GROUND PLATE:MANUAL FEED



45.M0262603
SHAFT:FEED



50.M0262614
SHAFT:SEPARATOR:DRIVE



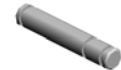
48.M0262610
SHAFT:SEPARATOR:DRIVEN:ASSY



59.M0262631
PAPER STOPPER:MANUAL FEED



61.M0262633
SHAFT:PAPER STOPPER



60.M0262632
LINK:PAPER STOPPER:MANUAL FEED



47.M0262606
GUIDE:SEPARATED



57.M0262628
GUIDE:MANUAL FEED:UPPER



54.M0262622
COIL SPRING:PRESSURE RELEASE



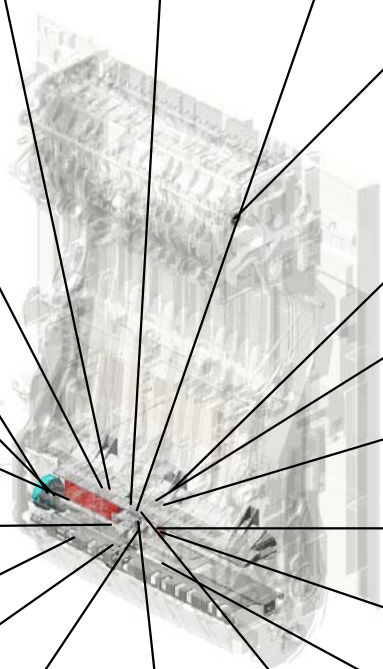
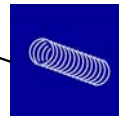
56.M0262627
COVER:GUIDE:MANUAL FEED:UPPER



46.M0262604
ARM:PICKUP



49.M0262612
COIL SPRING:PRESSURE:SEPARATED



U013 DUPLEX



92.M0264514
LINK:DUPLEX

91.M0264419
(x2)
DRIVEN ROLLER:D
IA16

65.M0262637
COMPRESSION SP
RING:COVER

93.M0264521
COVER:DUPLEX

79.M0262657
(x2)
SHEET:VERTICAL
TRANSPORT:SENS
OR

82.M0262662
STOPPER:MANUA
L FEED:REAR

64.M0262636
TORSION SPRING:
LINK

78.M0262656
GUIDE PLATE:VER
TICAL TRANSPOR
T:UPPER

63.M0262635
TORSION SPRING:
PAPER STOPPER

87.M0262667
(x2)
COIL SPRING:COV
ER:MANUAL FEED

75.M0262651
GUIDE PLATE:VER
TICAL TRANSPOR
T:LOWER

80.M0262658
SHAFT:DRIVEN:VE
RTICAL TRANSPO
RT

95.M0264530
SHAFT:CONTACT
POINT:DUPLEX

86.M0262666
COVER:MANUAL F
EED:LOWER

94.M0264529
LEVER:CONTACT
POINT:DUPLEX

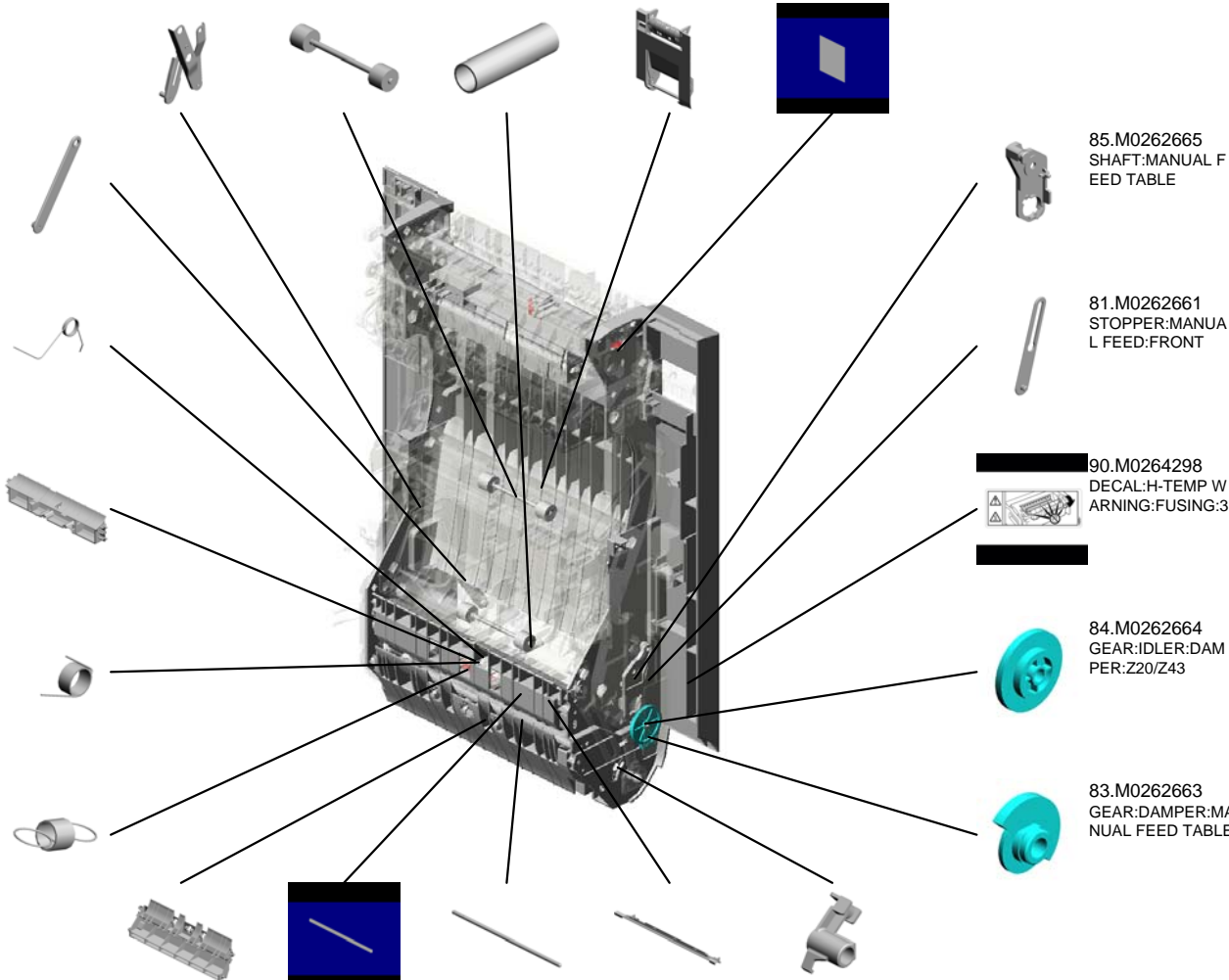
85.M0262665
SHAFT:MANUAL F
EED TABLE

81.M0262661
STOPPER:MANUA
L FEED:FRONT

90.M0264298
DECAL:H-TEMP W
ARNING:FUSING:3

84.M0262664
GEAR:IDLER:DAM
PER:Z20/Z43

83.M0262663
GEAR:DAMPER:MA
NUAL FEED TABLE



WWW.SERVICE-MANUAL.NET

U001	U002	U003	U004	U005	U006	U007	U008	U009	U010	U011	U012	U013	U014	U015	U016	U017	U018
------	------	------	------	------	------	------	------	------	------	------	------	-------------	------	------	------	------	------

U013 DUPLEX



- 112.M0264566 GATE PAWL:ENTRANCE:DUPLEX:ASY
- 105.M0264554 REVERSE ROLLER:UPPER
- 108.M0264558 (x6) ROLLER:DRIVEN:DAIA12
- 114.M0264569 GATE PAWL:TRAY:RIGHT
- 107.M0264557 GUIDE PLATE:COVER:RIGHT

100.M0264543 HOOK:STOPPER:DUPLEX:REAR

106.M0264555 REVERSE ROLLER:RIGHT

109.M0264559 STOPPER:DRIVEN ROLLER

110.M0264561 GUIDE PLATE:OPEN AND CLOSE

97.M0264538 INNER COVER:REAR:DUPLEX

102.M0264548 BUSHING:GUIDE:DUPLEX UNIT:SET:REAR

96.M0264531 SPACER:LINK:MANUAL FEED

104.M0264553 TRANSPORT ROLLER:FEED PAPER AGAIN

98.M0264539 ARM:FRONT

101.M0264547 BUSHING:GUIDE:DUPLEX UNIT:SET:FRONT

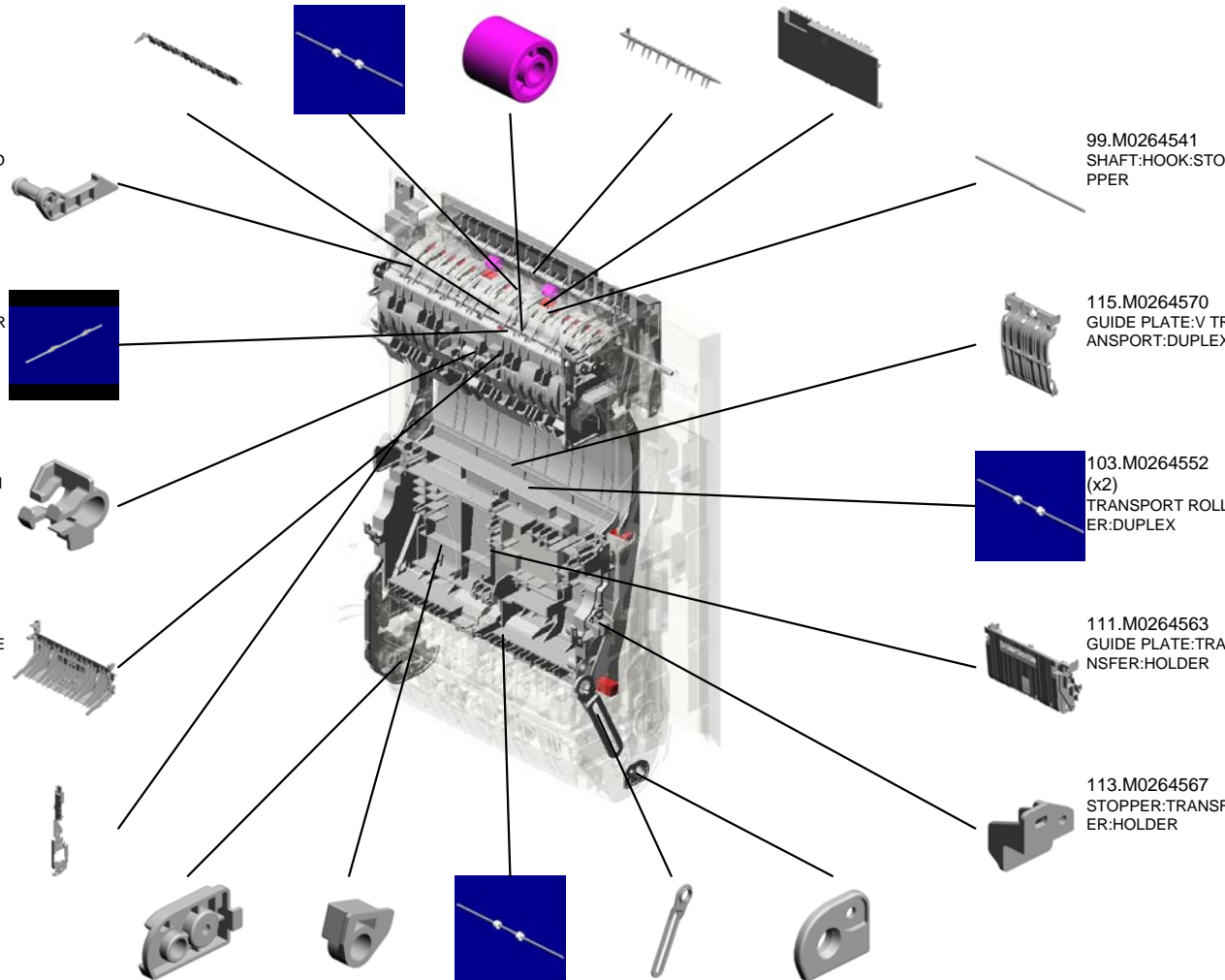
99.M0264541 SHAFT:HOOK:STOPPER

115.M0264570 GUIDE PLATE:V TRANSPORT:DUPLEX

103.M0264552 (x2) TRANSPORT ROLLER:DUPLEX

111.M0264563 GUIDE PLATE:TRANSFER:HOLDER

113.M0264567 STOPPER:TRANSFER:HOLDER



WWW.SERVICE-MANUAL.NET

U001	U002	U003	U004	U005	U006	U007	U008	U009	U010	U011	U012	U013	U014	U015	U016	U017	U018
------	------	------	------	------	------	------	------	------	------	------	------	------	------	------	------	------	------

U013 DUPLEX



- 128.M0264593 GEAR:PULLEY:R ROLLER:UPPER:Z22/T23
- 127.M0264592 TIMING BELT:REVERSE ROLLER:30S2M184
- 116.M0264573 GATE PAWL:UPPER
- 118.M0264578 GUIDE PLATE:UPPER:DUPLEX
- 131.M0264597 COVER:REVERSE:UPPER

135.M0264631 BRACKET:GEAR:REVERSE

133.M0264628 GROUND PLATE:COVER:RIGHT

129.M0264594 SUPPORT PLATE:GUIDE PLATE:ASY

117.M0264576 SHAFT:DRIVEN:DUPLEX:EXIT

132.M0264627 SPRING PLATE:DAMPER:DUPLEX

124.M0264587 GEAR:FEED PAPER AGAIN:Z22

119.M0264581 GEAR:IDLER:Z40

126.M0264589 GEAR:COUPLING:MANUAL FEED:Z22/T22

120.M0264583 PULLEY:FEED PAPER AGAIN:T26

121.M0264584 TIMING BELT:TRANSPORT:30S2M330

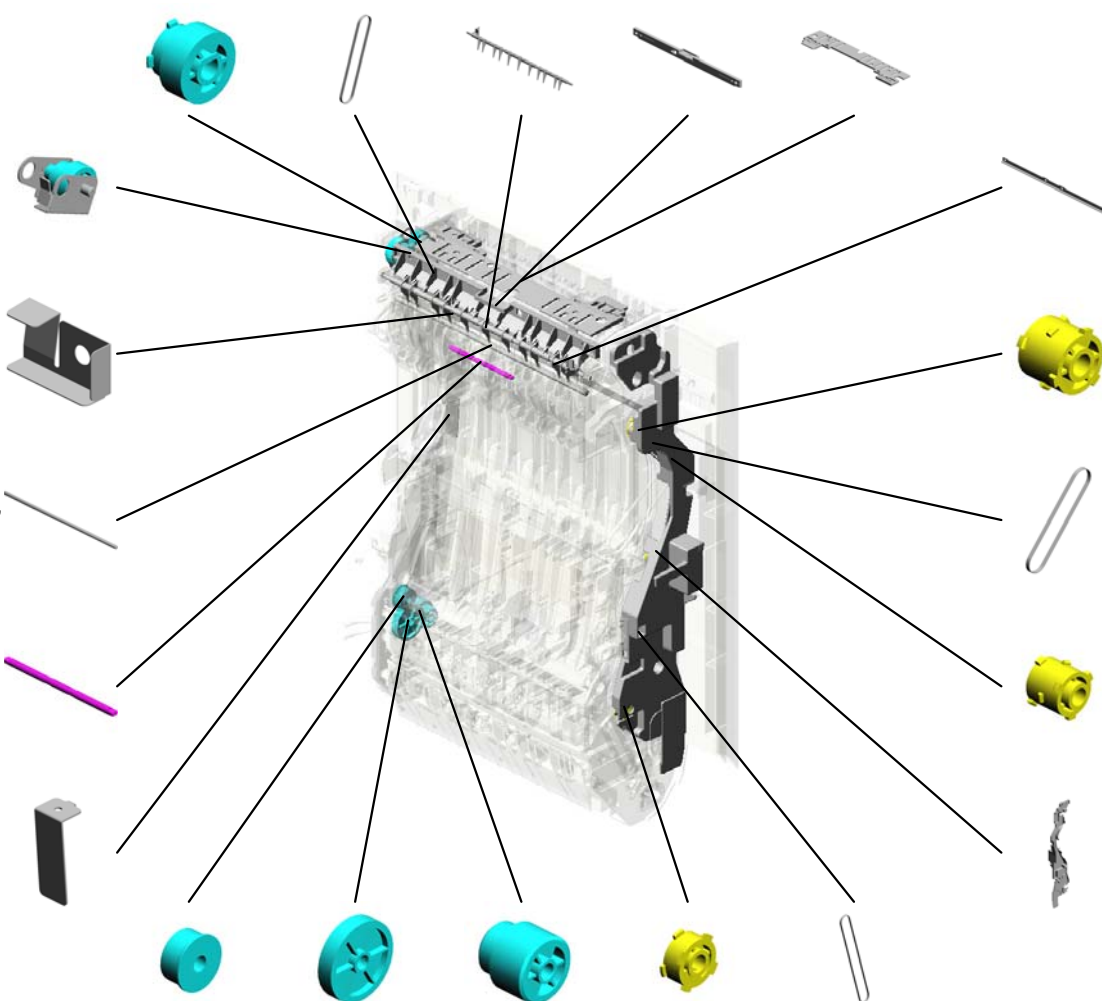
134.M0264629 STAY:COVER:OPEN AND CLOSE:RIGHT

122.M0264585 (x2) PULLEY:TRANSPORT ROLLER:DUPLEX:T26

125.M0264588 TIMING BELT:TRANSPORT:30S2M174

123.M0264586 PULLEY:CONNECTING:T24/T24

130.M0264596 INNER COVER:FRONT:DUPLEX



U013 DUPLEX



148.M0264655
COIL SPRING:BRACKET:GEAR:REVERSE

136.M0264634
(x2)
COIL SPRING:ROLLER:OPEN AND CLOSE

154.M0264673
GUIDE PLATE:REVERSE:UPPER

137.M0264635
(x2)
COIL SPRING:ROLLER:OPEN AND CLOSE

153.M0264672
(x3)
SHAFT:DRIVEN:ROLLER:DUPLEX:RIGHT

152.M0264671
ARM:PRESSURE RELEASE:REAR

150.M0264664
TORSION SPRING:DAMPER:DUPLEX:84N

149.M0264663
GEAR:DAMPER:DUPLEX

145.M0264644
GUIDE PLATE:LINK:DUPLEX:ASSY

155.M0264674
GEAR:LINK:DUPLEX

147.M0264652
GUIDE:GEAR:DUPLEX:MANUAL FEED

143.M0264642
(x2)
COIL SPRING:ROLLER:TRANSFER:55N

144.M0264643
(x2)
COIL SPRING:ROLLER:TRANSFER:30N

139.M0264637
TENSION SPRING:GATE PAWL:UPPER

146.M0264645
SUPPORTING PLATE:FRONT:DUPLEX

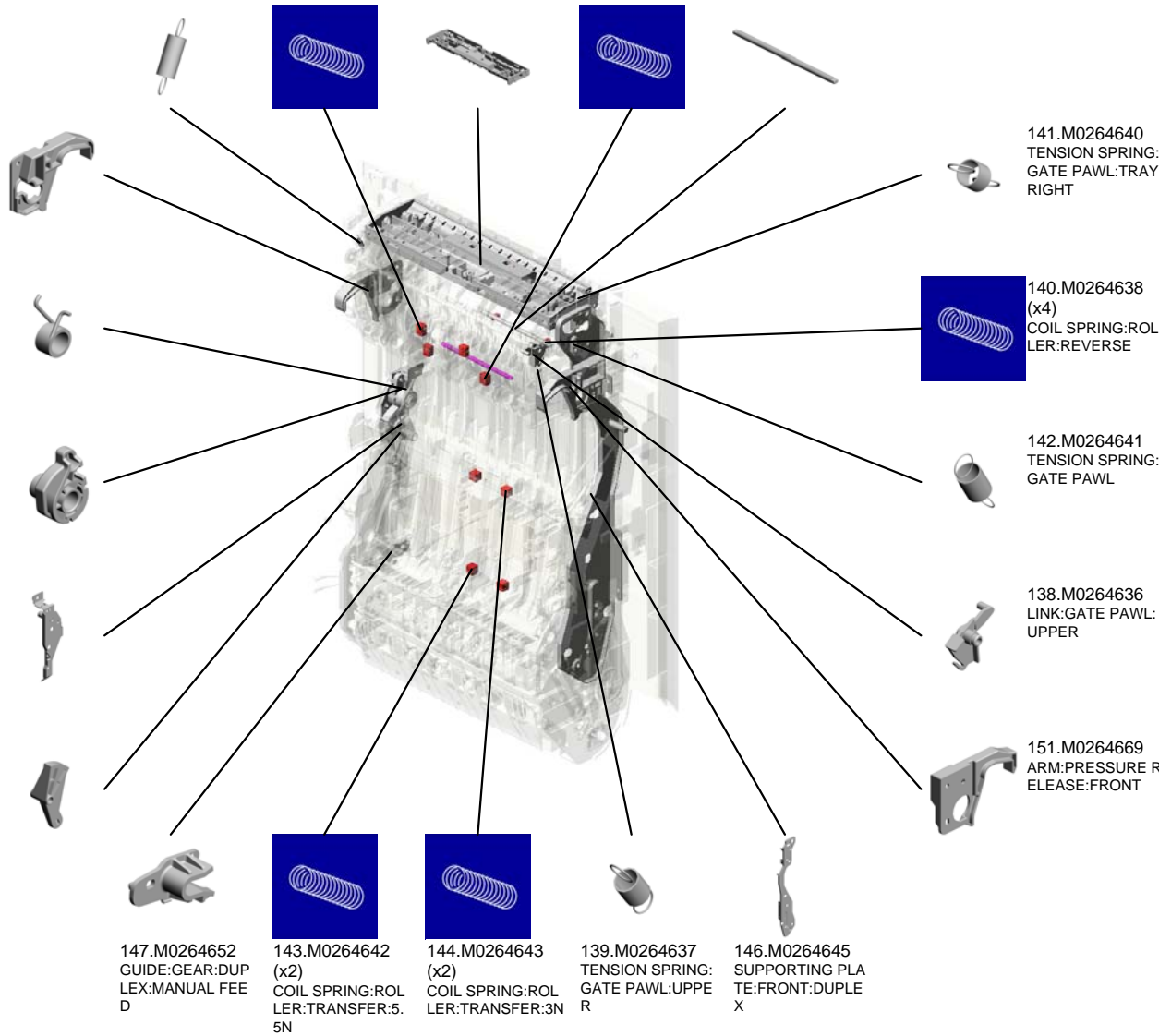
141.M0264640
TENSION SPRING:GATE PAWL:TRAY:RIGHT

140.M0264638
(x4)
COIL SPRING:ROLLER:REVERSE

142.M0264641
TENSION SPRING:GATE PAWL

138.M0264636
LINK:GATE PAWL:UPPER

151.M0264669
ARM:PRESSURE RELEASE:FRONT

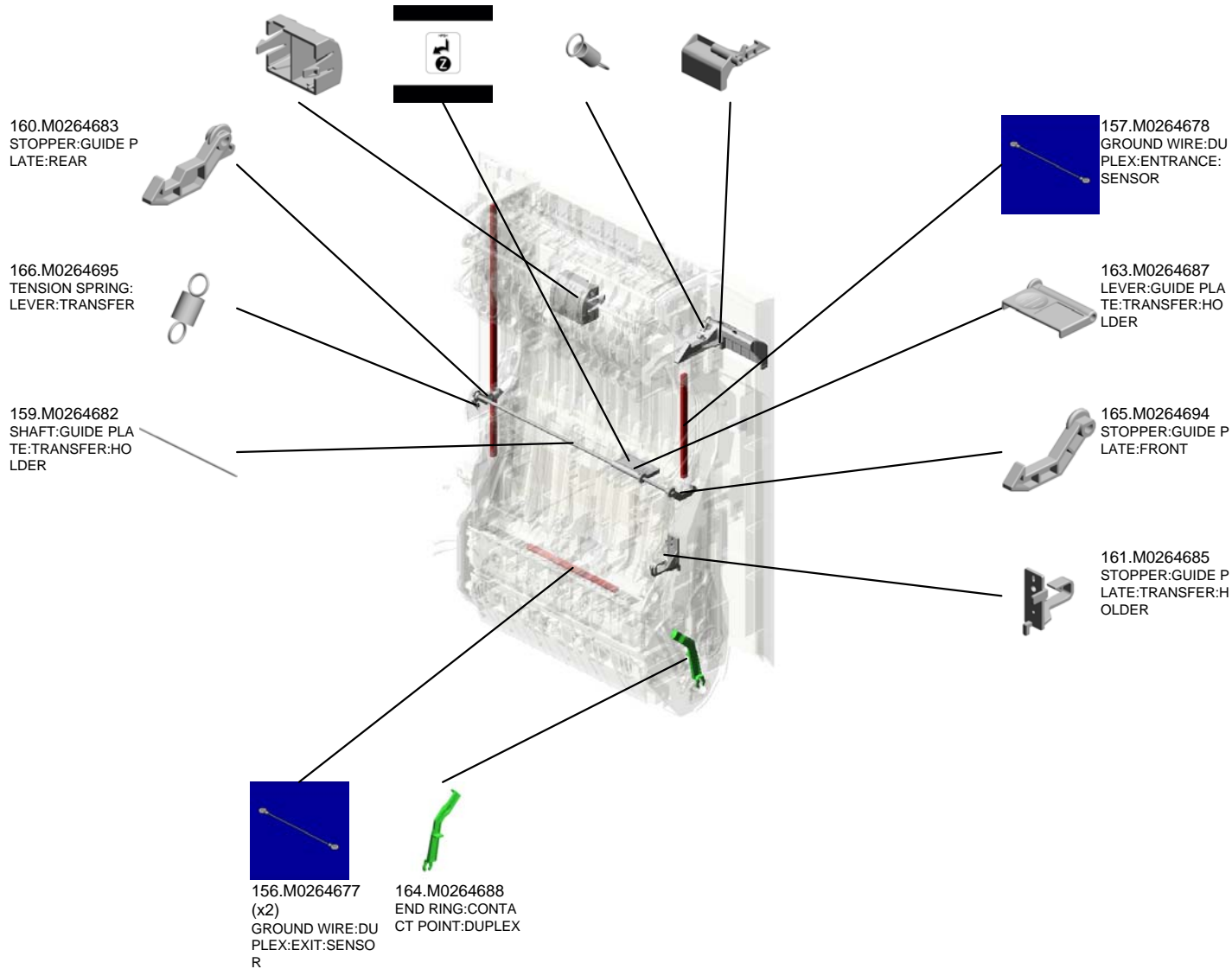


WWW.SERVICE-MANUAL.NET

U001	U002	U003	U004	U005	U006	U007	U008	U009	U010	U011	U012	U013	U014	U015	U016	U017	U018
------	------	------	------	------	------	------	------	------	------	------	------	------	------	------	------	------	------

U013 DUPLEX

158.M0264681 GUIDE:COVER:SE
NSOR:TRAY:RIGH
T
162.M0264686 DECAL:TRANSFER
:HOLDER
167.M0264696 TENSION SPRING:
LEVER:DUPLEX
168.M0264697 HOOK:STOPPER:D
UPLEX:FRONT



WWW.SERVICE-MANUAL.NET

U001	U002	U003	U004	U005	U006	U007	U008	U009	U010	U011	U012	U013	U014	U015	U016	U017	U018
------	------	------	------	------	------	------	------	------	------	------	------	------	------	------	------	------	------

U013_S001
MANUAL FEED TABLE:ASS'Y

70.M0262645 (x2) RACK:MANUAL FEED
 88.M0262691 DECAL:SCALE:MANUAL FEED
 67.M0262642 COVER:MANUAL FEED
 71.M0262646 EXTENSION TRAY



66.M0262640
MANUAL FEED TABLE:ASS'Y

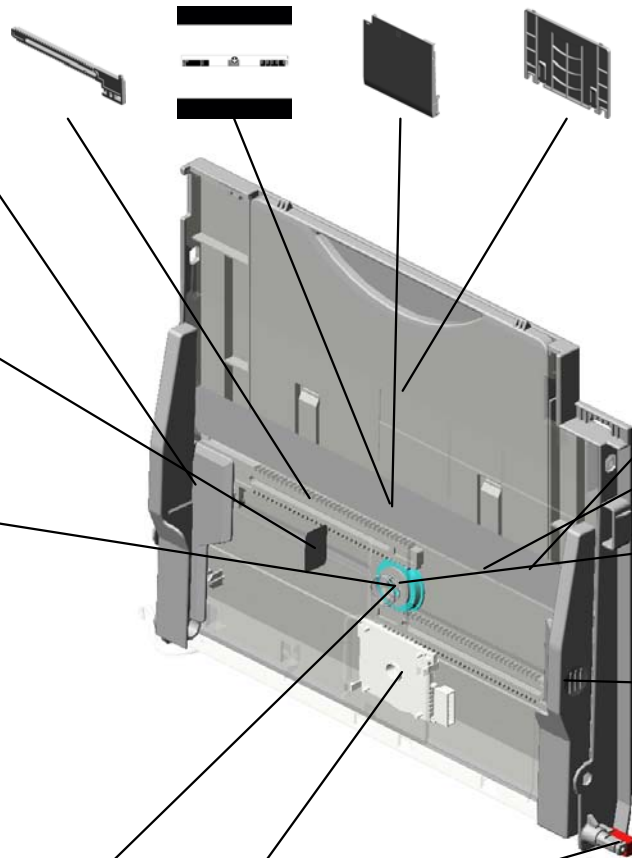
69.M0262644
SIDE FENCE:MANUAL FEED:REAR



89.M0262993
DECAL:SIDE FENCE:MANUAL FEED



39.D0392752
DISC:SIDE FENCE



74.M0262649 (x2)
COMPRESSION SPRING:EXTENSION TRAY:5N



77.M0262654
TENSION SPRING:SIDE FENCE:1N



72.M0262647
GEAR:SIDE FENCE



68.M0262643
SIDE FENCE:MANUAL FEED:FRONT



76.M0262653
COIL SPRING:SIDE FENCE



27.AW500031
PAPER SIZE SENSOR



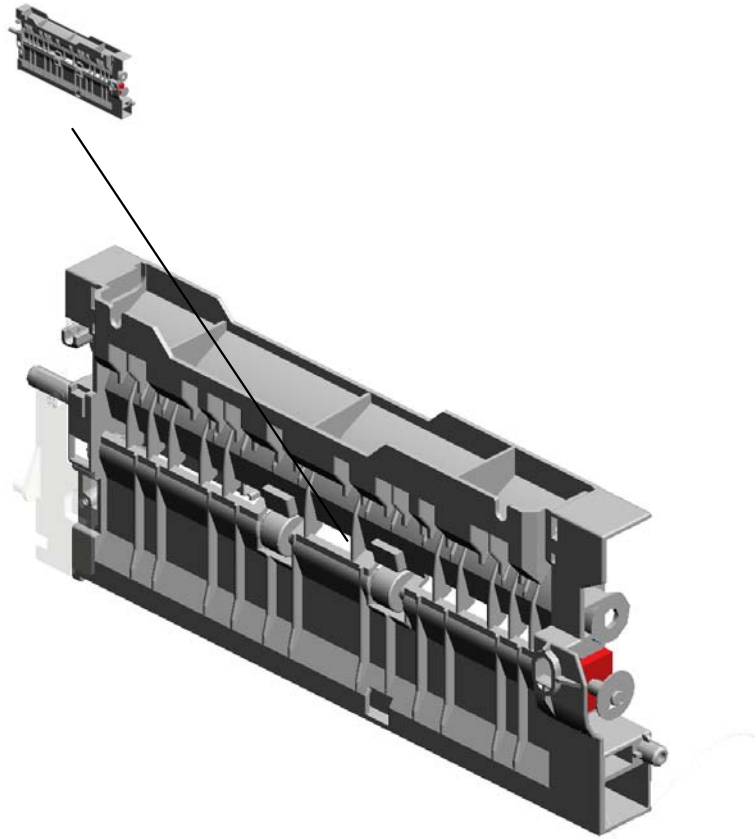
73.M0262648
PIN:SIDE FENCE

WWW.SERVICE-MANUAL.NET

U001	U002	U003	U004	U005	U006	U007	U008	U009	U010	U011	U012	U013	U014	U015	U016	U017	U018
------	------	------	------	------	------	------	------	------	------	------	------	------	------	------	------	------	------

U014.PAPER EXIT

U014_S001
M0284411
TRANSPORT UNIT:FIN:ASS'Y

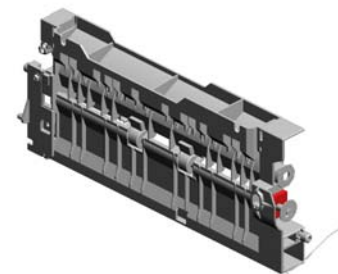


WWW.SERVICE-MANUAL.NET

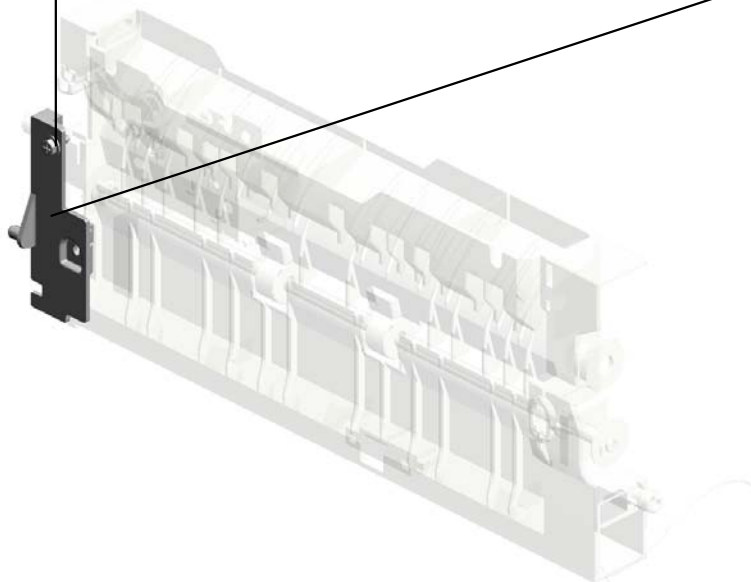
U001	U002	U003	U004	U005	U006	U007	U008	U009	U010	U011	U012	U013	U014	U015	U016	U017	U018
------	------	------	------	------	------	------	------	------	------	------	------	------	------	------	------	------	------

U014 PAPER EXIT

2.08025319
HEXAGON HEAD TAPPING SCREW:ES:3X8

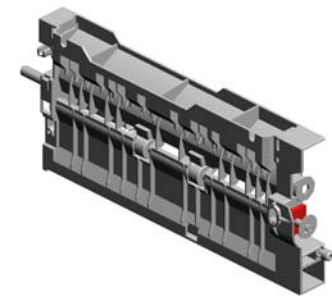


7.M0264487
INNER COVER:EXIT



U014_S001
 TRANSPORT UNIT:FIN:ASS'Y

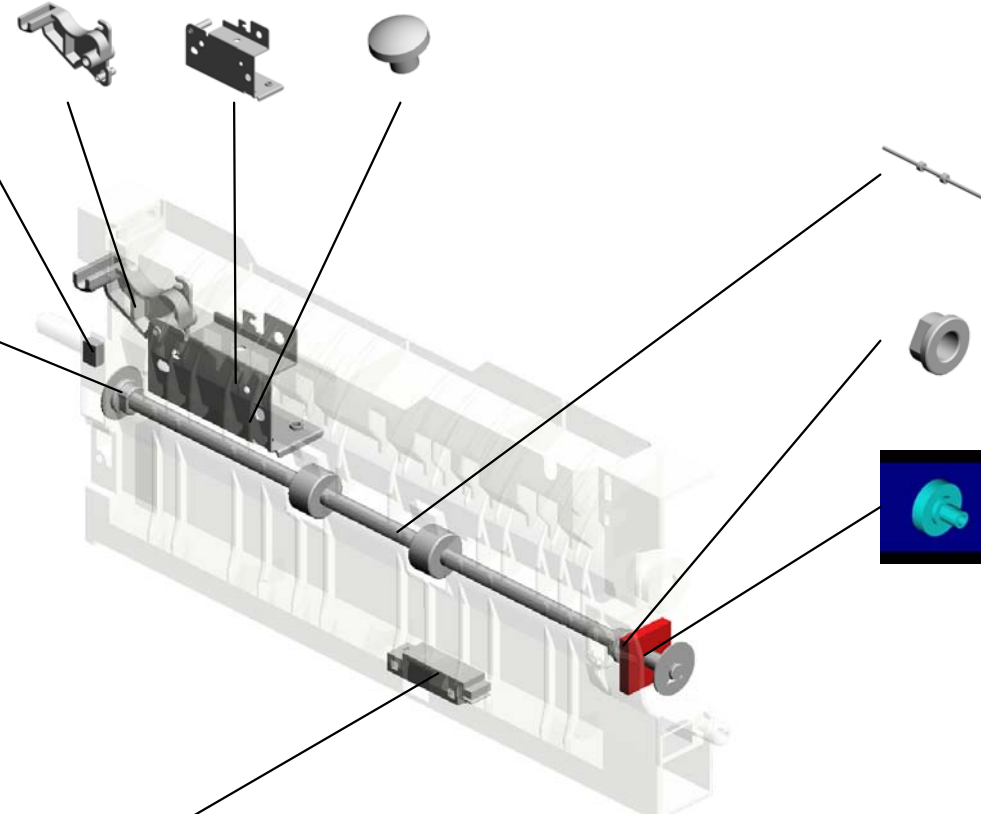
9.M0284443 DC SOLENOID:GATE PAWL:NO.2
 12.M0284475 BRACKET:DC SOLENOID:PEEN
 1.03530030N (x2) SCREW:M3X3



8.M0284411
 TRANSPORT UNIT:
 FIN:ASSY

6.B2234494
 STOPPER- UPPER
 GATE PAWL

3.08050089
 (x2)
 RETAINING RING -
 M4



10.M0284452
 TRANSPORT ROLL
 ER:FIN

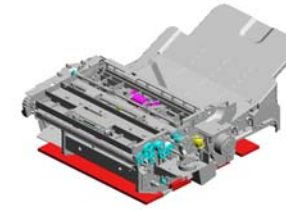
4.AA082101
 (x2)
 BUSHING - 6X10X6

11.M0284459
 GEAR:INPUT:Z26:F
 IN

5.AW010127
 PAPER FEED SEN
 SOR

U015 FINISHER

- 6.06320120G (x2) PARALLEL PIN - 2X12
- 11.08053385 (x4) BUSHING - 6MM
- 3.03603006P (x5) SCREW - M3X6
- 8.08025319 (x10) HEXAGON HEAD TAPPING SCREW:ES:3X8
- 17.11050717 (x5) CLAMP:JDW-1S



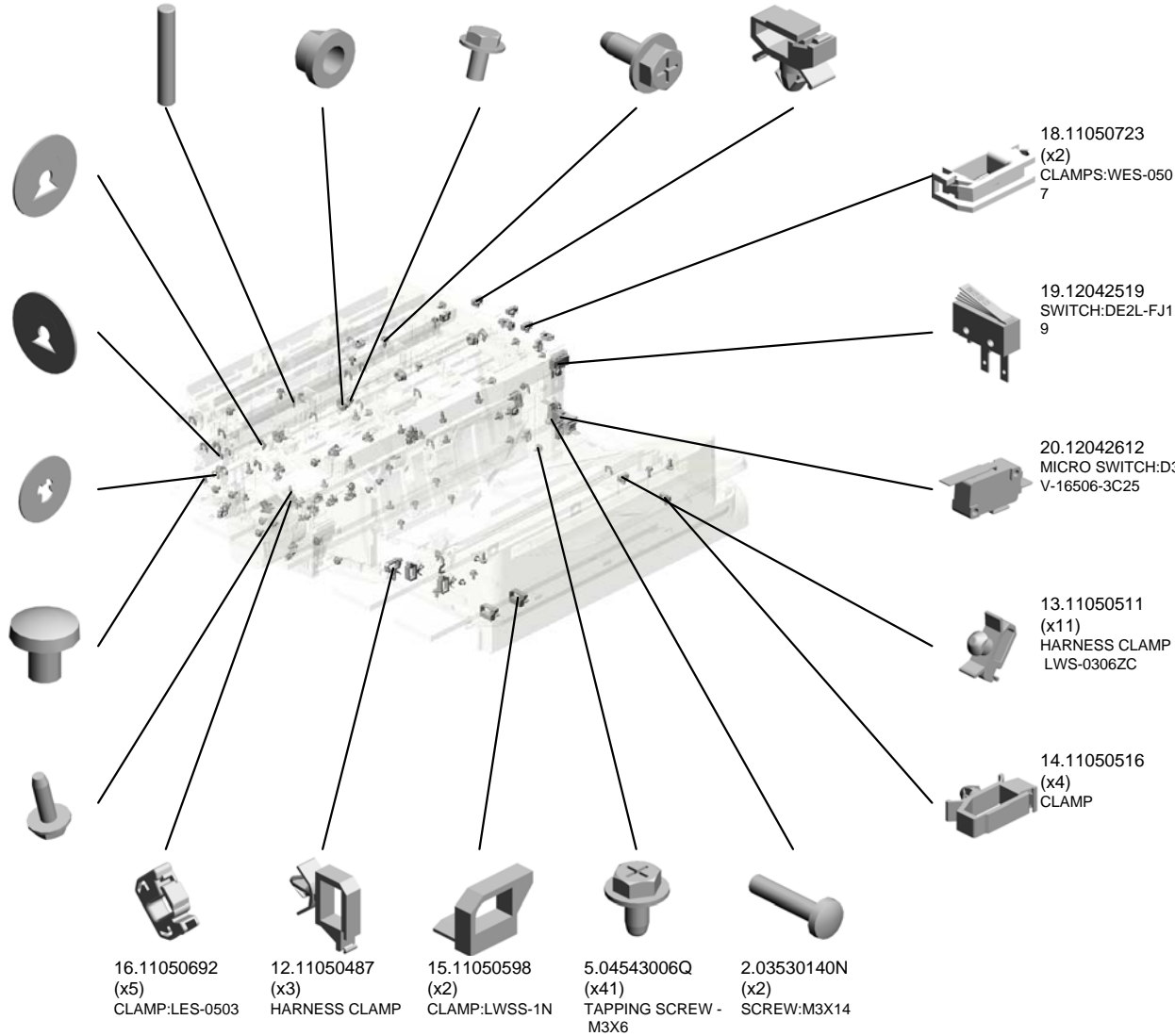
9.08050089
(x28)
RETAINING RING - M4

10.08050092
(x2)
RETAINING RING - 3M

7.07200040E
(x2)
RETAINING RING - M4

1.03530040N
(x12)
SCREW - M3X4

4.04513010N
TAPPING SCREW:
3X10

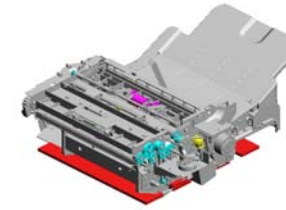


WWW.SERVICE-MANUAL.NET

U001	U002	U003	U004	U005	U006	U007	U008	U009	U010	U011	U012	U013	U014	U015	U016	U017	U018
------	------	------	------	------	------	------	------	------	------	------	------	------	------	------	------	------	------

U015 FINISHER

- 28.AA082101 (x17) BUSHING - 6X10X6
- 25.AA043337 TIMING BELT:40S3 M168
- 31.AF022147 DRIVEN ROLLER
- 27.AA063529 (x2) PRESSURE SPRING - 14.5MM
- 38.B4082175 (x2) BUSHING - ROLLER SLIDE



29.AA132169
SPACER - 5.7X16X
1.5

39.B4783569
SPACER

26.AA043660
TIMING BELT:40S2
M172

34.AW020114
(x2)
PHOTO INTERRUPTOR - LOWER LIMIT

30.AA143790
SCREW:CONTACT POINT

24.AA043318
TIMING BELT - 40S
3M144

22.A6814515
BUSHING - 6MM

23.A8584181
TIMING BELT - 2XL

35.AW020141
(x4)
PHOTO INTERRUPTOR

37.AX040241
DC MOTOR:DIA35:
3.1W

32.AJ011025
STAPLER:EH-C590
R

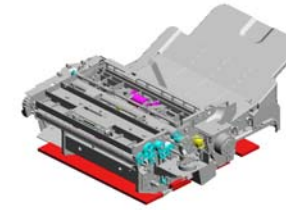
40.B7003535
TIMING BELT:B40S
2M116

21.A6812742
(x2)
DRIVEN EXIT ROLLER

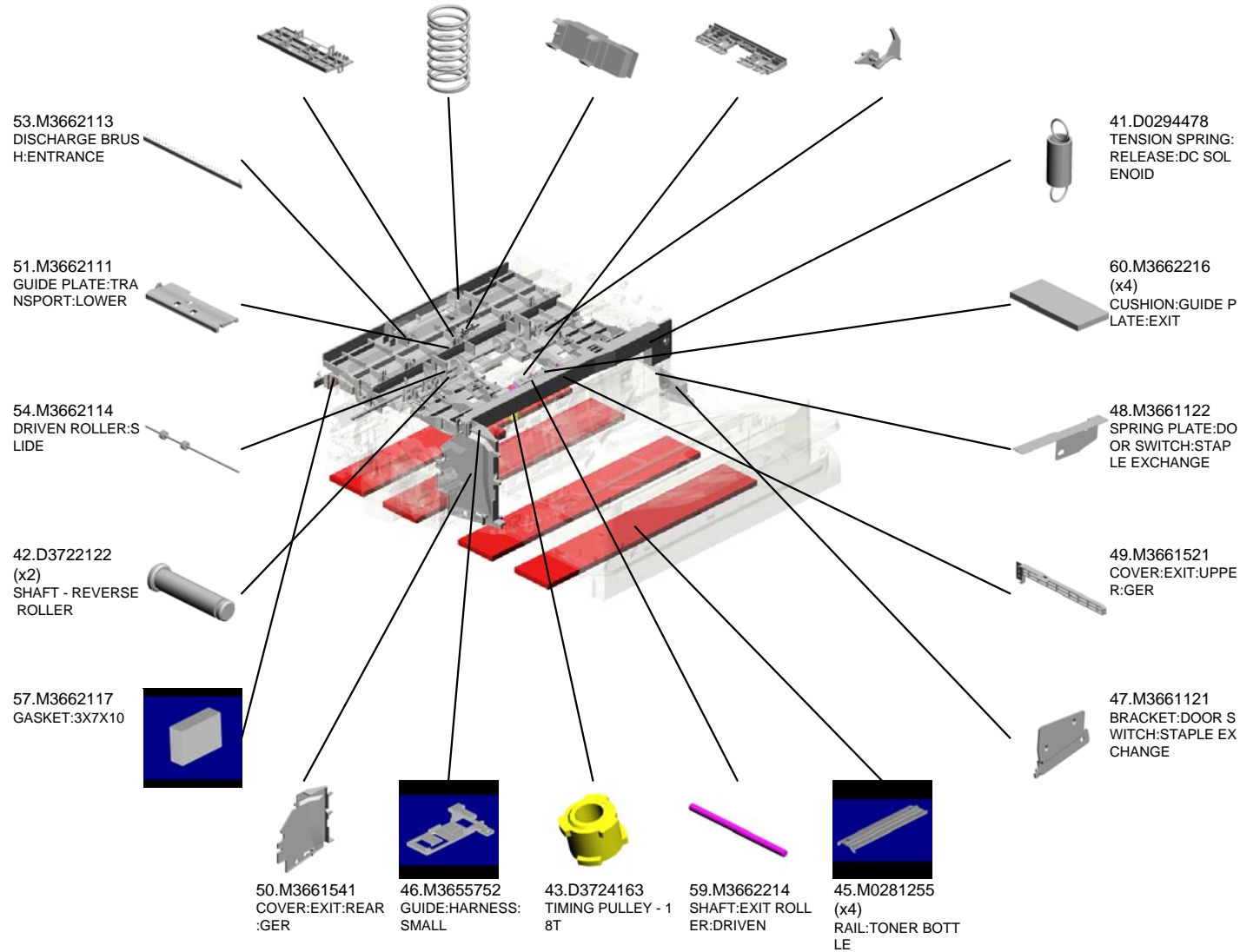
33.AW010109
PHOTO REFLECTIVE SENSOR:PS117E D1

36.AW020154
PHOTO INTERRUPTOR:ENTRANCE

U015 FINISHER



- 52.M3662112 GUIDE PLATE:TRANSPORT:UPPER
- 55.M3662115 (x2) COMPRESSION SPRING:DRIVEN
- 44.GW010007 PHOTO REFLECTION SENSOR:EXIT
- 58.M3662212 GUIDE PLATE:EXIT:OPEN AND CLOSE
- 56.M3662116 (x3) GUIDE:TRAILING EDGE



WWW.SERVICE-MANUAL.NET

U001	U002	U003	U004	U005	U006	U007	U008	U009	U010	U011	U012	U013	U014	U015	U016	U017	U018
------	------	------	------	------	------	------	------	------	------	------	------	------	------	------	------	------	------

U015 FINISHER

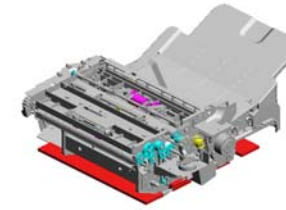
74.M3662311
TRANSPORT ROLLER:ENTRANCE

69.M3662237
ARM:GATHERING ROLLER

65.M3662232
SHAFT:GATHERING ROLLER:DRIVE:ASSY

66.M3662234
TIMING PULLEY:GATHERING ROLLER:DRIVE:TRANSMISSION

76.M3662313
KNOB:TRANSPORT ROLLER:ENTRANCE



75.M3662312
(x2)
GEAR:TRANSPORT:Z25



77.M3662321
TRANSPORT ROLLER:SLIDE



72.M3662251
GEAR:GATHERING ROLLER:DRIVE:Z20



73.M3662252
GEAR:PULLEY:Z18/T20



78.M3662322
LINK:ROLLER:SLIDE:ASSY



70.M3662238
SHAFT:BALANCER:GATHERING ROLLER

61.M3662222
PAWL:EXIT:OPEN AND CLOSE:ASSY

67.M3662235
GATHERING ROLLER

68.M3662236
SHAFT:GATHERING ROLLER

71.M3662241
DISCHARGE BRUSH:EXIT:OPEN AND CLOSE

63.M3662224
GEAR:SECTOR:EXIT:OPEN AND CLOSE



64.M3662225
LEVER:SAFETY SWITCH



79.M3662325
BUSHING:ROLLER:SLIDE



62.M3662223
(x4)
SPRING PLATE:GUIDE PLATE:EXIT

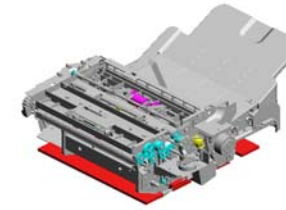


80.M3662331
EXIT ROLLER:FRONT



U015 FINISHER

- 84.M3662511 SHAFT:DRIVE:TRANSMISSION:ROLLER:RETURN
- 91.M3662519 GEAR:RETURN:DRIVE:Z25
- 85.M3662512 (x2) GEAR:RETURN:DRIVE:TRANSMISSION:Z31
- 87.M3662515 (x2) GEAR:ROLLER:RETURN:MIDDLE:Z28
- 89.M3662517 (x2) ARM:REVERSE ROLLER



94.M3662615
GEAR:IDLER:Z35



93.M3662614
GEAR:IDLER:Z22



90.M3662518
GEAR:IDLER:Z22:LIGHTER



92.M3662613
GEAR:PULLEY:Z25/T20



98.M3662635
CAM:ROLLER:SLIDE



97.M3662632
BRACKET:DC STEPPER MOTOR:SLIDE:ASSY



95.M3662616
TENSION SPRING:TENSIONER:TRANSPORT



96.M3662621
BRACKET:DC STEPPER MOTOR:EXIT



82.M3662334
TIMING PULLEY:EXIT ROLLER:DRIVE



100.M3662651
BRACKET:DC STEPPER MOTOR:GATHERING ROLLER:ASSY



99.M3662641
BRACKET:DC STEPPER MOTOR:EXIT:OPEN AND CLOSE:ASSY



86.M3662514 (x2)
GEAR:ROLLER:RETURN:MIDDLE:Z25



88.M3662516 (x2)
REVERSE ROLLER:TRAILING EDGE:Z20



81.M3662332
EXIT ROLLER:INNER BACK



83.M3662335
TIMING PULLEY:EXIT ROLLER:DRIVE



U015 FINISHER

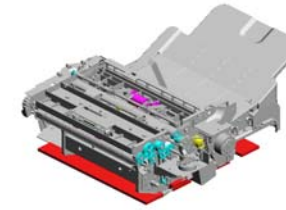
119.M3663521
SHAFT:EXIT:COUPLING

118.M3663510
BRACKET:EXIT:CONNECTING

114.M3663420
ARM:PAPER SENSER:TRAILING EDGE:ASSY

102.M3663121
END FENCE:EXIT

116.M3663441
TORSION SPRING:LEVER



120.M3663522
(x2)
GEAR:EXIT:COUPLING:Z20



115.M3663430
DC SOLENOID:PAPER SENSER:SUB-ASSY



113.M3663412
BRACKET:SOLENOID:PAPER SENSER



117.M3663442
CUSHION:PLATE:RETURN



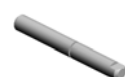
101.M3662654
CAM:LEVER:GATHERING ROLLER



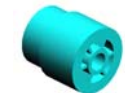
112.M3663325
GEAR:DRIVE:CAM:Z42



108.M3663315
SHAFT:WORM WHEEL



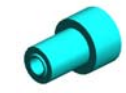
109.M3663316
GEAR:Z20/Z35



107.M3663310
BRACKET:DC MOTOR:EXIT:ASSY



110.M3663317
GEAR:Z37:WORM GEAR



104.M3663231
TRAY:EXIT:MOVEABLE



111.M3663320
CAM:TRAY:MOVEABLE:ASSY



105.M3663241
TRAY:EXIT:AUXILIARY:SMALL



106.M3663251
INNER COVER:TRAY



103.M3663221
TRAY:EXIT:FIX

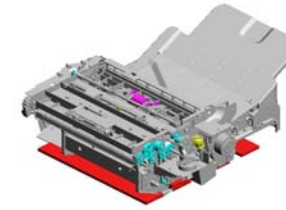


WWW.SERVICE-MANUAL.NET

U001	U002	U003	U004	U005	U006	U007	U008	U009	U010	U011	U012	U013	U014	U015	U016	U017	U018
------	------	------	------	------	------	------	------	------	------	------	------	------	------	------	------	------	------

U015 FINISHER

- 125.M3664151 STANDARD FENCE :TRAILING EDGE:SUB-ASSY
- 123.M3664113 SHAFT:GUIDE:JOGGER:FRONT
- 128.M3664158 STAY:JOGGER
- 126.M3664156 TRAY:STAPLE
- 137.M3666110 BRACKET:FIX:FINISHING UNIT



122.M3664112
JOGGER FENCE:REAR

124.M3664142
BRACKET:DC STEPPER MOTOR:JOGGER

134.M3665561
(x3)
DC STEPPER MOTOR:1.48W

135.M3665570
DC STEPPER MOTOR:TRANSPORT:3.78W

136.M3665571
DC STEPPER MOTOR:EXIT:3.78W

133.M3665560
DC STEPPER MOTOR:JOGGER:1.48W

139.M3666212
CUSHION:SMALL

121.M3663523
(x2)
GEAR:EXIT:COUPLING:MIDDLE:Z19

129.M3664161
TENSIONER:JOGGER FENCE

127.M3664157
STANDARD FENCE:FIX:FRONT

131.M3664210
BRACKET:STAPLER

130.M3664170
TENSION SPRING:BELT TENSIONER:JOGGER FENCE

138.M3666211
CUSHION

132.M3665124
PCB:MAIN CONTROL:ASSY

WWW.SERVICE-MANUAL.NET

U001	U002	U003	U004	U005	U006	U007	U008	U009	U010	U011	U012	U013	U014	U015	U016	U017	U018
------	------	------	------	------	------	------	------	------	------	------	------	------	------	------	------	------	------

U016.MAIN DRIVE

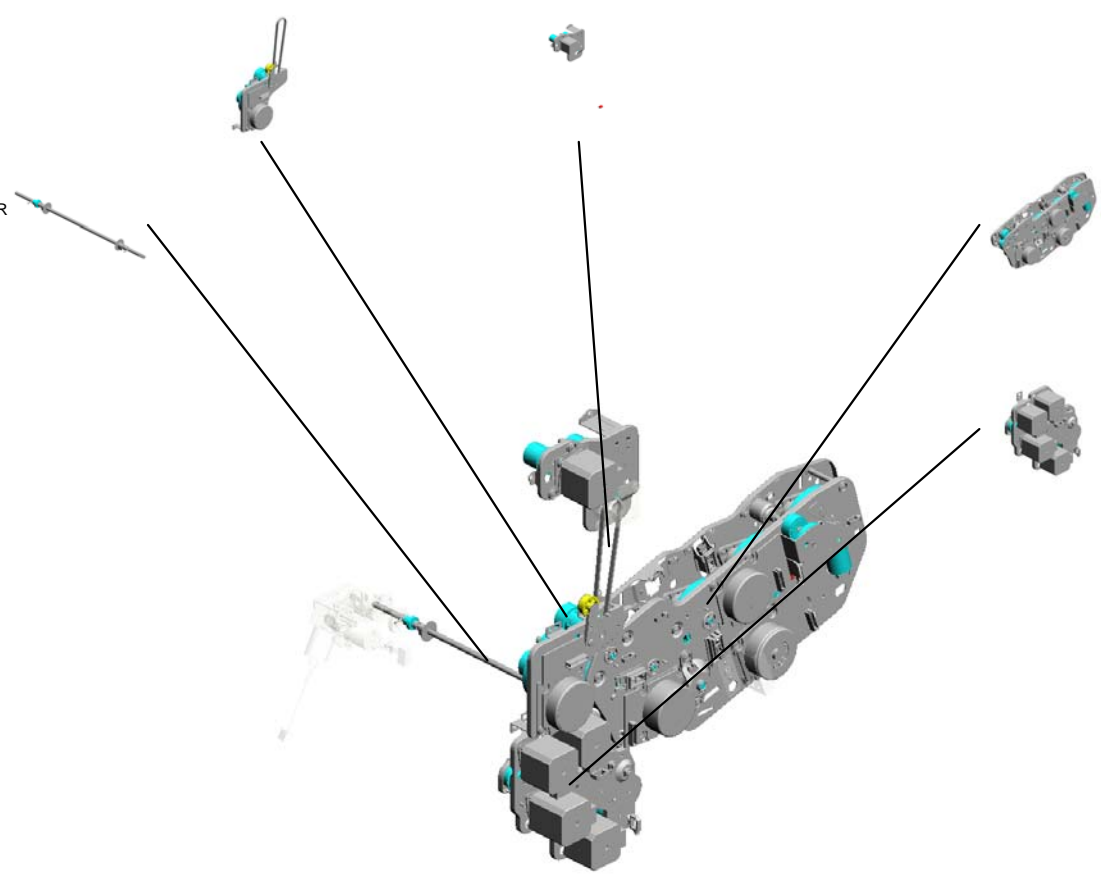
U016_S003
M0261165
DRIVE UNIT:FUSING

U016_S004
M0281169
DRIVE UNIT:PAPER EXIT SU
B-UNIT:NO.2

U016_S002
M0281148
SHAFT:ON-OFF:SECOND:PR
ESS FIT

U016_S001
M0261135
DRIVE UNIT:DRUM:DEVELO
PMENT:TRANSFER

U016_S005
M0261180
DRIVE UNIT:PAPER FEED

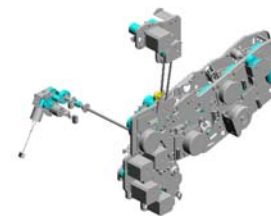


WWW.SERVICE-MANUAL.NET

U001	U002	U003	U004	U005	U006	U007	U008	U009	U010	U011	U012	U013	U014	U015	U016	U017	U018
------	------	------	------	------	------	------	------	------	------	------	------	------	------	------	-------------	------	------

U016 MAIN DRIVE

- 27.AB017787 GEAR:IDLER:ON-O
FF:SECOND
- 4.07200040E (x8)
RETAINING RING -
M4
- 21.AB010390 GEAR:DRIVE:ON-O
FF:SECOND
- 20.AA145294 PARALLEL PIN - 2X
12MM
- 19.AA082101 (x2)
BUSHING - 6X10X6



65.M0266481
GEAR:IDLER:COLL
ECTION BOTTLE:2
0Z

67.M0266483
SHAFT:GEAR:IDLE
R:COLLECTION BO
TTLE

66.M0266482
GEAR:IDLER:DC M
OTOR:30Z

26.AB017786
GEAR:SLOW DOW
N:ON-OFF:SECON
D

1.03530030N
(x4)
SCREW:M3X3

68.M0266485
DC MOTOR:2.64W

53.M0261127
(x2)
CAM:ON-OFF:TRA
NSFER:SECOND

52.M0261126
SHIELDING PLATE:
ON-OFF:SECOND

54.M0261130
BRACKET:SENSO
R:ON-OFF:SECON
D

49.GW020020
PHOTOINTERRUP
TOR:LG248NL1

34.AB017795
GEAR:DRIVE UNIT:
PAPER EXIT:NO.1

6.08025319
(x2)
HEXAGON HEAD T
APPING SCREW: E
S:3X8

3.04543006Q
(x19)
TAPPING SCREW -
M3X6

2.04513006N
(x4)
TAPPING SCREW -
3X6

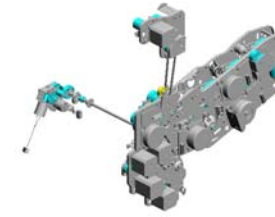
64.M0265810
COVER:HARNES:
DRIVE

WWW.SERVICE-MANUAL.NET

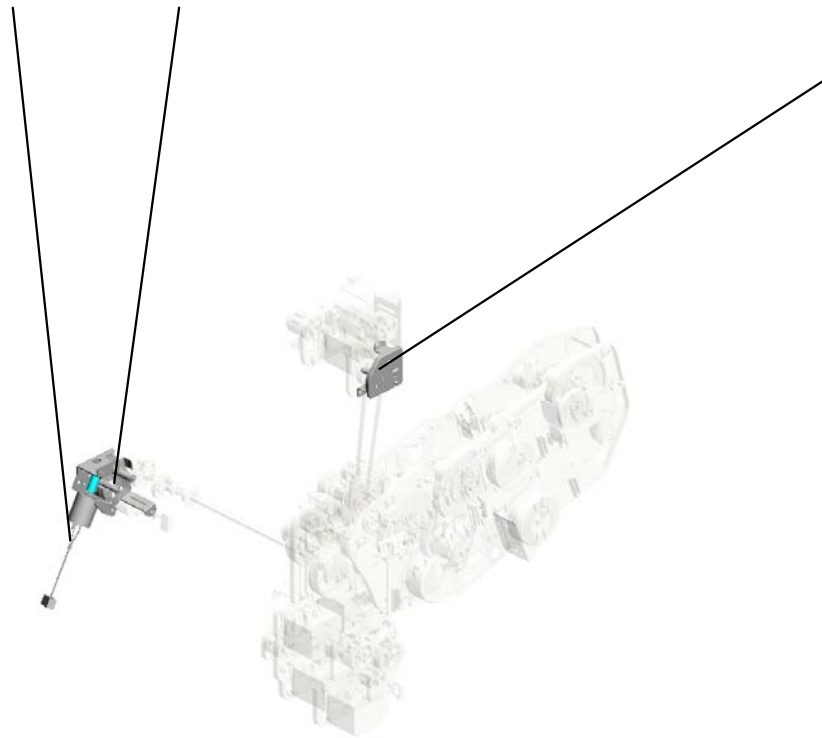
U016 MAIN DRIVE

69.M0281031 DC MOTOR:ON-OFF
F:1.56W

70.M0281032 BRACKET:ON-OFF:
USED TONER



72.M0281165
BRACKET:DRIVE U
NIT:PAPER EXIT:N
O.1



WWW.SERVICE-MANUAL.NET

U001	U002	U003	U004	U005	U006	U007	U008	U009	U010	U011	U012	U013	U014	U015	U016	U017	U018
------	------	------	------	------	------	------	------	------	------	------	------	------	------	------	-------------	------	------

U016_S001
 DRIVE UNIT:DRUM:DEVELOPMENT:TRANSFER



55.M0261135
 DRIVE UNIT:DRUM
 :DEVELOPMENT:T
 RANSFER

14.11050723 (x5)
 CLAMPS:WES-050
 7

43.AX060388
 DC BRUSHLESS M
 OTOR:DRUM:COL
 OR:25W

25.AB017785
 GEAR:ON-OFF:TR
 ANSFER:NO.2

4.07200040E (x14)
 RETAINING RING -
 M4

3.04543006Q (x24)
 TAPPING SCREW -
 M3X6

19.AA082101
 (x2)
 BUSHING - 6X10X6



5.07200060E
 RETAINING RING -
 M6



7.08050088
 RETAINING RING -
 M6



45.AX200319
 MAGNETIC CLUTC
 H:DEVELOPMENT



6.08025319
 (x4)
 HEXAGON HEAD T
 APPING SCREW:E
 S:3X8



44.AX060389
 DC BRUSHLESS M
 OTOR:DRUM:BK:31
 W



11.11050511
 (x6)
 HARNESS CLAMP -
 LWS-0306ZC



49.GW020020
 (x3)
 PHOTOINTERRUP
 TOR:LG248NL1



46.B2231144
 (x2)
 HOLDER:POSITIO
 NING SENSOR



42.AX060387
 DC BRUSHLESS M
 OTOR:DEV:COLOR
 :40W



1.03530030N
 (x2)
 SCREW:M3X3



24.AB017784
 GEAR:ON-OFF:TR
 ANSFER:NO.1



2.04513006N
 (x22)
 TAPPING SCREW -
 3X6



12.11050516
 (x4)
 CLAMP



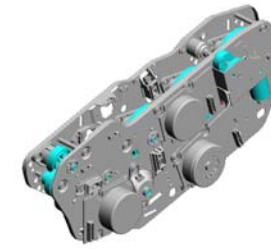
13.11050534
 CLAMP



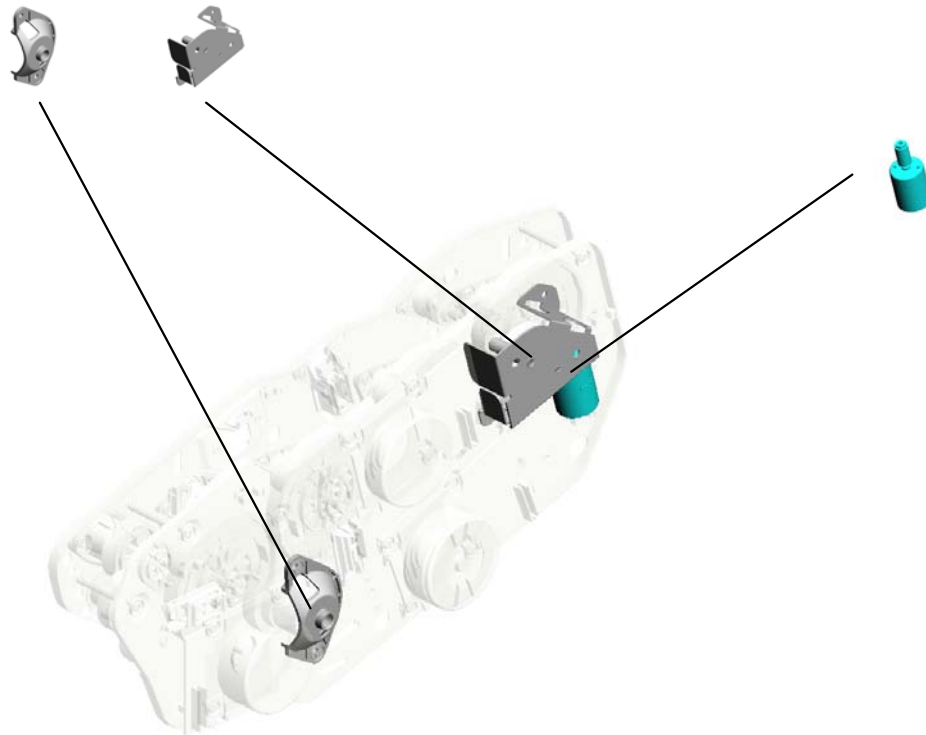
U016_S001
DRIVE UNIT:DRUM:DEVELOPMENT:TRANSFER

50.M0261033
HOLDER:CLUTCH:
DEVELOPMENT

51.M0261049
BRACKET:ON-OFF:
TRANSFER



55.M0261135
DRIVE UNIT:DRUM
:DEVELOPMENT:T
RANSFER



69.M0281031
DC MOTOR:ON-OF
F:1.56W

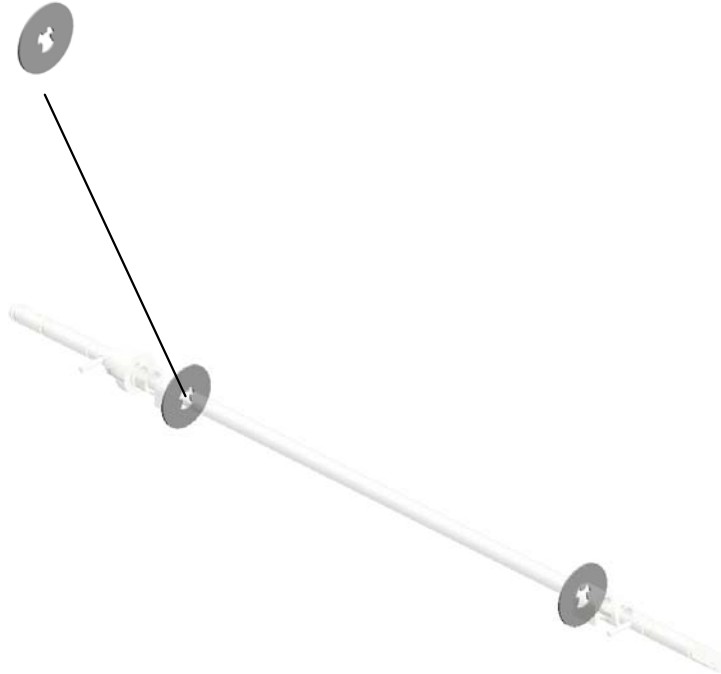
WWW.SERVICE-MANUAL.NET

U001	U002	U003	U004	U005	U006	U007	U008	U009	U010	U011	U012	U013	U014	U015	U016	U017	U018
------	------	------	------	------	------	------	------	------	------	------	------	------	------	------	-------------	------	------

U016_S002

SHAFT:ON-OFF:SECOND:PRESS FIT

4.07200040E
(x2)
RETAINING RING -
M4



71.M0281148
SHAFT:ON-OFF:SE
COND:PRESS FIT

U016_S003
DRIVE UNIT:FUSING

33.AB017794
GEAR:DRIVE UNIT:
FUSING:NO.4

8.08050089
RETAINING RING -
M4

40.AB030828
PULLEY:DRIVE UNI
T:FUSING:TIGHTE
NER

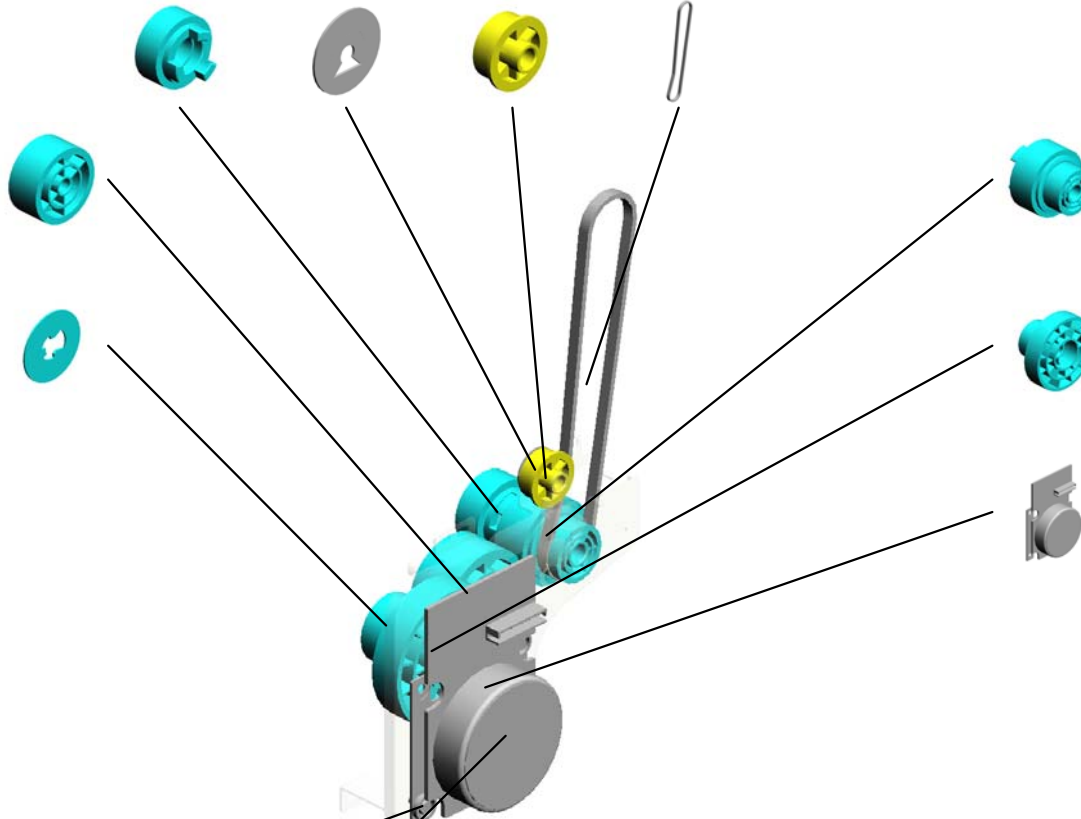
15.AA043338
TIMING BELT:DRIV
E UNIT:50S3M351

56.M0261165
DRIVE UNIT:FUSIN
G



31.AB017792
GEAR:DRIVE UNIT:
FUSING:NO.2

5.07200060E
(x3)
RETAINING RING -
M6



32.AB017793
GEAR:DRIVE UNIT:
FUSING:NO.3

39.AB017816
GEAR:DRIVE UNIT:
FUSING:NO.1

41.AX060385
DC BRUSHLESS M
OTOR:FUSING/EXI
T:19.5W

2.04513006N
(x3)
TAPPING SCREW -
3X6

48.B8332567
TENSION SPRING

WWW.SERVICE-MANUAL.NET

U001	U002	U003	U004	U005	U006	U007	U008	U009	U010	U011	U012	U013	U014	U015	U016	U017	U018
------	------	------	------	------	------	------	------	------	------	------	------	------	------	------	------	------	------



73.M0281169
DRIVE UNIT:PAPER
EXIT SUB-UNIT:
NO.2

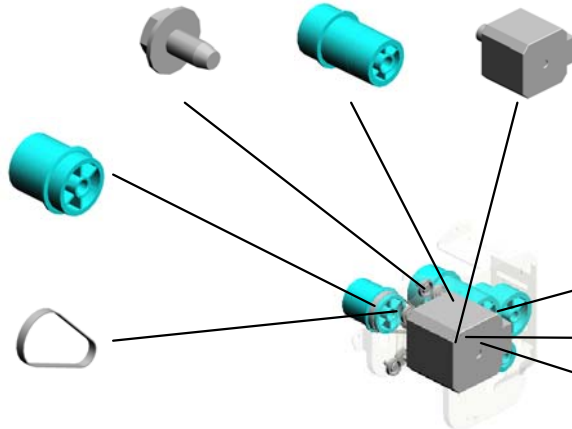
2.04513006N
(x6)
TAPPING SCREW -
3X6

37.AB017798
GEAR:PAPER EXIT
UNIT:NO.4

74.M0281178
DC STEPPER MOT
OR:REVERSE:0.94
W

38.AB017799
GEAR:REVERSE:C
OUPLING

16.AA043339
TIMING BELT:PAP
ER EXIT:40S2M122



36.AB017797
GEAR:PAPER EXIT
UNIT:NO.3

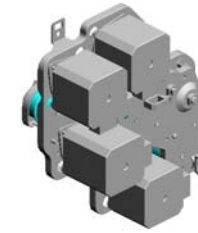
8.08050089
RETAINING RING -
M4

35.AB017796
GEAR:PAPER EXIT
UNIT:NO.2

10.11050508
HARNESS CLAMP -
LWS-0711

U016_S005

DRIVE UNIT:PAPER FEED



57.M0261180
DRIVE UNIT:PAPE
R FEED

28.AB017788 (x2)
GEAR:TRANSPOR
T

29.AB017789
GEAR:REGISTRATI
ON:COUPLING

61.M0261192 (x2)
JOINT:PAPER FEE
D:DRIVE

63.M0261194
SHAFT:TRANSPOR
T:DRIVE

19.AA082101 (x4)
BUSHING - 6X10X6

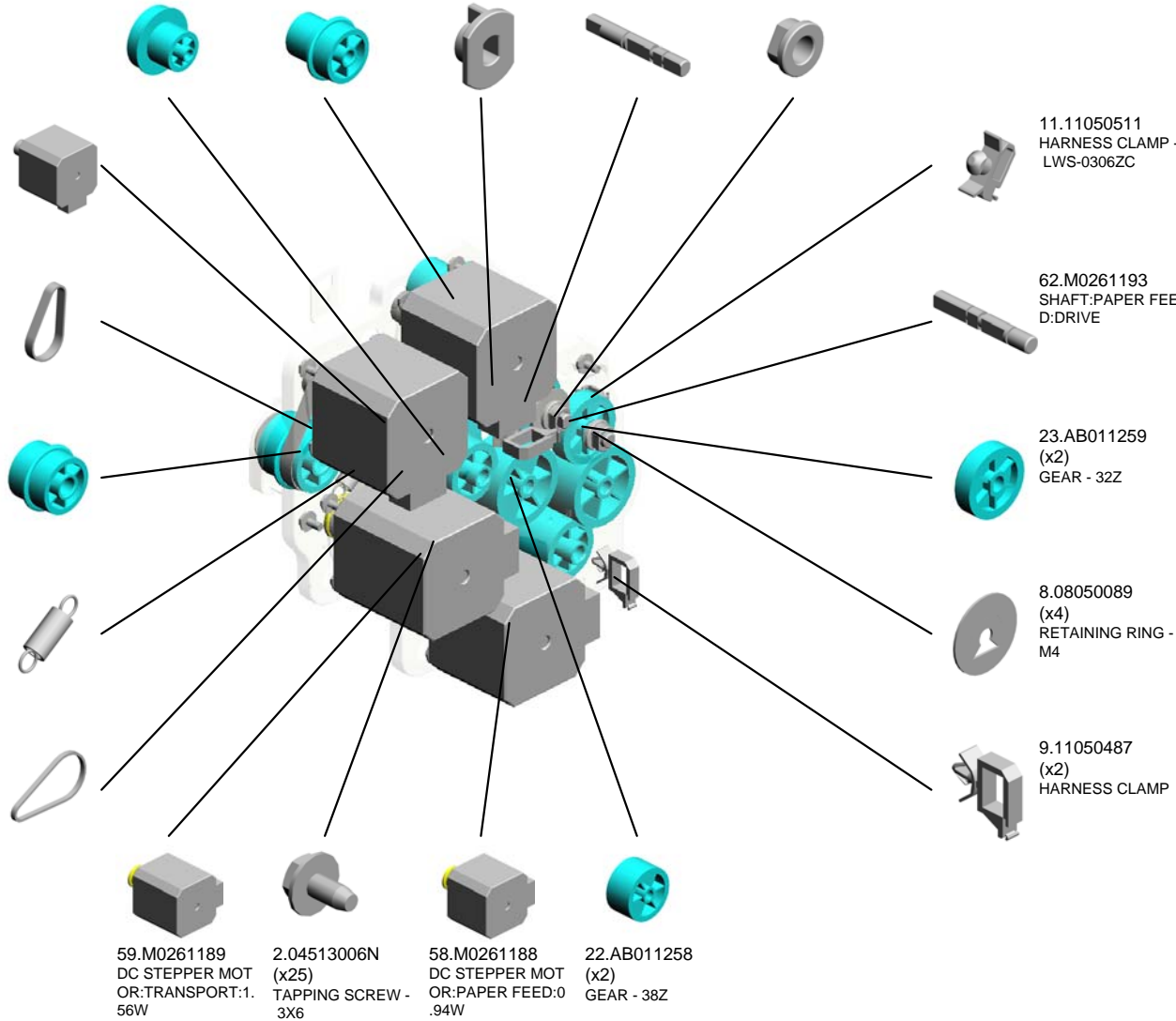
60.M0261190 (x2)
DC STEPPER MOT
OR:REGIST:1.34W

17.AA043601 (x2)
TIMING BELT - B40
S2M118

30.AB017790
GEAR:DUPLEX:DRIVE

47.B2382676
TENSION SPRING

18.AA043613 (x2)
TIMING BELT - 40S
3M177



59.M0261189
DC STEPPER MOT
OR:TRANSPORT:1.
56W

2.04513006N (x25)
TAPPING SCREW -
3X6

58.M0261188
DC STEPPER MOT
OR:PAPER FEED:0
.94W

22.AB011258 (x2)
GEAR - 38Z

11.11050511
HARNES CLAMP -
LWS-0306ZC

62.M0261193
SHAFT:PAPER FEE
D:DRIVE

23.AB011259 (x2)
GEAR - 32Z

8.08050089 (x4)
RETAINING RING -
M4

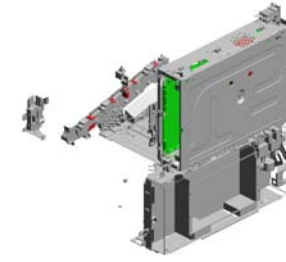
9.11050487 (x2)
HARNES CLAMP

WWW.SERVICE-MANUAL.NET

U001 U002 U003 U004 U005 U006 U007 U008 U009 U010 U011 U012 U013 U014 U015 U016 U017 U018

U017 ELECTRICAL

- 20.GA003030 DECAL - SHIELDING PLATE Y
- 10.AW500023 PUSH SWITCH
- 9.AW140012 TEMPERATURE & HUMIDITY SENSOR
- 11.AX640197 FAN:MM60:DC 0.6 W
- 5.12042868 SWITCH:RS51-AA1 1



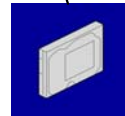
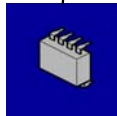
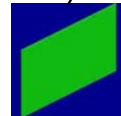
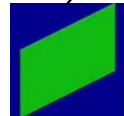
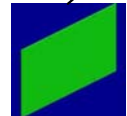
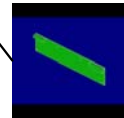
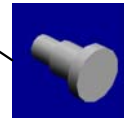
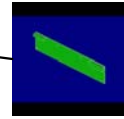
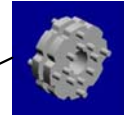
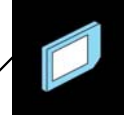
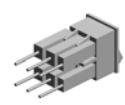
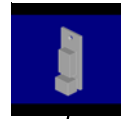
4.12042521
(x2)
MICRO SWITCH

3.08050092
(x5)
RETAINING RING - 3M

1.03603025N
SCREW:M3X25

2.04513006N
(x3)
TAPPING SCREW - 3X6

16.D0395846
(x2)
SPRING:SAFETY SWITCH:FRONT



13.AZ320201
POWER PACK:CB

14.AZ320206
POWER PACK:T1T 2

12.AZ240153
POWER SUPPLY UNIT:100-127V:395W

6.14077153
EEPROM:AT24C64 C-PU:64K

15.D0295792
HDD:WD:160GB:63 N9A0

17.D0895795
SD-CARD:Z-V4:EXP:ASSY

8.AA161167
(x4)
BUSHING:HDD

18.G1786062
PWB:DDR2-DIMM:RAWCARD-C

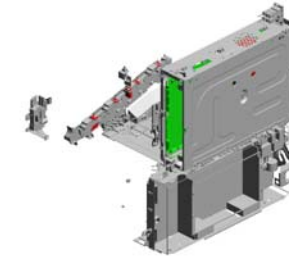
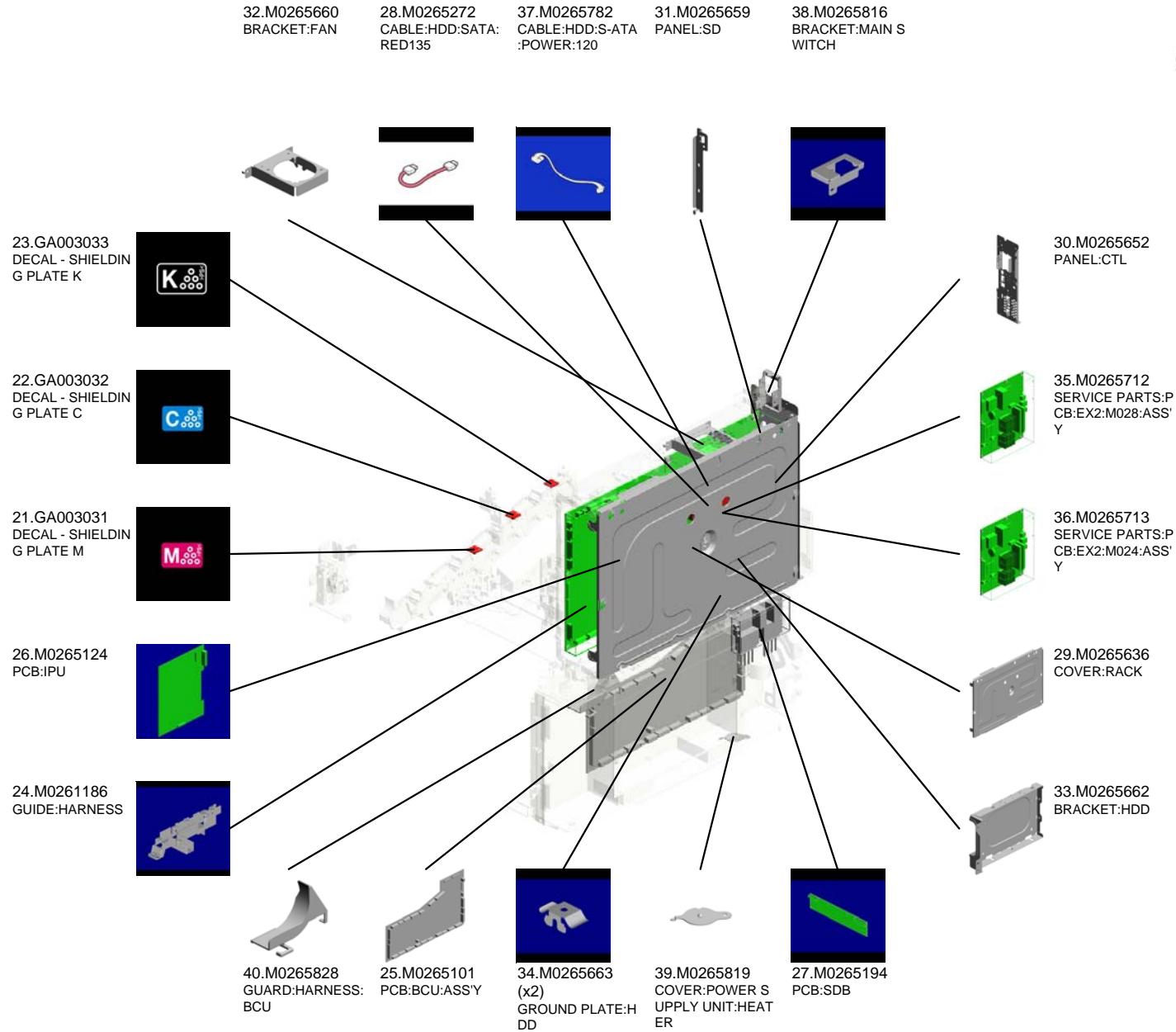
7.AA143499
(x4)
STEPPED SCREW

19.G1786072
PCB:PC4200:RAW CARD-A:1GB:ASSY

WWW.SERVICE-MANUAL.NET

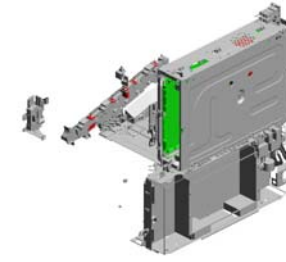
U001	U002	U003	U004	U005	U006	U007	U008	U009	U010	U011	U012	U013	U014	U015	U016	U017	U018
------	------	------	------	------	------	------	------	------	------	------	------	------	------	------	------	------	------

U017 ELECTRICAL



U017 ELECTRICAL

50.M0265876 LEVER:SAFETY SWITCH:NO.1
 46.M0265870 ARM:SAFETY SWITCH:NO.2
 44.M0265866 BRACKET:SAFETY SWITCH:MAIN
 49.M0265875 SHAFT:SAFETY SWITCH:NO.5
 53.M0265879 LEVER:SAFETY SWITCH:NO.4



45.M0265868 ARM:SAFETY SWITCH:NO.1

52.M0265878 LEVER:SAFETY SWITCH:NO.3

47.M0265871 (x2) SHAFT:SAFETY SWITCH:NO.1

51.M0265877 LEVER:SAFETY SWITCH:NO.2

48.M0265874 SHAFT:SAFETY SWITCH:NO.4

55.M0265882 (x4) TERMINAL:DEVELOPMENT

60.M0265888 TERMINAL:POWER PACK

59.M0265887 (x5) TERMINAL:TRANSFER UNIT

57.M0265884 (x4) SPRING PLATE:CHARGE

56.M0265883 HOLDER:TERMINAL:DEVELOPMENT

43.M0265857 (x2) PANEL:INTERFACE:HE-71

42.M0265847 BRACKET:PUSH SWITCH

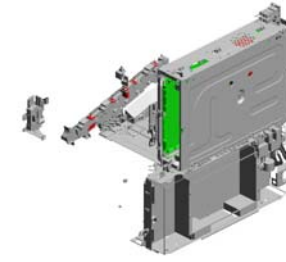
58.M0265886 (x4) SPRING PLATE:DEVELOPMENT

41.M0265831 COVER:HARNESS:POWER PACK

54.M0265881 INSULATING SHEET:POWER PACK

U017 ELECTRICAL

61.M0265889 WIRE:HIGH VOLTA
GE:DEVELOPMEN
T:K
 62.M0265891 WIRE:HIGH VOLTA
GE:DEVELOPMEN
T:C
 65.M0265894 INNER COVER:TE
RMINAL



66.M0265895
(x4)
PLATE:SPRING PL
ATE:DEVELOPMEN
T



72.M0662490
DECAL:GUIDE:SET
:PCU
201104-06



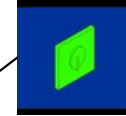
68.M0265897
(x4)
PLATE:SPRING PL
ATE:CHARGE



67.M0265896
INNER COVER:GU
ARD:HARNESS



63.M0265892
WIRE:HIGH VOLTA
GE:DEVELOPMEN
T:M

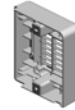


69.M0269590
NV-RAM

64.M0265893
WIRE:HIGH VOLTA
GE:DEVELOPMEN
T:Y



71.M0261244
COVER:FAN:C/T B
OX

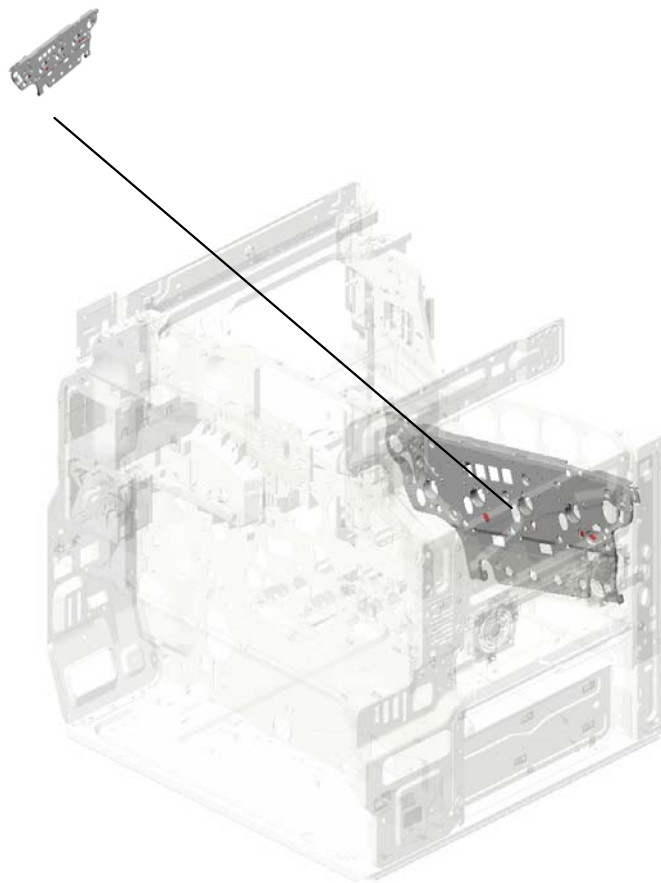


70.M0281168
COVER:DRIVE UNI
T:SYNCHRONOUS
BELT



U018.MAIN FRAME

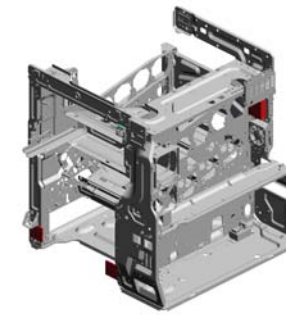
U018_S001
M0261301
DRUM STAY:PCU:ASS'Y



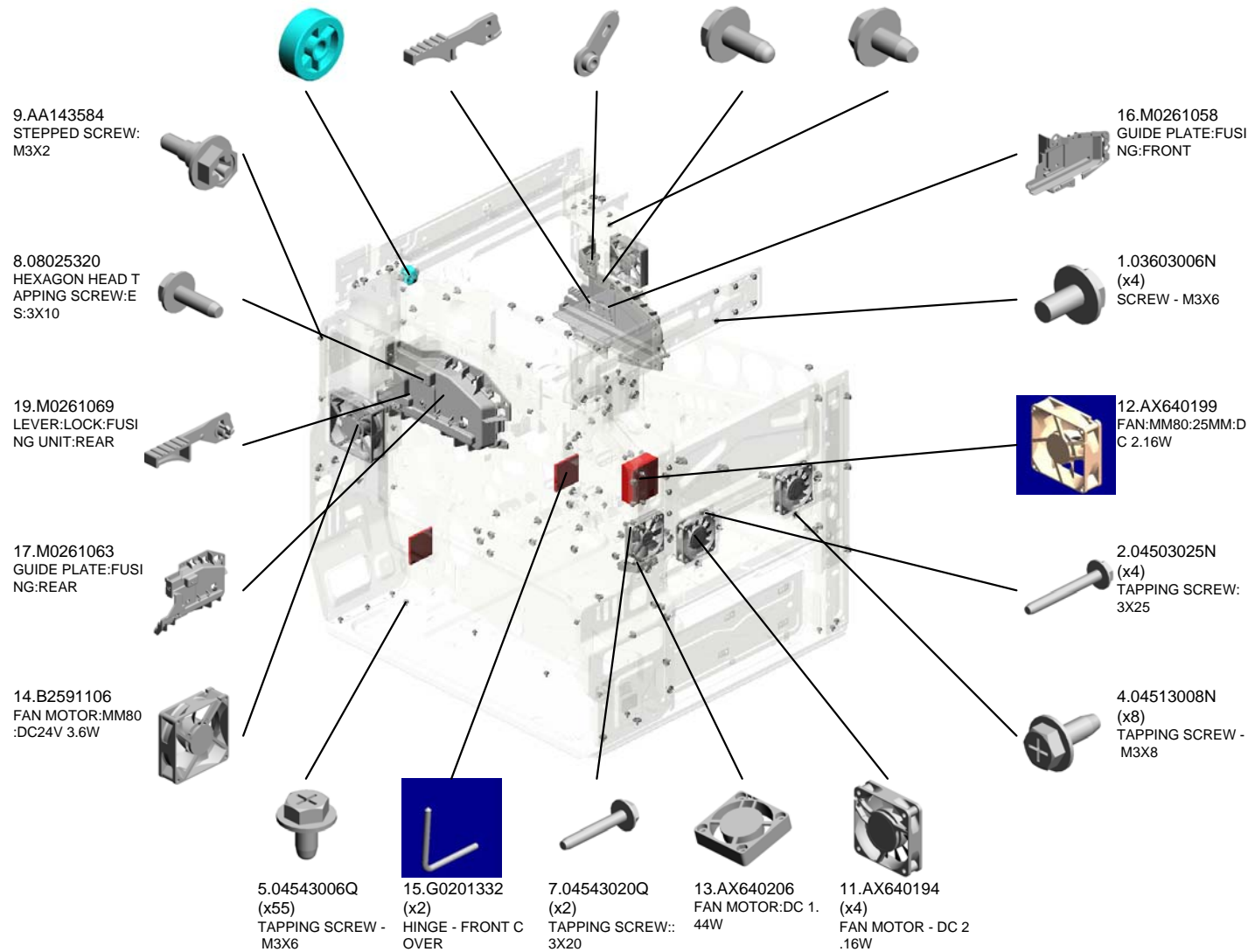
WWW.SERVICE-MANUAL.NET

U001	U002	U003	U004	U005	U006	U007	U008	U009	U010	U011	U012	U013	U014	U015	U016	U017	U018
------	------	------	------	------	------	------	------	------	------	------	------	------	------	------	------	------	------

U018 MAIN FRAME



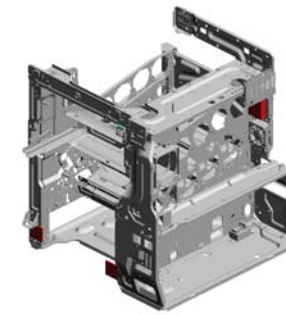
- 10.AB017800 GEAR:DRIVE UNIT: TRAY:COUPLING
- 18.M0261067 LEVER:LOCK:FUSI NG UNIT:FRONT
- 20.M0261117 LEVER:GUIDE PLA TE:UPPER
- 6.04543008Q (x14) TAPPING SCREW: 3X8
- 3.04513006N (x83) TAPPING SCREW - 3X6



WWW.SERVICE-MANUAL.NET

U001	U002	U003	U004	U005	U006	U007	U008	U009	U010	U011	U012	U013	U014	U015	U016	U017	U018
------	------	------	------	------	------	------	------	------	------	------	------	------	------	------	------	------	------

U018 MAIN FRAME



- 25.M0261351 DUCT:FUSING:UPPER
- 36.M0281196 COVER:GEAR:REVERSE SUB-UNIT
- 28.M0261354 SHEET:DAMPING INSULATION:DUCT:LOWER
- 32.M0261366 DUCT:PAPER EXIT UNIT:FRONT
- 21.M0261118 LEVER:GUIDE PLATE:LEFT

27.M0261353 SHEET:DAMPING INSULATION:DUCT:UPPER

26.M0261352 DUCT:FUSING:LOWER

33.M0261371 DUCT:DRIVE UNIT

29.M0261356 DUCT:DEVELOPMENT UNIT:FRONT

31.M0261358 (x2) GUARD:FAN:DEVELOPMENT UNIT

35.M0262455 GUIDE:PCU

23.M0261330 HINGE:LEFT

24.M0261331 HINGE:RIGHT

30.M0261357 DUCT:DEVELOPMENT UNIT:REAR

34.M0262450 (x4) RAIL:PCU:ASS'Y

WWW.SERVICE-MANUAL.NET

U001	U002	U003	U004	U005	U006	U007	U008	U009	U010	U011	U012	U013	U014	U015	U016	U017	U018
------	------	------	------	------	------	------	------	------	------	------	------	------	------	------	------	------	------

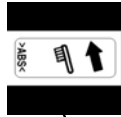
U018_S001
DRUM STAY:PCU:ASS'Y

39.M0261329
(x4)
DECAL:CLEANING:
POSITIONING DISP
LAY

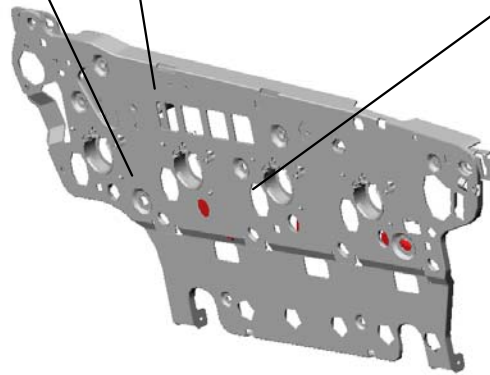
38.M0261310
LEVER:LOCK:DRU
M STAY



37.M0261301
DRUM STAY:PCU:
ASSY



22.M0261302
DRUM STAY:FRAM
E:ASSY



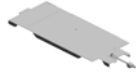
ACCESSORIES



1.11500433
POWER SUPPLY CODE:125V:15A:NA



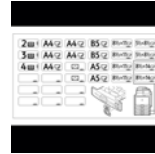
2.M0262692
DECAL:TRAY:MANUAL FEED:INKJET



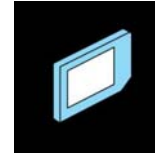
3.M0262727
HEAT SINK:HEATER:NA



4.M0262935
DECAL:PAPER SET DIRECTION:RIG
HT



5.M0262939
DECAL:PAPER TRAY:SIZE INDICATI
ON



6.M0265736
SD-CARD:VM/CALYPSO



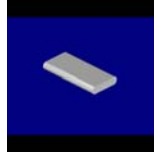
7.M0265737
SD-CARD:VM/CALYPSO



8.M0266884
DECAL:MAIN SWITCH:ON-STANDBY:
NA



9.M0266890
DECAL:CAUTION:ORIGINAL:ENGLIS
H



10.M0521563
GASKET:BRACKET:REAR:SMALL



11.M3646011
DECAL:CAUTION:ORIGINAL:NA



12.M3661323
HOLDER:SAFETY SWITCH

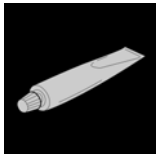
SPECIAL TOOLS



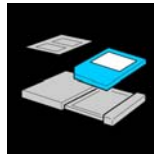
1.52039502
Silicon Grease G-501



2.A1849501
OPTICS ADJUSTMENT TOOL (2pcs/s
et)



3.A2579300
Grease Barrierta - S552R



4.B6455010
SD Card



5.B6456705
PCMCIA Card Adapter



6.B6456820
USB Reader/Writer



7.B6795100
Plug - IEEE1284 Type C



8.C4019503
20X Magnification Scope



9.D0159500
G104 YELLOW TONER



10.G0219350
Loop-back Connector - Parallel



11.VSSM9000
Digital Multimeter - FLUKE87

DECALS AND DOCUMENTS



1.AA001527
PLATE:LOGOTYPE:GES



2.AA001531
PLATE:LOGO:LAN



3.AA001532
PLATE:LOGO:RIC



4.GA001067
PLATE:LOGOTYPE:SVN



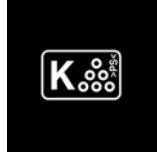
5.GA003030
DECAL - SHIELDING PLATE Y



6.GA003031
DECAL - SHIELDING PLATE M



7.GA003032
DECAL - SHIELDING PLATE C



8.GA003033
DECAL - SHIELDING PLATE K



9.M0246801
Decal:Model Name:M024:RIC



10.M0246802
Decal:Model Name:M024:SVN



11.M0246803
Decal:Model Name:M024:GES:NA



12.M0246804
Decal:Model Name:M024:LAN:NA



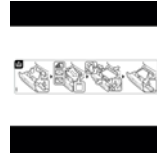
13.M0262691
DECAL:SCALE:MANUAL FEED



14.M0262692
DECAL:TRAY:MANUAL FEED:INKJET



15.M0262935
DECAL:PAPER SET DIRECTION:RIGHT



16.M0262936
DECAL:PAPER SET DIRECTION:TRAY:LEFT



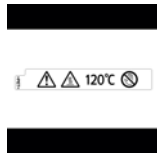
17.M0262938
DECAL:COVER:PAPER TRAY



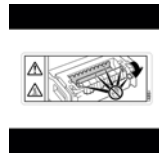
18.M0262939
DECAL:PAPER TRAY:SIZE INDICATOR



19.M0262993
DECAL:SIDE FENCE:MANUAL FEED



20.M0264296
DECAL:H-TEMP WARNING:FUSING:1



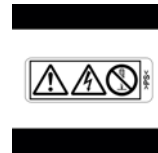
21.M0264298
DECAL:H-TEMP WARNING:FUSING:3



22.M0264299
DECAL:H-TEMP WARNING:FUSING:2

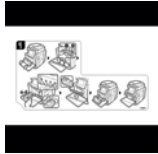


23.M0264686
DECAL:TRANSFER:HOLDER



24.M0266365
DECAL:WARNING (HIGH VOLTAGE)

DECALS AND DOCUMENTS



25.M0266850
DECAL:CLEANING:SHIELD GLASS



26.M0266880
DECAL:COLORED DISPLAY:INNER C
OVER:C



27.M0266881
DECAL:COLORED DISPLAY:INNER C
OVER:M



28.M0266882
DECAL:COLORED DISPLAY:INNER C
OVER:Y



29.M0266883
DECAL:COLORED DISPLAY:INNER C
OVER:BK



30.M0266884
DECAL:MAIN SWITCH:ON-STANDBY:
NA



31.M0266890
DECAL:CAUTION:ORIGINAL:ENGLISH



32.M0286801
Decal:Model Name:M028:RICOH



33.M0286802
Decal:Model Name:M028:SVN



34.M0286803
Decal:Model Name:M028:GES:NA



35.M0286804
Decal:Model Name:M028:LAN:NA



36.M3646011
DECAL:CAUTION:ORIGINAL:NA



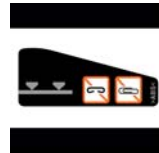
37.M3646021
DECAL:ORIGINAL TABLE



38.M3646031
DECAL:ORIGINAL SCALE:INNER BACK



39.M3646032
DECAL:ORIGINAL SCALE:FRONT



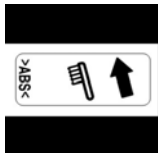
40.M3646041
DECAL:SIDE FENCE



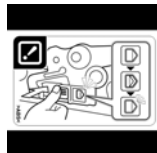
41.M3646051
DECAL:LEVER:KNOB



42.M3666811
DECAL:STAPLER:CAUTION



43.M0261329
DECAL:CLEANING:POSITIONING DISPLAY
PLAY
201104-15



44.M0662490
DECAL:GUIDE:SET:PCU
201104-06

Exclusive Parts

Number	Part Name	Group	ID
52039502	Silicon Grease G-501	SPECIAL TOOLS	1
52062686	SNAP RING	U006	11
		U006_S001	11
		U007_S003	3
52152621	SNAP RING - M6	U013	11
54421924	EXPOSURE GLASS CUSHION	U004	5
54472681	SNAP RING	U013	12
A1849501	OPTICS ADJUSTMENT TOOL (2pcs /set)	SPECIAL TOOLS	2
A2222724	EXTERNAL CIRCLIP - MM8	U003	15
A2579300	Grease Barrierta - S552R	SPECIAL TOOLS	3
A2596754	BUSHING - 6 6MM	U013	13
A2672857	SPRING PLATE - SIDE FENCE	U006_S002_S002	12
A2672859	SIDE FENCE STOPPER	U006_S002_S002	13
A2672860	REAR LEVER STOPPER	U006_S002_S002	14
A3344678	RACK SHIELD MYLAR	U003_S003	16
A6812742	DRIVEN EXIT ROLLER	U015	21
A6814515	BUSHING - 6MM	U015	22
A8584181	TIMING BELT - 2XL	U015	23
AA001527	PLATE:LOGOTYPE:GES	DECALS AND DOCUMENTS	1
AA001531	PLATE:LOGO:LAN	DECALS AND DOCUMENTS	2
AA001532	PLATE:LOGO:RIC	DECALS AND DOCUMENTS	3
AA010121	FILTER:IMAGE FORMING MD	U001	3
AA010122	FILTER:REAR	U001	4
AA043318	TIMING BELT - 40S3M144	U015	24
AA043319	TIMING BELT - 40S2M156	U003	17
AA043337	TIMING BELT:40S3M168	U015	25
AA043338	TIMING BELT:DRIVE UNIT:50S3M351	U016_S003	15
AA043339	TIMING BELT:PAPER EXIT:40S2M122	U016_S004	16
AA043601	TIMING BELT - B40S2M118	U016_S005	17
AA043603	TIMING BELT:B40S2M128	U003	18
AA043613	TIMING BELT - 40S3M177	U016_S005	18
AA043660	TIMING BELT:40S2M172	U015	26

Number	Part Name	Group	ID
AA060691	TENSION SPRING	U006_S001	15
AA060979	TENSION SPRING:TENSION:14720 MN	U004	6
AA060980	TENSION SPRING:TENSION:11300 MN	U004	7
AA060989	SPRING:FUSING EXIT:PRESSURE	U012_S001	12
AA061035	COIL SPRING:PRESSURE:55N	U012_S001	13
AA063460	COMPRESSION SPRING:OIL SUPPLY ROLLER	U012_S001	14
AA063461	COMPRESSION SPRING:BELT TENSIONER	U012_S001	15
AA063529	PRESSURE SPRING - 14.5MM	U015	27
AA082075	BUSHING - M6	U006	16
		U013	14
AA082101	BUSHING - 6X10X6	U003	19
		U006_S001_S002	17
		U009_S001	1
		U013	15
		U014_S001	4
		U015	28
		U016	19
		U016_S001	19
		U016_S005	19
AA082102	BUSHING - 6X10X6	U013	16
AA082143	BUSHING - 6X10X6	U006_S001	18
AA082144	BUSHING - 8X12X7	U004	8
AA082150	PLAIN SHAFT BEARING:M6	U006_S001	19
AA083014	ONE-WAY CLUTCH	U013	17
AA100014	RETAINING RING C - SEPARATE	U006_S001	20
AA132169	SPACER - 5.7X16X1.5	U015	29
AA132207	SPACER - M7	U010	5
AA132208	SPACER - M6	U003	20
AA132225	SPACER:DIA10XDIA15X1	U003_S003	21
AA143499	STEPPED SCREW	U017	7
AA143584	STEPPED SCREW:M3X2	U001	5
		U018	9
AA143593	SCREW:M4X4	U012_S001	16
AA143788	PIN:GUIDE PLATE:PAPER FEED	U003	22

WWW.SERVICE-MANUAL.NET

Exclusive Parts

Number	Part Name	Group	ID
AA143790	SCREW:CONTACT POINT	U015	30
AA143792	SCREW:DRAWER	U012_S001	17
AA143867	SCREW:DIA4:M3	U012_S001	18
AA145294	PARALLEL PIN - 2X12MM	U016	20
AA161163	CUSHION	U006	21
AA161167	BUSHING:HDD	U017	8
AB010156	GEAR:SEPARATE:DRIVE	U006_S001	22
AB010157	GEAR:SEPARATE:DRIVEN	U006_S001	23
AB010390	GEAR:DRIVE:ON-OFF:SECOND	U016	21
AB011218	GEAR - ROLLER CLUTCH	U006_S001	24
AB011252	GEAR - 20Z	U006_S001	25
		U013	18
AB011258	GEAR - 38Z	U016_S005	22
AB011259	GEAR - 32Z	U016_S005	23
AB011416	GEAR - 20Z	U013	19
AB012063	GEAR:IDLER:FUSING UNIT:Z31	U012_S001	19
AB012064	GEAR:IDLER:Z23	U012_S001	20
AB012065	GEAR:PRESSURE ROLLER:Z27	U012_S001	21
AB012066	GEAR:HOT ROLLER:MECHANICAL ROLLER CLUTCH:Z25	U012_S001	22
AB017784	GEAR:ON-OFF:TRANSFER:NO.1	U016_S001	24
AB017785	GEAR:ON-OFF:TRANSFER:NO.2	U016_S001	25
AB017786	GEAR:SLOW DOWN:ON-OFF:SECOND	U016	26
AB017787	GEAR:IDLER:ON-OFF:SECOND	U016	27
AB017788	GEAR:TRANSPORT	U016_S005	28
AB017789	GEAR:REGISTRATION:COUPLING	U016_S005	29
AB017790	GEAR:DUPLEX:DRIVE	U016_S005	30
AB017792	GEAR:DRIVE UNIT:FUSING:NO.2	U016_S003	31
AB017793	GEAR:DRIVE UNIT:FUSING:NO.3	U016_S003	32
AB017794	GEAR:DRIVE UNIT:FUSING:NO.4	U016_S003	33
AB017795	GEAR:DRIVE UNIT:PAPER EXIT:NO.1	U016	34
AB017796	GEAR:PAPER EXIT UNIT:NO.2	U016_S004	35
AB017797	GEAR:PAPER EXIT UNIT:NO.3	U016_S004	36
AB017798	GEAR:PAPER EXIT UNIT:NO.4	U016_S004	37
AB017799	GEAR:REVERSE:COUPLING	U016_S004	38
AB017800	GEAR:DRIVE UNIT:TRAY:COUPLING	U018	10

Number	Part Name	Group	ID
	G		
AB017816	GEAR:DRIVE UNIT:FUSING:NO.1	U016_S003	39
AB030828	PULLEY:DRIVE UNIT:FUSING:TIGHTENER	U016_S003	40
AC012069	EXPOSURE GLASS	U004	9
AC030177	MIRROR:NO.1	U004_S001	10
AC030178	MIRROR:NO.2	U004_S002	11
AE010076	HOT ROLLER	U012_S001	23
AE012037	HEAT ROLLER	U012_S001	24
AE020179	PRESSURE ROLLER	U012_S001	25
AE030066	BALL BEARING:MM25XMM32X7	U012_S001	26
AE030069	BALL BEARING:DIA12XDIA21X7	U012_S001	27
AE030074	BALL BEARING:DIA17XDIA26X5	U012_S001	28
AE031045	BUSHING - BELT TENSION ROLLER	U012_S001	29
AE031061	FRONT BUSHING - OIL SUPPLY ROLLER	U012_S001	30
AE031062	REAR BUSHING - OIL SUPPLY ROLLER	U012_S001	31
AE032030	BUSHING - 20X25	U012_S001	32
AE040074	OIL SUPPLY ROLLER:DIA18	U012_S001	33
AE040075	ROLLER:BELT TENSIONER	U012_S001	34
AE042087	CLEANING ROLLER:OIL SUPPLY ROLLER	U012_S001	35
AF013006	BOTTOM PLATE PAD	U006_S002_S003	26
AF022147	DRIVEN ROLLER	U015	31
AF030049	PICK-UP ROLLER	U013	20
AF030090	PAPER FEED ROLLER:PICKUP	U006_S001	27
AF030363	PICKUP ROLLER	U003	23
AF031046	FEED ROLLER - MANUAL FEED	U013	21
AF031090	PAPER FEED ROLLER:FEED	U006_S001	28
AF032046	SEPARATION ROLLER - MANUAL FEED	U013	22
AF032090	PAPER FEED ROLLER:SEPARATE	U006_S001	29
AF040571	GUIDE ROLLER	U006	30
AG070516	MAGNET CATCH:18N:ASS'Y	U013	23
AJ011025	STAPLER:EH-C590R	U015	32
AW010107	PAPER FEED SENSOR	U006	31

WWW.SERVICE-MANUAL.NET

Exclusive Parts

Number	Part Name	Group	ID
		U006_S001	31
		U013	24
AW010109	PHOTO REFLECTION SENSOR:PS1 17ED1	U015	33
AW010118	PAPER FEED SENSOR	U010	6
AW010127	PAPER FEED SENSOR	U014_S001	5
AW010146	PHOTO REFLECTION SENSOR:PA PER FEED	U006_S001	32
AW020114	PHOTO INTERRUPTOR - LOWER L IMIT	U015	34
AW020141	PHOTOINTERRUPTOR	U003	24
		U015	35
AW020145	PHOTOINTERRUPTOR:FLAT	U004	12
		U006_S001	33
		U011	2
		U013	25
AW020154	PHOTOINTERRUPTOR:ENTRANCE	U015	36
AW100105	THERMISTOR:FUSING	U012_S001	36
AW100106	THERMOPILE	U012	37
AW100129	THERMISTOR:PRESSURE	U012_S001	38
AW110090	THERMOSTAT:WELDING	U012_S001	39
AW110093	THERMOSTAT:WELDING	U012_S001	40
AW140012	TEMPERATURE & HUMIDITY SEN SOR	U017	9
AW500023	PUSH SWITCH	U011	3
		U013	26
		U017	10
AW500031	PAPER SIZE SENSOR	U013_S001	27
AW500035	PAPER END SENSOR	U013	28
AW500038	PUSH SWITCH:PAPER SIZE SENS OR	U006	34
AX040154	DC MOTOR 24V	U006	35
AX040241	DC MOTOR:DIA35:3.1W	U015	37
AX060385	DC BRUSHLESS MOTOR:FUSING/ EXIT:19.5W	U016_S003	41
AX060387	DC BRUSHLESS MOTOR:DEV:COL OR:40W	U016_S001	42
AX060388	DC BRUSHLESS MOTOR:DRUM:C	U016_S001	43

Number	Part Name	Group	ID
	OLOR:25W		
AX060389	DC BRUSHLESS MOTOR:DRUM:B K:31W	U016_S001	44
AX200319	MAGNETIC CLUTCH:DEVELOPME NT	U016_S001	45
AX210103	MAGNETIC CLUTCH:0.25N	U003	25
AX440311	HEATER:120V:550W/450W	U012_S001	41
AX440312	HEATER:120V:300W	U012_S001	42
AX640170	FAN MOTOR - MM60 DC24V	U003	26
AX640194	FAN MOTOR - DC 2.16W	U018	11
AX640197	FAN:MM60:DC 0.6W	U017	11
AX640199	FAN:MM80:25MM:DC 2.16W	U018	12
AX640206	FAN MOTOR:DC 1.44W	U018	13
AZ240153	POWER SUPPLY UNIT:100-127V:3 95W	U017	12
AZ300131	POWER PACK:D	U013	29
AZ320201	POWER PACK:CB	U017	13
AZ320206	POWER PACK:T1T2	U017	14
B0042310	SPUR	U010	7
B0042923	SPRING PLATE - RELEASE LEVER	U006_S002_S001	36
B1541826	COVER:SENSOR:AKS	U004	13
B1801704	BRACKET:TENSION	U004	14
B2231144	HOLDER:POSITIONING SENSOR	U016_S001	46
B2232608	GEAR:Z16	U013	30
B2232676	SPRING - 11N	U013	31
B2232689	GEAR:Z28	U013	32
B2232730	PAPER TRAY STOPPER ASS'Y	U006	37
B2232767	PAPER END FEELER	U006_S001	38
B2232829	FEED GUIDE	U006_S001	39
B2232861	GRIP HOLDER	U006_S002	40
B2232869	GROUND PLATE	U006_S002	41
B2232923	STOPPER LEVER - FRONT	U006_S002_S001	42
B2232936	GEAR - 16Z	U006_S002	43
B2234428	ROLLER:GUIDE:PFA	U013	33
B2234433	ROLLER - DIA16	U013	34
B2234464	TIMING PULLEY:23T	U013	35
B2234494	STOPPER- UPPERGATE PAWL	U013	36
		U014_S001	6

WWW.SERVICE-MANUAL.NET

Exclusive Parts

Number	Part Name	Group	ID
B2234536	TIMING BELT:30S2M234	U013	37
B2381534	LCD SPACER A	U002_S001	3
B2381535	LCD SPACER B	U002_S001	4
B2381715	STEPPER MOTOR DC3.9V	U004	15
B2381792	TIMING BELT - 157ST1.5-4.0	U004	16
B2381806	IDLER PULLEY	U004	17
B2381807	PULLEY	U004_S002	18
B2382655	GEAR - 16Z	U006	44
B2382675	REGISTRATION ROLLER BUSHING	U006	45
B2382676	TENSION SPRING	U016_S005	47
B2384197	LEVER:LOCK:PRESSURE	U012_S001	43
B2384365	LENS HOLDER	U012	44
B2384366	LENS COVER	U012	45
B2591106	FAN MOTOR:MM80:DC24V 3.6W	U018	14
B2591367	COVER MAGNET	U001	6
		U001_S001	6
B3901759	SHAFT:SCALE	U004	19
B4082175	BUSHING - ROLLER SLIDE	U015	38
B4783569	SPACER	U015	39
B6455010	SD Card	SPECIAL TOOLS	4
B6456705	PCMCIA Card Adapter	SPECIAL TOOLS	5
B6456820	USB Reader/Writer	SPECIAL TOOLS	6
B6795100	Plug - IEEE1284 Type C	SPECIAL TOOLS	7
B7003125	TIMING BELT:B40S2M232	U003	27
B7003535	TIMING BELT:B40S2M116	U015	40
B7893716	TENSION SPRING - GATE PAWL	U003	28
B7894257	PULLEY FLANGE	U003	29
B7894332	PULLEY - 34T	U003	30
B8332567	TENSION SPRING	U016_S003	48
B8722529	COLLAR:PICKUP	U003	31
C4019503	20X Magnification Scope	SPECIAL TOOLS	8
D0094485	BUSHING - GATE	U013	38
D0159500	G104 YELLOW TONER	SPECIAL TOOLS	9
D0291484	TOUCH PANEL:WVGA:FU-ACF	U002_S001	5
D0291745	PULLEY:DRIVE WERE:FRONT	U004	20
D0291748	PULLEY:DRIVE WERE:REAR:ASSY	U004	21

Number	Part Name	Group	ID
D0291749	PULLEY:PROTECTION	U004	22
D0294478	TENSION SPRING:RELEASE:DC S OLENOID	U015	41
D0295792	HDD:WD:160GB:63N9A0	U017	15
D0391253	BAND:COVER:FRONT	U001	7
D0391254	SPRING PLATE:BAND	U001	8
D0391259	SHAFT:COVER:FRONT	U001	9
D0391751	HOLDER:EXPOSURE GLASS	U004	23
D0392752	DISC:SIDE FENCE	U013_S001	39
D0392823	COMPRESSION SPRING:SIDE FEN CE:PLATE:FRONT	U006_S002_S001	46
D0394539	GUIDE PLATE:GUIDE PLATE:ROLL ER:DRIVEN	U013	40
D0395846	SPRING:SAFETY SWITCH:FRONT	U017	16
D0895795	SD-CARD:Z-V4:EXP:ASSY	U017	17
D3664242	TORQUE LIMITER - 24T	U003	32
D3722122	SHAFT - REVERSE ROLLER	U015	42
D3724163	TIMING PULLEY - 18T	U015	43
G0201332	HINGE - FRONT COVER	U018	15
G0219350	Loop-back Connector - Parallel	SPECIAL TOOLS	10
G0602652	BUSHING - M4	U013	41
G0652767	LEVER - FEED	U006_S001	47
G0802900	TORQUE LIMITER	U013	42
G1023865	GUIDE:LEFT:INTERMEDIATE TRA NSFER	U009_S002	5
G1024203	ROLLER:LEVER:PRESSURE	U012_S001	46
G1024661	COVER:FUSING:ENTRANCE SENS OR	U010	8
G1026115	LEVER:RELEASE:INTERMEDIATE TRANSFER	U009_S002	6
G1026136	GRIP:INTERMEDIATE TRANSFER: LEFT	U009_S002	7
G1026137	GRIP:INTERMEDIATE TRANSFER: RIGHT	U009_S002	8
G1026140	COVER:INTERMEDIATE TRANSFE R	U009_S002	9
G1026190	GUIDE:FRONT:INTERMEDIATE TR ANSFER:ASSY	U009_S002	10

WWW.SERVICE-MANUAL.NET

Exclusive Parts

Number	Part Name	Group	ID
G1026292	LEVER:PRESSURE:TRANSFER UNIT	U010	9
G1026293	SPRING:TRANSFER UNIT:LEFT	U010	10
G1026334	TENSION SPRING:CLEANER:DENSITY SENSOR	U010	11
G1026335	COVER:DENSITY SENSOR	U010	12
G1026341	SHEET:SENSOR	U010	13
G1786062	PWB:DDR2-DIMM:RAWCARD-C	U017	18
G1786072	PCB:PC4200:RAWCARD-A:1GB:ASS'Y	U017	19
G4042810	SPRING PLATE - 2ND MIRROR	U004_S002	24
G5701133	TIMING PULLEY 73	U004	25
G5701225	SENSOR SHIELDING PLATE	U003	33
		U004	26
GA001067	PLATE:LOGOTYPE:SVN	DECALS AND DOCUMENTS	4
GA003030	DECAL - SHIELDING PLATE Y	DECALS AND DOCUMENTS	5
		U017	20
GA003031	DECAL - SHIELDING PLATE M	DECALS AND DOCUMENTS	6
		U017	21
GA003032	DECAL - SHIELDING PLATE C	DECALS AND DOCUMENTS	7
		U017	22
GA003033	DECAL - SHIELDING PLATE K	DECALS AND DOCUMENTS	8
		U017	23
GA152022	ENTRANCE SEAL:COLLECTION BOTTLE:PCU:ASS'Y	U011_S001	5
GW010007	PHOTO REFLECTION SENSOR:EXIT	U003	34
		U015	44
GW020020	PHOTOINTERRUPTOR:LG248NL1	U016	49
		U016_S001	49
H0532208	BUSHING - M4	U013	43
H3101360	PAD:PICKUP	U003	35
M0226400	WASTE TONER BOTTLE	U011_S001	4
M0246801	Decal:Model Name:M024:RIC	DECALS AND DOCUMENTS	9

Number	Part Name	Group	ID
		CUMENTS	
M0246802	Decal:Model Name:M024:SVN	DECALS AND DOCUMENTS	10
M0246803	Decal:Model Name:M024:GES:NA	DECALS AND DOCUMENTS	11
M0246804	Decal:Model Name:M024:LAN:NA	DECALS AND DOCUMENTS	12
M0261033	HOLDER:CLUTCH:DEVELOPMENT	U016_S001	50
M0261049	BRACKET:ON-OFF:TRANSFER	U016_S001	51
M0261058	GUIDE PLATE:FUSING:FRONT	U018	16
M0261063	GUIDE PLATE:FUSING:REAR	U018	17
M0261067	LEVER:LOCK:FUSING UNIT:FRONT	U018	18
M0261069	LEVER:LOCK:FUSING UNIT:REAR	U018	19
M0261117	LEVER:GUIDE PLATE:UPPER	U018	20
M0261118	LEVER:GUIDE PLATE:LEFT	U018	21
M0261126	SHIELDING PLATE:ON-OFF:SECOND	U016	52
M0261127	CAM:ON-OFF:TRANSFER:SECOND	U016	53
M0261130	BRACKET:SENSOR:ON-OFF:SECOND	U016	54
M0261135	DRIVE UNIT:DRUM:DEVELOPMENT:TRANSFER	U016_S001	55
M0261165	DRIVE UNIT:FUSING	U016_S003	56
M0261180	DRIVE UNIT:PAPER FEED	U016_S005	57
M0261186	GUIDE:HARNESS	U017	24
M0261188	DC STEPPER MOTOR:PAPER FEED:0.94W	U016_S005	58
M0261189	DC STEPPER MOTOR:TRANSPORT:1.56W	U016_S005	59
M0261190	DC STEPPER MOTOR:REGIST:1.34W	U016_S005	60
M0261192	JOINT:PAPER FEED:DRIVE	U016_S005	61
M0261193	SHAFT:PAPER FEED:DRIVE	U016_S005	62
M0261194	SHAFT:TRANSPORT:DRIVE	U016_S005	63
M0261244	COVER:FAN:C/T BOX	U017	71
M0261250	COVER:FRONT:ASS'Y	U001	10
M0261252	BRACKET:HINGE:RIGHT	U001	11

WWW.SERVICE-MANUAL.NET

Exclusive Parts

Number	Part Name	Group	ID
M0261254	BRACKET:HINGE:LEFT	U001	12
M0261255	COVER:UPPER:INNER BACK:SMALL	U001	13
M0261259	CAP:DIA18	U001	14
M0261260	COVER:RIGHT:REAR	U001	15
M0261262	COVER:RIGHT:UPPER	U001	16
M0261263	BRACKET:COVER:RIGHT:UPPER	U001	17
M0261264	COVER:RIGHT FRONT:LOWER	U001	18
M0261265	CAP:TOTAL COUNTER	U001	19
M0261267	BRACKET:BAND	U001	20
M0261268	CLEANER:SHIELD GLASS	U001	21
M0261271	COVER:LEFT	U001	22
M0261272	GRIP:UPPER	U001	23
M0261274	COVER:LEFT:UPPER	U001	24
M0261275	COVER:LEFT:RACK	U001	25
M0261276	CAP:LOUVER:LEFT	U001	26
M0261280	COVER:REAR:UPPER	U001	27
M0261281	COVER:REAR:LOWER	U001	28
M0261282	CAP:LOUVER:MM80	U001	29
M0261285	INNER COVER:TONER BOTTLE	U001_S001	30
M0261289	INNER COVER:RIGHT LOWER	U001	31
M0261290	INNER COVER:LEFT UPPER	U001	32
M0261291	INNER COVER:LEFT LOWER	U001	33
M0261296	COVER:SCANNER:REAR	U001	34
M0261297	COVER:SCANNER:RIGHT	U001	35
M0261298	COVER:SCANNER:LEFT	U001	36
M0261299	COVER:SCANNER:FRONT	U001	37
M0261301	DRUM STAY:PCU:ASS'Y	U018_S001	37
M0261302	DRUM STAY:FRAME:ASS'Y	U018_S001	22
M0261310	LEVER:LOCK:DRUM STAY	U018_S001	38
M0261329	DECAL:CLEANING:POSITIONING DISPLAY	DECALS AND DOCUMENTS	43
		U018_S001	39
M0261330	HINGE:LEFT	U018	23
M0261331	HINGE:RIGHT	U018	24
M0261351	DUCT:FUSING:UPPER	U018	25
M0261352	DUCT:FUSING:LOWER	U018	26
M0261353	SHEET:DAMPING INSULATION:DU	U018	27

Number	Part Name	Group	ID
	CT:UPPER		
M0261354	SHEET:DAMPING INSULATION:DUCT:LOWER	U018	28
M0261356	DUCT:DEVELOPMENT UNIT:FRONT	U018	29
M0261357	DUCT:DEVELOPMENT UNIT:REAR	U018	30
M0261358	GUARD:FAN:DEVELOPMENT UNIT	U018	31
M0261366	DUCT:PAPER EXIT UNIT:FRONT	U018	32
M0261371	DUCT:DRIVE UNIT	U018	33
M0261440	OPERATION PANEL:NA:ASS'Y	U002_S001	6
M0261452	PCB:KEY:SUB:ASS'Y	U002_S001	7
M0261458	PCB:KEY:MAIN:ASS'Y	U002_S001	8
M0261482	CABLE:FFC:LCD	U002_S001	9
M0261483	CABLE:FFC:KEY:MAIN	U002_S001	10
M0261484	CABLE:FFC:KEY:SUB	U002_S001	11
M0261495	PCB:LCDC:NA:FT	U002_S001	12
M0261498	LCD:TFT:W-VGA:MV	U002_S001	13
M0261515	HINGE:ASS'Y	U002_S001	14
M0261516	COVER:HINGE:LEFT	U002_S001	15
M0261517	COVER:HINGE:RIGHT	U002_S001	16
M0261518	COVER:HINGE:UPPER	U002	17
M0261519	COVER:HINGE:LOWER	U002_S001	18
M0261520	COVER:HINGE:MIDDLE	U002_S001	19
M0261523	CAP:COVER:HINGE:UPPER	U002	20
M0261524	COVER:HINGE:CLAMP	U002_S001	21
M0261532	KEYTOP:START	U002_S001	22
M0261533	KEYTOP:CLEAR/STOP	U002_S001	23
M0261534	KEYTOP:RESET SWITCH	U002_S001	24
M0261536	KEYTOP:10KEY:1:NA	U002_S001	25
M0261538	KEYTOP:10KEY:2:NA	U002_S001	26
M0261541	KEYTOP:APPLICATION:NA	U002_S001	27
M0261545	KEYTOP:OTHER:NA	U002_S001	28
M0261547	COVER:REAR	U002_S001	29
M0261548	COVER:INNER	U002_S001	30
M0261555	SHEET:LCDC	U002_S001	31
M0261556	KEYTOP:BLANK	U002_S001	32
M0261700	SCALE:INNER BACK:PRINTING	U004	27
M0261705	SCALE:LEFT:NA	U004	28

WWW.SERVICE-MANUAL.NET

Exclusive Parts

Number	Part Name	Group	ID
M0261711	SCALE:MAIN	U004	29
M0261712	EXPOSURE GLASS:DOCUMENT FEEDER:ASSY	U004	30
M0261721	GUIDE:HARNESS	U004	31
M0261732	HOLDER:HINGE:RIGHT	U004	33
M0261733	BRACKET:HOLDER:HINGE	U004	34
M0261745	HOLDER:HINGE:LEFT	U004	32
M0261751	HOLDER:LENS:ASSY	U004	35
M0261762	SHAFT:SCANNER:DRIVE	U004	36
M0261764	DRIVE WERE:DIA1	U004	37
M0261768	BRACKET:DC STEPPER MOTOR	U004	38
M0261771	CARRIAGE:NO.2:ASS'Y	U004_S002	39
M0261778	GUIDE:FFC	U004_S002	40
M0261791	INNER COVER:SCANNER	U004	41
M0261800	CARRIAGE:NO.1:ASS'Y	U004_S001	42
M0261802	ILLUMINATION UNIT:LED-B:ASS'Y	U004_S001_S001	43
M0261805	REFLECTOR:SCANNER	U004_S001	44
		U004_S001_S001	44
M0261812	GUIDE:HARNESS:LED-B	U004_S001	45
M0261813	CLAMP:WIRE	U004_S001	46
M0261814	SHEET:GUIDE:HARNESS:LED-B	U004_S001	47
M0261815	CLAMP:MIRROR:NO.1	U004_S001	48
M0261855	IMAGING UNIT:SERVICE PARTS	U005	1
M0262020	PCDU:BK:NA:SUPPLY:ASS'Y	U008_S001	20
M0262021	PCDU:C:NA:SUPPLY:ASS'Y	U008_S002	21
M0262022	PCDU:M:NA:SUPPLY:ASS'Y	U008_S003	22
M0262023	PCDU:Y:NA:SUPPLY:ASS'Y	U008_S004	23
M0262024	PCU:BK:NA:NEW:ASS'Y	U008_S001_S001	9
M0262025	PCU:ZEUS-C1:CMY_NA:NEW:ASS'Y	U008_S002_S001	10
		U008_S003_S001	10
		U008_S004_S001	10
M0262255	KEY:COLLAR	U008_S001	11
		U008_S002	11
		U008_S003	11
		U008_S004	11
M0262450	RAIL:PCU:ASS'Y	U018	34
M0262455	GUIDE:PCU	U018	35
M0262551	REGISTRATION ROLLER:DRIVE	U006	48

Number	Part Name	Group	ID
M0262552	REGISTRATION ROLLER:DRIVEN	U006	49
M0262553	GEAR:REGISTRATION:26Z	U006	50
M0262554	GEAR:REGISTRATION:DRIVEN:14Z	U006	51
M0262555	TENSION SPRING:REGISTRATION:7N	U006	52
M0262567	GUIDE PLATE:REGISTRATION:RIGHT	U006	53
M0262571	CASE:REMOVE PAPER DUST	U006	54
M0262574	ROLLER:REMOVE PAPER DUST	U006	55
M0262575	CUSHION:REMOVE PAPER DUST	U006	56
M0262577	SHEET:COVER:REMOVE PAPER DUST	U006	57
M0262581	GEAR:ROLLER:REMOVE PAPER DUST	U006	58
M0262583	COVER:REMOVE PAPER DUST:ADHESION	U006	59
M0262584	SHEET:REMOVE PAPER DUST:RIGHT	U006	60
M0262585	GUIDE:HARNESS:REGISTRATION	U006	61
M0262602	GEAR:FEED:Z35	U013	44
M0262603	SHAFT:FEED	U013	45
M0262604	ARM:PICKUP	U013	46
M0262606	GUIDE:SEPARATE	U013	47
M0262610	SHAFT:SEPARATOR:DRIVEN:ASS'Y	U013	48
M0262612	COIL SPRING:PRESSURE:SEPARATOR	U013	49
M0262614	SHAFT:SEPARATOR:DRIVE	U013	50
M0262616	BRACKET:DC SOLENOID	U013	51
M0262619	DC SOLENOID:PICKUP	U013	52
M0262621	COIL SPRING:PRESSURE:PICKUP	U013	53
M0262622	COIL SPRING:PRESSURE RELEASE	U013	54
M0262624	GROUND PLATE:MANUAL FEED	U013	55
M0262627	COVER:GUIDE:MANUAL FEED:UPPER	U013	56
M0262628	GUIDE:MANUAL FEED:UPPER	U013	57

WWW.SERVICE-MANUAL.NET

Exclusive Parts

Number	Part Name	Group	ID
M0262629	GROUND PLATE:FEED	U013	58
M0262631	PAPER STOPPER:MANUAL FEED	U013	59
M0262632	LINK:PAPER STOPPER:MANUAL FEED	U013	60
M0262633	SHAFT:PAPER STOPPER	U013	61
M0262634	SHAFT:LINK	U013	62
M0262635	TORSION SPRING:PAPER STOPPER	U013	63
M0262636	TORSION SPRING:LINK	U013	64
M0262637	COMPRESSION SPRING:COVER	U013	65
M0262640	MANUAL FEED TABLE:ASS'Y	U013_S001	66
M0262642	COVER:MANUAL FEED	U013_S001	67
M0262643	SIDE FENCE:MANUAL FEED:FRONT	U013_S001	68
M0262644	SIDE FENCE:MANUAL FEED:REAR	U013_S001	69
M0262645	RACK:MANUAL FEED	U013_S001	70
M0262646	EXTENSION TRAY	U013_S001	71
M0262647	GEAR:SIDE FENCE	U013_S001	72
M0262648	PIN:SIDE FENCE	U013_S001	73
M0262649	COMPRESSION SPRING:EXTENSION TRAY:5N	U013_S001	74
M0262651	GUIDE PLATE:VERTICAL TRANSPORT:LOWER	U013	75
M0262653	COIL SPRING:SIDE FENCE	U013_S001	76
M0262654	TENSION SPRING:SIDE FENCE:1N	U013_S001	77
M0262656	GUIDE PLATE:VERTICAL TRANSPORT:UPPER	U013	78
M0262657	SHEET:VERTICAL TRANSPORT:SENSOR	U013	79
M0262658	SHAFT:DRIVEN:VERTICAL TRANSPORT	U013	80
M0262661	STOPPER:MANUAL FEED:FRONT	U013	81
M0262662	STOPPER:MANUAL FEED:REAR	U013	82
M0262663	GEAR:DAMPER:MANUAL FEED TABLE	U013	83
M0262664	GEAR:IDLER:DAMPER:Z20/Z43	U013	84
M0262665	SHAFT:MANUAL FEED TABLE	U013	85
M0262666	COVER:MANUAL FEED:LOWER	U013	86

Number	Part Name	Group	ID
M0262667	COIL SPRING:COVER:MANUAL FEED	U013	87
M0262691	DECAL:SCALE:MANUAL FEED	DECALS AND DOCUMENTS	13
		U013_S001	88
M0262692	DECAL:TRAY:MANUAL FEED:INKJET	ACCESSORIES	2
		DECALS AND DOCUMENTS	14
M0262710	SUPPORTER:LEFT:ASS'Y	U006	62
M0262714	SPACER:SEPARATE	U006	63
M0262715	SUPPORTER:RIGHT:ASS'Y	U006	64
M0262719	ROLLER:SUPPORTER:LEFT:PAPER TRAY	U006	65
M0262721	BRACKET:PUSH SWITCH	U006	66
M0262722	COVER:STOPPER:PAPER TRAY	U006	67
M0262723	BRACKET:HARNESS:HEATER	U006	68
M0262726	ROLLER:SUPPORTER:RIGHT:PAPER TRAY	U006	69
M0262727	HEAT SINK:HEATER:NA	ACCESSORIES	3
M0262750	PAPER FEED UNIT	U006_S001	70
M0262761	ARM:PICKUP	U006_S001	71
M0262763	SHAFT:FEED	U006_S001	72
M0262765	GROUND PLATE:FEED	U006_S001	73
M0262766	ROLLER:VERTICAL TRANSPORT:DRIVE	U006_S001	74
M0262768	GEAR:ROLLER:VERTICAL TRANSPORT	U006_S001	75
M0262769	JOINT:FEED	U006_S001	76
M0262780	DC SOLENOID:PICKUP:ASS'Y	U006_S001_S001	77
M0262786	GROUND PLATE:FRONT	U006_S001	78
M0262787	LEVER:PRESSURE RELEASE	U006_S001	79
M0262803	LEVER:PRESSURE:SEPARATE	U006_S001	80
M0262804	LINK:RELEASE	U006_S001	81
M0262806	TENSION SPRING:RELEASE	U006_S001	82
M0262807	TENSION SPRING:PRESSURE:SEPARATE	U006_S001	83
M0262810	SHAFT:SEPARATE:DRIVEN:ASS'Y	U006_S001_S002	84
M0262815	SHAFT:SEPARATE:DRIVE:ASS'Y	U006_S001	85

WWW.SERVICE-MANUAL.NET

Exclusive Parts

Number	Part Name	Group	ID
M0262828	TORQUE LIMITER	U006_S001	86
M0262835	GUIDE PLATE:SWIVEL	U006	87
M0262848	COVER:HARNESS	U006	88
M0262860	GRIP:PAPER TRAY	U006_S002	89
M0262863	LEVER:RELEASE:PAPER TRAY	U006_S002	90
M0262865	SHAFT:RISE:ASS'Y	U006_S002	91
M0262872	TENSION SPRING:GRIP	U006_S002	92
M0262873	TENSION SPRING:GRIP:LEFT	U006_S002	93
M0262874	COMPRESSION SPRING:SIDE FENCE:PLATE:REAR	U006_S002_S001	94
M0262880	SLIDE RAIL:AUXILIARY:RIGHT:PEEN	U006_S002	95
M0262882	TENSION SPRING:SIDE FENCE	U006_S002	96
M0262884	SPACER:SLIDE RAIL	U006_S002	97
M0262885	ROLLER:SLIDER:REAR:RIGHT	U006_S002	98
M0262886	ROLLER:SLIDER:REAR:LEFT	U006_S002	99
M0262890	SLIDE RAIL:AUXILIARY:LEFT:PEEN	U006_S002	100
M0262896	ROLLER:SLIDER:FRONT	U006_S002	101
M0262900	PAPER TRAY:ASS'Y	U006_S002	102
M0262908	SPACER:TRAY	U006_S002	103
M0262910	LINK:PAPER SIZE SENSOR	U006_S002	104
M0262912	END FENCE	U006_S002	105
M0262914	ROLLER:PAPER TRAY	U006_S002	106
M0262918	LEVER:RISE	U006_S002	107
M0262920	SIDE FENCE:FRONT:ASS'Y	U006_S002_S001	108
M0262930	SIDE FENCE:REAR:ASS'Y	U006_S002_S002	109
M0262935	DECAL:PAPER SET DIRECTION:RIGHT	ACCESSORIES	4
		DECALS AND DOCUMENTS	15
M0262936	DECAL:PAPER SET DIRECTION:TRAY:LEFT	DECALS AND DOCUMENTS	16
		U006_S002	110
M0262938	DECAL:COVER:PAPER TRAY	DECALS AND DOCUMENTS	17
		U006_S002	111
M0262939	DECAL:PAPER TRAY:SIZE INDICATION	ACCESSORIES	5
		DECALS AND DOCUMENTS	18

Number	Part Name	Group	ID
		CUMENTS	
M0262940	TRAY BOTTOM PLATE:ASS'Y	U006_S002_S003	112
M0262946	COVER:PAPER TRAY	U006_S002	113
M0262948	COVER:CONNECTOR	U006	114
M0262950	BRACKET:PAPER FEED UNIT	U006	115
M0262985	LEVER:STRETCH:TRAY	U006	116
M0262988	CLIP:STRETCH:UNI	U006	117
M0262993	DECAL:SIDE FENCE:MANUAL FEED	DECALS AND DOCUMENTS	19
		U013_S001	89
M0263034	DEVELOPMENT UNIT:SUPPLY:BLACK	U008_S001_S002	16
M0263035	DEVELOPMENT UNIT:SUPPLY:CYAN	U008_S002_S002	17
M0263036	DEVELOPMENT UNIT:SUPPLY:MAGENTA	U008_S003_S002	18
M0263037	DEVELOPMENT UNIT:SUPPLY:YELLOW	U008_S004_S002	19
M0263204	TONER SUPPLY UNIT:BLACK	U007_S001	4
M0263205	TONER SUPPLY UNIT:CYAN	U007	5
M0263206	TONER SUPPLY UNIT:MAGENTA	U007_S003	6
M0263207	TONER SUPPLY UNIT:YELLOW	U007	7
M0263208	DC MOTOR:LINE:ASS'Y:0.53W	U007	8
		U007_S002	8
		U007_S004	8
		U007_S005	8
M0263341	HOUSING:TONER BOTTLE	U007	22
M0263371	BRACKET:ARM:LEFT	U007	9
M0263372	ARM:RIGHT	U007	10
M0263373	ARM:LEFT UPPER	U007	11
M0263374	ARM:LEFT LOWER	U007	12
M0263375	TORSION SPRING:LEVER:LEFT	U007	13
M0263376	BRACKET:ARM:RIGHT	U007	14
M0263377	COMPRESSION SPRING:ARM:RIGHT:10N	U007	15
M0263380	TENSION SPRING:ARM:LEFT	U007	16
M0263800	CLEANING UNIT:ITB	U009_S001	2
M0264011	FUSING UNIT:NA:SERVICE	U012_S001	47

WWW.SERVICE-MANUAL.NET

Exclusive Parts

Number	Part Name	Group	ID
M0264041	TORSION SPRING:STRIPPER PLATE	U012_S001	48
M0264106	FUSING BELT	U012_S001	49
M0264163	HOUSING:THERMOSTAT	U012_S001	50
M0264167	HOUSING:THERMOSTAT:PRESSURE	U012_S001	51
M0264172	ELECTRODE PLATE:THERMOSTAT	U012_S001	52
M0264198	LEVER:PRESSURE:FRONT	U012_S001	53
M0264206	LEVER:PRESSURE RELEASE:FRONT	U012_S001	54
M0264218	LEVER:PRESSURE:REAR	U012_S001	55
M0264226	LEVER:PRESSURE RELEASE:REAR	U012_S001	56
M0264245	BRACKET:HEATER:FUSING:FRONT	U012_S001	57
M0264247	BRACKET:HEATER:FUSING:REAR	U012_S001	58
M0264252	BRACKET:HEATER:PRESSURE:REAR	U012_S001	59
M0264253	BRACKET:HEATER:PRESSURE:FRONT	U012_S001	60
M0264280	FUSING COVER:UPPER	U012_S001	61
M0264283	FUSING ENTRANCE GUIDE PLATE	U012_S001	62
M0264287	FUSING COVER:LOWER	U012_S001	63
M0264291	GUIDE PLATE:FUSING EXIT:ASS'Y	U012_S001	64
M0264295	FUSING COVER:RIGHT:ASS'Y	U012_S001_S001	65
M0264296	DECAL:H-TEMP WARNING:FUSING:1	DECALS AND DOCUMENTS	20
		U012_S001_S001	66
M0264298	DECAL:H-TEMP WARNING:FUSING:3	DECALS AND DOCUMENTS	21
		U013	90
M0264299	DECAL:H-TEMP WARNING:FUSING:2	DECALS AND DOCUMENTS	22
		U012_S001_S001	67
M0264308	BRACKET:THERMISTOR:PRESSURE:ASS'Y	U012_S001	68
M0264312	STRIPPER PLATE:COAT	U012_S001	69

Number	Part Name	Group	ID
M0264336	ELECTRODE PLATE:REAR:M3	U012_S001	70
M0264337	ELECTRODE PLATE:REAR:M4	U012_S001	71
M0264338	ELECTRODE PLATE:TERMINAL:PRESSURE	U012_S001	72
M0264349	HARNESS:FUSING UNIT:NA	U012_S001	73
M0264352	ELECTRODE PLATE:THERMOSTAT	U012_S001	74
M0264354	BRACKET:TERMINAL:PRESSURE	U012_S001	75
M0264357	TERMINAL:REAR	U012_S001	76
M0264359	TERMINAL:PRESSURE	U012_S001	77
M0264419	DRIVEN ROLLER:DIA16	U013	91
M0264487	INNER COVER:EXIT	U014	7
M0264514	LINK:DUPLEX	U013	92
M0264521	COVER:DUPLEX	U013	93
M0264529	LEVER:CONTACT POINT:DUPLEX	U013	94
M0264530	SHAFT:CONTACT POINT:DUPLEX	U013	95
M0264531	SPACER:LINK:MANUAL FEED	U013	96
M0264538	INNER COVER:REAR:DUPLEX	U013	97
M0264539	ARM:FRONT	U013	98
M0264541	SHAFT:HOOK:STOPPER	U013	99
M0264543	HOOK:STOPPER:DUPLEX:REAR	U013	100
M0264547	BUSHING:GUIDE:DUPLEX UNIT:SET:FRONT	U013	101
M0264548	BUSHING:GUIDE:DUPLEX UNIT:SET:REAR	U013	102
M0264552	TRANSPORT ROLLER:DUPLEX	U013	103
M0264553	TRANSPORT ROLLER:FEED PAPER AGAIN	U013	104
M0264554	REVERSE ROLLER:UPPER	U013	105
M0264555	REVERSE ROLLER:RIGHT	U013	106
M0264557	GUIDE PLATE:COVER:RIGHT	U013	107
M0264558	ROLLER:DRIVEN:DIA12	U013	108
M0264559	STOPPER:DRIVEN ROLLER	U013	109
M0264561	GUIDE PLATE:OPEN AND CLOSE	U013	110
M0264563	GUIDE PLATE:TRANSFER:HOLDER	U013	111
M0264566	GATE PAWL:ENTRANCE:DUPLEX:ASS'Y	U013	112

WWW.SERVICE-MANUAL.NET

Exclusive Parts

Number	Part Name	Group	ID
M0264567	STOPPER:TRANSFER:HOLDER	U013	113
M0264569	GATE PAWL:TRAY:RIGHT	U013	114
M0264570	GUIDE PLATE:V TRANSPORT:DUPLEX	U013	115
M0264573	GATE PAWL:UPPER	U013	116
M0264576	SHAFT:DRIVEN:DUPLEX:EXIT	U013	117
M0264578	GUIDE PLATE:UPPER:DUPLEX	U013	118
M0264581	GEAR:IDLER:Z40	U013	119
M0264583	PULLEY:FEED PAPER AGAIN:T26	U013	120
M0264584	TIMING BELT:TRANSPORT:30S2M330	U013	121
M0264585	PULLEY:TRANSPORT ROLLER:DUPLEX:T26	U013	122
M0264586	PULLEY:CONNECTING:T24/T24	U013	123
M0264587	GEAR:FEED PAPER AGAIN:Z22	U013	124
M0264588	TIMING BELT:TRANSPORT:30S2M174	U013	125
M0264589	GEAR:COUPLING:MANUAL FEED:Z22/Z22	U013	126
M0264592	TIMING BELT:REVERSE ROLLER:30S2M184	U013	127
M0264593	GEAR:PULLEY:R ROLLER:UPPER:Z22/T23	U013	128
M0264594	SUPPORT PLATE:GUIDE PLATE:ASSY	U013	129
M0264596	INNER COVER:FRONT:DUPLEX	U013	130
M0264597	COVER:REVERSE:UPPER	U013	131
M0264627	SPRING PLATE:DAMPER:DUPLEX	U013	132
M0264628	GROUND PLATE:COVER:RIGHT	U013	133
M0264629	STAY:COVER:OPEN AND CLOSE:RIGHT	U013	134
M0264631	BRACKET:GEAR:REVERSE	U013	135
M0264634	COIL SPRING:ROLLER:OPEN AND CLOSE	U013	136
M0264635	COIL SPRING:ROLLER:OPEN AND CLOSE	U013	137
M0264636	LINK:GATE PAWL:UPPER	U013	138
M0264637	TENSION SPRING:GATE PAWL:UPPER	U013	139

Number	Part Name	Group	ID
	PER		
M0264638	COIL SPRING:ROLLER:REVERSE	U013	140
M0264640	TENSION SPRING:GATE PAWL:TRAY:RIGHT	U013	141
M0264641	TENSION SPRING:GATE PAWL	U013	142
M0264642	COIL SPRING:ROLLER:TRANSFER:5.5N	U013	143
M0264643	COIL SPRING:ROLLER:TRANSFER:3N	U013	144
M0264644	GUIDE PLATE:LINK:DUPLEX:ASSY	U013	145
M0264645	SUPPORTING PLATE:FRONT:DUPLEX	U013	146
M0264652	GUIDE:GEAR:DUPLEX:MANUAL FEED	U013	147
M0264655	COIL SPRING:BRACKET:GEAR:REVERSE	U013	148
M0264663	GEAR:DAMPER:DUPLEX	U013	149
M0264664	TORSION SPRING:DAMPER:DUPL EX:84N	U013	150
M0264669	ARM:PRESSURE RELEASE:FRONT	U013	151
M0264671	ARM:PRESSURE RELEASE:REAR	U013	152
M0264672	SHAFT:DRIVEN:ROLLER:DUPLEX:RIGHT	U013	153
M0264673	GUIDE PLATE:REVERSE:UPPER	U013	154
M0264674	GEAR:LINK:DUPLEX	U013	155
M0264677	GROUND WIRE:DUPLEX:EXIT:SENSOR	U013	156
M0264678	GROUND WIRE:DUPLEX:ENTRANCE:SENSOR	U013	157
M0264681	GUIDE:COVER:SENSOR:TRAY:RIGHT	U013	158
M0264682	SHAFT:GUIDE PLATE:TRANSFER:HOLDER	U013	159
M0264683	STOPPER:GUIDE PLATE:REAR	U013	160
M0264685	STOPPER:GUIDE PLATE:TRANSFER:HOLDER	U013	161
M0264686	DECAL:TRANSFER:HOLDER	DECALS AND DO	23

WWW.SERVICE-MANUAL.NET

Exclusive Parts

Number	Part Name	Group	ID
		CUMENTS	
		U013	162
M0264687	LEVER:GUIDE PLATE:TRANSFER: HOLDER	U013	163
M0264688	END RING:CONTACT POINT:DUPL EX	U013	164
M0264694	STOPPER:GUIDE PLATE:FRONT	U013	165
M0264695	TENSION SPRING:LEVER:TRANSF ER	U013	166
M0264696	TENSION SPRING:LEVER:DUPLEX	U013	167
M0264697	HOOK:STOPPER:DUPLEX:FRONT	U013	168
M0265101	PCB:BCU:ASS'Y	U017	25
M0265108	PCB:RFID-CPU	U007	17
M0265124	PCB:IPU	U017	26
M0265152	PCB:RFID-AFE:K	U007	18
M0265158	PCB:RFID-AFE:M	U007	19
M0265166	PCB:RFID-AFE:C	U007	20
M0265168	PCB:RFID-AFE:Y	U007	21
M0265175	PCB:LED-DB	U004	49
M0265194	PCB:SDB	U017	27
M0265224	INTERFACE CABLE:SCANNER:LV DS	U004	50
M0265272	CABLE:HDD:SATA:RED135	U017	28
M0265636	COVER:RACK	U017	29
M0265652	PANEL:CTL	U017	30
M0265659	PANEL:SD	U017	31
M0265660	BRACKET:FAN	U017	32
M0265662	BRACKET:HDD	U017	33
M0265663	GROUND PLATE:HDD	U017	34
M0265712	SERVICE PARTS:PCB:EX2:M028:A SS'Y	U017	35
M0265713	SERVICE PARTS:PCB:EX2:M024:A SS'Y	U017	36
M0265736	SD-CARD:VM/CALYPSO	ACCESSORIES	6
M0265737	SD-CARD:VM/CALYPSO	ACCESSORIES	7
M0265782	CABLE:HDD:S-ATA:POWER:120	U017	37
M0265810	COVER:HARNESS:DRIVE	U016	64
M0265816	BRACKET:MAIN SWITCH	U017	38

Number	Part Name	Group	ID
M0265819	COVER:POWER SUPPLY UNIT:HE ATER	U017	39
M0265828	GUARD:HARNESS:BCU	U017	40
M0265831	COVER:HARNESS:POWER PACK	U017	41
M0265847	BRACKET:PUSH SWITCH	U017	42
M0265857	PANEL:INTERFACE:HE-71	U017	43
M0265866	BRACKET:SAFETY SWITCH:MAIN	U017	44
M0265868	ARM:SAFETY SWITCH:NO.1	U017	45
M0265870	ARM:SAFETY SWITCH:NO.2	U017	46
M0265871	SHAFT:SAFETY SWITCH:NO.1	U017	47
M0265874	SHAFT:SAFETY SWITCH:NO.4	U017	48
M0265875	SHAFT:SAFETY SWITCH:NO.5	U017	49
M0265876	LEVER:SAFETY SWITCH:NO.1	U017	50
M0265877	LEVER:SAFETY SWITCH:NO.2	U017	51
M0265878	LEVER:SAFETY SWITCH:NO.3	U017	52
M0265879	LEVER:SAFETY SWITCH:NO.4	U017	53
M0265881	INSULATING SHEET:POWER PAC K	U017	54
M0265882	TERMINAL:DEVELOPMENT	U017	55
M0265883	HOLDER:TERMINAL:DEVELOPME NT	U017	56
M0265884	SPRING PLATE:CHARGE	U017	57
M0265886	SPRING PLATE:DEVELOPMENT	U017	58
M0265887	TERMINAL:TRANSFER UNIT	U017	59
M0265888	TERMINAL:POWER PACK	U017	60
M0265889	WIRE:HIGH VOLTAGE:DEVELOPM ENT:K	U017	61
M0265891	WIRE:HIGH VOLTAGE:DEVELOPM ENT:C	U017	62
M0265892	WIRE:HIGH VOLTAGE:DEVELOPM ENT:M	U017	63
M0265893	WIRE:HIGH VOLTAGE:DEVELOPM ENT:Y	U017	64
M0265894	INNER COVER:TERMINAL	U017	65
M0265895	PLATE:SPRING PLATE:DEVELOPM ENT	U017	66
M0265896	INNER COVER:GUARD:HARNESS	U017	67
M0265897	PLATE:SPRING PLATE:CHARGE	U017	68

WWW.SERVICE-MANUAL.NET

Exclusive Parts

Number	Part Name	Group	ID
M0266000	TRANSFER UNIT	U009_S002	3
M0266124	FLAT BELT-TRANSFER:ASS'Y	U009_S002	4
M0266150	HOLDER:ENCODER:ASS'Y	U009_S002	11
M0266152	COVER:ENCODER	U009_S002	12
M0266153	PCB:INTERMEDIATE TRANSFER:ENCODER	U009_S002	13
M0266154	DISC:ENCODER:150LPI:250CT	U009_S002	14
M0266155	COLLAR:ENCODER	U009_S002	15
M0266166	DENSITY SENSOR:ASS'Y	U010	14
M0266200	TRANSFER/SEPARATION UNIT	U010	15
M0266290	HOLDER:LEVER:PRESSURE:TRANSFER	U010	16
M0266291	COVER:POWER PACK:TRANSFER UNIT	U010	17
M0266294	GUIDE PLATE:TRANSFER ROLLER:UPPER	U010	18
M0266295	SPRING PLATE:DISCHARGE	U010	19
M0266296	GROUND PLATE:POWER SOURCE:TRANSFER	U010	20
M0266301	LEVER:ON-OFF:TRANSFER UNIT	U010	21
M0266302	RAIL:MAIN:ASS'Y	U010	22
M0266329	SHUTTER:DENSITY SENSOR	U010	23
M0266332	INSULATING SHEET:DENSITY SENSOR	U010	24
M0266333	HOLDER:DENSITY SENSOR	U010	25
M0266351	RAIL:CLEANING UNIT	U010	26
M0266354	GUIDE:POSITIONING:FRONT	U010	27
M0266355	GUIDE:POSITIONING:REAR	U010	28
M0266356	GROUND PLATE:TRANSFER:SECOND	U010	29
M0266365	DECAL:WARNING (HIGH VOLTAGE)	DECALS AND DOCUMENTS	24
		U010	30
M0266463	FEELER:USED TONER SENSOR	U011_S001	6
M0266464	SPRING PLATE:SET:COLLECTION BOTTLE	U011_S001	7
M0266467	ENTRANCE SEAL:COLLECTION BOTTLE:INTERMEDIATE TRANSFER	U011_S001	8

Number	Part Name	Group	ID
	R:ASS'Y		
M0266481	GEAR:IDLER:COLLECTION BOTTLE:20Z	U016	65
M0266482	GEAR:IDLER:DC MOTOR:30Z	U016	66
M0266483	SHAFT:GEAR:IDLER:COLLECTION BOTTLE	U016	67
M0266485	DC MOTOR:2.64W	U016	68
M0266850	DECAL:CLEANING:SHIELD GLASS	DECALS AND DOCUMENTS	25
M0266880	DECAL:COLORED DISPLAY:INNER COVER:C	DECALS AND DOCUMENTS	26
		U001_S001	38
M0266881	DECAL:COLORED DISPLAY:INNER COVER:M	DECALS AND DOCUMENTS	27
		U001_S001	39
M0266882	DECAL:COLORED DISPLAY:INNER COVER:Y	DECALS AND DOCUMENTS	28
		U001_S001	40
M0266883	DECAL:COLORED DISPLAY:INNER COVER:BK	DECALS AND DOCUMENTS	29
		U001_S001	41
M0266884	DECAL:MAIN SWITCH:ON-STANDBY:NA	ACCESSORIES	8
		DECALS AND DOCUMENTS	30
M0266890	DECAL:CAUTION:ORIGINAL:ENGLISH	ACCESSORIES	9
		DECALS AND DOCUMENTS	31
M0269590	NV-RAM	U017	69
M0281031	DC MOTOR:ON-OFF:1.56W	U016	69
		U016_S001	69
M0281032	BRACKET:ON-OFF:USED TONER	U016	70
M0281148	SHAFT:ON-OFF:SECOND:PRESS FIT	U016_S002	71
M0281165	BRACKET:DRIVE UNIT:PAPER EXIT:NO.1	U016	72
M0281168	COVER:DRIVE UNIT:SYNCHRONOUS BELT	U017	70
M0281169	DRIVE UNIT:PAPER EXIT SUB-UNIT	U016_S004	73

Exclusive Parts

Number	Part Name	Group	ID
	T:NO.2		
M0281178	DC STEPPER MOTOR:REVERSE:0.94W	U016_S004	74
M0281196	COVER:GEAR:REVERSE SUB-UNIT	U018	36
M0281255	RAIL:TONER BOTTLE	U015	45
M0281258	COVER:UPPER:FRONT:FIN	U001	42
M0281288	INNER COVER:RIGHT UPPER:FIN	U001	43
M0281292	COVER:STAPLER	U001	44
M0284411	TRANSPORT UNIT:FIN:ASS'Y	U014_S001	8
M0284443	DC SOLENOID:GATE PAWL:NO.2	U014_S001	9
M0284452	TRANSPORT ROLLER:FIN	U014_S001	10
M0284459	GEAR:INPUT:Z26:FIN	U014_S001	11
M0284475	BRACKET:DC SOLENOID:PEEN	U014_S001	12
M0286801	Decal:Model Name:M028:RIC	DECALS AND DOCUMENTS	32
M0286802	Decal:Model Name:M028:SVN	DECALS AND DOCUMENTS	33
M0286803	Decal:Model Name:M028:GES:NA	DECALS AND DOCUMENTS	34
M0286804	Decal:Model Name:M028:LAN:NA	DECALS AND DOCUMENTS	35
M0521563	GASKET:BRACKET:REAR:SMALL	ACCESSORIES	10
M0662490	DECAL:GUIDE:SET:PCU	DECALS AND DOCUMENTS	44
		U017	72
M3641211	HINGE:LEFT	U003	36
M3641221	HINGE:RIGHT	U003	37
M3641227	HOOK:GUIDE:EXPOSURE GLASS	U003	38
M3641317	SUPPORTING PLATE:LEFT LOWER	U003	39
M3641321	LEVER:DRIVEN:SCANNING	U003	40
M3641322	COMPRESSION SPRING:SCANNING:DRIVEN	U003	41
M3641323	COMPRESSION SPRING:SCANNING:DRIVEN	U003	42
M3641326	GUIDE PLATE:SCANNING:FRONT LOWER	U003	43

Number	Part Name	Group	ID
M3641327	SHEET:SCANNING:FRONT LOWER	U003	44
M3641335	EXIT ROLLER:DRIVEN:ASS'Y	U003	45
M3641342	ROLLER:SCANNING:DRIVEN:SHORT	U003	46
M3641386	CUSHION:PRESSURE PLATE	U003	47
M3641387	BRACKET:PRESSURE PLATE	U003	48
M3642110	SHAFT:PAPER FEED UNIT	U003	49
M3642121	FEED ROLLER	U003	50
M3642123	TIMING PULLEY:PICKUP:DRIVE	U003	51
M3642124	COMPRESSION SPRING:PAPER FEED UNIT	U003	52
M3642132	TORQUE LIMITER:PICKUP	U003	53
M3642141	ARM:PAPER STOPPER	U003	54
M3642142	PAPER STOPPER	U003	55
M3642143	TORSION SPRING:PAPER STOPPER	U003	56
M3642144	LINK:PAPER STOPPER	U003	57
M3642151	HOLDER:PICKUP	U003	58
M3642161	SHAFT:PICKUP	U003	59
M3642162	TIMING PULLEY:PICKUP	U003	60
M3642163	TIMING BELT:40S2M130	U003	61
M3642213	COMPRESSION SPRING:SEPARATION	U003_S001	63
M3642216	HOLDER:FRICITION PAD:ASS'Y	U003_S001	130
M3642222	GUIDE PLATE:OPEN AND CLOSE	U003	64
M3642311	GUIDE PLATE:PAPER FEED	U003	65
M3642313	TENSION SPRING:PRESSURE RELEASE	U003	66
M3642314	LEVER:PRESSURE RELEASE:SEPARATION	U003	67
M3642315	CUSHION:SEPARATION	U003	68
M3643111	TRANSPORT ROLLER:PULL OUT	U003	69
M3643116	TIMING PULLEY:PULL OUT	U003	70
M3643121	TRANSPORT ROLLER:SCANNING	U003	71
M3643131	EXIT ROLLER	U003	72
M3643136	KNOB:MISFEED REMOVAL	U003	73
M3643211	GUIDE PLATE:TRANSPORT	U003	74
M3643212	DISCHARGE BRUSH:EXIT:SUS	U003	75

Exclusive Parts

Number	Part Name	Group	ID
M3643221	SPRING PLATE:EARTH:EXIT	U003	76
M3643227	CUSHION:HARNESS	U003	77
M3643232	EXIT ROLLER:DRIVEN	U003	78
		U003_S003	78
M3643241	GUIDE PLATE:REVERSE:UPPER	U003	79
M3643311	GUIDE PLATE:SCANNING	U003	80
M3643321	SPRING PLATE:GUIDE:EXPOSURE GLASS	U003	81
M3643412	FEELER:REVERSE	U003	82
M3643416	GUIDE PLATE:REVERSE	U003	83
M3643421	GATE PAWL:REVERSE	U003	84
M3643422	CUSHION:GATE PAWL:REVERSE	U003	85
M3644121	TIMING PULLEY:SLOW DOWN:PAPER FEED	U003	86
M3644122	GEAR:TIMING PULLEY:SLOW DOWN:PAPER FEED	U003	87
M3644124	GEAR:TIMING PULLEY:COUPLING	U003	88
M3644131	TIMING BELT:B40S2M160	U003	89
M3644231	TIGHTENER:TRANSPORT:ASS'Y	U003	90
M3644244	TENSION SPRING:TIGHTENER:TRANSPORT	U003	91
M3644245	TIMING BELT:B80S1.5M236	U003	92
M3644251	SHAFT:ELECTROMAGNETIC CLUTCH	U003	93
M3644311	BRACKET:MOTOR	U003	94
M3644321	STEPPER MOTOR:DC 0.94W	U003	95
M3644341	TENSION SPRING:MOTOR	U003	96
M3644353	BRACKET:DC FAN MOTOR	U003	97
M3644411	DC SOLENOID:GATE PAWL:REVERSE	U003	98
M3644511	COVER:REAR	U003	99
M3644521	COVER:FRONT	U003	100
M3644531	COVER:RIGHT	U003	101
M3644536	TRAY:AUXILIARY	U003	102
M3644610	COVER:PAPER FEED:ASS'Y	U003_S002	103
M3644617	GUIDE PLATE:COVER:PAPER FEED	U003_S002	104
M3644621	GRIP:COVER:PAPER FEED	U003_S002	105

Number	Part Name	Group	ID
M3644622	TORSION SPRING:GRIP	U003_S002	106
M3644626	FEELER:ORIGINAL SENSOR	U003_S002	107
M3644641	SHAFT:DRIVEN	U003	108
		U003_S002	108
M3644642	ROLLER:DRIVEN:SHORT	U003_S002	109
M3644643	COMPRESSION SPRING:DRIVEN ROLLER:PULL OUT	U003_S002	110
M3644648	PLAIN SHAFT BEARING:M4	U003	111
		U003_S002	111
M3644720	ORIGINAL TABLE:ASS'Y	U003_S003	112
M3644724	SPRING PLATE:REVERSE:PRESSURE	U003_S003	113
M3644736	CUSHION:SIDE FENCE:SMALL	U003_S003	114
M3644741	SIDE FENCE:INNER BACK	U003_S003	115
M3644742	SIDE FENCE:FRONT	U003_S003	116
M3644743	COMPRESSION SPRING:SIDE FENCE	U003_S003	117
M3644744	GEAR:SIDE FENCE	U003_S003	118
M3644751	EXTENSION TRAY	U003_S003	119
M3644811	PRESSURE PLATE	U003	120
M3644821	TAPE:PRESSURE PLATE:LEFT	U003	121
M3644823	TAPE:PRESSURE PLATE	U003	122
M3645022	PCB:MAIN CONTROL:ASS'Y	U003	123
M3645751	GUIDE:HARNESS	U003	124
M3646011	DECAL:CAUTION:ORIGINAL:NA	ACCESSORIES	11
		DECALS AND DOCUMENTS	36
M3646021	DECAL:ORIGINAL TABLE	DECALS AND DOCUMENTS	37
		U003	125
M3646031	DECAL:ORIGINAL SCALE:INNER BACK	DECALS AND DOCUMENTS	38
		U003_S003	126
M3646032	DECAL:ORIGINAL SCALE:FRONT	DECALS AND DOCUMENTS	39
		U003_S003	127
M3646041	DECAL:SIDE FENCE	DECALS AND DOCUMENTS	40

WWW.SERVICE-MANUAL.NET

Exclusive Parts

Number	Part Name	Group	ID
		U003_S003	128
M3646051	DECAL:LEVER:KNOB	DECALS AND DOCUMENTS	41
		U003	129
M3655752	GUIDE:HARNESS:SMALL	U015	46
M3661121	BRACKET:DOOR SWITCH:STAPLE EXCHANGE	U015	47
M3661122	SPRING PLATE:DOOR SWITCH:STAPLE EXCHANGE	U015	48
M3661323	HOLDER:SAFETY SWITCH	ACCESSORIES	12
M3661521	COVER:EXIT:UPPER:GER	U015	49
M3661541	COVER:EXIT:REAR:GER	U015	50
M3662111	GUIDE PLATE:TRANSPORT:LOWER	U015	51
M3662112	GUIDE PLATE:TRANSPORT:UPPER	U015	52
M3662113	DISCHARGE BRUSH:ENTRANCE	U015	53
M3662114	DRIVEN ROLLER:SLIDE	U015	54
M3662115	COMPRESSION SPRING:DRIVEN	U015	55
M3662116	GUIDE:TRAILING EDGE	U015	56
M3662117	GASKET:3X7X10	U015	57
M3662212	GUIDE PLATE:EXIT:OPEN AND CLOSE	U015	58
M3662214	SHAFT:EXIT ROLLER:DRIVEN	U015	59
M3662216	CUSHION:GUIDE PLATE:EXIT	U015	60
M3662222	PAWL:EXIT:OPEN AND CLOSE:ASSY	U015	61
M3662223	SPRING PLATE:GUIDE PLATE:EXIT	U015	62
M3662224	GEAR:SECTOR:EXIT:OPEN AND CLOSE	U015	63
M3662225	LEVER:SAFETY SWITCH	U015	64
M3662232	SHAFT:GATHERING ROLLER:DRIVE:ASSY	U015	65
M3662234	TIMING PULLEY:GATHERING ROLLER:DRIVE:TRANSMISSION	U015	66
M3662235	GATHERING ROLLER	U015	67
M3662236	SHAFT:GATHERING ROLLER	U015	68

Number	Part Name	Group	ID
M3662237	ARM:GATHERING ROLLER	U015	69
M3662238	SHAFT:BALANCER:GATHERING ROLLER	U015	70
M3662241	DISCHARGE BRUSH:EXIT:OPEN AND CLOSE	U015	71
M3662251	GEAR:GATHERING ROLLER:DRIVE:Z20	U015	72
M3662252	GEAR:PULLEY:Z18/T20	U015	73
M3662311	TRANSPORT ROLLER:ENTRANCE	U015	74
M3662312	GEAR:TRANSPORT:Z25	U015	75
M3662313	KNOB:TRANSPORT ROLLER:ENTRANCE	U015	76
M3662321	TRANSPORT ROLLER:SLIDE	U015	77
M3662322	LINK:ROLLER:SLIDE:ASSY	U015	78
M3662325	BUSHING:ROLLER:SLIDE	U015	79
M3662331	EXIT ROLLER:FRONT	U015	80
M3662332	EXIT ROLLER:INNER BACK	U015	81
M3662334	TIMING PULLEY:EXIT ROLLER:DRIVE	U015	82
M3662335	TIMING PULLEY:EXIT ROLLER:DRIVE	U015	83
M3662511	SHAFT:DRIVE:TRANSMISSION:ROLLER:RETURN	U015	84
M3662512	GEAR:RETURN:DRIVE:TRANSMISSION:Z31	U015	85
M3662514	GEAR:ROLLER:RETURN:MIDDLE:Z25	U015	86
M3662515	GEAR:ROLLER:RETURN:MIDDLE:Z28	U015	87
M3662516	REVERSE ROLLER:TRAILING EDGE:Z20	U015	88
M3662517	ARM:REVERSE ROLLER	U015	89
M3662518	GEAR:IDLER:Z22:LIGHTER	U015	90
M3662519	GEAR:RETURN:DRIVE:Z25	U015	91
M3662613	GEAR:PULLEY:Z25/T20	U015	92
M3662614	GEAR:IDLER:Z22	U015	93
M3662615	GEAR:IDLER:Z35	U015	94
M3662616	TENSION SPRING:TENSIONER:TR	U015	95

Exclusive Parts

Number	Part Name	Group	ID
	ANSPORT		
M3662621	BRACKET:DC STEPPER MOTOR:EXIT	U015	96
M3662632	BRACKET:DC STEPPER MOTOR:SLIDE:ASS'Y	U015	97
M3662635	CAM:ROLLER:SLIDE	U015	98
M3662641	BRACKET:DC STEPPER MOTOR:EXIT:OPEN AND CLOSE:ASS'Y	U015	99
M3662651	BRACKET:DC STEPPER MOTOR:GATHERING ROLLER:ASS'Y	U015	100
M3662654	CAM:LEVER:GATHERING ROLLER	U015	101
M3663121	END FENCE:EXIT	U015	102
M3663221	TRAY:EXIT:FIX	U015	103
M3663231	TRAY:EXIT:MOVEABLE	U015	104
M3663241	TRAY:EXIT:AUXILIARY:SMALL	U015	105
M3663251	INNER COVER:TRAY	U015	106
M3663310	BRACKET:DC MOTOR:EXIT:ASS'Y	U015	107
M3663315	SHAFT:WORM WHEEL	U015	108
M3663316	GEAR:Z20/Z35	U015	109
M3663317	GEAR:Z37:WORM GEAR	U015	110
M3663320	CAM:TRAY:MOVEABLE:ASS'Y	U015	111
M3663325	GEAR:DRIVE:CAM:Z42	U015	112
M3663412	BRACKET:SOLENOID:PAPER SENSER	U015	113
M3663420	ARM:PAPER SENSER:TRAILING EDGE:ASS'Y	U015	114
M3663430	DC SOLENOID:PAPER SENSER:SUB-ASS'Y	U015	115
M3663441	TORSION SPRING:LEVER	U015	116
M3663442	CUSHION:PLATE:RETURN	U015	117
M3663510	BRACKET:EXIT:CONNECTING	U015	118
M3663521	SHAFT:EXIT:COUPLING	U015	119
M3663522	GEAR:EXIT:COUPLING:Z20	U015	120
M3663523	GEAR:EXIT:COUPLING:MIDDLE:Z19	U015	121
M3664112	JOGGER FENCE:REAR	U015	122
M3664113	SHAFT:GUIDE:JOGGER:FRONT	U015	123
M3664142	BRACKET:DC STEPPER MOTOR:J	U015	124

Number	Part Name	Group	ID
	OGGER		
M3664151	STANDARD FENCE:TRAILING EDGE:SUB-ASS'Y	U015	125
M3664156	TRAY:STAPLE	U015	126
M3664157	STANDARD FENCE:FIX:FRONT	U015	127
M3664158	STAY:JOGGER	U015	128
M3664161	TENSIONER:JOGGER FENCE	U015	129
M3664170	TENSION SPRING:BELT TENSIONER:JOGGER FENCE	U015	130
M3664210	BRACKET:STAPLER	U015	131
M3665124	PCB:MAIN CONTROL:ASS'Y	U015	132
M3665560	DC STEPPER MOTOR:JOGGER:1.48W	U015	133
M3665561	DC STEPPER MOTOR:1.48W	U015	134
M3665570	DC STEPPER MOTOR:TRANSPORT:3.78W	U015	135
M3665571	DC STEPPER MOTOR:EXIT:3.78W	U015	136
M3666110	BRACKET:FIX:FINISHING UNIT	U015	137
M3666211	CUSHION	U015	138
M3666212	CUSHION:SMALL	U015	139
M3666811	DECAL:STAPLER:CAUTION	DECALS AND DOCUMENTS	42
VSSM9000	Digital Multimeter - FLUKE87	SPECIAL TOOLS	11

Standard Parts



03530030N
SCREW:M3X3



03530040N
SCREW - M3X4



03530060N
BIND SCREW - M3X6



03530140N
SCREW:M3X14



03603006N
SCREW - M3X6



03603006P
SCREW - M3X6



03603025N
SCREW:M3X25



04503025N
TAPPING SCREW:3X25



04504008N
TAPPING SCREW - M4X8



04504010N
TAPPING SCREW:M4X10



04513006N
TAPPING SCREW - 3X6



04513008N
TAPPING SCREW - M3X8



04513010N
TAPPING SCREW:3X10



04543006Q
TAPPING SCREW - M3X6



04543008Q
TAPPING SCREW:3X8



04543020Q
TAPPING SCREW::3X20



06320100G
PIN - 2X10MM



06320120G
PARALLEL PIN - 2X12



07200030E
RETAINING RING - M3



07200040E
RETAINING RING - M4



07200060E
RETAINING RING - M6



07250120E
RETAINING RING C - M12



07250170E
RETAINING RING C - M17



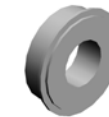
07250200E
RETAINING RING C - M20



07270080E
RETAINING RING - M8



07330408
BUSHING:4X8



07423808
BALL BEARING - 8X16X5



08025299
TAPPING SCREW - M3X8

Standard Parts



08025319
HEXAGON HEAD TAPPING S
CREW:ES:3X8



08025320
HEXAGON HEAD TAPPING S
CREW:ES:3X10



08046127
HEXAGONAL BOLT:DOUBLE
SCREW:M3X8



08046128
HEXAGONAL BOLT:DOUBLE
SCREW:M3X10



08050088
RETAINING RING - M6



08050089
RETAINING RING - M4



08050092
RETAINING RING - 3M



08050097
RING SEPARATOR



08053385
BUSHING - 6MM



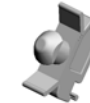
09543010N
SCREW:POLISHED ROUND/
SPRING:M3X10



11050487
HARNESS CLAMP



11050508
HARNESS CLAMP - LWS-071
1



11050511
HARNESS CLAMP - LWS-030
6ZC



11050516
CLAMP



11050534
CLAMP



11050551
CLAMP:LES-0505



11050598
CLAMP:LWSS-1N



11050692
CLAMP:LES-0503



11050717
CLAMP:JDW-1S



11050723
CLAMPS:WES-0507



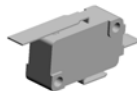
11500433
POWER SUPPLY CODE:125V
:15A:NA



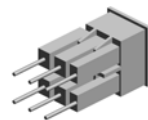
12042519
SWITCH:DE2L-FJ19



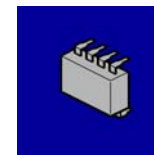
12042521
MICRO SWITCH



12042612
MICRO SWITCH:D3V-16506-3
C25



12042868
SWITCH:RS51-AA11



14077153
EEPROM:AT24C64C-PU:64K

PM Part List

Number	Part Name	Num	Group	ID
AA010122	FILTER:REAR	2	U001	4
AE010076	HOT ROLLER	1	U012_S001	23
AE020179	PRESSURE ROLLER	1	U012_S001	25
AE031045	BUSHING - BELT TENSION ROLLER	2	U012_S001	29
AE031061	FRONT BUSHING - OIL SUPPLY ROLLER	1	U012_S001	30
AE031062	REAR BUSHING - OIL SUPPLY ROLLER	1	U012_S001	31
AE040074	OIL SUPPLY ROLLER:DIA18	1	U012_S001	33
AE040075	ROLLER:BELT TENSIONER	1	U012_S001	34
AE042087	CLEANING ROLLER:OIL SUPPLY ROLLER	1	U012_S001	35
M0226400	WASTE TONER BOTTLE	1	U011_S001	4
M0263800	CLEANING UNIT:ITB	1	U009_S001	2
M0264106	FUSING BELT	1	U012_S001	49
M0266200	TRANSFER/SEPARATION UNIT	1	U010	15

Design Change List

Number	Title	Set	Old Part		New Part		Index No.		Q'ty	Interchg		Reason	Cut-in S/N
			P/N	Name	P/N	Name	Group	ID		Indiv.	Set		
201202-01	1202 Modification	-			G1025534	HARNESS:INTERMEDIATE TRANSFER:DRAWER							M02817:
201202-02	1202 Modification	-			M0263341	HOUSING:TONE R BOTTLE	U007	22	1				M02817:
201202-03	1202 Modification	-	M0261730	HOLDER:HINGE:LEFT	M0261745	HOLDER:HINGE:LEFT	U004	32	1	X/O			M02817:
201202-04	1202 Modification	-	M0262016	PCU:BK:SUPPLY:ASS'Y	M0262020	PCDU:BK:NA:SUPPLY:ASS'Y	U008_S001	20	1	O/O			M02817:
201202-05	1202 Modification	-	M0262017	PCU:C:SUPPLY:ASS'Y	M0262021	PCDU:C:NA:SUPPLY:ASS'Y	U008_S002	21	1	O/O			M02817:
201202-06	1202 Modification	-	M0262018	PCU:M:SUPPLY:ASS'Y	M0262022	PCDU:M:NA:SUPPLY:ASS'Y	U008_S003	22	1	O/O			M02817:
201202-07	1202 Modification	-	M0262019	PCU:Y:SUPPLY:ASS'Y	M0262023	PCDU:Y:NA:SUPPLY:ASS'Y	U008_S004	23	1	O/O			M02817:
201202-08	1202 Modification	-	M0262014	PCU:BK:ASS'Y	M0262024	PCU:BK:NA:NEW:ASS'Y	U008_S001_S001	9	1	O/O			M02817:
201202-09	1202 Modification	-	M0262015	PCU:CMY:ASS'Y	M0262025	PCU:ZEUS-C1:CMY_NA:NEW:ASS'Y	U008_S002_S001	10	1	O/O			M02817:
			M0262015	PCU:CMY:ASS'Y	M0262025	PCU:ZEUS-C1:CMY_NA:NEW:ASS'Y	U008_S003_S001	10	1	O/O			
			M0262015	PCU:CMY:ASS'Y	M0262025	PCU:ZEUS-C1:CMY_NA:NEW:ASS'Y	U008_S004_S001	10	1	O/O			
201202-10	1202 Modification	-	M0263030	DEVELOPMENT UNIT:BK	M0263034	DEVELOPMENT UNIT:SUPPLY:BK:NA	U008_S001_S002	16	1	O/O			M02817:
201202-11	1202 Modification	-	M0263031	DEVELOPMENT	M0263035	DEVELOPMENT	U008_S002	17	1	O/O			M02817:

Design Change List

Number	Title	Set	Old Part		New Part		Index No.		Q'ty	Interchg		Reason	Cut-in S/N
			P/N	Name	P/N	Name	Group	ID		Indiv.	Set		
		-		UNIT:C		UNIT:SUPPLY:C: NA	_S002						
201202-12	1202 Modification	-	M0263032	DEVELOPMENT UNIT:M	M0263036	DEVELOPMENT UNIT:SUPPLY:M: NA	U008_S003 _S002	18	1	O/O			M02817:
201202-13	1202 Modification	-	M0263033	DEVELOPMENT UNIT:Y	M0263037	DEVELOPMENT UNIT:SUPPLY:Y: NA	U008_S004 _S002	19	1	O/O			M02817:
201108-01	1108 Modification	-	M3642211	HOLDER:FRICTI ON PAD:ASS'Y	M3642216	HOLDER:FRICTI ON PAD:ASS'Y	U003_S001	130	1	X/O			M02817:
201108-02	1108 Modification	-	M0262010	PCDU:BK	M0262016	PCU:BK:SUPPLY: ASS'Y	U008	20	1	O/O			M02817:
201108-03	1108 Modification	-	M0262011	PCDU:C	M0262017	PCU:C:SUPPLY: ASS'Y	U008	21	1	O/O			M02817:
201108-04	1108 Modification	-	M0262012	PCDU:M	M0262018	PCU:M:SUPPLY: ASS'Y	U008	22	1	O/O			M02817:
201108-05	1108 Modification	-	M0262013	PCDU:Y	M0262019	PCU:Y:SUPPLY:A SS'Y	U008	23	1	O/O			M02817:
201107-01	1107 Modification	-	M0263021	DEVELOPMENT UNIT:BK	M0263030	DEVELOPMENT UNIT:BK	U008_S001	16	1	O/O			M02817:
201107-02	1107 Modification	-	M0263022	DEVELOPMENT UNIT:C	M0263031	DEVELOPMENT UNIT:C	U008_S002	17	1	O/O			M02817:
201107-03	1107 Modification	-	M0263023	DEVELOPMENT UNIT:M	M0263032	DEVELOPMENT UNIT:M	U008_S003	18	1	O/O			M02817:
201107-04	1107 Modification	-	M0263024	DEVELOPMENT UNIT:Y	M0263033	DEVELOPMENT UNIT:Y	U008_S004	19	1	O/O			M02817:
201104-01	1104 Modification	-			M0261244	COVER:FAN:C/T BOX	U017	71	1				M02817:
201104-02	1104 Modification	-			M0266463	FEELER:USED T ONER SENSOR	U011_S001	6	1				M02817:

Design Change List

Number	Title	Set	Old Part		New Part		Index No.		Q'ty	Interchg		Reason	Cut-in S/N
			P/N	Name	P/N	Name	Group	ID		Indiv.	Set		
201104-03	1104 Modification	-			M0266464	SPRING PLATE:SET:COLLECTION BOTTLE	U011_S001	7	2				M02817:
201104-04	1104 Modification	-			GA152022	ENTRANCE SEAL:COLLECTION BOTTLE:PCU:ASS'Y	U011_S001	5	4				M02817:
201104-05	1104 Modification	-			M0266467	ENTRANCE SEAL:COLLECTION BOTTLE:INTERMEDIATE TRANSFER:ASS'Y	U011_S001	8	1				M02817:
201104-06	1104 Modification	-			M0662490	DECAL:GUIDE:SET:PCU	U017	72	1				M02817:
					M0662490	DECAL:GUIDE:SET:PCU	DECALS AND DOCUMENTS	44	1				
201104-07	1104 Modification	-			G1026136	GRIP:INTERMEDIATE TRANSFER:LEFT	U009_S002	7	1				M02817:
201104-08	1104 Modification	-			G1026137	GRIP:INTERMEDIATE TRANSFER:RIGHT	U009_S002	8	1				M02817:
201104-09	1104 Modification	-			G1026140	COVER:INTERMEDIATE TRANSFER	U009_S002	9	1				M02817:
201104-10	1104 Modification	-			G1026115	LEVER:RELEASE:INTERMEDIATE TRANSFER	U009_S002	6	1				M02817:
201104-11	1104 Modification	-			G1026190	GUIDE:FRONT:IN	U009_S002	10	1				M02817:

Design Change List

Number	Title	Set	Old Part		New Part		Index No.		Q'ty	Interchg		Reason	Cut-in S/N
			P/N	Name	P/N	Name	Group	ID		Indiv.	Set		
		-				TERMEDIATE TR ANSFER:ASS'Y							
201104-12	1104 Modification	-			G1023865	GUIDE:LEFT:INT ERMEDIATE TRA NSFER	U009_S002	5	1				M02817:
201104-13	1104 Modification	-			M0261301	DRUM STAY:PC U:ASS'Y	U018_S001	37	1				M02817:
201104-14	1104 Modification	-			M0261310	LEVER:LOCK:DR UM STAY	U018_S001	38	1				M02817:
201104-15	1104 Modification	-			M0261329	DECAL:CLEANIN G:POSITIONING DISPLAY	DECALS A	43	1				M02817:
							ND DOCU MENTS						
					M0261329	DECAL:CLEANIN G:POSITIONING DISPLAY	DECALS A	43	1				
						ND DOCU MENTS							
201104-17	1104 Modification	-			M0266150	HOLDER:ENCOD ER:ASS'Y	U009_S002	11	1				M02817:
201104-18	1104 Modification	-			M0266152	COVER:ENCODE R	U009_S002	12	1				M02817:
201104-19	1104 Modification	-			M0266153	PCB:INTERMEDI ATE TRANSFER: ENCODER	U009_S002	13	1				M02817:
201104-20	1104 Modification	-			M0266154	DISC:ENCODER: 150LPI:250CT	U009_S002	14	1				M02817:
201104-21	1104 Modification	-			M0266155	COLLAR:ENCOD ER	U009_S002	15	1				M02817:

