



RICOH UNIVERSITY

Learning ♦ Knowledge ♦ Performance



D023/D025
PARTS CATALOG

003988MIU

LANIER RICOH SAVIN



D023/D025
PARTS CATALOG

LANIER
RICOH
SAVIN



RICOH UNIVERSITY

Learning ♦ Knowledge ♦ Performance

D023/D025 PARTS CATALOG

003988MIU

LANIER RICOH SAVIN®

It is the reader's responsibility when discussing the information contained within this document to maintain a level of confidentiality that is in the best interest of Ricoh Americas Corporation and its member companies.

**NO PART OF THIS DOCUMENT MAY BE REPRODUCED IN ANY
FASHION AND DISTRIBUTED WITHOUT THE PRIOR
PERMISSION OF RICOH AMERICAS CORPORATION.**

All product names, domain names or product illustrations, including desktop images, used in this document are trademarks, registered trademarks or the property of their respective companies.

They are used throughout this book in an informational or editorial fashion only and for the benefit of such companies. No such use, or the use of any trade name, or web site is intended to convey endorsement or other affiliation with Ricoh products.

LEGEND

PRODUCT CODE	COMPANY			
	GESTETNER	LANIER	RICOH	SAVIN
D023	MP C2800	LD528C	Aficio MP C2800	C2828
D025	MP C3300	LD533C	Aficio MP C3300	C3333
B408	1,000 Sheet Finisher			
B793	Booklet Finisher SR3000			
B807	Punch Kit PU3000			
B829	Copy Data Security Unit Type E			
B862	ADF Handle Type A			
D351	Paper Feed Unit PB30			
D352	LCIT PB3050			
D353	LCIT RT3000			
D366	ARDF DF3030			

PRODUCT CODE	COMPANY
D372	Finisher SR3050
D386	Bridge Unit Bu3030
D387	Paper Feed Unit PB3080
D388	Internal Shift Tray SH3040
D393	Fax Option Type C5000
D414	1 Bin Tray BN3070
D446	Caster Table Type A
B679/B770/ B826/D377/ D413/D422/ D430	Controller Options

DOCUMENTATION HISTORY

REV. NO.	DATE	COMMENTS
*	10/2008	Original Printing

Digital Color Copiers
(D023/D025-NA)
Parts Catalog

Parts change information sample

 **Add**

 **Update**

 **Delete**

Model	Product	PC Style
Digital Copier	D023/D025	3D
ARDF DF3030	D366	Traditional
Paper Feed unit PB3080	D387	3D
Paper Feed unit PB3040	D351	Traditional
LCIT PB3050	D352	Traditional
LCIT RT3000	D353	Traditional
Bridge unit BU3030	D386	Traditional
Internal Shift Tray SH3040	D388	3D
Caster Table Type A	D446	Traditional
ADF Handle Type B	D366-10	Traditional
Platen Cover Type 3800C	G329	Traditional
I Bin Tray BN3070	D414	3D
Booklet Finisher SR3000	B793	Traditional
Punch Kit PU3000 NA	B807	Traditional
Punch Kit PU3000 EU	B807	Traditional
Punch Kit PU3000 SC	B807	Traditional
Finisher SR3050	D372	Traditional
SR790	B408	Traditional
Hand Set Type 1018	B433	Traditional
Memory unit Type B	G578	Traditional
Fax Option Type C5000	D393	Traditional
G3 Interface unit Type C5000	D393	Traditional
IEEE 802.11 a/g Interface unit	D377-01	Traditional
IEEE 802.11 g Interface unit	D377-19	Traditional
IEEE 1284 Interface Board Type	B679	Traditional
PostScript3 Unit Type C3300	D413	Traditional
VM Card Type I	D430	Traditional

Model	Product	PC Style
Browser unit Type E	D430	Traditional
Bluetooth Interface unit Type	B826	Traditional
Gigabit Ethernet Type B	D377-21	Traditional
File Format Converter Type E	D377-14	Traditional
Camera Direct Print Card Type G	D413	Traditional
DataOverwriteSecurity unit Type H	D377-16	Traditional
Copy Data Security unit Type F	B829	Traditional
HDD Encryption unit Type A	D377	Traditional
Key Counter Bracket Type H	A674	Traditional
USB2.0/SD Slot Type A	D422	Traditional

Unit All



U001
Main Frame



U002
Main Drive



U003
Exterior



U004
Operation



U005
Scanner



U006
Laser Unit



U007
Paper Feed



U008
Toner Supply



U009
Fusing



U010
Paper Exit



U011
Duplex



U012
Electrical

Unit All



U013
Controller



U014
PCU



U015
Image Transfer



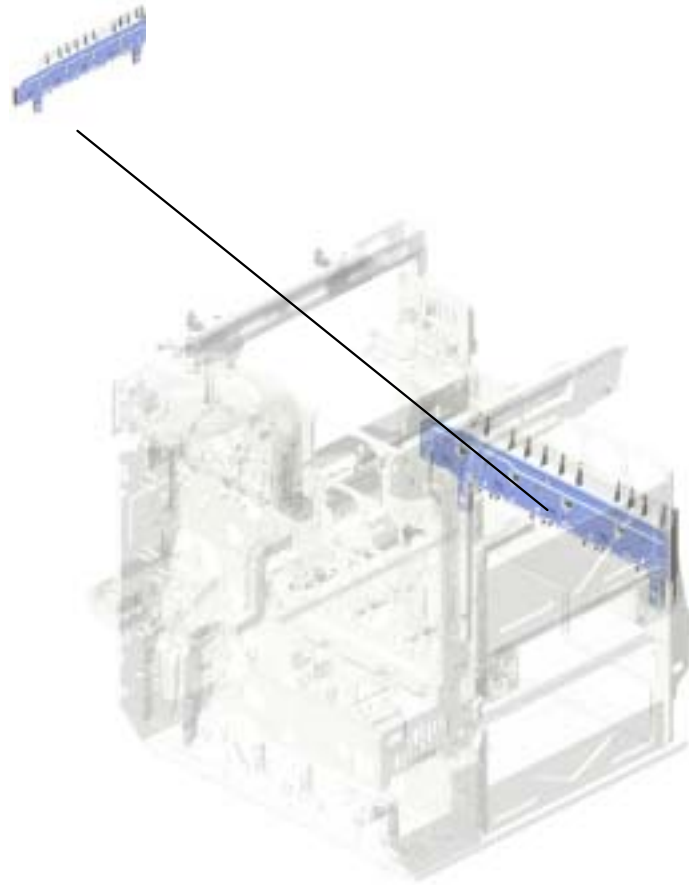
U016
ITB Cleaning



U017
Toner Collection

U001.Main Frame

U001_S001
B2231300
DRUM STAY PCU ASS'Y



U001	U002	U003	U004	U005	U006	U007	U008	U009	U010	U011	U012	U013	U014	U015	U016	U017
------	------	------	------	------	------	------	------	------	------	------	------	------	------	------	------	------

U001 Main Frame

22.AX640199 FAN:AXIAL:MM80:2
5MM
20.AA143592 SCREW- M4X6
16.11050598 (x2)
CLAMP:LWSS-1N
18.11050613 (x2)
CLAMP:EDS-1010L
-V0
1.03603008N (x4)
SCREW:M3X8



12.11050489 (x2)
HARNESS CLAMP - LWS 1316

23.AX640200 (x4)
FAN:MM60

17.11050612 (x2)
CLAMP:EDS-0704L
-V0

21.AW140012 TEMPERATURE & HUMIDITY SENSOR

24.B1011097 (x6)
RUBBER FOOT:H5

10.11050487 (x8)
HARNESS CLAMP

9.11028534 CONNECTOR - QR/ P17-14S-B

11.11050488 (x19)
HARNESS CLAMP

15.11050516 (x26)
CLAMP

14.11050511 (x12)
HARNESS CLAMP - LWS-0306ZC

19.8025305 TAPPING SCREW - M3X6

7.04543006Q (x117)
TAPPING SCREW - M3X6

6.04514006N (x3)
TAPPING SCREW - 4X6

4.04513020N (x4)
TAPPING SCREW: 3X20

8.04543008Q (x4)
TAPPING SCREW: 3X8

13.11050508 HARNESS CLAMP - LWS-0711
3.04513012N (x 1)
TAPPING SCREW:3X12
5.04513030N (x 1)
TAPPING SCREW:3X30

U001 Main Frame



- 42.B2231327 DUCT:FUSING:REAR
- 41.B2231326 DUCT:FUSING
- 46.B2231342 DUCT:SUPPLY:REAR
- 45.B2231341 DUCT:SUPPLY:FRONT
- 43.B2231329 (x2) SOUND PROOFING MATERIAL:DUCT

29.B2231238
DUCT:REAR:3

28.B2231237
DUCT:REAR:2

48.B2231897
IMAGING UNIT PLATE - REAR

44.B2231332
(x2)
FAN MOTOR - MM60 DC24V

30.B2231239
DUCT:REAR:LOWER

25.B2231065
CONNECTOR BRACKET

51.B2235848
BRACKET:BASE:CONNECTOR

52.B2235849
COVER:CONNECTOR:HEATER

49.B2231898
(x2)
IMAGING UNIT PLATE - INNER

50.B2231899
(x2)
IMAGING UNIT PLATE - OUTER

34.B2231304
STOPPER:LEVER:DRUM STAY

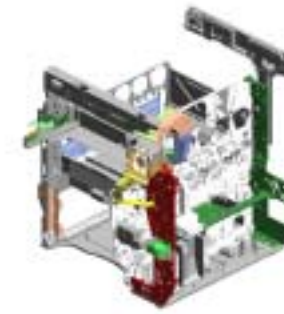
31.B2231245
CAP:GRIP

27.B2231123
HINGE - COVER DRUM STAY

47.B2231896
IMAGING UNIT PLATE - FRONT

26.B2231101
GRIP:FRONT

U001 Main Frame



64.D0251323
DUCT:NO.2:FRONT

55.B2381075
STAY:MACHINE O
R COPIER:FUSING:
LOWER:PEEN

68.D0251351
STOPPER:FUSING
UNIT:FRONT

70.D0251353
[A]
LEVER:LOCK:FRO
NT
090219 X/O

67.D0251345
GUIDE PLATE:FUSI
NG:FRONT:ASSY

71.D0251354
[B]
LEVER:LOCK:REA
R
090219 X/O

69.D0251352
STOPPER:FUSING
UNIT:REAR

66.D0251344
GUIDE PLATE:FUSI
NG:REAR:ASSY

65.D0251324
DUCT:NO.2:REAR

60.B2385896
BRACKET:TOTAL
COUNTER:OPTION

63.D0094595
REAR GUIDE - DU
PLEX UNIT SET

57.B2381089
(x4)
COVER - POSITIO
NING PIN

59.B2381143
GUIDE:CONNECTO
R:HEATER:IMAGIN
G UNIT

56.B2381088
COVER - CONNEC
TOR

53.B2381066
(x2)
RUBBER FOOT CO
VER

54.B2381072
POSITIONING PLA
TE:GUIDE PLATE:F
USING:FRONT LO
WER:PEEN

72.D0291053
CAM:GUIDE:FUSIN
G:LEFT

58.B2381123
FUSING DUCT - LE
FT

61.D0094513
COMPRESSION SP
RING:EARTH:DUPL
EX UNIT

62.D0094594
FRONT GUIDE - D
UPLEX UNIT SET

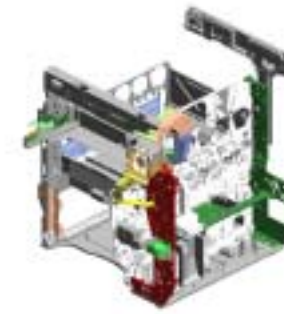
U001 Main Frame

75.D0291061 (x2)
DECAL:LEVER:LOCK:FUSING

73.D0291054
CAM:GUIDE:FUSING

79.D0296318
GUIDE:POSITIONING:FRONT

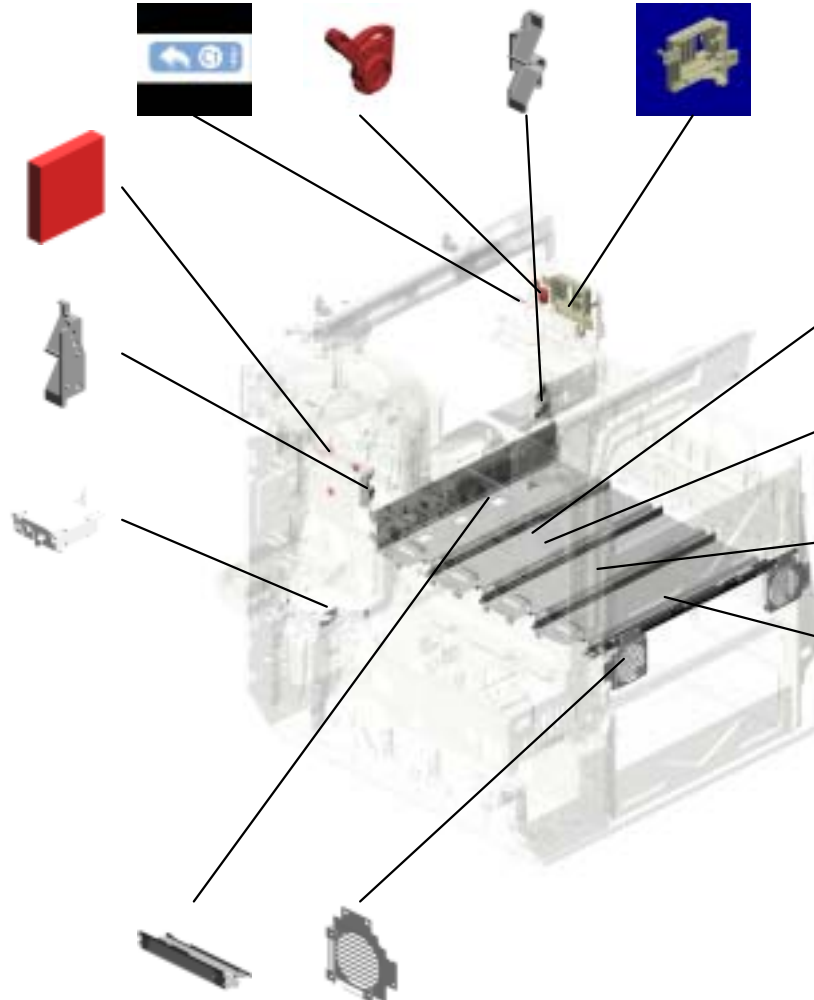
78.D0291339 [C]
DUCT:EXIT:C2081128 X/O



74.D0291058 (x3)
SEAL:BURRING

80.D0296319
GUIDE:POSITIONING:REAR

76.D0291236
DUCT:REAR:1



85.B2231120
BRACKET:PAPER FEED UNIT:PEEN

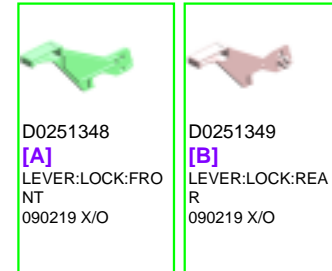
82.D0291075
SEPARATION PLATE:IMAGING UNIT: UPPER MIDDLE:RIGHT:ASS'Y

83.D0291083
SEPARATION PLATE:IMAGING UNIT: UPPER MIDDLE:LEFT:ASS'Y

84.D0291086
SEPARATION PLATE:IMAGING UNIT: UPPER LEFT:ASS'Y

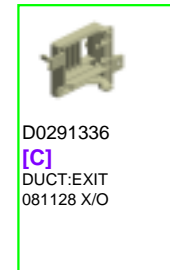
81.D0291074
SEPARATION PLATE:IMAGING UNIT: UPPER RIGHT:ASS'Y

77.D0291331 (x2)
BRACKET:FAN:IMAGING FORMING SECTION



D0251348 [A]
LEVER:LOCK:FRONT
090219 X/O

D0251349 [B]
LEVER:LOCK:REAR
090219 X/O



D0291336 [C]
DUCT:EXIT
081128 X/O

U001_S001
 DRUM STAY PCU ASS'Y

38.B2231317
 (x6)
 SCREW

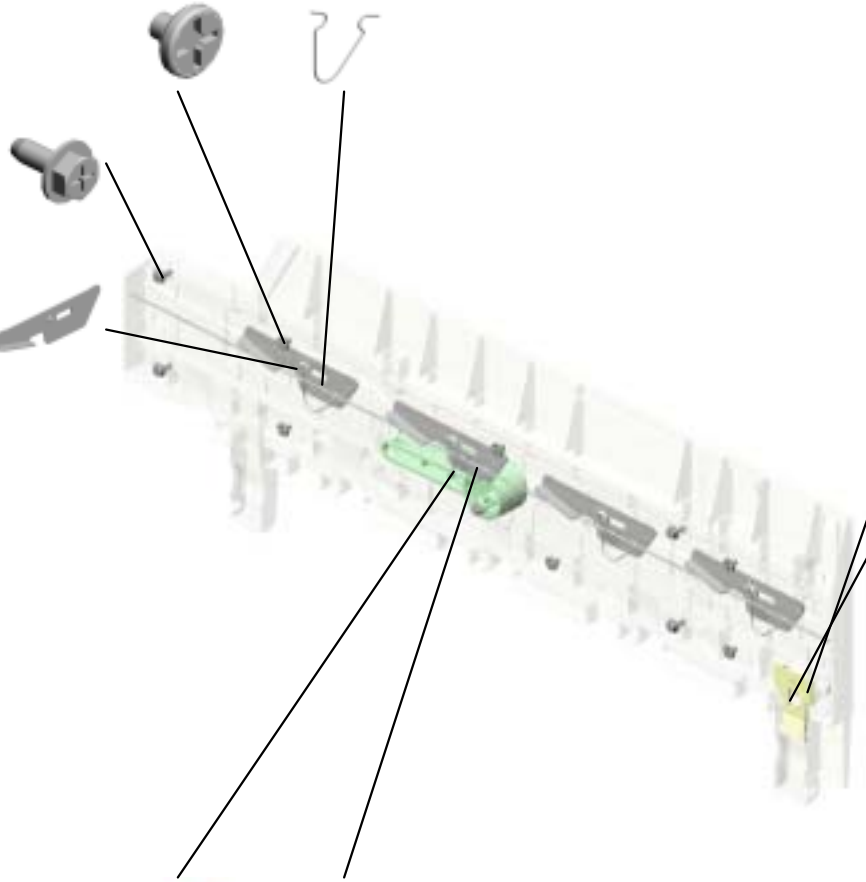
37.B2231316
 (x4)
 BALL BEARING CLI
 P



32.B2231300
 DRUM STAY PCU
 ASS'Y

2.04503010N
 (x5)
 TAPPING SCREW -
 M3X10

36.B2231315
 (x4)
 BALL BEARING PL
 ATE



39.B2231318
 SPRING

35.B2231306
 DRUM STAY

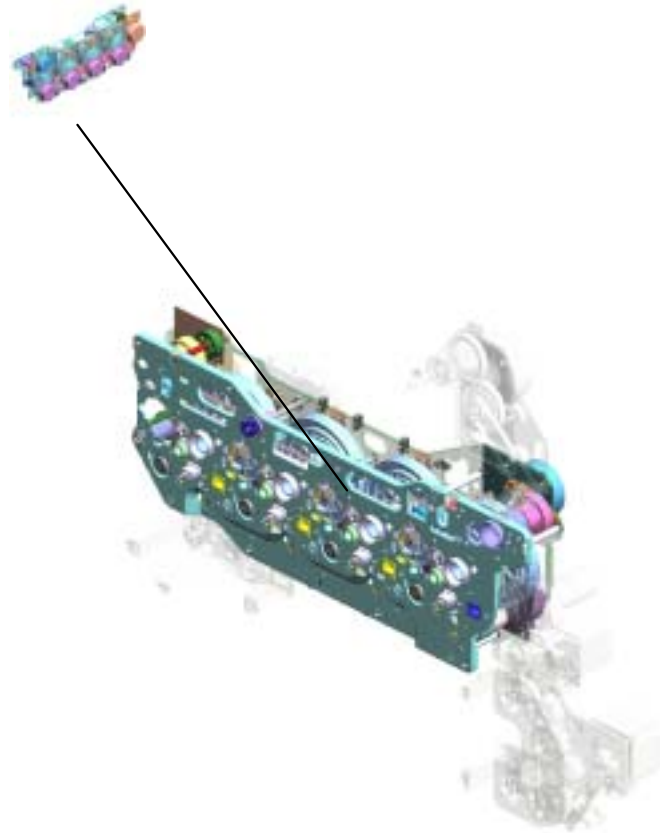
33.B2231303
 DRUM STAY LEVE
 R

40.B2231319
 WIRE

U001	U002	U003	U004	U005	U006	U007	U008	U009	U010	U011	U012	U013	U014	U015	U016	U017
------	------	------	------	------	------	------	------	------	------	------	------	------	------	------	------	------

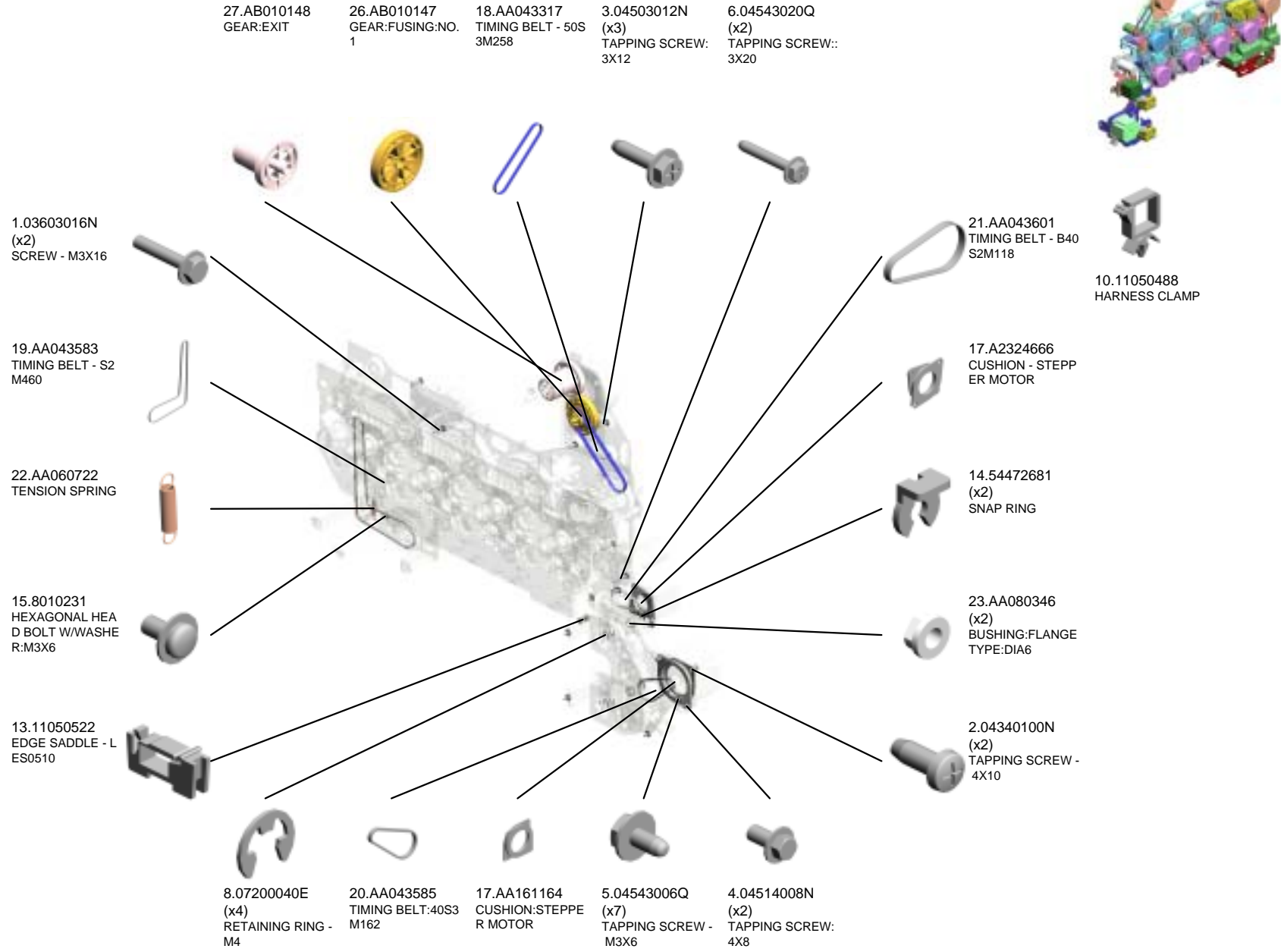
U002.Main Drive

U002_S001
D0251100
DRIVE UNIT:ENGINE:ATHEN
A-C2:ASS'Y



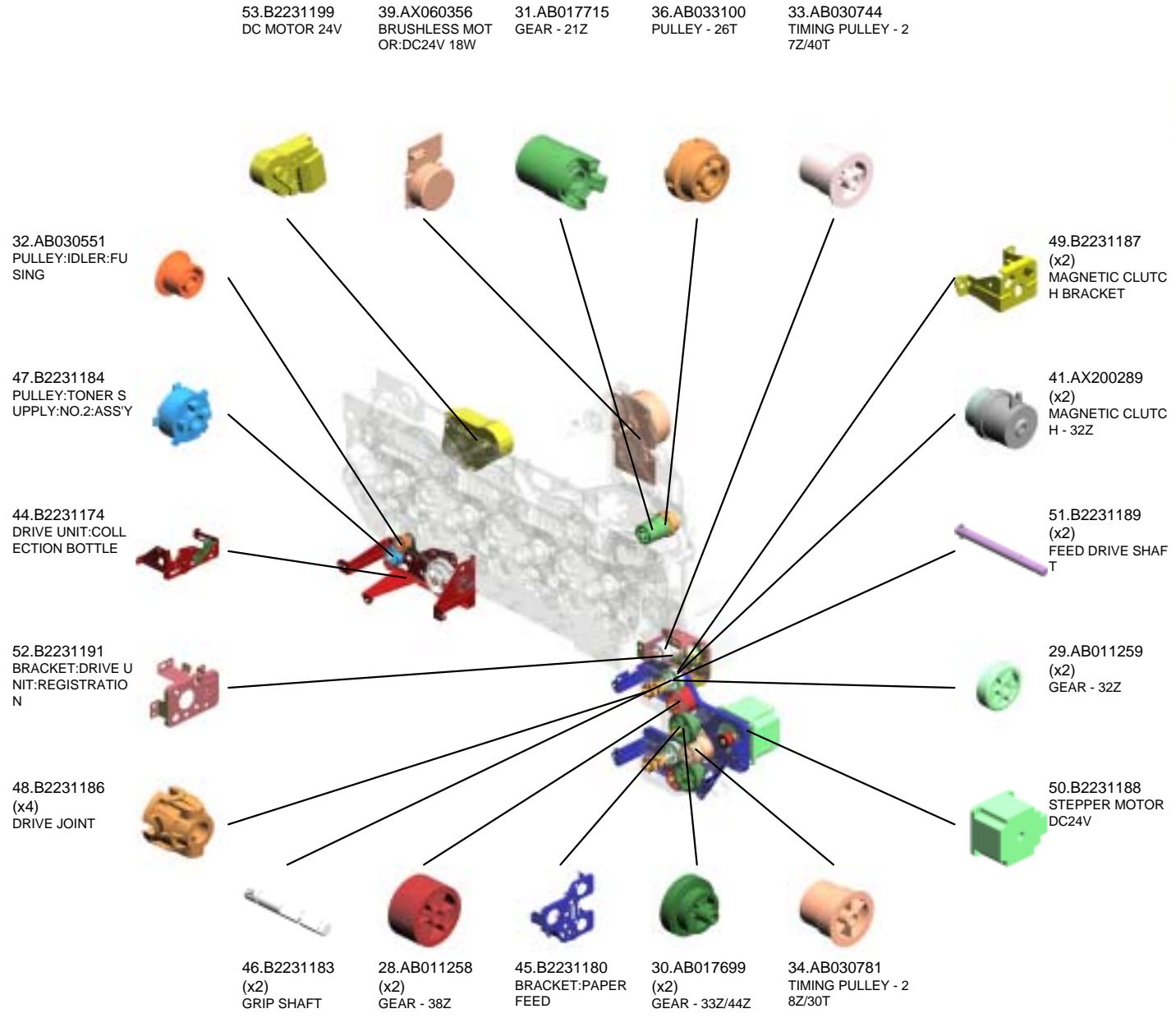
U001	U002	U003	U004	U005	U006	U007	U008	U009	U010	U011	U012	U013	U014	U015	U016	U017
------	------	------	------	------	------	------	------	------	------	------	------	------	------	------	------	------

U002 Main Drive



U001	U002	U003	U004	U005	U006	U007	U008	U009	U010	U011	U012	U013	U014	U015	U016	U017
------	------	------	------	------	------	------	------	------	------	------	------	------	------	------	------	------

U002 Main Drive



U001	U002	U003	U004	U005	U006	U007	U008	U009	U010	U011	U012	U013	U014	U015	U016	U017
------	-------------	------	------	------	------	------	------	------	------	------	------	------	------	------	------	------

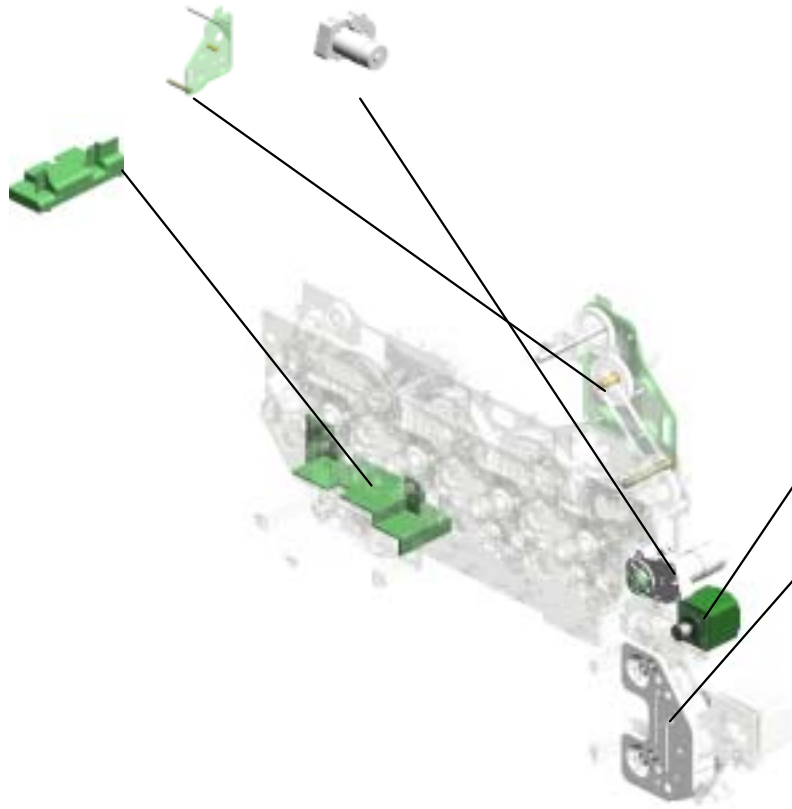
U002 Main Drive

59.D0251163
BRACKET:DRIVE U
NIT:FUSING EXIT S
ECTION:ASSY

53.D0291199
DRIVE UNIT:ON-OF
F:TRANSFER



55.B2231364
GUIDE:HARNESS



62.D0291147
STEPPER MOTOR:
REGISTRATION:AS
SY

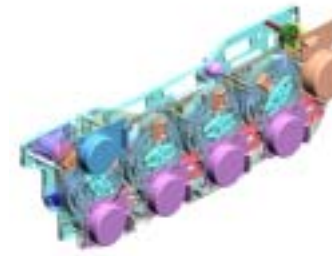
54.B2231354
DRUM STAY:DRIV
E UNIT

U001	U002	U003	U004	U005	U006	U007	U008	U009	U010	U011	U012	U013	U014	U015	U016	U017
------	-------------	------	------	------	------	------	------	------	------	------	------	------	------	------	------	------

U002_S001

DRIVE UNIT:ENGINE:ATHENA-C2:ASS'Y

- 39.AX060356 BRUSHLESS MOT OR:DC24V 18W
- 58.D0251139 (x3) HOLDER:MAGNETIC CLUTCH:DEVELOPMENT:COLOR
- 25.AA100015 (x4) SNAP RING - M6
- 24.AA082101 (x3) BUSHING - 6X10X6
- 8.07200040E (x5) RETAINING RING - M4



56.D0251100
DRIVE UNIT:ENGINE:ATHENA-C2:ASS'Y

7.06220120E
SPRING PIN - 2X12 MM

42.AX200315 (x3)
MAGNETIC CLUTCH:DEVELOPMENT:0.5N

57.D0251136 (x3)
SHAFT:DEVELOPMENT:COLOR:ASS'Y

16.8050088 (x7)
RETAINING RING - M6

35.AB030888 (x4)
TIMING PULLEY:DEVELOPMENT:NO. 1

60.D0291136
SHAFT:DEVELOPMENT:ASS'Y

42.AX200314
MAGNETIC CLUTCH:DEVELOPMENT:0.5N

9.07200060E (x4)
RETAINING RING - M6

12.11050516 (x16)
CLAMP

40.AX060367 (x4)
BRUSHLESS MOTOR:DRIVE:DRUM:28W

38.AX050333
BRUSHLESS MOTOR:DRIVE:INTERMEDIATE TRANSFER:9W

37.AW020145 (x4)
PHOTO INTERRUPTOR:FLAT

43.B2231144 (x4)
HOLDER:POSITIONING SENSOR

11.11050511 (x6)
HARNESS CLAMP - LWS-0306ZC

5.04543006Q (x12)
TAPPING SCREW - M3X6

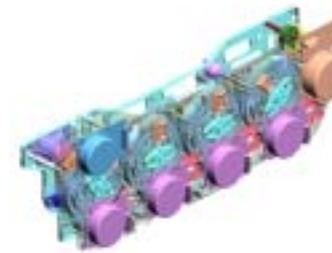
U001	U002	U003	U004	U005	U006	U007	U008	U009	U010	U011	U012	U013	U014	U015	U016	U017
------	------	------	------	------	------	------	------	------	------	------	------	------	------	------	------	------

U002_S001

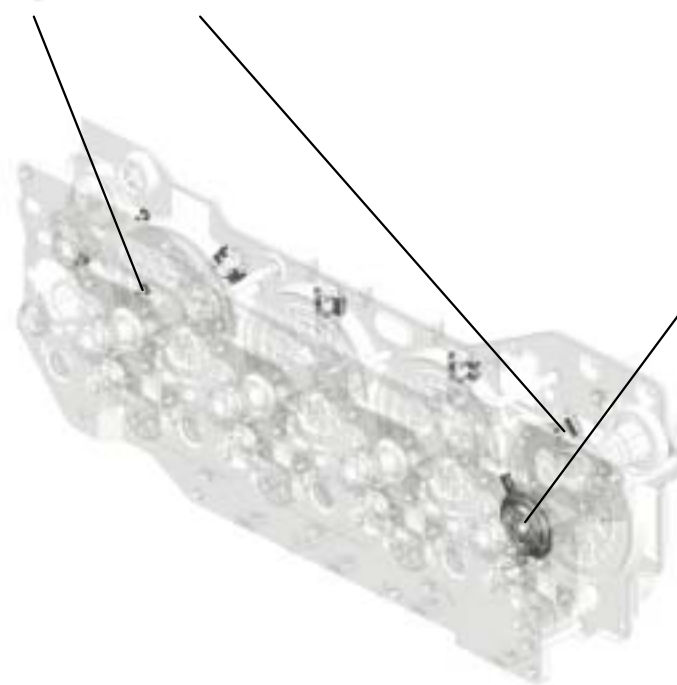
DRIVE UNIT:ENGINE:ATHENA-C2:ASS'Y

63.04543005Q
(x3)
TAPPING SCREW::
3X5
201008-04

64.D0891145
(x4)
BRACKET:SENSO
R COVER
201012-13



56.D0251100
DRIVE UNIT:ENGIN
E:ATHENA-C2:ASS'
Y



61.D0291137
HOLDER:MAGNETI
C CLUTCH:DEVEL
OPMENT

U001	U002	U003	U004	U005	U006	U007	U008	U009	U010	U011	U012	U013	U014	U015	U016	U017
------	-------------	------	------	------	------	------	------	------	------	------	------	------	------	------	------	------

U003 Exterior



- 18.B2231276 FILTER:RIGHT REAR
- 17.B2231274 COVER:RIGHT REAR:FAN
- 15.D0251266 COVER:PAPER EXIT SUB-UNIT:UPPER
- 15.B2231266 COVER:PAPER EXIT UNIT:UPPER
- 16.B2231273 COVER:RIGHT:UPPER MIDDLE

21.B2231291
COVER:REAR

5.AA143823
(x6)
TAPPING SCREW

22.B2231293
(x2)
CAP:COVER:REAR

8.B2221281
COVER:LEFT:EU

20.B2231283
COVER:LEFT:MIDDLE

11.B2231248
OPERATING INSTRUCTIONS HOLDER

23.B2231348
(x2)
FILTER:IMAGE FORMING MD

9.B2231242
INNER COVER - LEFT

14.B2231255
COVER - MAIN SWITCH

10.B2231244
INNER COVER - MIDDLE

12.B2231249
STOPPER:MAGNET CATCH

6.AG071012
(x2)
MAGNET CATCH:ASSY

7.B0241264
MAGNET CATCH

13.B2231253
EMBLEM COVER

19.B2231279
CLEANER:SHIELD GLASS:ASSY

- 1.03530050N (x 1)
SCREW-M3X5
- 2.03603006N (x 1)
SCREW:M3X6
- 3.04503010N (x 1)
TAPPING SCREW - M3X10
- 4.04543008Q (x 1)
TAPPING SCREW:3X8

U003 Exterior



43.D0241292 COVER:REAR:UPPER:NA
 32.B2381369 COVER:SCANNER:REAR:DOM
 42.D0241262 COVER:INNER BACK:UPPER:NA
 28.B2241263 COVER:INNER BACK:MIDDLE:EU
 33.B2381399 INNER COVER:UPPER:LEFT:DOM

38.D0091260
UPPER COVER

24.B2234486
EXIT TRAY

25.B2234487
EXIT END FENCE

35.B2383365
DECAL:COLORED DISPLAY:Y:INNER COVER

34.B2383364
DECAL:COLORED DISPLAY:BK:INNER COVER

29.B2371372
DECAL - MAIN SWITCH ON-STANDBY

27.B2241257
COVER:FRONT:COLLECTION BOTTLE

36.B2383366
DECAL:COLORED DISPLAY:C:INNER COVER

26.B2241251
COVER:FRONT:EU

31.B2381368 (x4)
DECAL - CLEANING

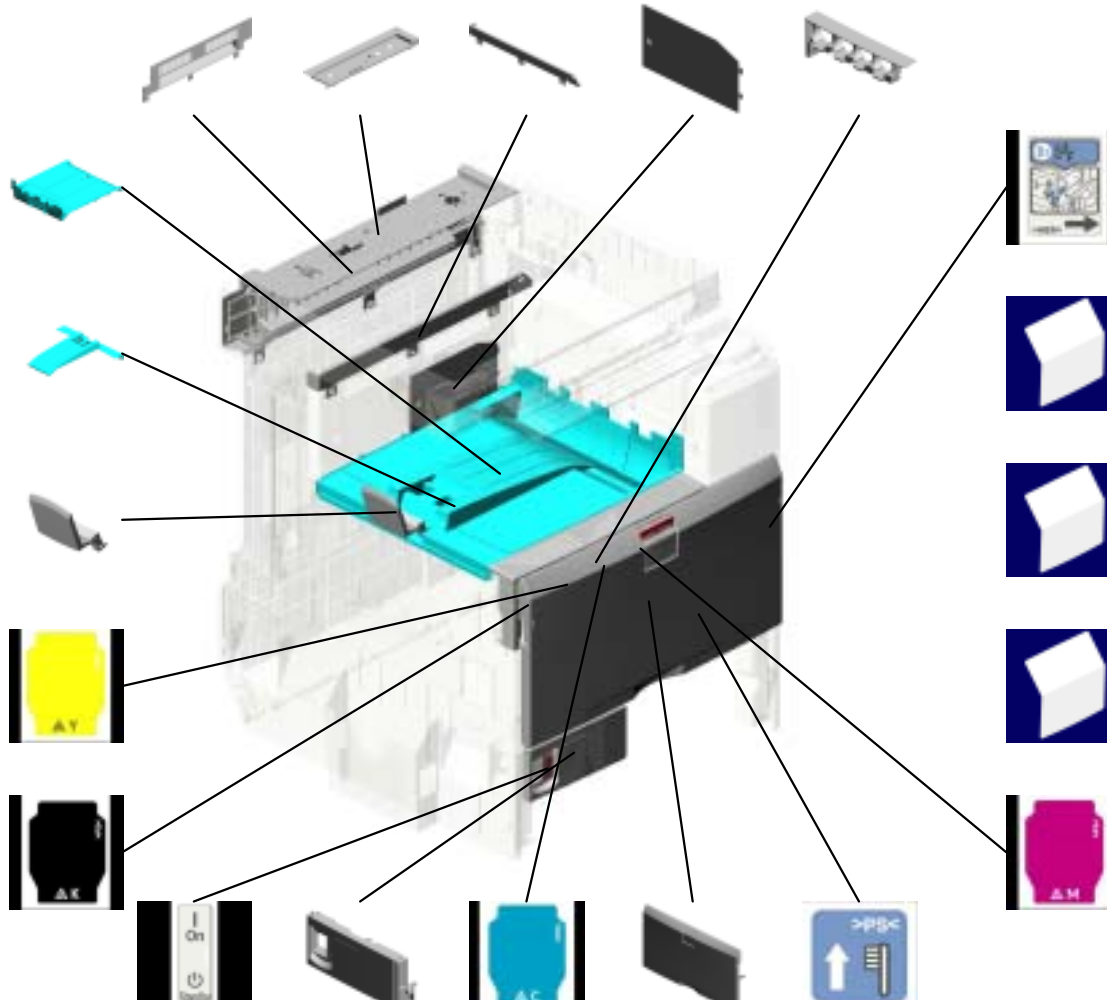
30.B2381362
DECAL - MISFEED REMOVAL B1

39.D0238332
SHEET:EMBLEM:AT-C2A:RIC:GSA

40.D0238333
SHEET:EMBLEM:AT-C2A:SVN:GSA

41.D0238334
SHEET:EMBLEM:AT-C2A:LAN:GSA

37.B2383367
DECAL:COLORED DISPLAY:M:INNER COVER



U003 Exterior



48.D0241594 COVER:SCANNER:FRONT:NA
 45.D0241392 COVER:SCANNER:RIGHT:NA
 46.D0241592 COVER:SCANNER:FRONT:UPPER:NA
 50.D0251596 COVER:FRONT RIGHT:UPPER
 61.D0291213 COVER:FRONT RIGHT

44.D0241376 COVER:SCANNER:LEFT:NA

60.D0281282 COVER:LEFT:UPPER:NA

49.D0251261 COVER:INNER BACK

47.D0241593 COVER:SCANNER:FRONT:LEFT:NA

51.D0251597 (x2) BRACKET:OPERATION PANEL:AUXILIARY

63.D0291256 SHEET:MISFEED REMOVAL:AP-C2

55.D0258330 SHEET:EMBLEM:LANIER For D025

56.D0258332 SHEET:EMBLEM:LANIER For D025

57.D0258333 SHEET:EMBLEM:LANIER For D025

58.D0258334 SHEET:EMBLEM:LANIER For D025

62.D0291243 INNER COVER:UPPER:RIGHT

52.D0258322 SHEET:EMBLEM:RICOH For D025

53.D0258328 SHEET:EMBLEM:SAVIN For D025

54.D0258329 SHEET:EMBLEM:GESTETNER For D025

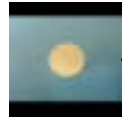
59.D0281271 COVER:RIGHT:FRONT:NA

U003 Exterior



64.D0291272 COVER:RIGHT:REAR
65.D0291278 (x2) OZONE FILTER:NO.2
68.G1331295 OZONE FILTER

67.G1331285 (x3) DECAL:COVER:LEFT:GUIDE PLATE



70.GA003030 DECAL - SHIELDING PLATE Y



73.GA003033 DECAL - SHIELDING PLATE K



71.GA003031 DECAL - SHIELDING PLATE M



72.GA003032 DECAL - SHIELDING PLATE C



66.G0201332 (x2) HINGE - FRONT COVER

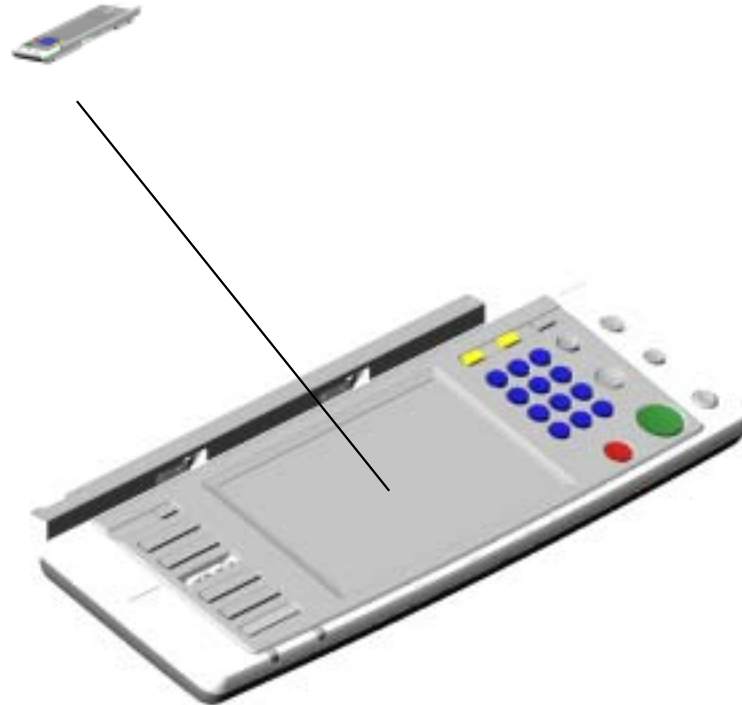


69.G1336537 MAGNET CATCH



U004.Operation

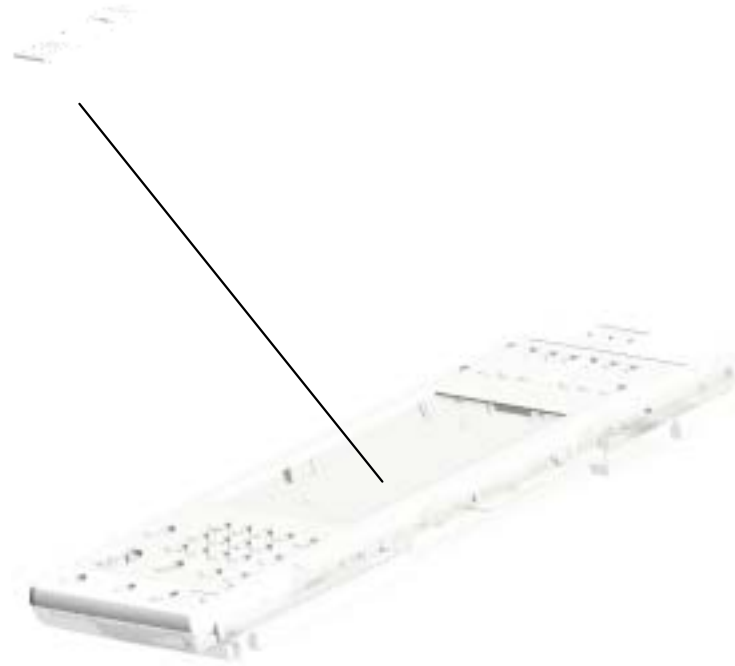
U004_S001
D0251441
OPERATION SUB-UNIT:AT-C
2:NA:ASS'Y



U001	U002	U003	U004	U005	U006	U007	U008	U009	U010	U011	U012	U013	U014	U015	U016	U017
------	------	------	------	------	------	------	------	------	------	------	------	------	------	------	------	------

U004_S001.OPERATION SUB-UNIT:AT-C2:NA:ASS'Y

U004_S001_S001
D0291556
COVER:UPPER:AP-C2:NA



U001	U002	U003	U004	U005	U006	U007	U008	U009	U010	U011	U012	U013	U014	U015	U016	U017
------	------	------	------	------	------	------	------	------	------	------	------	------	------	------	------	------

U004 Operation

1.03530030N
(x2)
SCREW-M3X3



2.03530050N
(x2)
SCREW-M3X5

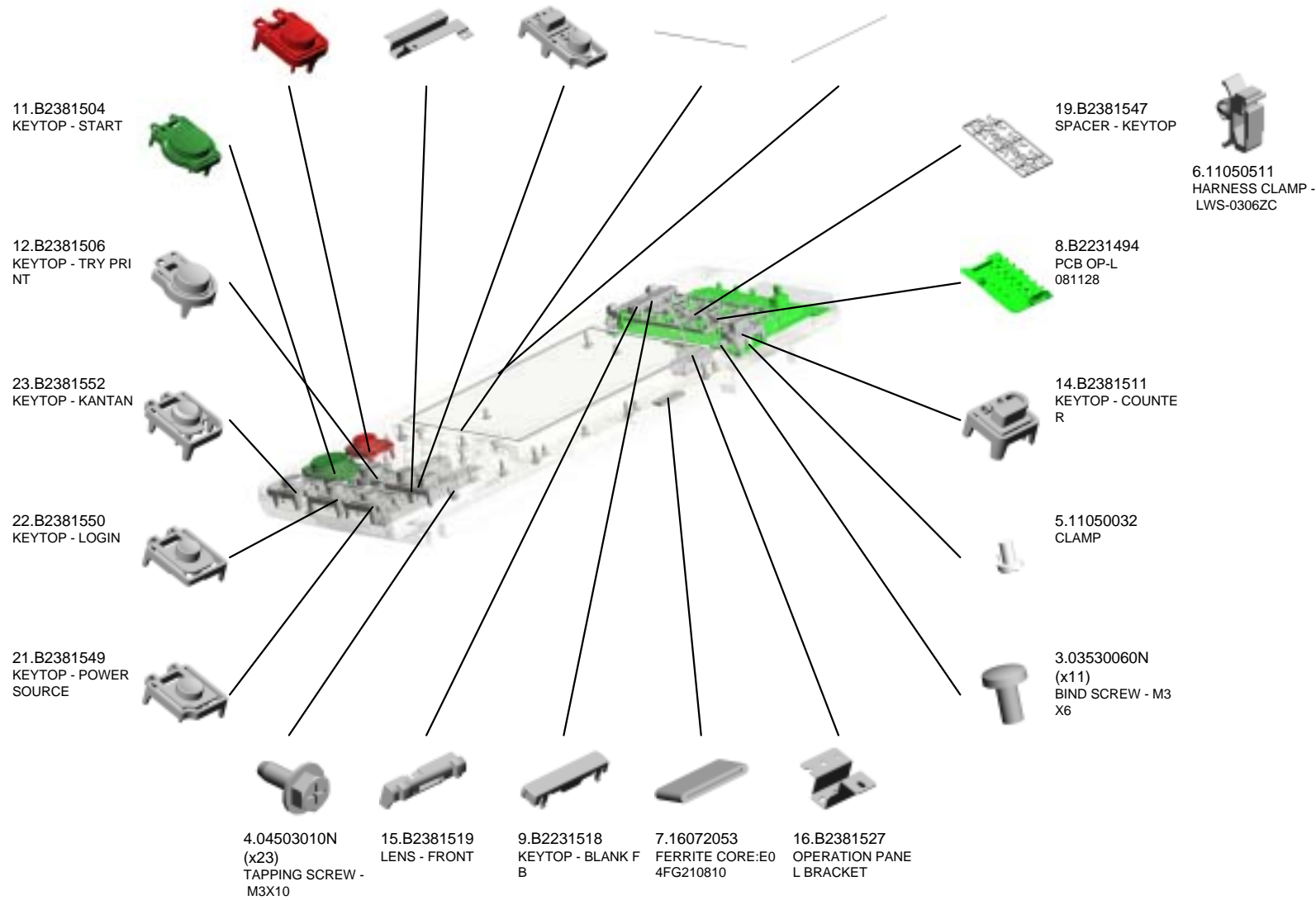


U001	U002	U003	U004	U005	U006	U007	U008	U009	U010	U011	U012	U013	U014	U015	U016	U017
------	------	------	------	------	------	------	------	------	------	------	------	------	------	------	------	------

- 10.B2231520 KEYTOP - CLEAR/STOP
- 20.B2381548 OPERATION PANE L BRACKET - RIGHT
- 13.B2381509 KEYTOP - INTERRUPT
- 17.B2381534 (x2) LCD SPACER A
- 18.B2381535 (x2) LCD SPACER B



40.D0251441
 [A]
 OPERATION SUB-UNIT:AT-C2:NA:ASS'Y
 201012-01 X/O



U004_S001

OPERATION SUB-UNIT:AT-C2:NA:ASS'Y

35.D0091556 PANEL:UPPER:NA
 29.D0091504 SHADEING PLATE: TOUCH PANEL
 32.D0291484 TOUCH PANEL:WV GA:FU-ACF 081128 X/O



40.D0251441
 [A]
 OPERATION SUB-UNIT:AT-C2:NA:ASS'Y
 201012-01 X/O

24.B2381583 KEYTOP - CLEAR MODES



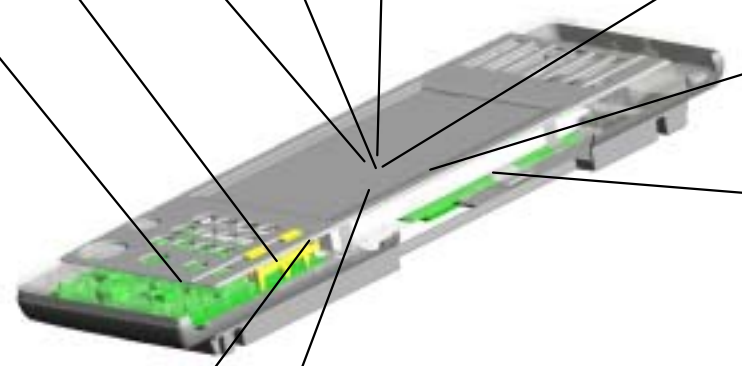
37.D0091470 PCB:OP-R 201012-06 O/O



26.D0091486 INVERTOR:TFT



34.D0091502 COVER:LOWER



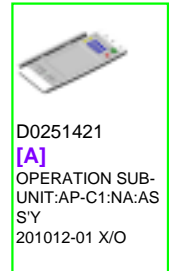
28.D0091498 LCD:TFT:W-VGA:MY



36.D0251481 PCB:LCDC:NA:ASS'Y 201008-01 X/O



27.D0091487 CABLE:FFC:TFT:LCD

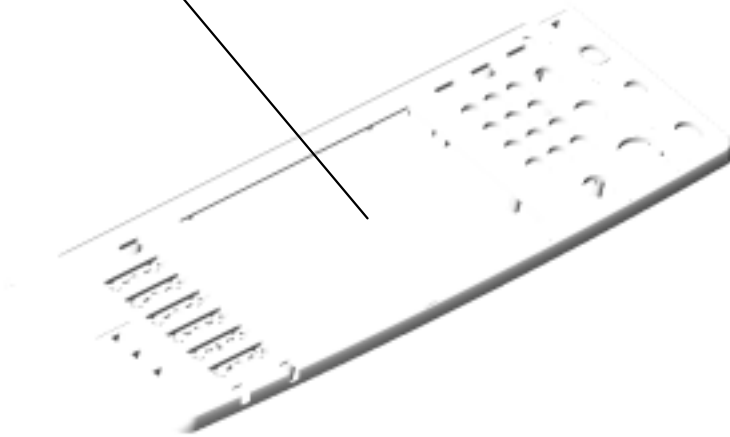
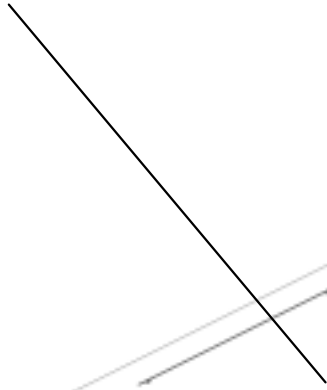


D0251421
 [A]
 OPERATION SUB-UNIT:AP-C1:NA:ASS'Y
 201012-01 X/O

U001	U002	U003	U004	U005	U006	U007	U008	U009	U010	U011	U012	U013	U014	U015	U016	U017
------	------	------	------	------	------	------	------	------	------	------	------	------	------	------	------	------

U004_S001_S001
COVER:UPPER:AP-C2:NA

33.D0291500
COVER:UPPER:AP
-C2



33.D0291556
COVER:UPPER:AP
-C2:NA

U001	U002	U003	U004	U005	U006	U007	U008	U009	U010	U011	U012	U013	U014	U015	U016	U017
------	------	------	------	------	------	------	------	------	------	------	------	------	------	------	------	------

U005.Scanner

U005_S001
B2381715
STEPPER MOTOR DC3.9V

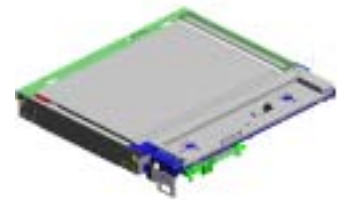
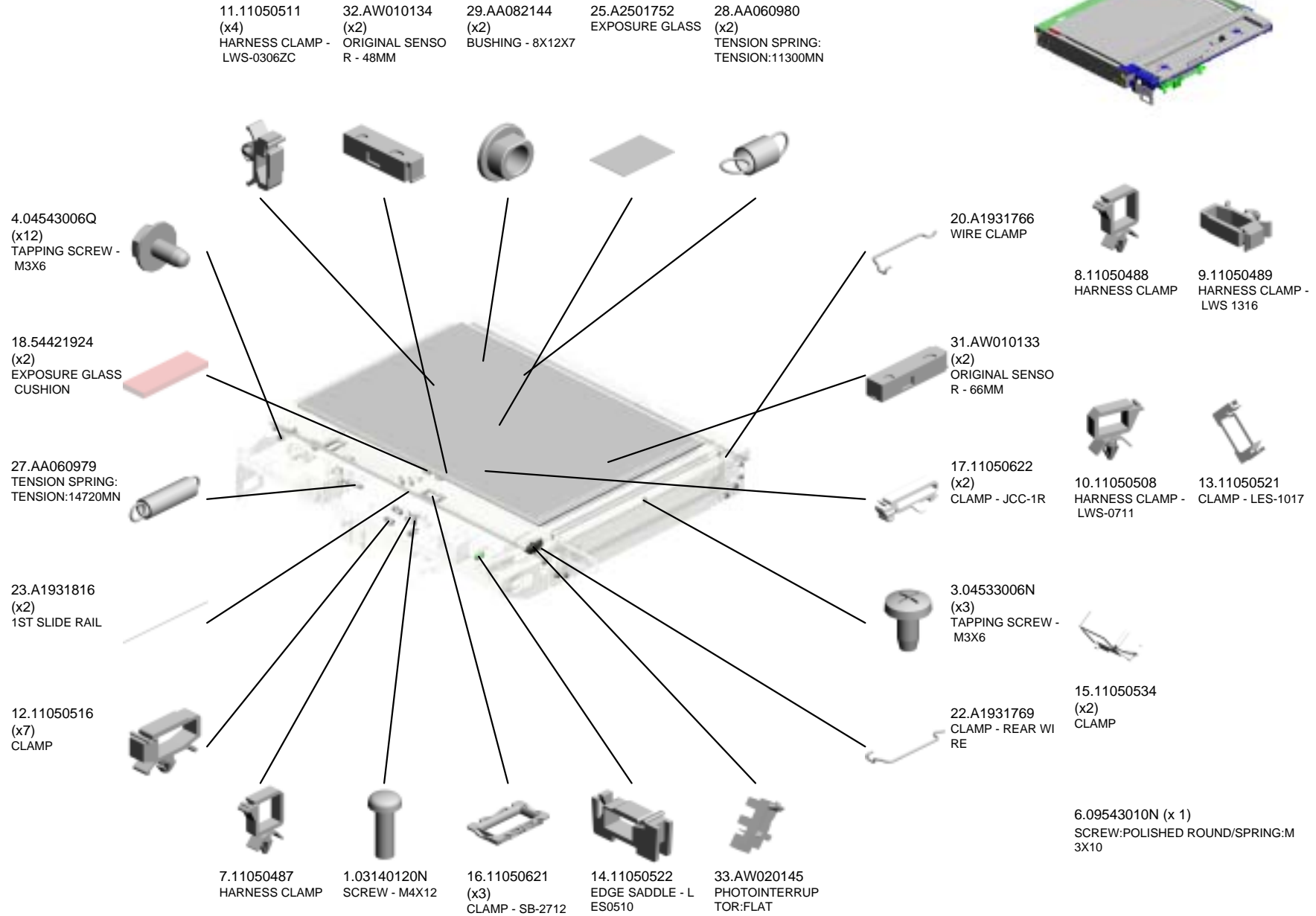
U005_S002
D0251716
CARRIAGE:NO.1:ASS'Y

U005_S003
D0251721
CARRIAGE:NO.2:ASS'Y



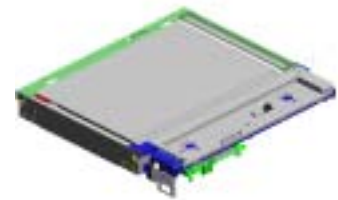
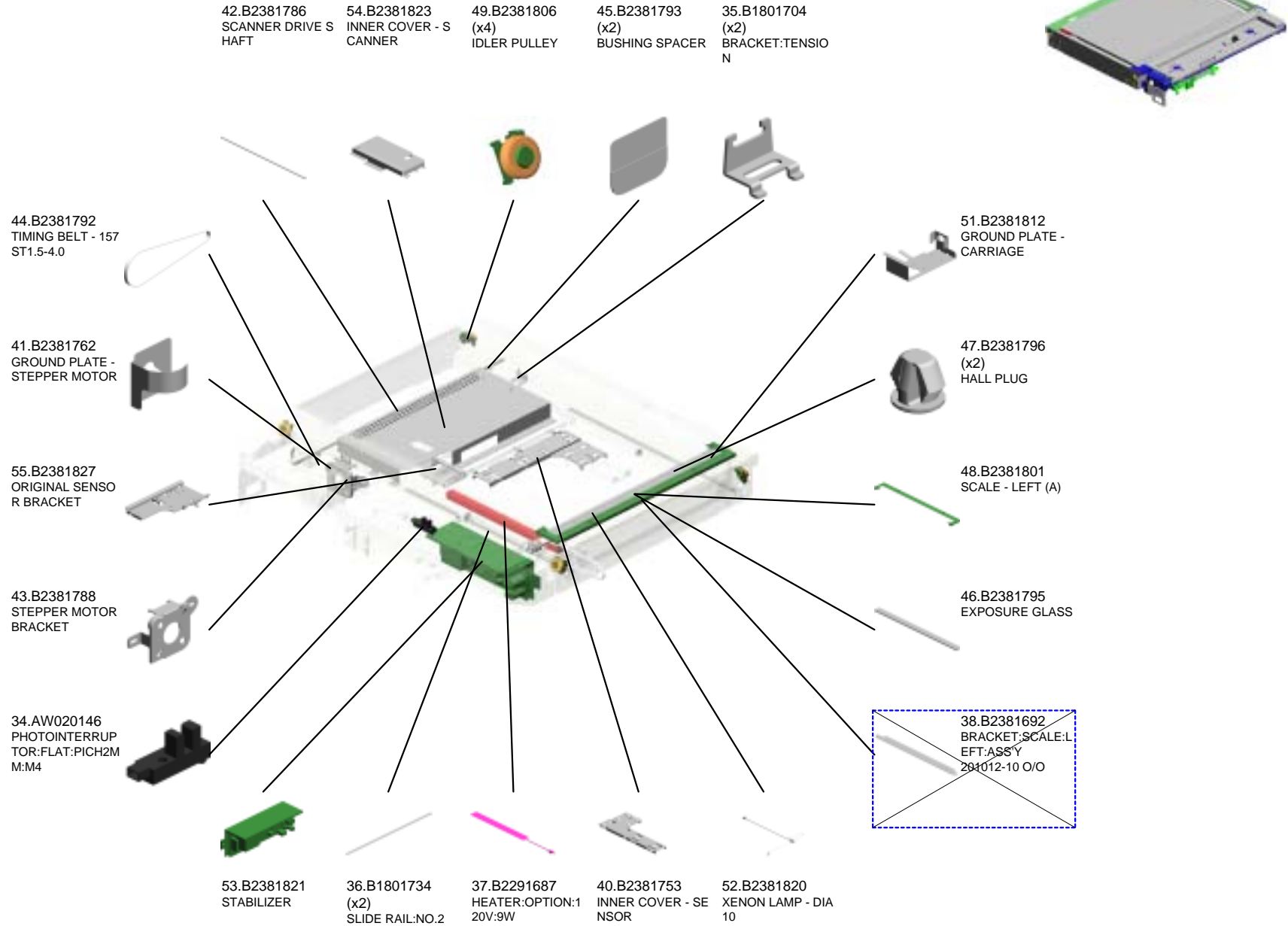
U001	U002	U003	U004	U005	U006	U007	U008	U009	U010	U011	U012	U013	U014	U015	U016	U017
------	------	------	------	------	------	------	------	------	------	------	------	------	------	------	------	------

U005 Scanner



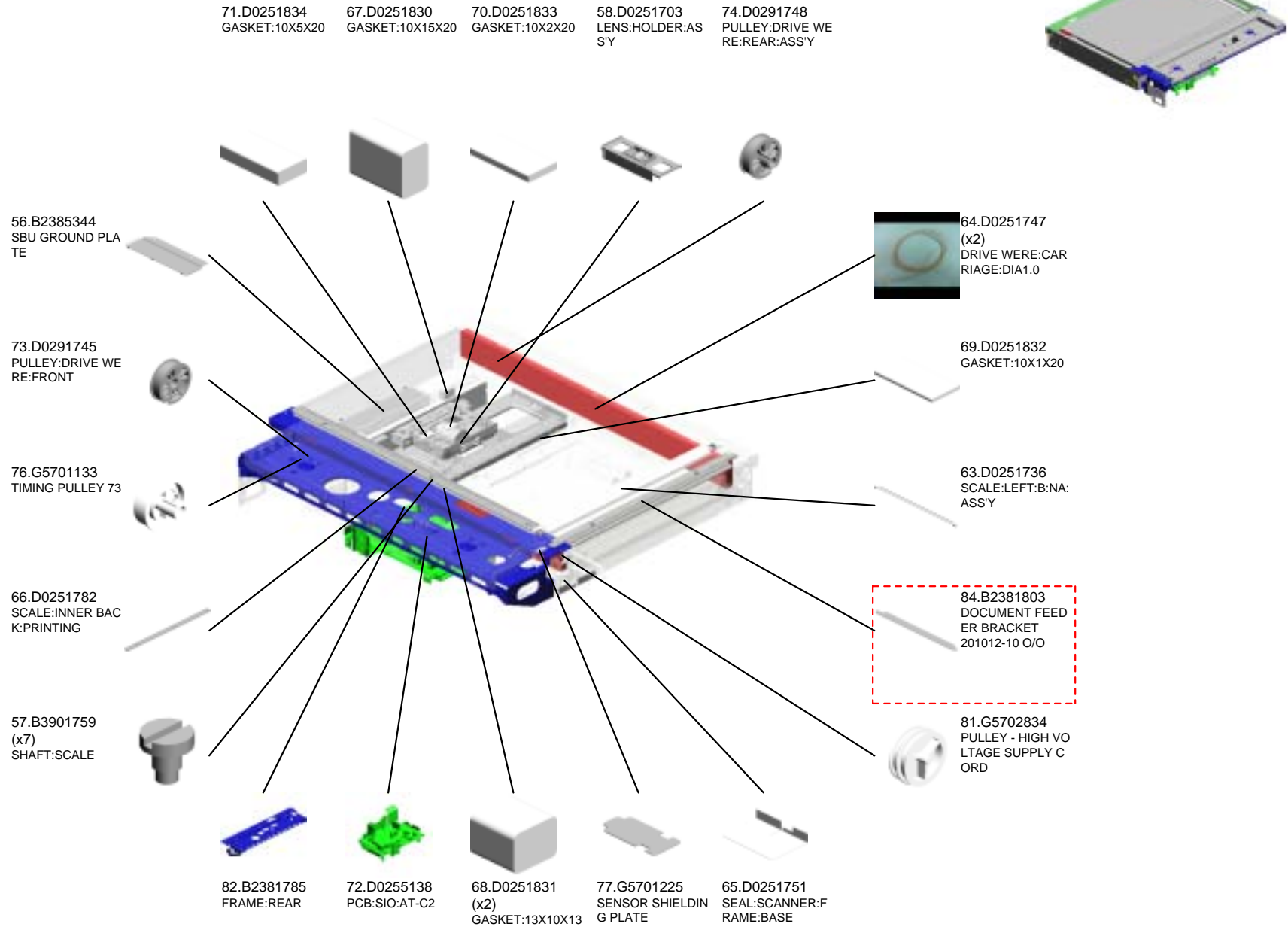
U001	U002	U003	U004	U005	U006	U007	U008	U009	U010	U011	U012	U013	U014	U015	U016	U017
------	------	------	------	------	------	------	------	------	------	------	------	------	------	------	------	------

U005 Scanner



U001	U002	U003	U004	U005	U006	U007	U008	U009	U010	U011	U012	U013	U014	U015	U016	U017
------	------	------	------	-------------	------	------	------	------	------	------	------	------	------	------	------	------

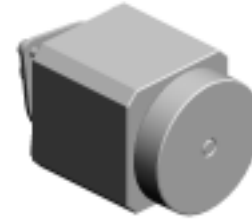
U005 Scanner



U001	U002	U003	U004	U005	U006	U007	U008	U009	U010	U011	U012	U013	U014	U015	U016	U017
------	------	------	------	-------------	------	------	------	------	------	------	------	------	------	------	------	------

U005_S001
STEPPER MOTOR DC3.9V

24.A2324666
CUSHION - STEPP
ER MOTOR



39.B2381715
STEPPER MOTOR
DC3.9V



U001	U002	U003	U004	U005	U006	U007	U008	U009	U010	U011	U012	U013	U014	U015	U016	U017
------	------	------	------	------	------	------	------	------	------	------	------	------	------	------	------	------

U005_S002
CARRIAGE:NO.1:ASS'Y

21.A1931767 19.A1001714
1ST MIRROR HOL REFLECTOR
DER



59.D0251716
CARRIAGE:NO.1:A
SS'Y

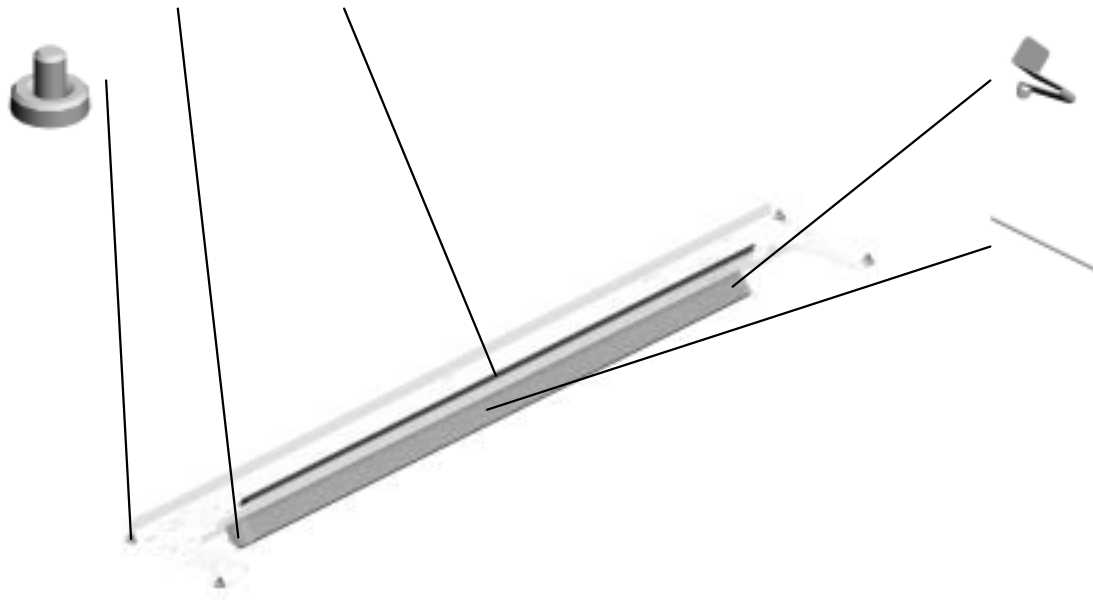
78.G5702730
(x4)
SLIDER - SCANNER



83.M0261815
CLAMP:MIRROR:N
O.1
201012-12 O/O



30.AC030169
MIRROR:NO.1



U001	U002	U003	U004	U005	U006	U007	U008	U009	U010	U011	U012	U013	U014	U015	U016	U017
------	------	------	------	------	------	------	------	------	------	------	------	------	------	------	------	------

U005_S003
CARRIAGE:NO.2:ASS'Y

50.B2381807
(x2)
PULLEY

80.G5702833
PULLEY HOLDER

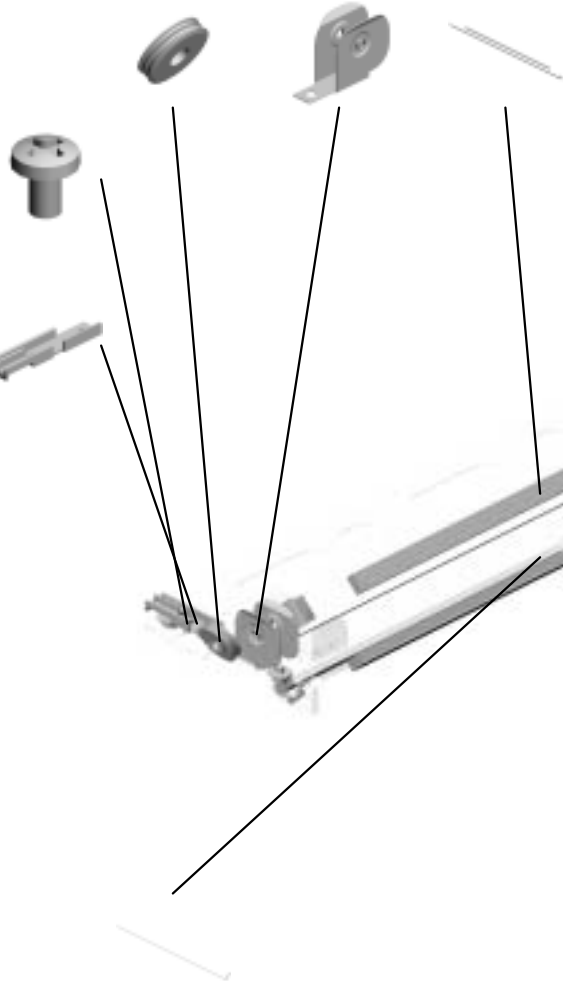
61.D0251727
MIRROR:NO.2:CON
CAVE:ASS'Y



60.D0251721
CARRIAGE:NO.2:A
SS'Y

2.03530050N
(x2)
SCREW-M3X5

79.G5702832
GUIDE - HIGH VOL
TAGE SUPPLY CO
RD



5.07200040E
(x2)
RETAINING RING -
M4

26.A2501791
(x4)
2ND SCANNER SH
OE

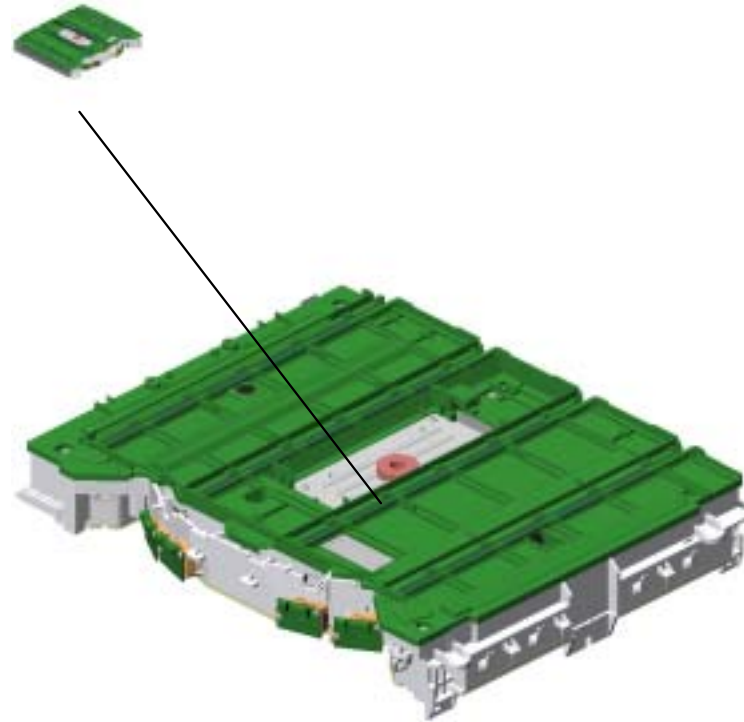
75.G4042810
(x4)
SPRING PLATE - 2
ND MIRROR

62.D0251728
MIRROR:NO.2:CON
VAX:ASS'Y

U001	U002	U003	U004	U005	U006	U007	U008	U009	U010	U011	U012	U013	U014	U015	U016	U017
------	------	------	------	------	------	------	------	------	------	------	------	------	------	------	------	------

U006.Laser Unit

U006_S001
D0251852
IMAGE FORMING SECTION:
SERVICE PARTS:1LD:ASS'Y



U001	U002	U003	U004	U005	U006	U007	U008	U009	U010	U011	U012	U013	U014	U015	U016	U017
------	------	------	------	------	-------------	------	------	------	------	------	------	------	------	------	------	------

U006
Laser Unit



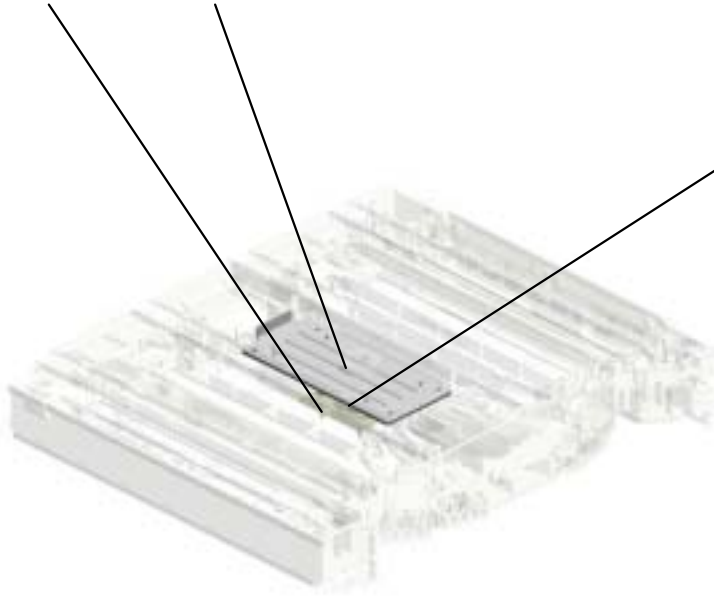
U001	U002	U003	U004	U005	U006	U007	U008	U009	U010	U011	U012	U013	U014	U015	U016	U017
------	------	------	------	------	------	------	------	------	------	------	------	------	------	------	------	------

U006_S001

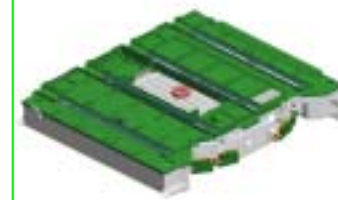
IMAGE FORMING SECTION:SERVICE PARTS:1LD:ASS'Y

1.8025310
(x4)
BINDING SELF-TAPPING SCREW:3X8

3.B2231882
COVER:POLYGON SCANNER:ASS'Y



5.AX060396
DC POLYGON MIRROR MOTOR:24W
201012-14 X/O



4.D0251852
[A]
IMAGE FORMING SECTION:SERVICE PARTS:1LD:ASS'Y
201102-02 X/O



D0251851
[A]
IMAGE FORMING SECTION:SERVICE PARTS:1LD:ASS'Y
201102-02 X/O

U001	U002	U003	U004	U005	U006	U007	U008	U009	U010	U011	U012	U013	U014	U015	U016	U017
------	------	------	------	------	-------------	------	------	------	------	------	------	------	------	------	------	------

U007.Paper Feed

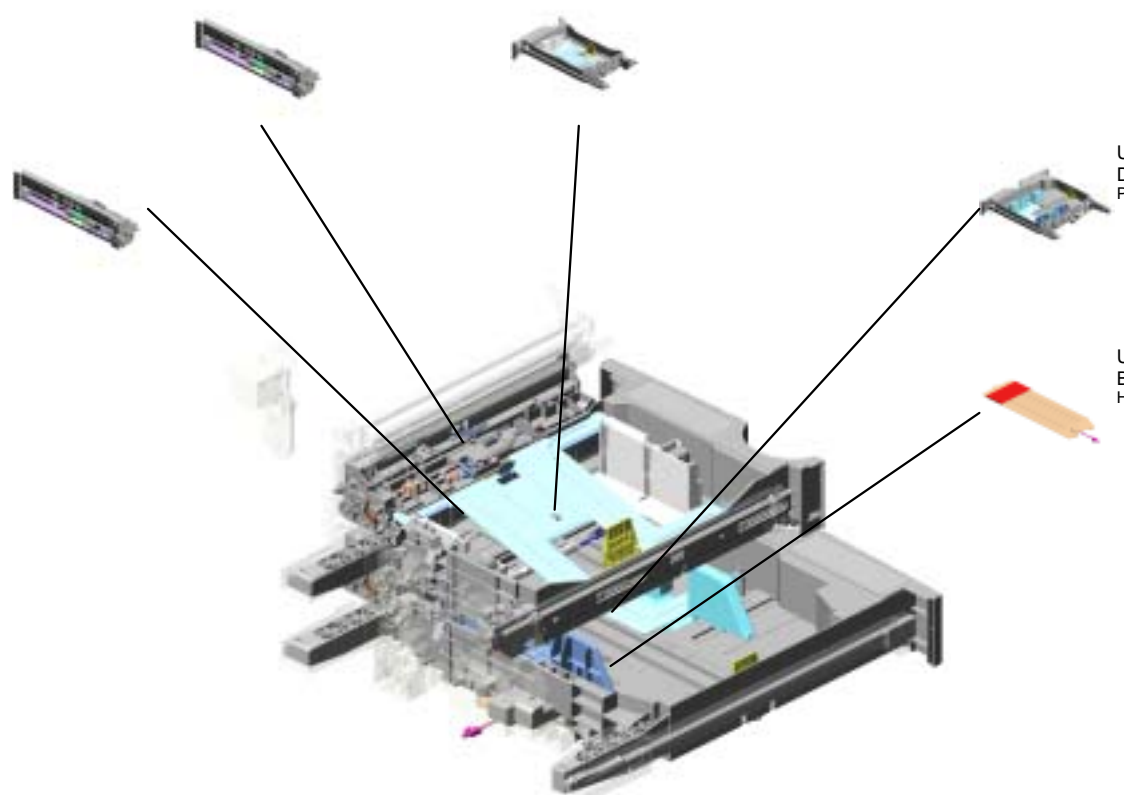
U007_S001
D0252751
PAPER FEED UNIT:ASS'Y

U007_S003
D0292850
PAPER TRAY:NO.1:ASS'Y

U007_S002
D0252751
PAPER FEED UNIT:ASS'Y

U007_S004
D0292900
PAPER TRAY:NO.2:ASS'Y

U007_S005
B2232702
HEAT SINK:HEATER:NA



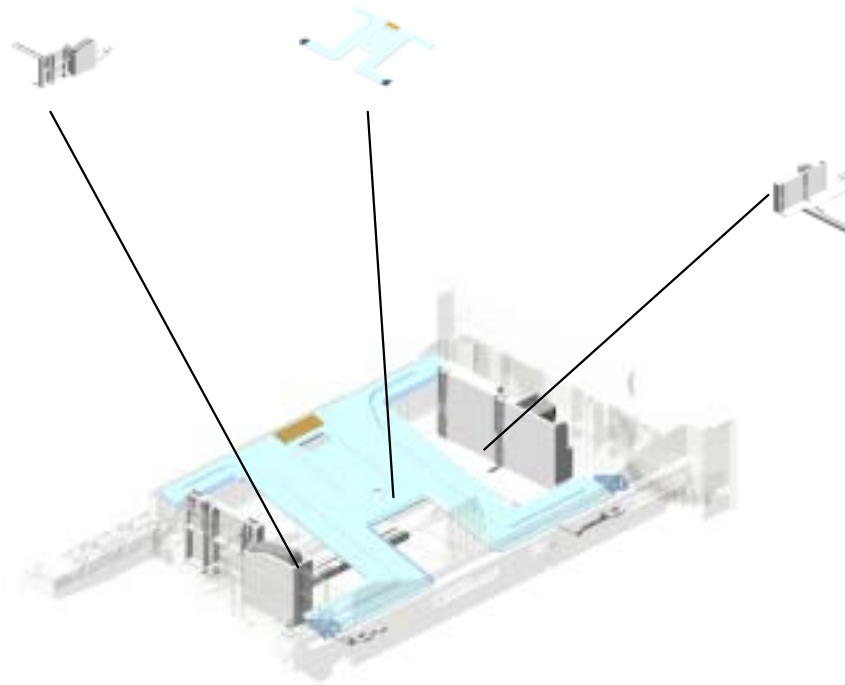
U001	U002	U003	U004	U005	U006	U007	U008	U009	U010	U011	U012	U013	U014	U015	U016	U017
------	------	------	------	------	------	------	------	------	------	------	------	------	------	------	------	------

U007_S003.PAPER TRAY:NO.1:ASS'Y

U007_S003_S002
B2232880
SIDE FENCE - REAR

U007_S003_S003
B2232940
TRAY BOTTOM PLATE

U007_S003_S001
B2232870
SIDE FENCE - FRONT



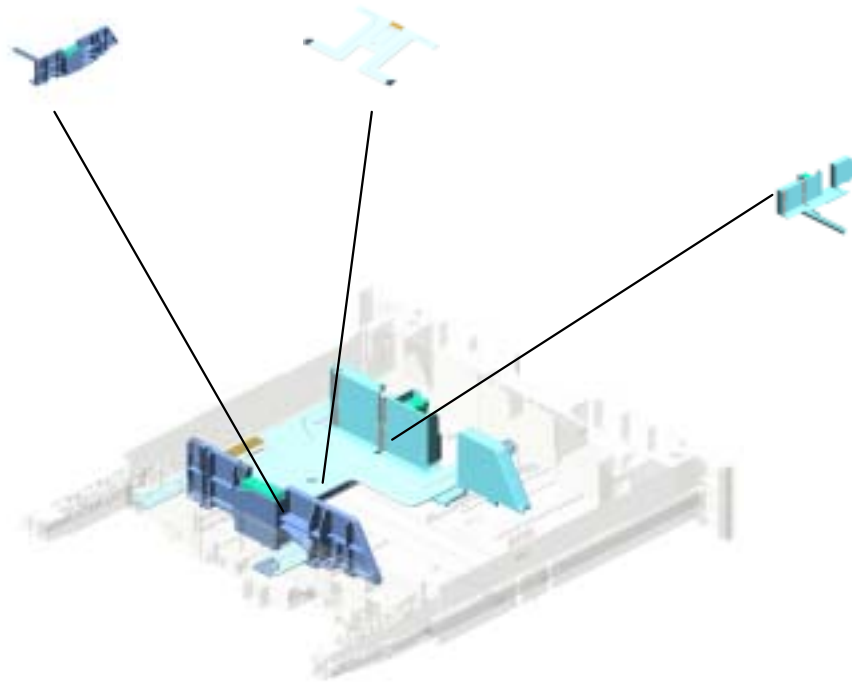
U001	U002	U003	U004	U005	U006	U007	U008	U009	U010	U011	U012	U013	U014	U015	U016	U017
------	------	------	------	------	------	------	------	------	------	------	------	------	------	------	------	------

U007_S004.PAPER TRAY:NO.2:ASS'Y

U007_S004_S002
B2232930
REAR SIDE FENCE

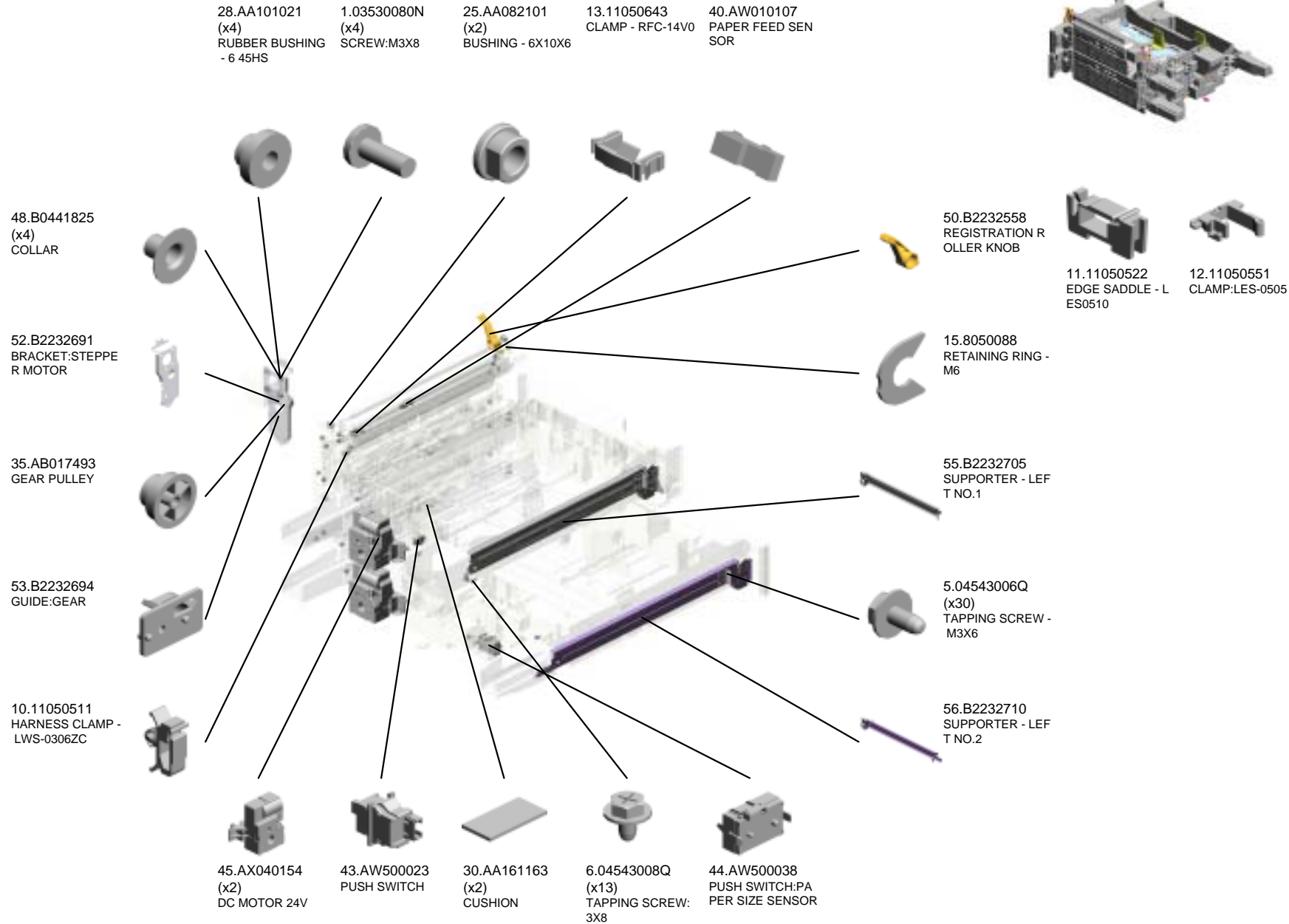
U007_S004_S003
B2232940
TRAY BOTTOM PLATE

U007_S004_S001
B2232920
FRONT SIDE FENCE



U001	U002	U003	U004	U005	U006	U007	U008	U009	U010	U011	U012	U013	U014	U015	U016	U017
------	------	------	------	------	------	------	------	------	------	------	------	------	------	------	------	------

U007 Paper Feed



U001	U002	U003	U004	U005	U006	U007	U008	U009	U010	U011	U012	U013	U014	U015	U016	U017
------	------	------	------	------	------	------	------	------	------	------	------	------	------	------	------	------

U007 Paper Feed

111.B2382655
GEAR - 16Z

110.B2382652
REGISTRATION R
OLLER - DRIVE

114.B2382661
REGISTRATION R
OLLER - DRIVEN

109.B2382622
COVER - REMOVE
PAPER DUST

108.B2382615
CASE - REMOVE P
APER DUST



112.B2382656
GEAR - 30Z

113.B2382657
GEAR - 18Z

74.B2232848
(x2)
COVER:HARNESS

73.B2232846
BRACKET:COVER:
HARNESS

104.B2382541
(x2)
TRAY COVER - RIG
HT

61.B2232730
PAPER TRAY STO
PPER ASS'Y

106.B2382544
TRAY COVER - MI
DDLE

60.B2232722
COVER

59.B2232721
BRACKET:PUSH S
WITCH

105.B2382543
COVER - TRAY LE
FT

102.B2382526
DECAL - GRIP

57.B2232714
(x2)
POSITIONING CAP
- SHORT

103.B2382527
DECAL - GRIP

58.B2232715
(x2)
SUPPORTER - RIG
HT

101.B2382523
DECAL - PAPER S
ET DIRECTION NO.
2

U001	U002	U003	U004	U005	U006	U007	U008	U009	U010	U011	U012	U013	U014	U015	U016	U017
------	------	------	------	------	------	------	------	------	------	------	------	------	------	------	------	------

U007 Paper Feed

117.B7002649
TIMING BELT:40S2
M144

124.D0292556
STAY:REGISTRATI
ON

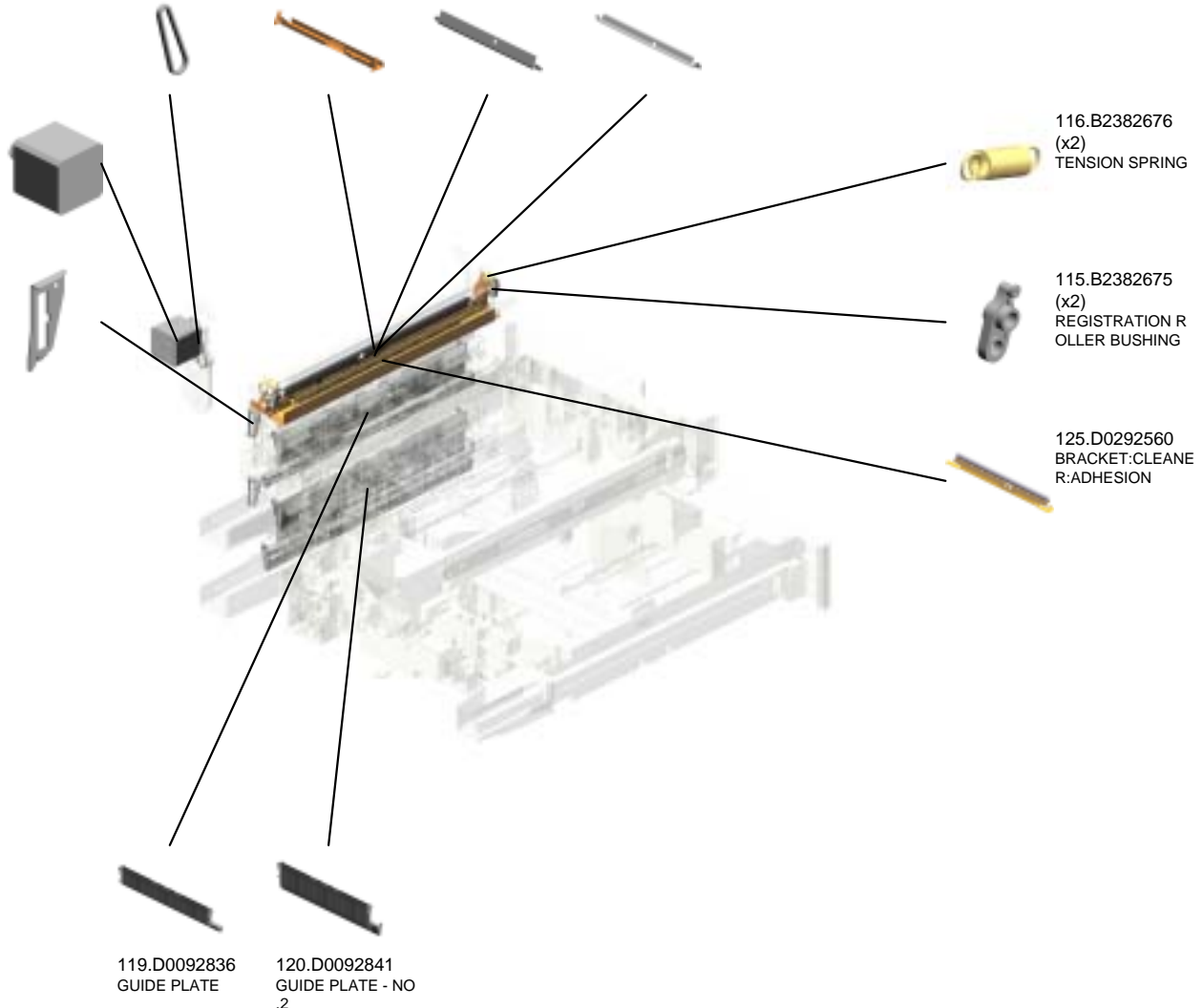
123.D0292555
GUIDE PLATE:REG
ISTRATION:LEFT

126.D0292570
GUIDE PLATE:REG
ISTRATION:RIGHT:
ADHESION



134.B2232745
STEPPER MOTOR:
ASS'Y
201002-02 X/O

122.D0252849
(x2)
BRACKET:CONNE
CTOR:PAPER FEE
D UNIT



U001	U002	U003	U004	U005	U006	U007	U008	U009	U010	U011	U012	U013	U014	U015	U016	U017
------	------	------	------	------	------	------	------	------	------	------	------	------	------	------	------	------

U007_S001 PAPER FEED UNIT:ASS'Y

49.B0822781
BRACKET:SENSO
R

41.AW010122
PAPER FEED SEN
SOR

33.AB011218
GEAR - ROLLER C
LUTCH

34.AB011252
GEAR - 20Z

37.AF030085
PAPER FEED ROL
LER:PICKUP



136.D0252751
[A]
PAPER FEED UNIT
:ASS'Y
201006-03 X/X

8.07200040E
RETAINING RING -
M4

38.AF031085
PAPER FEED ROL
LER:FEED

27.AA100014
(x2)
RETAINING RING
C - SEPARATE

39.AF032085
PAPER FEED ROL
LER:SEPARATE

46.B0042783
TORQUE LIMITER

21.AA060693
TENSION SPRING

31.AB010156
GEAR:SEPARATE:
DRIVE

14.52062686
(x2)
SNAP RING

32.AB010157
GEAR:SEPARATE:
DRIVEN

24.AA062259
SPRING - RELEAS
E

7.04563008N
TAPPING SCREW -
M3X8

10.11050511
(x2)
HARNESS CLAMP -
LWS-0306ZC

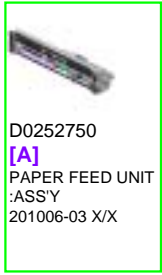
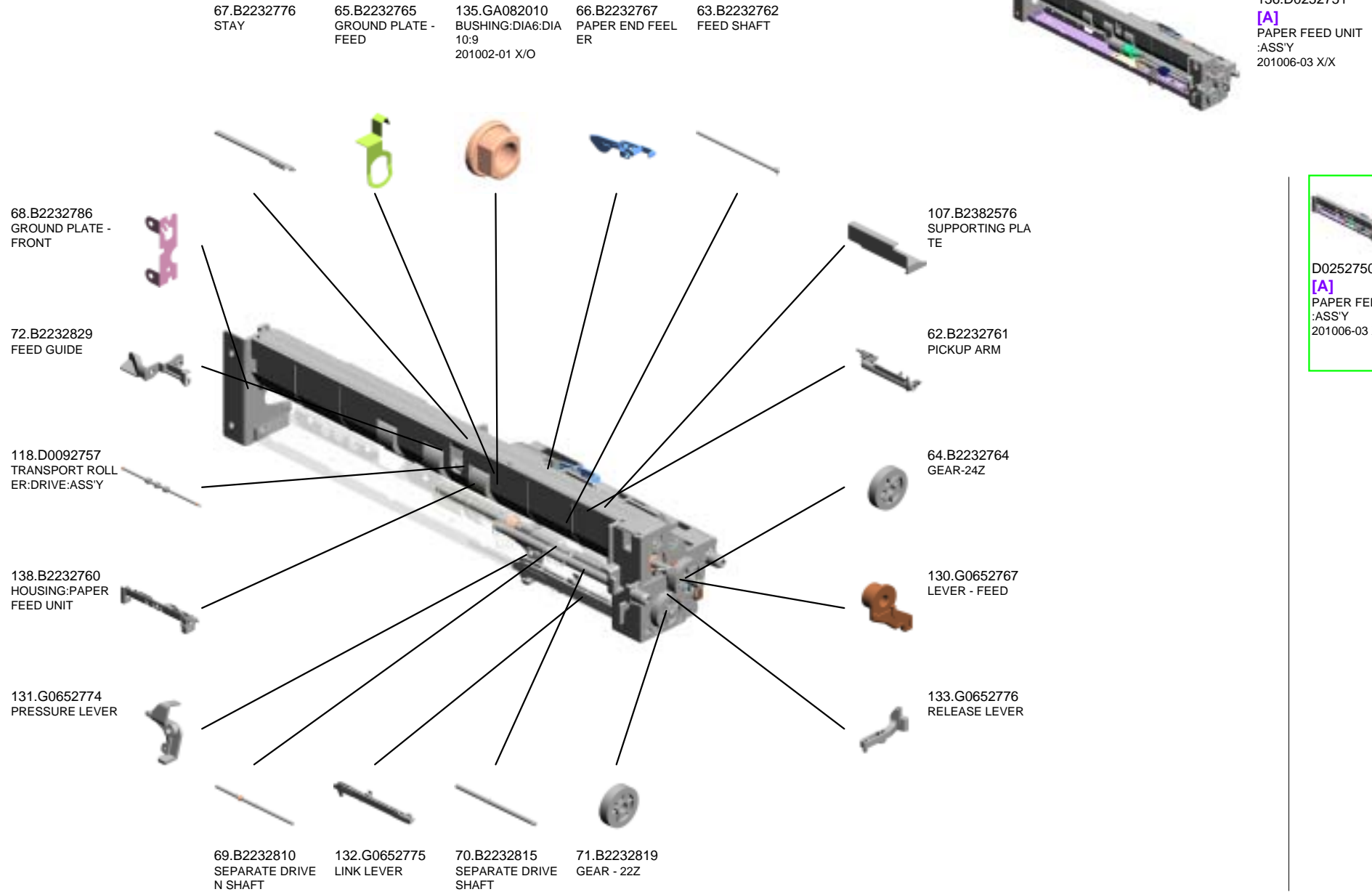
42.AW020145
(x2)
PHOTOINTERRUP
TOR:FLAT

20.AA060691
TENSION SPRING

26.AA082143
(x3)
BUSHING - 6X10X6

U001	U002	U003	U004	U005	U006	U007	U008	U009	U010	U011	U012	U013	U014	U015	U016	U017
------	------	------	------	------	------	------	------	------	------	------	------	------	------	------	------	------

U007_S001
PAPER FEED UNIT:ASS'Y



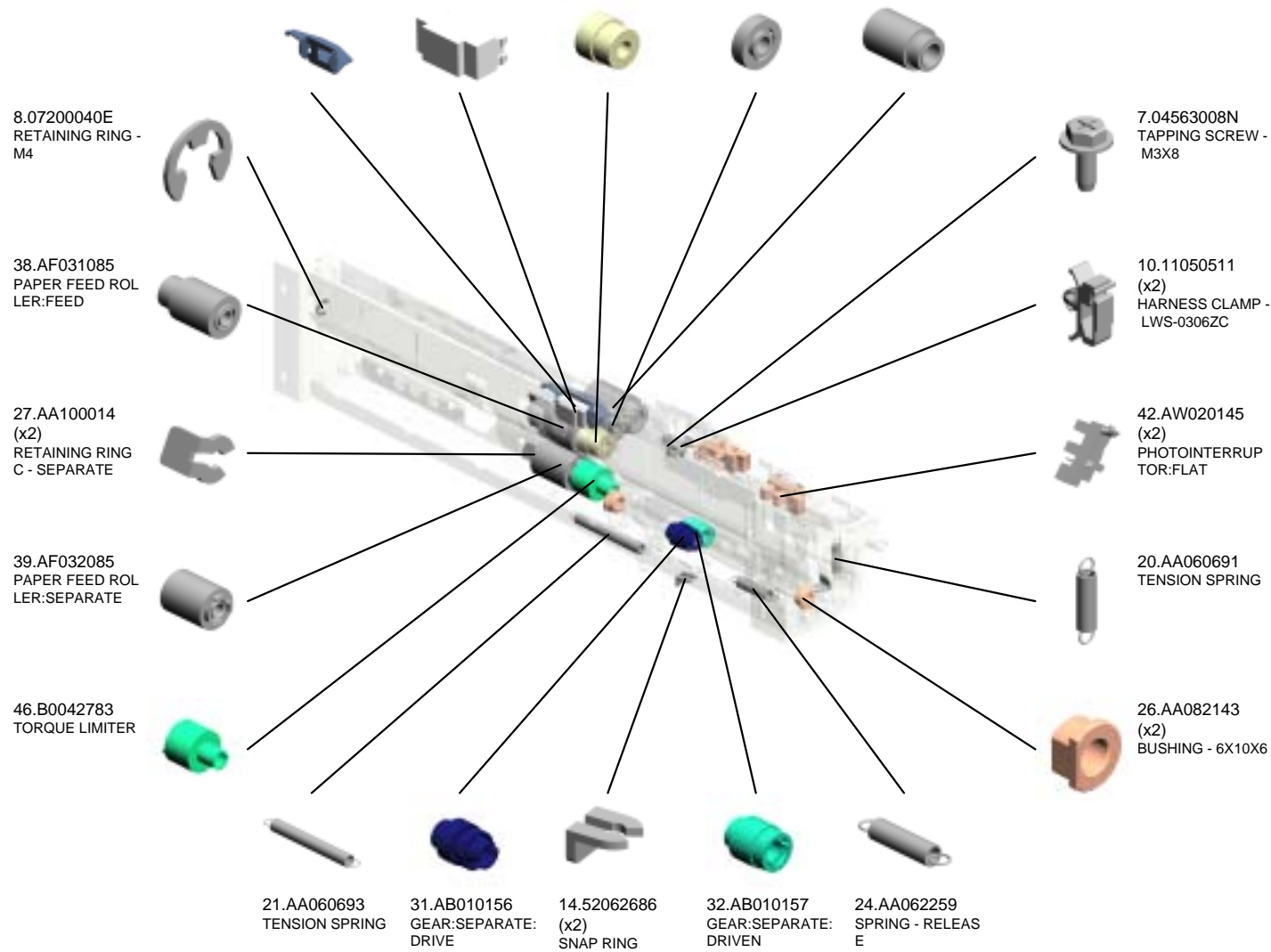
U001	U002	U003	U004	U005	U006	U007	U008	U009	U010	U011	U012	U013	U014	U015	U016	U017
------	------	------	------	------	------	------	------	------	------	------	------	------	------	------	------	------

U007_S002
PAPER FEED UNIT:ASS'Y

49.B0822781 BRACKET:SENSOR
41.AW010122 PAPER FEED SENSOR
33.AB011218 GEAR - ROLLER CLUTCH
34.AB011252 GEAR - 20Z
37.AF030085 PAPER FEED ROLLER:PICKUP

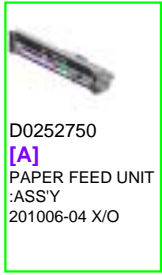
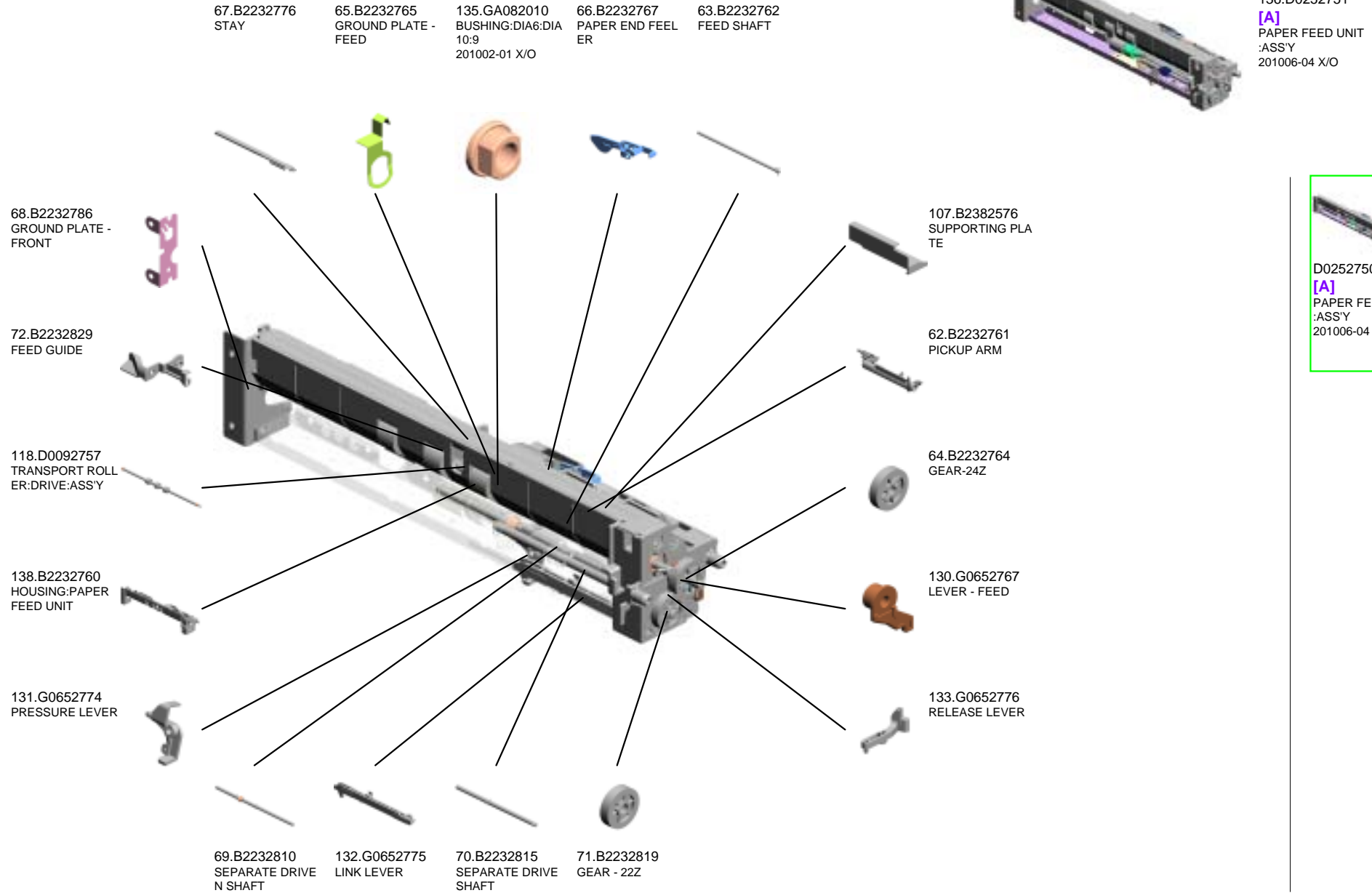


136.D0252751
[A]
PAPER FEED UNIT:ASS'Y
201006-04 X/O



U001	U002	U003	U004	U005	U006	U007	U008	U009	U010	U011	U012	U013	U014	U015	U016	U017
------	------	------	------	------	------	------	------	------	------	------	------	------	------	------	------	------

U007_S002 PAPER FEED UNIT:ASS'Y



U001	U002	U003	U004	U005	U006	U007	U008	U009	U010	U011	U012	U013	U014	U015	U016	U017
------	------	------	------	------	------	------	------	------	------	------	------	------	------	------	------	------

U007_S003
PAPER TRAY:NO.1:ASS'Y

3.04504008N
TAPPING SCREW -
M4X8

98.B2232936
GEAR - 16Z

80.B2232868
LEVER:RELEASE:P
APER TRAY:OUTE
R

9.07200080E
RETAINING RING -
M8

78.B2232862
LEVER - RELEASE
INNER



127.D0292850
PAPER TRAY:NO.1
:ASS'Y

90.B2232918
RISE LEVER

4.04533008N
BINDING SELF TAP
PING SCREW:3X8

79.B2232865
RISE NO.1 SHAFT

81.B2232869
GROUND PLATE

16.A2322987
(x4)
ROLLER - PAPER T
RAY

89.B2232912
END FENCE

22.AA061003
TENSION SPRING:
SIDE FENCE:REAR

85.B2232890
SLIDE RAIL - LEFT

86.B2232894
SLIDE RAIL STOPP
ER - LEFT

29.AA143843
(x2)
SCREW:DIA6

75.B2232857
COVER - PAPER T
RAY NO.1

23.AA061014
TENSION SPRING:
GRIP

2.04503012N
(x2)
TAPPING SCREW:
3X12

76.B2232860
PAPER TRAY GRIP

77.B2232861
GRIP HOLDER

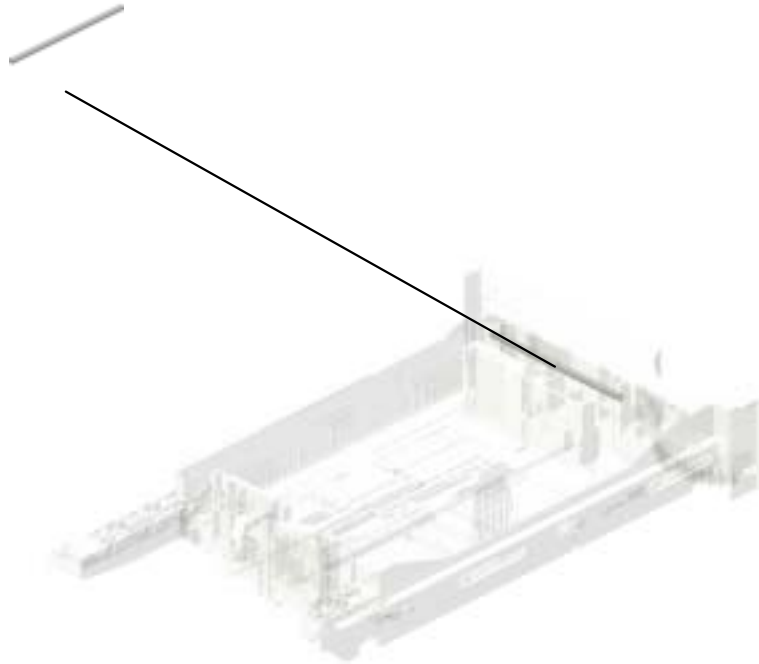
U001	U002	U003	U004	U005	U006	U007	U008	U009	U010	U011	U012	U013	U014	U015	U016	U017
------	------	------	------	------	------	------	------	------	------	------	------	------	------	------	------	------

U007_S003
PAPER TRAY:NO.1:ASS'Y

128.D0292863
SHAFT:RELEASE:P
APER TRAY



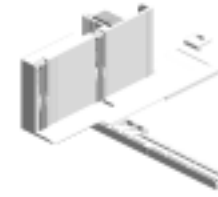
127.D0292850
PAPER TRAY:NO.1
:ASS'Y



U001	U002	U003	U004	U005	U006	U007	U008	U009	U010	U011	U012	U013	U014	U015	U016	U017
------	------	------	------	------	------	------	------	------	------	------	------	------	------	------	------	------

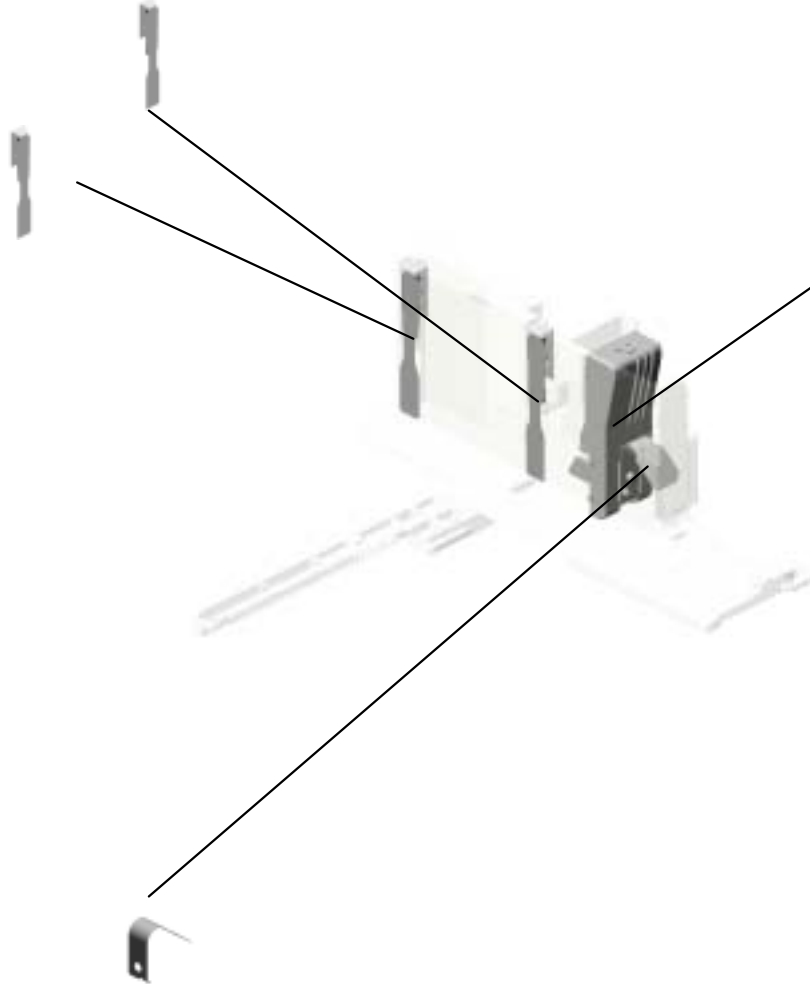
U007_S003_S001
SIDE FENCE - FRONT

96.B2232934
PLATE - SIDE FENCE



82.B2232870
SIDE FENCE - FRONT

97.B2232935
PLATE - SIDE FENCE RIGHT



93.B2232923
STOPPER LEVER - FRONT

47.B0042923
SPRING PLATE - R
RELEASE LEVER

U001	U002	U003	U004	U005	U006	U007	U008	U009	U010	U011	U012	U013	U014	U015	U016	U017
------	------	------	------	------	------	------	------	------	------	------	------	------	------	------	------	------

U007_S003_S002 SIDE FENCE - REAR

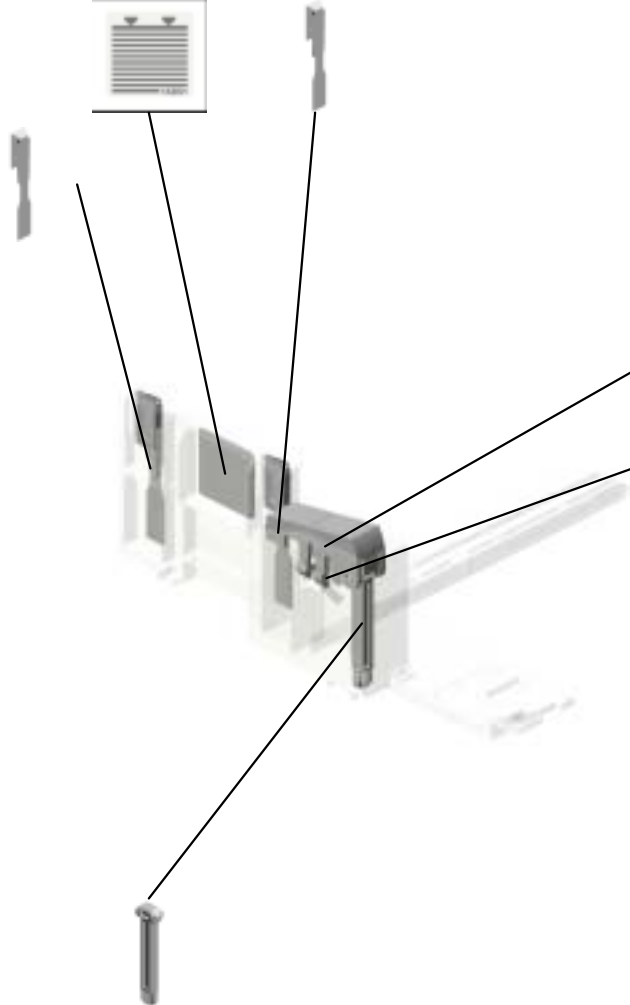
83.B2232873
DECAL - SIDE FEN
CE REAR

96.B2232934
PLATE - SIDE FEN
CE

84.B2232880
SIDE FENCE - REA
R



97.B2232935
PLATE - SIDE FEN
CE RIGHT



19.A2672860
REAR LEVER STO
PPER



17.A2672857
SPRING PLATE - SI
DE FENCE



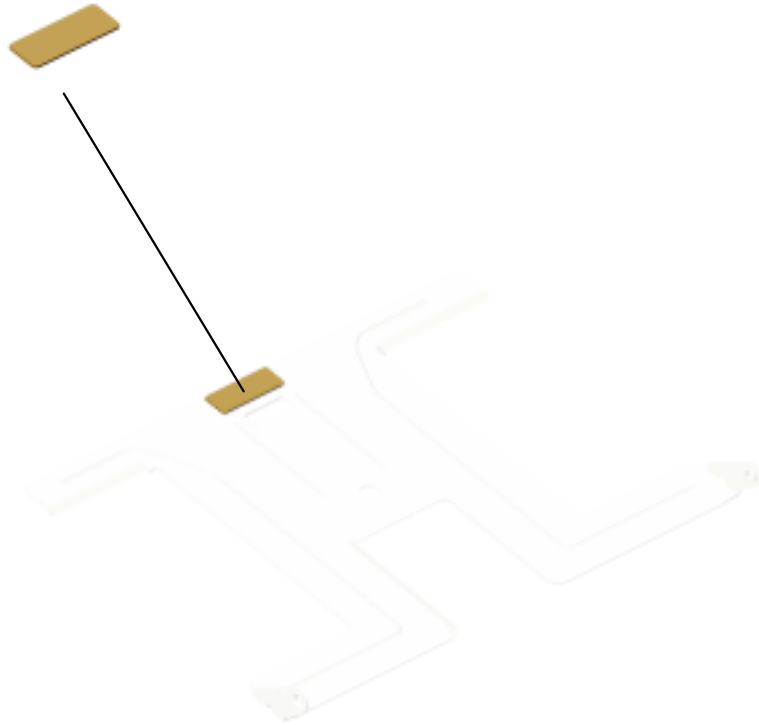
18.A2672859
SIDE FENCE STOP
PER



U001	U002	U003	U004	U005	U006	U007	U008	U009	U010	U011	U012	U013	U014	U015	U016	U017
------	------	------	------	------	------	-------------	------	------	------	------	------	------	------	------	------	------

U007_S003_S003
TRAY BOTTOM PLATE

36.AF013006
BOTTOM PLATE P
AD



99.B2232940
TRAY BOTTOM PL
ATE

U001	U002	U003	U004	U005	U006	U007	U008	U009	U010	U011	U012	U013	U014	U015	U016	U017
------	------	------	------	------	------	------	------	------	------	------	------	------	------	------	------	------

U007_S004
PAPER TRAY:NO.2:ASS'Y



129.D0292900
PAPER TRAY:NO.2
:ASS'Y

98.B2232936
GEAR - 16Z

3.04504008N
(x2)
TAPPING SCREW -
M4X8

80.B2232868
LEVER:RELEASE:P
APER TRAY:OUTE
R

9.07200080E
RETAINING RING -
M8

128.D0292863
SHAFT:RELEASE:P
APER TRAY

90.B2232918
RISE LEVER

4.04533008N
BINDING SELF TAP
PING SCREW:3X8

79.B2232865
RISE NO.1 SHAFT

91.B2232919
GROUND PLATE -
PAPER TRAY NO.2

16.A2322987
(x4)
ROLLER - PAPER T
RAY

88.B2232911
SPACER

22.AA061003
TENSION SPRING:
SIDE FENCE:REAR

87.B2232910
LINK - PAPER SIZE
SENSOR

78.B2232862
LEVER - RELEASE
INNER

89.B2232912
END FENCE

23.AA061014
TENSION SPRING:
GRIP

2.04503012N
(x2)
TAPPING SCREW:
3X12

100.B2232946
COVER - PAPER T
RAY NO.2

76.B2232860
PAPER TRAY GRIP

77.B2232861
GRIP HOLDER

U001	U002	U003	U004	U005	U006	U007	U008	U009	U010	U011	U012	U013	U014	U015	U016	U017
------	------	------	------	------	------	------	------	------	------	------	------	------	------	------	------	------

U007_S004_S001
FRONT SIDE FENCE

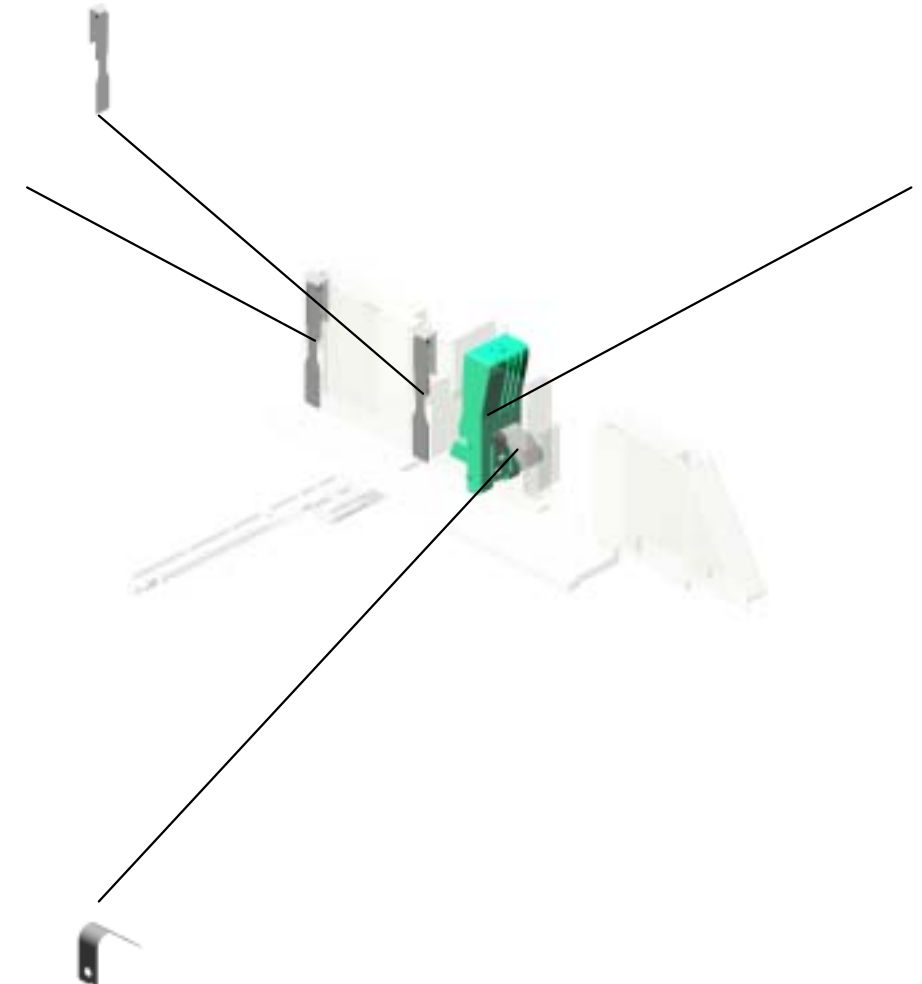
96.B2232934
PLATE - SIDE FENCE



92.B2232920
FRONT SIDE FENCE

97.B2232935
PLATE - SIDE FENCE RIGHT

93.B2232923
STOPPER LEVER - FRONT



47.B0042923
SPRING PLATE - R
RELEASE LEVER

U001	U002	U003	U004	U005	U006	U007	U008	U009	U010	U011	U012	U013	U014	U015	U016	U017
------	------	------	------	------	------	------	------	------	------	------	------	------	------	------	------	------

U007_S004_S002 REAR SIDE FENCE

83.B2232873
DECAL - SIDE FENCE REAR

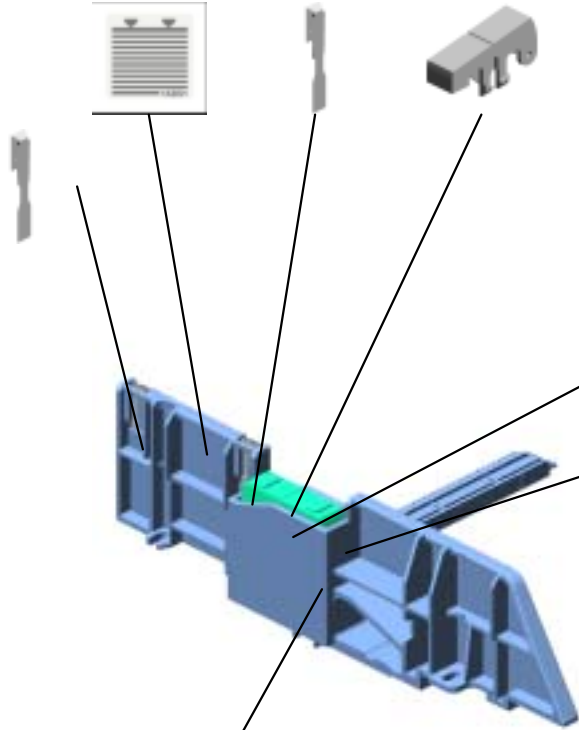
96.B2232934
PLATE - SIDE FENCE

19.A2672860
REAR LEVER STOPPER

94.B2232930
REAR SIDE FENCE



97.B2232935
PLATE - SIDE FENCE RIGHT



17.A2672857
SPRING PLATE - SIDE FENCE

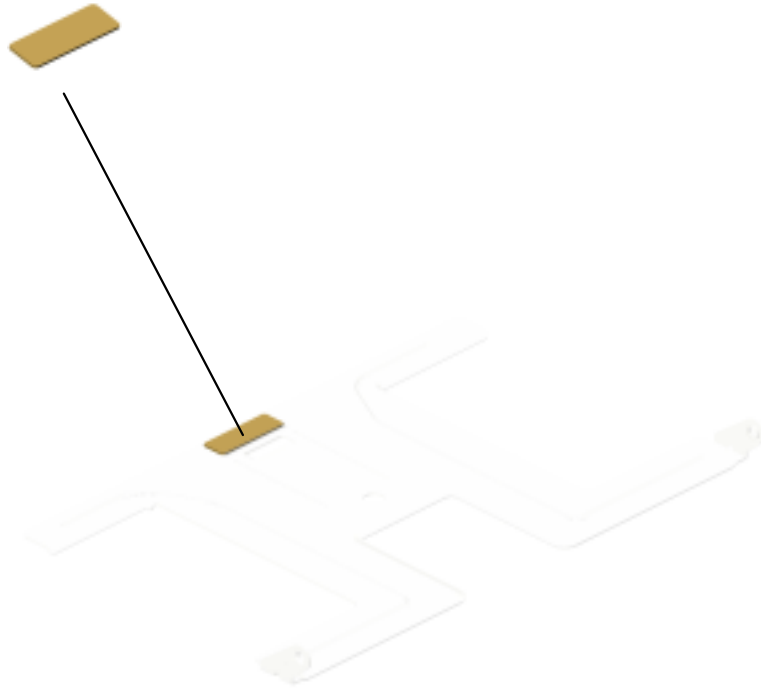
95.B2232932
SIDE FENCE:REAR :UNIVERSAL:NO.2

18.A2672859
SIDE FENCE STOPPER

U001	U002	U003	U004	U005	U006	U007	U008	U009	U010	U011	U012	U013	U014	U015	U016	U017
------	------	------	------	------	------	------	------	------	------	------	------	------	------	------	------	------

U007_S004_S003
TRAY BOTTOM PLATE

36.AF013006
BOTTOM PLATE P
AD



99.B2232940
TRAY BOTTOM PL
ATE

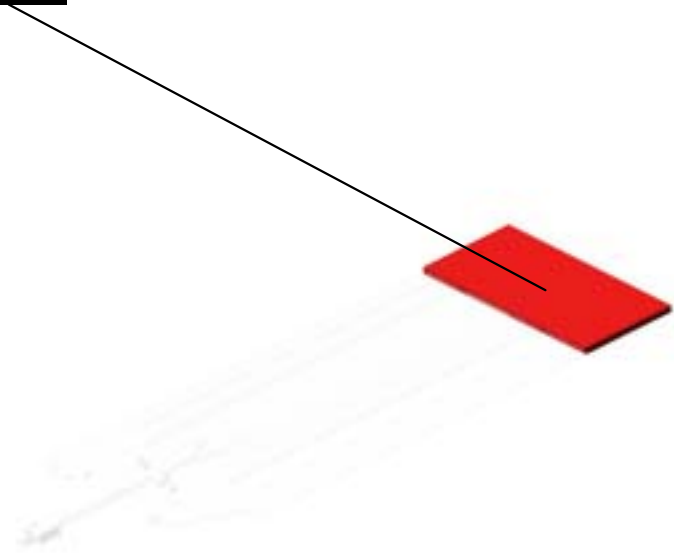
U001	U002	U003	U004	U005	U006	U007	U008	U009	U010	U011	U012	U013	U014	U015	U016	U017
------	------	------	------	------	------	------	------	------	------	------	------	------	------	------	------	------

U007_S005
HEAT SINK:HEATER:NA

137.GA000062
DECAL:H-TEMP W
ARNING
201008-03



54.B2232702
HEAT SINK:HEATE
R:NA



U001	U002	U003	U004	U005	U006	U007	U008	U009	U010	U011	U012	U013	U014	U015	U016	U017
------	------	------	------	------	------	------	------	------	------	------	------	------	------	------	------	------

U008.Toner Supply

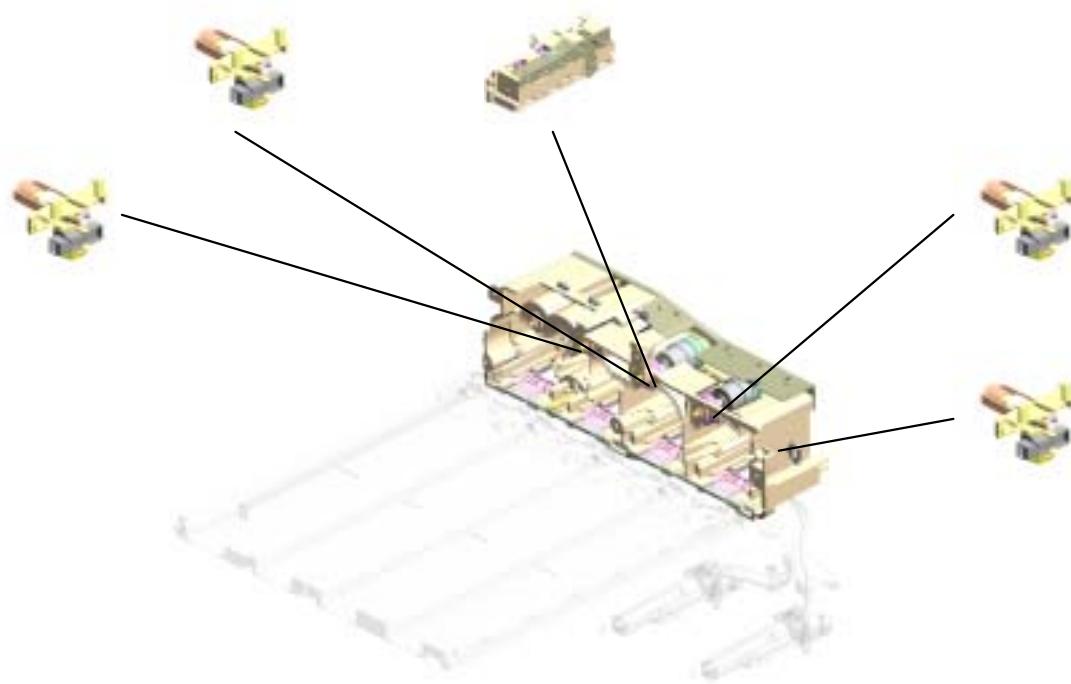
U008_S002
D0293205
NOZZLE:C2:ASSY

U008_S005
D0293405
DRIVE UNIT:TONER SUPPLY
SUB-UNIT:C2:ASSY

U008_S001
D0293205
NOZZLE:C2:ASSY

U008_S003
D0293205
NOZZLE:C2:ASSY

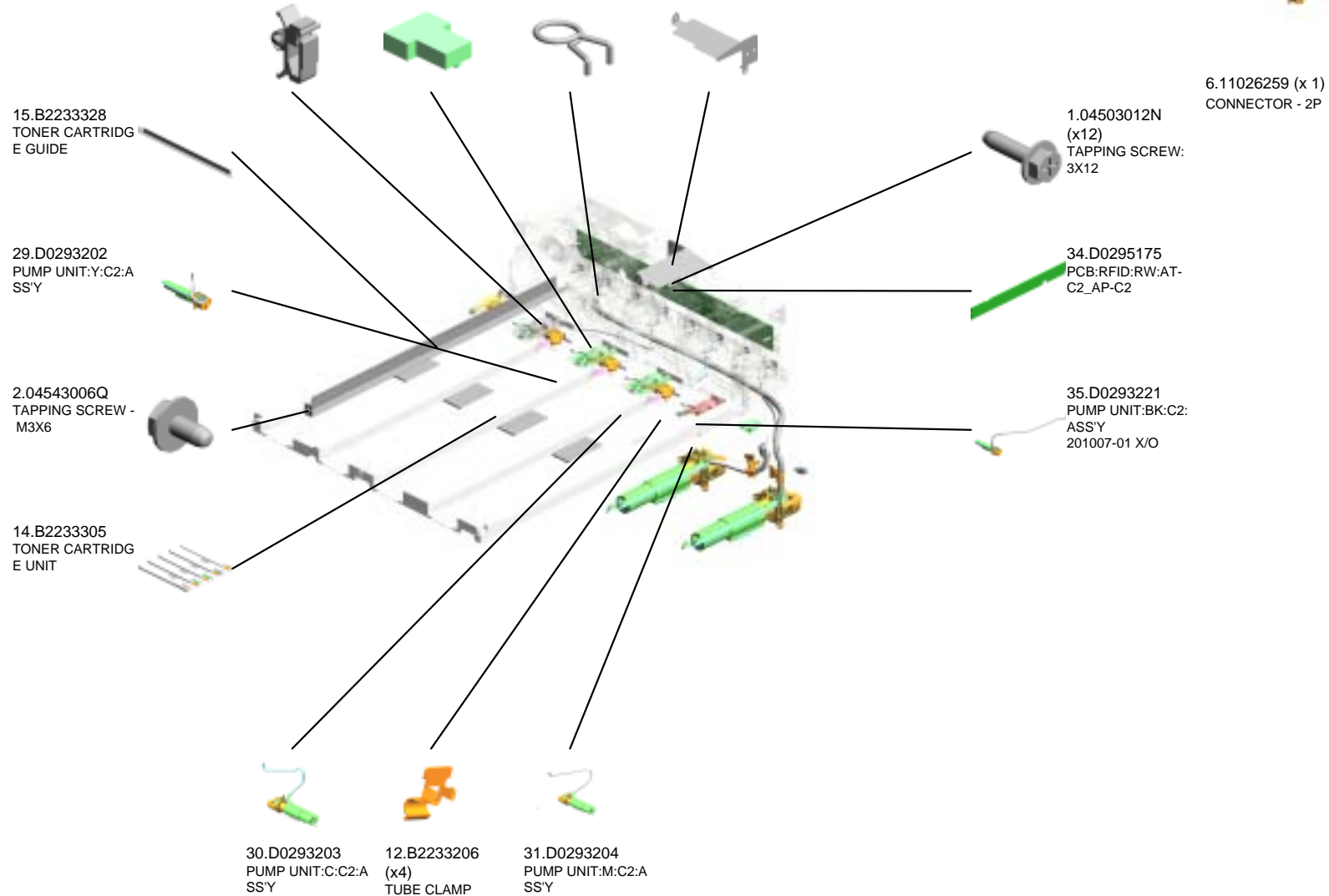
U008_S004
D0293205
NOZZLE:C2:ASSY



U001	U002	U003	U004	U005	U006	U007	U008	U009	U010	U011	U012	U013	U014	U015	U016	U017
------	------	------	------	------	------	------	-------------	------	------	------	------	------	------	------	------	------

U008 Toner Supply

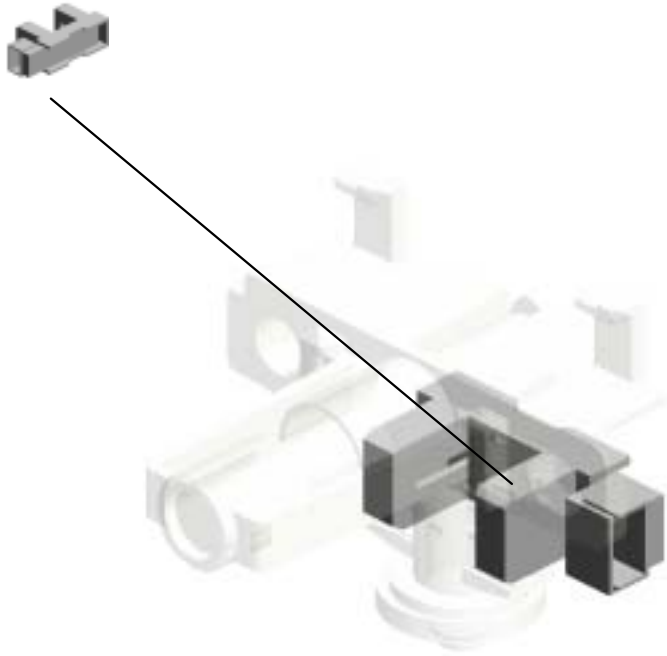
- 8.11050511 (x4) HARNESS CLAMP - LWS-0306ZC
- 5.11026245 (x3) RELAY CONNECT OR - 2P
- 13.B2233209 (x4) TUBE CLIP
- 27.B2233470 RFID GROUND PLATE



U001	U002	U003	U004	U005	U006	U007	U008	U009	U010	U011	U012	U013	U014	U015	U016	U017
------	------	------	------	------	------	------	------	------	------	------	------	------	------	------	------	------

U008_S001
NOZZLE:C2:ASS'Y

11.AW020185
TONER END SENS
OR

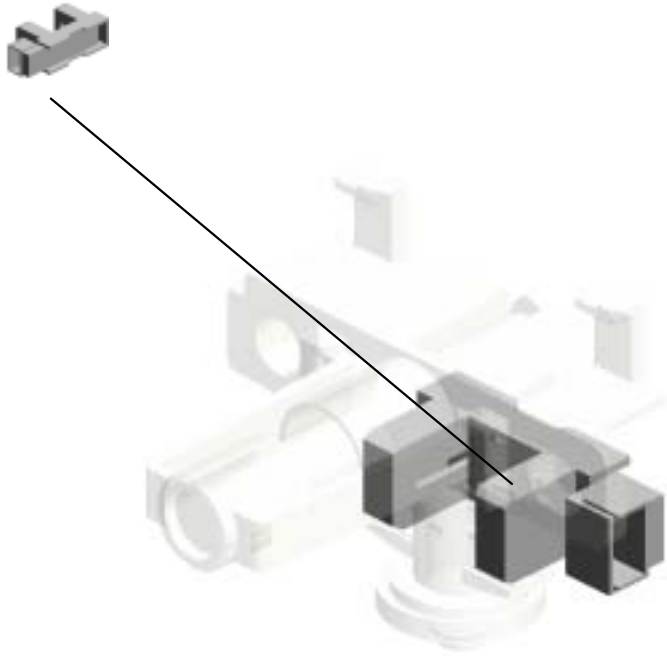


32.D0293205
NOZZLE:C2:ASS'Y

U001	U002	U003	U004	U005	U006	U007	U008	U009	U010	U011	U012	U013	U014	U015	U016	U017
------	------	------	------	------	------	------	-------------	------	------	------	------	------	------	------	------	------

U008_S002
NOZZLE:C2:ASS'Y

11.AW020185
TONER END SENS
OR

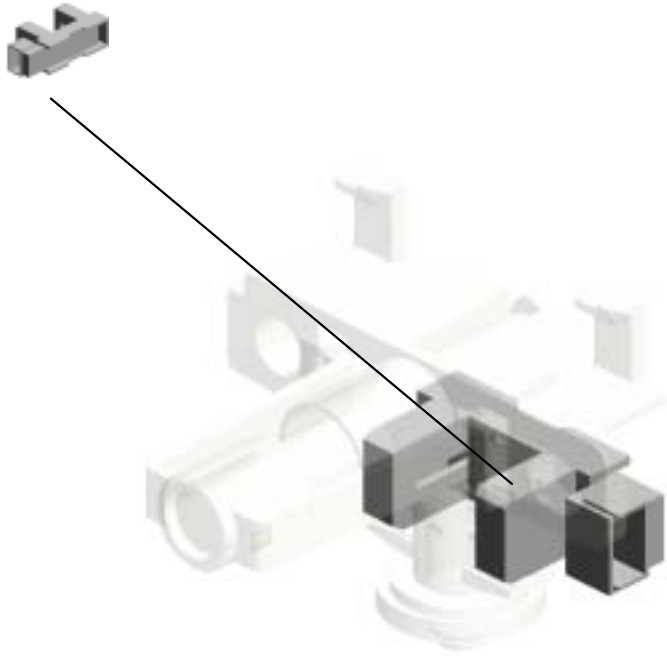


32.D0293205
NOZZLE:C2:ASS'Y

U001	U002	U003	U004	U005	U006	U007	U008	U009	U010	U011	U012	U013	U014	U015	U016	U017
------	------	------	------	------	------	------	-------------	------	------	------	------	------	------	------	------	------

U008_S003
NOZZLE:C2:ASS'Y

11.AW020185
TONER END SENS
OR

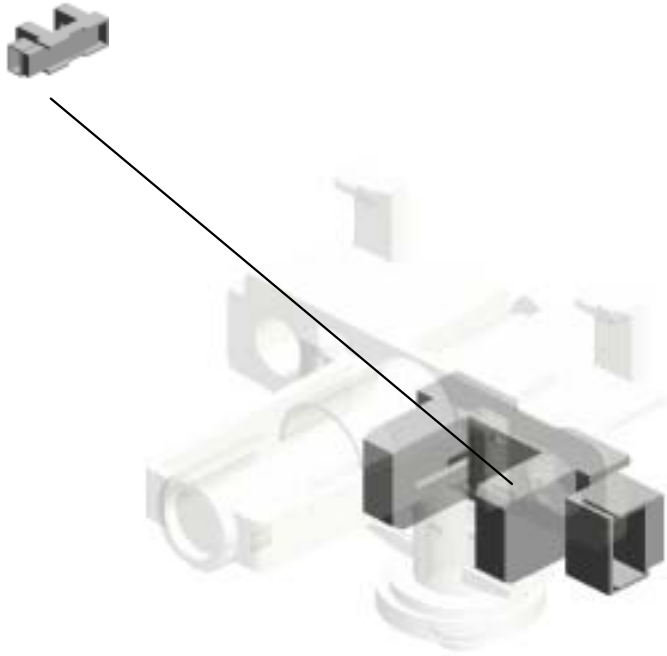


32.D0293205
NOZZLE:C2:ASS'Y

U001	U002	U003	U004	U005	U006	U007	U008	U009	U010	U011	U012	U013	U014	U015	U016	U017
------	------	------	------	------	------	------	-------------	------	------	------	------	------	------	------	------	------

U008_S004
NOZZLE:C2:ASS'Y

11.AW020185
TONER END SENS
OR



32.D0293205
NOZZLE:C2:ASS'Y

U001	U002	U003	U004	U005	U006	U007	U008	U009	U010	U011	U012	U013	U014	U015	U016	U017
------	------	------	------	------	------	------	-------------	------	------	------	------	------	------	------	------	------

U008_S005

DRIVE UNIT:TONER SUPPLY SUB-UNIT:C2:ASS'Y

17.B2233424
SHAFT:DRIVE:DRIVE UNIT:BKY

21.B2233455
MAGNETIC CLUTCH - 0.25N.M BK

8.11050511
(x2)
HARNESS CLAMP - LWS-0306ZC

18.B2233426
(x3)
SHAFT:DRIVE:DRIVE UNIT:CM

22.B2233457
(x3)
MAGNETIC CLUTCH - 0.25N.M YCM



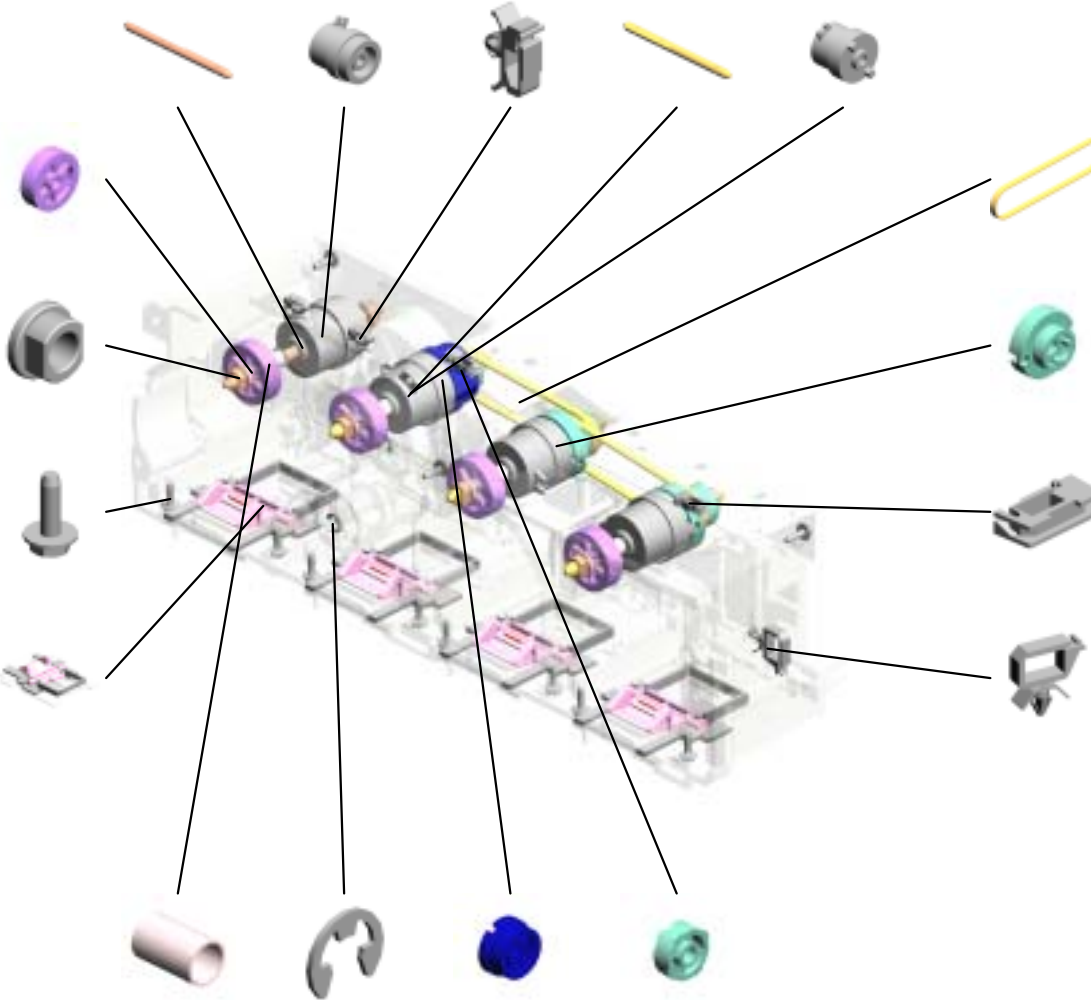
33.D0293405
DRIVE UNIT:TONER SUPPLY SUB-UNIT:C2:ASSY

25.B2233463
(x4)
GEAR:TONER BOTTLER:DRIVE

10.AA082101
(x8)
BUSHING - 6X10X6

3.04563010N
(x11)
TAPPING SCREW - M3X10

16.B2233334
(x4)
HOLDER:STOPPER:SHUTTER:ASSY



20.B2233441
(x2)
TIMING BELT:TONER BOTTLE

24.B2233462
(x2)
PULLEY:TONER BOTTLE:CM

9.11050612
(x2)
CLAMP:EDS-0704L-V0

7.11050508
HARNESS CLAMP - LWS-0711

19.B2233428
(x4)
SPRING:DRIVE UNIT:TONER BOTTLE

4.07200040E
(x16)
RETAINING RING - M4

26.B2233464
GEAR:MAGNETIC CLUTCH:Y

23.B2233461
(x3)
PULLEY:TONER BOTTLE:YC

U001	U002	U003	U004	U005	U006	U007	U008	U009	U010	U011	U012	U013	U014	U015	U016	U017
------	------	------	------	------	------	------	------	------	------	------	------	------	------	------	------	------

U009.Fusing

U009_S001
D0254062
FUSING UNIT:NA:MAINTENA
NCE:SUB-ASSY

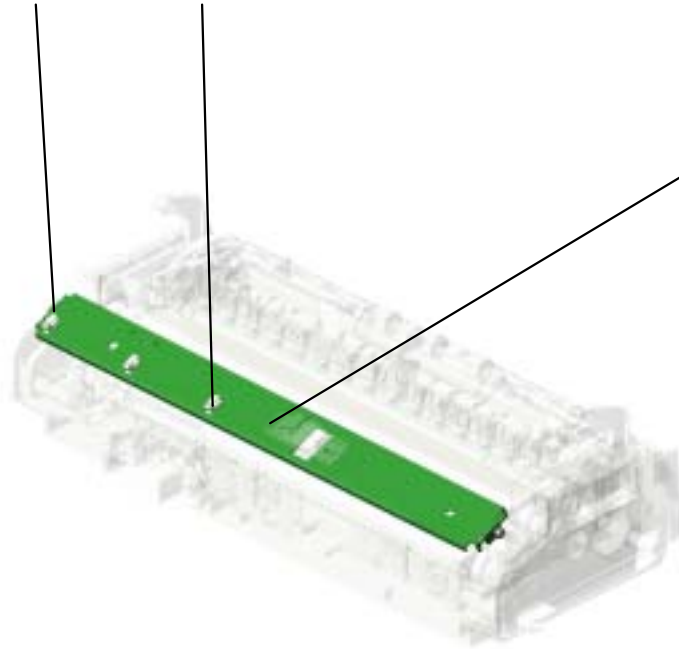


U001	U002	U003	U004	U005	U006	U007	U008	U009	U010	U011	U012	U013	U014	U015	U016	U017
------	------	------	------	------	------	------	------	------	------	------	------	------	------	------	------	------

U009 Fusing

1.04543006Q
(x2)
TAPPING SCREW -
M3X6

6.11050511
(x3)
HARNESS CLAMP -
LWS-0306ZC



59.B2384363
BRACKET:THERM
OPILE:FUSING

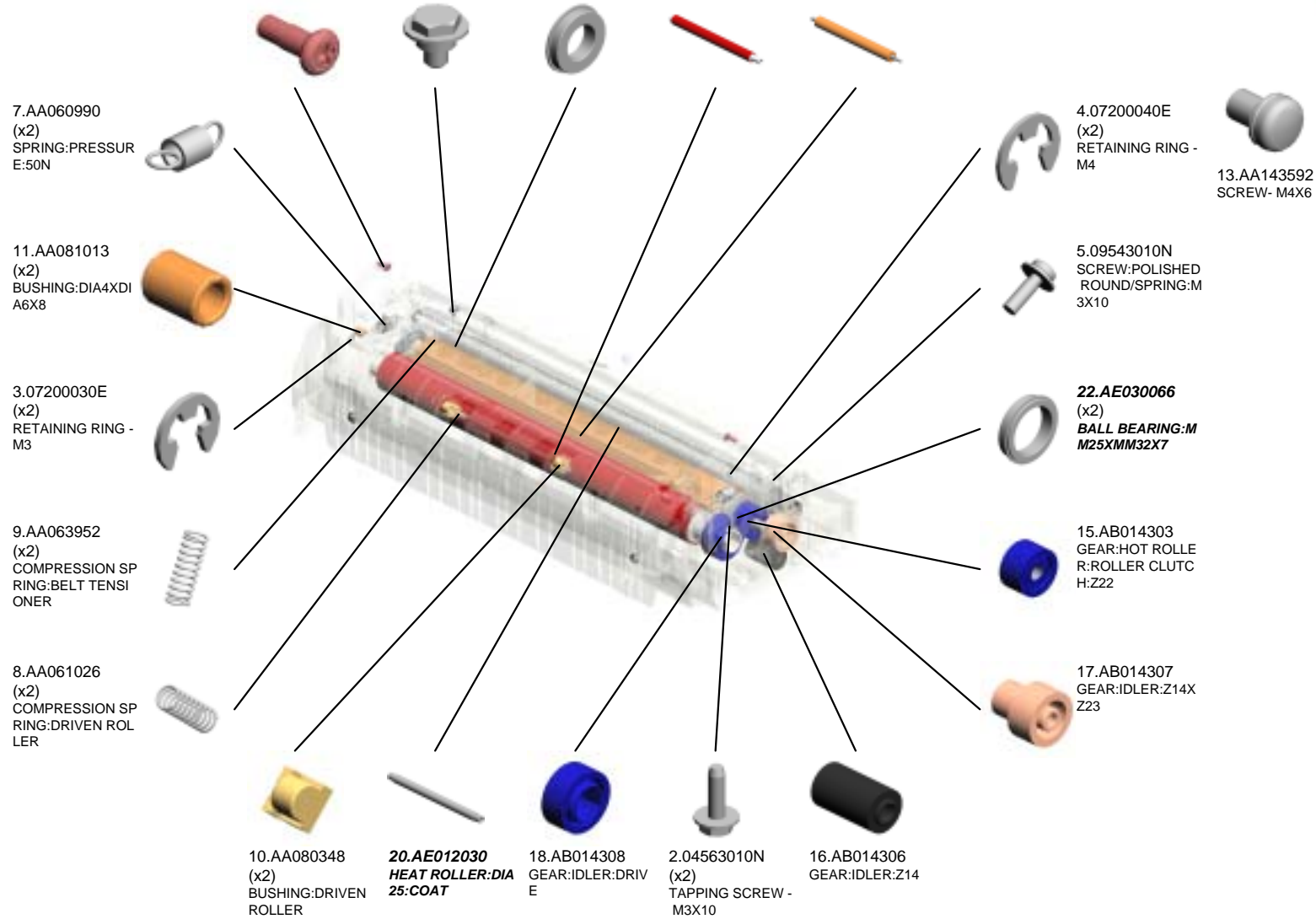
U001	U002	U003	U004	U005	U006	U007	U008	U009	U010	U011	U012	U013	U014	U015	U016	U017
------	------	------	------	------	------	------	------	------	------	------	------	------	------	------	------	------

U009_S001 FUSING UNIT:NA:MAINTENANCE:SUB-ASS'Y



44.D0254062
[A]
FUSING UNIT:NA:MAINTENANCE:SUB-ASS'Y
090219 X/O

- 14.AA143792 (x2) SCREW:DRAWER
- 12.AA143520 (x4) SHOULDER SCREW - M3
- 23.AE030072 (x2) BALL BEARING:DI A12XDIA21X5
- 21.AE020169 PRESSURE ROLLER: DIA30
- 19.AE010067 HOT ROLLER: DIA35



U001	U002	U003	U004	U005	U006	U007	U008	U009	U010	U011	U012	U013	U014	U015	U016	U017
------	------	------	------	------	------	------	------	------	------	------	------	------	------	------	------	------

U009_S001
 FUSING UNIT:NA:MAINTENANCE:SUB-ASS'Y



44.D0254062
 [A]
 FUSING UNIT:NA:MAINTENANCE:SUB-ASS'Y
 090219 X/O

- 39.B2384194 (x2) ROLLER:LEVER:PRESSURE
- 25.AE031045 (x2) BUSHING - BELT TENSION ROLLER
- 26.AE032030 (x2) THERMAL INSULATING BUSHING:DIA25
- 35.B2384123 (x2) THERMOSTAT HOUSING
- 31.AW110080 THERMOSTAT:183

37.B2384166 (x2) END RING:SPRING :DIA4

41.B2384197 (x2) LEVER:LOCK:PRESSURE

38.B2384175 LEVER:PRESSURE :FRONT:PEEN

28.AW100119 THERMISTOR:PRESSURE

43.D0094664 DRIVEN ROLLER

36.B2384134 THERMOSTAT HOUSING

29.AW110055 THERMOSTAT - 146C/147C

33.AX440278 HEATER:116V:400W

42.B2384291 STRIPPER PLATE:COAT

34.B2384070 FUSING BELT:DIA60:ASS'Y

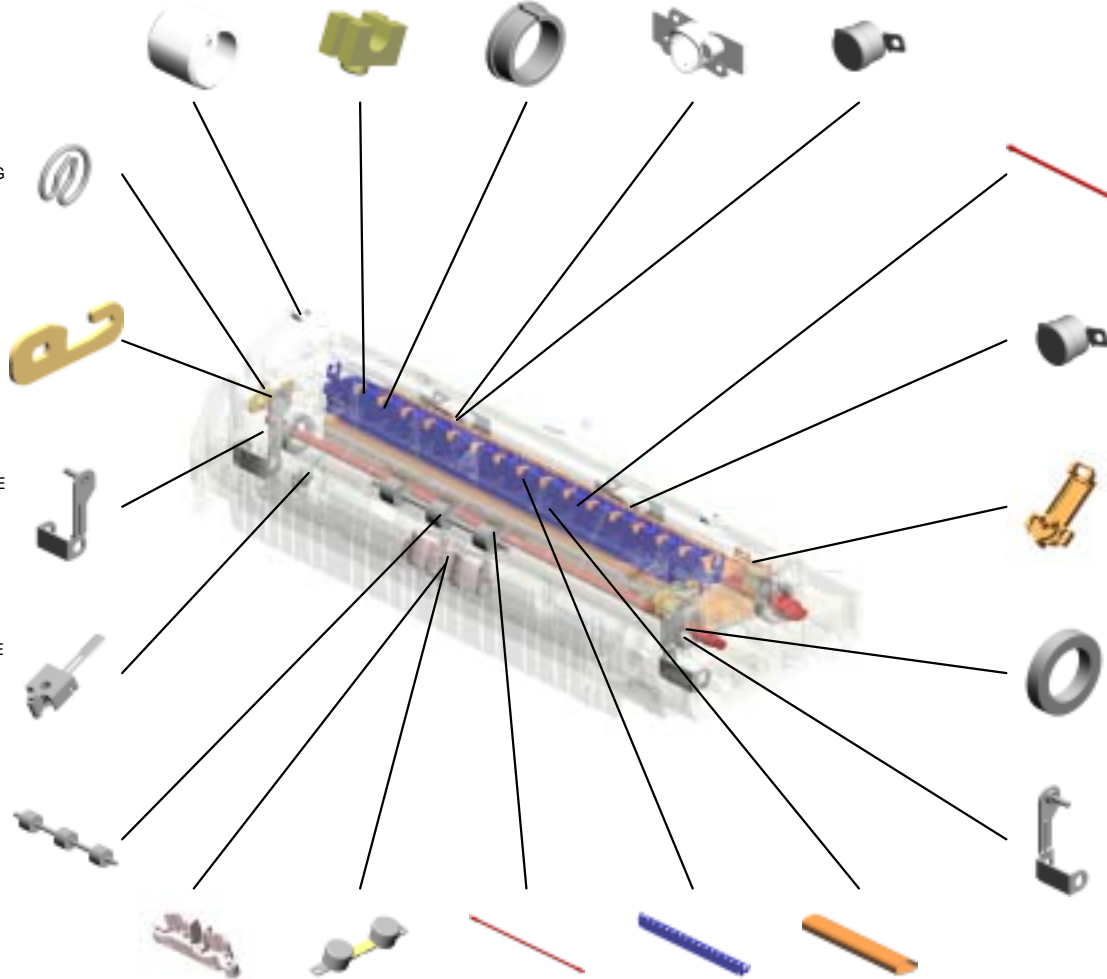
32.AX440274 HEATER:116V:700W/500W

30.AW110079 THERMOSTAT:165

27.AW100105 THERMISTOR:FUSING

24.AE030074 (x2) BALL BEARING:DIA17XDIA26X5

40.B2384195 LEVER:PRESSURE :REAR:PEEN



U001	U002	U003	U004	U005	U006	U007	U008	U009	U010	U011	U012	U013	U014	U015	U016	U017
------	------	------	------	------	------	------	------	------	------	------	------	------	------	------	------	------

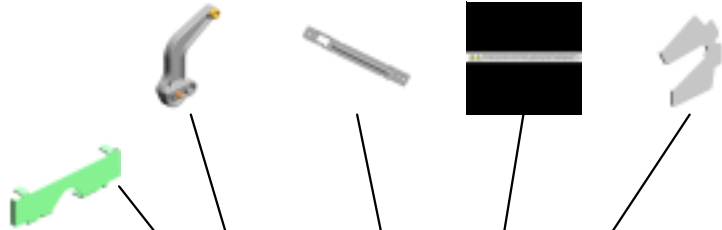
U009_S001
FUSING UNIT:NA:MAINTENANCE:SUB-ASS'Y

46.D0254171 LEVER:PRESSURE RELEASE:FRONT
 48.D0254238 BRACKET:DRIVEN ROLLER
 52.D0294163 DECAL:WARNING (HIGH TEMPERATU RE):FUSING:1
 60.D0294162 SHEET:C3:LEVER



44.D0254062
[A]
 FUSING UNIT:NA:M AINTENANCE:SUB- ASS'Y
 090219 X/O

49.D0254274 (x2)
 STOPPER:GRIP



58.D0254241 BRACKET:HEATER :PRESSURE:FRON T



61.07250170E (x2)
 RETAINING RINGS -C:17



51.D0294160 (x2)
 DECAL:C2:BLUE:F USING



57.D0294282 GUIDE PLATE:FUSI NG EXIT



54.D0294331 FUSING COVER:U PPER



56.GB010036 GEAR:IDLER:Z16



55.GB010035 GEAR:IDLER:FUSI NG UNIT



45.D0254129 (x6)
 GUIDE:FUSING EXI T:PFA



50.D0254303 HARNESS:FUSING UNIT:NA



47.D0254191 LEVER:PRESSURE RELEASE:REAR



53.D0294277 (x2)
 GRIP:FUSING UNIT

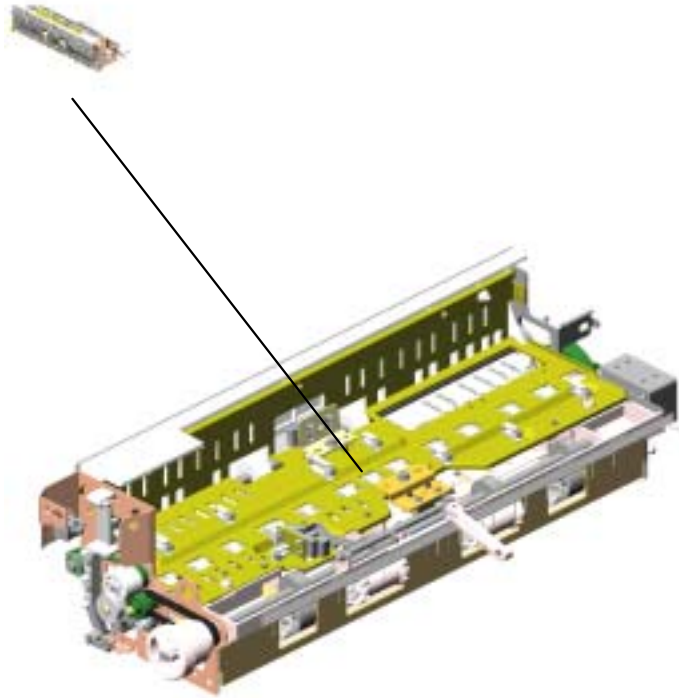


D0254051
[A]
 FUSING UNIT:NA:S UB-ASS'Y
 090219 X/O

U001	U002	U003	U004	U005	U006	U007	U008	U009	U010	U011	U012	U013	U014	U015	U016	U017
------	------	------	------	------	------	------	------	------	------	------	------	------	------	------	------	------

U010.Paper Exit

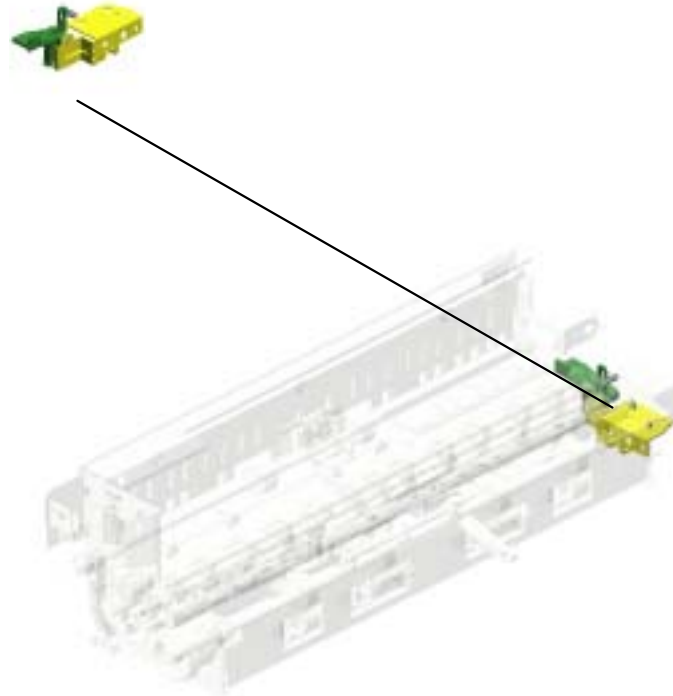
U010_S001
D0254410
PAPER EXIT UNIT:MACHINE
OR COPIER:ASSY



U001	U002	U003	U004	U005	U006	U007	U008	U009	U010	U011	U012	U013	U014	U015	U016	U017
------	------	------	------	------	------	------	------	------	------	------	------	------	------	------	------	------

U010_S001.PAPER EXIT UNIT:MACHINE OR COPIER:ASS'Y

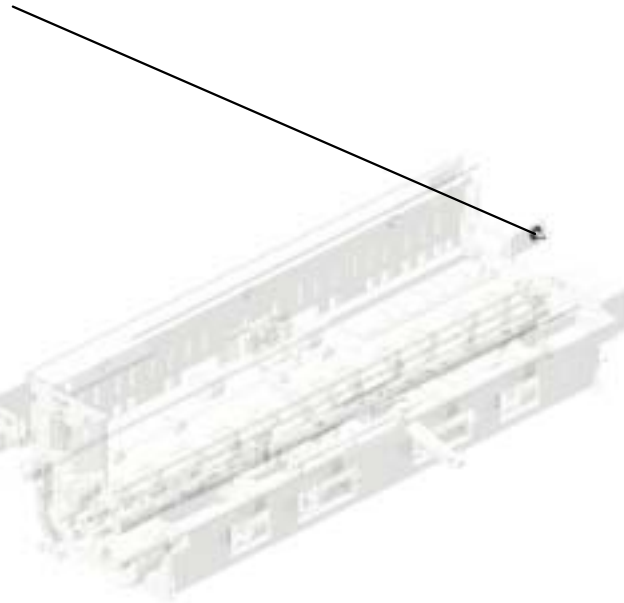
U010_S001_S001
D0294474
DC SOLENOID:SUB-ASS'Y



U001	U002	U003	U004	U005	U006	U007	U008	U009	U010	U011	U012	U013	U014	U015	U016	U017
------	------	------	------	------	------	------	------	------	------	------	------	------	------	------	------	------

U010
Paper Exit

2.04543006Q
TAPPING SCREW -
M3X6



U001	U002	U003	U004	U005	U006	U007	U008	U009	U010	U011	U012	U013	U014	U015	U016	U017
------	------	------	------	------	------	------	------	------	------	------	------	------	------	------	------	------

U010_S001
 PAPER EXIT UNIT:MACHINE OR COPIER:ASS'Y

7.52062684 (x7) SHOULDER SCREW - M3
 13.AW010127 PAPER FEED SENSOR
 14.AW020145 PHOTOINTERRUPTOR:FLAT
 1.03530100N SCREW-M3X10
 5.11050516 CLAMP



58.D0254410
 PAPER EXIT UNIT:
 MACHINE OR COPIER:
 ASS'Y

15.AW500023
 PUSH SWITCH



16.B2234428 (x3)
 ROLLER:GUIDE:PF A



19.B2384436 (x2)
 SPRING PLATE - EXIT ROLLER OUTER



9.AA082102 (x7)
 BUSHING - 6X10X6



6.11050522
 EDGE SADDLE - LES0510



11.AF040567 (x2)
 TENSION ROLLER



18.B2234497
 SHAFT:FEELER:OVERFLOW



12.AW010107 (x2)
 PAPER FEED SENSOR



21.D0094443
 DISCHARGE BRUSH - EXIT



20.D0094407
 FEELER - OVERFLOW



4.11050511 (x9)
 HARNESS CLAMP - LWS-0306ZC



8.8050092
 RETAINING RING - 3M



3.04563010N (x8)
 TAPPING SCREW - M3X10



10.AF040566 (x2)
 TENSION ROLLER



17.B2234436 (x2)
 SPRING PLATE - EXIT ROLLER



U001	U002	U003	U004	U005	U006	U007	U008	U009	U010	U011	U012	U013	U014	U015	U016	U017
------	------	------	------	------	------	------	------	------	------	------	------	------	------	------	------	------

U010_S001 PAPER EXIT UNIT:MACHINE OR COPIER:ASS'Y

29.D0294424
GUIDE PLATE:UPPER RIGHT

31.D0294426
BRACKET:SENSOR:GATE

32.D0294427
BRACKET:POSITIONING:GUIDE PLATE:MIDDLE

28.D0294423
STAY:UPPER

23.D0254453
ROLLER:DECURATOR:EXIT

58.D0254410
PAPER EXIT UNIT:
MACHINE OR COPIER:ASSY



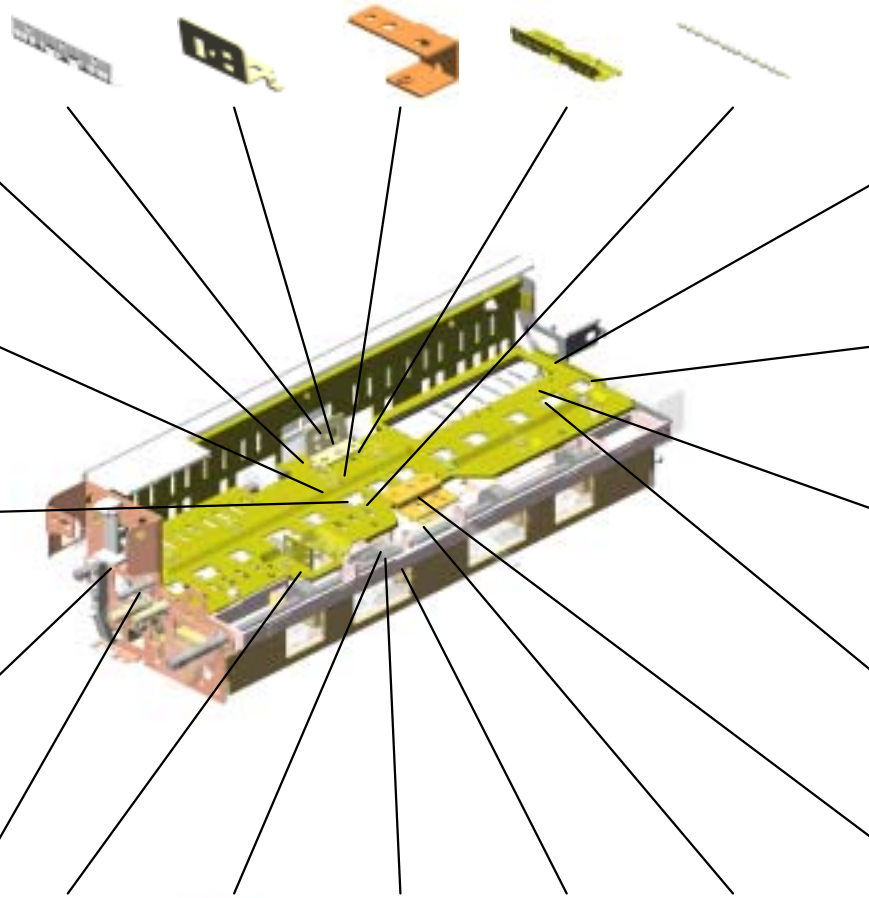
25.D0254466
TRANSPORT ROLLER:DIA18

38.D0294440
GATE PAWL:ENTRANCE:ASSY

22.D0254452
ROLLER:DECURATOR:ENTRANCE

41.D0294444
COVER:HARNESS

26.D0294415
SIDE PLATE:REAR:PEEN



40.D0294443
TENSION SPRING:
GATE PAWL:ENTRANCE

36.D0294436
SIDE PLATE:FRONT:PEEN

39.D0294442
LEVER:GATE PAWL:ENTRANCE

37.D0294439
STOPPER:GATE PAWL:ENTRANCE

30.D0294425
BRACKET:SENSOR

35.D0294433
BRACKET:SENSOR:FUSING EXIT

33.D0294431
GUIDE PLATE:EXIT:LOWER

24.D0254454
EXIT ROLLER

34.D0294432
STAY:EXIT:LOWER

27.D0294421
GUIDE PLATE:UPPER LEFT

U001	U002	U003	U004	U005	U006	U007	U008	U009	U010	U011	U012	U013	U014	U015	U016	U017
------	------	------	------	------	------	------	------	------	------	------	------	------	------	------	------	------

U010_S001
 PAPER EXIT UNIT:MACHINE OR COPIER:ASS'Y

50.D0294462 TIMING BELT:S2M1
 26
 48.D0294459 GEAR:PULLEY:IDL
 ER:Z20/T20
 47.D0294458 GEAR:PULLEY:DE
 CURA:Z16/16T
 42.D0294446 SHEET:EXIT:PTFE:
 REAR

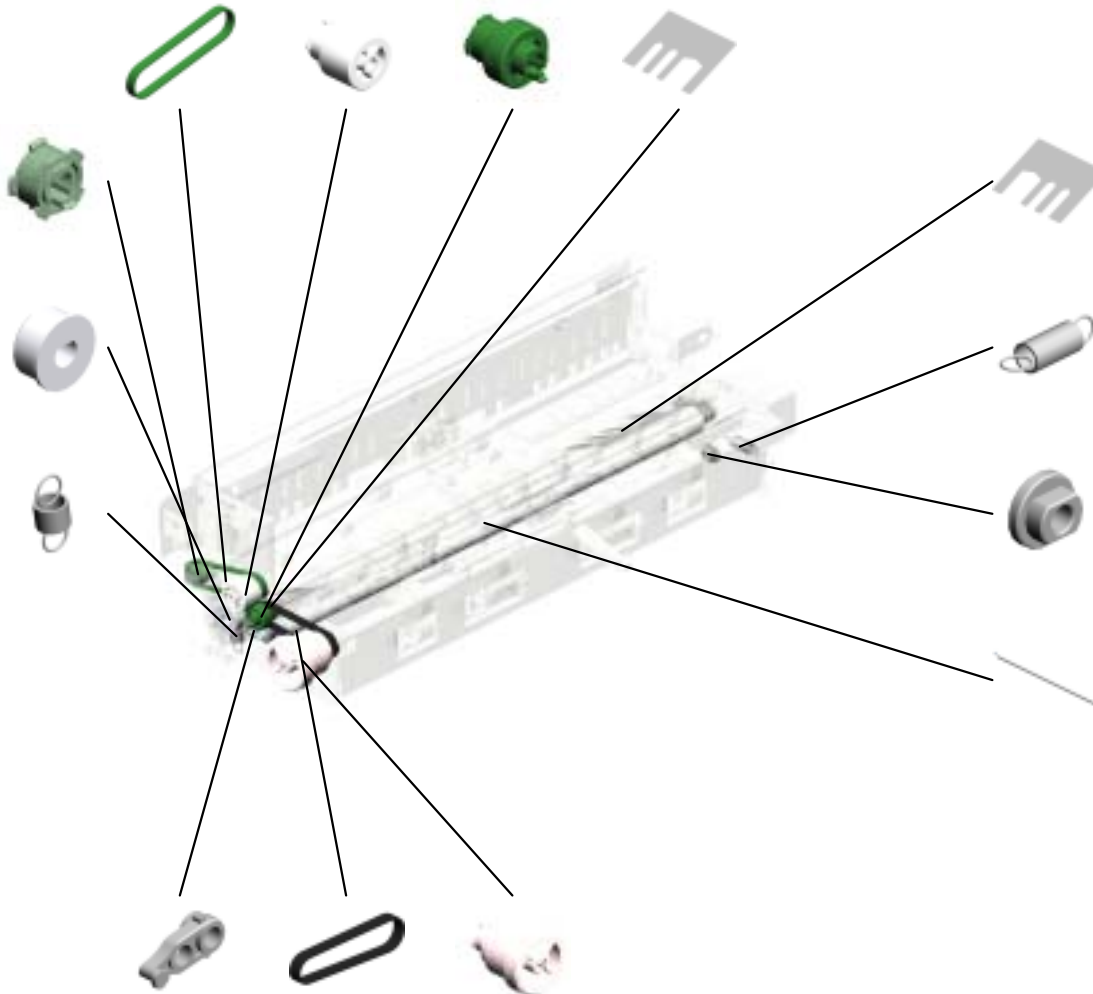


58.D0254410
 PAPER EXIT UNIT:
 MACHINE OR COPI
 ER:ASSY

49.D0294461
 TIMING PULLEY:20
 T:DIA6

45.D0294456
 GEAR:DECURA:16
 Z

53.D0294465
 (x2)
 SPRING:DECURA



43.D0294447
 SHEET:EXIT:PTFE:
 FRONT

55.D0294478
 TENSION SPRING:
 RELEASE:DC SOL
 ENOID

56.H0532208
 BUSHING - M4

44.D0294450
 ROLLER:DECURA:
 DRIVEN:ASSY

52.D0294464
 (x2)
 BUSHING:DECURA
 :DRIVEN

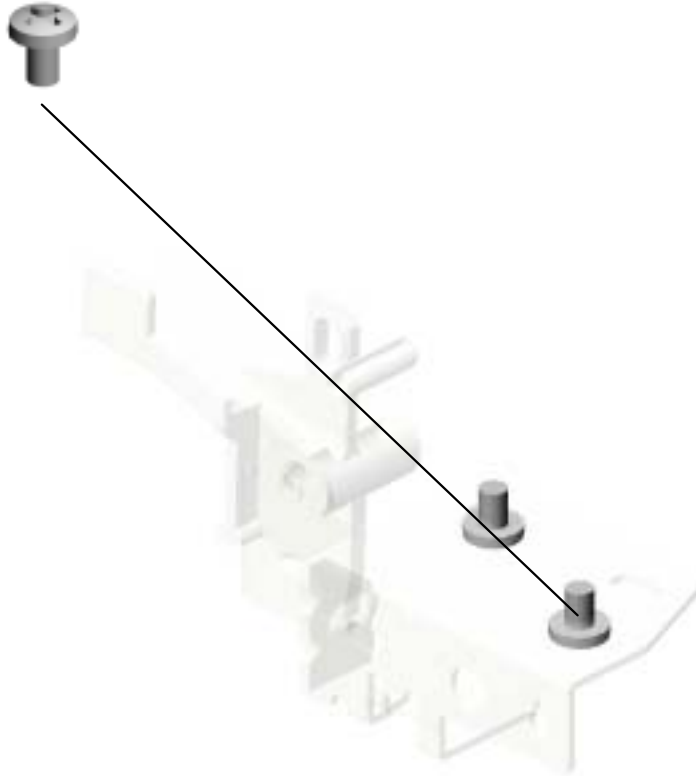
51.D0294463
 TIMING BELT:S2M:
 122

46.D0294457
 GEAR:PULLEY:INP
 UT:27Z

U001	U002	U003	U004	U005	U006	U007	U008	U009	U010	U011	U012	U013	U014	U015	U016	U017
------	------	------	------	------	------	------	------	------	------	------	------	------	------	------	------	------

U010_S001_S001
DC SOLENOID:SUB-ASS'Y

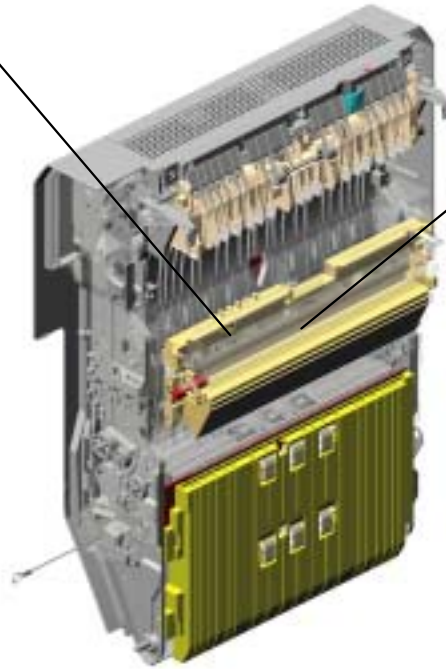
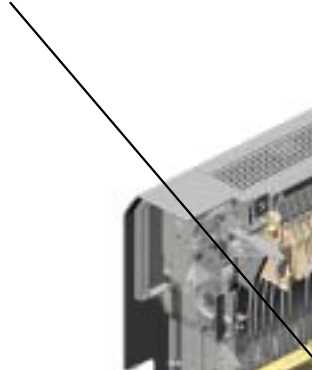
57.03530030N
(x2)
SCREW:M3X3
200908 O/O



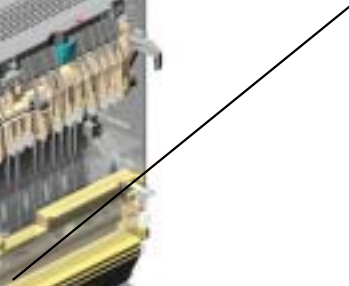
U001	U002	U003	U004	U005	U006	U007	U008	U009	U010	U011	U012	U013	U014	U015	U016	U017
------	------	------	------	------	------	------	------	------	------	------	------	------	------	------	------	------

U011.Duplex

U011_S001
D0254528
DUPLEX UNIT:EXP:ASS'Y

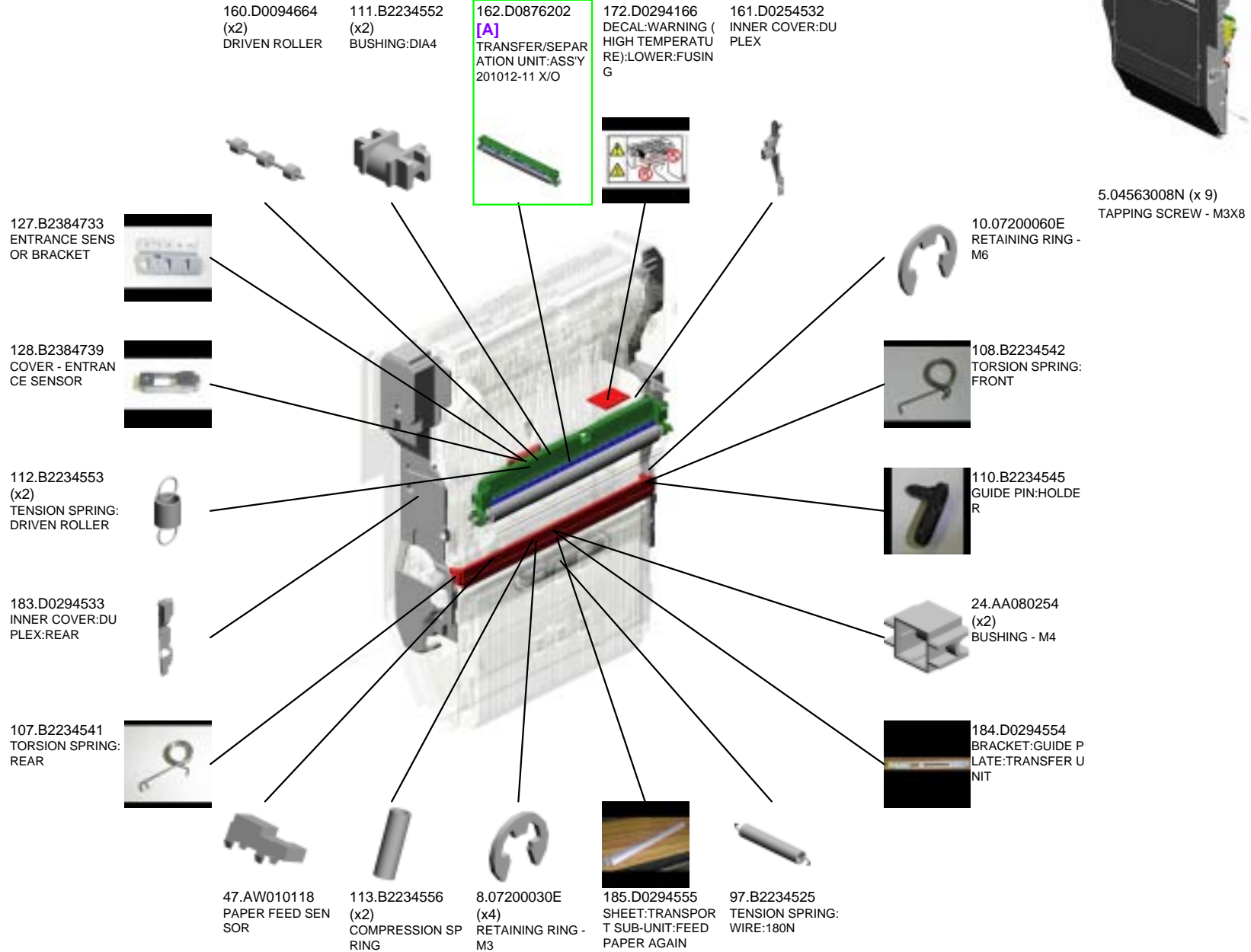


U011_S002
D0256281
CASE:AT:ASS'Y



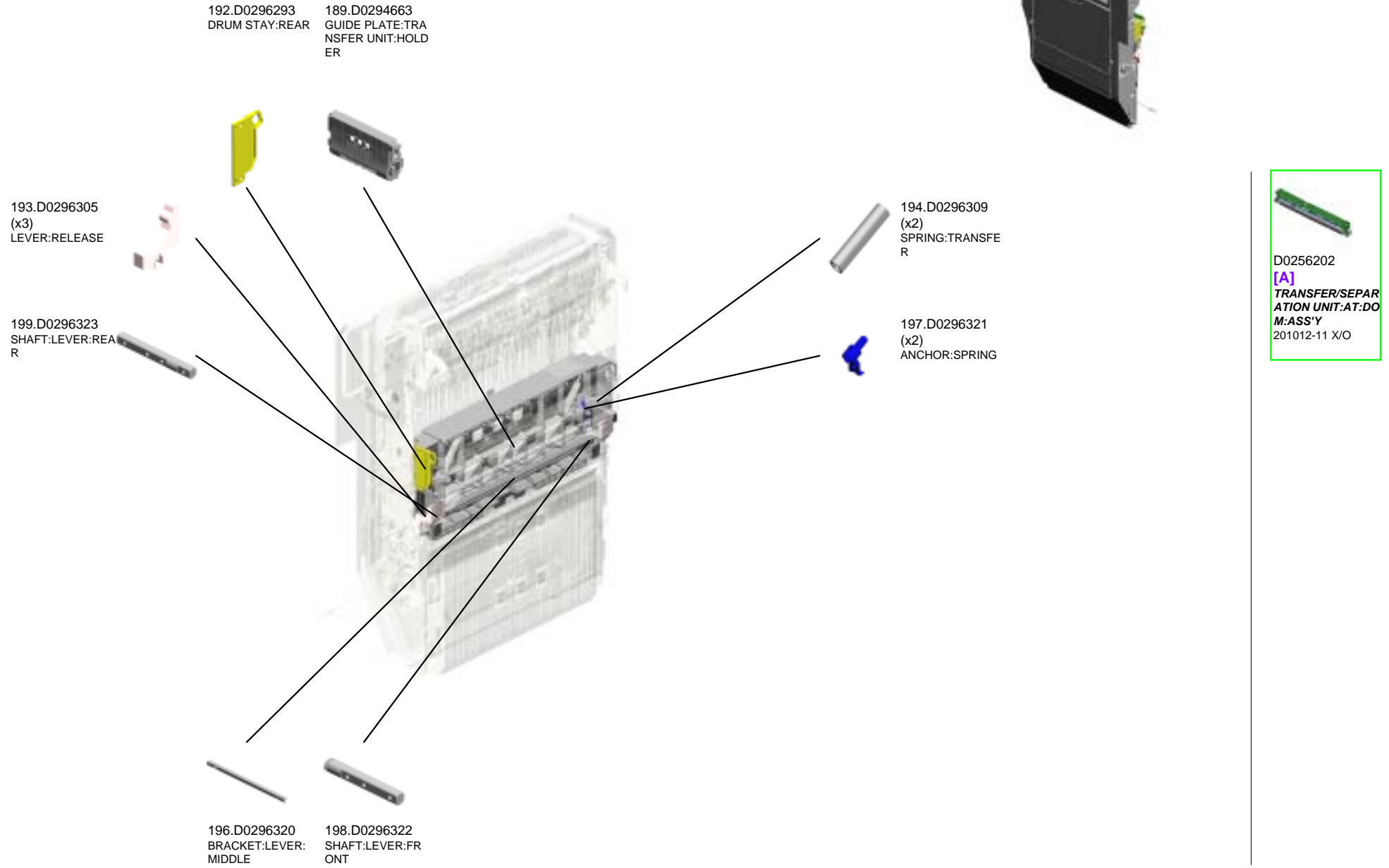
U001	U002	U003	U004	U005	U006	U007	U008	U009	U010	U011	U012	U013	U014	U015	U016	U017
------	------	------	------	------	------	------	------	------	------	------	------	------	------	------	------	------

U011 Duplex



U001	U002	U003	U004	U005	U006	U007	U008	U009	U010	U011	U012	U013	U014	U015	U016	U017
------	------	------	------	------	------	------	------	------	------	------	------	------	------	------	------	------

U011 Duplex



U001	U002	U003	U004	U005	U006	U007	U008	U009	U010	U011	U012	U013	U014	U015	U016	U017
------	------	------	------	------	------	------	------	------	------	------	------	------	------	------	------	------

U011_S001
 DUPLEX UNIT:EXP:ASS'Y

2.03530100N
 (x4)
 SCREW-M3X10

30.AA101021
 (x4)
 RUBBER BUSHING
 - 6 45HS

24.AA080254
 (x2)
 BUSHING - M4

8.07200030E
 (x6)
 RETAINING RING -
 M3

27.AA082104
 (x5)
 BUSHING - 8X12X7



208.D0254528
 DUPLEX UNIT:EXP:
 ASS'Y

9.07200040E
 RETAINING RING -
 M4

5.04563008N
 (x11)
 TAPPING SCREW -
 M3X8

3.04543006Q
 (x4)
 TAPPING SCREW -
 M3X6

17.54472681
 SNAP RING

15.1105051
 CLAMP:LES-0505

21.AA060872
 SPRING

28.AA083018
 ROLLER CLUTCH -
 6X14X10

4.04543008Q
 (x2)
 TAPPING SCREW:
 3X8

13.11050511
 HARNESS CLAMP -
 LWS-03062C

22.AA063499
 PRESSURE SPRIN
 G

25.AA082101
 (x6)
 BUSHING - 6X10X6

26.AA082102
 (x2)
 BUSHING - 6X10X6

23.AA063568
 PRESSURE SPRIN
 G

29.AA100014
 (x2)
 RETAINING RING
 C - SEPARATE

20.A2596754
 BUSHING - 6 6MM

12.11050508
 HARNESS CLAMP -
 LWS-0711

14.11050522
 EDGE SADDLE - L
 ES0510

16.11050612
 CLAMP:EDS-0704L
 -V0

18.8010231
 HEXAGONAL HEA
 D BOLT W/WASHE
 R:M3X6

19.8050092
 RETAINING RING -
 3M

35.AA143592
 SCREW- M4X6

36.AA143807
 SCREW:A

U001	U002	U003	U004	U005	U006	U007	U008	U009	U010	U011	U012	U013	U014	U015	U016	U017
------	------	------	------	------	------	------	------	------	------	------	------	------	------	------	------	------

U011_S001
 DUPLEX UNIT:EXP:ASS'Y



208.D0254528
 DUPLEX UNIT:EXP:
 ASS'Y

- 40.AB014161 REVERSE ROLLER GEAR
- 52.B0441825 (x4) COLLAR
- 48.AW020145 (x2) PHOTOINTERRUP TOR:FLAT
- 45.AG070514 MAGNET CATCH
- 46.AW010107 PAPER FEED SENSOR

49.AW500031 PAPER SIZE SENSOR

42.AF030049 PICK-UP ROLLER

37.B2232683 GEAR:25Z

37.AB011223 IDLER GEAR - 25Z

51.AX202007 MAGNETIC CLUTCH

33.AA143183 STEPPED SCREW

32.AA140778 SHAFT:SEPARATOR:DRIVE

31.AA140777 SHAFT:FEED

39.AB011416 GEAR - 20Z

41.AF013016 BOTTOM PLATE PAD

50.AW500035 PAPER END SENSOR

38.AB011387 GEAR - 23Z

43.AF031046 FEED ROLLER - MANUAL FEED

44.AF032046 SEPARATION ROLLER - MANUAL FEED

34.AA143404 STEPPED SCREW - M4

- 1.03530040N (x 1) SCREW - M3X4
- 5.04563008N (x 2) TAPPING SCREW - M3X8
- 6.04563010N (x 1) TAPPING SCREW - M3X10
- 7.04573008N (x 1) TAPPING SCREW - M3X8
- 11.11026248 (x 1) CONNECTOR - 5P

U001	U002	U003	U004	U005	U006	U007	U008	U009	U010	U011	U012	U013	U014	U015	U016	U017
------	------	------	------	------	------	------	------	------	------	------	------	------	------	------	------	------

U011_S001
 DUPLEX UNIT:EXP:ASS'Y



208.D0254528
 DUPLEX UNIT:EXP:
 ASS'Y

- 53.B0441847 SHOULDER SCREW
- 62.B2232633 SPRING:RELEASE: PICKUP
- 59.B2232623 COVER:GUIDE PLATE:EXIT
- 66.B2232645 DECAL:SIDE FENCE
- 57.B2232621 COVER:MANUAL FEED UNIT

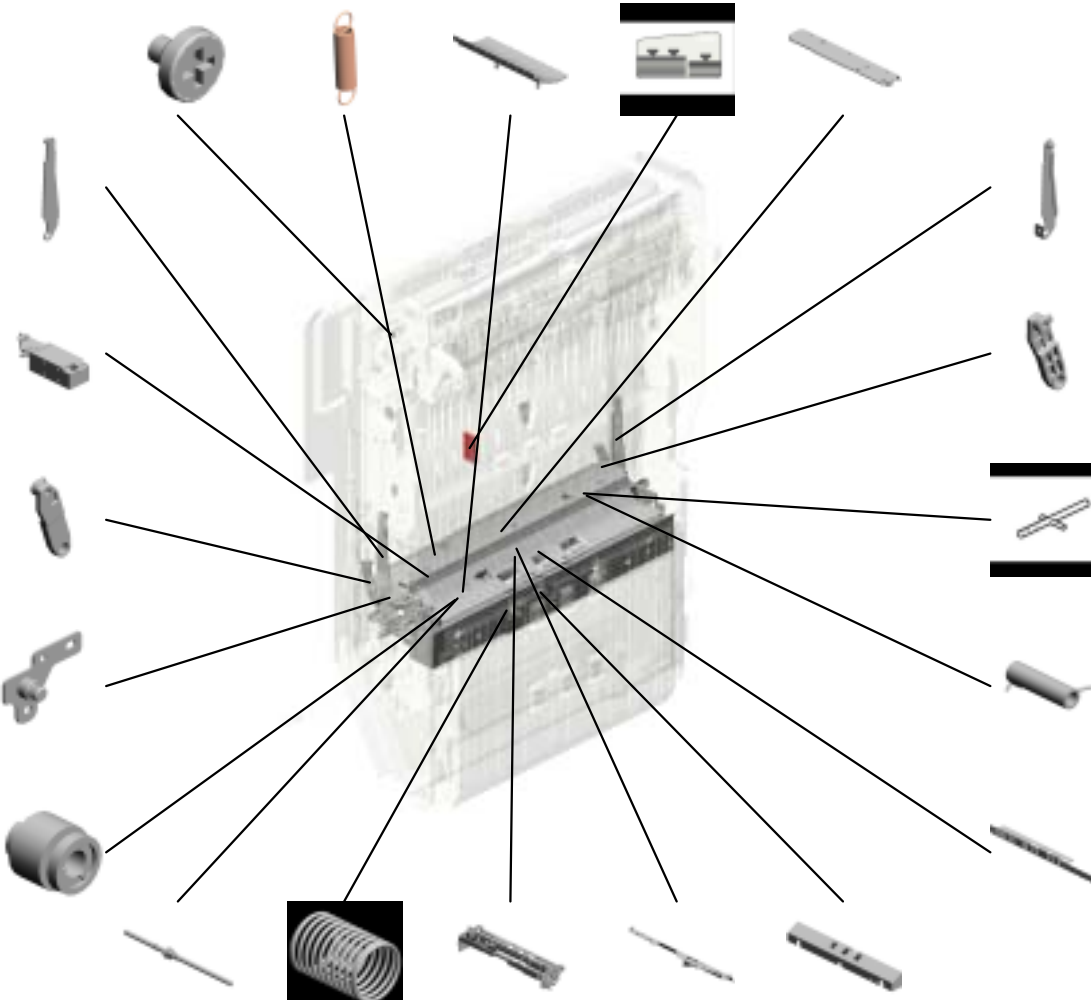
70.B2232652 ARM:MANUAL FEED:REAR

61.B2232632 DC SOLENOID: PICKUP

72.B2232658 ARM:MANUAL FEED:SHORT:REAR

65.B2232637 BRACKET:ARM:MANUAL FEED:REAR

55.B2232608 GEAR:Z16



69.B2232651 ARM:MANUAL FEED:FRONT

71.B2232657 ARM:MANUAL FEED:SHORT:FRONT

63.B2232634 SUPPORT STAY:ARM

64.B2232636 TORSION SPRING: 27N

58.B2232622 GUIDE PLATE:EXIT

- 54.B1802871 SHAFT:SEPARATOR:DRIVEN:ASSY
- 68.B2232649 (x2) SPRING:PRESSURE:5N
- 56.B2232620 HOUSING:MANUAL FEED
- 60.B2232629 STAY:FEED
- 67.B2232648 GUIDE PLATE:TRANSPORT UNIT:EXIT

U001	U002	U003	U004	U005	U006	U007	U008	U009	U010	U011	U012	U013	U014	U015	U016	U017
------	------	------	------	------	------	------	------	------	------	------	------	------	------	------	------	------

U011_S001
 DUPLEX UNIT:EXP:ASS'Y



208.D0254528
 DUPLEX UNIT:EXP:
 ASS'Y

- 91.B2234502 GUIDE PLATE:LEFT LOWER
- 86.B2232713 (x2) RACK:MANUAL FEED
- 90.B2234501 GUIDE PLATE:RIGHT
- 88.B2232729 DECAL:PAPER SENSITIVITY DIRECTION:MANUAL FEED:EXP
- 89.B2234494 (x2) STOPPER- UPPER GATE PAWL

74.B2232663
 EXTENSION TRAY

73.B2232661
 COVER:MANUAL FEED

77.B2232666
 GEAR:16Z

79.B2232673
 SIDE FENCE:REAR

82.B2232681
 ARM:TIGHTENER

85.B2232696
 DRUM STAY:DRIVE

84.B2232689
 GEAR:Z28

83.B2232686
 GEAR:Z31

75.B2232664
 COVER:MANUAL FEED:ENTRANCE

81.B2232676
 (x4) SPRING - 11N

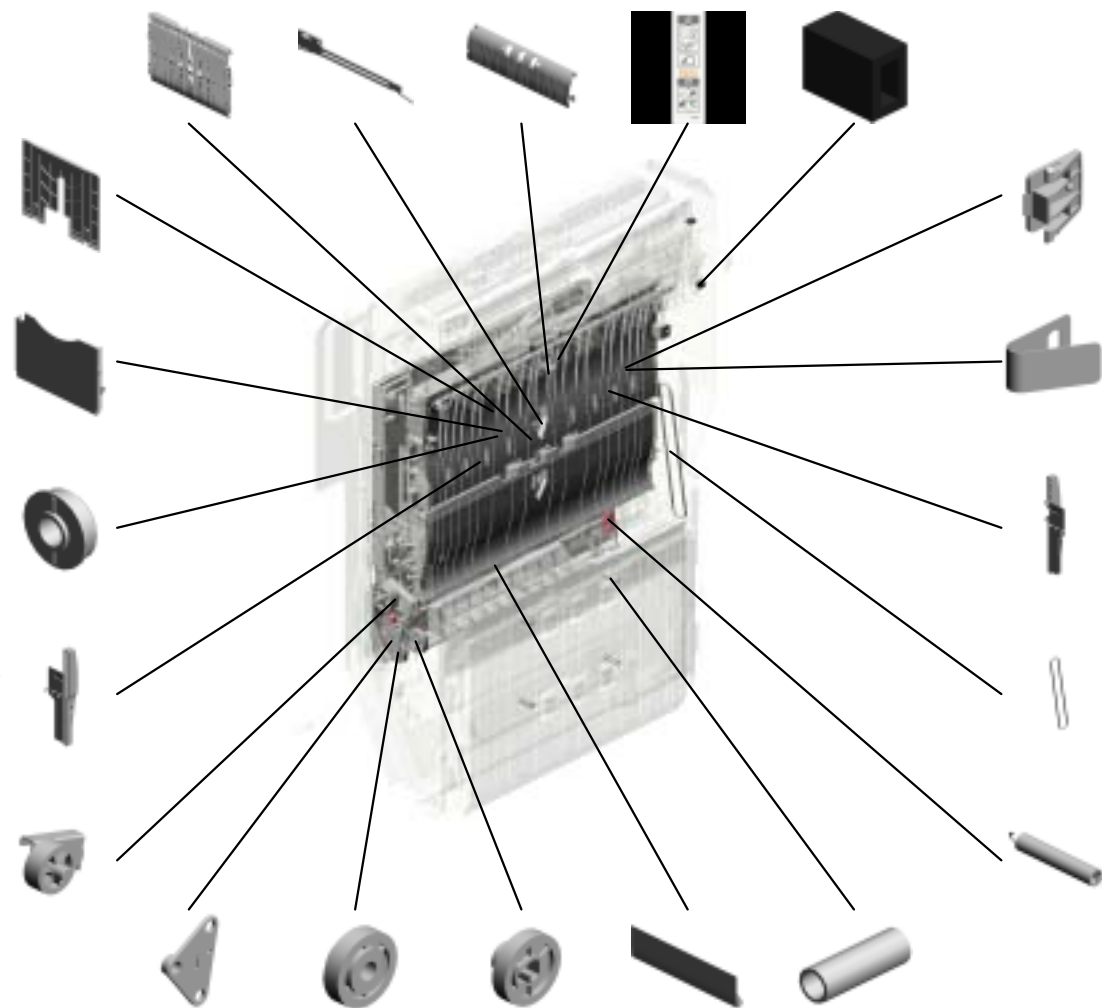
87.B2232726
 GRIP:SIDE FENCE:MANUAL FEED

78.B2232668
 SPRING PLATE:STOPPER

80.B2232674
 SIDE FENCE:FRONT

92.B2234511
 TIMING BELT:30S2M312

76.B2232665
 (x2) SPRING:COVER:MANUAL FEED



U001	U002	U003	U004	U005	U006	U007	U008	U009	U010	U011	U012	U013	U014	U015	U016	U017
------	------	------	------	------	------	------	------	------	------	------	------	------	------	------	------	------

U011_S001
 DUPLEX UNIT:EXP:ASS'Y



208.D0254528
 DUPLEX UNIT:EXP:
 ASS'Y

- 101.B2234531 GUIDE PLATE:COVER
- 114.B2234560 (x2) TENSION SPRING:DRIVEN ROLLER
- 111.B2234552 (x2) BUSHING:DIA4
- 111.G0604435 (x2) BUSHING - M4
- 102.B2234532 (x2) TENSION SPRING:HOOK:STOPPER

105.B2234538 (x2) COMPRESSION SPRING

115.B2234562 TIGHTENER

116.B2234564 SPRING:TIGHTENER

98.B2234526 TIMING BELT:30S2 M268

94.B2234514 ROLLER CLUTCH:T24

96.B2234524 WIRE:STOPPER:DI A1.5

95.B2234522 SPACER:WIRE:STOPPER

106.B2234539 SHEET:COVER:DUPLEX

111.G0602652 (x2) BUSHING - M4

103.B2234535 ROLLER CLUTCH:T26

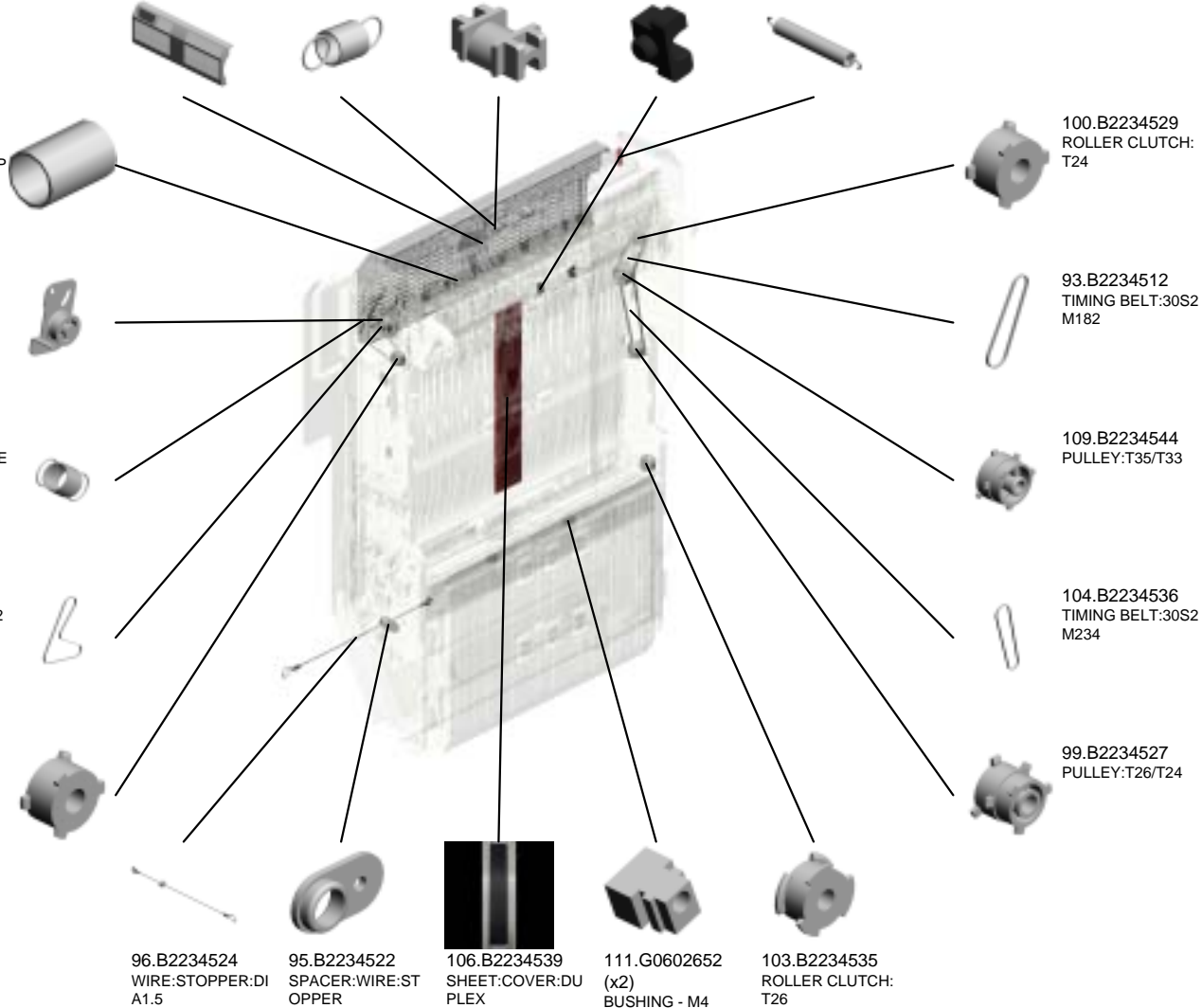
100.B2234529 ROLLER CLUTCH:T24

93.B2234512 TIMING BELT:30S2 M182

109.B2234544 PULLEY:T35/T33

104.B2234536 TIMING BELT:30S2 M234

99.B2234527 PULLEY:T26/T24



U001	U002	U003	U004	U005	U006	U007	U008	U009	U010	U011	U012	U013	U014	U015	U016	U017
------	------	------	------	------	------	------	------	------	------	------	------	------	------	------	------	------

U011_S001
 DUPLEX UNIT:EXP:ASS'Y

- 119.B2234571 GEAR:PULLEY:Z24/T40
- 120.B2234572 STEPPER MOTOR:DC4.29V 1.7W
- 118.B2234567 STAY:TRANSPORT:UPPER:PEEN
- 117.B2234566 BRACKET:SENSOR:ENTRANCE
- 123.B2234579 GRIP:OPEN AND CLOSE:DUPLEX UNIT



208.D0254528
 DUPLEX UNIT:EXP:
 ASS'Y

124.B2234586
 (x2)
 PULLEY:T30

121.B2234573
 TIMING BELT:30S2
 M128

122.B2234575
 BRACKET:STEPPE
 R MOTOR

125.B2234594
 SHAFT:PULLEY:WI
 RE

126.B2234595
 PULLEY:DIA13

136.D0092573
 (x6)
 PULLEY - VERTICA
 L TRANSPORT

137.D0092574
 (x6)
 PULLEY - IDLER

129.D0092510
 GUIDE PLATE - EXI
 T

134.D0092563
 GUIDE PLATE - VE
 RTICAL TRANSPOR
 T

138.D0092575
 (x2)
 SHAFT - IDLER

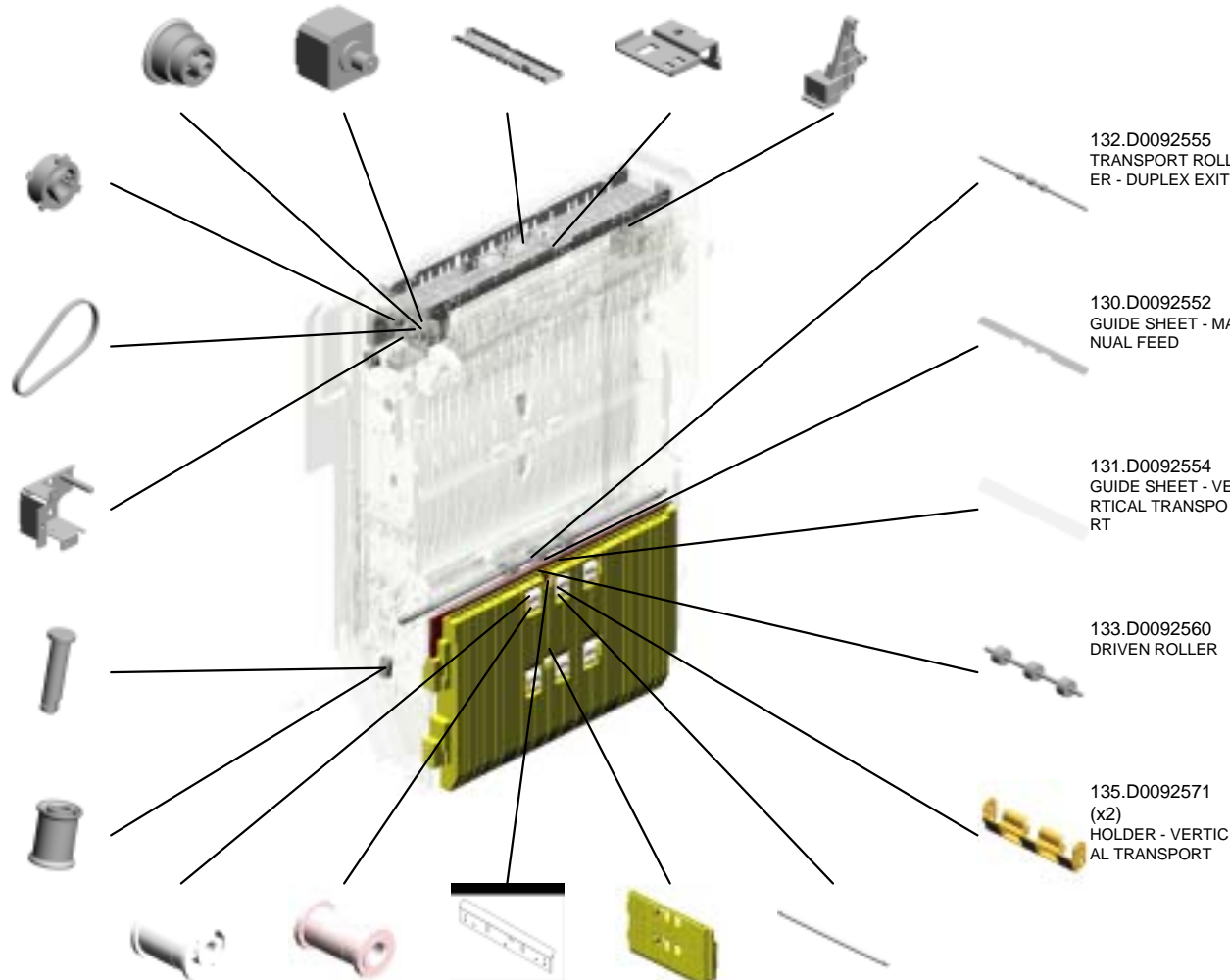
132.D0092555
 TRANSPORT ROLL
 ER - DUPLEX EXIT

130.D0092552
 GUIDE SHEET - MA
 NUAL FEED

131.D0092554
 GUIDE SHEET - VE
 RTICAL TRANSPO
 RT

133.D0092560
 DRIVEN ROLLER

135.D0092571
 (x2)
 HOLDER - VERTICA
 L TRANSPORT



U001	U002	U003	U004	U005	U006	U007	U008	U009	U010	U011	U012	U013	U014	U015	U016	U017
------	------	------	------	------	------	------	------	------	------	------	------	------	------	------	------	------

U011_S001
 DUPLEX UNIT:EXP:ASS'Y



208.D0254528
 DUPLEX UNIT:EXP:
 ASS'Y

157.D0094661 (x2) REVERSE ROLLER - FEED
 149.D0094577 DUPLEX GATE
 142.D0094504 UPPER GUIDE PLATE - GATE
 140.D0094497 DECAL - RIGHT GUIDE
 146.D0094522 TENSION SPRING: GATE PAWL:DUPL EX:0.08N

141.D0094503 GUIDE PLATE - LEFT UPPER

158.D0094662 TRANSPORT ROLLER 1

148.D0094540 COVER - DUPLEX UNIT

147.D0094535 HARNESS GUIDE

150.D0094587 TENSION SPRING - RELEASE BRACKET

154.D0094597 BRACKET - WIRE PULLEY SHAFT
 151.D0094588 STOPPER BRACKET - SPRING
 153.D0094593 STEPPED SCREW - M3
 156.D0094599 SHAFT - DUPLEX UNIT
 152.D0094589 GUIDE - SET SHAFT

139.D0092576 (x2) SHAFT - VERTICAL TRANSPORT

145.D0094513 COMPRESSION SPRING: EARTH: DUPLEX UNIT

143.D0094511 SPACER: DIA8.0: 1.5 MM

144.D0094512 LINK: STOPPER

155.D0094598 SPRING - SET SHAFT

U001	U002	U003	U004	U005	U006	U007	U008	U009	U010	U011	U012	U013	U014	U015	U016	U017
------	------	------	------	------	------	------	------	------	------	------	------	------	------	------	------	------

U011_S001
 DUPLEX UNIT:EXP:ASS'Y



208.D0254528
 DUPLEX UNIT:EXP:
 ASS'Y

- 160.D0094664 (x2) DRIVEN ROLLER
- 180.D0294497 (x2) COMPRESSION SPRING:DRIVEN ROLLER:GATE
- 173.D0294482 GATE PAWL:UPPER:ASS'Y
- 181.D0294499 DRIVEN ROLLER:DRIVEN:VERTICAL TRANSPORT
- 174.D0294484 GRIP:GATE PAWL:UPPER

182.D0294521 BRACKET:HARNES S

175.D0294485 LEVER:GATE PAWL:UPPER

166.D0292644 DECAL:SCALE:MANUAL FEED

176.D0294486 TENSION SPRING:GATE PAWL:1.5N

178.D0294489 (x15) GUIDE:GUIDE PLATE:OPEN AND CLOSE

186.D0294582 ARM:PRESSURE RELEASE:FRONT

168.D0292664 FEELER:PAPER SIZE SENSOR:MANUAL FEED

177.D0294488 (x2) TENSION SPRING:GUIDE PLATE:RIGHT

171.D0292710 COVER:HARNES:MANUAL FEED TABLE

165.D0292612 GROUND PLATE:REVERSE

- 164.D0292611 GROUND PLATE:REAR
- 167.D0292662 MANUAL FEED TABLE
- 170.D0292709 GUIDE PLATE:SEPARATOR:ASS'Y
- 159.D0094663 TRANSPORT ROLLER 2
- 169.D0292677 (x6) TRANSPORT BELT:DRIVEN:VERTICAL TRANSPORT

U001	U002	U003	U004	U005	U006	U007	U008	U009	U010	U011	U012	U013	U014	U015	U016	U017
------	------	------	------	------	------	------	------	------	------	------	------	------	------	------	------	------

U011_S001
DUPLEX UNIT:EXP:ASS'Y

188.D0294590 HOOK:STOPPER:DU
PLEX UNIT:ASS'Y
209.D0294592 GUIDE PLATE:OPE
N AND CLOSE:SUB
-ASS'Y
201012-02 X/O



208.D0254528
DUPLEX UNIT:EXP:
ASS'Y

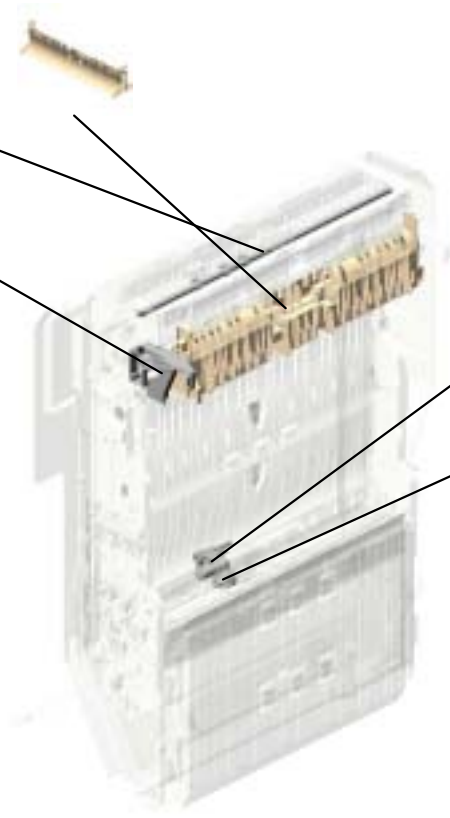
187.D0294583
ARM:PRESSURE R
LEASE:REAR



203.G0602932
PICK-UP ARM - MA
NUAL FEED



204.G0802900
TORQUE LIMITER



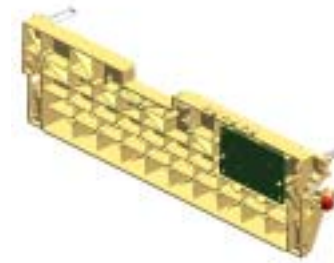
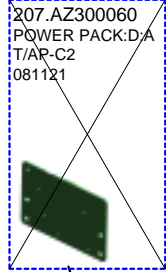
U001	U002	U003	U004	U005	U006	U007	U008	U009	U010	U011	U012	U013	U014	U015	U016	U017
------	------	------	------	------	------	------	------	------	------	------	------	------	------	------	------	------

U011_S002
CASE:AT:ASS'Y

191.D0296286
CASE:TRANSFER
ROLLER

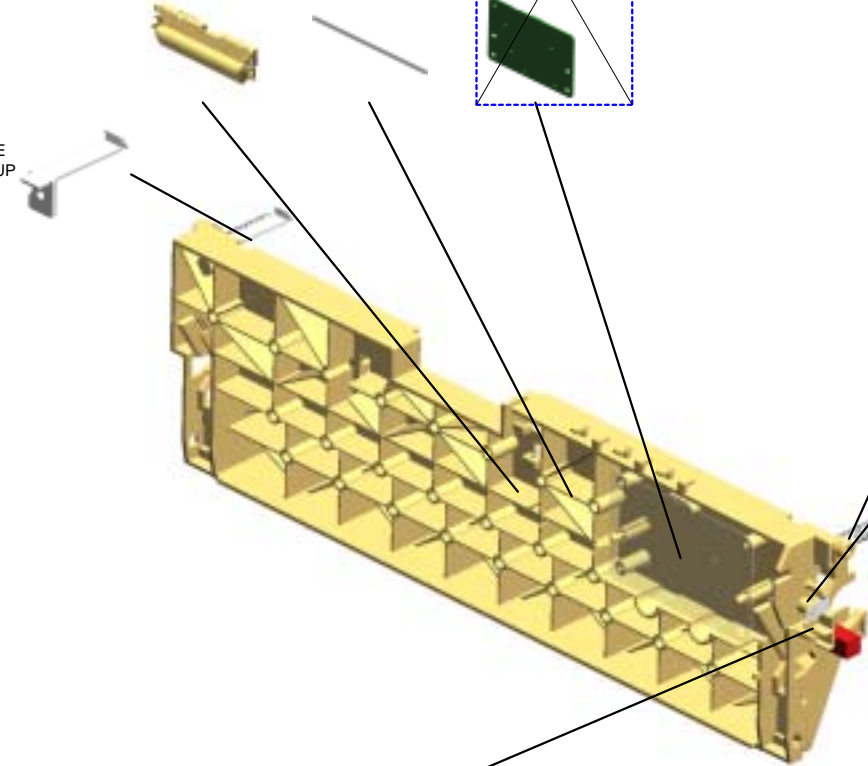
202.D0296335
SHEET:CASE:LOW
ER

207.AZ300060
POWER PACK:DA
T/AR-C2
081121



206.D0256281
[A]
CASE:AT:ASS'Y
200908 X/O

195.D0296316
STOPPER:HOLDE
R:SEPARATION:UP
PER

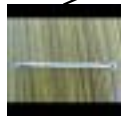


205.D0296307
(x2)
COMPRESSION SP
RING:GUIDE PLAT
E:EXIT:3.5N
200906 X/O

190.D0296285
TERMINAL:TRANS
FER ROLLER



D0256280
[A]
CASE:AT:ASS'Y
200908 X/O

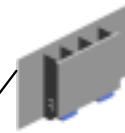
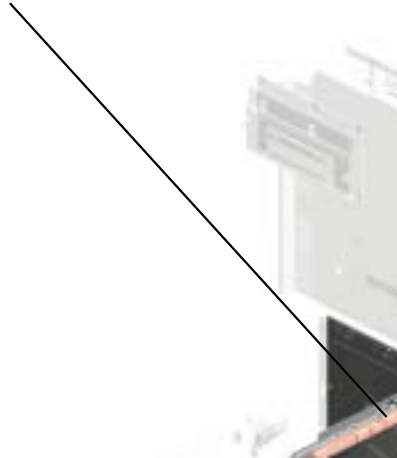


201.D0296331
GROUND WIRE:PO
WER PACK

U001	U002	U003	U004	U005	U006	U007	U008	U009	U010	U011	U012	U013	U014	U015	U016	U017
------	------	------	------	------	------	------	------	------	------	------	------	------	------	------	------	------

U012.Electrical

U012_S002
D0295876
DENSITY SENSOR:ASS'Y

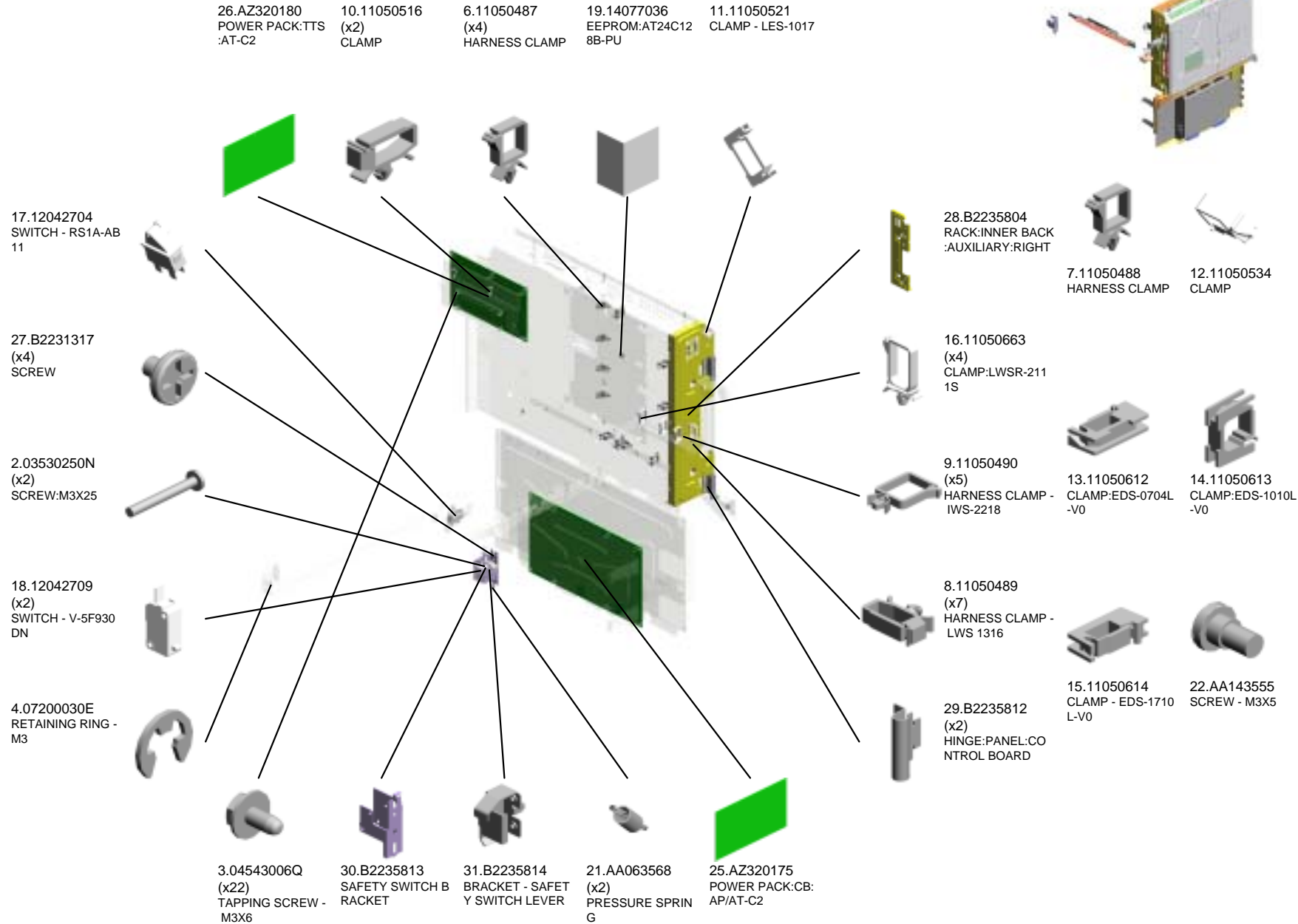


U012_S001
AZ240137
POWER SUPPLY UNIT:457W:
DOM/NA:ATH-C2



U001	U002	U003	U004	U005	U006	U007	U008	U009	U010	U011	U012	U013	U014	U015	U016	U017
------	------	------	------	------	------	------	------	------	------	------	------	------	------	------	------	------

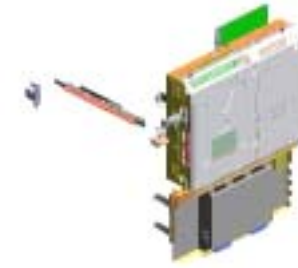
U012 Electrical



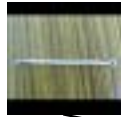
U001	U002	U003	U004	U005	U006	U007	U008	U009	U010	U011	U012	U013	U014	U015	U016	U017
------	------	------	------	------	------	------	------	------	------	------	------	------	------	------	------	------

U012 Electrical

47.D0251755 (x2) GROUND WIRE:SCANNER:RACK
 46.B2385891 DRAWER BRACKET
 50.D0255800 RACK:INNER BACK:SUB-ASS'Y
 53.D0295805 RACK:INNER BACK:AUXILIARY:MIDDLE
 52.D0255886 GASKET:UC-30028 1V0:L20



51.D0255834 BRACKET:POWER PACK:TTS



43.B2385828 MAIN SWITCH SHEET



41.B2385825 POWER SOURCE SWITCH LINK



39.B2385821 BRACKET - MAIN SWITCH HANDLE



40.B2385824 SLIDE SWITCH COVER



42.B2385827 MAIN SWITCH BRACKET



37.B2235857 BRACKET:SW:DEHUMIDIFIER:HEATER:EXP



33.B2235830 BRACKET:PSU:ASS'Y



49.D0255120 PCB:IOB:AT-C2



36.B2235843 BRACKET:RACK:APPLICATION



55.D0295811 RACK:APPLICATION:FRONT:RIGHT



54.D0295806 BRACKET:IOB



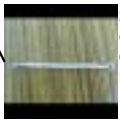
35.B2235841 HINGE:APPLICATION:RACK



32.B2235816 PLATE:RACK:AUXILIARY:RIGHT



38.B2235866 GROUND WIRE:RACK:RIGHT LOWER:HF

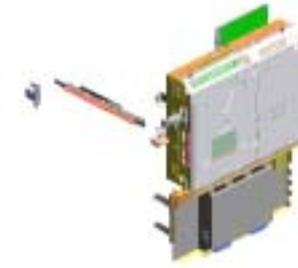


U001	U002	U003	U004	U005	U006	U007	U008	U009	U010	U011	U012	U013	U014	U015	U016	U017
------	------	------	------	------	------	------	------	------	------	------	------	------	------	------	------	------

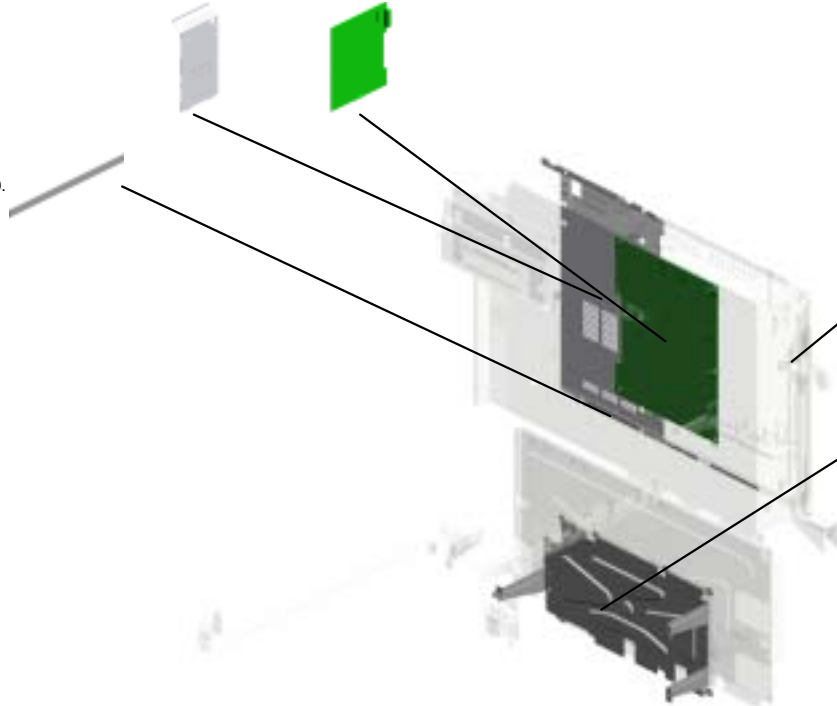
U012 Electrical

56.D0295819
RACK:APPLICATIO
N:FRONT:ASS'Y

62.D0255115
PCB:BICU:AT-C2:G
W:ASS'Y
201012-03 X/O



57.D0295861
(x3)
GASKET:65TFV5-0.
5:L90



58.D0295863
GASKET:65TSV5-2:
L23



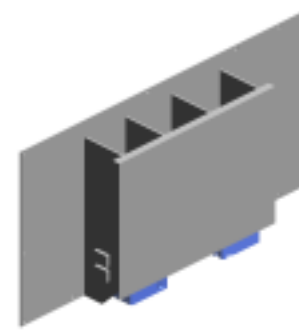
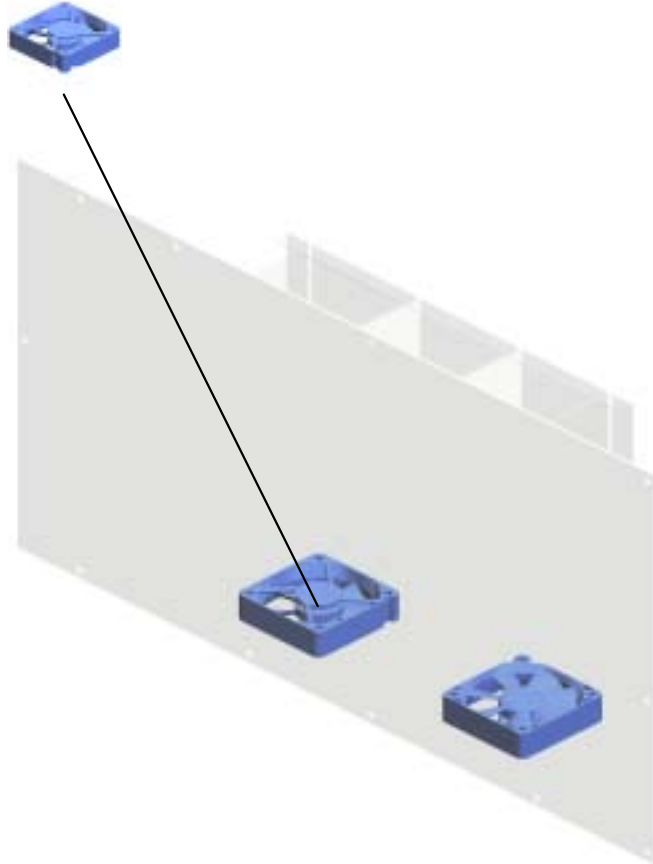
61.D0295830
BRACKET:POWER
PACK:PEEN
201002-03 X/O



U001	U002	U003	U004	U005	U006	U007	U008	U009	U010	U011	U012	U013	U014	U015	U016	U017
------	------	------	------	------	------	------	------	------	------	------	------	------	------	------	------	------

U012_S001
POWER SUPPLY UNIT:457W:DOM/NA:ATH-C2

23.AX640201
(x2)
FAN:MM60



24.AZ240137
POWER SUPPLY U
NIT:457W:DOM/NA:
ATH-C2

5.09543020N (x 1)
SCREW:POLISHED ROUND/SPRING:M
3X20

U001	U002	U003	U004	U005	U006	U007	U008	U009	U010	U011	U012	U013	U014	U015	U016	U017
------	------	------	------	------	------	------	------	------	------	------	------	------	------	------	------	------

U012_S002
DENSITY SENSOR:ASS'Y

20.AA060151
TENSION SPRING

44.B2385867
HOOK:SOLENOID:
SENSOR:TM

59.D0295876
DENSITY SENSOR:
ASS'Y

22.AA143520
(x2)
SHOULDER SCRE
W - M3



1.03125040N
(x2)
SCREW - M2.5X4



45.B2385875
DC SOLENOID DC2
4V

60.D0296395
DENSITY SENSOR



U001	U002	U003	U004	U005	U006	U007	U008	U009	U010	U011	U012	U013	U014	U015	U016	U017
------	------	------	------	------	------	------	------	------	------	------	------	------	------	------	------	------

U013 Controller

9.D0239590
NVRAM

20.G1335795
RAIL:RIGHT

21.G1335796
RAIL:LEFT

7.B2385887
(x2)
INTERFACE PANE
L

12.D0295824
COVER:SD-CARD



25.D4415724
PCB for D025
201012-16 O/O



24.D4405724
PCB for D023
201002-05 X/O



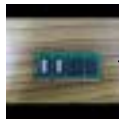
8.D0145974
COVER:CONNECT
OR:EFI



14.D0295887
GASKET:65TSV5-1:
L150



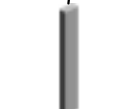
22.G1786072
PCB:PC4200:RAW
CARD-A:1GB



23.D0895765
[A]
HDD:HITACHI:250G
201103-01 O/O



13.D0295882
BRACKET:HDD



16.D0295889
GASKET:65TSV10-
5:L65



15.D0295888
GASKET:65TSV5-1:
L100



4.AA161167
(x4)
BUSHING:HDD



6.B2385885
(x2)
CONTROL BOARD
PANEL GRIP



3.AA143551
HEXAGONAL HEA
D BOLT:#6-32UNC
X4



11.D0295820
RACK:INNER BACK
:AUXILIARY:LEFT:A
S5S'Y

1.04513020N (x 1)
TAPPING SCREW:3X20



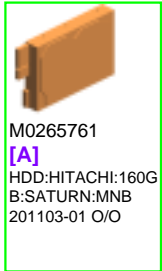
2.AA143548
(x4)
SCREW:M3X4.2



5.AX640197
FAN:MM60



17.D0295898
COVER:FAN:MM60:
CONTROL BOARD



M0265761
[A]
HDD:HITACHI:160G
B:SATURN:MNB
201103-01 O/O

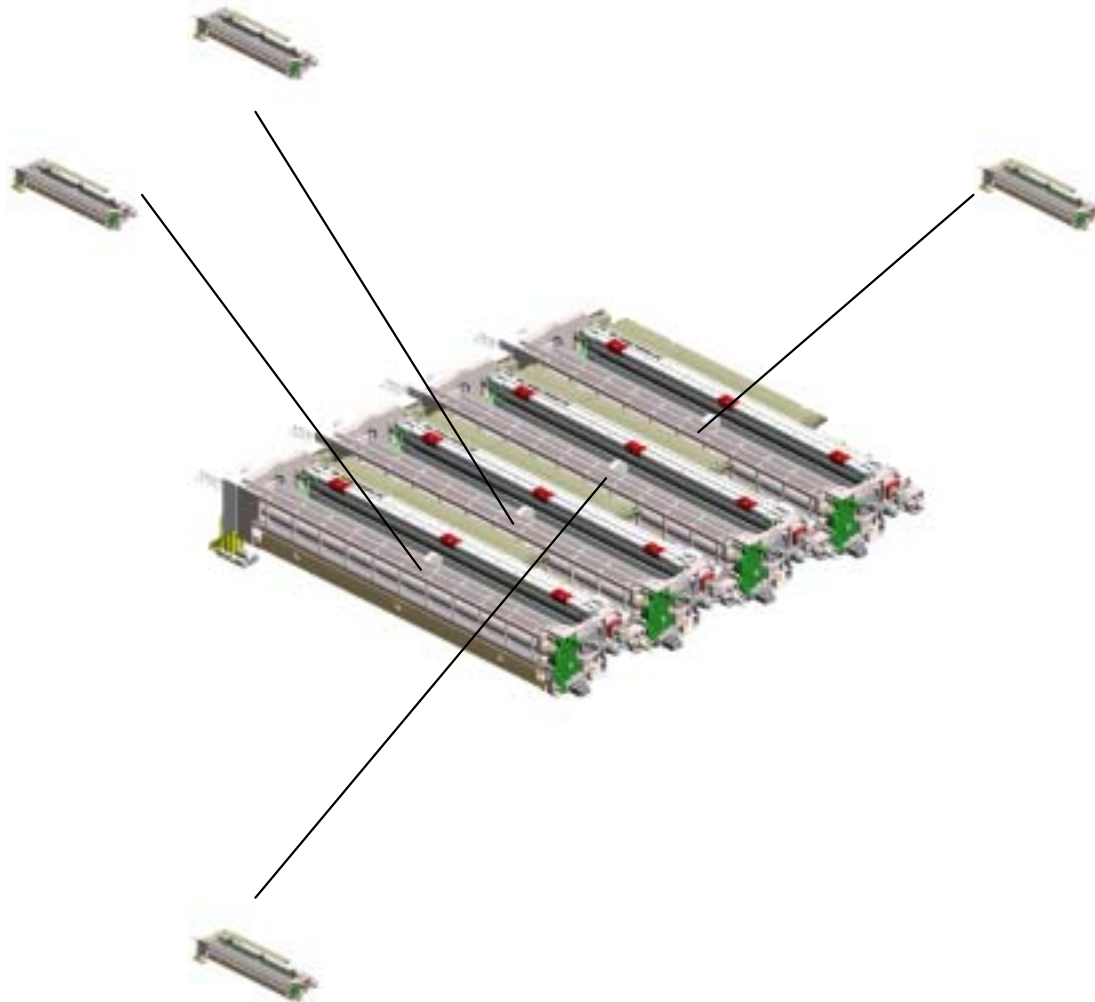
U001 U002 U003 U004 U005 U006 U007 U008 U009 U010 U011 U012 U013 U014 U015 U016 U017

U014.PCU

U014_S002
D0292209
PCU:M:EXP:ASSY

U014_S001
D0292208
PCU:K:EXP:ASSY

U014_S004
D0292211
PCU:Y:EXP:ASSY

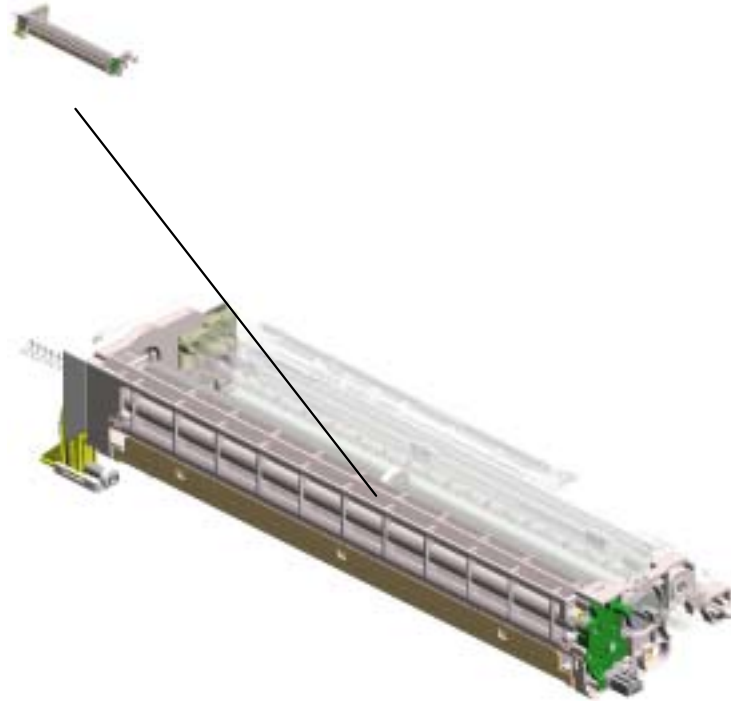


U014_S003
D0292210
PCU:C:EXP:ASSY

U001	U002	U003	U004	U005	U006	U007	U008	U009	U010	U011	U012	U013	U014	U015	U016	U017
------	------	------	------	------	------	------	------	------	------	------	------	------	------	------	------	------

U014_S001.PCU:K:EXP:ASS'Y

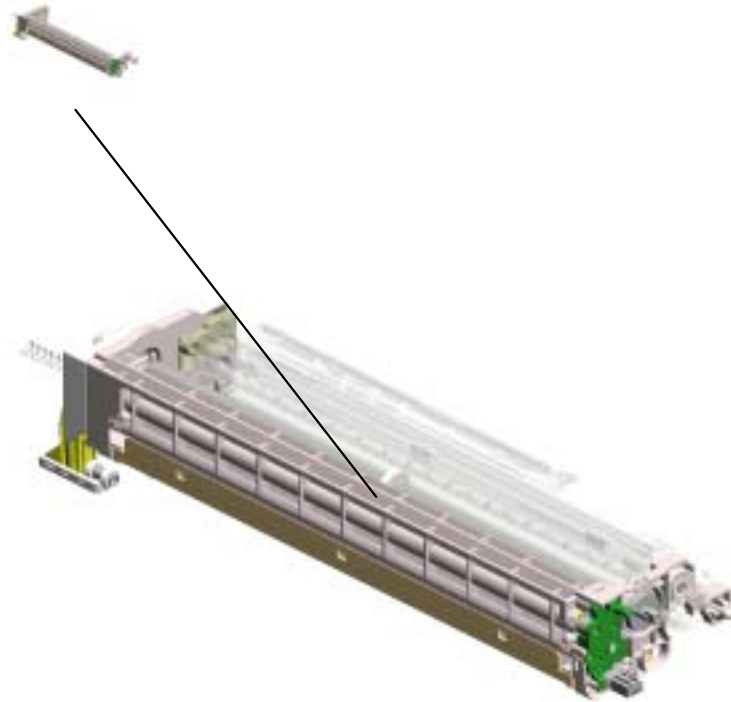
U014_S001_S001
D0292252
PCU:BK:UV:ASSY



U001	U002	U003	U004	U005	U006	U007	U008	U009	U010	U011	U012	U013	U014	U015	U016	U017
------	------	------	------	------	------	------	------	------	------	------	------	------	------	------	------	------

U014_S002.PCU:M:EXP:ASS'Y

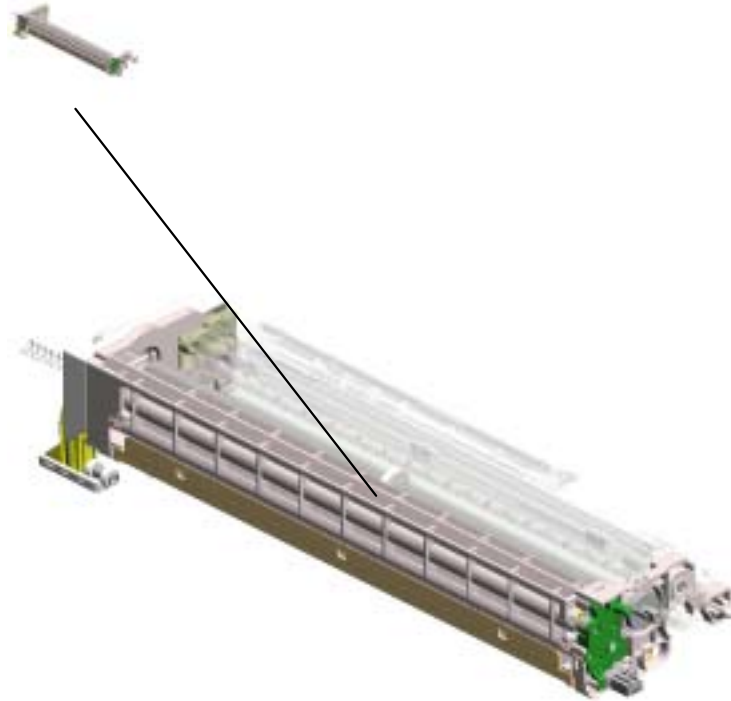
U014_S002_S001
D0292251
Drum unit for Color



U001	U002	U003	U004	U005	U006	U007	U008	U009	U010	U011	U012	U013	U014	U015	U016	U017
------	------	------	------	------	------	------	------	------	------	------	------	------	------	------	------	------

U014_S003.PCU:C:EXP:ASS'Y

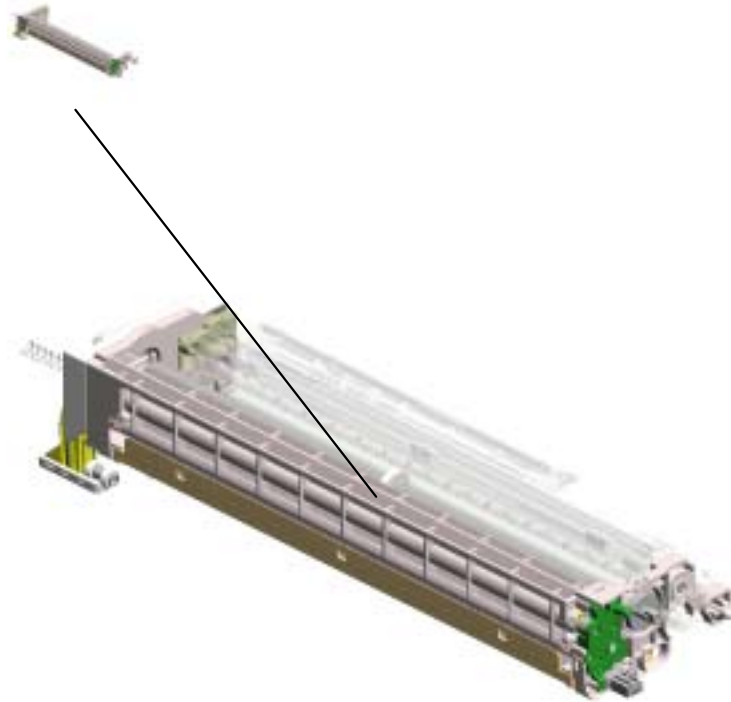
U014_S003_S001
D0292251
Drum unit for Color



U001	U002	U003	U004	U005	U006	U007	U008	U009	U010	U011	U012	U013	U014	U015	U016	U017
------	------	------	------	------	------	------	------	------	------	------	------	------	------	------	------	------

U014_S004.PCU:Y:EXP:ASS'Y

U014_S004_S001
D0292251
Drum unit for Color



U001	U002	U003	U004	U005	U006	U007	U008	U009	U010	U011	U012	U013	U014	U015	U016	U017
------	------	------	------	------	------	------	------	------	------	------	------	------	------	------	------	------

U014
PCU



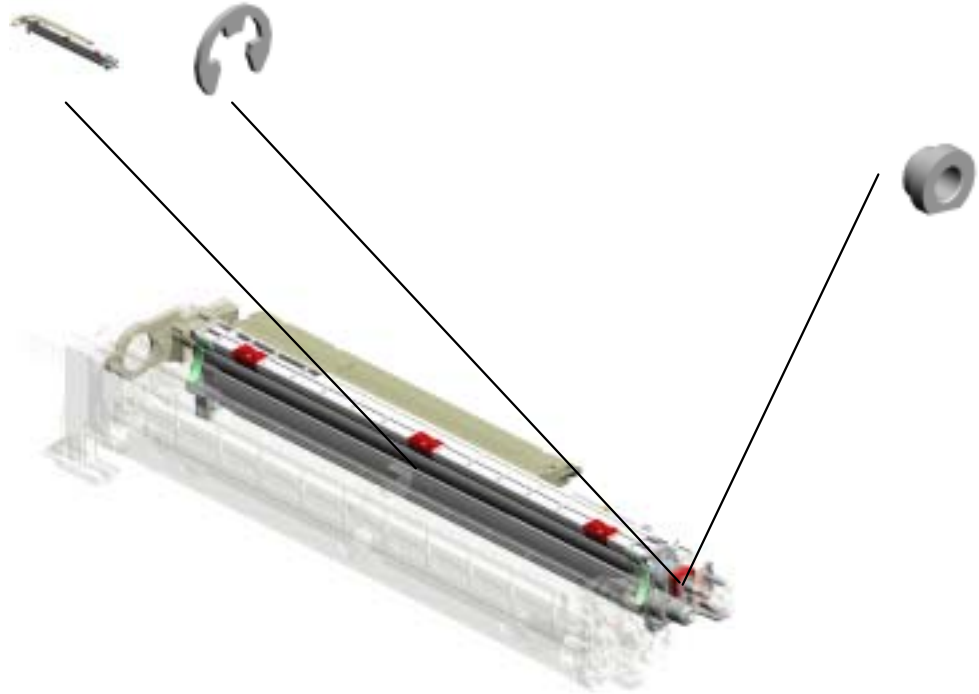
U001	U002	U003	U004	U005	U006	U007	U008	U009	U010	U011	U012	U013	U014	U015	U016	U017
------	------	------	------	------	------	------	------	------	------	------	------	------	------	------	------	------

U014_S001
PCU:K:EXP:ASS'Y

9.D0293015 1.07200040E
DEVELOPMENT UN RETAINING RING -
IT:BK:C2:EXP:ASS' M4
y



18.D0292208
[A]
PCU:K:EXP:ASS'Y
200908 O/O



2.AA084000
BUSHING:DIA6

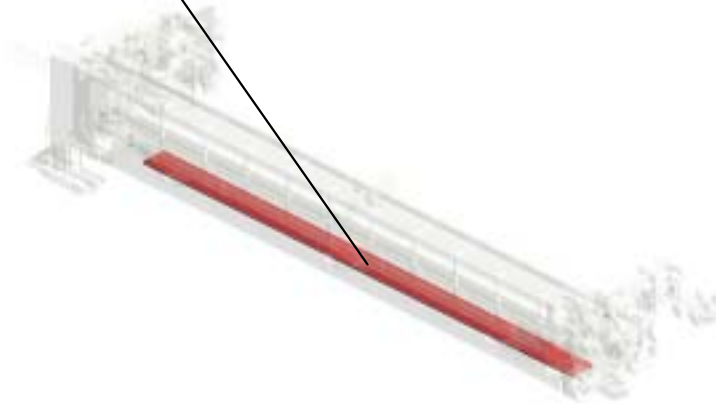


D0292204
[A]
PCU:K:EXP:ASS'Y
200908 O/O

U001	U002	U003	U004	U005	U006	U007	U008	U009	U010	U011	U012	U013	U014	U015	U016	U017
------	------	------	------	------	------	------	------	------	------	------	------	------	------	------	------	------

U014_S001_S001
PCU:BK:UV:ASS'Y

17.D0292056
SEAL:FRAME:CHA
RGE:LOWER
200908



16.D0292252
[A]
PCU:BK:UV:ASSY
200906 O/O



D0292250
[A]
Drum unit for Bk
200906 O/O

U001	U002	U003	U004	U005	U006	U007	U008	U009	U010	U011	U012	U013	U014	U015	U016	U017
------	------	------	------	------	------	------	------	------	------	------	------	------	------	------	------	------

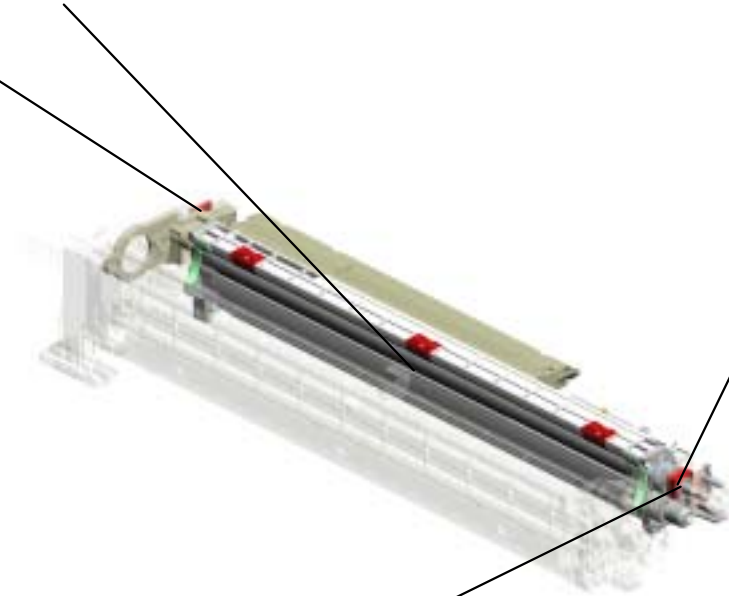
U014_S002
PCU:M:EXP:ASS'Y

10.D0293025
DEVELOPMENT U
NIT:M:C2:EXP:ASS'
Y



21.D0292209
[A]
PCU:M:EXP:ASS'Y
201012-09 O/O

14.GA003031
DECAL - SHIELDIN
G PLATE M



1.07200040E
RETAINING RING -
M4



D0292205
[A]
PCU:M:EXP:ASS'Y
201012-09 O/O



2.AA084000
BUSHING:DIA6

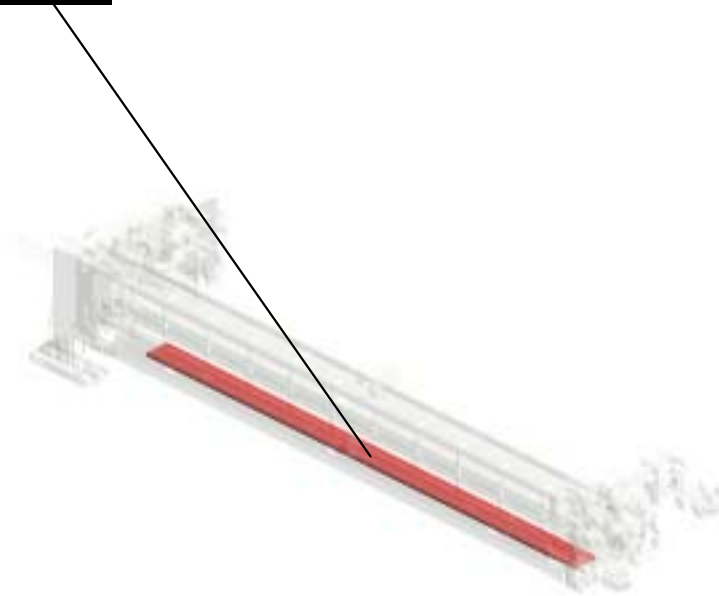
U001	U002	U003	U004	U005	U006	U007	U008	U009	U010	U011	U012	U013	U014	U015	U016	U017
------	------	------	------	------	------	------	------	------	------	------	------	------	------	------	------	------

U014_S002_S001
Drum unit for Color

17.D0292056
SEAL:FRAME:CHA
RGE:LOWER
200908



8.D0292251
Drum unit for Color



U001	U002	U003	U004	U005	U006	U007	U008	U009	U010	U011	U012	U013	U014	U015	U016	U017
------	------	------	------	------	------	------	------	------	------	------	------	------	------	------	------	------

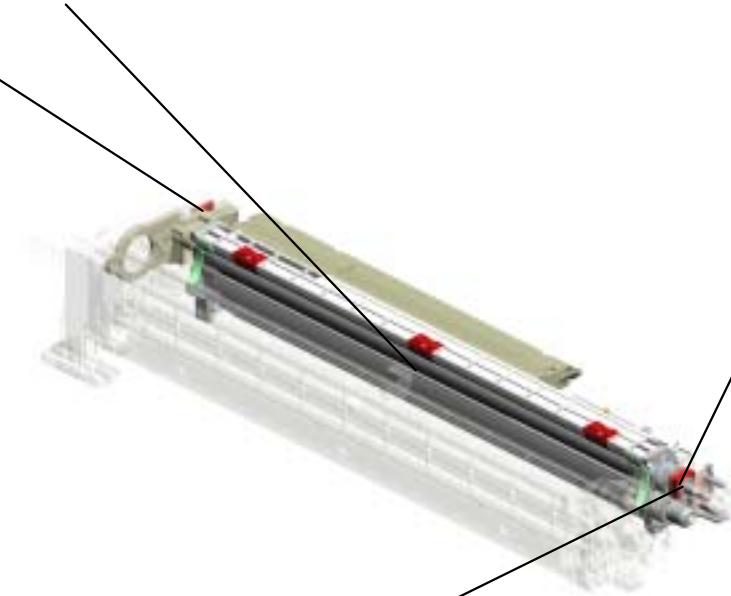
U014_S003
PCU:C:EXP:ASS'Y

11.D0293035
DEVELOPMENT U
NIT:C:C2:EXP:ASS'
Y



19.D0292210
[A]
PCU:C:EXP:ASS'Y
201012-10 O/O

15.GA003032
DECAL - SHIELDIN
G PLATE C



1.07200040E
RETAINING RING -
M4



2.AA084000
BUSHING:DIA6



D0292206
[A]
PCU:C:EXP:ASS'Y
201012-10 O/O

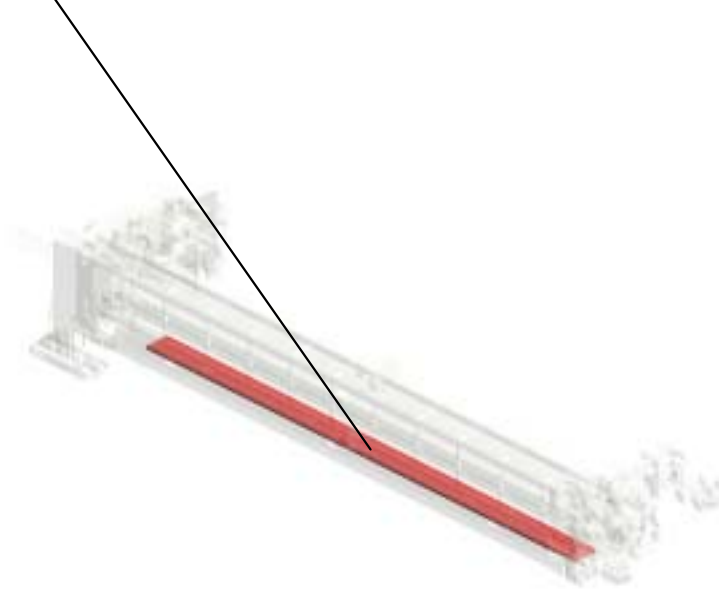
U001	U002	U003	U004	U005	U006	U007	U008	U009	U010	U011	U012	U013	U014	U015	U016	U017
------	------	------	------	------	------	------	------	------	------	------	------	------	------	------	------	------

U014_S003_S001
Drum unit for Color

17.D0292056
SEAL:FRAME:CHA
RGE:LOWER
200908



8.D0292251
Drum unit for Color



U001	U002	U003	U004	U005	U006	U007	U008	U009	U010	U011	U012	U013	U014	U015	U016	U017
------	------	------	------	------	------	------	------	------	------	------	------	------	------	------	------	------

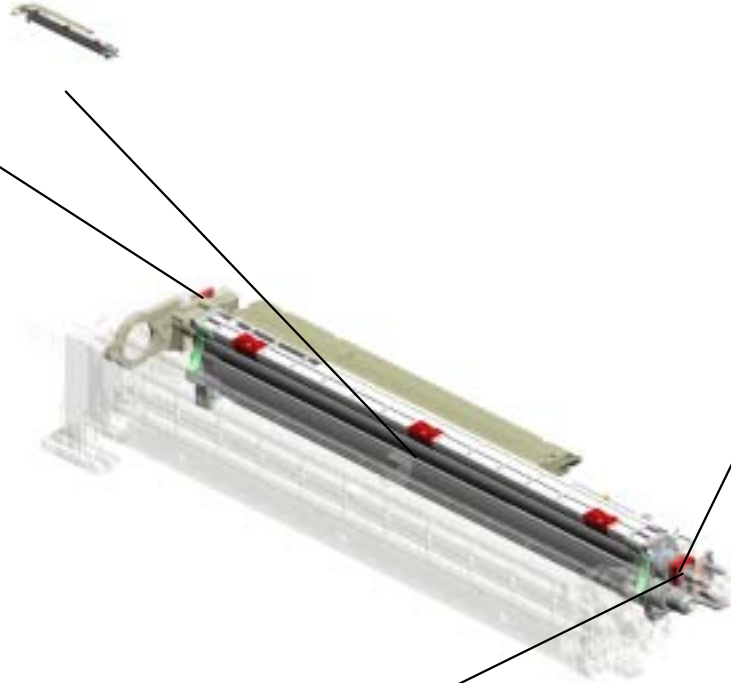
U014_S004
PCU:Y:EXP:ASS'Y

12.D0293045
DEVELOPMENT U
NIT:Y:C2:EXP:ASS'
Y



20.D0292211
[A]
PCU:Y:EXP:ASS'Y
201012-11 O/O

13.GA003030
DECAL - SHIELDIN
G PLATE Y



1.07200040E
RETAINING RING -
M4



2.AA084000
BUSHING:DIA6



D0292207
[A]
PCU:Y:EXP:ASS'Y
201012-11 O/O

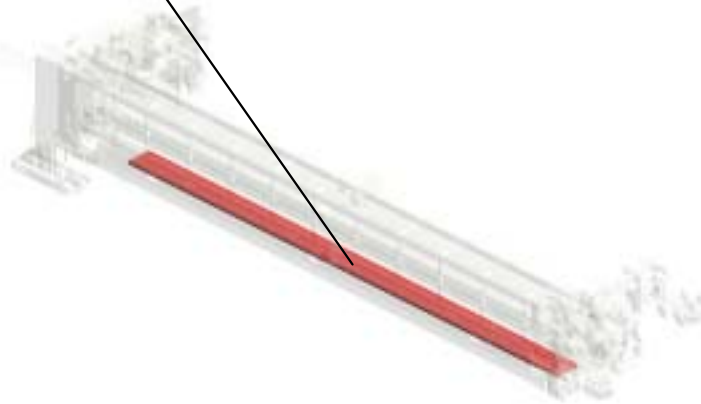
U001	U002	U003	U004	U005	U006	U007	U008	U009	U010	U011	U012	U013	U014	U015	U016	U017
------	------	------	------	------	------	------	------	------	------	------	------	------	------	------	------	------

U014_S004_S001
Drum unit for Color

17.D0292056
SEAL:FRAME:CHA
RGE:LOWER
200908



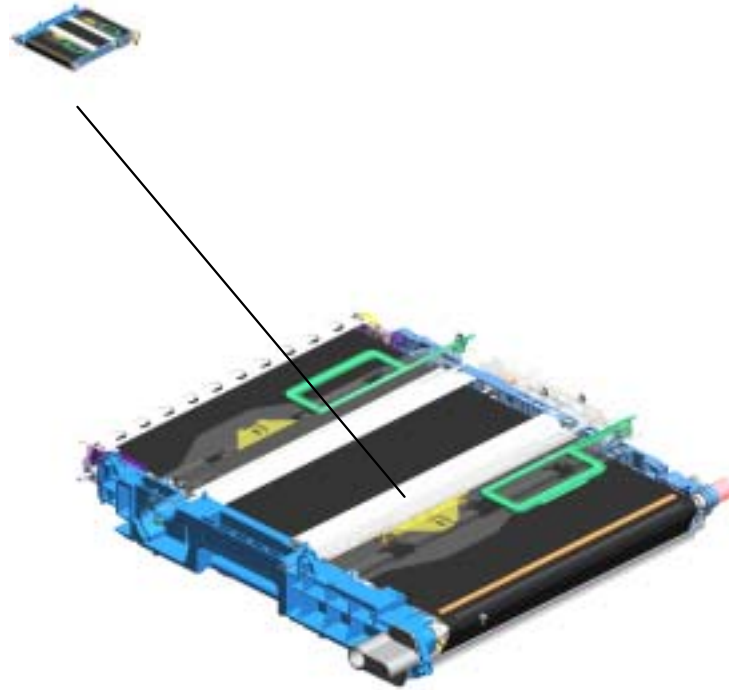
8.D0292251
Drum unit for Color



U001	U002	U003	U004	U005	U006	U007	U008	U009	U010	U011	U012	U013	U014	U015	U016	U017
------	------	------	------	------	------	------	------	------	------	------	------	------	------	------	------	------

U015.Image Transfer

U015_S001
D0296010
TRANSFER UNIT:INTERMEDI
ATE TRANSFER:C2:DOM:AS
SY



U001	U002	U003	U004	U005	U006	U007	U008	U009	U010	U011	U012	U013	U014	U015	U016	U017
------	------	------	------	------	------	------	------	------	------	------	------	------	------	------	------	------

U015
Image Transfer



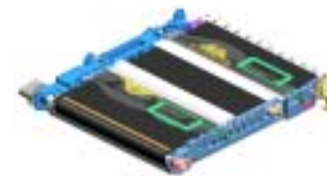
U001	U002	U003	U004	U005	U006	U007	U008	U009	U010	U011	U012	U013	U014	U015	U016	U017
------	------	------	------	------	------	------	------	------	------	------	------	------	------	------	------	------

U015_S001

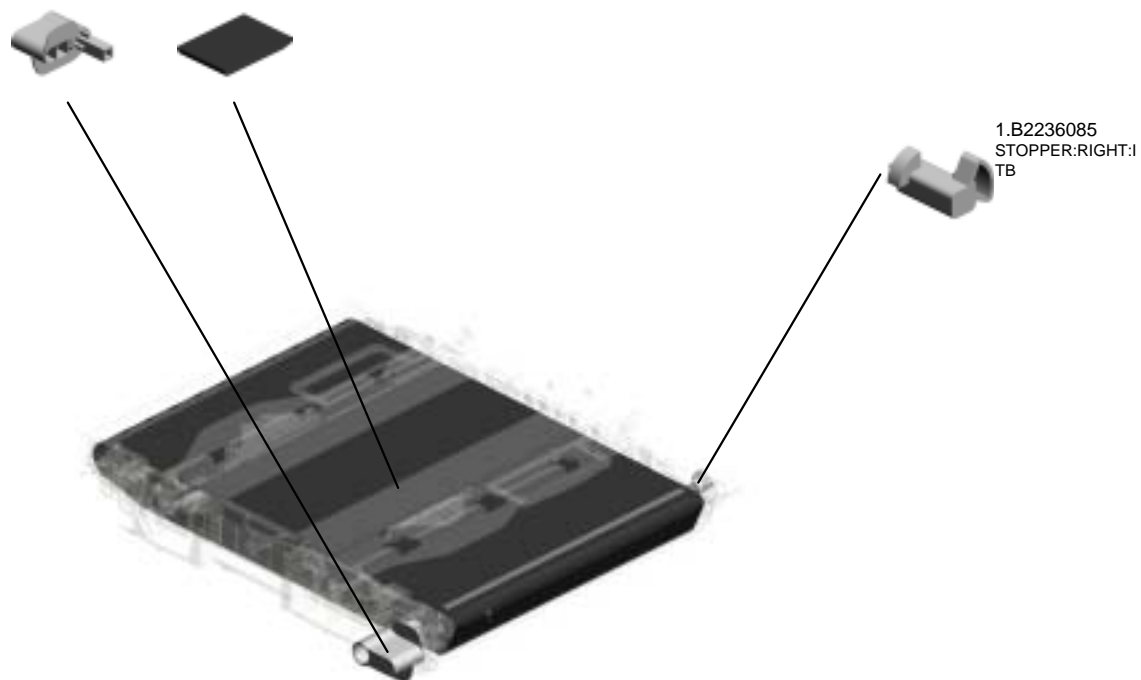
TRANSFER UNIT:INTERMEDIATE TRANSFER:C2:DOM:ASS'Y

2.B2236109
LEVER:RIGHT:ITB

4.D0296090
TRANSFER BELT:N
:ASS'Y



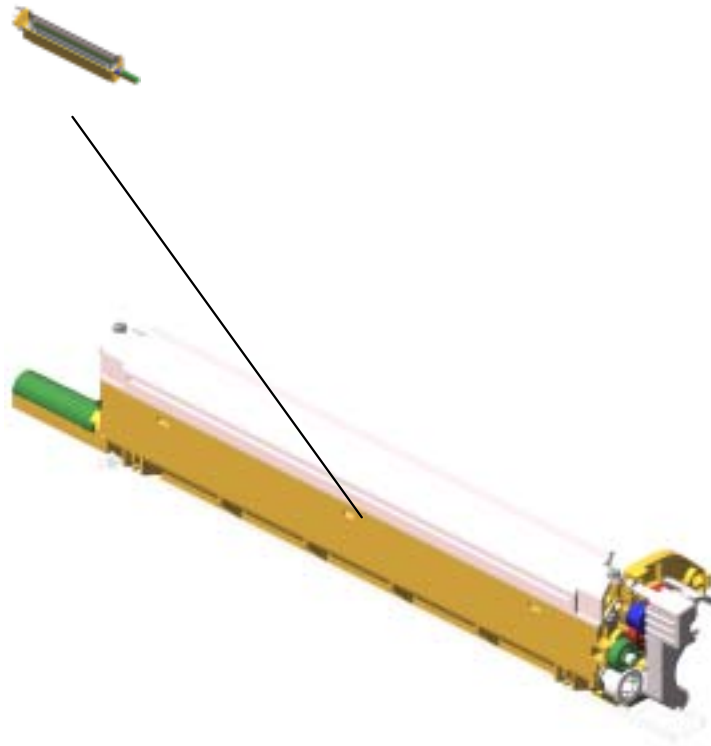
3.D0296010
TRANSFER UNIT:I
NTERMEDIATE TR
ANSFER:C2:DOM:A
SS'Y



U001	U002	U003	U004	U005	U006	U007	U008	U009	U010	U011	U012	U013	U014	U015	U016	U017
------	------	------	------	------	------	------	------	------	------	------	------	------	------	------	------	------

U016.ITB Cleaning

U016_S001
D0296028
CLEANING UNIT: ITB Unit



U001	U002	U003	U004	U005	U006	U007	U008	U009	U010	U011	U012	U013	U014	U015	U016	U017
------	------	------	------	------	------	------	------	------	------	------	------	------	------	------	------	------

U016
ITB Cleaning

1.B2236198
CLEANING UNIT R
AIL



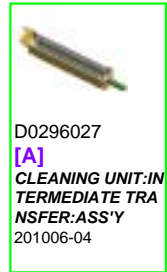
U001	U002	U003	U004	U005	U006	U007	U008	U009	U010	U011	U012	U013	U014	U015	U016	U017
------	------	------	------	------	------	------	------	------	------	------	------	------	------	------	------	------

U016_S001
CLEANING UNIT: ITB Unit

4.D0296197
GROUND PLATE:B
RUSH ROLLER:BE
LT CLEANING
201006-02



3.D0296028
[A]
CLEANING UNIT: IT
B Unit
201006-04



D0296027
[A]
CLEANING UNIT:IN
TERMEDIATE TRA
NSFER:ASS'Y
201006-04

U001	U002	U003	U004	U005	U006	U007	U008	U009	U010	U011	U012	U013	U014	U015	U016	U017
------	------	------	------	------	------	------	------	------	------	------	------	------	------	------	------	------

U017 Toner Collection

3.AG070514 MAGNET CATCH
 20.D0296502 BRACKET:USED TONER SENSOR:C2
 11.B2236473 TRANSPORT SCR EW SHAFT
 4.AW020160 PAPER FEED SENSOR
 17.B2236503 USED TONER SENSOR FEELER



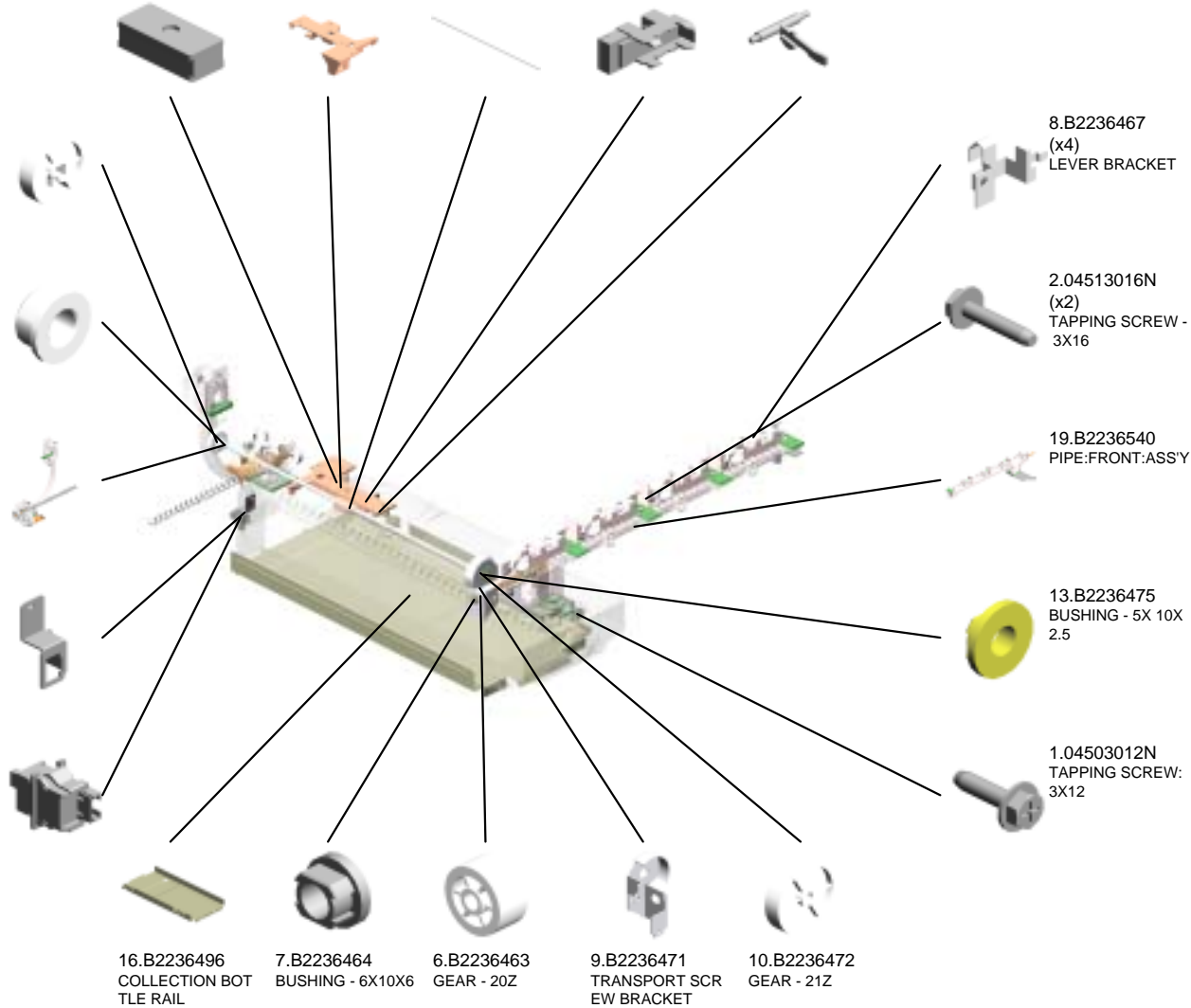
12.B2236474
GEAR - 29Z

14.B2236476
(x2)
BUSHING - DIA5

15.B2236481
REAR PIPE ASSY

18.B2236507
SET SENSOR BRACKET

5.AW500023
PUSH SWITCH



16.B2236496
COLLECTION BOT
TLE RAIL

7.B2236464
BUSHING - 6X10X6

6.B2236463
GEAR - 20Z

9.B2236471
TRANSPORT SCR
EW BRACKET

10.B2236472
GEAR - 21Z

8.B2236467
(x4)
LEVER BRACKET

2.04513016N
(x2)
TAPPING SCREW -
3X16

19.B2236540
PIPE:FRONT:ASS'Y

13.B2236475
BUSHING - 5X 10X
2.5

1.04503012N
TAPPING SCREW:
3X12

U017
Toner Collection

21.D0296509
COLLECTION BOT
TLE:EXP:ASS'Y



U001	U002	U003	U004	U005	U006	U007	U008	U009	U010	U011	U012	U013	U014	U015	U016	U017
------	------	------	------	------	------	------	------	------	------	------	------	------	------	------	------	------

Attached



1.16071859
FERRITE CORE:E04SR241336A



2.B0651371
CLOTH HOLDER



3.B0651374
CLOTH - DF EXPOSURE GLASS



4.B2382524
DECAL - PAPER SIZE



5.G0381299
(x2)
RIVET - 5



1.52039502
Silicon Grease G-501



2.A0069104
Scanner Positioning Pin (4pcs/set)



3.A0929503
C4 Color Test Chart (3 pcs/set)



4.A2579300
Grease - Barrierta S552R

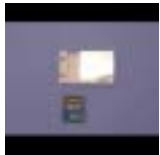


5.AB033000
JOINT:DEVELOPMENT
090219



6.B1329700
Lubricant Powder

Special Tools



7.B6455010
SD Card



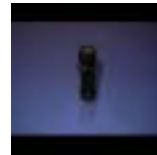
8.B6456705
PCMCIA Card Adapter



9.B6456820
USB Reader/Writer



10.B6795100
Plug - IEEE1284 Type C



11.C4019503
20X Magnification Scope



12.D0239640
COLOR DEVELOPER K



13.D0239660
COLOR DEVELOPER C



14.D0239670
COLOR DEVELOPER M



15.D0239680
COLOR DEVELOPER Y



16.G0219350
Loopback Connector - Parallel



17.VSSM9000
Digital Multimeter-FLUKE189/FVF

Exclusive Parts

Number	Part Name	Group	ID
52039502	Silicon Grease G-501	Special Tools	1
52062684	SHOULDER SCREW - M3	U010_S001	7
52062686	SNAP RING	U007_S001	14
		U007_S002	14
54421924	EXPOSURE GLASS CUSHION	U005	18
54472681	SNAP RING	U002	14
		U011_S001	17
8010231	HEXAGONAL HEAD BOLT W/WASHER:M3X6	U002	15
		U011_S001	18
8025305	TAPPING SCREW - M3X6	U001	19
8025310	BINDING SELF-TAPPING SCREW:3X8	U006_S001	1
8050088	RETAINING RING - M6	U002_S001	16
		U007	15
8050092	RETAINING RING - 3M	U010_S001	8
		U011_S001	19
A0069104	Scanner Positioning Pin (4pcs/set)	Special Tools	2
A0929503	C4 Color Test Chart (3 pcs/set)	Special Tools	3
A1001714	REFLECTOR	U005_S002	19
A1931766	WIRE CLAMP	U005	20
A1931767	1ST MIRROR HOLDER	U005_S002	21
A1931769	CLAMP - REAR WIRE	U005	22
A1931816	1ST SLIDE RAIL	U005	23
A2322987	ROLLER - PAPER TRAY	U007_S003	16
		U007_S004	16
A2324666	CUSHION - STEPPER MOTOR	U002	17
		U005_S001	24
A2501752	EXPOSURE GLASS	U005	25
A2501791	2ND SCANNER SHOE	U005_S003	26
A2579300	Grease - Barrierta S552R	Special Tools	4
A2596754	BUSHING - 6 6MM	U011_S001	20
A2672857	SPRING PLATE - SIDE FENCE	U007_S003_S002	17
		U007_S004_S002	17
A2672859	SIDE FENCE STOPPER	U007_S003_S002	18
		U007_S004_S002	18
A2672860	REAR LEVER STOPPER	U007_S003_S002	19
		U007_S004_S002	19
AA043317	TIMING BELT - 50S3M258	U002	18

Number	Part Name	Group	ID
AA043583	TIMING BELT - S2M460	U002	19
AA043585	TIMING BELT:40S3M162	U002	20
AA043601	TIMING BELT - B40S2M118	U002	21
AA060151	TENSION SPRING	U012_S002	20
AA060691	TENSION SPRING	U007_S001	20
		U007_S002	20
AA060693	TENSION SPRING	U007_S001	21
		U007_S002	21
AA060722	TENSION SPRING	U002	22
AA060872	SPRING	U011_S001	21
AA060979	TENSION SPRING:TENSION:14720MN	U005	27
AA060980	TENSION SPRING:TENSION:11300MN	U005	28
AA060990	SPRING:PRESSURE:50N	U009_S001	7
AA061003	TENSION SPRING:SIDE FENCE:REAR	U007_S003	22
		U007_S004	22
AA061014	TENSION SPRING:GRIP	U007_S003	23
AA061026	COMPRESSION SPRING:DRIVEN ROLLER	U007_S004	23
		U009_S001	8
AA062259	SPRING - RELEASE	U007_S001	24
		U007_S002	24
AA063499	PRESSURE SPRING	U011_S001	22
AA063568	PRESSURE SPRING	U011_S001	23
		U012	21
AA063952	COMPRESSION SPRING:BELT TENSIONER	U009_S001	9
AA080254	BUSHING - M4	U011	24
		U011_S001	24
AA080346	BUSHING:FLANGE TYPE:DIA6	U002	23
AA080348	BUSHING:DRIVEN ROLLER	U009_S001	10
AA081013	BUSHING:DIA4XDIA6X8	U009_S001	11
AA082101	BUSHING - 6X10X6	U002_S001	24
		U007	25
		U008_S005	10
		U011_S001	25
AA082102	BUSHING - 6X10X6	U010_S001	9

Exclusive Parts

Number	Part Name	Group	ID
		U011_S001	26
AA082104	BUSHING - 8X12X7	U011_S001	27
AA082143	BUSHING - 6X10X6	U007_S001	26
		U007_S002	26
AA082144	BUSHING - 8X12X7	U005	29
AA083018	ROLLER CLUTCH - 6X14X10	U011_S001	28
AA084000	BUSHING:DIA6	U014_S001	2
		U014_S002	2
		U014_S003	2
		U014_S004	2
AA100014	RETAINING RING C - SEPARATE	U007_S001	27
		U007_S002	27
		U011_S001	29
AA100015	SNAP RING - M6	U002_S001	25
AA101021	RUBBER BUSHING - 6 45HS	U007	28
		U011_S001	30
AA140777	SHAFT:FEED	U011_S001	31
AA140778	SHAFT:SEPARATOR:DRIVE	U011_S001	32
AA143183	STEPPED SCREW	U011_S001	33
AA143404	STEPPED SCREW - M4	U011_S001	34
AA143520	SHOULDER SCREW - M3	U009_S001	12
		U012_S002	22
AA143548	SCREW:M3X4.2	U013	2
AA143551	HEXAGONAL HEAD BOLT:#6-32UNCX4	U013	3
AA143555	SCREW - M3X5	U012	22
AA143592	SCREW- M4X6	U001	20
		U009_S001	13
		U011_S001	35
AA143792	SCREW:DRAWER	U009_S001	14
AA143807	SCREW:A	U011_S001	36
AA143823	TAPPING SCREW	U003	5
AA143843	SCREW:DIA6	U007_S003	29
AA161163	CUSHION	U007	30
AA161164	CUSHION:STEPPER MOTOR	U002	17
AA161167	BUSHING:HDD	U013	4
AB010147	GEAR:FUSING:NO.1	U002	26
AB010148	GEAR:EXIT	U002	27

Number	Part Name	Group	ID
AB010156	GEAR:SEPARATE:DRIVE	U007_S001	31
		U007_S002	31
AB010157	GEAR:SEPARATE:DRIVEN	U007_S001	32
		U007_S002	32
AB011218	GEAR - ROLLER CLUTCH	U007_S001	33
		U007_S002	33
AB011223	IDLER GEAR - 25Z	U011_S001	37
AB011252	GEAR - 20Z	U007_S001	34
		U007_S002	34
AB011258	GEAR - 38Z	U002	28
AB011259	GEAR - 32Z	U002	29
AB011387	GEAR - 23Z	U011_S001	38
AB011416	GEAR - 20Z	U011_S001	39
AB014161	REVERSE ROLLER GEAR	U011_S001	40
AB014303	GEAR:HOT ROLLER:ROLLER CLUTCH:Z22	U009_S001	15
AB014306	GEAR:IDLER:Z14	U009_S001	16
AB014307	GEAR:IDLER:Z14XZ23	U009_S001	17
AB014308	GEAR:IDLER:DRIVE	U009_S001	18
AB017493	GEAR PULLEY	U007	35
AB017699	GEAR - 33Z/44Z	U002	30
AB017715	GEAR - 21Z	U002	31
AB030551	PULLEY:IDLER:FUSING	U002	32
AB030744	TIMING PULLEY - 27Z/40T	U002	33
AB030781	TIMING PULLEY - 28Z/30T	U002	34
AB030888	TIMING PULLEY:DEVELOPMENT:NO.1	U002_S001	35
AB033000	JOINT:DEVELOPMENT	Special Tools	5
AB033100	PULLEY - 26T	U002	36
AC030169	MIRROR:NO.1	U005_S002	30
AE010067	HOT ROLLER:DIA35	U009_S001	19
AE012030	HEAT ROLLER:DIA25:COAT	U009_S001	20
AE020169	PRESSURE ROLLER:DIA30	U009_S001	21
AE030066	BALL BEARING:MM25XMM32X7	U009_S001	22
AE030072	BALL BEARING:DIA12XDIA21X5	U009_S001	23
AE030074	BALL BEARING:DIA17XDIA26X5	U009_S001	24
AE031045	BUSHING - BELT TENSION ROLLER	U009_S001	25

Exclusive Parts

Number	Part Name	Group	ID
AE032030	THERMAL INSULATING BUSHING: DIA20XDIA25	U009_S001	26
AF013006	BOTTOM PLATE PAD	U007_S003_S003	36
		U007_S004_S003	36
AF013016	BOTTOM PLATE PAD	U011_S001	41
AF030049	PICK-UP ROLLER	U011_S001	42
AF030085	PAPER FEED ROLLER:PICKUP	U007_S001	37
		U007_S002	37
AF031046	FEED ROLLER - MANUAL FEED	U011_S001	43
AF031085	PAPER FEED ROLLER:FEED	U007_S001	38
		U007_S002	38
AF032046	SEPARATION ROLLER - MANUAL FEED	U011_S001	44
AF032085	PAPER FEED ROLLER:SEPARATE	U007_S001	39
		U007_S002	39
AF040566	TENSION ROLLER	U010_S001	10
AF040567	TENSION ROLLER	U010_S001	11
AG070514	MAGNET CATCH	U011_S001	45
		U017	3
AG071012	MAGNET CATCH:ASS'Y	U003	6
AW010107	PAPER FEED SENSOR	U007	40
		U010_S001	12
		U011_S001	46
AW010118	PAPER FEED SENSOR	U011	47
AW010122	PAPER FEED SENSOR	U007_S001	41
		U007_S002	41
AW010127	PAPER FEED SENSOR	U010_S001	13
AW010133	ORIGINAL SENSOR - 66MM	U005	31
AW010134	ORIGINAL SENSOR - 48MM	U005	32
AW020145	PHOTOINTERRUPTOR:FLAT	U002_S001	37
		U005	33
		U007_S001	42
		U007_S002	42
		U010_S001	14
		U011_S001	48
AW020146	PHOTOINTERRUPTOR:FLAT:PICH 2MM:M4	U005	34
AW020160	PAPER FEED SENSOR	U017	4

Number	Part Name	Group	ID
AW020185	TONER END SENSOR	U008_S001	11
		U008_S002	11
		U008_S003	11
		U008_S004	11
AW100105	THERMISTOR:FUSING	U009_S001	27
AW100119	THERMISTOR:PRESSURE	U009_S001	28
AW110055	THERMOSTAT - 146C/147C	U009_S001	29
AW110079	THERMOSTAT:165	U009_S001	30
AW110080	THERMOSTAT:183	U009_S001	31
AW140012	TEMPERATURE & HUMIDITY SEN SOR	U001	21
AW500023	PUSH SWITCH	U007	43
		U010_S001	15
		U017	5
AW500031	PAPER SIZE SENSOR	U011_S001	49
AW500035	PAPER END SENSOR	U011_S001	50
AW500038	PUSH SWITCH:PAPER SIZE SENS OR	U007	44
AX040154	DC MOTOR 24V	U007	45
AX050333	BRUSHLESS MOTOR:DRIVE:INTE RMEDIATE TRANSFER:9W	U002_S001	38
AX060356	BRUSHLESS MOTOR:DC24V 18W	U002	39
		U002_S001	39
AX060367	BRUSHLESS MOTOR:DRIVE:DRU M:28W	U002_S001	40
AX060396	DC POLYGON MIRROR MOTOR:24 W	U006_S001	5
AX200289	MAGNETIC CLUTCH - 32Z	U002	41
AX200314	MAGNETIC CLUTCH:DEVELOPME NT:0.5N	U002_S001	42
AX200315	MAGNETIC CLUTCH:DEVELOPME NT:0.5N	U002_S001	42
AX202007	MAGNETIC CLUTCH	U011_S001	51
AX440274	HEATER:116V:700W/500W	U009_S001	32
AX440278	HEATER:116V:400W	U009_S001	33
AX640197	FAN:MM60	U013	5
AX640199	FAN:AXIAL:MM80:25MM	U001	22
AX640200	FAN:MM60	U001	23

Exclusive Parts

Number	Part Name	Group	ID
AX640201	FAN:MM60	U012_S001	23
AZ240137	POWER SUPPLY UNIT:457W:DOM/NA:ATH-C2	U012_S001	24
AZ320175	POWER PACK:CB:AP/AT-C2	U012	25
AZ320180	POWER PACK:TTS:AT-C2	U012	26
B0042783	TORQUE LIMITER	U007_S001	46
		U007_S002	46
B0042923	SPRING PLATE - RELEASE LEVER	U007_S003_S001	47
		U007_S004_S001	47
B0241264	MAGNET CATCH	U003	7
B0441825	COLLAR	U007	48
		U011_S001	52
B0441847	SHOULDER SCREW	U011_S001	53
B0651371	CLOTH HOLDER	Attached	2
B0651374	CLOTH - DF EXPOSURE GLASS	Attached	3
B0822781	BRACKET:SENSOR	U007_S001	49
		U007_S002	49
B1011097	RUBBER FOOT:H5	U001	24
B1329700	Lubricant Powder	Special Tools	6
B1801704	BRACKET:TENSION	U005	35
B1801734	SLIDE RAIL:NO.2	U005	36
B1802871	SHAFT:SEPARATOR:DRIVEN:ASS'Y	U011_S001	54
B2221281	COVER:LEFT:EU	U003	8
B2231065	CONNECTOR BRACKET	U001	25
B2231101	GRIP:FRONT	U001	26
B2231120	BRACKET:PAPER FEED UNIT:PEEN	U001	85
B2231123	HINGE - COVER DRUM STAY	U001	27
B2231144	HOLDER:POSITIONING SENSOR	U002_S001	43
B2231174	DRIVE UNIT:COLLECTION BOTTLE	U002	44
B2231180	BRACKET:PAPER FEED	U002	45
B2231183	GRIP SHAFT	U002	46
B2231184	PULLEY:TONER SUPPLY:NO.2:ASS'Y	U002	47
B2231186	DRIVE JOINT	U002	48
B2231187	MAGNETIC CLUTCH BRACKET	U002	49
B2231188	STEPPER MOTOR DC24V	U002	50

Number	Part Name	Group	ID
B2231189	FEED DRIVE SHAFT	U002	51
B2231191	BRACKET:DRIVE UNIT:REGISTRATION	U002	52
B2231199	DC MOTOR 24V	U002	53
B2231237	DUCT:REAR:2	U001	28
B2231238	DUCT:REAR:3	U001	29
B2231239	DUCT:REAR:LOWER	U001	30
B2231242	INNER COVER - LEFT	U003	9
B2231244	INNER COVER - MIDDLE	U003	10
B2231245	CAP:GRIP	U001	31
B2231248	OPERATING INSTRUCTIONS HOLDER	U003	11
B2231249	STOPPER:MAGNET CATCH	U003	12
B2231253	EMBLEM COVER	U003	13
B2231255	COVER - MAIN SWITCH	U003	14
B2231266	COVER:PAPER EXIT UNIT:UPPER	U003	15
B2231273	COVER:RIGHT:UPPER MIDDLE	U003	16
B2231274	COVER:RIGHT REAR:FAN	U003	17
B2231276	FILTER:RIGHT REAR	U003	18
B2231279	CLEANER:SHIELD GLASS:ASS'Y	U003	19
B2231283	COVER:LEFT:MIDDLE	U003	20
B2231291	COVER:REAR	U003	21
B2231293	CAP:COVER:REAR	U003	22
B2231300	DRUM STAY PCU ASS'Y	U001_S001	32
B2231303	DRUM STAY LEVER	U001_S001	33
B2231304	STOPPER:LEVER:DRUM STAY	U001	34
B2231306	DRUM STAY	U001_S001	35
B2231315	BALL BEARING PLATE	U001_S001	36
B2231316	BALL BEARING CLIP	U001_S001	37
B2231317	SCREW	U001_S001	38
		U012	27
B2231318	SPRING	U001_S001	39
B2231319	WIRE	U001_S001	40
B2231326	DUCT:FUSING	U001	41
B2231327	DUCT:FUSING:REAR	U001	42
B2231329	SOUND PROOFING MATERIAL:DUCT	U001	43
B2231332	FAN MOTOR - MM60 DC24V	U001	44

Exclusive Parts

Number	Part Name	Group	ID
B2231341	DUCT:SUPPLY:FRONT	U001	45
B2231342	DUCT:SUPPLY:REAR	U001	46
B2231348	FILTER:IMAGE FORMING MD	U003	23
B2231354	DRUM STAY:DRIVE UNIT	U002	54
B2231364	GUIDE:HARNESS	U002	55
B2231494	PCB OP-L	U004_S001	8
B2231518	KEYTOP - BLANK FB	U004_S001	9
B2231520	KEYTOP - CLEAR/STOP	U004_S001	10
B2231882	COVER:POLYGON SCANNER:ASS'Y	U006_S001	3
B2231896	IMAGING UNIT PLATE - FRONT	U001	47
B2231897	IMAGING UNIT PLATE - REAR	U001	48
B2231898	IMAGING UNIT PLATE - INNER	U001	49
B2231899	IMAGING UNIT PLATE - OUTER	U001	50
B2232558	REGISTRATION ROLLER KNOB	U007	50
B2232608	GEAR:Z16	U011_S001	55
B2232620	HOUSING:MANUAL FEED	U011_S001	56
B2232621	COVER:MANUAL FEED UNIT	U011_S001	57
B2232622	GUIDE PLATE:EXIT	U011_S001	58
B2232623	COVER:GUIDE PLATE:EXIT	U011_S001	59
B2232629	STAY:FEED	U011_S001	60
B2232632	DC SOLENOID:PICKUP	U011_S001	61
B2232633	SPRING:RELEASE:PICKUP	U011_S001	62
B2232634	SUPPORT STAY:ARM	U011_S001	63
B2232636	TORSION SPRING:27N	U011_S001	64
B2232637	BRACKET:ARM:MANUAL FEED:REAR	U011_S001	65
B2232645	DECAL:SIDE FENCE	U011_S001	66
B2232648	GUIDE PLATE:TRANSPORT UNIT:EXIT	U011_S001	67
B2232649	SPRING:PRESSURE:5N	U011_S001	68
B2232651	ARM:MANUAL FEED:FRONT	U011_S001	69
B2232652	ARM:MANUAL FEED:REAR	U011_S001	70
B2232657	ARM:MANUAL FEED:SHORT:FRONT	U011_S001	71
B2232658	ARM:MANUAL FEED:SHORT:REAR	U011_S001	72
B2232661	COVER:MANUAL FEED	U011_S001	73
B2232663	EXTENSION TRAY	U011_S001	74

Number	Part Name	Group	ID
B2232664	COVER:MANUAL FEED:ENTRANCE	U011_S001	75
B2232665	SPRING:COVER:MANUAL FEED	U011_S001	76
B2232666	GEAR:16Z	U011_S001	77
B2232668	SPRING PLATE:STOPPER	U011_S001	78
B2232673	SIDE FENCE:REAR	U011_S001	79
B2232674	SIDE FENCE:FRONT	U011_S001	80
B2232676	SPRING - 11N	U011_S001	81
B2232681	ARM:TIGHTENER	U011_S001	82
B2232683	GEAR:25Z	U011_S001	37
B2232686	GEAR:Z31	U011_S001	83
B2232689	GEAR:Z28	U011_S001	84
B2232691	BRACKET:STEPPER MOTOR	U007	52
B2232694	GUIDE:GEAR	U007	53
B2232696	DRUM STAY:DRIVE	U011_S001	85
B2232702	HEAT SINK:HEATER:NA	U007_S005	54
B2232705	SUPPORTER - LEFT NO.1	U007	55
B2232710	SUPPORTER - LEFT NO.2	U007	56
B2232713	RACK:MANUAL FEED	U011_S001	86
B2232714	POSITIONING CAP - SHORT	U007	57
B2232715	SUPPORTER - RIGHT	U007	58
B2232721	BRACKET:PUSH SWITCH	U007	59
B2232722	COVER	U007	60
B2232726	GRIP:SIDE FENCE:MANUAL FEED	U011_S001	87
B2232729	DECAL:PAPER SET DIRECTION:MANUAL FEED:EXP	U011_S001	88
B2232730	PAPER TRAY STOPPER ASS'Y	U007	61
B2232745	STEPPER MOTOR:ASS'Y	U007	134
B2232760	HOUSING:PAPER FEED UNIT	U007_S001	138
		U007_S002	138
B2232761	PICKUP ARM	U007_S001	62
		U007_S002	62
B2232762	FEED SHAFT	U007_S001	63
		U007_S002	63
B2232764	GEAR-24Z	U007_S001	64
		U007_S002	64
B2232765	GROUND PLATE - FEED	U007_S001	65
		U007_S002	65

Exclusive Parts

Number	Part Name	Group	ID
B2232767	PAPER END FEELER	U007_S001	66
		U007_S002	66
B2232776	STAY	U007_S001	67
		U007_S002	67
B2232786	GROUND PLATE - FRONT	U007_S001	68
		U007_S002	68
B2232810	SEPARATE DRIVEN SHAFT	U007_S001	69
		U007_S002	69
B2232815	SEPARATE DRIVE SHAFT	U007_S001	70
		U007_S002	70
B2232819	GEAR - 22Z	U007_S001	71
		U007_S002	71
B2232829	FEED GUIDE	U007_S001	72
		U007_S002	72
B2232846	BRACKET:COVER:HARNESS	U007	73
B2232848	COVER:HARNESS	U007	74
B2232857	COVER - PAPER TRAY NO.1	U007_S003	75
B2232860	PAPER TRAY GRIP	U007_S003	76
		U007_S004	76
B2232861	GRIP HOLDER	U007_S003	77
		U007_S004	77
B2232862	LEVER - RELEASE INNER	U007_S003	78
		U007_S004	78
B2232865	RISE NO.1 SHAFT	U007_S003	79
		U007_S004	79
B2232868	LEVER:RELEASE:PAPER TRAY:OUTER	U007_S003	80
		U007_S004	80
B2232869	GROUND PLATE	U007_S003	81
B2232870	SIDE FENCE - FRONT	U007_S003_S001	82
B2232873	DECAL - SIDE FENCE REAR	U007_S003_S002	83
		U007_S004_S002	83
B2232880	SIDE FENCE - REAR	U007_S003_S002	84
B2232890	SLIDE RAIL - LEFT	U007_S003	85
B2232894	SLIDE RAIL STOPPER - LEFT	U007_S003	86
B2232910	LINK - PAPER SIZE SENSOR	U007_S004	87
B2232911	SPACER	U007_S004	88
B2232912	END FENCE	U007_S003	89
		U007_S004	89

Number	Part Name	Group	ID
B2232918	RISE LEVER	U007_S003	90
		U007_S004	90
B2232919	GROUND PLATE - PAPER TRAY NO.2	U007_S004	91
B2232920	FRONT SIDE FENCE	U007_S004_S001	92
B2232923	STOPPER LEVER - FRONT	U007_S003_S001	93
		U007_S004_S001	93
B2232930	REAR SIDE FENCE	U007_S004_S002	94
B2232932	SIDE FENCE:REAR:UNIVERSAL:NO.2	U007_S004_S002	95
B2232934	PLATE - SIDE FENCE	U007_S003_S001	96
		U007_S003_S002	96
		U007_S004_S001	96
		U007_S004_S002	96
B2232935	PLATE - SIDE FENCE RIGHT	U007_S003_S001	97
		U007_S003_S002	97
		U007_S004_S001	97
		U007_S004_S002	97
B2232936	GEAR - 16Z	U007_S003	98
		U007_S004	98
B2232940	TRAY BOTTOM PLATE	U007_S003_S003	99
		U007_S004_S003	99
B2232946	COVER - PAPER TRAY NO.2	U007_S004	100
B2233206	TUBE CLAMP	U008	12
B2233209	TUBE CLIP	U008	13
B2233305	TONER CARTRIDGE UNIT	U008	14
B2233328	TONER CARTRIDGE GUIDE	U008	15
B2233334	HOLDER:STOPPER:SHUTTER:ASS'Y	U008_S005	16
B2233424	SHAFT:DRIVE:DRIVE UNIT:BKY	U008_S005	17
B2233426	SHAFT:DRIVE:DRIVE UNIT:CM	U008_S005	18
B2233428	SPRING:DRIVE UNIT:TONER BOTTLE	U008_S005	19
B2233441	TIMING BELT:TONER BOTTLE	U008_S005	20
B2233455	MAGNETIC CLUTCH - 0.25N.M BK	U008_S005	21
B2233457	MAGNETIC CLUTCH - 0.25N.M YC	U008_S005	22
B2233461	PULLEY:TONER BOTTLE:YC	U008_S005	23

Exclusive Parts

Number	Part Name	Group	ID
B2233462	PULLEY:TONER BOTTLE:CM	U008_S005	24
B2233463	GEAR:TONER BOTTLE:DRIVE	U008_S005	25
B2233464	GEAR:MAGNETIC CLUTCH:Y	U008_S005	26
B2233470	RFID GROUND PLATE	U008	27
B2234428	ROLLER:GUIDE:PFA	U010_S001	16
B2234436	SPRING PLATE - EXIT ROLLER	U010_S001	17
B2234486	EXIT TRAY	U003	24
B2234487	EXIT END FENCE	U003	25
B2234494	STOPPER- UPPERGATE PAWL	U011_S001	89
B2234497	SHAFT:FEELER:OVERFLOW	U010_S001	18
B2234501	GUIDE PLATE:RIGHT	U011_S001	90
B2234502	GUIDE PLATE:LEFT LOWER	U011_S001	91
B2234511	TIMING BELT:30S2M312	U011_S001	92
B2234512	TIMING BELT:30S2M182	U011_S001	93
B2234514	ROLLER CLUTCH:T24	U011_S001	94
B2234522	SPACER:WIRE:STOPPER	U011_S001	95
B2234524	WIRE:STOPPER:DIA1.5	U011_S001	96
B2234525	TENSION SPRING:WIRE:180N	U011	97
B2234526	TIMING BELT:30S2M268	U011_S001	98
B2234527	PULLEY:T26/T24	U011_S001	99
B2234529	ROLLER CLUTCH:T24	U011_S001	100
B2234531	GUIDE PLATE:COVER	U011_S001	101
B2234532	TENSION SPRING:HOOK:STOPPER	U011_S001	102
B2234535	ROLLER CLUTCH:T26	U011_S001	103
B2234536	TIMING BELT:30S2M234	U011_S001	104
B2234538	COMPRESSION SPRING	U011_S001	105
B2234539	SHEET:COVER:DUPLEX	U011_S001	106
B2234541	TORSION SPRING:REAR	U011	107
B2234542	TORSION SPRING:FRONT	U011	108
B2234544	PULLEY:T35/T33	U011_S001	109
B2234545	GUIDE PIN:HOLDER	U011	110
B2234552	BUSHING:DIA4	U011	111
		U011_S001	111
B2234553	TENSION SPRING:DRIVEN ROLLER	U011	112
B2234556	COMPRESSION SPRING	U011	113
B2234560	TENSION SPRING:DRIVEN ROLLER	U011_S001	114

Number	Part Name	Group	ID
	R		
B2234562	TIGHTENER	U011_S001	115
B2234564	SPRING:TIGHTENER	U011_S001	116
B2234566	BRACKET:SENSOR:ENTRANCE	U011_S001	117
B2234567	STAY:TRANSPORT:UPPER:PEEN	U011_S001	118
B2234571	GEAR:PULLEY:Z24/T40	U011_S001	119
B2234572	STEPPER MOTOR:DC4.29V 1.7W	U011_S001	120
B2234573	TIMING BELT:30S2M128	U011_S001	121
B2234575	BRACKET:STEPPER MOTOR	U011_S001	122
B2234579	GRIP:OPEN AND CLOSE:DUPLEX UNIT	U011_S001	123
B2234586	PULLEY:T30	U011_S001	124
B2234594	SHAFT:PULLEY:WIRE	U011_S001	125
B2234595	PULLEY:DIA13	U011_S001	126
B2235804	RACK:INNER BACK:AUXILIARY:RIGHT	U012	28
B2235812	HINGE:PANEL:CONTROL BOARD	U012	29
B2235813	SAFETY SWITCH BRACKET	U012	30
B2235814	BRACKET - SAFETY SWITCH LEVER	U012	31
B2235816	PLATE:RACK:AUXILIARY:RIGHT	U012	32
B2235830	BRACKET:PSU:ASS'Y	U012	33
B2235841	HINGE:APPLICATION:RACK	U012	35
B2235843	BRACKET:RACK:APPLICATION	U012	36
B2235848	BRACKET:BASE:CONNECTOR	U001	51
B2235849	COVER:CONNECTOR:HEATER	U001	52
B2235857	BRACKET:SW:DEHUMIDIFIER:HEATER:EXP	U012	37
B2235866	GROUND WIRE:RACK:RIGHT LOWER:HF	U012	38
B2236085	STOPPER:RIGHT:ITB	U015_S001	1
B2236109	LEVER:RIGHT:ITB	U015_S001	2
B2236198	CLEANING UNIT RAIL	U016	1
B2236463	GEAR - 20Z	U017	6
B2236464	BUSHING - 6X10X6	U017	7
B2236467	LEVER BRACKET	U017	8
B2236471	TRANSPORT SCREW BRACKET	U017	9
B2236472	GEAR - 21Z	U017	10

Exclusive Parts

Number	Part Name	Group	ID
B2236473	TRANSPORT SCREW SHAFT	U017	11
B2236474	GEAR - 29Z	U017	12
B2236475	BUSHING - 5X 10X2.5	U017	13
B2236476	BUSHING - DIA5	U017	14
B2236481	REAR PIPE ASS'Y	U017	15
B2236496	COLLECTION BOTTLE RAIL	U017	16
B2236503	USED TONER SENSOR FEELER	U017	17
B2236507	SET SENSOR BRACKET	U017	18
B2236540	PIPE:FRONT:ASS'Y	U017	19
B2241251	COVER:FRONT:EU	U003	26
B2241257	COVER:FRONT:COLLECTION BOT TLE	U003	27
B2241263	COVER:INNER BACK:MIDDLE:EU	U003	28
B2291687	HEATER:OPTION:120V:9W	U005	37
B2371372	DECAL - MAIN SWITCH ON-STAND BY	U003	29
B2381066	RUBBER FOOT COVER	U001	53
B2381072	POSITIONING PLATE:GUIDE PLAT E:FUSING:FRONT LOWER:PEEN	U001	54
B2381075	STAY:MACHINE OR COPIER:FUSI NG:LOWER:PEEN	U001	55
B2381088	COVER - CONNECTOR	U001	56
B2381089	COVER - POSITIONING PIN	U001	57
B2381123	FUSING DUCT - LEFT	U001	58
B2381143	GUIDE:CONNECTOR:HEATER:IMA GING UNIT	U001	59
B2381362	DECAL - MISFEED REMOVAL B1	U003	30
B2381368	DECAL - CLEANING	U003	31
B2381369	COVER:SCANNER:REAR:DOM	U003	32
B2381399	INNER COVER:UPPER:LEFT:DOM	U003	33
B2381504	KEYTOP - START	U004_S001	11
B2381506	KEYTOP - TRY PRINT	U004_S001	12
B2381509	KEYTOP - INTERRUPT	U004_S001	13
B2381511	KEYTOP - COUNTER	U004_S001	14
B2381519	LENS - FRONT	U004_S001	15
B2381527	OPERATION PANEL BRACKET	U004_S001	16
B2381534	LCD SPACER A	U004_S001	17
B2381535	LCD SPACER B	U004_S001	18

Number	Part Name	Group	ID
B2381547	SPACER - KEYTOP	U004_S001	19
B2381548	OPERATION PANEL BRACKET - RI GHT	U004_S001	20
B2381549	KEYTOP - POWER SOURCE	U004_S001	21
B2381550	KEYTOP - LOGIN	U004_S001	22
B2381552	KEYTOP - KANTAN	U004_S001	23
B2381583	KEYTOP - CLEAR MODES	U004_S001	24
B2381715	STEPPER MOTOR DC3.9V	U005_S001	39
B2381753	INNER COVER - SENSOR	U005	40
B2381762	GROUND PLATE - STEPPER MOT OR	U005	41
B2381785	FRAME:REAR	U005	82
B2381786	SCANNER DRIVE SHAFT	U005	42
B2381788	STEPPER MOTOR BRACKET	U005	43
B2381792	TIMING BELT - 157ST1.5-4.0	U005	44
B2381793	BUSHING SPACER	U005	45
B2381795	EXPOSURE GLASS	U005	46
B2381796	HALL PLUG	U005	47
B2381801	SCALE - LEFT (A)	U005	48
B2381803	DOCUMENT FEEDER BRACKET	U005	84
B2381806	IDLER PULLEY	U005	49
B2381807	PULLEY	U005_S003	50
B2381812	GROUND PLATE - CARRIAGE	U005	51
B2381820	XENON LAMP - DIA10	U005	52
B2381821	STABILIZER	U005	53
B2381823	INNER COVER - SCANNER	U005	54
B2381827	ORIGINAL SENSOR BRACKET	U005	55
B2382523	DECAL - PAPER SET DIRECTION NO.2	U007	101
B2382524	DECAL - PAPER SIZE	Attached	4
B2382526	DECAL - GRIP	U007	102
B2382527	DECAL - GRIP	U007	103
B2382541	TRAY COVER - RIGHT	U007	104
B2382543	COVER - TRAY LEFT	U007	105
B2382544	TRAY COVER - MIDDLE	U007	106
B2382576	SUPPORTING PLATE	U007_S001	107
		U007_S002	107
B2382615	CASE - REMOVE PAPER DUST	U007	108

Exclusive Parts

Number	Part Name	Group	ID
B2382622	COVER - REMOVE PAPER DUST	U007	109
B2382652	REGISTRATION ROLLER - DRIVE	U007	110
B2382655	GEAR - 16Z	U007	111
B2382656	GEAR - 30Z	U007	112
B2382657	GEAR - 18Z	U007	113
B2382661	REGISTRATION ROLLER - DRIVEN	U007	114
B2382675	REGISTRATION ROLLER BUSHING	U007	115
B2382676	TENSION SPRING	U007	116
B2383364	DECAL:COLORED DISPLAY:BK:INNER COVER	U003	34
B2383365	DECAL:COLORED DISPLAY:Y:INNER COVER	U003	35
B2383366	DECAL:COLORED DISPLAY:C:INNER COVER	U003	36
B2383367	DECAL:COLORED DISPLAY:M:INNER COVER	U003	37
B2384070	FUSING BELT:DIA60:ASS'Y	U009_S001	34
B2384123	THERMOSTAT HOUSING	U009_S001	35
B2384134	THERMOSTAT HOUSING	U009_S001	36
B2384166	END RING:SPRING:DIA4	U009_S001	37
B2384175	LEVER:PRESSURE:FRONT:PEEN	U009_S001	38
B2384194	ROLLER:LEVER:PRESSURE	U009_S001	39
B2384195	LEVER:PRESSURE:REAR:PEEN	U009_S001	40
B2384197	LEVER:LOCK:PRESSURE	U009_S001	41
B2384291	STRIPPER PLATE:COAT	U009_S001	42
B2384363	BRACKET:THERMOPILE:FUSING	U009	59
B2384436	SPRING PLATE - EXIT ROLLER OUTER	U010_S001	19
B2384733	ENTRANCE SENSOR BRACKET	U011	127
B2384739	COVER - ENTRANCE SENSOR	U011	128
B2385344	SBU GROUND PLATE	U005	56
B2385821	BRACKET - MAIN SWITCH HANDLE	U012	39
B2385824	SLIDE SWITCH COVER	U012	40
B2385825	POWER SOURCE SWITCH LINK	U012	41
B2385827	MAIN SWITCH BRACKET	U012	42
B2385828	MAIN SWITCH SHEET	U012	43

Number	Part Name	Group	ID
B2385867	HOOK:SOLENOID:SENSOR:TM	U012_S002	44
B2385875	DC SOLENOID DC24V	U012_S002	45
B2385885	CONTROL BOARD PANEL GRIP	U013	6
B2385887	INTERFACE PANEL	U013	7
B2385891	DRAWER BRACKET	U012	46
B2385896	BRACKET:TOTAL COUNTER:OPTION	U001	60
B3901759	SHAFT:SCALE	U005	57
B6455010	SD Card	Special Tools	7
B6456705	PCMCIA Card Adapter	Special Tools	8
B6456820	USB Reader/Writer	Special Tools	9
B6795100	Plug - IEEE1284 Type C	Special Tools	10
B7002649	TIMING BELT:40S2M144	U007	117
C4019503	20X Magnification Scope	Special Tools	11
D0091260	UPPER COVER	U003	38
D0091470	PCB:OP-R	U004_S001	37
D0091486	INVERTOR:TFT	U004_S001	26
D0091487	CABLE:FFC:TFT:LCD	U004_S001	27
D0091498	LCD:TFT:W-VGA:MV	U004_S001	28
D0091502	COVER:LOWER	U004_S001	34
D0091504	SHADEING PLATE:TOUCH PANEL	U004_S001	29
D0091556	PANEL:UPPER:NA	U004_S001	35
D0092510	GUIDE PLATE - EXIT	U011_S001	129
D0092552	GUIDE SHEET - MANUAL FEED	U011_S001	130
D0092554	GUIDE SHEET - VERTICAL TRANSPORT	U011_S001	131
D0092555	TRANSPORT ROLLER - DUPLEX EXIT	U011_S001	132
D0092560	DRIVEN ROLLER	U011_S001	133
D0092563	GUIDE PLATE - VERTICAL TRANSPORT	U011_S001	134
D0092571	HOLDER - VERTICAL TRANSPORT	U011_S001	135
D0092573	PULLEY - VERTICAL TRANSPORT	U011_S001	136
D0092574	PULLEY - IDLER	U011_S001	137
D0092575	SHAFT - IDLER	U011_S001	138
D0092576	SHAFT - VERTICAL TRANSPORT	U011_S001	139
D0092757	TRANSPORT ROLLER:DRIVE:ASS'Y	U007_S001	118
		U007_S002	118

Exclusive Parts

Number	Part Name	Group	ID
D0092836	GUIDE PLATE	U007	119
D0092841	GUIDE PLATE - NO.2	U007	120
D0094407	FEELER - OVERFLOW	U010_S001	20
D0094443	DISCHARGE BRUSH - EXIT	U010_S001	21
D0094497	DECAL - RIGHT GUIDE	U011_S001	140
D0094503	GUIDE PLATE - LEFT UPPER	U011_S001	141
D0094504	UPPER GUIDE PLATE - GATE	U011_S001	142
D0094511	SPACER:DIA8.0:1.5MM	U011_S001	143
D0094512	LINK:STOPPER	U011_S001	144
D0094513	COMPRESSION SPRING:EARTH:D UPLEX UNIT	U001	61
		U011_S001	145
D0094522	TENSION SPRING:GATE PAWL:DU PLEX:0.08N	U011_S001	146
D0094535	HARNESS GUIDE	U011_S001	147
D0094540	COVER - DUPLEX UNIT	U011_S001	148
D0094577	DUPLEX GATE	U011_S001	149
D0094587	TENSION SPRING - RELEASE BRA CKET	U011_S001	150
D0094588	STOPPER BRACKET - SPRING	U011_S001	151
D0094589	GUIDE - SET SHAFT	U011_S001	152
D0094593	STEPPED SCREW - M3	U011_S001	153
D0094594	FRONT GUIDE - DUPLEX UNIT SE T	U001	62
D0094595	REAR GUIDE - DUPLEX UNIT SET	U001	63
D0094597	BRACKET - WIRE PULLEY SHAFT	U011_S001	154
D0094598	SPRING - SET SHAFT	U011_S001	155
D0094599	SHAFT - DUPLEX UNIT	U011_S001	156
D0094661	REVERSE ROLLER - FEED	U011_S001	157
D0094662	TRANSPORT ROLLER 1	U011_S001	158
D0094663	TRANSPORT ROLLER 2	U011_S001	159
D0094664	DRIVEN ROLLER	U009_S001	43
		U011	160
		U011_S001	160
D0145974	COVER:CONNECTOR:EFI	U013	8
D0238332	SHEET:EMBLEM:AT-C2A:RIC:GSA	U003	39
D0238333	SHEET:EMBLEM:AT-C2A:SVN:GSA	U003	40
D0238334	SHEET:EMBLEM:AT-C2A:LAN:GSA	U003	41
D0239590	NVRAM	U013	9

Number	Part Name	Group	ID
D0239640	COLOR DEVELOPER K	Special Tools	12
D0239660	COLOR DEVELOPER C	Special Tools	13
D0239670	COLOR DEVELOPER M	Special Tools	14
D0239680	COLOR DEVELOPER Y	Special Tools	15
D0241262	COVER:INNER BACK:UPPER:NA	U003	42
D0241292	COVER:REAR:UPPER:NA	U003	43
D0241376	COVER:SCANNER:LEFT:NA	U003	44
D0241392	COVER:SCANNER:RIGHT:NA	U003	45
D0241592	COVER:SCANNER:FRONT:UPPER: NA	U003	46
D0241593	COVER:SCANNER:FRONT:LEFT:N A	U003	47
D0241594	COVER:SCANNER:FRONT:NA	U003	48
D0251100	DRIVE UNIT:ENGINE:ATHENA-C2: ASS'Y	U002_S001	56
D0251136	SHAFT:DEVELOPMENT:COLOR:AS S'Y	U002_S001	57
D0251139	HOLDER:MAGNETIC CLUTCH:DEV ELOPMENT:COLOR	U002_S001	58
D0251163	BRACKET:DRIVE UNIT:FUSING EX IT SECTION:ASS'Y	U002	59
D0251261	COVER:INNER BACK	U003	49
D0251266	COVER:PAPER EXIT SUB-UNIT:UP PER	U003	15
D0251323	DUCT:NO.2:FRONT	U001	64
D0251324	DUCT:NO.2:REAR	U001	65
D0251344	GUIDE PLATE:FUSING:REAR:ASS' Y	U001	66
D0251345	GUIDE PLATE:FUSING:FRONT:AS S'Y	U001	67
D0251351	STOPPER:FUSING UNIT:FRONT	U001	68
D0251352	STOPPER:FUSING UNIT:REAR	U001	69
D0251353	LEVER:LOCK:FRONT	U001	70
D0251354	LEVER:LOCK:REAR	U001	71
D0251441	OPERATION SUB-UNIT:AT-C2:NA: ASS'Y	U004_S001	40
D0251481	PCB:LCDC:NA:ASS'Y	U004_S001	36
D0251596	COVER:FRONT RIGHT:UPPER	U003	50

Exclusive Parts

Number	Part Name	Group	ID
D0251597	BRACKET:OPERATION PANEL:AUXILIARY	U003	51
D0251703	LENS:HOLDER:ASS'Y	U005	58
D0251716	CARRIAGE:NO.1:ASS'Y	U005_S002	59
D0251721	CARRIAGE:NO.2:ASS'Y	U005_S003	60
D0251727	MIRROR:NO.2:CONCAVE:ASS'Y	U005_S003	61
D0251728	MIRROR:NO.2:CONVAX:ASS'Y	U005_S003	62
D0251736	SCALE:LEFT:B:NA:ASS'Y	U005	63
D0251747	DRIVE WERE:CARRIAGE:DIA1.0	U005	64
D0251751	SEAL:SCANNER:FRAME:BASE	U005	65
D0251755	GROUND WIRE:SCANNER:RACK	U012	47
D0251782	SCALE:INNER BACK:PRINTING	U005	66
D0251830	GASKET:10X15X20	U005	67
D0251831	GASKET:13X10X13	U005	68
D0251832	GASKET:10X1X20	U005	69
D0251833	GASKET:10X2X20	U005	70
D0251834	GASKET:10X5X20	U005	71
D0251852	IMAGE FORMING SECTION:SERVICE PARTS:1LD:ASS'Y	U006_S001	4
D0252751	PAPER FEED UNIT:ASS'Y	U007_S001	136
		U007_S002	136
D0252849	BRACKET:CONNECTOR:PAPER FEED UNIT	U007	122
D0254062	FUSING UNIT:NA:MAINTENANCE:SUB-ASS'Y	U009_S001	44
D0254129	GUIDE:FUSING EXIT:PFA	U009_S001	45
D0254171	LEVER:PRESSURE RELEASE:FRONT	U009_S001	46
D0254191	LEVER:PRESSURE RELEASE:REAR	U009_S001	47
D0254238	BRACKET:DRIVEN ROLLER	U009_S001	48
D0254241	BRACKET:HEATER:PRESSURE:FRONT	U009_S001	58
D0254274	STOPPER:GRIP	U009_S001	49
D0254303	HARNESS:FUSING UNIT:NA	U009_S001	50
D0254410	PAPER EXIT UNIT:MACHINE OR COPIER:ASS'Y	U010_S001	58
D0254452	ROLLER:DECURA:DRIVE:ENTRANCE	U010_S001	22

Number	Part Name	Group	ID
	CE		
D0254453	ROLLER:DECURA:DRIVE:EXIT	U010_S001	23
D0254454	EXIT ROLLER	U010_S001	24
D0254466	TRANSPORT ROLLER:DIA18	U010_S001	25
D0254528	DUPLEX UNIT:EXP:ASS'Y	U011_S001	208
D0254532	INNER COVER:DUPLEX	U011	161
D0255115	PCB:BICU:AT-C2:GW:ASS'Y	U012	62
D0255120	PCB:IOB:AT-C2	U012	49
D0255138	PCB:SIO:AT-C2	U005	72
D0255800	RACK:INNER BACK:SUB-ASS'Y	U012	50
D0255834	BRACKET:POWER PACK:TTS	U012	51
D0255886	GASKET:UC-300281V0:L20	U012	52
D0256281	CASE:AT:ASS'Y	U011_S002	206
D0258322	SHEET:EMBLEM:RIC For D025	U003	52
D0258328	SHEET:EMBLEM:SVN For D025	U003	53
D0258329	SHEET:EMBLEM:GES For D025	U003	54
D0258330	SHEET:EMBLEM:LAN For D025	U003	55
D0258332	SHEET:EMBLEM:AT-C2B:RIC:GSA	U003	56
D0258333	SHEET:EMBLEM:AT-C2B:SVN:GSA	U003	57
D0258334	SHEET:EMBLEM:AT-C2B:LAN:GSA	U003	58
D0281271	COVER:RIGHT:FRONT:NA	U003	59
D0281282	COVER:LEFT:UPPER:NA	U003	60
D0291053	CAM:GUIDE:FUSING:LEFT	U001	72
D0291054	CAM:GUIDE:FUSING	U001	73
D0291058	SEAL:BURRING	U001	74
D0291061	DECAL:LEVER:LOCK:FUSING	U001	75
D0291074	SEPARATION PLATE:IMAGING UNIT:UPPER RIGHT:ASS'Y	U001	81
D0291075	SEPARATION PLATE:IMAGING UNIT:UPPER MIDDLE:RIGHT:ASS'Y	U001	82
D0291083	SEPARATION PLATE:IMAGING UNIT:UPPER MIDDLE:LEFT:ASS'Y	U001	83
D0291086	SEPARATION PLATE:IMAGING UNIT:UPPER LEFT:ASS'Y	U001	84
D0291136	SHAFT:DEVELOPMENT:ASS'Y	U002_S001	60
D0291137	HOLDER:MAGNETIC CLUTCH:DEVELOPMENT	U002_S001	61
D0291147	STEPPER MOTOR:REGISTRATION	U002	62

Exclusive Parts

Number	Part Name	Group	ID
	:ASS'Y		
D0291199	DRIVE UNIT:ON-OFF:TRANSFER	U002	53
D0291213	COVER:FRONT RIGHT	U003	61
D0291236	DUCT:REAR:1	U001	76
D0291243	INNER COVER:UPPER:RIGHT	U003	62
D0291256	SHEET:MISFEED REMOVAL:AP-C2	U003	63
D0291272	COVER:RIGHT:REAR	U003	64
D0291278	OZONE FILTER:NO.2	U003	65
D0291331	BRACKET:FAN:IMAGE FORMING SECTION	U001	77
D0291339	DUCT:EXIT:C2	U001	78
D0291484	TOUCH PANEL:WVGA:FU-ACF	U004_S001	32
D0291500	COVER:UPPER:AP-C2	U004_S001_S001	33
D0291556	COVER:UPPER:AP-C2:NA	U004_S001_S001	33
D0291745	PULLEY:DRIVE WERE:FRONT	U005	73
D0291748	PULLEY:DRIVE WERE:REAR:ASS'Y	U005	74
D0292056	SEAL:FRAME:CHARGE:LOWER	U014_S001_S001	17
		U014_S002_S001	17
		U014_S003_S001	17
		U014_S004_S001	17
D0292208	PCU:K:EXP:ASS'Y	U014_S001	18
D0292209	PCU:M:EXP:ASS'Y	U014_S002	21
D0292210	PCU:C:EXP:ASS'Y	U014_S003	19
D0292211	PCU:Y:EXP:ASS'Y	U014_S004	20
D0292251	Drum unit for Color	U014_S002_S001	8
		U014_S003_S001	8
		U014_S004_S001	8
D0292252	PCU:BK:UV:ASS'Y	U014_S001_S001	16
D0292555	GUIDE PLATE:REGISTRATION:LEFT	U007	123
D0292556	STAY:REGISTRATION	U007	124
D0292560	BRACKET:CLEANER:ADHESION	U007	125
D0292570	GUIDE PLATE:REGISTRATION:RIGHT:ADHESION	U007	126
D0292611	GROUND PLATE:REAR	U011_S001	164
D0292612	GROUND PLATE:REVERSE	U011_S001	165
D0292644	DECAL:SCALE:MANUAL FEED	U011_S001	166

Number	Part Name	Group	ID
D0292662	MANUAL FEED TABLE	U011_S001	167
D0292664	FEELER:PAPER SIZE SENSOR:MANUAL FEED	U011_S001	168
D0292677	TRANSPORT BELT:DRIVEN:VERTICAL TRANSPORT	U011_S001	169
D0292709	GUIDE PLATE:SEPARATOR:ASS'Y	U011_S001	170
D0292710	COVER:HARNESS:MANUAL FEED TABLE	U011_S001	171
D0292850	PAPER TRAY:NO.1:ASS'Y	U007_S003	127
D0292863	SHAFT:RELEASE:PAPER TRAY	U007_S003	128
		U007_S004	128
D0292900	PAPER TRAY:NO.2:ASS'Y	U007_S004	129
D0293015	DEVELOPMENT UNIT:BK:C2:EXP:ASS'Y	U014_S001	9
D0293025	DEVELOPMENT UNIT:M:C2:EXP:ASS'Y	U014_S002	10
D0293035	DEVELOPMENT UNIT:C:C2:EXP:ASS'Y	U014_S003	11
D0293045	DEVELOPMENT UNIT:Y:C2:EXP:ASS'Y	U014_S004	12
D0293202	PUMP UNIT:Y:C2:ASS'Y	U008	29
D0293203	PUMP UNIT:C:C2:ASS'Y	U008	30
D0293204	PUMP UNIT:M:C2:ASS'Y	U008	31
D0293205	NOZZLE:C2:ASS'Y	U008_S001	32
		U008_S002	32
		U008_S003	32
		U008_S004	32
D0293221	PUMP UNIT:BK:C2:ASS'Y	U008	35
D0293405	DRIVE UNIT:TONER SUPPLY SUB-UNIT:C2:ASS'Y	U008_S005	33
D0294160	DECAL:C2:BLUE:FUSING	U009_S001	51
D0294162	SHEET:C3:LEVER	U009_S001	60
D0294163	DECAL:WARNING (HIGH TEMPERATURE):FUSING:1	U009_S001	52
D0294166	DECAL:WARNING (HIGH TEMPERATURE):LOWER:FUSING	U011	172
D0294277	GRIP:FUSING UNIT	U009_S001	53
D0294282	GUIDE PLATE:FUSING EXIT	U009_S001	57

Exclusive Parts

Number	Part Name	Group	ID
D0294331	FUSING COVER:UPPER	U009_S001	54
D0294415	SIDE PLATE:REAR:PEEN	U010_S001	26
D0294421	GUIDE PLATE:UPPER LEFT	U010_S001	27
D0294423	STAY:UPPER	U010_S001	28
D0294424	GUIDE PLATE:UPPER RIGHT	U010_S001	29
D0294425	BRACKET:SENSOR	U010_S001	30
D0294426	BRACKET:SENSOR:GATE	U010_S001	31
D0294427	BRACKET:POSITIONING:GUIDE PLATE:MIDDLE	U010_S001	32
D0294431	GUIDE PLATE:EXIT:LOWER	U010_S001	33
D0294432	STAY:EXIT:LOWER	U010_S001	34
D0294433	BRACKET:SENSOR:FUSING EXIT	U010_S001	35
D0294436	SIDE PLATE:FRONT:PEEN	U010_S001	36
D0294439	STOPPER:GATE PAWL:ENTRANCE	U010_S001	37
D0294440	GATE PAWL:ENTRANCE:ASS'Y	U010_S001	38
D0294442	LEVER:GATE PAWL:ENTRANCE	U010_S001	39
D0294443	TENSION SPRING:GATE PAWL:ENTRANCE	U010_S001	40
D0294444	COVER:HARNESS	U010_S001	41
D0294446	SHEET:EXIT:PTFE:REAR	U010_S001	42
D0294447	SHEET:EXIT:PTFE:FRONT	U010_S001	43
D0294450	ROLLER:DECURA:DRIVEN:ASS'Y	U010_S001	44
D0294456	GEAR:DECURA:16Z	U010_S001	45
D0294457	GEAR:PULLEY:INPUT:27Z	U010_S001	46
D0294458	GEAR:PULLEY:DECURA:Z16/16T	U010_S001	47
D0294459	GEAR:PULLEY:IDLER:Z20/T20	U010_S001	48
D0294461	TIMING PULLEY:20T:DIA6	U010_S001	49
D0294462	TIMING BELT:S2M126	U010_S001	50
D0294463	TIMING BELT:S2M:122	U010_S001	51
D0294464	BUSHING:DECURA:DRIVEN	U010_S001	52
D0294465	SPRING:DECURA	U010_S001	53
D0294474	DC SOLENOID:SUB-ASS'Y	U010_S001_S001	54
D0294478	TENSION SPRING:RELEASE:DC SOLENOID	U010_S001	55
D0294482	GATE PAWL:UPPER:ASS'Y	U011_S001	173
D0294484	GRIP:GATE PAWL:UPPER	U011_S001	174
D0294485	LEVER:GATE PAWL:UPPER	U011_S001	175

Number	Part Name	Group	ID
D0294486	TENSION SPRING:GATE PAWL:1.5N	U011_S001	176
D0294488	TENSION SPRING:GUIDE PLATE:RIGHT	U011_S001	177
D0294489	GUIDE:GUIDE PLATE:OPEN AND CLOSE	U011_S001	178
D0294497	COMPRESSION SPRING:DRIVEN ROLLER:GATE	U011_S001	180
D0294499	DRIVEN ROLLER:DIA18:PAPER EXIT UNIT:VERTICAL TRANSPORT	U011_S001	181
D0294521	BRACKET:HARNESS	U011_S001	182
D0294533	INNER COVER:DUPLEX:REAR	U011	183
D0294554	BRACKET:GUIDE PLATE:TRANSFER UNIT	U011	184
D0294555	SHEET:TRANSPORT SUB-UNIT:FEED PAPER AGAIN	U011	185
D0294582	ARM:PRESSURE RELEASE:FRONT	U011_S001	186
D0294583	ARM:PRESSURE RELEASE:REAR	U011_S001	187
D0294590	HOOK:STOPPER:DUPLEX UNIT:ASS'Y	U011_S001	188
D0294592	GUIDE PLATE:OPEN AND CLOSE:SUB-ASS'Y	U011_S001	209
D0294663	GUIDE PLATE:TRANSFER UNIT:HOLDER	U011	189
D0295175	PCB:RFID:RW:AT-C2_AP-C2	U008	34
D0295805	RACK:INNER BACK:AUXILIARY:MIDDLE	U012	53
D0295806	BRACKET:IOB	U012	54
D0295811	RACK:APPLICATION:FRONT:RIGHT	U012	55
D0295819	RACK:APPLICATION:FRONT:ASS'Y	U012	56
D0295820	RACK:INNER BACK:AUXILIARY:LEFT:ASS'Y	U013	11
D0295824	COVER:SD-CARD	U013	12
D0295830	BRACKET:POWER PACK:PEEN	U012	61
D0295861	GASKET:65TFV5-0.5:L90	U012	57
D0295863	GASKET:65TSV5-2:L23	U012	58

Exclusive Parts

Number	Part Name	Group	ID
D0295876	DENSITY SENSOR:ASS'Y	U012_S002	59
D0295882	BRACKET:HDD	U013	13
D0295887	GASKET:65TSV5-1:L150	U013	14
D0295888	GASKET:65TSV5-1:L100	U013	15
D0295889	GASKET:65TSV10-5:L65	U013	16
D0295898	COVER:FAN:MM60:CONTROL BOARD	U013	17
D0296010	TRANSFER UNIT:INTERMEDIATE TRANSFER:C2:DOM:ASS'Y	U015_S001	3
D0296028	CLEANING UNIT: ITB Unit	U016_S001	3
D0296090	TRANSFER BELT:N:ASS'Y	U015_S001	4
D0296197	GROUND PLATE:BRUSH ROLLER: BELT CLEANING	U016_S001	4
D0296285	TERMINAL:TRANSFER ROLLER	U011_S002	190
D0296286	CASE:TRANSFER ROLLER	U011_S002	191
D0296293	DRUM STAY:REAR	U011	192
D0296305	LEVER:RELEASE	U011	193
D0296307	COMPRESSION SPRING:GUIDE PLATE:EXIT:3.5N	U011_S002	205
D0296309	SPRING:TRANSFER	U011	194
D0296316	STOPPER:HOLDER:SEPARATION: UPPER	U011_S002	195
D0296318	GUIDE:POSITIONING:FRONT	U001	79
D0296319	GUIDE:POSITIONING:REAR	U001	80
D0296320	BRACKET:LEVER:MIDDLE	U011	196
D0296321	ANCHOR:SPRING	U011	197
D0296322	SHAFT:LEVER:FRONT	U011	198
D0296323	SHAFT:LEVER:REAR	U011	199
D0296331	GROUND WIRE:POWER PACK	U011_S002	201
D0296335	SHEET:CASE:LOWER	U011_S002	202
D0296395	DENSITY SENSOR	U012_S002	60
D0296502	BRACKET:USED TONER SENSOR: C2	U017	20
D0296509	COLLECTION BOTTLE:EXP:ASS'Y	U017	21
D0876202	TRANSFER/SEPARATION UNIT:ASS'Y	U011	162
D0891145	BRACKET:SENSOR COVER	U002_S001	64
D0895765	HDD:HITACHI:250G	U013	23

Number	Part Name	Group	ID
D4405724	PCB for D023	U013	24
D4415724	PCB for D025	U013	25
G0201332	HINGE - FRONT COVER	U003	66
G0219350	Loopback Connector - Parallel	Special Tools	16
G0381299	RIVET - 5	Attached	5
G0602652	BUSHING - M4	U011_S001	111
G0602932	PICK-UP ARM - MANUAL FEED	U011_S001	203
G0604435	BUSHING - M4	U011_S001	111
G0652767	LEVER - FEED	U007_S001	130
		U007_S002	130
G0652774	PRESSURE LEVER	U007_S001	131
		U007_S002	131
G0652775	LINK LEVER	U007_S001	132
		U007_S002	132
G0652776	RELEASE LEVER	U007_S001	133
		U007_S002	133
G0802900	TORQUE LIMITER	U011_S001	204
G1331285	DECAL:COVER:LEFT:GUIDE PLATE	U003	67
G1331295	OZONE FILTER	U003	68
G1335795	RAIL:RIGHT	U013	20
G1335796	RAIL:LEFT	U013	21
G1336537	MAGNET CATCH	U003	69
G1786072	PCB:PC4200:RAWCARD-A:1GB	U013	22
G4042810	SPRING PLATE - 2ND MIRROR	U005_S003	75
G5701133	TIMING PULLEY 73	U005	76
G5701225	SENSOR SHIELDING PLATE	U005	77
G5702730	SLIDER - SCANNER	U005_S002	78
G5702832	GUIDE - HIGH VOLTAGE SUPPLY CORD	U005_S003	79
G5702833	PULLEY HOLDER	U005_S003	80
G5702834	PULLEY - HIGH VOLTAGE SUPPLY CORD	U005	81
GA000062	DECAL:H-TEMP WARNING	U007_S005	137
GA003030	DECAL - SHIELDING PLATE Y	U003	70
		U014_S004	13
GA003031	DECAL - SHIELDING PLATE M	U003	71
		U014_S002	14

Exclusive Parts

Number	Part Name	Group	ID
GA003032	DECAL - SHIELDING PLATE C	U003	72
		U014_S003	15
GA003033	DECAL - SHIELDING PLATE K	U003	73
GA082010	BUSHING:DIA6:DIA10:9	U007_S001	135
		U007_S002	135
GB010035	GEAR:IDLER:FUSING UNIT	U009_S001	55
GB010036	GEAR:IDLER:Z16	U009_S001	56
H0532208	BUSHING - M4	U010_S001	56
M0261815	CLAMP:MIRROR:NO.1	U005_S002	83
VSSM9000	Digital Multimeter-FLUKE189/FVF	Special Tools	17

Standard Parts



03125040N
SCREW - M2.5X4



03140120N
SCREW - M4X12



03530030N
SCREW:M3X3



03530040N
SCREW - M3X4



03530050N
SCREW-M3X5



03530060N
BIND SCREW - M3X6



03530080N
SCREW:M3X8



03530100N
SCREW-M3X10



03530250N
SCREW:M3X25



03603006N
SCREW:M3X6



03603008N
SCREW:M3X8



03603016N
SCREW - M3X16



04340100N
TAPPING SCREW - 4X10



04503010N
TAPPING SCREW - M3X10



04503012N
TAPPING SCREW:3X12



04504008N
TAPPING SCREW - M4X8



04513012N
TAPPING SCREW:3X12



04513016N
TAPPING SCREW - 3X16



04513020N
TAPPING SCREW:3X20



04513030N
TAPPING SCREW:3X30



04514006N
TAPPING SCREW - 4X6



04514008N
TAPPING SCREW:4X8



04533006N
TAPPING SCREW - M3X6



04533008N
BINDING SELF TAPPING SCREW:3X8



04543005Q
TAPPING SCREW::3X5



04543006Q
TAPPING SCREW - M3X6



04543008Q
TAPPING SCREW:3X8



04543020Q
TAPPING SCREW::3X20

Standard Parts



04563008N
TAPPING SCREW - M3X8



04563010N
TAPPING SCREW - M3X10



04573008N
TAPPING SCREW - M3X8



06220120E
SPRING PIN - 2X12MM



07200030E
RETAINING RING - M3



07200040E
RETAINING RING - M4



07200060E
RETAINING RING - M6



07200080E
RETAINING RING - M8



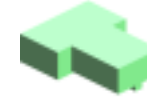
07250170E
RETAINING RINGS-C:17



09543010N
SCREW:POLISHED ROUND/
SPRING:M3X10



09543020N
SCREW:POLISHED ROUND/
SPRING:M3X20



11026245
RELAY CONNECTOR - 2P



11026248
CONNECTOR - 5P



11026259
CONNECTOR - 2P



11028534
CONNECTOR - QR/P17-14S-
B



11050032
CLAMP



11050487
HARNESS CLAMP



11050488
HARNESS CLAMP



11050489
HARNESS CLAMP - LWS 131
6



11050490
HARNESS CLAMP - IWS-2218



11050508
HARNESS CLAMP - LWS-071
1



11050511
HARNESS CLAMP - LWS-030
6ZC



11050516
CLAMP



11050521
CLAMP - LES-1017



11050522
EDGE SADDLE - LES0510



11050534
CLAMP



11050551
CLAMP:LES-0505



11050598
CLAMP:LWSS-1N

Standard Parts



11050612
CLAMP:EDS-0704L-V0



11050613
CLAMP:EDS-1010L-V0



11050614
CLAMP - EDS-1710L-V0



11050621
CLAMP - SB-2712



11050622
CLAMP - JCC-1R



11050643
CLAMP - RFC-14V0



11050663
CLAMP:LWSR-2111S



12042704
SWITCH - RS1A-AB11



12042709
SWITCH - V-5F930DN



14077036
EEPROM:AT24C128B-PU



16071859
FERRITE CORE:E04SR24133
6A



16072053
FERRITE CORE:E04FG21081
0

PM Part List

Number	Part Name	Num	Group	ID
AE010067	HOT ROLLER:DIA35	1	U009_S001	19
AE012030	HEAT ROLLER:DIA25:COAT	1	U009_S001	20
AE020169	PRESSURE ROLLER:DIA30	1	U009_S001	21
AE030066	BALL BEARING:MM25XMM32 X7	2	U009_S001	22
AE030072	BALL BEARING:DIA12XDIA21 X5	2	U009_S001	23
AE030074	BALL BEARING:DIA17XDIA26 X5	2	U009_S001	24
AE032030	THERMAL INSULATING BUS HING:DIA20XDIA25	2	U009_S001	26
B2231348	FILTER:IMAGE FORMING MD	2	U003	23
B2384070	FUSING BELT:DIA60:ASS'Y	1	U009_S001	34
D0239640	COLOR DEVELOPER K	1	Special Tools	12
D0292251	Drum unit for Color	3	U014_S002_S001	8
			U014_S003_S001	8
			U014_S004_S001	8
D0293015	DEVELOPMENT UNIT:BK:C2: EXP:ASS'Y	1	U014_S001	9
D0296509	COLLECTION BOTTLE:EXP:A SS'Y	1	U017	21

Design Change List

Number	Title	Set	Old Part		New Part		Index No.		Q'ty	Interchg		Reason	Cut-in S/N
			P/N	Name	P/N	Name	Group	ID		Indiv.	Set		
201012-09	1012 Modification	-	D0292205	PCU:M:EXP:ASS'Y	D0292209	PCU:M:EXP:ASS'Y	U014_S002	21	1	O/O			D02517:
201012-10	1012 Modification	-	D0292206	PCU:C:EXP:ASS'Y	D0292210	PCU:C:EXP:ASS'Y	U014_S003	19	1	O/O			D02517:
			B2381692	BRACKET:SCALE:LEFT:ASS'Y			U005	38	1	O/O			
					B2381803	DOCUMENT FEE DER BRACKET	U005	84	1	O/O			
201012-11	1012 Modification	-	D0292207	PCU:Y:EXP:ASS'Y	D0292211	PCU:Y:EXP:ASS'Y	U014_S004	20	1	O/O			D02517:
			D0256202	TRANSFER/SEPARATION UNIT:AT:DOM:ASS'Y	D0876202	TRANSFER/SEPARATION UNIT:ASS'Y	U011	162	1	X/O			
201012-14	1012 Modification	-	AX060318	POLYGON MIRROR MOTOR DC24V	AX060396	DC POLYGON MIRROR MOTOR:24W	U006_S001	5	1	X/O			D02517:
201102-02	1102 Modification	-	D0251851	IMAGE FORMING SECTION:SERVICE PARTS:1LD:ASS'Y	D0251852	IMAGE FORMING SECTION:SERVICE PARTS:1LD:ASS'Y	U006_S001	4	1	X/O			D02517:
201103-01	1103 Modification	-	M0265761	HDD:HITACHI:160GB:SATURN:MN B	D0895765	HDD:HITACHI:250G	U013	23	1	O/O			D02517:
201012-01	1012 Modification	-	D0251421	OPERATION SUB-UNIT:AP-C1:NA:ASS'Y	D0251441	OPERATION SUB-UNIT:AT-C2:NA:ASS'Y	U004_S001	40	1	X/O			D02517:
201012-02	1012 Modification	-	D0294491	GUIDE PLATE:OPEN AND CLOSE	D0294592	GUIDE PLATE:OPEN AND CLOSE:SUB-ASS'Y	U011_S001	209	1	X/O			D02517:
201012-03	1012 Modification	-	D0255113	PCB:BICU:AT-C2:	D0255115	PCB:BICU:AT-C2:	U012	62	1	X/O			D02517:

Design Change List

Number	Title	Set	Old Part		New Part		Index No.		Q'ty	Interchg		Reason	Cut-in S/N
			P/N	Name	P/N	Name	Group	ID		Indiv.	Set		
		-		GW:ASS'Y		GW:ASS'Y							
201012-04	1012 Modification												D02517:
201012-06	1012 Modification	-	D0091466	PCB:OP-R	D0091470	PCB:OP-R	U004_S001	37	1	O/O			D02517:
201012-07	1012 Modification	-			D0254528	DUPLEX UNIT:EXP:ASS'Y	U011_S001	208	1				D02517:
201012-08	1012 Modification												D02517:
201012-12	1012 Modification	-	A1931767	1ST MIRROR HOLDER	M0261815	CLAMP:MIRROR:NO.1	U005_S002	83	1	O/O			D02517:
201012-13	1012 Modification	-			D0891145	BRACKET:SENSOR COVER	U002_S001	64	1				D02517:
					D0891145	BRACKET:SENSOR COVER	U002_S001	64	1				
					D0891145	BRACKET:SENSOR COVER	U002_S001	64	1				
					D0891145	BRACKET:SENSOR COVER	U002_S001	64	1				
201012-15	1012 Modification	-			B2381785	FRAME:REAR	U005	82	1				D02517:
201012-16	1012 Modification	-	D4425724	PCB for D025	D4415724	PCB for D025	U013	25	1	O/O			D02517:
201012-17	1012 Modification	-			B2232760	HOUSING:PAPER FEED UNIT	U007_S001	138	1				D02517:
							U007_S002	138	1				
201012-18	1012 Modification	-			D0254410	PAPER EXIT UNIT:MACHINE OR COPIER:ASS'Y	U010_S001	58	1				D02517:
201012-20	1012 Modification	-			B2231120	BRACKET:PAPER FEED UNIT:PEEN	U001	85	1				D02517:
201008-01	1008 Modification	-	D0251461	PCB:ATC2:LCDC:NA:ASS'Y	D0251481	PCB:LCDC:NA:ASS'Y	U004_S001	36	1	X/O			D02517:
201008-03	1008 Modification	-			GA000062	DECAL:H-TEMP WARNING	U007_S005	137	1				D02517:

Design Change List

Number	Title	Set	Old Part		New Part		Index No.		Q'ty	Interchg		Reason	Cut-in S/N
			P/N	Name	P/N	Name	Group	ID		Indiv.	Set		
201008-04	1008 Modification	-			04543005Q	TAPPING SCRE W::3X5	U002_S001	63	1				D02517:
					04543005Q	TAPPING SCRE W::3X5	U002_S001	63	1				
					04543005Q	TAPPING SCRE W::3X5	U002_S001	63	1				
201008-05	1008 Modification	-	D4415724	PCB for D025	D4425724	PCB for D025	U013	26	1	X/O			D02517:
201007-01	1007 Modification	-	D0293201	PUMP UNIT:BK:C 2:ASS'Y	D0293221	PUMP UNIT:BK:C 2:ASS'Y	U008	35	1	X/O			D02517:
201006-02	1006 Modification	-			D0296197	GROUND PLATE: BRUSH ROLLER: BELT CLEANING	U016_S001	4	1				D02517:
201006-03	1006 Modification	-	D0252750	PAPER FEED UN IT:ASS'Y	D0252751	PAPER FEED UN IT:ASS'Y	U007_S001	136	1	X/X	X/O		D02517:
201006-04	1006 Modification	-	D0252750	PAPER FEED UN IT:ASS'Y	D0252751	PAPER FEED UN IT:ASS'Y	U007_S002	136	1	X/O	X/O		D02517:
			D0296027	CLEANING UNIT: INTERMEDIATE TRANSFER:ASS' Y	D0296028	CLEANING UNIT: ITB Unit	U016_S001	3	1				
201006-05	1006 Modification	-			07250170E	RETAINING RING S-C:17	U009_S001	61	2				D02517:
201006-06	1006 Modification	-	D0295399	HARNESS:AC:IN LET	D0295339	HARNESS:AC:IN LET				X/O			D02517:
201002-01	1002 Modification	-	AA082101	BUSHING - 6X10 X6	GA082010	BUSHING:DIA6:D IA10:9	U007_S001	135	1	X/O			D02517:
			AA082101	BUSHING - 6X10 X6	GA082010	BUSHING:DIA6:D IA10:9	U007_S002	135	1	X/O			
201002-02	1002 Modification	-	B2232685	STEPPER MOTO R:DC24V 26.4W	B2232745	STEPPER MOTO R:ASS'Y	U007	134	1	X/O			D02517:

Design Change List

Number	Title	Set	Old Part		New Part		Index No.		Q'ty	Interchg		Reason	Cut-in S/N
			P/N	Name	P/N	Name	Group	ID		Indiv.	Set		
201002-03	1002 Modification	-	B2235832	BRACKET:POWER PACK	D0295830	BRACKET:POWER PACK:PEEN	U012	61	1	X/O		D02517:	
201002-04	1002 Modification	-			D0294162	SHEET:C3:LEVER	U009_S001	60	1			D02517:	
201002-05	1002 Modification	-	D4405722	PCB for D023	D4405724	PCB for D023	U013	24	1	X/O	D4405722"D4405723"D4405724	D02517:	
201002-06	1002 Modification	-	D4415722	PCB for D025	D4415724	PCB for D025	U013	25	1	X/O	D4415722"D4415723"D4415724	D02517:	
200910	0910 Modification	-			D0291086	SEPARATION PLATE:IMAGING UNIT:UPPER LEFT:ASS'Y	U001	84	1			D02517:	
					D0291083	SEPARATION PLATE:IMAGING UNIT:UPPER MIDDLE:LEFT:ASS'Y	U001	83	1				
					D0291074	SEPARATION PLATE:IMAGING UNIT:UPPER RIGHT:ASS'Y	U001	81	1				
					D0291075	SEPARATION PLATE:IMAGING UNIT:UPPER MIDDLE:RIGHT:ASS'Y	U001	82	1				
					B2384363	BRACKET:THERMOPILE:FUSING	U009	59	1				
200909	0909 Modification	-			D0255220	INTERFACE CABLE:SCANNER:LVDS:ASS'Y						D02517:	
200908	0908 Modification	-	D0256280	CASE:AT:ASS'Y	D0256281	CASE:AT:ASS'Y	U011_S002	206	1	X/O		D02517:	

Design Change List

Number	Title	Set	Old Part		New Part		Index No.		Q'ty	Interchg		Reason	Cut-in S/N
			P/N	Name	P/N	Name	Group	ID		Indiv.	Set		
		-	D0292204	PCU:K:EXP:ASS' Y	D0292208	PCU:K:EXP:ASS' Y	U014_S001	18	1	O/O			
			03530040N	SCREW - M3X4	03530030N	SCREW:M3X3	U010_S001 _S001	57	1	O/O			
			03530040N	SCREW - M3X4	03530030N	SCREW:M3X3	U010_S001 _S001	57	1	O/O			
					D0254241	BRACKET:HEAT ER:PRESSURE:F RONT	U009_S001	58	1				
					D0091502	COVER:LOWER	U004_S001	34	1				
					D0292056	SEAL:FRAME:CH ARGE:LOWER	U014_S001 _S001	17	1				
					D0292056	SEAL:FRAME:CH ARGE:LOWER	U014_S002 _S001	17	1				
					D0292056	SEAL:FRAME:CH ARGE:LOWER	U014_S003 _S001	17	1				
					D0292056	SEAL:FRAME:CH ARGE:LOWER	U014_S004 _S001	17	1				
					D0291556	COVER:UPPER:A P-C2:NA	U004_S001 _S001	33	1				
					D0091556	PANEL:UPPER:N A	U004_S001	35	1				
			D0255790	HDD:HITACHI:80 GB:PATH2	M0265761	HDD:HITACHI:16 0GB:SATURN:MN B	U013	23	1	O/O			
200906	0906 Modification	-	D0292250	Drum unit for Bk	D0292252	PCU:BK:UV:ASS' Y	U014_S001 _S001	16	1	O/O			D02517:
			D0296325	COMPRESSION SPRING:GUIDE P LATE:EXIT:3.5N	D0296307	COMPRESSION SPRING:GUIDE P LATE:EXIT:3.5N	U011_S002	205	2	X/O			

Design Change List

Number	Title	Set	Old Part		New Part		Index No.		Q'ty	Interchg		Reason	Cut-in S/N
			P/N	Name	P/N	Name	Group	ID		Indiv.	Set		
		-			D0294282	GUIDE PLATE:FUSING EXIT	U009_S001	57	1				
					D0255334	HARNESS:MAIN:FUSING UNIT							
200905	0905 Modification	-			D0291500	COVER:UPPER:APP-C2	U004_S001_S001	33	1				D02517:
					D0296090	TRANSFER BELT:N:ASS'Y	U015_S001	4	1				
					D0295370	CABLE:HDD:SATA:POWER:140							
					D0295371	CABLE:HDD:SATA:RED:170							
090219	0902 Modification	-	D0251348	LEVER:LOCK:FRONT	D0251353	LEVER:LOCK:FRONT	U001	70	1	X/O			D02517:
			D0251349	LEVER:LOCK:REAR	D0251354	LEVER:LOCK:REAR	U001	71	1	X/O			
			D0294561	HARNESS:SECOND:TRANSFER UNIT	D0294562	HARNESS:SECOND:TRANSFER UNIT				X/X			
			D0254051	FUSING UNIT:NASUB-ASS'Y	D0254062	FUSING UNIT:NA:MAINTENANCE:SUB-ASS'Y	U009_S001	44	1	X/O			
					AB033000	JOINT:DEVELOPMENT	Special Tools	5	1				
081128	0811 Modification	-			B2231494	PCB OP-L	U004_S001	8	1				D02517:
					D0091466	PCB:OP-R	U004_S001	25	1				
			D4415720	PCB:AT-C2B:EXP:SERVICE:ASS'Y	D4415722	PCB for D025	U013	19	1	X/O			
			D0291336	DUCT:EXIT	D0291339	DUCT:EXIT:C2	U001	78	1	X/O			
			D0251411	OPERATION SUB	D0251421	OPERATION SUB	U004	30	1	X/O			

Design Change List

Number	Title	Set	Old Part		New Part		Index No.		Q'ty	Interchg		Reason	Cut-in S/N
			P/N	Name	P/N	Name	Group	ID		Indiv.	Set		
		-		-UNIT:AT-C2:NA: ASS'Y		-UNIT:AP-C1:NA: ASS'Y							
			D0291494	TOUCH PANEL: W-VGA:FU	D0291484	TOUCH PANEL: WVGA:FU-ACF	U004_S001	32	1	X/O			
			D4405720	PCB:AT-C2A:EXP :SERVICE:ASS'Y	D4405722	PCB for D023	U013	18	1	X/O			

