



RICOH UNIVERSITY

Learning ♦ Knowledge ♦ Performance



D104/D106 **PARTS CATALOG**

006370MIU

LANIER RICOH SAVIN

WWW.SERVICE-MANUAL.NET



D104/D106
PARTS CATALOG

LANIER
RICOH
SAVIN®



RICOH UNIVERSITY

Learning ♦ Knowledge ♦ Performance

D104/D106 PARTS CATALOG

006370MIU

LANIER RICOH SAVIN®

WWW.SERVICE-MANUAL.NET

It is the reader's responsibility when discussing the information contained within this document to maintain a level of confidentiality that is in the best interest of Ricoh Americas Corporation and its member companies.

**NO PART OF THIS DOCUMENT MAY BE REPRODUCED IN ANY
FASHION AND DISTRIBUTED WITHOUT THE PRIOR
PERMISSION OF RICOH AMERICAS CORPORATION.**

All product names, domain names or product illustrations, including desktop images, used in this document are trademarks, registered trademarks or the property of their respective companies.

They are used throughout this book in an informational or editorial fashion only and for the benefit of such companies. No such use, or the use of any trade name, or web site is intended to convey endorsement or other affiliation with Ricoh products.

© 2011 RICOH Americas Corporation. All rights reserved.

WWW.SERVICE-MANUAL.NET

LEGEND

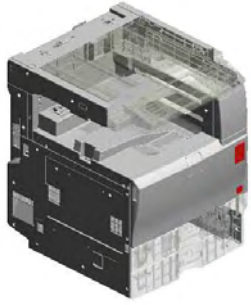
PRODUCT CODE	COMPANY			
	GESTETNER	LANIER	RICOH	SAVIN
D104	MP C2051	LD 620C	Aficio MP C2051	C9120
D106	MP C2551	LD 625C	Aficio MP C2551	C9125
A674	Key Counter Bracket Type H			
B679	IEEE 1284 Interface Board Type A			
B870	Optional Counter Interface Unit Type A			
D331	Paper Feed Unit PB3030			
D377	IEEE 802.11a/g Interface Unit Type J			
D377	IEEE 802.11a/g Interface Unit Type K			
D377	File Format Converter Type E			
D377	Gigabit Ethernet Type B			
D390	Punch Unit PU3010			
D425	Paper Feed Unit PB3070			
D426	One Bin Tray BN3060			

D427	Side Tray Type C2550
D428	Internal Shift Tray SH3030
D429	Internal Finisher Type C2550
D430	Browser Unit Type E
D448	Caster Table Type B
D541	ARDF DF 3050
D546	Camera Direct Print Card Type I
D547	Card Reader Bracket Type C5501
D555	Fax Option Type C2551
D556	USB/SD Slot Type G
D556	IPDS Unit Type C2551
D559	Envelop Feeder EF3010
G329	Platen Cover Type 3800C
G578	FAX Memory Unit Type B

DOCUMENTATION HISTORY

REV. NO.	DATE	COMMENTS
*	02/2011	Original Printing

Unit All



U001
Exterior



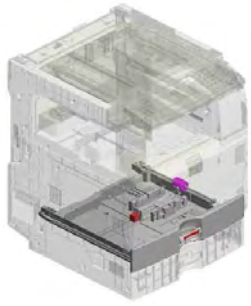
U002
Operation



U003
Scanner



U004
Laser Unit



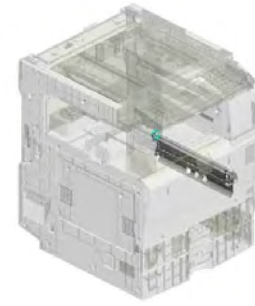
U005
1st Paper Tray



U006
2nd Paper Tray



U007
Vertical Transport



U008
Paper Registration



U009
Tonner Supply



U010
PCDU



U011
ITB Unit/ITB Cleaning



U012
Paper Transfer

WWW.SERVICE-MANUAL.NET

Unit All



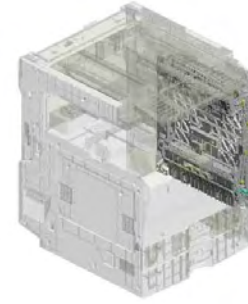
U013
Used Toner



U014
Fusing



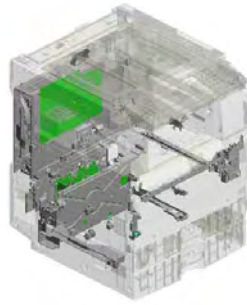
U015
Paper Exit



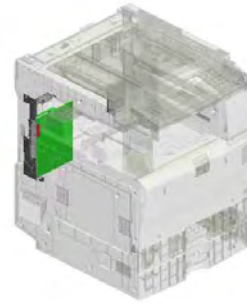
U016
Duplex



U017
Main Drive



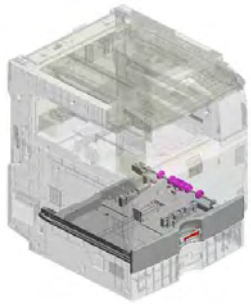
U018
Electrical



U019
Controller

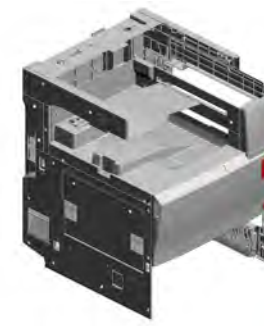


U020
Main Frame



U021
Envelope Feeder EF3010 (Option)

U001 Exterior



- 19.B2381373 CAP - LOUVER MM 80
- 10.AA010122 FILTER:REAR
- 15.B0771253 CAP:34X55
- 20.B2381396 CAP - REAR
- 3.04513008N (x36) TAPPING SCREW - M3X8

18.B2231293
CAP:COVER:REAR

1.03603008N
(x12)
SCREW:M3X8

14.B0391367
RIVET - M6

2.04513006N
TAPPING SCREW -
3X6

11.AA012133
(x2)
FILTER:IMAGE FO
RMING MD

16.B1321573
DECAL:POWER SO
URCE:OFF:ENGLIS
H

6.07200030E
(x2)
RETAINING RING -
M3

17.B2231253
EMBLEM COVER

12.AG070514
(x2)
MAGNET CATCH

7.52062686
(x2)
SNAP RING

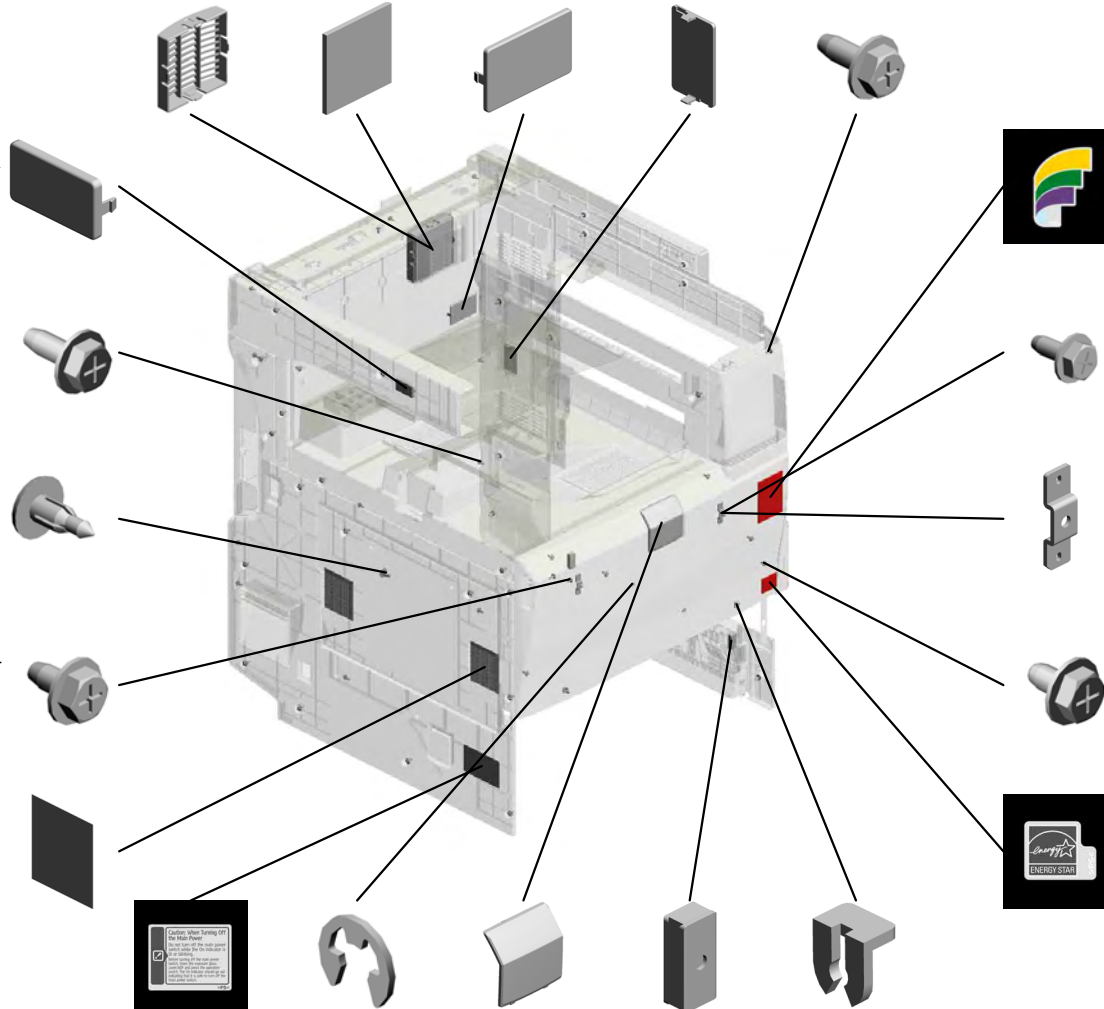
8.AA000239
DECAL:COLOR:MF
P

5.04563008N
(x2)
TAPPING SCREW -
M3X8

13.B0241264
(x2)
MAGNET CATCH

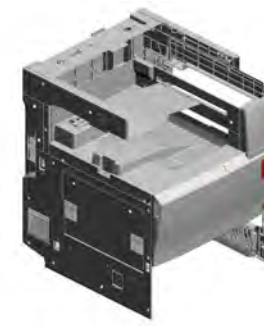
4.04543006Q
TAPPING SCREW -
M3X6

9.AA001477
DECAL:ENERGY-S
TAR



WWW.SERVICE-MANUAL.NET

U001 Exterior



- 25.D0391234 COVER:SCANNER: REAR
- 28.D0391246 INNER COVER:DC BRUSHLESS MOTOR:INTERMEDIATE TRANSFER
- 36.D0391262 COVER:UPPER:EXIT
- 23.D0391232 COVER:SCANNER: RIGHT
- 40.D0391272 COVER:RIGHT UPPER

35.D0391261 COVER:UPPER:INNER BACK

24.D0391233 COVER:SCANNER: LEFT

37.D0391263 GUIDE PLATE:SCANNER

39.D0391271 COVER:RIGHT REAR

29.D0391247 GROUND PLATE:DC BRUSHLESS MOTOR:INTERMEDIATE TRANSFER

22.D0111252 (x2) DECAL:MAIN SWITCH:ON-STANDBY:(Option)

26.D0391241 INNER COVER:UPPER

33.D0391256 CLEANER:SHIELD GLASS:ASSY

30.D0391251 COVER:FRONT

34.D0391259 (x2) SHAFT:COVER:FRONT

38.D0391264 COVER:FRONT UPPER

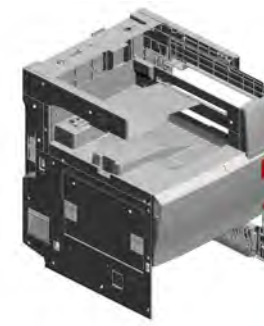
27.D0391242 INNER COVER:RIGHT

21.B2591367 (x2) COVER MAGNET

32.D0391254 SPRING PLATE: BAND

31.D0391253 BAND:COVER:FRONT

U001 Exterior



51.D0391354
DECAL:COLORED
DISPLAY:INNER C
OVER:Y

54.D0392792
BAND:STOPPER

50.D0391353
DECAL:COLORED
DISPLAY:INNER C
OVER:M

49.D0391352
DECAL:COLORED
DISPLAY:INNER C
OVER:C

48.D0391351
DECAL:COLORED
DISPLAY:INNER C
OVER:BK



43.D0391283
COVER:LEFT UPPER REAR



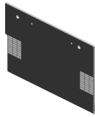
44.D0391284
COVER:LEFT OPTION



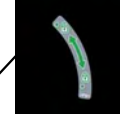
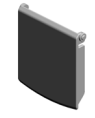
46.D0391293
COVER:REAR:HANDNESS



42.D0391282
COVER:LEFT MIDDLE



45.D0391285
COVER:MAIN SWITCH



52.D0391355
(x4)
DECAL:TONER BOTTLE:LOCK



47.D0391350
SHEET:MISFEED REMOVAL



56.D0392934
(x4)
BUSHING:DIA4:VERTICAL TRANSPORT



41.D0391273
COVER:RIGHT LOWER



55.D0392801
GROUND PLATE:VERTICAL TRANSPORT



59.D0392937
(x4)
SPRING:VERTICAL TRANSPORT



53.D0392791
GUIDE PLATE:VERTICAL TRANSPORT:F3:RIGHT



58.D0392936
COVER:VERTICAL TRANSPORT



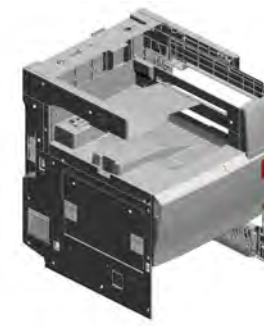
57.D0392935
ROLLER:DRIVEN:F3



60.D0392943
BRACKET:COVER:VERTICAL TRANSPORT:FRONT

WWW.SERVICE-MANUAL.NET

U001 Exterior



63.D0394905
TRAY:REVERSE

68.D1051260
COVER:UPPER

65.D1046601
SHEET:MODEL NA
ME PLATE:RIC:EXP
:(for D104)

66.D1046602
SHEET:MODEL NA
ME PLATE:SVN:(for
D104)

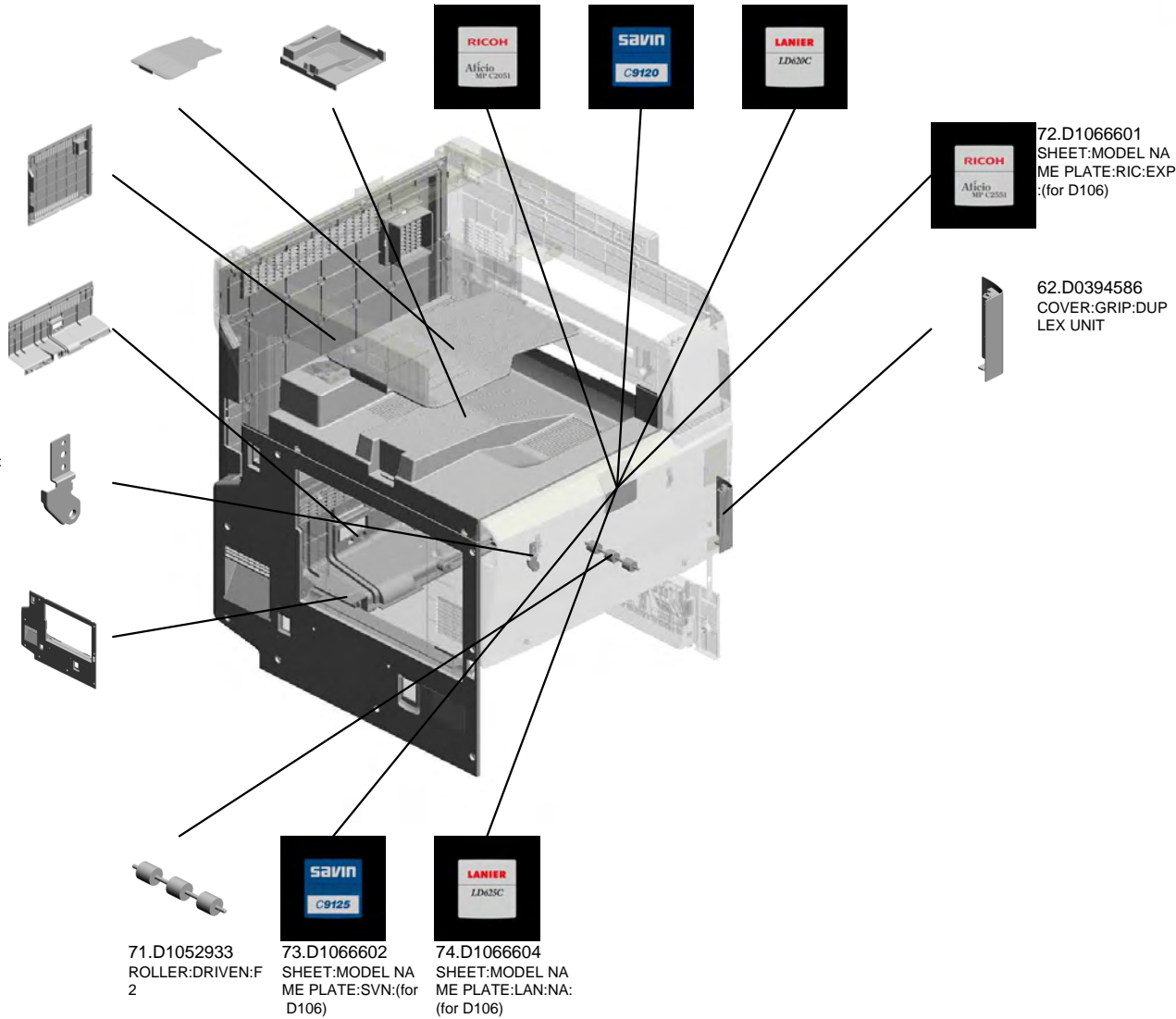
67.D1046604
SHEET:MODEL NA
ME PLATE:LAN:NA:
(for D104)

70.D1051291
COVER:REAR

64.D0411292
COVER:REAR LO
WER:EU

61.D0392944
BRACKET:COVER:
VERTICAL TRANS
PORT:REAR

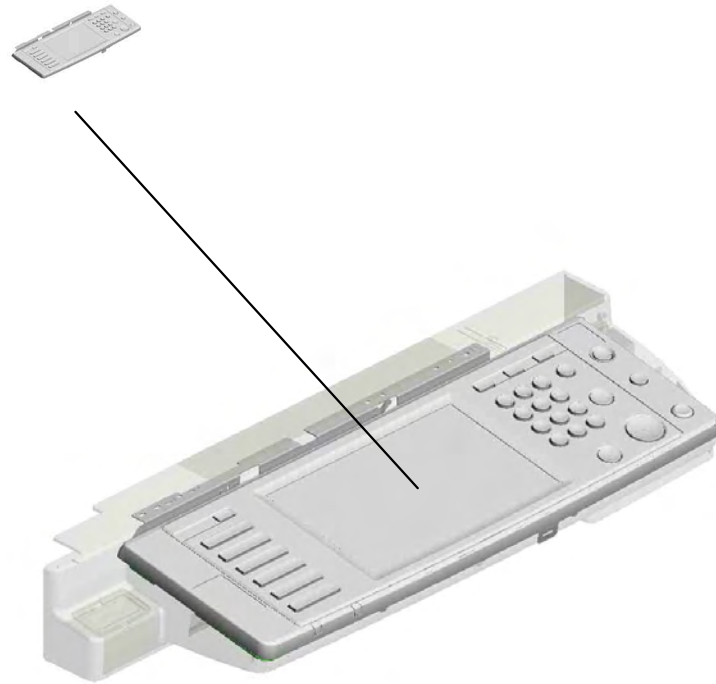
69.D1051281
COVER:LEFT



WWW.SERVICE-MANUAL.NET

U002.Operation

U002_S001
D1051411
OPERATION SUB-UNIT:NA:A
SS'Y



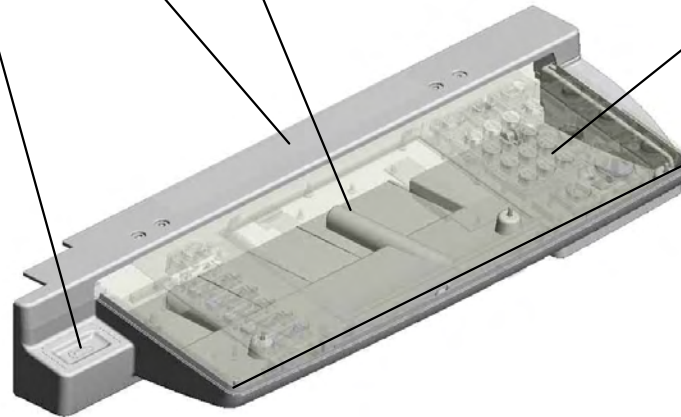
U002 Operation

35.D0391359
DECAL:CAUTION:O
RIGINAL:ENGLISH

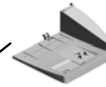
32.D0391231
COVER:SCANNER:
FRONT



34.D0391239
CAP:COVER:OPER
ATION SUB-UNIT



33.D0391236
COVER:SCANNER:
FRONT LOWER



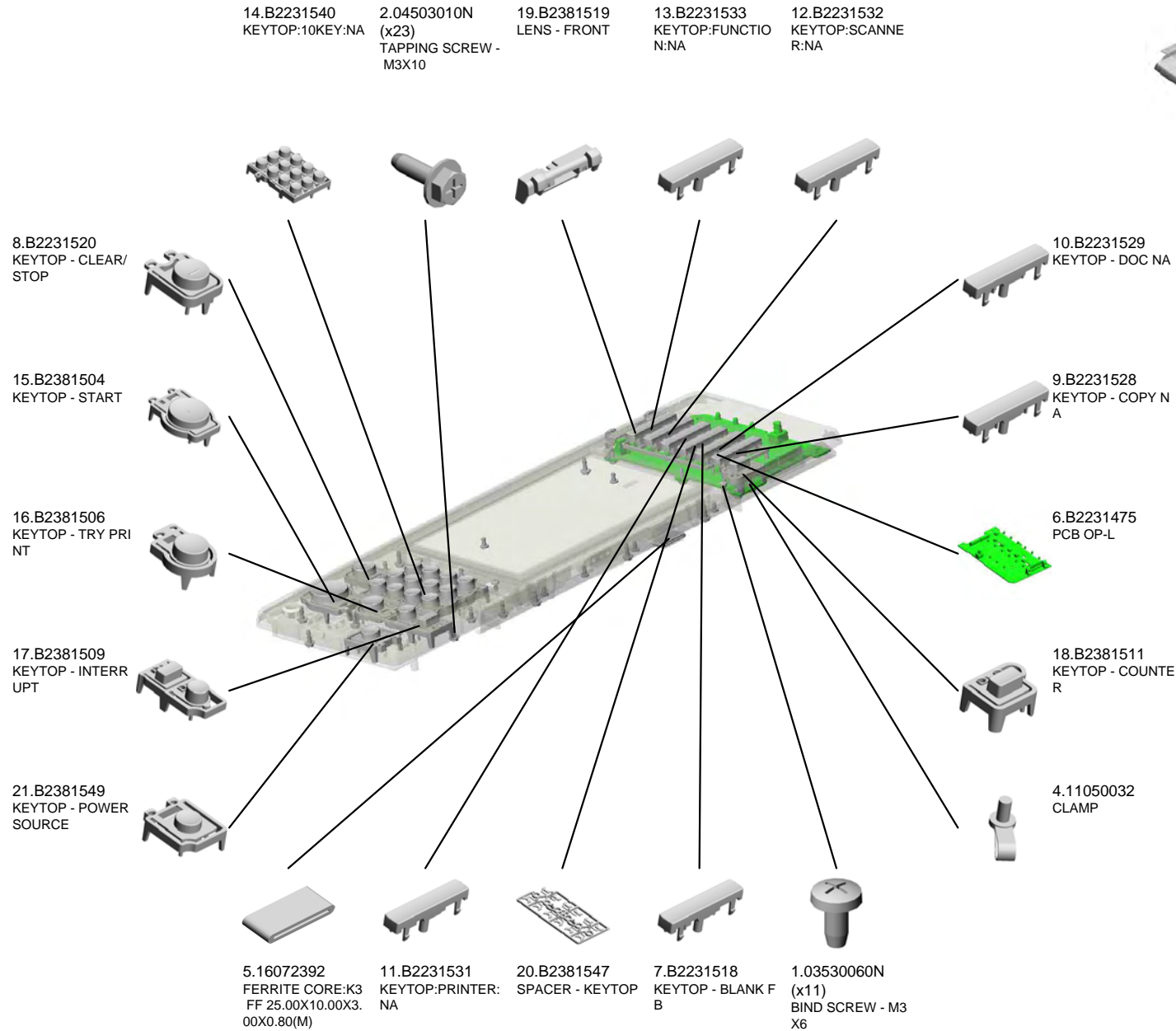
3.04563010N
(x5)
TAPPING SCREW -
M3X10



U002_S001
OPERATION SUB-UNIT:NA:ASS'Y

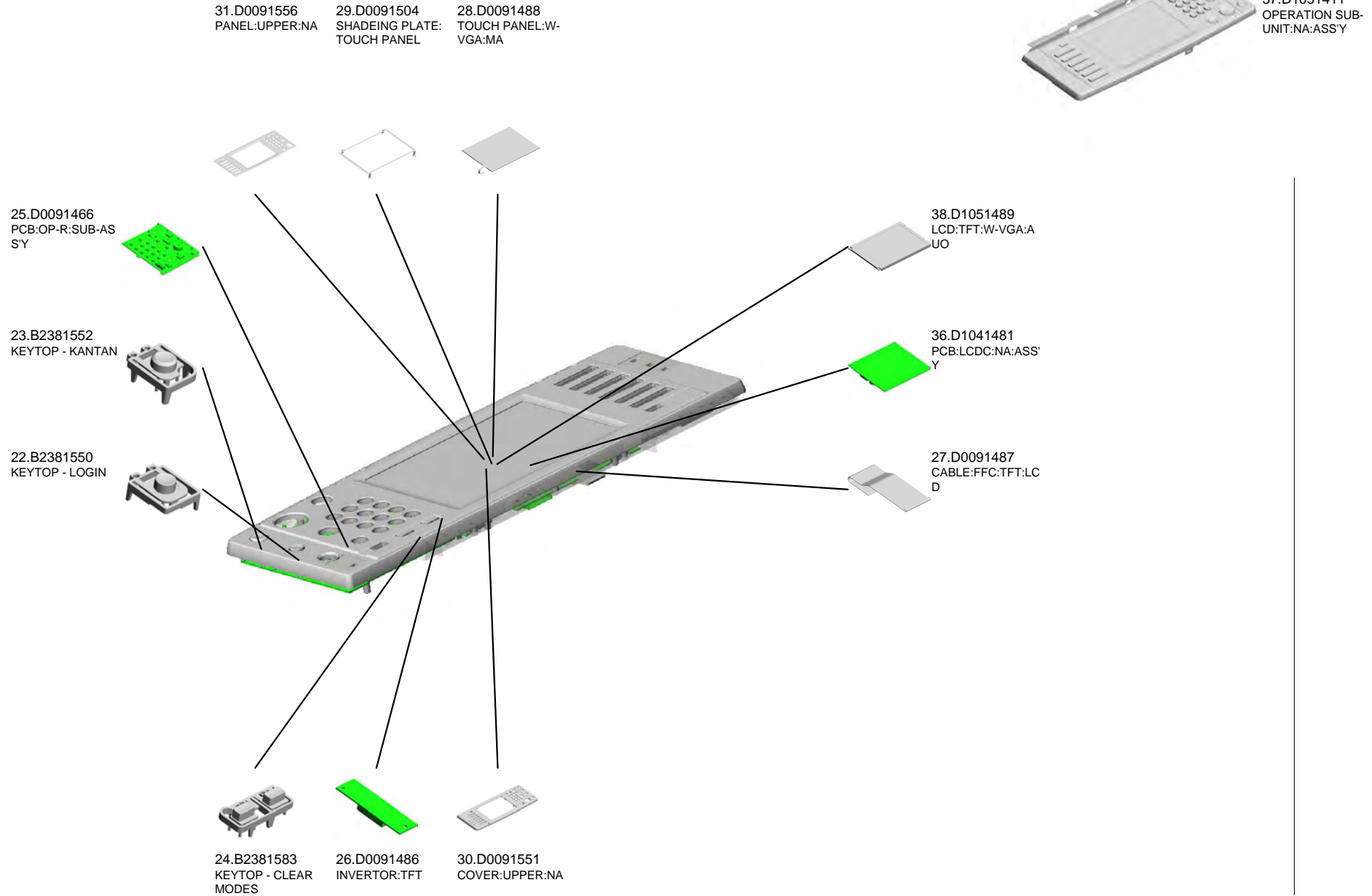


37.D1051411
OPERATION SUB-
UNIT:NA:ASS'Y



WWW.SERVICE-MANUAL.NET

U002_S001
OPERATION SUB-UNIT:NA:ASS'Y



WWW.SERVICE-MANUAL.NET

U001	U002	U003	U004	U005	U006	U007	U008	U009	U010	U011	U012	U013	U014	U015	U016	U017	U018	U019	U020	U021
------	-------------	------	------	------	------	------	------	------	------	------	------	------	------	------	------	------	------	------	------	------

U003 Scanner

15.11050534
(x2)
CLAMP

20.AA060979
TENSION SPRING:
TENSION:14720MN

3.03603006N
(x7)
SCREW - M3X6

5.04513008N
(x2)
TAPPING SCREW -
M3X8

12.11028501
CONNECTOR:5467
9-1609



16.54421924
(x2)
EXPOSURE GLASS
CUSHION

18.A1931769
CLAMP - REAR WI
RE

8.07200040E
(x2)
RETAINING RING -
M4

2.03530060N
(x13)
BIND SCREW - M3
X6

1.03530050N
(x2)
SCREW-M3X5

6.04543005Q
(x2)
TAPPING SCREW::
3X5

19.A2501752
EXPOSURE GLASS

4.03603006P
(x4)
SCREW - M3X6

7.04543006Q
(x8)
TAPPING SCREW -
M3X6

17.A1931766
WIRE CLAMP

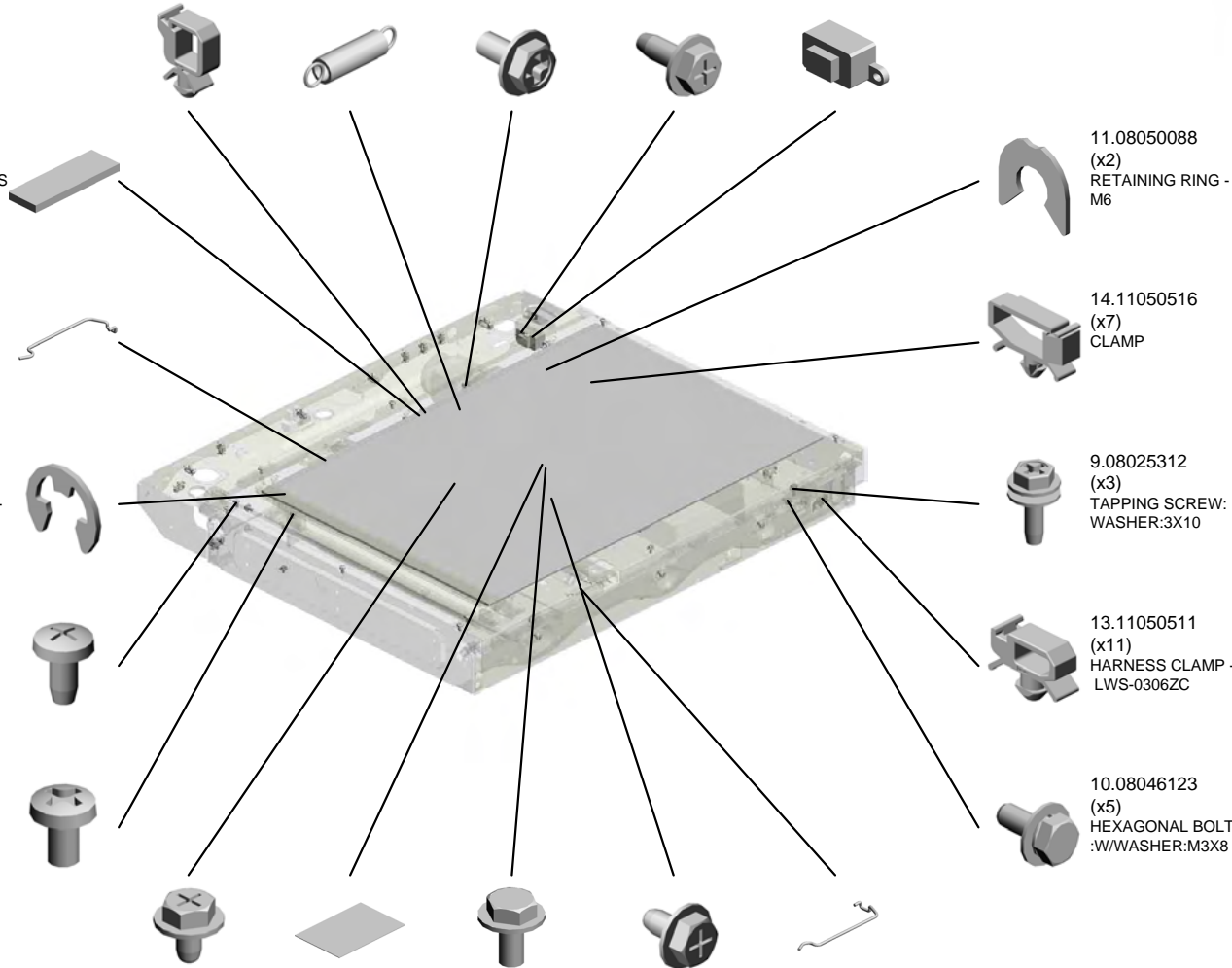
11.08050088
(x2)
RETAINING RING -
M6

14.11050516
(x7)
CLAMP

9.08025312
(x3)
TAPPING SCREW:
WASHER:3X10

13.11050511
(x11)
HARNESS CLAMP -
LWS-0306ZC

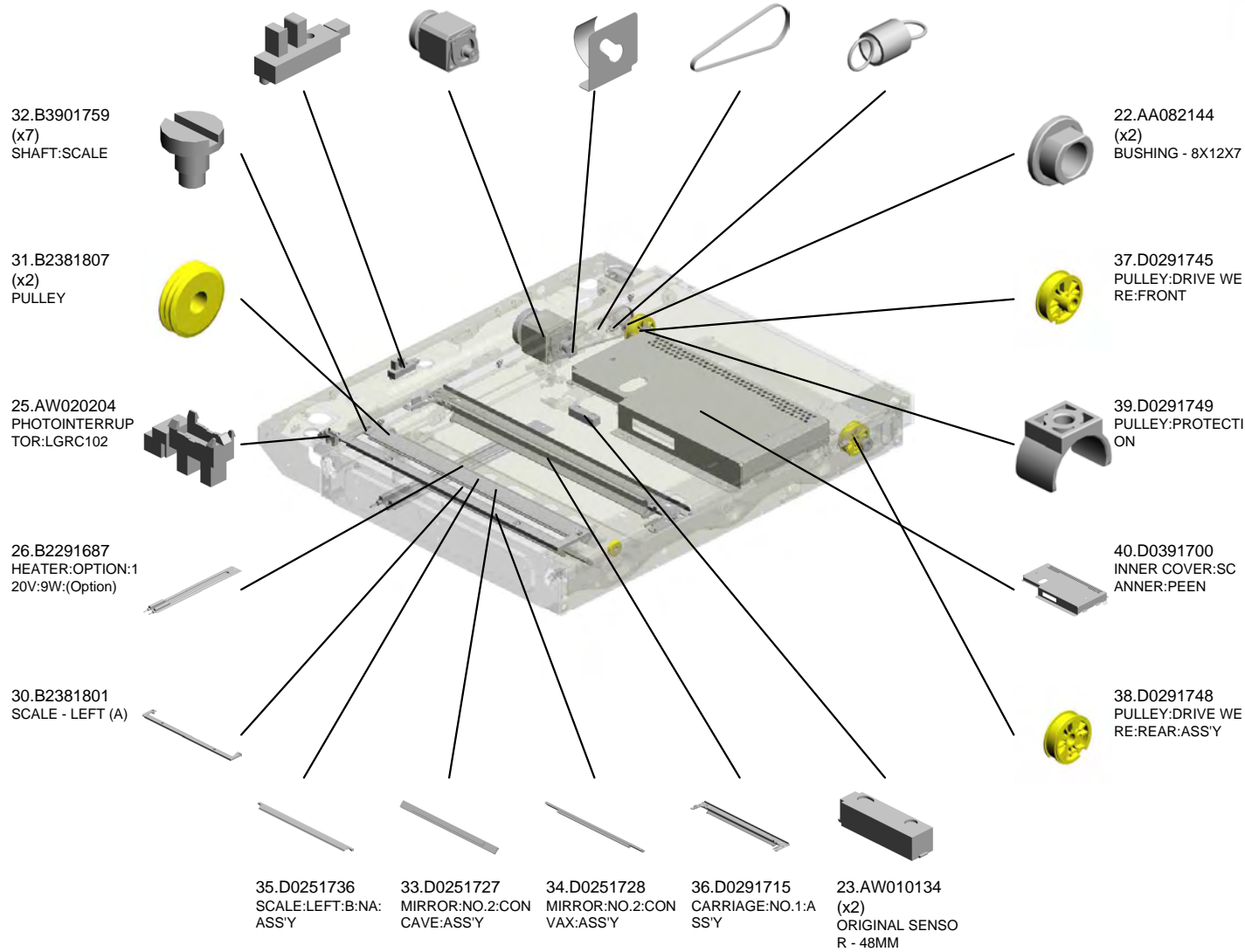
10.08046123
(x5)
HEXAGONAL BOLT
:W/WASHER:M3X8



WWW.SERVICE-MANUAL.NET

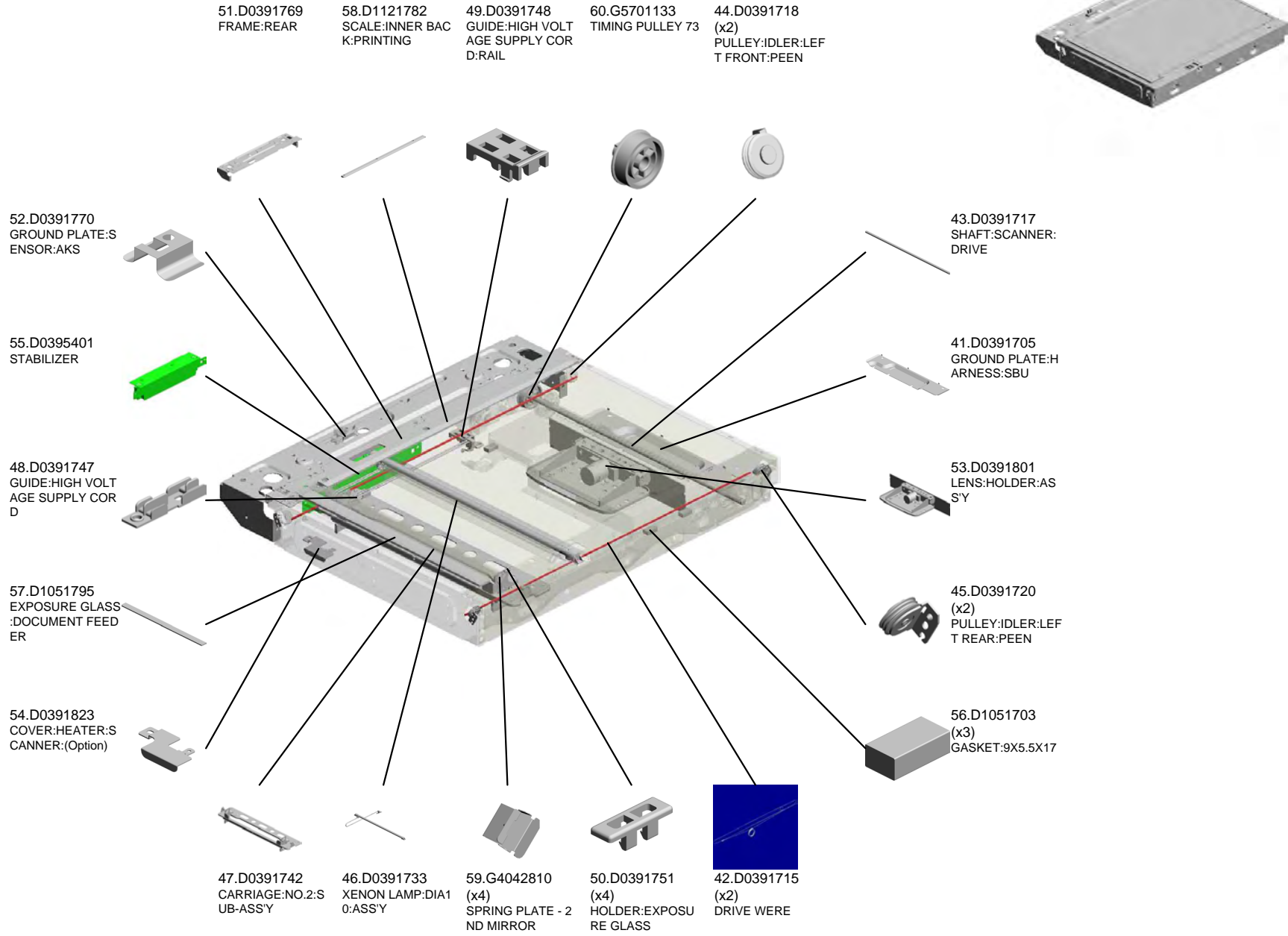
U003 Scanner

- 24.AW020146 PHOTOINTERRUP TOR:FLAT:PICH2M M:M4
- 27.B2381715 STEPPER MOTOR DC3.9V
- 28.B2381762 GROUND PLATE - STEPPER MOTOR
- 29.B2381792 TIMING BELT - 157 ST1.5-4.0
- 21.AA060980 (x2) TENSION SPRING: TENSION:11300MN



WWW.SERVICE-MANUAL.NET

U003 Scanner



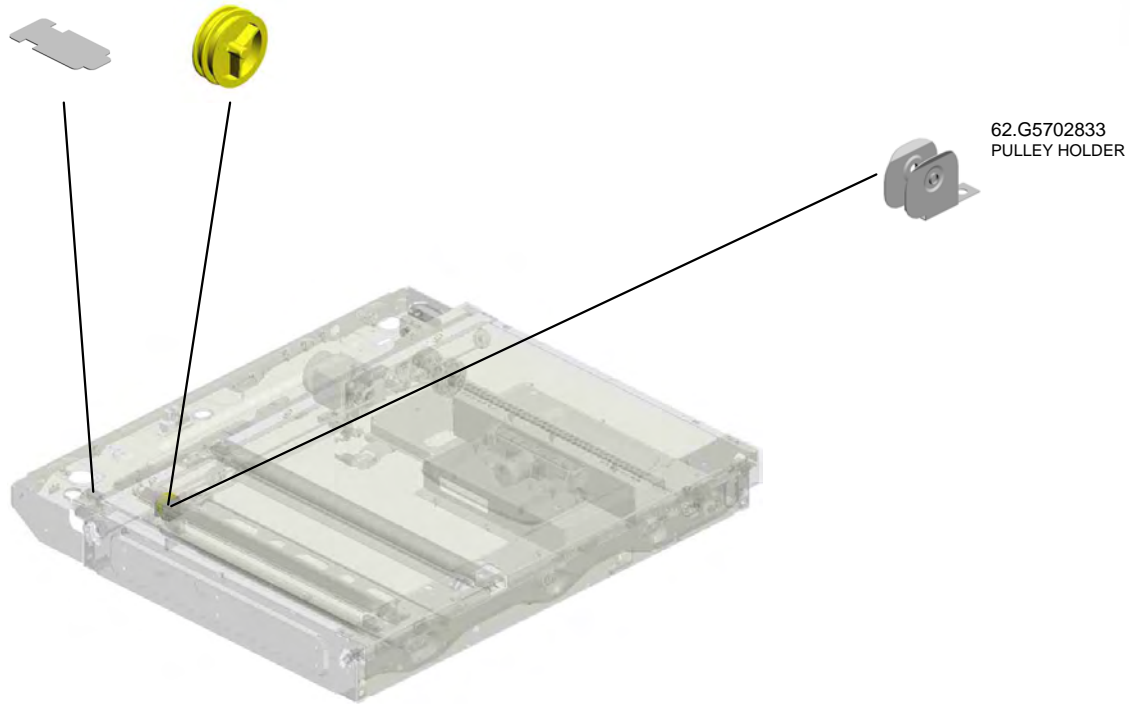
WWW.SERVICE-MANUAL.NET

U001	U002	U003	U004	U005	U006	U007	U008	U009	U010	U011	U012	U013	U014	U015	U016	U017	U018	U019	U020	U021
------	------	------	------	------	------	------	------	------	------	------	------	------	------	------	------	------	------	------	------	------

U003 Scanner

61.G5701225
SHIELDING PLATE:
HOME POSITION S
ENSOR

63.G5702834
PULLEY - HIGH VO
LTAGE SUPPLY C
ORD

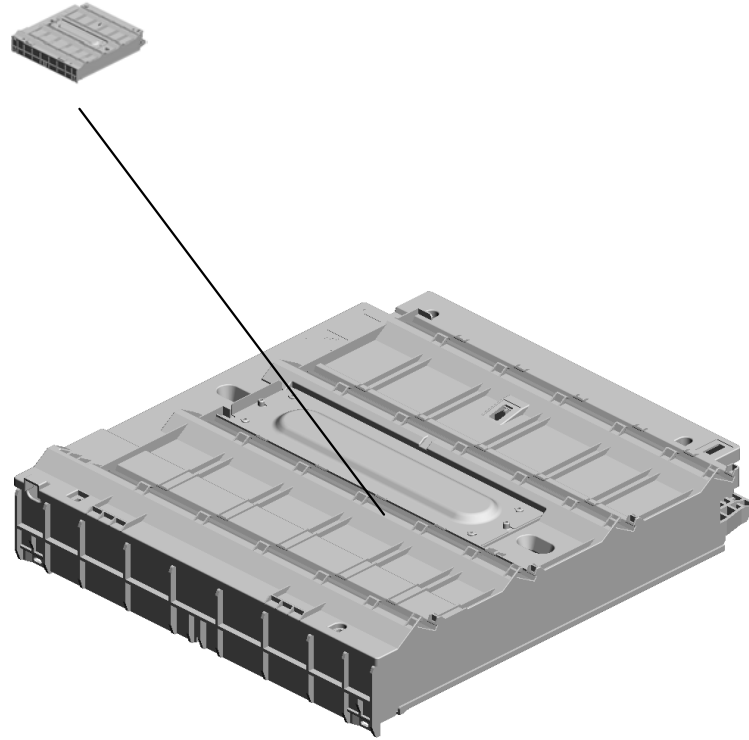


WWW.SERVICE-MANUAL.NET

U001	U002	U003	U004	U005	U006	U007	U008	U009	U010	U011	U012	U013	U014	U015	U016	U017	U018	U019	U020	U021
------	------	------	------	------	------	------	------	------	------	------	------	------	------	------	------	------	------	------	------	------

U004.Laser Unit

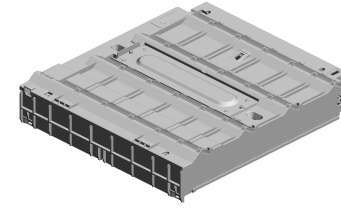
U004_S001
D1051855
OPTICAL WRITING SECTION
:SERVICE PARTS:ASSY



WWW.SERVICE-MANUAL.NET

U001	U002	U003	U004	U005	U006	U007	U008	U009	U010	U011	U012	U013	U014	U015	U016	U017	U018	U019	U020	U021
------	------	------	-------------	------	------	------	------	------	------	------	------	------	------	------	------	------	------	------	------	------

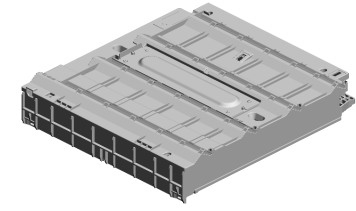
U004
Laser Unit



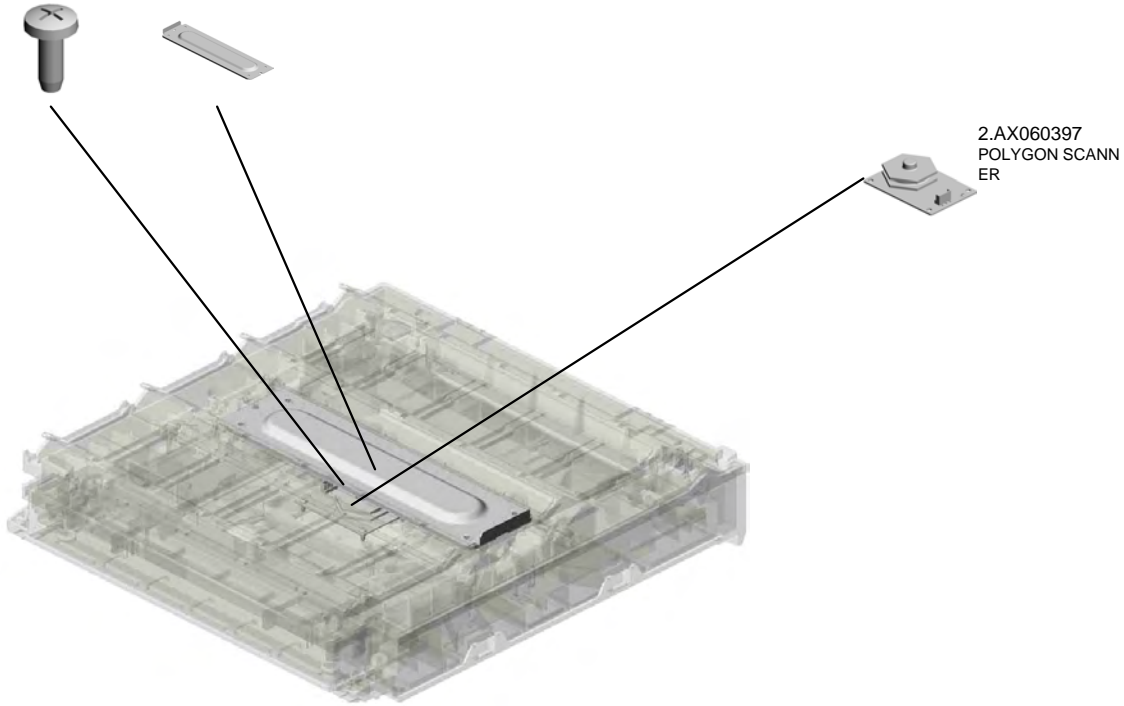
U004_S001
OPTICAL WRITING SECTION:SERVICE PARTS:ASS'Y

1.04573008N (x4)
TAPPING SCREW - M3X8

3.D0391975
COVER:POLYGON
SCANNER:ASS'Y



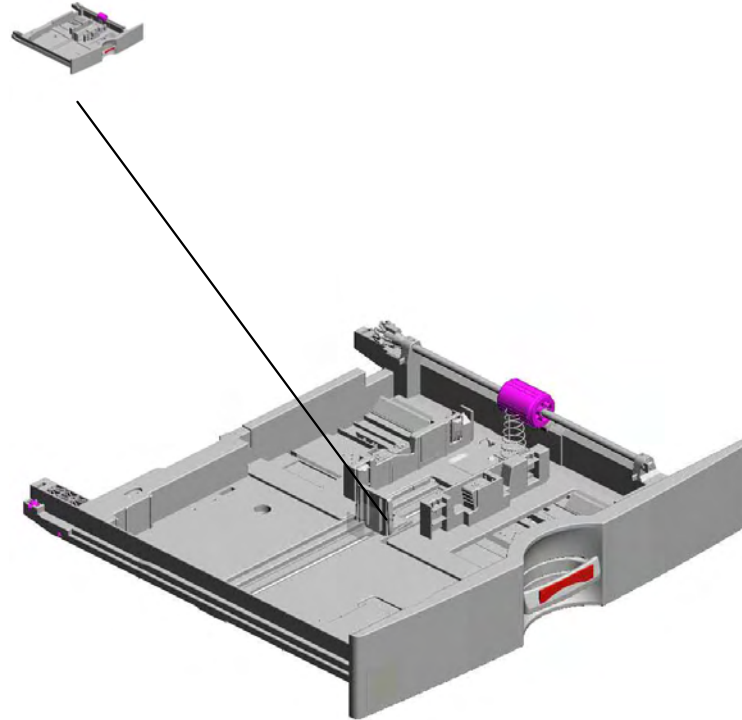
4.D1051855
OPTICAL WRITING
SECTION:SERVIC
E PARTS:ASS'Y



2.AX060397
POLYGON SCANN
ER

U005.1st Paper Tray

U005_S001
D1052521
PAPER TRAY:NO.1:ASS'Y



WWW.SERVICE-MANUAL.NET

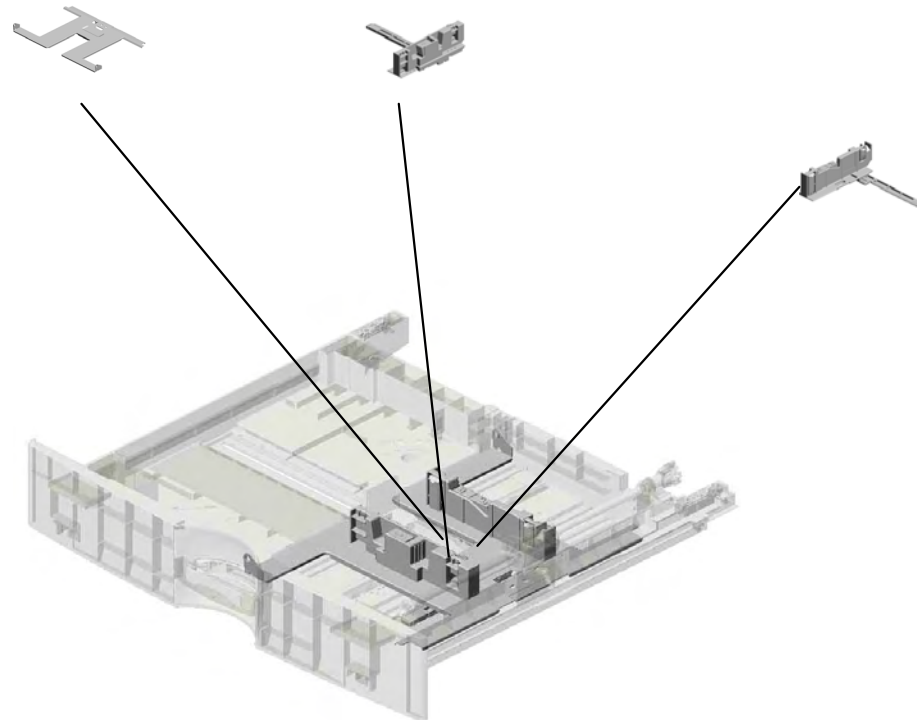
U001	U002	U003	U004	U005	U006	U007	U008	U009	U010	U011	U012	U013	U014	U015	U016	U017	U018	U019	U020	U021
------	------	------	------	-------------	------	------	------	------	------	------	------	------	------	------	------	------	------	------	------	------

U005_S001.PAPER TRAY:NO.1:ASS'Y

U005_S001_S003
D0392585
TRAY BOTTOM PLATE:ASS'Y

U005_S001_S001
D0392583
SIDE FENCE:FRONT:ASS'Y

U005_S001_S002
D0392584
SIDE FENCE:REAR:ASS'Y

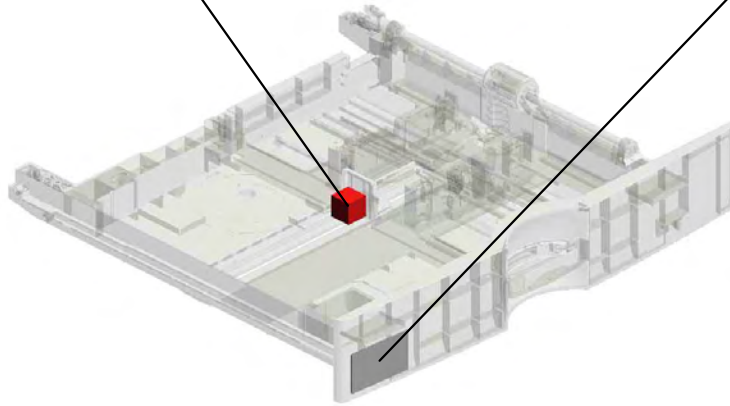
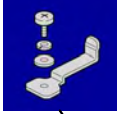
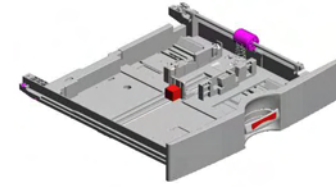


WWW.SERVICE-MANUAL.NET

U001	U002	U003	U004	U005	U006	U007	U008	U009	U010	U011	U012	U013	U014	U015	U016	U017	U018	U019	U020	U021
------	------	------	------	-------------	------	------	------	------	------	------	------	------	------	------	------	------	------	------	------	------

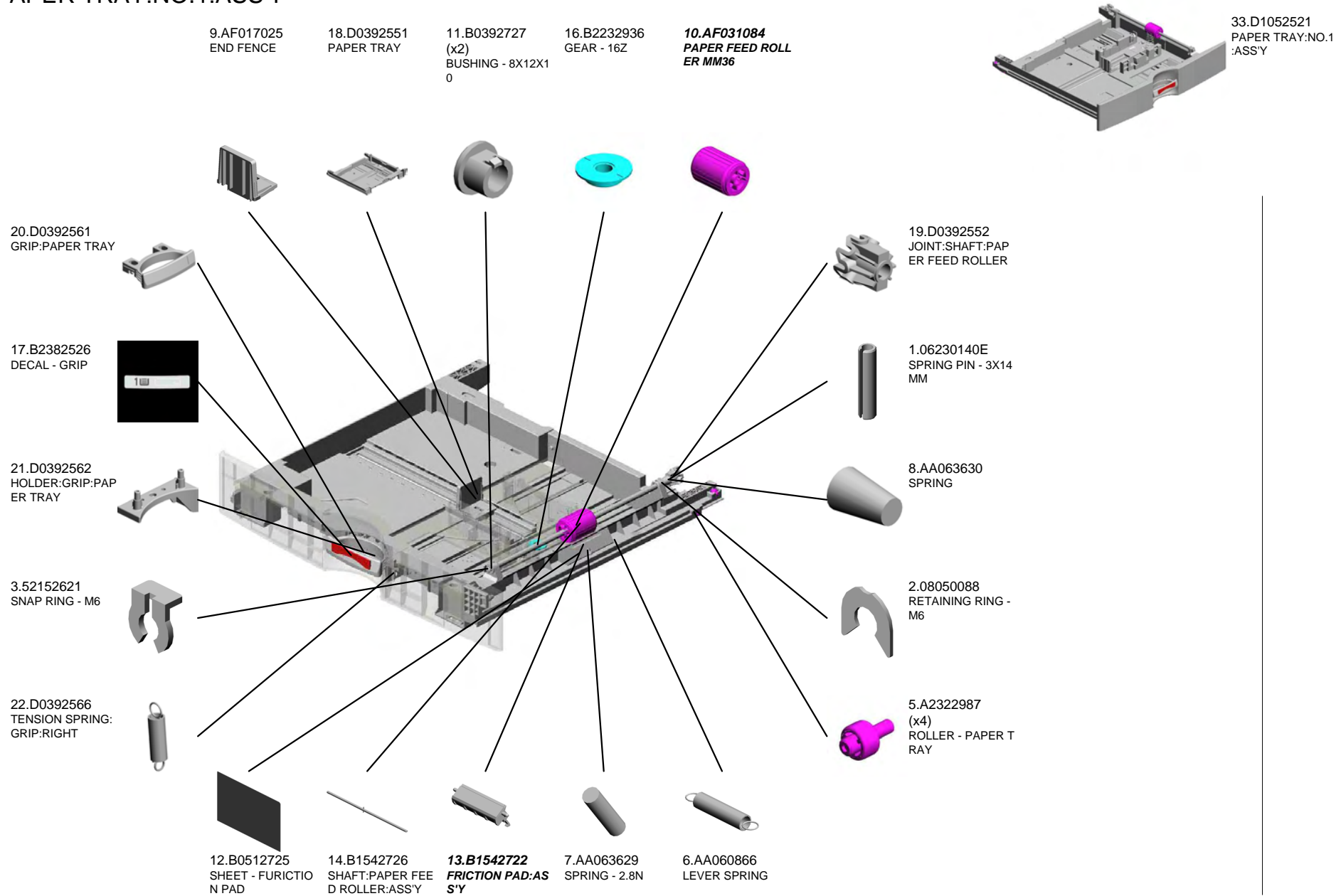
U005 1st Paper Tray

34.D1052570
STOPPER-END FE
NCE-ASS'Y:(Option)



43.GA003167
DECAL:CAUTION:I
NKJET:NA

U005_S001
PAPER TRAY:NO.1:ASS'Y



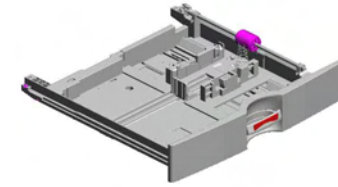
WWW.SERVICE-MANUAL.NET

U005_S001
PAPER TRAY:NO.1:ASS'Y

38.G0702710
PAPER SIZE SENS
OR LINK

37.G0601972
SHIELD:COVER:UP
PER

35.D1052719
COIL SPRING:EAR
TH:TRAY BOTTOM
PLATE



33.D1052521
PAPER TRAY:NO.1
:ASS'Y

32.D0392835
DECAL:PAPER SE
T DIRECTION



23.D0392567
TENSION SPRING:
GRIP:LEFT



28.D0392810
LEVER:RELEASE:P
APER TRAY



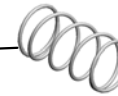
24.D0392569
GROUND PLATE:F
EED



36.D1052833
SHAFT:COIL SPRI
NG



31.D0392834
SPRING:TRAY:REA
R



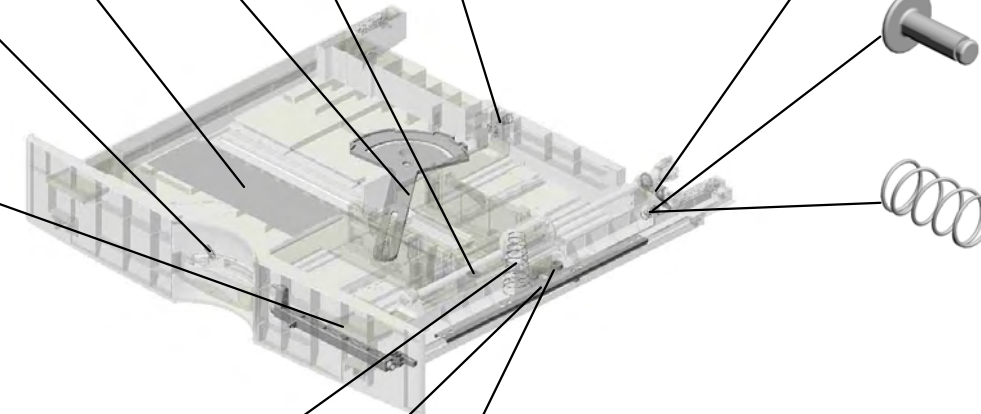
29.D0392815
SPRING:BASE



30.D0392825
SUPPORTING PLA
TE:PAPER TRAY

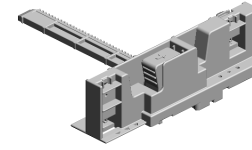


39.G0702711
BASE STOPPER



U005_S001_S001
SIDE FENCE:FRONT:ASS'Y

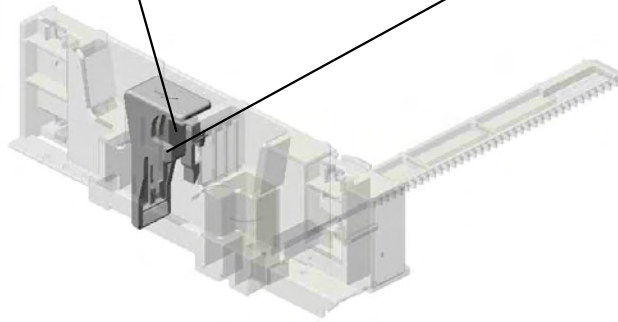
40.G0702713
SPRING PLATE ST
OPPER



25.D0392583
SIDE FENCE:FRON
T:ASS'Y

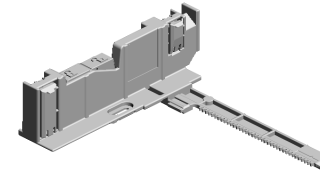


41.G0702714
FRONT LEVER - ST
OPPER

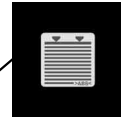
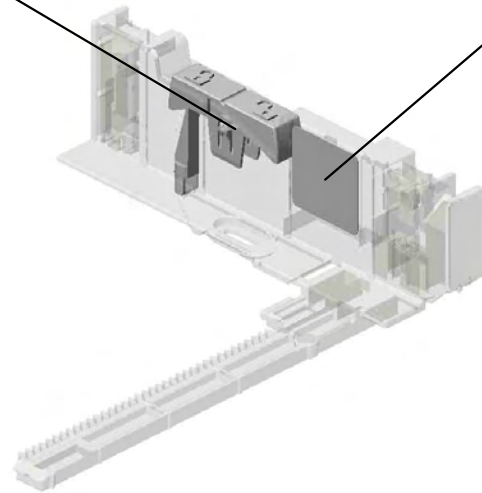


U005_S001_S002
SIDE FENCE:REAR:ASS'Y

42.G0702718
REAR LEVER - ST
OPPER



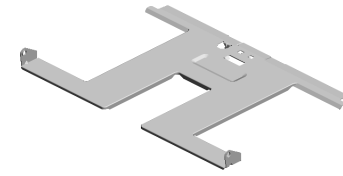
26.D0392584
SIDE FENCE:REAR
:ASS'Y



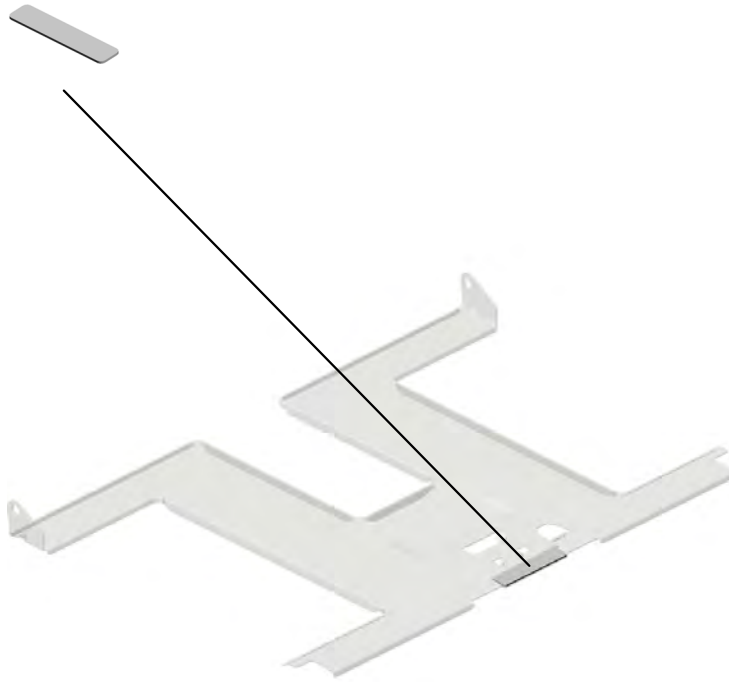
15.B2232873
DECAL - SIDE FEN
CE REAR

U005_S001_S003
TRAY BOTTOM PLATE:ASS'Y

4.52152713
BOTTOM PLATE P
AD

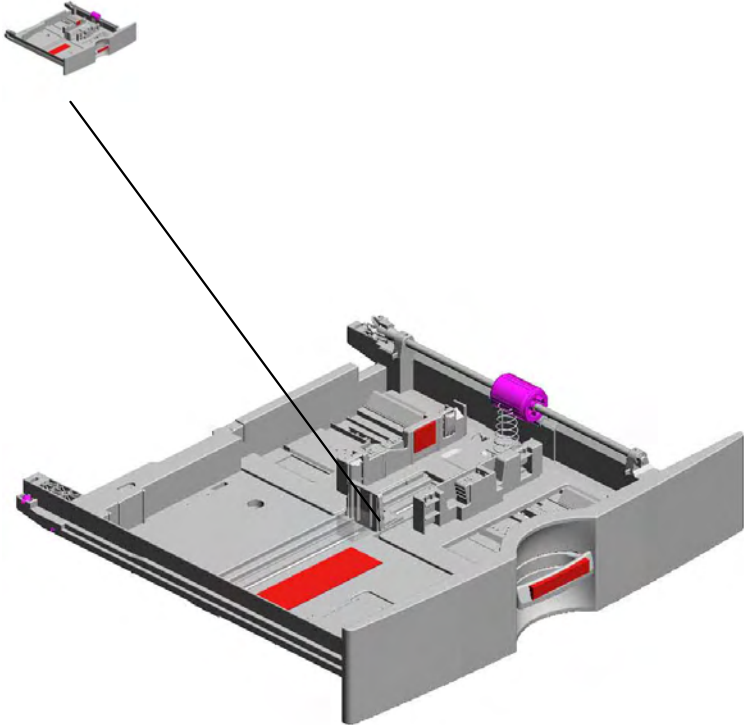


27.D0392585
TRAY BOTTOM PL
ATE:ASS'Y



U006.2nd Paper Tray

U006_S001
D1052522
PAPER TRAY:NO.2:ASS'Y

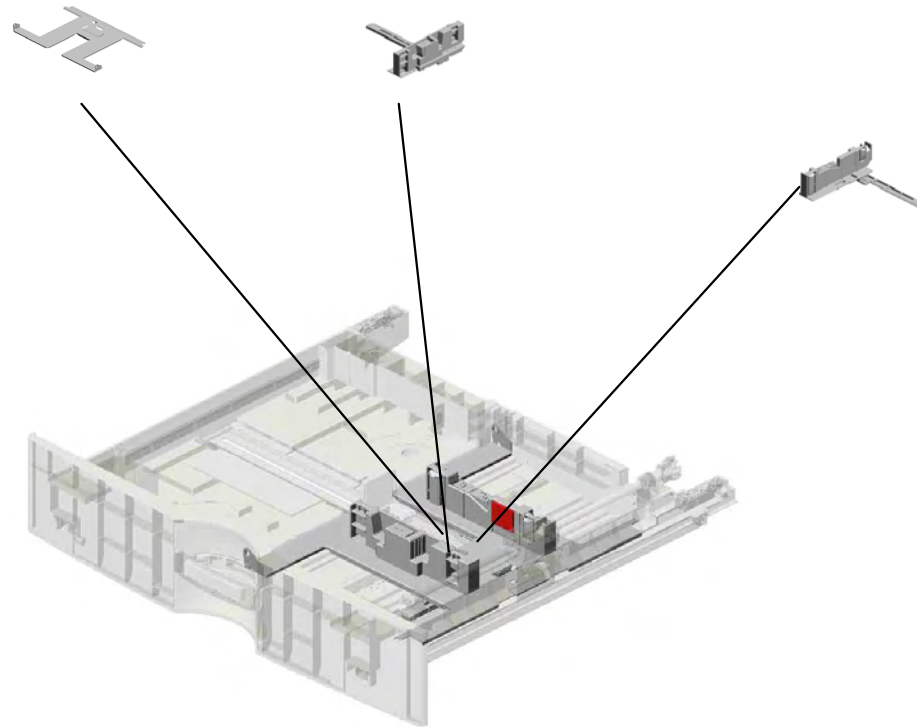


U006_S001.PAPER TRAY:NO.2:ASS'Y

U006_S001_S003
D0392585
TRAY BOTTOM PLATE:ASS'Y

U006_S001_S001
D0392583
SIDE FENCE:FRONT:ASS'Y

U006_S001_S002
D0392584
SIDE FENCE:REAR:ASS'Y

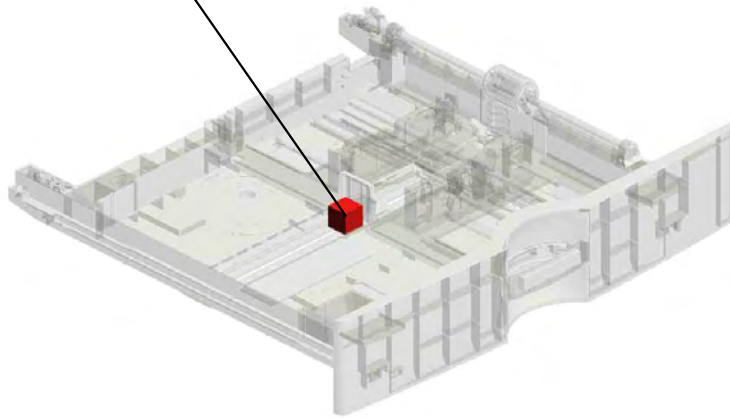
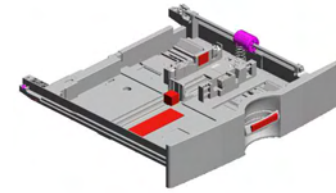


WWW.SERVICE-MANUAL.NET

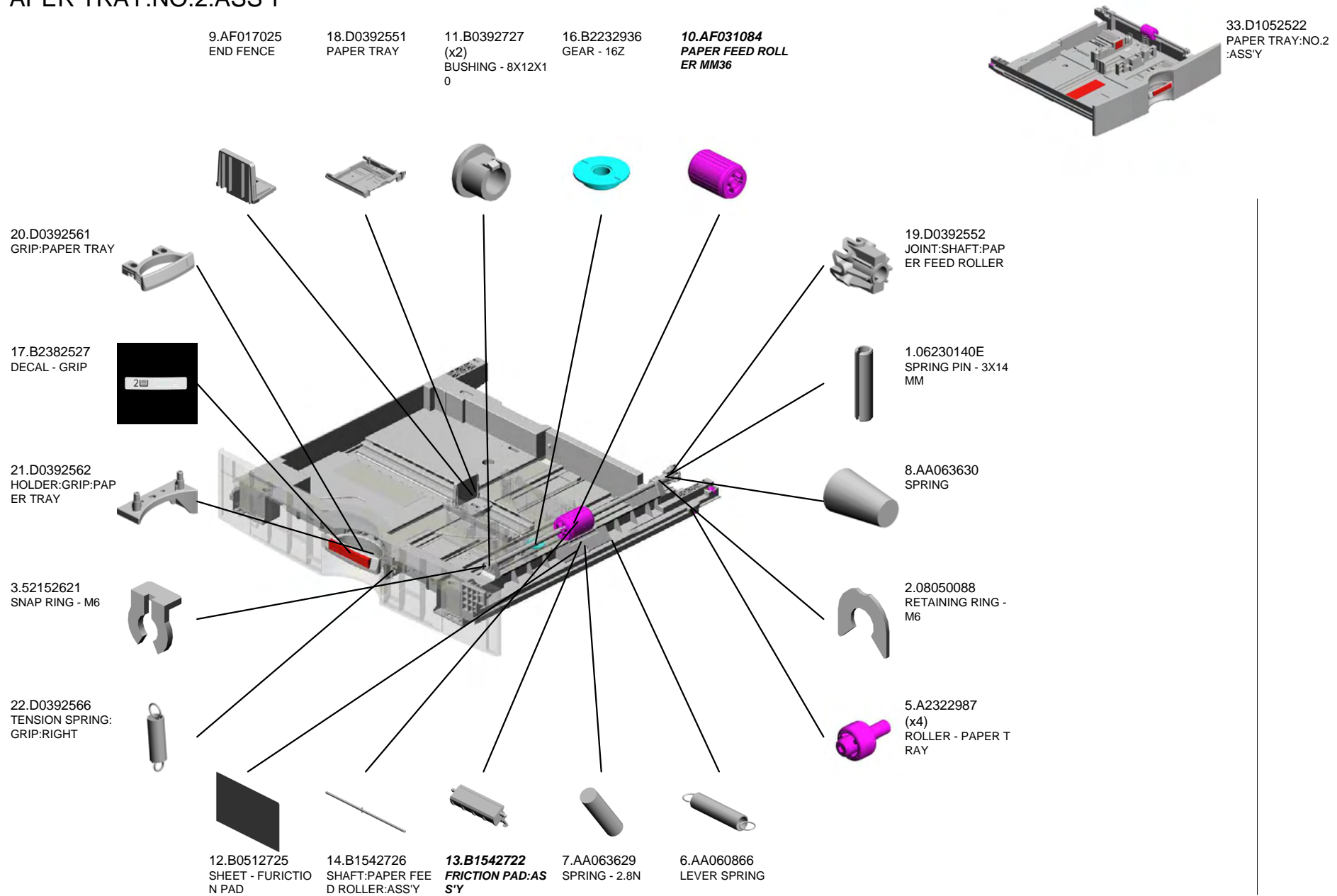
U001	U002	U003	U004	U005	U006	U007	U008	U009	U010	U011	U012	U013	U014	U015	U016	U017	U018	U019	U020	U021
------	------	------	------	------	-------------	------	------	------	------	------	------	------	------	------	------	------	------	------	------	------

U006 2nd Paper Tray

34.D1052570
STOPPER-END FE
NCE-ASS'Y:(Option)



U006_S001
PAPER TRAY:NO.2:ASS'Y



WWW.SERVICE-MANUAL.NET

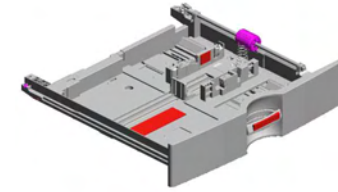
U001	U002	U003	U004	U005	U006	U007	U008	U009	U010	U011	U012	U013	U014	U015	U016	U017	U018	U019	U020	U021
------	------	------	------	------	-------------	------	------	------	------	------	------	------	------	------	------	------	------	------	------	------

U006_S001
PAPER TRAY:NO.2:ASS'Y

38.G0702710
PAPER SIZE SENS
OR LINK

37.G0601972
SHIELD:COVER:UP
PER

35.D1052719
COIL SPRING:EAR
TH:TRAY BOTTOM
PLATE



33.D1052522
PAPER TRAY:NO.2
:ASS'Y

32.D0392835
DECAL:PAPER SE
T DIRECTION



23.D0392567
TENSION SPRING:
GRIP:LEFT



28.D0392810
LEVER:RELEASE:P
APER TRAY



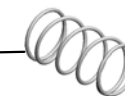
24.D0392569
GROUND PLATE:F
EED



36.D1052833
SHAFT:COIL SPRI
NG



31.D0392834
SPRING:TRAY:REA
R



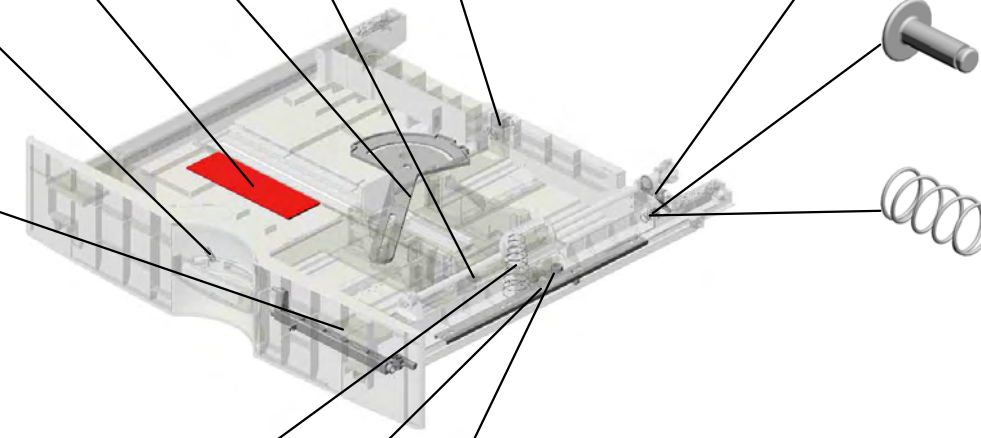
29.D0392815
SPRING:BASE



30.D0392825
SUPPORTING PLA
TE:PAPER TRAY

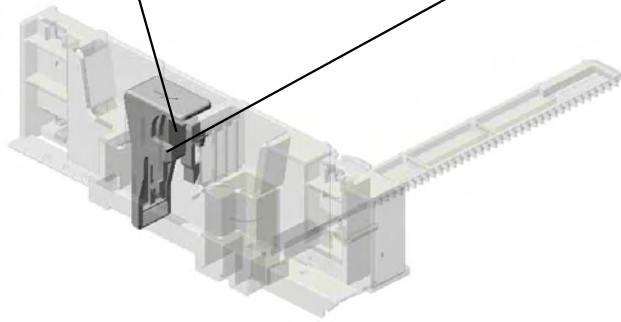


39.G0702711
BASE STOPPER

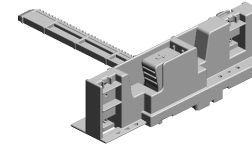


U006_S001_S001
SIDE FENCE:FRONT:ASS'Y

40.G0702713
SPRING PLATE ST
OPPER



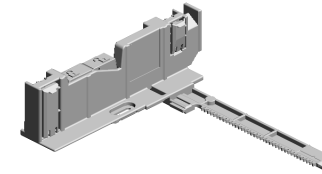
41.G0702714
FRONT LEVER - ST
OPPER



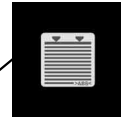
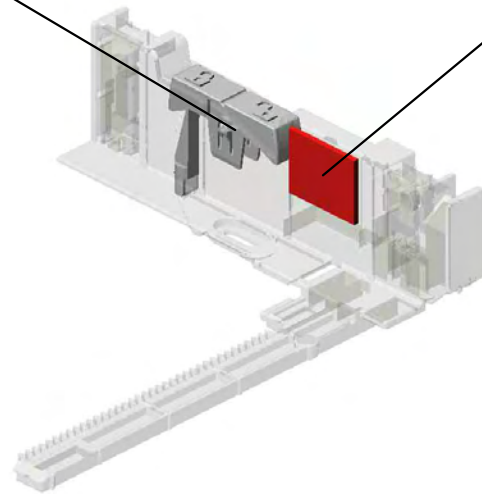
25.D0392583
SIDE FENCE:FRON
T:ASS'Y

U006_S001_S002
SIDE FENCE:REAR:ASS'Y

42.G0702718
REAR LEVER - ST
OPPER



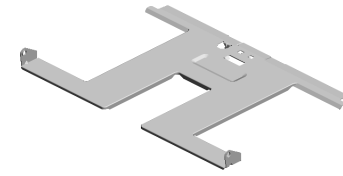
26.D0392584
SIDE FENCE:REAR
:ASS'Y



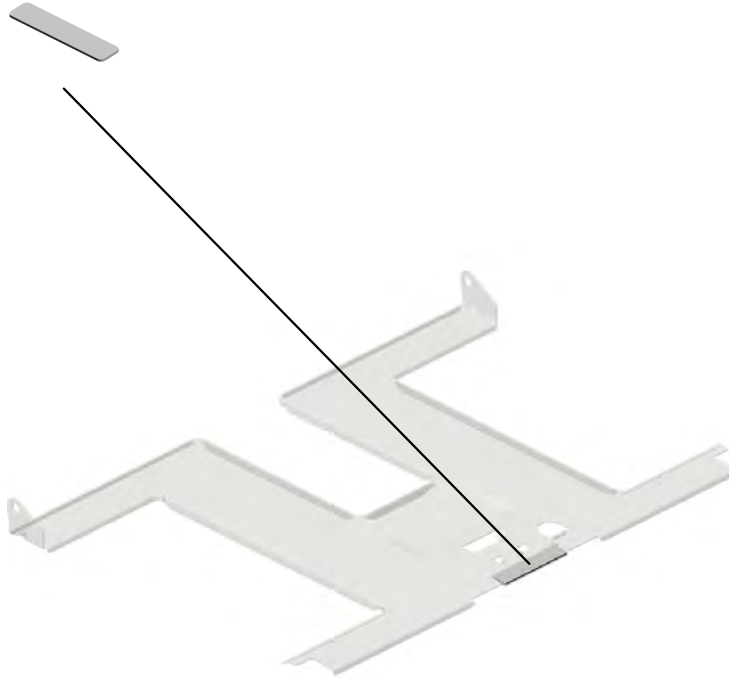
15.B2232873
DECAL - SIDE FEN
CE REAR

U006_S001_S003
TRAY BOTTOM PLATE:ASS'Y

4.52152713
BOTTOM PLATE P
AD



27.D0392585
TRAY BOTTOM PL
ATE:ASS'Y



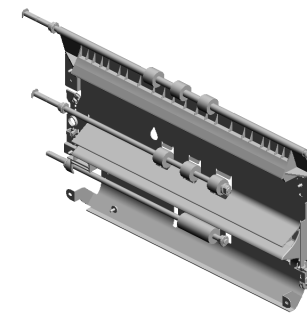
U007 Vertical Transport

5.AA082101 (x6)
BUSHING - 6X10X6

2.08050089 (x7)
RETAINING RING - M4

12.D1052909
ROLLER:VERTICAL
TRANSPORT:DRIVE:F2

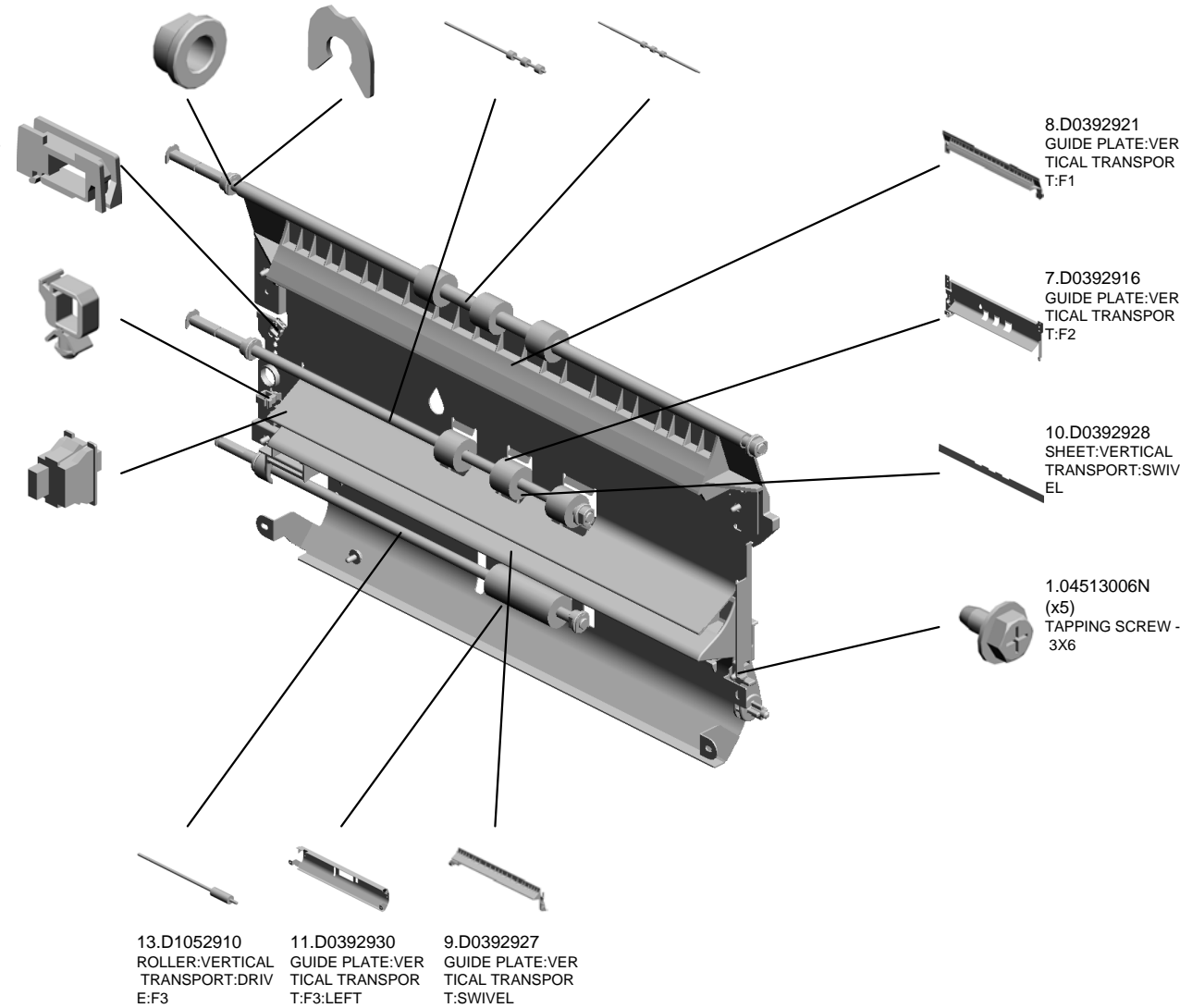
6.D0392912
ROLLER:VERTICAL
TRANSPORT:DRIVE:F1



4.11050692
CLAMP:LES-0503

3.11050534
CLAMP

14.G0205626
PUSH SWITCH



8.D0392921
GUIDE PLATE:VERTICAL
TRANSPORT:F1

7.D0392916
GUIDE PLATE:VERTICAL
TRANSPORT:F2

10.D0392928
SHEET:VERTICAL
TRANSPORT:SWIVEL

1.04513006N (x5)
TAPPING SCREW - 3X6

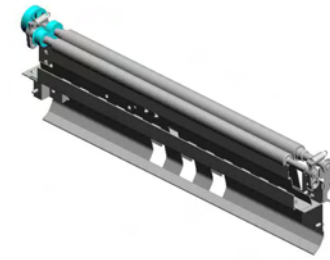
13.D1052910
ROLLER:VERTICAL
TRANSPORT:DRIVE:F3

11.D0392930
GUIDE PLATE:VERTICAL
TRANSPORT:F3:LEFT

9.D0392927
GUIDE PLATE:VERTICAL
TRANSPORT:SWIVEL

WWW.SERVICE-MANUAL.NET

U008 Paper Registration



- 14.D0392642 SHEET:CLEANER:1 ST
- 10.D0392621 REGISTRATION ROLLER:DRIVEN
- 8.D0392611 REGISTRATION ROLLER:DRIVE
- 16.D0392651 GUIDE PLATE:REGISTRATION:RIGHT
- 17.D0392652 SHEET:REGISTRATION:RIGHT

9.D0392612
GEAR:REGISTRATION:33Z



12.D0392623
GEAR:REGISTRATION:24Z



11.D0392622
GEAR:REGISTRATION:21Z



4.11050511
(x6)
HARNES CLAMP - LWS-0306ZC



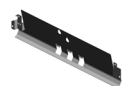
6.AW010107
PAPER FEED SENSOR



13.D0392641
BRACKET:CLEANER



15.D0392645
GUIDE PLATE:REGISTRATION:LEFT



1.04513006N
(x6)
TAPPING SCREW - 3X6



7.B2382675
(x2)
REGISTRATION ROLLER BUSHING



18.D0392676
(x2)
TENSION SPRING: REGISTRATION



5.AA082101
(x2)
BUSHING - 6X10X6



3.08050089
RETAINING RING - M4



2.04543006Q
(x4)
TAPPING SCREW - M3X6



U009.Tonner Supply

U009_S007
D1053317
DRIVE UNIT:TONER SUPPLY
SUB-UNIT:ASS'Y

U009_S005
D1053317
DRIVE UNIT:TONER SUPPLY
SUB-UNIT:ASS'Y

U009_S006
D1053317
DRIVE UNIT:TONER SUPPLY
SUB-UNIT:ASS'Y

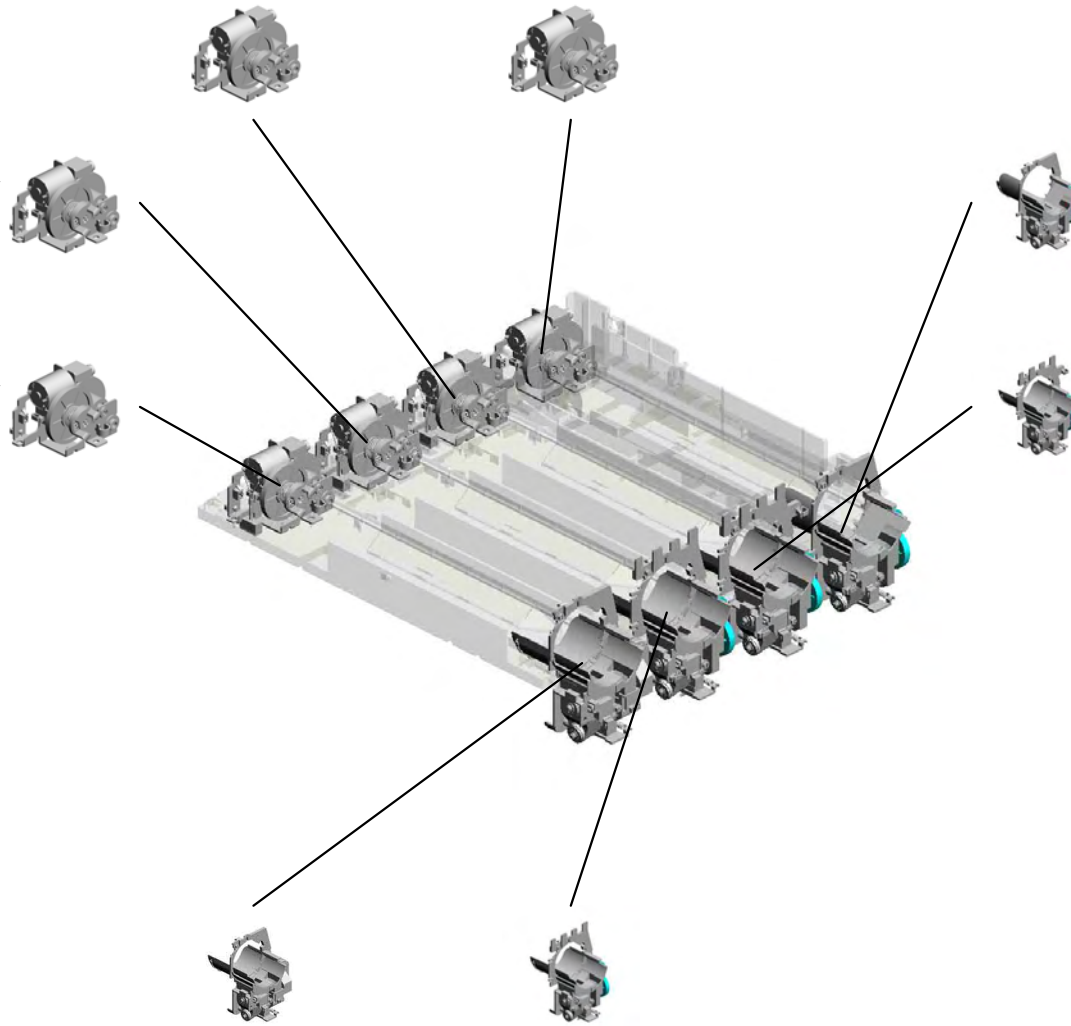
U009_S001
D8303045
SERVICE PARTS:TONER SU
PLY UNIT:BK:ASS'Y

U009_S008
D1053317
DRIVE UNIT:TONER SUPPLY
SUB-UNIT:ASS'Y

U009_S002
D8093046
TONER SUPPLY UNIT:C

U009_S004
D8093048
TONER SUPPLY UNIT:Y

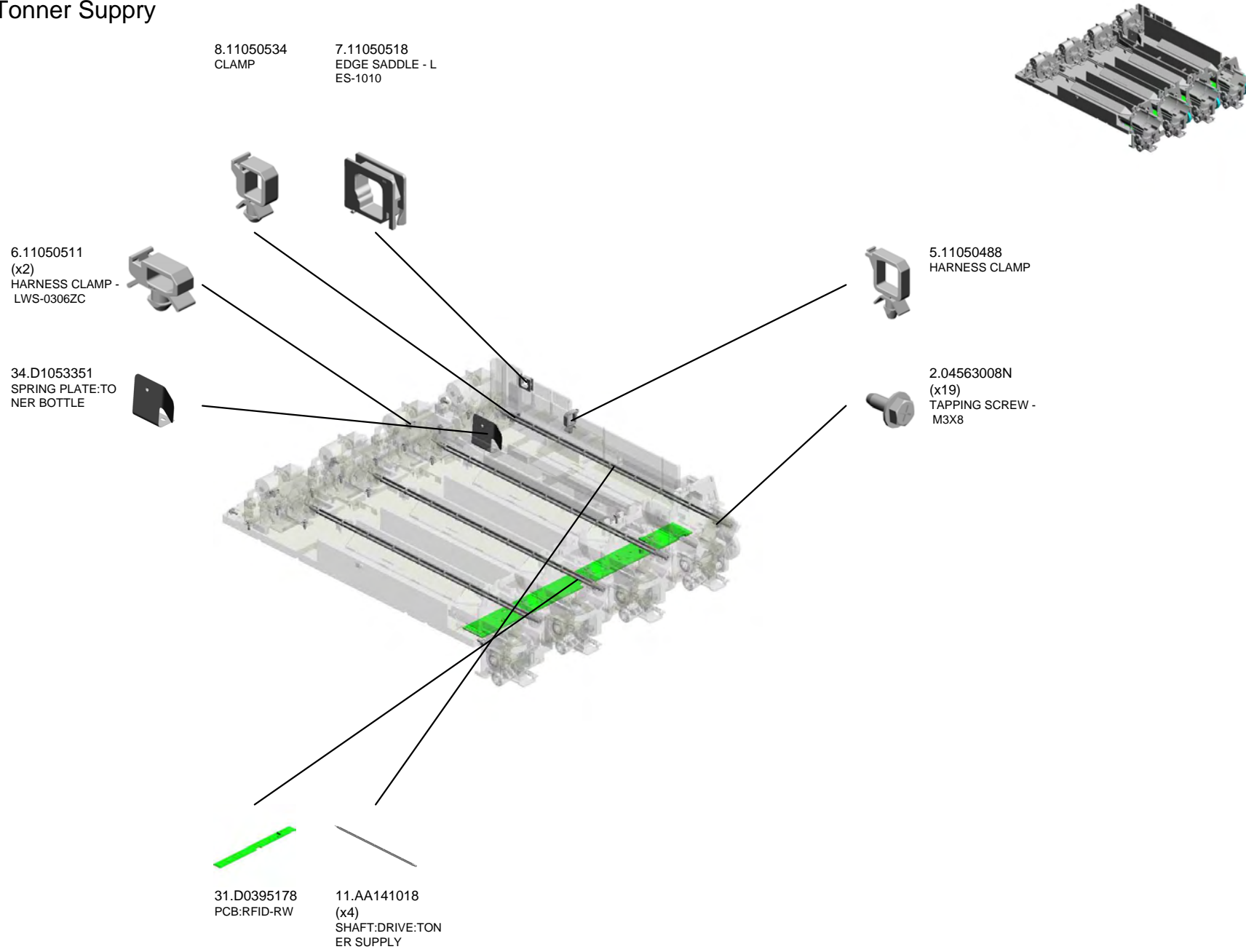
U009_S003
D8093047
TONER SUPPLY UNIT:M



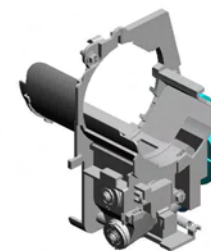
WWW.SERVICE-MANUAL.NET

U001	U002	U003	U004	U005	U006	U007	U008	U009	U010	U011	U012	U013	U014	U015	U016	U017	U018	U019	U020	U021
------	------	------	------	------	------	------	------	------	------	------	------	------	------	------	------	------	------	------	------	------

U009 Tonner Suppry



U009_S001
 SERVICE PARTS:TONER SUPPLY UNIT:BK:ASS'Y



38.D8303045
 SERVICE PARTS:T
 ONER SUPPLY UNI
 T:BK:ASS'Y

21.D0393338 SEAL:TONER HOPPER
 1.04513006N (x2) TAPPING SCREW - 3X6
 24.D0393341 SHUTTER:TONER SUPPLY UNIT
 26.D0393343 GUARD:SHIELD:TONER HOPPER
 29.D0393350 GUIDE:TONER BOTTLE:9MM

4.07200040E (x2) RETAINING RING - M4

28.D0393347 SHEET:AGITATOR: NO.2:TONER SUPPLY

22.D0393339 SHEET:AGITATOR: TONER SUPPLY

27.D0393344 SEAL:TONER CATCHPAN:TONER SUPPLY UNIT

6.11050511 HARNESS CLAMP - LWS-0306ZC

9.AA061029 SPRING:SHUTTER: TONER OUTLET SUB-UNIT

20.D0393337 SEAL:TONER OUTLET SUB-UNIT

12.AB011311 (x2) GEAR:TRANSPORT SCREW

3.07200030E (x2) RETAINING RING - M3

19.D0393336 SHUTTER:TONER OUTLET SUB-UNIT

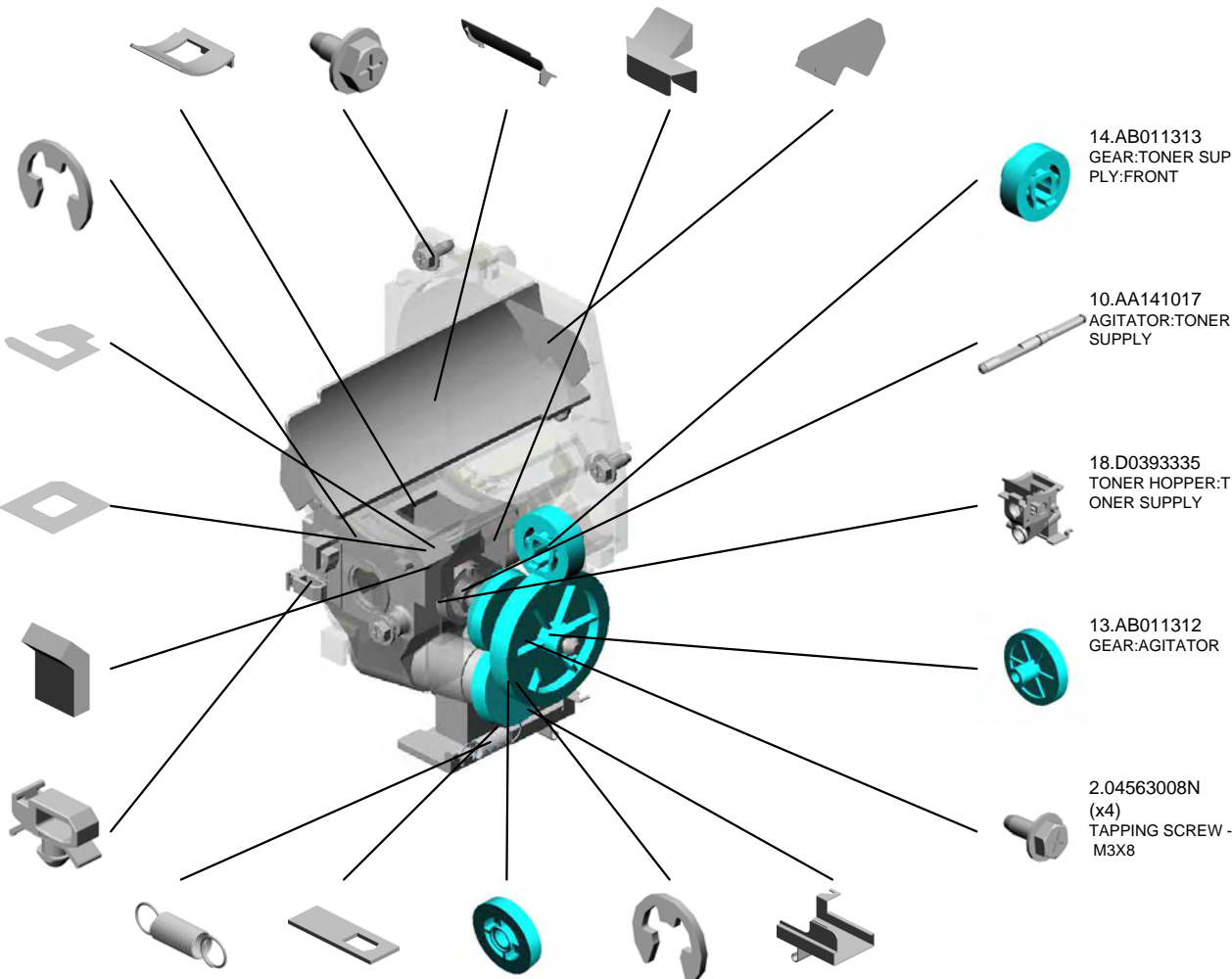
14.AB011313 GEAR:TONER SUPPLY:FRONT

10.AA141017 AGITATOR:TONER SUPPLY

18.D0393335 TONER HOPPER:TONER SUPPLY

13.AB011312 GEAR:AGITATOR

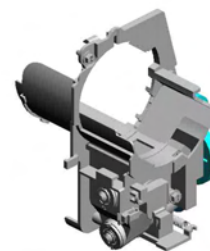
2.04563008N (x4) TAPPING SCREW - M3X8



U009_S001
SERVICE PARTS:TONER SUPPLY UNIT:BK:ASS'Y

40.GA080037
(x2)
BUSHING:AGITAT
OR:LEFT:ASS'Y

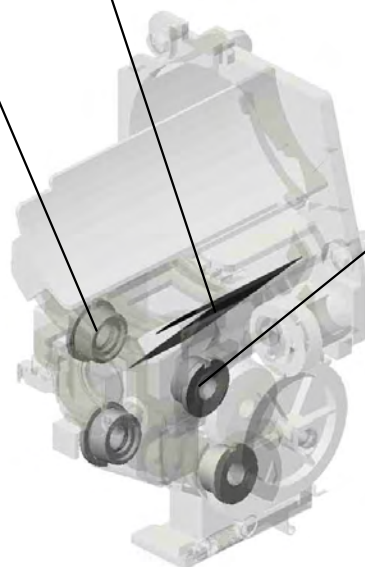
33.D1053342
SEAL:COVER:TON
ER SUPPLY:BK



38.D8303045
SERVICE PARTS:T
ONER SUPPLY UNI
T:BK:ASS'Y



39.GA080033
(x2)
BUSHING:AGITAT
OR:RIGHT:ASS'Y



U009_S002
TONER SUPPLY UNIT:C



35.D8093046
TONER SUPPLY U
NIT:C

1.04513006N (x2) TAPPING SCREW - 3X6
24.D0393341 SHUTTER:TONER SUPPLY UNIT
15.D0393332 COVER:TONER SUPPLY:C
26.D0393343 GUARD:SHIELD:TONER HOPPER
8.11050534 CLAMP

25.D0393342 SEAL:COVER:TONER SUPPLY

21.D0393338 SEAL:TONER HOPPER

4.07200040E (x2) RETAINING RING - M4

22.D0393339 SHEET:AGITATOR:TONER SUPPLY

6.11050511 HARNESS CLAMP - LWS-0306ZC

9.AA061029 SPRING:SHUTTER:TONER OUTLET SUB-UNIT

20.D0393337 SEAL:TONER OUTLET SUB-UNIT

12.AB011311 (x2) GEAR:TRANSPORT SCREW

3.07200030E (x2) RETAINING RING - M3

19.D0393336 SHUTTER:TONER OUTLET SUB-UNIT

14.AB011313 GEAR:TONER SUPPLY:FRONT

10.AA141017 AGITATOR:TONER SUPPLY

18.D0393335 TONER HOPPER:TONER SUPPLY

13.AB011312 GEAR:AGITATOR

2.04563008N (x4) TAPPING SCREW - M3X8

U009_S002
 TONER SUPPLY UNIT:C

28.D0393347 SHEET:AGITATOR:
 NO.2:TONER SUPP
 LY
 29.D0393350 GUIDE:TONER BO
 TTLE:9MM



35.D8093046
 TONER SUPPLY U
 NIT:C

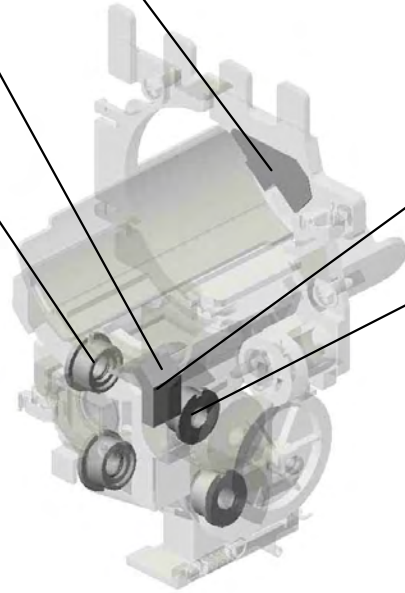
40.GA080037
 (x2)
 BUSHING:AGITAT
 OR:LEFT:ASS'Y



27.D0393344
 SEAL:TONER CAT
 CHPAN:TONER SU
 PPLY UNIT



39.GA080033
 (x2)
 BUSHING:AGITAT
 OR:RIGHT:ASS'Y



U009_S003 TONER SUPPLY UNIT:M



36.D8093047
TONER SUPPLY U
NIT:M

25.D0393342
SEAL:COVER:TON
ER SUPPLY

1.04513006N
(x2)
TAPPING SCREW -
3X6

24.D0393341
SHUTTER:TONER
SUPPLY UNIT

16.D0393333
COVER:TONER SU
PPLY:M

26.D0393343
GUARD:SHIELD:TO
NER HOPPER

21.D0393338
SEAL:TONER HOP
PER

4.07200040E
(x2)
RETAINING RING -
M4

22.D0393339
SHEET:AGITATOR:
TONER SUPPLY

27.D0393344
SEAL:TONER CAT
CHPAN:TONER SU
PPLY UNIT

6.11050511
HARNESS CLAMP -
LWS-0306ZC

19.D0393336
SHUTTER:TONER
OUTLET SUB-UNIT

9.AA061029
SPRING:SHUTTER:
TONER OUTLET S
UB-UNIT

20.D0393337
SEAL:TONER OUT
LET SUB-UNIT

12.AB011311
(x2)
GEAR:TRANSPOR
T SCREW

3.07200030E
(x2)
RETAINING RING -
M3

14.AB011313
GEAR:TONER SUP
PLY:FRONT

10.AA141017
AGITATOR:TONER
SUPPLY

18.D0393335
TONER HOPPER:T
ONER SUPPLY

13.AB011312
GEAR:AGITATOR

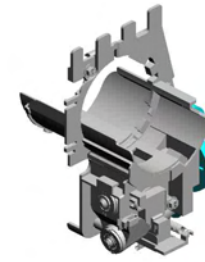
2.04563008N
(x4)
TAPPING SCREW -
M3X8

WWW.SERVICE-MANUAL.NET

U001	U002	U003	U004	U005	U006	U007	U008	U009	U010	U011	U012	U013	U014	U015	U016	U017	U018	U019	U020	U021
------	------	------	------	------	------	------	------	------	------	------	------	------	------	------	------	------	------	------	------	------

U009_S003
TONER SUPPLY UNIT:M

29.D0393350
GUIDE:TONER BO
TTLE:9MM

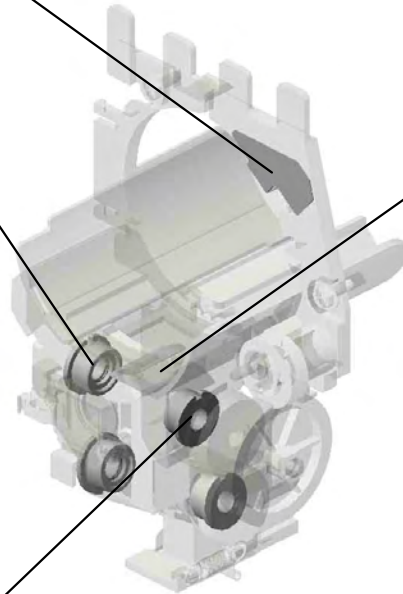


36.D8093047
TONER SUPPLY U
NIT:M

40.GA080037
(x2)
BUSHING:AGITAT
OR:LEFT:ASSY



28.D0393347
SHEET:AGITATOR:
NO.2:TONER SUPP
LY



39.GA080033
(x2)
BUSHING:AGITAT
OR:RIGHT:ASSY



WWW.SERVICE-MANUAL.NET

U001	U002	U003	U004	U005	U006	U007	U008	U009	U010	U011	U012	U013	U014	U015	U016	U017	U018	U019	U020	U021
------	------	------	------	------	------	------	------	------	------	------	------	------	------	------	------	------	------	------	------	------

U009_S004
 TONER SUPPLY UNIT:Y



37.D8093048
 TONER SUPPLY U
 NIT:Y

25.D0393342 SEAL:COVER:TONER SUPPLY
 1.04513006N (x2) TAPPING SCREW - 3X6
 24.D0393341 SHUTTER:TONER SUPPLY UNIT
 17.D0393334 COVER:TONER SUPPLY:Y
 26.D0393343 GUARD:SHIELD:TONER HOPPER

21.D0393338 SEAL:TONER HOPPER

4.07200040E (x2) RETAINING RING - M4

22.D0393339 SHEET:AGITATOR:TONER SUPPLY

10.AA141017 AGITATOR:TONER SUPPLY

18.D0393335 TONER HOPPER:TONER SUPPLY

9.AA061029 SPRING:SHUTTER:TONER OUTLET SUB-UNIT

20.D0393337 SEAL:TONER OUTLET SUB-UNIT

12.AB011311 (x2) GEAR:TRANSPORT SCREW

3.07200030E (x2) RETAINING RING - M3

19.D0393336 SHUTTER:TONER OUTLET SUB-UNIT

6.11050511 (x2) HARNESS CLAMP - LWS-0306ZC

14.AB011313 GEAR:TONER SUPPLY:FRONT

23.D0393340 COVER:HARNESS:TONER SUPPLY

13.AB011312 GEAR:AGITATOR

2.04563008N (x4) TAPPING SCREW - M3X8

U009_S004
 TONER SUPPLY UNIT:Y

28.D0393347 29.D0393350
 SHEET:AGITATOR: GUIDE:TONER BO
 NO.2:TONER SUPP TTLE:9MM
 LY



37.D8093048
 TONER SUPPLY U
 NIT:Y

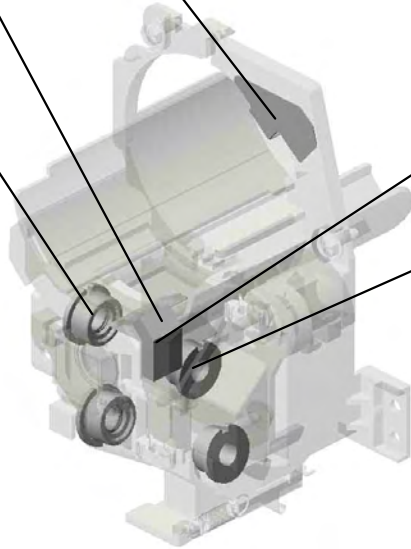
40.GA080037
 (x2)
 BUSHING:AGITAT
 OR:LEFT:ASS'Y



27.D0393344
 SEAL:TONER CAT
 CHPAN:TONER SU
 PPLY UNIT

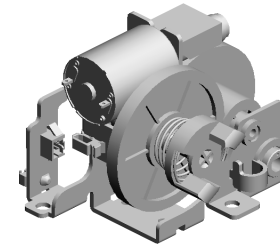
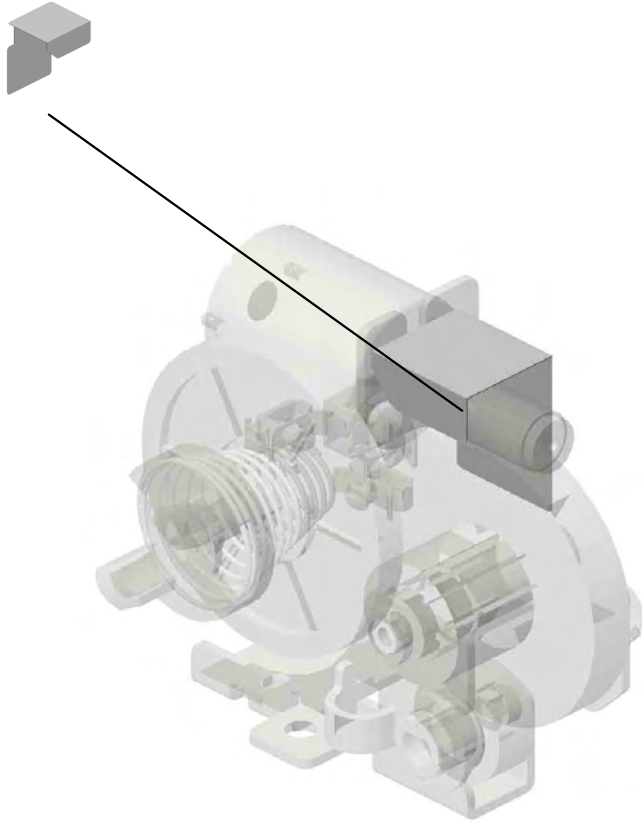


39.GA080033
 (x2)
 BUSHING:AGITAT
 OR:RIGHT:ASS'Y



U009_S005
DRIVE UNIT:TONER SUPPLY SUB-UNIT:ASS'Y

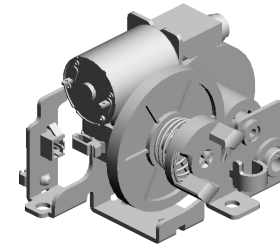
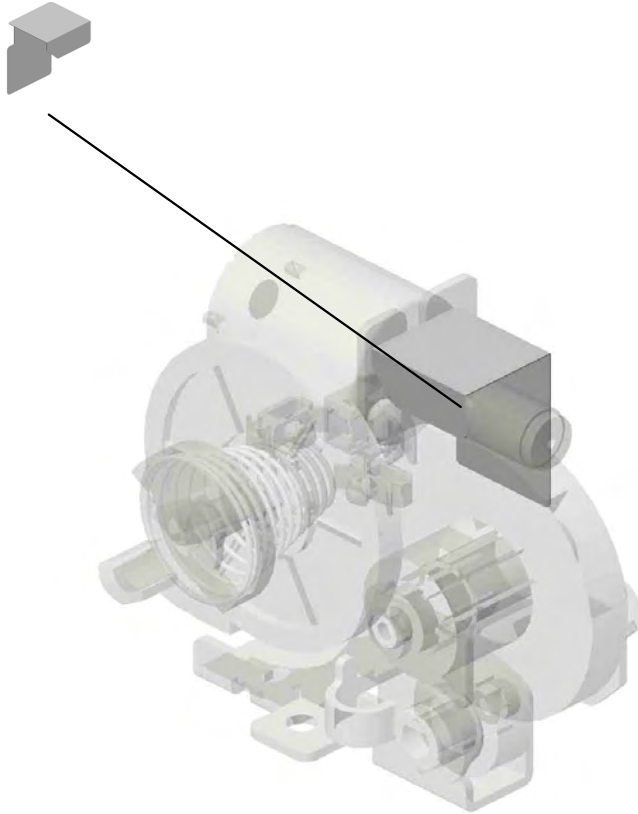
30.D0393367
SHEET:BRACKET:
TONER SUPPLY



32.D1053317
DRIVE UNIT:TONER
SUPPLY SUB-UNIT:
ASS'Y

U009_S006
DRIVE UNIT:TONER SUPPLY SUB-UNIT:ASS'Y

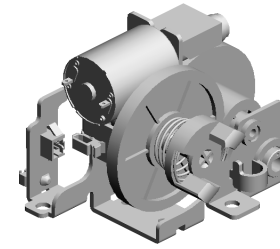
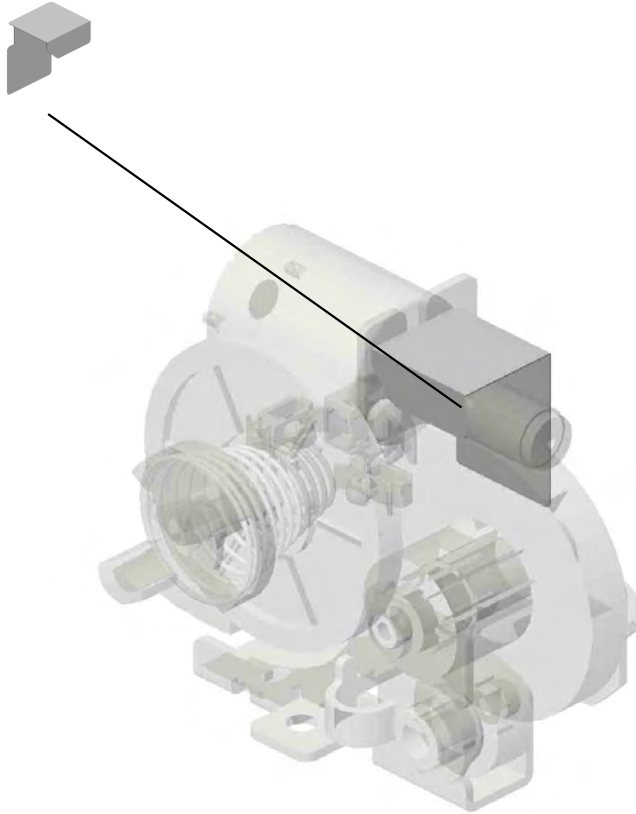
30.D0393367
SHEET:BRACKET:
TONER SUPPLY



32.D1053317
DRIVE UNIT:TONER
SUPPLY SUB-UNIT:
ASS'Y

U009_S007
DRIVE UNIT:TONER SUPPLY SUB-UNIT:ASS'Y

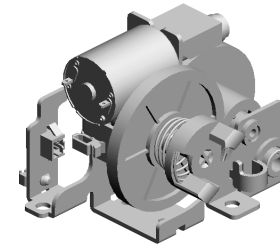
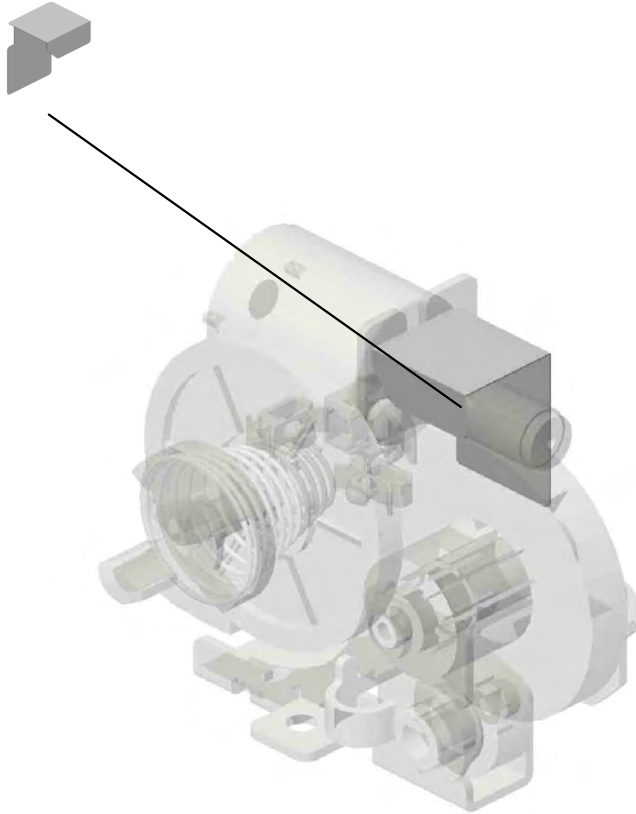
30.D0393367
SHEET:BRACKET:
TONER SUPPLY



32.D1053317
DRIVE UNIT:TONER
SUPPLY SUB-UNIT:
ASS'Y

U009_S008
DRIVE UNIT:TONER SUPPLY SUB-UNIT:ASS'Y

30.D0393367
SHEET:BRACKET:
TONER SUPPLY



32.D1053317
DRIVE UNIT:TONER
SUPPLY SUB-UNIT:
ASS'Y

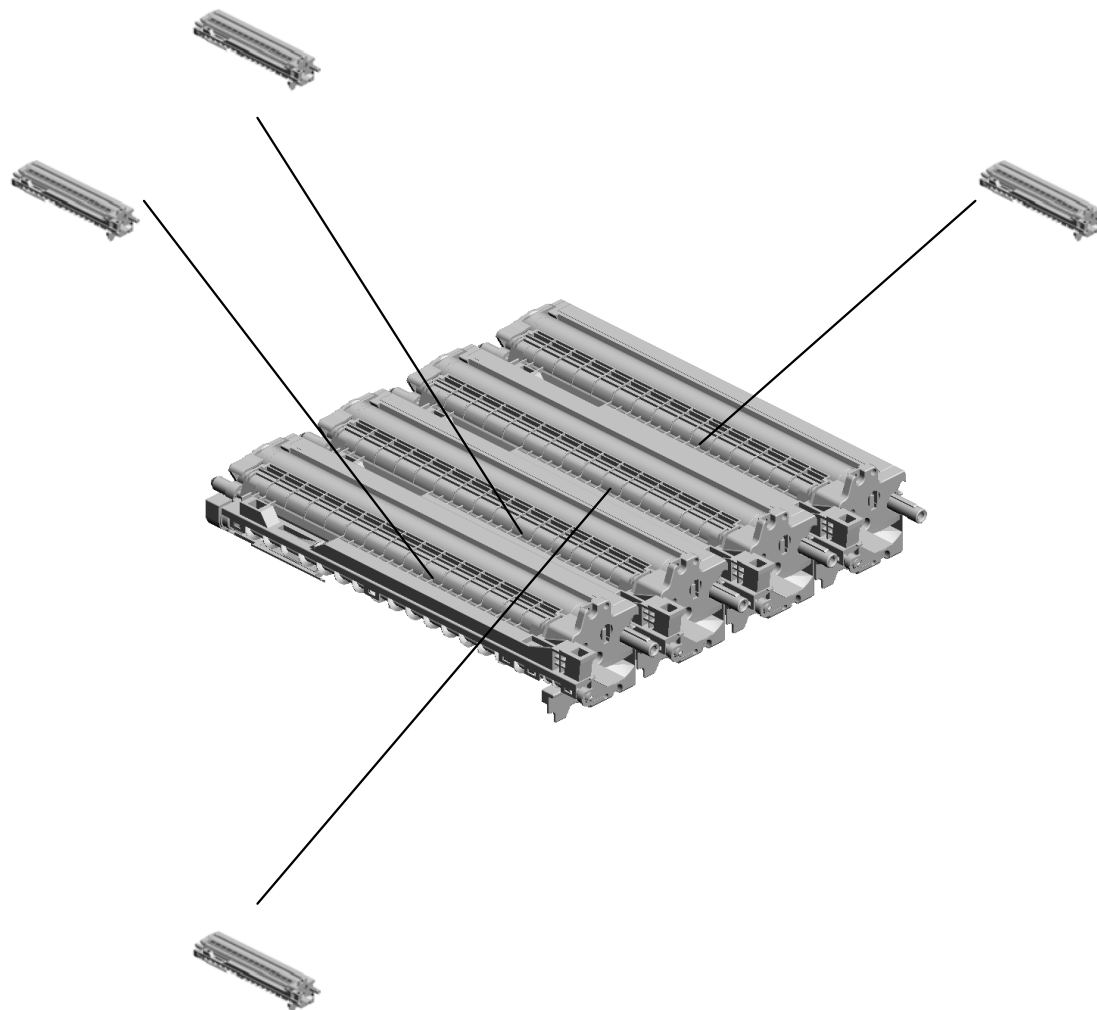
U010.PCDU

U010_S003
D8092002
PCU:M:SERVICE

U010_S004
D8092003
PCU:Y:SERVICE

U010_S001
D8302000
PCU:BK:SERVICE

U010_S002
D8092001
PCU:C:SERVICE



WWW.SERVICE-MANUAL.NET

U001	U002	U003	U004	U005	U006	U007	U008	U009	U010	U011	U012	U013	U014	U015	U016	U017	U018	U019	U020	U021
------	------	------	------	------	------	------	------	------	------	------	------	------	------	------	------	------	------	------	------	------

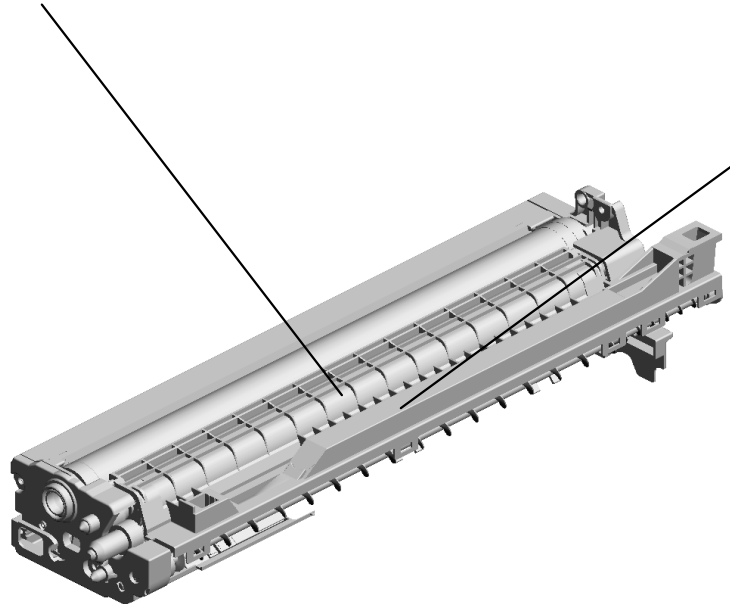
U010
PCDU



U001	U002	U003	U004	U005	U006	U007	U008	U009	U010	U011	U012	U013	U014	U015	U016	U017	U018	U019	U020	U021
------	------	------	------	------	------	------	------	------	------	------	------	------	------	------	------	------	------	------	------	------

U010_S001
PCU:BK:SERVICE

1.D0392030
PCU:ASS'Y



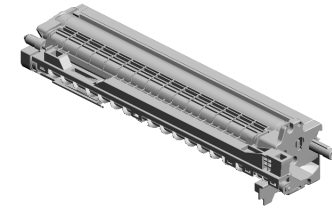
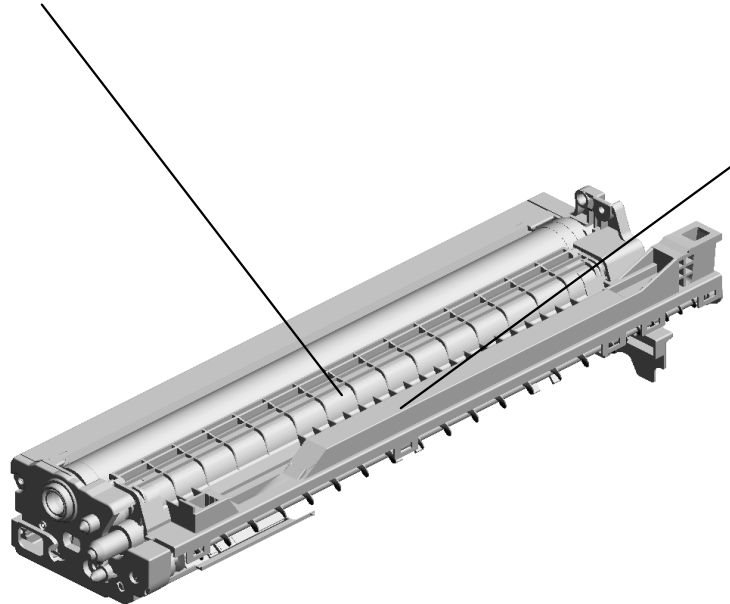
8.D8302000
PCU:BK:SERVICE



9.D8303001
DEVELOPMENT U
NIT:BK:SERVICE:A
SS'Y

U010_S002
PCU:C:SERVICE

1.D0392030
PCU:ASS'Y



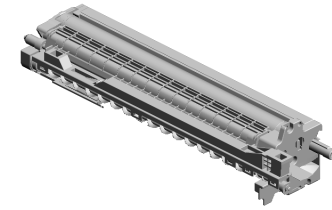
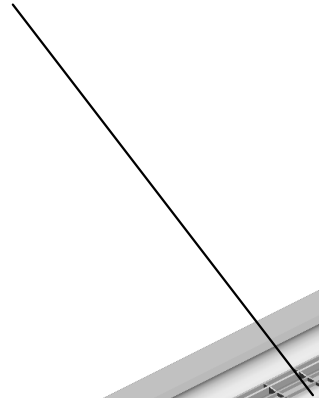
2.D8092001
PCU:C:SERVICE

5.D8093002
DEVELOPMENT U
NIT:C:SERVICE:AS
S'Y



U010_S003
PCU:M:SERVICE

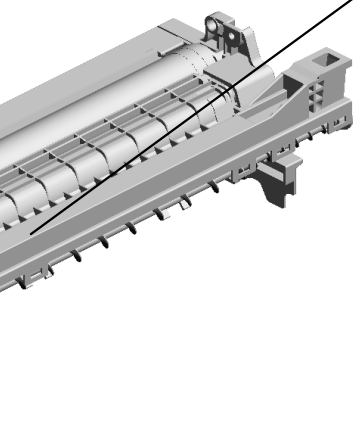
1.D0392030
PCU:ASS'Y



3.D8092002
PCU:M:SERVICE

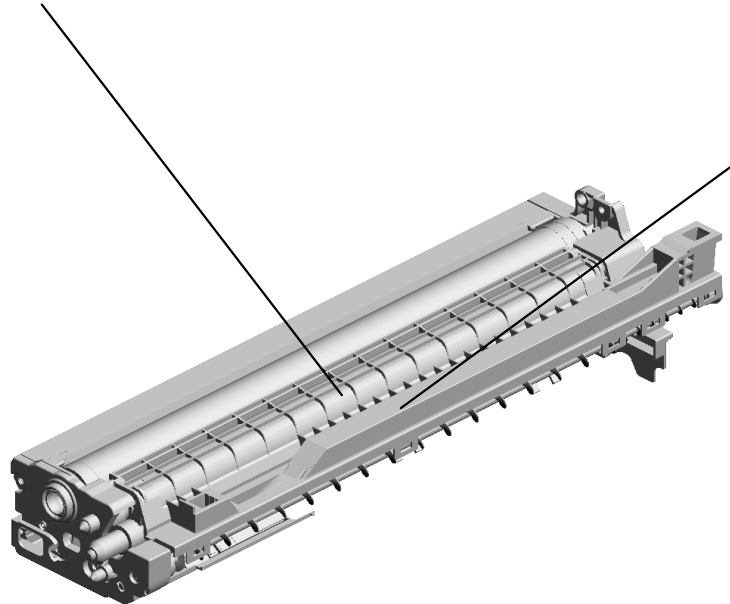


6.D8093003
DEVELOPMENT U
NIT:M:SERVICE:AS
S'Y



U010_S004
PCU:Y:SERVICE

1.D0392030
PCU:ASS'Y



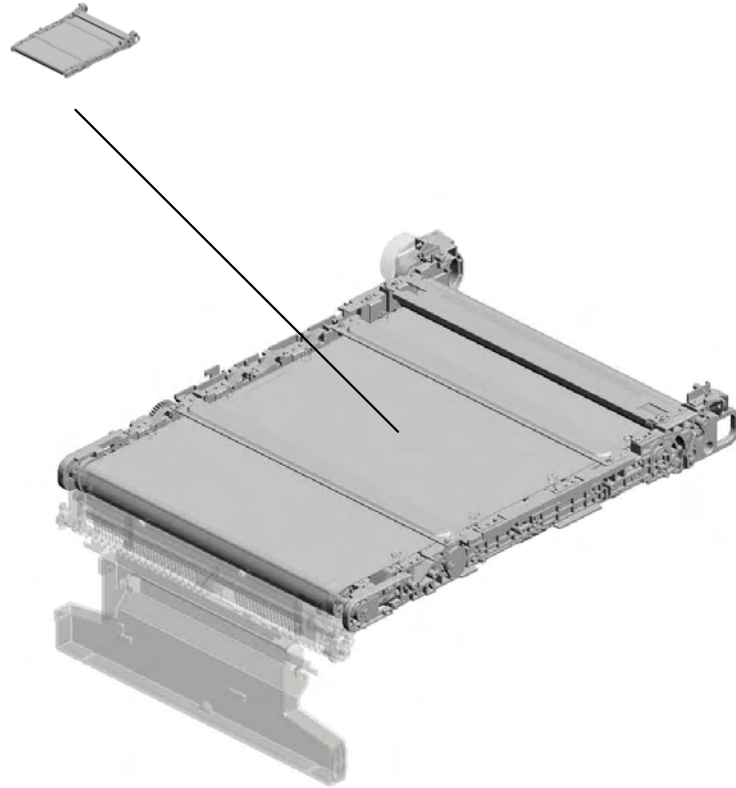
4.D8092003
PCU:Y:SERVICE

7.D8093004
DEVELOPMENT U
NIT:Y:SERVICE:AS
S'Y



U011.ITB Unit/ITB Cleaning

U011_S001
D1056003
TRANSFER UNIT:INTERMEDI
ATE TRANSFER:SERVICE:AS
SY



WWW.SERVICE-MANUAL.NET

U001	U002	U003	U004	U005	U006	U007	U008	U009	U010	U011	U012	U013	U014	U015	U016	U017	U018	U019	U020	U021
------	------	------	------	------	------	------	------	------	------	------	------	------	------	------	------	------	------	------	------	------

U011 ITB Unit/ITB Cleaning

1.03530040N
(x3)
SCREW - M3X4

4.04563008N
(x3)
TAPPING SCREW -
M3X8



15.D0396119
BRACKET:INTERM
EDIATE TRANSFE
R:DRIVE:ASS'Y



9.AX050298
BRUSHLESS MOT
OR:INTERMEDIAT
E TRANSFER



16.D0396122
GEAR:INTERMEDI
ATE TRANSFER:N
O.1



2.03603020N
(x2)
SCREW:M3X20



19.D1056036
CLEANING UNIT:IN
TERMEDIATE TRA
NSFER:SERVICE:A
SS'Y



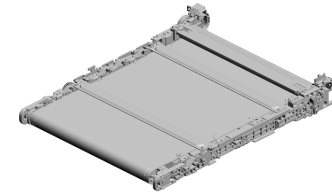
3.03603030N
(x2)
SCREW:M3X30



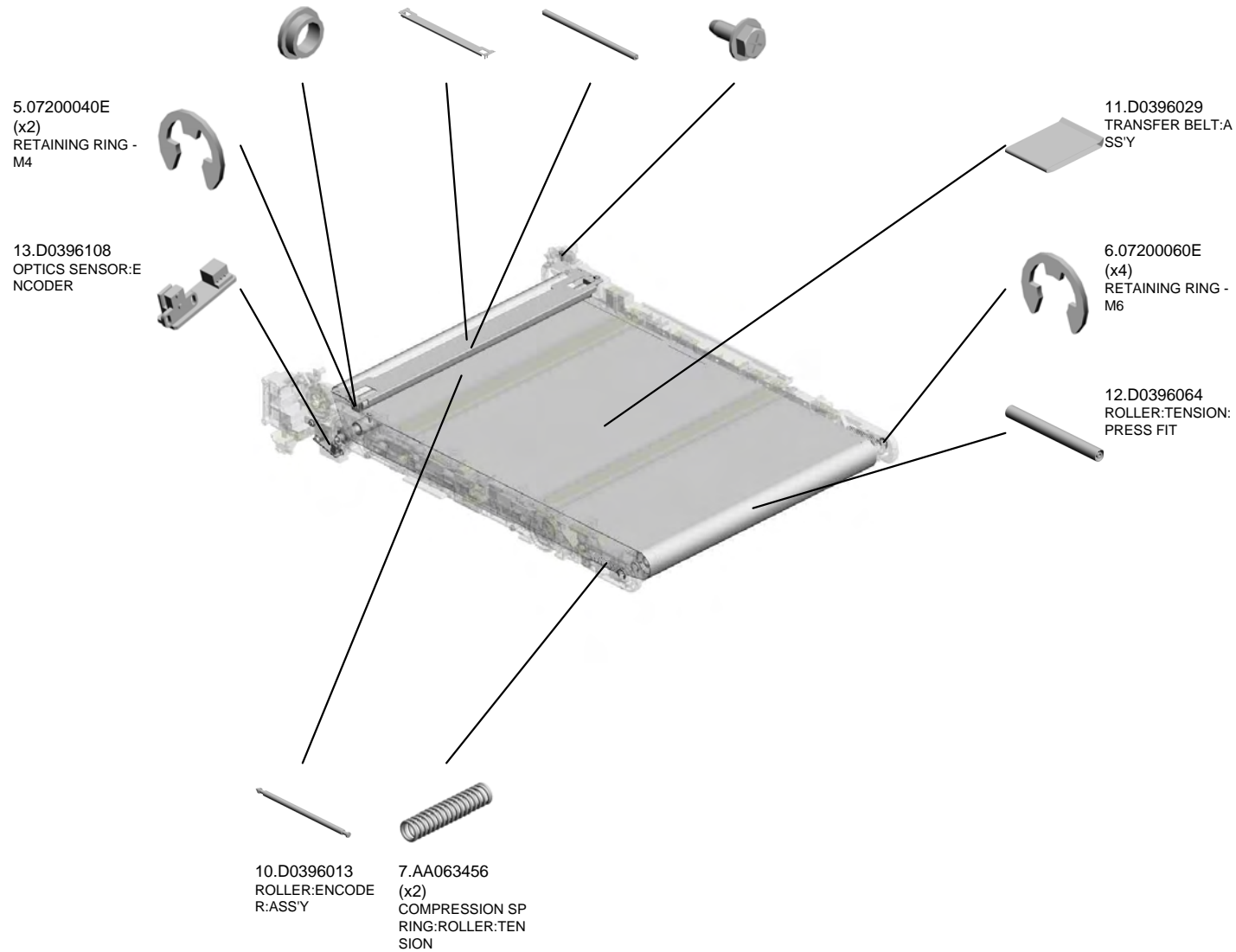
WWW.SERVICE-MANUAL.NET

U001	U002	U003	U004	U005	U006	U007	U008	U009	U010	U011	U012	U013	U014	U015	U016	U017	U018	U019	U020	U021
------	------	------	------	------	------	------	------	------	------	-------------	------	------	------	------	------	------	------	------	------	------

- 8.AA080247 (x2) BUSHING - B-F6-3
- 14.D0396113 BRACKET:ROLLER :BELT:FACE FRONT
- 17.D0396132 ROLLER:FLAT BELT-T-TRANSFER:FACE FRONT:ASS'Y
- 4.04563008N (x5) TAPPING SCREW - M3X8



18.D1056003
TRANSFER UNIT:INTERMEDIATE TRANSFER:SERVICE:ASS'Y



U012.Paper Transfer

U012_S001
D0396204
TRANSFER/SEPARATION UN
IT:SECOND:ASSY



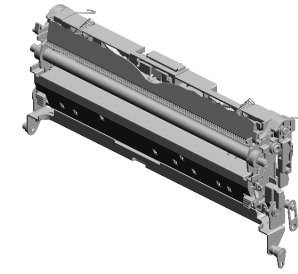
WWW.SERVICE-MANUAL.NET

U001	U002	U003	U004	U005	U006	U007	U008	U009	U010	U011	U012	U013	U014	U015	U016	U017	U018	U019	U020	U021
------	------	------	------	------	------	------	------	------	------	------	------	------	------	------	------	------	------	------	------	------

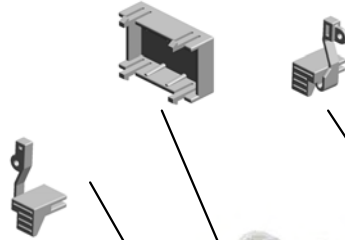
U012 Paper Transfer

36.D0396272
COVER:CONNECT
OR:ENTRANCE SE
NSOR

37.D0396273
STOPPER:LEVER:
FRONT



38.D0396274
STOPPER:LEVER:
REAR



2.04543006Q
TAPPING SCREW -
M3X6



5.08050097
RING SEPARATOR



31.D0396261
BUSHING:POSITIO
NING:TRANSFER/S
EPARATION UNIT

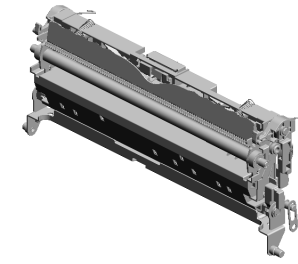


WWW.SERVICE-MANUAL.NET

U001	U002	U003	U004	U005	U006	U007	U008	U009	U010	U011	U012	U013	U014	U015	U016	U017	U018	U019	U020	U021
------	------	------	------	------	------	------	------	------	------	------	------	------	------	------	------	------	------	------	------	------

U012_S001

TRANSFER/SEPARATION UNIT:SECOND:ASS'Y



8.D0396204
TRANSFER/SEPARATION UNIT:SECOND:ASSY

- 14.D0396227 LEVER:TRANSFER/SEPARATION UNIT:FRONT
- 19.D0396232 TORSION SPRING:LEVER:SET:FRONT
- 23.D0396239 GRIP:RELEASE
- 9.D0396210 TRANSFER/SEPARATION UNIT:SECOND:ASSY
- 7.AW010118 PAPER FEED SENSOR

4.07200060E (x2)
RETAINING RING - M6

18.D0396231 (x2)
TENSION SPRING:LEVER:SET

16.D0396229 LEVER:SET:FRONT

10.D0396223 LEVER:PRESSURE:TRANSFER ROLLER:FRONT

12.D0396225 (x2)
COMPRESSION SPRING:PRESSURE:TRANSFER ROLLER:18N

3.04563010N (x5)
TAPPING SCREW - M3X10

22.D0396236 SHAFT:RELEASE

21.D0396235 TERMINAL:EARTH

13.D0396226 (x2)
TERMINAL:EARTH:TRANSFER ROLLER

6.11050511 (x5)
HARNES CLAMP - LWS-0306ZC

15.D0396228 LEVER:TRANSFER/SEPARATION UNIT:REAR

20.D0396233 TORSION SPRING:LEVER:SET:REAR

17.D0396230 LEVER:SET:REAR

11.D0396224 LEVER:PRESSURE:TRANSFER ROLLER:REAR

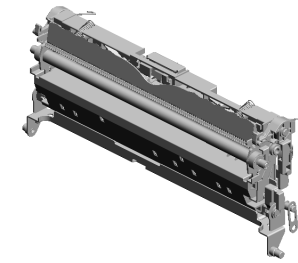
1.04513006N (x5)
TAPPING SCREW - 3X6

25.D0396242
LEVER:RELEASE:T
RANSFER/SEPARA
TION UNIT:FRONT

35.D0396271
DECAL:GRIP:B

24.D0396241
GUIDE PLATE:TRA
NSFER UNIT

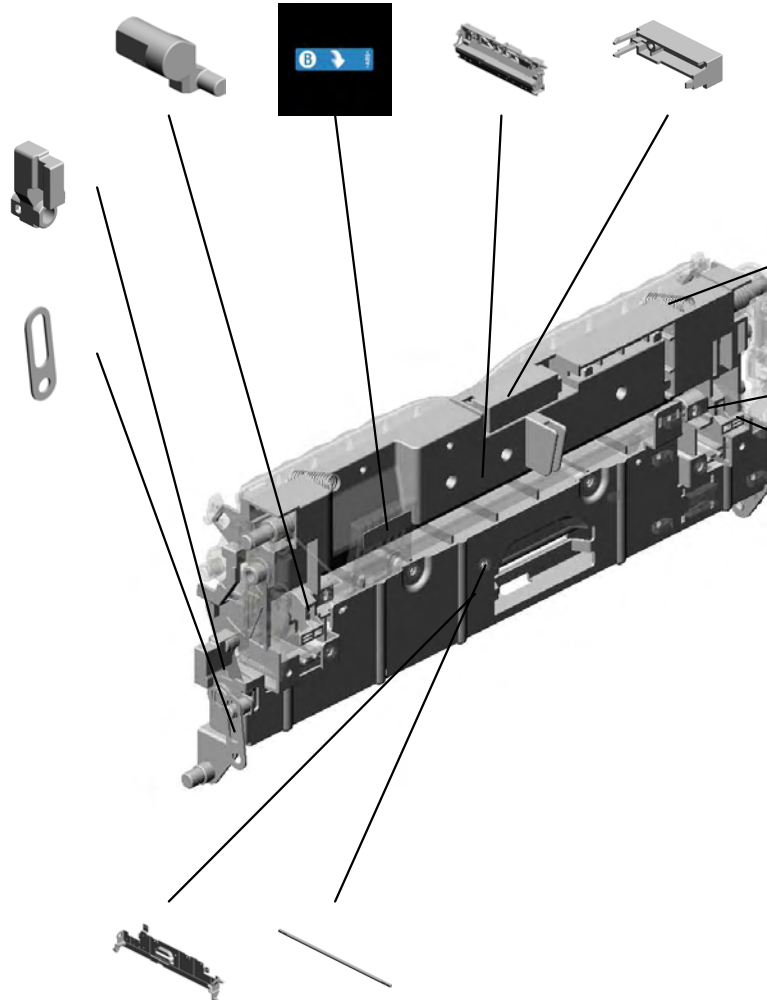
30.D0396260
BRACKET:ENTRAN
CE SENSOR



8.D0396204
TRANSFER/SEPAR
ATION UNIT:SECO
ND:ASSY

33.D0396268
LEVER:ON-OFF:TR
ANSFER ROLLER:
FRONT

29.D0396259
LINK:GUIDE PLATE
:TRANSFER



32.D0396262
(x2)
COMPRESSION SP
RING:TRANSPORT
SUB-UNIT

26.D0396243
LEVER:RELEASE:T
RANSFER/SEPARA
TION UNIT:REAR

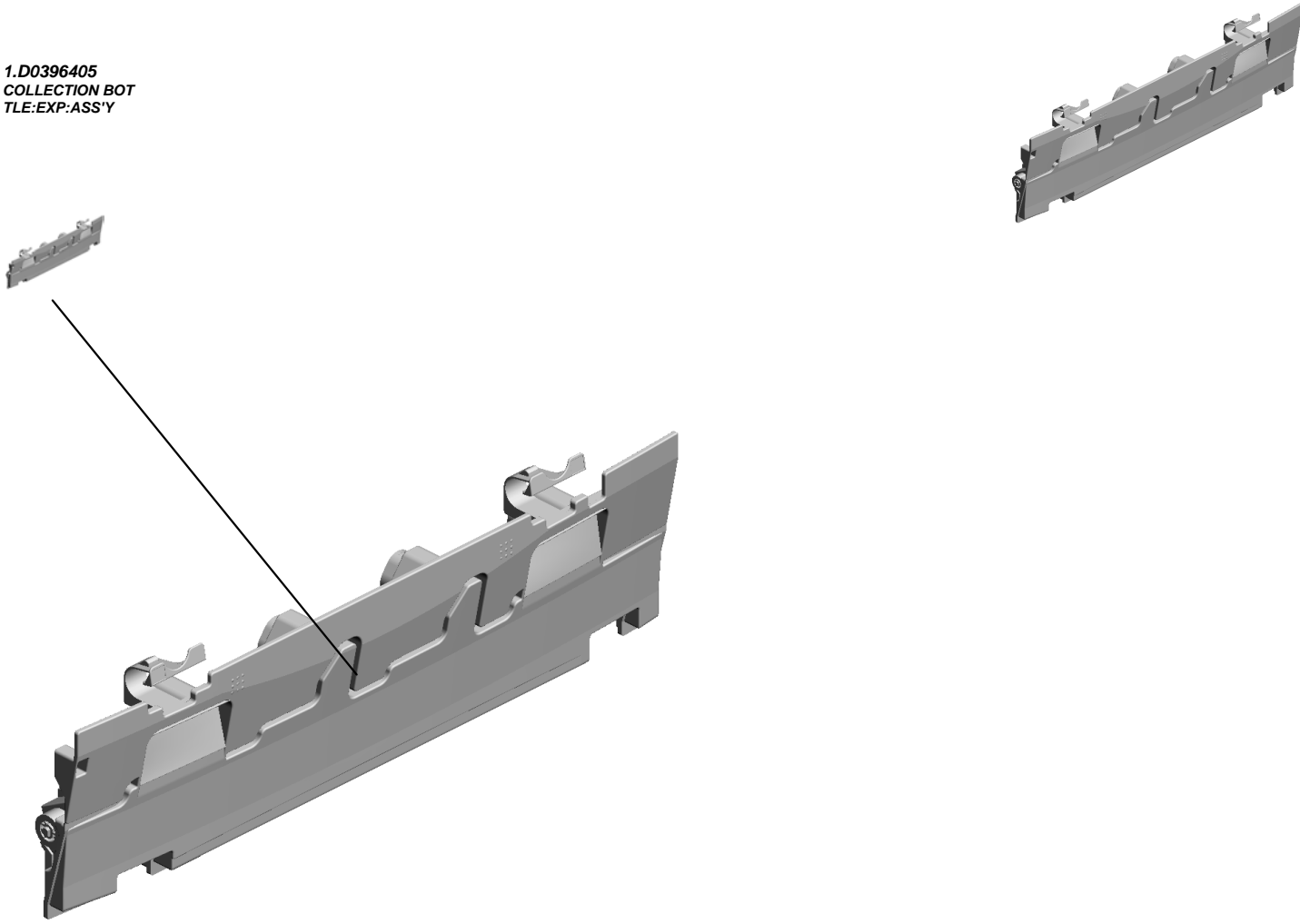
34.D0396269
LEVER:ON-OFF:TR
ANSFER ROLLER:
REAR

27.D0396251
BASE:TRANSFER/
SEPARATION UNIT
:SECOND:PEEN

28.D0396258
SHAFT:ON-OFF:DI
A8

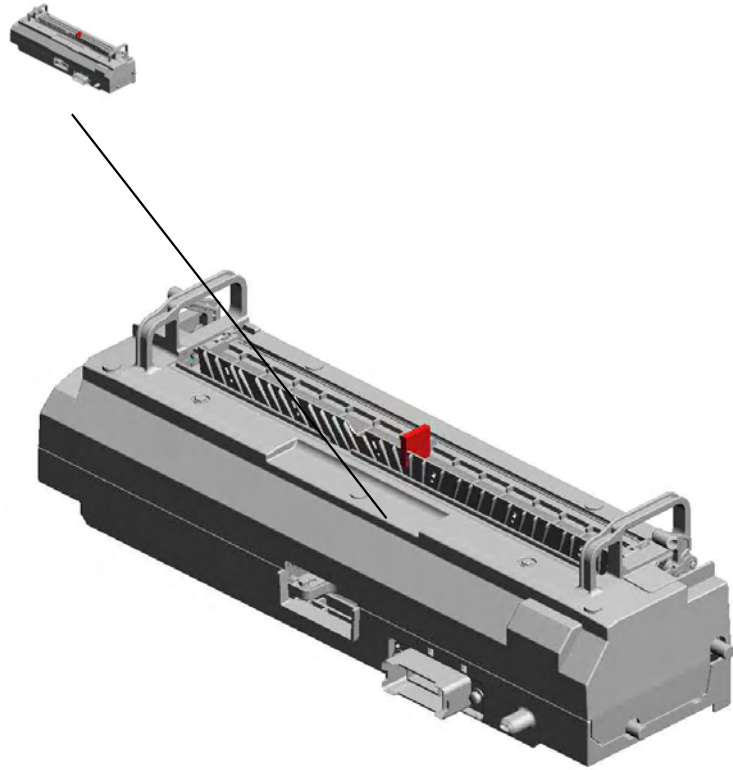
U013
Used Toner

1.D0396405
COLLECTION BOT
TLE:EXP:ASS'Y



U014.Fusing

U014_S001
D1064001
FUSING UNIT:NA:ASS'Y

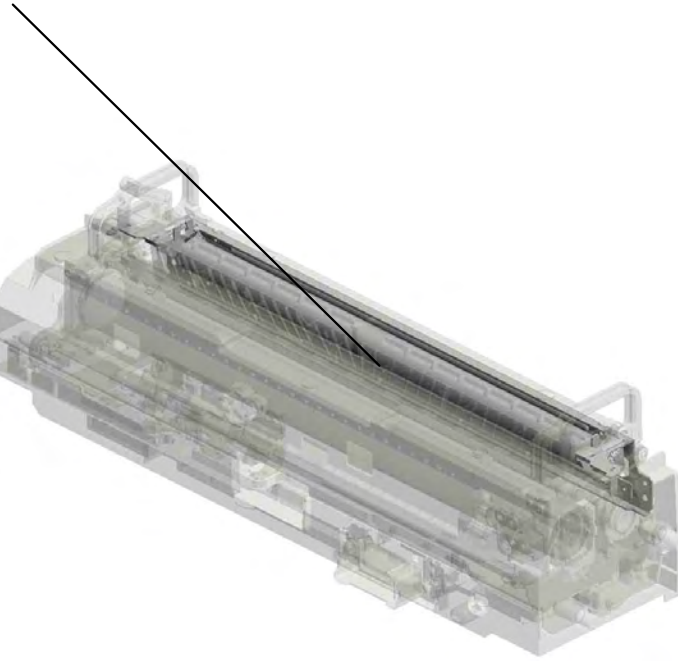


WWW.SERVICE-MANUAL.NET

U001	U002	U003	U004	U005	U006	U007	U008	U009	U010	U011	U012	U013	U014	U015	U016	U017	U018	U019	U020	U021
------	------	------	------	------	------	------	------	------	------	------	------	------	------	------	------	------	------	------	------	------

U014 Fusing

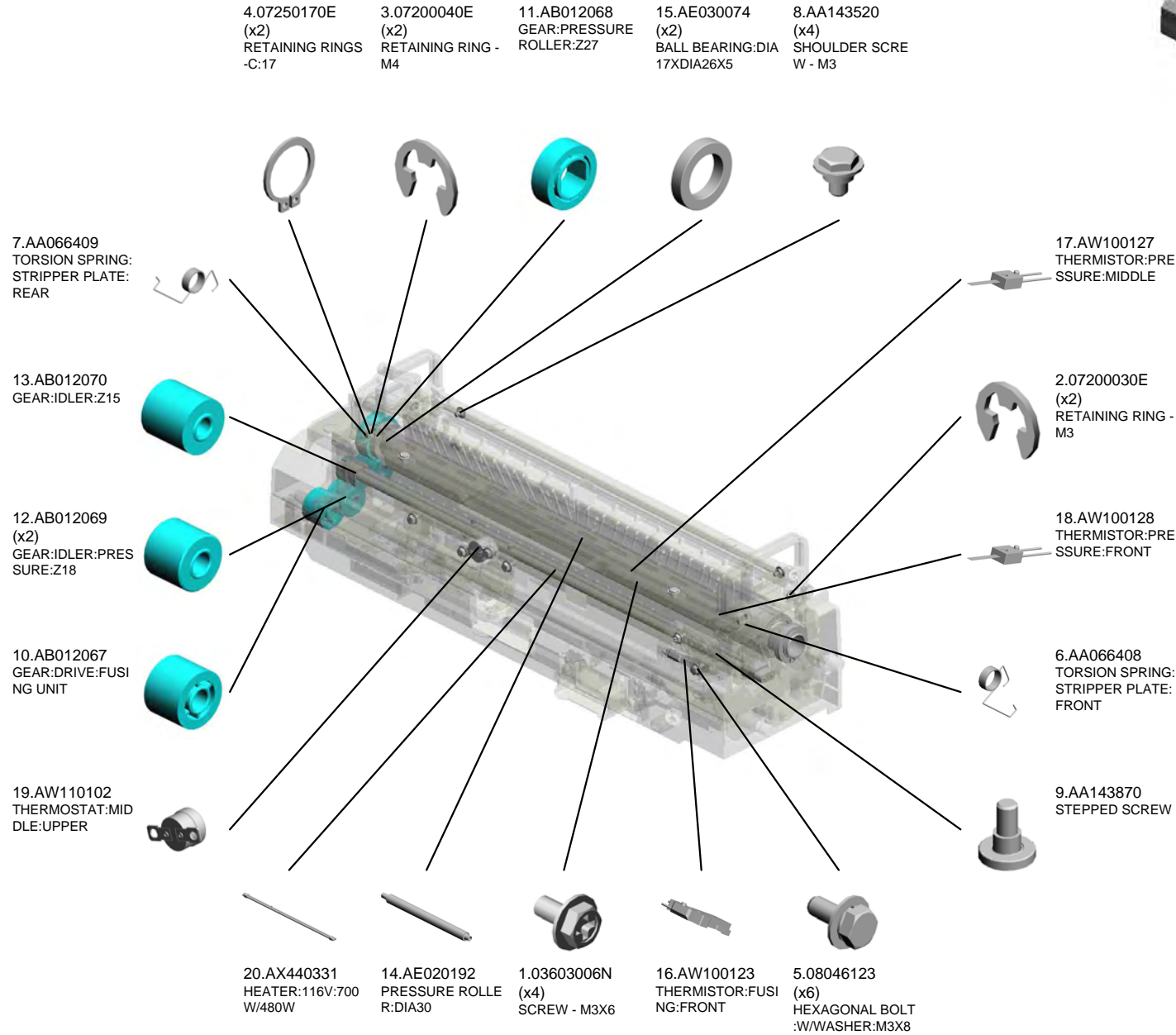
32.D1054380
STAY:PRESSURE:
OIL SUPPLY ROLL
ER:ASS'Y:(Option)



U014_S001
FUSING UNIT:NA:ASS'Y



33.D1064001
FUSING UNIT:NA:A
SS'Y



WWW.SERVICE-MANUAL.NET

U001	U002	U003	U004	U005	U006	U007	U008	U009	U010	U011	U012	U013	U014	U015	U016	U017	U018	U019	U020	U021
------	------	------	------	------	------	------	------	------	------	------	------	------	------	------	------	------	------	------	------	------

U014_S001
FUSING UNIT:NA:ASS'Y

27.D1054161 LEVER:PRESSURE RELEASE:REAR:ASSY
 30.D1054232 STRIPPER PLATE:COAT
 21.D0394238 DECAL:FUSING:LEVER:C



33.D1064001 FUSING UNIT:NA:ASSY



29.D1054191 DISCHARGE BRUSH:PRESSURE ROLLER

34.D1124264 DECAL:WARNING (HIGH TEMPERATURE):FUSING

25.D1054088 BRACKET:HEATER:REAR

26.D1054151 LEVER:PRESSURE RELEASE:FRONT:ASSY

28.D1054179 HOUSING:THERMOSTAT:ASSY

24.D1054087 BRACKET:HEATER:FRONT

23.D1054050 BELT UNIT:ASSY

22.D0394241 FUSING ENTRANCE GUIDE PLATE

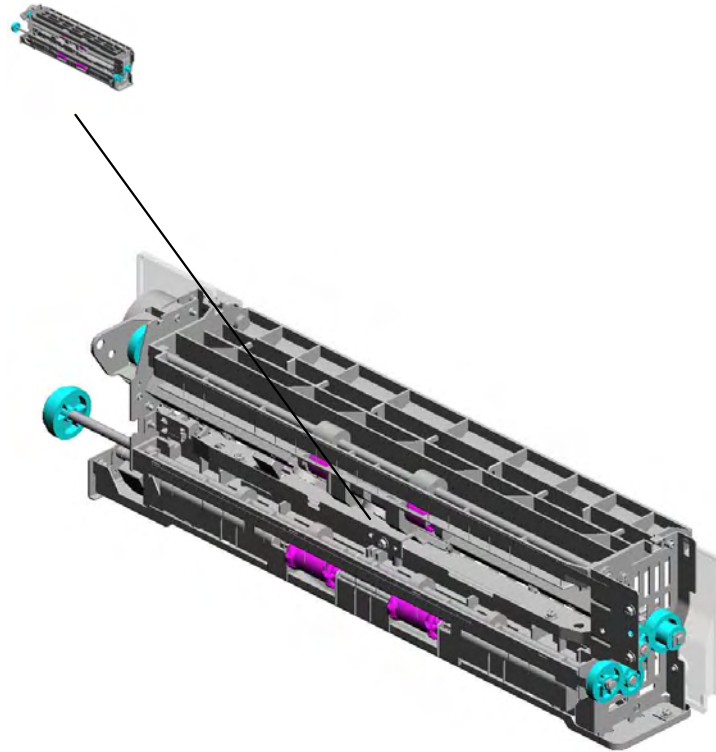
31.D1054234 GUIDE PLATE:FUSING EXIT:ASSY

WWW.SERVICE-MANUAL.NET

U001	U002	U003	U004	U005	U006	U007	U008	U009	U010	U011	U012	U013	U014	U015	U016	U017	U018	U019	U020	U021
------	------	------	------	------	------	------	------	------	------	------	------	------	------	------	------	------	------	------	------	------

U015.Paper Exit

U015_S001
D1054401
PAPER EXIT UNIT:ASSY



WWW.SERVICE-MANUAL.NET

U001	U002	U003	U004	U005	U006	U007	U008	U009	U010	U011	U012	U013	U014	U015	U016	U017	U018	U019	U020	U021
------	------	------	------	------	------	------	------	------	------	------	------	------	------	------	------	------	------	------	------	------

U015_S001.PAPER EXIT UNIT:ASS'Y

U015_S001_S001
D0394955
PHOTO SENCER ASS'Y



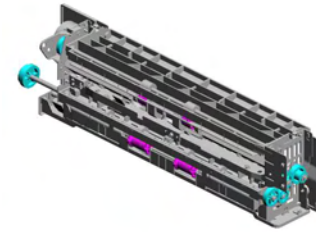
WWW.SERVICE-MANUAL.NET

U001	U002	U003	U004	U005	U006	U007	U008	U009	U010	U011	U012	U013	U014	U015	U016	U017	U018	U019	U020	U021
------	------	------	------	------	------	------	------	------	------	------	------	------	------	------	------	------	------	------	------	------

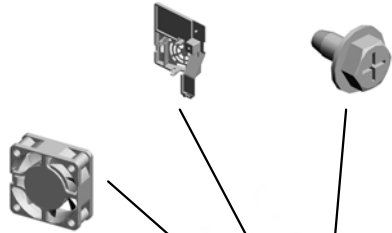
U015 Paper Exit

33.D0394907
INNER COVER:PA
PER EXIT UNIT:RE
AR

3.04513006N
(x2)
TAPPING SCREW -
3X6



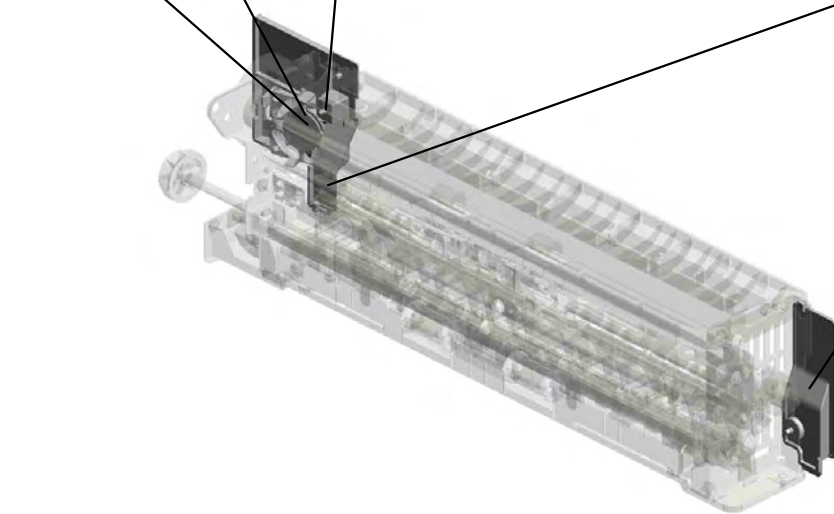
15.AX640202
FAN:MM40X15:NID
EC:H



10.AA000252
DECAL:H-TEMP W
ARNING



32.D0394906
INNER COVER:PA
PER EXIT UNIT:FR
ONT



U015_S001 PAPER EXIT UNIT:ASS'Y



47.D1054401
PAPER EXIT UNIT:
ASS'Y

24.D0394425 (x2) COMPRESSION SPRING:EXIT ROLLER:DRIVEN
18.D0094485 (x2) BUSHING - GATE
19.D0394411 GUIDE PLATE:EXIT :UPPER
23.D0394424 SHAFT:EXIT ROLLER:DRIVEN
21.D0394419 SHEET:EXIT:UNIFORM

7.07200040E (x4) RETAINING RING - M4

3.04513006N (x18) TAPPING SCREW - 3X6

17.D0094455 CUSHION - DC SOLENOID

12.AF040571 (x10) GUIDE ROLLER

22.D0394421 GUIDE PLATE:EXIT :LOWER

16.B2274673 (x2) EXIT ROLLER

20.D0394415 FEELER:PHOTOINTERRUPTOR:EXIT

9.08050092 RETAINING RING - 3M

6.04563008N (x10) TAPPING SCREW - M3X8

1.03530030N (x2) SCREW:M3X3

5.04543006Q (x3) TAPPING SCREW - M3X6

14.AW020198 PHOTOINTERRUPTOR:LG2A14NL1

4.04533006N (x2) TAPPING SCREW - M3X6

11.AA082075 (x6) BUSHING - M6

8.08050089 (x2) RETAINING RING - M4

WWW.SERVICE-MANUAL.NET

U001 U002 U003 U004 U005 U006 U007 U008 U009 U010 U011 U012 U013 U014 U015 U016 U017 U018 U019 U020 U021

U015_S001
PAPER EXIT UNIT:ASS'Y



47.D1054401
PAPER EXIT UNIT:
ASS'Y

- 34.D0394911 GUIDE PLATE:REVERSE:UPPER
- 36.D0394921 GUIDE PLATE:REVERSE:LOWER
- 35.D0394912 (x2) DISCHARGE BRUSH:REVERSE
- 38.D0394926 SHAFT:REVERSE:DRIVEN
- 39.D0394927 (x2) COMPRESSION SPRING:PRESSURE:REVERSE:DRIVEN

28.D0394471 GEAR:IDLER:INPUT:ROLLER CLUTCH



26.D0394436 GEAR:INPUT:ROLLER CLUTCH



29.D0394472 GEAR:IDLER:ROLLER CLUTCH:CONNECTING



44.D0394973 LEVER:GATE PAWL:FRONT



45.D0394974 TORSION SPRING:LEVER:GATE PAWL



46.D0394975 GATE PAWL:EXIT:ASS'Y



48.D1054431 EXIT ROLLER



37.D0394925 (x2) ROLLER:REVERSE:DRIVEN



43.D0394972 LEVER:GATE PAWL:REAR



31.D0394488 DC SOLENOID:PAPER EXIT UNIT:SUB-ASS'Y



40.D0394948 GEAR:REVERSE ROLLER



27.D0394468 GEAR:IDLER:REVERSE



49.D1054457 STEPPER MOTOR:REVERSE:ASS'Y



30.D0394484 TENSION SPRING:DC SOLENOID:PAPER EXIT UNIT



25.D0394435 GEAR:EXIT

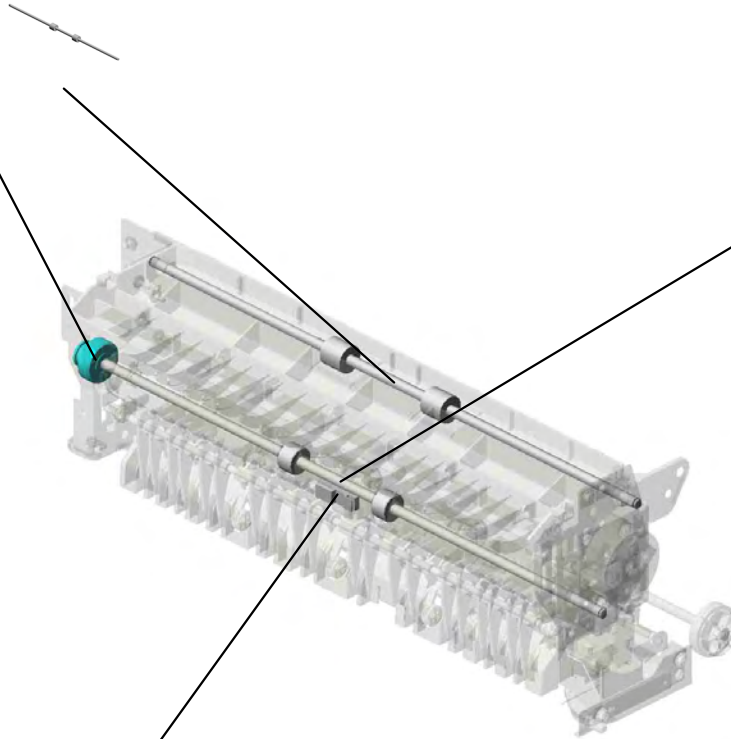
U015_S001
PAPER EXIT UNIT:ASS'Y

52.D1054947
REVERSE ROLLER



47.D1054401
PAPER EXIT UNIT:
ASS'Y

51.D1054943
ROLLER CLUTCH:
REVERSE:FRONT



50.D1054942
TRANSPORT ROLL
ER:REVERSE:CON
NECTING

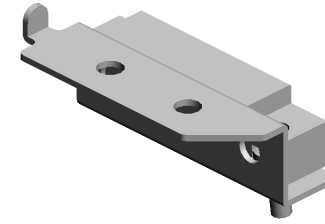
53.GW010007
PHOTO REFLECTI
ON SENSOR:EXIT



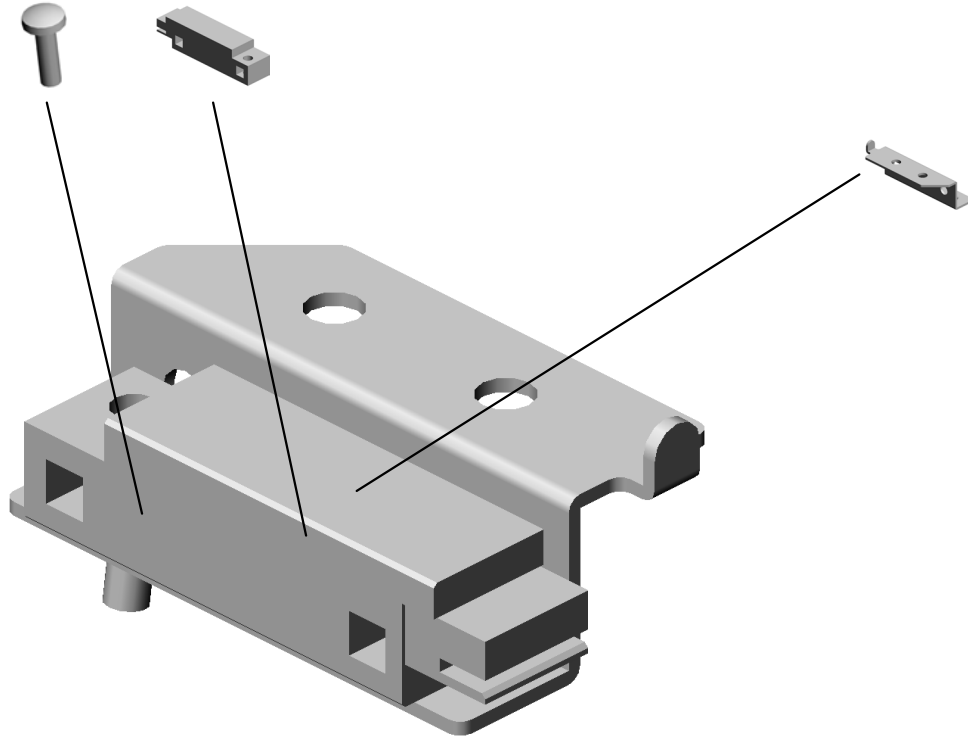
U015_S001_S001
PHOTO SENCER ASS'Y

2.03530100N
SCREW-M3X10

13.AW010143
PHOTO REFLECTIO
N SENSOR:PSR11
TL1R-C



42.D0394955
PHOTO SENCER A
SS'Y



41.D0394952
BRACKET:SENSO
R:FUSING EXIT

U016 Duplex



- 17.AX050302 STEPPER MOTOR: TRANSPORT
- 10.AA082075 (x2) BUSHING - M6
- 2.04513006N (x3) TAPPING SCREW - 3X6
- 11.AA082101 (x10) BUSHING - 6X10X6
- 14.AW020198 (x4) PHOTOINTERRUP TOR:LG2A14NL1

1.03530050N
(x2)
SCREW-M3X5

4.04563008N
(x13)
TAPPING SCREW - M3X8

5.08050089
(x7)
RETAINING RING - M4

7.11050534
CLAMP

8.11050692
CLAMP:LES-0503

19.B0434685
SPRING - 2.8N

12.AF031060
BY-PASS FEED ROLLER

13.AF033008
FRICTION PAD:10X50

18.B0392628
BOTTOM PLATE PAD

6.11050511
(x7)
HARNESS CLAMP - LWS-0306ZC

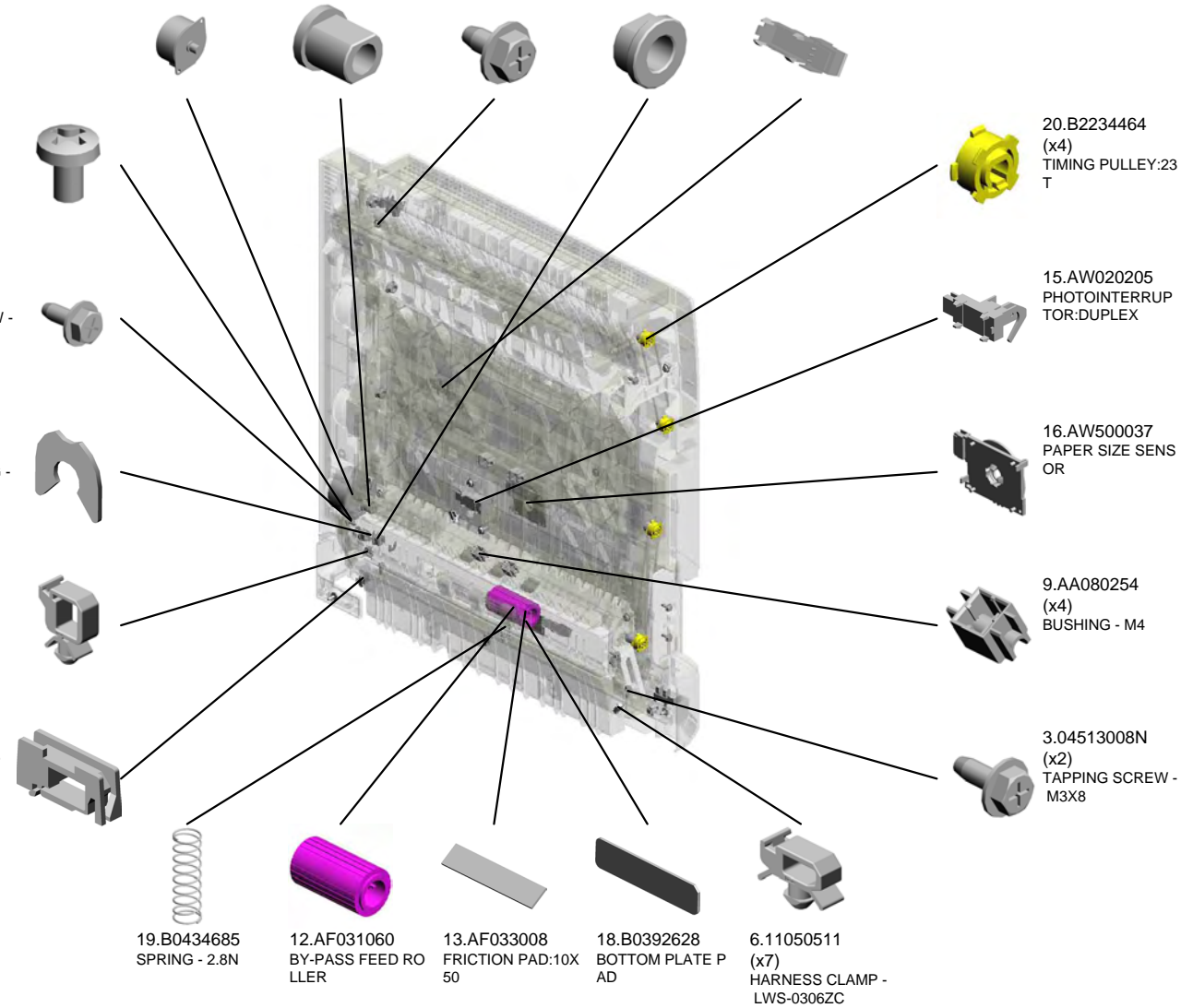
20.B2234464
(x4)
TIMING PULLEY:23 T

15.AW020205
PHOTOINTERRUP TOR:DUPLX

16.AW500037
PAPER SIZE SENSOR

9.AA080254
(x4)
BUSHING - M4

3.04513008N
(x2)
TAPPING SCREW - M3X8

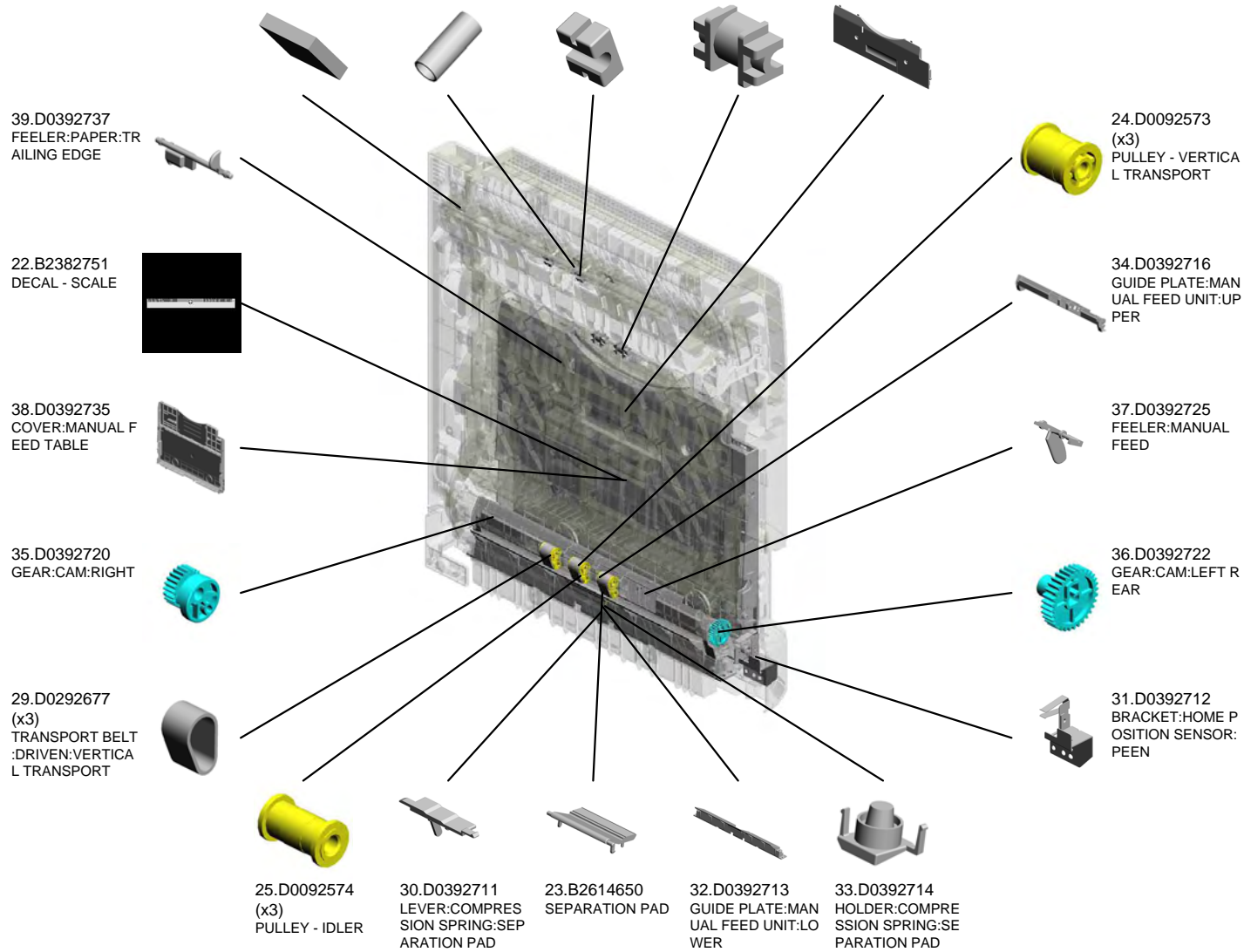


WWW.SERVICE-MANUAL.NET

U016 Duplex



- 26.D0094455 (x2) CUSHION - DC SOLENOID
- 28.D0094487 (x4) COMPRESSION SPRING - GATE RING - GATE
- 27.D0094485 (x4) BUSHING - GATE
- 21.B2234552 (x2) BUSHING:DIA4
- 40.D0392738 COVER:PAPER:TRAILING EDGE



WWW.SERVICE-MANUAL.NET

U016 Duplex



- 45.D0392750 RACK:SIDE FENCE :FRONT
- 55.D0392788 PIN:SIDE FENCE
- 47.D0392752 DISC:SIDE FENCE
- 51.D0392779 SPRING PLATE:EX TENSION TRAY
- 41.D0392739 EXTENSION TRAY: MANUAL FEED

59.D0392794 LINK:MANUAL FEE D TABLE:REAR



53.D0392781 GEAR:STEPPER M OTOR



52.D0392780 (x2) GEAR:ROLLER CL UTCH



56.D0392789 GEAR:CAM:RIGHT REAR



54.D0392786 SHAFT:DRIVE:MAN UAL FEED UNIT



44.D0392749 SIDE FENCE:REAR



42.D0392745 BASE:MANUAL FE ED TABLE



50.D0392763 PLATE:HARNESS: MANUAL FEED



58.D0392793 CAM:LEFT



57.D0392790 GEAR:FEELER:LEF T



49.D0392754 SPRING:SIDE FEN CE



48.D0392753 GEAR:SIDE FENCE



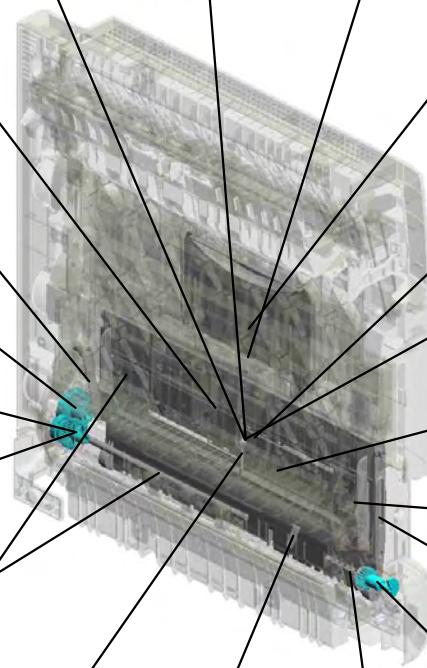
46.D0392751 RACK:SIDE FENCE :REAR



43.D0392748 SIDE FENCE:FRON T



60.D0392795 LINK:MANUAL FEE D TABLE:FRONT



U016 Duplex



77.D0392997
HOOK:STOPPER:DU
PLEX UNIT:REAR

78.D0392998
SHAFT:GRIP

75.D0392995
GRIP:COVER:RIGH
T

67.D0392971
ARM:PRESSURE R
LEASE:FRONT

76.D0392996
HOOK:STOPPER:DU
PLEX UNIT:FRON
T

68.D0392972
ARM:PRESSURE R
LEASE:REAR

79.D0394467
(x2)
STEPPER MOTOR:
REVERSE

66.D0392832
DECAL:SIDE FENC
E:MANUAL FEED

80.D0394511
GUIDE PLATE:FEE
D PAPER AGAIN:DU
PLEX

70.D0392977
GUIDE PLATE:DRIV
EN:BELT

73.D0392991
SHAFT:TRANSPOR
T BELT:DRIVEN

72.D0392983
HOLDER:DRIVEN:B
ELT

74.D0392993
SHAFT:TRANSPOR
T BELT:PULLEY

69.D0392976
GUIDE PLATE:VER
TICAL TRANSPOR
T:F1

71.D0392980
STAY:HINGE:DUPL
EX:ASS'Y

65.D0392831
DECAL:MANUAL F
EED:INKJET:EXP

61.D0392796
SHAFT:CAM:ASS'Y

62.D0392797
TORSION SPRING:
PAPER END SENS
OR

63.D0392798
(x2)
SPRING:BASE:2.5N

64.D0392799
RETAINING RINGS
-C:DIA4

WWW.SERVICE-MANUAL.NET

U016 Duplex



- 81.D0394523 TENSION SPRING: LEVER:DUPL
- 96.D0394569 (x2) GEAR:DRIVE:DUPL
- 98.D0394578 FEELER:DUPLX:ENTRANCE SENSO
- 97.D0394570 GUIDE PLATE:DUPLX:ENTRANCE
- 90.D0394542 DRIVEN ROLLER:ENTRANCE:DUPLX

- 94.D0394564 (x2) GEAR:IDLER:DUPL

- 85.D0394535 INNER COVER:DUPL

- 83.D0394527 (x4) COMPRESSION SPRING:EXIT ROLLER:DRIVEN

- 95.D0394565 LINK:DUPLX:ASS'Y

- 93.D0394553 COVER:CONNECTOR:DUPL

- 92.D0394544 COVER:SENSOR:DUPL

- 86.D0394538 (x2) COMPRESSION SPRING:FLAT CONVEYER BELT:DRIVEN

- 87.D0394539 GUIDE PLATE:GUIDE PLATE:ROLLER:DRIVEN

- 84.D0394529 STOPPER:GUIDE PLATE:ROLLER:DRIVEN

- 88.D0394540 LINK:DUPLX UNIT:FRONT

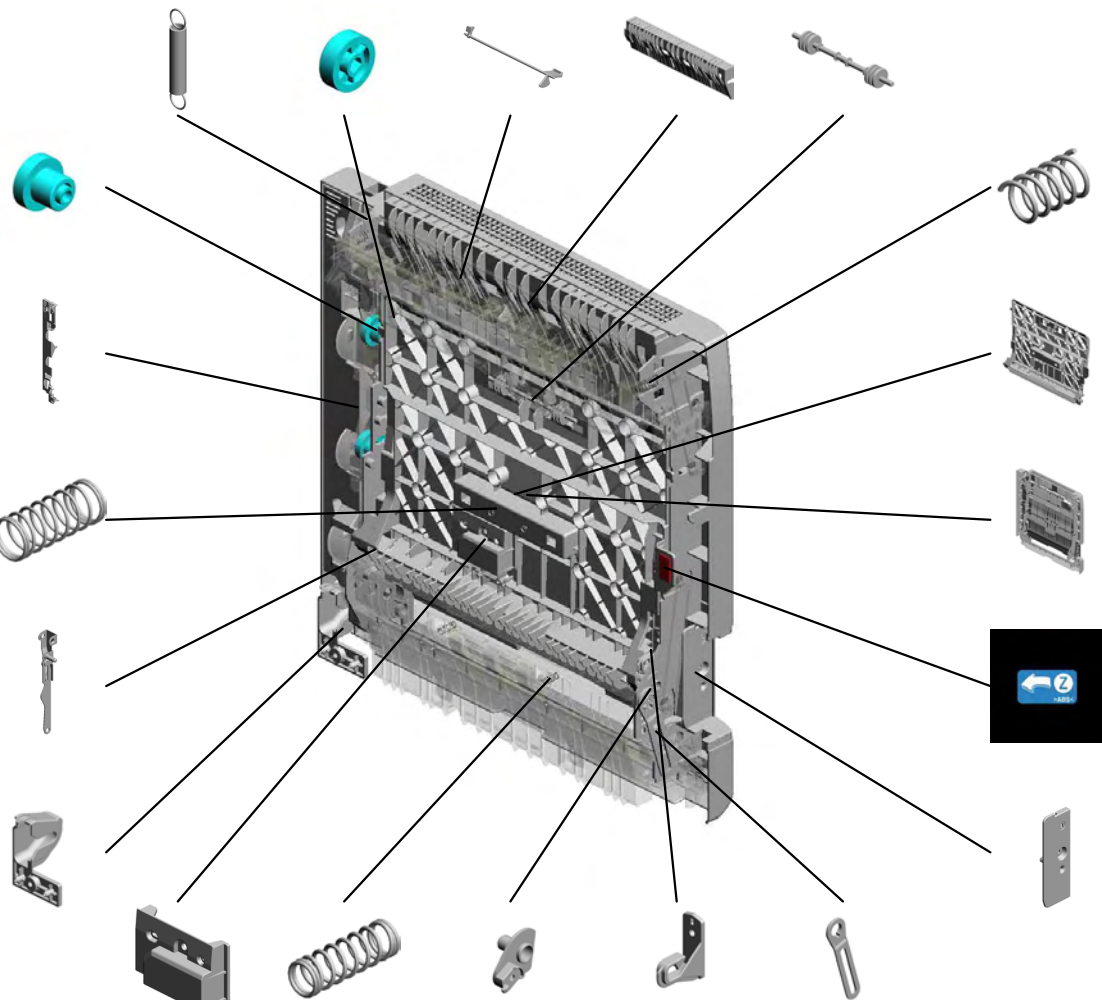
- 82.D0394525 (x2) COMPRESSION SPRING:SHAFT:GUIDE PLATE:EXIT

- 89.D0394541 GUIDE PLATE:ROLLER:DRIVEN

- 99.D0394580 COVER:RIGHT

- 91.D0394543 DECAL:GRIP:Z

- 100.D0394581 INNER COVER:GRIP:DUPL



WWW.SERVICE-MANUAL.NET

U016 Duplex



- 116.D1054588 GATE PAWL:REVE
RSE:ASSY
- 110.D1054489 (x2)
DRIVEN ROLLER:D
IA16:EXIT:DUPL
- 109.D0394985 GUIDE PLATE:EXIT
:DUPL:ADHESIO
N
- 101.D0394583 GATE PAWL:DUPL
EX:ENTRANCE:AS
SY
- 111.D1054530 TRANSPORT ROLL
ER:DUPL:ENTR
ANCE

102.D0394584
LEVER:GATE PAW
L



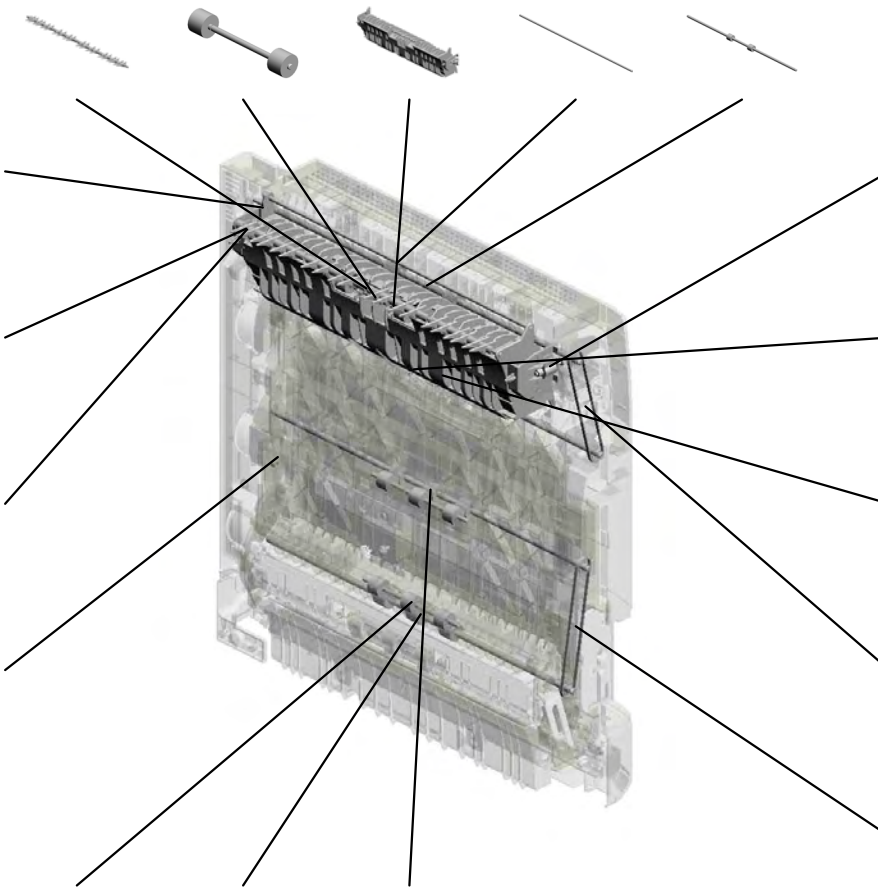
117.D1054589
TORSION SPRING:
GATE PAWL:REVE
RSE



103.D0394587
SPRING:GATE PA
WL:ENTRANCE:DU
PLEX



107.D0394596
TORSION SPRING:
LINK:DUPL



104.D0394591
(x2)
SHAFT:PRESSURE
:GUIDE PLATE:EXI
T



108.D0394597
(x2)
TENSION SPRING:
DRIVEN ROLLER



112.D1054531
TRANSPORT ROLL
ER:DUPL:ENTR
ANCE:LOWER



105.D0394592
TIMING BELT:S2M:
256



106.D0394594
TIMING BELT:S2M:
276



115.D1054537
(x2)
DRIVEN ROLLER:D
IA16:DUPL

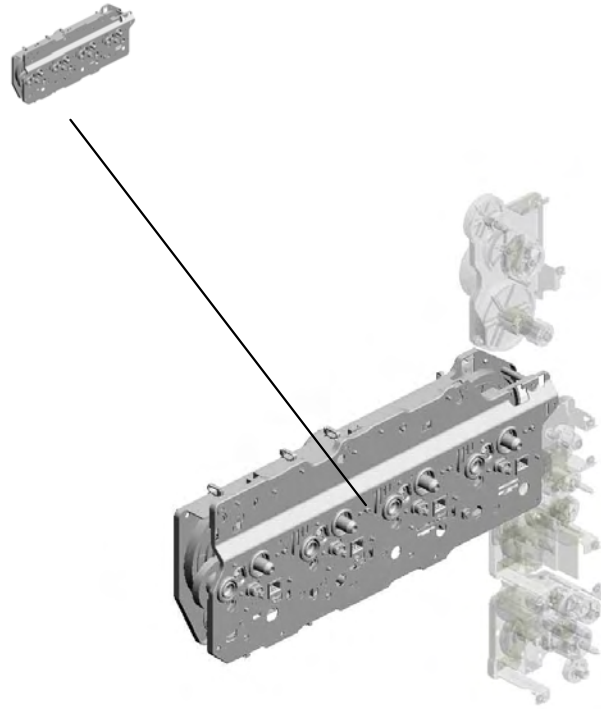
114.D1054533
TRANSPORT ROLL
ER:DUPL:EXIT

113.D1054532
TRANSPORT ROLL
ER:DUPL:EXIT:U
PPER

WWW.SERVICE-MANUAL.NET

U017.Main Drive

U017_S001
D0391188
DRIVE UNIT:DRUM:DEVELO
PMENT:ASSY

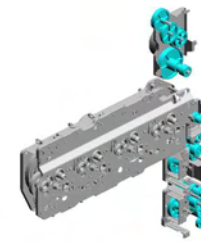


WWW.SERVICE-MANUAL.NET

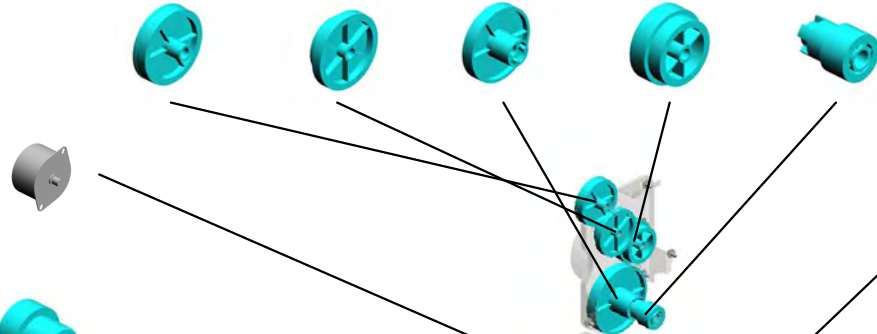
U001	U002	U003	U004	U005	U006	U007	U008	U009	U010	U011	U012	U013	U014	U015	U016	U017	U018	U019	U020	U021
------	------	------	------	------	------	------	------	------	------	------	------	------	------	------	------	------	------	------	------	------

U017 Main Drive

12.AB016000 GEAR:EXIT:NO.3
 16.AB017770 GEAR:EXIT:NO.2
 17.AB017823 GEAR:FUSING:NO.1
 15.AB017769 GEAR:EXIT:NO.1
 18.AB017824 GEAR:FUSING:NO.2



20.AX050303
 STEPPER MOTOR:
 REGISTRATION:DI
 A49



4.04543006Q
 (x14)
 TAPPING SCREW -
 M3X6

14.AB017766
 GEAR:REGISTRATI
 ON

13.AB017765
 (x4)
 GEAR:PAPER FEE
 D:NO.1

3.04533006N
 (x6)
 TAPPING SCREW -
 M3X6

5.07200040E
 (x12)
 RETAINING RING -
 M4

1.03603006N
 (x9)
 SCREW - M3X6

9.AB011287
 (x2)
 GEAR:PAPER FEE
 D:NO.2

2.04513006N
 (x12)
 TAPPING SCREW -
 3X6

19.AX050302
 (x2)
 STEPPER MOTOR:
 TRANSPORT

7.11050738
 (x3)
 CLAMP:LBWS-0511
 S-V0

8.AA082101
 (x2)
 BUSHING - 6X10X6

6.08050089
 (x2)
 RETAINING RING -
 M4

10.AB011288
 GEAR:PAPER FEE
 D:NO.3

11.AB011289
 GEAR:PAPER FEE
 D:NO.4

WWW.SERVICE-MANUAL.NET

U017 Main Drive

- 21.AX060000 BRUSHLESS MOT OR:DRUM
- 25.B2231144 (x2) HOLDER:POSITIONING SENSOR
- 36.GW020020 (x2) PHOTOINTERRUPTOR:LG248NL1
- 22.AX060356 BRUSHLESS MOT OR:DC24V 18W
- 35.D1051179 BRACKET:FUSING:EXIT:ASS'Y



24.AX200317
MAGNETIC CLUTCH:DEVELOPMENT



28.D0391163
DRUM STAY:PAPER FEED:NO.1



33.D1051164 (x2)
ROLLER CLUTCH:FEED



23.AX060376
BRUSHLESS MOT OR:DEVELOPMENT:COLOR



30.D0391171
DRUM STAY:PAPER FEED:NO.2



31.D0391172
BRACKET:PAPER FEED:NO.2:ASS'Y



34.D1051166 (x4)
ROLLER CLUTCH:GRIP



26.D0391158
BRACKET:PAPER FEED:NO.1:ASS'Y



27.D0391162 (x2)
SHAFT:FEED:ASS'Y

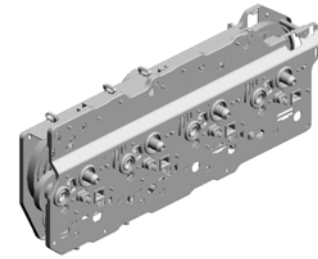


29.D0391168
GUIDE:HARNESS:PAPER FEED:NO.1



U017_S001
DRIVE UNIT:DRUM:DEVELOPMENT:ASS'Y

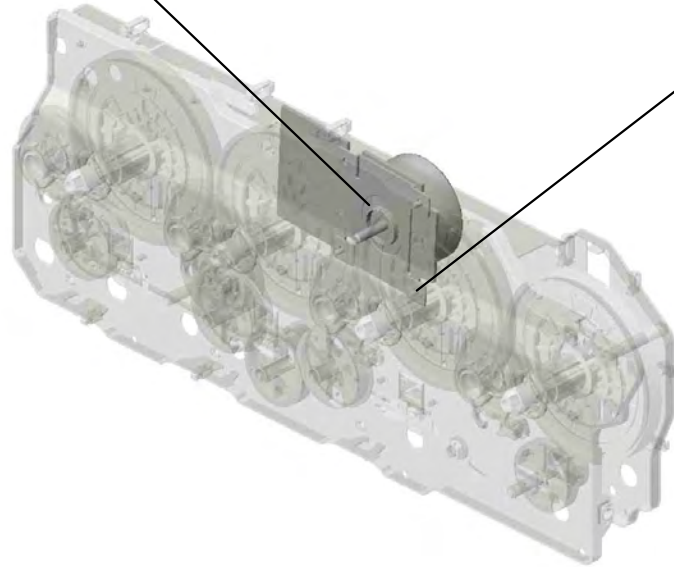
21.AX060000
BRUSHLESS MOT
OR:DRUM



32.D0391188
DRIVE UNIT:DRUM
:DEVELOPMENT:A
SS'Y

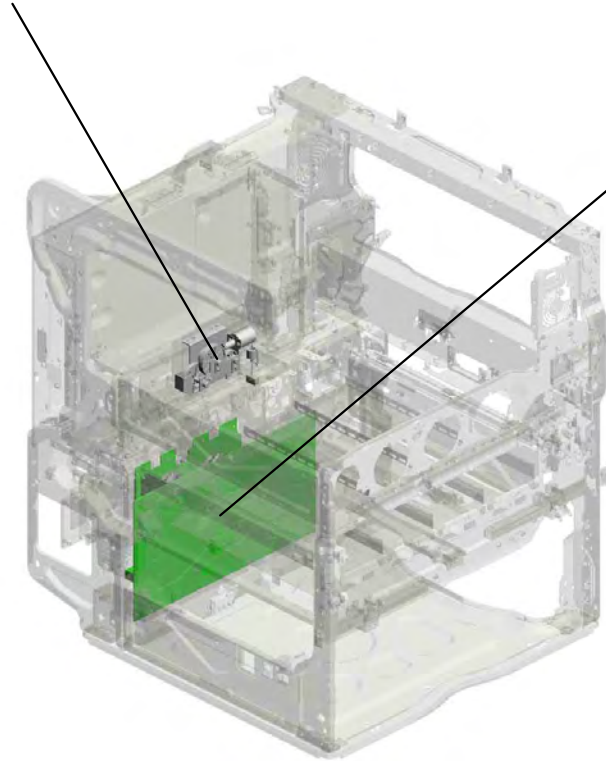


1.03603006N
(x3)
SCREW - M3X6



U018.Electrical

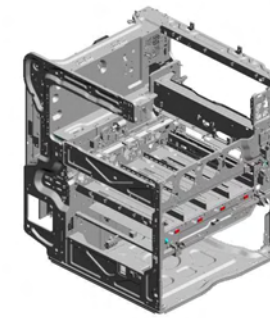
U018_S002
D0396048
DRIVE UNIT:ON-OFF:TRANS
FER ROLLER:ASS'Y



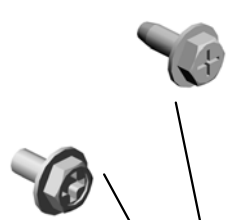
U018_S001
AZ240177
POWER SUPPLY UNIT:DOM/
NA

U018 Electrical

- 4.04513008N (x2) TAPPING SCREW - M3X8
- 13.11028502 CONNECTOR - 546 79-1615
- 5.04513020N (x2) TAPPING SCREW: 3X20
- 14.11050409 (x2) CARD SPACER- 6. 4MM
- 7.04543006Q TAPPING SCREW - M3X6



2.03603006N
(x9)
SCREW - M3X6



15.11050487
(x4)
HARNESS CLAMP



8.04563008N
(x4)
TAPPING SCREW - M3X8



19.11050518
(x4)
EDGE SADDLE - L ES-1010



18.11050516
(x2)
CLAMP



20.11050534
(x2)
CLAMP



16.11050488
(x4)
HARNESS CLAMP



10.08046123
(x7)
HEXAGONAL BOLT :W/WASHER:M3X8



11.08050089
RETAINING RING - M4



17.11050511
(x8)
HARNESS CLAMP - LWS-0306ZC



12.08050092
(x2)
RETAINING RING - 3M



3.04513006N
(x43)
TAPPING SCREW - 3X6



6.04513025N
TAPPING SCREW:
M3X25



1.03530030N
(x4)
SCREW:M3X3



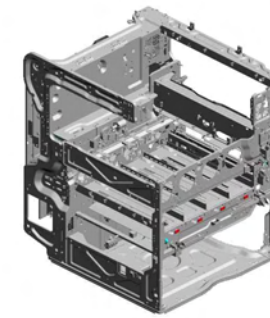
9.08025299
(x4)
TAPPING SCREW - M3X8



WWW.SERVICE-MANUAL.NET

U018 Electrical

- 25.14077036 EEPROM:AT24C12 8B-PU
- 39.AZ320180 POWER PACK:TTS :AT-C2
- 34.AW140016 TEMPERATURE & HUMIDITY SENSOR
- 35.AW500023 (x2) PUSH SWITCH
- 33.AW100138 THERMOPILE



21.11050687
(x2)
CLAMP:FC-30

40.AZ320181
POWER PACK:CB

37.AX310049
TOTAL COUNTER:
7FIG:24V:(Option)

31.AW020145
(x3)
PHOTOINTERRUPTOR:FLAT

36.AW500038
(x2)
PUSH SWITCH:PA
PER SIZE SENSOR

24.12042598
SWITCH

30.AB010381
GEAR:IDLER:COLLECTION BOTTLE

42.BB013022
GEAR:DRIVE:COLLECTION BOTTLE

41.B0392730
(x2)
PAPER END SENSOR

22.11050692
(x9)
CLAMP:LES-0503

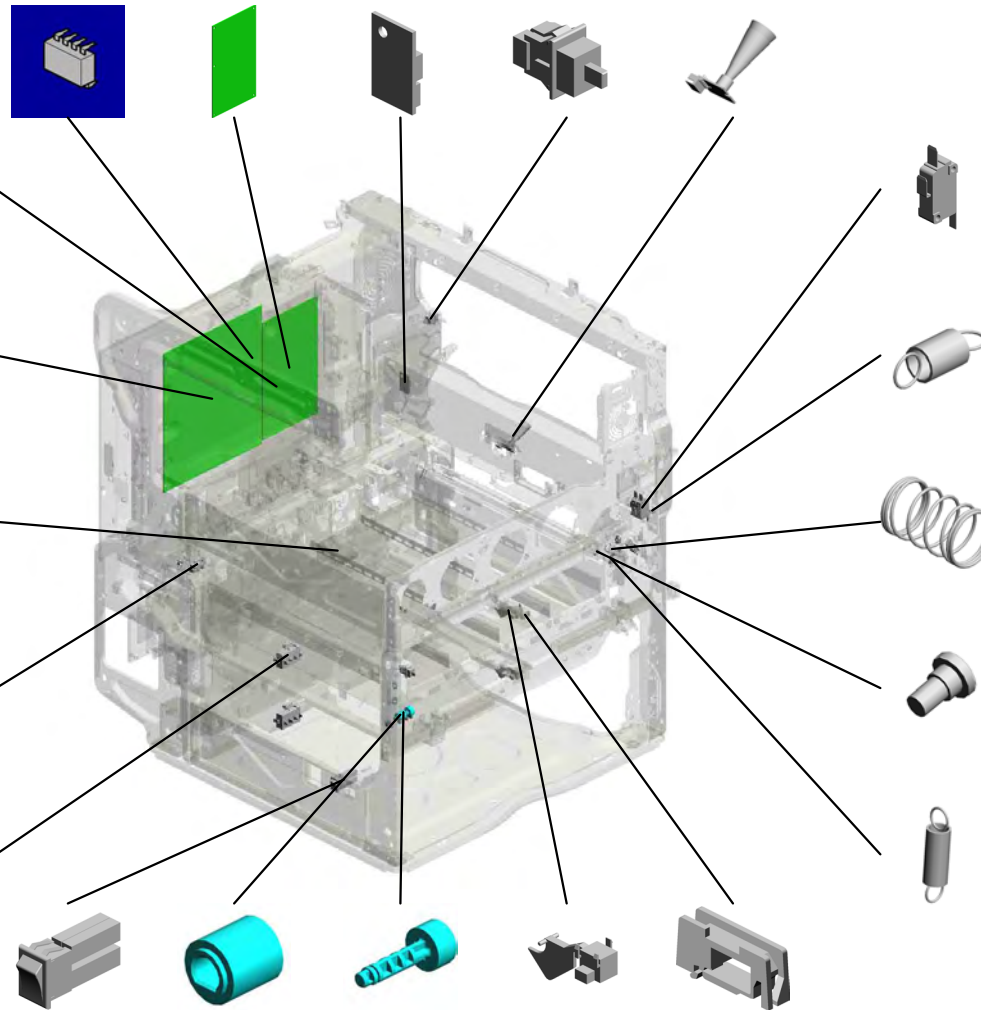
23.12042521
(x2)
MICRO SWITCH

27.AA063568
PRESSURE SPRING

26.AA063458
COMPRESSION SPRING:KNOB

29.AA143867
SCREW:DIA4:M3

28.AA066391
(x2)
TENSION SPRING:ON-OFF



U018 Electrical

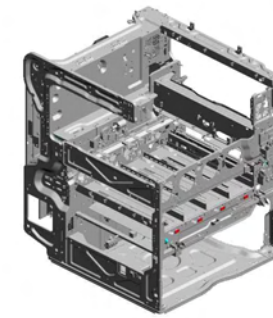
45.D0395122
PCB:DRB

54.D0395858
CASE:HARNESS:F
USING

53.D0395857
COVER:HARNESS:
REAR MIDDLE

62.D0396323
BRACKET:SENSO
R:TM

63.D0396324
GUIDE PLATE:TRA
NSFER:ENTRANCE



44.D0145974
COVER:CONNECT
OR:EFI

59.D0396305
HOLDER:USED TO
NER SENSOR:BEL
T CLEANING

60.D0396306
FEELER:TONER C
OLLECTION COIL

56.D0395862
COVER:TRAY:LEF
T UPPER

52.D0395856
COVER:TRAY:LEF
T LOWER

55.D0395859
(x3)
COVER:BASE:POSI
TIONING PIN

64.D0396325
BUSHING:DENSITY
SENSOR:FRONT

49.D0395844
LEVER:SAFETY S
WITCH:FRONT

51.D0395846
SPRING:SAFETY S
WITCH:FRONT

61.D0396315
(x2)
BUSHING:GEAR:O
N-OFF

50.D0395845
LEVER:SAFETY S
WITCH:RIGHT

47.D0395842
LEVER:SAFETY S
WITCH:MIDDLE

46.D0395836
BASE:SAFETY SWI
TCH:PEEN

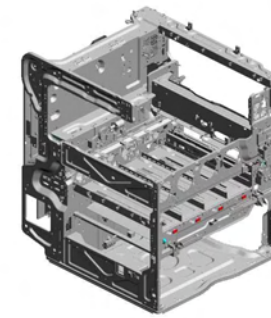
43.C2292016
STEPPED SCREW

48.D0395843
LEVER:SAFETY S
WITCH:MIDDLE:SM
ALL

WWW.SERVICE-MANUAL.NET

U018 Electrical

65.D0396326 BUSHING:DENSITY
SENSOR:REAR
66.D0396327 (x6)
SPACER:SENSOR:
TM
82.D1054362 BRACKET:THERM
OPILE
83.D1054365 HOLDER:THERMO
PILE
81.D0746100 DENSITY SENSOR



84.D1055102
PCB:BCU:ASSY



67.D0396330
GROUND PLATE:BI
AS:BK



79.D0415898
BRACKET:TOTAL
COUNTER:(Option)



80.D0415899
COVER:CONNECT
OR:HEATER



78.D0415897
COVER:SWITCH:H
EATER



76.D0396584
DC MOTOR:ASSY



75.D0396583
BRACKET:DRIVE:C
OLLECTION BOTTL
E



77.D0396597
HINGE:COLLECTIO
N BOTTLE



69.D0396337
SHUTTER:ON-OFF:
BK



72.D0396347
GEAR:ON-OFF:IDL
ER:2



74.D0396349
CAM:ON-OFF



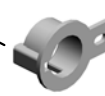
73.D0396348
GEAR:ON-OFF



70.D0396341
DC MOTOR:ON-OF
F:TRANSFER ROLL
ER:SECOND:ASS'Y



68.D0396334
HOLDER:KNOB:ON
-OFF:BK



71.D0396346
GEAR:ON-OFF:IDL
ER:1

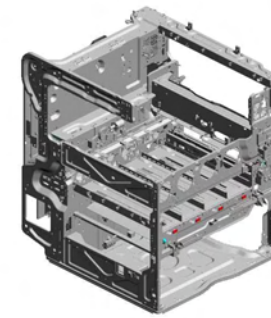


WWW.SERVICE-MANUAL.NET

U018 Electrical

88.D1055863
COVER:HARNESS:
SCANNER:PEEN

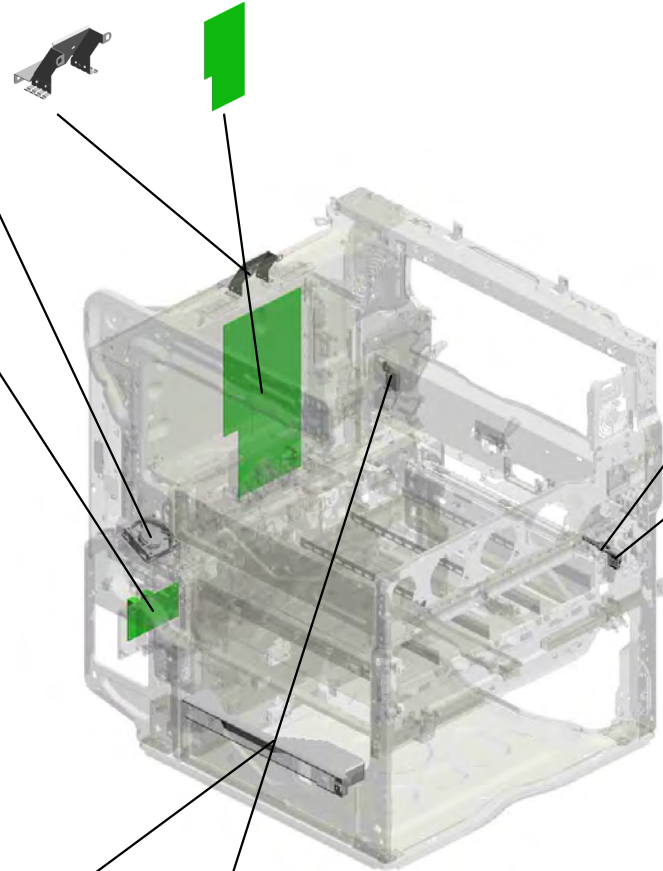
86.D1055720
PCBC1_5:IMAGE P
ROCESSING UNIT



92.GX640027
FAN MOTOR - DC2
4V 1.92W



85.D1055192
PCB:SDVDB:100V



90.D1056338
KNOB:ON-OFF:INT
ERMEDIATE TRAN
SFER:BK:BASE



91.D1056339
KNOB:ON-OFF:INT
ERMEDIATE TRAN
SFER:BK



87.D1055855
COVER:HARNESS:
MAIN SWITCH

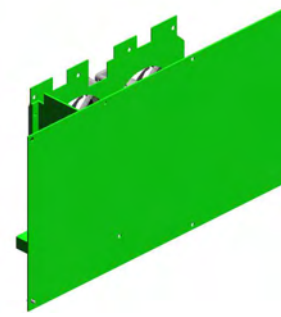
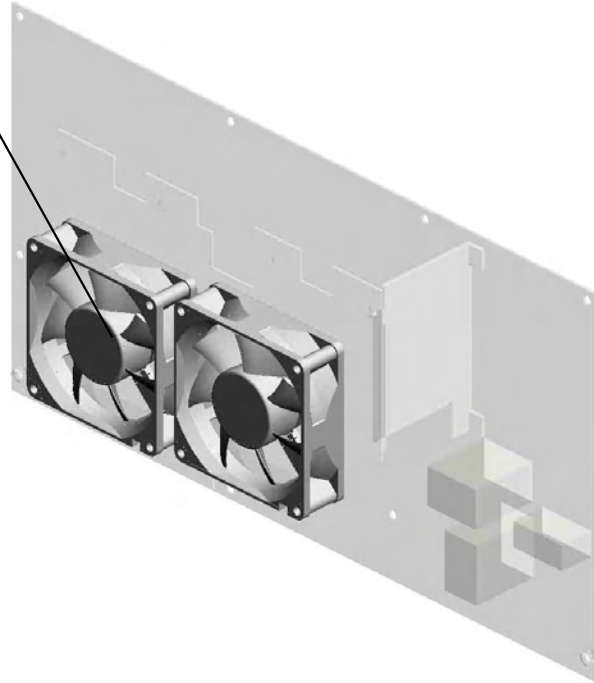


89.D1055899
HOLDER:TEMPER
ATURE & HUMIDIT
Y SENSOR



U018_S001
POWER SUPPLY UNIT:DOM/NA

93.N6114000
(x2)
FAN:MM80



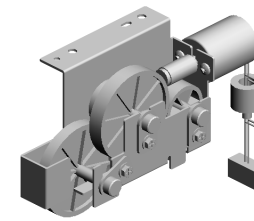
38.AZ240177
POWER SUPPLY U
NIT:DOM/NA

U018_S002

DRIVE UNIT:ON-OFF:TRANSFER ROLLER:ASS'Y

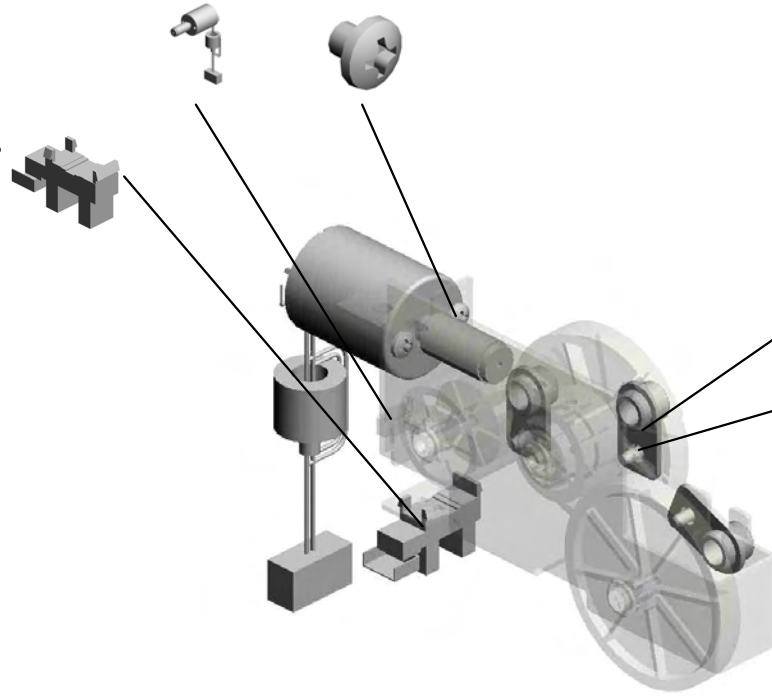
58.D0396134
DC MOTOR:ON-OFF
F:ASS'Y

1.03530030N
(x2)
SCREW:M3X3



57.D0396048
DRIVE UNIT:ON-OFF
F:TRANSFER ROLLER:ASS'Y

32.AW020190
PHOTOINTERRUPTOR



61.D0396315
(x3)
BUSHING:GEAR:ON-OFF

2.03603006N
(x3)
SCREW - M3X6

U019 Controller

3.B1545869
PANEL:INTERFAC
E:SECC

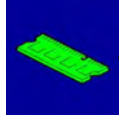
8.D1065790
SD-CARD:ZOFFYV
4:LICENSE:EXP:AS
S'Y

9.D1065792
SD-CARD:VM/CAL
YPSO:ASS'Y

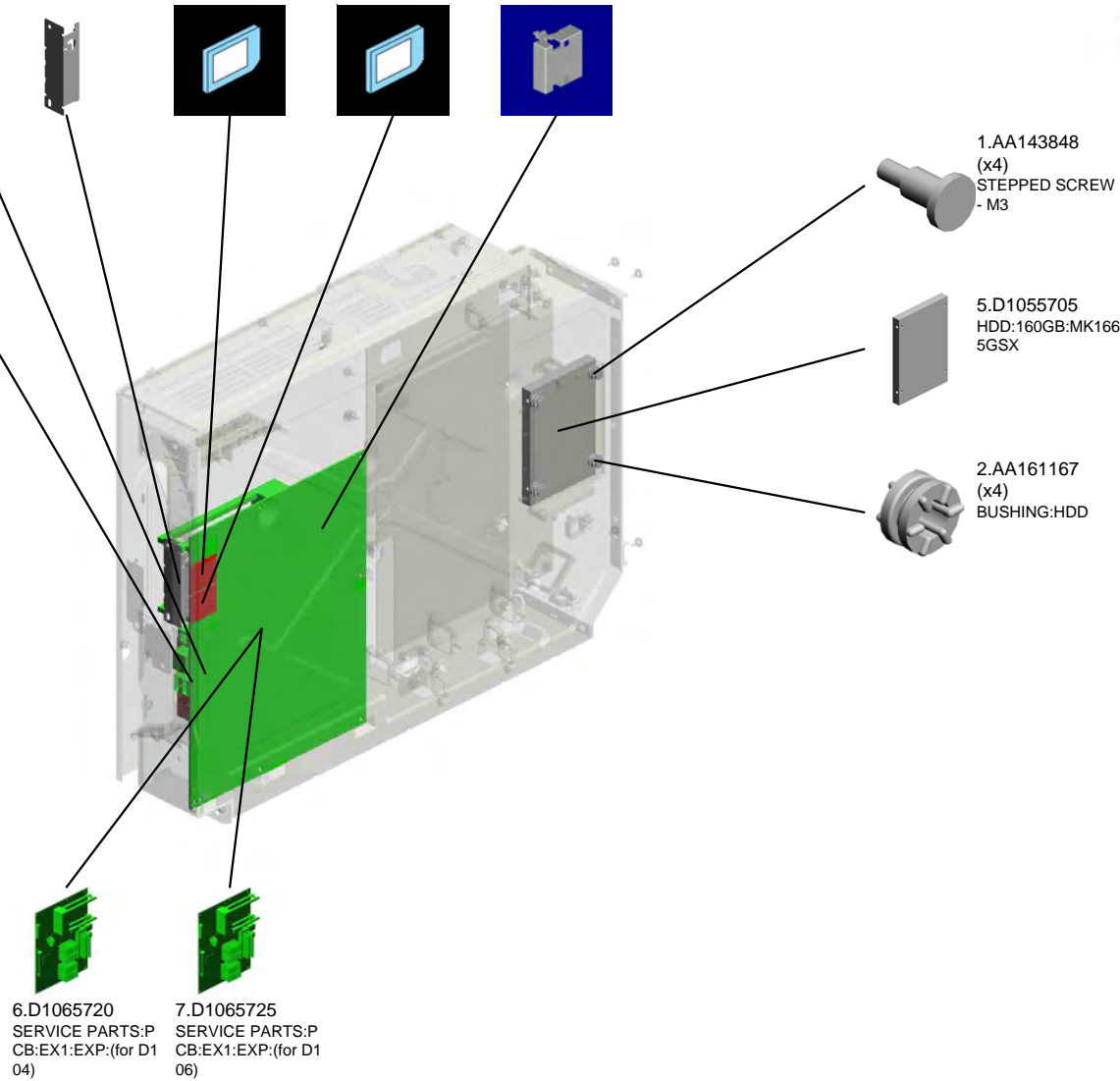
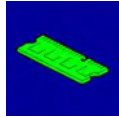
4.D1049590
NV-RAM



10.G1786062
PCB:PC4200:RAW
CARD-C:512MB

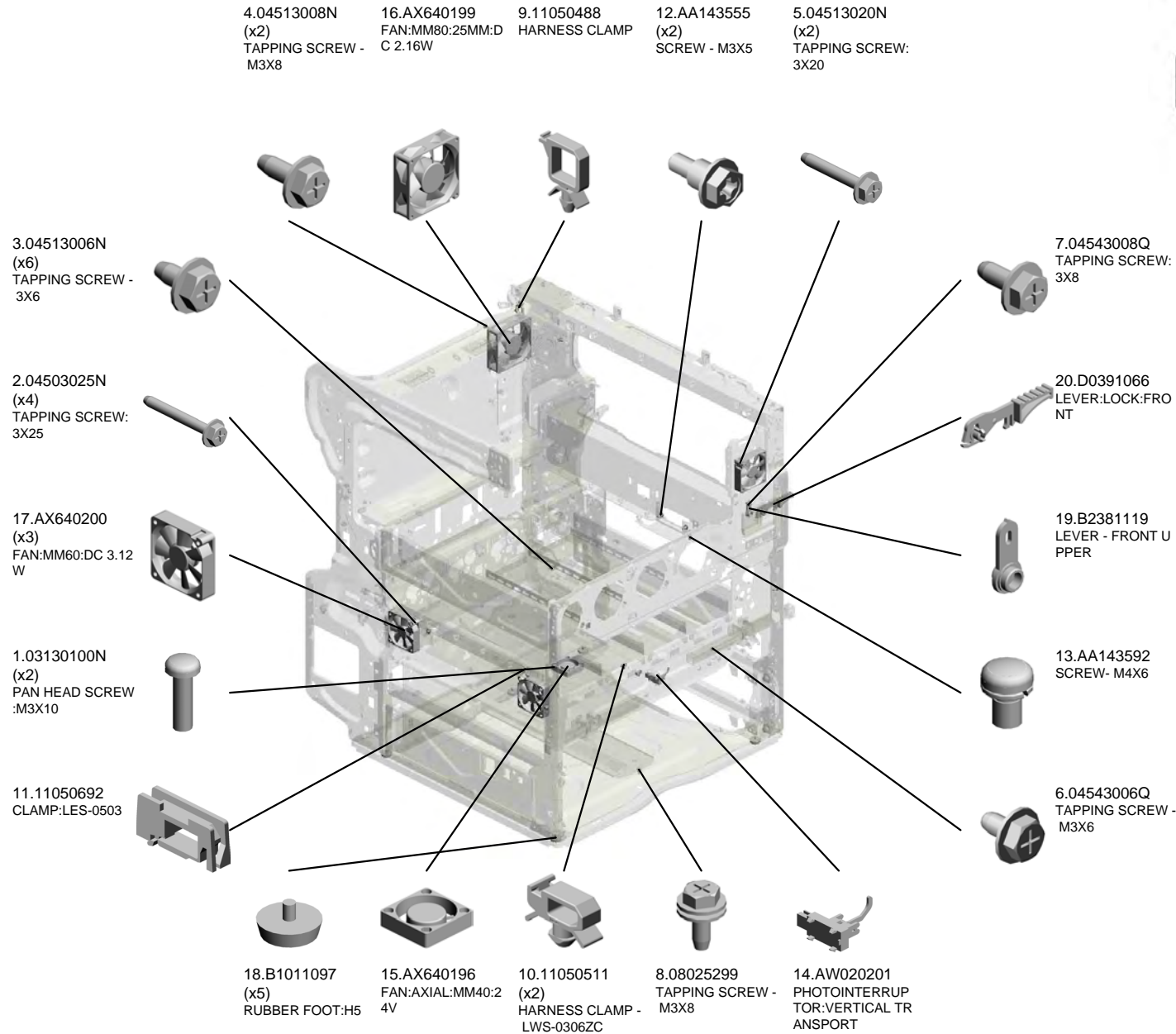


11.G1786072
PCB:PC4200:RAW
CARD-A:1GB



WWW.SERVICE-MANUAL.NET

U020 Main Frame



WWW.SERVICE-MANUAL.NET

U020 Main Frame



24.D0391312 DUCT:FUSING:EXH
AUST:LOWER
39.D1051313 DUCT:FUSING:EXH
AUST:UPPER
21.D0391087 LEVER:LOCK:REA
R
34.D0392954 BRACKET:HINGE:D
UPLEX:REAR
31.D0392923 BRACKET:PHOTOI
NTERRUPTOR:F2

23.D0391306
PLATE:IMAGE FOR
MING MD:REAR

37.D0396307
(x2)
STOPPER:BELT CL
EANING

26.D0391322
DUCT:DEVELOPM
ENT UNIT:REAR

25.D0391321
DUCT:DEVELOPM
ENT UNIT:FRONT

29.D0392592
(x2)
GUIDERALE:LEFT:
ASS'Y

38.D0412526
HEAT SINK:HEATE
R:NA:ADHESION

40.GA003030
DECAL - SHIELDIN
G PLATE Y

32.D0392929
BRACKET:PHOTOI
NTERRUPTOR:F3

28.D0392591
GUIDERAIL:RIGHT:
NO.1:ASS'Y

30.D0392595
GUIDERALE:RIGHT
:NO.2:ASS'Y

35.D0394547
BRACKET:LEVER:
DUPLIX:FRONT:A
SS'Y

36.D0396298
BRACKET:STOPPE
R:TRANSFER UNIT
:PEEN

27.D0391356
(x4)
DECAL:CLEANING:
POSITIONING DISP
LAY

22.D0391305
PLATE:IMAGE FOR
MING MD:FRONT

33.D0392951
BRACKET:HINGE:D
UPLEX:FRONT:AS
S'Y

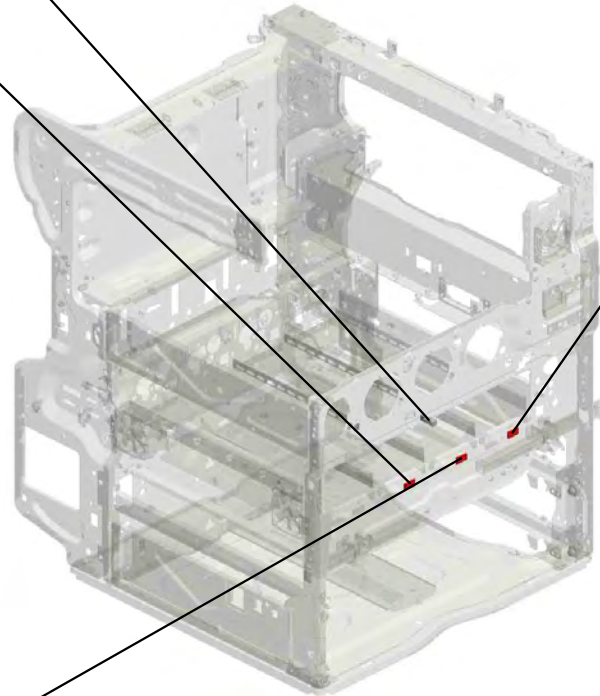
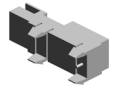
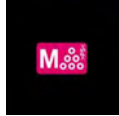
WWW.SERVICE-MANUAL.NET

U020 Main Frame

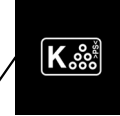
44.GW010007
PHOTO REFLECTI
ON SENSOR:EXIT



41.GA003031
DECAL - SHIELDIN
G PLATE M



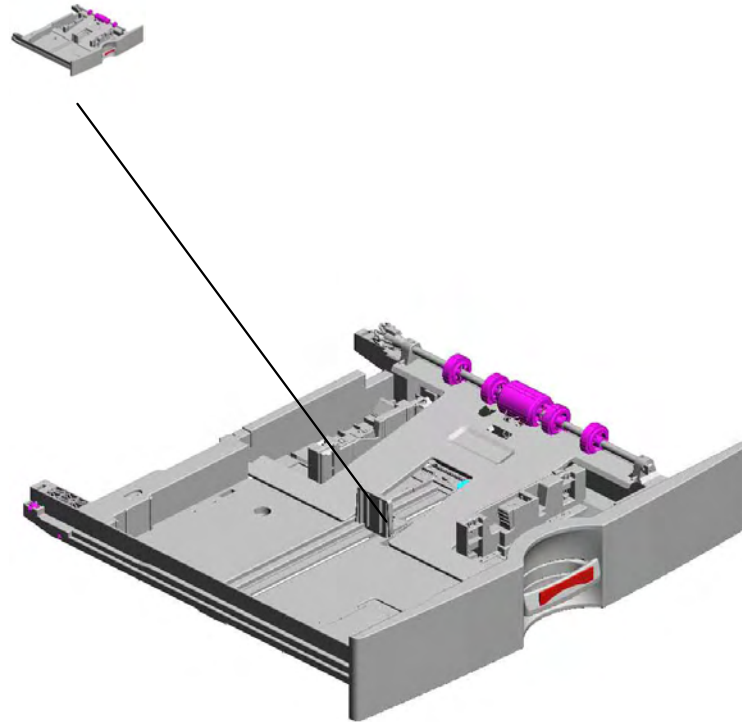
43.GA003033
DECAL - SHIELDIN
G PLATE K



42.GA003032
DECAL - SHIELDIN
G PLATE C

U021.Envelope Feeder EF3010 (Option)

U021_S001
D1062525
PAPER TRAY:NO.1:ENVELO
PE:EXP:ASSY



WWW.SERVICE-MANUAL.NET

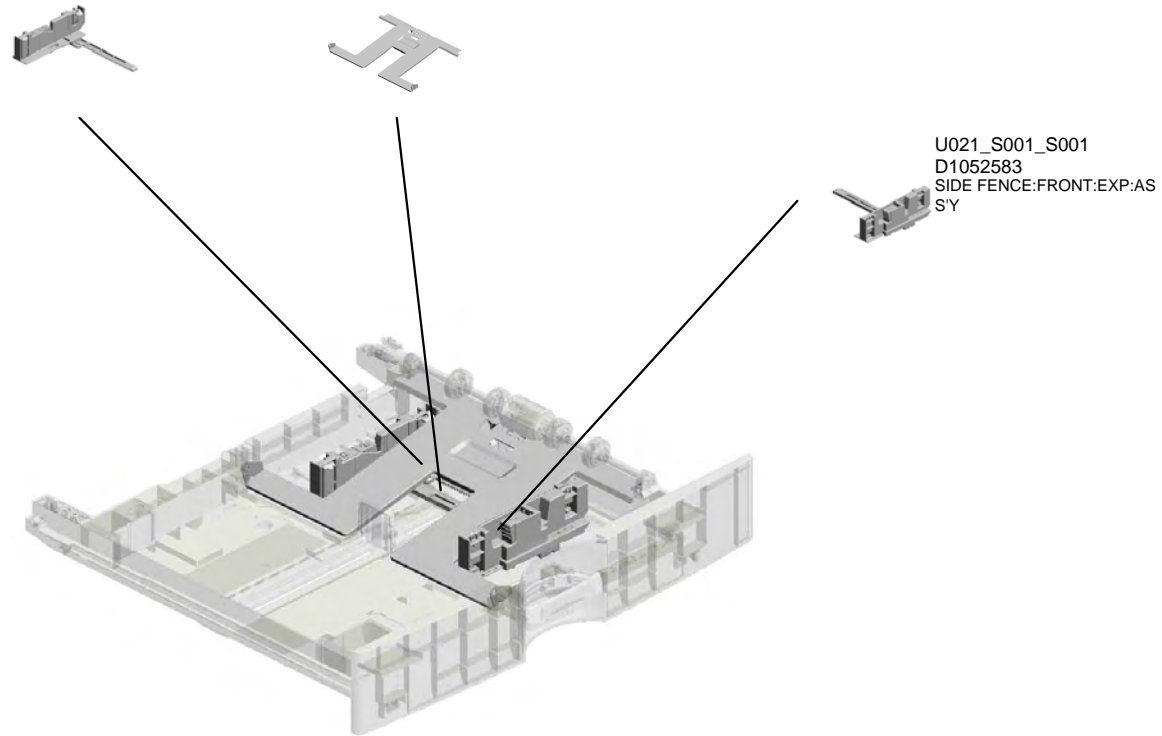
U001	U002	U003	U004	U005	U006	U007	U008	U009	U010	U011	U012	U013	U014	U015	U016	U017	U018	U019	U020	U021
------	------	------	------	------	------	------	------	------	------	------	------	------	------	------	------	------	------	------	------	------

U021_S001.PAPER TRAY:NO.1:ENVELOPE:EXP:ASS'Y

U021_S001_S003
D1052588
SIDE FENCE:REAR:EXP:ASS'
Y

U021_S001_S002
D1052585
TRAY BOTTOM PLATE:ASS'Y

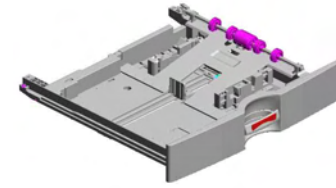
U021_S001_S001
D1052583
SIDE FENCE:FRONT:EXP:AS
S'Y



WWW.SERVICE-MANUAL.NET

U001	U002	U003	U004	U005	U006	U007	U008	U009	U010	U011	U012	U013	U014	U015	U016	U017	U018	U019	U020	U021
------	------	------	------	------	------	------	------	------	------	------	------	------	------	------	------	------	------	------	------	------

U021
Envelope Feeder EF3010 (Option)



29.D1051303
DECAL:SIZE INDIC
ATION:PAPER TRA
Y:EXP

U021_S001
 PAPER TRAY:NO.1:ENVELOPE:EXP:ASS'Y

18.D0392552
 JOINT:SHAFT:PAP
 ER FEED ROLLER

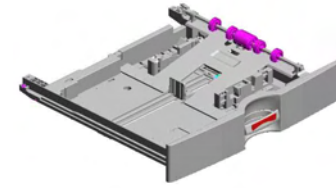
9.AA063630
 SPRING

3.08050088
 RETAINING RING -
 M6

11.AF031084
 PAPER FEED ROLL
 ER MM36

14.B1542722
 FRICTION PAD:AS
 S'Y

40.D1062525
 PAPER TRAY:NO.1
 :ENVELOPE:EXP:A
 SS'Y



6.A2322987
 (x4)
 ROLLER - PAPER T
 RAY

7.AA060866
 LEVER SPRING

15.B2232936
 GEAR - 16Z

10.AF017025
 END FENCE

17.D0392551
 PAPER TRAY

1.04563008N
 (x7)
 TAPPING SCREW -
 M3X8

20.D0392562
 HOLDER:GRIP:PAP
 ER TRAY

19.D0392561
 GRIP:PAPER TRAY

16.B2382526
 DECAL - GRIP

21.D0392566
 TENSION SPRING:
 GRIP:RIGHT

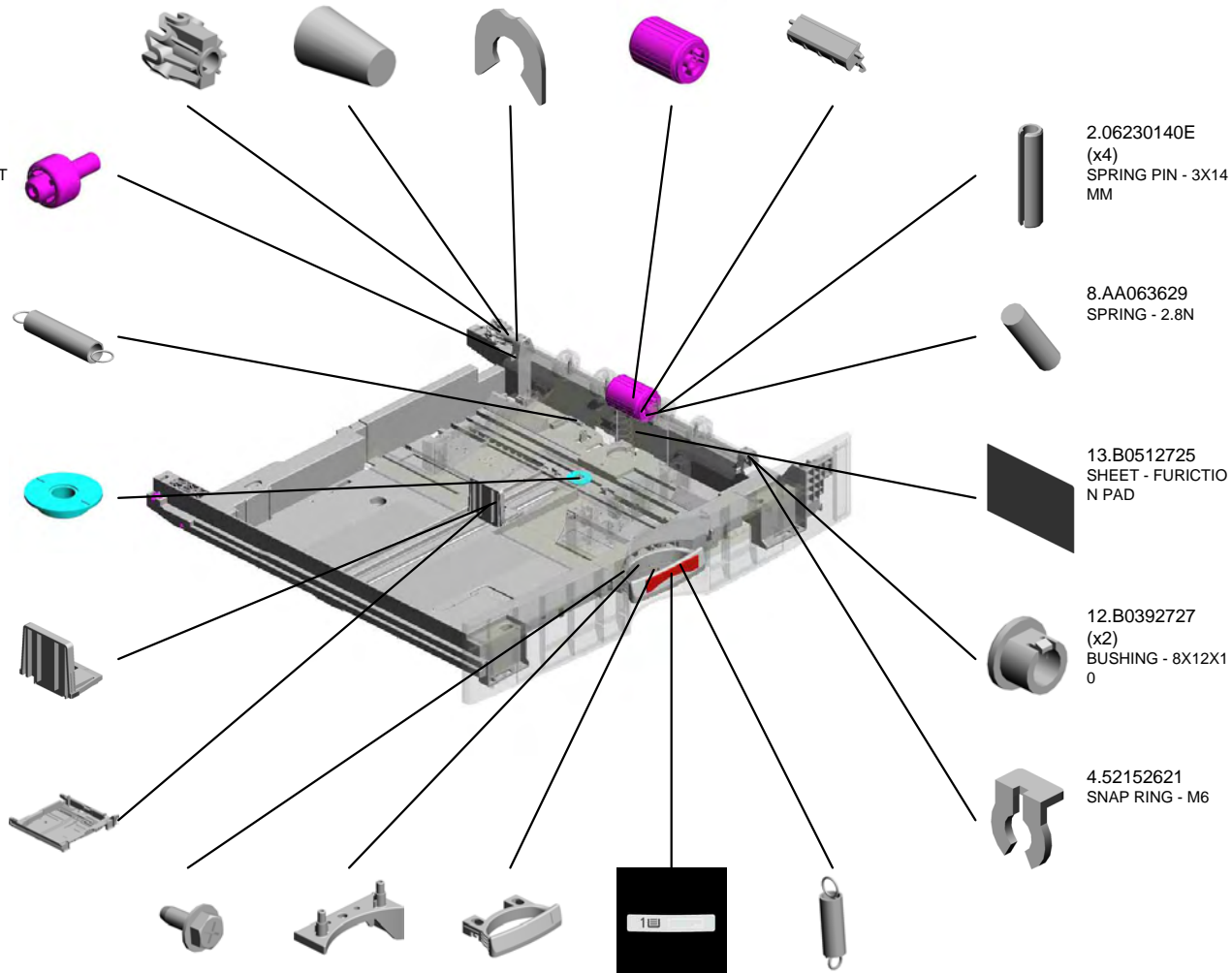
2.06230140E
 (x4)
 SPRING PIN - 3X14
 MM

8.AA063629
 SPRING - 2.8N

13.B0512725
 SHEET - FURICTIO
 N PAD

12.B0392727
 (x2)
 BUSHING - 8X12X1
 0

4.52152621
 SNAP RING - M6



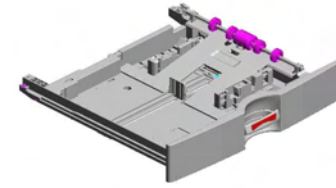
38.D1052833
SHAFT:COIL SPRING

26.D0392834
SPRING:TRAY:REAR

23.D0392569
GROUND PLATE:FEED

43.G0702711
BASE STOPPER

30.D1052550
(x4)
PAPER FEED ROLLER:AUXILIARY



40.D1062525
PAPER TRAY:NO.1
:ENVELOPE:EXP:ASS'Y

36.D1052719
COIL SPRING:EAR
TH:TRAY BOTTOM
PLATE

42.G0702710
PAPER SIZE SENS
OR LINK

39.D1052874
DECAL:PAPER SE
T DIRECTION:ENV
ELOPE:EXP

27.D0392835
DECAL:PAPER SE
T DIRECTION

37.D1052802
DECAL:SCALE:SID
E FENCE

22.D0392567
TENSION SPRING:
GRIP:LEFT

28.D0412557
COVER:PAPER TR
AY:NO.1:EU

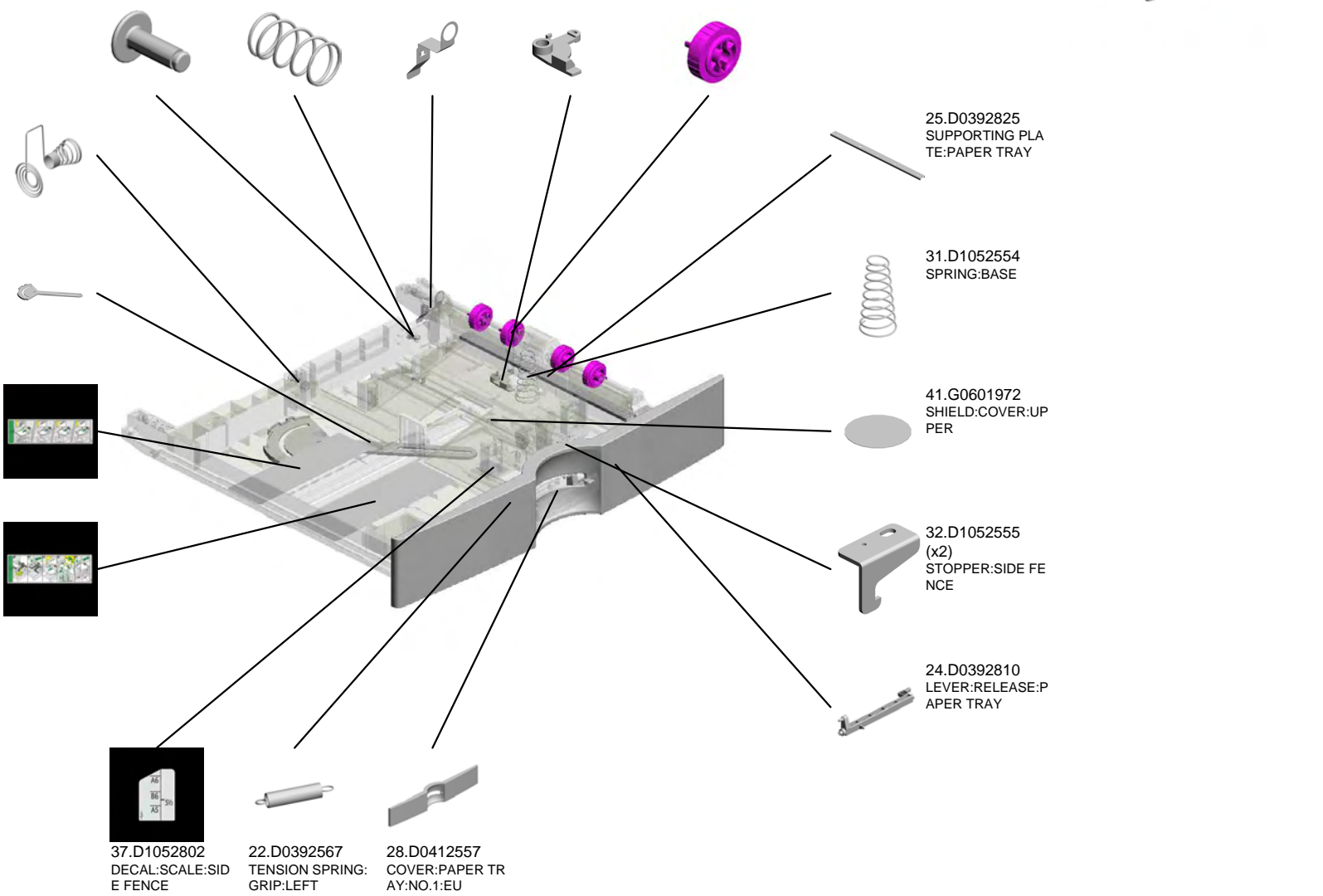
25.D0392825
SUPPORTING PLA
TE:PAPER TRAY

31.D1052554
SPRING:BASE

41.G0601972
SHIELD:COVER:UP
PER

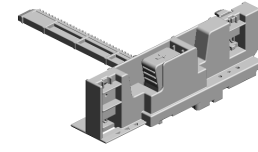
32.D1052555
(x2)
STOPPER:SIDE FE
NCE

24.D0392810
LEVER:RELEASE:P
APER TRAY



U021_S001_S001
SIDE FENCE:FRONT:EXP:ASS'Y

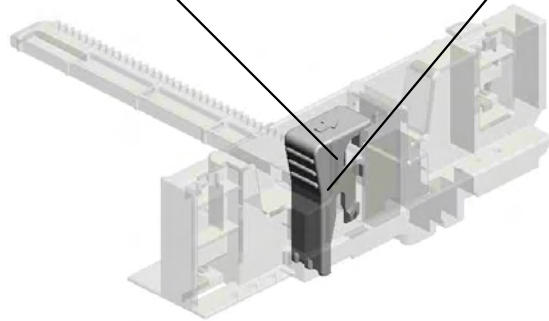
44.G0702713
SPRING PLATE ST
OPPER



33.D1052583
SIDE FENCE:FRON
T:EXP:ASS'Y

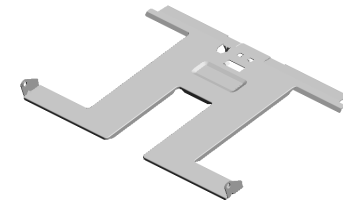


45.G0702714
FRONT LEVER - ST
OPPER



U021_S001_S002
TRAY BOTTOM PLATE:ASS'Y

5.52152713
BOTTOM PLATE P
AD

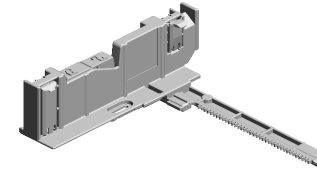


34.D1052585
TRAY BOTTOM PL
ATE:ASS'Y

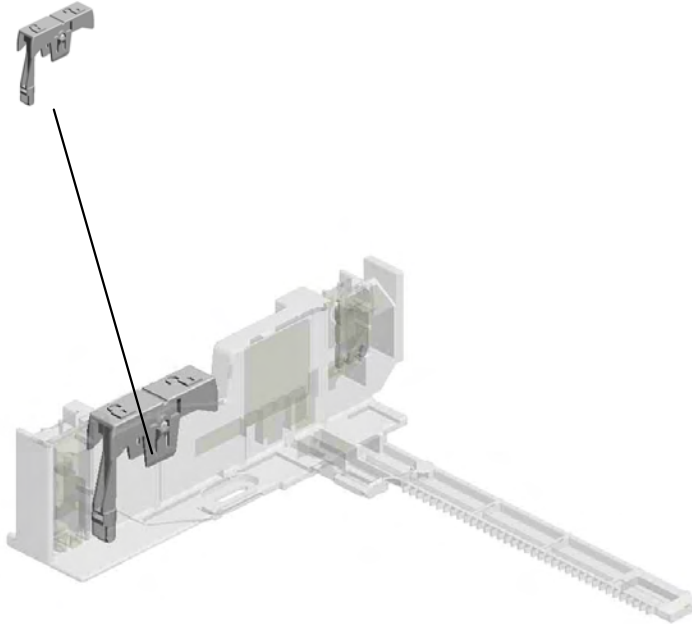


U021_S001_S003
SIDE FENCE:REAR:EXP:ASS'Y

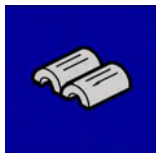
46.G0702718
REAR LEVER - ST
OPPER



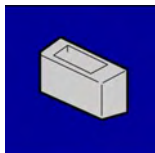
35.D1052588
SIDE FENCE:REAR
:EXP:ASS'Y



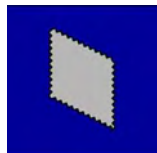
Accessories



1.16072247
FERRITE CORE:K3 NF-55(N)BK0



2.B0651371
HOLDER:EXPOSURE GLASS:ASS'Y



3.B0651374
SHEET:EXPOSURE GLASS

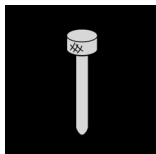


4.B2382524
DECAL:SIZE INDICATION:PAPER TR
AY

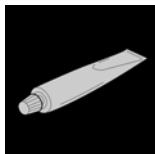


5.B6522379
DECAL:CAUTION:ORIGINAL:5-LANG
AY

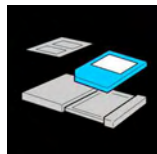
Special Tools



1.A1849501
OPTICS ADJUSTMENT TOOL



2.A2579300
GREASE - BARRIERTA S552R



3.B6455010
SD-CARD:ASS'Y



4.C4019503
20X MAGNIFICATION SCOPE

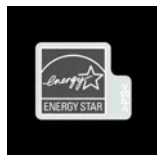
Decals and Documents



1.AA000239
DECAL:COLOR:MFP



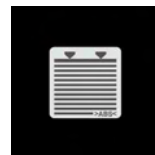
2.AA000252
DECAL:H-TEMP WARNING



3.AA001477
DECAL:ENERGY-STAR



4.B1321573
DECAL:POWER SOURCE:OFF:ENGLI
SH



5.B2232873
DECAL - SIDE FENCE REAR
SH



6.B2382524
DECAL:SIZE INDICATION:PAPER TR
AY



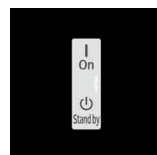
7.B2382526
DECAL - GRIP



8.B2382527
DECAL - GRIP



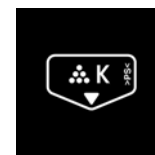
9.B2382751
DECAL - SCALE



10.D0111252
DECAL:MAIN SWITCH:ON-STANDBY:
(Option)



11.D0391350
SHEET:MISFEED REMOVAL

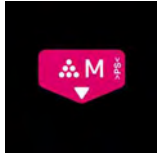


12.D0391351
DECAL:COLORED DISPLAY:INNER C
OVER:BK

Decals and Documents



13.D0391352
DECAL:COLORED DISPLAY:INNER COVER:C



14.D0391353
DECAL:COLORED DISPLAY:INNER COVER:M



15.D0391354
DECAL:COLORED DISPLAY:INNER COVER:Y



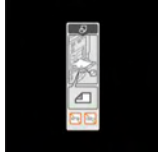
16.D0391355
DECAL:TONER BOTTLE:LOCK



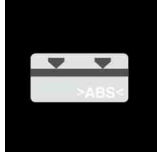
17.D0391356
DECAL:CLEANING:POSITIONING DISPLAY



18.D0391359
DECAL:CAUTION:ORIGINAL:ENGLISH



19.D0392831
DECAL:MANUAL FEED:INKJET:EXPANSION



20.D0392832
DECAL:SIDE FENCE:MANUAL FEED



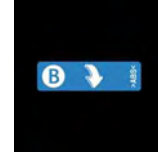
21.D0392835
DECAL:PAPER SET DIRECTION



22.D0394238
DECAL:FUSING:LEVER:C



23.D0394543
DECAL:GRIP:Z



24.D0396271
DECAL:GRIP:B



25.D1046601
SHEET:MODEL NAME PLATE:RICOH:EXPANSION:(for D104)



26.D1046602
SHEET:MODEL NAME PLATE:SAVIN:(for D104)



27.D1046604
SHEET:MODEL NAME PLATE:LANIER:(for D104)



28.D1066601
SHEET:MODEL NAME PLATE:RICOH:EXPANSION:(for D106)



29.D1066602
SHEET:MODEL NAME PLATE:SAVIN:(for D106)



30.D1066604
SHEET:MODEL NAME PLATE:LANIER:(for D106)



31.D1124264
DECAL:WARNING (HIGH TEMPERATURE):FUSING



32.GA003167
DECAL:CAUTION:INKJET:NAME

Exclusive Parts

Number	Part Name	Group	ID
52062686	SNAP RING	U001	7
52152621	SNAP RING - M6	U005_S001	3
		U006_S001	3
		U021_S001	4
52152713	BOTTOM PLATE PAD	U005_S001_S003	4
		U006_S001_S003	4
		U021_S001_S002	5
54421924	EXPOSURE GLASS CUSHION	U003	16
A1849501	OPTICS ADJUSTMENT TOOL	Special Tools	1
A1931766	WIRE CLAMP	U003	17
A1931769	CLAMP - REAR WIRE	U003	18
A2322987	ROLLER - PAPER TRAY	U005_S001	5
		U006_S001	5
		U021_S001	6
A2501752	EXPOSURE GLASS	U003	19
A2579300	GREASE - BARRIERTA S552R	Special Tools	2
AA000239	DECAL:COLOR:MFP	Decals and Documents	1
		U001	8
AA000252	DECAL:H-TEMP WARNING	Decals and Documents	2
		U015	10
AA001477	DECAL:ENERGY-STAR	Decals and Documents	3
		U001	9
AA010122	FILTER:REAR	U001	10
AA012133	FILTER:IMAGE FORMING MD	U001	11
AA060866	LEVER SPRING	U005_S001	6
		U006_S001	6
		U021_S001	7
AA060979	TENSION SPRING:TENSION:14720 MN	U003	20
AA060980	TENSION SPRING:TENSION:11300 MN	U003	21
AA061029	SPRING:SHUTTER:TONER OUTLET SUB-UNIT	U009_S001	9
		U009_S002	9
		U009_S003	9
		U009_S004	9

Number	Part Name	Group	ID
AA063456	COMPRESSION SPRING:ROLLER:TENSION	U011_S001	7
AA063458	COMPRESSION SPRING:KNOB	U018	26
AA063568	PRESSURE SPRING	U018	27
AA063629	SPRING - 2.8N	U005_S001	7
		U006_S001	7
		U021_S001	8
AA063630	SPRING	U005_S001	8
		U006_S001	8
		U021_S001	9
AA066391	TENSION SPRING:ON-OFF	U018	28
AA066408	TORSION SPRING:STRIPPER PLATE:FRONT	U014_S001	6
AA066409	TORSION SPRING:STRIPPER PLATE:REAR	U014_S001	7
AA080247	BUSHING - B-F6-3	U011_S001	8
AA080254	BUSHING - M4	U016	9
AA082075	BUSHING - M6	U015_S001	11
		U016	10
AA082101	BUSHING - 6X10X6	U007	5
		U008	5
		U016	11
		U017	8
AA082144	BUSHING - 8X12X7	U003	22
AA141017	AGITATOR:TONER SUPPLY	U009_S001	10
		U009_S002	10
		U009_S003	10
		U009_S004	10
AA141018	SHAFT:DRIVE:TONER SUPPLY	U009	11
AA143520	SHOULDER SCREW - M3	U014_S001	8
AA143555	SCREW - M3X5	U020	12
AA143592	SCREW- M4X6	U020	13
AA143848	STEPPED SCREW - M3	U019	1
AA143867	SCREW:DIA4:M3	U018	29
AA143870	STEPPED SCREW	U014_S001	9
AA161167	BUSHING:HDD	U019	2
AB010381	GEAR:IDLER:COLLECTION BOTTLE	U018	30

WWW.SERVICE-MANUAL.NET

Exclusive Parts

Number	Part Name	Group	ID
AB011287	GEAR:PAPER FEED:NO.2	U017	9
AB011288	GEAR:PAPER FEED:NO.3	U017	10
AB011289	GEAR:PAPER FEED:NO.4	U017	11
AB011311	GEAR:TRANSPORT SCREW	U009_S001	12
		U009_S002	12
		U009_S003	12
		U009_S004	12
AB011312	GEAR:AGITATOR	U009_S001	13
		U009_S002	13
		U009_S003	13
		U009_S004	13
AB011313	GEAR:TONER SUPPLY:FRONT	U009_S001	14
		U009_S002	14
		U009_S003	14
		U009_S004	14
AB012067	GEAR:DRIVE:FUSING UNIT	U014_S001	10
AB012068	GEAR:PRESSURE ROLLER:Z27	U014_S001	11
AB012069	GEAR:IDLER:PRESSURE:Z18	U014_S001	12
AB012070	GEAR:IDLER:Z15	U014_S001	13
AB016000	GEAR:EXIT:NO.3	U017	12
AB017765	GEAR:PAPER FEED:NO.1	U017	13
AB017766	GEAR:REGISTRATION	U017	14
AB017769	GEAR:EXIT:NO.1	U017	15
AB017770	GEAR:EXIT:NO.2	U017	16
AB017823	GEAR:FUSING:NO.1	U017	17
AB017824	GEAR:FUSING:NO.2	U017	18
AE020192	PRESSURE ROLLER:DIA30	U014_S001	14
AE030074	BALL BEARING:DIA17XDIA26X5	U014_S001	15
AF017025	END FENCE	U005_S001	9
		U006_S001	9
		U021_S001	10
AF031060	BY-PASS FEED ROLLER	U016	12
AF031084	PAPER FEED ROLLER MM36	U005_S001	10
		U006_S001	10
		U021_S001	11
AF033008	FRICTION PAD:10X50	U016	13
AF040571	GUIDE ROLLER	U015_S001	12
AG070514	MAGNET CATCH	U001	12

Number	Part Name	Group	ID
AW010107	PAPER FEED SENSOR	U008	6
AW010118	PAPER FEED SENSOR	U012_S001	7
AW010134	ORIGINAL SENSOR - 48MM	U003	23
AW010143	PHOTO REFLECTION SENSOR:PS R11TL1R-C	U015_S001_S001	13
AW020145	PHOTOINTERRUPTOR:FLAT	U018	31
AW020146	PHOTOINTERRUPTOR:FLAT:PICH 2MM:M4	U003	24
AW020190	PHOTOINTERRUPTOR	U018_S002	32
AW020198	PHOTOINTERRUPTOR:LG2A14NL 1	U015_S001	14
		U016	14
AW020201	PHOTOINTERRUPTOR:VERTICAL TRANSPORT	U020	14
AW020204	PHOTOINTERRUPTOR:LGRC102	U003	25
AW020205	PHOTOINTERRUPTOR:DUPLEX	U016	15
AW100123	THERMISTOR:FUSING:FRONT	U014_S001	16
AW100127	THERMISTOR:PRESSURE:MIDDLE	U014_S001	17
AW100128	THERMISTOR:PRESSURE:FRONT	U014_S001	18
AW100138	THERMOPILE	U018	33
AW110102	THERMOSTAT:MIDDLE:UPPER	U014_S001	19
AW140016	TEMPERATURE & HUMIDITY SENSOR	U018	34
AW500023	PUSH SWITCH	U018	35
AW500037	PAPER SIZE SENSOR	U016	16
AW500038	PUSH SWITCH:PAPER SIZE SENSOR	U018	36
AX050298	BRUSHLESS MOTOR:INTERMEDIATE TRANSFER	U011	9
AX050302	STEPPER MOTOR:TRANSPORT	U016	17
		U017	19
AX050303	STEPPER MOTOR:REGISTRATION :DIA49	U017	20
AX060000	BRUSHLESS MOTOR:DRUM	U017	21
		U017_S001	21
AX060356	BRUSHLESS MOTOR:DC24V 18W	U017	22
AX060376	BRUSHLESS MOTOR:DEVELOPMENT:COLOR	U017	23
AX060397	POLYGON SCANNER	U004_S001	2

WWW.SERVICE-MANUAL.NET

Exclusive Parts

Number	Part Name	Group	ID
AX200317	MAGNETIC CLUTCH:DEVELOPMENT	U017	24
AX310049	TOTAL COUNTER:7FIG:24V:(Option)	U018	37
AX440331	HEATER:116V:700W/480W	U014_S001	20
AX640196	FAN:AXIAL:MM40:24V	U020	15
AX640199	FAN:MM80:25MM:DC 2.16W	U020	16
AX640200	FAN:MM60:DC 3.12W	U020	17
AX640202	FAN:MM40X15:NIDEC:H	U015	15
AZ240177	POWER SUPPLY UNIT:DOM/NA	U018_S001	38
AZ320180	POWER PACK:TTS:AT-C2	U018	39
AZ320181	POWER PACK:CB	U018	40
B0241264	MAGNET CATCH	U001	13
B0391367	RIVET - M6	U001	14
B0392628	BOTTOM PLATE PAD	U016	18
B0392727	BUSHING - 8X12X10	U005_S001	11
		U006_S001	11
		U021_S001	12
B0392730	PAPER END SENSOR	U018	41
B0434685	SPRING - 2.8N	U016	19
B0512725	SHEET - FRICTION PAD	U005_S001	12
		U006_S001	12
		U021_S001	13
B0651371	HOLDER:EXPOSURE GLASS:ASSY	Accessories	2
B0651374	SHEET:EXPOSURE GLASS	Accessories	3
B0771253	CAP:34X55	U001	15
B1011097	RUBBER FOOT:H5	U020	18
B1321573	DECAL:POWER SOURCE:OFF:ENGLISH	Decals and Documents	4
		U001	16
B1542722	FRICTION PAD:ASSY	U005_S001	13
		U006_S001	13
		U021_S001	14
B1542726	SHAFT:PAPER FEED ROLLER:ASSY	U005_S001	14
		U006_S001	14
B1545869	PANEL:INTERFACE:SECC	U019	3
B2231144	HOLDER:POSITIONING SENSOR	U017	25

Number	Part Name	Group	ID
B2231253	EMBLEM COVER	U001	17
B2231293	CAP:COVER:REAR	U001	18
B2231475	PCB OP-L	U002_S001	6
B2231518	KEYTOP - BLANK FB	U002_S001	7
B2231520	KEYTOP - CLEAR/STOP	U002_S001	8
B2231528	KEYTOP - COPY NA	U002_S001	9
B2231529	KEYTOP - DOC NA	U002_S001	10
B2231531	KEYTOP:PRINTER:NA	U002_S001	11
B2231532	KEYTOP:SCANNER:NA	U002_S001	12
B2231533	KEYTOP:FUNCTION:NA	U002_S001	13
B2231540	KEYTOP:10KEY:NA	U002_S001	14
B2232873	DECAL - SIDE FENCE REAR	Decals and Documents	5
		U005_S001_S002	15
		U006_S001_S002	15
B2232936	GEAR - 16Z	U005_S001	16
		U006_S001	16
		U021_S001	15
B2234464	TIMING PULLEY:23T	U016	20
B2234552	BUSHING:DIA4	U016	21
B2274673	EXIT ROLLER	U015_S001	16
B2291687	HEATER:OPTION:120V:9W:(Option)	U003	26
B2381119	LEVER - FRONT UPPER	U020	19
B2381373	CAP - LOUVER MM80	U001	19
B2381396	CAP - REAR	U001	20
B2381504	KEYTOP - START	U002_S001	15
B2381506	KEYTOP - TRY PRINT	U002_S001	16
B2381509	KEYTOP - INTERRUPT	U002_S001	17
B2381511	KEYTOP - COUNTER	U002_S001	18
B2381519	LENS - FRONT	U002_S001	19
B2381547	SPACER - KEYTOP	U002_S001	20
B2381549	KEYTOP - POWER SOURCE	U002_S001	21
B2381550	KEYTOP - LOGIN	U002_S001	22
B2381552	KEYTOP - KANTAN	U002_S001	23
B2381583	KEYTOP - CLEAR MODES	U002_S001	24
B2381715	STEPPER MOTOR DC3.9V	U003	27
B2381762	GROUND PLATE - STEPPER MOTOR	U003	28

WWW.SERVICE-MANUAL.NET

Exclusive Parts

Number	Part Name	Group	ID
B2381792	TIMING BELT - 157ST1.5-4.0	U003	29
B2381801	SCALE - LEFT (A)	U003	30
B2381807	PULLEY	U003	31
B2382524	DECAL:SIZE INDICATION:PAPER T RAY	Accessories	4
		Decals and Docu ments	6
B2382526	DECAL - GRIP	Decals and Docu ments	7
		U005_S001	17
		U021_S001	16
B2382527	DECAL - GRIP	Decals and Docu ments	8
		U006_S001	17
B2382675	REGISTRATION ROLLER BUSHIN G	U008	7
B2382751	DECAL - SCALE	Decals and Docu ments	9
		U016	22
B2591367	COVER MAGNET	U001	21
B2614650	SEPARATION PAD	U016	23
B3901759	SHAFT:SCALE	U003	32
B6455010	SD-CARD:ASS'Y	Special Tools	3
B6522379	DECAL:CAUTION:ORIGINAL:5-LAN G	Accessories	5
BB013022	GEAR:DRIVE:COLLECTION BOTTL E	U018	42
C2292016	STEPPED SCREW	U018	43
C4019503	20X MAGNIFICATION SCOPE	Special Tools	4
D0091466	PCB:OP-R:SUB-ASS'Y	U002_S001	25
D0091486	INVERTOR:TFT	U002_S001	26
D0091487	CABLE:FFC:TFT:LCD	U002_S001	27
D0091488	TOUCH PANEL:W-VGA:MA	U002_S001	28
D0091504	SHADEING PLATE:TOUCH PANEL	U002_S001	29
D0091551	COVER:UPPER:NA	U002_S001	30
D0091556	PANEL:UPPER:NA	U002_S001	31
D0092573	PULLEY - VERTICAL TRANSPORT	U016	24
D0092574	PULLEY - IDLER	U016	25
D0094455	CUSHION - DC SOLENOID	U015_S001	17

Number	Part Name	Group	ID
		U016	26
D0094485	BUSHING - GATE	U015_S001	18
		U016	27
D0094487	COMPRESSION SPRING - GATE	U016	28
D0111252	DECAL:MAIN SWITCH:ON-STANDB Y:(Option)	Decals and Docu ments	10
		U001	22
D0145974	COVER:CONNECTOR:EFI	U018	44
D0251727	MIRROR:NO.2:CONCAVE:ASS'Y	U003	33
D0251728	MIRROR:NO.2:CONVAX:ASS'Y	U003	34
D0251736	SCALE:LEFT:B:NA:ASS'Y	U003	35
D0291715	CARRIAGE:NO.1:ASS'Y	U003	36
D0291745	PULLEY:DRIVE WERE:FRONT	U003	37
D0291748	PULLEY:DRIVE WERE:REAR:ASS' Y	U003	38
D0291749	PULLEY:PROTECTION	U003	39
D0292677	TRANSPORT BELT:DRIVEN:VERTI CAL TRANSPORT	U016	29
D0391066	LEVER:LOCK:FRONT	U020	20
D0391087	LEVER:LOCK:REAR	U020	21
D0391158	BRACKET:PAPER FEED:NO.1:ASS' Y	U017	26
D0391162	SHAFT:FEED:ASS'Y	U017	27
D0391163	DRUM STAY:PAPER FEED:NO.1	U017	28
D0391168	GUIDE:HARNES: PAPER FEED:N O.1	U017	29
D0391171	DRUM STAY:PAPER FEED:NO.2	U017	30
D0391172	BRACKET:PAPER FEED:NO.2:ASS' Y	U017	31
D0391188	DRIVE UNIT:DRUM:DEVELOPMEN T:ASS'Y	U017_S001	32
D0391231	COVER:SCANNER:FRONT	U002	32
D0391232	COVER:SCANNER:RIGHT	U001	23
D0391233	COVER:SCANNER:LEFT	U001	24
D0391234	COVER:SCANNER:REAR	U001	25
D0391236	COVER:SCANNER:FRONT LOWER	U002	33
D0391239	CAP:COVER:OPERATION SUB-UNI T	U002	34

WWW.SERVICE-MANUAL.NET

Exclusive Parts

Number	Part Name	Group	ID
D0391241	INNER COVER:UPPER	U001	26
D0391242	INNER COVER:RIGHT	U001	27
D0391246	INNER COVER:DC BRUSHLESS MOTOR:INTERMEDIATE TRANSFER	U001	28
D0391247	GROUND PLATE:DC BRUSHLESS MOTOR:INTERMEDIATE TRANSFER	U001	29
D0391251	COVER:FRONT	U001	30
D0391253	BAND:COVER:FRONT	U001	31
D0391254	SPRING PLATE:BAND	U001	32
D0391256	CLEANER:SHIELD GLASS:ASS'Y	U001	33
D0391259	SHAFT:COVER:FRONT	U001	34
D0391261	COVER:UPPER:INNER BACK	U001	35
D0391262	COVER:UPPER:EXIT	U001	36
D0391263	GUIDE PLATE:SCANNER	U001	37
D0391264	COVER:FRONT UPPER	U001	38
D0391271	COVER:RIGHT REAR	U001	39
D0391272	COVER:RIGHT UPPER	U001	40
D0391273	COVER:RIGHT LOWER	U001	41
D0391282	COVER:LEFT MIDDLE	U001	42
D0391283	COVER:LEFT UPPER REAR	U001	43
D0391284	COVER:LEFT:OPTION	U001	44
D0391285	COVER:MAIN SWITCH	U001	45
D0391293	COVER:REAR:HARNESS	U001	46
D0391305	PLATE:IMAGE FORMING MD:FRONT	U020	22
D0391306	PLATE:IMAGE FORMING MD:REAR	U020	23
D0391312	DUCT:FUSING:EXHAUST:LOWER	U020	24
D0391321	DUCT:DEVELOPMENT UNIT:FRONT	U020	25
D0391322	DUCT:DEVELOPMENT UNIT:REAR	U020	26
D0391350	SHEET:MISFEED REMOVAL	Decals and Documents U001	11 47
D0391351	DECAL:COLORED DISPLAY:INNER COVER:BK	Decals and Documents U001	12 48
D0391352	DECAL:COLORED DISPLAY:INNER	Decals and Documents	13

Number	Part Name	Group	ID
	COVER:C	ments U001	49
D0391353	DECAL:COLORED DISPLAY:INNER COVER:M	Decals and Documents U001	14 50
D0391354	DECAL:COLORED DISPLAY:INNER COVER:Y	Decals and Documents U001	15 51
D0391355	DECAL:TONER BOTTLE:LOCK	Decals and Documents U001	16 52
D0391356	DECAL:CLEANING:POSITIONING DISPLAY	Decals and Documents U020	17 27
D0391359	DECAL:CAUTION:ORIGINAL:ENGLISH	Decals and Documents U002	18 35
D0391700	INNER COVER:SCANNER:PEEN	U003	40
D0391705	GROUND PLATE:HARNESS:SBU	U003	41
D0391715	DRIVE WERE	U003	42
D0391717	SHAFT:SCANNER:DRIVE	U003	43
D0391718	PULLEY:IDLER:LEFT FRONT:PEEN	U003	44
D0391720	PULLEY:IDLER:LEFT REAR:PEEN	U003	45
D0391733	XENON LAMP:DIA10:ASS'Y	U003	46
D0391742	CARRIAGE:NO.2:SUB-ASS'Y	U003	47
D0391747	GUIDE:HIGH VOLTAGE SUPPLY CORD	U003	48
D0391748	GUIDE:HIGH VOLTAGE SUPPLY CORD:RAIL	U003	49
D0391751	HOLDER:EXPOSURE GLASS	U003	50
D0391769	FRAME:REAR	U003	51
D0391770	GROUND PLATE:SENSOR:AKS	U003	52
D0391801	LENS:HOLDER:ASS'Y	U003	53
D0391823	COVER:HEATER:SCANNER:(Option)	U003	54
D0391975	COVER:POLYGON SCANNER:ASS'Y	U004_S001	3
D0392030	PCU:ASS'Y	U010_S001	1

Exclusive Parts

Number	Part Name	Group	ID
		U010_S002	1
		U010_S003	1
		U010_S004	1
D0392551	PAPER TRAY	U005_S001	18
		U006_S001	18
		U021_S001	17
D0392552	JOINT:SHAFT:PAPER FEED ROLLER	U005_S001	19
		U006_S001	19
		U021_S001	18
D0392561	GRIP:PAPER TRAY	U005_S001	20
		U006_S001	20
		U021_S001	19
D0392562	HOLDER:GRIP:PAPER TRAY	U005_S001	21
		U006_S001	21
		U021_S001	20
D0392566	TENSION SPRING:GRIP:RIGHT	U005_S001	22
		U006_S001	22
		U021_S001	21
D0392567	TENSION SPRING:GRIP:LEFT	U005_S001	23
		U006_S001	23
		U021_S001	22
D0392569	GROUND PLATE:FEED	U005_S001	24
		U006_S001	24
		U021_S001	23
D0392583	SIDE FENCE:FRONT:ASS'Y	U005_S001_S001	25
		U006_S001_S001	25
D0392584	SIDE FENCE:REAR:ASS'Y	U005_S001_S002	26
		U006_S001_S002	26
D0392585	TRAY BOTTOM PLATE:ASS'Y	U005_S001_S003	27
		U006_S001_S003	27
D0392591	GUIDERAIL:RIGHT:NO.1:ASS'Y	U020	28
D0392592	GUIDERALE:LEFT:ASS'Y	U020	29
D0392595	GUIDERALE:RIGHT:NO.2:ASS'Y	U020	30
D0392611	REGISTRATION ROLLER:DRIVE	U008	8
D0392612	GEAR:REGISTRATION:33Z	U008	9
D0392621	REGISTRATION ROLLER:DRIVEN	U008	10
D0392622	GEAR:REGISTRATION:21Z	U008	11
D0392623	GEAR:REGISTRATION:24Z	U008	12

Number	Part Name	Group	ID
D0392641	BRACKET:CLEANER	U008	13
D0392642	SHEET:CLEANER:1ST	U008	14
D0392645	GUIDE PLATE:REGISTRATION:LEFT	U008	15
D0392651	GUIDE PLATE:REGISTRATION:RIGHT	U008	16
D0392652	SHEET:REGISTRATION:RIGHT	U008	17
D0392676	TENSION SPRING:REGISTRATION	U008	18
D0392711	LEVER:COMPRESSION SPRING:SEPARATION PAD	U016	30
D0392712	BRACKET:HOME POSITION SENSOR:PEEN	U016	31
D0392713	GUIDE PLATE:MANUAL FEED UNIT:LOWER	U016	32
D0392714	HOLDER:COMPRESSION SPRING:SEPARATION PAD	U016	33
D0392716	GUIDE PLATE:MANUAL FEED UNIT:UPPER	U016	34
D0392720	GEAR:CAM:RIGHT	U016	35
D0392722	GEAR:CAM:LEFT REAR	U016	36
D0392725	FEELER:MANUAL FEED	U016	37
D0392735	COVER:MANUAL FEED TABLE	U016	38
D0392737	FEELER:PAPER:TRAILING EDGE	U016	39
D0392738	COVER:PAPER:TRAILING EDGE	U016	40
D0392739	EXTENSION TRAY:MANUAL FEED	U016	41
D0392745	BASE:MANUAL FEED TABLE	U016	42
D0392748	SIDE FENCE:FRONT	U016	43
D0392749	SIDE FENCE:REAR	U016	44
D0392750	RACK:SIDE FENCE:FRONT	U016	45
D0392751	RACK:SIDE FENCE:REAR	U016	46
D0392752	DISC:SIDE FENCE	U016	47
D0392753	GEAR:SIDE FENCE	U016	48
D0392754	SPRING:SIDE FENCE	U016	49
D0392763	PLATE:HARNESS:MANUAL FEED	U016	50
D0392779	SPRING PLATE:EXTENSION TRAY	U016	51
D0392780	GEAR:ROLLER CLUTCH	U016	52
D0392781	GEAR:STEPPER MOTOR	U016	53
D0392786	SHAFT:DRIVE:MANUAL FEED UNIT	U016	54

WWW.SERVICE-MANUAL.NET

Exclusive Parts

Number	Part Name	Group	ID
	T		
D0392788	PIN:SIDE FENCE	U016	55
D0392789	GEAR:CAM:RIGHT REAR	U016	56
D0392790	GEAR:FEELER:LEFT	U016	57
D0392791	GUIDE PLATE:VERTICAL TRANSPORT:F3:RIGHT	U001	53
D0392792	BAND:STOPPER	U001	54
D0392793	CAM:LEFT	U016	58
D0392794	LINK:MANUAL FEED TABLE:REAR	U016	59
D0392795	LINK:MANUAL FEED TABLE:FRONT	U016	60
D0392796	SHAFT:CAM:ASS'Y	U016	61
D0392797	TORSION SPRING:PAPER END SENSOR	U016	62
D0392798	SPRING:BASE:2.5N	U016	63
D0392799	RETAINING RINGS-C:DIA4	U016	64
D0392801	GROUND PLATE:VERTICAL TRANSPORT	U001	55
D0392810	LEVER:RELEASE:PAPER TRAY	U005_S001	28
		U006_S001	28
		U021_S001	24
D0392815	SPRING:BASE	U005_S001	29
		U006_S001	29
D0392825	SUPPORTING PLATE:PAPER TRAY	U005_S001	30
		U006_S001	30
		U021_S001	25
D0392831	DECAL:MANUAL FEED:INKJET:EXP	Decals and Documents	19
		U016	65
D0392832	DECAL:SIDE FENCE:MANUAL FEED	Decals and Documents	20
		U016	66
D0392834	SPRING:TRAY:REAR	U005_S001	31
		U006_S001	31
		U021_S001	26
D0392835	DECAL:PAPER SET DIRECTION	Decals and Documents	21
		U005_S001	32

Number	Part Name	Group	ID
		U006_S001	32
		U021_S001	27
D0392912	ROLLER:VERTICAL TRANSPORT:DRIVE:F1	U007	6
D0392916	GUIDE PLATE:VERTICAL TRANSPORT:F2	U007	7
D0392921	GUIDE PLATE:VERTICAL TRANSPORT:F1	U007	8
D0392923	BRACKET:PHOTOINTERRUPTOR:F2	U020	31
D0392927	GUIDE PLATE:VERTICAL TRANSPORT:SWIVEL	U007	9
D0392928	SHEET:VERTICAL TRANSPORT:SWIVEL	U007	10
D0392929	BRACKET:PHOTOINTERRUPTOR:F3	U020	32
D0392930	GUIDE PLATE:VERTICAL TRANSPORT:F3:LEFT	U007	11
D0392934	BUSHING:DIA4:VERTICAL TRANSPORT	U001	56
D0392935	ROLLER:DRIVEN:F3	U001	57
D0392936	COVER:VERTICAL TRANSPORT	U001	58
D0392937	SPRING:VERTICAL TRANSPORT	U001	59
D0392943	BRACKET:COVER:VERTICAL TRANSPORT:FRONT	U001	60
D0392944	BRACKET:COVER:VERTICAL TRANSPORT:REAR	U001	61
D0392951	BRACKET:HINGE:DUPLEX:FRONT:ASS'Y	U020	33
D0392954	BRACKET:HINGE:DUPLEX:REAR	U020	34
D0392971	ARM:PRESSURE RELEASE:FRONT	U016	67
D0392972	ARM:PRESSURE RELEASE:REAR	U016	68
D0392976	GUIDE PLATE:VERTICAL TRANSPORT:F1	U016	69
D0392977	GUIDE PLATE:DRIVEN:BELT	U016	70
D0392980	STAY:HINGE:DUPLEX:ASS'Y	U016	71
D0392983	HOLDER:DRIVEN:BELT	U016	72

WWW.SERVICE-MANUAL.NET

Exclusive Parts

Number	Part Name	Group	ID
D0392991	SHAFT:TRANSPORT BELT:DRIVEN	U016	73
D0392993	SHAFT:TRANSPORT BELT:PULLEY	U016	74
D0392995	GRIP:COVER:RIGHT	U016	75
D0392996	HOOK:STOPPER:DUPLEX UNIT:FRONT	U016	76
D0392997	HOOK:STOPPER:DUPLEX UNIT:REAR	U016	77
D0392998	SHAFT:GRIP	U016	78
D0393332	COVER:TONER SUPPLY:C	U009_S002	15
D0393333	COVER:TONER SUPPLY:M	U009_S003	16
D0393334	COVER:TONER SUPPLY:Y	U009_S004	17
D0393335	TONER HOPPER:TONER SUPPLY	U009_S001	18
		U009_S002	18
		U009_S003	18
		U009_S004	18
D0393336	SHUTTER:TONER OUTLET SUB-UNIT	U009_S001	19
		U009_S002	19
		U009_S003	19
		U009_S004	19
D0393337	SEAL:TONER OUTLET SUB-UNIT	U009_S001	20
		U009_S002	20
		U009_S003	20
		U009_S004	20
D0393338	SEAL:TONER HOPPER	U009_S001	21
		U009_S002	21
		U009_S003	21
		U009_S004	21
D0393339	SHEET:AGITATOR:TONER SUPPLY	U009_S001	22
		U009_S002	22
		U009_S003	22
		U009_S004	22
D0393340	COVER:HARNESS:TONER SUPPLY	U009_S004	23
D0393341	SHUTTER:TONER SUPPLY UNIT	U009_S001	24
		U009_S002	24
		U009_S003	24
		U009_S004	24

Number	Part Name	Group	ID
D0393342	SEAL:COVER:TONER SUPPLY	U009_S002	25
		U009_S003	25
		U009_S004	25
D0393343	GUARD:SHIELD:TONER HOPPER	U009_S001	26
		U009_S002	26
		U009_S003	26
		U009_S004	26
D0393344	SEAL:TONER CATCHPAN:TONER SUPPLY UNIT	U009_S001	27
		U009_S002	27
		U009_S003	27
		U009_S004	27
D0393347	SHEET:AGITATOR:NO.2:TONER SUPPLY	U009_S001	28
		U009_S002	28
		U009_S003	28
		U009_S004	28
D0393350	GUIDE:TONER BOTTLE:9MM	U009_S001	29
		U009_S002	29
		U009_S003	29
		U009_S004	29
D0393367	SHEET:BRACKET:TONER SUPPLY	U009_S005	30
		U009_S006	30
		U009_S007	30
		U009_S008	30
D0394238	DECAL:FUSING:LEVER:C	Decals and Documents	22
		U014_S001	21
D0394241	FUSING ENTRANCE GUIDE PLATE	U014_S001	22
D0394411	GUIDE PLATE:EXIT:UPPER	U015_S001	19
D0394415	FEELER:PHOTOINTERRUPTOR:EXIT	U015_S001	20
D0394419	SHEET:EXIT:UNIFORM	U015_S001	21
D0394421	GUIDE PLATE:EXIT:LOWER	U015_S001	22
D0394424	SHAFT:EXIT ROLLER:DRIVEN	U015_S001	23
D0394425	COMPRESSION SPRING:EXIT ROLLER:DRIVEN	U015_S001	24
D0394435	GEAR:EXIT	U015_S001	25
D0394436	GEAR:INPUT:ROLLER CLUTCH	U015_S001	26
D0394467	STEPPER MOTOR:REVERSE	U016	79

WWW.SERVICE-MANUAL.NET

Exclusive Parts

Number	Part Name	Group	ID
D0394468	GEAR:IDLER:REVERSE	U015_S001	27
D0394471	GEAR:IDLER:INPUT:ROLLER CLUTCH	U015_S001	28
D0394472	GEAR:IDLER:ROLLER CLUTCH:CONNECTING	U015_S001	29
D0394484	TENSION SPRING:DC SOLENOID:PAPER EXIT UNIT	U015_S001	30
D0394488	DC SOLENOID:PAPER EXIT UNIT:SUB-ASS'Y	U015_S001	31
D0394511	GUIDE PLATE:FEED PAPER AGAIN:DUPLEX	U016	80
D0394523	TENSION SPRING:LEVER:DUPLEX	U016	81
D0394525	COMPRESSION SPRING:SHAFT:GUIDE PLATE:EXIT	U016	82
D0394527	COMPRESSION SPRING:EXIT ROLLER:DRIVEN	U016	83
D0394529	STOPPER:GUIDE PLATE:ROLLER:DRIVEN	U016	84
D0394535	INNER COVER:DUPLEX UNIT	U016	85
D0394538	COMPRESSION SPRING:FLAT CONVEYER BELT:DRIVEN	U016	86
D0394539	GUIDE PLATE:GUIDE PLATE:ROLLER:DRIVEN	U016	87
D0394540	LINK:DUPLEX UNIT:FRONT	U016	88
D0394541	GUIDE PLATE:ROLLER:DRIVEN	U016	89
D0394542	DRIVEN ROLLER:ENTRANCE:DUPLEX	U016	90
D0394543	DECAL:GRIP:Z	Decals and Documents	23
		U016	91
D0394544	COVER:SENSOR:DUPLEX:LOWER	U016	92
D0394547	BRACKET:LEVER:DUPLEX:FRONT:ASS'Y	U020	35
D0394553	COVER:CONNECTOR:DUPLEX UNIT	U016	93
D0394564	GEAR:IDLER:DUPLEX	U016	94
D0394565	LINK:DUPLEX:ASS'Y	U016	95
D0394569	GEAR:DRIVE:DUPLEX	U016	96

Number	Part Name	Group	ID
D0394570	GUIDE PLATE:DUPLEX:ENTRANCE	U016	97
D0394578	FEELER:DUPLEX:ENTRANCE SENSOR	U016	98
D0394580	COVER:RIGHT	U016	99
D0394581	INNER COVER:GRIP:DUPLEX UNIT	U016	100
D0394583	GATE PAWL:DUPLEX:ENTRANCE:ASS'Y	U016	101
D0394584	LEVER:GATE PAWL	U016	102
D0394586	COVER:GRIP:DUPLEX UNIT	U001	62
D0394587	SPRING:GATE PAWL:ENTRANCE:DUPLEX	U016	103
D0394591	SHAFT:PRESSURE:GUIDE PLATE:EXIT	U016	104
D0394592	TIMING BELT:S2M:256	U016	105
D0394594	TIMING BELT:S2M:276	U016	106
D0394596	TORSION SPRING:LINK:DUPLEX	U016	107
D0394597	TENSION SPRING:DRIVEN ROLLER	U016	108
D0394905	TRAY:REVERSE	U001	63
D0394906	INNER COVER:PAPER EXIT UNIT:FRONT	U015	32
D0394907	INNER COVER:PAPER EXIT UNIT:REAR	U015	33
D0394911	GUIDE PLATE:REVERSE:UPPER	U015_S001	34
D0394912	DISCHARGE BRUSH:REVERSE	U015_S001	35
D0394921	GUIDE PLATE:REVERSE:LOWER	U015_S001	36
D0394925	ROLLER:REVERSE:DRIVEN	U015_S001	37
D0394926	SHAFT:REVERSE:DRIVEN	U015_S001	38
D0394927	COMPRESSION SPRING:PRESSURE:REVERSE:DRIVEN	U015_S001	39
D0394948	GEAR:REVERSE ROLLER	U015_S001	40
D0394952	BRACKET:SENSOR:FUSING EXIT	U015_S001_S001	41
D0394955	PHOTO SENCER ASS'Y	U015_S001_S001	42
D0394972	LEVER:GATE PAWL:REAR	U015_S001	43
D0394973	LEVER:GATE PAWL:FRONT	U015_S001	44
D0394974	TORSION SPRING:LEVER:GATE PAWL	U015_S001	45

Exclusive Parts

Number	Part Name	Group	ID
D0394975	GATE PAWL:EXIT:ASS'Y	U015_S001	46
D0394985	GUIDE PLATE:EXIT:DUPLEX:ADHESION	U016	109
D0395122	PCB:DRB	U018	45
D0395178	PCB:RFID-RW	U009	31
D0395401	STABILIZER	U003	55
D0395836	BASE:SAFETY SWITCH:PEEN	U018	46
D0395842	LEVER:SAFETY SWITCH:MIDDLE	U018	47
D0395843	LEVER:SAFETY SWITCH:MIDDLE:SMALL	U018	48
D0395844	LEVER:SAFETY SWITCH:FRONT	U018	49
D0395845	LEVER:SAFETY SWITCH:RIGHT	U018	50
D0395846	SPRING:SAFETY SWITCH:FRONT	U018	51
D0395856	COVER:TRAY:LEFT LOWER	U018	52
D0395857	COVER:HARNESS:REAR MIDDLE	U018	53
D0395858	CASE:HARNESS:FUSING	U018	54
D0395859	COVER:BASE:POSITIONING PIN	U018	55
D0395862	COVER:TRAY:LEFT UPPER	U018	56
D0396013	ROLLER:ENCODER:ASS'Y	U011_S001	10
D0396029	TRANSFER BELT:ASS'Y	U011_S001	11
D0396048	DRIVE UNIT:ON-OFF:TRANSFER ROLLER:ASS'Y	U018_S002	57
D0396064	ROLLER:TENSION:PRESS FIT	U011_S001	12
D0396108	OPTICS SENSOR:ENCODER	U011_S001	13
D0396113	BRACKET:ROLLER:BELT:FACE FRONT	U011_S001	14
D0396119	BRACKET:INTERMEDIATE TRANSFER:DRIVE:ASS'Y	U011	15
D0396122	GEAR:INTERMEDIATE TRANSFER:NO.1	U011	16
D0396132	ROLLER:FLAT BELT-TRANSFER:FACE FRONT:ASS'Y	U011_S001	17
D0396134	DC MOTOR:ON-OFF:ASS'Y	U018_S002	58
D0396204	TRANSFER/SEPARATION UNIT:SEAL COND:ASS'Y	U012_S001	8
D0396210	TRANSFER/SEPARATION UNIT:SEAL COND:ASS'Y	U012_S001	9
D0396223	LEVER:PRESSURE:TRANSFER ROLLER:FRONT	U012_S001	10

Number	Part Name	Group	ID
	ROLLER:FRONT		
D0396224	LEVER:PRESSURE:TRANSFER ROLLER:REAR	U012_S001	11
D0396225	COMPRESSION SPRING:PRESSURE:TRANSFER ROLLER:18N	U012_S001	12
D0396226	TERMINAL:EARTH:TRANSFER ROLLER	U012_S001	13
D0396227	LEVER:TRANSFER/SEPARATION UNIT:FRONT	U012_S001	14
D0396228	LEVER:TRANSFER/SEPARATION UNIT:REAR	U012_S001	15
D0396229	LEVER:SET:FRONT	U012_S001	16
D0396230	LEVER:SET:REAR	U012_S001	17
D0396231	TENSION SPRING:LEVER:SET	U012_S001	18
D0396232	TORSION SPRING:LEVER:SET:FRONT	U012_S001	19
D0396233	TORSION SPRING:LEVER:SET:REAR	U012_S001	20
D0396235	TERMINAL:EARTH	U012_S001	21
D0396236	SHAFT:RELEASE	U012_S001	22
D0396239	GRIP:RELEASE	U012_S001	23
D0396241	GUIDE PLATE:TRANSFER UNIT	U012_S001	24
D0396242	LEVER:RELEASE:TRANSFER/SEPARATION UNIT:FRONT	U012_S001	25
D0396243	LEVER:RELEASE:TRANSFER/SEPARATION UNIT:REAR	U012_S001	26
D0396251	BASE:TRANSFER/SEPARATION UNIT:SECOND:PEEN	U012_S001	27
D0396258	SHAFT:ON-OFF:DIA8	U012_S001	28
D0396259	LINK:GUIDE PLATE:TRANSFER	U012_S001	29
D0396260	BRACKET:ENTRANCE SENSOR	U012_S001	30
D0396261	BUSHING:POSITIONING:TRANSFER/SEPARATION UNIT	U012	31
D0396262	COMPRESSION SPRING:TRANSFER PORT SUB-UNIT	U012_S001	32
D0396268	LEVER:ON-OFF:TRANSFER ROLLER:FRONT	U012_S001	33
D0396269	LEVER:ON-OFF:TRANSFER ROLLER:REAR	U012_S001	34

WWW.SERVICE-MANUAL.NET

Exclusive Parts

Number	Part Name	Group	ID
	ER:REAR		
D0396271	DECAL:GRIP:B	Decals and Documents	24
		U012_S001	35
D0396272	COVER:CONNECTOR:ENTRANCE SENSOR	U012	36
D0396273	STOPPER:LEVER:FRONT	U012	37
D0396274	STOPPER:LEVER:REAR	U012	38
D0396298	BRACKET:STOPPER:TRANSFER UNIT:PEEN	U020	36
D0396305	HOLDER:USED TONER SENSOR:BELT CLEANING	U018	59
D0396306	FEELER:TONER COLLECTION COLL	U018	60
D0396307	STOPPER:BELT CLEANING	U020	37
D0396315	BUSHING:GEAR:ON-OFF	U018	61
		U018_S002	61
D0396323	BRACKET:SENSOR:TM	U018	62
D0396324	GUIDE PLATE:TRANSFER:ENTRANCE	U018	63
D0396325	BUSHING:DENSITY SENSOR:FRONT	U018	64
D0396326	BUSHING:DENSITY SENSOR:REAR	U018	65
D0396327	SPACER:SENSOR:TM	U018	66
D0396330	GROUND PLATE:BIAS:BK	U018	67
D0396334	HOLDER:KNOB:ON-OFF:BK	U018	68
D0396337	SHUTTER:ON-OFF:BK	U018	69
D0396341	DC MOTOR:ON-OFF:TRANSFER ROLLER:SECOND:ASS'Y	U018	70
D0396346	GEAR:ON-OFF:IDLER:1	U018	71
D0396347	GEAR:ON-OFF:IDLER:2	U018	72
D0396348	GEAR:ON-OFF	U018	73
D0396349	CAM:ON-OFF	U018	74
D0396405	COLLECTION BOTTLE:EXP:ASS'Y	U013	1
D0396583	BRACKET:DRIVE:COLLECTION BOTTLE	U018	75
D0396584	DC MOTOR:ASS'Y	U018	76

Number	Part Name	Group	ID
D0396597	HINGE:COLLECTION BOTTLE	U018	77
D0411292	COVER:REAR LOWER:EU	U001	64
D0412526	HEAT SINK:HEATER:NA:ADHESION	U020	38
D0412557	COVER:PAPER TRAY:NO.1:EU	U021_S001	28
D0415897	COVER:SWITCH:HEATER	U018	78
D0415898	BRACKET:TOTAL COUNTER:(Option)	U018	79
D0415899	COVER:CONNECTOR:HEATER	U018	80
D0746100	DENSITY SENSOR	U018	81
D1041481	PCB:LCDC:NA:ASS'Y	U002_S001	36
D1046601	SHEET:MODEL NAME PLATE:RIC:EXP:(for D104)	Decals and Documents	25
		U001	65
D1046602	SHEET:MODEL NAME PLATE:SVN:(for D104)	Decals and Documents	26
		U001	66
D1046604	SHEET:MODEL NAME PLATE:LAN:NA:(for D104)	Decals and Documents	27
		U001	67
D1049590	NV-RAM	U019	4
D1051164	ROLLER CLUTCH:FEED	U017	33
D1051166	ROLLER CLUTCH:GRIP	U017	34
D1051179	BRACKET:FUSING:EXIT:ASS'Y	U017	35
D1051260	COVER:UPPER	U001	68
D1051281	COVER:LEFT	U001	69
D1051291	COVER:REAR	U001	70
D1051303	DECAL:SIZE INDICATION:PAPER TRAY:EXP	U021	29
D1051313	DUCT:FUSING:EXHAUST:UPPER	U020	39
D1051411	OPERATION SUB-UNIT:NA:ASS'Y	U002_S001	37
D1051489	LCD:TFT:W-VGA:AUO	U002_S001	38
D1051703	GASKET:9X5.5X17	U003	56
D1051795	EXPOSURE GLASS:DOCUMENT FEEDER	U003	57
D1051855	OPTICAL WRITING SECTION:SERVICE PARTS:ASS'Y	U004_S001	4
D1052521	PAPER TRAY:NO.1:ASS'Y	U005_S001	33

WWW.SERVICE-MANUAL.NET

Exclusive Parts

Number	Part Name	Group	ID
D1052522	PAPER TRAY:NO.2:ASS'Y	U006_S001	33
D1052550	PAPER FEED ROLLER:AUXILIARY	U021_S001	30
D1052554	SPRING:BASE	U021_S001	31
D1052555	STOPPER:SIDE FENCE	U021_S001	32
D1052570	STOPPER-END FENCE-ASS'Y:(Option)	U005	34
		U006	34
D1052583	SIDE FENCE:FRONT:EXP:ASS'Y	U021_S001_S001	33
D1052585	TRAY BOTTOM PLATE:ASS'Y	U021_S001_S002	34
D1052588	SIDE FENCE:REAR:EXP:ASS'Y	U021_S001_S003	35
D1052719	COIL SPRING:EARTH:TRAY BOTTOM PLATE	U005_S001	35
		U006_S001	35
		U021_S001	36
D1052802	DECAL:SCALE:SIDE FENCE	U021_S001	37
D1052833	SHAFT:COIL SPRING	U005_S001	36
		U006_S001	36
		U021_S001	38
D1052874	DECAL:PAPER SET DIRECTION:ENVELOPE:EXP	U021_S001	39
D1052909	ROLLER:VERTICAL TRANSPORT:DRIVE:F2	U007	12
D1052910	ROLLER:VERTICAL TRANSPORT:DRIVE:F3	U007	13
D1052933	ROLLER:DRIVEN:F2	U001	71
D1053317	DRIVE UNIT:TONER SUPPLY SUB-UNIT:ASS'Y	U009_S005	32
		U009_S006	32
		U009_S007	32
		U009_S008	32
D1053342	SEAL:COVER:TONER SUPPLY:BK	U009_S001	33
D1053351	SPRING PLATE:TONER BOTTLE	U009	34
D1054050	BELT UNIT:ASS'Y	U014_S001	23
D1054087	BRACKET:HEATER:FRONT	U014_S001	24
D1054088	BRACKET:HEATER:REAR	U014_S001	25
D1054151	LEVER:PRESSURE RELEASE:FRONT:ASS'Y	U014_S001	26
D1054161	LEVER:PRESSURE RELEASE:REAR:ASS'Y	U014_S001	27
D1054179	HOUSING:THERMOSTAT:ASS'Y	U014_S001	28
D1054191	DISCHARGE BRUSH:PRESSURE R	U014_S001	29

Number	Part Name	Group	ID
	OLLER		
D1054232	STRIPPER PLATE:COAT	U014_S001	30
D1054234	GUIDE PLATE:FUSING EXIT:ASS'Y	U014_S001	31
D1054362	BRACKET:THERMOPILE	U018	82
D1054365	HOLDER:THERMOPILE	U018	83
D1054380	STAY:PRESSURE:OIL SUPPLY ROLLER:ASS'Y:(Option)	U014	32
D1054401	PAPER EXIT UNIT:ASS'Y	U015_S001	47
D1054431	EXIT ROLLER	U015_S001	48
D1054457	STEPPER MOTOR:REVERSE:ASS'Y	U015_S001	49
D1054489	DRIVEN ROLLER:DIA16:EXIT:DUPL EX	U016	110
D1054530	TRANSPORT ROLLER:DUPLEX:EN TRANCE	U016	111
D1054531	TRANSPORT ROLLER:DUPLEX:EN TRANCE:LOWER	U016	112
D1054532	TRANSPORT ROLLER:DUPLEX:EXIT:UPPER	U016	113
D1054533	TRANSPORT ROLLER:DUPLEX:EXIT	U016	114
D1054537	DRIVEN ROLLER:DIA16:DUPL EX	U016	115
D1054588	GATE PAWL:REVERSE:ASS'Y	U016	116
D1054589	TORSION SPRING:GATE PAWL:REVERSE	U016	117
D1054942	TRANSPORT ROLLER:REVERSE:CONNECTING	U015_S001	50
D1054943	ROLLER CLUTCH:REVERSE:FRONT	U015_S001	51
D1054947	REVERSE ROLLER	U015_S001	52
D1055102	PCB:BCU:ASS'Y	U018	84
D1055192	PCB:SDVDB:100V	U018	85
D1055705	HDD:160GB:MK1665GSX	U019	5
D1055720	PCBC1_5:IMAGE PROCESSING UNIT	U018	86
D1055855	COVER:HARNESS:MAIN SWITCH	U018	87
D1055863	COVER:HARNESS:SCANNER:PEEN	U018	88

WWW.SERVICE-MANUAL.NET

Exclusive Parts

Number	Part Name	Group	ID
D1055899	HOLDER:TEMPERATURE & HUMIDITY SENSOR	U018	89
D1056003	TRANSFER UNIT:INTERMEDIATE TRANSFER:SERVICE:ASS'Y	U011_S001	18
D1056036	CLEANING UNIT:INTERMEDIATE TRANSFER:SERVICE:ASS'Y	U011	19
D1056338	KNOB:ON-OFF:INTERMEDIATE TRANSFER:BK:BASE	U018	90
D1056339	KNOB:ON-OFF:INTERMEDIATE TRANSFER:BK	U018	91
D1062525	PAPER TRAY:NO.1:ENVELOPE:EXP:ASS'Y	U021_S001	40
D1064001	FUSING UNIT:NA:ASS'Y	U014_S001	33
D1065720	SERVICE PARTS:PCB:EX1:EXP:(for D104)	U019	6
D1065725	SERVICE PARTS:PCB:EX1:EXP:(for D106)	U019	7
D1065790	SD-CARD:ZOFFYV4:LICENSE:EXP:ASS'Y	U019	8
D1065792	SD-CARD:VM/CALYPSO:ASS'Y	U019	9
D1066601	SHEET:MODEL NAME PLATE:RIC:EXP:(for D106)	Decals and Documents	28
		U001	72
D1066602	SHEET:MODEL NAME PLATE:SVN:(for D106)	Decals and Documents	29
		U001	73
D1066604	SHEET:MODEL NAME PLATE:LAN:NA:(for D106)	Decals and Documents	30
		U001	74
D1121782	SCALE:INNER BACK:PRINTING	U003	58
D1124264	DECAL:WARNING (HIGH TEMPERATURE):FUSING	Decals and Documents	31
		U014_S001	34
D8092001	PCU:C:SERVICE	U010_S002	2
D8092002	PCU:M:SERVICE	U010_S003	3
D8092003	PCU:Y:SERVICE	U010_S004	4
D8093002	DEVELOPMENT UNIT:C:SERVICE:ASS'Y	U010_S002	5

Number	Part Name	Group	ID
D8093003	DEVELOPMENT UNIT:M:SERVICE:ASS'Y	U010_S003	6
D8093004	DEVELOPMENT UNIT:Y:SERVICE:ASS'Y	U010_S004	7
D8093046	TONER SUPPLY UNIT:C	U009_S002	35
D8093047	TONER SUPPLY UNIT:M	U009_S003	36
D8093048	TONER SUPPLY UNIT:Y	U009_S004	37
D8302000	PCU:BK:SERVICE	U010_S001	8
D8303001	DEVELOPMENT UNIT:BK:SERVICE:ASS'Y	U010_S001	9
D8303045	SERVICE PARTS:TONER SUPPLY UNIT:BK:ASS'Y	U009_S001	38
G0205626	PUSH SWITCH	U007	14
G0601972	SHIELD:COVER:UPPER	U005_S001	37
		U006_S001	37
		U021_S001	41
G0702710	PAPER SIZE SENSOR LINK	U005_S001	38
		U006_S001	38
		U021_S001	42
G0702711	BASE STOPPER	U005_S001	39
		U006_S001	39
		U021_S001	43
G0702713	SPRING PLATE STOPPER	U005_S001_S001	40
		U006_S001_S001	40
		U021_S001_S001	44
G0702714	FRONT LEVER - STOPPER	U005_S001_S001	41
		U006_S001_S001	41
		U021_S001_S001	45
G0702718	REAR LEVER - STOPPER	U005_S001_S002	42
		U006_S001_S002	42
		U021_S001_S003	46
G1786062	PCB:PC4200:RAWCARD-C:512MB	U019	10
G1786072	PCB:PC4200:RAWCARD-A:1GB	U019	11
G4042810	SPRING PLATE - 2ND MIRROR	U003	59
G5701133	TIMING PULLEY 73	U003	60
G5701225	SHIELDING PLATE:HOME POSITION SENSOR	U003	61
G5702833	PULLEY HOLDER	U003	62

WWW.SERVICE-MANUAL.NET

Exclusive Parts

Number	Part Name	Group	ID
G5702834	PULLEY - HIGH VOLTAGE SUPPLY CORD	U003	63
GA003030	DECAL - SHIELDING PLATE Y	U020	40
GA003031	DECAL - SHIELDING PLATE M	U020	41
GA003032	DECAL - SHIELDING PLATE C	U020	42
GA003033	DECAL - SHIELDING PLATE K	U020	43
GA003167	DECAL:CAUTION:INKJET:NA	Decals and Documents	32
		U005	43
GA080033	BUSHING:AGITATOR:RIGHT:ASS'Y	U009_S001	39
		U009_S002	39
		U009_S003	39
		U009_S004	39
GA080037	BUSHING:AGITATOR:LEFT:ASS'Y	U009_S001	40
		U009_S002	40
		U009_S003	40
		U009_S004	40
GW010007	PHOTO REFLECTION SENSOR:EXIT	U015_S001	53
		U020	44
GW020020	PHOTOINTERRUPTOR:LG248NL1	U017	36
GX640027	FAN MOTOR - DC24V 1.92W	U018	92
N6114000	FAN:MM80	U018_S001	93

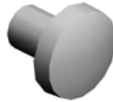
Standard Parts



03130100N
PAN HEAD SCREW:M3X10



03530030N
SCREW:M3X3



03530040N
SCREW - M3X4



03530050N
SCREW-M3X5



03530060N
BIND SCREW - M3X6



03530100N
SCREW-M3X10



03603006N
SCREW - M3X6



03603006P
SCREW - M3X6



03603008N
SCREW:M3X8



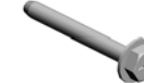
03603020N
SCREW:M3X20



03603030N
SCREW:M3X30



04503010N
TAPPING SCREW - M3X10



04503025N
TAPPING SCREW:3X25



04513006N
TAPPING SCREW - 3X6



04513008N
TAPPING SCREW - M3X8



04513020N
TAPPING SCREW:3X20



04513025N
TAPPING SCREW:M3X25



04533006N
TAPPING SCREW - M3X6



04543005Q
TAPPING SCREW::3X5



04543006Q
TAPPING SCREW - M3X6



04543008Q
TAPPING SCREW:3X8



04563008N
TAPPING SCREW - M3X8



04563010N
TAPPING SCREW - M3X10



04573008N
TAPPING SCREW - M3X8



06230140E
SPRING PIN - 3X14MM



07200030E
RETAINING RING - M3



07200040E
RETAINING RING - M4



07200060E
RETAINING RING - M6

Standard Parts



07250170E
RETAINING RINGS-C:17



08025299
TAPPING SCREW - M3X8



08025312
TAPPING SCREW:WASHER:3
X10



08046123
HEXAGONAL BOLT:W/WASH
ER:M3X8



08050088
RETAINING RING - M6



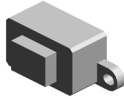
08050089
RETAINING RING - M4



08050092
RETAINING RING - 3M



08050097
RING SEPARATOR



11028501
CONNECTOR:54679-1609



11028502
CONNECTOR - 54679-1615



11050032
CLAMP



11050409
CARD SPACER- 6.4MM



11050487
HARNESS CLAMP



11050488
HARNESS CLAMP



11050511
HARNESS CLAMP - LWS-030
6ZC



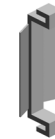
11050516
CLAMP



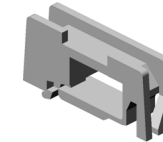
11050518
EDGE SADDLE - LES-1010



11050534
CLAMP



11050687
CLAMP:FC-30



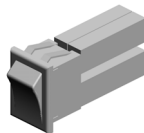
11050692
CLAMP:LES-0503



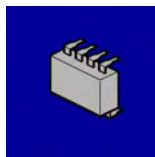
11050738
CLAMP:LBWS-0511S-V0



12042521
MICRO SWITCH



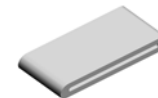
12042598
SWITCH



14077036
EEPROM:AT24C128B-PU



16072247
FERRITE CORE:K3 NF-55(N)
BK0



16072392
FERRITE CORE:K3 FF 25.00X
10.00X3.00X0.80(M)

PM Part List

Number	Part Name	Num	Group	ID
AA010122	FILTER:REAR	1	U001	10
AF031084	PAPER FEED ROLLER MM36	3	U005_S001	10
			U006_S001	10
			U021_S001	11
B1542722	FRICTION PAD:ASS'Y	3	U005_S001	13
			U006_S001	13
			U021_S001	14
D0392030	PCU:ASS'Y	4	U010_S001	1
			U010_S002	1
			U010_S003	1
			U010_S004	1
D0396405	COLLECTION BOTTLE:EXP:ASS'Y	1	U013	1
D1056036	CLEANING UNIT:INTERMEDIATE TRANSFER:SERVICE:ASS'Y	1	U011	19

