

**Digital Color Copiers**  
**(D038/D041-NA)**  
**Parts Catalog**

**Parts change information sample**

 **Add**

 **Update**

 **Delete**

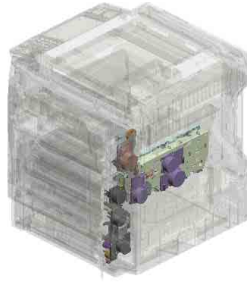
## Parts Catalog Style

Model	Product Code	PC Style
Digital Color Copier	D038/D041	3D
ARDF DF3030	D366	Traditional
Paper Feed Unit PB3070	D425	3D
Paper Feed Unit PB3030	D331	Traditional
Internal Finisher Type C2550	D429	Traditional
1Bin Tray BN3060	D426	3D
Side Tray type C2550	D427	3D
Internal Shift Tray SH3030	D428	3D
Punch Unit PU3010	D390	Traditional
Platen Cover Type 3800C	G329	Traditional
Fax Option Type C2550	D432	Traditional
IEEE 1284 Interface Board Type A	B679-17	Traditional
Memory Unit Type I 512MB	D435-01	Traditional
Bluetooth Interface Unit Type 3245	B826-17	Traditional
IEEE 802.11a/g Interface Unit Type J	D377-01,-02	Traditional
IEEE 802.11g Interface Unit Type K	D377-19	Traditional
File Format Converter Type E	D377-04	Traditional
Gigabit Ethernet Board Type A	G874-01	Traditional
USB2.0/SD Slot Type A	D422-01	Traditional
VM Card Type I	D430-01,-02,-03	Traditional
Browser Unit Type E	D430-05,-06,-07	Traditional
Data Overwrite Security Unit Type I	D362-11	Traditional
Copy Data Security Unit Type F	B829-07	Traditional
HDD Encryption Unit Type A	D377-16	Traditional
Camera Direct Print Card Type E	M344-03	Traditional
Optional Counter Interface Unit Type A	B870-11	Traditional
Key Counter Bracket Type H	A674-05	Traditional

# Unit All



U001  
MAIN FRAME



U002  
MAIN DRIVE



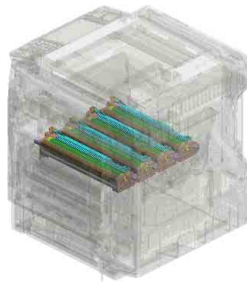
U003  
EXTERIOR



U004  
OPERATION



U005  
Laser Unit



U006  
PCDU



U007  
PAPER FEED



U008  
TONER SUPPLY



U009  
FUSING



U010  
PAPER EXIT



U011  
Image Transfer



U012  
SEPARATION/TRANSPORT

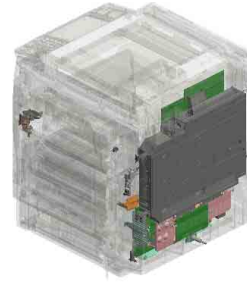
# Unit All



U013  
Toner Collection



U014  
Scanner



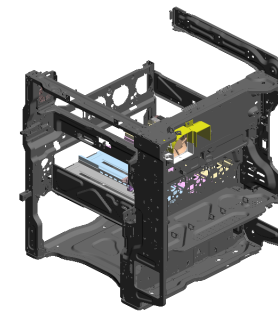
U015  
ELECTRICAL



U016  
Controller

# U001 MAIN FRAME

- 11.11050511 (x25) HARNESS CLAMP - LWS-03062C
- 10.11050489 (x6) HARNESS CLAMP - LWS 1316
- 19.AA143555 (x2) SCREW - M3X5
- 7.11050410 (x2) CARD SPACER - 9.4MM
- 4.04513008N (x2) TAPPING SCREW - M3X8



- 2.04503025N (x4) TAPPING SCREW: 3X25

- 5.04513020N (x2) TAPPING SCREW: 3X20

- 12.11050516 (x19) CLAMP

- 16.11050692 (x2) CLAMP:LES-0503

- 20.AA143592 SCREW- M4X6

- 18.8025299 TAPPING SCREW - M3X8
- 1.03130100N (x2) PAN HEAD SCREW :M3X10
- 21.AX640196 FAN:AXIAL:MM40:2 4V
- 6.04543008Q (x5) TAPPING SCREW: 3X8
- 3.04513006N (x134) TAPPING SCREW - 3X6

- 13.11050518 (x2) EDGE SADDLE - L ES-1010

- 15.11050534 (x33) CLAMP

- 9.11050488 (x7) HARNESS CLAMP

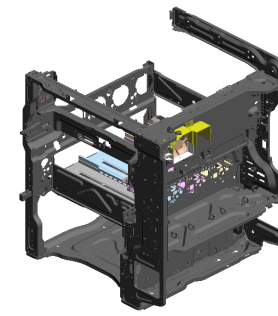
- 8.11050487 (x10) HARNESS CLAMP

- 17.11060458 BUSHING - 9.9MM

- 14.11050522 EDGE SADDLE - L ES0510

- 26.D0111252 DECAL:MAIN SWIT CH:ON-STANDBY

# U001 MAIN FRAME



- 23.AX640200 (x3)  
FAN:MM60:DC 3.12W
- 34.D0391322  
DUCT:DEVELOPMENT UNIT:REAR
- 25.B2381119  
LEVER - FRONT UPPER
- 28.D0391124  
BRACKET:DRAWER
- 32.D0391313  
DUCT:FUSING:EXHAUST:UPPER

33.D0391321  
DUCT:DEVELOPMENT UNIT:FRONT

38.GA003030  
DECAL - SHIELDING PLATE Y

39.GA003031  
DECAL - SHIELDING PLATE M

40.GA003032  
DECAL - SHIELDING PLATE C

24.B1011097 (x5)  
RUBBER FOOT:H5

36.D0396307 (x2)  
STOPPER:BELT CLEANING

35.D0391356 (x4)  
DECAL:CLEANING POSITIONING DISPLAY

41.GA003033  
DECAL - SHIELDING PLATE K

29.D0391305  
PLATE:IMAGE FORMING MD:FRONT

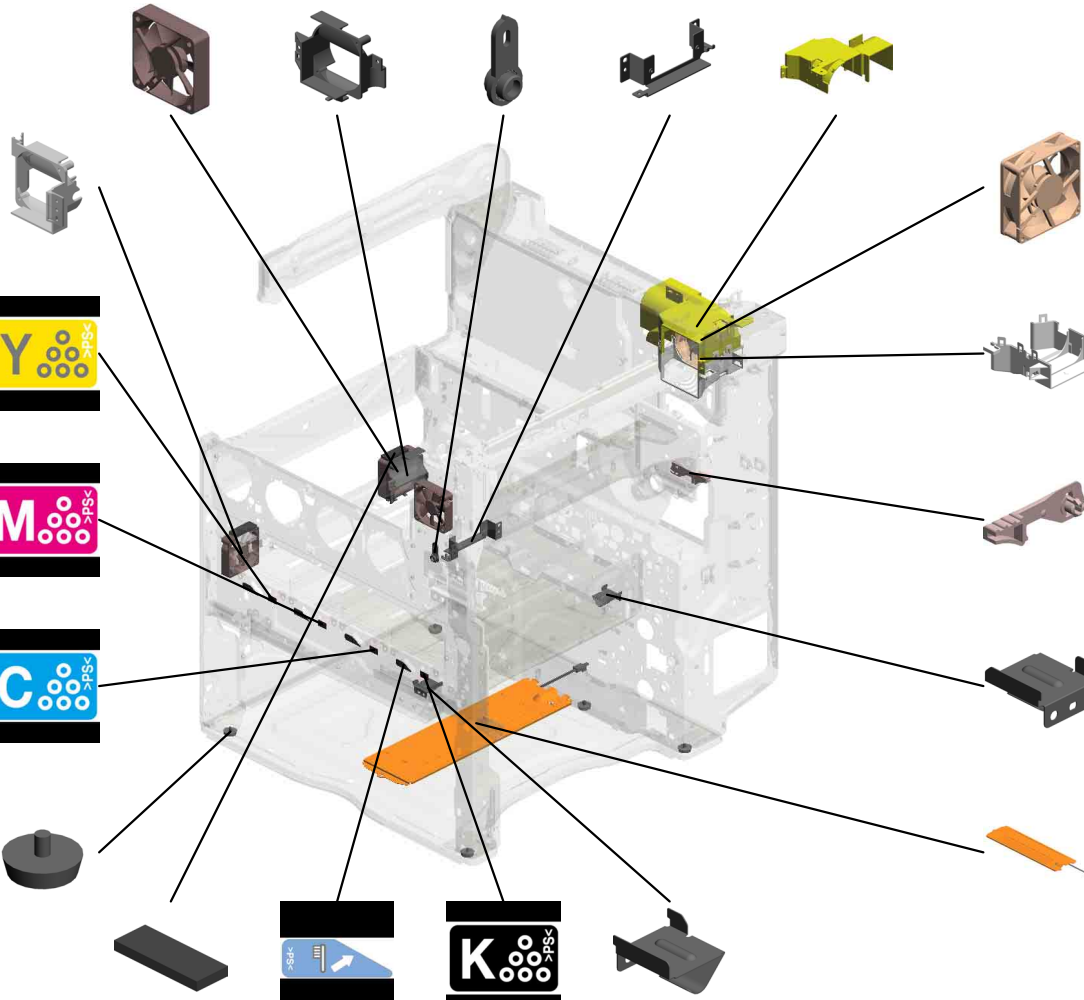
22.AX640199  
FAN:MM80:25MM:DC 2.16W

31.D0391312  
DUCT:FUSING:EXHAUST:LOWER

27.D0391087  
LEVER:LOCK:REAR

30.D0391306  
PLATE:IMAGE FORMING MD:REAR

37.D0412526  
HEAT SINK:HEATER:ADHESION



# U002.MAIN DRIVE

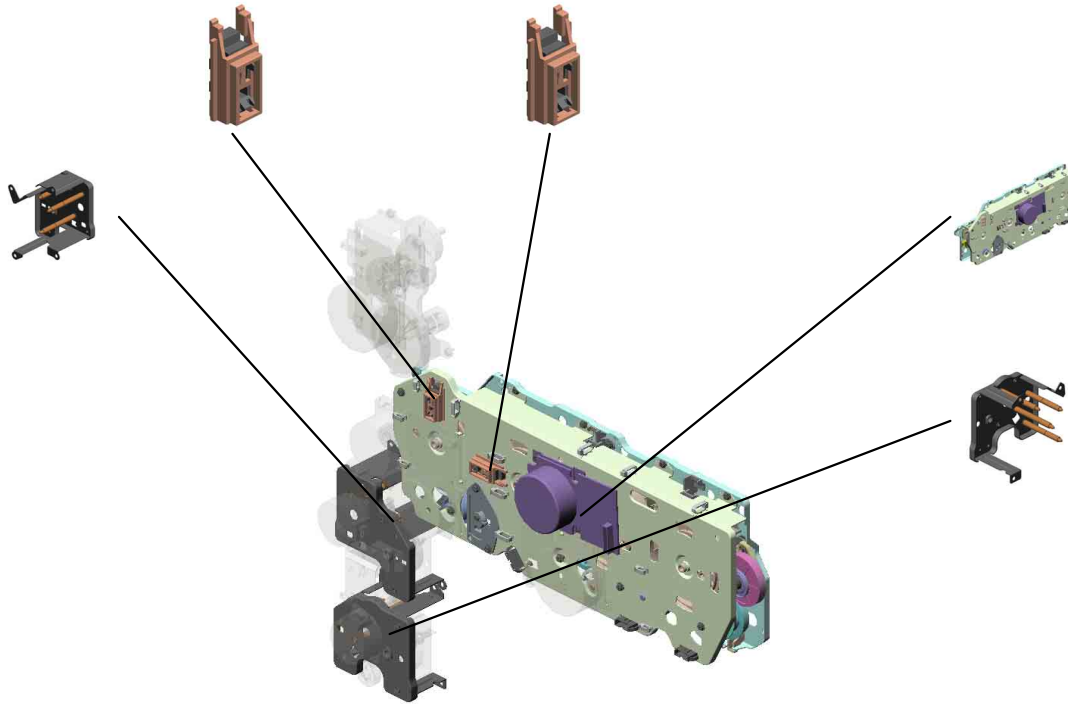
U002\_S002  
D0391148  
POSITIONING SENSOR:DRUM:  
M:ASS'Y

U002\_S003  
D0391148  
POSITIONING SENSOR:DRUM:  
M:ASS'Y

U002\_S004  
D0391158  
BRACKET:PAPER FEED:NO.  
1:ASS'Y

U002\_S001  
D0391188  
DRIVE UNIT:DRUM:DEVELOP  
MENT:ASS'Y

U002\_S005  
D0391172  
BRACKET:PAPER FEED:NO.  
2:ASS'Y

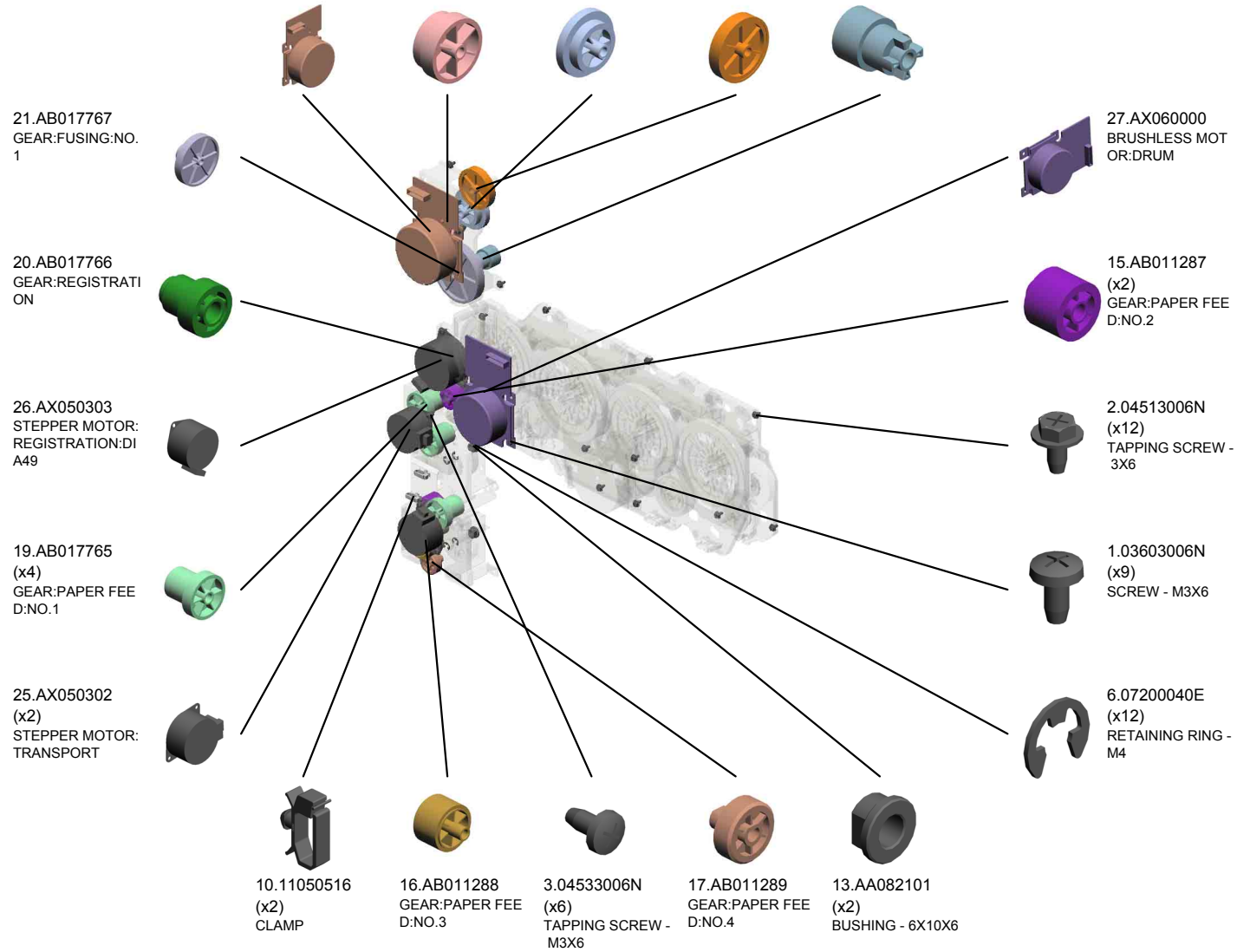
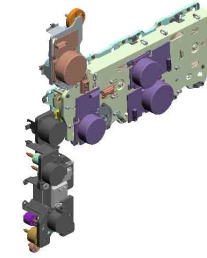


U001	<b>U002</b>	U003	U004	U005	U006	U007	U008	U009	U010	U011	U012	U013	U014	U015	U016
------	-------------	------	------	------	------	------	------	------	------	------	------	------	------	------	------



# U002 MAIN DRIVE

28.AX060355 BRUSHLESS MOT OR - DC 11W  
 23.AB017769 GEAR:EXIT:NO.1  
 24.AB017770 GEAR:EXIT:NO.2  
 18.AB016000 GEAR:EXIT:NO.3  
 22.AB017768 GEAR:FUSING:NO.2

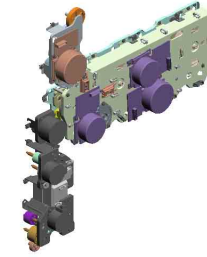


# U002 MAIN DRIVE

37.D0391166  
(x4)  
ROLLER CLUTCH:  
GRIP

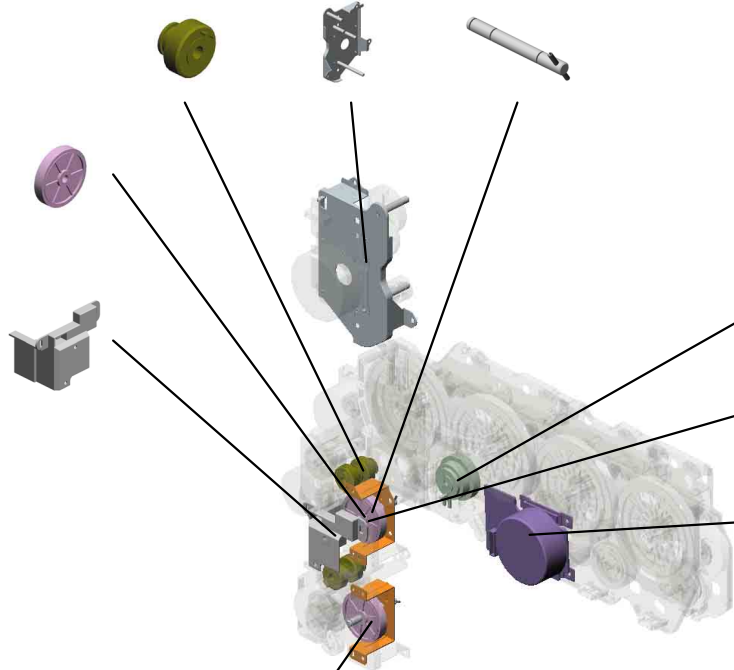
41.D0391179  
BRACKET:FUSING:  
EXIT:ASS'Y

34.D0391162  
(x2)  
SHAFT:FEED:ASS'  
Y



36.D0391164  
(x2)  
ROLLER CLUTCH:  
FEED

38.D0391168  
GUIDE:HARNES:  
PAPER FEED:NO.1



30.AX200317  
MAGNETIC CLUTC  
H:DEVELOPMENT

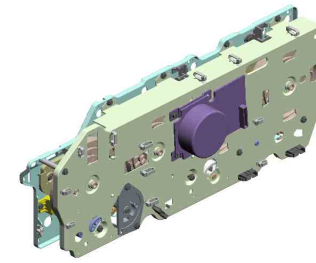
35.D0391163  
DRUM STAY:PAPE  
R FEED:NO.1

29.AX060376  
BRUSHLESS MOT  
OR:DEVELOPME  
T:COLOR

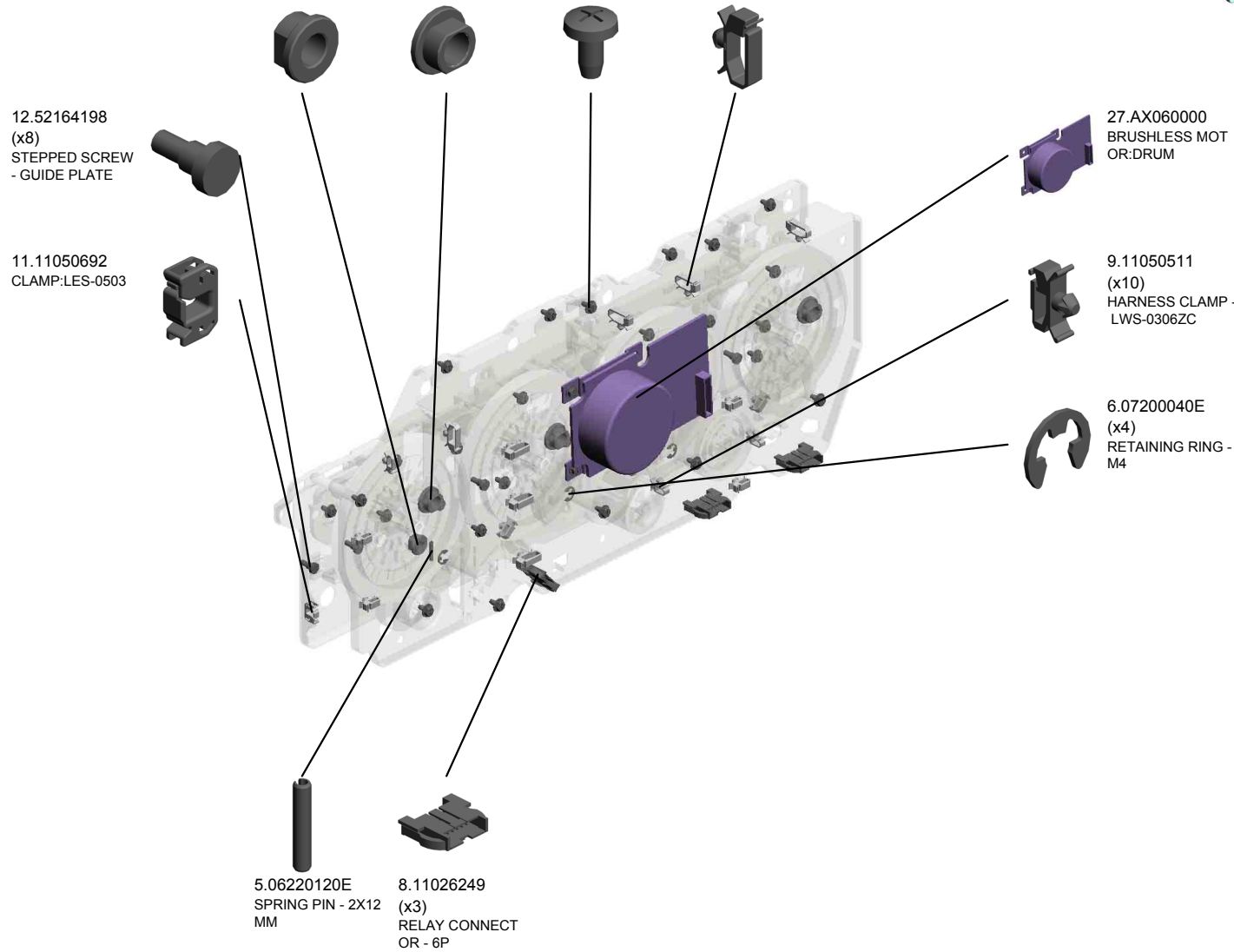
39.D0391171  
DRUM STAY:PAPE  
R FEED:NO.2

U002\_S001  
 DRIVE UNIT:DRUM:DEVELOPMENT:ASS'Y

- 13.AA082101 BUSHING - 6X10X6
- 14.AA082104 (x4) BUSHING - 8X12X7
- 1.03603006N (x31) SCREW - M3X6
- 10.11050516 (x7) CLAMP



42.D0391188  
 [A]  
 DRIVE UNIT:DRUM  
 :DEVELOPMENT:A  
 SS'Y  
 090309 X/O



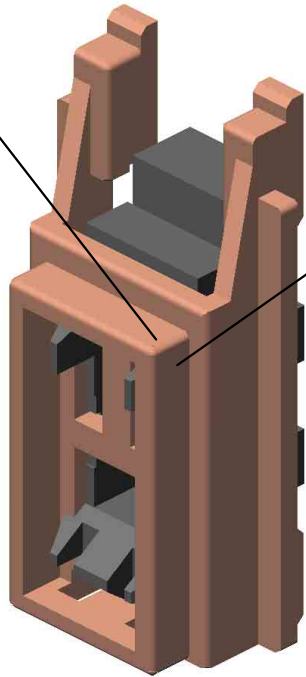
D0391125  
 [A]  
 DRIVE UNIT:DRUM  
 :DEVELOPMENT:A  
 SS'Y  
 090309 X/O

4.04563008N (x 1)  
 TAPPING SCREW - M3X8  
 7.11026171 (x 4)  
 CONNECTOR - 6P

U001	U002	U003	U004	U005	U006	U007	U008	U009	U010	U011	U012	U013	U014	U015	U016
------	------	------	------	------	------	------	------	------	------	------	------	------	------	------	------

U002\_S002  
POSITIONING SENSOR:DRUM:ASS'Y

31.B2231144  
HOLDER:POSITIO  
NING SENSOR



43.GW020020  
PHOTOINTERRUP  
TOR:LG248NL1

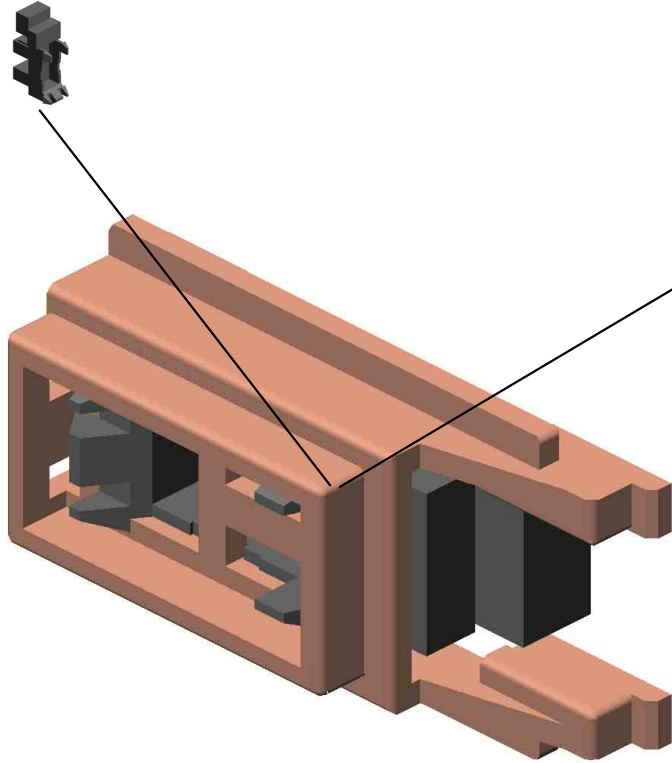


32.D0391148  
POSITIONING SEN  
SOR:DRUM:ASS'Y

U001	<b>U002</b>	U003	U004	U005	U006	U007	U008	U009	U010	U011	U012	U013	U014	U015	U016
------	-------------	------	------	------	------	------	------	------	------	------	------	------	------	------	------

U002\_S003  
POSITIONING SENSOR:DRUM:ASS'Y

43.GW020020  
PHOTOINTERRUP  
TOR:LG248NL1



32.D0391148  
POSITIONING SEN  
SOR:DRUM:ASS'Y

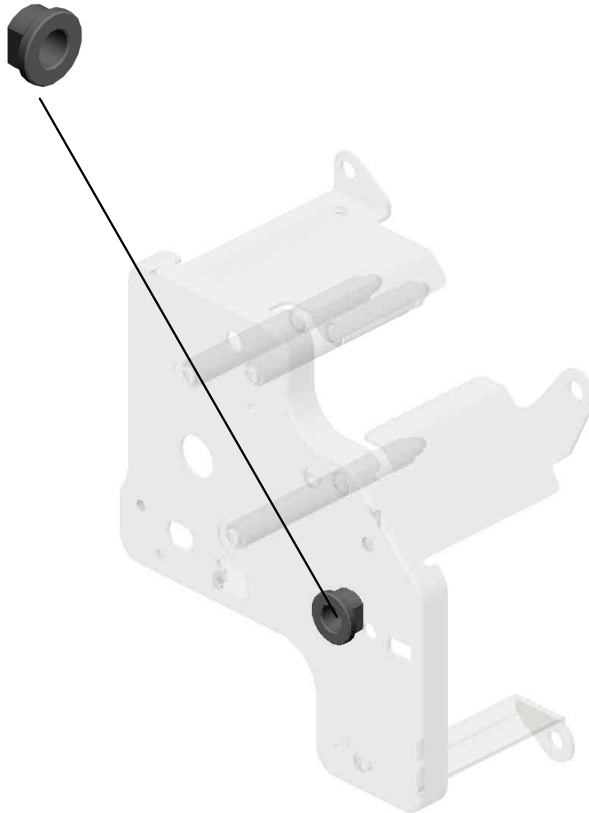


31.B2231144  
HOLDER:POSITIO  
NING SENSOR

U001	<b>U002</b>	U003	U004	U005	U006	U007	U008	U009	U010	U011	U012	U013	U014	U015	U016
------	-------------	------	------	------	------	------	------	------	------	------	------	------	------	------	------

U002\_S004  
BRACKET:PAPER FEED:NO.1:ASS'Y

13.AA082101  
BUSHING - 6X10X6

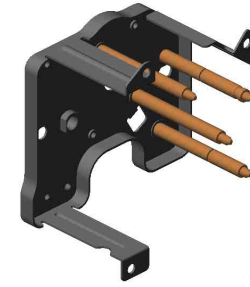
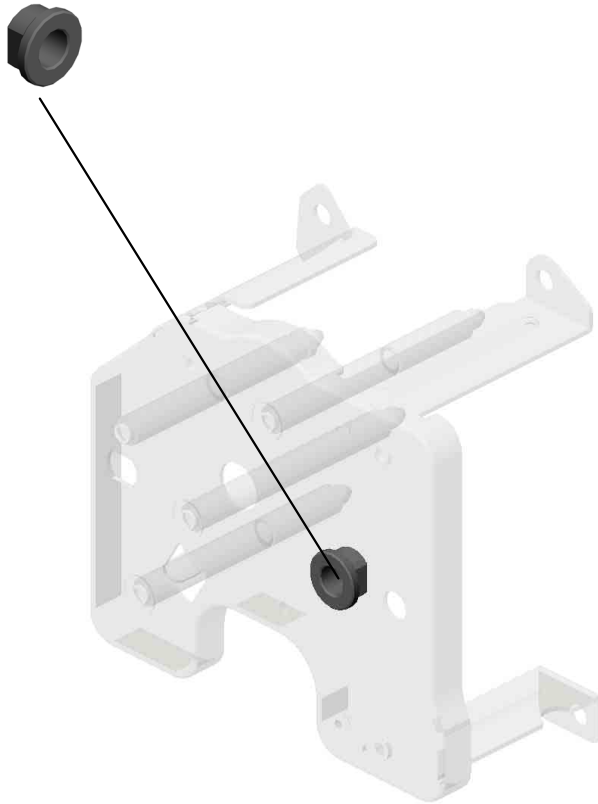


33.D0391158  
BRACKET:PAPER  
FEED:NO.1:ASS'Y

U001	<b>U002</b>	U003	U004	U005	U006	U007	U008	U009	U010	U011	U012	U013	U014	U015	U016
------	-------------	------	------	------	------	------	------	------	------	------	------	------	------	------	------

U002\_S005  
BRACKET:PAPER FEED:NO.2:ASS'Y

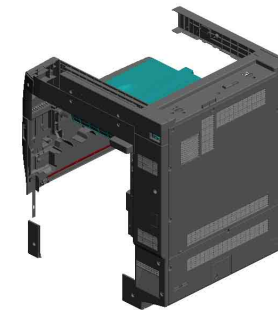
13.AA082101  
BUSHING - 6X10X6



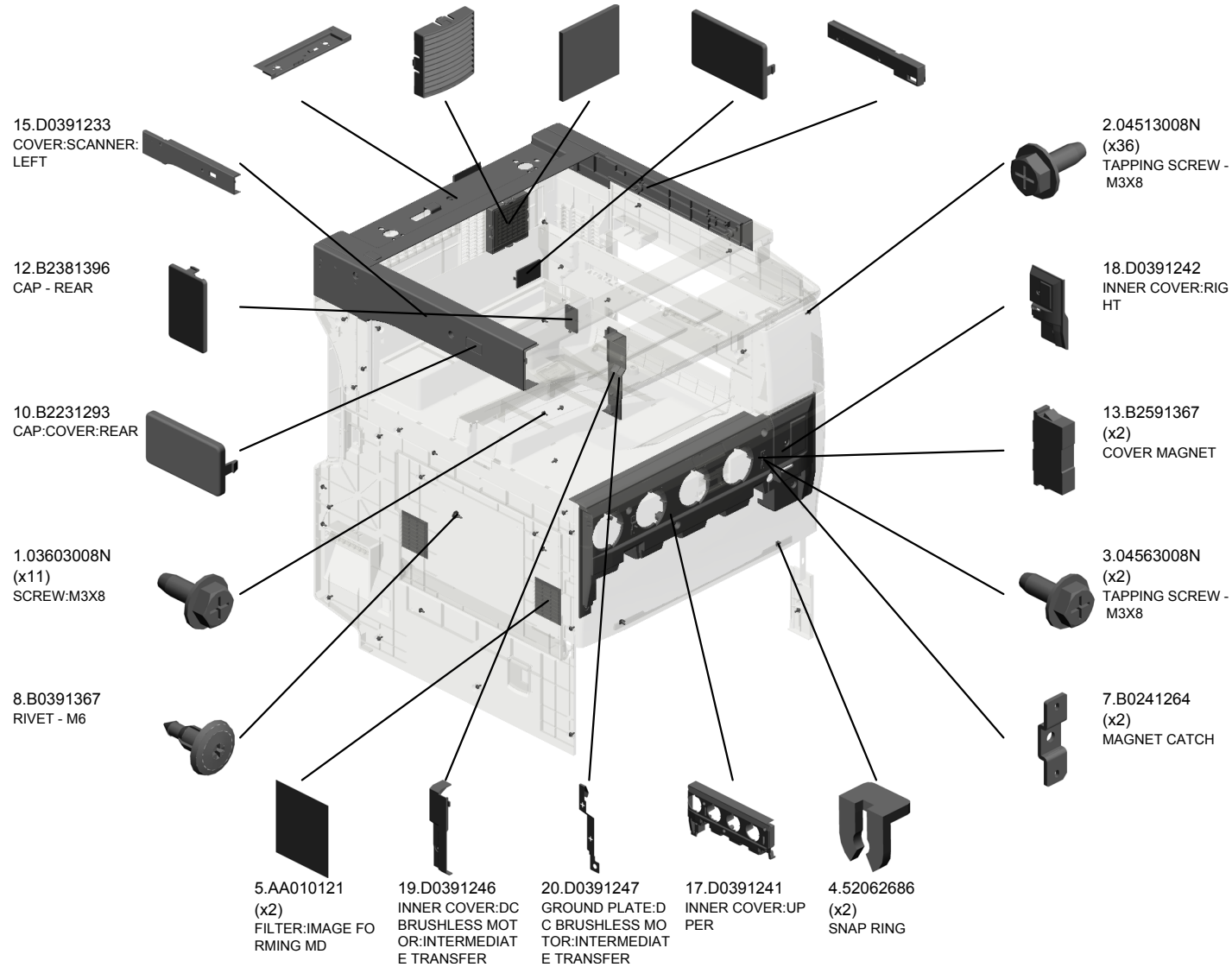
40.D0391172  
BRACKET:PAPER  
FEED:NO.2:ASS'Y

U001	<b>U002</b>	U003	U004	U005	U006	U007	U008	U009	U010	U011	U012	U013	U014	U015	U016
------	-------------	------	------	------	------	------	------	------	------	------	------	------	------	------	------

# U003 EXTERIOR



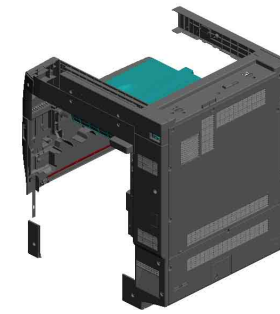
- 16.D0391234 COVER:SCANNER: REAR
- 11.B2381373 CAP - LOUVER MM 80
- 6.AA010122 FILTER:REAR
- 9.B0771253 CAP:34X55
- 14.D0391232 COVER:SCANNER: RIGHT





# U003 EXTERIOR

27.D0391261 COVER:UPPER:INNER BACK  
 26.D0391260 COVER:UPPER  
 30.D0391271 COVER:RIGHT REAR  
 28.D0391262 COVER:UPPER:EXTERIOR  
 31.D0391272 COVER:RIGHT UPPER



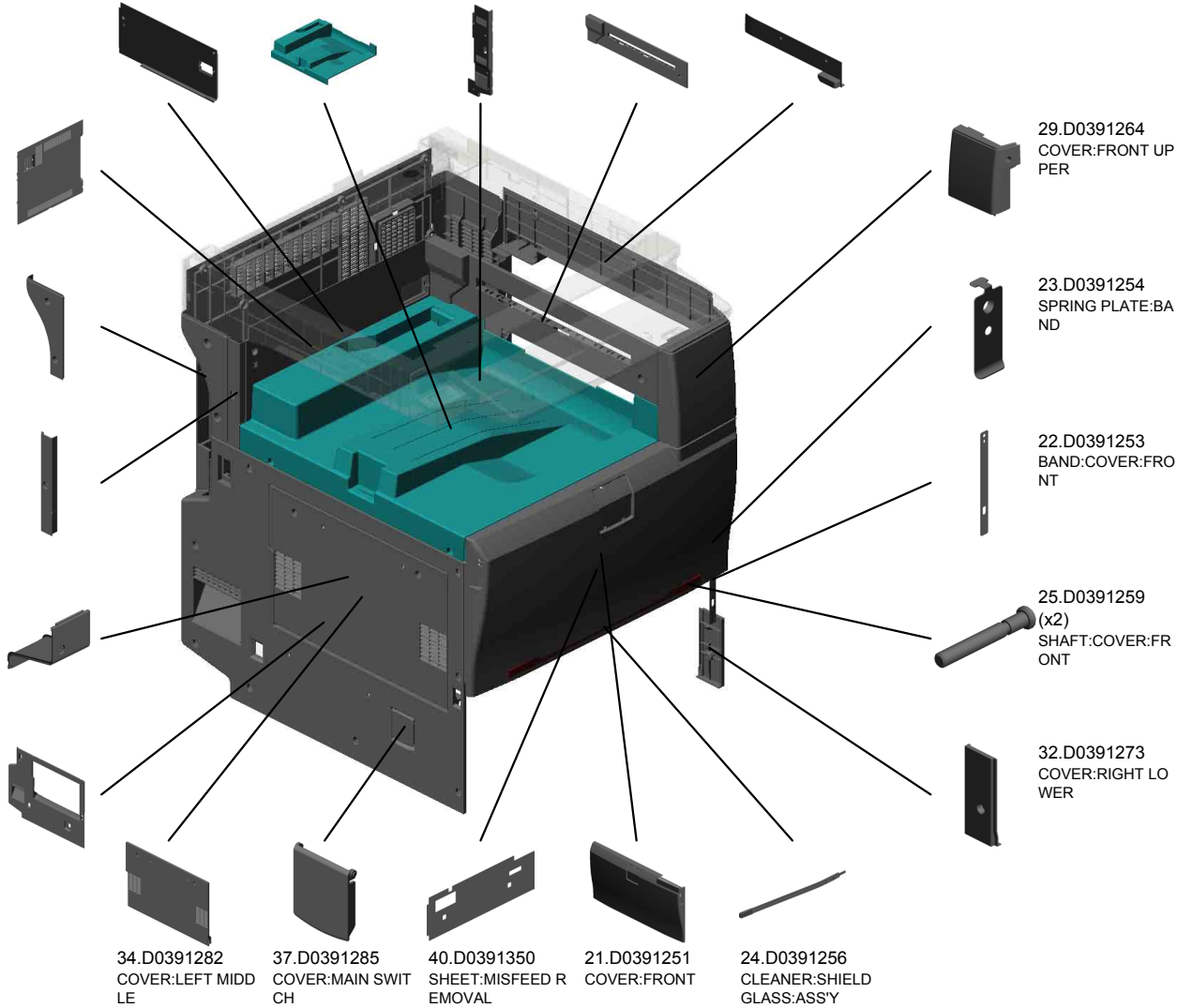
38.D0391291 COVER:REAR

35.D0391283 COVER:LEFT UPPER REAR

36.D0391284 COVER:LEFT OPTION

39.D0391293 COVER:REAR:HAIRNESS

33.D0391281 COVER:LEFT



29.D0391264 COVER:FRONT UPPER

23.D0391254 SPRING PLATE: BAND

22.D0391253 BAND:COVER:FRONT

25.D0391259 (x2) SHAFT:COVER:FRONT

32.D0391273 COVER:RIGHT LOWER

34.D0391282 COVER:LEFT MIDDLE

37.D0391285 COVER:MAIN SWITCH

40.D0391350 SHEET:MISFEED REMOVAL

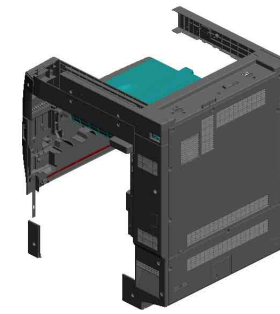
21.D0391251 COVER:FRONT

24.D0391256 CLEANER:SHIELD GLASS:ASSY

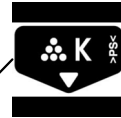
# U003 EXTERIOR

44.D0391354  
DECAL:COLORED  
DISPLAY:INNER C  
OVER:Y

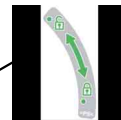
43.D0391353  
DECAL:COLORED  
DISPLAY:INNER C  
OVER:M



46.D0411292  
COVER:REAR LO  
WER:EU



41.D0391351  
DECAL:COLORED  
DISPLAY:INNER C  
OVER:BK



45.D0391355  
(x4)  
DECAL:TONER BO  
TTLE:LOCK

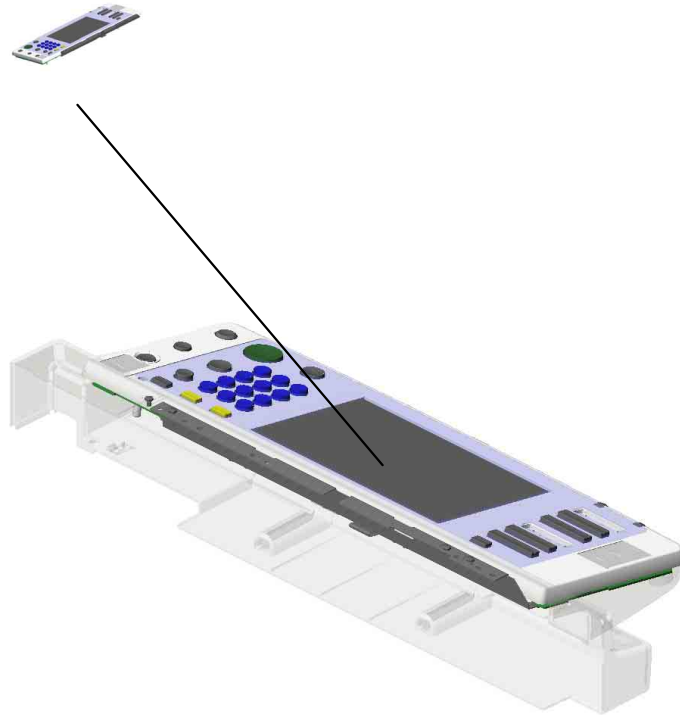


42.D0391352  
DECAL:COLORED  
DISPLAY:INNER C  
OVER:C

U001	U002	U003	U004	U005	U006	U007	U008	U009	U010	U011	U012	U013	U014	U015	U016
------	------	------	------	------	------	------	------	------	------	------	------	------	------	------	------

# U004.OPERATION

U004 S001  
D0391411  
OPERATION SUB-UNIT: DIA-  
C1:NA:ASS'Y

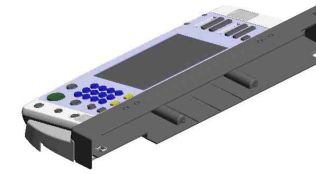


U001	U002	U003	U004	U005	U006	U007	U008	U009	U010	U011	U012	U013	U014	U015	U016
------	------	------	------	------	------	------	------	------	------	------	------	------	------	------	------

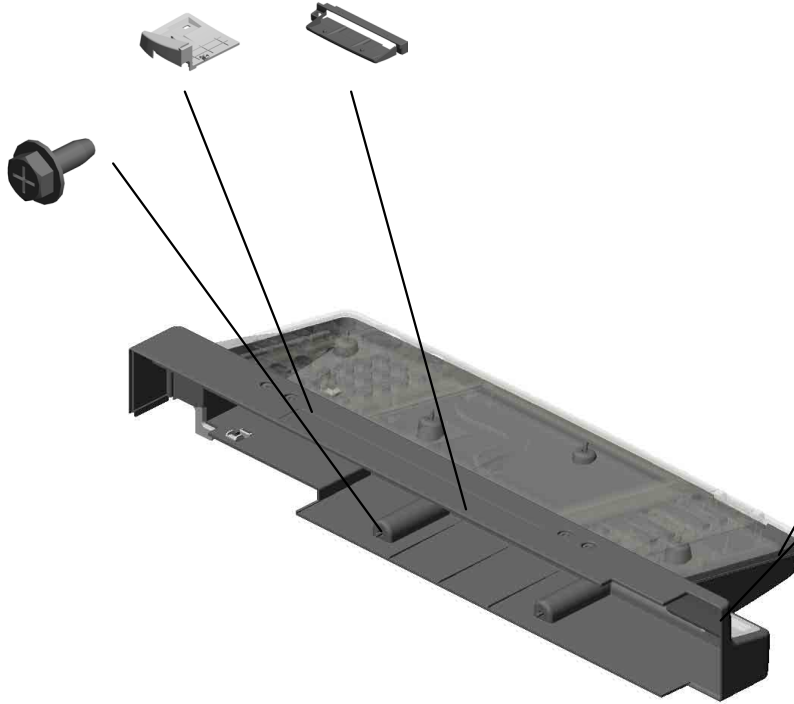
# U004 OPERATION

38.D0391236  
COVER:SCANNER:  
FRONT LOWER

37.D0391231  
COVER:SCANNER:  
FRONT



3.04513008N  
(x2)  
TAPPING SCREW -  
M3X8



4.04563010N  
(x5)  
TAPPING SCREW -  
M3X10

39.D0391239  
CAP:COVER:OPER  
ATION SUB-UNIT

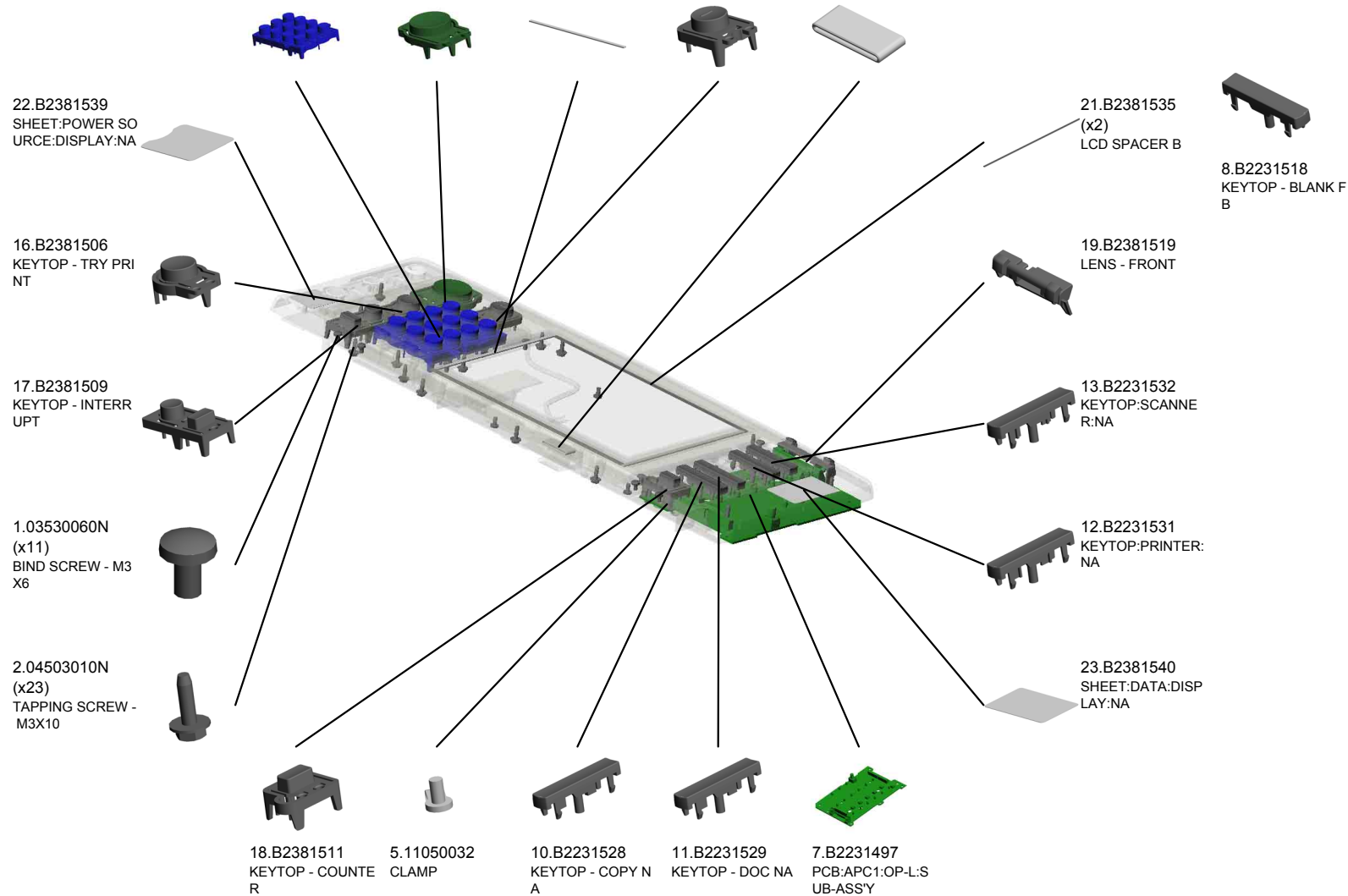
# U004\_S001

## OPERATION SUB-UNIT:DIA-C1:NA:ASS'Y

- 14.B2231540 KEYTOP:10KEY:NA
- 15.B2381504 KEYTOP - START
- 20.B2381534 (x2) LCD SPACER A
- 9.B2231520 KEYTOP - CLEAR/STOP
- 6.16072053 FERRITE CORE:E04FG210810



40.D0391411  
OPERATION SUB-UNIT:DIA-C1:NA:ASS'Y



U001	U002	U003	U004	U005	U006	U007	U008	U009	U010	U011	U012	U013	U014	U015	U016
------	------	------	------	------	------	------	------	------	------	------	------	------	------	------	------

# U004\_S001

## OPERATION SUB-UNIT:DIA-C1:NA:ASS'Y

27.B2381552  
KEYTOP - KANTAN

29.D0091466  
PCB:ALC1:OP-R:S  
UB-ASS'Y

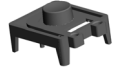
30.D0091486  
INVERTOR:TFT

35.D0091556  
PANEL:UPPER:NA

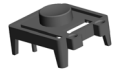


40.D0391411  
OPERATION SUB-  
UNIT:DIA-C1:NA:AS  
SY

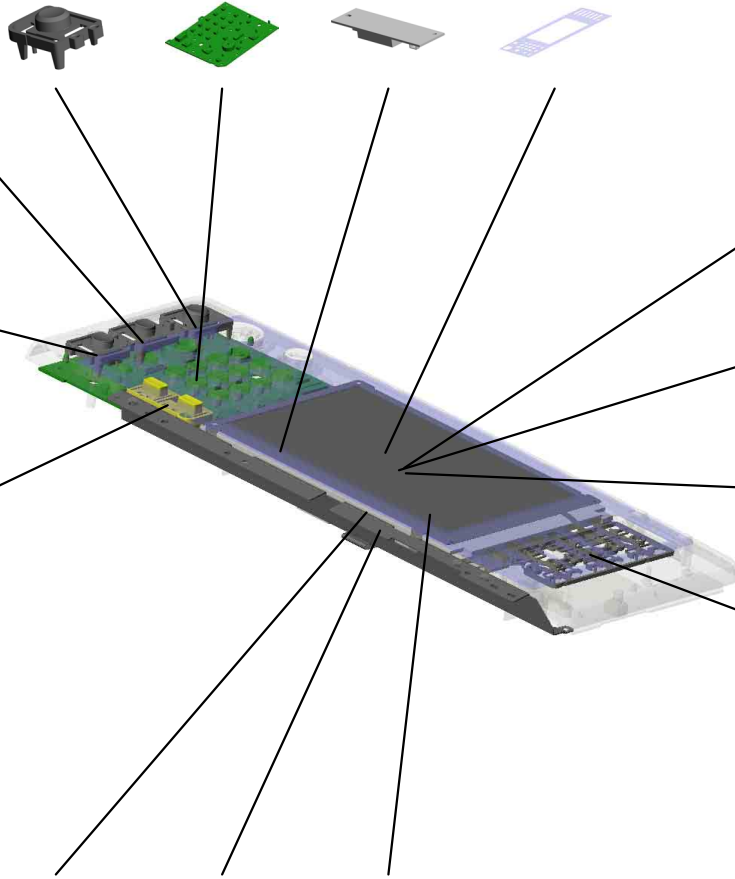
26.B2381550  
KEYTOP - LOGIN



25.B2381549  
KEYTOP - POWER  
SOURCE



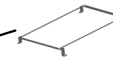
28.B2381583  
KEYTOP - CLEAR  
MODES



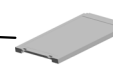
32.D0091488  
TOUCH PANEL:W-  
VGA:MA



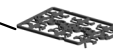
34.D0091504  
SHADEING PLATE:  
TOUCH PANEL



33.D0091498  
LCD:TFT:W-VGA:M  
V



24.B2381547  
SPACER - KEYTOP



36.D0191505  
BRACKET- LCDC B  
OARD

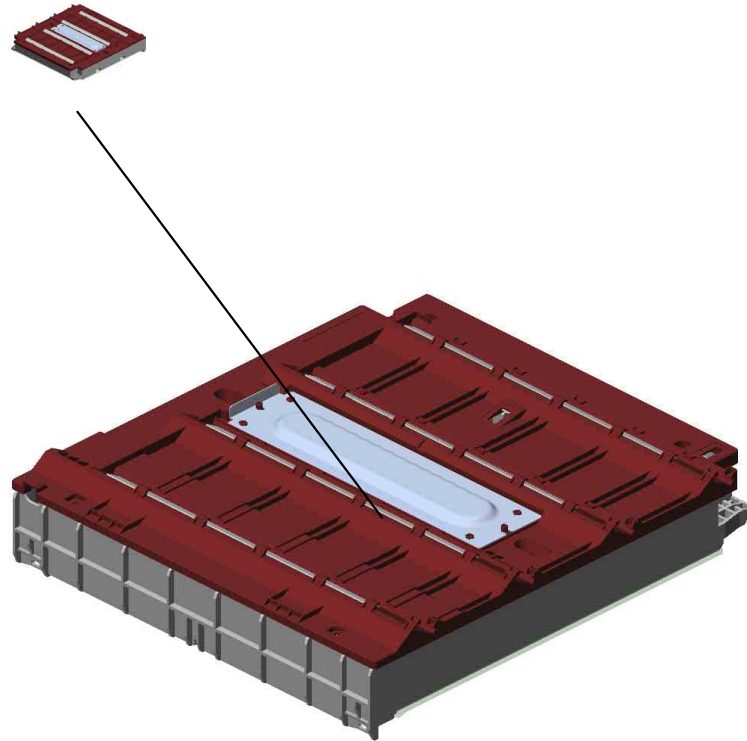
31.D0091487  
CABLE:FFC:TFT:LC  
D

41.D0391461  
PCB:DIAC1:LCDC:  
NA:ASS'Y

U001	U002	U003	U004	U005	U006	U007	U008	U009	U010	U011	U012	U013	U014	U015	U016
------	------	------	------	------	------	------	------	------	------	------	------	------	------	------	------

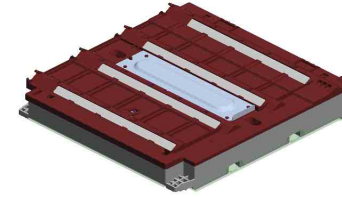
# U005.Laser Unit

U005 S001  
D0391855  
IMAGE FORMING SECTION:  
SERVICE PARTS:ASS'Y



U001	U002	U003	U004	U005	U006	U007	U008	U009	U010	U011	U012	U013	U014	U015	U016
------	------	------	------	------	------	------	------	------	------	------	------	------	------	------	------

U005  
Laser Unit

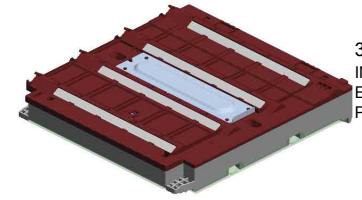


U001	U002	U003	U004	U005	U006	U007	U008	U009	U010	U011	U012	U013	U014	U015	U016
------	------	------	------	------	------	------	------	------	------	------	------	------	------	------	------

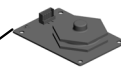
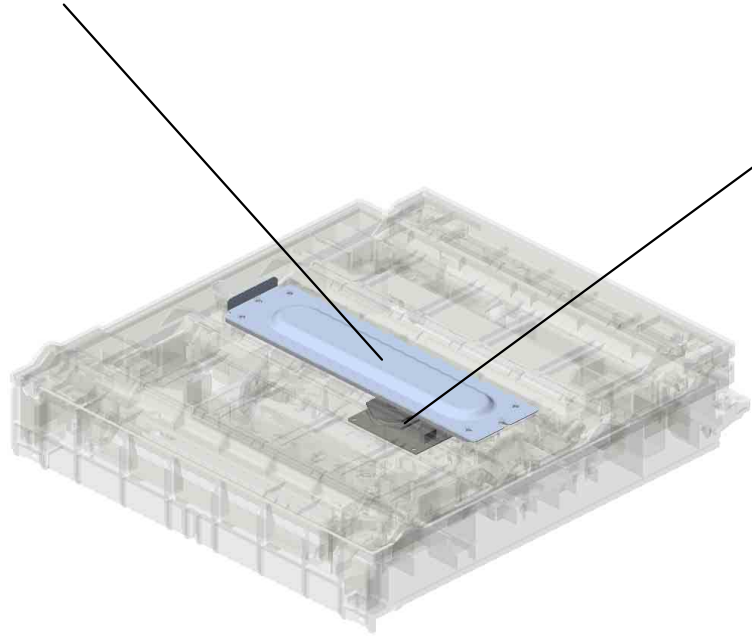


U005\_S001  
IMAGE FORMING SECTION:SERVICE PARTS:ASS'Y

4.D0391975  
COVER:POLYGON  
SCANNER:ASS'Y



3.D0391855  
IMAGE FORMING S  
ECTION:SERVICE  
PARTS:ASS'Y



2.AX060375  
POLYGON SCANN  
ER



1.11050508  
HARNESS CLAMP -  
LWS-0711

U001	U002	U003	U004	<b>U005</b>	U006	U007	U008	U009	U010	U011	U012	U013	U014	U015	U016
------	------	------	------	-------------	------	------	------	------	------	------	------	------	------	------	------

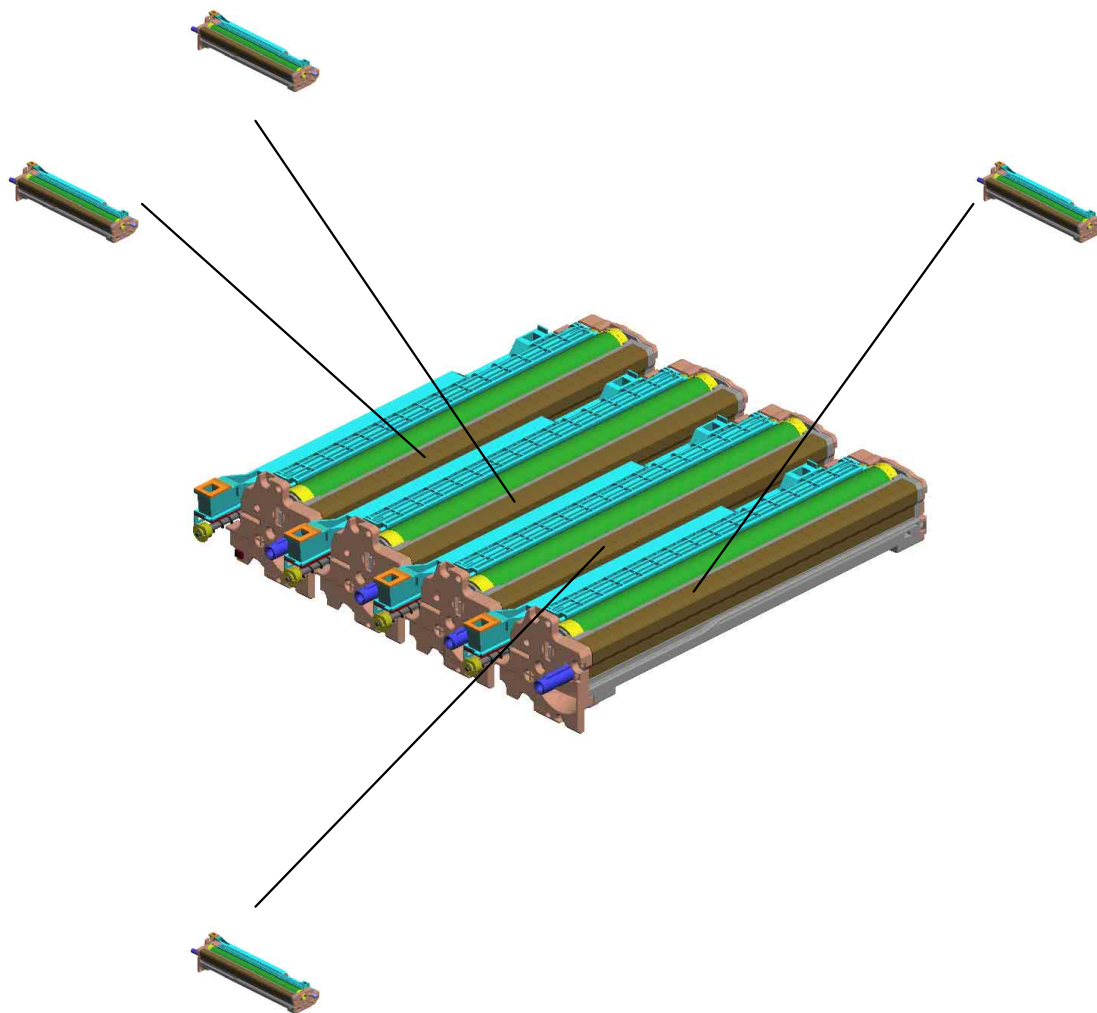
# U006.PCDU

U006\_S003  
D8092002  
PCU:DIANA:M:SERVICE

U006\_S004  
D8092003  
PCU:DIANA:Y:SERVICE

U006\_S001  
D8092000  
PCU:DIANA:BK:SERVICE

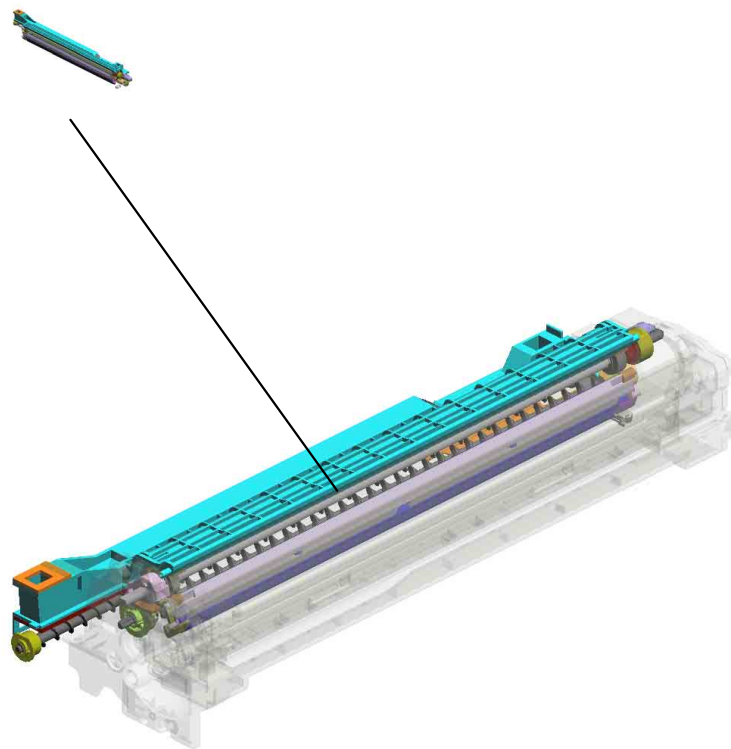
U006\_S002  
D8092001  
PCU:DIANA:C:SERVICE



U001	U002	U003	U004	U005	<b>U006</b>	U007	U008	U009	U010	U011	U012	U013	U014	U015	U016
------	------	------	------	------	-------------	------	------	------	------	------	------	------	------	------	------

# U006\_S001.PCU:DIANA:BK:SERVICE

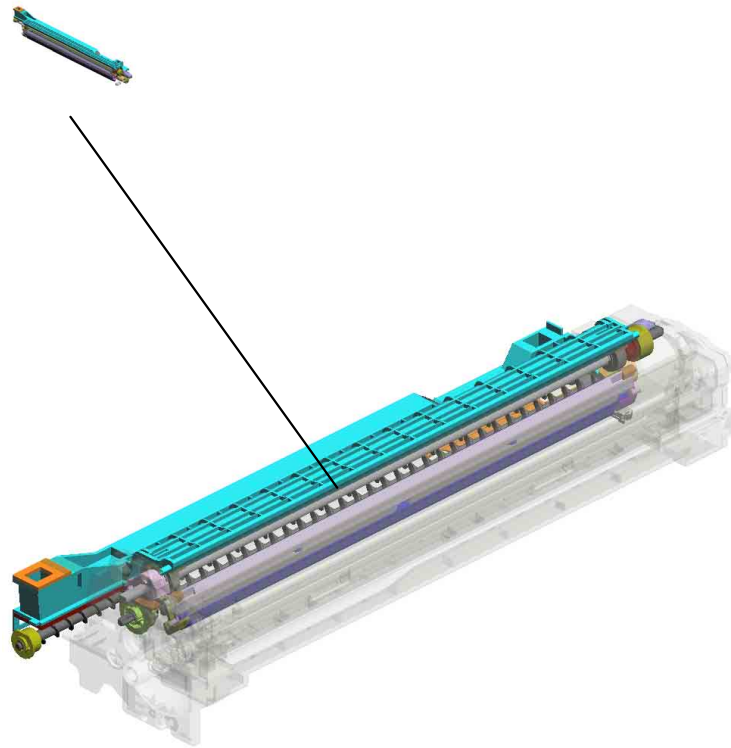
U006 S001 S001  
D8093001  
DEVELOPMENT UNIT: BK:SE  
RVICE: ASS'Y



U001	U002	U003	U004	U005	<b>U006</b>	U007	U008	U009	U010	U011	U012	U013	U014	U015	U016
------	------	------	------	------	-------------	------	------	------	------	------	------	------	------	------	------

# U006\_S002.PCU:DIANA:C:SERVICE

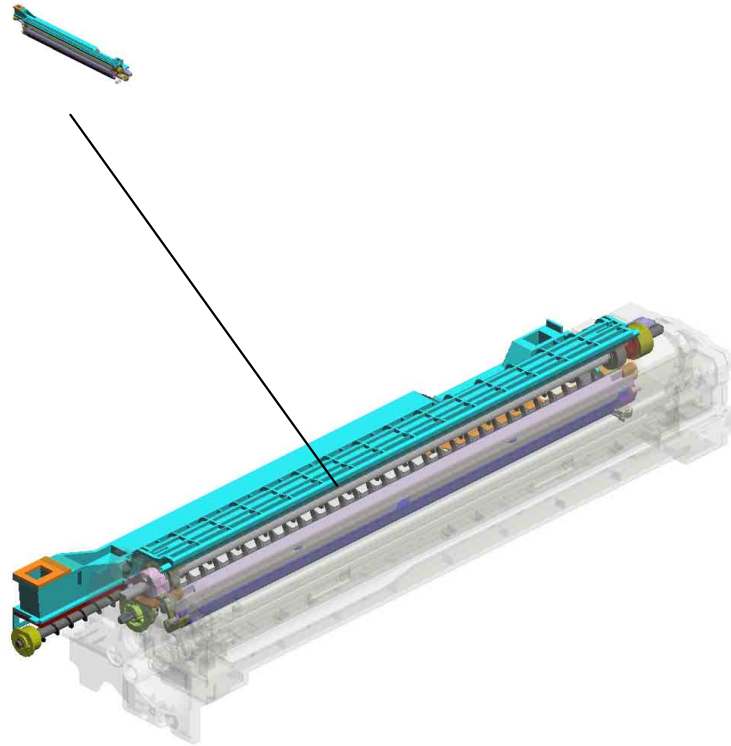
U006 S002 S001  
D8093002  
DEVELOPMENT UNIT:C:SER  
VICE:ASSY



U001	U002	U003	U004	U005	<b>U006</b>	U007	U008	U009	U010	U011	U012	U013	U014	U015	U016
------	------	------	------	------	-------------	------	------	------	------	------	------	------	------	------	------

# U006\_S003.PCU:DIANA:M:SERVICE

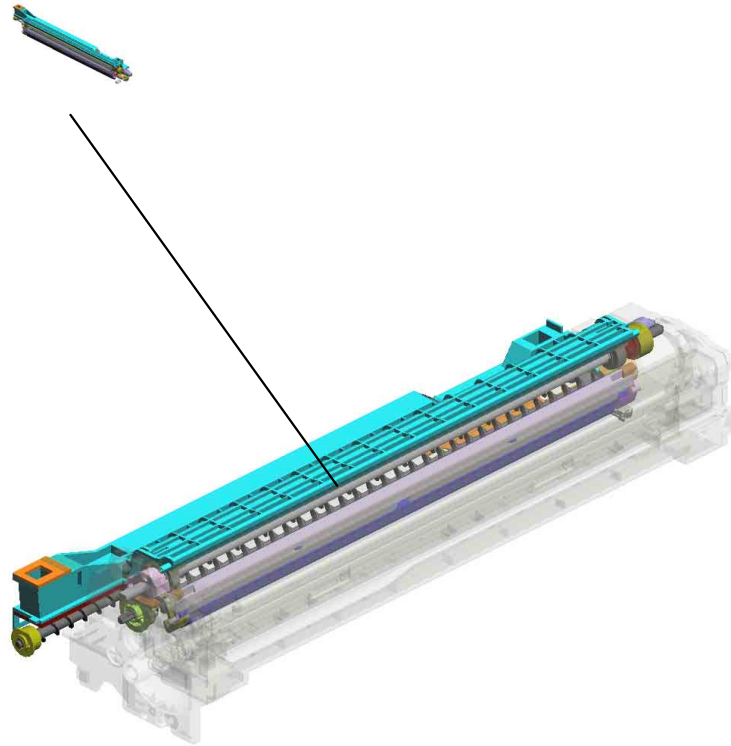
U006 S003 S001  
D8093003  
DEVELOPMENT UNIT:M:SER  
VICE:ASSY



U001	U002	U003	U004	U005	<b>U006</b>	U007	U008	U009	U010	U011	U012	U013	U014	U015	U016
------	------	------	------	------	-------------	------	------	------	------	------	------	------	------	------	------

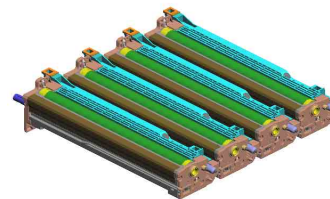
# U006\_S004.PCU:DIANA:Y:SERVICE

U006 S004 S001  
D8093004  
DEVELOPMENT UNIT:Y:SER  
VICE:ASSY



U001	U002	U003	U004	U005	<b>U006</b>	U007	U008	U009	U010	U011	U012	U013	U014	U015	U016
------	------	------	------	------	-------------	------	------	------	------	------	------	------	------	------	------

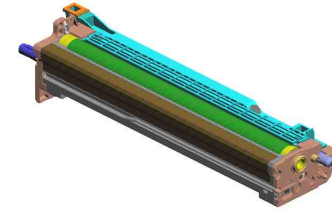
U006  
PCDU



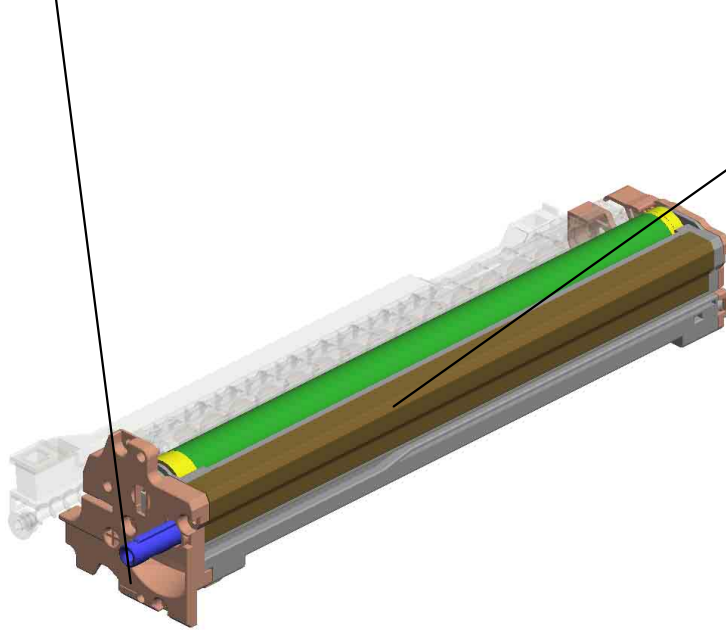
U001	U002	U003	U004	U005	U006	U007	U008	U009	U010	U011	U012	U013	U014	U015	U016
------	------	------	------	------	------	------	------	------	------	------	------	------	------	------	------

U006\_S001  
PCU:DIANA:BK:SERVICE

14.GA003033  
DECAL - SHIELDING  
PLATE K



3.D8092000  
PCU:DIANA:BK:SERVICE



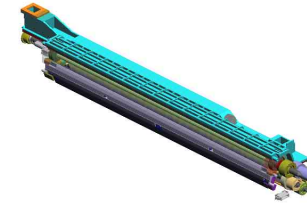
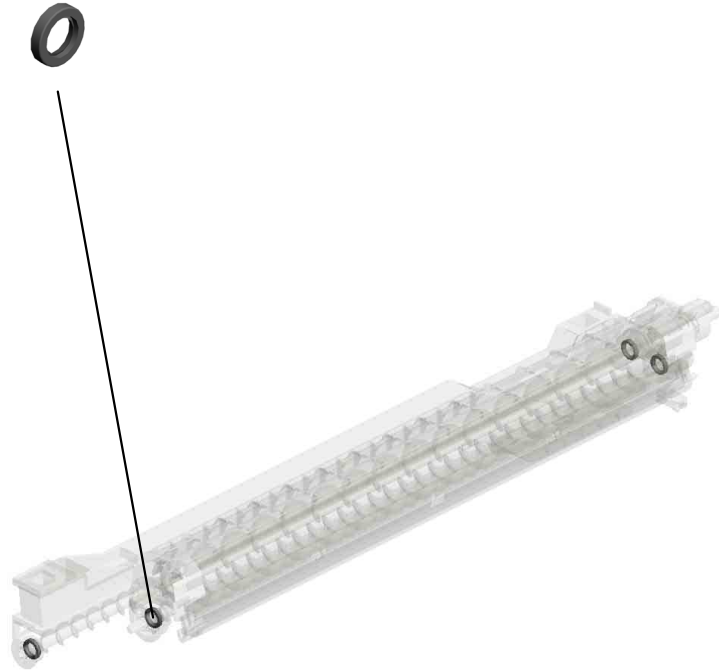
2.D0392020  
PCU:DIANA:ASSY

U001	U002	U003	U004	U005	<b>U006</b>	U007	U008	U009	U010	U011	U012	U013	U014	U015	U016
------	------	------	------	------	-------------	------	------	------	------	------	------	------	------	------	------



U006\_S001\_S001  
DEVELOPMENT UNIT: BK: SERVICE: ASS'Y

1.AA152138  
(x4)  
SEAL - G6X10X2

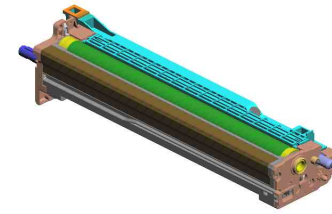


7.D8093001  
DEVELOPMENT U  
NIT: BK: SERVICE: A  
SS'Y

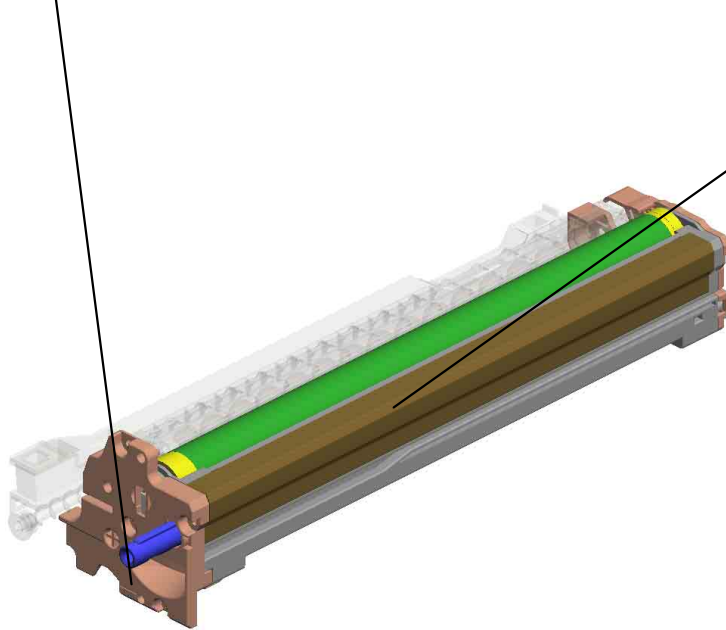
U001	U002	U003	U004	U005	<b>U006</b>	U007	U008	U009	U010	U011	U012	U013	U014	U015	U016
------	------	------	------	------	-------------	------	------	------	------	------	------	------	------	------	------

U006\_S002  
PCU:DIANA:C:SERVICE

13.GA003032  
DECAL - SHIELDIN  
G PLATE C



4.D8092001  
PCU:DIANA:C:SER  
VICE

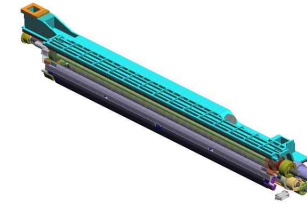
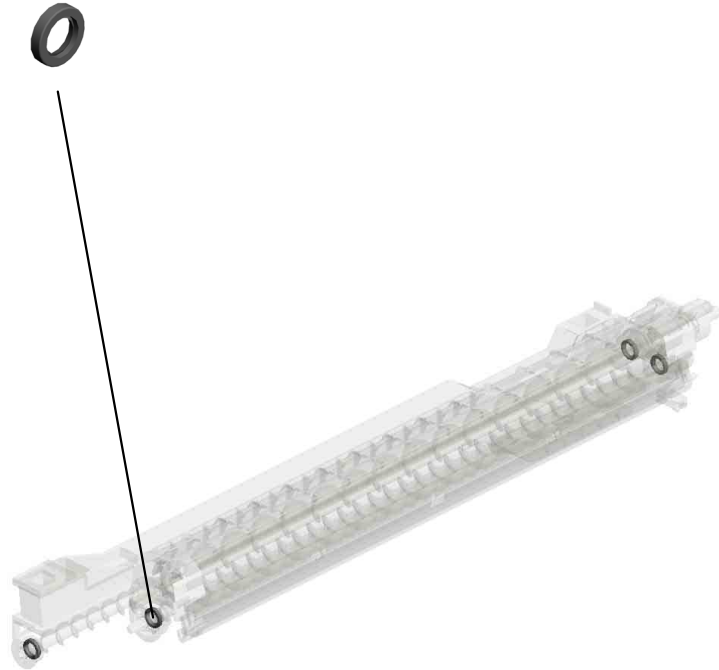


2.D0392020  
PCU:DIANA:ASS'Y

U001	U002	U003	U004	U005	U006	U007	U008	U009	U010	U011	U012	U013	U014	U015	U016
------	------	------	------	------	------	------	------	------	------	------	------	------	------	------	------

U006\_S002\_S001  
DEVELOPMENT UNIT:C:SERVICE:ASS'Y

1.AA152138  
(x4)  
SEAL - G6X10X2

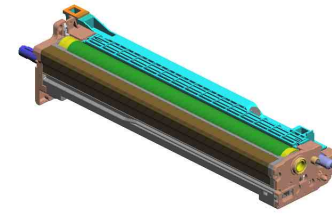


8.D8093002  
DEVELOPMENT U  
NIT:C:SERVICE:AS  
SY

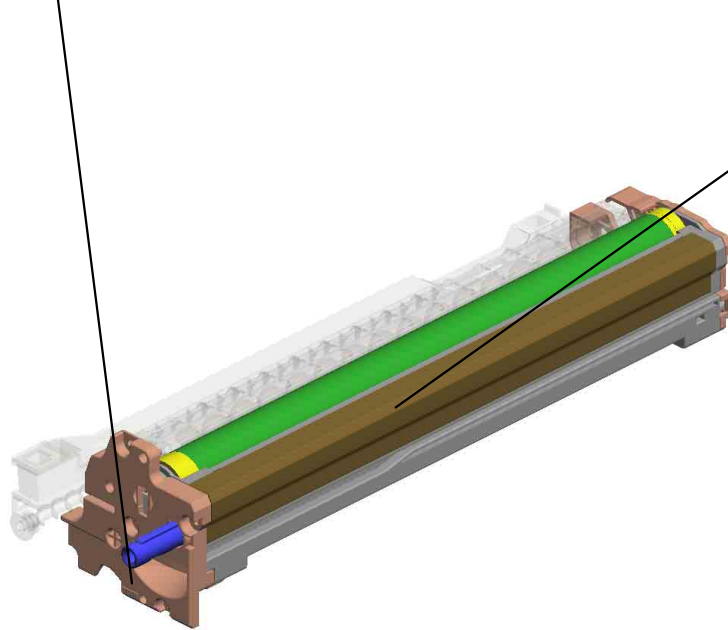
U001	U002	U003	U004	U005	<b>U006</b>	U007	U008	U009	U010	U011	U012	U013	U014	U015	U016
------	------	------	------	------	-------------	------	------	------	------	------	------	------	------	------	------

U006\_S003  
PCU:DIANA:M:SERVICE

12.GA003031  
DECAL - SHIELDING  
PLATE M



5.D8092002  
PCU:DIANA:M:SER  
VICE

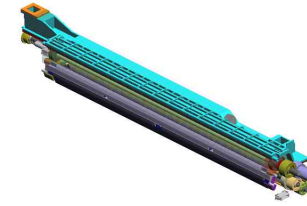


2.D0392020  
PCU:DIANA:ASS'Y

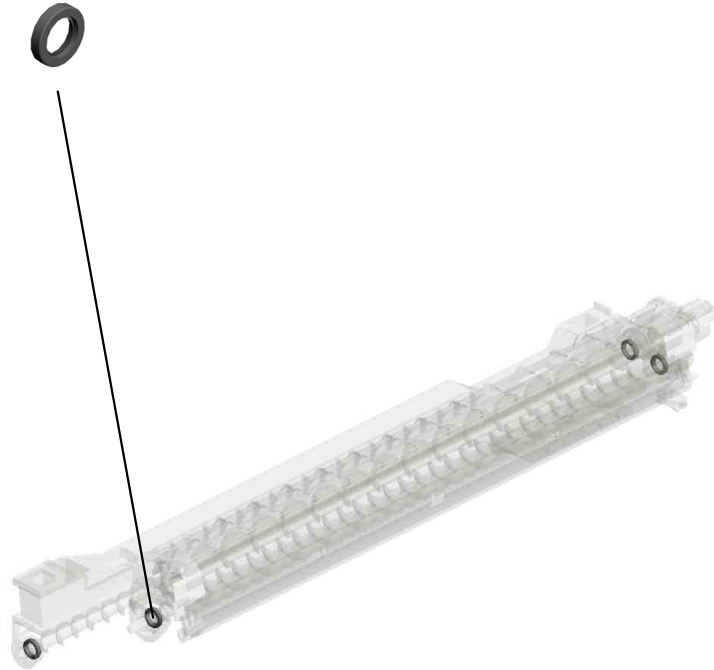
U001	U002	U003	U004	U005	<b>U006</b>	U007	U008	U009	U010	U011	U012	U013	U014	U015	U016
------	------	------	------	------	-------------	------	------	------	------	------	------	------	------	------	------

U006\_S003\_S001  
DEVELOPMENT UNIT:M:SERVICE:ASS'Y

1.AA152138  
(x4)  
SEAL - G6X10X2



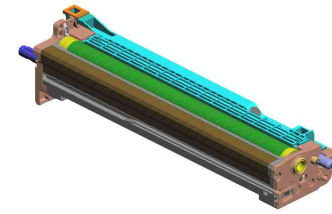
9.D8093003  
DEVELOPMENT U  
NIT:M:SERVICE:AS  
S'Y



U001	U002	U003	U004	U005	<b>U006</b>	U007	U008	U009	U010	U011	U012	U013	U014	U015	U016
------	------	------	------	------	-------------	------	------	------	------	------	------	------	------	------	------

U006\_S004  
PCU:DIANA:Y:SERVICE

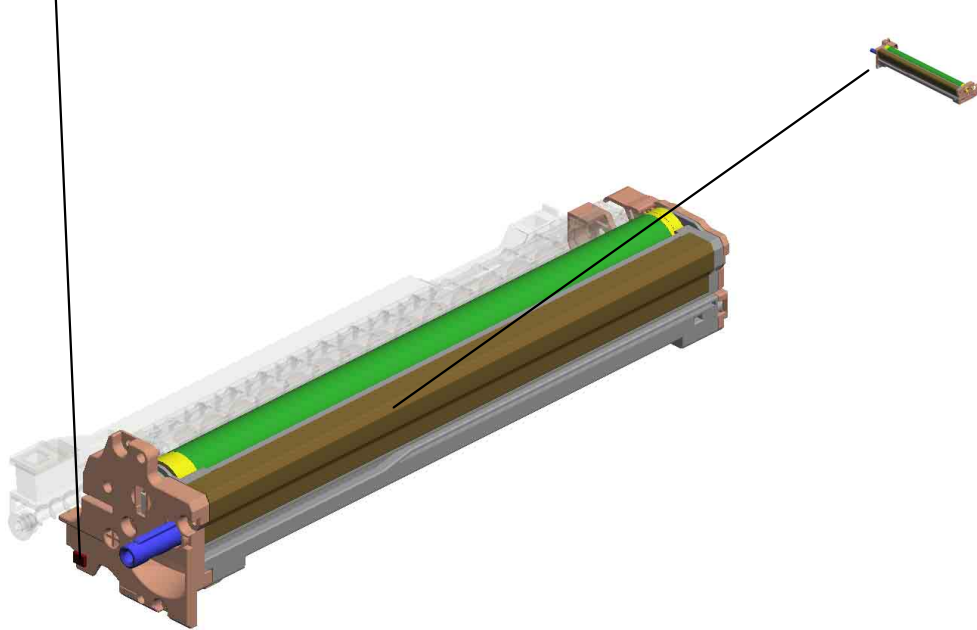
11.GA003030  
DECAL - SHIELDIN  
G PLATE Y



6.D8092003  
PCU:DIANA:Y:SER  
VICE



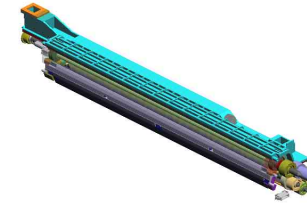
2.D0392020  
PCU:DIANA:ASS'Y



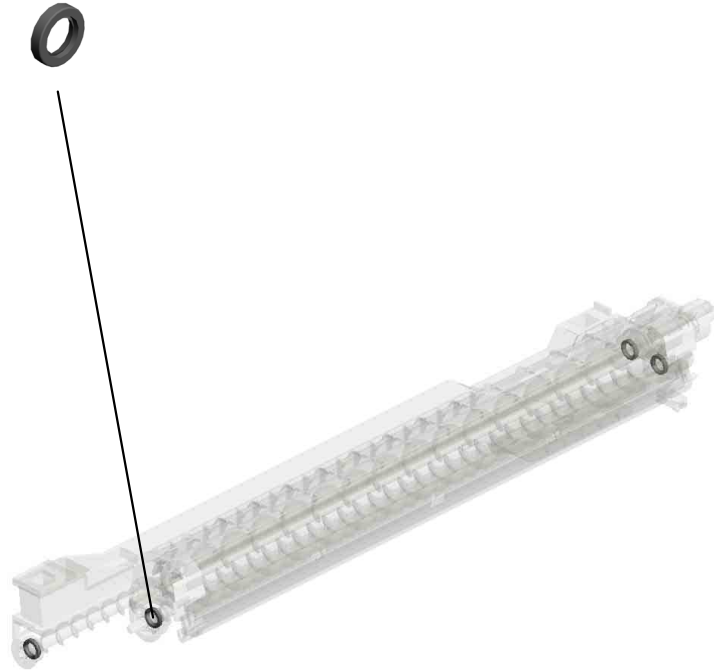
U001	U002	U003	U004	U005	U006	U007	U008	U009	U010	U011	U012	U013	U014	U015	U016
------	------	------	------	------	------	------	------	------	------	------	------	------	------	------	------

U006\_S004\_S001  
DEVELOPMENT UNIT:Y:SERVICE:ASS'Y

1.AA152138  
(x4)  
SEAL - G6X10X2



10.D8093004  
DEVELOPMENT U  
NIT:Y:SERVICE:AS  
S'Y



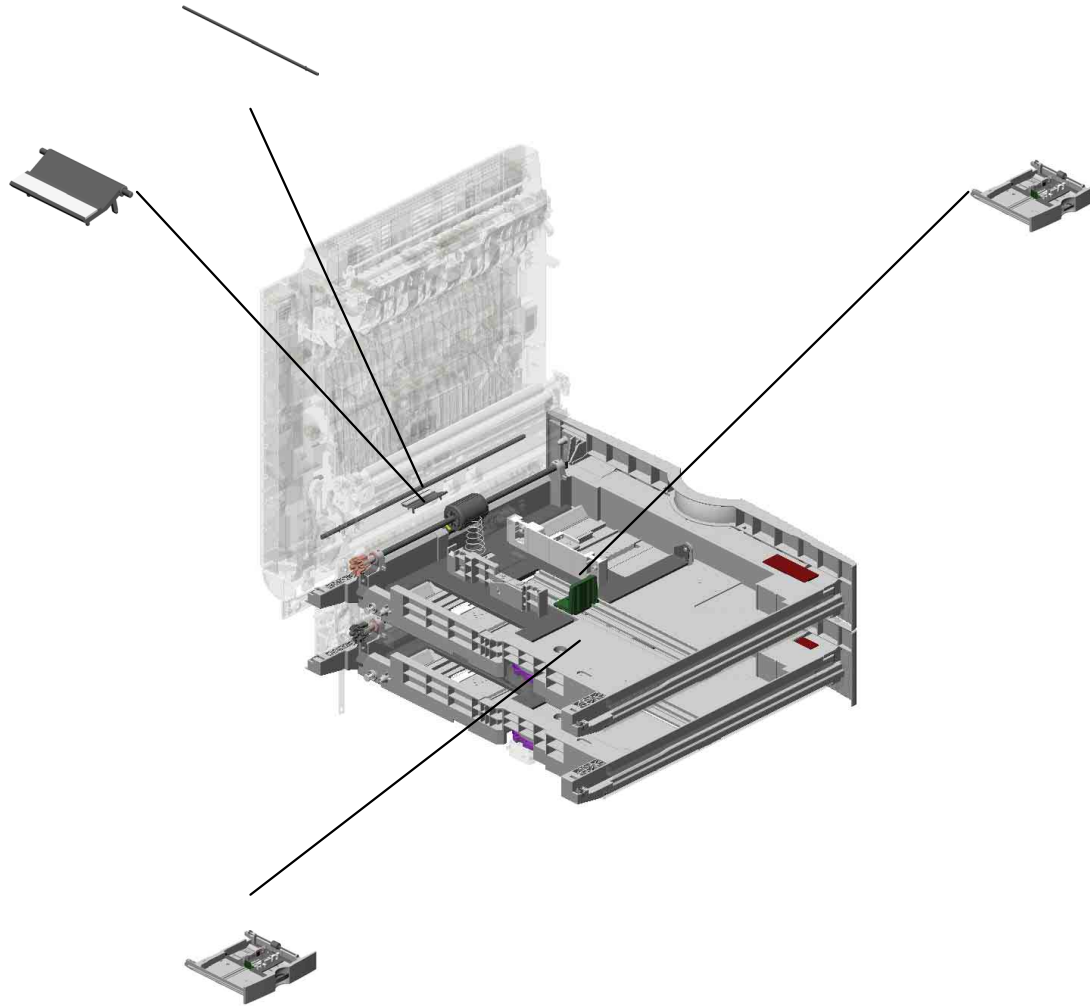
U001	U002	U003	U004	U005	<b>U006</b>	U007	U008	U009	U010	U011	U012	U013	U014	U015	U016
------	------	------	------	------	-------------	------	------	------	------	------	------	------	------	------	------

# U007.PAPER FEED

U007\_S004  
D0392796  
SHAFT:CAM:ASS'Y

U007\_S003  
B2614650  
SEPARATION PAD

U007\_S001  
D0392521  
PAPER TRAY:NO.1:ASSY



U007\_S002  
D0392522  
PAPER TRAY:NO.2:ASS'Y

U001	U002	U003	U004	U005	U006	U007	U008	U009	U010	U011	U012	U013	U014	U015	U016
------	------	------	------	------	------	------	------	------	------	------	------	------	------	------	------

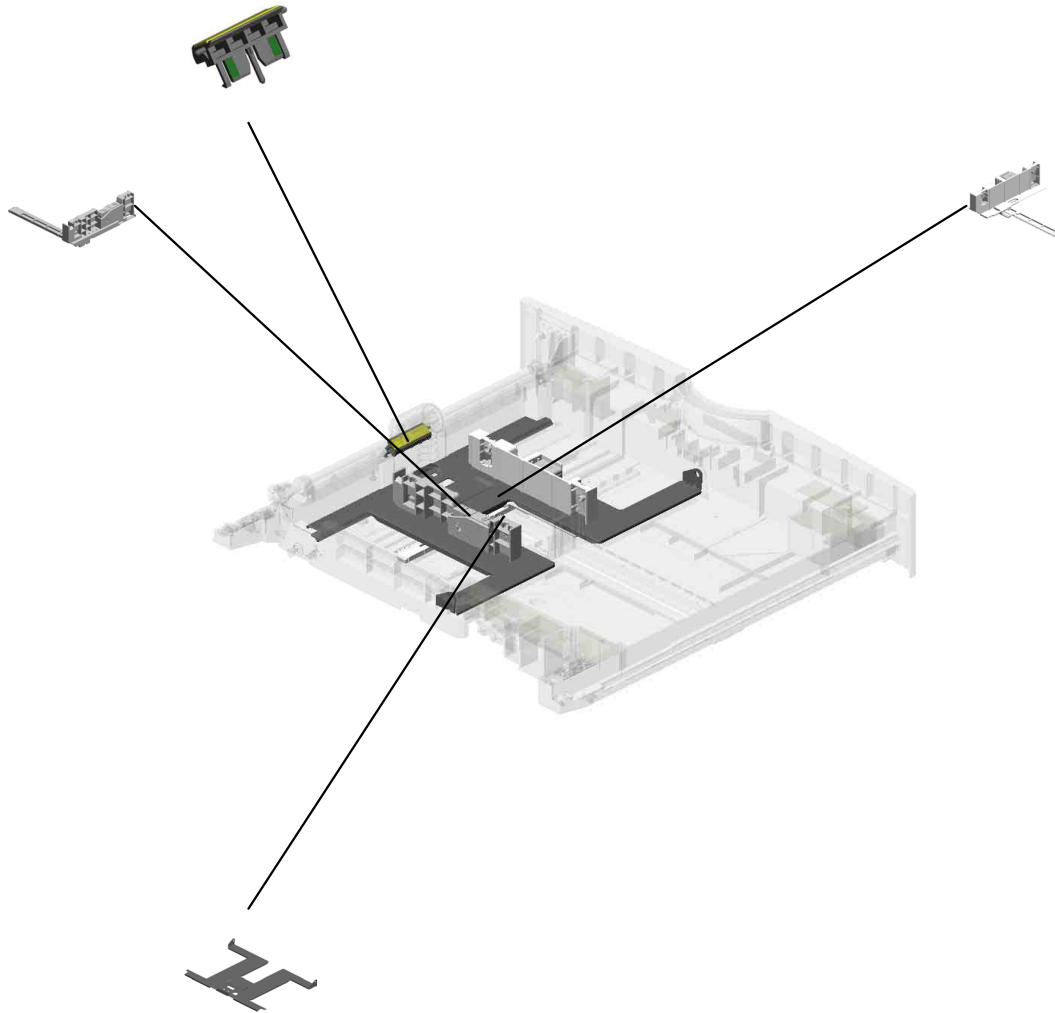


# U007\_S001.PAPER TRAY:NO.1:ASS'Y

U007\_S001\_S001  
B1542722  
FRICTION PAD:ASS'Y

U007\_S001\_S003  
D0392584  
SIDE FENCE:REAR:ASS'Y

U007\_S001\_S002  
D0392583  
SIDE FENCE:FRONT:ASS'Y



U007\_S001\_S004  
D0392585  
TRAY BOTTOM PLATE:ASS'Y

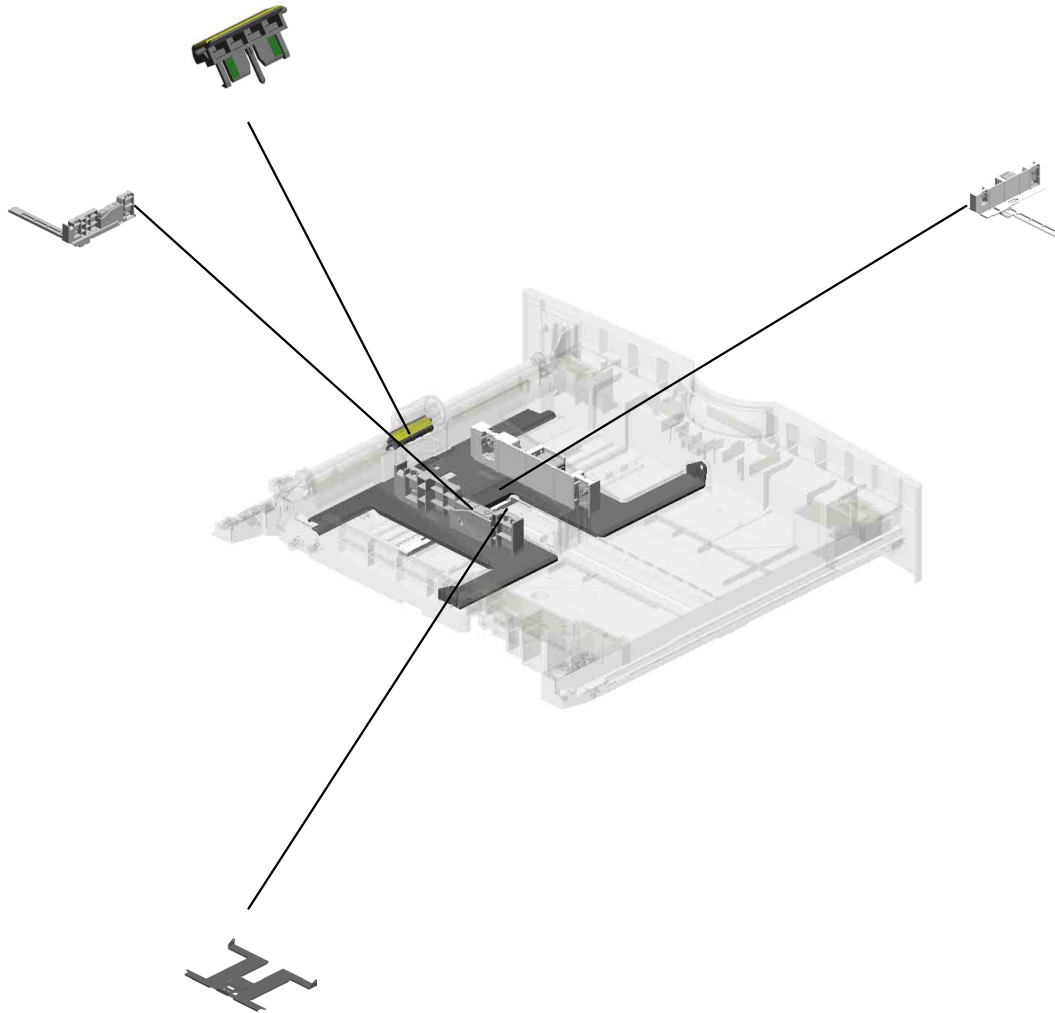
U001	U002	U003	U004	U005	U006	U007	U008	U009	U010	U011	U012	U013	U014	U015	U016
------	------	------	------	------	------	------	------	------	------	------	------	------	------	------	------

# U007\_S002.PAPER TRAY:NO.2:ASS'Y

U007\_S002\_S001  
B1542722  
FRICTION PAD:ASS'Y

U007\_S002\_S003  
D0392584  
SIDE FENCE:REAR:ASS'Y

U007\_S002\_S002  
D0392583  
SIDE FENCE:FRONT:ASS'Y



U007\_S002\_S004  
D0392585  
TRAY BOTTOM PLATE:ASS'Y

U001	U002	U003	U004	U005	U006	U007	U008	U009	U010	U011	U012	U013	U014	U015	U016
------	------	------	------	------	------	------	------	------	------	------	------	------	------	------	------

# U007 PAPER FEED

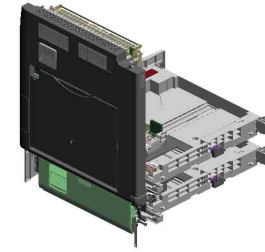
2.03603006N  
(x2)  
SCREW - M3X6

8.11050511  
(x20)  
HARNES CLAMP -  
LWS-0306ZC

31.AW020174  
PHOTOINTERRUP  
TOR:ACTUATOR

22.AA080254  
(x4)  
BUSHING - M4

30.AW010107  
PAPER FEED SEN  
SOR



7.11026246  
RELAY CONNECT  
OR - 3P



28.AF033008  
FRICTION PAD:10X  
50



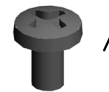
23.AA082075  
(x2)  
BUSHING - M6



5.04563008N  
(x9)  
TAPPING SCREW -  
M3X8



1.03530050N  
(x2)  
SCREW-M3X5



11.11050692  
(x6)  
CLAMP:LES-0503



10.11050534  
(x2)  
CLAMP



6.07200030E  
(x2)  
RETAINING RING -  
M3



26.AF031060  
BY-PASS FEED RO  
LLER



14.8025305  
(x4)  
TAPPING SCREW -  
M3X6



24.AA082101  
(x18)  
BUSHING - 6X10X6



16.8050089  
(x14)  
RETAINING RING -  
M4



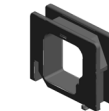
3.04513006N  
(x17)  
TAPPING SCREW -  
3X6



4.04513008N  
(x2)  
TAPPING SCREW -  
M3X8



29.AG070514  
(x2)  
MAGNET CATCH



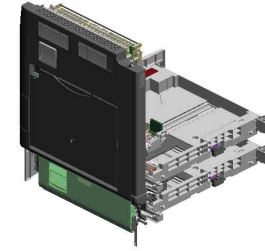
9.11050518  
EDGE SADDLE - L  
ES-1010



202.GA003167  
DECAL:CAUTION:  
NKJET:NA

# U007 PAPER FEED

- 55.D0094487 (x4) COMPRESSION SPRING - GATE
- 46.B2234552 (x2) BUSHING: DIA4
- 56.D0094489 (x2) DRIVEN ROLLER
- 54.D0094485 (x4) BUSHING - GATE
- 45.B2234464 (x4) TIMING PULLEY: 23 T



33.AW500037  
PAPER SIZE SENSOR



50.B2382751  
DECAL - SCALE



57.D0094664  
(x2)  
DRIVEN ROLLER



36.B0392628  
BOTTOM PLATE PAD



35.AX050302  
STEPPER MOTOR: TRANSPORT



32.AW020191  
PHOTO INTERRUPTOR: VERTICAL TRANSPORT



58.D0292677  
(x3)  
TRANSPORT BELT: DRIVEN: VERTICAL TRANSPORT



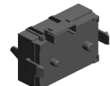
39.B0434685  
SPRING - 2.8N



67.D0392591  
GUIDERAIL: RIGHT: NO.1: ASS'Y



34.AW500038  
(x2)  
PUSH SWITCH: PAPER SIZE SENSOR



49.B2382675  
(x2)  
REGISTRATION ROLLER BUSHING



52.D0092573  
(x3)  
PULLEY - VERTICAL TRANSPORT



53.D0092574  
(x3)  
PULLEY - IDLER



38.B0392730  
(x2)  
PAPER END SENSOR

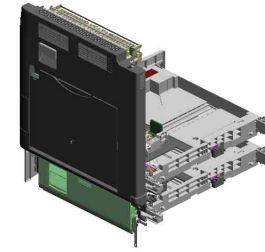


68.D0392592  
(x2)  
GUIDERAIL: LEFT: ASS'Y



# U007 PAPER FEED

70.D0392611 REGISTRATION ROLLER:DRIVE  
 79.D0392652 SHEET:REGISTRATION:RIGHT  
 78.D0392651 GUIDE PLATE:REGISTRATION:RIGHT  
 72.D0392621 REGISTRATION ROLLER:DRIVEN  
 76.D0392642 SHEET:CLEANER:1ST



88.D0392735 COVER:MANUAL FEED TABLE



74.D0392623 GEAR:REGISTRATION:24Z



71.D0392612 GEAR:REGISTRATION:33Z



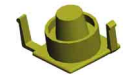
73.D0392622 GEAR:REGISTRATION:21Z



85.D0392720 GEAR:CAM:RIGHT



83.D0392714 HOLDER:COMPRESSION SPRING:SEPARATION PAD



82.D0392713 GUIDE PLATE:MANUAL FEED UNIT:LOWER



81.D0392711 LEVER:COMPRESSION SPRING:SEPARATION PAD



84.D0392716 GUIDE PLATE:MANUAL FEED UNIT:UPPER



69.D0392595 GUIDERALE:RIGHT:NO.2:ASSY



80.D0392676 (x2) TENSION SPRING:REGISTRATION



86.D0392722 GEAR:CAM:LEFT REAR



75.D0392641 BRACKET:CLEANER



77.D0392645 GUIDE PLATE:REGISTRATION:LEFT

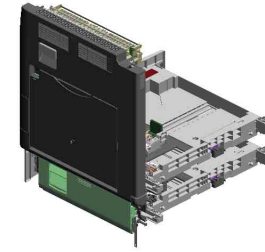


87.D0392725 FEELER:MANUAL FEED



# U007 PAPER FEED

89.D0392737 FEELER:PAPER:TRAILING EDGE  
 91.D0392739 EXTENSION TRAY:MANUAL FEED  
 100.D0392779 SPRING PLATE:EXTENSION TRAY  
 98.D0392753 GEAR:SIDE FENCE  
 90.D0392738 COVER:PAPER:TRAILING EDGE



99.D0392754 SPRING:SIDE FENCE



95.D0392750 RACK:SIDE FENCE:FRONT



97.D0392752 DISC:SIDE FENCE



94.D0392749 SIDE FENCE:REAR



102.D0392781 GEAR:STEPPER MOTOR



101.D0392780 (x2) GEAR:ROLLER CLUTCH



105.D0392789 GEAR:CAM:RIGHT REAR



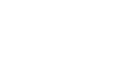
108.D0392792 BAND:STOPPER



103.D0392786 SHAFT:DRIVE:MANUAL FEED UNIT



107.D0392791 GUIDE PLATE:VERTICAL TRANSPORT:F3:RIGHT



93.D0392748 SIDE FENCE:FRONT



106.D0392790 GEAR:FEELER:LEFT



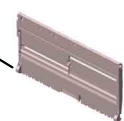
104.D0392788 PIN:SIDE FENCE



96.D0392751 RACK:SIDE FENCE:REAR

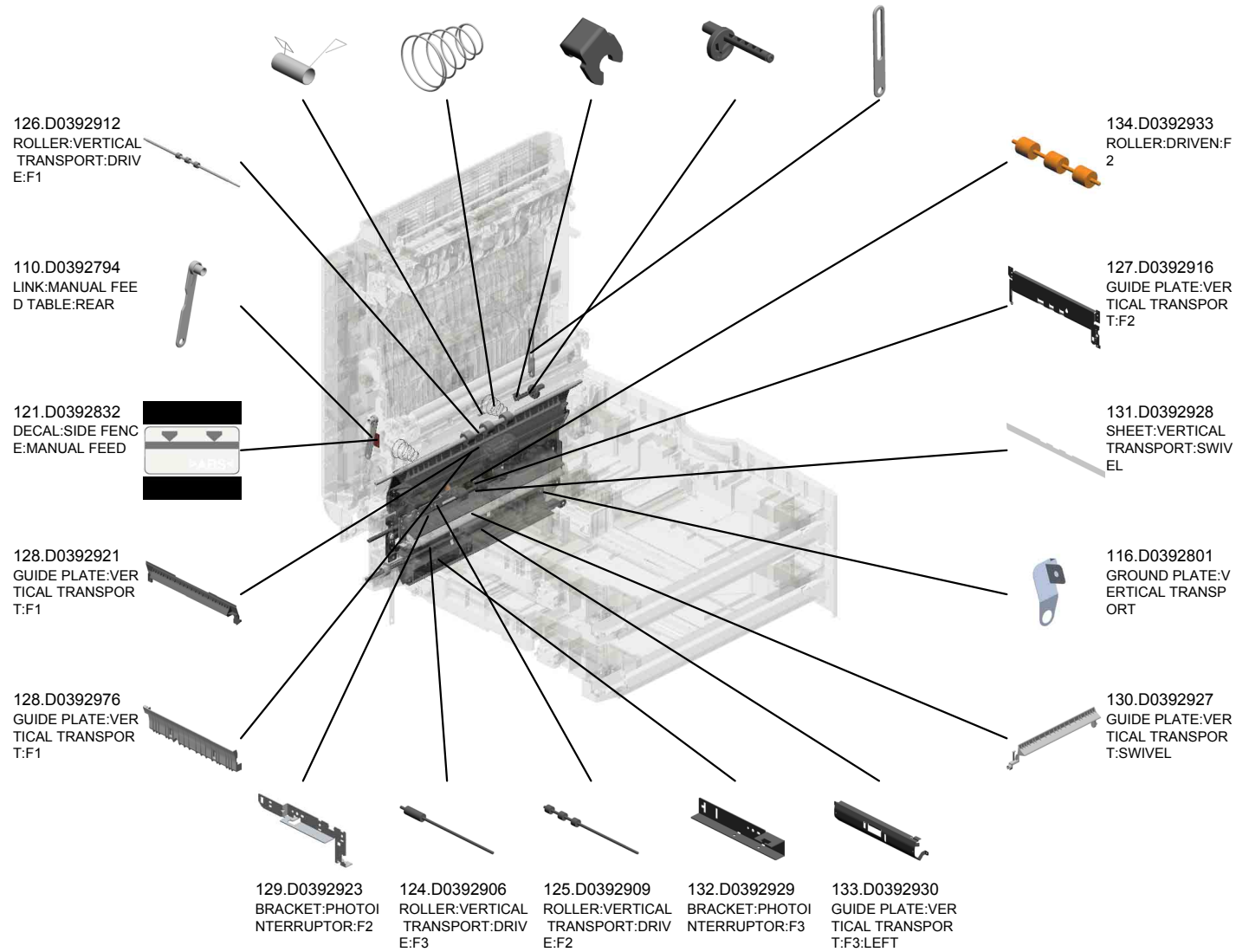
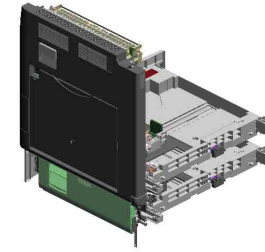


92.D0392745 BASE:MANUAL FEED TABLE



# U007 PAPER FEED

113.D0392797 TORSION SPRING: PAPER END SENSOR  
 114.D0392798 (x2) SPRING:BASE:2.5N  
 115.D0392799 RETAINING RINGS -C:DIA4  
 109.D0392793 CAM:LEFT  
 111.D0392795 LINK:MANUAL FEED TABLE:FRONT



# U007 PAPER FEED

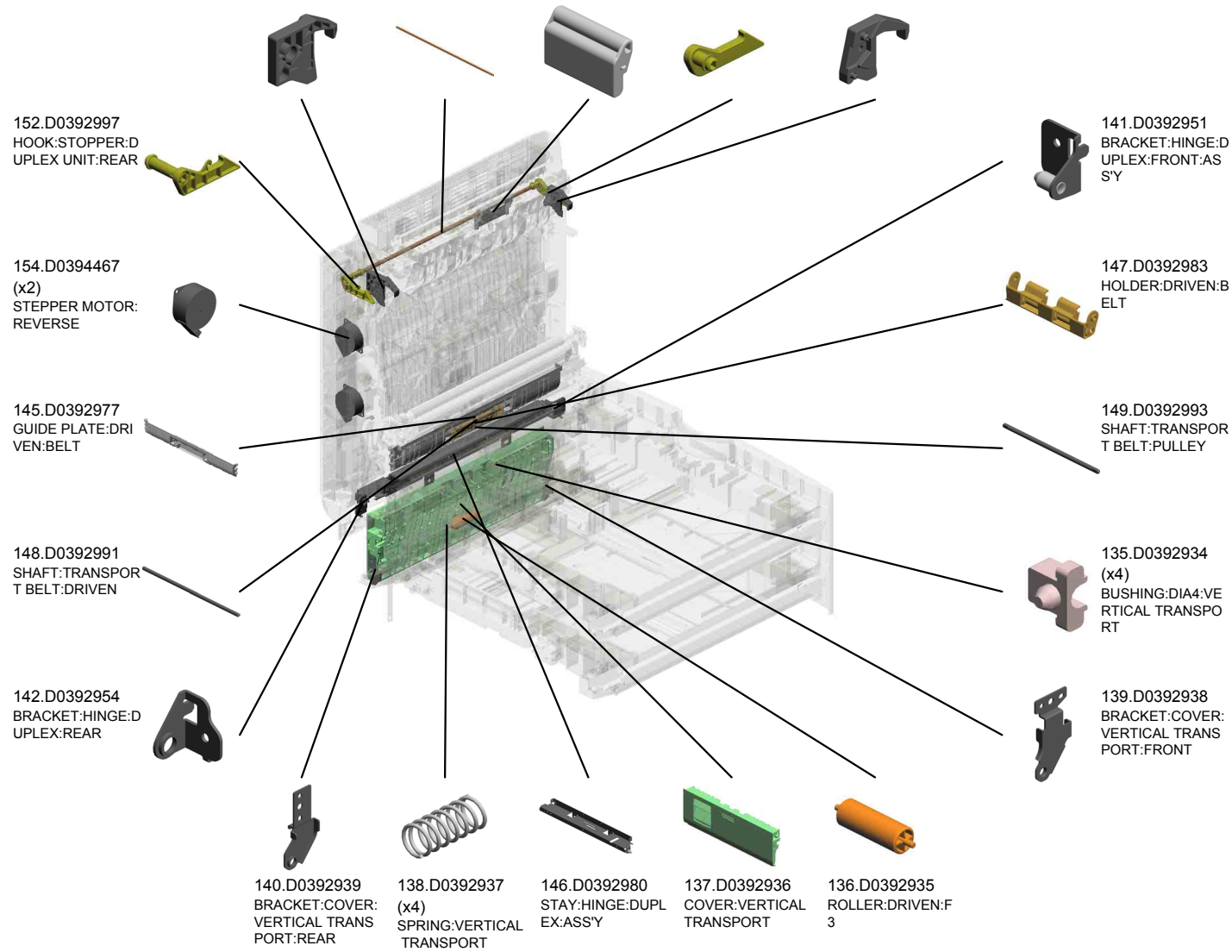
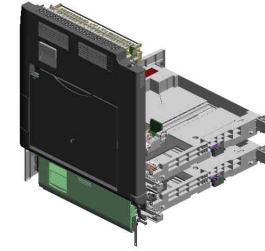
144.D0392972 ARM:PRESSURE R  
RELEASE:REAR

153.D0392998 SHAFT:GRIP

150.D0392995 GRIP:COVER:RIGH  
T

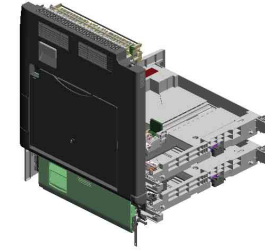
151.D0392996 HOOK:STOPPER:D  
UPLEX UNIT:FRON  
T

143.D0392971 ARM:PRESSURE R  
RELEASE:FRONT





# U007 PAPER FEED



- 162.D0394531 TRANSPORT ROLLER:DUPL
- 168.D0394542 DRIVEN ROLLER:ENTRANCE:DUPL
- 161.D0394530 TRANSPORT ROLLER:DUPL
- 157.D0394525 (x2) COMPRESSION SPRING:SHAFT:GUIDE PLATE:EXIT
- 171.D0394547 BRACKET:LEVER:DUPL

156.D0394523  
TENSION SPRING:  
LEVER:DUPL

167.D0394541  
GUIDE PLATE:ROLLER:DRIVEN

173.D0394564  
(x2)  
GEAR:IDLER:DUPL

163.D0394532  
TRANSPORT ROLLER:DUPL:EXIT:UPPER

174.D0394565  
LINK:DUPL:ASSY

172.D0394553  
COVER:CONNECTOR:DUPL

170.D0394544  
COVER:SENSOR:DUPL:LOWER

164.D0394533  
TRANSPORT ROLLER:DUPL:EXIT

155.D0394511  
GUIDE PLATE:FEED PAPER AGAIN:DUPL

158.D0394527  
(x4)  
COMPRESSION SPRING:EXIT ROLLER:DRIVEN

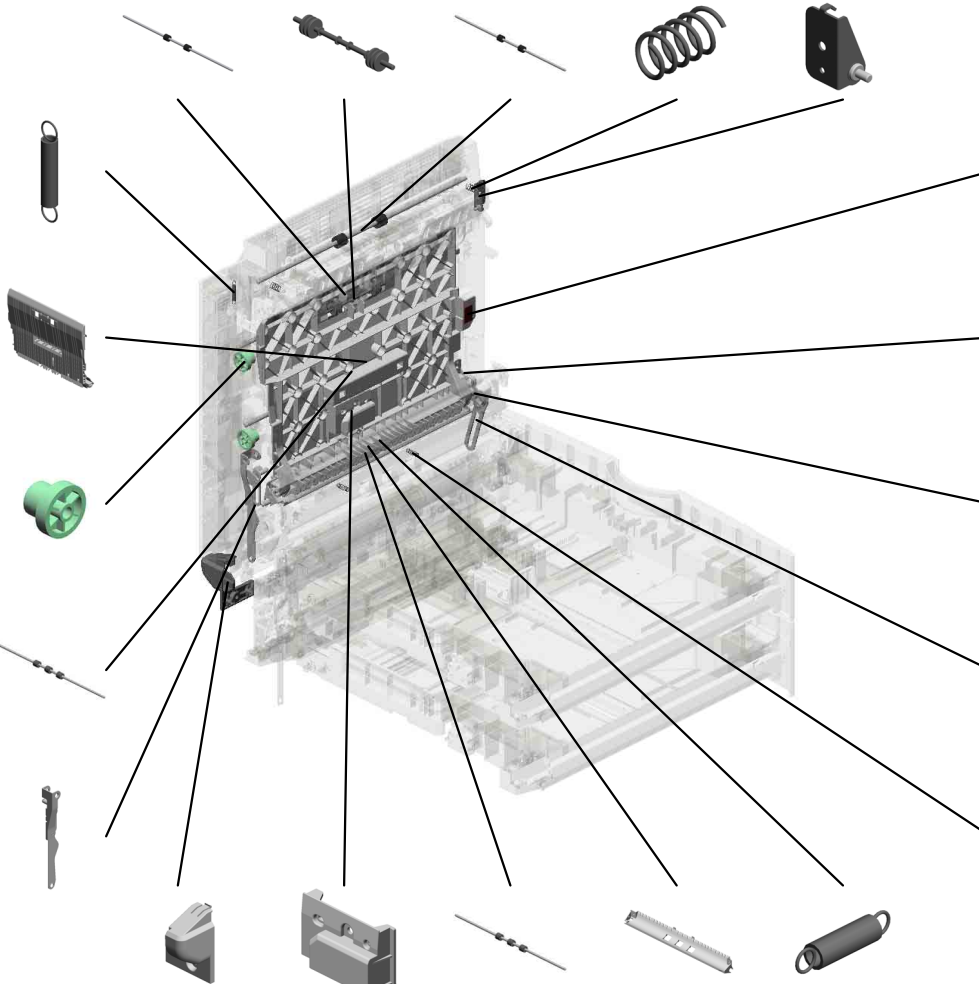
169.D0394543  
DECAL:GRIP:Z

160.D0394529  
STOPPER:GUIDE PLATE:ROLLER:DRIVEN

165.D0394539  
GUIDE PLATE:GUIDE PLATE:ROLLER:DRIVEN

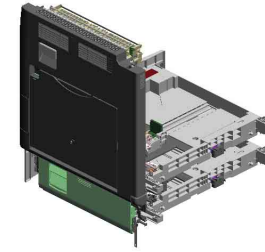
166.D0394540  
LINK:DUPL:UNIT:FRONT

159.D0394528  
(x2)  
COMPRESSION SPRING:FLAT CONVEYER BELT:DRIVEN



# U007 PAPER FEED

177.D0394578 FEELER:DUPL EX:ENTRANCE SENSO R  
 176.D0394570 GUIDE PLATE:DUPLEX:ENTRANCE  
 179.D0394583 GATE PAWL:DUPL EX:ENTRANCE:AS S'Y  
 181.D0394585 GUIDE PLATE:EXIT :DUPL EX  
 183.D0394588 GATE PAWL:REVE RSE:ASS'Y



180.D0394584 LEVER:GATE PAWL



184.D0394589 TORSION SPRING: GATE PAWL:REVERSE



182.D0394587 SPRING:GATE PAWL:ENTRANCE:DUPL EX



190.D0394981 (x6) SHEET:EXIT:PTFE: 4



175.D0394569 (x2) GEAR:DRIVE:DUPL EX



188.D0394596 TORSION SPRING: LINK:DUPL EX



194.G0205626 PUSH SWITCH



192.D0394983 (x2) SHEET:EXIT:PTFE: 17



178.D0394580 COVER:RIGHT



189.D0394597 (x2) TENSION SPRING: DRIVEN ROLLER



185.D0394591 (x2) SHAFT:PRESSURE :GUIDE PLATE:EXIT



186.D0394592 TIMING BELT:S2M: 256



191.D0394982 (x2) SHEET:EXIT:PTFE: 10



193.D0394984 SHEET:EXIT:PTFE: MIDDLE



187.D0394594 TIMING BELT:S2M: 276



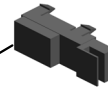
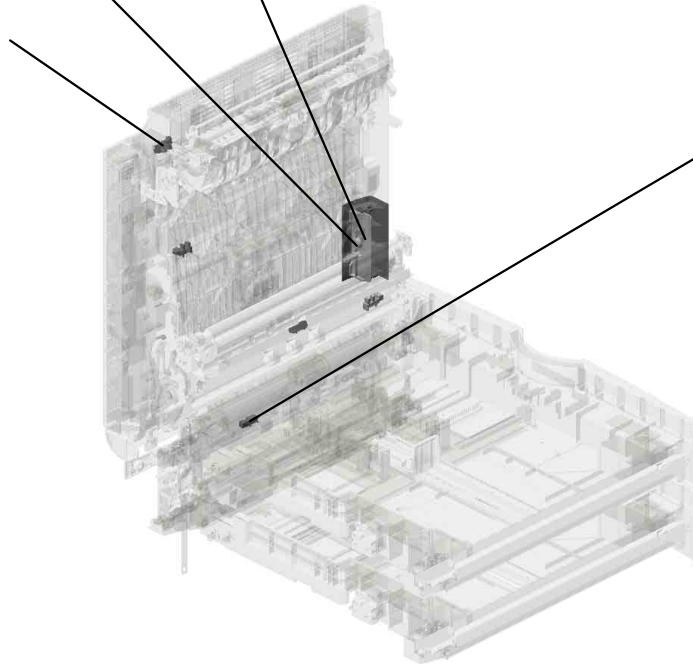
# U007 PAPER FEED

207.D0394581  
INNER COVER:GRIP  
P:DUPLEX UNIT  
200906

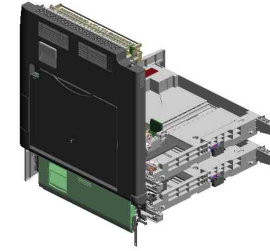
208.D0394586  
COVER:GRIP:DUP  
LEX UNIT  
200906



204.GW020020  
(x4)  
PHOTOINTERRUP  
TOR:LG248NL1



203.GW010007  
PHOTO REFLECTIO  
N SENSOR:EXIT



U001	U002	U003	U004	U005	U006	<b>U007</b>	U008	U009	U010	U011	U012	U013	U014	U015	U016
------	------	------	------	------	------	-------------	------	------	------	------	------	------	------	------	------

U007\_S001  
PAPER TRAY:NO.1:ASS'Y

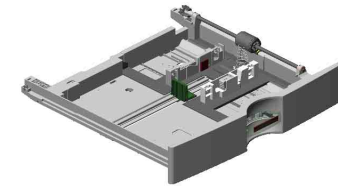
19.AA060866  
LEVER SPRING

5.04563008N  
TAPPING SCREW -  
M3X8

118.D0392825  
SUPPORTING PLA  
TE:PAPER TRAY

42.B1542726  
SHAFT:PAPER FEE  
D ROLLER:ASS'Y

**27.AF031084**  
**PAPER FEED ROLL**  
**ER MM36**



59.D0392521  
PAPER TRAY:NO.1  
:ASS'Y

21.AA063630  
SPRING

61.D0392552  
JOINT:SHAFT:PAP  
ER FEED ROLLER

62.D0392569  
GROUND PLATE:F  
EED

18.A2322987  
(x4)  
ROLLER - PAPER T  
RAY

122.D0392833  
SHAFT:COIL SPRI  
NG

40.B0512725  
SHEET - FURICTIO  
N PAD

119.D0392826  
GROUND PLATE:S  
UPPORTING PLAT  
E

117.D0392815  
SPRING:BASE

44.B2232936  
GEAR - 16Z

25.AF017025  
END FENCE

12.52152621  
SNAP RING - M6

17.8050092  
RETAINING RING -  
3M

201.G0702719  
GROUND PLATE-B  
OTTOM PLATE

37.B0392727  
(x2)  
BUSHING - 8X12X1  
0

47.B2382526  
DECAL - GRIP

66.D0392586  
GRIP:PAPER TRAY  
:ASS'Y

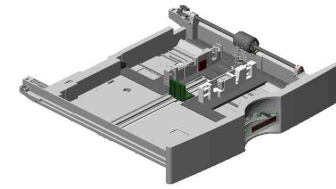
120.D0392828  
DECAL:PAPER SE  
T DIRECTION

5.04563008N (x 4)  
TAPPING SCREW - M3X8

U001	U002	U003	U004	U005	U006	U007	U008	U009	U010	U011	U012	U013	U014	U015	U016
------	------	------	------	------	------	------	------	------	------	------	------	------	------	------	------

U007\_S001  
PAPER TRAY:NO.1:ASS'Y

197.G0702711  
BASE STOPPER

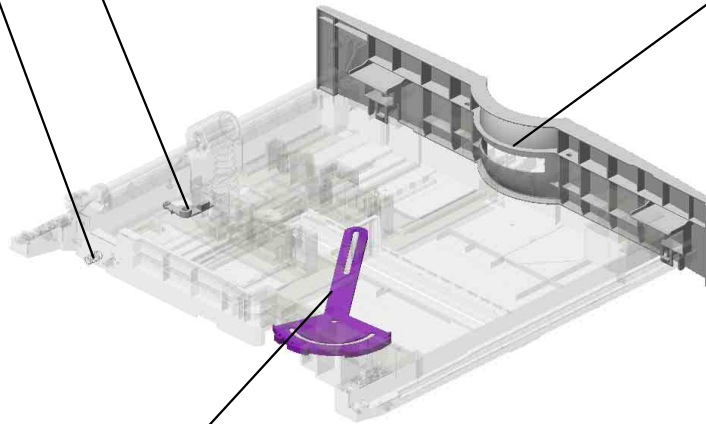


59.D0392521  
PAPER TRAY:NO.1  
:ASS'Y

123.D0392834  
SPRING:TRAY:REA  
R



205.D0392557  
COVER:PAPER TR  
AY:NO.1  
200906

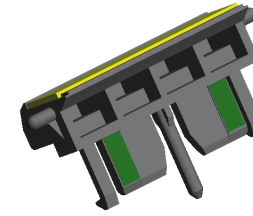


196.G0702710  
PAPER SIZE SENS  
OR LINK

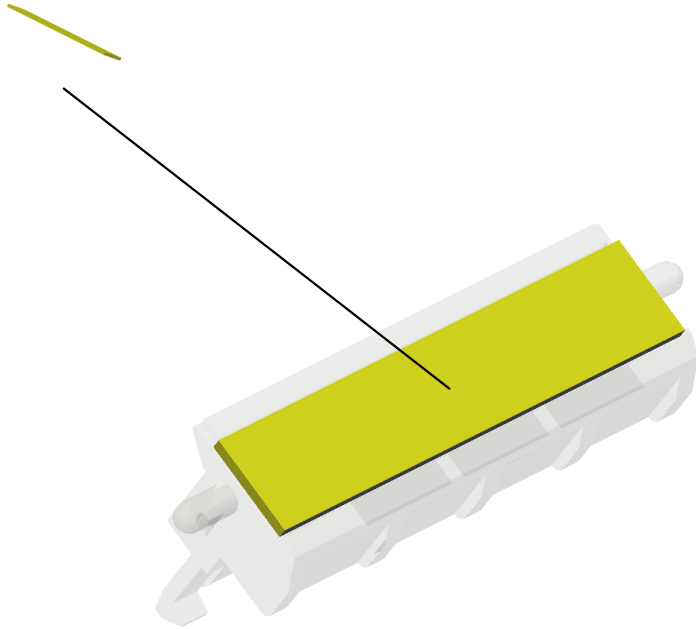
U001	U002	U003	U004	U005	U006	U007	U008	U009	U010	U011	U012	U013	U014	U015	U016
------	------	------	------	------	------	------	------	------	------	------	------	------	------	------	------

U007\_S001\_S001  
FRICTION PAD:ASS'Y

28.AF033008  
FRICTION PAD:10X  
50



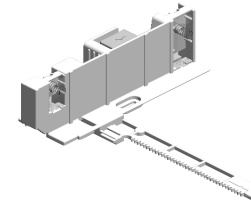
41.B1542722  
FRICTION PAD:AS  
S'Y



U001	U002	U003	U004	U005	U006	U007	U008	U009	U010	U011	U012	U013	U014	U015	U016
------	------	------	------	------	------	------	------	------	------	------	------	------	------	------	------

U007\_S001\_S002  
SIDE FENCE:FRONT:ASS'Y

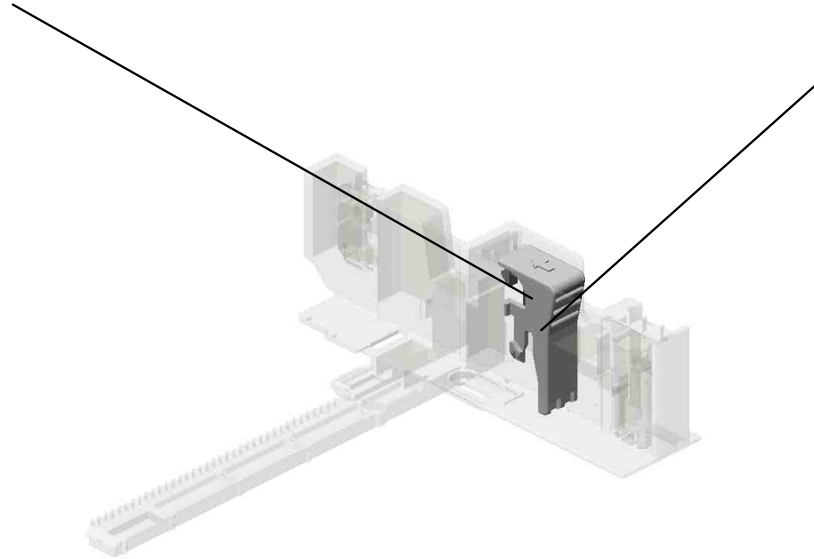
198.G0702713  
SPRING PLATE ST  
OPPER



63.D0392583  
SIDE FENCE:FRON  
T:ASSY



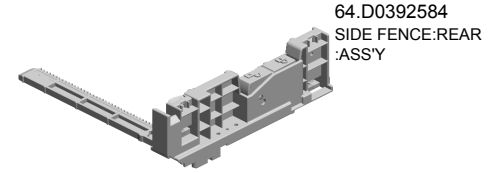
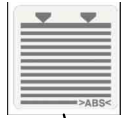
199.G0702714  
FRONT LEVER - ST  
OPPER



U001	U002	U003	U004	U005	U006	U007	U008	U009	U010	U011	U012	U013	U014	U015	U016
------	------	------	------	------	------	------	------	------	------	------	------	------	------	------	------

U007\_S001\_S003  
SIDE FENCE:REAR:ASS'Y

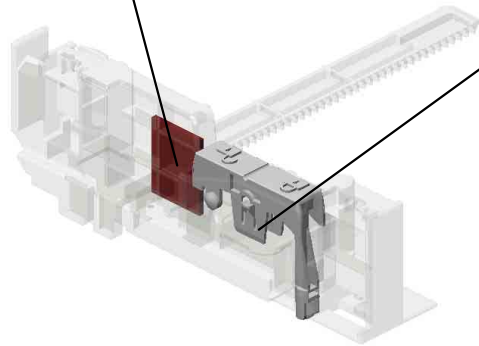
43.B2232873  
DECAL - SIDE FEN  
CE REAR



64.D0392584  
SIDE FENCE:REAR  
:ASS'Y



200.G0702718  
REAR LEVER - ST  
OPPER

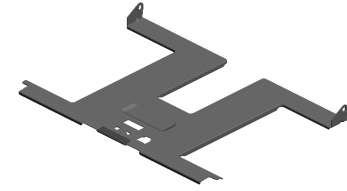


U001	U002	U003	U004	U005	U006	U007	U008	U009	U010	U011	U012	U013	U014	U015	U016
------	------	------	------	------	------	------	------	------	------	------	------	------	------	------	------

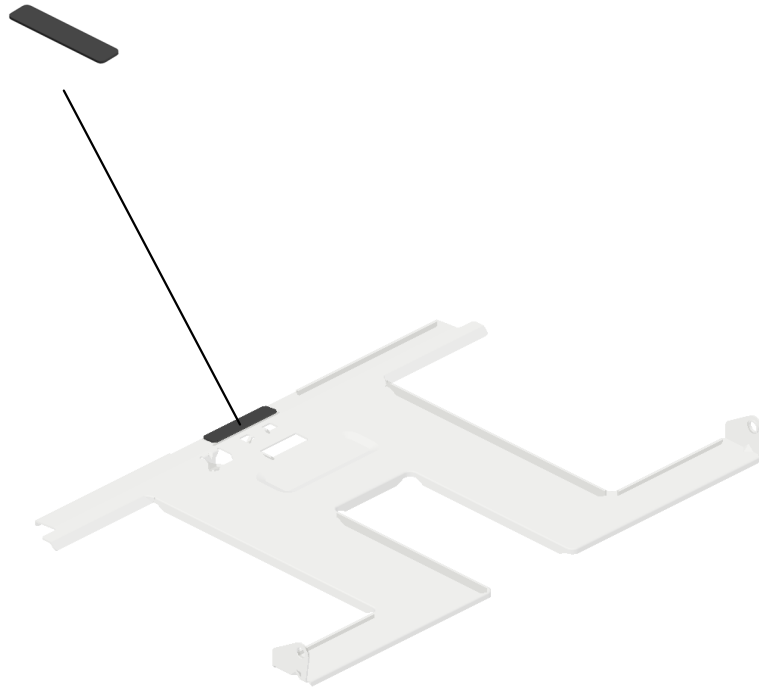


U007\_S001\_S004  
TRAY BOTTOM PLATE:ASS'Y

13.52152713  
BOTTOM PLATE P  
AD



65.D0392585  
TRAY BOTTOM PL  
ATE:ASS'Y



U001	U002	U003	U004	U005	U006	U007	U008	U009	U010	U011	U012	U013	U014	U015	U016
------	------	------	------	------	------	------	------	------	------	------	------	------	------	------	------

U007\_S002  
PAPER TRAY:NO.2:ASS'Y

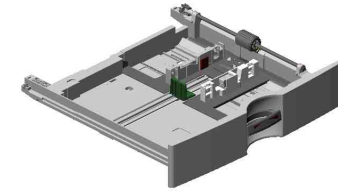
15.8050088  
RETAINING RING -  
M6

20.AA063629  
SPRING - 2.8N

118.D0392825  
SUPPORTING PLA  
TE:PAPER TRAY

42.B1542726  
SHAFT:PAPER FEE  
D ROLLER:ASS'Y

**27.AF031084**  
**PAPER FEED ROLL**  
**ER MM36**



60.D0392522  
PAPER TRAY:NO.2  
:ASS'Y

21.AA063630  
SPRING

61.D0392552  
JOINT:SHAFT:PAP  
ER FEED ROLLER

62.D0392569  
GROUND PLATE:F  
EED

18.A2322987  
(x4)  
ROLLER - PAPER T  
RAY

122.D0392833  
SHAFT:COIL SPRI  
NG

19.AA060866  
LEVER SPRING

40.B0512725  
SHEET - FURICTIO  
N PAD

119.D0392826  
GROUND PLATE:S  
UPPORTING PLAT  
E

117.D0392815  
SPRING:BASE

25.AF017025  
END FENCE

12.52152621  
SNAP RING - M6

37.B0392727  
(x2)  
BUSHING - 8X12X1  
0

48.B2382527  
DECAL - GRIP

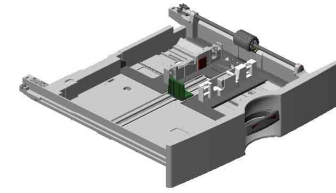
66.D0392586  
GRIP:PAPER TRAY  
:ASS'Y

120.D0392828  
DECAL:PAPER SE  
T DIRECTION

U001	U002	U003	U004	U005	U006	U007	U008	U009	U010	U011	U012	U013	U014	U015	U016
------	------	------	------	------	------	------	------	------	------	------	------	------	------	------	------

U007\_S002  
PAPER TRAY:NO.2:ASS'Y

197.G0702711  
BASE STOPPER

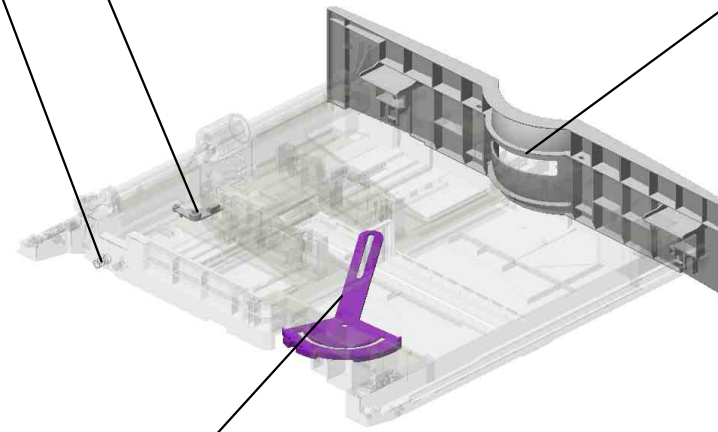


60.D0392522  
PAPER TRAY:NO.2  
:ASS'Y

123.D0392834  
SPRING:TRAY:REA  
R



206.D0392558  
COVER:PAPER TR  
AY:NO.2  
200906



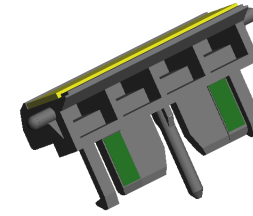
196.G0702710  
PAPER SIZE SENS  
OR LINK



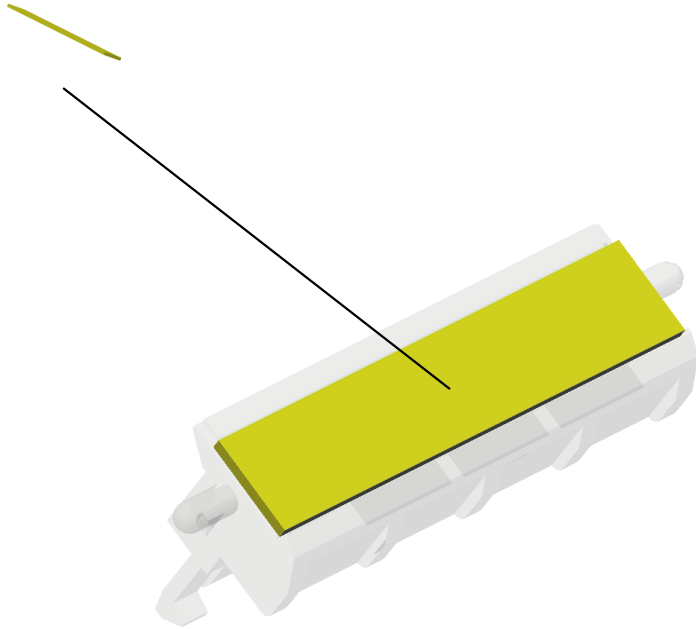
U001	U002	U003	U004	U005	U006	U007	U008	U009	U010	U011	U012	U013	U014	U015	U016
------	------	------	------	------	------	------	------	------	------	------	------	------	------	------	------

U007\_S002\_S001  
FRICTION PAD:ASS'Y

28.AF033008  
FRICTION PAD:10X  
50



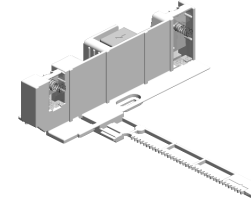
41.B1542722  
FRICTION PAD:AS  
S'Y



U001	U002	U003	U004	U005	U006	U007	U008	U009	U010	U011	U012	U013	U014	U015	U016
------	------	------	------	------	------	------	------	------	------	------	------	------	------	------	------

U007\_S002\_S002  
SIDE FENCE:FRONT:ASS'Y

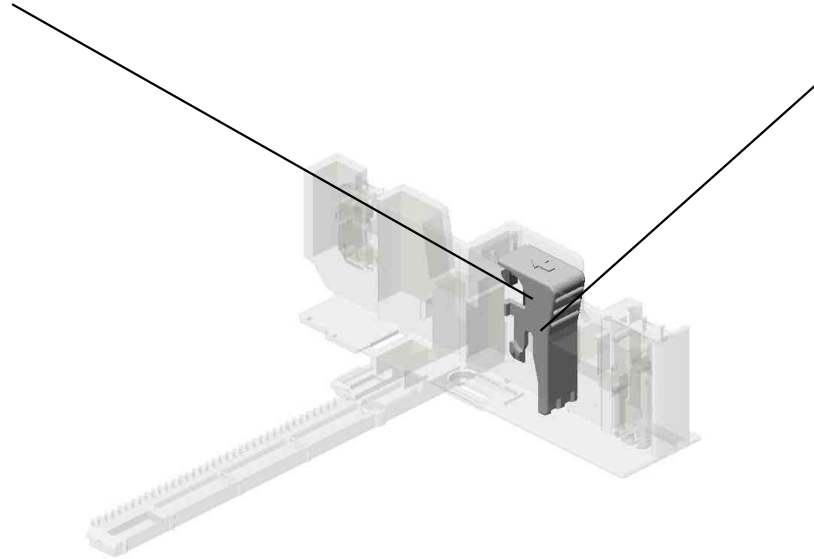
198.G0702713  
SPRING PLATE ST  
OPPER



63.D0392583  
SIDE FENCE:FRON  
T:ASSY



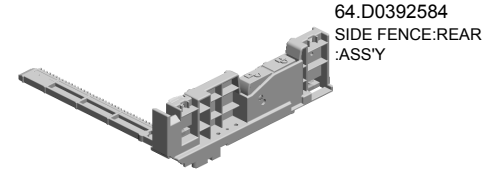
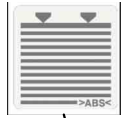
199.G0702714  
FRONT LEVER - ST  
OPPER



U001	U002	U003	U004	U005	U006	U007	U008	U009	U010	U011	U012	U013	U014	U015	U016
------	------	------	------	------	------	------	------	------	------	------	------	------	------	------	------

U007\_S002\_S003  
SIDE FENCE:REAR:ASS'Y

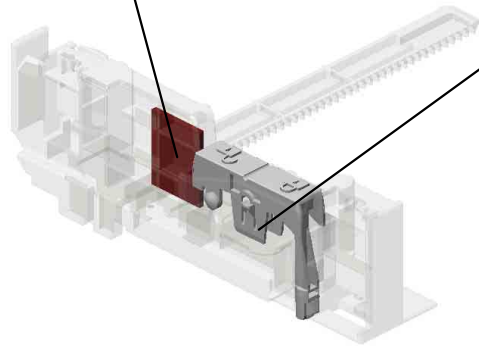
43.B2232873  
DECAL - SIDE FEN  
CE REAR



64.D0392584  
SIDE FENCE:REAR  
:ASS'Y



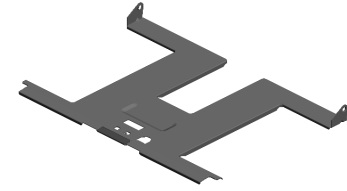
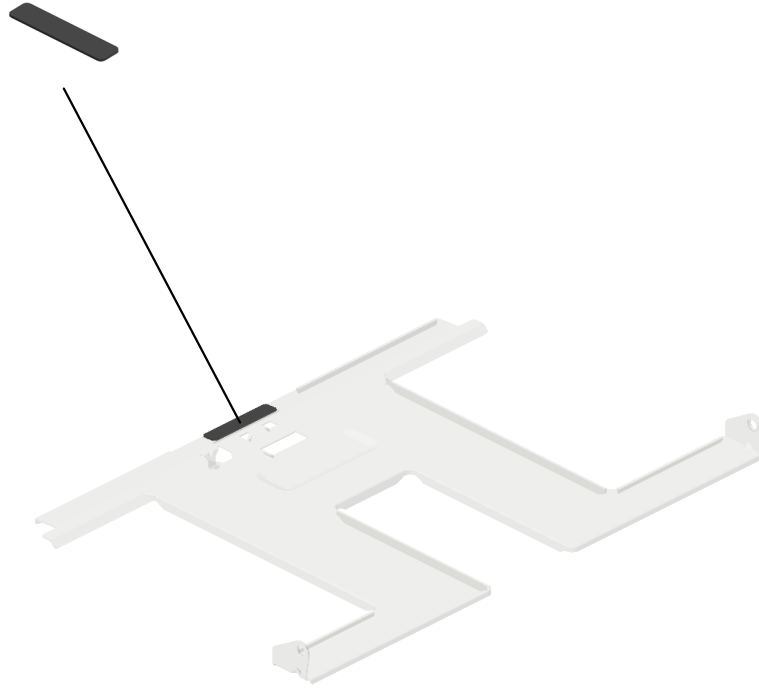
200.G0702718  
REAR LEVER - ST  
OPPER



U001	U002	U003	U004	U005	U006	U007	U008	U009	U010	U011	U012	U013	U014	U015	U016
------	------	------	------	------	------	------	------	------	------	------	------	------	------	------	------

U007\_S002\_S004  
TRAY BOTTOM PLATE:ASS'Y

13.52152713  
BOTTOM PLATE P  
AD

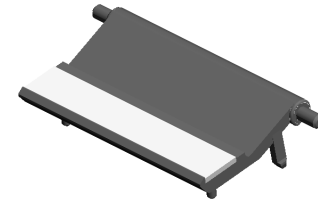
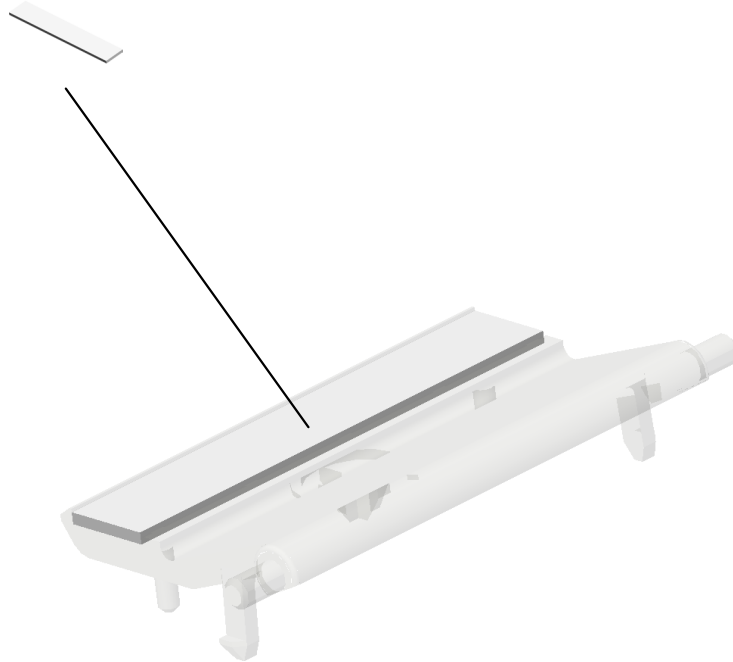


65.D0392585  
TRAY BOTTOM PL  
ATE:ASS'Y

U001	U002	U003	U004	U005	U006	U007	U008	U009	U010	U011	U012	U013	U014	U015	U016
------	------	------	------	------	------	------	------	------	------	------	------	------	------	------	------

U007\_S003  
SEPARATION PAD

195.G0302670  
FRICTION PAD



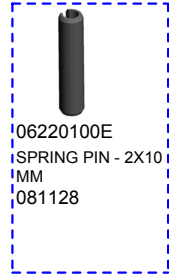
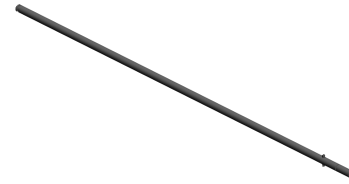
51.B2614650  
SEPARATION PAD

U001	U002	U003	U004	U005	U006	U007	U008	U009	U010	U011	U012	U013	U014	U015	U016
------	------	------	------	------	------	------	------	------	------	------	------	------	------	------	------



U007\_S004  
SHAFT:CAM:ASS'Y

112.D0392796  
SHAFT:CAM:ASS'Y



06220100E  
SPRING PIN - 2X10  
MM  
081128

U001	U002	U003	U004	U005	U006	U007	U008	U009	U010	U011	U012	U013	U014	U015	U016
------	------	------	------	------	------	------	------	------	------	------	------	------	------	------	------

# U008.TONER SUPPLY

U008 S006  
D0393317  
DRIVE UNIT:TONER SUPPLY  
SUB-UNIT:ASS'Y

U008 S001  
D8093045  
SERVICE PARTS:TONER SU  
PPLY UNIT:BK:ASS'Y

U008\_S005  
D0393317  
DRIVE UNIT:TONER SUPPLY  
SUB-UNIT:ASS'Y

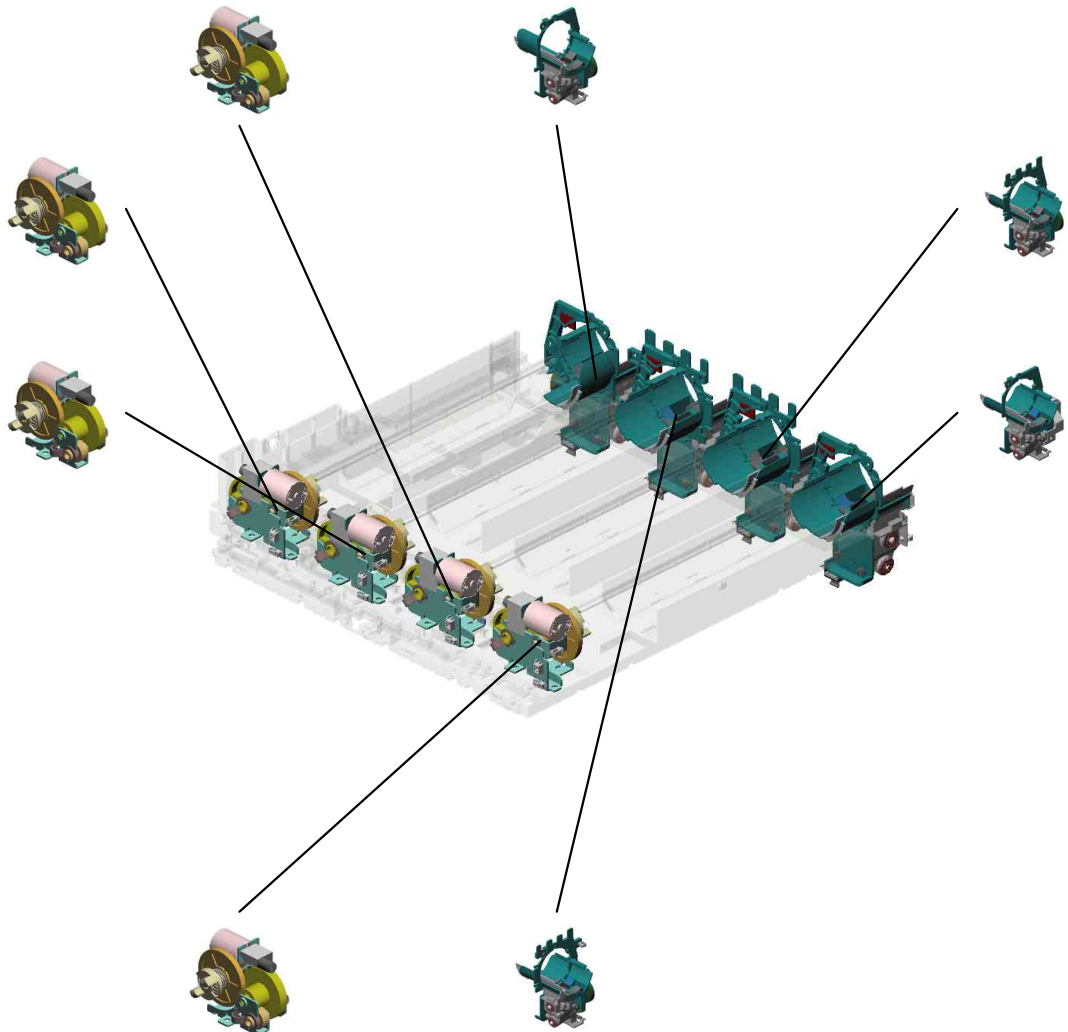
U008\_S003  
D8093047  
SERVICE PARTS:TONER SU  
PPLY UNIT:M:ASS'Y

U008\_S007  
D0393317  
DRIVE UNIT:TONER SUPPLY  
SUB-UNIT:ASS'Y

U008\_S004  
D8093048  
SERVICE PARTS:TONER SU  
PPLY UNIT:Y:ASS'Y

U008 S008  
D0393317  
DRIVE UNIT:TONER SUPPLY  
SUB-UNIT:ASS'Y

U008 S002  
D8093046  
SERVICE PARTS:TONER SU  
PPLY UNIT:C:ASS'Y



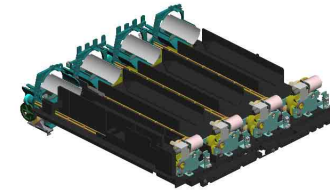
U001	U002	U003	U004	U005	U006	U007	U008	U009	U010	U011	U012	U013	U014	U015	U016
------	------	------	------	------	------	------	------	------	------	------	------	------	------	------	------

# U008 TONER SUPPLY

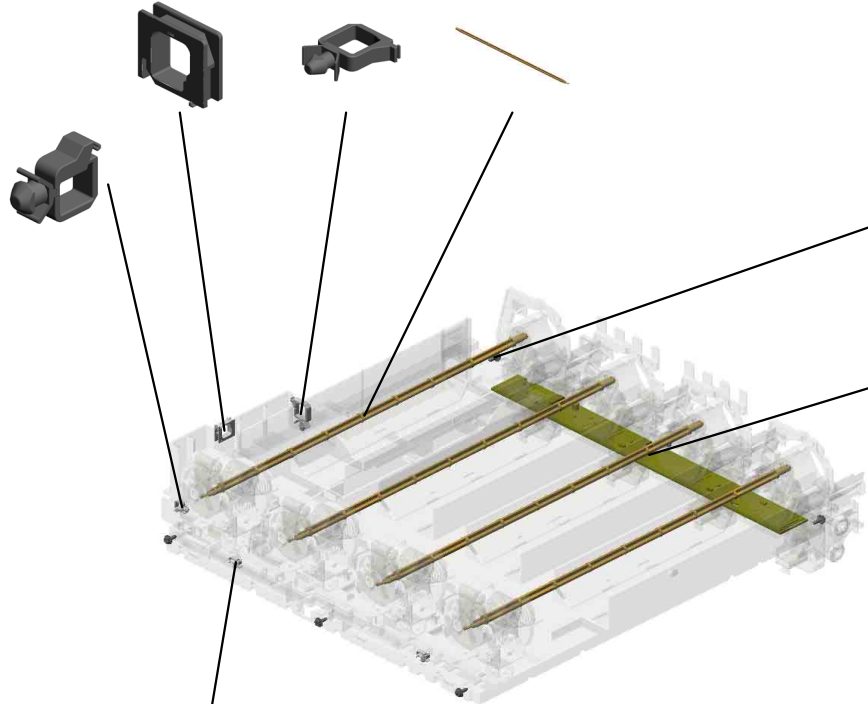
5.11050518  
EDGE SADDLE - L  
ES-1010

3.11050488  
HARNESS CLAMP

8.AA141018  
(x4)  
SHAFT:DRIVE:TON  
ER SUPPLY



6.11050534  
CLAMP



1.04563008N  
(x6)  
TAPPING SCREW -  
M3X8

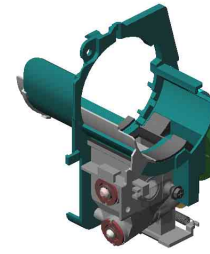
14.D0395178  
PCB:RFID-RW

4.11050511  
(x2)  
HARNESS CLAMP -  
LWS-0306ZC

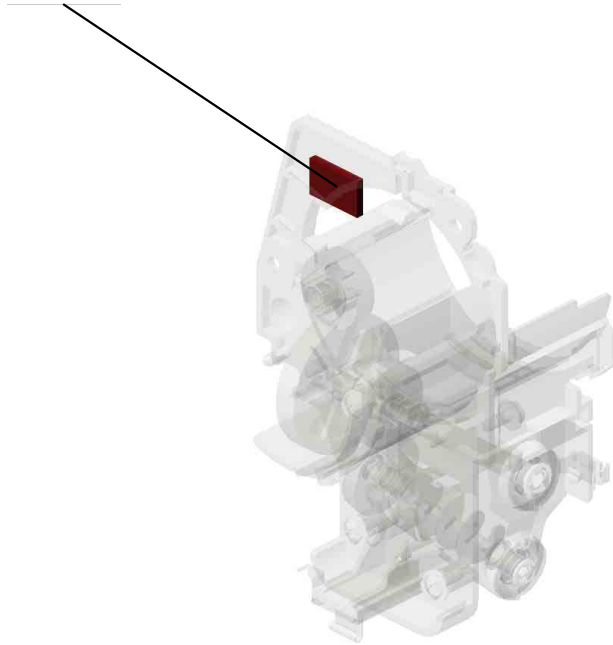
U001	U002	U003	U004	U005	U006	U007	U008	U009	U010	U011	U012	U013	U014	U015	U016
------	------	------	------	------	------	------	------	------	------	------	------	------	------	------	------

U008\_S001  
SERVICE PARTS:TONER SUPPLY UNIT:BK:ASS'Y

11.D0393350  
GUIDE:TONER BO  
TTLE:9MM  
090131



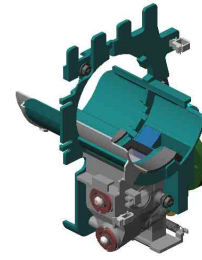
15.D8093045  
SERVICE PARTS:T  
ONER SUPPLY UNI  
T:BK:ASS'Y



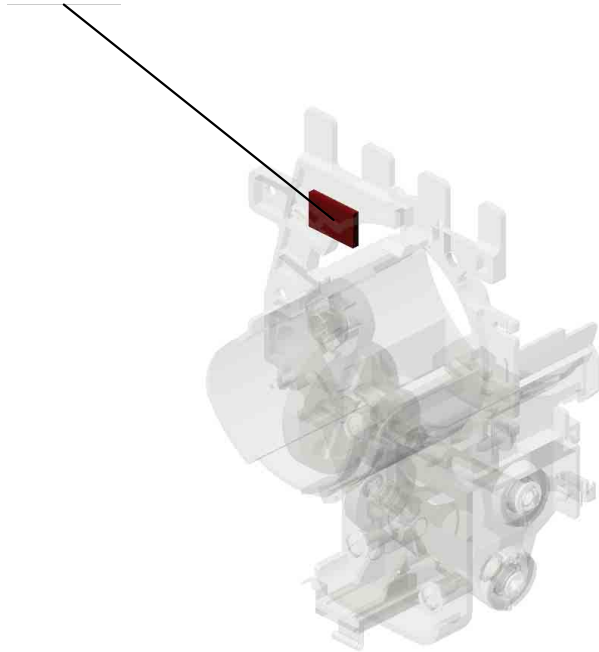
U001	U002	U003	U004	U005	U006	U007	<b>U008</b>	U009	U010	U011	U012	U013	U014	U015	U016
------	------	------	------	------	------	------	-------------	------	------	------	------	------	------	------	------

U008\_S002  
SERVICE PARTS:TONER SUPPLY UNIT:C:ASS'Y

11.D0393350  
GUIDE:TONER BO  
TTLE:9MM  
090131



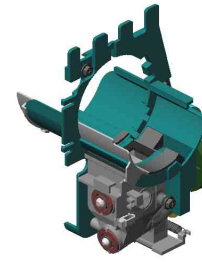
16.D8093046  
SERVICE PARTS:T  
ONER SUPPLY UNI  
T:C:ASSY



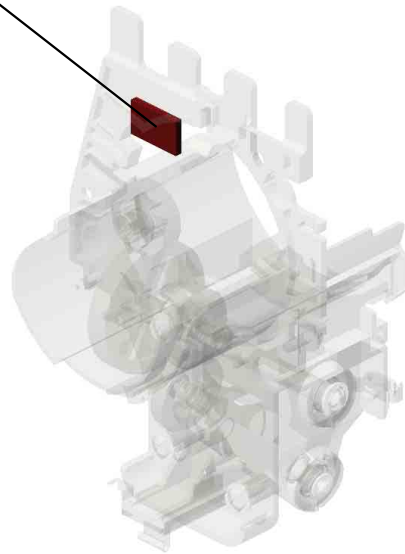
U001	U002	U003	U004	U005	U006	U007	<b>U008</b>	U009	U010	U011	U012	U013	U014	U015	U016
------	------	------	------	------	------	------	-------------	------	------	------	------	------	------	------	------

U008\_S003  
SERVICE PARTS:TONER SUPPLY UNIT:M:ASS'Y

11.D0393350  
GUIDE:TONER BO  
TTLE:9MM  
090131



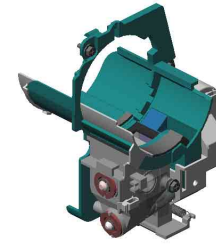
17.D8093047  
SERVICE PARTS:T  
ONER SUPPLY UNI  
T:M:ASS'Y



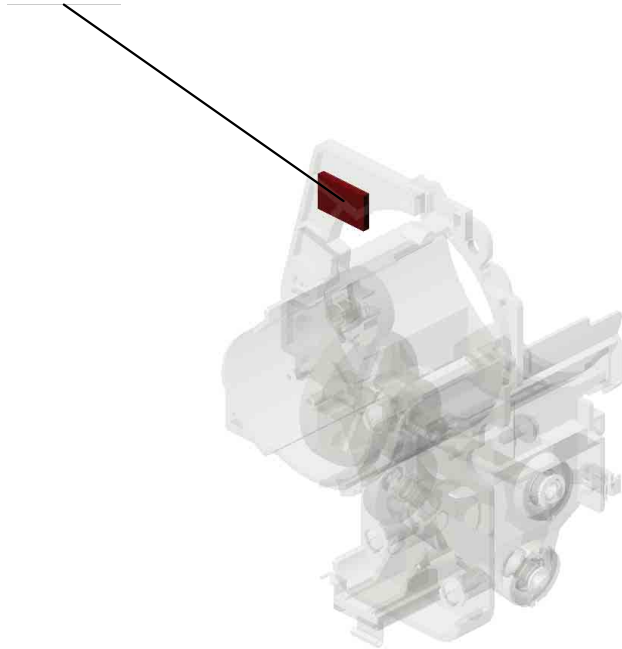
U001	U002	U003	U004	U005	U006	U007	<b>U008</b>	U009	U010	U011	U012	U013	U014	U015	U016
------	------	------	------	------	------	------	-------------	------	------	------	------	------	------	------	------

U008\_S004  
SERVICE PARTS:TONER SUPPLY UNIT:Y:ASS'Y

11.D0393350  
GUIDE:TONER BO  
TTLE:9MM  
090131



18.D8093048  
SERVICE PARTS:T  
ONER SUPPLY UNI  
T:Y:ASS'Y

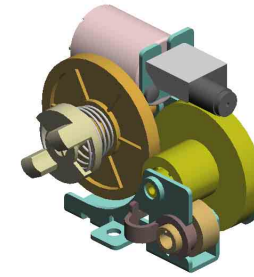


U001	U002	U003	U004	U005	U006	U007	<b>U008</b>	U009	U010	U011	U012	U013	U014	U015	U016
------	------	------	------	------	------	------	-------------	------	------	------	------	------	------	------	------

U008\_S005  
 DRIVE UNIT:TONER SUPPLY SUB-UNIT:ASS'Y

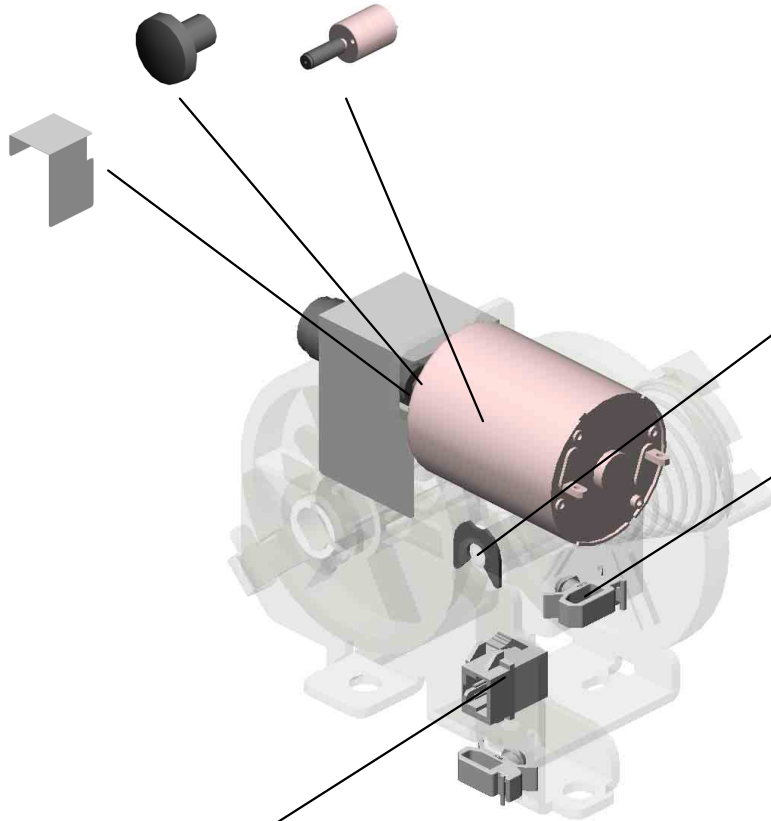
13.D0393368  
 (x2)  
 SCREW:M3X3.5  
 090309 X/O

10.D0393318  
 DC MOTOR:TONE  
 R SUPPLY SUB-UN  
 IT:ASS'Y



9.D0393317  
 DRIVE UNIT:TONE  
 R SUPPLY SUB-UN  
 IT:ASS'Y

12.D0393367  
 SHEET:BRACKET:  
 TONER SUPPLY



7.8050089  
 RETAINING RING -  
 M4

4.11050511  
 (x2)  
 HARNESS CLAMP -  
 LWS-0306ZC



2.11024473  
 CT CONNECTOR -  
 2P

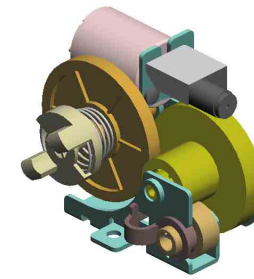
U001	U002	U003	U004	U005	U006	U007	U008	U009	U010	U011	U012	U013	U014	U015	U016
------	------	------	------	------	------	------	------	------	------	------	------	------	------	------	------



U008\_S006  
 DRIVE UNIT:TONER SUPPLY SUB-UNIT:ASS'Y

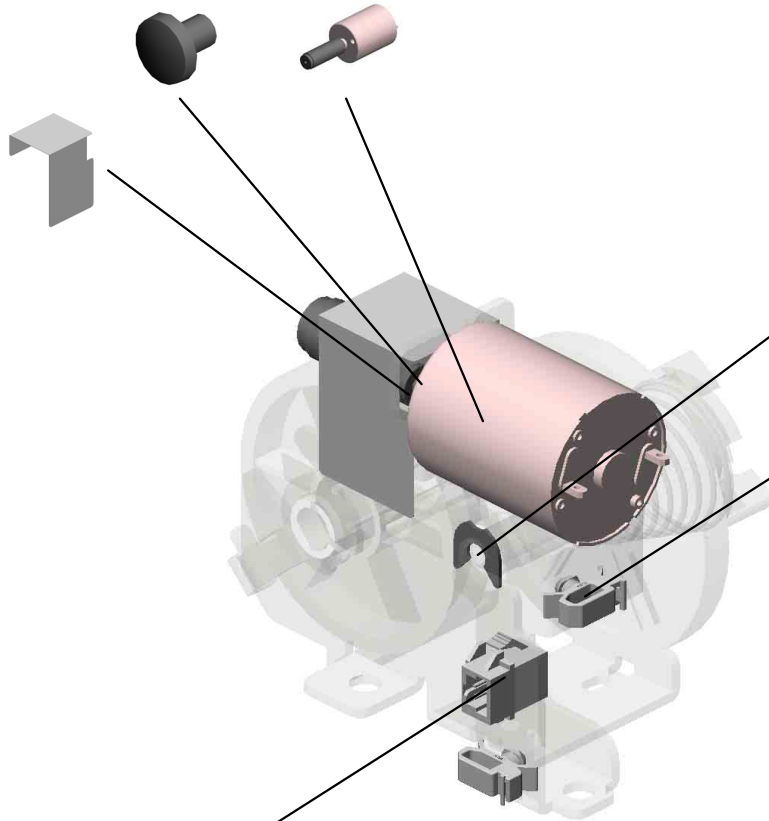
13.D0393368  
 (x2)  
 SCREW:M3X3.5  
 090309 X/O

10.D0393318  
 DC MOTOR:TONE  
 R SUPPLY SUB-UN  
 IT:ASS'Y



9.D0393317  
 DRIVE UNIT:TONE  
 R SUPPLY SUB-UN  
 IT:ASS'Y

12.D0393367  
 SHEET:BRACKET:  
 TONER SUPPLY



7.8050089  
 RETAINING RING -  
 M4

4.11050511  
 (x2)  
 HARNESS CLAMP -  
 LWS-0306ZC



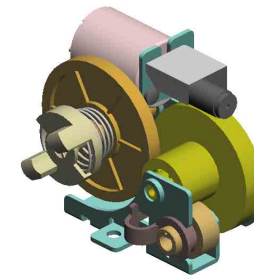
2.11024473  
 CT CONNECTOR -  
 2P

U001	U002	U003	U004	U005	U006	U007	U008	U009	U010	U011	U012	U013	U014	U015	U016
------	------	------	------	------	------	------	------	------	------	------	------	------	------	------	------

U008\_S007  
 DRIVE UNIT:TONER SUPPLY SUB-UNIT:ASS'Y

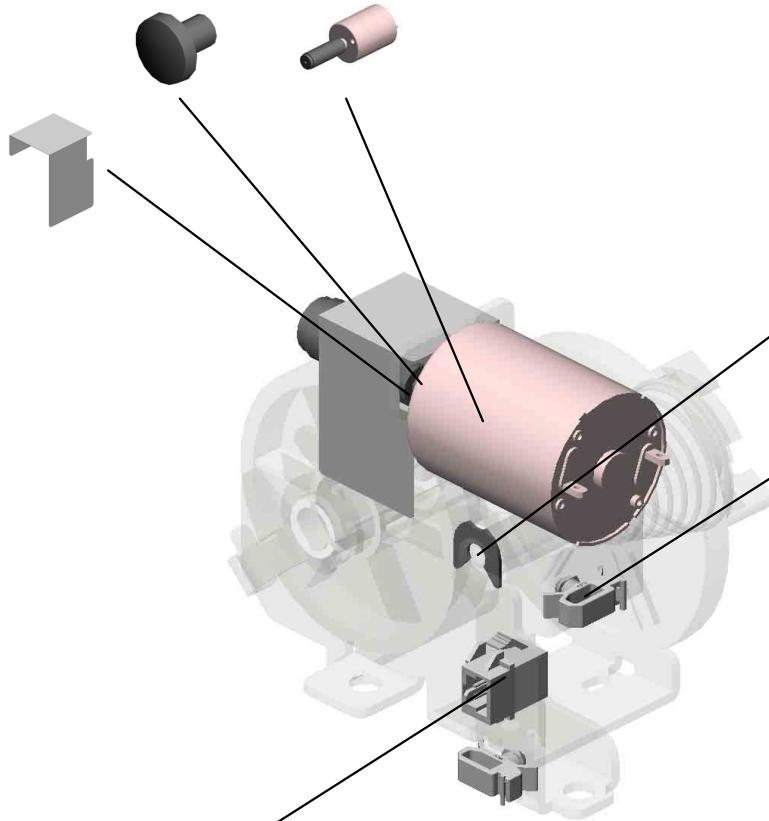
13.D0393368  
 (x2)  
 SCREW:M3X3.5  
 090309 X/O

10.D0393318  
 DC MOTOR:TONE  
 R SUPPLY SUB-UN  
 IT:ASS'Y



9.D0393317  
 DRIVE UNIT:TONE  
 R SUPPLY SUB-UN  
 IT:ASS'Y

12.D0393367  
 SHEET:BRACKET:  
 TONER SUPPLY



7.8050089  
 RETAINING RING -  
 M4

4.11050511  
 (x2)  
 HARNESS CLAMP -  
 LWS-0306ZC



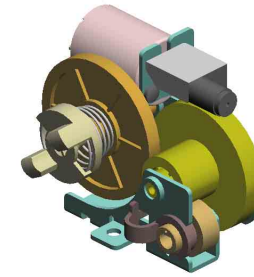
2.11024473  
 CT CONNECTOR -  
 2P

U001	U002	U003	U004	U005	U006	U007	U008	U009	U010	U011	U012	U013	U014	U015	U016
------	------	------	------	------	------	------	------	------	------	------	------	------	------	------	------

U008\_S008  
 DRIVE UNIT:TONER SUPPLY SUB-UNIT:ASS'Y

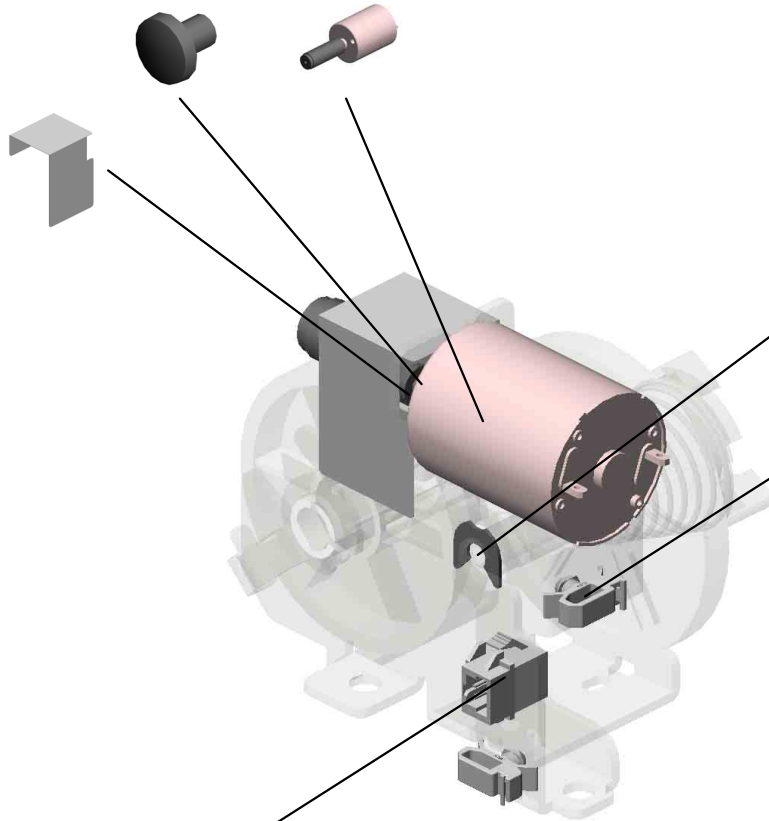
13.D0393368  
 (x2)  
 SCREW:M3X3.5  
 090309 X/O

10.D0393318  
 DC MOTOR:TONE  
 R SUPPLY SUB-UN  
 IT:ASS'Y



9.D0393317  
 DRIVE UNIT:TONE  
 R SUPPLY SUB-UN  
 IT:ASS'Y

12.D0393367  
 SHEET:BRACKET:  
 TONER SUPPLY



7.8050089  
 RETAINING RING -  
 M4

4.11050511  
 (x2)  
 HARNESS CLAMP -  
 LWS-0306ZC

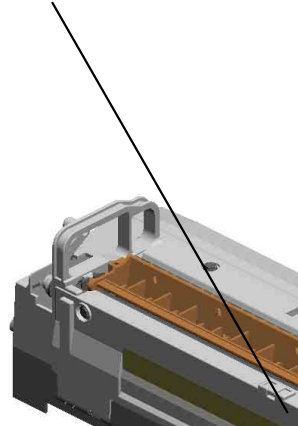


2.11024473  
 CT CONNECTOR -  
 2P

U001	U002	U003	U004	U005	U006	U007	U008	U009	U010	U011	U012	U013	U014	U015	U016
------	------	------	------	------	------	------	------	------	------	------	------	------	------	------	------

# U009.FUSING

U009\_S002  
D0394380  
STAY:PRESSURE:OIL SUPPL  
Y ROLLER:ASS'Y(Optional)



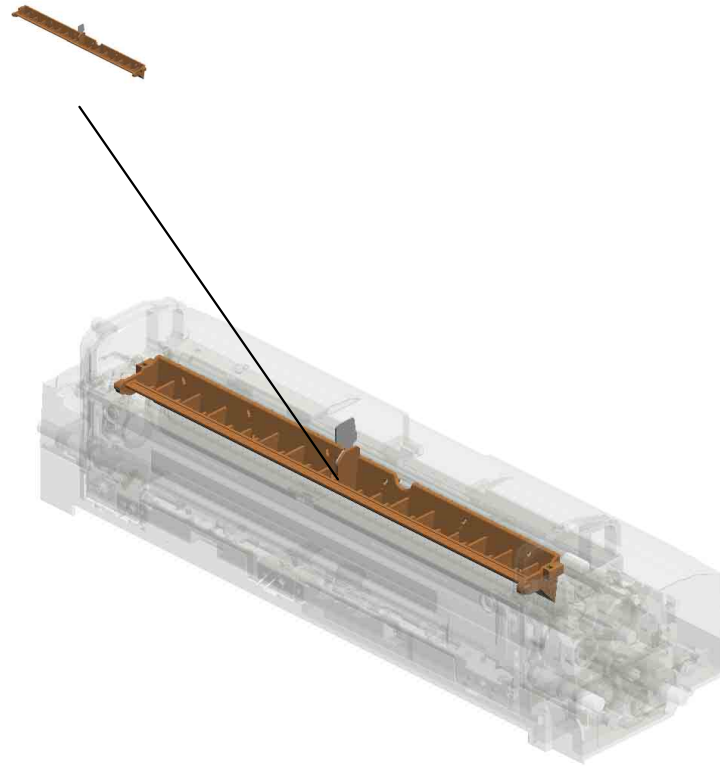
U009\_S001  
D0394011  
FUSING UNIT:NA:SUB-ASS'Y



U001	U002	U003	U004	U005	U006	U007	U008	U009	U010	U011	U012	U013	U014	U015	U016
------	------	------	------	------	------	------	------	------	------	------	------	------	------	------	------

# U009\_S001.FUSING UNIT:NA:SUB-ASS'Y

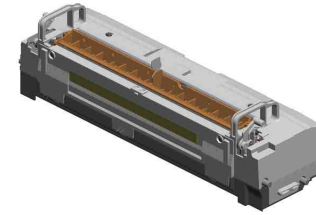
U009 S001 S001  
D0394234  
GUIDE PLATE:FUSING EXIT:  
ASS'Y



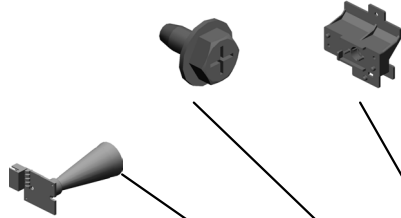
U001	U002	U003	U004	U005	U006	U007	U008	U009	U010	U011	U012	U013	U014	U015	U016
------	------	------	------	------	------	------	------	------	------	------	------	------	------	------	------

# U009 FUSING

8.8046123      52.D0394361  
HEXAGONAL BOLT      HOLDER:THERMO  
:WASHER:M3X8      PILE

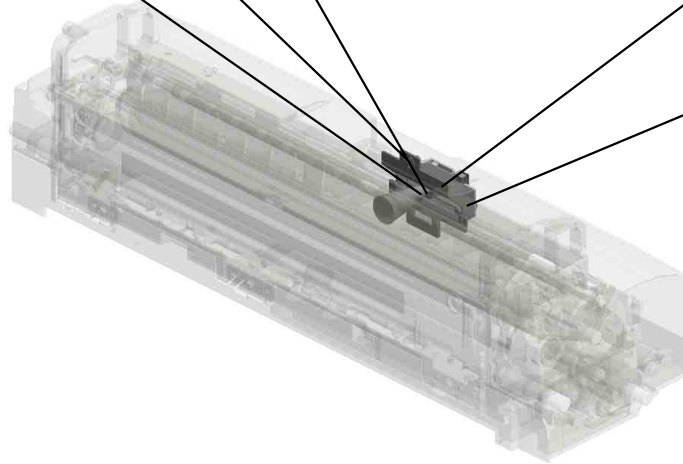


29.AW100124  
THERMOPILE



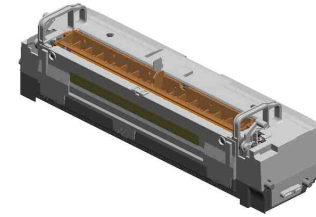
53.D0394362  
COVER:THERMOPI  
LE

2.04563008N  
(x2)  
TAPPING SCREW -  
M3X8



U001	U002	U003	U004	U005	U006	U007	U008	U009	U010	U011	U012	U013	U014	U015	U016
------	------	------	------	------	------	------	------	------	------	------	------	------	------	------	------

U009\_S001  
FUSING UNIT:NA:SUB-ASS'Y



37.D0394011  
FUSING UNIT:NA:S  
UB-ASSY

20.AE010074  
HOT ROLLER:DIA2  
9

21.AE012034  
HEAT ROLLER:DIA  
24:COAT

12.AA143520  
(x4)  
SHOULDER SCRE  
W - M3

8.8046123  
(x18)  
HEXAGONAL BOLT  
:W/WASHER:M3X8

11.AA066388  
TORSION SPRING:  
STRIPPER PLATE:  
REAR

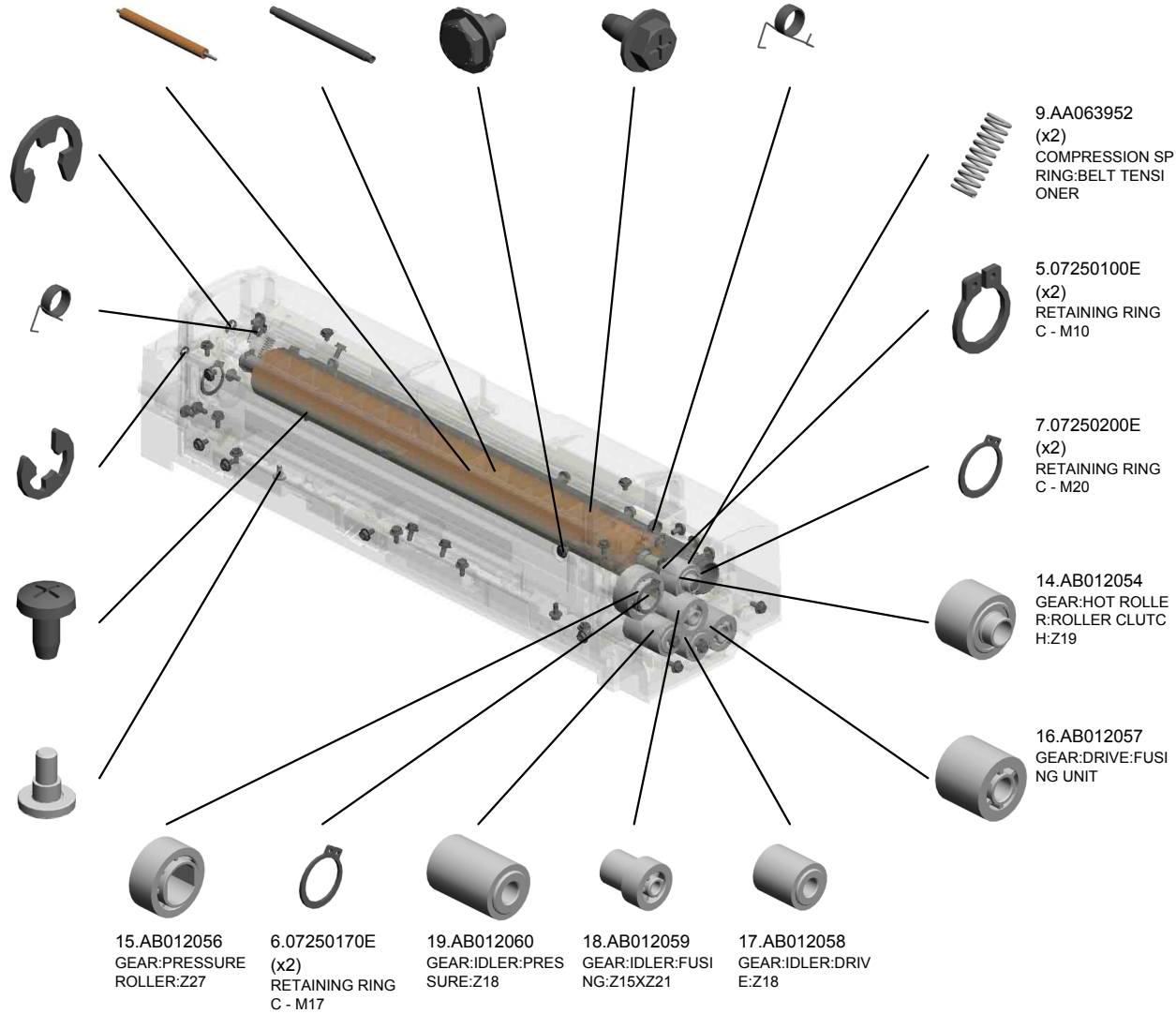
4.07200040E  
(x4)  
RETAINING RING -  
M4

10.AA066387  
TORSION SPRING:  
STRIPPER PLATE:  
FRONT

3.07200030E  
(x2)  
RETAINING RING -  
M3

1.03603006N  
(x19)  
SCREW - M3X6

13.AA143870  
STEPPED SCREW



9.AA063952  
(x2)  
COMPRESSION SP  
RING:BELT TENSIO  
NER

5.07250100E  
(x2)  
RETAINING RING  
C - M10

7.07250200E  
(x2)  
RETAINING RING  
C - M20

14.AB012054  
GEAR:HOT ROLLE  
R:ROLLER CLUTC  
H:Z19

16.AB012057  
GEAR:DRIVE:FUSI  
NG UNIT

15.AB012056  
GEAR:PRESSURE  
ROLLER:Z27

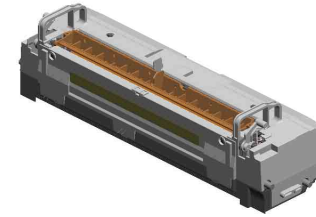
6.07250170E  
(x2)  
RETAINING RING  
C - M17

19.AB012060  
GEAR:IDLER:PRES  
SURE:Z18

18.AB012059  
GEAR:IDLER:FUSI  
NG:Z15XZ21

17.AB012058  
GEAR:IDLER:DRIV  
E:Z18

U009\_S001  
FUSING UNIT:NA:SUB-ASS'Y



37.D0394011  
FUSING UNIT:NA:S  
UB-ASS'Y

- 25.AE030078 (x2) BALL BEARING:DIA 10XDIA19X5
- 28.AW100123 THERMISTOR:FUSI NG:FRONT
- 42.D0394183 STAY:PRESSURE: ASS'Y
- 34.AX430171 HEATER:120V:420 W
- 22.AE020175 PRESSURE ROLLE R:DIA30

40.D0394153 LEVER:PRESSURE RELEASE:FRONT: ASS'Y

24.AE030074 (x2) BALL BEARING:DIA 17XDIA26X5

43.D0394211 BRACKET:HEATER :FUSING:FRONT

31.AW100128 THERMISTOR:PRE SSURE:FRONT

30.AW100127 THERMISTOR:PRE SSURE:MIDDLE

33.AW110078 THERMOSTAT:146 C

**38.D0394056 FUSING BELT:DIA5 0:ASS'Y**

27.AE040070 ROLLER:BELT TEN SIONER:DIA11

35.AX440291 HEATER:120V:700 W/500W

36.C2442601 (x5) FRONT STEPPED SCREW

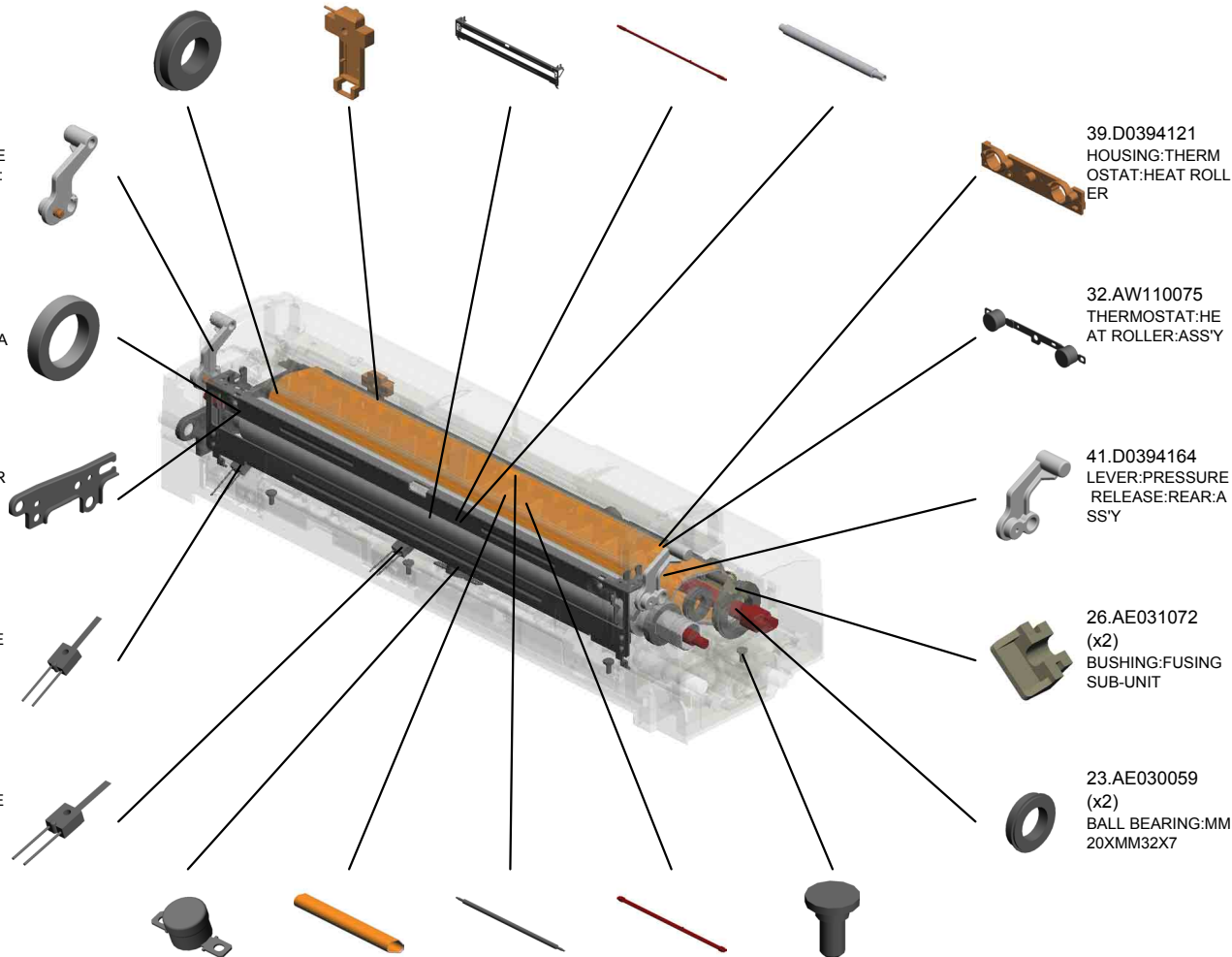
39.D0394121 HOUSING:THERM OSTAT:HEAT ROLL ER

32.AW110075 THERMOSTAT:HE AT ROLLER:ASS'Y

41.D0394164 LEVER:PRESSURE RELEASE:REAR:A SS'Y

26.AE031072 (x2) BUSHING:FUSING SUB-UNIT

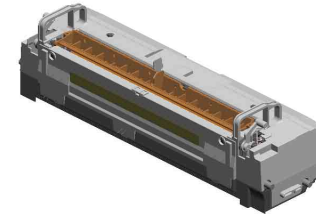
23.AE030059 (x2) BALL BEARING:MM 20XMM32X7



U001	U002	U003	U004	U005	U006	U007	U008	U009	U010	U011	U012	U013	U014	U015	U016
------	------	------	------	------	------	------	------	------	------	------	------	------	------	------	------



U009\_S001  
FUSING UNIT:NA:SUB-ASS'Y



37.D0394011  
FUSING UNIT:NA:S  
UB-ASS'Y

- 51.D0394264  
DECAL:WARNING (HIGH TEMPERATURE):FUSING
- 57.D0394268  
SPACER:GUIDE PLATE:FUSING EXIT:ASS'Y  
200906
- 47.D0394232  
STRIPPER PLATE:COAT



55.G0043519  
(x2)  
STEPPING SCREW



45.D0394221  
BRACKET:HEATER:PRESSURE:FRONT



46.D0394222  
BRACKET:HEATER:PRESSURE:REAR



44.D0394212  
BRACKET:HEATER:FUSING:REAR



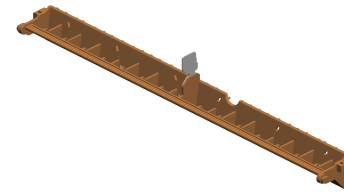
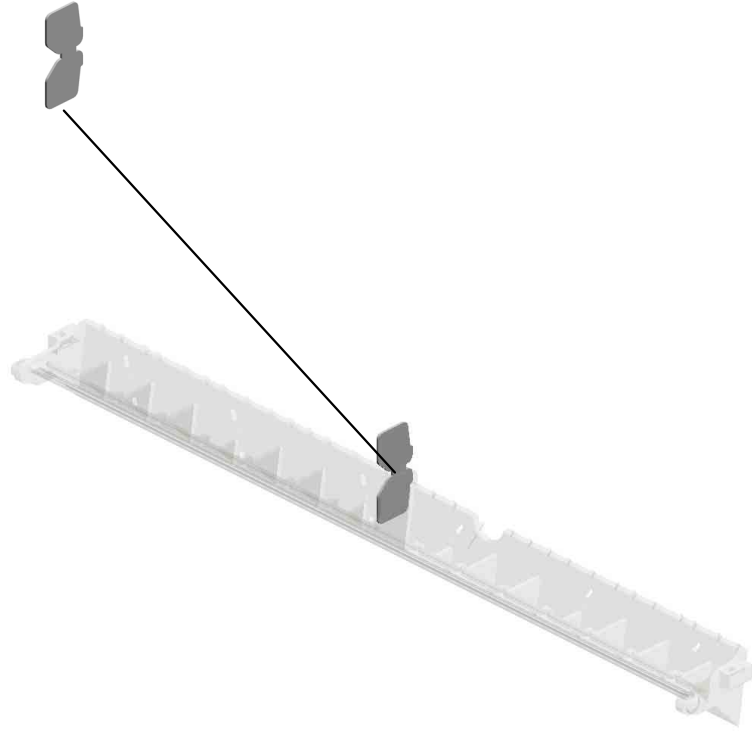
50.D0394241  
FUSING ENTRANCE GUIDE PLATE



U001	U002	U003	U004	U005	U006	U007	U008	U009	U010	U011	U012	U013	U014	U015	U016
------	------	------	------	------	------	------	------	------	------	------	------	------	------	------	------

U009\_S001\_S001  
GUIDE PLATE:FUSING EXIT:ASS'Y

49.D0394238  
DECAL:FUSING:LE  
VER:C



48.D0394234  
GUIDE PLATE:FUSI  
NG EXIT:ASS'Y

U001	U002	U003	U004	U005	U006	U007	U008	U009	U010	U011	U012	U013	U014	U015	U016
------	------	------	------	------	------	------	------	------	------	------	------	------	------	------	------

U009\_S002  
STAY:PRESSURE:OIL SUPPLY ROLLER:ASS'Y(Optional)



54.D0394380  
STAY:PRESSURE:  
OIL SUPPLY ROLL  
ER:ASS'Y(Optional)

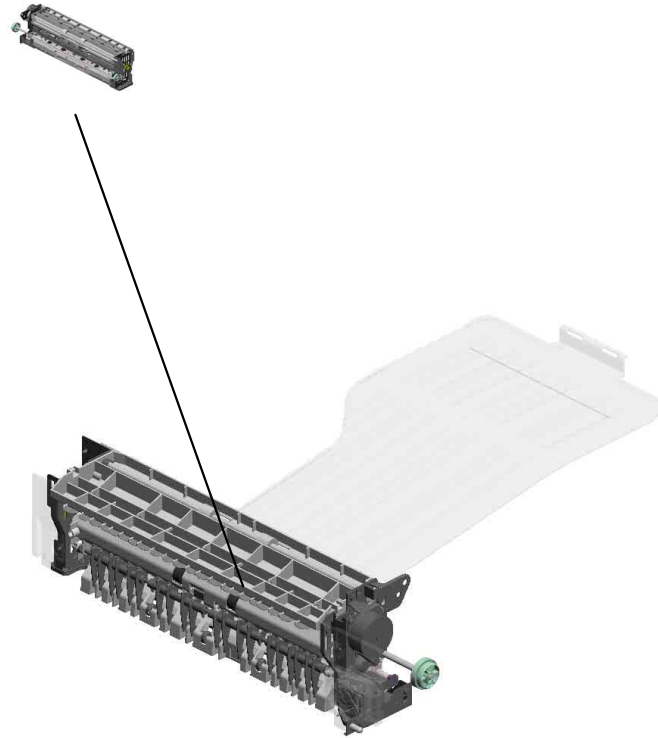


42.D0394183  
STAY:PRESSURE:  
ASS'Y

U001	U002	U003	U004	U005	U006	U007	U008	U009	U010	U011	U012	U013	U014	U015	U016
------	------	------	------	------	------	------	------	------	------	------	------	------	------	------	------

# U010.PAPER EXIT

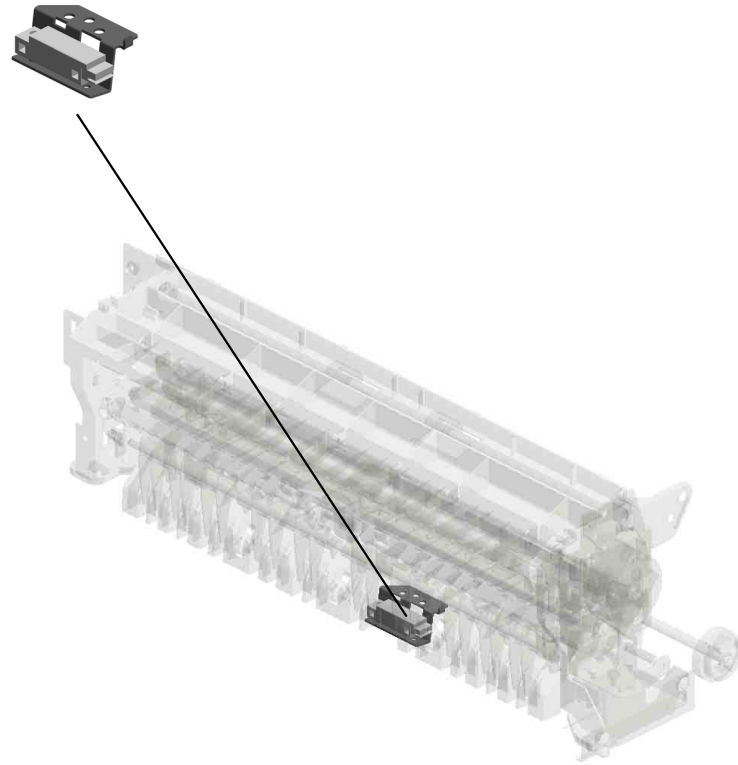
U010 S001  
D0394401  
PAPER EXIT UNIT:ASSY



U001	U002	U003	U004	U005	U006	U007	U008	U009	U010	U011	U012	U013	U014	U015	U016
------	------	------	------	------	------	------	------	------	------	------	------	------	------	------	------

# U010\_S001.PAPER EXIT UNIT:ASS'Y

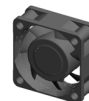
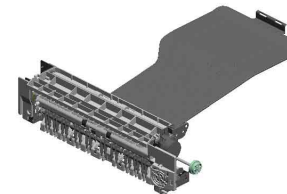
U010 S001 S001  
D0394955  
BRACKET:SENSOR:FUSING  
EXIT:ASS'Y



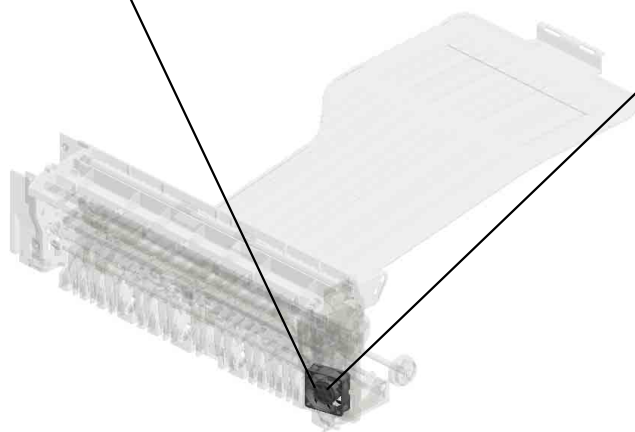
U001	U002	U003	U004	U005	U006	U007	U008	U009	U010	U011	U012	U013	U014	U015	U016
------	------	------	------	------	------	------	------	------	------	------	------	------	------	------	------

# U010 PAPER EXIT

10.AA000252  
DECAL:H-TEMP W  
ARNING

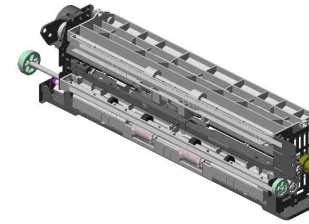


14.AX640202  
FAN:MM40X15:NID  
EC:H



U001	U002	U003	U004	U005	U006	U007	U008	U009	U010	U011	U012	U013	U014	U015	U016
------	------	------	------	------	------	------	------	------	------	------	------	------	------	------	------

# U010\_S001 PAPER EXIT UNIT:ASS'Y



18.D0394401  
PAPER EXIT UNIT:  
ASS'Y

- 23.D0394471 GEAR:IDLER:INPUT:ROLLER CLUTCH
- 5.04563008N (x6) TAPPING SCREW - M3X8
- 17.D0094485 (x2) BUSHING - GATE
- 19.D0394419 SHEET:EXIT:UNIFORM ORM 090309
- 15.B2274673 (x2) EXIT ROLLER

6.07200040E (x5) RETAINING RING - M4

3.04513006N (x14) TAPPING SCREW - 3X6

24.D0394472 GEAR:IDLER:ROLLER CLUTCH:CONNECTING

16.D0094455 CUSHION - DC SOLENOID

12.AF040571 (x10) GUIDE ROLLER

9.8050092 RETAINING RING - 3M

8.8050089 (x2) RETAINING RING - M4

26.D0394488 DC SOLENOID:PAPER EXIT UNIT:SUB-ASS'Y

1.03530040N (x2) SCREW - M3X4

25.D0394484 TENSION SPRING:DC SOLENOID:PAPER EXIT UNIT

21.D0394468 GEAR:IDLER:REVERSE

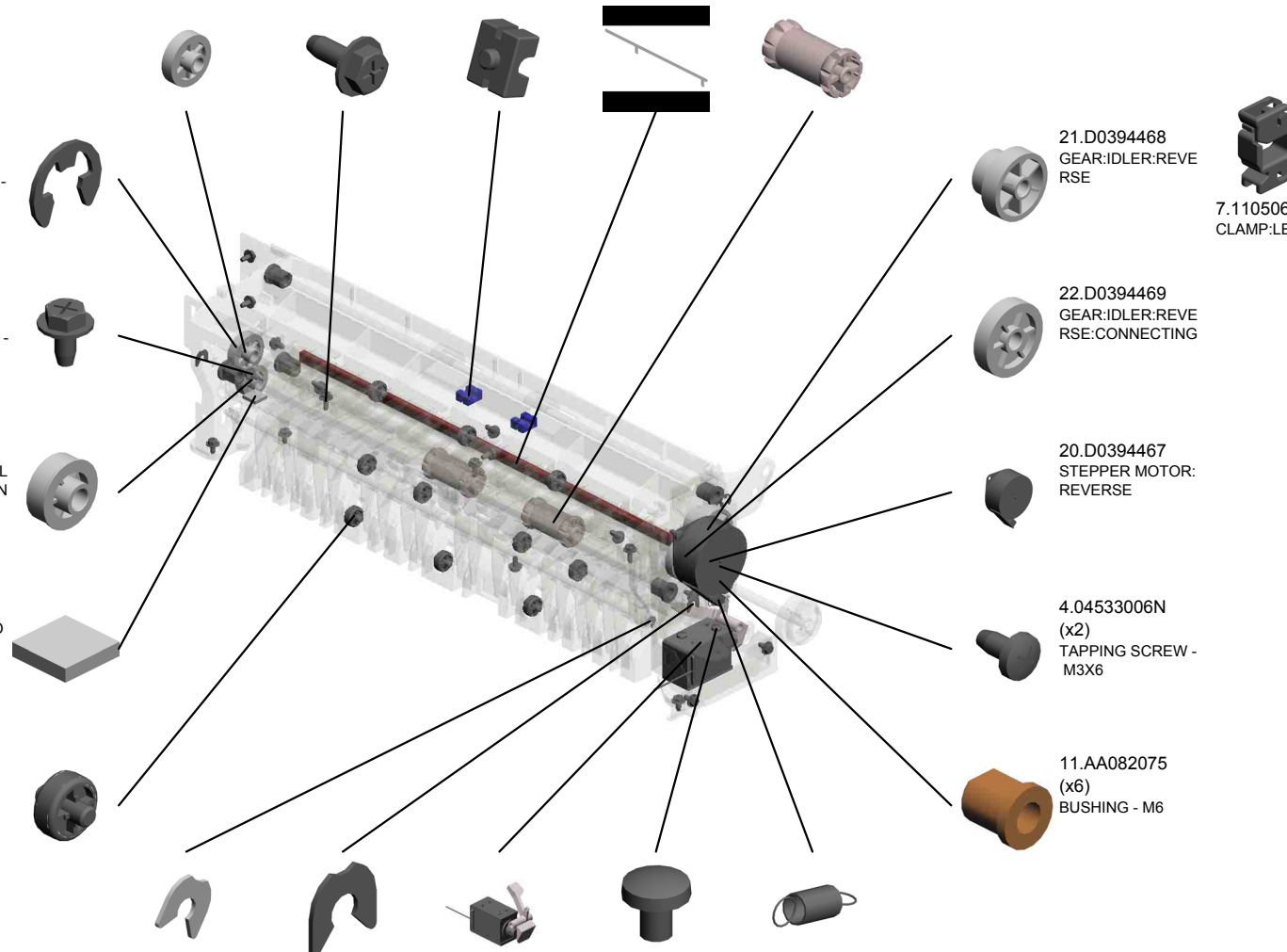
7.11050692 CLAMP:LES-0503

22.D0394469 GEAR:IDLER:REVERSE:CONNECTING

20.D0394467 STEPPER MOTOR:REVERSE

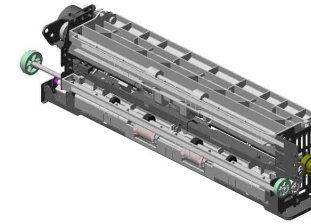
4.04533006N (x2) TAPPING SCREW - M3X6

11.AA082075 (x6) BUSHING - M6



U001	U002	U003	U004	U005	U006	U007	U008	U009	U010	U011	U012	U013	U014	U015	U016
------	------	------	------	------	------	------	------	------	------	------	------	------	------	------	------

U010\_S001  
PAPER EXIT UNIT:ASS'Y

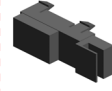


18.D0394401  
PAPER EXIT UNIT:  
ASSY

30.D0394973  
LEVER:GATE PAW  
L:FRONT

35.D0394425  
(x2)  
COMPRESSION SP  
RING:EXIT ROLLE  
R:DRIVEN  
200906

33.GW010007  
PHOTO REFLECTIO  
N SENSOR:EXIT



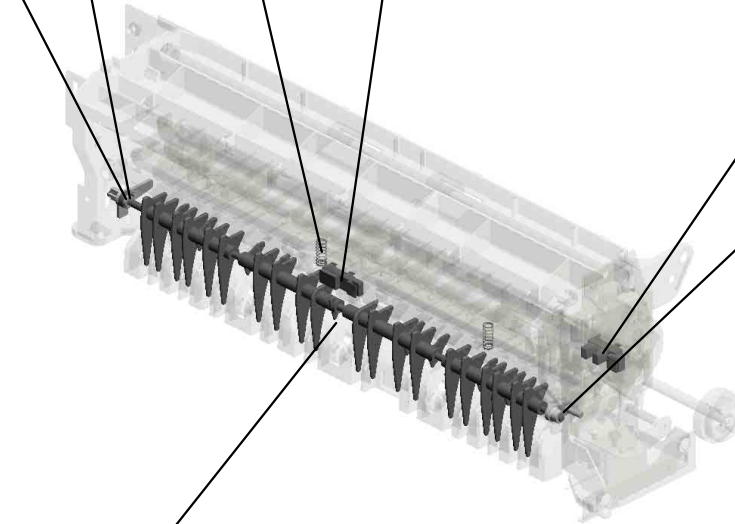
31.D0394974  
TORSION SPRING:  
LEVER:GATE PAW  
L



34.GW020020  
PHOTOINTERRUP  
TOR:LG248NL1



29.D0394972  
LEVER:GATE PAW  
L:REAR



32.D0394975  
GATE PAWL:EXIT:  
ASSY



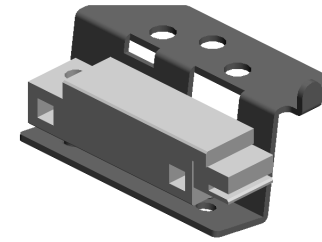
U001	U002	U003	U004	U005	U006	U007	U008	U009	U010	U011	U012	U013	U014	U015	U016
------	------	------	------	------	------	------	------	------	------	------	------	------	------	------	------



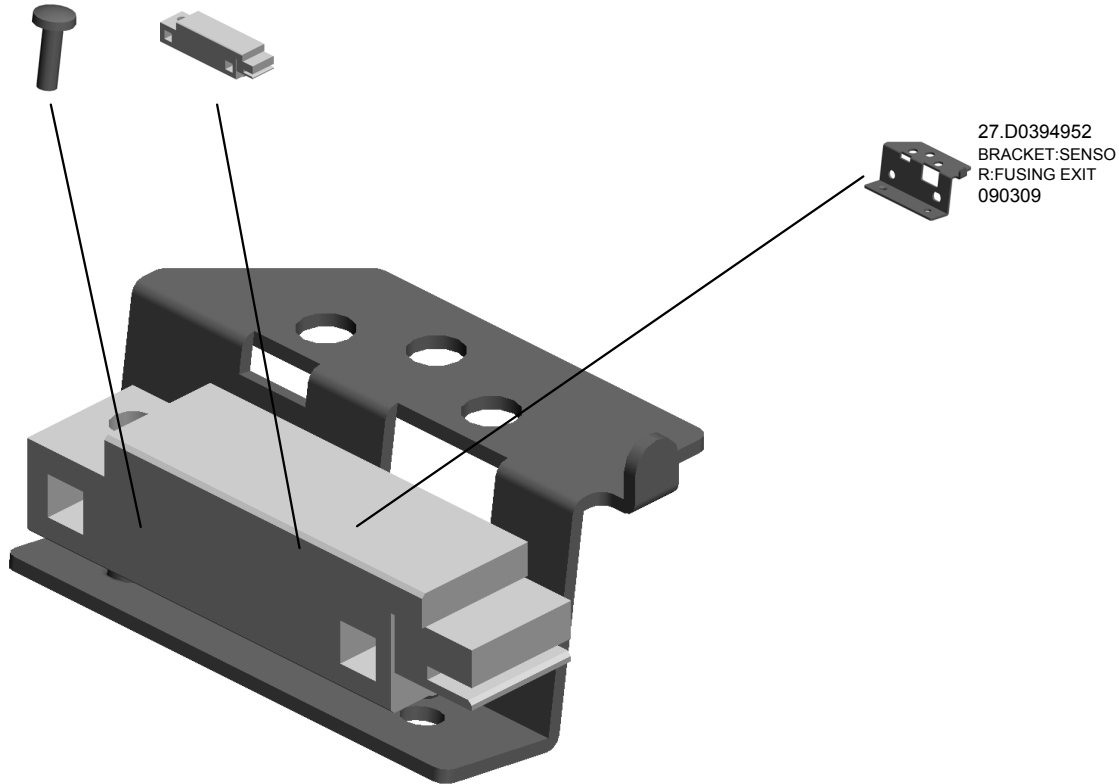
U010\_S001\_S001  
BRACKET:SENSOR:FUSING EXIT:ASS'Y

2.03530100N  
SCREW-M3X10

13.AW010143  
PHOTO REFLECTIO  
N SENSOR:PSR11  
TL1R-C



28.D0394955  
BRACKET:SENSO  
R:FUSING EXIT:AS  
S'Y  
090309



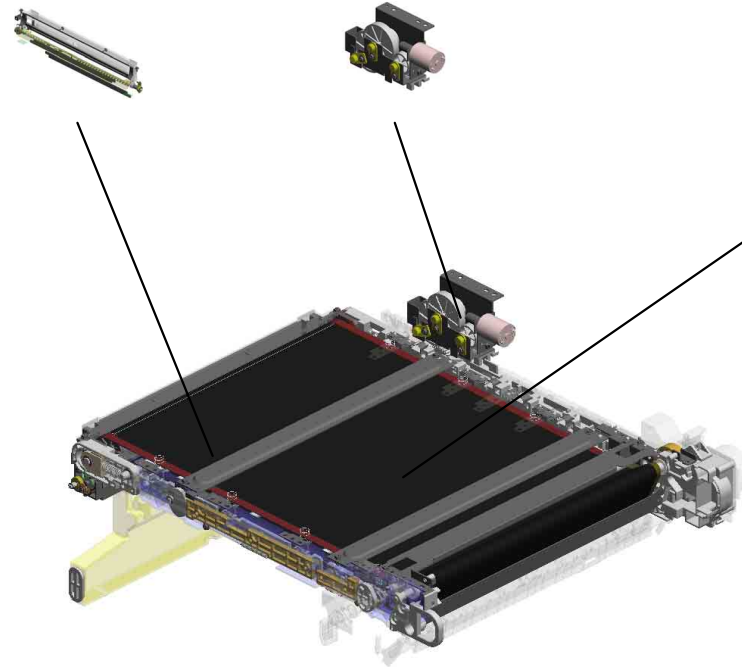
27.D0394952  
BRACKET:SENSO  
R:FUSING EXIT  
090309

U001	U002	U003	U004	U005	U006	U007	U008	U009	U010	U011	U012	U013	U014	U015	U016
------	------	------	------	------	------	------	------	------	------	------	------	------	------	------	------

# U011.Image Transfer

U011\_S002  
D0396036  
CLEANING UNIT:INTERMEDI  
ATE TRANSFER:SERVICE:AS  
S'Y

U011\_S003  
D0396048  
DRIVE UNIT:ON-OFF:TRANS  
FER ROLLER:ASS'Y



U011\_S001  
D0396003  
TRANSFER UNIT:INTERMEDI  
ATE TRANSFER:SERVICE:AS  
S'Y

U001	U002	U003	U004	U005	U006	U007	U008	U009	U010	U011	U012	U013	U014	U015	U016
------	------	------	------	------	------	------	------	------	------	------	------	------	------	------	------

# U011 Image Transfer

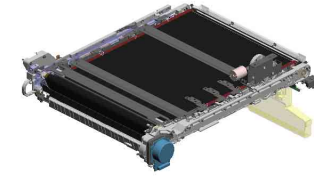
41.D0396306  
FEELER:TONER C  
OLLECTION COIL

40.D0396305  
HOLDER:USED TO  
NER SENSOR:BEL  
T CLEANING

27.AW020145  
PHOTOINTERRUP  
TOR:FLAT

14.11050692  
CLAMP:LES-0503

5.04513006N  
(x15)  
TAPPING SCREW -  
3X6



6.04513025N  
(x2)  
TAPPING SCREW:  
M3X25

21.AA063458  
COMPRESSION SP  
RING:KNOB

26.AA143867  
SCREW:DIA4:M3

22.AA066391  
(x2)  
TENSION SPRING:  
ON-OFF

46.D0396325  
BUSHING:DENSITY  
SENSOR:FRONT

43.D0396321  
DENSITY SENSOR

45.D0396324  
GUIDE PLATE:TRA  
NSFER:ENTRANCE

44.D0396323  
BRACKET:SENSO  
R:TM

16.8025299  
(x6)  
TAPPING SCREW -  
M3X8

47.D0396326  
BUSHING:DENSITY  
SENSOR:REAR

7.04563008N  
(x3)  
TAPPING SCREW -  
M3X8

38.D0396122  
GEAR:INTERMEDI  
ATE TRANSFER:N  
O.1

2.03530040N  
(x3)  
SCREW - M3X4

37.D0396119  
BRACKET:INTERM  
EDIATE TRANSFE  
R:DRIVE:ASS'Y

29.AX050298  
BRUSHLESS MOT  
OR:INTERMEDIAT  
E TRANSFER

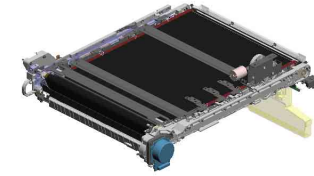
13.11050516  
CLAMP

3.03603020N (x 1)  
SCREW:M3X20  
4.03603030N (x 1)  
SCREW:M3X30

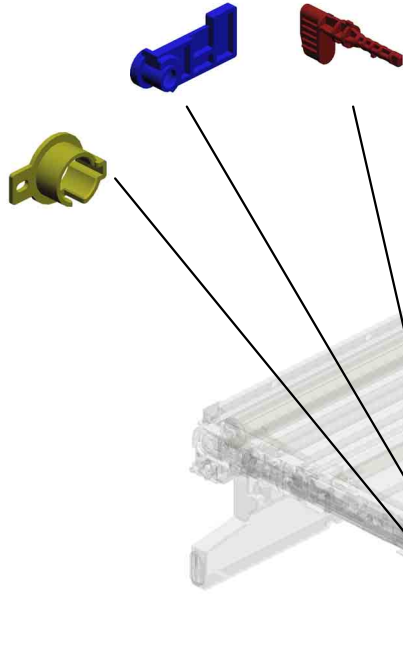
U001 U002 U003 U004 U005 U006 U007 U008 U009 U010 **U011** U012 U013 U014 U015 U016

# U011 Image Transfer

51.D0396337 SHUTTER:ON-OFF: BK  
52.D0396338 KNOB:ON-OFF:INT  
ERMEDIATE TRAN  
SFER:BK  
090131 X/O



50.D0396334  
HOLDER:KNOB:ON  
-OFF:BK



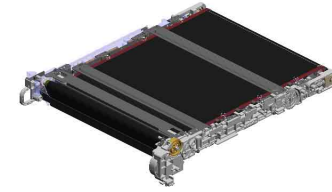
49.D0396330  
GROUND PLATE:BI  
AS:BK

48.D0396327  
(x6)  
SPACER:SENSOR:  
TM

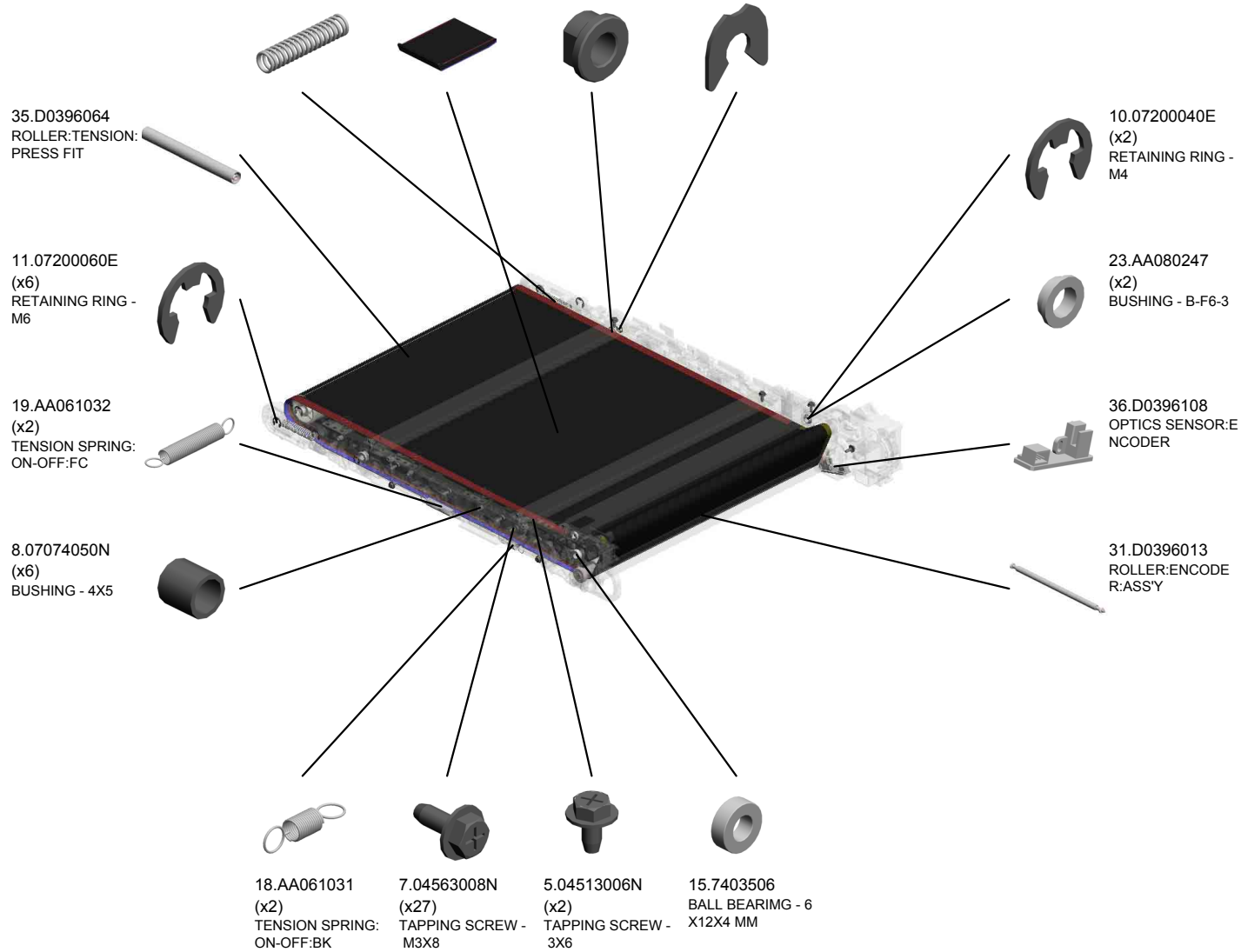
U011\_S001

TRANSFER UNIT:INTERMEDIATE TRANSFER:SERVICE:ASS'Y

- 20.AA063456 (x2) COMPRESSION SPRING:ROLLER:TENSION
- 32.D0396029 (x2) TRANSFER BELT:ASSY
- 24.AA082101 (x2) BUSHING - 6X10X6
- 17.8050089 (x2) RETAINING RING - M4



- 30.D0396003 TRANSFER UNIT:INTERMEDIATE TRANSFER:SERVICE:ASSY



U001	U002	U003	U004	U005	U006	U007	U008	U009	U010	U011	U012	U013	U014	U015	U016
------	------	------	------	------	------	------	------	------	------	------	------	------	------	------	------

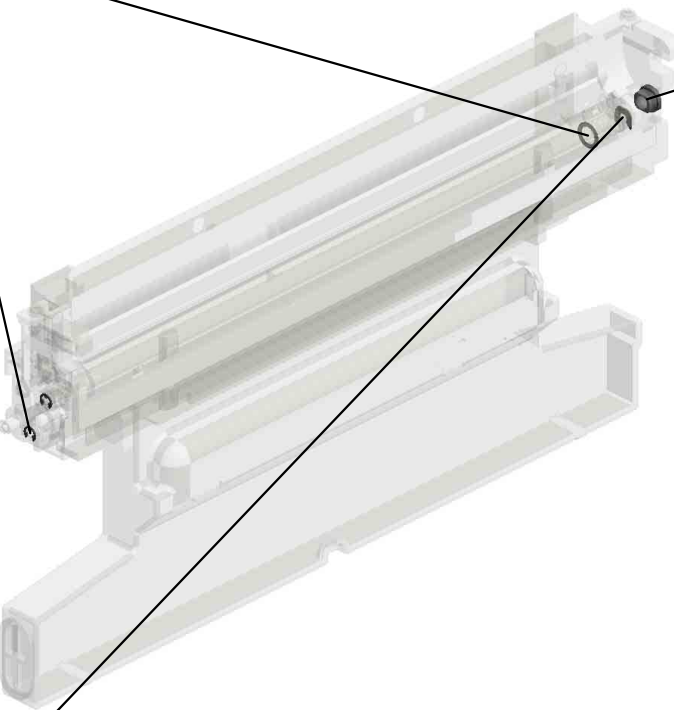
U011\_S002  
CLEANING UNIT:INTERMEDIATE TRANSFER:SERVICE:ASS'Y

25.AA132013  
SPACER



33.D0396036  
CLEANING UNIT:IN  
TERMEDIATE TRA  
NSFER:SERVICE:A  
SS'Y

9.07200030E  
(x2)  
RETAINING RING -  
M3



24.AA082101  
BUSHING - 6X10X6



17.8050089  
(x2)  
RETAINING RING -  
M4

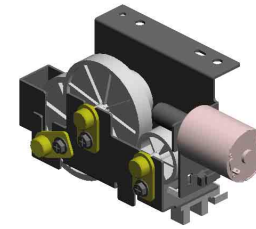


U001	U002	U003	U004	U005	U006	U007	U008	U009	U010	U011	U012	U013	U014	U015	U016
------	------	------	------	------	------	------	------	------	------	------	------	------	------	------	------

U011\_S003  
 DRIVE UNIT:ON-OFF:TRANSFER ROLLER:ASS'Y

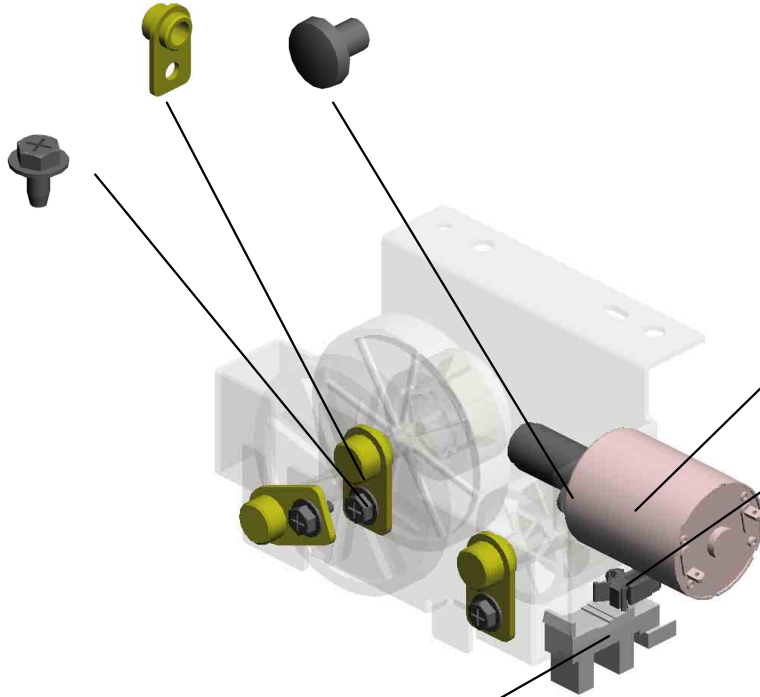
42.D0396315 (x3)  
 BUSHING:GEAR:O  
 N-OFF

1.03530030N (x2)  
 SCREW:M3X3



34.D0396048  
 DRIVE UNIT:ON-OFF  
 F:TRANSFER ROLLER:  
 ASS'Y

5.04513006N (x3)  
 TAPPING SCREW -  
 3X6



39.D0396134  
 DC MOTOR:ON-OFF:  
 F:ASS'Y

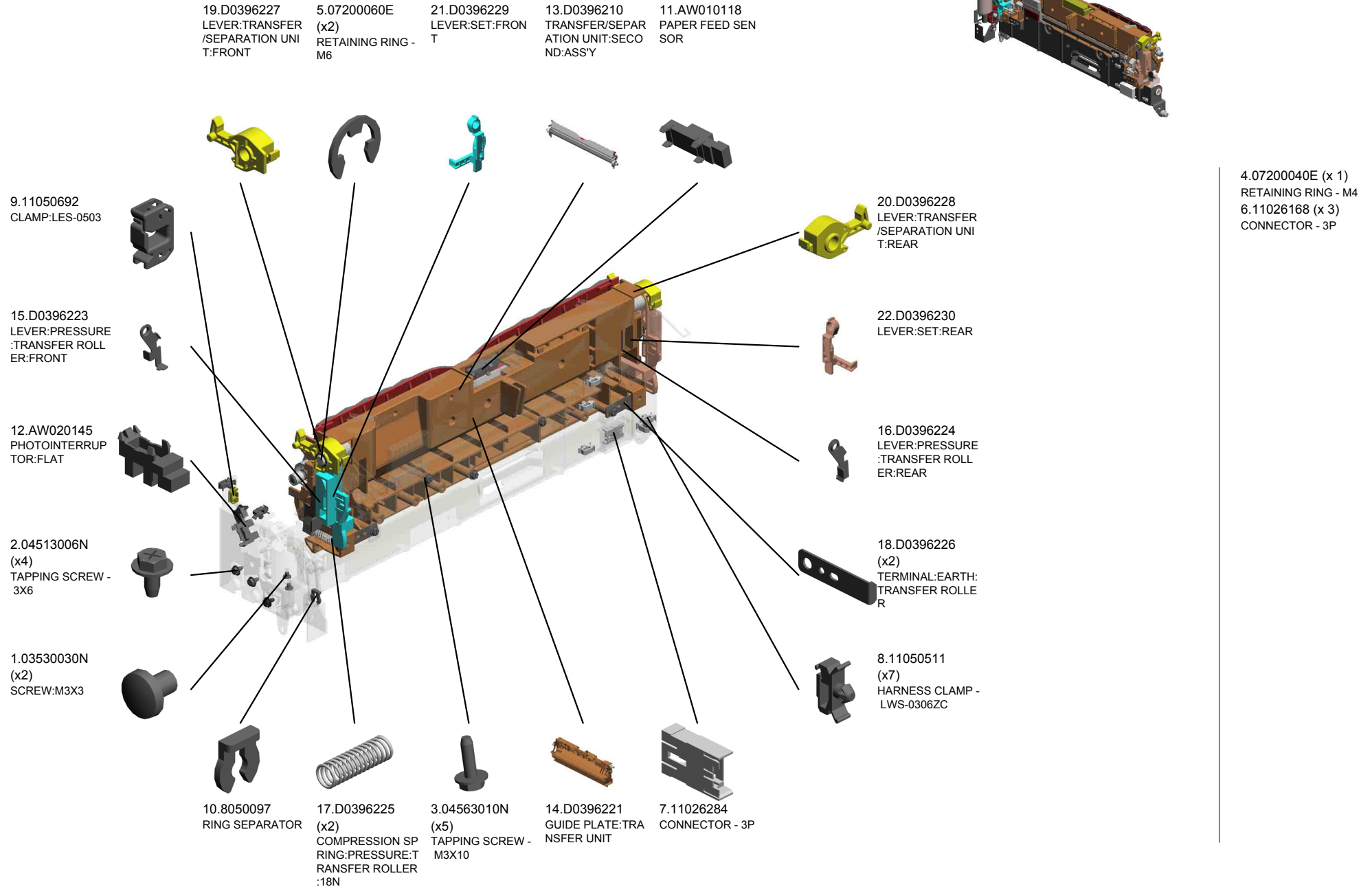
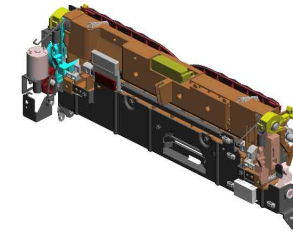
12.11050511  
 HARNESS CLAMP -  
 LWS-0306ZC



28.AW020190  
 PHOTOINTERRUPTOR

U001	U002	U003	U004	U005	U006	U007	U008	U009	U010	U011	U012	U013	U014	U015	U016
------	------	------	------	------	------	------	------	------	------	------	------	------	------	------	------

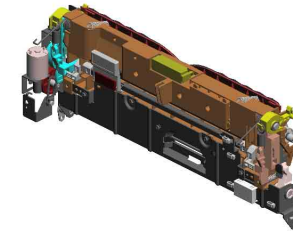
# U012 SEPARATION/TRANSPORT



U001	U002	U003	U004	U005	U006	U007	U008	U009	U010	U011	U012	U013	U014	U015	U016
------	------	------	------	------	------	------	------	------	------	------	------	------	------	------	------



# U012 SEPARATION/TRANSPORT



23.D0396231  
(x2)  
TENSION SPRING:  
LEVER:SET

24.D0396232  
TORSION SPRING:  
LEVER:SET:FRON  
T

30.D0396239  
GRIP:RELEASE

38.D0396271  
DECAL:GRIP:B

35.D0396262  
(x2)  
COMPRESSION SP  
RING:TRANSPORT  
SUB-UNIT

28.D0396237  
LEVER:RELEASE:T  
RANSFER/SEPARA  
TION UNIT:FRONT

40.D0396273  
STOPPER:LEVER:  
FRONT

36.D0396268  
LEVER:ON-OFF:TR  
ANSFER ROLLER:  
FRONT

33.D0396259  
LINK:GUIDE PLATE  
:TRANSFER

42.D0396315  
(x2)  
BUSHING:GEAR:O  
N-OFF

34.D0396261  
BUSHING:POSITIO  
NING:TRANSFER/S  
EPARATION UNIT

41.D0396298  
BRACKET:STOPPE  
R:TRANSFER UNIT  
:PEEN

31.D0396251  
BASE:TRANSFER/  
SEPARATION UNIT  
:SECOND:PEEN

32.D0396258  
SHAFT:ON-OFF:DI  
A8

27.D0396236  
SHAFT:RELEASE

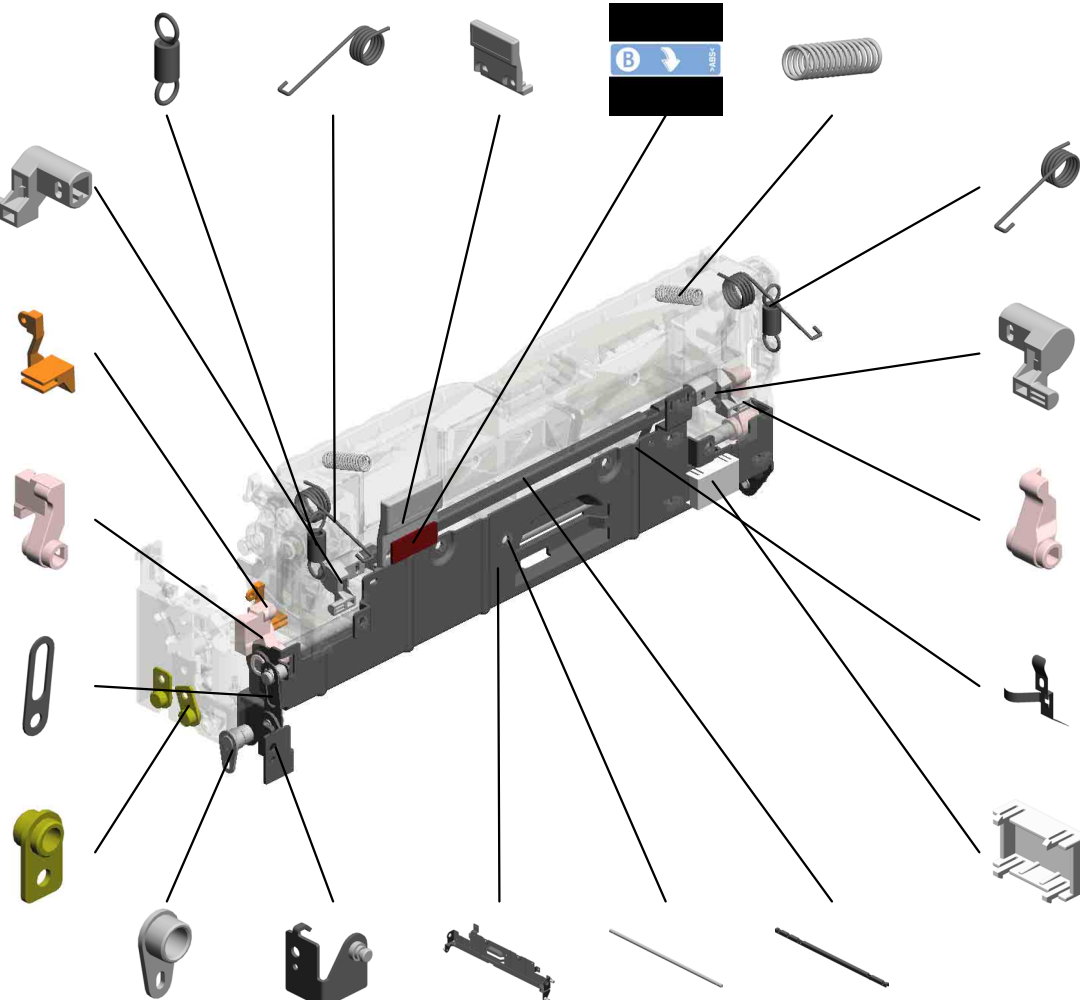
25.D0396233  
TORSION SPRING:  
LEVER:SET:REAR

29.D0396238  
LEVER:RELEASE:T  
RANSFER/SEPARA  
TION UNIT:REAR

37.D0396269  
LEVER:ON-OFF:TR  
ANSFER ROLLER:  
REAR

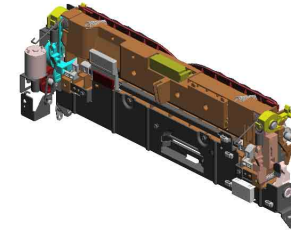
26.D0396235  
TERMINAL:EARTH

39.D0396272  
COVER:CONNECT  
OR:ENTRANCE SE  
NSOR



# U012 SEPARATION/TRANSPORT

44.D0396343 BRACKET:ON-OFF:ASS'Y  
47.D0396348 GEAR:ON-OFF  
48.D0396349 CAM:ON-OFF



46.D0396347  
GEAR:ON-OFF:IDLER:2



49.D0396350  
BRACKET:ON-OFF



43.D0396341  
DC MOTOR:ON-OFF:TRANSFER ROLLER:SECOND:ASS'Y



45.D0396346  
GEAR:ON-OFF:IDLER:1



U001	U002	U003	U004	U005	U006	U007	U008	U009	U010	U011	U012	U013	U014	U015	U016
------	------	------	------	------	------	------	------	------	------	------	------	------	------	------	------

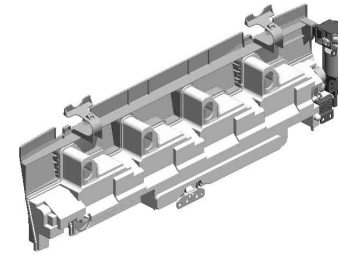
# U013 Toner Collection

7.AW500023  
PUSH SWITCH

1.03530030N  
(x2)  
SCREW:M3X3

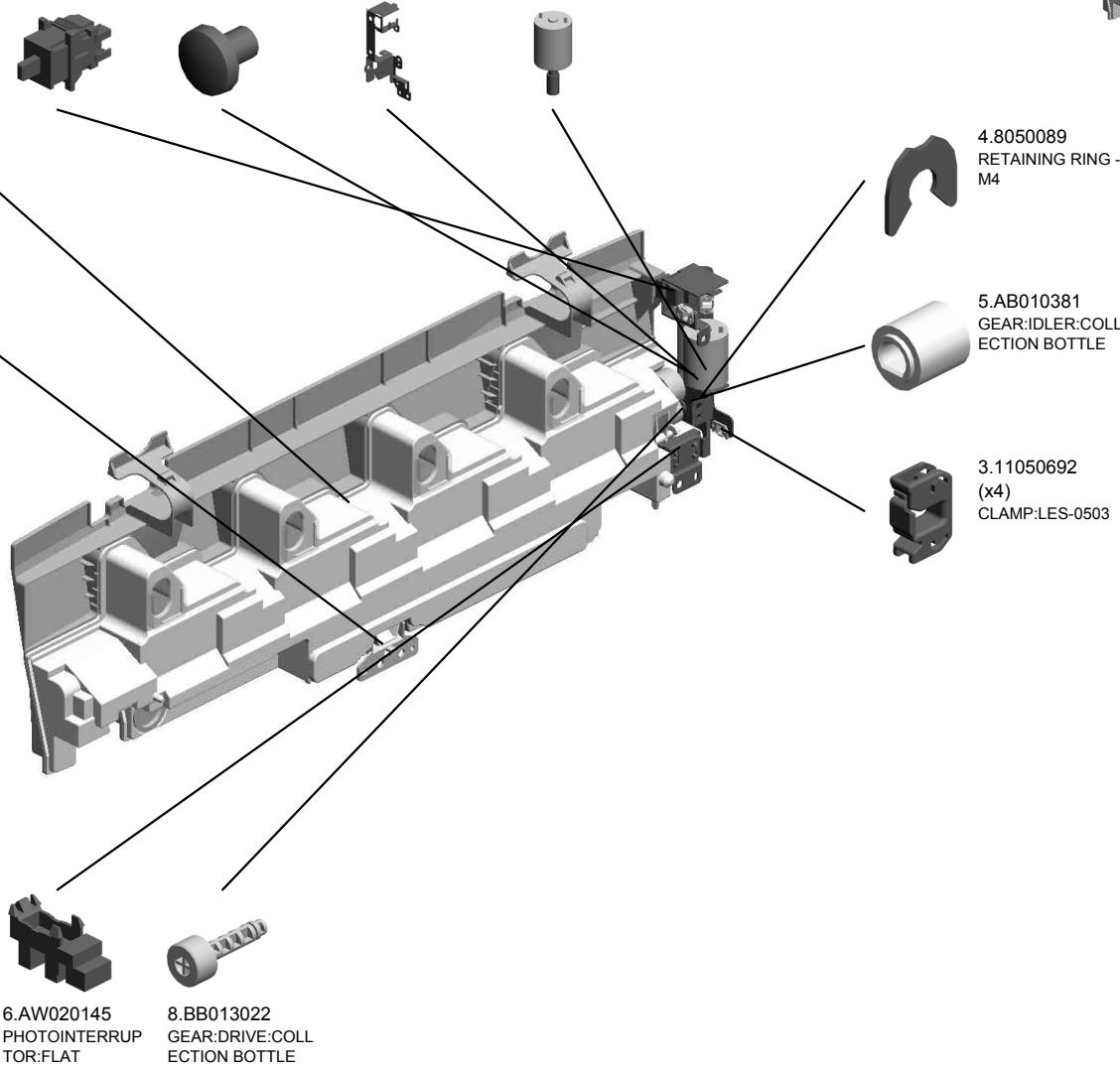
10.D0396583  
BRACKET:DRIVE:C  
OLLECTION BOTTL  
E

11.D0396584  
DC MOTOR:ASS'Y



9.D0396401  
COLLECTION BOT  
TLE:EXP:ASS'Y

12.D0396597  
HINGE:COLLECTIO  
N BOTTLE



6.AW020145  
PHOTOINTERRUP  
TOR:FLAT

8.BB013022  
GEAR:DRIVE:COLL  
ECTION BOTTLE

4.8050089  
RETAINING RING -  
M4

5.AB010381  
GEAR:IDLER:COLL  
ECTION BOTTLE

3.11050692  
(x4)  
CLAMP:LES-0503

2.11026168 (x 1)  
CONNECTOR - 3P

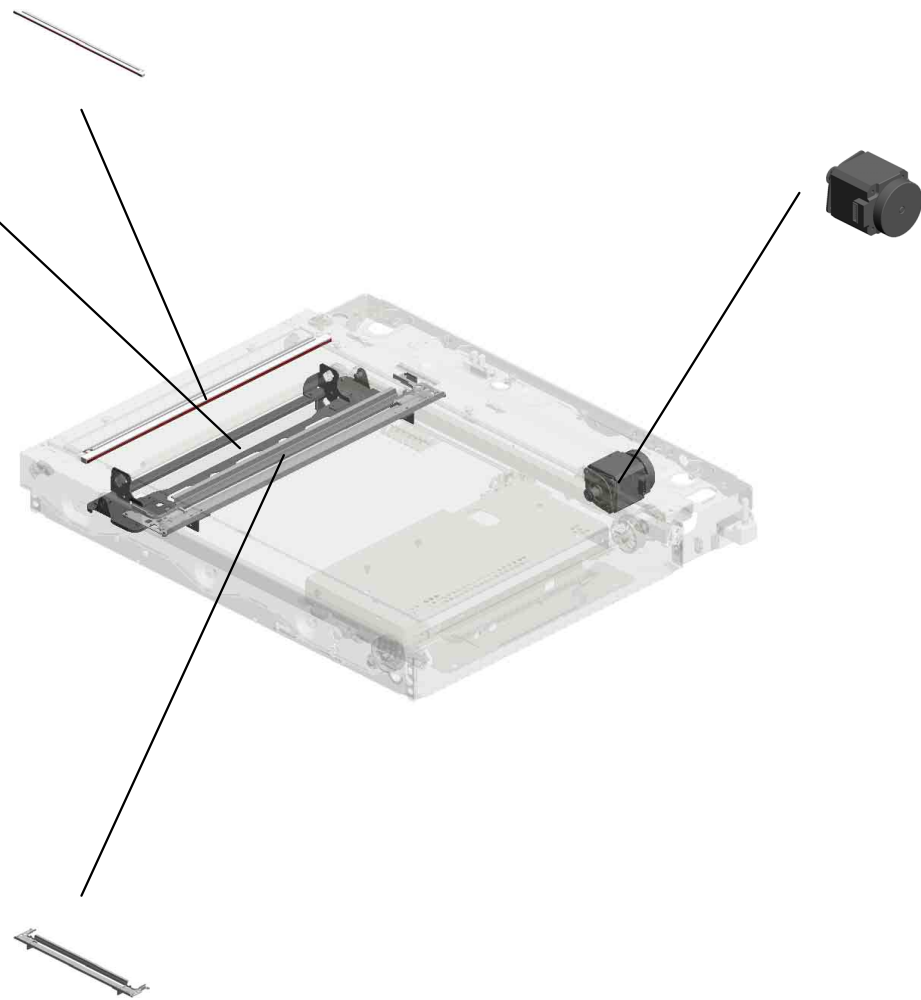
# U014.Scanner

U014\_S004  
D0251736  
SCALE:LEFT:B:NA:ASS'Y

U014\_S003  
D0391742  
CARRIAGE:NO.2:SUB-ASS'Y

U014\_S001  
B2381715  
STEPPER MOTOR DC3.9V

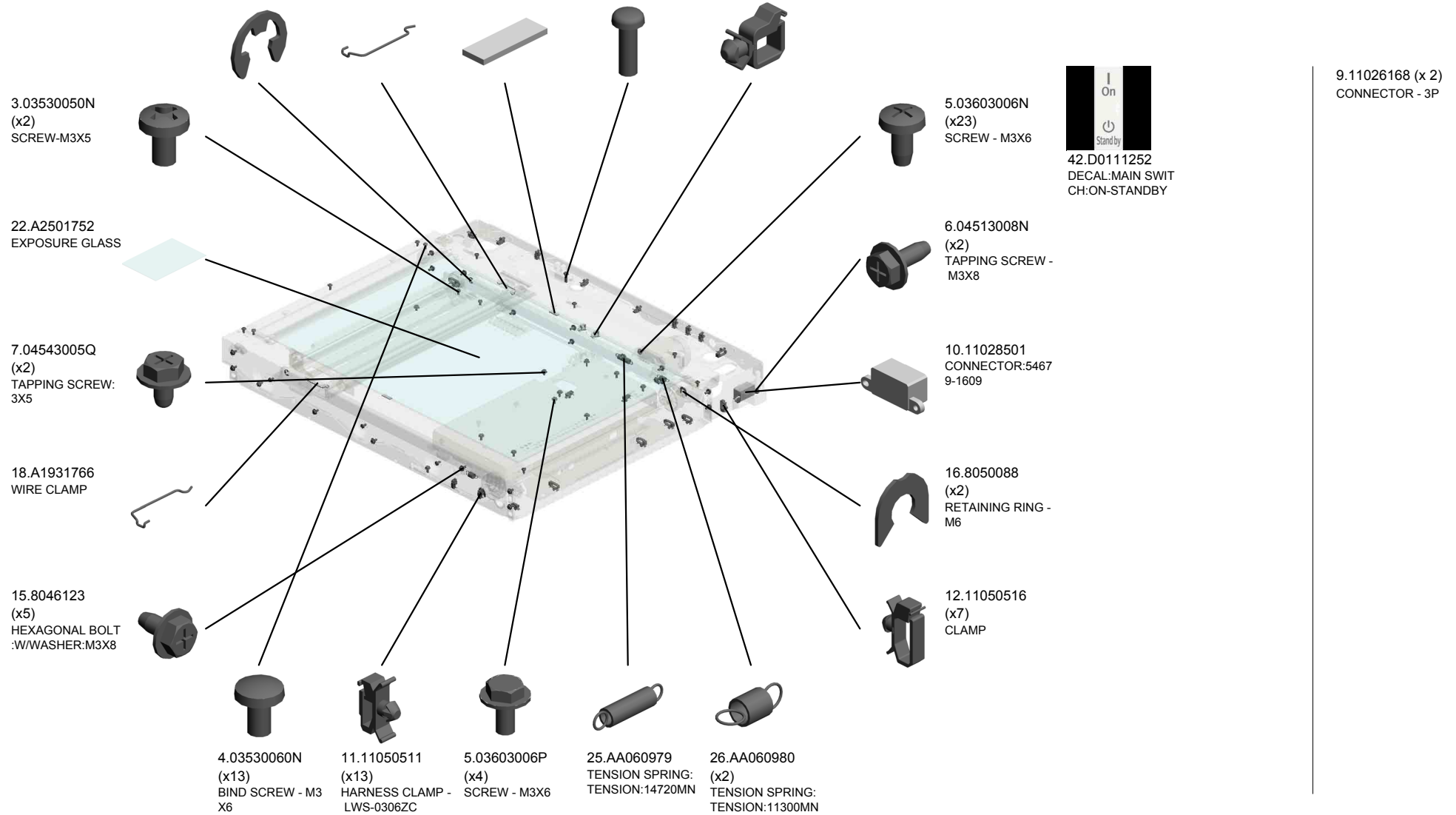
U014\_S002  
D0291715  
CARRIAGE:NO.1:ASS'Y



U001	U002	U003	U004	U005	U006	U007	U008	U009	U010	U011	U012	U013	U014	U015	U016
------	------	------	------	------	------	------	------	------	------	------	------	------	------	------	------

# U014 Scanner

- 8.07200040E (x2) RETAINING RING - M4
- 20.A1931769 CLAMP - REAR WIRE
- 14.54421924 (x2) EXPOSURE GLASS CUSHION
- 2.03140120N SCREW - M4X12
- 13.11050534 (x2) CLAMP



# U014 Scanner

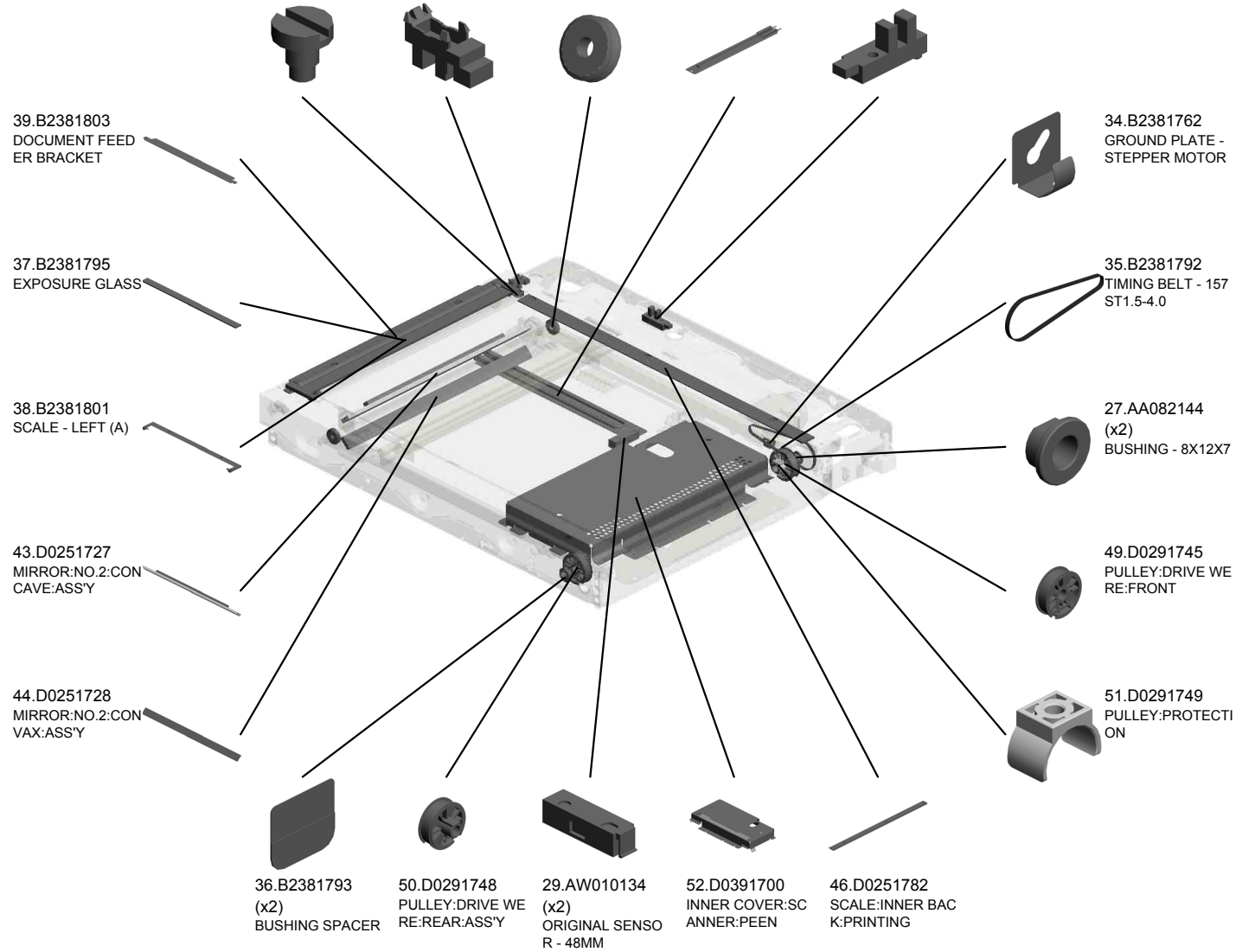
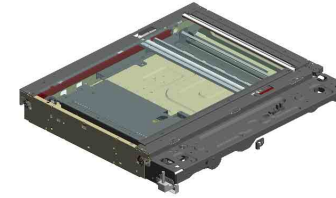
41.B3901759  
(x7)  
SHAFT:SCALE

30.AW020145  
PHOTOINTERRUP  
TOR:FLAT

40.B2381807  
(x2)  
PULLEY

32.B2291687  
HEATER:OPTION:1  
20V:9W

31.AW020146  
PHOTOINTERRUP  
TOR:FLAT:PICH2M  
M:M4



# U014 Scanner

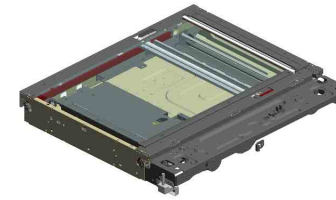
70.G5701225  
SENSOR SHIELDING  
G PLATE

73.G5702834  
PULLEY - HIGH VOLTAGE  
SUPPLY CORD

61.D0391747  
GUIDE:HIGH VOLTAGE  
SUPPLY CORD

67.D0395401  
STABILIZER

64.D0391770  
GROUND PLATE:SENSOR:AKS



72.G5702833  
PULLEY HOLDER

66.D0391823  
COVER:HEATER:SCANNER

59.D0391733  
XENON LAMP:DIA10:ASSY

63.D0391751  
(x4)  
HOLDER:EXPOSURE GLASS

68.G4042810  
(x4)  
SPRING PLATE - 2ND MIRROR

53.D0391703  
(x3)  
GASKET:9X5.5X17

58.D0391720  
(x2)  
PULLEY:IDLER:LEFT REAR:PEEN

65.D0391801  
LENS:HOLDER:ASSY

54.D0391705  
GROUND PLATE:HERNNESS:SBU

55.D0391715  
(x2)  
DRIVE WERE

62.D0391748  
GUIDE:HIGH VOLTAGE  
SUPPLY CORD:RAIL

69.G5701133  
TIMING PULLEY 73

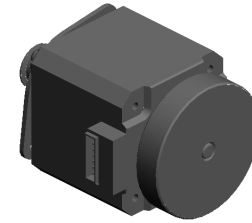
57.D0391718  
(x2)  
PULLEY:IDLER:LEFT FRONT:PEEN

56.D0391717  
SHAFT:SCANNER:DRIVE

U001	U002	U003	U004	U005	U006	U007	U008	U009	U010	U011	U012	U013	<b>U014</b>	U015	U016
------	------	------	------	------	------	------	------	------	------	------	------	------	-------------	------	------

U014\_S001  
STEPPER MOTOR DC3.9V

1.03130060N  
(x2)  
SCREW - M3X6



33.B2381715  
STEPPER MOTOR  
DC3.9V



21.A2324666  
CUSHION - STEPP  
ER MOTOR



U001	U002	U003	U004	U005	U006	U007	U008	U009	U010	U011	U012	U013	U014	U015	U016
------	------	------	------	------	------	------	------	------	------	------	------	------	------	------	------



U014\_S002  
CARRIAGE:NO.1:ASS'Y

17.A1001714  
REFLECTOR

48.D0291719  
(x2)  
SHEET:CARRIAGE:  
NO.1



47.D0291715  
CARRIAGE:NO.1:A  
SS'Y

28.AC030169  
MIRROR:NO.1



71.G5702730  
(x4)  
SLIDER - SCANNE  
R



19.A1931767  
(x2)  
1ST MIRROR HOL  
DER

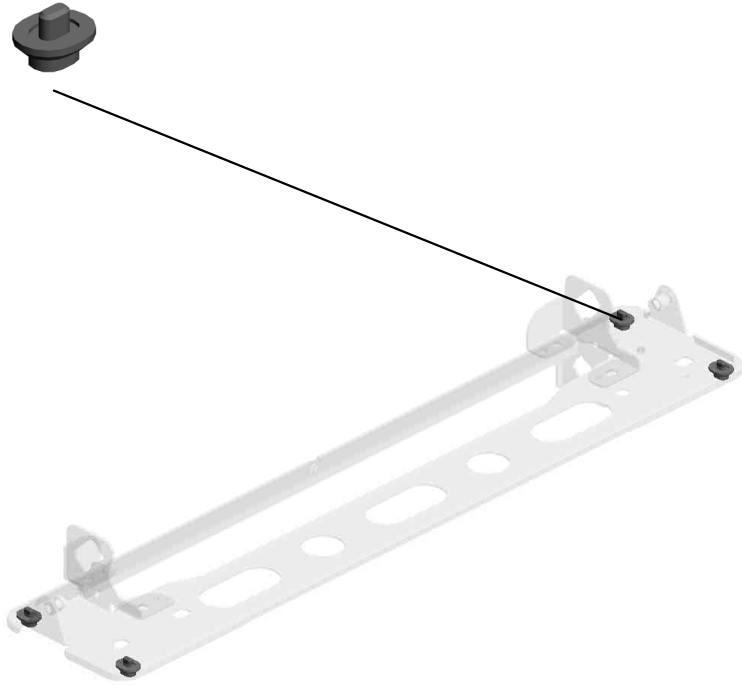
U001	U002	U003	U004	U005	U006	U007	U008	U009	U010	U011	U012	U013	U014	U015	U016
------	------	------	------	------	------	------	------	------	------	------	------	------	------	------	------

U014\_S003  
CARRIAGE:NO.2:SUB-ASS'Y

23.A2501791  
(x4)  
2ND SCANNER SH  
OE



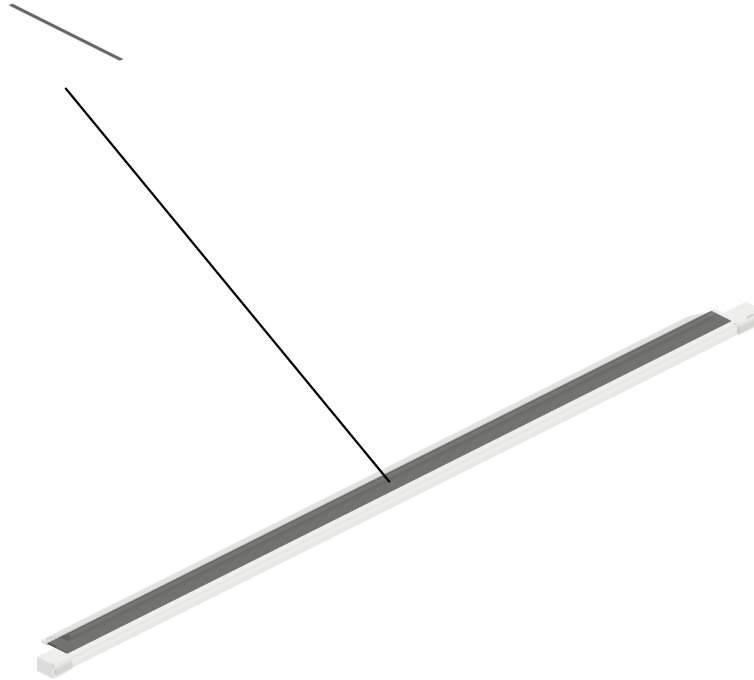
60.D0391742  
CARRIAGE:NO.2:S  
UB-ASSY



U001	U002	U003	U004	U005	U006	U007	U008	U009	U010	U011	U012	U013	U014	U015	U016
------	------	------	------	------	------	------	------	------	------	------	------	------	------	------	------

U014\_S004  
SCALE:LEFT:B:NA:ASS'Y

24.A6283112  
SHIELDING SHEET

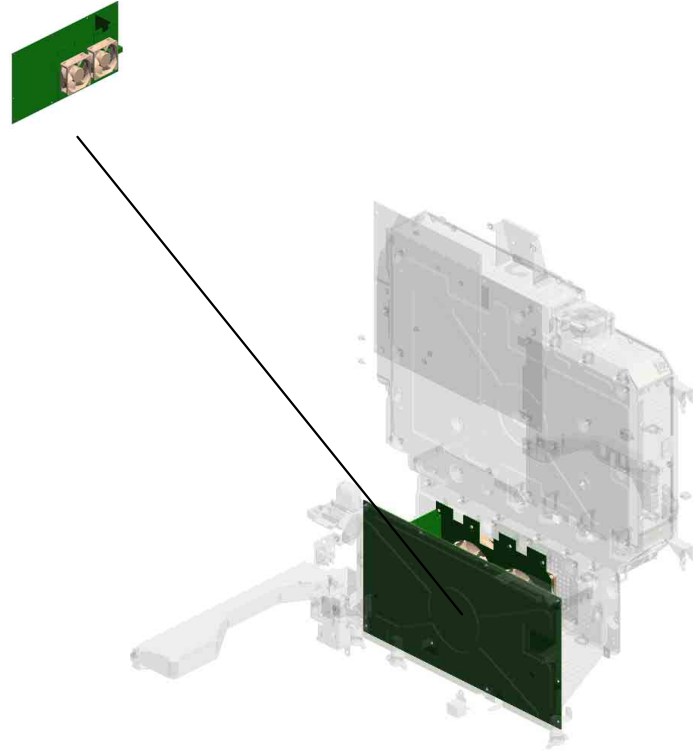


45.D0251736  
SCALE:LEFT:B:NA:  
ASS'Y

U001	U002	U003	U004	U005	U006	U007	U008	U009	U010	U011	U012	U013	U014	U015	U016
------	------	------	------	------	------	------	------	------	------	------	------	------	------	------	------

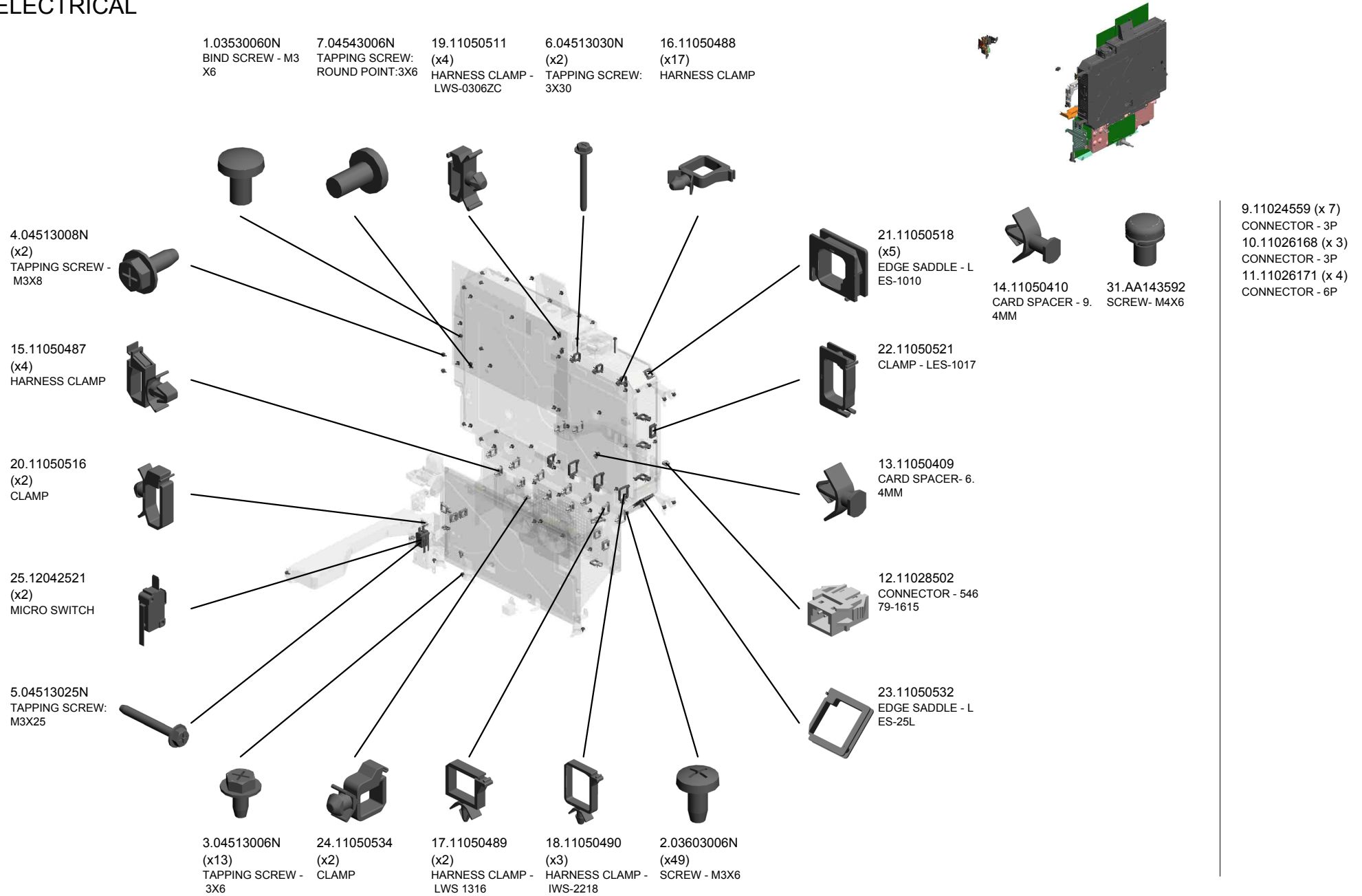
# U015.ELECTRICAL

U015 S001  
AZ240126  
POWER SUPPLY UNIT:DIAN  
A-C1:DOM/NA



U001	U002	U003	U004	U005	U006	U007	U008	U009	U010	U011	U012	U013	U014	U015	U016
------	------	------	------	------	------	------	------	------	------	------	------	------	------	------	------

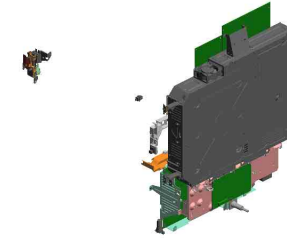
# U015 ELECTRICAL



U001	U002	U003	U004	U005	U006	U007	U008	U009	U010	U011	U012	U013	U014	U015	U016
------	------	------	------	------	------	------	------	------	------	------	------	------	------	------	------

# U015 ELECTRICAL

- 26.12042608  
ROCKER SWITCH:  
SDDJE33900
- 37.AZ320181  
POWER PACK:CB:  
DIANA
- 36.AZ320180  
POWER PACK:TTS  
:AT-C2
- 27.14077036  
EEPROM:AT24C12  
8B-PU
- 34.AX640170  
FAN MOTOR - MM6  
0 DC24V



29.8050092  
(x2)  
RETAINING RING -  
3M



38.C2292016  
STEPPED SCREW



42.D0395842  
LEVER:SAFETY S  
WITCH:MIDDLE



41.D0395836  
BASE:SAFETY SWI  
TCH:PEEN



47.D0395855  
COVER:HARNESS:  
MAIN SWITCH



46.D0395846  
SPRING:SAFETY S  
WITCH:FRONT



44.D0395844  
LEVER:SAFETY S  
WITCH:FRONT



43.D0395843  
LEVER:SAFETY S  
WITCH:MIDDLE:SM  
ALL



30.AA063568  
PRESSURE SPRIN  
G



45.D0395845  
LEVER:SAFETY S  
WITCH:RIGHT



33.AW500023  
PUSH SWITCH



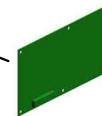
39.D0395102  
PCB:BCU:ASS'Y



32.AW140015  
TEMPERATURE &  
HUMIDITY SENSO  
R



40.D0395122  
PCB:DRB

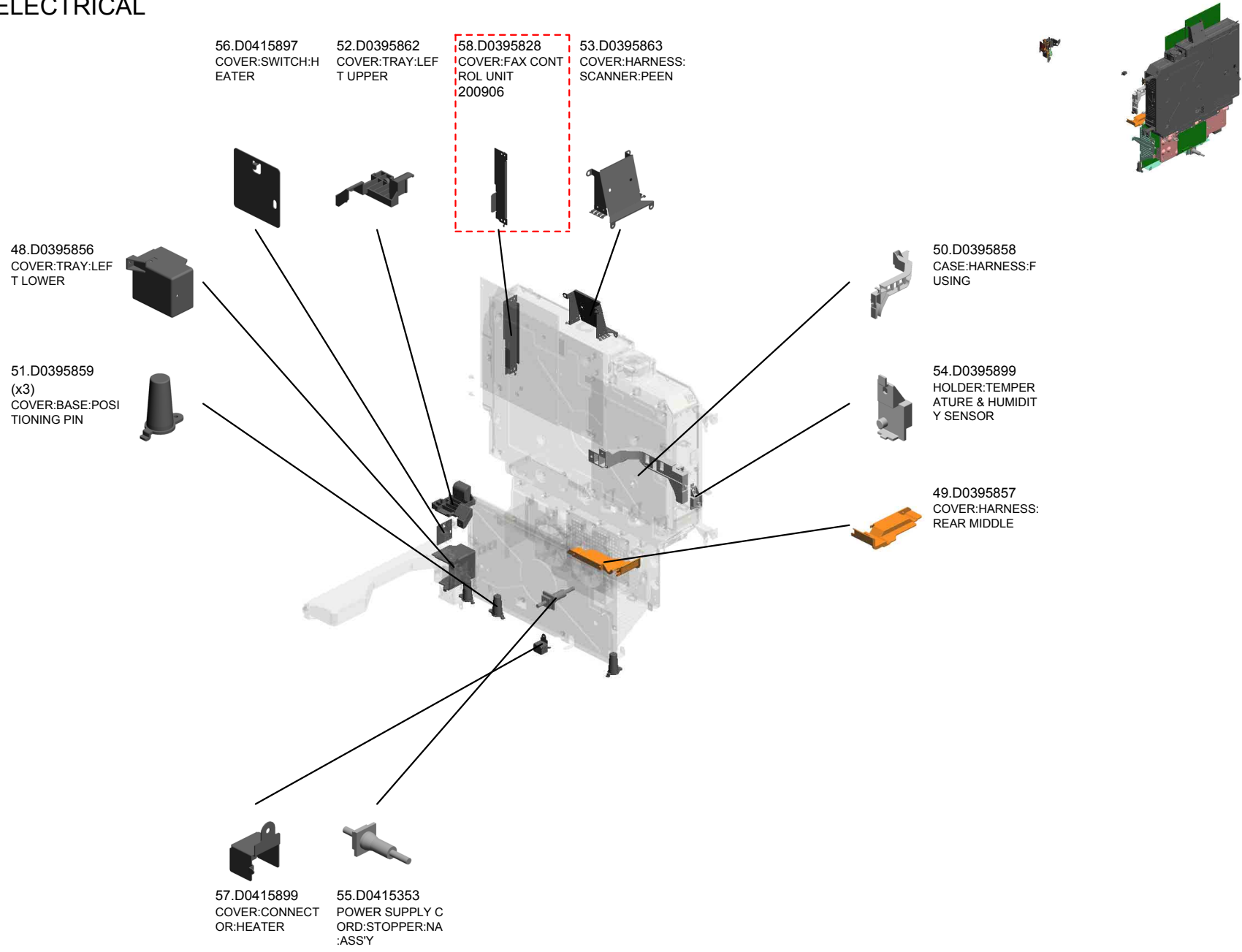


28.8046123  
(x8)  
HEXAGONAL BOLT  
:W/WASHER:M3X8



U001 U002 U003 U004 U005 U006 U007 U008 U009 U010 U011 U012 U013 U014 **U015** U016

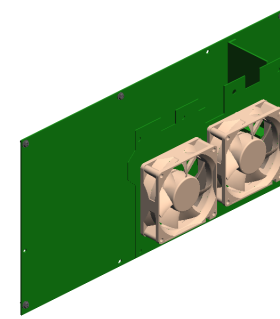
# U015 ELECTRICAL



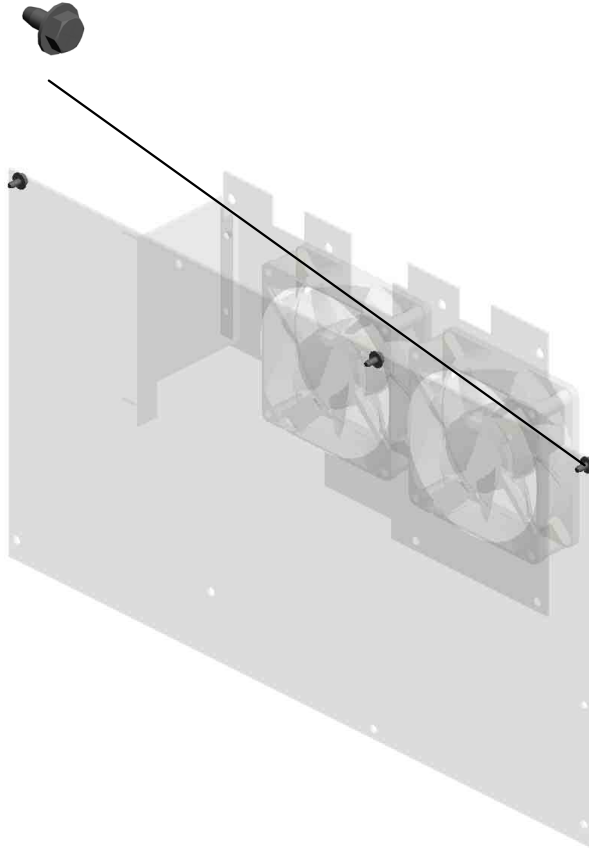
U001	U002	U003	U004	U005	U006	U007	U008	U009	U010	U011	U012	U013	U014	<b>U015</b>	U016
------	------	------	------	------	------	------	------	------	------	------	------	------	------	-------------	------

U015\_S001  
POWER SUPPLY UNIT:DIANA-C1:DOM/NA

8.09543006N  
(x3)  
SCREW - M3X6



35.AZ240126  
POWER SUPPLY U  
NIT:DIANA-C1:DOM  
/NA



8.09543006N (x 2)  
SCREW - M3X6

U001	U002	U003	U004	U005	U006	U007	U008	U009	U010	U011	U012	U013	U014	U015	U016
------	------	------	------	------	------	------	------	------	------	------	------	------	------	------	------

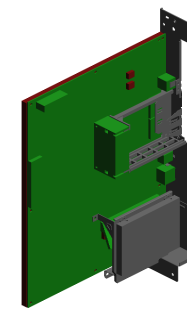


# U016 Controller

9.D0419590  
(x2)  
NVRAM

10.D0419591  
NV-RAM-512-1  
090131

11.D0419592  
NV-RAM-512-2  
090131



7.D0415740  
Controller Board:DI-  
C1A



8.D0415750  
Controller Board:DI-  
C1C



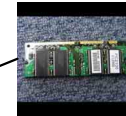
3.B1545869  
PANEL:INTERFAC  
E:SECC



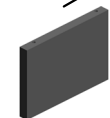
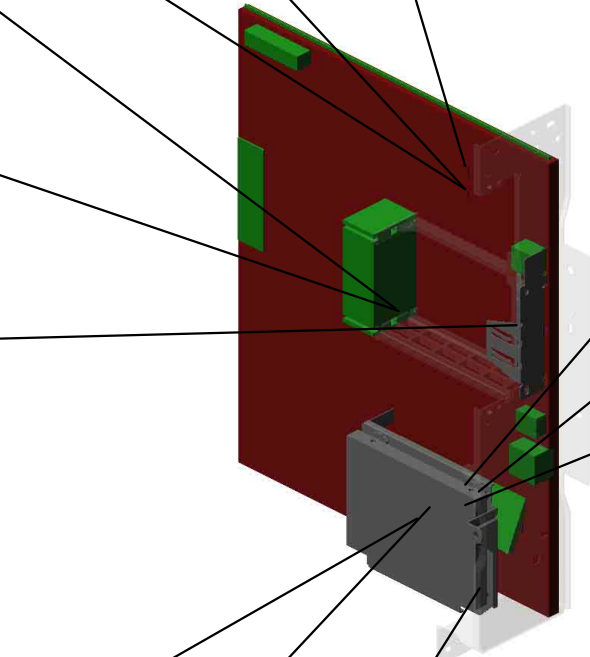
5.D0395712  
PCB:DDR1DIMM32  
B:HALF:256MB:AS  
S'Y



1.AA143848  
(x4)  
STEPPED SCREW  
- M3



4.B5855140  
PCB:DDR1-DIMM-3  
2B:512MB:ASSY



12.M3445130  
HDD:60GB:MHY206  
0BH:FUJITSU



6.D0395831  
BRACKET:HDD



2.AA161167  
(x4)  
BUSHING:HDD

## Accessories



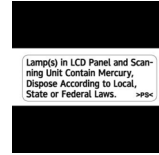
3.AA000239  
DECAL:COLOR:MFP



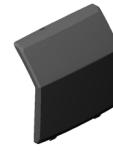
4.AA001477  
DECAL:ENERGY-STAR



6.B1321573  
DECAL - POWER SOURCE:O  
FF



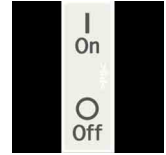
7.B1986407  
DECAL:VERMONT:2



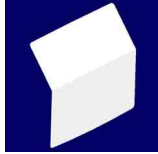
8.B2231253  
EMBLEM COVER



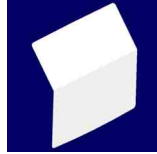
9.B2382524  
DECAL - PAPER SIZE



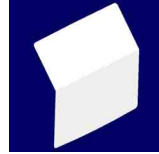
10.D0111250  
DECAL:MAIN SWITCH:ON-OF  
F



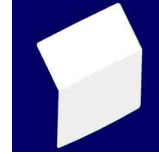
11.D0386601  
SHEET:EMBLEM:DI-C1A:RIC:  
EXP



12.D0386602  
SHEET:EMBLEM:DI-C1A:SVN



13.D0386603  
SHEET:EMBLEM:DI-C1A:GES  
:NA



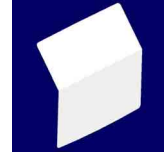
14.D0386604  
SHEET:EMBLEM:DI-C1A:LAN:  
NA



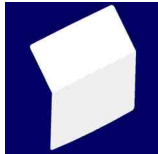
15.D0391359  
DECAL:CAUTION:ORIGINAL:  
ENGLISH



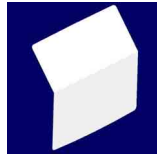
16.D0394586  
COVER:GRIP:DUPLX UNIT



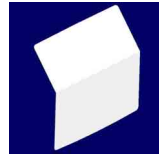
20.D0416601  
SHEET:EMBLEM:DI-C1C:RIC:  
EXP



21.D0416602  
SHEET:EMBLEM:DI-C1C:SVN



22.D0416603  
SHEET:EMBLEM:DI-C1C:GES  
:NA



23.D0416604  
SHEET:EMBLEM:DI-C1C:LAN:  
NA



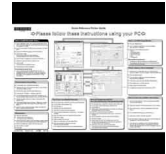
24.D0417601  
MANUAL:ABOUT\_MACHINE:  
DIC1:NA



25.D0417634  
MANUAL:QUICK\_REF\_COPY:  
DIC1:NA



26.D0417701  
MANUAL:TROUBLESHOOT:D  
IC1:NA



27.D0417804  
MANUAL:QUICK\_REF\_PRIN:  
DIC1:NA



28.D0417854  
MANUAL:QUICK\_REF\_SCAN:  
DIC1:NA

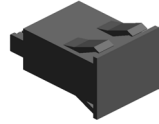
## Accessories:TOTAL COUNTER(Optional)



1.04513006N  
TAPPING SCREW - 3X6



2.11050487  
HARNESS CLAMP



5.AX310049  
TOTAL COUNTER:7FIG:24V



17.D0415290  
HARNESS:BCU:TOTAL COUNTER:NA



18.D0415291  
HARNESS:TOTAL COUNTER:NA

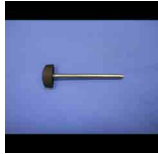


19.D0415898  
BRACKET:TOTAL COUNTER

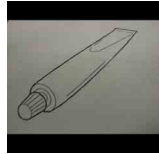
## Special Tools



1.A0929503  
C4 Color Test Chart (3 pcs/set)



2.A1849501  
OPTICS ADJUSTMENT TOOL



3.A2579300  
Grease - Barrierta S552R



4.B6455010  
SD Card



5.B6456830  
USB Reader/Writer



6.C4019503  
20X Magnification Scope



7.VSSM9000  
Digital Multimeter-FLUKE189/FVF

## Exclusive Parts

Number	Part Name	Group	ID
52062686	SNAP RING	U003	4
52152621	SNAP RING - M6	U007_S001	12
		U007_S002	12
52152713	BOTTOM PLATE PAD	U007_S001_S004	13
		U007_S002_S004	13
52164198	STEPPED SCREW - GUIDE PLATE	U002_S001	12
54421924	EXPOSURE GLASS CUSHION	U014	14
7403506	BALL BEARING - 6X12X4 MM	U011_S001	15
8025299	TAPPING SCREW - M3X8	U001	18
		U011	16
8025305	TAPPING SCREW - M3X6	U007	14
8046123	HEXAGONAL BOLT:W/WASHER:M3X8	U009_S001	8
		U009	8
		U014	15
		U015	28
8050088	RETAINING RING - M6	U007_S002	15
		U014	16
8050089	RETAINING RING - M4	U007	16
		U008_S005	7
		U008_S006	7
		U008_S007	7
		U008_S008	7
		U010_S001	8
		U011_S001	17
		U011_S002	17
8050092	RETAINING RING - 3M	U007_S001	17
		U010_S001	9
		U015	29
8050097	RING SEPARATOR	U012	10
A0929503	C4 Color Test Chart (3 pcs/set)		
A1001714	REFLECTOR	U014_S002	17
A1849501	OPTICS ADJUSTMENT TOOL		
A1931766	WIRE CLAMP	U014	18
A1931767	1ST MIRROR HOLDER	U014_S002	19
A1931769	CLAMP - REAR WIRE	U014	20
A2322987	ROLLER - PAPER TRAY	U007_S001	18
		U007_S002	18

Number	Part Name	Group	ID
A2324666	CUSHION - STEPPER MOTOR	U014_S001	21
A2501752	EXPOSURE GLASS	U014	22
A2501791	2ND SCANNER SHOE	U014_S003	23
A2579300	Grease - Barrierta S552R		
A6283112	SHIELDING SHEET	U014_S004	24
AA000239	DECAL:COLOR:MFP		
AA000252	DECAL:H-TEMP WARNING	U010	10
AA001477	DECAL:ENERGY-STAR		
AA010121	FILTER:IMAGE FORMING MD	U003	5
AA010122	FILTER:REAR	U003	6
AA060866	LEVER SPRING	U007_S001	19
		U007_S002	19
AA060979	TENSION SPRING:TENSION:14720 MN	U014	25
AA060980	TENSION SPRING:TENSION:11300 MN	U014	26
AA061031	TENSION SPRING:ON-OFF:BK	U011_S001	18
AA061032	TENSION SPRING:ON-OFF:FC	U011_S001	19
AA063456	COMPRESSION SPRING:ROLLER:TENSION	U011_S001	20
AA063458	COMPRESSION SPRING:KNOB	U011	21
AA063568	PRESSURE SPRING	U015	30
AA063629	SPRING - 2.8N	U007_S002	20
AA063630	SPRING	U007_S001	21
		U007_S002	21
AA063952	COMPRESSION SPRING:BELT TENSIONER	U009_S001	9
AA066387	TORSION SPRING:STRIPPER PLATE:FRONT	U009_S001	10
AA066388	TORSION SPRING:STRIPPER PLATE:REAR	U009_S001	11
AA066391	TENSION SPRING:ON-OFF	U011	22
AA080247	BUSHING - B-F6-3	U011_S001	23
AA080254	BUSHING - M4	U007	22
AA082075	BUSHING - M6	U007	23
		U010_S001	11
AA082101	BUSHING - 6X10X6	U002_S001	13
		U002_S004	13

## Exclusive Parts

Number	Part Name	Group	ID
		U002	13
		U002_S005	13
		U007	24
		U011_S001	24
		U011_S002	24
AA082104	BUSHING - 8X12X7	U002_S001	14
AA082144	BUSHING - 8X12X7	U014	27
AA132013	SPACER	U011_S002	25
AA141018	SHAFT:DRIVE:TONER SUPPLY	U008	8
AA143520	SHOULDER SCREW - M3	U009_S001	12
AA143555	SCREW - M3X5	U001	19
AA143592	SCREW- M4X6	U001	20
		U015	31
AA143848	STEPPED SCREW - M3	U016	1
AA143867	SCREW:DIA4:M3	U011	26
AA143870	STEPPED SCREW	U009_S001	13
AA152138	SEAL - G6X10X2	U006_S001_S001	1
		U006_S002_S001	1
		U006_S003_S001	1
		U006_S004_S001	1
AA161167	BUSHING:HDD	U016	2
AB010381	GEAR:IDLER:COLLECTION BOTTL E	U013	5
AB011287	GEAR:PAPER FEED:NO.2	U002	15
AB011288	GEAR:PAPER FEED:NO.3	U002	16
AB011289	GEAR:PAPER FEED:NO.4	U002	17
AB012054	GEAR:HOT ROLLER:ROLLER CLU TCH:Z19	U009_S001	14
AB012056	GEAR:PRESSURE ROLLER:Z27	U009_S001	15
AB012057	GEAR:DRIVE:FUSING UNIT	U009_S001	16
AB012058	GEAR:IDLER:DRIVE:Z18	U009_S001	17
AB012059	GEAR:IDLER:FUSING:Z15XZ21	U009_S001	18
AB012060	GEAR:IDLER:PRESSURE:Z18	U009_S001	19
AB016000	GEAR:EXIT:NO.3	U002	18
AB017765	GEAR:PAPER FEED:NO.1	U002	19
AB017766	GEAR:REGISTRATION	U002	20
AB017767	GEAR:FUSING:NO.1	U002	21
AB017768	GEAR:FUSING:NO.2	U002	22

Number	Part Name	Group	ID
AB017769	GEAR:EXIT:NO.1	U002	23
AB017770	GEAR:EXIT:NO.2	U002	24
AC030169	MIRROR:NO.1	U014_S002	28
AE010074	HOT ROLLER:DIA29	U009_S001	20
AE012034	HEAT ROLLER:DIA24:COAT	U009_S001	21
AE020175	PRESSURE ROLLER:DIA30	U009_S001	22
AE030059	BALL BEARING:MM20XMM32X7	U009_S001	23
AE030074	BALL BEARING:DIA17XDIA26X5	U009_S001	24
AE030078	BALL BEARING:DIA10XDIA19X5	U009_S001	25
AE031072	BUSHING:FUSING SUB-UNIT	U009_S001	26
AE040070	ROLLER:BELT TENSIONER:DIA11	U009_S001	27
AF017025	END FENCE	U007_S001	25
		U007_S002	25
AF031060	BY-PASS FEED ROLLER	U007	26
AF031084	PAPER FEED ROLLER MM36	U007_S001	27
		U007_S002	27
AF033008	FRICITION PAD:10X50	U007_S001_S001	28
		U007_S002_S001	28
		U007	28
AF040571	GUIDE ROLLER	U010_S001	12
AG070514	MAGNET CATCH	U007	29
AW010107	PAPER FEED SENSOR	U007	30
AW010118	PAPER FEED SENSOR	U012	11
AW010134	ORIGINAL SENSOR - 48MM	U014	29
AW010143	PHOTO REFIECTION SENSOR:PS R11TL1R-C	U010_S001_S001	13
AW020145	PHOTOINTERRUPTOR:FLAT	U011	27
		U012	12
		U013	6
		U014	30
AW020146	PHOTOINTERRUPTOR:FLAT:PICH 2MM:M4	U014	31
AW020174	PHOTOINTERRUPTOR:ACTUATOR	U007	31
AW020190	PHOTOINTERRUPTOR	U011_S003	28
AW020191	PHOTOINTERRUPTOR:VERTICAL TRANSPORT	U007	32
AW100123	THERMISTOR:FUSING:FRONT	U009_S001	28
AW100124	THERMOPILE	U009	29

## Exclusive Parts

Number	Part Name	Group	ID
AW100127	THERMISTOR:PRESSURE:MIDDLE	U009_S001	30
AW100128	THERMISTOR:PRESSURE:FRONT	U009_S001	31
AW110075	THERMOSTAT:HEAT ROLLER:ASSY	U009_S001	32
AW110078	THERMOSTAT:146C	U009_S001	33
AW140015	TEMPERATURE & HUMIDITY SENSOR	U015	32
AW500023	PUSH SWITCH	U013	7
		U015	33
AW500037	PAPER SIZE SENSOR	U007	33
AW500038	PUSH SWITCH:PAPER SIZE SENSOR	U007	34
AX050298	BRUSHLESS MOTOR:INTERMEDIATE TRANSFER	U011	29
AX050302	STEPPER MOTOR:TRANSPORT	U002	25
		U007	35
AX050303	STEPPER MOTOR:REGISTRATION:DIA49	U002	26
AX060000	BRUSHLESS MOTOR:DRUM	U002_S001	27
		U002	27
AX060355	BRUSHLESS MOTOR - DC 11W	U002	28
AX060375	POLYGON SCANNER	U005_S001	2
AX060376	BRUSHLESS MOTOR:DEVELOPMENT:COLOR	U002	29
AX200317	MAGNETIC CLUTCH:DEVELOPMENT	U002	30
AX310049	TOTAL COUNTER:7FIG:24V		
AX430171	HEATER:120V:420W	U009_S001	34
AX440291	HEATER:120V:700W/500W	U009_S001	35
AX640170	FAN MOTOR - MM60 DC24V	U015	34
AX640196	FAN:AXIAL:MM40:24V	U001	21
AX640199	FAN:MM80:25MM:DC 2.16W	U001	22
AX640200	FAN:MM60:DC 3.12W	U001	23
AX640202	FAN:MM40X15:NIDEC:H	U010	14
AZ240126	POWER SUPPLY UNIT:DIANA-C1:DOM/NA	U015_S001	35
AZ320180	POWER PACK:TTS:AT-C2	U015	36
AZ320181	POWER PACK:CB:DIANA	U015	37

Number	Part Name	Group	ID
B0241264	MAGNET CATCH	U003	7
B0391367	RIVET - M6	U003	8
B0392628	BOTTOM PLATE PAD	U007	36
B0392727	BUSHING - 8X12X10	U007_S001	37
		U007_S002	37
B0392730	PAPER END SENSOR	U007	38
B0434685	SPRING - 2.8N	U007	39
B0512725	SHEET - FRICTION PAD	U007_S001	40
		U007_S002	40
B0771253	CAP:34X55	U003	9
B1011097	RUBBER FOOT:H5	U001	24
B1321573	DECAL - POWER SOURCE:OFF		
B1542722	FRICTION PAD:ASSY	U007_S001_S001	41
		U007_S002_S001	41
B1542726	SHAFT:PAPER FEED ROLLER:ASSY	U007_S001	42
		U007_S002	42
B1545869	PANEL:INTERFACE:SECC	U016	3
B1986407	DECAL:VERMONT:2		
B2231144	HOLDER:POSITIONING SENSOR	U002_S002	31
		U002_S003	31
B2231253	EMBLEM COVER		
B2231293	CAP:COVER:REAR	U003	10
B2231497	PCB:APC1:OP-L:SUB-ASSY	U004_S001	7
B2231518	KEYTOP - BLANK FB	U004_S001	8
B2231520	KEYTOP - CLEAR/STOP	U004_S001	9
B2231528	KEYTOP - COPY NA	U004_S001	10
B2231529	KEYTOP - DOC NA	U004_S001	11
B2231531	KEYTOP:PRINTER:NA	U004_S001	12
B2231532	KEYTOP:SCANNER:NA	U004_S001	13
B2231540	KEYTOP:10KEY:NA	U004_S001	14
B2232873	DECAL - SIDE FENCE REAR	U007_S001_S003	43
		U007_S002_S003	43
B2232936	GEAR - 16Z	U007_S001	44
B2234464	TIMING PULLEY:23T	U007	45
B2234552	BUSHING:DIA4	U007	46
B2274673	EXIT ROLLER	U010_S001	15
B2291687	HEATER:OPTION:120V:9W	U014	32
B2381119	LEVER - FRONT UPPER	U001	25

## Exclusive Parts

Number	Part Name	Group	ID
B2381373	CAP - LOUVER MM80	U003	11
B2381396	CAP - REAR	U003	12
B2381504	KEYTOP - START	U004_S001	15
B2381506	KEYTOP - TRY PRINT	U004_S001	16
B2381509	KEYTOP - INTERRUPT	U004_S001	17
B2381511	KEYTOP - COUNTER	U004_S001	18
B2381519	LENS - FRONT	U004_S001	19
B2381534	LCD SPACER A	U004_S001	20
B2381535	LCD SPACER B	U004_S001	21
B2381539	SHEET:POWER SOURCE:DISPLAY:NA	U004_S001	22
B2381540	SHEET:DATA:DISPLAY:NA	U004_S001	23
B2381547	SPACER - KEYTOP	U004_S001	24
B2381549	KEYTOP - POWER SOURCE	U004_S001	25
B2381550	KEYTOP - LOGIN	U004_S001	26
B2381552	KEYTOP - KANTAN	U004_S001	27
B2381583	KEYTOP - CLEAR MODES	U004_S001	28
B2381715	STEPPER MOTOR DC3.9V	U014_S001	33
B2381762	GROUND PLATE - STEPPER MOTOR	U014	34
B2381792	TIMING BELT - 157ST1.5-4.0	U014	35
B2381793	BUSHING SPACER	U014	36
B2381795	EXPOSURE GLASS	U014	37
B2381801	SCALE - LEFT (A)	U014	38
B2381803	DOCUMENT FEEDER BRACKET	U014	39
B2381807	PULLEY	U014	40
B2382524	DECAL - PAPER SIZE		
B2382526	DECAL - GRIP	U007_S001	47
B2382527	DECAL - GRIP	U007_S002	48
B2382675	REGISTRATION ROLLER BUSHING	U007	49
B2382751	DECAL - SCALE	U007	50
B2591367	COVER MAGNET	U003	13
B2614650	SEPARATION PAD	U007_S003	51
B3901759	SHAFT:SCALE	U014	41
B5855140	PCB:DDR1-DIMM-32B:512MB:ASS'Y	U016	4
B6455010	SD Card		

Number	Part Name	Group	ID
B6456830	USB Reader/Writer		
BB013022	GEAR:DRIVE:COLLECTION BOTTLE	U013	8
C2292016	STEPPED SCREW	U015	38
C2442601	FRONT STEPPED SCREW	U009_S001	36
C4019503	20X Magnification Scope		
D0091466	PCB:ALC1:OP-R:SUB-ASS'Y	U004_S001	29
D0091486	INVERTOR:TFT	U004_S001	30
D0091487	CABLE:FFC:TFT:LCD	U004_S001	31
D0091488	TOUCH PANEL:W-VGA:MA	U004_S001	32
D0091498	LCD:TFT:W-VGA:MV	U004_S001	33
D0091504	SHADEING PLATE:TOUCH PANEL	U004_S001	34
D0091556	PANEL:UPPER:NA	U004_S001	35
D0092573	PULLEY - VERTICAL TRANSPORT	U007	52
D0092574	PULLEY - IDLER	U007	53
D0094455	CUSHION - DC SOLENOID	U010_S001	16
D0094485	BUSHING - GATE	U007 U010_S001	54 17
D0094487	COMPRESSION SPRING - GATE	U007	55
D0094489	DRIVEN ROLLER	U007	56
D0094664	DRIVEN ROLLER	U007	57
D0111250	DECAL:MAIN SWITCH:ON-OFF		
D0111252	DECAL:MAIN SWITCH:ON-STANDBY	U001 U014	26 42
D0191505	BRACKET- LCDC BOARD	U004_S001	36
D0251727	MIRROR:NO.2:CONCAVE:ASS'Y	U014	43
D0251728	MIRROR:NO.2:CONVAX:ASS'Y	U014	44
D0251736	SCALE:LEFT:B:NA:ASS'Y	U014_S004	45
D0251782	SCALE:INNER BACK:PRINTING	U014	46
D0291715	CARRIAGE:NO.1:ASS'Y	U014_S002	47
D0291719	SHEET:CARRIAGE:NO.1	U014_S002	48
D0291745	PULLEY:DRIVE WERE:FRONT	U014	49
D0291748	PULLEY:DRIVE WERE:REAR:ASS'Y	U014	50
D0291749	PULLEY:PROTECTION	U014	51
D0292677	TRANSPORT BELT:DRIVEN:VERTICAL TRANSPORT	U007	58
D0386601	SHEET:EMBLEM:DI-C1A:RIC:EXP		

## Exclusive Parts

Number	Part Name	Group	ID
D0386602	SHEET:EMBLEM:DI-C1A:SVN		
D0386603	SHEET:EMBLEM:DI-C1A:GES:NA		
D0386604	SHEET:EMBLEM:DI-C1A:LAN:NA		
D0391087	LEVER:LOCK:REAR	U001	27
D0391124	BRACKET:DRAWER	U001	28
D0391148	POSITIONING SENSOR:DRUM:AS S'Y	U002_S002 U002_S003	32 32
D0391158	BRACKET:PAPER FEED:NO.1:ASS' Y	U002_S004	33
D0391162	SHAFT:FEED:ASS'Y	U002	34
D0391163	DRUM STAY:PAPER FEED:NO.1	U002	35
D0391164	ROLLER CLUTCH:FEED	U002	36
D0391166	ROLLER CLUTCH:GRIP	U002	37
D0391168	GUIDE:HARNES: PAPER FEED:N O.1	U002	38
D0391171	DRUM STAY:PAPER FEED:NO.2	U002	39
D0391172	BRACKET:PAPER FEED:NO.2:ASS' Y	U002_S005	40
D0391179	BRACKET:FUSING:EXIT:ASS'Y	U002	41
D0391188	DRIVE UNIT:DRUM:DEVELOPMEN T:ASS'Y	U002_S001	42
D0391231	COVER:SCANNER:FRONT	U004	37
D0391232	COVER:SCANNER:RIGHT	U003	14
D0391233	COVER:SCANNER:LEFT	U003	15
D0391234	COVER:SCANNER:REAR	U003	16
D0391236	COVER:SCANNER:FRONT LOWER	U004	38
D0391239	CAP:COVER:OPERATION SUB-UNI T	U004	39
D0391241	INNER COVER:UPPER	U003	17
D0391242	INNER COVER:RIGHT	U003	18
D0391246	INNER COVER:DC BRUSHLESS M OTOR:INTERMEDIATE TRANSFER	U003	19
D0391247	GROUND PLATE:DC BRUSHLESS MOTOR:INTERMEDIATE TRANSFE R	U003	20
D0391251	COVER:FRONT	U003	21
D0391253	BAND:COVER:FRONT	U003	22
D0391254	SPRING PLATE:BAND	U003	23

Number	Part Name	Group	ID
D0391256	CLEANER:SHIELD GLASS:ASS'Y	U003	24
D0391259	SHAFT:COVER:FRONT	U003	25
D0391260	COVER:UPPER	U003	26
D0391261	COVER:UPPER:INNER BACK	U003	27
D0391262	COVER:UPPER:EXIT	U003	28
D0391264	COVER:FRONT UPPER	U003	29
D0391271	COVER:RIGHT REAR	U003	30
D0391272	COVER:RIGHT UPPER	U003	31
D0391273	COVER:RIGHT LOWER	U003	32
D0391281	COVER:LEFT	U003	33
D0391282	COVER:LEFT MIDDLE	U003	34
D0391283	COVER:LEFT UPPER REAR	U003	35
D0391284	COVER:LEFT:OPTION	U003	36
D0391285	COVER:MAIN SWITCH	U003	37
D0391291	COVER:REAR	U003	38
D0391293	COVER:REAR:HARNES	U003	39
D0391305	PLATE:IMAGE FORMING MD:FRO NT	U001	29
D0391306	PLATE:IMAGE FORMING MD:REAR	U001	30
D0391312	DUCT:FUSING:EXHAUST:LOWER	U001	31
D0391313	DUCT:FUSING:EXHAUST:UPPER	U001	32
D0391321	DUCT:DEVELOPMENT UNIT:FRON T	U001	33
D0391322	DUCT:DEVELOPMENT UNIT:REAR	U001	34
D0391350	SHEET:MISFEED REMOVAL	U003	40
D0391351	DECAL:COLORED DISPLAY:INNER COVER:BK	U003	41
D0391352	DECAL:COLORED DISPLAY:INNER COVER:C	U003	42
D0391353	DECAL:COLORED DISPLAY:INNER COVER:M	U003	43
D0391354	DECAL:COLORED DISPLAY:INNER COVER:Y	U003	44
D0391355	DECAL:TONER BOTTLE:LOCK	U003	45
D0391356	DECAL:CLEANING:POSITIONING D ISPLAY	U001	35
D0391359	DECAL:CAUTION:ORIGINAL:ENGLI SH		



## Exclusive Parts

Number	Part Name	Group	ID
D0391411	OPERATION SUB-UNIT:DIA-C1:NA:ASS'Y	U004_S001	40
D0391461	PCB:DIAC1:LCDC:NA:ASS'Y	U004_S001	41
D0391700	INNER COVER:SCANNER:PEEN	U014	52
D0391703	GASKET:9X5.5X17	U014	53
D0391705	GROUND PLATE:HARNESS:SBU	U014	54
D0391715	DRIVE WERE	U014	55
D0391717	SHAFT:SCANNER:DRIVE	U014	56
D0391718	PULLEY:IDLER:LEFT FRONT:PEEN	U014	57
D0391720	PULLEY:IDLER:LEFT REAR:PEEN	U014	58
D0391733	XENON LAMP:DIA10:ASS'Y	U014	59
D0391742	CARRIAGE:NO.2:SUB-ASS'Y	U014_S003	60
D0391747	GUIDE:HIGH VOLTAGE SUPPLY CORD	U014	61
D0391748	GUIDE:HIGH VOLTAGE SUPPLY CORD:RAIL	U014	62
D0391751	HOLDER:EXPOSURE GLASS	U014	63
D0391770	GROUND PLATE:SENSOR:AKS	U014	64
D0391801	LENS:HOLDER:ASS'Y	U014	65
D0391823	COVER:HEATER:SCANNER	U014	66
D0391855	IMAGE FORMING SECTION:SERVICE PARTS:ASS'Y	U005_S001	3
D0391975	COVER:POLYGON SCANNER:ASS'Y	U005_S001	4
D0392020	PCU:DIANA:ASS'Y	U006_S001	2
		U006_S002	2
		U006_S003	2
		U006_S004	2
D0392521	PAPER TRAY:NO.1:ASS'Y	U007_S001	59
D0392522	PAPER TRAY:NO.2:ASS'Y	U007_S002	60
D0392552	JOINT:SHAFT:PAPER FEED ROLLER	U007_S001	61
		U007_S002	61
<b>D0392557</b>	<b>COVER:PAPER TRAY:NO.1</b>	<b>U007_S001</b>	<b>205</b>
<b>D0392558</b>	<b>COVER:PAPER TRAY:NO.2</b>	<b>U007_S002</b>	<b>206</b>
D0392569	GROUND PLATE:FEED	U007_S001	62
		U007_S002	62
D0392583	SIDE FENCE:FRONT:ASS'Y	U007_S001_S002	63
		U007_S002_S002	63

Number	Part Name	Group	ID
D0392584	SIDE FENCE:REAR:ASS'Y	U007_S001_S003	64
		U007_S002_S003	64
D0392585	TRAY BOTTOM PLATE:ASS'Y	U007_S001_S004	65
		U007_S002_S004	65
D0392586	GRIP:PAPER TRAY:ASS'Y	U007_S001	66
		U007_S002	66
D0392591	GUIDERAIL:RIGHT:NO.1:ASS'Y	U007	67
D0392592	GUIDERALE:LEFT:ASS'Y	U007	68
D0392595	GUIDERALE:RIGHT:NO.2:ASS'Y	U007	69
D0392611	REGISTRATION ROLLER:DRIVE	U007	70
D0392612	GEAR:REGISTRATION:33Z	U007	71
D0392621	REGISTRATION ROLLER:DRIVEN	U007	72
D0392622	GEAR:REGISTRATION:21Z	U007	73
D0392623	GEAR:REGISTRATION:24Z	U007	74
D0392641	BRACKET:CLEANER	U007	75
D0392642	SHEET:CLEANER:1ST	U007	76
D0392645	GUIDE PLATE:REGISTRATION:LEFT	U007	77
D0392651	GUIDE PLATE:REGISTRATION:RIGHT	U007	78
D0392652	SHEET:REGISTRATION:RIGHT	U007	79
D0392676	TENSION SPRING:REGISTRATION	U007	80
D0392711	LEVER:COMPRESSION SPRING:SEPARATION PAD	U007	81
D0392713	GUIDE PLATE:MANUAL FEED UNIT:LOWER	U007	82
D0392714	HOLDER:COMPRESSION SPRING:SEPARATION PAD	U007	83
D0392716	GUIDE PLATE:MANUAL FEED UNIT:UPPER	U007	84
D0392720	GEAR:CAM:RIGHT	U007	85
D0392722	GEAR:CAM:LEFT REAR	U007	86
D0392725	FEELER:MANUAL FEED	U007	87
D0392735	COVER:MANUAL FEED TABLE	U007	88
D0392737	FEELER:PAPER:TRAILING EDGE	U007	89
D0392738	COVER:PAPER:TRAILING EDGE	U007	90
D0392739	EXTENSION TRAY:MANUAL FEED	U007	91
D0392745	BASE:MANUAL FEED TABLE	U007	92

## Exclusive Parts

Number	Part Name	Group	ID
D0392748	SIDE FENCE:FRONT	U007	93
D0392749	SIDE FENCE:REAR	U007	94
D0392750	RACK:SIDE FENCE:FRONT	U007	95
D0392751	RACK:SIDE FENCE:REAR	U007	96
D0392752	DISC:SIDE FENCE	U007	97
D0392753	GEAR:SIDE FENCE	U007	98
D0392754	SPRING:SIDE FENCE	U007	99
D0392779	SPRING PLATE:EXTENSION TRAY	U007	100
D0392780	GEAR:ROLLER CLUTCH	U007	101
D0392781	GEAR:STEPPER MOTOR	U007	102
D0392786	SHAFT:DRIVE:MANUAL FEED UNIT	U007	103
D0392788	PIN:SIDE FENCE	U007	104
D0392789	GEAR:CAM:RIGHT REAR	U007	105
D0392790	GEAR:FEELER:LEFT	U007	106
D0392791	GUIDE PLATE:VERTICAL TRANSPORT:F3:RIGHT	U007	107
D0392792	BAND:STOPPER	U007	108
D0392793	CAM:LEFT	U007	109
D0392794	LINK:MANUAL FEED TABLE:REAR	U007	110
D0392795	LINK:MANUAL FEED TABLE:FRONT	U007	111
D0392796	SHAFT:CAM:ASS'Y	U007_S004	112
D0392797	TORSION SPRING:PAPER END SENSOR	U007	113
D0392798	SPRING:BASE:2.5N	U007	114
D0392799	RETAINING RINGS-C:DIA4	U007	115
D0392801	GROUND PLATE:VERTICAL TRANSPORT	U007	116
D0392815	SPRING:BASE	U007_S001	117
		U007_S002	117
D0392825	SUPPORTING PLATE:PAPER TRAY	U007_S001	118
		U007_S002	118
D0392826	GROUND PLATE:SUPPORTING PLATE	U007_S001	119
		U007_S002	119
D0392828	DECAL:PAPER SET DIRECTION	U007_S001	120
		U007_S002	120
D0392832	DECAL:SIDE FENCE:MANUAL FEED	U007	121

Number	Part Name	Group	ID
	D		
D0392833	SHAFT:COIL SPRING	U007_S001	122
		U007_S002	122
D0392834	SPRING:TRAY:REAR	U007_S001	123
		U007_S002	123
D0392906	ROLLER:VERTICAL TRANSPORT:DRIVE:F3	U007	124
D0392909	ROLLER:VERTICAL TRANSPORT:DRIVE:F2	U007	125
D0392912	ROLLER:VERTICAL TRANSPORT:DRIVE:F1	U007	126
D0392916	GUIDE PLATE:VERTICAL TRANSPORT:F2	U007	127
D0392921	GUIDE PLATE:VERTICAL TRANSPORT:F1	U007	128
D0392923	BRACKET:PHOTOINTERRUPTOR:F2	U007	129
D0392927	GUIDE PLATE:VERTICAL TRANSPORT:SWIVEL	U007	130
D0392928	SHEET:VERTICAL TRANSPORT:SWIVEL	U007	131
D0392929	BRACKET:PHOTOINTERRUPTOR:F3	U007	132
D0392930	GUIDE PLATE:VERTICAL TRANSPORT:F3:LEFT	U007	133
D0392933	ROLLER:DRIVEN:F2	U007	134
D0392934	BUSHING:DIA4:VERTICAL TRANSPORT	U007	135
D0392935	ROLLER:DRIVEN:F3	U007	136
D0392936	COVER:VERTICAL TRANSPORT	U007	137
D0392937	SPRING:VERTICAL TRANSPORT	U007	138
D0392938	BRACKET:COVER:VERTICAL TRANSPORT:FRONT	U007	139
D0392939	BRACKET:COVER:VERTICAL TRANSPORT:REAR	U007	140
D0392951	BRACKET:HINGE:DUPLEX:FRONT:ASS'Y	U007	141
D0392954	BRACKET:HINGE:DUPLEX:REAR	U007	142

## Exclusive Parts

Number	Part Name	Group	ID
D0392971	ARM:PRESSURE RELEASE:FRONT	U007	143
D0392972	ARM:PRESSURE RELEASE:REAR	U007	144
D0392976	GUIDE PLATE:VERTICAL TRANSPORT:F1	U007	128
D0392977	GUIDE PLATE:DRIVEN:BELT	U007	145
D0392980	STAY:HINGE:DUPLEX:ASS'Y	U007	146
D0392983	HOLDER:DRIVEN:BELT	U007	147
D0392991	SHAFT:TRANSPORT BELT:DRIVEN	U007	148
D0392993	SHAFT:TRANSPORT BELT:PULLER	U007	149
D0392995	GRIP:COVER:RIGHT	U007	150
D0392996	HOOK:STOPPER:DUPLEX UNIT:FRONT	U007	151
D0392997	HOOK:STOPPER:DUPLEX UNIT:REAR	U007	152
D0392998	SHAFT:GRIP	U007	153
D0393317	DRIVE UNIT:TONER SUPPLY SUB-UNIT:ASS'Y	U008_S005	9
		U008_S006	9
		U008_S007	9
		U008_S008	9
D0393318	DC MOTOR:TONER SUPPLY SUB-UNIT:ASS'Y	U008_S005	10
		U008_S006	10
		U008_S007	10
		U008_S008	10
D0393350	GUIDE:TONER BOTTLE:9MM	U008_S001	11
		U008_S002	11
		U008_S003	11
		U008_S004	11
D0393367	SHEET:BRACKET:TONER SUPPLY	U008_S005	12
		U008_S006	12
		U008_S007	12
		U008_S008	12
D0393368	SCREW:M3X3.5	U008_S005	13
		U008_S006	13
		U008_S007	13
		U008_S008	13
D0394011	FUSING UNIT:NA:SUB-ASS'Y	U009_S001	37

Number	Part Name	Group	ID
D0394056	FUSING BELT:DIA50:ASS'Y	U009_S001	38
D0394121	HOUSING:THERMOSTAT:HEAT ROLLER	U009_S001	39
D0394153	LEVER:PRESSURE RELEASE:FRONT:ASS'Y	U009_S001	40
D0394164	LEVER:PRESSURE RELEASE:REAR:ASS'Y	U009_S001	41
<b>D0394171</b>	<b>STAY:UPPER</b>	<b>U009_S001</b>	<b>56</b>
D0394183	STAY:PRESSURE:ASS'Y	U009_S001	42
		U009_S002	42
D0394211	BRACKET:HEATER:FUSING:FRONT	U009_S001	43
D0394212	BRACKET:HEATER:FUSING:REAR	U009_S001	44
D0394221	BRACKET:HEATER:PRESSURE:FRONT	U009_S001	45
D0394222	BRACKET:HEATER:PRESSURE:REAR	U009_S001	46
D0394232	STRIPPER PLATE:COAT	U009_S001	47
D0394234	GUIDE PLATE:FUSING EXIT:ASS'Y	U009_S001_S001	48
D0394238	DECAL:FUSING:LEVER:C	U009_S001_S001	49
D0394241	FUSING ENTRANCE GUIDE PLATE	U009_S001	50
D0394264	DECAL:WARNING (HIGH TEMPERATURE):FUSING	U009_S001	51
<b>D0394268</b>	<b>SPACER:GUIDE PLATE:FUSING EXIT:ASS'Y</b>	<b>U009_S001</b>	<b>57</b>
D0394361	HOLDER:THERMOPILE	U009	52
D0394362	COVER:THERMOPILE	U009	53
D0394380	STAY:PRESSURE:OIL SUPPLY ROLLER:ASS'Y(Option)	U009_S002	54
D0394401	PAPER EXIT UNIT:ASS'Y	U010_S001	18
D0394419	SHEET:EXIT:UNIFORM	U010_S001	19
<b>D0394425</b>	<b>COMPRESSION SPRING:EXIT ROLLER:DRIVEN</b>	<b>U010_S001</b>	<b>35</b>
D0394467	STEPPER MOTOR:REVERSE	U007	154
		U010_S001	20
D0394468	GEAR:IDLER:REVERSE	U010_S001	21
D0394469	GEAR:IDLER:REVERSE:CONNECTING	U010_S001	22

## Exclusive Parts

Number	Part Name	Group	ID
D0394471	GEAR:IDLER:INPUT:ROLLER CLUTCH	U010_S001	23
D0394472	GEAR:IDLER:ROLLER CLUTCH:CONNECTING	U010_S001	24
D0394484	TENSION SPRING:DC SOLENOID:PAPER EXIT UNIT	U010_S001	25
D0394488	DC SOLENOID:PAPER EXIT UNIT:SUB-ASS'Y	U010_S001	26
D0394511	GUIDE PLATE:FEED PAPER AGAIN:DUPLEX	U007	155
D0394523	TENSION SPRING:LEVER:DUPLEX	U007	156
D0394525	COMPRESSION SPRING:SHAFT:GUIDE PLATE:EXIT	U007	157
D0394527	COMPRESSION SPRING:EXIT ROLLER:DRIVEN	U007	158
D0394528	COMPRESSION SPRING:FLAT CONVEYER BELT:DRIVEN	U007	159
D0394529	STOPPER:GUIDE PLATE:ROLLER:DRIVEN	U007	160
D0394530	TRANSPORT ROLLER:DUPLEX:ENTRANCE	U007	161
D0394531	TRANSPORT ROLLER:DUPLEX:ENTRANCE:LOWER	U007	162
D0394532	TRANSPORT ROLLER:DUPLEX:EXIT:UPPER	U007	163
D0394533	TRANSPORT ROLLER:DUPLEX:EXIT	U007	164
D0394539	GUIDE PLATE:GUIDE PLATE:ROLLER:DRIVEN	U007	165
D0394540	LINK:DUPLEX UNIT:FRONT	U007	166
D0394541	GUIDE PLATE:ROLLER:DRIVEN	U007	167
D0394542	DRIVEN ROLLER:ENTRANCE:DUPLEX	U007	168
D0394543	DECAL:GRIP:Z	U007	169
D0394544	COVER:SENSOR:DUPLEX:LOWER	U007	170
D0394547	BRACKET:LEVER:DUPLEX:FRONT:ASS'Y	U007	171
D0394553	COVER:CONNECTOR:DUPLEX UNIT	U007	172

Number	Part Name	Group	ID
	T		
D0394564	GEAR:IDLER:DUPLEX	U007	173
D0394565	LINK:DUPLEX:ASS'Y	U007	174
D0394569	GEAR:DRIVE:DUPLEX	U007	175
D0394570	GUIDE PLATE:DUPLEX:ENTRANCE	U007	176
D0394578	FEELER:DUPLEX:ENTRANCE SENSOR	U007	177
D0394580	COVER:RIGHT	U007	178
<b>D0394581</b>	<b>INNER COVER:GRIP:DUPLEX UNIT</b>	<b>U007</b>	<b>207</b>
D0394583	GATE PAWL:DUPLEX:ENTRANCE:ASS'Y	U007	179
D0394584	LEVER:GATE PAWL	U007	180
D0394585	GUIDE PLATE:EXIT:DUPLEX	U007	181
<b>D0394586</b>	<b>COVER:GRIP:DUPLEX UNIT</b>	<b>U007</b>	<b>208</b>
D0394587	SPRING:GATE PAWL:ENTRANCE:DUPLEX	U007	182
D0394588	GATE PAWL:REVERSE:ASS'Y	U007	183
D0394589	TORSION SPRING:GATE PAWL:REVERSE	U007	184
D0394591	SHAFT:PRESSURE:GUIDE PLATE:EXIT	U007	185
D0394592	TIMING BELT:S2M:256	U007	186
D0394594	TIMING BELT:S2M:276	U007	187
D0394596	TORSION SPRING:LINK:DUPLEX	U007	188
D0394597	TENSION SPRING:DRIVEN ROLLER	U007	189
D0394952	BRACKET:SENSOR:FUSING EXIT	U010_S001_S001	27
D0394955	BRACKET:SENSOR:FUSING EXIT:ASS'Y	U010_S001_S001	28
D0394972	LEVER:GATE PAWL:REAR	U010_S001	29
D0394973	LEVER:GATE PAWL:FRONT	U010_S001	30
D0394974	TORSION SPRING:LEVER:GATE PAWL	U010_S001	31
D0394975	GATE PAWL:EXIT:ASS'Y	U010_S001	32
D0394981	SHEET:EXIT:PTFE:4	U007	190
D0394982	SHEET:EXIT:PTFE:10	U007	191
D0394983	SHEET:EXIT:PTFE:17	U007	192

## Exclusive Parts

Number	Part Name	Group	ID
D0394984	SHEET:EXIT:PTFE:MIDDLE	U007	193
D0395102	PCB:BCU:ASS'Y	U015	39
D0395122	PCB:DRB	U015	40
D0395178	PCB:RFID-RW	U008	14
D0395401	STABILIZER	U014	67
D0395712	PCB:DDR1DIMM32B:HALF:256MB:ASS'Y	U016	5
<b>D0395828</b>	<b>COVER:FAX CONTROL UNIT</b>	<b>U015</b>	<b>58</b>
D0395831	BRACKET:HDD	U016	6
D0395836	BASE:SAFETY SWITCH:PEEN	U015	41
D0395842	LEVER:SAFETY SWITCH:MIDDLE	U015	42
D0395843	LEVER:SAFETY SWITCH:MIDDLE:SMALL	U015	43
D0395844	LEVER:SAFETY SWITCH:FRONT	U015	44
D0395845	LEVER:SAFETY SWITCH:RIGHT	U015	45
D0395846	SPRING:SAFETY SWITCH:FRONT	U015	46
D0395855	COVER:HARNESS:MAIN SWITCH	U015	47
D0395856	COVER:TRAY:LEFT LOWER	U015	48
D0395857	COVER:HARNESS:REAR MIDDLE	U015	49
D0395858	CASE:HARNESS:FUSING	U015	50
D0395859	COVER:BASE:POSITIONING PIN	U015	51
D0395862	COVER:TRAY:LEFT UPPER	U015	52
D0395863	COVER:HARNESS:SCANNER:PEEN	U015	53
D0395899	HOLDER:TEMPERATURE & HUMIDITY SENSOR	U015	54
D0396003	TRANSFER UNIT:INTERMEDIATE TRANSFER:SERVICE:ASS'Y	U011_S001	30
D0396013	ROLLER:ENCODER:ASS'Y	U011_S001	31
D0396029	TRANSFER BELT:ASS'Y	U011_S001	32
D0396036	CLEANING UNIT:INTERMEDIATE TRANSFER:SERVICE:ASS'Y	U011_S002	33
D0396048	DRIVE UNIT:ON-OFF:TRANSFER ROLLER:ASS'Y	U011_S003	34
D0396064	ROLLER:TENSION:PRESS FIT	U011_S001	35
D0396108	OPTICS SENSOR:ENCODER	U011_S001	36
D0396119	BRACKET:INTERMEDIATE TRANSFER:DRIVE:ASS'Y	U011	37

Number	Part Name	Group	ID
D0396122	GEAR:INTERMEDIATE TRANSFER: NO.1	U011	38
D0396134	DC MOTOR:ON-OFF:ASS'Y	U011_S003	39
D0396210	TRANSFER/SEPARATION UNIT:SE COND:ASS'Y	U012	13
D0396221	GUIDE PLATE:TRANSFER UNIT	U012	14
D0396223	LEVER:PRESSURE:TRANSFER ROLLER:FRONT	U012	15
D0396224	LEVER:PRESSURE:TRANSFER ROLLER:REAR	U012	16
D0396225	COMPRESSION SPRING:PRESSURE:TRANSFER ROLLER:18N	U012	17
D0396226	TERMINAL:EARTH:TRANSFER ROLLER	U012	18
D0396227	LEVER:TRANSFER/SEPARATION UNIT:FRONT	U012	19
D0396228	LEVER:TRANSFER/SEPARATION UNIT:REAR	U012	20
D0396229	LEVER:SET:FRONT	U012	21
D0396230	LEVER:SET:REAR	U012	22
D0396231	TENSION SPRING:LEVER:SET	U012	23
D0396232	TORSION SPRING:LEVER:SET:FRONT	U012	24
D0396233	TORSION SPRING:LEVER:SET:REAR	U012	25
D0396235	TERMINAL:EARTH	U012	26
D0396236	SHAFT:RELEASE	U012	27
D0396237	LEVER:RELEASE:TRANSFER/SEPARATION UNIT:FRONT	U012	28
D0396238	LEVER:RELEASE:TRANSFER/SEPARATION UNIT:REAR	U012	29
D0396239	GRIP:RELEASE	U012	30
D0396251	BASE:TRANSFER/SEPARATION UNIT:SECOND:PEEN	U012	31
D0396258	SHAFT:ON-OFF:DIA8	U012	32
D0396259	LINK:GUIDE PLATE:TRANSFER	U012	33
D0396261	BUSHING:POSITIONING:TRANSFER/SEPARATION UNIT	U012	34

## Exclusive Parts

Number	Part Name	Group	ID
D0396262	COMPRESSION SPRING:TRANSP ORT SUB-UNIT	U012	35
D0396268	LEVER:ON-OFF:TRANSFER ROLL ER:FRONT	U012	36
D0396269	LEVER:ON-OFF:TRANSFER ROLL ER:REAR	U012	37
D0396271	DECAL:GRIP:B	U012	38
D0396272	COVER:CONNECTOR:ENTRANCE SENSOR	U012	39
D0396273	STOPPER:LEVER:FRONT	U012	40
D0396298	BRACKET:STOPPER:TRANSFER U NIT:PEEN	U012	41
D0396305	HOLDER:USED TONER SENSOR:B ELT CLEANING	U011	40
D0396306	FEELER:TONER COLLECTION COI L	U011	41
D0396307	STOPPER:BELT CLEANING	U001	36
D0396315	BUSHING:GEAR:ON-OFF	U011_S003	42
		U012	42
D0396321	DENSITY SENSOR	U011	43
D0396323	BRACKET:SENSOR:TM	U011	44
D0396324	GUIDE PLATE:TRANSFER:ENTRA NCE	U011	45
D0396325	BUSHING:DENSITY SENSOR:FRO NT	U011	46
D0396326	BUSHING:DENSITY SENSOR:REA R	U011	47
D0396327	SPACER:SENSOR:TM	U011	48
D0396330	GROUND PLATE:BIAS:BK	U011	49
D0396334	HOLDER:KNOB:ON-OFF:BK	U011	50
D0396337	SHUTTER:ON-OFF:BK	U011	51
D0396338	KNOB:ON-OFF:INTERMEDIATE TR ANSFER:BK	U011	52
D0396341	DC MOTOR:ON-OFF:TRANSFER R OLLER:SECOND:ASS'Y	U012	43
D0396343	BRACKET:ON-OFF:ASS'Y	U012	44
D0396346	GEAR:ON-OFF:IDLER:1	U012	45
D0396347	GEAR:ON-OFF:IDLER:2	U012	46

Number	Part Name	Group	ID
D0396348	GEAR:ON-OFF	U012	47
D0396349	CAM:ON-OFF	U012	48
D0396350	BRACKET:ON-OFF	U012	49
D0396401	COLLECTION BOTTLE:EXP:ASS'Y	U013	9
D0396583	BRACKET:DRIVE:COLLECTION BO TTLE	U013	10
D0396584	DC MOTOR:ASS'Y	U013	11
D0396597	HINGE:COLLECTION BOTTLE	U013	12
D0411292	COVER:REAR LOWER:EU	U003	46
D0412526	HEAT SINK:HEATER:NA:ADHESIO N	U001	37
D0415290	HARNESS:BCU:TOTAL COUNTER: NA		
D0415291	HARNESS:TOTAL COUNTER:NA		
D0415353	POWER SUPPLY CORD:STOPPER: NA:ASS'Y	U015	55
D0415740	Controller Board:DI-C1A	U016	7
D0415750	Controller Board:DI-C1C	U016	8
D0415897	COVER:SWITCH:HEATER	U015	56
D0415898	BRACKET:TOTAL COUNTER		
D0415899	COVER:CONNECTOR:HEATER	U015	57
D0416601	SHEET:EMBLEM:DI-C1C:RIC:EXP		
D0416602	SHEET:EMBLEM:DI-C1C:SVN		
D0416603	SHEET:EMBLEM:DI-C1C:GES:NA		
D0416604	SHEET:EMBLEM:DI-C1C:LAN:NA		
D0417601	MANUAL:ABOUT_MACHINE:DI C1:NA		
D0417634	MANUAL:QUICK_REF_COPY:DI C1:NA		
D0417701	MANUAL:TROUBLESHOOT:DI C1:NA		
D0417804	MANUAL:QUICK_REF_PRIN:DI C1:NA		
D0417854	MANUAL:QUICK_REF_SCAN:DI C1:NA		
D0419590	NVRAM	U016	9
D0419591	NV-RAM-512-1	U016	10
D0419592	NV-RAM-512-2	U016	11

## Exclusive Parts

Number	Part Name	Group	ID
D8092000	PCU:DIANA:BK:SERVICE	U006_S001	3
D8092001	PCU:DIANA:C:SERVICE	U006_S002	4
D8092002	PCU:DIANA:M:SERVICE	U006_S003	5
D8092003	PCU:DIANA:Y:SERVICE	U006_S004	6
D8093001	DEVELOPMENT UNIT:BK:SERVICE:ASS'Y	U006_S001_S001	7
D8093002	DEVELOPMENT UNIT:C:SERVICE:ASS'Y	U006_S002_S001	8
D8093003	DEVELOPMENT UNIT:M:SERVICE:ASS'Y	U006_S003_S001	9
D8093004	DEVELOPMENT UNIT:Y:SERVICE:ASS'Y	U006_S004_S001	10
D8093045	SERVICE PARTS:TONER SUPPLY UNIT:BK:ASS'Y	U008_S001	15
D8093046	SERVICE PARTS:TONER SUPPLY UNIT:C:ASS'Y	U008_S002	16
D8093047	SERVICE PARTS:TONER SUPPLY UNIT:M:ASS'Y	U008_S003	17
D8093048	SERVICE PARTS:TONER SUPPLY UNIT:Y:ASS'Y	U008_S004	18
G0043519	STEPPING SCREW	U009_S001	55
G0205626	PUSH SWITCH	U007	194
G0302670	FRICTION PAD	U007_S003	195
G0702710	PAPER SIZE SENSOR LINK	U007_S001	196
		U007_S002	196
G0702711	BASE STOPPER	U007_S001	197
		U007_S002	197
G0702713	SPRING PLATE STOPPER	U007_S001_S002	198
		U007_S002_S002	198
G0702714	FRONT LEVER - STOPPER	U007_S001_S002	199
		U007_S002_S002	199
G0702718	REAR LEVER - STOPPER	U007_S001_S003	200
		U007_S002_S003	200
G0702719	GROUND PLATE- BOTTOM PLATE	U007_S001	201
G4042810	SPRING PLATE - 2ND MIRROR	U014	68
G5701133	TIMING PULLEY 73	U014	69
G5701225	SENSOR SHIELDING PLATE	U014	70
G5702730	SLIDER - SCANNER	U014_S002	71

Number	Part Name	Group	ID
G5702833	PULLEY HOLDER	U014	72
G5702834	PULLEY - HIGH VOLTAGE SUPPLY CORD	U014	73
GA003030	DECAL - SHIELDING PLATE Y	U001	38
		U006_S004	11
GA003031	DECAL - SHIELDING PLATE M	U001	39
		U006_S003	12
GA003032	DECAL - SHIELDING PLATE C	U001	40
		U006_S002	13
GA003033	DECAL - SHIELDING PLATE K	U001	41
		U006_S001	14
GA003167	DECAL:CAUTION:INKJET:NA	U007	202
GW010007	PHOTO REFLECTION SENSOR:EXIT	U007	203
		U010_S001	33
GW020020	PHOTOINTERRUPTOR:LG248NL1	U002_S002	43
		U002_S003	43
		U007	204
		U010_S001	34
M3445130	HDD:60GB:MHY2060BH:FUJITSU	U016	12
VSSM9000	Digital Multimeter-FLUKE189/FVF		

## Standard Parts



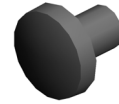
03130060N  
SCREW - M3X6



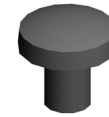
03130100N  
PAN HEAD SCREW:M3X10



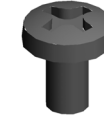
03140120N  
SCREW - M4X12



03530030N  
SCREW:M3X3



03530040N  
SCREW - M3X4



03530050N  
SCREW-M3X5



03530060N  
BIND SCREW - M3X6



03530100N  
SCREW-M3X10



03603006N  
SCREW - M3X6



03603006P  
SCREW - M3X6



03603008N  
SCREW:M3X8



03603020N  
SCREW:M3X20



03603030N  
SCREW:M3X30



04503010N  
TAPPING SCREW - M3X10



04503025N  
TAPPING SCREW:3X25



04513006N  
TAPPING SCREW - 3X6



04513008N  
TAPPING SCREW - M3X8



04513020N  
TAPPING SCREW:3X20



04513025N  
TAPPING SCREW:M3X25



04513030N  
TAPPING SCREW:3X30



04533006N  
TAPPING SCREW - M3X6



04543005Q  
TAPPING SCREW:3X5



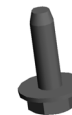
04543006N  
TAPPING SCREW:ROUND P  
OINT:3X6



04543008Q  
TAPPING SCREW:3X8



04563008N  
TAPPING SCREW - M3X8



04563010N  
TAPPING SCREW - M3X10



06220120E  
SPRING PIN - 2X12MM



07074050N  
BUSHING - 4X5



## Standard Parts



07200030E  
RETAINING RING - M3



07200040E  
RETAINING RING - M4



07200060E  
RETAINING RING - M6



07250100E  
RETAINING RING C - M10



07250170E  
RETAINING RING C - M17



07250200E  
RETAINING RING C - M20



09543006N  
SCREW - M3X6



11024473  
CT CONNECTOR - 2P



11024559  
CONNECTOR - 3P



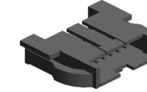
11026168  
CONNECTOR - 3P



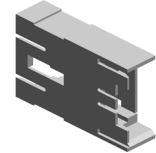
11026171  
CONNECTOR - 6P



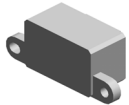
11026246  
RELAY CONNECTOR - 3P



11026249  
RELAY CONNECTOR - 6P



11026284  
CONNECTOR - 3P



11028501  
CONNECTOR:54679-1609



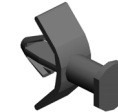
11028502  
CONNECTOR - 54679-1615



11050032  
CLAMP



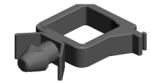
11050409  
CARD SPACER- 6.4MM



11050410  
CARD SPACER - 9.4MM



11050487  
HARNESS CLAMP



11050488  
HARNESS CLAMP



11050489  
HARNESS CLAMP - LWS 131  
6



11050490  
HARNESS CLAMP - IWS-2218



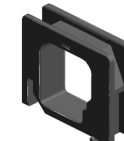
11050508  
HARNESS CLAMP - LWS-071  
1



11050511  
HARNESS CLAMP - LWS-030  
6ZC



11050516  
CLAMP

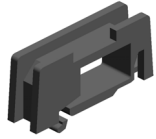


11050518  
EDGE SADDLE - LES-1010



11050521  
CLAMP - LES-1017

## Standard Parts



11050522  
EDGE SADDLE - LES0510



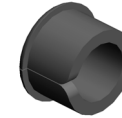
11050532  
EDGE SADDLE - LES-25L



11050534  
CLAMP



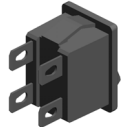
11050692  
CLAMP:LES-0503



11060458  
BUSHING - 9.9MM



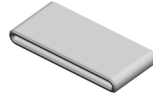
12042521  
MICRO SWITCH



12042608  
ROCKER SWITCH:SDDJE339  
00



14077036  
EEPROM:AT24C128B-PU



16072053  
FERRITE CORE:E04FG21081  
0

## PM Part List

Number	Part Name	Num	Group	ID
AA010122	FILTER:REAR	1	U003	6
AE010074	HOT ROLLER:DIA29	1	U009_S001	20
AF031084	PAPER FEED ROLLER MM36	2	U007_S001	27
			U007_S002	27
B1542722	FRICTION PAD:ASS'Y	2	U007_S001_S001	41
			U007_S002_S001	41
D0392020	PCU:DIANA:ASS'Y	4	U006_S001	2
			U006_S002	2
			U006_S003	2
			U006_S004	2
D0394056	FUSING BELT:DIA50:ASS'Y	1	U009_S001	38
D0396036	CLEANING UNIT:INTERMEDIATE TRANSFER:SERVICE:ASS'Y	1	U011_S002	33
D0396401	COLLECTION BOTTLE:EXP:ASS'Y	1	U013	9

## Design Change List

Number	Title	Set	Old Part		New Part		Index No.		Q'ty	Interchg		Reason	Cut-in S/N
			P/N	Name	P/N	Name	Group	ID		Indiv.	Set		
200906	0906 Modification	-			D0394171	STAY:UPPER	U009_S001	56	1				D03857:
					D0394581	INNER COVER:G RIP:DUPLEX UNI T	U007	207	1				
					D0394425	COMPRESSION SPRING:EXIT RO LLER:DRIVEN	U010_S001	35	2				
					D0395828	COVER:FAX CO NTROL UNIT	U015	58	1				
					D0394586	COVER:GRIP:DU PLEX UNIT	U007	208	1				
					D0392557	COVER:PAPER T RAY:NO.1	U007_S001	205	1				
					D0392558	COVER:PAPER T RAY:NO.2	U007_S002	206	1				
					D0394268	SPACER:GUIDE PLATE:FUSING E XIT:ASS'Y	U009_S001	57	1				
200904	0904 Modification	-			D0392552	JOINT:SHAFT:PA PER FEED ROLL ER	U007_S001	61	1				D03857:
							U007_S002	61	1				
					D0392569	GROUND PLATE: FEED	U007_S001	62	1				
							U007_S002	62	1				
					D0392583	SIDE FENCE:FR ONT:ASS'Y	U007_S001	63	1				
							U007_S002	63	1				
					D0392584	SIDE FENCE:RE AR:ASS'Y	U007_S001	64	1				
							U007_S002	64	1				

## Design Change List

Number	Title	Set	Old Part		New Part		Index No.		Q'ty	Interchg		Reason	Cut-in S/N
			P/N	Name	P/N	Name	Group	ID		Indiv.	Set		
		-					_S003						
					D0392585	TRAY BOTTOM PLATE:ASS'Y	U007_S001_S004	65	1				
							U007_S002_S004	65	1				
					D0392586	GRIP:PAPER TRAY:ASS'Y	U007_S001	66	1				
							U007_S002	66	1				
					D0392815	SPRING:BASE	U007_S001	117	1				
							U007_S002	117	1				
					D0392825	SUPPORTING PLATE:PAPER TRAY	U007_S001	118	1				
							U007_S002	118	1				
					D0392826	GROUND PLATE:SUPPORTING PLATE	U007_S001	119	1				
							U007_S002	119	1				
					D0392833	SHAFT:COIL SPRING	U007_S001	122	1				
							U007_S002	122	1				
					D0392834	SPRING:TRAY:REAR	U007_S001	123	1				
							U007_S002	123	1				
					D0394153	LEVER:PRESSURE RELEASE:FRONT:ASS'Y	U009_S001	40	1				
					D0394164	LEVER:PRESSURE RELEASE:REAR:ASS'Y	U009_S001	41	1				
					D0396334	HOLDER:KNOB:ON-OFF:BK	U011	50	1				
					D0396337	SHUTTER:ON-OFF:BK	U011	51	1				
090309	0903 Modification	-			D0394419	SHEET:EXIT:UNI	U010_S001	19	1				D03857:

## Design Change List

Number	Title	Set	Old Part		New Part		Index No.		Q'ty	Interchg		Reason	Cut-in S/N
			P/N	Name	P/N	Name	Group	ID		Indiv.	Set		
		-				FORM							
					AW010143	PHOTO REFLECT ION SENSOR:PS R11TL1R-C	U010_S001 _S001	13	1				
					D0394952	BRACKET:SENS OR:FUSING EXIT	U010_S001 _S001	27	1				
					D0394955	BRACKET:SENS OR:FUSING EXIT :ASS'Y	U010_S001 _S001	28	1				
					D0392923	BRACKET:PHOT OINTERRUPTOR :F2	U007	129	1				
					D0392929	BRACKET:PHOT OINTERRUPTOR :F3	U007	132	1				
			03530030N	SCREW:M3X3	D0393368	SCREW:M3X3.5	U008_S005 U008_S006 U008_S007 U008_S008	13 13 13 13	2 2 2 2		X/O		
			D0391125	DRIVE UNIT:DRU M:DEVELOPME NT:ASS'Y	D0391188	DRIVE UNIT:DRU M:DEVELOPME NT:ASS'Y	U002_S001	42	1		X/O		
					D0394011	FUSING UNIT:NA :SUB-ASS'Y	U009_S001	37	1				
			D0395202	HARNESS:SCAN NER:BASE:H	D0395206	HARNESS:SCAN NER:BASE:H P to P ; D4(2/2)					X/O		
			D0395251	HARNESS:AC:M AIN SWITCH	D0395352	HARNESS:AC:M AIN SWITCH P to P ; D1(1/2)					X/O		

## Design Change List

Number	Title	Set	Old Part		New Part		Index No.		Q'ty	Interchg		Reason	Cut-in S/N
			P/N	Name	P/N	Name	Group	ID		Indiv.	Set		
		-	D0395253	HARNESS:FUSIN G:MAIN	D0395353	HARNESS:FUSIN G:MAIN P to P ; G 2(2/2)				X/O			
			D0395258	HARNESS:AC:HE ATER:BANK	D0395358	HARNESS:AC:HE ATER:BANK P to P ; C1(1/2)				X/O			
			D0395260	HARNESS:POWE R SUPPLY UNIT: DC POWER SUP PLY	D0395360	HARNESS:POWE R SUPPLY UNIT: DC POWER SUP PLY P to P ; A2(1/ 2)				X/O			
			D0395272	HARNESS:HIGH VOLTAGE LINE:T RANSFER	D0395372	HARNESS:HIGH VOLTAGE LINE:T RANSFER P to P ; D6(2/2)				X/O			
			D0395282	HARNESS:PAPE R FEED:NO.2:CO NNECTING	D0395382	HARNESS:PAPE R FEED:NO.2:CO NNECTING P to P ; B2(2/2)				X/O			
			D0395288	HARNESS:DENSI TY SENSOR:CO NNECTING	D0395388	HARNESS:DENSI TY SENSOR:CO NNECTING P to P ; B1(2/2)				X/O			
			D0395310	HARNESS:BCU:T RANSPORT SEC TION	D0395210	HARNESS:BCU:T RANSPORT SEC TION P to P ; C3( 2/2)				X/O			
			D0395312	HARNESS:BCU: MAIN:UPPER	D0395212	HARNESS:BCU: MAIN:UPPER P t o P ; C8(2/2)				X/O			

## Design Change List

Number	Title	Set	Old Part		New Part		Index No.		Q'ty	Interchg		Reason	Cut-in S/N
			P/N	Name	P/N	Name	Group	ID		Indiv.	Set		
		-	D0395322	HARNESS:TONE R SUPPLY UNIT: MOTOR	D0395222	HARNESS:TONE R SUPPLY UNIT: MOTOR P to P ; E ,V(1/2)				X/O			
			D0395324	HARNESS:TONE R SUPPLY UNIT: TONER END SEN SOR	D0395326	HARNESS:TONE R SUPPLY UNIT: TONER END SEN SOR P to P ; B7(2 /2)				X/O			
			D0395330	HARNESS:DRB: MAIN:LEFT REA R	D0395230	HARNESS:DRB: MAIN:LEFT REA R P to P ; D9(1/2)				X/O			
			D0395333	HARNESS:DRB: MAIN:RIGHT	D0395233	HARNESS:DRB: MAIN:RIGHT P to P ; D8(1/2)				X/O			
			D0395340	HARNESS:MAIN: LEFT	D0395240	HARNESS:MAIN: LEFT P to P ; F4( 2/2)				X/O			
			D0395341	HARNESS:MAIN: REAR MIDDLE	D0395241	HARNESS:MAIN: REAR MIDDLE P to P ; F4(2/2)				X/O			
			D0395344	HARNESS:MAIN: RIGHT	D0395244	HARNESS:MAIN: RIGHT P to P ; B1 (2/2)				X/O			
			D0396124	HARNESS:MOTO R:INTERMEDIAT E TRANSFER	D0396136	HARNESS:MOTO R:INTERMEDIAT E TRANSFER P t o P ; B3(2/2)				X/O			
			D0405202	HARNESS:SCAN NER:BASE:L	D0405206	HARNESS:SCAN NER:BASE:L P to				X/O			



## Design Change List

Number	Title	Set	Old Part		New Part		Index No.		Q'ty	Interchg		Reason	Cut-in S/N
			P/N	Name	P/N	Name	Group	ID		Indiv.	Set		
		-				P ; D4(2/2)							
			D0405331	HARNESS:DRB:MAIN:LEFT REAR:C1L	D0405231	HARNESS:DRB:MAIN:LEFT REAR:C1L P to P ; D9(1/2)					X/O		
			D0415257	HARNESS:AC:HEATER:MAIN:EXP	D0415354	HARNESS:AC:HEATER:MAIN:EXP P to P ; A1(1/2)					X/O		
			D0415325	HARNESS:TONE R SUPPLY UNIT:RFID:EXP	D0415225	HARNESS:TONE R SUPPLY UNIT:RFID:EXP P to P ; B7(2/2)					X/O		
					D0395236	HARNESS:ICTL:SYNC DETECTOR P to P ; F10(1/2)							
			D0395318	HARNESS:BCU:DRIVE UNIT	D0395218	HARNESS:BCU:DRIVE UNIT P to P ; G6(2/2)					X/O		
			D0405319	HARNESS:BCU:DRIVE UNIT:C1L	D0405219	HARNESS:BCU:DRIVE UNIT:C1L P to P ; G6(2/2)					X/O		
090131	0901 Modification	-			D0392938	BRACKET:COVER:VERTICAL TRANSPORT:FRONT	U007	139	1				D03857:
					D0392939	BRACKET:COVER:VERTICAL TRANSPORT:REAR	U007	140	1				
					D0393350	GUIDE:TONER BOTTLE:9MM	U008_S001	11	1				
					D0393350	GUIDE:TONER BOTTLE:9MM	U008_S002	11	1				

## Design Change List

Number	Title	Set	Old Part		New Part		Index No.		Q'ty	Interchg		Reason	Cut-in S/N
			P/N	Name	P/N	Name	Group	ID		Indiv.	Set		
		-				OTTLE:9MM							
					D0393350	GUIDE:TONER B OTTLE:9MM	U008_S003	11	1				
					D0393350	GUIDE:TONER B OTTLE:9MM	U008_S004	11	1				
					D0394183	STAY:PRESSUR E:ASS'Y	U009_S001	42	1				
							U009_S002	42	1				
					D0394234	GUIDE PLATE:FU SING EXIT:ASS'Y	U009_S001 _S001	48	1				
			D0396336	KNOB:ON-OFF:IN TERMEDIATE TR ANSFER:BK	D0396338	KNOB:ON-OFF:IN TERMEDIATE TR ANSFER:BK	U011	52	1	X/O			
					D0419591	NV-RAM-512-1	U016	10	1				
					D0419592	NV-RAM-512-2	U016	11	1				
					D0391359	DECAL:CAUTION :ORIGINAL:ENGL ISH							
					D0394586	COVER:GRIP:DU PLEX UNIT							
081128	0811 Modification	-	D0395898	HARNESS:TEMP ERATURE & HU MIDITY SENSOR	D0395896	HARNESS:TEMP ERATURE & HU MIDITY SENSOR				X/O			D03857:
			06220100E	SPRING PIN - 2X 10MM									

