



RICOH UNIVERSITY

Learning ♦ Knowledge ♦ Performance



B234/B235/B236
D101/D102/D103
PARTS CATALOG

002672MIU

LANIER RICOH SAVIN



B234/B235/B236
D101/D102/D103
PARTS CATALOG

LANIER
RICOH
SAVIN



RICOH UNIVERSITY

Learning ♦ Knowledge ♦ Performance

**B234/B235/B236
D101/D102/D103
PARTS CATALOG**

002672MIU

LANIER RICOH SAVIN®

It is the reader's responsibility when discussing the information contained within this document to maintain a level of confidentiality that is in the best interest of Ricoh Americas Corporation and its member companies.

**NO PART OF THIS DOCUMENT MAY BE REPRODUCED IN ANY
FASHION AND DISTRIBUTED WITHOUT THE PRIOR
PERMISSION OF RICOH AMERICAS CORPORATION.**

All product names, domain names or product illustrations, including desktop images, used in this document are trademarks, registered trademarks or the property of their respective companies.

They are used throughout this book in an informational or editorial fashion only and for the benefit of such companies. No such use, or the use of any trade name, or web site is intended to convey endorsement or other affiliation with Ricoh products.

LEGEND

PRODUCT CODE	COMPANY			
	GESTETNER	LANIER	RICOH	SAVIN
B234	DSm790	LD190	Aficio MP9000	8090
B235	DSm7110	LD1110	Aficio MP1100	8110
B236	DSm7135	LD1135	Aficio MP1350	8135
D101	Pro 906EX	Pro 906EX	Pro 906EX	Pro 906EX
D102	Pro 1106EX	Pro 1106EX	Pro 1106EX	Pro 1106EX
D103	Pro 1356EX	Pro 1356EX	Pro 1356EX	Pro 1356EX
B328-11	Copy Connector Type 3260			
B331-11	A3/11 x 17 Tray Unit TK5000			
B581	IEEE1394 Interface Board Type B			
B609	File Format Converter Type C			
B660-57/66/67	Z-Folding Unit ZF4000			
B679	IEEE1284 Interface Unit Type A			
B735	Data Overwrite Security Unit Type C/E			
B825	USB Host Interface Type A			
B826	Bluetooth Interface Unit Type 3245			
B828	Browser Unit Type B			
B829	Copy Data Security Unit Type E			

LEGEND

(Continued)

PRODUCT CODE	COMPANY
B830	Finisher SR5000
B831	Punch Unit PU5000
B832	LCIT RT5000
B833	Multi Bypass Tray BY5000
B834	LCIT RT5010
B835	Cover Interposer Tray CI5000
B836	Booklet Finisher BK5000
B840	Printer/Scanner Unit Type 1350
B861	VM Card Type C
G381	Gigabit Ethernet Type 7300
G813-04/45	IEEE802.11b Interface Unit Type H

DOCUMENTATION HISTORY

REV. NO.	DATE	COMMENTS
*	05/2006	Original Printing
1	5/2008	D101/D102/D103 Added

B234/B235/B236 PARTS CATALOG

TABLE OF CONTENTS

B234/B235/B236/D101/D102/D103 PARTS

LOCATION AND LIST LOCATION OF UNIT 2

1.Exterior 1	16	26.Paper Feed Unit 3	66
2.Exterior 2	18	27.Vertical Transport	68
3.Exterior 3	20	28.Paper Registration 1.....	70
4.Operation Panel.....	22	29.Paper Registration 2.....	72
5.DF Exterior.....	24	30.Paper Registration 3.....	74
6.Original Feed 1	26	31.Toner Bank Unit 1	76
7.Original Feed 2	28	32.Toner Bank Unit 2	78
8.Original Feed 3	30	33.Toner Supply Unit 1.....	80
9.Original Transport	32	34.Toner Supply Unit 2.....	82
10.Original Exit 1	34	35.Toner Hopper Section	84
11.Original Exit 2	36	36.Charge Corona Unit 1	86
12.DF Drive Section 1.....	38	37.Charge Corona Unit 2	88
13.DF Drive Section 2.....	40	38.Development Unit 1	90
14.DF Frame Section.....	42	39.Toner Collection Bottle	92
15.Optics Section 1.....	44	40.PCU 1	94
16.Optics Section 2.....	46	41.PCU 2	96
17.Optics Section 3.....	48	42.Cleaning Unit 1	98
18.Optics Section 4.....	50	43.Cleaning Unit 2	100
19.Laser Unit	52	44.Transfer Belt Unit 1	102
20.Tandem Tray 1	54	45.Transfer Belt Unit 2	104
21.Tandem Tray 2	56	46.Fusing Unit 1	106
22.Tandem Tray 3	58	47.Fusing Unit 2	108
23.Universal Tray.....	60	48.Fusing Unit 3	110
24.Paper Feed Unit 1.....	62	49.Fusing Unit 4	112
25.Paper Feed Unit 2.....	64	50.Paper Exit Section 1.....	114
		51.Paper Exit Section 2.....	116
		52.Paper Exit Section 3.....	118

53.Duplex Unit 1	120
54.Duplex Unit 2	122
55.Duplex Unit 3	124
56.Duplex Unit 4	126
57.Duplex Unit 5	128
58.Duplex Unit 6	130
59.Drive Section 1	132
60.Drive Section 2	134
61.Drive Section 3	136
62.Drive Section 4	138
63.Drive Section 5	140
64.Drive Section 6	142
65.Drive Section 7	144
66.Electrical Section 1	146
67.Electrical Section 2	148
68.Electrical Section 3	150
69.Electrical Section 4	152
70.Electrical Section 5	154
71.Electrical Section 6	156
72.Electrical Section 7	158
73.Controller Unit	160
74.Frame Section 1	162
75.Frame Section 2	164
76.Frame Section 3	166
77.Frame Section 4	168
78.Frame Section 5	170
79.Frame Section 6	172
80.BCU Board	174
81.IO Board	178
82.IPU Board	188
83.Controller Board	202
84.Decal and Document	218
85.Special Tools	226

B234/B235/B236/D101/D102/D103 PARTS INDEX	
PARTS INDEX	2

COPY CONNECTOR TYPE 3260 B328-11 PARTS	
LOCATION AND LIST	
1.COPY CONNECTOR (B32811)	2

COPY CONNECTOR TYPE 3260 B328-11 PARTS	
INDEX	
PARTS INDEX	2

A3/11 x 17 TRAY UNIT TK5000 B331-11 PARTS	
LOCATION AND LIST	
1.PAPER TRAY 1 (B331-11).....	2
2.PAPER TRAY 2 (B331-11).....	4

A3/11 x 17 TRAY UNIT TK5000 B331-11 PARTS INDEX	
PARTS INDEX	2

IEEE1394 INTERFACE BOARD TYPE B B581 PARTS	
LOCATION AND LIST	
1.IEEE 1394 INTERFACE (B581)	2

IEEE1394 INTERFACE BOARD TYPE B B581 PARTS	
INDEX	
PARTS INDEX	2

FILE FORMAT CONVERTER TYPE C B609 PARTS	
LOCATION AND LIST	
1.FILE FORMAT CONVERTER (B609)	2

FILE FORMAT CONVERTER TYPE C B609 PARTS INDEX
PARTS INDEX..... 2

Z-FOLDING UNIT ZF4000 B660-57/66/67 PARTS LOCATION AND LIST
1.EXTERIOR (B66057)..... 2
2.PAPER TRANSFER 1 (B66057) 4
3.PAPER TRANSFER 2 (B66057) 6
4.FOLDER SECTION 1 (B66057) 8
5.FOLDER SECTION 2 (B66057) 10
6.FOLDER SECTION 3 (B66057) 12
7.FOLDER SECTION 4 (B66057) 14
8.FOLDER SECTION 5 (B66057) 16
9.FOLDER SECTION 6 (B66057) 18
10.DRIVE SECTION (B66057) 20
11.ELECTRICALSECTION (B66057)..... 22
12.FRAME SECTION (B66057) 24

Z-FOLDING UNIT ZF4000 B660-57/66/67 PARTS INDEX
PARTS INDEX..... 2

IEEE1284 INTERFACE UNIT TYPE A B679 PARTS LOCATION AND LIST
1.IEEE1284 INTERFACE BOARD (B679) 2

IEEE1284 INTERFACE UNIT TYPE A B679 PARTS INDEX
PARTS INDEX..... 2

DATA OVERWRITE SECURITY UNIT TYPE C/E B735 PARTS LOCATION AND LIST
1.DATA OVERWRITE SECURITY UNIT (B735).... 2

DATA OVERWRITE SECURITY UNIT TYPE C/E B735 PARTS INDEX
PARTS INDEX..... 2

USB HOST INTERFACE TYPE A B825 PARTS LOCATION AND LIST
1.USB HOST INTERFACE TYPE A (B825) 2

USB HOST INTERFACE TYPE A B825 PARTS INDEX
PARTS INDEX..... 2

BLUETOOTH INTERFACE UNIT TYPE 3245 B826 PARTS LOCATION AND LIST
1.BLUETOOTH INTERFACE UNIT (B826) 2

BLUETOOTH INTERFACE UNIT TYPE 3245 B826 PARTS INDEX
PARTS INDEX..... 2

BROWSER UNIT TYPE B B828 PARTS LOCATION AND LIST
1.BROWSER UNIT TYPE B (B828) 2

BROWSER UNIT TYPE B B828 PARTS INDEX
PARTS INDEX..... 2

COPY DATA SECURITY UNIT TYPE E B829 PARTS LOCATION AND LIST
1.COPY DATA SECURITY UNIT (B829)..... 2

COPY DATA SECURITY UNIT TYPE E B829 PARTS INDEX

PARTS INDEX 2

FINISHER SR5000 B830 PARTS LOCATION AND LIST

1.EXTERIOR (B830) 6
2.STAPLE TRAY 1 (B830) 8
3.STAPLE TRAY 2 (B830) 10
4.STAPLE TRAY 3 (B830) 12
5.STAPLE TRAY 4 (B830) 14
6.STAPLE TRAY 5 (B830) 16
7.STAPLE TRAY 6 (B830) 18
8.STAPLE TRAY 7 (B830) 20
9.STAPLE TRAY 8 (B830) 22
10.STAPLER UNIT (B830) 24
11.STAPLE TRANSPORT 1 (B830) 26
12.STAPLE TRANSPORT 2 (B830) 28
13.STAPLE TRANSPORT 3 (B830) 30
14.STAPLE TRANSPORT 4 (B830) 32
15.STAPLE TRANSPORT 5 (B830) 34
16.PAPER EXIT SECTION 1 (B830) 36
17.PAPER EXIT SECTION 2 (B830) 38
18.PAPER EXIT SECTION 3 (B830) 40
19.TRAY DRIVE SECTION 1 (B830) 42
20.TRAY DRIVE SECTION 2 (B830) 44
21.FRAME SECTION 2 (B830) 46
22.DRIVE SECTION 1 (B830) 48
23.DRIVE SECTION 2 (B830) 50
24.DRIVE SECTION 3 (B830) 52
25.ELECTRICAL SECTION (B830) 54
26.FRAME SECTION 1 (B830) 56
27.FRAME SECTION 2 (B830) 58

28.DECAL AND DOCUMENT (B830) 60

FINISHER SR5000 B830 PARTS INDEX

PARTS INDEX 2

PUNCH UNIT PU5000 B831 PARTS LOCATION AND LIST

1.PUNCH UNIT (B831) 2

PUNCH UNIT PU5000 B831 PARTS INDEX

PARTS INDEX 2

LCIT RT5000 B832 PARTS LOCATION AND LIST

1.EXTERIOR (B832) 2
2.1ST/2ND TRAY UNIT 1 (B832) 4
3.1ST/2ND TRAY UNIT 2 (B832) 6
4.3RD TRAY UNIT 1 (B832) 8
5.3RD TRAY UNIT 2 (B832) 10
6.PAPER REGISTRATION 1 (B832) 12
7.PAPER REGISTRATION 2 (B832) 14
8.TRANSPORT SECTION 1 (B832) 16
9.TRANSPORT SECTION 2 (B832) 18
10.TRANSPORT SECTION 3 (B832) 20
11.DRIVE SECTION (B832) 22
12.ELECTRICAL SECTION (B832) 24
13.FRAME 1 (B832) 26
14.FRAME 2 (B832) 28
15.FRAME 3 (B832) 30
16.DECALS AND DOCUMENTS (B832) 32

LCIT RT5000 B832 PARTS INDEX

PARTS INDEX 2

MULTI BYPASS TRAY BY5000 B833 PARTS

LOCATION AND LIST

1.EXTERIOR (B833).....	2
2.ORIGINAL TRAY 1 (B833)	4
3.ORIGINAL TRAY 2 (B833)	6
4.ORIGINAL FEED 1 (B833)	8
5.ORIGINAL FEED 2 (B833)	10
6.ORIGINAL TRANSFER (B833)	12
7.DRIVE AND ELECTRICAL (B833)	14
8.FRAME SECTION (B833)	16

MULTI BYPASS TRAY BY5000 B833 PARTS INDEX
PARTS INDEX..... 2

LCIT RT5010 B834 PARTS LOCATION AND LIST

1.EXTERIOR (B834).....	2
2.4TH/6TH PAPER TRAY 1 (B834)	4
3.4TH/6TH PAPER TRAY 2 (B834)	6
4.4TH/6TH PAPER TRAY 3 (B834)	8
5.4TH/6TH PAPER TRAY 4 (B834)	10
6.4TH/6TH PAPER TRAY 5 (B834)	12
7.4TH/6TH PAPER TRAY 6 (B834)	14
8.4TH/6TH PAPER TRAY 7 (B834)	16
9.5TH PAPER TRAY 1 (B834)	18
10.5TH PAPER TRAY 2 (B834)	20
11.5TH PAPER TRAY 3 (B834)	22
12.5TH PAPER TRAY 4 (B834)	24
13.5TH PAPER TRAY 5 (B834)	26
14.5TH PAPER TRAY 6 (B834)	28
15.5TH PAPER TRAY 7 (B834)	30
16.5TH PAPER TRAY 8 (B834)	32
17.PAPER FEED SECTION 1 (B834)	34

18.PAPER FEED SECTION 2 (B834)	36
19.PAPER TRANSFER SECTION 1 (B834)	38
20.PAPER TRANSFER SECTION 2 (B834)	40
21.PAPER TRANSFER SECTION 3 (B834)	42
22.PAPER TRANSFER SECTION 4 (B834)	44
23.PAPER TRANSFER SECTION 5 (B834)	46
24.PAPER TRANSFER SECTION 6 (B834)	48
25.DRIVE SECTION (B834)	50
26.ELECTRICAL SECTION (B834).....	52
27.FRAME (B834).....	54
28.DECALS AND DOCUMENTS (B834).....	56

LCIT RT5010 B834 PARTS INDEX
PARTS INDEX..... 2

COVER INTERPOSER TRAY CI5000 B835 PARTS
LOCATION AND LIST

1.EXTERIOR (B835).....	2
2.ORIGINAL TRAY 1 (B835)	4
3.ORIGINAL TRAY 2 (B835)	6
4.ORIGINAL FEED 1 (B835)	8
5.ORIGINAL FEED 2 (B835)	10
6.ORIGINAL FEED 3 (B835)	12
7.ORIGINAL TRANSFER 1 (B835)	14
8.ORIGINAL TRANSFER 2 (B835)	16
9.ORIGINAL TRANSFER 3 (B835)	18
10.ELECTRICAL AND DRIVE 1 (B835)	20
11.ELECTRICAL AND DRIVE 2 (B835)	22
12.FRAME SECTION 1 (B835)	24
13.FRAME SECTION 2 (B835)	26

COVER INTERPOSER TRAY CI5000 B835 PARTS INDEX

PARTS INDEX 2

BOOKLET FINISHER BK5000 B836 PARTS LOCATION AND LIST

1.EXTERIOR (B836)	2
2.PAPER TRANSFER 1 (B836)	4
3.PAPER TRANSFER 2 (B836)	6
4.PAPER TRANSFER 3 (B836)	8
5.STAPLE TRANSFER SECTION 1 (B836)	10
6.STAPLE TRANSFER SECTION 2 (B836)	12
7.STAPLE TRAY 1 (B836)	14
8.STAPLE TRAY 2 (B836)	16
9.STAPLE TRAY 3 (B836)	18
10.STAPLE TRAY 4 (B836)	20
11.STAPLE TRAY 5 (B836)	22
12.PAPER CRIMP SECTION 1 (B836)	24
13.PAPER CRIMP SECTION 2 (B836)	26
14.PAPER CRIMP SECTION 3 (B836)	28
15.DRIVE SECTION (B836)	30
16.ELECTRICAL SECTION 1 (B836)	32
17.ELECTRICAL SECTION 2 (B836)	34
18.FRAME SECTION (B836)	36
19.DECALS AND DOCUMENTS (B836)	38

BOOKLET FINISHER BK5000 B836 PARTS INDEX PARTS INDEX 2

PRINTER/SCANNER UNIT TYPE 1350 B840 PARTS LOCATION AND LIST

1.PRINTER/SCANNER UNIT (B840)

PRINTER/SCANNER UNIT TYPE 1350 B840 PARTS INDEX

PARTS INDEX 2

VM CARD TYPE C B861 PARTS LOCATION AND LIST

1.VM CARD TYPE C (B861)

VM CARD TYPE C B861 PARTS INDEX

PARTS INDEX 2

GIGABIT ETHERNET TYPE 7300 G381 PARTS LOCATION AND LIST

1.GIGABIT ETHERNET TYPE 7300 (G381)

GIGABIT ETHERNET TYPE 7300 G381 PARTS INDEX PARTS INDEX 2

IEEE802.11B INTERFACE UNIT TYPE H G813-04/05 PARTS LOCATION AND LIST

1.IEEE802.11b (G813-04/45)

IEEE802.11B INTERFACE UNIT TYPE H G813-04/05 PARTS INDEX

PARTS INDEX 2

Perfect Binder GB5000 (D391) PARTS LOCATION AND LIST

1.Exterior 1 (D391)	2
2.Exterior 2 (D391)	4
3.Exterior 3 (D391)	6
4.Transit Pass Unit 1 (D391)	8
5.Transit Pass Unit 2 (D391)	10
6.Transit Pass Unit 3 (D391)	12

7.Inserter Section 1 (D391).....	14	40.Sub Gripper Section 3 (D391)	80
8.Inserter Section 2 (D391).....	16	41.Sub Gripper Section 4 (D391)	82
9.Inserter Section 3 (D391).....	18	42.Sub Gripper Section 5 (D391)	84
10.Inserter Section 4 (D391).....	20	43.Main Gripper Section 1 (D391)	86
11.Inserter Section 5 (D391).....	22	44.Main Gripper Section 2 (D391)	88
12.Inserter Section 6 (D391).....	24	45.Main Gripper Section 3 (D391)	90
13.Inserter Section 7 (D391).....	26	46.Main Gripper Section 4 (D391)	92
14.Inserter Section 8 (D391).....	28	47.Main Gripper Section 5 (D391)	94
15.Inserter Section 9 (D391).....	30	48.Glue Supply Section 1 (D391)	96
16.Inserter Section 10 (D391).....	32	49.Glue Supply Section 2 (D391)	98
17.Inserter Section 11 (D391).....	34	50.Glue Supply Section 3 (D391)	100
18.Inserter Section 12 (D391).....	36	51.Glue Supply Section 4 (D391)	102
19.Inserter Section 13 (D391).....	38	52.Gluing Section 1 (D391)	104
20.Vertical Feed Section 1 (D391).....	40	53.Gluing Section 2 (D391)	106
21.Vertical Feed Section 2 (D391).....	42	54.Gluing Section 3 (D391)	108
22.Signature Transport Section 1 (D391).....	44	55.Cover Feed Regist Section 1 (D391).....	110
23.Signature Transport Section 2 (D391)	46	56.Cover Feed Regist Section 2 (D391).....	112
24.Signature Transport Section 3 (D391)	48	57.Cover Feed Path Section 1 (D391).....	114
25.Signature Transport Section 4 (D391).....	50	58.Cover Feed Path Section 2 (D391).....	116
26.Signature Transport Section 5 (D391).....	52	59.Cover Feed Path Section 3 (D391).....	118
27.Signature Delivery Section 1 (D391)	54	60.Cover Feed Path Section 4 (D391).....	120
28.Signature Delivery Section 2 (D391)	56	61.Cover Feed Path Section 5 (D391).....	122
29.Signature Delivery Section 3 (D391)	58	62.Cover Feed Path Section 6 (D391).....	124
30.Signature Delivery Section 4 (D391)	60	63.Cover Feed Path Section 7 (D391).....	126
31.Signature Delivery Section 5 (D391)	62	64.Cover Feed Path Section 8 (D391).....	128
32.Stacking Tray Section 1 (D391).....	64	65.Cover Feed Path Section 9 (D391).....	130
33.Stacking Tray Section 2 (D391).....	66	66.Cover Feed Path Section 10 (D391).....	132
34.Stacking Tray Section 3 (D391).....	68	67.Cover Feed Path Section 11 (D391).....	134
35.Stacking Tray Section 4 (D391).....	70	68.Rear Folder Section 1 (D391).....	136
36.Stacking Tray Section 5 (D391).....	72	69.Rear Folder Section 2 (D391).....	138
37.Stacking Tray Section 6 (D391).....	74	70.Rear Folder Section 3 (D391).....	140
38.Sub Gripper Section 1 (D391)	76	71.Rear Folder Section 4 (D391).....	142
39.Sub Gripper Section 2 (D391)	78	72.Bundle Feed Section 1 (D391)	144

73.Bundle Feed Section 2 (D391)	146
74.Bundle Feed Section 3 (D391)	148
75.Bundle Feed Section 4 (D391)	150
76.Stack Rotation Section 1 (D391)	152
77.Stack Rotation Section 2 (D391)	154
78.Stack Rotation Section 3 (D391)	156
79.Stack Rotation Section 4 (D391)	158
80.Stack Rotation Section 5 (D391)	160
81.Stack Rotation Section 6 (D391)	162
82.Trimming Section 1 (D391).....	164
83.Waste Paper Case Section 1 (D391)	166
84.Waste Paper Case Section 2 (D391)	168
85.Waste Paper Case Section 3 (D391)	170
86.Waste Paper Case Section 4 (D391)	172
87.Book Stacking Section 1 (D391).....	174
88.Book Stacking Section 2 (D391).....	176
89.Book Stacking Section 3 (D391).....	178
90.Book Stacking Section 4 (D391).....	180
91.Book Stacking Section 5 (D391).....	182
92.Electrical Section 1 (D391)	184
93.Electrical Section 2 (D391)	186

Perfect Binder GB5000 (D391) PARTS INDEX

PARTS INDEX.....	2
-------------------------	----------

Ring Binder RB5000 (D392) PARTS

LOCATION AND LIST

1.Exterior 1 (D392)	2
2.Exterior 2 (D392)	4
3.Paper Feed Section 1 (D392).....	6
4.Paper Feed Section 2 (D392).....	8
5.Paper Feed Section 3 (D392).....	10
6.Side Jogger Unit (D392)	12

7.Punch Unit 1 (D392)	14
8.Punch Unit 2 (D392)	16
9.Ring Binder Unit 1 (D392)	20
10.Ring Binder Unit 2 (D392)	22
11.Ring Binder Unit 3 (D392)	24
12.Ring Binder Unit 4 (D392)	26
13.Ring Binder Unit 5 (D392)	28
14.Ring Binder Unit 6 (D392)	30
15.Paper Exit Section 1 (D392)	32
16.Paper Exit Section 2 (D392)	34
17.Paper Exit Section 3 (D392)	36
18.Paper Exit Section 4 (D392)	38
19.Stacker Section 1 (D392)	18
20.Stacker Section 2 (D392)	40
21.Stacker Section 3 (D392)	42
22.Stacker Section 4 (D392)	44
23.Drive Section 1 (D392)	46
24.Drive Section 2 (D392)	48
25.Drive Section 3 (D392)	50
26.Electrical Section 1 (D392)	52
27.Electrical Section 2 (D392)	54
28.Frame Section (D392)	56

Ring Binder RB5000 (D392) PARTS INDEX

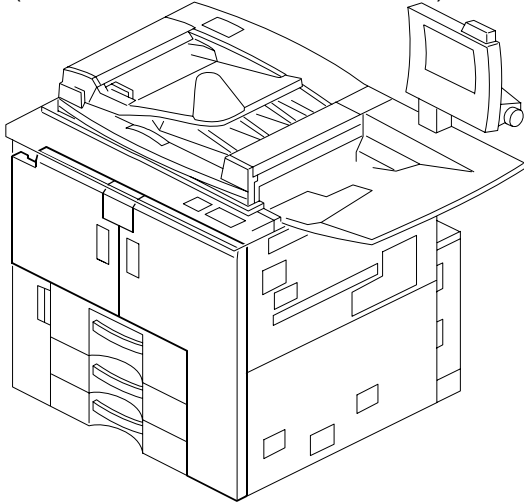
PARTS INDEX.....	2
-------------------------	----------

**B234/B235/B236/D101/D102/D103
PARTS LOCATION AND LIST**

This section instructs you as to the numbers and names of parts on this machine.

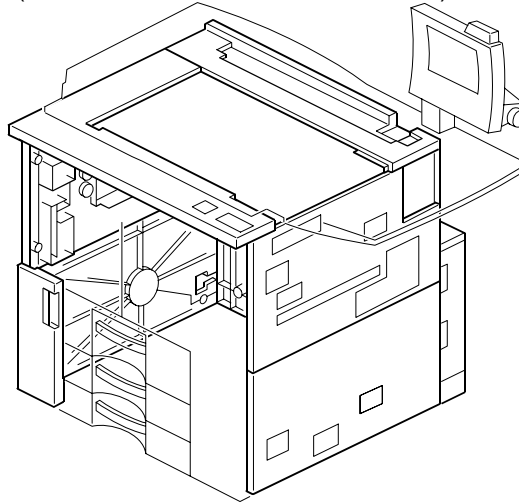
LOCATIONS OF UNITS

1. Exterior 1
(B234/B235/B236/D101/D102/D103)



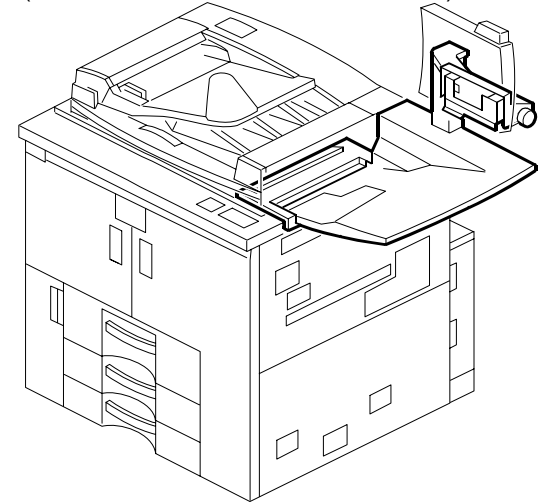
See Page 17

2. Exterior 2
(B234/B235/B236/D101/D102/D103)



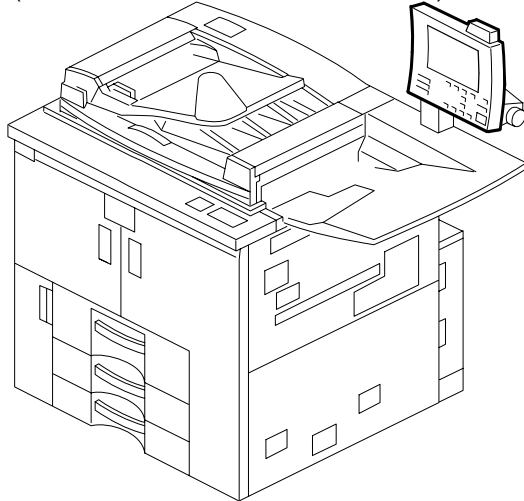
See Page 19

3. Exterior 3
(B234/B235/B236/D101/D102/D103)



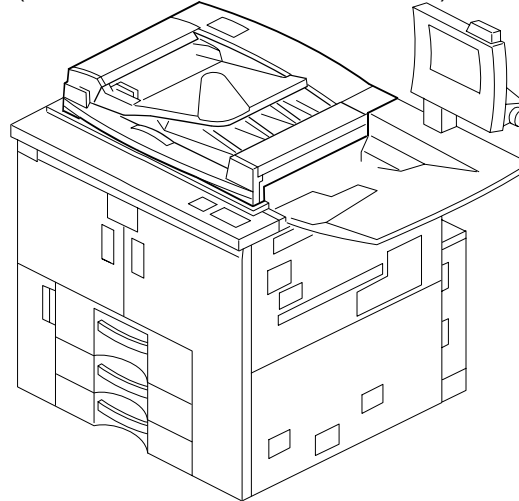
See Page 21

4. Operation Panel
(B234/B235/B236/D101/D102/D103)



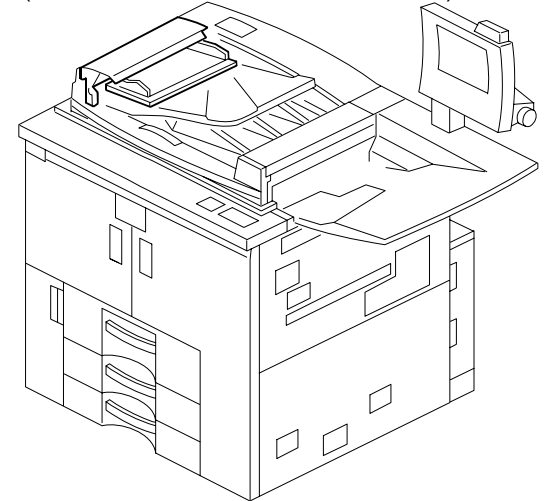
See Page 23

5. DF Exterior
(B234/B235/B236/D101/D102/D103)



See Page 25

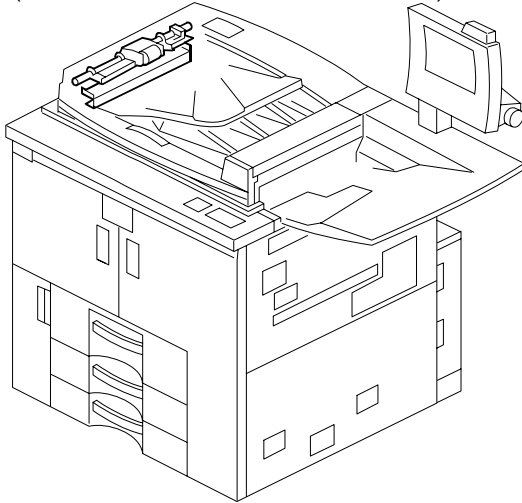
6. Original Feed 1
(B234/B235/B236/D101/D102/D103)



See Page 27

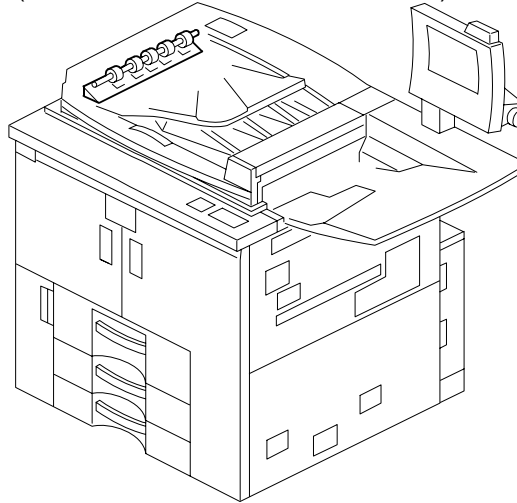
LOCATIONS OF UNITS

7. Original Feed 2
(B234/B235/B236/D101/D102/D103)



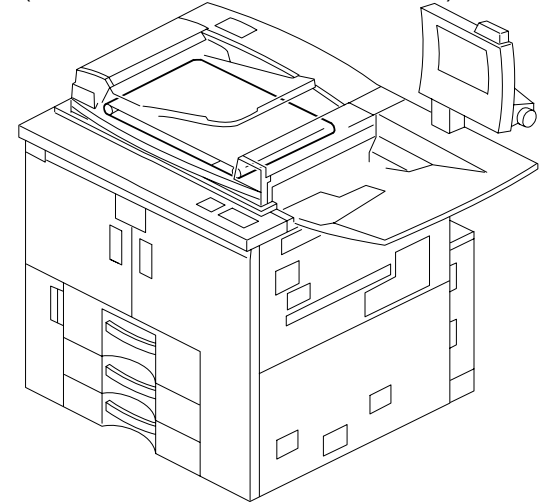
See Page 29

8. Original Feed 3
(B234/B235/B236/D101/D102/D103)



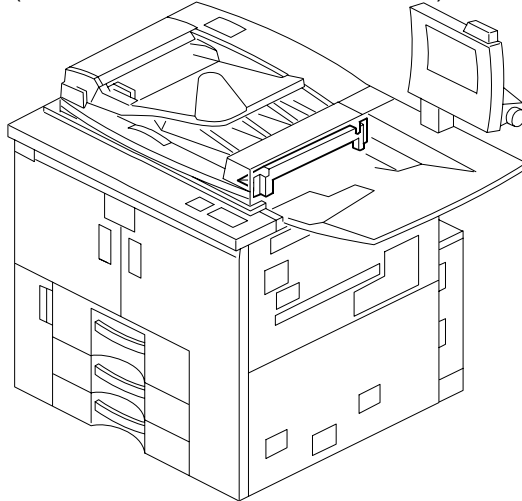
See Page 31

9. Original Transport
(B234/B235/B236/D101/D102/D103)



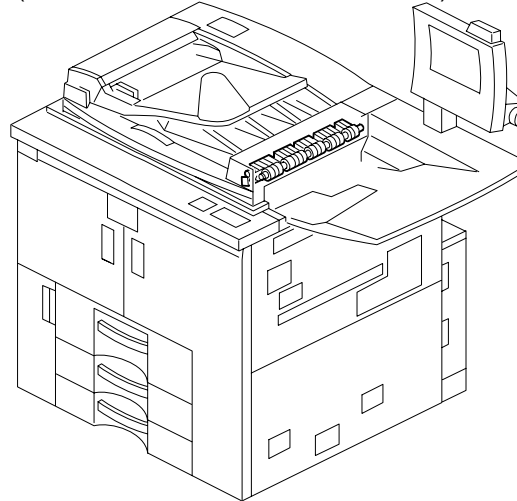
See Page 33

10. Original Exit 1
(B234/B235/B236/D101/D102/D103)



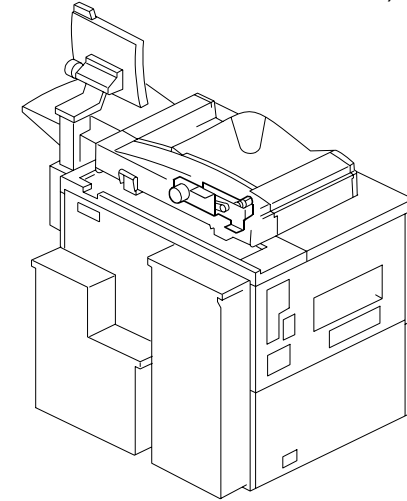
See Page 35

11. Original Exit 2
(B234/B235/B236/D101/D102/D103)



See Page 37

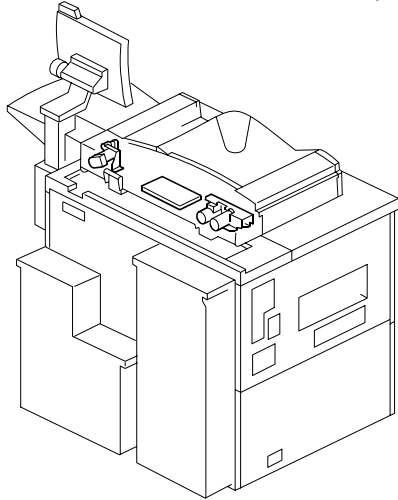
12. DF Drive Section 1
(B234/B235/B236/D101/D102/D103)



See Page 39

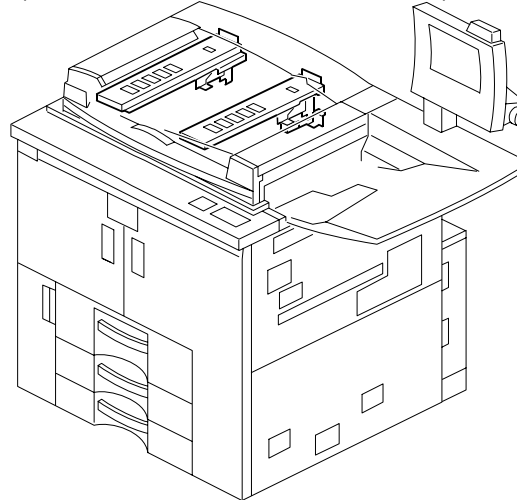
LOCATIONS OF UNITS

13. DF Drive Section 2
(B234/B235/B236/D101/D102/D103)



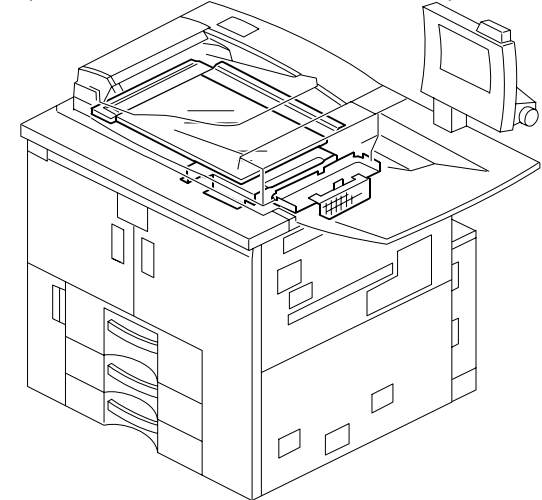
See Page 41

14. DF Frame Section
(B234/B235/B236/D101/D102/D103)



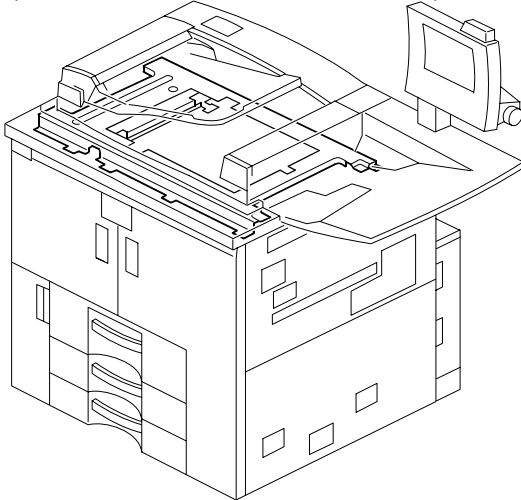
See Page 43

15. Optics Section 1
(B234/B235/B236/D101/D102/D103)



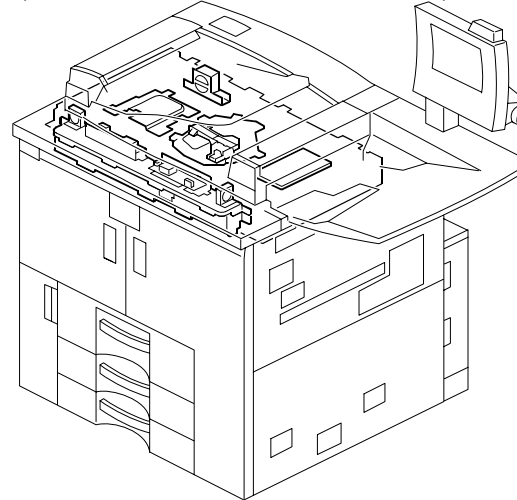
See Page 45

16. Optics Section 2
(B234/B235/B236/D101/D102/D103)



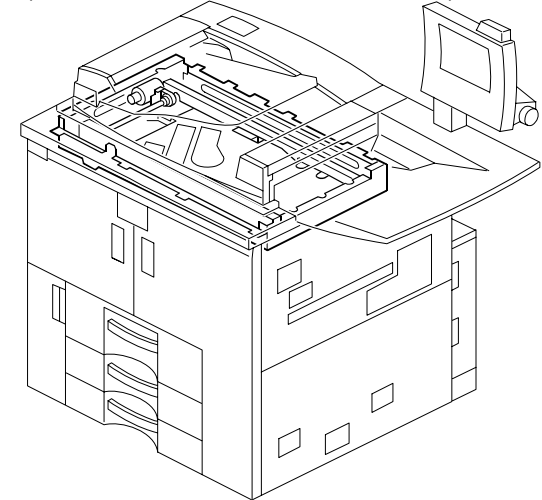
See Page 47

17. Optics Section 3
(B234/B235/B236/D101/D102/D103)



See Page 49

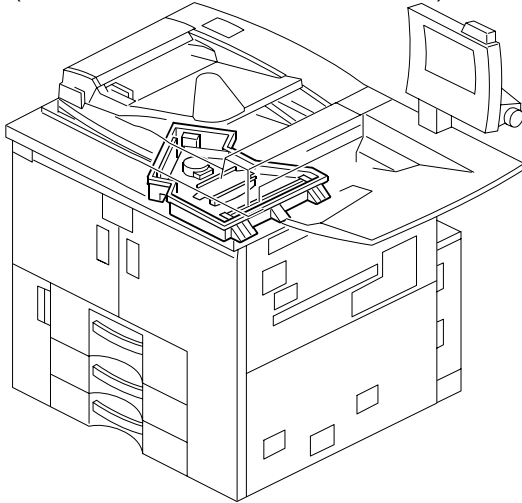
18. Optics Section 4
(B234/B235/B236/D101/D102/D103)



See Page 51

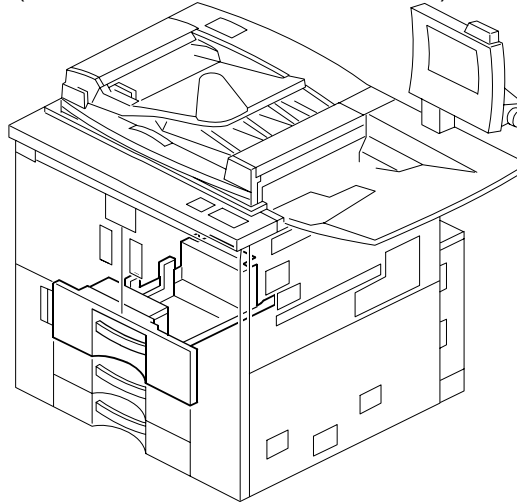
LOCATIONS OF UNITS

19. Laser Unit
(B234/B235/B236/D101/D102/D103)



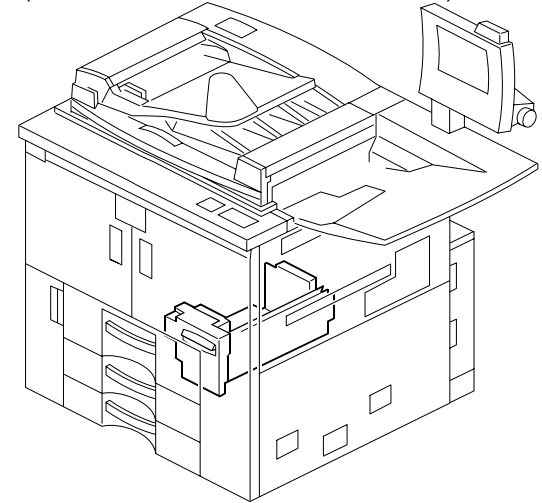
See Page 53

20. Tandem Tray 1
(B234/B235/B236/D101/D102/D103)



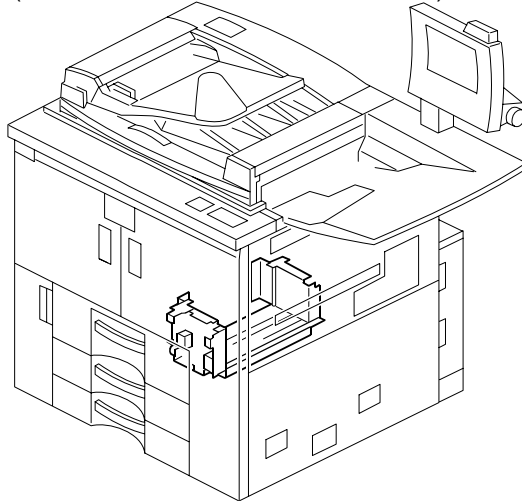
See Page 55

21. Tandem Tray 2
(B234/B235/B236/D101/D102/D103)



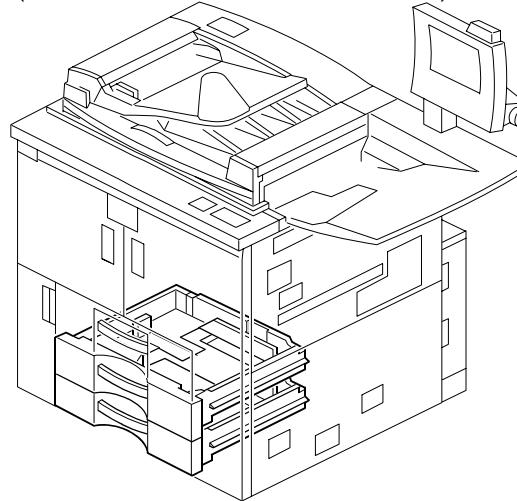
See Page 57

22. Tandem Tray 3
(B234/B235/B236/D101/D102/D103)



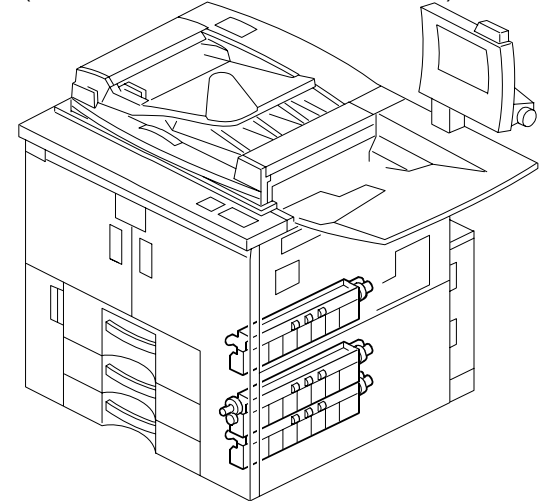
See Page 59

23. Universal Tray
(B234/B235/B236/D101/D102/D103)



See Page 61

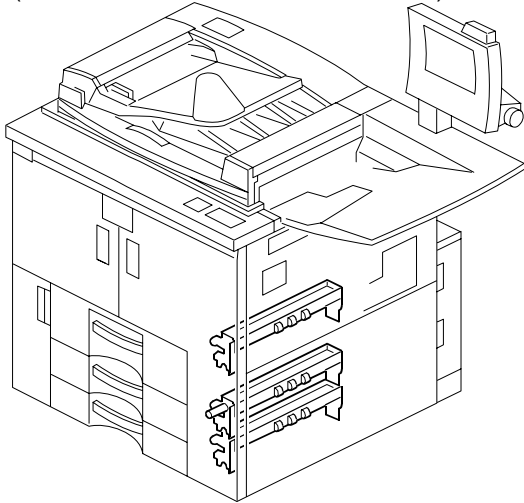
24. Paper Feed Unit 1
(B234/B235/B236/D101/D102/D103)



See Page 63

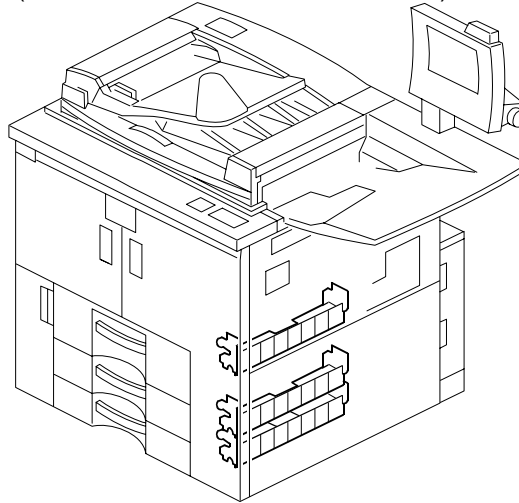
LOCATIONS OF UNITS

25. Paper Feed Unit 2
(B234/B235/B236/D101/D102/D103)



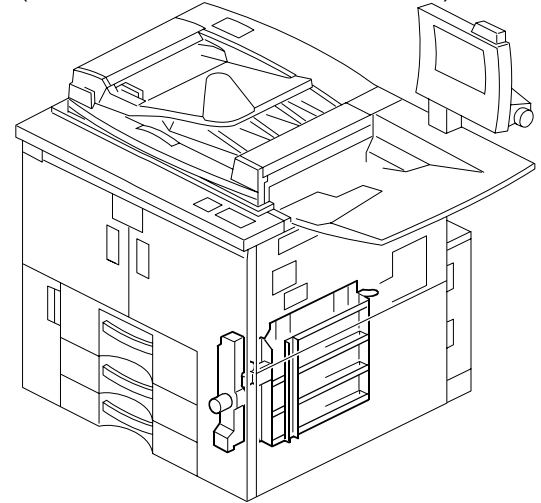
See Page 65

26. Paper Feed Unit 3
(B234/B235/B236/D101/D102/D103)



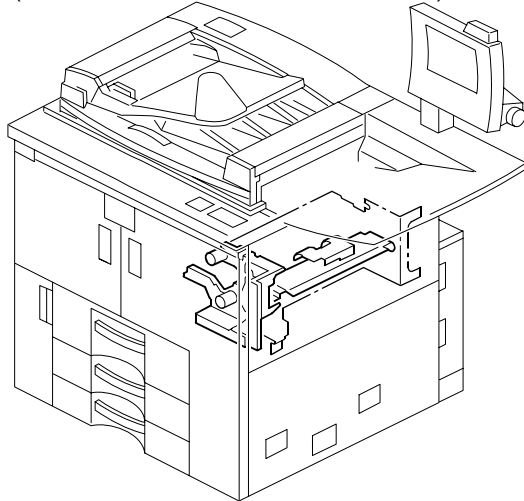
See Page 67

27. Vertical Transport
(B234/B235/B236/D101/D102/D103)



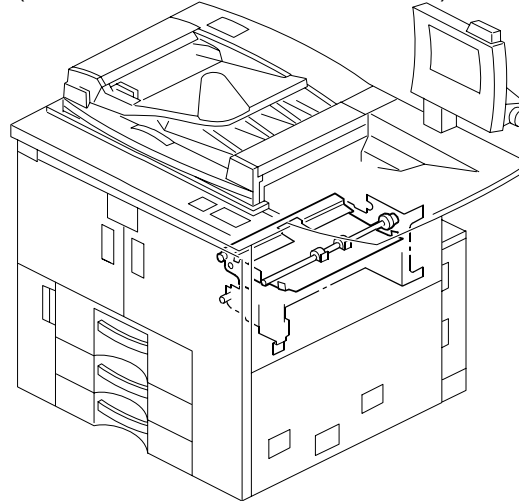
See Page 69

28. Paper Registration 1
(B234/B235/B236/D101/D102/D103)



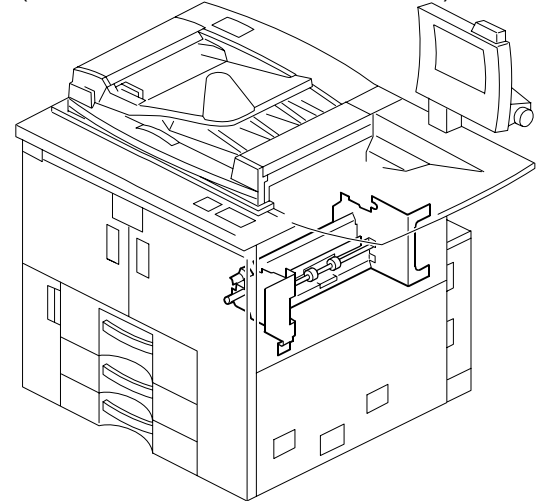
See Page 71

29. Paper Registration 2
(B234/B235/B236/D101/D102/D103)



See Page 73

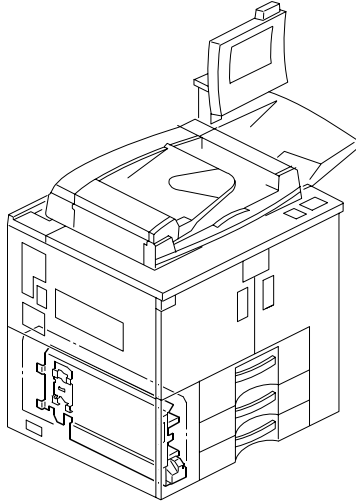
30. Paper Registration 3
(B234/B235/B236/D101/D102/D103)



See Page 75

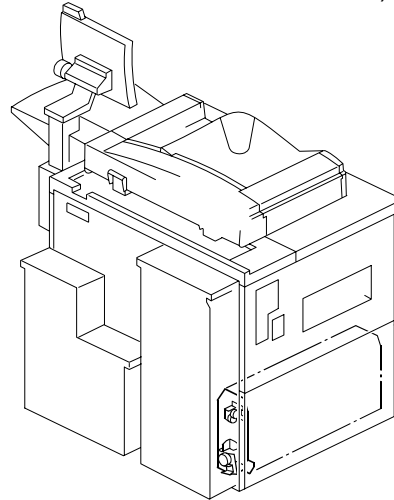
LOCATIONS OF UNITS

31. Toner Bank Unit 1
(B234/B235/B236/D101/D102/D103)



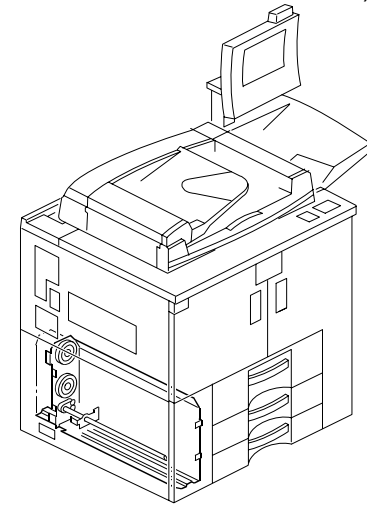
See Page 77

32. Toner Bank Unit 2
(B234/B235/B236/D101/D102/D103)



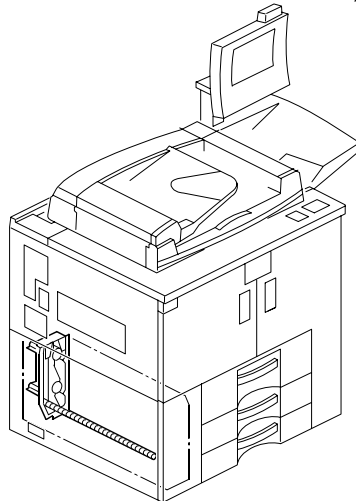
See Page 79

33. Toner Supply Unit 1
(B234/B235/B236/D101/D102/D103)



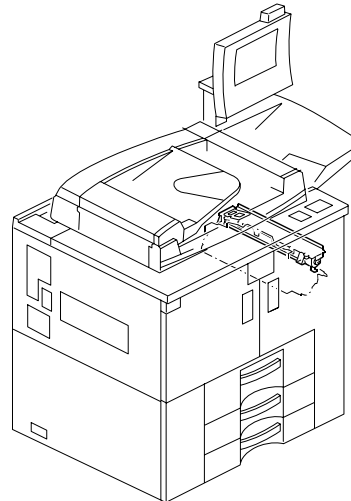
See Page 81

34. Toner Supply Unit 2
(B234/B235/B236/D101/D102/D103)



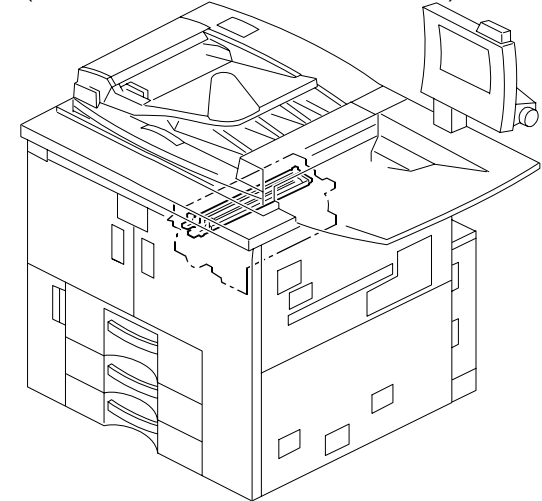
See Page 83

35. Toner Hopper Section
(B234/B235/B236/D101/D102/D103)



See Page 85

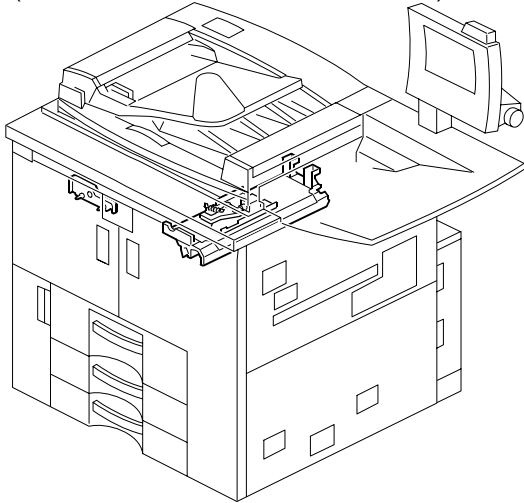
36. Charge Corona Unit 1
(B234/B235/B236/D101/D102/D103)



See Page 87

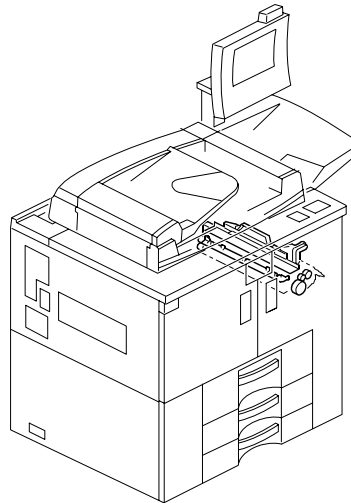
LOCATIONS OF UNITS

37. Charge Corona Unit 2
(B234/B235/B236/D101/D102/D103)



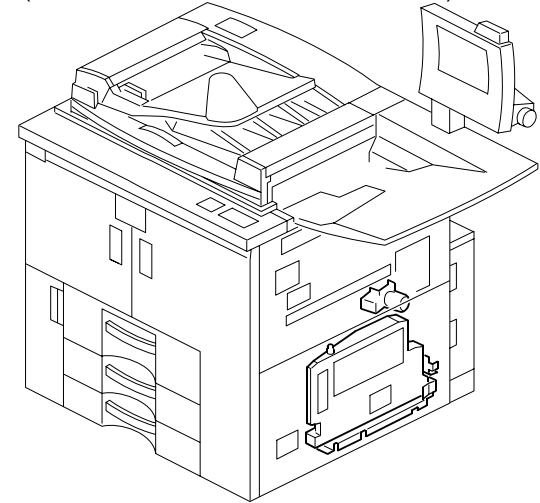
See Page 89

38. Development Unit 1
(B234/B235/B236/D101/D102/D103)



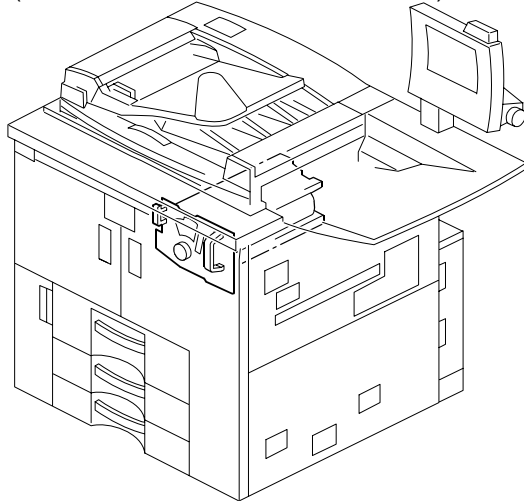
See Page 91

39. Toner Collection Bottle
(B234/B235/B236/D101/D102/D103)



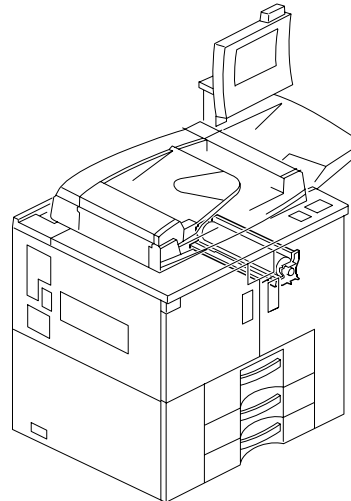
See Page 93

40. PCU 1
(B234/B235/B236/D101/D102/D103)



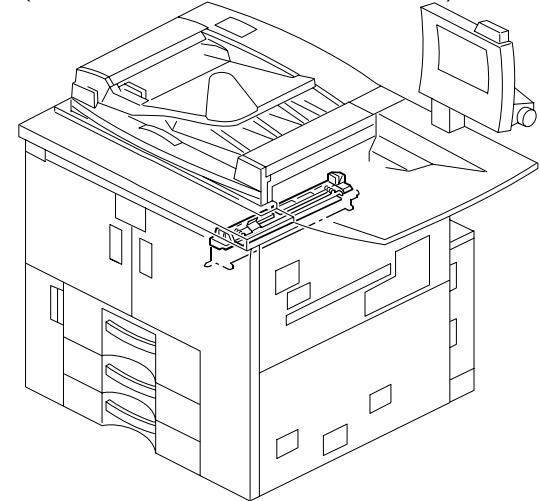
See Page 95

41. PCU 2
(B234/B235/B236/D101/D102/D103)



See Page 97

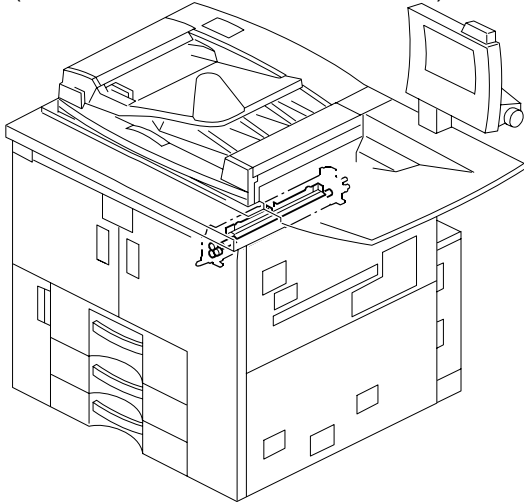
42. Cleaning Unit 1
(B234/B235/B236/D101/D102/D103)



See Page 99

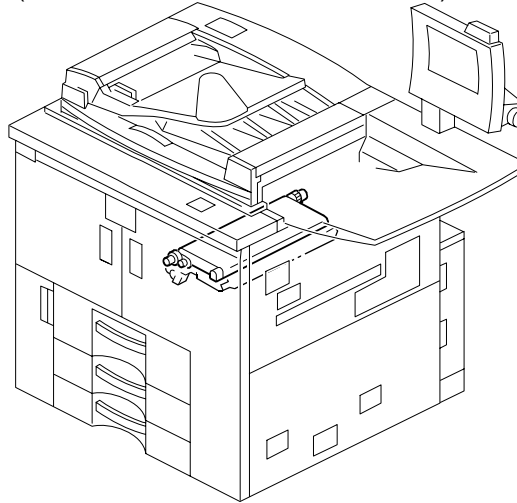
LOCATIONS OF UNITS

43. Cleaning Unit 2
(B234/B235/B236/D101/D102/D103)



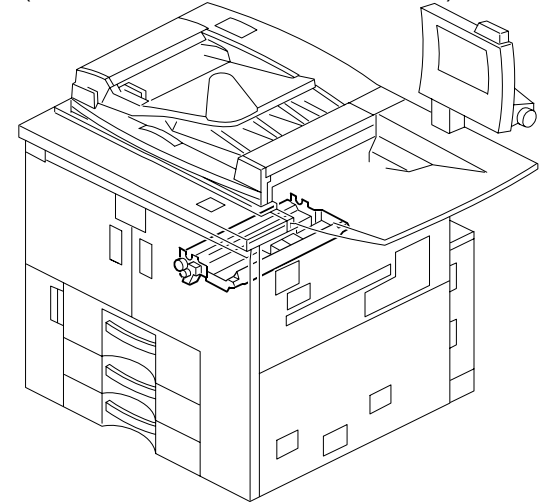
See Page 101

44. Transfer Belt Unit 1
(B234/B235/B236/D101/D102/D103)



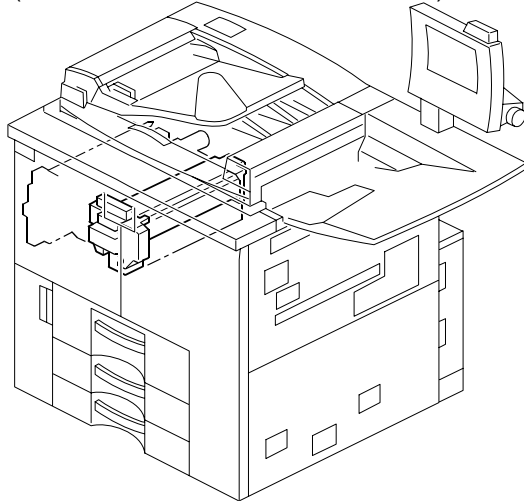
See Page 103

45. Transfer Belt Unit 2
(B234/B235/B236/D101/D102/D103)



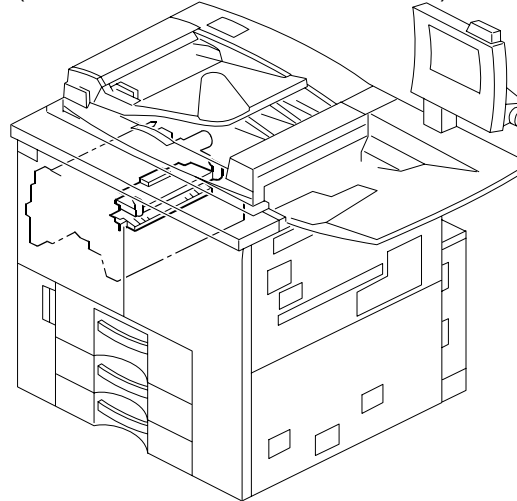
See Page 105

46. Fusing Unit 1
(B234/B235/B236/D101/D102/D103)



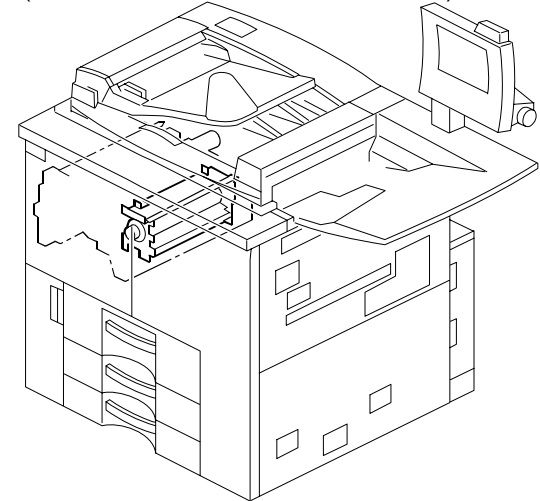
See Page 107

47. Fusing Unit 2
(B234/B235/B236/D101/D102/D103)



See Page 109

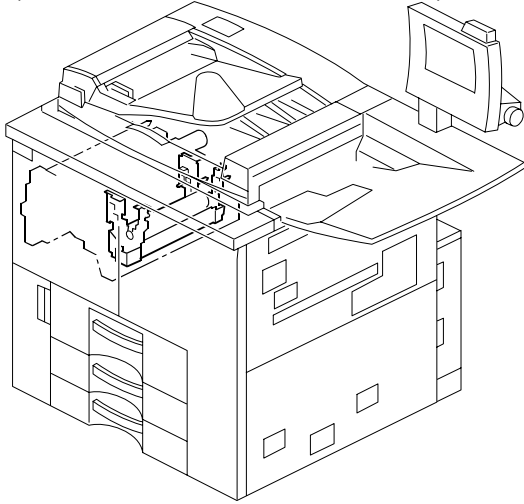
48. Fusing Unit 3
(B234/B235/B236/D101/D102/D103)



See Page 111

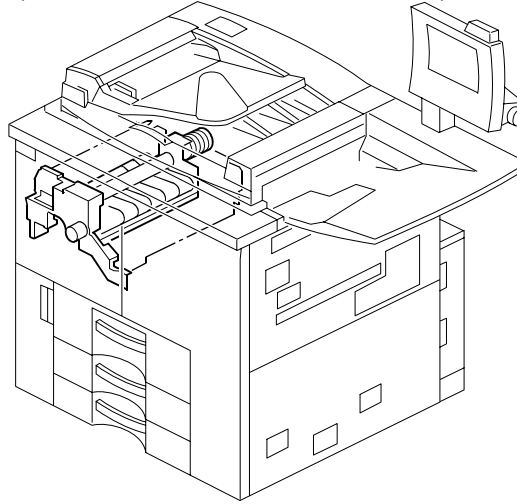
LOCATIONS OF UNITS

49. Fusing Unit 4
(B234/B235/B236/D101/D102/D103)



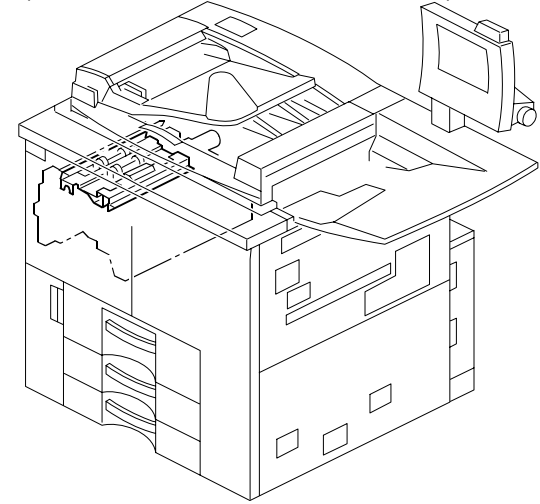
See Page 113

50. Paper Exit Section 1
(B234/B235/B236/D101/D102/D103)



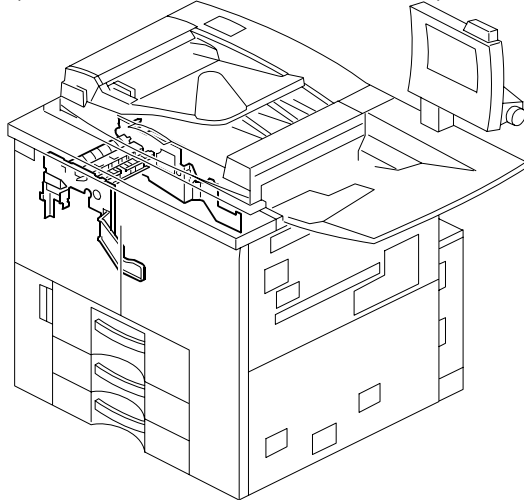
See Page 115

51. Paper Exit Section 2
(B234/B235/B236/D101/D102/D103)



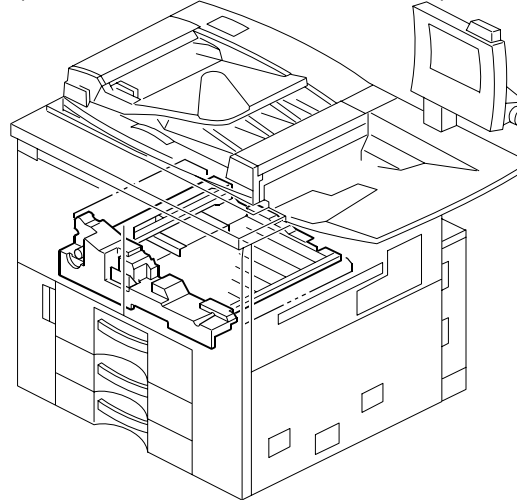
See Page 117

52. Paper Exit Section 3
(B234/B235/B236/D101/D102/D103)



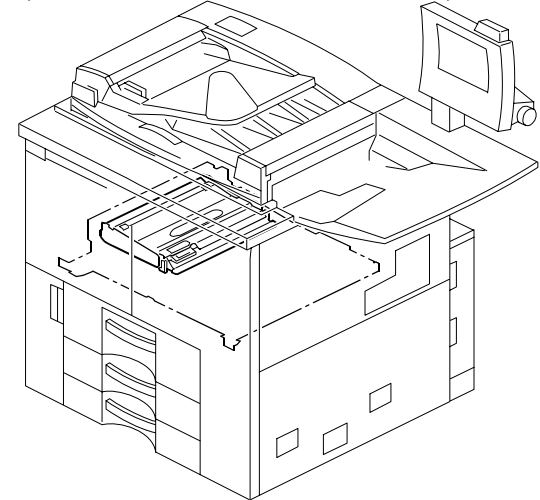
See Page 119

53. Duplex Unit 1
(B234/B235/B236/D101/D102/D103)



See Page 121

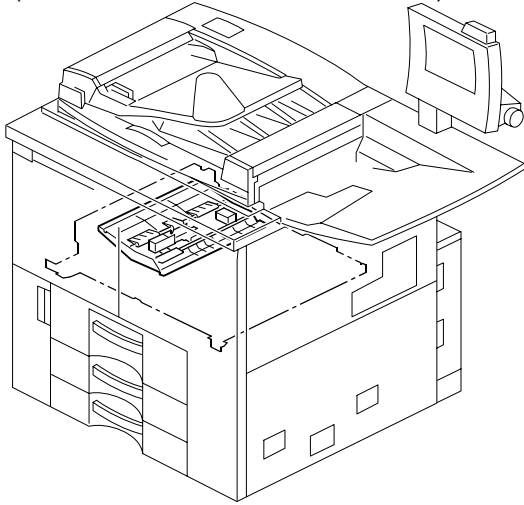
54. Duplex Unit 2
(B234/B235/B236/D101/D102/D103)



See Page 123

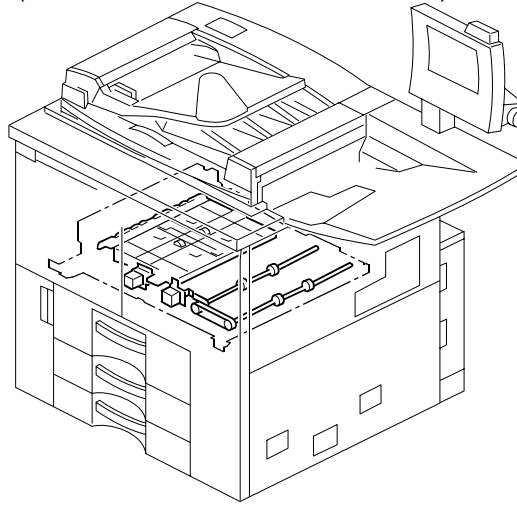
LOCATIONS OF UNITS

55. Duplex Unit 3
(B234/B235/B236/D101/D102/D103)



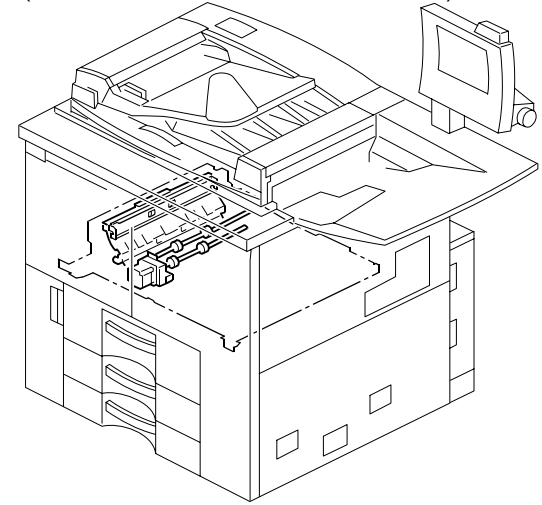
See Page 125

56. Duplex Unit 4
(B234/B235/B236/D101/D102/D103)



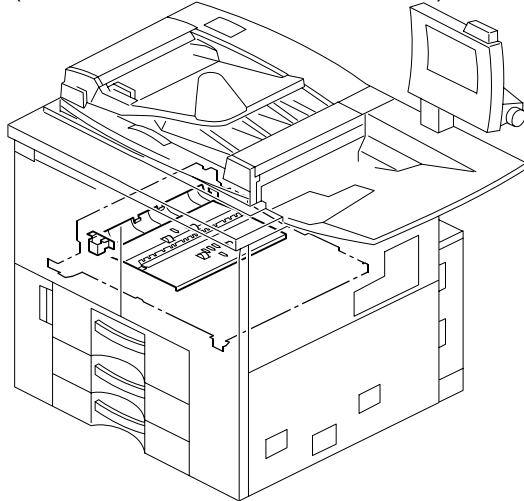
See Page 127

57. Duplex Unit 5
(B234/B235/B236/D101/D102/D103)



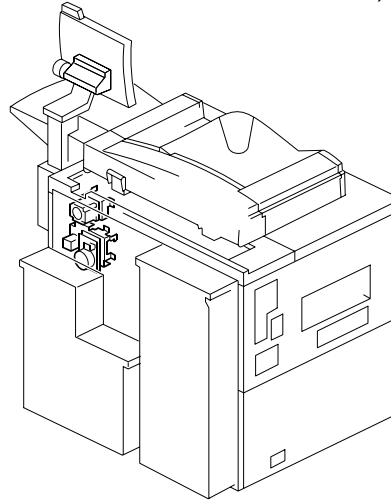
See Page 129

58. Duplex Unit 6
(B234/B235/B236/D101/D102/D103)



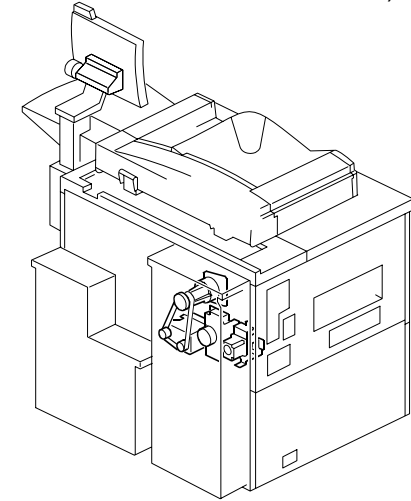
See Page 131

59. Drive Section 1
(B234/B235/B236/D101/D102/D103)



See Page 133

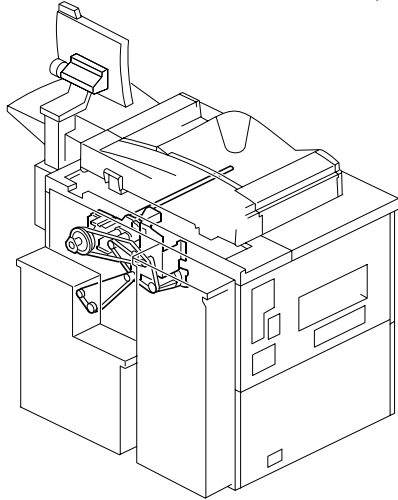
60. Drive Section 2
(B234/B235/B236/D101/D102/D103)



See Page 135

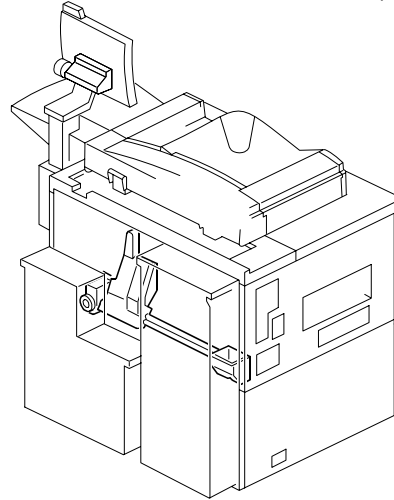
LOCATIONS OF UNITS

61. Drive Section 3
(B234/B235/B236/D101/D102/D103)



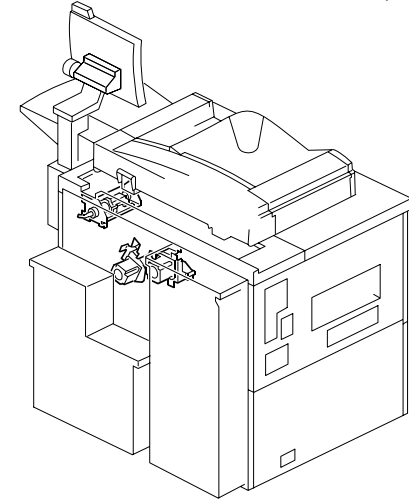
See Page 137

62. Drive Section 4
(B234/B235/B236/D101/D102/D103)



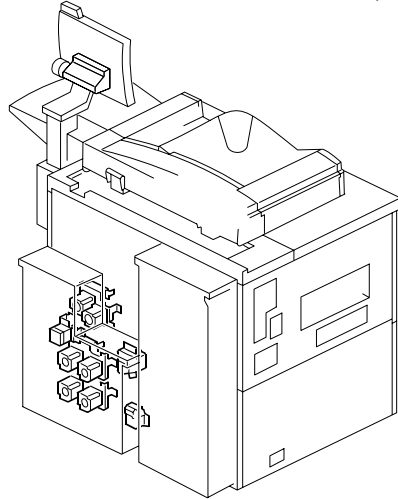
See Page 139

63. Drive Section 5
(B234/B235/B236/D101/D102/D103)



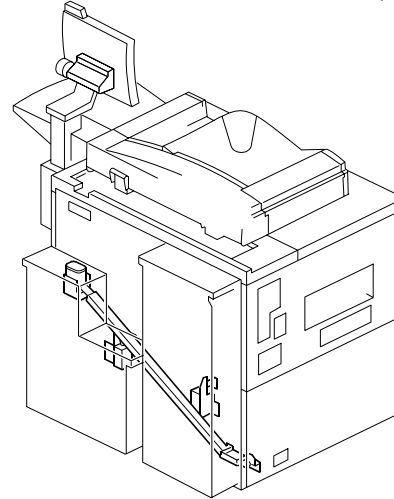
See Page 141

64. Drive Section 6
(B234/B235/B236/D101/D102/D103)



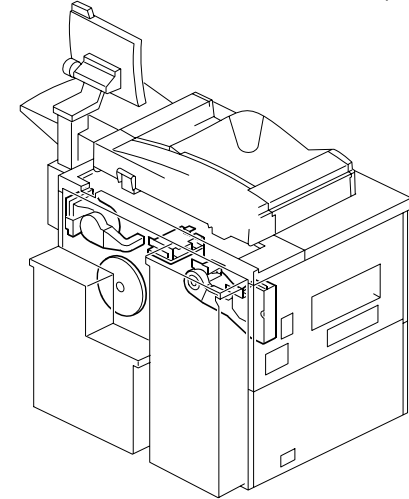
See Page 143

65. Drive Section 7
(B234/B235/B236/D101/D102/D103)



See Page 145

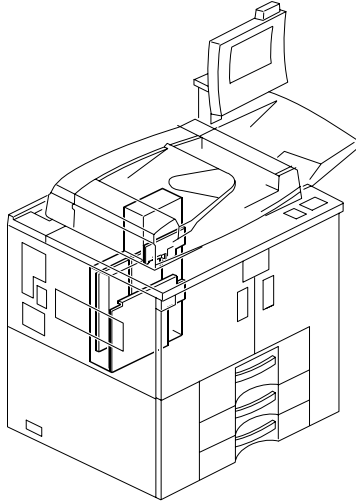
66. Electrical Section 1
(B234/B235/B236/D101/D102/D103)



See Page 147

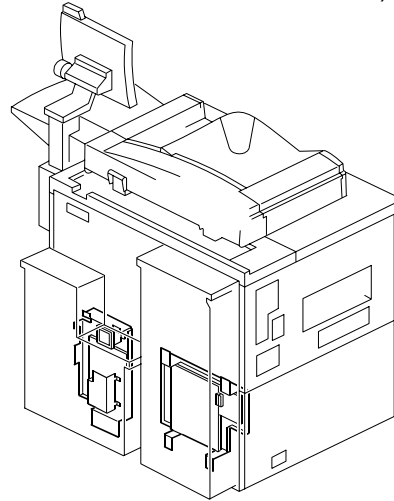
LOCATIONS OF UNITS

67. Electrical Section 2
(B234/B235/B236/D101/D102/D103)



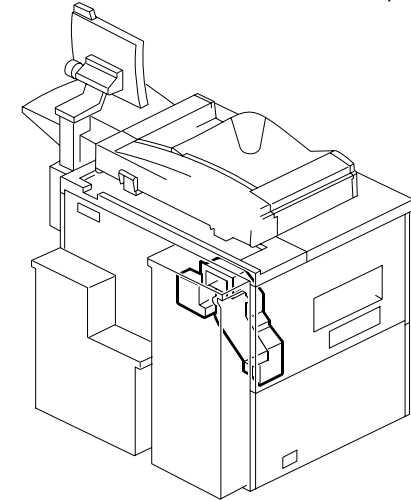
See Page 149

68. Electrical Section 3
(B234/B235/B236/D101/D102/D103)



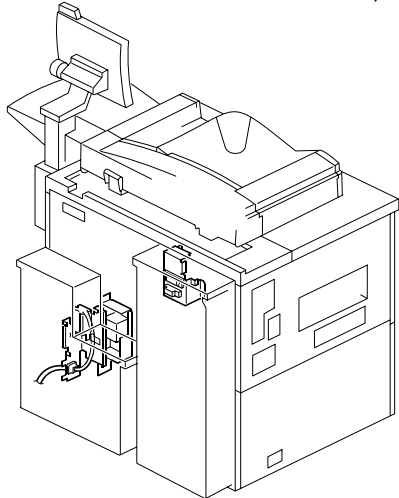
See Page 151

69. Electrical Section 4
(B234/B235/B236/D101/D102/D103)



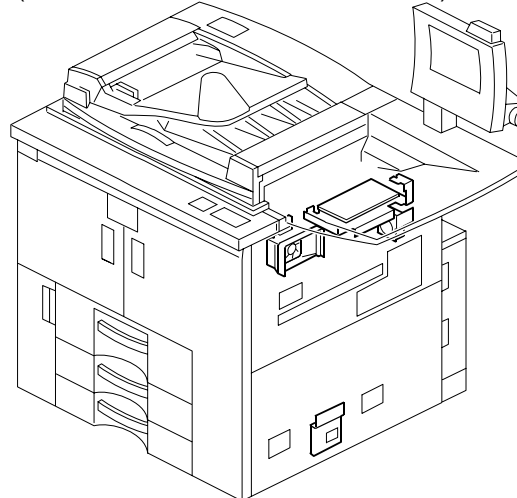
See Page 153

70. Electrical Section 5
(B234/B235/B236/D101/D102/D103)



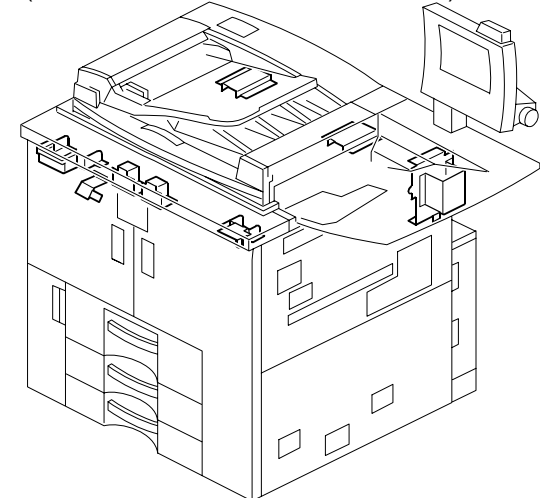
See Page 155

71. Electrical Section 6
(B234/B235/B236/D101/D102/D103)



See Page 157

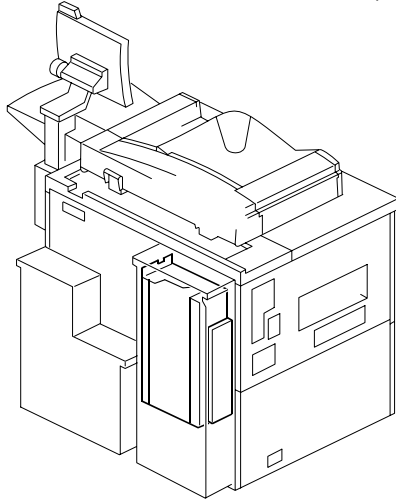
72. Electrical Section 7
(B234/B235/B236/D101/D102/D103)



See Page 159

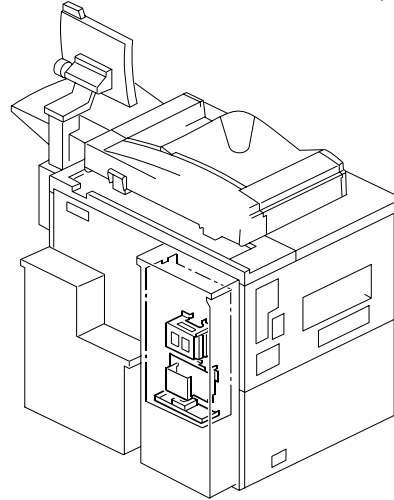
LOCATIONS OF UNITS

73. Controller Unit
(B234/B235/B236/D101/D102/D103)



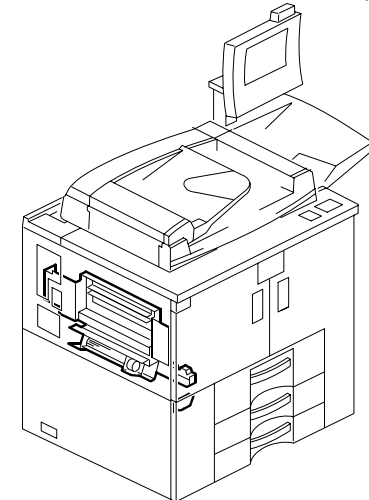
See Page 161

74. Frame Section 1
(B234/B235/B236/D101/D102/D103)



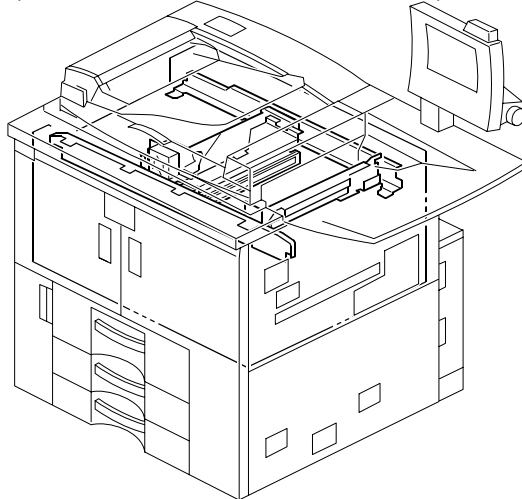
See Page 163

75. Frame Section 2
(B234/B235/B236/D101/D102/D103)



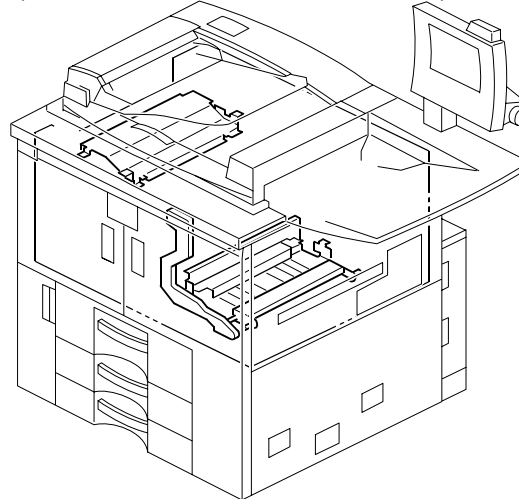
See Page 165

76. Frame Section 3
(B234/B235/B236/D101/D102/D103)



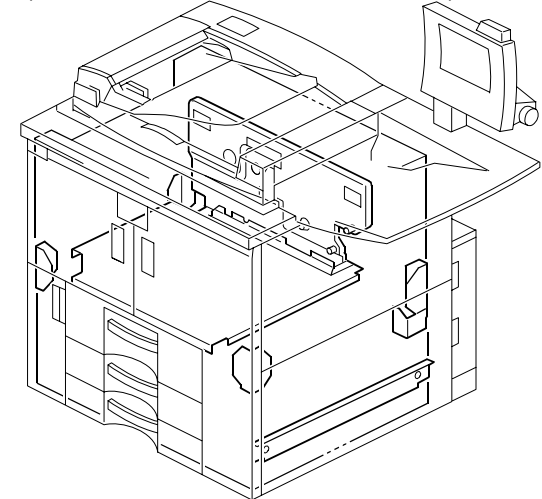
See Page 167

77. Frame Section 4
(B234/B235/B236/D101/D102/D103)



See Page 169

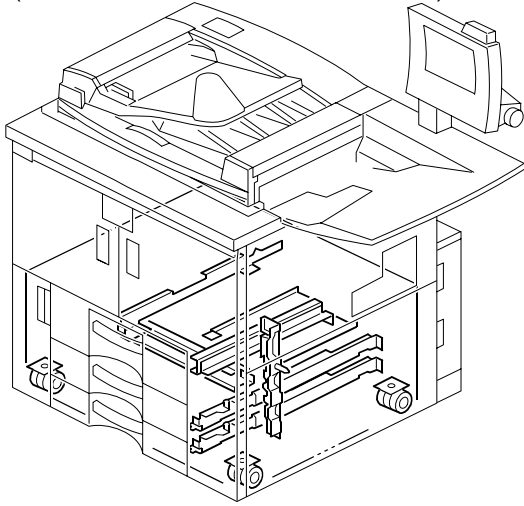
78. Frame Section 5
(B234/B235/B236/D101/D102/D103)



See Page 171

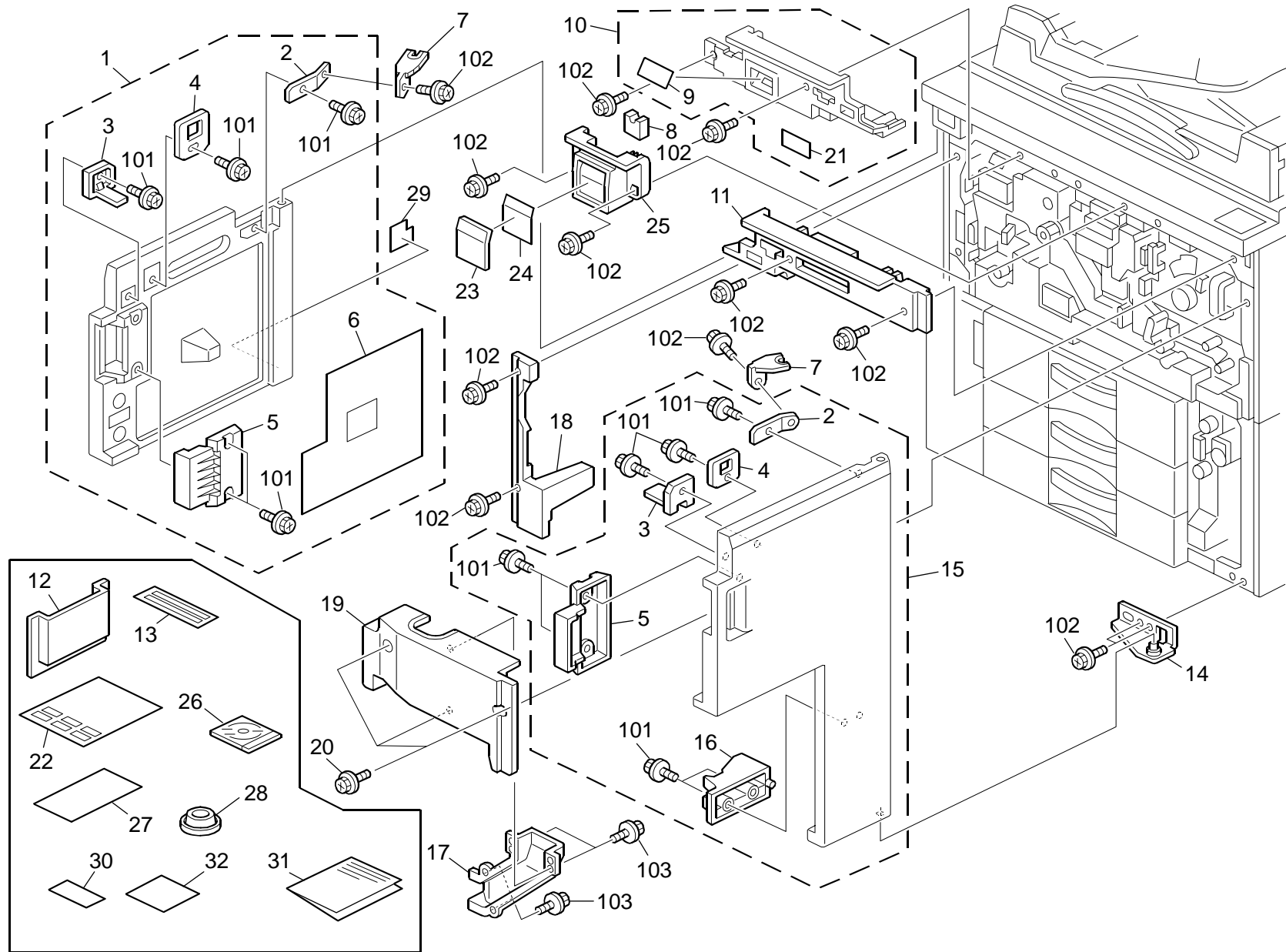
LOCATIONS OF UNITS

79. Frame Section 6
(B234/B235/B236/D101/D102/D103)



See Page 173

1.Exterior 1 (B234/B235/B236/D101/D102/D103)

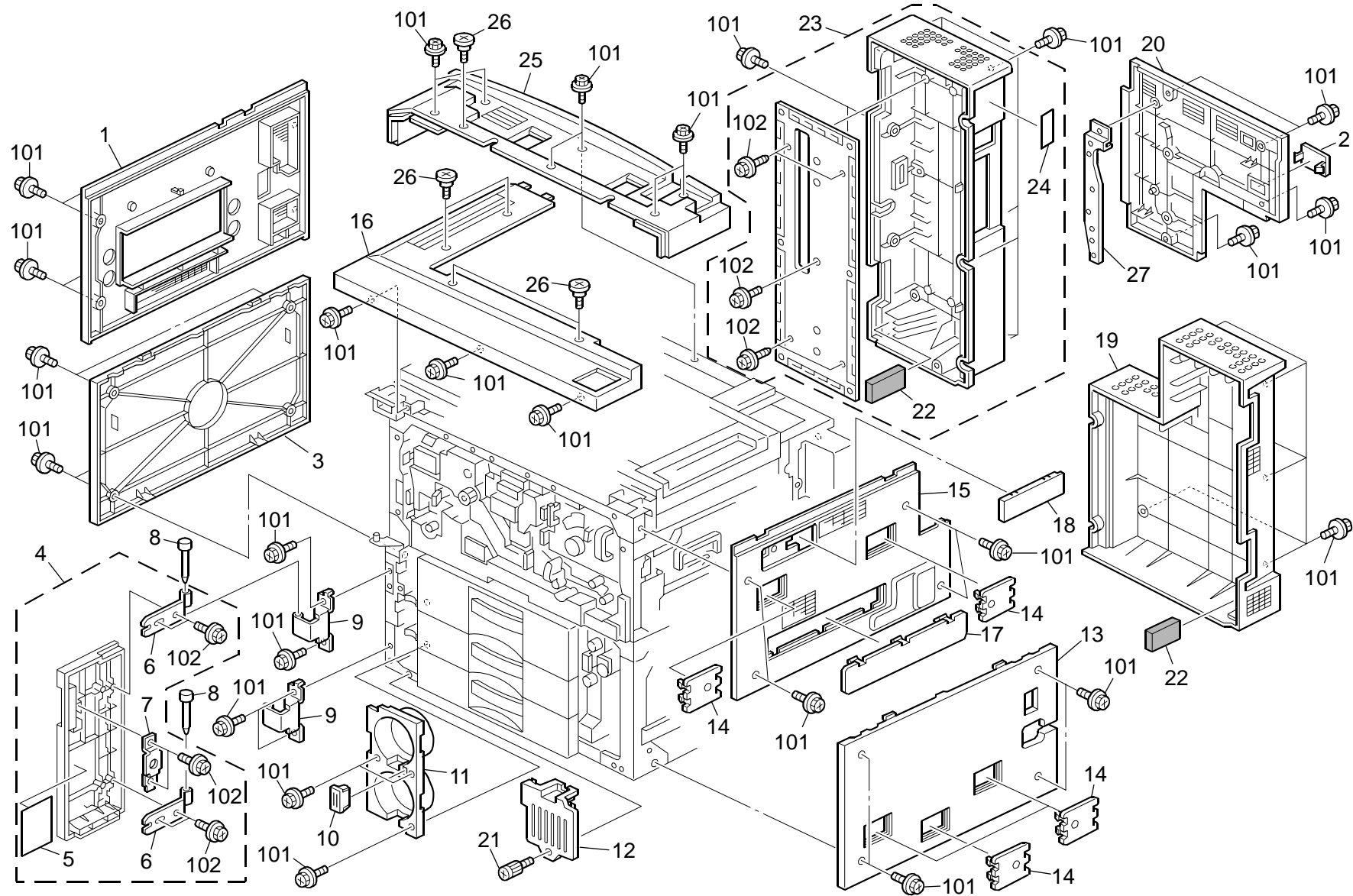


1.Exterior 1 (B234/B235/B236/D101/D102/D103)

Index No.	Part No.	Description	Q'ty Per Assembly
1	B234 1277	Door - Front Left	1
2	A294 1282	Front Door Spacer Bracket	2
3	B234 1293	Lever - Safety Switch	2
4	B234 1296	Plate: Magnet Catch	2
5	B234 1281	Cover Grip	2
6	B234 1300	Decal - Misfeed Removal	1
7	A079 1406	Upper Door Spacer	2
8	B132 1529	Sponge: SD-Card: Plate	1
9	B234 1378	Decal - Total Counter	1
10	B234 1372	Inner Cover - Upper Left	1
11	B234 1375	Inner Cover - Upper Right	1
12	B154 8521	Holder: Operating Instructions	1
13	B070 1307	Decal: Paper Set Direction	3
14	A294 1356	Lower Right Hinge	1
15	B234 1253	Door - Front Right	1
16	B234 1294	Stopper - Vertical Transport	1
17	B234 2344	Duct	1
18	B234 1380	Inner Cover - Left	1
19	B234 2342	Inner Cover	1
20	B234 2390	Flanged Hexagonal Head Bolt: M4x8	3
21	B234 4136	Decal - Warning (High Temperature)	1
22	B234 8510	Decal: Size Indication: Multi-Language: C3	1
23	B132 1531	Panel: Logo	1
24	B234 1369	Sheet: Logo: RIC: 9000	1
24	B235 1369	Sheet: Logo: RIC: 1100	1
24	B236 1369	Sheet: Logo: RIC: 1350	1
24	B234 6938	Sheet: Logo: INF: IS3090	1
24	D101 6938	Sheet: Logo: INF: 906EX	1
24	B235 6938	Sheet: Logo: INF: IS3110	1
24	D102 6938	Sheet: Logo: INF: 1106EX	1
24	B236 6938	Sheet: Logo: INF: IS3135	1
24	D103 6938	Sheet: Logo: INF: 1356EX	1
25	B234 1367	Cover - Logo	1
26	B235 7460	CD-ROM: Manual: RIC: NA: Ass'y (B234/B235/B236)	1

Index No.	Part No.	Description	Q'ty Per Assembly
26	B235 7461	CD-ROM: Manual: GES: NA: Ass'y (B234/B235/B236)	1
26	B235 7462	CD-ROM: Manual: SVN: Ass'y (B234/B235/B236)	1
26	B235 7463	CD-ROM: Manual: LAN: NA: Ass'y (B234/B235/B236)	1
26	D102 7561	Manual: Copy_REF: NA (D101/D102/D103)	1
26	D102 7592	Manual: About_Machine: NA (D101/D102/D103)	1
26	D102 7594	Manual: Troubleshoot: NA (D101/D102/D103)	1
26	D102 7611	Manual: Security_REF: NA (D101/D102/D103)	1
27	B234 1306	Decal: Multi: Misfeed Removal: D1/Z2	1
28	B132 1226	Holder: Stand	4
29	AA00 1477	Decal: Energy-Star	1
30	B477 4431	Decal - Original Table	1
31	B235 7607	Operating Instructions: Copy/Document: B-C3NA (B234/B235/B236)	1
31	B235 7707	Operating Instructions: Troubleshooting: B-C3NA (B234/B235/B236)	1
31	B235 7737	Operating Instructions: This_Machine: B-C3NA (B234/B235/B236)	1
31	B235 7907	Operating Instructions: Security: B-C3NA (B234/B235/B236)	1
32	B234 1357	Decal - Power Source Off English	1
101	0450 4008N	Tapping Screw - M4x8	
102	0451 4008N	Tapping Screw: 4x8	
103	0450 3008N	Tapping Screw - M3x8	

2.Exterior 2 (B234/B235/B236/D101/D102/D103)

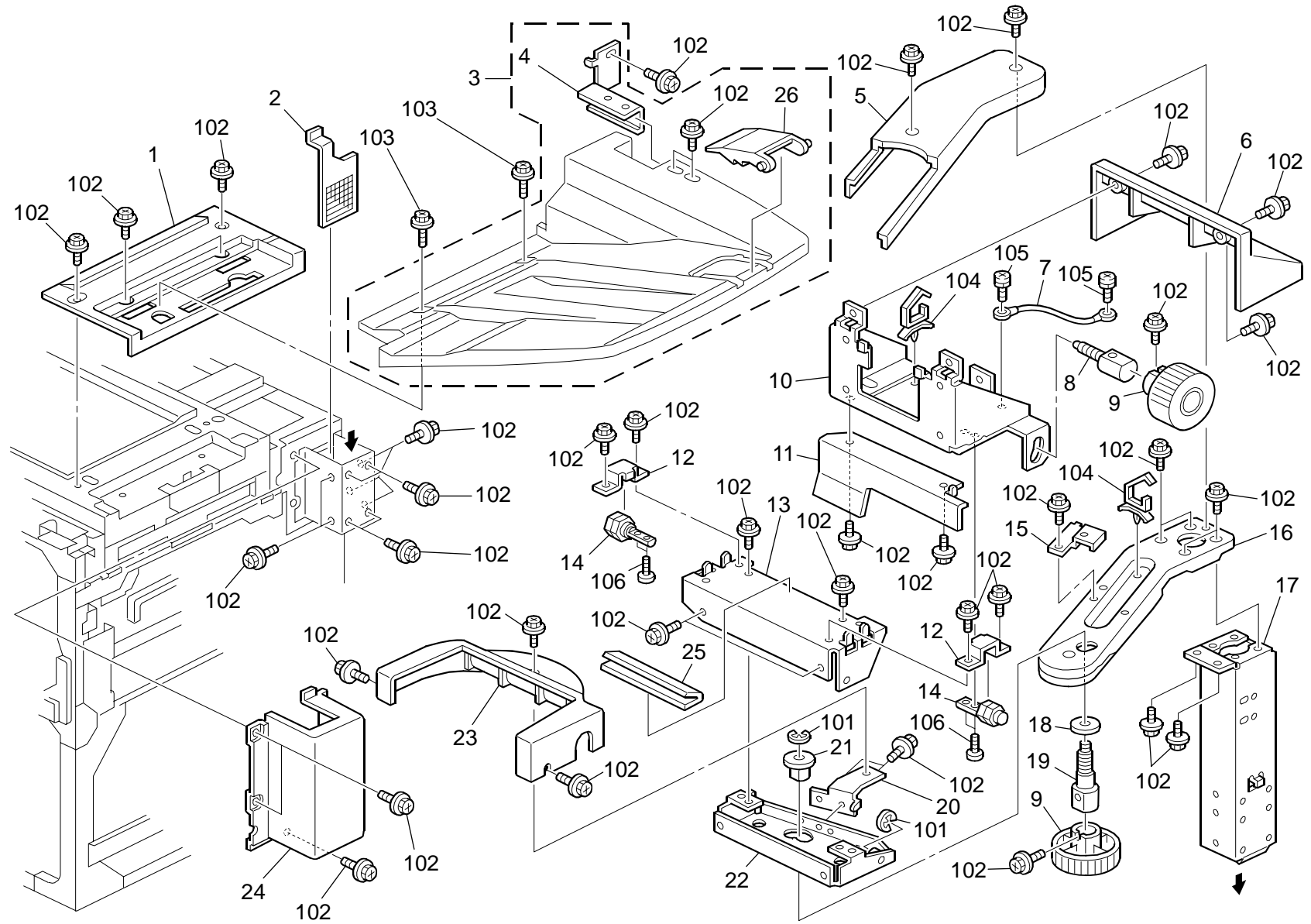


2.Exterior 2 (B234/B235/B236/D101/D102/D103)

Index No.	Part No.	Description	Q'ty Per Assembly
1	B234 1320	Cover - Left Upper	1
2	B234 1341	Cap: Connector	2
3	B234 1326	Cover - Left Lower	1
4	B234 1267	Door - Front Lower	1
5	B234 1272	Decal - Toner Bank	1
6	A294 1270	Lower Front Hinge	2
7	A294 1268	Door Catch - Front Lower	1
8	C244 2187	Shaft: Flange: Master: Right	2
9	A294 1271	Hinge - Lower Front Door	2
10	AA02 1035	Magnetic: Cover	1
11	B234 3491	Inner Cover - Upper	1
12	B234 3492	Inner Cover - Lower	1
13	B234 1316	Cover - Right Lower	1
14	B070 1312	Cap: Joint: Large Capacity Tray	4
15	B234 1311	Cover - Right Upper	1
16	B234 1258	Cover - Upper	1
17	B234 1313	Cover - Large Capacity Tray	1
18	B070 1331	Cap: Key Counter: C2	1
19	B234 7576	Cover - Power Supply Unit	1
20	B234 1329	Cover - Rear	1
21	AA14 3865	Screw - M4x10	1
22	B070 6840	Filter: C/T Box	2
23	B234 6838	Cover: C/T Box	1
24	B234 6851	Decal - Caption Interface	1
25	B234 1261	Cover - Upper Rear	1
26	AA14 3560	Stepped Screw - M4	4
27	B234 1332	Supporting Plate: Cover: Rear Upper	1

Index No.	Part No.	Description	Q'ty Per Assembly
101	0451 4008N	Tapping Screw: 4x8	
102	0450 4008N	Tapping Screw - M4x8	

3.Exterior 3 (B234/B235/B236/D101/D102/D103)



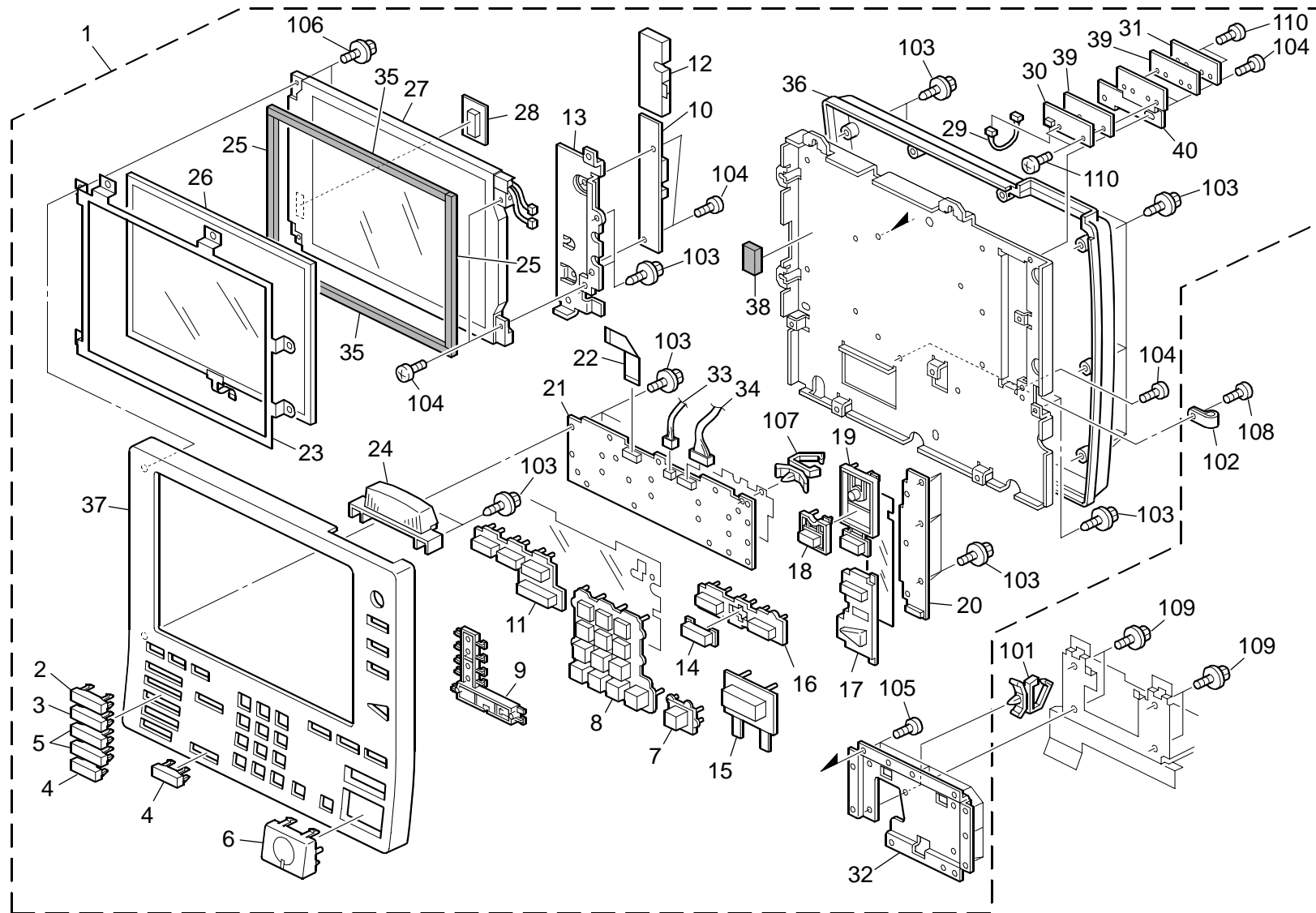
3.Exterior 3 (B234/B235/B236/D101/D102/D103)

Rev. 02/23/2009

Index No.	Part No.	Description	Q'ty Per Assembly
1	B234 1262	Cover - Upper Right	1
2	M002 1349	Filter: Entrance: Around The Photoconductor [TSB#058]	1
3	B234 1260	ADF Exit Tray	1
4	A294 1266	Exit Bracket	1
5	B234 1424	Cover - Arm	1
6	B234 1422	Support Cover - Upper	1
7	B070 5147	Harness: Ground Wire: Operation	1
8	B234 1447	Knob Shaft - Operation Panel Upper	1
9	B070 1440	Knob: Operation Sub-unit	2
10	A294 1439	Operation Unit Fixing Plate	1
11	B070 1430	Cover: Operation Panel: Rear	1
12	A294 1438	Hinge Fixing Plate	2
13	A294 1437	Supporting Plate - Operation Panel	1
14	A294 1429	Hinge - Operation Unit	2
15	A294 1446	Bracket - Arm Cover	1
16	A294 1425	Operation Unit Arm	1
17	B234 1433	Frame: Arm: Operation Sub-unit	1
18	A294 1441	Spacer - Operation Panel	1
19	B234 1448	Knob Shaft - Operation Panel Lower	1
20	A294 1445	Bracket - Cover	1
21	A294 1449	Bushing - Operation Panel	1
22	A294 1434	Lower Support	1
23	B234 1423	Support Cover - Lower	1
24	B234 1421	Cover - Holder	1
25	B070 1436	Gasket: Operation Sub-unit	1
26	B234 1263	Stopper - ADF Exit Tray	1

Index No.	Part No.	Description	Q'ty Per Assembly
101	0720 0060E	Retaining Ring - M6	
102	0451 4008N	Tapping Screw: 4x8	
103	0451 4012N	Tapping Screw: 4x12	
104	1105 0508	Harness Clamp - LWS-0711	
105	0950 4008N	Screw: Spring Washer: M4x8	
106	0313 0080N	Pan Head Screw: M3x8	

4.Operation Panel (B234/B235/B236/D101/D102/D103)

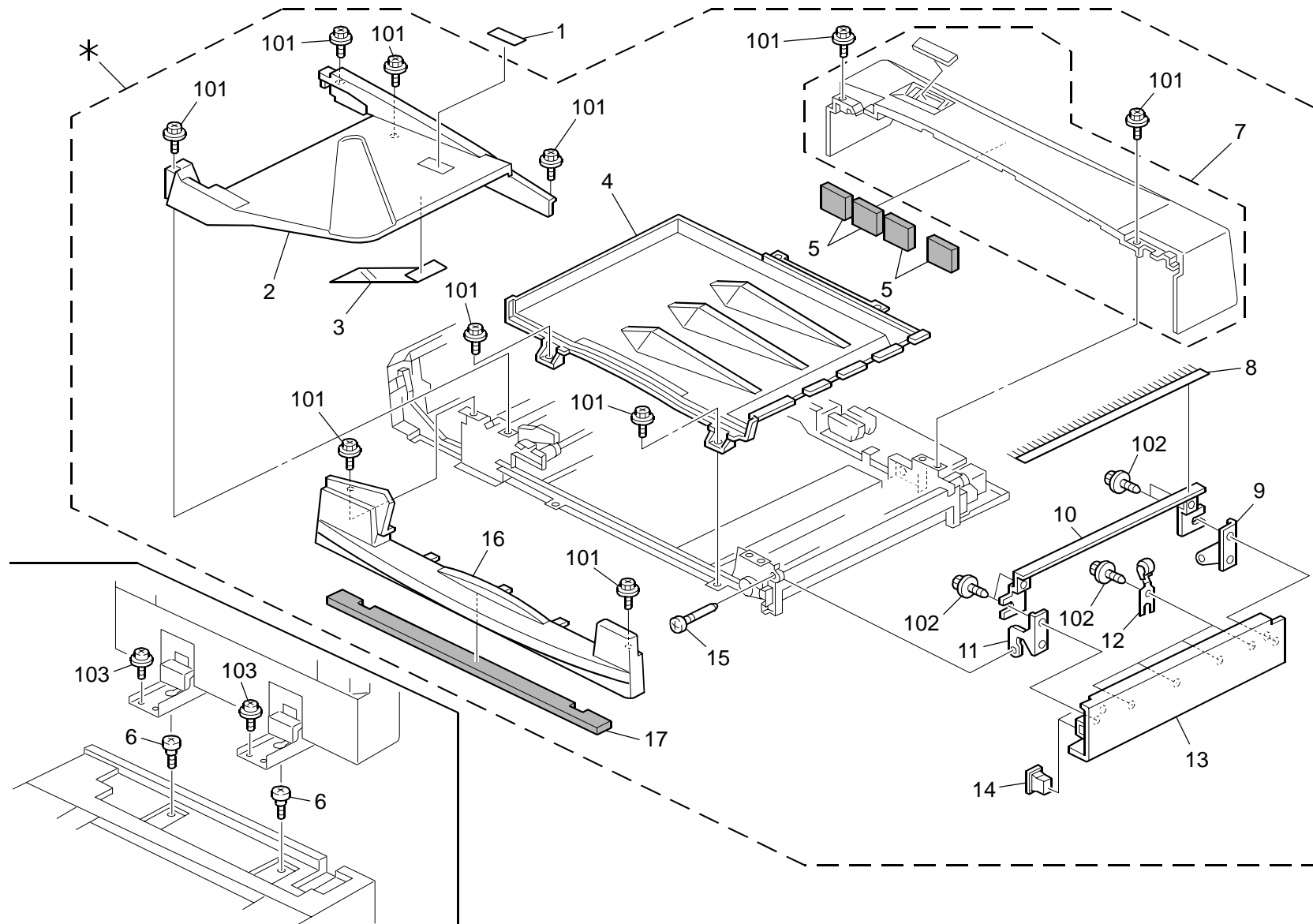


4.Operation Panel (B234/B235/B236/D101/D102/D103)

Index No.	Part No.	Description	Q'ty Per Assembly
1	B234 1451	Operation Panel Unit (NA) (B234/B235/B236)	1
1	B234 1452	Operation Panel Unit EU (B234/B235/B236)	1
1	D101 1451	Operation Panel Unit - NA (D101/D102/D103)	1
1	D101 1452	Operation Panel Unit - EU (D101/D102/D103)	1
2	B234 1569	Keytop - Copy NA	1
2	B234 1575	Keytop - Copy EU	1
3	B234 1570	Keytop - Docbox NA	1
3	B234 1576	Keytop - Docbox EU	1
4	B234 1523	Keytop - Application	
		Blank S (B234/B235/B236)	2
4	G178 1841	Keytop: Application:	
		Blank: S: BR (D101/D102/D103)	2
5	B234 1526	Keytop - Application	
		Blank L (B234/B235/B236)	2
5	G178 1842	Keytop: Application:	
		Blank: L: BR (D101/D102/D103)	2
6	B234 1505	Keytop - Start	1
7	B234 1508	Keytop - Try Print	1
8	B234 1507	Keytop - 10key	1
9	B234 1515	Keytop - Spacer Application	1
10	B234 1480	Inverter S-VGA	1
11	B234 1558	Keytop - Counter NA	1
11	B234 1568	Keytop - Counter EU	1
12	B234 1539	Insulator - Inverter	1
13	B234 1534	LCD Bracket	1
14	B234 1559	Keytop - Reset Switch	1
15	B234 1506	Keytop - Stop	1
16	B234 1517	Keytop - Program	1
17	B234 1520	Keytop - Interrupt	1
18	B234 1521	Keytop - Login_logout	1
19	B234 1519	Keytop - Power Source	1
20	B234 1463	PCB Key Sub	1
21	B234 1460	PCB - Key Main	1
22	B234 1478	Cable - FFC/LCD	1
23	B234 1531	Shading Plate	1

Index No.	Part No.	Description	Q'ty Per Assembly
24	B234 1504	Cover - Pilot Lamp	1
25	B234 1543	Spacer - Touch Panel S	2
26	B234 1479	Touch Panel S-VGA	1
27	RC01 0070	LCD - LQ104S1DG21A	1
28	B234 1472	PCB LCD	1
29	B234 1477	Harness - LED	1
30	B234 1466	PCB LED F	1
31	B234 1469	PCB LED R	1
32	B234 1533	Arm Stay Bracket	1
33	B234 1476	Harness - INV	1
34	B234 1475	Harness - SUB	1
35	B234 1542	Spacer - Touch Panel L	2
36	B234 1502	Cover: Rear	1
37	B234 1592	Cover: Front: Design Plate:	
		NA: Ass'y (B234/B235/B236)	1
37	G178 1853	Cover: Front: NA (D101/D102/D103)	1
37	B234 1593	Cover: Front: Design Plate:	
		EU: Ass'y (B234/B235/B236)	1
37	G178 1855	Cover: Front: EU (D101/D102/D103)	1
38	B234 1544	Cushion - Plate LCD PCB	1
39	B234 1538	Sheet: Heat	2
40	B234 1535	LED Heat Sink	1
101	1105 0508	Harness Clamp - LWS-0711	
102	1105 0530	Nylon Clamp-EMT-4N	
103	0450 3010N	Tapping Screw - M3x10	
104	0353 0060N	Bind Screw - M3x6	
105	0354 0060N	Screw-M4x6	
106	0360 3008N	Screw: M3x8	
107	1105 0511	Harness Clamp - LWS-0306ZC	
108	0314 0060N	Screw - M4x6	
109	0451 4008N	Tapping Screw: 4x8	
110	0353 0040P	Screw - M3x4	

5.DF Exterior (B234/B235/B236/D101/D102/D103)



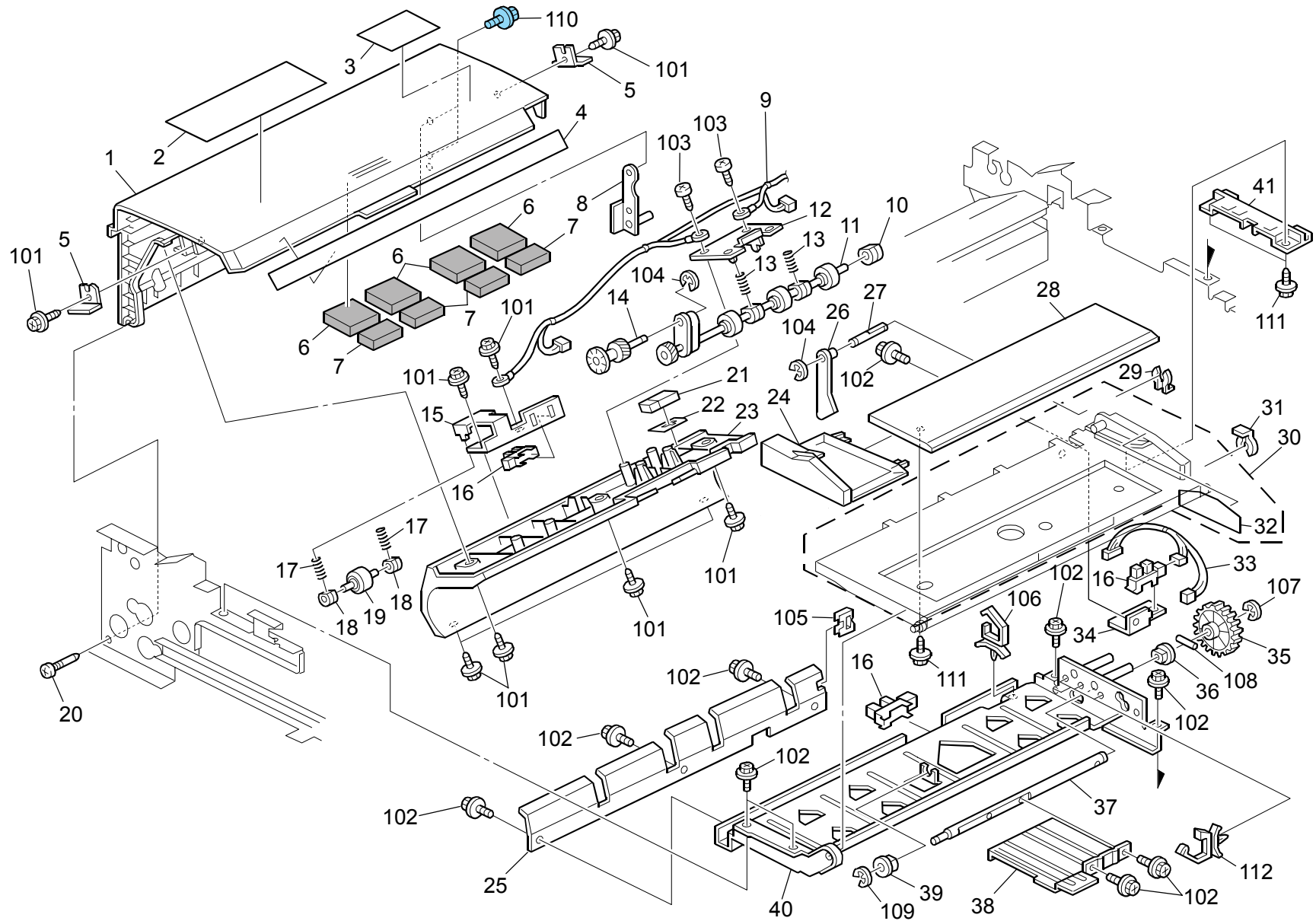
5.DF Exterior (B234/B235/B236/D101/D102/D103)

Index No.	Part No.	Description	Q'ty Per Assembly
*	B234 7001	ARDF: Unit	1
1	B477 4431	Decal - Original Table	1
2	B301 1822	Original Table: RIC: Printing	1
3	B301 1835	Original Holder	1
4	B301 1796	Cover: Original Table: Lower: RIC	1
5	B301 4428	Sound Proofing Material - Rear	4
6	A859 7211	Stepped Screw	2
7	B301 1726	Cover: Rear: RIC: Ass'y	1
8	B301 1919	Discharge Brush - Exit	1
9	A806 3261	Inner Back Cover Bracket	1
10	A806 3266	Discharge Brush Bracket	1
11	A806 3251	Exit Cover Bracket	1
12	A663 1241	Exit Roller: Driven: AS	4
13	B301 1786	Cover: Exit: RIC	1
14	B352 2650	Magnet Catch - 5N	2
15	AA14 3788	Pin: Guide Plate: Paper Feed	1
16	B301 1716	Cover: Front	1
17	B301 4415	Sound Proofing Material - Front Lower	1

Index No.	Part No.	Description	Q'ty Per Assembly
101	0451 3008N	Tapping Screw - M3x8	
102	0450 4012N	Tapping Screw: 4x12	
103	0951 5008N	Screw: Polished Round: M5x8	

6.Original Feed 1 (B234/B235/B236/D101/D102/D103)

Rev. 06/25/2008



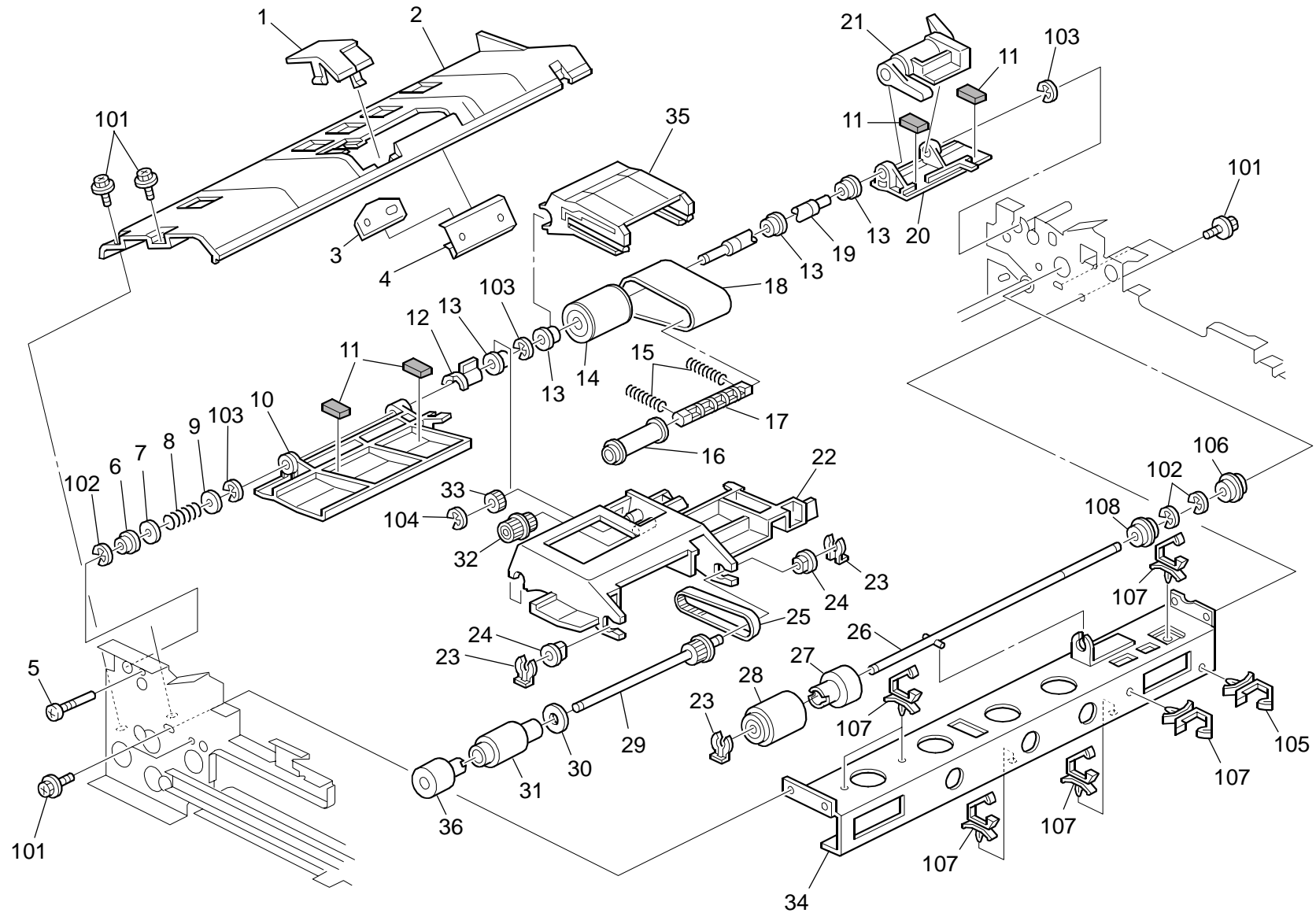
6.Original Feed 1 (B234/B235/B236/D101/D102/D103)

Rev. 02/24/2009

Index No.	Part No.	Description	Q'ty Per Assembly
1	B301 1766	Paper Feed Cover	1
2	B301 4316	Decal: Misfeed Removal	1
3	B301 4357	Decal: Caution: Paper Feed	1
4	B301 4336	Decal: Size: Original: RIC	1
5	A806 1371	Magnet Catch - Paper Feed Cover	2
6	B301 4426	Sound Proofing Material - Right	4
7	B301 4427	Sound Proofing Material - Left	4
8	A806 1361	Cover Bracket	1
9	B301 5406	DC Relay Harness [TSB#052]	1
10	A680 1661	Bushing - 4mm	1
11	B301 1191	Pull-out Driven Roller	1
12	A806 1181	Pressure Roller Bracket - Pull Out	1
13	B301 4211	Spring	2
14	B301 1195	Gear - 19Z	1
15	B301 1188	Sensor Bracket	1
16	AW02 0141	Photointerruptor	3
17	B301 4222	Spring	2
18	B301 1192	Bushing - 4x6x6	2
19	B301 1198	Pull-Out Driven Roller - Front	1
20	AA14 3788	Pin: Guide Plate: Paper Feed	1
21	AW01 0109	Photo Reflector Sensor: PS117ED1	1
22	A806 4251	Grounding Plate	1
23	B301 1171	Pulley Cover	1
24	B301 1876	Side Fence: Table: Ass'y	1
25	A806 1335	Original Table Guide Plate	1
26	B301 1351	Original Feeler	1
27	A806 1353	Feeler Stud	1
28	G564 4151	Rail - Side Fence	1
29	5206 2686	Snap Ring	1
30	B301 1852	Base: Original Table: RIC: Ass'y [TSB#044]	1
31	5215 2621	Snap Ring - M6	1
32	B477 4311	Decal - Original Base	1
33	B301 5290	Harness: Sensor: Original: [TSB#044]	1
34	A806 1356	Original Sensor Bracket	1
35	A806 2281	Gear - Z47	1

Index No.	Part No.	Description	Q'ty Per Assembly
36	5053 0223	Bushing - 8mm	1
37	A806 1346	Base Shaft	1
38	A806 1342	Base Lever	1
39	5053 0447	Bushing - 6mm	1
40	B301 1341	Stay: Original Table: Ass'y [TSB#044]	1
41	B301 1875	Hook: Harness: Base [TSB#044]	1
101	0450 4008N	Tapping Screw - M4x8	
102	0451 3008N	Tapping Screw - M3x8 [TSB#044]	2
103	0452 4008N	Tapping Screw: M4x8	
104	0720 0030E	Retaining Ring - M3	
105	1105 0328	Harness Clamp - ES-0505	
106	1105 0511	Harness Clamp - LWS-0306ZC	
107	0720 0060E	Retaining Ring - M6	
108	0632 0140G	Parallel Pin	
109	0720 0040E	Retaining Ring - M4	
110	0454 3008Q	Tapping Screw: 3x8	
111	0450 3008N	Tapping Screw - M3x8	
112	1105 0623	Clamp - LBWS-0206S-V0 [TSB#044]	4

7.Original Feed 2 (B234/B235/B236/D101/D102/D103)

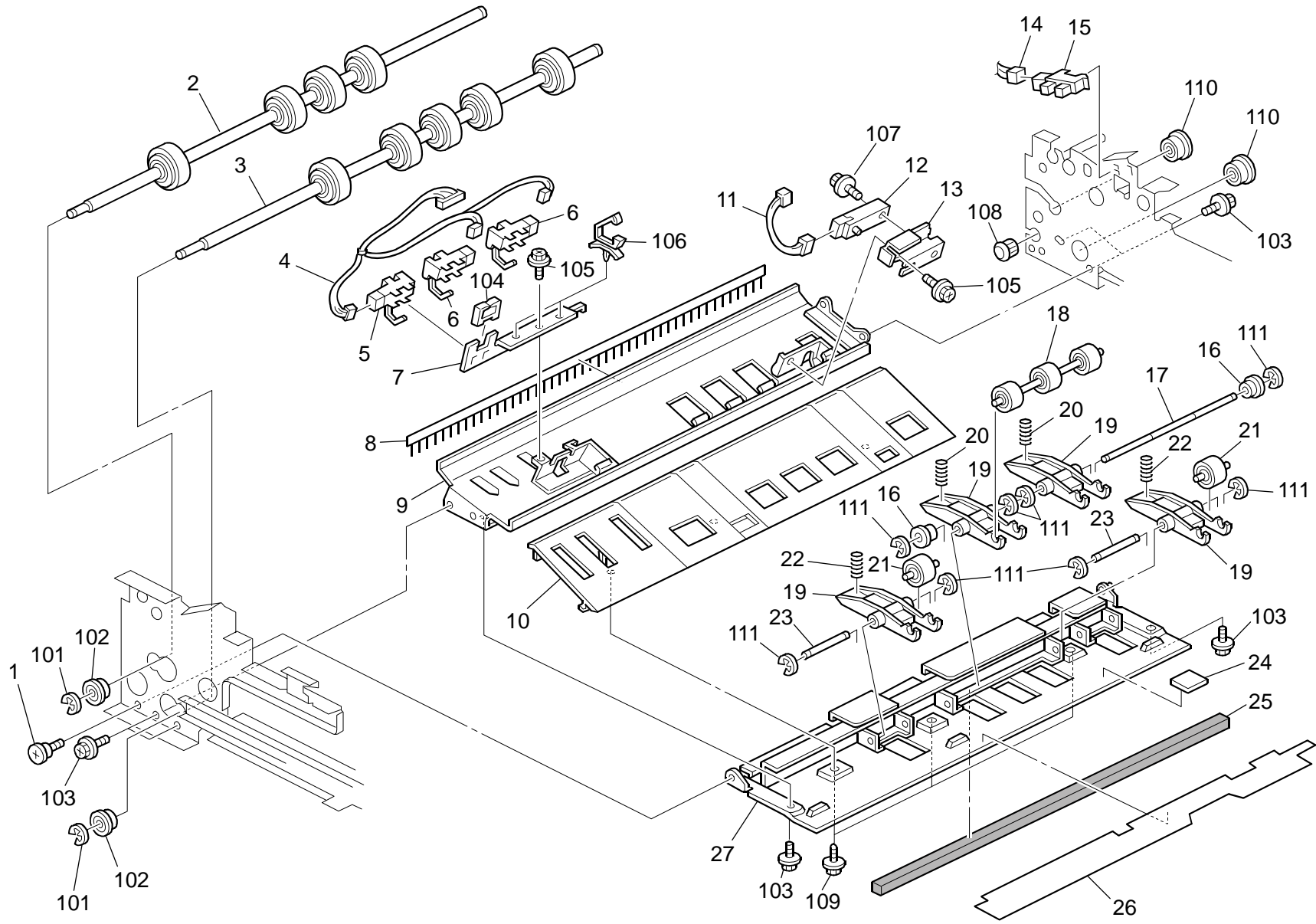


7.Original Feed 2 (B234/B235/B236/D101/D102/D103)

Index No.	Part No.	Description	Q'ty Per Assembly
1	A806 1152	Upper Guide Plate	1
2	A806 1153	Upper Guide Plate	1
3	B301 1155	Separation Support Pad	1
4	B301 1156	Separation Pad Holder	1
5	AA14 3789	Shaft: Cleaner	1
6	B301 1286	Bushing - 6x10x6	1
7	A418 1158	Spacer - M6.5x1	1
8	AA06 3435	Compression Spring: Paper Feed: Joint	1
9	AA13 2013	Spacer	1
10	A806 1161	Entrance Guide Plate - Front	1
11	A806 1163	Guide Plate Cushion	4
12	A680 1621	Feed-in Unit Stopper	1
13	A628 1225	Bushing - 8mm	4
14	A806 1293	Feed Belt Drive Roller	1
15	A806 4261	Spring Belt Guide Roller	2
16	A806 1294	Feed Belt Driven Roller	1
17	A806 1298	Transport Belt Roller Shaft	1
18	A806 1295	Feed Belt	1
19	A806 1282	Separation Drive Shaft	1
20	A806 1162	Entrance Guide Plate - Inner	1
21	A806 1328	Release Lever	1
22	B301 1314	Pick-up Roller Bracket	1
23	5447 2681	Snap Ring	3
24	5053 0447	Bushing - 6mm	2
25	A806 4118	Timing Belt - B40S2M148	1
26	B301 2511	Reverse Roller Shaft	1
27	A294 6700	Torque Limiter - 53mNxm	1
28	A859 2241	Reverse Roller	1
29	A806 2153	Timing Pulley - T27 S2M	1
30	AA13 2171	Spacer - 6x20x1	1
31	B477 2225	Pick-up Roller	1
32	A806 2151	Timing Pulley - T19/Z23 S2M/M0.6	1
33	A806 2271	Gear - Z18	1
34	A806 1141	Reverse Roller Stay	1
35	A806 1292	Feed Belt Bracket	1

Index No.	Part No.	Description	Q'ty Per Assembly
36	B477 2226	Pickup Roller: Coupling	1
101	0451 3008N	Tapping Screw - M3x8	
102	0720 0040E	Retaining Ring - M4	
103	0720 0060E	Retaining Ring - M6	
104	0720 0030E	Retaining Ring - M3	
105	1105 0516	Clamp	
106	0741 3506	Ball Bearing - 6x12x4 mm	
107	1105 0623	Clamp - LBWS-0206S-V0	
108	0741 3706	Ball Bearing - 6x10x3	

8.Original Feed 3 (B234/B235/B236/D101/D102/D103)



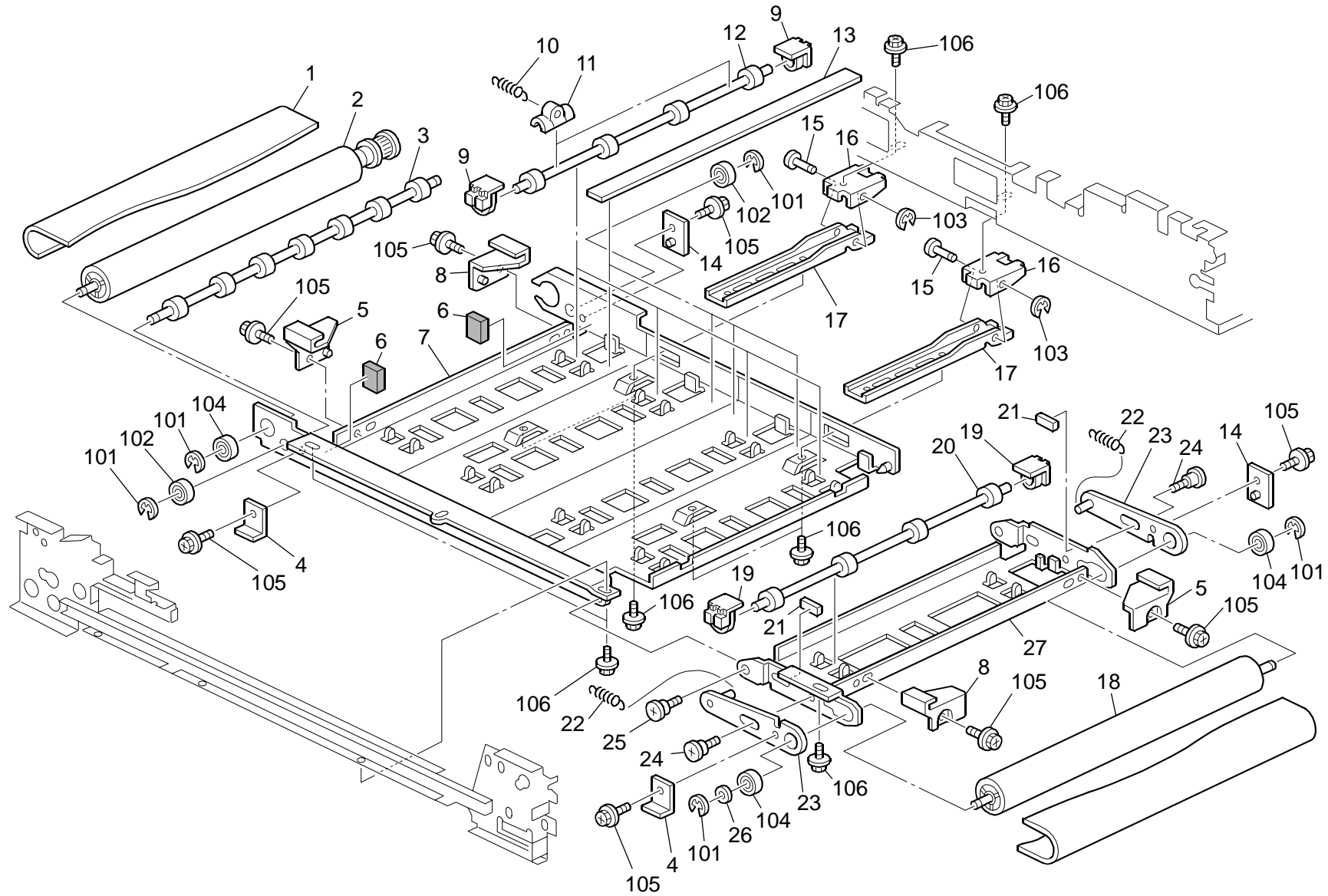
8.Original Feed 3 (B234/B235/B236/D101/D102/D103)

Rev. 11/11/2008

Index No.	Part No.	Description	Q'ty Per Assembly
1	AA14 3857	Screw - M4x5	1
2	A806 1271	Pull Out Drive Roller	1
3	A806 1276	Transport Drive Roller	1
4	B301 5246	Harness - Paper Size Sensor [TSB#052R]	1
5	AW02 0155	Photointerruptor: Paper Size Sensor	1
6	AW02 0154	Photointerruptor: Entrance	2
7	A806 1226	Paper Size Sensor Bracket	1
8	B301 1216	Discharge Brush	1
9	A806 1211	Middle Guide Plate	1
10	A806 1241	Lower Guide Plate	1
11	B301 5245	Harness - Registration Sensor [TSB#052R]	1
12	AW01 0109	Photo Reflector Sensor: PS117ED1	1
13	A806 1221	Registration Sensor Bracket	1
14	B301 5234	Harness - Paper Feed Sensor [TSB#052]	1
15	AW02 0141	Photointerruptor	1
16	5324 1658	Bushing- 4x8x4.5mm	2
17	A806 1256	Middle Shaft - Roller Arm	1
18	A806 1261	Middle Driven Roller	1
19	A806 1251	Transport Roller Arm	4
20	A806 4221	Compression Spring	2
21	A806 1266	Driven Roller	2
22	B301 4226	Spring	2
23	A806 1257	Roller Arm Shaft	2
24	A422 1063	Seal - 0.7x13x20	1
25	B301 4417	Sound Proofing Material - Left Right	1
26	B301 1247	Entrance Guide	1
27	B301 1232	Base: Paper Feed	1

Index No.	Part No.	Description	Q'ty Per Assembly
101	0720 0040E	Retaining Ring - M4	
102	0741 3506	Ball Bearing - 6x12x4 mm	
103	0451 3008N	Tapping Screw - M3x8	
104	1105 0328	Harness Clamp - ES-0505	
105	0451 3006N	Tapping Screw - 3x6	
106	1105 0623	Clamp - LBWS-0206S-V0	
107	0451 3012N	Tapping Screw: 3x12	
108	1106 0193	Bushing - 7.9mm	
109	0450 3008N	Tapping Screw - M3x8	
110	0742 3808	Ball Bearing - 8x16x5	
111	0720 0030E	Retaining Ring - M3	

9.Original Transport (B234/B235/B236/D101/D102/D103)

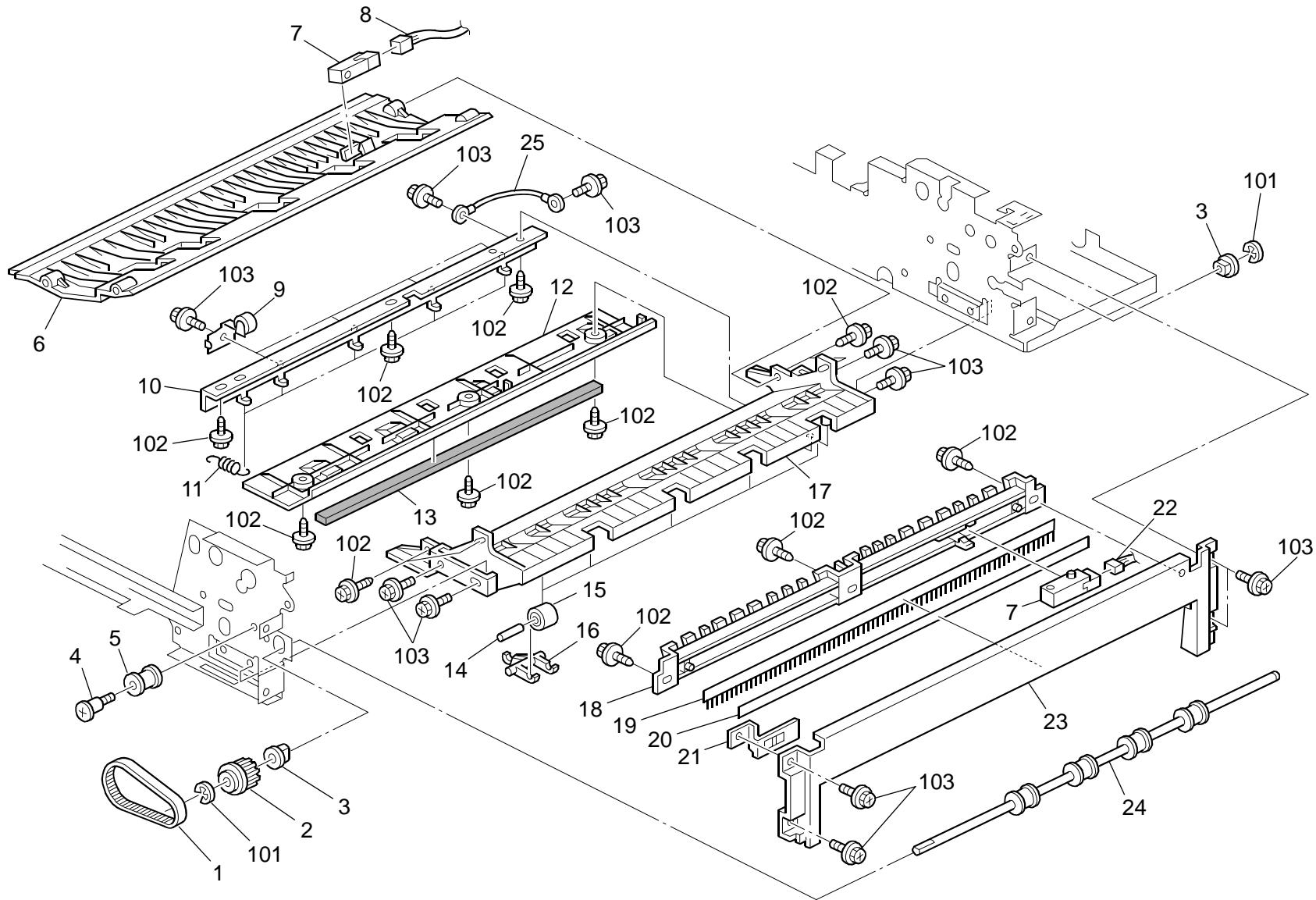


9.Original Transport (B234/B235/B236/D101/D102/D103)

Index No.	Part No.	Description	Q'ty Per Assembly
1	B301 1442	Transport Belt	1
2	B301 1432	Belt Drive Roller	1
3	B301 1451	Belt Pressure Roller	1
4	B301 1449	Front Spacer	2
5	B301 1443	Transport Belt Stopper - Front	2
6	B301 1141	Rubber Cushion	2
7	B301 1412	Transport Belt Plate	1
8	B301 1444	Transport Belt Stopper - Rear	2
9	A610 2136	Bushing	8
10	AA06 2587	Tension Spring: Pressure	8
11	A610 2132	Pressure Bushing	8
12	B301 1481	Belt Pressure Roller	4
13	B301 4431	Vibration Absorbing Pad	4
14	B301 1445	Rear Spacer	2
15	A680 1443	Arm Shaft	2
16	A680 1446	Transport Unit Arm	2
17	A548 1442	Transport Arm	2
18	B301 1436	Transport Belt Roller	1
19	A610 2137	Pressure Roller Bushing	2
20	B301 2161	Roller: Pressure: Belt: Mm24	1
21	AA16 1138	Cushion - 1.1	2
22	AA06 2345	Tension Spring	2
23	B301 1491	Tension Bracket	2
24	AA14 3831	Screw	2
25	B188 3575	Screw: Lever: Release: Blade	1
26	A028 7878	Arm Spacer	1
27	B301 1422	Transport Stay	1

Index No.	Part No.	Description	Q'ty Per Assembly
101	0720 0040E	Retaining Ring - M4	
102	0741 3706	Ball Bearing - 6x10x3	
103	0720 0030E	Retaining Ring - M3	
104	0741 3506	Ball Bearing - 6x12x4 mm	
105	0451 3008N	Tapping Screw - M3x8	
106	0451 4006N	Tapping Screw - 4x6	

10.Original Exit 1 (B234/B235/B236/D101/D102/D103)



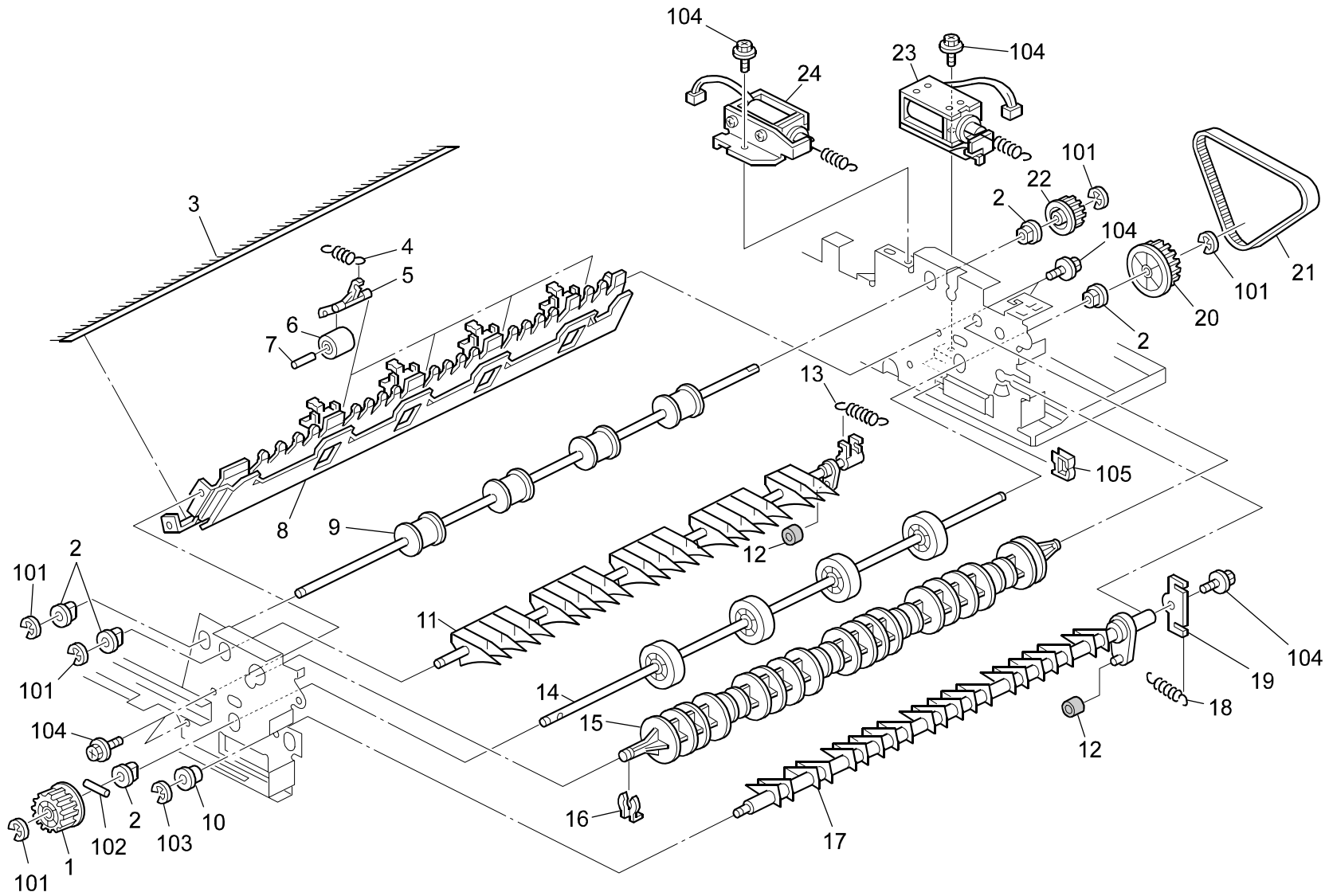
10.Original Exit 1 (B234/B235/B236/D101/D102/D103)

Rev. 02/20/2009

Index No.	Part No.	Description	Q'ty Per Assembly
1	AA04 3548	Timing Belt - B40S3M150	1
2	A806 3281	Timing Pulley - T14 S3M	1
3	5053 0447	Bushing - 6mm	2
4	AA14 3842	Screw: DIA6: 14.5: M4	1
5	A351 3459	Idler	1
6	B301 3161	Left Exit Guide	1
7	AW01 0109	Photo Reflector Sensor: PS117ED1	2
8	B301 5256	Harness - Exit Sensor [TSB#052R]	1
9	A806 3151	Driven Exit Roller	4
10	A806 3142	Guide Plate Bracket	1
11	B301 3135	Spring	5
12	A806 3171	Lower Exit Cover	1
13	B301 4417	Sound Proofing Material - Left Right	1
14	B301 3185	Driven Roller Shaft	5
15	B301 3184	Reverse Driven Roller	5
16	A548 1234	Driven Roller Arm	5
17	B301 3132	Lower Guide Plate	1
18	A806 3211	Right Exit Guide Plate	1
19	B301 1919	Discharge Brush - Exit	1
20	A806 3222	Seal	1
21	A806 3221	Exit Ground Plate	1
22	B301 5253	Harness – Sensor [TSB#052]	1
23	B301 1926	Cover: Right	1
24	A806 3111	Drive Exit Roller	1
25	B301 5476	Grounding Wire [TSB#052R]	1

Index No.	Part No.	Description	Q'ty Per Assembly
101	0720 0040E	Retaining Ring - M4	
102	0450 3008N	Tapping Screw - M3x8	
103	0451 3008N	Tapping Screw - M3x8	

11.Original Exit 2 (B234/B235/B236/D101/D102/D103)

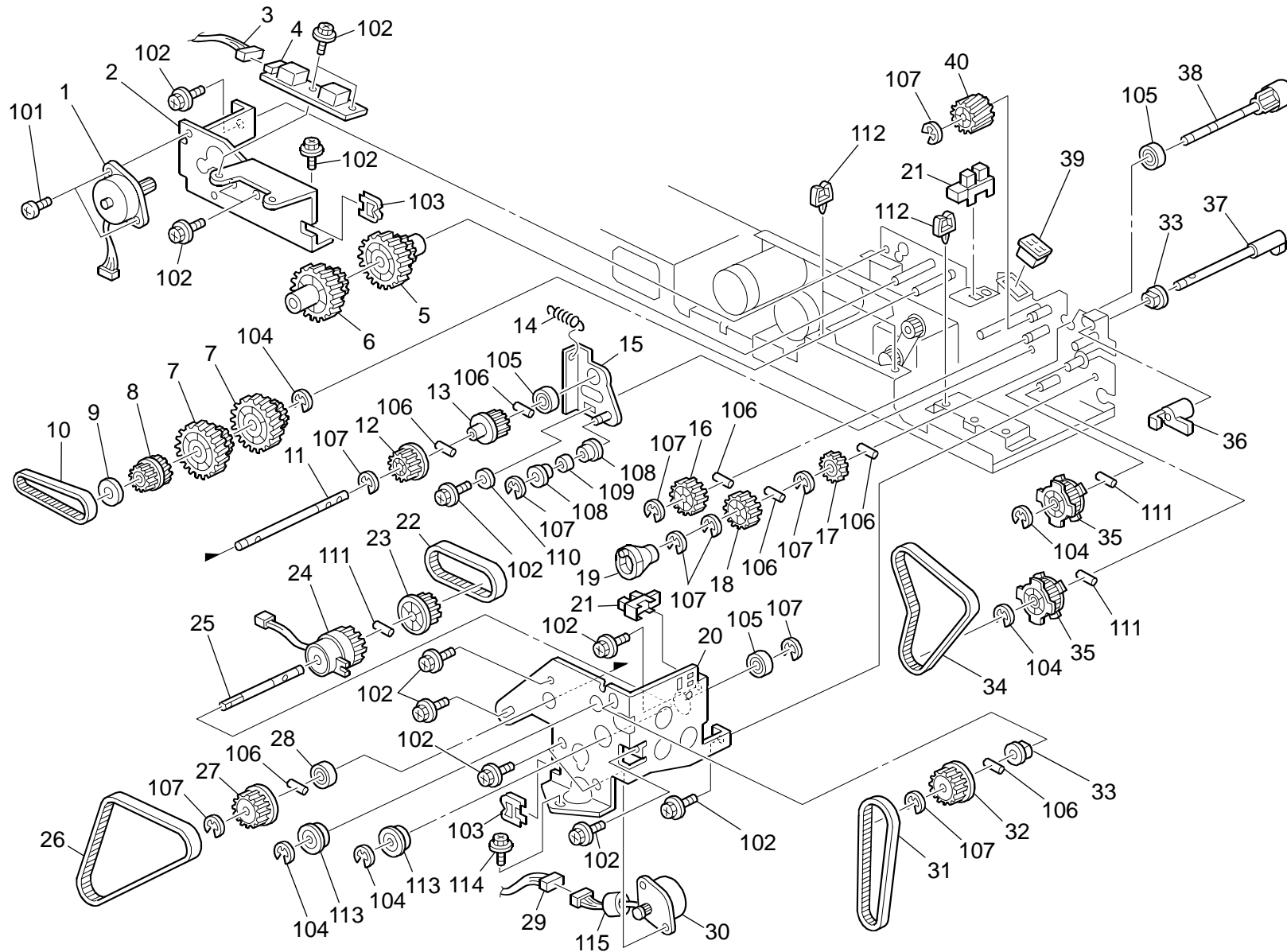


11.Original Exit 2 (B234/B235/B236/D101/D102/D103)

Index No.	Part No.	Description	Q'ty Per Assembly
1	A680 2321	Pulley - 30T	1
2	5053 0447	Bushing - 6mm	5
3	B301 3188	Discharge Brush	1
4	B301 3186	Spring	4
5	A548 1234	Driven Roller Arm	4
6	B301 3184	Reverse Driven Roller	4
7	B301 3185	Driven Roller Shaft	4
8	B301 3181	Inverter Guide Plate	1
9	A548 1261	Exit Roller	1
10	5324 1658	Bushing- 4x8x4.5mm	1
11	A548 1321	Exchange Pawl	1
12	A548 1317	Lever Cushion	2
13	AA06 2589	Tension Spring: Reverse	1
14	B301 3271	Reverse Drive Roller	1
15	A548 1231	Guide Roller	1
16	5215 2621	Snap Ring - M6	1
17	B301 3191	Exit Junction Gate	1
18	AA06 2588	Tension Spring: Exit	1
19	B301 3192	Lever - Exit Junction Gate	1
20	B301 3286	Pulley - 30Z	1
21	AA04 3547	Timing Belt - B40S3M213	1
22	A548 2137	Timing Pulley - 18Z	1
23	B301 3311	Reverse DC Solenoid	1
24	B301 3301	Paper Exit Solenoid	1

Index No.	Part No.	Description	Q'ty Per Assembly
101	0720 0040E	Retaining Ring - M4	
102	0632 0120G	Parallel Pin - 2x12	
103	0720 0030E	Retaining Ring - M3	
104	0451 3008N	Tapping Screw - M3x8	
105	1105 0328	Harness Clamp - ES-0505	

12.DF Drive Section 1 (B234/B235/B236/D101/D102/D103)



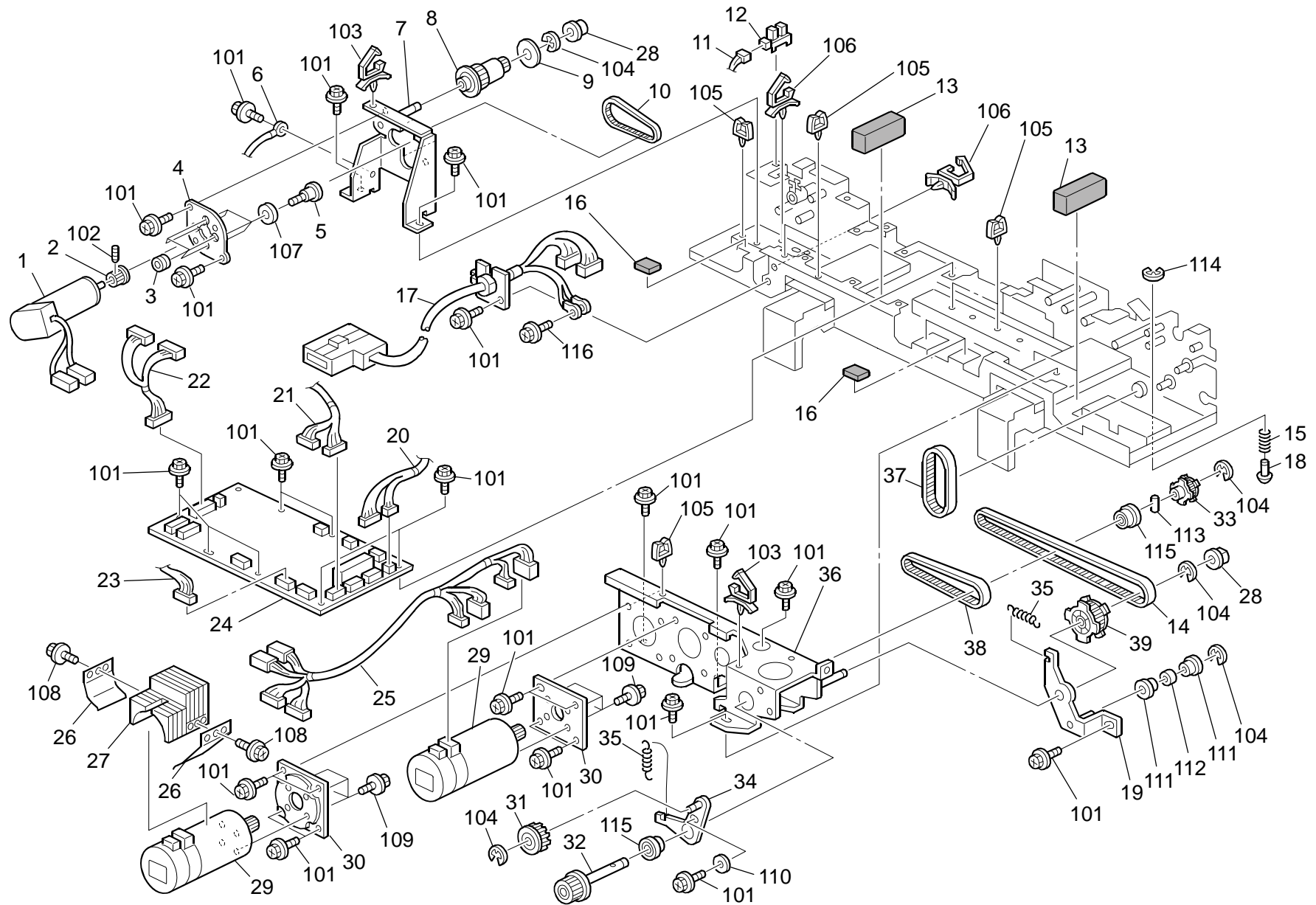
12.DF Drive Section 1 (B234/B235/B236/D101/D102/D103)

Rev. 11/17/2008

Index No.	Part No.	Description	Q'ty Per Assembly
1	B652 2911	Stepper Motor: Base: Rise: Ass'y	1
2	B301 2367	Motor Bracket	1
3	B301 5270	Harness - Display	1
4	B301 5190	PCB Display	1
5	A806 2285	Gear - Z20/Z47	1
6	A806 2287	Gear - Z20/Z47	1
7	A806 2283	Gear - Z20/Z47	2
8	A806 2161	Timing Pulley - T30/Z20 S2M/M0.8	1
9	AA13 2152	Spacer - 8x20x1	1
10	A806 4117	Timing Belt - B40S2M158	1
11	B301 2122	Shaft	1
12	B301 2213	Pulley - 20Z	1
13	B301 2211	Pulley - 20/19Z	1
14	B229 3273	Pressure Spring	1
15	B301 2281	Tension Bracket	1
16	B301 2221	Gear - 31Z	1
17	B301 2244	Gear - 23Z	1
18	B301 2243	Gear - 29Z	1
19	A806 2244	Separation Shaft Stopper	1
20	B301 2336	Side Plate	1
21	AW02 0141	Photointerruptor	2
22	AA04 3535	Timing Belt - B60S3M195	1
23	B301 2273	Pulley - 32Z	1
24	AX20 0294	Magnetic Clutch - 38Z	1
25	B301 2271	Shaft	1
26	AA04 3534	Timing Belt - B60S3M216	1
27	B301 2123	Pulley - 24Z	1
28	A859 2230	Ball Bearing - 6x13x5	1
29	B301 5221	Harness - Pick Up Motor [TSB#052]	1
30	AX04 0139	Stepper Motor: Mm42: 0.95A: 9.5V	1
31	AA04 3537	Timing Belt - B40S2M206	1
32	B301 2141	Pulley - 39Z	1
33	5053 0447	Bushing - 6mm	2
34	AA04 3536	Timing Belt - B60S3M279	1
35	B301 2261	Pulley - 36Z	2

Index No.	Part No.	Description	Q'ty Per Assembly
36	A680 2262	Feeler - Pick-up Roller Cam	1
37	B301 2422	Cam - Pick-up Roller	1
38	B301 2242	Shaft	1
39	AG07 0515	Magnet Catch: 13N	1
40	B301 2222	Gear - 20Z	1
101	0353 0050N	Screw-M3x5	
102	0451 3008N	Tapping Screw - M3x8	
103	1105 0328	Harness Clamp - ES-0505	
104	0720 0060E	Retaining Ring - M6	
105	0741 3506	Ball Bearing - 6x12x4 mm	
106	0632 0120G	Parallel Pin - 2x12	
107	0720 0040E	Retaining Ring - M4	
108	0741 3706	Ball Bearing - 6x10x3	
109	0805 3507	Bushing - 6mm	
110	0701 0030N	Washer DIA3	
111	0632 0160G	Parallel Pin-M2x16	
112	1105 0231	Clamp	
113	0742 3808	Ball Bearing - 8x16x5	
114	0451 3010N	Tapping Screw: 3x10	
115	1607 0623	Ferrite Core - TFC-16-8-13	

13.DF Drive Section 2 (B234/B235/B236/D101/D102/D103)



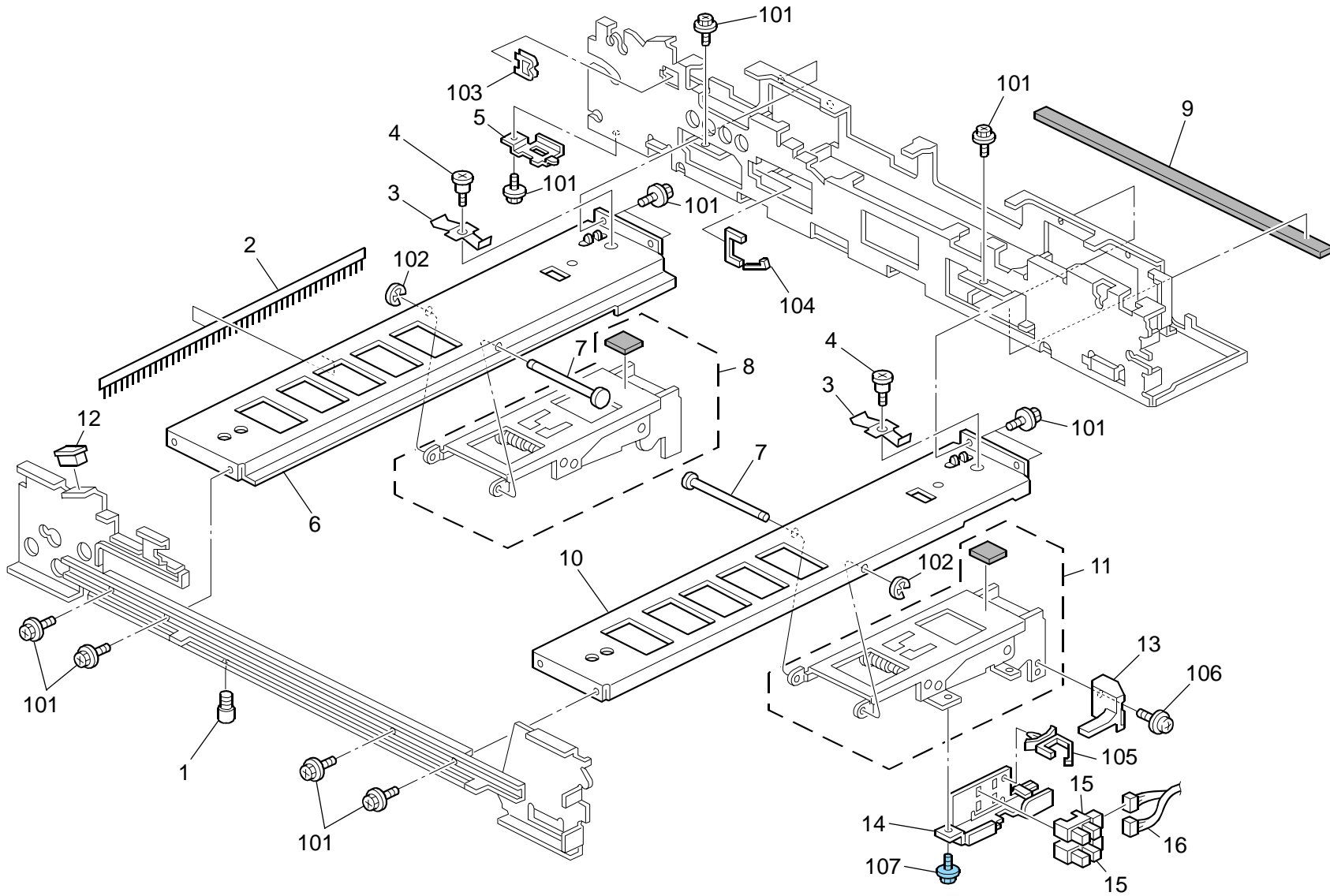
13.DF Drive Section 2 (B234/B235/B236/D101/D102/D103)

Rev. 11/17/2008

Index No.	Part No.	Description	Q'ty Per Assembly
1	AX06 0321	DC Motor 24V 27W	1
2	A610 3532	Timing Pulley - 18Z	1
3	B301 3246	Motor Bushing - 4x9x5.2	4
4	B301 3345	Exit Motor Guide Plate	1
5	AA14 3379	Stepped Screw	4
6	B301 5475	Grounding Wire	1
7	B301 3341	Exit Motor Bracket	1
8	A680 2311	Pulley - 18T/32T	1
9	A300 3812	Spacer - 6x22x1.5	1
10	AA04 3539	Timing Belt - B40S2M104	1
11	B301 5253	Harness – Sensor [TSB#052]	1
12	AW02 0141	Photointerruptor	1
13	B301 4418	Sound Proofing Material - Hinge Side	3
14	AA04 3546	Timing Belt - B60S2M474	1
15	B652 1134	Compression Spring	1
16	B301 1141	Rubber Cushion	3
17	B301 5280	Harness - Interface [TSB#052]	1
18	B652 1133	Shaft: Slider	1
19	B301 2376	Tension Bracket	1
20	B301 5232	Harness - Paper Feed Rear [TSB#052]	1
21	B301 5247	Harness - Middle [TSB#052]	1
22	B301 5255	Harness - Paper Exit [TSB#052]	1
23	B301 5261	Harness - On Off Detector [TSB#052R]	1
24	B301 5100	PCB ADF Main Control	1
25	B301 5211	Harness - DC Motor [TSB#052]	1
26	B301 2320	Heat Sink Holder	2
27	B301 2319	Heat Sink - DC Motor	1
28	5936 2321	Rubber Bushing - Vibration Damper	2
29	AX06 0320	DC Motor: 54W	2
30	B301 2172	Cushion	2
31	AB03 0354	Pulley - 20T	1
32	B301 2113	Pulley - 19Z	1
33	B301 2111	Pulley - 30Z	1
34	B301 2327	Holder Bracket	1
35	B229 3273	Pressure Spring	2

Index No.	Part No.	Description	Q'ty Per Assembly
36	B301 2371	Motor Bracket	1
37	AA04 3538	Timing Belt - B60S3M174	1
38	AA04 3533	Timing Belt - B0S2M256	1
39	B301 2231	Pulley - 58/20Z	1
101	0451 3008N	Tapping Screw - M3x8	
102	0574 0050E	Hexagon Headless Set Screw - M4x5	
103	1105 0328	Harness Clamp - ES-0505	
104	0720 0040E	Retaining Ring - M4	
105	1105 0623	Clamp - LBWS-0206S-V0	
106	1105 0516	Clamp	
107	0807 3035	Washer - 4.1x10x0.5	
108	0451 3005N	Tapping Screw: M3x5	
109	0451 4006N	Tapping Screw - 4x6	
110	0701 0030N	Washer DIA3	
111	0741 3706	Ball Bearing - 6x10x3	
112	0805 3507	Bushing - 6mm	
113	0632 0120G	Parallel Pin - 2x12	
114	0720 0030E	Retaining Ring - M3	
115	0742 3906	Ball Bearing - 6x14x5mm	

14.DF Frame Section (B234/B235/B236/D101/D102/D103)



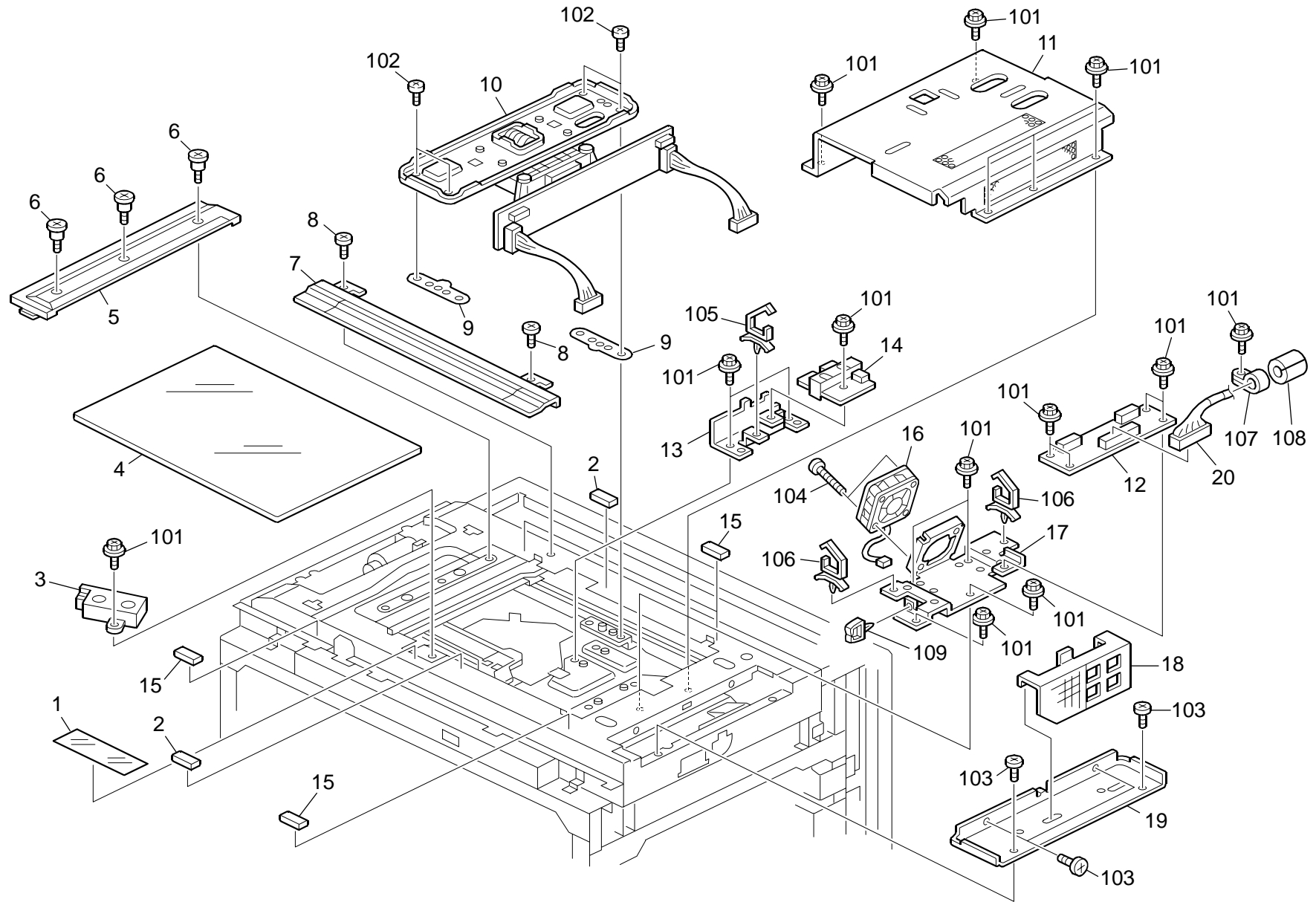
14.DF Frame Section (B234/B235/B236/D101/D102/D103)

Rev. 11/11/2008

Index No.	Part No.	Description	Q'ty Per Assembly
1	5410 1291	Pin	1
2	B652 3157	Discharge Brush: Long	1
3	B301 1136	Spring Plate - 0.4mm	2
4	AA14 3832	Release Spring Holder	2
5	B301 1137	Pulley Cover	1
6	B301 1631	Rear Side Plate	1
7	A806 1135	Contact Point Shaft	2
8	B301 1550	Hinge - Left	1
9	B301 4416	Sound Proofing Material - Rear Lower	1
10	B301 1633	Right Stay	1
11	B301 1560	Hinge - Right	1
12	AG07 0515	Magnet Catch: 13N	1
13	A548 1531	Safety Switch Feeler	1
14	B301 1543	Sensor Bracket	1
15	AW02 0141	Photointerruptor	2
16	B301 5261	Harness - On Off Detector <i>[TSB#052R]</i>	1

Index No.	Part No.	Description	Q'ty Per Assembly
101	0451 3008N	Tapping Screw - M3x8	
102	0720 0030E	Retaining Ring - M3	
103	1105 0328	Harness Clamp - ES-0505	
104	1105 0334	Edge - 17	
105	1105 0623	Clamp - LBWS-0206S-V0	
106	0451 4006N	Tapping Screw - 4x6	
107	0454 4008Q	Tapping Screw - M4x8	

15.Optics Section 1 (B234/B235/B236/D101/D102/D103)

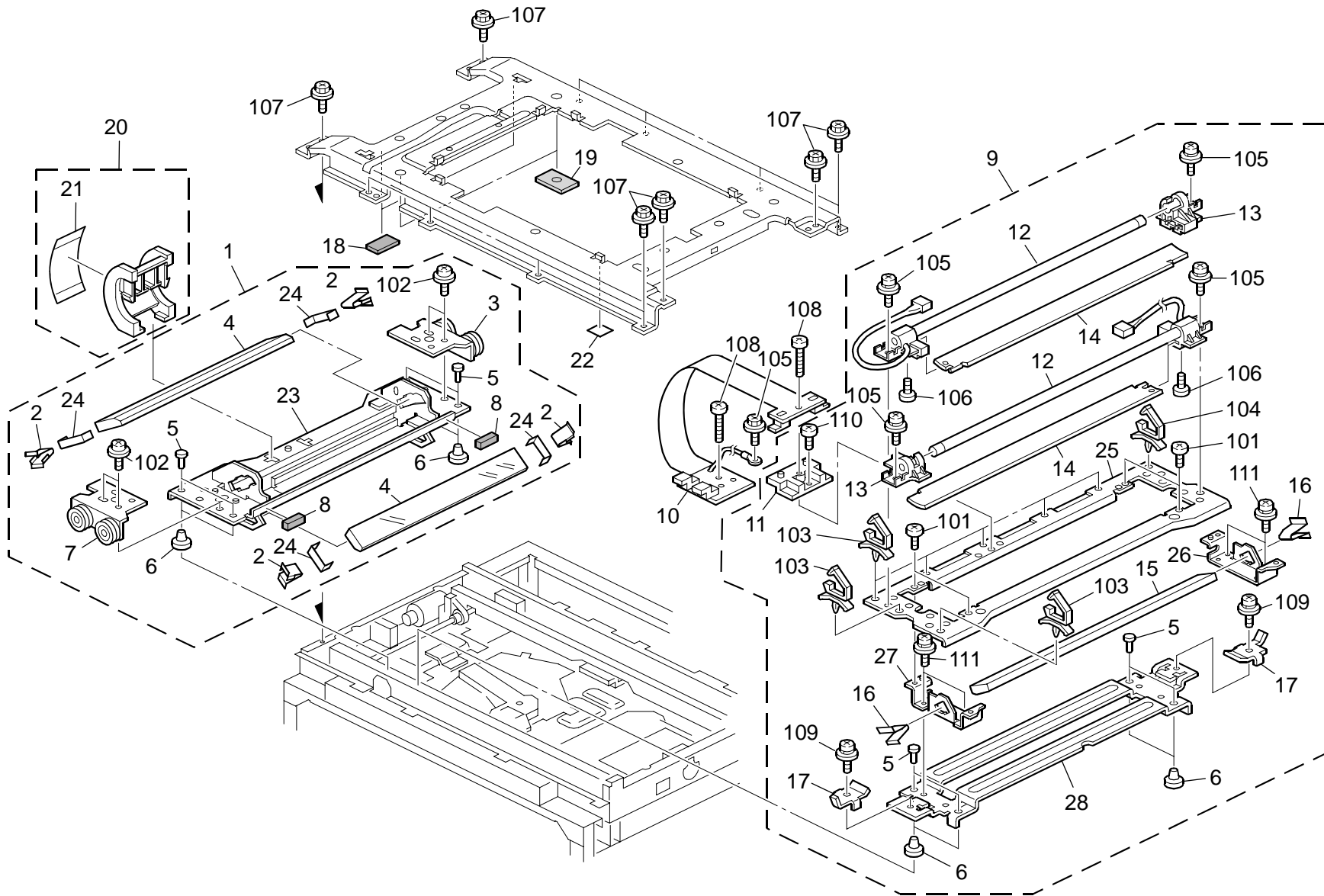


15.Optics Section 1 (B234/B235/B236/D101/D102/D103)

Index No.	Part No.	Description	Q'ty Per Assembly
1	A294 1788	Sheet - Upper Frame	1
2	A176 1737	Exposure Glass Cushion	2
3	AW01 0130	Original Sensor: H=3-80	1
4	B070 1790	Exposure Glass: Ass'y	1
5	AC04 2172	Scale: Left: Printing	1
6	5206 2684	Shoulder Screw - M3	3
7	B234 1795	Scale: Rear: Ass'y	1
8	AA14 3573	Shoulder Screw - M4x4	2
9	B234 1782	Lens Unit Stay Spacer	2
10	B234 1721	Lens Unit	1
11	B234 1779	Cover - Lens SBU	1
12	B234 5107	PCB CNB	1
13	B234 1747	Original Sensor Holder	2
14	AW01 0116	Original Sensor: H=1-66	2
15	AA16 1138	Cushion - 1.1	4
16	GX64 0028	Fan Motor DC24V 1.92W	1
17	B234 1766	CNB Bracket	1
18	B234 1845	Filter: Ass'y	1
19	A294 1799	Right Stay - Optical Housing	1
20	B234 5168	Interface Cable - Scanner LVDS	1

Index No.	Part No.	Description	Q'ty Per Assembly
101	0360 3006N	Screw - M3x6	
102	0314 0080N	Philips Pan Head Screw - M4x8	
103	0354 0060N	Screw-M4x6	
104	0354 0200N	Screw: M4x20	
105	1105 0487	Harness Clamp	
106	1105 0508	Harness Clamp - LWS-0711	
107	1105 0559	Clamp: EMT-5N	
108	1607 0912	Ferrite Core: TR-25-15-12	
109	1105 0650	Clamp - MS-0709	

16.Optics Section 2 (B234/B235/B236/D101/D102/D103)

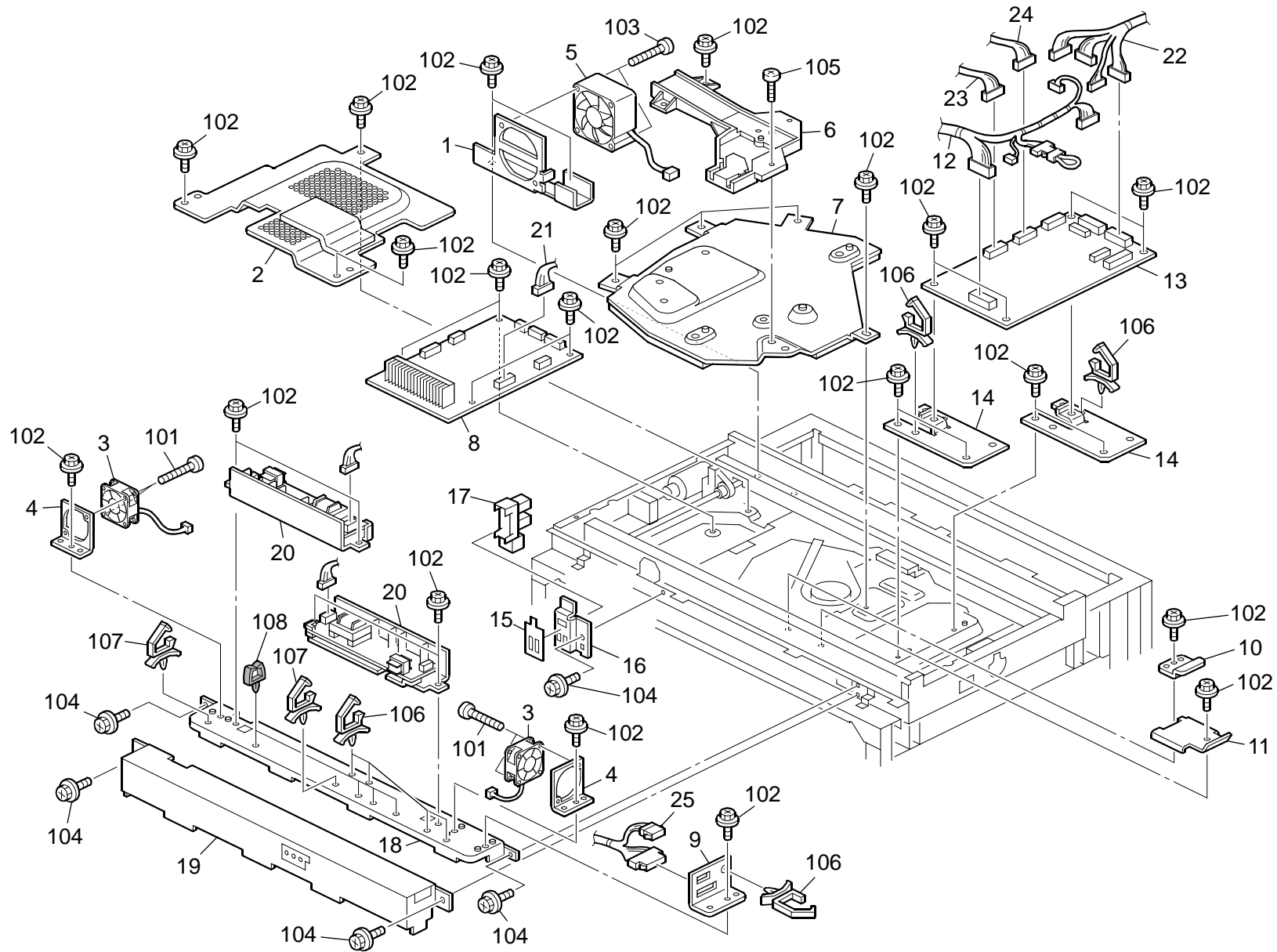


16.Optics Section 2 (B234/B235/B236/D101/D102/D103)

Index No.	Part No.	Description	Q'ty Per Assembly
1	B234 1732	Scanner No.2 Unit	1
2	G404 2810	Spring Plate - 2nd Mirror	4
3	B234 1739	Scanner No.2 Bracket - Rear	1
4	B234 1640	Mirror No.2	2
5	B132 1820	Scanner Shoe Pin	8
6	A069 1883	Shoe - Scanner	8
7	B234 1726	Scanner No.2 Bracket - Front	1
8	A294 1743	Cushion - 5x20x4	2
9	B234 1701	Scanner No.1 Unit	1
10	B234 5500	Flexible Board - Xenon Lamp	1
11	B234 1713	Harness Holder No.1	1
12	AX51 0011	Xenon Lamp	2
13	B234 1712	Lamp Holder - Rear	2
14	B234 1707	Reflector	2
15	B234 1706	Mirror No.1	1
16	A193 1767	1st Mirror Holder	2
17	B234 1709	Wire Stay	2
18	B234 1793	Cushion: Scanner: No.2: Upper	2
19	B234 1688	Cushion: Scanner: No.1: Upper	2
20	B234 1630	Guide: Harness: No.2: Unit	1
21	B234 1621	Sheet: Guide: Harness: Ass'y	1
22	B234 1681	Seal: Harness	1
23	B234 1734	Bracket: Scanner: No.2: Peen	1
24	B234 1751	Guard - 2nd Mirror	4
25	B234 1705	Bracket: Scanner: No.1	1
26	B234 1704	Side Plate: Rear: No.1	1
27	B234 1703	Side Plate: Front: No.1	1
28	B234 1702	Frame: Scanner: No.1	1

Index No.	Part No.	Description	Q'ty Per Assembly
101	0453 3006N	Tapping Screw - M3x6	
102	0951 3004N	Screw: Polished Round: M3x4	
103	1105 0511	Harness Clamp - LWS-0306ZC	
104	1105 0534	Clamp	
105	0954 3008N	Screw - M3x8	
106	0452 2004N	Screw - 2x4	
107	0451 4006N	Tapping Screw - 4x6	
108	0313 0120N	Pan Head Screw: M3x12	
109	0954 4008N	Screw - M4x8	
110	0313 0060N	Screw - M3x6	
111	0951 3006N	Screw - M3x6	

17.Optics Section 3 (B234/B235/B236/D101/D102/D103)



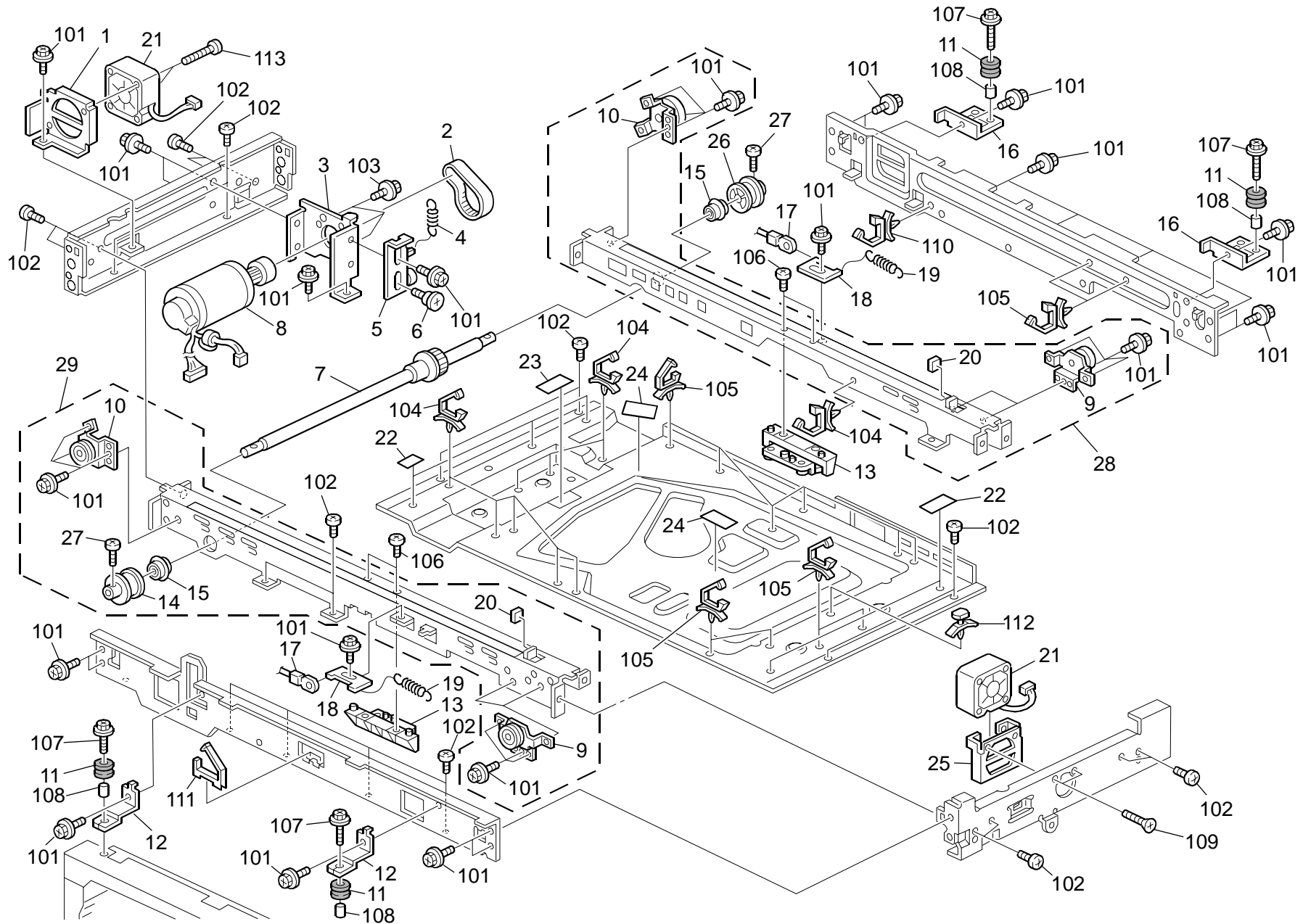
17.Optics Section 3 (B234/B235/B236/D101/D102/D103)

Rev. 02/17/2010

Index No.	Part No.	Description	Q'ty Per Assembly
1	B234 1765	Fan Motor Bracket	1
2	B234 1669	Cover - IC	1
3	GX64 0028	Fan Motor DC24V 1.92W	2
4	B234 1699	Fan Motor Bracket	2
5	GX64 0021	Fan Motor DC24V 1.92W	1
6	B234 1744	Harness Guide	1
7	D059 1811	Cover - LD Unit	1
8	D059 5116	PCB IC (Scanner Motor Board) [TSB#051]	1
9	B234 1696	Duct Bracket	1
10	B234 1674	Cover Plate - Sync Detector Board	1
11	B234 1817	Cover - Sync Detector Board	1
12	B234 5158	Harness - SIB Fan Motor	1
13	D059 5122	PCB SIB [TSB#051]	1
14	B234 1697	SIB Bracket	2
15	A267 1820	Sheet - Photointerrupter	1
16	B234 1825	Home Position Sensor Bracket	1
17	AW02 0160	Paper Feed Sensor	1
18	B234 1676	Stabilizer Bracket	1
19	B234 1670	Stabilizer Duct	1
20	AZ50 0071	Stabilizer	2
21	B234 5153	Harness - MCU Sensor	1
22	B234 5152	Harness - Scanner Main	1
23	B234 5156	Harness - SBU Power Source	1
24	B234 5157	Harness - SBU	1
25	B234 5160	Harness - Lamp Regulator	1

Index No.	Part No.	Description	Q'ty Per Assembly
101	0354 0200N	Screw: M4x20	
102	0360 3006N	Screw - M3x6	
103	0354 0300N	Screw: M4x30	
104	0451 4006N	Tapping Screw - 4x6	
105	0313 0120N	Pan Head Screw: M3x12	
106	1105 0488	Harness Clamp	
107	1105 0487	Harness Clamp	
108	1105 0650	Clamp - MS-0709	

18. Optics Section 4 (B234/B235/B236/D101/D102/D103)

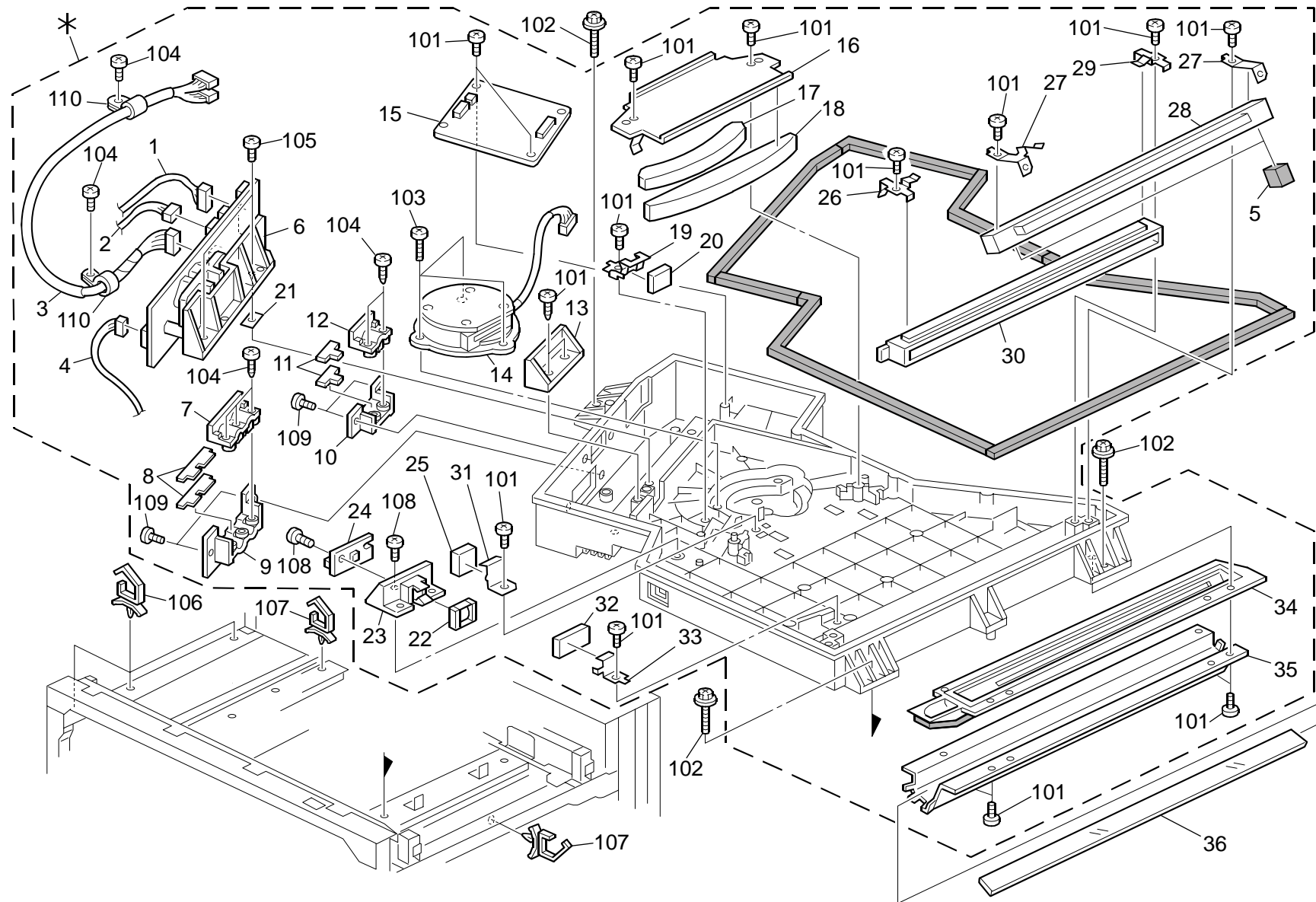


18.Optics Section 4 (B234/B235/B236/D101/D102/D103)

Index No.	Part No.	Description	Q'ty Per Assembly
1	B234 1764	Fan Motor Bracket	1
2	A294 1747	Timing Belt - Scanner	1
3	B234 1748	Scanner Motor Bracket	1
4	A294 1756	Spring - Scanner Motor	1
5	A294 1752	Pulley: Tension: Timing Belt: Ass'y	1
6	AA14 3802	Screw: 6x1.7	1
7	B234 1749	Scanner Drive Shaft	1
8	B234 1774	DC Motor: Scanner: DC27V 50W	1
9	B234 1683	Scanner Pulley Bracket	4
10	B234 1723	Scanner Pulley Bracket - Left	2
11	AA16 1104	Cushion - Motor	4
12	A294 1673	Front Stay	2
13	B234 1781	Holder Lens stay Lens Unit	2
14	AB03 2069	Pulley	1
15	A193 1829	Ball Bearing - M8	2
16	B234 1690	Image Reading Unit Stay: Frame - Rear	2
17	B234 1759	Drive Were	2
18	B234 1746	Tension Wire Bracket	2
19	B234 1758	Tension Spring	2
20	A294 1688	Cushion	2
21	GX64 0021	Fan Motor DC24V 1.92W	2
22	AA15 0332	Seal - 0.19x18x22	5
23	A294 1667	Sheet - Optical Housing	1
24	G029 1982	LD Decal	2
25	B234 1828	Scanning Fan Bracket	1
26	AB03 2070	Pulley	1
27	B132 1719	Screw: Mechanical Drive Section	2
28	B234 1695	Rail: Scanner: Rear	1
29	B234 1675	Rail: Scanner: Front	1

Index No.	Part No.	Description	Q'ty Per Assembly
101	0451 4006N	Tapping Screw - 4x6	
102	0453 4006N	Binding Self Tapping Screw: 4x6	
103	0451 4008N	Tapping Screw: 4x8	
104	1105 0487	Harness Clamp	
105	1105 0488	Harness Clamp	
106	0314 0080N	Philips Pan Head Screw - M4x8	
107	0451 4012N	Tapping Screw: 4x12	
108	0707 4050N	Bushing - 4x5	
109	0324 0300N	Screw - M4x30	
110	1105 0489	Harness Clamp - LWS 1316	
111	1105 0522	Edge Saddle - LES0510	
112	1106 0383	Supporter - P.C.B.	
113	0354 0300N	Screw: M4x30	

19.Laser Unit (B234/B235/B236/D101/D102/D103)



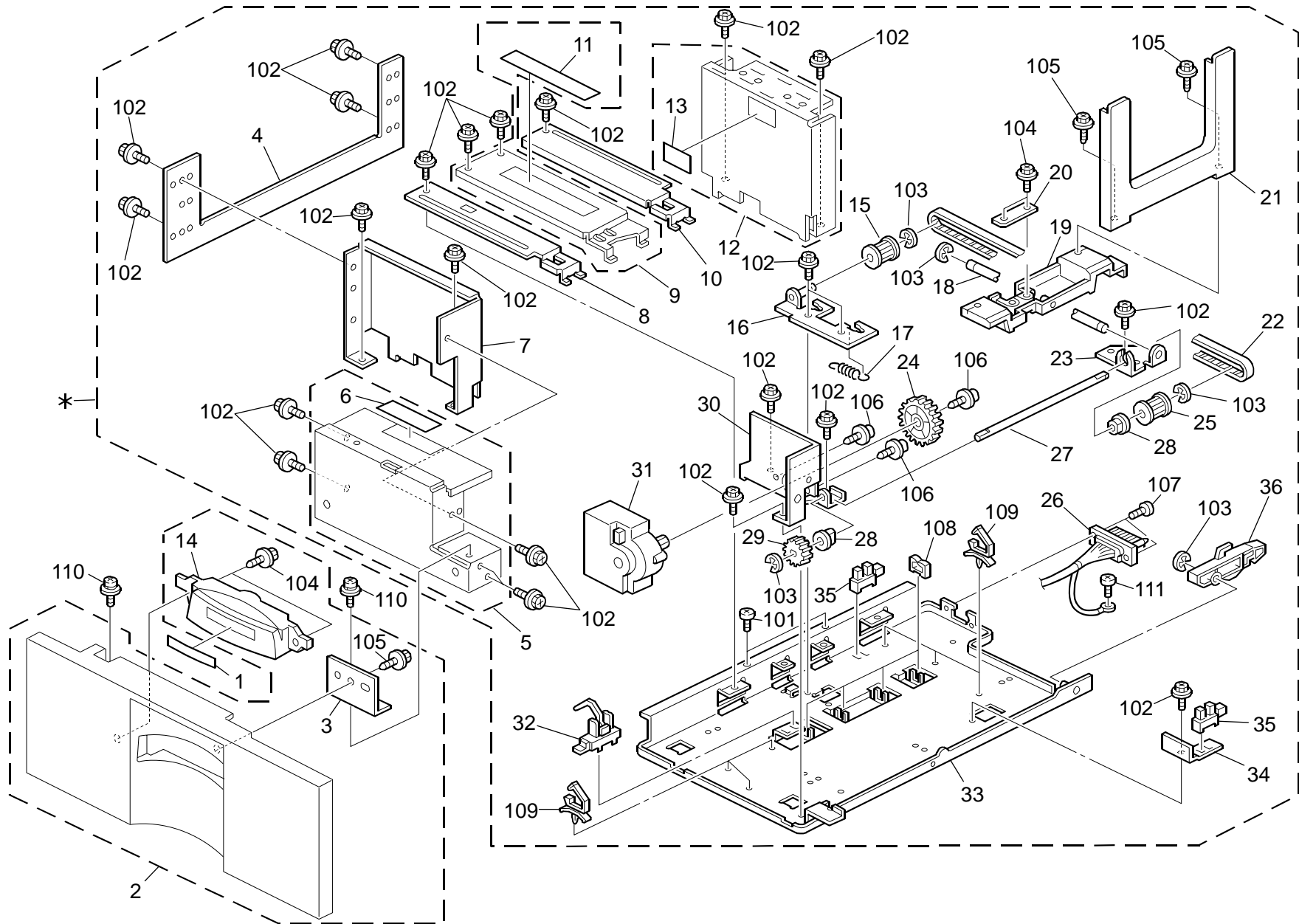
19.Laser Unit (B234/B235/B236/D101/D102/D103)

Rev. 09/09/2010

Index No.	Part No.	Description	Q'ty Per Assembly
*	B234 1870	Imaging Unit [TSB#057R]	1
1	B234 5351	Harness - LDB Control	1
2	B234 5350	Harness - Power Source: LDB	1
3	B234 5352	Cable - LVDS LDB 18P	1
4	B070 5165	Harness: LDB: Sync Detector	1
5	B234 1958	Seal: Mirror	2
6	B234 1880	Laser Diode Unit [TSB#057R]	1
7	B070 1985	Upper Laser Harness Holder	1
8	B234 1984	Harness Cushion 1	2
9	B070 1983	Lower Laser Harness Holder	1
10	B070 1987	Holder: Harness: Power Source: Lower	1
11	B234 1988	Harness Cushion 2	2
12	B070 1989	Holder: Harness: Power Source: Upper	1
13	B070 1917	Aperture	1
14	AX06 0383	Polygon Mirror Motor	1
15	B234 5380	Motor Control Board	1
16	A257 2102	F-theta Lens Plate	1
17	AC02 2012	F-theta Lens 1	1
18	AC02 2013	F-theta Lens 2	1
19	AC03 5055	Sync Detector Mirror Plate	1
20	AC03 0078	Sync Detector Mirror	1
21	B070 1921	Spacer: Laser Diode Unit: 25Micron	1
21	B070 1922	Spacer: Laser Diode Unit: 50Micron	1
21	B070 1923	Spacer: Laser Diode Unit: 75Micron	1
21	B070 1924	Spacer: Laser Diode Unit: 100Micron	1
22	G029 1975	Cylindrical Lens	1
23	A294 1942	Holder - Sync Detector Board	1
24	B234 5365	PCB Sync Detector	1
25	AC03 0150	Mirror: No.2	1
26	A257 2077	Rear Lens Plate	1
27	B234 1934	Mirror Holder	2
28	B070 1932	No.1 Mirror Ass'y	1
29	A257 2076	Front Lens Plate	1
30	A294 1931	Btl lens Ass'y	1
31	AC03 5056	Plate: Mirror: No.2	1

Index No.	Part No.	Description	Q'ty Per Assembly
32	AC02 4008	Lens: Cylindrical Lens	1
33	B070 1925	Plate: Cylindrical Lens	1
34	B234 1944	Shield Glass Holder	1
35	B070 1949	Bracket: Shield Glass	1
36	AC01 5030	Toner Shield Glass - 366x15	1
101	0353 0060N	Bind Screw - M3x6	
102	0451 4010N	Tapping Screw: 4x10	
103	0354 0100N	Screw - M4x10	
104	0452 3010N	Binding Self-Tapping Screw: 3x10	
105	0353 0100N	Screw-M3x10	
106	1105 0508	Harness Clamp - LWS-0711	
107	1105 0489	Harness Clamp - LWS 1316	
108	0452 3006N	Binding Self-Tapping Screw: 3x6	
109	0353 0080N	Screw: M3x8	
110	1105 0529	Nylon Clamp-EMT-3N	

20. Tandem Tray 1 (B234/B235/B236/D101/D102/D103)



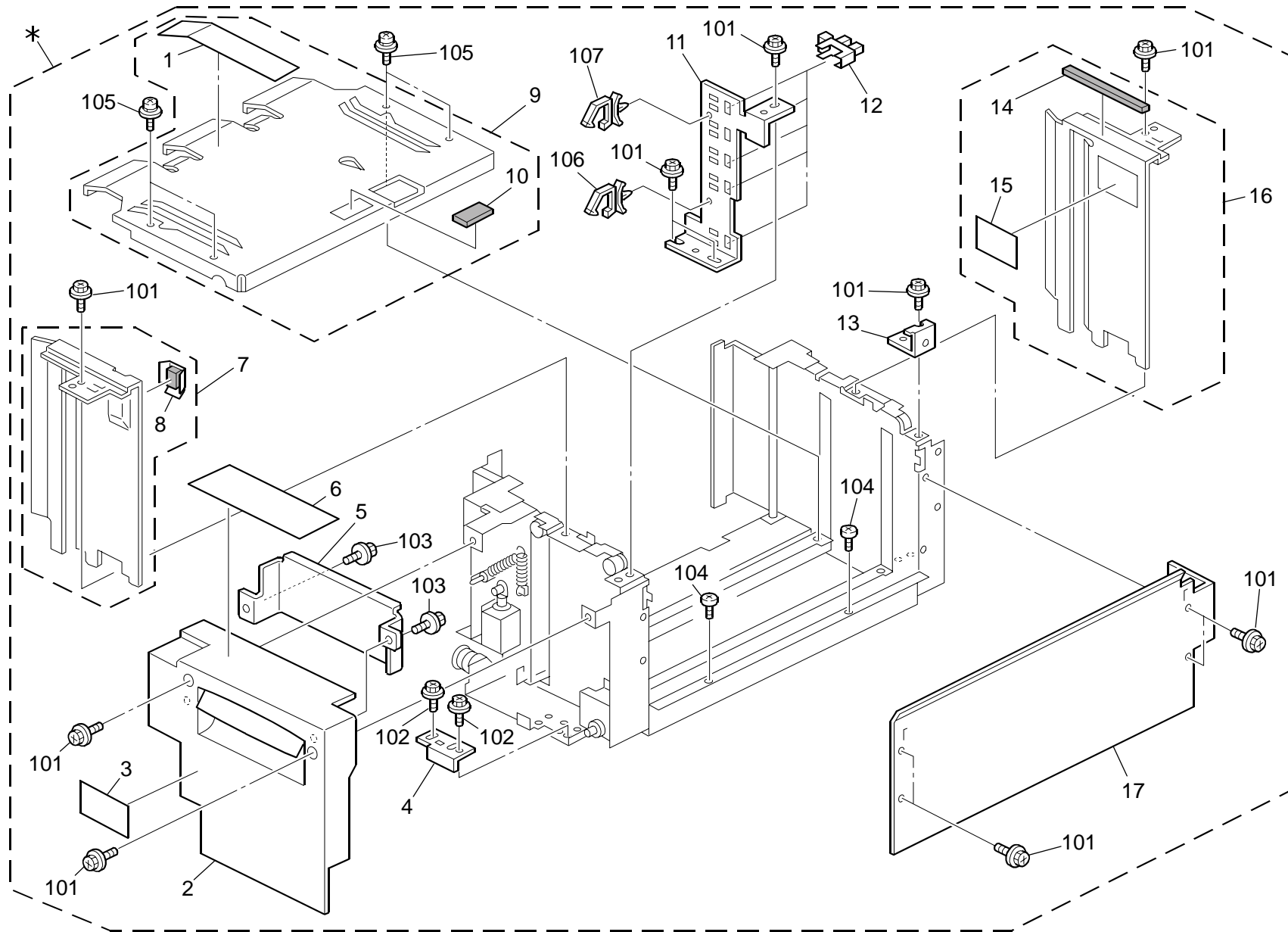
20.Tandem Tray 1 (B234/B235/B236/D101/D102/D103)

Rev. 09/08/2008

Index No.	Part No.	Description	Q'ty Per Assembly
*	B234 6616	Tandem LCT Unit - Left	1
*	B234 6611	Tandem LCT Unit - Left DOM	1
1	AA00 3211	Decal: Paper Tray: Display: 1	1
2	B234 6784	Cover - Tandem LCT	1
3	B234 6788	Bracket: Cover: Tandem LCT	1
4	A294 6645	Left Side Plate	1
5	B070 6516	Bracket: Cover: Tandem LCT: Ass'y	1
6	B065 6846	Decal - Paper Set - Left	1
7	A294 6643	Left Front Fence	1
8	B234 7540	Tray Bottom Plate: Left Front [TSB#049]	1
9	B098 6639	Tray Bottom Plate: Left Middle: Ass'y	1
10	B132 7541	Tray Bottom Plate: Left Rear	1
11	A096 6678	Decal - Left Paper Set	1
12	A294 6630	Left Rear Fence	1
13	AA00 2010	Decal - Paper Level	1
14	B247 6634	Grip - Paper Tray Cover	1
15	AB03 3085	Timing Pulley - 15T	1
16	B247 6951	Bracket: Pulley: Driven: Ass'y	1
17	AA06 0987	Tension Spring: Timing Belt: 10N	1
18	B247 6950	Shaft: Slider: Back Fence	1
19	B132 7564	Slider: Back Fence: Left	1
20	B065 6823	Timing Belt Cover	1
21	B132 7561	Back Fence: Left	1
22	AA04 3271	Timing Belt S3M 196T	1
23	B065 6830	Pulley Bracket	1
24	AB01 9475	Gear - 48T	1
25	AB03 3084	Timing Pulley - 15T	1
26	B070 5473	DC Harness - Left	1
27	AA14 0686	Shaft - Timing Pulley	1
28	5053 0447	Bushing - 6mm	2
29	AB01 3798	Gear - Z18	1
30	B070 6666	Left DC Motor Bracket	1
31	AX04 0145	DC Motor: Tandem LCT	1
32	AW02 0163	Paper Feed Sensor	1
33	B247 6970	Base: Tandem LCT: Left: Ass'y	1

Index No.	Part No.	Description	Q'ty Per Assembly
34	B065 6831	Sensor Bracket	1
35	AW02 0145	Photointerruptor: Flat	2
36	A248 6615	Coupling Lever - Left	1
101	0354 0040N	Screw-M4x4	
102	0451 4006N	Tapping Screw - 4x6	
103	0720 0040E	Retaining Ring - M4	
104	0450 4008N	Tapping Screw - M4x8	
105	0450 4010N	Tapping Screw: M4x10	
106	0450 3008N	Tapping Screw - M3x8	
107	0313 0080N	Pan Head Screw: M3x8	
108	1105 0328	Harness Clamp - ES-0505	
109	1105 0516	Clamp	
110	0951 4008N	Screw: Polished Round: M4x8	

21. Tandem Tray 2 (B234/B235/B236/D101/D102/D103)



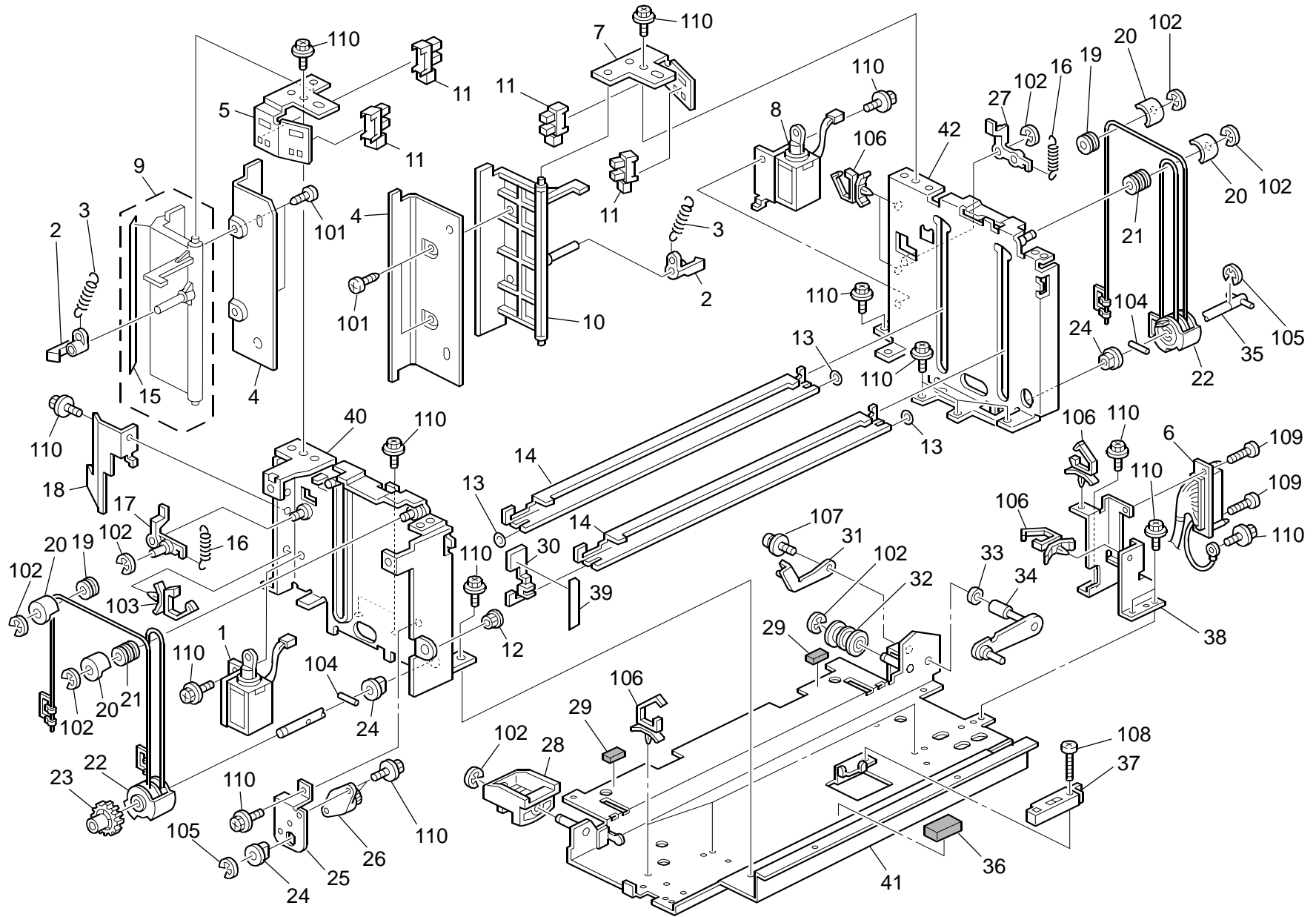
21. Tandem Tray 2 (B234/B235/B236/D101/D102/D103)

Rev. 05/13/2010

Index No.	Part No.	Description	Q'ty Per Assembly
*	B234 6615	Tandem LCT Unit - Right	1
*	B234 6610	Tandem LCT Unit - Right DOM	1
1	A096 6677	Decal - Right Paper Set	1
2	B132 7586	Inner Cover: Tandem LCT	1
3	AA00 2246	Decal - Caution	1
4	B065 6859	Right Stopper	1
5	B065 6875	Protection -inner Cover	1
6	B065 6877	Decal - Paper Set - Right	1
7	B234 6686	Side Fence - Right Front	1
8	D059 6690	Plate: Paper Ass'y	1
9	B234 6680	Base: Tandem LCT: Right [TSB#045]	1
10	5201 2858	Friction Pad	1
11	B234 6606	Sensor Bracket	1
12	AW02 0145	Photointerruptor: Flat	5
13	B247 6695	Guide: Misfeed Removal: Paper Tray	1
14	B475 6855	Shield: Tandem LCT: Rear Right	1
15	AA00 1509	Decal - Paper Level [TSB#045]	2
16	B234 6691	Side Fence: Tandem LCT: Right [TSB#045]	1
17	B234 6667	Side Plate - Side	1

Index No.	Part No.	Description	Q'ty Per Assembly
101	0451 4008N	Tapping Screw: 4x8	
102	0451 4006N	Tapping Screw - 4x6	
103	0450 4008N	Tapping Screw - M4x8	
104	0354 0040N	Screw-M4x4	
105	0951 4006N	Screw: Polished Round: M4x6	
106	1105 0488	Harness Clamp	
107	1105 0534	Clamp	

22.Tandem Tray 3 (B234/B235/B236/D101/D102/D103)



22. Tandem Tray 3 (B234/B235/B236/D101/D102/D103)

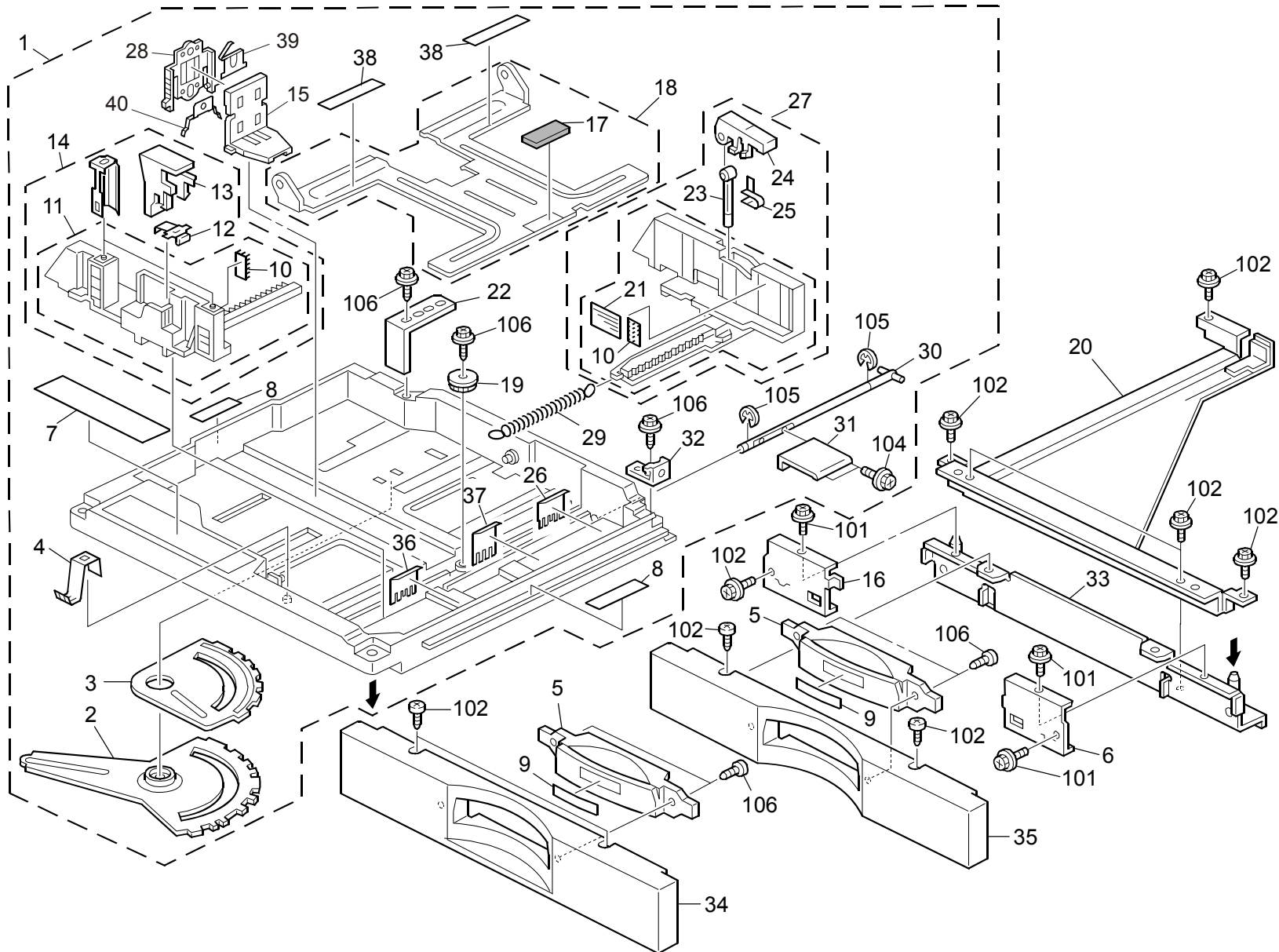
Rev. 07/20/2009

Index No.	Part No.	Description	Q'ty Per Assembly
1	B132 7547	DC Solenoid: End Fence: Front: Ass'y	1
2	A248 6713	Hook - Tension Spring	2
3	AA06 0757	Tension Spring - Long	2
4	B234 6630	Guide Plate - End Fence	2
5	D014 6626	Bracket: On Off Detector: Front	1
6	B234 5673	Harness - Tandem LCT Right	1
7	D014 6627	Bracket: On Off Detector: Rear	1
8	B132 7571	DC Solenoid: End Fence: Rear: Ass'y	1
9	B234 6612	End Fence - Front	1
10	B234 6625	End Fence - Rear	1
11	AW02 0145	Photointerruptor: Flat	4
12	B234 6141	Positioning Sleeve - Inner Back	1
13	A248 6694	Wire Ring	2
14	B065 6870	Stay -Right base	2
15	A294 6713	Shield - Front Side Fence	1
16	AA06 0758	Tension Spring - Short	2
17	B070 6683	Lever: Release: Front	1
18	B070 6667	End Fence Cover Front	1
19	AB03 2058	Wire Pulley - M10	2
20	A248 6695	Guide - Pulley	4
21	AB03 2719	Pulley - M10	2
22	B132 7550	Cover: Pulley: Drive Were	2
23	AB01 3781	Gear - 30Z	1
24	5053 0223	Bushing - 8mm	3
25	B065 6872	Oil Damper Bracket	1
26	B247 6901	Oil Damper	1
27	B070 6684	Lever: Release: Rear	1
28	A294 6655	Front Roller - Slide Rail	1
29	AA16 1130	Cushion - Small	2
30	A294 6690	Feeler - Paper Height Sensor	1
31	B065 6864	Small Lever	1
32	AF02 2105	Roller - Slide Rail	1
33	AA13 2203	Spacer - 6mm	1
34	B065 6862	Large Lever	1
35	A248 6687	Right Drive Shaft	1

Index No.	Part No.	Description	Q'ty Per Assembly
36	AA16 1129	Cushion - Large	1
37	AW01 0113	Sensor	1
38	B132 7575	Bracket: Connector: Tandem LCT	1
39	B065 6717	Paper Volume Shield Plate	1
40	B234 6668	Side Plate: Tandem LCT: Right Front	1
41	B132 7545	Base: Tandem LCT: Right: Welding	1
42	B234 6676	Side Plate: Tandem LCT: Right Rear	1
101	0434 0060N	Pan Self-Tapping Screw: M4x6	
101	0452 3006N	Binding Self-Tapping Screw: 3x6	
102	0720 0040E	Retaining Ring - M4	
103	1105 0328	Harness Clamp - ES-0505	
104	0633 0200G	Pin - M3x20	
105	0720 0060E	Retaining Ring - M6	
106	1105 0488	Harness Clamp	
107	0951 3006N	Screw - M3x6	
108	0313 0120N	Pan Head Screw: M3x12	
109	0313 0080N	Pan Head Screw: M3x8	
110	0451 4008N	Tapping Screw: 4x8	

23.Universal Tray (B234/B235/B236/D101/D102/D103)

Rev. 07/07/2008



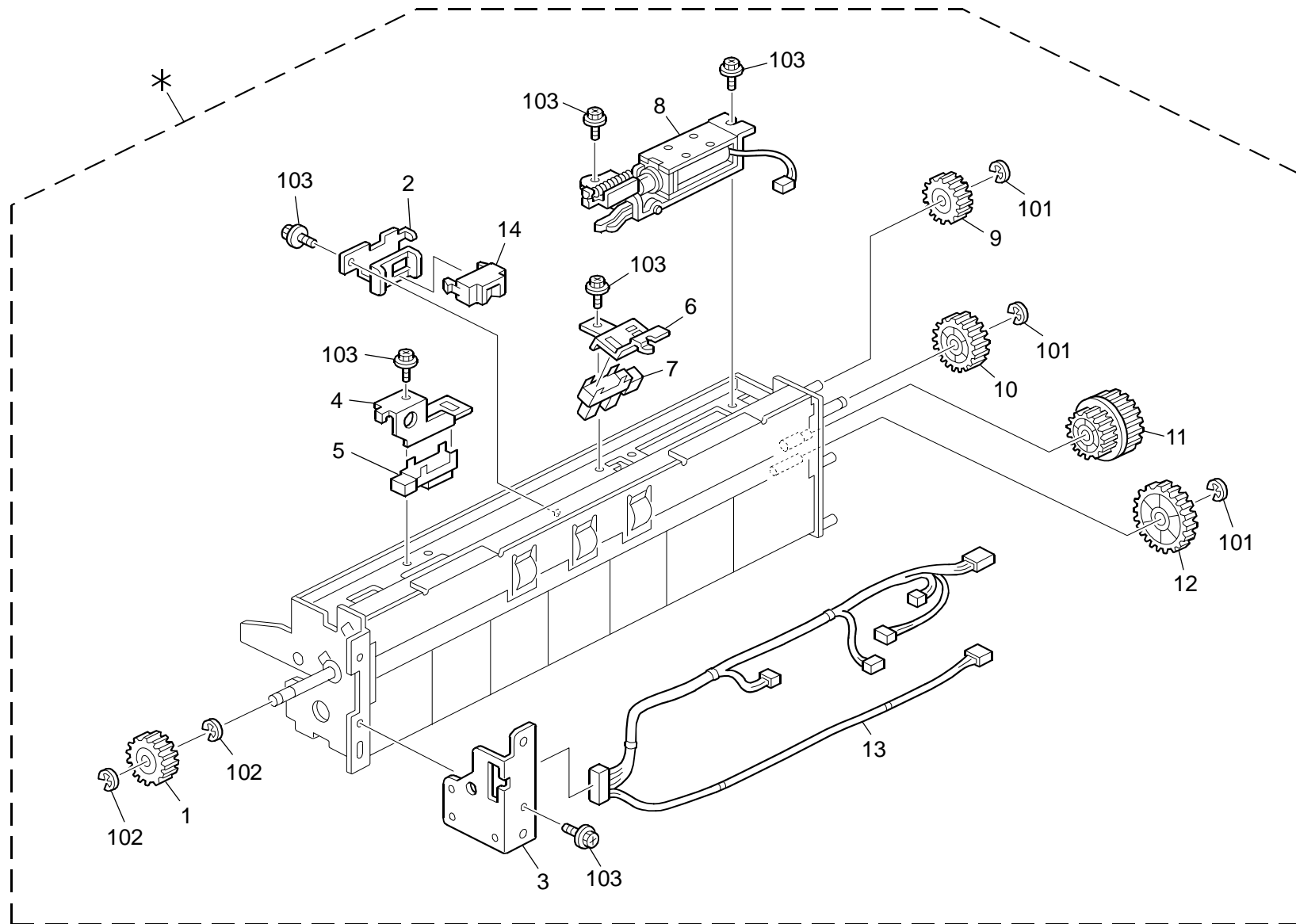
23.Universal Tray (B234/B235/B236/D101/D102/D103)

Rev. 08/18/2010

Index No.	Part No.	Description	Q'ty Per Assembly
1	D059 6771	Paper Tray: Universal: DOM: Ass'y	2
2	B181 6780	Link: End Fence: Paper Size Sensor: Ass'y	1
3	B181 6789	Link: Side Fence: Paper Size Sensor	1
4	B132 6798	Spring Plate: Paper Tray: Earth	1
5	B247 6634	Grip - Paper Tray Cover	2
6	B065 6588	Right Support Plate	2
7	D014 6786	Decal: Paper Set Direction	1
8	B065 6545	Decal - Positioning	2
9	AA00 3212	Decal: Paper Tray: Display: 2	1
9	AA00 3213	Decal: Paper Tray: Display: 3	1
10	B234 2864	Side Fence Pad	2
11	B132 6791	Plate: Side Fence	1
12	A134 2978	Spring Plate	1
13	B065 6538	Positioning Stopper Lever	1
14	B132 6793	Side Fence: Front: Ass'y	1
15	AF01 7033	End Fence [TSB#045]	1
16	B065 6589	Left Support Plate	1
17	AF01 3005	Bottom Plate Pad	1
18	B132 6785	Tray Bottom Plate: Ass'y	1
19	AB01 2327	Gear: 16Z	1
20	B065 6591	Paper Tray Holder Base	2
21	B223 2873	Decal - Side Fence Rear	1
22	B132 6797	Side Fence: Rear: Auxiliary	1
23	A267 2859	Side Fence Stopper	1
24	A267 2860	Rear Lever Stopper	1
25	A267 2857	Spring Plate - Side Fence	1
26	B234 6497	Guide: Rear: Paper Tray	1
27	B234 6490	Side Fence: Rear: Ass'y	1
28	D014 6783	Arm: End Fence: Lock [TSB#045]	1
29	AA06 0961	Tension Spring: Side Fence: Rear	1
30	D062 6524	Shaft: Rise: Tray Bottom Plate: Press Fit	1
31	B065 6526	Lift Lever	1
32	B247 6695	Guide: Misfeed Removal: Paper Tray	1
33	B065 6581	Paper Tray Holder Stay	2
34	B234 6644	Paper Tray Cover - Long	1

Index No.	Part No.	Description	Q'ty Per Assembly
35	B234 6643	Paper Tray Cover - Short	1
36	B234 6495	Guide: Front: Paper Tray	1
37	D059 6496	Guide: Middle: Paper Tray	1
38	B234 6498	Sheet: Tray Bottom Plate	1
39	D014 6785	Spring Plate:Arm:End Fence:Lock [TSB#045]	1
40	D014 6784	Spring Plate: End Fence [TSB#045]	1
101	0451 3008N	Tapping Screw - M3x8	
102	0451 4008N	Tapping Screw: 4x8	
104	0360 4008N	Screw - M4x8	
105	0720 0060E	Retaining Ring - M6	
106	0450 4008N	Tapping Screw - M4x8	

24. Paper Feed Unit 1 (B234/B235/B236/D101/D102/D103)

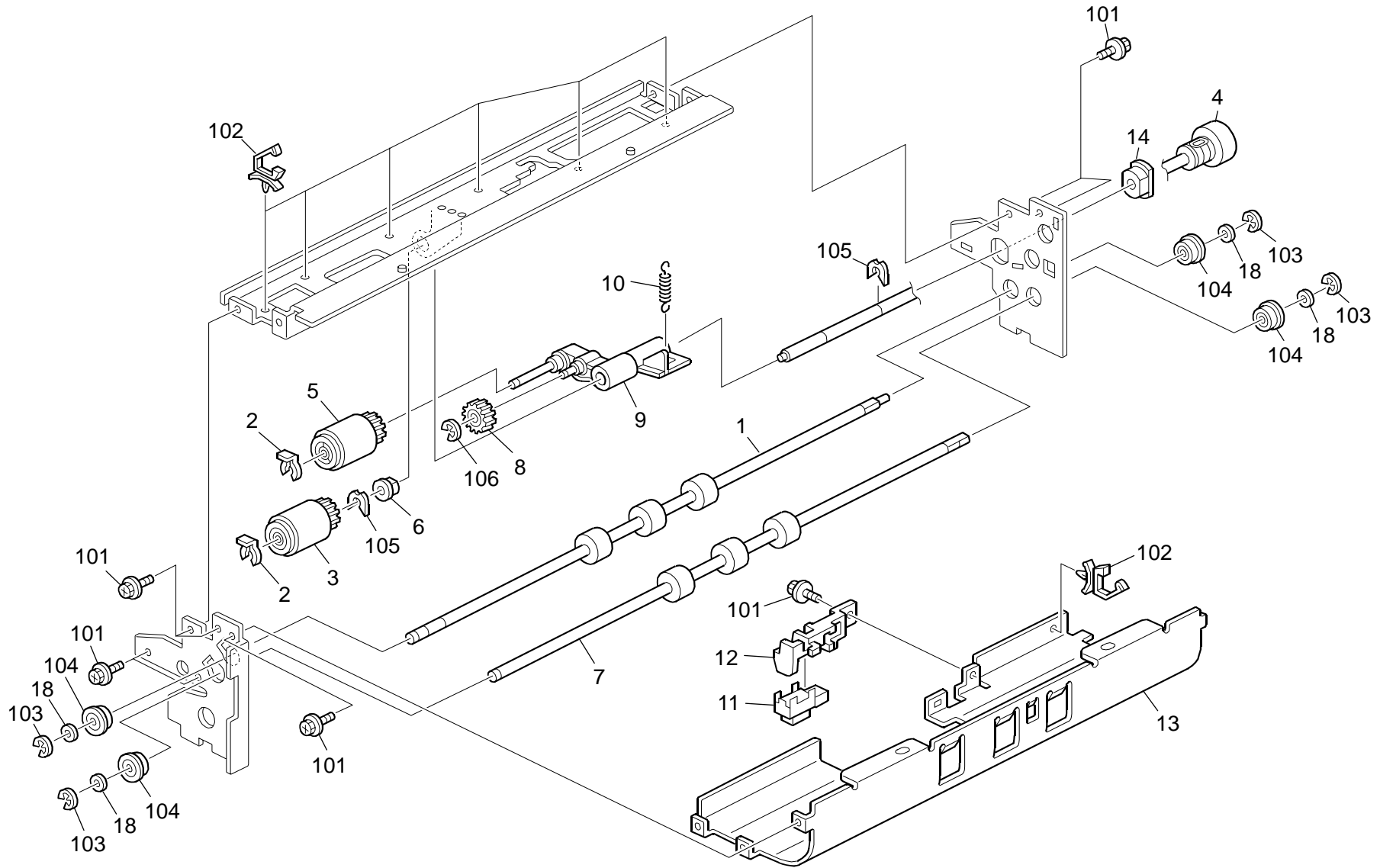


24. Paper Feed Unit 1 (B234/B235/B236/D101/D102/D103)

Index No.	Part No.	Description	Q'ty Per Assembly
*	B234 6200	Paper Feed Unit	3
1	BB01 3007	Gear - 20Z	1
2	B234 6286	Sensor Bracket - Vertical Transport	1
3	B234 6208	Paper Feed Unit Stay	1
4	B234 6287	Sensor Bracket - Paper Feed	1
5	AW01 0107	Paper Feed Sensor	1
6	B234 6288	B sensor Bracket - Sensor	1
7	AW02 0145	Photointerruptor: Flat	1
8	B234 6282	Pickup DC Solenoid	1
9	BB01 3010	Gear - 18Z	1
10	BB01 3019	Gear - 23Z	1
11	AB01 7771	Gear: Transport Roller: Input: Z23/Z28	1
12	BB01 3008	Gear - 31Z	1
13	B234 5670	Harness - Paper Feed Unit	1
14	AW01 0122	Paper Feed Sensor	1

Index No.	Part No.	Description	Q'ty Per Assembly
101	0720 0060E	Retaining Ring - M6	
102	0720 0040E	Retaining Ring - M4	
103	0451 4006N	Tapping Screw - 4x6	

25.Paper Feed Unit 2 (B234/B235/B236/D101/D102/D103)

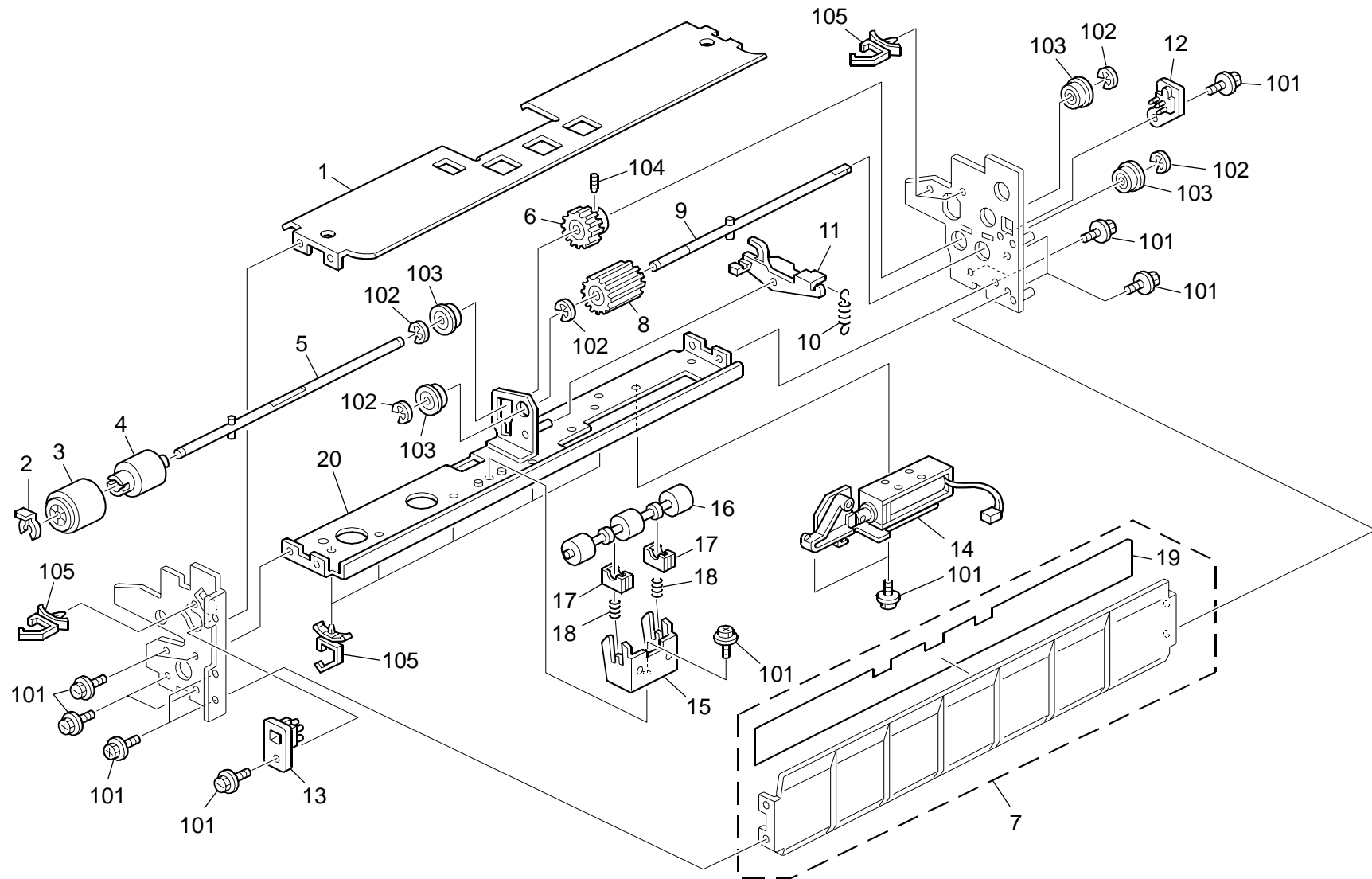


25.Paper Feed Unit 2 (B234/B235/B236/D101/D102/D103)

Index No.	Part No.	Description	Q'ty Per Assembly
1	AF02 0724	Transport Roller: Grip: No.1: Drive	1
2	5447 2681	Snap Ring	1
3	AF03 1080	Paper Feed Roller: Feed	1
4	B234 6272	Feed Shaft	1
5	AF03 0080	Paper Feed Roller: Pickup	1
6	B234 2624	Ball Bearing - 8x12x5	1
7	AF02 0725	Transport Roller: Grip: No.2: Drive	1
8	5447 2706	Gear - 15T	1
9	B234 6275	Pickup Arm	1
10	AA06 0523	Pick-up Pressure Spring	1
11	AW01 0107	Paper Feed Sensor	1
12	B065 6345	Paper End Sensor Bracket	1
13	B234 6254	Guide Plate - Feed	1
14	AA08 3009	Clutch Roller - 8x18x11	1
15	B234 6265	Stay: Feed	1
16	B234 6207	Side Plate: Front: Paper Feed Unit	1
17	B234 6205	Side Plate: Rear: Paper Feed Unit	1
18	AA13 2228	Spacer - 1mm	4

Index No.	Part No.	Description	Q'ty Per Assembly
101	0434 0060N	Pan Self-Tapping Screw: M4x6	
102	1105 0511	Harness Clamp - LWS-0306ZC	
103	0720 0060E	Retaining Ring - M6	
104	0741 3708	Ball Bearing - 8x12x3.5mm	
105	0805 0088	Retaining Ring - M6	
106	0720 0040E	Retaining Ring - M4	

26.Paper Feed Unit 3 (B234/B235/B236/D101/D102/D103)



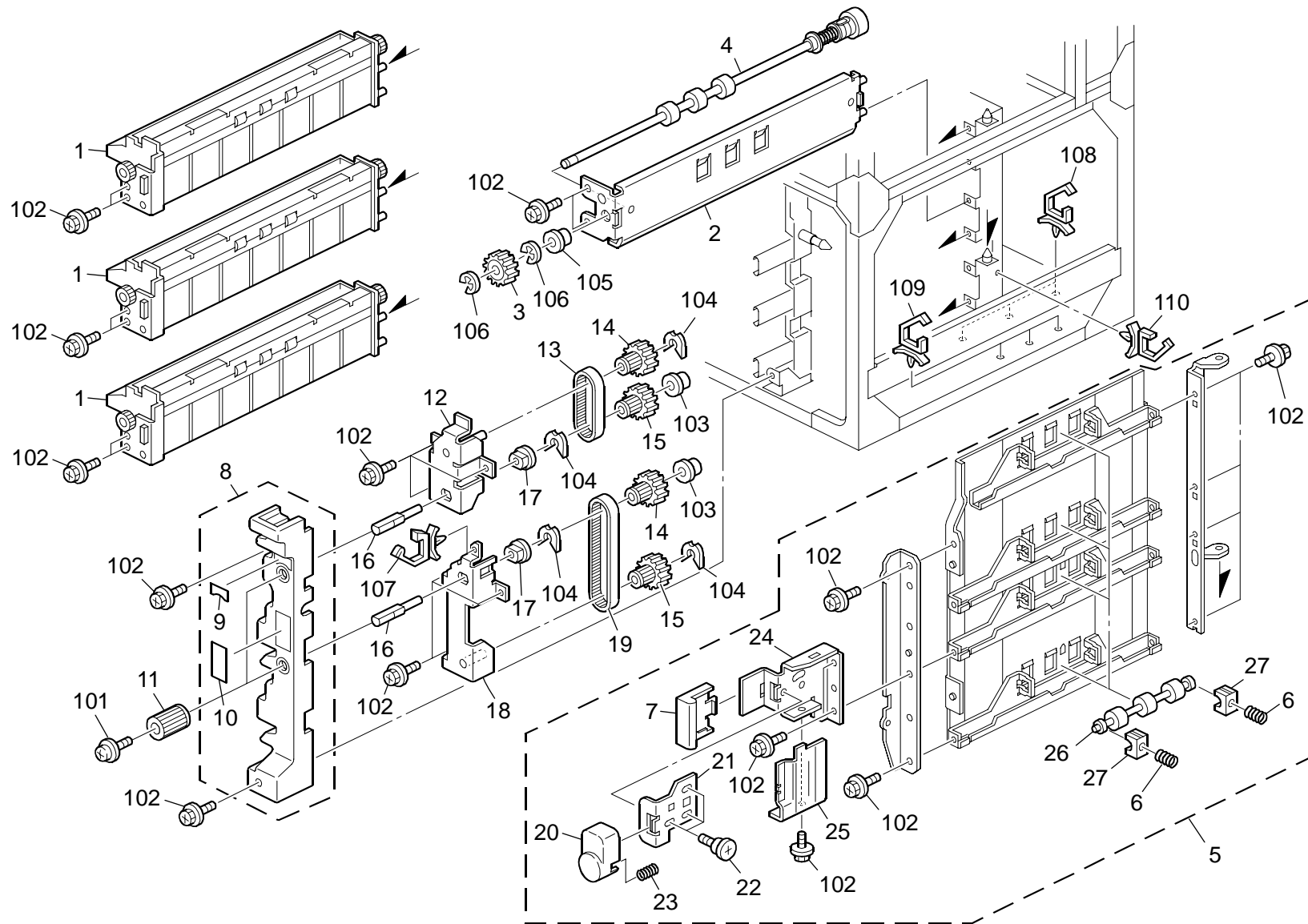
26.Paper Feed Unit 3 (B234/B235/B236/D101/D102/D103)

Rev. 12/11/2008

Index No.	Part No.	Description	Q'ty Per Assembly
1	B234 6253	Guide Plate - Reverse	1
2	5447 2681	Snap Ring	1
3	AF03 2080	Paper Feed Roller: Separate	1
4	B234 6301	Torque Limiter <i>[TSB#055]</i>	1
5	B234 6223	Driven Reverse Shaft	1
6	AB01 1591	Gear: Reverse	1
7	B234 6245	Guide Plate - Vertical Transport	1
8	AB01 1392	Drive Reverse Gear - 24Z	1
9	B234 6222	Reverse Drive Shaft	1
10	AA06 1000	Spring - 1.42N	1
11	B234 6212	Reverse Lever	1
12	B234 6256	Guide - Rear	1
13	B234 6255	Guide - Front	1
14	B234 6231	DC Solenoid: Reverse: Ass'y	1
15	B234 6242	Guide - Roller: Driven Pressure	1
16	AF02 0672	Transport Roller - Driven	1
17	AA08 4059	Ball Bearing Holder	2
18	AA06 3674	Spring - 8N	2
19	AA15 0280	Seal: Guide Plate: Vertical Transport	1
20	B234 6215	Stay: Reverse	1

Index No.	Part No.	Description	Q'ty Per Assembly
101	0434 0060N	Pan Self-Tapping Screw: M4x6	
102	0720 0040E	Retaining Ring - M4	
103	0741 3506	Ball Bearing - 6x12x4 mm	
104	0573 0030E	Hexagon Headless Set Screw - M3x3	
105	1105 0511	Harness Clamp - LWS-0306ZC	

27. Vertical Transport (B234/B235/B236/D101/D102/D103)

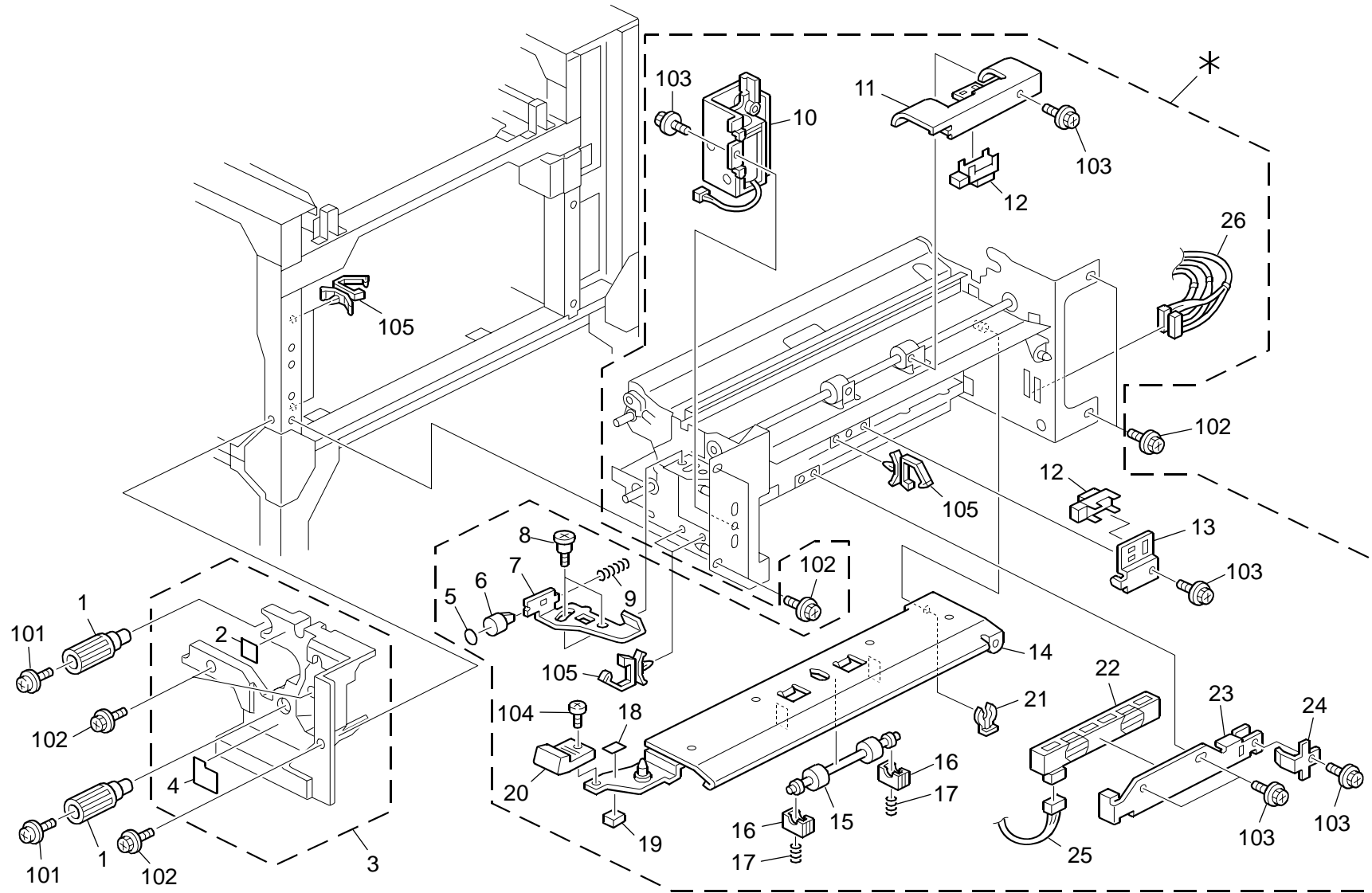


27. Vertical Transport (B234/B235/B236/D101/D102/D103)

Index No.	Part No.	Description	Q'ty Per Assembly
1	B234 6200	Paper Feed Unit	3
2	B234 6355	Guide Plate - Joint Unit	1
3	BB01 3007	Gear - 20Z	1
4	B234 6360	Transport Roller: Joint Unit: Ass'y	1
5	B234 6400	Vertical Transport Unit	1
6	AA06 3679	Spring - 10N	8
7	B234 6424	Release Grip	1
8	B234 6122	Inner Cover	1
9	AA00 3046	Decal - Vertical Transport (A3)	1
10	AA00 3045	Decal - Misfeed Removal	1
11	AG05 0101	Knob - Misfeed Removal	1
12	B234 6455	Bracket - Upper	1
13	AA04 3324	Timing Belt - B40S2M152	1
14	AB01 7725	Gear/Timing Pulley - 20Z/20T	2
15	AB01 7726	Gear/Timing Pulley - 20Z/20T	2
16	AA14 3570	Misfeed Removal Shaft	2
17	AA08 0265	Bushing: 6x8x5	2
18	B234 6475	Bracket - Lower	1
19	AA04 3325	Timing Belt - B40S2M250	1
20	B065 6428	Release Button - Vertical Transport	1
21	B234 6423	Release Lever	1
22	AA14 3560	Stepped Screw - M4	3
23	AA06 3878	Spring	1
24	B234 6426	Bracket: Release: Vertical Transport	1
25	B234 6427	Cover: Release: Vertical Transport	1
26	AF02 2166	Transport Roller - Driven	4
27	AA08 4059	Ball Bearing Holder	8

Index No.	Part No.	Description	Q'ty Per Assembly
101	0951 4008N	Screw: Polished Round: M4x8	
102	0451 4008N	Tapping Screw: 4x8	
103	0805 3386	Bushing - 8mm	
104	0805 0088	Retaining Ring - M6	
105	0741 3708	Ball Bearing - 8x12x3.5mm	
106	0720 0060E	Retaining Ring - M6	
107	1105 0516	Clamp	
108	1105 0489	Harness Clamp - LWS 1316	
109	1105 0487	Harness Clamp	
110	1105 0488	Harness Clamp	

28.Paper Registration 1 (B234/B235/B236/D101/D102/D103)

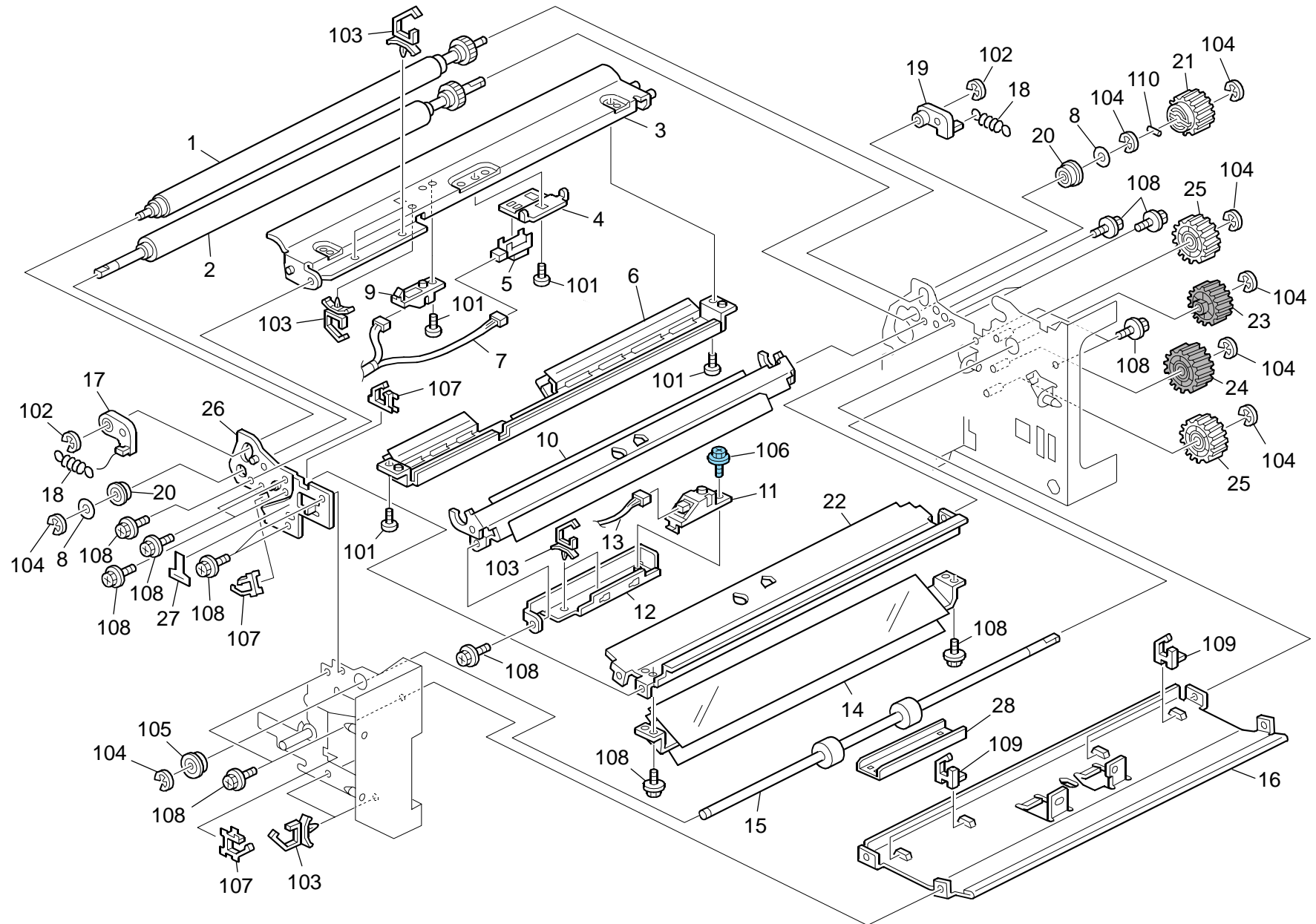


28.Paper Registration 1 (B234/B235/B236/D101/D102/D103)

Index No.	Part No.	Description	Q'ty Per Assembly
*	B234 2512	Paper Feed Unit	1
1	AG05 0100	Knob - Transport Roller	2
2	AA00 1466	Decal - Paper Feed (C2)	1
3	B234 2850	Inner Cover	1
4	AA00 1462	Decal - Paper Feed (B1)	1
5	AA00 1464	Decal - Paper Feed (B3)	1
6	B234 2793	Button	1
7	B234 2792	Slider	1
8	AA14 3802	Screw: 6x1.7	2
9	AA06 3677	Spring	1
10	B234 2785	DC Solenoid	1
11	B234 2781	Paper Feed Sensor Bracket	1
12	AW01 0107	Paper Feed Sensor	2
13	B234 2726	Paper Feed Sensor Bracket	1
14	B234 2776	Guide Plate - Lower	1
15	AF02 2165	Transport Roller - Driven	1
16	AA08 4059	Ball Bearing Holder	2
17	AA06 3674	Spring - 8N	2
18	AA00 1465	Decal - Paper Feed (B4)	1
19	AA16 1165	Cushion	1
20	AG05 1141	Release Lever	1
21	5447 2681	Snap Ring	1
22	B234 2750	Contact Image Sensor	1
23	B234 2731	Positioning Sensor Bracket	1
24	B234 2736	Positioning Sensor Stay	1
25	B234 5679	Harness - CIS CRB	1
26	B234 5675	Harness - Paper Feed Unit	1

Index No.	Part No.	Description	Q'ty Per Assembly
101	0951 4008N	Screw: Polished Round: M4x8	
102	0451 4008N	Tapping Screw: 4x8	
103	0451 4006N	Tapping Screw - 4x6	
104	0313 0040N	Screw: M3x4	
105	1105 0511	Harness Clamp - LWS-0306ZC	

29.Paper Registration 2 (B234/B235/B236/D101/D102/D103)



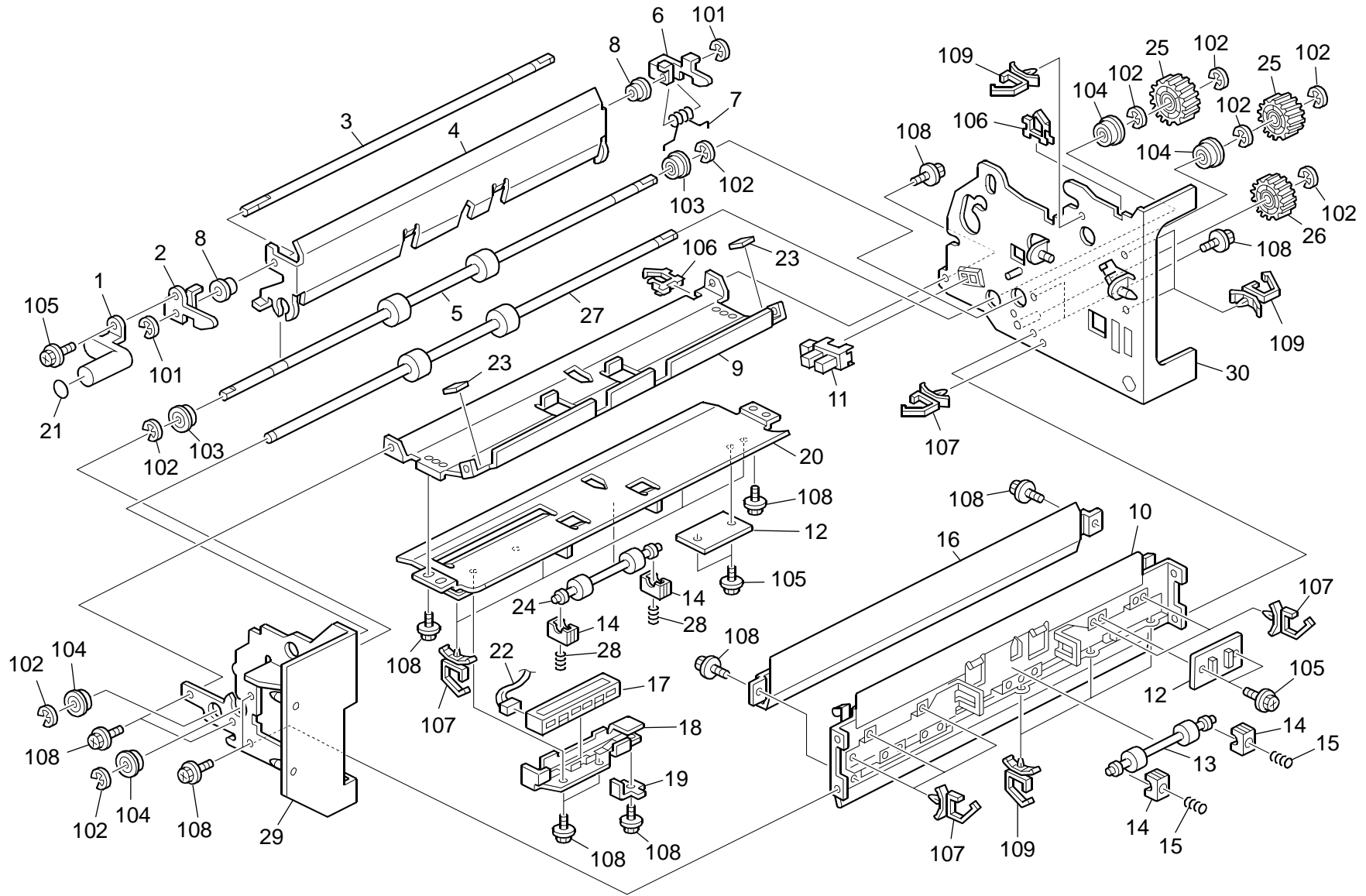
29.Paper Registration 2 (B234/B235/B236/D101/D102/D103)

Rev. 11/17/2008

Index No.	Part No.	Description	Q'ty Per Assembly
1	B234 2626	Registration Roller - Driven	1
2	B234 2621	Registration Roller - Drive	1
3	B234 2652	Registration Cover	1
4	B234 2658	Registration Sensor Bracket	1
5	AW01 0107	Paper Feed Sensor	1
6	B234 2660	Remove Paper Dust Case	1
7	B234 5676	Harness - Sensor	1
8	AA13 2025	Spacer - 1x8x12	2
9	AW00 0011	Optics Sensor	1
10	B234 2632	Guide Plate - Lower	1
11	AX56 0011	LED	1
12	B234 2637	LED Bracket	1
13	B234 5678	Harness - Double Feed Sensor	1
14	B234 2643	Guide Plate - Entrance	1
15	AF02 0671	Transport Roller - Drive	1
16	B234 2770	Guide Plate - Upper	1
17	B234 2628	Ball Bearing - Front	1
18	AA06 2329	Spring: Registration: 20N	2
19	B234 2629	Ball Bearing - Rear	1
20	B234 2624	Ball Bearing - 8x12x5	2
21	AB01 1501	Gear - 30Z	1
22	B234 2642	Guide Plate - Upper	1
23	AB01 1503	Gear - 30Z	1
24	AB01 1504	Gear - 33Z	1
25	AB01 1505	Gear - 35Z	1
26	B234 2605	Side Plate: Paper Feed: Front: No.2	1
27	B234 2796	Seal: Harness Clamp: 4x12	1
28	B234 2795	Sheet: Cover: Harness	1

Index No.	Part No.	Description	Q'ty Per Assembly
101	0353 0040N	Screw - M3x4	
102	0720 0040E	Retaining Ring - M4	
103	1105 0511	Harness Clamp - LWS-0306ZC	
104	0720 0060E	Retaining Ring - M6	
105	0742 3808	Ball Bearing - 8x16x5	
106	0454 3006Q	Tapping Screw - M3x6	
107	1105 0551	Clamp: LES-0505	
108	0451 4006N	Tapping Screw - 4x6	
109	1105 0568	Clamp: LWSS-0504	
110	0633 0180G	Parallel Pin - 3x18mm	

30.Paper Registration 3 (B234/B235/B236/D101/D102/D103)

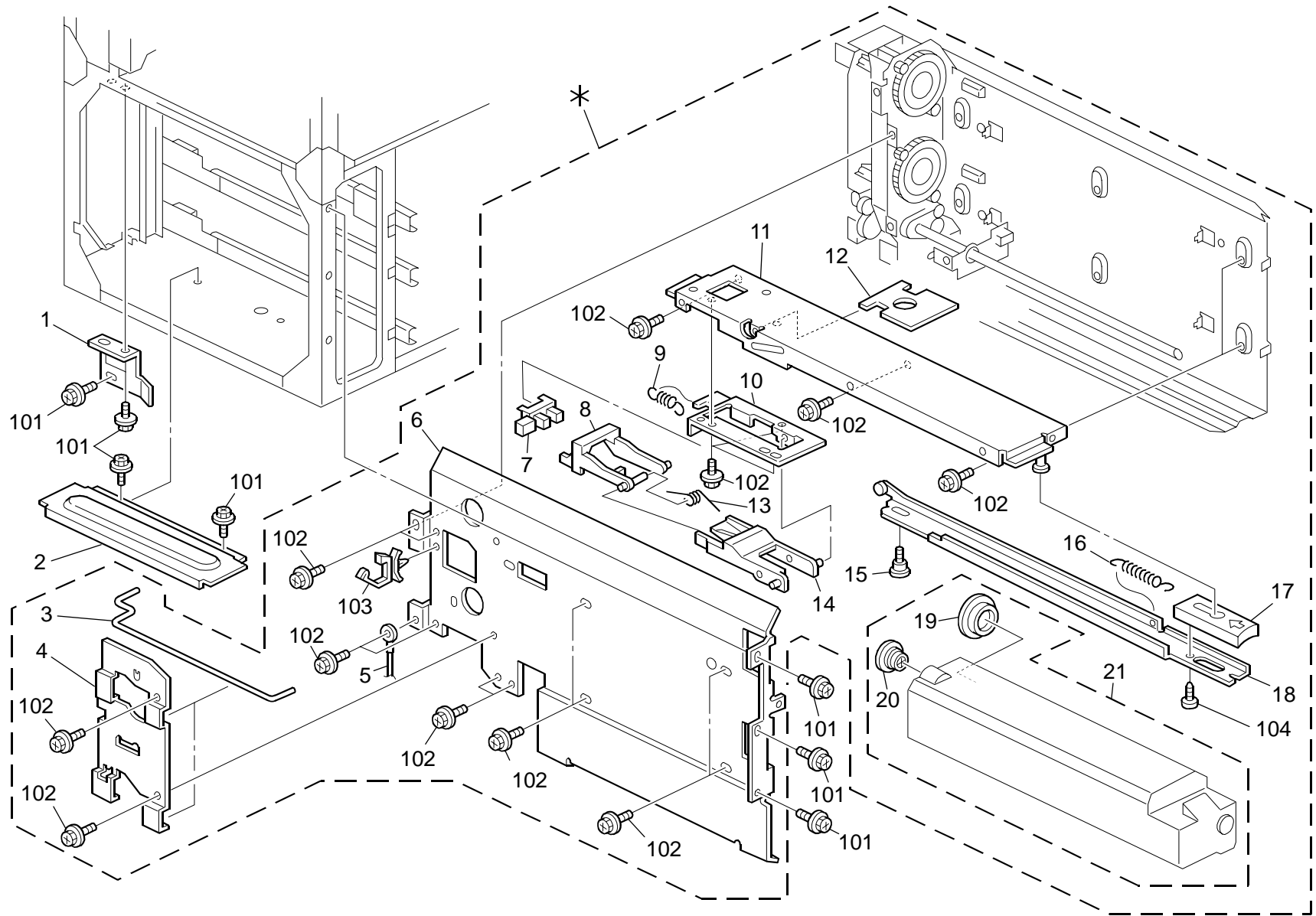


30.Paper Registration 3 (B234/B235/B236/D101/D102/D103)

Index No.	Part No.	Description	Q'ty Per Assembly
1	B234 2707	Lock Lever	1
2	B234 2705	Lock Pawl - Front	1
3	AA14 0779	Lock Shaft	1
4	B234 2704	Guide Plate	1
5	AF02 0669	Transport Roller	1
6	B234 2706	Lock Pawl - Rear	1
7	AA06 6372	Spring	1
8	5443 2668	Bushing - 4x6x7mm	2
9	B234 2761	Guide Plate - Upper	1
10	B234 2712	Guide Plate: Middle: Right: Adhesion	1
11	AW02 0145	Photointerruptor: Flat	1
12	B234 5280	PCB CRB	2
13	AF02 2165	Transport Roller - Driven	2
14	AA08 4059	Ball Bearing Holder	4
15	AA06 3674	Spring - 8N	2
16	B234 2720	Guide Plat - Left Lower	1
17	B234 2750	Contact Image Sensor	1
18	B234 2731	Positioning Sensor Bracket	1
19	B234 2736	Positioning Sensor Stay	1
20	B234 2765	Guide Plate - Lower	1
21	AA00 1463	Decal - Paper Feed: B2	1
22	B234 5679	Harness - CIS CRB	1
23	A469 2123	Rubber Cushion - 1x10x10mm	1
24	AF02 2168	Transport Roller - Driven	1
25	AB01 1502	Gear - 30Z	2
26	AB01 1504	Gear - 33Z	1
27	AF02 0670	Transport Roller - Drive	1
28	AA06 3675	Spring - 5N	2
29	B234 2600	Side Plate: Paper Feed: Front	1
30	B234 2610	Side Plate: Paper Feed: Rear	1

Index No.	Part No.	Description	Q'ty Per Assembly
101	0720 0030E	Retaining Ring - M3	
102	0720 0060E	Retaining Ring - M6	
103	0741 3708	Ball Bearing - 8x12x3.5mm	
104	0742 3808	Ball Bearing - 8x16x5	
105	0451 3006N	Tapping Screw - 3x6	
106	1105 0551	Clamp: LES-0505	
107	1105 0511	Harness Clamp - LWS-0306ZC	
108	0451 4006N	Tapping Screw - 4x6	
109	1105 0516	Clamp	

31.Toner Bank Unit 1 (B234/B235/B236/D101/D102/D103)

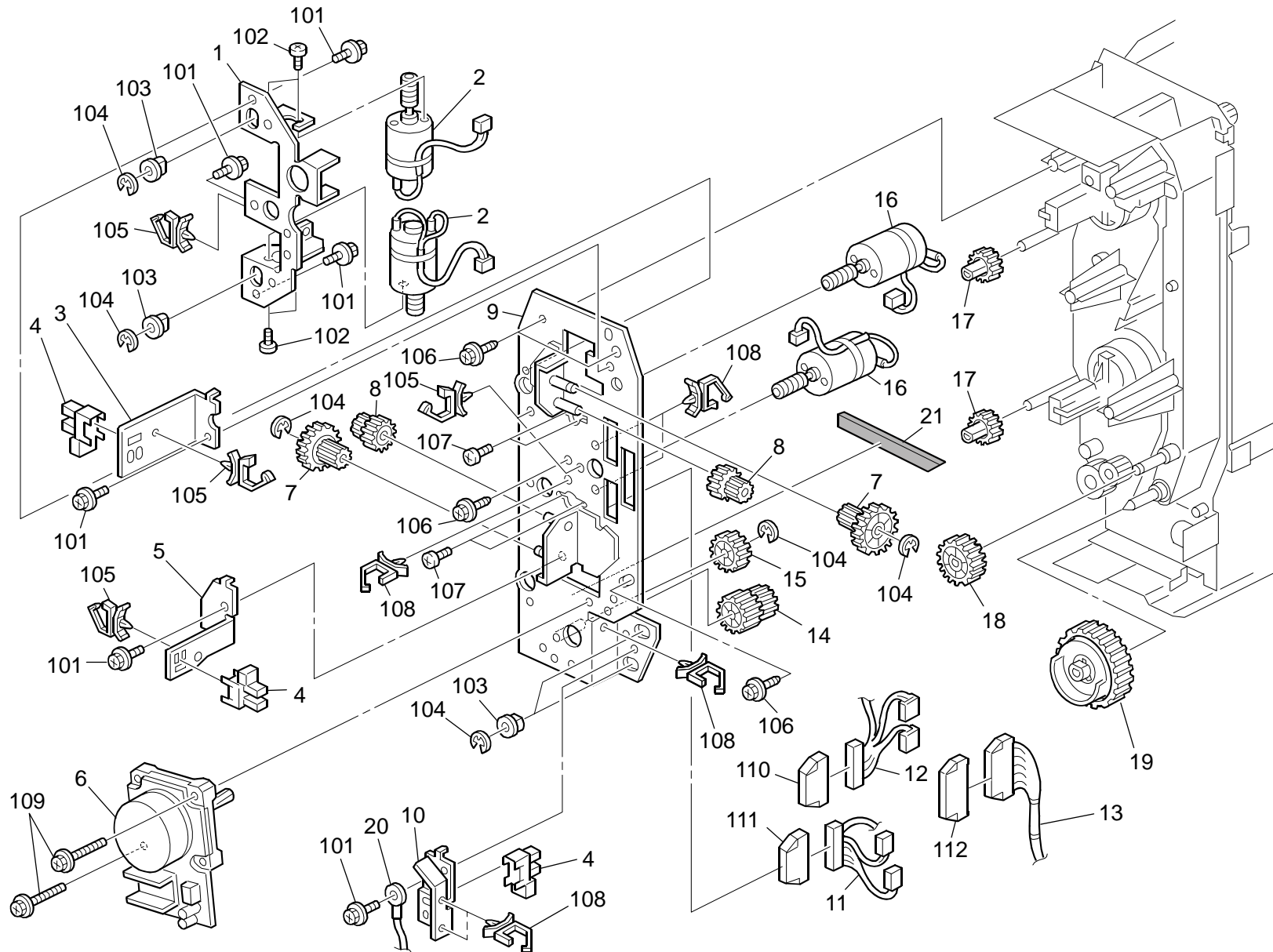


31.Toner Bank Unit 1 (B234/B235/B236/D101/D102/D103)

Index No.	Part No.	Description	Q'ty Per Assembly
*	B234 3305	Toner Bank: Main	1
1	A294 3495	Fixing Plate	1
2	B070 3496	Supporter: Toner Bank	1
3	A294 3461	Lever Rack Joint	2
4	B070 3462	Plate: Joint: Rack: Lever	1
5	A294 5489	Ground Harness - Toner Bank	1
6	B070 3436	Left Side Plate - Toner Bank	1
7	AW02 0145	Photointerruptor: Flat	2
8	A294 3447	Toner Bottle Set Feeler	2
9	AA06 0812	Lever Tension Spring	2
10	A294 3445	Stopper Support Plate	2
11	A294 3442	Toner Bottle Guide Plate	2
12	A294 3454	Lever Stopper	2
13	AA06 6320	Feeler Tension Spring	2
14	A294 3446	Toner Bottle Stopper	2
15	AA14 3562	Screw: M4: DIA6x1.2	2
16	AA06 0811	Tension Spring - Stopper	2
17	A294 3453	Toner Bottle Release Lever	2
18	A294 3451	Lever Holder	2
19	A007 3751	Large Cap - Toner Collection Tank	1
20	A007 3785	Toner Collection Bottle Cap	1
21	B234 3468	Collection Bottle	1

Index No.	Part No.	Description	Q'ty Per Assembly
101	0451 4008N	Tapping Screw: 4x8	
102	0451 4006N	Tapping Screw - 4x6	
103	1105 0511	Harness Clamp - LWS-0306ZC	
104	0452 4008N	Tapping Screw: M4x8	

32.Toner Bank Unit 2 (B234/B235/B236/D101/D102/D103)



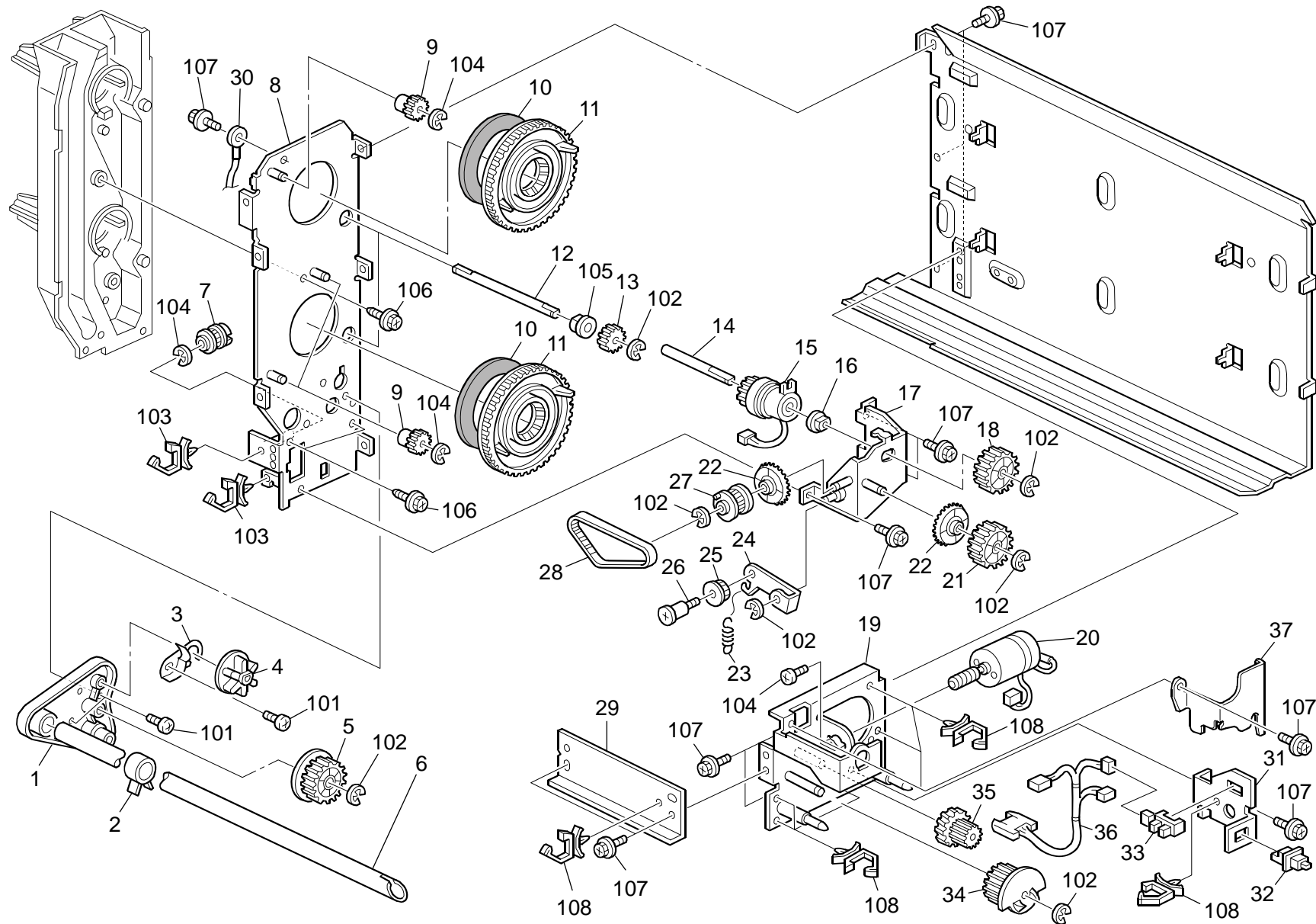
32.Toner Bank Unit 2 (B234/B235/B236/D101/D102/D103)

Rev. 12/21/2010

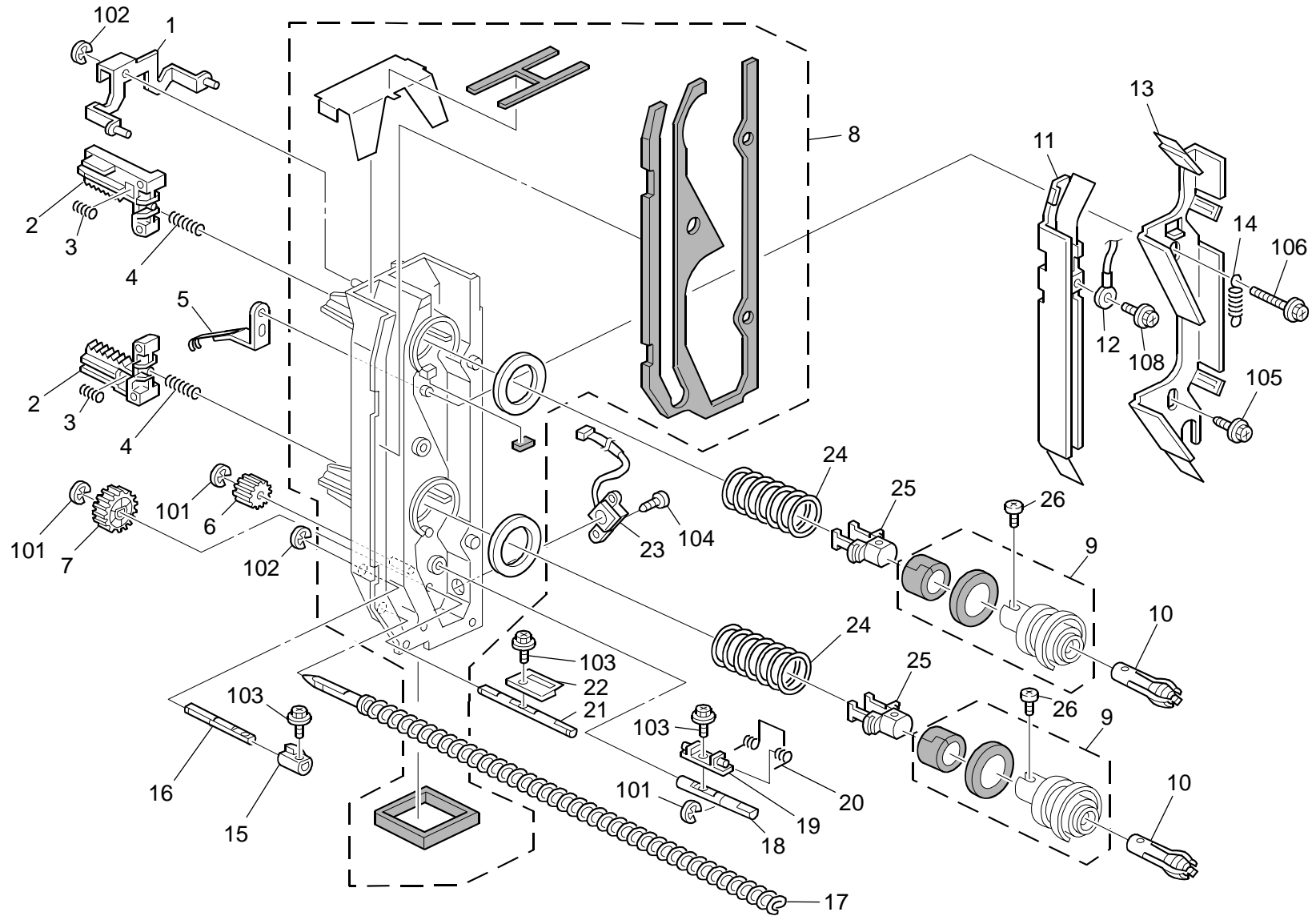
Index No.	Part No.	Description	Q'ty Per Assembly
1	A294 3371	Motor Bracket	1
2	B234 3372	DC Motor: Toner Bottle: DC21V 5.85W	2
3	A294 3378	Position Sensor Bracket - Upper	1
4	AW02 0145	Photointerruptor: Flat	3
5	D059 3379	Bracket: Positioning Sensor: Rack: Lower	1
6	B234 3420	Brushless Motor: DC24V 5.1W	1
7	AB01 7514	Double Gear - 12/27Z	2
8	AB01 7515	Double Gear - 12/23Z	2
9	B070 3362	Toner Bottle Bracket	1
10	A294 3377	Sensor Bracket	1
11	B234 5681	Harness: Toner Bank: Bottle: Lower	1
12	B234 5680	Harness: Toner Bank: Bottle: Upper	1
13	B234 5682	Harness - Toner Bank Main	1
14	AB01 7732	Gear: Idler: Z16/Z47: Press Fit	1
15	AB01 2006	Gear - 23Z	1
16	B234 3375	DC Motor: Drive: Chuck: DC21V 5.85W	2
17	AB01 2008	Gear - 23Z	2
18	AB01 2004	Gear - 27Z	1
19	A294 3423	Gear - Toner Collection Coil	1
20	A294 5489	Ground Harness - Toner Bank	1
21	B070 3364	Shield: Bracket: Chuck	1

Index No.	Part No.	Description	Q'ty Per Assembly
101	0451 4006N	Tapping Screw - 4x6	
102	0312 5060N	Screw - M2.5x6	
103	0805 3480	Bushing - 6mm	
104	0720 0040E	Retaining Ring - M4	
105	1105 0511	Harness Clamp - LWS-0306ZC	
106	0450 4006N	Tapping Screw: 4x6	
107	0312 5050N	Screw - M2.5x5	
108	1105 0516	Clamp	
109	0451 3012N	Tapping Screw: 3x12	
110	1102 6253	Relay Connector	
111	1102 6267	Connector - 10P	
112	1103 3507	Connector: 55482-1919	

33.Toner Supply Unit 1 (B234/B235/B236/D101/D102/D103)



34.Toner Supply Unit 2 (B234/B235/B236/D101/D102/D103)

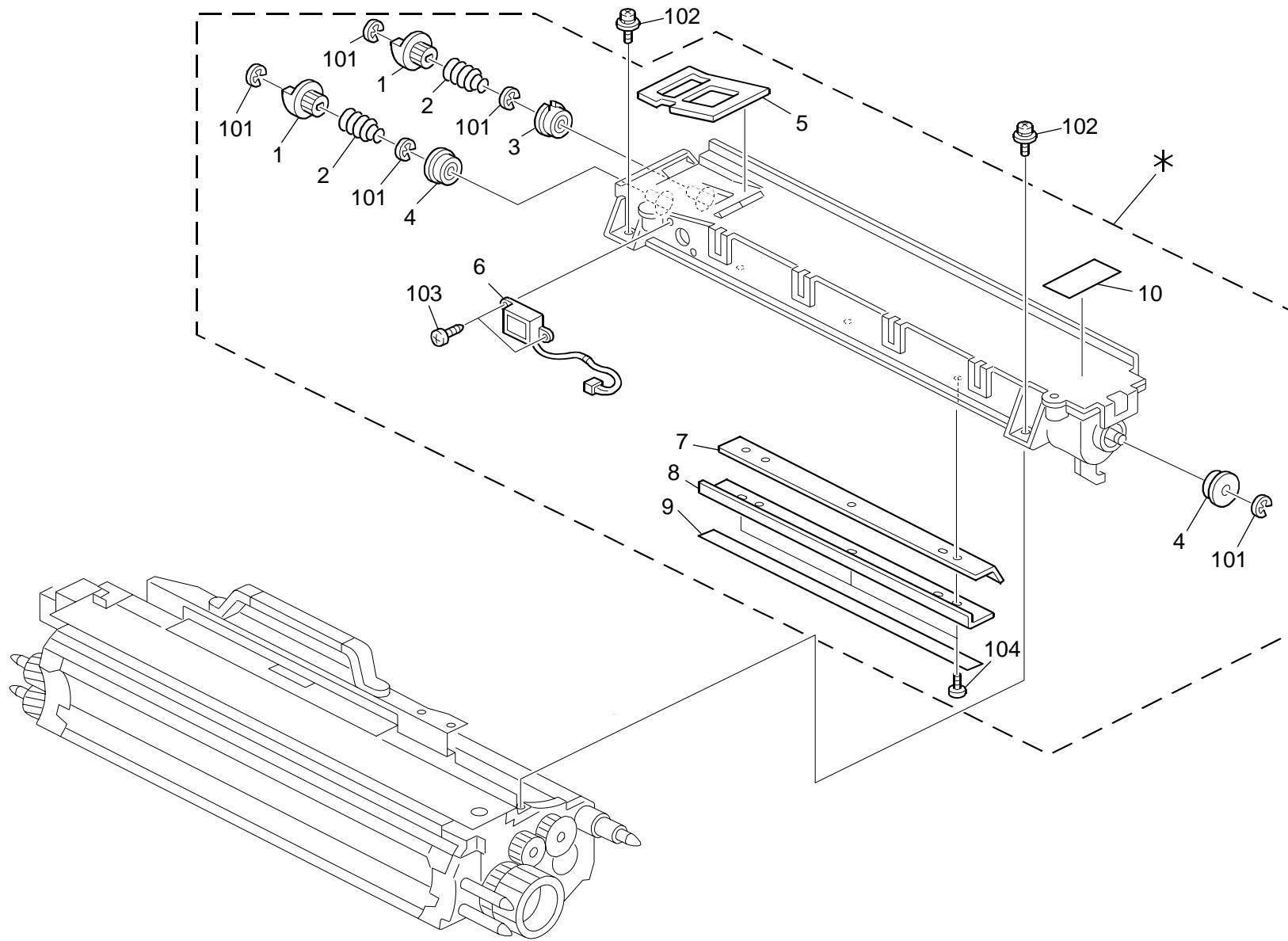


34.Toner Supply Unit 2 (B234/B235/B236/D101/D102/D103)

Index No.	Part No.	Description	Q'ty Per Assembly
1	A294 3341	Vibrating Plate Link Bracket	1
2	A294 3354	Rack - 10Z	2
3	AA06 3601	Rack Spring	2
4	AA06 3602	Chuck Spring	2
5	A294 3225	Ground Plate - Vibrating Plate	1
6	AB01 2003	Gear - 16Z	1
7	AB01 2004	Gear - 27Z	1
8	B234 3311	Case: Toner Bank: Unit	1
9	A294 3292	Toner Bank Slider	2
10	A134 3180	Bottle Chuck	2
11	A294 3327	Toner Collection Vibration Plate	1
12	A294 5488	Ground Harness - Vibrating Plate	1
13	A294 3323	Vibration Plate	1
14	AA06 0810	Tension Spring - Vibrating Plate	1
15	A294 3337	Vibration Plate Cam	1
16	A294 3336	Cam Shaft	1
17	B234 3494	Toner Collection Coil	1
18	A294 3339	Spring Shaft	1
19	B234 3340	Guide Plate	1
20	AA06 6319	Tension Spring	1
21	A294 3333	Agitator Shaft	1
22	A294 3331	Toner Bank Agitator	1
23	AW31 0008	Toner End Sensor	1
24	AA06 3392	Chuck Spring	2
25	B234 3356	Joint: Chuck: Toner Bottle	2
26	AA14 3816	Flat Screw: Chuck: Bottle	2

Index No.	Part No.	Description	Q'ty Per Assembly
101	0720 0040E	Retaining Ring - M4	
102	0720 0030E	Retaining Ring - M3	
103	0353 0060N	Bind Screw - M3x6	
104	0452 3008N	Tapping Screw - M3x8	
105	0450 4008N	Tapping Screw - M4x8	
106	0360 3014N	Screw - M3x14	
107	0805 3480	Bushing - 6mm	
108	0451 3006N	Tapping Screw - 3x6	

35.Toner Hopper Section (B234/B235/B236/D101/D102/D103)

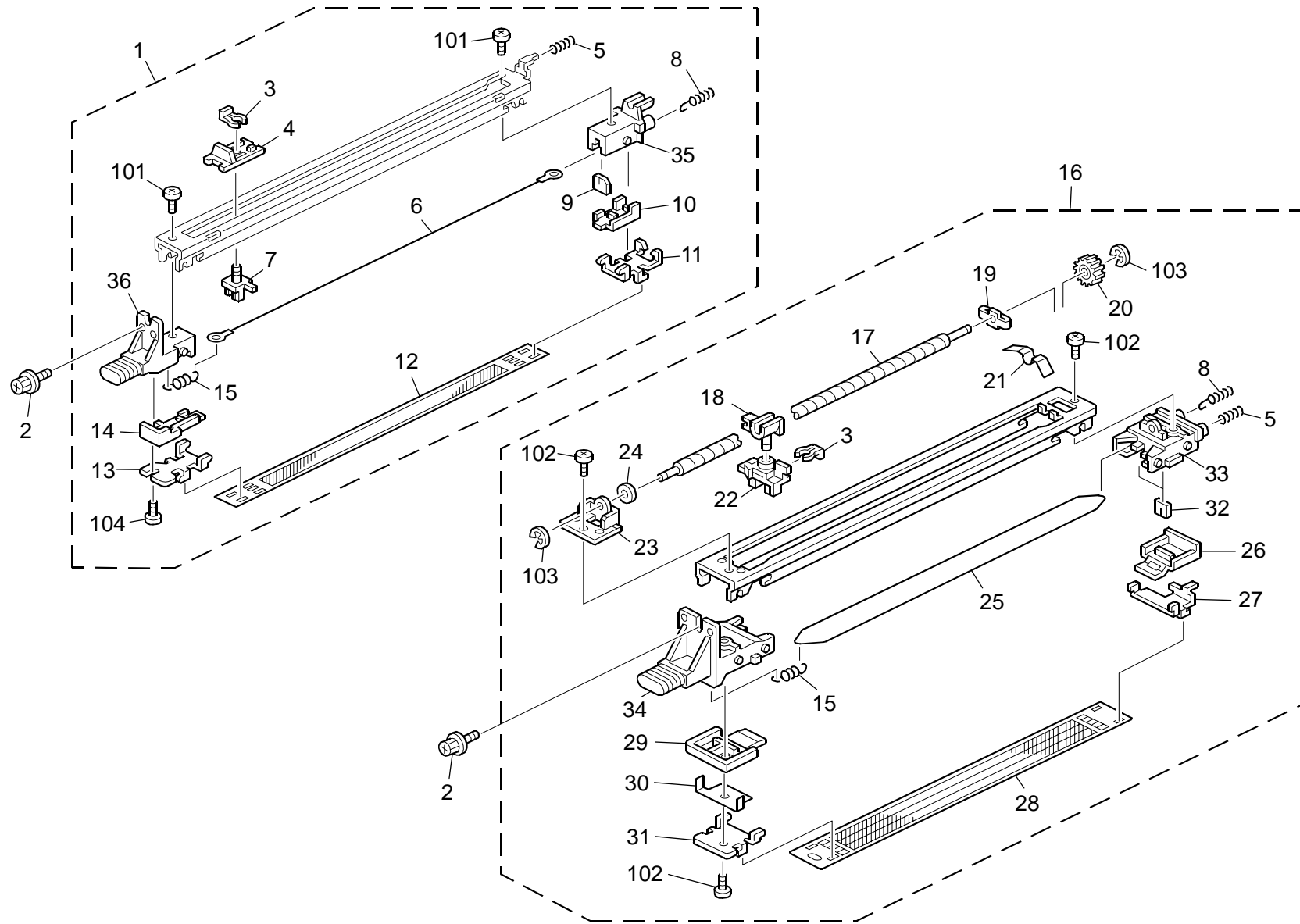


35.Toner Hopper Section (B234/B235/B236/D101/D102/D103)

Index No.	Part No.	Description	Q'ty Per Assembly
*	B234 3200	Toner Supply Unit	1
1	B234 3239	Joint: Toner Hopper	2
2	B132 1278	Compression Spring: Drive	2
3	B247 3175	Bushing 8x14x8	1
4	B247 3176	Boss: Bearing: Agitator: Press Fit	2
5	B234 3216	Seal: Toner Hopper: Upper	1
6	AW31 0009	Toner End Sensor	1
7	B234 3221	Slitter	1
8	B234 3222	Plate Nut	1
9	B234 3223	Slitter Cover	1
10	B234 3214	Decal: Display: Caution: Development	1

Index No.	Part No.	Description	Q'ty Per Assembly
101	0720 0040E	Retaining Ring - M4	
102	0951 4006N	Screw: Polished Round: M4x6	
103	0452 3008N	Tapping Screw - M3x8	
104	0354 0060N	Screw-M4x6	

36.Charge Corona Unit 1 (B234/B235/B236/D101/D102/D103)

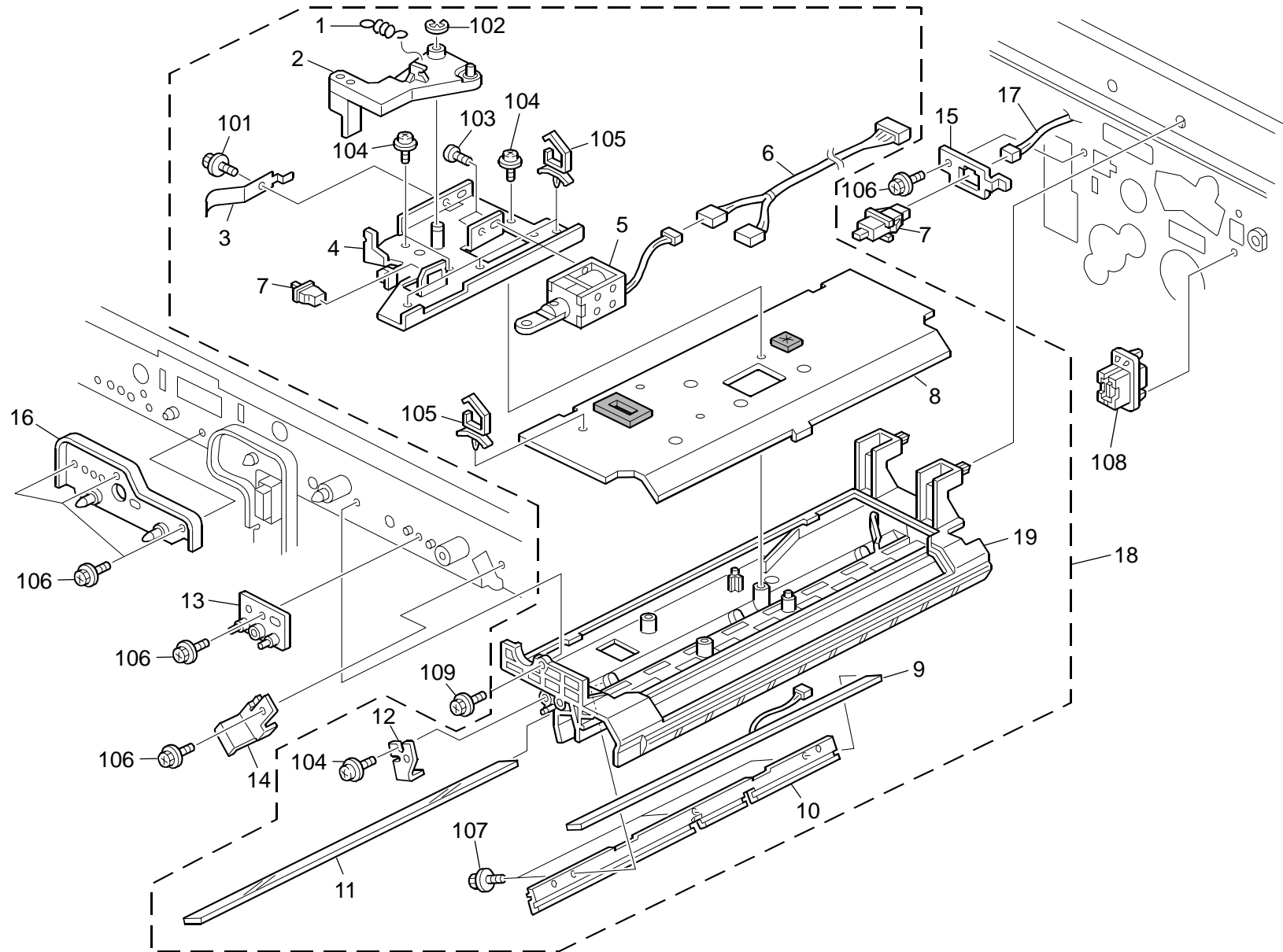


36.Charge Corona Unit 1 (B234/B235/B236/D101/D102/D103)

Index No.	Part No.	Description	Q'ty Per Assembly
1	B234 2140	Pre Charge Corona	1
2	B234 2390	Flanged Hexagonal Head Bolt: M4x8	2
3	A096 2065	Slider Ring	2
4	B234 2148	Cleaner Slider	1
5	B234 2125	Spring - Grid	2
6	B234 2156	Charge Corona Wire	1
7	B234 2149	Cleaner	1
8	B234 2124	Spring - Charge Corona	2
9	B234 2154	Wire Cushion	1
10	B234 2145	End Block Cover - Rear	1
11	B234 2152	Grid Stay - Rear	1
12	B234 2155	Charge Corona Grid	1
13	B234 2151	Grid Stay - Front	1
14	B234 2144	End Block Cover - Front	1
15	AA06 2284	Pressure Spring	2
16	B234 2111	Charge Corona Unit	1
17	B234 2116	Screw Shaft	1
18	A096 2062	Wire Cleaner Slider	1
19	AA08 0147	Front Bushing	1
20	B234 2119	Gear - 14Z	1
21	B234 2115	Earth Spring Plate	1
22	A096 2063	Corona Wire Cleaner	1
23	B234 2117	Bushing - Screw Shaft	1
24	B234 2118	Spacer Cushion	1
25	B234 2128	Wire: Charge Corona	1
26	B234 2127	End Block Cover - Rear	1
27	A096 2051	Rear Grid Anchor	1
28	B234 2113	Charge Corona Grid	1
29	B234 2126	End Block Cover - Front	1
30	B234 2114	Electrode Plate	1
31	B234 2112	Grid Stay - Front	1
32	B234 2123	Cushion - Wire	2
33	B234 2121	End Block: Charge Corona: Rear	1
34	B234 2120	End Block: Charge Corona: Front	1
35	B234 2142	End Block: Rear	1

Index No.	Part No.	Description	Q'ty Per Assembly
36	B234 2141	End Block: Front	1
101	0452 3006N	Binding Self-Tapping Screw: 3x6	
102	0354 0080N	Screw: M4x8	
103	0720 0025E	Retaining Ring - M2.5	

37.Charge Corona Unit 2 (B234/B235/B236/D101/D102/D103)

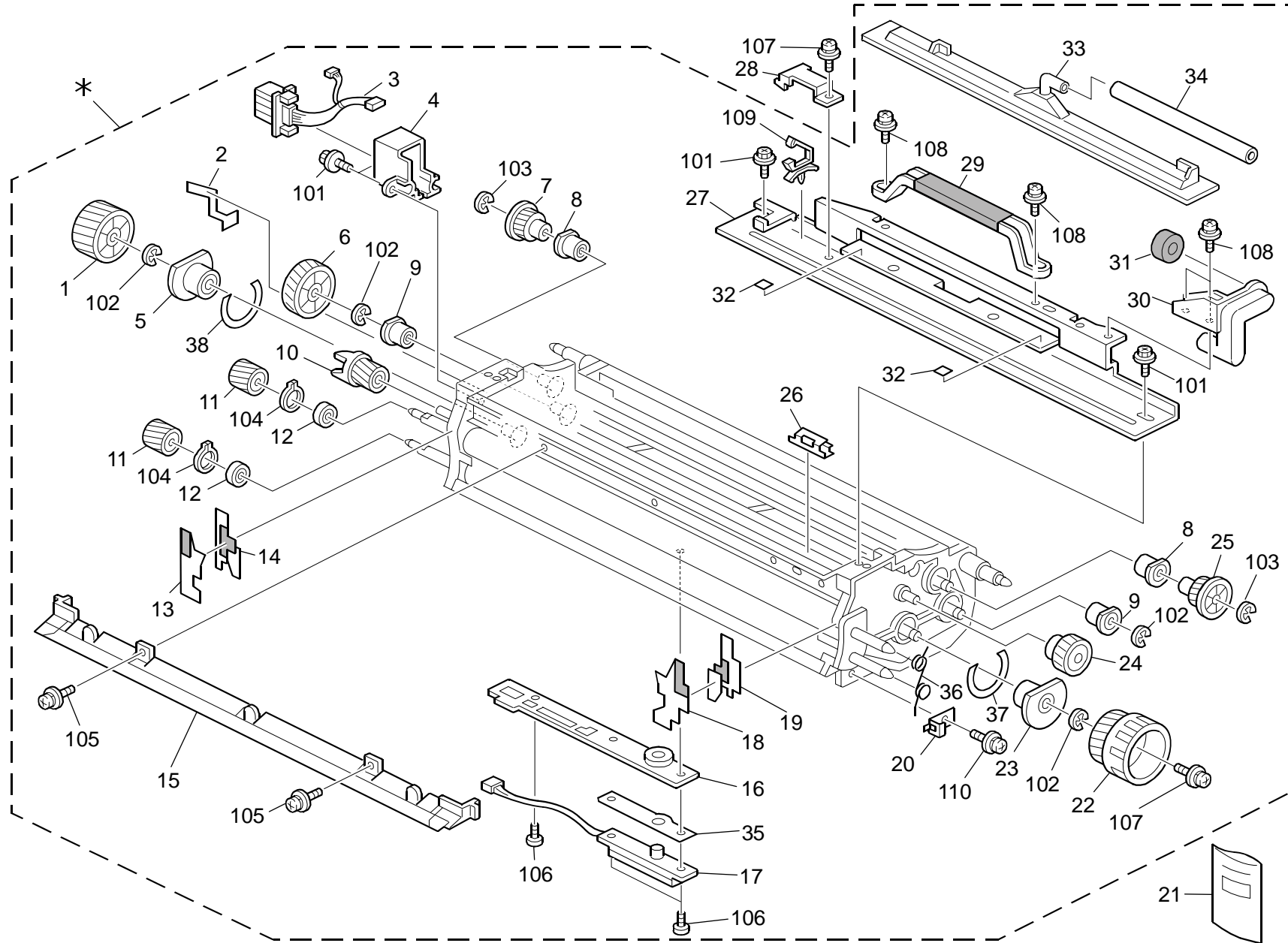


37.Charge Corona Unit 2 (B234/B235/B236/D101/D102/D103)

Index No.	Part No.	Description	Q'ty Per Assembly
1	B234 2412	Tension Spring	1
2	B234 2411	Arm	1
3	B234 2431	Ground Plate	1
4	B234 2406	Release Blade Base No.2	1
5	B234 2404	DC Solenoid	1
6	B234 5667	Harness - QL On-Off Solenoid	1
7	AW50 0023	Push Switch	2
8	B234 2434	Cover - Around The Photoconductor	1
9	B234 2440	LED Array - QL	1
10	B234 2427	Seal - QL	1
11	B234 2422	Shading Plate - Discharge Lamp	1
12	B234 2423	Cover - Shield Glass	1
13	B234 2129	Charge Corona Bracket	1
14	B234 1991	Cover - Shield Glass	1
15	B234 3786	Push Switch Holder	1
16	B234 4080	Positioning Pin Bracket - Front	1
17	B234 5668	Harness - Set Sensor	1
18	B234 2401	Around The Photoconductor Unit	1
19	B234 2416	Frame: Upper: Drum Unit	1

Index No.	Part No.	Description	Q'ty Per Assembly
101	0451 3006N	Tapping Screw - 3x6	
102	0720 0060E	Retaining Ring - M6	
103	0353 0040N	Screw - M3x4	
104	0951 3008N	Screw: Polished Round: M3x8	
105	1105 0511	Harness Clamp - LWS-0306ZC	
106	0451 4008N	Tapping Screw: 4x8	
107	0450 3008N	Tapping Screw - M3x8	
108	1102 9785	Connector: 55949-1819	
109	0451 4012N	Tapping Screw: 4x12	

38. Development Unit 1 (B234/B235/B236/D101/D102/D103)

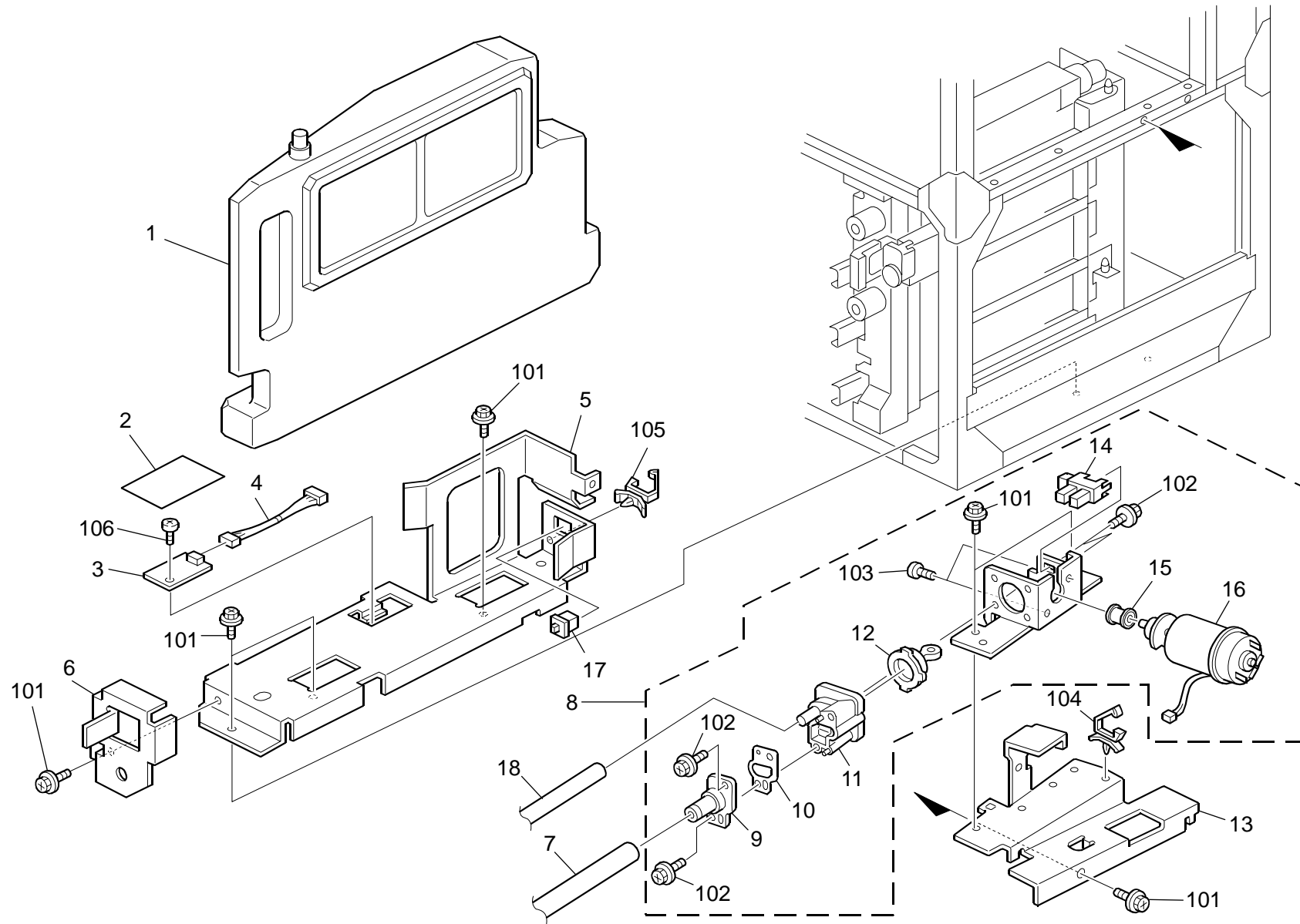


38.Development Unit 1 (B234/B235/B236/D101/D102/D103)

Index No.	Part No.	Description	Q'ty Per Assembly
*	B234 3103	Development Unit: Ass'y	1
1	B234 3165	Gear - 42Z	1
2	B234 3187	Seal: Side Plate: Rear	1
3	B234 3139	Harness - Development Unit	1
4	B234 3138	Connector Holder	1
5	A294 3145	Ball Bearing Case - 8x19x6	1
6	B234 3167	Gear - 34Z	1
7	B234 3166	Gear - 20Z	1
8	B234 3118	Bushing: Transport Screw: Dia6	2
9	B065 3069	Bushing - 8mm	1
10	B234 3107	Gear: Idler: Development Unit	1
11	B070 3180	Gear: Development Roller: Z21: M=0.8	2
12	A247 3089	Ball Bearing - 9x17x5	2
13	B234 3192	Shield: Drum: Rear	1
14	B234 3180	Shield: Development Roller: Rear	1
15	B234 3171	Entrance Seal: Ass'y	1
16	B234 3125	Density Sensor Guide	1
17	AW23 0022	Density Sensor	1
18	B234 3191	Shield: Drum: Front	1
19	B234 3179	Shield: Development Roller: Front	1
20	A294 3126	Casing Electrode	1
21	B234 9640	Developer Type 27W BK	1
22	B234 3168	Knob - Development	1
23	B070 3170	Bearing Case: Front: Ass'y	1
24	B070 3184	Gear: Idler: Z29: M=0.8: Ass'y	1
25	B234 3170	Gear - 31Z	1
26	A294 3124	Ground Plate: Doctor Blade	1
27	B234 3157	Development Guide	1
28	B234 3188	Harness Cover	1
29	B234 3175	Grip	1
30	B234 3158	Tube: Duct Joint	1
31	B234 3190	Seal: Joint	1
32	B234 3177	Decal: Positioning Display: Development	1
33	B234 3151	Duct	1
34	B234 3154	Tube	1

Index No.	Part No.	Description	Q'ty Per Assembly
35	B234 3126	Sheet: Guide: Density Sensor	1
36	A294 3125	Electrode Torsion Spring	1
37	A294 3173	Seal - M8	1
38	A294 3147	Seal	1
101	0450 4008N	Tapping Screw - M4x8	
102	0720 0060E	Retaining Ring - M6	
103	0720 0040E	Retaining Ring - M4	
104	0727 0090E	Retaining Ring C - M9	
105	0951 4008N	Screw: Polished Round: M4x8	
106	0353 0050N	Screw-M3x5	
107	0951 4006N	Screw: Polished Round: M4x6	
108	0951 3006N	Screw - M3x6	
109	1105 0511	Harness Clamp - LWS-0306ZC	
110	0951 4020N	Screw - M4x20	

39.Toner Collection Bottle (B234/B235/B236/D101/D102/D103)

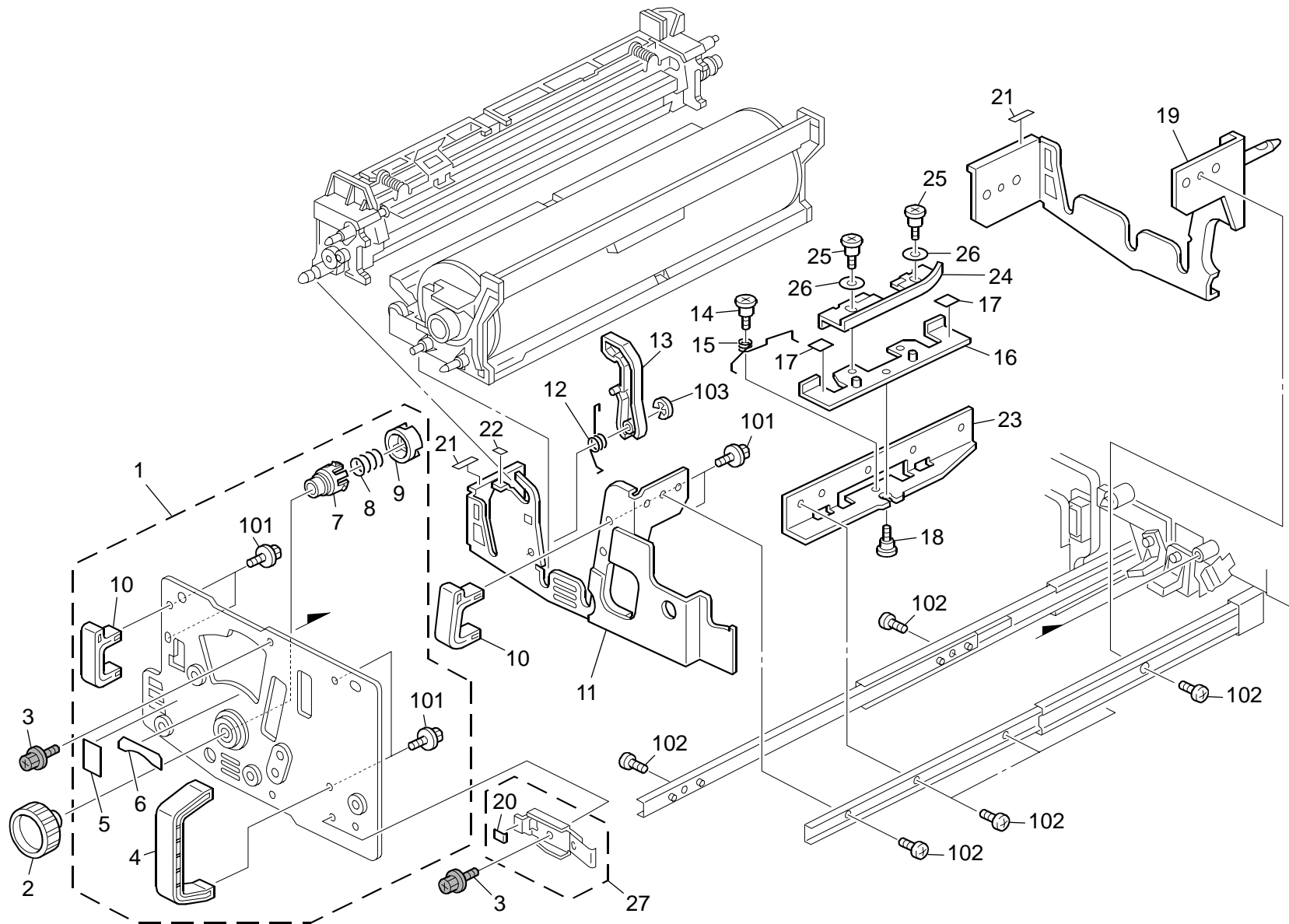


39.Toner Collection Bottle (B234/B235/B236/D101/D102/D103)

Index No.	Part No.	Description	Q'ty Per Assembly
1	B234 3701	Collection Bottle	1
2	B234 3712	Sensor Cover	1
3	AW14 0014	Temperature & Humidity Sensor	1
4	B234 5688	Harness - Sensor	1
5	B234 3711	Supporter	1
6	B234 3725	Stopper: Collection Bottle: Vacuum: Ass'y	1
7	B234 3079	Tube - Collection Bottle	1
8	B234 3094	Air Pump Unit	1
9	A294 3726	Cap: Pump: Mm12	1
10	A294 3085	Pump Seal	1
11	A294 3081	Air Pump	1
12	A294 3086	Toner Supply Pump	1
13	B234 3076	Pump Unit Bracket	1
14	AW02 0160	Paper Feed Sensor	1
15	A294 3084	Collar - 4x7x8	1
16	B234 3095	DC Motor 24V 5.85W	1
17	AW50 0023	Push Switch	1
18	B234 3162	Tube - Joint	1

Index No.	Part No.	Description	Q'ty Per Assembly
101	0451 4008N	Tapping Screw: 4x8	
102	0450 4008N	Tapping Screw - M4x8	
103	0313 0050N	Philips Pan Head Screw - M3x5	
104	1105 0508	Harness Clamp - LWS-0711	
105	1105 0511	Harness Clamp - LWS-0306ZC	
106	0353 0060N	Bind Screw - M3x6	

40.PCU 1 (B234/B235/B236/D101/D102/D103)

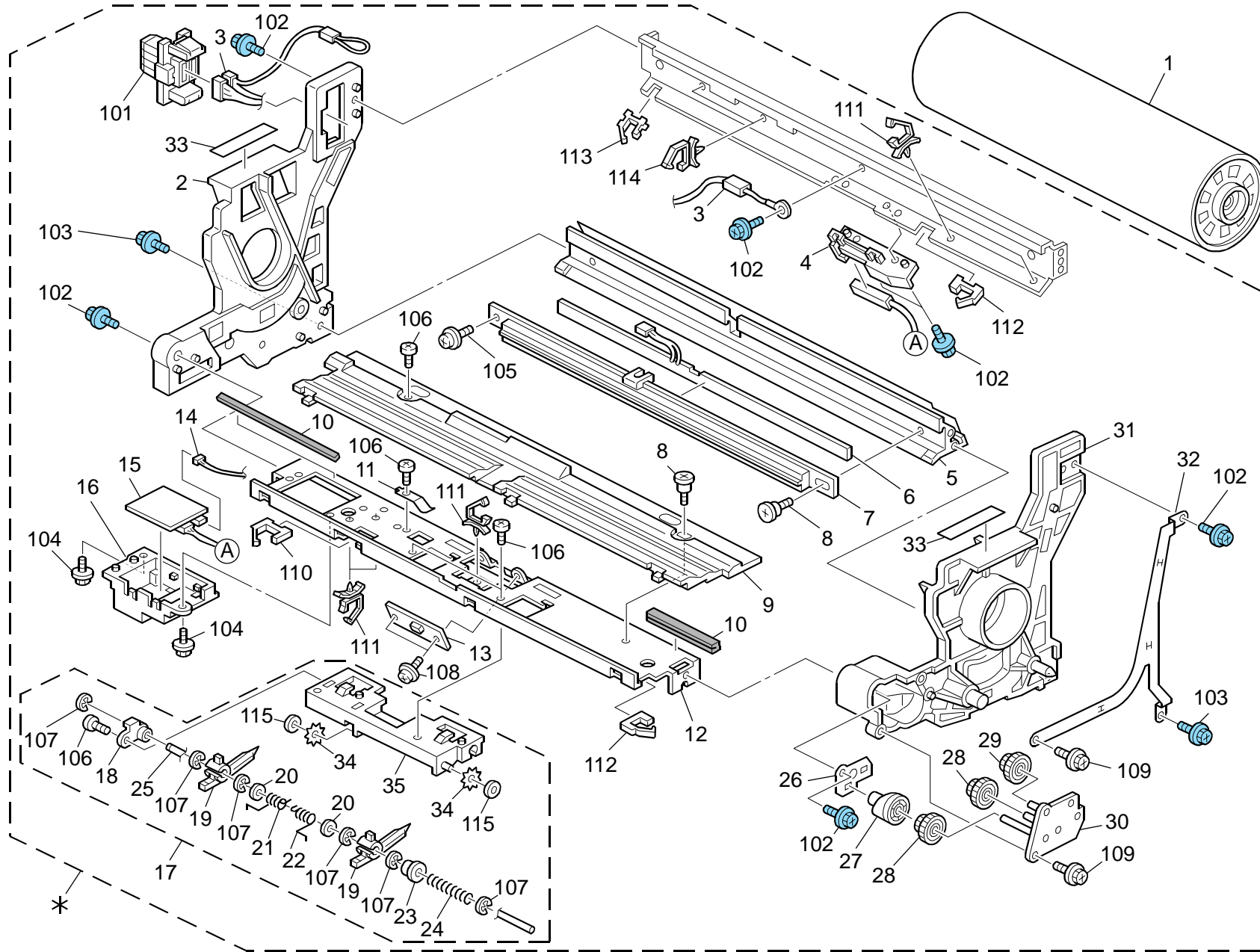


40.PCU 1 (B234/B235/B236/D101/D102/D103)

Index No.	Part No.	Description	Q'ty Per Assembly
1	B234 2318	Drum Stay: Around The Photoconductor: Ass'y	1
2	A096 2330	Drum Shaft Knob	1
3	B234 2390	Flanged Hexagonal Head Bolt: M4x8	1
4	B234 2326	Grip - Right	1
5	B234 2338	Decal: Drum Stay	1
6	B234 2332	Decal: Knob: English	1
7	B234 2323	Holder	1
8	B234 2325	Compression Spring	1
9	B234 2324	Cover	1
10	B234 2327	Grip - Tray Unit	2
11	B234 2461	Side Plate: Tray Unit: Front: Welding	1
12	B234 3785	Torsion Spring	1
13	B234 3784	Cleaning Arm	1
14	AA14 3444	Stepped Screw	1
15	B234 3093	Torsion Spring	1
16	B234 3090	Holder - Development Unit Move	1
17	B234 3177	Decal: Positioning Display: Development	2
18	AA14 3810	Development Cover Screw	1
19	B234 2471	Side Plate - Rear	1
20	B234 3593	Decal: Frame: Cleaning	1
21	B234 2467	Decal: Side Plate: Tray Unit: Left	1
22	B234 2468	Decal: Side Plate: Tray Unit: Front	1
23	B234 3089	Stay: Holder: Development Unit	1
24	B234 3084	Release Plate	1
25	AA14 3863	Shoulder Screw - M3	2
26	B700 4652	Spacer: DIA4.5	2
27	B234 3195	Spring Plate: Drum Stay: Ass'y	1

Index No.	Part No.	Description	Q'ty Per Assembly
101	0450 3008N	Tapping Screw - M3x8	
102	0354 0060N	Screw-M4x6	
103	0720 0040E	Retaining Ring - M4	

41.PCU 2 (B234/B235/B236/D101/D102/D103)



41.PCU 2 (B234/B235/B236/D101/D102/D103)

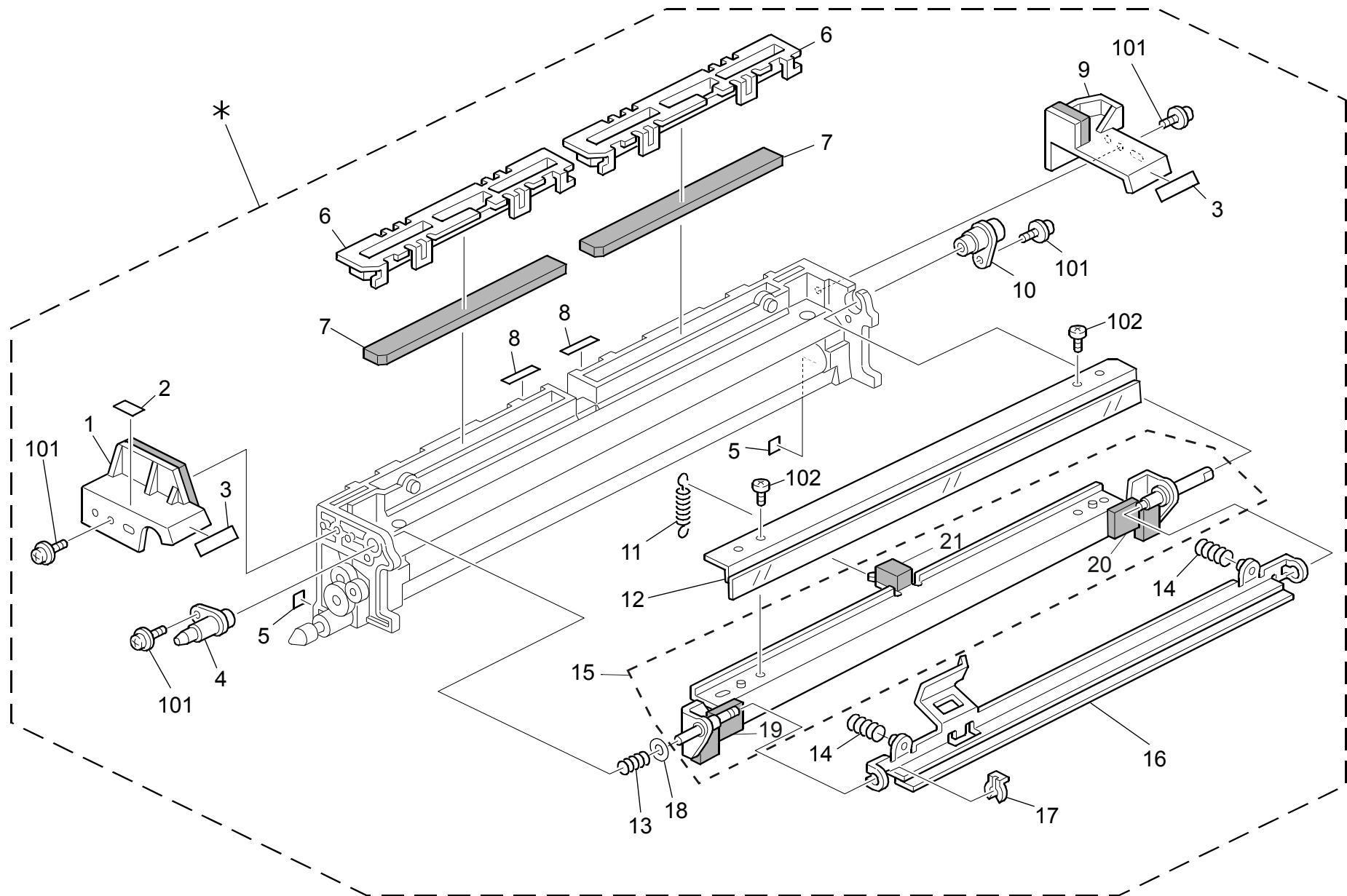
Rev. 07/07/2008

Index No.	Part No.	Description	Q'ty Per Assembly
*	B234 2309	Drum Unit	1
1	B234 9510	OPC Drum	1
2	B234 2310	Side Plate - Rear	1
3	B234 5665	Harness - Drum Unit	1
4	B234 2263	Electric Potential Sensor Holder	1
5	B234 2273	Stay - Pre-Transfer Lamp	1
6	B234 2270	LED Array	1
7	B140 2382	Pre-transfer Lamp Case Ass'y	1
8	5206 2684	Shoulder Screw - M3	2
9	B234 2293	Cover - Pickoff Pawl Stay	1
10	B070 3657	Magnetic: Cleaning	2
11	B234 2278	Ground Plate	1
12	B234 2276	Pickoff Pawl Stay	1
13	B234 2279	Density Sensor P	1
14	B234 5666	Harness - Sensor	1
15	B234 2264	Electric Potential Sensor	1
16	B234 2316	Electric Potential Sensor Holder [TSB#045]	1
17	B234 2281	Pickoff Pawl Unit	1
18	B234 2287	Bushing - Rear	1
19	AD02 5022	Pick-off Pawl	2
20	A352 2138	Slide Collar - 0.6x4.5x6	2
21	B234 2289	Pawl Spring - Rear	1
22	B234 2288	Pawl Spring - Front	1
23	5324 1658	Bushing- 4x8x4.5mm	1
24	B234 2282	Spring: Pickoff Pawl: Swivel	1
25	B234 2284	Shaft	1
26	B234 2382	Ground Plate - Pickoff Pawl	1
27	B234 2303	Gear - 32Z	1
28	B234 2302	Gear - 14Z/32Z	2
29	B234 2301	Gear - 17Z/18Z	1
30	B234 2296	Bracket	1
31	B234 2305	Side Plate - Front	1
32	B234 2381	Ground Plate - Front	1
33	B234 2311	Decal: Grip: Drum	2
34	A048 2276	Ring - Transport Bracket	2

Index No.	Part No.	Description	Q'ty Per Assembly
35	B234 2283	Holder: Pickoff Pawl	1
101	1102 9782	Connector: 51405-1819	
102	0454 3008Q	Tapping Screw: 3x8	
103	0454 3006Q	Tapping Screw - M3x6	
104	0451 3006N	Tapping Screw - 3x6	
105	0951 3008N	Screw: Polished Round: M3x8	
106	0353 0060N	Bind Screw - M3x6	
107	0720 0030E	Retaining Ring - M3	
108	0951 3005N	Screw: Polished Round: M3x5	
109	0450 3008N	Tapping Screw - M3x8	
110	1105 0518	Edge Saddle - LES-1010	
111	1105 0511	Harness Clamp - LWS-0306ZC	
112	1105 0522	Edge Saddle - LES0510	
113	1105 0551	Clamp: LES-0505	
114	1105 0534	Clamp	
115	0805 0077	Retaining Ring - M3	

42.Cleaning Unit 1 (B234/B235/B236/D101/D102/D103)

Rev. 10/19/2009



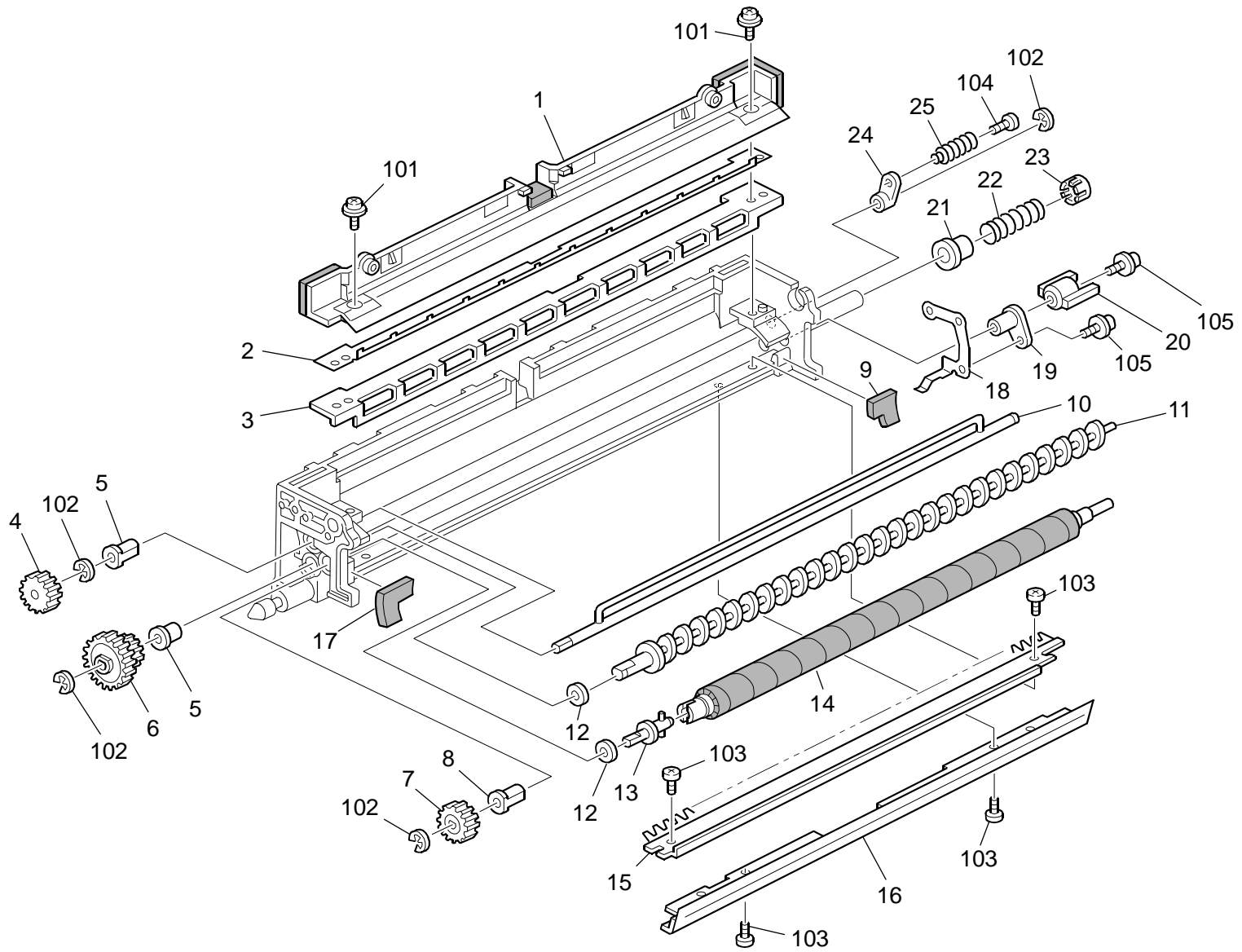
42.Cleaning Unit 1 (B234/B235/B236/D101/D102/D103)

Rev. 10/19/2009

Index No.	Part No.	Description	Q'ty Per Assembly
*	B234 3503	Cleaning Unit: Ass'y	1
1	B234 3641	Case: Cleaning: Front: Ass'y	1
2	B234 3654	Decal: Positioning Display: 2	1
3	B234 3655	Decal: Positioning Display: 3	2
4	B234 3562	Bushing - Front	1
5	B234 3592	Decal: Positioning Display: 1	2
6	B234 3636	Case - Upper	2
7	B234 3637	Filter - Cleaning	2
8	B234 3644	Decal: Case: Middle: Cleaning	4
9	B234 3624	Case: Cleaning: Inner Back: Ass'y	1
10	B234 3556	Bushing - Rear	1
11	B234 3561	Spring	1
12	B234 3564	Cleaning Blade	1
13	B234 3579	Spring - 16mm	1
14	B234 3585	Compression Spring	2
15	B234 3567	Cleaning Blade Bracket	1
16	B234 3586	Cleaning Blade: No.2: Ass'y	1
17	G065 2681	Snap Ring - M6	1
18	AA13 2080	Spacer - Cleaning Brush	1
19	B234 3572	Seal: Blade: Front: Ass'y [TSB#062]	1
20	B234 3578	Seal: Blade: Inner Back: Ass'y [TSB#062]	1
21	B234 3578	Seal: Bracket: Blade [TSB#062]	1

Index No.	Part No.	Description	Q'ty Per Assembly
101	0951 3006N	Screw - M3x6	
102	0314 0040N	Pan Head Screw - M4x4	

43.Cleaning Unit 2 (B234/B235/B236/D101/D102/D103)

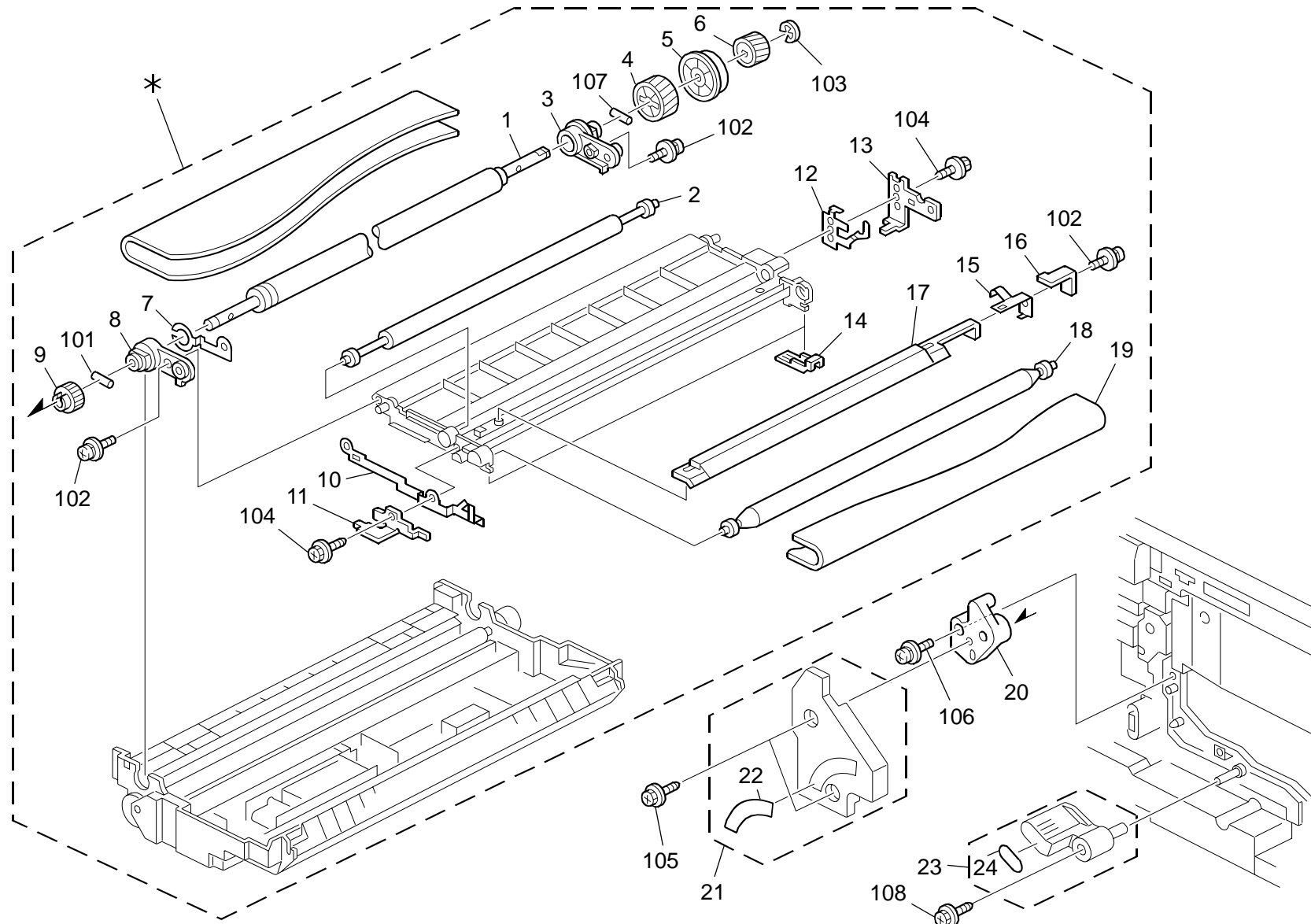


43.Cleaning Unit 2 (B234/B235/B236/D101/D102/D103)

Index No.	Part No.	Description	Q'ty Per Assembly
1	B234 3627	Case: Middle: Cleaning: Ass'y	1
2	B234 3638	Spring Plate: Brush Roller	1
3	B234 3639	Holder: Spring Plate: Brush Roller	1
4	B234 3601	Gear - 15Z	1
5	AA08 2095	Bushing - Toner Collection Coil	2
6	B234 3602	Gear - 15Z/43Z	1
7	B234 3666	Gear - 23Z	1
8	AA08 2094	Bushing - Brush Roller	1
9	B234 3658	Drum Seal - Rear	1
10	B234 3603	Agitator	1
11	B234 3607	Toner Collection Coil	1
12	AA13 2024	Spacer - M6	2
13	A096 3586	Cleaning Brush Drive Shaft	1
14	B234 3590	Cleaning brush Roller	1
15	B234 3615	Vibrating Plate	1
16	B234 3656	Entrance Seal: Cleaning: Ass'y	1
17	B234 3659	Seal: Drum: Front	1
18	B234 3606	Ground Plate - Brush Roller	1
19	AA08 2045	Cleaning Brush Bushing	1
20	B234 3763	Joint	1
21	B234 3651	Toner Catch pan	1
22	B234 3653	Spring	1
23	B234 3652	Cap	1
24	AA08 2059	Agitator Bushing	1
25	B132 3634	Compression Spring - Earth	1

Index No.	Part No.	Description	Q'ty Per Assembly
101	0951 3008N	Screw: Polished Round: M3x8	
102	0720 0040E	Retaining Ring - M4	
103	0452 3008N	Tapping Screw - M3x8	
104	0452 3010N	Binding Self-Tapping Screw: 3x10	
105	0951 3006N	Screw - M3x6	

44. Transfer Belt Unit 1 (B234/B235/B236/D101/D102/D103)

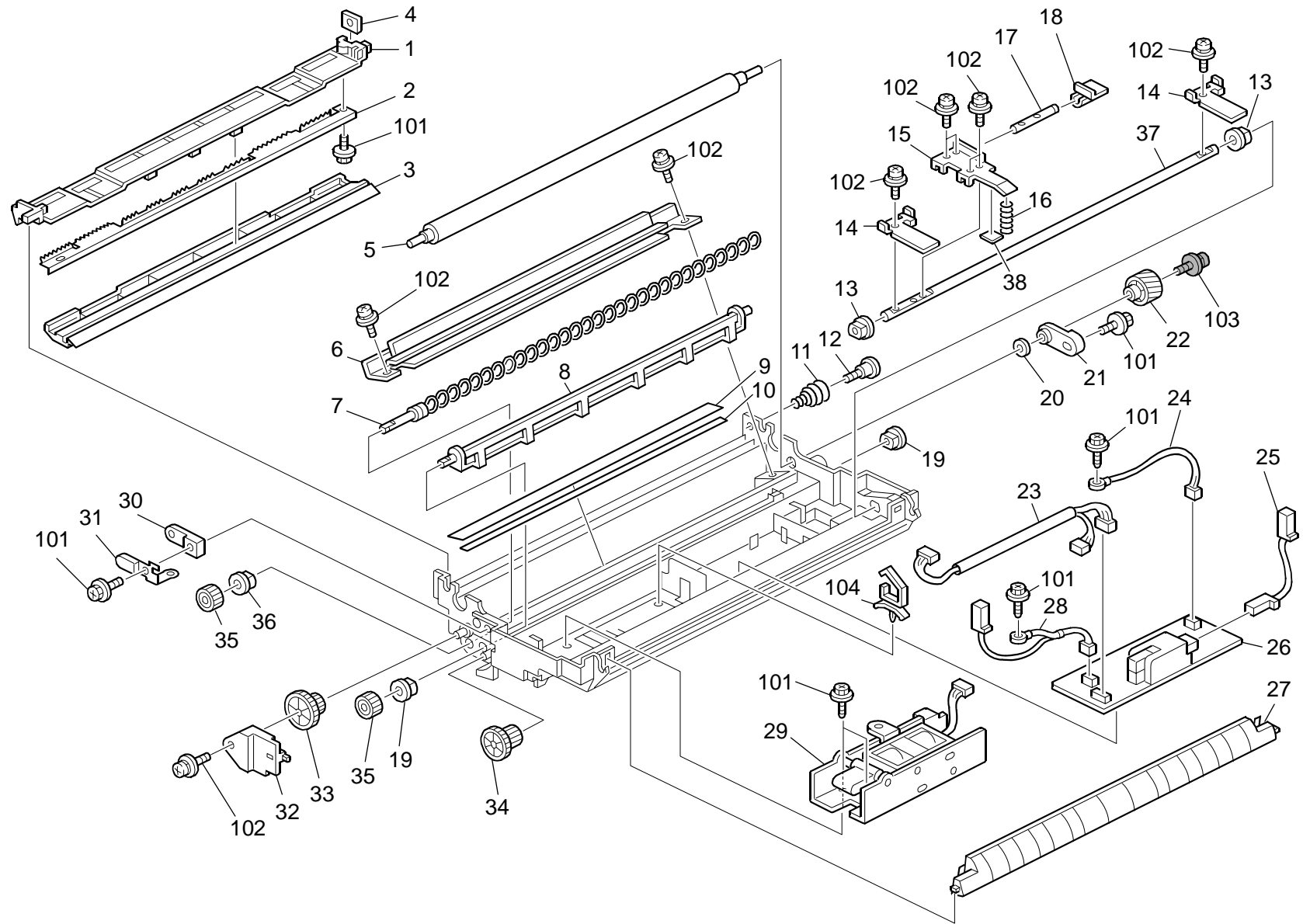


44. Transfer Belt Unit 1 (B234/B235/B236/D101/D102/D103)

Index No.	Part No.	Description	Q'ty Per Assembly
*	B234 3900	Transfer Unit	1
1	B234 3956	Roller - Drive	1
2	B234 3960	Roller: Bias	1
3	A229 3862	Rear Arm	1
4	B234 3962	Gear - 50Z	1
5	A294 3869	Rear Positioning Plate	1
6	A293 3871	Gear - 20Z	1
7	A229 3875	Drive Electrode	1
8	A229 3861	Front Arm	1
9	B065 3873	Toner Collection Gear	1
10	B065 3874	Electrode Plate	1
11	B065 3875	Terminal	1
12	B247 3980	Electrode: Bias	1
13	B234 3966	Bias Terminal	1
14	B065 3868	Pressure Arm	2
15	B234 3967	Bias Electrode	1
16	B234 3981	Cover - Electrode Plate	1
17	B234 3975	Transfer Belt Brush	1
18	B234 3951	Roller - Driven	1
19	B234 3971	Transfer Belt	1
20	B234 3860	Guide Plate	1
21	B234 3890	Inner Cover - Transfer	1
22	B234 3892	Decal - Lever Release Transfer	1
23	B065 3832	Transfer Unit Lever	1
24	B065 3833	Decal - Transfer Unit Lever	1

Index No.	Part No.	Description	Q'ty Per Assembly
101	0623 0120E	Spring Pin - M3x12	
102	0951 3008N	Screw: Polished Round: M3x8	
103	0720 0060E	Retaining Ring - M6	
104	0450 3008N	Tapping Screw - M3x8	
105	0451 4008N	Tapping Screw: 4x8	
106	0951 4014N	Screw: Polished Round: M4x14	
107	0633 0180G	Parallel Pin - 3x18mm	
108	0360 4008N	Screw - M4x8	

45. Transfer Belt Unit 2 (B234/B235/B236/D101/D102/D103)

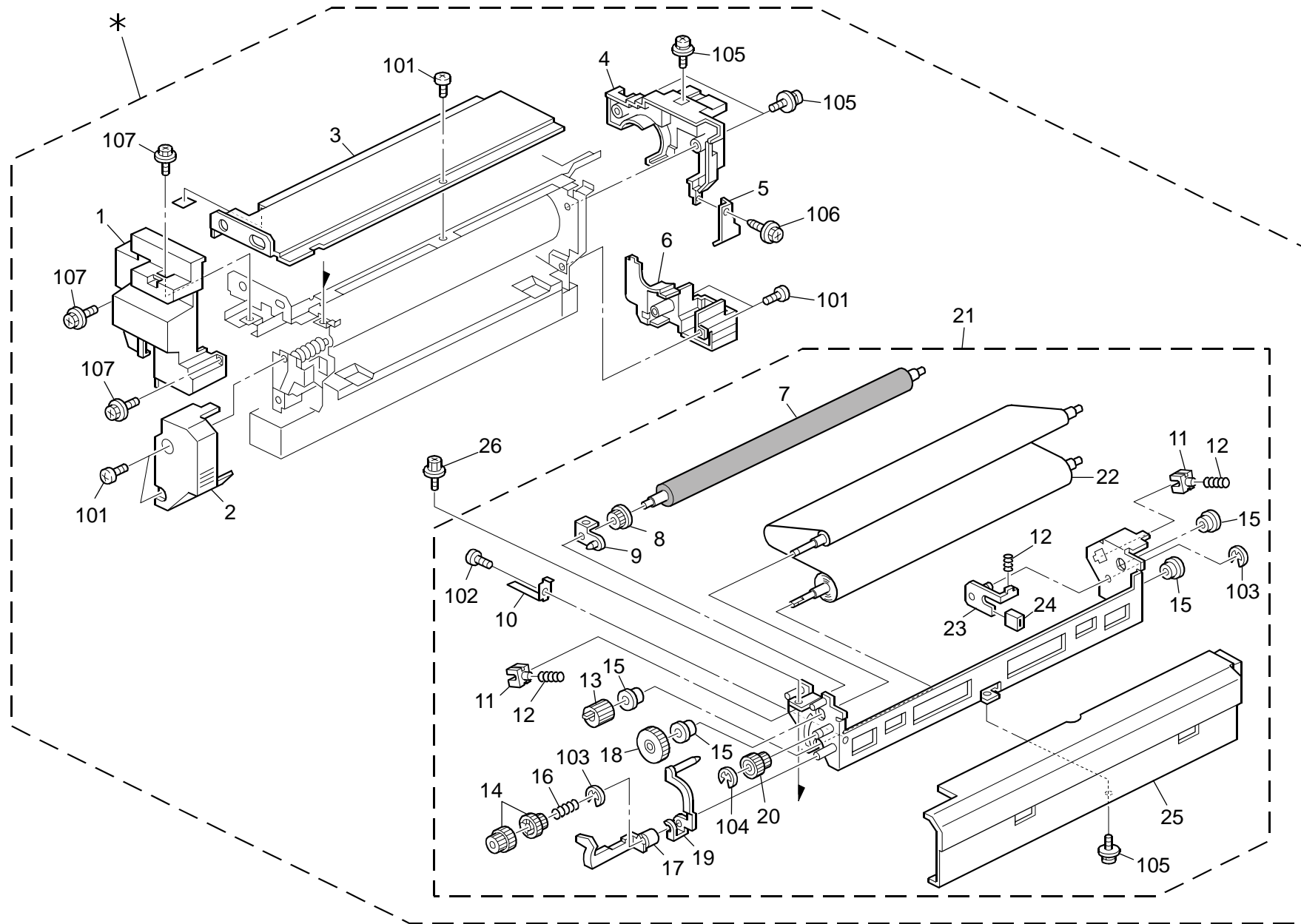


45.Transfer Belt Unit 2 (B234/B235/B236/D101/D102/D103)

Index No.	Part No.	Description	Q'ty Per Assembly
1	B234 3933	Guide Plate - Exit	1
2	B234 3939	Electrode Plate - Transfer Belt	1
3	B234 3935	Entrance Seal Holder	1
4	B234 3940	Earth Bracket	1
5	B234 3922	Cleaning Roller	1
6	B234 3916	Transfer Belt Cleaning Blade	1
7	B234 3911	Toner Collection Coil	1
8	B234 3913	Agitator	7
9	B234 3907	Seal	1
10	B234 3908	Tape	1
11	B234 3947	Spring	1
12	H053 1150	Stepped Screw - Locking	1
13	B234 3949	Bushing	2
14	B234 3946	Spring Plate	2
15	B065 3963	Lever	1
16	AA06 3877	Spring	1
17	B247 3965	Lever Shaft	1
18	B065 3964	Bushing	1
19	AA08 2101	Bushing - 6x10x6	2
20	AA13 2024	Spacer - M6	1
21	B234 3926	Bushing - Rear	1
22	B234 3924	Gear - 37Z	1
23	B234 5691	Harness - Transfer Belt Unit	1
24	B234 5621	High Voltage Supply Cord - TC	1
25	B234 5620	High Voltage Supply Cord - T	1
26	AZ32 0156	Power Pack	1
27	B234 3941	Guide Plate - Entrance	1
28	B234 5622	Ground Wire	1
29	B234 3944	DC Solenoid	1
30	B234 3925	Bushing - Front	1
31	B234 3927	Bias Terminal	1
32	B065 3922	Electrode Plate Cover	1
33	B065 3920	Idle Gear - 1	1
34	B065 3921	Idle Gear - 2	1
35	B065 3918	Toner Collection Gear Coil	2

Index No.	Part No.	Description	Q'ty Per Assembly
36	AA08 2058	Bushing - 6x10x9mm	1
37	B234 3943	On-off Shaft	1
38	B234 3932	Cushion: On-off: Transfer Belt	1
101	0450 3008N	Tapping Screw - M3x8	
102	0951 3006N	Screw - M3x6	
103	0951 3004P	Screw: Polished Round: M3x4	
104	1105 0601	Clamp: LWSM-0511-2M	
105	0951 3006N	Screw - M3x6	

46.Fusing Unit 1 (B234/B235/B236/D101/D102/D103)

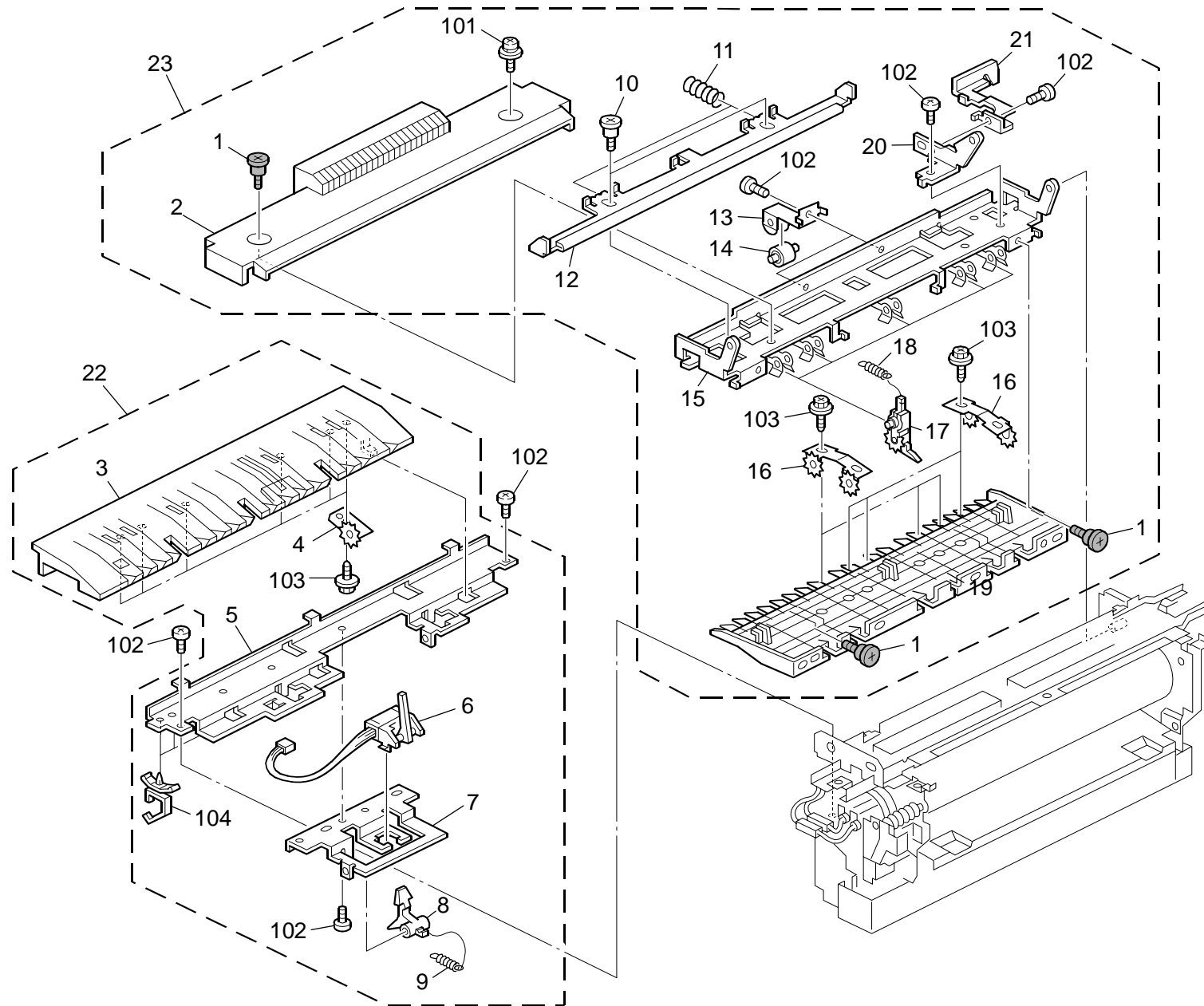


46.Fusing Unit 1 (B234/B235/B236/D101/D102/D103)

Index No.	Part No.	Description	Q'ty Per Assembly
*	B234 4012	Fusing Unit (208V) (B234/B235/B236/D101/D102/D103) (NA)	1
*	B234 4022	Fusing Unit (230V) (B234/B235/B236/D101/D102/D103) (EU)	1
*	B236 4012	Fusing Unit (208V) (B236/D103) (NA)	1
*	B236 4022	Fusing Unit (230V) (B236/D103) (EU)	1
1	B234 4056	Inner Cover - Front Upper	1
2	B234 4062	Inner Cover - Right Upper	1
3	B234 4152	Cover: Fusing: Upper: Type ab (B234/B235/D101/D102)	1
3	B234 4249	Cover: Fusing: Upper: Type c (B236/D103)	1
4	B234 4059	Cover - Rear Upper	1
5	B234 4065	Cover - Rear Upper No.2	1
6	B234 4064	Cover - Rear Lower	1
7	AE04 0067	Roller - Cleaning Felt	1
8	A294 4116	Plate Ratchet	1
9	B234 4109	Bracket: Stopper: Ass'y	1
10	A294 4433	Web Spring Plate	1
11	AE03 1026	Bushing - Oil Supply Roller	2
12	AA06 3652	Spring-oil Supply Roller	3
13	A294 4156	Gear - 23Z	1
14	A294 4158	Coupled Gear - 25Z/32Z	2
15	AE03 1032	Bushing - 6x9x6.5	4
16	AA06 3851	Pressure Spring	1
17	A294 4434	Web End Feeler	1
18	B234 4244	Gear - 50Z	1
19	B234 4112	Feeler - Cleaning Felt	1
20	A294 4171	Coupled Gear - 17Z/32Z	1
21	B234 4111	Web Unit	1
22	AE04 5054	Web Roller	1
23	A294 4412	Web Brake Pad Bracket	1
24	B070 4418	Web Brake Pad	1
25	B234 4115	Fusing Entrance Guide Plate: Upper	1
26	B234 2390	Flanged Hexagonal Head Bolt: M4x8	1

Index No.	Part No.	Description	Q'ty Per Assembly
101	0354 0060N	Screw-M4x6	
102	0354 0040N	Screw-M4x4	
103	0720 0040E	Retaining Ring - M4	
104	0720 0030E	Retaining Ring - M3	
105	0954 4008N	Screw - M4x8	
106	0450 3008N	Tapping Screw - M3x8	
107	0451 4008N	Tapping Screw: 4x8	

47.Fusing Unit 2 (B234/B235/B236/D101/D102/D103)

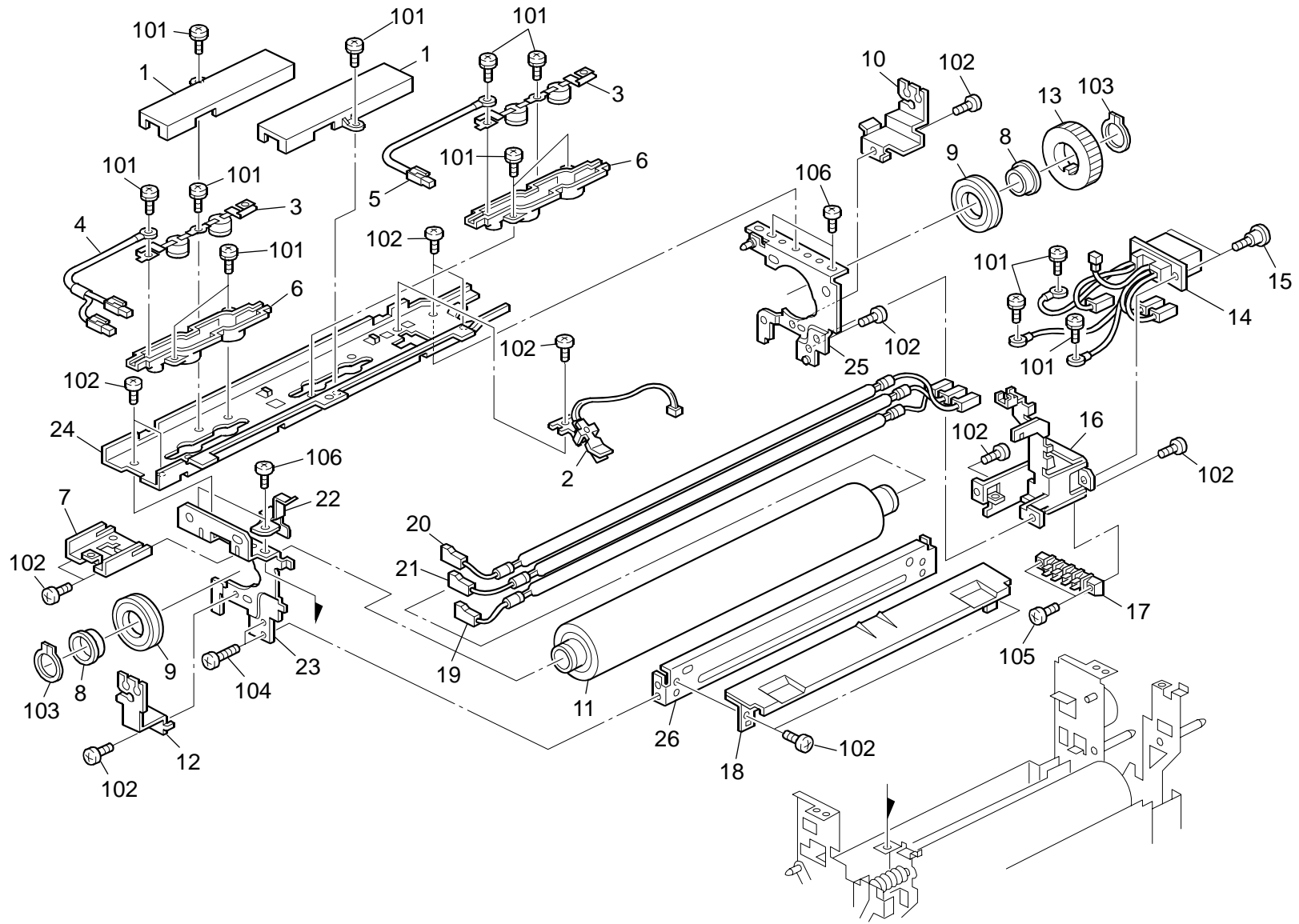


47.Fusing Unit 2 (B234/B235/B236/D101/D102/D103)

Index No.	Part No.	Description	Q'ty Per Assembly
1	AA14 3810	Development Cover Screw	3
2	B234 4160	Cover - Left Upper	1
3	B234 4204	Guide Plate - Lower	1
4	B070 4084	Holder: Ring: Lower: Ass'y	6
5	B234 4207	Fusing Exit Bracket - Lower	1
6	AW20 0009	Paper Feed Sensor: Fusing Exit: Reed Switch	1
7	B234 4205	Bracket	1
8	AE04 4042	Pressure Roller Stripper	1
9	AA06 2350	Tension Spring: Pickoff Pawl	1
10	AA14 3852	Screw	2
11	AA06 3853	Pressure Spring	2
12	B234 4199	Pickoff Pawl Release Slider	1
13	A294 4164	Roller Spring Plate	2
14	AF04 0561	Fusing Exit Roller - Upper	2
15	B234 4165	Bracket - Upper	1
16	B070 4475	Holder: Ring: Fusing Exit: Ass'y	6
17	AE04 4067	Stripper Pawls: Ring	5
18	AA06 0539	Stripper Pawl Spring	5
19	B234 4163	Guide Plate - Upper	1
20	B234 4167	Supporting Plate - Upper	1
21	B234 4170	Stopper - Upper	1
22	B234 4200	Guide Plate: Fusing Exit: Lower	1
23	B234 4156	Guide Plate: Fusing Exit: Upper	1

Index No.	Part No.	Description	Q'ty Per Assembly
101	0954 4008N	Screw - M4x8	
102	0354 0060N	Screw-M4x6	
103	0450 4006N	Tapping Screw: 4x6	
104	1105 0511	Harness Clamp - LWS-0306ZC	

48.Fusing Unit 3 (B234/B235/B236/D101/D102/D103)



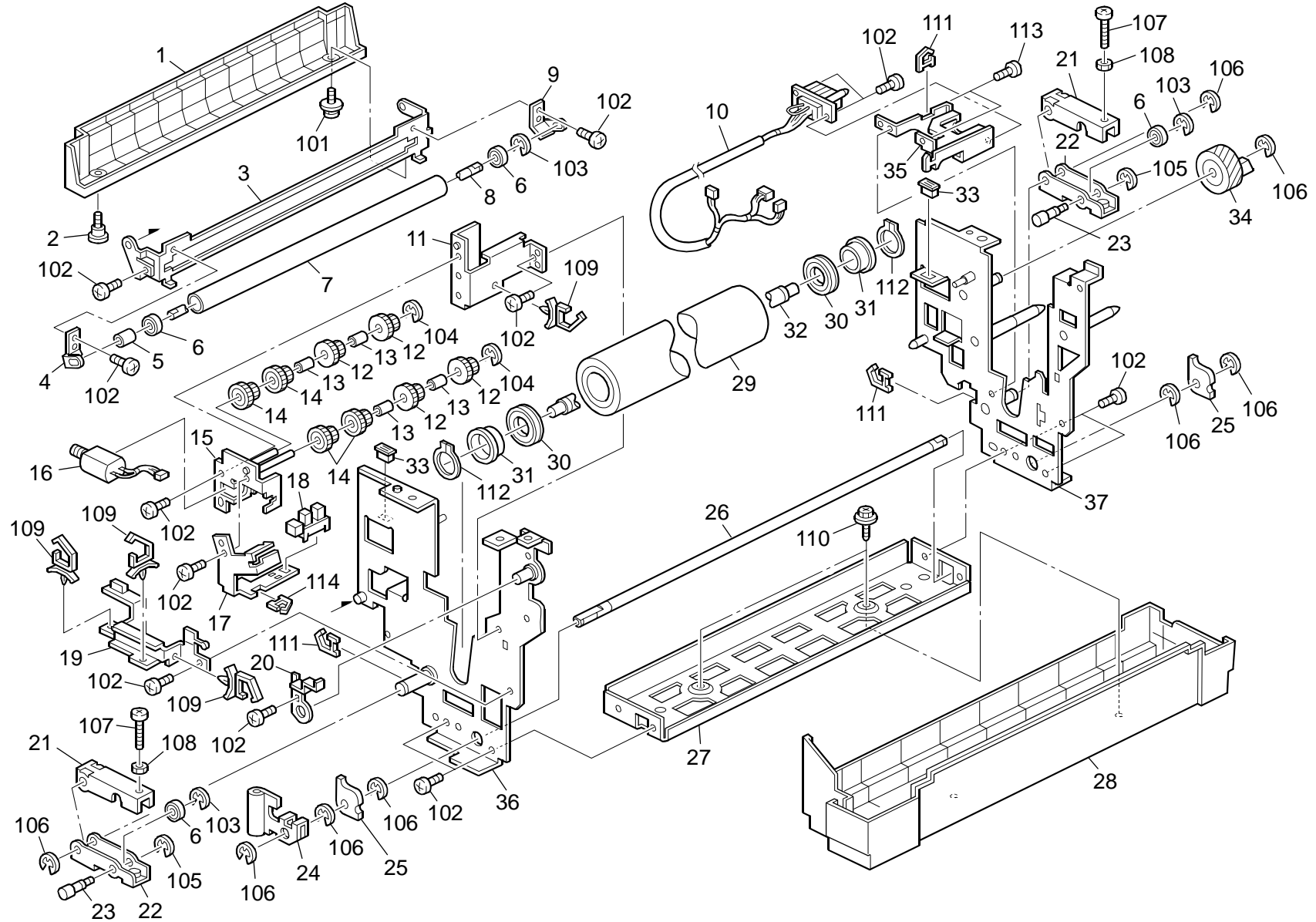
48.Fusing Unit 3 (B234/B235/B236/D101/D102/D103)

Rev. 08/04/2009

Index No.	Part No.	Description	Q'ty Per Assembly
1	B070 4091	Housing: Thermostat: Upper	2
2	B234 4131	Thermistor: Fusing: Ass'y	1
3	B234 4090	Thermostat: 198/199C: No.1	2
4	D059 4149	Harness - Thermostat Front No.1 [TSB#060]	1
5	D059 4150	Harness - Thermostat Front No.2 [TSB#060]	1
6	B234 4241	Housing: Thermostat: Lower	2
7	B234 4182	Grip - Front	1
8	AE03 2021	Bushing - 34.3x39.9x15.5	2
9	AE03 0031	Ball Bearing - 40x62x12	2
10	A294 4057	Rear Heater Holder	1
11	AE01 1108	Hot Roller (B234/B235/D101/D102)	1
11	AE01 1110	Hot Roller - DIA80 C (B236/D103)	1
12	D059 4056	Front Heater Holder [TSB#060]	1
13	A294 4061	Gear - 67Z	1
14	B234 5611	Harness - Fusing Unit Upper AB (B234/B235/D101/D102)	1
14	B236 5611	Harness - Fusing Unit Upper C (B236/D103)	1
15	B213 5843	Screw: Inner Cover: Joint Unit	2
16	B234 4192	Harness Bracket - Upper	1
17	A247 4249	Connector - 3P	1
18	B234 4237	Fusing Entrance Guide Plate – Lower (NA)	1
18	B234 4095	Fusing Entrance Guide Plate – Lower (EU)	1
19	AX44 0259	Heater - 208V/900W (120V) [TSB#060]	1
19	AX44 0260	Heater - 230V/900W (230V) [TSB#060]	1
20	AX44 0242	Heater - 208V/900W (120V)	1
20	AX44 0248	Heater - 230V/900W (230V)	1
21	AX44 0241	Heater - 208V/600W (120V) (B234/B235/D101/D102)	1
21	AX44 0243	Heater - 208V/600W (120V) (B236/D103)	1
21	AX44 0249	Heater - 230V/600W (230V) (B236/D103)	1
21	AX44 0247	Heater - 230V/600W (230V) (B234/B235/D101/D102)	1
22	B234 4245	Spring Plate: Plate: Cleaning Unit	1
23	B234 4092	Side Plate: Hot Roller: Front	1
24	B234 4181	Stay: Hot Roller: Upper	1

Index No.	Part No.	Description	Q'ty Per Assembly
25	B234 4084	Side Plate: Hot Roller: Rear	1
26	B234 4099	Stay: Hot Roller: Right Lower	1
101	0950 4006N	Screw - M4x6	
102	0354 0060N	Screw-M4x6	
103	0805 0098	Ring - M35	
104	0354 0100N	Screw - M4x10	
105	0314 0120N	Screw - M4x12	
106	0315 0080N	Pan Head Screw: M5x8	

49.Fusing Unit 4 (B234/B235/B236/D101/D102/D103)



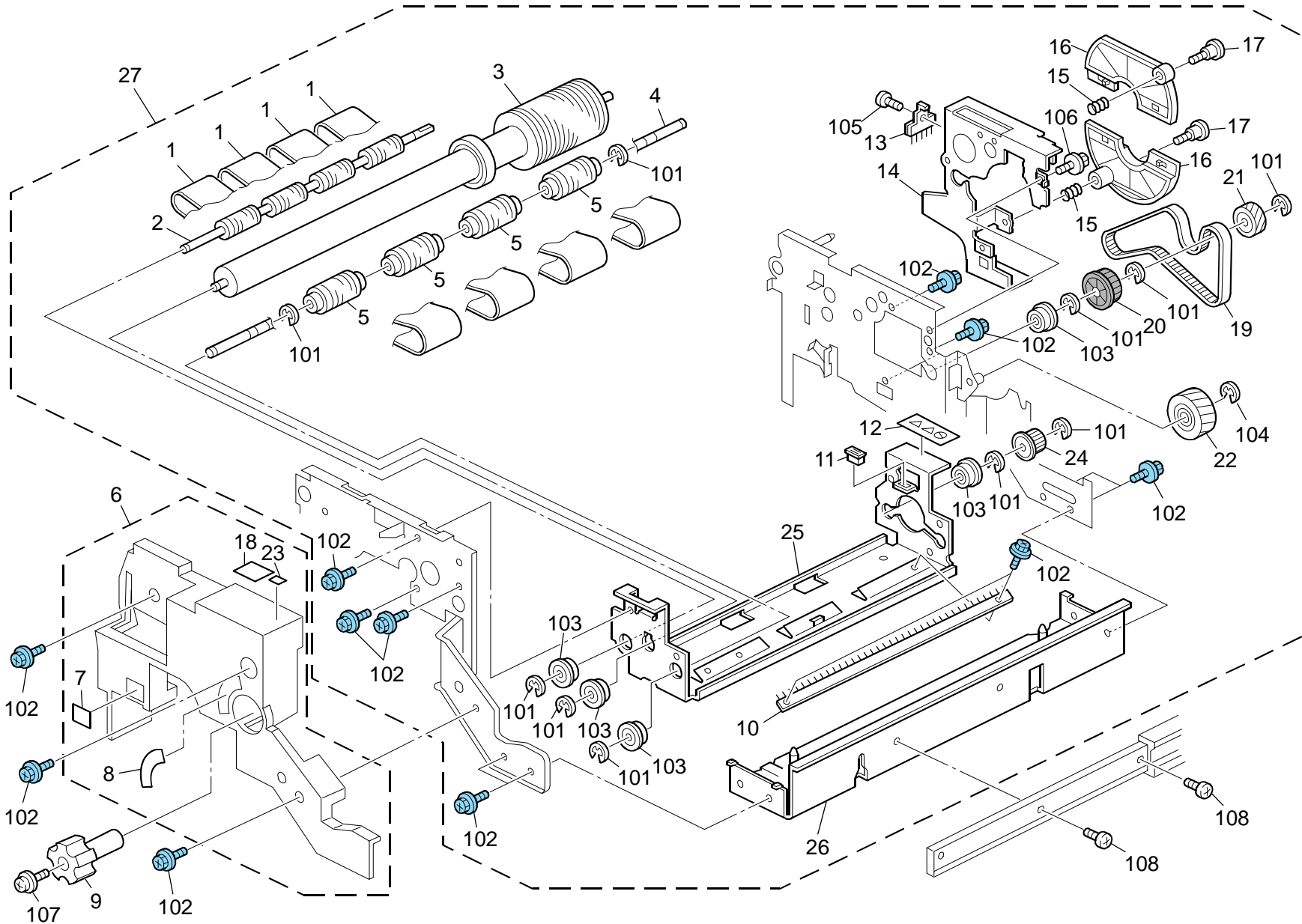
49.Fusing Unit 4 (B234/B235/B236/D101/D102/D103)

Rev. 08/04/2009

Index No.	Part No.	Description	Q'ty Per Assembly
1	B234 4076	Cover: Cleaning Unit: Pressure Roller	1
2	AA14 3810	Development Cover Screw	1
3	B234 4083	Pressure Roller Bracket	1
4	A294 4077	Left Holder	1
5	AA13 2209	Spacer - 8x10x13.5	1
6	AE03 0035	Ball Bearing - 6x16x5	4
7	AE04 2090	Cleaning Roller	1
8	B234 4075	Cleaning Roller Shaft	1
9	A294 4078	Right Holder	1
10	B234 5686	Harness - Fusing Unit Lower	1
11	B234 4235	Cleaning Drive Bracket - Lower	1
12	AB01 4229	Coupled gear - 17Z/32Z	4
13	AE03 1037	Bushing - M4	4
14	A294 4171	Coupled Gear - 17Z/32Z	4
15	B234 4230	Cleaning Drive Bracket	1
16	AX04 0147	DC Motor: Cleaner: 0.5W	1
17	B234 4234	Photointerruptor Bracket	1
18	AW02 0160	Paper Feed Sensor	1
19	B234 4189	Pressure Roller Bracket - Front	1
20	B234 4247	Fusing Cleaning Bracket - Front	1
21	A294 4103	Upper Pressure Lever	2
22	A294 4107	Lower Pressure Lever	2
23	B234 4106	Shaft: Pressure	2
24	B234 4185	Guide Plate - Lever	1
25	A079 4097	Pressure Cam	2
26	B234 4186	Pressure Roller Shaft	1
27	B234 4228	Stay - Lower	1
28	B234 4233	Cover - Lower	1
29	AE02 0159	Pressure Roller - DIA80	1
30	AE03 0031	Ball Bearing - 40x62x12	2
31	AE03 2029	Thermal Insulating Bushing	2
32	B234 4135	Pressure Roller Shaft	1
33	AA02 1031	Magnetic Catch	2
34	BB01 3023	Gear - 41Z	1
35	B234 4196	Harness Bracket	1

Index No.	Part No.	Description	Q'ty Per Assembly
36	D059 4226	Side Plate: Fusing: Front [TSB#060]	1
37	B234 4222	Side Plate: Fusing: Rear	1
101	0954 4008N	Screw - M4x8	
102	0354 0060N	Screw-M4x6	
103	0720 0060E	Retaining Ring - M6	
104	0720 0030E	Retaining Ring - M3	
105	0720 0040E	Retaining Ring - M4	
106	0720 0080E	Retaining Ring - M8	
107	0585 0351N	Hexagonal Head Bolt: M5x35	
108	0710 0050N	Hexagonal Nut: M5	
109	1105 0511	Harness Clamp - LWS-0306ZC	
110	0450 4008N	Tapping Screw - M4x8	
111	1105 0522	Edge Saddle - LES0510	
112	0725 0200E	Retaining Ring C - M20	
113	0353 0080N	Screw: M3x8	
114	1105 0551	Clamp: LES-0505	

50.Paper Exit Section 1 (B234/B235/B236/D101/D102/D103)

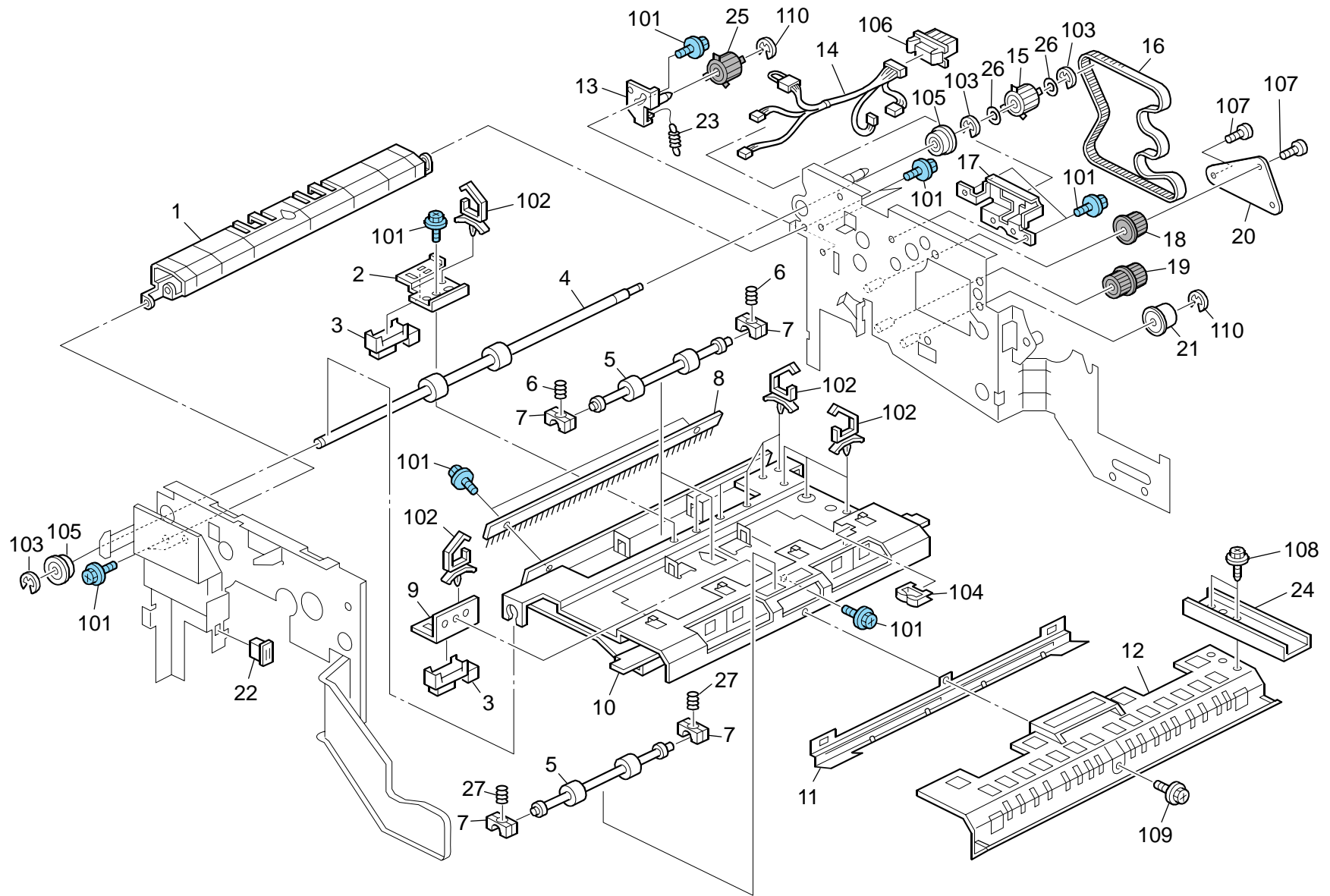


50.Paper Exit Section 1 (B234/B235/B236/D101/D102/D103)

Index No.	Part No.	Description	Q'ty Per Assembly
1	B234 4251	Cooling Transport Belt	4
2	B234 4319	Transport Roller: Cooling Sub-unit: Exit	1
3	B234 4252	Transport Roller - Heat Pipe	1
4	B234 4254	Transport Roller Shaft	1
5	B234 4498	Transport Roller - Cooling Entrance	4
6	B234 4284	Inner Cover	1
7	AA00 1473	Decal - Paper Exit Unit (D5)	1
8	AA00 1472	Decal - Paper Exit Unit (D1)	1
9	AG05 0103	Knob - Fusing/Paper Exit Unit	1
10	B234 4460	Discharge Brush - L=341 SUS	1
11	B352 2650	Magnet Catch - 5N	1
12	B234 4138	Decal - Warning (High Temperature)	1
13	AA12 0097	Antistatic Brush	1
14	B234 4438	Heat Sink Bracket	1
15	H072 2216	Compression Spring	2
16	B234 4258	Cap: Heat Pipe	2
17	AA14 3444	Stepped Screw	2
18	B234 4137	Decal: Warning: High Temperature: Exit	1
19	AA04 3326	Timing Belt - B60S3M474	1
20	AB03 0804	Pulley - 30T	1
21	BB01 3015	Gear - 28Z	1
22	BB01 3014	Gear - 43Z	1
23	B234 4139	Decal: Positioning Display: Fusing	1
24	AB03 0805	Pulley: Coupling: 30T	1
25	B234 4413	Stay: Cooling: Lower	1
26	B234 4410	Stay: Right: Ass'y	1
27	B234 4257	Paper Exit Unit: Ass'y	1

Index No.	Part No.	Description	Q'ty Per Assembly
101	0720 0060E	Retaining Ring - M6	
102	0454 4008Q	Tapping Screw - M4x8	
103	0742 3808	Ball Bearing - 8x16x5	
104	0720 0080E	Retaining Ring - M8	
105	0353 0060N	Bind Screw - M3x6	
106	0451 4006N	Tapping Screw - 4x6	
107	0951 4008N	Screw: Polished Round: M4x8	
108	0453 4006N	Binding Self Tapping Screw: 4x6	

51.Paper Exit Section 2 (B234/B235/B236/D101/D102/D103)

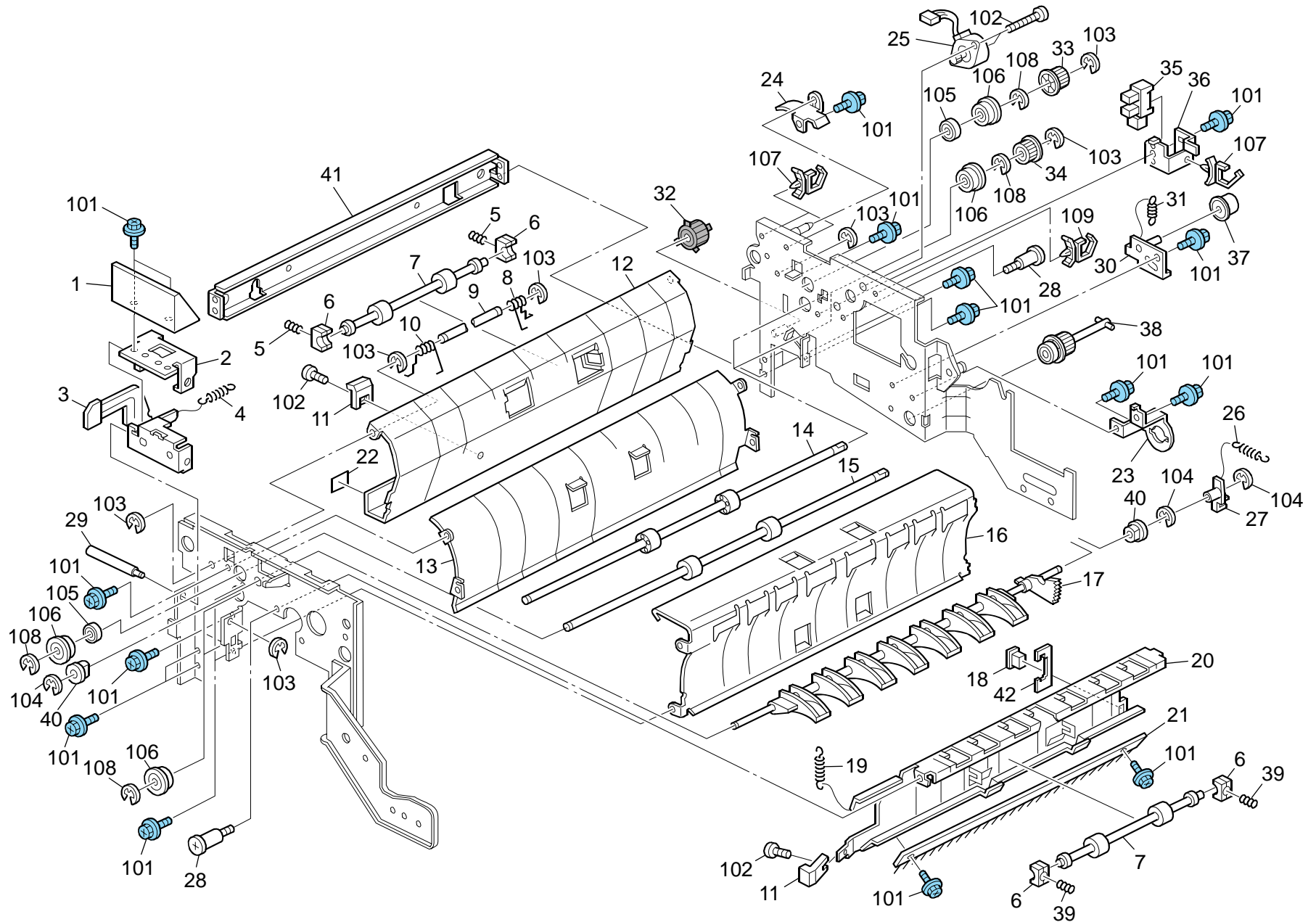


51.Paper Exit Section 2 (B234/B235/B236/D101/D102/D103)

Index No.	Part No.	Description	Q'ty Per Assembly
1	B234 4464	Exit Guide Plate - Lower	1
2	B234 4469	Paper Feed Sensor Bracket - Exit	1
3	AW01 0107	Paper Feed Sensor	2
4	AF02 0721	Exit Roller: Exit: Drive	1
5	AF02 2171	Transport Roller: Driven: DIA18x2	3
6	AA06 3676	Spring: Pressure: 2N	4
7	AA08 4059	Ball Bearing Holder	6
8	AA12 0134	Discharge Brush - Paper Exit	1
9	B234 4470	Photo Reflector Sensor Bracket	1
10	B234 4441	Exit Guide Plate - Upper	1
11	B234 4468	Guide - Auxiliary	1
12	B234 4360	Entrance Cooling Guide - Upper	1
13	B234 4440	Tightener: Left: Peen	1
14	B234 5685	Harness - Paper Exit Unit	1
15	AB03 0807	Timing Pulley - 20T	1
16	AA04 3327	Timing Belt - B60DS3M453	1
17	B234 4415	Connector Bracket	1
18	AB03 0806	Pulley - 19T	1
19	AB03 3088	Pulley - 20T/20T	1
20	B234 4420	Drum Stay - Drive Unit	1
21	AB03 0310	Tightener Pulley	1
22	B352 2650	Magnet Catch - 5N	1
23	AA06 0950	Tension Spring	1
24	B234 4445	Bracket - Guide Plate Stopper	1
25	AB03 0808	Timing Pulley - 20T	1
26	B478 3569	Spacer	2
27	AA06 3680	Pressure Spring - 5x10.5	2

Index No.	Part No.	Description	Q'ty Per Assembly
101	0454 4008Q	Tapping Screw - M4x8	
102	1105 0511	Harness Clamp - LWS-0306ZC	
103	0720 0060E	Retaining Ring - M6	
104	1105 0328	Harness Clamp - ES-0505	
105	0742 3808	Ball Bearing - 8x16x5	
106	1102 9782	Connector: 51405-1819	
107	0353 0060N	Bind Screw - M3x6	
108	0450 4008N	Tapping Screw - M4x8	

52.Paper Exit Section 3 (B234/B235/B236/D101/D102/D103)



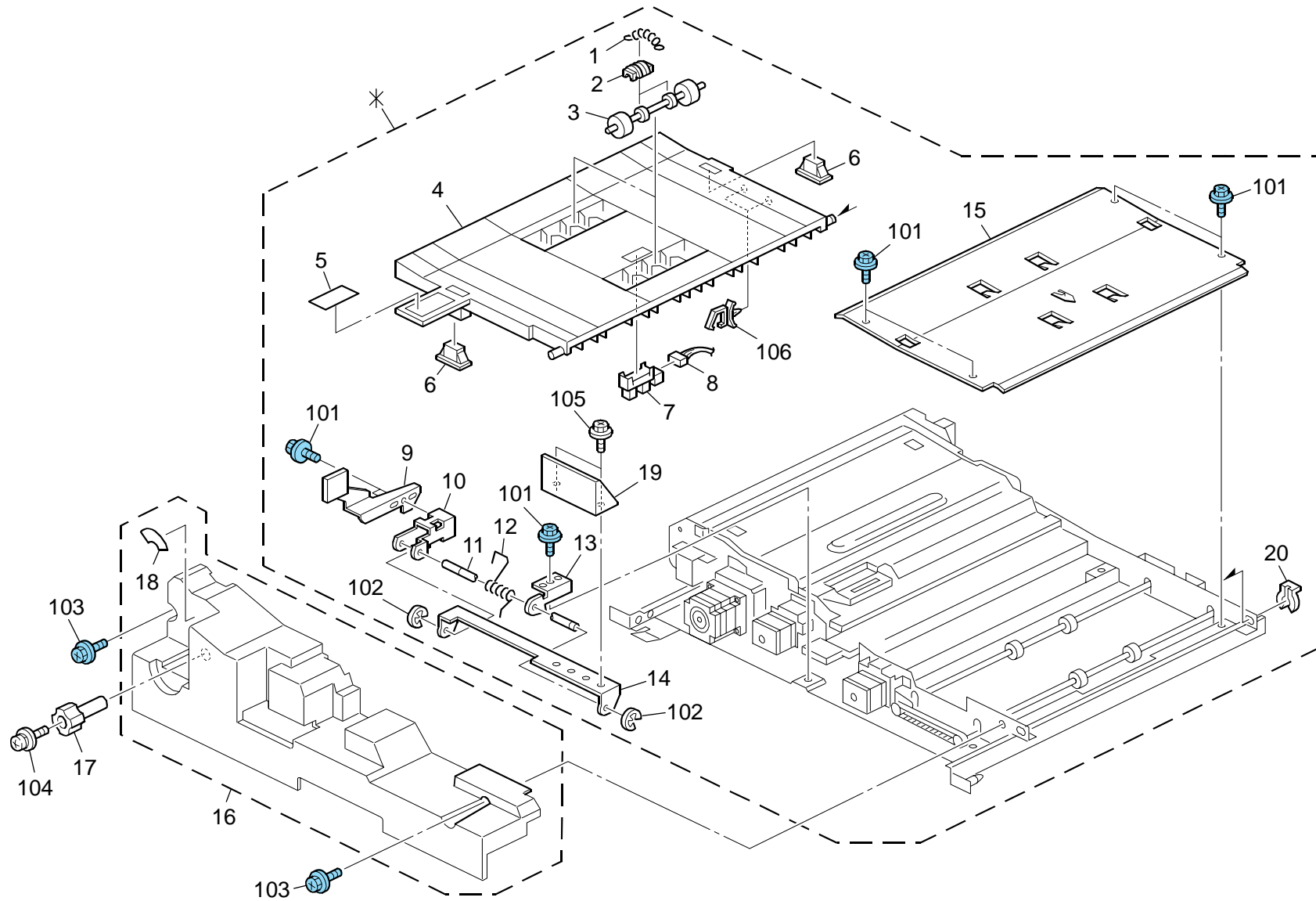
52.Paper Exit Section 3 (B234/B235/B236/D101/D102/D103)

Rev. 11/17/2008

Index No.	Part No.	Description	Q'ty Per Assembly
1	B234 4347	Release Grip	1
2	B234 4423	Lever Bracket	1
3	B234 4349	Lock Lever	1
4	B229 3273	Pressure Spring	1
5	AA06 3675	Spring - 5N	4
6	AA08 4059	Ball Bearing Holder	4
7	AF02 2173	Transport Roller: Driven: DIA16x2	2
8	AA06 6321	Rear Guide Plate Spring	1
9	B234 4473	Contact Point Shaft	1
10	AA06 6322	Front Guide Plate Spring	1
11	AG05 1141	Release Lever	2
12	B234 4467	Guide Plate - Exit	1
13	B234 4466	Exit Guide	1
14	AF02 0723	Exit Roller: Reverse: Drive	2
15	AF02 0722	Exit Roller: Horizontal: Drive	1
16	B234 4465	Entrance Guide	1
17	B234 4455	Gate Pawl	1
18	B352 2650	Magnet Catch - 5N	1
19	AA06 0360	Tension Spring	1
20	B234 4442	Guide Plate - Entrance	1
21	B234 4460	Discharge Brush - L=341 SUS	1
22	AA00 1417	Decal - D6	1
23	B234 4433	Drum Stay: Coupling: Drive Sub-unit	1
24	B234 4416	Harness Guard Bracket	1
25	B234 4497	Stepper Motor DC24V 2.6W	1
26	AA06 1015	Tension Spring - 5x25	1
27	B234 4454	Feeler	1
28	AA14 3862	Screw - M4x5	2
29	B234 4474	Lever Shaft	1
30	B234 4447	Tightener - Right	1
31	AA06 0950	Tension Spring	1
32	AB03 0808	Timing Pulley - 20T	1
33	AB03 0081	Pulley - 20Z	2
34	AB03 0807	Timing Pulley - 20T	2
35	AW02 0145	Photointerruptor: Flat	1

Index No.	Part No.	Description	Q'ty Per Assembly
36	B234 4417	Photointerruptor Bracket	1
37	AB03 0310	Tightener Pulley	1
38	B234 4256	Drive Shaft	1
39	AA06 3678	Spring - 3.5N	1
40	AA08 0345	Bushing - 5mm	2
41	B234 4406	Stay: Left Lower	1
42	B234 4370	Door Catch Spacer	1
101	0454 4008Q	Tapping Screw - M4x8	
102	0353 0060N	Bind Screw - M3x6	
103	0720 0040E	Retaining Ring - M4	
104	0720 0030E	Retaining Ring - M3	
105	0740 3808	Ball Bearing - 8x16x5mm	
106	0742 3808	Ball Bearing - 8x16x5	
107	1105 0511	Harness Clamp - LWS-0306ZC	
108	0720 0060E	Retaining Ring - M6	
109	1105 0516	Clamp	

53.Duplex Unit 1 (B234/B235/B236/D101/D102/D103)



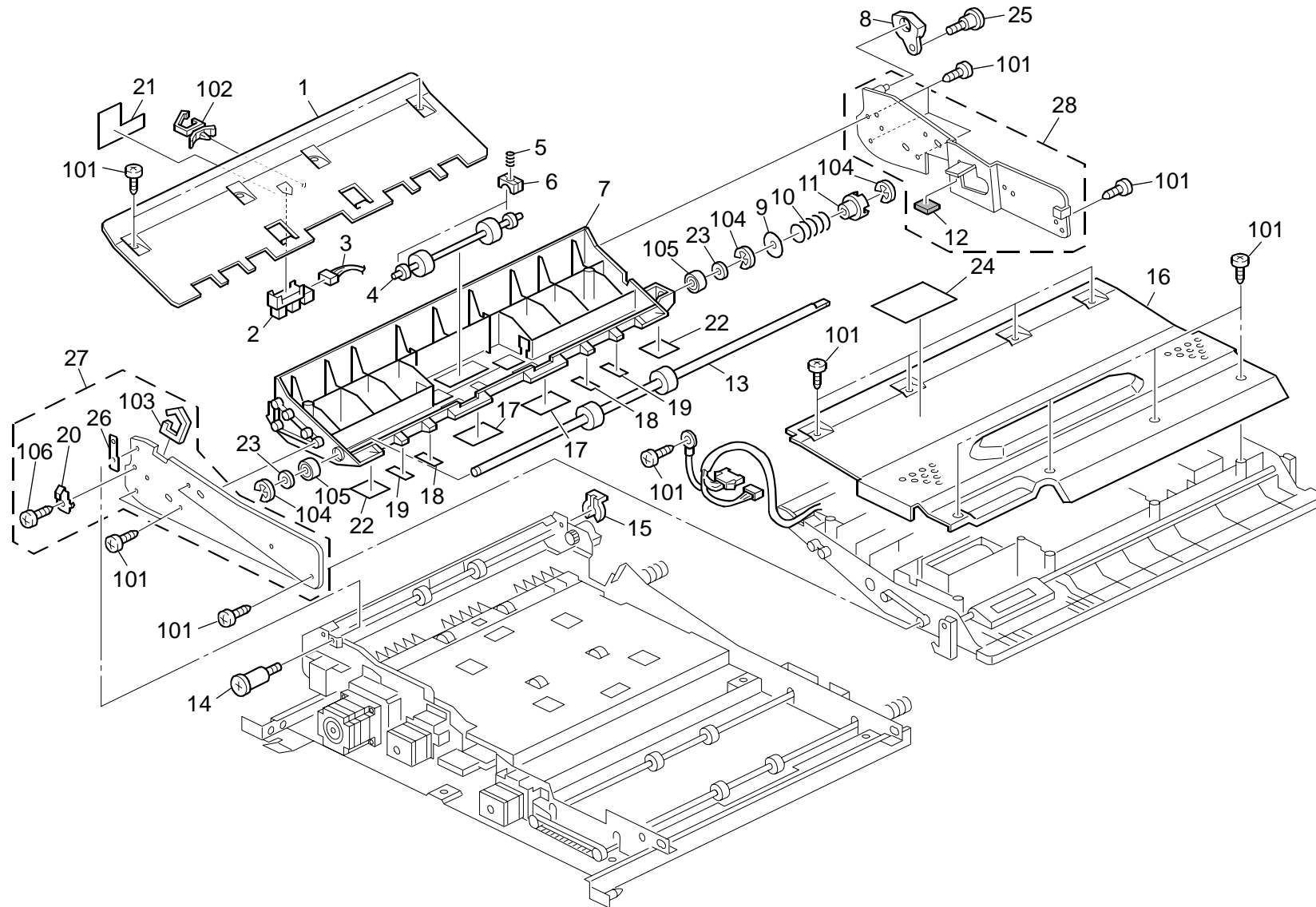
53.Duplex Unit 1 (B234/B235/B236/D101/D102/D103)

Rev. 11/24/2010

Index No.	Part No.	Description	Q'ty Per Assembly
*	B234 4510	Duplex Unit: Ass'y [TSB#065]	1
1	B234 4859	Tension Spring	4
2	B234 4858	Driven Roller Holder	4
3	AF02 2175	Transport Roller: Driven: DIA18x2: INN	2
4	B234 4857	Guide Plate - Right	1
5	AA00 1476	Decal - Duplex Unit (Z5)	1
6	AG07 0513	Magnet Catch	2
7	AW01 0107	Paper Feed Sensor	1
8	B234 5696	Harness - Duplex Unit Right	1
9	B234 4651	Lock Lever	1
10	A294 4843	Lock Arm	1
11	B234 4654	Release Lever Shaft	1
12	AA06 6378	Grip Spring	1
13	B234 4653	Release Guide Plate	1
14	B234 4652	Release Bracket	1
15	B234 4871	Guide Plate - Right Lower	1
16	B234 4995	Inner Cover	1
17	AG05 0102	Knob - Duplex	1
18	AA00 1474	Decal - Duplex Unit (Z2)	1
19	B234 4656	Release Grip	1
20	5447 2681	Snap Ring	1

Index No.	Part No.	Description	Q'ty Per Assembly
101	0454 4006Q	Tapping Screw: 4x6	
102	0720 0040E	Retaining Ring - M4	
103	0454 4008Q	Tapping Screw - M4x8	
104	0951 4008N	Screw: Polished Round: M4x8	
105	0451 4006N	Tapping Screw - 4x6	
106	1105 0534	Clamp	

54. Duplex Unit 2 (B234/B235/B236/D101/D102/D103)



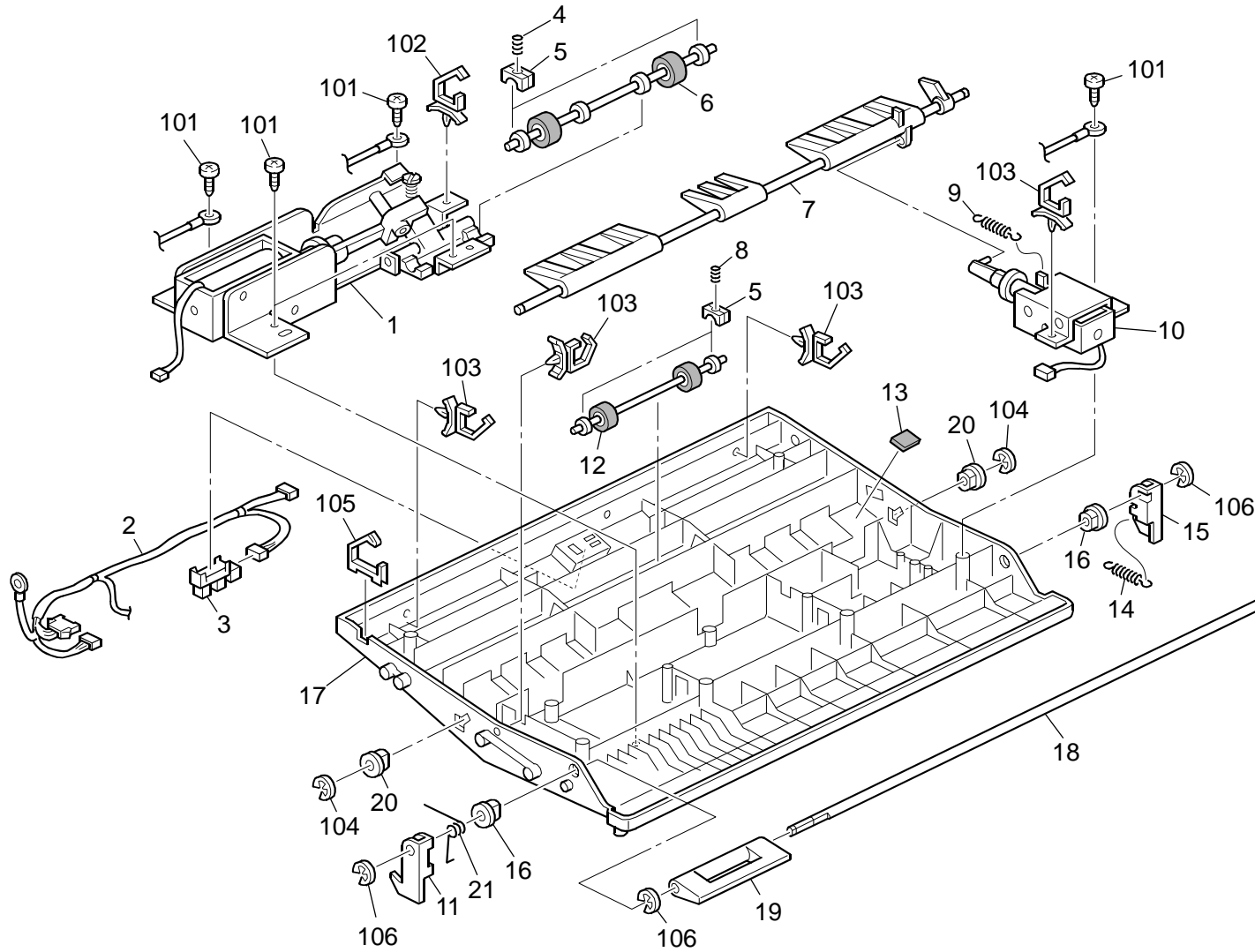
54.Duplex Unit 2 (B234/B235/B236/D101/D102/D103)

Rev. 10/08/2010

Index No.	Part No.	Description	Q'ty Per Assembly
1	B234 4814	Entrance Guide Plate	1
2	AW01 0107	Paper Feed Sensor	1
3	B234 5699	Harness - Duplex Unit	1
4	AF02 0719	Transport Roller: Duplex: Driven	1
5	AA06 3674	Spring - 8N	2
6	AA08 4059	Ball Bearing Holder	2
7	B234 4896	Guide Plate - Lower	1
8	D059 4649	Gear: Sector: Duplex: Entrance	1
9	B125 3230	Spacer - 0.3	1
10	B234 4826	Compression Spring	1
11	B234 4819	Drive Joint	1
12	B234 4884	Gate Pawl Cushion	1
13	AF02 0718	Transport Roller: Duplex: Entrance: DR	1
14	AA14 3426	Stopped Screw - M4x17	1
15	5447 2681	Snap Ring	1
16	B234 4893	Cover: Duplex: Open and Close	1
17	B234 4596	Sheet: Duplex: 41.5	2
18	B234 4592	Sheet: Duplex: 10.5	2
19	B234 4593	Sheet: Duplex: 7	2
20	B234 4891	Harness Clamp: Duplex: Entrance	1
21	B234 4553	Guard: Harness	1
22	B234 4595	Sheet: Duplex: 25	2
23	AA13 2228	Spacer - 1mm	2
24	B234 4854	Decal: Operate: Z3	1
25	AA14 3812	Screw - Scale	1
26	B234 4599	Guard: Harness: Duplex: Entrance	1
27	B234 4879	Side Plate: Front: Duplex: Entrance	1
28	B234 4878	Side Plate: Rear: Duplex: Entrance	1
29	B234 4921	Ground Plate: Duplex: Entrance [TSB#054]	1

Index No.	Part No.	Description	Q'ty Per Assembly
101	0452 4006N	Tapping Screw - M4x6	
102	1105 0511	Harness Clamp - LWS-0306ZC	
103	1105 0522	Edge Saddle - LES0510	
104	0720 0060E	Retaining Ring - M6	
105	0741 3708	Ball Bearing - 8x12x3.5mm	
106	0454 4006Q	Tapping Screw: 4x6	
107	0353 0040N	Screw - M3x4	

55.Duplex Unit 3 (B234/B235/B236/D101/D102/D103)



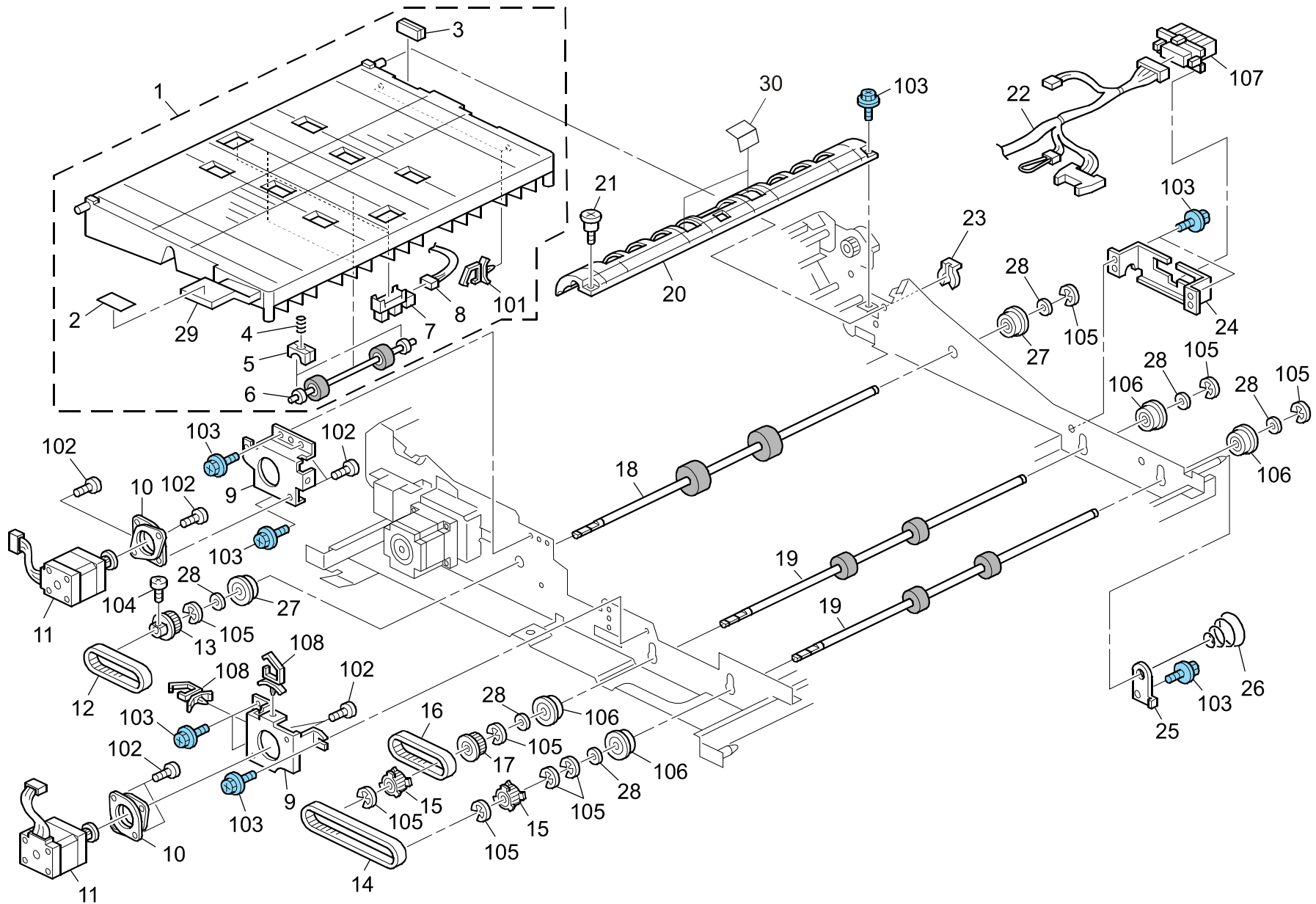
55.Duplex Unit 3 (B234/B235/B236/D101/D102/D103)

Index No.	Part No.	Description	Q'ty Per Assembly
1	B234 4835	On-Off DC Solenoid	1
2	B234 5697	Harness - Duplex Unit Left Upper	1
3	AW01 0107	Paper Feed Sensor	1
4	AA06 3674	Spring - 8N	2
5	AA08 4059	Ball Bearing Holder	4
6	AF02 0720	Transport Roller: Switchback: Driven	1
7	B234 4899	Gate Pawl: Switchback	1
8	B234 4818	Compression Spring	2
9	B234 4833	Tension Spring	1
10	B234 4830	DC Solenoid	1
11	B234 4822	Lock Pawl - Front	1
12	AF02 0719	Transport Roller: Duplex: Driven	1
13	B234 4884	Gate Pawl Cushion	1
14	B234 4847	Tension Spring	1
15	B234 4823	Lock Pawl - Rear	1
16	AA08 0344	Bushing - DIA5	2
17	B234 4865	Guide Plate: Upper: Duplex: Entrance	1
18	B234 4821	Guide Plate Lock Shaft	1
19	B234 4824	Grip	1
20	AA08 0345	Bushing - 5mm	2
21	AA06 6384	Torsion Spring: Open and Close	1

Index No.	Part No.	Description	Q'ty Per Assembly
101	0452 4006N	Tapping Screw - M4x6	
102	1105 0511	Harness Clamp - LWS-0306ZC	
103	1105 0534	Clamp	
104	0720 0040E	Retaining Ring - M4	
105	1105 0522	Edge Saddle - LES0510	
106	0720 0030E	Retaining Ring - M3	

56.Duplex Unit 4 (B234/B235/B236/D101/D102/D103)

Rev. 09/11/2009



56.Duplex Unit 4 (B234/B235/B236/D101/D102/D103)

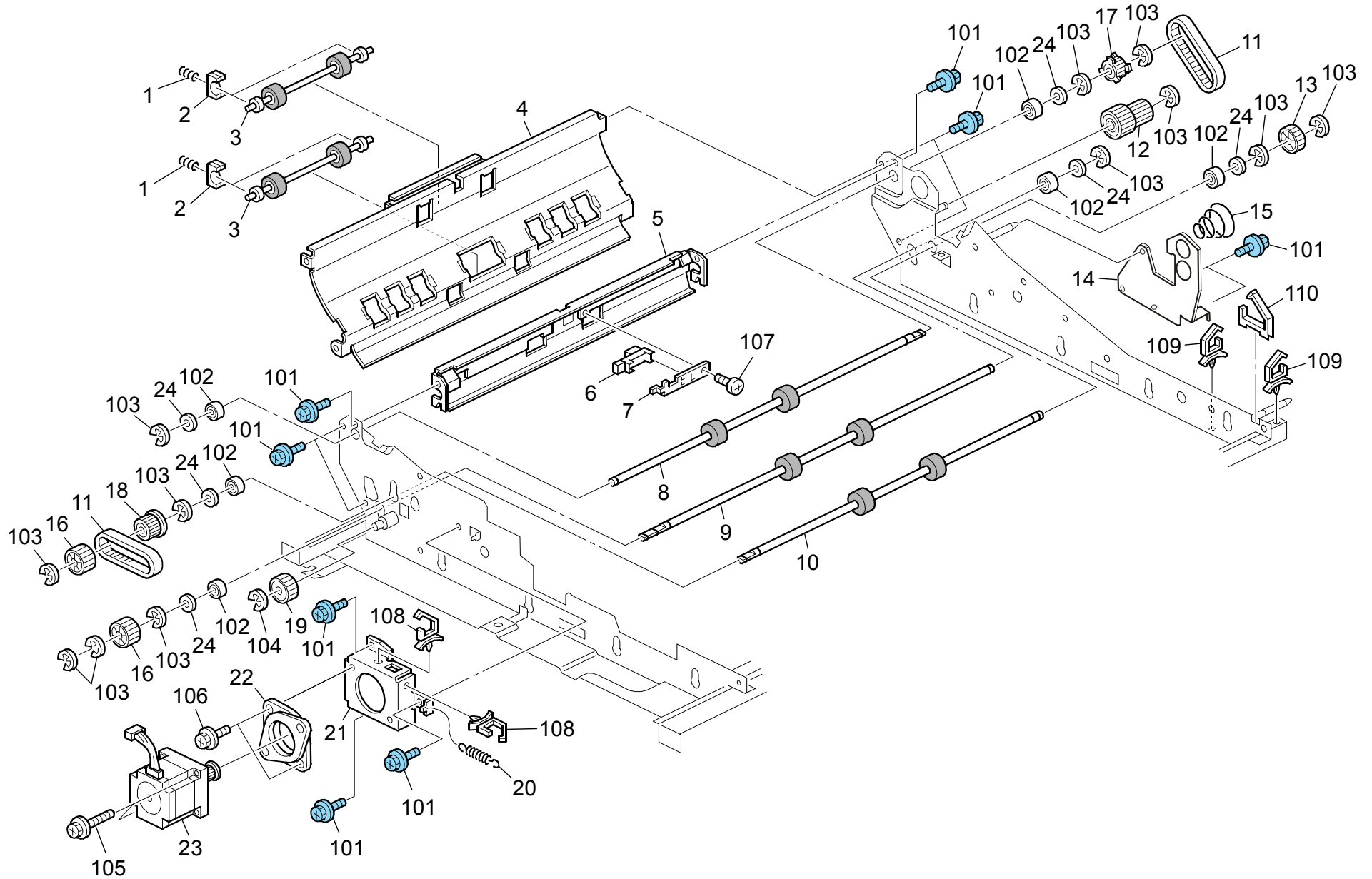
Rev. 09/11/2009

Index No.	Part No.	Description	Q'ty Per Assembly
1	B234 4897	Guide Plate: Duplex: Left: Unit [TSB#048]	1
2	AA00 1475	Decal - Duplex Unit (Z4)	1
3	AG07 0514	Magnet Catch	1
4	AA06 3675	Spring - 5N	4
5	AA08 4059	Ball Bearing Holder	4
6	AF02 2171	Transport Roller: Driven: DIA18x2	2
7	AW01 0107	Paper Feed Sensor	2
8	B234 5698	Harness - Duplex Unit Left Lower	1
9	B234 4736	Stepper Motor Bracket	2
10	A232 4666	Cushion - Stepper Motor	2
11	AX04 0158	Stepper Motor DC2.64V 6.3W	2
12	B234 6523	Timing Belt - S2M100	1
13	AB03 0803	Timing Pulley - 25T	1
14	AA04 3651	Timing Belt - B60S2M264	1
15	AB03 0802	Timing Pulley - 24T	2
16	B702 7210	Timing Belt: B60S2M122	1
17	B234 6507	Timing Pulley - 25T	1
18	AF02 0716	Transport Roller: Switchback: Drive	1
19	AF02 0717	Transport Roller: Duplex: Exit: Drive	2
20	B234 4866	Guide Plate - Upper	1
21	AA14 3811	Stepped Screw - M3x4	1
22	B234 5695	Harness - Duplex Unit	1
23	5447 2681	Snap Ring	1
24	D059 4636	Drawer Bracket [TSB#053]	1
25	B234 4632	Positioning Pin Bracket - Sub	1
26	B234 4635	Compression Spring	1
27	B234 2624	Ball Bearing - 8x12x5	2
28	AA13 2228	Spacer - 1mm	6
29	B234 4851	Guide Plate - Left	1
30	D059 4597	Sheet: Reverse	2

Index No.	Part No.	Description	Q'ty Per Assembly
101	1105 0534	Clamp	
102	0353 0050N	Screw-M3x5	
103	0454 4006Q	Tapping Screw: 4x6	
104	0353 0060N	Bind Screw - M3x6	
105	0720 0060E	Retaining Ring - M6	
106	0741 3708	Ball Bearing - 8x12x3.5mm	
107	1102 9781	Connector: 51405-3919	
108	1105 0516	Clamp	

57.Duplex Unit 5 (B234/B235/B236/D101/D102/D103)

Rev. 11/24/2010



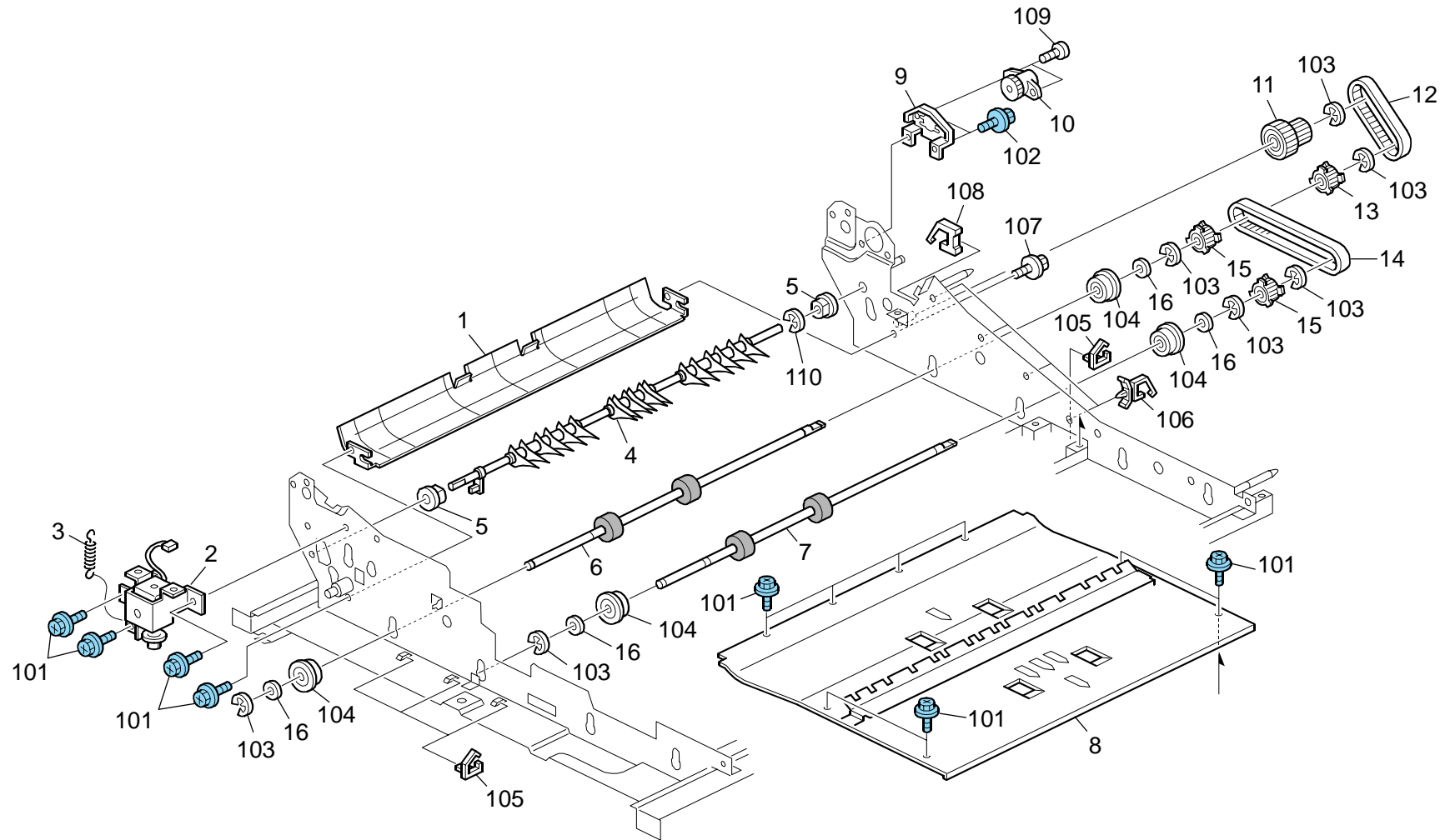
57.Duplex Unit 5 (B234/B235/B236/D101/D102/D103)

Rev. 11/24/2010

Index No.	Part No.	Description	Q'ty Per Assembly
1	AA06 3674	Spring - 8N	4
2	AA08 4059	Ball Bearing Holder	4
3	AF02 2173	Transport Roller: Driven: DIA16x2	2
4	B234 4861	Guide Plate - Exit	1
5	B234 4927	Guide Plate: Reverse: Exit: Drive: Ass'y	1
6	AW01 0107	Paper Feed Sensor	1
7	B234 4929	Bracket: Sensor: Reverse: Exit	1
8	AF02 0713	Transport Roller: Duplex: Reverse: Exit	1
9	AF02 0712	Transport Roller: Reverse: Lower: Drive	1
10	AF02 0711	Transport Roller: Reverse: Upper: Drive	1
11	AA04 3621	Timing Belt - 60S2M156	1
12	AB01 7727	Gear - 27Z/30Z	1
13	BB01 3012	Gear - 28Z	1
14	D059 4632	Bracket: Support: Position Pin: Main [TSB#065]	1
15	B234 4635	Compression Spring	1
16	BB01 3011	Gear - 22Z	2
18	B234 6506	Timing Pulley - 30T	1
19	BB01 3013	Gear - 21Z	1
20	B234 6508	Tension Spring	1
21	B234 4721	Stepper Motor Bracket	1
22	AA16 1122	Motor Cushion	1
23	AX04 0157	Stepper Motor DC1.68V 6.7W	1
24	AA13 2228	Spacer - 1mm	6

Index No.	Part No.	Description	Q'ty Per Assembly
101	0454 4006Q	Tapping Screw: 4x6	
102	0741 3708	Ball Bearing - 8x12x3.5mm	
103	0720 0060E	Retaining Ring - M6	
104	0720 0040E	Retaining Ring - M4	
105	0451 4010N	Tapping Screw: 4x10	
106	0451 4006N	Tapping Screw - 4x6	
107	0353 0060N	Bind Screw - M3x6	
108	1105 0516	Clamp	
109	1105 0511	Harness Clamp - LWS-0306ZC	
110	1105 0598	Clamp: LWSS-1N	

58.Duplex Unit 6 (B234/B235/B236/D101/D102/D103)

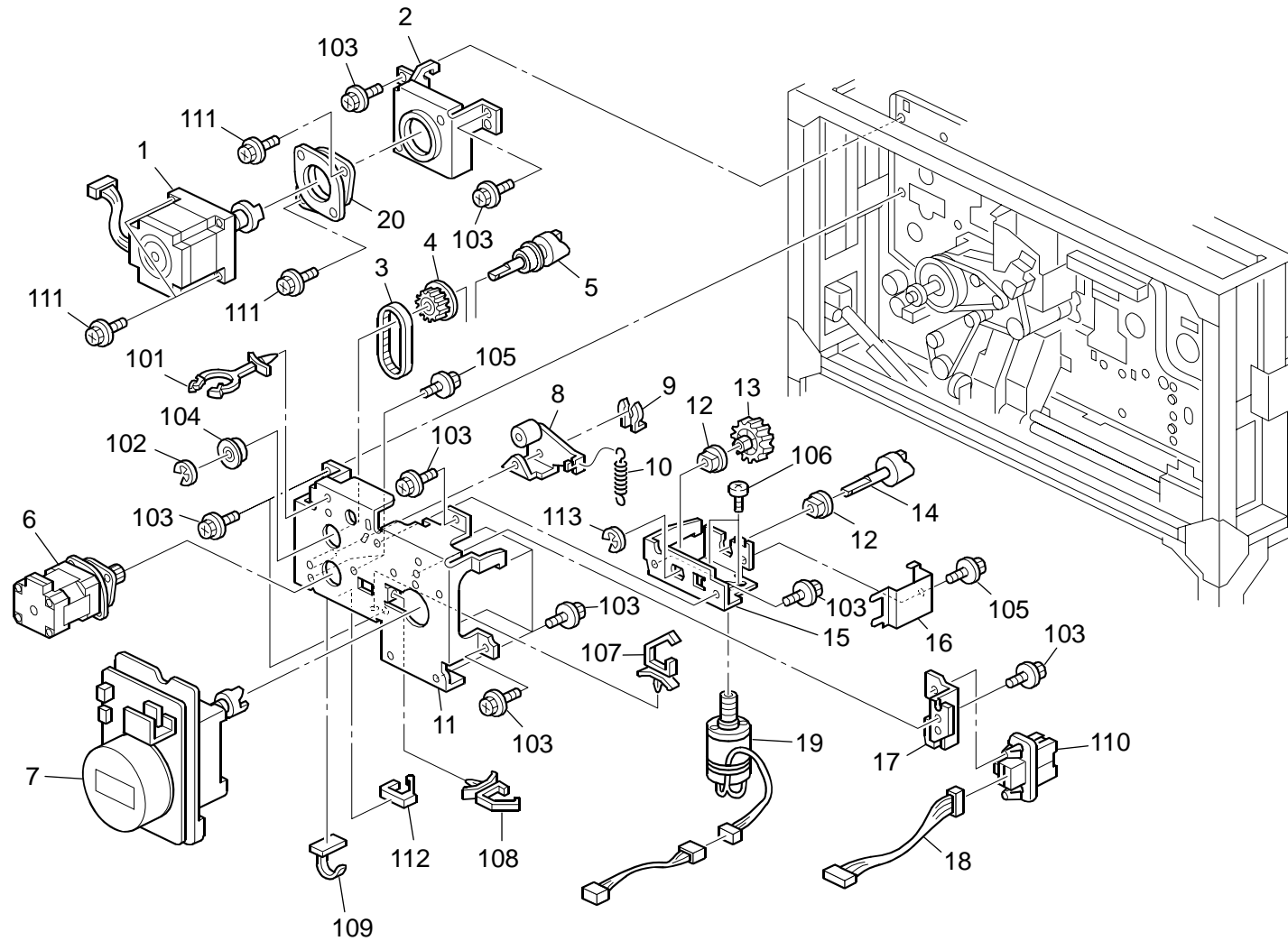


58.Duplex Unit 6 (B234/B235/B236/D101/D102/D103)

Index No.	Part No.	Description	Q'ty Per Assembly
1	B234 4867	Guide Plate - Lower	1
2	B234 4920	DC Solenoid: Gate Pawl: Duplex: Reverse: Ass'y	1
3	B234 4844	Tension Spring	1
4	B234 4888	Gate Pawl: Duplex	1
5	AA08 2118	Bushing - M6	2
6	AF02 0714	Transport Roller: Duplex: No.1: Drive	1
7	AF02 0715	Transport Roller: Duplex: No.2: Drive	1
8	B234 4868	Guide Plate - Left Lower	1
9	B234 4647	Bracket: Plate: Damper: Open and Close	1
10	B234 4648	Damper: Open and Close	1
11	AB01 7728	Gear: - 30Z/30T	1
12	B652 3135	Timing Belt: B60S2M172	1
13	AB03 0810	Timing Pulley - 28T	1
14	AA04 3650	Timing Belt - B60S2M290	1
15	AB03 0802	Timing Pulley - 24T	2
16	AA13 2228	Spacer - 1mm	4

Index No.	Part No.	Description	Q'ty Per Assembly
101	0454 4006Q	Tapping Screw: 4x6	
102	0454 3006Q	Tapping Screw - M3x6	
103	0720 0060E	Retaining Ring - M6	
104	0741 3708	Ball Bearing - 8x12x3.5mm	
105	1105 0598	Clamp: LWSS-1N	
106	1105 0516	Clamp	
107	0451 4006N	Tapping Screw - 4x6	
108	1105 0551	Clamp: LES-0505	
109	0353 0060N	Bind Screw - M3x6	
110	0720 0040E	Retaining Ring - M4	

59.Drive Section 1 (B234/B235/B236/D101/D102/D103)

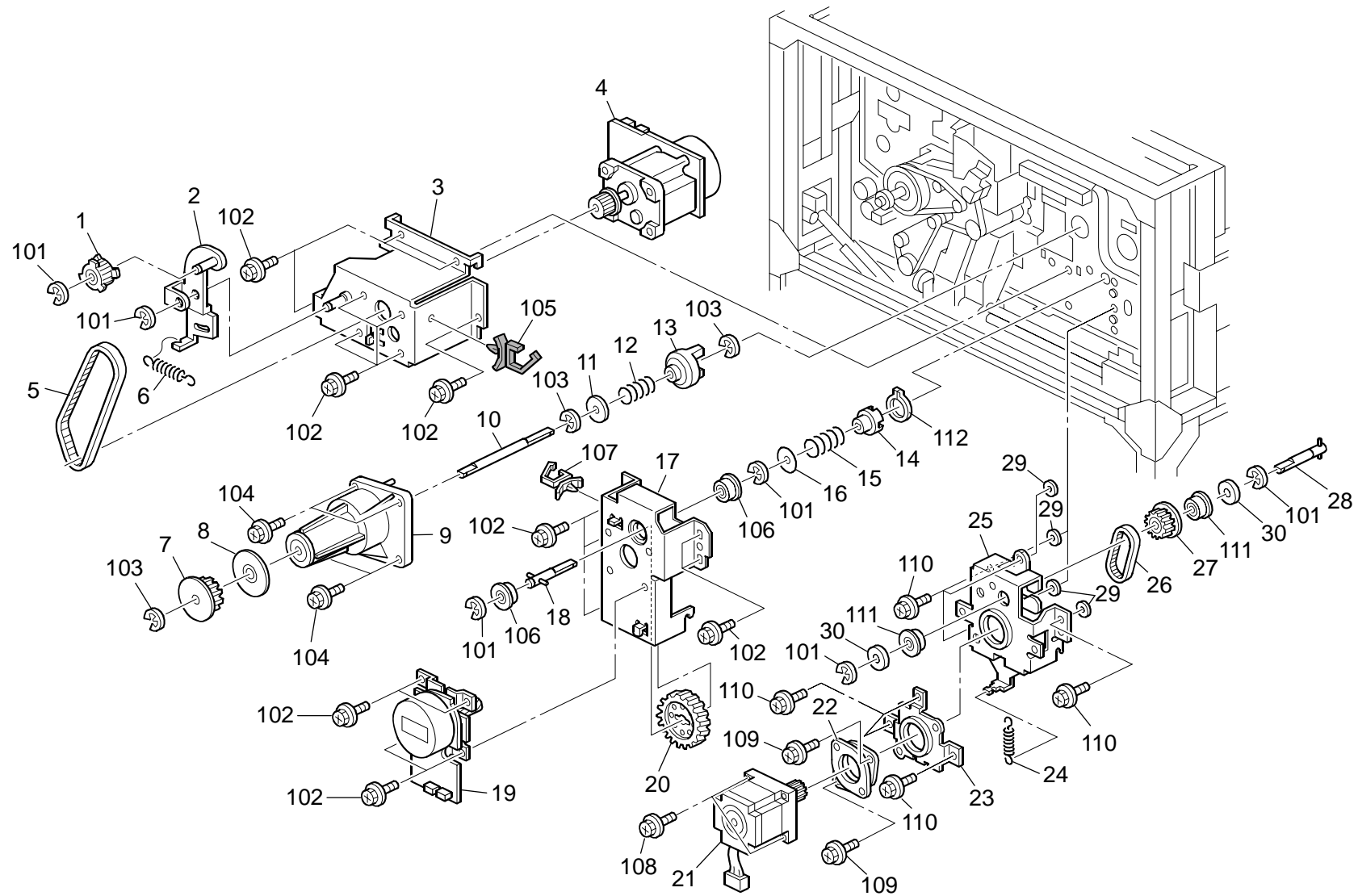


59. Drive Section 1 (B234/B235/B236/D101/D102/D103)

Index No.	Part No.	Description	Q'ty Per Assembly
1	B234 3293	Stepper Motor DC3.6V 7.2W	1
2	B234 3291	Stepper Motor Bracket	1
3	AA04 3974	Timing Belt - B60S2M112	1
4	B789 3126	Timing Pulley - 25T	1
5	B234 3062	Shaft - Toner Supply Roller	1
6	B234 3055	Stepper Motor DC12.6V 12.6W	1
7	B234 3051	Brushless Motor DC24V 33W	1
8	B234 3065	Tightener	1
9	5206 2686	Snap Ring	1
10	B234 3067	Spring	1
11	B234 3056	Bracket	1
12	AA08 2101	Bushing - 6x10x6	2
13	B234 3072	Gear - 30Z	1
14	B234 3070	Agitator Drive Shaft	1
15	B234 3069	Agitator Bracket	1
16	B234 3073	Cover	1
17	B234 3074	Drawer Bracket	1
18	B234 5684	Harness - Drawer	1
19	B234 3372	DC Motor: Toner Bottle: DC21V 5.85W	1
20	AA16 1122	Motor Cushion	1

Index No.	Part No.	Description	Q'ty Per Assembly
101	1105 0517	Harness Clamp - LWS-2111Z	
102	0720 0060E	Retaining Ring - M6	
103	0451 4008N	Tapping Screw: 4x8	
104	0742 3808	Ball Bearing - 8x16x5	
105	0451 3006N	Tapping Screw - 3x6	
106	0312 5060N	Screw - M2.5x6	
107	1105 0516	Clamp	
108	1105 0511	Harness Clamp - LWS-0306ZC	
109	1105 0568	Clamp: LWSS-0504	
110	1102 9785	Connector: 55949-1819	
111	0451 4010N	Tapping Screw: 4x10	
112	1105 0522	Edge Saddle - LES0510	
113	0720 0040E	Retaining Ring - M4	

60.Drive Section 2 (B234/B235/B236/D101/D102/D103)

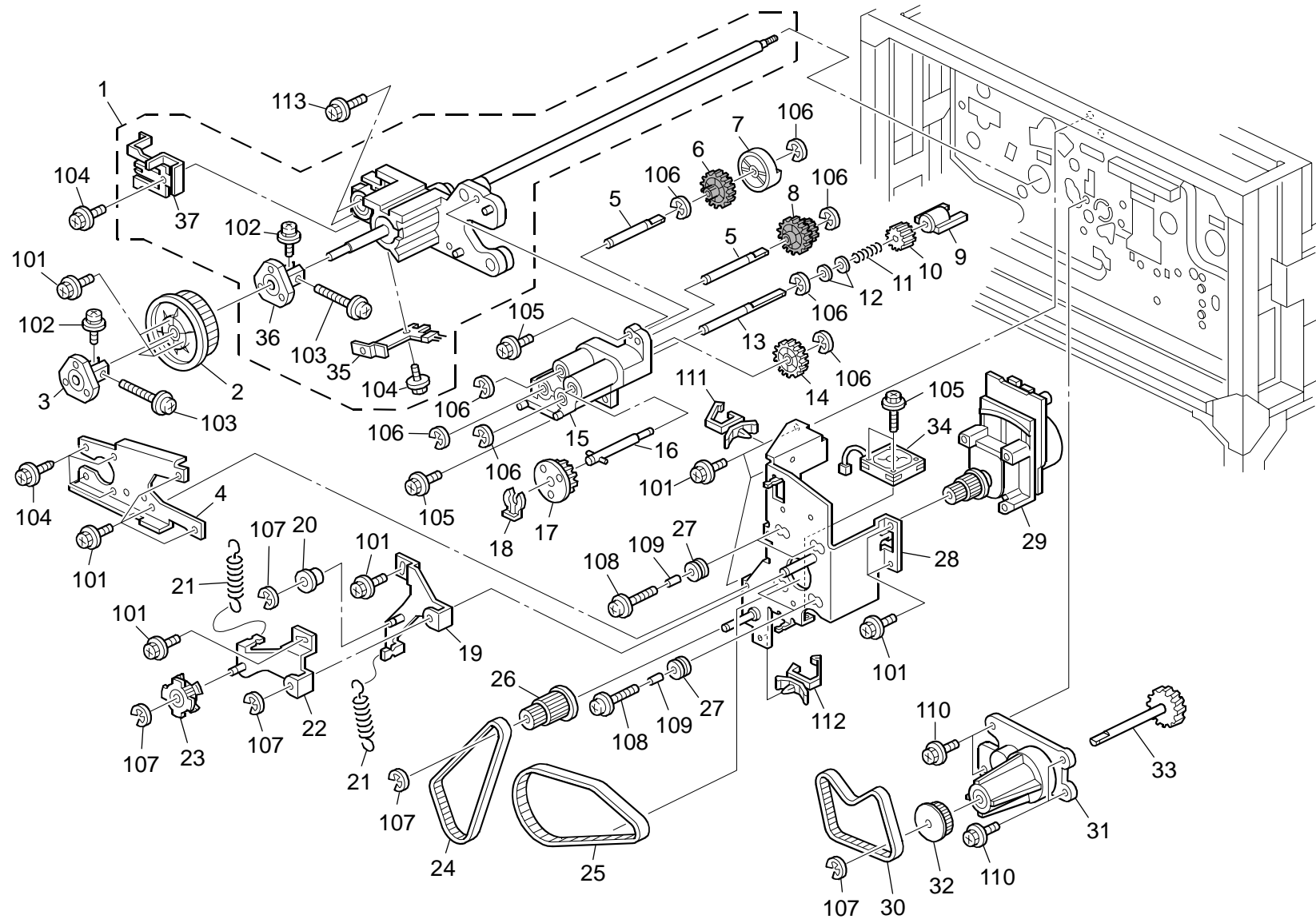


60. Drive Section 2 (B234/B235/B236/D101/D102/D103)

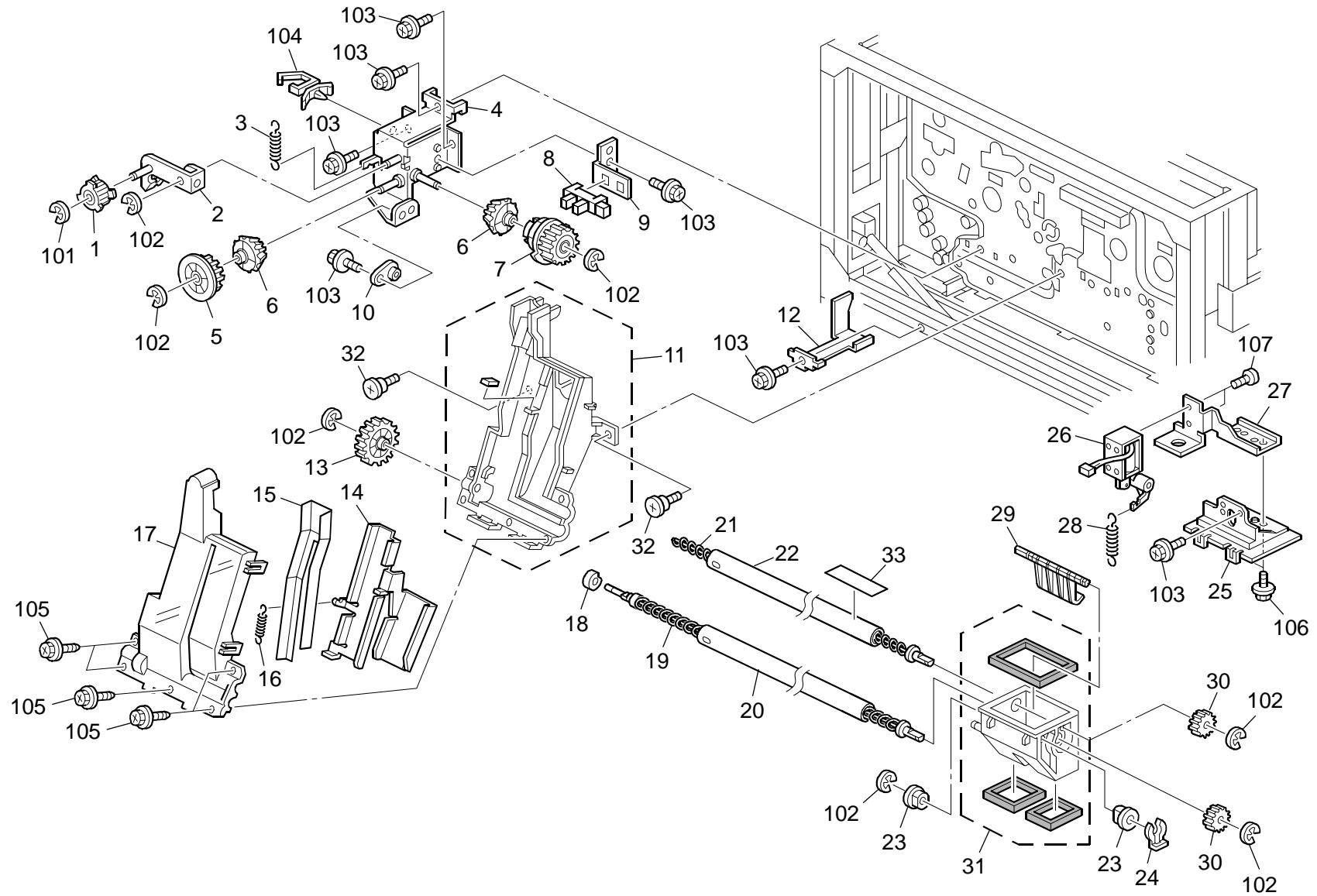
Index No.	Part No.	Description	Q'ty Per Assembly
1	B234 1158	Pulley - 23T	1
2	B234 1128	Tightener	1
3	B234 1125	Brushless Motor Bracket	1
4	AX06 0329	Brushless Motor DC24V 50.4W	1
5	AA04 3977	Timing Belt: Drive: Fusing Unit	1
6	AA06 2346	Tension Spring: Tension	1
7	AB03 0794	Pulley - 40Z	1
8	B234 1135	Pulley Flange	1
9	B234 1130	Fusing Drive Unit Bracket	1
10	B234 1134	Drive Shaft	1
11	A079 1203	Fusing Drive Stopper	1
12	B234 1132	Spring: Joint: Fusing	1
13	A079 1201	Fusing Drive Joint	1
14	B234 4385	Joint: Paper Exit Unit: Drive	1
15	AA06 3681	Compression Spring: Joint	1
16	B234 4320	Holder: Compression Spring: Joint	1
17	B234 4425	Brushless Motor Bracket	1
18	B234 4386	Shaft: Drive: Motor: Press Fit	1
19	B234 4325	Brushless Motor DC24V 20W	1
20	B234 4428	Gear - 66Z	1
21	AX04 0157	Stepper Motor DC1.68V 6.7W	1
22	AA16 1122	Motor Cushion	1
23	B234 4663	Stepper Motor Bracket	1
24	B234 6508	Tension Spring	1
25	B234 4662	Stepper Motor Bracket	1
26	AA04 3652	Timing Belt - B60S2M130	1
27	B234 6506	Timing Pulley - 30T	1
28	B234 4667	Pulley Drive Shaft	1
29	B234 4668	Cushion: Bracket: Duplex: Entrance	4
30	AA13 2228	Spacer - 1mm	2

Index No.	Part No.	Description	Q'ty Per Assembly
101	0720 0060E	Retaining Ring - M6	
102	0451 4008N	Tapping Screw: 4x8	
103	0720 0080E	Retaining Ring - M8	
104	0451 4012N	Tapping Screw: 4x12	
105	1105 0601	Clamp: LWSM-0511-2M	
106	0742 3808	Ball Bearing - 8x16x5	
107	1105 0487	Harness Clamp	
108	0451 4006N	Tapping Screw - 4x6	
109	0451 4010N	Tapping Screw: 4x10	
110	0951 4008N	Screw: Polished Round: M4x8	
111	0741 3708	Ball Bearing - 8x12x3.5mm	
112	0727 0080E	Retaining Ring - M8	

61.Drive Section 3 (B234/B235/B236/D101/D102/D103)



62.Drive Section 4 (B234/B235/B236/D101/D102/D103)

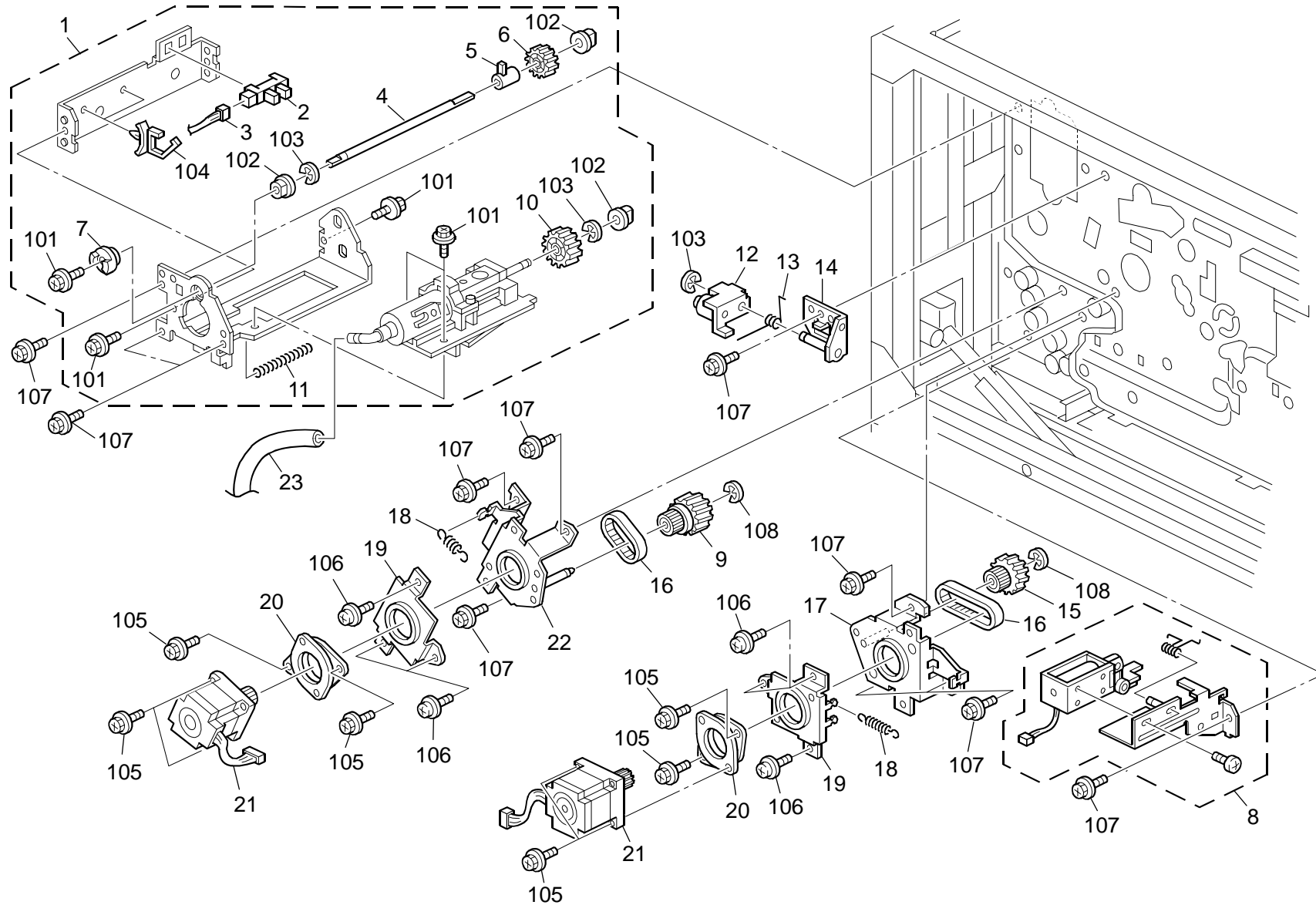


62.Drive Section 4 (B234/B235/B236/D101/D102/D103)

Index No.	Part No.	Description	Q'ty Per Assembly
1	B234 1158	Pulley - 23T	1
2	B234 1156	Tightener	1
3	AA06 2346	Tension Spring: Tension	1
4	B234 1150	Toner Recycling Unit Drive Bracket	1
5	B234 1154	Pulley - 40T	1
6	A294 1163	Gear - 30Z	2
7	B234 3782	Torque Limiter Gear - 24Z	1
8	AW02 0145	Photointerruptor: Flat	1
9	B234 3781	Positioning Sensor Bracket	1
10	A294 1158	Transport Screw Bushing	1
11	B234 3705	Case - Lower	1
12	B234 3783	Harness Guard Bracket	1
13	A294 3621	Gear - 44Z	1
14	B234 3722	Vibrating Plate	1
15	B234 3723	Guide - Lower	1
16	A184 1760	Cam Spring	1
17	B234 3704	Case - Upper	1
18	A294 3618	Vibrating Plate Cam	1
19	B234 3748	Transport Screw: Toner Recycling	1
20	B234 3733	Pip - DIA14	1
21	B234 3731	Transport Screw	1
22	B234 3730	Pipe	1
23	5053 0447	Bushing - 6mm	2
24	AA10 0014	Retaining Ring C - Separate	1
25	B070 3636	Case: Classification: Upper	1
26	B234 3741	DC Solenoid	1
27	B234 3743	Solenoid Bracket	1
28	B070 3647	Tension Spring: Arm: Toner Recycling	1
29	B070 3646	Arm: Toner Recycling	1
30	A294 3626	Gear - 17Z	2
31	B070 3630	Case: Classification: Lower: Ass'y	1
32	AA14 3545	Screw: M4	2
33	B234 3736	Heat Insulation	1

Index No.	Part No.	Description	Q'ty Per Assembly
101	0720 0060E	Retaining Ring - M6	
102	0720 0040E	Retaining Ring - M4	
103	0451 4008N	Tapping Screw: 4x8	
104	1105 0488	Harness Clamp	
105	0450 3008N	Tapping Screw - M3x8	
106	0451 4006N	Tapping Screw - 4x6	
107	0353 0040N	Screw - M3x4	

63.Drive Section 5 (B234/B235/B236/D101/D102/D103)



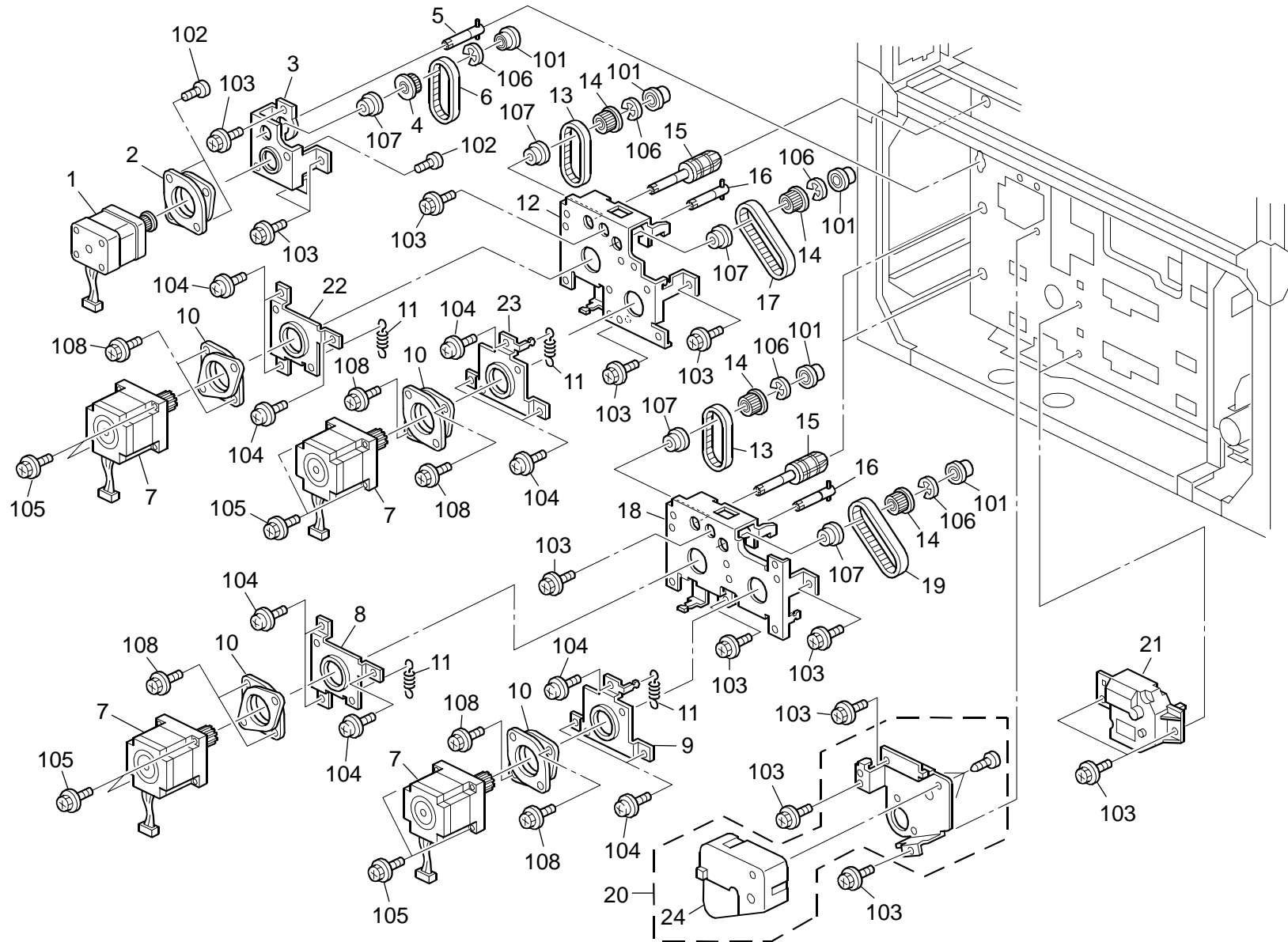
63. Drive Section 5 (B234/B235/B236/D101/D102/D103)

Rev. 09/09/2010

Index No.	Part No.	Description	Q'ty Per Assembly
1	D059 3261	Pump Unit	1
2	AW02 0145	Photointerruptor: Flat	1
3	B234 5692	Harness - Pump Sensor	1
4	B234 3267	Drive Shaft	1
5	B234 3269	Feeler	1
6	B234 3268	Gear - 24Z	1
7	B234 3266	Drive Joint	1
8	B234 2830	DC Solenoid	1
9	AB01 7723	Gear/Pulley - 31Z/31T	1
10	B234 3279	Gear - 36Z	1
11	B234 3277	Compression Spring	1
12	B234 2495	Roller Bracket	1
13	B234 2494	Torsion Spring	1
14	B234 2491	Roller Bracket	1
15	AB01 7722	Gear/Pulley - 31Z/31T	1
16	AA04 3308	Timing Belt - S2M114 9MM	2
17	B234 2813	Drive Unit Bracket	1
18	B234 6508	Tension Spring	2
19	B234 2812	Stepper Motor Bracket	2
20	AA16 1122	Motor Cushion	2
21	AX04 0157	Stepper Motor DC1.68V 6.7W	2
22	B234 2821	Drive Unit Bracket	1
23	B234 3282	Tube - DIA6	1

Index No.	Part No.	Description	Q'ty Per Assembly
101	0451 3008N	Tapping Screw - M3x8	
102	0805 3480	Bushing - 6mm	
103	0720 0040E	Retaining Ring - M4	
104	1105 0511	Harness Clamp - LWS-0306ZC	
105	0451 4010N	Tapping Screw: 4x10	
106	0951 4008N	Screw: Polished Round: M4x8	
107	0451 4008N	Tapping Screw: 4x8	
108	0720 0060E	Retaining Ring - M6	

64. Drive Section 6 (B234/B235/B236/D101/D102/D103)

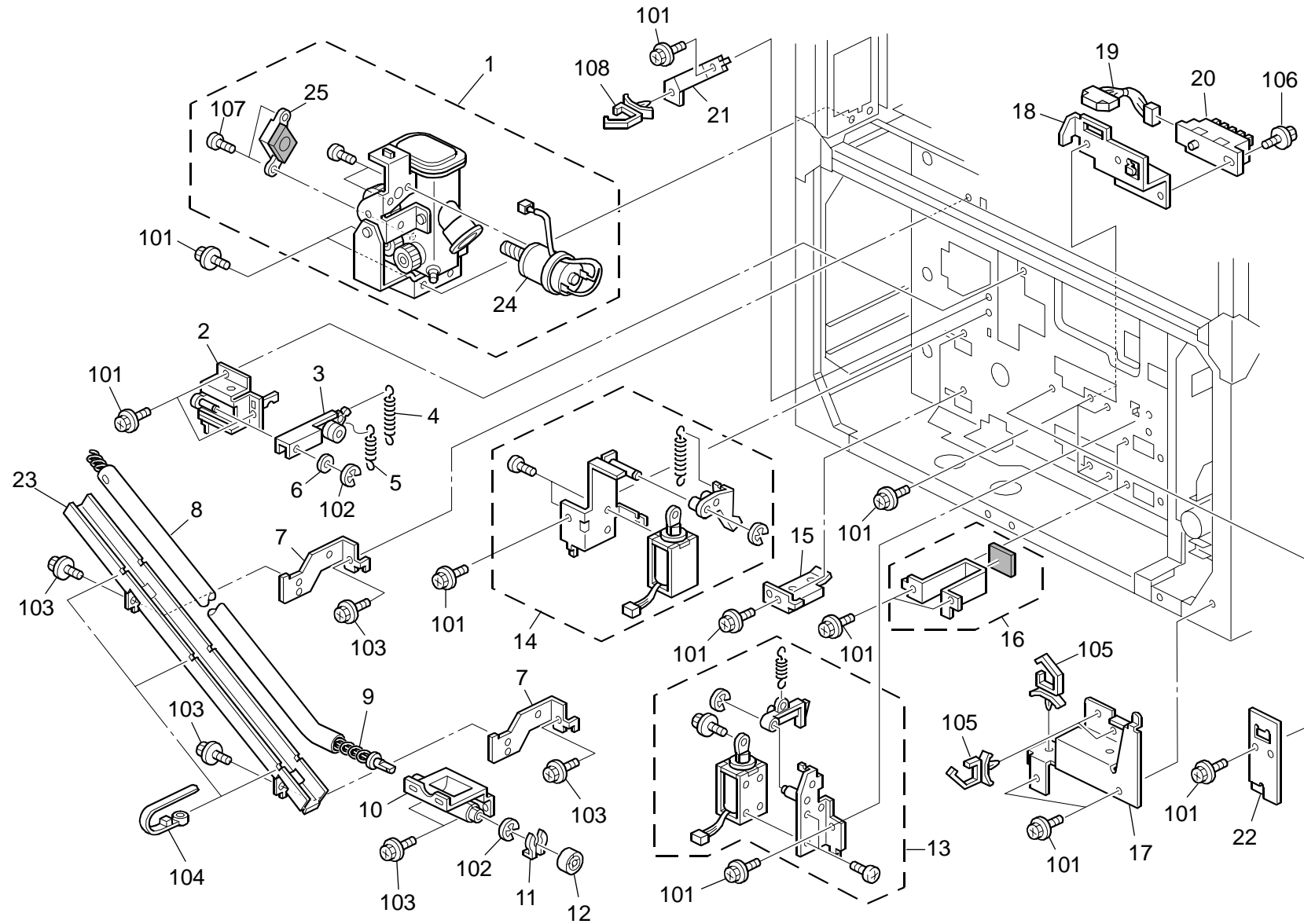


64. Drive Section 6 (B234/B235/B236/D101/D102/D103)

Index No.	Part No.	Description	Q'ty Per Assembly
1	AX04 0158	Stepper Motor DC2.64V 6.3W	1
2	A232 4666	Cushion - Stepper Motor	1
3	B234 6520	Bracket	1
4	B234 6507	Timing Pulley - 25T	1
5	B234 6543	Drive Shaft	1
6	B234 6523	Timing Belt - S2M100	1
7	AX04 0157	Stepper Motor DC1.68V 6.7W	4
8	B234 6531	Tightener Bracket	2
9	B234 6532	Tightener Bracket	2
10	AA16 1122	Motor Cushion	4
11	B234 6508	Tension Spring	4
12	B234 6510	Tandem LCT Bracket	1
13	B234 6514	Timing Belt - S2M126	2
14	B234 6506	Timing Pulley - 30T	4
15	B234 6542	Grip Drive Shaft	2
16	B234 6541	Feed Drive Shaft	2
17	B234 6513	Timing Belt - S2M180	1
18	B234 6530	Bracket	1
19	B234 6533	Timing Belt - S2M152	1
20	B132 6759	DC Motor: Rise: Tandem LCT: Ass'y	1
21	AX04 0144	DC Motor: Rise: Paper Tray	2
22	B234 6512	Tightener Bracket	1
23	B234 6511	Tightener Bracket	1
24	B132 6760	DC Motor 24V 19.6W	1

Index No.	Part No.	Description	Q'ty Per Assembly
101	0742 3808	Ball Bearing - 8x16x5	
102	0353 0050N	Screw-M3x5	
103	0451 4008N	Tapping Screw: 4x8	
104	0951 4006N	Screw: Polished Round: M4x6	
105	0451 4010N	Tapping Screw: 4x10	
106	0720 0060E	Retaining Ring - M6	
107	0741 3708	Ball Bearing - 8x12x3.5mm	
108	0451 4006N	Tapping Screw - 4x6	

65. Drive Section 7 (B234/B235/B236/D101/D102/D103)



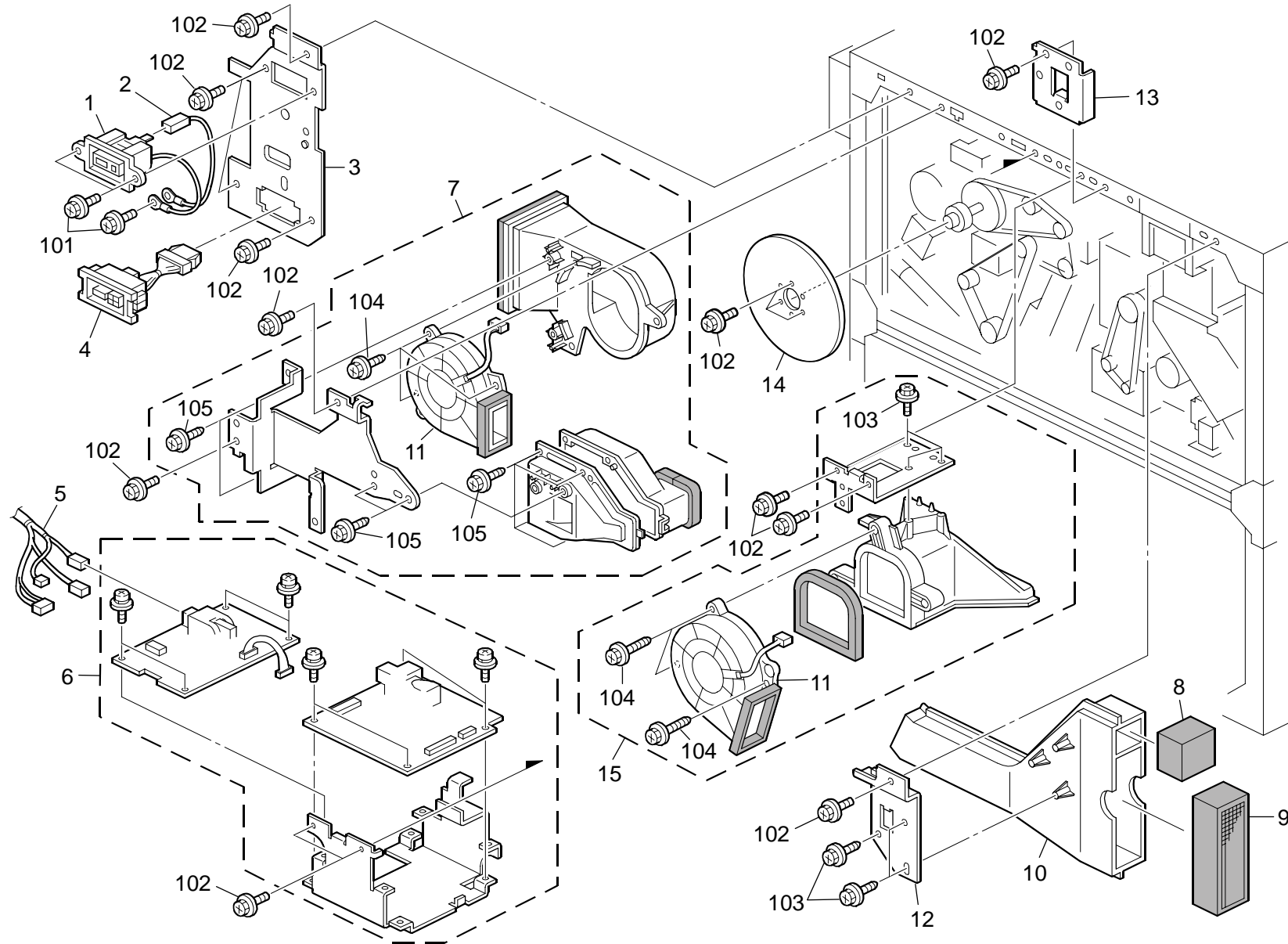
65. Drive Section 7 (B234/B235/B236/D101/D102/D103)

Rev. 12/01/2008

Index No.	Part No.	Description	Q'ty Per Assembly
1	D059 3410	Cylinder Unit	1
2	B132 6726	Bracket: Arm: Ass'y	1
3	B065 6769	Lock Arm	1
4	B247 6753	Lock Spring - Large	1
5	B247 6754	Lock Spring - Small	1
6	AA13 2203	Spacer - 6mm	1
7	B234 3446	Supporter Bracket	2
8	A294 3475	Tube - 12x14x835	1
9	A294 3477	Toner Transport Screw	1
10	B070 3471	Toner Transport Screw Case	1
11	5447 2681	Snap Ring	1
12	A294 3480	Driving Joint	1
13	B132 6765	DC Solenoid: Lock: Ass'y	1
14	B132 6762	DC Solenoid: Coupling: Ass'y	1
15	B234 6120	Bracket: Positioning: Paper Tray	2
16	B065 6172	Paper Tray Stopper	2
17	B234 6831	Bracket - Harness Clamp	1
18	B234 6151	Paper Size Sensor Bracket	1
19	B234 5671	Harness - Paper Size Sensor	1
20	AW50 0010	Push Switch	1
21	B234 6565	Harness Clamp Bracket	1
22	B234 6198	Cover - Paper Size Sensor	1
23	A294 3482	Tube Guide Rail	1
24	B234 3372	DC Motor: Toner Bottle: DC21V 5.85W	1
25	AW31 0008	Toner End Sensor	1

Index No.	Part No.	Description	Q'ty Per Assembly
101	0451 4008N	Tapping Screw: 4x8	
102	0720 0040E	Retaining Ring - M4	
103	0451 4006N	Tapping Screw - 4x6	
104	1105 0408	Wire Binder: T18MR-HS	
105	1105 0489	Harness Clamp - LWS 1316	
106	0451 3008N	Tapping Screw - M3x8	
107	0353 0060N	Bind Screw - M3x6	
108	1105 0487	Harness Clamp	

66.Electrical Section 1 (B234/B235/B236/D101/D102/D103)

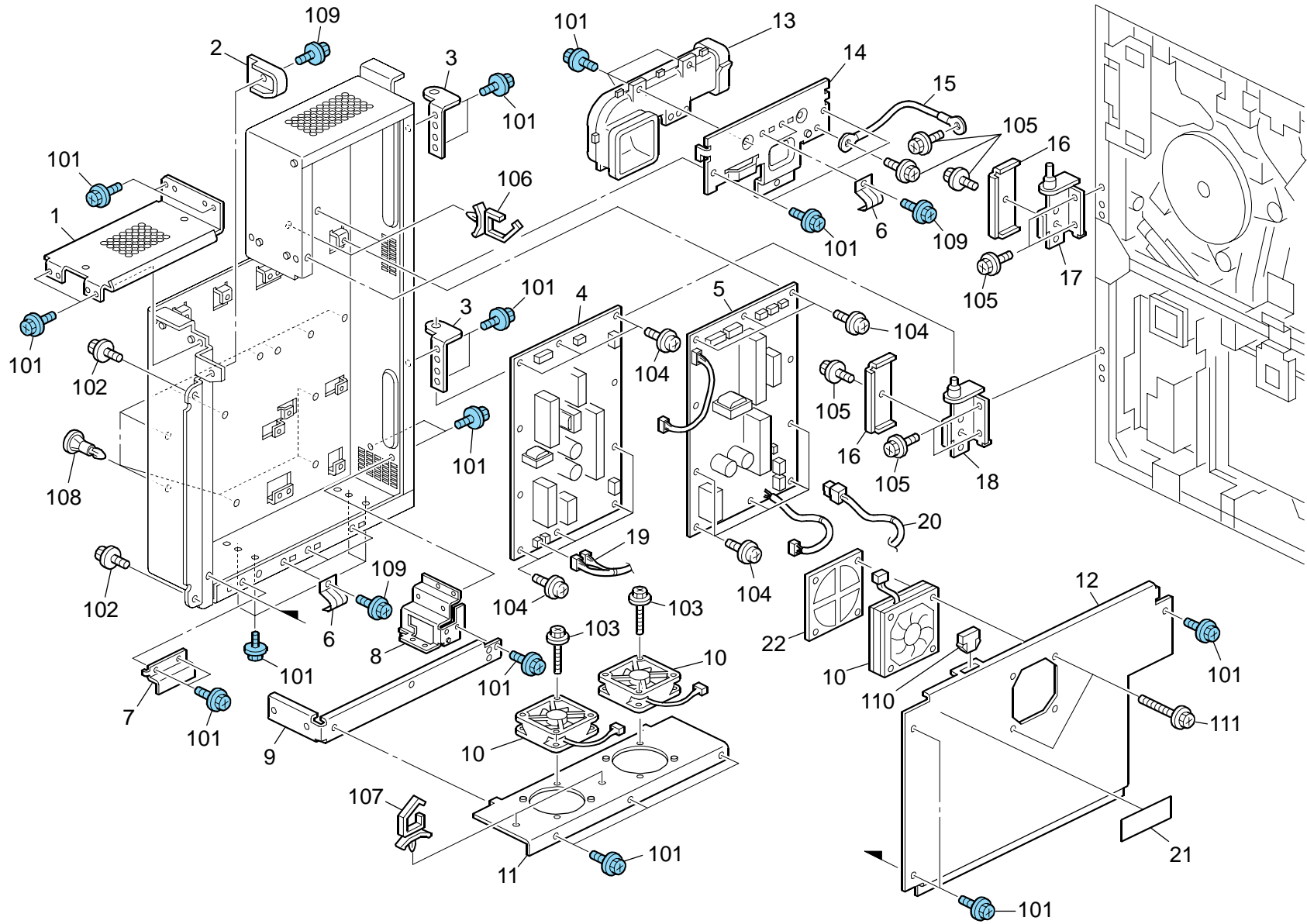


66.Electrical Section 1 (B234/B235/B236/D101/D102/D103)

Index No.	Part No.	Description	Q'ty Per Assembly
1	B234 5659	Harness - Ground Wire	1
2	B070 5460	Interface Grounding Harness	1
3	B234 7554	ADF Plug Bracket	1
4	B234 5632	Harness - Power Source	1
5	B234 5625	High Voltage Supply Cord	1
6	AZ32 0155	Power Pack - Development	1
7	B234 2051	Vacuum Duct Unit	1
8	B070 2098	Shield: Duct: Ozone Unit	1
9	B070 2076	Ozone Filter: 50x150x40	1
10	B070 2072	Duct: Exhaust	1
11	B234 1097	Fan Motor DC24V 9.6W	2
12	B070 2075	Bracket: Duct: Exhaust	1
13	B070 6831	Bracket: Standard: C/T Box	1
14	A294 1119	Fly Wheel	1
15	B234 2165	Rear Duct Unit	1

Index No.	Part No.	Description	Q'ty Per Assembly
101	0451 3008N	Tapping Screw - M3x8	
102	0451 4008N	Tapping Screw: 4x8	
103	0450 4008N	Tapping Screw - M4x8	
104	0450 4016N	Tapping Screw - M4x16	
105	0450 3008N	Tapping Screw - M3x8	

67.Electrical Section 2 (B234/B235/B236/D101/D102/D103)



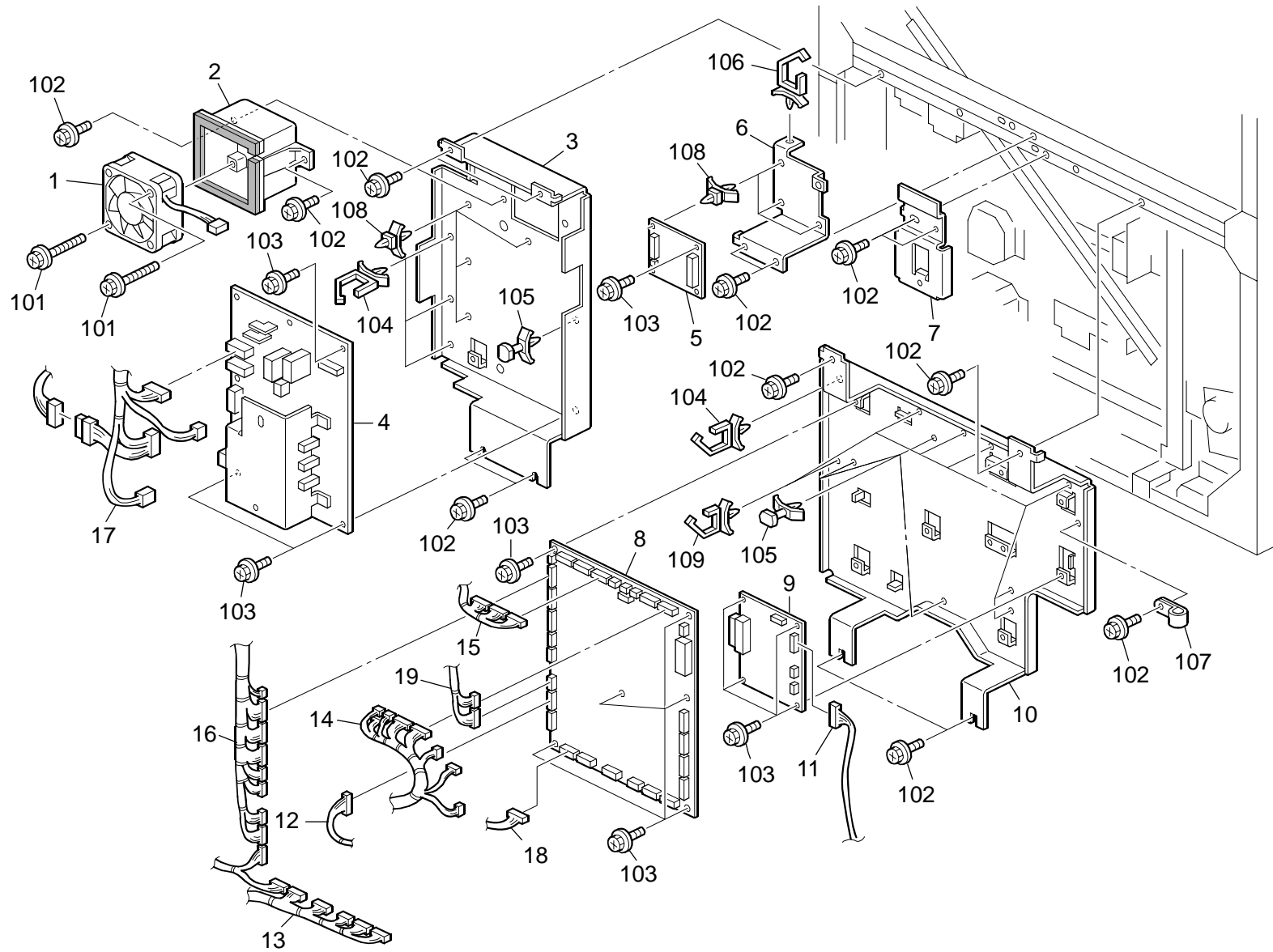
67.Electrical Section 2 (B234/B235/B236/D101/D102/D103)

Rev. 11/10/2010

Index No.	Part No.	Description	Q'ty Per Assembly
1	B234 7570	Bracket: Power Supply Unit: Upper	1
2	B070 6849	Guide: Positioning	1
3	B234 7565	Hinge Bracket - Case	2
4	AZ25 0046	Power Supply Unit: BC3: Engine-B	1
5	AZ25 0045	Power Supply Unit: BC3: Engine-A	1
6	A267 7586	Grounding Plate	5
7	B234 7568	Receive Bracket - Lower	1
8	B234 7583	Stay: Power Supply Unit: Lower Right	1
9	B234 7582	Stay: Power Supply Unit: Middle Lower	1
10	AX64 0159	Fan Motor Mm80	3
11	B234 7592	Bracket: Fan: Power Supply Unit	1
12	B234 7593	Power Supply Unit Cover - Front	1
13	B234 7512	Duct - Vacuum	1
14	B234 7569	Bracket: Power Supply Unit: Middle	1
15	B070 5522	Harness - Ground Wire IBM	1
16	B234 6827	Cover - Hinge	2
17	B234 7566	Hinge Bracket - Upper	1
18	B234 7562	Hinge Bracket - Lower	1
19	B234 5634	Harness - Power Supply Unit Fan	1
20	B234 5601	Harness - AC Paper Bank	1
21	B234 7598	Decal: Caution Chart: PSU: Service	1
22	B070 6854	Bracket: Fan: Cooling	1

Index No.	Part No.	Description	Q'ty Per Assembly
101	0454 4008Q	Tapping Screw - M4x8	
102	0954 4008N	Screw - M4x8	
103	0451 4030N	Tapping Screw: M4x30	
104	0954 3008N	Screw - M3x8	
105	0451 4008N	Tapping Screw: 4x8	
106	1105 0490	Harness Clamp - LWS-2218	
107	1105 0487	Harness Clamp	
108	1105 0637	Harness Clamp - KGLS-10RT(V0)	
109	0454 3006Q	Tapping Screw - M3x6	
110	1102 6246	Relay Connector - 3P	
111	0451 4035N	Tapping Screw: 4x35	

68.Electrical Section 3 (B234/B235/B236/D101/D102/D103)



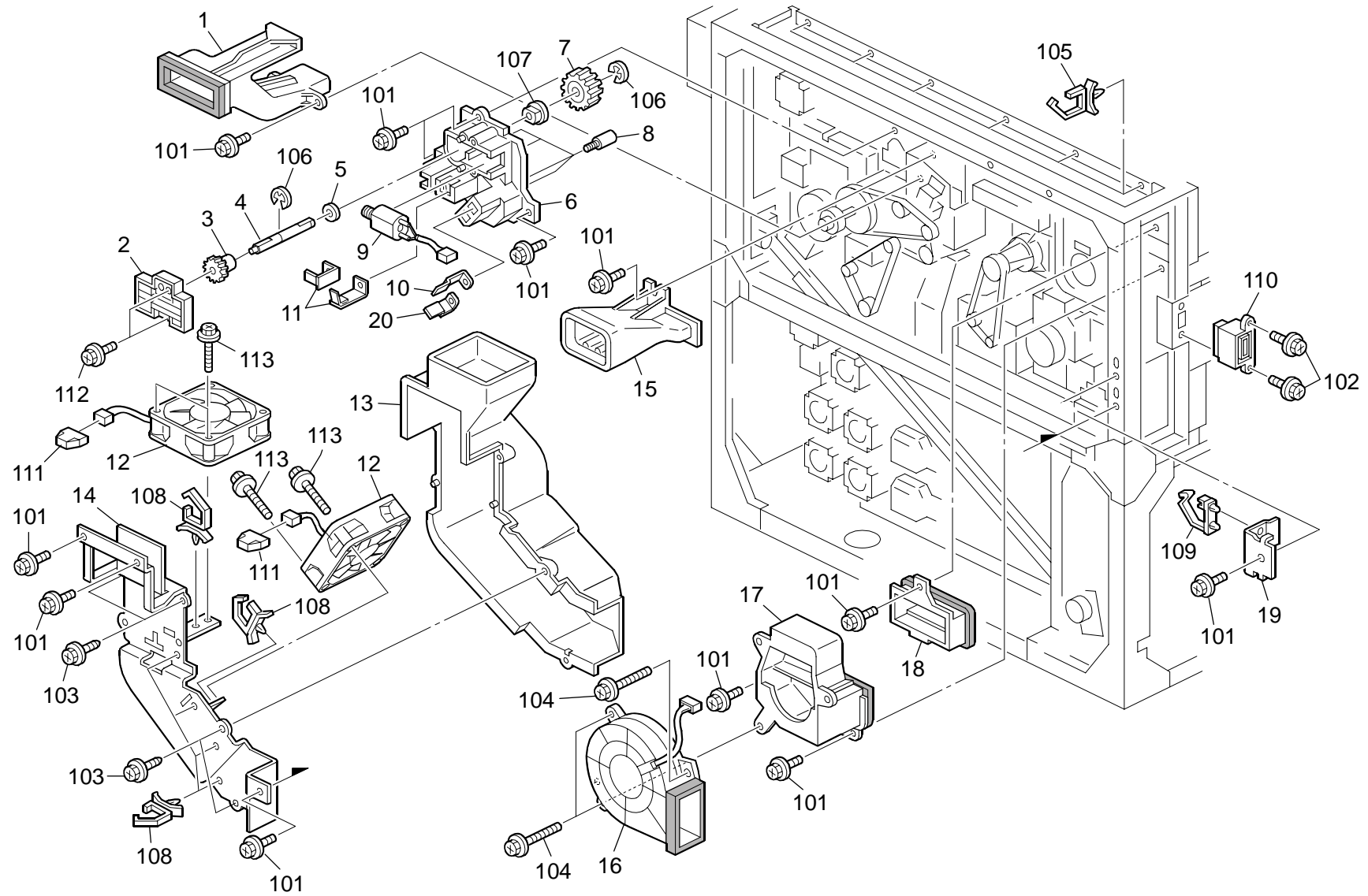
68.Electrical Section 3 (B234/B235/B236/D101/D102/D103)

Rev. 05/13/2010

Index No.	Part No.	Description	Q'ty Per Assembly
1	AX64 0178	Fan Motor DC24V 3.36W	1
2	B234 7580	Vacuum Duct - Inner Back	1
3	B234 7557	Bracket - AC Drive Board	1
4	B234 5410	PCB AC Drive	1
5	B234 5440	PCB Relay Safety Switch	1
6	B234 7556	Safety Switch Bracket	1
7	B234 6830	Stay - Rear	1
8	B234 5241	PCB IOB	1
9	D101 5220	PCB BCU (Model C3)	1
9	D101 5220	PCB: BCU: Ass'y (Model C3.5)	1
10	B234 7558	Bracket: IOB	1
11	B234 5657	Cable - IPU BCU	1
12	B234 5653	Harness - Paper Bank Left	1
13	B234 5654	Harness - Paper Bank Middle	1
14	B234 5650	Harness - Machine or Copier Left	1
15	B234 5651	Harness - Machine or Copier Middle	1
15	B235 5651	Harness - Machine or Copier Middle	1
15	B236 5651	Harness - Machine or Copier Middle	1
16	B234 5660	Harness: Machine or Copier: Right	1
17	B234 5601	Harness - AC Paper Bank	1
18	B234 5655	Harness - Paper Bank Right	1
19	B234 5662	Harness: Main: Stepper Motor	1

Index No.	Part No.	Description	Q'ty Per Assembly
101	0450 4035N	Tapping Screw: 4x35	
102	0451 4008N	Tapping Screw: 4x8	
103	0451 3006N	Tapping Screw - 3x6	
104	1105 0490	Harness Clamp - LWS-2218	
105	1105 0367	Spacer	
106	1105 0487	Harness Clamp	
107	1105 0529	Nylon Clamp-EMT-3N	
108	1105 0192	Locking Support	

69.Electrical Section 4 (B234/B235/B236/D101/D102/D103)

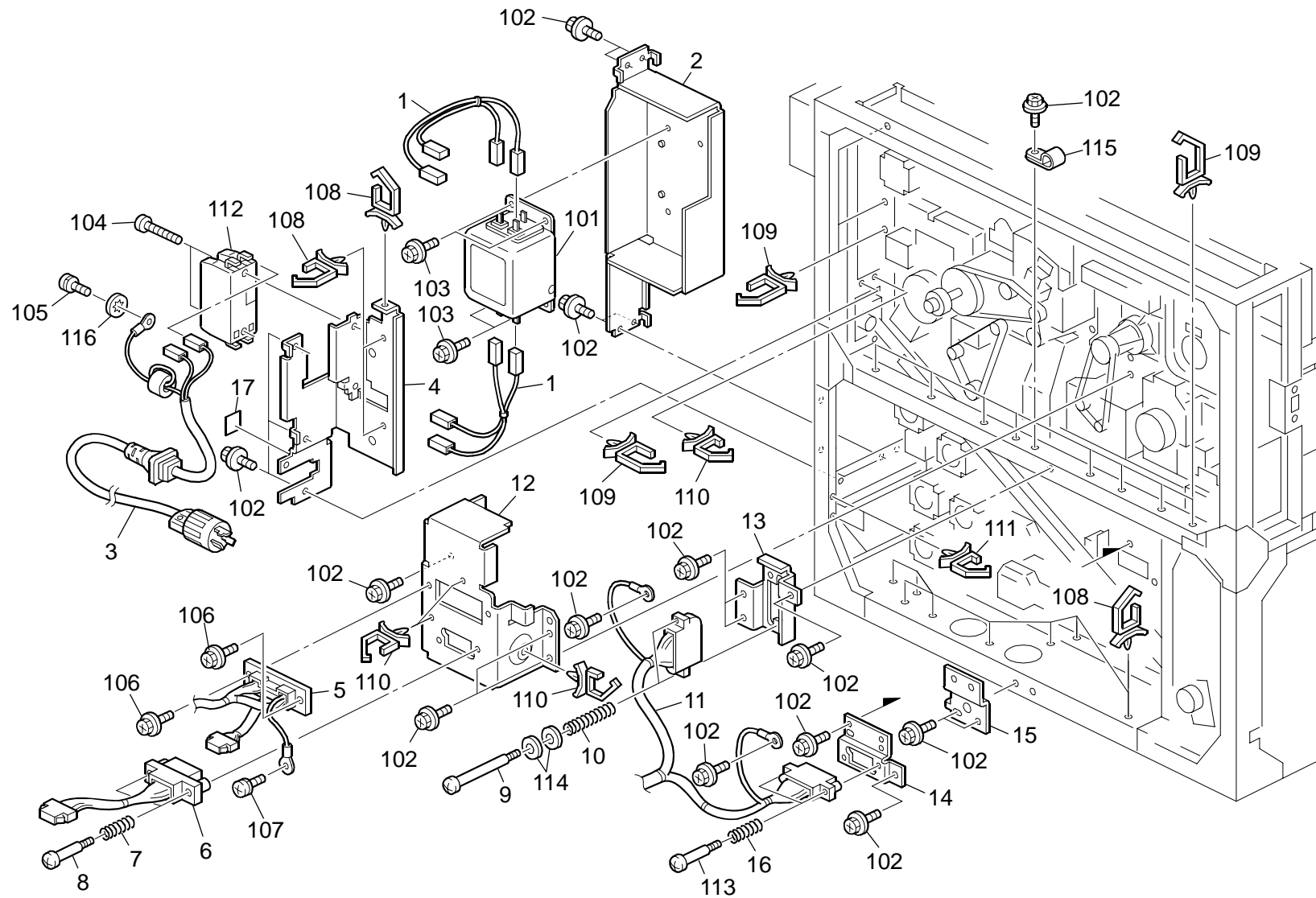


69.Electrical Section 4 (B234/B235/B236/D101/D102/D103)

Index No.	Part No.	Description	Q'ty Per Assembly
1	B234 2065	Drum Duct	1
2	B234 2101	Cover - Motor	1
3	B234 2097	Gear - 20Z	1
4	B234 2100	Drive Shaft	1
5	A232 3077	Spacer - M5	1
6	B234 2091	Charge Receptacle	1
7	B234 2098	Gear - 14Z	1
8	B234 2092	Terminal Pin	4
9	AX04 0147	DC Motor: Cleaner: 0.5W	1
10	B234 2093	Terminal - Pre G	1
11	A294 2122	Receptacle Connector C	2
12	AX64 0185	Fan Motor DC24V 4.8W	2
13	B234 4379	Duct - Heat Pipe	1
14	B234 4394	Cover - Duct	1
15	B234 2071	Charge Duct	1
16	B234 1097	Fan Motor DC24V 9.6W	1
17	B234 1182	Duct - Exhaust Fusing Exit	1
18	B234 4395	Duct - Coupling	1
19	B070 6834	Bracket: Clamp	1
20	B234 2096	Terminal - Pre C	1

Index No.	Part No.	Description	Q'ty Per Assembly
101	0451 4008N	Tapping Screw: 4x8	
102	0451 3008N	Tapping Screw - M3x8	
103	0450 4010N	Tapping Screw: M4x10	
104	0450 4016N	Tapping Screw - M4x16	
105	1105 0490	Harness Clamp - LWS-2218	
106	0720 0030E	Retaining Ring - M3	
107	0805 3384	Bushing - 5mm	
108	1105 0511	Harness Clamp - LWS-0306ZC	
109	1105 0211	Clamp	
110	1102 8502	Connector - 54679-1615	
111	1102 6245	Relay Connector - 2P	
112	0450 3008N	Tapping Screw - M3x8	
113	0451 4030N	Tapping Screw: M4x30	

70.Electrical Section 5 (B234/B235/B236/D101/D102/D103)



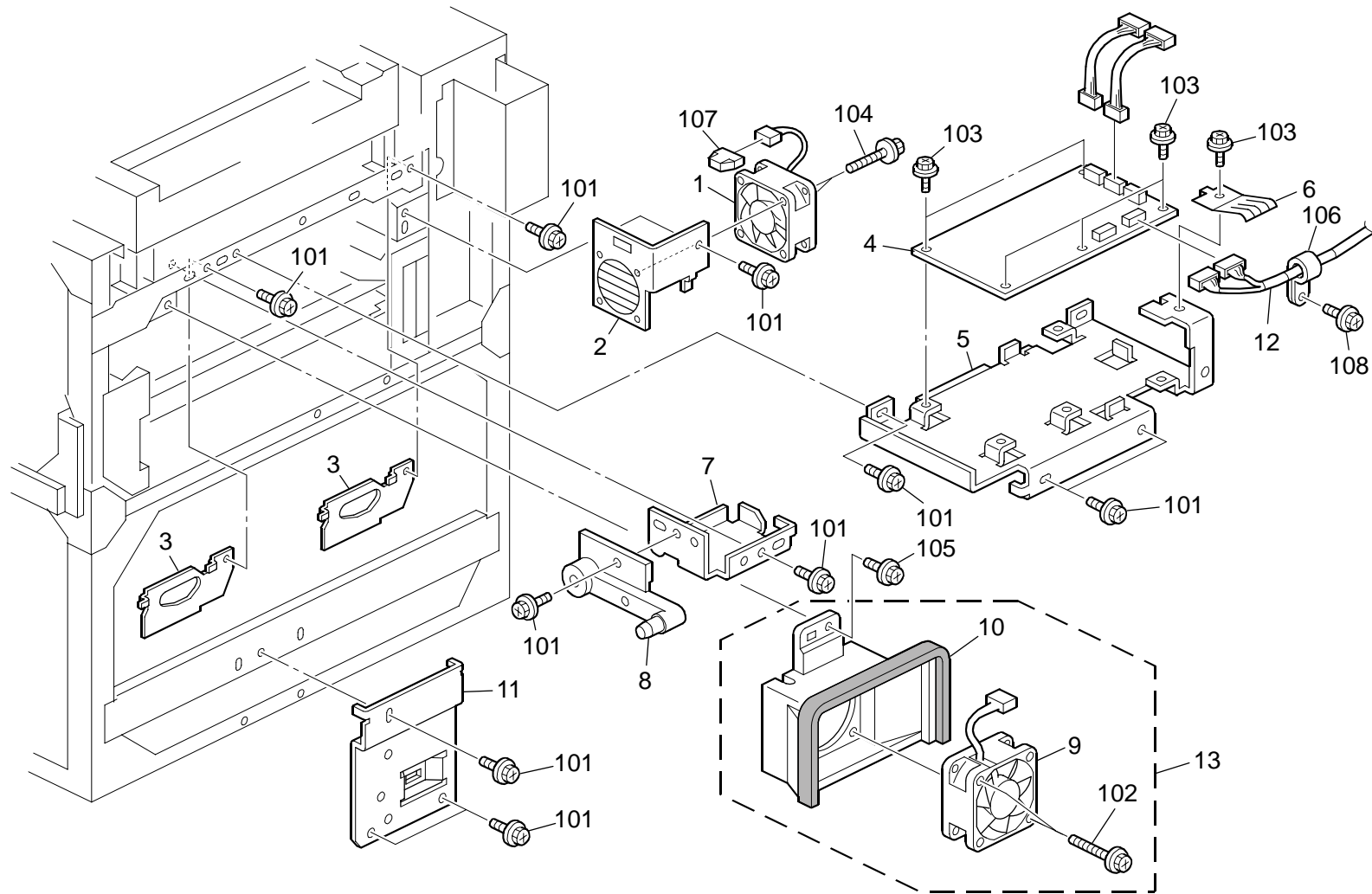
70.Electrical Section 5 (B234/B235/B236/D101/D102/D103)

Rev. 12/14/2009

Index No.	Part No.	Description	Q'ty Per Assembly
1	B234 5604	Harness - AC Noise Filter	2
2	B234 7551	Noise Filter Bracket	1
3	AZ00 0109	Power Supply Cord NA	1
3	AZ00 0110	Power Supply Cord EU 16A	1
4	B234 7587	Power Supply Cord Bracket	1
5	B234 5600	Harness - AC Machine or Copier	1
6	B234 5687	Harness - Fusing Lower	1
7	AA06 3670	Spring Connector: 9.8N	2
8	AA14 3797	Connector Guide Pin	2
9	AA14 3550	Screw: DIA4: M3	2
10	AA06 3583	Spring	2
11	B234 5656	Harness - Paper Bank Tandem LCT	1
12	B234 4239	Connector Bracket	1
13	B132 6764	Bracket: Connector: Right	1
14	B132 6763	Bracket: Connector: Left	1
15	B234 6832	Stay - Rear Lower	1
16	AA06 3268	Connector Spring	2
17	AA00 1190	Decal - Ground	1

Index No.	Part No.	Description	Q'ty Per Assembly
101	1607 1799	Filter - SUP-ET20-ER-0	
102	0451 4008N	Tapping Screw: 4x8	
103	0451 3006N	Tapping Screw - 3x6	
104	0434 0200N	Pan Self-Tapping Screw: 4x20	
105	0950 5010N	Screw: Spring Washer: M5x10	
106	0451 4012N	Tapping Screw: 4x12	
107	0950 4006N	Screw - M4x6	
108	1105 0489	Harness Clamp - LWS 1316	
109	1105 0490	Harness Clamp - LWS-2218	
110	1105 0488	Harness Clamp	
111	1105 0487	Harness Clamp	
112	1107 1280	Fuse - BJS1512F2 (B234/B235/D101/D102)	
112	1107 1281	Fuse - BJS2012F2 (B236/D103)	
113	0803 0058	Stepped Screw	
114	0701 0040N	Washer: DIA4	
115	1105 0009	Nylon Clamp - 5N	
116	0704 0050N	Washer: DIA5	

71.Electrical Section 6 (B234/B235/B236/D101/D102/D103)

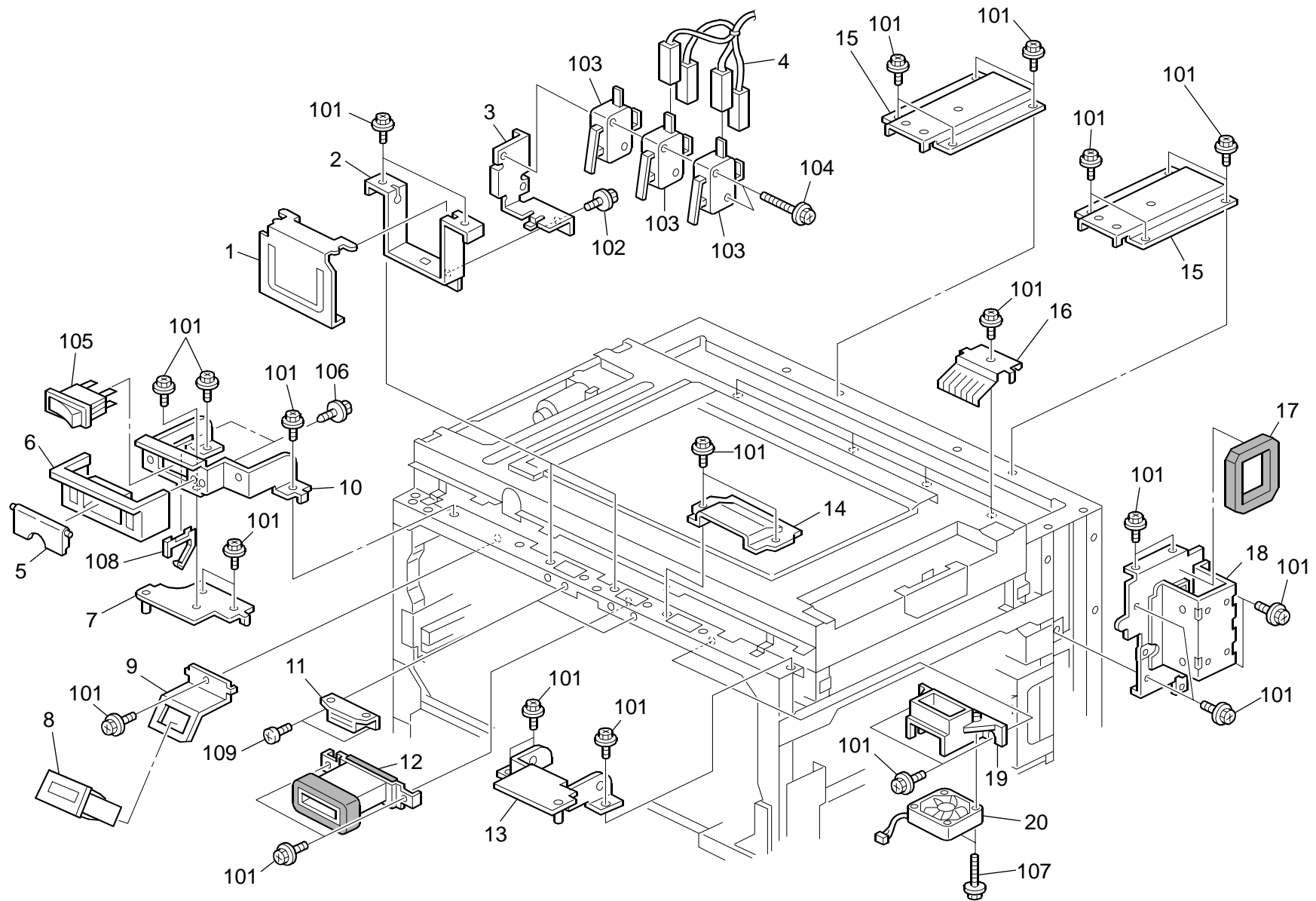


71.Electrical Section 6 (B234/B235/B236/D101/D102/D103)

Index No.	Part No.	Description	Q'ty Per Assembly
1	AX64 0164	Fan Motor: 15mm: 24V	1
2	B234 3086	Fan Motor Bracket	1
3	A294 3093	Air Block Plate	2
4	B234 5312	PCB OPU NA	1
4	B234 5313	PCB: OPU: EU	1
5	B234 7555	OPU Bracket	1
6	A294 1838	Ground Plate - Lens Stay	1
7	B234 3255	Tube Joint Bracket	1
8	B234 3256	Tube Joint	1
9	AX64 0158	Fan Motor Mm60/15mm: 24V	1
10	B234 3081	Duct: Fan: Ass'y	1
11	B234 7559	Connector Bracket	1
12	B234 5658	Cable - Operation Panel OPU	1
13	B234 3248	Development Fan Motor Unit	1

Index No.	Part No.	Description	Q'ty Per Assembly
101	0451 4008N	Tapping Screw: 4x8	
102	0450 4025N	Tapping Screw: 4x25	
103	0451 3006N	Tapping Screw - 3x6	
104	0451 4020N	Tapping Screw - M4x20	
105	0451 4012N	Tapping Screw: 4x12	
106	1105 0530	Nylon Clamp-EMT-4N	
107	1102 6245	Relay Connector - 2P	
108	0451 3008N	Tapping Screw - M3x8	

72.Electrical Section 7 (B234/B235/B236/D101/D102/D103)

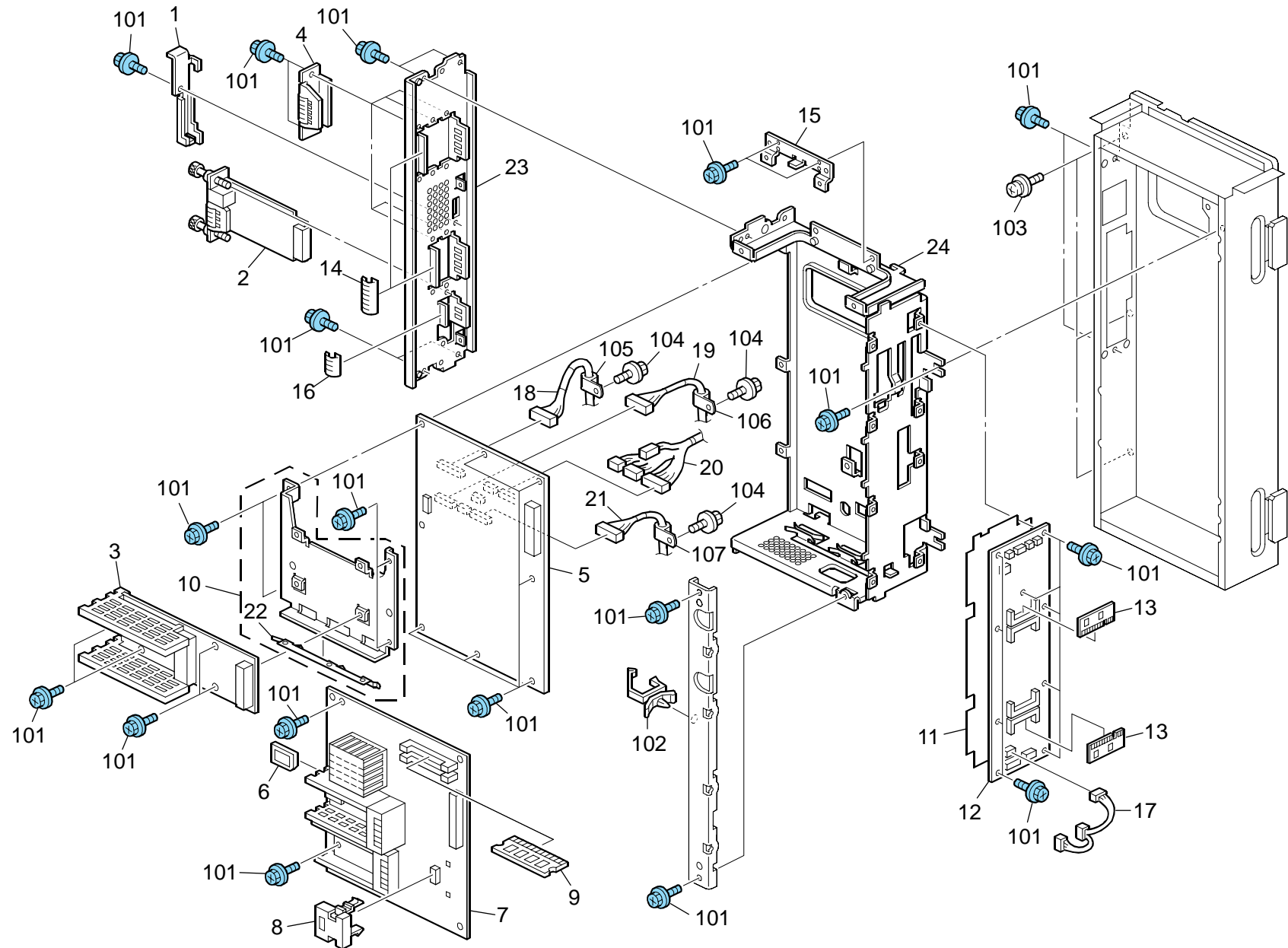


72.Electrical Section 7 (B234/B235/B236/D101/D102/D103)

Index No.	Part No.	Description	Q'ty Per Assembly
1	B234 7655	Safety Switch Lever	2
2	B234 7651	Safety Switch Bracket A	2
3	B234 7652	Safety Switch Bracket B	2
4	B234 5355	Harness - Safety Switch	1
5	B070 1350	Cover: Main Switch	1
6	B234 1349	Cover - Main Switch	1
7	B234 1360	Hinge: Left Upper: Ass'y	1
8	AX31 0047	Total Counter: 7Fig: 24V: MI2	1
9	A294 1347	Bracket - Total Counter	1
10	B234 1354	Bracket: Main Switch	1
11	AG07 0504	Magnet Catch: 44.1N	2
12	B234 1977	Imaging Unit Duct	1
13	B234 1352	Hinge: Right Upper: Ass'y	1
14	B234 2377	Duct - Upper	1
15	B234 1686	ADF Bracket	2
16	A294 1837	Ground Plate - Rear Frame	4
17	A294 2124	Seal - Operation Frame	1
18	A294 1442	Frame - Operation Panel	1
19	B234 2372	Cleaning Fan Holder	1
20	AX64 0158	Fan Motor Mm60/15mm: 24V	1

Index No.	Part No.	Description	Q'ty Per Assembly
101	0451 4008N	Tapping Screw: 4x8	
102	0451 3008N	Tapping Screw - M3x8	
103	1204 2805	Micro Switch	
104	0451 3035N	Tapping Screw - M3x35	
105	1204 2614	Switch AC250V/16A	
106	0450 3008N	Tapping Screw - M3x8	
107	0450 4025N	Tapping Screw: 4x25	
108	1105 0522	Edge Saddle - LES0510	
109	0314 0080N	Philips Pan Head Screw - M4x8	

73.Controller Unit (B234/B235/B236/D101/D102/D103)



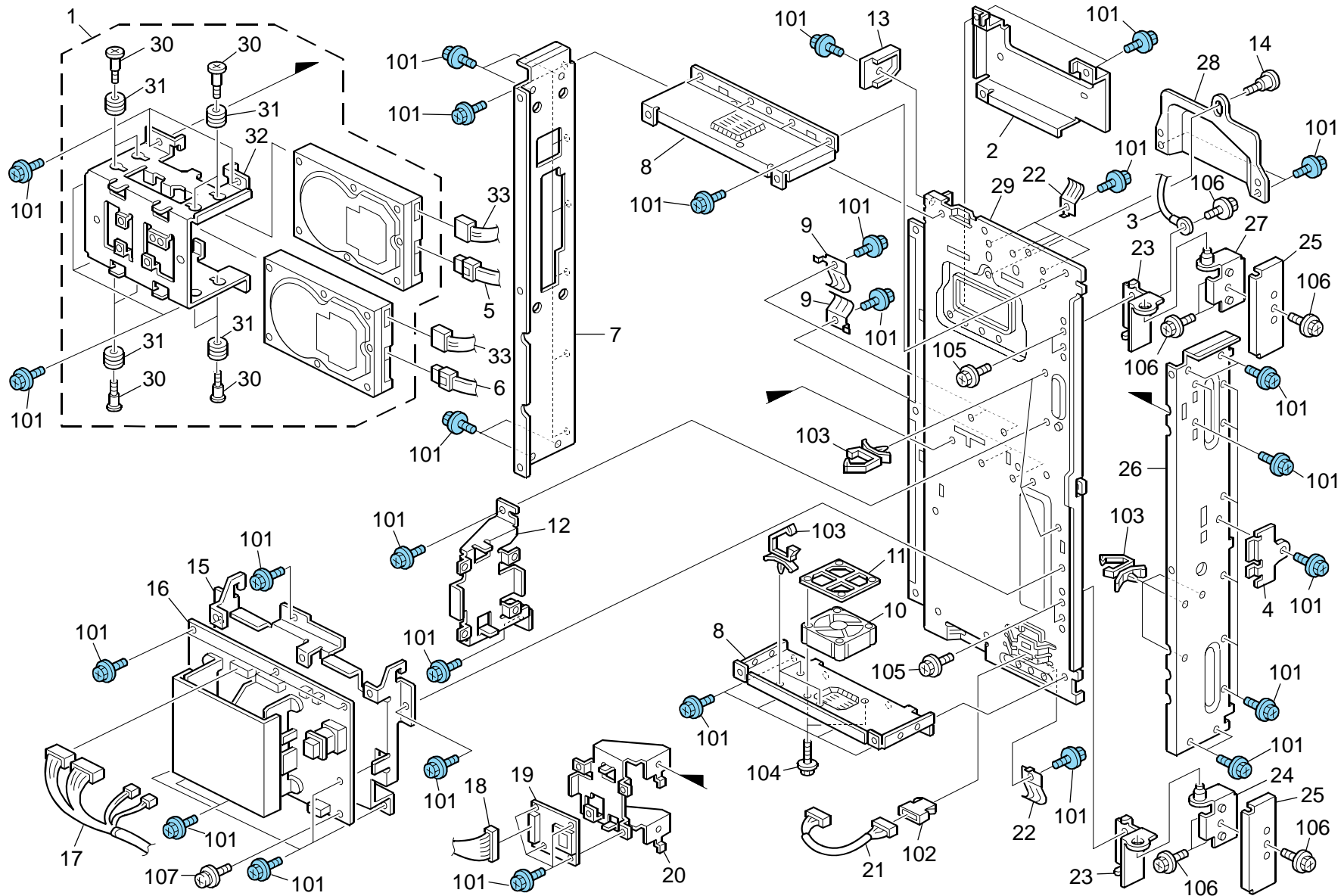
73.Controller Unit (B234/B235/B236/D101/D102/D103)

Rev. 07/28/2009

Index No.	Part No.	Description	Q'ty Per Assembly
1	B234 6900	Cover - SD-Card	1
2	B736 5660	PCB: NIC+USB	1
3	B234 5505	PCB Inter Face	1
4	B101 5993	Interface Panel	5
5	B234 5450	PCB IPU	1
6	D101 5530	SD-Card: Copy	1
7	B234 5510	PCB: Type-AX2E: Sub-Ass'y	1
8	B234 9590	Counter: PCB: NOVITA 2.2	1
9	G332 5720	PCB: SDRAM-Dimm: 256MB	1
10	B234 6875	Supporter Bracket - Upper	1
11	B234 6868	Insulating Sheet	1
12	B234 5562	PCB Vectra	1
13	B234 5563	PCB DDR-Dimm 128MB	2
14	B070 6877	Large Drum Stay Ground Plate	2
15	B234 6879	Base Bracket - ICIB-2	1
16	B070 6879	Ground Plate: Drum Stay: Small	1
17	B234 5585	Harness: HDD: Power Source	1
18	B234 5168	Interface Cable - Scanner LVDS	1
19	B234 5357	Cable - LVDS 18P	1
20	B234 5356	Harness - LDB OPU BCU GWBox	1
21	B234 5657	Cable - IPU BCU	1
22	A845 5873	Spring Plate	1
23	B234 6873	Drum Stay: Control Board	1
24	B234 6865	Bracket: Control Board	1

Index No.	Part No.	Description	Q'ty Per Assembly
101	0454 3006Q	Tapping Screw - M3x6	
102	1105 0511	Harness Clamp - LWS-0306ZC	
103	0954 4008N	Screw - M4x8	
104	0451 4008N	Tapping Screw: 4x8	
105	1105 0559	Clamp: EMT-5N	
106	1105 0530	Nylon Clamp-EMT-4N	
107	1105 0529	Nylon Clamp-EMT-3N	

74.Frame Section 1 (B234/B235/B236/D101/D102/D103)



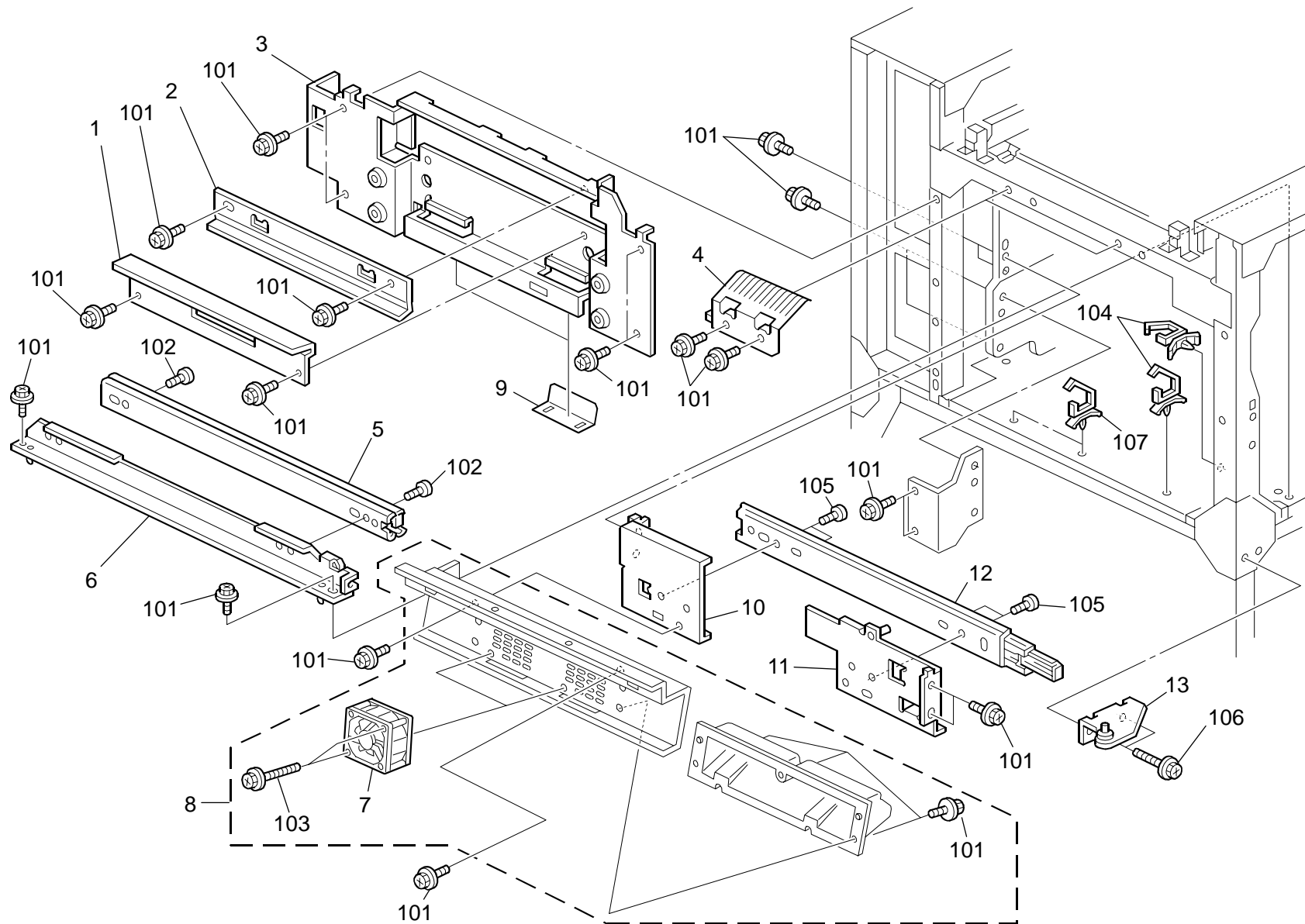
74.Frame Section 1 (B234/B235/B236/D101/D102/D103)

Rev. 10/21/2010

Index No.	Part No.	Description	Q'ty Per Assembly
1	B234 6881	HDD Unit: Sub- Ass'y [TSB#064]	1
2	B070 6855	Cover: Harness	1
3	B070 5522	Harness - Ground Wire IBM	1
4	B070 6757	CSS Cover	1
5	B234 5527	Cable: HDD: S-ATA: Gray: RoHS	1
6	B234 5526	Cable: HDD: S-ATA: Red: RoHS	1
7	B234 6859	Side Plate: C/T Box: Right	1
8	B070 6856	Side Plate: C/T Box: Upper Lower	2
9	A267 7586	Grounding Plate	4
10	AX64 0177	Fan Motor DC12V 3.6W	1
11	B070 6854	Bracket: Fan: Cooling	1
12	B070 6887	Bracket: CSS	1
13	B070 6849	Guide: Positioning	1
14	5447 2768	Stepped Screw - M3	1
15	B070 6884	Bracket: Power Supply Unit	1
16	AZ23 0195	Power Supply Unit (208V)	1
17	B234 5631	Harness - Power Source	1
18	B234 5592	Harness - SD-Card	1
19	B234 5564	PCB Screwdriver	1
20	B234 6867	PCB Bracket	1
21	B234 5603	Harness - AC Control Section	1
22	A294 1838	Ground Plate - Lens Stay	5
23	B070 6837	Bracket: Hinge: C/T Box	2
24	B070 6820	Bracket: Hinge: Lower	1
25	B234 6827	Cover - Hinge	2
26	B070 6851	Side Plate: C/T Box: Left	1
27	B070 6821	Bracket: Hinge: Upper	1
28	B070 6852	Cover: Base: C/T Box	1
29	B070 6848	Base: C/T Box	1
30	AA14 3499	Stepped Screw	8
31	AA16 1125	Rubber Cushion	8
32	B070 6881	Bracket: HDD	1
33	G178 6042	Cable: HDD: SATA: Power: Aegis [TSB#064]	1

Index No.	Part No.	Description	Q'ty Per Assembly
101	0454 3006Q	Tapping Screw - M3x6	
102	1102 6246	Relay Connector - 3P	
103	1105 0488	Harness Clamp	
104	0451 4035N	Tapping Screw: 4x35	
105	0454 4008Q	Tapping Screw - M4x8	
106	0451 4008N	Tapping Screw: 4x8	
107	0954 3008N	Screw - M3x8	

75.Frame Section 2 (B234/B235/B236/D101/D102/D103)

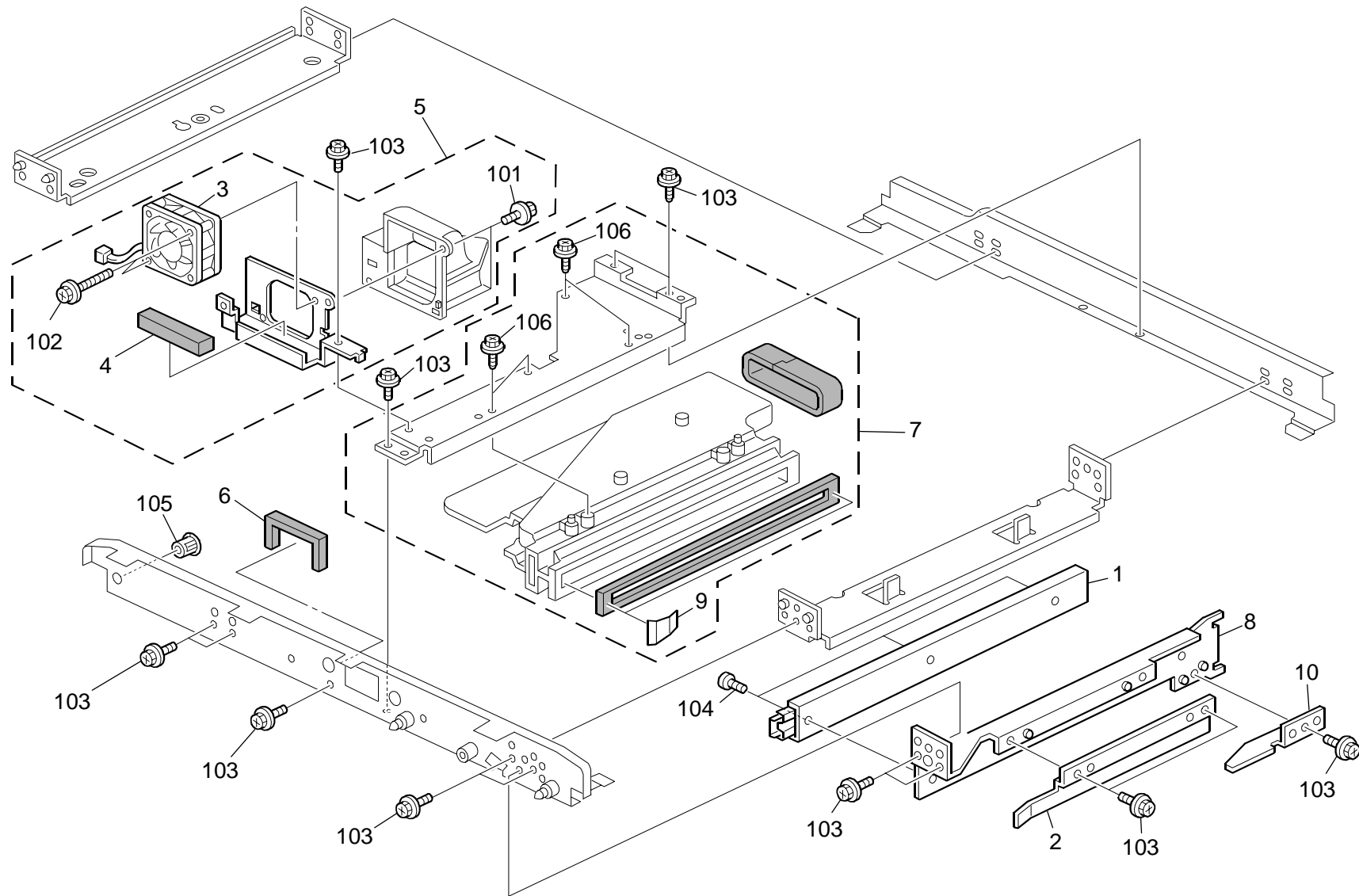


75.Frame Section 2 (B234/B235/B236/D101/D102/D103)

Index No.	Part No.	Description	Q'ty Per Assembly
1	B234 4403	Exit Guide Plate - Lower	1
2	B234 4404	Exit Guide: Upper	1
3	B234 4335	Drum Stay - Coupling Finishing Unit	1
4	B234 1836	Ground Plate - Left Frame	2
5	AA07 0081	Slide Rail - Duplex	1
6	B234 4952	Slide Rail Stay - Left	1
7	AX64 0178	Fan Motor DC24V 3.36W	2
8	B234 4901	Fan Motor Unit	1
9	B234 4457	Seal - Left	2
10	B234 4409	Slide Rail Bracket	1
11	B234 4407	Slide Rail Bracket	1
12	B234 4490	Slide Rail - Fusing/Paper Exit Unit	1
13	A294 1363	Lower Left Hinge	1

Index No.	Part No.	Description	Q'ty Per Assembly
101	0451 4008N	Tapping Screw: 4x8	
102	0434 0080N	Pan Self-Tapping Screw: M4x8	
103	0451 4030N	Tapping Screw: M4x30	
104	1105 0508	Harness Clamp - LWS-0711	
105	0453 4006N	Binding Self Tapping Screw: 4x6	
106	0451 4012N	Tapping Screw: 4x12	
107	1105 0489	Harness Clamp - LWS 1316	

76.Frame Section 3 (B234/B235/B236/D101/D102/D103)

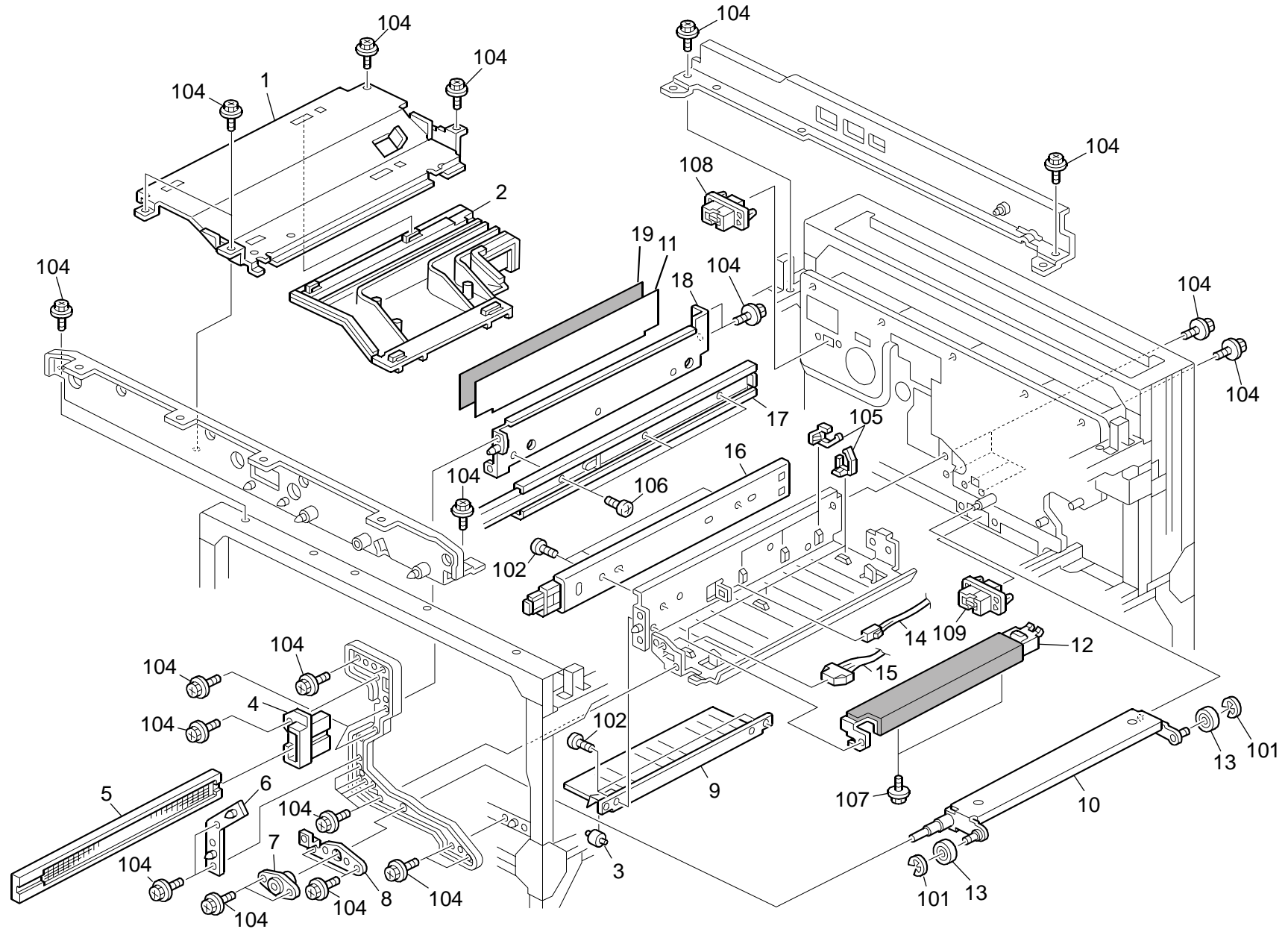


76.Frame Section 3 (B234/B235/B236/D101/D102/D103)

Index No.	Part No.	Description	Q'ty Per Assembly
1	B234 2485	Slide Rail	1
2	B234 3097	Guide Plate - Development Unit	1
3	AX64 0150	Fan Motor: Mm60: 25mm: DC24V 4.8W	1
3	AX64 0172	Fan Motor DC24V 1.92W	1
4	B234 1975	Fan Motor Seal - Lower	1
5	B236 1970	Fan: Imaging Unit: Unit: DC24V 4.8W	1
5	B234 1970	Imaging Unit Fan Motor Unit	1
6	B234 1976	Fan Motor Seal - Upper	1
7	B234 2170	Machine Or Copier Duct	1
8	B234 3096	Tray Unit Stay - Right	1
9	A294 2109	Entrance Duct Slider	2
10	B234 3098	Guide Plate - Rail Development Unit	1

Index No.	Part No.	Description	Q'ty Per Assembly
101	0451 3006N	Tapping Screw - 3x6	
102	0451 3030N	Tapping Screw: 3x30	
103	0451 4008N	Tapping Screw: 4x8	
104	0354 0060N	Screw-M4x6	
105	1106 0200	Bushing - 19.44mm	
106	0450 4008N	Tapping Screw - M4x8	

77.Frame Section 4 (B234/B235/B236/D101/D102/D103)

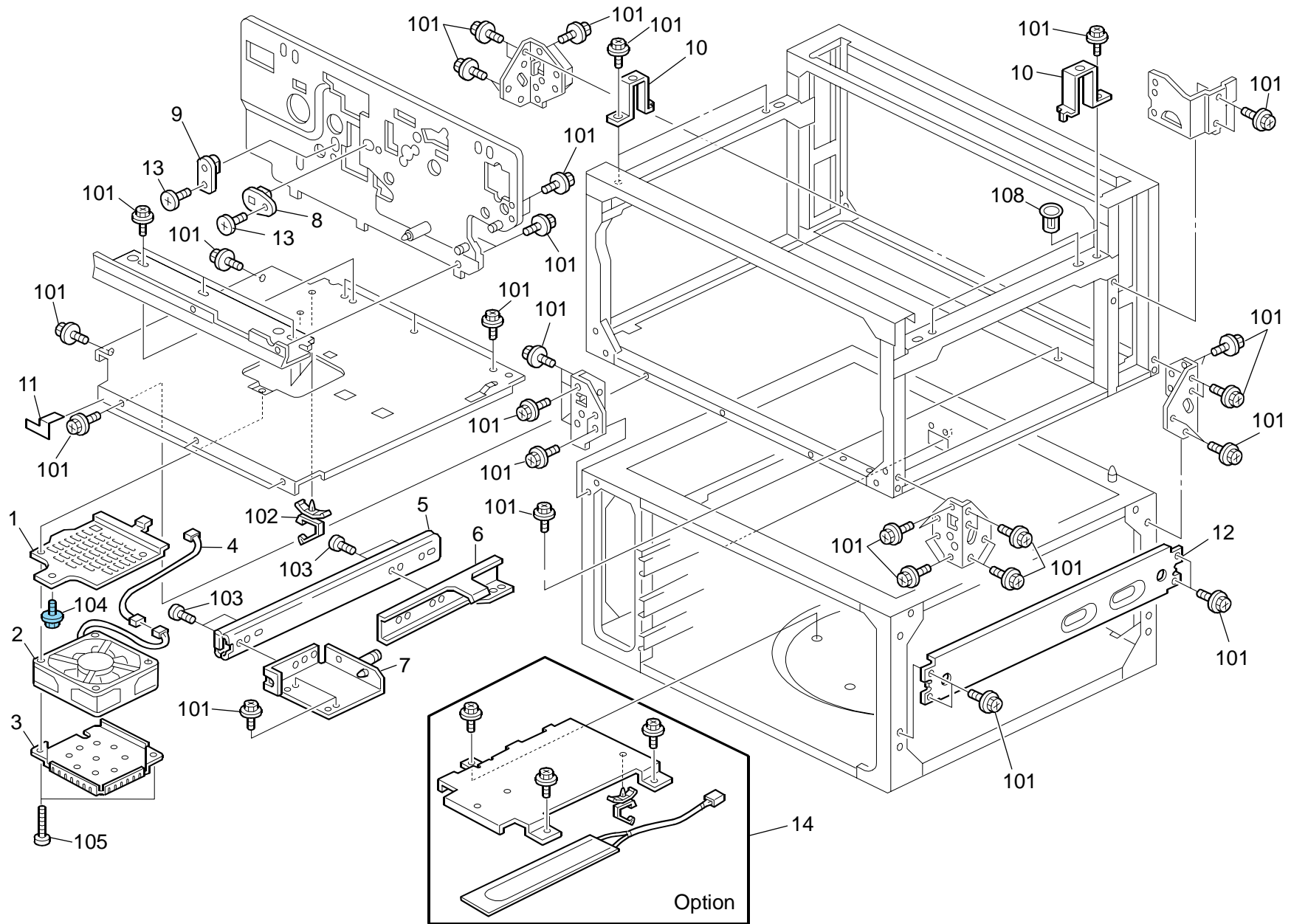


77.Frame Section 4 (B234/B235/B236/D101/D102/D103)

Index No.	Part No.	Description	Q'ty Per Assembly
1	B234 4378	Stay: Upper: Duct	1
2	B234 4299	Duct: Exhaust: Upper: Unit	1
3	AF02 2154	Roller: Horizontal: Transport: Driven	1
4	B234 2157	Filter Guide	1
5	B234 2158	Filter	1
6	B234 3854	Positioning Plate - Transfer Unit	1
7	AA08 2064	Bushing - 10mm	1
8	B234 3863	Positioning Plate	1
9	B234 4961	Guide Plate - Duplex Upper	1
10	B234 3858	Handle Stay	1
11	B234 2486	Guard Bracket - Upper	1
12	B234 3871	Heater - Transfer	1
13	6754 2866	Roller - Positioning Guide	2
14	B234 5606	Harness - AC Heater	1
15	B234 5690	Harness - Transfer Belt	1
16	B234 4490	Slide Rail - Fusing/Paper Exit Unit	1
17	B234 2485	Slide Rail	1
18	B234 2481	Tray Unit Stay - Left	1
19	B234 2487	Stay Heat Insulation - Left	1

Index No.	Part No.	Description	Q'ty Per Assembly
101	0720 0040E	Retaining Ring - M4	
102	0453 4008N	Binding Self Tapping Screw: 4x8	
103	0360 4008N	Screw - M4x8	
104	0451 4008N	Tapping Screw: 4x8	
105	1105 0598	Clamp: LWSS-1N	
106	0354 0060N	Screw-M4x6	
107	0360 3006N	Screw - M3x6	
108	1102 9785	Connector: 55949-1819	
109	1102 9783	Connector: 55949-3919	

78.Frame Section 5 (B234/B235/B236/D101/D102/D103)

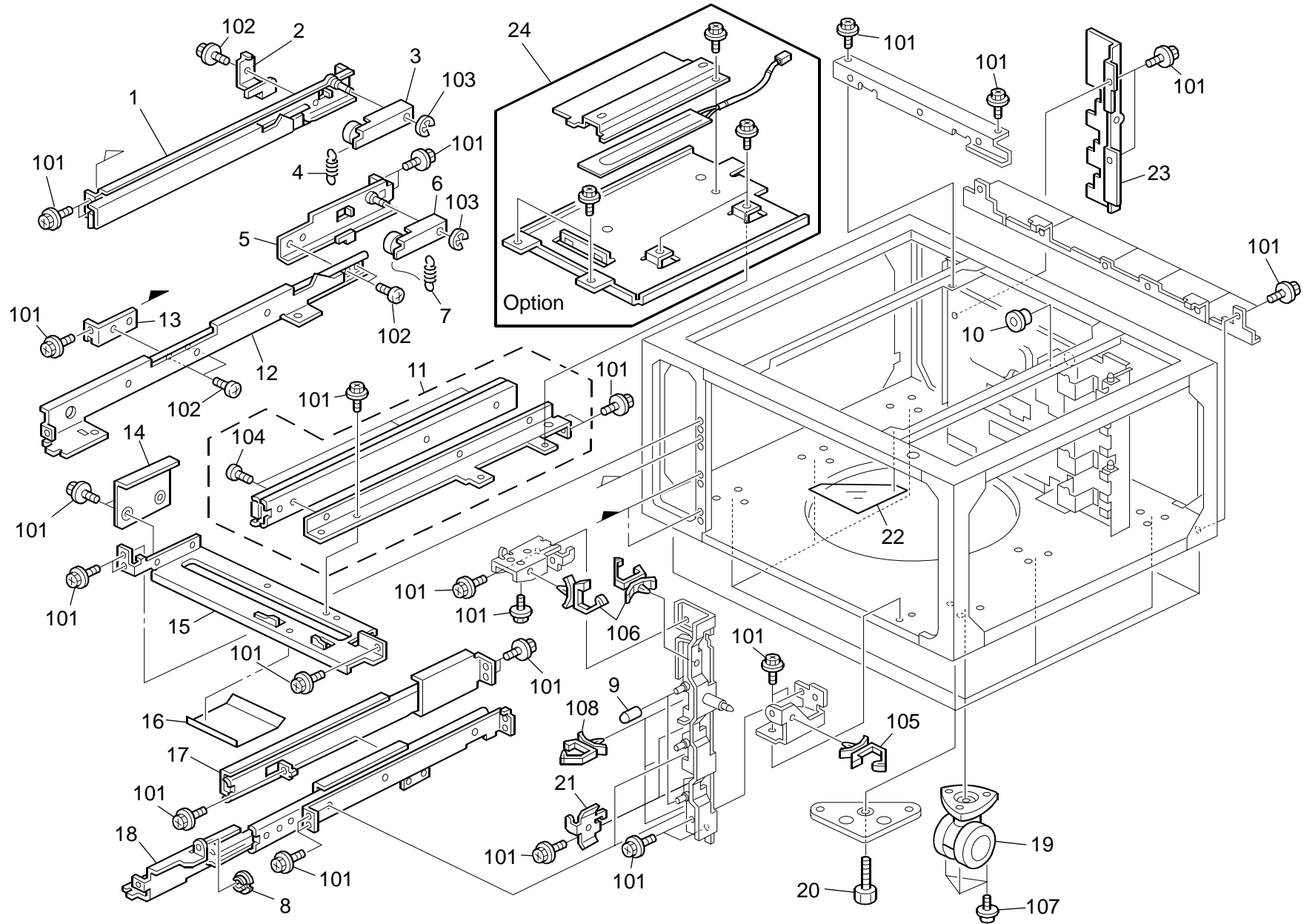


78.Frame Section 5 (B234/B235/B236/D101/D102/D103)

Index No.	Part No.	Description	Q'ty Per Assembly
1	B070 4911	Fan Motor Bracket	1
2	AX64 0184	Fan Motor DC24V 3.1W	1
3	B070 4912	Cover: Fan: Duplex: Lower	1
4	B234 5693	Harness: - Duplex Fan Motor	1
5	AA07 0081	Slide Rail - Duplex	1
6	B234 4957	Slide Rail Stay - Right Rear	1
7	B234 1080	Channel Bracket - Middle Front	1
8	B234 4155	Positioning Pin No.2	1
9	B234 4154	Positioning Pin No.1	1
10	B234 1099	Holder: Base: Image Reading Unit	4
11	B234 4954	Shoe: Duplex Unit: Left Front	1
12	B070 1041	Stay: Right Sideways: Lower	1
13	5506 6197	Screw - Knife Cam - Leading Edge CL	2
14	B234 6191	Heater Unit - Lower	1

Index No.	Part No.	Description	Q'ty Per Assembly
101	0451 4008N	Tapping Screw: 4x8	
102	1105 0511	Harness Clamp - LWS-0306ZC	
103	0434 0080N	Pan Self-Tapping Screw: M4x8	
104	0454 4006Q	Tapping Screw: 4x6	
105	0354 0200N	Screw: M4x20	
106	0314 0040N	Pan Head Screw - M4x4	
107	1105 0516	Clamp	

79.Frame Section 6 (B234/B235/B236/D101/D102/D103)



79.Frame Section 6 (B234/B235/B236/D101/D102/D103)

Index No.	Part No.	Description	Q'ty Per Assembly
1	B234 6160	Tandem LCT Rail - Left	1
2	B132 6742	Left Rail Bracket	1
3	B065 6135	Lock Arm - Tandem Tray	1
4	AA06 0761	Spring	1
5	B234 6173	Rail Stay - Left	1
6	B065 6136	Tray Lock Arm	1
7	AA06 0534	Tray Lock Spring - 19mm	1
8	B234 6188	Slide Sleeve Positioning	2
9	B004 2995	Cap - Positioning	3
10	B234 6141	Positioning Sleeve - Inner Back	1
11	B234 6138	Rail - Tandem LCT	1
12	B132 6692	Slide Rail: Left: Sub-ass'y	2
13	B234 6170	Slide Rail Bracket - Left	1
14	B065 6777	Supporting Plate	1
15	B234 6169	Stay - Tandem LCT	1
16	AA15 0406	Seal - Misfeed Removal	1
17	B132 7591	Rail: Paper Tray: Ass'y	1
18	B234 6181	Slide Rail - Right	2
19	AH01 2031	Caster: 1470N	6
20	AA14 3798	Hexagonal Bolt: M12x35	4
21	B234 6125	Harness Guide Bracket	2
22	A096 6693	Paper Guide Sheet	1
23	B234 6199	Cover - Side Plate Rear	1
24	B234 6190	Heater Unit - Upper	1

Index No.	Part No.	Description	Q'ty Per Assembly
101	0451 4008N	Tapping Screw: 4x8	
102	0314 0060N	Screw - M4x6	
103	0720 0040E	Retaining Ring - M4	
104	0314 0040N	Pan Head Screw - M4x4	
105	1105 0508	Harness Clamp - LWS-0711	
106	1105 0487	Harness Clamp	
107	0951 6012N	Screw - M6x12	
108	1105 0516	Clamp	

80.BCU Board (B234/B235/B236/D101/D102/D103)

CAPACITOR

SYMBOL NO.	INDEX NO.	SYMBOL NO.	INDEX NO.	SYMBOL NO.	INDEX NO.	SYMBOL NO.	INDEX NO.	SYMBOL NO.	INDEX NO.	SYMBOL NO.	INDEX NO.	SYMBOL NO.	INDEX NO.
C101	132	C111	132	---	---	---	---	C141	132	C151	129	C161	153
C102	127	C112	130	---	---	C132	132	C142	130	C152	132	C162	132
C103	134	C113	132	C123	130	C133	132	C143	132	C153	130	C163	133
C104	127	C114	130	C124	132	C134	130	C144	130	C154	132	---	---
C105	132	C115	129	C125	130	C135	132	---	---	C155	132	C165	132
C106	132	C116	132	C126	130	C136	132	C146	128	C156	129	C166	132
C107	132	C117	132	C127	130	C137	130	C147	132	C157	130	C167	132
C108	132	C118	130	C128	130	C138	132	C148	132	C158	130	C168	132
C109	130	C119	136	C129	132	C139	132	C149	132	---	---	C169	135
C110	132	C120	131	C130	128	C140	132	C150	132	---	---		

CA

SYMBOL NO.	INDEX NO.
CA101	137
CA102	137

CONNECTOR

SYMBOL NO.	INDEX NO.
CN251	102
CN252	104
---	---
CN254	103
CN255	105
CN256	101
CN257	106

DIONE

SYMBOL NO.	INDEX NO.
D101	107
D102	108

IC

SYMBOL NO.	INDEX NO.
IC101	120
IC102	155
IC103	113
---	---
IC105	154
IC106	119
---	---
IC108	115
IC109	115
IC110	118
IC111	118

SYMBOL NO.	INDEX NO.
IC112	112
IC113	116
---	---
IC115	116
IC116	114
IC117	121
IC118	117

JP

SYMBOL NO.	INDEX NO.
JP101	142
JP102	142

LED

SYMBOL NO.	INDEX NO.
LED101	109
LED102	110
LED103	111

OSC

SYMBOL NO.	INDEX NO.
OSC101	123

80.BCU Board (B234/B235/B236/D101/D102/D103)

RESISTOR

SYMBOL NO.	INDEX NO.	SYMBOL NO.	INDEX NO.	SYMBOL NO.	INDEX NO.	SYMBOL NO.	INDEX NO.	SYMBOL NO.	INDEX NO.	SYMBOL NO.	INDEX NO.	SYMBOL NO.	INDEX NO.
R101	146	---	---	---	---	R131	152	R141	146	R151	143	---	---
R102	144	R112	150	R122	143	R132	146	R142	149	R152	143	R162	146
R103	144	R113	150	R123	149	R133	152	R143	146	R153	143	R163	146
R104	144	R114	146	R124	149	R134	149	R144	149	R154	143	---	---
R105	146	---	---	---	---	R135	145	R145	145	R155	147	---	---
---	---	R116	150	R126	146	R136	146	R146	145	R156	146	---	---
R107	148	R117	146	R127	151	R137	150	R147	143	R157	146	---	---
R108	145	R118	150	R128	146	R138	145	R148	143	---	---	R168	145
---	---	R119	150	R129	145	R139	146	R149	143	R159	146	R169	146
---	---	---	---	R130	152	R140	146	R150	143	---	---	R170	145

RESISTOR

SYMBOL NO.	INDEX NO.	SYMBOL NO.	INDEX NO.	SYMBOL NO.	INDEX NO.	SYMBOL NO.	INDEX NO.	SYMBOL NO.	INDEX NO.	SYMBOL NO.	INDEX NO.	SYMBOL NO.	INDEX NO.
R171	146	R181	143	---	---	---	---	RN101	139	---	---	RN121	124
R172	145	R182	143	R192	145	REG101	122	RN102	139	RN112	124	RN122	138
---	---	R183	143	R193	146	---	---	RN103	141	---	---	RN123	138
---	---	R184	143	R194	146	---	---	RN104	141	RN114	124	RN124	139
---	---	R185	150	R195	146	---	---	RN105	141	RN115	125	RN125	139
---	---	R186	150	R196	150	---	---	RN106	138	RN116	138	RN126	138
R177	143	---	---	R197	145	---	---	RN107	139	RN117	138	RN127	126
R178	143	R188	145	R198	149	---	---	RN108	138	---	---	RN128	124
R179	143	---	---	---	---	---	---	RN109	138	RN119	124	RN129	140
R180	143	R190	145	---	---	---	---	---	---	---	---	RN130	140

REG

SYMBOL NO.	INDEX NO.
REG101	122

RN

SYMBOL NO.	INDEX NO.	SYMBOL NO.	INDEX NO.	SYMBOL NO.	INDEX NO.	SYMBOL NO.	INDEX NO.
RN101	139	---	---	RN121	124	---	---
RN102	139	RN112	124	RN122	138	---	---
RN103	141	---	---	RN123	138	---	---
RN104	141	RN114	124	RN124	139	---	---
RN105	141	RN115	125	RN125	139	---	---
RN106	138	RN116	138	RN126	138	---	---
RN107	139	RN117	138	RN127	126	---	---
RN108	138	---	---	RN128	124	---	---
RN109	138	RN119	124	RN129	140	---	---
---	---	---	---	RN130	140	---	---

80.BCU Board (B234/B235/B236/D101/D102/D103)

RN

SYMBOL NO.	INDEX NO.
RN131	140
RN132	140
RN133	140
RN134	139
RN135	139
---	---
RN137	125
RN138	138

80.BCU Board (B234/B235/B236/D101/D102/D103)

Index No.	Part No.	Description	Q'ty Per Assembly
*	B234 5220	PCB BCU (B234/B235/B236)	1
*	D101 5220	PCB: BCU: Ass'y (D101/D102/D103)	1

Index No.	Part No.	Description	Q'ty Per Assembly
101	1102 6297	Connector - 4P	
102	1102 7699	Connector: TX24-50R-LT-H1E	
103	1102 8091	Connector - 53505-4010	
104	1102 8474	Connector: 55447-1080	
105	1102 8475	Connector: 55447-1180	
106	1103 3427	Connector: FH12-49S-0.5SV(89)	
107	1402 1336	Diode - 1SS355	
108	1402 1565	Diode: RB521S-30	
109	1403 0953	LED - SML-310MT	
110	1403 0978	LED: SML-310DT	
111	1403 0996	LED - SML-310VT	
112	1407 5353	IC - SN74LV244APW	
113	1407 5366	IC - 74LVC08A TSSOP	
114	1407 5392	IC: SN74LV541APW	
115	1407 5463	IC - SN74LV245APW	
116	1407 5469	IC - SN74LV07APW	
117	1407 5511	IC - SN74LVC14APW	
118	1407 5633	IC: SN74LV574APW	
119	1407 6166	IC - ESOC	
120	1408 1730	IC - MM1096BF	
121	1408 1736	Operational Amplifier: LMV358MM	
122	1408 1818	Series Regulator: LM1117MP-1.8	
123	1503 1215	Crystal Oscillator - 17.5MHz	
124	1601 7752	Resistor Array - 10K Ω \pm 5%	
125	1601 7867	Resistor - 33 Ω \pm 5% 1/16W	
126	1601 7871	Resistor - 68 Ω \pm 5% 1/16W	
127	1604 4894	Capacitor: 100 μ F: \pm 20%: 16V	
128	1605 1202	Capacitor - 15pF \pm 5% 50V	
129	1605 1208	Capacitor: 100pF: \pm 5%: 50V	
130	1605 1212	Capacitor - 470pF \pm 10% 50V	
131	1605 1214	Capacitor - 1000pF \pm 10% 50V	
132	1605 1221	Capacitor - 0.1 μ F+80-20%16V	
133	1605 1234	Capacitor: 4700pF: \pm 10%: 50V	
134	1605 1281	Capacitor - 0.22 μ F \pm 10% 16V	
135	1605 1291	Capacitor: 2.2 μ F: \pm 10%: 10V	

Index No.	Part No.	Description	Q'ty Per Assembly
136	1605 1454	Capacitor: 0.33 μ F: \pm 10%: 6.3V	
137	1605 1483	Capacitor: 0.01 μ F: \pm 20%: 25V	
138	1609 0005	Resistor: 33 Ω : \pm 5%: 1/16W	
139	1609 0006	Resistor: 10K Ω : \pm 5%: 1/16W	
140	1609 0016	Resistor: 56 Ω : \pm 5%: 1/16W	
141	1609 0020	Resistor: 10 Ω : \pm 5%: 1/16W	
142	1634 0000	Resistor - 0 Ω 1/16W	
143	1650 4100	Resistor - 10 Ω \pm 5% 1/10W	
144	1650 4101	Resistor - 100 Ω \pm 5% 1/10W	
145	1650 4102	Resistor - 1K Ω \pm 5% 1/10W	
146	1650 4103	Resistor - 10K Ω \pm 5% 1/10W	
147	1650 4104	Resistor - 100K Ω \pm 5% 1/10W	
148	1650 4105	Resistor - 1M Ω \pm 5% 1/10W	
149	1650 4222	Resistor - 2.2K Ω \pm 5% 1/10W	
150	1650 4330	Chip Resistor - 33 Ω \pm 5% 1/10W	
151	1650 4560	Chip Resistor - 56 Ω \pm 5% 1/10W	
152	1650 4681	Resistor - 680 Ω \pm 5% 1/10W	
153	1660 4103	Capacitor - 10000pF - \pm 10% - 50V	
154	1902 0076	SRAM: 8M: X16: 55NS: G1	
155	1906 0101	Flash Memory: S29GI032A90TFIR40	

Index No.	Part No.	Description	Q'ty Per Assembly

81.IO Board (B234/B235/B236/D101/D102/D103)

CAPACITOR

SYMBOL NO.	INDEX NO.	SYMBOL NO.	INDEX NO.	SYMBOL NO.	INDEX NO.	SYMBOL NO.	INDEX NO.	SYMBOL NO.	INDEX NO.	SYMBOL NO.	INDEX NO.	SYMBOL NO.	INDEX NO.
C101	185	C111	186	C121	240	C131	237	C141	236	C151	239	C161	239
C102	240	C112	239	C122	239	C132	239	C142	239	C152	239	C162	239
C103	185	C113	186	C123	240	C133	240	C143	238	C153	239	C163	181
C104	183	C114	185	C124	235	C134	185	C144	238	C154	189	C164	240
C105	239	C115	186	C125	235	C135	184	C145	239	C155	238	C165	240
C106	239	C116	239	C126	186	C136	183	C146	239	C156	240	C166	240
C107	239	C117	186	C127	240	C137	190	---	---	C157	182	C167	190
C108	239	C118	185	---	---	C138	190	---	---	C158	239	C168	190
C109	240	C119	185	C129	239	C139	236	C149	187	C159	239	C169	240
C110	186	C120	239	C130	239	C140	239	C150	187	C160	181	C170	240

CAPACITOR

SYMBOL NO.	INDEX NO.	SYMBOL NO.	INDEX NO.	SYMBOL NO.	INDEX NO.	SYMBOL NO.	INDEX NO.	SYMBOL NO.	INDEX NO.	SYMBOL NO.	INDEX NO.	SYMBOL NO.	INDEX NO.
C171	240	C181	240	C191	240	C201	240	C211	186	C221	239	C231	240
C172	239	C182	186	C192	240	C202	240	C212	240	C222	186	C232	240
C173	239	C183	240	C193	240	C203	240	C213	186	C223	240	C233	240
C174	239	C184	186	C194	186	C204	186	C214	240	C224	186	C234	186
C175	240	C185	240	C195	240	C205	240	C215	239	C225	240	C235	186
C176	239	C186	186	C196	186	C206	186	C216	240	C226	186	C236	186
C177	239	C187	240	C197	186	C207	240	C217	239	C227	240	C237	186
C178	238	C188	240	C198	186	C208	240	C218	240	C228	240	C238	186
C179	238	C189	186	C199	186	C209	186	C219	239	C229	186	C239	240
C180	239	C190	240	C200	240	C210	240	C220	239	C230	240	C240	240

81.IO Board (B234/B235/B236/D101/D102/D103)

CAPACITOR

SYMBOL NO.	INDEX NO.
C241	240
C242	240
C243	186
C244	240
C245	186
C246	240
C247	240
C248	186
C249	240
C250	186

SYMBOL NO.	INDEX NO.
C251	240
C252	186
C253	240
C254	239
C255	240
C256	239
C257	239
C258	240
C259	239
C260	240

SYMBOL NO.	INDEX NO.
C261	239
C262	240
C263	239
C264	240
C265	239
C266	239
C267	239
C268	236
C269	236
C270	236

SYMBOL NO.	INDEX NO.
C271	240
C272	239
C273	240
C274	186
C275	240
C276	239
C277	240
C278	239
C279	240
C280	239

SYMBOL NO.	INDEX NO.
C281	240
C282	239
C283	240
C284	239
C285	240
C286	239
C287	240
C288	240
C289	188
C290	188

SYMBOL NO.	INDEX NO.
C291	188
C292	188
C293	188
C294	188
C295	190

CA

SYMBOL NO.	INDEX NO.
CA101	191
CA102	194
CA103	192
CA104	192
CA105	192
CA106	192
CA107	192
---	---
CA109	192
CA110	192

CA

SYMBOL NO.	INDEX NO.
CA111	192
CA112	192
CA113	192
CA114	192
CA115	192
CA116	192
CA117	192
CA118	192
CA119	192
CA120	192

SYMBOL NO.	INDEX NO.
CA121	192
CA122	192
CA123	192
CA124	192
CA125	193
CA126	193
CA127	193
CA128	193
CA129	193
CA130	193

SYMBOL NO.	INDEX NO.
CA131	192
CA132	192
CA133	192

CONNECTOR

SYMBOL NO.	INDEX NO.
CN301	110
CN302	118
CN303	116
CN304	113
CN305	102
CN306	119
CN307	118
CN308	103
CN309	117
CN310	105

SYMBOL NO.	INDEX NO.
CN311	117
---	---
CN313	111
CN314	109
CN315	116
CN316	117
CN317	119
CN318	105
CN319	104
CN320	115

SYMBOL NO.	INDEX NO.
CN321	112
CN322	114
CN323	105
CN324	107
CN325	104
CN326	105
CN327	115
CN328	108
CN329	106
CN330	117

SYMBOL NO.	INDEX NO.
CN331	101

81.IO Board (B234/B235/B236/D101/D102/D103)

DIODE

SYMBOL NO.	INDEX NO.
D101	145
D102	145
D103	148
D104	140
D105	143
D106	143
D107	143
D108	145
D109	142
D110	141

SYMBOL NO.	INDEX NO.
D111	144
D112	144
D113	144
D114	145
---	---
D116	147
D117	144
D118	145
D119	145
D120	147

SYMBOL NO.	INDEX NO.
D121	145
D122	145
D123	145
D124	145
---	---
D126	148
D127	148
D128	145

DA

SYMBOL NO.	INDEX NO.
DA101	148
DA102	144

SYMBOL NO.	INDEX NO.
FU101	122
FU102	121
FU103	121
FU104	120
FU105	122
FU106	122
FU107	122

IC

SYMBOL NO.	INDEX NO.
IC101	162
IC102	162
IC103	162
IC104	152
IC105	162
IC106	151
IC107	159
IC108	151
IC109	157
IC110	150

SYMBOL NO.	INDEX NO.
IC111	162
IC112	162
IC113	162
IC114	161
IC115	155
IC116	1
IC117	155
IC118	152
IC119	152
IC120	162

IC

SYMBOL NO.	INDEX NO.
IC121	162
IC122	164
IC123	156
IC124	168
IC125	160
IC126	160
IC127	167
IC128	162
IC129	162
IC130	152

SYMBOL NO.	INDEX NO.
IC131	159
IC132	154
IC133	169
IC134	160
IC135	160
IC136	162
IC137	162
IC138	162
IC139	150
IC140	156

SYMBOL NO.	INDEX NO.
IC141	158
IC142	155
IC143	151
IC144	166
IC145	151
IC146	151
IC147	163
IC148	163
IC149	155
IC150	163

SYMBOL NO.	INDEX NO.
IC151	152
IC152	153
IC153	163

LED

SYMBOL NO.	INDEX NO.
LED101	149
LED102	149

OSC

SYMBOL NO.	INDEX NO.
OSC101	171

Q

SYMBOL NO.	INDEX NO.
---	---
---	---
Q103	128
Q104	128
Q105	134
Q106	134
Q107	137
Q108	137
Q109	126
Q110	126

SYMBOL NO.	INDEX NO.
Q111	135
Q112	135
Q113	135
Q114	128
Q115	128
Q116	124
Q117	126
Q118	126
Q119	138
Q120	126

81.IO Board (B234/B235/B236/D101/D102/D103)

Q

SYMBOL NO.	INDEX NO.	SYMBOL NO.	INDEX NO.	SYMBOL NO.	INDEX NO.	SYMBOL NO.	INDEX NO.	SYMBOL NO.	INDEX NO.	SYMBOL NO.	INDEX NO.	SYMBOL NO.	INDEX NO.
Q121	133	Q131	125	Q141	134	Q151	130	R101	206	R111	173	R121	212
Q122	137	Q132	126	---	---	Q152	134	R102	205	R112	173	R122	206
Q123	128	Q133	128	Q143	132	Q153	137	R103	206	R113	173	R123	212
---	---	Q134	128	Q144	132	Q154	137	R104	206	R114	212	R124	206
Q125	139	Q135	132	Q145	150	Q155	137	R105	206	R115	206	R125	212
Q126	165	Q136	132	Q146	150	---	---	R106	204	R116	212	R126	212
Q127	131	Q137	132	Q147	137	Q157	134	R107	206	R117	206	R127	206
Q128	131	Q138	128	Q148	137	Q158	130	R108	204	R118	212	R128	212
Q129	129	Q139	128	Q149	136	---	---	R109	206	R119	212	R129	204
Q130	129	Q140	128	Q150	127	---	---	R110	204	R120	212	R130	206

RESISTOR

RESISTOR

SYMBOL NO.	INDEX NO.	SYMBOL NO.	INDEX NO.	SYMBOL NO.	INDEX NO.	SYMBOL NO.	INDEX NO.	SYMBOL NO.	INDEX NO.	SYMBOL NO.	INDEX NO.	SYMBOL NO.	INDEX NO.
R131	232	R141	206	R151	208	R161	199	R171	206	R181	216	R191	202
R132	206	R142	200	R152	215	R162	204	R172	217	R182	206	R192	202
R133	205	R143	204	R153	220	R163	206	---	---	R183	201	R193	202
R134	232	R144	205	R154	209	R164	206	R174	212	R184	206	R194	202
R135	234	R145	208	R155	209	R165	204	R175	206	R185	201	R195	206
R136	200	---	---	R156	206	R166	206	---	---	---	---	R196	205
R137	200	R147	206	R157	215	R167	209	R177	205	R187	202	R197	206
R138	200	R148	206	R158	215	R168	210	R178	214	R188	202	R198	206
R139	200	---	---	R159	199	R169	206	R179	206	R189	202	R199	205
R140	172	R150	205	R160	199	R170	206	R180	216	R190	202	R200	203

81.IO Board (B234/B235/B236/D101/D102/D103)

RESISTOR

SYMBOL NO.	INDEX NO.	SYMBOL NO.	INDEX NO.	SYMBOL NO.	INDEX NO.	SYMBOL NO.	INDEX NO.	SYMBOL NO.	INDEX NO.	SYMBOL NO.	INDEX NO.	SYMBOL NO.	INDEX NO.
R201	203	R211	211	---	---	R231	231	R241	211	---	---	R261	232
R202	203	R212	211	---	---	R232	205	R242	211	R252	206	R262	226
R203	203	R213	206	R223	218	R233	208	R243	205	---	---	---	---
R204	212	R214	212	R224	204	R234	206	R244	206	R254	229	R264	206
R205	206	R215	204	R225	206	R235	206	R245	206	R255	232	---	---
R206	206	R216	206	R226	204	R236	205	R246	206	R256	226	R266	229
R207	212	R217	204	R227	206	R237	207	R247	215	---	---	R267	232
R208	212	R218	206	R228	208	R238	205	R248	209	R258	206	R268	226
R209	207	R219	204	R229	207	R239	207	R249	206	---	---	R269	208
R210	207	R220	206	R230	205	R240	206	R250	209	R260	229	R270	205

RESISTOR

SYMBOL NO.	INDEX NO.	SYMBOL NO.	INDEX NO.	SYMBOL NO.	INDEX NO.	SYMBOL NO.	INDEX NO.	SYMBOL NO.	INDEX NO.	SYMBOL NO.	INDEX NO.	SYMBOL NO.	INDEX NO.
R271	208	R281	232	---	---	---	---	R311	232	R321	204	R331	229
R272	205	R282	228	R292	226	R302	206	---	---	R322	206	R332	232
R273	206	---	---	R293	232	---	---	R313	207	R323	204	R333	226
R274	204	R284	206	R294	229	R304	221	R314	206	R324	206	R334	206
R275	205	---	---	---	---	R305	232	---	---	R325	204	---	---
R276	232	R286	233	R296	206	---	---	R316	206	R326	205	---	---
---	---	R287	232	---	---	---	---	R317	204	R327	205	R337	233
R278	206	R288	228	R298	223	R308	206	R318	204	R328	205	R338	232
---	---	---	---	R299	232	---	---	R319	204	R329	206	R339	228
R280	233	R290	206	R300	224	R310	219	R320	204	---	---	---	---

81.IO Board (B234/B235/B236/D101/D102/D103)

RESISTOR

SYMBOL NO.	INDEX NO.
R341	206
R342	198
R343	230
R344	227
---	---
R346	206
---	---
R348	232
R349	225
---	---

SYMBOL NO.	INDEX NO.
R351	213
R352	212
R353	206
R354	204
R355	206
---	---
R357	206
---	---
R360	232

SYMBOL NO.	INDEX NO.
R361	221
---	---
R363	206
---	---
R365	233
---	---
R366	232
R367	228
R368	212
R369	206
R370	206

SYMBOL NO.	INDEX NO.
R371	206
R372	206
R373	206
R374	222
R375	212
---	---
R376	212
R377	215

REG

SYMBOL NO.	INDEX NO.
REG101	170

RN

SYMBOL NO.	INDEX NO.
RN101	175
RN102	175
RN103	175
RN104	175
RN105	195
---	---
RN106	196
RN107	174
RN108	177
RN109	177
RN110	178

SYMBOL NO.	INDEX NO.
RN111	175
RN112	177
RN113	175
RN114	175
RN115	175
---	---
RN116	175
RN117	178
RN118	175
RN119	175
RN120	195

RN

SYMBOL NO.	INDEX NO.
RN121	195
RN122	197
RN123	180
RN124	175
RN125	175
---	---
RN126	176
RN127	175
RN128	195
RN129	195
RN130	197

SYMBOL NO.	INDEX NO.
RN131	197
RN132	197
RN133	195
RN134	197
RN135	195
---	---
RN136	195
RN137	197
RN138	195
RN139	195
RN140	175

SYMBOL NO.	INDEX NO.
RN141	175
RN142	195
RN143	195
RN144	197
RN145	195
---	---
RN146	195
RN147	197
RN148	175
RN149	179
RN150	175

SYMBOL NO.	INDEX NO.
RN151	197
RN152	197
RN153	175
RN154	197
RN155	195
---	---
RN156	195
RN157	197
RN158	195
RN159	195
RN160	197

SYMBOL NO.	INDEX NO.
RN161	195
RN162	195
RN163	197
RN164	195
RN165	195
---	---
RN166	175
RN167	175
RN168	196
RN169	195
RN170	175

SYMBOL NO.	INDEX NO.
RN171	180
RN172	196
RN173	180
RN174	196
RN175	175
---	---
RN176	195
RN177	195
RN178	195
RN179	195
RN180	175

SYMBOL NO.	INDEX NO.
RN181	177
RN182	175
RN183	195
RN184	197
RN185	195
---	---
RN186	195
RN187	175
RN188	175
RN189	175
RN190	177

81.IO Board (B234/B235/B236/D101/D102/D103)

RN

SYMBOL NO.	INDEX NO.
RN191	175
RN192	177

SW

SYMBOL NO.	INDEX NO.
SW101	123

ZD

SYMBOL NO.	INDEX NO.
ZD101	146
ZD102	146

81.IO Board (B234/B235/B236/D101/D102/D103)

Index No.	Part No.	Description	Q'ty Per Assembly
*	B234 5241	PCB IOB	1
1	B234 5285	IC: PED	1

Index No.	Part No.	Description	Q'ty Per Assembly
101	1102 3822	Connector - 20P	
102	1102 5301	Connector - 2P	
103	1102 5326	Connector - 4P	
104	1102 6299	Connector - 6P	
105	1102 6305	Connector - 12P	
106	1102 6306	Connector - 13P	
107	1102 6319	Connector - 12P	
108	1102 6403	Connector - 30P	
109	1102 6596	Connector	
110	1102 7701	Connector - 50P	
111	1102 8467	Connector - 55447-0370	
112	1102 8480	Connector - 55447-1610	
113	1102 8488	Connector - 5451-2810	
114	1102 8490	Connector: 55451-3270	
115	1102 8492	Connector - 55451-3610	
116	1102 8493	Connector - 55451-3810	
117	1102 8494	Connector - 55451-4010	
118	1102 9547	Connector : 55451-1870	
119	1103 3663	Connector: 55451-1670	
120	1109 0007	IC - MINISMDC100-02	
121	1109 0016	Circuit Protector - SMD075	
122	1109 0018	Circuit Protector - SMD100	
123	1204 1537	Dip Switch	
124	1400 0715	Transistor - 2SB1197KR	
125	1400 0731	Transistor - 2SD1766	
126	1400 0769	Transistor - 2SA1576A	
127	1400 0781	Transistor: 2SB1132R	
128	1400 0811	Transistor: DTA144TUA	
129	1400 0909	Transistor - DTA143EUA	
130	1400 0918	Transistor - DTC123JUA	
131	1400 0920	Transistor - DTC143EUA	
132	1400 0953	Transistor - 2SC4081S	
133	1400 0968	Transistor : DTA123JUA	
134	1400 1012	Transistor: 2SD2656	
135	1401 1022	Fet: 2SK2009	

Index No.	Part No.	Description	Q'ty Per Assembly
136	1401 1135	Fet: 2SK3019	
137	1401 1156	Fet: 2SK2231(TE16L1 NQ)	
138	1401 1233	Fet: SSM3J14T	
139	1401 1301	Fet: 2SK2615	
140	1402 1057	Diode Array - DAP202U	
141	1402 1142	Diode Array - DAN217	
142	1402 1236	Diode - ERA83-006	
143	1402 1322	Diode Array - DAN202U	
144	1402 1336	Diode - 1SS355	
145	1402 1343	Diode - RB106L-40	
146	1402 1663	Diode - ZTP12B	
147	1402 1700	Diode - ZTP12B	
148	1402 1748	Diode: RB481K	
149	1403 0953	LED - SML-310MT	
150	1407 1535	IC - TD62308AP	
151	1407 2187	TTLIC - SN74LS07NS	
152	1407 2231	IC - TD62308AF	
153	1407 4687	IC - TA8083F	
154	1407 5344	IC - SN74LV02APW	
155	1407 5351	IC - SN74LV14APW	
156	1407 5353	IC - SN74LV244APW	
157	1407 5364	IC - SN74AHCT244PW	
158	1407 5376	IC - SN74LV32APW	
159	1407 5469	IC - SN74LV07APW	
160	1407 6759	Custom IC: EIO	
161	1407 6926	Motor Control IC: SLA7072MPR	
162	1407 6927	Motor Control IC: SLA7073MPR	
163	1408 0826	IC - TA8428K	
164	1408 0827	IC - TA8429H	
165	1408 1206	Transistor-array - TD62M4700F	
166	1408 1779	IC - R3112Q281A	
167	1408 1829	Op AMP - LM358PW	
168	1408 1911	Comparator - LM2903PW	
169	1408 2007	Operational Amplifier: LM324PW	
170	1408 2393	Series Regulator: R1172H331B-FB	

Index No.	Part No.	Description	Q'ty Per Assembly
171	1503 1274	Crystal Oscillator: 19.85MHz	
172	1601 5277	Resistor - 3.9 Ω ±5% 2W	
173	1601 5532	Resistor - 91Ω ±5% 2W	
174	1601 7751	Resistor - 4.7KΩ ±5%	
175	1601 7752	Resistor Array - 10K Ω ±5%	
176	1601 7781	Resistor - 10 Ω ±5%	
177	1601 7791	Resistor Array - 1K Ω ±5%	
178	1601 7796	Resistor	
179	1601 7871	Resistor - 68Ω ±5% 1/16W	
180	1601 7899	Resistor Array - 56 Ω ±5% 1/16W	
181	1604 4661	Capacitor - 100μF±20% 50V	
182	1604 4708	Capacitor - 10μF±20% 50V	
183	1604 4838	Capacitor: 47μF: ±20%: 10V	
184	1604 4925	Resistor - 100μF±20% 10V	
185	1604 5375	Capacitor: 220μF: ±20%: 50V	
186	1605 1137	Capacitor - 470pF ±10% 50V	
187	1605 1200	Capacitor - 10pF ±0.5pF 50V	
188	1605 1208	Capacitor: 100pF: ±5%: 50V	
189	1605 1406	Capacitor - 10μF±10% 6.3V	
190	1605 1419	Capacitor: 4.7μF: ±10%: 16V	
191	1605 1479	Capacitor - 47pF ±10%: 50V	
192	1605 1483	Capacitor : 0.01μF: ±20%: 25V	
193	1605 1530	Capacitor : 10pF: ±1pF: 50V	
194	1605 1531	Capacitor: 470pF: ±20%: 50V	
195	1609 0006	Resistor: 10K Ω: ±5%: 1/16W	
196	1609 0016	Resistor: 56 Ω: ±5%: 1/16W	
197	1609 0020	Resistor: 10 Ω: ±5%: 1/16W	
198	1634 0000	Resistor - 0 Ω 1/16W	
199	1650 2121	Resistor: 120Ω: ±5%: 1/4W: 3216	
200	1650 2151	Resistor - 150Ω ±5% 1/4W	
201	1650 2472	Chip Resistor-4.7K	
202	1650 3221	Resistor - 220Ω±5%1/8W	
203	1650 3331	Resistor: 330Ω: ±5%: 1/8W	
204	1650 4100	Resistor - 10Ω ±5% 1/10W	
205	1650 4102	Resistor - 1KΩ ±5% 1/10W	

82.IPU Board (B234/B235/B236/D101/D102/D103)

CAPACITOR

SYMBOL NO.	INDEX NO.	SYMBOL NO.	INDEX NO.	SYMBOL NO.	INDEX NO.	SYMBOL NO.	INDEX NO.	SYMBOL NO.	INDEX NO.	SYMBOL NO.	INDEX NO.	SYMBOL NO.	INDEX NO.
C1	175	C11	171	C21	203	C31	169	C41	185	C51	243	C61	199
C2	185	C12	250	C22	204	---	---	C42	172	C52	243	C62	196
C3	250	C13	203	C23	175	C33	169	C43	201	C53	243	C63	199
C4	185	C14	203	C24	185	C34	196	C44	250	C54	250	C64	244
C5	175	C15	204	C25	185	C35	200	C45	250	C55	196	C65	245
C6	250	C16	187	C26	175	C36	169	C46	250	C56	243	C66	243
C7	250	C17	203	C27	193	C37	179	C47	250	C57	246	C67	202
C8	250	C18	203	C28	250	C38	201	C48	250	---	---	---	---
C9	172	C19	204	C29	199	C39	178	C49	250	C59	178	C69	188
C10	172	C20	203	C30	250	C40	183	C50	243	C60	196	C70	250

CAPACITOR

SYMBOL NO.	INDEX NO.	SYMBOL NO.	INDEX NO.	SYMBOL NO.	INDEX NO.	SYMBOL NO.	INDEX NO.	SYMBOL NO.	INDEX NO.	SYMBOL NO.	INDEX NO.	SYMBOL NO.	INDEX NO.
C71	173	C81	250	C91	172	---	---	C111	177	C121	195	C131	177
C72	170	---	---	---	---	---	---	C112	177	C122	188	C132	188
---	---	---	---	---	---	---	---	C113	188	C123	177	C133	188
---	---	---	---	---	---	C104	189	C114	178	C124	178	C134	178
---	---	C85	184	C95	185	C105	188	C115	195	C125	195	C135	195
C76	182	---	---	---	---	C106	188	C116	177	C126	189	C136	173
C77	190	---	---	---	---	C107	195	C117	188	C127	177	C137	177
C78	178	C88	172	C98	250	C108	177	C118	195	C128	188	C138	178
C79	172	C89	203	C99	250	C109	195	C119	189	C129	177	C139	195
C80	172	C90	188	---	---	C110	178	C120	189	C130	178	C140	178

82.IPU Board (B234/B235/B236/D101/D102/D103)

CAPACITOR

SYMBOL NO.	INDEX NO.	SYMBOL NO.	INDEX NO.	SYMBOL NO.	INDEX NO.	SYMBOL NO.	INDEX NO.	SYMBOL NO.	INDEX NO.	SYMBOL NO.	INDEX NO.	SYMBOL NO.	INDEX NO.
C141	177	C151	191	C161	197	C171	188	C181	188	C191	194	C201	189
C142	188	C152	191	C162	189	C172	191	C182	188	C192	174	C202	198
C143	172	C153	188	C163	191	C173	197	C183	191	C193	198	C203	191
C144	178	C154	188	C164	188	C174	189	C184	191	C194	189	C204	248
C145	249	C155	178	C165	186	C175	178	C185	178	C195	188	C205	176
C146	197	C156	191	C166	189	C176	186	C186	178	C196	196	C206	186
C147	193	C157	188	C167	176	C177	189	C187	178	C197	191	C207	191
C148	189	C158	176	C168	249	C178	188	C188	196	C198	248	C208	186
C149	193	C159	186	C169	186	C179	191	C189	250	C199	196	C209	176
C150	249	C160	178	C170	193	C180	178	C190	178	C200	248	C210	191

CAPACITOR

SYMBOL NO.	INDEX NO.	SYMBOL NO.	INDEX NO.	SYMBOL NO.	INDEX NO.	SYMBOL NO.	INDEX NO.	SYMBOL NO.	INDEX NO.	SYMBOL NO.	INDEX NO.	SYMBOL NO.	INDEX NO.
C211	248	C221	248	C231	248	C241	248	C251	248	C261	176	C271	198
C212	248	C222	196	C232	191	C242	191	C252	186	C262	248	C272	188
C213	191	C223	248	C233	188	C243	196	C253	176	C263	191	C273	178
C214	176	C224	191	C234	189	C244	248	C254	176	C264	196	C274	194
C215	186	C225	191	C235	198	C245	191	C255	186	C265	248	C275	174
C216	196	C226	191	C236	174	C246	191	C256	248	C266	191	---	---
C217	186	C227	248	C237	194	C247	248	C257	191	C267	191	C277	250
C218	176	C228	198	C238	178	C248	176	C258	198	C268	248	C278	174
C219	248	C229	189	---	---	C249	186	C259	189	C269	196	C279	188
C220	191	C230	196	C240	196	C250	191	C260	186	C270	189	C280	198

82.IPU Board (B234/B235/B236/D101/D102/D103)

CAPACITOR

SYMBOL NO.	INDEX NO.	SYMBOL NO.	INDEX NO.	SYMBOL NO.	INDEX NO.	SYMBOL NO.	INDEX NO.	SYMBOL NO.	INDEX NO.	SYMBOL NO.	INDEX NO.	SYMBOL NO.	INDEX NO.
C281	189	C291	248	C301	176	C311	191	C321	248	C331	191	C341	191
C282	194	C292	176	C302	186	C312	191	C322	189	C332	248	C342	248
C283	189	C293	186	C303	196	C313	250	C323	198	C333	248	C343	196
C284	198	C294	196	C304	186	C314	194	C324	191	C334	191	C344	248
C285	191	C295	186	C305	176	C315	188	C325	248	C335	176	C345	191
C286	191	C296	176	C306	248	C316	198	C326	176	C336	186	C346	191
C287	248	C297	191	C307	191	C317	191	C327	186	C337	196	C347	191
C288	196	C298	248	C308	248	C318	191	C328	196	C338	186	C348	196
C289	248	C299	248	C309	196	C319	248	C329	186	C339	176	C349	248
C290	191	C300	191	C310	248	C320	196	C330	176	C340	248	C350	191

CAPACITOR

SYMBOL NO.	INDEX NO.	SYMBOL NO.	INDEX NO.	SYMBOL NO.	INDEX NO.	SYMBOL NO.	INDEX NO.	SYMBOL NO.	INDEX NO.	SYMBOL NO.	INDEX NO.	SYMBOL NO.	INDEX NO.
C351	248	C361	176	C371	185	C381	184	C391	184	C401	185	C411	184
C352	176	C362	186	C372	184	C382	185	C392	185	C402	184	C412	185
C353	186	C363	186	C373	185	C383	185	C393	184	C403	185	C413	185
C354	196	C364	176	C374	184	C384	184	C394	185	C404	185	C414	185
C355	186	C365	248	C375	184	C385	184	C395	192	C405	192	C415	184
C356	176	C366	191	C376	185	C386	185	C396	185	C406	185	C416	185
C357	191	C367	196	C377	184	C387	185	C397	185	C407	184	C417	184
C358	248	C368	248	C378	185	C388	185	C398	184	C408	184	C418	184
C359	248	C369	191	C379	185	C389	184	C399	184	C409	184	C419	185
C360	191	C370	184	C380	184	C390	184	C400	184	C410	185	C420	184

82.IPU Board (B234/B235/B236/D101/D102/D103)

CAPACITOR

SYMBOL NO.	INDEX NO.	SYMBOL NO.	INDEX NO.	SYMBOL NO.	INDEX NO.	SYMBOL NO.	INDEX NO.	SYMBOL NO.	INDEX NO.	SYMBOL NO.	INDEX NO.	SYMBOL NO.	INDEX NO.
C421	185	C431	185	C441	177	C451	177	C461	189	C471	195	C481	189
C422	184	C432	184	C442	195	C452	177	C462	178	C472	177	C482	174
C423	185	C433	185	C443	178	C453	177	C463	178	C473	178	C483	189
C424	184	C434	184	C444	195	C454	195	C464	195	C474	195	C484	250
C425	185	C435	195	C445	178	C455	178	C465	177	C475	178	C485	250
C426	184	C436	177	C446	177	C456	189	C466	177	C476	195	C486	185
C427	185	C437	189	C447	195	C457	178	C467	177	C477	178	C487	199
C428	184	C438	177	C448	189	C458	177	C468	178	C478	177	C488	199
C429	185	C439	178	C449	177	C459	177	C469	177	C479	178	C489	196
C430	184	C440	178	C450	178	C460	177	C470	189	C480	177	C490	196

CAPACITOR

SYMBOL NO.	INDEX NO.	SYMBOL NO.	INDEX NO.	SYMBOL NO.	INDEX NO.	SYMBOL NO.	INDEX NO.	SYMBOL NO.	INDEX NO.	SYMBOL NO.	INDEX NO.	SYMBOL NO.	INDEX NO.
C491	202	C501	243	C511	196	C521	196	C531	199	C541	196	---	---
C492	196	C502	196	C512	199	C522	199	C532	250	C542	199	---	---
C493	196	C503	177	C513	196	C523	199	C533	177	C543	199	C553	195
C494	243	C504	177	C514	202	C524	177	C534	196	C544	196	C554	189
C495	196	C505	196	C515	199	C525	196	C535	196	C545	196	C555	177
C496	177	C506	243	C516	196	C526	177	C536	177	C546	199	C556	195
C497	177	C507	195	C517	195	C527	196	C537	196	C547	199	C557	178
C498	196	C508	243	C518	199	C528	195	C538	196	---	---	C558	195
C499	199	C509	195	C519	196	C529	247	C539	243	---	---	C559	178
C500	199	C510	199	C520	196	C530	199	C540	196	---	---	C560	177

82.IPU Board (B234/B235/B236/D101/D102/D103)

CAPACITOR

SYMBOL NO.	INDEX NO.	SYMBOL NO.	INDEX NO.	SYMBOL NO.	INDEX NO.	SYMBOL NO.	INDEX NO.	SYMBOL NO.	INDEX NO.	SYMBOL NO.	INDEX NO.	SYMBOL NO.	INDEX NO.
C561	195	C571	178	C581	177	C591	178	C601	202	C611	185	C621	185
C562	189	C572	177	C582	178	C592	177	C602	243	C612	185	C622	196
C563	177	C573	177	C583	177	C593	177	C603	243	C613	185	C623	185
C564	178	C574	177	C584	189	C594	189	C604	177	C614	185	C624	185
C565	177	C575	189	C585	195	---	---	C605	185	C615	185	C625	185
C566	177	C576	178	C586	177	C596	178	C606	185	C616	185	C626	185
C567	177	C577	178	C587	178	C597	250	C607	185	C617	185	C627	185
C568	195	C578	195	C588	195	C598	243	C608	185	C618	185	C628	185
C569	178	C579	177	C589	178	---	---	C609	185	C619	185	C629	185
C570	189	C580	177	C590	195	C600	178	C610	185	C620	185	C630	185

CAPACITOR

SYMBOL NO.	INDEX NO.
C631	185
C632	185
C633	185
C634	185
C635	185
C636	185
C637	185
C638	185
C639	181
C640	180

SYMBOL NO.	INDEX NO.
C641	183
C642	183
C643	203
C644	178

CA

SYMBOL NO.	INDEX NO.
CA1	205
CA2	205
CA3	205
CA4	205
CA5	205
CA6	205
CA7	205
CA8	205
CA9	205
CA10	205

CONNECTOR

SYMBOL NO.	INDEX NO.
---	---
---	---
---	---
---	---
---	---
---	---
---	---
---	---
---	---
CN450	108

SYMBOL NO.	INDEX NO.
CN451	109
CN452	102
CN453	101
CN454	104
---	---
CN456	107
CN457	105
CN458	106
CN459	103

DIODE

SYMBOL NO.	INDEX NO.
D1	113
D2	113
D3	113
D4	113
D5	114
D6	114
D7	114
D8	114
D9	114
D10	114

SYMBOL NO.	INDEX NO.
---	---
---	---
---	---
D44	113

82.IPU Board (B234/B235/B236/D101/D102/D103)

FIL

SYMBOL NO.	INDEX NO.
FIL1	207
FIL2	206
FIL3	207
FIL4	206
FIL5	206
FIL6	206
FIL7	206
FIL8	206
FIL9	206
FIL10	206

SYMBOL NO.	INDEX NO.
FIL11	206
FIL12	206
FIL13	206
FIL14	206
FIL15	206
FIL16	206
FIL17	206
FIL18	206
FIL19	206
FIL20	207

SYMBOL NO.	INDEX NO.
FIL21	206
FIL22	206
FIL23	206
FIL24	207

IC

SYMBOL NO.	INDEX NO.
IC1	134
IC2	133
IC3	130
IC4	117
IC5	124
IC6	124
---	---
IC8	150
IC9	149
IC10	136

SYMBOL NO.	INDEX NO.
IC11	2
IC12	121
IC13	145
IC14	2
IC15	125
IC16	120
IC17	146
IC18	130
IC19	120
IC20	126

SYMBOL NO.	INDEX NO.
IC21	122
IC22	121
IC23	123
IC24	123
IC25	120
IC26	125
IC27	137
IC28	140
IC29	128
---	---

SYMBOL NO.	INDEX NO.
---	---
---	---
IC33	125
IC34	135
IC35	135
IC36	135
IC37	138
IC38	140
IC39	135
---	---

IC

SYMBOL NO.	INDEX NO.
---	---
---	---
---	---
---	---
IC45	118
IC46	135
IC47	130
IC48	133
---	---
---	---

SYMBOL NO.	INDEX NO.
---	---
---	---
IC53	139
IC54	119
IC55	1
IC56	140
IC57	125
IC58	125
IC59	125
IC60	131

SYMBOL NO.	INDEX NO.
IC61	132
IC62	125
IC63	133
IC64	125
IC65	125
IC66	133
IC67	133
IC68	133
IC69	127
IC70	123

SYMBOL NO.	INDEX NO.
IC71	129
IC72	121
---	---
---	---
---	---
---	---
IC78	121
IC79	119
IC80	136

SYMBOL NO.	INDEX NO.
IC81	127
IC82	131
IC83	131
IC84	119

L

SYMBOL NO.	INDEX NO.
---	---
---	---
L3	209
---	---
---	---
---	---
L7	208
L8	208
L9	208

LED

SYMBOL NO.	INDEX NO.
LED1	115
LED2	115
LED3	116
LED4	116
LED5	116
LED6	115
LED7	116

82.IPU Board (B234/B235/B236/D101/D102/D103)

OSC

SYMBOL NO.	INDEX NO.
OSC1	152
OSC2	153
---	---
OSC4	154
OSC5	155

Q

SYMBOL NO.	INDEX NO.
Q1	112
Q2	112
Q3	112
Q4	111
Q5	111
Q6	110
Q7	110
Q8	111
Q9	110

RESISTOR

SYMBOL NO.	INDEX NO.
---	---
---	---
R3	219
R4	230
R5	230
---	---
---	---
R8	228
R9	227
R10	230

SYMBOL NO.	INDEX NO.
R11	230
R12	230
R13	229
R14	215
R15	215
R16	232
R17	237
R18	238
R19	219
---	---

SYMBOL NO.	INDEX NO.
---	---
R22	219
R23	219
R24	227
R25	230
R26	214
R27	233
R28	233
R29	233
R30	214

SYMBOL NO.	INDEX NO.
R31	233
R32	219
R33	215
R34	227
R35	230
R36	219
R37	214
R38	214
R39	214
R40	214

SYMBOL NO.	INDEX NO.
R41	214
R42	219
R43	214
R44	215
R45	225
R46	214
R47	241
R48	231
R49	231
R50	231

RESISTOR

SYMBOL NO.	INDEX NO.
R51	231
R52	214
R53	215
R54	215
R55	215
R56	215
R57	231
R58	219
R59	231
R60	231

SYMBOL NO.	INDEX NO.
R61	231
R62	215
R63	215
R64	211
R65	215
R66	215
R67	224
R68	215
R69	211
R70	231

SYMBOL NO.	INDEX NO.
R71	231
R72	231
R73	231
R74	219
R75	240
R76	219
R77	227
R78	212
R79	227
R80	219

SYMBOL NO.	INDEX NO.
R81	214
R82	232
R83	232
R84	232
R85	232
R86	232
R87	232
R88	232
R89	219
R90	219

SYMBOL NO.	INDEX NO.
---	---
---	---
R93	212
R94	212
R95	212
R96	212
R97	212
---	---
---	---
---	---

SYMBOL NO.	INDEX NO.
---	---
R102	211
R103	212
---	---
R105	216
R106	216
R107	213
R108	216
R109	213
R110	216

SYMBOL NO.	INDEX NO.
R111	213
R112	211
R113	216
R114	213
R115	216
R116	213
R117	216
R118	213
R119	216
R120	213

82.IPU Board (B234/B235/B236/D101/D102/D103)

RESISTOR

SYMBOL NO.	INDEX NO.	SYMBOL NO.	INDEX NO.	SYMBOL NO.	INDEX NO.	SYMBOL NO.	INDEX NO.	SYMBOL NO.	INDEX NO.	SYMBOL NO.	INDEX NO.	SYMBOL NO.	INDEX NO.
R121	216	R131	216	R141	232	R151	215	R161	226	---	---	R181	226
R122	213	R132	213	R142	232	R152	215	R162	219	---	---	R182	223
R123	216	R133	216	R143	232	R153	211	R163	211	R173	214	---	---
R124	213	R134	213	R144	217	R154	211	---	---	R174	211	R184	215
R125	216	R135	216	R145	215	R155	219	R165	226	R175	226	R185	231
R126	213	R136	213	R146	215	R156	226	R166	215	R176	234	R186	212
R127	216	R137	216	R147	215	R157	215	R167	219	R177	215	R187	219
R128	213	R138	213	R148	215	R158	215	---	---	R178	226	R188	219
R129	216	R139	219	R149	214	R159	215	---	---	R179	223	R189	222
R130	213	R140	232	R150	215	R160	215	---	---	R180	231	R190	222

RESISTOR

SYMBOL NO.	INDEX NO.	SYMBOL NO.	INDEX NO.	SYMBOL NO.	INDEX NO.	SYMBOL NO.	INDEX NO.	SYMBOL NO.	INDEX NO.	SYMBOL NO.	INDEX NO.	SYMBOL NO.	INDEX NO.
R191	223	R201	226	---	---	R221	232	---	---	R241	223	R251	215
---	---	R202	226	---	---	R222	215	R232	222	---	---	R252	215
---	---	R203	226	---	---	R223	215	R233	222	R243	215	---	---
R194	214	R204	226	---	---	R224	226	R234	222	---	---	R254	232
R195	227	R205	226	---	---	R225	236	---	---	---	---	---	---
R196	223	R206	226	---	---	R226	232	---	---	R246	236	R256	236
R197	223	R207	226	---	---	R227	232	R237	215	---	---	R257	215
R198	214	R208	214	---	---	R228	232	R238	215	R248	214	R258	211
R199	215	---	---	R219	214	R229	232	R239	215	R249	219	---	---
R200	211	R210	211	R220	232	---	---	R240	215	R250	219	---	---

82.IPU Board (B234/B235/B236/D101/D102/D103)

RESISTOR

SYMBOL NO.	INDEX NO.	SYMBOL NO.	INDEX NO.	SYMBOL NO.	INDEX NO.	SYMBOL NO.	INDEX NO.	SYMBOL NO.	INDEX NO.	SYMBOL NO.	INDEX NO.	SYMBOL NO.	INDEX NO.
---	---	R271	215	R281	215	R291	215	R301	210	R311	227	R321	219
R262	223	R272	215	R282	215	R292	232	R302	210	R312	214	R322	215
---	---	R273	215	R283	215	R293	226	R303	211	R313	230	R323	219
---	---	R274	215	R284	215	R294	211	R304	210	---	---	R324	230
R265	215	R275	215	R285	215	R295	211	R305	210	R315	219	R325	215
R266	215	R276	236	R286	214	R296	210	R306	211	R316	219	R326	214
R267	236	R277	215	R287	215	R297	210	R307	211	R317	219	R327	219
R268	232	R278	219	R288	215	R298	210	R308	211	R318	215	R328	219
R269	232	R279	219	R289	215	R299	211	R309	229	R319	215	R329	219
R270	232	R280	215	R290	215	R300	211	R310	229	R320	227	R330	219

RESISTOR

SYMBOL NO.	INDEX NO.	SYMBOL NO.	INDEX NO.	SYMBOL NO.	INDEX NO.	SYMBOL NO.	INDEX NO.	SYMBOL NO.	INDEX NO.	SYMBOL NO.	INDEX NO.	SYMBOL NO.	INDEX NO.
R331	214	R341	240	R351	231	R361	215	R371	215	R381	214	R391	240
R332	214	R342	218	R352	241	R362	211	R372	214	R382	219	R392	215
R333	219	R343	214	R353	231	R363	241	R373	214	R383	219	R393	224
R334	219	R344	215	R354	231	R364	214	R374	219	R384	233	R394	214
R335	219	R345	219	R355	215	R365	218	R375	215	R385	225	R395	228
R336	219	R346	214	R356	215	R366	227	R376	219	R386	223	R396	242
R337	219	R347	223	R357	215	R367	230	---	---	---	---	R397	233
R338	214	R348	240	R358	211	R368	215	R378	230	R388	212	R398	239
R339	215	R349	241	R359	220	R369	215	R379	219	R389	211	R399	235
R340	215	R350	231	R360	215	R370	215	R380	215	R390	211	R400	214

82.IPU Board (B234/B235/B236/D101/D102/D103)

RESISTOR

SYMBOL NO.	INDEX NO.
R401	214
R402	224
R403	215
R404	215
R405	224
R406	215
R407	211
R408	211
R409	211
R410	230

SYMBOL NO.	INDEX NO.
R411	227
R412	230
R413	230
R414	230
R415	230
R416	217
R417	221
R418	221
R419	221
---	---

SYMBOL NO.	INDEX NO.
R421	219
R422	221
R423	226
---	---
R425	229
R426	229
R427	228
R428	214
R429	211
R430	219

SYMBOL NO.	INDEX NO.
R431	227
R432	215
R433	211
R434	211
R435	211
R436	211
---	---
---	---
---	---
---	---
---	---

SYMBOL NO.	INDEX NO.
---	---
---	---
R483	214
---	---
---	---
---	---
---	---
---	---
---	---

SYMBOL NO.	INDEX NO.
---	---
R492	214
R493	214

REG

SYMBOL NO.	INDEX NO.
REG1	142
REG2	147
REG3	151
REG4	141
REG5	144
REG6	148
REG7	143
REG7	148
REG8	148
REG9	148

RN

SYMBOL NO.	INDEX NO.
RN1	162
RN2	162
RN3	162
RN4	162
RN5	162
RN6	162
RN7	162
RN8	156
RN9	156
RN10	156

SYMBOL NO.	INDEX NO.
RN11	160
RN12	164
RN13	164
RN14	164
RN15	164
RN16	164
RN17	164
RN18	164
RN19	164
RN20	164

SYMBOL NO.	INDEX NO.
RN21	164
RN22	168
RN23	168
RN24	168
RN25	163
RN26	163
RN27	168
RN28	168
RN29	168
RN30	168

SYMBOL NO.	INDEX NO.
RN31	168
RN32	168
RN33	164
RN34	164
RN35	164
RN36	164
RN37	164
RN38	164
RN39	164
RN40	164

SYMBOL NO.	INDEX NO.
RN41	164
RN42	164
RN43	164
RN44	164
RN45	164
RN46	164
RN47	162
RN48	162
RN49	164
RN50	164

SYMBOL NO.	INDEX NO.
RN51	164
RN52	164
RN53	164
RN54	158
RN55	158
RN56	164
RN57	164
RN58	163
RN59	163
RN60	157

SYMBOL NO.	INDEX NO.
RN61	163
RN62	163
RN63	163
RN64	163
RN65	164
RN66	164
RN67	164
RN68	164
RN69	164
RN70	164

82.IPU Board (B234/B235/B236/D101/D102/D103)

RN

SYMBOL NO.	INDEX NO.	SYMBOL NO.	INDEX NO.	SYMBOL NO.	INDEX NO.	SYMBOL NO.	INDEX NO.	SYMBOL NO.	INDEX NO.	SYMBOL NO.	INDEX NO.	SYMBOL NO.	INDEX NO.
RN71	165	RN81	164	RN91	164	RN101	166	RN111	166	RN121	164	---	---
---	---	RN82	164	RN92	164	RN102	166	RN112	166	RN122	161	---	---
RN73	164	RN83	164	RN93	164	RN103	166	RN113	166	RN123	161	---	---
RN74	164	RN84	164	RN94	164	RN104	166	RN114	166	RN124	161	---	---
RN75	164	RN85	164	RN95	164	RN105	166	RN115	166	RN125	161	---	---
RN76	164	RN86	164	RN96	164	RN106	166	RN116	166	RN126	161	---	---
RN77	164	RN87	164	RN97	164	RN107	166	RN117	162	RN127	161	RN137	166
RN78	164	RN88	164	RN98	161	RN108	166	RN118	164	RN128	161	RN138	166
RN79	164	RN89	164	RN99	166	RN109	166	RN119	164	---	---	RN139	166
RN80	164	RN90	164	RN100	166	RN110	166	RN120	164	RN130	161	RN140	166

RN

SYMBOL NO.	INDEX NO.	SYMBOL NO.	INDEX NO.	SYMBOL NO.	INDEX NO.	SYMBOL NO.	INDEX NO.	SYMBOL NO.	INDEX NO.	SYMBOL NO.	INDEX NO.	SYMBOL NO.	INDEX NO.
RN141	166	RN151	164	RN161	164	---	---	RN181	161	---	---	RN201	161
RN142	166	RN152	164	RN162	162	RN172	161	RN182	161	---	---	RN202	161
RN143	166	RN153	164	RN163	164	---	---	RN183	161	RN193	164	RN203	161
RN144	166	RN154	164	RN164	162	---	---	RN184	161	RN194	164	RN204	161
RN145	166	RN155	164	RN165	161	---	---	RN185	161	RN195	164	RN205	161
RN146	166	RN156	162	RN166	161	---	---	RN186	162	RN196	164	RN206	161
RN147	166	RN157	164	RN167	161	RN177	164	---	---	RN197	162	---	---
RN148	166	RN158	162	RN168	164	RN178	164	RN188	161	RN198	164	---	---
RN149	166	RN159	164	RN169	161	RN179	162	---	---	RN199	164	---	---
RN150	166	RN160	162	RN170	161	RN180	162	---	---	RN200	162	---	---

82.IPU Board (B234/B235/B236/D101/D102/D103)

RN

SYMBOL NO.	INDEX NO.	SYMBOL NO.	INDEX NO.	SYMBOL NO.	INDEX NO.	SYMBOL NO.	INDEX NO.	SYMBOL NO.	INDEX NO.	SYMBOL NO.	INDEX NO.	SYMBOL NO.	INDEX NO.
RN211	164	RN221	164	RN231	164	RN241	162	RN251	162	RN261	162	RN271	168
RN212	164	RN222	164	RN232	164	RN242	162	RN252	162	RN262	162	RN272	168
RN213	164	RN223	164	RN233	164	RN243	162	RN253	162	RN263	162	RN273	168
RN214	164	RN224	164	RN234	162	RN244	162	RN254	162	RN264	158	RN274	168
RN215	164	RN225	164	RN235	162	RN245	162	RN255	162	RN265	158	RN275	168
RN216	164	RN226	164	RN236	162	RN246	164	RN256	162	RN266	168	RN276	168
RN217	164	RN227	164	RN237	162	RN247	164	RN257	162	RN267	168	RN277	168
RN218	164	RN228	164	RN238	162	RN248	162	RN258	162	RN268	168	RN278	168
RN219	164	RN229	164	RN239	162	RN249	162	RN259	162	RN269	168	RN279	168
RN220	164	RN230	164	RN240	162	RN250	162	RN260	162	RN270	168	RN280	164

RN

SYMBOL NO.	INDEX NO.	SYMBOL NO.	INDEX NO.	SYMBOL NO.	INDEX NO.	SYMBOL NO.	INDEX NO.	SYMBOL NO.	INDEX NO.	SYMBOL NO.	INDEX NO.	SYMBOL NO.	INDEX NO.
RN281	164	RN291	162	RN301	164	---	---	RN331	168	RN341	164	RN351	162
RN282	164	RN292	162	RN302	164	---	---	RN332	168	RN342	164	RN352	162
RN283	164	RN293	162	RN303	163	---	---	RN333	168	RN343	162	RN353	159
RN284	164	RN294	162	RN304	163	---	---	RN334	164	RN344	162	---	---
RN285	164	RN295	167	RN305	163	RN325	168	RN335	164	RN345	167	---	---
RN286	164	RN296	167	RN306	163	RN326	168	RN336	164	RN346	162	---	---
---	---	RN297	164	RN307	156	RN327	168	RN337	164	RN347	164	RN387	164
RN288	164	RN298	163	---	---	RN328	168	RN338	164	RN348	162	---	---
RN289	164	RN299	164	---	---	---	---	RN339	164	RN349	162	---	---
RN290	164	RN300	163	---	---	RN330	168	RN340	164	RN350	162	---	---

82.IPU Board (B234/B235/B236/D101/D102/D103)

Rev. 05/07/2009

Index No.	Part No.	Description	Q'ty Per Assembly
*	B234 5450	PCB IPU	1
1	B101 5160	IC: MB87M1480175	1
2	B188 5350	LSI: MB87M4290	2

Index No.	Part No.	Description	Q'ty Per Assembly
101	1102 5302	Connector - 3P	
102	1102 6317	Connector - 53324-1062	
103	1102 6397	Box Header	
104	1102 6895	Connector - 40P	
105	1102 8091	Connector - 53505-4010	
106	1102 8473	Connector - 55447-0910	
107	1102 8489	Connector - 55451-3010	
108	1102 8560	Connector - KX14-60K5D1E	
109	1102 9535	Connector - 200PS-JUK-G-B	
110	1400 0688	Transistor -DTC143ZUA	
111	1400 0948	Transistor: DTC143ZE	
112	1401 1203	Fet: HAT1048R	
113	1402 1336	Diode - 1SS355	
114	1402 1546	Diode - RB081	
115	1403 0953	LED - SML-310MT	
116	1403 0996	LED - SML-310VT	
117	1407 4919	IC - 74VHCT244 TSSOP	
118	1407 5334	IC - CMOS LOGIC 74LVC244A TSSOP	
119	1407 5346	IC - SN74LS74ANS	
120	1407 5353	IC - SN74LV244APW	
121	1407 5392	IC: SN74LV541APW	
122	1407 5394	IC: SN74LV138APW	
123	1407 5463	IC - SN74LV245APW	
124	1407 5469	IC - SN74LV07APW	
125	1407 5483	IC - SN74AHC1G125DCK	
126	1407 5592	CMOS Logic: SN74LV139APW	
127	1407 5772	IC - SN74AHC2G32HDCT	
128	1407 6123	IC SN74LVC2G125DCU	
129	1407 6132	IC: SN74LVC1G08DCK	
130	1407 6187	CMOS Logic - SN74LVC1G07DCK	
131	1407 7247	CMOS Logic SN74LVC1G125BCK	
132	1407 7250	CMOS Logic: SN74LVC2G07GW	
133	1407 7245	CMOS Logic - SN74LVC1G06GW	
134	1407 6259	CMOS Logic - SN74AHCT1G04DCK	
135	1407 6724	Controller: RB5V870A	

Index No.	Part No.	Description	Q'ty Per Assembly
136	1407 6335	CMOS Logic: SN74LVC1G17DCK	
137	1407 6447	Custom IC - GAVD Type-W	
138	1407 6520	Custom IC - GARAC-C	
139	1407 6545	Custom IC - RB5C661	
140	1407 6613	ICS7152M-01	
141	1408 1454	Series Regulator - LM1085IS-3.3	
142	1408 1507	Regulator - PQ05VY3H3Z	
143	1408 1515	Dc/dc Converter - R1223N332G-FA	
144	1408 1744	Regulator - PQ018EH01Z	
145	1408 1790	IC - R3112Q301A	
146	1408 1879	IC: R3112Q281C-FA	
147	1408 2015	Series Regulator - PQ018EZ02ZPH	
148	1408 2016	Regulator - R1114Q181B-FA	
149	1408 2286	DCDC Controller IC - R1223N182F-FA	
150	1408 2287	DCDC Controller IC - R1224N102H-FA	
151	1408 2321	R1172H121B	
152	1503 1111	Crystal Oscillator: 14MHz	
153	1503 1260	Crystal Oscillator - 23.8MHz	
154	1503 1303	Crystal Oscillator - 65MHz	
155	1503 1317	Crystal Oscillator: 35MHz	
156	1601 7751	Resistor - 4.7K Ω \pm 5%	
157	1601 7752	Resistor Array - 10K Ω \pm 5%	
158	1601 7759	Resistor Array - 100K Ω \pm 5% 0.06	
159	1601 7791	Resistor Array - 1K Ω \pm 5%	
160	1601 7867	Resistor - 33 Ω \pm 5% 1/16W	
161	1601 7877	Resistor Array 4.7K Ω \pm 5% 1/32W	
162	1601 7887	Resistor Array - 10K Ω \pm 5% 1/32W	
163	1601 7896	Resistor Array - 56 Ω \pm 5% 1/32W	
164	1601 7898	Resistor Array	
165	1601 7899	Resister Array - 56 Ω \pm 5% 1/16W	
166	1601 7943	Resistor Array - 68 Ω \pm 5% 1/32W	
167	1601 7959	Resistor	
168	1601 7981	Resistor Array - 100K Ω \pm 5%1/16W	
169	1604 2331	Capacitor - 47 μ F \pm 20% 10V	
170	1604 2332	Capacitor - 10 μ F \pm 20% 16V	

Index No.	Part No.	Description	Q'ty Per Assembly
171	1604 4355	Capacitor - 47 μ F \pm 20% 25V	
172	1604 4728	Capacitor - 100 μ F \pm 20% 16V	
173	1604 5187	Capacitor - 10 μ F \pm 20% 16V	
174	1605 1002	Capacitor - 2700pF \pm 10% 50V	
175	1605 1034	Ceramic Capacitor: 1000pF: \pm 10%: 50V	
176	1605 1135	Capacitor - 0.47 μ F \pm 1% 10V	
177	1605 1137	Capacitor - 470pF \pm 10% 50V	
178	1605 1148	Capacitor - 0.1 μ F+80-20% 50V	
179	1605 1161	Capacitor - 0.33 μ F \pm 10% 10V	
180	1605 1200	Capacitor - 10pF \pm 0.5pF 50V	
181	1605 1204	Capacitor-pF50V	
182	1605 1205	Capacitor - 33pF \pm 5% 50V	
183	1605 1208	Capacitor: 100pF: \pm 5%: 50V	
184	1605 1214	Capacitor - 1000pF \pm 10% 50V	
185	1605 1221	Capacitor - 0.1 μ F+80-20%16V	
186	1605 1224	Capacitor 4.7 μ F \pm 10% 6.3V	
187	1605 1234	Capacitor: 4700pF: \pm 10%: 50V	
188	1605 1240	Capacitor - 0.01 μ F \pm 10% 25V	
189	1605 1289	Capacitor - 0.1 μ F \pm 10% 10V	
190	1605 1293	Capacitor - 27pF \pm 5%50V	
191	1605 1294	Resistor - 1000pF \pm 5% 50V	
192	1605 1295	Capacitor: 10 μ F: +80-20%: 10V	
193	1605 1296	Capacitor - 330pF \pm 10% 50V	
194	1605 1300	Capacitor - 270pF \pm 5% 50V	
195	1605 1306	Capacitor - 1 μ F \pm 10% 10V	
196	1605 1353	Capacitor - 0.1 μ F \pm 10% 25V	
197	1605 1358	Capacitor - 10 μ F \pm 10% 10V	
198	1605 1391	Capacitor - 22 μ F: \pm 20%: 6.3V	
199	1605 1406	Capacitor - 10 μ F \pm 10% 6.3V	
200	1605 1447	Resistor - 470pF \pm 5% 50V	
201	1605 1453	Capacitor: 0.022 μ F: \pm 10%: 16V	
202	1605 1455	Capacitor - 10000pF \pm 5% 50V	
203	1605 1464	Resistor - 10 μ F \pm 20% 25V	
204	1605 1474	Capacitor - 47 μ F \pm 20% 6.3V	
205	1605 1480	Capacitor - 100pF \pm 10% 50V	

Index No.	Part No.	Description	Q'ty Per Assembly
206	1607 0861	Filter - BK2125HS101	
207	1607 1351	Filter BLM21PG221SN1B	
208	1607 1426	Inductor: RLFL2560-2R7N110	
209	1607 1546	Inductor - SLF6028-220MR77-PF	
210	1633 0000	Resistor - 0 Ω 1/10W	
211	1634 0000	Resistor - 0 Ω 1/16W	
212	1650 4100	Resistor - 10 Ω \pm 5% 1/10W	
213	1650 4101	Resistor - 100 Ω \pm 5%1/10W	
214	1650 4102	Resistor - 1K Ω \pm 5% 1/10W	
215	1650 4103	Resistor - 10K Ω \pm 5% 1/10W	
216	1650 4104	Resistor - 100K Ω \pm 5%1/10W	
217	1650 4220	Chip Resistor - 22 Ω \pm 5% 1/10W	
218	1650 4223	Resistor - 22K Ω \pm 5%1/10W	
219	1650 4330	Chip Resistor - 33 Ω \pm 5% 1/10W	
220	1650 4331	Resistor - 330 Ω \pm 5%1/10W	
221	1650 4470	Resistor - 47 Ω \pm 5%1/10W	
222	1650 4471	Resistor - 470 Ω \pm 5%1/10W	
223	1650 4472	Resistor - 4.7K Ω \pm 5% 1/10W	
224	1650 4511	Resistor - 510 Ω \pm 5%1/10W	
225	1650 4560	Chip Resistor - 56 Ω \pm 5% 1/10W	
226	1650 4680	Resistor - 68 Ω \pm 5%1/10W	
227	1650 5102	Chip Resistor - 1K Ω \pm 5%1/16W	
228	1650 5103	Chip Resistor - 10K Ω \pm 5%1/16W	
229	1650 5104	Chip Resistor - 100K Ω \pm 5%1/16W	
230	1650 5330	Chip Resistor - 33 Ω \pm 5%1/16W	
231	1654 1000	Resistor - 100 Ω \pm 1% 1/10W	
232	1654 1002	Resistor - 10K Ω \pm 5%1/10W	
233	1654 1003	Resistor - 100K Ω \pm 1%1/10W	
234	1654 1300	Resistor - 130 Ω \pm 1% 1/10W	
235	1654 2001	Chip Resistor - 2K Ω \pm 1% 1/10W	
236	1654 2700	Resistor: 270: Ω : \pm 1%: 1/10W	
237	1654 2701	Resistor - 2.7K Ω \pm 1% 1/10W	
238	1654 2741	Resistor - 2.74K Ω \pm 1% 1/10W	
239	1654 3321	Resistor - 3.32K Ω \pm 1%: 1/10W	

Index No.	Part No.	Description	Q'ty Per Assembly
240	1654 4700	Resistor - 470 Ω \pm 1%1/10W	
241	1654 4701	Resistor - 4.7K Ω \pm 1% 1/10W	
242	1655 0000	Chip Resistor - 0 Ω \pm 0%1/16W	
243	1660 2101	Capacitor - 100pF - \pm 10% - 50V	
244	1660 2120	Capacitor - 12 pF \pm 5% 50V	
245	1660 2150	Capacitor - 15pF \pm 5% 50V	
246	1660 2331	Capacitor - 330pF \pm 5% 50V	
247	1660 2680	Capacitor - 68pF \pm 5% 50V	
248	1660 4103	Capacitor - 10000pF - \pm 10% - 50V	
249	1660 4332	Capacitor - 3300pF - \pm 10% - 50V	
250	1660 8104	Capacitor - 0.1 μ F \pm 20% 25V	

83.Controller Board (B234/B235/B236/D101/D102/D103)

BAT

SYMBOL NO.	INDEX NO.
BAT1	114

CAPACITOR

SYMBOL NO.	INDEX NO.
---	---
C2	199
C3	170
C4	191
C5	191
C6	195
C7	201
C8	201
C9	170
C10	191

SYMBOL NO.	INDEX NO.
C11	195
C12	201
C13	201
C14	201
C15	201
C16	201
C17	201
C18	195
C19	195
C20	199

SYMBOL NO.	INDEX NO.
C21	201
---	---
C23	187
C24	189
C25	179
C26	187
C27	182
C28	191
C29	191
C30	201

SYMBOL NO.	INDEX NO.
C31	178
C32	177
C33	201
C34	201
C35	189
C36	171
C37	187
C38	201
C39	209
C40	185

SYMBOL NO.	INDEX NO.
C41	201
C42	187
C43	171
C44	195
C45	186
C46	187
C47	201
C48	195
C49	171
C50	189

SYMBOL NO.	INDEX NO.
C51	189
C52	189
C53	189
C54	200
C55	188
C56	201
C57	199
C58	199
C59	199
C60	201

CAPACITOR

SYMBOL NO.	INDEX NO.
C61	201
C62	186
C63	189
C64	189
C65	189
C66	198
C67	192
---	---
C69	189
C70	189

SYMBOL NO.	INDEX NO.
C71	189
C72	189
C73	189
C74	189
C75	199
C76	189
C77	189
C78	189
C79	189
C80	189

SYMBOL NO.	INDEX NO.
C81	189
C82	189
C83	189
C84	189
C85	191
C86	201
C87	187
C88	191
C89	201
C90	172

SYMBOL NO.	INDEX NO.
C91	194
C92	192
C93	189
---	---
C95	189
C96	199
C97	202
C98	195
C99	195
C100	195

SYMBOL NO.	INDEX NO.
C101	189
C102	189
C103	189
C104	189
C105	189
C106	189
C107	202
C108	199
C109	199
C110	199

SYMBOL NO.	INDEX NO.
C111	201
C112	201
C113	199
C114	172
C115	201
C116	201
C117	172
C118	189
C119	189
---	---

SYMBOL NO.	INDEX NO.
C121	173
C122	189
C123	171
C124	171
C125	171
C126	171
C127	171
C128	171
C129	171
C130	171

83.Controller Board (B234/B235/B236/D101/D102/D103)

CAPACITOR

SYMBOL NO.	INDEX NO.	SYMBOL NO.	INDEX NO.	SYMBOL NO.	INDEX NO.	SYMBOL NO.	INDEX NO.	SYMBOL NO.	INDEX NO.	SYMBOL NO.	INDEX NO.	SYMBOL NO.	INDEX NO.
C131	184	C141	189	C151	182	C161	176	C171	187	C181	189	C191	201
C132	184	C142	189	C152	197	C162	201	C172	198	C182	199	C192	201
C133	173	C143	181	C153	184	C163	201	C173	198	C183	189	C193	190
C134	173	C144	199	C154	184	---	---	C174	209	C184	201	C194	189
C135	205	C145	201	C155	187	C165	189	C175	171	C185	201	C195	189
C136	182	C146	199	C156	187	---	---	C176	201	C186	201	C196	189
C137	171	C147	201	C157	187	C167	187	C177	187	C187	201	C197	189
C138	171	C148	201	C158	201	C168	201	C178	198	C188	201	C198	189
C139	171	C149	199	C159	201	C169	171	C179	189	C189	201	C199	173
C140	189	C150	182	C160	176	C170	195	C180	199	C190	201	C200	201

CAPACITOR

SYMBOL NO.	INDEX NO.	SYMBOL NO.	INDEX NO.	SYMBOL NO.	INDEX NO.	SYMBOL NO.	INDEX NO.	SYMBOL NO.	INDEX NO.	SYMBOL NO.	INDEX NO.	SYMBOL NO.	INDEX NO.
C201	187	C211	187	C221	207	---	---	C241	207	C251	201	C261	187
C202	187	C212	187	C222	207	C232	175	---	---	C252	191	C262	312
C203	189	---	---	C223	202	---	---	---	---	---	---	C263	187
C204	189	C214	189	---	---	---	---	C244	195	---	---	C264	189
C205	173	C215	189	---	---	C235	195	C245	207	C255	201	C265	187
C206	201	C216	189	C226	202	C236	195	C246	187	C256	201	C266	187
C207	187	C217	189	C227	171	C237	197	C247	199	C257	201	---	---
C208	187	C218	200	C228	192	C238	197	C248	199	C258	201	C268	199
C209	173	C219	170	C229	207	---	---	C249	199	C259	187	---	---
C210	201	C220	207	C230	171	---	---	C250	199	C260	204	C270	171

83.Controller Board (B234/B235/B236/D101/D102/D103)

CAPACITOR

SYMBOL NO.	INDEX NO.	SYMBOL NO.	INDEX NO.	SYMBOL NO.	INDEX NO.	SYMBOL NO.	INDEX NO.	SYMBOL NO.	INDEX NO.	SYMBOL NO.	INDEX NO.	SYMBOL NO.	INDEX NO.
C271	189	C281	174	C291	174	C301	189	---	---	C321	189	C331	189
C272	189	C282	174	C292	189	C302	171	C312	187	C322	189	C332	189
C273	199	C283	189	C293	174	C303	189	C313	201	C323	189	C333	189
C274	189	C284	199	C294	189	C304	189	C314	189	C324	189	C334	189
C275	189	C285	189	C295	189	C305	171	C315	189	C325	189	C335	189
C276	199	C286	174	C296	199	C306	199	C316	187	---	---	C336	189
C277	189	C287	174	C297	189	C307	197	C317	187	---	---	C337	174
C278	189	C288	189	C298	189	C308	196	C318	201	C328	195	C338	174
C279	199	C289	189	C299	189	C309	181	C319	201	C329	209	C339	174
C280	189	C290	199	C300	199	C310	183	C320	201	C330	189	C340	174

CAPACITOR

SYMBOL NO.	INDEX NO.	SYMBOL NO.	INDEX NO.	SYMBOL NO.	INDEX NO.	SYMBOL NO.	INDEX NO.	SYMBOL NO.	INDEX NO.	SYMBOL NO.	INDEX NO.	SYMBOL NO.	INDEX NO.
C341	174	C351	174	C361	174	C371	189	---	---	C391	171	C401	201
C342	174	C352	189	C362	189	C372	171	C382	201	C392	189	C402	201
C343	189	C353	174	C363	189	---	---	C383	201	C393	199	C403	201
C344	174	C354	189	C364	189	---	---	C384	199	C394	189	C404	201
C345	174	C355	174	C365	189	C375	199	C385	199	C395	171	C405	173
C346	189	C356	174	C366	189	C376	199	C386	189	C396	195	C406	173
C347	199	C357	174	C367	189	C377	201	C387	171	C397	195	C407	201
C348	189	C358	174	C368	208	C378	201	C388	189	C398	189	C408	199
C349	199	C359	174	C369	189	---	---	C389	189	C399	189	C409	199
C350	174	C360	174	C370	189	---	---	C390	189	C400	201	C410	173

83.Controller Board (B234/B235/B236/D101/D102/D103)

CAPACITOR

SYMBOL NO.	INDEX NO.	SYMBOL NO.	INDEX NO.	SYMBOL NO.	INDEX NO.	SYMBOL NO.	INDEX NO.	SYMBOL NO.	INDEX NO.	SYMBOL NO.	INDEX NO.	SYMBOL NO.	INDEX NO.
C411	201	C421	189	C431	189	C441	189	C451	189	C461	199	C471	189
C412	201	C422	199	C432	189	C442	189	C452	203	C462	199	C472	189
C413	173	C423	189	C433	189	C443	189	C453	203	C463	201	C473	189
C414	201	C424	189	C434	189	C444	189	C454	203	---	---	C474	189
C415	201	C425	199	C435	189	C445	199	C455	189	C465	199	C475	189
C416	199	C426	189	C436	199	C446	189	C456	189	C466	189	C476	189
C417	199	C427	201	C437	199	C447	189	C457	189	C467	199	C477	189
C418	199	C428	201	C438	189	C448	189	C458	189	C468	189	C478	189
C419	199	C429	189	C439	189	C449	189	C459	189	C469	189	C479	189
C420	189	C430	189	C440	199	C450	189	C460	189	C470	189	C480	201

CAPACITOR

SYMBOL NO.	INDEX NO.	SYMBOL NO.	INDEX NO.	SYMBOL NO.	INDEX NO.	SYMBOL NO.	INDEX NO.	SYMBOL NO.	INDEX NO.	SYMBOL NO.	INDEX NO.	SYMBOL NO.	INDEX NO.
C481	189	C491	189	---	---	C511	181	C521	189	C531	189	C541	203
C482	173	C492	201	C502	199	C512	189	C522	189	C532	203	C542	186
C483	189	C493	189	C503	199	C513	189	C523	199	C533	199	C543	189
C484	189	C494	201	C504	201	C514	189	C524	199	C534	189	C544	189
C485	199	C495	189	C505	201	C515	189	C525	203	C535	189	C545	189
C486	189	C496	199	C506	192	C516	181	C526	189	C536	189	C546	189
---	---	C497	189	C507	199	C517	189	C527	189	C537	189	C547	189
C488	189	C498	199	---	---	C518	189	C528	189	C538	189	C548	186
C489	189	C499	189	C509	189	C519	189	C529	189	C539	189	---	---
C490	180	C500	189	C510	203	C520	189	C530	189	C540	203	C550	189

83.Controller Board (B234/B235/B236/D101/D102/D103)

CAPACIROT

SYMBOL NO.	INDEX NO.	SYMBOL NO.	INDEX NO.	SYMBOL NO.	INDEX NO.	SYMBOL NO.	INDEX NO.	SYMBOL NO.	INDEX NO.	SYMBOL NO.	INDEX NO.	SYMBOL NO.	INDEX NO.
C551	201	C561	189	C571	201	C581	189	C591	189	C601	180	C611	189
C552	189	C562	189	C572	171	C582	193	C592	180	C602	189	C612	201
C553	189	C563	189	C573	180	C583	189	C593	189	C603	189	C613	201
C554	189	C564	189	C574	189	C584	189	C594	189	C604	171	C614	201
C555	189	C565	189	C575	189	C585	199	---	---	---	---	C615	189
C556	189	---	---	C576	180	C586	202	C596	189	C606	189	C616	201
C557	189	C567	189	C577	189	---	---	C597	189	C607	203	C617	201
C558	189	C568	189	C578	189	C588	189	C598	189	C608	201	C618	189
C559	189	C569	189	C579	180	C589	189	C599	189	C609	201	C619	189
C560	189	C570	201	C580	180	C590	189	C600	199	C610	201	C620	203

CAPACIROT

SYMBOL NO.	INDEX NO.	SYMBOL NO.	INDEX NO.	SYMBOL NO.	INDEX NO.	SYMBOL NO.	INDEX NO.	SYMBOL NO.	INDEX NO.	SYMBOL NO.	INDEX NO.	SYMBOL NO.	INDEX NO.
C621	189	C631	171	C641	201	C651	201	C661	202	C671	172	CN520	102
C622	189	C632	201	C642	199	C652	200	---	---	C672	172	CN521	102
C623	189	C633	187	C643	199	C653	201	C663	189	C673	172	CN522	104
C624	202	---	---	C644	199	C654	200	---	---	C674	206	CN523	104
C625	189	C635	195	C645	199	C655	201	---	---	C675	206	CN524	104
C626	189	C636	171	C646	199	C656	200	C666	189	---	---	CN525	105
---	---	C637	201	C647	199	C657	189	---	---	---	---	CN526	107
---	---	C638	187	C648	200	C658	199	---	---	---	---	CN527	103
C629	201	C639	201	C649	201	C659	199	---	---	---	---	CN528	108
C630	195	C640	200	C650	200	C660	199	---	---	---	---	CN530	106

CONNECTOR

83.Controller Board (B234/B235/B236/D101/D102/D103)

CONNECTOR

SYMBOL NO.	INDEX NO.
CN532	101

DIODE

SYMBOL NO.	INDEX NO.
D1	133
D2	133
D3	130
D4	134
D5	134
D6	134
D7	134
D8	134
D9	132
D10	133

FILTER

SYMBOL NO.	INDEX NO.
D11	133
---	---
D13	135
---	---
D15	135
---	---
---	---
D18	131

FUSE

SYMBOL NO.	INDEX NO.
FU1	109

IC

SYMBOL NO.	INDEX NO.
---	---
IC2	157
IC3	159
IC4	157
IC5	147
IC6	144
IC7	145
IC8	138
IC9	145
IC10	141

SYMBOL NO.	INDEX NO.
IC11	139
---	---
IC13	158
IC14	160
IC15	139
---	---
IC17	1
IC18	152
IC19	141
IC20	147

IC

SYMBOL NO.	INDEX NO.
IC21	156
IC22	140
IC23	153
IC24	160
IC25	158
IC26	154
IC27	147
IC28	147
IC29	2
---	---

SYMBOL NO.	INDEX NO.
IC31	162
IC32	138
IC33	151
IC34	149
IC35	151
IC36	148
IC37	143
IC38	143
IC39	142
---	---

SYMBOL NO.	INDEX NO.
IC41	150
IC42	140
IC43	146
IC44	146
IC45	140
IC46	161
IC47	161
IC48	160

J

SYMBOL NO.	INDEX NO.
J1	221
J2	221
J3	221
J4	221
---	---
---	---
---	---
---	---
---	---

SYMBOL NO.	INDEX NO.
---	---
---	---
J13	221
J14	221
J15	221
J16	221

JP

SYMBOL NO.	INDEX NO.
JP5	259
JP6	259
JP7	259
JP8	259
JP9	259
JP10	259
---	---
JP12	259
JP18	259

L

SYMBOL NO.	INDEX NO.
L1	212
L2	214
L3	212
L4	215
L5	216
L6	210

83.Controller Board (B234/B235/B236/D101/D102/D103)

LED

SYMBOL NO.	INDEX NO.
LED1	137
LED2	137
LED3	137
LED4	137
LED5	137
LED6	137
LED7	137
LED8	137
LED9	137
LED10	136

OSC

SYMBOL NO.	INDEX NO.
OSC1	163
OSC2	165
OSC3	164

Q

SYMBOL NO.	INDEX NO.
Q1	128
Q2	119
Q3	119
Q4	122
Q5	121
Q6	118
Q7	118
Q8	118
Q9	121
Q10	116

SYMBOL NO.	INDEX NO.
Q11	129
---	---
Q13	123
Q14	126
Q15	127
Q16	125
Q17	120
---	---
---	---
Q20	116

SYMBOL NO.	INDEX NO.
Q21	121
Q22	121
Q23	118
Q24	117
Q25	127
Q26	126
Q27	127
Q28	124
Q29	124
Q30	127

SYMBOL NO.	INDEX NO.
Q31	126
---	---
---	---
---	---
Q35	126
---	---
Q37	118
---	---
Q39	115
---	---
---	---

SYMBOL NO.	INDEX NO.
---	---
---	---
Q44	118
Q45	115
Q46	118
Q47	129

RESISTOR

SYMBOL NO.	INDEX NO.
---	---
---	---
R3	248
---	---
R5	241
R6	241
R7	269
R8	260
R9	248
R10	248

SYMBOL NO.	INDEX NO.
R11	259
R12	226
---	---
R14	241
R15	226
R16	252
R17	225
R18	226
R19	226
R20	226

SYMBOL NO.	INDEX NO.
---	---
---	---
R23	226
R24	248
R25	226
R26	257
R27	248
R28	226
R29	226
R30	257

SYMBOL NO.	INDEX NO.
R31	257
R32	241
R33	226
R34	241
R35	257
R36	226
R37	257
R38	228
R39	228
R40	257

SYMBOL NO.	INDEX NO.
R41	259
R42	226
R43	226
---	---
R45	256
R46	241
R47	226
R48	259
R49	259
R50	259

SYMBOL NO.	INDEX NO.
R51	259
R52	259
R53	259
R54	257
R55	241
R56	241
R57	241
R58	241
R59	257
R60	257

SYMBOL NO.	INDEX NO.
R61	257
R62	257
R63	257
R64	257
---	---
R66	223
---	---
R68	223
R69	241
R70	241

83.Controller Board (B234/B235/B236/D101/D102/D103)

RESISTOR

SYMBOL NO.	INDEX NO.	SYMBOL NO.	INDEX NO.	SYMBOL NO.	INDEX NO.	SYMBOL NO.	INDEX NO.	SYMBOL NO.	INDEX NO.	SYMBOL NO.	INDEX NO.	SYMBOL NO.	INDEX NO.
R71	241	R81	241	R91	226	R101	257	R111	257	R121	226	R131	241
R72	241	R82	226	R92	248	R102	257	R112	257	R122	226	---	---
R73	241	R83	226	---	---	R103	225	R113	226	R123	226	---	---
---	---	R84	226	---	---	R104	248	R114	251	R124	241	R134	226
R75	223	R85	226	R95	257	R105	243	R115	251	R125	226	---	---
R76	241	R86	226	R96	257	R106	257	R116	251	R126	241	R136	226
---	---	R87	226	R97	257	R107	238	R117	226	R127	262	R137	226
R78	223	---	---	R98	257	R108	257	---	---	R128	259	R138	223
R79	226	R89	259	R99	257	R109	257	R119	226	R129	241	---	---
R80	226	---	---	R100	257	R110	257	R120	226	R130	241	R140	226

RESISTOR

SYMBOL NO.	INDEX NO.	SYMBOL NO.	INDEX NO.	SYMBOL NO.	INDEX NO.	SYMBOL NO.	INDEX NO.	SYMBOL NO.	INDEX NO.	SYMBOL NO.	INDEX NO.	SYMBOL NO.	INDEX NO.
R141	223	R151	236	R161	226	R171	224	R181	226	---	---	R201	226
R142	226	R152	236	R162	226	R172	225	R182	226	R192	259	R202	226
R143	223	R153	236	R163	248	R173	225	R183	226	R193	241	R203	226
R144	259	R154	236	R164	248	R174	226	R184	225	R194	241	R204	226
R145	223	R155	246	R165	241	R175	225	R185	226	R195	226	R205	236
R146	236	R156	246	R166	241	R176	225	---	---	---	---	R206	236
R147	236	R157	223	R167	241	R177	225	R187	226	R197	226	R207	236
R148	236	R158	223	R168	241	R178	222	R188	226	R198	226	R208	236
R149	236	R159	226	R169	241	R179	222	R189	227	R199	226	R209	236
R150	236	R160	226	R170	226	R180	226	---	---	R200	226	R210	259

83.Controller Board (B234/B235/B236/D101/D102/D103)

RESISTOR

SYMBOL NO.	INDEX NO.	SYMBOL NO.	INDEX NO.	SYMBOL NO.	INDEX NO.	SYMBOL NO.	INDEX NO.	SYMBOL NO.	INDEX NO.	SYMBOL NO.	INDEX NO.	SYMBOL NO.	INDEX NO.
R211	259	R221	259	R231	292	R241	292	R251	226	R261	259	R271	224
R212	226	R222	226	R232	305	R242	286	---	---	R262	259	R272	241
R213	226	R223	279	R233	292	R243	299	R253	259	R263	259	---	---
R214	226	R224	264	R234	299	---	---	R254	259	R264	259	---	---
R215	226	R225	301	R235	299	R245	259	R255	227	R265	259	R275	277
R216	223	R226	263	R236	299	R246	286	R256	227	R266	259	R276	239
R217	223	R227	231	R237	299	R247	257	R257	227	R267	259	R277	239
R218	223	R228	232	R238	299	R248	286	R258	226	R268	259	R278	239
R219	259	R229	225	R239	286	R249	226	R259	224	R269	259	R279	239
R220	259	R230	225	R240	286	R250	275	R260	226	R270	259	R280	239

RESISTOR

SYMBOL NO.	INDEX NO.	SYMBOL NO.	INDEX NO.	SYMBOL NO.	INDEX NO.	SYMBOL NO.	INDEX NO.	SYMBOL NO.	INDEX NO.	SYMBOL NO.	INDEX NO.	SYMBOL NO.	INDEX NO.
R281	239	R291	226	---	---	R311	226	R321	293	R331	256	R341	232
R282	239	R292	224	---	---	---	---	R322	304	R332	250	R342	244
R283	239	R293	224	---	---	R313	256	R323	286	R333	253	R343	244
R284	277	---	---	R304	220	R314	256	R324	256	R334	301	R344	240
R285	277	R295	226	R305	229	R315	259	R325	256	R335	240	R345	240
R286	226	---	---	R306	227	R316	259	R326	256	R336	237	R346	301
R287	259	---	---	R307	233	R317	241	R327	256	R337	249	R347	258
R288	259	R298	224	R308	234	R318	241	R328	256	R338	231	R348	258
R289	226	R299	224	R309	224	---	---	R329	256	R339	237	R349	226
R290	226	---	---	R310	292	R320	304	R330	256	R340	226	---	---

83.Controller Board (B234/B235/B236/D101/D102/D103)

RESISTOR

SYMBOL NO.	INDEX NO.	SYMBOL NO.	INDEX NO.	SYMBOL NO.	INDEX NO.	SYMBOL NO.	INDEX NO.	SYMBOL NO.	INDEX NO.	SYMBOL NO.	INDEX NO.	SYMBOL NO.	INDEX NO.
R351	226	R361	226	R371	236	R381	226	R391	226	R401	311	R411	225
---	---	R362	226	R372	236	R382	282	R392	226	R402	270	R412	225
R353	248	R363	226	R373	236	R383	226	R393	226	R403	231	R413	225
R354	257	R364	226	R374	236	R384	226	R394	226	R404	231	R414	274
R355	259	R365	226	R375	236	R385	226	R395	223	R405	265	R415	274
R356	259	R366	226	R376	236	R386	226	R396	223	R406	311	R416	293
R357	261	R367	236	R377	226	R387	226	R397	223	R407	270	R417	307
R358	272	R368	236	R378	226	R388	226	R398	281	R408	225	R418	307
R359	273	R369	236	R379	226	R389	226	R399	285	R409	232	R419	242
---	---	R370	236	R380	226	R390	226	R400	222	R410	232	R420	242

RESISTOR

SYMBOL NO.	INDEX NO.	SYMBOL NO.	INDEX NO.	SYMBOL NO.	INDEX NO.	SYMBOL NO.	INDEX NO.	SYMBOL NO.	INDEX NO.	SYMBOL NO.	INDEX NO.	SYMBOL NO.	INDEX NO.
R421	309	R431	236	R441	226	R451	236	R461	226	R471	301	R481	286
R422	309	R432	223	R442	226	R452	236	---	---	R472	226	R482	311
R423	250	R433	223	---	---	R453	236	---	---	R473	226	R483	270
R424	226	R434	248	R444	226	R454	248	R464	248	R474	226	R484	259
R425	226	---	---	R445	226	R455	226	R465	248	R475	226	R485	280
R426	226	R436	223	R446	226	R456	277	R466	224	R476	225	R486	308
R427	226	R437	223	R447	226	R457	227	R467	224	R477	293	R487	223
R428	226	R438	223	---	---	R458	225	R468	248	R478	286	R488	223
R429	236	R439	267	R449	223	R459	223	R469	248	R479	304	R489	223
R430	236	R440	289	R450	236	R460	226	R470	224	R480	304	---	---

83.Controller Board (B234/B235/B236/D101/D102/D103)

RESISTOR

SYMBOL NO.	INDEX NO.	SYMBOL NO.	INDEX NO.	SYMBOL NO.	INDEX NO.	SYMBOL NO.	INDEX NO.	SYMBOL NO.	INDEX NO.	SYMBOL NO.	INDEX NO.	SYMBOL NO.	INDEX NO.
R491	257	R501	251	R511	257	R521	259	R531	257	R541	303	R551	284
---	---	R502	255	R512	257	R522	288	R532	257	R542	270	R552	259
R493	257	R503	255	R513	257	R523	284	R533	257	R543	302	R553	278
---	---	R504	255	R514	257	R524	224	R534	257	R544	260	R554	294
R495	257	R505	255	R515	257	R525	287	R535	257	R545	310	R555	284
---	---	R506	241	R516	251	R526	297	R536	277	R546	296	R556	223
R497	257	R507	255	R517	241	R527	268	R537	226	R547	310	R557	223
---	---	R508	241	---	---	R528	226	R538	226	R548	260	R558	223
R499	257	R509	257	R519	284	R529	257	R539	307	---	---	R559	223
---	---	R510	255	R520	259	---	---	R540	257	R550	298	R560	223

RESISTOR

SYMBOL NO.	INDEX NO.	SYMBOL NO.	INDEX NO.	SYMBOL NO.	INDEX NO.	SYMBOL NO.	INDEX NO.	SYMBOL NO.	INDEX NO.	SYMBOL NO.	INDEX NO.	SYMBOL NO.	INDEX NO.
R561	226	R571	257	R581	241	R601	241	R611	299	---	---	R631	223
R562	226	R572	260	R582	226	R602	241	R612	299	---	---	R632	223
R563	226	R573	266	R583	225	R603	241	R613	299	---	---	R633	223
R564	226	R574	248	R584	257	R604	260	R614	299	R624	217	R634	223
R565	226	R575	284	R585	257	R605	259	R615	299	R625	219	R635	223
R566	226	R576	257	---	---	R606	259	R616	299	R626	220	R636	223
R567	225	R577	284	---	---	R607	226	R617	299	R627	223	---	---
R568	225	---	---	---	---	---	---	R618	299	R628	223	R638	226
R569	226	R579	248	R599	241	R609	299	R619	235	R629	223	---	---
R570	257	R580	225	R600	226	R610	299	R620	235	R630	223	R640	226

83.Controller Board (B234/B235/B236/D101/D102/D103)

RESISTOR

SYMBOL NO.	INDEX NO.	SYMBOL NO.	INDEX NO.	SYMBOL NO.	INDEX NO.	SYMBOL NO.	INDEX NO.	SYMBOL NO.	INDEX NO.	SYMBOL NO.	INDEX NO.	SYMBOL NO.	INDEX NO.
R641	261	R651	283	R661	241	R671	241	R681	241	R691	257	R701	241
R642	295	R652	290	R662	241	R672	241	R682	241	R692	241	R702	241
R643	261	R653	290	---	---	R673	241	R683	259	R693	245	R703	241
R644	261	R654	300	---	---	R674	241	---	---	R694	254	R704	226
R645	261	R655	306	---	---	R675	241	R685	241	R695	257	R705	241
R646	271	R656	306	R666	241	R676	241	R686	241	R696	226	R706	226
R647	271	R657	218	R667	241	R677	241	R687	241	R697	226	---	---
R648	261	R658	241	R668	241	R678	241	R688	241	R698	241	---	---
R649	291	R659	241	R669	241	R679	241	R689	241	R699	241	R709	223
R650	276	R660	241	R670	241	R680	241	R690	257	R700	241	R710	226

RESISTOR

SYMBOL NO.	INDEX NO.	SYMBOL NO.	INDEX NO.	SYMBOL NO.	INDEX NO.	SYMBOL NO.	INDEX NO.	SYMBOL NO.	INDEX NO.	SYMBOL NO.	INDEX NO.	SYMBOL NO.	INDEX NO.
R711	226	---	---	---	---	R741	226	R751	257	R761	259	R771	227
R712	226	R722	259	---	---	R742	226	---	---	---	---	---	---
---	---	---	---	---	---	R743	259	---	---	---	---	---	---
---	---	R724	259	---	---	R744	237	---	---	---	---	R774	223
---	---	R725	223	---	---	R745	237	R755	257	R765	222	R775	223
R716	226	R726	223	---	---	R746	247	R756	257	R766	222	R776	299
---	---	R727	223	---	---	R747	259	R757	257	R767	222	---	---
R718	259	R728	223	R738	226	R748	237	---	---	R768	227	R778	226
---	---	R729	223	R739	226	R749	237	R759	226	---	---	R779	230
---	---	---	---	---	---	R750	247	R760	226	---	---	---	---

83.Controller Board (B234/B235/B236/D101/D102/D103)

RESISTOR

SYMBOL NO.	INDEX NO.
---	---
---	---
---	---
---	---
R785	241
---	---
---	---
R788	241
R789	236
R790	236

SYMBOL NO.	INDEX NO.
R791	223
R792	223
R793	223
R794	223
R795	226
---	---
R796	226
---	---
---	---
R799	241
R800	241

SYMBOL NO.	INDEX NO.
R801	241
R802	241
R803	226
R804	226
R805	226
---	---
R807	222
R808	226
R809	226
R810	226

SYMBOL NO.	INDEX NO.
R811	226
R812	225
R813	225

REG

SYMBOL NO.	INDEX NO.
REG1	155

RN

SYMBOL NO.	INDEX NO.
RN1	167
RN2	167
RN3	167
RN4	167
RN5	167
---	---
RN6	167
RN7	167
RN8	167
RN9	167
RN10	169

SYMBOL NO.	INDEX NO.
RN11	169
RN12	169
RN13	167
RN14	167
RN15	167
---	---
RN16	169
RN17	168
RN18	168
RN19	168
RN20	168

RN

SYMBOL NO.	INDEX NO.
RN21	168
RN22	168
RN23	168
RN24	168
RN25	168
---	---
---	---
RN28	169
RN29	169
RN30	169

SYMBOL NO.	INDEX NO.
RN31	169
RN32	166
RN33	166

SW

SYMBOL NO.	INDEX NO.
SW1	113
SW2	111
SW3	112
SW4	110
SW5	110

83.Controller Board (B234/B235/B236/D101/D102/D103)

Index No.	Part No.	Description	Q'ty Per Assembly
*	B234 5510	PCB: Type-AX2E: Sub-Ass'y	1
1	B234 5595	BIOS: B-C3: AX2	1
2	B238 5720	Asic: Shaker5.5	1

Index No.	Part No.	Description	Q'ty Per Assembly
101	1102 7615	Connector - B8B-XH-A	
102	1102 8832	Connector - DM-3D4-B3210	
103	1102 9079	Connector - RHM-88PL-SDK11-1	
104	1102 9336	Connector: FPS009-2300-0	
105	1102 9337	Connector: 14016PS-JUK-G-B-1	
106	1102 9456	Connector - 20 5078 050 510 861	
107	1102 9686	Connector - RHM-176P-SDK11-U1L1C	
108	1102 9887	Connector: 52588-3090	
109	1107 1095	Fuse - SST 2	
110	1204 1385	Push Switch	
111	1204 1422	Dip Switch - 51D-0401	
112	1204 1542	Dip Switch	
113	1204 1543	Dip Switch	
114	1206 0114	Primary Lithium Cell: CR2354/1F2	
115	1400 0715	Transistor - 2SB1197KR	
116	1400 0730	Transistor - 2SD1782K	
117	1400 0769	Transistor - 2SA1576A	
118	1400 0775	Transistor - 2SC4081	
119	1400 0810	Transistor - DTC114EUA	
120	1400 0981	Transistor - 2SC3052	
121	1401 0902	Fet: 2SK1590	
122	1401 1181	Fet - 2SK2157-AZ	
123	1401 1192	Fet - 2SK1764	
124	1401 1209	IC - HAT2093R	
125	1401 1228	Fet: SI3433DV-E3	
126	1401 1317	Fet - HAT2197R	
127	1401 1318	Fet - HAT2198R	
128	1401 1319	Fet - TPC8105-H	
129	1401 1320	Fet - TPC8107	
130	1402 1336	Diode - 1SS355	
131	1402 1343	Diode - RB106L-40	
132	1402 1398	Diode - RB050L-40	
133	1402 1530	Diode - RB520S-30	
134	1402 1698	Diode - RB	
135	1402 1709	Diode: EC21QS06G	

Index No.	Part No.	Description	Q'ty Per Assembly
136	1403 0953	LED - SML-310MT	
137	1403 0996	LED - SML-310VT	
138	1407 5439	CMOS Logic: SN74AHC2G66HDCT	
139	1407 5482	IC - SN74LVC07APW	
140	1407 5640	CMOS Logic: SN74AHC1G14HDCK	
141	1407 5684	CMOS Logic - SN74AHC1G08HDCK	
142	1407 5733	IC: SN74ALVC244PW	
143	1407 5734	CMOS Logic - SN74ALVC245PW	
144	1407 5790	CMOS Logic - SN74AHC2G08HDCK	
145	1407 5803	IC: SN74LV132APW	
146	1407 5927	CMOS Logic - SN74LVC1G14DCK	
147	1407 7239	IC - SN74LVC2G17DCK	
148	1407 6126	Clock Generator - ICS950812CG	
149	1407 6127	Clock Generator: ICS960008AFLF	
150	1407 6245	CMOS Logic - SN74CBTLV3253PW	
151	1407 6248	EEPROM - M24256-BWMN6	
152	1407 6278	Ich3 - NH82801CAM(SL7A7)	
153	1407 6279	Gmch - NH82830MP(SL7A6)	
154	1407 6526	CPU - NK80530MZ866256(SL7XH)	
155	1408 1664	Series Regulator: LM1117MP-ADJ/NOPB	
156	1408 1778	IC: R3112Q101A	
157	1408 1779	IC - R3112Q281A	
158	1408 1815	IC - R3112Q151A	
159	1408 1825	IC - R3112Q121A	
160	1408 1826	IC - R3112Q421A	
161	1408 1956	IC: LTC3728LXCUH#TRPBF	
162	1408 2057	IC - LTC3714EG#TRPBF	
163	1503 0773	Crystal Oscillator: 32.768KHz: 7pF	
164	1503 0842	Oscillator - 14.31818MHz	
165	1503 0947	Crystal Oscillator: 25MHz	
166	1601 7898	Resistor Array	
167	1601 7909	Resistor Array - 10 Ω \pm 5% 1/32W	
168	1601 7913	Resistor 22 Ω \pm 5% 1/32W	
169	1601 7943	Resistor Array - 68 Ω \pm 5% 1/32W	
170	1604 5357	Resistor - 560 μ F \pm 20% 4V	

Index No.	Part No.	Description	Q'ty Per Assembly
171	1605 0976	Capacitor - 1 μ F+80% -20% 10V	
172	1605 1034	Ceramic Capacitor: 1000pF: \pm 10%: 50V	
173	1605 1124	Capacitor - 4.7 μ F+80 -20% 10V	
174	1605 1176	Ceramic Capacitor 0.47 μ F+80-20%16V	
175	1605 1194	Capacitor: 3PF: \pm 0.25pF: 50V	
176	1605 1195	Capacitor: 4PF: \pm 0.25pF: 50V	
177	1605 1196	Capacitor - 5PF: \pm 0.25pF: 50V	
178	1605 1197	Capacitor - 6PF \pm 0.5pF 50V	
179	1605 1205	Capacitor - 33pF \pm 5% 50V	
180	1605 1206	Capacitor - 47pF \pm 5% 50V	
181	1605 1207	Capacitor - 68pF \pm 5% 50V	
182	1605 1208	Capacitor: 100pF: \pm 5%: 50V	
183	1605 1209	Capacitor - 150pF \pm 5% 50V	
184	1605 1210	Capacitor: 180pF: \pm 5%: 50V	
185	1605 1211	Capacitor - 220pF \pm 10% 50V	
186	1605 1212	Capacitor - 470pF \pm 10% 50V	
187	1605 1214	Capacitor - 1000pF \pm 10% 50V	
188	1605 1216	Capacitor - 2200pF \pm 10%50V	
189	1605 1221	Capacitor - 0.1 UF+80-20%16V	
190	1605 1225	Capacitor - 0.1 μ F \pm 10% 50V	
191	1605 1234	Capacitor: 4700pF: \pm 10%: 50V	
192	1605 1240	Capacitor - 0.01 μ F \pm 10% 25V	
193	1605 1249	Capacitor: 0.047UF: \pm 10%: 16V	
194	1605 1281	Capacitor - 0.22 μ F \pm 10% 16V	
195	1605 1282	Capacitor: 22UF: +80-20%: 10V	
196	1605 1283	Capacitor - 680pF \pm 10% 50V	
197	1605 1284	Capacitor: 1500pF: \pm 10%: 50V	
198	1605 1289	Capacitor - 0.1 μ F \pm 10% 10V	
199	1605 1295	Capacitor: 10UF: +80-20%: 10V	
200	1605 1296	Capacitor - 330pF \pm 10% 50V	
201	1605 1303	Capacitor - 0.01 μ F+80-20% 50V	
202	1605 1306	Capacitor - 1 μ F \pm 10% 10V	
203	1605 1352	Resistor - 82pF \pm 5% 50V	
204	1605 1354	Capacitor: 1200pF: \pm 5%: 50V	
205	1605 1416	Capacitor - 1800pF: \pm 5%: 50V	

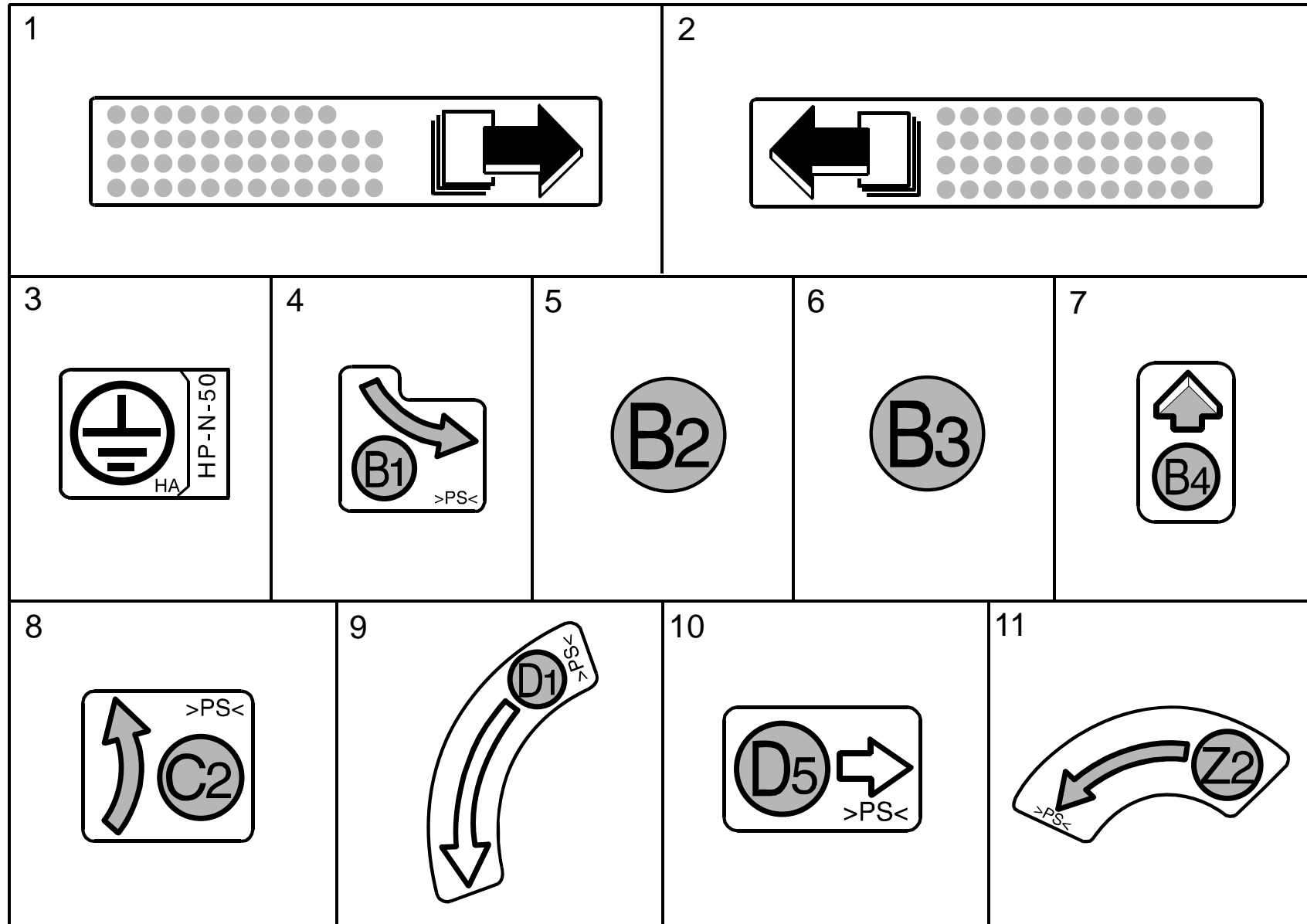
Index No.	Part No.	Description	Q'ty Per Assembly
206	1605 1417	Capacitor: 47UF: +80-20%: 10V	
207	1605 1432	Resistor - 100 μ F \pm 20% 6.3V	
208	1605 1450	Resistor - 22 μ F \pm 10% 6.3V	
209	1605 1464	Resistor - 10 μ F \pm 20% 25V	
210	1607 1322	Inductor: LB2012B4R7M	
211	1607 1489	Filter - MMZ1608B301C	
212	1607 1556	Inductor: RLF7030-1R5N6R1	
213	1607 1637	Coil: ACM2012-900-2P	
214	1607 1650	Inductor: RLF7030-6R8M2R8	
215	1607 1651	Inductor - HM73-101R0LF	
216	1607 1657	Inductor - HM73-10R68LF	
217	1610 1733	Resistor - 0.01 Ω \pm 1% 1W	
218	1610 1775	Resistor - 0.03 Ω \pm 1% 1W	
219	1610 1804	Resistor: 0.006 Ω : \pm 1%: 1W	
220	1610 1805	Resistor - 0.003 Ω \pm 2% 1W	
221	1632 0000	Resistor - 0 Ω 1/8W	
222	1633 0000	Resistor - 0 Ω 1/10W	
223	1650 5100	Chip Resistor - 10 Ω \pm 5%1/16W	
224	1650 5101	Chip Resistor - 100 Ω \pm 5%1/16W	
225	1650 5102	Chip Resistor - 1K Ω \pm 5%1/16W	
226	1650 5103	Chip Resistor - 10K Ω \pm 5%1/16W	
227	1650 5104	Chip Resistor - 100K Ω \pm 5%1/16W	
228	1650 5106	Resistor - 10M Ω \pm 5% 1/16W	
229	1650 5109	Chip Resistor 1 Ω \pm 5% 1/16W	
230	1650 5122	Chip Resistor - 1.2K Ω \pm 5%1/16W	
231	1650 5151	Resistor - 150 Ω \pm 5% 1/16W	
232	1650 5152	Chip Resistor: 1.5K Ω : \pm 5%: 1/16W	
233	1650 5153	Chip Resistor - 15K Ω \pm 5% 1/16W	
234	1650 5202	Chip Resistor: 2K Ω : \pm 5%: 1/16W	
235	1650 5204	Chip Resistor - 200K Ω \pm 5%1/16W	
236	1650 5220	Resistor - 22 Ω \pm 5% 1/16W	
237	1650 5221	Chip Resistor - 220 Ω \pm 5%1/16W	
238	1650 5222	Resistor - 2.2K Ω \pm 5% 1/16W	
239	1650 5229	Resistor: 2.2 Ω : \pm 5%: 1/16W: 1005	
240	1650 5241	Resistor - 240 Ω \pm 5% 1/16W	

Index No.	Part No.	Description	Q'ty Per Assembly
241	1650 5330	Chip Resistor - 33 Ω \pm 5%1/16W	
242	1650 5331	Resistor - 330 Ω \pm 5% 1/16W	
243	1650 5332	Resistor - 3.3K Ω \pm 5% 1/16W	
244	1650 5390	Resistor - 39 Ω \pm 5% 1/16W	
245	1650 5393	Resistor - 39K Ω \pm 5% 1/16W	
246	1650 5470	Chip Resistor 47 Ω \pm 5% 1/16W	
247	1650 5471	Chip Resistor - 470 Ω -5% 1/16W	
248	1650 5472	Chip Resistor: 4.7K Ω : \pm 5%: 1/16W	
249	1650 5511	Resistor - 510 Ω \pm 5% 1/16W	
250	1650 5513	Chip Resistor: 51K Ω : \pm 5%: 1/16W	
251	1650 5560	Chip Resistor 56 Ω \pm 5% 1/16W	
252	1650 5562	Chip Resistor: 5.6K Ω : \pm 5%: 1/16W	
253	1650 5569	Resistor - 5.6 Ω \pm 5% 1/16W	
254	1650 5623	Resistor - 62K Ω \pm 5% 1/16W	
255	1650 5680	Resistor - 68 Ω \pm 5% 1/16W	
256	1650 5681	Chip Resistor: 680 Ω : \pm 5%: 1/16W	
257	1650 5822	Chip Resistor: 8.2K Ω : \pm 5%: 1/16W	
258	1650 5823	Chip Resistor: 82K Ω : \pm 5%: 1/16W	
259	1655 0000	Chip Resistor - 0 Ω \pm 0%1/16W	
260	1655 1001	Chip Resistor - 1K Ω \pm 1% 1/16W	
261	1655 1002	Chip Resistor - 10K Ω \pm 1%1/16W	
262	1655 1009	Resistor - 10 Ω \pm 1% 1/16W	
263	1655 1100	Resistor - 110 Ω \pm 1% 1/16W	
264	1655 1370	Resistor - 137 Ω \pm 1% 1/16W	
265	1655 1409	Resistor - 14 Ω \pm 1% 1/16W	
266	1655 1502	Resistor - 15K Ω \pm 1% 1/16W	
267	1655 1800	Chip Resistor: 180 Ω : \pm 1%: 1/16W	
268	1655 1829	Resistor - 18.2 Ω \pm 1% 1/16W	
269	1655 2000	Resistor - 200 Ω \pm 1% 1/16W	
270	1655 2001	Resistor - 2K Ω \pm 1% 1/16W	
271	1655 2002	Chip Resistor - 20K Ω \pm 1%1/16W	
272	1655 2003	Chip Resistor - 200K Ω \pm 1%1/16W	
273	1655 2052	Resistor - 20.5K Ω \pm 1% 1/16W	
274	1655 2209	Resistor - 22 Ω \pm 1% 1/16W	
275	1655 2210	Resistor - 221 Ω \pm 1% 1/16W	

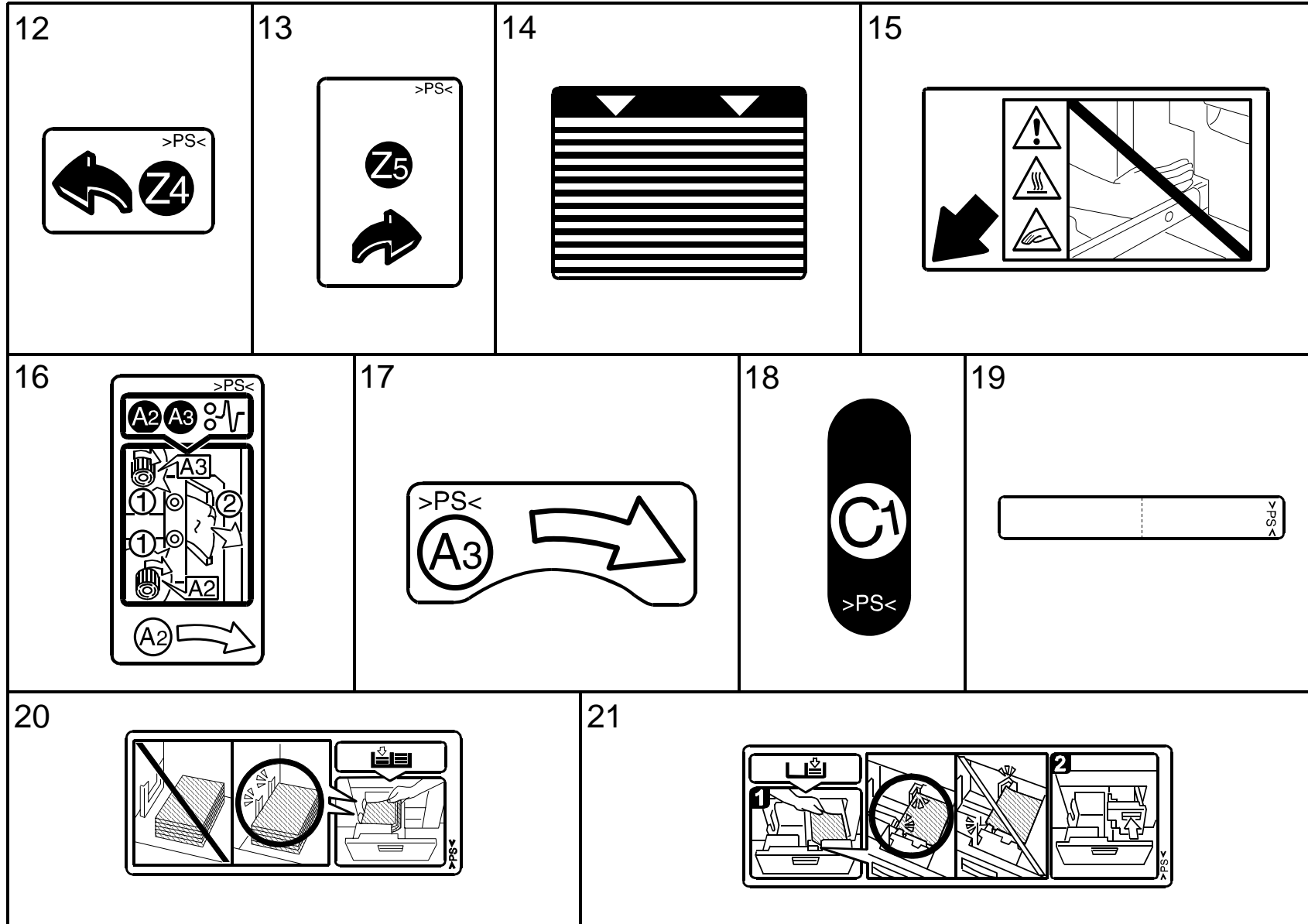
Index No.	Part No.	Description	Q'ty Per Assembly
276	1655 2402	Resistor - 24K Ω \pm 1% 1/16W	
277	1655 2433	Resistor - 243K Ω \pm 1% 1/16W	
278	1655 2490	Resistor - 249 Ω \pm 1% 1/16W	
279	1655 2679	Resistor - 26.7 Ω \pm 1% 1/16W	
280	1655 2749	Resistor - 27.4 Ω \pm 1% 1/16W	
281	1655 2803	Resistor - 280K Ω \pm 1% 1/16W	
282	1655 3000	Chip Resistor: 300 Ω : \pm 1%: 1/16W	
283	1655 3002	Chip Resistor - 30K Ω \pm 1%1/16W	
284	1655 3010	Resistor - 301 Ω \pm 1% 1/16W	
285	1655 3303	Resistor - 330K Ω \pm 1% 1/16W	
286	1655 3329	Resistor - 33.2 Ω \pm 1% 1/16W	
287	1655 3480	Resistor - 348 Ω \pm 1% 1/16W	
288	1655 3659	Resistor - 36.5 Ω \pm 1% 1/16W	
289	1655 3900	Resistor: 390 Ω : \pm 1%: 1/16W	
290	1655 4321	Resistor: 4.32K Ω : \pm 1%: 1/16W	
291	1655 4701	Chip Resistor - 4.7K Ω \pm 1%1/16W	
292	1655 4709	Resistor - 47 Ω \pm 1% 1/16W	
293	1655 4750	Resistor - 475 Ω \pm 1% 1/16W	
294	1655 4999	Resistor - 49.9 Ω \pm 1% 1/16W	
295	1655 5101	Resistor - 5.1K Ω \pm 1% 1/16W	
296	1655 5109	Resistor - 51 Ω \pm 1% 1/16W	
297	1655 5119	Resistor - 51.1 Ω \pm 1% 1/16W	
298	1655 5499	Resistor - 54.9 Ω \pm 1% 1/16W	
299	1655 5609	Resistor - 56 Ω \pm 1% 1/16W	
300	1655 5621	Resistor - 5.62K Ω \pm 1% 1/16W	
301	1655 5629	Resistor - 56.2 Ω \pm 1% 1/16W	
302	1655 5760	Resistor - 576 Ω \pm 1% 1/16W	
303	1655 6049	Resistor - 60.4 Ω \pm 1% 1/16W	
304	1655 6199	Resistor - 61.9 Ω \pm 1% 1/16W	
305	1655 6209	Resistor - 62 Ω \pm 1% 1/16W	
306	1655 6342	Resistor: 63.4K Ω : \pm 1%: 1/16W	
307	1655 6809	Chip Resistor - 68 Ω \pm 1%1/16W	
308	1655 8062	Resistor - 80.6K Ω \pm 1% 1/16W	
309	1655 8063	Resistor - 806K Ω \pm 1% 1/16W	
310	1655 8209	Resistor - 82 Ω \pm 1% 1/16W	

Index No.	Part No.	Description	Q'ty Per Assembly
311	1655 9100	Resistor - 910 Ω \pm 1% 1/16W	
312	1660 2121	Capacitor - 120pF \pm 5% 50V	

84.Decal and Document (B234/B235/B236/D101/D102/D103)

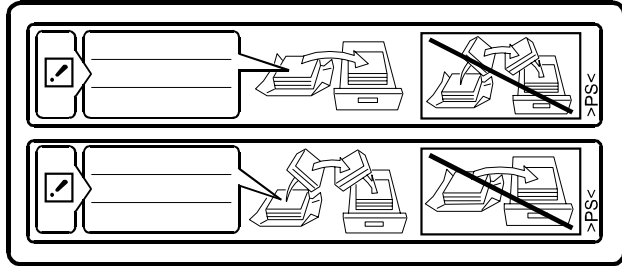


84.Decal and Document (B234/B235/B236/D101/D102/D103)



84.Decal and Document (B234/B235/B236/D101/D102/D103)

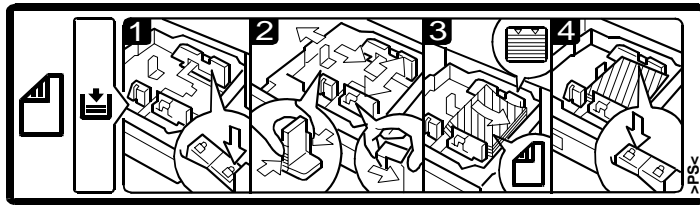
22



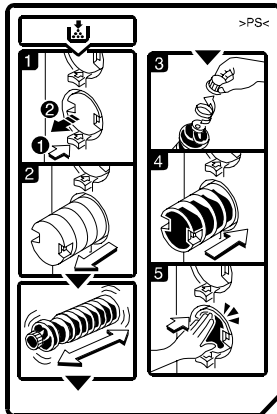
23

1			11×17	8×13
		B5	11×17	8¼×13
		8½×11		
		A4		
A3	B5	8½×14	10×14	
A3	B5	8½×14	11×15	
B4	A5	8½×11	×	
B4	A5	8½×11	×	
A4	A5	8½×11	F	
A4	レター	8½×11	*	
A4	レター	8½×13		
A4	5½×8½	8×10½		
B5	5½×8½	8×10		

24

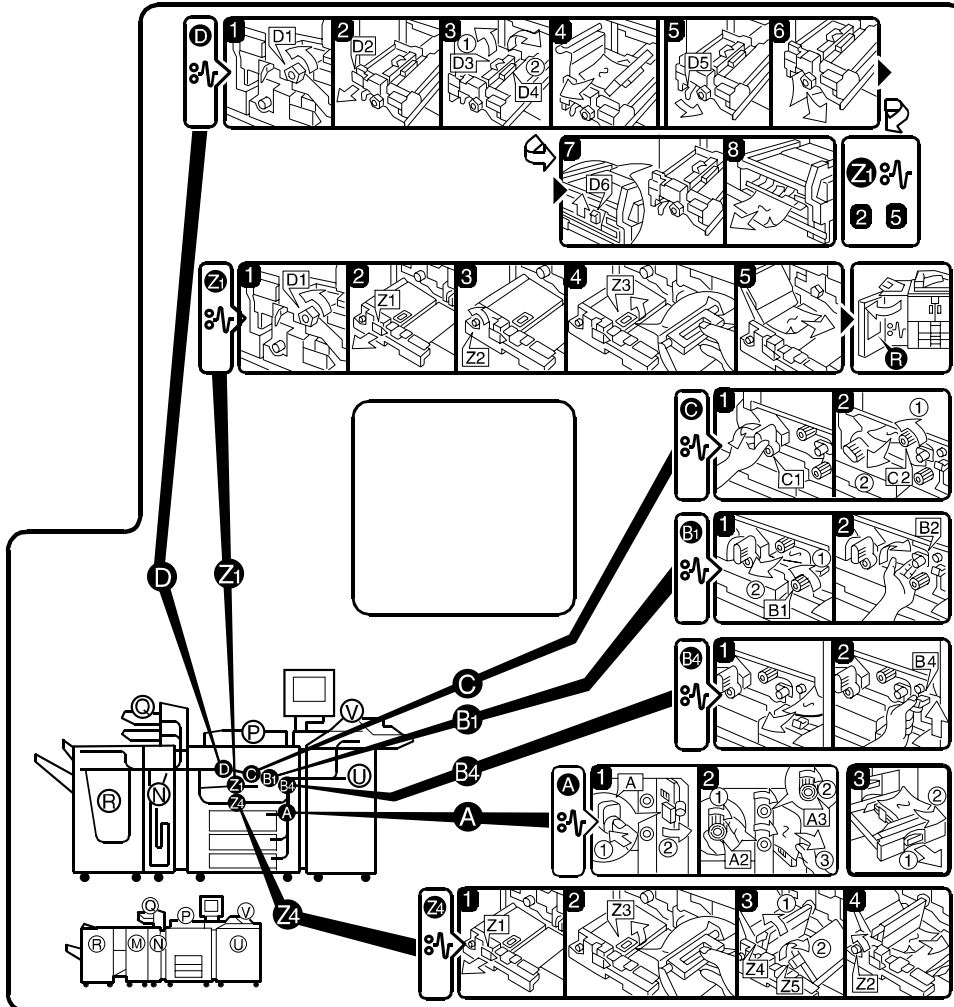


25



84.Decal and Document (B234/B235/B236/D101/D102/D103)

26



27

Caution: When Turning Off the Main Power

Do not turn off the main power switch while the On indicator is lit or blinking.

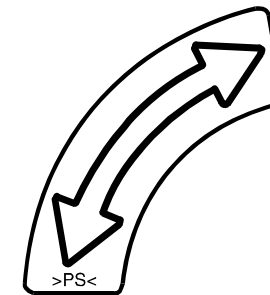
Before turning off main power switch, lower the exposure glass cover/ADF and press the operation switch. The On indicator should go out indicating that it is safe to turn off the main power switch.

>PS<

28

>PS<




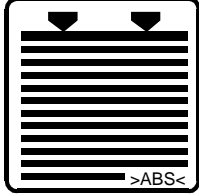
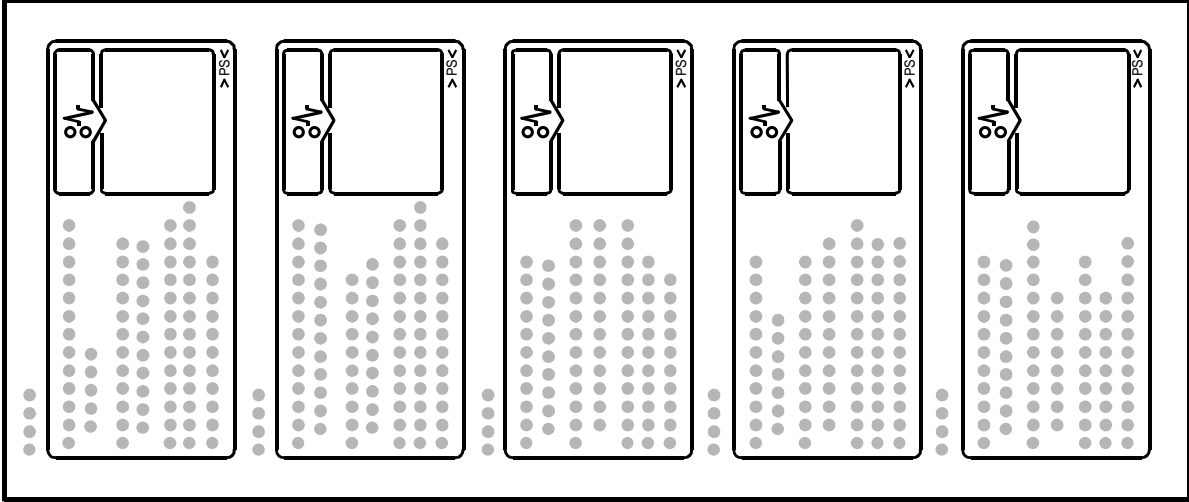

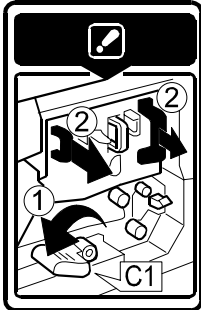





29








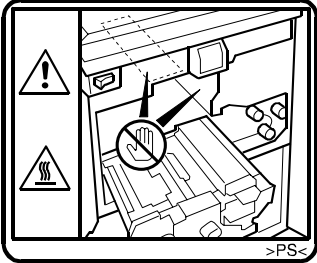
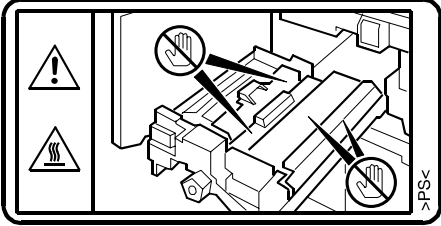

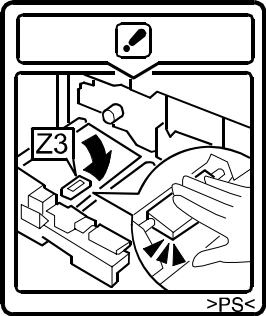
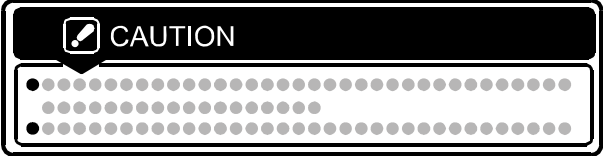
84.Decal and Document (B234/B235/B236/D101/D102/D103)

<p>30</p> <p>>PS<</p>	<p>32</p>																								
<p>31</p> <table border="1"> <thead> <tr> <th colspan="2">I/F Card Slot</th> </tr> </thead> <tbody> <tr><td>A1</td><td>Tandem</td></tr> <tr><td>A2</td><td>External CTL</td></tr> <tr><td>A3</td><td>File Format Converter</td></tr> <tr><td>B1</td><td>USB-Host</td></tr> <tr><td>B2</td><td>Option</td></tr> <tr><td>B3</td><td>Ethernet & USB(2.0)</td></tr> <tr> <th colspan="2">SD Card Slot</th> </tr> <tr><td>C1</td><td>System</td></tr> <tr><td>C2</td><td>Option</td></tr> <tr><td>C3</td><td>Service</td></tr> </tbody> </table> <p>>PS<</p>	I/F Card Slot		A1	Tandem	A2	External CTL	A3	File Format Converter	B1	USB-Host	B2	Option	B3	Ethernet & USB(2.0)	SD Card Slot		C1	System	C2	Option	C3	Service	<p>33</p> <p>>PS<</p>	<p>34</p> <p>>PS<</p>	<p>35</p> <p>>PS<</p>
I/F Card Slot																									
A1	Tandem																								
A2	External CTL																								
A3	File Format Converter																								
B1	USB-Host																								
B2	Option																								
B3	Ethernet & USB(2.0)																								
SD Card Slot																									
C1	System																								
C2	Option																								
C3	Service																								
<p>36</p> <p>Face UP</p> <p>Face imprimée dessus</p> <p>Mit der Schriftseite nach oben</p> <p>Faccia in su</p> <p>Boca arriba</p>	<p>37</p> <p>CAUTION VORSICHT</p>	<p>38</p>	<p>39</p> <p>>PS<</p>																						

84. Decal and Document (B234/B235/B236/D101/D102/D103)

<p>40</p> 	<p>41</p> 	<p>42</p> 	<p>43</p> 
<p>44</p> 			
<p>45</p> 	<p>47</p> 	<p>48</p> 	<p>50</p> 
<p>46</p> 	<p>49</p> 	<p>51</p> 	

84.Decal and Document (B234/B235/B236/D101/D102/D103)

<p>52</p> 	<p>53</p> 	<p>54</p> 	<p>55</p> 
<p>56</p> 	<p>57</p> 	<p>58</p> 	
<p>59</p> 	<p>60</p> 	<p>61</p> 	

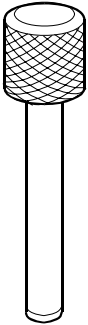
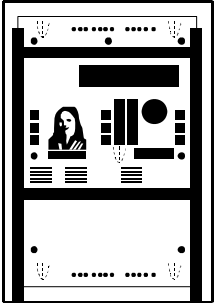
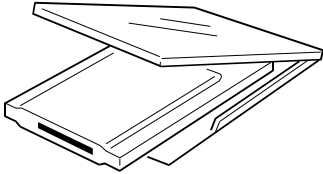
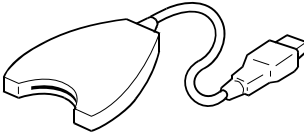
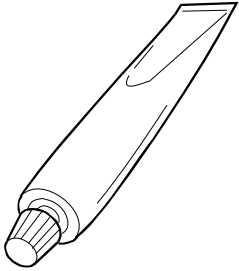
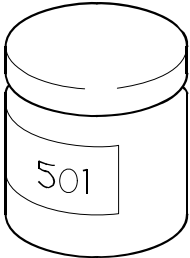
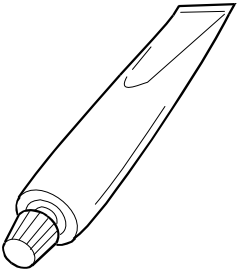
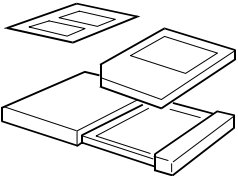
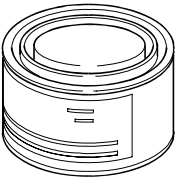

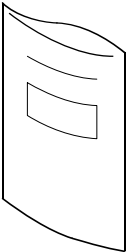
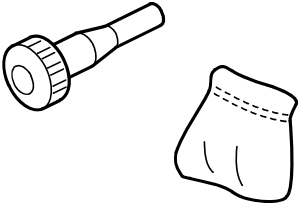
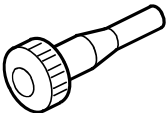

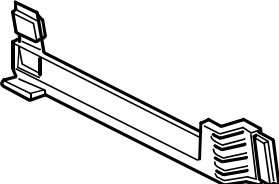
84.Decal and Document (B234/B235/B236/D101/D102/D103)

Rev. 02/24/2009

Index No.	Part No.	Description	Q'ty Per Assembly
1	A096 6677	Decal - Right Paper Set	1
2	A096 6678	Decal - Left Paper Set	1
3	AA00 1190	Decal - Ground	1
4	AA00 1462	Decal - Paper Feed (B1)	1
5	AA00 1463	Decal - Paper Feed: B2	1
6	AA00 1464	Decal - Paper Feed (B3)	1
7	AA00 1465	Decal - Paper Feed (B4)	1
8	AA00 1466	Decal - Paper Feed (C2)	1
9	AA00 1472	Decal - Paper Exit Unit (D1)	1
10	AA00 1473	Decal - Paper Exit Unit (D5)	1
11	AA00 1474	Decal - Duplex Unit (Z2)	1
12	AA00 1475	Decal - Duplex Unit (Z4)	1
13	AA00 1476	Decal - Duplex Unit (Z5)	1
14	AA00 2010	Decal - Paper Level	1
15	AA00 2246	Decal - Caution	1
16	AA00 3045	Decal - Misfeed Removal	1
17	AA00 3046	Decal - Vertical Transport (A3)	1
18	B065 3833	Decal - Transfer Unit Lever	1
19	B065 6545	Decal - Positioning	1
20	B065 6846	Decal - Paper Set - Left	1
21	B065 6877	Decal - Paper Set - Right	1
22	B070 1307	Decal: Paper Set Direction	1
23	B070 1308	Decal: Size Indication: Paper Tray	1
23	B234 8510	Decal: Size Indication: Multi-Language: C3	1
24	D014 6786	Decal: Paper Set Direction	1
25	B234 1272	Decal - Toner Bank	1
26	B234 1300	Decal - Misfeed Removal	1
27	B234 1357	Decal - Power Source Off English	1
28	B234 1378	Decal - Total Counter	1
29	B234 3892	Decal - Lever Release Transfer	1
30	B234 4138	Decal - Warning (High Temperature)	1
31	B234 6851	Decal - Caption Interface	1
32	B301 4316	Decal: Misfeed Removal	1
33	B301 4336	Decal: Size: Original: RIC	1
34	B301 4357	Decal: Caution: Paper Feed	1

Index No.	Part No.	Description	Q'ty Per Assembly
35	B477 4311	Decal - Original Base	1
36	B477 4431	Decal - Original Table	1
37	G029 1982	LD Decal	1
38	AA00 1417	Decal - D6	1
39	AA00 1477	Decal: Energy-Star	1
40	AA00 3211	Decal: Paper Tray: Display: 1	1
41	AA00 3212	Decal: Paper Tray: Display: 2	1
42	AA00 3213	Decal: Paper Tray: Display: 3	1
43	B223 2873	Decal - Side Fence Rear	1
44	B234 1306	Decal: Multi: Misfeed Removal: D1/Z2	1
45	B234 2311	Decal: Grip: Drum	1
46	B234 2332	Decal: Knob: English	1
47	B234 2338	Decal: Drum Stay	1
48	B234 2467	Decal: Side Plate: Tray Unit: Left	1
49	B234 2468	Decal: Side Plate: Tray Unit: Front	1
50	B234 3177	Decal: Positioning Display: Development	1
51	B234 3214	Decal: Display: Caution: Development	1
52	B234 3592	Decal: Positioning Display: 1	1
53	B234 3593	Decal: Frame: Cleaning	1
54	B234 3644	Decal: Case: Middle: Cleaning	1
55	B234 3654	Decal: Positioning Display: 2	1
56	B234 3655	Decal: Positioning Display: 3	1
57	B234 4136	Decal - Warning (High Temperature)	1
58	B234 4137	Decal: Warning: High Temperature: Exit	1
59	B234 4139	Decal: Positioning Display: Fusing	1
60	B234 4854	Decal: Operate: Z3	1
61	B234 7598	Decal: Caution Chart: PSU: Service	1

85.Special Tools (B234/B235/B236/D101/D102/D103)

<p>1</p> 	<p>2</p> 	<p>3</p> 	<p>4</p> 	<p>5</p> 
<p>6</p> 	<p>7</p> 	<p>8</p> 	<p>9</p> 	<p>10</p> 
<p>11</p> 	<p>12</p> 	<p>13</p> 	<p>14</p> 	<p>15</p> 

85.Special Tools (B234/B235/B236/D101/D102/D103)

Index No.	Part No.	Description	Q'ty Per Assembly
1	A006 9104	Scanner Positioning Pin (4pcs/set)	1
2	A292 9500	Test Chart - S5S (10 Pcs/Set)	1
3	B645 6700	SD-Card: Adapter: BN-SDAA2	1
4	B645 6800	SD-Card: USB: Writer: BN-SDCE2	1
5	A257 9300	Grease Barrierta - S552R	1
6	5203 9502	Grease 501	1
7	G004 9668	Grease - KS660 - SHIN-ETSU	1
8	B645 5010	SD-Card: Ass'y	1
9	5447 9078	Heat Resisting Grease MT-78	1
10	5442 9103	Launa Oil 40	1
11	B234 9640	Developer Type 27W BK	1
12	B234 8611	TCRU Operation Kit	1
13	B234 8612	Driver: Tcru	1
14	B234 8614	Setting Powder	1
15	B234 2860	Cleaner: CIS	1

Index No.	Part No.	Description	Q'ty Per Assembly

**B234/B235/B236/D101/D102/D103
PARTS INDEX**

This section instructs you as to the numbers and names of parts on this machine.

PM Parts Index

Section Name	Part No.	Description in Service Manual	Description in Parts Catalog	Q'ty Per Assembly	Page and Index No.
Original Feed 2 (B234/B235/B236/D101/D102/D103)	A806 1295	Paper Feed Belt	Feed Belt	1	29 - 18
Original Feed 2 (B234/B235/B236/D101/D102/D103)	A859 2241	Reverse Roller: Paper Feed	Reverse Roller	1	29 - 28
Original Feed 2 (B234/B235/B236/D101/D102/D103)	B477 2225	Pickup Roller	Pick-up Roller	1	29 - 31
Original Transport (B234/B235/B236/D101/D102/D103)	B301 1442	Transport Belt	Transport Belt	1	33 - 1
Optics Section 1 (B234/B235/B236/D101/D102/D103)	B070 1790	Exposure Glass: Ass'y	Exposure Glass: Ass'y	1	45 - 4
Paper Feed Unit 2 (B234/B235/B236/D101/D102/D103)	AF03 1080	Paper Feed Roller: Feed	Paper Feed Roller: Feed	1	65 - 3
Paper Feed Unit 2 (B234/B235/B236/D101/D102/D103)	AF03 0080	Paper Feed Roller: Pick-up	Paper Feed Roller: Pickup	1	65 - 5
Paper Feed Unit 3 (B234/B235/B236/D101/D102/D103)	AF03 2080	Paper Feed Roller: Separate	Paper Feed Roller: Separate	1	67 - 3
Charge Corona Unit 1 (B234/B235/B236/D101/D102/D103)	B234 2156	Wire: Charge Corona: Pre	Charge Corona Wire	1	87 - 6
Charge Corona Unit 1 (B234/B235/B236/D101/D102/D103)	B234 2155	Grid: Charge Corona: Pre	Charge Corona Grid	1	87 - 12
Charge Corona Unit 1 (B234/B235/B236/D101/D102/D103)	A096 2063	Corona Wire Cleaner	Corona Wire Cleaner	1	87 - 22
Charge Corona Unit 1 (B234/B235/B236/D101/D102/D103)	B234 2128	Wire: Charge Corona	Wire: Charge Corona	1	87 - 25
Charge Corona Unit 1 (B234/B235/B236/D101/D102/D103)	B234 2113	Grid: Charge Corona	Charge Corona Grid	1	87 - 28
Charge Corona Unit 1 (B234/B235/B236/D101/D102/D103)	B234 2123	Cushion: Wire	Cushion - Wire	1	87 - 32
Development Unit 1 (B234/B235/B236/D101/D102/D103)	B234 3165	Paddle roller gear: 42Z	Gear - 42Z	1	91 - 1
Development Unit 1 (B234/B235/B236/D101/D102/D103)	B234 3107	Idle Gear: 23Z	Gear: Idler: Development Unit	1	91 - 10
Development Unit 1 (B234/B235/B236/D101/D102/D103)	B070 3180	Development roller gear: 21Z	Gear: Development Roller: Z21: M=0.8	2	91 - 11

Section Name	Part No.	Description in Service Manual	Description in Parts Catalog	Q'ty Per Assembly	Page and Index No.
Toner Collection Bottle (B234/B235/B236/D101/D102/D103)	B234 3701	Collection Bottle: Vacuum: Ass'y	Collection Bottle (B234/B235)	1	93 - 1
Toner Collection Bottle (B234/B235/B236/D101/D102/D103)	B234 3094	Air Pump: Development: Ass'	Air Pump Unit	1	93 - 8
PCU 2 (B234/B235/B236/D101/D102/D103)	AD02 5022	Pick-off Pawl: Swivel	Pick-off Pawl	2	97 - 19
Cleaning Unit 1 (B234/B235/B236/D101/D102/D103)	B234 3637	Filter Cleaning	Filter - CLEANING	2	99 - 7
Cleaning Unit 1 (B234/B235/B236/D101/D102/D103)	B234 3564	Blade: Cleaning : Ass'y	Cleaning Blade	1	99 - 12
Cleaning Unit 2 (B234/B235/B236/D101/D102/D103)	B234 3590	Brush Roller: Cleaning	Cleaningbrush Roller	1	101 - 14
Transfer Belt Unit 1 (B234/B235/B236/D101/D102/D103)	B234 3971	Transfer Belt	Transfer Belt	1	103 - 19
Transfer Belt Unit 2 (B234/B235/B236/D101/D102/D103)	B234 3916	Blade: Transfer Belt: No1 2: Ass'y	Transfer Belt Cleaning Blade	1	105 - 6
Fusing Unit 1 (B234/B235/B236/D101/D102/D103)	AE04 0067	Roller: Cleaning Felt: Plate	Roller - Cleaning Felt	1	107 - 7
Fusing Unit 1 (B234/B235/B236/D101/D102/D103)	AE04 5054	Roller: Cleaning felt: 24M: Ass'y	Web Roller	1	107 - 22
Fusing Unit 1 (B234/B235/B236/D101/D102/D103)	B070 4418	Pad: Brake: Oil Supply Roller	Web Brake Pad	1	107 - 24
Fusing Unit 2 (B234/B235/B236/D101/D102/D103)	AE04 4067	Stripper Pawls: Ring	Stripper Pawls: Ring	5	109 - 17
Fusing Unit 3 (B234/B235/B236/D101/D102/D103)	AE01 1108	Hot Roller: DIA80	Hot Roller (B234/B235)	1	111 - 11
Fusing Unit 3 (B234/B235/B236/D101/D102/D103)	AE01 1110	Hot Roller: DIA80: TypeC	Hot Roller - Dia80 C (B236)	1	111 - 11
Fusing Unit 4 (B234/B235/B236/D101/D102/D103)	AE02 0159	Pressure Roller: DIA80	Pressure Roller - Dia80	1	113 - 29
Electrical Section 1 (B234/B235/B236/D101/D102/D103)	B070 2076	Ozone Filter: 50x150x40	Ozone Filter: 50x150x40	1	147 - 9
Frame Section 4 (B234/B235/B236/D101/D102/D103)	B234 2158	Filter: Around The Photoconductor	Filter	1	169 - 5

Parts Index

Part No.	Description	Page and Index No.
B234 1080	Channel Bracket - Middle Front	171 - 7
B234 1097	Fan Motor DC24V 9.6W	153 - 16
B234 1097	Fan Motor DC24V 9.6W	147 - 11
B234 1099	Holder: Base: Image Reading Unit	171 - 10
B234 1101	Brushless Motor Bracket	137 - 28
B234 1106	Tightener	137 - 22
B234 1110	Tightener	137 - 19
B234 1112	Pulley	137 - 20
B234 1114	Pulley: Tightener: Drum: Ass'y	137 - 23
B234 1117	Holder: Pulley: Drum	137 - 36
B234 1118	Fly Wheel Flange	137 - 3
B234 1125	Brushless Motor Bracket	135 - 3
B234 1128	Tightener	135 - 2
B234 1130	Fusing Drive Unit Bracket	135 - 9
B234 1132	Spring: Joint: Fusing	135 - 12
B234 1134	Drive Shaft	135 - 10
B234 1135	Pulley Flange	135 - 8
B234 1140	Transfer Drive Bracket	137 - 31
B234 1144	Drive Shaft	137 - 33
B234 1150	Toner Recycling Unit Drive Bracket	139 - 4
B234 1154	Pulley - 40T	139 - 5
B234 1156	Tightener	139 - 2
B234 1158	Pulley - 23T	135 - 1
B234 1158	Pulley - 23T	139 - 1
B234 1182	Duct - Exhaust Fusing Exit	153 - 17
B234 1253	Door - Front Right	17 - 15
B234 1258	Cover - Upper	19 - 16
B234 1260	ADF Exit Tray	21 - 3
B234 1261	Cover - Upper Rear	19 - 25
B234 1262	Cover - Upper Right	21 - 1
B234 1263	Stopper - ADF Exit Tray	21 - 26
B234 1267	Door - Front Lower	19 - 4
B234 1272	Decal - Toner Bank	225 - 25
B234 1272	Decal - Toner Bank	19 - 5
B234 1277	Door - Front Left	17 - 1

Part No.	Description	Page and Index No.
B234 1281	Cover Grip	17 - 5
B234 1293	Lever - Safety Switch	17 - 3
B234 1294	Stopper - Vertical Transport	17 - 16
B234 1296	Plate: Magnet Catch	17 - 4
B234 1300	Decal - Misfeed Removal	17 - 6
B234 1300	Decal - Misfeed Removal	225 - 26
B234 1306	Decal: Multi: Misfeed Removal: D1/Z2	17 - 27
B234 1306	Decal: Multi: Misfeed Removal: D1/Z2	225 - 44
B234 1311	Cover - Right Upper	19 - 15
B234 1313	Cover - Large Capacity Tray	19 - 17
B234 1316	Cover - Right Lower	19 - 13
B234 1320	Cover - Left Upper	19 - 1
B234 1326	Cover - Left Lower	19 - 3
B234 1329	Cover - Rear	19 - 20
B234 1332	Supporting Plate: Cover: Rear Upper	19 - 27
B234 1341	Cap: Connector	19 - 2
B234 1349	Cover - Main Switch	159 - 6
B234 1352	Hinge: Right Upper: Ass'y	159 - 13
B234 1354	Bracket: Main Switch	159 - 10
B234 1357	Decal - Power Source Off English	225 - 27
B234 1357	Decal - Power Source Off English	17 - 32
B234 1360	Hinge: Left Upper: Ass'y	159 - 7
B234 1367	Cover - Logo	17 - 25
B234 1369	Sheet: Logo: RIC: 9000	17 - 24
B234 1372	Inner Cover - Upper Left	17 - 10
B234 1375	Inner Cover - Upper Right	17 - 11
B234 1378	Decal - Total Counter	17 - 9
B234 1378	Decal - Total Counter	225 - 28
B234 1380	Inner Cover - Left	17 - 18
B234 1421	Cover - Holder	21 - 24
B234 1422	Support Cover - Upper	21 - 6
B234 1423	Support Cover - Lower	21 - 23
B234 1424	Cover - Arm	21 - 5
B234 1433	Frame: Arm: Operation Sub-unit	21 - 17
B234 1447	Knob Shaft - Operation Panel Upper	21 - 8

Part No.	Description	Page and Index No.
B234 1448	Knob Shaft - Operation Panel Lower	21 - 19
B234 1451	Operation Panel Unit (NA) (Model C3)	23 - 1
B234 1452	Operation Panel Unit EU (Model C3)	23 - 1
B234 1460	PCB - Key Main	23 - 21
B234 1463	PCB Key Sub	23 - 20
B234 1466	PCB LED F	23 - 30
B234 1469	PCB LED R	23 - 31
B234 1472	PCB LCD	23 - 28
B234 1475	Harness - SUB	23 - 34
B234 1476	Harness - INV	23 - 33
B234 1477	Harness - LED	23 - 29
B234 1478	Cable - FFC/LCD	23 - 22
B234 1479	Touch Panel S-VGA	23 - 26
B234 1480	Inverter S-VGA	23 - 10
B234 1502	Cover: Rear	23 - 36
B234 1504	Cover - Pilot Lamp	23 - 24
B234 1505	Keytop - Start	23 - 6
B234 1506	Keytop - Stop	23 - 15
B234 1507	Keytop - 10key	23 - 8
B234 1508	Keytop - Try Print	23 - 7
B234 1515	Keytop - Spacer Application	23 - 9
B234 1517	Keytop - Program	23 - 16
B234 1519	Keytop - Power Source	23 - 19
B234 1520	Keytop - Interrupt	23 - 17
B234 1521	Keytop - Login_logout	23 - 18
B234 1523	Keytop - Application Blank S (Model C3)	23 - 4
B234 1526	Keytop - Application Blank L (Model C3)	23 - 5
B234 1531	Shading Plate	23 - 23
B234 1533	Arm Stay Bracket	23 - 32
B234 1534	LCD Bracket	23 - 13
B234 1535	LED Heat Sink	23 - 40
B234 1538	Sheet: Heat	23 - 39
B234 1539	Insulator - Inverter	23 - 12
B234 1542	Spacer - Touch Panel L	23 - 35
B234 1543	Spacer - Touch Panel S	23 - 25

Part No.	Description	Page and Index No.
B234 1544	Cushion - Plate LCD PCB	23 - 38
B234 1558	Keytop - Counter NA	23 - 11
B234 1559	Keytop - Reset Switch	23 - 14
B234 1568	Keytop - Counter EU	23 - 11
B234 1569	Keytop - Copy NA	23 - 2
B234 1570	Keytop - Docbox NA	23 - 3
B234 1575	Keytop - Copy EU	23 - 2
B234 1576	Keytop - Docbox EU	23 - 3
B234 1592	Cover: Front: Design Plate: NA: Ass'y (Model C3)	23 - 37
B234 1593	Cover: Front: Design Plate: EU: Ass'y (Model C3)	23 - 37
B234 1621	Sheet: Guide: Harness: Ass'y	47 - 21
B234 1630	Guide: Harness: No.2: Unit	47 - 20
B234 1640	Mirror No.2	47 - 4
B234 1669	Cover - IC	49 - 2
B234 1670	Stabilizer Duct	49 - 19
B234 1674	Cover Plate - Sync Detector Board	49 - 10
B234 1675	Rail: Scanner: Front	51 - 29
B234 1676	Stabilizer Bracket	49 - 18
B234 1681	Seal: Harness	47 - 22
B234 1683	Scanner Pulley Bracket	51 - 9
B234 1686	ADF Bracket	159 - 15
B234 1688	Cushion: Scanner: No.1: Upper	47 - 19
B234 1690	Image Reading Unit Stay: Frame - Rear	51 - 16
B234 1695	Rail: Scanner: Rear	51 - 28
B234 1696	Duct Bracket	49 - 9
B234 1697	SIB Bracket	49 - 14
B234 1699	Fan Motor Bracket	49 - 4
B234 1701	Scanner No.1 Unit	47 - 9
B234 1702	Frame: Scanner: No.1	47 - 28
B234 1703	Side Plate: Front: No.1	47 - 27
B234 1704	Side Plate: Rear: No.1	47 - 26
B234 1705	Bracket: Scanner: No.1	47 - 25
B234 1706	Mirror No.1	47 - 15
B234 1707	Reflector	47 - 14
B234 1709	Wire Stay	47 - 17

Part No.	Description	Page and Index No.
B234 1712	Lamp Holder - Rear	47 - 13
B234 1713	Harness Holder No.1	47 - 11
B234 1721	Lens Unit	45 - 10
B234 1723	Scanner Pulley Bracket - Left	51 - 10
B234 1726	Scanner No.2 Bracket - Front	47 - 7
B234 1732	Scanner No.2 Unit	47 - 1
B234 1734	Bracket: Scanner: No.2: Peen	47 - 23
B234 1739	Scanner No.2 Bracket - Rear	47 - 3
B234 1744	Harness Guide	49 - 6
B234 1746	Tension Wire Bracket	51 - 18
B234 1747	Original Sensor Holder	45 - 13
B234 1748	Scanner Motor Bracket	51 - 3
B234 1749	Scanner Drive Shaft	51 - 7
B234 1751	Guard - 2nd Mirror	47 - 24
B234 1758	Tension Spring	51 - 19
B234 1759	Drive Were	51 - 17
B234 1764	Fan Motor Bracket	51 - 1
B234 1765	Fan Motor Bracket	49 - 1
B234 1766	CNB Bracket	45 - 17
B234 1774	DC Motor: Scanner: DC27V 50W	51 - 8
B234 1779	Cover - Lens SBU	45 - 11
B234 1781	Holder Lens stay Lens Unit	51 - 13
B234 1782	Lens Unit Stay Spacer	45 - 9
B234 1793	Cushion: Scanner: No.2: Upper	47 - 18
B234 1795	Scale: Rear: Ass'y	45 - 7
B234 1811	Cover - LD Unit	49 - 7
B234 1817	Cover - Sync Detector Board	49 - 11
B234 1825	Home Position Sensor Bracket	49 - 16
B234 1828	Scanning Fan Bracket	51 - 25
B234 1836	Ground Plate - Left Frame	165 - 4
B234 1845	Filter: Ass'y	45 - 18
B234 1851	Imaging Unit	53 - *
B234 1910	Laser Diode Unit	53 - 6
B234 1934	Mirror Holder	53 - 27
B234 1944	Shield Glass Holder	53 - 34

Part No.	Description	Page and Index No.
B234 1958	Seal: Mirror	53 - 5
B234 1970	Imaging Unit Fan Motor Unit	167 - 5
B234 1975	Fan Motor Seal - Lower	167 - 4
B234 1976	Fan Motor Seal - Upper	167 - 6
B234 1977	Imaging Unit Duct	159 - 12
B234 1984	Harness Cushion 1	53 - 8
B234 1988	Harness Cushion 2	53 - 11
B234 1991	Cover - Shield Glass	89 - 14
B234 2051	Vacuum Duct Unit	147 - 7
B234 2065	Drum Duct	153 - 1
B234 2071	Charge Duct	153 - 15
B234 2091	Charge Receptacle	153 - 6
B234 2092	Terminal Pin	153 - 8
B234 2093	Terminal - Pre G	153 - 10
B234 2096	Terminal - Pre C	153 - 20
B234 2097	Gear - 20Z	153 - 3
B234 2098	Gear - 14Z	153 - 7
B234 2100	Drive Shaft	153 - 4
B234 2101	Cover - Motor	153 - 2
B234 2111	Charge Corona Unit	87 - 16
B234 2112	Grid Stay - Front	87 - 31
B234 2113	Charge Corona Grid	87 - 28
B234 2114	Electrode Plate	87 - 30
B234 2115	Earth Spring Plate	87 - 21
B234 2116	Screw Shaft	87 - 17
B234 2117	Bushing - Screw Shaft	87 - 23
B234 2118	Spacer Cushion	87 - 24
B234 2119	Gear - 14Z	87 - 20
B234 2120	End Block: Charge Corona: Front	87 - 34
B234 2121	End Block: Charge Corona: Rear	87 - 33
B234 2123	Cushion - Wire	87 - 32
B234 2124	Spring - Charge Corona	87 - 8
B234 2125	Spring - Grid	87 - 5
B234 2126	End Block Cover - Front	87 - 29
B234 2127	End Block Cover - Rear	87 - 26

Part No.	Description	Page and Index No.
B234 2128	Wire: Charge Corona	87 - 25
B234 2129	Charge Corona Bracket	89 - 13
B234 2140	Pre Charge Corona	87 - 1
B234 2141	End Block: Front	87 - 36
B234 2142	End Block: Rear	87 - 35
B234 2144	End Block Cover - Front	87 - 14
B234 2145	End Block Cover - Rear	87 - 10
B234 2148	Cleaner Slider	87 - 4
B234 2149	Cleaner	87 - 7
B234 2151	Grid Stay - Front	87 - 13
B234 2152	Grid Stay - Rear	87 - 11
B234 2154	Wire Cushion	87 - 9
B234 2155	Charge Corona Grid	87 - 12
B234 2156	Charge Corona Wire	87 - 6
B234 2157	Filter Guide	169 - 4
B234 2158	Filter	169 - 5
B234 2165	Rear Duct Unit	147 - 15
B234 2170	Machine Or Copier Duct	167 - 7
B234 2263	Electric Potential Sensor Holder	97 - 4
B234 2264	Electric Potential Sensor	97 - 15
B234 2270	LED Array	97 - 6
B234 2273	Stay - Pre-Transfer Lamp	97 - 5
B234 2276	Pickoff Pawl Stay	97 - 12
B234 2278	Ground Plate	97 - 11
B234 2279	Density Sensor P	97 - 13
B234 2281	Pickoff Pawl Unit	97 - 17
B234 2282	Spring: Pickoff Pawl: Swivel	97 - 24
B234 2283	Holder: Pickoff Pawl	97 - 35
B234 2284	Shaft	97 - 25
B234 2287	Bushing - Rear	97 - 18
B234 2288	Pawl Spring - Front	97 - 22
B234 2289	Pawl Spring - Rear	97 - 21
B234 2291	Electric Potential Sensor Holder	97 - 16
B234 2293	Cover - Pickoff Pawl Stay	97 - 9
B234 2296	Bracket	97 - 30

Part No.	Description	Page and Index No.
B234 2301	Gear - 17Z/18Z	97 - 29
B234 2302	Gear - 14Z/32Z	97 - 28
B234 2303	Gear - 32Z	97 - 27
B234 2305	Side Plate - Front	97 - 31
B234 2309	Drum Unit	97 - *
B234 2310	Side Plate - Rear	97 - 2
B234 2311	Decal: Grip: Drum	225 - 45
B234 2311	Decal: Grip: Drum	97 - 33
B234 2318	Drum Stay: Around The Photoconductor: Ass'y	95 - 1
B234 2323	Holder	95 - 7
B234 2324	Cover	95 - 9
B234 2325	Compression Spring	95 - 8
B234 2326	Grip - Right	95 - 4
B234 2327	Grip - Tray Unit	95 - 10
B234 2332	Decal: Knob: English	95 - 6
B234 2332	Decal: Knob: English	225 - 46
B234 2338	Decal: Drum Stay	95 - 5
B234 2338	Decal: Drum Stay	225 - 47
B234 2342	Inner Cover	17 - 19
B234 2344	Duct	17 - 17
B234 2350	Drum Shaft	137 - 1
B234 2360	Electrode Plate: Drum Shaft	137 - 35
B234 2372	Cleaning Fan Holder	159 - 19
B234 2377	Duct - Upper	159 - 14
B234 2381	Ground Plate - Front	97 - 32
B234 2382	Ground Plate - Pickoff Pawl	97 - 26
B234 2390	Flanged Hexagonal Head Bolt: M4x8	17 - 20
B234 2390	Flanged Hexagonal Head Bolt: M4x8	107 - 26
B234 2390	Flanged Hexagonal Head Bolt: M4x8	95 - 3
B234 2390	Flanged Hexagonal Head Bolt: M4x8	87 - 2
B234 2401	Around The Photoconductor Unit	89 - 18
B234 2404	DC Solenoid	89 - 5
B234 2406	Release Blade Base No.2	89 - 4
B234 2411	Arm	89 - 2
B234 2412	Tension Spring	89 - 1

Part No.	Description	Page and Index No.
B234 2416	Frame: Upper: Drum Unit	89 - 19
B234 2422	Shading Plate - Discharge Lamp	89 - 11
B234 2423	Cover - Shield Glass	89 - 12
B234 2427	Seal - QL	89 - 10
B234 2431	Ground Plate	89 - 3
B234 2434	Cover - Around The Photoconductor	89 - 8
B234 2440	LED Array - QL	89 - 9
B234 2461	Side Plate: Tray Unit: Front: Welding	95 - 11
B234 2467	Decal: Side Plate: Tray Unit: Left	95 - 21
B234 2467	Decal: Side Plate: Tray Unit: Left	225 - 48
B234 2468	Decal: Side Plate: Tray Unit: Front	225 - 49
B234 2468	Decal: Side Plate: Tray Unit: Front	95 - 22
B234 2471	Side Plate - Rear	95 - 19
B234 2481	Tray Unit Stay - Left	169 - 18
B234 2485	Slide Rail	169 - 17
B234 2485	Slide Rail	167 - 1
B234 2486	Guard Bracket - Upper	169 - 11
B234 2487	Stay Heat Insulation - Left	169 - 19
B234 2491	Roller Bracket	141 - 14
B234 2494	Torsion Spring	141 - 13
B234 2495	Roller Bracket	141 - 12
B234 2512	Paper Feed Unit	71 - *
B234 2600	Side Plate: Paper Feed: Front	75 - 29
B234 2605	Side Plate: Paper Feed: Front: No.2	73 - 26
B234 2610	Side Plate: Paper Feed: Rear	75 - 30
B234 2621	Registration Roller - Drive	73 - 2
B234 2624	Ball Bearing - 8x12x5	127 - 27
B234 2624	Ball Bearing - 8x12x5	65 - 6
B234 2624	Ball Bearing - 8x12x5	73 - 20
B234 2626	Registration Roller - Driven	73 - 1
B234 2628	Ball Bearing - Front	73 - 17
B234 2629	Ball Bearing - Rear	73 - 19
B234 2632	Guide Plate - Lower	73 - 10
B234 2637	LED Bracket	73 - 12
B234 2642	Guide Plate - Upper	73 - 22

Part No.	Description	Page and Index No.
B234 2643	Guide Plate - Entrance	73 - 14
B234 2652	Registration Cover	73 - 3
B234 2658	Registration Sensor Bracket	73 - 4
B234 2660	Remove Paper Dust Case	73 - 6
B234 2704	Guide Plate	75 - 4
B234 2705	Lock Pawl - Front	75 - 2
B234 2706	Lock Pawl - Rear	75 - 6
B234 2707	Lock Lever	75 - 1
B234 2712	Guide Plate: Middle: Right: Adhesion	75 - 10
B234 2720	Guide Plat - Left Lower	75 - 16
B234 2726	Paper Feed Sensor Bracket	71 - 13
B234 2731	Positioning Sensor Bracket	75 - 18
B234 2731	Positioning Sensor Bracket	71 - 23
B234 2736	Positioning Sensor Stay	75 - 19
B234 2736	Positioning Sensor Stay	71 - 24
B234 2750	Contact Image Sensor	75 - 17
B234 2750	Contact Image Sensor	71 - 22
B234 2761	Guide Plate - Upper	75 - 9
B234 2765	Guide Plate - Lower	75 - 20
B234 2770	Guide Plate - Upper	73 - 16
B234 2776	Guide Plate - Lower	71 - 14
B234 2781	Paper Feed Sensor Bracket	71 - 11
B234 2785	DC Solenoid	71 - 10
B234 2792	Slider	71 - 7
B234 2793	Button	71 - 6
B234 2795	Sheet: Cover: Harness	73 - 28
B234 2796	Seal: Harness Clamp: 4x12	73 - 27
B234 2812	Stepper Motor Bracket	141 - 19
B234 2813	Drive Unit Bracket	141 - 17
B234 2821	Drive Unit Bracket	141 - 22
B234 2830	DC Solenoid	141 - 8
B234 2850	Inner Cover	71 - 3
B234 2860	Cleaner: CIS	227 - 15
B234 3051	Brushless Motor DC24V 33W	133 - 7
B234 3055	Stepper Motor DC12.6V 12.6W	133 - 6

Part No.	Description	Page and Index No.
B234 3056	Bracket	133 - 11
B234 3062	Shaft - Toner Supply Roller	133 - 5
B234 3065	Tightener	133 - 8
B234 3067	Spring	133 - 10
B234 3069	Agitator Bracket	133 - 15
B234 3070	Agitator Drive Shaft	133 - 14
B234 3072	Gear - 30Z	133 - 13
B234 3073	Cover	133 - 16
B234 3074	Drawer Bracket	133 - 17
B234 3076	Pump Unit Bracket	93 - 13
B234 3078	Supporting Plate - Drum Shaft	137 - 4
B234 3079	Tube - Collection Bottle	93 - 7
B234 3081	Duct: Fan: Ass'y	157 - 10
B234 3084	Release Plate	95 - 24
B234 3086	Fan Motor Bracket	157 - 2
B234 3087	Terminal: Development Vias	137 - 37
B234 3089	Stay: Holder: Development Unit	95 - 23
B234 3090	Holder - Development Unit Move	95 - 16
B234 3093	Torsion Spring	95 - 15
B234 3094	Air Pump Unit	93 - 8
B234 3095	DC Motor 24V 5.85W	93 - 16
B234 3096	Tray Unit Stay - Right	167 - 8
B234 3097	Guide Plate - Development Unit	167 - 2
B234 3098	Guide Plate - Rail Development Unit	167 - 10
B234 3103	Development Unit: Ass'y	91 - *
B234 3107	Gear: Idler: Development Unit	91 - 10
B234 3118	Bushing: Transport Screw: Dia6	91 - 8
B234 3125	Density Sensor Guide	91 - 16
B234 3126	Sheet: Guide: Density Sensor	91 - 35
B234 3138	Connector Holder	91 - 4
B234 3139	Harness - Development Unit	91 - 3
B234 3151	Duct	91 - 33
B234 3154	Tube	91 - 34
B234 3157	Development Guide	91 - 27
B234 3158	Tube: Duct Joint	91 - 30

Part No.	Description	Page and Index No.
B234 3162	Tube - Joint	93 - 18
B234 3165	Gear - 42Z	91 - 1
B234 3166	Gear - 20Z	91 - 7
B234 3167	Gear - 34Z	91 - 6
B234 3168	Knob - Development	91 - 22
B234 3170	Gear - 31Z	91 - 25
B234 3171	Entrance Seal: Ass'y	91 - 15
B234 3175	Grip	91 - 29
B234 3177	Decal: Positioning Display: Development	91 - 32
B234 3177	Decal: Positioning Display: Development	225 - 50
B234 3177	Decal: Positioning Display: Development	95 - 17
B234 3179	Shield: Development Roller: Front	91 - 19
B234 3180	Shield: Development Roller: Rear	91 - 14
B234 3187	Seal: Side Plate: Rear	91 - 2
B234 3188	Harness Cover	91 - 28
B234 3190	Seal: Joint	91 - 31
B234 3191	Shield: Drum: Front	91 - 18
B234 3192	Shield: Drum: Rear	91 - 13
B234 3195	Spring Plate: Drum Stay: Ass'y	95 - 27
B234 3200	Toner Supply Unit	85 - *
B234 3214	Decal: Display: Caution: Development	85 - 10
B234 3214	Decal: Display: Caution: Development	225 - 51
B234 3216	Seal: Toner Hopper: Upper	85 - 5
B234 3221	Slitter	85 - 7
B234 3222	Plate Nut	85 - 8
B234 3223	Slitter Cover	85 - 9
B234 3239	Joint: Toner Hopper	85 - 1
B234 3248	Development Fan Motor Unit	157 - 13
B234 3255	Tube Joint Bracket	157 - 7
B234 3256	Tube Joint	157 - 8
B234 3260	Pump Unit	141 - 1
B234 3266	Drive Joint	141 - 7
B234 3267	Drive Shaft	141 - 4
B234 3268	Gear - 24Z	141 - 6
B234 3269	Feeler	141 - 5

Part No.	Description	Page and Index No.
B234 3277	Compression Spring	141 - 11
B234 3279	Gear - 36Z	141 - 10
B234 3282	Tube - DIA6	141 - 23
B234 3283	Timing Belt - B50S2M208	81 - 28
B234 3291	Stepper Motor Bracket	133 - 2
B234 3293	Stepper Motor DC3.6V 7.2W	133 - 1
B234 3305	Toner Bank: Main	77 - *
B234 3311	Case: Toner Bank: Unit	83 - 8
B234 3340	Guide Plate	83 - 19
B234 3356	Joint: Chuck: Toner Bottle	83 - 25
B234 3372	DC Motor: Toner Bottle: DC21V 5.85W	145 - 24
B234 3372	DC Motor: Toner Bottle: DC21V 5.85W	81 - 20
B234 3372	DC Motor: Toner Bottle: DC21V 5.85W	133 - 19
B234 3372	DC Motor: Toner Bottle: DC21V 5.85W	79 - 2
B234 3375	DC Motor: Drive: Chuck: DC21V 5.85W	79 - 16
B234 3400	Cylinder Unit	145 - 1
B234 3420	Brushless Motor: DC24V 5.1W	79 - 6
B234 3424	Torque Limiter - 50T	81 - 27
B234 3446	Supporter Bracket	145 - 7
B234 3452	Bracket: Dc Motor: Collection Bottle	81 - 19
B234 3457	Gear - 23Z	81 - 35
B234 3458	Gear - 27Z	81 - 34
B234 3460	Cover: Drive: Agitator	81 - 37
B234 3461	Used Toner Sensor Bracket	81 - 31
B234 3467	Stay - DC Motor bracket	81 - 29
B234 3468	Collection Bottle	77 - 21
B234 3491	Inner Cover - Upper	19 - 11
B234 3492	Inner Cover - Lower	19 - 12
B234 3494	Toner Collection Coil	83 - 17
B234 3499	Pipe	81 - 6
B234 3503	Cleaning Unit: Ass'y	99 - *
B234 3556	Bushing - Rear	99 - 10
B234 3561	Spring	99 - 11
B234 3562	Bushing - Front	99 - 4
B234 3564	Cleaning Blade	99 - 12

Part No.	Description	Page and Index No.
B234 3567	Cleaning Blade Bracket	99 - 15
B234 3579	Spring - 16mm	99 - 13
B234 3585	Compression Spring	99 - 14
B234 3586	Cleaning Blade: No.2: Ass'y	99 - 16
B234 3590	Cleaning brush Roller	101 - 14
B234 3592	Decal: Positioning Display: 1	99 - 5
B234 3592	Decal: Positioning Display: 1	225 - 52
B234 3593	Decal: Frame: Cleaning	95 - 20
B234 3593	Decal: Frame: Cleaning	225 - 53
B234 3601	Gear - 15Z	101 - 4
B234 3602	Gear - 15Z/43Z	101 - 6
B234 3603	Agitator	101 - 10
B234 3606	Ground Plate - Brush Roller	101 - 18
B234 3607	Toner Collection Coil	101 - 11
B234 3615	Vibrating Plate	101 - 15
B234 3624	Case: Cleaning: Inner Back: Ass'y	99 - 9
B234 3627	Case: Middle: Cleaning: Ass'y	101 - 1
B234 3636	Case - Upper	99 - 6
B234 3637	Filter - Cleaning	99 - 7
B234 3638	Spring Plate: Brush Roller	101 - 2
B234 3639	Holder: Spring Plate: Brush Roller	101 - 3
B234 3641	Case: Cleaning: Front: Ass'y	99 - 1
B234 3644	Decal: Case: Middle: Cleaning	225 - 54
B234 3644	Decal: Case: Middle: Cleaning	99 - 8
B234 3651	Toner Catch pan	101 - 21
B234 3652	Cap	101 - 23
B234 3653	Spring	101 - 22
B234 3654	Decal: Positioning Display: 2	99 - 2
B234 3654	Decal: Positioning Display: 2	225 - 55
B234 3655	Decal: Positioning Display: 3	99 - 3
B234 3655	Decal: Positioning Display: 3	225 - 56
B234 3656	Entrance Seal: Cleaning: Ass'y	101 - 16
B234 3658	Drum Seal - Rear	101 - 9
B234 3659	Seal: Drum: Front	101 - 17
B234 3666	Gear - 23Z	101 - 7

Part No.	Description	Page and Index No.
B234 3701	Collection Bottle	93 - 1
B234 3704	Case - Upper	139 - 17
B234 3705	Case - Lower	139 - 11
B234 3711	Supporter	93 - 5
B234 3712	Sensor Cover	93 - 2
B234 3722	Vibrating Plate	139 - 14
B234 3723	Guide - Lower	139 - 15
B234 3725	Stopper: Collection Bottle: Vacuum: Ass'y	93 - 6
B234 3730	Pipe	139 - 22
B234 3731	Transport Screw	139 - 21
B234 3733	Pip - DIA14	139 - 20
B234 3736	Heat Insulation	139 - 33
B234 3741	DC Solenoid	139 - 26
B234 3743	Solenoid Bracket	139 - 27
B234 3748	Transport Screw: Toner Recycling	139 - 19
B234 3756	Shaft - Cleaning	137 - 13
B234 3757	Shaft - Swivel	137 - 5
B234 3758	Gear - 13Z/29Z	137 - 8
B234 3759	Gear - 32Z	137 - 6
B234 3761	Drive Shaft - Cleaning	137 - 16
B234 3762	Gear - 16Z	137 - 10
B234 3763	Joint	101 - 20
B234 3763	Joint	137 - 9
B234 3764	Cam	137 - 7
B234 3765	Cleaning Drive Unit Stay	137 - 15
B234 3768	Gear - 22Z	137 - 14
B234 3770	Pulley: Drive: Cleaning	137 - 17
B234 3781	Positioning Sensor Bracket	139 - 9
B234 3782	Torque Limiter Gear - 24Z	139 - 7
B234 3783	Harness Guard Bracket	139 - 12
B234 3784	Cleaning Arm	95 - 13
B234 3785	Torsion Spring	95 - 12
B234 3786	Push Switch Holder	89 - 15
B234 3854	Positioning Plate - Transfer Unit	169 - 6
B234 3858	Handle Stay	169 - 10

Part No.	Description	Page and Index No.
B234 3860	Guide Plate	103 - 20
B234 3863	Positioning Plate	169 - 8
B234 3871	Heater - Transfer	169 - 12
B234 3890	Inner Cover - Transfer	103 - 21
B234 3892	Decal - Lever Release Transfer	225 - 29
B234 3892	Decal - Lever Release Transfer	103 - 22
B234 3900	Transfer Unit	103 - *
B234 3907	Seal	105 - 9
B234 3908	Tape	105 - 10
B234 3911	Toner Collection Coil	105 - 7
B234 3913	Agitator	105 - 8
B234 3916	Transfer Belt Cleaning Blade	105 - 6
B234 3922	Cleaning Roller	105 - 5
B234 3924	Gear - 37Z	105 - 22
B234 3925	Bushing - Front	105 - 30
B234 3926	Bushing - Rear	105 - 21
B234 3927	Bias Terminal	105 - 31
B234 3932	Cushion: On-off: Transfer Belt	105 - 38
B234 3933	Guide Plate - Exit	105 - 1
B234 3935	Entrance Seal Holder	105 - 3
B234 3939	Electrode Plate - Transfer Belt	105 - 2
B234 3940	Earth Bracket	105 - 4
B234 3941	Guide Plate - Entrance	105 - 27
B234 3943	On-off Shaft	105 - 37
B234 3944	DC Solenoid	105 - 29
B234 3946	Spring Plate	105 - 14
B234 3947	Spring	105 - 11
B234 3949	Bushing	105 - 13
B234 3951	Roller - Driven	103 - 18
B234 3956	Roller - Drive	103 - 1
B234 3960	Roller: Bias	103 - 2
B234 3962	Gear - 50Z	103 - 4
B234 3966	Bias Terminal	103 - 13
B234 3967	Bias Electrode	103 - 15
B234 3971	Transfer Belt	103 - 19

Part No.	Description	Page and Index No.
B234 3975	Transfer Belt Brush	103 - 17
B234 3981	Cover - Electrode Plate	103 - 16
B234 4012	Fusing Unit (208V)	107 - *
B234 4022	Fusing Unit (230V) EU	107 - *
B234 4056	Inner Cover - Front Upper	107 - 1
B234 4059	Cover - Rear Upper	107 - 4
B234 4062	Inner Cover - Right Upper	107 - 2
B234 4064	Cover - Rear Lower	107 - 6
B234 4065	Cover - Rear Upper No.2	107 - 5
B234 4075	Cleaning Roller Shaft	113 - 8
B234 4076	Cover: Cleaning Unit: Pressure Roller	113 - 1
B234 4080	Positioning Pin Bracket - Front	89 - 16
B234 4083	Pressure Roller Bracket	113 - 3
B234 4084	Side Plate: Hot Roller: Rear	111 - 25
B234 4090	Thermostat: 198/199C: No.1	111 - 3
B234 4092	Side Plate: Hot Roller: Front	111 - 23
B234 4095	Fusing Entrance Guide Plate - Lower	111 - 18
B234 4099	Stay: Hot Roller: Right Lower	111 - 26
B234 4106	Shaft: Pressure	113 - 23
B234 4109	Bracket: Stopper: Ass'y	107 - 9
B234 4111	Web Unit	107 - 21
B234 4112	Feeler - Cleaning Felt	107 - 19
B234 4115	Fusing Entrance Guide Plate: Upper	107 - 25
B234 4131	Thermistor: Fusing: Ass'y	111 - 2
B234 4135	Pressure Roller Shaft	113 - 32
B234 4136	Decal - Warning (High Temperature)	225 - 57
B234 4136	Decal - Warning (High Temperature)	17 - 21
B234 4137	Decal: Warning: High Temperature: Exit	225 - 58
B234 4137	Decal: Warning: High Temperature: Exit	115 - 18
B234 4138	Decal - Warning (High Temperature)	225 - 30
B234 4138	Decal - Warning (High Temperature)	115 - 12
B234 4139	Decal: Positioning Display: Fusing	225 - 59
B234 4139	Decal: Positioning Display: Fusing	115 - 23
B234 4149	Harness - Thermostat Front No.1	111 - 4
B234 4150	Harness - Thermostat Front No.2	111 - 5

Part No.	Description	Page and Index No.
B234 4152	Cover: Fusing: Upper: Type ab	107 - 3
B234 4154	Positioning Pin No.1	171 - 9
B234 4155	Positioning Pin No.2	171 - 8
B234 4156	Guide Plate: Fusing Exit: Upper	109 - 23
B234 4160	Cover - Left Upper	109 - 2
B234 4163	Guide Plate - Upper	109 - 19
B234 4165	Bracket - Upper	109 - 15
B234 4167	Supporting Plate - Upper	109 - 20
B234 4170	Stopper - Upper	109 - 21
B234 4181	Stay: Hot Roller: Upper	111 - 24
B234 4182	Grip - Front	111 - 7
B234 4185	Guide Plate - Lever	113 - 24
B234 4186	Pressure Roller Shaft	113 - 26
B234 4189	Pressure Roller Bracket - Front	113 - 19
B234 4192	Harness Bracket - Upper	111 - 16
B234 4196	Harness Bracket	113 - 35
B234 4199	Pickoff Pawl Release Slider	109 - 12
B234 4200	Guide Plate: Fusing Exit: Lower	109 - 22
B234 4204	Guide Plate - Lower	109 - 3
B234 4205	Bracket	109 - 7
B234 4207	Fusing Exit Bracket - Lower	109 - 5
B234 4222	Side Plate: Fusing: Rear	113 - 37
B234 4226	Side Plate: Fusing: Front	113 - 36
B234 4228	Stay - Lower	113 - 27
B234 4230	Cleaning Drive Bracket	113 - 15
B234 4233	Cover - Lower	113 - 28
B234 4234	Photointerruptor Bracket	113 - 17
B234 4235	Cleaning Drive Bracket - Lower	113 - 11
B234 4237	Fusing Entrance Guide Plate - Lower	111 - 18
B234 4239	Connector Bracket	155 - 12
B234 4241	Housing: Thermostat: Lower	111 - 6
B234 4244	Gear - 50Z	107 - 18
B234 4245	Spring Plate: Plate: Cleaning Unit	111 - 22
B234 4247	Fusing Cleaning Bracket - Front	113 - 20
B234 4249	Cover: Fusing: Upper: Type c	107 - 3

Part No.	Description	Page and Index No.
B234 4251	Cooling Transport Belt	115 - 1
B234 4252	Transport Roller - Heat Pipe	115 - 3
B234 4254	Transport Roller Shaft	115 - 4
B234 4256	Drive Shaft	119 - 38
B234 4257	Paper Exit Unit: Ass'y	115 - 27
B234 4258	Cap: Heat Pipe	115 - 16
B234 4284	Inner Cover	115 - 6
B234 4299	Duct: Exhaust: Upper: Unit	169 - 2
B234 4319	Transport Roller: Cooling Sub-unit: Exit	115 - 2
B234 4320	Holder: Compression Spring: Joint	135 - 16
B234 4325	Brushless Motor DC24V 20W	135 - 19
B234 4335	Drum Stay - Coupling Finishing Unit	165 - 3
B234 4347	Release Grip	119 - 1
B234 4349	Lock Lever	119 - 3
B234 4360	Entrance Cooling Guide - Upper	117 - 12
B234 4370	Door Catch Spacer	119 - 42
B234 4378	Stay: Upper: Duct	169 - 1
B234 4379	Duct - Heat Pipe	153 - 13
B234 4385	Joint: Paper Exit Unit: Drive	135 - 14
B234 4386	Shaft: Drive: Motor: Press Fit	135 - 18
B234 4394	Cover - Duct	153 - 14
B234 4395	Duct - Coupling	153 - 18
B234 4403	Exit Guide Plate - Lower	165 - 1
B234 4404	Exit Guide: Upper	165 - 2
B234 4406	Stay: Left Lower	119 - 41
B234 4407	Slide Rail Bracket	165 - 11
B234 4409	Slide Rail Bracket	165 - 10
B234 4410	Stay: Right: Ass'y	115 - 26
B234 4413	Stay: Cooling: Lower	115 - 25
B234 4415	Connector Bracket	117 - 17
B234 4416	Harness Guard Bracket	119 - 24
B234 4417	Photointerruptor Bracket	119 - 36
B234 4420	Drum Stay - Drive Unit	117 - 20
B234 4423	Lever Bracket	119 - 2
B234 4425	Brushless Motor Bracket	135 - 17

Part No.	Description	Page and Index No.
B234 4428	Gear - 66Z	135 - 20
B234 4433	Drum Stay: Coupling: Drive Sub-unit	119 - 23
B234 4438	Heat Sink Bracket	115 - 14
B234 4440	Tightener: Left: Peen	117 - 13
B234 4441	Exit Guide Plate - Upper	117 - 10
B234 4442	Guide Plate - Entrance	119 - 20
B234 4445	Bracket - Guide Plate Stopper	117 - 24
B234 4447	Tightener - Right	119 - 30
B234 4454	Feeler	119 - 27
B234 4455	Gate Pawl	119 - 17
B234 4457	Seal - Left	165 - 9
B234 4460	Discharge Brush - L=341 SUS	119 - 21
B234 4460	Discharge Brush - L=341 SUS	115 - 10
B234 4464	Exit Guide Plate - Lower	117 - 1
B234 4465	Entrance Guide	119 - 16
B234 4466	Exit Guide	119 - 13
B234 4467	Guide Plate - Exit	119 - 12
B234 4468	Guide - Auxilliary	117 - 11
B234 4469	Paper Feed Sensor Bracket - Exit	117 - 2
B234 4470	Photo Reflector Sensor Bracket	117 - 9
B234 4473	Contact Point Shaft	119 - 9
B234 4474	Lever Shaft	119 - 29
B234 4490	Slide Rail - Fusing/Paper Exit Unit	169 - 16
B234 4490	Slide Rail - Fusing/Paper Exit Unit	165 - 12
B234 4497	Stepper Motor DC24V 2.6W	119 - 25
B234 4498	Transport Roller - Cooling Entrance	115 - 5
B234 4502	Duplex Unit: Ass'y	121 - *
B234 4553	Guard: Harness	123 - 21
B234 4592	Sheet: Duplex: 10.5	123 - 18
B234 4593	Sheet: Duplex: 7	123 - 19
B234 4595	Sheet: Duplex: 25	123 - 22
B234 4596	Sheet: Duplex: 41.5	123 - 17
B234 4599	Guard: Harness: Duplex: Entrance	123 - 26
B234 4631	Positioning Pin Bracket - Main	129 - 14
B234 4632	Positioning Pin Bracket - Sub	127 - 25

Part No.	Description	Page and Index No.
B234 4635	Compression Spring	127 - 26
B234 4635	Compression Spring	129 - 15
B234 4636	Drawer Bracket	127 - 24
B234 4647	Bracket: Plate: Damper: Open and Close	131 - 9
B234 4648	Damper: Open and Close	131 - 10
B234 4649	Gear: Sector: Duplex: Entrance	123 - 8
B234 4651	Lock Lever	121 - 9
B234 4652	Release Bracket	121 - 14
B234 4653	Release Guide Plate	121 - 13
B234 4654	Release Lever Shaft	121 - 11
B234 4656	Release Grip	121 - 19
B234 4662	Stepper Motor Bracket	135 - 25
B234 4663	Stepper Motor Bracket	135 - 23
B234 4667	Pulley Drive Shaft	135 - 28
B234 4668	Cushion: Bracket: Duplex: Entrance	135 - 29
B234 4721	Stepper Motor Bracket	129 - 21
B234 4736	Stepper Motor Bracket	127 - 9
B234 4814	Entrance Guide Plate	123 - 1
B234 4818	Compression Spring	125 - 8
B234 4819	Drive Joint	123 - 11
B234 4821	Guide Plate Lock Shaft	125 - 18
B234 4822	Lock Pawl - Front	125 - 11
B234 4823	Lock Pawl - Rear	125 - 15
B234 4824	Grip	125 - 19
B234 4826	Compression Spring	123 - 10
B234 4830	DC Solenoid	125 - 10
B234 4833	Tension Spring	125 - 9
B234 4835	On-Off DC Solenoid	125 - 1
B234 4844	Tension Spring	131 - 3
B234 4847	Tension Spring	125 - 14
B234 4850	Guide Plate: Duplex: Left: Unit	127 - 1
B234 4851	Guide Plate - Left	127 - 29
B234 4854	Decal: Operate: Z3	225 - 60
B234 4854	Decal: Operate: Z3	123 - 24
B234 4857	Guide Plate - Right	121 - 4

Part No.	Description	Page and Index No.
B234 4858	Driven Roller Holder	121 - 2
B234 4859	Tension Spring	121 - 1
B234 4861	Guide Plate - Exit	129 - 4
B234 4865	Guide Plate: Upper: Duplex: Entrance	125 - 17
B234 4866	Guide Plate - Upper	127 - 20
B234 4867	Guide Plate - Lower	131 - 1
B234 4868	Guide Plate - Left Lower	131 - 8
B234 4871	Guide Plate - Right Lower	121 - 15
B234 4878	Side Plate: Rear: Duplex: Entrance	123 - 28
B234 4879	Side Plate: Front: Duplex: Entrance	123 - 27
B234 4884	Gate Pawl Cushion	125 - 13
B234 4884	Gate Pawl Cushion	123 - 12
B234 4888	Gate Pawl: Duplex	131 - 4
B234 4891	Harness Clamp: Duplex: Entrance	123 - 20
B234 4893	Cover: Duplex: Open and Close	123 - 16
B234 4896	Guide Plate - Lower	123 - 7
B234 4899	Gate Pawl: Switchback	125 - 7
B234 4901	Fan Motor Unit	165 - 8
B234 4920	DC Solenoid: Gate Pawl: Duplex: Reverse: Ass'y	131 - 2
B234 4927	Guide Plate: Reverse: Exit: Drive: Ass'y	129 - 5
B234 4929	Bracket: Sensor: Reverse: Exit	129 - 7
B234 4952	Slide Rail Stay - Left	165 - 6
B234 4954	Shoe: Duplex Unit: Left Front	171 - 11
B234 4957	Slide Rail Stay - Right Rear	171 - 6
B234 4961	Guide Plate - Duplex Upper	169 - 9
B234 4995	Inner Cover	121 - 16
B234 5107	PCB CNB	45 - 12
B234 5116	Scanner Motor Board	49 - 8
B234 5122	PCB SIB	49 - 13
B234 5152	Harness - Scanner Main	49 - 22
B234 5153	Harness - MCU Sensor	49 - 21
B234 5156	Harness - SBU Power Source	49 - 23
B234 5157	Harness - SBU	49 - 24
B234 5158	Harness - SIB Fan Motor	49 - 12
B234 5160	Harness - Lamp Regulator	49 - 25

Part No.	Description	Page and Index No.
B234 5168	Interface Cable - Scanner LVDS	45 - 20
B234 5168	Interface Cable - Scanner LVDS	161 - 18
B234 5220	PCB BCU (Model C3)	177 - *
B234 5220	PCB BCU (Model C3)	151 - 9
B234 5241	PCB IOB	185 - *
B234 5241	PCB IOB	151 - 8
B234 5280	PCB CRB	75 - 12
B234 5285	IC: PED	185 - 1
B234 5312	PCB OPU NA	157 - 4
B234 5313	PCB: OPU: EU	157 - 4
B234 5350	Harness - Power Source: LDB	53 - 2
B234 5351	Harness - LDB Control	53 - 1
B234 5352	Cable - LVDS LDB 18P	53 - 3
B234 5355	Harness - Safety Switch	159 - 4
B234 5356	Harness - LDB OPU BCU GWBox	161 - 20
B234 5357	Cable - LVDS 18P	161 - 19
B234 5365	PCB Sync Detector	53 - 24
B234 5380	Motor Control Board	53 - 15
B234 5410	PCB AC Drive	151 - 4
B234 5440	PCB Relay Safety Switch	151 - 5
B234 5450	PCB IPU	161 - 5
B234 5450	PCB IPU	199 - *
B234 5500	Flexible Board - Xenon Lamp	47 - 10
B234 5505	PCB Inter Face	161 - 3
B234 5510	PCB: Type-AX2E: Sub-Ass'y	215 - *
B234 5510	PCB: Type-AX2E: Sub-Ass'y	161 - 7
B234 5526	Cable: HDD: S-ATA: Red: RoHS	163 - 6
B234 5527	Cable: HDD: S-ATA: Gray: RoHS	163 - 5
B234 5530	SD-Card Copy (Model C3)	161 - 6
B234 5562	PCB Vectra	161 - 12
B234 5563	PCB DDR-Dimm 128MB	161 - 13
B234 5564	PCB Screwdriver	163 - 19
B234 5585	Harness: HDD: Power Source	161 - 17
B234 5585	Harness: HDD: Power Source	163 - 33
B234 5592	Harness - SD-Card	163 - 18

Part No.	Description	Page and Index No.
B234 5595	BIOS: B-C3: AX2	215 - 1
B234 5600	Harness - AC Machine or Copier	155 - 5
B234 5601	Harness - AC Paper Bank	149 - 20
B234 5601	Harness - AC Paper Bank	151 - 17
B234 5603	Harness - AC Control Section	163 - 21
B234 5604	Harness - AC Noise Filter	155 - 1
B234 5606	Harness - AC Heater	169 - 14
B234 5611	Harness - Fusing Unit Upper AB	111 - 14
B234 5620	High Voltage Supply Cord - T	105 - 25
B234 5621	High Voltage Supply Cord - TC	105 - 24
B234 5622	Ground Wire	105 - 28
B234 5625	High Voltage Supply Cord	147 - 5
B234 5631	Harness - Power Source	163 - 17
B234 5632	Harness - Power Source	147 - 4
B234 5634	Harness - Power Supply Unit Fan	149 - 19
B234 5650	Harness - Machine or Copier Left	151 - 14
B234 5651	Harness - Machine or Copier Middle	151 - 15
B234 5653	Harness - Paper Bank Left	151 - 12
B234 5654	Harness - Paper Bank Middle	151 - 13
B234 5655	Harness - Paper Bank Right	151 - 18
B234 5656	Harness - Paper Bank Tandem LCT	155 - 11
B234 5657	Cable - IPU BCU	151 - 11
B234 5657	Cable - IPU BCU	161 - 21
B234 5658	Cable - Operation Panel OPU	157 - 12
B234 5659	Harness - Ground Wire	147 - 1
B234 5660	Harness: Machine or Copier: Right	151 - 16
B234 5662	Harness: Main: Stepper Motor	151 - 19
B234 5665	Harness - Drum Unit	97 - 3
B234 5666	Harness - Sensor	97 - 14
B234 5667	Harness - QL On-Off Solenoid	89 - 6
B234 5668	Harness - Set Sensor	89 - 17
B234 5670	Harness - Paper Feed Unit	63 - 13
B234 5671	Harness - Paper Size Sensor	145 - 19
B234 5673	Harness - Tandem LCT Right	59 - 6
B234 5675	Harness - Paper Feed Unit	71 - 26

Part No.	Description	Page and Index No.
B234 5676	Harness - Sensor	73 - 7
B234 5678	Harness - Double Feed Sensor	73 - 13
B234 5679	Harness - CIS CRB	71 - 25
B234 5679	Harness - CIS CRB	75 - 22
B234 5680	Harness: Toner Bank: Bottle: Upper	79 - 12
B234 5681	Harness: Toner Bank: Bottle: Lower	79 - 11
B234 5682	Harness - Toner Bank Main	79 - 13
B234 5684	Harness - Drawer	133 - 18
B234 5685	Harness - Paper Exit Unit	117 - 14
B234 5686	Harness - Fusing Unit Lower	113 - 10
B234 5687	Harness - Fusing Lower	155 - 6
B234 5688	Harness - Sensor	93 - 4
B234 5689	Harness - Toner Bank Sub	81 - 36
B234 5690	Harness - Transfer Belt	169 - 15
B234 5691	Harness - Transfer Belt Unit	105 - 23
B234 5692	Harness - Pump Sensor	141 - 3
B234 5693	Harness: - Duplex Fan Motor	171 - 4
B234 5695	Harness - Duplex Unit	127 - 22
B234 5696	Harness - Duplex Unit Right	121 - 8
B234 5697	Harness - Duplex Unit Left Upper	125 - 2
B234 5698	Harness - Duplex Unit Left Lower	127 - 8
B234 5699	Harness - Duplex Unit	123 - 3
B234 6120	Bracket: Positioning: Paper Tray	145 - 15
B234 6122	Inner Cover	69 - 8
B234 6125	Harness Guide Bracket	173 - 21
B234 6138	Rail - Tandem LCT	173 - 11
B234 6141	Positioning Sleeve - Inner Back	173 - 10
B234 6141	Positioning Sleeve - Inner Back	59 - 12
B234 6151	Paper Size Sensor Bracket	145 - 18
B234 6160	Tandem LCT Rail - Left	173 - 1
B234 6169	Stay - Tandem LCT	173 - 15
B234 6170	Slide Rail Bracket - Left	173 - 13
B234 6173	Rail Stay - Left	173 - 5
B234 6181	Slide Rail - Right	173 - 18
B234 6188	Slide Sleeve Positioning	173 - 8

Part No.	Description	Page and Index No.
B234 6190	Heater Unit - Upper	173 - 24
B234 6191	Heater Unit - Lower	171 - 14
B234 6198	Cover - Paper Size Sensor	145 - 22
B234 6199	Cover - Side Plate Rear	173 - 23
B234 6200	Paper Feed Unit	63 - *
B234 6200	Paper Feed Unit	69 - 1
B234 6205	Side Plate: Rear: Paper Feed Unit	65 - 17
B234 6207	Side Plate: Front: Paper Feed Unit	65 - 16
B234 6208	Paper Feed Unit Stay	63 - 3
B234 6212	Reverse Lever	67 - 11
B234 6215	Stay: Reverse	67 - 20
B234 6222	Reverse Drive Shaft	67 - 9
B234 6223	Driven Reverse Shaft	67 - 5
B234 6231	DC Solenoid: Reverse: Ass'y	67 - 14
B234 6242	Guide - Roller: Driven Pressure	67 - 15
B234 6245	Guide Plate - Vertical Transport	67 - 7
B234 6253	Guide Plate - Reverse	67 - 1
B234 6254	Guide Plate - Feed	65 - 13
B234 6255	Guide - Front	67 - 13
B234 6256	Guide - Rear	67 - 12
B234 6265	Stay: Feed	65 - 15
B234 6272	Feed Shaft	65 - 4
B234 6275	Pickup Arm	65 - 9
B234 6282	Pickup DC Solenoid	63 - 8
B234 6286	Sensor Bracket - Vertical Transport	63 - 2
B234 6287	Sensor Bracket - Paper Feed	63 - 4
B234 6288	B sensor Bracket - Sensor	63 - 6
B234 6300	Torque Limiter	67 - 4
B234 6355	Guide Plate - Joint Unit	69 - 2
B234 6360	Transport Roller: Joint Unit: Ass'y	69 - 4
B234 6400	Vertical Transport Unit	69 - 5
B234 6423	Release Lever	69 - 21
B234 6424	Release Grip	69 - 7
B234 6426	Bracket: Release: Vertical Transport	69 - 24
B234 6427	Cover: Release: Vertical Transport	69 - 25

Part No.	Description	Page and Index No.
B234 6455	Bracket - Upper	69 - 12
B234 6475	Bracket - Lower	69 - 18
B234 6490	Side Fence: Rear: Ass'y	61 - 27
B234 6495	Guide: Front: Paper Tray	61 - 36
B234 6496	Guide: Middle: Paper Tray	61 - 37
B234 6497	Guide: Rear: Paper Tray	61 - 26
B234 6498	Sheet: Tray Bottom Plate	61 - 38
B234 6506	Timing Pulley - 30T	143 - 14
B234 6506	Timing Pulley - 30T	135 - 27
B234 6506	Timing Pulley - 30T	129 - 18
B234 6507	Timing Pulley - 25T	127 - 17
B234 6507	Timing Pulley - 25T	143 - 4
B234 6508	Tension Spring	141 - 18
B234 6508	Tension Spring	135 - 24
B234 6508	Tension Spring	129 - 20
B234 6508	Tension Spring	143 - 11
B234 6510	Tandem LCT Bracket	143 - 12
B234 6511	Tightener Bracket	143 - 23
B234 6512	Tightener Bracket	143 - 22
B234 6513	Timing Belt - S2M180	143 - 17
B234 6514	Timing Belt - S2M126	143 - 13
B234 6520	Bracket	143 - 3
B234 6523	Timing Belt - S2M100	143 - 6
B234 6523	Timing Belt - S2M100	127 - 12
B234 6530	Bracket	143 - 18
B234 6531	Tightener Bracket	143 - 8
B234 6532	Tightener Bracket	143 - 9
B234 6533	Timing Belt - S2M152	143 - 19
B234 6541	Feed Drive Shaft	143 - 16
B234 6542	Grip Drive Shaft	143 - 15
B234 6543	Drive Shaft	143 - 5
B234 6565	Harness Clamp Bracket	145 - 21
B234 6606	Sensor Bracket	57 - 11
B234 6610	Tandem LCT Unit - Right DOM	57 - *
B234 6611	Tandem LCT Unit - Left DOM	55 - *

Part No.	Description	Page and Index No.
B234 6612	End Fence - Front	59 - 9
B234 6615	Tandem LCT Unit - Right	57 - *
B234 6616	Tandem LCT Unit - Left	55 - *
B234 6625	End Fence - Rear	59 - 10
B234 6630	Guide Plate - End Fence	59 - 4
B234 6643	Paper Tray Cover - Short	61 - 35
B234 6644	Paper Tray Cover - Long	61 - 34
B234 6667	Side Plate - Side	57 - 17
B234 6668	Side Plate: Tandem LCT: Right Front	59 - 40
B234 6676	Side Plate: Tandem LCT: Right Rear	59 - 42
B234 6686	Side Fence - Right Front	57 - 7
B234 6690	Plate: Paper	57 - 8
B234 6771	Paper Tray: Universal: DOM: Ass'y	61 - 1
B234 6784	Cover - Tandem LCT	55 - 2
B234 6788	Bracket: Cover: Tandem LCT	55 - 3
B234 6827	Cover - Hinge	149 - 16
B234 6827	Cover - Hinge	163 - 25
B234 6830	Stay - Rear	151 - 7
B234 6831	Bracket - Harness Clamp	145 - 17
B234 6832	Stay - Rear Lower	155 - 15
B234 6838	Cover: C/T Box	19 - 23
B234 6851	Decal - Caption Interface	19 - 24
B234 6851	Decal - Caption Interface	225 - 31
B234 6859	Side Plate: C/T Box: Right	163 - 7
B234 6865	Bracket: Control Board	161 - 24
B234 6867	PCB Bracket	163 - 20
B234 6868	Insulating Sheet	161 - 11
B234 6873	Drum Stay: Control Board	161 - 23
B234 6875	Supporter Bracket - Upper	161 - 10
B234 6879	Base Bracket - ICIB-2	161 - 15
B234 6880	HDD Unit	163 - 1
B234 6900	Cover - SD-Card	161 - 1
B234 6938	Sheet: Logo: INF: IS3090	17 - 24
B234 7001	ARDF: Unit	25 - *
B234 7512	Duct - Vacuum	149 - 13

Part No.	Description	Page and Index No.
B234 7551	Noise Filter Bracket	155 - 2
B234 7554	ADF Plug Bracket	147 - 3
B234 7555	OPU Bracket	157 - 5
B234 7556	Safety Switch Bracket	151 - 6
B234 7557	Bracket - AC Drive Board	151 - 3
B234 7558	Bracket: IOB	151 - 10
B234 7559	Connector Bracket	157 - 11
B234 7562	Hinge Bracket - Lower	149 - 18
B234 7565	Hinge Bracket - Case	149 - 3
B234 7566	Hinge Bracket - Upper	149 - 17
B234 7568	Receive Bracket - Lower	149 - 7
B234 7569	Bracket: Power Supply Unit: Middle	149 - 14
B234 7570	Bracket: Power Supply Unit: Upper	149 - 1
B234 7576	Cover - Power Supply Unit	19 - 19
B234 7580	Vacuum Duct - Inner Back	151 - 2
B234 7582	Stay: Power Supply Unit: Middle Lower	149 - 9
B234 7583	Stay: Power Supply Unit: Lower Right	149 - 8
B234 7587	Power Supply Cord Bracket	155 - 4
B234 7592	Bracket: Fan: Power Supply Unit	149 - 11
B234 7593	Power Supply Unit Cover - Front	149 - 12
B234 7598	Decal: Caution Chart: PSU: Service	225 - 61
B234 7598	Decal: Caution Chart: PSU: Service	149 - 21
B234 7651	Safety Switch Bracket A	159 - 2
B234 7652	Safety Switch Bracket B	159 - 3
B234 7655	Safety Switch Lever	159 - 1
B234 8510	Decal: Size Indication: Multi-Language: C3	17 - 22
B234 8510	Decal: Size Indication: Multi-Language: C3	225 - 23
B234 8611	TCRU Operation Kit	227 - 12
B234 8612	Driver: Tcru	227 - 13
B234 8614	Setting Powder	227 - 14
B234 9510	OPC Drum	97 - 1
B234 9590	Counter: PCB: NOVITA 2.2	161 - 8
B234 9610	OPC Drum	97 - 1
B234 9640	Developer Type 27W BK	91 - 21
B234 9640	Developer Type 27W BK	227 - 11

Part No.	Description	Page and Index No.
B235 1369	Sheet: Logo: RIC: 1100	17 - 24
B235 5651	Harness - Machine or Copier Middle	151 - 15
B235 6938	Sheet: Logo: INF: IS3110	17 - 24
B235 7460	CD-ROM: Manual: RIC: NA: Ass'y (Model C3)	17 - 26
B235 7461	CD-ROM: Manual: GES: NA: Ass'y (Model C3)	17 - 26
B235 7462	CD-ROM: Manual: SVN: Ass'y (Model C3)	17 - 26
B235 7463	CD-ROM: Manual: LAN: NA: Ass'y (Model C3)	17 - 26
B235 7607	Operating Instructions: Copy/Document: B-C3NA (Model C3)	17 - 31
B235 7707	Operating Instructions: Troubleshooting: B-C3NA (Model C3)	17 - 31
B235 7737	Operating Instructions: This_Machine: B-C3NA (Model C3)	17 - 31
B235 7907	Operating Instructions: Security: B-C3NA (Model C3)	17 - 31
B236 1369	Sheet: Logo: RIC: 1350	17 - 24
B236 1970	Fan: Imaging Unit: Unit: DC24V 4.8W	167 - 5
B236 4012	Fusing Unit (208V)	107 - *
B236 4022	Fusing Unit (230V)	107 - *
B236 5611	Harness - Fusing Unit Upper C	111 - 14
B236 5651	Harness - Machine or Copier Middle	151 - 15
B236 6938	Sheet: Logo: INF: IS3135	17 - 24
D101 1451	Operation Panel Unit - NA (Model C3.5)	23 - 1
D101 1452	Operation Panel Unit - EU (Model C3.5)	23 - 1
D101 5220	PCB: BCU: Ass'y (Model C3.5)	177 - *
D101 5220	PCB: BCU: Ass'y (Model C3.5)	151 - 9
D101 5530	SD-Card: Copy: B-C3: Common (Model C3.5)	161 - 6
D101 6938	Sheet: Logo: INF: 906EX	17 - 24
D102 6938	Sheet: Logo: INF: 1106EX	17 - 24
D102 7561	Manual: Copy_REF: NA (Model C3.5)	17 - 26
D102 7592	Manual: About_Machine: NA (Model C3.5)	17 - 26
D102 7594	Manual: Troubleshoot: NA (Model C3.5)	17 - 26
D102 7611	Manual: Security_REF: NA (Model C3.5)	17 - 26
D103 6938	Sheet: Logo: INF: 1356EX	17 - 24

Part No.	Description	Page and Index No.
A006 9104	Scanner Positioning Pin (4pcs/set)	227 - 1
A007 3751	Large Cap - Toner Collection Tank	77 - 19
A007 3785	Toner Collection Bottle Cap	77 - 20
A028 7878	Arm Spacer	33 - 26
A048 2276	Ring - Transport Bracket	97 - 34
A069 1883	Shoe - Scanner	47 - 6
A079 1201	Fusing Drive Joint	135 - 13
A079 1203	Fusing Drive Stopper	135 - 11
A079 1406	Upper Door Spacer	17 - 7
A079 4097	Pressure Cam	113 - 25
A096 2051	Rear Grid Anchor	87 - 27
A096 2062	Wire Cleaner Slider	87 - 18
A096 2063	Corona Wire Cleaner	87 - 22
A096 2065	Slider Ring	87 - 3
A096 2330	Drum Shaft Knob	95 - 2
A096 3586	Cleaning Brush Drive Shaft	101 - 13
A096 6553	Side Fence Pad	61 - 10
A096 6677	Decal - Right Paper Set	57 - 1
A096 6677	Decal - Right Paper Set	225 - 1
A096 6678	Decal - Left Paper Set	55 - 11
A096 6678	Decal - Left Paper Set	225 - 2
A096 6693	Paper Guide Sheet	173 - 22
A134 2978	Spring Plate	61 - 12
A134 3180	Bottle Chuck	83 - 10
A176 1737	Exposure Glass Cushion	45 - 2
A184 1760	Cam Spring	139 - 16
A193 1767	1st Mirror Holder	47 - 16
A193 1829	Ball Bearing - M8	51 - 15
A229 3861	Front Arm	103 - 8
A229 3862	Rear Arm	103 - 3
A229 3875	Drive Electrode	103 - 7
A232 3077	Spacer - M5	153 - 5
A232 4666	Cushion - Stepper Motor	127 - 10
A232 4666	Cushion - Stepper Motor	143 - 2
A247 3089	Ball Bearing - 9x17x5	91 - 12

Part No.	Description	Page and Index No.
A247 4249	Connector - 3P	111 - 17
A248 6615	Coupling Lever - Left	55 - 36
A248 6687	Right Drive Shaft	59 - 35
A248 6694	Wire Ring	59 - 13
A248 6695	Guide - Pulley	59 - 20
A248 6701	Oil Damper	59 - 26
A248 6713	Hook - Tension Spring	59 - 2
A257 2076	Front Lens Plate	53 - 29
A257 2077	Rear Lens Plate	53 - 26
A257 2102	F-theta Lens Plate	53 - 16
A257 9300	Grease Barrierta - S552R	227 - 5
A267 1820	Sheet - Photointerrupter	49 - 15
A267 2857	Spring Plate - Side Fence	61 - 25
A267 2859	Side Fence Stopper	61 - 23
A267 2860	Rear Lever Stopper	61 - 24
A267 7586	Grounding Plate	149 - 6
A267 7586	Grounding Plate	163 - 9
A292 9500	Test Chart - S5S (10 Pcs/Set)	227 - 2
A293 3871	Gear - 20Z	103 - 6
A294 1119	Fly Wheel	147 - 14
A294 1158	Transport Screw Bushing	139 - 10
A294 1163	Gear - 30Z	139 - 6
A294 1163	Gear - 30Z	81 - 22
A294 1266	Exit Bracket	21 - 4
A294 1268	Door Catch - Front Lower	19 - 7
A294 1270	Lower Front Hinge	19 - 6
A294 1271	Hinge - Lower Front Door	19 - 9
A294 1282	Front Door Spacer Bracket	17 - 2
A294 1347	Bracket - Total Counter	159 - 9
A294 1356	Lower Right Hinge	17 - 14
A294 1363	Lower Left Hinge	165 - 13
A294 1425	Operation Unit Arm	21 - 16
A294 1429	Hinge - Operation Unit	21 - 14
A294 1434	Lower Support	21 - 22
A294 1437	Supporting Plate - Operation Panel	21 - 13

Part No.	Description	Page and Index No.
A294 1438	Hinge Fixing Plate	21 - 12
A294 1439	Operation Unit Fixing Plate	21 - 10
A294 1441	Spacer - Operation Panel	21 - 18
A294 1442	Frame - Operation Panel	159 - 18
A294 1445	Bracket - Cover	21 - 20
A294 1446	Bracket - Arm Cover	21 - 15
A294 1449	Bushing - Operation Panel	21 - 21
A294 1667	Sheet - Optical Housing	51 - 23
A294 1673	Front Stay	51 - 12
A294 1688	Cushion	51 - 20
A294 1743	Cushion - 5x20x4	47 - 8
A294 1747	Timing Belt - Scanner	51 - 2
A294 1752	Pulley: Tension: Timing Belt: Ass'y	51 - 5
A294 1756	Spring - Scanner Motor	51 - 4
A294 1788	Sheet - Upper Frame	45 - 1
A294 1799	Right Stay - Optical Housing	45 - 19
A294 1837	Ground Plate - Rear Frame	159 - 16
A294 1838	Ground Plate - Lens Stay	157 - 6
A294 1838	Ground Plate - Lens Stay	163 - 22
A294 1931	Btl lens Ass'y	53 - 30
A294 1942	Holder - Sync Detector Board	53 - 23
A294 2109	Entrance Duct Slider	167 - 9
A294 2122	Receptacle Connector C	153 - 11
A294 2124	Seal - Operation Frame	159 - 17
A294 3081	Air Pump	93 - 11
A294 3084	Collar - 4x7x8	93 - 15
A294 3085	Pump Seal	93 - 10
A294 3086	Toner Supply Pump	93 - 12
A294 3093	Air Block Plate	157 - 3
A294 3124	Ground Plate: Doctor Blade	91 - 26
A294 3125	Electrode Torsion Spring	91 - 36
A294 3126	Casing Electrode	91 - 20
A294 3145	Ball Bearing Case - 8x19x6	91 - 5
A294 3147	Seal	91 - 38
A294 3173	Seal - M8	91 - 37

Part No.	Description	Page and Index No.
A294 3195	Cam Stopper	81 - 3
A294 3225	Ground Plate - Vibrating Plate	83 - 5
A294 3292	Toner Bank Slider	83 - 9
A294 3293	Gear: 108Z	81 - 11
A294 3323	Vibration Plate	83 - 13
A294 3327	Toner Collection Vibration Plate	83 - 11
A294 3331	Toner Bank Agitator	83 - 22
A294 3333	Agitator Shaft	83 - 21
A294 3336	Cam Shaft	83 - 16
A294 3337	Vibration Plate Cam	83 - 15
A294 3339	Spring Shaft	83 - 18
A294 3341	Vibrating Plate Link Bracket	83 - 1
A294 3354	Rack - 10Z	83 - 2
A294 3371	Motor Bracket	79 - 1
A294 3377	Sensor Bracket	79 - 10
A294 3378	Position Sensor Bracket - Upper	79 - 3
A294 3379	Position Sensor Bracket - Lower	79 - 5
A294 3382	Toner Bottle Drive Shaft	81 - 12
A294 3386	Driving Case	81 - 1
A294 3390	Spring Shaft Cam	81 - 4
A294 3391	Gear - 32Z	81 - 5
A294 3402	Clutch Bracket	81 - 17
A294 3406	Clutch Shaft	81 - 14
A294 3408	Tightener Bracket	81 - 24
A294 3422	Pipe Stopper-toner Collection Coil	81 - 2
A294 3423	Gear - Toner Collection Coil	79 - 19
A294 3442	Toner Bottle Guide Plate	77 - 11
A294 3445	Stopper Support Plate	77 - 10
A294 3446	Toner Bottle Stopper	77 - 14
A294 3447	Toner Bottle Set Feeler	77 - 8
A294 3451	Lever Holder	77 - 18
A294 3453	Toner Bottle Release Lever	77 - 17
A294 3454	Lever Stopper	77 - 12
A294 3461	Lever Rack Joint	77 - 3
A294 3475	Tube - 12x14x835	145 - 8

Part No.	Description	Page and Index No.
A294 3477	Toner Transport Screw	145 - 9
A294 3480	Driving Joint	145 - 12
A294 3482	Tube Guide Rail	145 - 23
A294 3495	Fixing Plate	77 - 1
A294 3618	Vibrating Plate Cam	139 - 18
A294 3621	Gear - 44Z	139 - 13
A294 3626	Gear - 17Z	139 - 30
A294 3726	Cap: Pump: Mm12	93 - 9
A294 3869	Rear Positioning Plate	103 - 5
A294 4056	Front Heater Holder	111 - 12
A294 4057	Rear Heater Holder	111 - 10
A294 4061	Gear - 67Z	111 - 13
A294 4077	Left Holder	113 - 4
A294 4078	Right Holder	113 - 9
A294 4103	Upper Pressure Lever	113 - 21
A294 4107	Lower Pressure Lever	113 - 22
A294 4116	Plate Ratchet	107 - 8
A294 4156	Gear - 23Z	107 - 13
A294 4158	Coupled Gear - 25Z/32Z	107 - 14
A294 4164	Roller Spring Plate	109 - 13
A294 4171	Coupled Gear - 17Z/32Z	107 - 20
A294 4171	Coupled Gear - 17Z/32Z	113 - 14
A294 4412	Web Brake Pad Bracket	107 - 23
A294 4433	Web Spring Plate	107 - 10
A294 4434	Web End Feeler	107 - 17
A294 4843	Lock Arm	121 - 10
A294 5488	Ground Harness - Vibrating Plate	83 - 12
A294 5489	Ground Harness - Toner Bank	81 - 30
A294 5489	Ground Harness - Toner Bank	79 - 20
A294 5489	Ground Harness - Toner Bank	77 - 5
A294 6630	Left Rear Fence	55 - 12
A294 6643	Left Front Fence	55 - 7
A294 6645	Left Side Plate	55 - 4
A294 6655	Front Roller - Slide Rail	59 - 28
A294 6690	Feeler - Paper Height Sensor	59 - 30

Part No.	Description	Page and Index No.
A294 6700	Torque Limiter - 53mNxm	29 - 27
A294 6713	Shield - Front Side Fence	59 - 15
A300 3812	Spacer - 6x22x1.5	41 - 9
A351 3459	Idler	35 - 5
A352 2138	Slide Collar - 0.6x4.5x6	97 - 20
A418 1158	Spacer - M6.5x1	29 - 7
A422 1063	Seal - 0.7x13x20	31 - 24
A469 2123	Rubber Cushion - 1x10x10mm	75 - 23
A548 1231	Guide Roller	37 - 15
A548 1234	Driven Roller Arm	37 - 5
A548 1234	Driven Roller Arm	35 - 16
A548 1261	Exit Roller	37 - 9
A548 1317	Lever Cushion	37 - 12
A548 1321	Exchange Pawl	37 - 11
A548 1442	Transport Arm	33 - 17
A548 1531	Safety Switch Feeler	43 - 13
A548 2137	Timing Pulley - 18Z	37 - 22
A610 2132	Pressure Bushing	33 - 11
A610 2136	Bushing	33 - 9
A610 2137	Pressure Roller Bushing	33 - 19
A610 3532	Timing Pulley - 18Z	41 - 2
A628 1225	Bushing - 8mm	29 - 13
A663 1241	Exit Roller: Driven : AS	25 - 12
A680 1443	Arm Shaft	33 - 15
A680 1446	Transport Unit Arm	33 - 16
A680 1621	Feed-in Unit Stopper	29 - 12
A680 1661	Bushing - 4mm	27 - 10
A680 2262	Feeler - Pick-up Roller Cam	39 - 36
A680 2311	Pulley - 18T/32T	41 - 8
A680 2321	Pulley - 30T	37 - 1
A806 1135	Contact Point Shaft	43 - 7
A806 1141	Reverse Roller Stay	29 - 34
A806 1152	Upper Guide Plate	29 - 1
A806 1153	Upper Guide Plate	29 - 2
A806 1161	Entrance Guide Plate - Front	29 - 10

Part No.	Description	Page and Index No.
A806 1162	Entrance Guide Plate - Inner	29 - 20
A806 1163	Guide Plate Cushion	29 - 11
A806 1181	Pressure Roller Bracket - Pull Out	27 - 12
A806 1211	Middle Guide Plate	31 - 9
A806 1221	Registration Sensor Bracket	31 - 13
A806 1226	Paper Size Sensor Bracket	31 - 7
A806 1241	Lower Guide Plate	31 - 10
A806 1251	Transport Roller Arm	31 - 19
A806 1256	Middle Shaft - Roller Arm	31 - 17
A806 1257	Roller Arm Shaft	31 - 23
A806 1261	Middle Driven Roller	31 - 18
A806 1266	Driven Roller	31 - 21
A806 1271	Pull Out Drive Roller	31 - 2
A806 1276	Transport Drive Roller	31 - 3
A806 1282	Separation Drive Shaft	29 - 19
A806 1292	Feed Belt Bracket	29 - 35
A806 1293	Feed Belt Drive Roller	29 - 14
A806 1294	Feed Belt Driven Roller	29 - 16
A806 1295	Feed Belt	29 - 18
A806 1298	Transport Belt Roller Shaft	29 - 17
A806 1328	Release Lever	29 - 21
A806 1335	Original Table Guide Plate	27 - 25
A806 1342	Base Lever	27 - 38
A806 1346	Base Shaft	27 - 37
A806 1353	Feeler Stud	27 - 27
A806 1356	Original Sensor Bracket	27 - 34
A806 1361	Cover Bracket	27 - 8
A806 1371	Magnet Catch - Paper Feed Cover	27 - 5
A806 2151	Timing Pulley - T19/Z23 S2M/M0.6	29 - 32
A806 2153	Timing Pulley - T27 S2M	29 - 29
A806 2161	Timing Pulley - T30/Z20 S2M/M0.8	39 - 8
A806 2244	Separation Shaft Stopper	39 - 19
A806 2271	Gear - Z18	29 - 33
A806 2281	Gear - Z47	27 - 35
A806 2283	Gear - Z20/Z47	39 - 7

Part No.	Description	Page and Index No.
A806 2285	Gear - Z20/Z47	39 - 5
A806 2287	Gear - Z20/Z47	39 - 6
A806 3111	Drive Exit Roller	35 - 24
A806 3142	Guide Plate Bracket	35 - 10
A806 3151	Driven Exit Roller	35 - 9
A806 3171	Lower Exit Cover	35 - 12
A806 3211	Right Exit Guide Plate	35 - 18
A806 3221	Exit Ground Plate	35 - 21
A806 3222	Seal	35 - 20
A806 3251	Exit Cover Bracket	25 - 11
A806 3261	Inner Back Cover Bracket	25 - 9
A806 3266	Discharge Brush Bracket	25 - 10
A806 3281	Timing Pulley - T14 S3M	35 - 2
A806 4117	Timing Belt - B40S2M158	39 - 10
A806 4118	Timing Belt - B40S2M148	29 - 25
A806 4221	Compression Spring	31 - 20
A806 4251	Grounding Plate	27 - 22
A806 4261	Spring Belt Guide Roller	29 - 15
A845 5873	Spring Plate	161 - 22
A859 2230	Ball Bearing - 6x13x5	39 - 28
A859 2241	Reverse Roller	29 - 28
A859 7211	Stepped Screw	25 - 6
B004 2995	Cap - Positioning	173 - 9
B065 3069	Bushing - 8mm	91 - 9
B065 3832	Transfer Unit Lever	103 - 23
B065 3833	Decal - Transfer Unit Lever	225 - 18
B065 3833	Decal - Transfer Unit Lever	103 - 24
B065 3868	Pressure Arm	103 - 14
B065 3873	Toner Collection Gear	103 - 9
B065 3874	Electrode Plate	103 - 10
B065 3875	Terminal	103 - 11
B065 3918	Toner Collection Gear Coil	105 - 35
B065 3920	Idle Gear - 1	105 - 33
B065 3921	Idle Gear - 2	105 - 34
B065 3922	Electrode Plate Cover	105 - 32

Part No.	Description	Page and Index No.
B065 3963	Lever	105 - 15
B065 3964	Bushing	105 - 18
B065 6135	Lock Arm - Tandem Tray	173 - 3
B065 6136	Tray Lock Arm	173 - 6
B065 6172	Paper Tray Stopper	145 - 16
B065 6345	Paper End Sensor Bracket	65 - 12
B065 6428	Release Button - Vertical Transport	69 - 20
B065 6524	Bottom Plate Lift Shaft	61 - 30
B065 6526	Lift Lever	61 - 31
B065 6538	Positioning Stopper Lever	61 - 13
B065 6545	Decal - Positioning	225 - 19
B065 6545	Decal - Positioning	61 - 8
B065 6581	Paper Tray Holder Stay	61 - 33
B065 6588	Right Support Plate	61 - 6
B065 6589	Left Support Plate	61 - 16
B065 6591	Paper Tray Holder Base	61 - 20
B065 6717	Paper Volume Shield Plate	59 - 39
B065 6769	Lock Arm	145 - 3
B065 6777	Supporting Plate	173 - 14
B065 6823	Timing Belt Cover	55 - 20
B065 6830	Pulley Bracket	55 - 23
B065 6831	Sensor Bracket	55 - 34
B065 6846	Decal - Paper Set - Left	55 - 6
B065 6846	Decal - Paper Set - Left	225 - 20
B065 6859	Right Stopper	57 - 4
B065 6862	Large Lever	59 - 34
B065 6864	Small Lever	59 - 31
B065 6870	Stay -Right base	59 - 14
B065 6872	Oil Damper Bracket	59 - 25
B065 6875	Protection -inner Cover	57 - 5
B065 6877	Decal - Paper Set - Right	57 - 6
B065 6877	Decal - Paper Set - Right	225 - 21
B070 1041	Stay: Right Sideways: Lower	171 - 12
B070 1307	Decal: Paper Set Direction	225 - 22
B070 1307	Decal: Paper Set Direction	17 - 13

Part No.	Description	Page and Index No.
B070 1308	Decal: Size Indication: Paper Tray	225 - 23
B070 1312	Cap: Joint: Large Capacity Tray	19 - 14
B070 1331	Cap: Key Counter: C2	19 - 18
B070 1350	Cover: Main Switch	159 - 5
B070 1430	Cover: Operation Panel: Rear	21 - 11
B070 1436	Gasket: Operation Sub-unit	21 - 25
B070 1440	Knob: Operation Sub-unit	21 - 9
B070 1790	Exposure Glass: Ass'y	45 - 4
B070 1917	Aperture	53 - 13
B070 1921	Spacer: Laser Diode Unit: 25Micron	53 - 21
B070 1922	Spacer: Laser Diode Unit: 50Micron	53 - 21
B070 1923	Spacer: Laser Diode Unit: 75Micron	53 - 21
B070 1924	Spacer: Laser Diode Unit: 100Micron	53 - 21
B070 1925	Plate: Cylindrical Lens	53 - 33
B070 1932	No.1 Mirror Ass'y	53 - 28
B070 1949	Bracket: Shield Glass	53 - 35
B070 1983	Lower Laser Harness Holder	53 - 9
B070 1985	Upper Laser Harness Holder	53 - 7
B070 1987	Holder: Harness: Power Source: Lower	53 - 10
B070 1989	Holder: Harness: Power Source: Upper	53 - 12
B070 2072	Duct: Exhaust	147 - 10
B070 2075	Bracket: Duct: Exhaust	147 - 12
B070 2076	Ozone Filter: 50x150x40	147 - 9
B070 2098	Shield: Duct: Ozone Unit	147 - 8
B070 2123	Filter: Entrance: Around The Photoconductor	21 - 2
B070 3170	Bearing Case: Front: Ass'y	91 - 23
B070 3180	Gear: Development Roller: Z21: M=0.8	91 - 11
B070 3184	Gear: Idler: Z29: M=0.8: Ass'y	91 - 24
B070 3346	Toner Bank Side Plate	81 - 8
B070 3362	Toner Bottle Bracket	79 - 9
B070 3364	Shield: Bracket: Chuck	79 - 21
B070 3436	Left Side Plate - Toner Bank	77 - 6
B070 3462	Plate: Joint: Rack: Lever	77 - 4
B070 3471	Toner Transport Screw Case	145 - 10
B070 3496	Supporter: Toner Bank	77 - 2

Part No.	Description	Page and Index No.
B070 3630	Case: Classification: Lower: Ass'y	139 - 31
B070 3636	Case: Classification: Upper	139 - 25
B070 3646	Arm: Toner Recycling	139 - 29
B070 3647	Tension Spring: Arm: Toner Recycling	139 - 28
B070 3657	Magnetic: Cleaning	97 - 10
B070 4084	Holder: Ring: Lower: Ass'y	109 - 4
B070 4091	Housing: Thermostat: Upper	111 - 1
B070 4418	Web Brake Pad	107 - 24
B070 4475	Holder: Ring: Fusing Exit: Ass'y	109 - 16
B070 4911	Fan Motor Bracket	171 - 1
B070 4912	Cover: Fan: Duplex: Lower	171 - 3
B070 5147	Harness: Ground Wire: Operation	21 - 7
B070 5165	Harness: LDB: Sync Detector	53 - 4
B070 5460	Interface Grounding Harness	147 - 2
B070 5473	DC Harness - Left	55 - 26
B070 5522	Harness - Ground Wire IBM	149 - 15
B070 5522	Harness - Ground Wire IBM	163 - 3
B070 6516	Bracket: Cover: Tandem LCT: Ass'y	55 - 5
B070 6666	Left DC Motor Bracket	55 - 30
B070 6667	End Fence Cover Front	59 - 18
B070 6683	Lever: Release: Front	59 - 17
B070 6684	Lever: Release: Rear	59 - 27
B070 6757	CSS Cover	163 - 4
B070 6820	Bracket: Hinge: Lower	163 - 24
B070 6821	Bracket: Hinge: Upper	163 - 27
B070 6831	Bracket: Standard: C/T Box	147 - 13
B070 6834	Bracket: Clamp	153 - 19
B070 6837	Bracket: Hinge: C/T Box	163 - 23
B070 6840	Filter: C/T Box	19 - 22
B070 6848	Base: C/T Box	163 - 29
B070 6849	Guide: Positioning	163 - 13
B070 6849	Guide: Positioning	149 - 2
B070 6851	Side Plate: C/T Box: Left	163 - 26
B070 6852	Cover: Base: C/T Box	163 - 28
B070 6854	Bracket: Fan: Cooling	163 - 11

Part No.	Description	Page and Index No.
B070 6854	Bracket: Fan: Cooling	149 - 22
B070 6855	Cover: Harness	163 - 2
B070 6856	Side Plate: C/T Box: Upper Lower	163 - 8
B070 6877	Large Drum Stay Ground Plate	161 - 14
B070 6879	Ground Plate: Drum Stay: Small	161 - 16
B070 6881	Bracket: HDD	163 - 32
B070 6884	Bracket: Power Supply Unit	163 - 15
B070 6887	Bracket: CSS	163 - 12
B098 6639	Tray Bottom Plate: Left Middle: Ass'y	55 - 9
B101 5160	IC: MB87M1480175	199 - 1
B101 5993	Interface Panel	161 - 4
B125 3230	Spacer - 0.3	123 - 9
B132 1226	Holder: Stand	17 - 28
B132 1278	Compression Spring: Drive	85 - 2
B132 1529	Sponge: SD-Card: Plate	17 - 8
B132 1531	Panel: Logo	17 - 23
B132 1719	Screw: Mechanical Drive Section	51 - 27
B132 1820	Scanner Shoe Pin	47 - 5
B132 3634	Compression Spring - Earth	101 - 25
B132 6692	Slide Rail: Left: Sub-ass'y	173 - 12
B132 6726	Bracket: Arm: Ass'y	145 - 2
B132 6742	Left Rail Bracket	173 - 2
B132 6759	DC Motor: Rise: Tandem LCT: Ass'y	143 - 20
B132 6760	DC Motor 24V 19.6W	143 - 24
B132 6762	DC Solenoid: Coupling: Ass'y	145 - 14
B132 6763	Bracket: Connector: Left	155 - 14
B132 6764	Bracket: Connector: Right	155 - 13
B132 6765	DC Solenoid: Lock: Ass'y	145 - 13
B132 6783	Arm: End Fence: Lock	61 - 28
B132 6785	Tray Bottom Plate: Ass'y	61 - 18
B132 6791	Plate: Side Fence	61 - 11
B132 6793	Side Fence: Front: Ass'y	61 - 14
B132 6797	Side Fence: Rear: Auxiliary	61 - 22
B132 6798	Spring Plate: Paper Tray: Earth	61 - 4
B132 7540	Tray Bottom Plate: Left Front	55 - 8

Part No.	Description	Page and Index No.
B132 7541	Tray Bottom Plate: Left Rear	55 - 10
B132 7543	Base: Tandem LCT: Right	57 - 9
B132 7545	Base: Tandem LCT: Right: Welding	59 - 41
B132 7547	DC Solenoid: End Fence: Front: Ass'y	59 - 1
B132 7550	Cover: Pulley: Drive Were	59 - 22
B132 7561	Back Fence: Left	55 - 21
B132 7564	Slider: Back Fence: Left	55 - 19
B132 7571	DC Solenoid: End Fence: Rear: Ass'y	59 - 8
B132 7575	Bracket: Connector: Tandem LCT	59 - 38
B132 7576	Side Fence: Tandem LCT: Right	57 - 16
B132 7586	Inner Cover: Tandem LCT	57 - 2
B132 7591	Rail: Paper Tray: Ass'y	173 - 17
B140 2382	Pre-transfer Lamp Case Ass'y	97 - 7
B154 8521	Holder: Operating Instructions	17 - 12
B181 6780	Link: End Fence: Paper Size Sensor: Ass'y	61 - 2
B181 6789	Link: Side Fence: Paper Size Sensor	61 - 3
B188 3575	Screw: Lever: Release: Blade	33 - 25
B188 5350	LSI: MB87M4290	199 - 2
B213 5843	Screw: Inner Cover: Joint Unit	111 - 15
B223 2873	Decal - Side Fence Rear	225 - 43
B223 2873	Decal - Side Fence Rear	61 - 21
B238 5720	Asic: Shaker5.5	215 - 2
B247 3175	Bushing 8x14x8	85 - 3
B247 3176	Boss: Bearing: Agitator: Press Fit	85 - 4
B247 3965	Lever Shaft	105 - 17
B247 3980	Electrode: Bias	103 - 12
B247 6634	Grip - Paper Tray Cover	55 - 14
B247 6634	Grip - Paper Tray Cover	61 - 5
B247 6695	Guide: Misfeed Removal: Paper Tray	57 - 13
B247 6695	Guide: Misfeed Removal: Paper Tray	61 - 32
B247 6753	Lock Spring - Large	145 - 4
B247 6754	Lock Spring - Small	145 - 5
B247 6950	Shaft: Slider: Back Fence	55 - 18
B247 6951	Bracket: Pulley: Driven: Ass'y	55 - 16
B247 6970	Base: Tandem LCT: Left: Ass'y	55 - 33

Part No.	Description	Page and Index No.
B301 1136	Spring Plate - 0.4mm	43 - 3
B301 1137	Pulley Cover	43 - 5
B301 1141	Rubber Cushion	33 - 6
B301 1141	Rubber Cushion	41 - 16
B301 1155	Separation Support Pad	29 - 3
B301 1156	Separation Pad Holder	29 - 4
B301 1171	Pulley Cover	27 - 23
B301 1188	Sensor Bracket	27 - 15
B301 1191	Pull-out Driven Roller	27 - 11
B301 1192	Bushing - 4x6x6	27 - 18
B301 1195	Gear - 19Z	27 - 14
B301 1198	Pull-out Driven Roller-Front	27 - 19
B301 1216	Discharge Brush	31 - 8
B301 1232	Base: Paper Feed	31 - 27
B301 1247	Entrance Guide	31 - 26
B301 1286	Bushing - 6x10x6	29 - 6
B301 1314	Pick-up Roller Bracket	29 - 22
B301 1341	Stay: Original Table: Ass'y	27 - 40
B301 1351	Original Feeler	27 - 26
B301 1412	Transport Belt Plate	33 - 7
B301 1422	Transport Stay	33 - 27
B301 1432	Belt Drive Roller	33 - 2
B301 1436	Transport Belt Roller	33 - 18
B301 1442	Transport Belt	33 - 1
B301 1443	Transport Belt Stopper - Front	33 - 5
B301 1444	Transport Belt Stopper - Rear	33 - 8
B301 1445	Rear Spacer	33 - 14
B301 1449	Front Spacer	33 - 4
B301 1451	Belt Pressure Roller	33 - 3
B301 1481	Belt Pressure Roller	33 - 12
B301 1491	Tension Bracket	33 - 23
B301 1543	Sensor Bracket	43 - 14
B301 1550	Hinge - Left	43 - 8
B301 1560	Hinge - Right	43 - 11
B301 1631	Rear Side Plate	43 - 6

Part No.	Description	Page and Index No.
B301 1633	Right Stay	43 - 10
B301 1716	Cover: Front	25 - 16
B301 1726	Cover: Rear: RIC: Ass'y	25 - 7
B301 1766	Paper Feed Cover	27 - 1
B301 1786	Cover: Exit: RIC	25 - 13
B301 1796	Cover: Original Table: Lower: RIC	25 - 4
B301 1822	Original Table: RIC: Printing	25 - 2
B301 1835	Original Holder	25 - 3
B301 1852	Base: Original Table: RIC: Ass'y	27 - 30
B301 1875	Hook: Harness: Base	27 - 41
B301 1876	Side Fence: Table: Ass'y	27 - 24
B301 1919	Discharge Brush - Exit	35 - 19
B301 1919	Discharge Brush - Exit	25 - 8
B301 1926	Cover: Right	35 - 23
B301 2111	Pulley - 30Z	41 - 33
B301 2113	Pulley - 19Z	41 - 32
B301 2122	Shaft	39 - 11
B301 2123	Pulley - 24Z	39 - 27
B301 2141	Pulley - 39Z	39 - 32
B301 2161	Roller: Pressure: Belt: MM24	33 - 20
B301 2172	Cushion	41 - 30
B301 2211	Pulley - 20/19Z	39 - 13
B301 2213	Pulley - 20Z	39 - 12
B301 2221	Gear - 31Z	39 - 16
B301 2222	Gear - 20Z	39 - 40
B301 2231	Pulley - 58/20Z	41 - 39
B301 2242	Shaft	39 - 38
B301 2243	Gear - 29Z	39 - 18
B301 2244	Gear - 23Z	39 - 17
B301 2261	Pulley - 36Z	39 - 35
B301 2271	Shaft	39 - 25
B301 2273	Pulley - 32Z	39 - 23
B301 2281	Tension Bracket	39 - 15
B301 2319	Heat Sink - DC Motor	41 - 27
B301 2320	Heat Sink Holder	41 - 26

Part No.	Description	Page and Index No.
B301 2327	Holder Bracket	41 - 34
B301 2336	Side Plate	39 - 20
B301 2367	Motor Bracket	39 - 2
B301 2371	Motor Bracket	41 - 36
B301 2376	Tension Bracket	41 - 19
B301 2422	Cam - Pick-up Roller	39 - 37
B301 2511	Reverse Roller Shaft	29 - 26
B301 3132	Lower Guide Plate	35 - 17
B301 3135	Spring	35 - 11
B301 3161	Left Exit Guide	35 - 6
B301 3181	Inverter Guide Plate	37 - 8
B301 3184	Reverse Driven Roller	35 - 15
B301 3184	Reverse Driven Roller	37 - 6
B301 3185	Driven Roller Shaft	35 - 14
B301 3185	Driven Roller Shaft	37 - 7
B301 3186	Spring	37 - 4
B301 3188	Discharge Brush	37 - 3
B301 3191	Exit Junction Gate	37 - 17
B301 3192	Lever - Exit Junction Gate	37 - 19
B301 3246	Motor Bushing - 4x9x5.2	41 - 3
B301 3271	Reverse Drive Roller	37 - 14
B301 3286	Pulley - 30Z	37 - 20
B301 3301	Paper Exit Solenoid	37 - 24
B301 3311	Reverse DC Solenoid	37 - 23
B301 3341	Exit Motor Bracket	41 - 7
B301 3345	Exit Motor Guide Plate	41 - 4
B301 4211	Spring	27 - 13
B301 4222	Spring	27 - 17
B301 4226	Spring	31 - 22
B301 4316	Decal: Misfeed Removal	27 - 2
B301 4316	Decal: Misfeed Removal	225 - 32
B301 4336	Decal: Size: Original: RIC	27 - 4
B301 4336	Decal: Size: Original: RIC	225 - 33
B301 4356	Decal: Paper Feed	27 - 3
B301 4356	Decal: Paper Feed	225 - 34

Part No.	Description	Page and Index No.
B301 4415	Sound Proofing Material - Front Lower	25 - 17
B301 4416	Sound Proofing Material - Rear Lower	43 - 9
B301 4417	Sound Proofing Material - Left Right	35 - 13
B301 4417	Sound Proofing Material - Left Right	31 - 25
B301 4418	Sound Proofing Material - Hinge Side	41 - 13
B301 4426	Sound Proofing Material - Right	27 - 6
B301 4427	Sound Proofing Material - Left	27 - 7
B301 4428	Sound Proofing Material - Rear	25 - 5
B301 4431	Vibration Absorbing Pad	33 - 13
B301 5100	PCB ADF Main Control	41 - 24
B301 5190	PCB Display	39 - 4
B301 5200	Harness - Interface	41 - 17
B301 5210	Harness - DC Motor	41 - 25
B301 5220	Harness - Pick Up Motor	39 - 29
B301 5230	Harness - Paper Feed Rear	41 - 20
B301 5231	Harness - Paper Feed Sensor	31 - 14
B301 5240	Harness - Middle	41 - 21
B301 5243	Harness - Registration Sensor	31 - 11
B301 5244	Harness - Paper Size Sensor	31 - 4
B301 5250	Harness - Paper Exit	41 - 22
B301 5251	Harness - Exit Sensor	35 - 8
B301 5252	Harness - Sensor	35 - 22
B301 5252	Harness - Sensor	41 - 11
B301 5260	Harness - Sensor On Off Detector	43 - 16
B301 5260	Harness - Sensor On Off Detector	41 - 23
B301 5270	Harness - Display	39 - 3
B301 5290	Harness: Sensor: Original: Connecting	27 - 33
B301 5405	DC Relay Harness	27 - 9
B301 5475	Grounding Wire	41 - 6
B301 5475	Grounding Wire	35 - 25
B352 2650	Magnet Catch - 5N	115 - 11
B352 2650	Magnet Catch - 5N	117 - 22
B352 2650	Magnet Catch - 5N	119 - 18
B352 2650	Magnet Catch - 5N	25 - 14
B475 6855	Shield: Tandem LCT: Rear Right	57 - 14

Part No.	Description	Page and Index No.
B477 2225	Pick-up Roller	29 - 31
B477 2226	Pickup Roller: Coupling	29 - 36
B477 4311	Decal - Original Base	27 - 32
B477 4311	Decal - Original Base	225 - 35
B477 4431	Decal - Original Table	17 - 30
B477 4431	Decal - Original Table	225 - 36
B477 4431	Decal - Original Table	25 - 1
B478 3569	Spacer	117 - 26
B645 5010	SD-Card: Ass'y	227 - 8
B645 6700	SD-Card: Adapter: BN-SDAA2	227 - 3
B645 6800	SD-Card: USB: Writer: BN-SDCE2	227 - 4
B652 1133	Shaft: Slider	41 - 18
B652 1134	Compression Spring	41 - 15
B652 2911	Stepper Motor: Base: Rise: Ass'y	39 - 1
B652 3135	Timing Belt: B60S2M172	131 - 12
B652 3157	Discharge Brush: Long	43 - 2
B700 4652	Spacer: DIA4.5	95 - 26
B702 7210	Timing Belt: B60S2M122	127 - 16
B736 5660	PCB: NIC+USB	161 - 2
B789 3126	Timing Pulley - 25T	133 - 4
C244 2187	Shaft: Flange: Master: Right	19 - 8
D014 6626	Bracket: On Off Detector: Front	59 - 5
D014 6627	Bracket: On Off Detector: Rear	59 - 7
D014 6786	Decal: Paper Set Direction	61 - 7
D014 6786	Decal: Paper Set Direction	225 - 24
G004 9668	Grease - KS660 - SHIN-ETSU	227 - 7
G029 1975	Cylindrical Lens	53 - 22
G029 1982	LD Decal	51 - 24
G029 1982	LD Decal	225 - 37
G065 2681	Snap Ring - M6	99 - 17
G178 1841	Keytop: Application: Blank: S: BR (Model C3.5)	23 - 4
G178 1842	Keytop: Application: Blank: L: BR (Model C3.5)	23 - 5
G178 1853	Cover: Front: NA (Model C3.5)	23 - 37
G178 1855	Cover: Front: EU (Model C3.5)	23 - 37
G332 5720	PCB: SDRAM-Dimm: 256MB	161 - 9

Part No.	Description	Page and Index No.
G404 2810	Spring Plate - 2nd Mirror	47 - 2
G564 4151	Rail - Side Fence	27 - 28
H053 1150	Stepped Screw - Locking	105 - 12
H072 2216	Compression Spring	115 - 15

Part No.	Description	Page and Index No.
AA00 1190	Decal - Ground	155 - 17
AA00 1190	Decal - Ground	225 - 3
AA00 1417	Decal - D6	119 - 22
AA00 1417	Decal - D6	225 - 38
AA00 1462	Decal - Paper Feed (B1)	71 - 4
AA00 1462	Decal - Paper Feed (B1)	225 - 4
AA00 1463	Decal - Paper Feed: B2	75 - 21
AA00 1463	Decal - Paper Feed: B2	225 - 5
AA00 1464	Decal - Paper Feed (B3)	225 - 6
AA00 1464	Decal - Paper Feed (B3)	71 - 5
AA00 1465	Decal - Paper Feed (B4)	71 - 18
AA00 1465	Decal - Paper Feed (B4)	225 - 7
AA00 1466	Decal - Paper Feed (C2)	71 - 2
AA00 1466	Decal - Paper Feed (C2)	225 - 8
AA00 1472	Decal - Paper Exit Unit (D1)	115 - 8
AA00 1472	Decal - Paper Exit Unit (D1)	225 - 9
AA00 1473	Decal - Paper Exit Unit (D5)	115 - 7
AA00 1473	Decal - Paper Exit Unit (D5)	225 - 10
AA00 1474	Decal - Duplex Unit (Z2)	225 - 11
AA00 1474	Decal - Duplex Unit (Z2)	121 - 18
AA00 1475	Decal - Duplex Unit (Z4)	225 - 12
AA00 1475	Decal - Duplex Unit (Z4)	127 - 2
AA00 1476	Decal - Duplex Unit (Z5)	225 - 13
AA00 1476	Decal - Duplex Unit (Z5)	121 - 5
AA00 1477	Decal: Energy-Star	225 - 39
AA00 1477	Decal: Energy-Star	17 - 29
AA00 2010	Decal - Paper Level	57 - 15
AA00 2010	Decal - Paper Level	55 - 13
AA00 2010	Decal - Paper Level	225 - 14
AA00 2246	Decal - Caution	225 - 15
AA00 2246	Decal - Caution	57 - 3
AA00 3045	Decal - Misfeed Removal	225 - 16
AA00 3045	Decal - Misfeed Removal	69 - 10
AA00 3046	Decal - Vertical Transport (A3)	225 - 17
AA00 3046	Decal - Vertical Transport (A3)	69 - 9

Part No.	Description	Page and Index No.
AA00 3211	Decal: Paper Tray: Display: 1	225 - 40
AA00 3211	Decal: Paper Tray: Display: 1	55 - 1
AA00 3212	Decal: Paper Tray: Display: 2	61 - 9
AA00 3212	Decal: Paper Tray: Display: 2	225 - 41
AA00 3213	Decal: Paper Tray: Display: 3	61 - 9
AA00 3213	Decal: Paper Tray: Display: 3	225 - 42
AA02 1031	Magnetic Catch	113 - 33
AA02 1035	Magnetic: Cover	19 - 10
AA04 3271	Timing Belt S3M 196T	55 - 22
AA04 3308	Timing Belt - S2M114 9MM	141 - 16
AA04 3324	Timing Belt - B40S2M152	69 - 13
AA04 3325	Timing Belt - B40S2M250	69 - 19
AA04 3326	Timing Belt - B60S3M474	115 - 19
AA04 3327	Timing Belt - B60DS3M453	117 - 16
AA04 3533	Timing Belt - B0S2M256	41 - 38
AA04 3534	Timing Belt - B60S3M216	39 - 26
AA04 3535	Timing Belt - B60S3M195	39 - 22
AA04 3536	Timing Belt - B60S3M279	39 - 34
AA04 3537	Timing Belt - B40S2M206	39 - 31
AA04 3538	Timing Belt - B60S3M174	41 - 37
AA04 3539	Timing Belt - B40S2M104	41 - 10
AA04 3546	Timing Belt - B60S2M474	41 - 14
AA04 3547	Timing Belt - B40S3M213	37 - 21
AA04 3548	Timing Belt - B40S3M150	35 - 1
AA04 3621	Timing Belt - 60S2M156	129 - 11
AA04 3650	Timing Belt - B60S2M290	131 - 14
AA04 3651	Timing Belt - B60S2M264	127 - 14
AA04 3652	Timing Belt - B60S2M130	135 - 26
AA04 3970	Timing Belt - B60S3M426	137 - 25
AA04 3971	Timing Belt - B60S3M363	137 - 30
AA04 3972	Timing Belt - B60S3M435	137 - 24
AA04 3974	Timing Belt - B60S2M112	133 - 3
AA04 3977	Timing Belt: Drive: Fusing Unit	135 - 5
AA06 0360	Tension Spring	119 - 19
AA06 0523	Pick-up Pressure Sping	65 - 10

Part No.	Description	Page and Index No.
AA06 0534	Tray Lock Spring - 19mm	173 - 7
AA06 0539	Stripper Pawl Spring	109 - 18
AA06 0590	Pressure Spring	39 - 14
AA06 0590	Pressure Spring	119 - 4
AA06 0590	Pressure Spring	41 - 35
AA06 0757	Tension Spring - Long	59 - 3
AA06 0758	Tension Spring - Short	59 - 16
AA06 0761	Spring	173 - 4
AA06 0810	Tension Spring - Vibrating Plate	83 - 14
AA06 0811	Tension Spring - Stopper	77 - 16
AA06 0812	Lever Tension Spring	77 - 9
AA06 0950	Tension Spring	81 - 23
AA06 0950	Tension Spring	119 - 31
AA06 0950	Tension Spring	117 - 23
AA06 0961	Tension Spring: Side Fence: Rear	61 - 29
AA06 0987	Tension Spring: Timing Belt: 10N	55 - 17
AA06 1000	Spring - 1.42N	67 - 10
AA06 1015	Tension Spring - 5x25	119 - 26
AA06 2284	Pressure Spring	87 - 15
AA06 2329	Spring: Registration: 20N	73 - 18
AA06 2345	Tension Spring	33 - 22
AA06 2346	Tension Spring: Tension	137 - 21
AA06 2346	Tension Spring: Tension	135 - 6
AA06 2346	Tension Spring: Tension	139 - 3
AA06 2350	Tension Spring: Pickoff Pawl	109 - 9
AA06 2587	Tension Spring: Pressure	33 - 10
AA06 2588	Tension Spring: Exit	37 - 18
AA06 2589	Tension Spring: Reverse	37 - 13
AA06 3268	Connector Spring	155 - 16
AA06 3392	Chuck Spring	83 - 24
AA06 3435	Compression Spring: Paper Feed: Joint	29 - 8
AA06 3583	Spring	155 - 10
AA06 3601	Rack Spring	83 - 3
AA06 3602	Chuck Spring	83 - 4
AA06 3604	Pressure Spring	137 - 11

Part No.	Description	Page and Index No.
AA06 3652	Spring-oil Supply Roller	107 - 12
AA06 3670	Spring Connector: 9.8N	155 - 7
AA06 3674	Spring - 8N	71 - 17
AA06 3674	Spring - 8N	123 - 5
AA06 3674	Spring - 8N	67 - 18
AA06 3674	Spring - 8N	75 - 15
AA06 3674	Spring - 8N	129 - 1
AA06 3674	Spring - 8N	125 - 4
AA06 3675	Spring - 5N	119 - 5
AA06 3675	Spring - 5N	75 - 28
AA06 3675	Spring - 5N	127 - 4
AA06 3676	Spring: Pressure: 2N	117 - 6
AA06 3677	Spring	71 - 9
AA06 3678	Spring - 3.5N	119 - 39
AA06 3679	Spring - 10N	69 - 6
AA06 3680	Pressure Spring - 5x10.5	117 - 27
AA06 3681	Compression Spring: Joint	135 - 15
AA06 3851	Pressure Spring	107 - 16
AA06 3853	Pressure Spring	109 - 11
AA06 3877	Spring	105 - 16
AA06 3878	Spring	69 - 23
AA06 6319	Torsion Spring	83 - 20
AA06 6320	Feeler Torsion Spring	77 - 13
AA06 6321	Rear Guide Plate Spring	119 - 8
AA06 6322	Front Guide Plate Spring	119 - 10
AA06 6372	Spring	75 - 7
AA06 6378	Grip Spring	121 - 12
AA06 6384	Torsion Spring: Open and Close	125 - 21
AA07 0081	Slide Rail - Duplex	165 - 5
AA07 0081	Slide Rail - Duplex	171 - 5
AA08 0147	Front Bushing	87 - 19
AA08 0265	Bushing: 6x8x5	69 - 17
AA08 0344	Bushing - DIA5	125 - 16
AA08 0345	Bushing - 5mm	119 - 40
AA08 0345	Bushing - 5mm	125 - 20

Part No.	Description	Page and Index No.
AA08 2045	Cleaning Brush Bushing	101 - 19
AA08 2058	Bushing - 6x10x9mm	81 - 16
AA08 2058	Bushing - 6x10x9mm	105 - 36
AA08 2059	Agitator Bushing	101 - 24
AA08 2064	Bushing - 10mm	169 - 7
AA08 2094	Bushing - Brush Roller	101 - 8
AA08 2095	Bushing - Toner Collection Coil	101 - 5
AA08 2101	Bushing - 6x10x6	133 - 12
AA08 2101	Bushing - 6x10x6	105 - 19
AA08 2118	Bushing - M6	131 - 5
AA08 3009	Clutch Roller - 8x18x11	65 - 14
AA08 4059	Ball Bearing Holder	117 - 7
AA08 4059	Ball Bearing Holder	123 - 6
AA08 4059	Ball Bearing Holder	119 - 6
AA08 4059	Ball Bearing Holder	71 - 16
AA08 4059	Ball Bearing Holder	75 - 14
AA08 4059	Ball Bearing Holder	125 - 5
AA08 4059	Ball Bearing Holder	127 - 5
AA08 4059	Ball Bearing Holder	129 - 2
AA08 4059	Ball Bearing Holder	67 - 17
AA08 4059	Ball Bearing Holder	69 - 27
AA10 0014	Retaining Ring C - Separate	139 - 24
AA12 0097	Antistatic Brush	115 - 13
AA12 0134	Discharge Brush - Paper Exit	117 - 8
AA13 2013	Spacer	29 - 9
AA13 2024	Spacer - M6	101 - 12
AA13 2024	Spacer - M6	105 - 20
AA13 2024	Spacer - M6	137 - 12
AA13 2025	Spacer - 1x8x12	73 - 8
AA13 2080	Spacer - Cleaning Brush	99 - 18
AA13 2152	Spacer - 8x20x1	39 - 9
AA13 2171	Spacer - 6x20x1	29 - 30
AA13 2203	Spacer - 6mm	59 - 33
AA13 2203	Spacer - 6mm	145 - 6
AA13 2209	Spacer - 8x10x13.5	113 - 5

Part No.	Description	Page and Index No.
AA13 2228	Spacer - 1mm	127 - 28
AA13 2228	Spacer - 1mm	123 - 23
AA13 2228	Spacer - 1mm	129 - 24
AA13 2228	Spacer - 1mm	135 - 30
AA13 2228	Spacer - 1mm	131 - 16
AA13 2228	Spacer - 1mm	65 - 18
AA14 0686	Shaft - Timing Pulley	55 - 27
AA14 0779	Lock Shaft	75 - 3
AA14 3379	Stepped Screw	41 - 5
AA14 3426	Stepped Screw - M4x17	123 - 14
AA14 3444	Stepped Screw	115 - 17
AA14 3444	Stepped Screw	81 - 26
AA14 3444	Stepped Screw	95 - 14
AA14 3499	Stepped Screw	163 - 30
AA14 3545	Screw: M4	139 - 32
AA14 3550	Screw: DIA4: M3	155 - 9
AA14 3560	Stepped Screw - M4	69 - 22
AA14 3560	Stepped Screw - M4	19 - 26
AA14 3562	Screw: M4: DIA6x1.2	77 - 15
AA14 3570	Misfeed Removal Shaft	69 - 16
AA14 3573	Shoulder Screw - M4x4	45 - 8
AA14 3788	Pin: Guide Plate: Paper Feed	25 - 15
AA14 3788	Pin: Guide Plate: Paper Feed	27 - 20
AA14 3789	Shaft: Cleaner	29 - 5
AA14 3797	Connector Guide Pin	155 - 8
AA14 3798	Hexagonal Bolt: M12x35	173 - 20
AA14 3802	Screw: 6x1.7	51 - 6
AA14 3802	Screw: 6x1.7	71 - 8
AA14 3810	Development Cover Screw	113 - 2
AA14 3810	Development Cover Screw	95 - 18
AA14 3810	Development Cover Screw	109 - 1
AA14 3811	Stepped Screw - M3x4	127 - 21
AA14 3812	Screw - Scale	123 - 25
AA14 3816	Flat Screw: Chuck: Bottle	83 - 26
AA14 3831	Screw	33 - 24

Part No.	Description	Page and Index No.
AA14 3832	Release Spring Holder	43 - 4
AA14 3842	Screw: DIA6: 14.5: M4	35 - 4
AA14 3852	Screw	109 - 10
AA14 3857	Screw - M4x5	31 - 1
AA14 3862	Screw - M4x5	119 - 28
AA14 3863	Shoulder Screw - M3	95 - 25
AA14 3865	Screw - M4x10	19 - 21
AA15 0280	Seal: Guide Plate: Vertical Transport	67 - 19
AA15 0332	Seal - 0.19x18x22	51 - 22
AA15 0406	Seal - Misfeed Removal	173 - 16
AA15 2299	Bottle Hold Seal	81 - 10
AA16 1072	Cushion - DC Motor	137 - 27
AA16 1104	Cushion - Motor	51 - 11
AA16 1122	Motor Cushion	143 - 10
AA16 1122	Motor Cushion	129 - 22
AA16 1122	Motor Cushion	141 - 20
AA16 1122	Motor Cushion	135 - 22
AA16 1122	Motor Cushion	133 - 20
AA16 1125	Rubber Cushion	163 - 31
AA16 1129	Cushion - Large	59 - 36
AA16 1130	Cushion - Small	59 - 29
AA16 1138	Cushion - 1.1	45 - 15
AA16 1138	Cushion - 1.1	33 - 21
AA16 1165	Cushion	71 - 19
AB01 1392	Drive Reverse Gear - 24Z	67 - 8
AB01 1501	Gear - 30Z	73 - 21
AB01 1502	Gear - 30Z	75 - 25
AB01 1503	Gear - 30Z	73 - 23
AB01 1504	Gear - 33Z	73 - 24
AB01 1504	Gear - 33Z	75 - 26
AB01 1505	Gear - 35Z	73 - 25
AB01 1591	Gear: Reverse	67 - 6
AB01 2003	Gear - 16Z	83 - 6
AB01 2004	Gear - 27Z	83 - 7
AB01 2004	Gear - 27Z	79 - 18

Part No.	Description	Page and Index No.
AB01 2005	Gear - 13Z	81 - 9
AB01 2006	Gear - 23Z	79 - 15
AB01 2007	Gear - 14Z	81 - 13
AB01 2008	Gear - 23Z	79 - 17
AB01 2009	Gear - 34Z	81 - 18
AB01 2010	Gear - 34Z	81 - 21
AB01 2327	Gear: 16Z	61 - 19
AB01 3587	Gear - 41Z	113 - 34
AB01 3781	Gear - 30Z	59 - 23
AB01 3798	Gear - Z18	55 - 29
AB01 4229	Coupled gear - 17Z/32Z	113 - 12
AB01 7514	Double Gear - 12/27Z	79 - 7
AB01 7515	Double Gear - 12/23Z	79 - 8
AB01 7722	Gear/Pulley - 31Z/31T	141 - 15
AB01 7723	Gear/Pulley - 31Z/31T	141 - 9
AB01 7725	Gear/Timing Pulley - 20Z/20T	69 - 14
AB01 7726	Gear/Timing Pulley - 20Z/20T	69 - 15
AB01 7727	Gear - 27Z/30Z	129 - 12
AB01 7728	Gear: - 30Z/30T	131 - 11
AB01 7732	Gear: Idler: Z16/Z47: Press Fit	79 - 14
AB01 7771	Gear: Transport Roller: Input: Z23/Z28	63 - 11
AB01 9475	Gear - 48T	55 - 24
AB03 0081	Pulley - 20Z	119 - 33
AB03 0310	Tightener Pulley	117 - 21
AB03 0310	Tightener Pulley	119 - 37
AB03 0317	Gate Tightener	81 - 25
AB03 0354	Pulley - 20T	41 - 31
AB03 0643	Pulley - 23Z	81 - 7
AB03 0793	Pulley - 125T	137 - 2
AB03 0794	Pulley - 40Z	135 - 7
AB03 0795	Pulley - 29T	137 - 32
AB03 0802	Timing Pulley - 24T	131 - 15
AB03 0802	Timing Pulley - 24T	127 - 15
AB03 0803	Timing Pulley - 25T	127 - 13
AB03 0804	Pulley - 30T	115 - 20

Part No.	Description	Page and Index No.
AB03 0805	Pulley: Coupling: 30T	115 - 24
AB03 0806	Pulley - 19T	117 - 18
AB03 0807	Timing Pulley - 20T	117 - 15
AB03 0807	Timing Pulley - 20T	119 - 34
AB03 0808	Timing Pulley - 20T	117 - 25
AB03 0808	Timing Pulley - 20T	119 - 32
AB03 0810	Timing Pulley - 28T	131 - 13
AB03 2058	Wire Pulley - M10	59 - 19
AB03 2069	Pulley	51 - 14
AB03 2070	Pulley	51 - 26
AB03 2719	Pulley - M10	59 - 21
AB03 3084	Timing Pulley - 15T	55 - 25
AB03 3085	Timing Pulley - 15T	55 - 15
AB03 3088	Pulley - 20T/20T	117 - 19
AB03 3093	Idle Pulley - 25T/20T	137 - 26
AC01 5030	Toner Shield Glass - 366x15	53 - 36
AC02 2012	F-theta Lens 1	53 - 17
AC02 2013	F-theta Lens 2	53 - 18
AC02 4008	Lens: Cylindrical Lens	53 - 32
AC03 0078	Sync Detector Mirror	53 - 20
AC03 0150	Mirror: No.2	53 - 25
AC03 5055	Sync Detector Mirror Plate	53 - 19
AC03 5056	Plate: Mirror: No.2	53 - 31
AC04 2172	Scale: Left: Printing	45 - 5
AD02 5022	Pick-off Pawl	97 - 19
AE01 1108	Hot Roller	111 - 11
AE01 1110	Hot Roller - DIA80 C	111 - 11
AE02 0159	Pressure Roller - DIA80	113 - 29
AE03 0031	Ball Bearing - 40x62x12	113 - 30
AE03 0031	Ball Bearing - 40x62x12	111 - 9
AE03 0035	Ball Bearing - 6x16x5	113 - 6
AE03 1026	Bushing - Oil Supply Roller	107 - 11
AE03 1032	Bushing - 6x9x6.5	107 - 15
AE03 1037	Bushing - M4	113 - 13
AE03 2021	Bushing - 34.3x39.9x15.5	111 - 8

Part No.	Description	Page and Index No.
AE03 2029	Thermal Insulating Bushing	113 - 31
AE04 0067	Roller - Cleaning Felt	107 - 7
AE04 2090	Cleaning Roller	113 - 7
AE04 4042	Pressure Roller Stripper	109 - 8
AE04 4067	Stripper Pawls: Ring	109 - 17
AE04 5054	Web Roller	107 - 22
AF01 3005	Bottom Plate Pad	61 - 17
AF01 7032	End Fence	61 - 15
AF02 0669	Transport Roller	75 - 5
AF02 0670	Transport Roller - Drive	75 - 27
AF02 0671	Transport Roller - Drive	73 - 15
AF02 0672	Transport Roller - Driven	67 - 16
AF02 0711	Transport Roller: Reverse: Upper: Drive	129 - 10
AF02 0712	Transport Roller: Reverse: Lower: Drive	129 - 9
AF02 0713	Transport Roller: Duplex: Reverse: Exit	129 - 8
AF02 0714	Transport Roller: Duplex: No.1: Drive	131 - 6
AF02 0715	Transport Roller: Duplex: No.2: Drive	131 - 7
AF02 0716	Transport Roller: Switchback: Drive	127 - 18
AF02 0717	Transport Roller: Duplex: Exit: Drive	127 - 19
AF02 0718	Transport Roller: Duplex: Entrance: DR	123 - 13
AF02 0719	Transport Roller: Duplex: Driven	123 - 4
AF02 0719	Transport Roller: Duplex: Driven	125 - 12
AF02 0720	Transport Roller: Switchback: Driven	125 - 6
AF02 0721	Exit Roller: Exit: Drive	117 - 4
AF02 0722	Exit Roller: Horizontal: Drive	119 - 15
AF02 0723	Exit Roller: Reverse: Drive	119 - 14
AF02 0724	Transport Roller: Grip: No.1: Drive	65 - 1
AF02 0725	Transport Roller: Grip: No.2: Drive	65 - 7
AF02 2105	Roller - Slide Rail	59 - 32
AF02 2154	Roller: Horizontal: Transport: Driven	169 - 3
AF02 2165	Transport Roller - Driven	75 - 13
AF02 2165	Transport Roller - Driven	71 - 15
AF02 2166	Transport Roller - Driven	69 - 26
AF02 2168	Transport Roller - Driven	75 - 24
AF02 2171	Transport Roller: Driven: DIA18x2	117 - 5

Part No.	Description	Page and Index No.
AF02 2171	Transport Roller: Driven: DIA18x2	127 - 6
AF02 2173	Transport Roller: Driven: DIA16x2	129 - 3
AF02 2173	Transport Roller: Driven: DIA16x2	119 - 7
AF02 2175	Transport Roller: Driven: DIA18x2: INN	121 - 3
AF03 0080	Paper Feed Roller: Pickup	65 - 5
AF03 1080	Paper Feed Roller: Feed	65 - 3
AF03 2080	Paper Feed Roller: Separate	67 - 3
AF04 0561	Fusing Exit Roller - Upper	109 - 14
AG05 0100	Knob - Transport Roller	71 - 1
AG05 0101	Knob - Misfeed Removal	69 - 11
AG05 0102	Knob - Duplex	121 - 17
AG05 0103	Knob - Fusing/Paper Exit Unit	115 - 9
AG05 1141	Release Lever	119 - 11
AG05 1141	Release Lever	71 - 20
AG07 0504	Magnet Catch: 44.1N	159 - 11
AG07 0513	Magnet Catch	121 - 6
AG07 0514	Magnet Catch	127 - 3
AG07 0515	Magnet Catch: 13N	43 - 12
AG07 0515	Magnet Catch: 13N	39 - 39
AH01 2031	Caster: 1470N	173 - 19
AW00 0010	Optics Sensor	73 - 9
AW01 0107	Paper Feed Sensor	117 - 3
AW01 0107	Paper Feed Sensor	63 - 5
AW01 0107	Paper Feed Sensor	127 - 7
AW01 0107	Paper Feed Sensor	73 - 5
AW01 0107	Paper Feed Sensor	125 - 3
AW01 0107	Paper Feed Sensor	123 - 2
AW01 0107	Paper Feed Sensor	129 - 6
AW01 0107	Paper Feed Sensor	121 - 7
AW01 0107	Paper Feed Sensor	65 - 11
AW01 0107	Paper Feed Sensor	71 - 12
AW01 0109	Photo Reflector Sensor: PS117ED1	31 - 12
AW01 0109	Photo Reflector Sensor: PS117ED1	35 - 7
AW01 0109	Photo Reflector Sensor: PS117ED1	27 - 21
AW01 0113	Sensor	59 - 37

Part No.	Description	Page and Index No.
AW01 0116	Original Sensor: H=1-66	45 - 14
AW01 0122	Paper Feed Sensor	63 - 14
AW01 0130	Original Sensor: H=3-80	45 - 3
AW02 0141	Photointerruptor	27 - 16
AW02 0141	Photointerruptor	41 - 12
AW02 0141	Photointerruptor	39 - 21
AW02 0141	Photointerruptor	43 - 15
AW02 0141	Photointerruptor	31 - 15
AW02 0145	Photointerruptor: Flat	59 - 11
AW02 0145	Photointerruptor: Flat	141 - 2
AW02 0145	Photointerruptor: Flat	139 - 8
AW02 0145	Photointerruptor: Flat	55 - 35
AW02 0145	Photointerruptor: Flat	79 - 4
AW02 0145	Photointerruptor: Flat	119 - 35
AW02 0145	Photointerruptor: Flat	57 - 12
AW02 0145	Photointerruptor: Flat	77 - 7
AW02 0145	Photointerruptor: Flat	81 - 33
AW02 0145	Photointerruptor: Flat	63 - 7
AW02 0145	Photointerruptor: Flat	75 - 11
AW02 0154	Photointerruptor: Entrance	31 - 6
AW02 0155	Photointerruptor: Paper Size Sensor	31 - 5
AW02 0160	Paper Feed Sensor	93 - 14
AW02 0160	Paper Feed Sensor	49 - 17
AW02 0160	Paper Feed Sensor	113 - 18
AW02 0163	Paper Feed Sensor	55 - 32
AW14 0014	Temperature & Humidity Sensor	93 - 3
AW20 0009	Paper Feed Sensor: Fusing Exit: Reed Switch	109 - 6
AW23 0022	Density Sensor	91 - 17
AW31 0008	Toner End Sensor	145 - 25
AW31 0008	Toner End Sensor	83 - 23
AW31 0009	Toner End Sensor	85 - 6
AW50 0010	Push Switch	145 - 20
AW50 0023	Push Switch	93 - 17
AW50 0023	Push Switch	89 - 7
AW50 0023	Push Switch	81 - 32

Part No.	Description	Page and Index No.
AX04 0139	Stepper Motor: Mm42: 0.95A: 9.5V	39 - 30
AX04 0144	DC Motor: Rise: Paper Tray	143 - 21
AX04 0145	DC Motor: Tandem LCT	55 - 31
AX04 0147	DC Motor: Cleaner: 0.5W	113 - 16
AX04 0147	DC Motor: Cleaner: 0.5W	153 - 9
AX04 0157	Stepper Motor DC1.68V 6.7W	135 - 21
AX04 0157	Stepper Motor DC1.68V 6.7W	143 - 7
AX04 0157	Stepper Motor DC1.68V 6.7W	141 - 21
AX04 0157	Stepper Motor DC1.68V 6.7W	129 - 23
AX04 0158	Stepper Motor DC2.64V 6.3W	127 - 11
AX04 0158	Stepper Motor DC2.64V 6.3W	143 - 1
AX06 0320	DC Motor: 54W	41 - 29
AX06 0321	DC Motor 24V 27W	41 - 1
AX06 0325	Polygon Mirror Motor: DC24V 24W	53 - 14
AX06 0328	Brushless Motor DC24V 72W	137 - 29
AX06 0329	Brushless Motor DC24V 50.4W	135 - 4
AX20 0294	Magnetic Clutch - 38Z	39 - 24
AX20 0301	Magnetic Clutch: 25NCM	81 - 15
AX31 0047	Total Counter: 7Fig: 24V: MI2	159 - 8
AX44 0240	Heater - 208V/900W	111 - 19
AX44 0241	Heater - 208V/600W	111 - 21
AX44 0242	Heater - 208V/900W	111 - 20
AX44 0243	Heater - 208V/600W	111 - 21
AX44 0246	Heater - 230V/900W	111 - 19
AX44 0247	Heater - 230V/600W	111 - 21
AX44 0248	Heater - 230V/900W	111 - 20
AX44 0249	Heater - 230V/600W	111 - 21
AX51 0011	Xenon Lamp	47 - 12
AX56 0011	LED	73 - 11
AX64 0150	Fan Motor: Mm60: 25mm: DC24V 4.8W	167 - 3
AX64 0158	Fan Motor Mm60/15mm: 24V	157 - 9
AX64 0158	Fan Motor Mm60/15mm: 24V	159 - 20
AX64 0159	Fan Motor Mm80	149 - 10
AX64 0164	Fan Motor: 15mm: 24V	157 - 1
AX64 0172	Fan Motor DC24V 1.92W	167 - 3

Part No.	Description	Page and Index No.
AX64 0177	Fan Motor DC12V 3.6W	163 - 10
AX64 0178	Fan Motor DC24V 3.36W	151 - 1
AX64 0178	Fan Motor DC24V 3.36W	165 - 7
AX64 0184	Fan Motor DC24V 3.1W	171 - 2
AX64 0185	Fan Motor DC24V 4.8W	153 - 12
AZ00 0109	Power Supply Cord NA	155 - 3
AZ00 0110	Power Supply Cord EU 16A	155 - 3
AZ23 0195	Power Supply Unit (208V)	163 - 16
AZ26 0001	Power Supply Unit A	149 - 5
AZ26 0003	Power Supply Unit B	149 - 4
AZ32 0155	Power Pack - Development	147 - 6
AZ32 0156	Power Pack	105 - 26
AZ50 0071	Stabilizer	49 - 20
BB01 3007	Gear - 20Z	63 - 1
BB01 3007	Gear - 20Z	69 - 3
BB01 3008	Gear - 31Z	63 - 12
BB01 3010	Gear - 18Z	63 - 9
BB01 3011	Gear - 22Z	129 - 16
BB01 3012	Gear - 28Z	129 - 13
BB01 3013	Gear - 21Z	129 - 19
BB01 3014	Gear - 43Z	115 - 22
BB01 3015	Gear - 28Z	115 - 21
BB01 3019	Gear - 23Z	63 - 10
GX64 0021	Fan Motor DC24V 1.92W	49 - 5
GX64 0021	Fan Motor DC24V 1.92W	51 - 21
GX64 0028	Fan Motor DC24V 1.92W	49 - 3
GX64 0028	Fan Motor DC24V 1.92W	45 - 16
GX64 0028	Fan Motor DC24V 1.92W	137 - 34

Part No.	Description	Page and Index No.
RC01 0070	LCD - LQ104S1DG21A	23 - 27

Part No.	Description	Page and Index No.
0312 5050N	Screw - M2.5x5	81 - 104
0312 5050N	Screw - M2.5x5	79 - 107
0312 5060N	Screw - M2.5x6	79 - 102
0312 5060N	Screw - M2.5x6	133 -106
0313 0040N	Screw: M3x4	71 - 104
0313 0050N	Philips Pan Head Screw - M3x5	93 - 103
0313 0060N	Screw - M3x6	47 - 110
0313 0080N	Pan Head Screw: M3x8	59 - 109
0313 0080N	Pan Head Screw: M3x8	21 - 106
0313 0080N	Pan Head Screw: M3x8	55 - 107
0313 0120N	Pan Head Screw: M3x12	59 - 108
0313 0120N	Pan Head Screw: M3x12	47 - 108
0313 0120N	Pan Head Screw: M3x12	49 - 105
0314 0040N	Pan Head Screw - M4x4	171 -106
0314 0040N	Pan Head Screw - M4x4	99 - 102
0314 0040N	Pan Head Screw - M4x4	173 -104
0314 0060N	Screw - M4x6	173 -102
0314 0060N	Screw - M4x6	23 - 108
0314 0080N	Philips Pan Head Screw - M4x8	45 - 102
0314 0080N	Philips Pan Head Screw - M4x8	51 - 106
0314 0080N	Philips Pan Head Screw - M4x8	159 -109
0314 0120N	Screw - M4x12	111 -105
0315 0080N	Pan Head Screw: M5x8	111 -106
0324 0300N	Screw - M4x30	51 - 109
0353 0040N	Screw - M3x4	89 - 103
0353 0040N	Screw - M3x4	73 - 101
0353 0040N	Screw - M3x4	139 -107
0353 0040N	Screw - M3x4	123 -107
0353 0040P	Screw - M3x4	23 - 110
0353 0050N	Screw-M3x5	91 - 106
0353 0050N	Screw-M3x5	127 -102
0353 0050N	Screw-M3x5	143 -102
0353 0050N	Screw-M3x5	39 - 101
0353 0060N	Bind Screw - M3x6	97 - 106
0353 0060N	Bind Screw - M3x6	129 -107

Part No.	Description	Page and Index No.
0353 0060N	Bind Screw - M3x6	83 - 103
0353 0060N	Bind Screw - M3x6	93 - 106
0353 0060N	Bind Screw - M3x6	127 -104
0353 0060N	Bind Screw - M3x6	119 -102
0353 0060N	Bind Screw - M3x6	145 -107
0353 0060N	Bind Screw - M3x6	23 - 104
0353 0060N	Bind Screw - M3x6	117 -107
0353 0060N	Bind Screw - M3x6	115 -105
0353 0060N	Bind Screw - M3x6	131 -109
0353 0060N	Bind Screw - M3x6	53 - 101
0353 0080N	Screw: M3x8	53 - 109
0353 0080N	Screw: M3x8	113 -113
0353 0100N	Screw-M3x10	53 - 105
0354 0040N	Screw-M4x4	107 -102
0354 0040N	Screw-M4x4	55 - 101
0354 0040N	Screw-M4x4	57 - 104
0354 0060N	Screw-M4x6	107 -101
0354 0060N	Screw-M4x6	85 - 104
0354 0060N	Screw-M4x6	109 -102
0354 0060N	Screw-M4x6	111 -102
0354 0060N	Screw-M4x6	167 -104
0354 0060N	Screw-M4x6	95 - 102
0354 0060N	Screw-M4x6	45 - 103
0354 0060N	Screw-M4x6	113 -102
0354 0060N	Screw-M4x6	81 - 101
0354 0060N	Screw-M4x6	169 -106
0354 0060N	Screw-M4x6	23 - 105
0354 0080N	Screw: M4x8	87 - 102
0354 0100N	Screw - M4x10	53 - 103
0354 0100N	Screw - M4x10	111 -104
0354 0200N	Screw: M4x20	45 - 104
0354 0200N	Screw: M4x20	171 -105
0354 0200N	Screw: M4x20	49 - 101
0354 0300N	Screw: M4x30	49 - 103
0354 0300N	Screw: M4x30	51 - 113

Part No.	Description	Page and Index No.
0360 3006N	Screw - M3x6	49 - 102
0360 3006N	Screw - M3x6	169 -107
0360 3006N	Screw - M3x6	45 - 101
0360 3008N	Screw: M3x8	23 - 106
0360 3014N	Screw - M3x14	83 - 106
0360 4008N	Screw - M4x8	103 -108
0360 4008N	Screw - M4x8	61 - 104
0360 4008N	Screw - M4x8	169 -103
0434 0060N	Pan Self-Tapping Screw: M4x6	59 - 101
0434 0060N	Pan Self-Tapping Screw: M4x6	65 - 101
0434 0060N	Pan Self-Tapping Screw: M4x6	67 - 101
0434 0080N	Pan Self-Tapping Screw: M4x8	171 -103
0434 0080N	Pan Self-Tapping Screw: M4x8	165 -102
0434 0200N	Pan Self-Tapping Screw: 4x20	155 -104
0450 3008N	Tapping Screw - M3x8	17 - 103
0450 3008N	Tapping Screw - M3x8	139 -105
0450 3008N	Tapping Screw - M3x8	103 -104
0450 3008N	Tapping Screw - M3x8	89 - 107
0450 3008N	Tapping Screw - M3x8	95 - 101
0450 3008N	Tapping Screw - M3x8	107 -106
0450 3008N	Tapping Screw - M3x8	55 - 106
0450 3008N	Tapping Screw - M3x8	31 - 109
0450 3008N	Tapping Screw - M3x8	147 -105
0450 3008N	Tapping Screw - M3x8	27 - 111
0450 3008N	Tapping Screw - M3x8	105 -101
0450 3008N	Tapping Screw - M3x8	97 - 109
0450 3008N	Tapping Screw - M3x8	35 - 102
0450 3008N	Tapping Screw - M3x8	159 -106
0450 3008N	Tapping Screw - M3x8	153 -112
0450 3008N	Tapping Screw - M3x8	137 -104
0450 3010N	Tapping Screw - M3x10	23 - 103
0450 4006N	Tapping Screw: 4x6	109 -103
0450 4006N	Tapping Screw: 4x6	79 - 106
0450 4008N	Tapping Screw - M4x8	83 - 105
0450 4008N	Tapping Screw - M4x8	113 -110

Part No.	Description	Page and Index No.
0450 4008N	Tapping Screw - M4x8	117 -108
0450 4008N	Tapping Screw - M4x8	91 - 101
0450 4008N	Tapping Screw - M4x8	61 - 106
0450 4008N	Tapping Screw - M4x8	57 - 103
0450 4008N	Tapping Screw - M4x8	19 - 102
0450 4008N	Tapping Screw - M4x8	55 - 104
0450 4008N	Tapping Screw - M4x8	81 - 106
0450 4008N	Tapping Screw - M4x8	167 -106
0450 4008N	Tapping Screw - M4x8	93 - 102
0450 4008N	Tapping Screw - M4x8	147 -103
0450 4008N	Tapping Screw - M4x8	27 - 101
0450 4008N	Tapping Screw - M4x8	17 - 101
0450 4010N	Tapping Screw: M4x10	55 - 105
0450 4010N	Tapping Screw: M4x10	153 -103
0450 4012N	Tapping Screw: 4x12	25 - 102
0450 4016N	Tapping Screw - M4x16	147 -104
0450 4016N	Tapping Screw - M4x16	153 -104
0450 4025N	Tapping Screw: 4x25	157 -102
0450 4025N	Tapping Screw: 4x25	159 -107
0450 4035N	Tapping Screw: 4x35	151 -101
0451 3005N	Tapping Screw: M3x5	41 - 108
0451 3006N	Tapping Screw - 3x6	31 - 105
0451 3006N	Tapping Screw - 3x6	75 - 105
0451 3006N	Tapping Screw - 3x6	155 -103
0451 3006N	Tapping Screw - 3x6	97 - 104
0451 3006N	Tapping Screw - 3x6	151 -103
0451 3006N	Tapping Screw - 3x6	133 -105
0451 3006N	Tapping Screw - 3x6	83 - 108
0451 3006N	Tapping Screw - 3x6	167 -101
0451 3006N	Tapping Screw - 3x6	89 - 101
0451 3006N	Tapping Screw - 3x6	157 -103
0451 3008N	Tapping Screw - M3x8	35 - 103
0451 3008N	Tapping Screw - M3x8	141 -101
0451 3008N	Tapping Screw - M3x8	43 - 101
0451 3008N	Tapping Screw - M3x8	29 - 101

Part No.	Description	Page and Index No.
0451 3008N	Tapping Screw - M3x8	157 -108
0451 3008N	Tapping Screw - M3x8	153 -102
0451 3008N	Tapping Screw - M3x8	159 -102
0451 3008N	Tapping Screw - M3x8	31 - 103
0451 3008N	Tapping Screw - M3x8	61 - 101
0451 3008N	Tapping Screw - M3x8	33 - 105
0451 3008N	Tapping Screw - M3x8	37 - 104
0451 3008N	Tapping Screw - M3x8	27 - 102
0451 3008N	Tapping Screw - M3x8	39 - 102
0451 3008N	Tapping Screw - M3x8	25 - 101
0451 3008N	Tapping Screw - M3x8	147 -101
0451 3008N	Tapping Screw - M3x8	145 -106
0451 3008N	Tapping Screw - M3x8	41 - 101
0451 3010N	Tapping Screw: 3x10	39 - 114
0451 3012N	Tapping Screw: 3x12	31 - 107
0451 3012N	Tapping Screw: 3x12	79 - 109
0451 3030N	Tapping Screw: 3x30	167 -102
0451 3035N	Tapping Screw - M3x35	159 -104
0451 4006N	Tapping Screw - 4x6	47 - 107
0451 4006N	Tapping Screw - 4x6	129 -106
0451 4006N	Tapping Screw - 4x6	79 - 101
0451 4006N	Tapping Screw - 4x6	43 - 106
0451 4006N	Tapping Screw - 4x6	121 -105
0451 4006N	Tapping Screw - 4x6	139 -106
0451 4006N	Tapping Screw - 4x6	81 - 107
0451 4006N	Tapping Screw - 4x6	57 - 102
0451 4006N	Tapping Screw - 4x6	135 -108
0451 4006N	Tapping Screw - 4x6	131 -107
0451 4006N	Tapping Screw - 4x6	63 - 103
0451 4006N	Tapping Screw - 4x6	55 - 102
0451 4006N	Tapping Screw - 4x6	73 - 108
0451 4006N	Tapping Screw - 4x6	33 - 106
0451 4006N	Tapping Screw - 4x6	41 - 109
0451 4006N	Tapping Screw - 4x6	71 - 103
0451 4006N	Tapping Screw - 4x6	115 -106

Part No.	Description	Page and Index No.
0451 4006N	Tapping Screw - 4x6	51 - 101
0451 4006N	Tapping Screw - 4x6	75 - 108
0451 4006N	Tapping Screw - 4x6	77 - 102
0451 4006N	Tapping Screw - 4x6	143 -108
0451 4006N	Tapping Screw - 4x6	145 -103
0451 4006N	Tapping Screw - 4x6	49 - 104
0451 4008N	Tapping Screw: 4x8	107 -107
0451 4008N	Tapping Screw: 4x8	169 -104
0451 4008N	Tapping Screw: 4x8	137 -101
0451 4008N	Tapping Screw: 4x8	151 -102
0451 4008N	Tapping Screw: 4x8	165 -101
0451 4008N	Tapping Screw: 4x8	153 -101
0451 4008N	Tapping Screw: 4x8	145 -101
0451 4008N	Tapping Screw: 4x8	71 - 102
0451 4008N	Tapping Screw: 4x8	161 -104
0451 4008N	Tapping Screw: 4x8	135 -102
0451 4008N	Tapping Screw: 4x8	143 -103
0451 4008N	Tapping Screw: 4x8	163 -106
0451 4008N	Tapping Screw: 4x8	69 - 102
0451 4008N	Tapping Screw: 4x8	155 -102
0451 4008N	Tapping Screw: 4x8	57 - 101
0451 4008N	Tapping Screw: 4x8	93 - 101
0451 4008N	Tapping Screw: 4x8	147 -102
0451 4008N	Tapping Screw: 4x8	17 - 102
0451 4008N	Tapping Screw: 4x8	141 -107
0451 4008N	Tapping Screw: 4x8	89 - 106
0451 4008N	Tapping Screw: 4x8	157 -101
0451 4008N	Tapping Screw: 4x8	171 -101
0451 4008N	Tapping Screw: 4x8	19 - 101
0451 4008N	Tapping Screw: 4x8	77 - 101
0451 4008N	Tapping Screw: 4x8	159 -101
0451 4008N	Tapping Screw: 4x8	23 - 109
0451 4008N	Tapping Screw: 4x8	133 -103
0451 4008N	Tapping Screw: 4x8	51 - 103
0451 4008N	Tapping Screw: 4x8	21 - 102

Part No.	Description	Page and Index No.
0451 4008N	Tapping Screw: 4x8	149 -105
0451 4008N	Tapping Screw: 4x8	139 -103
0451 4008N	Tapping Screw: 4x8	167 -103
0451 4008N	Tapping Screw: 4x8	61 - 102
0451 4008N	Tapping Screw: 4x8	103 -105
0451 4008N	Tapping Screw: 4x8	59 - 110
0451 4008N	Tapping Screw: 4x8	173 -101
0451 4010N	Tapping Screw: 4x10	129 -105
0451 4010N	Tapping Screw: 4x10	133 -111
0451 4010N	Tapping Screw: 4x10	53 - 102
0451 4010N	Tapping Screw: 4x10	141 -105
0451 4010N	Tapping Screw: 4x10	135 -109
0451 4010N	Tapping Screw: 4x10	143 -105
0451 4012N	Tapping Screw: 4x12	89 - 109
0451 4012N	Tapping Screw: 4x12	165 -106
0451 4012N	Tapping Screw: 4x12	135 -104
0451 4012N	Tapping Screw: 4x12	137 -110
0451 4012N	Tapping Screw: 4x12	51 - 107
0451 4012N	Tapping Screw: 4x12	21 - 103
0451 4012N	Tapping Screw: 4x12	155 -106
0451 4012N	Tapping Screw: 4x12	157 -105
0451 4014N	Tapping Screw: M4x14	137 -113
0451 4020N	Tapping Screw - M4x20	157 -104
0451 4020N	Tapping Screw - M4x20	137 -105
0451 4030N	Tapping Screw: M4x30	165 -103
0451 4030N	Tapping Screw: M4x30	153 -113
0451 4030N	Tapping Screw: M4x30	149 -103
0451 4035N	Tapping Screw: 4x35	163 -104
0451 4035N	Tapping Screw: 4x35	149 -111
0452 2004N	Screw - 2x4	47 - 106
0452 3006N	Binding Self-Tapping Screw: 3x6	53 - 108
0452 3006N	Binding Self-Tapping Screw: 3x6	59 - 101
0452 3006N	Binding Self-Tapping Screw: 3x6	87 - 101
0452 3008N	Tapping Screw - M3x8	101 -103
0452 3008N	Tapping Screw - M3x8	83 - 104

Part No.	Description	Page and Index No.
0452 3008N	Tapping Screw - M3x8	85 - 103
0452 3010N	Binding Self-Tapping Screw: 3x10	53 - 104
0452 3010N	Binding Self-Tapping Screw: 3x10	101 -104
0452 4006N	Tapping Screw - M4x6	123 -101
0452 4006N	Tapping Screw - M4x6	125 -101
0452 4008N	Tapping Screw: M4x8	27 - 103
0452 4008N	Tapping Screw: M4x8	77 - 104
0453 3006N	Tapping Screw - M3x6	47 - 101
0453 4006N	Binding Self Tapping Screw: 4x6	51 - 102
0453 4006N	Binding Self Tapping Screw: 4x6	165 -105
0453 4006N	Binding Self Tapping Screw: 4x6	115 -108
0453 4008N	Binding Self Tapping Screw: 4x8	169 -102
0454 3006Q	Tapping Screw - M3x6	163 -101
0454 3006Q	Tapping Screw - M3x6	73 - 106
0454 3006Q	Tapping Screw - M3x6	131 -102
0454 3006Q	Tapping Screw - M3x6	97 - 103
0454 3006Q	Tapping Screw - M3x6	149 -109
0454 3006Q	Tapping Screw - M3x6	161 -101
0454 3008Q	Tapping Screw: 3x8	27 - 110
0454 3008Q	Tapping Screw: 3x8	97 - 102
0454 4006Q	Tapping Screw: 4x6	121 -101
0454 4006Q	Tapping Screw: 4x6	123 -106
0454 4006Q	Tapping Screw: 4x6	131 -101
0454 4006Q	Tapping Screw: 4x6	127 -103
0454 4006Q	Tapping Screw: 4x6	129 -101
0454 4006Q	Tapping Screw: 4x6	171 -104
0454 4008Q	Tapping Screw - M4x8	43 - 107
0454 4008Q	Tapping Screw - M4x8	163 -105
0454 4008Q	Tapping Screw - M4x8	115 -102
0454 4008Q	Tapping Screw - M4x8	149 -101
0454 4008Q	Tapping Screw - M4x8	119 -101
0454 4008Q	Tapping Screw - M4x8	121 -103
0454 4008Q	Tapping Screw - M4x8	117 -101
0573 0030E	Hexagon Headless Set Screw - M3x3	67 - 104
0574 0050E	Hexagon Headless Set Screw - M4x5	41 - 102

Part No.	Description	Page and Index No.
0585 0351N	Hexagonal Head Bolt: M5x35	113 -107
0623 0120E	Spring Pin - M3x12	103 -101
0632 0120G	Parallel Pin - 2x12	41 - 113
0632 0120G	Parallel Pin - 2x12	37 - 102
0632 0120G	Parallel Pin - 2x12	39 - 106
0632 0140G	Parallel Pin	27 - 108
0632 0160G	Parallel Pin-M2x16	39 - 111
0633 0180G	Parallel Pin - 3x18mm	103 -107
0633 0180G	Parallel Pin - 3x18mm	73 - 110
0633 0200G	Pin - M3x20	59 - 104
0701 0030N	Washer DIA3	39 - 110
0701 0030N	Washer DIA3	41 - 110
0701 0040N	Washer: DIA4	155 -114
0704 0050N	Washer: DIA5	155 -116
0707 4050N	Bushing - 4x5	51 - 108
0707 4050N	Bushing - 4x5	137 -109
0710 0050N	Hexagonal Nut: M5	113 -108
0720 0025E	Retaining Ring - M2.5	87 - 103
0720 0030E	Retaining Ring - M3	37 - 103
0720 0030E	Retaining Ring - M3	113 -104
0720 0030E	Retaining Ring - M3	27 - 104
0720 0030E	Retaining Ring - M3	153 -106
0720 0030E	Retaining Ring - M3	33 - 103
0720 0030E	Retaining Ring - M3	97 - 107
0720 0030E	Retaining Ring - M3	75 - 101
0720 0030E	Retaining Ring - M3	31 - 111
0720 0030E	Retaining Ring - M3	43 - 102
0720 0030E	Retaining Ring - M3	119 -104
0720 0030E	Retaining Ring - M3	41 - 114
0720 0030E	Retaining Ring - M3	125 -106
0720 0030E	Retaining Ring - M3	107 -104
0720 0030E	Retaining Ring - M3	29 - 104
0720 0030E	Retaining Ring - M3	83 - 102
0720 0040E	Retaining Ring - M4	133 -113
0720 0040E	Retaining Ring - M4	65 - 106

Part No.	Description	Page and Index No.
0720 0040E	Retaining Ring - M4	33 - 101
0720 0040E	Retaining Ring - M4	107 -103
0720 0040E	Retaining Ring - M4	63 - 102
0720 0040E	Retaining Ring - M4	173 -103
0720 0040E	Retaining Ring - M4	31 - 101
0720 0040E	Retaining Ring - M4	139 -102
0720 0040E	Retaining Ring - M4	113 -105
0720 0040E	Retaining Ring - M4	35 - 101
0720 0040E	Retaining Ring - M4	73 - 102
0720 0040E	Retaining Ring - M4	37 - 101
0720 0040E	Retaining Ring - M4	169 -101
0720 0040E	Retaining Ring - M4	79 - 104
0720 0040E	Retaining Ring - M4	119 -103
0720 0040E	Retaining Ring - M4	81 - 102
0720 0040E	Retaining Ring - M4	121 -102
0720 0040E	Retaining Ring - M4	83 - 101
0720 0040E	Retaining Ring - M4	85 - 101
0720 0040E	Retaining Ring - M4	91 - 103
0720 0040E	Retaining Ring - M4	39 - 107
0720 0040E	Retaining Ring - M4	67 - 102
0720 0040E	Retaining Ring - M4	129 -104
0720 0040E	Retaining Ring - M4	125 -104
0720 0040E	Retaining Ring - M4	29 - 102
0720 0040E	Retaining Ring - M4	55 - 103
0720 0040E	Retaining Ring - M4	27 - 109
0720 0040E	Retaining Ring - M4	141 -103
0720 0040E	Retaining Ring - M4	145 -102
0720 0040E	Retaining Ring - M4	101 -102
0720 0040E	Retaining Ring - M4	41 - 104
0720 0040E	Retaining Ring - M4	131 -110
0720 0040E	Retaining Ring - M4	95 - 103
0720 0040E	Retaining Ring - M4	59 - 102
0720 0040E	Retaining Ring - M4	137 -106
0720 0060E	Retaining Ring - M6	115 -101
0720 0060E	Retaining Ring - M6	119 -108

Part No.	Description	Page and Index No.
0720 0060E	Retaining Ring - M6	73 - 104
0720 0060E	Retaining Ring - M6	131 -103
0720 0060E	Retaining Ring - M6	21 - 101
0720 0060E	Retaining Ring - M6	69 - 106
0720 0060E	Retaining Ring - M6	143 -106
0720 0060E	Retaining Ring - M6	27 - 107
0720 0060E	Retaining Ring - M6	141 -108
0720 0060E	Retaining Ring - M6	75 - 102
0720 0060E	Retaining Ring - M6	91 - 102
0720 0060E	Retaining Ring - M6	113 -103
0720 0060E	Retaining Ring - M6	117 -103
0720 0060E	Retaining Ring - M6	129 -103
0720 0060E	Retaining Ring - M6	63 - 101
0720 0060E	Retaining Ring - M6	103 -103
0720 0060E	Retaining Ring - M6	65 - 103
0720 0060E	Retaining Ring - M6	139 -101
0720 0060E	Retaining Ring - M6	123 -104
0720 0060E	Retaining Ring - M6	137 -107
0720 0060E	Retaining Ring - M6	133 -102
0720 0060E	Retaining Ring - M6	61 - 105
0720 0060E	Retaining Ring - M6	29 - 103
0720 0060E	Retaining Ring - M6	135 -101
0720 0060E	Retaining Ring - M6	59 - 105
0720 0060E	Retaining Ring - M6	89 - 102
0720 0060E	Retaining Ring - M6	39 - 104
0720 0060E	Retaining Ring - M6	127 -105
0720 0080E	Retaining Ring - M8	135 -103
0720 0080E	Retaining Ring - M8	113 -106
0720 0080E	Retaining Ring - M8	115 -104
0725 0200E	Retaining Ring C - M20	113 -112
0727 0080E	Retaining Ring - M8	135 -112
0727 0090E	Retaining Ring C - M9	91 - 104
0740 3808	Ball Bearing - 8x16x5mm	119 -105
0741 3506	Ball Bearing - 6x12x4 mm	39 - 105
0741 3506	Ball Bearing - 6x12x4 mm	29 - 106

Part No.	Description	Page and Index No.
0741 3506	Ball Bearing - 6x12x4 mm	31 - 102
0741 3506	Ball Bearing - 6x12x4 mm	67 - 103
0741 3506	Ball Bearing - 6x12x4 mm	33 - 104
0741 3706	Ball Bearing - 6x10x3	41 - 111
0741 3706	Ball Bearing - 6x10x3	29 - 108
0741 3706	Ball Bearing - 6x10x3	33 - 102
0741 3706	Ball Bearing - 6x10x3	39 - 108
0741 3708	Ball Bearing - 8x12x3.5mm	123 -105
0741 3708	Ball Bearing - 8x12x3.5mm	65 - 104
0741 3708	Ball Bearing - 8x12x3.5mm	129 -102
0741 3708	Ball Bearing - 8x12x3.5mm	69 - 105
0741 3708	Ball Bearing - 8x12x3.5mm	131 -104
0741 3708	Ball Bearing - 8x12x3.5mm	143 -107
0741 3708	Ball Bearing - 8x12x3.5mm	127 -106
0741 3708	Ball Bearing - 8x12x3.5mm	135 -111
0741 3708	Ball Bearing - 8x12x3.5mm	75 - 103
0742 3808	Ball Bearing - 8x16x5	119 -106
0742 3808	Ball Bearing - 8x16x5	39 - 113
0742 3808	Ball Bearing - 8x16x5	115 -103
0742 3808	Ball Bearing - 8x16x5	31 - 110
0742 3808	Ball Bearing - 8x16x5	73 - 105
0742 3808	Ball Bearing - 8x16x5	135 -106
0742 3808	Ball Bearing - 8x16x5	133 -104
0742 3808	Ball Bearing - 8x16x5	143 -101
0742 3808	Ball Bearing - 8x16x5	75 - 104
0742 3808	Ball Bearing - 8x16x5	117 -105
0742 3906	Ball Bearing - 6x14x5mm	41 - 115
0803 0058	Stepped Screw	155 -113
0805 0077	Retaining Ring - M3	97 - 115
0805 0088	Retaining Ring - M6	65 - 105
0805 0088	Retaining Ring - M6	69 - 104
0805 0098	Ring - M35	111 -103
0805 3384	Bushing - 5mm	153 -107
0805 3386	Bushing - 8mm	69 - 103
0805 3480	Bushing - 6mm	81 - 105

Part No.	Description	Page and Index No.
0805 3480	Bushing - 6mm	79 - 103
0805 3480	Bushing - 6mm	83 - 107
0805 3480	Bushing - 6mm	141 -102
0805 3507	Bushing - 6mm	41 - 112
0805 3507	Bushing - 6mm	39 - 109
0807 3035	Washer - 4.1x10x0.5	41 - 107
0950 4006N	Screw - M4x6	111 -101
0950 4006N	Screw - M4x6	155 -107
0950 4008N	Screw: Spring Washer: M4x8	21 - 105
0950 5010N	Screw: Spring Washer: M5x10	155 -105
0951 3004N	Screw: Polished Round: M3x4	47 - 102
0951 3004P	Screw: Polished Round: M3x4	105 -103
0951 3005N	Screw: Polished Round: M3x5	97 - 108
0951 3006N	Screw - M3x6	47 - 111
0951 3006N	Screw - M3x6	105 -102
0951 3006N	Screw - M3x6	59 - 107
0951 3006N	Screw - M3x6	101 -105
0951 3006N	Screw - M3x6	99 - 101
0951 3006N	Screw - M3x6	91 - 108
0951 3006N	Screw - M3x6	105 -105
0951 3008N	Screw: Polished Round: M3x8	89 - 104
0951 3008N	Screw: Polished Round: M3x8	101 -101
0951 3008N	Screw: Polished Round: M3x8	103 -102
0951 3008N	Screw: Polished Round: M3x8	97 - 105
0951 4006N	Screw: Polished Round: M4x6	57 - 105
0951 4006N	Screw: Polished Round: M4x6	91 - 107
0951 4006N	Screw: Polished Round: M4x6	143 -104
0951 4006N	Screw: Polished Round: M4x6	85 - 102
0951 4008N	Screw: Polished Round: M4x8	135 -110
0951 4008N	Screw: Polished Round: M4x8	121 -104
0951 4008N	Screw: Polished Round: M4x8	115 -107
0951 4008N	Screw: Polished Round: M4x8	71 - 101
0951 4008N	Screw: Polished Round: M4x8	137 -102
0951 4008N	Screw: Polished Round: M4x8	69 - 101
0951 4008N	Screw: Polished Round: M4x8	91 - 105

Part No.	Description	Page and Index No.
0951 4008N	Screw: Polished Round: M4x8	141 -106
0951 4008N	Screw: Polished Round: M4x8	55 - 110
0951 4010N	Screw: Polished Round: M4x10	137 -108
0951 4014N	Screw: Polished Round: M4x14	103 -106
0951 4020N	Screw - M4x20	137 -103
0951 4020N	Screw - M4x20	91 - 110
0951 5008N	Screw: Polished Round: M5x8	25 - 103
0951 6012N	Screw - M6x12	173 -107
0954 3008N	Screw - M3x8	47 - 105
0954 3008N	Screw - M3x8	163 -107
0954 3008N	Screw - M3x8	149 -104
0954 4008N	Screw - M4x8	149 -102
0954 4008N	Screw - M4x8	47 - 109
0954 4008N	Screw - M4x8	113 -101
0954 4008N	Screw - M4x8	109 -101
0954 4008N	Screw - M4x8	107 -105
0954 4008N	Screw - M4x8	161 -103
1102 3822	Connector - 20P	185 -101
1102 5301	Connector - 2P	185 -102
1102 5302	Connector - 3P	199 -101
1102 5326	Connector - 4P	185 -103
1102 6245	Relay Connector - 2P	153 -111
1102 6245	Relay Connector - 2P	157 -107
1102 6246	Relay Connector - 3P	149 -110
1102 6246	Relay Connector - 3P	163 -102
1102 6253	Relay Connector	79 - 110
1102 6267	Connector - 10P	79 - 111
1102 6297	Connector - 4P	177 -101
1102 6299	Connector - 6P	185 -104
1102 6305	Connector - 12P	185 -105
1102 6306	Connector - 13P	185 -106
1102 6317	Connector - 53324-1062	199 -102
1102 6319	Connector - 12P	185 -107
1102 6397	Box Header	199 -103
1102 6403	Connector - 30P	185 -108

Part No.	Description	Page and Index No.
1102 6596	Connector	185 -109
1102 6895	Connector - 40P	199 -104
1102 7615	Connector - B8B-XH-A	215 -101
1102 7699	Connector: TX24-50R-LT-H1E	177 -102
1102 7701	Connector - 50P	185 -110
1102 8091	Connector - 53505-4010	199 -105
1102 8091	Connector - 53505-4010	177 -103
1102 8467	Connector - 55447-0370	185 -111
1102 8473	Connector - 55447-0910	199 -106
1102 8474	Connector: 55447-1080	177 -104
1102 8475	Connector: 55447-1180	177 -105
1102 8480	Connector - 55447-1610	185 -112
1102 8488	Connector - 5451-2810	185 -113
1102 8489	Connector - 55451-3010	199 -107
1102 8490	Connector: 55451-3270	185 -114
1102 8492	Connector - 55451-3610	185 -115
1102 8493	Connector - 55451-3810	185 -116
1102 8494	Connector - 55451-4010	185 -117
1102 8502	Connector - 54679-1615	153 -110
1102 8560	Connector - KX14-60K5D1E	199 -108
1102 8832	Connector - DM-3D4-B3210	215 -102
1102 9079	Connector - RHM-88PL-SDK11-1	215 -103
1102 9336	Connector: FPS009-2300-0	215 -104
1102 9337	Connector: 14016PS-JUK-G-B-1	215 -105
1102 9456	Connector - 20 5078 050 510 861	215 -106
1102 9535	Connector - 200PS-JUK-G-B	199 -109
1102 9547	Connector: 55451-1870	185 -118
1102 9686	Connector - RHM-176P-SDK11-U1L1C	215 -107
1102 9781	Connector: 51405-3919	127 -107
1102 9782	Connector: 51405-1819	97 - 101
1102 9782	Connector: 51405-1819	117 -106
1102 9783	Connector: 55949-3919	169 -109
1102 9785	Connector: 55949-1819	89 - 108
1102 9785	Connector: 55949-1819	169 -108
1102 9785	Connector: 55949-1819	133 -110

Part No.	Description	Page and Index No.
1102 9887	Connector: 52588-3090	215 -108
1103 3427	Connector: FH12-49S-0.5SV(89)	177 -106
1103 3507	Connector: 55482-1919	79 - 112
1103 3663	Connector: 55451-1670	185 -119
1105 0009	Nylon Clamp - 5N	155 -115
1105 0192	Locking Support	151 -108
1105 0211	Clamp	153 -109
1105 0231	Clamp	39 - 112
1105 0328	Harness Clamp - ES-0505	41 - 103
1105 0328	Harness Clamp - ES-0505	59 - 103
1105 0328	Harness Clamp - ES-0505	27 - 105
1105 0328	Harness Clamp - ES-0505	55 - 108
1105 0328	Harness Clamp - ES-0505	43 - 103
1105 0328	Harness Clamp - ES-0505	31 - 104
1105 0328	Harness Clamp - ES-0505	39 - 103
1105 0328	Harness Clamp - ES-0505	37 - 105
1105 0328	Harness Clamp - ES-0505	117 -104
1105 0334	Edge - 17	43 - 104
1105 0367	Spacer	151 -105
1105 0408	Wire Binder: T18MR-HS	145 -104
1105 0487	Harness Clamp	135 -107
1105 0487	Harness Clamp	51 - 104
1105 0487	Harness Clamp	49 - 107
1105 0487	Harness Clamp	155 -111
1105 0487	Harness Clamp	45 - 105
1105 0487	Harness Clamp	149 -107
1105 0487	Harness Clamp	69 - 109
1105 0487	Harness Clamp	173 -106
1105 0487	Harness Clamp	145 -108
1105 0487	Harness Clamp	151 -106
1105 0487	Harness Clamp	137 -112
1105 0488	Harness Clamp	57 - 106
1105 0488	Harness Clamp	59 - 106
1105 0488	Harness Clamp	51 - 105
1105 0488	Harness Clamp	139 -104

Part No.	Description	Page and Index No.
1105 0488	Harness Clamp	155 -110
1105 0488	Harness Clamp	69 - 110
1105 0488	Harness Clamp	163 -103
1105 0488	Harness Clamp	49 - 106
1105 0489	Harness Clamp - LWS 1316	145 -105
1105 0489	Harness Clamp - LWS 1316	51 - 110
1105 0489	Harness Clamp - LWS 1316	53 - 107
1105 0489	Harness Clamp - LWS 1316	155 -108
1105 0489	Harness Clamp - LWS 1316	165 -107
1105 0489	Harness Clamp - LWS 1316	69 - 108
1105 0490	Harness Clamp - LWS-2218	153 -105
1105 0490	Harness Clamp - LWS-2218	149 -106
1105 0490	Harness Clamp - LWS-2218	155 -109
1105 0490	Harness Clamp - LWS-2218	151 -104
1105 0508	Harness Clamp - LWS-0711	45 - 106
1105 0508	Harness Clamp - LWS-0711	21 - 104
1105 0508	Harness Clamp - LWS-0711	165 -104
1105 0508	Harness Clamp - LWS-0711	53 - 106
1105 0508	Harness Clamp - LWS-0711	173 -105
1105 0508	Harness Clamp - LWS-0711	23 - 101
1105 0508	Harness Clamp - LWS-0711	93 - 104
1105 0511	Harness Clamp - LWS-0306ZC	67 - 105
1105 0511	Harness Clamp - LWS-0306ZC	137 -111
1105 0511	Harness Clamp - LWS-0306ZC	119 -107
1105 0511	Harness Clamp - LWS-0306ZC	89 - 105
1105 0511	Harness Clamp - LWS-0306ZC	123 -102
1105 0511	Harness Clamp - LWS-0306ZC	81 - 108
1105 0511	Harness Clamp - LWS-0306ZC	125 -102
1105 0511	Harness Clamp - LWS-0306ZC	73 - 103
1105 0511	Harness Clamp - LWS-0306ZC	129 -109
1105 0511	Harness Clamp - LWS-0306ZC	47 - 103
1105 0511	Harness Clamp - LWS-0306ZC	171 -102
1105 0511	Harness Clamp - LWS-0306ZC	133 -108
1105 0511	Harness Clamp - LWS-0306ZC	141 -104
1105 0511	Harness Clamp - LWS-0306ZC	75 - 107

Part No.	Description	Page and Index No.
1105 0511	Harness Clamp - LWS-0306ZC	77 - 103
1105 0511	Harness Clamp - LWS-0306ZC	79 - 105
1105 0511	Harness Clamp - LWS-0306ZC	23 - 107
1105 0511	Harness Clamp - LWS-0306ZC	71 - 105
1105 0511	Harness Clamp - LWS-0306ZC	27 - 106
1105 0511	Harness Clamp - LWS-0306ZC	91 - 109
1105 0511	Harness Clamp - LWS-0306ZC	93 - 105
1105 0511	Harness Clamp - LWS-0306ZC	65 - 102
1105 0511	Harness Clamp - LWS-0306ZC	109 -104
1105 0511	Harness Clamp - LWS-0306ZC	153 -108
1105 0511	Harness Clamp - LWS-0306ZC	97 - 111
1105 0511	Harness Clamp - LWS-0306ZC	117 -102
1105 0511	Harness Clamp - LWS-0306ZC	113 -109
1105 0511	Harness Clamp - LWS-0306ZC	161 -102
1105 0516	Clamp	75 - 109
1105 0516	Clamp	131 -106
1105 0516	Clamp	133 -107
1105 0516	Clamp	171 -107
1105 0516	Clamp	79 - 108
1105 0516	Clamp	173 -108
1105 0516	Clamp	41 - 106
1105 0516	Clamp	69 - 107
1105 0516	Clamp	55 - 109
1105 0516	Clamp	29 - 105
1105 0516	Clamp	81 - 103
1105 0516	Clamp	127 -108
1105 0516	Clamp	119 -109
1105 0516	Clamp	129 -108
1105 0517	Harness Clamp - LWS-2111Z	133 -101
1105 0518	Edge Saddle - LES-1010	97 - 110
1105 0522	Edge Saddle - LES0510	133 -112
1105 0522	Edge Saddle - LES0510	113 -111
1105 0522	Edge Saddle - LES0510	159 -108
1105 0522	Edge Saddle - LES0510	123 -103
1105 0522	Edge Saddle - LES0510	51 - 111

Part No.	Description	Page and Index No.
1105 0522	Edge Saddle - LES0510	125 -105
1105 0522	Edge Saddle - LES0510	97 - 112
1105 0529	Nylon Clamp-EMT-3N	151 -107
1105 0529	Nylon Clamp-EMT-3N	53 - 110
1105 0529	Nylon Clamp-EMT-3N	161 -107
1105 0530	Nylon Clamp-EMT-4N	161 -106
1105 0530	Nylon Clamp-EMT-4N	157 -106
1105 0530	Nylon Clamp-EMT-4N	23 - 102
1105 0534	Clamp	47 - 104
1105 0534	Clamp	121 -106
1105 0534	Clamp	125 -103
1105 0534	Clamp	57 - 107
1105 0534	Clamp	127 -101
1105 0534	Clamp	97 - 114
1105 0551	Clamp: LES-0505	97 - 113
1105 0551	Clamp: LES-0505	75 - 106
1105 0551	Clamp: LES-0505	113 -114
1105 0551	Clamp: LES-0505	73 - 107
1105 0551	Clamp: LES-0505	131 -108
1105 0559	Clamp: EMT-5N	161 -105
1105 0559	Clamp: EMT-5N	45 - 107
1105 0568	Clamp: LWSS-0504	73 - 109
1105 0568	Clamp: LWSS-0504	133 -109
1105 0598	Clamp: LWSS-1N	129 -110
1105 0598	Clamp: LWSS-1N	169 -105
1105 0598	Clamp: LWSS-1N	131 -105
1105 0601	Clamp: LWSM-0511-2M	105 -104
1105 0601	Clamp: LWSM-0511-2M	135 -105
1105 0623	Clamp - LBWS-0206S-V0	29 - 107
1105 0623	Clamp - LBWS-0206S-V0	31 - 106
1105 0623	Clamp - LBWS-0206S-V0	41 - 105
1105 0623	Clamp - LBWS-0206S-V0	43 - 105
1105 0623	Clamp - LBWS-0206S-V0	27 - 112
1105 0637	Harness Clamp - KGLS-10RT(V0)	149 -108
1105 0650	Clamp - MS-0709	45 - 109

Part No.	Description	Page and Index No.
1105 0650	Clamp - MS-0709	49 - 108
1106 0193	Bushing - 7.9mm	31 - 108
1106 0200	Bushing - 19.44mm	167 -105
1106 0383	Supporter - P.C.B.	51 - 112
1107 1095	Fuse - SST 2	215 -109
1107 1168	Fuse - BJS151100FCRK (B234/B235/D101/D102)	155 -112
1107 1169	Fuse - BJS201100FCRK (B236/D103)	155 -112
1109 0007	IC - MINISMDC100-02	185 -120
1109 0016	Circuit Protector - SMD075	185 -121
1109 0018	Circuit Protector - SMD100	185 -122
1204 1385	Push Switch	215 -110
1204 1422	Dip Switch - 51D-0401	215 -111
1204 1537	Dip Switch	185 -123
1204 1542	Dip Switch	215 -112
1204 1543	Dip Switch	215 -113
1204 2614	Switch AC250V/16A	159 -105
1204 2805	Micro Switch	159 -103
1206 0114	Primary Lithium Cell: CR2354/1F2	215 -114
1400 0688	Transistor -DTC143ZUA	199 -110
1400 0715	Transistor - 2SB1197KR	185 -124
1400 0715	Transistor - 2SB1197KR	215 -115
1400 0730	Transistor - 2SD1782K	215 -116
1400 0731	Transistor - 2SD1766	185 -125
1400 0769	Transistor - 2SA1576A	185 -126
1400 0769	Transistor - 2SA1576A	215 -117
1400 0775	Transistor - 2SC4081	215 -118
1400 0781	Transistor: 2SB1132R	185 -127
1400 0810	Transistor - DTC114EUA	215 -119
1400 0811	Transistor: DTA144TUA	185 -128
1400 0909	Transistor - DTA143EUA	185 -129
1400 0918	Transistor - DTC123JUA	185 -130
1400 0920	Transistor - DTC143EUA	185 -131
1400 0948	Transistor: DTC143ZE	199 -111
1400 0953	Transistor - 2SC4081S	185 -132
1400 0968	Transistor : DTA123JUA	185 -133

Part No.	Description	Page and Index No.
1400 0981	Transistor - 2SC3052	215 -120
1400 1012	Transistor: 2SD2656	185 -134
1401 0902	Fet: 2SK1590	215 -121
1401 1022	Fet: 2SK2009	185 -135
1401 1135	Fet: 2SK3019	185 -136
1401 1156	Fet: 2SK2231(TE16L1 NQ)	185 -137
1401 1181	Fet - 2SK2157-AZ	215 -122
1401 1192	Fet - 2SK1764	215 -123
1401 1203	Fet: HAT1048R	199 -112
1401 1209	IC - HAT2093R	215 -124
1401 1228	Fet: SI3433DV-E3	215 -125
1401 1233	Fet: SSM3J14T	185 -138
1401 1301	Fet: 2SK2615	185 -139
1401 1317	Fet - HAT2197R	215 -126
1401 1318	Fet - HAT2198R	215 -127
1401 1319	Fet - TPC8105-H	215 -128
1401 1320	Fet - TPC8107	215 -129
1402 1057	Diode Array - DAP202U	185 -140
1402 1142	Diode Array - DAN217	185 -141
1402 1236	Diode - ERA83-006	185 -142
1402 1322	Diode Array - DAN202U	185 -143
1402 1336	Diode - 1SS355	199 -113
1402 1336	Diode - 1SS355	215 -130
1402 1336	Diode - 1SS355	177 -107
1402 1336	Diode - 1SS355	185 -144
1402 1343	Diode - RB106L-40	185 -145
1402 1343	Diode - RB106L-40	215 -131
1402 1398	Diode - RB050L-40	215 -132
1402 1530	Diode - RB520S-30	215 -133
1402 1546	Diode - RB081	199 -114
1402 1565	Diode: RB521S-30	177 -108
1402 1663	Diode - ZTP12B	185 -146
1402 1698	Diode - RB	215 -134
1402 1700	Diode - ZTP12B	185 -147
1402 1709	Diode: EC21QS06G	215 -135

Part No.	Description	Page and Index No.
1402 1748	Diode: RB481K	185 -148
1403 0953	LED - SML-310MT	215 -136
1403 0953	LED - SML-310MT	185 -149
1403 0953	LED - SML-310MT	199 -115
1403 0953	LED - SML-310MT	177 -109
1403 0978	LED: SML-310DT	177 -110
1403 0996	LED - SML-310VT	177 -111
1403 0996	LED - SML-310VT	199 -116
1403 0996	LED - SML-310VT	215 -137
1407 1535	IC - TD62308AP	185 -150
1407 2187	TTLIC - SN74LS07NS	185 -151
1407 2231	IC - TD62308AF	185 -152
1407 4687	IC - TA8083F	185 -153
1407 4919	IC - 74VHCT244 TSSOP	199 -117
1407 5334	IC - CMOS LOGIC 74LVC244A TSSOP	199 -118
1407 5344	IC - SN74LV02APW	185 -154
1407 5346	IC - SN74LS74ANS	199 -119
1407 5351	IC - SN74LV14APW	185 -155
1407 5353	IC - SN74LV244APW	177 -112
1407 5353	IC - SN74LV244APW	185 -156
1407 5353	IC - SN74LV244APW	199 -120
1407 5364	IC - SN74AHCT244PW	185 -157
1407 5366	IC - 74LVC08A TSSOP	177 -113
1407 5376	IC - SN74LV32APW	185 -158
1407 5392	IC: SN74LV541APW	199 -121
1407 5392	IC: SN74LV541APW	177 -114
1407 5394	IC: SN74LV138APW	199 -122
1407 5439	CMOS Logic: SN74AHC2G66HDCT	215 -138
1407 5463	IC - SN74LV245APW	177 -115
1407 5463	IC - SN74LV245APW	199 -123
1407 5469	IC - SN74LV07APW	199 -124
1407 5469	IC - SN74LV07APW	185 -159
1407 5469	IC - SN74LV07APW	177 -116
1407 5482	IC - SN74LVC07APW	215 -139
1407 5483	IC - SN74AHC1G125DCK	199 -125

Part No.	Description	Page and Index No.
1407 5511	IC - SN74LVC14APW	177 -117
1407 5592	CMOS Logic: SN74LV139APW	199 -126
1407 5633	IC: SN74LV574APW	177 -118
1407 5640	CMOS Logic: SN74AHC1G14HDCK	215 -140
1407 5684	CMOS Logic - SN74AHC1G08HDCK	215 -141
1407 5733	IC: SN74ALVC244PW	215 -142
1407 5734	CMOS Logic - SN74ALVC245PW	215 -143
1407 5772	IC - SN74AHC2G32HDCT	199 -127
1407 5790	CMOS Logic - SN74AHC2G08HDCU	215 -144
1407 5803	IC: SN74LV132APW	215 -145
1407 5927	CMOS Logic - SN74LVC1G14DCK	215 -146
1407 6101	IC - SN74LVC2G17DCK	215 -147
1407 6123	IC SN74LVC2G125DCU	199 -128
1407 6126	Clock Generator - ICS950812CG	215 -148
1407 6127	Clock Generator: ICS960008AFLF	215 -149
1407 6132	IC: SN74LVC1G08DCK	199 -129
1407 6166	IC - ESOC	177 -119
1407 6187	CMOS Logic - SN74LVC1G07DCK	199 -130
1407 6201	CMOS Logic SN74LVC1G125BCK	199 -131
1407 6204	CMOS Logic: SN74LVC2G07DCK	199 -132
1407 6205	CMOS Logic - SN74LVC1G06DCK	199 -133
1407 6245	CMOS Logic - SN74CBTLV3253PW	215 -150
1407 6248	EEPROM - M24256-BWMN6	215 -151
1407 6259	CMOS Logic - SN74AHCT1G04DCK	199 -134
1407 6278	Ich3 - NH82801CAM(SL7A7)	215 -152
1407 6279	Gmch - NH82830MP(SL7A6)	215 -153
1407 6335	CMOS Logic: SN74LVC1G17DCK	199 -136
1407 6389	Motor Control IC: SLA7072MPR	185 -161
1407 6447	Custom IC - GAVD Type-W	199 -137
1407 6520	Custom IC - GARAC-C	199 -138
1407 6526	CPU - NK80530MZ866256(SL7XH)	215 -154
1407 6545	Custom IC - RB5C661	199 -139
1407 6611	Motor Control IC: SLA7073MPR	185 -162
1407 6613	ICS7152M-01	199 -140
1407 6724	Controller: RB5V870A	199 -135

Part No.	Description	Page and Index No.
1407 6759	Custom IC: EIO	185 -160
1408 0826	IC - TA8428K	185 -163
1408 0827	IC - TA8429H	185 -164
1408 1206	Transistor-array - TD62M4700F	185 -165
1408 1454	Series Regulator - LM1085IS-3.3	199 -141
1408 1507	Regulator - PQ05VY3H3Z	199 -142
1408 1515	Dc/dc Converter - R1223N332G-FA	199 -143
1408 1664	Series Regulator: LM1117MP-ADJ/NOPB	215 -155
1408 1730	IC - MM1096BF	177 -120
1408 1736	Operational Amplifier: LMV358MM	177 -121
1408 1744	Regulator - PQ018EH01Z	199 -144
1408 1778	IC: R3112Q101A	215 -156
1408 1779	IC - R3112Q281A	185 -166
1408 1779	IC - R3112Q281A	215 -157
1408 1790	IC - R3112Q301A	199 -145
1408 1815	IC - R3112Q151A	215 -158
1408 1818	Series Regulator: LM1117MP-1.8	177 -122
1408 1825	IC - R3112Q121A	215 -159
1408 1826	IC - R3112Q421A	215 -160
1408 1829	Op AMP - LM358PW	185 -167
1408 1879	IC: R3112Q281C-FA	199 -146
1408 1911	Comparator - LM2903PW	185 -168
1408 1956	IC: LTC3728LXCUH#TRPBF	215 -161
1408 2007	Operational Amplifier: LM324PW	185 -169
1408 2015	Series Regulator - PQ018EZ02ZPH	199 -147
1408 2016	Regulator - R1114Q181B-FA	199 -148
1408 2057	IC - LTC3714EG#TRPBF	215 -162
1408 2286	Dcdc Controller IC - R1223N182F-FA	199 -149
1408 2287	Dcdc Controller IC - R1224N102H-FA	199 -150
1408 2321	R1172H121B	199 -151
1408 2393	Series Regulator: R1172H331B-FB	185 -170
1503 0773	Crystal Oscillator: 32.768KHz: 7PF	215 -163
1503 0842	Oscillator - 14.31818MHz	215 -164
1503 0947	Crystal Oscillator: 25MHz	215 -165
1503 1111	Crystal Oscillator: 14MHz	199 -152

Part No.	Description	Page and Index No.
1503 1215	Crystal Oscillator - 17.5MHz	177 -123
1503 1260	Crystal Oscillator - 23.8MHz	199 -153
1503 1274	Crystal Oscillator: 19.85MHz	185 -171
1503 1303	Crystal Oscillator - 65MHz	199 -154
1503 1317	Crystal Oscillator: 35MHz	199 -155
1601 5277	Resistor - 3.9 Ω \pm 5% 2W	185 -172
1601 5532	Resistor - 91 Ω \pm 5% 2W	185 -173
1601 7751	Resistor - 4.7K Ω \pm 5%	199 -156
1601 7751	Resistor - 4.7K Ω \pm 5%	185 -174
1601 7752	Resistor Array - 10K Ω \pm 5%	199 -157
1601 7752	Resistor Array - 10K Ω \pm 5%	185 -175
1601 7752	Resistor Array - 10K Ω \pm 5%	177 -124
1601 7759	Resistor Array - 100K Ω \pm 5% 0.06	199 -158
1601 7781	Resistor - 10 Ω \pm 5%	185 -176
1601 7791	Resistor Array - 1K Ω \pm 5%	199 -159
1601 7791	Resistor Array - 1K Ω \pm 5%	185 -177
1601 7796	Resistor	185 -178
1601 7867	Resistor - 33 Ω \pm 5% 1/16W	177 -125
1601 7867	Resistor - 33 Ω \pm 5% 1/16W	199 -160
1601 7871	Resistor - 68 Ω \pm 5% 1/16W	177 -126
1601 7871	Resistor - 68 Ω \pm 5% 1/16W	185 -179
1601 7877	Resistor Array 4.7K Ω \pm 5% 1/32W	199 -161
1601 7887	Resistor Array - 10K Ω \pm 5% 1/32W	199 -162
1601 7896	Resistor Array - 56 Ω \pm 5% 1/32W	199 -163
1601 7898	Resistor Array	199 -164
1601 7898	Resistor Array	215 -166
1601 7899	Resister Array - 56 Ω \pm 5% 1/16W	199 -165
1601 7899	Resister Array - 56 Ω \pm 5% 1/16W	185 -180
1601 7909	Resistor Array - 10 Ω \pm 5% 1/32W	215 -167
1601 7913	Resistor 22 Ω \pm 5% 1/32W	215 -168
1601 7943	Resistor Array - 68 Ω \pm 5% 1/32W	199 -166
1601 7943	Resistor Array - 68 Ω \pm 5% 1/32W	215 -169
1601 7959	Resistor	199 -167
1601 7981	Resistor Array - 100K Ω \pm 5% 1/16W	199 -168
1604 2331	Capacitor - 47 μ F \pm 20% 10V	199 -169

Part No.	Description	Page and Index No.
1604 2332	Capacitor - 10 μ F \pm 20% 16V	199 -170
1604 4355	Capacitor - 47 μ F \pm 20% 25V	199 -171
1604 4661	Capacitor - 100 μ F \pm 20% 50V	185 -181
1604 4708	Capacitor - 10 μ F \pm 20% 50V	185 -182
1604 4728	Capacitor - 100 μ F \pm 20% 16V	199 -172
1604 4838	Capacitor: 47 μ F: \pm 20%: 10V	185 -183
1604 4894	Capacitor: 100 μ F: \pm 20%: 16V	177 -127
1604 4925	Resistor - 100 μ F \pm 20% 10V	185 -184
1604 5187	Capacitor - 10 μ F \pm 20% 16V	199 -173
1604 5357	Resistor - 560 μ F \pm 20% 4V	215 -170
1604 5375	Capacitor: 220 μ F: \pm 20%: 50V	185 -185
1605 0976	Capacitor - 1 μ F +80% -20% 10V	215 -171
1605 1002	Capacitor - 2700pF \pm 10% 50V	199 -174
1605 1034	Ceramic Capacitor: 1000pF: \pm 10%: 50V	199 -175
1605 1034	Ceramic Capacitor: 1000pF: \pm 10%: 50V	215 -172
1605 1124	Capacitor - 4.7 μ F +80 -20% 10V	215 -173
1605 1135	Capacitor - 0.47 μ F \pm 1% 10V	199 -176
1605 1137	Capacitor - 470pF \pm 10% 50V	185 -186
1605 1137	Capacitor - 470pF \pm 10% 50V	199 -177
1605 1148	Capacitor - 0.1 μ F +80-20% 50V	199 -178
1605 1161	Capacitor - 0.33 μ F \pm 10% 10V	199 -179
1605 1176	Ceramic Capacitor 0.47 μ F +80-20%16V	215 -174
1605 1194	Capacitor: 3pF: \pm 0.25PF: 50V	215 -175
1605 1195	Capacitor: 4pF: \pm 0.25PF: 50V	215 -176
1605 1196	Capacitor - 5pF: \pm 0.25PF: 50V	215 -177
1605 1197	Capacitor - 6pF \pm 0.5pF 50V	215 -178
1605 1200	Capacitor - 10pF \pm 0.5pF 50V	185 -187
1605 1200	Capacitor - 10pF \pm 0.5pF 50V	199 -180
1605 1202	Capacitor - 15pF \pm 5% 50V	177 -128
1605 1204	Capacitor-pF50V	199 -181
1605 1205	Capacitor - 33pF \pm 5% 50V	199 -182
1605 1205	Capacitor - 33pF \pm 5% 50V	215 -179
1605 1206	Capacitor - 47pF \pm 5% 50V	215 -180
1605 1207	Capacitor - 68pF \pm 5% 50V	215 -181
1605 1208	Capacitor: 100pF: \pm 5%: 50V	199 -183

Part No.	Description	Page and Index No.
1605 1208	Capacitor: 100pF: ±5%: 50V	215 -182
1605 1208	Capacitor: 100pF: ±5%: 50V	177 -129
1605 1208	Capacitor: 100pF: ±5%: 50V	185 -188
1605 1209	Capacitor - 150pF ±5% 50V	215 -183
1605 1210	Capacitor: 180pF: ±5%: 50V	215 -184
1605 1211	Capacitor - 220pF ±10% 50V	215 -185
1605 1212	Capacitor - 470pF ±10% 50V	215 -186
1605 1212	Capacitor - 470pF ±10% 50V	177 -130
1605 1214	Capacitor - 1000pF ±10% 50V	215 -187
1605 1214	Capacitor - 1000pF ±10% 50V	199 -184
1605 1214	Capacitor - 1000pF ±10% 50V	177 -131
1605 1216	Capacitor - 2200pF±10%50V	215 -188
1605 1221	Capacitor - 0.1 μF+80-20%16V	215 -189
1605 1221	Capacitor - 0.1 μF+80-20%16V	177 -132
1605 1221	Capacitor - 0.1 μF+80-20%16V	199 -185
1605 1224	Capacitor 4.7μF ±10% 6.3V	199 -186
1605 1225	Capacitor - 0.1μF ±10% 50V	215 -190
1605 1234	Capacitor: 4700pF: ±10%: 50V	177 -133
1605 1234	Capacitor: 4700pF: ±10%: 50V	199 -187
1605 1234	Capacitor: 4700pF: ±10%: 50V	215 -191
1605 1240	Capacitor - 0.01μF ±10% 25V	199 -188
1605 1240	Capacitor - 0.01μF ±10% 25V	215 -192
1605 1249	Capacitor: 0.047μF: ±10%: 16V	215 -193
1605 1281	Capacitor - 0.22μF ±10% 16V	177 -134
1605 1281	Capacitor - 0.22μF ±10% 16V	215 -194
1605 1282	Capacitor: 22μF: +80-20%: 10V	215 -195
1605 1283	Capacitor - 680pF ±10% 50V	215 -196
1605 1284	Capacitor: 1500pF: ±10%: 50V	215 -197
1605 1289	Capacitor - 0.1μF ±10% 10V	215 -198
1605 1289	Capacitor - 0.1μF ±10% 10V	199 -189
1605 1291	Capacitor: 2.2μF: ±10%: 10V	177 -135
1605 1293	Capacitor - 27pF±5%50V	199 -190
1605 1294	Resistor - 1000pF ±5% 50V	199 -191
1605 1295	Capacitor: 10μF: +80-20%: 10V	199 -192
1605 1295	Capacitor: 10μF: +80-20%: 10V	215 -199

Part No.	Description	Page and Index No.
1605 1296	Capacitor - 330pF ±10% 50V	199 -193
1605 1296	Capacitor - 330pF ±10% 50V	215 -200
1605 1300	Capacitor - 270pF ±5% 50V	199 -194
1605 1303	Capacitor - 0.01μF +80-20% 50V	215 -201
1605 1306	Capacitor - 1μF ±10% 10V	199 -195
1605 1306	Capacitor - 1μF ±10% 10V	215 -202
1605 1352	Resistor - 82pF ±5% 50V	215 -203
1605 1353	Capacitor - 0.1μF ±10% 25V	199 -196
1605 1354	Capacitor: 1200pF: ±5%: 50V	215 -204
1605 1358	Capacitor - 10μF ±10% 10V	199 -197
1605 1391	Capacitor - 22μF: ±20%: 6.3V	199 -198
1605 1406	Capacitor - 10μF ±10% 6.3V	185 -189
1605 1406	Capacitor - 10μF ±10% 6.3V	199 -199
1605 1416	Capacitor – 1800pF: ±5%: 50V	215 -205
1605 1417	Capacitor: 47μF: +80-20%: 10V	215 -206
1605 1419	Capacitor: 4.7μF: ±10%: 16V	185 -190
1605 1432	Resistor - 100μF ±20% 6.3V	215 -207
1605 1447	Resistor - 470pF ±5% 50V	199 -200
1605 1450	Resistor - 22μF ±10% 6.3V	215 -208
1605 1453	Capacitor: 0.022μF: ±10%: 16V	199 -201
1605 1454	Capacitor: 0.33Uf: ±10%: 6.3V	177 -136
1605 1455	Capacitor - 10000pF ±5% 50V	199 -202
1605 1464	Resistor - 10μF ±20% 25V	199 -203
1605 1464	Resistor - 10μF ±20% 25V	215 -209
1605 1474	Capacitor - 47μF ±20% 6.3V	199 -204
1605 1479	Capacitor - 47pF ±10%: 50V	185 -191
1605 1480	Capacitor - 100pF ±10% 50V	199 -205
1605 1483	Capacitor: 0.01μF: ±20%: 25V	177 -137
1605 1483	Capacitor : 0.01μF: ±20%: 25V	185 -192
1605 1530	Capacitor : 10pF: ±1PF: 50V	185 -193
1605 1531	Capacitor: 470pF: ±20%: 50V	185 -194
1607 0623	Ferrite Core - TFC-16-8-13	39 - 115
1607 0861	Filter - BK2125HS101	199 -206
1607 0912	Ferrite Core: TR-25-15-12	45 - 108
1607 1322	Inductor: LB2012B4R7M	215 -210

Part No.	Description	Page and Index No.
1607 1351	Filter BLM21PG221SN1B	199 -207
1607 1426	Inductor: RLFL2560-2R7N110	199 -208
1607 1489	Filter - MMZ1608B301C	215 -211
1607 1546	Inductor - SLF6028-220MR77-PF	199 -209
1607 1556	Inductor: RLF7030-1R5N6R1	215 -212
1607 1637	Coil: ACM2012-900-2P	215 -213
1607 1650	Inductor: RLF7030-6R8M2R8	215 -214
1607 1651	Inductor - HM73-101R0LF	215 -215
1607 1657	Inductor - HM73-10R68LF	215 -216
1607 1799	Filter - SUP-ET20-ER-0	155 -101
1609 0005	Resistor: 33Ω: ±5%: 1/16W	177 -138
1609 0006	Resistor: 10K Ω: ±5%: 1/16W	185 -195
1609 0006	Resistor: 10KΩ: ±5%: 1/16W	177 -139
1609 0016	Resistor: 56Ω: ±5%: 1/16W	177 -140
1609 0016	Resistor: 56 Ω: ±5%: 1/16W	185 -196
1609 0020	Resistor: 10 Ω: ±5%: 1/16W	185 -197
1609 0020	Resistor: 10Ω: ±5%: 1/16W	177 -141
1610 1733	Resistor - 0.01 Ω ±1% 1W	215 -217
1610 1775	Resistor - 0.03 Ω ±1% 1W	215 -218
1610 1804	Resistor: 0.006 Ω: ±1%: 1W	215 -219
1610 1805	Resistor - 0.003 Ω ±2% 1W	215 -220
1632 0000	Resistor - 0 Ω 1/8W	215 -221
1633 0000	Resistor - 0 Ω 1/10W	199 -210
1633 0000	Resistor - 0 Ω 1/10W	215 -222
1634 0000	Resistor - 0 Ω 1/16W	177 -142
1634 0000	Resistor - 0 Ω 1/16W	199 -211
1634 0000	Resistor - 0 Ω 1/16W	185 -198
1650 2121	Resistor: 120Ω: ±5%: 1/4W: 3216	185 -199
1650 2151	Resistor - 150Ω ±5% 1/4W	185 -200
1650 2472	Chip Resistor-4.7K	185 -201
1650 3221	Resistor - 220Ω±5%1/8W	185 -202
1650 3331	Resistor: 330Ω: ±5%: 1/8W	185 -203
1650 4100	Resistor - 10Ω ±5% 1/10W	177 -143
1650 4100	Resistor - 10Ω ±5% 1/10W	185 -204
1650 4100	Resistor - 10Ω ±5% 1/10W	199 -212

Part No.	Description	Page and Index No.
1650 4101	Resistor - 100Ω±5%1/10W	199 -213
1650 4101	Resistor - 100Ω±5%1/10W	177 -144
1650 4102	Resistor - 1KΩ ±5% 1/10W	177 -145
1650 4102	Resistor - 1KΩ ±5% 1/10W	185 -205
1650 4102	Resistor - 1KΩ ±5% 1/10W	199 -214
1650 4103	Resistor - 10KΩ ±5% 1/10W	199 -215
1650 4103	Resistor - 10KΩ ±5% 1/10W	177 -146
1650 4103	Resistor - 10KΩ ±5% 1/10W	185 -206
1650 4104	Resistor - 100KΩ±5%1/10W	185 -207
1650 4104	Resistor - 100KΩ±5%1/10W	199 -216
1650 4104	Resistor - 100KΩ±5%1/10W	177 -147
1650 4105	Resistor - 1MΩ ±5% 1/10W	177 -148
1650 4105	Resistor - 1MΩ ±5% 1/10W	185 -208
1650 4154	Resistor 150kΩ ±5% 1/10W	185 -209
1650 4162	Resistor - 1.6KΩ ±5% 1/10W	185 -210
1650 4220	Chip Resistor - 22Ω ±5% 1/10W	199 -217
1650 4221	Resistor - 220Ω±5%1/10W	185 -211
1650 4222	Resistor - 2.2KΩ±5%1/10W	185 -212
1650 4222	Resistor - 2.2KΩ±5%1/10W	177 -149
1650 4223	Resistor - 22KΩ±5%1/10W	199 -218
1650 4223	Resistor - 22KΩ±5%1/10W	185 -213
1650 4330	Chip Resistor - 33Ω ±5% 1/10W	199 -219
1650 4330	Chip Resistor - 33Ω ±5% 1/10W	177 -150
1650 4331	Resistor - 330Ω±5%1/10W	199 -220
1650 4393	Resistor - 39KΩ±5%1/10W	185 -214
1650 4470	Resistor - 47Ω±5%1/10W	199 -221
1650 4471	Resistor - 470Ω±5%1/10W	199 -222
1650 4472	Resistor - 4.7KΩ ±5% 1/10W	199 -223
1650 4472	Resistor - 4.7KΩ ±5% 1/10W	185 -215
1650 4511	Resistor - 510Ω±5%1/10W	199 -224
1650 4560	Chip Resistor - 56Ω ±5% 1/10W	199 -225
1650 4560	Chip Resistor - 56Ω ±5% 1/10W	185 -216
1650 4560	Chip Resistor - 56Ω ±5% 1/10W	177 -151
1650 4680	Resistor - 68Ω±5%1/10W	199 -226
1650 4681	Resistor - 680Ω ±5% 1/10W	177 -152

Part No.	Description	Page and Index No.
1650 5100	Chip Resistor - 10 Ω ±5%1/16W	215 -223
1650 5101	Chip Resistor - 100 Ω ±5%1/16W	215 -224
1650 5102	Chip Resistor - 1K Ω ±5%1/16W	215 -225
1650 5102	Chip Resistor - 1K Ω ±5%1/16W	199 -227
1650 5103	Chip Resistor - 10K Ω ±5%1/16W	215 -226
1650 5103	Chip Resistor - 10K Ω ±5%1/16W	199 -228
1650 5104	Chip Resistor - 100K Ω ±5%1/16W	215 -227
1650 5104	Chip Resistor - 100K Ω ±5%1/16W	199 -229
1650 5106	Resistor - 10M Ω ±5% 1/16W	215 -228
1650 5109	Chip Resistor 1 Ω ±5% 1/16W	215 -229
1650 5122	Chip Resistor - 1.2K Ω ±5%1/16W	215 -230
1650 5151	Resistor - 150 Ω ±5% 1/16W	215 -231
1650 5152	Chip Resistor: 1.5K Ω : ±5%: 1/16W	215 -232
1650 5153	Chip Resistor - 15K Ω ±5% 1/16W	215 -233
1650 5202	Chip Resistor: 2K Ω : ±5%: 1/16W	215 -234
1650 5204	Chip Resistor - 200K Ω ±5%1/16W	215 -235
1650 5220	Resistor - 22 Ω ±5% 1/16W	215 -236
1650 5221	Chip Resistor - 220 Ω ±5%1/16W	215 -237
1650 5222	Resistor - 2.2K Ω ±5% 1/16W	215 -238
1650 5229	Resistor: 2.2 Ω : ±5%: 1/16W: 1005	215 -239
1650 5241	Resistor - 240 Ω ±5% 1/16W	215 -240
1650 5330	Chip Resistor - 33 Ω ±5%1/16W	199 -230
1650 5330	Chip Resistor - 33 Ω ±5%1/16W	215 -241
1650 5331	Resistor - 330 Ω ±5% 1/16W	215 -242
1650 5332	Resistor - 3.3K Ω ±5% 1/16W	215 -243
1650 5390	Resistor - 39 Ω ±5% 1/16W	215 -244
1650 5393	Resistor - 39K Ω ±5% 1/16W	215 -245
1650 5470	Chip Resistor 47 Ω ±5% 1/16W	215 -246
1650 5471	Chip Resistor - 470 Ω -5% 1/16W	215 -247
1650 5472	Chip Resistor: 4.7K Ω : ±5%: 1/16W	215 -248
1650 5511	Resistor - 510 Ω ±5% 1/16W	215 -249
1650 5513	Chip Resistor: 51K Ω : ±5%: 1/16W	215 -250
1650 5560	Chip Resistor 56 Ω ±5% 1/16W	215 -251
1650 5562	Chip Resistor: 5.6K Ω : ±5%: 1/16W	215 -252
1650 5569	Resistor - 5.6 Ω ±5% 1/16W	215 -253

Part No.	Description	Page and Index No.
1650 5623	Resistor - 62K Ω ±5% 1/16W	215 -254
1650 5680	Resistor - 68 Ω ±5% 1/16W	215 -255
1650 5681	Chip Resistor: 680 Ω : ±5%: 1/16W	215 -256
1650 5822	Chip Resistor: 8.2K Ω : ±5%: 1/16W	215 -257
1650 5823	Chip Resistor: 82K Ω : ±5%: 1/16W	215 -258
1652 1000	Chip Resistor: 100 Ω : ±1%: 1/4W	185 -217
1654 1000	Resistor - 100 Ω ±1% 1/10W	199 -231
1654 1002	Resistor - 10K Ω ±5%1/10W	199 -232
1654 1003	Resistor - 100K Ω ±1%1/10W	185 -218
1654 1003	Resistor - 100K Ω ±1%1/10W	199 -233
1654 1300	Resistor - 130 Ω ±1% 1/10W	199 -234
1654 1500	Resistor - 150 Ω ±1 %1/10W	185 -219
1654 1601	Chip Resistor - 1.6K Ω ±1% 1/10W	185 -220
1654 1690	Chip Resistor: 169 Ω : ±1%: 1/10W: 16	185 -221
1654 1780	Chip Resistor: 178 Ω : ±1%: 1/10W	185 -222
1654 2001	Chip Resistor - 2K Ω ±1% 1/10W	199 -235
1654 2050	Resistor: 205 Ω : ±1%: 1/10W: 1608	185 -223
1654 2152	Resistor: 21.5K Ω : ±1%: 1/10W	185 -224
1654 2200	Resistor: 220 Ω : ±1%: 1/10W: 1608	185 -225
1654 2700	Resistor: 270: Ω : ±1%: 1/10W	199 -236
1654 2700	Resistor: 270: Ω : ±1%: 1/10W	185 -226
1654 2701	Resistor - 2.7K Ω ±1% 1/10W	199 -237
1654 2741	Resistor - 2.74K Ω ±1% 1/10W	199 -238
1654 3000	Chip Resistor: 300 Ω : ±1%: 1/10W	185 -227
1654 3090	Resistor: 309 Ω : ±1%: 1/10W	185 -228
1654 3321	Resistor - 3.32K Ω ±1%: 1/10W	199 -239
1654 3742	Resistor: 37.4K Ω : ±1%: 1/10W	185 -229
1654 4700	Resistor - 470 Ω ±1%1/10W	199 -240
1654 4701	Resistor - 4.7K Ω ±1% 1/10W	199 -241
1654 4701	Resistor - 4.7K Ω ±1% 1/10W	185 -230
1654 4702	Chip Resistor - 47k Ω ±1%1/10W	185 -231
1654 5231	Resistor - 5.23K Ω ±1%1/10W	185 -232
1654 6192	Chip Resistor: 61.9K Ω : ±1%: 1/10W: 1608	185 -233
1654 7680	Chip Resistor: 768 Ω : 1/10W	185 -234
1655 0000	Chip Resistor - 0 Ω ±0%1/16W	199 -242

Part No.	Description	Page and Index No.
1655 0000	Chip Resistor - 0Ω±0%1/16W	215 -259
1655 1001	Chip Resistor - 1KΩ ±1% 1/16W	215 -260
1655 1002	Chip Resistor - 10KΩ±1%1/16W	215 -261
1655 1009	Resistor - 10Ω ±1% 1/16W	215 -262
1655 1100	Resistor - 110Ω ±1% 1/16W	215 -263
1655 1370	Resistor - 137Ω ±1% 1/16W	215 -264
1655 1409	Resistor - 14Ω ±1% 1/16W	215 -265
1655 1502	Resistor - 15KΩ ±1% 1/16W	215 -266
1655 1800	Chip Resistor: 180Ω: ±1%: 1/16W	215 -267
1655 1829	Resistor - 18.2Ω ±1% 1/16W	215 -268
1655 2000	Resistor - 200Ω ±1% 1/16W	215 -269
1655 2001	Resistor - 2KΩ ±1% 1/16W	215 -270
1655 2002	Chip Resistor - 20KΩ±1%1/16W	215 -271
1655 2003	Chip Resistor - 200KΩ±1%1/16W	215 -272
1655 2052	Resistor - 20.5KΩ ±1% 1/16W	215 -273
1655 2209	Resistor - 22Ω ±1% 1/16W	215 -274
1655 2210	Resistor - 221Ω ±1% 1/16W	215 -275
1655 2402	Resistor - 24KΩ ±1% 1/16W	215 -276
1655 2433	Resistor - 243KΩ ±1% 1/16W	215 -277
1655 2490	Resistor - 249Ω ±1% 1/16W	215 -278
1655 2679	Resistor - 26.7Ω ±1% 1/16W	215 -279
1655 2749	Resistor - 27.4Ω ±1% 1/16W	215 -280
1655 2803	Resistor - 280KΩ ±1% 1/16W	215 -281
1655 3000	Chip Resistor: 300Ω: ±1%: 1/16W	215 -282
1655 3002	Chip Resistor - 30KΩ±1%1/16W	215 -283
1655 3010	Resistor - 301Ω ±1% 1/16W	215 -284
1655 3303	Resistor - 330KΩ ±1% 1/16W	215 -285
1655 3329	Resistor - 33.2Ω ±1% 1/16W	215 -286
1655 3480	Resistor - 348Ω ±1% 1/16W	215 -287
1655 3659	Resistor - 36.5Ω ±1% 1/16W	215 -288
1655 3900	Resistor: 390 Ω: ±1%: 1/16W	215 -289
1655 4321	Resistor: 4.32K Ω: ±1%: 1/16W	215 -290
1655 4701	Chip Resistor - 4.7KΩ±1%1/16W	215 -291
1655 4709	Resistor - 47Ω ±1% 1/16W	215 -292
1655 4750	Resistor - 475Ω ±1% 1/16W	215 -293

Part No.	Description	Page and Index No.
1655 4999	Resistor - 49.9Ω ±1% 1/16W	215 -294
1655 5101	Resistor - 5.1KΩ ±1% 1/16W	215 -295
1655 5109	Resistor - 51Ω ±1% 1/16W	215 -296
1655 5119	Resistor - 51.1Ω ±1% 1/16W	215 -297
1655 5499	Resistor - 54.9Ω ±1% 1/16W	215 -298
1655 5609	Resistor - 56Ω ±1% 1/16W	215 -299
1655 5621	Resistor - 5.62KΩ ±1% 1/16W	215 -300
1655 5629	Resistor - 56.2Ω ±1% 1/16W	215 -301
1655 5760	Resistor - 576Ω ±1% 1/16W	215 -302
1655 6049	Resistor - 60.4Ω ±1% 1/16W	215 -303
1655 6199	Resistor - 61.9Ω ±1% 1/16W	215 -304
1655 6209	Resistor - 62Ω ±1% 1/16W	215 -305
1655 6342	Resistor: 63.4K Ω: ±1%: 1/16W	215 -306
1655 6809	Chip Resistor - 68Ω±1%1/16W	215 -307
1655 8062	Resistor - 80.6KΩ ±1% 1/16W	215 -308
1655 8063	Resistor - 806KΩ ±1% 1/16W	215 -309
1655 8209	Resistor - 82Ω ±1% 1/16W	215 -310
1655 9100	Resistor - 910Ω ±1% 1/16W	215 -311
1660 2101	Capacitor - 100pF - ±10% - 50V	199 -243
1660 2120	Capacitor - 12 pF ±5% 50V	199 -244
1660 2121	Capacitor - 120pF ±5% 50V	215 -312
1660 2150	Capacitor - 15pF ±5% 50V	199 -245
1660 2150	Capacitor - 15pF ±5% 50V	185 -235
1660 2331	Capacitor - 330pF ±5% 50V	199 -246
1660 2471	Capacitor - 470pF - ±5% - 50V	185 -236
1660 2680	Capacitor - 68pF ±5% 50V	199 -247
1660 4102	Capacitor - 1000pF ±10% 50V	185 -237
1660 4103	Capacitor - 10000pF - ±10% - 50V	177 -153
1660 4103	Capacitor - 10000pF - ±10% - 50V	199 -248
1660 4332	Capacitor - 3300pF - ±10% - 50V	199 -249
1660 4472	Capacitor - 4700pF±10% 50V	185 -238
1660 6103	Capacitor - 10000pF - +80%-20%50V	185 -239
1660 8104	Capacitor - 0.1μF ±20% 25V	185 -240
1660 8104	Capacitor - 0.1μF ±20% 25V	199 -250
1902 0076	SRAM: 8M: X16: 55NS: G1	177 -154

Part No.	Description	Page and Index No.
1906 0101	Flash Memory: S29GI032A90TFIR40	177 -155

Part No.	Description	Page and Index No.
5053 0223	Bushing - 8mm	27 - 36
5053 0223	Bushing - 8mm	59 - 24
5053 0447	Bushing - 6mm	27 - 39
5053 0447	Bushing - 6mm	29 - 24
5053 0447	Bushing - 6mm	35 - 3
5053 0447	Bushing - 6mm	37 - 2
5053 0447	Bushing - 6mm	39 - 33
5053 0447	Bushing - 6mm	139 - 23
5053 0447	Bushing - 6mm	55 - 28
5201 2858	Friction Pad	57 - 10
5203 9502	Grease 501	227 - 6
5206 2684	Shoulder Screw - M3	97 - 8
5206 2684	Shoulder Screw - M3	45 - 6
5206 2686	Snap Ring	133 - 9
5206 2686	Snap Ring	27 - 29
5215 2621	Snap Ring - M6	137 - 18
5215 2621	Snap Ring - M6	37 - 16
5215 2621	Snap Ring - M6	27 - 31
5324 1658	Bushing- 4x8x4.5mm	37 - 10
5324 1658	Bushing- 4x8x4.5mm	31 - 16
5324 1658	Bushing- 4x8x4.5mm	97 - 23
5410 1291	Pin	43 - 1
5442 9103	Launa Oil 40	227 - 10
5443 2668	Bushing - 4x6x7mm	75 - 8
5447 2681	Snap Ring	71 - 21
5447 2681	Snap Ring	121 - 20
5447 2681	Snap Ring	123 - 15
5447 2681	Snap Ring	127 - 23
5447 2681	Snap Ring	67 - 2
5447 2681	Snap Ring	145 - 11
5447 2681	Snap Ring	29 - 23
5447 2681	Snap Ring	65 - 2
5447 2706	Gear - 15T	65 - 8
5447 2768	Stepped Screw - M3	163 - 14
5447 9078	Heat Resisting Grease MT-78	227 - 9

Part No.	Description	Page and Index No.
35506 6197	Screw - Knife Cam - Leading Edge CL	171 - 13
5936 2321	Rubber Bushing - Vibration Damper	41 - 28
6754 2866	Roller - Positioning Guide	169 - 13

Part No.	Description	Page and Index No.
----------	-------------	--------------------