

## Product Support Guide D062 / D063 / D065 / D066

### Introduction

Model Type

B/W MFP

Launch Date

6/1/2009

S/N Configuration

V69/V70/V71/V72

Product Code

D062 / D063 / D065 / D066

### Brand/Model Name

Product Code	Ricoh - Aficio	Lanier	Savin
D062 / D063	MP 6001 / MP 7001	LD360 / LD370	9060 / 9070
D065 / D066	MP 8001 / MP 9001	LD380 / LD390	9080 / 9090

### Product Concept

To provide higher productivity with established superior features for business excellence in an office environment. The D062 series has successfully established the top position with its excellent features to improve office efficiency. The D062 series will provide the following advanced features: Highest speed for office customers 60/70/80/90 CPM, Advanced ADF functions: Color one pass duplex scanning: 250 sheet capacity, Desired new Multi-folding unit with Inline Z / Tri / Half / Gate folding abilities



# Product Support Guide

## D062 / D063 / D065 / D066

### Order Number Main Frame

Item	Model Name	EDP Code	Notes
D062-17	Ricoh Aficio MP 6001 Lanier LD360 Savin 9060	414787	
D063-17	Ricoh Aficio MP 7001 Lanier LD370 Savin 9070	414789	
D065-17	Ricoh Aficio MP 8001 Lanier LD380 Savin 9080	414791	
D066-17	Ricoh Aficio MP 9001 Lanier LD390 Savin 9090	414793	
D062-57	Ricoh Aficio MP 6001 SP Lanier LD360 SP Savin 9060	414788	
D063-57	Ricoh Aficio MP 7001 SP Lanier LD370 SP Savin 9070 SP	414790	
D065-57	Ricoh Aficio MP 8001 SP Lanier LD380 SP Savin 9080 SP	414792	
D066-57	Ricoh Aficio MP 9001 SP Lanier LD390 SP Savin 9090 SP	414794	

NOTE: Order Numbers are provided for reference purposes only

### Options

Item	Description	EDP Code	Product Code	Common / Unique
SR4030 Finisher	Finisher 50 sheet staple	414957	D374	N
SR4040 Finisher	Finisher 50 sheet staple / Saddle stitch	414950	D373	N
SR4050 Finisher	Finisher 100 sheet staple	414944	D460	N
Type 9001 Printer / Scanner Unit	Printer / Scanner Unit	414954	D462	U
USB 2.0/SD Slot Type B	USB 2.0 / SD Slot	414949	D464	U
Fax Option Type 9001	Fax Option	414945	D418-01	U

## Product Support Guide D062 / D063 / D065 / D066

Item	Description	EDP Code	Product Code	Common / Unique
Type 9001 RHD	Removable hard Drive	005639	N/A	C
G3 Interface Unit Type 9001	G3 Interface Unit	414958	D418-06	U
11" x 17" Tray Unit	11" x 17" Tray Unit	415017	D482	C
PostScript 3 Type 9001	PostScript 3	415050	D462	U
Multi Folding Unit Type FD5000	Multi Folding Unit	404183	D454	N *1
Java VM card Type J	Java VM card	404230	D463	N
LCT RT43	External LCT	414517	B473	C
Punch Unit Type 3260	Punch Unit 2/3 NA for 50 sheet staple finishers	412209	B702	C
Punch Unit Type 1075	Punch Unit 2/3 NA for 100 sheet staple finisher	411198	B531	C
Cover Interposer Type 3260	Cover Interposer Tray Type	412213	B704	C
Copy Tray Type 2075	Copy Tray	412190	B756	C
LG Unit Type 1075	LG Unit for LCT (B473)	411187	B474	C
9 Bin Mail Box CS391	9 Bin Mail Box	412191	B762	C*2
Key Counter Bracket Type 1027	Key Counter Bracket	412537	B452	C
Tab Sheet Holder Type 3260	Tab Sheet Holder	412203	B499	C
Card Reader Bracket	Card Reader Bracket	411203	B498	C
Output Jogger Type 3260	Output Jogger	412212	B703	C
Output Jogger Type 1075	Output Jogger	411206	B513	C
File Format Converter Type E	File Format Converter	414007	D377	U

## Product Support Guide D062 / D063 / D065 / D066

Item	Description	EDP Code	Product Code	Common / Unique
Copy Connector Kit Type 3260	Copy Connector Kit	412415	B328	C
Key Counter Interface Type A	Optional 20 Pin interface Unit	413012	B870-11	C
Data Overwrite Security Type HM-E	Security Unit Type HM- E	415681	D572	C
HDD Encryption Unit Type HM-E	Security Unit Type HM- E	415681	D572	C
Scanner Driver Utilities CD Type 9001	Twain / Desktop Binder Lite programs	004763MIU	-	U
Gigabit Ethernet Type B	Gigabit Ethernet	414204	D377-21	C
Booklet Maker BK5010	Production Booklet Maker	413101	-	C
Cover Feeder CF5010	Cover Feeder	413102	-	C
Trimmer TR5010	Trimmer	413103	-	C
Booklet Folder BF5010	Booklet Folder (Requires Trimmer	413104	-	C
Rail Unit for BK5010	Rail Unit	413105	-	C
GBC Stream Punch 3	GBC Stream Punch 3	414387	-	C
Fax Memory Kit Type B	Fax Memory Kit 32MB	001342MIU	G578-17	C
Copy Data Security Type F	Copy Data Security	413985	B829-07	C
IEEE 1284 Interface Board Type A	IEEE 1284 Interface Board	411699	B679-17	U
IEEE 802.11G Interface Unit Type J	Wireless LAN Interface Unit	414008	D377-01	U
Bluetooth Interface Unit Type 3245	Bluetooth Interface Unit	412866	B826-17	C
Remote Communication Unit Type BN1	Remote Communication Gate	429500	A768-17	U
IPDS Unit Type 9001	IPDS SD card Option	415052	-	U

# Product Support Guide

## D062 / D063 / D065 / D066

Item	Description	EDP Code	Product Code	Common / Unique
Browser Type E	Browser	414715	D430-05	U
Keyboard	Keyboard for Java Applications	100266FNG	N/A	U
Keyboard Bracket	Front mounting bracket	100268FNG	N/A	U

\*1 Multi Folder FD5000 is not available with PCL5e Printer Driver \*2 Used only on SR4030 and SR4040

### Supplies/Yields

Supplies						
New or Existing	D062/D063/D065/D066	Ricoh product code	Savin product code	Lanier product code	Packaging	Yield
<b>N*1</b>	Toner type 6110D/6075/6110D	841332	841332	841332	4x1,100 g/bottle	172K
E	Staple type H for SR4050	410508	9849	410508	1 x 5,000/ctn	5K
E	Staple refill type H for SR 4050	410509	9850	410509	5 x 5,000/ctn	25K
E	Staple type K for SR4030/SR4040	410801	9858	410801	1 x 5,000/ctn	5K
E	Staple refill type K for SR4030/SR4040	410802	9859	410802	3 x 5,000/ctn	15K
E	Staple type L for SR4040 Saddle stitch	411240	9885	4800091	1 x 2000/ctn	2K
E	Staple refill type L for SR 4040 Saddle stitch	411241	9886	4800092	4 x 2000/ctn	8K
E	Staple type SR90 for BK5010	411476	411476	411476	4 x 5000/ctn	20K
<b>Note: There is no Gestetner brand available, The only RAC options are Ricoh/Lanier/Savin Tri-Branded Toner</b>						
<b>Note *1 – N indicates not NEW toner but new TRI-Branded EDP code.</b>						
PARTS						
E	Developer type 24 (black)	B0649645	B0649645	B0649645	1 Each	350K
E	OPC Drum	B2469510	B2469510	B2469510	1 Each	1,200K

NOTE: \*A4, 6% chart is used to measure the above yield. Storage period for toner is max. 1 year.

NOTE: \*\* Part Number

# Product Support Guide

## D062 / D063 / D065 / D066

### Installation Times

Unit	Installation times	Unit	Installation time
Mainframe	30 minutes	Fax Unit	20 minutes
LCT:	10 minutes	9 Bin Mail Box:	10 minutes
LCT/LG Kit:	10 minutes	Printer/Scanner:	5 minutes
A3/DLT Kit	5 minutes	Wireless LAN:	5 minutes
Finisher (D374/D373):	10 minutes	IEEE 1394:	5 minutes
Finisher (D460):	15 minutes	Connection Kit:	5 minutes
Punch Unit for Finishers:	5 minutes	Cover Interposer:	10 minutes
Jogger Unit for Finishers:	3 minutes	MLB	5 minutes
Exit Tray:	3 minutes	Tab Sheet Kit:	1 minute
Data Overwrite Security Unit:	5 minutes	Multifolding unit	10 minutes

# Product Support Guide

## D062 / D063 / D065 / D066

### Option Compatibility

Hardware Options		1	2	3	4	5	6	7	8	9	10	11	12	13	14	15	16	17
1	11"x17" / A3 Tray	■																
2	Tab Sheet Unit	■	■															
3	LG Unit for LCT			■														
4	A4/LT LCT				■													
5	GBC punch unit					■		X	X									
6	Copy Tray						■	X	X	X	X	X	X	X	X	X	X	X
7	50 Staple Finisher						X	■	X	X			X		X	1	1	X
8	Saddle Stitch Finisher						X	X	■	X			X		X	1	1	
9	100 Staple Finisher						X	X	X	■	M	X		X			X	
10	Bookletmaker BK5010						X				M	■			X		X	
11	PU for 50 staple					X	X			X	X	■	X			X		
12	PU for SR4050					X	X	X	X			X	■		X			
13	Jogger Unit for 50 staple						X			X				■				
14	Jogger Unit for 100 staple						X	X	X						■			
15	Cover Interposer						X	1	1		X		X		X	■	X	
16	9-bin Mailbox						X	1	1	X	X					X	■	
17	Multi Fold unit						X	X										■

X: Cannot be installed together  
M: Must be installed together in RAC Market  
1: May select one of these options & be installed together

Software Options		19	20	21	22	23	24	25	26	27	28	29	30	31	32	33
19	Printer/Scanner Unit	■														
20	PostScript 3	M	■													
21	IEEE1284 Centro	M		■	X	X	X									
22	Wireless LAN	M		X	■	X	X									
23	Bluetooth Unit	M		X	X	■	X									
24	Gigabit Ethernet	M		X	X	X	■									
25	HDD Overwrite Unit							■								
26	Copy Data Security Unit								■							
27	HDD Data Encryption Unit									■						
28	FAX Option										■					
29	G3 Interface Unit										M	■				
30	Copy Connector												■			
31	Java VM Card													■		
32	File Format Converter														■	
33	USB Host interface															■

# Product Support Guide

## D062 / D063 / D065 / D066

### Branding Information

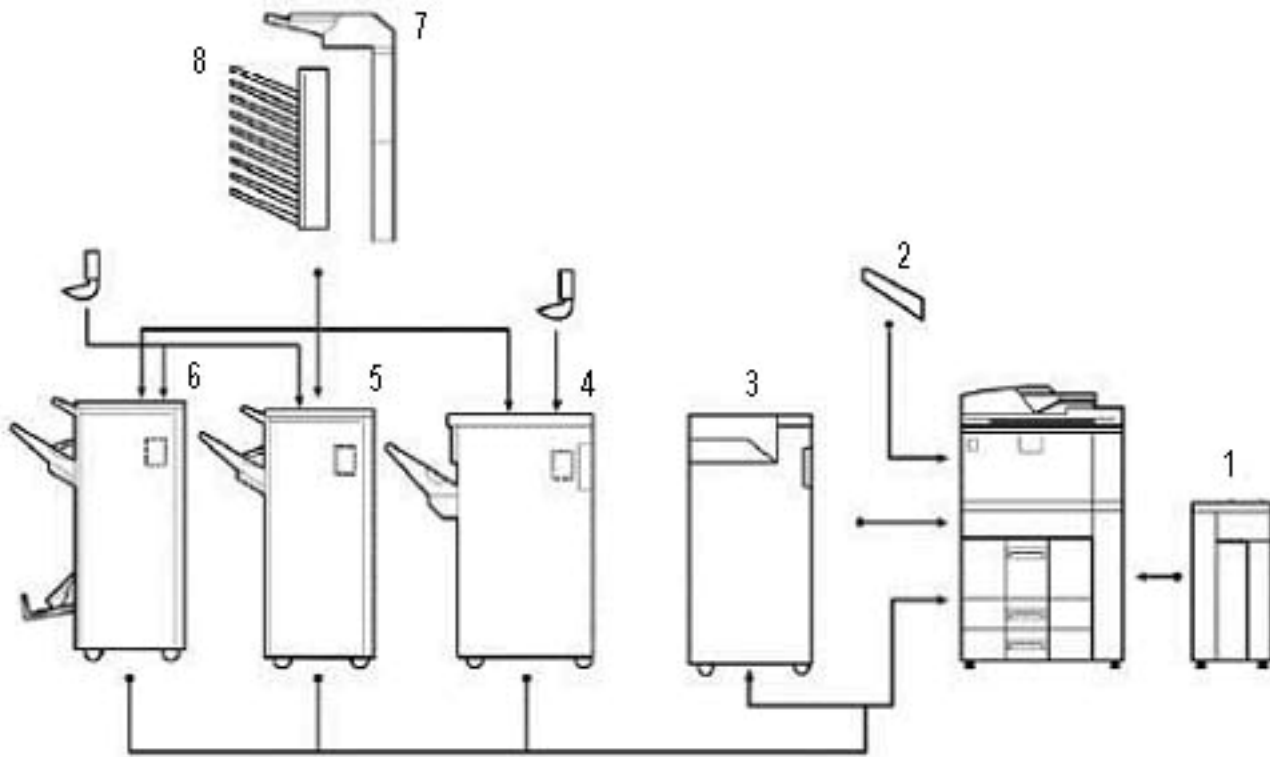
Branding is required as the machines are shipped as a generic version.

**Ricoh version machines:** You must attach the model label (provided) to the front cover.

**Savin/Lanier:** You must attach the model label (provided) to the front cover and set the Plug and Play name with SP 5-907.

### Configuration

#### Main Frame Configuration



#	Description	EDP
1	B473 - RT43 – LCT	414517
2	B756 - Copy Tray Type 2075	412190
3	D454 – FD5000 - MultiFolding Unit	404183
4	D460 – SR4050 Finisher	414944
5	D374 – SR4030 - Finisher	414957
6	D373 – SR4040 - Finisher	414950
7	B704 - Cover Interposer Type 3260	412213
8	B762 - CS391 9 Bin Mailbox * Cannot be used on SR4050	412191



# Product Support Guide

## D062 / D063 / D065 / D066

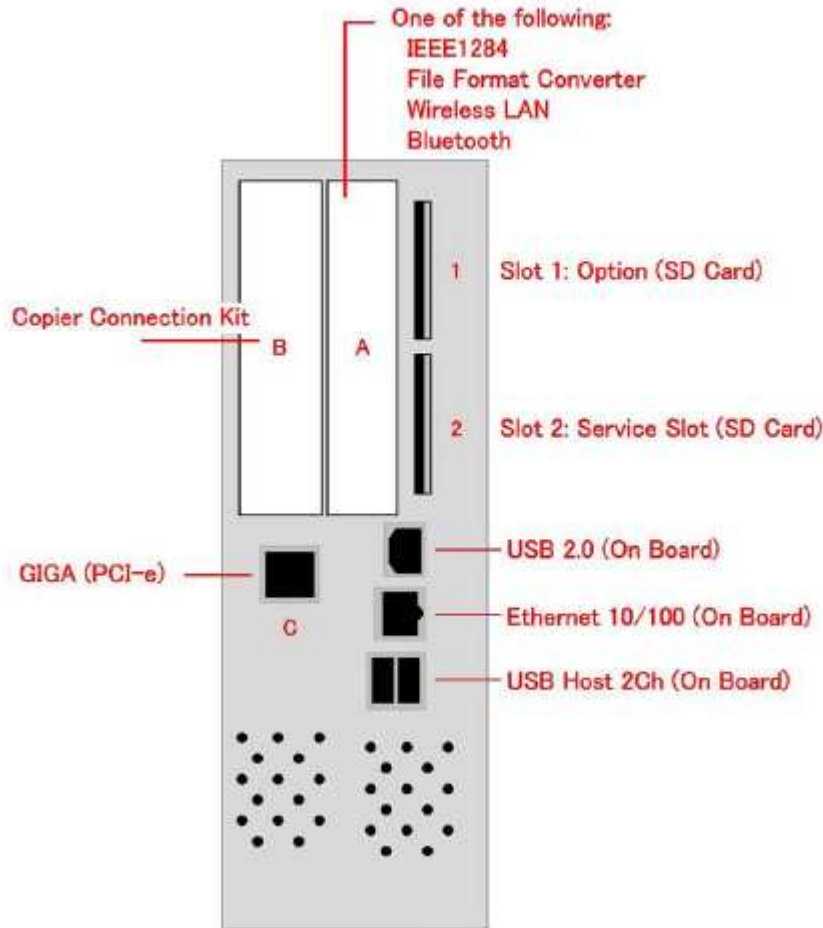
### MFP Options

#### Feature Comparison To Previous version

OPTION	D062/D063/D065/D066	D052/D053/D054
SD slots	2 slots	3 Slots
Model line up	4 Models – 60/70/80/90 cpm	3 Models – 60/70/80 cpm
Fusing Unit	D066 – Hot/Pressure Roller – 50mm	Hot/Pressure Roller – 40mm
Scanner	Color	Black /White
Developer	Pressure release tube attached	-
Paper Feed Motor	D065/D066 Paper Feed Motor is installed at the rear of machine.	-

#### MFP Option Board Slot / SD Card Assignments

Two slots for boards and two slots for SD cards are provided on the controller box. Each board or SC card must be inserted into its assigned slot. The slot assignment of each item is listed in the table below.



# Product Support Guide

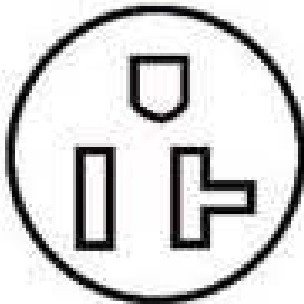
## D062 / D063 / D065 / D066

### Installation

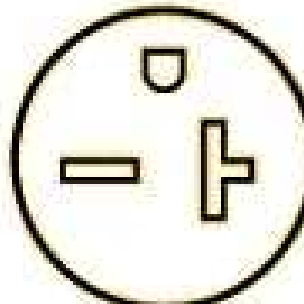
#### Installation Requirements

1. Temperature Range
  - Recommended: 15 C to 25 C ( 59 F to 77 F )
  - Possible: 10 C to 32 C ( 50 F to 90 F )
2. Humidity Range
  - Recommended: 30% to 70% Rh
  - Possible: 15% to 80% Rh
3. Ambient Illumination: Less than 1,500 lux ( Do not expose to direct sunlight or strong light.)
4. Ventilation: Room air should turnover at least 3 times per hour
5. Ambient Dust: Less than 0.10 mg/m<sup>3</sup>
6. If the place of installation is air conditioned or heated, do not place the machine where it will be:
  - Subjected to sudden temperature changes
  - Directly exposed to cool air from an air-conditioner
  - Directly exposed to heat from a heater
7. Do not place the machine where it will be exposed to corrosive gases
8. Do not install the machine at any location over 2000m (6,500 feet) above sea level
9. Place the copier on a strong and level base with the front and back of the machine within +/- 5mm of level
10. Do not place the machine where it may be subject to strong vibrations.
11. Do not connect the machine to a power source shared with another electrical appliance.
12. The machine can generate an electromagnetic field, which could interfere with radio or television reception.

#### Power Requirements



**5-20R**



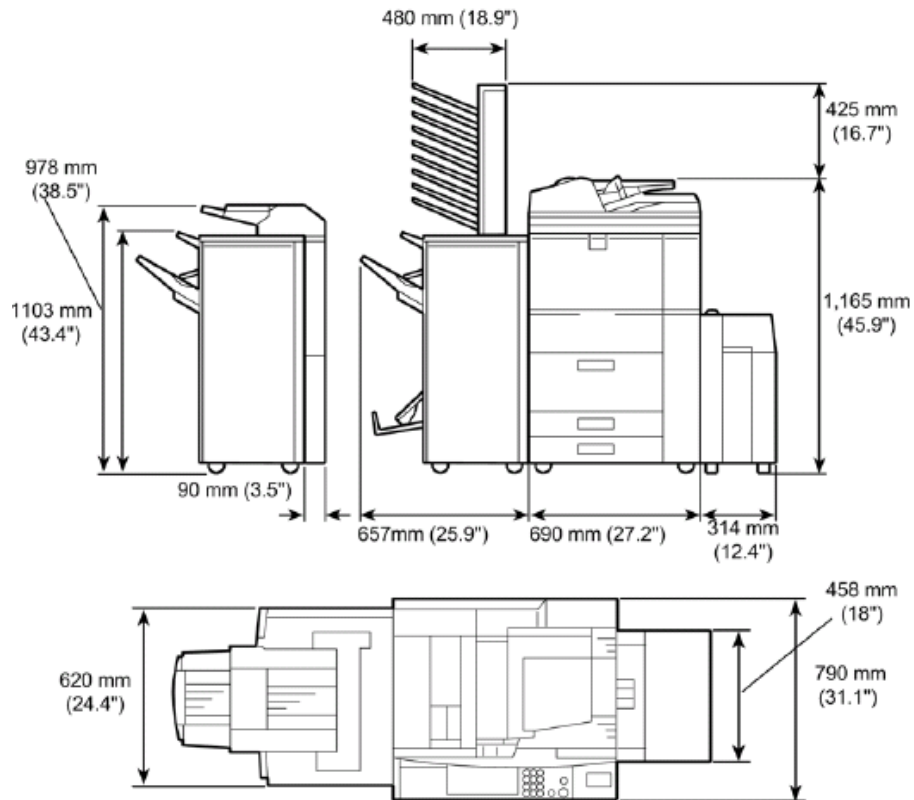
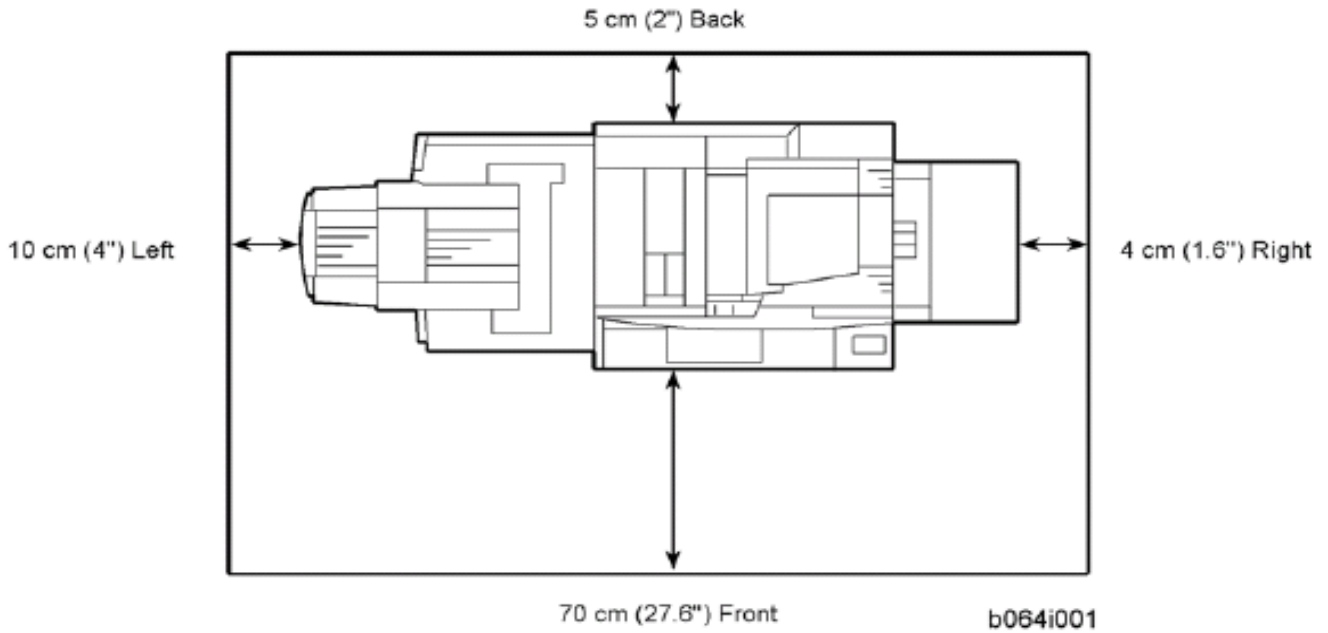
**6-20R**

D062/D063/D065	D066
Input voltage level: 110 - 120 V, 60Hz: 20A	Input voltage level: 208 - 240 V, 60Hz: 12A
Do not place anything on power cord	Do not place anything on power cord
The required wall outlet is a NEMA 5-20R (receptacle)	The required wall outlet is a NEMA 6-20R (receptacle)

# Product Support Guide

## D062 / D063 / D065 / D066

### Space requirements



# Product Support Guide

## D062 / D063 / D065 / D066

### Power Consumption / Noise Emission

#### Power Consumption

D062/D063/D065

D066

Power consumption	Mainframe	Full System	Power consumption	Mainframe	Full System
Warm up	Approx. 1.66kW	Approx. 1.75kW	Warm up	Approx. 1.66kW	Approx. 1.75kW
Stand by	Approx. 304kW	Approx. 341kW	Stand by	Approx. 304kW	Approx. 341kW
Printing	Approx. 1.66kW	Approx. 1.75kW	Printing	Approx. 1.66kW	Approx. 1.75kW
Maximum	Less than 1.8kW	Less than 1.9kW	Maximum	Less than 1.8kW	Less than 1.9kW

#### Noise Emission

<b>D062/D063/D065</b>	<b>Main Unit</b>
Standby	Less than 46db
Printing	Less than 66db
<b>D062/D063/D065</b>	<b>Full System</b>
Standby	Less than 46db
Printing	Less than 69db
<b>D066</b>	<b>Main Unit</b>
Standby	Less than 46db
Printing	Less than 66db
<b>D066</b>	<b>Full System</b>
Standby	Less than 46db
Printing	Less than 69db

NOTE: The above measurements were made in accordance with ISO 7779. The measurements were taken from the normal position of the operator.

## Parts / Special Tools / Maintenance

### PM Parts / Yields

#### Mainframe

**Unique/Common**  
**U:** Unique for this model  
**C:** Common with listed model

D062/D063/D064 – 300K PMD062300K / 450K PMD062450K  
D066 – 300K PMD066300K / 450K PMD066450K

Part Number	Description	Q'ty/ Unit	PM Interval	Unique or Common
<b>Around Drum</b>				
A0962060	Charge Corona Grid	1	300k	C
B0702364	Charge Corona Wire	1	300k	C
A0962063	Charge Wire Cleaning Pad	1	300k	C
AD041140	Cleaning Blade	1	300k	C
B2472330	Cleaning Brush	1	300k	C
D0621233	Ozone Filter	1	300k	U
B2473340	Development Filter	2	300k	C
D0623340	Development Filter (D066)	2	300k	U
B2473161	Toner Recycling Unit	1	600k	C

# Product Support Guide

## D062 / D063 / D065 / D066

Part Number	Description	Q'ty/ Unit	PM Interval	Unique or Common
D0663161	Toner Recycling Unit (D066)	1	600k	U
<b>Paper Feed</b>				
AF031082	Feed Roller	3	1000k	C
AF030081	Pick-up Roller	3	1000k	C
AF032080	Separation Roller	3	1000k	C
AF031083	By-pass Feed Roller	1	1000k	C
AF030080	By-pass Pick-up Roller	1	1000k	C
<b>Transfer Belt Unit</b>				
A2933870	Transfer Belt	1	600k	C
AD041126	Transfer Roller Cleaning Blade	1	600k	C
B0653947	Discharge Plate	1	300k	C
<b>ADF</b>				
B4772225	Pick-up Roller	1	120k originals	C
A8592241	Separation Roller	1	120k originals	C
A8061295	Paper Feed Belt	1	120k originals	C
B6523121	ADF Transport Belt	1	120k originals	U
<b>Fusing Unit</b>				
AE011117	Hot Roller	1	450k	C
AE011044	Hot Roller (D066)	1	450k	U
AE030054	Hot Roller Bearing	2	450k	C
AE030017	Hot Roller Bearing (D066)	2	450k	U
AE044060	Hot Roller Stripper	5	450k	C
AE042066	Pressure Cleaning Roller	1	450k	C
AE042052	Pressure Cleaning Roller (D066)	1	450k	U
AE031026	Pressure Cleaning Roller Bearing	2	450k	C
AE031024	Pressure Cleaning Roller Bearing (D066)	2	450k	U
AE020162	Pressure Roller	1	450k	C
AE045057	Cleaning WEB	1	450k	U
AE045058	Cleaning WEB (D066)	1	450K	U
AE044068	Cleaning WEB Pressure Roller	1	450k	C
AE040038	Cleaning WEB Pressure Roller (for type-e)	1	450k	U
B1404191	Cleaning WEB Pressure Roller Bearing Front	1	900k	C
AE031026	Cleaning WEB Pressure Roller Bearing Front (D066)	1	900k	U
B1404192	Cleaning WEB Pressure Roller Bearing Rear	1	900k	C
B0654210	Cleaning WEB Pressure Roller Bearing Rear (D066)	1	900k	U
AE020178	Pressure Roller (D066)	1	450k	U
AE030053	Pressure Roller Bearing	2	450K	C
AE030018	Pressure Roller Bearing (D066)	2	450k	U
AW100108	Thermistor Center	1	300k	C
AW100109	Inner Back Fusing Thermistor	1	300k	C

# Product Support Guide

## D062 / D063 / D065 / D066

### Options

#### LCT B473

**Unique/Common**  
**U:** Unique for this model  
**C:** Common with listed model

Part Number	Description	Q'ty /Unit	PM Interval : Km (feet)	Unique or Common
AF030080	Pick-up Roller	1	1000k	C
AF031083	Feed Roller	1	1000k	C
AF032080	Separation Roller	1	1000k	C

#### Cover Interposer B704

**Unique/Common**  
**U:** Unique for this model  
**C:** Common with listed model

Part Number	Description	Q'ty /Unit	PM Interval : Km (feet)	Unique or Common
A8061295	Feed belt	1	60k originals	C
B4772225	Pick-up Roller	1	60k originals	C
A8592241	Separation Roller	1	60k originals	C

- Thermistor Center for type-e is not PM part.
- With the change from the MT-C3.5 to the MT-C4, we have changed the target PM interval as follows.
  - ADF PM parts: 80k -> 120k original  
 The use of the new ADF allows the loads placed on the ADF PM parts used for original feed to be minimized.
  - Transfer unit PM parts: 450k -> 600k, Fusing unit PM parts: 300k -> 450k  
 This was achieved through the improvements so as to minimize the occurrence of EM calls that occurred on the MT-C3.5, as well as the minimization of loads on the PM parts used inside the units.
  - The toner filter has been added as a PM part

This is to prevent heat build-ups inside the machine, as well as to prevent EM failures. By having this item replaced every 300k PM, it is possible to further reduce the machine's overall EM rate.

### Special Tools & Lubricants

Item	Part Number	Description	Q'ty	Unique or Common
1	A0069104	Scanner Positioning Pin (4pcs/set)	1	C (B246)
2	A2929500	Test Chart - OS-A3 (10 pcs/set)	1	C (B246)
3	B6455010	SD-CARD:ASS'Y	1	C (B246)
4	54429101	Setting Powder	1	C (B246)
5	B6456830	USB Reader/Writer	1	C (B246)
6	A2579300	Grease - Barrierta S552R	1	C (B246)
7	52039502	Silicon Grease G-501	1	C (B246)
8	G0219350	Loop Back Connector	1	C (B246)
9	B0649500	Test Chart for CIS	1	C (B246)

# Product Support Guide

## D062 / D063 / D065 / D066

Loop-back Connector (item 10) requires Plug-- IEEE1284 Type C (item 11) and the optional IEEE 1284.

### Target Reliability

Model	D062	D063	D064	D065
Average Monthly Volume	25K	30K	50K	70K
Max. Monthly Volume	150K			
PM Interval	300K			

### Specifications / Documentation

#### Engine

Items	Specification	Remark
Configuration	Console	
Printing Process	Four laser beams & Electro-Photographic printing	
Reading Element	Simultaneous Double Sided Scanner Flatbed with moving CCD array image sensing and sheet through with fixed CIS array image sensing	
Original Type	Book / Sheet / Object	
Original Size	11" x 17" – 5.5" x 8.5"	A6 SEF: Bypass
Copy/Print paper size	Trays: 11" x 17" - 5.5" x 8.5" Bypass: Standard - 11" x 17" - 5.5" x 8.5" Bypass: Non Standard – Vertical 4" - 12" - Horizontal 5.5" – 17"	
Reduction	93 / 85 / 78 / 73 / 65 / 50 / 25 %	
Enlargement	121 / 129 / 155 / 200 / 400 %	
Items	Specification	Remark
Paper Weight	Tray 1-3 52.3 – 127.9 g/m2 (14 – 34 lb bond) Bypass Standard – 52.3 – 157 g/m2 (14 – 43lb bond) Bypass Non Standard – 52.3 – 216 g/m2 (14lb bond – 80lb cover) Duplex 64 – 127.9g/m2 (17 – 34lb bond)	
Engine Speed	D062 - 60PPM D063 - 70PPM D065 - 80PPM D066 - 90PPM	A4/LT LEF
Resolution	Printing – 1,200 DPI Scanning – 600 DPI	
Zoom	25 – 400%	1% steps
Gradation	Printing 2 Levels (5 levels at maximum) Scanning – 256 scales	
Warm up time	D062 / D063 – Less than 30 seconds D065 – Less than 60 seconds	

## Product Support Guide

### D062 / D063 / D065 / D066

	D066 – Less than 300 seconds	
First copy speed	D062 – 4.2 D063 – 3.5 D065 – 3.5 D066 – 3.3	A4/LT LEF Contact Platen mode APS off Tray 1 Copy face up
Multiple copy amount	Up to 999 sheets	
Standard paper capacity	4300 sheets Tray 1 1550 x 2 sheets (tandem) Tray 2 550 sheets Tray 3 550 sheets	
Maximum paper capacity	8,300 sheets LCT – 4000 sheets	
Paper output	A4 / 8.5" x 11" and smaller - 500 sheets B4 and larger – 250 sheets	
Voltage Fluctuation	+/- 10%	
Power Source	D062 / D063 / D065 – 120V / 60 hz / 12A D066 – 208 – 240 / 60 Hz / 12A	
Power Consumption	Maximum – 1.8 kW	
Energy start	Implemented	
Memory	512 MB / 1.5GB (Copy Printer model)	
HDD Capacity	160 GB	
Dimensions (WxDxH)	690 x 790 x 1165 mm (27.2" x 31.1" x 45.9")	
Weight	Approx. 217 kg (478.4 lbs)	
Toner Replenishment	Cartridge (1100g)	
Total counter	Electric counter	



# Product Support Guide

## D062 / D063 / D065 / D066

### Options

<b>ARDF</b>	
Dimensions	26.7" x 22" x 7"
Weight	40.7 lbs.
Power consumption	95 W or less
Noise	71 dB or less
Stack capability	250 sheets (8.5" x 11")
Original size	Simplex – 5.5" x 8.5" / 8.5" x 11" / 8.5" x 14" / 11" x 17"
	Duplex – 5.5" x 8.5" / 8.5" x 11" / 8.5" x 14" / 11" x 17"
Original weight	Simplex – 40 – 128 g/m2 / 11 – 34 lb Bond
	Duplex – 52 – 128g/m2 / 14 – 34lb Bond
Auto Original size detect	11" x 17" / 10" x 14" / 8.5" x 14" / 8.5" x 11" (SEF-LEF)
Original set position	Rear left corner
Separation	Feed belt and separation roller
Original transport	Roller transport
Original feed order	From top Original
Power Source	24Vdc from the main machine +/- 10%
Power Consumption	Less than 110W

<b>A3 / 11" x 17" Tray Type 9001 ( D482)</b>	
Paper Size	A3 / B4 / 11" x 17" / 8.5" x 14" / A4 SEF- LEF / 11" x 8.5" SEF - LEF
Paper Weight	52 - 163 g/m2 / 16 - 40lb. Bond 50 - 60lb. Cover - 90lb. Index (No Tab)
Tray Capacity	1,000 sheets ( 80 g/m2, 20lb.)

<b>Paper Feed Unit (A4 LCT B473)</b>	
Paper Capacity	4,000 sheets
Paper Sizes	A4 LEF / 8.5 x 11 LEF / B4 LEF
Paper Weight	52 to 128 g/m2 (14 to 34 lbs)
Pick up and feed	FRR type
Power Consumption	Less than 50 W (Max.)
Power Supply	DC24 V, 5V (powered by the main unit)

<b>LG Size Tray Type 1075</b>	
Paper Sizes	A4 LEF / 8.5" x 11" LEF / B4 LEF / 8.5" x 14" SEF
Paper Weight	52 to 128 g/m2 (14 to 34 lbs)
Tray Capacity	1,000 sheets ( 80 g/m2, 20lb.)

# Product Support Guide

## D062 / D063 / D065 / D066

<b>Finisher SR4050 (3K Finisher D460)</b>	
Upper tray Capacity	500 sheets (A4, 8.5"x11", and smaller) / 250 sheets (B4,8.5"x14" and larger)
Shift Tray Capacity	3000 sheets (A4, 8.5"x11" LEF)
	1500 sheets (A3, A4 SEF, B4, B5 SEF, 11 "x 17", 8.5" x 14, 8.5"x11"SEF, 12" x 18")
	500 Sheets (A5 LEF, 5.5" x 8.5" LEF)
	100 sheets (A5 SEF, 5.5" x 8.5" SEF)
Paper Weight	52 to 216 g/m2 (14 to 58 lbs)
Stapler Stack Size	A4, B5, 8.5" x 11" (max. 100 sheets) / A3, B4, 11" x 17", 8.5" x 14" (max 50 sheets)
Stapling Paper Size	A3 – B5 / 11" x 17" to 8.5" x 11"
Stapler Paper Weight	64 to 80 g/m2 (17 to 20 lbs.)
Trim Waste Staple Cap.	30,000 or more
Staple Capacity	5000 staples / cartridge
Staple Position	4 Modes – 1 staple / front, rear, rear oblique / 2 staples 2 locations
Staple Supply	Cartridge or staple replacement
Power Consumption	Less than 100 W
Power Source	DC 24 V (From Mainframe)

<b>Punch Unit Type 1075 (B531) * used in SR 4050(D460)</b>	
Punch hole positions	2/3 -hole
Punch Paper Size	2-Hole – A5 to A3 SEF, 11" x 17 " to 5.5" x 8.5" SEF A5 to A4 LEF, 8.5" x 11" LEF, 5.5" x 8.5" LEF
	3-Hole – A3 SEF, B4 SEF, 11" x 17" SEF A4 LEF, B5 LEF, 8.5" x 11" LEF
Paper Weight	52g/m2 to 163g/m2 (14 to 43 lb.) 2 hole and 3 hole (NA)
Punch Waste Capacity	2 hole – 10K / 3 hole 15K
Operation modes	All (Shift, Proof, Staple)

<b>Output Jogger Unit Type 1075 * used in SR 4050(D460)</b>	
Paper Size	A4 SEF, B4 SEF, 11" x 17" A4 LEF, B5 LEF, 8.5" x 11"
Paper Weight	52 g/m2 to 216 g/m2 (14 to 58 lb.)
Power Supply	DC 24V, 5V – From Mainframe
Power Consumption	24 W

<b>Cover Interposer Tray Type 3260 (B704)</b>	
Paper Size	A5 – A3 – 5.5" x 8.5" – 11" x 17"
Paper Weight	64 g/m2 to 216 g/m2 (17 lb. Bond to 80 lb. Cover)
Power Supply	DC 24V, 5V – From Mainframe
Stack Capacity	200 Sheets

# Product Support Guide

## D062 / D063 / D065 / D066

<b>Finisher SR4030 (3K Finisher D374)</b>	
Upper tray Capacity	50 sheets (B4, 8.5" x 14", and larger) / 250 sheets (A4, 8.5"x11" and smaller)
Upper Tray Paper weight	52 g/m2 to 163 g/m2 (14 lb. Bond to 43 lb. Bond )
Shift Tray Capacity	3000 sheets (A4, 8.5"x11" LEF)
	1500 sheets (A3, A4 SEF, B4, B5 SEF, 11 "x 17", 8.5" x 14, 8.5"x11"SEF, 12" x 18" )
	500 Sheets (A5 LEF, 5.5" x 8.5" LEF)
	100 sheets (A5 SEF, B6 SEF, A6 SEF, 5.5" x 8.5" SEF)
Shift Tray Paper Weight	52 to 256 g/m2 (14 to 68 lb. Bond)
Stapler Stack Size	A4, B5, 8.5" x 11" (max. 100 sheets) / A3, B4, 11" x 17", 8.5" x 14" (max 50 sheets)
Stapling Paper Size	A3 – B5 / 11" x 17" to 8.5" x 11", 12" x 18"
Stapler Paper Weight	64 to 90 g/m2 (17 to 28 lbs.)
Stapled Stack capacity	A4 LEF 8.5" x 11" LEF / 20 – 50 pages 60 – 150 sets
	A4 LEF 8.5" x 11" LEF / 2 – 19 pages 150 sets
	A4 SEF, B5, 8.5" x 11" SEF / 15 – 50 pages 30 – 100 sets
	A4 SEF, B5, 8.5" x 11" SEF / 2 – 14 pages 100 sets
	Others / 15 – 30 pages 33 – 100 sets
	Others / 15 – 30 pages 100 sets
Staple Capacity	5000 staples / cartridge
Staple Position	4 Modes – 1 staple / front, rear, rear oblique / 2 staples 2 locations
Staple Supply	Cartridge or staple replacement
Power Consumption	Less than 96 W
Power Source	DC 24 V (From Mainframe)

<b>Finisher SR4040 (2K Finisher D373)</b>	
Upper tray Capacity	50 sheets (B4, 8.5" x 14", and larger) / 250 sheets (A4, 8.5"x11" and smaller)
Upper Tray Paper weight	52 g/m2 to 163 g/m2 (14 lb. Bond to 43 lb. Bond)
Shift Tray Capacity	2000 sheets (A4, 8.5"x11" LEF)
	1000 sheets (A3, A4 SEF, B4, B5 SEF, 11 "x 17", 8.5" x 14, 8.5"x11"SEF, 12" x 18" )
	500 Sheets (A5 LEF, 5.5" x 8.5" LEF)
	100 sheets ( A5 SEF, B6 SEF, A6 SEF, 5.5" x 8.5" SEF )
Shift Tray Paper Weight	52 to 256 g/m2 (14 to 68 lb. Bond)
Stapler Stack Size	A4, B5, 8.5" x 11" (max. 100 sheets) / A3, B4, 11" x 17", 8.5" x 14" (max 50 sheets)
Stapling Paper Size	A3 – B5 / 11" x 17" to 8.5" x 11", 12" x 18"
Stapler Paper Weight	64 to 90 g/m2 (17 to 28 lbs.)
Stapled Stack capacity	Same Paper Size - A4, 8.5" x 11" or smaller - 50 sheets

# Product Support Guide

## D062 / D063 / D065 / D066

<b>Finisher SR4040 (2K Finisher D373)</b>	
	Same Paper Size - B4, 8.5" x 14" or larger - 30 sheets
	Mixed paper size - A4 SEF, A3 SEF, B5 LEF, B4 LEF, 8.5" x 11" LEF, 11" x 17" - 30 sheets
	Booklet stapling - A4 SEF, A3 SEF, B5 SEF, B4 SEF, 8.5" x 11" SEF, 8.5" x 14", 11" x 17", 12" x 18" - 15 sheets
Staple Capacity	Corner stapling - 5000 staples / cartridge
	Booklet stapling - 2000 staples / cartridge
Corner Staple Capacity	Same Size - A4 LEF, 8.5" x 11" LEF- 50 sheets
	Same Size - A4 SEF, 8.5" x 11" SEF- 50 sheets
	Same Size - Others - 30 sheets
	Mixed Sizes - 2 to 30 sheets
Booklet Staple Capacity	A4 SEF, A3 SEF, B5 SEF, B4 SEF - 2 to 5 sheets 8.5" x 11" SEF, 8.5" x 14", 11" x 17" - 6 to 10 sheets 12" x 18" - 11 to 15 sheets
Staple Position	Top, Bottom, 2 staple, Top-slant
Staple Supply	Cartridge or staple replacement
Power Consumption	Less than 96 W
Power Source	DC 24 V (From Mainframe)

<b>Punch Unit Type 3260 (B702) * used in SR 4040(D373), and SR4030(D374)</b>	
Punch hole positions	2/3 hole switch able
Punch Paper Size	2-Hole - A5 to A3 SEF, 11" x 17" to 5.5" x 8.5" SEF A5 to A4 LEF, 8.5" x 11" LEF, 5.5" x 8.5" LEF
	3-Hole - A3 SEF, B4 SEF, 11" x 17" SEF A4 LEF, B5 LEF, 8.5" x 11" LEF
Paper Weight	52g/m2 to 163g/m2 (14 to 43 lb.) 2 hole and 3 hole (NA)
Punch Waste Capacity	2/3 hole - Up to 5000 sheets
Operation modes	All (Shift, Proof, Staple)

<b>9 Bin Mailbox (B762) * used in SR 4040(D373), SR4030(D374), and SR4050(D460)</b>	
Stack Capacity per Bin	100 sheets
Paper Size	A5 to A3, 11" x 17", 5.5" x 8.5" 8.5" x 11"
Paper Weight	52g/m2 to 128g/m2 (14 to 34 lb.)
Power Consumption	Less than 48 W
Noise	Less than 74dB

<b>Multi Folding Unit (D454) * used in SR 4040(D373), and SR4050(D460)</b>	
Power Consumption	Maximum 270 W (A separate power source is required.)
Power Source	120 VAC / 60 Hz
Operating Environment	Temperature and humidity ranges: Same as main machine
Paper Weight	Single sheet mode: 64 to 103 g/m2 (17 lb. Bond - 28 lb. Bond) Multiple sheets mode: 64 to 80 g/m2 (17 lb. Bond - 20 lb. Bond)

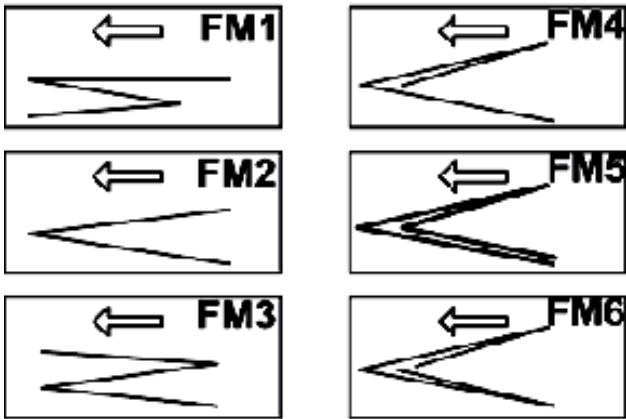
# Product Support Guide

## D062 / D063 / D065 / D066

<b>Multi Folding Unit (D454) * used in SR 4040(D373), and SR4050(D460)</b>	
Folding Methods	6 – (FM1 to FM6) (see below)
Speed	Straight-Through 100 to 700 mm/s Folding 270 to 700 mm/s
Straight-Through Feed	Size Postcard to 13x19.2"
	Type Used paper: A3, A4, B4, B5 / OHP: A4, B5 / Tap paper: A4 LEF, LT LEF
Paper Sizes (Folding)	FM1 - A3, B4, DLT, LG, A4, LT, 12x18", 8-kai
	FM2 - A3, B4, DLT, LG, A4, B5, LT 12x18", 12.6x18.5", 12.6x19.2", 13x18", 13x19", 13x19.2", 226x310 mm, 310x432 mm, SRA3, SRA4, 8-kai
	FM3 – FM4 – FM5 – FM6 - A3, B4, DLT, LG, A4, LT, B5, 12x18", 8-kai
Paper Weights (Folding)	64 to 105 g/m2
Multiple Folding weights	FM1 - Not allowed
	FM2 – FM3 - Max. 3 (64 to 80 g/m2 only)
	FM4 - Max. 3 (64 to 80 g/m2 , B4, A4, LT, B5 only)
	FM5 – FM6 - Not allowed
Line Speed	Only FM1 Z-Folded paper can exit downstream
	No Fold - 350 mm/sec. to top tray To downstream: Same as main machine
	FM1 - 700 mm/sec. to top tray (paper ≤ 355.6 mm long) 450 mm/sec. to top tray (paper < 355.6 mm long) To downstream: Same as main machine.
	FM2 - 1 Sheet: Same as main machine - 2-3 Sheets: 454 mm/sec. 700 mm/sec. to top tray (paper ≤ 355.6 mm long) 350 mm/sec. to top tray (paper ≤ 279.4 <355.6 mm long) 250 mm/sec. to top tray (paper < 279.4 mm long)
	FM3 - FM4 - 1 Sheet: Same as main machine - 2-3 Sheets: 454 mm/sec. to top tray - 350 mm/sec. to top tray (paper ≤ 420 mm long) 250 mm/sec. to top tray (paper < 420 mm long)
	FM5 - 1 Sheet: Same as main machine 350 mm/sec. to top tray (paper ≤ 420 mm long) 250 mm/sec. to top tray (paper < 420 mm long)
	FM6 - 1 Sheet: Same as main machine as far as 3rd Stopper. At 3rd stopper feeds 50 mm at 100 mm/sec. 350 mm/sec. to top tray (paper ≤ 420 mm long) 250 mm/sec. to top tray (paper < 420 mm long)
Power Supply	NA AC 120V 60 Hz, 15A
Level	Less than 5 mm deviation at front/back left/right
Size (w x d x h)	466 x 980 x 730 mm (18.4 x 38.6 x 28.7 in.)
Weight	92 kg (203 lb)
Noise Level (dB A)	No Folding < 76 dB / Folding < 78 dB

# Product Support Guide

## D062 / D063 / D065 / D066



<b>Multi Folding Unit (D454) * used in SR 4040(D373), and SR4050(D460)</b>	
FM1	Z Folding
FM2	Half Fold
FM3	Letter Fold-out
FM4	Letter Fold-in
FM5	Double Parallel Fold
FM6	Gate Fold

### Tray Capacity

#### FM1 (Z Folding)

Size	Weight(Standard) 64 to 80 g/m <sup>2</sup>	Weight (Heavy) 64 to 80 g/m <sup>2</sup>
12 x 18"	35	20
A3 SEF	35	20
DLT	35	20
B4 SEF	35	20
LG SEF	35	20
A4 SEF	30	20
LT SEF	30	20

#### FM2 Half Fold

Size	Weight(Standard) 64 to 80 g/m <sup>2</sup>	Weight (Heavy) 64 to 80 g/m <sup>2</sup>
13 x 19.2"	40	25
13 x 19"	40	25
12.6 x 19.2"	40	25

## Product Support Guide D062 / D063 / D065 / D066

12.6 x 18.5"	40	25
Size	Weight(Standard) 64 to 80 g/m2	Weight (Heavy) 64 to 80 g/m2
13 x 18"	40	25
SRA3 (320 x 450 mm)	40	25
SRA4 (225 x 320 mm)	40	25
226 x 310 mm	40	25
310 x 432 mm	40	25
12 x 18"	40	25
A3 SEF	40	25
DLT	40	25
B4 SEF	40	25
LG SEF	40	25
A4 SEF	50	50
LT SEF	50	50
B5 SEF	50	50

### FM3 (Letter Fold-out)

Size	Weight(Standard) 64 to 80 g/m2	Weight (Heavy) 64 to 80 g/m2
12 x 18"	30	20
A3 SEF	30	20
DLT	30	20
B4 SEF	30	20
LG SEF	30	20
A4 SEF	40	30
LT SEF	40	30
B5 SEF	40	30

### FM4 (Letter Fold-in)

Size	Weight(Standard) 64 to 80 g/m2	Weight (Heavy) 64 to 80 g/m2
12 x 18"	40	20
A3 SEF	40	20
DLT	40	20

## Product Support Guide D062 / D063 / D065 / D066

B4 SEF	40	20
LG SEF	40	20
<b>Size</b>	<b>Weight(Standard) 64 to 80 g/m2</b>	<b>Weight (Heavy) 64 to 80 g/m2</b>
A4 SEF	50	40
LT SEF	50	40
B5 SEF	50	40

### FM5 (Double Parallel Fold)

Size	Weight(Standard) 64 to 80 g/m2	Weight (Heavy) 64 to 80 g/m2
12 x 18"	30	20
A3 SEF	30	20
DLT	30	20
B4 SEF	30	20
LG SEF	30	20
A4 SEF	30	30
LT SEF	30	30
B5 SEF	30	30

### FM6 (Gate Fold)

Size	Weight(Standard) 64 to 80 g/m2	Weight (Heavy) 64 to 80 g/m2
12 x 18"	50	20
A3 SEF	50	20
DLT	50	20
B4 SEF	50	20
LG SEF	50	20
A4 SEF	30	30
LT SEF	30	30
B5 SEF	30	30

### Document Server

Capacity	
HDD Capacity	160 GB



# Product Support Guide

## D062 / D063 / D065 / D066

<b>Capacity</b>	
HDD Capacity for Documents	91828 MB
Maximum Stored Document	2000 sheet
Maximum sheets for all stored Documents	45,000 sheets

### MFP Options

<b>Scanner</b>	
<b>Resolution</b>	100 / 200 / 300 / 400 / 600 dpi (Default =200dpi) 100 – 1200 dpi (Twain: B/W)
Max. Scan area	Color : 55 ipm (Simplex) / 90 ipm (Duplex) Black and White: 80 ipm (Simplex) / 130 ipm (Duplex) *A4, 200dpi
Max. Scan area	297mm x 432mm
sRGB Support	No
Network Interface:	Ethernet 10 Base-T/100BaseTX, Giga Ethernet IEEE 1394, Wireless LAN(802.11b)
Protocol:	Network: TCP/IP Sending E-mail: SMTP, POP3 Scan to Folder: SMB, FTP, NCP WSD Scanner: Web Services for Scanning
File Format	TIFF (Multi/Single), JPEG, PDF (Multi/Single)
Scan Type	Default: BW TEXT Support: BW OCR, BW Text/Photo, BW Photo, BW Grayscale, FC Photo, FC TextStandard:ACS
Image Density	Auto Density Selection Manual: 7 levels
SADF / Batch Mode:	Yes
Mixed Size Mode:	Yes

<b>Scan to E-Mail</b>	
Requirement:	SMTP Gateway and TCP/IP
Authorization	SMTP POP before SMTP
Resolution:	100dpi, 200dpi (Default), 300dpi, 400dpi, 600dpi
MAX E-mail address# in HDD:	2,000 addresses
Register Group address in HDD:	Max. 500 addresses Minimum 100 Addresses in One Group Address
Maintain E-mail address in HDD:	Direct input on operation panel, Web Image Monitor, Smart Net Monitor
Input of destination E-mail address via soft key:	Possible, Max. 100 destinations per job
Search E-mail address in HDD:	By name, E-mail address, Folder Pass, IP-FAX
LDAP Search:	Yes
Max. address numbers per send:	Max. 500 addresses per send *1

# Product Support Guide

## D062 / D063 / D065 / D066

Scan to E-Mail	
Address numbers per send:	Address from HDD address book *1 Max. 500 Address from direct input via soft key *1 *2 Max 100 Address look up via LDAP Max 100
E-mail Size (with restriction)	128 - 102,400KB, Default = 2,048KB
E-mail Size (w/o restriction):	725MB
File type:	Single Page TIFF/JPEG, Single Page PDF, Multi Page TIFF, Multi Page PDF, High Compression PDF
Program User Setting:	es (up to 10 programs)
Divide and send e-mail:	Yes (By page or size) / No, Default = Yes(By size) *3
Resend:	Yes / No, Default = Yes

\*1: Address from HDD address book + Address input via soft key + Address looked up via LDAP = Max.500.

\*2: Address directly input via soft key + Address looked up via LDAP = Max. 100.

\*3: If the sent file size exceeded the maximum E-mail size, it would be divided to multiple sending. In addition, the sent files might not be accepted by the receiving side due to the limitation in the receiving capacity at the receiver SMTP server or E-mail software setting.

Scan to Folder	
Protocol Support:	SMB (Server Message Block), FTP (File Transfer Protocol)
Security:	Client folder log-in (log-in name and password) Encryption of log-in name and password during transmission
Resolution:	100dpi, 200dpi (Default), 300dpi, 400dpi, 600dpi
Register client folder address in HDD:	Max. 2,000 folders
Maintain client folder address in HDD:	Direct input on operation panel, WebImageMonitor, SmartNetMonitor
Destination client folder address input via soft key:	Yes <b>SMB:</b> Network path -> User account -> Password <b>FTP:</b> Server -> Network path -> User account -> Password <b>NCP:</b> Network path -> User account -> Password -> Bindery or NDS
Search client folder:	SMB: Browsing directly to the designated folders FTP: By client folder name NCP: Browsing directly to the designated folders
Max. client folder numbers per send:	Max. 50 client folders / PCs per send
Group address:	Max. 100 destinations (To Folder: 50, To E-mail: 100) (*1) e.g. 100 destinations 50 folders included >>>OK 100 destinations 51 folders included>>>Failure
Scan File Size:	No limitation (Depends on PC HDD and memory.)
File Size when combined Scan to Folder & Scan to E-mail:	128 – 102,400kB, Default = 2,048KB (With restriction) 725MB (Without restriction) (Scan to E-mail file size applied).
File type:	Single Page TIFF/JPEG, Single Page PDF, Multi Page TIFF, Multi Page PDF, High-compression PDF
Dividing file in Scan to E-mail:	Yes (By page or size) / No, Default = Yes(By size) (When Scan to PC combine with Scan to E-mail)
Program User Setting:	Yes (up to 10 programs)
Resend:	Yes / No, Default = Yes

# Product Support Guide

## D062 / D063 / D065 / D066

<b>Max. address numbers per sending (combination between E-mail and Folder)</b>				
	Input via	Condition 1: Max.address can select or input	Condition 2: Max. address allow in single operation	Condition 3: Combination of addresses: Max.
Scan to E-mail	Address book	500	500	500
Scan to E-mail	Manual input	100	500	500
Scan to Folder	Address book	59	50	500
Scan to Folder	Manual input	50	50	500

<b>Twain Scan</b>	
New	The New Twain Driver with read ahead mode is supported from the first mass production included in the actual CD driver in the box.

# Product Support Guide

## D062 / D063 / D065 / D066

<b>Fax</b>		<b>Remarks</b>
Circuit:	PSTN, PBX	
Compatibility:	ITU-T (CCITT) G3, Additional G3 (option),	
Resolution:	8 x 3.85 line/mm, 200 x 100dpi (std.), 8 x 7.7 line/mm, 200 x 200dpi (std.), 8 x 15.4 line/mm, 16 x 15.4 line/mm, 400 x 400dpi (with optional SAF memory)	
Compression method:	MH, MR, MMR, JBIG	
Number of Pages Scanned Per Minutes: DF Used)	A4/LT SEF	Standard mode: 46 cpm
		Detail mode: 46 cpm
	A4/LT LEF/image rotation	Super Fine mode: 46 cpm
		Standard mode: 48 cpm
		Detail mode: 44 cpm
		Super Fine mode: 31 cpm
Scanning speed (DF Used):	0.7sec.(A4/LT SEF, Standard/Detail mode),	
	0.7sec.(A4/LT SEF, Super Fine mode)	
	ITU-T No1 chart, 200 x 100 dpi(Standard mode)	
	200dpi(Detail mode), 400dpi(Super Fine mode)	
Modem speed:	33.6K – 2,400bps (G3, Standard with Automatic Shift Down)	
	33600, 31200, 28800, 26400, 24000, 21600, 19200, 16800, 14400, 12000, 9600,	
Transmission speed:	G3: Approx.2 seconds (200x100 dpi, JBIG, ITUT #1 chart TTI off, memory	
	G3: Approx.3 seconds (200x100dpi, MMR, ITUT #1 chart, TTI off, memory	
Page Memory Size:	Standard 8MB	
	With Optional Memory 16MB	
Circuit:	PSTN, PBX	
Compatibility	ITU-T (CCITT) G3, Additional G3 (option),	
Resolution:	8 x 3.85 line/mm, 200 x 100dpi (std.),	
	8 x 7.7 line/mm, 200 x 200dpi (std.),	
	8 x 15.4 line/mm, 16 x 15.4 line/mm, 400 x 400dpi (with optional SAF memory)	
SAF Memory Size	Standard 4MB (Approx.320 pages)	
	With Optional Memory 28MB (Approx. 2,240 pages)	
	Option: 32MB SD-RAM (24MB SAF Memory + 8MB Page Memory)	
Memory backup:	One hour	
Quick dial/ Speed dial:	Standard: 2,000 numbers	
Group dial:	Standard: 100 groups (500 numbers per 1 group)	
Program:	Standard: 100 numbers	
User Code:	Std. 100 Codes (Max. 500 codes with optional "User Account Enhance Unit")	

# Product Support Guide

## D062 / D063 / D065 / D066

Transmission Features		Remarks
Immediate transmission:	Standard	
Memory transmission:	Standard	
Serial broadcasting	Standard (Max. 500 numbers)	
Send later:	Standard	
Error correction mode:	Standard	
Page retransmission:	Standard	
Forwarding:	Standard	
Image rotation:	Standard	
Book fax:	Standard	
Closed network (transmission	Standard	
Double sided transmission:	Yes	
Transmission reserve:	No	

Reception Features		Remarks
Automatic reception:	Standard	
Manual reception:	Standard	
Substitute reception:	Standard	
Authorized reception:	Standard	
Multi-copy	Standard	
Closed network	Standard	
Reception time printing:	Standard	
Center mark:	Standard	
Checkered mark	Standard	
Economy printing mode	No	
Duplex reception:	Yes with Option	

Telephone Specification	
Handset / telephone:	No
Telephone connection:	Standard
Monitor speaker:	Standard
Automatic voice message:	No
On hook dial	Standard
Tone transmission:	Standard
Pause:	Standard
Pulse/tone selection	Standard
Chain dialing	Standard
Reception mode selection:	Standard
Automatic fax/phone change	No
Reception mode switch over (remote):	No
Answering machine interface:	No
Reception mode switching	Standard
Auto answer delay time	Standard
Busy tone detection:	Standard
Silent ringing detection	No

# Product Support Guide

## D062 / D063 / D065 / D066

Internet Fax (T.37 Full mode) Basic Specification	
<b>Requirements of mainframe</b>	G3 fax option is required Printer Scanner option is required
<b>Number of Addresses</b>	2000 HDD storage
<b>E-mail Address Input</b>	From LCD operation panel / Web image Monitor / Smart Device Monitor for ADMIN
<b>Attention:</b>	To: or BCC (select only one), Max 500 attentions
<b>Destination Combination:</b>	Internet fax + G3 Fax, Internet Fax to PC + G3 Fax
<b>Network</b>	LAN: Local area network Ethernet 10Base T / 100Base TX IEEE802.11b (Wireless LAN)
<b>Transmit Function</b>	E-mail
<b>Scan line density</b>	200 x 100dpi (standard) 200 x 200 (Detail) 200 x 400 (Fine) *1 400 x 400 (Superfine) *1
<b>Original Scanning Width</b>	A3 *1, B4 *1, A4
<b>Communication Protocols</b>	Transmission SMTP, TCP/IP Reception POP3, SMTP, IMAP4, TCP/IP
<b>E-mail format</b>	Single/Multi part, MIME conversion Attached file forms: TIFF-F(MH, MR *1, MMR *1compression)
<b>Authentication method:</b>	SMTP-AUTH, POP before SMTP, A-POP
<b>Internet Communication</b>	Send and receive e-mail with a computer that has no e-mail address
<b>E-mail send functions:</b>	Automatic conversion of sent documents to e-mail format and e-mail transmission. Memory transmission only
<b>E-mail receive functions:</b>	Automatic detection and printing of appended TIFF-F (MH) files and ASCII text Memory reception only

Note: \*1 Full Mode

IP-Fax Specifications	
<b>Network:</b>	LAN: Local Area Network Ethernet/10base-T, 100base-TX, IEEE802.11b(wireless LAN)
<b>Scan line density:</b>	8 x 3.85 lines/mm, 200 x 100 dpi(Standard character), 8 x 7.7 lines/mm, 200 x 200 dpi(Details character), 8 x 15.4 lines/mm(Fine character: optional expansion) memory required
<b>Original size:</b>	Maximum A3 or 11" x 17" (DLT)
<b>Maximum scanning size:</b>	Standard: A3, 297mm x 432mm, Irregular: 297mm x1200mm
<b>Transmission protocol:</b>	Recommended: T.38Annex, TCP, UDP/IPcommunication, SIP(RFC 3261 compliant), H.323 v2
<b>IP-Fax transmission function:</b>	Specify an IP address and send faxes to an IP-Fax
<b>Compatible machines:</b>	IP-Fax compatible machines compatible fax through a network. Also capable of sending faxes from a G3 fax connected to a telephone line via a VoIP gateway.
<b>IP-Fax reception function:</b>	Receive faxes sent from an IP-Fax compatible fax through a network Also capable of receiving faxes from a G3 fax connect to a telephone line via a VoIP gateway

# Product Support Guide

## D062 / D063 / D065 / D066

<b>LAN-Fax Specifications</b>	
Paper Size:	A3, DLT, B4, A4 (default for EU/Asia model), Letter (default for NA model), Legal, B5, A5
Resolution:	-Super Fine (400 x 400 dpi) -Detail (200 x 200 dpi) *default Standard (200 x 100 dpi)
Number of Address:	500
OS:	Windows 2000, Windows XP, Windows Vista
LAN-Fax Editor support language:	1.English, 2.German, 3.French, 4.Italian, 5.Spanish, 6.Dutch, 7.Swedish, 8.Norwegian, 9.Danish, 10.Finnish, 11.Hungarian, 12.Czech, 13.Polish, 14.Portuguese, 15.Russian, 16.Korean, 17.Traditional Chinese, 18.Simplified Chinese Condition: OS need to have the same language.
Memory	Minimum required for each OS
CPU	Minimum required for each OS
HDD	Minimum required for each OS

# Product Support Guide

## D062 / D063 / D065 / D066

### MFP Supported Environments

Windows Environments						
OS	Type	PCL5e	PCL6	RPCS	PostScript3	XPS
<b>Windows 2000</b>	Professional	Y	Y	Y	Y1*	N
	Server	Y	Y	Y	Y1*	N
	Advanced Server	Y	Y	Y	Y1*	N
	Datacenter Server	N	N	N	N	N
<b>Windows XP</b>	Professional	Y	Y	Y2*	Y1*	N
	Home Edition	Y	Y	Y2*	Y1*	N
<b>Windows Server 2000</b>	Standard Edition	Y	Y	Y	Y1*	N
	Enterprise Edition	Y	Y	Y	Y1*	N
	Datacenter Edition	N	N	N	N	N
	Web Edition	N	N	N	N	N
<b>Windows Server 2008</b>	Standard Edition	Y	Y	Y	Y	Y
	Enterprise Edition	Y	Y	Y	Y	Y
	Datacenter Edition	N	N	N	N	N
	Web Edition	N	N	N	N	N
<b>Windows VISTA</b>	Home Basic	Y	Y	Y	Y	Y
	Home Premium	Y	Y	Y	Y	Y
	Business	Y	Y	Y	Y	Y
	Enterprise	Y	Y	Y	Y	Y
	Ultimate	Y	Y	Y	Y	Y

\*1) Adobe does not release PS driver for Windows2000 and XP. Only MS-PostScript driver is available and PPD file for MS-PS is included in the Driver CD.

\*2) RPCS driver does not support "Fast User Switching" functions of Windows XP.

Windows OS		Drive			
Server	Client (push to)	PCL5E/6	RPCS	PostScript3	XPS
<b>Windows Server 2003</b>	Vista	Y	Y*1	Y	N
	XP	Y	Y*1	Y	N
	W2K Pro	Y	Y*1	Y	N
<b>Windows XP Professional</b>	Vista	Y	Y*1	Y	N
	XP	Y	Y*1	Y	N
	W2K Pro	Y	Y*1	Y	N
<b>Windows 2000 Professional &amp; Advanced Server</b>	Vista	Y	Y*1	Y	N
	XP	Y	Y*1	Y	N
	W2K Pro	Y	Y*1	Y	N
<b>Windows Vista</b>	Vista	Y	Y*1	Y	Y
	XP	Y	Y*1	Y	N
	W2K Pro	Y	Y*1	Y	N
<b>Windows Server 2008 *2</b>	Vista	Y	Y	Y	Y
	XP	Y	Y	Y	N
	W2K Pro	Y	Y	Y	N

1: RPCS driver for 64bit OS doesn't support following functions in Point & Print environment, " User ID" , " Send to Document Server" , " Locked Print" , " Authentication" and " Classification code" .



# Product Support Guide

## D062 / D063 / D065 / D066

Terminal Service & Citrix MetaFrame			
Server	Driver		
	PCL5e/6	RPCS	PS
Windows Server 2008	Y	Y	Y
Windows Server 2003	Y	Y	Y
Windows 2000 Server	Y	Y	Y
Win 2008 Servers: MetaFrame	N	N	N
Win 2003 Servers: MetaFrame	Y	Y	Y
Win 2000 Servers: MetaFrame	Y	Y	Y
Win 2008 Servers: Citrix PresentationServer4.0	N	N	N
Win 2003 Servers: Citrix PresentationServer4.0	Y	N	Y
Win 2000 Servers: Citrix PresentationServer4.0	Y	N	Y
Win 2008 Servers: Citrix PresentationServer5	N	N	N
Win 2003 Servers: Citrix PresentationServer5	Y	N	Y
Win 2000 Servers: Citrix PresentationServer5	N	N	N

[Operating Environments]

**The following combinations of operating system and Citrix environment are supported:**

[Windows 2000 Server / Advanced Server -]

1. Windows Terminal Service (RDP protocol)
2. MetaFrame XP 1.0 SP1/SP2/SP3/SP4/FR1/FR2/FR3 (ICA protocol)
3. MetaFrame PresentationServer3.0
4. Citrix PresentationServer4.0 \*1

[Windows Server 2003]

1. Windows Terminal Service (RDP protocol)
2. MetaFrame XP 1.0 SP4/FR3 (ICA protocol)
3. MetaFrame PresentationServer3.0
4. Citrix PresentationServer4.0 \*1
5. Citrix PresentationServer4.5

[Windows Server 2008]

1. Windows Terminal Service (RDP protocol)

\*1: Citrix Presentation Server4.0 (64bit) is not supported.

**Notes:**

- 1) XPS driver is not supported in the environment of terminal service and Citrix environment.
- 2) Even "Yes" is put in the cell, there is a case driver is not supported under the combination of FR and Service Pack of MetaFrame. Please refer to the release announcement of Terminal Service for more details

# Product Support Guide

## D062 / D063 / D065 / D066

### Mac OS

	PostScript3	Printer Utility for MAC
Mac OS 8.6 or later, Mac OS X classic	Yes	Yes
Mac OS X Native : v. 10.1 or later *1	Yes	Yes*2

\*1: Mac OS X v.10.0.X is not supported.

\*2: Mac OS X v.10.2.0 is not supported.

### UNIX Filter

Unix Platforms	Version
Sun Solaris	2.6 / 7 / 8 / 9 / 10
HP-UX	10.x / 11.x / 11i v2/11i v3
Red Hat Linux	6.x / 7.x / 8.x / 9.x / Enterprise
SCO OpenServer	5.0.6 / 5.0.7/6.0
IBM AIX	V4.3 & 5L Version 5.1/5.2 /5.3

Supported Schedule:TBA

The above specification and schedule are the current plan and may change in final release.

Please refer to the release announcement of the Unix Filter for more details.

### Novell Netware

Netware Server	Supported Version	Netware 3.12 / 3.2 / 4.1 / 4.11 / 5.0 / 5.1 / 6.0/6.5
Client	Supported OS	Windows 2000 / XP (Professional)

For customers who use the D062 series machine, please advise to use the Novell generic NPDS gateway.

The difference between the Ricoh NDPS gateway and the Novell generic NPDS gateway are as the following:

The Novell generic NPDS gateway cannot automatically set the status of accessories. - (Manually is okay)

### SAP/R3 Environment (Device Type / Barcode & OCR Package)

Supported Environments	R/3 version	3.x or later, mySAP ERP2004 or later
	Platform	Independent
	PDL	PCL5e/PCL 5c
	Character Set	Latin 1(Western European), Latin 2 (Eastern European)
	Localization	English only
Supported features	i.e: Input/Output Bin, Duplex, Stapling, Resolution, Collation, Econo Mode/Toner Saving, Smoothing, Page Protect, Auto Tray Change/Opt Tray select	
Supported Barcode & OCR Fonts* (* BOP will be procured locally.)	Barcode Fonts (Support Latin 1 only)	Code 128, Code 39, Code 93, Codabar, 2 of 5 interleaved/Industrial/Matrix, MSI, USPS, UPC/EAN
	OCR Fonts	OCR A, OCR B

Supported Schedule as follows:

D062: October 2009

The above specification and schedule are the current plan and may be changed in final release.

### Utility Software

Software	Description
For GW Controller Font Manager	This software enables you to use screen fonts.
Smart Device Monitor for Admin	This software enables you to manage and monitor printers and other devices over the network.
DeskTopBinder – SmartDeviceMonitor for Client	This software enables you to access networked printers to print, monitor or to receive notifications. With DeskTopBinder Lite you can connect client computers to I/O devices enabling you to efficiently manage data.
Device Graphic Update Module	Device Graphic Update Module provides bitmap images used to represent

# Product Support Guide

## D062 / D063 / D065 / D066

Software	Description
	the various statuses of devices graphically within Smart Device Monitor or Web Smart Device Monitor. Available on website.
Printer Utility for Mac	This is a utility for Macintosh that provides access to several network printing administrative features.
PS Descriptions	PPD for Mac By interacting with the Adobe PostScript 3 controller in the device, this PPD is able to produce an accurate representation of the screen image.
Mac OS X PPD Installer	This PPD installer is used to install a PPD (Postscript Printer Description) file on Mac OSX. PPD files contain descriptions of printer capabilities such as paper sizes, number of input trays and duplexing. Once the PPD file is installed on the system using the PPD installer, the PS driver that comes bundled with Mac OS X can use the information in the PPD to control the print device and enable full functionality. It supports the Mac OS X 10.1 or later. Please see the Readme file for information about compatibility with versions of Mac OS X.
LAN FAX Driver M8	This software enables you to fax documents directly from your computer. The Address Book Editor and Cover Sheet Editor are installed as well. This software requires the optional fax unit to be installed on the machine. M8 Driver
RPCS Driver	Printer driver for Windows: It is optimized for the Windows GDI. High performance printing can be expected. Regularly used settings can be saved as a "one-click icon" in the driver interface. These settings can be reused easily by clicking the icon.
PCL 6 Driver	Printer driver for B/W printing in Windows. It supports HP PCL XL commands and is optimized for the Windows GDI. High performance printing can be expected.
PCL 5e Driver	Printer driver for printing in Windows. It supports HP PCL 5e commands.
Post Script Driver	By interacting with the Adobe PostScript 3 controller in the device, this driver is able to produce an accurate representation of the screen image.

# Product Support Guide

## D062 / D063 / D065 / D066

### Print Driver Information

Model	PCL 5e/6	RPCS	PostScript3				
			Windows 2000/XP	Windows Vista	Mac OS 8.6-9.2	Mac OSX	XPS
Send to Job Binding	N	Y	N	N	N	N	N
Send to Document Server	Y	Y	Y	Y	Y	Y1*	Y
Sample Print	Y	Y	Y	Y	Y	Y1*	Y
Locked Print	Y	Y	Y	Y	Y	Y1*	Y
Hold Print	Y	Y	Y	Y	Y	Y1*	Y
Stored Print	Y	Y	Y	Y	Y	Y1*	Y
Stored Print (Shared)	Y	Y	N	N	N	N	N
Store and Print	Y	Y	Y	Y	Y	Y1*	Y
Store and Print(Shared)	Y	Y	N	N	N	N	N
Reduce/Enlarge (Zoom/Scaling)	Y2*	Y	Y	Y	Y	Y	Y
Reduce/Enlarge Centering	N	Y	N	N	N	N	N
Fit to Paper size	Y	Y	Y	Y	Y	Y	N
Unauthorized Copy	N	Y	N	N	N	N	N
Layout (N-up)	Y	Y	Y	Y	Y	Y	Y
Poster	N	Y	N	N	Y	N	N
Duplex	Y	Y	Y	Y	Y	Y	Y
Booklet1	N	Y	N	N	N	N	N
Booklet2 (Magazine)	Y	Y	Y	Y	N	N	Y
Non-Reduction Booklet	Y	Y	N	N	N	N	N
Watermark	Y	Y	Y	Y	Y	Y	N
Overlay	N	Y	N	N	N	N	N
Header/Footer	N	Y	N	N	N	N	N
Adjust image position	N	Y	N	N	N	N	N
Binding Margins	N	Y	N	N	N	N	N
Collate	Y	Y	Y	Y	Y	Y	Y
Punch	Y	Y	Y	Y	Y	Y	Y
Staple	Y	Y	Y	Y	Y	Y	Y
Cover sheet(Front Cover)	Y	Y	N	N	N	N	N
Front and Back Cover	Y	Y	N	N	N	N	N
Slip Sheet	Y	Y	N	N	N	N	Y
Chaptering	Y	Y	N	N	N	N	N
Rotate by 180 degrees	Y	Y	Y	Y	N	N	Y
Reverse Order Print	N	Y	Y	Y	Y	Y	Y
Do not print Blank pages	Y*3	Y	N	N	N	N	N
Dithering	Y	Y	Y	Y	Y	Y	N

# Product Support Guide

## D062 / D063 / D065 / D066

Model	PCL 5e/6	RPCS	PostScript3				
			Windows 2000/XP	Windows Vista	Mac OS 8.6-9.2	Mac OSX	XPS
Toner Saving	N	Y	Y	Y	Y	Y	Y4*
User ID	Y	Y	Y	Y	Y	Y1*	Y
User Code	Y	Y	Y	Y	Y	Y1*	Y
User Authentication	Y	Y	N	N	N	N	N
Encryption/Encoding	Y	Y	N	N	N	N	N
Mirror Image Print	N	N	Y	Y	Y	N	N
Negative Image Print	N	N	Y	Y	Y	N	N
Edge to Edge Print	Y	Y	N	N	N	N	N
Limitation setting	Y	Y	N	N	N	N	N
Black Overprint	Y	Y	Y	Y	Y	Y	N
CLP Color Simulation	Y	Y	Y	Y	Y	Y	N
Quality	N	Y	N	N	N	N	N
Speed	N	Y	N	N	N	N	N
High Speed	N	Y	N	N	N	N	N
Classification Code	Y	Y	N	N	N	N	N

\*1 Available with MAC OS X 10.2. or later.

\*2 "Centering" feature cannot be selected from PCL driver. However PCL has this feature as the original function. When printing Reduce/Enlarge (Zoom) feature of PCL driver, the output will be automatically centered by the PCL's original centering function.

\*3 This feature cannot be selected from printer driver. But enables to set to "On" in "PCL setting" of MFP.

\*4 This function is available only when "Black and White" is selected.

# Product Support Guide

## D062 / D063 / D065 / D066

### Counters

- User Tools / Counter → Counter → OK → Print → Start
- User Tools / Counter → Arrow Down → System Settings → OK → Arrow up until Administrator Tools → OK → Arrow up until Display / Print Counter → OK → Print → Start
- Maximum 7 digits
- Mechanical counter 7 digits – Location: open front cover – Right Hand Corner. This counter is covered.

### Paper

#### Recommended Throughput Material

Not Applicable

#### Non Recommended Throughput Material

Refer to pages in the Operators Instructions Hardware Guide.

Do not use any of the following kinds of paper or a fault might occur:

- Aluminum Foil, Carbon paper,
- Conductive paper
- Paper meant for an inkjet printer
- Bent, folded, or creased paper
- Torn paper
- Thermal fax paper
- Art paper
- Paper with perforated lines
- Hemmed-edge paper
- Tab stock
- Slippery paper
- Perforated paper
- Rough paper
- Thin paper with little stiffness
- Paper with a dusty surface

#### Special Paper

Not Applicable

# Product Support Guide

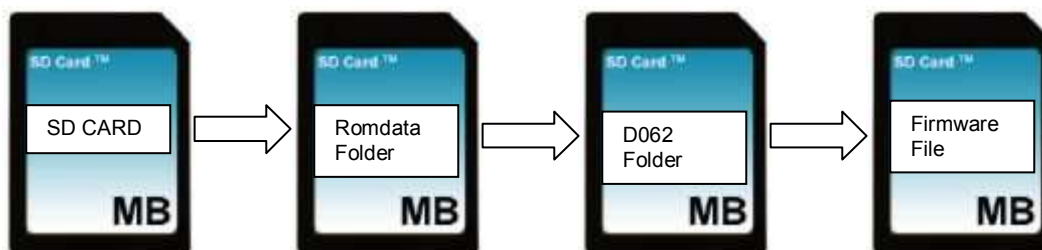
## D062 / D063 / D065 / D066

### Firmware Information

#### Firmware

Firmware SD Card	Firmware Type
ADF Document Feeder	ADF
Engine	Engine
Fax	Fax
Finisher (SR4030/SR4040/sr4050)	Finisher (SR4030/SR4040/sr4050)
Language Install	Language Install
Network DocBox	Net File
Network Support	Network Support
OpePanel.EXP	LCDC
Printer	Printer
PS3	PS3
Remote Fax	Rfax
RPCS	RPCS
Scanner	Scanner
System/Copy	System/Copy
Web Support	Web Support
Web Uapl	Web Uapl

#### SD Card Arrangement



NOTE: Base machine, DDST and PCL for DDST require a IC card. When the GW controller is installed an SD card is require. For more information on the romdata folder structure refer to D359 printer/scanner option firmware update procedure.

# Product Support Guide

## D062 / D063 / D065 / D066

### Contact Information

Name	Contact
Technical Services Call Center (Hotline)	Ricoh: (800) 537-4264 Savin/Gestetner: (800) 291-6044 Lanier: (800) 333-3147
Application Help Desk (Software Issues)	Ricoh Phone Card: 2 Call - 000781MIU, 5 Call - 000900MIU Savin Phone Card: 2 Call - 12992, 5 Call - 12993 Gestetner Phone Card: 2 Call - 12994, 5 Call - 12995
Parts and Logistics Control	(800) 557-4264 <a href="http://www.nrc-usa.com">http://www.nrc-usa.com</a>
Technology Solutions Center Web Site	<a href="http://www.tscweb.net">http://www.tscweb.net</a>
Configurator	<a href="http://www.connectivity-cafe.com">http://www.connectivity-cafe.com</a>
Ricoh Web Site	<a href="http://www.ricoh-usa.com/">http://www.ricoh-usa.com/</a>
Savin iLINC Web Site	<a href="http://www.savin.com">http://www.savin.com</a>
Headquarter Web Sites	Ricoh Corporation: <a href="http://www.ricoh-usa.com">http://www.ricoh-usa.com</a> Savin Corporation: <a href="http://www.savin.com">http://www.savin.com</a> Gestetner Corporation: <a href="http://www.gestetnerusa.com/">http://www.gestetnerusa.com/</a> Lanier Corporation: <a href="http://www.lanier.com">http://www.lanier.com</a>
Material Safety Data Sheets	(800) 336-MSDS (6737)
Ricoh University	973.882.2200. <a href="http://www.ricohuniversity.com">http://www.ricohuniversity.com</a>



# Product Support Guide

## D062 / D063 / D065 / D066

### Training Information

**D062/D063/D065/D066** will be added to the list of products currently being supported by RBS Direct Branches. Technicians with certification on the **D052/D053/D054** will be automatically certified on the **D062/D063/D065/D066**.

### Documentation

Description	EDP Code	RFG E-Source Number
Parts Manual	004779MIU	039082
Service Manual	004778MIU	039080
Segment 4/5 Product Resource Guide	N/A	039274
Point to Point	N/A	039081
D062/D052 Series Blended Learning Pt 1	002710MIU	N/A
Service Documentation Update Package	004777MIU	N/A
Operation Manual part 1	N/A	039192
Operation Manual part 2	N/A	039193

Please refer to the <http://www.ricohuniversity.com/> web site for the most up to date training information.

Please be aware that once a model or series is out of production, the Field Service Manual, Technical Service Bulletins and Ricoh University should be referenced for the most current information. Check the TSC website and e-source.

### MFP Update Certified Service Personnel

#### Revisions

- 1.0 Original
- 2.0 Corrections on options
  - 2.2 Added IPDS option
  - 2.3 Added RHD Type 9001
  - 2.4 Added Java Keyboard