



RICOH UNIVERSITY

Learning ♦ Knowledge ♦ Performance



D062/D063/D065/D066
PARTS CATALOG

004779MIU

LANIER RICOH SVIN™



**D062/D063/D065/D066
PARTS CATALOG**

**LANIER
RICOH
Savin**



RICOH UNIVERSITY
Learning ♦ Knowledge ♦ Performance

D062/D063/D065/D066 PARTS CATALOG

004779MIU

LANIER RICOH SAVIN®

WWW.SERVICE-MANUAL.NET

It is the reader's responsibility when discussing the information contained within this document to maintain a level of confidentiality that is in the best interest of Ricoh Americas Corporation and its member companies.

**NO PART OF THIS DOCUMENT MAY BE REPRODUCED IN ANY
FASHION AND DISTRIBUTED WITHOUT THE PRIOR
PERMISSION OF RICOH AMERICAS CORPORATION.**

All product names, domain names or product illustrations, including desktop images, used in this document are trademarks, registered trademarks or the property of their respective companies.

They are used throughout this book in an informational or editorial fashion only and for the benefit of such companies. No such use, or the use of any trade name, or web site is intended to convey endorsement or other affiliation with Ricoh products.

© 2009 RICOH Americas Corporation. All rights reserved.

WWW.SERVICE-MANUAL.NET

LEGEND

PRODUCT CODE	COMPANY			
	GESTETNER	LANIER	RICOH	SAVIN
D062	MP 6001/ MP6001 SP	LD360/ LD360sp	Aficio MP 6001/ MP 6001 SP	9060/ 9060sp
D063	MP 7001/ MP 7001SP	LD370/ LD370sp	Aficio MP 7001/ MP 7001 SP	9070/ 9070sp
D065	MP 8001/ MP 8001SP	LD380/ LD380sp	Aficio MP 8001/ MP 8001 SP	9080/ 9080sp
D066	MP 9001/ MP 9001SP	LD390/ LD390sp	Aficio MP 9001/ MP 9001 SP	9090/ 9090sp
B328	Copy Connector Type 3260			
B452/B870	Key Counter Bracket Type 1027/Optional Counter Interface Unit Type A			
B473/B474	LCT RT43/ LG Size Tray Type 1075			
B499	Tab Sheet Holder Type 3260			
B513	Output Jogger Unit Type 1075			
B531	Punch Unit Type 1075			
B702	Punch Unit Type 3260			
B703	Output Jogger Unit Type 3260			
B704	Cover Interposer Tray Type 3260			
B756	Copy Tray Type 2075			
B762	Mailbox CS391			
D373-57	Finisher SR4040			
D374-57	Finisher SR4030			
D418	Fax Option/G3 Interface Type 9001			
D454	Multi-Folding Unit FD5000			
D460	Finisher SR4050			
B328/B679/B826/ B829/D377/D430/ D462/D463	D062/D063/D065/D066 MFP Controller Options			
D482	A3/11x17 Tray Type 9001			

DOCUMENTATION HISTORY

REV. NO.	DATE	COMMENTS
*	06/2009	Original Printing

D062/D063/D065/D066

TABLE OF CONTENTS

D062/D063/D065/D066 PARTS LOCATION AND LIST

Location of Unit	3
1.Exterior 1 (D062/D063/D065/D066)	16
2.Exterior 2 (D062/D063/D065/D066)	18
3.Exterior 3 (D062/D063/D065/D066)	20
4.Exterior 4 (D062/D063/D065/D066)	22
5.Operation Panel (D062/D063/D065/D066).....	24
6.DF Exterior (D062/D063/D065/D066)	26
7.DF Original Feed 1 (D062/D063/D065/D066)	28
8.DF Original Feed 2 (D062/D063/D065/D066)	30
9.DF Original Transfer 1 (D062/D063/D065/D066)	32
10.DF Original Transfer 2(D062/D063/D065/D066)	34
11.DF Original Transfer 3(D062/D063/D065/D066)	36
12.DF Original Transfer 4(D062/D063/D065/D066)	38
13.DF Original Exit (D062/D063/D065/D066)	40
14.DF Drive/Electrical 1 (D062/D063/D065/D066).	42
15.DF Drive/Electrical 2 (D062/D063/D065/D066).	44
16.DF Frame Section (D062/D063/D065/D066)	46
17.Optics Section 1 (D062/D063/D065/D066)	48
18.Optics Section 2 (D062/D063/D065/D066)	50
19.Optics Section 3 (D062/D063/D065/D066)	52
20.Optics Section 4 (D062/D063/D065/D066)	54
21.Laser Unit (D062/D063/D065/D066)	56
22.Tandem Tray 1 (D062/D063/D065/D066)	58
23.Tandem Tray 2 (D062/D063/D065/D066)	60
24.Tandem Tray 3 (D062/D063/D065/D066)	62

25.Universal Tray (D062/D063/D065/D066)	64
26.By-pass Feed Tray (D062/D063/D065/D066) ...	66
27.Paper Feed Unit 1 (D062/D063/D065/D066)	68
28.Paper Feed Unit 2 (D062/D063/D065/D066)	70
29.Vertical Transport (D062/D063/D065/D066)	72
30.Paper Registration 1 (D062/D063/D065/D066) .	74
31.Paper Registration 2 (D062/D063/D065/D066) .	76
32.Paper Registration 3 (D062/D063/D065/D066) .	78
33.Toner Hopper Section (D062/D063/D065/D066) 80	
34.Toner Supply Unit (D062/D063/D065/D066).....	82
35.Development Unit 1 (D062/D063/D065/D066) ..	84
36.Development Unit 2 (D062/D063/D065/D066) ..	86
37.Charge Unit (D062/D063/D065/D066).....	88
38.PCU 1 (D062/D063/D065/D066)	90
39.PCU 2 (D062/D063/D065/D066)	92
40.PCU 3 (D062/D063/D065/D066)	94
41.Transfer Belt Unit 1 (D062/D063/D065/D066)...	96
42.Transfer Belt Unit 2 (D062/D063/D065/D066)...	98
43.Fusing Unit 1 (D062/D063/D065/D066)	100
44.Fusing Unit 2 (D062/D063/D065/D066)	102
45.Fusing Unit 3 (D062/D063/D065)	104
46.Fusing Unit 4 (D066)	106
47.Fusing Unit 5 (D062/D063/D065)	108
48.Fusing Unit 6 (D066)	110
49.Paper Exit Section 1 (D062/D063/D065/D066)	112
50.Paper Exit Section 2 (D062/D063/D065/D066)	114

51.Paper Exit Section 3 (D062/D063/D065/D066).....	116
52.Duplex Unit 1 (D062/D063/D065/D066).....	118
53.Duplex Unit 2 (D062/D063/D065/D066).....	120
54.Duplex Unit 3 (D062/D063/D065/D066).....	122
55.Duplex Unit 4 (D062/D063/D065/D066).....	124
56.Duplex Unit 5 (D062/D063/D065/D066).....	126
57.Waste Toner Collection Transport	128
58.Drive Section 1 (D062/D063/D065/D066)	130
59.Drive Section 2 (D062/D063/D065/D066)	132
60.Drive Section 3 (D065/D066)	134
61.Electrical Section 1 (D062/D063/D065/D066)...	136
62.Electrical Section 2 (D062/D063/D065/D066)...	138
63.Electrical Section 3 (D062/D063/D065/D066)...	140
64.Electrical Section 4 (D062/D063/D065/D066)...	142
65.Electrical Section 5 (D062/D063/D065/D066)...	144
66.Electrical Section 6 (D062/D063/D065/D066)...	146
67.Electrical Section 7 (D062/D063/D065/D066)...	148
68.Electrical Section 8 (D062/D063/D065/D066)...	150
69.Electrical Section 9 (D062/D063/D065/D066)...	152
70.Frame Section 1 (D062/D063/D065/D066)	154
71.Frame Section 2 (D062/D063/D065/D066)	156
72.Frame Section 3 (D062/D063/D065/D066)	158
73.Frame Section 4 (D062/D063/D065/D066)	160
74.Frame Section 5 (D062/D063/D065/D066)	162
75.BCU Board (D062/D063/D065/D066)	164
76.IPU Board (D062/D063/D065/D066).....	174
77.Control Board (D062/D063/D065/D066)	192
78.Decal and Documents(D062/D063/D065/D066).....	214
79.Special Tools (D062/D063/D065/D066).....	220

D062/D063/D065/D066 PARTS INDEX	
PARTS INDEX	2

COPY CONNECTOR TYPE 3260 B328 PARTS LOCATION AND LIST

1.COPY CONNECTOR (B328)	2
-------------------------------	---

COPY CONNECTOR TYPE 3260 B328 PARTS INDEX PARTS INDEX

2

KEY COUNTER BRACKET TYPE 1027/OPTIONAL COUNTER INTERFACE UNIT TYPE A B452/B870 PARTS LOCATION AND LIST

1.Key Counter/Optional Counter Interface (B452/B870)	2
--	---

KEY COUNTER BRACKET TYPE 1027/OPTIONAL COUNTER INTERFACE UNIT TYPE A B452/B870 PARTS INDEX PARTS INDEX

2

LCT RT43/LG SIZE TRAY TYPE 1075 B473/B474 PARTS LOCATION AND LIST

1.EXTERIOR (B473)	2
2.PAPER FEED 1 (B473).....	4
3.PAPER FEED 2 (B473).....	6
4.TRAY DRIVE 1 (B473)	8
5.TRAY DRIVE 2 (B473)	10
6.TRAY DRIVE 3 (B473)	12
7.TRAY EXTENSION KIT (B474).....	14
8.A3 PAPER TRAY KIT 1 (B475).....	16
9.A3 PAPER TRAY KIT 2 (B475).....	18
10.MAIN CONTROL BOARD (B473)	20
11.DECALS AND DOCUMENTS (B473/B475).....	22

LCT RT43/LG SIZE TRAY TYPE 1075 B473/B474 PARTS INDEX

PARTS INDEX	2
--------------------------	----------

TAB SHEET HOLDER TYPE 3260 B499 PARTS LOCATION AND LIST

1.TAB SHEET HOLDER (B499)..... 2

TAB SHEET HOLDER TYPE 3260 B499 PARTS INDEX PARTS INDEX 2

OUTPUT JOGGER UNIT TYPE 1075 B513 PARTS LOCATION AND LIST

1.JOgger UNIT (B513)..... 2

OUTPUT JOGGER UNIT TYPE 1075 B513 PARTS INDEX PARTS INDEX 2

PUNCH UNIT TYPE 1075 B531 PARTS LOCATION AND LIST

1.PUNCH UNIT (B531)..... 2

PUNCH UNIT TYPE 1075 B531 PARTS INDEX PARTS INDEX 2

PUNCH UNIT TYPE 3260 B702 PARTS LOCATION AND LIST

1.Punch Unit 1 (B702)..... 2

2.Punch Unit 2 (B702)..... 4

PUNCH UNIT TYPE 3260 B702 PARTS INDEX PARTS INDEX 2

OUTPUT JOGGER UNIT TYPE 3260 B703 PARTS LOCATION AND LIST

1.Output Jogger Unit (B703)..... 2

OUTPUT JOGGER UNIT TYPE 3260 B703 PARTS INDEX PARTS INDEX 2

COVER INTERPOSER TRAY TYPE 3260 B704 PARTS LOCATION AND LIST

1.Exterior (B704)..... 2

2.Original Feed 1 (B704)..... 4

3.Original Feed 2 (B704)..... 6

4.Original Feed 3 (B704)..... 8

5.Original Transfer (B704)..... 10

6.Drive And Electrical (B704)..... 12

COVER INTERPOSER TRAY TYPE 3260 B704 PARTS INDEX PARTS INDEX..... 2

COPY TRAY TYPE 2075 B756 PARTS LOCATION AND LIST

1.COPY TRAY (B756)..... 2

COPY TRAY TYPE 2075 B756 PARTS INDEX PARTS INDEX..... 2

MAILBOX CS391 B762 PARTS LOCATION AND LIST

1.EXTERIOR (B762)..... 2

2.PAPER EXIT 1 (B762)..... 4

3.PAPER EXIT 2 (B762)..... 6

4.PAPER EXIT 3 (B762)..... 8

MAILBOX CS391 B762 PARTS INDEX PARTS INDEX..... 2

FINISHER SR4040 D373-57 PARTS LOCATION AND LIST

1.Exterior (D373)..... 2

2.Paper Transfer (D373)..... 4

3.Shift Transfer Section 1 (D373)..... 6

4.Shift Transfer Section 2 (D373)..... 8

5.Shift Transfer Section 3 (D373)..... 10

6.Paper Exit 1 (D373)..... 12

7.Paper Exit 2 (D373)	14
8.Staple Transfer Section 1 (D373)	16
9.Staple Transfer Section 2 (D373)	18
10.Staple Tray 1 (D373)	20
11.Staple Tray 2 (D373)	22
12.Staple Tray 3 (D373)	24
13.Staple Tray 4 (D373)	26
14.Staple Tray 5 (D373)	28
15.Staple Tray 6 (D373)	30
16.Paper fold Section 1 (D373)	32
17.Paper fold Section 2 (D373)	34
18.Paper fold Section 3 (D373)	36
19.Shift Tray (D373)	38
20.Drive Section 1 (D373)	40
21.Drive Section 2 (D373)	42
22.Drive Section 3 (D373)	44
23.Electrical Section (D373)	46
24.Frame Section (D373)	48
25.Decals and Documents (D373)	50

**FINISHER SR4040 D373-57 PARTS INDEX
PARTS INDEX 2**

FINISHER SR4030 D374-57 PARTS LOCATION AND LIST

1.Exterior (D374)	2
2.Paper Transfer (D374).....	4
3.Shift Transfer Section 1 (D374).....	6
4.Shift Transfer Section 2 (D374).....	8
5.Shift Transfer Section 3 (D374).....	10
6.Paper Exit 1 (D374).....	12
7.Paper Exit 2 (D374).....	14
8.Staple Transfer Section 1 (D374).....	16
9.Staple Transfer Section 2 (D374).....	18

10.Staple Tray 1 (D374)	20
11.Staple Tray 2 (D374)	22
12.Staple Tray 3 (D374)	24
13.Staple Tray 4 (D374)	26
14.Shift Tray (D374)	28
15.Drive Section 1 (D374)	30
16.Drive Section 2 (D374)	32
17.Drive Section 3 (D374)	34
18.Electrical Section (D374)	36
19.Frame Section (D374)	38
20.Decals and Documents (D374)	40

**FINISHER SR4030 D374-57 PARTS INDEX
PARTS INDEX..... 2**

**FAX OPTION/G3 INTERFACE TYPE 9001 D418 PARTS
LOCATION AND LIST**

1.Fax Unit (D418)	2
2.G3 Unit (D418).....	4

**FAX OPTION/G3 INTERFACE TYPE 9001 D418 PARTS INDEX
PARTS INDEX..... 2**

**MULTI-FOLDING UNIT FD5000 D454 PARTS LOCATION AND
LIST**

1.Exterior 1 (D454)	2
2.Exterior 2 (D454)	4
3.Paper Transfer:Entrance (D454)	6
4.Paper Transfer 1 (D454).....	8
5.Paper Transfer 2 (D454).....	10
6.Paper Transfer 3 (D454).....	12
7.Fold Unit 1 (D454)	14
8.Fold Unit 2 (D454)	16
9.Fold Unit 3 (D454)	18

10.Fold Unit 4 (D454)	20
11.Fold Unit 5 (D454)	22
12.Fold Unit 6 (D454)	24
13.Fold Unit 7 (D454)	26
14.Fold Unit 8 (D454)	28
15.Fold Unit 9 (D454)	30
16.Fold Unit 10 (D454)	32
17.Fold Unit 11 (D454)	34
18.Fold Unit 12 (D454)	36
19.Fold Unit 13 (D454)	38
20.Fold Unit 14 (D454)	40
21.Fold Unit 15 (D454)	42
22.Fold Unit 16 (D454)	44
23.Fold Unit 17 (D454)	46
24.Fold Unit 18 (D454)	48
25.Fold Unit 19 (D454)	50
26.Fold Unit 20 (D454)	52
27.Fold Unit 21 (D454)	54
28.Fold Unit 22 (D454)	56
29.Paper Exit Section 1 (D454)	58
30.Paper Exit Section 2 (D454)	60
31.Paper Exit Section 3 (D454)	62
32.Drive Section (D454)	64
33.Electrical Section (D454)	66
34.Frame Section (D454)	68

MULTI-FOLDING UNIT FD5000 D454 PARTS INDEX PARTS INDEX..... 2

FINISHER SR4050 D460 PARTS LOCATION AND LIST

1.Exterior (D460)	2
2.Paper Transfer:Entrance (D460)	4
3.Paper Transfer:Proof Tray (D460).....	6

4.Proof Tray Exit Section (D460)	8
5.Paper Transfer:Staple 1 (D460).....	10
6.Paper Transfer:Staple 2 (D460).....	12
7.Staple Tray Unit 1 (D460)	14
8.Staple Tray Unit 2 (D460)	16
9.Staple Tray Unit 3 (D460)	18
10.Staple Tray Unit 4 (D460)	20
11.Staple Tray Unit 5 (D460)	22
12.Staple Tray Unit 6 (D460)	24
13.Paper Tray Drive Section 1 (D460).....	26
14.Paper Tray Drive Section 2 (D460).....	28
15.Paper Tray Drive Section 3 (D460).....	30
16.Paper Tray Drive Section 4 (D460).....	32
17.Paper Tray Drive Section 5 (D460).....	34
18.Drive Section (D460).....	36
19.Electrical Section (D460)	38
20.Frame Section 1 (D460).....	40
21.Frame Section 2 (D460).....	42

FINISHER SR4050 D460 PARTS INDEX

PARTS INDEX.....	2
-------------------------	----------

MFP CONTROLLER OPTIONS B328/B679/B826/B829/D377/ D430/D462/D463 PARTS LOCATION AND LIST

1.MFP Controller Options 1	2
2.MFP Controller Options 2	4

MFP CONTROLLER OPTIONS B328/B679/B826/B829/D377/ D430/D462/D463 PARTS INDEX

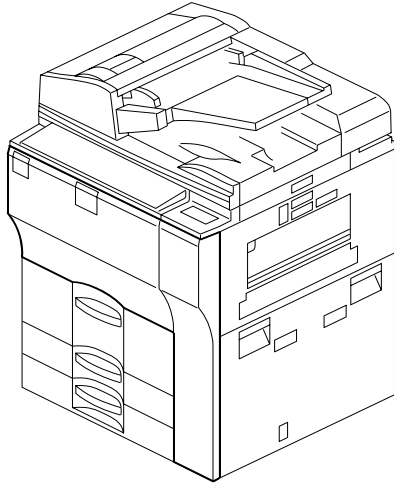
PARTS INDEX.....	2
-------------------------	----------

D062/D063/D065/D066 PARTS LOCATION AND LIST

This section instructs you as to the numbers and names of parts on this machine.

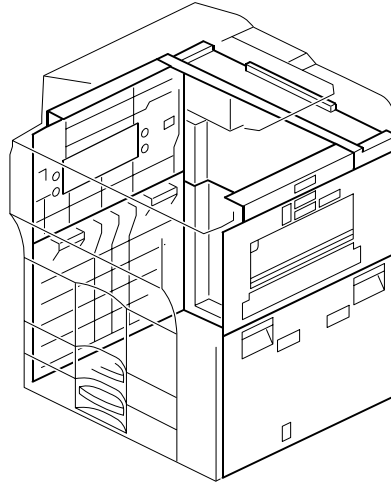
LOCATIONS OF UNITS

1. Exterior 1 (D062/D063/D065/D066)



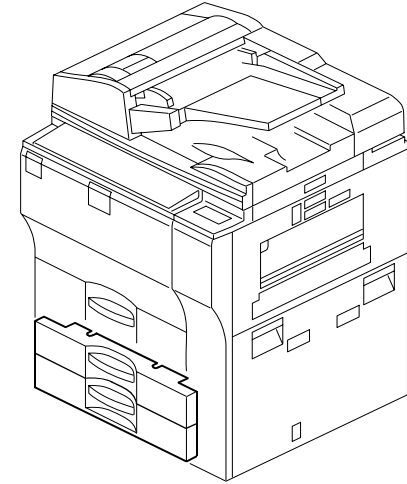
See Page 17

2. Exterior 2 (D062/D063/D065/D066)



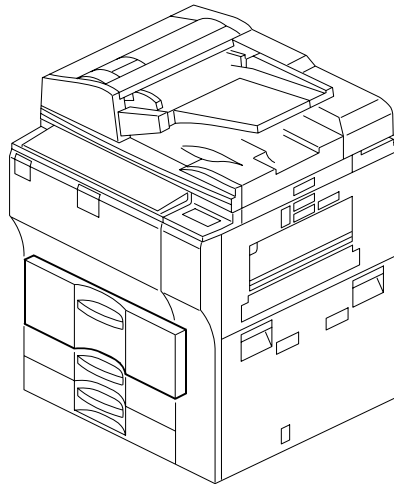
See Page 19

3. Exterior 3 (D062/D063/D065/D066)



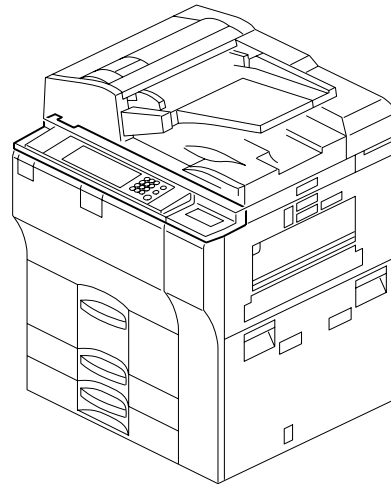
See Page 21

4. Exterior 4 (D062/D063/D065/D066)



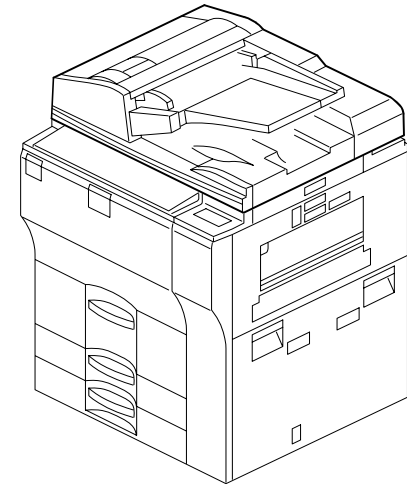
See Page 23

5. Operation Panel (D062/D063/D065/D066)



See Page 25

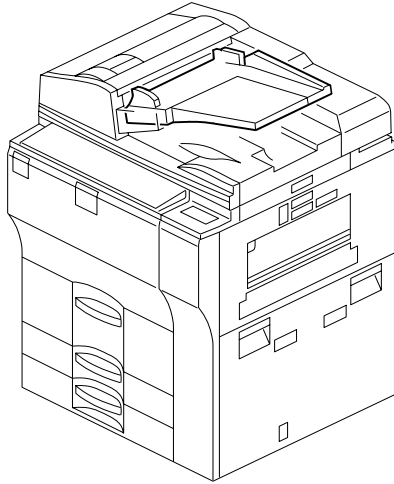
6. DF Exterior (D062/D063/D065/D066)



See Page 27

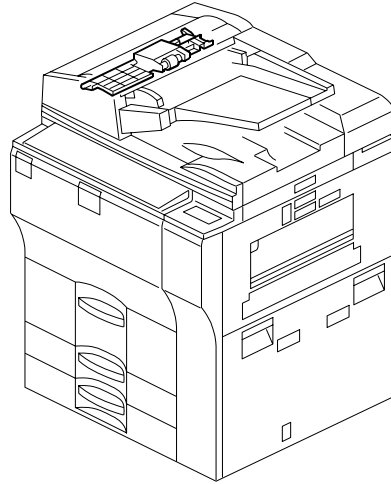
LOCATIONS OF UNITS

7. DF Original Feed 1 (D062/D063/D065/D066)



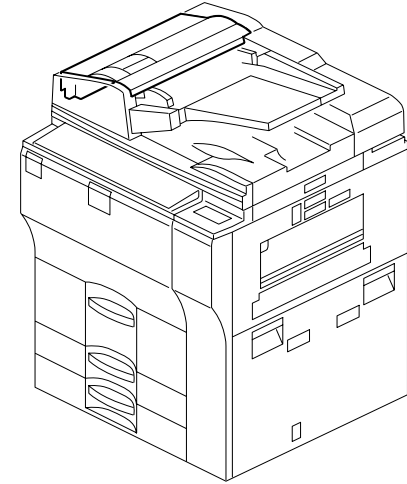
See Page 29

8. DF Original Feed 2 (D062/D063/D065/D066)



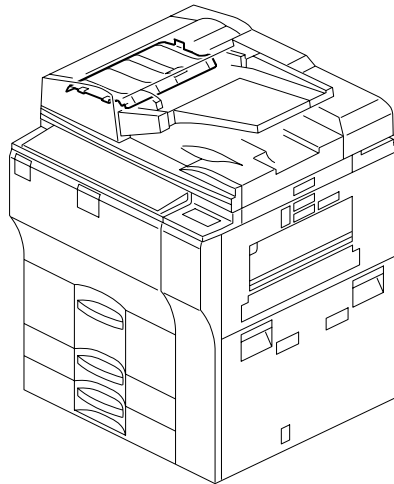
See Page 31

9. DF Original Transfer 1 (D062/D063/D065/D066)



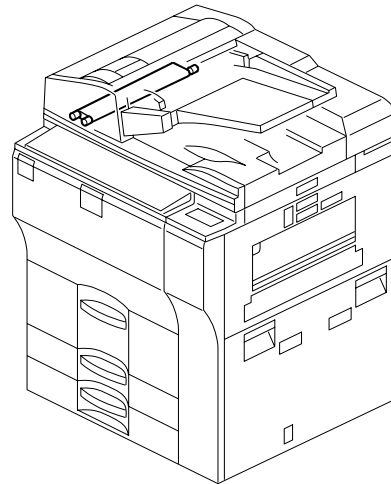
See Page 33

10. DF Original Transfer 2 (D062/D063/D065/D066)



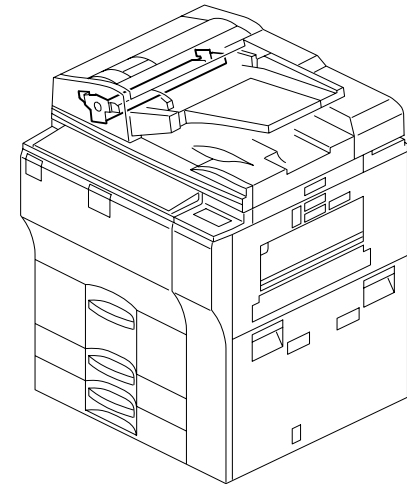
See Page 35

11. DF Original Transfer 3 (D062/D063/D065/D066)



See Page 37

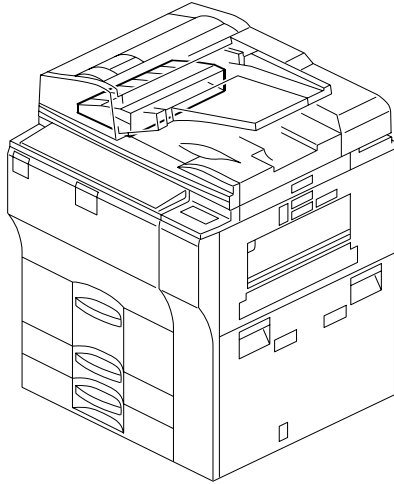
12. DF Original Transfer 4 (D062/D063/D065/D066)



See Page 39

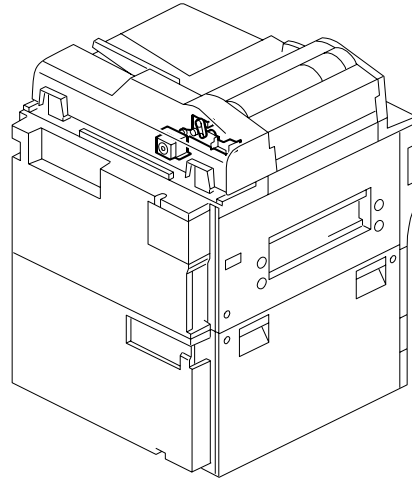
LOCATIONS OF UNITS

13. DF Original Exit (D062/D063/D065/D066)



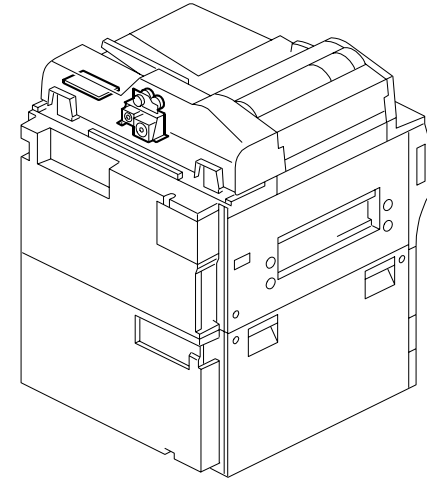
See Page 41

14. DF Drive/Electrical 1 (D062/D063/D065/D066)



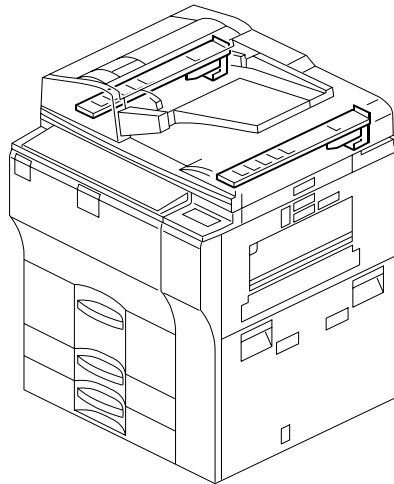
See Page 43

15. DF Drive/Electrical 2 (D062/D063/D065/D066)



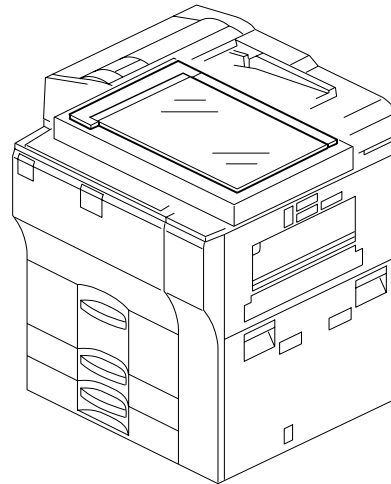
See Page 45

16. DF Frame Section (D062/D063/D065/D066)



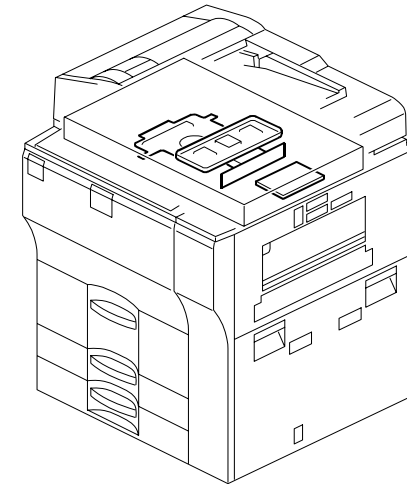
See Page 47

17. Optics Section 1 (D062/D063/D065/D066)



See Page 49

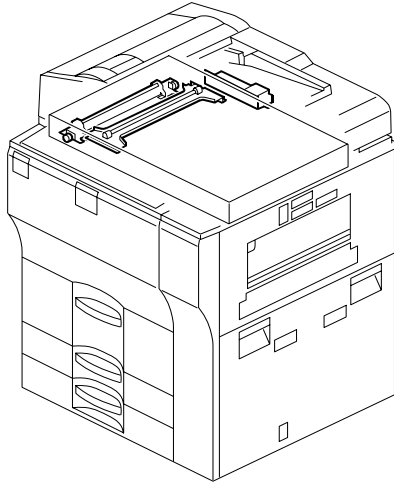
18. Optics Section 2 (D062/D063/D065/D066)



See Page 51

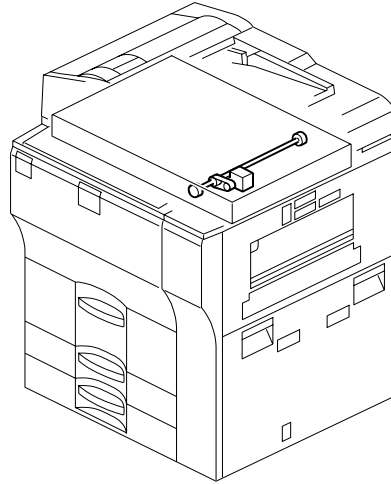
LOCATIONS OF UNITS

19. Optics Section 3 (D062/D063/D065/D066)



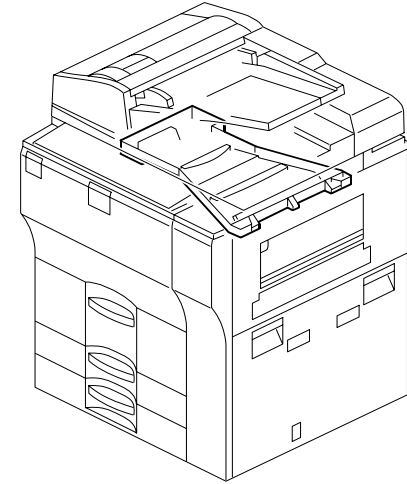
See Page 53

20. Optics Section 4 (D062/D063/D065/D066)



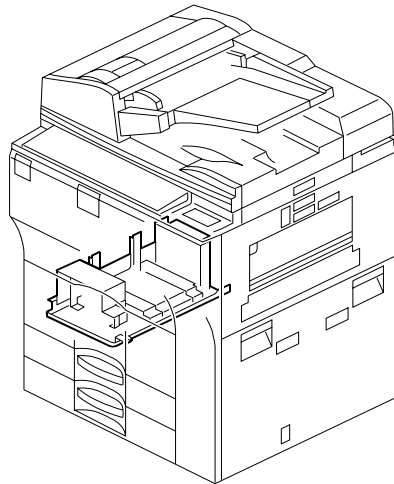
See Page 55

21. Laser Unit (D062/D063/D065/D066)



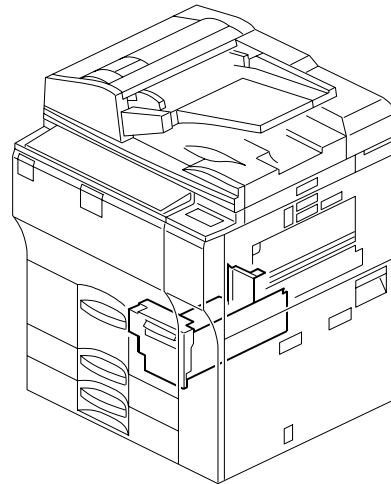
See Page 57

22. Tandem Tray 1 (D062/D063/D065/D066)



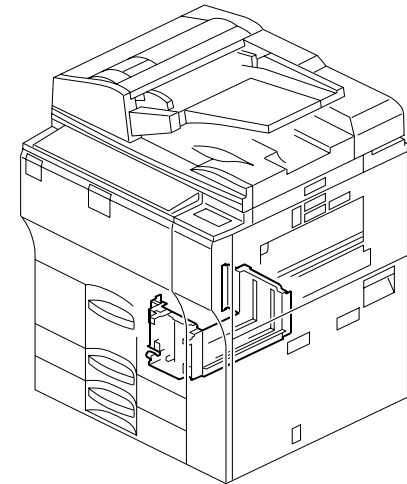
See Page 59

23. Tandem Tray 2 (D062/D063/D065/D066)



See Page 61

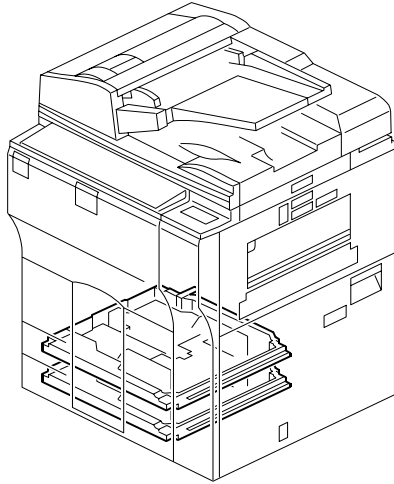
24. Tandem Tray 3 (D062/D063/D065/D066)



See Page 63

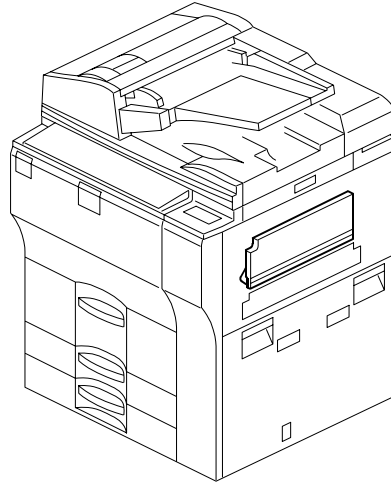
LOCATIONS OF UNITS

25. Universal Tray (D062/D063/D065/D066)



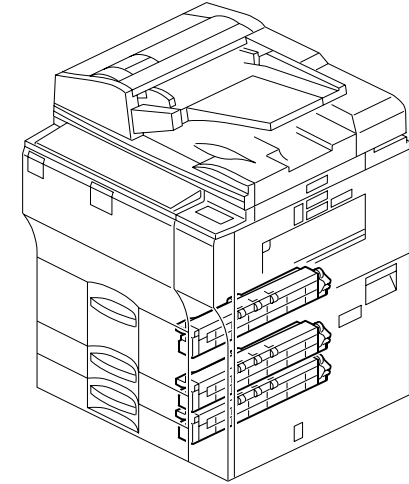
See Page 65

26. By-pass Feed Tray (D062/D063/D065/D066)



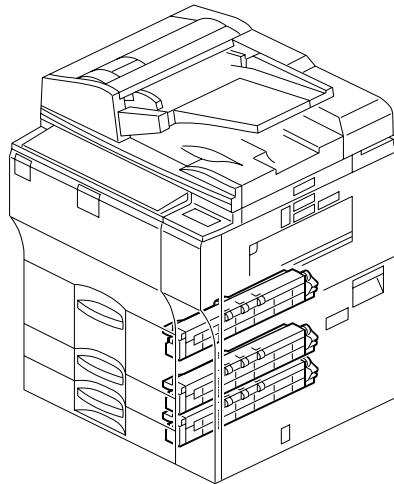
See Page 67

27. Paper Feed Unit 1 (D062/D063/D065/D066)



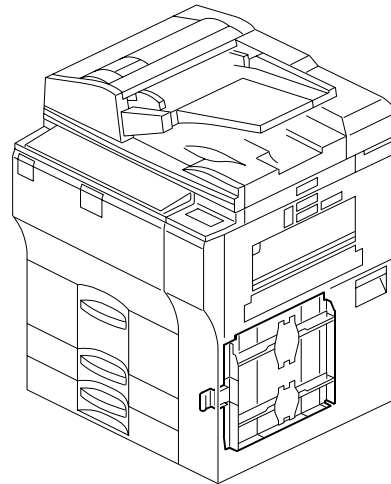
See Page 69

28. Paper Feed Unit 2 (D062/D063/D065/D066)



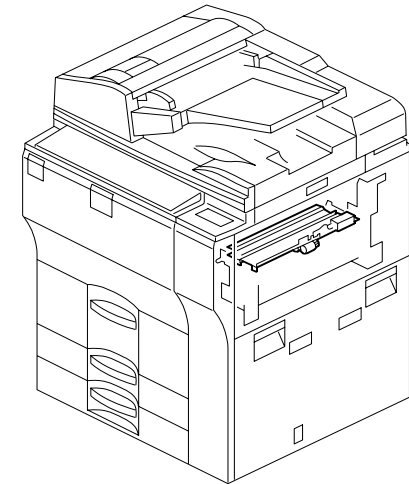
See Page 71

29. Vertical Transport (D062/D063/D065/D066)



See Page 73

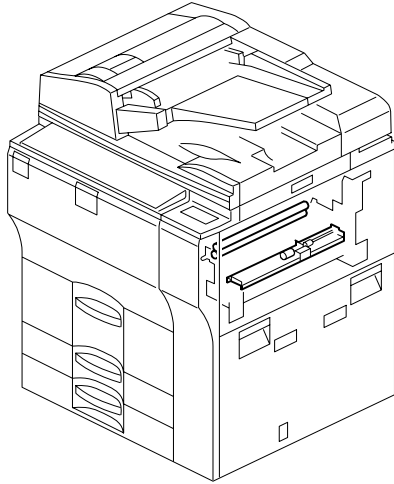
30. Paper Registration 1 (D062/D063/D065/D066)



See Page 75

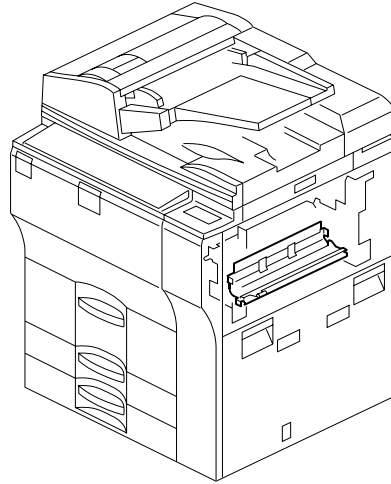
LOCATIONS OF UNITS

31. Paper Registration 2 (D062/D063/D065/D066)



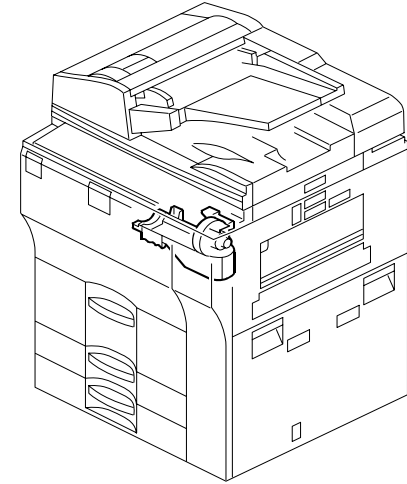
See Page 77

32. Paper Registration 3 (D062/D063/D065/D066)



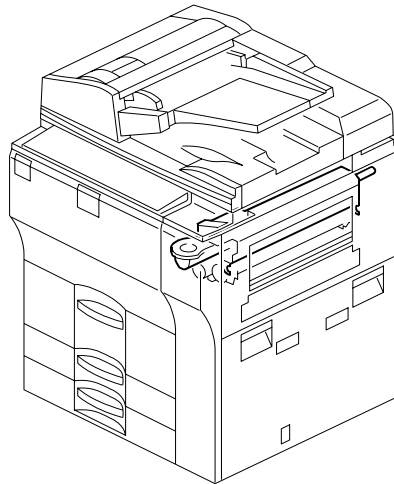
See Page 79

33. Toner Hopper Section (D062/D063/D065/D066)



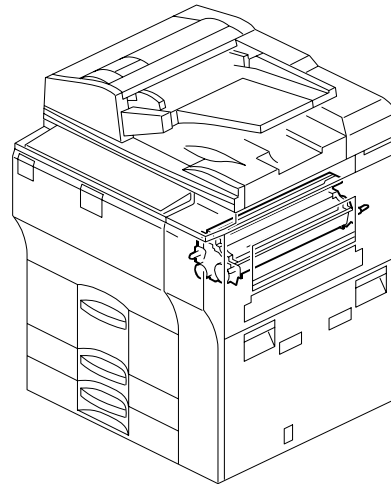
See Page 81

34. Toner Supply Unit (D062/D063/D065/D066)



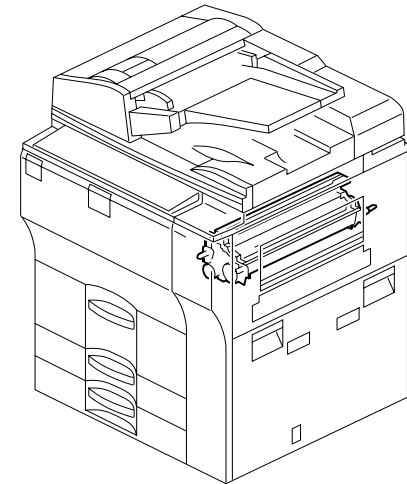
See Page 83

35. Development Unit 1 (D062/D063/D065/D066)



See Page 85

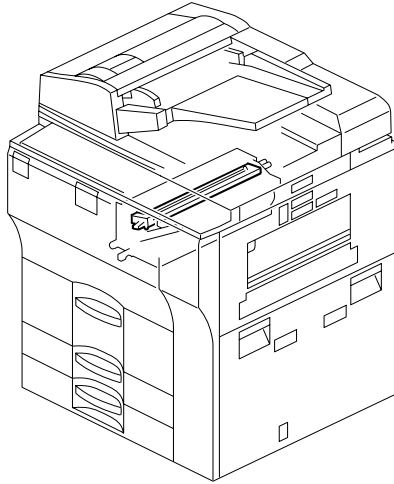
36. Development Unit 2 (D062/D063/D065/D066)



See Page 87

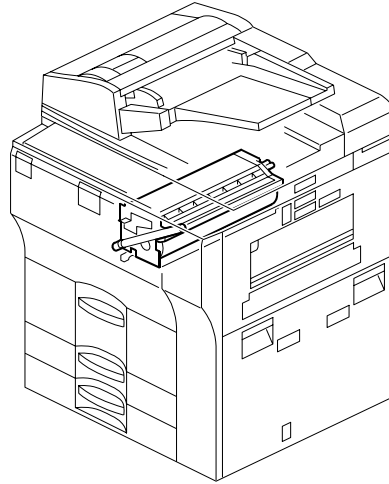
LOCATIONS OF UNITS

37. Charge Unit (D062/D063/D065/D066)



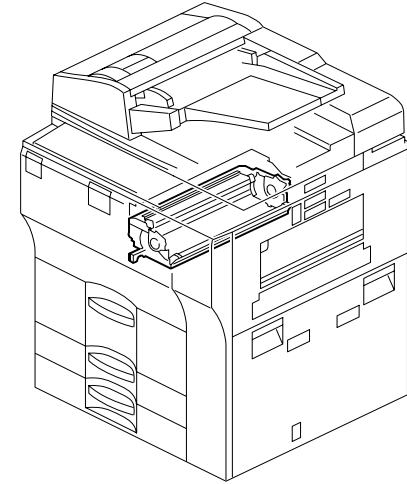
See Page 89

38. PCU 1 (D062/D063/D065/D066)



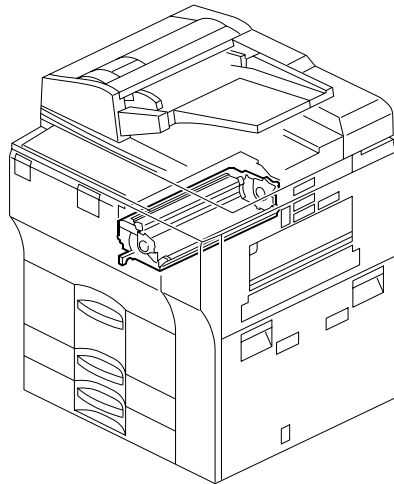
See Page 91

39. PCU 2 (D062/D063/D065/D066)



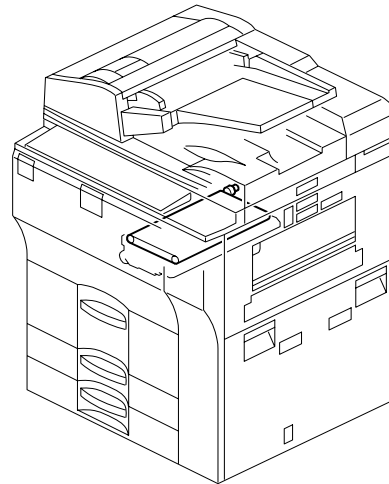
See Page 93

40. PCU 3 (D062/D063/D065/D066)



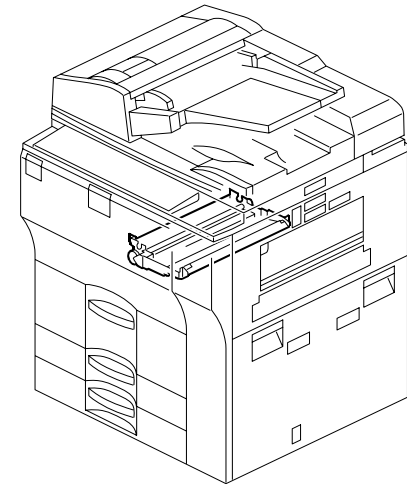
See Page 95

41. Transfer Belt Unit 1 (D062/D063/D065/D066)



See Page 97

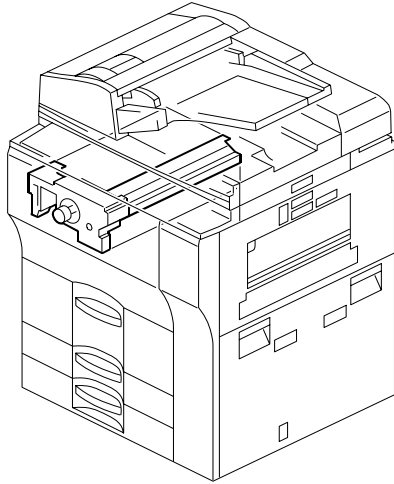
42. Transfer Belt Unit 2 (D062/D063/D065/D066)



See Page 99

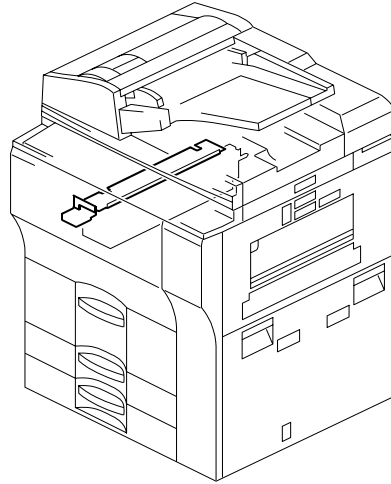
LOCATIONS OF UNITS

43. Fusing Unit 1 (D062/D063/D065/D066)



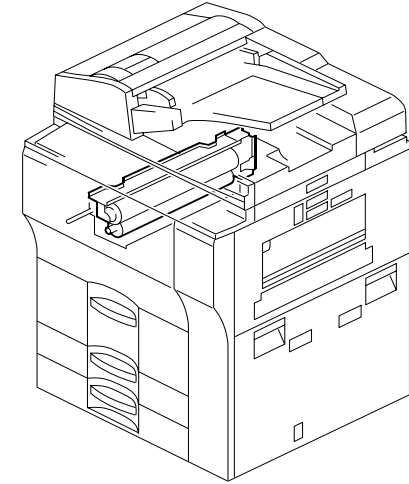
See Page 101

44. Fusing Unit 2 (D062/D063/D065/D066)



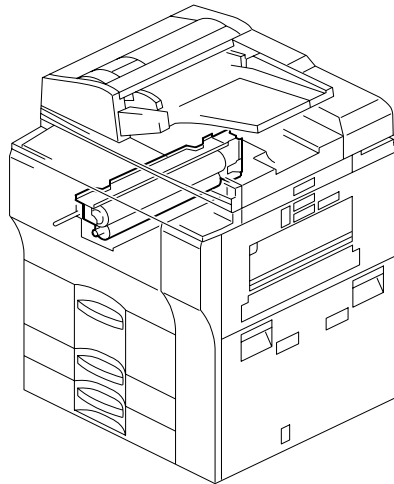
See Page 103

45. Fusing Unit 3 (D062/D063/D065)



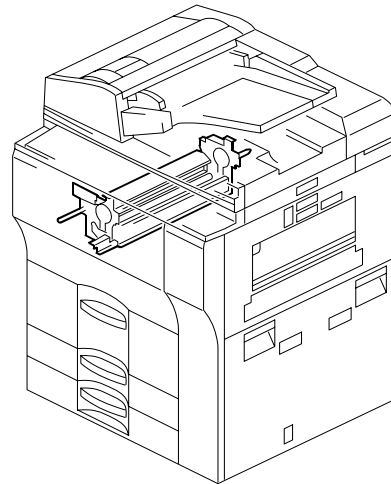
See Page 105

46. Fusing Unit 4 (D066)



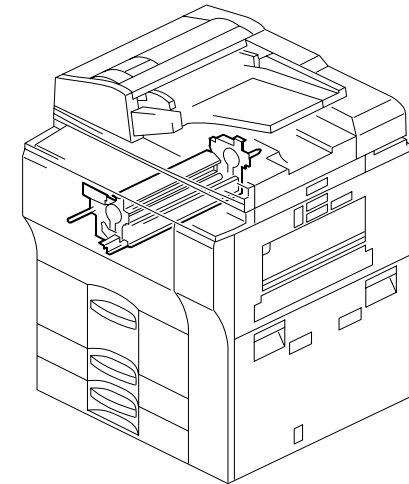
See Page 107

47. Fusing Unit 5 (D062/D063/D065)



See Page 109

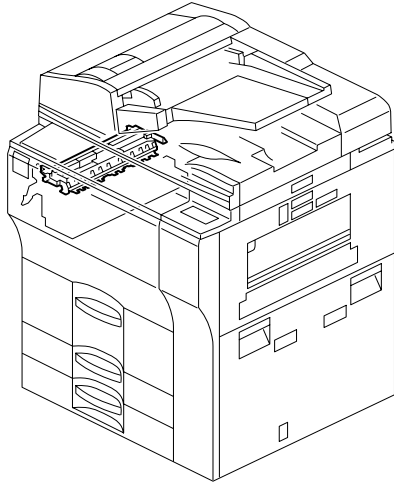
48. Fusing Unit 6 (D066)



See Page 111

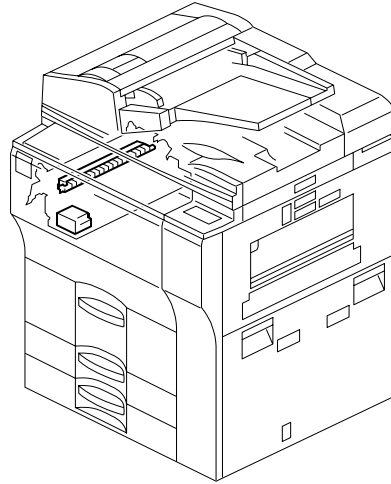
LOCATIONS OF UNITS

49. Paper Exit Section 1 (D062/D063/D065/D066)



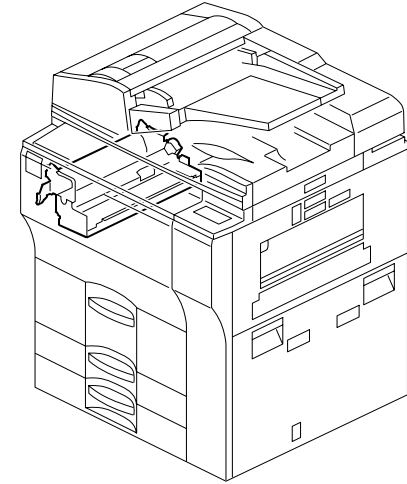
See Page 113

50. Paper Exit Section 2 (D062/D063/D065/D066)



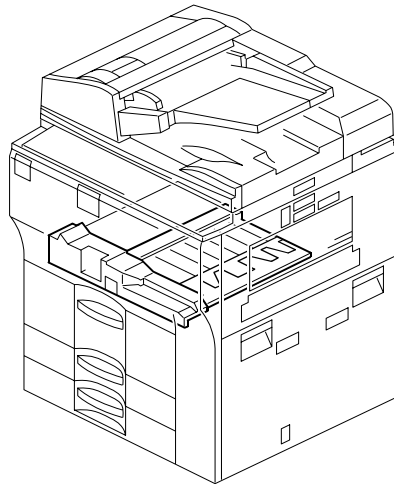
See Page 115

51. Paper Exit Section 3 (D062/D063/D065/D066)



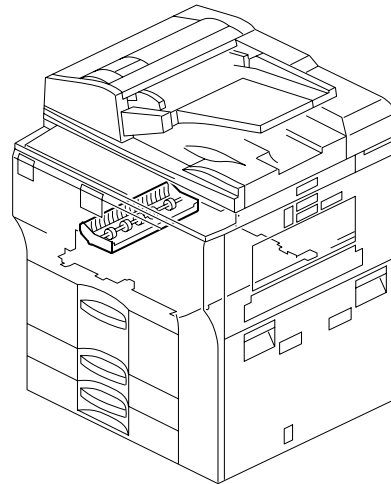
See Page 117

52. Duplex Unit 1 (D062/D063/D065/D066)



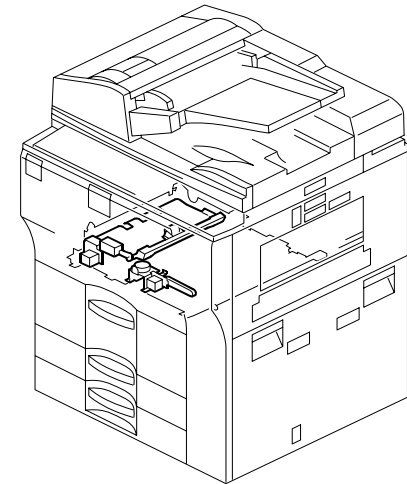
See Page 119

53. Duplex Unit 2 (D062/D063/D065/D066)



See Page 121

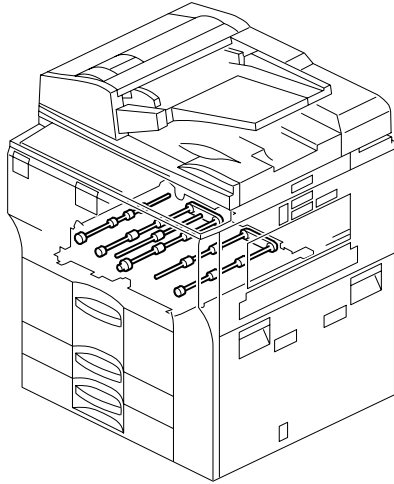
54. Duplex Unit 3 (D062/D063/D065/D066)



See Page 123

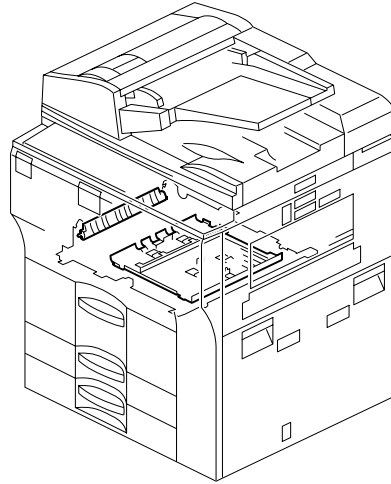
LOCATIONS OF UNITS

55. Duplex Unit 4 (D062/D063/D065/D066)



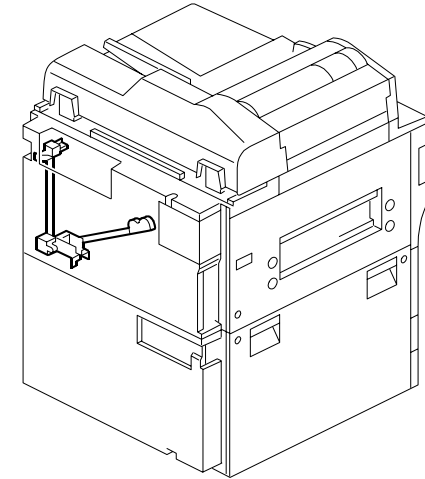
See Page 125

56. Duplex Unit 5 (D062/D063/D065/D066)



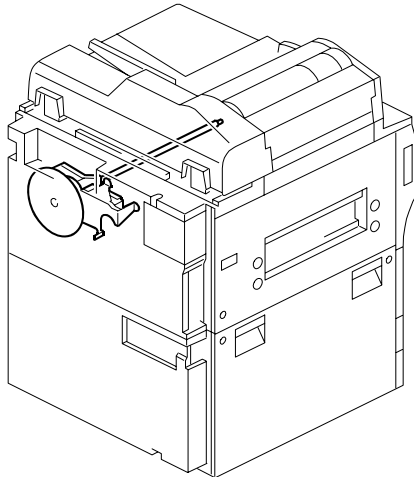
See Page 127

57. Waste Toner Collection Transport
(D062/D063/D065/D066)



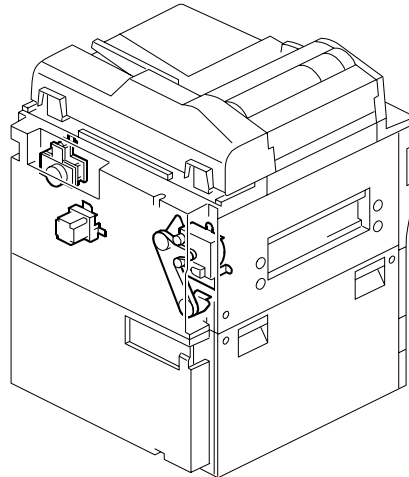
See Page 129

58. Drive Section 1 (D062/D063/D065/D066)



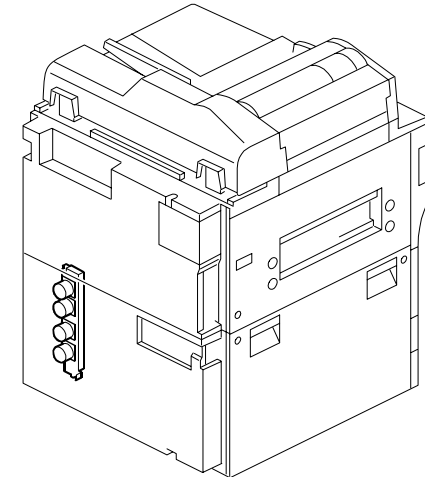
See Page 131

59. Drive Section 2 (D062/D063/D065/D066)



See Page 133

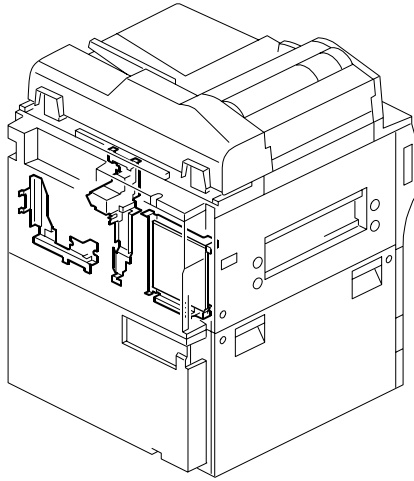
60. Drive Section 3 (D065/D066)



See Page 135

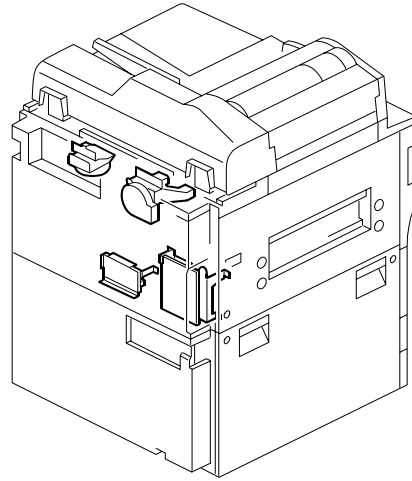
LOCATIONS OF UNITS

61. Electrical Section 1 (D062/D063/D065/D066)



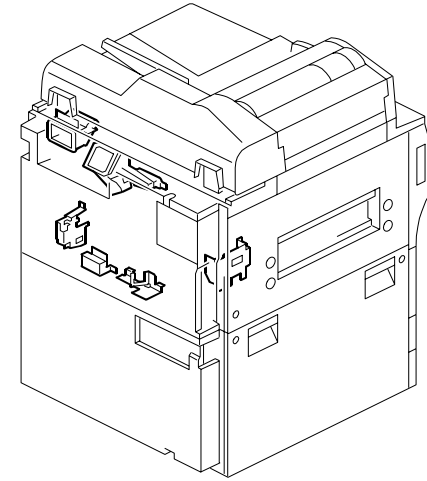
See Page 137

62. Electrical Section 2 (D062/D063/D065/D066)



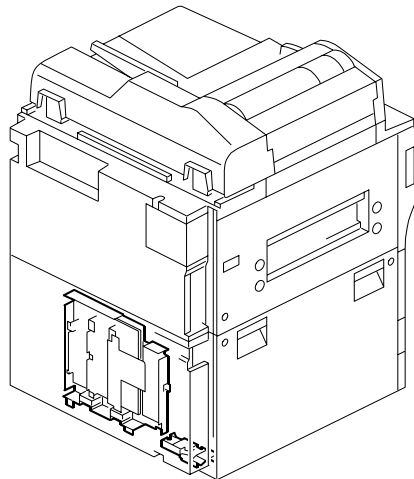
See Page 139

63. Electrical Section 3 (D062/D063/D065/D066)



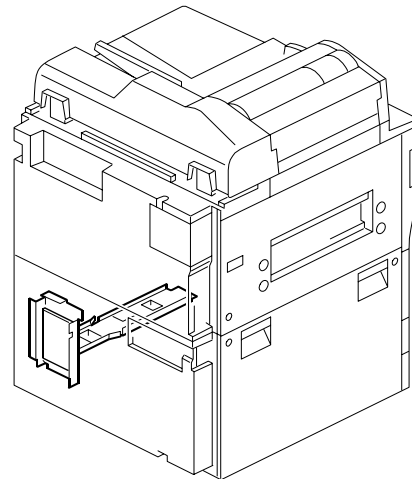
See Page 141

64. Electrical Section 4 (D062/D063/D065/D066)



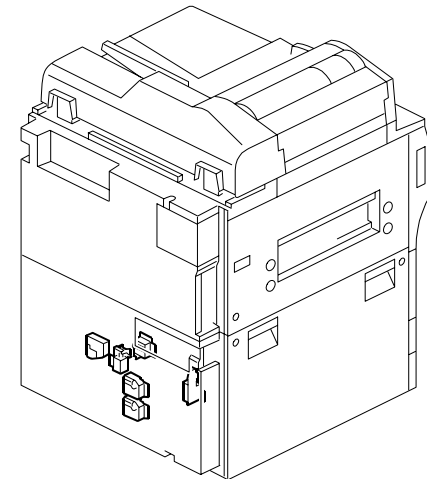
See Page 143

65. Electrical Section 5 (D062/D063/D065/D066)



See Page 145

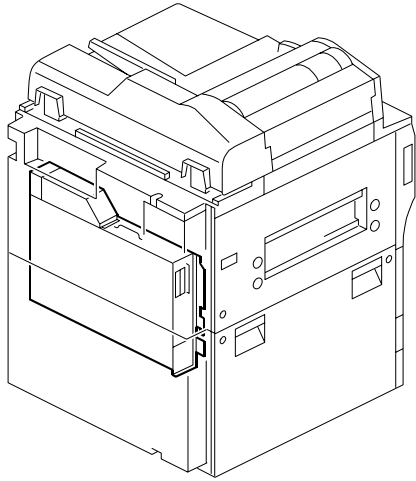
66. Electrical Section 6 (D062/D063/D065/D066)



See Page 147

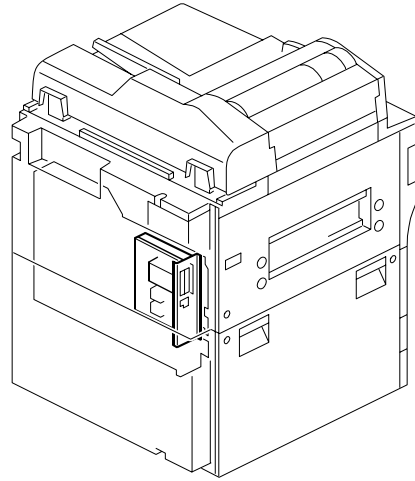
LOCATIONS OF UNITS

67. Electrical Section 7 (D062/D063/D065/D066)



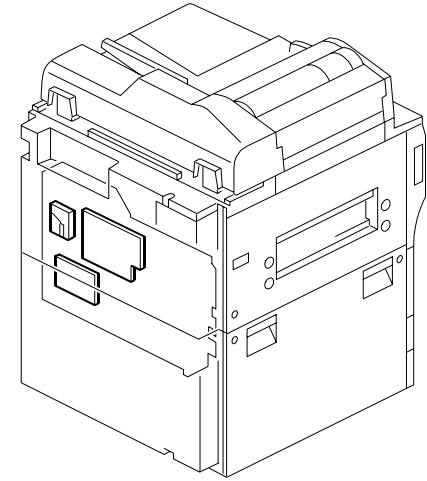
See Page 149

68. Electrical Section 8 (D062/D063/D065/D066)



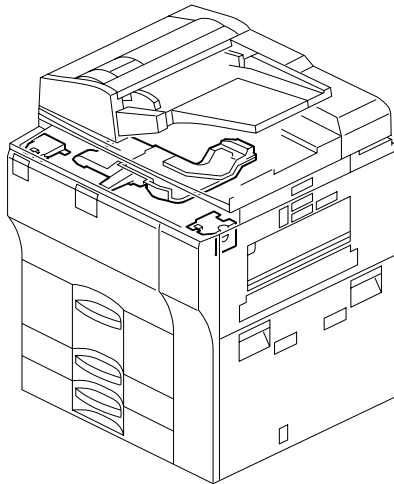
See Page 151

69. Electrical Section 9 (D062/D063/D065/D066)



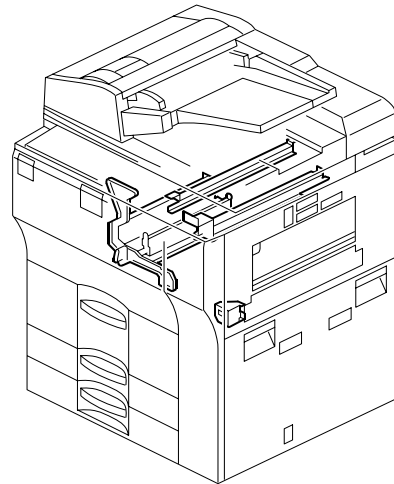
See Page 153

70. Frame Section 1 (D062/D063/D065/D066)



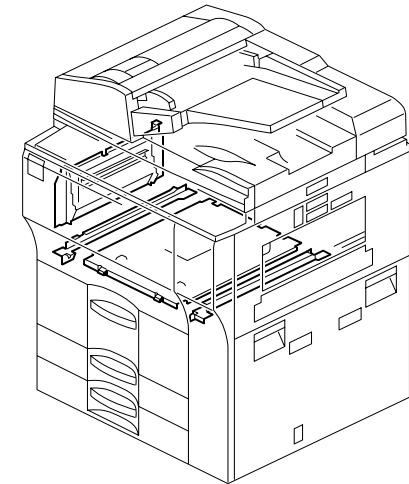
See Page 155

71. Frame Section 2 (D062/D063/D065/D066)



See Page 157

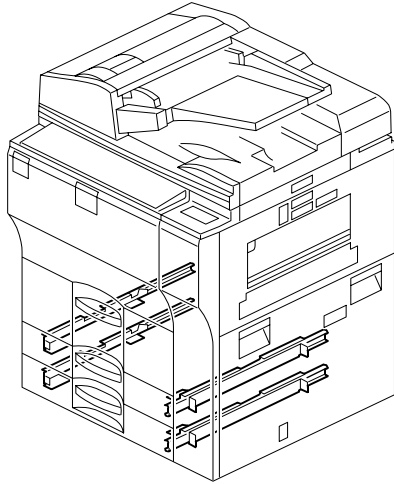
72. Frame Section 3 (D062/D063/D065/D066)



See Page 159

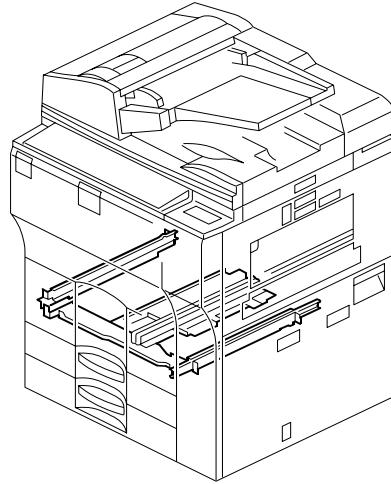
LOCATIONS OF UNITS

73. Frame Section 4 (D062/D063/D065/D066)



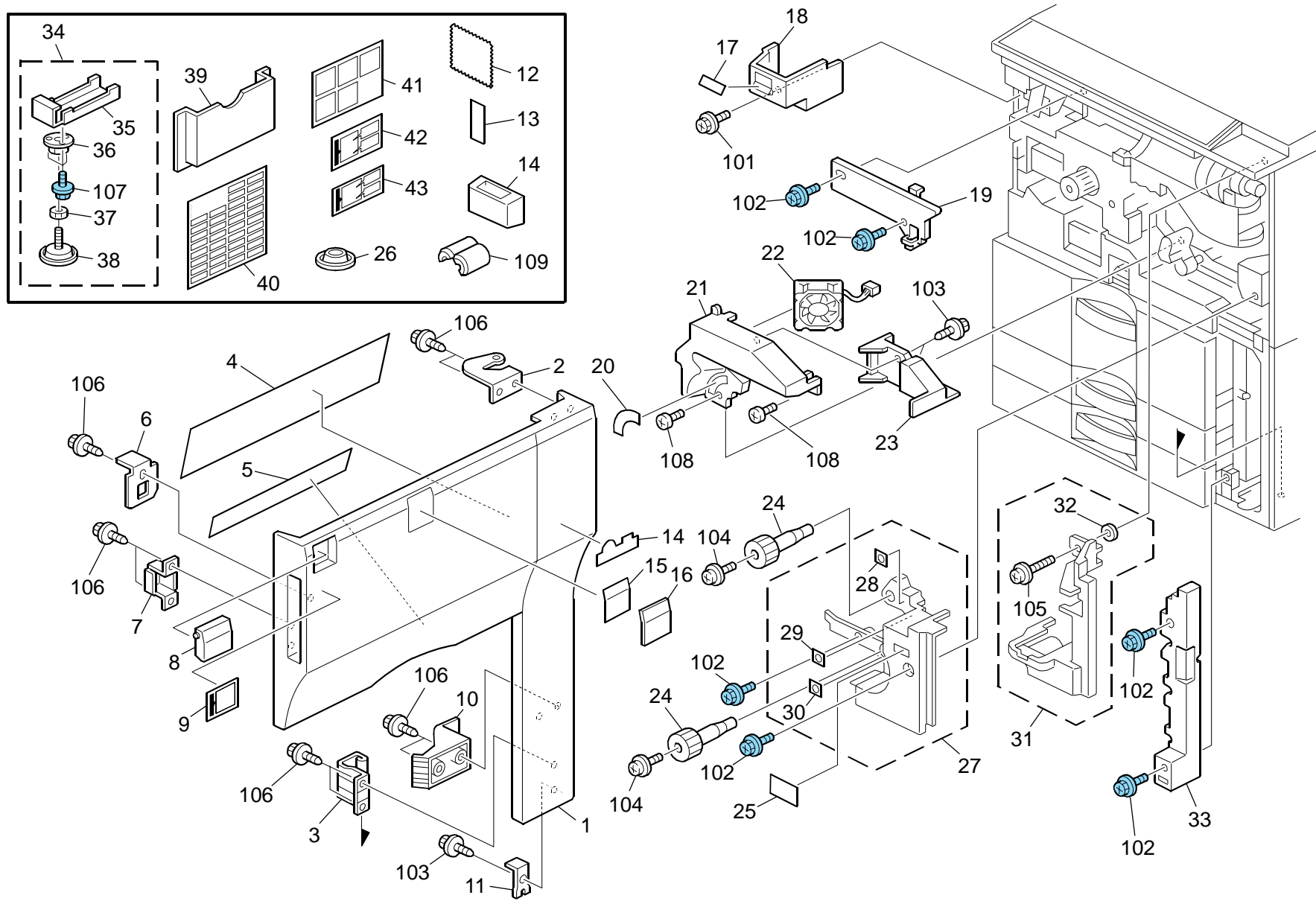
See Page 161

74. Frame Section 5 (D062/D063/D065/D066)



See Page 163

1.Exterior 1 (D062/D063/D065/D066)



WWW.SERVICE-MANUAL.NET

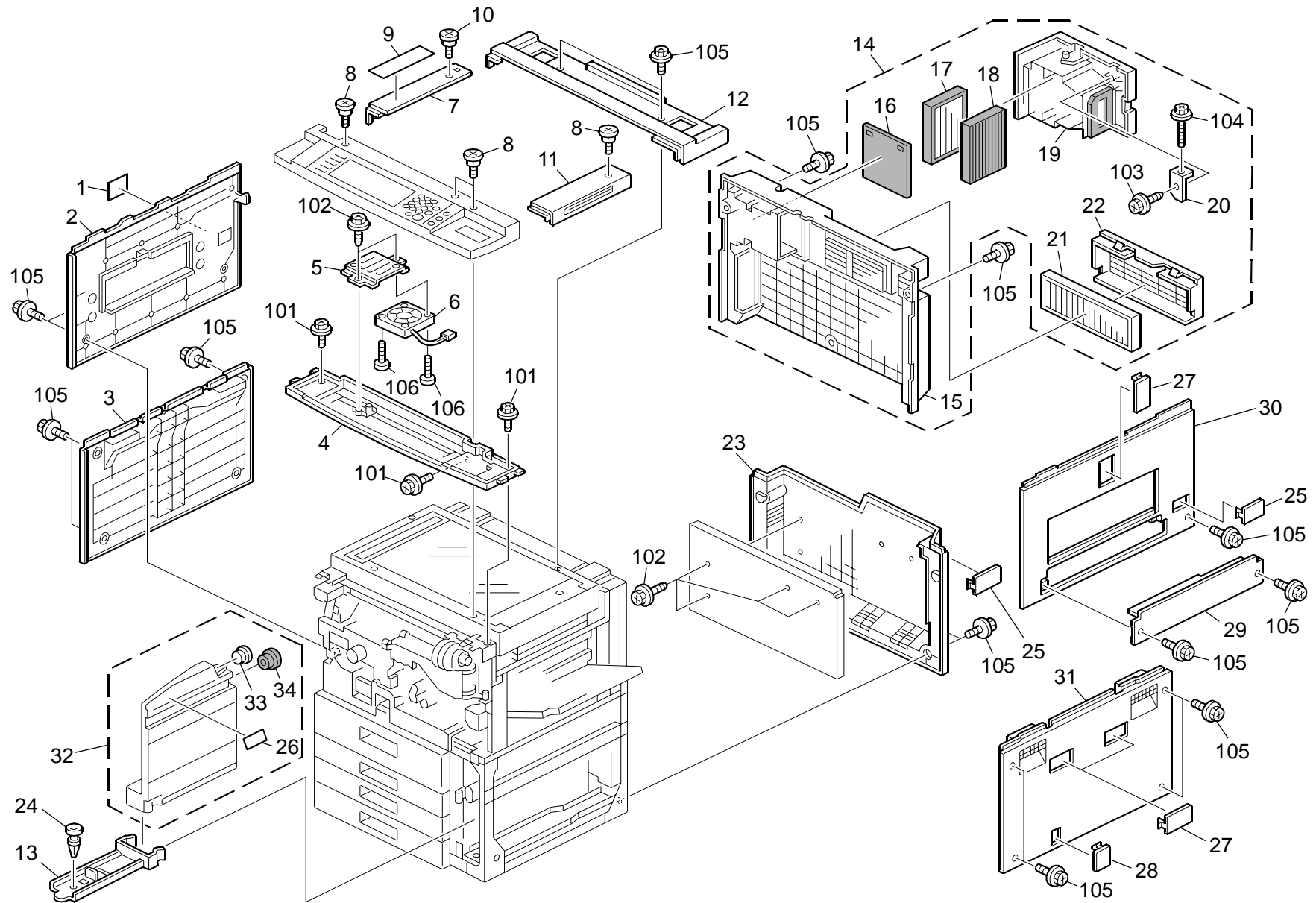
1.Exterior 1 (D062/D063/D065/D066)

Rev. 09/08/2009

Index No.	Part No.	Description	Q'ty Per Assembly
1	D054 1224	Door: Front: Sub-ass'y	1
2	B098 1342	Hinge: Upper	1
3	B247 1223	Hinge: Lower: Ass'y	1
4	D062 1361	Decal: Misfeed Removal: Main: M-C4	1
5	B065 1366	Decal - Toner Supply	1
6	A294 1292	Door Switch Bracket	1
7	B132 1526	Door Catch	1
8	B247 1325	Cover - Main Switch	1
9	B082 6403	Decal: Power Source: Off: EXP	1
10	B065 1323	Guide Plate Lever	1
11	B065 1326	Micro Switchlever	1
12	B065 1374	Cloth - DF Exposure Glass	1
13	B247 1441	Sheet: Data: Display: MT-C3: NA	1
14	B065 1371	Cloth Holder	1
15	D062 7041	Sheet: Model Name Plate: D062: EXP	1
15	D062 7043	Sheet: Model Name Plate: D062: GES: NA	1
15	D062 7049	Sheet: Model Name Plate: D062: LAN: EU	1
15	D063 7041	Sheet: Model Name Plate: D063: EXP	1
15	D063 7043	Sheet: Model Name Plate: D063: GES: NA	1
15	D063 7049	Sheet: Model Name Plate: D063: LAN: EU	1
15	D065 7041	Sheet: Model Name Plate: D065: EXP	1
15	D065 7043	Sheet: Model Name Plate: D065: GES: NA	1
15	D065 7049	Sheet: Model Name Plate: D065: LAN: EU	1
15	D066 7041	Sheet: Model Name Plate: D066: EXP	1
15	D066 7043	Sheet: Model Name Plate: D066: GES: NA	1
15	D066 7049	Sheet: Model Name Plate: D066: LAN: EU	1
16	D062 1301	Panel: Logo	1
17	B065 1363	Decal - Main Switch	1
18	B247 1315	Inner Cover - Main Switch	1
19	B247 1316	Inner Cover - Fusing Unit Upper	1
20	B234 3892	Decal - Lever Release Transfer	1
21	B247 1313	Inner Cover	1
22	AX64 0203	Fan: MM60	1
23	B065 1318	PCU Duct Inner Cover	1
24	AG05 0102	Knob - Duplex	2

Index No.	Part No.	Description	Q'ty Per Assembly
25	B234 1378	Decal - Total Counter	1
26	B132 1226	Holder: Stand	2
27	B247 1310	Inner Cover: Right Lower: Sub-ass'y	1
28	B247 1373	Decal: Inner Cover: Right Lower: C2	1
29	B247 1374	Decal: Inner Cover: Right Lower: B2	1
30	B247 1375	Decal: Inner Cover: Right Lower: B1	1
31	B247 3290	Inner Cover Ass'y	1
32	AA10 0006	Nut - M3.6	1
33	B247 6184	Inner Cover	1
34	B247 8701	Stand: Auxiliary: Ass'y	2
35	G126 8705	Bracket: Stand: Auxiliary	1
36	B247 8710	Flange: Nut: M12	1
37	G126 8709	Hexagonal Nut: M12	1
38	B247 8706	Adjusting Pin: Auxiliary	1
39	B027 8521	O/I Holder - Assembly	1
40	B234 8510	Decal: Size Indication: Multi-Language: C3	1
41	G564 6077	Decal: Exposure Glass: 5-Lang	1
42	B246 3342	Decal: Toner: Supply: Operation Sub-unit: EXP	1
42	B246 3345	Decal: Toner: Supply: Operation Sub-unit: DEU	1
42	B246 3346	Decal: Toner: Supply: Operation Sub-unit: FRA	1
42	B246 3347	Decal: Toner: Supply: Operation Sub-unit: ITA	1
42	B246 3348	Decal: Toner: Supply: Operation Sub-unit: ESP	1
43	B070 1307	Decal: Paper Set Direction	3
101	0451 4008N	Tapping Screw: 4x8	
102	0454 4008Q	Tapping Screw - M4x8	
103	0450 3008N	Tapping Screw - M3x8	
104	0951 4008N	Screw: Polished Round: M4x8	
105	0951 4012N	Screw: Polished Round: M4x12	
106	0450 4010N	Tapping Screw: M4x10	
107	0454 3008Q	Tapping Screw: 3x8	
108	0354 0080N	Screw: M4x8	
109	1607 1092	Ferrite Core: RFC-10	

2.Exterior 2 (D062/D063/D065/D066)



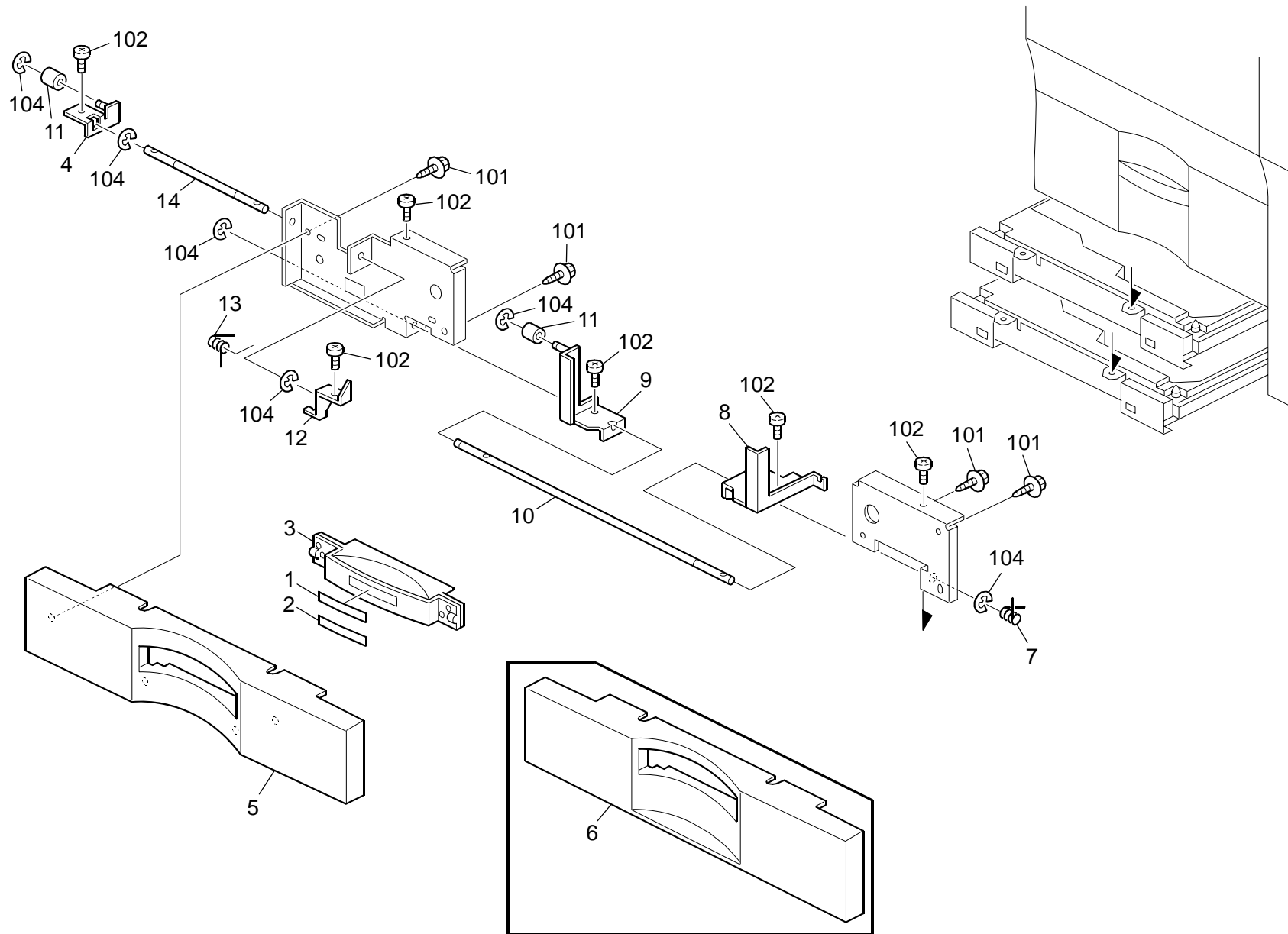
WWW.SERVICE-MANUAL.NET

2.Exterior 2 (D062/D063/D065/D066)

Index No.	Part No.	Description	Q'ty Per Assembly
1	B065 4480	Decal - Cover	1
2	D062 1304	Cover: Left Upper	1
3	B065 1334	Lower Left Cover	1
4	D054 1313	Inner Cover: Operation Sub-unit	1
5	B065 1345	Fan Bracket	1
6	AX64 0175	Fan Motor DC24V/1.44W	1
7	D062 1311	Cover: Upper Left	1
8	5206 2684	Shoulder Screw - M3	4
9	B477 4391	Decal - Exposure Glass Cleaning	1
10	AA14 3559	Screw: M4: DIA5	1
11	D062 1310	Cover: Upper Right	1
12	D062 1309	Cover: Upper Rear	1
13	B065 3689	Toner Collection Bottle Bracket	1
14	D062 1235	Cover: Rear Upper: Ass'y	1
15	D062 1305	Cover: Rear Upper	1
16	D062 1354	Sheet: Duct: Cover	1
17	D062 1234	Ozone Filter: Rear	1
18	D062 1233	Ozone Filter: Front	1
19	D062 1237	Duct: Cover: Exhaust: Adhesion	1
20	A293 1332	Duct Holder	1
21	AA01 2128	Machine Or Copier Filter	1
22	B065 1332	Louver	1
23	D062 1308	Cover: Rear Lower	1
24	A096 3712	Ratch	1
25	B065 1344	G4 Cap	2
26	AA00 0059	Caution Decal - English	1
27	B065 1341	Connector Cap	3
28	B065 1342	Coupling Cap	1
29	B065 1303	LCT Cover	1
30	D062 1302	Cover: Right Upper	1
31	B065 1333	Lower Right Cover	1
32	B065 3690	Tank: Discharge Used Toner	1
33	AA15 2315	Tank Seal	1
34	A007 3751	Large Cap - Toner Collection Tank	1

Index No.	Part No.	Description	Q'ty Per Assembly
101	0451 4008N	Tapping Screw: 4x8	
102	0450 4008N	Tapping Screw - M4x8	
103	0450 3008N	Tapping Screw - M3x8	
104	0451 3012N	Tapping Screw: 3x12	
105	0451 4010N	Tapping Screw: 4x10	
106	0313 0100N	Pan Head Screw: M3x10	

3.Exterior 3 (D062/D063/D065/D066)

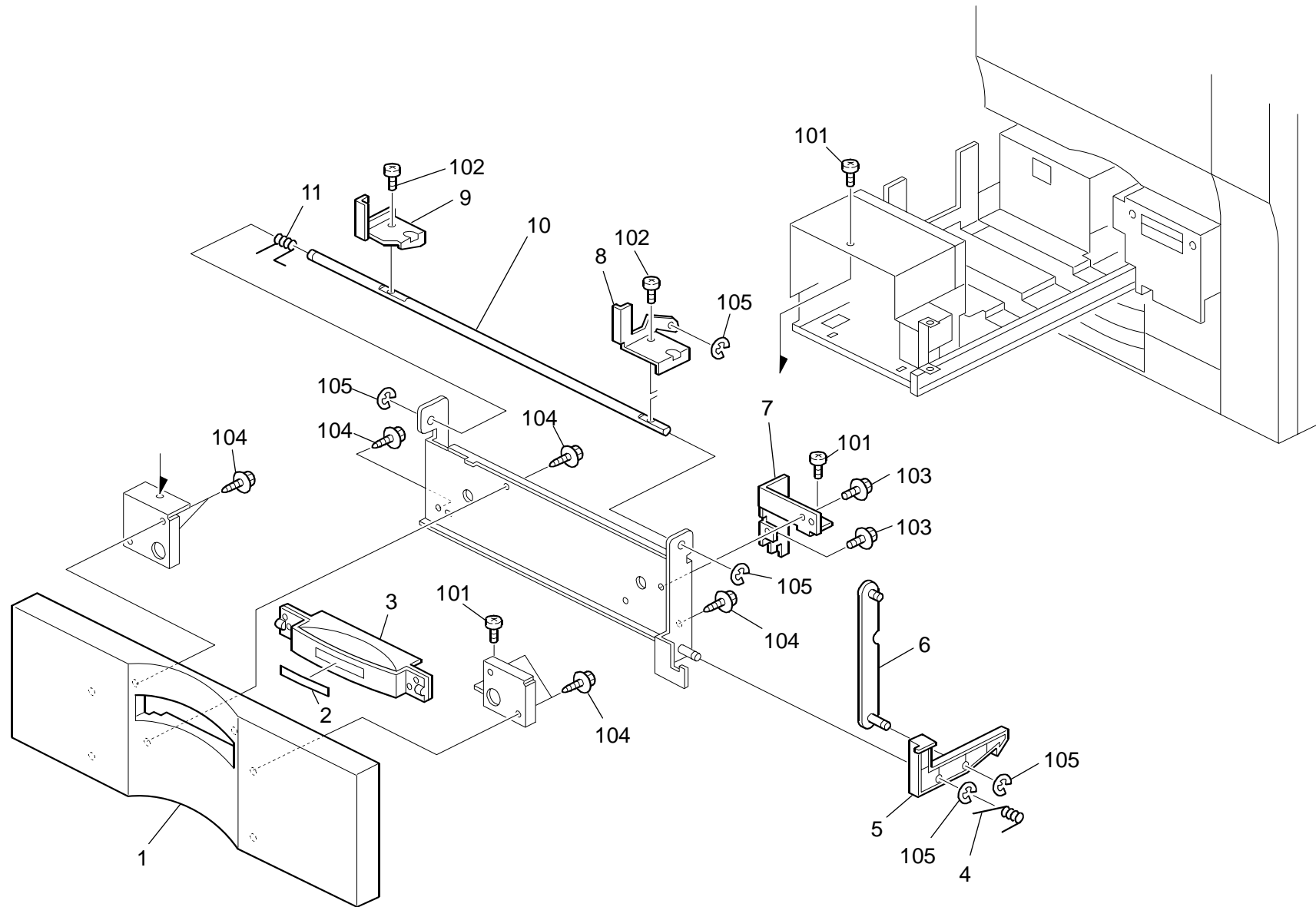


3.Exterior 3 (D062/D063/D065/D066)

Index No.	Part No.	Description	Q'ty Per Assembly
1	AA00 3212	Decal: Paper Tray: Display: 2	1
2	AA00 3213	Decal: Paper Tray: Display: 3	1
3	D062 6627	Grip: Paper Tray: Ass'y	2
4	D062 6435	Arm: Stopper: Paper Tray: Peen	2
5	D062 6633	Cover: Paper Tray: Short	1
6	D062 6632	Cover: Paper Tray: Long	1
7	D062 6449	Torsion Spring: Grip: Paper Tray	2
8	D062 6447	Arm: Grip: Paper Tray: Right	2
9	D062 6442	Arm: Grip: Paper Tray: Left: Peen	2
10	D062 6441	Shaft: Grip: Paper Tray	2
11	D062 6438	Roller: Stopper: Paper Tray	4
12	D062 6434	Link: Stopper: Paper Tray	2
13	D062 6439	Torsion Spring: Stopper: Paper Tray	2
14	D062 6433	Shaft: Stopper: Paper Tray	2

Index No.	Part No.	Description	Q'ty Per Assembly
101	0450 4010N	Tapping Screw: M4x10	
102	0353 0060N	Bind Screw - M3x6	
103	0453 4008N	Binding Self Tapping Screw: 4x8	
104	0720 0040E	Retaining Ring - M4	

4.Exterior 4 (D062/D063/D065/D066)



WWW.SERVICE-MANUAL.NET

4.Exterior 4 (D062/D063/D065/D066)

Index No.	Part No.	Description	Q'ty Per Assembly
1	D062 6630	Cover: Tandem LCT	1
2	AA00 3211	Decal: Paper Tray: Display: 1	1
3	D062 6627	Grip: Paper Tray: Ass'y	1
4	D062 6701	Torsion Spring: Stopper: Tandem LCT	1
5	D062 6702	Stopper: Tandem LCT	1
6	D062 6703	Link: Stopper: Tandem LCT: Peen	1
7	D059 6699	Bracket: Base: Stopper: Tandem LCT	1
8	D062 6713	Arm: Grip: Tandem LCT: Right	1
9	D062 6705	Arm: Grip: Tandem LCT: Left	1
10	D062 6706	Shaft: Grip: Tandem LCT	1
11	D062 6715	Torsion Spring: Grip: Tandem LCT	1

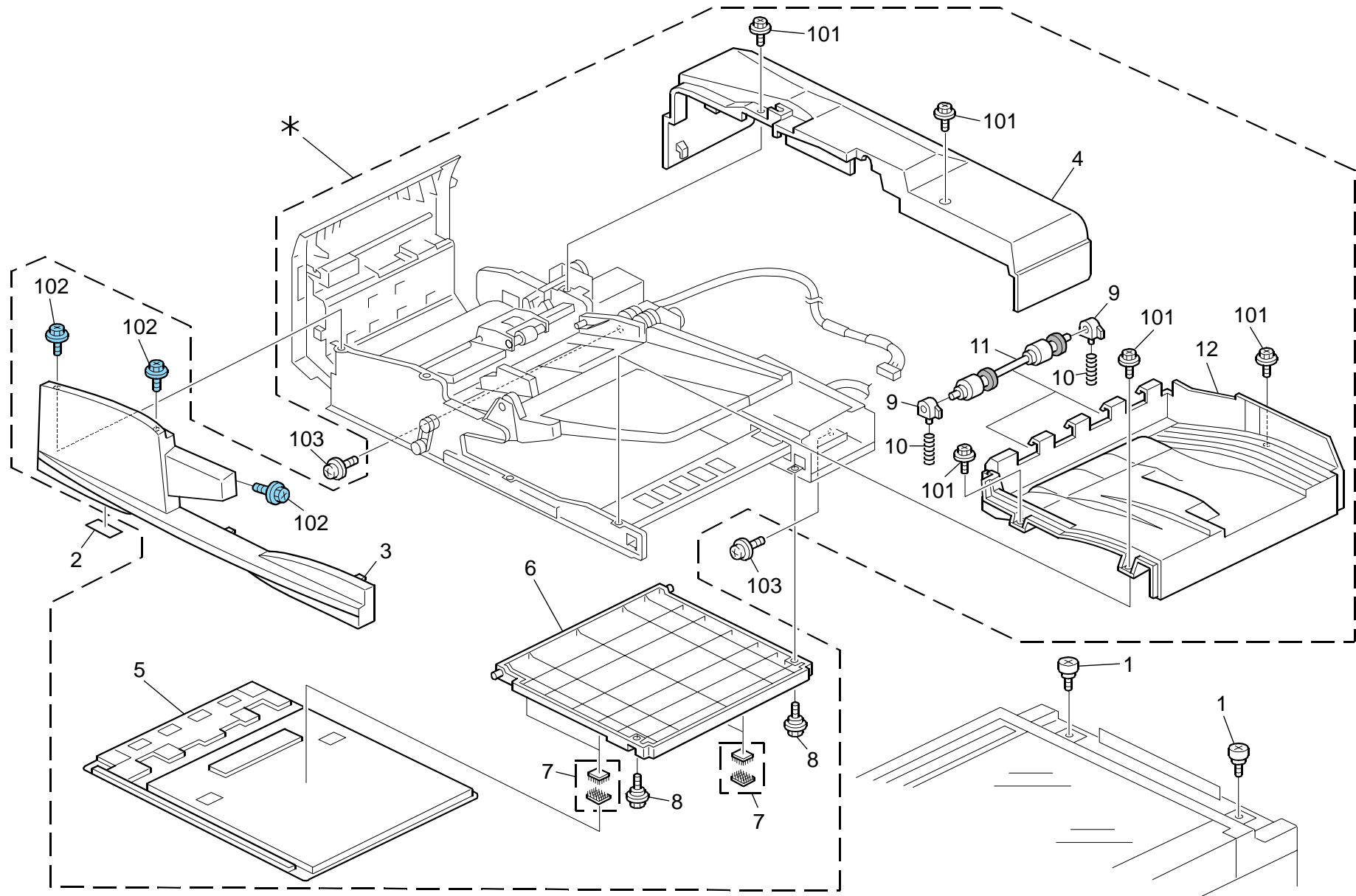
Index No.	Part No.	Description	Q'ty Per Assembly
101	0453 4008N	Binding Self Tapping Screw: 4x8	
102	0353 0060N	Bind Screw - M3x6	
103	0451 4008N	Tapping Screw: 4x8	
104	0450 4010N	Tapping Screw: M4x10	
105	0720 0040E	Retaining Ring - M4	

5.Operation Panel (D062/D063/D065/D066)

Index No.	Part No.	Description	Q'ty Per Assembly
*	D062 1404	Operation Sub-unit: MAR-C4: NA: Ass'y	1
*	D062 1406	Operation Sub-unit: MAR-C4: EU: Ass'y	1
1	B223 1518	Keytop - Blank FB	4
1	B223 1531	Keytop: Printer: NA	1
1	B223 1537	Keytop: Printer: EU	1
1	B223 1532	Keytop: Scanner: NA	1
1	B223 1538	Keytop: Scanner: EU	1
1	B223 1533	Keytop: Function: NA	1
1	B223 1539	Keytop: Function: EU	1
2	B223 1529	Keytop - DOC NA	1
2	B223 1535	Keytop: DOC: EU	1
3	B223 1528	Keytop - Copy NA	1
3	B223 1534	Keytop: Copy: EU	1
4	B247 1431	Lens - Front	1
5	B238 1547	Spacer - Keytop	1
6	B238 1511	Keytop - Counter	1
7	B223 1520	Keytop - Clear/Stop	1
8	D062 1540	Keytop: 10key: NA	1
8	D062 1521	Keytop: 10key	1
9	D062 1583	Keytop: Clear Modes	1
10	B238 1504	Keytop - Start	1
11	B238 1506	Keytop - Try Print	1
12	D062 1509	Keytop: Interrupt	1
13	B238 1552	Keytop - Kantan	1
14	B238 1550	Keytop - Login	1
15	B238 1549	Keytop - Power Source	1
16	D009 1504	Shading Plate: Touch Panel	1
17	D009 1488	Touch Panel: W-VGA: MA	1
18	B238 1535	LCD Spacer B	2
19	B238 1534	LCD Spacer A	2
20	D009 1498	LCD: TFT: W-VGA: MV	1
21	B223 1497	PCB: APC1: OP-L: Sub-ass'y	1
22	D062 1466	PCB: M-C4: OP-R: Sub-ass'y	1
23	D009 1482	Harness: OP-L: 12	1
24	D009 1483	Harness: OP-L: 13	1

Index No.	Part No.	Description	Q'ty Per Assembly
25	D009 1481	Harness: OP-R: 13	1
26	D009 1480	Harness: OP-R: 10	1
27	D009 1486	Invertor: TFT	1
28	D009 1484	Harness: Invertor	1
29	D062 1485	Ground Wire: M-C4: Operation Sub-unit	1
30	D009 1487	Cable: FFC: TFT: LCD	1
31	D009 1511	Stopper: Core	1
32	D062 1461	PCB: M-C4: LCDC: NA: Ass'y	1
32	D062 1462	PCB: M-C4: LCDC: EU: Ass'y	1
33	D062 1530	Sheet: OP: R	1
34	D009 1556	Panel: Upper: NA	1
34	D009 1557	Panel: Upper: EU	1
35	B238 1539	Sheet: Power Source: Display: NA	1
35	B286 1479	Sheet: Power Source: N-C2: EU	1
36	B238 1540	Sheet: Data: Display: NA	1
101	0353 0060N	Bind Screw - M3x6	
102	0450 3010N	Tapping Screw - M3x10	
103	0954 3006N	Screw - M3x6	
104	0950 4008N	Screw: Spring Washer: M4x8	
105	1105 0032	Clamp	
106	1607 2053	Ferrite Core: E04FG210810	

6.DF Exterior (D062/D063/D065/D066)



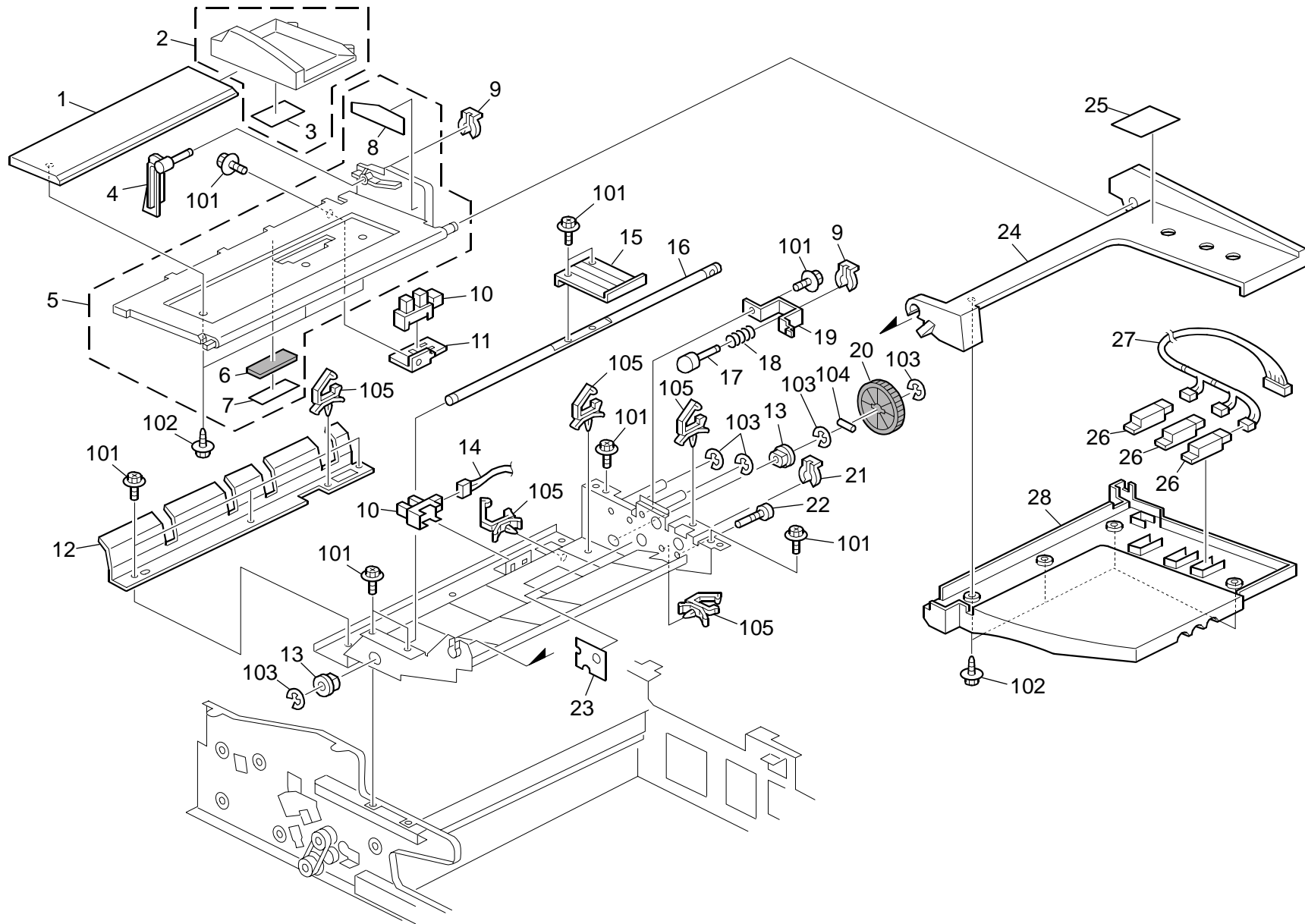
WWW.SERVICE-MANUAL.NET

6.DF Exterior (D062/D063/D065/D066)

Index No.	Part No.	Description	Q'ty Per Assembly
*	D062 7702	SADF: DOM: MON: Ass'y	1
1	A859 7211	Stepped Screw	2
2	D412 4403	Decal: Design Sketch: Misfeed Removal: P2	1
3	B652 1902	Cover: Front	1
4	B652 1952	Cover: Rear	1
5	D412 4911	Pressure Plate: Ass'y	1
6	D412 1922	Cover: Lower	1
7	B477 2715	Pressure Plate Tape	4
8	AA14 3555	Screw - M3x5	2
9	A859 4836	Bushing - Exit Driven Roller	4
10	B477 4131	Spring	4
11	B477 2861	Driven Exit Roller	2
12	D412 4811	Tray: Exit	1

Index No.	Part No.	Description	Q'ty Per Assembly
101	0451 3006N	Tapping Screw - 3x6	
102	0454 3006Q	Tapping Screw - M3x6	
103	0951 5010N	Screw: M5x10	

7.DF Original Feed 1 (D062/D063/D065/D066)



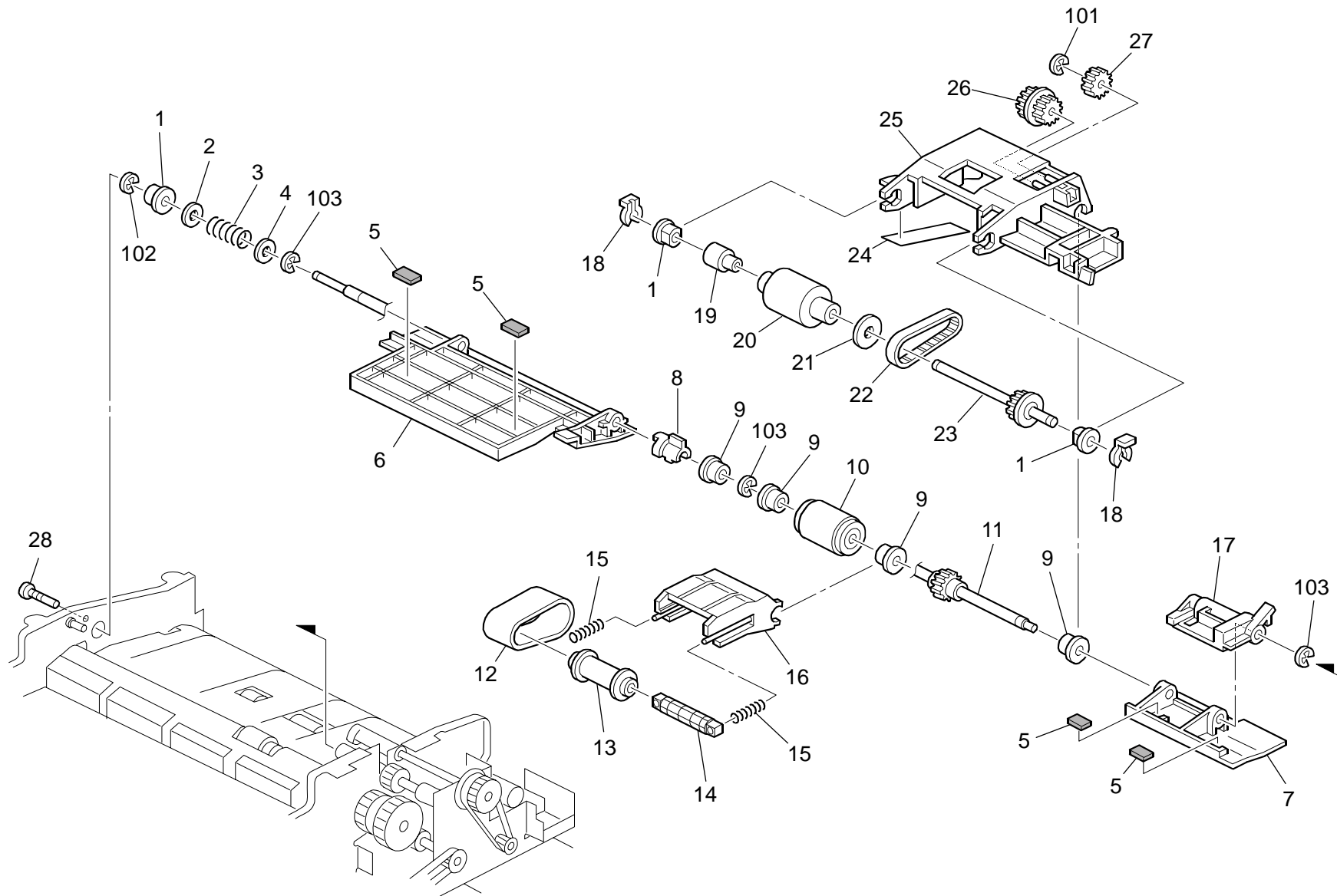
7.DF Original Feed 1 (D062/D063/D065/D066)

Rev. 09/08/2009

Index No.	Part No.	Description	Q'ty Per Assembly
1	G564 4151	Rail - Side Fence	1
2	D412 2361	Side Fence: Original Table: Ass'y	1
3	A376 4599	Side Fence Pad	1
4	D412 2357	Feeler: Sensor: Original Sensor	1
5	D412 2351	Base: Original Table: Ass'y	1
6	B477 2263	Cushion	1
7	B477 2264	Base Cushion Sheet	1
8	D412 4401	Decal: Base: Original	1
9	5206 2686	Snap Ring	2
10	AW02 0141	Photointerruptor	2
11	B477 2281	Original Sensor Bracket	1
12	D412 2282	Guide Plate: Original Table	1
13	AA08 2104	Bushing - 8x12x7	2
14	D412 5920	Harness: Sensor: Base	1
15	B477 2323	Base Lift Lever	1
16	D412 2292	Shaft: Rise: Base	1
17	B652 2392	Stopper: Original Table	1
18	B652 2393	Compression Spring	1
19	D412 2393	Bracket: Stopper: Original Table	1
20	D412 2345	Gear: Z47: M0.8	1
21	5215 2621	Snap Ring - M6	1
22	AA14 3789	Shaft: Cleaner	1
23	D412 2286	Seal: Stay: Original Table	1
24	B652 2376	Original Table: Face Front	1
25	D412 4402	Decal: Set: Original Table	1
26	AW01 0129	Photo Reflection Sensor	3
27	D412 5950	Harness: Sensor: Original Table	1
28	D412 2383	Original Table: Behind	1

Index No.	Part No.	Description	Q'ty Per Assembly
101	0451 3006N	Tapping Screw - 3x6	
102	0450 3008N	Tapping Screw - M3x8	
103	0720 0060E	Retaining Ring - M6	
104	0632 0140G	Parallel Pin	
105	1105 0511	Harness Clamp - LWS-0306ZC	

8.DF Original Feed 2 (D062/D063/D065/D066)



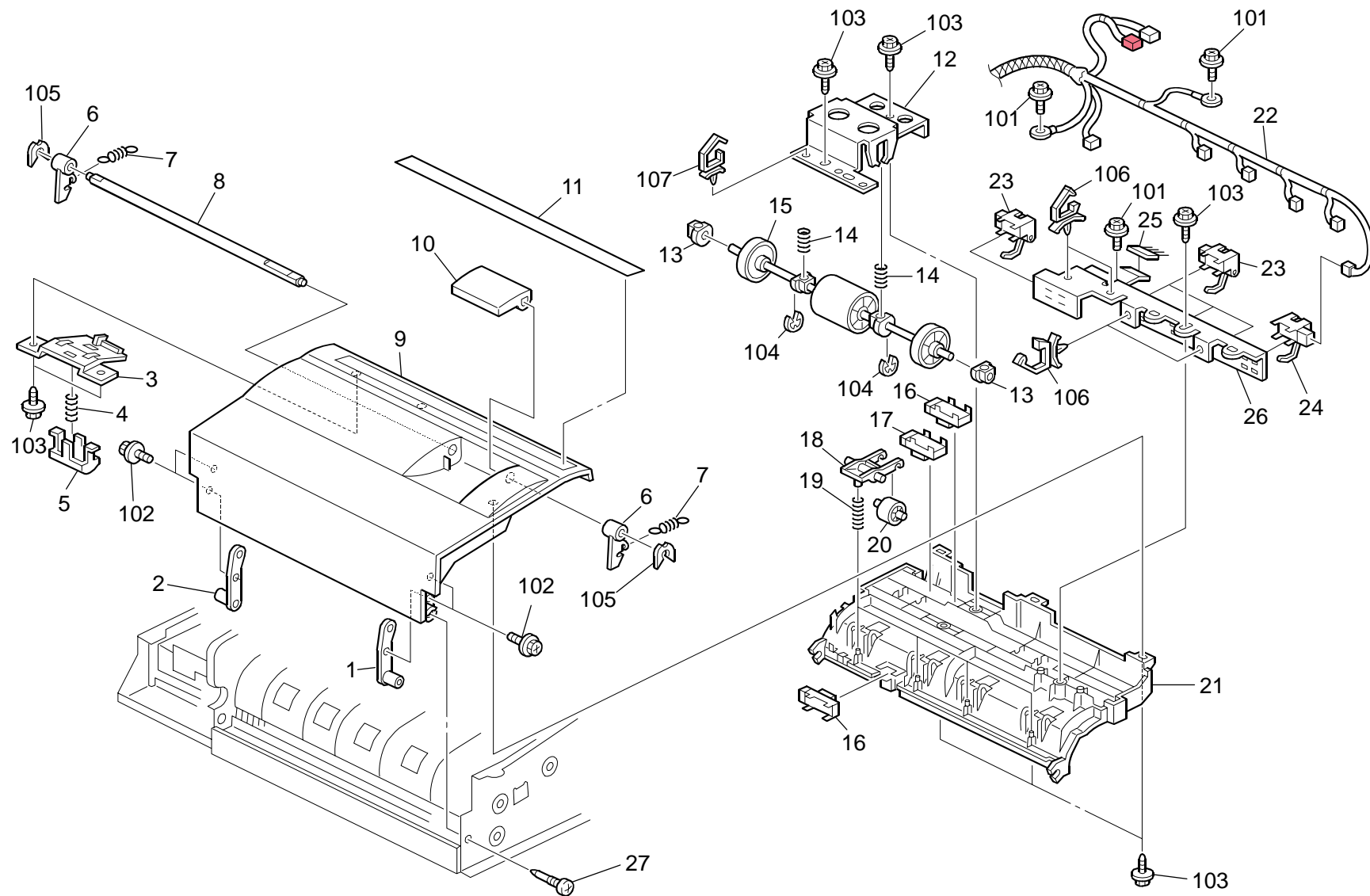
WWW.SERVICE-MANUAL.NET

8.DF Original Feed 2 (D062/D063/D065/D066)

Index No.	Part No.	Description	Q'ty Per Assembly
1	AA08 2101	Bushing - 6x10x6	3
2	A418 1158	Spacer - M6.5x1	1
3	AA06 3435	Compression Spring: Paper Feed: Joint	1
4	AA13 2013	Spacer	1
5	A806 1163	Guide Plate Cushion	4
6	B477 2172	Front Entrance Guide	1
7	B477 2182	Rear Entrance Guide	1
8	A680 1621	Feed-in Unit Stopper	1
9	A628 1225	Bushing - 8mm	4
10	A806 1293	Feed Belt Drive Roller	1
11	B477 2191	Separation Shaft	1
12	A806 1295	Feed Belt	1
13	A806 1294	Feed Belt Driven Roller	1
14	A806 1298	Transport Belt Roller Shaft	1
15	D412 2232	Compression Spring: Paper Feed Belt	2
16	A806 1292	Feed Belt Bracket	1
17	B477 2231	Pick-up Roller Lever	1
18	5447 2681	Snap Ring	2
19	B477 2227	Pickup Roller: Coupling	1
20	B477 2225	Pick-up Roller	1
21	AA13 2171	Spacer - 6x20x1	1
22	B652 2213	Timing Belt: B40S2M142	1
23	D412 2212	Timing Pulley: T21: S2M	1
24	B652 2215	Guide: Paper Feed Belt: Front	1
25	B477 2222	Pick-up Roller Bracket	1
26	A806 2151	Timing Pulley - T19/Z23 S2M/M0.6	1
27	A806 2271	Gear - Z18	1
28	AA14 3789	Shaft: Cleaner	1

Index No.	Part No.	Description	Q'ty Per Assembly
101	0720 0030E	Retaining Ring - M3	
102	0720 0040E	Retaining Ring - M4	
103	0720 0060E	Retaining Ring - M6	

9.DF Original Transfer 1 (D062/D063/D065/D066)



WWW.SERVICE-MANUAL.NET

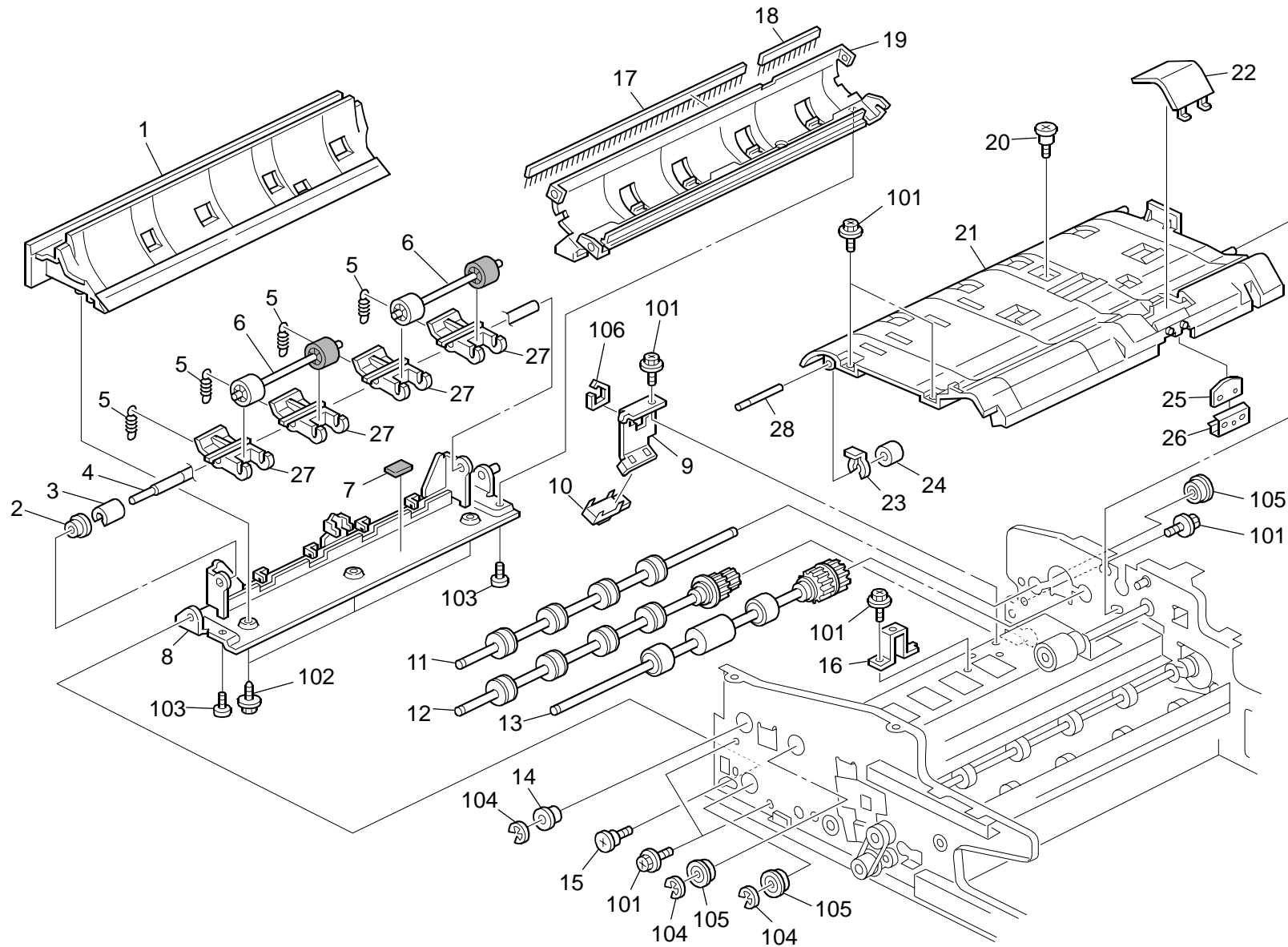
9.DF Original Transfer 1 (D062/D063/D065/D066)

Rev. 09/08/2009

Index No.	Part No.	Description	Q'ty Per Assembly
1	B477 1841	Front Cover Bracket	1
2	B477 1851	Rear Cover Bracket	1
3	B652 1822	Bracket: Pressure: Pickup	1
4	B652 1824	Compression Spring	1
5	B652 1823	Pressure Plate: Pickup	1
6	B477 1825	Paper Feed Release Lever	2
7	B477 4117	Spring	2
8	B477 1831	Grip Shaft	1
9	B477 1791	Paper Feed Cover	1
10	B477 1821	Paper Feed Cover Grip	1
11	B652 1807	Decal: Size: Original	1
12	D412 2363	Bracket: Pressure Plate: Pull Out	1
13	AA08 0037	Bushing - 6mm	2
14	B477 4111	Spring	2
15	D412 2115	Driven Roller: Pull Out: Press Fit	1
16	AW01 0117	Paper Feed Sensor	2
17	AW01 0107	Paper Feed Sensor	1
18	D412 2553	Arm: Roller: Middle: Driven	4
19	D412 2555	Compression Spring: Middle	4
20	B477 2372	Driven Paper Feed Roller	4
21	B477 2344	Guide: Paper Feed: Upper	1
22	D412 5900	Harness: Sensor: Paper Size Sensor	1
23	AW02 0196	Photointerruptor: Paper Size Sensor: Document Feeder	4
24	AW02 0195	Photointerruptor: Entrance	1
25	A697 2131	Antistatic Brush	1
26	D412 2523	Bracket: Paper Size Sensor	1
27	AA14 3788	Pin: Guide Plate: Paper Feed	1

Index No.	Part No.	Description	Q'ty Per Assembly
101	0451 3006N	Tapping Screw - 3x6	
102	0451 3008N	Tapping Screw - M3x8	
103	0450 3008N	Tapping Screw - M3x8	
104	0720 0040E	Retaining Ring - M4	
105	0805 0089	Retaining Ring - M4	
106	1105 0511	Harness Clamp - LWS-0306ZC	
107	1105 0487	Harness Clamp	

10.DF Original Transfer 2 (D062/D063/D065/D066)



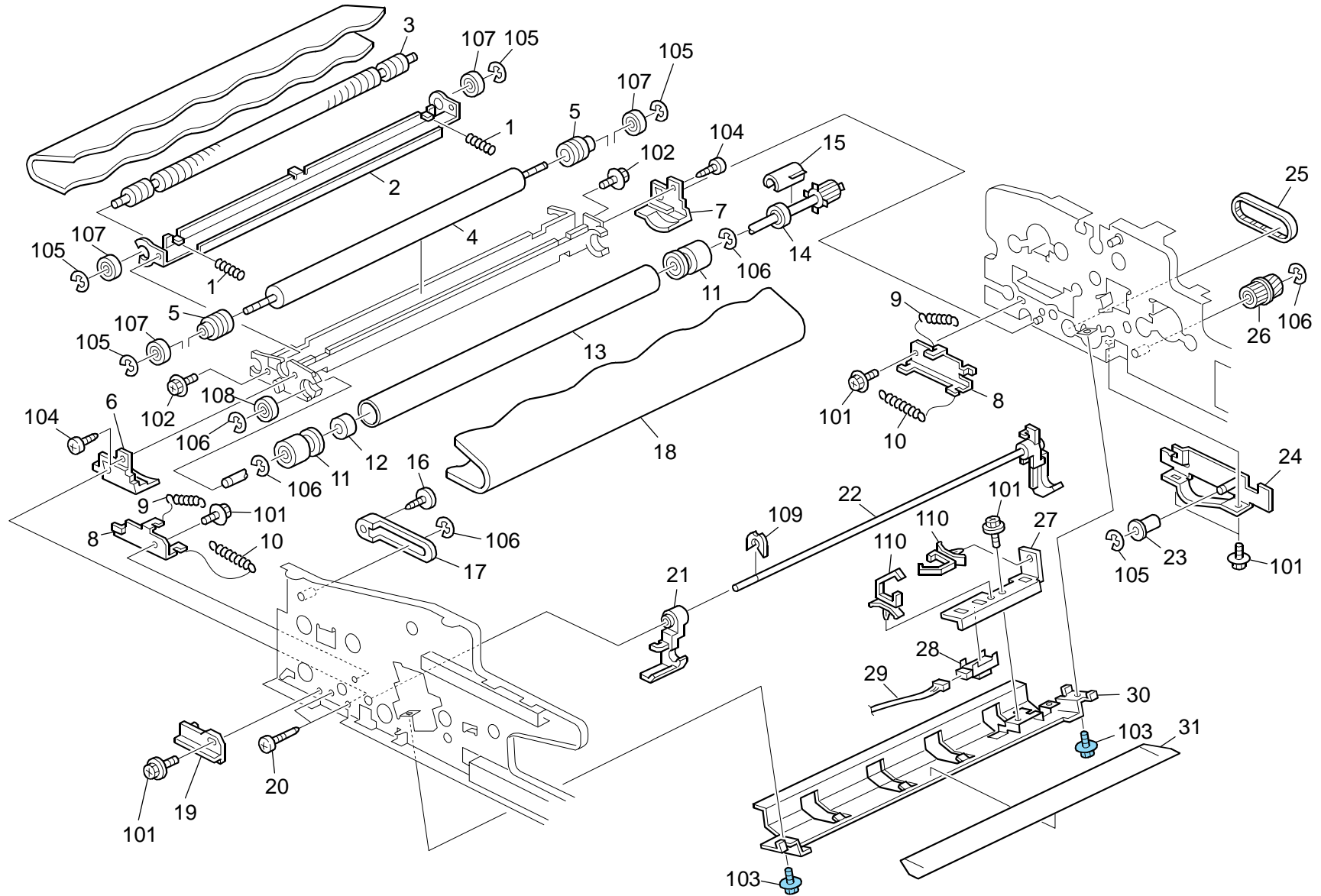
WWW.SERVICE-MANUAL.NET

10.DF Original Transfer 2 (D062/D063/D065/D066)

Index No.	Part No.	Description	Q'ty Per Assembly
1	B477 2581	Entrance Scanning Guide	1
2	5324 1658	Bushing- 4x8x4.5mm	1
3	A374 2181	Spacer	1
4	B477 2575	Entrance Scanning Roller Shaft	1
5	D412 2578	Tension Spring: Scanning: Entrance	4
6	D412 2577	Driven Roller: Scanning: Entrance	2
7	A422 1063	Seal - 0.7x13x20	1
8	B477 2561	Entrance Scanning Base	1
9	B477 2665	Registration Sensor Bracket	1
10	AW01 0117	Paper Feed Sensor	1
11	D412 2121	Roller: Middle: Drive	1
12	B652 2411	Roller: Scanning: Entrance: Drive	1
13	D412 2111	Roller: Pull Out: Drive	1
14	AA08 2141	Bushing - 16x18x5	1
15	AA14 3791	Screw: Safety	1
16	B477 2145	Guide Bracket	1
17	D412 2475	Discharge Brush: L228	1
18	D412 2474	Discharge Brush: L82	1
19	B652 2471	Guide Plate: Scanning: Entrance	1
20	AA14 3790	Screw: Contact Point	1
21	D412 2252	Guide: Paper Feed: Lower	1
22	B477 2151	Separation Cap	1
23	5206 2686	Snap Ring	1
24	D412 2255	Roller: Guide: Middle	1
25	B301 1155	Separation Support Pad	1
26	B652 2146	Holder: Separation Pad	1
27	B477 2574	Arm: Roller: Scanning: Entrance	4
28	D412 2256	Shaft: Roller: Guide: Middle	1

Index No.	Part No.	Description	Q'ty Per Assembly
101	0451 3006N	Tapping Screw - 3x6	
102	0450 3008N	Tapping Screw - M3x8	
103	0453 3006N	Tapping Screw - M3x6	
104	0720 0060E	Retaining Ring - M6	
105	0742 3808	Ball Bearing - 8x16x5	
106	1105 0514	Edge Saddle - EDS-0607L	

11.DF Original Transfer 3 (D062/D063/D065/D066)



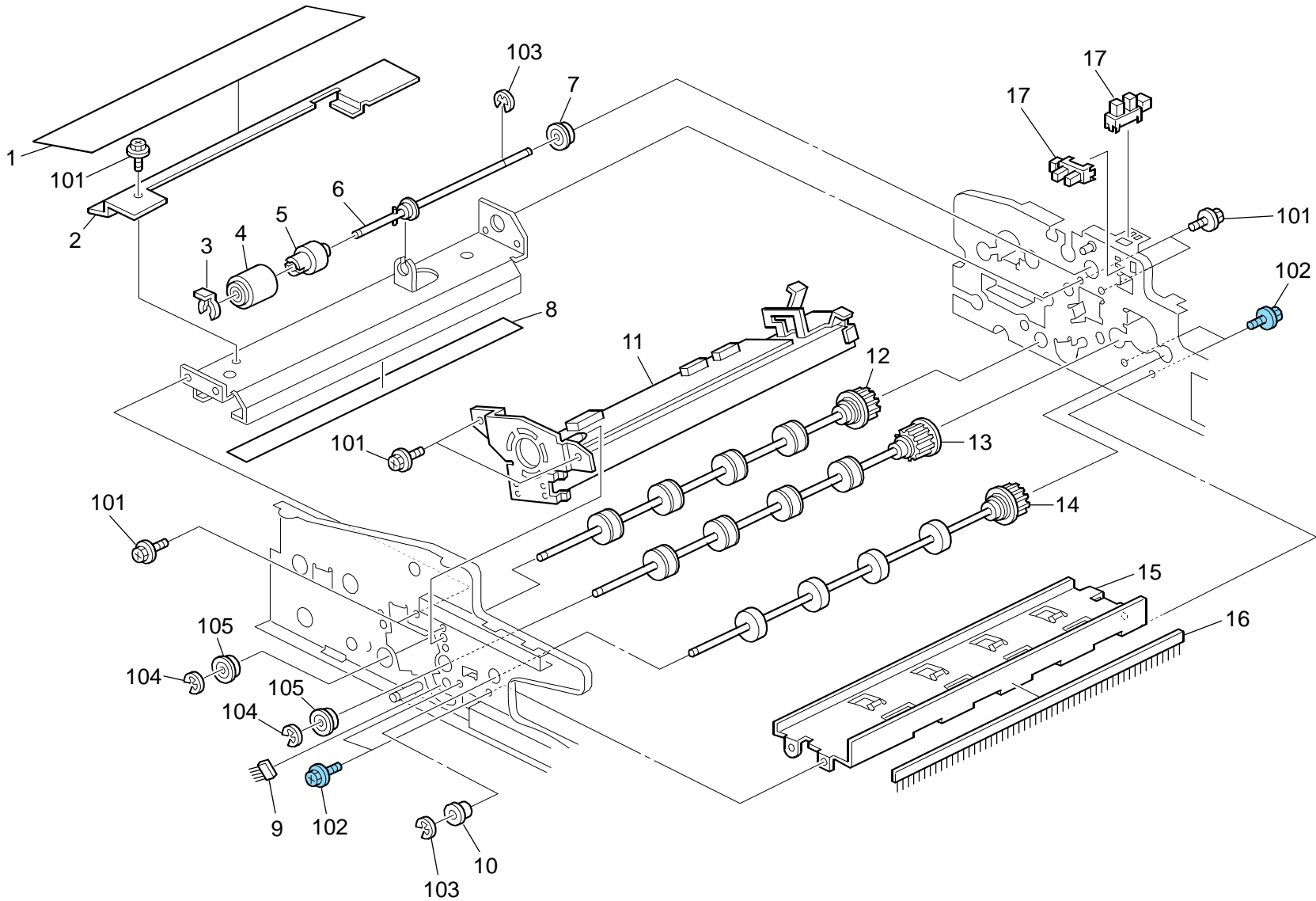
WWW.SERVICE-MANUAL.NET

11.DF Original Transfer 3 (D062/D063/D065/D066)

Index No.	Part No.	Description	Q'ty Per Assembly
1	B652 3125	Compression Spring	2
2	B652 3123	Bracket: Roller: Driven	1
3	D412 3124	Driven Roller: Scanning	1
4	D412 3113	Roller: Scanning: Pressure	1
5	B652 3156	Spacer: Transport Belt	2
6	B652 3116	Guide: Transport Belt: Front	1
7	B652 3117	Guide: Transport Belt: Rear	1
8	D412 1131	Bracket: Pressure: Transport Belt: Rear	2
9	D412 3145	Tension Spring: Lever: Misfeed Removal	2
10	B652 1132	Tension Spring	2
11	D412 3155	Roller: Drive Roller: Transport Belt Unit	2
12	D412 3154	Bushing: Drive Roller: Transport Belt Unit	1
13	D412 3153	Roller: Scanning: Transport Belt	1
14	D412 3152	Shaft: Scanning: Transport Belt: Drive	1
15	B652 3119	Stopper: Roller: Drive	1
16	AA14 3846	Tapping Screw: M3x6	1
17	B652 1816	Link: Stopper: Cover: Paper Feed	1
18	B652 3121	Transport Belt	1
19	B477 1191	Front Left Stopper	1
20	AA14 3788	Pin: Guide Plate: Paper Feed	2
21	B652 3148	Hook: Lock: Image Reading Unit: Front	1
22	D412 3146	Shaft: Lever: Misfeed Removal: Ass'y	1
23	A257 6112	Pulley: Belt Tensioner	1
24	B652 3136	Cover: Roller: Scanning: Peen	1
25	B652 3135	Timing Belt: B60S2M172	1
26	D412 1771	Timing Pulley: Gear: T21-Z21	1
27	B477 2495	Paper Feed Sensor Bracket	1
28	AW01 0117	Paper Feed Sensor	1
29	D412 5940	Harness: Sensor: Registration	1
30	D412 2481	Guide Plate: Scanning: Exit: Peen	1
31	D412 2486	Sheet: Scanning: Exit: Upper	1

Index No.	Part No.	Description	Q'ty Per Assembly
101	0451 3006N	Tapping Screw - 3x6	
102	0451 3008N	Tapping Screw - M3x8	
103	0454 3006Q	Tapping Screw - M3x6	
104	0452 3006N	Binding Self-tapping Screw: 3x6	
105	0720 0040E	Retaining Ring - M4	
106	0720 0060E	Retaining Ring - M6	
107	0740 3706	Ball Bearing - M6x10x3	
108	0740 3508	Ball Bearing -8x14x4	
109	0805 0089	Retaining Ring - M4	
110	1105 0511	Harness Clamp - LWS-0306ZC	

12.DF Original Transfer 4 (D062/D063/D065/D066)



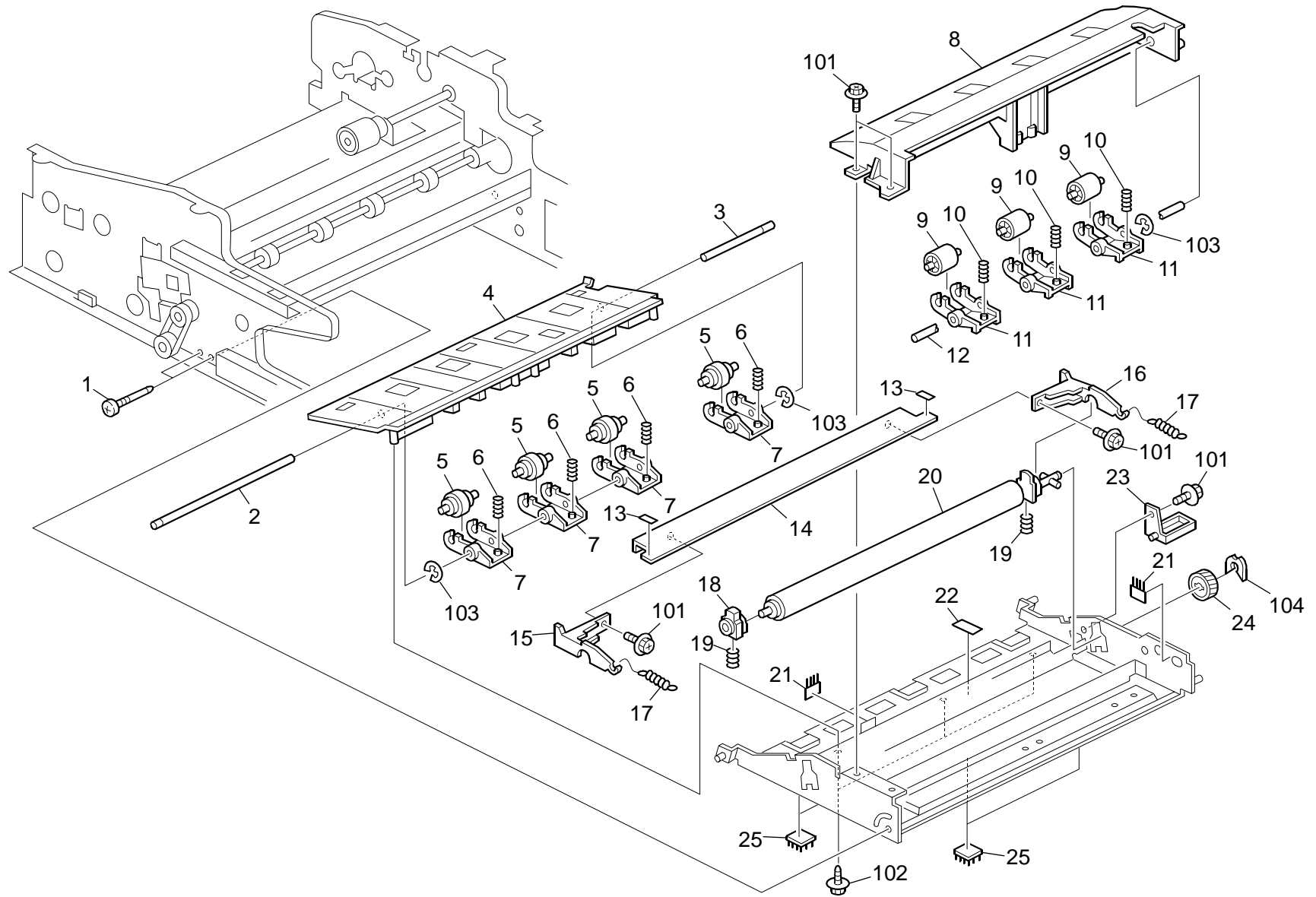
WWW.SERVICE-MANUAL.NET

12.DF Original Transfer 4 (D062/D063/D065/D066)

Index No.	Part No.	Description	Q'ty Per Assembly
1	D412 2248	Sheet: CIS	1
2	D412 2246	Bracket: Sheet: CIS	1
3	5447 2681	Snap Ring	1
4	A859 2241	Reverse Roller	1
5	A293 6399	Torque Limiter - Separator	1
6	D412 1632	Shaft: Reverse Roller: Sub-Ass'y	1
7	A859 2230	Ball Bearing - 6x13x5	1
8	D412 2244	Sheet: Stay: Reverse Roller	1
9	B477 2622	Discharge Brush: L11	1
10	A422 1078	Bushing - 6x12x4mm	1
11	D412 5861	Contact Image Sensor: Collar: 600DPI: Ass'y	1
12	B652 2421	Roller: Scanning: Exit: Drive	1
13	D412 2441	Roller: Contact Image Sensor: Exit: Drive	1
14	B477 2811	Drive Exit Roller	1
15	D412 2825	Guide Plate: Exit: Upper	1
16	B477 2826	Discharge Brush: Exit	1
17	AW02 0141	Photointerruptor	2

Index No.	Part No.	Description	Q'ty Per Assembly
101	0451 3006N	Tapping Screw - 3x6	
102	0454 3006Q	Tapping Screw - M3x6	
103	0720 0040E	Retaining Ring - M4	
104	0720 0060E	Retaining Ring - M6	
105	0742 3808	Ball Bearing - 8x16x5	

13.DF Original Exit (D062/D063/D065/D066)

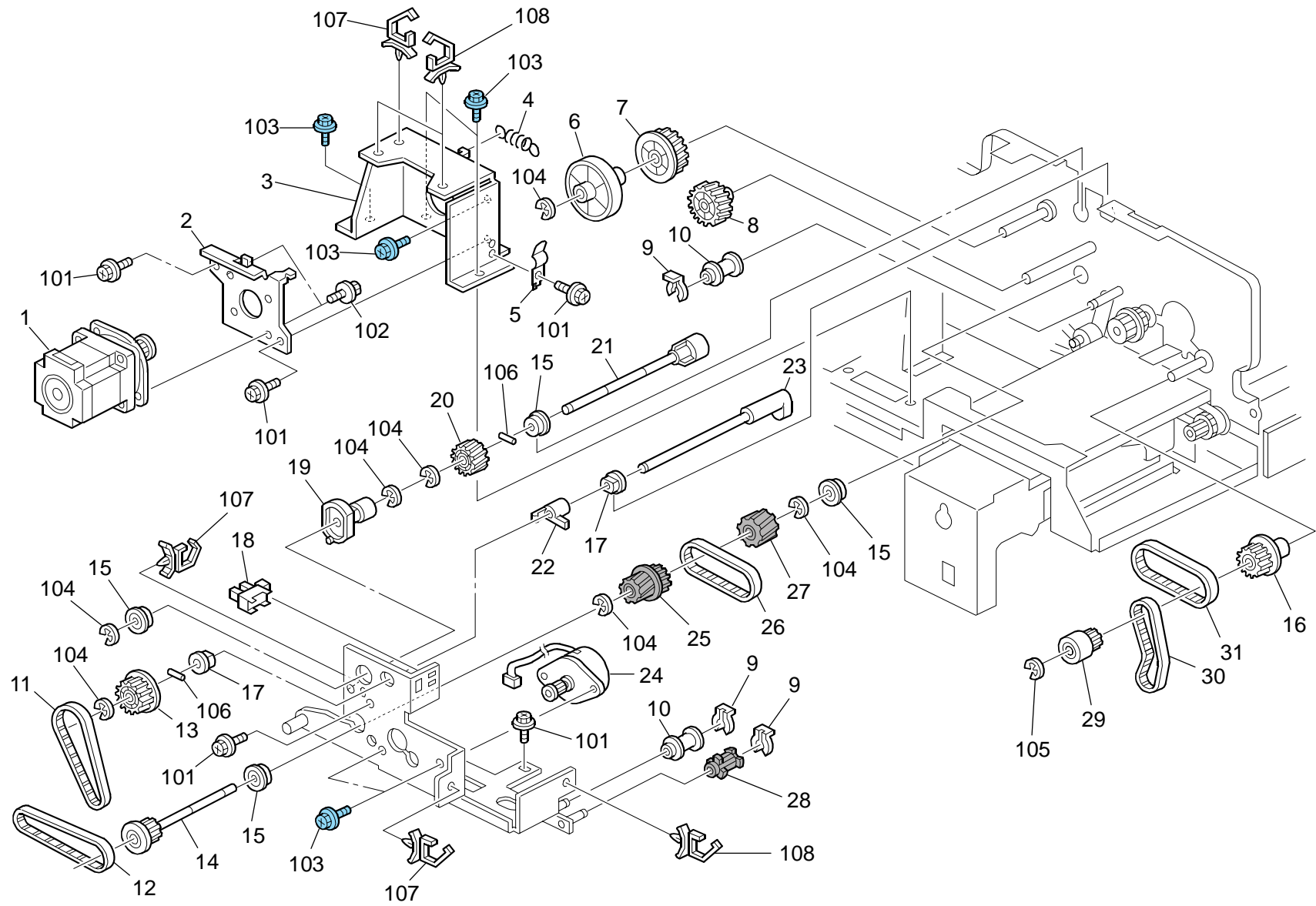


13.DF Original Exit (D062/D063/D065/D066)

Index No.	Part No.	Description	Q'ty Per Assembly
1	AA14 3788	Pin: Guide Plate: Paper Feed	2
2	D412 2641	Shaft: Contact Point: Scanning: Exit: Long	1
3	D412 2645	Shaft: Contact Point: Scanning: Exit: Short	1
4	D412 2632	Guide Plate: Exit: Lower	1
5	B652 4519	Roller: Scanning: Exit: Driven	4
6	D412 2646	Compression Spring: Scanning: Exit	4
7	B477 2637	Driven Exit Arm	4
8	D412 2672	Guide Plate: Exit: Lower	1
9	B477 2636	Driven Exit Scanning Roller	3
10	D412 2677	Compression Spring: Contact Image Sensor: Exit	3
11	B477 2872	Exit Arm	3
12	D412 2676	Shaft: Contact Point: Exit	1
13	D412 2662	Spacer: Guide Plate: Contact Image Sensor: Entrance	2
14	D412 2655	Guide Plate: Contact Image Sensor: Entrance: Cementation	1
15	D412 2663	Lever: Guide Plate: Contact Image Sensor: Front	1
16	D412 2664	Lever: Guide Plate: Contact Image Sensor: Rear	1
17	D412 2669	Tension Spring: Guide Plate: Pressure: 2N	2
18	D412 2653	Bushing: DIA6	1
19	B477 4129	Spring - 12N	2
20	D412 2651	Roller: Scanning: Behind: Ass'y	1
21	B477 2622	Discharge Brush: L11	2
22	A422 1063	Seal - 0.7x13x20	1
23	D412 2618	Cover: Roller: Scanning: Behind	1
24	B477 3241	Gear - 21Z	1
25	B477 2715	Pressure Plate Tape	4

Index No.	Part No.	Description	Q'ty Per Assembly
101	0451 3006N	Tapping Screw - 3x6	
102	0450 3008N	Tapping Screw - M3x8	
103	0720 0030E	Retaining Ring - M3	
104	0805 0089	Retaining Ring - M4	

14.DF Drive/Electrical 1 (D062/D063/D065/D066)



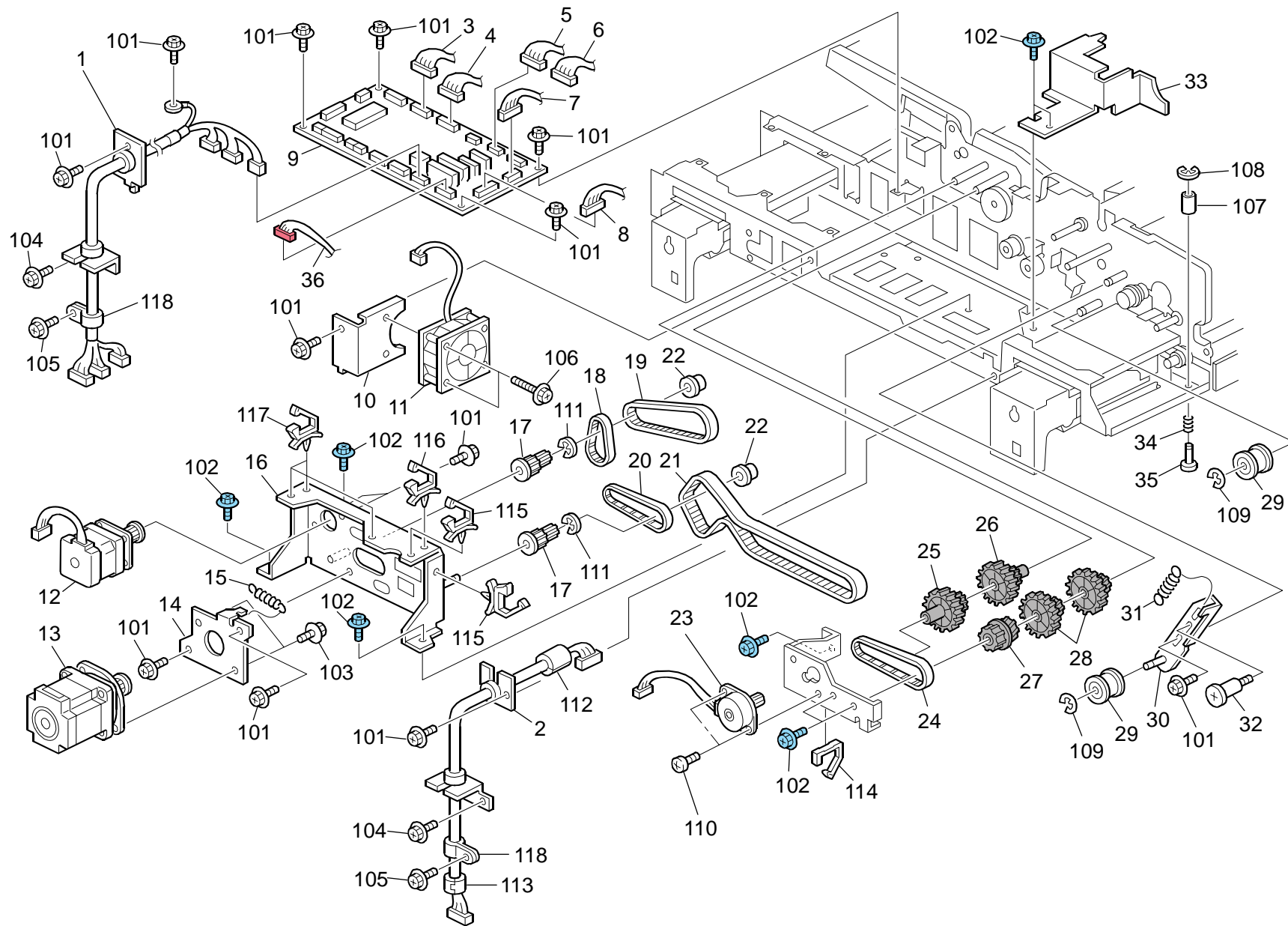
WWW.SERVICE-MANUAL.NET

14.DF Drive/Electrical 1 (D062/D063/D065/D066)

Index No.	Part No.	Description	Q'ty Per Assembly
1	B477 3711	Paper Feed Motor - DC 7.4W	1
2	B477 3115	Paper Feed Motor Stay	1
3	B477 3111	Paper Feed Motor Bracket	1
4	AA06 0842	Tension Spring	1
5	B477 4921	Clamp	1
6	B652 1633	Spacer: Reverse Roller: Rear	1
7	D412 1651	Gear: Z37: Reverse Roller: Front	1
8	B477 3151	Gear - 31Z	1
9	5447 2681	Snap Ring	3
10	A548 2139	Pulley	2
11	B652 1773	Timing Belt: B40S2M178	1
12	B652 1613	Timing Belt: B60S2M212	1
13	B301 2141	Pulley - 39Z	1
14	B477 3145	Pulley	1
15	A859 2230	Ball Bearing - 6x13x5	4
16	D412 1661	Timing Pulley: T23: S3M	1
17	AA08 2101	Bushing - 6x10x6	2
18	AW02 0141	Photointerruptor	1
19	B477 2244	Stopper: Shaft: Separation	1
20	B477 3123	Gear - 24Z	1
21	D412 1622	Shaft: Separation: Drive: Input	1
22	A680 2262	Feeler - Pick-up Roller Cam	1
23	B477 3251	Pick-up Roller Cam	1
24	B700 5805	Stepper Motor: PM: S2M: T15: Ass'y	1
25	B477 3144	Gear: Z20/T21: Input: Rear	1
26	B652 1643	Timing Belt: B40S3M186	1
27	B477 3147	Gear: Z23: Input: Front	1
28	B477 3177	Pulley	1
29	D412 1662	Timing Pulley: T26: S2M	1
30	B652 1674	Timing Belt: B40S2M170	1
31	B652 1673	Timing Belt: B40S3M180	1

Index No.	Part No.	Description	Q'ty Per Assembly
101	0451 3006N	Tapping Screw - 3x6	
102	0451 4006N	Tapping Screw - 4x6	
103	0454 3006Q	Tapping Screw - M3x6	
104	0720 0040E	Retaining Ring - M4	
105	0720 0060E	Retaining Ring - M6	
106	0632 0120G	Parallel Pin - 2x12	
107	1105 0511	Harness Clamp - LWS-0306ZC	
108	1105 0487	Harness Clamp	

15.DF Drive/Electrical 2 (D062/D063/D065/D066)



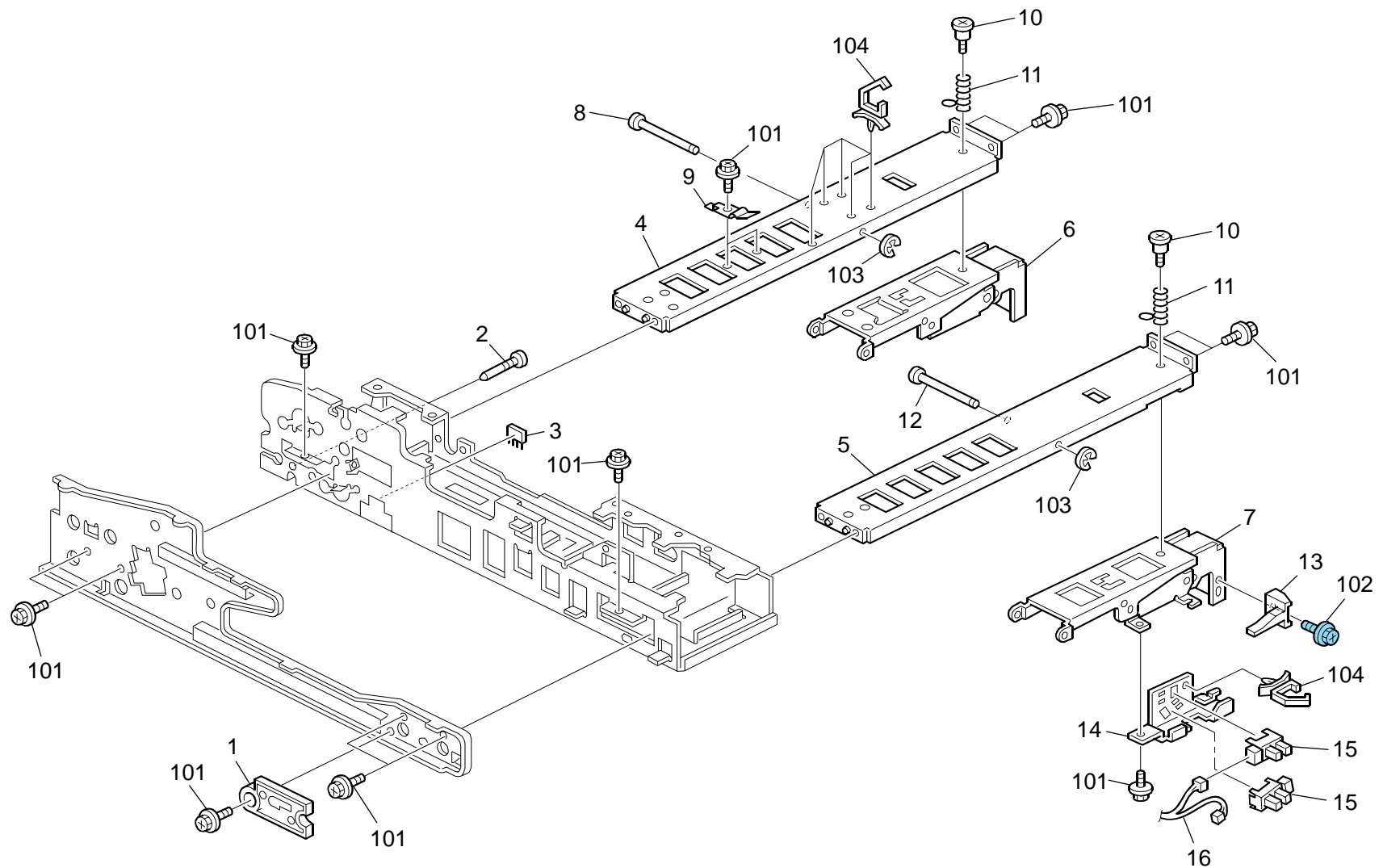
WWW.SERVICE-MANUAL.NET

15.DF Drive/Electrical 2 (D062/D063/D065/D066)

Index No.	Part No.	Description	Q'ty Per Assembly
1	D412 5752	Harness: Interface Cable	1
2	D412 5855	Harness: CIS: Image Data	1
3	D412 5910	Harness: Sensor: Base: Connecting	1
4	D412 5830	Harness: CIS: Control	1
5	D412 5870	Harness: Motor: Base	1
6	D412 5850	Harness: Motor: Exit	1
7	D412 5890	Harness: Motor: Pick Up	1
8	B477 5691	Paper Feed Motor Harness	1
9	D412 5500	PCB: Main Control: Ass'y	1
10	D412 1912	Bracket: DC Fan Motor	1
11	GX64 0028	Fan Motor DC24V 1.92W	1
12	D412 1731	Stepper Motor: Exit: Ass'y	1
13	B477 3721	Scanning Motor - DC 7.4W	1
14	D412 1726	Stay: Motor: Scanning	1
15	AA06 0991	Tension Spring: Tension: Transport	1
16	D412 1711	Bracket: Motor: Scanning: Ass'y	1
17	B477 3217	Pulley	2
18	D412 1741	Timing Belt: 40S2M132	1
19	D412 1743	Timing Belt: 40S3M291	1
20	C269 3957	Timing Belt: S2M200	1
21	D412 1742	Timing Belt: 80S3M507	1
22	5936 2321	Rubber Bushing - Vibration Damper	2
23	D412 2321	Stepper Motor: DIA42: Ass'y	1
24	B700 4428	Timing Belt: B40S2M158	1
25	D412 2348	Gear: Z20/Z47: M0.8: Right: Rear	1
26	D412 2346	Gear: Z20/Z47: M0.8: Right: Front	1
27	D412 2349	Timing Pulley: T30/Z20: S2M/M0.8	1
28	D412 2347	Gear: Z20/Z47: M0.8: Left: Rear	2
29	D412 1754	Pulley: Idler: DIA18	2
30	D412 1751	Bracket: Tensioner: Scanning: Ass'y	1
31	B652 3174	Tension Spring	1
32	AA14 3791	Screw: Safety	1
33	D412 1791	Bracket: Cover: Drive	1
34	B652 1134	Compression Spring	1
35	B652 1133	Shaft: Slider	1

Index No.	Part No.	Description	Q'ty Per Assembly
36	D412 5820	Harness: CIS: Power Source	1
101	0451 3006N	Tapping Screw - 3x6	
102	0454 3006Q	Tapping Screw - M3x6	
103	0451 4006N	Tapping Screw - 4x6	
104	0451 4008N	Tapping Screw: 4x8	
105	0451 3008N	Tapping Screw - M3x8	
106	0451 3020N	Tapping Screw: 3x20	
107	0707 4060N	Bushing: DIA4x6	
108	0720 0030E	Retaining Ring - M3	
109	0720 0060E	Retaining Ring - M6	
110	0353 0060N	Bind Screw - M3x6	
111	0720 0040E	Retaining Ring - M4	
112	1607 1480	Ferrite Core: ZCAT2235-1030A	
113	1607 2159	Ferrite Core: ZCAT2017-0930	
114	1105 0692	Clamp: LES-0503	
115	1105 0511	Harness Clamp - LWS-0306ZC	
116	1105 0534	Clamp	
117	1105 0487	Harness Clamp	
118	1105 0559	Clamp: EMT-5N	

16.DF Frame Section (D062/D063/D065/D066)

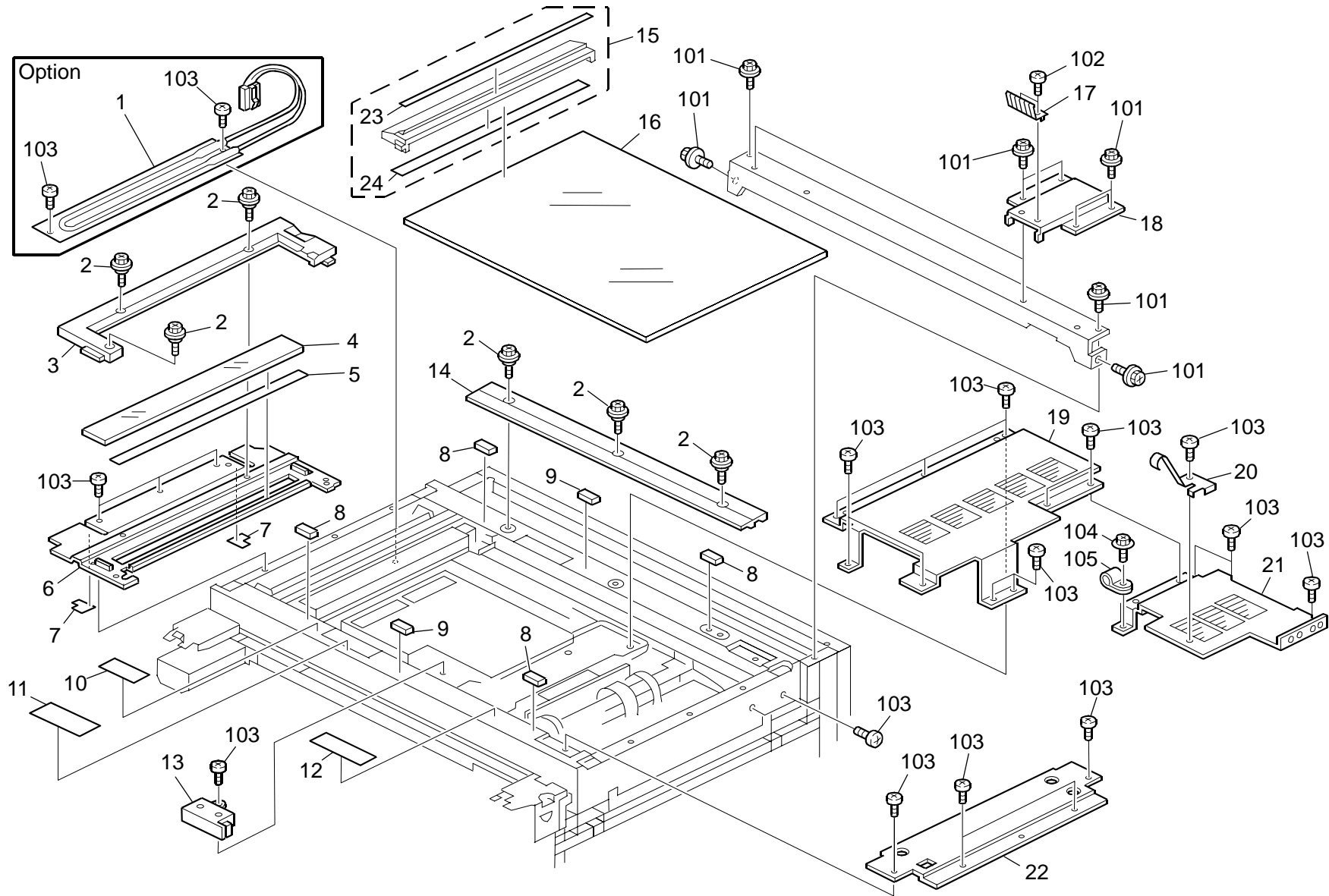


16.DF Frame Section (D062/D063/D065/D066)

Index No.	Part No.	Description	Q'ty Per Assembly
1	B652 1141	Adjusting Pin: Transport Belt Unit	1
2	AA14 3788	Pin: Guide Plate: Paper Feed	1
3	B477 2622	Discharge Brush: L11	1
4	B477 1152	Stay: Frame: Left	1
5	B477 1161	Right Frame Stay	1
6	D412 1210	Hinge: Left: Ass'y	1
7	D412 1250	Hinge: Right: Ass'y	1
8	B477 1171	Arm Shaft	1
9	B477 4921	Clamp	2
10	AA14 3842	Screw: DIA6: 14.5: M4	2
11	B652 1136	Compression Spring	2
12	A806 1135	Contact Point Shaft	1
13	B477 1185	Sensor Feeler	1
14	B477 1181	Sensor Bracket	1
15	AW02 0141	Photointerruptor	2
16	B477 5611	Detection Sensor Harness	1

Index No.	Part No.	Description	Q'ty Per Assembly
101	0451 3006N	Tapping Screw - 3x6	
102	0454 3006Q	Tapping Screw - M3x6	
103	0720 0030E	Retaining Ring - M3	
104	1105 0511	Harness Clamp - LWS-0306ZC	

17. Optics Section 1 (D062/D063/D065/D066)

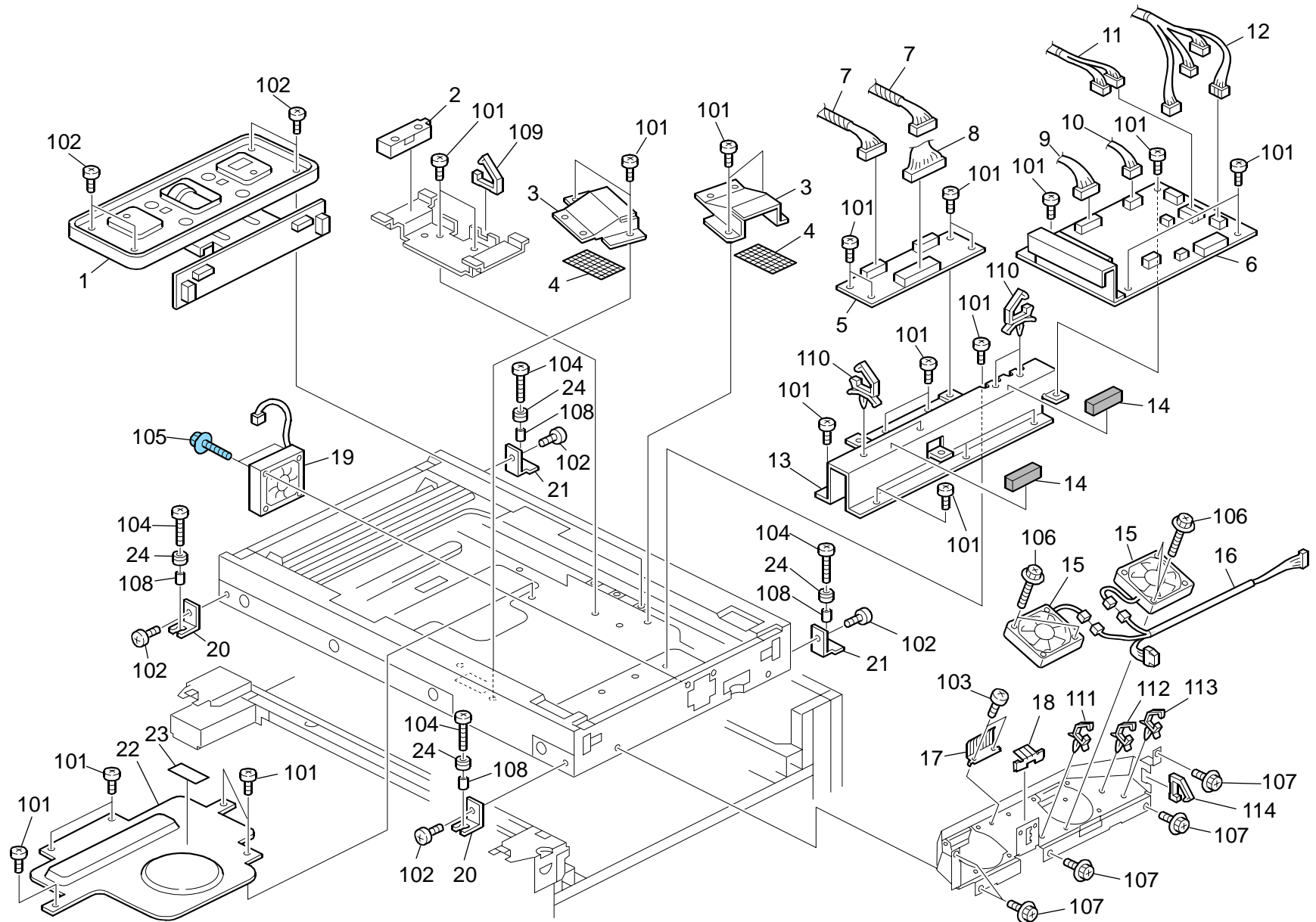


17.Optics Section 1 (D062/D063/D065/D066)

Index No.	Part No.	Description	Q'ty Per Assembly
1	AX40 0122	Anticondensation Heater - 120V 9W	1
1	AX40 0123	Anticondensation Heater - 230V 10W	1
2	AA14 3520	Shoulder Screw - M3	6
3	B065 1772	Left Scale	1
4	BC01 2008	Exposure Glass	1
5	B065 1782	Seal	1
6	B065 1787	Scale Bracket	1
7	B065 1773	Scale Bracket Seal	2
8	5442 1924	Exposure Glass Cushion	1
9	AA16 1137	Cushion - 0.5	2
10	B132 1683	Mylar: Frame: Front	1
11	B132 1684	Mylar: Frame: Middle	1
12	B132 1685	Mylar: Frame: Rear	1
13	AW01 0130	Original Sensor: H=3-80	1
14	B132 1692	Scale: Rear: Printing	1
15	B132 1687	Scale: Sheet Through	1
15	B132 1686	Scale: Sheet Through: Ass'y	1
16	A250 1752	Exposure Glass	1
17	B065 1843	Grounding Plate	2
18	D062 1093	Bracket: ADF	2
19	B132 1674	Cover	1
20	D014 1681	Spring Plate: Cover: SIOB	1
21	D014 1677	Cover: SIOB	1
22	B065 1785	Right Stay	1
23	B132 1689	Decal: Scale: NA	1
23	B132 1688	Decal: Scale: DOM	1
24	A628 3112	Shielding Sheet	1

Index No.	Part No.	Description	Q'ty Per Assembly
101	0451 4008N	Tapping Screw: 4x8	
102	0453 3006N	Tapping Screw - M3x6	
103	0353 0060N	Bind Screw - M3x6	
104	0451 3006N	Tapping Screw - 3x6	
105	1105 0559	Clamp: EMT-5N	

18.Optics Section 2 (D062/D063/D065/D066)



WWW.SERVICE-MANUAL.NET

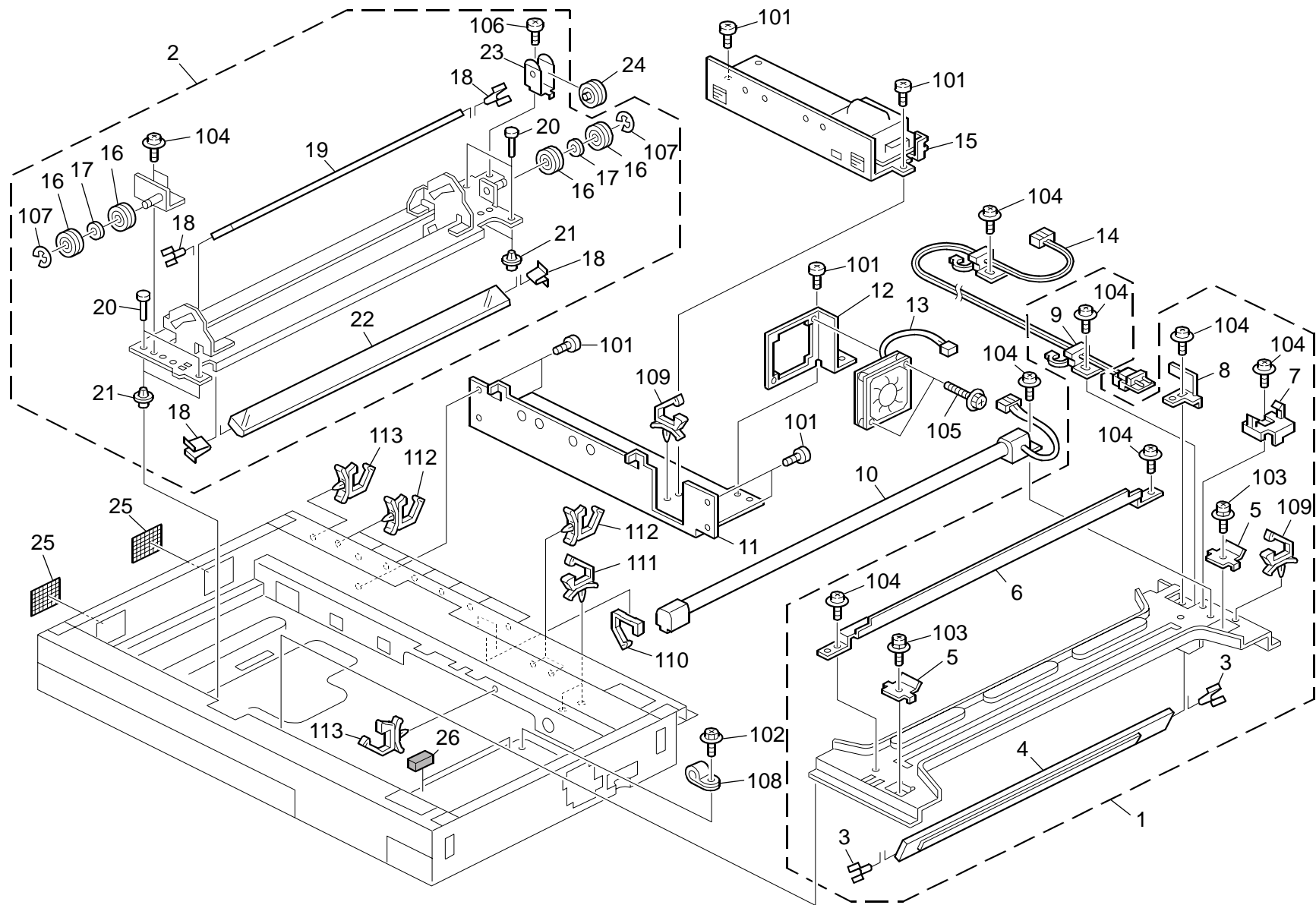
18. Optics Section 2 (D062/D063/D065/D066)

Rev. 09/08/2009

Index No.	Part No.	Description	Q'ty Per Assembly
1	D062 1731	Lensblock SMB: Ass'y	1
2	AW01 0133	Original Sensor - 66mm	1
3	D062 1677	Duct: Cooling: CCD	2
4	D062 1669	Filter: Duct: CCD: Cooling	2
5	D062 5195	PCB: SCNB	1
6	D062 5180	PCB: SIOB	1
7	D014 5301	Harness: SBU: SCNB	2
8	D062 5470	Harness: Scanner: Interfacecable	1
9	D062 5304	Harness: SBU: Power Source	1
10	D062 5303	Harness: SBU	1
11	D062 5474	Harness: SIOB: Original Sensor: EXP	1
12	D062 5466	Harness: SIOB: BCU: Connecting: Fanlamp	1
13	D014 1716	Cover: Shaft	1
14	D014 1747	Gasket: Cover: Shaft	2
15	AX64 0201	Fan: MM60: DC 3.12W	2
16	D062 1172	Harness: Development: Fan: Connecting	1
17	B065 1845	Grounding Plate	1
18	D062 1032	Ground Plate: Frame	1
19	AX64 0211	Fan Motor: MM60	1
20	D062 1732	Bracket: Fix: Front	2
21	D062 1734	Bracket: Fix: Rear	2
22	D062 1679	Cover: Polygon Mirror Motor: Ass'y	1
23	AA00 0217	Decal - LD 655	1
24	D062 1739	Cushion: Scanner	2

Index No.	Part No.	Description	Q'ty Per Assembly
101	0353 0060N	Bind Screw - M3x6	
102	0354 0080N	Screw: M4x8	
103	0453 3006N	Tapping Screw - M3x6	
104	0354 0100N	Screw - M4x10	
105	0454 4020Q	Tapping Screw: 4x20	
106	0451 4020N	Tapping Screw - M4x20	
107	0451 4008N	Tapping Screw: 4x8	
108	0707 4050N	Bushing - 4x5	
109	1105 0551	Clamp: LES-0505	
110	1105 0487	Harness Clamp	
111	1105 0511	Harness Clamp - LWS-0306ZC	
112	1105 0508	Harness Clamp - LWS-0711	
113	1105 0516	Clamp	
114	1105 0518	Edge Saddle - LES-1010	

19. Optics Section 3 (D062/D063/D065/D066)



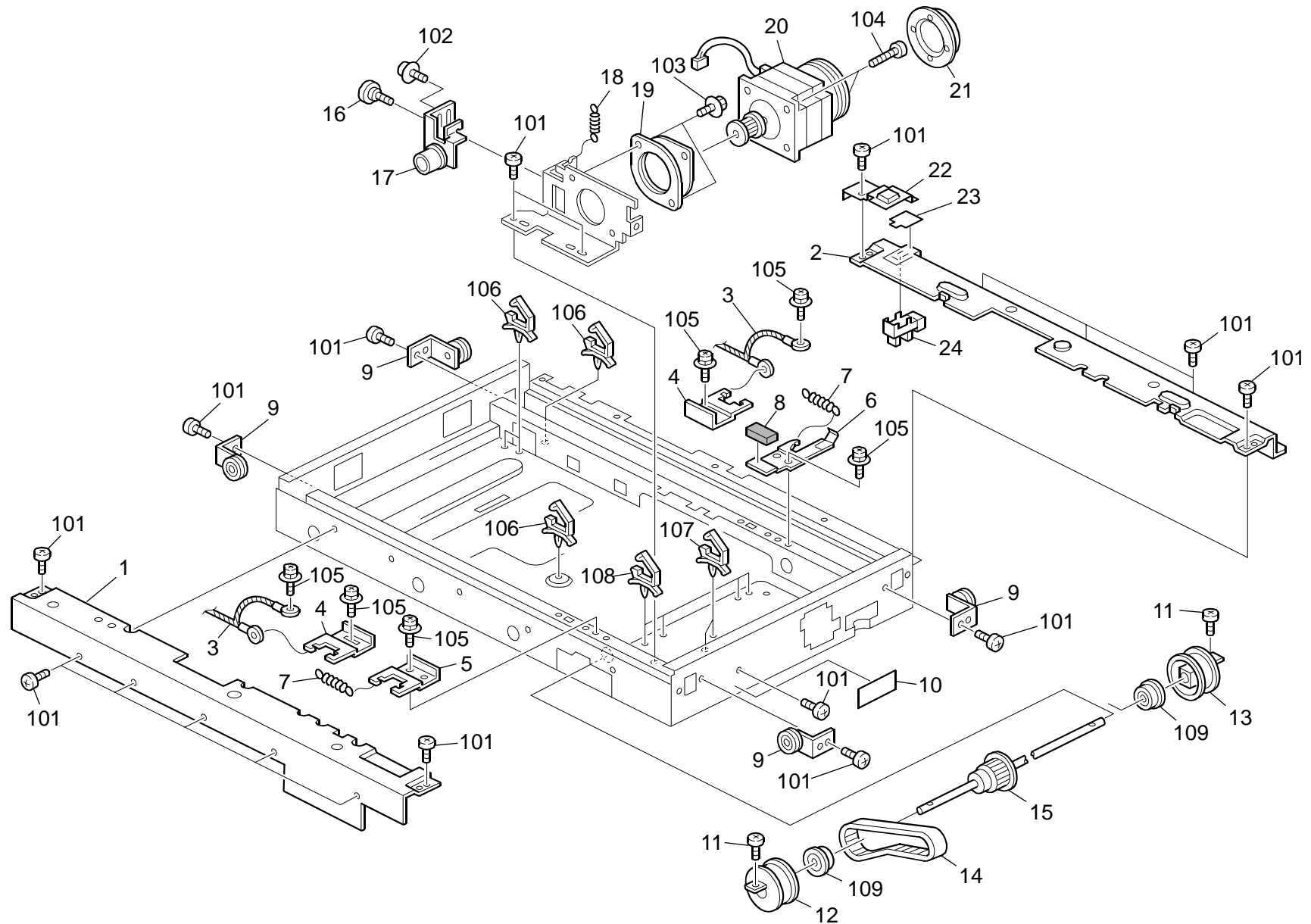
WWW.SERVICE-MANUAL.NET

19.Optics Section 3 (D062/D063/D065/D066)

Index No.	Part No.	Description	Q'ty Per Assembly
1	D014 1751	Carriage: No.1	1
2	D062 1801	Carriage: No.2: Ass'y	1
3	A193 1767	1st Mirror Holder	2
4	B132 1757	Mirror: No.1: Ass'y	1
5	B132 1758	Stay: Wire	2
6	D014 1762	Reflector	1
7	B132 1767	Holder: Connector	1
8	B132 1766	Feeler: Home Position Sensor: No.1	1
9	G570 2731	Grip	1
10	AX50 0101	Xenon Lamp: 50000LX	1
11	B132 1851	Bracket: Invertor	1
12	B132 1852	Bracket: Fan: MM40: Invertor	1
13	AX64 0149	Fan Motor: MM40: 15mm	1
14	B132 5304	Harness: Connecting: Scanner: Lamp	1
15	AZ50 0075	Stabilizer	1
16	AB03 2717	Pulley - 26Z	4
17	AA13 2142	Spacer - M8	2
18	G404 2810	Spring Plate - 2nd Mirror	4
19	B132 1818	Mirror: No.2	1
20	B132 1820	Scanner Shoe Pin	4
21	A069 1883	Shoe - Scanner	4
22	B132 1819	Mirror: No.3	1
23	B132 1815	Holder: Pulley	1
24	G570 2834	Pulley - High Voltage Supply Cord	1
25	D014 1876	Filter: Scanner	2
26	D014 1744	Gasket: MM10x20	2

Index No.	Part No.	Description	Q'ty Per Assembly
101	0353 0060N	Bind Screw - M3x6	
102	0451 3006N	Tapping Screw - 3x6	
103	0954 4008N	Screw - M4x8	
104	0951 3006N	Screw - M3x6	
105	0451 3020N	Tapping Screw: 3x20	
106	0313 0050N	Philips Pan Head Screw - M3x5	
107	0720 0060E	Retaining Ring - M6	
108	1105 0559	Clamp: EMT-5N	
109	1105 0516	Clamp	
110	1105 0518	Edge Saddle - LES-1010	
111	1105 0489	Harness Clamp - LWS 1316	
112	1105 0460	Clamp	
113	1105 0511	Harness Clamp - LWS-0306ZC	

20. Optics Section 4 (D062/D063/D065/D066)



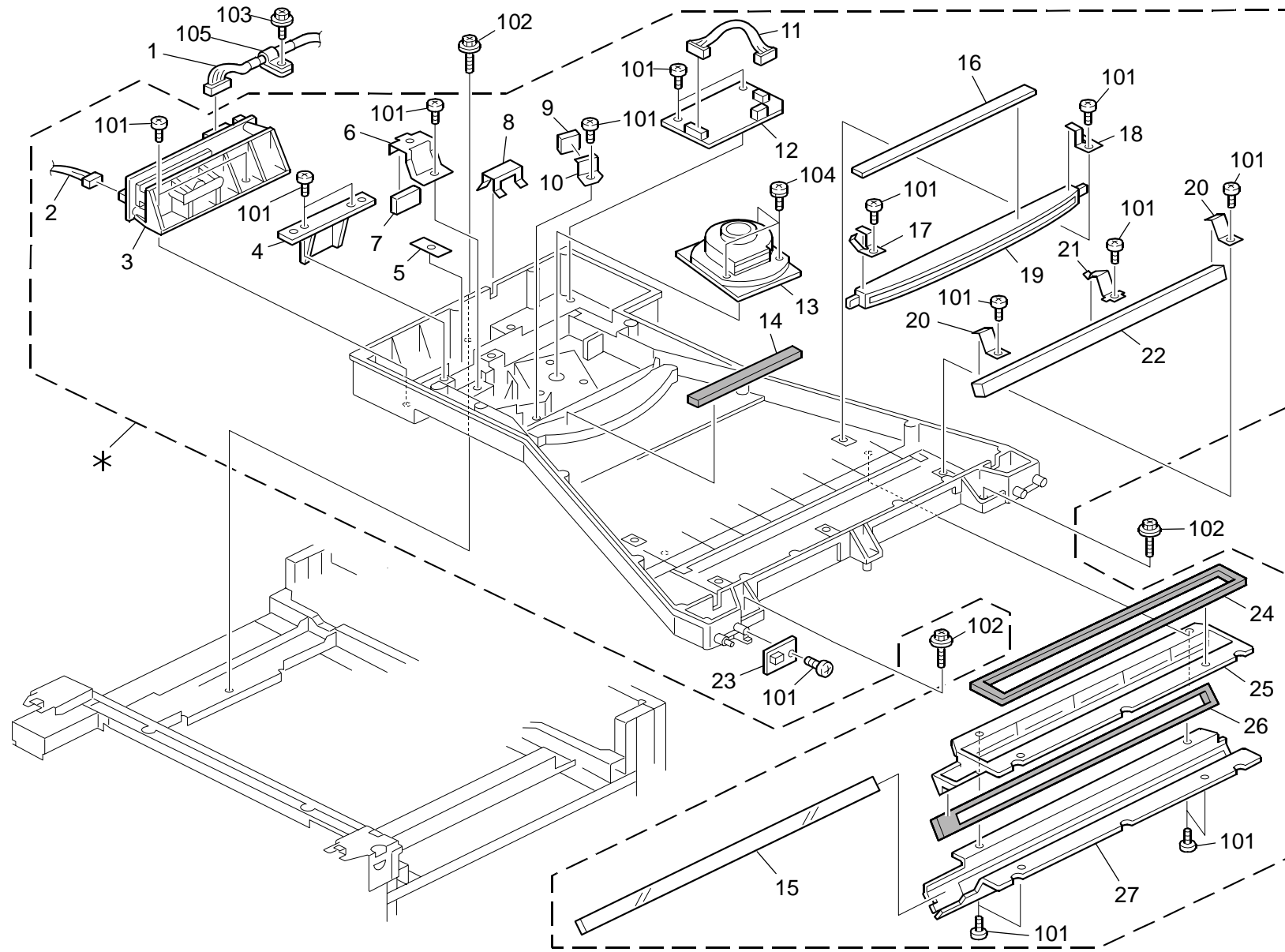
WWW.SERVICE-MANUAL.NET

20.Optics Section 4 (D062/D063/D065/D066)

Index No.	Part No.	Description	Q'ty Per Assembly
1	B132 1666	Frame: Front	1
2	D014 1667	Frame: Rear	1
3	B132 1729	Drive Were: Scanner	2
4	B132 1724	Bracket: Tension	2
5	B132 1725	Bracket: Tension: Fix	1
6	D014 1722	Bracket: Tension: Inner Back: Peen	1
7	B132 1723	Spring: Drive Were	2
8	D014 1744	Gasket: MM10x20	1
9	B132 1671	Bracket: Pulley	4
10	AA00 0217	Decal - LD 655	1
11	B132 1719	Screw: Mechanical Drive Section	2
12	D062 1708	Pulley: Drive: Front: Ass'y	1
13	D062 1709	Pulley: Drive: Rear: Ass'y	1
14	AA04 3314	Timing Belt: 100S2M266	1
15	B132 1720	Pulley: 40T	1
16	AA14 3802	Screw: 6x1.7	1
17	B132 1710	Pulley: Tension: Timing Belt: Ass'y	1
18	G029 4150	Pressure Spring	1
19	A134 1724	Cushion - Stepper Motor	1
20	D014 1703	Stepper Motor: DC1.98V 7.13W	1
21	B132 1714	Cover: Damper	1
22	B132 1898	Spring Plate: Ground Plate: ADF	1
23	A267 1820	Sheet - Photointerrupter	1
24	AW02 0145	Photointerruptor: Flat	1

Index No.	Part No.	Description	Q'ty Per Assembly
101	0353 0060N	Bind Screw - M3x6	
102	0951 3006N	Screw - M3x6	
103	0451 4008N	Tapping Screw: 4x8	
104	0314 0120N	Screw - M4x12	
105	0954 4008N	Screw - M4x8	
106	1105 0511	Harness Clamp - LWS-0306ZC	
107	1105 0460	Clamp	
108	1105 0487	Harness Clamp	
109	0805 3368	Ball Bearing - 8x16x5mm	

21.Laser Unit (D062/D063/D065/D066)



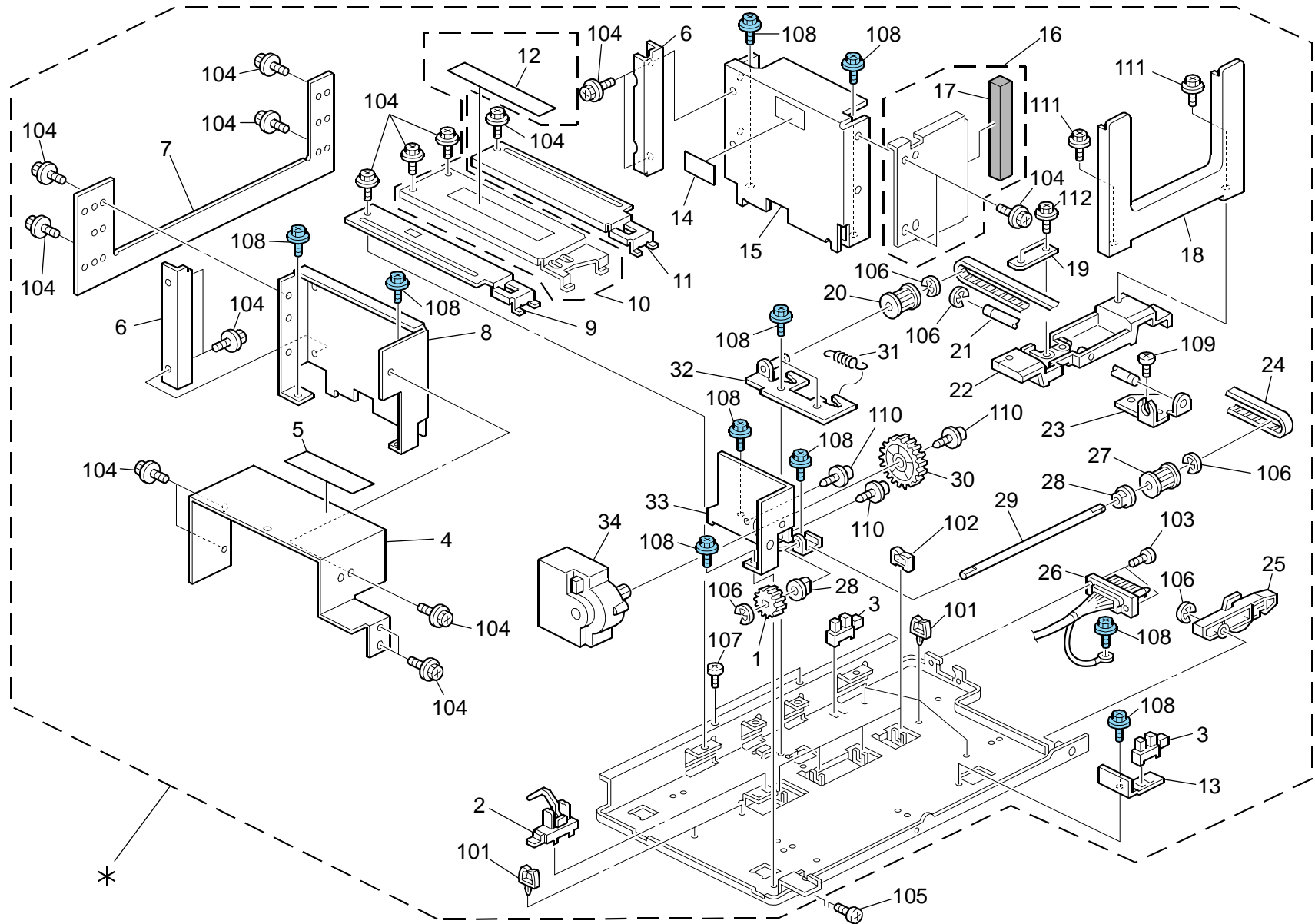
WWW.SERVICE-MANUAL.NET

21.Laser Unit (D062/D063/D065/D066)

Index No.	Part No.	Description	Q'ty Per Assembly
*	D062 1852	Imaging Unit: Ass'y	1
1	D062 5403	Cable: LVDS Cable: LDB	1
2	D062 5437	Harness: Laser Diode Control: Power Source	1
3	D062 1859	Laser Diode Unit: Ass'y	1
4	D062 1908	Aperture	1
5	B070 1921	Spacer: Laser Diode Unit: 25Micron	1
5	B070 1922	Spacer: Laser Diode Unit: 50Micron	1
5	B070 1923	Spacer: Laser Diode Unit: 75Micron	1
5	B070 1924	Spacer: Laser Diode Unit: 100Micron	1
6	D062 1912	Plate: Lens: L0	1
7	AC02 4019	Lens: Cylindrical Lens	1
8	D062 1904	Plate: Harness: LVDS	1
9	AC03 0175	Mirror: No.1	1
10	B065 1915	1st Mirror Holder	1
11	D062 5412	Harness: DC Polygon Mirror Motor	1
12	D062 5271	Motor Control Board: DC Polygon Mirror Motor	1
13	AX06 0382	DC Polygon Mirror Motor: Ass'y	1
14	B065 1955	Seal - Lens L1	1
15	AC01 5037	Shield Glass	1
16	G570 2827	Supporting Plate	1
17	B065 1925	Lens Holder - L2 Right	1
18	B065 1926	Lens Holder - L2 Left	1
19	GC02 5010	DTL	1
20	B065 1930	2nd Mirror Holder	2
21	B065 1932	Middle Mirror Holder	1
22	AC03 0176	Mirror: No.2	1
23	D054 5330	PCB: Sync Detector Board	1
24	B065 1946	Seal - Shield Glass Holder	1
25	B065 1944	Shield Glass Holder	1
26	B065 1945	Seal - Shield Glass	1
27	B065 1940	Shield Glass Rail	1

Index No.	Part No.	Description	Q'ty Per Assembly
101	0353 0080N	Screw: M3x8	
102	0451 4010N	Tapping Screw: 4x10	
103	0451 4008N	Tapping Screw: 4x8	
104	0957 3010N	Screw: Small Round/Spring: M3x10	
105	1105 0306	Metal Clamp - Al-4	

22.Tandem Tray 1 (D062/D063/D065/D066)



WWW.SERVICE-MANUAL.NET

22.Tandem Tray 1 (D062/D063/D065/D066)

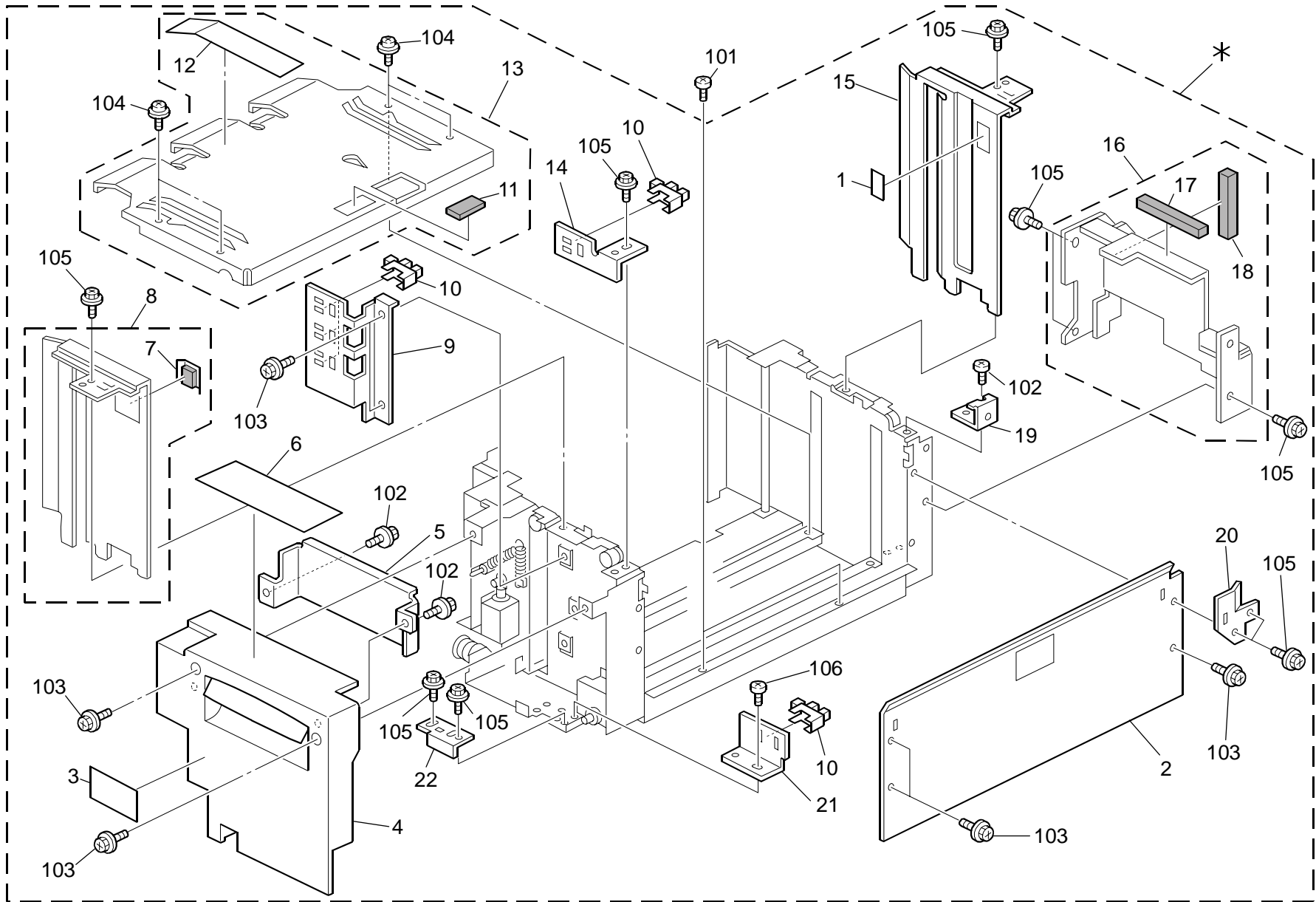
Rev. 09/08/2009

Index No.	Part No.	Description	Q'ty Per Assembly
*	D062 6615	Tandem LCT: Left: Letter: Ass'y	1
1	AB01 3798	Gear - Z18	1
2	AW02 0163	Paper Feed Sensor	1
3	AW02 0160	Paper Feed Sensor	2
4	D062 6646	Inner Cover: Tandem LCT: Left	1
5	B065 6846	Decal - Paper Set - Left	1
6	B098 6647	End Fence: Auxiliary	2
7	B098 6645	Side Plate: Tandem LCT: Left Sideways	1
8	B098 6643	Side Fence: Tandem LCT: Left Front	1
9	B098 6640	Tray Bottom Plate: Left Front	1
10	B098 6639	Tray Bottom Plate: Left Middle: Ass'y	1
11	B098 6642	Tray Bottom Plate: Left Rear	1
12	A096 6678	Decal - Left Paper Set	1
13	B065 6831	Sensor Bracket	1
14	AA00 1508	Decal: Side Fence: 40x30	1
15	B098 6644	Side Fence: Tandem LCT: Left Rear	1
16	B098 6649	Cover: Rear: Tandem LCT: Ass'y	1
17	A293 6649	Rear Cover Cushion - Tandem LCT	1
18	B247 6624	Back Fence - Left	1
19	B065 6823	Timing Belt Cover	1
20	AB03 3085	Timing Pulley - 15T	1
21	B247 6950	Shaft: Slider: Back Fence	1
22	B132 7564	Slider: Back Fence: Left	1
23	B065 6830	Pulley Bracket	1
24	AA04 3271	Timing Belt S3M 196T	1
25	D059 6620	Lever: Coupling: Left	1
26	B247 6701	Harness - Tandem LCT Left	1
27	AB03 3084	Timing Pulley - 15T	1
28	5053 0447	Bushing - 6mm	2
29	AA14 0686	Shaft - Timing Pulley	1
30	AB01 9475	Gear - 48T	1
31	B247 6755	Tension Spring - 10N	1
32	B247 6951	Bracket: Pulley: Driven: Ass'y	1
33	D062 6665	Bracket: DC Motor: Left: Peen	1
34	AX04 0145	DC Motor: Tandem LCT	1

Index No.	Part No.	Description	Q'ty Per Assembly
101	1105 0230	Clamp	
102	1105 0328	Harness Clamp - ES-0505	
103	0453 3008N	Binding Self Tapping Screw: 3x8	
104	0451 4006N	Tapping Screw - 4x6	
105	0314 0060N	Screw - M4x6	
106	0720 0040E	Retaining Ring - M4	
107	0354 0040N	Screw-M4x4	
108	0454 4006Q	Tapping Screw: 4x6	
109	0453 4006N	Binding Self Tapping Screw: 4x6	
110	0450 3008N	Tapping Screw - M3x8	
111	0450 4010N	Tapping Screw: M4x10	
112	0450 4008N	Tapping Screw - M4x8	

WWW.SERVICE-MANUAL.NET

23. Tandem Tray 2 (D062/D063/D065/D066)



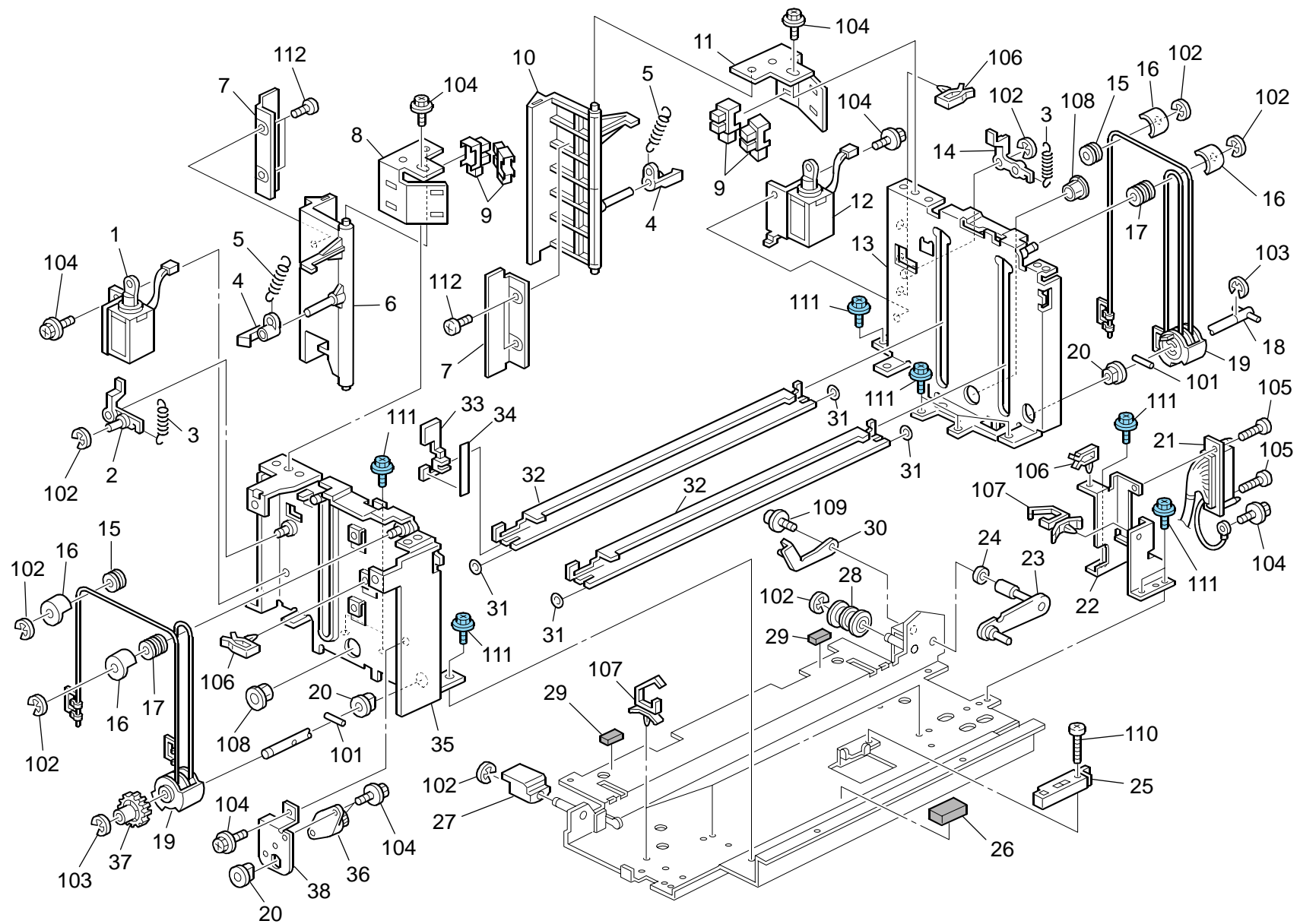
WWW.SERVICE-MANUAL.NET

23.Tandem Tray 2 (D062/D063/D065/D066)

Index No.	Part No.	Description	Q'ty Per Assembly
*	D062 6606	Tandem LCT: Right: Letter: Ass'y	1
*	D062 6605	Tandem LCT: Right: Ass'y	1
1	AA00 1509	Decal: Side Fence: 16x30	1
2	A248 6666	Side Plate	1
3	D062 6878	Decal: Caution Chart: Tandem LCT	1
4	D062 6745	Inner Cover: Tandem LCT: Right	1
5	B065 6875	Protection - Inner Cover	1
6	B065 6877	Decal - Paper Set - Right	1
7	B234 6690	Plate: Paper	1
8	B098 6736	Side Fence: Tandem LCT: Right Front	1
9	B065 6706	Paper Volume Sensor Bracket	1
10	AW02 0145	Photointerruptor: Flat	3
11	5201 2858	Friction Pad	1
12	A096 6677	Decal - Right Paper Set	1
13	B234 6680	Base: Tandem LCT: Right: Adhesion	1
14	B065 6874	Bracket - Paper Volumesensor	1
15	B247 6738	Side Fence: Tandem LCT: Right Rear	1
16	B098 6739	Supporting Plate: Tandem: Right Rear	1
17	B475 6855	Shield: Tandem LCT: Rear Right	1
18	AA15 3138	Inner Cover Cushion - Right Rear	1
19	B247 6695	Guide: Misfeed Removal: Paper Tray	1
20	B247 6672	Guide: Interlock: Tandem LCT	1
21	B065 6873	Sensor Bracket	1
22	B065 6859	Right Stopper	1

Index No.	Part No.	Description	Q'ty Per Assembly
101	0314 0060N	Screw - M4x6	
102	0450 4008N	Tapping Screw - M4x8	
103	0451 4008N	Tapping Screw: 4x8	
104	0951 4006N	Screw: Polished Round: M4x6	
105	0451 4006N	Tapping Screw - 4x6	
106	0354 0040N	Screw-M4x4	

24. Tandem Tray 3 (D062/D063/D065/D066)



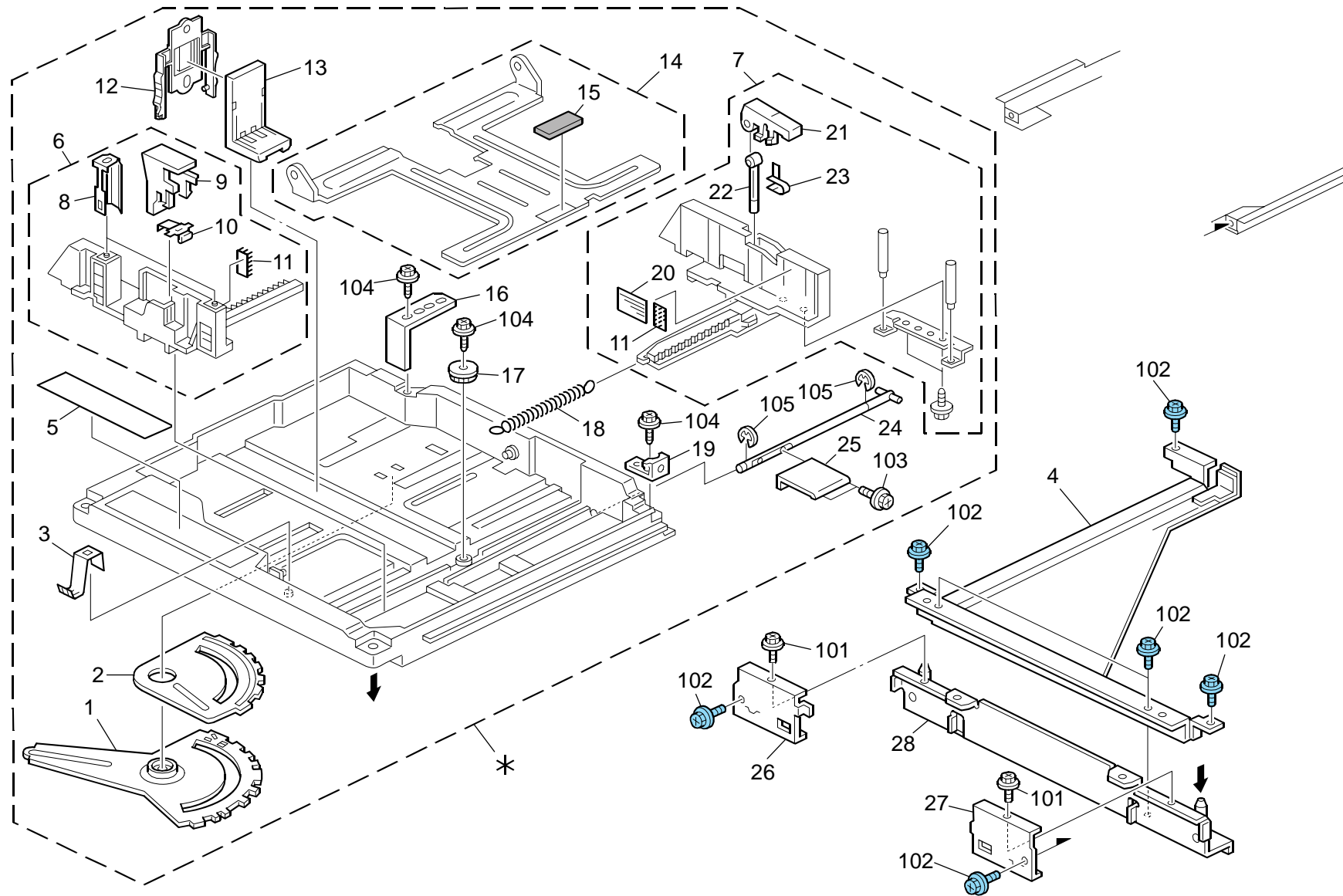
WWW.SERVICE-MANUAL.NET

24. Tandem Tray 3 (D062/D063/D065/D066)

Index No.	Part No.	Description	Q'ty Per Assembly
1	B132 7547	DC Solenoid: End Fence: Front: Ass'y	1
2	B070 6683	Lever: Release: Front	1
3	AA06 0758	Tension Spring - Short	2
4	A248 6713	Hook - Tension Spring	2
5	AA06 0757	Tension Spring - Long	2
6	B247 6713	End Fence - Front	1
7	B065 6712	End Fence Guide	2
8	B065 6881	Detector Bracket	1
9	AW02 0160	Paper Feed Sensor	4
10	B247 6714	End Fence - Rear	1
11	B065 6884	Detector Bracket	1
12	B132 7571	DC Solenoid: End Fence: Rear: Ass'y	1
13	B247 6811	Side Plate: Tandem LCT: Right Rear: Ass'y	1
14	B070 6684	Lever: Release: Rear	1
15	AB03 2058	Wire Pulley - M10	2
16	A248 6695	Guide - Pulley	4
17	AB03 2719	Pulley - M10	2
18	B247 6958	Shaft: Drive: Tray Bottom Plate: Right: Press Fit	1
19	B247 6694	Pulley: Drive Were: Ass'y	1
20	5053 0223	Bushing - 8mm	2
21	B247 6703	Harness - Tandem LCT Right	1
22	B065 6743	Right Bracket	1
23	B065 6862	Large Lever	1
24	AA13 2203	Spacer - 6mm	1
25	AW01 0113	Sensor	1
26	AA16 1129	Cushion - Large	1
27	A294 6655	Front Roller - Slide Rail	1
28	AF02 2105	Roller - Slide Rail	1
29	AA16 1130	Cushion - Small	2
30	B065 6864	Small Lever	1
31	A248 6694	Wire Ring	4
32	B065 6870	Stay - Rightbase	2
33	A294 6690	Feeler - Paper Height Sensor	1
34	B065 6717	Paper Volume Shield Plate	1
35	B247 6955	Side Plate: Tandem LCT: Front Right: Ass'y	1

Index No.	Part No.	Description	Q'ty Per Assembly
36	B247 6901	Oil Damper: Fall	1
37	AB01 3781	Gear - 30Z	1
38	B065 6872	Oil Damper Bracket	1
101	0633 0200G	Pin - M3x20	
102	0720 0040E	Retaining Ring - M4	
103	0720 0060E	Retaining Ring - M6	
104	0451 4006N	Tapping Screw - 4x6	
105	0453 3008N	Binding Self Tapping Screw: 3x8	
106	1105 0267	Harness Clamp - YMC-10-0	
107	1105 0291	Harness Clamp - LWS-3S	
108	1106 0411	Bushing - 11.5mm	
109	0951 3006N	Screw - M3x6	
110	0313 0120N	Pan Head Screw: M3x12	
111	0454 4006Q	Tapping Screw: 4x6	
112	0452 3006N	Binding Self-tapping Screw: 3x6	

25. Universal Tray (D062/D063/D065/D066)



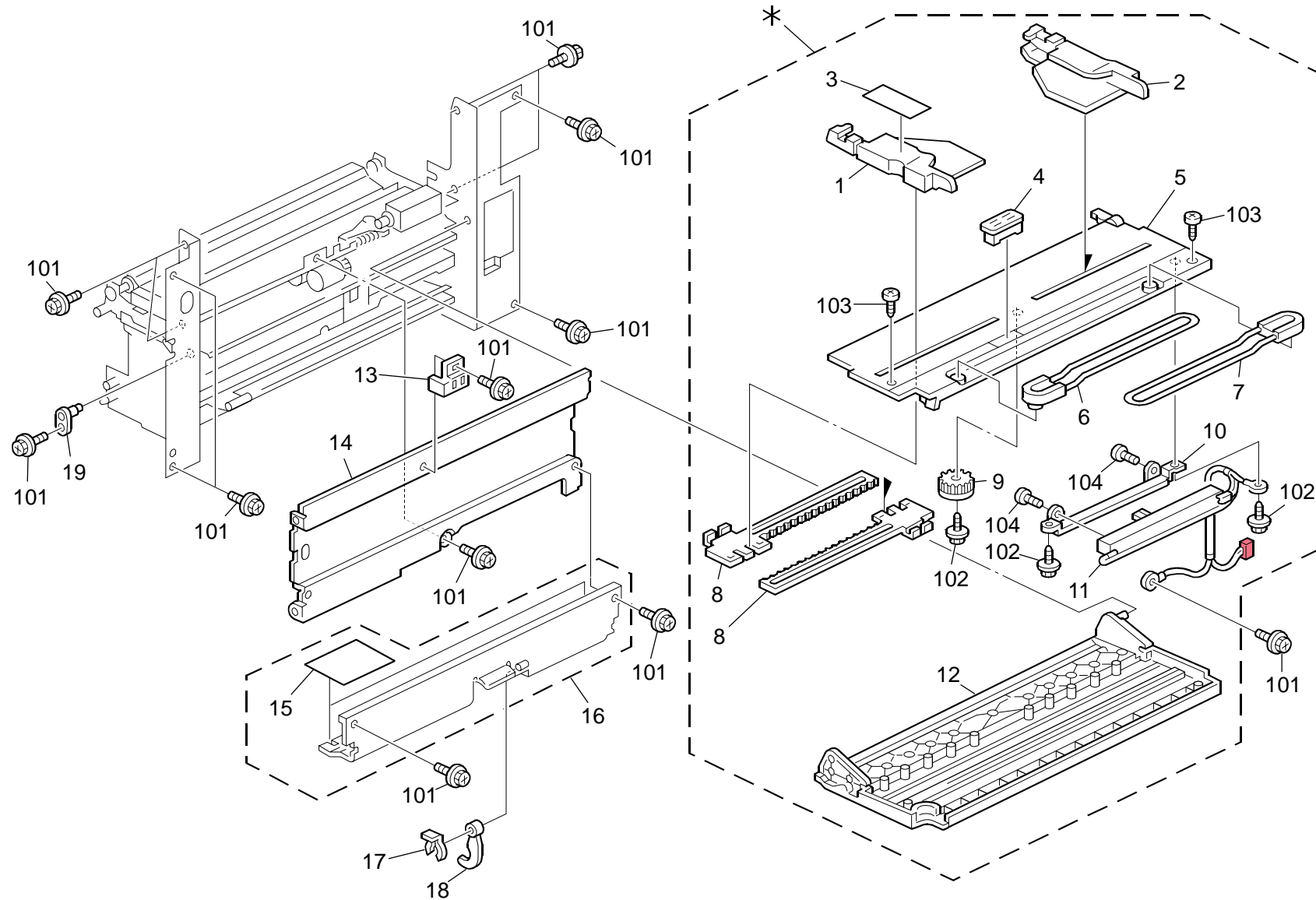
WWW.SERVICE-MANUAL.NET

25. Universal Tray (D062/D063/D065/D066)

Index No.	Part No.	Description	Q'ty Per Assembly
*	B247 6770	Paper Tray: Universal: DOM: Ass'y	1
1	B181 6780	Link: End Fence: Paper Size Sensor: Ass'y	1
2	B181 6789	Link: Side Fence: Paper Size Sensor	1
3	B132 6798	Spring Plate: Paper Tray: Earth	1
4	B065 6591	Paper Tray Holder Base	1
5	B132 6786	Decal: Paper Tray: Paper Set Direction	1
6	B132 6793	Side Fence: Front: Ass'y	1
7	B234 6490	Side Fence: Rear: Ass'y	1
8	B132 6791	Plate: Side Fence	2
9	B065 6538	Positioning Stopper Lever	1
10	A134 2978	Spring Plate	1
11	A096 6553	Side Fence Pad	2
12	B132 6783	Arm: End Fence: Lock	1
13	AF01 7032	End Fence	1
14	D014 6780	Tray Bottom Plate: Ass'y	1
15	AF01 3005	Bottom Plate Pad	1
16	B132 6797	Side Fence: Rear: Auxiliary	1
17	AB01 2327	Gear: 16Z	1
18	AA06 0961	Tension Spring: Side Fence: Rear	1
19	B247 6695	Guide: Misfeed Removal: Paper Tray	1
20	B223 2873	Decal - Side Fence Rear	1
21	A267 2860	Rear Lever Stopper	1
22	A267 2859	Side Fence Stopper	1
23	A267 2857	Spring Plate - Side Fence	1
24	B065 6524	Bottom Plate Lift Shaft	1
25	B065 6526	Lift Lever	1
26	B065 6589	Left Support Plate	1
27	B065 6588	Right Support Plate	1
28	B065 6581	Paper Tray Holder Stay	1

Index No.	Part No.	Description	Q'ty Per Assembly
101	0451 3008N	Tapping Screw - M3x8	
102	0454 4008Q	Tapping Screw - M4x8	
103	0360 4008N	Screw - M4x8	
104	0450 4008N	Tapping Screw - M4x8	
105	0720 0040E	Retaining Ring - M4	

26.By-pass Feed Tray (D062/D063/D065/D066)

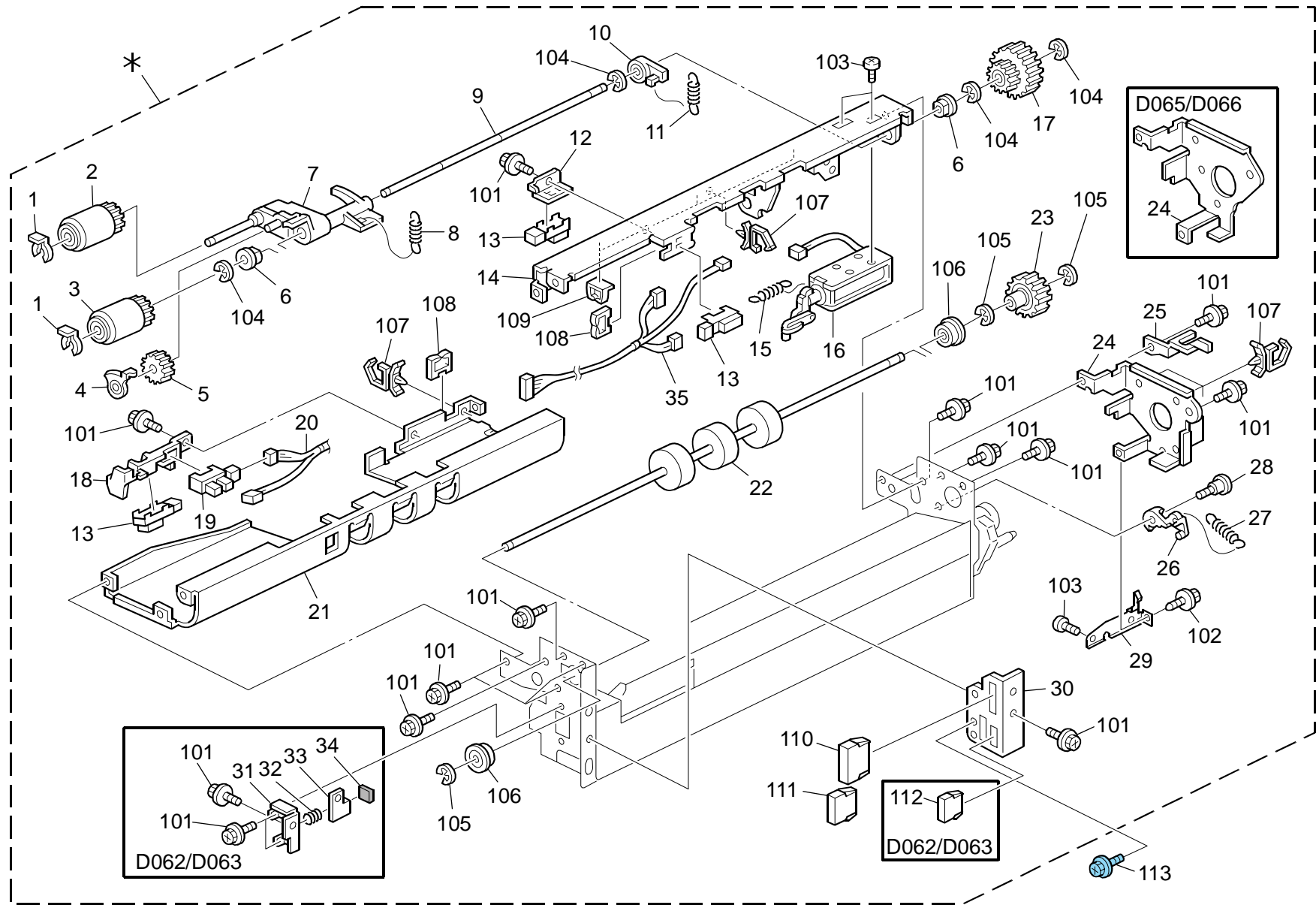


26.By-pass Feed Tray (D062/D063/D065/D066)

Index No.	Part No.	Description	Q'ty Per Assembly
*	B247 2730	Manual Feed Table: Ass'y	1
1	B065 2737	Front Side Fence - By-pass	1
2	B065 2735	Rear Side Fence - By-pass	1
3	B132 2875	Decal: Paper Set Direction	1
4	AG07 0513	Magnet Catch	1
5	B065 2732	Manual Feed Table	1
6	B247 2738	Support Stay: Manual Feed: Front: Ass'y	1
7	B247 2740	Support Stay: Manual Feed: Rear: Ass'y	1
8	A096 2780	Feed Guide Gear	2
9	B098 3492	Gear: Manual Feed Table	1
10	B065 2741	Sensor Bracket	1
11	B247 2745	Paper Size Sensor	1
12	B065 2733	By-pass Table Cover	1
13	B140 2662	Magnet Catch Bracket	1
14	B140 2660	Machine Or Copier Paper Feed Cover	1
15	B065 2723	Sheet - Manual Feed Guide Plate	2
16	B247 2721	Guide Plate: Manual Feed: Peen	1
17	5206 2686	Snap Ring	1
18	B065 2729	Paper End Feeler	1
19	B065 2743	Front Shaft - By-pass	1

Index No.	Part No.	Description	Q'ty Per Assembly
101	0451 4008N	Tapping Screw: 4x8	
102	0450 3008N	Tapping Screw - M3x8	
103	0452 3008N	Tapping Screw - M3x8	
104	0453 3006N	Tapping Screw - M3x6	

27.Paper Feed Unit 1 (D062/D063/D065/D066)

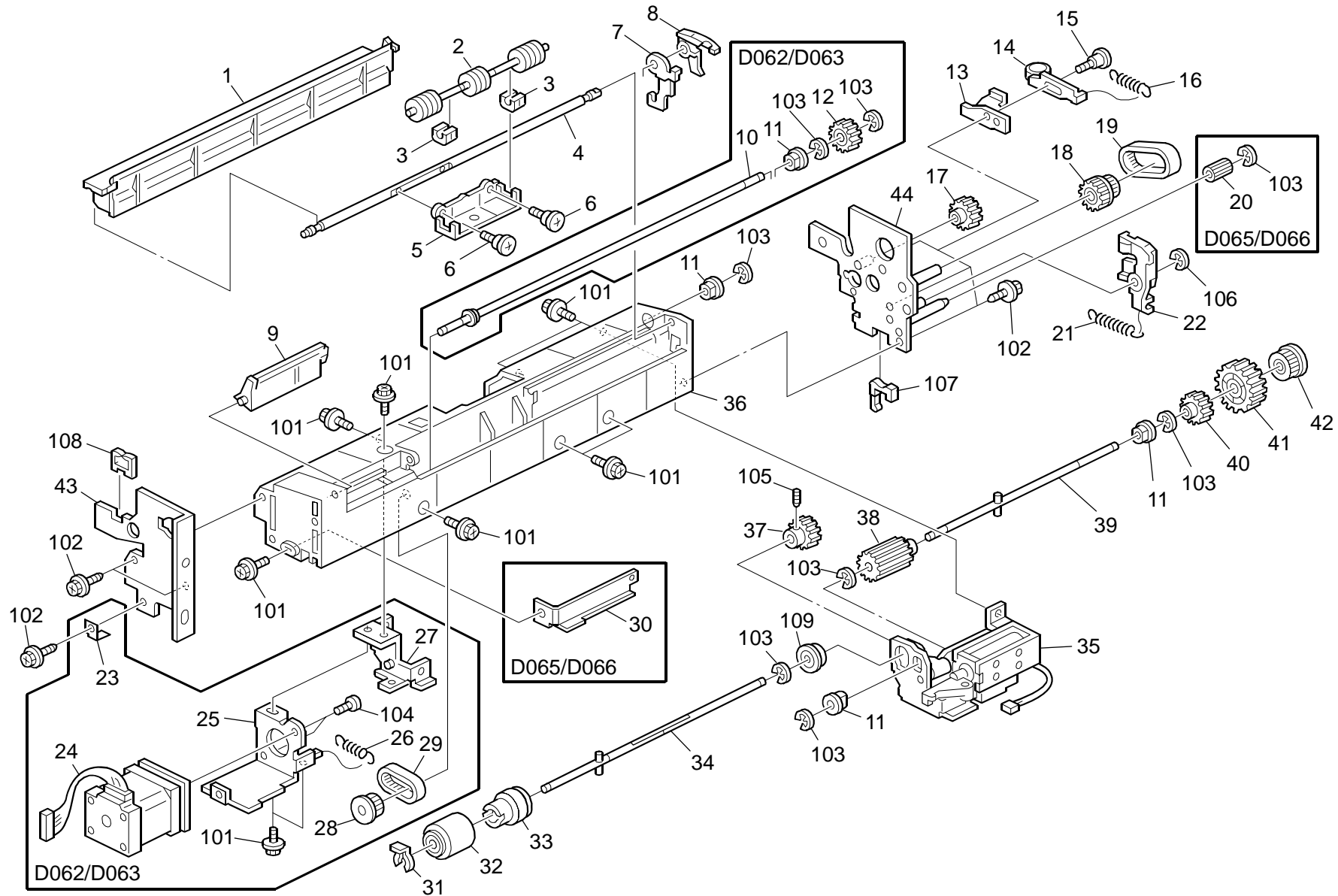


27.Paper Feed Unit 1 (D062/D063/D065/D066)

Index No.	Part No.	Description	Q'ty Per Assembly
*	B132 6621	Paper Feed Unit: Paper Bank	1
*	D066 6621	Paper Feed Unit: Paper Bank: Ass'y	1
1	5447 2681	Snap Ring	2
2	AF03 0081	Paper Feed Roller: Pickup	1
3	AF03 1082	Paper Feed Roller: Feed	1
4	B065 6350	Pick-up Gear Cover	1
5	AB01 1465	Idler Gear	1
6	AA08 2118	Bushing - M6	2
7	B065 6357	Pick-up Arm	1
8	AA06 0898	Spring	1
9	AA14 0828	Feed Roller Shaft	1
10	B065 6445	Feed Lever	1
11	AA06 0897	Spring	1
12	B065 6358	Paper Feed Sensor Bracket	1
13	AW01 0107	Paper Feed Sensor	3
14	B065 6364	Feed Stay	1
15	AA06 0899	Spring	1
16	B132 6659	DC Solenoid: Pickup: Ass'y	1
17	AB01 7617	Gear - 21Z/38Z	1
18	B065 6345	Paper End Sensor Bracket	1
19	AW02 0160	Paper Feed Sensor	1
20	B247 6487	Harness: Paper Feed Unit: Lower: Ass'y	1
21	B140 6339	Paper Feed Guide Plate	1
22	AF02 0726	Transport Roller: Drive: Grip	1
23	AB01 1466	Gear - 35Z	1
24	B247 6366	Bracket: Drive	1
24	D066 6367	Bracket: Drive: Paper Feed Unit	1
25	B065 6353	Feed Gear Cover	1
26	B065 6457	Driven Pressure Lever	1
27	AA06 0896	Spring	1
28	AA14 3718	Stepped Screw - M4	1
29	B140 6377	Ground Plate: Reverse: Paper Feed Unit	1
30	B065 6375	Paper Feed Unit Stay	1
31	B065 6334	Heat Sink Base	1
32	AA06 3889	Heat Sink Spring	1

Index No.	Part No.	Description	Q'ty Per Assembly
33	B065 6337	Heat Sink	1
34	B065 6338	Heat Sink Sheet	1
35	B247 6488	Harness: Paper Feed Unit: Upper: Ass'y	1
101	0451 4008N	Tapping Screw: 4x8	
102	0450 4008N	Tapping Screw - M4x8	
103	0353 0040N	Screw - M3x4	
104	0720 0040E	Retaining Ring - M4	
105	0720 0060E	Retaining Ring - M6	
106	0742 3808	Ball Bearing - 8x16x5	
107	1105 0511	Harness Clamp - LWS-0306ZC	
108	1105 0328	Harness Clamp - ES-0505	
109	1105 0542	Harness Clamp - MSBS-1207	
110	1102 6252	Connector - 9P	
111	1102 6251	Connector - 8P	
112	1102 6249	Relay Connector - 6P	
113	0454 4008Q	Tapping Screw - M4x8	

28.Paper Feed Unit 2 (D062/D063/D065/D066)

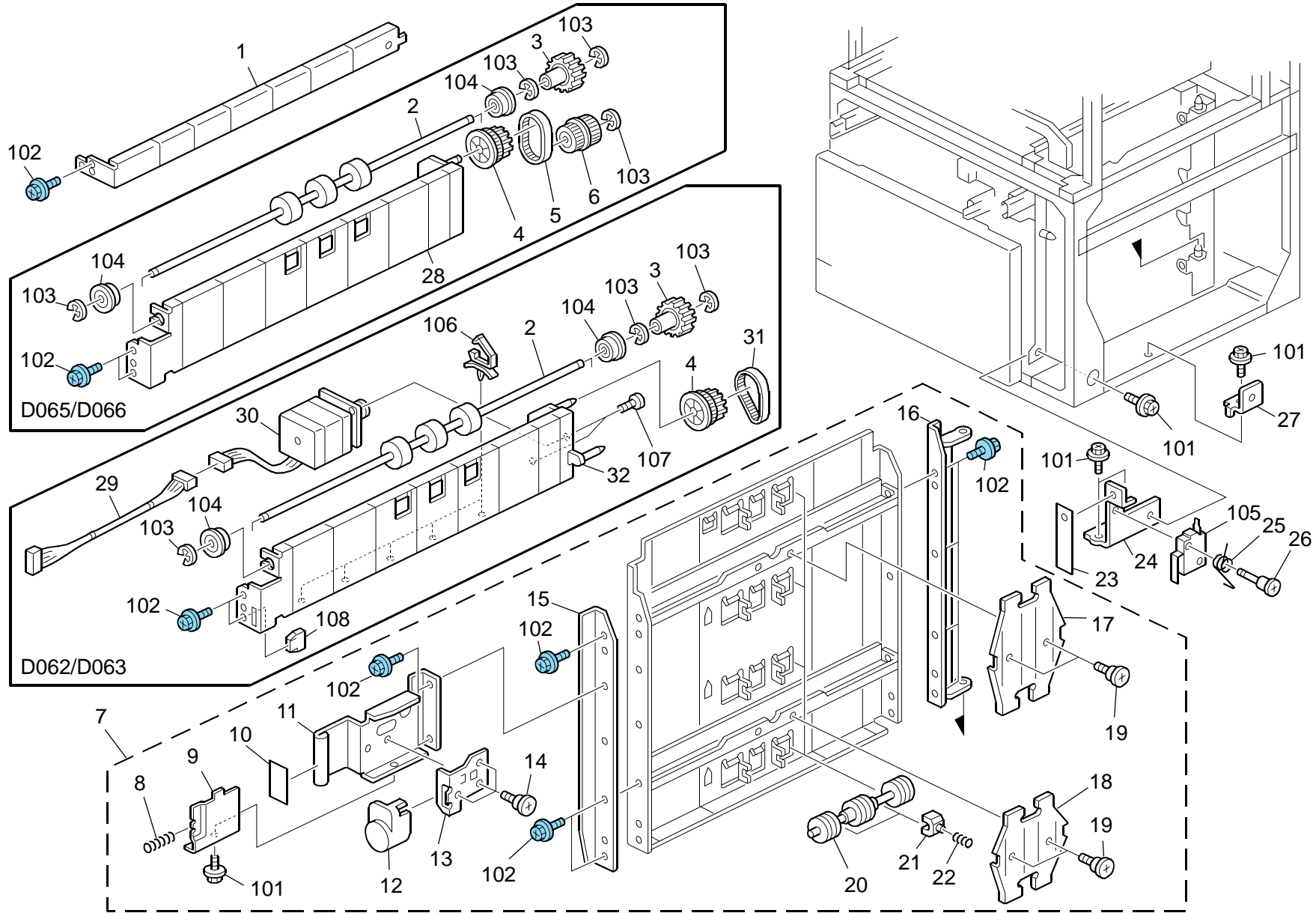


28.Paper Feed Unit 2 (D062/D063/D065/D066)

Index No.	Part No.	Description	Q'ty Per Assembly
1	B181 6640	Guide Plate: Swivel: Adhesion	1
2	AF02 2149	Transport Roller	1
3	AA08 0327	Bushing - M4	2
4	AA14 0829	Driven Shaft	1
5	B065 6453	Transport Roller Lever	1
6	AA14 3812	Screw - Scale	2
7	B065 6454	Driven Release Lever	1
8	B065 6455	Driven Pressure Lever	1
9	B065 6371	Support Guide Plate	1
10	B065 6317	Relay Shaft	1
11	AA08 2118	Bushing - M6	4
12	AB01 1469	Gear - 19Z	1
13	B065 6452	Tray Link Guide	1
14	B065 6346	Paper Tray Link	1
15	5894 2540	Arm Screw	1
16	AA06 0901	Spring	1
17	AB01 1470	Gear - 18Z	1
18	AB01 7690	Pulley: Idler: 30T/24Z	1
19	AA04 3575	Timing Belt	1
20	D066 6498	Gear: Idler: Paper Feed Unit: 17Z	1
21	AA06 0900	Spring	1
22	B065 6456	Vertical Transport Link	1
23	B140 6378	Ground Plate: Stepper Motor: Paper Feed Unit	1
24	B132 6655	Stepper Motor: Paper Feed Unit: Ass'y	1
25	B065 6394	Motor Bracket	1
26	AA06 0904	Spring	1
27	B065 6415	Motor Base	1
28	AB03 0733	Pulley - 20T	1
29	AA04 3576	Timing Belt	1
30	D066 6394	Bracket: Cover: Paper Feed Unit	1
31	5447 2681	Snap Ring	1
32	AF03 2080	Paper Feed Roller: Separate	1
33	A294 6700	Torque Limiter - 53mnm	1
34	B065 6307	Reverse Driven Shaft	1
35	B132 6670	DC Solenoid: Reverse: Ass'y	1

Index No.	Part No.	Description	Q'ty Per Assembly
36	B065 6333	Reverse Housing	1
37	AB01 1591	Gear: Reverse	1
38	AB01 1471	Reverse Gear	1
39	B065 6306	Reverse Drive Shaft	1
40	AB01 1491	Gear - 21Z	1
41	AB01 1490	Gear - 38Z	1
42	AB03 0734	Pulley - 30Z	1
43	B065 6336	Front Side Plate - Paper Feed	1
44	B247 6335	Side Plate: Rear: Paper Feed Unit: Ass'y	1
101	0451 4008N	Tapping Screw: 4x8	
102	0450 4008N	Tapping Screw - M4x8	
103	0720 0040E	Retaining Ring - M4	
104	0353 0040N	Screw - M3x4	
105	0573 0030E	Hexagon Headless Set Screw - M3x3	
106	0720 0060E	Retaining Ring - M6	
107	1105 0522	Edge Saddle - LES0510	
108	1105 0328	Harness Clamp - ES-0505	
109	0741 3506	Ball Bearing - 6x12x4 mm	

29. Vertical Transport (D062/D063/D065/D066)

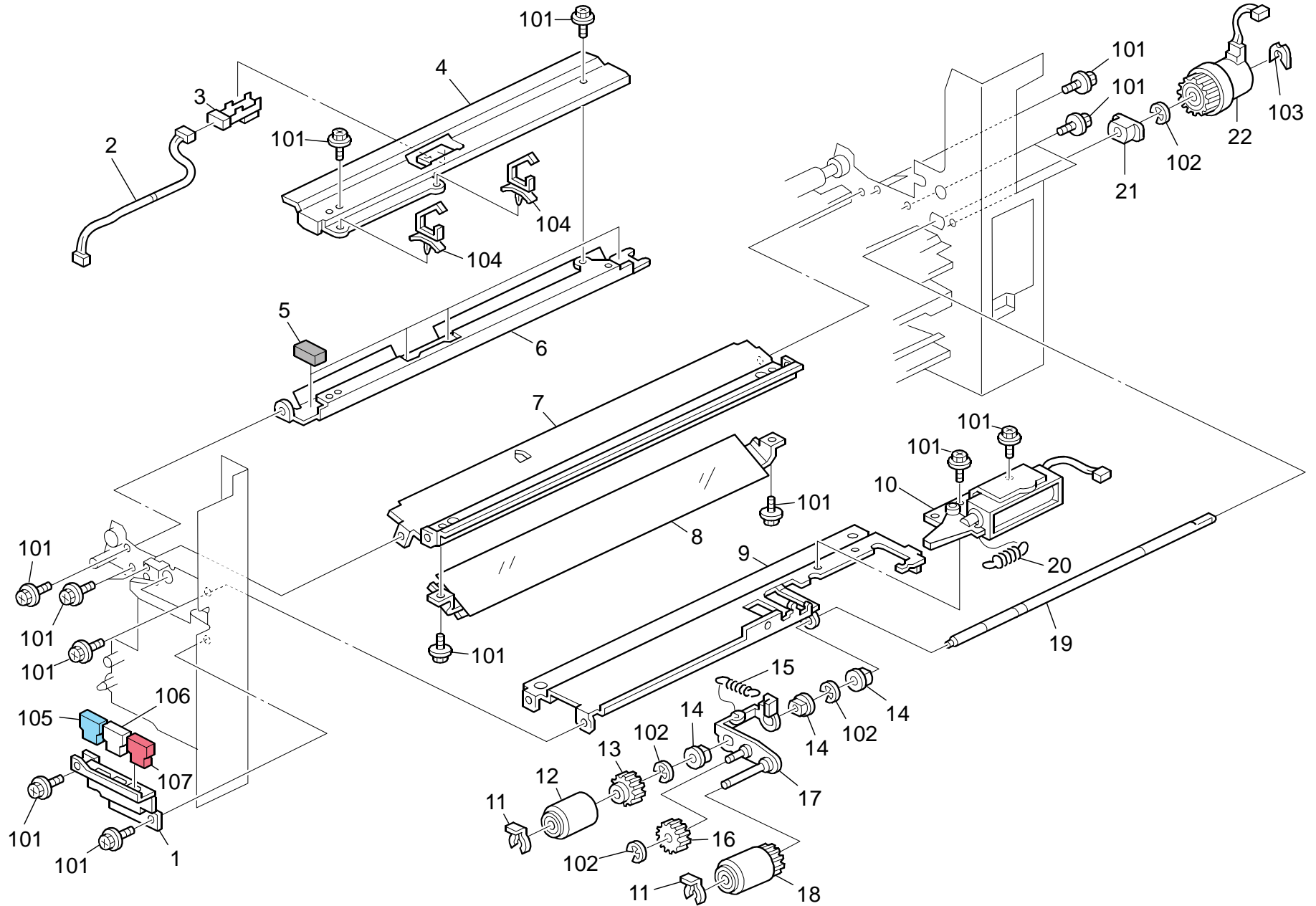


29.Vertical Transport (D062/D063/D065/D066)

Index No.	Part No.	Description	Q'ty Per Assembly
1	B140 6361	Paper Bank Connecting Guide Plate	1
2	AF02 0726	Transport Roller: Drive: Grip	1
3	AB01 1466	Gear - 35Z	1
4	AB01 7619	Gear - 24Z/40Z	1
5	B835 2889	Timing Belt - B60S2M144	1
6	D066 6474	Gear: Pulley: 38Z/40T	1
7	B247 6421	Transport Unit: Vertical Transport: Ass'y	1
8	AA06 3878	Spring	1
9	B247 6430	Cover: Release: Vertical Transport	1
10	A029 2984	Decal - Grip	1
11	B247 6426	Lever: Release: Vertical Transport	1
12	B065 6428	Release Button - Vertical Transport	1
13	B065 6427	Release Lever - Vertical Transport	1
14	AA14 3560	Stepped Screw - M4	3
15	B065 6403	Front Side Plate - Vertical Transport	1
16	B065 6404	Rear Side Plate - Vertical Transport	1
17	B065 6402	Transport Pressure Plate	1
18	B065 6407	Transport Pressure Plate	1
19	B247 6982	Stepped Screw - M5	4
20	AF02 0295	Vertical Driven Roller	4
21	AA08 0241	Bushing - M4	8
22	AA06 3487	Spring - 10mm	8
23	A096 5528	Micro Switch Sheet	1
24	B065 6122	Micro Switchbracket	1
25	A423 4433	Spring	1
26	AA14 3809	Shoulder Screw - M2.5	1
27	B065 6078	LCT Stay	1
28	D066 6472	Guide Plate: Joint Unit: Ass'y	1
29	B132 7583	Harness - Joint Unit	1
30	B132 6655	Stepper Motor: Paper Feed Unit: Ass'y	1
31	AA04 3575	Timing Belt	1
32	B140 6472	Joint Unit Guide Plate Ass'y	1

Index No.	Part No.	Description	Q'ty Per Assembly
101	0451 4008N	Tapping Screw: 4x8	
102	0454 4008Q	Tapping Screw - M4x8	
103	0720 0060E	Retaining Ring - M6	
104	0742 3808	Ball Bearing - 8x16x5	
105	1204 2521	Micro Switch	
106	1105 0511	Harness Clamp - LWS-0306ZC	
107	0353 0040N	Screw - M3x4	
108	1102 6249	Relay Connector - 6P	

30.Paper Registration 1 (D062/D063/D065/D066)



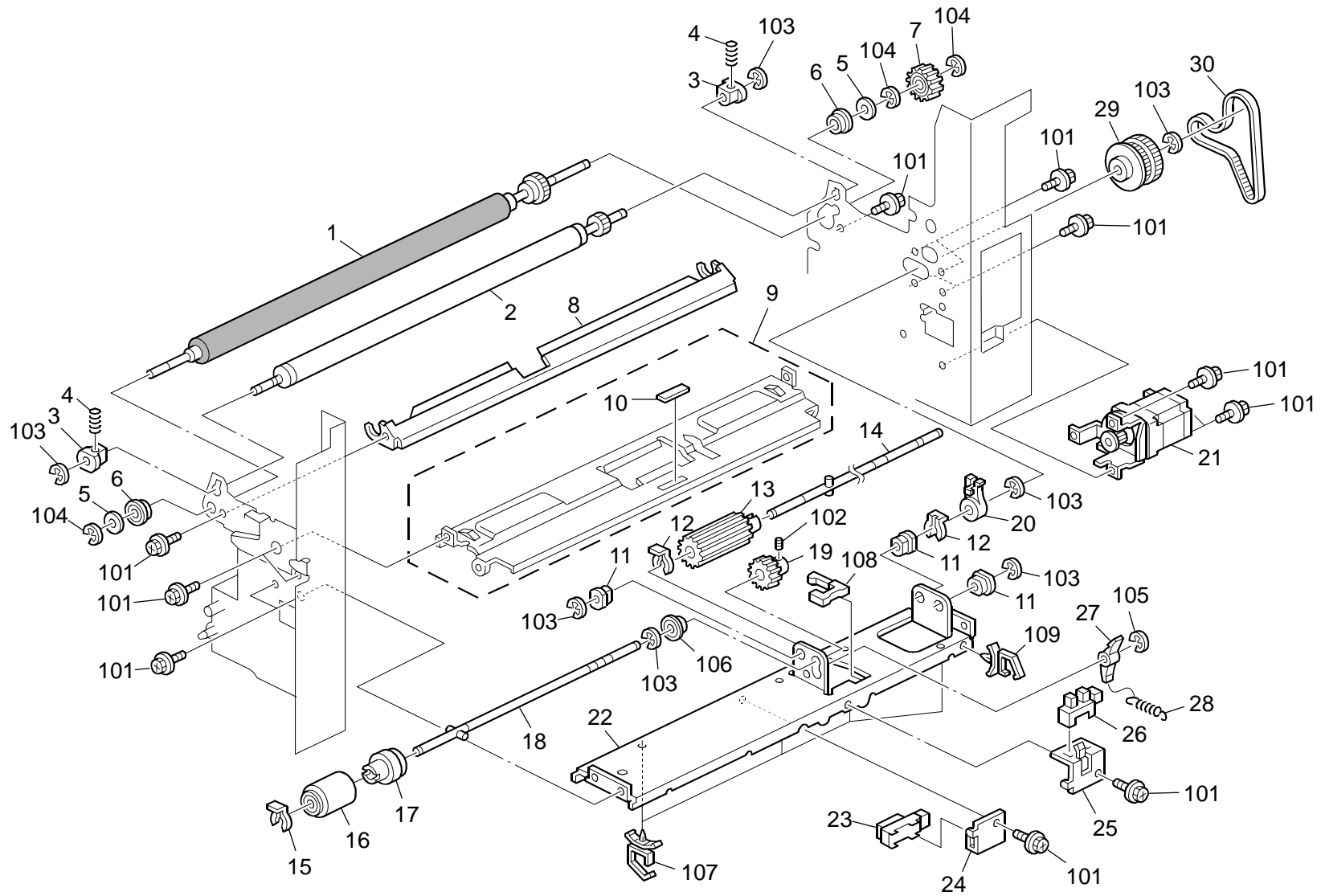
WWW.SERVICE-MANUAL.NET

30.Paper Registration 1 (D062/D063/D065/D066)

Index No.	Part No.	Description	Q'ty Per Assembly
1	B065 2608	Development Connector Bracket	1
2	B065 2763	Relay Registration Harness	1
3	AW01 0107	Paper Feed Sensor	1
4	B065 2621	Sensor Bracket	1
5	AA15 2441	Case Seal	4
6	B065 2620	Paper Dust Removal Case	1
7	B140 2614	Upper Front Registration Guide	1
8	B140 2622	Lower Front Registration Guide	1
9	B065 2682	Paper Feed Stay	1
10	B247 2690	DC Solenoid 24V	1
11	5447 2681	Snap Ring	2
12	AF03 1083	Paper Feed Roller: Feed: Manual Feed	1
13	AB01 1478	Gear - 18Z	1
14	AA08 2116	Bushing - M8	3
15	AA06 0888	Spring	1
16	5447 2706	Gear - 15T	1
17	B065 2688	Pick-up Roller Arm	1
18	AF03 0080	Paper Feed Roller: Pickup	1
19	AA14 0819	Feed Roller Shaft	1
20	AA06 0887	Spring	1
21	AA08 3019	Bushing	1
22	AX20 0277	Magnetic Clutch: 0.53N M: 36Z	1

Index No.	Part No.	Description	Q'ty Per Assembly
101	0451 4008N	Tapping Screw: 4x8	
102	0720 0060E	Retaining Ring - M6	
103	0805 0088	Retaining Ring - M6	
104	1105 0511	Harness Clamp - LWS-0306ZC	
105	1102 6279	Connector - 3P	
106	1102 6247	Connector - 4P	
107	1102 6260	Relay Connector - 3P	

31.Paper Registration 2 (D062/D063/D065/D066)

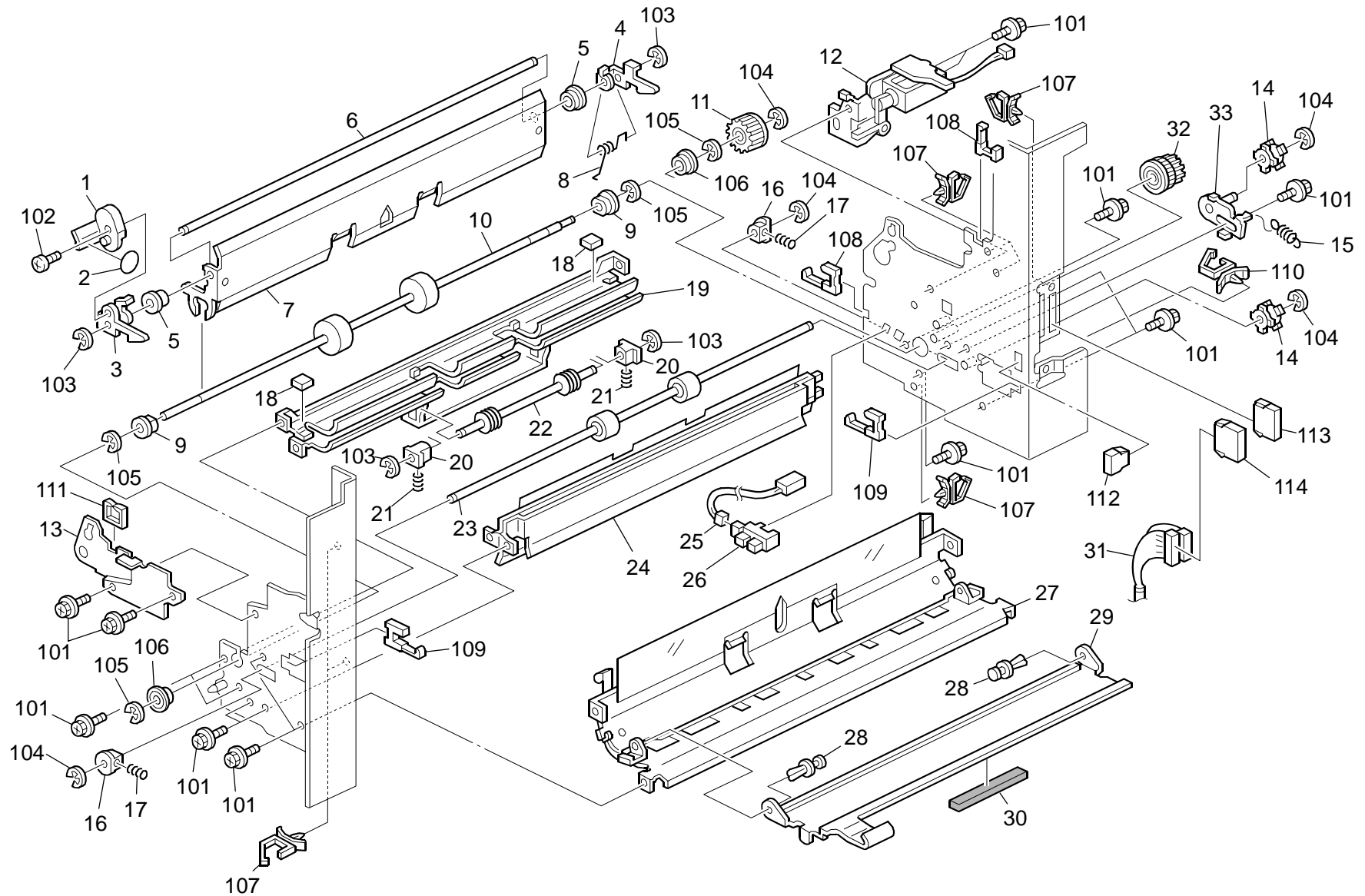


31.Paper Registration 2 (D062/D063/D065/D066)

Index No.	Part No.	Description	Q'ty Per Assembly
1	B247 2627	Registration Roller - Lower	1
2	B247 2623	Registration Roller: Upper: Press Fit	1
3	AA08 0037	Bushing - 6mm	2
4	5442 2754	Spring - Registration Roller	2
5	AA13 2025	Spacer - 1x8x12	2
6	A247 2800	Ball Bearing - 8x12x5	2
7	AB01 4077	Registration Roller Gear	1
8	B247 2611	Lower Registration Guide	1
9	B247 2700	Stay: Reverse: Ass'y	1
10	B247 2702	Friction Pad - B	1
11	AA08 2118	Bushing - M6	3
12	G011 1058	Snap Ring	2
13	AB01 1392	Drive Reverse Gear - 24Z	1
14	G126 2713	Shaft: Reverse: Drive: Ass'y	1
15	5447 2681	Snap Ring	1
16	AF03 2080	Paper Feed Roller: Separate	1
17	A294 6700	Torque Limiter - 53mNxm	1
18	G126 2714	Shaft: Reverse Roller: Ass'y	1
19	AB01 1591	Gear: Reverse	1
20	B065 6445	Feed Lever	1
21	D062 2751	Stepper Motor: Paper Feed: Machine Or Copier: Ass'y	1
21	D066 2751	DC Stepper Motor: Paper Feed: Main: Ass'y	1
22	B247 2699	Stay: Reverse Roller: Peen	1
23	AW01 0107	Paper Feed Sensor	1
24	B065 2708	Middle Sensor Bracket	1
25	B065 2707	Paper End Sensor Bracket	1
26	AW02 0160	Paper Feed Sensor	1
27	B065 2709	Reverse Pressure Lever	1
28	AA06 0911	Spring	1
29	AB01 7606	Gear - 24Z/46Z	1
30	GA04 3028	Timing Belt: 60S2M288	1

Index No.	Part No.	Description	Q'ty Per Assembly
101	0451 4008N	Tapping Screw: 4x8	
102	0573 0030E	Hexagon Headless Set Screw - M3x3	
103	0720 0040E	Retaining Ring - M4	
104	0720 0060E	Retaining Ring - M6	
105	0720 0030E	Retaining Ring - M3	
106	0741 3506	Ball Bearing - 6x12x4 mm	
107	1105 0487	Harness Clamp	
108	1105 0522	Edge Saddle - LES0510	
109	1105 0511	Harness Clamp - LWS-0306ZC	

32.Paper Registration 3 (D062/D063/D065/D066)

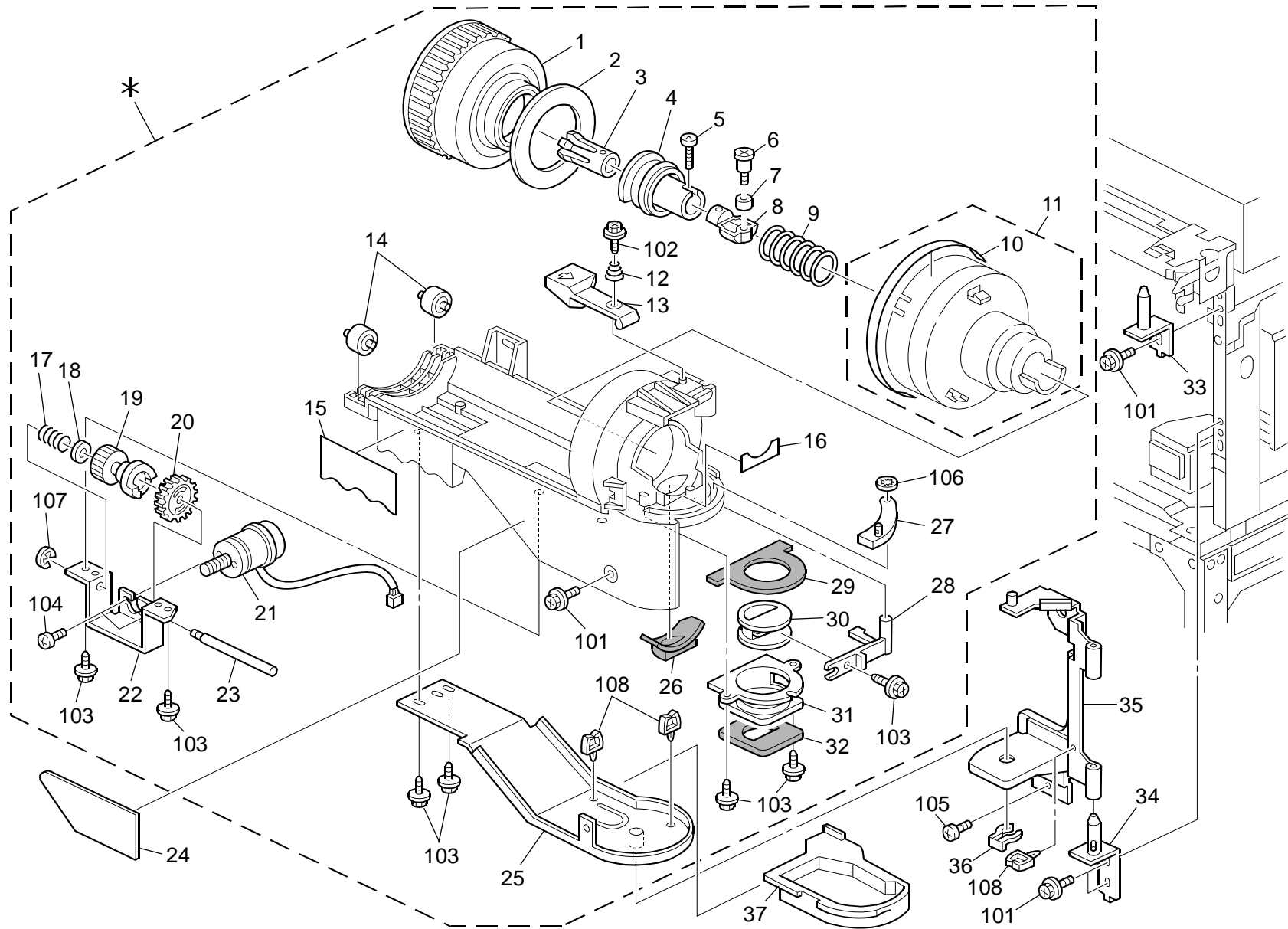


32.Paper Registration 3 (D062/D063/D065/D066)

Index No.	Part No.	Description	Q'ty Per Assembly
1	A229 2717	Lock Lever	1
2	AA00 1213	Decal - B2	1
3	A096 2633	Front Lock	1
4	A229 2655	Read Lock	1
5	5443 2668	Bushing - 4x6x7mm	1
6	B247 2642	Lock Shaft	1
7	B140 2647	Open And Close Guide Ass'y	1
8	B247 2644	Rear Lock Spring	1
9	AA08 2116	Bushing - M8	2
10	AF02 0564	Connecting Roller	1
11	AB01 1457	Transport Roller Gear	1
12	B247 2655	DC Solenoid 24V/16.5W	1
13	B065 2607	Front Support Plate	1
14	AB03 0722	Pulley - 13MM	2
15	AA06 0722	Tension Spring	1
16	AA08 0037	Bushing - 6mm	1
17	AA06 3254	Driven Roller Spring	1
18	A469 2123	Rubber Cushion - 1x10x10mm	2
19	B140 2671	Exit Duplex Guide Ass'y	1
20	AA08 0034	Bushing - 4x5x7	2
21	B247 2669	Exit Roller Spring	2
22	B247 2678	Duplex Exit Roller	1
23	B247 2643	Transport Roller: Right: Driven: Ass'y	1
24	B140 2665	Paper Bank Guide Plate Ass'y	1
25	B065 2762	Relay Paper Feed Harness	1
26	AW02 0145	Photointerruptor: Flat	1
27	B140 2675	Option Tray Guide Ass'y	1
28	A048 2838	Nylon Rivet	2
29	B140 2673	Open And Close Option Tray Exit Guide	1
30	AA16 2079	Cushion	1
31	B247 2764	Harness: Manual Feed Unit: Ass'y	1
32	AB01 7607	Gear - 22Z/39Z	1
33	B247 2754	Bracket: Tightener: Peen	1

Index No.	Part No.	Description	Q'ty Per Assembly
101	0451 4008N	Tapping Screw: 4x8	
102	0453 3006N	Tapping Screw - M3x6	
103	0720 0030E	Retaining Ring - M3	
104	0720 0040E	Retaining Ring - M4	
105	0720 0060E	Retaining Ring - M6	
106	0742 3808	Ball Bearing - 8x16x5	
107	1105 0511	Harness Clamp - LWS-0306ZC	
108	1105 0522	Edge Saddle - LES0510	
109	1105 0518	Edge Saddle - LES-1010	
110	1105 0487	Harness Clamp	
111	1105 0328	Harness Clamp - ES-0505	
112	1102 6246	Relay Connector - 3P	
113	1102 6257	Relay Connector - 14P	
114	1102 6258	Relay Connector - 15P	

33.Toner Hopper Section (D062/D063/D065/D066)



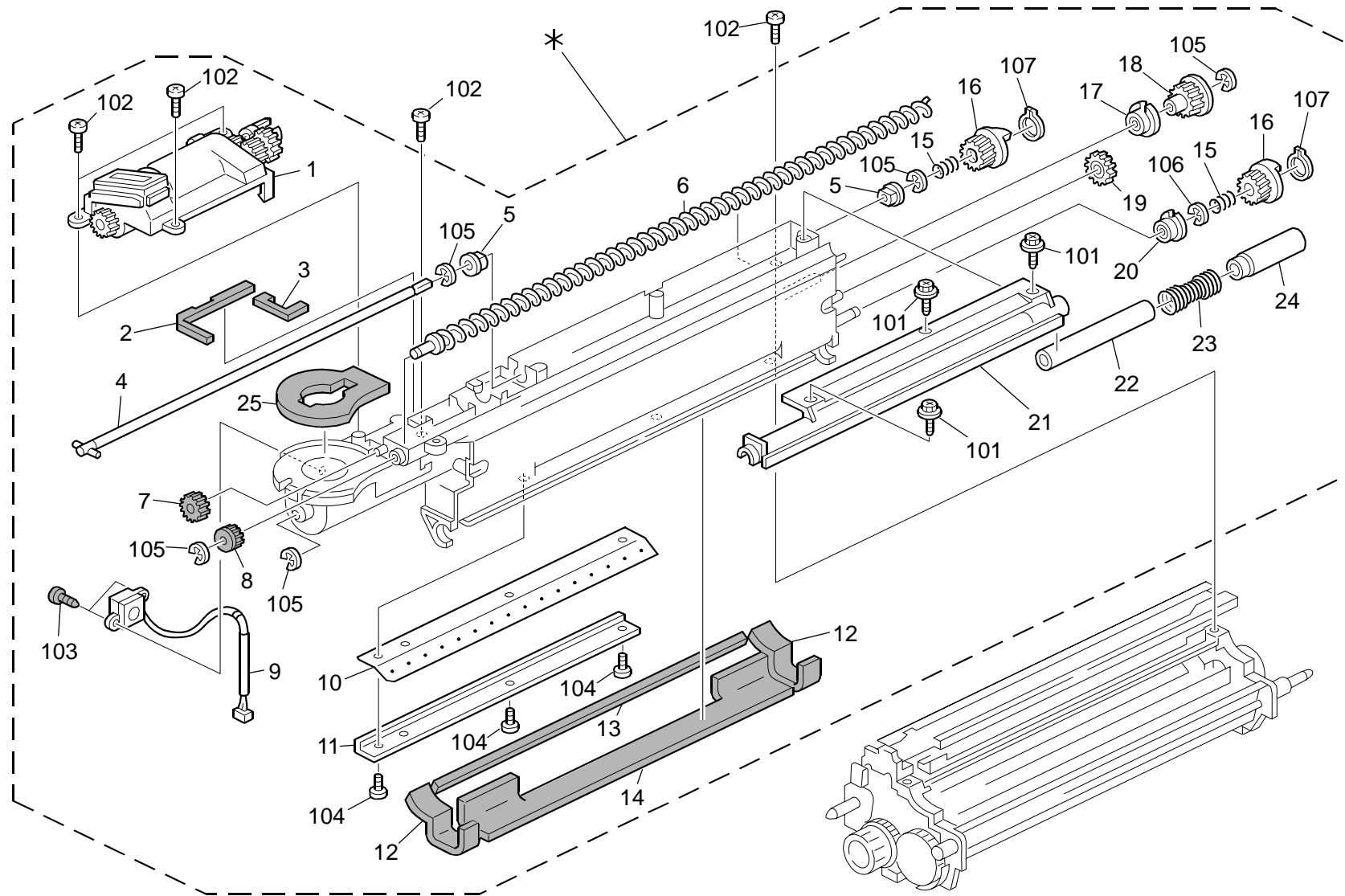
WWW.SERVICE-MANUAL.NET

33.Toner Hopper Section (D062/D063/D065/D066)

Index No.	Part No.	Description	Q'ty Per Assembly
*	B247 3326	Bottle: Drive: Ass'y	1
1	B065 3306	Gear: Toner Bottle: Ass'y	1
2	A293 3234	Shield Plate - Toner Bottle	1
3	A293 3230	Toner Bottle Chuck	1
4	A293 3227	Toner Slider	1
5	AA14 3816	Flat Screw: Chuck: Bottle	1
6	B247 3331	Screw	1
7	A229 3232	Chuck Roller	1
8	B247 3345	Shaft: Chuck	1
9	AA06 3366	Chuck Spring	1
10	A134 3192	Seal - Toner Bottle	1
11	A293 3220	Toner Bottle Stopper	1
12	B247 3330	Spring	1
13	B247 3282	Pawl: Toner Bottle: Fix	1
14	A096 3224	Bottle Roller	2
15	AA00 1394	Decal - Toner Supply	1
16	A293 3231	Shield Holder	1
17	AA06 0291	Spring	1
18	AA13 2024	Spacer - M6	1
19	A229 3243	Motor Joint Gear	1
20	A229 3242	Toner Bottle Joint Gear	1
21	B247 5312	DC Motor: Toner Bottle: DC24V 5.85W	1
22	B065 3309	Toner Bottle Drive Bracket	1
23	B247 3332	Shaft: Idler: Drive: Toner Bottle	1
24	B247 3283	Set Sensor Board: Toner Bottle	1
25	B247 3311	Bracket: Turn: Toner Bottle: Sub-ass'y	1
26	A229 3219	Rubber Bushing - Toner Supply Unit	1
27	A229 3285	Shutter Cover	1
28	A229 3264	Shutter Lever	1
29	A229 3266	Upper Shutter Shield	1
30	A229 3262	Inner Shutter	1
31	A229 3261	Outer Shutter	1
32	A229 3263	Outer Shutter Shield	1
33	B247 3273	Contact Point Stay - Upper	1
34	B247 3271	Contact Point Stay - Lower	1

Index No.	Part No.	Description	Q'ty Per Assembly
35	B247 3316	Bracket: Hinge: Open And Close: Ass'y	1
36	A222 2724	External Circlip - MM8	1
37	B247 3258	Toner Catchpan Bottle	1
101	0451 4008N	Tapping Screw: 4x8	
102	0450 3006N	Tapping Screw - M3x6	
103	0450 3008N	Tapping Screw - M3x8	
104	0800 0072	Philips Pan Head Screw - M2.6x4	
105	0354 0080N	Screw: M4x8	
106	0805 0072	CS Ring	
107	0720 0040E	Retaining Ring - M4	
108	1105 0229	Clamp	

34.Toner Supply Unit (D062/D063/D065/D066)



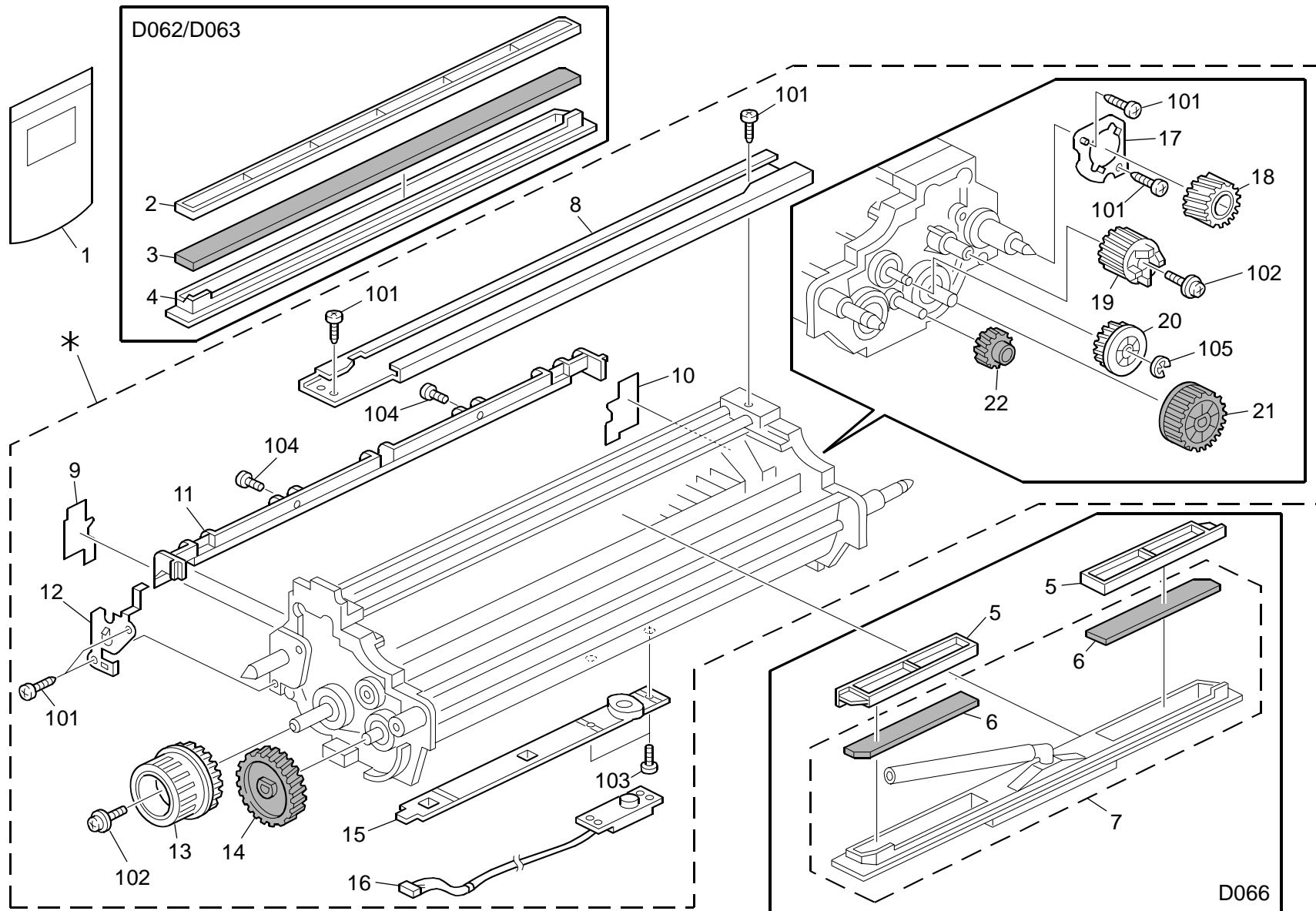
WWW.SERVICE-MANUAL.NET

34.Toner Supply Unit (D062/D063/D065/D066)

Index No.	Part No.	Description	Q'ty Per Assembly
*	B247 3200	Toner Supply Unit: Ass'y	1
*	D066 3200	Toner Supply Unit: M-C4: 90: Ass'y	1
1	B247 3161	Classification Ass'y	1
1	D066 3161	Case: Classification: M-C4: 90: Ass'y	1
2	B065 3122	Toner Separation Joint Seal	1
3	B065 3123	Rear Toner Separation Joint Seal	1
4	B065 3125	Toner Separation Drive Shaft	1
5	5053 0447	Bushing - 6mm	2
6	B247 3720	Transport Screw	1
7	B065 3138	Idle Gear	1
8	B065 3139	Toner Collection Gear	1
9	B247 5311	Toner End Sensor: Ass'y	1
10	A096 3181	Slitter	1
11	B065 3146	Nut	1
12	B065 3152	Lower Front Case Seal - Rear	2
13	B065 3153	Lower Filter Case Filter	1
14	B065 3151	Lower Right Case Seal	1
15	AA06 0291	Spring	2
16	AB01 3748	Joint Gear - 15Z	2
17	B247 3176	Boss: Bearing: Agitator: Press Fit	1
18	AB01 3749	Gear - 15Z	1
19	AB01 3747	Gear - 16Z	1
20	B247 3175	Bushing 8x14x8	1
21	B065 3140	Upper Cover	1
22	B065 3141	Exit Toner Pipe	1
23	B065 3143	Toner Separation Spring	1
24	B065 3142	Toner Separation Shutter	1
25	A229 3154	Case Seal	1

Index No.	Part No.	Description	Q'ty Per Assembly
101	0450 4008N	Tapping Screw - M4x8	
102	0354 0080N	Screw: M4x8	
103	0452 3008P	Binding Self-tapping Screw 3x8	
104	0314 0060N	Screw - M4x6	
105	0720 0040E	Retaining Ring - M4	
106	0720 0060E	Retaining Ring - M6	
107	0727 0060E	Retaining Ring - M6	

35.Development Unit 1 (D062/D063/D065/D066)

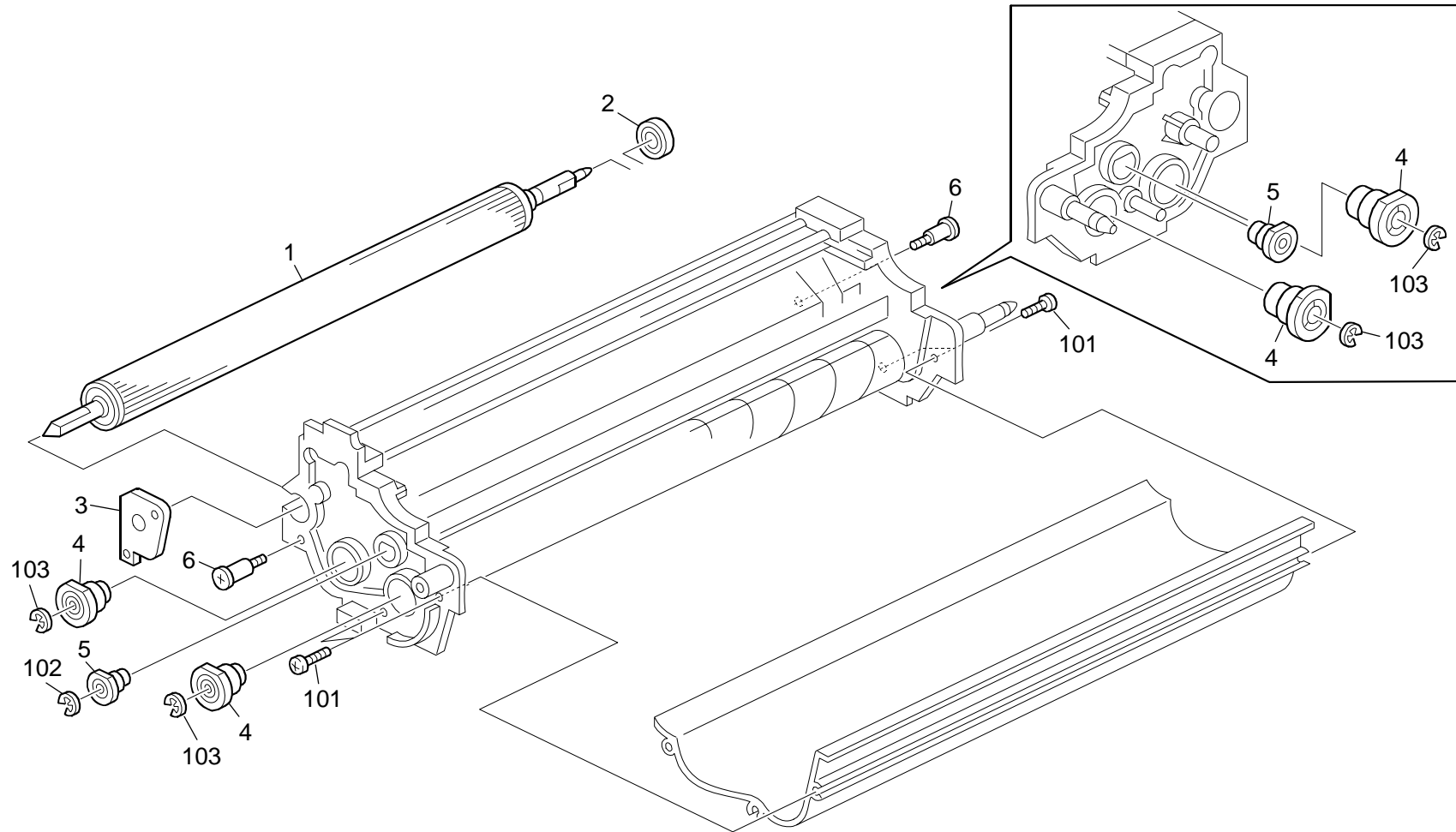


35.Development Unit 1 (D062/D063/D065/D066)

Index No.	Part No.	Description	Q'ty Per Assembly
*	D062 3050	Development Unit: Ass'y	1
1	B064 9640	Developer Type 24 Black	1
2	B065 3108	Filter Plate	1
3	B247 3340	Filter: Development	1
4	A096 3141	Development Filter Case	1
5	D062 3108	Plate: Filter	2
6	D062 3340	Filter: Development: MC4-90	2
7	D066 3045	Duct: Development: Ass'y	1
8	B065 3095	Development Guide Rail	1
9	D062 3099	Seal: Drum: Front	1
10	D062 3100	Seal: Drum: Rear	1
11	B110 3091	Entrance Seal Ass'y	1
12	B065 3082	Development Bias Plate	1
13	B065 3071	Development Knob	1
14	B065 3076	Gear - 41Z	1
15	B065 3065	Toner Sensor Guide	1
16	B247 5310	Toner Density Sensor	1
17	B065 3079	Ball Bearing Bracket	1
18	B065 3081	Gear - 21Z	1
19	B065 3096	Gear - 20Z	1
20	AB01 3790	Gear - 25Z	1
21	B065 3073	Gear - 31Z	1
22	B065 3098	Gear - 17Z	1

Index No.	Part No.	Description	Q'ty Per Assembly
101	0452 3010N	Binding Self-tapping Screw: 3x10	
102	0951 4008N	Screw: Polished Round: M4x8	
103	0353 0060N	Bind Screw - M3x6	
104	0354 0080N	Screw: M4x8	
105	0720 0030E	Retaining Ring - M3	

36.Development Unit 2 (D062/D063/D065/D066)

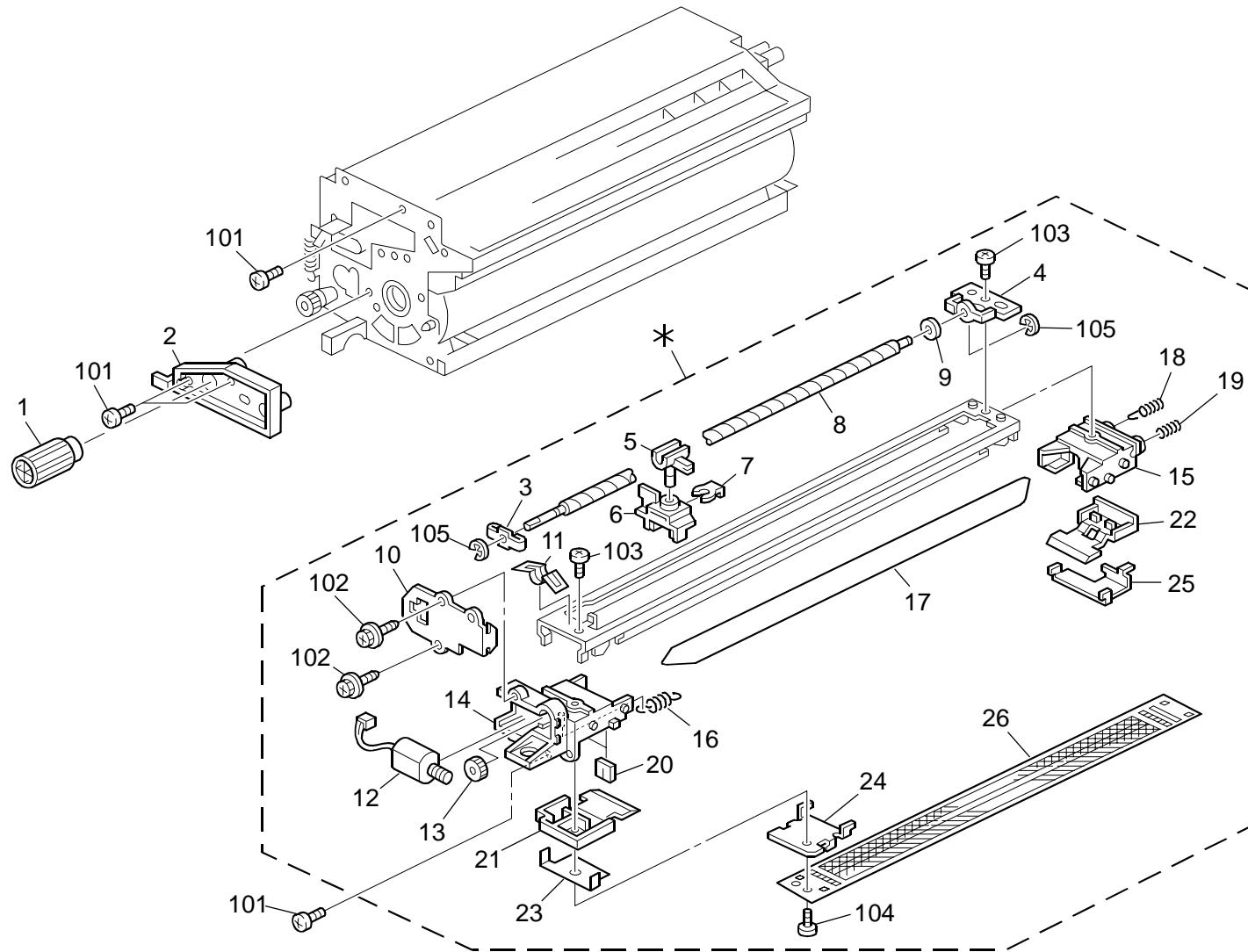


36.Development Unit 2 (D062/D063/D065/D066)

Index No.	Part No.	Description	Q'ty Per Assembly
1	B065 3062	Development Roller	1
2	B065 3080	Ball Bearing - 12x21x5	1
3	B065 3077	Development Roller Adjuster	1
4	B065 3069	Bushing - 8mm	4
5	B070 3115	Bushing: 4mm	2
6	AA14 3426	Stopped Screw - M4x17	2

Index No.	Part No.	Description	Q'ty Per Assembly
101	0354 0120N	Screw M4x12	
102	0720 0030E	Retaining Ring - M3	
103	0720 0060E	Retaining Ring - M6	

37.Charge Unit (D062/D063/D065/D066)

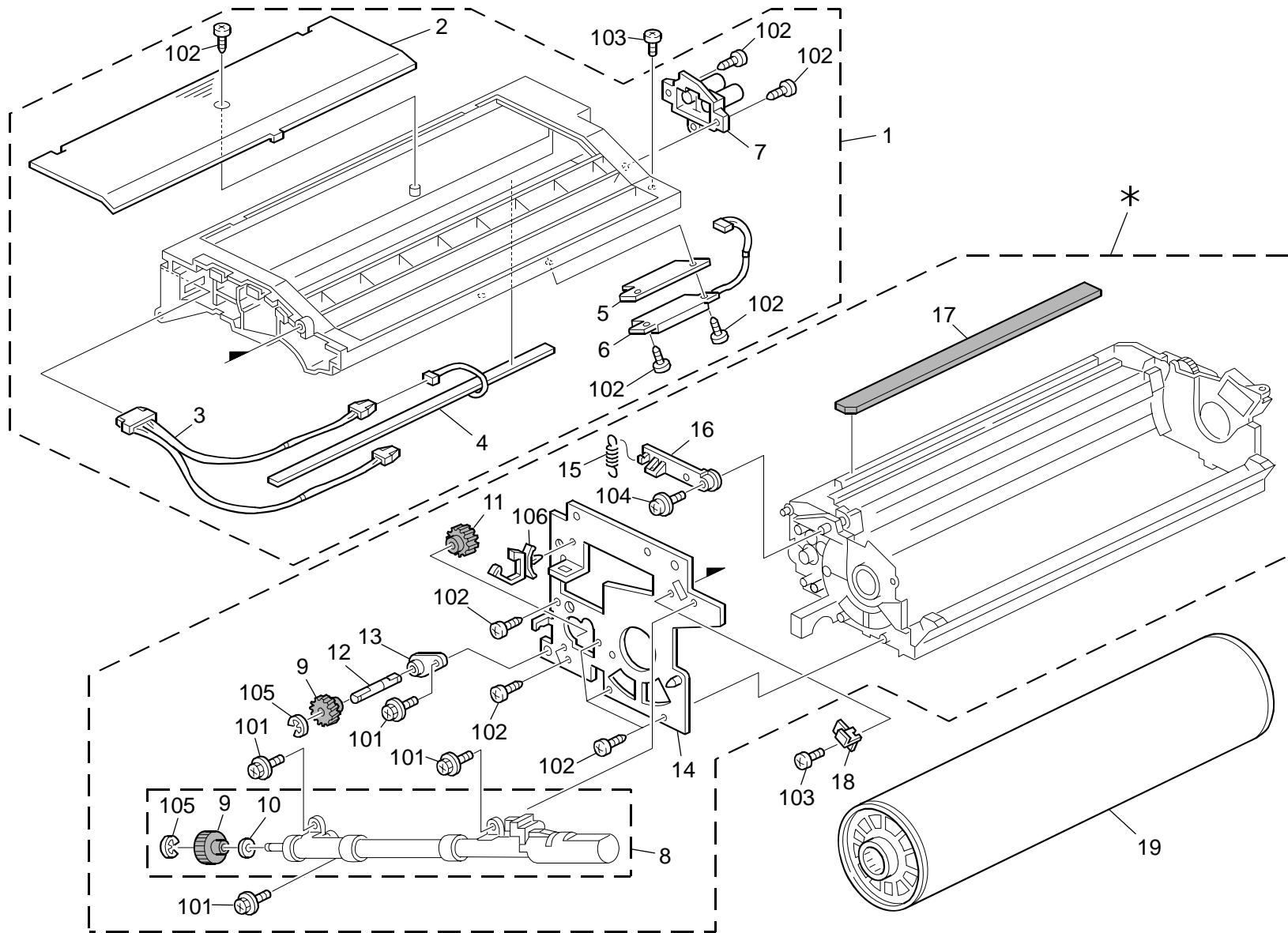


37.Charge Unit (D062/D063/D065/D066)

Index No.	Part No.	Description	Q'ty Per Assembly
*	B247 2010	Charge Corona Unit	1
1	B247 2410	Drum Shaft Knob	1
2	B065 3258	Development Drum Stay	1
3	AA08 0147	Front Bushing	1
4	B140 2291	Bushing: Screw Shaft: Rear	1
5	A096 2062	Wire Cleaner Slider	1
6	A096 2063	Corona Wire Cleaner	1
7	A096 2065	Slider Ring	1
8	A176 2061	Screw Shaft	1
9	B247 2295	Cushion - Spacer	1
10	B070 2365	Cleaner Motor Cover	1
11	A176 2054	Grounding Plate	1
12	AX04 0147	DC Motor: Cleaner: 0.5W	1
13	AB01 0087	Gear - 20Z	1
14	AD02 2283	Front End Block	1
15	AD02 2285	Rear End Block	1
16	AA06 2284	Pressure Spring	1
17	B070 2364	Charge Corona Wire	1
18	AA06 3248	Charge Terminal Spring	1
19	AA06 3249	Grid Terminal Spring	1
20	B234 2123	Cushion - Wire	2
21	AD02 2306	Cover - Front End Block	1
22	AD02 2307	Cover - Rear End Block	1
23	A134 2363	Terminal Plate	1
24	A096 2052	Front Grid Anchor	1
25	A096 2051	Rear Grid Anchor	1
26	A096 2060	Grid: Charge Corona: N	1

Index No.	Part No.	Description	Q'ty Per Assembly
101	0354 0080N	Screw: M4x8	
102	0450 3008N	Tapping Screw - M3x8	
103	0971 4008A	Philips Polycarbonate Screw - M4x8	
104	0971 4006A	Philips Polycarbonate Screw - M4x6	
105	0720 0025E	Retaining Ring - M2.5	

38.PCU 1 (D062/D063/D065/D066)



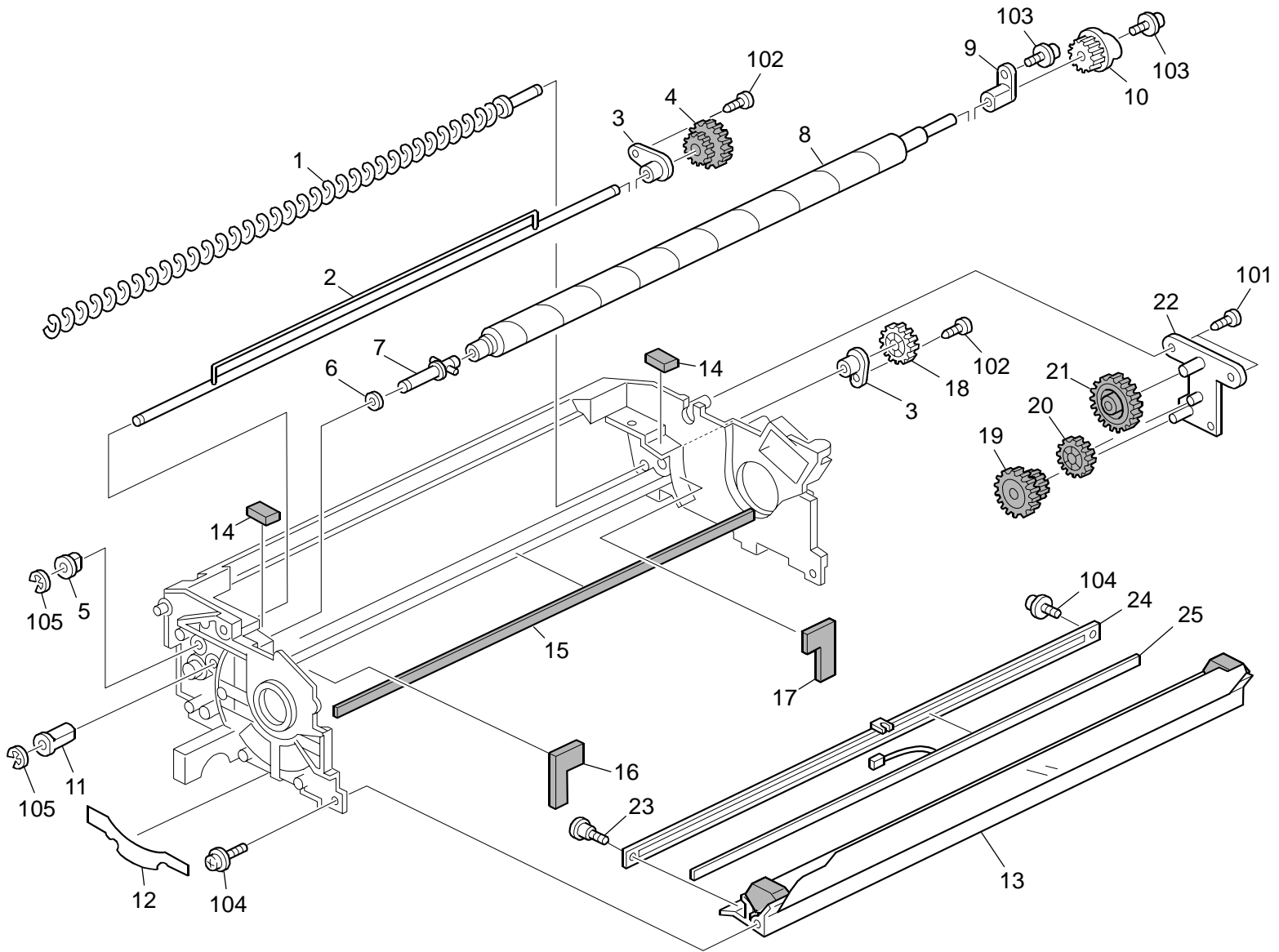
WWW.SERVICE-MANUAL.NET

38.PCU 1 (D062/D063/D065/D066)

Index No.	Part No.	Description	Q'ty Per Assembly
*	D062 2261	PCU: Lower: M-C4: NA: Ass'y	1
*	D062 2260	PCU: Lower: C4: Ass'y	1
1	B247 2270	PCU Unit - Upper	1
2	A293 2418	Upper Unit Cover	1
3	B065 2494	Upper PCU Harness	1
4	B234 2270	LED Array	1
5	A096 2301	Grounding Plate	1
6	B247 2271	Electric Potential Sensor	1
7	B065 2392	Receptacle	1
8	B247 2395	Toner Recycling Ass'y	1
9	AB01 1462	Toner Recycling Gear	2
10	AA13 2208	Spacer - M6	1
11	AB01 1461	Toner Recycling Connecting Gear	1
12	B247 2377	Shaft: Connecting: Toner Recycling	1
13	AA08 2122	Bushing	1
14	B065 2371	Drum Stay	1
15	AA06 0891	Spring	1
16	B065 2426	Pressure Release Lever	1
17	B247 3340	Filter: Development	1
18	B065 1957	Shield Glass Cover	1
19	B246 9510	OPC Drum: MT-C3	1

Index No.	Part No.	Description	Q'ty Per Assembly
101	0451 4008N	Tapping Screw: 4x8	
102	0452 3008N	Tapping Screw - M3x8	
103	0354 0080N	Screw: M4x8	
104	0951 3006N	Screw - M3x6	
105	0720 0040E	Retaining Ring - M4	
106	1105 0534	Clamp	

39.PCU 2 (D062/D063/D065/D066)

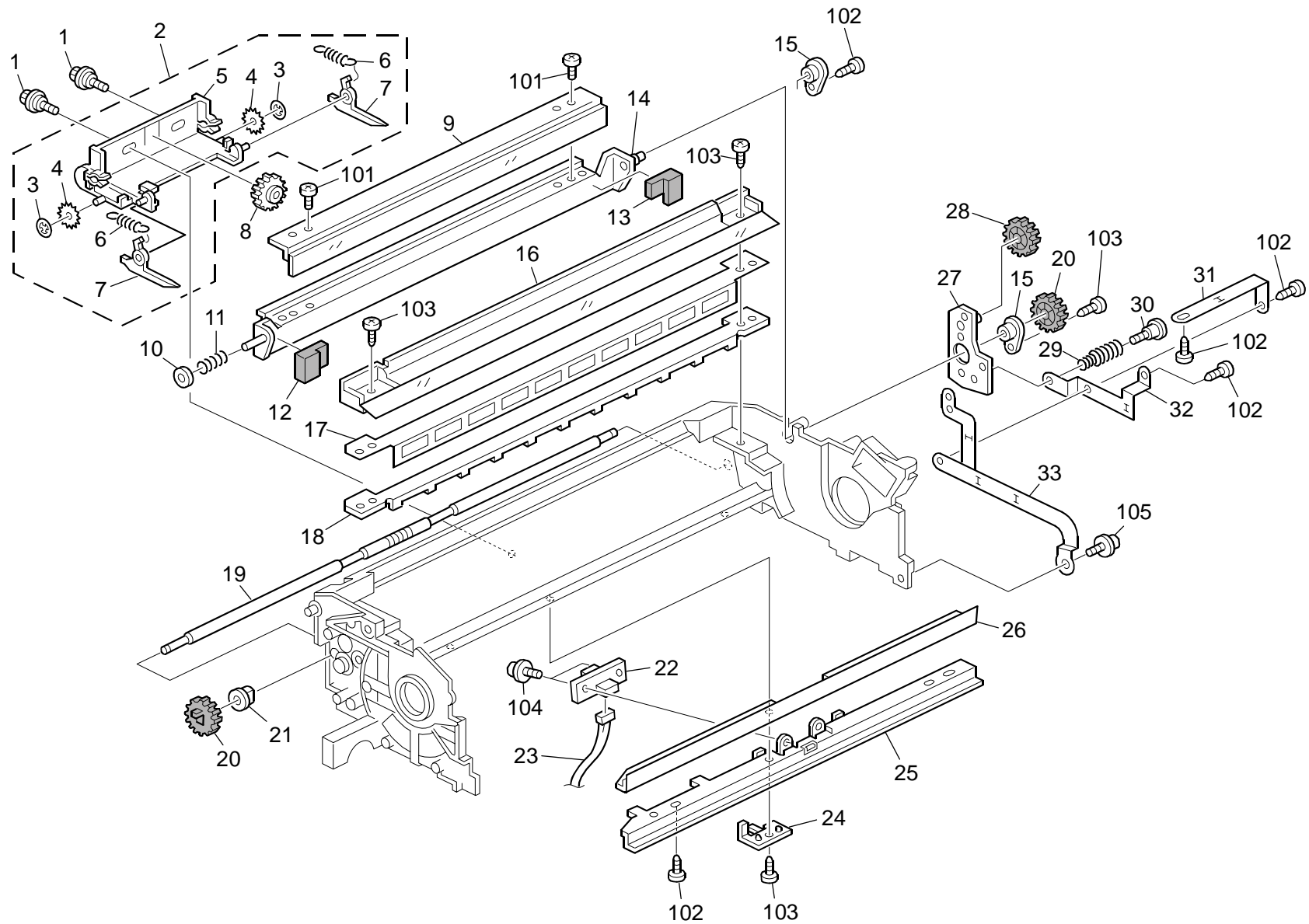


39.PCU 2 (D062/D063/D065/D066)

Index No.	Part No.	Description	Q'ty Per Assembly
1	B247 2326	Toner Collection Coil	1
2	B247 2322	Agitator: Ass'y	1
3	AA08 2121	Toner Collection Coil Bushing	2
4	B065 2428	Agitator Gear	1
5	AA08 2101	Bushing - 6x10x6	1
6	AA13 2208	Spacer - M6	1
7	B247 2366	Shaft: Brush Roller: Front: Ass'y	1
8	B247 2330	Brush Roller: Cleaning	1
9	AA08 2119	Roller Bushing	1
10	D062 2425	Gear: Brush Roller	1
11	AA08 2094	Bushing - Brush Roller	1
12	B140 2421	Pre-transfer Lamp Harness Plate	1
13	B140 2413	Entrance Transfer Stay Ass'y	1
14	AA15 3085	Inner Case Seal	2
15	AA15 3088	Cleaning Entrance Seal - 3x345x2	1
16	AA15 2431	Front Drum Seal	1
17	A294 3572	Rear Drum Seal	1
18	AB01 1459	Toner Collection Coil Gear	1
19	AB01 7612	Gear	1
20	AB01 1460	Idler Gear	1
21	B065 2427	Cam - Blade	1
22	B247 2353	Bracket: Swivel: Blade: Ass'y	1
23	5206 2684	Shoulder Screw - M3	1
24	B140 2382	Pre-transfer Lamp Case Ass'y	1
25	B234 2270	LED Array	1

Index No.	Part No.	Description	Q'ty Per Assembly
101	0452 3008N	Tapping Screw - M3x8	
102	0452 3010N	Binding Self-tapping Screw: 3x10	
103	0951 3006N	Screw - M3x6	
104	0951 3008N	Screw: Polished Round: M3x8	
105	0720 0040E	Retaining Ring - M4	

40.PCU 3 (D062/D063/D065/D066)



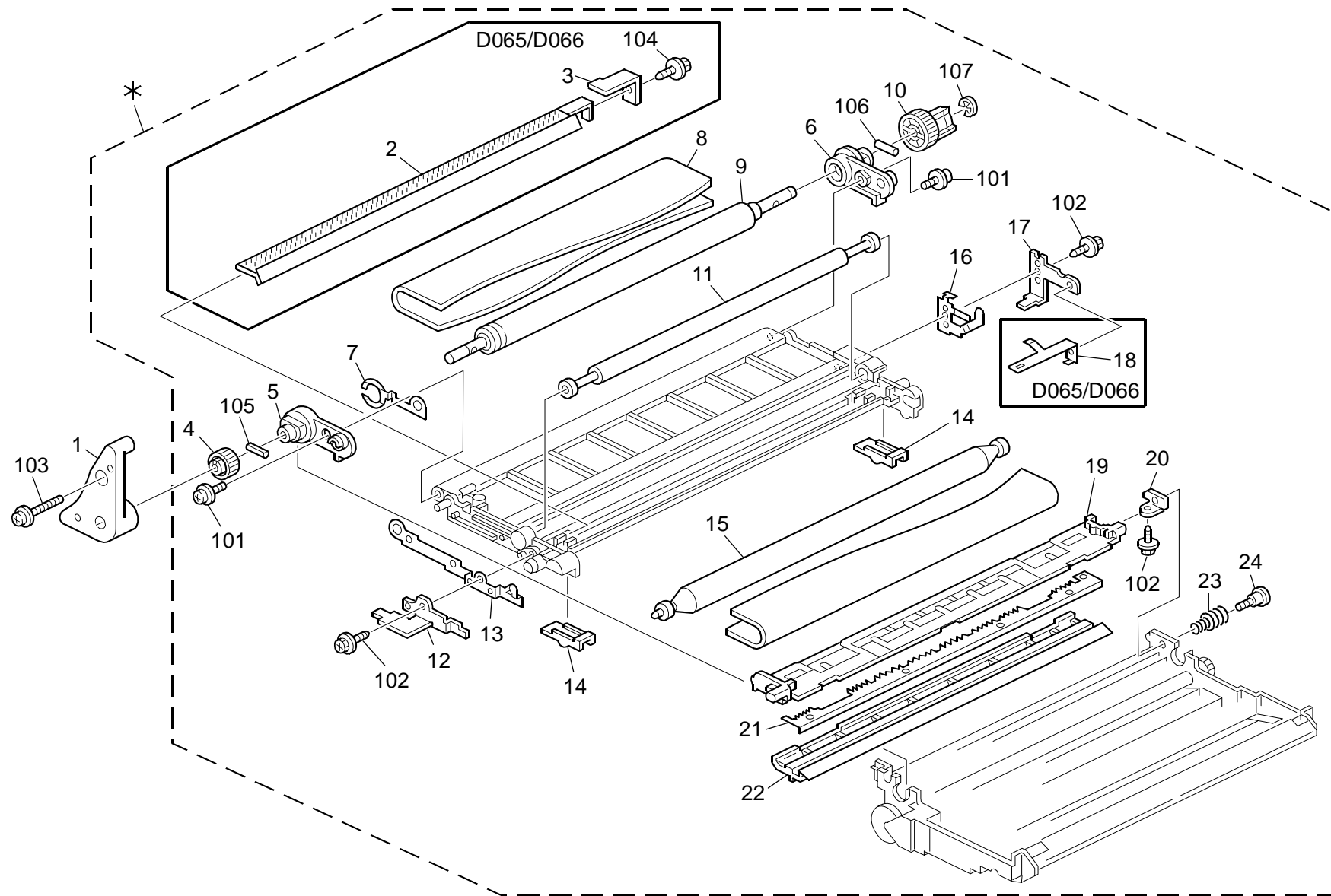
WWW.SERVICE-MANUAL.NET

40.PCU 3 (D062/D063/D065/D066)

Index No.	Part No.	Description	Q'ty Per Assembly
1	AA14 3523	Shoulder Screw - M3	2
2	B065 2336	Pickoff Pawl: Drum: Ass'y	1
3	G020 3566	Nut - 2.4mm	2
4	A048 2276	Ring - Transport Bracket	2
5	B065 2337	Pick-off Pawl Holder	1
6	AA06 0892	Pick-off Pawl Spring	2
7	AD02 5024	Pick-off Pawl	2
8	AB01 7611	Pick-off Pawl Cam	1
9	AD04 1140	Cleaning Blade	1
10	AA13 2208	Spacer - M6	1
11	AA06 3610	Spring - 4060mN	1
12	B065 2316	Front Blade Seal	1
13	B065 2317	Rear Blade Seal	1
14	B247 2314	Bracket: Blade: Ass'y	1
15	AA08 2120	Bushing	2
16	B065 2386	Middle PCU Casing	1
17	D062 2388	Spring Plate: Brush Roller	1
18	D062 2389	Holder: Spring Plate: Brush Roller	1
19	B247 2342	Shaft: Pickoff Pawl: Swivel	1
20	AB01 1459	Toner Collection Coil Gear	2
21	AA08 2101	Bushing - 6x10x6	1
22	B234 2279	Density Sensor P	1
23	B247 2497	Harness: PCU: Lower	1
24	B065 2364	Pick-off Pawl Positioning Plate	1
25	B065 2361	Entrance Seal Holder	1
26	B065 2362	Cleaning Entrance Seal	1
27	B247 2344	Bracket: Idler: Pickoff Pawl: Ass'y	1
28	AB01 1460	Idler Gear	1
29	AA06 3576	Spring	1
30	AA14 3544	Screw - M3	1
31	B065 2369	Grounding Plate - Entrance Seal	1
32	B065 2358	Bracket Grounding Bracket	1
33	B065 2381	Grounding Plate	1

Index No.	Part No.	Description	Q'ty Per Assembly
101	0314 0060N	Screw - M4x6	
102	0452 3008N	Tapping Screw - M3x8	
103	0452 3010N	Binding Self-tapping Screw: 3x10	
104	0951 3006N	Screw - M3x6	
105	0951 3008N	Screw: Polished Round: M3x8	

41. Transfer Belt Unit 1 (D062/D063/D065/D066)

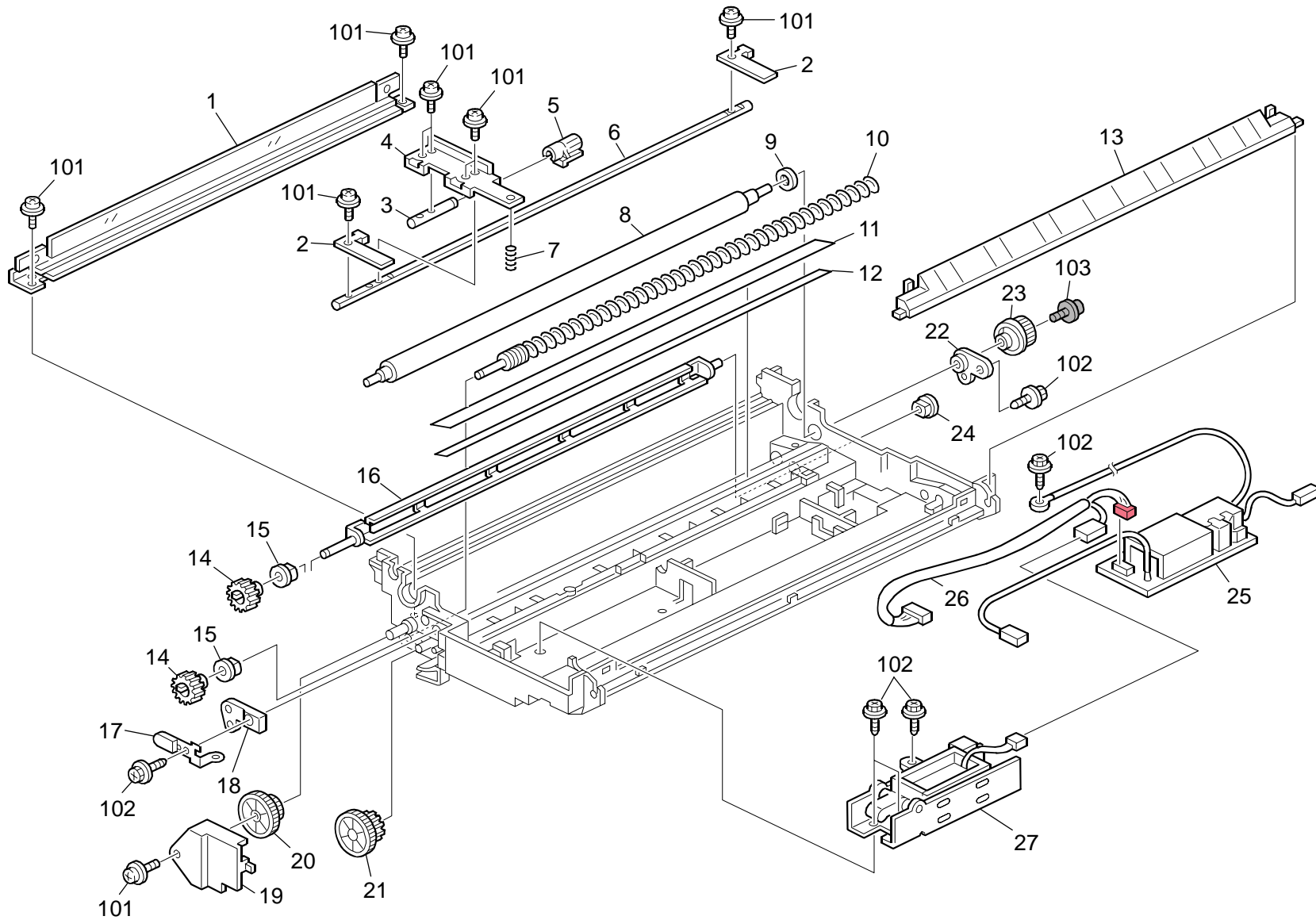


41. Transfer Belt Unit 1 (D062/D063/D065/D066)

Index No.	Part No.	Description	Q'ty Per Assembly
*	D062 3854	Transfer Unit: EXP: Ass'y	1
*	D066 3856	Transfer Unit: EXP: E: Ass'y	1
1	B065 3818	Transfer Unit Guide Plate	1
2	D066 3984	Brush: Flat Belt-transfer: Ass'y	1
3	D066 3990	Cover: Electrode Plate	1
4	B065 3873	Toner Collection Gear	1
5	A229 3861	Front Arm	1
6	A229 3862	Rear Arm	1
7	A229 3875	Drive Electrode	1
8	A293 3899	Transfer Belt - Mojito Service	1
9	B247 3866	Drive Roller	1
10	B065 3872	Transfer Unit Joint	1
11	B247 3870	Bias Roller	1
12	B065 3875	Terminal	1
13	B065 3874	Electrode Plate	1
14	B065 3868	Pressure Arm	2
15	A229 3865	Transport Driven Roller	1
16	B247 3980	Electrode: Bias	1
17	B065 3878	Bias Terminal	1
18	D066 3988	Electrode: Bias: Transfer: Ass'y	1
19	B065 3942	Guide Plate	1
20	B065 3950	Grounding Bracket	1
21	B065 3947	Anti-static Plate	1
22	B065 3945	Entrance Seal Holder	1
23	AA06 3310	Guide Plate Spring	1
24	H053 1150	Stepped Screw - Locking	1

Index No.	Part No.	Description	Q'ty Per Assembly
101	0951 3008N	Screw: Polished Round: M3x8	
102	0450 3008N	Tapping Screw - M3x8	
103	0951 4014N	Screw: Polished Round: M4x14	
104	0450 3010N	Tapping Screw - M3x10	
105	0623 0120E	Spring Pin - M3x12	
106	0633 0180G	Parallel Pin - 3x18mm	
107	0720 0060E	Retaining Ring - M6	

42.Transfer Belt Unit 2 (D062/D063/D065/D066)

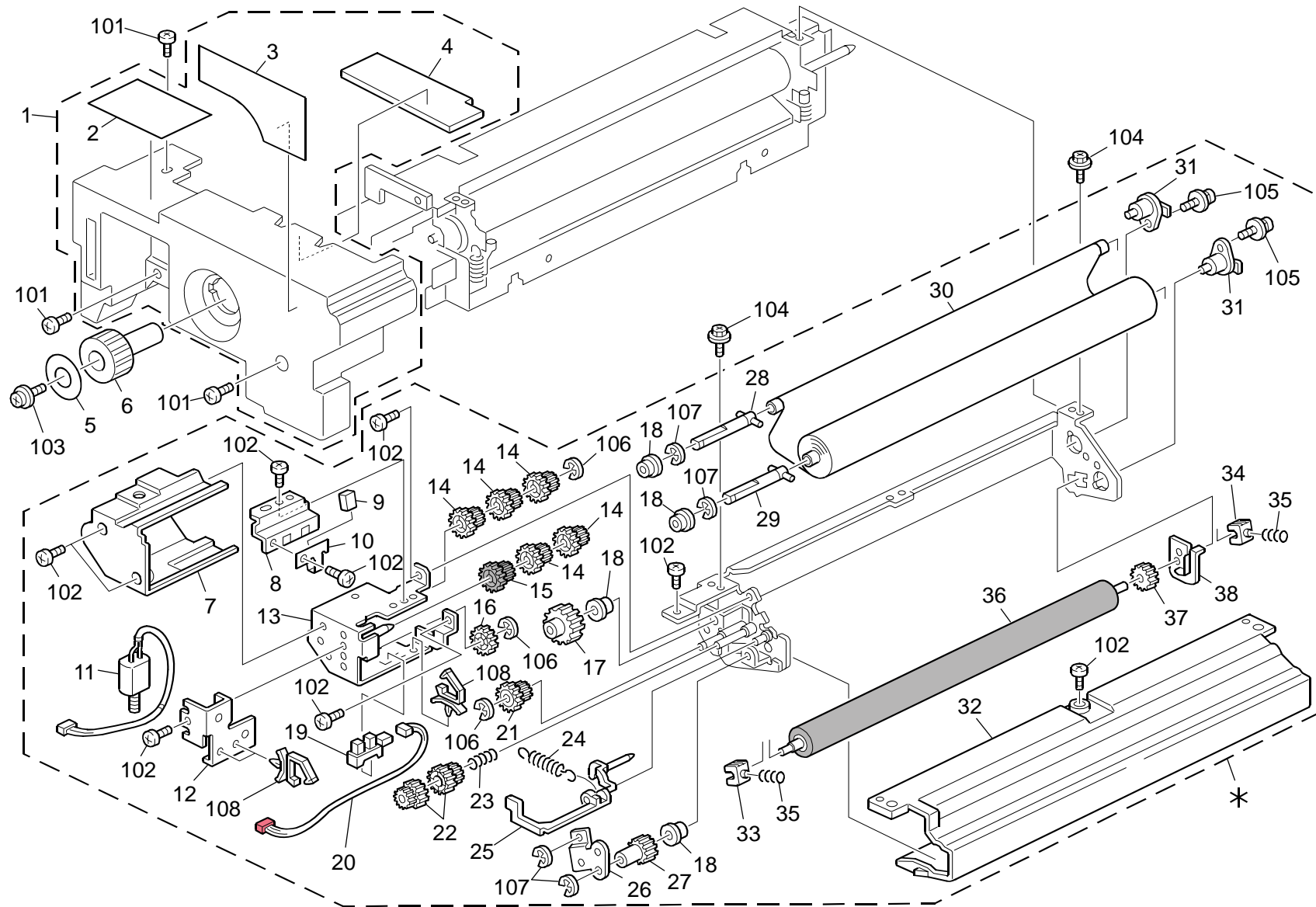


42. Transfer Belt Unit 2 (D062/D063/D065/D066)

Index No.	Part No.	Description	Q'ty Per Assembly
1	AD04 1126	Transfer Belt Cleaning Blade	1
2	B065 3962	Spring Plate	2
3	B247 3965	Lever Shaft	1
4	B065 3963	Lever	1
5	B065 3964	Bushing	1
6	B247 3961	Shaft - On-Off	1
7	AA06 3877	Spring	1
8	D062 3925	Cleaning Roller: Transfer Belt: Ass'y	1
9	AA13 2024	Spacer - M6	1
10	B247 3911	Toner Collection Coil	1
11	AD04 7025	Exit Seal	1
12	A229 3934	Tape	1
13	B065 3955	Entrance Guide Plate	1
14	B065 3918	Toner Collection Gear Coil	1
15	AA08 2101	Bushing - 6x10x6	2
16	B247 3914	Agitator	1
17	B065 3928	Cleaning Roller Terminal	1
18	A229 3910	Front Bushing	1
19	B065 3922	Electrode Plate Cover	1
20	B065 3920	Idle Gear - 1	1
21	B065 3921	Idle Gear - 2	1
22	A229 3911	Rear Bushing	1
23	AB01 4176	Cam Gear - 37Z	1
24	AA08 2058	Bushing - 6x10x9mm	1
25	AZ32 0164	Power Pack	1
26	B247 3976	Harness - Transfer Unit	1
27	D062 3966	DC Solenoid: On-Off: MC4: Ass'y	1
27	D066 3966	DC Solenoid: On-Off: MC4: Type-E: Ass'y	1

Index No.	Part No.	Description	Q'ty Per Assembly
101	0951 3006N	Screw - M3x6	
102	0450 3008N	Tapping Screw - M3x8	
103	0951 3004P	Screw: Polished Round: M3x4	

43.Fusing Unit 1 (D062/D063/D065/D066)



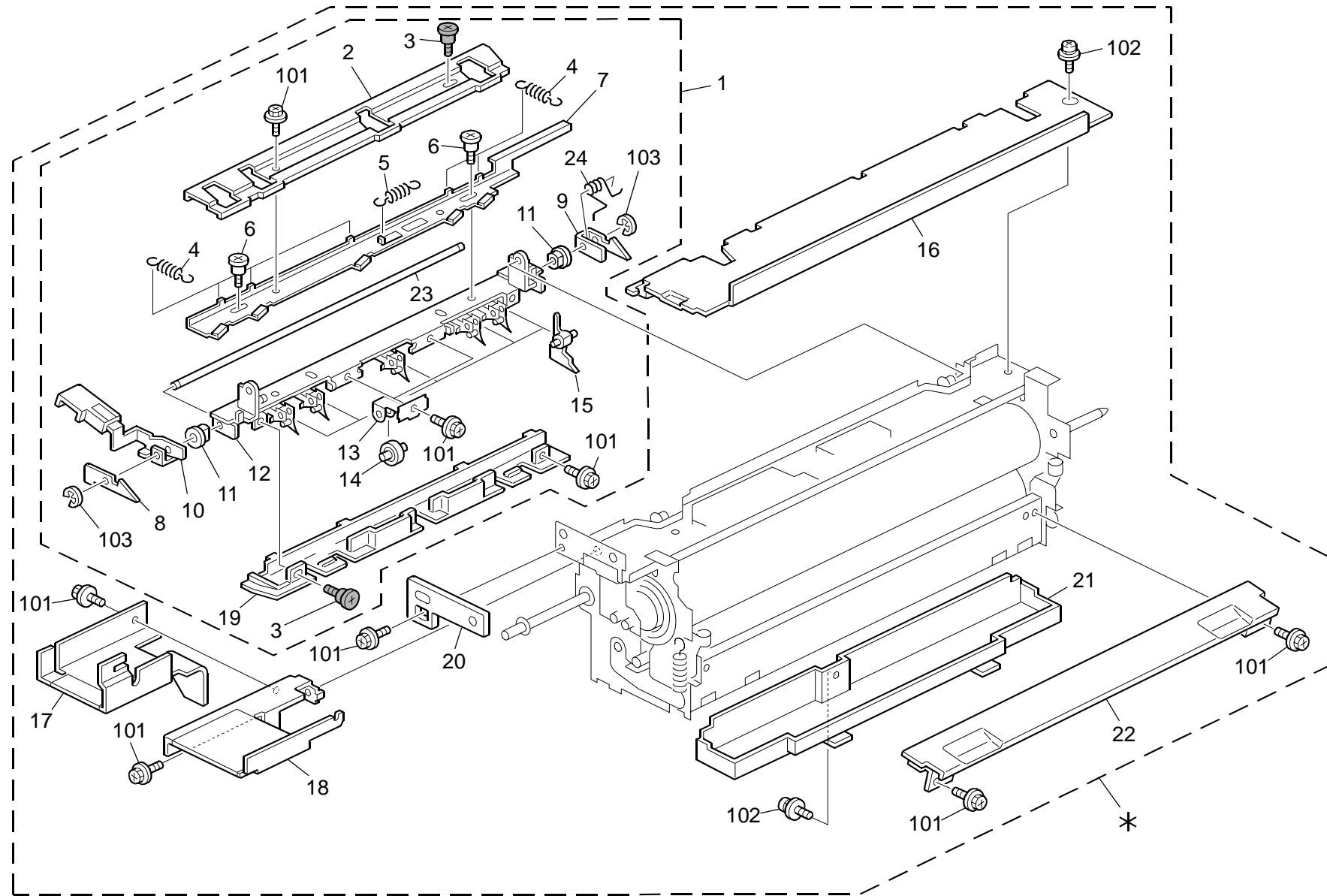
WWW.SERVICE-MANUAL.NET

43.Fusing Unit 1 (D062/D063/D065/D066)

Index No.	Part No.	Description	Q'ty Per Assembly
*	D062 4097	Cleaning Unit: Hot Roller: Ass'y	1
*	D066 4200	Cleaning Unit: Hot Roller: C4: E: Ass'y	1
1	B246 4266	Inner Cover	1
1	G148 4365	Inner Cover: Fusing/Paper Exit Unit	1
2	B065 4481	Decal - Exit	1
3	B065 4274	Decal - Misfeed Removal	1
4	B065 4255	Insulator	1
5	B065 4167	Decal - Fusing Knob	1
6	AG05 0098	Knob: Fusing	1
7	B065 4231	Web Cover	1
8	B065 4232	Feeler Guard Bracket	1
9	B065 4247	Brake Pad	1
10	B140 4190	Brake Spring Plate	1
10	B065 4246	Spring Plate	1
11	AX04 0159	DC Motor: DC5V 0.46W	1
12	B065 4225	Motor Plate Bracket	1
13	B247 4188	Bracket: Drive: Ass'y	1
13	G148 4226	Bracket: Drive	1
14	B065 4222	Gear - 37Z	5
15	B065 4241	Gear	1
16	B065 4223	Motor Gear	1
17	B065 4238	Gear - 50Z	1
18	AE03 1036	Bushing - 6mm	4
19	AW02 0145	Photointerruptor: Flat	1
20	B065 4248	Web Harness	1
21	B247 4235	Gear: Idler: Cleaning Unit	1
21	B065 4235	Web Idle Gear	1
22	B065 4234	Stopper Gear	2
22	B247 4234	Gear: Stopper: Oil Supply Roller	1
23	AA06 3851	Pressure Spring	1
24	B065 4221	Feeler Spring	1
25	B140 4195	Feeler: Oil End Sensor	1
25	B065 4219	Web End Feeler	1
26	B065 4251	Positioning Plate - Web Unit	1
26	B140 4187	Cleaning Unit Drive Positioning Plate	1

Index No.	Part No.	Description	Q'ty Per Assembly
27	B065 4244	Gear - 23Z	1
27	B247 4244	Gear: Z23: Oil Supply Roller	1
28	B247 4242	Shaft: Drive: Rolling: Ass'y	1
29	B247 4239	Shaft: Drive: Oil Supply Roller: Ass'y	1
30	AE04 5057	Roller: Cleaning Felt: 32m: Ass'y	1
30	AE04 5058	Roller: Cleaning Felt: 28m: Ass'y	1
31	B065 4207	Web Shaft	2
32	B140 4193	Cleaning Unit Cover	1
32	B065 4217	Web Bracket	1
33	B140 4191	Front Oil Supply Bushing	1
33	AE03 1026	Bushing - Oil Supply Roller	1
34	B140 4192	Inner Back: Oil Supply Bushing	1
34	B065 4210	Rear Bushing - Oil Supply Roller	1
35	AA06 3886	Spring	2
36	AE04 4068	Pressure Roller: Cleaning Felt	1
36	AE04 0038	Cleaning Web Pressure Roller	1
37	B065 4211	Pressure Roller Gear	1
38	B140 4209	Bracket: Stopper: Ass'y	1
101	0354 0080N	Screw: M4x8	
102	0354 0060N	Screw-M4x6	
103	0951 4008N	Screw: Polished Round: M4x8	
104	0360 4006N	Screw - M4x6	
105	0954 4008N	Screw - M4x8	
106	0720 0030E	Retaining Ring - M3	
107	0720 0040E	Retaining Ring - M4	
108	1105 0511	Harness Clamp - LWS-0306ZC	

44.Fusing Unit 2 (D062/D063/D065/D066)



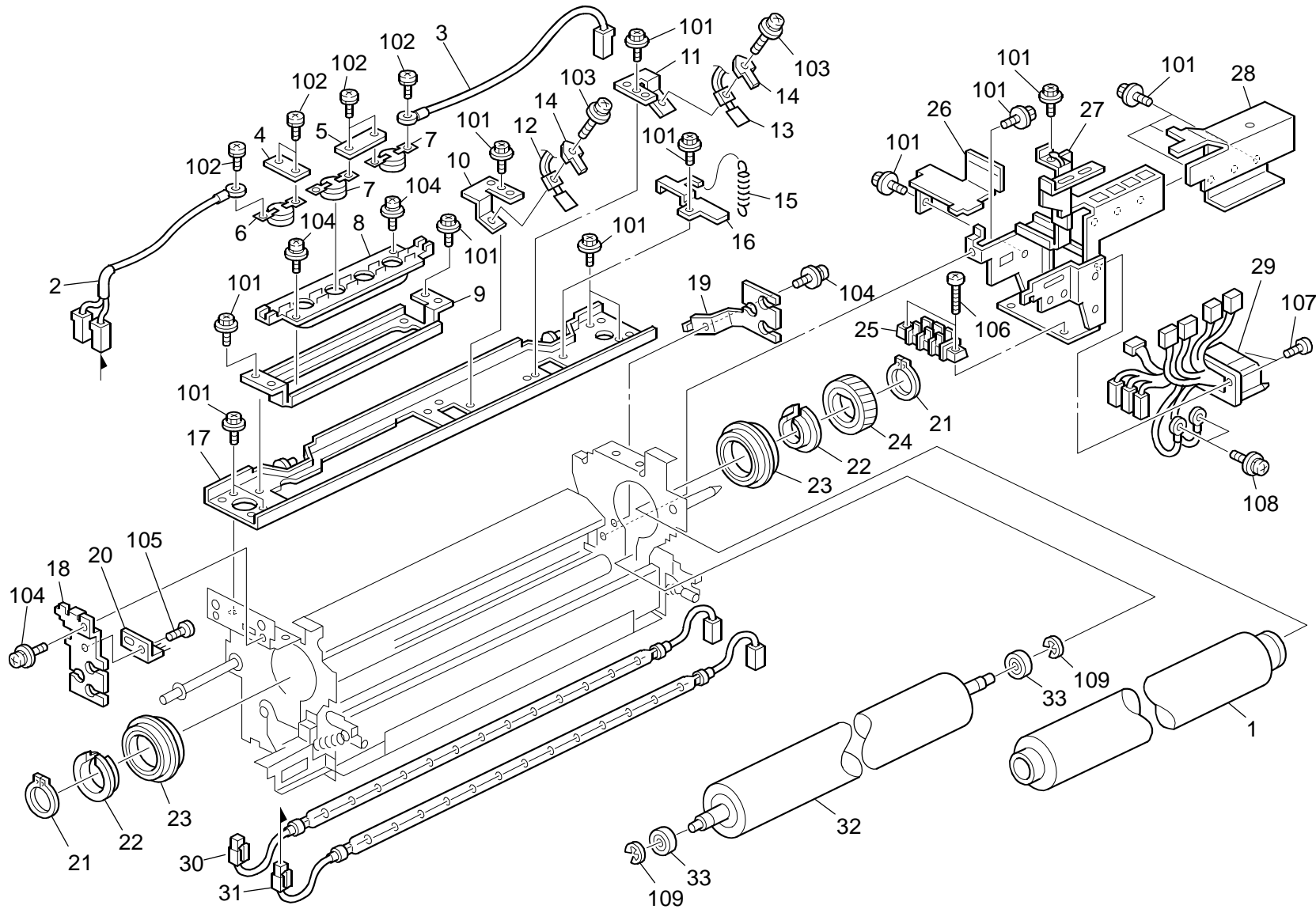
WWW.SERVICE-MANUAL.NET

44.Fusing Unit 2 (D062/D063/D065/D066)

Index No.	Part No.	Description	Q'ty Per Assembly
*	D062 4584	Fusing Unit: M-C4: 120V: Ass'y	1
*	D062 4583	Fusing Unit: M-C4: 230V: Ass'y	1
*	D066 4016	Fusing Unit: EXP: E: Ass'y	1
1	B247 4080	Stripper Pawls: Open And Close: Ass'y	1
1	D066 4080	Stripper Pawls: Open And Close: Ass'y	1
2	B065 4398	Slider Cover	1
3	AA14 3810	Development Cover Screw	2
4	AA06 0539	Stripper Pawl Spring	4
5	AA06 0916	Slider Spring	1
6	B247 4247	Screw: Slider	2
7	B065 4397	Release Slider	1
8	B065 4188	Front Lock Pawl	1
9	B065 4189	Rear Lock Pawl	1
10	B065 4184	Stripper Pawls Grip	1
11	AA08 0274	Bushing	2
12	B140 4240	Bracket: Guide Plate: Fusing Exit: Upper: Ass'y	1
12	D066 4291	Bracket: Guide Plate: Fusing Exit: Upper: Ass'y	1
13	B140 4141	Fusing Exit Roller Holder	2
13	A096 4319	Exit Roller Holder	2
14	AF04 0561	Fusing Exit Roller - Upper	2
15	AE04 4060	Stripper Pawls	5
16	D062 4117	Fusing Cover: Upper: Ass'y	1
16	D066 4117	Fusing Cover: Upper: Ass'y	1
17	B140 4113	Bracket: Cover: Connector: Ass'y	1
18	D062 4174	Grip: Fusing Unit: Front: Ass'y	1
19	B065 4390	Fusing Exitguide Plate	1
19	B140 4234	Upper Fusing Exit Guide Plate	1
20	B065 4138	Side Plate Cover	1
21	B065 4116	Lower Fusing Cover	1
21	B140 4203	Lower Fusing Cover	1
22	D062 4131	Fusing Entrance Guide Plate: NA: Ass'y	1
22	D062 4135	Fusing Entrance Guide Plate: Lower: Ass'y	1
22	B065 4135	Lower Fusing Entrance Plate - 240V	1
23	B247 4083	Shaft: Release: Stripper Pawls	1
24	AA06 6352	Spring	1

Index No.	Part No.	Description	Q'ty Per Assembly
101	0360 4006N	Screw - M4x6	
102	0954 4008N	Screw - M4x8	
103	0720 0030E	Retaining Ring - M3	

45.Fusing Unit 3 (D062/D063/D065)



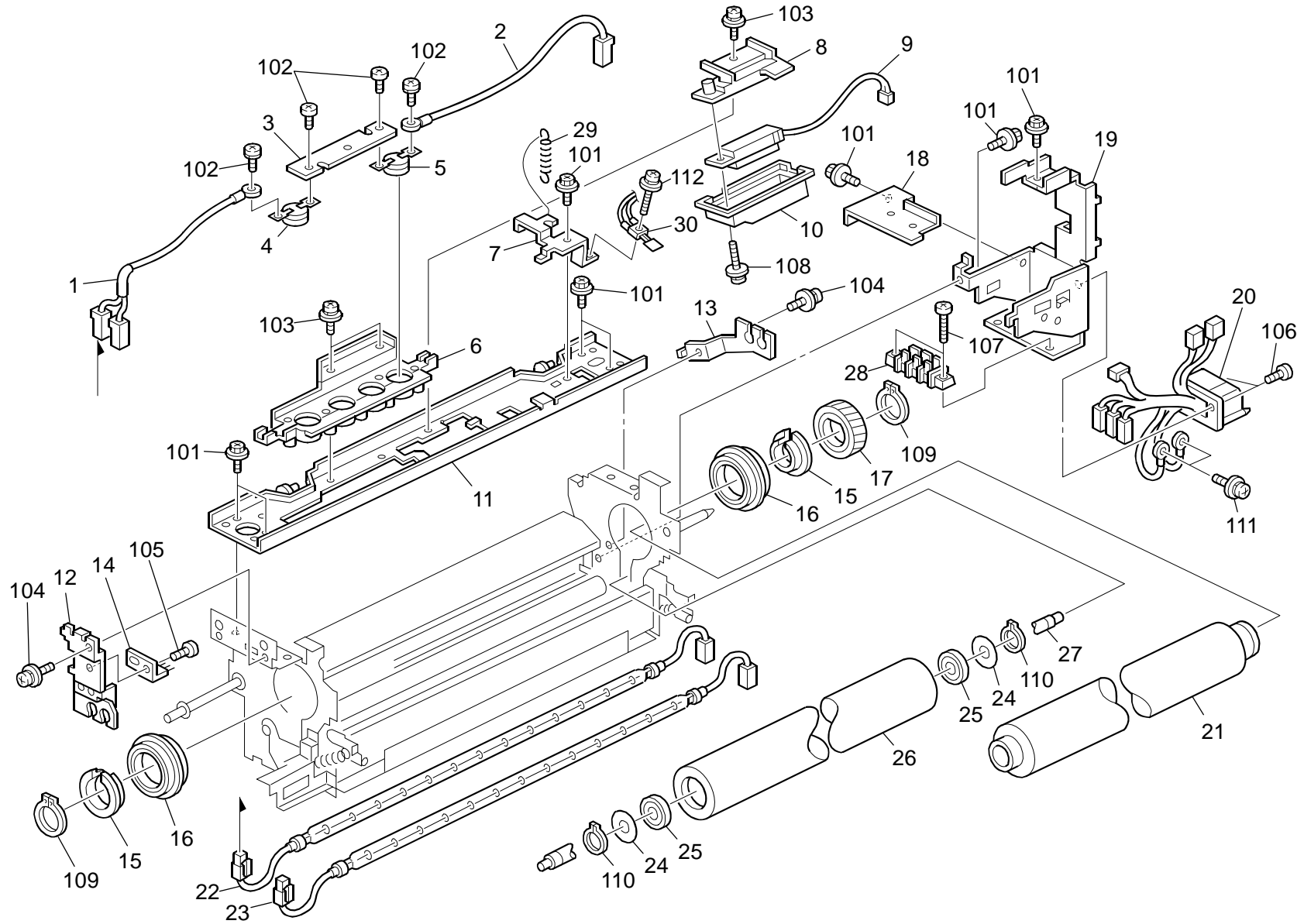
45.Fusing Unit 3 (D062/D063/D065)

Rev. 09/02/2009

Index No.	Part No.	Description	Q'ty Per Assembly
1	AE01 1117	Hot Roller: MM40	1
2	B247 4149	Harness - Front	1
3	B065 4151	Rear Harness	1
4	B110 4223	Electrode Plate: Thermostat: Coupling	1
5	B140 4169	Thermostat Electrode Plate	1
6	AW11 0066	Thermostat- 211C	1
7	AW11 0064	Thermostat-192C	2
8	B247 4128	Housing: Thermostat: EXP	1
9	B140 4145	Bracket: Thermostat	1
10	D062 4197	Bracket: Thermistor: Middle [TSB#002]	1
11	D062 4196	Bracket: Thermistor: Inner Back [TSB#002]	1
12	AW10 0108	Thermistor - Middle	1
13	AW10 0109	Thermistor - Inner Back	1
14	B140 4179	Plate: Thermistor	2
15	AA06 0894	Spring	1
16	B065 4185	Exit Plate	1
17	B247 4142	Upper Stay	1
18	B140 4171	Front Heater Holder	1
19	B140 4170	Rear Heater Holder	1
20	A413 1670	Antistatic Brush	1
21	D054 4172	Retaining Rings-C: Hot Roller [TSB#003]	2
22	AE03 2033	Thermal Insulating Bushing: DIA34 [TSB#003]	2
23	AE03 0054	Ball Bearing - 40x52x7	2
24	AB01 2062	Gear: Hot Roller	1
25	A247 4249	Connector - 3P	1
26	B140 4159	Harness Plate	1
27	B140 4157	Drawer Bracket Ass'y	1
28	B140 4167	Connector Cover Bracket	1
29	B140 4162	Harness: Fusing Unit: NA	1
29	B140 4164	Harness: Fusing Unit: EU	1
30	AX44 0213	Heater: 120V: 550W	1
30	AX44 0216	Heater: 230V: 550W	1
31	AX44 0214	Heater: 120V: 650W	1
31	AX44 0217	Heater: 230V: 650W	1
32	AE02 0182	Pressure Roller: DIA40	1

Index No.	Part No.	Description	Q'ty Per Assembly
33	AE03 0053	Ball Bearing - 8x19x6	2
101	0360 4006N	Screw - M4x6	
102	0950 3006M	Philips Screw With Lock Washer	
103	0954 3012N	Screw - M3x12	
104	0951 4008N	Screw: Polished Round: M4x8	
105	0353 0050N	Screw-M3x5	
106	0354 0120N	Screw M4x12	
107	0353 0080N	Screw: M3x8	
108	0954 3006N	Screw - M3x6	
109	0720 0060E	Retaining Ring - M6	

46.Fusing Unit 4 (D066)

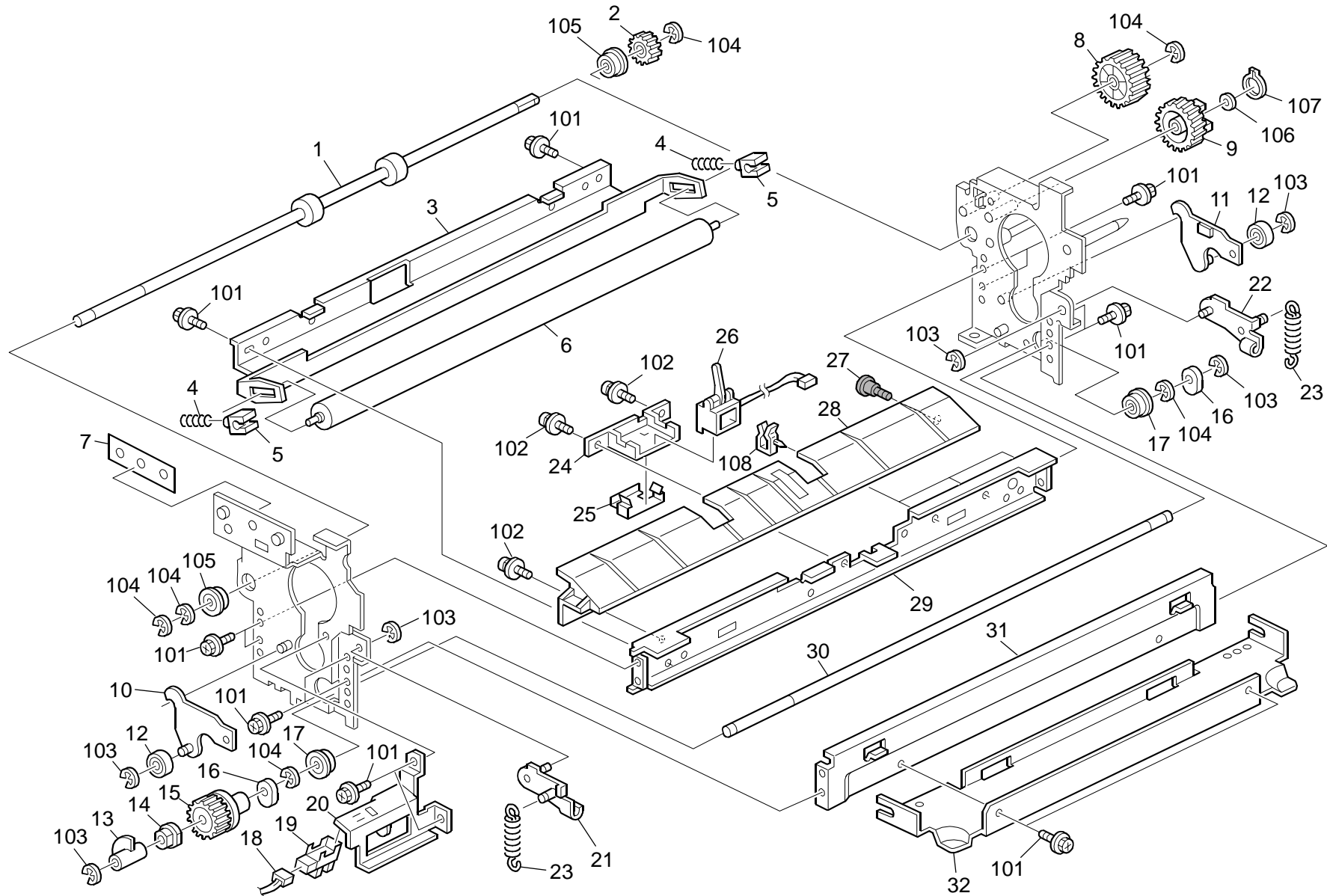


46.Fusing Unit 4 (D066)

Index No.	Part No.	Description	Q'ty Per Assembly
1	B065 4150	Front Harness	1
2	B065 4151	Rear Harness	1
3	D066 4223	Electrode Plate: Thermostat	1
4	AW11 0083	Thermostat: 193C	1
5	AW11 0082	Thermostat: 190C	1
6	D066 4221	Housing: Thermostat	1
7	B110 4231	Bracket: Thermistor: Inner Back	1
8	B065 4132	Middle Thermistor Cover	1
9	AW10 0084	Middle Thermistor	1
10	B065 4130	Thermostat Housing - Middle	1
11	D066 4211	Stay: Fusing: Upper: Ass'y	1
12	B065 4124	Front Heater Holder	1
13	B065 4170	Rear Heater Holder	1
14	A413 1670	Antistatic Brush	1
15	AE03 2014	Bushing - 30x35x13.5	2
16	AE03 0017	Ball Bearing - 35x50x10	2
17	AB01 2316	Fusing Gear	1
18	B065 4159	Harness Holder	1
19	B065 4157	Connector Bracket	1
20	B140 4162	Harness: Fusing Unit: NA	1
20	B140 4164	Harness: Fusing Unit: EU	1
20	D066 4156	Harness: Fusing Unit: EXP	1
21	AE01 1044	Hot Roller	1
22	AX44 0285	Heater: 220V: 600W	1
23	AX44 0301	Heater: 220V: 700W	1
24	B065 4180	Spacer - 16mm	2
25	AE03 0018	Ball Bearing - 12x28x8	2
26	AE02 0178	Pressure Roller: DIA50	1
27	AA14 0823	Pressure Roller Shaft	1
28	A247 4249	Connector - 3P	1
29	AA06 0894	Spring	1
30	AW10 0076	Thermistor: Inner Back	1

Index No.	Part No.	Description	Q'ty Per Assembly
101	0360 4006N	Screw - M4x6	
102	0950 3006N	Screw: Spring Washer: M3x6	
103	0954 4006N	Screw: Polished Round/Spring: M4x6	
104	0954 4008N	Screw - M4x8	
105	0313 0050N	Philips Pan Head Screw - M3x5	
106	0313 0080N	Pan Head Screw: M3x8	
107	0314 0120N	Screw - M4x12	
108	0954 3012N	Screw - M3x12	
109	0725 0300E	Retaining Ring C - M30	
110	0725 0120E	Retaining Ring C - M12	
111	0951 3005N	Screw: Polished Round: M3x5	
112	0954 3010N	Screw: Polished Round/Spring: M3x10	

47.Fusing Unit 5 (D062/D063/D065)

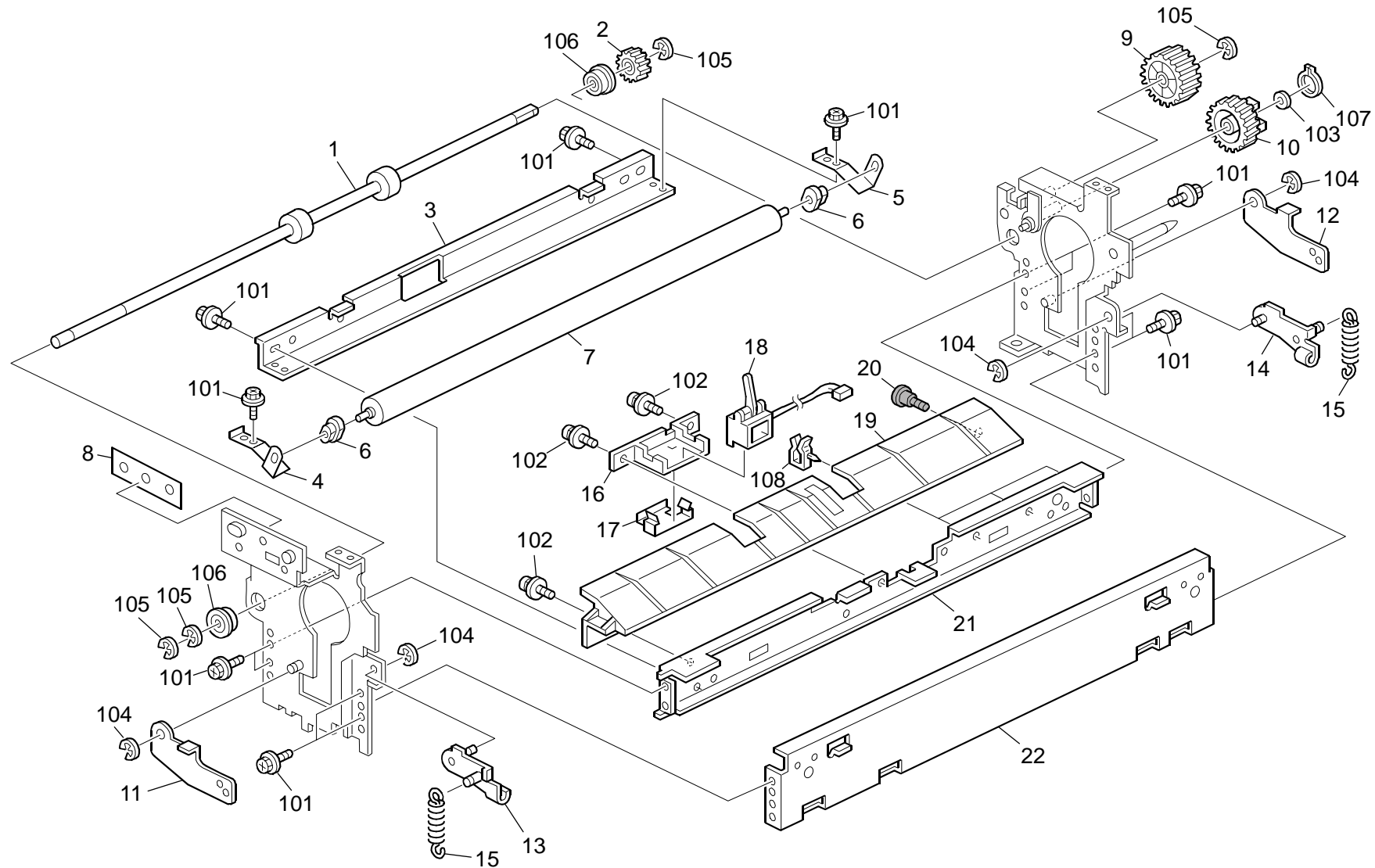


47.Fusing Unit 5 (D062/D063/D065)

Index No.	Part No.	Description	Q'ty Per Assembly
1	AF04 0055	Fusing Exit Roller	1
2	AB01 9479	Gear: Fusing Exit	1
3	B140 4198	Fusing Cleaning Roller Bracket	1
4	B140 4200	Pressure Cleaning Roller Spring	2
5	AE03 1026	Bushing - Oil Supply Roller	1
6	AE04 2066	Fusing Cleaning Roller	1
7	B065 4129	Sheet: Fiber: Side Plate	1
8	AB01 2318	Idler Gear	1
9	AB01 2317	Fusing Drive Gear	1
10	B247 4323	Lever: Front: Ass'y	1
11	B247 4231	Lever: Rear: Ass'y	1
12	AE03 0055	Ball Bearing - 6x15x5	2
13	B140 4320	Sensor Feeler	1
14	AA08 2101	Bushing - 6x10x6	1
15	B247 4264	Gear: Pressure	1
16	B140 4256	Pressure Release Eccentric Cam	2
17	AE03 0056	Ball Bearing - 8x16x5	2
18	B140 4498	Harness - Positioning Sensor	1
19	AW02 0160	Paper Feed Sensor	1
20	B140 4258	Sensor Bracket Ass'y	1
21	B247 4131	Lever: Release: Front: Ass'y	1
22	B247 4147	Lever: Release: Pressure: Rear: Ass'y	1
23	AA06 0946	Pressure Tension Spring	2
24	B065 4139	Switch Holder	1
25	B065 4141	Spring Plate - Switch	1
26	AW20 0010	Paper Feed Sensor	1
27	AA14 3810	Development Cover Screw	1
28	B140 4140	Lower Fusing Exit Guide	1
29	B065 4114	Left Stay	1
30	D054 4254	Shaft: Turn	1
31	B140 4112	Right Fusing Stay	1
32	B140 4205	Pressure Oil Supply Roller Bracket	1

Index No.	Part No.	Description	Q'ty Per Assembly
101	0360 4006N	Screw - M4x6	
102	0954 4008N	Screw - M4x8	
103	0720 0040E	Retaining Ring - M4	
104	0720 0060E	Retaining Ring - M6	
105	0742 3808	Ball Bearing - 8x16x5	
106	0807 5056	Washer - 8.1mm	
107	0727 0080G	Retaining Ring - M8	
108	1105 0283	Clamp	

48.Fusing Unit 6 (D066)

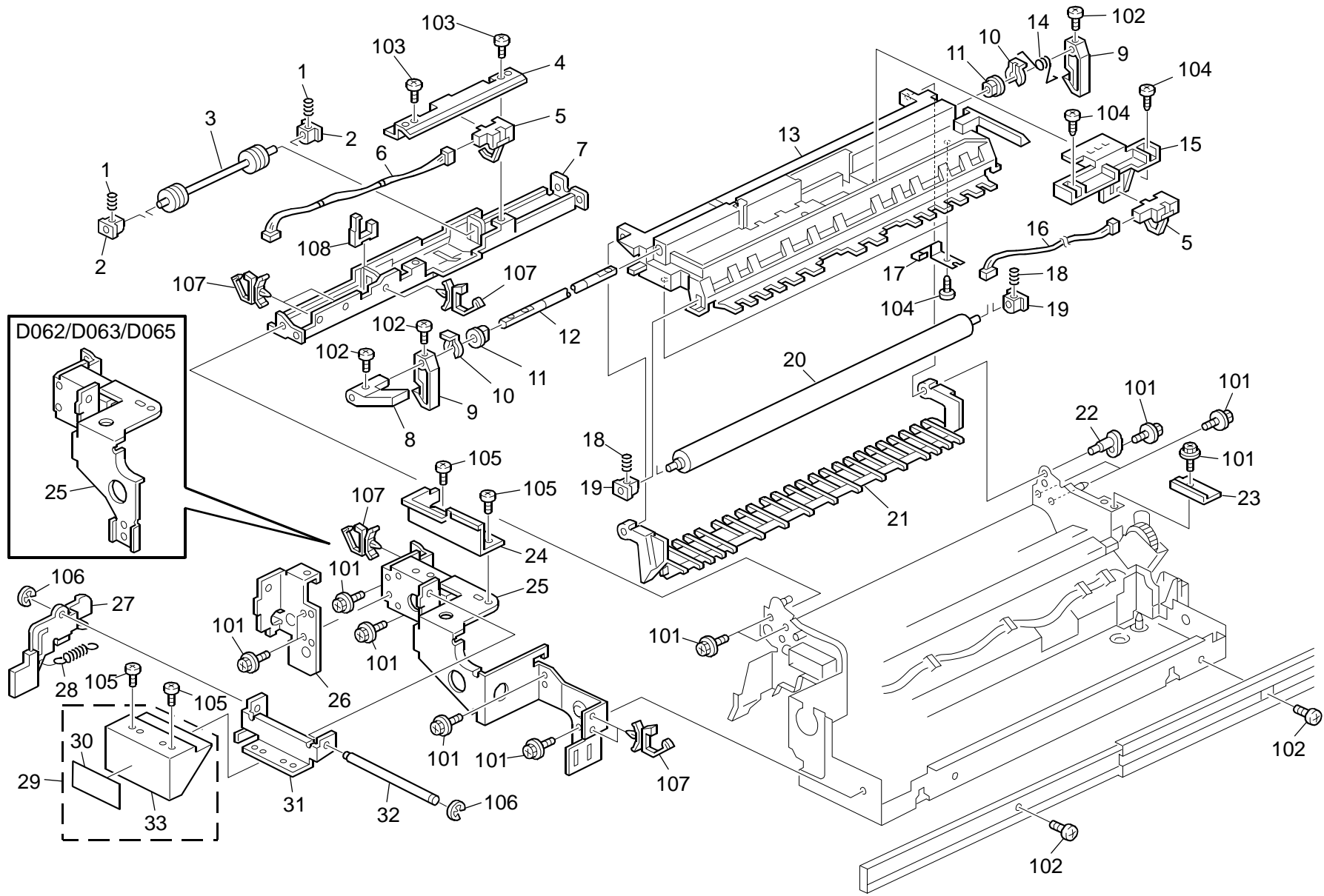


48.Fusing Unit 6 (D066)

Index No.	Part No.	Description	Q'ty Per Assembly
1	AF04 0055	Fusing Exit Roller	1
2	AB01 9479	Gear: Fusing Exit	1
3	B065 4160	Cleaning Roller Guide Plate	1
4	B065 4161	Left Support Bracket	1
5	B065 4164	Right Support Bracket	1
6	AE03 1024	Bushing - M4x7	2
7	AE04 2052	Cleaning Roller	1
8	B065 4129	Sheet: Fiber: Side Plate	1
9	AB01 2318	Idler Gear	1
10	AB01 2317	Fusing Drive Gear	1
11	B065 4177	Front Pressure Lever	1
12	B065 4178	Rear Pressure Lever	1
13	B247 4131	Lever: Release: Front: Ass'y	1
14	B247 4147	Lever: Release: Pressure: Rear: Ass'y	1
15	AA06 0893	Spring	2
16	B065 4139	Switch Holder	1
17	B065 4141	Spring Plate - Switch	1
18	AW20 0010	Paper Feed Sensor	1
19	B065 4140	Lower Guide Plate - Exit	1
20	AA14 3810	Development Cover Screw	1
21	B065 4114	Left Stay	1
22	B065 4112	Right Stay	1

Index No.	Part No.	Description	Q'ty Per Assembly
101	0360 4006N	Screw - M4x6	
102	0954 4008N	Screw - M4x8	
103	0807 5056	Washer - 8.1mm	
104	0720 0040E	Retaining Ring - M4	
105	0720 0060E	Retaining Ring - M6	
106	0742 3808	Ball Bearing - 8x16x5	
107	0727 0080G	Retaining Ring - M8	
108	1105 0283	Clamp	

49.Paper Exit Section 1 (D062/D063/D065/D066)

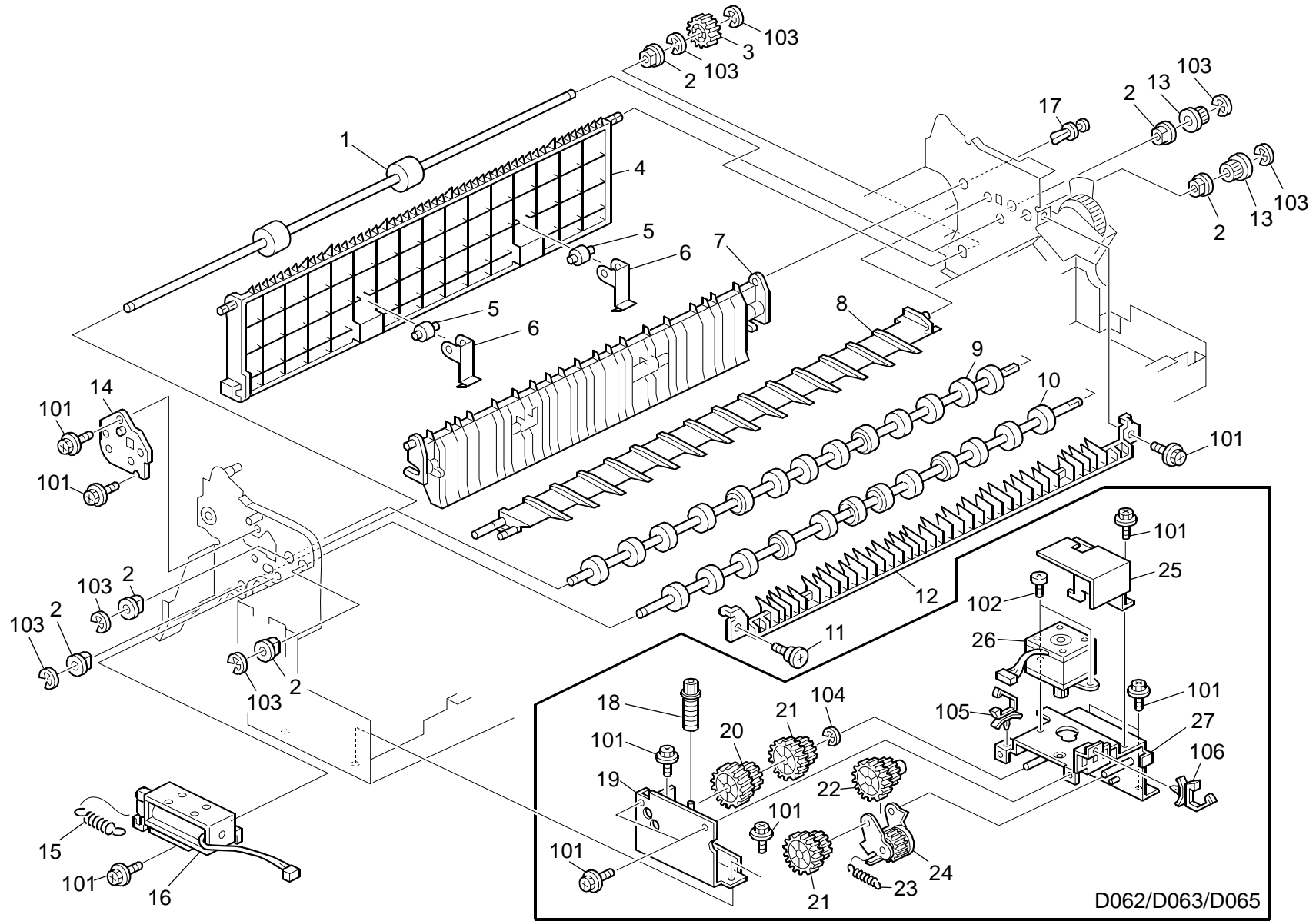


49.Paper Exit Section 1 (D062/D063/D065/D066)

Index No.	Part No.	Description	Q'ty Per Assembly
1	B247 4455	Compression Spring	2
2	AA08 0034	Bushing - 4x5x7	2
3	AF02 2126	Exit Roller - Driven	1
4	B065 4358	Paper Feed Sensor Bracket	1
5	AW02 0183	Photointerruptor: Exit	2
6	B065 4496	Relay Harness - Exit	1
7	B140 4354	Upper Exhaust Guide Plate	1
8	B065 4363	Upper Grip	1
9	B065 4359	Grip Supporter	2
10	5447 2681	Snap Ring	2
11	AA08 0184	Bushing - Fusing Exit	2
12	B247 4361	Shaft: Grip: Guide Plate	1
13	B065 4373	Upper Exit Guide Plate	1
14	AA06 6592	Spring	1
15	B065 4374	Exit Entrance Sensor Bracket	1
16	B065 4495	Relay Harness - Guide Plate	1
17	B065 4360	Spring Plate	2
18	AA06 3879	Spring	2
19	AA08 0240	Bushing - MM5	2
20	B247 4378	Roller: Decura: Driven: Ass'y	1
21	B065 4453	Middle Exit Guide Plate	1
22	B247 4381	Shaft: Contact Point: Ass'y	1
23	B065 4154	Rear Fusing Plate	1
24	B247 4273	Cover - Exit Grip	1
25	B065 4470	Support Bracket	1
25	B140 4470	Protect Bracket Ass'y	1
26	B065 4266	Lever Contact Bracket	1
27	B247 4259	Lock Lever	1
28	AA06 0903	Spring	1
29	B247 4274	Grip: Release: Fusing/Paper Exit Unit: Ass'y	1
30	B247 4266	Decal: Grip: Fusing/Paper Exit Unit	1
31	B065 4262	Lock Lever Bracket	1
32	B247 4260	Shaft: Contact Point: Lever	1
33	B247 4684	Grip: Release: Duplex Unit: C3	1

Index No.	Part No.	Description	Q'ty Per Assembly
101	0451 4008N	Tapping Screw: 4x8	
102	0353 0060N	Bind Screw - M3x6	
103	0453 3006N	Tapping Screw - M3x6	
104	0452 3008N	Tapping Screw - M3x8	
105	0354 0080N	Screw: M4x8	
106	0720 0040E	Retaining Ring - M4	
107	1105 0511	Harness Clamp - LWS-0306ZC	
108	1105 0522	Edge Saddle - LES0510	

50.Paper Exit Section 2 (D062/D063/D065/D066)

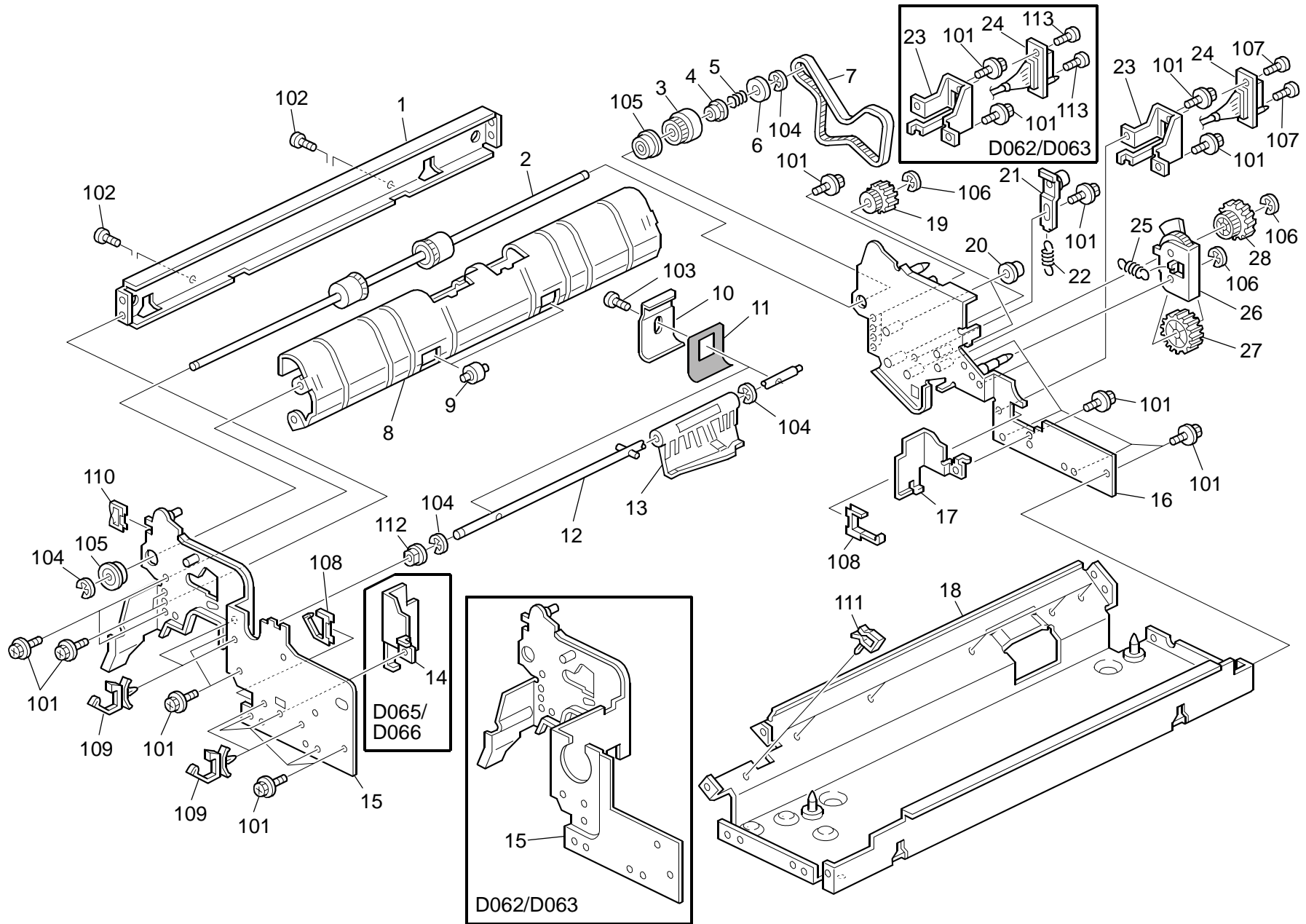


50.Paper Exit Section 2 (D062/D063/D065/D066)

Index No.	Part No.	Description	Q'ty Per Assembly
1	B247 4463	Reverse Roller: Drive	1
2	AA08 2117	Bushing - M6	6
3	AB01 2028	Gear - 19Z	1
4	A229 4479	Reverse Guide Plate - Right	1
5	AA04 0056	Driven Roller	2
6	A229 4482	Exit Roller Holder	2
7	A229 4477	Reverse Guide Plate	1
8	B065 4413	Exit Gate Pawl	1
9	AF02 0579	Exitdecura Roller	1
9	B247 4439	Roller: Decura: Exit	1
10	AF02 0578	Entrancedecura Roller	1
10	B247 4438	Roller: Decura: Entrance	1
11	AA14 3807	Screw: A	1
12	B065 4254	Lower Entrance Guide Plate	1
13	AB03 0578	Timing Pulley - 18Z	2
14	B065 4441	Exit Drum Stay	1
15	AA06 0902	Spring	1
16	D066 4415	DC Solenoid: Gate Pawl: Ass'y	1
17	A048 2838	Nylon Rivet	1
18	B140 4336	Gear - Idler Worm Gear	1
19	B140 4329	Front Drive Bracket Ass'y	1
20	B140 4322	Gear - 21/33Z	1
21	B140 4306	Gear - 21/35Z	2
22	B140 4304	Gear - 21/35Z	1
23	B140 4300	Pressure Tension Spring	1
24	B247 4317	Gear: Swivel: Ass'y	1
25	B140 4474	Heat Insulating Plate Bracket	1
26	B247 4324	Stepper Motor DC3.4V	1
27	B140 4325	Drive Bracket Ass'y	1

Index No.	Part No.	Description	Q'ty Per Assembly
101	0451 4008N	Tapping Screw: 4x8	
102	0313 0060N	Screw - M3x6	
103	0720 0040E	Retaining Ring - M4	
104	0720 0060E	Retaining Ring - M6	
105	1105 0516	Clamp	
106	1105 0511	Harness Clamp - LWS-0306ZC	

51.Paper Exit Section 3 (D062/D063/D065/D066)

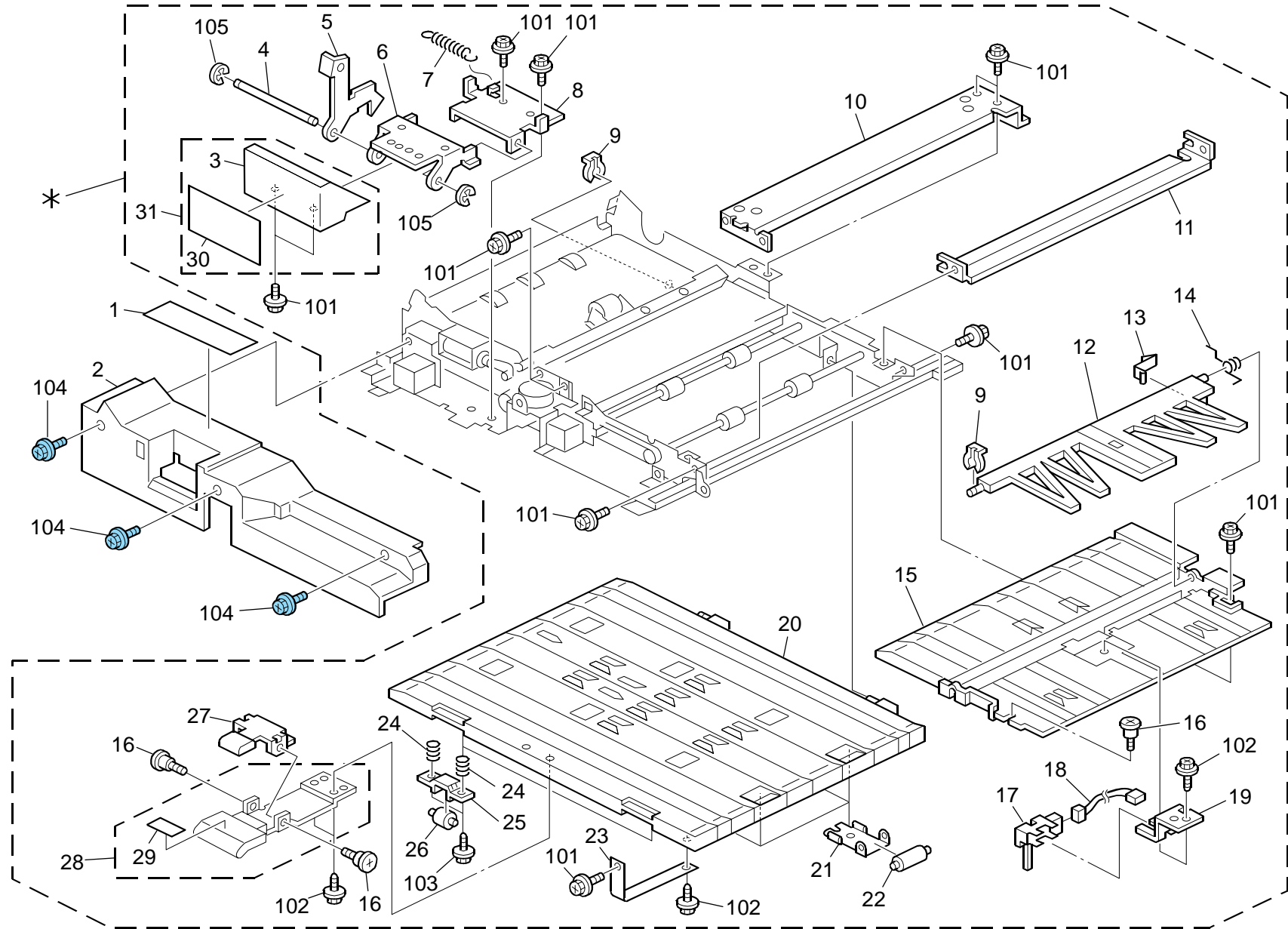


51.Paper Exit Section 3 (D062/D063/D065/D066)

Index No.	Part No.	Description	Q'ty Per Assembly
1	B065 4252	Left Exit Tray	1
2	B247 4460	Exit Roller: Drive: Exit	1
3	AB03 0579	Timing Pulley - 27Z	1
4	A470 1703	Shift Clutch	1
5	B247 4456	Spring - Lower Exit Roller	1
6	B247 4487	Washer: DIA6.3xDIA18x1	1
7	AA04 3290	Timing Belt	1
7	AA04 3315	Timing Belt: S2M: 40x426	1
8	B140 4308	Left Reverse Guide Plate Ass'y	1
9	AA04 0056	Driven Roller	2
10	A229 4467	Pressure Arm	1
11	B065 4424	Exit Arm Pad	1
12	B247 4421	Shaft: Pressure: Guide Plate: Ass'y	1
13	B065 4422	Guide Plate Lever	1
14	B065 4460	Front Harness Bracket	1
15	B247 4429	Side Plate: Front: Exit	1
15	G148 4429	Side Plate: Front: Exit: Ass'y	1
16	B247 4433	Side Plate: Rear: Exit	1
16	G148 4433	Side Plate: Rear: Exit: Ass'y	1
17	B065 4459	Rear Harness Bracket	1
18	B247 4249	Stay: Exit: Right: Ass'y	1
18	B065 4249	Right Exit Stay	1
19	AB01 9200	Gear	1
20	B065 4317	Idle Pulley - 11mm	2
21	B247 4315	Tightener: Exit: Ass'y	1
22	B247 4454	Tension Spring	1
23	B065 4458	Exit Drawer Bracket	1
23	B140 4458	Exit Drawer Bracket	1
24	B065 4497	Exit Harness	1
24	B140 4497	Harness - Paper Exit Unit Drawer	1
25	B247 4403	Lock Spring	1
26	B247 4400	Bracket: Swivel: Ass'y	1
27	AB01 2031	Gear	1
28	AB01 9197	Exit Gear	1

Index No.	Part No.	Description	Q'ty Per Assembly
101	0451 4008N	Tapping Screw: 4x8	
102	0354 0060N	Screw-M4x6	
103	0353 0060N	Bind Screw - M3x6	
104	0720 0040E	Retaining Ring - M4	
105	0742 3906	Ball Bearing - 6x14x5mm	
106	0720 0060E	Retaining Ring - M6	
107	0453 3008N	Binding Self Tapping Screw: 3x8	
108	1105 0518	Edge Saddle - LES-1010	
109	1105 0511	Harness Clamp - LWS-0306ZC	
110	1105 0328	Harness Clamp - ES-0505	
111	1105 0290	Harness Clamp - HORIZONTAL	
112	0805 3480	Bushing - 6mm	
113	0353 0080N	Screw: M3x8	

52. Duplex Unit 1 (D062/D063/D065/D066)



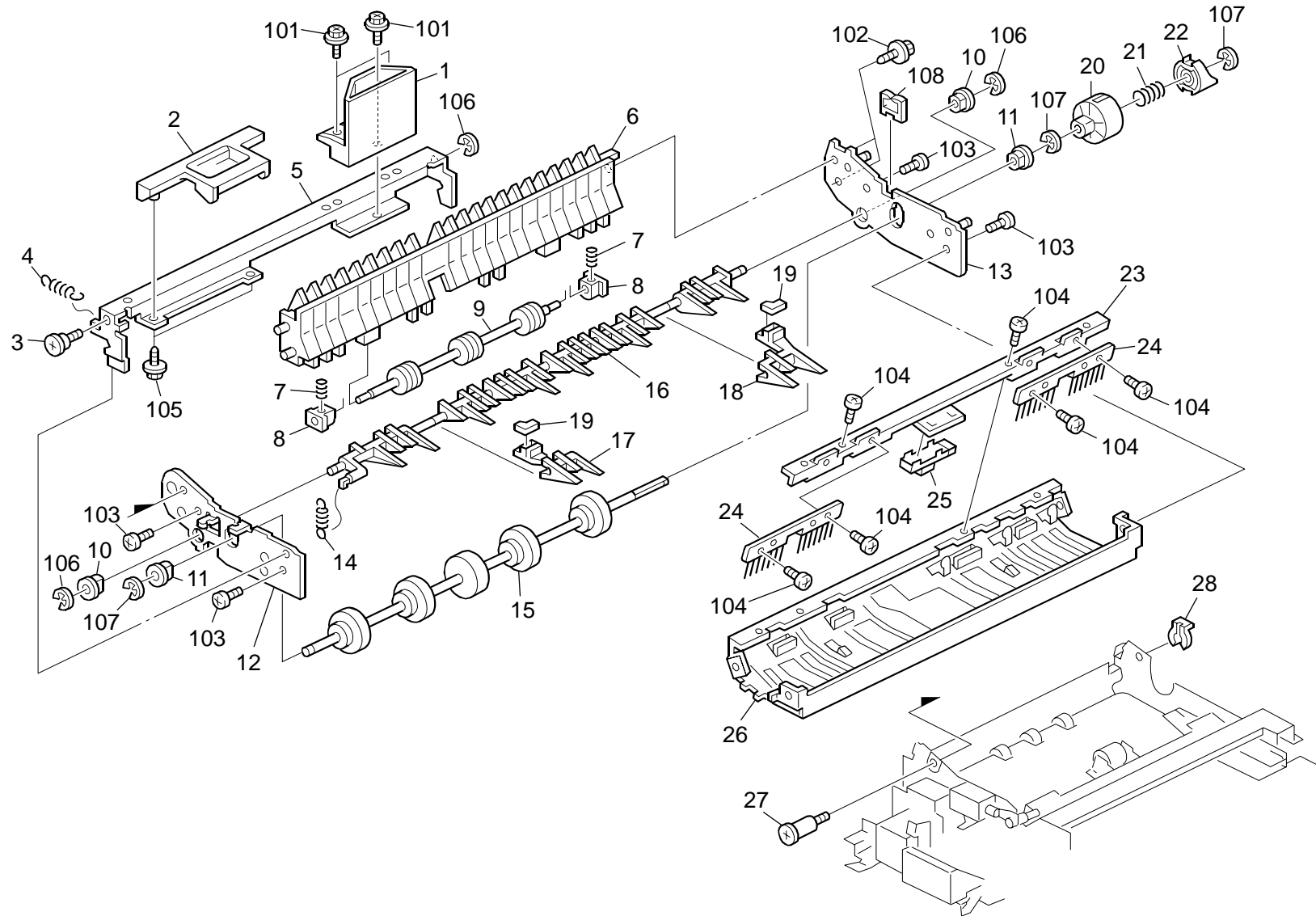
WWW.SERVICE-MANUAL.NET

52. Duplex Unit 1 (D062/D063/D065/D066)

Index No.	Part No.	Description	Q'ty Per Assembly
*	D062 4500	Duplex Unit: Ass'y	1
1	D062 4797	Decal: H-temp Warning: Duplex Unit	1
2	B247 4799	Inner Cover	1
3	B247 4684	Grip: Release: Duplex Unit: C3	1
4	B247 4673	Shaft: Lever: Release	1
5	B065 4671	Duplex Lock Arm	1
6	B065 4675	Duplex Release Bracket	1
7	AA06 2320	Spring	1
8	B065 4672	Release Lever Bracket	1
9	5447 2681	Snap Ring	2
10	B065 4987	Upper Duplex Stay	1
11	B140 4800	Exit Duplex Guide Plate	1
12	B065 4726	Right Guide Table	1
13	B065 4728	Spring Plate - Right Table Guide	1
14	AA06 6353	Spring	1
15	B065 4725	Right Duplex Bracket	1
16	AA14 3811	Stepped Screw - M3x4	3
17	AW02 0149	Paper Feed Sensor	1
18	B247 4590	Harness - Duplex	1
19	B065 4727	Right Sensor Bracket	1
20	B065 4730	Lower Transport Guide Plate	1
21	B065 4731	Spring Plate - Driven Roller	8
22	AF02 2077	Driven Roller	8
23	A096 4928	Guide Plate Band	1
24	AA06 3581	Compression Spring	4
25	A229 4727	Guide Plate Pressure Holder	2
26	AF02 2067	Guide Stopper Roller	2
27	B065 4933	Guide Plate Lever Hook	1
28	B065 4531	Guide Plate Lever	1
29	B065 4867	Decal - Guide Plate Lever	1
30	B247 4685	Decal: Release: Duplex Unit	1
31	B247 4675	Grip: Release: Duplex Unit: Ass'y	1

Index No.	Part No.	Description	Q'ty Per Assembly
101	0451 4006N	Tapping Screw - 4x6	
102	0450 4008N	Tapping Screw - M4x8	
103	0450 3008N	Tapping Screw - M3x8	
104	0454 4008Q	Tapping Screw - M4x8	
105	0720 0040E	Retaining Ring - M4	

53.Duplex Unit 2 (D062/D063/D065/D066)

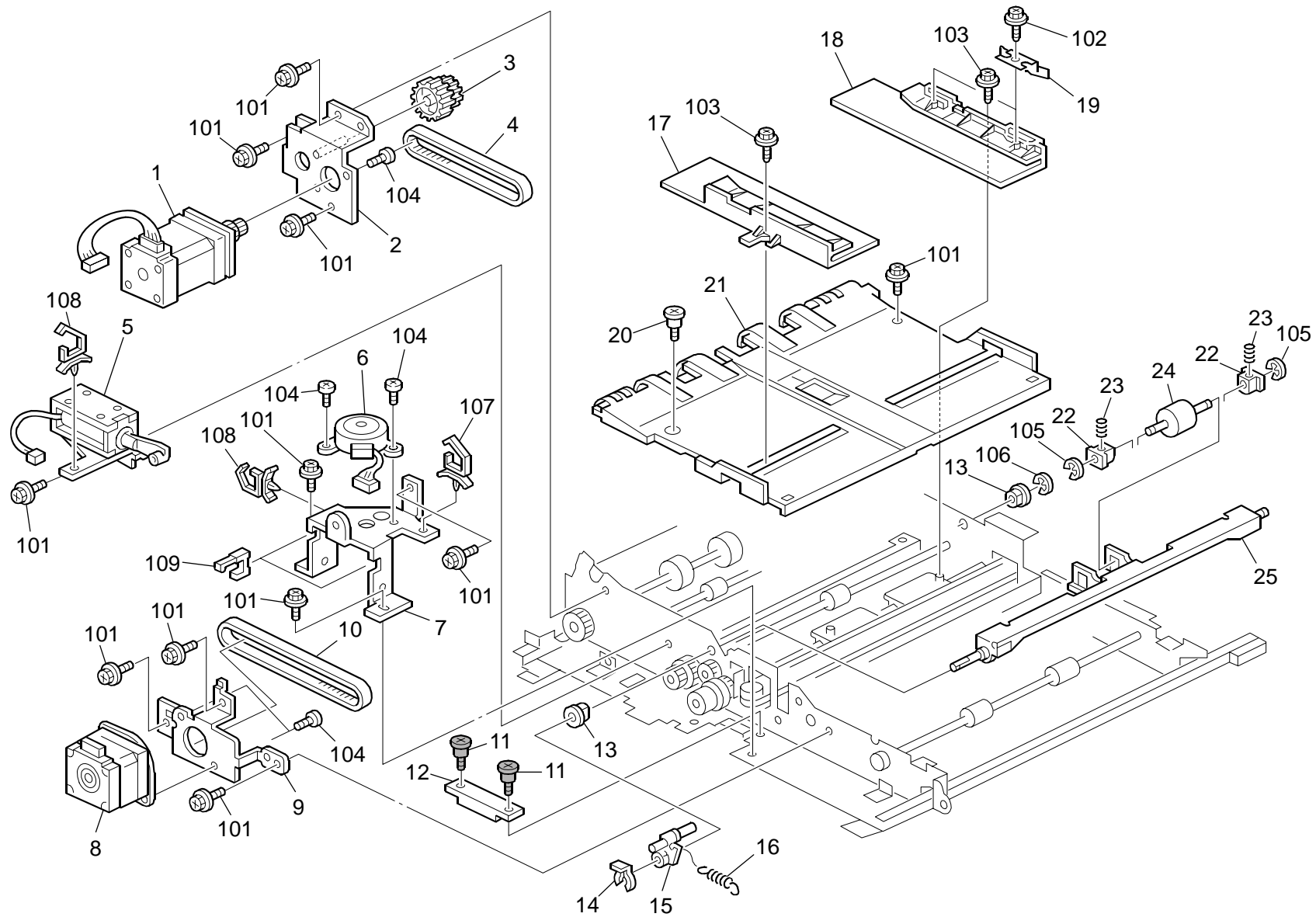


53. Duplex Unit 2 (D062/D063/D065/D066)

Index No.	Part No.	Description	Q'ty Per Assembly
1	B065 4648	Lever Cam	1
2	B065 4866	Reverse Knob	1
3	AA14 3129	Shoulder Screw - Front Cover	1
4	AA06 2318	Spring	1
5	B065 4647	Invertor Lever	1
6	A229 4623	Lower Entrance Guide Plate	1
7	B247 4817	Compression Spring	2
8	AA08 0034	Bushing - 4x5x7	2
9	B247 4624	Roller: Driven: Duplex	1
10	AA08 2118	Bushing - M6	2
11	AA08 2116	Bushing - M8	2
12	B065 4627	Front Side Plate	1
13	B247 4620	Side Plate: Rear: Reverse Unit: Ass'y	1
14	B247 4816	Tension Spring	1
15	B247 4818	Reverse Roller: Entrance	1
16	B247 4645	Gate Pawl: Reverse	1
17	A293 4613	Front Gate Pawl	1
18	A293 4614	Rear Gate Pawl	1
19	B247 4615	Spacer	2
20	B065 4632	Joint Holder	1
21	B247 4815	Compression Spring	1
22	A229 4740	Drive Joint	1
23	B065 4644	Sensor Bracket	1
24	B247 4617	Discharge Brush: Duplex	2
25	AW01 0119	Paper Feed Sensor	1
26	B140 4640	Upper Entrance Guide Plate Ass'y	1
27	AA14 3426	Stopped Screw - M4x17	1
28	5447 2681	Snap Ring	1

Index No.	Part No.	Description	Q'ty Per Assembly
101	0451 4006N	Tapping Screw - 4x6	
102	0450 4008N	Tapping Screw - M4x8	
103	0354 0060N	Screw-M4x6	
104	0353 0050N	Screw-M3x5	
105	0450 3008N	Tapping Screw - M3x8	
106	0720 0040E	Retaining Ring - M4	
107	0720 0060E	Retaining Ring - M6	
108	1105 0328	Harness Clamp - ES-0505	

54. Duplex Unit 3 (D062/D063/D065/D066)

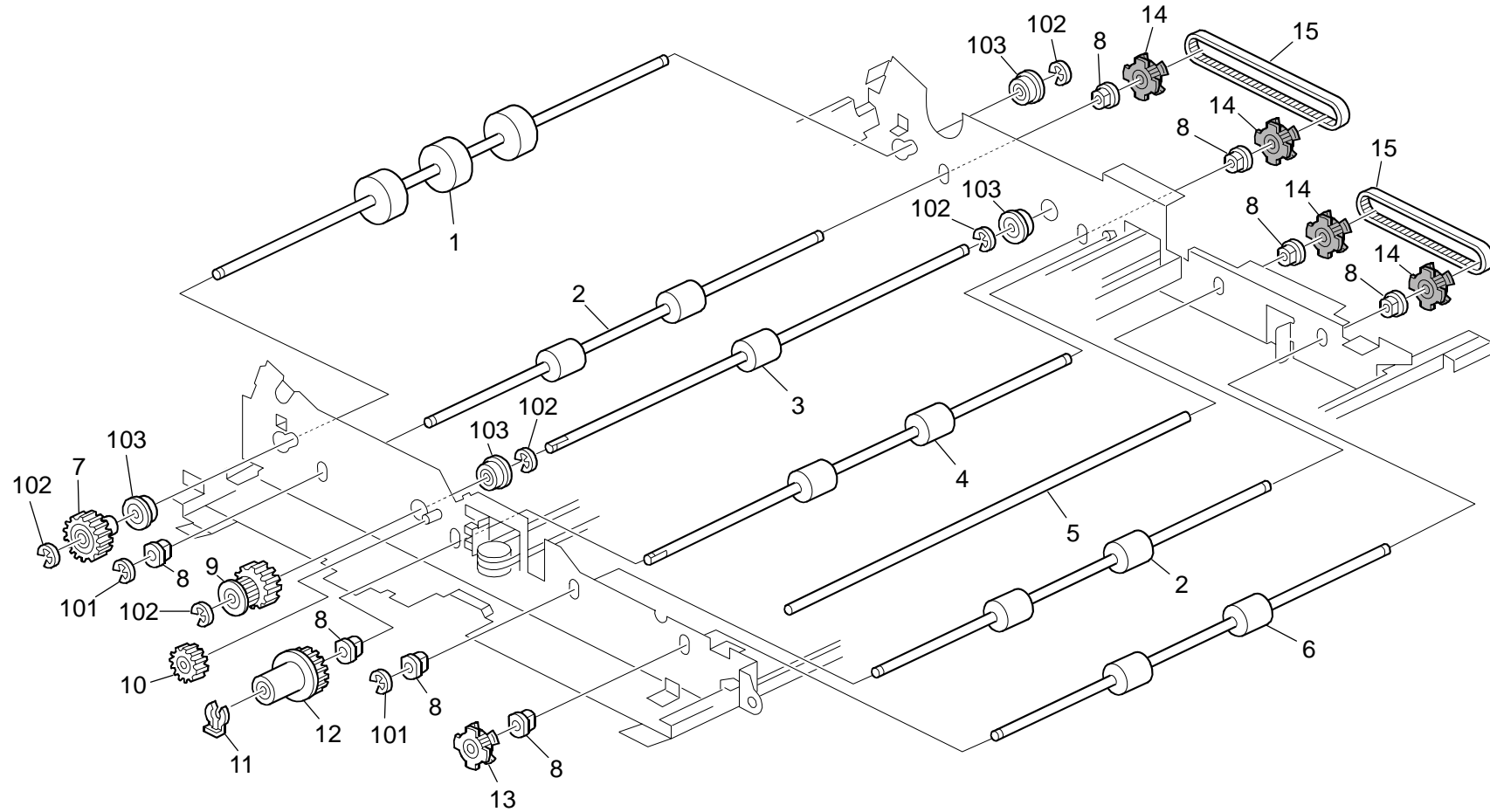


54. Duplex Unit 3 (D062/D063/D065/D066)

Index No.	Part No.	Description	Q'ty Per Assembly
1	B132 4780	Stepper Motor: Reverse: Ass'y	1
2	B247 4810	Bracket: Motor: Reverse: Ass'y	1
3	AB01 7616	Gear	1
4	AA04 3291	Timing Belt	1
5	B247 4745	DC Solenoid 24V	1
6	B132 4650	Stepper Motor: Jogger: Ass'y	1
7	B065 4696	Jogger Motor Bracket	1
8	D062 4785	Stepper Motor: Transport: Ass'y	1
9	B065 4789	Transport Motor Bracket	1
10	AA04 3292	Timing Belt	1
11	AA14 3183	Stepped Screw	2
12	AA02 1034	Magnetic	1
13	AA08 2118	Bushing - M6	2
14	5447 2681	Snap Ring	1
15	A294 4754	Roller Lever	1
16	AA06 0806	Spring	1
17	B065 4681	Front Jogger Fence	1
18	B065 4682	Rear Jogger Fence	1
19	B065 4683	Spring Plate - Rear Jogger Fence	2
20	AA14 3811	Stepped Screw - M3x4	1
21	B065 4720	Left Duplex Table	1
22	AA06 3655	Spring	2
23	AA08 0034	Bushing - 4x5x7	2
24	B247 4594	Roller: Reversal: Driven	1
25	B247 4655	Bracket: Reversal: Driven: Ass'y	1

Index No.	Part No.	Description	Q'ty Per Assembly
101	0451 4006N	Tapping Screw - 4x6	
102	0450 3006N	Tapping Screw - M3x6	
103	0450 3008N	Tapping Screw - M3x8	
104	0353 0050N	Screw-M3x5	
105	0720 0030E	Retaining Ring - M3	
106	0720 0040E	Retaining Ring - M4	
107	1105 0508	Harness Clamp - LWS-0711	
108	1105 0511	Harness Clamp - LWS-0306ZC	
109	1105 0522	Edge Saddle - LES0510	

55.Duplex Unit 4 (D062/D063/D065/D066)

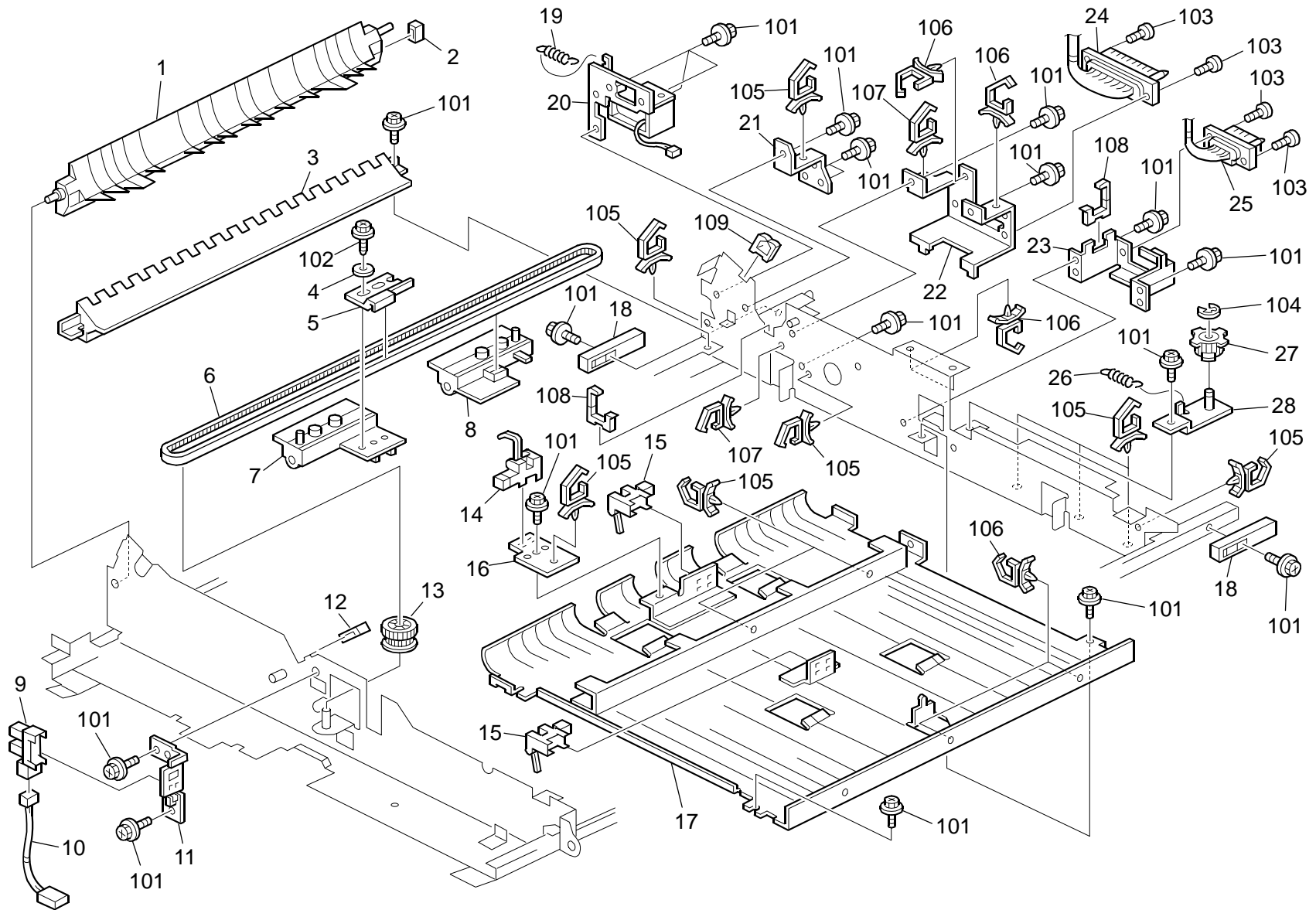


55. Duplex Unit 4 (D062/D063/D065/D066)

Index No.	Part No.	Description	Q'ty Per Assembly
1	AF02 1075	Duplex Turn Roller	1
2	B247 4812	Roller: Transport: Driven: Left: Right	2
3	B247 4813	Roller: Reversal: Drive	1
4	B247 4825	Roller: Drive: Left	1
5	B065 4694	Jogger Guide Rod	1
6	AF02 1079	Right Drive Roller	1
7	AB01 1464	Turn Gear	1
8	AA08 2118	Bushing - M6	8
9	AB01 7614	Pulley	1
10	AB01 1463	Connecting Gear	1
11	5447 2681	Snap Ring	1
12	AB01 1496	Gear - 32Z	1
13	AB03 0731	Pulley - 29Z	1
14	AB03 0583	Timing Pulley - 24Z	4
15	AA04 3293	Timing Belt - 40S2M268G	2

Index No.	Part No.	Description	Q'ty Per Assembly
101	0720 0040E	Retaining Ring - M4	
102	0720 0060E	Retaining Ring - M6	
103	0742 3808	Ball Bearing - 8x16x5	

56.Duplex Unit 5 (D062/D063/D065/D066)



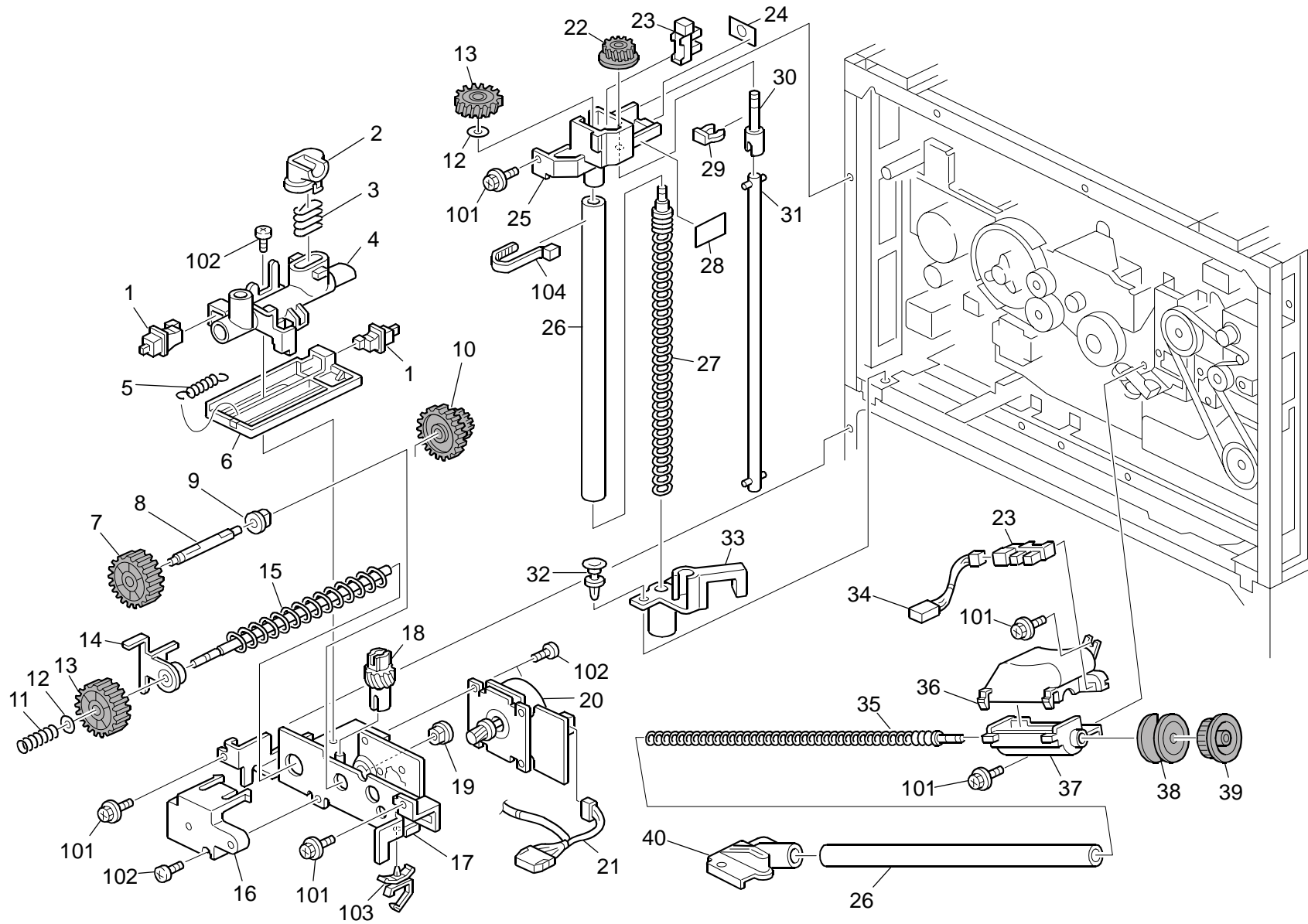
WWW.SERVICE-MANUAL.NET

56. Duplex Unit 5 (D062/D063/D065/D066)

Index No.	Part No.	Description	Q'ty Per Assembly
1	B065 4733	Duplex Gate Pawl	1
2	B065 4738	Gate Pawl Cushion	1
3	B065 4860	Lower Duplex Bracket	1
4	B065 4865	Spacer	1
5	A294 4723	Belt Holder Fixing Plate	1
6	AA04 3294	Timing Belt - 40S2M810G	1
7	B065 4692	Front Jogger Fence Slider	1
8	B065 4693	Rear Jogger Fence Slider	1
9	AW02 0145	Photointerruptor: Flat	1
10	B065 2762	Relay Paper Feed Harness	1
11	B065 4699	Jogger H.P. Sensor Bracket	1
12	A294 4669	Cushion	1
13	AB01 7615	Gear - 30Z/45Z	1
14	AW02 0148	Paper Feed Sensor	1
15	AW02 0149	Paper Feed Sensor	2
16	B065 4715	Exit Reverse Sensor Bracket	1
17	B140 4710	Upper Transport Guide Plate Ass'y	1
18	A096 4595	Duplex Guide	2
19	AA06 2319	Spring	1
20	B247 4740	DC Solenoid 24V	1
21	B065 4619	Support Bracket	1
22	B065 4790	Drawer Bracket - 32P	1
23	B065 4791	Drawer Bracket - 12P	1
24	B247 4980	Harness: Duplex Unit: 32Pin	1
25	D062 4983	Harness: Duplex Unit: 12Pin	1
26	AA06 2318	Spring	1
27	AB03 0732	Jogger Pulley	1
28	B247 4820	Bracket: Jogger: Ass'y	1

Index No.	Part No.	Description	Q'ty Per Assembly
101	0451 4006N	Tapping Screw - 4x6	
102	0450 4008N	Tapping Screw - M4x8	
103	0453 3008N	Binding Self Tapping Screw: 3x8	
104	0720 0040E	Retaining Ring - M4	
105	1105 0511	Harness Clamp - LWS-0306ZC	
106	1105 0508	Harness Clamp - LWS-0711	
107	1105 0516	Clamp	
108	1105 0522	Edge Saddle - LES0510	
109	1105 0328	Harness Clamp - ES-0505	

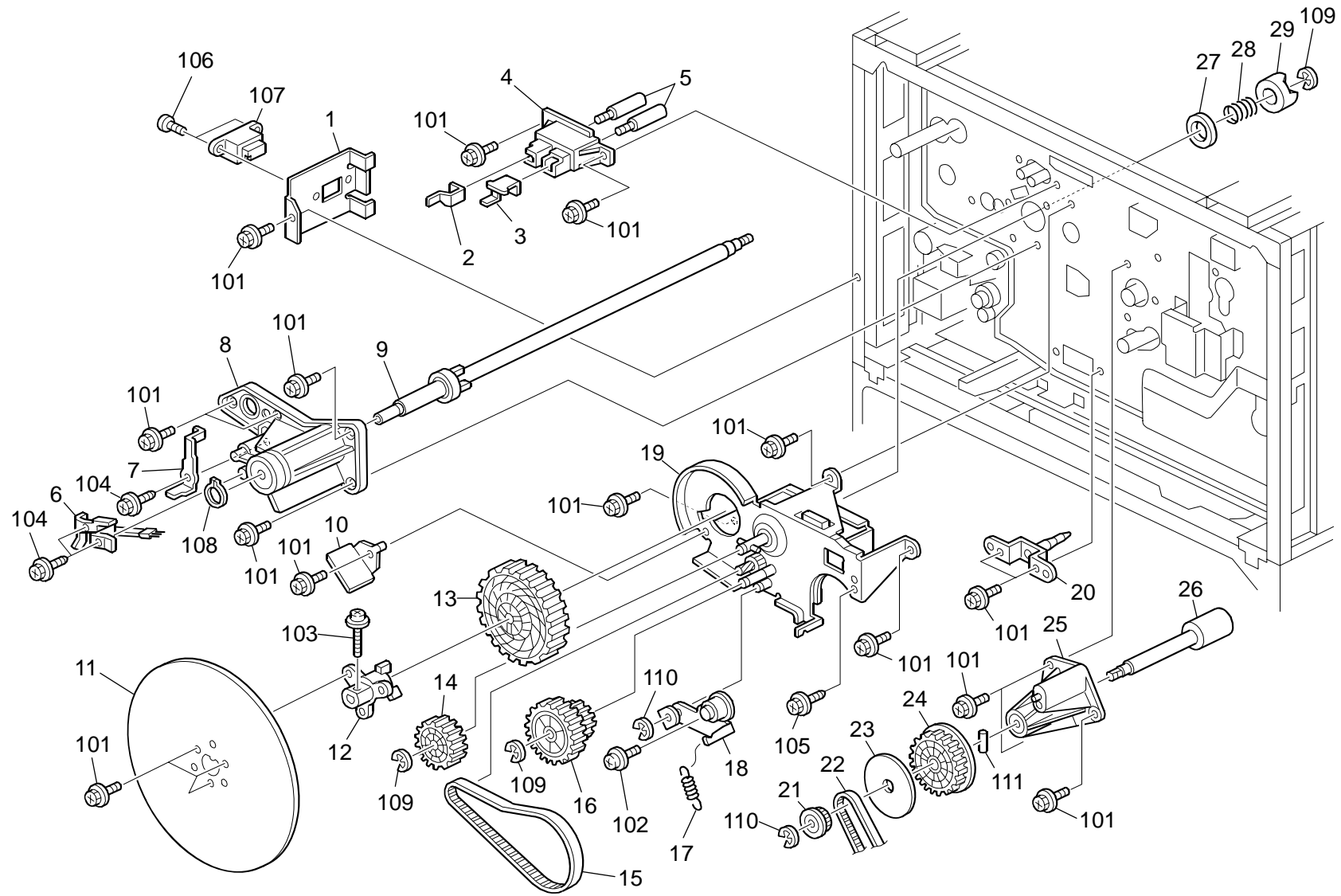
57.Waste Toner Collection Transport (D062/D063/D065/D066)



57.Waste Toner Collection Transport (D062/D063/D065/D066)

Index No.	Part No.	Description	Q'ty Per Assembly	Index No.	Part No.	Description	Q'ty Per Assembly
1	AW50 0023	Push Switch	2	35	B247 3641	Transport Screw: Discharge Used Toner:	
2	B065 3568	Case Cap	1			Classification: Ass'y	1
3	B065 3573	Toner Collection Agitator	1	36	B065 3650	Toner Collection Joint	1
4	B065 3565	Toner Collection Case	1	37	B065 3649	Toner Collection Case - Transport	1
5	B065 3566	Toner Receiving Spring	1	38	B247 3652	Shielding Plate: Discharge Used Toner: Transfer	1
6	B065 3557	Toner Catchpan	1	39	B065 3660	Pulley	1
7	B065 3588	Toner Collection Idle Gear	1	40	B065 3654	Toner Collection Cap	1
8	B247 3590	Shaft: Idler: Discharge Used Toner	1				
9	5053 0447	Bushing - 6mm	1				
10	B065 3585	Screw Gear	1				
11	B065 3561	Spring	1				
12	AA13 2208	Spacer - M6	2				
13	B065 3587	Toner Collection Gear	2				
14	B065 3581	Bushing	1				
15	B247 3570	Transport Screw: Discharge Used Toner: Ass'y	1				
16	B065 3583	Spring Guide	1				
17	B247 3559	Base: Discharge Used Toner: Ass'y	1				
18	B065 3586	Screw Gear	1				
19	H053 2208	Bushing - M4	1				
20	AX06 0302	Brushless MotorDC24V 2.4W	1				
21	B065 3593	Toner Collection Discharge Harness	1				
22	B065 3645	Gear - 22Z	1				
23	AW02 0145	Photointerruptor: Flat	2				
24	B065 3636	Toner Collection Seal	1				
25	B065 3629	Toner Separation Case	1				
26	B065 3601	Toner Collection Pipe	2				
27	B247 3670	Transport Screw: Used Toner: Unit	1				
28	B065 3637	Seal - 40x68	1				
29	5447 2681	Snap Ring	1				
30	B247 3604	Shaft: Discharge Used Toner:					
		Classification: Ass'y	1				
31	B247 3609	Shaft: Discharge Used Toner: Long: Ass'y	1	101	0451 4008N	Tapping Screw: 4x8	
32	A096 3712	Ratch	1	102	0354 0080N	Screw: M4x8	
33	B065 3610	Toner Collection Shaft	1	103	1105 0511	Harness Clamp - LWS-0306ZC	
34	B065 2762	Relay Paper Feed Harness	1	104	1105 0046	Harness Band	

58. Drive Section 1 (D062/D063/D065/D066)



WWW.SERVICE-MANUAL.NET

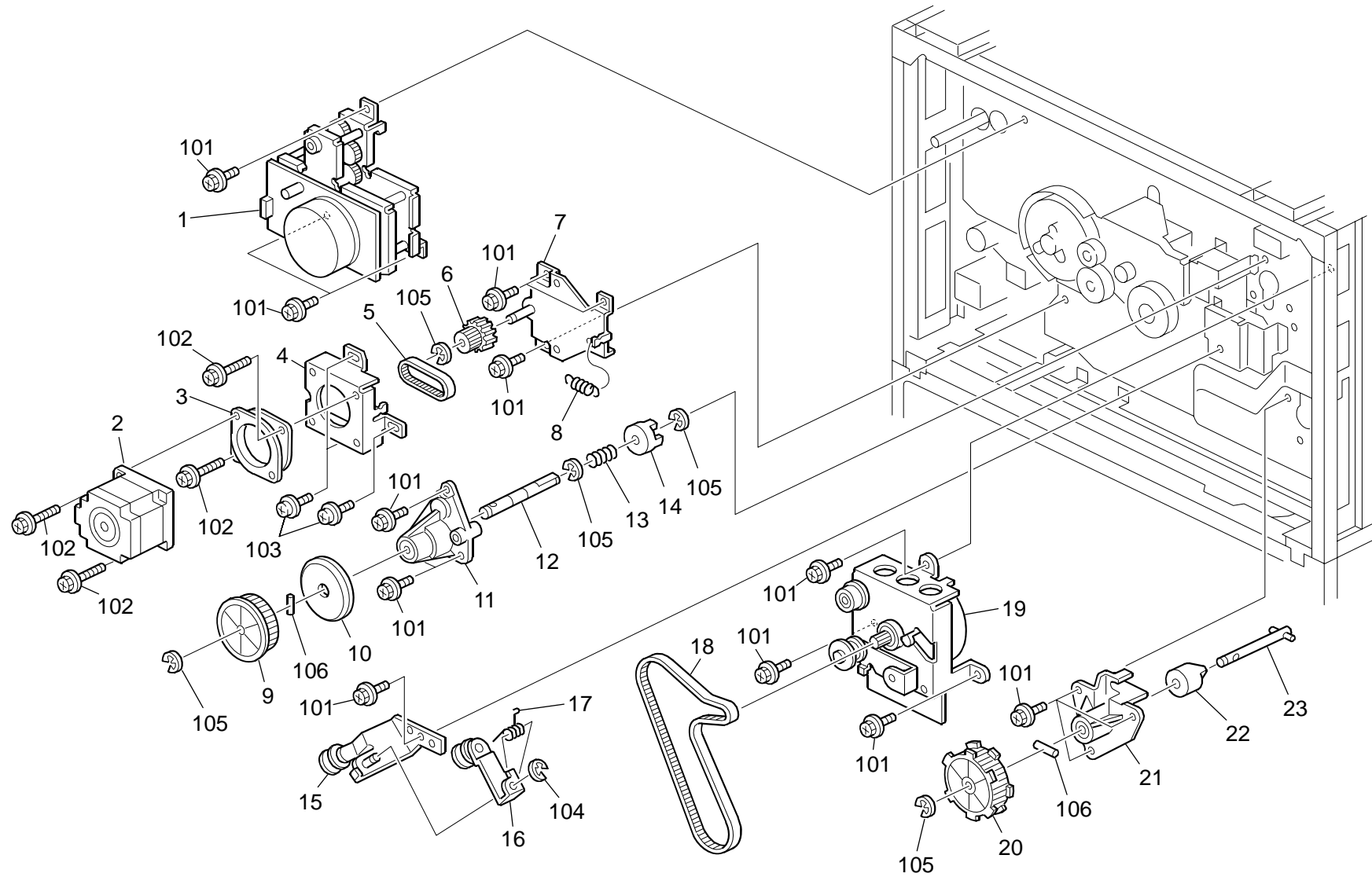
58. Drive Section 1 (D062/D063/D065/D066)

Rev. 07/02/2009

Index No.	Part No.	Description	Q'ty Per Assembly
1	B065 5808	LCT Cable Bracket	1
2	B065 2481	Grid Receptacle Terminal	1
3	B065 2482	Charge Receptacle Terminal	1
4	A294 2051	Rear Receptacle	1
5	A294 2052	Receptacle Pin	2
6	B247 1154	Electrode Plate: Drum Shaft: Ass'y	1
7	B065 3262	Electrode Plate	1
8	B065 1137	Bracket	1
9	D062 1140	Drum Shaft: Ass'y	1
10	B065 1134	Partition Plate	1
11	A294 1119	Fly Wheel	1
12	D062 1145	Boss: Gear	1
13	AB01 2315	Gear - 156Z	1
14	AB01 1482	Gear - Z40 (D062/D063)	1
14	AB01 1507	Gear: Z31 (D065/D066)	1
15	AA04 3948	Timing Belt	1
16	AB01 7640	Gear - Z38/Z59 (D062/D063)	1
16	AB01 7760	Gear: Z38/Z67 (D065/D066)	1
17	AA06 0792	Tension Spring	1
18	B247 1122	Bracket: Tightener: Ass'y	1
19	B247 1110	Brushless Motor DC24V/25W	1
20	B247 1084	Guide Plate: Positioning Pin: Duplex: Ass'y	1
21	AB03 0458	Pulley - 28Z	1
22	AA04 3945	Timing Belt	1
23	A229 1135	Ring - 55	1
24	AB03 0724	Pulley - 74Z	1
25	B065 1147	Transfer Drive Bracket	1
26	B247 1149	Joint: Transfer Drive: Ass'y	1
27	AA13 2025	Spacer - 1x8x12	1
28	AA06 3654	Spring	1
29	B065 1131	Joint	1

Index No.	Part No.	Description	Q'ty Per Assembly
101	0451 4008N	Tapping Screw: 4x8	
102	0951 4005N	Screw: Polished Round: M4x5	
103	0951 4012N	Screw: Polished Round: M4x12	
104	0450 3008N	Tapping Screw - M3x8	
105	0450 4008N	Tapping Screw - M4x8	
106	0453 3008N	Binding Self Tapping Screw: 3x8	
107	1102 8504	Connector	
108	0725 0120E	Retaining Ring C - M12	
109	0720 0060E	Retaining Ring - M6	
110	0720 0040E	Retaining Ring - M4	
111	0633 0180G	Parallel Pin - 3x18mm	

59. Drive Section 2 (D062/D063/D065/D066)



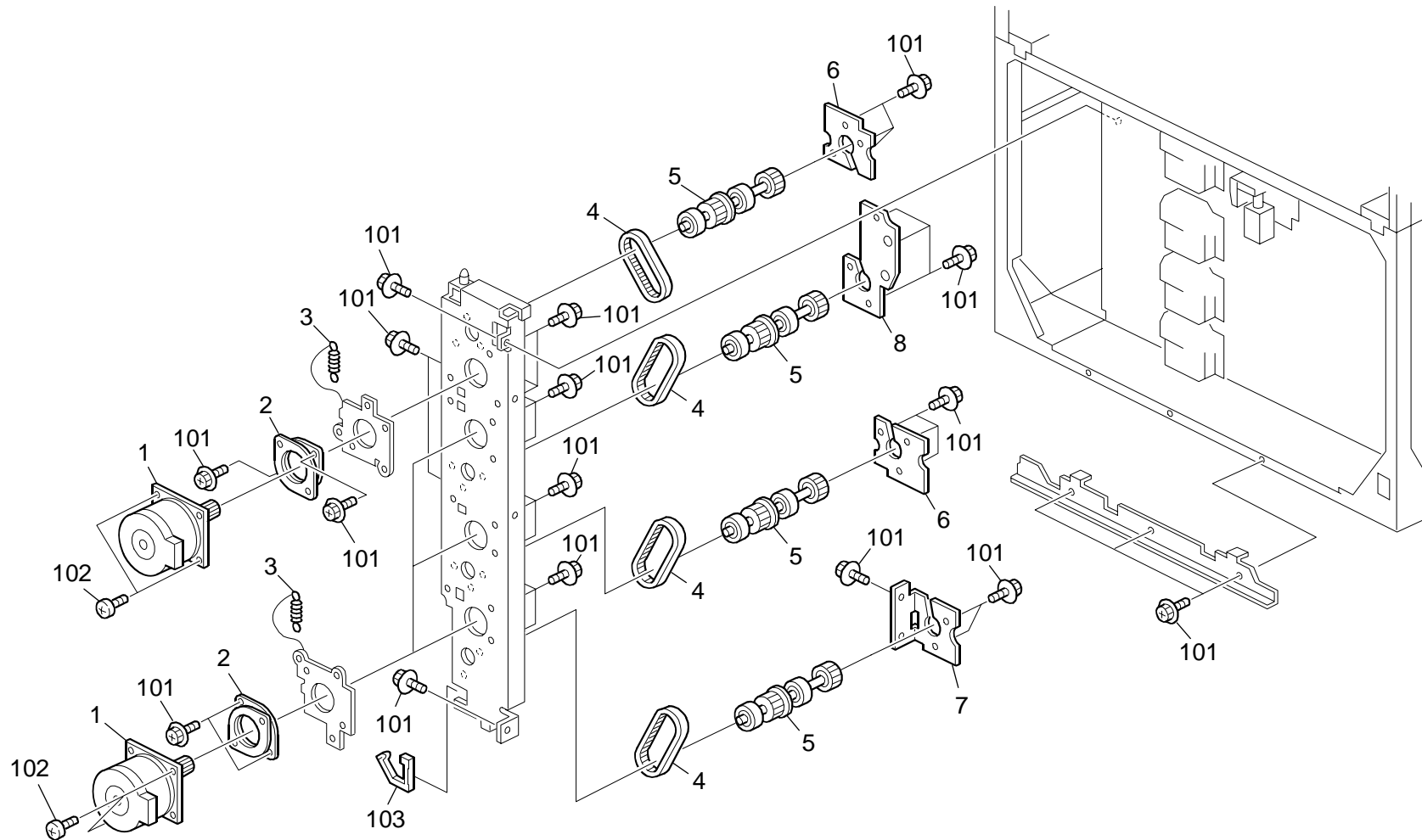
WWW.SERVICE-MANUAL.NET

59. Drive Section 2 (D062/D063/D065/D066)

Index No.	Part No.	Description	Q'ty Per Assembly
1	B140 5325	Brushless Motor DC24V/20.7W	1
1	D062 5325	Brushless Motor: Development Unit: MC4-90: Ass'y	1
2	B247 1028	Stepper Motor: MM56x54: DC 36W	1
3	AA16 1122	Motor Cushion	1
4	D054 1132	Bracket: Stepper Motor	1
5	AA04 3269	Timing Belt - S2M114	1
6	AB01 7449	Gear - 21Z/24T	1
7	B247 1133	Base: Stepper Motor: Ass'y	1
8	B247 1027	Tension Spring: 7.75N	1
9	AB03 0427	Pulley - 81Z	1
10	A229 1135	Ring - 55	1
11	B065 1168	Fusing Drive Bracket	1
12	B247 1136	Shaft: Fusing Drive Sub-unit	1
13	AA06 3490	Spring - 21.6mm	1
14	B140 1173	Fusing Drive Sub-unit Joint	1
15	B247 1157	Bracket: Toner Recycling: Ass'y	1
15	G148 1157	Bracket: Toner Recycling	1
16	B065 1160	Toner Recycling Tightener	1
17	AA06 6651	Spring	1
18	AA04 3946	Timing Belt	1
19	B247 1044	DC Brushless Motor: Drive: Fusing/Paper Exit Unit: Ass'y	1
19	B247 1024	Brushless Motor DC24V/24W	1
20	AB03 0725	Pulley - 89Z	1
21	A293 1155	Duplex Drive Bracket	1
22	B065 1167	Duplex Drive Joint	1
23	B247 1166	Shaft: Drive: Duplex: Ass'y	1

Index No.	Part No.	Description	Q'ty Per Assembly
101	0451 4008N	Tapping Screw: 4x8	
102	0451 4012N	Tapping Screw: 4x12	
103	0951 4008N	Screw: Polished Round: M4x8	
104	0720 0040E	Retaining Ring - M4	
105	0720 0060E	Retaining Ring - M6	
106	0623 0140E	Spring Pin - 3x14mm	

60.Drive Section 3 (D065/D066)



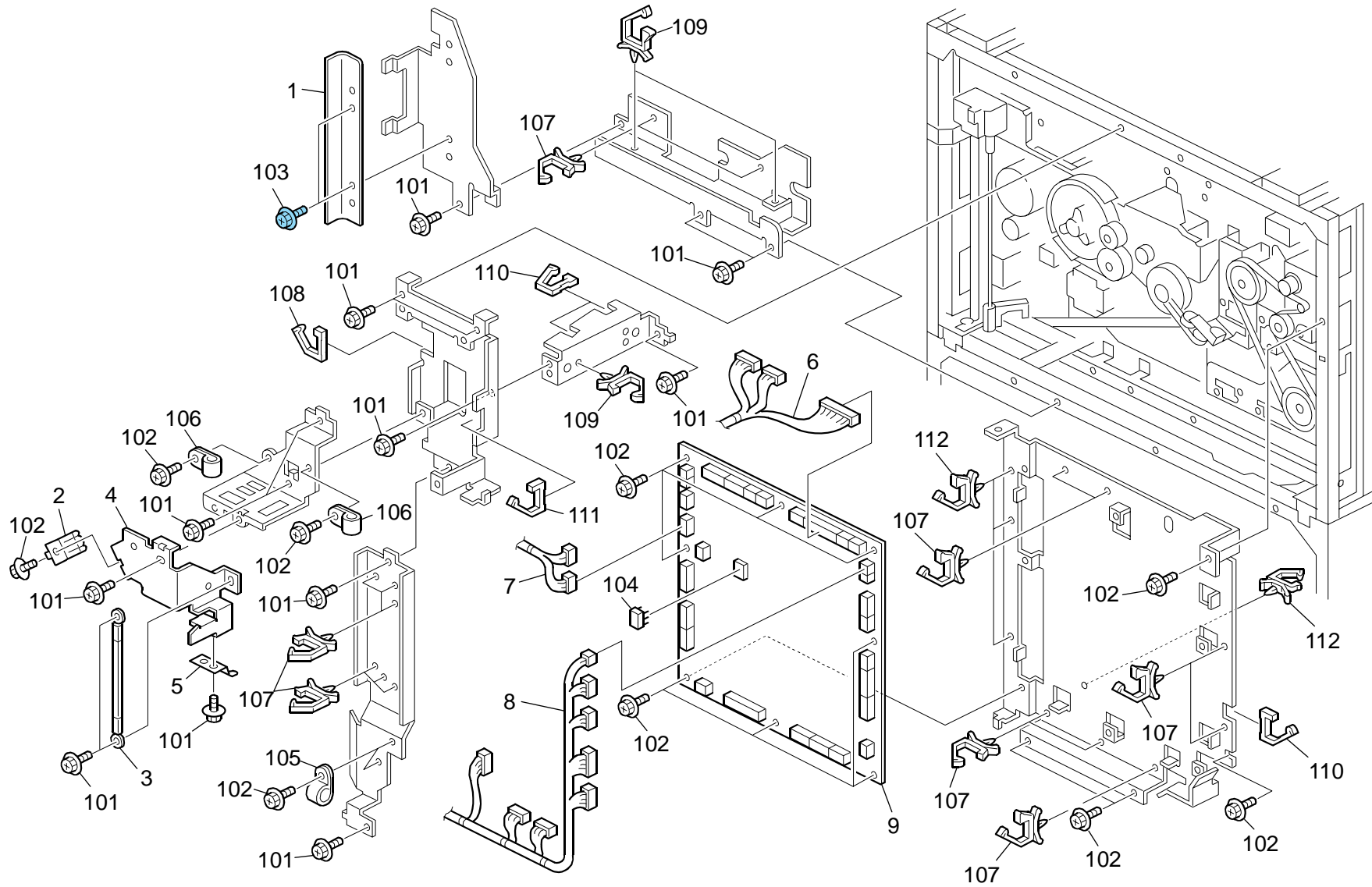
WWW.SERVICE-MANUAL.NET

60. Drive Section 3 (D065/D066)

Index No.	Part No.	Description	Q'ty Per Assembly
1	D066 6780	Stepper Motor: Paper Transport MD: DIA60	4
2	AA16 1164	Cushion: Stepper Motor	4
3	GA06 0077	Spring: Blade: 1st Transfer: 7.1N	4
4	D066 6644	Synchronous Belt: B60S2M124	4
5	D066 6740	Shaft: Drive: Paper Feed: Ass'y	4
6	D066 6727	Bracket: Drive	2
7	D066 6728	Bracket: Drive: Lower	1
8	D066 6729	Bracket: Drive: Joint Unit	1

Index No.	Part No.	Description	Q'ty Per Assembly
101	0451 4008N	Tapping Screw: 4x8	
102	0314 0080N	Philips Pan Head Screw - M4x8	
103	1105 0721	Clamp: LES-1808	

61.Electrical Section 1 (D062/D063/D065/D066)



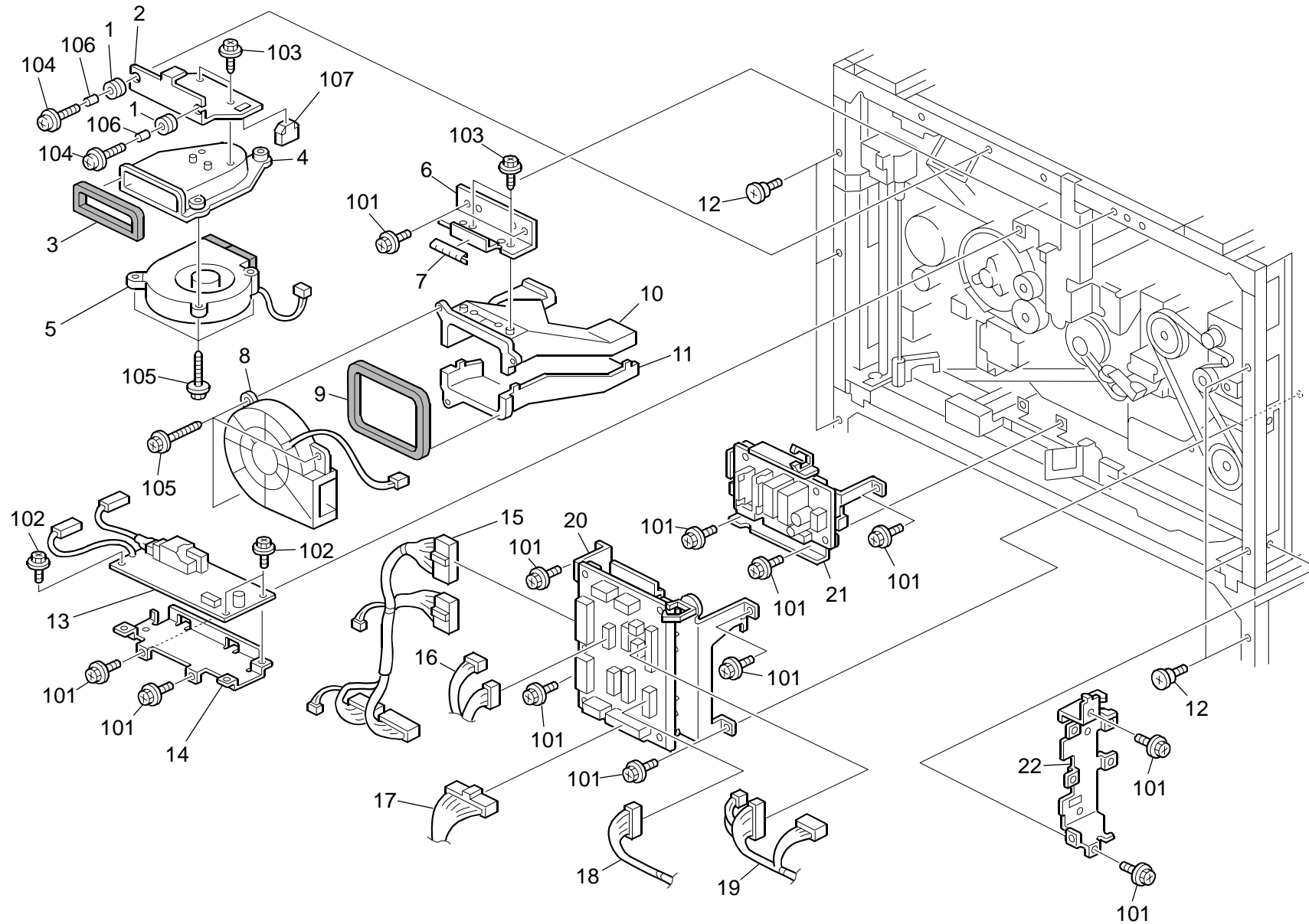
WWW.SERVICE-MANUAL.NET

61.Electrical Section 1 (D062/D063/D065/D066)

Index No.	Part No.	Description	Q'ty Per Assembly
1	D062 5995	Cover: Harness: Image Processing Unit	1
2	A294 1838	Ground Plate - Lens Stay	1
3	D062 5887	Ground Wire: Connecting: Earth	1
4	D062 5981	Bracket: Connecting: Earth	1
5	D062 5856	Ground Plate: Power Supply Unit	1
6	D062 5416	Harness: Main: Upper	1
7	D062 5471	Harness: SIOB: BCU	1
8	D062 5415	Harness: Main: Left: Low Speed	1
8	D066 5417	Harness: Machine Or Copier: Left	1
9	D062 5122	PCB: BCU: 60-80CPM: Service	1
9	D066 5122	PCB: BCU: 90CPM: Service	1

Index No.	Part No.	Description	Q'ty Per Assembly
101	0451 4008N	Tapping Screw: 4x8	
102	0451 3008N	Tapping Screw - M3x8	
103	0454 3006Q	Tapping Screw - M3x6	
104	1407 5404	IC - EEPROM I2C BUS 32K DIP	
105	1105 0530	Nylon Clamp-EMT-4N	
106	1105 0559	Clamp: EMT-5N	
107	1105 0488	Harness Clamp	
108	1105 0522	Edge Saddle - LES0510	
109	1105 0490	Harness Clamp - IWS-2218	
110	1105 0518	Edge Saddle - LES-1010	
111	1105 0521	Clamp - LES-1017	
112	1105 0516	Clamp	

62.Electrical Section 2 (D062/D063/D065/D066)



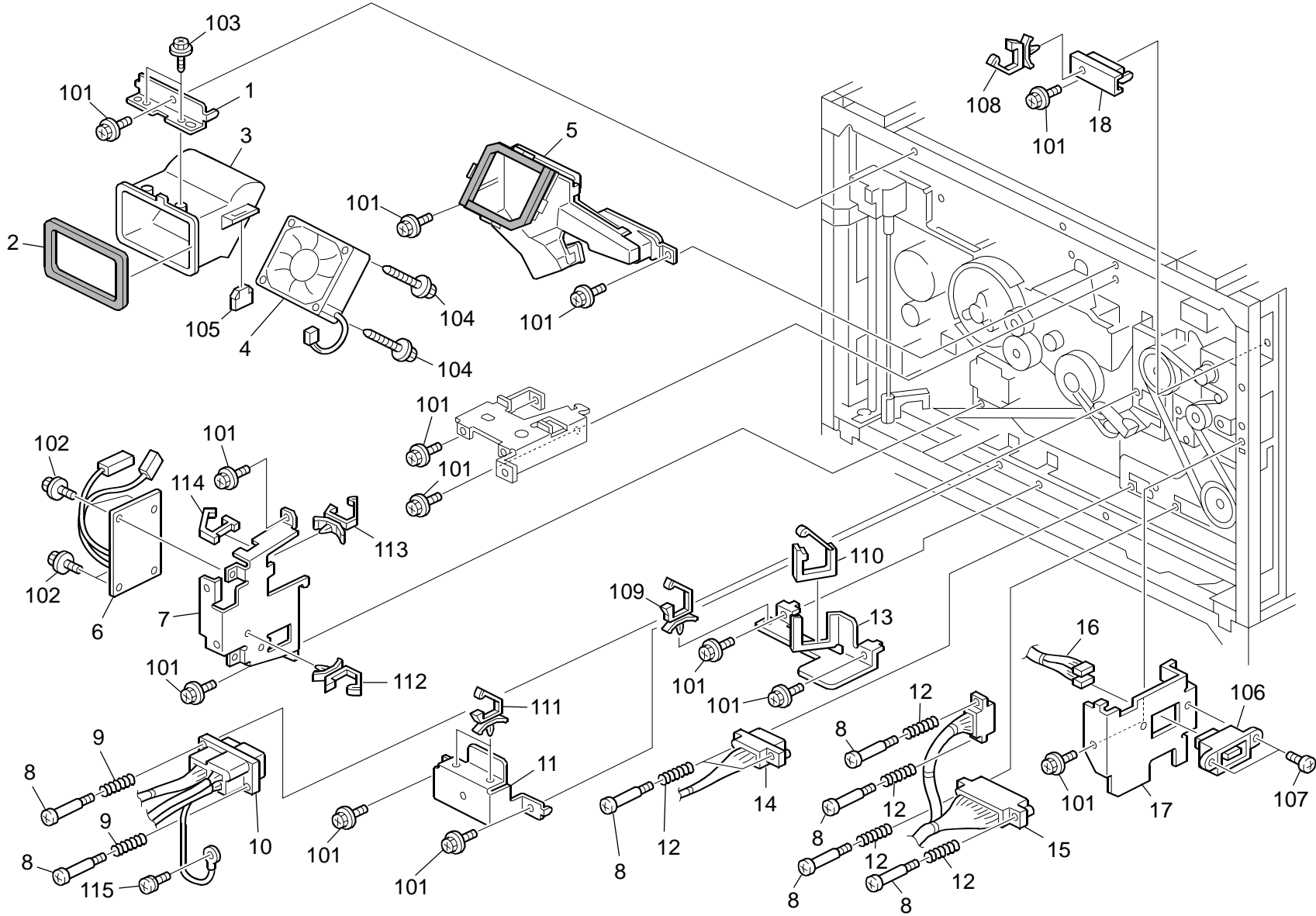
WWW.SERVICE-MANUAL.NET

62.Electrical Section 2 (D062/D063/D065/D066)

Index No.	Part No.	Description	Q'ty Per Assembly
1	AA16 1104	Cushion - Motor	2
2	B065 1178	Fan Bracket - IPS	1
3	AA15 3155	Duct Seal - IPS	1
4	B065 1175	Entrance IPS Duct	1
5	B247 1195	Fan: Sirocco: DC24V: Z: Ass'y	1
6	D062 1194	Bracket: Duct: Exhaust	1
7	D062 1031	Ground Plate: Panel: Large: 5	1
8	AX65 0044	Sirocco Fan Motor DC24V/8.5W	1
9	AA15 3156	Exhaust Duct Seal	1
10	D062 1192	Duct: Exhaust: Upper	1
11	D062 1193	Duct: Exhaust: Lower	1
12	AA14 3801	Screw: M4: Exterior	6
13	AZ32 0163	Power Pack - Character Generator	1
14	B065 5804	Charge Power Pack Bracket	1
15	D062 5500	Harness: DC Power Supply: CNB: BCU	1
16	D062 5504	Harness: CNB: ADF: Connecting	1
17	D062 5509	Harness: Power Source: BCU: DRB	1
18	D062 5421	Harness: Safety Switch	1
19	D062 5420	Harness: CNB: Main: Upper	1
20	D062 5014	PCB: CNB: Ass'y	1
20	D066 5014	PCB: CNB: 90: Ass'y	1
21	D062 5016	PCB: DRB: 60-75: Ass'y	1
21	D066 5016	PCB: DRB: 80-90: Ass'y	1
22	B065 5805	CSS Bracket	1

Index No.	Part No.	Description	Q'ty Per Assembly
101	0451 4008N	Tapping Screw: 4x8	
102	0451 3008N	Tapping Screw - M3x8	
103	0450 4008N	Tapping Screw - M4x8	
104	0951 4010N	Screw: Polished Round: M4x10	
105	0450 4016N	Tapping Screw - M4x16	
106	0707 4050N	Bushing - 4x5	
107	1102 6245	Relay Connector - 2P	

63.Electrical Section 3 (D062/D063/D065/D066)



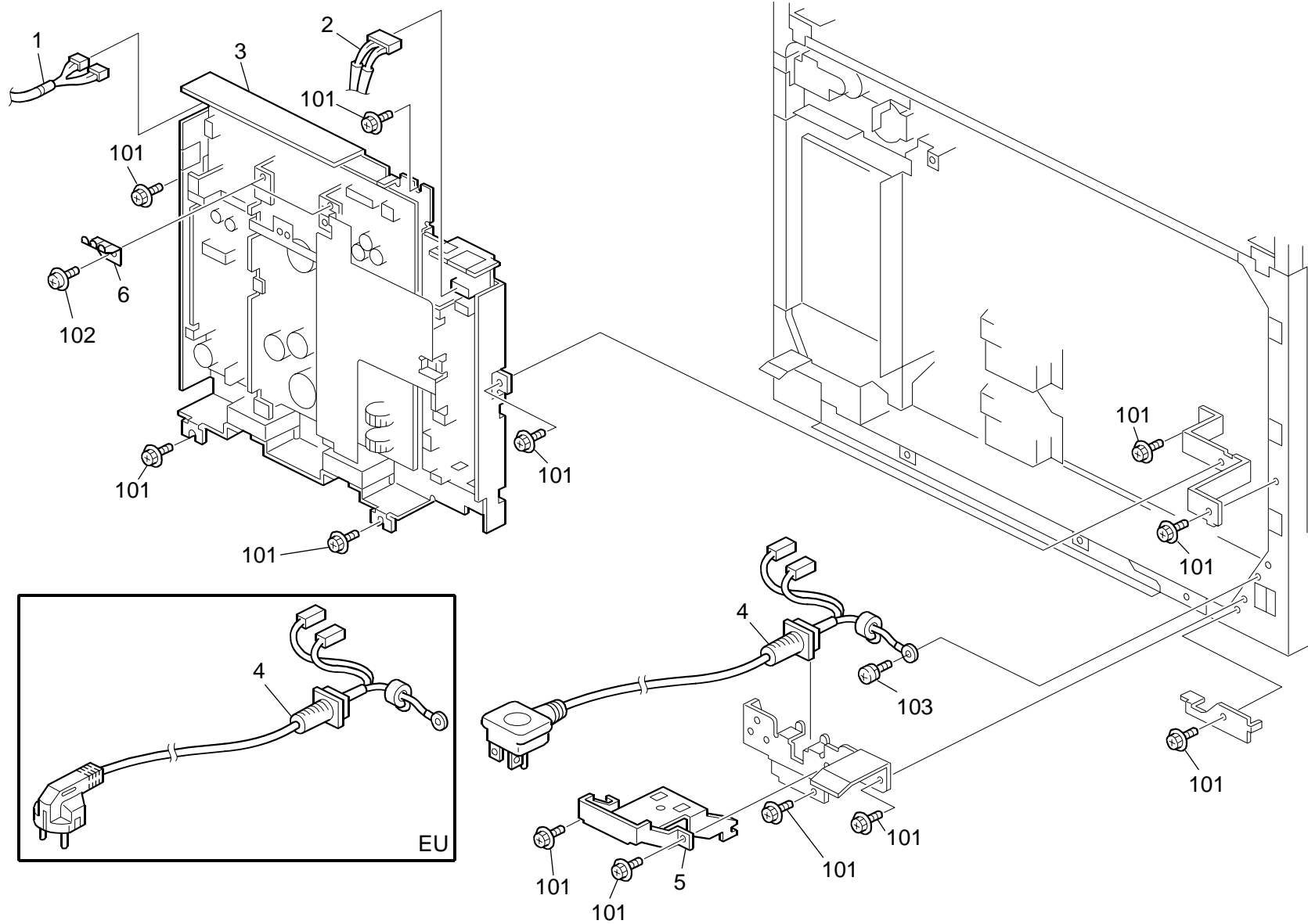
WWW.SERVICE-MANUAL.NET

63.Electrical Section 3 (D062/D063/D065/D066)

Index No.	Part No.	Description	Q'ty Per Assembly
1	B065 1183	Fan Bracket	1
2	AA15 3154	Duct Seal - PCU	1
3	B065 1184	Entrance PCU Duct	1
4	AX64 0183	Fan Motor DC24V/1.92W	1
5	D062 1180	Duct: PCU: Ass'y	1
6	AZ30 0057	Power Pack - Development	1
7	G126 5892	Bracket: Power Pack: Development	1
8	AA14 3797	Connector Guide Pin	8
9	AA06 3901	Compression Spring: Drawer	2
10	D062 5615	Harness: AC Power Supply: Main: NA	1
10	D062 5617	Harness: AC Power Supply: Main: EU	1
10	D066 5616	Harness: AC Power Supply: Main: EXP: 90CPM	1
11	B065 5817	Slide Rail Cover	1
12	AA06 3880	Spring	6
13	B247 5712	Hinge Bracket - Lower	1
14	D062 5422	Harness: DRB: Duplex	1
15	D062 5418	Harness: Machine Or Copier: Duplex: Exit	1
15	D066 5418	Harness: Main: Duplex: Exit: 90	1
16	D062 5445	Harness: CNB: FIN	1
17	B065 5807	Finisher Cable Bracket	1
18	B065 5818	Main Switch Harness Guide	1

Index No.	Part No.	Description	Q'ty Per Assembly
101	0451 4008N	Tapping Screw: 4x8	
102	0451 3008N	Tapping Screw - M3x8	
103	0450 4008N	Tapping Screw - M4x8	
104	0450 4035N	Tapping Screw: 4x35	
105	1102 6245	Relay Connector - 2P	
106	1102 8502	Connector - 54679-1615	
107	0453 3008N	Binding Self Tapping Screw: 3x8	
108	1105 0488	Harness Clamp	
109	1105 0490	Harness Clamp - IWS-2218	
110	1105 0532	Edge Saddle - LES-25L	
111	1105 0489	Harness Clamp - LWS 1316	
112	1105 0516	Clamp	
113	1105 0511	Harness Clamp - LWS-0306ZC	
114	1105 0522	Edge Saddle - LES0510	
115	0950 4008N	Screw: Spring Washer: M4x8	

64.Electrical Section 4 (D062/D063/D065/D066)



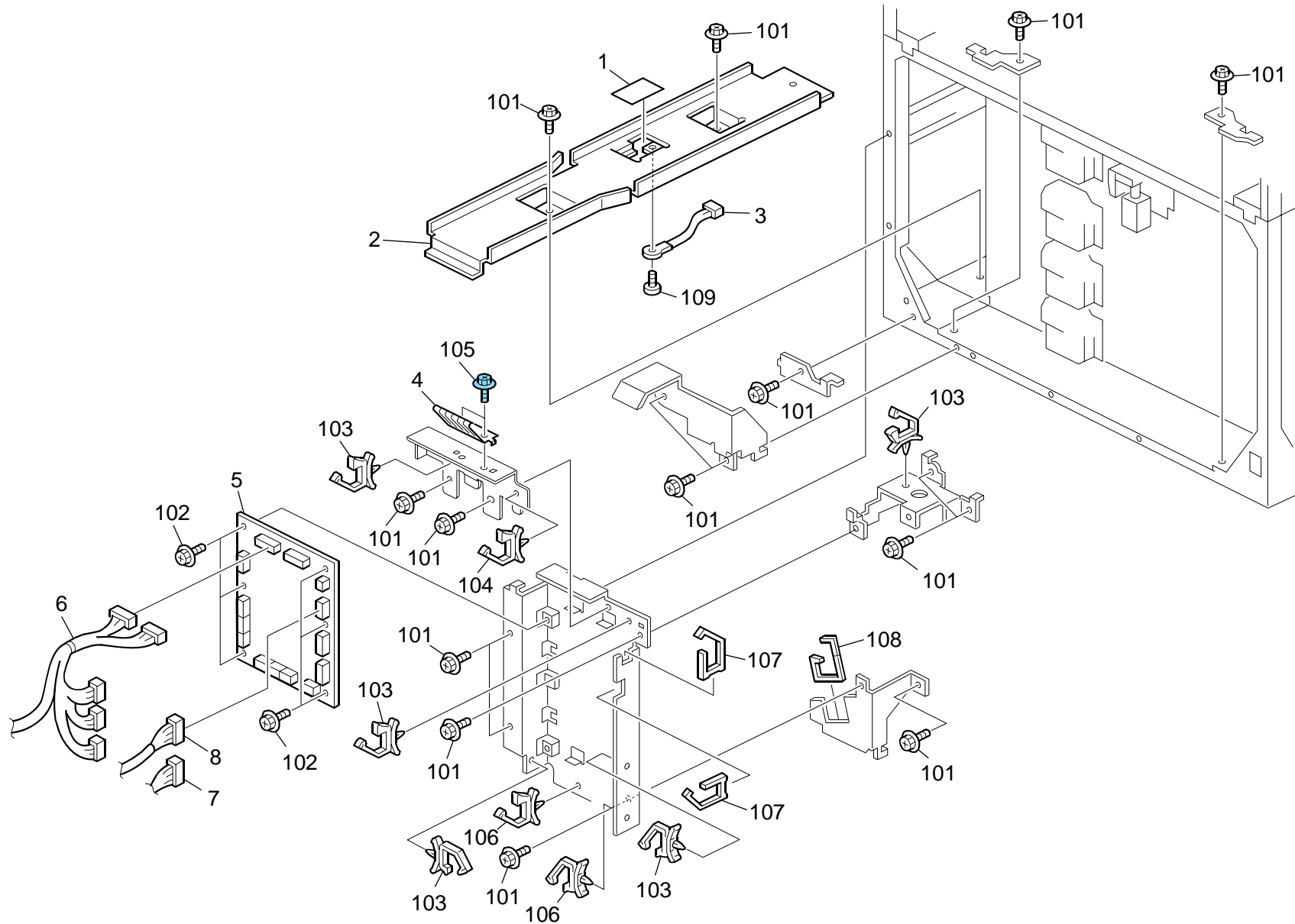
64.Electrical Section 4 (D062/D063/D065/D066)

Rev. 11/12/2009

Index No.	Part No.	Description	Q'ty Per Assembly
1	D062 5561	Harness: PWRCTL_DC24V: Connecting: EXP	1
2	D062 5601	Harness: Bank: Dehumidifier: 60/75	1
3	AZ24 0149	Power Supply Unit: Main: DOM/NA: MC-4	1
3	AZ24 0151	Power Supply Unit: Main: EU/AA: M-C4	1
4	B065 5672	Power Supply Cord: NA 120V (D062/D063/D065)	1
4	D066 5672	Power Supply Cord: NA 208-240V (D066)	1
4	B246 5677	Power Supply Cord: EU 220-240V (D062/D063/D065)	1
4	D066 5677	Power Supply Cord: EU 220-240V (D066)	1
5	D062 5885	Stopper: Power Supply Cord: TypeC	1
6	D062 5856	Ground Plate: Power Supply Unit	2

Index No.	Part No.	Description	Q'ty Per Assembly
101	0451 4008N	Tapping Screw: 4x8	
102	0951 4008N	Screw: Polished Round: M4x8	
103	0801 0234	Screw With Washer: Small Round With Spring Washer: M5x8	
104	1105 0518	Edge Saddle - LES-1010	

65.Electrical Section 5 (D062/D063/D065/D066)



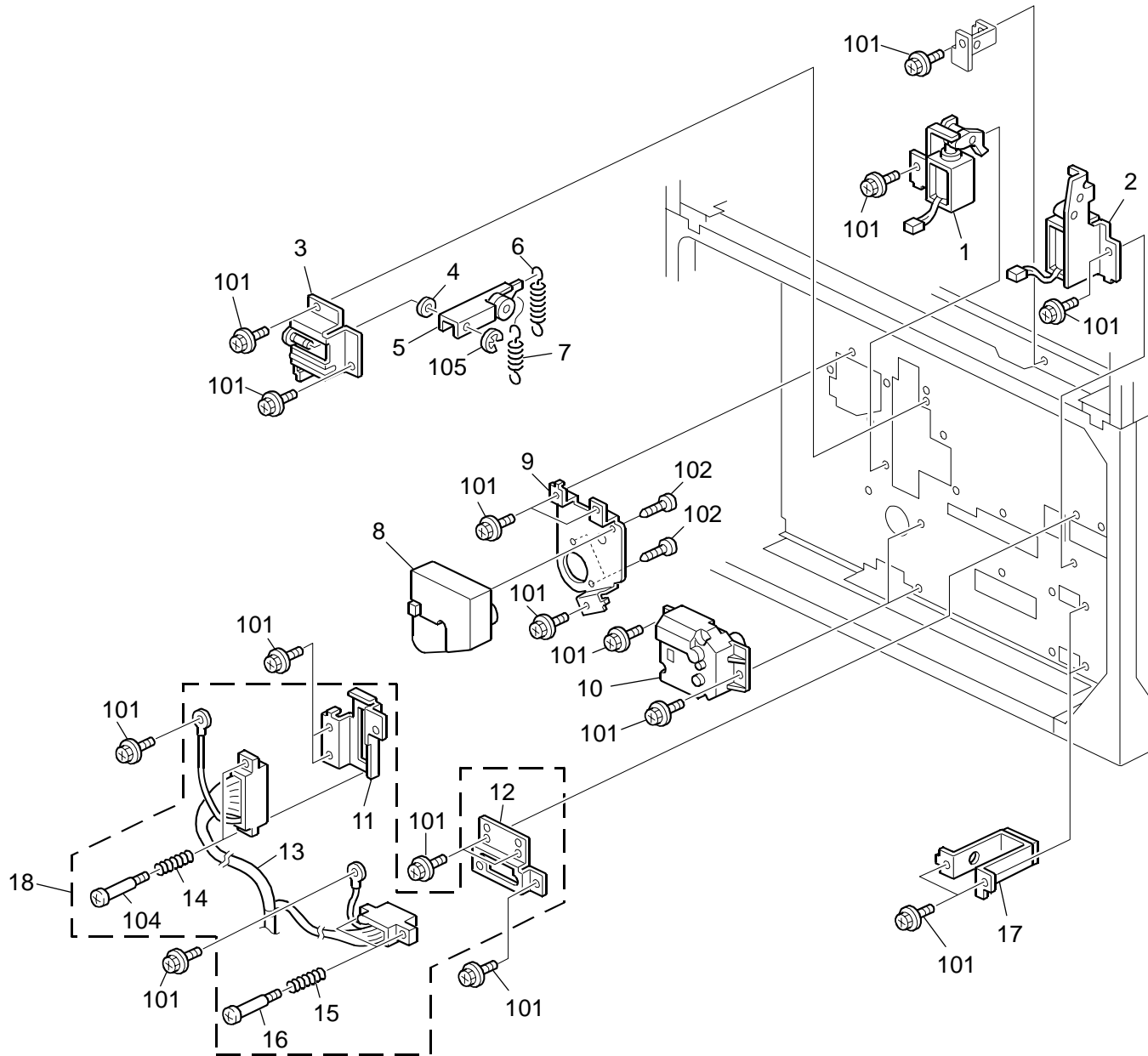
WWW.SERVICE-MANUAL.NET

65.Electrical Section 5 (D062/D063/D065/D066)

Index No.	Part No.	Description	Q'ty Per Assembly
1	B110 3777	Cover Temperature & Humidity Sensor	1
2	B065 3695	Bottle Guide	1
3	AW10 0107	Thermistor	1
4	B065 1845	Grounding Plate	1
5	D062 5132	PCB: pFB: Three Way	1
6	D066 5701	Harness: Bank: Front: Three Way: 90CPM	1
7	D062 5703	Harness: BCU: pFB: Connecting	1
8	D062 5502	Harness: DC Power Supply: pFB	1

Index No.	Part No.	Description	Q'ty Per Assembly
101	0451 4008N	Tapping Screw: 4x8	
102	0451 3008N	Tapping Screw - M3x8	
103	1105 0488	Harness Clamp	
104	1105 0516	Clamp	
105	0454 3006Q	Tapping Screw - M3x6	
106	1105 0489	Harness Clamp - LWS 1316	
107	1105 0721	Clamp: LES-1808	
108	1105 0544	Edge Saddle: LES-2017	
109	0313 0060N	Screw - M3x6	

66.Electrical Section 6 (D062/D063/D065/D066)



WWW.SERVICE-MANUAL.NET

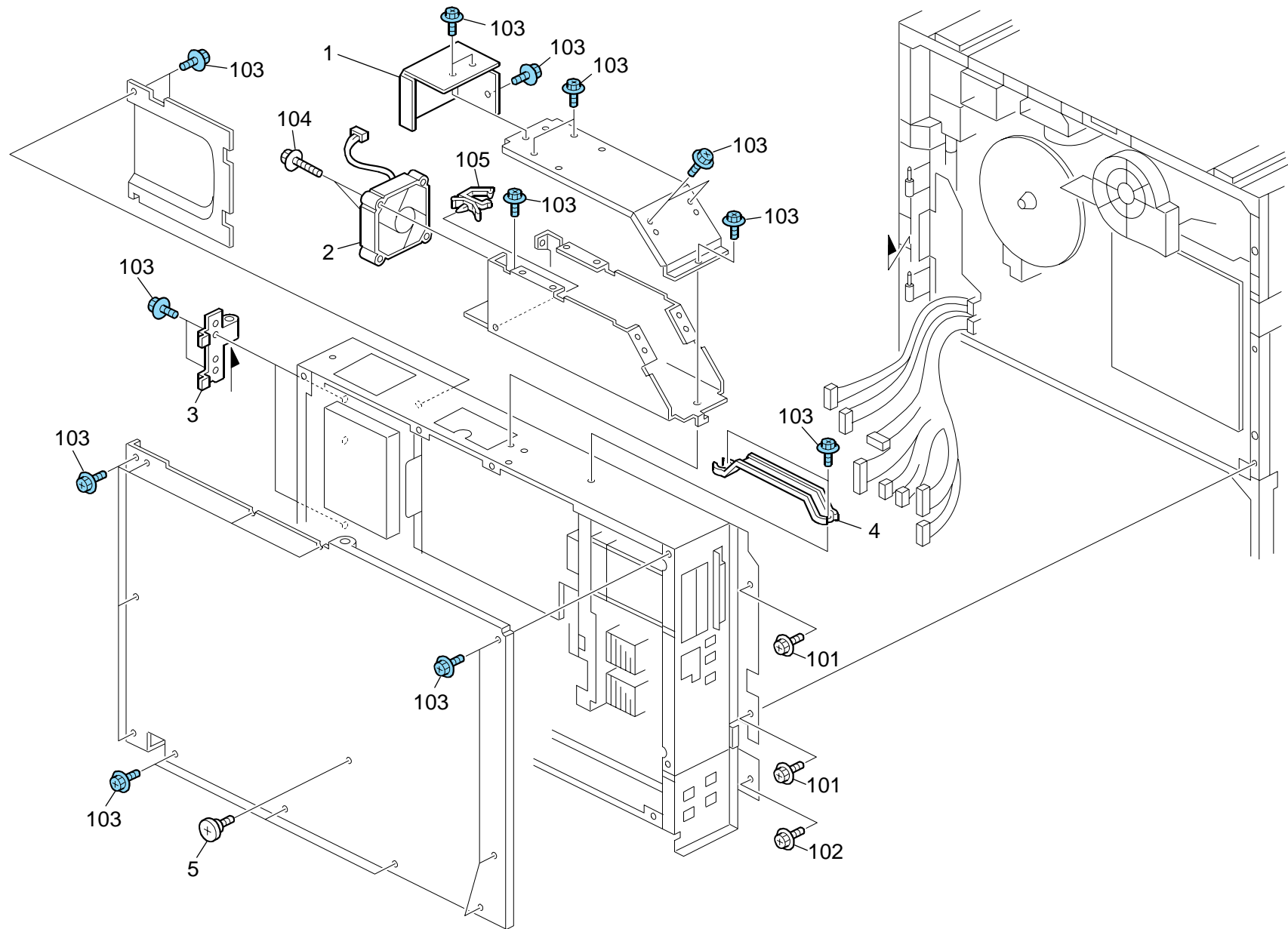
66.Electrical Section 6 (D062/D063/D065/D066)

Rev. 09/08/2009

Index No.	Part No.	Description	Q'ty Per Assembly
1	B132 6762	DC Solenoid: Coupling: Ass'y	1
2	D059 6765	DC Solenoid: Lock: Ass'y	1
3	B132 6726	Bracket: Arm: Ass'y	1
4	AA13 2203	Spacer - 6mm	1
5	B065 6769	Lock Arm	1
6	B247 6753	Lock Spring - Large	1
7	B247 6754	Lock Spring - Small	1
8	D066 6738	Bracket: Lift Motor: Tandem LCT	1
9	B132 6760	DC Motor 24V 19.6W	1
10	AX04 0144	DC Motor: Rise: Paper Tray	2
11	B065 6767	Right Connecting Bracket	1
12	B132 6763	Bracket: Connector: Left	1
13	D066 5700	Harness: Bank: Rear: Three Way	1
14	AA06 3880	Spring	2
15	AA06 3901	Compression Spring: Drawer	2
16	AA14 3797	Connector Guide Pin	2
17	D059 6172	Paper Tray Stopper	2
18	D066 5709	Harness: Bank: Rear: Three Way: Ass'y	1

Index No.	Part No.	Description	Q'ty Per Assembly
101	0451 4008N	Tapping Screw: 4x8	
102	0452 4010N	Binding Self-tapping Screw: 4x10	
103	0313 0050N	Philips Pan Head Screw - M3x5	
104	0803 0058	Stepped Screw	
105	0720 0040E	Retaining Ring - M4	
106	1102 6245	Relay Connector - 2P	

67.Electrical Section 7 (D062/D063/D065/D066)



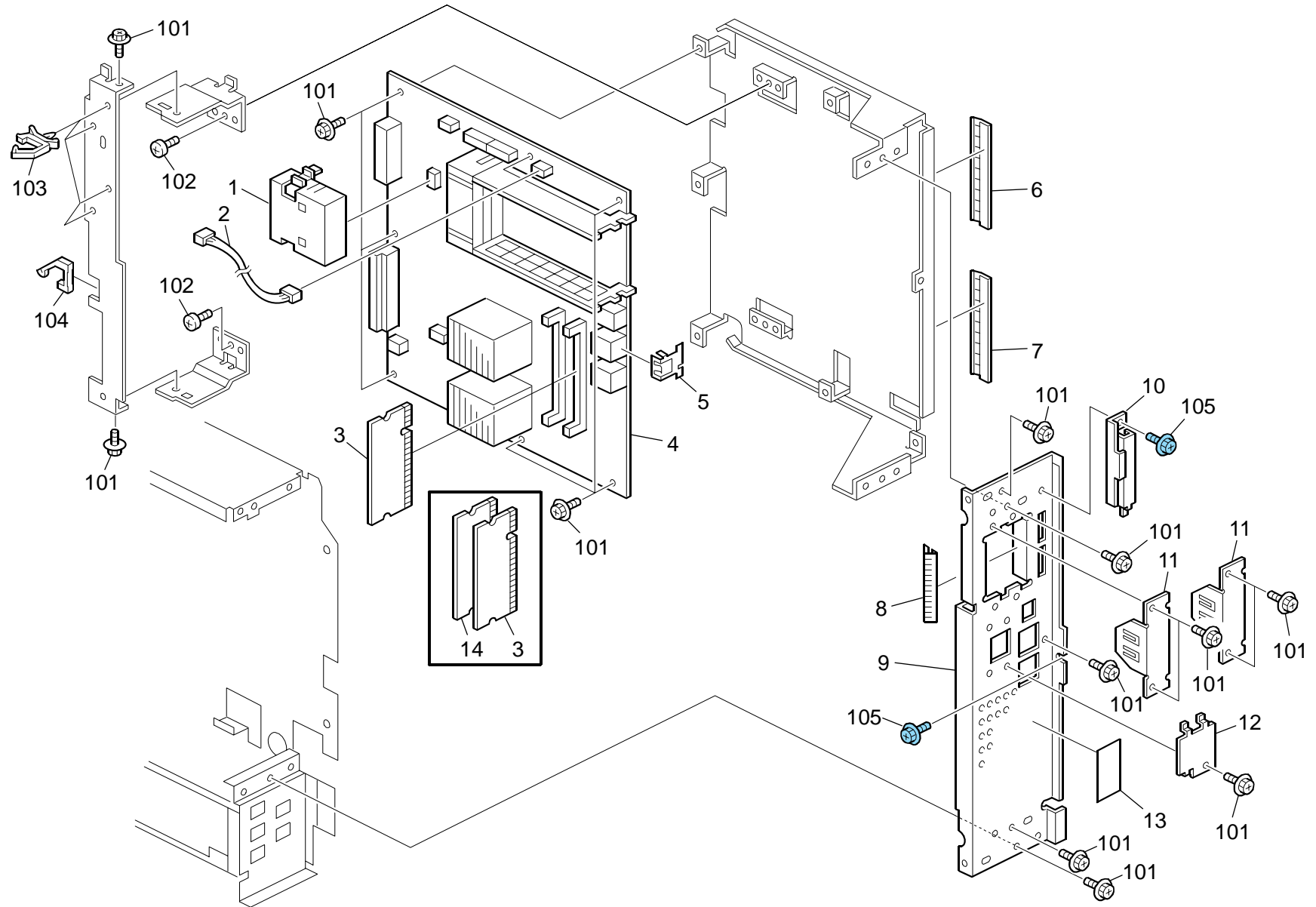
WWW.SERVICE-MANUAL.NET

67.Electrical Section 7 (D062/D063/D065/D066)

Index No.	Part No.	Description	Q'ty Per Assembly
1	D062 5891	Cover: DC Fan Motor	1
2	AX64 0177	Fan Motor DC12V 3.6W	1
3	D062 5817	Hinge: Control Unit	2
4	B712 5605	Grip: Application	1
5	AA14 3801	Screw: M4: Exterior	1

Index No.	Part No.	Description	Q'ty Per Assembly
101	0451 3008N	Tapping Screw - M3x8	
102	0451 4008N	Tapping Screw: 4x8	
103	0454 3006Q	Tapping Screw - M3x6	
104	0451 3030N	Tapping Screw: 3x30	
105	1105 0516	Clamp	

68.Electrical Section 8 (D062/D063/D065/D066)



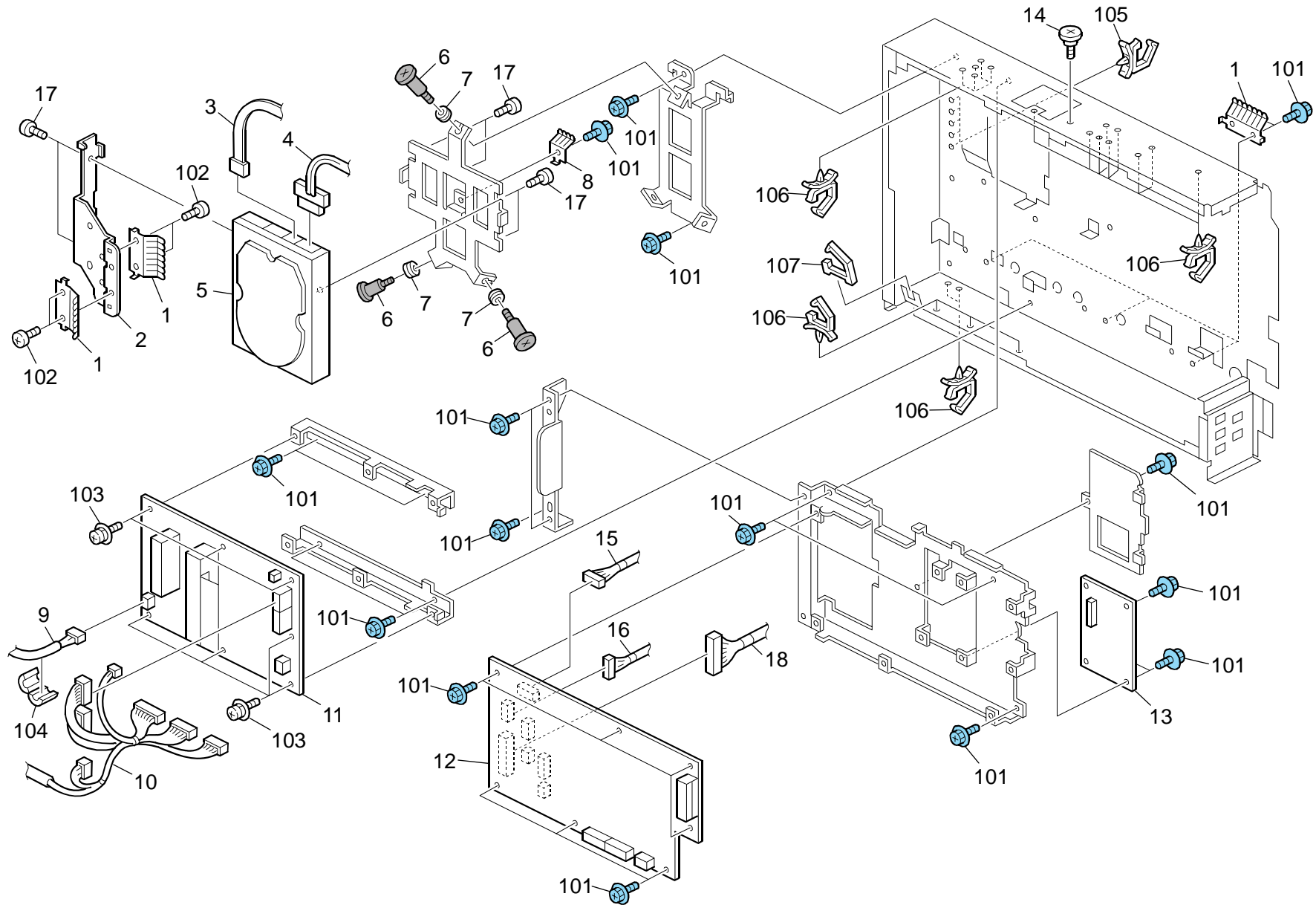
68.Electrical Section 8 (D062/D063/D065/D066)

Rev. 07/30/2009

Index No.	Part No.	Description	Q'ty Per Assembly
1	D062 9590	NVRAM	1
2	D062 5513	Harness: CTL: Fan: Connecting	1
3	G178 6062	PCB: PC4200: RAWCard-C: 512MB	1
4	D062 5506	PCB: M-C4A: Service: Ass'y	1
4	D063 5505	PCB: M-C4D: Service: Ass'y	1
4	D065 5505	PCB: M-C4D: Service: Ass'y	1
4	D066 5506	PCB: M-C4E: Service: Ass'y	1
5	D062 5979	Ground Plate: USB	1
6	D062 5883	Ground Plate: Control Board: L63.2	1
7	D062 5884	Ground Plate: Control Board: L76	1
8	B070 6877	Large Drum Stay Ground Plate	1
9	D062 5851	Bracket: Drum Stay: Control Board	1
10	D014 5973	Cover: SD-Card	1
11	B101 5993	Interface Panel	2
12	D014 5974	Cover: Connector: EFI	1
13	D059 6872	Decal: Caption: Interface	1
14	G178 6072	PCB: PC4200: RAWCard-A: 1GB	1

Index No.	Part No.	Description	Q'ty Per Assembly
101	0451 3006N	Tapping Screw - 3x6	
102	0353 0040N	Screw - M3x4	
103	1105 0516	Clamp	
104	1105 0521	Clamp - LES-1017	
105	0454 3006Q	Tapping Screw - M3x6	

69.Electrical Section 9 (D062/D063/D065/D066)



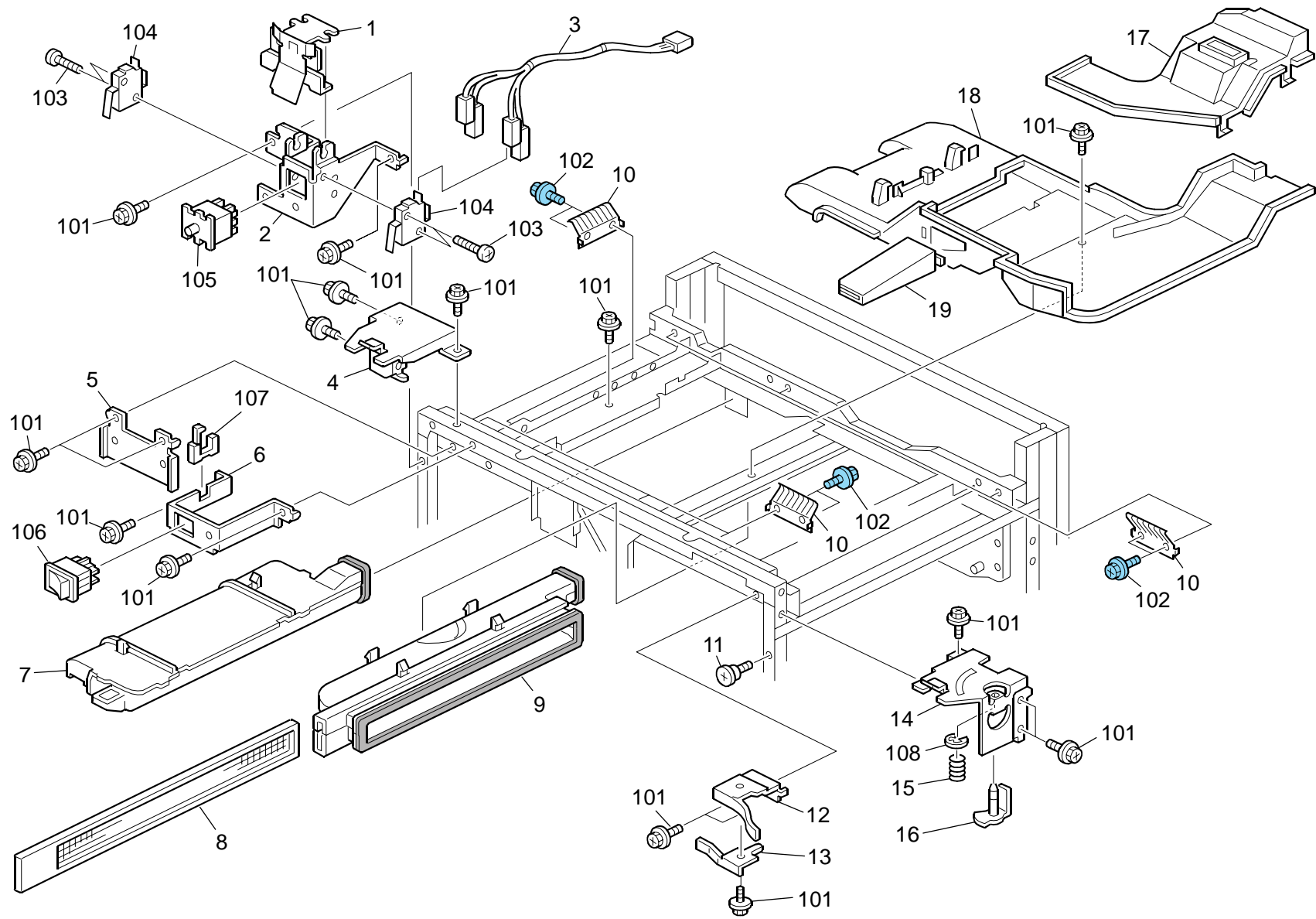
WWW.SERVICE-MANUAL.NET

69.Electrical Section 9 (D062/D063/D065/D066)

Index No.	Part No.	Description	Q'ty Per Assembly
1	B065 1844	Grounding Plate	5
2	D062 5893	Bracket: Earth: HDD	1
3	D062 5782	Cable: HDD: SATA: Gray: M-C4	1
4	D062 5784	Cable: HDD: SATA: Power: M-C4	1
5	M026 5760	HDD: HITACHI: 160GB: SATURN	1
6	AA14 3548	Screw: M3x4.2	3
7	AA16 1125	Rubber Cushion	3
8	A294 1838	Ground Plate - Lens Stay	1
9	D062 5625	Harness: AC Power Supply: CTL-PSU	1
10	D062 5517	Harness: DC Power Supply: IPU	1
11	AZ23 0235	Power Supply Unit: CTL: DOM/NA: M-C4	1
11	AZ23 0236	Power Supply Unit: CTL: EU/AA: M-C4	1
12	D062 5141	PCB: Image Processing Unit: M-C4	1
13	B829 5107	PCB: ICIB-DMY	1
14	5206 2684	Shoulder Screw - M3	1
15	D062 5475	Harness: IPU: ADF: Connecting	1
16	D062 5452	Harness: IPU: BCU: 40	1
17	AA14 3815	Screw - M3x3.5	4
18	D062 5451	Harness: IPU: BCU: 50	1

Index No.	Part No.	Description	Q'ty Per Assembly
101	0454 3006Q	Tapping Screw - M3x6	
102	0353 0040N	Screw - M3x4	
103	0954 3008N	Screw - M3x8	
104	1607 1092	Ferrite Core: RFC-10	
105	1105 0488	Harness Clamp	
106	1105 0516	Clamp	
107	1105 0518	Edge Saddle - LES-1010	

70.Frame Section 1 (D062/D063/D065/D066)

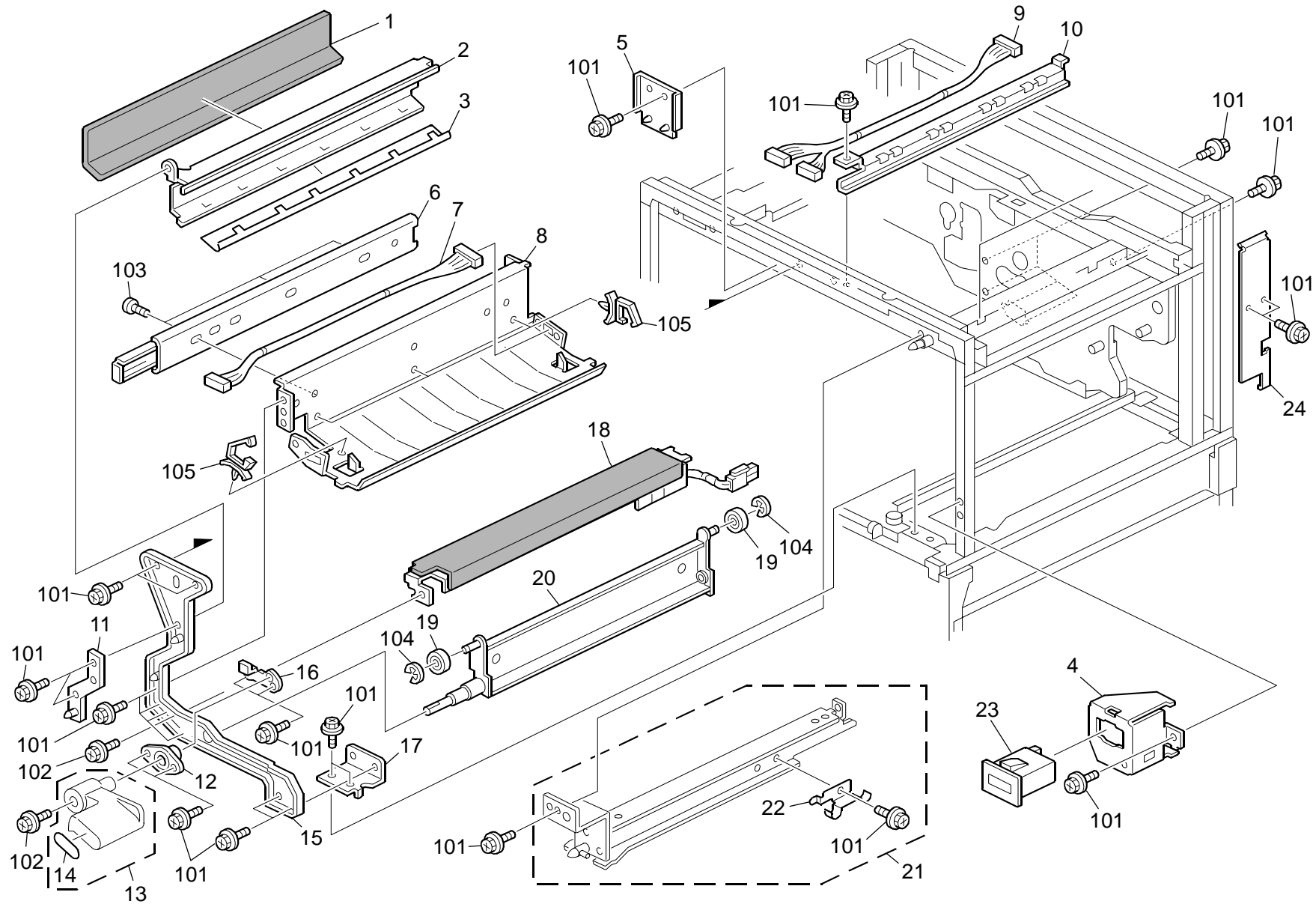


70.Frame Section 1 (D062/D063/D065/D066)

Index No.	Part No.	Description	Q'ty Per Assembly
1	B065 5041	Safety Switch Lever	1
2	B065 5811	Safety Switch Bracket	1
3	B247 5430	Harness - Switch: Laser Diode	1
4	B065 1320	Receiving Tray - Operation Panel	1
5	B065 5816	Safety Switch Harness Cover	1
6	B247 5715	Main Switch Bracket	1
7	B065 1188	Duct - Fusing	1
8	B070 2114	Filter - Toner	1
9	B065 1185	Duct - Charge	1
10	B065 1845	Grounding Plate	6
11	AA14 3801	Screw: M4: Exterior	1
12	B065 3266	Toner Bottle Cam	1
13	B065 3267	Inner Back Cam	1
14	B065 1328	Upper Hinge Guide Plate	1
15	AA06 3052	Turret Spring	1
16	B132 1463	Hinge Shaft	1
17	D062 1179	Duct: Image Forming Section: Gate: Ass'y	1
18	D062 1175	Duct: Image Forming Section: Main: Ass'y	1
19	D062 1177	Duct: Toner Bottle	1

Index No.	Part No.	Description	Q'ty Per Assembly
101	0451 4008N	Tapping Screw: 4x8	
102	0454 3006Q	Tapping Screw - M3x6	
103	0353 0120N	Screw M3x12	
104	1204 2521	Micro Switch	
105	1204 2390	Interlock Switch - FA8L-AB24	
106	1204 2468	Switch - AC250/16A	
107	1105 0518	Edge Saddle - LES-1010	
108	0720 0040E	Retaining Ring - M4	

71.Frame Section 2 (D062/D063/D065/D066)



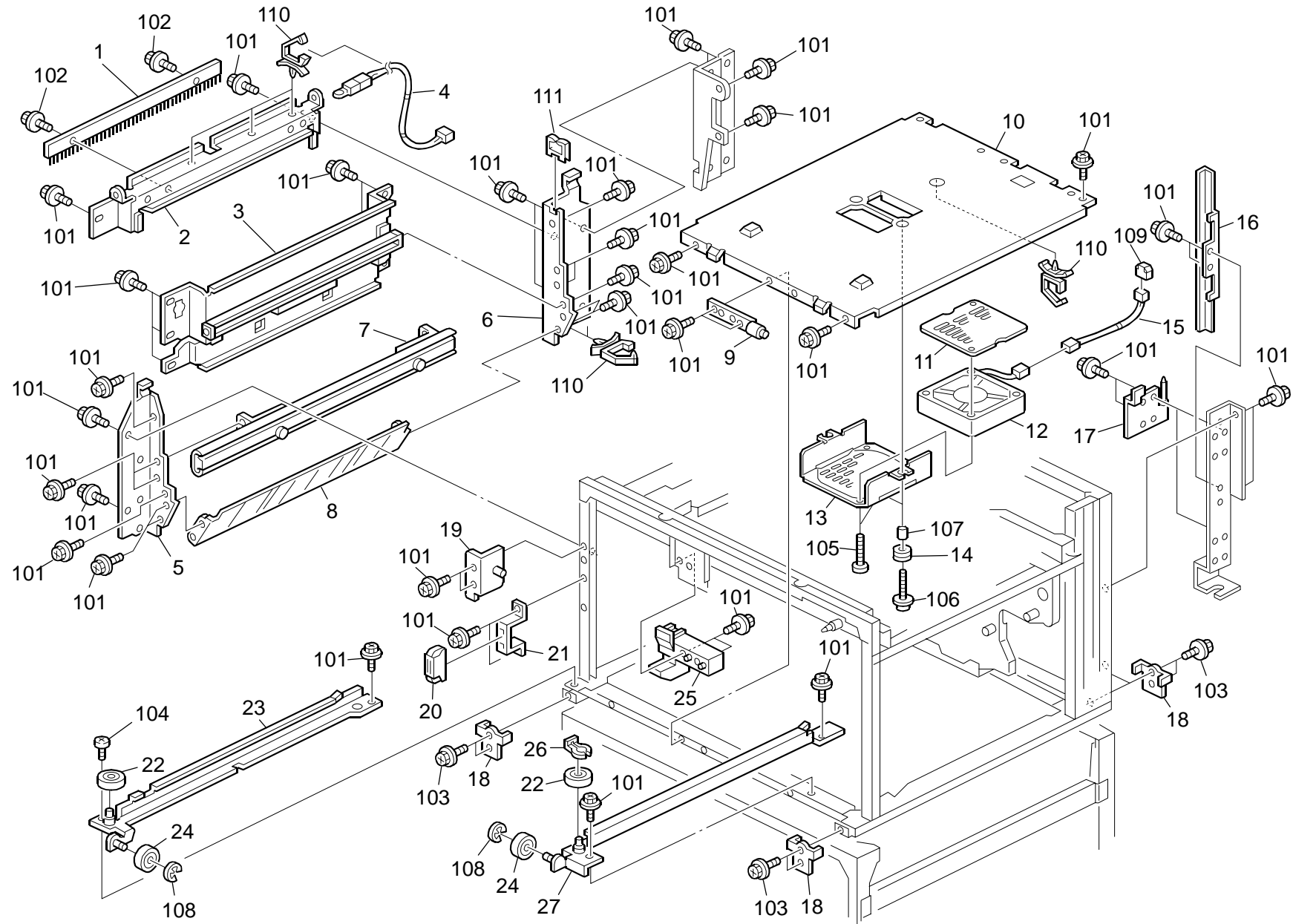
WWW.SERVICE-MANUAL.NET

71.Frame Section 2 (D062/D063/D065/D066)

Index No.	Part No.	Description	Q'ty Per Assembly
1	B065 1095	Heat Insulation	1
2	B065 1091	Left Duct - PCU	1
3	B065 1094	Duct Clip	1
4	B247 5890	Bracket: Total Counter	1
5	B247 4168	Positioning Plate: Fusing Unit: Ass'y	1
6	AA07 0077	Slide Rail - Right	1
7	B065 3812	Transfer Rely Harness	1
8	B065 3811	Transfer Unit Stay	1
9	B247 2496	Harness - PCU	1
10	B065 1098	Left Rail	1
11	B247 3820	Positioning Plate: Transfer Unit: Ass'y	1
12	AA08 2064	Bushing - 10mm	1
13	B065 3832	Transfer Unit Lever	1
14	B065 3833	Decal - Transfer Unit Lever	1
15	B247 3815	Channel: Lengthwise: Middle Front: Ass'y	1
16	B065 3831	Release Positioning Plate	1
17	B065 1096	Front Transfer Stay	1
18	B246 3841	Heater: 120V	1
18	B246 3843	Heater: 240V	1
19	6754 2866	Roller - Positioning Guide	2
20	B247 3827	Handle Stay	1
21	B065 3250	Rail: Development Unit: Ass'y	1
21	D066 3250	Rail: Development Unit: M-C4: 90: Ass'y	1
22	A096 1679	Development Grounding Plate	1
23	AX31 0047	Total Counter: 7Fig: 24V: MI2	1
24	D062 1034	Ground Plate: Right: Rear: Ass'y	1

Index No.	Part No.	Description	Q'ty Per Assembly
101	0451 4008N	Tapping Screw: 4x8	
102	0360 4008N	Screw - M4x8	
103	0453 4008N	Binding Self Tapping Screw: 4x8	
104	0720 0040E	Retaining Ring - M4	
105	1105 0487	Harness Clamp	

72.Frame Section 3 (D062/D063/D065/D066)



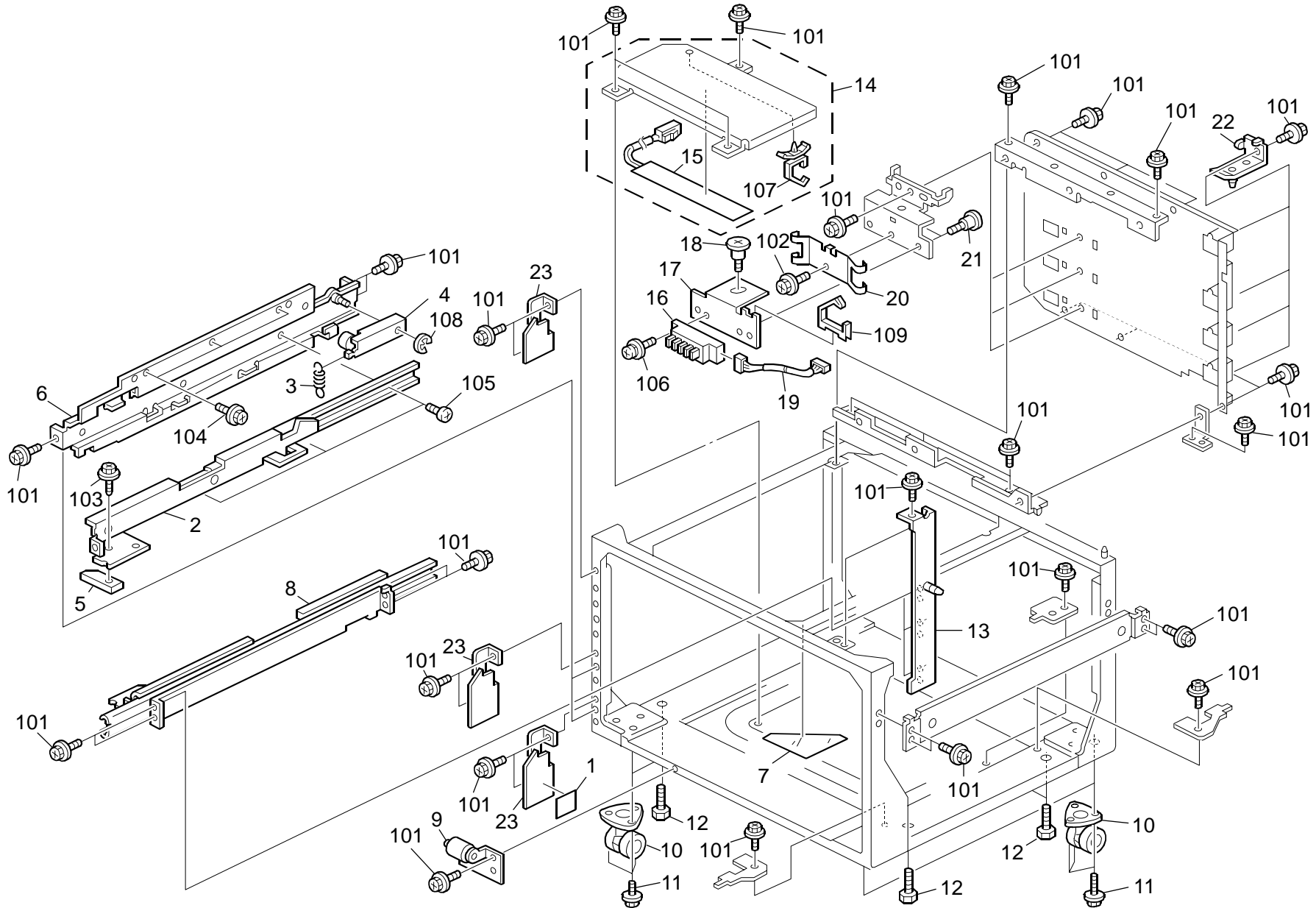
WWW.SERVICE-MANUAL.NET

72.Frame Section 3 (D062/D063/D065/D066)

Index No.	Part No.	Description	Q'ty Per Assembly
1	AA12 0067	Anti Static Brush	1
2	B246 4311	Guide Plate: Exit: Exit: Upper	1
3	B140 4313	Exhaust Cover Ass'y	1
4	B065 4499	Exit Detection Harness	1
5	B065 4306	Front Exhaust Side Plate	1
6	B065 4307	Rear Exhaust Side Plate	1
7	B247 4440	Slide Rail: Fusing/Paper Exit Unit: Left: Ass'y	1
8	B140 4312	Left Rise Guide Plate	1
9	B065 4830	Holder Bracket	1
10	B065 1075	Base Cover	1
11	D062 1199	Guard: Fan: MM80	1
12	AX64 0183	Fan Motor DC24V/1.92W	1
13	D062 1198	Bracket: DC Fan Motor: Duplex	1
14	AA16 1104	Cushion - Motor	2
15	B065 1198	Duplex Fan Harness	1
16	D062 5992	Bracket: Hinge: Gasket: Ass'y	1
17	D062 5824	Hinge: Control Unit: Main: Ass'y	2
18	B065 1092	Bracket	4
19	B247 4263	Bracket: Shaft: Lock: Ass'y	1
20	AG07 1012	Magnet Catch: Ass'y	1
21	B065 1197	Magnet Catch Bracket	1
22	A300 2134	Guide Roller - B	2
23	B247 4835	Rail: Left: Machine Or Copier: Ass'y	1
24	6754 2866	Roller - Positioning Guide	2
25	B065 4179	Stripper Pawls Plate	1
26	5447 2681	Snap Ring	1
27	B247 4591	Right Duplex Rail	1

Index No.	Part No.	Description	Q'ty Per Assembly
101	0451 4008N	Tapping Screw: 4x8	
102	0451 3006N	Tapping Screw - 3x6	
103	0451 4010N	Tapping Screw: 4x10	
104	0434 0080N	Pan Self-tapping Screw: M4x8	
105	0354 0300N	Screw: M4x30	
106	0951 4010N	Screw: Polished Round: M4x10	
107	0707 4050N	Bushing - 4x5	
108	0720 0040E	Retaining Ring - M4	
109	1102 6245	Relay Connector - 2P	
110	1105 0511	Harness Clamp - LWS-0306ZC	
111	1105 0328	Harness Clamp - ES-0505	

73.Frame Section 4 (D062/D063/D065/D066)



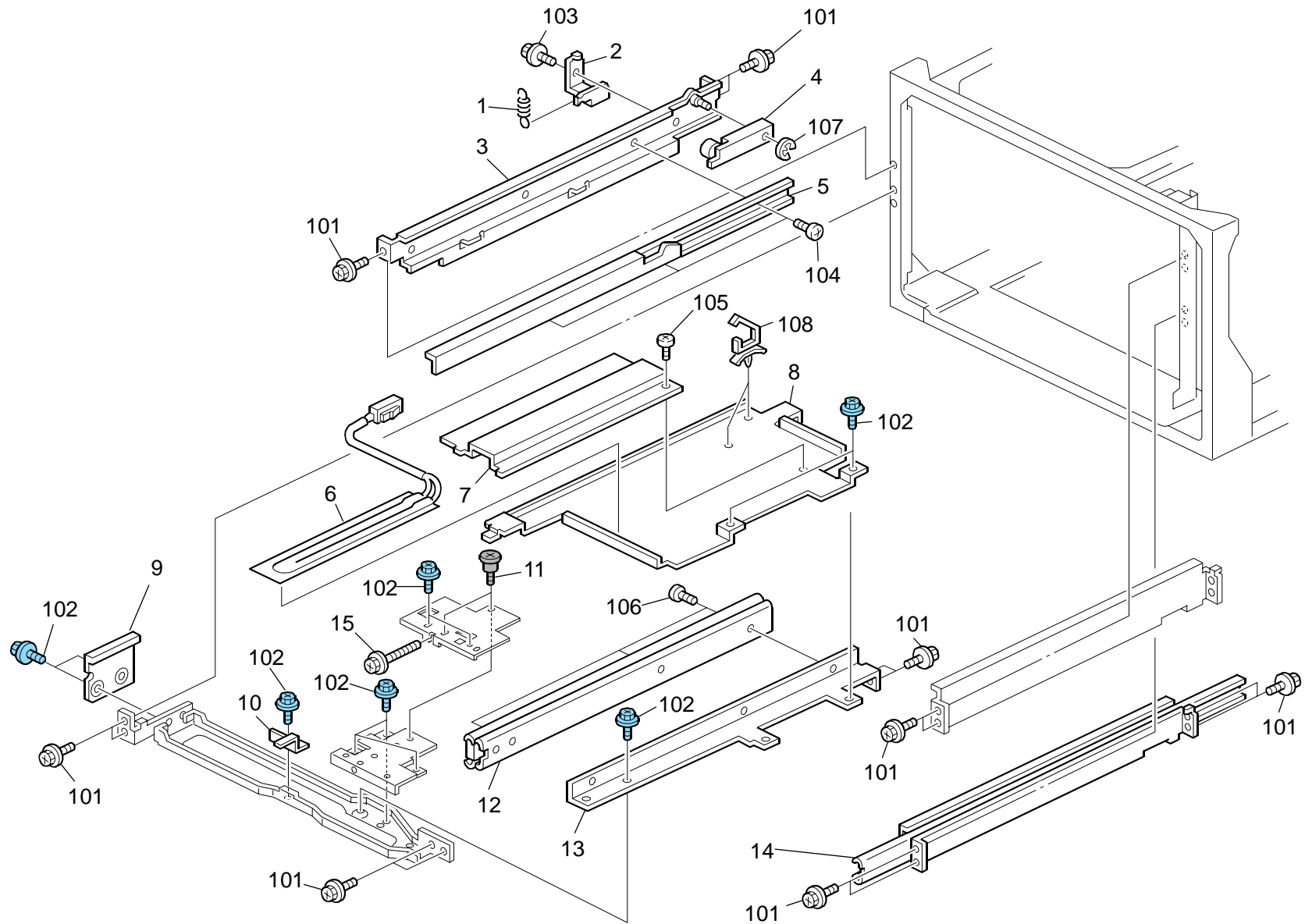
WWW.SERVICE-MANUAL.NET

73.Frame Section 4 (D062/D063/D065/D066)

Index No.	Part No.	Description	Q'ty Per Assembly
1	D062 6612	Sheet: Positioning: Paper Tray	1
2	D059 6692	Slide Rail: Paper Tray: Left: Sub-ass'y	1
3	D059 6591	Spring: Paper Tray: Lock	1
4	B065 6136	Tray Lock Arm	1
5	D062 6610	Block: Positioning: Paper Tray	1
6	B247 6783	Base: Slide Rail: No.3: Peen	1
7	B098 6693	Shield: Frame: Paper Bank: Upper	1
8	B132 6693	Slide Rail: Right: Ass'y	1
8	D066 6693	Slide Rail: Right: Ass'y	1
9	B247 6062	Bracket: Holder: Ass'y	1
10	AH01 2031	Caster: 1470N	4
11	AA14 3803	Flanged Hexagonal Head Bolt: Caster	12
12	AA14 3798	Hexagonal Bolt: M12x35	4
13	B065 6191	Side Plate - Paper Tray	1
14	B140 6225	Heat Sink: Heater: Lower: NA: Ass'y	1
14	B140 6226	Heat Sink: Heater: Lower: EU: Ass'y	1
15	AX40 0176	Heater: 115V: 18W: Upper	1
15	AX40 0178	Heater: 240V: 18W: Upper	1
16	AW50 0010	Push Switch	1
17	D059 6152	Bracket: Sensor: Paper Size Sensor: Moveable	1
18	AA14 0912	Screw - 8x14x2.8	1
19	B247 6800	Harness - Paper Size Sensor	1
20	D059 6153	Spring Plate: Bracket: Sensor: Paper Tray	1
21	AA14 3569	Screw	2
22	B247 6174	Bracket: Positioning: Paper Tray: Ass'y	4
23	D062 6458	Holder: Stopper: Paper Tray	3

Index No.	Part No.	Description	Q'ty Per Assembly
101	0451 4008N	Tapping Screw: 4x8	
102	0451 4006N	Tapping Screw - 4x6	
103	0450 4008N	Tapping Screw - M4x8	
104	0451 3006N	Tapping Screw - 3x6	
105	0453 3006N	Tapping Screw - M3x6	
106	0954 3008N	Screw - M3x8	
107	1105 0516	Clamp	
108	0720 0030E	Retaining Ring - M3	
109	1105 0522	Edge Saddle - LES0510	

74.Frame Section 5 (D062/D063/D065/D066)



WWW.SERVICE-MANUAL.NET

74.Frame Section 5 (D062/D063/D065/D066)

Index No.	Part No.	Description	Q'ty Per Assembly
1	D062 6590	Spring: Tandem LCT: Lock	1
2	D059 6742	Bracket: Rail: Left	1
3	B247 6792	Base: Slide Rail: Tandem LCT: Peen	1
4	B065 6136	Tray Lock Arm	1
5	D062 6254	Slide Rail: Tandem LCT: Left: Ass'y	1
6	AX40 0176	Heater: 115V: 18W: Upper	1
6	AX40 0178	Heater: 240V: 18W: Upper	1
7	A248 6103	Guide Plate - Upper Heat Sink	1
8	B065 6116	Upper Heat Sink	1
9	B065 6777	Supporting Plate	1
10	D062 6777	Bracket: Lever: Slide: Auxiliary	1
11	AA14 3810	Development Cover Screw	2
12	AA07 0072	Slide Rail: Tandem LCT	1
13	B065 6774	Slidebracket	1
14	B247 6252	Slide Rail - Right	1
14	D066 6252	Slide Rail: Tandem LCT: Right: Ass'y	1
15	D059 6858	Screw: M4x10	1

Index No.	Part No.	Description	Q'ty Per Assembly
101	0451 4008N	Tapping Screw: 4x8	
102	0454 4006Q	Tapping Screw: 4x6	
103	0451 3006N	Tapping Screw - 3x6	
104	0453 3006N	Tapping Screw - M3x6	
105	0360 4006N	Screw - M4x6	
106	0314 0040N	Pan Head Screw - M4x4	
107	0720 0040E	Retaining Ring - M4	
108	1105 0516	Clamp	

75.BCU Board (D062/D063/D065/D066)

CAPACITOR

SYMBOL NO.	INDEX NO.	SYMBOL NO.	INDEX NO.	SYMBOL NO.	INDEX NO.	SYMBOL NO.	INDEX NO.	SYMBOL NO.	INDEX NO.	SYMBOL NO.	INDEX NO.	SYMBOL NO.	INDEX NO.
C1	101	C11	105	C21	106	C31	101	C41	101	C51	101	C61	105
C2	101	C12	104	C22	104	C32	101	C42	101	C52	105	C62	101
C3	102	C13	104	C23	101	C33	102	C43	108	C53	101	C63	104
C4	103	C14	103	C24	104	C34	105	C44	104	C54	104	C64	108
C5	101	C15	104	C25	101	C35	104	C45	109	C55	105	C65	110
C6	104	C16	104	C26	101	C36	101	C46	101	C56	101	C66	111
C7	101	C17	104	C27	101	C37	107	C47	101	C57	105	C67	101
C8	104	---	---	C28	105	C38	104	C48	107	C58	101	---	---
C9	104	C19	104	C29	105	C39	104	C49	105	C59	104	C69	101
C10	104	C20	104	---	---	C40	104	C50	101	C60	101	C70	112

CAPACITOR

SYMBOL NO.	INDEX NO.	SYMBOL NO.	INDEX NO.	SYMBOL NO.	INDEX NO.	SYMBOL NO.	INDEX NO.	SYMBOL NO.	INDEX NO.	SYMBOL NO.	INDEX NO.	SYMBOL NO.	INDEX NO.
C71	112	C81	107	C91	104	C101	101	C111	105	C121	107	---	---
C72	113	C82	101	C92	105	C102	101	C112	105	C122	104	C132	104
C73	101	C83	114	C93	105	---	---	C113	101	C123	104	C133	117
C74	101	C84	101	C94	101	C104	105	C114	101	C124	105	C134	105
C75	105	C85	107	C95	105	C105	101	C115	105	C125	115	C135	105
C76	101	C86	114	C96	104	C106	105	C116	101	C126	101	C136	101
C77	105	C87	101	C97	105	C107	105	C117	101	C127	105	C137	110
C78	101	C88	101	C98	105	C108	101	C118	105	C128	104	C138	101
C79	105	C89	101	C99	101	C109	105	C119	105	C129	116	C139	105
C80	105	C90	107	C100	108	C110	101	C120	101	C130	105	C140	101

75.BCU Board (D062/D063/D065/D066)

CAPACITOR

SYMBOL NO.	INDEX NO.	SYMBOL NO.	INDEX NO.	SYMBOL NO.	INDEX NO.	SYMBOL NO.	INDEX NO.	SYMBOL NO.	INDEX NO.	SYMBOL NO.	INDEX NO.		
C141	105	C151	114	C161	107	---	---	C181	105	C191	104	C201	101
C142	116	C152	118	C162	101	C172	105	C182	105	C192	104	C202	104
---	---	C153	101	---	---	C173	105	C183	116	C193	101	C203	101
C144	110	C154	108	---	---	C174	105	C184	101	C194	104	C204	101
C145	101	C155	104	C165	101	C175	105	C185	105	---	---	C205	107
C146	101	C156	104	C166	105	C176	105	C186	115	---	---	C206	107
C147	101	C157	119	C167	105	C177	101	C187	120	C197	104	C207	104
---	---	C158	104	---	---	---	---	C188	105	C198	105	C208	104
---	---	C159	104	C169	101	C179	105	C189	105	C199	101	C209	101
C150	104	C160	101	C170	105	C180	116	C190	101	C200	105	C210	105

CAPACITOR

SYMBOL NO.	INDEX NO.	SYMBOL NO.	INDEX NO.	SYMBOL NO.	INDEX NO.	SYMBOL NO.	INDEX NO.	SYMBOL NO.	INDEX NO.	SYMBOL NO.	INDEX NO.		
C211	101	C221	105	C231	105	C241	104	C251	104	C261	104	C271	104
C212	105	C222	105	C232	104	C242	101	C252	104	C262	104	C272	108
C213	104	C223	105	C233	105	C243	101	C253	104	C263	105	C273	106
C214	101	C224	105	C234	104	C244	105	C254	105	C264	121	C274	122
C215	105	C225	116	C235	104	C245	105	C255	108	C265	104	C275	122
C216	105	C226	116	C236	104	C246	105	C256	105	C266	121	C276	111
C217	104	C227	104	---	---	C247	105	C257	104	C267	101	C277	123
C218	104	C228	104	C238	101	C248	104	C258	104	C268	102	C278	104
C219	104	C229	101	C239	105	C249	104	C259	119	C269	121	C279	102
C220	104	C230	105	C240	104	C250	108	C260	105	C270	104	C280	102

75.BCU Board (D062/D063/D065/D066)

CAPACITOR CA

SYMBOL NO.	INDEX NO.
C281	124
---	---
C283	107
C284	107
C285	107
C286	107

SYMBOL NO.	INDEX NO.
---	---
---	---
---	---
---	---
CA5	125
CA6	126
CA7	127
CA8	128
CA9	128
CA10	128

SYMBOL NO.	INDEX NO.
CA11	128

CONNECTOR

SYMBOL NO.	INDEX NO.
---	---
---	---
---	---
---	---
---	---
---	---
---	---
---	---
---	---
CN200	129

SYMBOL NO.	INDEX NO.
CN201	130
CN202	131
CN203	132
CN204	133
CN205	134
CN206	135
CN207	136
CN208	137
CN209	138
CN210	136

SYMBOL NO.	INDEX NO.
CN211	139
---	---
CN213	137
CN214	140
CN215	141
CN216	142
---	---
CN218	143
CN219	144
---	---

SYMBOL NO.	INDEX NO.
CN221	145
CN222	146
CN223	138
CN224	147
CN225	148
CN226	149
---	---
---	---
---	---
---	---

CONNECTOR DIODE

SYMBOL NO.	INDEX NO.
---	---
CN252	133
CN253	149
CN254	150
CN255	151
CN256	152
CN257	153
CN258	154

SYMBOL NO.	INDEX NO.
D1	155
D2	155
D3	156
D4	157
D5	157
D6	157
D7	157
D8	155
---	---
---	---

SYMBOL NO.	INDEX NO.
---	---
---	---
---	---
---	---
D16	155
D17	155
D18	158
---	---
D20	158

SYMBOL NO.	INDEX NO.
D21	157
D22	159
D23	155
D24	155
D25	155
D26	158
D27	155
D28	158
D29	155
D30	160

SYMBOL NO.	INDEX NO.
D31	158
D32	161
D33	158
D34	162
D35	160
D36	155
D37	162
D38	155
D39	155
D40	158

SYMBOL NO.	INDEX NO.
D41	156
D42	163

FUSE

SYMBOL NO.	INDEX NO.
---	---
FU2	166
FU3	167

FIL

SYMBOL NO.	INDEX NO.
FIL1	164
FIL2	165
FIL3	164

75.BCU Board (D062/D063/D065/D066)

IC

SYMBOL NO.	INDEX NO.
IC1	168
IC2	169
IC3	170
IC4	171
IC5	171
IC6	172
IC7	172
IC8	173
IC9	168
IC10	174

SYMBOL NO.	INDEX NO.
IC11	173
IC12	175
IC13	176
IC14	177
IC15	174
IC16	173
IC17	173
IC18	178
IC19	179
IC20	180

SYMBOL NO.	INDEX NO.
IC21	178
IC22	181
IC23	181
IC24	182
IC25	174
IC26	180
IC27	181
IC28	181
IC29	183
IC30	184

SYMBOL NO.	INDEX NO.
IC31	185
IC32	186
IC33	187
IC34	181
---	---
IC36	174
IC37	188
IC38	168
IC39	173
IC40	189

SYMBOL NO.	INDEX NO.
IC41	190
IC42	191
IC43	183
IC44	183
IC45	181
IC46	190
IC47	173
IC48	173
IC49	192
IC50	192

SYMBOL NO.	INDEX NO.
IC51	181
IC52	168
IC53	193

LED

SYMBOL NO.	INDEX NO.
LED1	194
LED2	195
LED3	196
LED4	196

OSC

SYMBOL NO.	INDEX NO.
OSC1	197
OSC2	198

Q

SYMBOL NO.	INDEX NO.
Q1	199
Q2	200
Q3	201
Q4	200
Q5	202
Q6	200
Q7	202
Q8	199
Q9	199
---	---

SYMBOL NO.	INDEX NO.
Q11	200
Q12	200
---	---
Q14	203
Q15	202
Q16	203
Q17	204
Q18	205
Q19	203
Q20	203

SYMBOL NO.	INDEX NO.
Q21	204
Q22	203
Q23	203
Q24	204
Q25	206
Q26	203
Q27	203
Q28	203
Q29	203
Q30	203

SYMBOL NO.	INDEX NO.
Q31	207
Q32	203
Q33	203
Q34	202
Q35	203
Q36	203
Q37	200
Q38	200
Q39	200
Q40	203

SYMBOL NO.	INDEX NO.
Q41	203
Q42	200
Q43	202
Q44	208
Q45	207
Q46	203
Q47	203
Q48	203
Q49	203
Q50	209

SYMBOL NO.	INDEX NO.
Q51	206
Q52	203
Q53	207
Q54	207
Q55	210
Q56	202
Q57	208
Q58	208

RESISTOR

SYMBOL NO.	INDEX NO.
R1	211
R2	212
R3	213
R4	212
R5	214
R6	215
R7	215
R8	212
R9	216
R10	215

75.BCU Board (D062/D063/D065/D066)

RESISTOR

SYMBOL NO.	INDEX NO.	SYMBOL NO.	INDEX NO.	SYMBOL NO.	INDEX NO.	SYMBOL NO.	INDEX NO.	SYMBOL NO.	INDEX NO.	SYMBOL NO.	INDEX NO.	SYMBOL NO.	INDEX NO.
R11	217	---	---	R31	216	R41	216	R51	211	R61	211	R71	211
R12	213	---	---	R32	220	R42	216	R52	216	R62	212	R72	222
R13	213	---	---	R33	220	R43	211	R53	212	R63	212	R73	217
R14	213	R24	214	R34	212	R44	211	R54	212	R64	224	R74	223
R15	212	R25	219	R35	221	R45	222	R55	212	R65	212	R75	212
R16	218	R26	219	R36	221	R46	211	R56	217	R66	225	R76	217
R17	217	R27	219	R37	221	R47	217	R57	217	R67	212	R77	222
R18	212	R28	219	R38	221	R48	212	R58	223	R68	212	R78	217
R19	217	R29	212	R39	212	R49	212	R59	223	R69	212	R79	222
R20	215	R30	217	R40	211	R50	217	R60	212	R70	222	R80	211

RESISTOR

SYMBOL NO.	INDEX NO.	SYMBOL NO.	INDEX NO.	SYMBOL NO.	INDEX NO.	SYMBOL NO.	INDEX NO.	SYMBOL NO.	INDEX NO.	SYMBOL NO.	INDEX NO.	SYMBOL NO.	INDEX NO.
R81	212	R91	216	R101	223	R111	212	---	---	R131	223	R141	211
R82	226	R92	212	R102	227	R112	217	R122	212	R132	212	R142	227
R83	217	R93	225	R103	228	R113	212	---	---	---	---	R143	227
R84	223	R94	227	R104	223	R114	211	---	---	R134	228	---	---
R85	212	R95	225	R105	211	---	---	R125	212	R135	231	---	---
R86	227	R96	213	R106	229	---	---	---	---	R136	211	R146	232
R87	227	R97	213	R107	212	R117	212	R127	231	R137	223	R147	212
R88	223	R98	211	R108	230	R118	211	R128	231	R138	211	R148	233
R89	212	R99	227	R109	212	---	---	R129	231	R139	231	---	---
R90	216	R100	227	R110	212	R120	217	R130	231	R140	223	R150	219

75.BCU Board (D062/D063/D065/D066)

RESISTOR

SYMBOL NO.	INDEX NO.	SYMBOL NO.	INDEX NO.	SYMBOL NO.	INDEX NO.	SYMBOL NO.	INDEX NO.	SYMBOL NO.	INDEX NO.	SYMBOL NO.	INDEX NO.
R151	212	R161	211	R171	236	R181	229	R191	240	R201	241
---	---	---	---	R172	237	R182	232	R192	217	R202	242
R153	234	R163	223	R173	211	R183	212	R193	225	R203	212
R154	223	---	---	R174	237	R184	212	R194	225	R204	225
R155	223	R165	211	R175	223	R185	238	R195	217	R205	212
R156	212	R166	229	R176	236	R186	239	R196	212	R206	212
R157	230	R167	229	R177	229	R187	229	R197	217	R207	243
R158	212	R168	212	R178	229	R188	219	R198	212	R208	243
R159	235	R169	223	R179	229	R189	212	R199	212	R209	212
R160	229	R170	223	R180	236	R190	212	---	---	R210	225
										R211	212
										R212	244
										R213	217
										R214	212
										R215	212
										R216	217
										R217	217
										R218	212
										R219	225
										R220	216

RESISTOR

SYMBOL NO.	INDEX NO.	SYMBOL NO.	INDEX NO.	SYMBOL NO.	INDEX NO.	SYMBOL NO.	INDEX NO.	SYMBOL NO.	INDEX NO.	SYMBOL NO.	INDEX NO.
R221	211	R231	212	R241	217	R251	237	R261	212	R271	212
R222	232	R232	212	R242	211	R252	216	R262	251	R272	247
R223	212	R233	217	R243	211	R253	224	R263	224	R273	224
R224	212	R234	216	R244	245	R254	224	R264	212	R274	251
R225	211	R235	211	R245	245	R255	217	R265	247	R275	228
R226	217	R236	212	R246	216	R256	247	R266	212	R276	211
R227	216	R237	217	R247	216	R257	248	R267	217	R277	246
R228	211	R238	217	R248	246	R258	249	R268	229	R278	211
R229	217	R239	237	R249	211	R259	250	R269	217	R279	211
R230	212	R240	217	R250	246	R260	217	R270	217	---	---
										R284	212
										R285	212
										R286	212
										R287	212

75.BCU Board (D062/D063/D065/D066)

REG

SYMBOL NO.	INDEX NO.
REG1	252
REG2	253
REG3	254

RN

SYMBOL NO.	INDEX NO.
RN1	255
RN2	256
RN3	256
RN4	255
RN5	256
RN6	256
RN7	257
RN8	258
RN9	258
RN10	256

SYMBOL NO.	INDEX NO.
RN11	256
RN12	256
RN13	259
RN14	259
RN15	260
RN16	260
RN17	256
RN18	260
RN19	256
RN20	256

SYMBOL NO.	INDEX NO.
RN21	256
RN22	261
RN23	260
RN24	262
RN25	263
RN26	263
RN27	256
RN28	257
RN29	260
RN30	255

SYMBOL NO.	INDEX NO.
RN31	255
RN32	264
RN33	263
RN34	262
RN35	255
RN36	256
RN37	256
RN38	256
RN39	265
RN40	261

SYMBOL NO.	INDEX NO.
RN41	256
RN42	263
RN43	255
RN44	257
RN45	263
RN46	256
RN47	255
RN48	266
RN49	255
RN50	264

SYMBOL NO.	INDEX NO.
RN51	256
RN52	264
RN53	263
RN54	263
RN55	261
RN56	256
RN57	267
RN58	256
RN59	261
RN60	257

RN

SYMBOL NO.	INDEX NO.
RN61	263
RN62	263
RN63	263
RN64	256
RN65	261
RN66	260
RN67	256
RN68	256
RN69	268
RN70	256

SYMBOL NO.	INDEX NO.
RN71	260
RN72	257
RN73	257
RN74	256
RN75	256
RN76	260
---	---
RN78	260
RN79	256
RN80	268

SYMBOL NO.	INDEX NO.
RN81	256
RN82	256
RN83	256
RN84	260
RN85	256
RN86	260
RN87	260
RN88	255
RN89	257
RN90	256

SYMBOL NO.	INDEX NO.
RN91	260
RN92	256
RN93	256
RN94	260
RN95	260
RN96	269
RN97	256
RN98	256
RN99	269
RN100	256

SYMBOL NO.	INDEX NO.
RN101	256
RN102	269
RN103	256
RN104	256

SW

SYMBOL NO.	INDEX NO.
SW1	270
SW2	271

TB

SYMBOL NO.	INDEX NO.
TB1	272

ZD

SYMBOL NO.	INDEX NO.
ZD1	274
ZD2	274
ZD3	274
ZD4	275

V

SYMBOL NO.	INDEX NO.
V1	273

75.BCU Board (D062/D063/D065/D066)

Index No.	Part No.	Description	Q'ty Per Assembly
*	D062 5122	PCB: BCU: 60-80CPM: Service	1
*	D066 5122	PCB: BCU: 90CPM: Service	1

Index No.	Part No.	Description	Q'ty Per Assembly
101	1605 1221	Capacitor - 0.1 μ F+80-20%16V	
102	1605 1148	Capacitor - 0.1 μ F+80-20% 50V	
103	1605 1249	Capacitor: 0.047 μ F: \pm 10%: 16V	
104	1605 1303	Capacitor - 0.01 μ F+80-20% 50V	
105	1605 1212	Capacitor - 470pF \pm 10% 50V	
106	1604 5239	Capacitor - 220 μ F \pm 20% 35V	
107	1605 1208	Capacitor: 100pF: \pm 5%: 50V	
108	1605 1234	Capacitor: 4700pF: \pm 10%: 50V	
109	1605 1282	Capacitor: 22 μ F: +80-20%: 10V	
110	1605 1406	Capacitor - 10 μ F \pm 10% 6.3V	
111	1605 1605	Capacitor - 4.7 μ F \pm 10% 10V	
112	1605 1200	Capacitor - 10pF \pm 0.5pF 50V	
113	1605 1240	Capacitor - 0.01 μ F \pm 10% 25V	
114	1605 1202	Capacitor - 15pF \pm 5% 50V	
115	1605 1214	Capacitor - 1000pF \pm 10% 50V	
116	1605 1347	Capacitor - 1 μ F: +80-20%: 16V	
117	1605 1606	Capacitor: 0.33 μ F: \pm 10%: 16V	
118	1605 1203	Capacitor: 18pF: \pm 5%: 50V	
119	1605 1289	Capacitor - 0.1 μ F \pm 10% 10V	
120	1605 1453	Capacitor: 0.022 μ F: \pm 10%: 16V	
121	1660 8104	Capacitor - 0.1 μ F \pm 20% 25V	
122	1605 1363	Capacitor - 4.7 μ F+80-20% 25V	
123	1604 5683	Capacitor: 33 μ F: \pm 20%: 50V	
124	1604 4695	Capacitor: 100 μ F: \pm 20%: 35V	
125	1606 2084	Capacitor	
126	1605 1481	Capacitor: 1000pF: \pm 20%: 50V	
127	1605 1483	Capacitor: 0.01 μ F: \pm 20%: 25V	
128	1605 1529	Capacitor: 33pF: \pm 10%: 50V	
129	1102 5301	Connector - 2P	
130	1102 5302	Connector - 3P	
131	1102 6394	Connector: 53313-1265	
132	1102 6398	Connector: 53313-2065	
133	1102 8485	Connector - 55451-2210	
134	1102 8487	Connector: 55451-2670	
135	1102 6515	Connector: 53313-3465	

WWW.SERVICE-MANUAL.NET

Index No.	Part No.	Description	Q'ty Per Assembly
136	1102 8470	Connector - 55447-0610	
137	1102 6295	Connector: 53324-0260	
138	1102 6393	Connector - 10P	
139	1102 8478	Connector - 55447-1410	
140	1102 8467	Connector - 55447-0370	
141	1102 6399	Connector - 22P	
142	1102 6298	Connector - 5P	
143	1102 8477	Connector - 13P	
144	1103 3663	Connector: 55451-1670	
145	1102 8492	Connector - 55451-3610	
146	1102 8489	Connector - 55451-3010	
147	1102 8471	Connector - 55447-071	
148	1102 8476	Connector: 55447-1280	
149	1102 8473	Connector - 55447-0910	
150	1103 3563	Connector - BM50B-SHLDS-G(LF)(SN)	
151	1103 3769	Connector: BM40B-SHLDS-G(LF)(SN)	
152	1102 6297	Connector - 4P	
153	1103 3427	Connector: FH12-49S-0.5SV(89)	
154	1103 3207	Connector - FH12-36S-0.5SH(89)	
155	1402 1336	Diode - 1SS355	
156	1402 1530	Diode - RB520S-30	
157	1402 1891	Diode: RB160M-60	
158	1402 1343	Diode - RB106L-40	
159	1402 1057	Diode Array - DAP202U	
160	1402 1854	Diode: RF071M2S	
161	1402 1041	Diode: DA204U	
162	1402 1142	Diode Array - DAN217	
163	1402 1565	Diode: RB521S-30	
164	1607 1351	Filter BLM21PG221SN1B	
165	1607 1251	Filter - MPZ2012S221A	
166	1109 0007	IC - MINISMDC100-02	
167	1109 0018	Fuse: SMD100F	
168	1408 1829	Ope Amp - LM358PW	
169	1408 1911	Comparator - LM2903PW	
170	1407 5392	IC: SN74LV541APW	

Index No.	Part No.	Description	Q'ty Per Assembly
171	1407 5633	IC: SN74LV574APW	
172	1407 5463	IC - SN74LV245APW	
173	1407 5469	IC - SN74LV07APW	
174	1408 1779	IC - R3112Q281A	
175	1407 6980	CMOS Logic: TC74LCX14FT(K)	
176	1408 1206	Transistor-array - TD62M4700F	
177	1407 6990	CMOS Logic: TC74VHC02FT(K)	
178	1407 5353	IC - SN74LV244APW	
179	1104 0764	IC Socket: 1-390261-2	
180	1902 0076	SRAM: 8M: X16: 55NS: G1	
181	1407 2231	IC - TD62308AF	
182	1407 6166	IC - ESOC	
183	1407 6759	Custom IC: EIO	
184	1906 0130	Flash Memory: S29GL032N90TFI040: 32M	
185	1408 1730	IC - MM1096BF	
186	1407 5009	CMOS Logic: TC7SET04FU	
187	1407 6985	CMOS Logic: TC74LCX32FT(K)	
188	1407 6978	CMOS Logic: TC74LCX08FT(K)	
189	1407 4804	CMOS Logic: TC7SH08FU	
190	1407 5232	CMOS Logic: TC7WH125FU	
191	1408 2298	IC: BD37A41FVM	
192	1407 6052	CMOS Logic: TC74VHC14FT(K)	
193	1408 1902	Operational Amplifier: RC4558D	
194	1403 0996	LED - SML-310VT	
195	1403 0978	LED: SML-310DT	
196	1403 0953	LED - SML-310MT	
197	1503 1215	Crystal Oscillator - 17.5MHz	
198	1503 1274	Crystal Oscillator: 19.85MHz	
199	1400 1281	Transistor: 2SC4155A-T111	
200	1400 1296	Transistor: RT1P431M-T111	
201	1400 0731	Transistor - 2SD1766	
202	1400 1297	Transistor: RT1N431M-T111	
203	1400 1078	Transistor: RT2N12M-T111	
204	1401 1509	FET: RSR015P03	
205	1400 0775	Transistor - 2SC4081	

Index No.	Part No.	Description	Q'ty Per Assembly
206	1400 1294	Transistor: RT1N241M-T111	
207	1401 1510	FET: RHP020N06	
208	1401 0902	FET: 2SK1590	
209	1400 0556	Transistor - DTB143EK	
210	1401 1419	FET: 2SK4033(TE16L1,NQ)	
211	1650 5102	Chip Resistor - 1K Ω ±5%1/16W	
212	1650 5103	Chip Resistor - 10K Ω ±5%1/16W	
213	1634 0000	Resistor - 0 Ω 1/16W	
214	1654 2401	Resistor - 2.4K Ω ±1% 1/10W	
215	1654 2002	Resistor - 20K Ω ±1%1/10W	
216	1650 5222	Resistor - 2.2K Ω ±5% 1/16W	
217	1650 5100	Chip Resistor - 10 Ω ±5%1/16W	
218	1650 5331	Resistor - 330 Ω ±5% 1/16W	
219	1650 5680	Resistor - 68 Ω ±5% 1/16W	
220	1650 5681	Chip Resistor: 680 Ω : ±5%: 1/16W	
221	1610 1214	Resistor - 1 Ω ±5% 1/2W	
222	1650 2151	Resistor - 150 Ω ±5% 1/4W	
223	1650 5101	Chip Resistor - 100 Ω ±5%1/16W	
224	1655 1003	Chip Resistor - 100K Ω ±1%1/16W	
225	1650 5560	Chip Resistor 56 Ω ±5% 1/16W	
226	1655 4702	Chip Resistor: 47K Ω : ±1%: 1/16W: 1005	
227	1650 5330	Chip Resistor - 33 Ω ±5%1/16W	
228	1650 5223	Resistor: 22K Ω : ±5%: 1/16W: 1005	
229	1650 5472	Chip Resistor: 4.7K Ω : ±5%: 1/16W	
230	1650 5105	Resistor: 1M Ω : ±5%: 1/16W: 1005	
231	1633 0000	Resistor - 0 Ω 1/10W	
232	1650 5392	Chip Resistor: 3.9K Ω : ±5%: 1/16W: 1005	
233	1650 4470	Resistor - 47 Ω ±5%1/10W	
234	1650 4102	Resistor - 1K Ω ±5% 1/10W	
235	1650 2472	Chip Resistor-4.7K	
236	1650 5332	Resistor - 3.3K Ω ±5% 1/16W	
237	1650 5154	Resistor: 150K Ω : ±5%: 1/16W: 1005	
238	1650 2101	Resistor - 100 Ω ±5% 1/4W	
239	1650 5470	Chip Resistor 47 Ω ±5% 1/16W	
240	1655 0000	Chip Resistor - 0 Ω ±0%1/16W	

Index No.	Part No.	Description	Q'ty Per Assembly
241	1610 2186	Chip Resistor: 3.6K Ω : ±0.5%: 1/10W: 1608	
242	1610 2187	Chip Resistor: 2.1K Ω : ±0.5%: 1/10W: 1608	
243	1610 2185	Chip Resistor: 1.4K Ω : ±0.5%: 1/10W: 1608	
244	1650 5271	Resistor: 270 Ω : ±5%: 1/16W: 1005	
245	1654 1911	Resistor - 1.91K Ω ±1% 1/10W	
246	1655 1001	Chip Resistor - 1K Ω ±1% 1/16W	
247	1655 1002	Chip Resistor - 10K Ω ±1%1/16W	
248	1655 1542	Resistor: 15.4K Ω : ±1%: 1/16W: 1005	
249	1655 1102	Resistor: 11K Ω : ±1%: 1/16W: 1005	
250	1655 4021	Resistor: 4.02K Ω : ±1%: 1/16W: 1005	
251	1654 1401	Resistor - 1.4K Ω ±1% 1/10W 1608	
252	1408 2393	Series Regulator: R1172H331B-FB	
253	1408 1850	Regulator - R1170H181B	
254	1408 2626	Regulator: HA17431GLPA-E	
255	1609 0006	Resistor: 10K Ω : ±5%: 1/16W	
256	1601 7752	Resistor Array - 10K Ω ±5%	
257	1609 0016	Resistor: 56 Ω : ±5%: 1/16W	
258	1609 0033	Resistor - 82 Ω ±5% 1/16W	
259	1609 0176	Resistor Array: 75 Ω : ±5%: 1/16W: 8Number	
260	1601 7781	Resistor - 10 Ω ±5%	
261	1609 0020	Resistor: 10 Ω : ±5%: 1/16W	
262	1609 0027	Resistor - 100K Ω ±5% 1/16W	
263	1609 0005	Resistor: 33 Ω : ±5%: 1/16W	
264	1601 7867	Resistor - 33 Ω ±5% 1/16W	
265	1601 7760	Resistor Array	
266	1601 7750	Resistor - 22K Ω ±5.00%	
267	1601 7960	Resistor Array: 100 Ω : ±5%: 1/16W: 4Number	
268	1601 7791	Resistor Array - 1K Ω ±5%	
269	1601 7796	Resistor	
270	1204 2802	Dip Switch	
271	1204 2553	Tact Switch - KSRBAAE010	
272	1102 5943	Connector - 2P	
273	1404 1056	Varistor: AVR-M1005C120MBAAB	
274	1402 1663	Diode - ZTP12B	
275	1402 1920	Diode: TDZ18	

76.IPU Board (D062/D063/D065/D066)

CAPACITOR

SYMBOL NO.	INDEX NO.	SYMBOL NO.	INDEX NO.	SYMBOL NO.	INDEX NO.	SYMBOL NO.	INDEX NO.	SYMBOL NO.	INDEX NO.	SYMBOL NO.	INDEX NO.	SYMBOL NO.	INDEX NO.
C1	222	C11	203	C21	222	C31	222	---	---	C51	224	C61	194
C2	206	C12	203	C22	196	C32	196	C42	204	C52	222	C62	194
---	---	C13	203	C23	222	C33	222	C43	204	C53	194	C63	194
C4	222	C14	203	C24	196	C34	196	---	---	C54	222	C64	194
C5	196	C15	203	C25	222	C35	210	C45	225	C55	222	C65	194
C6	195	C16	203	C26	196	---	---	C46	229	C56	206	C66	194
C7	203	C17	203	C27	222	---	---	---	---	---	---	C67	194
C8	203	---	---	C28	196	---	---	C48	227	C58	222	---	---
C9	203	C19	222	C29	222	---	---	C49	222	---	---	C69	194
C10	203	C20	196	C30	196	C40	222	C50	224	C60	195	C70	194

CAPACITOR

SYMBOL NO.	INDEX NO.	SYMBOL NO.	INDEX NO.	SYMBOL NO.	INDEX NO.	SYMBOL NO.	INDEX NO.	SYMBOL NO.	INDEX NO.	SYMBOL NO.	INDEX NO.	SYMBOL NO.	INDEX NO.
C71	222	C81	222	C91	218	C101	208	C111	203	C121	203	C131	194
C72	222	C82	196	C92	218	C102	196	C112	203	C122	203	C132	194
C73	222	C83	196	C93	230	---	---	C113	203	C123	203	C133	222
C74	222	C84	222	---	---	---	---	C114	203	C124	203	C134	210
C75	222	C85	222	C95	224	C105	199	C115	203	C125	194	C135	222
C76	222	C86	222	C96	194	C106	213	C116	203	C126	194	C136	222
C77	222	C87	222	C97	224	C107	227	C117	203	C127	194	C137	222
C78	222	C88	215	C98	224	---	---	C118	203	C128	194	C138	222
C79	222	C89	215	C99	222	C109	203	C119	203	C129	194	C139	222
C80	222	C90	222	C100	196	C110	203	C120	203	C130	194	C140	222

76.IPU Board (D062/D063/D065/D066)

CAPACITOR

SYMBOL NO.	INDEX NO.	SYMBOL NO.	INDEX NO.	SYMBOL NO.	INDEX NO.	SYMBOL NO.	INDEX NO.	SYMBOL NO.	INDEX NO.	SYMBOL NO.	INDEX NO.	SYMBOL NO.	INDEX NO.
C141	222	C151	227	C161	222	C171	204	C181	222	C191	222	C201	222
C142	222	C152	222	C162	194	C172	191	C182	222	C192	222	C202	196
C143	222	C153	199	C163	199	C173	191	C183	209	C193	222	C203	195
---	---	C154	220	C164	222	C174	191	C184	307	C194	222	C204	222
---	---	C155	222	C165	224	C175	222	C185	307	C195	181	C205	196
C146	228	---	---	C166	209	C176	194	C186	209	C196	222	C206	222
C147	196	C157	204	C167	307	C177	194	---	---	C197	210	C207	222
C148	204	---	---	C168	307	C178	204	C188	222	C198	199	C208	196
C149	196	C159	222	C169	209	C179	204	C189	210	C199	222	C209	222
C150	222	C160	222	C170	222	C180	223	C190	210	C200	196	C210	222

CAPACITOR

SYMBOL NO.	INDEX NO.	SYMBOL NO.	INDEX NO.	SYMBOL NO.	INDEX NO.	SYMBOL NO.	INDEX NO.	SYMBOL NO.	INDEX NO.	SYMBOL NO.	INDEX NO.	SYMBOL NO.	INDEX NO.
C211	222	C221	222	C231	222	C241	195	C251	193	---	---	C271	222
C212	222	C222	195	C232	222	C242	222	---	---	C262	196	C272	196
C213	190	C223	222	C233	190	C243	194	C253	222	C263	222	C273	222
C214	204	C224	222	C234	222	C244	222	C254	222	C264	195	C274	222
---	---	C225	196	C235	210	C245	199	C255	192	C264	196	C275	222
---	---	C226	196	---	---	---	---	C256	222	C265	222	C276	222
---	---	C227	196	C237	195	C247	199	C257	196	C266	196	C277	222
C218	222	C228	196	---	---	C248	210	C258	192	C267	222	---	---
C219	222	C229	196	C239	222	C249	222	C259	196	C268	194	C279	224
C220	222	C230	222	C240	199	C250	222	C260	222	C270	196	---	---

76.IPU Board (D062/D063/D065/D066)

CAPACITOR

SYMBOL NO.	INDEX NO.	SYMBOL NO.	INDEX NO.	SYMBOL NO.	INDEX NO.	SYMBOL NO.	INDEX NO.	SYMBOL NO.	INDEX NO.	SYMBOL NO.	INDEX NO.	SYMBOL NO.	INDEX NO.
---	---	---	---	C301	199	---	---	C401	194	C411	222	C421	195
---	---	C292	191	C302	222	---	---	C402	222	C412	222	C422	195
C283	222	C293	204	C303	308	---	---	C403	222	C413	222	C423	195
C284	222	---	---	C304	191	---	---	C404	204	C414	222	C424	195
C285	199	C295	222	C305	191	---	---	C405	204	C415	222	C425	195
C286	195	C296	222	---	---	---	---	C406	204	C416	222	C426	195
C287	204	C297	222	---	---	---	---	C407	204	C417	199	C427	222
C288	204	---	---	---	---	---	---	C408	222	C418	195	C428	195
C289	204	C299	194	---	---	---	---	C409	199	C419	195	C429	222
C290	204	---	---	---	---	C400	199	C410	195	C420	195	C430	195

CAPACITOR

SYMBOL NO.	INDEX NO.	SYMBOL NO.	INDEX NO.	SYMBOL NO.	INDEX NO.	SYMBOL NO.	INDEX NO.	SYMBOL NO.	INDEX NO.	SYMBOL NO.	INDEX NO.	SYMBOL NO.	INDEX NO.
C431	222	C441	195	C451	222	C461	199	C471	222	C481	216	C491	199
C432	195	C442	199	C452	195	C462	222	C472	195	C482	195	C492	199
C433	222	C443	195	C453	222	C463	222	C473	222	C483	195	C493	195
C434	222	C444	216	C454	222	C464	222	C474	195	C484	199	C494	195
C435	198	C445	195	C455	222	C465	195	C475	195	C485	195	C495	222
C436	222	C446	199	C456	199	C466	199	C476	222	C486	195	C496	195
C437	199	C447	222	C457	199	C467	222	C477	222	C487	222	C497	195
C438	199	C448	225	C458	195	C468	195	C478	195	C488	195	C498	222
C439	222	C449	195	C459	195	C469	231	C479	222	C489	222	C499	199
C440	199	C450	195	C460	195	C470	216	C480	195	C490	195	C500	195

76.IPU Board (D062/D063/D065/D066)

CAPACITOR

SYMBOL NO.	INDEX NO.	SYMBOL NO.	INDEX NO.	SYMBOL NO.	INDEX NO.	SYMBOL NO.	INDEX NO.	SYMBOL NO.	INDEX NO.	SYMBOL NO.	INDEX NO.	SYMBOL NO.	INDEX NO.
C501	222	C511	195	C521	222	C531	195	C541	199	C551	199	C561	199
C502	199	C512	222	C522	195	C532	195	C542	228	C552	216	C562	226
C503	195	C513	195	C523	222	C533	195	C543	216	C553	226	C563	204
C504	195	C514	222	C524	222	C534	195	C544	196	C554	199	C564	226
C505	222	C515	195	C525	222	C535	195	C545	199	C555	199	C565	204
C506	199	C516	222	C526	195	C536	195	C546	204	C556	204	C566	199
C507	195	C517	199	C527	195	C537	202	C547	204	C557	204	C567	199
C508	216	C518	195	C528	195	C538	220	C548	204	C558	204	C568	196
C509	195	C519	195	C529	195	C539	199	C549	199	C559	204	C569	196
C510	199	C520	222	C530	195	C540	204	C550	204	C560	199	C570	204

CAPACITOR

SYMBOL NO.	INDEX NO.	SYMBOL NO.	INDEX NO.	SYMBOL NO.	INDEX NO.	SYMBOL NO.	INDEX NO.	SYMBOL NO.	INDEX NO.	SYMBOL NO.	INDEX NO.	SYMBOL NO.	INDEX NO.
C571	204	C581	216	C591	222	C601	222	C611	222	C621	197	C631	222
C572	199	C582	199	C592	222	C602	181	C612	197	C622	222	C632	183
C573	199	C583	204	C593	199	C603	204	C613	197	C623	222	C633	199
C574	226	C584	204	C594	210	C604	197	C614	222	C624	197	C634	185
C575	216	C585	199	C595	196	C605	222	C615	222	C625	222	C635	204
C576	204	C586	183	C596	222	C606	200	C616	197	C626	205	C636	212
C577	199	C587	184	C597	194	C607	222	C617	222	C627	205	C637	226
C578	196	C588	308	C598	196	C608	197	C618	197	C628	204	C638	222
C579	204	C589	199	C599	222	C609	200	C619	197	C629	204	---	---
C580	199	C590	222	C600	222	C610	197	C620	222	C630	204	C640	196

76.IPU Board (D062/D063/D065/D066)

CAPACITOR

SYMBOL NO.	INDEX NO.	SYMBOL NO.	INDEX NO.	SYMBOL NO.	INDEX NO.	SYMBOL NO.	INDEX NO.	SYMBOL NO.	INDEX NO.	SYMBOL NO.	INDEX NO.		
C641	196	C651	221	C661	189	C671	194	C681	197	C691	204	C701	204
C642	196	C652	221	C662	219	C672	197	C682	222	C692	204	C702	204
C643	196	C653	205	C663	222	C673	222	C683	197	C693	194	C703	212
C644	222	C654	205	C664	222	C674	222	C684	222	C694	212	C704	204
C645	222	C655	187	C665	196	C675	197	C685	222	C695	204	C705	204
C646	222	C656	222	C666	196	C676	197	C686	197	C696	204	C706	212
C647	222	C657	222	C667	186	C677	222	C687	222	C697	204	C707	204
C648	306	C658	199	C668	194	C678	197	C688	205	C698	216	C708	204
C649	199	C659	221	C669	194	C679	197	C689	205	C699	204	C709	204
C650	199	C660	205	C670	194	C680	222	C690	204	C700	204	C710	216

CAPACITOR

SYMBOL NO.	INDEX NO.	SYMBOL NO.	INDEX NO.	SYMBOL NO.	INDEX NO.	SYMBOL NO.	INDEX NO.	SYMBOL NO.	INDEX NO.	SYMBOL NO.	INDEX NO.		
C711	212	C721	204	C731	207	C741	196	C751	197	C761	222	C771	204
C712	212	C722	204	C732	207	C742	199	C752	222	C762	205	C772	223
C713	204	C723	226	C733	207	C743	197	C753	222	C763	205	C773	204
C714	226	C724	185	C734	222	C744	222	C754	197	C764	204	C774	223
C715	199	C725	189	C735	196	C745	200	C755	197	C765	204	C775	204
C716	216	C726	222	C736	196	C746	222	C756	222	C766	204	C776	216
C717	199	C727	196	C737	222	C747	197	C757	197	C767	212	C777	216
C718	204	C728	222	C738	196	C748	197	C758	222	C768	204	C778	204
C719	204	C729	196	C739	306	C749	222	C759	222	C769	204	C779	204
C720	204	C730	207	C740	222	C750	197	C760	197	C770	204	C780	204

76.IPU Board (D062/D063/D065/D066)

CAPACITOR

SYMBOL NO.	INDEX NO.	SYMBOL NO.	INDEX NO.	SYMBOL NO.	INDEX NO.	SYMBOL NO.	INDEX NO.	SYMBOL NO.	INDEX NO.	SYMBOL NO.	INDEX NO.	SYMBOL NO.	INDEX NO.
C781	216	C791	204	C801	199	C811	222	C821	222	C831	223	C841	204
C782	212	C792	204	C802	220	C812	197	C822	197	C832	204	C842	199
C783	204	C793	194	C803	202	C813	197	C823	222	C833	216	C843	204
C785	212	C794	204	C804	204	C814	222	C824	205	C834	204	C844	196
		C795	204	C805	197	C815	222	C825	205	C835	204	C845	199
C786	216												
C787	199	C796	204	C806	222	C816	197	C826	204	C836	204	C846	199
C787	226	C797	226	C807	200	C817	197	C827	204	C837	212	C847	204
C788	199	C798	183	C808	222	C818	222	C828	204	C838	183	C848	204
C789	212	C799	228	C809	197	C819	197	---	---	C839	222	C849	199
C790	204	C800	204	C810	197	C820	222	C830	183	C840	194	C850	199

CAPACITOR

SYMBOL NO.	INDEX NO.	SYMBOL NO.	INDEX NO.	SYMBOL NO.	INDEX NO.	SYMBOL NO.	INDEX NO.	SYMBOL NO.	INDEX NO.	SYMBOL NO.	INDEX NO.	SYMBOL NO.	INDEX NO.
C851	226	C861	204	C871	204	C881	214	C891	199	C901	217	C911	222
C852	204	C862	199	C872	199	C882	205	C892	204	C902	217	C912	196
C853	216	C863	226	C873	204	C883	194	C893	204	C903	222	C913	215
C854	204	C864	199	C874	222	C884	222	C894	199	C904	222	C914	194
C855	199	C865	204	---	---	C885	199	C895	199	C905	222	C915	194
C856	226	C866	216	---	---	C886	204	---	---	C906	222	---	---
C857	226	C867	204	C877	214	C887	216	C897	222	C907	196	---	---
C858	199	C868	199	C878	220	C888	196	C898	222	C908	222	---	---
C859	196	C869	196	C879	199	C889	199	C899	217	C909	222	---	---
C860	204	C870	216	C880	222	C890	204	C900	211	C910	222	---	---

76.IPU Board (D062/D063/D065/D066)

CAPACITOR

SYMBOL NO.	INDEX NO.	SYMBOL NO.	INDEX NO.	SYMBOL NO.	INDEX NO.	SYMBOL NO.	INDEX NO.	SYMBOL NO.	INDEX NO.	SYMBOL NO.	INDEX NO.	SYMBOL NO.	INDEX NO.
---	---	C931	206	C941	196	C951	196	C961	222	C971	199	---	---
---	---	---	---	C942	199	C952	215	C962	222	---	---	---	---
---	---	---	---	---	---	C953	199	C963	199	---	---	---	---
---	---	C934	215	---	---	C954	215	C964	222	C974	222	---	---
C925	201	C935	215	C945	196	---	---	---	---	C975	222	---	---
C926	222	C936	215	C946	215	C956	308	C966	206	C976	222	C986	188
C927	222	C937	215	C947	194	C957	196	C967	206	C977	182	---	---
C928	222	C938	196	C948	196	C958	194	---	---	---	---	C988	195
---	---	C939	196	C949	215	C959	204	C969	194	C979	194	C989	204
C930	206	C940	196	C950	194	C960	196	C970	308	---	---	C990	222

CAPACITOR

SYMBOL NO.	INDEX NO.
---	---
C1002	204

CONNECTOR

SYMBOL NO.	INDEX NO.
---	---
---	---
---	---
---	---
---	---
---	---
---	---
---	---
---	---
CN340	115

SYMBOL NO.	INDEX NO.
---	---
---	---
---	---
CN344	116
---	---
CN346	103
---	---
---	---
---	---
CN349	114
---	---

SYMBOL NO.	INDEX NO.
---	---
---	---
CN353	102
CN354	101
---	---
---	---
---	---
---	---
---	---
CN360	104

SYMBOL NO.	INDEX NO.
CN361	105
CN362	106
CN363	112
CN364	113
CN365	110
CN366	107
CN367	111
CN368	108
CN369	109

DIODE

SYMBOL NO.	INDEX NO.
D1	128
D2	127
---	---
---	---
---	---
---	---
---	---
---	---
---	---
---	---

SYMBOL NO.	INDEX NO.
---	---
---	---
---	---
---	---
---	---
---	---
---	---
---	---
---	---
D400	129

76.IPU Board (D062/D063/D065/D066)

FIL

SYMBOL NO.	INDEX NO.
FIL1	232
FIL2	232
FIL3	232
FIL4	232
FIL5	237
FIL6	233
FIL7	232
FIL8	232
FIL9	233
FIL10	232

SYMBOL NO.	INDEX NO.
FIL11	232
FIL12	232
FIL13	232
---	---
---	---
---	---
---	---
---	---
---	---
---	---

SYMBOL NO.	INDEX NO.
---	---
---	---
---	---
---	---
---	---
---	---
---	---
---	---
---	---
FIL400	232

SYMBOL NO.	INDEX NO.
FIL401	232
FIL402	232
FIL403	232
FIL404	232
FIL405	232
FIL406	232
FIL407	234
FIL408	234
FIL409	237
FIL410	233

SYMBOL NO.	INDEX NO.
FIL411	238
FIL412	238
FIL413	237
FIL414	237
FIL415	238
FIL416	234
FIL417	234
FIL418	238
FIL419	237
FIL420	237

FIL

SYMBOL NO.	INDEX NO.
FIL421	232
FIL422	232
FIL423	232
FIL424	232
FIL425	232

FIL

SYMBOL NO.	INDEX NO.
FU400	117

IC

SYMBOL NO.	INDEX NO.
IC1	150
IC2	157
IC3	157
IC4	156
IC5	146
IC6	147
IC7	145
IC8	145
IC9	1
IC10	309

IC

SYMBOL NO.	INDEX NO.
IC11	309
IC12	309
IC13	309
IC14	166
---	---
IC16	168
---	---
IC18	167
IC19	139
IC20	143

SYMBOL NO.	INDEX NO.
IC21	141
IC22	152
IC23	136
IC24	160
IC25	134
IC26	144
IC27	135
IC28	158
---	---
IC30	155

SYMBOL NO.	INDEX NO.
IC31	149
IC32	137
IC33	155
IC34	137
IC35	149
IC36	154
---	---
IC38	148
IC39	135
IC40	149

SYMBOL NO.	INDEX NO.
---	---
---	---
IC43	153
IC44	162
---	---
---	---
---	---
---	---
---	---
---	---

SYMBOL NO.	INDEX NO.
---	---
---	---
---	---
---	---
---	---
---	---
---	---
---	---
---	---
IC400	152

SYMBOL NO.	INDEX NO.
IC401	142
IC402	144
IC403	152
IC404	134
IC405	138
IC406	151
IC407	152
IC408	165
IC409	140
IC410	140

SYMBOL NO.	INDEX NO.
IC411	133
IC412	133
IC413	135
IC414	152
IC415	140
IC416	140
IC417	160

76.IPU Board (D062/D063/D065/D066)

L

SYMBOL NO.	INDEX NO.
L1	241
L2	242
L3	236
L4	235
---	---
---	---
---	---
---	---
---	---
---	---

SYMBOL NO.	INDEX NO.
---	---
---	---
---	---
---	---
---	---
---	---
L400	240

SYMBOL NO.	INDEX NO.
L401	239
L402	239
L403	239
L404	239

LED

SYMBOL NO.	INDEX NO.
---	---
---	---
LED3	131
LED4	131
LED5	131
---	---
LED6	132
---	---
LED8	130
LED9	130
LED10	130

OSC

SYMBOL NO.	INDEX NO.
OSC1	171
OSC2	173
OSC3	169
OSC4	172
---	---
OSC6	170

Q

SYMBOL NO.	INDEX NO.
Q1	123
Q2	123
Q3	121
Q4	122
Q5	122
---	---
---	---
---	---
---	---
---	---

SYMBOL NO.	INDEX NO.
---	---
---	---
---	---
---	---
---	---
---	---
---	---
---	---
---	---
Q400	120

Q

RESISTOR

SYMBOL NO.	INDEX NO.
Q401	126
Q402	125
Q403	123
Q404	123
Q405	123
---	---
Q406	123
Q407	124
Q408	123
Q409	123
Q410	123

SYMBOL NO.	INDEX NO.
R1	259
R2	259
R3	259
R4	259
R5	259
---	---
R6	259
R7	261
R8	262
R9	279
R10	261

SYMBOL NO.	INDEX NO.
R11	261
R12	270
---	---
R14	279
R15	279
---	---
R17	261
R18	270
R19	270
R20	279

SYMBOL NO.	INDEX NO.
R21	260
R22	279
R23	279
---	---
R25	286
---	---
R26	270
R27	286
R28	270
R29	261
R30	270

SYMBOL NO.	INDEX NO.
R31	286
R32	270
R33	270
R34	270
R35	270
---	---
R36	279
R37	259
R38	259
R39	259
R40	259

SYMBOL NO.	INDEX NO.
R41	259
R42	259
R43	259
R44	259
R45	259
---	---
R46	259
R47	259
R48	259
R49	259
R50	259

SYMBOL NO.	INDEX NO.
R51	259
R52	259
R53	291
R54	295
R55	260
---	---
R56	296
R57	292
R58	259
R59	259
R60	259

76.IPU Board (D062/D063/D065/D066)

RESISTOR

SYMBOL NO.	INDEX NO.	SYMBOL NO.	INDEX NO.	SYMBOL NO.	INDEX NO.	SYMBOL NO.	INDEX NO.	SYMBOL NO.	INDEX NO.	SYMBOL NO.	INDEX NO.	SYMBOL NO.	INDEX NO.
R61	259	---	---	R81	270	R91	258	R101	289	R111	263	R121	268
R62	259	R72	261	R82	275	R92	304	R102	259	R112	263	R122	252
R63	261	---	---	---	---	R93	256	---	---	R113	263	---	---
R64	262	R74	260	R84	261	R94	252	---	---	R114	263	R124	251
R65	279	R75	261	R85	263	R95	261	---	---	R115	263	R125	269
R66	261	---	---	R86	270	---	---	R106	286	R116	263	R126	270
R67	270	R77	261	R87	261	R97	297	R107	286	R117	263	R127	270
R68	261	R78	261	R88	270	---	---	R108	263	R118	274	R128	270
R69	261	R79	261	R89	263	---	---	R109	263	R119	281	R129	270
R70	270	R80	270	R90	289	---	---	R110	263	R120	281	R130	270

RESISTOR

SYMBOL NO.	INDEX NO.	SYMBOL NO.	INDEX NO.	SYMBOL NO.	INDEX NO.	SYMBOL NO.	INDEX NO.	SYMBOL NO.	INDEX NO.	SYMBOL NO.	INDEX NO.	SYMBOL NO.	INDEX NO.
R131	270	R141	286	R151	274	R161	298	R171	261	R181	261	R191	298
R132	270	R142	270	R152	274	R162	298	R172	270	R182	285	R192	298
R133	270	R143	270	R153	298	R163	270	R173	261	R183	284	R193	298
R134	270	R144	285	R154	298	R164	286	R174	259	R184	284	R194	298
R135	286	R145	284	R155	298	---	---	R175	271	R185	285	R195	298
R136	286	R146	284	R156	298	R166	286	R176	262	R186	298	R196	298
---	---	R147	285	R157	298	R167	261	R177	270	R187	298	R197	298
R138	270	---	---	R158	298	---	---	R178	261	R188	298	R198	298
R139	264	---	---	R159	298	R169	286	R179	261	R189	298	---	---
R140	272	R150	274	R160	298	R170	270	R180	261	R190	298	R200	262

76.IPU Board (D062/D063/D065/D066)

RESISTOR

SYMBOL NO.	INDEX NO.	SYMBOL NO.	INDEX NO.	SYMBOL NO.	INDEX NO.	SYMBOL NO.	INDEX NO.	SYMBOL NO.	INDEX NO.	SYMBOL NO.	INDEX NO.	SYMBOL NO.	INDEX NO.
R201	270	R211	298	R221	260	R231	298	R241	298	R251	261	R261	287
R202	298	R212	298	R222	287	R232	298	R242	298	R252	260	R262	287
R203	298	R213	298	R223	287	R233	298	R243	260	---	---	R263	287
R204	298	R214	290	R224	287	R234	298	R244	275	R254	286	R264	287
R205	298	R215	270	R225	287	R235	298	R245	279	---	---	R265	261
R206	298	R216	279	R226	302	R236	298	R246	286	R256	267	R266	261
R207	298	R217	286	R227	260	R237	298	---	---	R257	267	R267	259
R208	298	R218	267	R228	261	R238	298	R248	265	R258	279	R268	287
R209	298	R219	286	R229	298	R239	261	R249	279	R259	270	R269	287
R210	298	R220	261	R230	298	R240	261	R250	279	R260	270	R270	287

RESISTOR

SYMBOL NO.	INDEX NO.	SYMBOL NO.	INDEX NO.	SYMBOL NO.	INDEX NO.	SYMBOL NO.	INDEX NO.	SYMBOL NO.	INDEX NO.	SYMBOL NO.	INDEX NO.	SYMBOL NO.	INDEX NO.
R271	287	R281	260	R291	270	R301	266	R311	261	R321	262	R331	261
R272	270	---	---	---	---	---	---	R312	288	---	---	R332	261
R273	261	R283	260	R293	261	R303	261	R313	287	R323	250	R333	270
R274	261	---	---	R294	261	R304	270	R314	287	R324	250	R334	270
R275	261	R285	286	R295	270	R305	280	R315	287	R325	261	R335	286
R276	260	R286	270	---	---	R306	270	R316	287	R326	270	R336	261
R277	270	R287	260	R297	286	R307	260	R317	261	R327	261	R337	286
R278	273	R288	286	R298	270	---	---	R318	259	R328	270	R338	261
R279	273	R289	261	R299	266	---	---	R319	261	R329	270	R339	261
R280	270	R290	270	R300	279	R310	261	R320	270	R330	261	R340	261

76.IPU Board (D062/D063/D065/D066)

RESISTOR

SYMBOL NO.	INDEX NO.	SYMBOL NO.	INDEX NO.	SYMBOL NO.	INDEX NO.	SYMBOL NO.	INDEX NO.	SYMBOL NO.	INDEX NO.	SYMBOL NO.	INDEX NO.	SYMBOL NO.	INDEX NO.
R341	261	R351	261	R361	298	R401	286	R411	261	R421	261	R431	286
R342	273	R352	261	R362	270	R402	270	---	---	R422	261	---	---
R343	267	R353	261	R363	286	R403	261	R413	261	R423	261	---	---
R344	260	R354	261	R364	286	R404	270	R414	260	R424	261	R434	286
R345	261	R355	261	R365	272	R405	275	R415	299	R425	270	R435	261
R346	261	R356	261	R366	270	R406	279	R416	270	R426	270	R436	286
R347	261	R357	261	R367	281	R407	261	R417	262	R427	261	R437	286
R348	270	R358	261	---	---	R408	261	R418	261	R428	270	R438	286
R349	262	R359	261	R369	262	R409	261	R419	261	R429	270	R439	261
R350	270	---	---	---	---	R410	261	R420	261	R430	270	R440	261

RESISTOR

SYMBOL NO.	INDEX NO.	SYMBOL NO.	INDEX NO.	SYMBOL NO.	INDEX NO.	SYMBOL NO.	INDEX NO.	SYMBOL NO.	INDEX NO.	SYMBOL NO.	INDEX NO.	SYMBOL NO.	INDEX NO.
R441	270	R451	278	R461	275	R471	283	R481	278	R491	279	R501	305
R442	261	R452	278	R462	261	R472	288	R482	278	R492	298	R502	261
R443	283	R453	278	R463	286	R473	261	R483	278	R493	298	R503	261
R444	274	R454	278	R464	270	R474	270	R484	278	R494	286	R504	298
R445	255	R455	278	R465	286	R475	261	R485	278	R495	303	R505	278
R446	255	R456	278	R466	270	R476	261	R486	278	R496	303	R506	278
R447	305	R457	278	R467	270	R477	305	R487	278	R497	303	R507	278
R448	261	R458	278	R468	253	R478	261	R488	278	R498	303	R508	278
R449	261	R459	278	R469	302	R479	261	R489	278	R499	282	R509	278
R450	278	R460	275	R470	282	R480	278	R490	298	R500	255	R510	278

76.IPU Board (D062/D063/D065/D066)

RESISTOR

SYMBOL NO.	INDEX NO.	SYMBOL NO.	INDEX NO.	SYMBOL NO.	INDEX NO.	SYMBOL NO.	INDEX NO.	SYMBOL NO.	INDEX NO.	SYMBOL NO.	INDEX NO.	SYMBOL NO.	INDEX NO.
R511	278	R521	299	R531	278	R541	270	R551	277	---	---	R571	262
R512	278	R522	255	R532	278	R542	286	R552	252	---	---	R572	262
R513	278	R523	305	R533	278	R543	270	R553	262	---	---	R573	262
R514	278	R524	261	R534	278	---	---	R554	260	---	---	R574	262
R515	298	R525	261	R535	278	R545	275	R555	260	---	---	R575	262
R516	298	R526	278	R536	270	R546	275	R556	275	R566	270	R576	286
R517	298	R527	278	R537	260	R547	261	R557	275	R567	291	R577	270
R518	261	R528	278	R538	260	R548	270	---	---	---	---	R578	261
---	---	R529	278	R539	286	R549	270	---	---	R569	286	R579	286
R520	270	R530	278	R540	254	R550	252	---	---	R570	261	R580	286

RESISTOR

SYMBOL NO.	INDEX NO.	SYMBOL NO.	INDEX NO.	SYMBOL NO.	INDEX NO.	SYMBOL NO.	INDEX NO.	SYMBOL NO.	INDEX NO.	SYMBOL NO.	INDEX NO.	SYMBOL NO.	INDEX NO.
---	---	R591	275	R601	286	R611	270	R621	279	R631	262	---	---
R582	270	R592	286	R602	262	R612	270	R622	262	R632	262	R642	298
R583	270	R593	298	R603	262	R613	286	R623	262	R633	262	---	---
R584	270	R594	301	R604	262	R614	275	---	---	R634	262	---	---
R585	270	R595	293	R605	262	R615	270	---	---	R635	262	---	---
R586	286	R596	294	R606	262	R616	286	---	---	R636	262	---	---
R587	252	R597	300	R607	262	R617	279	R627	262	R637	262	R647	257
R588	276	---	---	R608	260	R618	279	R628	262	R638	262	---	---
R589	275	---	---	R609	261	R619	261	R629	262	R639	262	R649	252
R590	260	---	---	---	---	R620	270	R630	262	R640	262	R650	261

76.IPU Board (D062/D063/D065/D066)

RESISTOR

SYMBOL NO.	INDEX NO.
R651	261
R652	261
---	---
R654	261
R655	261
R656	286
R657	261

REG

SYMBOL NO.	INDEX NO.
REG1	159
---	---
---	---
---	---
---	---
---	---
---	---
---	---
---	---
---	---
---	---

SYMBOL NO.	INDEX NO.
---	---
---	---
---	---
---	---
---	---
---	---
---	---
---	---
---	---
---	---
REG400	164

SYMBOL NO.	INDEX NO.
REG401	164
REG402	164
REG403	163
REG404	161

RN

SYMBOL NO.	INDEX NO.
RN1	244
RN2	249
RN3	249
RN4	244
RN5	244
RN6	180
RN7	180
RN8	249
RN9	249
RN10	249

SYMBOL NO.	INDEX NO.
RN11	244
RN12	244
RN13	244
RN14	244
RN15	244
RN16	180
RN17	245
RN18	243
RN19	243
RN20	248

SYMBOL NO.	INDEX NO.
RN21	249
RN22	244
RN23	248
RN24	248
RN25	248
RN26	248
RN27	248
RN28	244
RN29	175
RN30	179

RN

SYMBOL NO.	INDEX NO.
RN31	243
RN32	247
RN33	247
RN34	247
RN35	247
RN36	245
RN37	245
RN38	245
RN39	245
RN40	244

SYMBOL NO.	INDEX NO.
RN41	243
RN42	178
RN43	245
RN44	247
RN45	245
RN46	247
RN47	176
RN48	178
---	---
RN50	176

SYMBOL NO.	INDEX NO.
RN51	246
RN52	246
RN53	246
RN54	246
RN55	246
RN56	246
RN57	175
RN58	175
RN59	177
RN60	174

SYMBOL NO.	INDEX NO.
RN61	245
RN62	245
RN63	245
RN64	245
RN65	245
RN66	246
RN67	246
RN68	244
RN69	243
RN70	245

SYMBOL NO.	INDEX NO.
RN71	247
RN72	245
RN73	245
RN74	245
RN75	244
RN76	244
RN77	244
RN78	244
RN79	244
RN80	245

SYMBOL NO.	INDEX NO.
RN81	247
---	---
---	---
---	---
---	---
---	---
---	---
---	---
---	---
---	---
---	---

SYMBOL NO.	INDEX NO.
---	---
---	---
---	---
---	---
---	---
---	---
---	---
---	---
---	---
---	---
RN400	244

76.IPU Board (D062/D063/D065/D066)

RN

SYMBOL NO.	INDEX NO.
RN401	244
RN402	244
RN403	244
RN404	244
RN405	244
RN406	244
RN407	244
RN408	244
RN409	244
RN410	244

SYMBOL NO.	INDEX NO.
RN411	244
RN412	244
RN413	245
RN414	245
RN415	245
RN416	243
RN417	243
RN418	244
RN419	244
RN420	244

SYMBOL NO.	INDEX NO.
RN421	244
RN422	244
RN423	244
RN424	178
RN425	178
RN426	178
---	---
RN428	244
---	---
---	---

SYMBOL NO.	INDEX NO.
RN431	243
---	---
RN433	243
---	---
RN435	244
RN436	244
RN437	245
RN438	245
RN439	249
RN440	249

RN

SYMBOL NO.	INDEX NO.
RN441	243

SW

SYMBOL NO.	INDEX NO.
SW1	118
SW4	119

76.IPU Board (D062/D063/D065/D066)

Index No.	Part No.	Description	Q'ty Per Assembly
*	D062 5141	PCB: Image Processing Unit: M-C4	1
1	D062 5148	IC: ARURU	1

Index No.	Part No.	Description	Q'ty Per Assembly
101	1102 6301	Connector: 53324-0860	
102	1102 6592	Connector	
103	1102 6594	Connector - 10P	
104	1102 6895	Connector - 40P	
105	1102 8489	Connector - 55451-3010	
106	1102 8560	Connector - KX14-60K5D1E	
107	1102 8716	Connector: 55450-1880	
108	1102 9378	Connector: 55450-1280	
109	1102 9470	Connector: 55460-0619	
110	1103 3480	Connector: 55450-1380	
111	1103 3537	Connector: 292212-7	
112	1103 3563	Connector - BM50B-SHLDS-G(LF)(SN)	
113	1103 3769	Connector: BM40B-SHLDS-G(LF)(SN)	
114	1103 3919	Connector: 87832-1420	
115	1103 3947	Connector: WB4S140HA1	
116	1103 4534	Connector: 100R-JMDSS-G1-TF(S)(LF)(SN)	
117	1109 0042	Fuse: MINISMDC150F	
118	1204 2306	DIPSW: CHS-04B	
119	1204 2560	DIP Switch: CHS-02B	
120	1400 0817	Transistor: DTA114YE	
121	1400 1140	Transistor - 2SA1577R	
122	1400 1152	Transistor: RT1N436M-T111	
123	1400 1156	Transistor: RT1N141M-T111	
124	1400 1296	Transistor: RT1P431M-T111	
125	1401 1222	FET: HAT2068R-E	
126	1401 1411	FET: HAT2195R-E	
127	1402 1398	Diode - RB050L-40	
128	1402 1444	Diode - RB051L-40	
129	1402 1530	Diode - RB520S-30	
130	1403 0953	LED - SML-310MT	
131	1403 0996	LED - SML-310VT	
132	1403 1033	LED: SML-310YT	
133	1407 4399	CMOS Logic: TC74VHC245FT(K)	
134	1407 4804	CMOS Logic: TC7SH08FU	
135	1407 4840	IC - TC7SH04FU	

Index No.	Part No.	Description	Q'ty Per Assembly
136	1407 5011	CMOS Logic: TC7WH74FU	
137	1407 5192	CMOS Logic: TC7SZ04FU	
138	1407 5194	CMOS Logic: TC7SZ32FU	
139	1407 5351	IC - SN74LV14APW	
140	1407 5392	IC: SN74LV541APW	
141	1407 5531	CMOS Logic: TC7WH14FU	
142	1407 5592	CMOS Logic: SN74LV139APW	
143	1407 6050	CMOS Logic: TC74VHC08FT(K)	
144	1407 6096	CMOS Logic: TC7WH08FU	
145	1407 6232	LVDS: THC63LVD104A	
146	1407 6447	Custom IC - GAVD Type-W	
147	1407 6520	Custom IC - GARAC-C	
148	1407 6605	CMOS Logic: TC74LCX541FT(K)	
149	1407 6613	ICS7152M-01	
150	1407 6641	Custom IC: LEO	
151	1407 6801	CMOS Logic: TC7PA17FU	
152	1407 6803	CMOS Logic: TC7SZ07FU	
153	1407 6804	CMOS Logic: TC7SG17FU	
154	1407 6957	CMOS Logic: TC7SH17FU	
155	1407 6995	CMOS Logic: TC74VHC244FT(K)	
156	1407 7057	PLD: XC3S1000-5FGG456C(0.09)	
157	1407 7190	Controller: RB5V871A	
158	1408 1653	Operational Amplifier: LMV324IPW	
159	1408 1668	Series Regulator: R1170H251B-F	
160	1408 1826	IC - R3112Q421A	
161	1408 1850	Regulator - R1170H181B	
162	1408 2024	IC: R3112Q261A-FA	
163	1408 2246	Series Regulator: R1114N331B-F	
164	1408 2462	Series Regulator: BH18MA3WHFV	
165	1408 2463	DDR Terminator - TPS51116PWP4	
166	1408 2601	DC/DC Converter: BD9130NV	
167	1408 2607	DC/DC Converter: BD9111NV	
168	1408 2775	IC: BD95500MUV	
169	1503 1129	Crystal Oscillator: 27MHz	
170	1503 1381	Crystal Oscillator: 26.6MHz	

Index No.	Part No.	Description	Q'ty Per Assembly
171	1503 1438	Crystal Oscillator: 43.46MHz	
172	1503 1439	Crystal Oscillator: 60MHz	
173	1503 1440	Crystal Oscillator: 166.667MHz	
174	1601 7752	Resistor Array - 10K Ω \pm 5%	
175	1601 7887	Resistor Array - 10K Ω \pm 5% 1/32W	
176	1601 7898	Resistor Array	
177	1601 7899	Resistor Array - 56 Ω \pm 5% 1/16W	
178	1601 7913	Resistor 22 Ω \pm 5% 1/32W	
179	1601 7959	Resistor	
180	1601 7981	Resistor Array - 100K Ω \pm 5% 1/16W	
181	1604 4692	Capacitor: 220 μ F: \pm 20%: 16V	
182	1604 4728	Capacitor - 100 μ F \pm 20% 16V	
183	1604 4987	Capacitor - 330 μ F \pm 20% 6.3V	
184	1604 5065	Capacitor 10 μ F: \pm 20%: 50V	
185	1604 5082	Capacitor - 330 μ F \pm 20% 10V	
186	1604 5432	Capacitor: 220 μ F: \pm 20%: 35V	
187	1605 1135	Capacitor - 0.47 μ F \pm 1% 10V	
188	1605 1163	Ceramic Capacitor - 560pF: \pm 5%: 50V	
189	1605 1166	Capacitor - 0.015 μ F \pm 10% 50V	
190	1605 1195	Capacitor: 4pF: \pm 0.25pF: 50V	
191	1605 1200	Capacitor - 10pF \pm 0.5pF 50V	
192	1605 1202	Capacitor - 15pF \pm 5% 50V	
193	1605 1205	Capacitor - 33pF \pm 5% 50V	
194	1605 1208	Capacitor: 100pF: \pm 5%: 50V	
195	1605 1212	Capacitor - 470pF \pm 10% 50V	
196	1605 1214	Capacitor - 1000pF \pm 10% 50V	
197	1605 1216	Capacitor - 2200pF \pm 10%50V	
198	1605 1224	Capacitor 4.7 μ F \pm 10% 6.3V	
199	1605 1240	Capacitor - 0.01 μ F \pm 10% 25V	
200	1605 1281	Capacitor - 0.22 μ F \pm 10% 16V	
201	1605 1283	Capacitor - 680pF \pm 10% 50V	
202	1605 1285	Capacitor - 3300pF \pm 10% 50V	
203	1605 1288	Capacitor: 220pF: \pm 5%: 50V	
204	1605 1289	Capacitor - 0.1 μ F \pm 10% 10V	
205	1605 1291	Capacitor: 2.2 μ F: \pm 10%: 10V	

Index No.	Part No.	Description	Q'ty Per Assembly
206	1605 1294	Resistor - 1000pF $\pm 5\%$ 50V	
207	1605 1301	Capacitor-6800pF $\pm 10\%$ 50V	
208	1605 1306	Capacitor - 1 μ F $\pm 10\%$ 10V	
209	1605 1355	Ceramic Capacitor: 680pF: $\pm 10\%$: 50V	
210	1605 1358	Capacitor - 10 μ F $\pm 10\%$ 10V	
211	1605 1367	Capacitor: 0.033 μ F: $\pm 10\%$: 16V	
212	1605 1387	Capacitor: 0.68 μ F: $\pm 10\%$: 10V	
213	1605 1419	Capacitor: 4.7 μ F: $\pm 10\%$: 16V	
214	1605 1432	Resistor - 100 μ F $\pm 20\%$ 6.3V	
215	1605 1451	Capacitor: 0.47 μ F: $\pm 10\%$: 6.3V	
216	1605 1452	Capacitor - 1 μ F $\pm 10\%$ 6.3V	
217	1605 1464	Resistor - 10 μ F $\pm 20\%$ 25V	
218	1605 1474	Capacitor - 47 μ F $\pm 20\%$ 6.3V	
219	1605 1475	Resistor - 1 μ F $\pm 10\%$ 16V	
220	1605 1544	Capacitor: 330pF: $\pm 5\%$: 50V	
221	1605 1547	Capacitor: 2.2 μ F: $\pm 10\%$: 6.3V	
222	1605 1583	Capacitor - 0.1 μ F: $\pm 10\%$: 16V	
223	1605 1585	Capacitor: 4.7 μ F: $\pm 10\%$: 6.3V	
224	1605 1586	Capacitor: 10 μ F: $\pm 10\%$: 16V	
225	1605 1587	Capacitor: 22 μ F: $\pm 20\%$: 6.3V	
226	1605 1605	Capacitor - 4.7 μ F $\pm 10\%$ 10V	
227	1605 1652	Capacitor: 22 μ F: $\pm 20\%$: 16V	
228	1605 1671	Capacitor: 22 μ F: $\pm 20\%$: 10V	
229	1605 1682	Capacitor: 47 μ F: $\pm 20\%$: 10V	
230	1605 1687	Capacitor: 10 μ F: $\pm 10\%$: 10V	
231	1605 1726	Capacitor: 4.7 μ F: $\pm 10\%$: 25V	
232	1607 0861	Filter - BK2125HS101	
233	1607 1002	Filter: NFE31PT222Z1E9B	
234	1607 1108	Filter: BLM21PG220SN1B	
235	1607 1196	Inductor -220UH $\pm 20\%$ 0.33A	
236	1607 1222	Inductor - 3.3UH $\pm 20\%$ 2.5A	
237	1607 1567	Filter: MPZ2012S101A	
238	1607 1609	Filter: MMZ1608Y102C	
239	1607 1629	Coil - DLW21HN900SQ2B	
240	1607 1651	Inductor - HM73-101R0LF	

Index No.	Part No.	Description	Q'ty Per Assembly
241	1607 1827	Inductor: RLF7030-2R2M5R4	
242	1607 2125	Inductor: VLF10045-3R3N6R9	
243	1609 0005	Resistor: 33 Ω : $\pm 5\%$: 1/16W	
244	1609 0006	Resistor: 10K Ω : $\pm 5\%$: 1/16W	
245	1609 0007	Resistor - 68 Ω $\pm 5\%$ 1/16W	
246	1609 0025	Resistor - 100 Ω $\pm 5\%$ 1/16W	
247	1609 0027	Resistor - 100K Ω $\pm 5\%$ 1/16W	
248	1609 0028	Resistor Array: 120 Ω : $\pm 5\%$: 1/16W: 8Number	
249	1609 0033	Resistor - 82 Ω $\pm 5\%$ 1/16W	
250	1610 1427	Resistor - 15 Ω $\pm 5\%$ 1W	
251	1610 1804	Resistor: 0.006 Ω : $\pm 1\%$: 1W	
252	1634 0000	Resistor - 0 Ω 1/16W	
253	1650 2470	Resistor: 47 Ω : $\pm 5\%$: 1/4W: 3216	
254	1650 3681	Resistor - 680 Ω $\pm 5\%$ 1/8W	
255	1650 4101	Resistor - 100 Ω $\pm 5\%$ 1/10W	
256	1650 4103	Resistor - 10K Ω $\pm 5\%$ 1/10W	
257	1650 4123	Resistor - 12K Ω $\pm 5\%$ 1/10W	
258	1650 5100	Chip Resistor - 10 Ω $\pm 5\%$ 1/16W	
259	1650 5101	Chip Resistor - 100 Ω $\pm 5\%$ 1/16W	
260	1650 5102	Chip Resistor - 1K Ω $\pm 5\%$ 1/16W	
261	1650 5103	Chip Resistor - 10K Ω $\pm 5\%$ 1/16W	
262	1650 5104	Chip Resistor - 100K Ω $\pm 5\%$ 1/16W	
263	1650 5121	Resistor: 120 Ω : $\pm 5\%$: 1/16W: 1005	
264	1650 5163	Resistor - 16K Ω $\pm 5\%$ 1/16W	
265	1650 5181	Resistor: 180 Ω : $\pm 5\%$: 1/16W: 1005	
266	1650 5201	Resistor - 200 Ω $\pm 5\%$ 1/16W	
267	1650 5220	Resistor - 22 Ω $\pm 5\%$ 1/16W	
268	1650 5221	Chip Resistor - 220 Ω $\pm 5\%$ 1/16W	
269	1650 5309	Resistor: 3 Ω : $\pm 5\%$: 1/16W: 1005	
270	1650 5330	Chip Resistor - 33 Ω $\pm 5\%$ 1/16W	
271	1650 5331	Resistor - 330 Ω $\pm 5\%$ 1/16W	
272	1650 5332	Resistor - 3.3K Ω $\pm 5\%$ 1/16W	
273	1650 5470	Chip Resistor 47 Ω $\pm 5\%$ 1/16W	
274	1650 5471	Chip Resistor - 470 Ω -5% 1/16W	
275	1650 5472	Chip Resistor: 4.7K Ω : $\pm 5\%$: 1/16W	

77.Control Board (D062/D063/D065/D066)

BAT

SYMBOL NO.	INDEX NO.
BAT1	119

CAPACITOR

SYMBOL NO.	INDEX NO.
---	---
---	---
---	---
---	---
C5	226
---	---
C7	226
---	---
C9	217
C10	230

SYMBOL NO.	INDEX NO.
C11	226
C12	230
C13	210
C14	226
C15	226
---	---
C16	217
C17	226
C18	207
C19	226
C20	226

SYMBOL NO.	INDEX NO.
C21	226
C22	230
---	---
C24	226
C25	234
---	---
C26	234
C27	226
C28	226
C29	226
---	---

SYMBOL NO.	INDEX NO.
---	---
C32	211
C33	217
---	---
C35	230
---	---
C36	224
C37	214
C38	230
---	---
C40	230

SYMBOL NO.	INDEX NO.
C41	230
C42	217
C43	226
C44	226
---	---
---	---
C47	217
C48	230
C49	226
---	---

SYMBOL NO.	INDEX NO.
C51	217
---	---
C53	207
C54	226
---	---
---	---
C56	230
C57	230
C58	223
---	---
C60	230

CAPACITOR

SYMBOL NO.	INDEX NO.
C61	223
---	---
C63	226
C64	226
C65	230
---	---
C66	230
C67	224
C68	230
C69	230
C70	230

SYMBOL NO.	INDEX NO.
C71	226
C72	224
C73	230
C74	230
C75	230
---	---
C76	226
C77	230
C78	230
C79	230
---	---

SYMBOL NO.	INDEX NO.
C81	230
C82	226
C83	210
C84	224
C85	230
---	---
C86	224
C87	210
C88	230
C89	230
C90	230

SYMBOL NO.	INDEX NO.
C91	213
C92	226
C93	226
C94	230
C95	206
---	---
C97	226
C98	224
C99	226
---	---

SYMBOL NO.	INDEX NO.
C101	226
C102	226
---	---
C104	217
C105	217
---	---
C106	222
C107	205
C108	222
---	---
---	---

SYMBOL NO.	INDEX NO.
C111	217
C112	217
C113	230
C114	230
C115	217
---	---
C116	222
C117	222
C118	224
C119	226
C120	230

SYMBOL NO.	INDEX NO.
C121	217
---	---
C123	230
C124	224
C125	226
---	---
C126	232
C127	216
C128	233
C129	210
C130	210

77.Control Board (D062/D063/D065/D066)

CAPACITOR

SYMBOL NO.	INDEX NO.	SYMBOL NO.	INDEX NO.	SYMBOL NO.	INDEX NO.	SYMBOL NO.	INDEX NO.	SYMBOL NO.	INDEX NO.	SYMBOL NO.	INDEX NO.		
---	---	C141	230	C151	217	C161	204	C171	230	C181	215	C191	230
C132	217	C142	230	C152	226	C162	204	C172	230	C182	224	C192	226
---	---	C143	226	C153	230	C163	230	C173	230	---	---	C193	214
C134	226	C144	230	---	---	C164	232	C174	210	C184	230	C194	224
---	---	---	---	---	---	C165	230	---	---	C185	226	C195	230
C136	217	C146	226	---	---	---	---	C176	230	C186	217	---	---
---	---	C147	228	---	---	---	---	---	---	C187	230	---	---
---	---	C148	226	C158	230	---	---	C178	215	C188	230	C198	230
---	---	C149	232	C159	230	---	---	C179	215	C189	230	C199	226
C140	230	C150	217	C160	230	C170	230	C180	215	C190	230	C200	203

CAPACITOR

SYMBOL NO.	INDEX NO.	SYMBOL NO.	INDEX NO.	SYMBOL NO.	INDEX NO.	SYMBOL NO.	INDEX NO.	SYMBOL NO.	INDEX NO.	SYMBOL NO.	INDEX NO.		
C201	203	C211	210	C221	230	---	---	C241	215	C251	215	C261	201
C202	217	C212	230	C222	215	C232	226	---	---	C252	215	C262	201
C203	230	C213	230	C223	230	C233	230	C243	230	C253	215	C263	201
---	---	C214	230	---	---	C234	230	C244	230	C254	220	C264	201
C205	226	C215	210	C225	230	C235	230	C245	230	C255	230	C265	201
C206	226	---	---	C226	226	C236	207	C246	230	C256	220	C266	201
C207	211	C217	217	C227	225	C237	225	C247	230	---	---	C267	201
C208	230	C218	226	C228	232	C238	226	C248	230	C258	230	C268	217
C209	211	C219	230	C229	232	C239	230	C249	221	C259	210	C269	230
C210	230	C220	219	C230	223	C240	223	C250	221	C260	201	---	---

77.Control Board (D062/D063/D065/D066)

CAPACITOR

SYMBOL NO.	INDEX NO.	SYMBOL NO.	INDEX NO.	SYMBOL NO.	INDEX NO.	SYMBOL NO.	INDEX NO.	SYMBOL NO.	INDEX NO.	SYMBOL NO.	INDEX NO.	SYMBOL NO.	INDEX NO.
C271	209	C281	210	C291	225	C301	230	C311	230	C321	230	C331	226
C272	207	C282	234	C292	209	C302	225	C312	221	---	---	C332	230
C273	223	C283	227	C293	210	C303	209	C313	221	C323	230	C333	230
C274	210	C284	226	C294	230	C304	218	C314	204	---	---	C334	230
C275	230	C285	218	C295	223	C305	234	C315	204	C325	226	C335	230
C276	228	---	---	C296	224	C306	226	C316	230	C326	208	C336	208
C277	230	---	---	C297	219	C307	226	C317	230	C327	210	C337	226
C278	225	---	---	---	---	C308	209	C318	230	C328	230	C338	230
C279	209	C289	230	C299	226	C309	210	C319	230	C329	210	C339	234
C280	230	C290	226	C300	230	C310	230	C320	230	C330	223	C340	230

CAPACITOR

SYMBOL NO.	INDEX NO.	SYMBOL NO.	INDEX NO.	SYMBOL NO.	INDEX NO.	SYMBOL NO.	INDEX NO.	SYMBOL NO.	INDEX NO.	SYMBOL NO.	INDEX NO.	SYMBOL NO.	INDEX NO.
C341	230	C351	209	---	---	C371	230	C381	217	C391	217	C401	226
C342	230	---	---	C362	230	C372	226	C382	226	C392	230	C402	217
C343	230	C353	225	C363	222	---	---	C383	217	C393	217	C403	230
C344	230	C354	226	C364	217	C374	230	C384	217	C394	217	C404	217
C345	230	---	---	C365	226	C375	207	C385	226	C395	226	C405	217
C346	226	C356	217	C366	230	C376	230	C386	230	C396	230	C406	230
C347	226	C357	230	C367	230	C377	207	---	---	C397	230	C407	230
C348	230	---	---	C368	226	C378	217	C388	217	C398	230	C408	230
C349	223	C359	222	C369	226	C379	230	C389	230	C399	217	C409	226
C350	223	C360	226	C370	230	C380	226	C390	226	C400	230	C410	226

77.Control Board (D062/D063/D065/D066)

CAPACITOR

SYMBOL NO.	INDEX NO.	SYMBOL NO.	INDEX NO.	SYMBOL NO.	INDEX NO.	SYMBOL NO.	INDEX NO.	SYMBOL NO.	INDEX NO.	SYMBOL NO.	INDEX NO.	SYMBOL NO.	INDEX NO.
C411	226	C421	216	C431	226	C441	222	C451	229	C461	217	C471	226
C412	230	C422	217	C432	226	C442	230	C452	217	C462	217	C472	230
C413	230	C423	230	C433	230	C443	230	C453	230	C463	217	C473	217
C414	229	C424	230	C434	230	C444	230	C454	230	C464	217	C474	230
C415	211	C425	217	C435	217	C445	217	C455	229	C465	230	C475	230
C416	233	C426	226	C436	217	C446	231	C456	202	C466	230	C476	230
C417	230	C427	230	C437	230	C447	226	C457	217	C467	217	C477	230
C418	217	C428	222	C438	217	C448	230	C458	230	C468	202	C478	230
C419	217	C429	226	C439	230	C449	230	C459	217	C469	230	C479	230
C420	229	C430	230	C440	230	C450	226	C460	217	C470	230	C480	230

CAPACITOR

SYMBOL NO.	INDEX NO.	SYMBOL NO.	INDEX NO.	SYMBOL NO.	INDEX NO.	SYMBOL NO.	INDEX NO.	SYMBOL NO.	INDEX NO.	SYMBOL NO.	INDEX NO.	SYMBOL NO.	INDEX NO.
C481	230	C491	210	C501	230	C511	217	C521	230	C531	230	C541	232
C482	230	C492	224	C502	230	---	---	C522	230	C532	230	C542	230
C483	230	C493	217	C503	230	C513	230	C523	230	C533	230	C543	226
C484	226	C494	230	C504	230	C514	230	C524	230	C534	230	C544	232
C485	210	C495	230	C505	230	C515	230	C525	226	C535	230	C545	230
C486	230	C496	230	---	---	C516	217	C526	230	C536	230	C546	230
C487	230	C497	230	---	---	C517	226	C527	230	C537	230	C547	230
C488	230	C498	230	---	---	C518	226	C528	230	C538	226	C548	230
C489	226	C499	230	C509	230	C519	226	C529	230	C539	230	C549	230
C490	230	C500	226	C510	230	C520	230	C530	230	C540	230	C550	230

77.Control Board (D062/D063/D065/D066)

CAPACITOR

SYMBOL NO.	INDEX NO.	SYMBOL NO.	INDEX NO.	SYMBOL NO.	INDEX NO.	SYMBOL NO.	INDEX NO.	SYMBOL NO.	INDEX NO.	SYMBOL NO.	INDEX NO.	SYMBOL NO.	INDEX NO.
C551	230	C561	230	C571	218	C581	230	C591	230	C601	226	C611	221
C552	230	C562	230	C572	218	C582	210	C592	232	C602	226	C612	230
C553	230	C563	226	C573	224	C583	230	C593	230	C603	230	C613	217
C554	230	C564	226	C574	226	C584	217	C594	215	C604	230	C614	224
C555	230	C565	226	C575	232	C585	217	C595	215	C605	230	C615	230
C556	232	C566	230	C576	230	C586	215	C596	215	C606	226	C616	217
C557	226	C567	220	---	---	C587	217	C597	226	C607	226	C617	217
C558	230	C568	226	---	---	C588	215	C598	230	C608	217	C618	217
C559	230	C569	217	---	---	C589	215	C599	230	C609	230	C619	217
C560	224	C570	217	---	---	C590	215	C600	226	C610	230	C620	217

CAPACITOR

SYMBOL NO.	INDEX NO.	SYMBOL NO.	INDEX NO.	SYMBOL NO.	INDEX NO.	SYMBOL NO.	INDEX NO.	SYMBOL NO.	INDEX NO.	SYMBOL NO.	INDEX NO.	SYMBOL NO.	INDEX NO.
C621	217	C631	230	C641	226	C651	217	C661	230	---	---	C681	215
C622	217	C632	226	---	---	C652	217	C662	210	C672	230	C682	215
C623	210	C633	226	C643	226	C653	230	C663	226	C673	232	C683	215
C624	230	C634	230	C644	217	C654	230	C664	230	C674	230	C684	215
C625	230	C635	230	C645	224	C655	230	C665	230	C675	217	C685	215
C626	230	C636	226	C646	217	C656	230	C666	226	C676	217	C686	215
---	---	C637	217	C647	217	C657	230	C667	210	C677	230	C687	215
C628	217	C638	232	C648	217	C658	226	---	---	C678	230	---	---
C629	217	C639	230	C649	217	C659	230	---	---	C679	215	C689	230
C630	230	C640	230	C650	217	C660	217	---	---	C680	215	C690	221

77.Control Board (D062/D063/D065/D066)

CAPACITOR

SYMBOL NO.	INDEX NO.	SYMBOL NO.	INDEX NO.	SYMBOL NO.	INDEX NO.	SYMBOL NO.	INDEX NO.	SYMBOL NO.	INDEX NO.	SYMBOL NO.	INDEX NO.	SYMBOL NO.	INDEX NO.
C691	217	C701	217	C711	217	C721	230	C731	226	C741	230	C751	226
C692	230	C702	217	C712	217	C722	210	C732	226	C742	230	C752	226
C693	230	C703	232	C713	217	C723	226	C733	226	C743	230	C753	223
C694	226	C704	217	C714	210	C724	217	C734	230	C744	230	---	---
---	---	C705	217	C715	217	C725	217	C735	230	C745	230	C755	226
C696	210	C706	217	C716	226	C726	226	C736	230	C746	230	C756	226
C697	210	C707	217	C717	210	C727	230	C737	230	C747	230	C757	212
C698	210	C708	217	C718	226	C728	226	C738	230	C748	230	C758	224
C699	230	C709	217	C719	230	C729	226	C739	230	C749	217	C759	230
---	---	C710	217	C720	210	C730	210	C740	230	C750	226	C760	215

CAPACITOR

SYMBOL NO.	INDEX NO.	SYMBOL NO.	INDEX NO.	SYMBOL NO.	INDEX NO.	SYMBOL NO.	INDEX NO.	SYMBOL NO.	INDEX NO.	SYMBOL NO.	INDEX NO.	SYMBOL NO.	INDEX NO.
C761	225	C771	226	C781	232	C791	230	C801	210	C811	230	C821	212
---	---	C772	215	---	---	C792	215	C802	210	C812	224	C822	230
C763	226	C773	232	C783	217	C793	215	C803	230	C813	223	C823	230
C764	212	C774	230	C784	215	C794	230	C804	230	C814	230	C824	230
C765	230	C775	226	C785	226	C795	230	C805	230	C815	230	C825	230
C766	226	C776	217	C786	230	C796	230	C806	230	C816	230	C826	230
C767	226	C777	215	C787	230	C797	230	C807	223	C817	230	C827	230
C768	226	C778	230	C788	230	C798	230	C808	226	C818	226	C828	230
C769	224	C779	215	C789	232	C799	223	C809	226	C819	230	C829	230
C770	226	C780	217	C790	226	C800	210	C810	230	C820	225	C830	230

77.Control Board (D062/D063/D065/D066)

CAPACITOR

SYMBOL NO.	INDEX NO.
C831	230
C832	230
C833	230
C834	230
C835	230
---	---
C836	210
C837	225
C838	226
---	---
---	---

SYMBOL NO.	INDEX NO.
---	---
C842	218
---	---
---	---
---	---
C846	210
C847	226
C848	230
C849	217
C850	217

SYMBOL NO.	INDEX NO.
C851	217
C852	226
---	---
---	---
---	---
---	---
---	---
---	---
C857	204
C858	204
C859	223
---	---

SYMBOL NO.	INDEX NO.
---	---
---	---
---	---
---	---
---	---
---	---
C917	230
C918	230
C919	217
C920	226

SYMBOL NO.	INDEX NO.
C921	215

CONNECTOR

SYMBOL NO.	INDEX NO.
---	---
CN2	111
---	---
---	---
CN5	106
---	---
CN6	110
---	---
CN8	103
CN9	115
CN10	113

SYMBOL NO.	INDEX NO.
CN11	108
CN12	105
CN13	105
CN14	111
---	---
---	---
CN17	109
---	---
---	---
---	---

CONNECTOR

SYMBOL NO.	INDEX NO.
CN21	101
---	---
---	---
CN24	102
---	---
---	---
---	---
CN27	103
---	---
---	---
CN30	114

SYMBOL NO.	INDEX NO.
CN31	112
CN32	104
---	---
---	---
---	---
---	---
---	---
---	---
---	---
---	---

SYMBOL NO.	INDEX NO.
---	---
---	---
---	---
---	---
---	---
CN1516	107

DIODE

SYMBOL NO.	INDEX NO.
D1	136
---	---
D3	133
D4	134
D5	135
---	---
D6	135
D7	132
D8	135
---	---
D10	136

SYMBOL NO.	INDEX NO.
D11	132
---	---
D13	135
D14	135
D15	135
---	---
D17	134
D18	134
D19	136
D20	135

SYMBOL NO.	INDEX NO.
D21	132
D22	135

D_SW

SYMBOL NO.	INDEX NO.
D_SW1	118
D_SW3	118

FIL

SYMBOL NO.	INDEX NO.
---	---
---	---
FIL3	240
FIL4	238
FIL5	235
---	---
FIL6	238
FIL7	240
FIL8	244
FIL9	236
FIL10	240

77.Control Board (D062/D063/D065/D066)

FIL

SYMBOL NO.	INDEX NO.
FIL11	240
FIL12	240
FIL13	240
FIL14	240
FIL15	240
---	---
FIL17	235
FIL18	235
---	---
FIL20	237

SYMBOL NO.	INDEX NO.
FIL21	237
FIL22	238
FIL23	237
FIL24	236
FIL25	238
---	---
FIL26	237
FIL27	238
FIL28	238

FUSE

SYMBOL NO.	INDEX NO.
FU1	117
FU2	116
FU3	117

IC

SYMBOL NO.	INDEX NO.
IC1	166
IC2	172
IC3	172
IC4	145
IC5	172
---	---
IC6	172
IC7	146
---	---
IC9	186
---	---

SYMBOL NO.	INDEX NO.
IC11	172
IC12	174
IC13	152
IC14	167
IC15	186
---	---
IC16	166
---	---
IC18	154
IC19	182
IC20	143

SYMBOL NO.	INDEX NO.
IC21	187
---	---
---	---
IC24	153
IC25	141
---	---
IC26	187
IC27	157
IC28	172
IC29	178
IC30	161

SYMBOL NO.	INDEX NO.
IC31	144
IC32	159
IC33	2
IC34	158
IC35	173
---	---
IC36	166
IC37	328
IC38	156
IC39	155
IC40	150

IC

SYMBOL NO.	INDEX NO.
IC41	161
IC42	162
IC43	142
IC44	150
IC45	178
---	---
IC46	180
IC47	166
IC48	164
IC49	160
IC50	147

SYMBOL NO.	INDEX NO.
IC51	184
IC52	148
IC53	168
IC54	172
---	---
IC56	170
---	---
IC58	176
IC59	329
---	---

SYMBOL NO.	INDEX NO.
---	---
IC62	146
---	---
IC64	179
IC65	171
---	---
IC67	161
IC68	166
---	---
---	---

SYMBOL NO.	INDEX NO.
---	---
IC72	181
IC73	161
---	---
IC75	168
---	---
IC76	161
IC77	168
IC78	161
---	---
---	---

SYMBOL NO.	INDEX NO.
---	---
---	---
---	---
IC84	141
IC85	149
---	---
IC86	166
IC87	163
IC88	177
IC89	172
---	---

SYMBOL NO.	INDEX NO.
IC91	163
IC92	176
---	---
IC94	172
IC95	154
---	---
IC96	161
IC97	151
IC98	151
IC99	145
IC100	172

SYMBOL NO.	INDEX NO.
IC101	172
IC102	165
IC103	180
---	---
IC105	169

77.Control Board (D062/D063/D065/D066)

L

SYMBOL NO.	INDEX NO.
L1	242
L2	250
L3	247
L4	246
L5	251
L6	243
L7	243
L8	251
L9	241
L10	249

LED

SYMBOL NO.	INDEX NO.
L11	248
L12	249
L13	242
L14	242
L15	242
L16	248
L17	239

SYMBOL NO.	INDEX NO.
LED1	138
LED2	138
LED3	138
LED4	138
LED5	138
LED6	138
LED7	138
LED8	138
LED9	138
LED10	137

SYMBOL NO.	INDEX NO.
LED11	139
---	---
---	---
---	---
---	---
LED16	139
LED17	138

MS

SYMBOL NO.	INDEX NO.
MS1	1
MS2	1
MS3	1
MS4	1

OSC

SYMBOL NO.	INDEX NO.
OSC1	188
OSC2	191
OSC3	194
OSC4	189
OSC5	190
OSC6	193
OSC7	191
OSC8	192

Q

SYMBOL NO.	INDEX NO.
Q1	121
---	---
---	---
---	---
Q5	122
Q6	121
Q7	122
Q8	122
Q9	122
Q10	122

Q

SYMBOL NO.	INDEX NO.
Q11	122
Q12	122
Q13	131
Q14	126
Q15	122
Q16	120
Q17	120
Q18	131
Q19	122
Q20	128

SYMBOL NO.	INDEX NO.
Q21	131
Q22	121
Q23	128
Q24	121
Q25	122
---	---
Q27	130
Q28	123
---	---
---	---

SYMBOL NO.	INDEX NO.
---	---
---	---
---	---
Q34	122
---	---
Q36	124
Q37	126
Q38	129
Q39	124
Q40	122

SYMBOL NO.	INDEX NO.
Q41	122
Q42	122
Q43	122
Q44	120
Q45	122
Q46	121
Q47	122
Q48	122
Q49	127
Q50	127

SYMBOL NO.	INDEX NO.
Q51	121
Q52	122
Q53	122
Q54	122
Q55	122
Q56	122
Q57	122
Q58	122
Q59	122
---	---

SYMBOL NO.	INDEX NO.
Q61	122
---	---
Q63	122
Q64	122
Q65	125
Q66	122
---	---
Q68	121
Q69	122
---	---

SYMBOL NO.	INDEX NO.
Q71	122
Q72	122

77.Control Board (D062/D063/D065/D066)

CAPACITOR

SYMBOL NO.	INDEX NO.	SYMBOL NO.	INDEX NO.	SYMBOL NO.	INDEX NO.	SYMBOL NO.	INDEX NO.	SYMBOL NO.	INDEX NO.	SYMBOL NO.	INDEX NO.	SYMBOL NO.	INDEX NO.
---	---	R11	308	R21	302	R31	302	R41	267	R51	292	R61	292
R2	292	R12	302	R22	267	R32	302	R42	276	---	---	R62	269
R3	292	---	---	R23	293	R33	302	---	---	R53	286	R63	269
---	---	---	---	R24	267	R34	302	R44	308	R54	284	R64	257
R5	302	R15	292	R25	271	---	---	R45	292	R55	308	R65	286
R6	267	R16	292	---	---	---	---	R46	302	R56	285	R66	292
R7	267	R17	292	R27	285	R37	292	R47	302	R57	286	---	---
R8	292	R18	292	---	---	R38	302	R48	269	R58	292	R68	293
R9	308	R19	292	R29	292	R39	308	R49	267	R59	292	---	---
R10	292	R20	308	R30	260	R40	267	R50	293	R60	292	R70	282

CAPACITOR

SYMBOL NO.	INDEX NO.	SYMBOL NO.	INDEX NO.	SYMBOL NO.	INDEX NO.	SYMBOL NO.	INDEX NO.	SYMBOL NO.	INDEX NO.	SYMBOL NO.	INDEX NO.	SYMBOL NO.	INDEX NO.
---	---	R81	269	R91	294	---	---	R111	292	R121	308	R131	302
R72	292	---	---	---	---	R102	302	R112	302	R122	324	R132	292
R73	292	---	---	---	---	R103	274	R113	292	R123	324	R133	308
---	---	R84	267	---	---	R104	274	R114	292	R124	324	R134	280
R75	269	R85	320	---	---	R105	292	R115	292	R125	324	R135	292
R76	267	---	---	R96	267	R106	293	R116	293	R126	267	R136	292
R77	292	---	---	R97	267	R107	267	R117	324	R127	325	R137	292
---	---	---	---	R98	292	R108	267	R118	324	R128	308	R138	257
---	---	---	---	R99	303	R109	268	R119	292	R129	292	---	---
---	---	---	---	R100	289	R110	292	R120	308	---	---	R140	302

77.Control Board (D062/D063/D065/D066)

RESISTOR

SYMBOL NO.	INDEX NO.	SYMBOL NO.	INDEX NO.	SYMBOL NO.	INDEX NO.	SYMBOL NO.	INDEX NO.	SYMBOL NO.	INDEX NO.	SYMBOL NO.	INDEX NO.	SYMBOL NO.	INDEX NO.
R141	279	---	---	R161	259	---	---	---	---	R191	302	R201	311
R142	292	---	---	R162	292	R172	324	R182	317	R192	302	R202	311
R143	302	R153	302	R163	324	R173	269	R183	258	R193	302	R203	311
R144	261	R154	292	R164	257	R174	302	R184	258	R194	292	R204	311
R145	292	---	---	R165	324	R175	324	R185	258	R195	317	R205	292
R146	302	---	---	R166	276	---	---	R186	302	R196	292	R206	300
R147	292	R157	308	R167	292	R177	269	R187	290	R197	311	R207	292
R148	267	R158	308	R168	324	---	---	R188	287	R198	311	R208	317
R149	324	R159	268	R169	292	R179	258	R189	268	R199	311	R209	302
R150	312	R160	292	R170	324	---	---	R190	308	R200	311	R210	302

RESISTOR

SYMBOL NO.	INDEX NO.	SYMBOL NO.	INDEX NO.	SYMBOL NO.	INDEX NO.	SYMBOL NO.	INDEX NO.	SYMBOL NO.	INDEX NO.	SYMBOL NO.	INDEX NO.	SYMBOL NO.	INDEX NO.
R211	292	R221	302	R231	302	R241	302	R251	271	R261	267	R271	314
R212	292	R222	292	R232	292	R242	302	R252	292	R262	302	R272	296
R213	302	R223	292	R233	302	R243	268	---	---	R263	274	R273	271
R214	302	R224	302	---	---	R244	292	---	---	R264	292	R274	271
R215	302	R225	302	R235	302	R245	302	---	---	---	---	R275	292
R216	302	R226	302	R236	302	R246	302	---	---	---	---	R276	270
R217	302	R227	311	R237	292	R247	302	R257	290	---	---	R277	285
R218	302	R228	311	R238	302	R248	271	---	---	---	---	R278	302
R219	302	R229	314	R239	287	R249	269	R259	302	---	---	R279	302
R220	302	R230	271	R240	302	R250	302	R260	271	---	---	R280	302

77.Control Board (D062/D063/D065/D066)

RESISTOR

SYMBOL NO.	INDEX NO.	SYMBOL NO.	INDEX NO.	SYMBOL NO.	INDEX NO.	SYMBOL NO.	INDEX NO.	SYMBOL NO.	INDEX NO.	SYMBOL NO.	INDEX NO.	SYMBOL NO.	INDEX NO.
R281	302	R291	311	R301	319	R311	292	R321	286	---	---	R341	286
R282	302	R292	296	R302	319	R312	267	R322	292	R332	292	R342	286
R283	302	R293	311	---	---	---	---	---	---	R333	286	R343	293
R284	302	R294	311	R304	302	R314	286	R324	269	R334	292	R344	302
R285	302	R295	311	R305	267	R315	293	R325	286	R335	292	R345	302
R286	317	R296	314	---	---	---	---	R326	292	R336	286	R346	302
R287	311	R297	317	R307	317	R317	292	R327	302	R337	293	R347	302
R288	311	R298	319	---	---	R318	293	R328	269	R338	302	R348	292
R289	311	R299	269	R309	317	R319	302	R329	293	R339	292	R349	292
R290	311	R300	283	---	---	---	---	R330	292	R340	292	---	---

RESISTOR

SYMBOL NO.	INDEX NO.	SYMBOL NO.	INDEX NO.	SYMBOL NO.	INDEX NO.	SYMBOL NO.	INDEX NO.	SYMBOL NO.	INDEX NO.	SYMBOL NO.	INDEX NO.	SYMBOL NO.	INDEX NO.
R351	321	R361	292	R371	306	R381	308	---	---	R401	292	R411	306
R352	293	R362	317	R372	306	R382	269	---	---	R402	292	R412	306
R353	308	R363	317	R373	272	R383	317	R393	292	R403	257	R413	306
R354	271	R364	317	R374	319	R384	302	R394	293	R404	302	---	---
R355	292	R365	286	R375	270	R385	286	R395	292	R406	293	R415	306
R356	269	R366	286	---	---	R386	286	R396	292	---	---	R416	267
R357	292	R367	286	R377	267	R387	293	R397	293	R407	292	---	---
R358	269	R368	286	---	---	R388	277	---	---	R408	292	R418	267
R359	269	---	---	R378	292	R389	277	R399	256	R409	283	R419	306
R360	292	R370	308	R380	271	---	---	R400	292	R410	302	R420	306

77.Control Board (D062/D063/D065/D066)

RESISTOR

SYMBOL NO.	INDEX NO.	SYMBOL NO.	INDEX NO.	SYMBOL NO.	INDEX NO.	SYMBOL NO.	INDEX NO.	SYMBOL NO.	INDEX NO.	SYMBOL NO.	INDEX NO.	SYMBOL NO.	INDEX NO.
R421	275	R431	292	R441	316	R451	267	---	---	R471	283	R481	282
R422	306	R432	306	R442	311	R452	316	---	---	R472	283	R482	308
R423	258	R433	311	R443	311	R453	319	R463	267	R473	283	R483	269
R424	258	R434	292	R444	308	R454	319	R464	308	R474	283	R484	269
R425	258	R435	292	R445	316	R455	319	R465	306	R475	282	R485	308
R426	258	R436	269	---	---	R456	319	R466	283	R476	258	R486	308
R427	306	---	---	R447	293	R457	311	---	---	R477	308	R487	274
R428	311	R438	306	R448	318	---	---	R468	302	R478	257	R488	308
R429	306	R439	306	R449	318	---	---	---	---	R479	257	R489	257
R430	311	R440	311	R450	311	---	---	R470	302	R480	257	R490	302

RESISTOR

SYMBOL NO.	INDEX NO.	SYMBOL NO.	INDEX NO.	SYMBOL NO.	INDEX NO.	SYMBOL NO.	INDEX NO.	SYMBOL NO.	INDEX NO.	SYMBOL NO.	INDEX NO.	SYMBOL NO.	INDEX NO.
---	---	R501	308	R511	274	R521	299	R531	257	---	---	R551	285
R492	269	R502	298	R512	274	R522	257	R532	310	R542	317	R552	270
R493	295	R503	278	R513	274	R523	264	R533	257	---	---	---	---
R494	257	R504	293	R514	274	---	---	R534	257	---	---	---	---
---	---	R505	297	R515	274	R525	267	R535	257	R545	267	R555	283
R496	281	---	---	R516	274	---	---	---	---	R546	292	R556	267
R497	326	---	---	R517	274	---	---	---	---	R547	271	R557	292
R498	305	---	---	R518	274	R528	267	---	---	R548	292	R558	267
R499	301	---	---	R519	257	---	---	---	---	R549	302	R559	267
R500	293	R510	274	R520	257	---	---	---	---	R550	292	R560	311

77.Control Board (D062/D063/D065/D066)

RESISTOR

SYMBOL NO.	INDEX NO.	SYMBOL NO.	INDEX NO.	SYMBOL NO.	INDEX NO.	SYMBOL NO.	INDEX NO.	SYMBOL NO.	INDEX NO.	SYMBOL NO.	INDEX NO.	SYMBOL NO.	INDEX NO.
R561	302	---	---	R581	292	R591	311	R601	311	R611	302	R621	302
R562	267	R572	267	R582	311	R592	302	R602	258	R612	292	R622	302
R563	302	R573	267	R583	302	R593	267	R603	302	R613	302	R623	302
R564	267	R574	269	---	---	R594	302	R604	311	R614	292	R624	292
R565	302	R575	302	---	---	R595	269	R605	302	R615	292	---	---
R566	302	R576	267	R586	292	R596	292	R606	302	R616	302	---	---
R567	311	R577	267	R587	292	---	---	R607	311	R617	302	R627	274
R568	302	R578	302	R588	267	R598	292	---	---	---	---	---	---
R569	311	R579	267	R589	309	R599	292	---	---	---	---	R629	292
R570	302	R580	292	R590	302	R600	302	R610	302	---	---	R630	312

RESISTOR

SYMBOL NO.	INDEX NO.	SYMBOL NO.	INDEX NO.	SYMBOL NO.	INDEX NO.	SYMBOL NO.	INDEX NO.	SYMBOL NO.	INDEX NO.	SYMBOL NO.	INDEX NO.	SYMBOL NO.	INDEX NO.
---	---	R641	285	R651	245	---	---	R671	292	R681	267	R691	267
R632	302	R642	285	---	---	R662	267	R672	292	R682	267	R692	267
---	---	R643	302	---	---	R663	267	R673	292	---	---	R693	273
R634	285	R644	285	R654	271	R664	302	R674	302	R684	267	R694	305
---	---	R645	293	R655	267	R665	302	R675	292	R685	267	R695	270
R636	269	R646	257	R656	302	R666	267	R676	267	R686	269	R696	269
R637	308	R647	298	R657	292	R667	292	R677	267	R687	292	R697	315
R638	292	R648	327	R658	267	R668	302	R678	292	---	---	R698	317
R639	308	---	---	R659	276	R669	292	R679	292	R689	292	R699	292
R640	267	---	---	---	---	R670	292	R680	302	R690	302	R700	292

77.Control Board (D062/D063/D065/D066)

RESISTOR

SYMBOL NO.	INDEX NO.	SYMBOL NO.	INDEX NO.	SYMBOL NO.	INDEX NO.	SYMBOL NO.	INDEX NO.	SYMBOL NO.	INDEX NO.	SYMBOL NO.	INDEX NO.	SYMBOL NO.	INDEX NO.
R701	267	---	---	---	---	R731	292	R741	324	---	---	R761	292
R702	267	R712	317	R722	292	R732	324	R742	292	R752	317	R762	292
R703	267	R713	267	R723	292	R733	324	---	---	R753	313	---	---
R704	292	R714	284	R724	292	R734	324	---	---	R754	313	R764	292
---	---	R715	322	R725	292	R735	316	R745	292	R755	313	R765	308
R706	292	R716	317	---	---	R736	290	R746	288	R756	313	R766	324
R707	292	R717	267	---	---	R737	324	R747	258	R757	313	R767	324
R708	292	R718	292	R728	292	---	---	R748	317	R758	313	R768	292
R709	267	R719	292	R729	269	R739	316	---	---	R759	313	R769	292
R710	292	R720	292	R730	269	R740	324	R750	267	R760	313	---	---

RESISTOR

SYMBOL NO.	INDEX NO.	SYMBOL NO.	INDEX NO.	SYMBOL NO.	INDEX NO.	SYMBOL NO.	INDEX NO.	SYMBOL NO.	INDEX NO.	SYMBOL NO.	INDEX NO.	SYMBOL NO.	INDEX NO.
R771	324	R781	308	R791	292	R801	308	R811	286	R821	302	---	---
R772	292	R782	268	R792	314	R802	302	R812	286	R822	302	---	---
R773	292	R783	324	R793	269	R803	269	R813	286	R823	302	---	---
R774	292	R784	324	R794	269	R804	302	R814	286	R824	302	---	---
R775	292	R785	292	R795	292	R805	267	R815	286	R825	302	---	---
R776	269	R786	292	R796	265	R806	269	R816	286	R826	292	R836	268
R777	282	R787	292	R797	269	R807	302	R817	286	R827	302	R837	282
R778	266	R788	324	R798	269	R808	265	R818	286	R828	302	---	---
R779	292	---	---	---	---	R809	268	R819	286	R829	308	R839	292
R780	302	---	---	R800	269	R810	286	R820	286	---	---	R840	292

77.Control Board (D062/D063/D065/D066)

RESISTOR

SYMBOL NO.	INDEX NO.	SYMBOL NO.	INDEX NO.	SYMBOL NO.	INDEX NO.	SYMBOL NO.	INDEX NO.	SYMBOL NO.	INDEX NO.	SYMBOL NO.	INDEX NO.	SYMBOL NO.	INDEX NO.
R841	292	R851	267	R861	302	R871	309	R881	265	---	---	R901	269
R842	290	---	---	R862	292	R872	284	---	---	R892	292	R902	269
R843	302	---	---	---	---	R873	274	---	---	R893	292	R903	269
R844	292	R854	257	R864	292	R874	292	---	---	R894	308	R904	307
---	---	R855	302	R865	292	R875	284	---	---	R895	302	R905	307
R846	302	R856	302	R866	302	R876	292	---	---	---	---	R906	323
R847	260	R857	259	R867	292	---	---	R887	308	R897	308	---	---
R848	317	R858	260	R868	292	---	---	---	---	R898	292	R908	308
R849	292	R859	302	R869	319	---	---	R889	292	R899	269	R909	302
---	---	R860	257	R870	319	R880	292	---	---	R900	269	R910	292

RESISTOR

SYMBOL NO.	INDEX NO.	SYMBOL NO.	INDEX NO.	SYMBOL NO.	INDEX NO.	SYMBOL NO.	INDEX NO.	SYMBOL NO.	INDEX NO.	SYMBOL NO.	INDEX NO.	SYMBOL NO.	INDEX NO.
---	---	---	---	---	---	---	---	R951	292	R961	292	---	---
---	---	---	---	R932	254	---	---	---	---	---	---	R972	313
---	---	R923	292	R933	293	R943	317	---	---	---	---	---	---
---	---	R924	308	R934	293	R944	323	---	---	R964	292	R974	269
---	---	R925	308	R935	308	---	---	R955	292	R965	269	R975	292
---	---	R926	292	R936	319	R946	292	---	---	R966	313	---	---
R917	292	R927	302	---	---	R947	308	---	---	---	---	R977	286
R918	302	R928	267	R938	308	R948	292	---	---	R968	330	R978	293
R919	292	---	---	R939	302	R949	292	---	---	---	---	R979	317
R920	292	---	---	R940	292	---	---	R960	292	R970	308	---	---

77.Control Board (D062/D063/D065/D066)

RESISTOR

SYMBOL NO.	INDEX NO.	SYMBOL NO.	INDEX NO.	SYMBOL NO.	INDEX NO.	SYMBOL NO.	INDEX NO.	SYMBOL NO.	INDEX NO.	SYMBOL NO.	INDEX NO.	SYMBOL NO.	INDEX NO.
R981	292	---	---	R1001	317	R1011	317	R1021	317	R1031	292	R1041	302
---	---	---	---	R1002	317	R1012	317	R1022	317	R1032	308	R1042	302
R983	286	R993	286	R1003	317	R1013	317	R1023	317	R1033	317	R1043	302
R984	292	R994	292	R1004	317	R1014	317	R1024	317	R1034	292	R1044	302
---	---	---	---	R1005	317	R1015	317	R1025	317	R1035	286	R1045	302
---	---	---	---	R1006	317	R1016	317	R1026	317	R1036	286	R1046	302
R987	308	---	---	R1007	317	R1017	317	R1027	292	R1037	286	R1047	271
R988	292	R998	286	R1008	317	R1018	317	R1028	271	R1038	302	R1048	302
---	---	R999	293	R1009	317	R1019	317	R1029	292	R1039	302	R1049	302
---	---	R1000	271	R1010	317	R1020	317	R1030	302	R1040	302	R1050	293

RESISTOR

SYMBOL NO.	INDEX NO.	SYMBOL NO.	INDEX NO.	SYMBOL NO.	INDEX NO.	SYMBOL NO.	INDEX NO.	SYMBOL NO.	INDEX NO.	SYMBOL NO.	INDEX NO.	SYMBOL NO.	INDEX NO.
R1051	286	R1061	292	R1071	292	R1081	269	---	---	R1101	283	R1111	302
R1052	293	R1062	293	---	---	R1082	269	R1092	308	R1102	269	R1112	302
R1053	292	R1063	292	R1073	292	R1083	292	R1093	306	R1103	308	R1113	302
R1054	286	R1064	292	R1074	317	---	---	R1094	306	R1104	316	R1114	302
---	---	R1065	292	R1075	316	---	---	R1095	306	R1105	269	---	---
R1056	292	R1066	308	R1076	283	---	---	R1096	292	R1106	292	R1116	268
R1057	292	R1067	292	R1077	283	R1087	324	R1097	283	R1107	317	R1117	268
R1058	292	R1068	317	---	---	---	---	R1098	308	---	---	R1118	302
R1059	293	---	---	R1079	292	---	---	R1099	267	R1109	283	R1119	302
R1060	292	R1070	292	R1080	271	R1090	257	R1100	292	R1110	268	R1120	302

77.Control Board (D062/D063/D065/D066)

RESISTOR

SYMBOL NO.	INDEX NO.	SYMBOL NO.	INDEX NO.	SYMBOL NO.	INDEX NO.	SYMBOL NO.	INDEX NO.	SYMBOL NO.	INDEX NO.	SYMBOL NO.	INDEX NO.	SYMBOL NO.	INDEX NO.
R1121	302	R1131	308	R1141	283	R1151	317	R1161	317	R1171	291	---	---
R1122	302	---	---	R1142	283	R1152	317	R1162	317	R1172	308	---	---
R1123	269	R1133	308	R1143	317	R1153	317	R1163	317	R1173	283	R1183	267
R1124	302	R1134	283	R1144	317	R1154	317	---	---	R1174	283	---	---
R1125	292	R1135	283	R1145	317	R1155	317	R1165	317	R1175	291	---	---
R1126	283	R1136	306	R1146	317	R1156	317	R1166	317	---	---	R1186	267
R1127	292	R1137	283	R1147	317	R1157	317	R1167	317	R1177	262	---	---
---	---	---	---	R1148	317	R1158	317	R1168	317	R1178	284	R1188	267
R1129	317	---	---	R1149	317	R1159	317	R1169	317	R1179	302	R1189	308
R1130	292	R1140	283	R1150	317	R1160	317	R1170	255	---	---	R1190	308

RESISTOR

SYMBOL NO.	INDEX NO.	SYMBOL NO.	INDEX NO.	SYMBOL NO.	INDEX NO.	SYMBOL NO.	INDEX NO.	SYMBOL NO.	INDEX NO.	SYMBOL NO.	INDEX NO.	SYMBOL NO.	INDEX NO.
---	---	R1201	292	R1211	302	R1221	308	---	---	---	---	R1251	258
R1192	308	R1202	292	R1212	302	R1222	316	R1232	257	R1242	271	R1252	258
R1193	308	R1203	292	R1213	302	R1223	316	R1233	271	---	---	R1253	302
---	---	---	---	R1214	302	R1224	316	---	---	---	---	---	---
R1195	293	---	---	R1215	302	R1225	302	---	---	R1245	257	R1255	302
R1196	308	R1206	267	R1216	302	---	---	---	---	R1246	257	---	---
R1197	263	---	---	---	---	---	---	---	---	R1247	292	---	---
R1198	268	---	---	R1218	269	R1228	302	---	---	R1248	258	---	---
R1199	258	---	---	R1219	293	R1229	302	---	---	---	---	R1259	257
R1200	292	---	---	R1220	308	R1230	302	---	---	---	---	R1260	257

77.Control Board (D062/D063/D065/D066)

RESISTOR

SYMBOL NO.	INDEX NO.
R1261	257
R1262	258
R1263	292
---	---
---	---
---	---
---	---
---	---
R1268	257
R1269	267
R1270	304

SYMBOL NO.	INDEX NO.
---	---
---	---
R1273	258
---	---
---	---
---	---
R1277	283
---	---
---	---
---	---

SYMBOL NO.	INDEX NO.
---	---
---	---
R1283	269
---	---
---	---
---	---
---	---
---	---
---	---
---	---

SYMBOL NO.	INDEX NO.
---	---
---	---
---	---
---	---
---	---
---	---
---	---
---	---
R1300	302

SYMBOL NO.	INDEX NO.
R1301	302
R1302	302
R1303	302

REG

SYMBOL NO.	INDEX NO.
REG1	183
REG2	185
REG3	175

RN

SYMBOL NO.	INDEX NO.
RN1	199
RN2	199
RN3	199
RN4	199
RN5	199
---	---
---	---
RN6	199
RN7	199
RN8	199
RN9	199
RN10	196

SYMBOL NO.	INDEX NO.
RN11	196
RN12	196
RN13	196
RN14	198
RN15	196
---	---
---	---
RN16	198
RN17	198
RN18	198
RN19	198
RN20	195

RN

SYMBOL NO.	INDEX NO.
RN21	253
RN22	195
RN23	195
RN24	195
RN25	195
---	---
---	---
RN26	195
RN27	195
RN28	195
RN29	195
RN30	195

SYMBOL NO.	INDEX NO.
RN31	195
RN32	195
RN33	195
RN34	195
RN35	195
---	---
---	---
RN36	195
RN37	195
RN38	195
RN39	195
RN40	195

SYMBOL NO.	INDEX NO.
RN41	195
RN42	195
RN43	195
RN44	195
RN45	195
---	---
---	---
RN46	198
RN47	198
RN48	198
RN49	200
RN50	252

SYMBOL NO.	INDEX NO.
---	---
---	---
---	---
---	---
---	---
---	---
---	---
---	---
RN100	197

SYMBOL NO.	INDEX NO.
RN101	197
RN102	197
RN103	197
RN104	197
RN105	197
---	---
---	---
RN106	197
RN107	197
RN108	197
RN109	197
RN110	197

V

SYMBOL NO.	INDEX NO.
V1	140

77.Control Board (D062/D063/D065/D066)

Index No.	Part No.	Description	Q'ty Per Assembly
*	D062 5505	PCB: M-C4A: Service: Ass'y	1
*	D063 5505	PCB: M-C4D: Service: Ass'y	1
*	D065 5505	PCB: M-C4D: Service: Ass'y	1
*	D066 5505	PCB: M-C4E: Service: Ass'y	1
1	B132 5794	Hook: Heat Sink: MCH	1
2	D062 5399	Flash Memory: BIOS: EX1: M-C4	1

Index No.	Part No.	Description	Q'ty Per Assembly
101	1102 5303	3.5: Connector: ST: 4P	
102	1102 6295	Connector: 53324-0260	
103	1102 7615	Connector - B8B-XH-A	
104	1102 8028	Connector: B4B-PH-SM4C-TB(LF)(SN)	
105	1102 9336	Connector: FPS009-2300-0	
106	1102 9535	Connector - 200PS-JUK-G-B	
107	1102 9686	Connector - RHM-176P-SDK11-U1L1C	
108	1102 9887	Connector: 52588-3090	
109	1103 3481	Connector: 67800-8005	
110	1103 3497	Connector: 87715-9002	
111	1103 3865	Connector: 29 6406 200 101 856+	
112	1103 3964	Connector: WB4P140HA1	
113	1103 3964	Connector: WB4P140HA1	
114	1103 4137	Connector: UAR64-8K5J00	
115	1103 4138	Connector: UBR24-4K5J00	
116	1107 1095	Fuse - SST 2	
117	1109 0042	Fuse: MINISMDC150F	
118	1204 2622	Dip Switch: CHS-08TB1	
119	1206 0122	Lithium Cell: CR2450/V1A	
120	1400 0714	Transistor: 2SD1781KR	
121	1400 1248	Transistor: 2SC5342SF	
122	1401 0902	FET: 2SK1590	
123	1401 1222	FET: HAT2068R-E	
124	1401 1234	FET: SSM3J02T	
125	1401 1235	FET: HAT2071R-E	
126	1401 1296	FET: TPC8115	
127	1401 1317	FET - HAT2197R	
128	1401 1318	FET - HAT2198R	
129	1401 1320	FET - TPC8107	
130	1401 1411	FET: HAT2195R-E	
131	1401 1414	FET: SI3433BDV-E3	
132	1402 1530	Diode - RB520S-30	
133	1402 1537	Diode: RB751S-40	
134	1402 1565	Diode: RB521S-30	
135	1402 1995	Diode: SDS511	

Index No.	Part No.	Description	Q'ty Per Assembly
136	1402 2001	Diode: SX34	
137	1403 0953	LED - SML-310MT	
138	1403 1131	LED: SML-311UT	
139	1403 1168	LED: SML-311YT	
140	1404 1048	Varistor: SRV05-4.TCT	
141	1407 4804	CMOS Logic: TC7SH08FU	
142	1407 4840	IC - TC7SH04FU	
143	1407 7005	CMOS Logic: TC74VHCT244AFT(K)	
144	1407 5009	CMOS Logic: TC7SET04FU	
145	1407 5010	IC - TC7SET08FU	
146	1407 5107	CMOS Logic: TC7W66FU	
147	1407 5189	CMOS Logic: TC7SZ00FU	
148	1407 5192	CMOS Logic: TC7SZ04FU	
149	1407 5194	CMOS Logic: TC7SZ32FU	
150	1407 5195	CMOS Logic: TC7SZ05FU	
151	1407 5196	CMOS Logic: TC7SZ125FU	
152	1407 5482	IC - SN74LVC07APW	
153	1407 5523	ROM - I2C SOP 3V	
154	1407 5531	CMOS Logic: TC7WH14FU	
155	1407 6127	Clock Generator: ICS960008AFLF	
156	1407 6517	Custom IC: WHISTLE	
157	1407 6536	ICH6-MNH82801FBM(SL89K)	
158	1407 6672	CPU: LE80536VC001512(SL8LW)	
159	1407 6676	Clock Generator: ICS954206BGLF	
160	1407 6683	LAN Controller LSI: BCM5461A1KPFG	
161	1407 6751	CMOS Logic: HD74LV1GW07ACM	
162	1407 6774	CMOS Logic: TC7WZ08FK	
163	1407 6778	CMOS Logic: TC7SH02FU	
164	1407 6784	Controller: ST19WP18FT28PVGR	
165	1407 6802	CMOS Logic: TC7PA04FU	
166	1407 6803	CMOS Logic: TC7SZ07FU	
167	1407 6824	CMOS Logic: TC7WG125FK	
168	1407 6853	CMOS Logic: HD74LV1GW17ACM	
169	1407 6869	Real Time Clock: R2023T-F	
170	1407 7234	Clock Generator: ICS960023CGLF	

Index No.	Part No.	Description	Q'ty Per Assembly
171	1407 6944	USB Controller IC: ST72681/R21	
172	1407 6957	CMOS Logic: TC7SH17FU	
173	1407 7029	GMCH: QG82915GME(SLA9K)	
174	1407 7232	Custom IC: VEENA	
175	1408 1668	Series Regulator: R1170H251B-F	
176	1408 1778	IC: R3112Q101A	
177	1408 1779	IC - R3112Q281A	
178	1408 1788	IC: R3112Q091A-FA	
179	1408 1826	IC - R3112Q421A	
180	1408 1839	IC: R3112Q211A-FA	
181	1408 2305	Reset IC: BU4242FVE	
182	1408 2350	IC: R1211D002B-FA	
183	1408 2458	DC/DC Converter: LTC3407EMSE-2#PBF	
184	1408 2463	DDR Terminator - TPS51116PWP4	
185	1408 2464	DC/DC Converter: MAX1907AETL+	
186	1408 2637	DC/DC Converter: MPD5S027	
187	1408 2638	DC/DC Converter: MPD6S023	
188	1503 0758	Crystal Oscillator: MC-306 32.768KHz 12.5PF	
189	1503 0773	Crystal Oscillator: 32.768KHz: 7PF	
190	1503 1138	Crystal Oscillator - 48MHz	
191	1503 1146	Crystal Oscillator: 14.31818MHz	
192	1503 1363	Crystal Oscillator: 12MHz	
193	1503 1367	Crystal Oscillator: 25MHz	
194	1503 1368	Crystal Oscillator: 25MHz	
195	1601 7887	Resistor Array - 10K Ω \pm 5% 1/32W	
196	1601 7896	Resistor Array - 56 Ω \pm 5% 1/32W	
197	1601 7898	Resistor Array	
198	1601 7909	Resistor Array - 10 Ω \pm 5% 1/32W	
199	1601 7913	Resistor 22 Ω \pm 5% 1/32W	
200	1601 7914	Resistor Array - 47 Ω \pm 5%	
201	1605 1195	Capacitor: 4pF: \pm 0.25pF: 50V	
202	1605 1197	Capacitor - 6pF \pm 0.5pF 50V	
203	1605 1199	Capacitor - 8pF \pm 0.5pF 50V	
204	1605 1200	Capacitor - 10pF \pm 0.5pF 50V	
205	1605 1202	Capacitor - 15pF \pm 5% 50V	

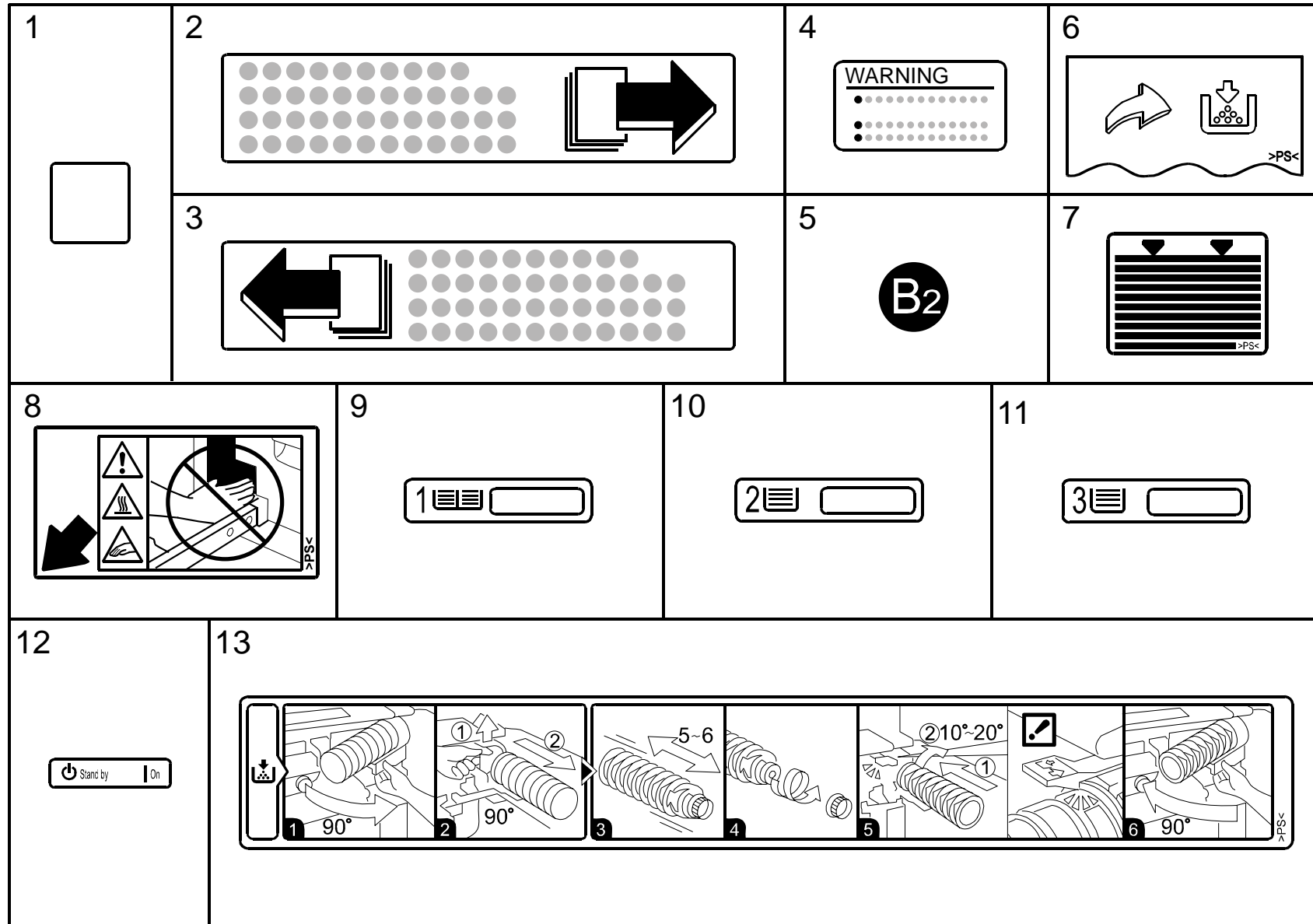
Index No.	Part No.	Description	Q'ty Per Assembly
206	1605 1203	Capacitor: 18pF: ±5%: 50V	
207	1605 1204	Capacitor-pF50V	
208	1605 1207	Capacitor - 68pF ±5% 50V	
209	1605 1208	Capacitor: 100pF: ±5%: 50V	
210	1605 1214	Capacitor - 1000pF ±10% 50V	
211	1605 1216	Capacitor - 2200pF±10%50V	
212	1605 1234	Capacitor: 4700pF: ±10%: 50V	
213	1605 1275	Capacitor: 820pF: ±5%: 50V	
214	1605 1288	Capacitor: 220pF: ±5%: 50V	
215	1605 1291	Capacitor: 2.2µF: ±10%: 10V	
216	1605 1299	Capacitor: 56pF: ±5%: 50V	
217	1605 1406	Capacitor - 10µF±10% 6.3V	
218	1605 1419	Capacitor: 4.7µF: ±10%: 16V	
219	1605 1428	Capacitor: 0.22µF: ±10%: 6.3V	
220	1605 1447	Resistor - 470pF ±5% 50V	
221	1605 1450	Resistor - 22µF±10% 6.3V	
222	1605 1453	Capacitor: 0.022µF: ±10%: 16V	
223	1605 1464	Resistor - 10µF±20% 25V	
224	1605 1465	Resistor - 1µF±10% 25V	
225	1605 1544	Capacitor: 330pF: ±5%: 50V	
226	1605 1240	Capacitor - 0.01µF±10% 25V	
227	1605 1300	Capacitor - 270pF ±5% 50V	
228	1605 1367	Capacitor: 0.033µF: ±10%: 16V	
229	1605 1387	Capacitor: 0.68µF: ±10%: 10V	
230	1605 1583	Capacitor - 0.1µF: ±10%: 16V	
231	1605 1635	Capacitor: 0.47µF: ±10%: 25V	
232	1605 1689	Capacitor: 100µF: ±20%: 6.3V	
233	1605 1695	Capacitor: 1200pF: ±10%: 50V	
234	1606 2319	Capacitor: 100µF: ±20%: 6.3V	
235	1607 0810	Filter: BK2125HS121	
236	1607 1051	Filter -FBMJ2125HS420	
237	1607 1061	Filter - BLM11P300SPB	
238	1607 1108	Filter: BLM21PG220SN1B	
239	1607 1228	Inductor: SLF7045-4R7M2R0-PF	
240	1607 1316	Filter: FBMJ1608HS280NT	

Index No.	Part No.	Description	Q'ty Per Assembly
241	1607 1362	Coil - ACM3225-800-2P	
242	1607 1388	Inductor: LB2518B1R0M	
243	1607 1438	Choke Coil: DLW21SN121SQ2B	
244	1607 1489	Filter - MMZ1608B301C	
245	1607 1567	Filter: MPZ2012S101A	
246	1607 1651	Inductor - HM73-101R0LF	
247	1607 1657	Inductor - HM73-10R68LF	
248	1607 1744	Inductor: LQH32CNR15M33B	
249	1607 1853	Inductor: LB2518B100M	
250	1607 1854	Inductor: CDRH4D18C-1R1N	
251	1607 1974	Inductor: VLCF4020-2R2N1R7	
252	1609 0005	Resistor: 33Ω: ±5%: 1/16W	
253	1609 0006	Resistor: 10KΩ: ±5%: 1/16W	
254	1610 1417	Resistor: 0.5 Ω: ±5%: 1/8W: 1608	
255	1610 1804	Resistor: 0.006 Ω: ±1%: 1W	
256	1610 2116	Resistor: 1.5M Ω: ±1%: 1W: 6432	
257	1633 0000	Resistor - 0 Ω 1/10W	
258	1634 0000	Resistor - 0 Ω 1/16W	
259	1650 4109	Resistor: 1 Ω: ±5%: 1/10W: 1608	
260	1650 4229	Resistor: 2.2 Ω: ±5%: 1/10W: 1608	
261	1650 5106	Resistor - 10M Ω ±5% 1/16W	
262	1650 5309	Resistor: 3 Ω: ±5%: 1/16W: 1005	
263	1650 5519	Resistor: 5.1 Ω: ±5%: 1/16W: 1005	
264	1653 1009	Resistor: 10 Ω: ±1%: 1/8W: 2125	
265	1654 1000	Resistor - 100Ω ±1% 1/10W	
266	1654 1009	Resistor - 10Ω±1% 1/10W	
267	1655 0000	Chip Resistor - 0Ω±0%1/16W	
268	1655 1000	Chip Resistor: 100Ω: ±1%: 1/16W	
269	1655 1001	Chip Resistor - 1KΩ ±1% 1/16W	
270	1655 1004	Resistor: 1M Ω: ±1%: 1/16W: 1005	
271	1655 1009	Resistor - 10Ω ±1% 1/16W	
272	1655 1102	Resistor: 11K Ω: ±1%: 1/16W: 1005	
273	1655 1132	Resistor: 11.3K Ω: ±1%: 1/16W: 1005	
274	1655 1201	Resistor: 1.2K Ω: ±1%: 1/16W: 1005	
275	1655 1241	Resistor: 1.24K Ω: ±1%: 1/16W: 1005	

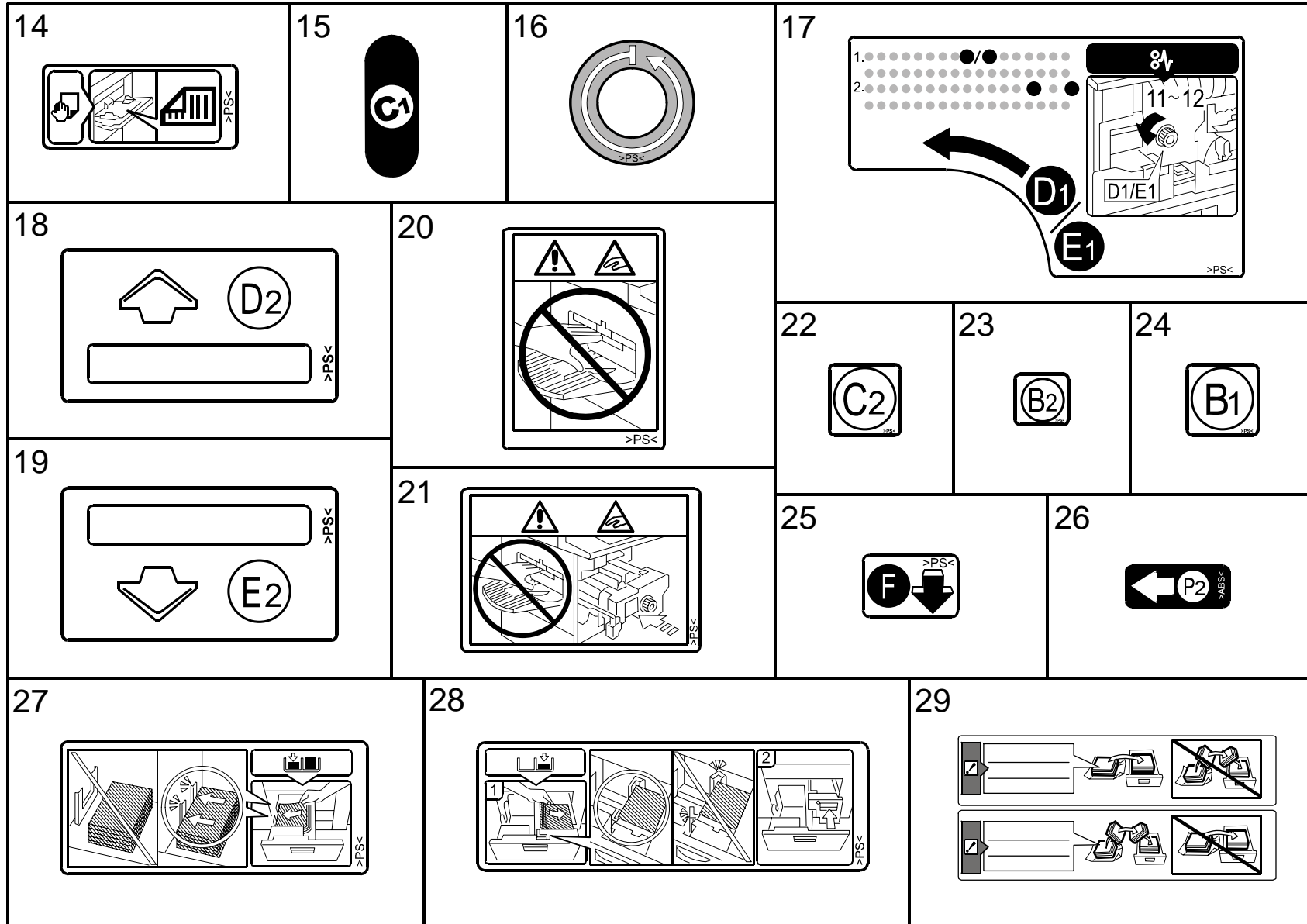
Index No.	Part No.	Description	Q'ty Per Assembly
276	1655 1300	Resistor: 130 Ω: ±1%: 1/16W: 1005	
277	1655 1501	Chip Resistor 1.5KΩ ±1% 1/16W	
278	1655 1502	Resistor - 15KΩ ±1% 1/16W	
279	1655 1692	Resistor: 16.9K Ω: ±1%: 1/16W: 1005	
280	1655 1803	Resistor: 180K Ω: ±1%: 1/16W: 1005	
281	1655 1963	Resistor: 196K Ω: ±1%: 1/16W: 1005	
282	1655 2000	Resistor - 200Ω ±1% 1/16W	
283	1655 2001	Resistor - 2KΩ ±1% 1/16W	
284	1655 2002	Chip Resistor - 20KΩ ±1% 1/16W	
285	1655 2201	Resistor: 2.2K Ω: ±1%: 1/16W: 1005	
286	1655 2209	Resistor - 22Ω ±1% 1/16W	
287	1655 2210	Resistor - 221Ω ±1% 1/16W	
288	1655 2269	Resistor: 22.6 Ω: ±1%: 1/16W: 1005	
289	1655 2432	Resistor: 24.3K Ω: ±1%: 1/16W: 1005	
290	1655 2499	Resistor: 24.9 Ω: ±1%: 1/16W: 1005	
291	1655 2700	Resistor: 270 Ω: ±1%: 1/16W: 1005	
292	1655 1002	Chip Resistor - 10KΩ ±1% 1/16W	
293	1655 1003	Chip Resistor - 100KΩ ±1% 1/16W	
294	1655 2701	Resistor: 2.7K Ω: ±1%: 1/16W: 1005	
295	1655 2741	Resistor: 2.74K Ω: ±1%: 1/16W: 1005	
296	1655 2749	Resistor - 27.4Ω ±1% 1/16W	
297	1655 2802	Resistor: 28K Ω: ±1%: 1/16W: 1005	
298	1655 3002	Chip Resistor - 30KΩ ±1% 1/16W	
299	1655 3013	Resistor: 301K Ω: ±1%: 1/16W: 1005	
300	1655 3242	Resistor: 32.4K Ω: ±1%: 1/16W: 1005	
301	1655 3303	Resistor - 330KΩ ±1% 1/16W	
302	1655 3309	Resistor - 33Ω ±1% 1/16W	
303	1655 3601	Resistor: 3.6K Ω: ±1%: 1/16W: 1005	
304	1655 3602	Resistor: 36K Ω: ±1%: 1/16W: 1005	
305	1655 3903	Resistor: 390K Ω: ±1%: 1/16W: 1005	
306	1655 3909	Resistor 39Ω ±1% 1/16W	
307	1655 4029	Resistor: 40.2 Ω: ±1%: 1/16W: 1005	
308	1655 4701	Chip Resistor - 4.7KΩ ±1% 1/16W	
309	1655 4750	Resistor - 475Ω ±1% 1/16W	
310	1655 4992	Resistor: 49.9K Ω: ±1%: 1/16W: 1005	

Index No.	Part No.	Description	Q'ty Per Assembly
311	1655 4999	Resistor - 49.9Ω ±1% 1/16W	
312	1655 5101	Resistor - 5.1KΩ ±1% 1/16W	
313	1655 5109	Resistor - 51Ω ±1% 1/16W	
314	1655 5499	Resistor - 54.9Ω ±1% 1/16W	
315	1655 5600	Resistor - 560Ω ±1% 1/16W	
316	1655 5602	Resistor: 56K Ω: ±1%: 1/16W: 1005	
317	1655 5609	Resistor - 56Ω ±1% 1/16W	
318	1655 6043	Resistor: 604K Ω: ±1%: 1/16W: 1005	
319	1655 6800	Resistor: 680 Ω: ±1%: 1/16W: 1005	
320	1655 6801	Resistor: 6.8K Ω: ±1%: 1/16W: 1005	
321	1655 6809	Chip Resistor - 68Ω ±1% 1/16W	
322	1655 7509	Resistor: 75 Ω: ±1%: 1/16W: 1005	
323	1655 8069	Resistor: 80.6 Ω: ±1%: 1/16W: 1005	
324	1655 8201	Resistor: 8.2K Ω: ±1%: 1/16W: 1005	
325	1655 8209	Resistor - 82Ω ±1% 1/16W	
326	1655 8873	Resistor: 887K Ω: ±1%: 1/16W: 1005	
327	1655 9101	Resistor - 9.1K Ω ±1% 1/16W	
328	1906 0101	Flash Memory: S29GI032A90TFIR40	
329	1906 0120	NAND Flash: 1G: X8: 30NS: 3.3V: 2K	
330	1655 3302	Resistor: 33K Ω: ±1%: 1/16W: 1005	

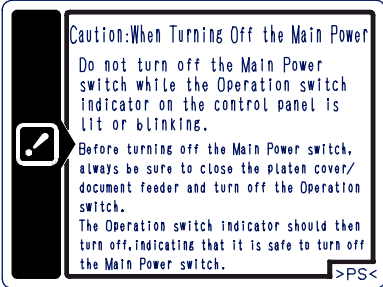
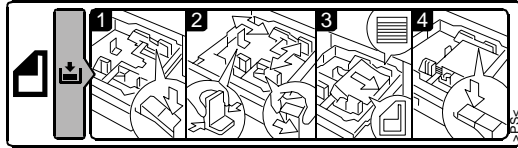
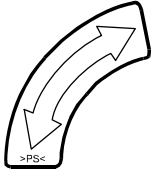
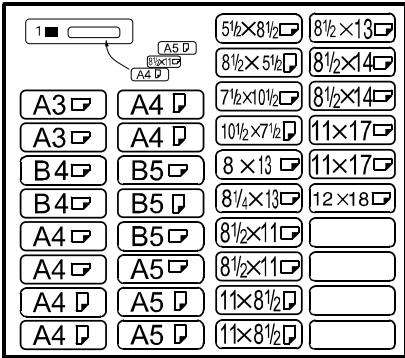
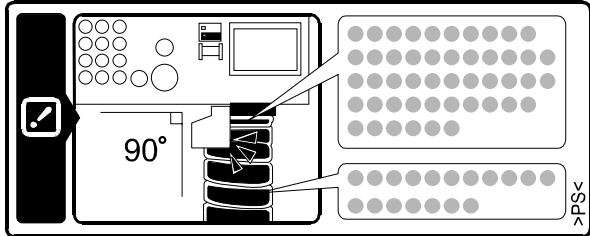
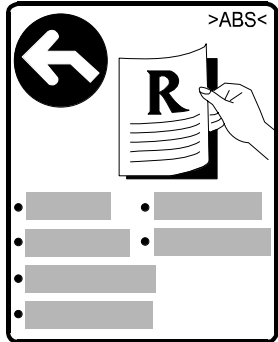
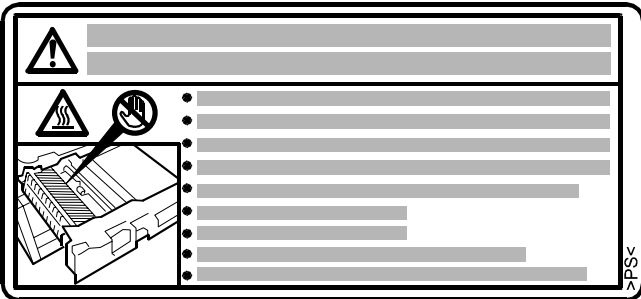
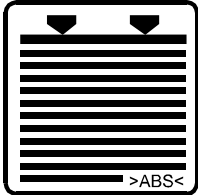
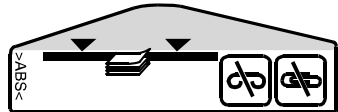
78.Decal and Documents (D062/D063/D065/D066)



78.Decal and Documents (D062/D063/D065/D066)

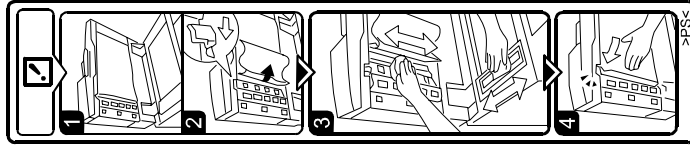


78.Decal and Documents (D062/D063/D065/D066)

<p>30</p>  <p>Caution:When Turning Off the Main Power Do not turn off the Main Power switch while the Operation switch indicator on the control panel is lit or blinking. Before turning off the Main Power switch, always be sure to close the platen cover/document feeder and turn off the Operation switch. The Operation switch indicator should then turn off, indicating that it is safe to turn off the Main Power switch.</p>	<p>31</p> 	<p>35</p> 																																								
<p>36</p>  <table border="1"> <tr> <td>1</td> <td>(A5 D)</td> <td>5½×8½</td> <td>8½×13</td> </tr> <tr> <td></td> <td>(B5 D)</td> <td>8½×5½</td> <td>8½×14</td> </tr> <tr> <td></td> <td>(A4 D)</td> <td>7½×10½</td> <td>8½×14</td> </tr> <tr> <td>A3</td> <td>A4</td> <td>10½×7½</td> <td>11×17</td> </tr> <tr> <td>A3</td> <td>A4</td> <td>8×13</td> <td>11×17</td> </tr> <tr> <td>B4</td> <td>B5</td> <td>8½×13</td> <td>12×18</td> </tr> <tr> <td>B4</td> <td>B5</td> <td>8½×11</td> <td></td> </tr> <tr> <td>A4</td> <td>B5</td> <td>8½×11</td> <td></td> </tr> <tr> <td>A4</td> <td>A5</td> <td>11×8½</td> <td></td> </tr> <tr> <td>A4</td> <td>A5</td> <td>11×8½</td> <td></td> </tr> </table>	1	(A5 D)	5½×8½	8½×13		(B5 D)	8½×5½	8½×14		(A4 D)	7½×10½	8½×14	A3	A4	10½×7½	11×17	A3	A4	8×13	11×17	B4	B5	8½×13	12×18	B4	B5	8½×11		A4	B5	8½×11		A4	A5	11×8½		A4	A5	11×8½		<p>37</p> 	<p>39</p> 
1	(A5 D)	5½×8½	8½×13																																							
	(B5 D)	8½×5½	8½×14																																							
	(A4 D)	7½×10½	8½×14																																							
A3	A4	10½×7½	11×17																																							
A3	A4	8×13	11×17																																							
B4	B5	8½×13	12×18																																							
B4	B5	8½×11																																								
A4	B5	8½×11																																								
A4	A5	11×8½																																								
A4	A5	11×8½																																								
<p>38</p> 	<p>34</p> 	<p>40</p> 																																								

78.Decal and Documents (D062/D063/D065/D066)

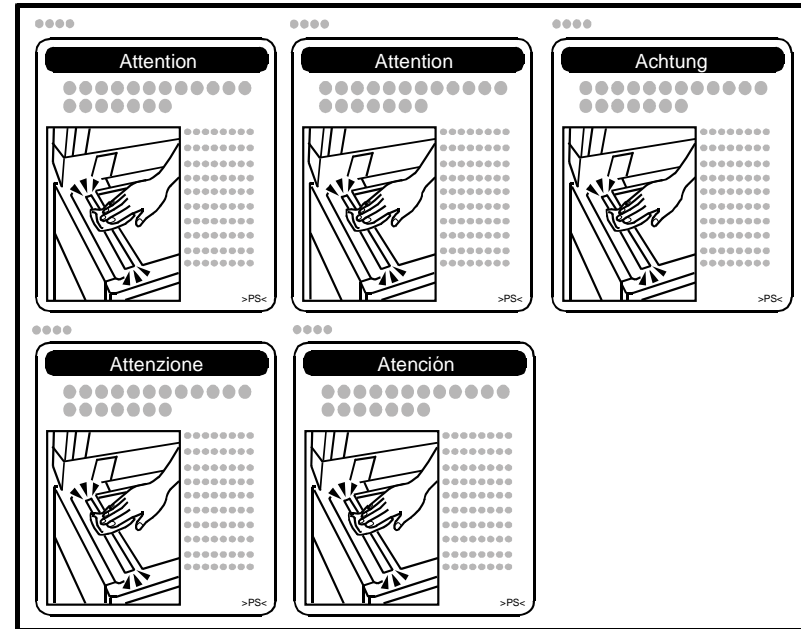
41



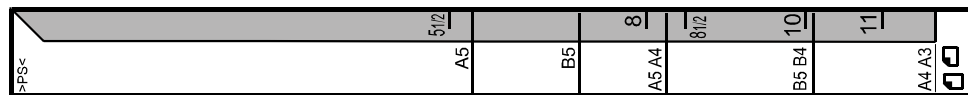
42

I/F Card Slot	
A	Option
B	Tandem
C	External CTL/ GIGA
SD Card Slot	
1	Option Slot
2	Service Slot
>PS<	

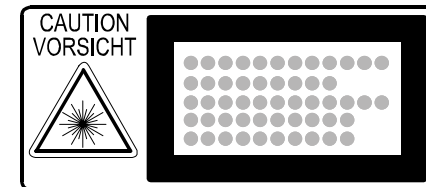
43



44

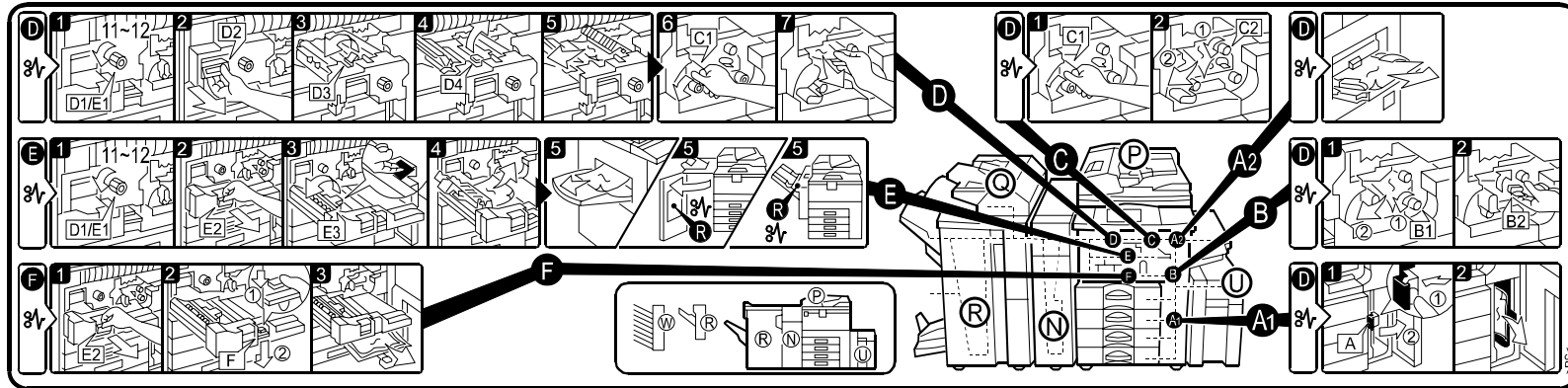


45

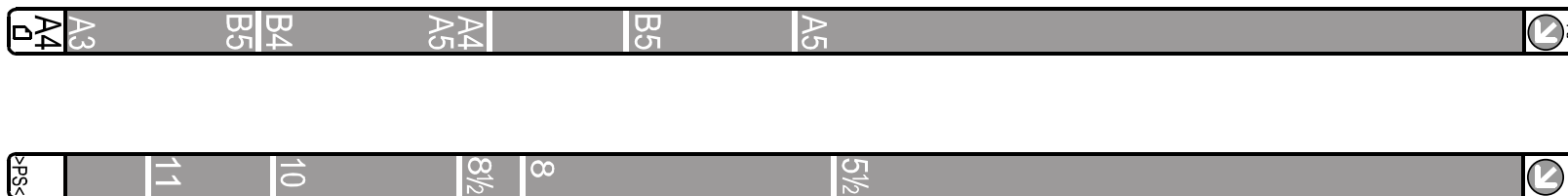


78.Decal and Documents (D062/D063/D065/D066)

46



47

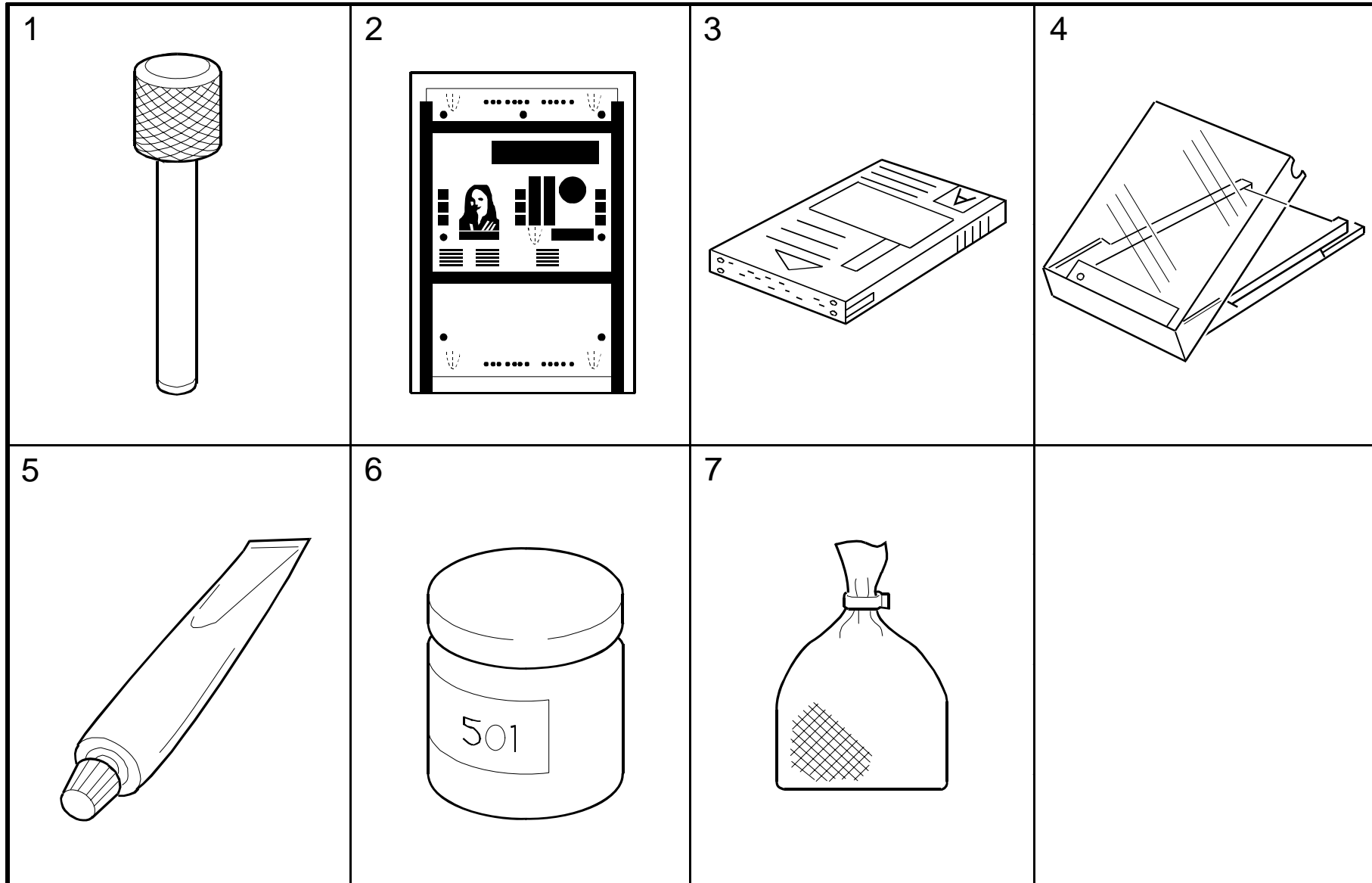


78. Decal and Documents (D062/D063/D065/D066)

Index No.	Part No.	Description	Q'ty Per Assembly
1	A029 2984	Decal - Grip	1
2	A096 6677	Decal - Right Paper Set	1
3	A096 6678	Decal - Left Paper Set	1
4	AA00 0059	Caution Decal - English	1
5	AA00 1213	Decal - B2	1
6	AA00 1394	Decal - Toner Supply	1
7	AA00 1508	Decal: Side Fence: 40x30	1
8	D062 6878	Decal: Caution Chart: Tandem LCT	1
9	AA00 3211	Decal: Paper Tray: Display: 1	1
10	AA00 3212	Decal: Paper Tray: Display: 2	1
11	AA00 3213	Decal: Paper Tray: Display: 3	1
12	B065 1363	Decal - Main Switch	1
13	B065 1366	Decal - Toner Supply	1
14	B132 2875	Decal: Paper Set Direction	1
15	B065 3833	Decal - Transfer Unit Lever	1
16	B065 4167	Decal - Fusing Knob	1
17	B065 4274	Decal - Misfeed Removal	1
18	B247 4266	Decal: Grip: Fusing/Paper Exit Unit	1
19	B247 4685	Decal: Release: Duplex Unit	1
20	B065 4480	Decal - Cover	1
21	B065 4481	Decal - Exit	1
22	B247 1373	Decal: Inner Cover: Right Lower: C2	1
23	B247 1374	Decal: Inner Cover: Right Lower: B2	1
24	B247 1375	Decal: Inner Cover: Right Lower: B1	1
25	B065 4867	Decal - Guide Plate Lever	1
26	D412 4403	Decal: Design Sketch: Misfeed Removal: P2	1
27	B065 6846	Decal - Paper Set - Left	1
28	B065 6877	Decal - Paper Set - Right	1
29	B070 1307	Decal: Paper Set Direction	1
30	B082 6403	Decal: Power Source: Off: EXP	1
31	B132 6786	Decal: Paper Tray: Paper Set Direction	1
32	B234 1378	Decal - Total Counter	1
33	AA00 1509	Decal: Side Fence: 16x30	1
34	B223 2873	Decal - Side Fence Rear	1
35	B234 3892	Decal - Lever Release Transfer	1

Index No.	Part No.	Description	Q'ty Per Assembly
36	B234 8510	Decal: Size Indication: Multi-Language: C3	1
37	B246 3342	Decal: Toner: Supply: Operation Sub-unit: EXP	1
37	B246 3345	Decal: Toner: Supply: Operation Sub-unit: DEU	1
37	B246 3346	Decal: Toner: Supply: Operation Sub-unit: FRA	1
37	B246 3347	Decal: Toner: Supply: Operation Sub-unit: ITA	1
37	B246 3348	Decal: Toner: Supply: Operation Sub-unit: ESP	1
38	D062 4797	Decal: H-temp Warning: Duplex Unit	1
39	D412 4402	Decal: Set: Original Table	1
40	D412 4401	Decal: Base: Original	1
41	B477 4391	Decal - Exposure Glass Cleaning	1
42	D059 6872	Decal: Caption: Interface	1
43	G564 6077	Decal: Exposure Glass: 5-Lang	1
44	B652 1807	Decal: Size: Original	1
45	AA00 0217	Decal - LD 655	1
46	D062 1361	Decal: Misfeed Removal: Main: M-C4	1
47	B132 1688	Decal: Scale: DOM	1
47	B132 1689	Decal: Scale: NA	1

79.Special Tools (D062/D063/D065/D066)



79.Special Tools (D062/D063/D065/D066)

Index No.	Part No.	Description	Q'ty Per Assembly
1	A006 9104	Adjusting Scanner Pin (4pcs/set)	1
2	A292 9500	Test Chart - S5S (10 pcs/set)	1
2	VSST 9500	Test Chart - S5S- DF (10 sheet/set)	1
3	N803 6701	Flash Memory Card-4MB	1
4	N803 1000	Case - Flash Memory Card	1
5	A257 9300	Grease - Barrierta S552R	1
6	5203 9501	Grease 501	1
6	5203 9502	Grease 501	1
7	5442 9101	Setting Powder	1

Index No.	Part No.	Description	Q'ty Per Assembly

D062/D063/D065/D066 PARTS INDEX

This section instructs you as to the numbers and names of parts on this machine.

PM Parts Index

Section Name	Part No.	Description in Service Manual	Description in Parts Catalog	Q'ty Per Assembly	Page and Index No.
Exterior 2 (D062/D063/D065/D066)	D062 1233	Ozone Filter	Ozone Filter:Front	1	19 - 18
DF Original Feed 2 (D062/D063/D065/D066)	A806 1295	Paper Feed Belt	Feed Belt	1	31 - 12
DF Original Feed 2 (D062/D063/D065/D066)	B477 2225	Pick-up Roller	Pick-up Roller	1	31 - 20
DF Original Transfer 3 (D062/D063/D065/D066)	B652 3121	ADF Transport Belt	Transport Belt	1	37 - 18
DF Original Transfer 4 (D062/D063/D065/D066)	A859 2241	Separation Roller	Reverse Roller	1	39 - 4
Paper Feed Unit 1 (D062/D063/D065/D066)	AF03 0081	Pick-up Roller	Paper Feed Roller:Pickup	1	69 - 2
Paper Feed Unit 1 (D062/D063/D065/D066)	AF03 1082	Feed Roller	Paper Feed Roller:Feed	1	69 - 3
Paper Feed Unit 2 (D062/D063/D065/D066)	AF03 2080	Separation Roller	Paper Feed Roller:Separate	1	71 - 32
Paper Registration 1 (D062/D063/D065/D066)	AF03 1083	By-pass Feed Roller	Paper Feed Roller:Feed:Manual Feed	1	75 - 12
Paper Registration 1 (D062/D063/D065/D066)	AF03 0080	By-pass Pick-up Roller Roller	Paper Feed Roller:Pickup	1	75 - 18
Paper Registration 2 (D062/D063/D065/D066)	AF03 2080	Separation Roller	Paper Feed Roller:Separate	1	77 - 16
Toner Supply Unit (D062/D063/D065/D066)	B247 3161	Toner Recycling Unit	Classification Ass'y	1	83 - 1
Toner Supply Unit (D062/D063/D065/D066)	D066 3161	Toner Recycling Unit (for Type-e)	Case:Classification:M-C4:90:Ass'y	1	83 - 1
Development Unit 1 (D062/D063/D065/D066)	B064 9640	Developer Type 24 Black	Developer Type 24 Black	1	85 - 1
Development Unit 1 (D062/D063/D065/D066)	B247 3340	Development Filter	Filter:Development	1	85 - 3
Development Unit 1 (D062/D063/D065/D066)	D062 3340	Development Filter (for Type-e)	Filter:Development:MC4-90	1	85 - 6
Charge Unit (D062/D063/D065/D066)	A096 2063	Charge Wire Cleaning Pad	Corona Wire Cleaner	1	89 - 6
Charge Unit (D062/D063/D065/D066)	B070 2364	Charge Corona Wire	Charge Corona Wire	1	89 - 17
Charge Unit (D062/D063/D065/D066)	A096 2060	Charge Corona Grid	Grid:Charge Corona:N	1	89 - 26
PCU 1 (D062/D063/D065/D066)	B247 3340	Development Filter	Filter:Development	1	91 - 17
PCU 1 (D062/D063/D065/D066)	B246 9510	OPC Drum:MT-C3	OPC Drum:MT-C3	1	91 - 19
PCU 2 (D062/D063/D065/D066)	B247 2330	Cleaning Brush	Brush Roller:Cleaning	1	93 - 8
PCU 3 (D062/D063/D065/D066)	AD04 1140	Cleaning Blade	Cleaning Blade	1	95 - 9
Transfer Belt Unit 1 (D062/D063/D065/D066)	A293 3899	Transfer Belt	Transfer Belt - Mojito Service	1	97 - 8
Transfer Belt Unit 1 (D062/D063/D065/D066)	B065 3947	Discharge Plate	Anti-static Plate	1	97 - 21
Transfer Belt Unit 2 (D062/D063/D065/D066)	AD04 1126	Transfer Roller Cleaning Blade	Transfer Belt Cleaning Blade	1	99 - 1
Fusing Unit 1 (D062/D063/D065/D066)	AE04 5057	Cleaning WEB	Roller:Cleaning Felt:32m:Ass'y	1	101 - 30
Fusing Unit 1 (D062/D063/D065/D066)	AE04 5058	Cleaning WEB (for Type-e)	Roller:Cleaning Felt:28m:Ass'y	1	101 - 30
Fusing Unit 1 (D062/D063/D065/D066)	B140 4191	Cleaning WEB Pressure Roller Bearing Front	Front Oil Supply Bushing	1	101 - 33
Fusing Unit 1 (D062/D063/D065/D066)	AE03 1026	Pressure Cleaning Roller Bearing	Bushing - Oil Supply Roller	1	101 - 33
Fusing Unit 1 (D062/D063/D065/D066)	B140 4192	Cleaning WEB Pressure Roller Bearing Rear	Inner Back:Oil Supply Bushing	1	101 - 34
Fusing Unit 1 (D062/D063/D065/D066)	B065 4210	Cleaning WEB Pressure Roller Bearing Rear (for Type-e)	Rear Bushing - Oil Supply Roller	1	101 - 34

Section Name	Part No.	Description in Service Manual	Description in Parts Catalog	Q'ty Per Assembly	Page and Index No.
Fusing Unit 1 (D062/D063/D065/D066)	AE04 4068	Cleaning WEB Pressure Roller	Pressure Roller:Cleaning Felt	1	101 - 36
Fusing Unit 1 (D062/D063/D065/D066)	AE04 0038	Cleaning WEB Pressure Roller (for Type-e)	Cleaning Web Pressure Roller	1	101 - 36
Fusing Unit 2 (D062/D063/D065/D066)	AE04 4060	Hot Roller Stripper	Stripper Pawls	1	103 - 15
Fusing Unit 3 (D062/D063/D065)	AE01 1117	Hot Roller	Hot Roller:MM40	1	105 - 1
Fusing Unit 3 (D062/D063/D065)	AW10 0108	Thermistor Center	Thermistor - Middle	1	105 - 12
Fusing Unit 3 (D062/D063/D065)	AW10 0109	Inner Back Fusing Thermistor	Thermistor - Inner Back	1	105 - 13
Fusing Unit 3 (D062/D063/D065)	AE03 0054	Hot Roller Bearing	Ball Bearing - 40x52x7	1	105 - 23
Fusing Unit 3 (D062/D063/D065)	AE02 0182	Pressure Roller	Pressure Roller:DIA40	1	105 - 32
Fusing Unit 3 (D062/D063/D065)	AE03 0053	Pressure Roller Bearing	Ball Bearing - 8x19x6	1	105 - 33
Fusing Unit 4 (D066)	AE03 0017	Hot Roller Bearing (for Type-e)	Ball Bearing - 35x50x10	1	107 - 16
Fusing Unit 4 (D066)	AE01 1044	Hot Roller (for Type-e)	Hot Roller	1	107 - 21
Fusing Unit 4 (D066)	AE03 0018	Pressure Roller Bearing (for Type-e)	Ball Bearing - 12x28x8	1	107 - 25
Fusing Unit 4 (D066)	AE02 0178	Pressure Roller (for Type-e)	Pressure Roller:DIA50	1	107 - 26
Fusing Unit 5 (D062/D063/D065)	AE03 1026	Pressure Cleaning Roller Bearing	Bushing - Oil Supply Roller	1	109 - 5
Fusing Unit 5 (D062/D063/D065)	AE04 2066	Pressure Cleaning Roller	Fusing Cleaning Roller	1	109 - 6
Fusing Unit 6 (D066)	AE03 1024	Pressure Cleaning Roller Bearing (for Type-e)	Bushing - M4x7	1	111 - 6
Fusing Unit 6 (D066)	AE04 2052	Pressure Cleaning Roller (for Type-e)	Cleaning Roller	1	111 - 7

Parts Index

Part No.	Description	Page and Index No.
D062 1031	Ground Plate: Panel: Large: 5	139 - 7
D062 1032	Ground Plate: Frame	51 - 18
D062 1034	Ground Plate: Right: Rear: Ass'y	157 - 24
D062 1093	Bracket: ADF	49 - 18
D062 1140	Drum Shaft: Ass'y	131 - 9
D062 1145	Boss: Gear	131 - 12
D062 1172	Harness: Development: Fan: Connecting	51 - 16
D062 1175	Duct: Image Forming Section: Main: Ass'y	155 - 18
D062 1177	Duct: Toner Bottle	155 - 19
D062 1179	Duct: Image Forming Section: Gate: Ass'y	155 - 17
D062 1180	Duct: PCU: Ass'y	141 - 5
D062 1192	Duct: Exhaust: Upper	139 - 10
D062 1193	Duct: Exhaust: Lower	139 - 11
D062 1194	Bracket: Duct: Exhaust	139 - 6
D062 1198	Bracket: DC Fan Motor: Duplex	159 - 13
D062 1199	Guard: Fan: MM80	159 - 11
D062 1233	Ozone Filter: Front	19 - 18
D062 1234	Ozone Filter: Rear	19 - 17
D062 1235	Cover: Rear Upper: Ass'y	19 - 14
D062 1237	Duct: Cover: Exhaust: Adhesion	19 - 19
D062 1302	Cover: Right Upper	19 - 30
D062 1304	Cover: Left Upper	19 - 2
D062 1305	Cover: Rear Upper	19 - 15
D062 1308	Cover: Rear Lower	19 - 23
D062 1309	Cover: Upper Rear	19 - 12
D062 1310	Cover: Upper Right	19 - 11
D062 1311	Cover: Upper Left	19 - 7
D062 1354	Sheet: Duct: Cover	19 - 16
D062 1361	Decal: Misfeed Removal: Main: M-C4	17 - 4
D062 1361	Decal: Misfeed Removal: Main: M-C4	219 - 46
D062 1404	Operation Sub-unit: MAR-C4: NA: Ass'y	25 - *
D062 1406	Operation Sub-unit: MAR-C4: EU: Ass'y	25 - *
D062 1461	PCB: M-C4: LCDC: NA: Ass'y	25 - 32
D062 1462	PCB: M-C4: LCDC: EU: Ass'y	25 - 32
D062 1466	PCB: M-C4: OP-R: Sub-ass'y	25 - 22

Part No.	Description	Page and Index No.
D062 1485	Ground Wire: M-C4: Operation Sub-unit	25 - 29
D062 1509	Keytop: Interrupt	25 - 12
D062 1521	Keytop: 10key	25 - 8
D062 1530	Sheet: OP: R	25 - 33
D062 1540	Keytop: 10key: NA	25 - 8
D062 1583	Keytop: Clear Modes	25 - 9
D062 1669	Filter: Duct: CCD: Cooling	51 - 4
D062 1677	Duct: Cooling: CCD	51 - 3
D062 1679	Cover: Polygon Mirror Motor: Ass'y	51 - 22
D062 1708	Pulley: Drive: Front: Ass'y	55 - 12
D062 1709	Pulley: Drive: Rear: Ass'y	55 - 13
D062 1731	Lensblock SMB: Ass'y	51 - 1
D062 1732	Bracket: Fix: Front	51 - 20
D062 1734	Bracket: Fix: Rear	51 - 21
D062 1739	Cushion: Scanner	51 - 24
D062 1801	Carriage: No.2: Ass'y	53 - 2
D062 1852	Imaging Unit: Ass'y	57 - *
D062 1859	Laser Diode Unit: Ass'y	57 - 3
D062 1904	Plate: Harness: LVDS	57 - 8
D062 1908	Aperture	57 - 4
D062 1912	Plate: Lens: L0	57 - 6
D062 2260	PCU: Lower: C4: Ass'y	91 - *
D062 2261	PCU: Lower: M-C4: NA: Ass'y	91 - *
D062 2388	Spring Plate: Brush Roller	95 - 17
D062 2389	Holder: Spring Plate: Brush Roller	95 - 18
D062 2425	Gear: Brush Roller	93 - 10
D062 2751	Stepper Motor: Paper Feed: Machine Or Copier: Ass'y	77 - 21
D062 3050	Development Unit: Ass'y	85 - *
D062 3099	Seal: Drum: Front	85 - 9
D062 3100	Seal: Drum: Rear	85 - 10
D062 3108	Plate: Filter	85 - 5
D062 3340	Filter: Development: MC4-90	85 - 6
D062 3854	Transfer Unit: EXP: Ass'y	97 - *
D062 3925	Cleaning Roller: Transfer Belt: Ass'y	99 - 8

Part No.	Description	Page and Index No.
D062 3966	DC Solenoid: On-Off: MC4: Ass'y	99 - 27
D062 4097	Cleaning Unit: Hot Roller: Ass'y	101 - *
D062 4117	Fusing Cover: Upper: Ass'y	103 - 16
D062 4131	Fusing Entrance Guide Plate: NA: Ass'y	103 - 22
D062 4135	Fusing Entrance Guide Plate: Lower: Ass'y	103 - 22
D062 4174	Grip: Fusing Unit: Front: Ass'y	103 - 18
D062 4500	Duplex Unit: Ass'y	119 - *
D062 4583	Fusing Unit: M-C4: 230V: Ass'y	103 - *
D062 4584	Fusing Unit: M-C4: 120V: Ass'y	103 - *
D062 4785	Stepper Motor: Transport: Ass'y	123 - 8
D062 4797	Decal: H-temp Warning: Duplex Unit	219 - 38
D062 4797	Decal: H-temp Warning: Duplex Unit	119 - 1
D062 4983	Harness: Duplex Unit: 12Pin	127 - 25
D062 5014	PCB: CNB: Ass'y	139 - 20
D062 5016	PCB: DRB: 60-75: Ass'y	139 - 21
D062 5122	PCB: BCU: 60-80CPM: Service	171 - *
D062 5122	PCB: BCU: 60-80CPM: Service	137 - 9
D062 5132	PCB: PFB: Three Way	145 - 5
D062 5141	PCB: Image Processing Unit: M-C4	153 - 12
D062 5141	PCB: Image Processing Unit: M-C4	189 - *
D062 5148	IC: ARURU	189 - 1
D062 5180	PCB: SIOB	51 - 6
D062 5195	PCB: SCNB	51 - 5
D062 5271	Motor Control Board: DC Polygon Mirror Motor	57 - 12
D062 5303	Harness: SBU	51 - 10
D062 5304	Harness: SBU: Power Source	51 - 9
D062 5325	Brushless Motor: Development Unit: MC4-90: Ass'y	133 - 1
D062 5399	Flash Memory: BIOS: EX1: M-C4	211 - 2
D062 5403	Cable: LVDS Cable: LDB	57 - 1
D062 5412	Harness: DC Polygon Mirror Motor	57 - 11
D062 5415	Harness: Main: Left: Low Speed	137 - 8
D062 5416	Harness: Main: Upper	137 - 6
D062 5418	Harness: Machine Or Copier: Duplex: Exit	141 - 15
D062 5420	Harness: CNB: Main: Upper	139 - 19

Part No.	Description	Page and Index No.
D062 5421	Harness: Safety Switch	139 - 18
D062 5422	Harness: DRB: Duplex	141 - 14
D062 5437	Harness: Laser Diode Control: Power Source	57 - 2
D062 5445	Harness: CNB: FIN	141 - 16
D062 5451	Harness: IPU: BCU: 50	153 - 18
D062 5452	Harness: IPU: BCU: 40	153 - 16
D062 5466	Harness: SIOB: BCU: Connecting: Fanlamp	51 - 12
D062 5470	Harness: Scanner: Interfacecable	51 - 8
D062 5471	Harness: SIOB: BCU	137 - 7
D062 5474	Harness: SIOB: Original Sensor: EXP	51 - 11
D062 5475	Harness: IPU: ADF: Connecting	153 - 15
D062 5500	Harness: DC Power Supply: CNB: BCU	139 - 15
D062 5502	Harness: DC Power Supply: PFB	145 - 8
D062 5504	Harness: CNB: ADF: Connecting	139 - 16
D062 5505	PCB: M-C4A: Service: Ass'y	211 - *
D062 5505	PCB: M-C4A: Service: Ass'y	151 - 4
D062 5509	Harness: Power Source: BCU: DRB	139 - 17
D062 5513	Harness: CTL: Fan: Connecting	151 - 2
D062 5517	Harness: DC Power Supply: IPU	153 - 10
D062 5561	Harness: PWRCTL_DC24V: Connecting: EXP	143 - 1
D062 5601	Harness: Bank: Dehumidifier: 60/75	143 - 2
D062 5615	Harness: AC Power Supply: Main: NA	141 - 10
D062 5617	Harness: AC Power Supply: Main: EU	141 - 10
D062 5625	Harness: AC Power Supply: CTL-PSU	153 - 9
D062 5703	Harness: BCU: PFB: Connecting	145 - 7
D062 5782	Cable: HDD: SATA: Gray: M-C4	153 - 3
D062 5784	Cable: HDD: SATA: Power: M-C4	153 - 4
D062 5817	Hinge: Control Unit	149 - 3
D062 5824	Hinge: Control Unit: Main: Ass'y	159 - 17
D062 5851	Bracket: Drum Stay: Control Board	151 - 9
D062 5856	Ground Plate: Power Supply Unit	143 - 6
D062 5856	Ground Plate: Power Supply Unit	137 - 5
D062 5883	Ground Plate: Control Board: L63.2	151 - 6
D062 5884	Ground Plate: Control Board: L76	151 - 7
D062 5885	Stopper: Power Supply Cord: TypeC	143 - 5

Part No.	Description	Page and Index No.
D062 5887	Ground Wire: Connecting: Earth	137 - 3
D062 5891	Cover: DC Fan Motor	149 - 1
D062 5893	Bracket: Earth: HDD	153 - 2
D062 5979	Ground Plate: USB	151 - 5
D062 5981	Bracket: Connecting: Earth	137 - 4
D062 5992	Bracket: Hinge: Gasket: Ass'y	159 - 16
D062 5995	Cover: Harness: Image Processing Unit	137 - 1
D062 6254	Slide Rail: Tandem LCT: Left: Ass'y	163 - 5
D062 6433	Shaft: Stopper: Paper Tray	21 - 14
D062 6434	Link: Stopper: Paper Tray	21 - 12
D062 6435	Arm: Stopper: Paper Tray: Peen	21 - 4
D062 6438	Roller: Stopper: Paper Tray	21 - 11
D062 6439	Torsion Spring: Stopper: Paper Tray	21 - 13
D062 6441	Shaft: Grip: Paper Tray	21 - 10
D062 6442	Arm: Grip: Paper Tray: Left: Peen	21 - 9
D062 6447	Arm: Grip: Paper Tray: Right	21 - 8
D062 6449	Torsion Spring: Grip: Paper Tray	21 - 7
D062 6458	Holder: Stopper: Paper Tray	161 - 23
D062 6590	Spring: Tandem LCT: Lock	163 - 1
D062 6605	Tandem LCT: Right: Ass'y	61 - *
D062 6606	Tandem LCT: Right: Letter: Ass'y	61 - *
D062 6610	Block: Positioning: Paper Tray	161 - 5
D062 6612	Sheet: Positioning: Paper Tray	161 - 1
D062 6615	Tandem LCT: Left: Letter: Ass'y	59 - *
D062 6627	Grip: Paper Tray: Ass'y	21 - 3
D062 6627	Grip: Paper Tray: Ass'y	23 - 3
D062 6630	Cover: Tandem LCT	23 - 1
D062 6632	Cover: Paper Tray: Long	21 - 6
D062 6633	Cover: Paper Tray: Short	21 - 5
D062 6646	Inner Cover: Tandem LCT: Left	59 - 4
D062 6665	Bracket: DC Motor: Left: Peen	59 - 33
D062 6701	Torsion Spring: Stopper: Tandem LCT	23 - 4
D062 6702	Stopper: Tandem LCT	23 - 5
D062 6703	Link: Stopper: Tandem LCT: Peen	23 - 6
D062 6705	Arm: Grip: Tandem LCT: Left	23 - 9

Part No.	Description	Page and Index No.
D062 6706	Shaft: Grip: Tandem LCT	23 - 10
D062 6713	Arm: Grip: Tandem LCT: Right	23 - 8
D062 6715	Torsion Spring: Grip: Tandem LCT	23 - 11
D062 6745	Inner Cover: Tandem LCT: Right	61 - 4
D062 6777	Bracket: Lever: Slide: Auxiliary	163 - 10
D062 6878	Decal: Caution Chart: Tandem LCT	219 - 8
D062 6878	Decal: Caution Chart: Tandem LCT	61 - 3
D062 7041	Sheet: Model Name Plate: D062: EXP	17 - 15
D062 7043	Sheet: Model Name Plate: D062: GES: NA	17 - 15
D062 7049	Sheet: Model Name Plate: D062: LAN: EU	17 - 15
D062 7702	SADF: DOM: MON: Ass'y	27 - *
D062 9590	NVRAM	151 - 1
D063 5505	PCB: M-C4D: Service: Ass'y	151 - 4
D063 5505	PCB: M-C4D: Service: Ass'y	211 - *
D063 7041	Sheet: Model Name Plate: D063: EXP	17 - 15
D063 7043	Sheet: Model Name Plate: D063: GES: NA	17 - 15
D063 7049	Sheet: Model Name Plate: D063: LAN: EU	17 - 15
D065 5505	PCB: M-C4D: Service: Ass'y	211 - *
D065 5505	PCB: M-C4D: Service: Ass'y	151 - 4
D065 7041	Sheet: Model Name Plate: D065: EXP	17 - 15
D065 7043	Sheet: Model Name Plate: D065: GES: NA	17 - 15
D065 7049	Sheet: Model Name Plate: D065: LAN: EU	17 - 15
D066 2751	DC Stepper Motor: Paper Feed: Main: Ass'y	77 - 21
D066 3045	Duct: Development: Ass'y	85 - 7
D066 3161	Case: Classification: M-C4: 90: Ass'y	83 - 1
D066 3200	Toner Supply Unit: M-C4: 90: Ass'y	83 - *
D066 3250	Rail: Development Unit: M-C4: 90: Ass'y	157 - 21
D066 3856	Transfer Unit: EXP: E: Ass'y	97 - *
D066 3966	DC Solenoid: On-Off: MC4: Type-E: Ass'y	99 - 27
D066 3984	Brush: Flat Belt-transfer: Ass'y	97 - 2
D066 3988	Electrode: Bias: Transfer: Ass'y	97 - 18
D066 3990	Cover: Electrode Plate	97 - 3
D066 4016	Fusing Unit: EXP: E: Ass'y	103 - *
D066 4080	Stripper Pawls: Open And Close: Ass'y	103 - 1
D066 4117	Fusing Cover: Upper: Ass'y	103 - 16

Part No.	Description	Page and Index No.
D066 4156	Harness: Fusing Unit: EXP	107 - 20
D066 4200	Cleaning Unit: Hot Roller: C4: E: Ass'y	101 - *
D066 4211	Stay: Fusing: Upper: Ass'y	107 - 11
D066 4221	Housing: Thermostat	107 - 6
D066 4223	Electrode Plate: Thermostat	107 - 3
D066 4291	Bracket: Guide Plate: Fusing Exit: Upper: Ass'y	103 - 12
D066 4415	DC Solenoid: Gate Pawl: Ass'y	115 - 16
D066 5014	PCB: CNB: 90: Ass'y	139 - 20
D066 5016	PCB: DRB: 80-90: Ass'y	139 - 21
D066 5122	PCB: BCU: 90CPM: Service	171 - *
D066 5122	PCB: BCU: 90CPM: Service	137 - 9
D066 5417	Harness: Machine Or Copier: Left	137 - 8
D066 5418	Harness: Main: Duplex: Exit: 90	141 - 15
D066 5505	PCB: M-C4E: Service: Ass'y	151 - 4
D066 5505	PCB: M-C4E: Service: Ass'y	211 - *
D066 5616	Harness: AC Power Supply: Main: EXP: 90CPM	141 - 10
D066 5700	Harness: Bank: Rear: Three Way	147 - 13
D066 5701	Harness: Bank: Front: Three Way: 90CPM	145 - 6
D066 5709	Harness: Bank: Rear: Three Way: Ass'y	147 - 18
D066 6252	Slide Rail: Tandem LCT: Right: Ass'y	163 - 14
D066 6367	Bracket: Drive: Paper Feed Unit	69 - 24
D066 6394	Bracket: Cover: Paper Feed Unit	71 - 30
D066 6472	Guide Plate: Joint Unit: Ass'y	73 - 28
D066 6474	Gear: Pulley: 38Z/40T	73 - 6
D066 6498	Gear: Idler: Paper Feed Unit: 17Z	71 - 20
D066 6621	Paper Feed Unit: Paper Bank: Ass'y	69 - *
D066 6644	Synchronous Belt: B60S2M124	135 - 4
D066 6693	Slide Rail: Right: Ass'y	161 - 8
D066 6727	Bracket: Drive	135 - 6
D066 6728	Bracket: Drive: Lower	135 - 7
D066 6729	Bracket: Drive: Joint Unit	135 - 8
D066 6738	Bracket: Lift Motor: Tandem LCT	147 - 8
D066 6740	Shaft: Drive: Paper Feed: Ass'y	135 - 5
D066 6780	Stepper Motor: Paper Transport MD: DIA60	135 - 1
D066 7041	Sheet: Model Name Plate: D066: EXP	17 - 15

Part No.	Description	Page and Index No.
D066 7043	Sheet: Model Name Plate: D066: GES: NA	17 - 15
D066 7049	Sheet: Model Name Plate: D066: LAN: EU	17 - 15

Part No.	Description	Page and Index No.
A006 9104	Adjusting Scanner Pin (4pcs/set)	221 - 1
A007 3751	Large Cap - Toner Collection Tank	19 - 34
A029 2984	Decal - Grip	73 - 10
A029 2984	Decal - Grip	219 - 1
A048 2276	Ring - Transport Bracket	95 - 4
A048 2838	Nylon Rivet	115 - 17
A048 2838	Nylon Rivet	79 - 28
A069 1883	Shoe - Scanner	53 - 21
A096 1679	Development Grounding Plate	157 - 22
A096 2051	Rear Grid Anchor	89 - 25
A096 2052	Front Grid Anchor	89 - 24
A096 2060	Grid: Charge Corona: N	89 - 26
A096 2062	Wire Cleaner Slider	89 - 5
A096 2063	Corona Wire Cleaner	89 - 6
A096 2065	Slider Ring	89 - 7
A096 2301	Grounding Plate	91 - 5
A096 2633	Front Lock	79 - 3
A096 2780	Feed Guide Gear	67 - 8
A096 3141	Development Filter Case	85 - 4
A096 3181	Slitter	83 - 10
A096 3224	Bottle Roller	81 - 14
A096 3712	Ratch	19 - 24
A096 3712	Ratch	129 - 32
A096 4319	Exit Roller Holder	103 - 13
A096 4595	Duplex Guide	127 - 18
A096 4928	Guide Plate Band	119 - 23
A096 5528	Micro Switch Sheet	73 - 23
A096 6553	Side Fence Pad	65 - 11
A096 6677	Decal - Right Paper Set	61 - 12
A096 6677	Decal - Right Paper Set	219 - 2
A096 6678	Decal - Left Paper Set	59 - 12
A096 6678	Decal - Left Paper Set	219 - 3
A134 1724	Cushion - Stepper Motor	55 - 19
A134 2363	Terminal Plate	89 - 23

Part No.	Description	Page and Index No.
A134 2978	Spring Plate	65 - 10
A134 3192	Seal - Toner Bottle	81 - 10
A176 2054	Grounding Plate	89 - 11
A176 2061	Screw Shaft	89 - 8
A193 1767	1st Mirror Holder	53 - 3
A222 2724	External Circlip - MM8	81 - 36
A229 1135	Ring - 55	131 - 23
A229 1135	Ring - 55	133 - 10
A229 2655	Read Lock	79 - 4
A229 2717	Lock Lever	79 - 1
A229 3154	Case Seal	83 - 25
A229 3219	Rubber Bushing - Toner Supply Unit	81 - 26
A229 3232	Chuck Roller	81 - 7
A229 3242	Toner Bottle Joint Gear	81 - 20
A229 3243	Motor Joint Gear	81 - 19
A229 3261	Outer Shutter	81 - 31
A229 3262	Inner Shutter	81 - 30
A229 3263	Outer Shutter Shield	81 - 32
A229 3264	Shutter Lever	81 - 28
A229 3266	Upper Shutter Shield	81 - 29
A229 3285	Shutter Cover	81 - 27
A229 3861	Front Arm	97 - 5
A229 3862	Rear Arm	97 - 6
A229 3865	Transport Driven Roller	97 - 15
A229 3875	Drive Electrode	97 - 7
A229 3910	Front Bushing	99 - 18
A229 3911	Rear Bushing	99 - 22
A229 3934	Tape	99 - 12
A229 4467	Pressure Arm	117 - 10
A229 4477	Reverse Guide Plate	115 - 7
A229 4479	Reverse Guide Plate - Right	115 - 4
A229 4482	Exit Roller Holder	115 - 6
A229 4623	Lower Entrance Guide Plate	121 - 6
A229 4727	Guide Plate Pressure Holder	119 - 25
A229 4740	Drive Joint	121 - 22

Part No.	Description	Page and Index No.
A247 2800	Ball Bearing - 8x12x5	77 - 6
A247 4249	Connector - 3P	105 - 25
A247 4249	Connector - 3P	107 - 28
A248 6103	Guide Plate - Upper Heat Sink	163 - 7
A248 6666	Side Plate	61 - 2
A248 6694	Wire Ring	63 - 31
A248 6695	Guide - Pulley	63 - 16
A248 6713	Hook - Tension Spring	63 - 4
A250 1752	Exposure Glass	49 - 16
A257 6112	Pulley: Belt Tensioner	37 - 23
A257 9300	Grease - Barrierta S552R	221 - 5
A267 1820	Sheet - Photointerrupter	55 - 23
A267 2857	Spring Plate - Side Fence	65 - 23
A267 2859	Side Fence Stopper	65 - 22
A267 2860	Rear Lever Stopper	65 - 21
A292 9500	Test Chart - S5S (10 pcs/set)	221 - 2
A293 1155	Duplex Drive Bracket	133 - 21
A293 1332	Duct Holder	19 - 20
A293 2418	Upper Unit Cover	91 - 2
A293 3220	Toner Bottle Stopper	81 - 11
A293 3227	Toner Slider	81 - 4
A293 3230	Toner Bottle Chuck	81 - 3
A293 3231	Shield Holder	81 - 16
A293 3234	Shield Plate - Toner Bottle	81 - 2
A293 3899	Transfer Belt - Mojito Service	97 - 8
A293 4613	Front Gate Pawl	121 - 17
A293 4614	Rear Gate Pawl	121 - 18
A293 6399	Torque Limiter - Separator	39 - 5
A293 6649	Rear Cover Cushion - Tandem LCT	59 - 17
A294 1119	Fly Wheel	131 - 11
A294 1292	Door Switch Bracket	17 - 6
A294 1838	Ground Plate - Lens Stay	137 - 2
A294 1838	Ground Plate - Lens Stay	153 - 8
A294 2051	Rear Receptacle	131 - 4
A294 2052	Receptacle Pin	131 - 5

Part No.	Description	Page and Index No.
A294 3572	Rear Drum Seal	93 - 17
A294 4669	Cushion	127 - 12
A294 4723	Belt Holder Fixing Plate	127 - 5
A294 4754	Roller Lever	123 - 15
A294 6655	Front Roller - Slide Rail	63 - 27
A294 6690	Feeler - Paper Height Sensor	63 - 33
A294 6700	Torque Limiter - 53mnm	71 - 33
A294 6700	Torque Limiter - 53mNm	77 - 17
A300 2134	Guide Roller - B	159 - 22
A374 2181	Spacer	35 - 3
A376 4599	Side Fence Pad	29 - 3
A413 1670	Antistatic Brush	105 - 20
A413 1670	Antistatic Brush	107 - 14
A418 1158	Spacer - M6.5x1	31 - 2
A422 1063	Seal - 0.7x13x20	35 - 7
A422 1063	Seal - 0.7x13x20	41 - 22
A422 1078	Bushing - 6x12x4mm	39 - 10
A423 4433	Spring	73 - 25
A469 2123	Rubber Cushion - 1x10x10mm	79 - 18
A470 1703	Shift Clutch	117 - 4
A548 2139	Pulley	43 - 10
A628 1225	Bushing - 8mm	31 - 9
A628 3112	Shielding Sheet	49 - 24
A680 1621	Feed-in Unit Stopper	31 - 8
A680 2262	Feeler - Pick-up Roller Cam	43 - 22
A697 2131	Antistatic Brush	33 - 25
A806 1135	Contact Point Shaft	47 - 12
A806 1163	Guide Plate Cushion	31 - 5
A806 1292	Feed Belt Bracket	31 - 16
A806 1293	Feed Belt Drive Roller	31 - 10
A806 1294	Feed Belt Driven Roller	31 - 13
A806 1295	Feed Belt	31 - 12
A806 1298	Transport Belt Roller Shaft	31 - 14
A806 2151	Timing Pulley - T19/Z23 S2M/M0.6	31 - 26
A806 2271	Gear - Z18	31 - 27

Part No.	Description	Page and Index No.
A859 2230	Ball Bearing - 6x13x5	39 - 7
A859 2230	Ball Bearing - 6x13x5	43 - 15
A859 2241	Reverse Roller	39 - 4
A859 4836	Bushing - Exit Driven Roller	27 - 9
A859 7211	Stepped Screw	27 - 1
B027 8521	O/I Holder - Assembly	17 - 39
B064 9640	Developer Type 24 Black	85 - 1
B065 1075	Base Cover	159 - 10
B065 1091	Left Duct - PCU	157 - 2
B065 1092	Bracket	159 - 18
B065 1094	Duct Clip	157 - 3
B065 1095	Heat Insulation	157 - 1
B065 1096	Front Transfer Stay	157 - 17
B065 1098	Left Rail	157 - 10
B065 1131	Joint	131 - 29
B065 1134	Partition Plate	131 - 10
B065 1137	Bracket	131 - 8
B065 1147	Transfer Drive Bracket	131 - 25
B065 1160	Toner Recycling Tightener	133 - 16
B065 1167	Duplex Drive Joint	133 - 22
B065 1168	Fusing Drive Bracket	133 - 11
B065 1175	Entrance IPS Duct	139 - 4
B065 1178	Fan Bracket - IPS	139 - 2
B065 1183	Fan Bracket	141 - 1
B065 1184	Entrance PCU Duct	141 - 3
B065 1185	Duct - Charge	155 - 9
B065 1188	Duct - Fusing	155 - 7
B065 1197	Magnet Catch Bracket	159 - 21
B065 1198	Duplex Fan Harness	159 - 15
B065 1303	LCT Cover	19 - 29
B065 1318	PCU Duct Inner Cover	17 - 23
B065 1320	Receiving Tray - Operation Panel	155 - 4
B065 1323	Guide Plate Lever	17 - 10
B065 1326	Micro Switchlever	17 - 11
B065 1328	Upper Hinge Guide Plate	155 - 14

Part No.	Description	Page and Index No.
B065 1332	Louver	19 - 22
B065 1333	Lower Right Cover	19 - 31
B065 1334	Lower Left Cover	19 - 3
B065 1341	Connector Cap	19 - 27
B065 1342	Coupling Cap	19 - 28
B065 1344	G4 Cap	19 - 25
B065 1345	Fan Bracket	19 - 5
B065 1363	Decal - Main Switch	219 - 12
B065 1363	Decal - Main Switch	17 - 17
B065 1366	Decal - Toner Supply	219 - 13
B065 1366	Decal - Toner Supply	17 - 5
B065 1371	Cloth Holder	17 - 14
B065 1374	Cloth - DF Exposure Glass	17 - 12
B065 1772	Left Scale	49 - 3
B065 1773	Scale Bracket Seal	49 - 7
B065 1782	Seal	49 - 5
B065 1785	Right Stay	49 - 22
B065 1787	Scale Bracket	49 - 6
B065 1843	Grounding Plate	49 - 17
B065 1844	Grounding Plate	153 - 1
B065 1845	Grounding Plate	145 - 4
B065 1845	Grounding Plate	155 - 10
B065 1845	Grounding Plate	51 - 17
B065 1915	1st Mirror Holder	57 - 10
B065 1925	Lens Holder - L2 Right	57 - 17
B065 1926	Lens Holder - L2 Left	57 - 18
B065 1930	2nd Mirror Holder	57 - 20
B065 1932	Middle Mirror Holder	57 - 21
B065 1940	Shield Glass Rail	57 - 27
B065 1944	Shield Glass Holder	57 - 25
B065 1945	Seal - Shield Glass	57 - 26
B065 1946	Seal - Shield Glass Holder	57 - 24
B065 1955	Seal - Lens L1	57 - 14
B065 1957	Shield Glass Cover	91 - 18
B065 2316	Front Blade Seal	95 - 12

Part No.	Description	Page and Index No.
B065 2317	Rear Blade Seal	95 - 13
B065 2336	Pickoff Pawl: Drum: Ass'y	95 - 2
B065 2337	Pick-off Pawl Holder	95 - 5
B065 2358	Bracket Grounding Bracket	95 - 32
B065 2361	Entrance Seal Holder	95 - 25
B065 2362	Cleaning Entrance Seal	95 - 26
B065 2364	Pick-off Pawl Positioning Plate	95 - 24
B065 2369	Grounding Plate - Entrance Seal	95 - 31
B065 2371	Drum Stay	91 - 14
B065 2381	Grounding Plate	95 - 33
B065 2386	Middle PCU Casing	95 - 16
B065 2392	Receptacle	91 - 7
B065 2426	Pressure Release Lever	91 - 16
B065 2427	Cam - Blade	93 - 21
B065 2428	Agitator Gear	93 - 4
B065 2481	Grid Receptacle Terminal	131 - 2
B065 2482	Charge Receptacle Terminal	131 - 3
B065 2494	Upper PCU Harness	91 - 3
B065 2607	Front Support Plate	79 - 13
B065 2608	Development Connector Bracket	75 - 1
B065 2620	Paper Dust Removal Case	75 - 6
B065 2621	Sensor Bracket	75 - 4
B065 2682	Paper Feed Stay	75 - 9
B065 2688	Pick-up Roller Arm	75 - 17
B065 2707	Paper End Sensor Bracket	77 - 25
B065 2708	Middle Sensor Bracket	77 - 24
B065 2709	Reverse Pressure Lever	77 - 27
B065 2723	Sheet - Manual Feed Guide Plate	67 - 15
B065 2729	Paper End Feeler	67 - 18
B065 2732	Manual Feed Table	67 - 5
B065 2733	By-pass Table Cover	67 - 12
B065 2735	Rear Side Fence - By-pass	67 - 2
B065 2737	Front Side Fence - By-pass	67 - 1
B065 2741	Sensor Bracket	67 - 10
B065 2743	Front Shaft - By-pass	67 - 19

Part No.	Description	Page and Index No.
B065 2762	Relay Paper Feed Harness	129 - 34
B065 2762	Relay Paper Feed Harness	79 - 25
B065 2762	Relay Paper Feed Harness	127 - 10
B065 2763	Relay Registration Harness	75 - 2
B065 3062	Development Roller	87 - 1
B065 3065	Toner Sensor Guide	85 - 15
B065 3069	Bushing - 8mm	87 - 4
B065 3071	Development Knob	85 - 13
B065 3073	Gear - 31Z	85 - 21
B065 3076	Gear - 41Z	85 - 14
B065 3077	Development Roller Adjuster	87 - 3
B065 3079	Ball Bearing Bracket	85 - 17
B065 3080	Ball Bearing - 12x21x5	87 - 2
B065 3081	Gear - 21Z	85 - 18
B065 3082	Development Bias Plate	85 - 12
B065 3095	Development Guide Rail	85 - 8
B065 3096	Gear - 20Z	85 - 19
B065 3098	Gear - 17Z	85 - 22
B065 3108	Filter Plate	85 - 2
B065 3122	Toner Separation Joint Seal	83 - 2
B065 3123	Rear Toner Separation Joint Seal	83 - 3
B065 3125	Toner Separation Drive Shaft	83 - 4
B065 3138	Idle Gear	83 - 7
B065 3139	Toner Collection Gear	83 - 8
B065 3140	Upper Cover	83 - 21
B065 3141	Exit Toner Pipe	83 - 22
B065 3142	Toner Separation Shutter	83 - 24
B065 3143	Toner Separation Spring	83 - 23
B065 3146	Nut	83 - 11
B065 3151	Lower Right Case Seal	83 - 14
B065 3152	Lower Front Case Seal - Rear	83 - 12
B065 3153	Lower Filter Case Filter	83 - 13
B065 3250	Rail: Development Unit: Ass'y	157 - 21
B065 3258	Development Drum Stay	89 - 2
B065 3262	Electrode Plate	131 - 7

Part No.	Description	Page and Index No.
B065 3266	Toner Bottle Cam	155 - 12
B065 3267	Inner Back Cam	155 - 13
B065 3306	Gear: Toner Bottle: Ass'y	81 - 1
B065 3309	Toner Bottle Drive Bracket	81 - 22
B065 3557	Toner Catchpan	129 - 6
B065 3561	Spring	129 - 11
B065 3565	Toner Collection Case	129 - 4
B065 3566	Toner Receiving Spring	129 - 5
B065 3568	Case Cap	129 - 2
B065 3573	Toner Collection Agitator	129 - 3
B065 3581	Bushing	129 - 14
B065 3583	Spring Guide	129 - 16
B065 3585	Screw Gear	129 - 10
B065 3586	Screw Gear	129 - 18
B065 3587	Toner Collection Gear	129 - 13
B065 3588	Toner Collection Idle Gear	129 - 7
B065 3593	Toner Collection Discharge Harness	129 - 21
B065 3601	Toner Collection Pipe	129 - 26
B065 3610	Toner Collection Shaft	129 - 33
B065 3629	Toner Separation Case	129 - 25
B065 3636	Toner Collection Seal	129 - 24
B065 3637	Seal - 40x68	129 - 28
B065 3645	Gear - 22Z	129 - 22
B065 3649	Toner Collection Case - Transport	129 - 37
B065 3650	Toner Collection Joint	129 - 36
B065 3654	Toner Collection Cap	129 - 40
B065 3660	Pulley	129 - 39
B065 3689	Toner Collection Bottle Bracket	19 - 13
B065 3690	Tank: Discharge Used Toner	19 - 32
B065 3695	Bottle Guide	145 - 2
B065 3811	Transfer Unit Stay	157 - 8
B065 3812	Transfer Rely Harness	157 - 7
B065 3818	Transfer Unit Guide Plate	97 - 1
B065 3831	Release Positioning Plate	157 - 16
B065 3832	Transfer Unit Lever	157 - 13

Part No.	Description	Page and Index No.
B065 3833	Decal - Transfer Unit Lever	157 - 14
B065 3833	Decal - Transfer Unit Lever	219 - 15
B065 3868	Pressure Arm	97 - 14
B065 3872	Transfer Unit Joint	97 - 10
B065 3873	Toner Collection Gear	97 - 4
B065 3874	Electrode Plate	97 - 13
B065 3875	Terminal	97 - 12
B065 3878	Bias Terminal	97 - 17
B065 3918	Toner Collection Gear Coil	99 - 14
B065 3920	Idle Gear - 1	99 - 20
B065 3921	Idle Gear - 2	99 - 21
B065 3922	Electrode Plate Cover	99 - 19
B065 3928	Cleaning Roller Terminal	99 - 17
B065 3942	Guide Plate	97 - 19
B065 3945	Entrance Seal Holder	97 - 22
B065 3947	Anti-static Plate	97 - 21
B065 3950	Grounding Bracket	97 - 20
B065 3955	Entrance Guide Plate	99 - 13
B065 3962	Spring Plate	99 - 2
B065 3963	Lever	99 - 4
B065 3964	Bushing	99 - 5
B065 4112	Right Stay	111 - 22
B065 4114	Left Stay	109 - 29
B065 4114	Left Stay	111 - 21
B065 4116	Lower Fusing Cover	103 - 21
B065 4124	Front Heater Holder	107 - 12
B065 4129	Sheet: Fiber: Side Plate	109 - 7
B065 4129	Sheet: Fiber: Side Plate	111 - 8
B065 4130	Thermostat Housing - Middle	107 - 10
B065 4132	Middle Thermistor Cover	107 - 8
B065 4135	Lower Fusing Entrance Plate - 240V	103 - 22
B065 4138	Side Plate Cover	103 - 20
B065 4139	Switch Holder	109 - 24
B065 4139	Switch Holder	111 - 16
B065 4140	Lower Guide Plate - Exit	111 - 19

Part No.	Description	Page and Index No.
B065 4141	Spring Plate - Switch	111 - 17
B065 4141	Spring Plate - Switch	109 - 25
B065 4150	Front Harness	107 - 1
B065 4151	Rear Harness	105 - 3
B065 4151	Rear Harness	107 - 2
B065 4154	Rear Fusing Plate	113 - 23
B065 4157	Connector Bracket	107 - 19
B065 4159	Harness Holder	107 - 18
B065 4160	Cleaning Roller Guide Plate	111 - 3
B065 4161	Left Support Bracket	111 - 4
B065 4164	Right Support Bracket	111 - 5
B065 4167	Decal - Fusing Knob	219 - 16
B065 4167	Decal - Fusing Knob	101 - 5
B065 4170	Rear Heater Holder	107 - 13
B065 4177	Front Pressure Lever	111 - 11
B065 4178	Rear Pressure Lever	111 - 12
B065 4179	Stripper Pawls Plate	159 - 25
B065 4180	Spacer - 16mm	107 - 24
B065 4184	Stripper Pawls Grip	103 - 10
B065 4185	Exit Plate	105 - 16
B065 4188	Front Lock Pawl	103 - 8
B065 4189	Rear Lock Pawl	103 - 9
B065 4207	Web Shaft	101 - 31
B065 4210	Rear Bushing - Oil Supply Roller	101 - 34
B065 4211	Pressure Roller Gear	101 - 37
B065 4217	Web Bracket	101 - 32
B065 4219	Web End Feeler	101 - 25
B065 4221	Feeler Spring	101 - 24
B065 4222	Gear - 37Z	101 - 14
B065 4223	Motor Gear	101 - 16
B065 4225	Motor Plate Bracket	101 - 12
B065 4231	Web Cover	101 - 7
B065 4232	Feeler Guard Bracket	101 - 8
B065 4234	Stopper Gear	101 - 22
B065 4235	Web Idle Gear	101 - 21

Part No.	Description	Page and Index No.
B065 4238	Gear - 50Z	101 - 17
B065 4241	Gear	101 - 15
B065 4244	Gear - 23Z	101 - 27
B065 4246	Spring Plate	101 - 10
B065 4247	Brake Pad	101 - 9
B065 4248	Web Harness	101 - 20
B065 4249	Right Exit Stay	117 - 18
B065 4251	Positioning Plate - Web Unit	101 - 26
B065 4252	Left Exit Tray	117 - 1
B065 4254	Lower Entrance Guide Plate	115 - 12
B065 4255	Insulator	101 - 4
B065 4262	Lock Lever Bracket	113 - 31
B065 4266	Lever Contact Bracket	113 - 26
B065 4274	Decal - Misfeed Removal	101 - 3
B065 4274	Decal - Misfeed Removal	219 - 17
B065 4306	Front Exhaust Side Plate	159 - 5
B065 4307	Rear Exhaust Side Plate	159 - 6
B065 4317	Idle Pulley - 11mm	117 - 20
B065 4358	Paper Feed Sensor Bracket	113 - 4
B065 4359	Grip Supporter	113 - 9
B065 4360	Spring Plate	113 - 17
B065 4363	Upper Grip	113 - 8
B065 4373	Upper Exit Guide Plate	113 - 13
B065 4374	Exit Entrance Sensor Bracket	113 - 15
B065 4390	Fusing Exitguide Plate	103 - 19
B065 4397	Release Slider	103 - 7
B065 4398	Slider Cover	103 - 2
B065 4413	Exit Gate Pawl	115 - 8
B065 4422	Guide Plate Lever	117 - 13
B065 4424	Exit Arm Pad	117 - 11
B065 4441	Exit Drum Stay	115 - 14
B065 4453	Middle Exit Guide Plate	113 - 21
B065 4458	Exit Drawer Bracket	117 - 23
B065 4459	Rear Harness Bracket	117 - 17
B065 4460	Front Harness Bracket	117 - 14

Part No.	Description	Page and Index No.
B065 4470	Support Bracket	113 - 25
B065 4480	Decal - Cover	19 - 1
B065 4480	Decal - Cover	219 - 20
B065 4481	Decal - Exit	101 - 2
B065 4481	Decal - Exit	219 - 21
B065 4495	Relay Harness - Guide Plate	113 - 16
B065 4496	Relay Harness - Exit	113 - 6
B065 4497	Exit Harness	117 - 24
B065 4499	Exit Detection Harness	159 - 4
B065 4531	Guide Plate Lever	119 - 28
B065 4619	Support Bracket	127 - 21
B065 4627	Front Side Plate	121 - 12
B065 4632	Joint Holder	121 - 20
B065 4644	Sensor Bracket	121 - 23
B065 4647	Invertor Lever	121 - 5
B065 4648	Lever Cam	121 - 1
B065 4671	Duplex Lock Arm	119 - 5
B065 4672	Release Lever Bracket	119 - 8
B065 4675	Duplex Release Bracket	119 - 6
B065 4681	Front Jogger Fence	123 - 17
B065 4682	Rear Jogger Fence	123 - 18
B065 4683	Spring Plate - Rear Jogger Fence	123 - 19
B065 4692	Front Jogger Fence Slider	127 - 7
B065 4693	Rear Jogger Fence Slider	127 - 8
B065 4694	Jogger Guide Rod	125 - 5
B065 4696	Jogger Motor Bracket	123 - 7
B065 4699	Jogger H.P. Sensor Bracket	127 - 11
B065 4715	Exit Reverse Sensor Bracket	127 - 16
B065 4720	Left Duplex Table	123 - 21
B065 4725	Right Duplex Bracket	119 - 15
B065 4726	Right Guide Table	119 - 12
B065 4727	Right Sensor Bracket	119 - 19
B065 4728	Spring Plate - Right Table Guide	119 - 13
B065 4730	Lower Transport Guide Plate	119 - 20
B065 4731	Spring Plate - Driven Roller	119 - 21

Part No.	Description	Page and Index No.
B065 4733	Duplex Gate Pawl	127 - 1
B065 4738	Gate Pawl Cushion	127 - 2
B065 4789	Transport Motor Bracket	123 - 9
B065 4790	Drawer Bracket - 32P	127 - 22
B065 4791	Drawer Bracket - 12P	127 - 23
B065 4830	Holder Bracket	159 - 9
B065 4860	Lower Duplex Bracket	127 - 3
B065 4865	Spacer	127 - 4
B065 4866	Reverse Knob	121 - 2
B065 4867	Decal - Guide Plate Lever	119 - 29
B065 4867	Decal - Guide Plate Lever	219 - 25
B065 4933	Guide Plate Lever Hook	119 - 27
B065 4987	Upper Duplex Stay	119 - 10
B065 5041	Safety Switch Lever	155 - 1
B065 5672	Power Supply Cord - 120V	143 - 4
B065 5804	Charge Power Pack Bracket	139 - 14
B065 5805	CSS Bracket	139 - 22
B065 5807	Finisher Cable Bracket	141 - 17
B065 5808	LCT Cable Bracket	131 - 1
B065 5811	Safety Switch Bracket	155 - 2
B065 5816	Safety Switch Harness Cover	155 - 5
B065 5817	Slide Rail Cover	141 - 11
B065 5818	Main Switch Harness Guide	141 - 18
B065 6078	LCT Stay	73 - 27
B065 6116	Upper Heat Sink	163 - 8
B065 6122	Micro Switchbracket	73 - 24
B065 6136	Tray Lock Arm	163 - 4
B065 6136	Tray Lock Arm	161 - 4
B065 6191	Side Plate - Paper Tray	161 - 13
B065 6306	Reverse Drive Shaft	71 - 39
B065 6307	Reverse Driven Shaft	71 - 34
B065 6317	Relay Shaft	71 - 10
B065 6333	Reverse Housing	71 - 36
B065 6334	Heat Sink Base	69 - 31
B065 6336	Front Side Plate - Paper Feed	71 - 43

Part No.	Description	Page and Index No.
B065 6337	Heat Sink	69 - 33
B065 6338	Heat Sink Sheet	69 - 34
B065 6345	Paper End Sensor Bracket	69 - 18
B065 6346	Paper Tray Link	71 - 14
B065 6350	Pick-up Gear Cover	69 - 4
B065 6353	Feed Gear Cover	69 - 25
B065 6357	Pick-up Arm	69 - 7
B065 6358	Paper Feed Sensor Bracket	69 - 12
B065 6364	Feed Stay	69 - 14
B065 6371	Support Guide Plate	71 - 9
B065 6375	Paper Feed Unit Stay	69 - 30
B065 6394	Motor Bracket	71 - 25
B065 6402	Transport Pressure Plate	73 - 17
B065 6403	Front Side Plate - Vertical Transport	73 - 15
B065 6404	Rear Side Plate - Vertical Transport	73 - 16
B065 6407	Transport Pressure Plate	73 - 18
B065 6415	Motor Base	71 - 27
B065 6427	Release Lever - Vertical Transport	73 - 13
B065 6428	Release Button - Vertical Transport	73 - 12
B065 6445	Feed Lever	69 - 10
B065 6445	Feed Lever	77 - 20
B065 6452	Tray Link Guide	71 - 13
B065 6453	Transport Roller Lever	71 - 5
B065 6454	Driven Release Lever	71 - 7
B065 6455	Driven Pressure Lever	71 - 8
B065 6456	Vertical Transport Link	71 - 22
B065 6457	Driven Pressure Lever	69 - 26
B065 6524	Bottom Plate Lift Shaft	65 - 24
B065 6526	Lift Lever	65 - 25
B065 6538	Positioning Stopper Lever	65 - 9
B065 6581	Paper Tray Holder Stay	65 - 28
B065 6588	Right Support Plate	65 - 27
B065 6589	Left Support Plate	65 - 26
B065 6591	Paper Tray Holder Base	65 - 4
B065 6706	Paper Volume Sensor Bracket	61 - 9

Part No.	Description	Page and Index No.
B065 6712	End Fence Guide	63 - 7
B065 6717	Paper Volume Shield Plate	63 - 34
B065 6743	Right Bracket	63 - 22
B065 6767	Right Connecting Bracket	147 - 11
B065 6769	Lock Arm	147 - 5
B065 6774	Slidebracket	163 - 13
B065 6777	Supporting Plate	163 - 9
B065 6823	Timing Belt Cover	59 - 19
B065 6830	Pulley Bracket	59 - 23
B065 6831	Sensor Bracket	59 - 13
B065 6846	Decal - Paper Set - Left	59 - 5
B065 6846	Decal - Paper Set - Left	219 - 27
B065 6859	Right Stopper	61 - 22
B065 6862	Large Lever	63 - 23
B065 6864	Small Lever	63 - 30
B065 6870	Stay - Rightbase	63 - 32
B065 6872	Oil Damper Bracket	63 - 38
B065 6873	Sensor Bracket	61 - 21
B065 6874	Bracket - Paper Volumesensor	61 - 14
B065 6875	Protection - Inner Cover	61 - 5
B065 6877	Decal - Paper Set - Right	61 - 6
B065 6877	Decal - Paper Set - Right	219 - 28
B065 6881	Detector Bracket	63 - 8
B065 6884	Detector Bracket	63 - 11
B070 1307	Decal: Paper Set Direction	17 - 43
B070 1307	Decal: Paper Set Direction	219 - 29
B070 1921	Spacer: Laser Diode Unit: 25Micron	57 - 5
B070 1922	Spacer: Laser Diode Unit: 50Micron	57 - 5
B070 1923	Spacer: Laser Diode Unit: 75Micron	57 - 5
B070 1924	Spacer: Laser Diode Unit: 100Micron	57 - 5
B070 2114	Filter - Toner	155 - 8
B070 2364	Charge Corona Wire	89 - 17
B070 2365	Cleaner Motor Cover	89 - 10
B070 3115	Bushing: 4mm	87 - 5
B070 6683	Lever: Release: Front	63 - 2

Part No.	Description	Page and Index No.
B070 6684	Lever: Release: Rear	63 - 14
B070 6877	Large Drum Stay Ground Plate	151 - 8
B082 6403	Decal: Power Source: Off: EXP	17 - 9
B082 6403	Decal: Power Source: Off: EXP	219 - 30
B098 1342	Hinge: Upper	17 - 2
B098 3492	Gear: Manual Feed Table	67 - 9
B098 6639	Tray Bottom Plate: Left Middle: Ass'y	59 - 10
B098 6640	Tray Bottom Plate: Left Front	59 - 9
B098 6642	Tray Bottom Plate: Left Rear	59 - 11
B098 6643	Side Fence: Tandem LCT: Left Front	59 - 8
B098 6644	Side Fence: Tandem LCT: Left Rear	59 - 15
B098 6645	Side Plate: Tandem LCT: Left Sideways	59 - 7
B098 6647	End Fence: Auxiliary	59 - 6
B098 6649	Cover: Rear: Tandem LCT: Ass'y	59 - 16
B098 6693	Shield: Frame: Paper Bank: Upper	161 - 7
B098 6736	Side Fence: Tandem LCT: Right Front	61 - 8
B098 6739	Supporting Plate: Tandem: Right Rear	61 - 16
B101 5993	Interface Panel	151 - 11
B110 3091	Entrance Seal Ass'y	85 - 11
B110 3777	Cover Temperature & Humidity Sensor	145 - 1
B110 4223	Electrode Plate: Thermostat: Coupling	105 - 4
B110 4231	Bracket: Thermistor: Inner Back	107 - 7
B132 1226	Holder: Stand	17 - 26
B132 1463	Hinge Shaft	155 - 16
B132 1526	Door Catch	17 - 7
B132 1531	Panel: Logo	17 - 16
B132 1666	Frame: Front	55 - 1
B132 1671	Bracket: Pulley	55 - 9
B132 1674	Cover	49 - 19
B132 1683	Mylar: Frame: Front	49 - 10
B132 1684	Mylar: Frame: Middle	49 - 11
B132 1685	Mylar: Frame: Rear	49 - 12
B132 1686	Scale: Sheet Through: Ass'y	49 - 15
B132 1687	Scale: Sheet Through	49 - 15
B132 1688	Decal: Scale: DOM	49 - 23

Part No.	Description	Page and Index No.
B132 1688	Decal: Scale: DOM	219 - 47
B132 1689	Decal: Scale: NA	49 - 23
B132 1689	Decal: Scale: NA	219 - 47
B132 1692	Scale: Rear: Printing	49 - 14
B132 1710	Pulley: Tension: Timing Belt: Ass'y	55 - 17
B132 1714	Cover: Damper	55 - 21
B132 1719	Screw: Mechanical Drive Section	55 - 11
B132 1720	Pulley: 40T	55 - 15
B132 1723	Spring: Drive Were	55 - 7
B132 1724	Bracket: Tension	55 - 4
B132 1725	Bracket: Tension: Fix	55 - 5
B132 1729	Drive Were: Scanner	55 - 3
B132 1757	Mirror: No.1: Ass'y	53 - 4
B132 1758	Stay: Wire	53 - 5
B132 1766	Feeler: Home Position Sensor: No.1	53 - 8
B132 1767	Holder: Connector	53 - 7
B132 1815	Holder: Pulley	53 - 23
B132 1818	Mirror: No.2	53 - 19
B132 1819	Mirror: No.3	53 - 22
B132 1820	Scanner Shoe Pin	53 - 20
B132 1851	Bracket: Invertor	53 - 11
B132 1852	Bracket: Fan: MM40: Invertor	53 - 12
B132 1898	Spring Plate: Ground Plate: ADF	55 - 22
B132 2875	Decal: Paper Set Direction	67 - 3
B132 2875	Decal: Paper Set Direction	219 - 14
B132 4650	Stepper Motor: Jogger: Ass'y	123 - 6
B132 4780	Stepper Motor: Reverse: Ass'y	123 - 1
B132 5304	Harness: Connecting: Scanner: Lamp	53 - 14
B132 5794	Hook: Heat Sinker: MCH	211 - 1
B132 6621	Paper Feed Unit: Paper Bank	69 - *
B132 6655	Stepper Motor: Paper Feed Unit: Ass'y	71 - 24
B132 6655	Stepper Motor: Paper Feed Unit: Ass'y	73 - 30
B132 6659	DC Solenoid: Pickup: Ass'y	69 - 16
B132 6670	DC Solenoid: Reverse: Ass'y	71 - 35
B132 6693	Slide Rail: Right: Ass'y	161 - 8

Part No.	Description	Page and Index No.
B132 6726	Bracket: Arm: Ass'y	147 - 3
B132 6760	DC Motor 24V 19.6W	147 - 9
B132 6762	DC Solenoid: Coupling: Ass'y	147 - 1
B132 6763	Bracket: Connector: Left	147 - 12
B132 6765	DC Solenoid: Lock: Ass'y	147 - 2
B132 6783	Arm: End Fence: Lock	65 - 12
B132 6786	Decal: Paper Tray: Paper Set Direction	219 - 31
B132 6786	Decal: Paper Tray: Paper Set Direction	65 - 5
B132 6791	Plate: Side Fence	65 - 8
B132 6793	Side Fence: Front: Ass'y	65 - 6
B132 6797	Side Fence: Rear: Auxiliary	65 - 16
B132 6798	Spring Plate: Paper Tray: Earth	65 - 3
B132 7547	DC Solenoid: End Fence: Front: Ass'y	63 - 1
B132 7564	Slider: Back Fence: Left	59 - 22
B132 7571	DC Solenoid: End Fence: Rear: Ass'y	63 - 12
B132 7583	Harness - Joint Unit	73 - 29
B140 1173	Fusing Drive Sub-unit Joint	133 - 14
B140 2291	Bushing: Screw Shaft: Rear	89 - 4
B140 2382	Pre-transfer Lamp Case Ass'y	93 - 24
B140 2413	Entrance Transfer Stay Ass'y	93 - 13
B140 2421	Pre-transfer Lamp Harness Plate	93 - 12
B140 2614	Upper Front Registration Guide	75 - 7
B140 2622	Lower Front Registration Guide	75 - 8
B140 2647	Open And Close Guide Ass'y	79 - 7
B140 2660	Machine Or Copier Paper Feed Cover	67 - 14
B140 2662	Magnet Catch Bracket	67 - 13
B140 2665	Paper Bank Guide Plate Ass'y	79 - 24
B140 2671	Exit Duplex Guide Ass'y	79 - 19
B140 2673	Open And Close Option Tray Exit Guide	79 - 29
B140 2675	Option Tray Guide Ass'y	79 - 27
B140 4112	Right Fusing Stay	109 - 31
B140 4113	Bracket: Cover: Connector: Ass'y	103 - 17
B140 4140	Lower Fusing Exit Guide	109 - 28
B140 4141	Fusing Exit Roller Holder	103 - 13
B140 4145	Bracket: Thermostat	105 - 9

Part No.	Description	Page and Index No.
B140 4157	Drawer Bracket Ass'y	105 - 27
B140 4159	Harness Plate	105 - 26
B140 4162	Harness: Fusing Unit: NA	105 - 29
B140 4162	Harness: Fusing Unit: NA	107 - 20
B140 4164	Harness: Fusing Unit: EU	105 - 29
B140 4164	Harness: Fusing Unit: EU	107 - 20
B140 4167	Connector Cover Bracket	105 - 28
B140 4169	Thermostat Electrode Plate	105 - 5
B140 4170	Rear Heater Holder	105 - 19
B140 4171	Front Heater Holder	105 - 18
B140 4179	Plate: Thermistor	105 - 14
B140 4187	Cleaning Unit Drive Positioning Plate	101 - 26
B140 4190	Brake Spring Plate	101 - 10
B140 4191	Front Oil Supply Bushing	101 - 33
B140 4192	Inner Back: Oil Supply Bushing	101 - 34
B140 4193	Cleaning Unit Cover	101 - 32
B140 4195	Feeler: Oil End Sensor	101 - 25
B140 4196	Inner Back Thermistor Bracket	105 - 11
B140 4197	Middle Thermistor Bracket	105 - 10
B140 4198	Fusing Cleaning Roller Bracket	109 - 3
B140 4200	Pressure Cleaning Roller Spring	109 - 4
B140 4203	Lower Fusing Cover	103 - 21
B140 4205	Pressure Oil Supply Roller Bracket	109 - 32
B140 4209	Bracket: Stopper: Ass'y	101 - 38
B140 4234	Upper Fusing Exit Guide Plate	103 - 19
B140 4240	Bracket: Guide Plate: Fusing Exit: Upper: Ass'y	103 - 12
B140 4256	Pressure Release Eccentric Cam	109 - 16
B140 4258	Sensor Bracket Ass'y	109 - 20
B140 4300	Pressure Tension Spring	115 - 23
B140 4304	Gear - 21/35Z	115 - 22
B140 4306	Gear - 21/35Z	115 - 21
B140 4308	Left Reverse Guide Plate Ass'y	117 - 8
B140 4312	Left Rise Guide Plate	159 - 8
B140 4313	Exhaust Cover Ass'y	159 - 3
B140 4320	Sensor Feeler	109 - 13

Part No.	Description	Page and Index No.
B140 4322	Gear - 21/33Z	115 - 20
B140 4325	Drive Bracket Ass'y	115 - 27
B140 4329	Front Drive Bracket Ass'y	115 - 19
B140 4336	Gear - Idler Worm Gear	115 - 18
B140 4354	Upper Exhaust Guide Plate	113 - 7
B140 4458	Exit Drawer Bracket	117 - 23
B140 4470	Protect Bracket Ass'y	113 - 25
B140 4474	Heat Insulating Plate Bracket	115 - 25
B140 4497	Harness - Paper Exit Unit Drawer	117 - 24
B140 4498	Harness - Positioning Sensor	109 - 18
B140 4640	Upper Entrance Guide Plate Ass'y	121 - 26
B140 4710	Upper Transport Guide Plate Ass'y	127 - 17
B140 4800	Exit Duplex Guide Plate	119 - 11
B140 5325	Brushless Motor DC24V/20.7W	133 - 1
B140 6225	Heat Sink: Heater: Lower: NA: Ass'y	161 - 14
B140 6226	Heat Sink: Heater: Lower: EU: Ass'y	161 - 14
B140 6339	Paper Feed Guide Plate	69 - 21
B140 6361	Paper Bank Connecting Guide Plate	73 - 1
B140 6377	Ground Plate: Reverse: Paper Feed Unit	69 - 29
B140 6378	Ground Plate: Stepper Motor: Paper Feed Unit	71 - 23
B140 6472	Joint Unit Guide Plate Ass'y	73 - 32
B181 6640	Guide Plate: Swivel: Adhesion	71 - 1
B181 6780	Link: End Fence: Paper Size Sensor: Ass'y	65 - 1
B181 6789	Link: Side Fence: Paper Size Sensor	65 - 2
B223 1497	PCB: APC1: OP-L: Sub-ass'y	25 - 21
B223 1518	Keytop - Blank FB	25 - 1
B223 1520	Keytop - Clear/Stop	25 - 7
B223 1528	Keytop - Copy NA	25 - 3
B223 1529	Keytop - DOC NA	25 - 2
B223 1531	Keytop: Printer: NA	25 - 1
B223 1532	Keytop: Scanner: NA	25 - 1
B223 1533	Keytop: Function: NA	25 - 1
B223 1534	Keytop: Copy: EU	25 - 3
B223 1535	Keytop: DOC: EU	25 - 2
B223 1537	Keytop: Printer: EU	25 - 1

Part No.	Description	Page and Index No.
B223 1538	Keytop: Scanner: EU	25 - 1
B223 1539	Keytop: Function: EU	25 - 1
B223 2873	Decal - Side Fence Rear	219 - 34
B223 2873	Decal - Side Fence Rear	65 - 20
B234 1378	Decal - Total Counter	17 - 25
B234 1378	Decal - Total Counter	219 - 32
B234 2123	Cushion - Wire	89 - 20
B234 2270	LED Array	93 - 25
B234 2270	LED Array	91 - 4
B234 2279	Density Sensor P	95 - 22
B234 3892	Decal - Lever Release Transfer	17 - 20
B234 3892	Decal - Lever Release Transfer	219 - 35
B234 6490	Side Fence: Rear: Ass'y	65 - 7
B234 6680	Base: Tandem LCT: Right: Adhesion	61 - 13
B234 6690	Plate: Paper	61 - 7
B234 8510	Decal: Size Indication: Multi-Language: C3	219 - 36
B234 8510	Decal: Size Indication: Multi-Language: C3	17 - 40
B238 1504	Keytop - Start	25 - 10
B238 1506	Keytop - Try Print	25 - 11
B238 1511	Keytop - Counter	25 - 6
B238 1534	LCD Spacer A	25 - 19
B238 1535	LCD Spacer B	25 - 18
B238 1539	Sheet: Power Source: Display: NA	25 - 35
B238 1540	Sheet: Data: Display: NA	25 - 36
B238 1547	Spacer - Keytop	25 - 5
B238 1549	Keytop - Power Source	25 - 15
B238 1550	Keytop - Login	25 - 14
B238 1552	Keytop - Kantan	25 - 13
B246 3342	Decal: Toner: Supply: Operation Sub-unit: EXP	17 - 42
B246 3342	Decal: Toner: Supply: Operation Sub-unit: EXP	219 - 37
B246 3345	Decal: Toner: Supply: Operation Sub-unit: DEU	17 - 42
B246 3345	Decal: Toner: Supply: Operation Sub-unit: DEU	219 - 37
B246 3346	Decal: Toner: Supply: Operation Sub-unit: FRA	17 - 42
B246 3346	Decal: Toner: Supply: Operation Sub-unit: FRA	219 - 37
B246 3347	Decal: Toner: Supply: Operation Sub-unit: ITA	219 - 37

Part No.	Description	Page and Index No.
B246 3347	Decal: Toner: Supply: Operation Sub-unit: ITA	17 - 42
B246 3348	Decal: Toner: Supply: Operation Sub-unit: ESP	17 - 42
B246 3348	Decal: Toner: Supply: Operation Sub-unit: ESP	219 - 37
B246 3841	Heater: 120V	157 - 18
B246 3843	Heater: 240V	157 - 18
B246 4266	Inner Cover	101 - 1
B246 4311	Guide Plate: Exit: Exit: Upper	159 - 2
B246 5677	Power Supply Cord: EU	143 - 4
B246 9510	OPC Drum: MT-C3	91 - 19
B247 1024	Brushless Motor DC24V/24W	133 - 19
B247 1027	Tension Spring: 7.75N	133 - 8
B247 1028	Stepper Motor: MM56x54: DC 36W	133 - 2
B247 1044	DC Brushless Motor: Drive: Fusing/Paper Exit Unit: Ass'y	133 - 19
B247 1084	Guide Plate: Positioning Pin: Duplex: Ass'y	131 - 20
B247 1110	Brushless Motor DC24V/25W	131 - 19
B247 1122	Bracket: Tightener: Ass'y	131 - 18
B247 1133	Base: Stepper Motor: Ass'y	133 - 7
B247 1136	Shaft: Fusing Drive Sub-unit	133 - 12
B247 1149	Joint: Transfer Drive: Ass'y	131 - 26
B247 1154	Electrode Plate: Drum Shaft: Ass'y	131 - 6
B247 1157	Bracket: Toner Recycling: Ass'y	133 - 15
B247 1166	Shaft: Drive: Duplex: Ass'y	133 - 23
B247 1195	Fan: Sirocco: DC24V: Z: Ass'y	139 - 5
B247 1223	Hinge: Lower: Ass'y	17 - 3
B247 1310	Inner Cover: Right Lower: Sub-ass'y	17 - 27
B247 1313	Inner Cover	17 - 21
B247 1315	Inner Cover - Main Switch	17 - 18
B247 1316	Inner Cover - Fusing Unit Upper	17 - 19
B247 1325	Cover - Main Switch	17 - 8
B247 1373	Decal: Inner Cover: Right Lower: C2	219 - 22
B247 1373	Decal: Inner Cover: Right Lower: C2	17 - 28
B247 1374	Decal: Inner Cover: Right Lower: B2	219 - 23
B247 1374	Decal: Inner Cover: Right Lower: B2	17 - 29
B247 1375	Decal: Inner Cover: Right Lower: B1	219 - 24

Part No.	Description	Page and Index No.
B247 1375	Decal: Inner Cover: Right Lower: B1	17 - 30
B247 1431	Lens - Front	25 - 4
B247 1441	Sheet: Data: Display: MT-C3: NA	17 - 13
B247 2010	Charge Corona Unit	89 - *
B247 2270	PCU Unit - Upper	91 - 1
B247 2271	Electric Potential Sensor	91 - 6
B247 2295	Cushion - Spacer	89 - 9
B247 2314	Bracket: Blade: Ass'y	95 - 14
B247 2322	Agitator: Ass'y	93 - 2
B247 2326	Toner Collection Coil	93 - 1
B247 2330	Brush Roller: Cleaning	93 - 8
B247 2342	Shaft: Pickoff Pawl: Swivel	95 - 19
B247 2344	Bracket: Idler: Pickoff Pawl: Ass'y	95 - 27
B247 2353	Bracket: Swivel: Blade: Ass'y	93 - 22
B247 2366	Shaft: Brush Roller: Front: Ass'y	93 - 7
B247 2377	Shaft: Connecting: Toner Recycling	91 - 12
B247 2395	Toner Recycling Ass'y	91 - 8
B247 2410	Drum Shaft Knob	89 - 1
B247 2496	Harness - PCU	157 - 9
B247 2497	Harness: PCU: Lower	95 - 23
B247 2611	Lower Registration Guide	77 - 8
B247 2623	Registration Roller: Upper: Press Fit	77 - 2
B247 2627	Registration Roller - Lower	77 - 1
B247 2642	Lock Shaft	79 - 6
B247 2643	Transport Roller: Right: Driven: Ass'y	79 - 23
B247 2644	Rear Lock Spring	79 - 8
B247 2655	DC Solenoid 24V/16.5W	79 - 12
B247 2669	Exit Roller Spring	79 - 21
B247 2678	Duplex Exit Roller	79 - 22
B247 2690	DC Solenoid 24V	75 - 10
B247 2699	Stay: Reverse Roller: Peen	77 - 22
B247 2700	Stay: Reverse: Ass'y	77 - 9
B247 2702	Friction Pad - B	77 - 10
B247 2721	Guide Plate: Manual Feed: Peen	67 - 16
B247 2730	Manual Feed Table: Ass'y	67 - *

Part No.	Description	Page and Index No.
B247 2738	Support Stay: Manual Feed: Front: Ass'y	67 - 6
B247 2740	Support Stay: Manual Feed: Rear: Ass'y	67 - 7
B247 2745	Paper Size Sensor	67 - 11
B247 2754	Bracket: Tightener: Peen	79 - 33
B247 2764	Harness: Manual Feed Unit: Ass'y	79 - 31
B247 3161	Classification Ass'y	83 - 1
B247 3175	Bushing 8x14x8	83 - 20
B247 3176	Boss: Bearing: Agitator: Press Fit	83 - 17
B247 3200	Toner Supply Unit: Ass'y	83 - *
B247 3258	Toner Catchpan Bottle	81 - 37
B247 3271	Contact Point Stay - Lower	81 - 34
B247 3273	Contact Point Stay - Upper	81 - 33
B247 3282	Pawl: Toner Bottle: Fix	81 - 13
B247 3283	Set Sensor Board: Toner Bottle	81 - 24
B247 3290	Inner Cover Ass'y	17 - 31
B247 3311	Bracket: Turn: Toner Bottle: Sub-ass'y	81 - 25
B247 3316	Bracket: Hinge: Open And Close: Ass'y	81 - 35
B247 3326	Bottle: Drive: Ass'y	81 - *
B247 3330	Spring	81 - 12
B247 3331	Screw	81 - 6
B247 3332	Shaft: Idler: Drive: Toner Bottle	81 - 23
B247 3340	Filter: Development	85 - 3
B247 3340	Filter: Development	91 - 17
B247 3345	Shaft: Chuck	81 - 8
B247 3559	Base: Discharge Used Toner: Ass'y	129 - 17
B247 3570	Transport Screw: Discharge Used Toner: Ass'y	129 - 15
B247 3590	Shaft: Idler: Discharge Used Toner	129 - 8
B247 3604	Shaft: Discharge Used Toner: Classification: Ass'y	129 - 30
B247 3609	Shaft: Discharge Used Toner: Long: Ass'y	129 - 31
B247 3641	Transport Screw: Discharge Used Toner: Classification: Ass'y	129 - 35
B247 3652	Shielding Plate: Discharge Used Toner: Transfer	129 - 38
B247 3670	Transport Screw: Used Toner: Unit	129 - 27
B247 3720	Transport Screw	83 - 6

Part No.	Description	Page and Index No.
B247 3815	Channel: Lengthwise: Middle Front: Ass'y	157 - 15
B247 3820	Positioning Plate: Transfer Unit: Ass'y	157 - 11
B247 3827	Handle Stay	157 - 20
B247 3866	Drive Roller	97 - 9
B247 3870	Bias Roller	97 - 11
B247 3911	Toner Collection Coil	99 - 10
B247 3914	Agitator	99 - 16
B247 3961	Shaft - On-Off	99 - 6
B247 3965	Lever Shaft	99 - 3
B247 3976	Harness - Transfer Unit	99 - 26
B247 3980	Electrode: Bias	97 - 16
B247 4080	Stripper Pawls: Open And Close: Ass'y	103 - 1
B247 4083	Shaft: Release: Stripper Pawls	103 - 23
B247 4128	Housing: Thermostat: EXP	105 - 8
B247 4131	Lever: Release: Front: Ass'y	109 - 21
B247 4131	Lever: Release: Front: Ass'y	111 - 13
B247 4142	Upper Stay	105 - 17
B247 4147	Lever: Release: Pressure: Rear: Ass'y	109 - 22
B247 4147	Lever: Release: Pressure: Rear: Ass'y	111 - 14
B247 4149	Harness - Front	105 - 2
B247 4168	Positioning Plate: Fusing Unit: Ass'y	157 - 5
B247 4188	Bracket: Drive: Ass'y	101 - 13
B247 4231	Lever: Rear: Ass'y	109 - 11
B247 4234	Gear: Stopper: Oil Supply Roller	101 - 22
B247 4235	Gear: Idler: Cleaning Unit	101 - 21
B247 4239	Shaft: Drive: Oil Supply Roller: Ass'y	101 - 29
B247 4242	Shaft: Drive: Rolling: Ass'y	101 - 28
B247 4244	Gear: Z23: Oil Supply Roller	101 - 27
B247 4247	Screw: Slider	103 - 6
B247 4249	Stay: Exit: Right: Ass'y	117 - 18
B247 4259	Lock Lever	113 - 27
B247 4260	Shaft: Contact Point: Lever	113 - 32
B247 4263	Bracket: Shaft: Lock: Ass'y	159 - 19
B247 4264	Gear: Pressure	109 - 15
B247 4266	Decal: Grip: Fusing/Paper Exit Unit	219 - 18

Part No.	Description	Page and Index No.
B247 4266	Decal: Grip: Fusing/Paper Exit Unit	113 - 30
B247 4273	Cover - Exit Grip	113 - 24
B247 4274	Grip: Release: Fusing/Paper Exit Unit: Ass'y	113 - 29
B247 4315	Tightener: Exit: Ass'y	117 - 21
B247 4317	Gear: Swivel: Ass'y	115 - 24
B247 4323	Lever: Front: Ass'y	109 - 10
B247 4324	Stepper Motor DC3.4V	115 - 26
B247 4361	Shaft: Grip: Guide Plate	113 - 12
B247 4378	Roller: Decura: Driven: Ass'y	113 - 20
B247 4381	Shaft: Contact Point: Ass'y	113 - 22
B247 4400	Bracket: Swivel: Ass'y	117 - 26
B247 4403	Lock Spring	117 - 25
B247 4421	Shaft: Pressure: Guide Plate: Ass'y	117 - 12
B247 4429	Side Plate: Front: Exit	117 - 15
B247 4433	Side Plate: Rear: Exit	117 - 16
B247 4438	Roller: Decura: Entrance	115 - 10
B247 4439	Roller: Decura: Exit	115 - 9
B247 4440	Slide Rail: Fusing/Paper Exit Unit: Left: Ass'y	159 - 7
B247 4454	Tension Spring	117 - 22
B247 4455	Compression Spring	113 - 1
B247 4456	Spring - Lower Exit Roller	117 - 5
B247 4460	Exit Roller: Drive: Exit	117 - 2
B247 4463	Reverse Roller: Drive	115 - 1
B247 4487	Washer: DIA6.3xDIA18x1	117 - 6
B247 4590	Harness - Duplex	119 - 18
B247 4591	Right Duplex Rail	159 - 27
B247 4594	Roller: Reversal: Driven	123 - 24
B247 4615	Spacer	121 - 19
B247 4617	Discharge Brush: Duplex	121 - 24
B247 4620	Side Plate: Rear: Reverse Unit: Ass'y	121 - 13
B247 4624	Roller: Driven: Duplex	121 - 9
B247 4645	Gate Pawl: Reverse	121 - 16
B247 4655	Bracket: Reversal: Driven: Ass'y	123 - 25
B247 4673	Shaft: Lever: Release	119 - 4
B247 4675	Grip: Release: Duplex Unit: Ass'y	119 - 31

Part No.	Description	Page and Index No.
B247 4684	Grip: Release: Duplex Unit: C3	119 - 3
B247 4684	Grip: Release: Duplex Unit: C3	113 - 33
B247 4685	Decal: Release: Duplex Unit	119 - 30
B247 4685	Decal: Release: Duplex Unit	219 - 19
B247 4740	DC Solenoid 24V	127 - 20
B247 4745	DC Solenoid 24V	123 - 5
B247 4799	Inner Cover	119 - 2
B247 4810	Bracket: Motor: Reverse: Ass'y	123 - 2
B247 4812	Roller: Transport: Driven: Left: Right	125 - 2
B247 4813	Roller: Reversal: Drive	125 - 3
B247 4815	Compression Spring	121 - 21
B247 4816	Tension Spring	121 - 14
B247 4817	Compression Spring	121 - 7
B247 4818	Reverse Roller: Entrance	121 - 15
B247 4820	Bracket: Jogger: Ass'y	127 - 28
B247 4825	Roller: Drive: Left	125 - 4
B247 4835	Rail: Left: Machine Or Copier: Ass'y	159 - 23
B247 4980	Harness: Duplex Unit: 32Pin	127 - 24
B247 5310	Toner Density Sensor	85 - 16
B247 5311	Toner End Sensor: Ass'y	83 - 9
B247 5312	DC Motor: Toner Bottle: DC24V 5.85W	81 - 21
B247 5430	Harness - Switch: Laser Diode	155 - 3
B247 5712	Hinge Bracket - Lower	141 - 13
B247 5715	Main Switch Bracket	155 - 6
B247 5890	Bracket: Total Counter	157 - 4
B247 6062	Bracket: Holder: Ass'y	161 - 9
B247 6174	Bracket: Positioning: Paper Tray: Ass'y	161 - 22
B247 6184	Inner Cover	17 - 33
B247 6252	Slide Rail - Right	163 - 14
B247 6335	Side Plate: Rear: Paper Feed Unit: Ass'y	71 - 44
B247 6366	Bracket: Drive	69 - 24
B247 6421	Transport Unit: Vertical Transport: Ass'y	73 - 7
B247 6426	Lever: Release: Vertical Transport	73 - 11
B247 6430	Cover: Release: Vertical Transport	73 - 9
B247 6487	Harness: Paper Feed Unit: Lower: Ass'y	69 - 20

Part No.	Description	Page and Index No.
B247 6488	Harness: Paper Feed Unit: Upper: Ass'y	69 - 35
B247 6624	Back Fence - Left	59 - 18
B247 6672	Guide: Interlock: Tandem LCT	61 - 20
B247 6694	Pulley: Drive Were: Ass'y	63 - 19
B247 6695	Guide: Misfeed Removal: Paper Tray	61 - 19
B247 6695	Guide: Misfeed Removal: Paper Tray	65 - 19
B247 6701	Harness - Tandem LCT Left	59 - 26
B247 6703	Harness - Tandem LCT Right	63 - 21
B247 6713	End Fence - Front	63 - 6
B247 6714	End Fence - Rear	63 - 10
B247 6738	Side Fence: Tandem LCT: Right Rear	61 - 15
B247 6753	Lock Spring - Large	147 - 6
B247 6754	Lock Spring - Small	147 - 7
B247 6755	Tension Spring - 10N	59 - 31
B247 6770	Paper Tray: Universal: DOM: Ass'y	65 - *
B247 6783	Base: Slide Rail: No.3: Peen	161 - 6
B247 6792	Base: Slide Rail: Tandem LCT: Peen	163 - 3
B247 6800	Harness - Paper Size Sensor	161 - 19
B247 6811	Side Plate: Tandem LCT: Right Rear: Ass'y	63 - 13
B247 6901	Oil Damper: Fall	63 - 36
B247 6950	Shaft: Slider: Back Fence	59 - 21
B247 6951	Bracket: Pulley: Driven: Ass'y	59 - 32
B247 6955	Side Plate: Tandem LCT: Front Right: Ass'y	63 - 35
B247 6958	Shaft: Drive: Tray Bottom Plate: Right: Press Fit	63 - 18
B247 6982	Stepped Screw - M5	73 - 19
B247 8701	Stand: Auxiliary: Ass'y	17 - 34
B247 8706	Adjusting Pin: Auxiliary	17 - 38
B247 8710	Flange: Nut: M12	17 - 36
B286 1479	Sheet: Power Source: N-C2: EU	25 - 35
B301 1155	Separation Support Pad	35 - 25
B301 2141	Pulley - 39Z	43 - 13
B475 6855	Shield: Tandem LCT: Rear Right	61 - 17
B477 1152	Stay: Frame: Left	47 - 4
B477 1161	Right Frame Stay	47 - 5
B477 1171	Arm Shaft	47 - 8

Part No.	Description	Page and Index No.
B477 1181	Sensor Bracket	47 - 14
B477 1185	Sensor Feeler	47 - 13
B477 1191	Front Left Stopper	37 - 19
B477 1791	Paper Feed Cover	33 - 9
B477 1821	Paper Feed Cover Grip	33 - 10
B477 1825	Paper Feed Release Lever	33 - 6
B477 1831	Grip Shaft	33 - 8
B477 1841	Front Cover Bracket	33 - 1
B477 1851	Rear Cover Bracket	33 - 2
B477 2145	Guide Bracket	35 - 16
B477 2151	Separation Cap	35 - 22
B477 2172	Front Entrance Guide	31 - 6
B477 2182	Rear Entrance Guide	31 - 7
B477 2191	Separation Shaft	31 - 11
B477 2222	Pick-up Roller Bracket	31 - 25
B477 2225	Pick-up Roller	31 - 20
B477 2227	Pickup Roller: Coupling	31 - 19
B477 2231	Pick-up Roller Lever	31 - 17
B477 2244	Stopper: Shaft: Separation	43 - 19
B477 2263	Cushion	29 - 6
B477 2264	Base Cushion Sheet	29 - 7
B477 2281	Original Sensor Bracket	29 - 11
B477 2323	Base Lift Lever	29 - 15
B477 2344	Guide: Paper Feed: Upper	33 - 21
B477 2372	Driven Paper Feed Roller	33 - 20
B477 2495	Paper Feed Sensor Bracket	37 - 27
B477 2561	Entrance Scanning Base	35 - 8
B477 2574	Arm: Roller: Scanning: Entrance	35 - 27
B477 2575	Entrance Scanning Roller Shaft	35 - 4
B477 2581	Entrance Scanning Guide	35 - 1
B477 2622	Discharge Brush: L11	47 - 3
B477 2622	Discharge Brush: L11	41 - 21
B477 2622	Discharge Brush: L11	39 - 9
B477 2636	Driven Exit Scanning Roller	41 - 9
B477 2637	Driven Exit Arm	41 - 7

Part No.	Description	Page and Index No.
B477 2665	Registration Sensor Bracket	35 - 9
B477 2715	Pressure Plate Tape	41 - 25
B477 2715	Pressure Plate Tape	27 - 7
B477 2811	Drive Exit Roller	39 - 14
B477 2826	Discharge Brush: Exit	39 - 16
B477 2861	Driven Exit Roller	27 - 11
B477 2872	Exit Arm	41 - 11
B477 3111	Paper Feed Motor Bracket	43 - 3
B477 3115	Paper Feed Motor Stay	43 - 2
B477 3123	Gear - 24Z	43 - 20
B477 3144	Gear: Z20/T21: Input: Rear	43 - 25
B477 3145	Pulley	43 - 14
B477 3147	Gear: Z23: Input: Front	43 - 27
B477 3151	Gear - 31Z	43 - 8
B477 3177	Pulley	43 - 28
B477 3217	Pulley	45 - 17
B477 3241	Gear - 21Z	41 - 24
B477 3251	Pick-up Roller Cam	43 - 23
B477 3711	Paper Feed Motor - DC 7.4W	43 - 1
B477 3721	Scanning Motor - DC 7.4W	45 - 13
B477 4111	Spring	33 - 14
B477 4117	Spring	33 - 7
B477 4129	Spring - 12N	41 - 19
B477 4131	Spring	27 - 10
B477 4391	Decal - Exposure Glass Cleaning	219 - 41
B477 4391	Decal - Exposure Glass Cleaning	19 - 9
B477 4921	Clamp	47 - 9
B477 4921	Clamp	43 - 5
B477 5611	Detection Sensor Harness	47 - 16
B477 5691	Paper Feed Motor Harness	45 - 8
B652 1132	Tension Spring	37 - 10
B652 1133	Shaft: Slider	45 - 35
B652 1134	Compression Spring	45 - 34
B652 1136	Compression Spring	47 - 11
B652 1141	Adjusting Pin: Transport Belt Unit	47 - 1

Part No.	Description	Page and Index No.
B652 1613	Timing Belt: B60S2M212	43 - 12
B652 1633	Spacer: Reverse Roller: Rear	43 - 6
B652 1643	Timing Belt: B40S3M186	43 - 26
B652 1673	Timing Belt: B40S3M180	43 - 31
B652 1674	Timing Belt: B40S2M170	43 - 30
B652 1773	Timing Belt: B40S2M178	43 - 11
B652 1807	Decal: Size: Original	33 - 11
B652 1807	Decal: Size: Original	219 - 44
B652 1816	Link: Stopper: Cover: Paper Feed	37 - 17
B652 1822	Bracket: Pressure: Pickup	33 - 3
B652 1823	Pressure Plate: Pickup	33 - 5
B652 1824	Compression Spring	33 - 4
B652 1902	Cover: Front	27 - 3
B652 1952	Cover: Rear	27 - 4
B652 2146	Holder: Separation Pad	35 - 26
B652 2213	Timing Belt: B40S2M142	31 - 22
B652 2215	Guide: Paper Feed Belt: Front	31 - 24
B652 2376	Original Table: Face Front	29 - 24
B652 2392	Stopper: Original Table	29 - 17
B652 2393	Compression Spring	29 - 18
B652 2411	Roller: Scanning: Entrance: Drive	35 - 12
B652 2421	Roller: Scanning: Exit: Drive	39 - 12
B652 2471	Guide Plate: Scanning: Entrance	35 - 19
B652 3116	Guide: Transport Belt: Front	37 - 6
B652 3117	Guide: Transport Belt: Rear	37 - 7
B652 3119	Stopper: Roller: Drive	37 - 15
B652 3121	Transport Belt	37 - 18
B652 3123	Bracket: Roller: Driven	37 - 2
B652 3125	Compression Spring	37 - 1
B652 3135	Timing Belt: B60S2M172	37 - 25
B652 3136	Cover: Roller: Scanning: Peen	37 - 24
B652 3148	Hook: Lock: Image Reading Unit: Front	37 - 21
B652 3156	Spacer: Transport Belt	37 - 5
B652 3174	Tension Spring	45 - 31
B652 4519	Roller: Scanning: Exit: Driven	41 - 5

Part No.	Description	Page and Index No.
B700 4428	Timing Belt: B40S2M158	45 - 24
B700 5805	Stepper Motor: PM: S2M: T15: Ass'y	43 - 24
B712 5605	Grip: Application	149 - 4
B829 5107	PCB: ICIB-DMY	153 - 13
B835 2889	Timing Belt - B60S2M144	73 - 5
C269 3957	Timing Belt: S2M200	45 - 20
D009 1480	Harness: OP-R: 10	25 - 26
D009 1481	Harness: OP-R: 13	25 - 25
D009 1482	Harness: OP-L: 12	25 - 23
D009 1483	Harness: OP-L: 13	25 - 24
D009 1484	Harness: Invertor	25 - 28
D009 1486	Invertor: TFT	25 - 27
D009 1487	Cable: FFC: TFT: LCD	25 - 30
D009 1488	Touch Panel: W-VGA: MA	25 - 17
D009 1498	LCD: TFT: W-VGA: MV	25 - 20
D009 1504	Shadeing Plate: Touch Panel	25 - 16
D009 1511	Stopper: Core	25 - 31
D009 1556	Panel: Upper: NA	25 - 34
D009 1557	Panel: Upper: EU	25 - 34
D014 1667	Frame: Rear	55 - 2
D014 1677	Cover: SIOB	49 - 21
D014 1681	Spring Plate: Cover: SIOB	49 - 20
D014 1703	Stepper Motor: DC1.98V 7.13W	55 - 20
D014 1716	Cover: Shaft	51 - 13
D014 1722	Bracket: Tension: Inner Back: Peen	55 - 6
D014 1744	Gasket: MM10x20	55 - 8
D014 1744	Gasket: MM10x20	53 - 26
D014 1747	Gasket: Cover: Shaft	51 - 14
D014 1751	Carriage: No.1	53 - 1
D014 1762	Reflector	53 - 6
D014 1876	Filter: Scanner	53 - 25
D014 5301	Harness: SBU: SCNB	51 - 7
D014 5973	Cover: SD-Card	151 - 10
D014 5974	Cover: Connector: EFI	151 - 12
D014 6780	Tray Bottom Plate: Ass'y	65 - 14

Part No.	Description	Page and Index No.
D054 1132	Bracket: Stepper Motor	133 - 4
D054 1224	Door: Front: Sub-ass'y	17 - 1
D054 1313	Inner Cover: Operation Sub-unit	19 - 4
D054 4172	Retaining Rings-C: Hot Roller	105 - 21
D054 4254	Shaft: Turn	109 - 30
D054 5330	PCB: Sync Detector Board	57 - 23
D059 6152	Bracket: Sensor: Paper Size Sensor: Moveable	161 - 17
D059 6153	Spring Plate: Bracket: Sensor: Paper Tray	161 - 20
D059 6172	Paper Tray Stopper	147 - 17
D059 6591	Spring: Paper Tray: Lock	161 - 3
D059 6615	Lever: Coupling: Left	59 - 25
D059 6692	Slide Rail: Paper Tray: Left: Sub-ass'y	161 - 2
D059 6699	Bracket: Base: Stopper: Tandem LCT	23 - 7
D059 6742	Bracket: Rail: Left	163 - 2
D059 6858	Screw: M4x10	163 - 15
D059 6872	Decal: Caption: Interface	219 - 42
D059 6872	Decal: Caption: Interface	151 - 13
D412 1131	Bracket: Pressure: Transport Belt: Rear	37 - 8
D412 1210	Hinge: Left: Ass'y	47 - 6
D412 1250	Hinge: Right: Ass'y	47 - 7
D412 1622	Shaft: Separation: Drive: Input	43 - 21
D412 1632	Shaft: Reverse Roller: Sub-Ass'y	39 - 6
D412 1651	Gear: Z37: Reverse Roller: Front	43 - 7
D412 1661	Timing Pulley: T23: S3M	43 - 16
D412 1662	Timing Pulley: T26: S2M	43 - 29
D412 1711	Bracket: Motor: Scanning: Ass'y	45 - 16
D412 1726	Stay: Motor: Scanning	45 - 14
D412 1731	Stepper Motor: Exit: Ass'y	45 - 12
D412 1741	Timing Belt: 40S2M132	45 - 18
D412 1742	Timing Belt: 80S3M507	45 - 21
D412 1743	Timing Belt: 40S3M291	45 - 19
D412 1751	Bracket: Tensioner: Scanning: Ass'y	45 - 30
D412 1754	Pulley: Idler: DIA18	45 - 29
D412 1771	Timing Pulley: Gear: T21-Z21	37 - 26
D412 1791	Bracket: Cover: Drive	45 - 33

Part No.	Description	Page and Index No.
D412 1912	Bracket: DC Fan Motor	45 - 10
D412 1922	Cover: Lower	27 - 6
D412 2111	Roller: Pull Out: Drive	35 - 13
D412 2115	Driven Roller: Pull Out: Press Fit	33 - 15
D412 2121	Roller: Middle: Drive	35 - 11
D412 2212	Timing Pulley: T21: S2M	31 - 23
D412 2232	Compression Spring: Paper Feed Belt	31 - 15
D412 2244	Sheet: Stay: Reverse Roller	39 - 8
D412 2246	Bracket: Sheet: CIS	39 - 2
D412 2248	Sheet: CIS	39 - 1
D412 2252	Guide: Paper Feed: Lower	35 - 21
D412 2255	Roller: Guide: Middle	35 - 24
D412 2256	Shaft: Roller: Guide: Middle	35 - 28
D412 2282	Guide Plate: Original Table	29 - 12
D412 2285	Seal: Stay: Original Table	29 - 23
D412 2292	Shaft: Rise: Base	29 - 16
D412 2321	Stepper Motor: DIA42: Ass'y	45 - 23
D412 2345	Gear: Z47: M0.8	29 - 20
D412 2346	Gear: Z20/Z47: M0.8: Right: Front	45 - 26
D412 2347	Gear: Z20/Z47: M0.8: Left: Rear	45 - 28
D412 2348	Gear: Z20/Z47: M0.8: Right: Rear	45 - 25
D412 2349	Timing Pulley: T30/Z20: S2M/M0.8	45 - 27
D412 2351	Base: Original Table: Ass'y	29 - 5
D412 2357	Feeler: Sensor: Original Sensor	29 - 4
D412 2361	Side Fence: Original Table: Ass'y	29 - 2
D412 2363	Bracket: Pressure Plate: Pull Out	33 - 12
D412 2383	Original Table: Behind	29 - 28
D412 2393	Bracket: Stopper: Original Table	29 - 19
D412 2441	Roller: Contact Image Sensor: Exit: Drive	39 - 13
D412 2474	Discharge Brush: L82	35 - 18
D412 2475	Discharge Brush: L228	35 - 17
D412 2481	Guide Plate: Scanning: Exit: Peen	37 - 30
D412 2486	Sheet: Scanning: Exit: Upper	37 - 31
D412 2523	Bracket: Paper Size Sensor	33 - 26
D412 2553	Arm: Roller: Middle: Driven	33 - 18

Part No.	Description	Page and Index No.
D412 2555	Compression Spring: Middle	33 - 19
D412 2577	Driven Roller: Scanning: Entrance	35 - 6
D412 2578	Tension Spring: Scanning: Entrance	35 - 5
D412 2618	Cover: Roller: Scanning: Behind	41 - 23
D412 2632	Guide Plate: Exit: Lower	41 - 4
D412 2641	Shaft: Contact Point: Scanning: Exit: Long	41 - 2
D412 2645	Shaft: Contact Point: Scanning: Exit: Short	41 - 3
D412 2646	Compression Spring: Scanning: Exit	41 - 6
D412 2651	Roller: Scanning: Behind: Ass'y	41 - 20
D412 2653	Bushing: DIA6	41 - 18
D412 2655	Guide Plate: Contact Image Sensor: Entrance: Cementation	41 - 14
D412 2662	Spacer: Guide Plate: Contact Image Sensor: Entrance	41 - 13
D412 2663	Lever: Guide Plate: Contact Image Sensor: Front	41 - 15
D412 2664	Lever: Guide Plate: Contact Image Sensor: Rear	41 - 16
D412 2669	Tension Spring: Guide Plate: Pressure: 2N	41 - 17
D412 2672	Guide Plate: Exit: Lower	41 - 8
D412 2676	Shaft: Contact Point: Exit	41 - 12
D412 2677	Compression Spring: Contact Image Sensor: Exit	41 - 10
D412 2825	Guide Plate: Exit: Upper	39 - 15
D412 3113	Roller: Scanning: Pressure	37 - 4
D412 3124	Driven Roller: Scanning	37 - 3
D412 3145	Tension Spring: Lever: Misfeed Removal	37 - 9
D412 3146	Shaft: Lever: Misfeed Removal: Ass'y	37 - 22
D412 3152	Shaft: Scanning: Transport Belt: Drive	37 - 14
D412 3153	Roller: Scanning: Transport Belt	37 - 13
D412 3154	Bushing: Drive Roller: Transport Belt Unit	37 - 12
D412 3155	Roller: Drive Roller: Transport Belt Unit	37 - 11
D412 4401	Decal: Base: Original	219 - 40
D412 4401	Decal: Base: Original	29 - 8
D412 4402	Decal: Set: Original Table	219 - 39
D412 4402	Decal: Set: Original Table	29 - 25
D412 4403	Decal: Design Sketch: Misfeed Removal: P2	27 - 2
D412 4403	Decal: Design Sketch: Misfeed Removal: P2	219 - 26

Part No.	Description	Page and Index No.
D412 4811	Tray: Exit	27 - 12
D412 4911	Pressure Plate: Ass'y	27 - 5
D412 5500	PCB: Main Control: Ass'y	45 - 9
D412 5752	Harness: Interface Cable	45 - 1
D412 5820	Harness: CIS: Power Source	45 - 36
D412 5830	Harness: CIS: Control	45 - 4
D412 5850	Harness: Motor: Exit	45 - 6
D412 5855	Harness: CIS: Image Data	45 - 2
D412 5861	Contact Image Sensor: Collar: 600DPI: Ass'y	39 - 11
D412 5870	Harness: Motor: Base	45 - 5
D412 5890	Harness: Motor: Pick Up	45 - 7
D412 5900	Harness: Sensor: Paper Size Sensor	33 - 22
D412 5910	Harness: Sensor: Base: Connecting	45 - 3
D412 5920	Harness: Sensor: Base	29 - 14
D412 5940	Harness: Sensor: Registration	37 - 29
D412 5950	Harness: Sensor: Original Table	29 - 27
G011 1058	Snap Ring	77 - 12
G020 3566	Nut - 2.4mm	95 - 3
G029 4150	Pressure Spring	55 - 18
G126 2713	Shaft: Reverse: Drive: Ass'y	77 - 14
G126 2714	Shaft: Reverse Roller: Ass'y	77 - 18
G126 5892	Bracket: Power Pack: Development	141 - 7
G126 8705	Bracket: Stand: Auxiliary	17 - 35
G126 8709	Hexagonal Nut: M12	17 - 37
G148 1157	Bracket: Toner Recycling	133 - 15
G148 4226	Bracket: Drive	101 - 13
G148 4365	Inner Cover: Fusing/Paper Exit Unit	101 - 1
G148 4429	Side Plate: Front: Exit: Ass'y	117 - 15
G148 4433	Side Plate: Rear: Exit: Ass'y	117 - 16
G178 6062	PCB: PC4200: RAWCard-C: 512MB	151 - 3
G178 6072	PCB: PC4200: RAWCard-A: 1GB	151 - 14
G404 2810	Spring Plate - 2nd Mirror	53 - 18
G564 4151	Rail - Side Fence	29 - 1
G564 6077	Decal: Exposure Glass: 5-Lang	17 - 41
G564 6077	Decal: Exposure Glass: 5-Lang	219 - 43

Part No.	Description	Page and Index No.
G570 2731	Grip	53 - 9
G570 2827	Supporting Plate	57 - 16
G570 2834	Pulley - High Voltage Supply Cord	53 - 24
H053 1150	Stepped Screw - Locking	97 - 24
H053 2208	Bushing - M4	129 - 19
M026 5760	HDD: HITACHI: 160GB: SATURN	153 - 5
N803 1000	Case - Flash Memory Card	221 - 4
N803 6701	Flash Memory Card-4MB	221 - 3

Part No.	Description	Page and Index No.
AA00 0059	Caution Decal - English	219 - 4
AA00 0059	Caution Decal - English	19 - 26
AA00 0217	Decal - LD 655	219 - 45
AA00 0217	Decal - LD 655	55 - 10
AA00 0217	Decal - LD 655	51 - 23
AA00 1213	Decal - B2	219 - 5
AA00 1213	Decal - B2	79 - 2
AA00 1394	Decal - Toner Supply	219 - 6
AA00 1394	Decal - Toner Supply	81 - 15
AA00 1508	Decal: Side Fence: 40x30	219 - 7
AA00 1508	Decal: Side Fence: 40x30	59 - 14
AA00 1509	Decal: Side Fence: 16x30	61 - 1
AA00 1509	Decal: Side Fence: 16x30	219 - 33
AA00 3211	Decal: Paper Tray: Display: 1	219 - 9
AA00 3211	Decal: Paper Tray: Display: 1	23 - 2
AA00 3212	Decal: Paper Tray: Display: 2	219 - 10
AA00 3212	Decal: Paper Tray: Display: 2	21 - 1
AA00 3213	Decal: Paper Tray: Display: 3	21 - 2
AA00 3213	Decal: Paper Tray: Display: 3	219 - 11
AA01 2128	Machine Or Copier Filter	19 - 21
AA02 1034	Magnetic	123 - 12
AA04 0056	Driven Roller	117 - 9
AA04 0056	Driven Roller	115 - 5
AA04 3269	Timing Belt - S2M114	133 - 5
AA04 3271	Timing Belt S3M 196T	59 - 24
AA04 3290	Timing Belt	117 - 7
AA04 3291	Timing Belt	123 - 4
AA04 3292	Timing Belt	123 - 10
AA04 3293	Timing Belt - 40S2M268G	125 - 15
AA04 3294	Timing Belt - 40S2M810G	127 - 6
AA04 3314	Timing Belt: 100S2M266	55 - 14
AA04 3315	Timing Belt: S2M: 40x426	117 - 7
AA04 3575	Timing Belt	71 - 19
AA04 3575	Timing Belt	73 - 31

Part No.	Description	Page and Index No.
AA04 3576	Timing Belt	71 - 29
AA04 3945	Timing Belt	131 - 22
AA04 3946	Timing Belt	133 - 18
AA04 3948	Timing Belt	131 - 15
AA06 0291	Spring	81 - 17
AA06 0291	Spring	83 - 15
AA06 0539	Stripper Pawl Spring	103 - 4
AA06 0722	Tension Spring	79 - 15
AA06 0757	Tension Spring - Long	63 - 5
AA06 0758	Tension Spring - Short	63 - 3
AA06 0792	Tension Spring	131 - 17
AA06 0806	Spring	123 - 16
AA06 0842	Tension Spring	43 - 4
AA06 0887	Spring	75 - 20
AA06 0888	Spring	75 - 15
AA06 0891	Spring	91 - 15
AA06 0892	Pick-off Pawl Spring	95 - 6
AA06 0893	Spring	111 - 15
AA06 0894	Spring	105 - 15
AA06 0894	Spring	107 - 29
AA06 0896	Spring	69 - 27
AA06 0897	Spring	69 - 11
AA06 0898	Spring	69 - 8
AA06 0899	Spring	69 - 15
AA06 0900	Spring	71 - 21
AA06 0901	Spring	71 - 16
AA06 0902	Spring	115 - 15
AA06 0903	Spring	113 - 28
AA06 0904	Spring	71 - 26
AA06 0911	Spring	77 - 28
AA06 0916	Slider Spring	103 - 5
AA06 0946	Pressure Tension Spring	109 - 23
AA06 0961	Tension Spring: Side Fence: Rear	65 - 18
AA06 0991	Tension Spring: Tension: Transport	45 - 15
AA06 2284	Pressure Spring	89 - 16

Part No.	Description	Page and Index No.
AA06 2318	Spring	127 - 26
AA06 2318	Spring	121 - 4
AA06 2319	Spring	127 - 19
AA06 2320	Spring	119 - 7
AA06 3052	Turret Spring	155 - 15
AA06 3248	Charge Terminal Spring	89 - 18
AA06 3249	Grid Terminal Spring	89 - 19
AA06 3254	Driven Roller Spring	79 - 17
AA06 3310	Guide Plate Spring	97 - 23
AA06 3366	Chuck Spring	81 - 9
AA06 3435	Compression Spring: Paper Feed: Joint	31 - 3
AA06 3487	Spring - 10mm	73 - 22
AA06 3490	Spring - 21.6mm	133 - 13
AA06 3576	Spring	95 - 29
AA06 3581	Compression Spring	119 - 24
AA06 3610	Spring - 4060mN	95 - 11
AA06 3654	Spring	131 - 28
AA06 3655	Spring	123 - 22
AA06 3851	Pressure Spring	101 - 23
AA06 3877	Spring	99 - 7
AA06 3878	Spring	73 - 8
AA06 3879	Spring	113 - 18
AA06 3880	Spring	147 - 14
AA06 3880	Spring	141 - 12
AA06 3886	Spring	101 - 35
AA06 3889	Heat Sink Spring	69 - 32
AA06 3901	Compression Spring: Drawer	147 - 15
AA06 3901	Compression Spring: Drawer	141 - 9
AA06 6352	Spring	103 - 24
AA06 6353	Spring	119 - 14
AA06 6592	Spring	113 - 14
AA06 6651	Spring	133 - 17
AA07 0072	Slide Rail: Tandem LCT	163 - 12
AA07 0077	Slide Rail - Right	157 - 6
AA08 0034	Bushing - 4x5x7	123 - 23

Part No.	Description	Page and Index No.
AA08 0034	Bushing - 4x5x7	121 - 8
AA08 0034	Bushing - 4x5x7	79 - 20
AA08 0034	Bushing - 4x5x7	113 - 2
AA08 0037	Bushing - 6mm	33 - 13
AA08 0037	Bushing - 6mm	79 - 16
AA08 0037	Bushing - 6mm	77 - 3
AA08 0147	Front Bushing	89 - 3
AA08 0184	Bushing - Fusing Exit	113 - 11
AA08 0240	Bushing - MM5	113 - 19
AA08 0241	Bushing - M4	73 - 21
AA08 0274	Bushing	103 - 11
AA08 0327	Bushing - M4	71 - 3
AA08 2058	Bushing - 6x10x9mm	99 - 24
AA08 2064	Bushing - 10mm	157 - 12
AA08 2094	Bushing - Brush Roller	93 - 11
AA08 2101	Bushing - 6x10x6	99 - 15
AA08 2101	Bushing - 6x10x6	43 - 17
AA08 2101	Bushing - 6x10x6	93 - 5
AA08 2101	Bushing - 6x10x6	95 - 21
AA08 2101	Bushing - 6x10x6	109 - 14
AA08 2101	Bushing - 6x10x6	31 - 1
AA08 2104	Bushing - 8x12x7	29 - 13
AA08 2116	Bushing - M8	75 - 14
AA08 2116	Bushing - M8	121 - 11
AA08 2116	Bushing - M8	79 - 9
AA08 2117	Bushing - M6	115 - 2
AA08 2118	Bushing - M6	71 - 11
AA08 2118	Bushing - M6	121 - 10
AA08 2118	Bushing - M6	77 - 11
AA08 2118	Bushing - M6	125 - 8
AA08 2118	Bushing - M6	69 - 6
AA08 2118	Bushing - M6	123 - 13
AA08 2119	Roller Bushing	93 - 9
AA08 2120	Bushing	95 - 15
AA08 2121	Toner Collection Coil Bushing	93 - 3

Part No.	Description	Page and Index No.
AA08 2122	Bushing	91 - 13
AA08 2141	Bushing - 16x18x5	35 - 14
AA08 3019	Bushing	75 - 21
AA10 0006	Nut - M3.6	17 - 32
AA12 0067	Anti Static Brush	159 - 1
AA13 2013	Spacer	31 - 4
AA13 2024	Spacer - M6	81 - 18
AA13 2024	Spacer - M6	99 - 9
AA13 2025	Spacer - 1x8x12	131 - 27
AA13 2025	Spacer - 1x8x12	77 - 5
AA13 2142	Spacer - M8	53 - 17
AA13 2171	Spacer - 6x20x1	31 - 21
AA13 2203	Spacer - 6mm	147 - 4
AA13 2203	Spacer - 6mm	63 - 24
AA13 2208	Spacer - M6	91 - 10
AA13 2208	Spacer - M6	93 - 6
AA13 2208	Spacer - M6	95 - 10
AA13 2208	Spacer - M6	129 - 12
AA14 0686	Shaft - Timing Pulley	59 - 29
AA14 0819	Feed Roller Shaft	75 - 19
AA14 0823	Pressure Roller Shaft	107 - 27
AA14 0828	Feed Roller Shaft	69 - 9
AA14 0829	Driven Shaft	71 - 4
AA14 0912	Screw - 8x14x2.8	161 - 18
AA14 3129	Shoulder Screw - Front Cover	121 - 3
AA14 3183	Stepped Screw	123 - 11
AA14 3426	Stopped Screw - M4x17	87 - 6
AA14 3426	Stopped Screw - M4x17	121 - 27
AA14 3520	Shoulder Screw - M3	49 - 2
AA14 3523	Shoulder Screw - M3	95 - 1
AA14 3544	Screw - M3	95 - 30
AA14 3548	Screw: M3x4.2	153 - 6
AA14 3555	Screw - M3x5	27 - 8
AA14 3559	Screw: M4: DIA5	19 - 10
AA14 3560	Stepped Screw - M4	73 - 14

Part No.	Description	Page and Index No.
AA14 3569	Screw	161 - 21
AA14 3718	Stepped Screw - M4	69 - 28
AA14 3788	Pin: Guide Plate: Paper Feed	33 - 27
AA14 3788	Pin: Guide Plate: Paper Feed	37 - 20
AA14 3788	Pin: Guide Plate: Paper Feed	41 - 1
AA14 3788	Pin: Guide Plate: Paper Feed	47 - 2
AA14 3789	Shaft: Cleaner	29 - 22
AA14 3789	Shaft: Cleaner	31 - 28
AA14 3790	Screw: Contact Point	35 - 20
AA14 3791	Screw: Safety	35 - 15
AA14 3791	Screw: Safety	45 - 32
AA14 3797	Connector Guide Pin	141 - 8
AA14 3797	Connector Guide Pin	147 - 16
AA14 3798	Hexagonal Bolt: M12x35	161 - 12
AA14 3801	Screw: M4: Exterior	149 - 5
AA14 3801	Screw: M4: Exterior	155 - 11
AA14 3801	Screw: M4: Exterior	139 - 12
AA14 3802	Screw: 6x1.7	55 - 16
AA14 3803	Flanged Hexagonal Head Bolt: Caster	161 - 11
AA14 3807	Screw: A	115 - 11
AA14 3809	Shoulder Screw - M2.5	73 - 26
AA14 3810	Development Cover Screw	103 - 3
AA14 3810	Development Cover Screw	111 - 20
AA14 3810	Development Cover Screw	109 - 27
AA14 3810	Development Cover Screw	163 - 11
AA14 3811	Stepped Screw - M3x4	123 - 20
AA14 3811	Stepped Screw - M3x4	119 - 16
AA14 3812	Screw - Scale	71 - 6
AA14 3815	Screw - M3x3.5	153 - 17
AA14 3816	Flat Screw: Chuck: Bottle	81 - 5
AA14 3842	Screw: DIA6: 14.5: M4	47 - 10
AA14 3846	Tapping Screw: M3x6	37 - 16
AA15 2315	Tank Seal	19 - 33
AA15 2431	Front Drum Seal	93 - 16
AA15 2441	Case Seal	75 - 5

Part No.	Description	Page and Index No.
AA15 3085	Inner Case Seal	93 - 14
AA15 3088	Cleaning Entrance Seal - 3x345x2	93 - 15
AA15 3138	Inner Cover Cushion - Right Rear	61 - 18
AA15 3154	Duct Seal - PCU	141 - 2
AA15 3155	Duct Seal - IPS	139 - 3
AA15 3156	Exhaust Duct Seal	139 - 9
AA16 1104	Cushion - Motor	159 - 14
AA16 1104	Cushion - Motor	139 - 1
AA16 1122	Motor Cushion	133 - 3
AA16 1125	Rubber Cushion	153 - 7
AA16 1129	Cushion - Large	63 - 26
AA16 1130	Cushion - Small	63 - 29
AA16 1137	Cushion - 0.5	49 - 9
AA16 1164	Cushion: Stepper Motor	135 - 2
AA16 2079	Cushion	79 - 30
AB01 0087	Gear - 20Z	89 - 13
AB01 1392	Drive Reverse Gear - 24Z	77 - 13
AB01 1457	Transport Roller Gear	79 - 11
AB01 1459	Toner Collection Coil Gear	93 - 18
AB01 1459	Toner Collection Coil Gear	95 - 20
AB01 1460	Idler Gear	95 - 28
AB01 1460	Idler Gear	93 - 20
AB01 1461	Toner Recycling Connecting Gear	91 - 11
AB01 1462	Toner Recycling Gear	91 - 9
AB01 1463	Connecting Gear	125 - 10
AB01 1464	Turn Gear	125 - 7
AB01 1465	Idler Gear	69 - 5
AB01 1466	Gear - 35Z	69 - 23
AB01 1466	Gear - 35Z	73 - 3
AB01 1469	Gear - 19Z	71 - 12
AB01 1470	Gear - 18Z	71 - 17
AB01 1471	Reverse Gear	71 - 38
AB01 1478	Gear - 18Z	75 - 13
AB01 1482	Gear - Z40	131 - 14
AB01 1490	Gear - 38Z	71 - 41

Part No.	Description	Page and Index No.
AB01 1491	Gear - 21Z	71 - 40
AB01 1496	Gear - 32Z	125 - 12
AB01 1507	Gear: Z31	131 - 14
AB01 1591	Gear: Reverse	71 - 37
AB01 1591	Gear: Reverse	77 - 19
AB01 2028	Gear - 19Z	115 - 3
AB01 2031	Gear	117 - 27
AB01 2062	Gear: Hot Roller	105 - 24
AB01 2315	Gear - 156Z	131 - 13
AB01 2316	Fusing Gear	107 - 17
AB01 2317	Fusing Drive Gear	109 - 9
AB01 2317	Fusing Drive Gear	111 - 10
AB01 2318	Idler Gear	111 - 9
AB01 2318	Idler Gear	109 - 8
AB01 2327	Gear: 16Z	65 - 17
AB01 3747	Gear - 16Z	83 - 19
AB01 3748	Joint Gear - 15Z	83 - 16
AB01 3749	Gear - 15Z	83 - 18
AB01 3781	Gear - 30Z	63 - 37
AB01 3790	Gear - 25Z	85 - 20
AB01 3798	Gear - Z18	59 - 1
AB01 4077	Registration Roller Gear	77 - 7
AB01 4176	Cam Gear - 37Z	99 - 23
AB01 7449	Gear - 21Z/24T	133 - 6
AB01 7606	Gear - 24Z/46Z	77 - 29
AB01 7607	Gear - 22Z/39Z	79 - 32
AB01 7611	Pick-off Pawl Cam	95 - 8
AB01 7612	Gear	93 - 19
AB01 7614	Pulley	125 - 9
AB01 7615	Gear - 30Z/45Z	127 - 13
AB01 7616	Gear	123 - 3
AB01 7617	Gear - 21Z/38Z	69 - 17
AB01 7619	Gear - 24Z/40Z	73 - 4
AB01 7640	Gear - 38/Z59	131 - 16
AB01 7690	Pulley: Idler: 30T/24Z	71 - 18

Part No.	Description	Page and Index No.
AB01 7760	Gear: Z38/Z67	131 - 16
AB01 9197	Exit Gear	117 - 28
AB01 9200	Gear	117 - 19
AB01 9475	Gear - 48T	59 - 30
AB01 9479	Gear: Fusing Exit	111 - 2
AB01 9479	Gear: Fusing Exit	109 - 2
AB03 0427	Pulley - 81Z	133 - 9
AB03 0458	Pulley - 28Z	131 - 21
AB03 0578	Timing Pulley - 18Z	115 - 13
AB03 0579	Timing Pulley - 27Z	117 - 3
AB03 0583	Timing Pulley - 24Z	125 - 14
AB03 0722	Pulley - 13MM	79 - 14
AB03 0724	Pulley - 74Z	131 - 24
AB03 0725	Pulley - 89Z	133 - 20
AB03 0731	Pulley - 29Z	125 - 13
AB03 0732	Jogger Pulley	127 - 27
AB03 0733	Pulley - 20T	71 - 28
AB03 0734	Pulley - 30Z	71 - 42
AB03 2058	Wire Pulley - M10	63 - 15
AB03 2717	Pulley - 26Z	53 - 16
AB03 2719	Pulley - M10	63 - 17
AB03 3084	Timing Pulley - 15T	59 - 27
AB03 3085	Timing Pulley - 15T	59 - 20
AC01 5037	Shield Glass	57 - 15
AC02 4019	Lens: Cylindrical Lens	57 - 7
AC03 0175	Mirror: No.1	57 - 9
AC03 0176	Mirror: No.2	57 - 22
AD02 2283	Front End Block	89 - 14
AD02 2285	Rear End Block	89 - 15
AD02 2306	Cover - Front End Block	89 - 21
AD02 2307	Cover - Rear End Block	89 - 22
AD02 5024	Pick-off Pawl	95 - 7
AD04 1126	Transfer Belt Cleaning Blade	99 - 1
AD04 1140	Cleaning Blade	95 - 9
AD04 7025	Exit Seal	99 - 11

Part No.	Description	Page and Index No.
AE01 1044	Hot Roller	107 - 21
AE01 1117	Hot Roller: MM40	105 - 1
AE02 0178	Pressure Roller: DIA50	107 - 26
AE02 0182	Pressure Roller: DIA40	105 - 32
AE03 0017	Ball Bearing - 35x50x10	107 - 16
AE03 0018	Ball Bearing - 12x28x8	107 - 25
AE03 0053	Ball Bearing - 8x19x6	105 - 33
AE03 0054	Ball Bearing - 40x52x7	105 - 23
AE03 0055	Ball Bearing - 6x15x5	109 - 12
AE03 0056	Ball Bearing - 8x16x5	109 - 17
AE03 1024	Bushing - M4x7	111 - 6
AE03 1026	Bushing - Oil Supply Roller	109 - 5
AE03 1026	Bushing - Oil Supply Roller	101 - 33
AE03 1036	Bushing - 6mm	101 - 18
AE03 2014	Bushing - 30x35x13.5	107 - 15
AE03 2033	Thermal Insulating Bushing: DIA34	105 - 22
AE04 0038	Cleaning Web Pressure Roller	101 - 36
AE04 2052	Cleaning Roller	111 - 7
AE04 2066	Fusing Cleaning Roller	109 - 6
AE04 4060	Stripper Pawls	103 - 15
AE04 4068	Pressure Roller: Cleaning Felt	101 - 36
AE04 5057	Roller: Cleaning Felt: 32m: Ass'y	101 - 30
AE04 5058	Roller: Cleaning Felt: 28m: Ass'y	101 - 30
AF01 3005	Bottom Plate Pad	65 - 15
AF01 7032	End Fence	65 - 13
AF02 0295	Vertical Driven Roller	73 - 20
AF02 0564	Connecting Roller	79 - 10
AF02 0578	Entrancedecura Roller	115 - 10
AF02 0579	Exitdecura Roller	115 - 9
AF02 0726	Transport Roller: Drive: Grip	73 - 2
AF02 0726	Transport Roller: Drive: Grip	69 - 22
AF02 1075	Duplex Turn Roller	125 - 1
AF02 1079	Right Drive Roller	125 - 6
AF02 2067	Guide Stopper Roller	119 - 26
AF02 2077	Driven Roller	119 - 22

Part No.	Description	Page and Index No.
AF02 2105	Roller - Slide Rail	63 - 28
AF02 2126	Exit Roller - Driven	113 - 3
AF02 2149	Transport Roller	71 - 2
AF03 0080	Paper Feed Roller: Pickup	75 - 18
AF03 0081	Paper Feed Roller: Pickup	69 - 2
AF03 1082	Paper Feed Roller: Feed	69 - 3
AF03 1083	Paper Feed Roller: Feed: Manual Feed	75 - 12
AF03 2080	Paper Feed Roller: Separate	71 - 32
AF03 2080	Paper Feed Roller: Separate	77 - 16
AF04 0055	Fusing Exit Roller	109 - 1
AF04 0055	Fusing Exit Roller	111 - 1
AF04 0561	Fusing Exit Roller - Upper	103 - 14
AG05 0098	Knob: Fusing	101 - 6
AG05 0102	Knob - Duplex	17 - 24
AG07 0513	Magnet Catch	67 - 4
AG07 1012	Magnet Catch: Ass'y	159 - 20
AH01 2031	Caster: 1470N	161 - 10
AW01 0107	Paper Feed Sensor	69 - 13
AW01 0107	Paper Feed Sensor	33 - 17
AW01 0107	Paper Feed Sensor	77 - 23
AW01 0107	Paper Feed Sensor	75 - 3
AW01 0113	Sensor	63 - 25
AW01 0117	Paper Feed Sensor	37 - 28
AW01 0117	Paper Feed Sensor	35 - 10
AW01 0117	Paper Feed Sensor	33 - 16
AW01 0119	Paper Feed Sensor	121 - 25
AW01 0129	Photo Reflection Sensor	29 - 26
AW01 0130	Original Sensor: H=3-80	49 - 13
AW01 0133	Original Sensor - 66mm	51 - 2
AW02 0141	Photointerruptor	43 - 18
AW02 0141	Photointerruptor	39 - 17
AW02 0141	Photointerruptor	29 - 10
AW02 0141	Photointerruptor	47 - 15
AW02 0145	Photointerruptor: Flat	61 - 10
AW02 0145	Photointerruptor: Flat	101 - 19

Part No.	Description	Page and Index No.
AW02 0145	Photointerruptor: Flat	79 - 26
AW02 0145	Photointerruptor: Flat	129 - 23
AW02 0145	Photointerruptor: Flat	55 - 24
AW02 0145	Photointerruptor: Flat	127 - 9
AW02 0148	Paper Feed Sensor	127 - 14
AW02 0149	Paper Feed Sensor	127 - 15
AW02 0149	Paper Feed Sensor	119 - 17
AW02 0154	Photointerruptor: Entrance	33 - 24
AW02 0160	Paper Feed Sensor	59 - 3
AW02 0160	Paper Feed Sensor	63 - 9
AW02 0160	Paper Feed Sensor	109 - 19
AW02 0160	Paper Feed Sensor	69 - 19
AW02 0160	Paper Feed Sensor	77 - 26
AW02 0163	Paper Feed Sensor	59 - 2
AW02 0183	Photointerruptor: Exit	113 - 5
AW02 0196	Photointerruptor: Paper Size Sensor:	
	Document Feeder	33 - 23
AW10 0076	Thermistor: Inner Back	107 - 30
AW10 0084	Middle Thermistor	107 - 9
AW10 0107	Thermistor	145 - 3
AW10 0108	Thermistor - Middle	105 - 12
AW10 0109	Thermistor - Inner Back	105 - 13
AW11 0064	Thermostat-192C	105 - 7
AW11 0066	Thermostat- 211C	105 - 6
AW11 0082	Thermostat: 190C	107 - 5
AW11 0083	Thermostat: 193C	107 - 4
AW20 0010	Paper Feed Sensor	111 - 18
AW20 0010	Paper Feed Sensor	109 - 26
AW50 0010	Push Switch	161 - 16
AW50 0023	Push Switch	129 - 1
AX04 0144	DC Motor: Rise: Paper Tray	147 - 10
AX04 0145	DC Motor: Tandem LCT	59 - 34
AX04 0147	DC Motor: Cleaner: 0.5W	89 - 12
AX04 0159	DC Motor: DC5V 0.46W	101 - 11
AX06 0302	Brushless MotorDC24V 2.4W	129 - 20

Part No.	Description	Page and Index No.
AX06 0382	DC Polygon Mirror Motor: Ass'y	57 - 13
AX20 0277	Magnetic Clutch: 0.53N M: 36Z	75 - 22
AX31 0047	Total Counter: 7Fig: 24V: MI2	157 - 23
AX40 0122	Anticondensation Heater - 120V 9W	49 - 1
AX40 0123	Anticondensation Heater - 230V 10W	49 - 1
AX40 0176	Heater: 115V: 18W: Upper	163 - 6
AX40 0176	Heater: 115V: 18W: Upper	161 - 15
AX40 0178	Heater: 240V: 18W: Upper	163 - 6
AX40 0178	Heater: 240V: 18W: Upper	161 - 15
AX44 0213	Heater: 120V: 550W	105 - 30
AX44 0214	Heater: 120V: 650W	105 - 31
AX44 0216	Heater: 230V: 550W	105 - 30
AX44 0217	Heater: 230V: 650W	105 - 31
AX44 0285	Heater: 220V: 600W	107 - 22
AX44 0301	Heater: 220V: 700W	107 - 23
AX50 0101	Xenon Lamp: 50000LX	53 - 10
AX64 0149	Fan Motor: MM40: 15mm	53 - 13
AX64 0151	Fan Motor: MM60	51 - 19
AX64 0175	Fan Motor DC24V/1.44W	19 - 6
AX64 0177	Fan Motor DC12V 3.6W	149 - 2
AX64 0183	Fan Motor DC24V/1.92W	141 - 4
AX64 0183	Fan Motor DC24V/1.92W	159 - 12
AX64 0201	Fan: MM60: DC 3.12W	51 - 15
AX64 0203	Fan: MM60	17 - 22
AX65 0044	Sirocco Fan Motor DC24V/8.5W	139 - 8
AZ23 0235	Power Supply Unit: CTL: DOM/NA: M-C4	153 - 11
AZ23 0236	Power Supply Unit: CTL: EU/AA: M-C4	153 - 11
AZ24 0149	Power Supply Unit: Main: DOM/NA: MC-4	143 - 3
AZ24 0151	Power Supply Unit: Main: EU/AA: M-C4	143 - 3
AZ30 0057	Power Pack - Development	141 - 6
AZ32 0163	Power Pack - Character Generator	139 - 13
AZ32 0164	Power Pack	99 - 25
AZ50 0075	Stabilizer	53 - 15
BC01 2008	Exposure Glass	49 - 4
GA04 3028	Timing Belt: 60S2M288	77 - 30

Part No.	Description	Page and Index No.
GA06 0077	Spring: Blade: 1st Transfer: 7.1N	135 - 3
GC02 5010	DTL	57 - 19
GX64 0028	Fan Motor DC24V 1.92W	45 - 11

Part No.	Description	Page and Index No.
VSST 9500	Test Chart - S5S- DF (10 sheet/set)	221 - 2

Part No.	Description	Page and Index No.
0313 0050N	Philips Pan Head Screw - M3x5	147 -103
0313 0050N	Philips Pan Head Screw - M3x5	107 -105
0313 0050N	Philips Pan Head Screw - M3x5	53 - 106
0313 0060N	Screw - M3x6	145 -109
0313 0060N	Screw - M3x6	115 -102
0313 0080N	Pan Head Screw: M3x8	107 -106
0313 0100N	Pan Head Screw: M3x10	19 - 106
0313 0120N	Pan Head Screw: M3x12	63 - 110
0314 0040N	Pan Head Screw - M4x4	163 -106
0314 0060N	Screw - M4x6	95 - 101
0314 0060N	Screw - M4x6	83 - 104
0314 0060N	Screw - M4x6	59 - 105
0314 0060N	Screw - M4x6	61 - 101
0314 0080N	Philips Pan Head Screw - M4x8	135 -102
0314 0120N	Screw - M4x12	55 - 104
0314 0120N	Screw - M4x12	107 -107
0353 0040N	Screw - M3x4	73 - 107
0353 0040N	Screw - M3x4	153 -102
0353 0040N	Screw - M3x4	151 -102
0353 0040N	Screw - M3x4	69 - 103
0353 0040N	Screw - M3x4	71 - 104
0353 0050N	Screw-M3x5	121 -104
0353 0050N	Screw-M3x5	123 -104
0353 0050N	Screw-M3x5	105 -105
0353 0060N	Bind Screw - M3x6	25 - 101
0353 0060N	Bind Screw - M3x6	53 - 101
0353 0060N	Bind Screw - M3x6	23 - 102
0353 0060N	Bind Screw - M3x6	117 -103
0353 0060N	Bind Screw - M3x6	113 -102
0353 0060N	Bind Screw - M3x6	85 - 103
0353 0060N	Bind Screw - M3x6	21 - 102
0353 0060N	Bind Screw - M3x6	55 - 101
0353 0060N	Bind Screw - M3x6	51 - 101
0353 0060N	Bind Screw - M3x6	45 - 110

Part No.	Description	Page and Index No.
0353 0060N	Bind Screw - M3x6	49 - 103
0353 0080N	Screw: M3x8	57 - 101
0353 0080N	Screw: M3x8	117 -113
0353 0080N	Screw: M3x8	105 -107
0353 0120N	Screw M3x12	155 -103
0354 0040N	Screw-M4x4	61 - 106
0354 0040N	Screw-M4x4	59 - 107
0354 0060N	Screw-M4x6	121 -103
0354 0060N	Screw-M4x6	117 -102
0354 0060N	Screw-M4x6	101 -102
0354 0080N	Screw: M4x8	81 - 105
0354 0080N	Screw: M4x8	91 - 103
0354 0080N	Screw: M4x8	83 - 102
0354 0080N	Screw: M4x8	85 - 104
0354 0080N	Screw: M4x8	17 - 108
0354 0080N	Screw: M4x8	129 -102
0354 0080N	Screw: M4x8	89 - 101
0354 0080N	Screw: M4x8	51 - 102
0354 0080N	Screw: M4x8	101 -101
0354 0080N	Screw: M4x8	113 -105
0354 0100N	Screw - M4x10	51 - 104
0354 0120N	Screw M4x12	105 -106
0354 0120N	Screw M4x12	87 - 101
0354 0300N	Screw: M4x30	159 -105
0360 4006N	Screw - M4x6	105 -101
0360 4006N	Screw - M4x6	103 -101
0360 4006N	Screw - M4x6	107 -101
0360 4006N	Screw - M4x6	109 -101
0360 4006N	Screw - M4x6	163 -105
0360 4006N	Screw - M4x6	101 -104
0360 4006N	Screw - M4x6	111 -101
0360 4008N	Screw - M4x8	157 -102
0360 4008N	Screw - M4x8	65 - 103
0434 0080N	Pan Self-tapping Screw: M4x8	159 -104
0450 3006N	Tapping Screw - M3x6	81 - 102

Part No.	Description	Page and Index No.
0450 3006N	Tapping Screw - M3x6	123 -102
0450 3008N	Tapping Screw - M3x8	131 -104
0450 3008N	Tapping Screw - M3x8	89 - 102
0450 3008N	Tapping Screw - M3x8	97 - 102
0450 3008N	Tapping Screw - M3x8	121 -105
0450 3008N	Tapping Screw - M3x8	35 - 102
0450 3008N	Tapping Screw - M3x8	99 - 102
0450 3008N	Tapping Screw - M3x8	29 - 102
0450 3008N	Tapping Screw - M3x8	17 - 103
0450 3008N	Tapping Screw - M3x8	59 - 110
0450 3008N	Tapping Screw - M3x8	119 -103
0450 3008N	Tapping Screw - M3x8	67 - 102
0450 3008N	Tapping Screw - M3x8	19 - 103
0450 3008N	Tapping Screw - M3x8	123 -103
0450 3008N	Tapping Screw - M3x8	81 - 103
0450 3008N	Tapping Screw - M3x8	33 - 103
0450 3008N	Tapping Screw - M3x8	41 - 102
0450 3010N	Tapping Screw - M3x10	25 - 102
0450 3010N	Tapping Screw - M3x10	97 - 104
0450 4008N	Tapping Screw - M4x8	61 - 102
0450 4008N	Tapping Screw - M4x8	131 -105
0450 4008N	Tapping Screw - M4x8	65 - 104
0450 4008N	Tapping Screw - M4x8	139 -103
0450 4008N	Tapping Screw - M4x8	19 - 102
0450 4008N	Tapping Screw - M4x8	127 -102
0450 4008N	Tapping Screw - M4x8	71 - 102
0450 4008N	Tapping Screw - M4x8	121 -102
0450 4008N	Tapping Screw - M4x8	83 - 101
0450 4008N	Tapping Screw - M4x8	161 -103
0450 4008N	Tapping Screw - M4x8	59 - 112
0450 4008N	Tapping Screw - M4x8	119 -102
0450 4008N	Tapping Screw - M4x8	69 - 102
0450 4008N	Tapping Screw - M4x8	141 -103
0450 4010N	Tapping Screw: M4x10	17 - 106
0450 4010N	Tapping Screw: M4x10	59 - 111

Part No.	Description	Page and Index No.
0450 4010N	Tapping Screw: M4x10	23 - 104
0450 4010N	Tapping Screw: M4x10	21 - 101
0450 4016N	Tapping Screw - M4x16	139 -105
0450 4035N	Tapping Screw: 4x35	141 -104
0451 3006N	Tapping Screw - 3x6	161 -104
0451 3006N	Tapping Screw - 3x6	151 -101
0451 3006N	Tapping Screw - 3x6	39 - 101
0451 3006N	Tapping Screw - 3x6	43 - 101
0451 3006N	Tapping Screw - 3x6	159 -102
0451 3006N	Tapping Screw - 3x6	53 - 102
0451 3006N	Tapping Screw - 3x6	29 - 101
0451 3006N	Tapping Screw - 3x6	37 - 101
0451 3006N	Tapping Screw - 3x6	33 - 101
0451 3006N	Tapping Screw - 3x6	47 - 101
0451 3006N	Tapping Screw - 3x6	27 - 101
0451 3006N	Tapping Screw - 3x6	163 -103
0451 3006N	Tapping Screw - 3x6	41 - 101
0451 3006N	Tapping Screw - 3x6	35 - 101
0451 3006N	Tapping Screw - 3x6	49 - 104
0451 3006N	Tapping Screw - 3x6	45 - 101
0451 3008N	Tapping Screw - M3x8	65 - 101
0451 3008N	Tapping Screw - M3x8	137 -102
0451 3008N	Tapping Screw - M3x8	37 - 102
0451 3008N	Tapping Screw - M3x8	149 -101
0451 3008N	Tapping Screw - M3x8	139 -102
0451 3008N	Tapping Screw - M3x8	33 - 102
0451 3008N	Tapping Screw - M3x8	45 - 105
0451 3008N	Tapping Screw - M3x8	145 -102
0451 3008N	Tapping Screw - M3x8	141 -102
0451 3012N	Tapping Screw: 3x12	19 - 104
0451 3020N	Tapping Screw: 3x20	45 - 106
0451 3020N	Tapping Screw: 3x20	53 - 105
0451 3030N	Tapping Screw: 3x30	149 -104
0451 4006N	Tapping Screw - 4x6	119 -101
0451 4006N	Tapping Screw - 4x6	121 -101

Part No.	Description	Page and Index No.
0451 4006N	Tapping Screw - 4x6	127 -101
0451 4006N	Tapping Screw - 4x6	59 - 104
0451 4006N	Tapping Screw - 4x6	61 - 105
0451 4006N	Tapping Screw - 4x6	161 -102
0451 4006N	Tapping Screw - 4x6	45 - 103
0451 4006N	Tapping Screw - 4x6	123 -101
0451 4006N	Tapping Screw - 4x6	63 - 104
0451 4006N	Tapping Screw - 4x6	43 - 102
0451 4008N	Tapping Screw: 4x8	117 -101
0451 4008N	Tapping Screw: 4x8	19 - 101
0451 4008N	Tapping Screw: 4x8	147 -101
0451 4008N	Tapping Screw: 4x8	61 - 103
0451 4008N	Tapping Screw: 4x8	133 -101
0451 4008N	Tapping Screw: 4x8	145 -101
0451 4008N	Tapping Screw: 4x8	155 -101
0451 4008N	Tapping Screw: 4x8	159 -101
0451 4008N	Tapping Screw: 4x8	79 - 101
0451 4008N	Tapping Screw: 4x8	115 -101
0451 4008N	Tapping Screw: 4x8	135 -101
0451 4008N	Tapping Screw: 4x8	49 - 101
0451 4008N	Tapping Screw: 4x8	163 -101
0451 4008N	Tapping Screw: 4x8	67 - 101
0451 4008N	Tapping Screw: 4x8	131 -101
0451 4008N	Tapping Screw: 4x8	69 - 101
0451 4008N	Tapping Screw: 4x8	75 - 101
0451 4008N	Tapping Screw: 4x8	51 - 107
0451 4008N	Tapping Screw: 4x8	71 - 101
0451 4008N	Tapping Screw: 4x8	137 -101
0451 4008N	Tapping Screw: 4x8	161 -101
0451 4008N	Tapping Screw: 4x8	139 -101
0451 4008N	Tapping Screw: 4x8	113 -101
0451 4008N	Tapping Screw: 4x8	23 - 103
0451 4008N	Tapping Screw: 4x8	91 - 101
0451 4008N	Tapping Screw: 4x8	17 - 101
0451 4008N	Tapping Screw: 4x8	73 - 101

Part No.	Description	Page and Index No.
0451 4008N	Tapping Screw: 4x8	129 -101
0451 4008N	Tapping Screw: 4x8	141 -101
0451 4008N	Tapping Screw: 4x8	157 -101
0451 4008N	Tapping Screw: 4x8	55 - 103
0451 4008N	Tapping Screw: 4x8	77 - 101
0451 4008N	Tapping Screw: 4x8	45 - 104
0451 4008N	Tapping Screw: 4x8	57 - 103
0451 4008N	Tapping Screw: 4x8	143 -101
0451 4008N	Tapping Screw: 4x8	149 -102
0451 4008N	Tapping Screw: 4x8	81 - 101
0451 4010N	Tapping Screw: 4x10	57 - 102
0451 4010N	Tapping Screw: 4x10	19 - 105
0451 4010N	Tapping Screw: 4x10	159 -103
0451 4012N	Tapping Screw: 4x12	133 -102
0451 4020N	Tapping Screw - M4x20	51 - 106
0452 3006N	Binding Self-tapping Screw: 3x6	63 - 112
0452 3006N	Binding Self-tapping Screw: 3x6	37 - 104
0452 3008N	Tapping Screw - M3x8	113 -104
0452 3008N	Tapping Screw - M3x8	95 - 102
0452 3008N	Tapping Screw - M3x8	91 - 102
0452 3008N	Tapping Screw - M3x8	93 - 101
0452 3008N	Tapping Screw - M3x8	67 - 103
0452 3008P	Binding Self-tapping Screw 3x8	83 - 103
0452 3010N	Binding Self-tapping Screw: 3x10	93 - 102
0452 3010N	Binding Self-tapping Screw: 3x10	85 - 101
0452 3010N	Binding Self-tapping Screw: 3x10	95 - 103
0452 4010N	Binding Self-tapping Screw: 4x10	147 -102
0453 3006N	Tapping Screw - M3x6	163 -104
0453 3006N	Tapping Screw - M3x6	51 - 103
0453 3006N	Tapping Screw - M3x6	35 - 103
0453 3006N	Tapping Screw - M3x6	67 - 104
0453 3006N	Tapping Screw - M3x6	79 - 102
0453 3006N	Tapping Screw - M3x6	161 -105
0453 3006N	Tapping Screw - M3x6	49 - 102
0453 3006N	Tapping Screw - M3x6	113 -103

Part No.	Description	Page and Index No.
0453 3008N	Binding Self Tapping Screw: 3x8	127 -103
0453 3008N	Binding Self Tapping Screw: 3x8	63 - 105
0453 3008N	Binding Self Tapping Screw: 3x8	141 -107
0453 3008N	Binding Self Tapping Screw: 3x8	59 - 103
0453 3008N	Binding Self Tapping Screw: 3x8	131 -106
0453 3008N	Binding Self Tapping Screw: 3x8	117 -107
0453 4006N	Binding Self Tapping Screw: 4x6	59 - 109
0453 4008N	Binding Self Tapping Screw: 4x8	157 -103
0453 4008N	Binding Self Tapping Screw: 4x8	23 - 101
0453 4008N	Binding Self Tapping Screw: 4x8	21 - 103
0454 3006Q	Tapping Screw - M3x6	153 -101
0454 3006Q	Tapping Screw - M3x6	145 -105
0454 3006Q	Tapping Screw - M3x6	155 -102
0454 3006Q	Tapping Screw - M3x6	37 - 103
0454 3006Q	Tapping Screw - M3x6	27 - 102
0454 3006Q	Tapping Screw - M3x6	39 - 102
0454 3006Q	Tapping Screw - M3x6	45 - 102
0454 3006Q	Tapping Screw - M3x6	47 - 102
0454 3006Q	Tapping Screw - M3x6	151 -105
0454 3006Q	Tapping Screw - M3x6	43 - 103
0454 3006Q	Tapping Screw - M3x6	137 -103
0454 3006Q	Tapping Screw - M3x6	149 -103
0454 3008Q	Tapping Screw: 3x8	17 - 107
0454 4006Q	Tapping Screw: 4x6	63 - 111
0454 4006Q	Tapping Screw: 4x6	59 - 108
0454 4006Q	Tapping Screw: 4x6	163 -102
0454 4008Q	Tapping Screw - M4x8	65 - 102
0454 4008Q	Tapping Screw - M4x8	119 -104
0454 4008Q	Tapping Screw - M4x8	73 - 102
0454 4008Q	Tapping Screw - M4x8	17 - 102
0454 4008Q	Tapping Screw - M4x8	69 - 113
0454 4020Q	Tapping Screw: 4x20	51 - 105
0573 0030E	Hexagon Headless Set Screw - M3x3	71 - 105
0573 0030E	Hexagon Headless Set Screw - M3x3	77 - 102
0623 0120E	Spring Pin - M3x12	97 - 105

Part No.	Description	Page and Index No.
0623 0140E	Spring Pin - 3x14mm	133 -106
0632 0120G	Parallel Pin - 2x12	43 - 106
0632 0140G	Parallel Pin	29 - 104
0633 0180G	Parallel Pin - 3x18mm	131 -111
0633 0180G	Parallel Pin - 3x18mm	97 - 106
0633 0200G	Pin - M3x20	63 - 101
0707 4050N	Bushing - 4x5	139 -106
0707 4050N	Bushing - 4x5	159 -107
0707 4050N	Bushing - 4x5	51 - 108
0707 4060N	Bushing: DIA4x6	45 - 107
0720 0025E	Retaining Ring - M2.5	89 - 105
0720 0030E	Retaining Ring - M3	103 -103
0720 0030E	Retaining Ring - M3	161 -108
0720 0030E	Retaining Ring - M3	47 - 103
0720 0030E	Retaining Ring - M3	101 -106
0720 0030E	Retaining Ring - M3	87 - 102
0720 0030E	Retaining Ring - M3	85 - 105
0720 0030E	Retaining Ring - M3	123 -105
0720 0030E	Retaining Ring - M3	31 - 101
0720 0030E	Retaining Ring - M3	41 - 103
0720 0030E	Retaining Ring - M3	45 - 108
0720 0030E	Retaining Ring - M3	77 - 105
0720 0030E	Retaining Ring - M3	79 - 103
0720 0040E	Retaining Ring - M4	63 - 102
0720 0040E	Retaining Ring - M4	121 -106
0720 0040E	Retaining Ring - M4	65 - 105
0720 0040E	Retaining Ring - M4	31 - 102
0720 0040E	Retaining Ring - M4	79 - 104
0720 0040E	Retaining Ring - M4	69 - 104
0720 0040E	Retaining Ring - M4	39 - 103
0720 0040E	Retaining Ring - M4	113 -106
0720 0040E	Retaining Ring - M4	147 -105
0720 0040E	Retaining Ring - M4	71 - 103
0720 0040E	Retaining Ring - M4	155 -108
0720 0040E	Retaining Ring - M4	33 - 104

Part No.	Description	Page and Index No.
0720 0040E	Retaining Ring - M4	159 -108
0720 0040E	Retaining Ring - M4	109 -103
0720 0040E	Retaining Ring - M4	37 - 105
0720 0040E	Retaining Ring - M4	163 -107
0720 0040E	Retaining Ring - M4	125 -101
0720 0040E	Retaining Ring - M4	101 -107
0720 0040E	Retaining Ring - M4	111 -104
0720 0040E	Retaining Ring - M4	77 - 103
0720 0040E	Retaining Ring - M4	123 -106
0720 0040E	Retaining Ring - M4	115 -103
0720 0040E	Retaining Ring - M4	127 -104
0720 0040E	Retaining Ring - M4	43 - 104
0720 0040E	Retaining Ring - M4	21 - 104
0720 0040E	Retaining Ring - M4	117 -104
0720 0040E	Retaining Ring - M4	83 - 105
0720 0040E	Retaining Ring - M4	23 - 105
0720 0040E	Retaining Ring - M4	133 -104
0720 0040E	Retaining Ring - M4	81 - 107
0720 0040E	Retaining Ring - M4	45 - 111
0720 0040E	Retaining Ring - M4	131 -110
0720 0040E	Retaining Ring - M4	91 - 105
0720 0040E	Retaining Ring - M4	59 - 106
0720 0040E	Retaining Ring - M4	119 -105
0720 0040E	Retaining Ring - M4	157 -104
0720 0040E	Retaining Ring - M4	93 - 105
0720 0060E	Retaining Ring - M6	83 - 106
0720 0060E	Retaining Ring - M6	77 - 104
0720 0060E	Retaining Ring - M6	75 - 102
0720 0060E	Retaining Ring - M6	105 -109
0720 0060E	Retaining Ring - M6	45 - 109
0720 0060E	Retaining Ring - M6	109 -104
0720 0060E	Retaining Ring - M6	131 -109
0720 0060E	Retaining Ring - M6	125 -102
0720 0060E	Retaining Ring - M6	43 - 105
0720 0060E	Retaining Ring - M6	37 - 106

Part No.	Description	Page and Index No.
0720 0060E	Retaining Ring - M6	39 - 104
0720 0060E	Retaining Ring - M6	79 - 105
0720 0060E	Retaining Ring - M6	63 - 103
0720 0060E	Retaining Ring - M6	111 -105
0720 0060E	Retaining Ring - M6	29 - 103
0720 0060E	Retaining Ring - M6	121 -107
0720 0060E	Retaining Ring - M6	69 - 105
0720 0060E	Retaining Ring - M6	117 -106
0720 0060E	Retaining Ring - M6	97 - 107
0720 0060E	Retaining Ring - M6	31 - 103
0720 0060E	Retaining Ring - M6	53 - 107
0720 0060E	Retaining Ring - M6	35 - 104
0720 0060E	Retaining Ring - M6	71 - 106
0720 0060E	Retaining Ring - M6	87 - 103
0720 0060E	Retaining Ring - M6	133 -105
0720 0060E	Retaining Ring - M6	73 - 103
0720 0060E	Retaining Ring - M6	115 -104
0725 0120E	Retaining Ring C - M12	131 -108
0725 0120E	Retaining Ring C - M12	107 -110
0725 0300E	Retaining Ring C - M30	107 -109
0727 0060E	Retaining Ring - M6	83 - 107
0727 0080G	Retaining Ring - M8	111 -107
0727 0080G	Retaining Ring - M8	109 -107
0740 3508	Ball Bearing -8x14x4	37 - 108
0740 3706	Ball Bearing - M6x10x3	37 - 107
0741 3506	Ball Bearing - 6x12x4 mm	77 - 106
0741 3506	Ball Bearing - 6x12x4 mm	71 - 109
0742 3808	Ball Bearing - 8x16x5	111 -106
0742 3808	Ball Bearing - 8x16x5	79 - 106
0742 3808	Ball Bearing - 8x16x5	69 - 106
0742 3808	Ball Bearing - 8x16x5	109 -105
0742 3808	Ball Bearing - 8x16x5	125 -103
0742 3808	Ball Bearing - 8x16x5	35 - 105
0742 3808	Ball Bearing - 8x16x5	73 - 104
0742 3808	Ball Bearing - 8x16x5	39 - 105

Part No.	Description	Page and Index No.
0742 3906	Ball Bearing - 6x14x5mm	117 -105
0800 0072	Philips Pan Head Screw - M2.6x4	81 - 104
0801 0234	Screw With Washer: Small Round With Spring Washer: M5x8	143 -103
0803 0058	Stepped Screw	147 -104
0805 0072	CS Ring	81 - 106
0805 0088	Retaining Ring - M6	75 - 103
0805 0089	Retaining Ring - M4	41 - 104
0805 0089	Retaining Ring - M4	33 - 105
0805 0089	Retaining Ring - M4	37 - 109
0805 3368	Ball Bearing - 8x16x5mm	55 - 109
0805 3480	Bushing - 6mm	117 -112
0807 5056	Washer - 8.1mm	109 -106
0807 5056	Washer - 8.1mm	111 -103
0950 3006M	Philips Screw With Lock Washer	105 -102
0950 3006N	Screw: Spring Washer: M3x6	107 -102
0950 4008N	Screw: Spring Washer: M4x8	25 - 104
0950 4008N	Screw: Spring Washer: M4x8	141 -115
0951 3004P	Screw: Polished Round: M3x4	99 - 103
0951 3005N	Screw: Polished Round: M3x5	107 -111
0951 3006N	Screw - M3x6	55 - 102
0951 3006N	Screw - M3x6	63 - 109
0951 3006N	Screw - M3x6	95 - 104
0951 3006N	Screw - M3x6	93 - 103
0951 3006N	Screw - M3x6	99 - 101
0951 3006N	Screw - M3x6	91 - 104
0951 3006N	Screw - M3x6	53 - 104
0951 3008N	Screw: Polished Round: M3x8	97 - 101
0951 3008N	Screw: Polished Round: M3x8	95 - 105
0951 3008N	Screw: Polished Round: M3x8	93 - 104
0951 4005N	Screw: Polished Round: M4x5	131 -102
0951 4006N	Screw: Polished Round: M4x6	61 - 104
0951 4008N	Screw: Polished Round: M4x8	101 -103
0951 4008N	Screw: Polished Round: M4x8	105 -104
0951 4008N	Screw: Polished Round: M4x8	85 - 102

Part No.	Description	Page and Index No.
0951 4008N	Screw: Polished Round: M4x8	143 -102
0951 4008N	Screw: Polished Round: M4x8	17 - 104
0951 4008N	Screw: Polished Round: M4x8	133 -103
0951 4010N	Screw: Polished Round: M4x10	159 -106
0951 4010N	Screw: Polished Round: M4x10	139 -104
0951 4012N	Screw: Polished Round: M4x12	131 -103
0951 4012N	Screw: Polished Round: M4x12	17 - 105
0951 4014N	Screw: Polished Round: M4x14	97 - 103
0951 5010N	Screw: M5x10	27 - 103
0954 3006N	Screw - M3x6	105 -108
0954 3006N	Screw - M3x6	25 - 103
0954 3008N	Screw - M3x8	161 -106
0954 3008N	Screw - M3x8	153 -103
0954 3010N	Screw: Polished Round/Spring: M3x10	107 -112
0954 3012N	Screw - M3x12	107 -108
0954 3012N	Screw - M3x12	105 -103
0954 4006N	Screw: Polished Round/Spring: M4x6	107 -103
0954 4008N	Screw - M4x8	109 -102
0954 4008N	Screw - M4x8	107 -104
0954 4008N	Screw - M4x8	111 -102
0954 4008N	Screw - M4x8	103 -102
0954 4008N	Screw - M4x8	101 -105
0954 4008N	Screw - M4x8	53 - 103
0954 4008N	Screw - M4x8	55 - 105
0957 3010N	Screw: Small Round/Spring: M3x10	57 - 104
0971 4006A	Philips Polycarbonate Screw - M4x6	89 - 104
0971 4008A	Philips Polycarbonate Screw - M4x8	89 - 103
1102 5301	Connector - 2P	171 -129
1102 5302	Connector - 3P	171 -130
1102 5303	3.5: Connector: ST: 4P	211 -101
1102 5943	Connector - 2P	171 -272
1102 6245	Relay Connector - 2P	147 -106
1102 6245	Relay Connector - 2P	139 -107
1102 6245	Relay Connector - 2P	141 -105
1102 6245	Relay Connector - 2P	159 -109

Part No.	Description	Page and Index No.
1102 6246	Relay Connector - 3P	79 - 112
1102 6247	Connector - 4P	75 - 106
1102 6249	Relay Connector - 6P	69 - 112
1102 6249	Relay Connector - 6P	73 - 108
1102 6251	Connector - 8P	69 - 111
1102 6252	Connector - 9P	69 - 110
1102 6257	Relay Connector - 14P	79 - 113
1102 6258	Relay Connector - 15P	79 - 114
1102 6260	Relay Connector - 3P	75 - 107
1102 6279	Connector - 3P	75 - 105
1102 6295	Connector: 53324-0260	211 -102
1102 6295	Connector: 53324-0260	171 -137
1102 6297	Connector - 4P	171 -152
1102 6298	Connector - 5P	171 -142
1102 6301	Connector: 53324-0860	189 -101
1102 6393	Connector - 10P	171 -138
1102 6394	Connector: 53313-1265	171 -131
1102 6398	Connector: 53313-2065	171 -132
1102 6399	Connector - 22P	171 -141
1102 6515	Connector: 53313-3465	171 -135
1102 6592	Connector	189 -102
1102 6594	Connector - 10P	189 -103
1102 6895	Connector - 40P	189 -104
1102 7615	Connector - B8B-XH-A	211 -103
1102 8028	Connector: B4B-PH-SM4C-TB(LF)(SN)	211 -104
1102 8467	Connector - 55447-0370	171 -140
1102 8470	Connector - 55447-0610	171 -136
1102 8471	Connector - 55447-071	171 -147
1102 8473	Connector - 55447-0910	171 -149
1102 8476	Connector: 55447-1280	171 -148
1102 8477	Connector - 13P	171 -143
1102 8478	Connector - 55447-1410	171 -139
1102 8485	Connector - 55451-2210	171 -133
1102 8487	Connector: 55451-2670	171 -134
1102 8489	Connector - 55451-3010	171 -146

Part No.	Description	Page and Index No.
1102 8489	Connector - 55451-3010	189 -105
1102 8492	Connector - 55451-3610	171 -145
1102 8502	Connector - 54679-1615	141 -106
1102 8504	Connector	131 -107
1102 8560	Connector - KX14-60K5D1E	189 -106
1102 8716	Connector: 55450-1880	189 -107
1102 9336	Connector: FPS009-2300-0	211 -105
1102 9378	Connector: 55450-1280	189 -108
1102 9470	Connector: 55460-0619	189 -109
1102 9535	Connector - 200PS-JUK-G-B	211 -106
1102 9686	Connector - RHM-176P-SDK11-U1L1C	211 -107
1102 9887	Connector: 52588-3090	211 -108
1103 3207	Connector - FH12-36S-0.5SH(89)	171 -154
1103 3427	Connector: FH12-49S-0.5SV(89)	171 -153
1103 3480	Connector: 55450-1380	189 -110
1103 3481	Connector: 67800-8005	211 -109
1103 3497	Connector: 87715-9002	211 -110
1103 3537	Connector: 292212-7	189 -111
1103 3563	Connector - BM50B-SHLDS-G(LF)(SN)	171 -150
1103 3563	Connector - BM50B-SHLDS-G(LF)(SN)	189 -112
1103 3663	Connector: 55451-1670	171 -144
1103 3769	Connector: BM40B-SHLDS-G(LF)(SN)	171 -151
1103 3769	Connector: BM40B-SHLDS-G(LF)(SN)	189 -113
1103 3865	Connector: 29 6406 200 101 856+	211 -111
1103 3919	Connector: 87832-1420	189 -114
1103 3947	Connector: WB4S140HA1	189 -115
1103 3964	Connector: WB4P140HA1	211 -113
1103 3964	Connector: WB4P140HA1	211 -112
1103 4137	Connector: UAR64-8K5J00	211 -114
1103 4138	Connector: UBR24-4K5J00	211 -115
1103 4534	Connector: 100R-JMDSS-G1-TF(S)(LF)(SN)	189 -116
1104 0764	IC Socket: 1-390261-2	171 -179
1105 0032	Clamp	25 - 105
1105 0046	Harness Band	129 -104
1105 0229	Clamp	81 - 108

Part No.	Description	Page and Index No.
1105 0230	Clamp	59 - 101
1105 0267	Harness Clamp - YMC-10-0	63 - 106
1105 0283	Clamp	109 -108
1105 0283	Clamp	111 -108
1105 0290	Harness Clamp - HORIZONTAL	117 -111
1105 0291	Harness Clamp - LWS-3S	63 - 107
1105 0306	Metal Clamp - AI-4	57 - 105
1105 0328	Harness Clamp - ES-0505	159 -111
1105 0328	Harness Clamp - ES-0505	117 -110
1105 0328	Harness Clamp - ES-0505	121 -108
1105 0328	Harness Clamp - ES-0505	59 - 102
1105 0328	Harness Clamp - ES-0505	79 - 111
1105 0328	Harness Clamp - ES-0505	71 - 108
1105 0328	Harness Clamp - ES-0505	127 -109
1105 0328	Harness Clamp - ES-0505	69 - 108
1105 0460	Clamp	53 - 112
1105 0460	Clamp	55 - 107
1105 0487	Harness Clamp	45 - 117
1105 0487	Harness Clamp	51 - 110
1105 0487	Harness Clamp	77 - 107
1105 0487	Harness Clamp	33 - 107
1105 0487	Harness Clamp	55 - 108
1105 0487	Harness Clamp	157 -105
1105 0487	Harness Clamp	43 - 108
1105 0487	Harness Clamp	79 - 110
1105 0488	Harness Clamp	137 -107
1105 0488	Harness Clamp	145 -103
1105 0488	Harness Clamp	141 -108
1105 0488	Harness Clamp	153 -105
1105 0489	Harness Clamp - LWS 1316	141 -111
1105 0489	Harness Clamp - LWS 1316	145 -106
1105 0489	Harness Clamp - LWS 1316	53 - 111
1105 0490	Harness Clamp - IWS-2218	141 -109
1105 0490	Harness Clamp - IWS-2218	137 -109
1105 0508	Harness Clamp - LWS-0711	51 - 112

Part No.	Description	Page and Index No.
1105 0508	Harness Clamp - LWS-0711	127 -106
1105 0508	Harness Clamp - LWS-0711	123 -107
1105 0511	Harness Clamp - LWS-0306ZC	73 - 106
1105 0511	Harness Clamp - LWS-0306ZC	75 - 104
1105 0511	Harness Clamp - LWS-0306ZC	69 - 107
1105 0511	Harness Clamp - LWS-0306ZC	47 - 104
1105 0511	Harness Clamp - LWS-0306ZC	129 -103
1105 0511	Harness Clamp - LWS-0306ZC	29 - 105
1105 0511	Harness Clamp - LWS-0306ZC	33 - 106
1105 0511	Harness Clamp - LWS-0306ZC	141 -113
1105 0511	Harness Clamp - LWS-0306ZC	127 -105
1105 0511	Harness Clamp - LWS-0306ZC	123 -108
1105 0511	Harness Clamp - LWS-0306ZC	51 - 111
1105 0511	Harness Clamp - LWS-0306ZC	113 -107
1105 0511	Harness Clamp - LWS-0306ZC	55 - 106
1105 0511	Harness Clamp - LWS-0306ZC	43 - 107
1105 0511	Harness Clamp - LWS-0306ZC	117 -109
1105 0511	Harness Clamp - LWS-0306ZC	37 - 110
1105 0511	Harness Clamp - LWS-0306ZC	115 -106
1105 0511	Harness Clamp - LWS-0306ZC	53 - 113
1105 0511	Harness Clamp - LWS-0306ZC	77 - 109
1105 0511	Harness Clamp - LWS-0306ZC	101 -108
1105 0511	Harness Clamp - LWS-0306ZC	159 -110
1105 0511	Harness Clamp - LWS-0306ZC	45 - 115
1105 0511	Harness Clamp - LWS-0306ZC	79 - 107
1105 0514	Edge Saddle - EDS-0607L	35 - 106
1105 0516	Clamp	141 -112
1105 0516	Clamp	145 -104
1105 0516	Clamp	151 -103
1105 0516	Clamp	149 -105
1105 0516	Clamp	163 -108
1105 0516	Clamp	127 -107
1105 0516	Clamp	115 -105
1105 0516	Clamp	137 -112
1105 0516	Clamp	53 - 109

Part No.	Description	Page and Index No.
1105 0516	Clamp	51 - 113
1105 0516	Clamp	161 -107
1105 0516	Clamp	153 -106
1105 0518	Edge Saddle - LES-1010	53 - 110
1105 0518	Edge Saddle - LES-1010	137 -110
1105 0518	Edge Saddle - LES-1010	51 - 114
1105 0518	Edge Saddle - LES-1010	79 - 109
1105 0518	Edge Saddle - LES-1010	143 -104
1105 0518	Edge Saddle - LES-1010	155 -107
1105 0518	Edge Saddle - LES-1010	117 -108
1105 0518	Edge Saddle - LES-1010	153 -107
1105 0521	Clamp - LES-1017	137 -111
1105 0521	Clamp - LES-1017	151 -104
1105 0522	Edge Saddle - LES0510	77 - 108
1105 0522	Edge Saddle - LES0510	127 -108
1105 0522	Edge Saddle - LES0510	137 -108
1105 0522	Edge Saddle - LES0510	141 -114
1105 0522	Edge Saddle - LES0510	71 - 107
1105 0522	Edge Saddle - LES0510	123 -109
1105 0522	Edge Saddle - LES0510	161 -109
1105 0522	Edge Saddle - LES0510	113 -108
1105 0522	Edge Saddle - LES0510	79 - 108
1105 0530	Nylon Clamp-EMT-4N	137 -105
1105 0532	Edge Saddle - LES-25L	141 -110
1105 0534	Clamp	91 - 106
1105 0534	Clamp	45 - 116
1105 0542	Harness Clamp - MSBS-1207	69 - 109
1105 0544	Edge Saddle: LES-2017	145 -108
1105 0551	Clamp: LES-0505	51 - 109
1105 0559	Clamp: EMT-5N	137 -106
1105 0559	Clamp: EMT-5N	53 - 108
1105 0559	Clamp: EMT-5N	49 - 105
1105 0559	Clamp: EMT-5N	45 - 118
1105 0692	Clamp: LES-0503	45 - 114
1105 0721	Clamp: LES-1808	145 -107

Part No.	Description	Page and Index No.
1105 0721	Clamp: LES-1808	135 -103
1106 0411	Bushing - 11.5mm	63 - 108
1107 1095	Fuse - SST 2	211 -116
1109 0007	IC - MINISMDC100-02	171 -166
1109 0018	Fuse: SMD100F	171 -167
1109 0042	Fuse: MINISMDC150F	211 -117
1109 0042	Fuse: MINISMDC150F	189 -117
1204 2306	DIPSW: CHS-04B	189 -118
1204 2390	Interlock Switch - FA8L-AB24	155 -105
1204 2468	Switch - AC250/16A	155 -106
1204 2521	Micro Switch	73 - 105
1204 2521	Micro Switch	155 -104
1204 2553	Tact Switch - KSRBAAE010	171 -271
1204 2560	DIP Switch: CHS-02B	189 -119
1204 2622	Dip Switch: CHS-08TB1	211 -118
1204 2802	Dip Switch	171 -270
1206 0122	Lithium Cell: CR2450/V1A	211 -119
1400 0556	Transistor - DTB143EK	171 -209
1400 0714	Transistor: 2SD1781KR	211 -120
1400 0731	Transistor - 2SD1766	171 -201
1400 0775	Transistor - 2SC4081	171 -205
1400 0817	Transistor: DTA114YE	189 -120
1400 1078	Transistor: RT2N12M-T111	171 -203
1400 1140	Transistor - 2SA1577R	189 -121
1400 1152	Transistor: RT1N436M-T111	189 -122
1400 1156	Transistor: RT1N141M-T111	189 -123
1400 1248	Transistor: 2SC5342SF	211 -121
1400 1281	Transistor: 2SC4155A-T111	171 -199
1400 1294	Transistor: RT1N241M-T111	171 -206
1400 1296	Transistor: RT1P431M-T111	171 -200
1400 1296	Transistor: RT1P431M-T111	189 -124
1400 1297	Transistor: RT1N431M-T111	171 -202
1401 0902	FET: 2SK1590	211 -122
1401 0902	FET: 2SK1590	171 -208
1401 1222	FET: HAT2068R-E	189 -125

Part No.	Description	Page and Index No.
1401 1222	FET: HAT2068R-E	211 -123
1401 1234	FET: SSM3J02T	211 -124
1401 1235	FET: HAT2071R-E	211 -125
1401 1296	FET: TPC8115	211 -126
1401 1317	FET - HAT2197R	211 -127
1401 1318	FET - HAT2198R	211 -128
1401 1320	FET - TPC8107	211 -129
1401 1411	FET: HAT2195R-E	211 -130
1401 1411	FET: HAT2195R-E	189 -126
1401 1414	FET: SI3433BDV-E3	211 -131
1401 1419	FET: 2SK4033(TE16L1,NQ)	171 -210
1401 1509	FET: RSR015P03	171 -204
1401 1510	FET: RHP020N06	171 -207
1402 1041	Diode: DA204U	171 -161
1402 1057	Diode Array - DAP202U	171 -159
1402 1142	Diode Array - DAN217	171 -162
1402 1336	Diode - 1SS355	171 -155
1402 1343	Diode - RB106L-40	171 -158
1402 1398	Diode - RB050L-40	189 -127
1402 1444	Diode - RB051L-40	189 -128
1402 1530	Diode - RB520S-30	171 -156
1402 1530	Diode - RB520S-30	189 -129
1402 1530	Diode - RB520S-30	211 -132
1402 1537	Diode: RB751S-40	211 -133
1402 1565	Diode: RB521S-30	211 -134
1402 1565	Diode: RB521S-30	171 -163
1402 1663	Diode - ZTP12B	171 -274
1402 1854	Diode: RF071M2S	171 -160
1402 1891	Diode: RB160M-60	171 -157
1402 1920	Diode: TDZ18	171 -275
1402 1995	Diode: SDS511	211 -135
1402 2001	Diode: SX34	211 -136
1403 0953	LED - SML-310MT	171 -196
1403 0953	LED - SML-310MT	211 -137
1403 0953	LED - SML-310MT	189 -130

Part No.	Description	Page and Index No.
1403 0978	LED: SML-310DT	171 -195
1403 0996	LED - SML-310VT	171 -194
1403 0996	LED - SML-310VT	189 -131
1403 1033	LED: SML-310YT	189 -132
1403 1131	LED: SML-311UT	211 -138
1403 1168	LED: SML-311YT	211 -139
1404 1048	Varistor: SRV05-4.TCT	211 -140
1404 1056	Varistor: AVR-M1005C120MBAAB	171 -273
1407 2231	IC - TD62308AF	171 -181
1407 4399	CMOS Logic: TC74VHC245FT(K)	189 -133
1407 4804	CMOS Logic: TC7SH08FU	189 -134
1407 4804	CMOS Logic: TC7SH08FU	171 -189
1407 4804	CMOS Logic: TC7SH08FU	211 -141
1407 4840	IC - TC7SH04FU	189 -135
1407 4840	IC - TC7SH04FU	211 -142
1407 5009	CMOS Logic: TC7SET04FU	211 -144
1407 5009	CMOS Logic: TC7SET04FU	171 -186
1407 5010	IC - TC7SET08FU	211 -145
1407 5011	CMOS Logic: TC7WH74FU	189 -136
1407 5107	CMOS Logic: TC7W66FU	211 -146
1407 5189	CMOS Logic: TC7SZ00FU	211 -147
1407 5192	CMOS Logic: TC7SZ04FU	189 -137
1407 5192	CMOS Logic: TC7SZ04FU	211 -148
1407 5194	CMOS Logic: TC7SZ32FU	189 -138
1407 5194	CMOS Logic: TC7SZ32FU	211 -149
1407 5195	CMOS Logic: TC7SZ05FU	211 -150
1407 5196	CMOS Logic: TC7SZ125FU	211 -151
1407 5232	CMOS Logic: TC7WH125FU	171 -190
1407 5351	IC - SN74LV14APW	189 -139
1407 5353	IC - SN74LV244APW	171 -178
1407 5392	IC: SN74LV541APW	189 -140
1407 5392	IC: SN74LV541APW	171 -170
1407 5404	IC - EEPROM I2C BUS 32K DIP	137 -104
1407 5463	IC - SN74LV245APW	171 -172
1407 5469	IC - SN74LV07APW	171 -173

Part No.	Description	Page and Index No.
1407 5482	IC - SN74LVC07APW	211 -152
1407 5523	ROM - I2C SOP 3V	211 -153
1407 5531	CMOS Logic: TC7WH14FU	189 -141
1407 5531	CMOS Logic: TC7WH14FU	211 -154
1407 5592	CMOS Logic: SN74LV139APW	189 -142
1407 5633	IC: SN74LV574APW	171 -171
1407 6050	CMOS Logic: TC74VHC08FT(K)	189 -143
1407 6052	CMOS Logic: TC74VHC14FT(K)	171 -192
1407 6096	CMOS Logic: TC7WH08FU	189 -144
1407 6127	Clock Generator: ICS960008AFLF	211 -155
1407 6166	IC - ESOC	171 -182
1407 6232	LVDS: THC63LVD104A	189 -145
1407 6447	Custom IC - GAVD Type-W	189 -146
1407 6517	Custom IC: WHISTLE	211 -156
1407 6520	Custom IC - GARAC-C	189 -147
1407 6536	ICH6-MNH82801FBM(SL89K)	211 -157
1407 6605	CMOS Logic: TC74LCX541FT(K)	189 -148
1407 6613	ICS7152M-01	189 -149
1407 6641	Custom IC: LEO	189 -150
1407 6672	CPU: LE80536VC001512(SL8LW)	211 -158
1407 6676	Clock Generator: ICS954206BGLF	211 -159
1407 6683	LAN Controller LSI: BCM5461A1KPFG	211 -160
1407 6751	CMOS Logic: HD74LV1GW07ACM	211 -161
1407 6759	Custom IC: EIO	171 -183
1407 6774	CMOS Logic: TC7WZ08FK	211 -162
1407 6778	CMOS Logic: TC7SH02FU	211 -163
1407 6784	Controller: ST19WP18FT28PVGR	211 -164
1407 6801	CMOS Logic: TC7PA17FU	189 -151
1407 6802	CMOS Logic: TC7PA04FU	211 -165
1407 6803	CMOS Logic: TC7SZ07FU	189 -152
1407 6803	CMOS Logic: TC7SZ07FU	211 -166
1407 6804	CMOS Logic: TC7SG17FU	189 -153
1407 6824	CMOS Logic: TC7WG125FK	211 -167
1407 6853	CMOS Logic: HD74LV1GW17ACM	211 -168
1407 6869	Real Time Clock: R2023T-F	211 -169

1407 6944	USB Controller IC: ST72681/R21	211 -171	1408 2350	IC: R1211D002B-FA	211 -182
1407 6957	CMOS Logic: TC7SH17FU	189 -154	1408 2393	Series Regulator: R1172H331B-FB	171 -252
1407 6957	CMOS Logic: TC7SH17FU	211 -172	1408 2458	DC/DC Converter: LTC3407EMSE-2#PBF	211 -183
1407 6978	CMOS Logic: TC74LCX08FT(K)	171 -188	1408 2462	Series Regulator: BH18MA3WHFV	189 -164
1407 6980	CMOS Logic: TC74LCX14FT(K)	171 -175	1408 2463	DDR Terminator - TPS51116PWPG4	189 -165
1407 6985	CMOS Logic: TC74LCX32FT(K)	171 -187	1408 2463	DDR Terminator - TPS51116PWPG4	211 -184
1407 6990	CMOS Logic: TC74VHC02FT(K)	171 -177	1408 2464	DC/DC Converter: MAX1907AETL+	211 -185
1407 6995	CMOS Logic: TC74VHC244FT(K)	189 -155	1408 2601	DC/DC Converter: BD9130NV	189 -166
1407 7005	CMOS Logic: TC74VHCT244AFT(K)	211 -143	1408 2607	DC/DC Converter: BD9111NV	189 -167
1407 7029	GMCH: QG82915GME(SLA9K)	211 -173	1408 2626	Regulator: HA17431GLPA-E	171 -254
1407 7057	PLD: XC3S1000-5FGG456C(0.09)	189 -156	1408 2637	DC/DC Converter: MPD5S027	211 -186
1407 7190	Controller: RB5V871A	189 -157	1408 2638	DC/DC Converter: MPD6S023	211 -187
1407 7232	Custom IC: VEENA	211 -174	1408 2775	IC: BD95500MUJ	189 -168
1407 7234	Clock Generator: ICS960023CGLF	211 -170	1503 0758	Crystal Oscillator: MC-306 32.768KHz 12.5PF	211 -188
1408 1206	Transistor-array - TD62M4700F	171 -176	1503 0773	Crystal Oscillator: 32.768KHz: 7PF	211 -189
1408 1653	Operational Amplifier: LMV324IPW	189 -158	1503 1129	Crystal Oscillator: 27MHz	189 -169
1408 1668	Series Regulator: R1170H251B-F	189 -159	1503 1138	Crystal Oscillator - 48MHz	211 -190
1408 1668	Series Regulator: R1170H251B-F	211 -175	1503 1146	Crystal Oscillator: 14.31818MHz	211 -191
1408 1730	IC - MM1096BF	171 -185	1503 1215	Crystal Oscillator - 17.5MHz	171 -197
1408 1778	IC: R3112Q101A	211 -176	1503 1274	Crystal Oscillator: 19.85MHz	171 -198
1408 1779	IC - R3112Q281A	211 -177	1503 1363	Crystal Oscillator: 12MHz	211 -192
1408 1779	IC - R3112Q281A	171 -174	1503 1367	Crystal Oscillator: 25MHz	211 -193
1408 1788	IC: R3112Q091A-FA	211 -178	1503 1368	Crystal Oscillator: 25MHz	211 -194
1408 1826	IC - R3112Q421A	211 -179	1503 1381	Crystal Oscillator: 26.6MHz	189 -170
1408 1826	IC - R3112Q421A	189 -160	1503 1438	Crystal Oscillator: 43.46MHz	189 -171
1408 1829	Ope Amp - LM358PW	171 -168	1503 1439	Crystal Oscillator: 60MHz	189 -172
1408 1839	IC: R3112Q211A-FA	211 -180	1503 1440	Crystal Oscillator: 166.667MHz	189 -173
1408 1850	Regulator - R1170H181B	171 -253	1601 7750	Resistor - 22K Ω \pm 5.00%	171 -266
1408 1850	Regulator - R1170H181B	189 -161	1601 7752	Resistor Array - 10K Ω \pm 5%	189 -174
1408 1902	Operational Amplifier: RC4558D	171 -193	1601 7752	Resistor Array - 10K Ω \pm 5%	171 -256
1408 1911	Comparator - LM2903PW	171 -169	1601 7760	Resistor Array	171 -265
1408 2024	IC: R3112Q261A-FA	189 -162	1601 7781	Resistor - 10 Ω \pm 5%	171 -260
1408 2246	Series Regulator: R1114N331B-F	189 -163	1601 7791	Resistor Array - 1K Ω \pm 5%	171 -268
1408 2298	IC: BD37A41FVM	171 -191	1601 7796	Resistor	171 -269
1408 2305	Reset IC: BU4242FVE	211 -181	1601 7867	Resistor - 33 Ω \pm 5% 1/16W	171 -264

Part No.	Description	Page and Index No.
1601 7887	Resistor Array - 10K Ω \pm 5% 1/32W	189 -175
1601 7887	Resistor Array - 10K Ω \pm 5% 1/32W	211 -195
1601 7896	Resistor Array - 56 Ω \pm 5% 1/32W	211 -196
1601 7898	Resistor Array	211 -197
1601 7898	Resistor Array	189 -176
1601 7899	Resistor Array - 56 Ω \pm 5% 1/16W	189 -177
1601 7909	Resistor Array - 10 Ω \pm 5% 1/32W	211 -198
1601 7913	Resistor 22 Ω \pm 5% 1/32W	189 -178
1601 7913	Resistor 22 Ω \pm 5% 1/32W	211 -199
1601 7914	Resistor Array - 47 Ω \pm 5%	211 -200
1601 7959	Resistor	189 -179
1601 7960	Resistor Array: 100 Ω : \pm 5%: 1/16W: 4Number	171 -267
1601 7981	Resistor Array - 100K Ω \pm 5%1/16W	189 -180
1604 4692	Capacitor: 220 μ F: \pm 20%: 16V	189 -181
1604 4695	Capacitor: 100 μ F: \pm 20%: 35V	171 -124
1604 4728	Capacitor - 100 μ F \pm 20% 16V	189 -182
1604 4987	Capacitor - 330 μ F \pm 20% 6.3V	189 -183
1604 5065	Capacitor 10 μ F: \pm 20%: 50V	189 -184
1604 5082	Capacitor - 330 μ F \pm 20% 10V	189 -185
1604 5239	Capacitor - 220 μ F \pm 20% 35V	171 -106
1604 5432	Capacitor: 220 μ F: \pm 20%: 35V	189 -186
1604 5683	Capacitor: 33 μ F: \pm 20%: 50V	171 -123
1605 1135	Capacitor - 0.47 μ F \pm 1% 10V	189 -187
1605 1148	Capacitor - 0.1 μ F +80-20% 50V	171 -102
1605 1163	Ceramic Capacitor - 560PF: \pm 5%: 50V	189 -188
1605 1166	Capacitor - 0.015 μ F \pm 10% 50V	189 -189
1605 1195	Capacitor: 4pF: \pm 0.25PF: 50V	189 -190
1605 1195	Capacitor: 4pF: \pm 0.25PF: 50V	211 -201
1605 1197	Capacitor - 6pF \pm 0.5pF 50V	211 -202
1605 1199	Capacitor - 8pF \pm 0.5pF 50V	211 -203
1605 1200	Capacitor - 10pF \pm 0.5pF 50V	171 -112
1605 1200	Capacitor - 10pF \pm 0.5pF 50V	189 -191
1605 1200	Capacitor - 10pF \pm 0.5pF 50V	211 -204
1605 1202	Capacitor - 15pF \pm 5% 50V	211 -205
1605 1202	Capacitor - 15pF \pm 5% 50V	171 -114

Part No.	Description	Page and Index No.
1605 1202	Capacitor - 15pF \pm 5% 50V	189 -192
1605 1203	Capacitor: 18pF: \pm 5%: 50V	211 -206
1605 1203	Capacitor: 18pF: \pm 5%: 50V	171 -118
1605 1204	Capacitor-PF50V	211 -207
1605 1205	Capacitor - 33pF \pm 5% 50V	189 -193
1605 1207	Capacitor - 68pF \pm 5% 50V	211 -208
1605 1208	Capacitor: 100pF: \pm 5%: 50V	171 -107
1605 1208	Capacitor: 100pF: \pm 5%: 50V	211 -209
1605 1208	Capacitor: 100pF: \pm 5%: 50V	189 -194
1605 1212	Capacitor - 470pF \pm 10% 50V	171 -105
1605 1212	Capacitor - 470pF \pm 10% 50V	189 -195
1605 1214	Capacitor - 1000pF \pm 10% 50V	189 -196
1605 1214	Capacitor - 1000pF \pm 10% 50V	211 -210
1605 1214	Capacitor - 1000pF \pm 10% 50V	171 -115
1605 1216	Capacitor - 2200pF \pm 10%50V	189 -197
1605 1216	Capacitor - 2200pF \pm 10%50V	211 -211
1605 1221	Capacitor - 0.1 μ F+80-20%16V	171 -101
1605 1224	Capacitor 4.7 μ F \pm 10% 6.3V	189 -198
1605 1234	Capacitor: 4700pF: \pm 10%: 50V	171 -108
1605 1234	Capacitor: 4700pF: \pm 10%: 50V	211 -212
1605 1240	Capacitor - 0.01 μ F \pm 10% 25V	189 -199
1605 1240	Capacitor - 0.01 μ F \pm 10% 25V	211 -226
1605 1240	Capacitor - 0.01 μ F \pm 10% 25V	171 -113
1605 1249	Capacitor: 0.047 μ F: \pm 10%: 16V	171 -103
1605 1275	Capacitor: 820pF: \pm 5%: 50V	211 -213
1605 1281	Capacitor - 0.22 μ F \pm 10% 16V	189 -200
1605 1282	Capacitor: 22 μ F: +80-20%: 10V	171 -109
1605 1283	Capacitor - 680pF \pm 10% 50V	189 -201
1605 1285	Capacitor - 3300pF \pm 10% 50V	189 -202
1605 1288	Capacitor: 220pF: \pm 5%: 50V	189 -203
1605 1288	Capacitor: 220pF: \pm 5%: 50V	211 -214
1605 1289	Capacitor - 0.1 μ F \pm 10% 10V	171 -119
1605 1289	Capacitor - 0.1 μ F \pm 10% 10V	189 -204
1605 1291	Capacitor: 2.2 μ F: \pm 10%: 10V	189 -205
1605 1291	Capacitor: 2.2 μ F: \pm 10%: 10V	211 -215

Part No.	Description	Page and Index No.
1605 1294	Resistor - 1000pF ±5% 50V	189 -206
1605 1299	Capacitor: 56pF: ±5%: 50V	211 -216
1605 1300	Capacitor - 270pF ±5% 50V	211 -227
1605 1301	Capacitor-6800pF ±10% 50V	189 -207
1605 1303	Capacitor - 0.01µF +80-20% 50V	171 -104
1605 1306	Capacitor - 1µF ±10% 10V	189 -208
1605 1347	Capacitor - 1µF: +80-20%: 16V	171 -116
1605 1355	Ceramic Capacitor: 680pF: ±10%: 50V	189 -209
1605 1358	Capacitor - 10µF ±10% 10V	189 -210
1605 1363	Capacitor - 4.7µF +80-20% 25V	171 -122
1605 1367	Capacitor: 0.033µF: ±10%: 16V	189 -211
1605 1367	Capacitor: 0.033µF: ±10%: 16V	211 -228
1605 1387	Capacitor: 0.68µF: ±10%: 10V	211 -229
1605 1387	Capacitor: 0.68µF: ±10%: 10V	189 -212
1605 1406	Capacitor - 10µF ±10% 6.3V	171 -110
1605 1406	Capacitor - 10µF ±10% 6.3V	211 -217
1605 1419	Capacitor: 4.7µF: ±10%: 16V	211 -218
1605 1419	Capacitor: 4.7µF: ±10%: 16V	189 -213
1605 1428	Capacitor: 0.22µF: ±10%: 6.3V	211 -219
1605 1432	Resistor - 100µF ±20% 6.3V	189 -214
1605 1447	Resistor - 470pF ±5% 50V	211 -220
1605 1450	Resistor - 22µF ±10% 6.3V	211 -221
1605 1451	Capacitor: 0.47µF: ±10%: 6.3V	189 -215
1605 1452	Capacitor - 1µF ±10% 6.3V	189 -216
1605 1453	Capacitor: 0.022µF: ±10%: 16V	171 -120
1605 1453	Capacitor: 0.022µF: ±10%: 16V	211 -222
1605 1464	Resistor - 10µF ±20% 25V	189 -217
1605 1464	Resistor - 10µF ±20% 25V	211 -223
1605 1465	Resistor - 1µF ±10% 25V	211 -224
1605 1474	Capacitor - 47µF ±20% 6.3V	189 -218
1605 1475	Resistor - 1µF ±10% 16V	189 -219
1605 1481	Capacitor: 1000pF: ±20%: 50V	171 -126
1605 1483	Capacitor: 0.01µF: ±20%: 25V	171 -127
1605 1529	Capacitor: 33pF: ±10%: 50V	171 -128
1605 1544	Capacitor: 330pF: ±5%: 50V	189 -220

Part No.	Description	Page and Index No.
1605 1544	Capacitor: 330pF: ±5%: 50V	211 -225
1605 1547	Capacitor: 2.2µF: ±10%: 6.3V	189 -221
1605 1583	Capacitor - 0.1µF: ±10%: 16V	189 -222
1605 1583	Capacitor - 0.1µF: ±10%: 16V	211 -230
1605 1585	Capacitor: 4.7µF: ±10%: 6.3V	189 -223
1605 1586	Capacitor: 10µF: ±10%: 16V	189 -224
1605 1587	Capacitor: 22µF: ±20%: 6.3V	189 -225
1605 1605	Capacitor - 4.7µF ±10% 10V	171 -111
1605 1605	Capacitor - 4.7µF ±10% 10V	189 -226
1605 1606	Capacitor: 0.33µF: ±10%: 16V	171 -117
1605 1635	Capacitor: 0.47µF: ±10%: 25V	211 -231
1605 1652	Capacitor: 22µF: ±20%: 16V	189 -227
1605 1671	Capacitor: 22µF: ±20%: 10V	189 -228
1605 1682	Capacitor: 47µF: ±20%: 10V	189 -229
1605 1687	Capacitor: 10µF: ±10%: 10V	189 -230
1605 1689	Capacitor: 100µF: ±20%: 6.3V	211 -232
1605 1695	Capacitor: 1200pF: ±10%: 50V	211 -233
1605 1726	Capacitor: 4.7µF: ±10%: 25V	189 -231
1606 2084	Capacitor	171 -125
1606 2319	Capacitor: 100µF: ±20%: 6.3V	211 -234
1607 0810	Filter: BK2125HS121	211 -235
1607 0861	Filter - BK2125HS101	189 -232
1607 1002	Filter: NFE31PT222Z1E9B	189 -233
1607 1051	Filter -FBMJ2125HS420	211 -236
1607 1061	Filter - BLM11P300SPB	211 -237
1607 1092	Ferrite Core: RFC-10	153 -104
1607 1092	Ferrite Core: RFC-10	17 - 109
1607 1108	Filter: BLM21PG220SN1B	189 -234
1607 1108	Filter: BLM21PG220SN1B	211 -238
1607 1196	Inductor -220UH ±20% 0.33A	189 -235
1607 1222	Inductor - 3.3UH ±20% 2.5A	189 -236
1607 1228	Inductor: SLF7045-4R7M2R0-PF	211 -239
1607 1251	Filter - MPZ2012S221A	171 -165
1607 1316	Filter: FBMJ1608HS280NT	211 -240
1607 1351	Filter BLM21PG221SN1B	171 -164

Part No.	Description	Page and Index No.
1607 1362	Coil - ACM3225-800-2P	211 -241
1607 1388	Inductor: LB2518B1R0M	211 -242
1607 1438	Choke Coil: DLW21SN121SQ2B	211 -243
1607 1480	Ferrite Core: ZCAT2235-1030A	45 - 112
1607 1489	Filter - MMZ1608B301C	211 -244
1607 1567	Filter: MPZ2012S101A	189 -237
1607 1567	Filter: MPZ2012S101A	211 -245
1607 1609	Filter: MMZ1608Y102C	189 -238
1607 1629	Coil - DLW21HN900SQ2B	189 -239
1607 1651	Inductor - HM73-101R0LF	211 -246
1607 1651	Inductor - HM73-101R0LF	189 -240
1607 1657	Inductor - HM73-10R68LF	211 -247
1607 1744	Inductor: LQH32CNR15M33B	211 -248
1607 1827	Inductor: RLF7030-2R2M5R4	189 -241
1607 1853	Inductor: LB2518B100M	211 -249
1607 1854	Inductor: CDRH4D18C-1R1N	211 -250
1607 1974	Inductor: VLFC4020-2R2N1R7	211 -251
1607 2053	Ferrite Core: E04FG210810	25 - 106
1607 2125	Inductor: VLF10045-3R3N6R9	189 -242
1607 2159	Ferrite Core: ZCAT2017-0930	45 - 113
1609 0005	Resistor: 33Ω: ±5%: 1/16W	189 -243
1609 0005	Resistor: 33Ω: ±5%: 1/16W	171 -263
1609 0005	Resistor: 33Ω: ±5%: 1/16W	211 -252
1609 0006	Resistor: 10KΩ: ±5%: 1/16W	189 -244
1609 0006	Resistor: 10KΩ: ±5%: 1/16W	211 -253
1609 0006	Resistor: 10KΩ: ±5%: 1/16W	171 -255
1609 0007	Resistor - 68Ω ±5% 1/16W	189 -245
1609 0016	Resistor: 56Ω: ±5%: 1/16W	171 -257
1609 0020	Resistor: 10Ω: ±5%: 1/16W	171 -261
1609 0025	Resistor - 100Ω ±5% 1/16W	189 -246
1609 0027	Resistor - 100KΩ±5% 1/16W	189 -247
1609 0027	Resistor - 100KΩ±5% 1/16W	171 -262
1609 0028	Resistor Array: 120 Ω: ±5%: 1/16W: 8Number	189 -248
1609 0033	Resistor - 82 Ω ±5% 1/16W	189 -249
1609 0033	Resistor - 82 Ω ±5% 1/16W	171 -258

Part No.	Description	Page and Index No.
1609 0176	Resistor Array: 75 Ω: ±5%: 1/16W: 8Number	171 -259
1610 1214	Resistor - 1 Ω ±5% 1/2W	171 -221
1610 1417	Resistor: 0.5 Ω: ±5%: 1/8W: 1608	211 -254
1610 1427	Resistor - 15Ω ±5% 1W	189 -250
1610 1804	Resistor: 0.006 Ω: ±1%: 1W	189 -251
1610 1804	Resistor: 0.006 Ω: ±1%: 1W	211 -255
1610 2116	Resistor: 1.5M Ω: ±1%: 1W: 6432	211 -256
1610 2185	Chip Resistor: 1.4K Ω: ±0.5%: 1/10W: 1608	171 -243
1610 2186	Chip Resistor: 3.6K Ω: ±0.5%: 1/10W: 1608	171 -241
1610 2187	Chip Resistor: 2.1K Ω: ±0.5%: 1/10W: 1608	171 -242
1633 0000	Resistor - 0 Ω 1/10W	171 -231
1633 0000	Resistor - 0 Ω 1/10W	211 -257
1634 0000	Resistor - 0 Ω 1/16W	189 -252
1634 0000	Resistor - 0 Ω 1/16W	171 -213
1634 0000	Resistor - 0 Ω 1/16W	211 -258
1650 2101	Resistor - 100Ω ±5% 1/4W	171 -238
1650 2151	Resistor - 150Ω ±5% 1/4W	171 -222
1650 2470	Resistor: 47 Ω: ±5%: 1/4W: 3216	189 -253
1650 2472	Chip Resistor-4.7K	171 -235
1650 3681	Resistor - 680Ω ±5% 1/8W	189 -254
1650 4101	Resistor - 100Ω±5%1/10W	189 -255
1650 4102	Resistor - 1KΩ ±5% 1/10W	171 -234
1650 4103	Resistor - 10KΩ ±5% 1/10W	189 -256
1650 4109	Resistor: 1 Ω: ±5%: 1/10W: 1608	211 -259
1650 4123	Resistor - 12KΩ±5%1/10W	189 -257
1650 4229	Resistor: 2.2 Ω: ±5%: 1/10W: 1608	211 -260
1650 4470	Resistor - 47Ω±5%1/10W	171 -233
1650 5100	Chip Resistor - 10 Ω±5%1/16W	171 -217
1650 5100	Chip Resistor - 10 Ω±5%1/16W	189 -258
1650 5101	Chip Resistor - 100 Ω±5%1/16W	171 -223
1650 5101	Chip Resistor - 100 Ω±5%1/16W	189 -259
1650 5102	Chip Resistor - 1KΩ±5%1/16W	189 -260
1650 5102	Chip Resistor - 1KΩ±5%1/16W	171 -211
1650 5103	Chip Resistor - 10KΩ±5%1/16W	189 -261
1650 5103	Chip Resistor - 10KΩ±5%1/16W	171 -212

Part No.	Description	Page and Index No.
1650 5104	Chip Resistor - 100K Ω \pm 5% 1/16W	189 -262
1650 5105	Resistor: 1M Ω : \pm 5%: 1/16W: 1005	171 -230
1650 5106	Resistor - 10M Ω \pm 5% 1/16W	211 -261
1650 5121	Resistor: 120 Ω : \pm 5%: 1/16W: 1005	189 -263
1650 5154	Resistor: 150K Ω : \pm 5%: 1/16W: 1005	171 -237
1650 5163	Resistor - 16K Ω \pm 5% 1/16W	189 -264
1650 5181	Resistor: 180 Ω : \pm 5%: 1/16W: 1005	189 -265
1650 5201	Resistor - 200 Ω \pm 5% 1/16W	189 -266
1650 5220	Resistor - 22 Ω \pm 5% 1/16W	189 -267
1650 5221	Chip Resistor - 220 Ω \pm 5% 1/16W	189 -268
1650 5222	Resistor - 2.2K Ω \pm 5% 1/16W	171 -216
1650 5223	Resistor: 22K Ω : \pm 5%: 1/16W: 1005	171 -228
1650 5271	Resistor: 270 Ω : \pm 5%: 1/16W: 1005	171 -244
1650 5309	Resistor: 3 Ω : \pm 5%: 1/16W: 1005	211 -262
1650 5309	Resistor: 3 Ω : \pm 5%: 1/16W: 1005	189 -269
1650 5330	Chip Resistor - 33 Ω \pm 5% 1/16W	189 -270
1650 5330	Chip Resistor - 33 Ω \pm 5% 1/16W	171 -227
1650 5331	Resistor - 330 Ω \pm 5% 1/16W	171 -218
1650 5331	Resistor - 330 Ω \pm 5% 1/16W	189 -271
1650 5332	Resistor - 3.3K Ω \pm 5% 1/16W	171 -236
1650 5332	Resistor - 3.3K Ω \pm 5% 1/16W	189 -272
1650 5392	Chip Resistor: 3.9K Ω : \pm 5%: 1/16W: 1005	171 -232
1650 5470	Chip Resistor 47 Ω \pm 5% 1/16W	171 -239
1650 5470	Chip Resistor 47 Ω \pm 5% 1/16W	189 -273
1650 5471	Chip Resistor - 470 Ω -5% 1/16W	189 -274
1650 5472	Chip Resistor: 4.7K Ω : \pm 5%: 1/16W	189 -275
1650 5472	Chip Resistor: 4.7K Ω : \pm 5%: 1/16W	171 -229
1650 5511	Resistor - 510 Ω \pm 5% 1/16W	189 -276
1650 5519	Resistor: 5.1 Ω : \pm 5%: 1/16W: 1005	189 -277
1650 5519	Resistor: 5.1 Ω : \pm 5%: 1/16W: 1005	211 -263
1650 5560	Chip Resistor 56 Ω \pm 5% 1/16W	171 -225
1650 5560	Chip Resistor 56 Ω \pm 5% 1/16W	189 -278
1650 5680	Resistor - 68 Ω \pm 5% 1/16W	171 -219
1650 5680	Resistor - 68 Ω \pm 5% 1/16W	189 -279
1650 5681	Chip Resistor: 680 Ω : \pm 5%: 1/16W	171 -220

Part No.	Description	Page and Index No.
1650 5681	Chip Resistor: 680 Ω : \pm 5%: 1/16W	189 -280
1650 5751	Resistor: 750 Ω : \pm 5%: 1/16W: 1005	189 -281
1653 1009	Resistor: 10 Ω : \pm 1%: 1/8W: 2125	211 -264
1654 1000	Resistor - 100 Ω \pm 1% 1/10W	211 -265
1654 1009	Resistor - 10 Ω \pm 1% 1/10W	211 -266
1654 1401	Resistor - 1.4K Ω \pm 1% 1/10W 1608	171 -251
1654 1911	Resistor - 1.91K Ω \pm 1% 1/10W	171 -245
1654 2002	Resistor - 20K Ω \pm 1% 1/10W	171 -215
1654 2401	Resistor - 2.4K Ω \pm 1% 1/10W	171 -214
1654 4300	Resistor - 430 Ω \pm 1% 1/10W	189 -282
1654 5101	Resistor: 5.1K Ω : \pm 1%: 1/10W: 1608	189 -283
1654 6200	Resistor - 620 Ω \pm 1% 1/10W	189 -284
1654 6201	Resistor - 6.2K Ω \pm 1% 1/10W	189 -285
1655 0000	Chip Resistor - 0 Ω \pm 0% 1/16W	171 -240
1655 0000	Chip Resistor - 0 Ω \pm 0% 1/16W	211 -267
1655 0000	Chip Resistor - 0 Ω \pm 0% 1/16W	189 -286
1655 1000	Chip Resistor: 100 Ω : \pm 1%: 1/16W	211 -268
1655 1000	Chip Resistor: 100 Ω : \pm 1%: 1/16W	189 -287
1655 1001	Chip Resistor - 1K Ω \pm 1% 1/16W	171 -246
1655 1001	Chip Resistor - 1K Ω \pm 1% 1/16W	189 -288
1655 1001	Chip Resistor - 1K Ω \pm 1% 1/16W	211 -269
1655 1002	Chip Resistor - 10K Ω \pm 1% 1/16W	211 -292
1655 1002	Chip Resistor - 10K Ω \pm 1% 1/16W	171 -247
1655 1003	Chip Resistor - 100K Ω \pm 1% 1/16W	171 -224
1655 1003	Chip Resistor - 100K Ω \pm 1% 1/16W	189 -289
1655 1003	Chip Resistor - 100K Ω \pm 1% 1/16W	211 -293
1655 1004	Resistor: 1M Ω : \pm 1%: 1/16W: 1005	211 -270
1655 1009	Resistor - 10 Ω \pm 1% 1/16W	211 -271
1655 1102	Resistor: 11K Ω : \pm 1%: 1/16W: 1005	211 -272
1655 1102	Resistor: 11K Ω : \pm 1%: 1/16W: 1005	171 -249
1655 1132	Resistor: 11.3K Ω : \pm 1%: 1/16W: 1005	211 -273
1655 1200	Resistor - 120 Ω \pm 1% 1/16W	189 -290
1655 1201	Resistor: 1.2K Ω : \pm 1%: 1/16W: 1005	211 -274
1655 1202	Resistor: 12K Ω : \pm 1%: 1/16W: 1005	189 -291
1655 1203	Resistor: 120K Ω : \pm 1%: 1/16W: 1005	189 -292

Part No.	Description	Page and Index No.
1655 1241	Resistor: 1.24K Ω : $\pm 1\%$: 1/16W: 1005	211 -275
1655 1243	Resistor: 124K Ω : $\pm 1\%$: 1/16W: 1005	189 -293
1655 1300	Resistor: 130 Ω : $\pm 1\%$: 1/16W: 1005	211 -276
1655 1303	Resistor: 130K Ω : $\pm 1\%$: 1/16W: 1005	189 -294
1655 1501	Chip Resistor 1.5K Ω $\pm 1\%$ 1/16W	211 -277
1655 1502	Resistor - 15K Ω $\pm 1\%$ 1/16W	189 -295
1655 1502	Resistor - 15K Ω $\pm 1\%$ 1/16W	211 -278
1655 1503	Resistor: 150K Ω : $\pm 1\%$: 1/16W: 1005	189 -296
1655 1542	Resistor: 15.4K Ω : $\pm 1\%$: 1/16W: 1005	171 -248
1655 1692	Resistor: 16.9K Ω : $\pm 1\%$: 1/16W: 1005	211 -279
1655 1803	Resistor: 180K Ω : $\pm 1\%$: 1/16W: 1005	211 -280
1655 1963	Resistor: 196K Ω : $\pm 1\%$: 1/16W: 1005	211 -281
1655 2000	Resistor - 200 Ω $\pm 1\%$ 1/16W	211 -282
1655 2001	Resistor - 2K Ω $\pm 1\%$ 1/16W	211 -283
1655 2002	Chip Resistor - 20K Ω $\pm 1\%$ 1/16W	189 -297
1655 2002	Chip Resistor - 20K Ω $\pm 1\%$ 1/16W	211 -284
1655 2201	Resistor: 2.2K Ω : $\pm 1\%$: 1/16W: 1005	211 -285
1655 2209	Resistor - 22 Ω $\pm 1\%$ 1/16W	211 -286
1655 2209	Resistor - 22 Ω $\pm 1\%$ 1/16W	189 -298
1655 2210	Resistor - 221 Ω $\pm 1\%$ 1/16W	211 -287
1655 2269	Resistor: 22.6 Ω : $\pm 1\%$: 1/16W: 1005	211 -288
1655 2400	Resistor: 240 Ω : $\pm 1\%$: 1/16W: 1005	189 -299
1655 2432	Resistor: 24.3K Ω : $\pm 1\%$: 1/16W: 1005	211 -289
1655 2499	Resistor: 24.9 Ω : $\pm 1\%$: 1/16W: 1005	211 -290
1655 2700	Resistor: 270 Ω : $\pm 1\%$: 1/16W: 1005	211 -291
1655 2701	Resistor: 2.7K Ω : $\pm 1\%$: 1/16W: 1005	211 -294
1655 2741	Resistor: 2.74K Ω : $\pm 1\%$: 1/16W: 1005	211 -295
1655 2749	Resistor - 27.4 Ω $\pm 1\%$ 1/16W	211 -296
1655 2802	Resistor: 28K Ω : $\pm 1\%$: 1/16W: 1005	211 -297
1655 3002	Chip Resistor - 30K Ω $\pm 1\%$ 1/16W	189 -300
1655 3002	Chip Resistor - 30K Ω $\pm 1\%$ 1/16W	211 -298
1655 3013	Resistor: 301K Ω : $\pm 1\%$: 1/16W: 1005	211 -299
1655 3242	Resistor: 32.4K Ω : $\pm 1\%$: 1/16W: 1005	211 -300
1655 3301	Resistor: 3.3K Ω : $\pm 1\%$: 1/16W: 1005	189 -301
1655 3302	Resistor: 33K Ω : $\pm 1\%$: 1/16W: 1005	211 -330

Part No.	Description	Page and Index No.
1655 3303	Resistor - 330K Ω $\pm 1\%$ 1/16W	211 -301
1655 3309	Resistor - 33 Ω $\pm 1\%$ 1/16W	211 -302
1655 3601	Resistor: 3.6K Ω : $\pm 1\%$: 1/16W: 1005	211 -303
1655 3602	Resistor: 36K Ω : $\pm 1\%$: 1/16W: 1005	211 -304
1655 3903	Resistor: 390K Ω : $\pm 1\%$: 1/16W: 1005	211 -305
1655 3909	Resistor 39 Ω $\pm 1\%$ 1/16W	211 -306
1655 4021	Resistor: 4.02K Ω : $\pm 1\%$: 1/16W: 1005	171 -250
1655 4029	Resistor: 40.2 Ω : $\pm 1\%$: 1/16W: 1005	211 -307
1655 4701	Chip Resistor - 4.7K Ω $\pm 1\%$ 1/16W	211 -308
1655 4701	Chip Resistor - 4.7K Ω $\pm 1\%$ 1/16W	189 -302
1655 4702	Chip Resistor: 47K Ω : $\pm 1\%$: 1/16W: 1005	171 -226
1655 4750	Resistor - 475 Ω $\pm 1\%$ 1/16W	211 -309
1655 4992	Resistor: 49.9K Ω : $\pm 1\%$: 1/16W: 1005	211 -310
1655 4999	Resistor - 49.9 Ω $\pm 1\%$ 1/16W	211 -311
1655 5101	Resistor - 5.1K Ω $\pm 1\%$ 1/16W	211 -312
1655 5109	Resistor - 51 Ω $\pm 1\%$ 1/16W	211 -313
1655 5499	Resistor - 54.9 Ω $\pm 1\%$ 1/16W	211 -314
1655 5600	Resistor - 560 Ω $\pm 1\%$ 1/16W	211 -315
1655 5602	Resistor: 56K Ω : $\pm 1\%$: 1/16W: 1005	211 -316
1655 5609	Resistor - 56 Ω $\pm 1\%$ 1/16W	211 -317
1655 6043	Resistor: 604K Ω : $\pm 1\%$: 1/16W: 1005	211 -318
1655 6209	Resistor - 62 Ω $\pm 1\%$ 1/16W	189 -303
1655 6800	Resistor: 680 Ω : $\pm 1\%$: 1/16W: 1005	211 -319
1655 6801	Resistor: 6.8K Ω : $\pm 1\%$: 1/16W: 1005	211 -320
1655 6809	Chip Resistor - 68 Ω $\pm 1\%$ 1/16W	211 -321
1655 7509	Resistor: 75 Ω : $\pm 1\%$: 1/16W: 1005	211 -322
1655 8069	Resistor: 80.6 Ω : $\pm 1\%$: 1/16W: 1005	211 -323
1655 8201	Resistor: 8.2K Ω : $\pm 1\%$: 1/16W: 1005	211 -324
1655 8202	Resistor - 82K Ω $\pm 1\%$ 1/16W	189 -304
1655 8209	Resistor - 82 Ω $\pm 1\%$ 1/16W	211 -325
1655 8873	Resistor: 887K Ω : $\pm 1\%$: 1/16W: 1005	211 -326
1655 9101	Resistor - 9.1K Ω $\pm 1\%$ 1/16W	211 -327
1655 9109	Resistor: 91 Ω : $\pm 1\%$: 1/16W: 1005	189 -305
1660 2101	Capacitor - 100pF $\pm 10\%$ - 50V	189 -306
1660 2680	Capacitor - 68pF $\pm 5\%$ 50V	189 -307

Part No.	Description	Page and Index No.
1660 4103	Capacitor - 10000pF - ±10% - 50V	189 -308
1660 8104	Capacitor - 0.1µF ±20% 25V	171 -121
1902 0076	SRAM: 8M: X16: 55NS: G1	171 -180
1906 0101	Flash Memory: S29GI032A90TFIR40	211 -328
1906 0120	NAND Flash: 1G: X8: 30NS: 3.3V: 2K	211 -329
1906 0130	Flash Memory: S29GL032N90TFI040: 32M	171 -184
1907 0105	DDR2: 1G: 16Mx8x8: 667MHz: CL4: G2	189 -309

Part No.	Description	Page and Index No.
5053 0223	Bushing - 8mm	63 - 20
5053 0447	Bushing - 6mm	129 - 9
5053 0447	Bushing - 6mm	83 - 5
5053 0447	Bushing - 6mm	59 - 28
5201 2858	Friction Pad	61 - 11
5203 9501	Grease 501	221 - 6
5203 9502	Grease 501	221 - 6
5206 2684	Shoulder Screw - M3	93 - 23
5206 2684	Shoulder Screw - M3	19 - 8
5206 2684	Shoulder Screw - M3	153 - 14
5206 2686	Snap Ring	35 - 23
5206 2686	Snap Ring	67 - 17
5206 2686	Snap Ring	29 - 9
5215 2621	Snap Ring - M6	29 - 21
5324 1658	Bushing- 4x8x4.5mm	35 - 2
5442 1924	Exposure Glass Cushion	49 - 8
5442 2754	Spring - Registration Roller	77 - 4
5442 9101	Setting Powder	221 - 7
5443 2668	Bushing - 4x6x7mm	79 - 5
5447 2681	Snap Ring	123 - 14
5447 2681	Snap Ring	31 - 18
5447 2681	Snap Ring	39 - 3
5447 2681	Snap Ring	159 - 26
5447 2681	Snap Ring	43 - 9
5447 2681	Snap Ring	129 - 29
5447 2681	Snap Ring	125 - 11
5447 2681	Snap Ring	75 - 11
5447 2681	Snap Ring	121 - 28
5447 2681	Snap Ring	119 - 9
5447 2681	Snap Ring	113 - 10
5447 2681	Snap Ring	69 - 1
5447 2681	Snap Ring	77 - 15
5447 2681	Snap Ring	71 - 31
5447 2706	Gear - 15T	75 - 16

Part No.	Description	Page and Index No.
5894 2540	Arm Screw	71 - 15
5936 2321	Rubber Bushing - Vibration Damper	45 - 22
6754 2866	Roller - Positioning Guide	157 - 19
6754 2866	Roller - Positioning Guide	159 - 24

Part No.	Description	Page and Index No.
----------	-------------	--------------------