



RICOH UNIVERSITY

Learning ♦ Knowledge ♦ Performance



D129/D130 PARTS CATALOG

LANIER RICOH SAVIN®

It is the reader's responsibility when discussing the information contained within this document to maintain a level of confidentiality that is in the best interest of Ricoh Americas Corporation and its member companies.

**NO PART OF THIS DOCUMENT MAY BE REPRODUCED IN ANY
FASHION AND DISTRIBUTED WITHOUT THE PRIOR
PERMISSION OF RICOH AMERICAS CORPORATION.**

All product names, domain names or product illustrations, including desktop images, used in this document are trademarks, registered trademarks or the property of their respective companies.

They are used throughout this book in an informational or editorial fashion only and for the benefit of such companies. No such use, or the use of any trade name, or web site is intended to convey endorsement or other affiliation with Ricoh products.

LEGEND

PRODUCT CODE	COMPANY		
	LANIER	RICOH	SAVIN
D129-17	MP 4002	Aficio MP 4002	MP 4002
D129-57	MP 4002SP	Aficio MP 4002SP	MP 4002SP
D130-17	MP 5002	Aficio MP 5002	MP 5002
D130-57	MP 5002SP	Aficio MP 5002SP	MP 5002SP
D129-99	D129/D130 Controller Options		
D629-31	Fax Option Type 5002		
D630	ARDF DF3070		
D631	LCIT RT3020		
D632	1 Bin Tray BN3100		
D633	Internal Shift Tray SH3060		
D634	Bridge Unit BU3060		
D635	Side Tray Type C5502		
D636	3000 Sheet Finisher SR3120		
D637	2000 Sheet Finisher - Booklet Finisher SR3110		
D593-01	Platen Cover Type 3352		
D580	Paper Feed Unit PB3130		
D538/D581	LCIT PB3140		

DOCUMENTATION HISTORY

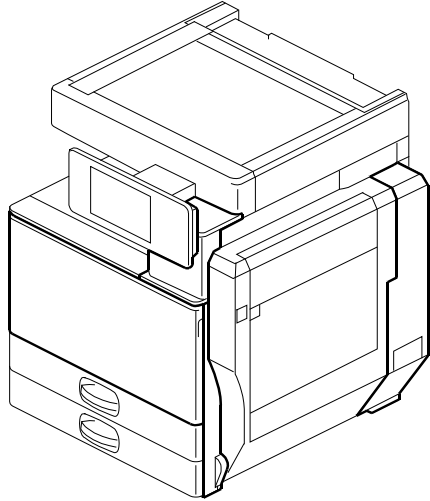
REV. NO.	DATE	COMMENTS
*	01/2012	Original Printing

D129/D130
PARTS LOCATION AND LIST

This section shows you the part numbers and descriptions used on this machine.

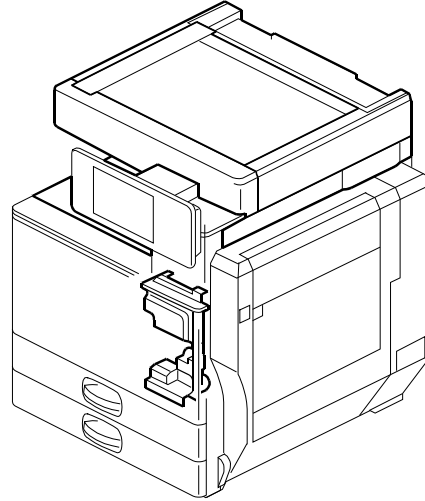
LOCATIONS OF UNITS

1. Exterior 1 (D129/D130)



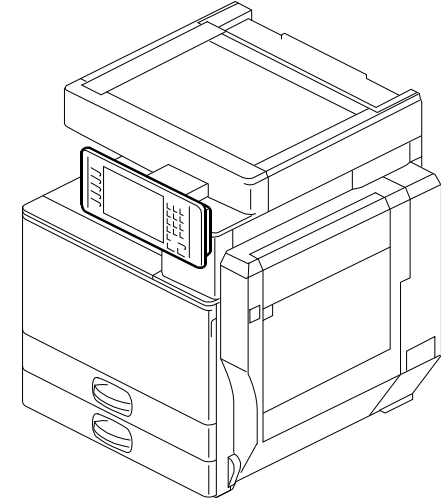
See Page 13

2. Exterior 2 (D129/D130)



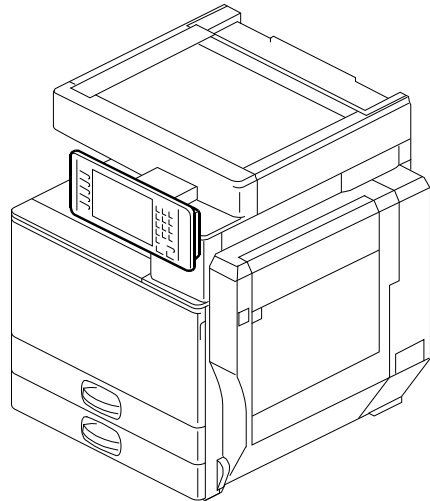
See Page 15

3. Operation Panel (D129/D130)



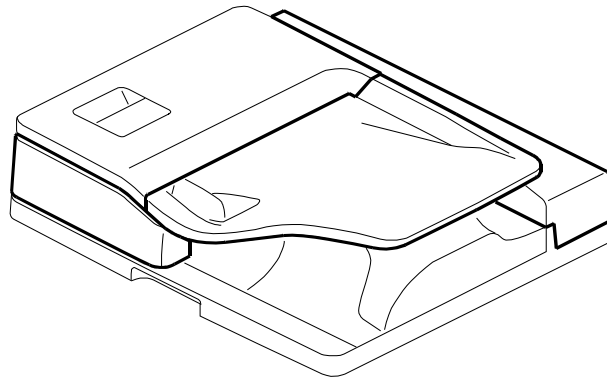
See Page 17

4. Operation Pane2 (D129/D130)



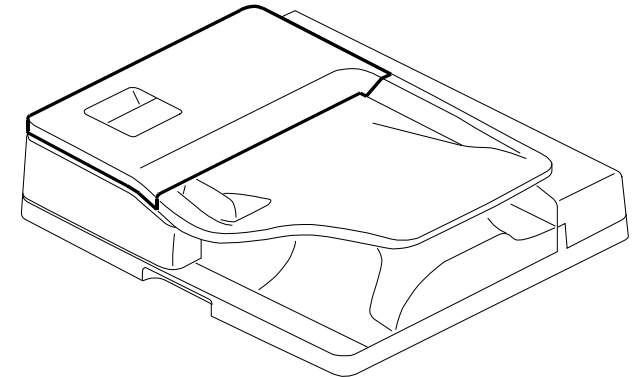
See Page 19

5. ARDF Exterior (D129/D130)



See Page 21

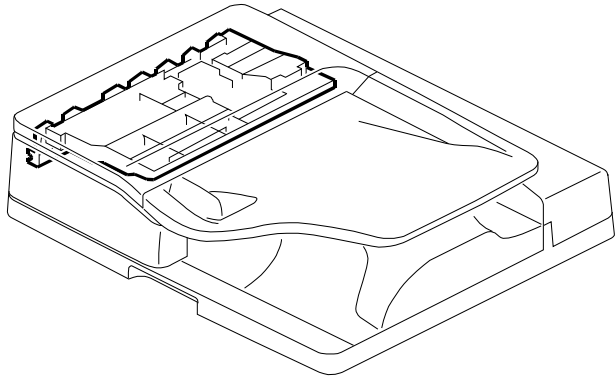
6. Original Feed 1 (D129/D130)



See Page 23

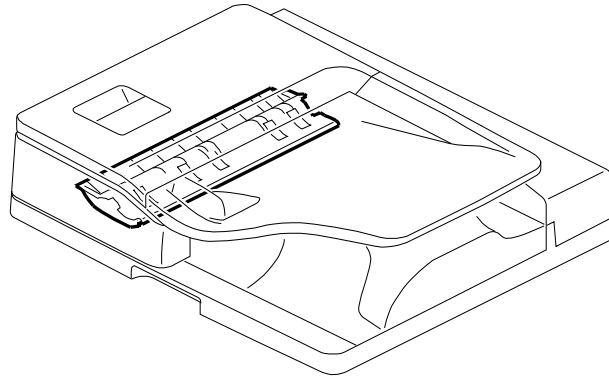
LOCATIONS OF UNITS

7. Original Feed 2 (D129/D130)



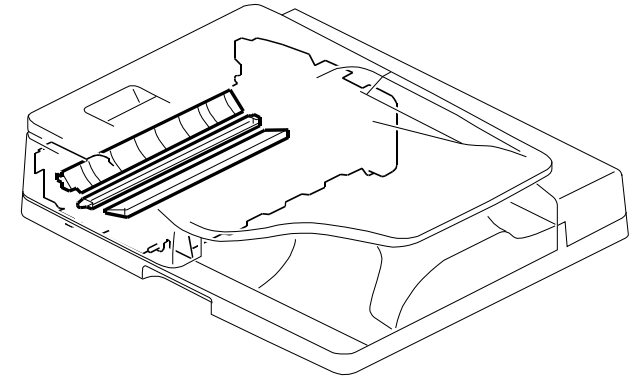
See Page 25

8. Original Feed 3 (D129/D130)



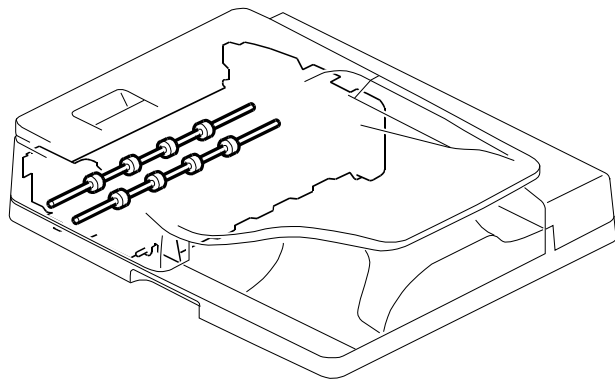
See Page 27

9. Original Transfer 1 (D129/D130)



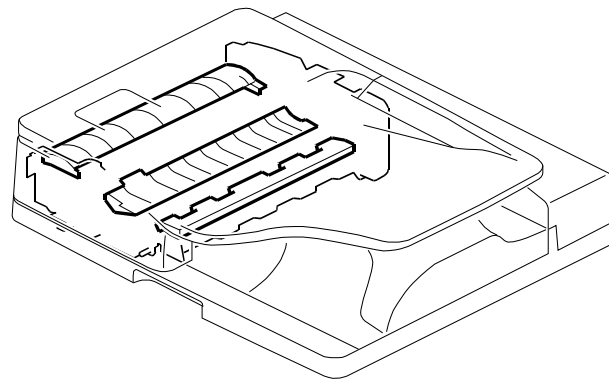
See Page 29

10. Original Transfer 2 (D129/D130)



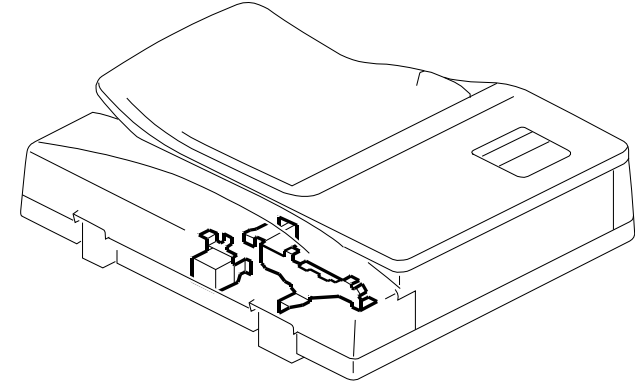
See Page 31

11. Original Transfer 3 (D129/D130)



See Page 33

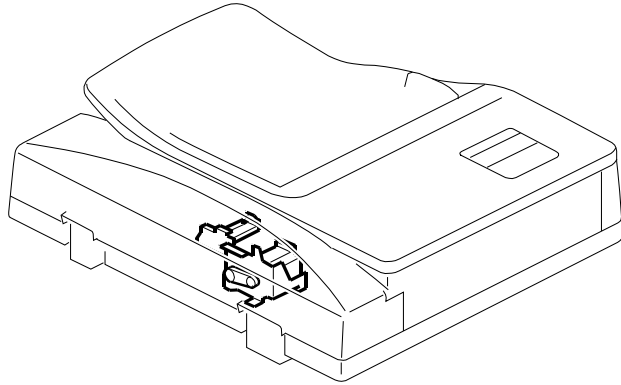
12. ARDF Drive Section 1 (D129/D130)



See Page 35

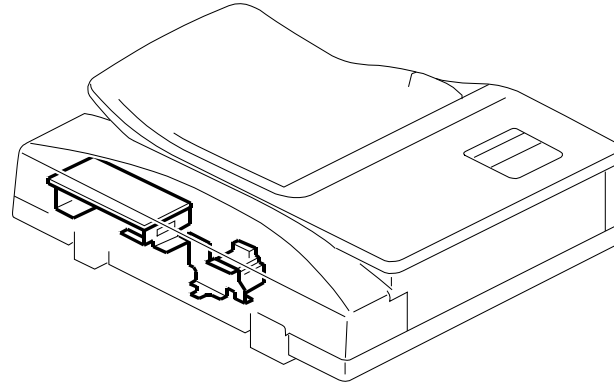
LOCATIONS OF UNITS

13. ARDF Drive Section 2 (D129/D130)



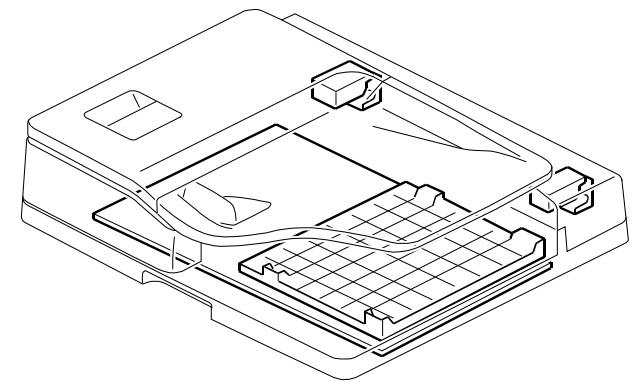
See Page 37

14. ARDF Electrical Section (D129/D130)



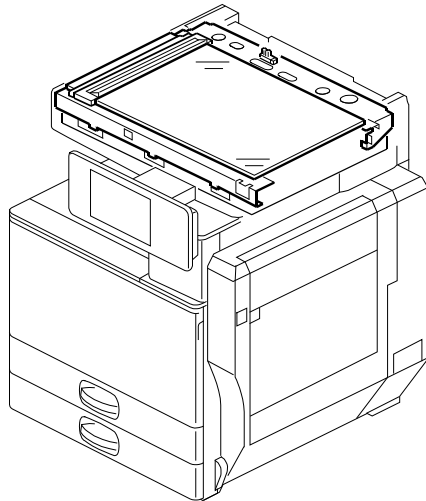
See Page 39

15. ARDF Frame Section (D129/D130)



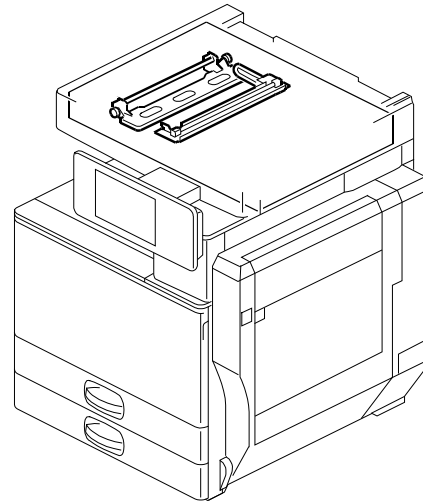
See Page 41

16. Scanner Section 1 (D129/D130)



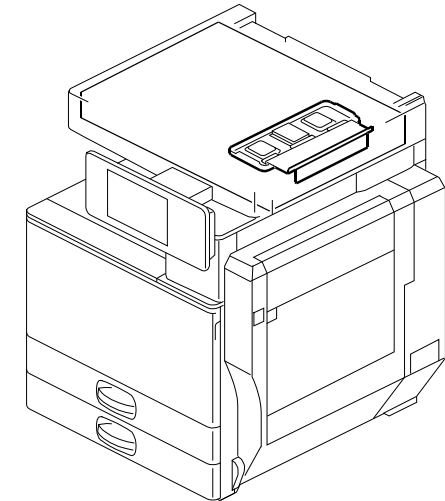
See Page 43

17. Scanner Section 2 (D129/D130)



See Page 45

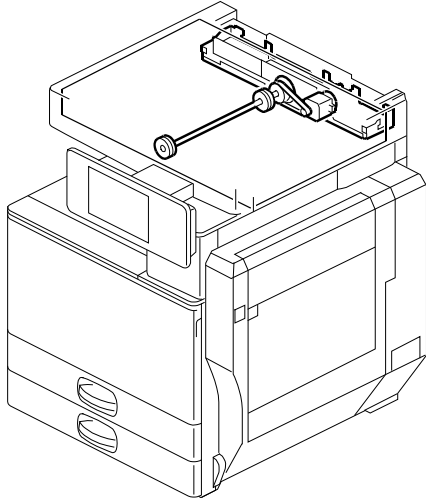
18. Scanner Section 3 (D129/D130)



See Page 47

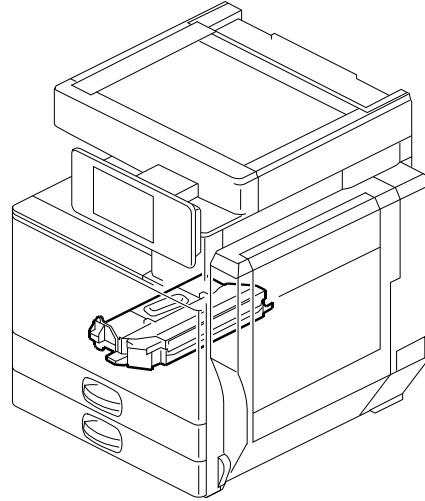
LOCATIONS OF UNITS

19. Scanner Section 4 (D129/D130)



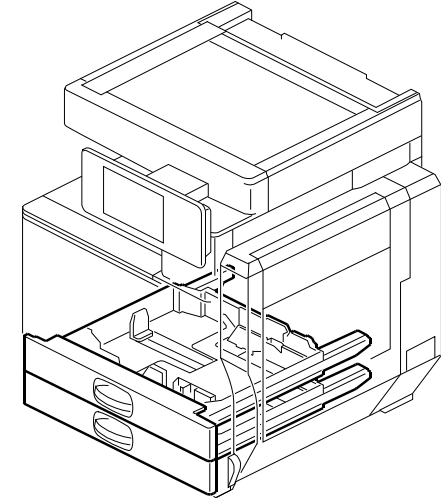
See Page 49

20. LD Unit (D129/D130)



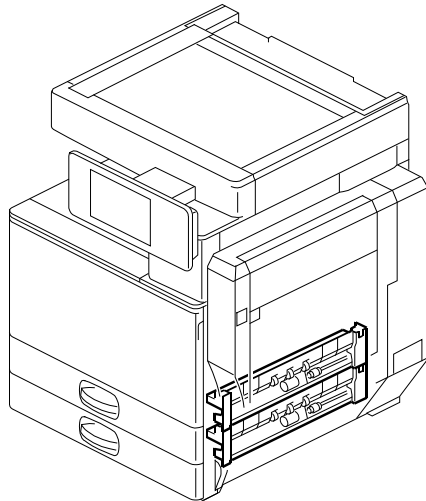
See Page 51

21. Paper Tray (D129/D130)



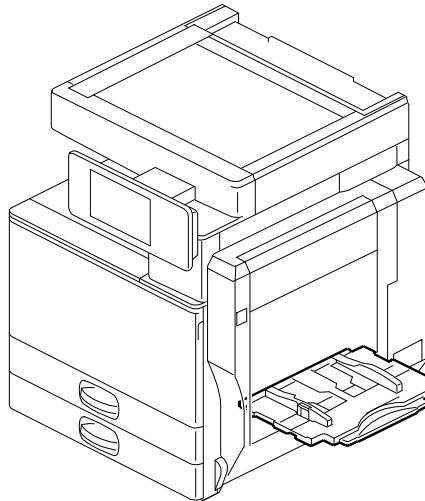
See Page 53

22. Paper Feed Section (D129/D130)



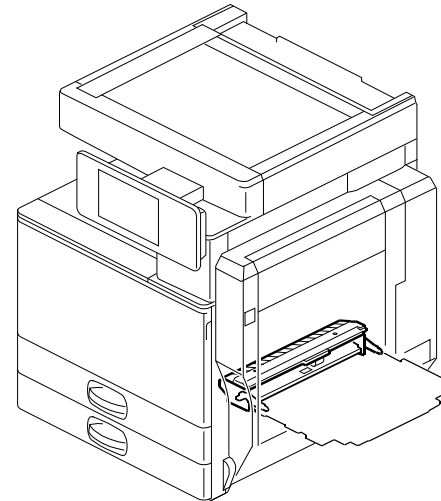
See Page 55

23. By-pass Feed Section 1 (D129/D130)



See Page 57

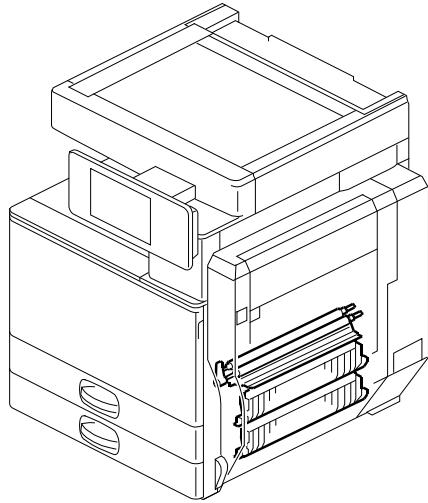
24. By-pass Feed Section 2 (D129/D130)



See Page 59

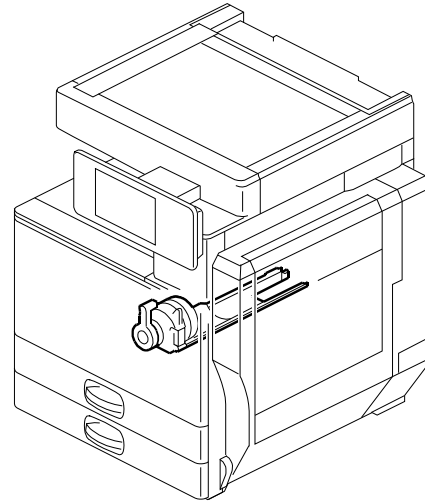
LOCATIONS OF UNITS

25. Paper Registration (D129/D130)



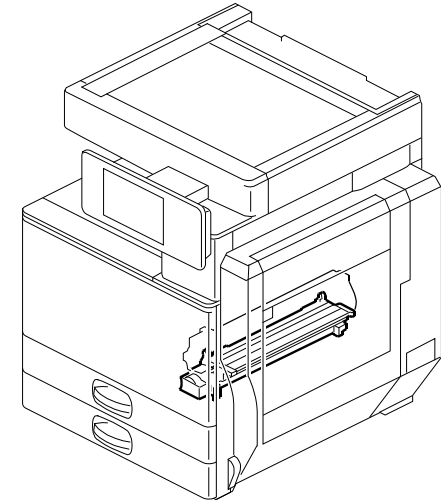
See Page 61

26. Toner Supply Unit (D129/D130)



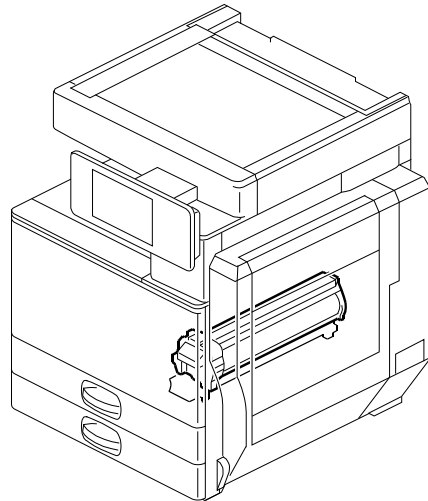
See Page 63

27. PCDU 1 (D129/D130)



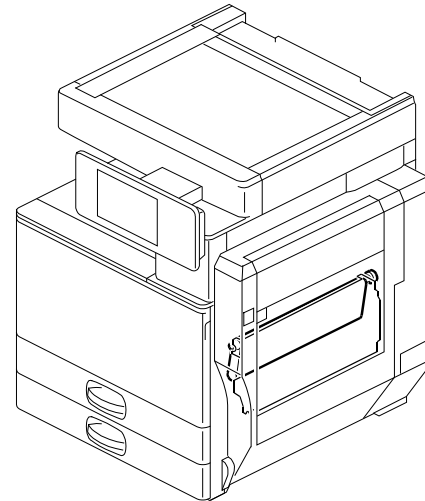
See Page 65

28. PCDU 2 (D129/D130)



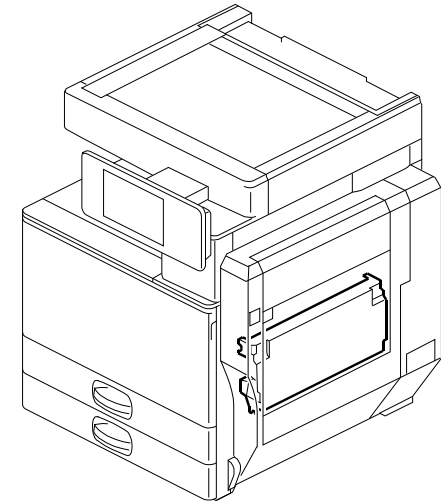
See Page 67

29. Transfer Belt Unit 1 (D129/D130)



See Page 69

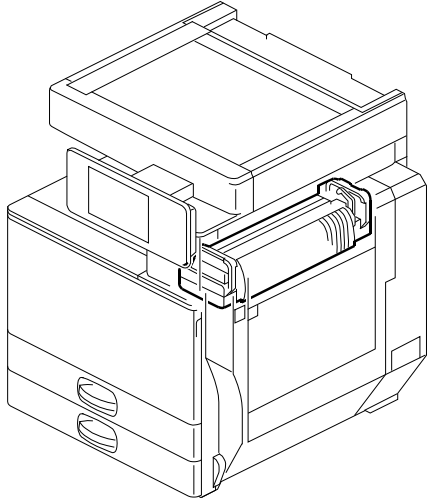
30. Transfer Belt Unit 2 (D129/D130)



See Page 71

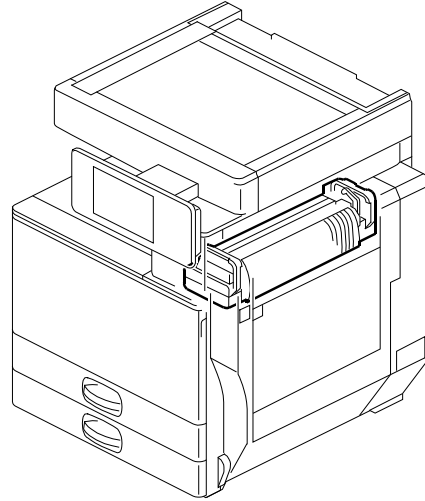
LOCATIONS OF UNITS

31. Fusing Unit 1 (D129/D130)



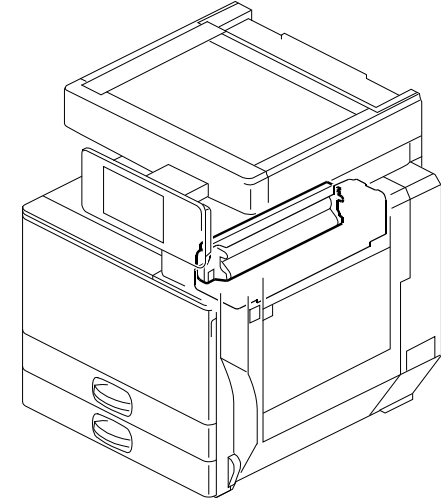
See Page 73

32. Fusing Unit 2 (D129/D130)



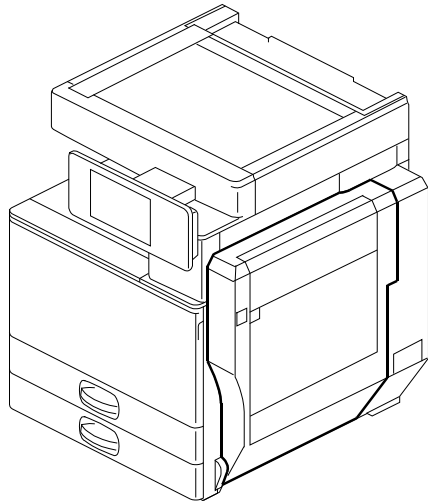
See Page 75

33. Fusing Unit 3 (D129/D130)



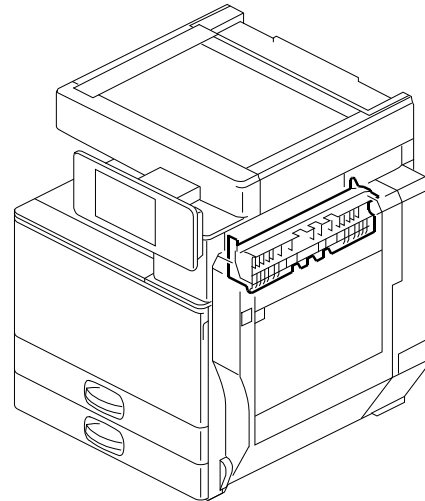
See Page 77

34. Duplex Unit 1 (D129/D130)



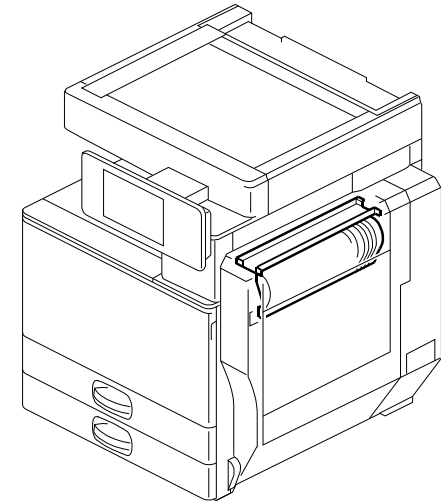
See Page 79

35. Duplex Unit 2 (D129/D130)



See Page 81

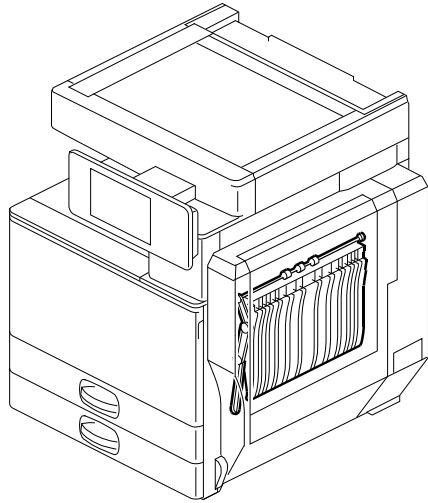
36. Duplex Unit 3 (D129/D130)



See Page 83

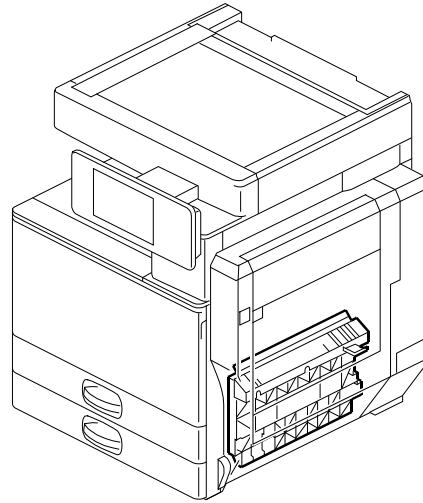
LOCATIONS OF UNITS

37. Duplex Unit 4 (D129/D130)



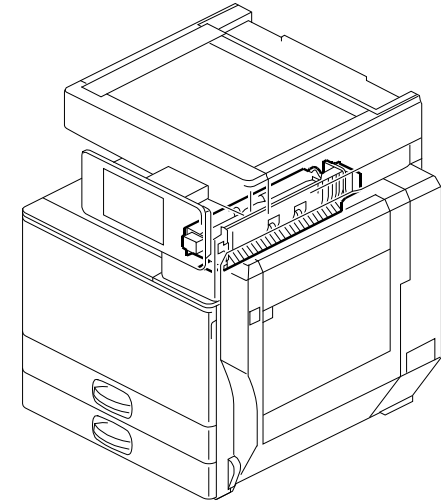
See Page 85

38. Duplex Unit 5 (D129/D130)



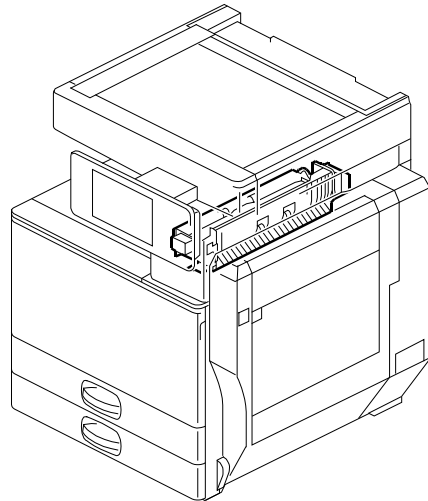
See Page 87

39. Paper Exit Section 1 (D129/D130)



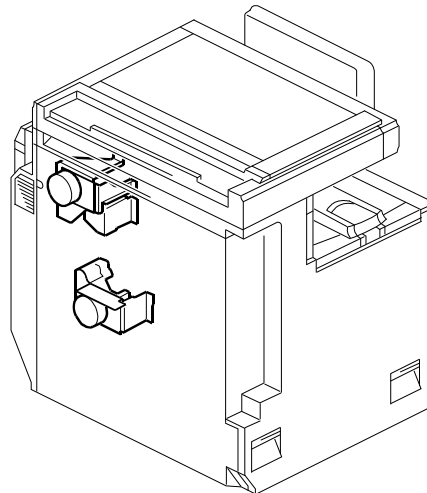
See Page 89

40. Paper Exit Section 2 (D129/D130)



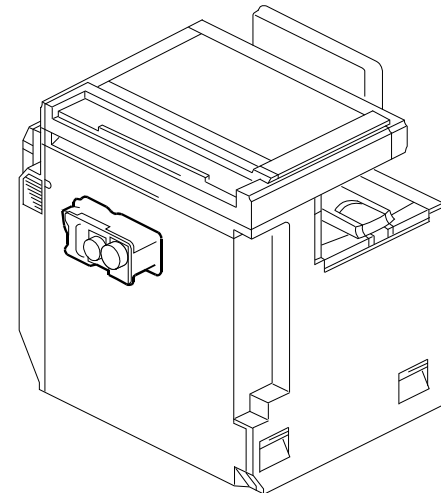
See Page 91

41. Drive Section 1 (D129/D130)



See Page 93

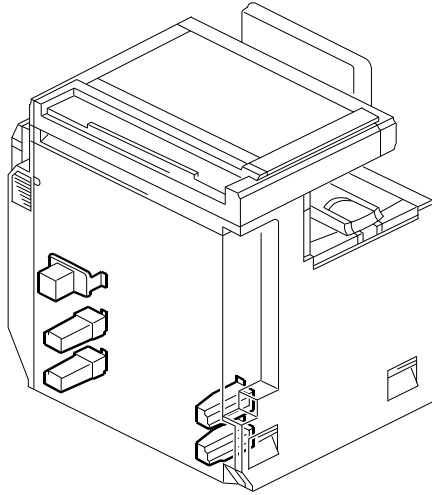
42. Drive Section 2 (D129/D130)



See Page 95

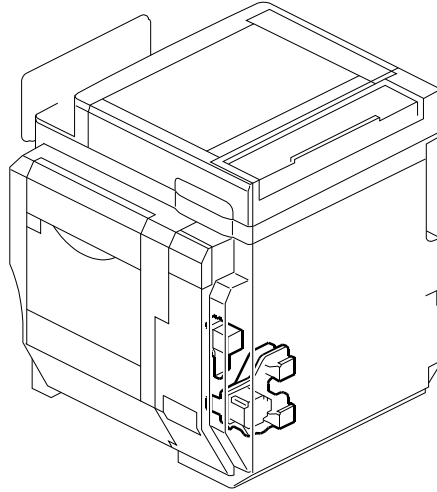
LOCATIONS OF UNITS

43. Drive Section 3 (D129/D130)



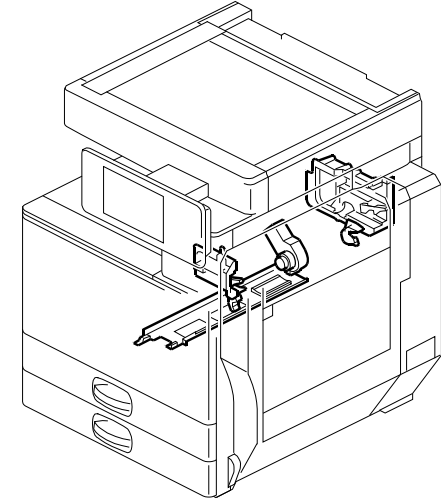
See Page 97

44. Drive Section 4 (D129/D130)



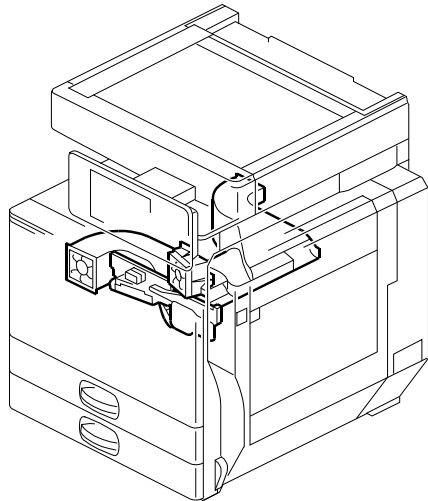
See Page 99

45. Electrical Section 1 (D129/D130)



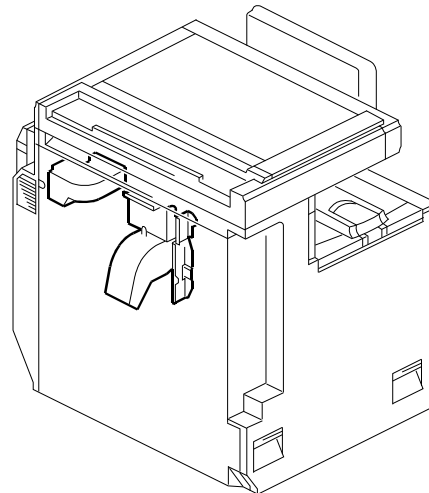
See Page 101

46. Electrical Section 2 (D129/D130)



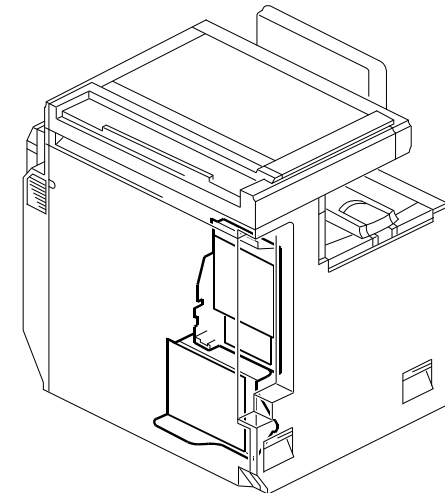
See Page 103

47. Electrical Section 3 (D129/D130)



See Page 105

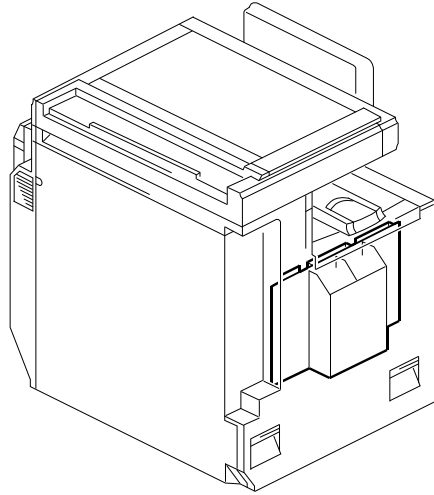
48. Electrical Section 4 (D129/D130)



See Page 107

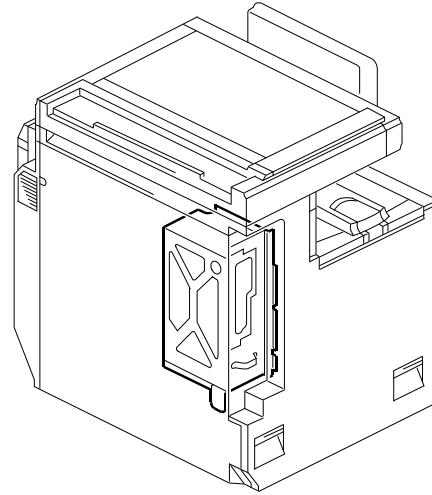
LOCATIONS OF UNITS

49. Electrical Section 5 (D129/D130)



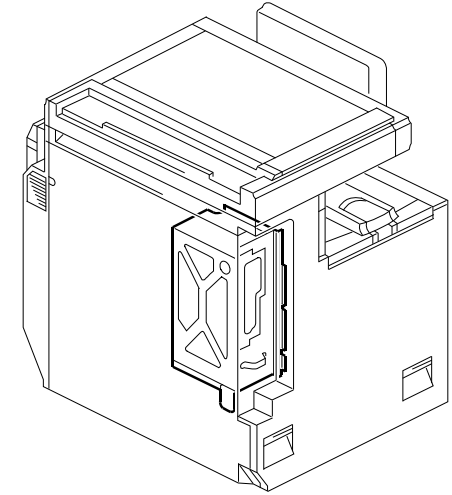
See Page 109

50. Controller Section 1 (D129/D130)



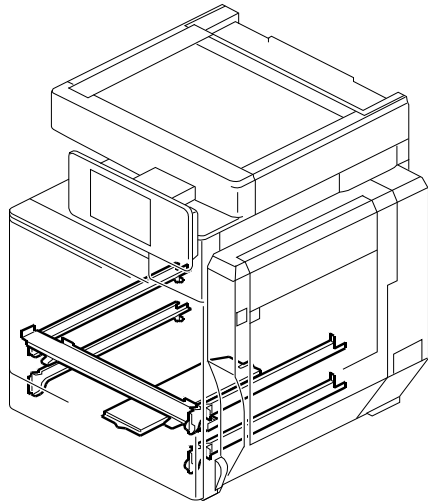
See Page 111

51. Controller Section 2 (D129/D130)



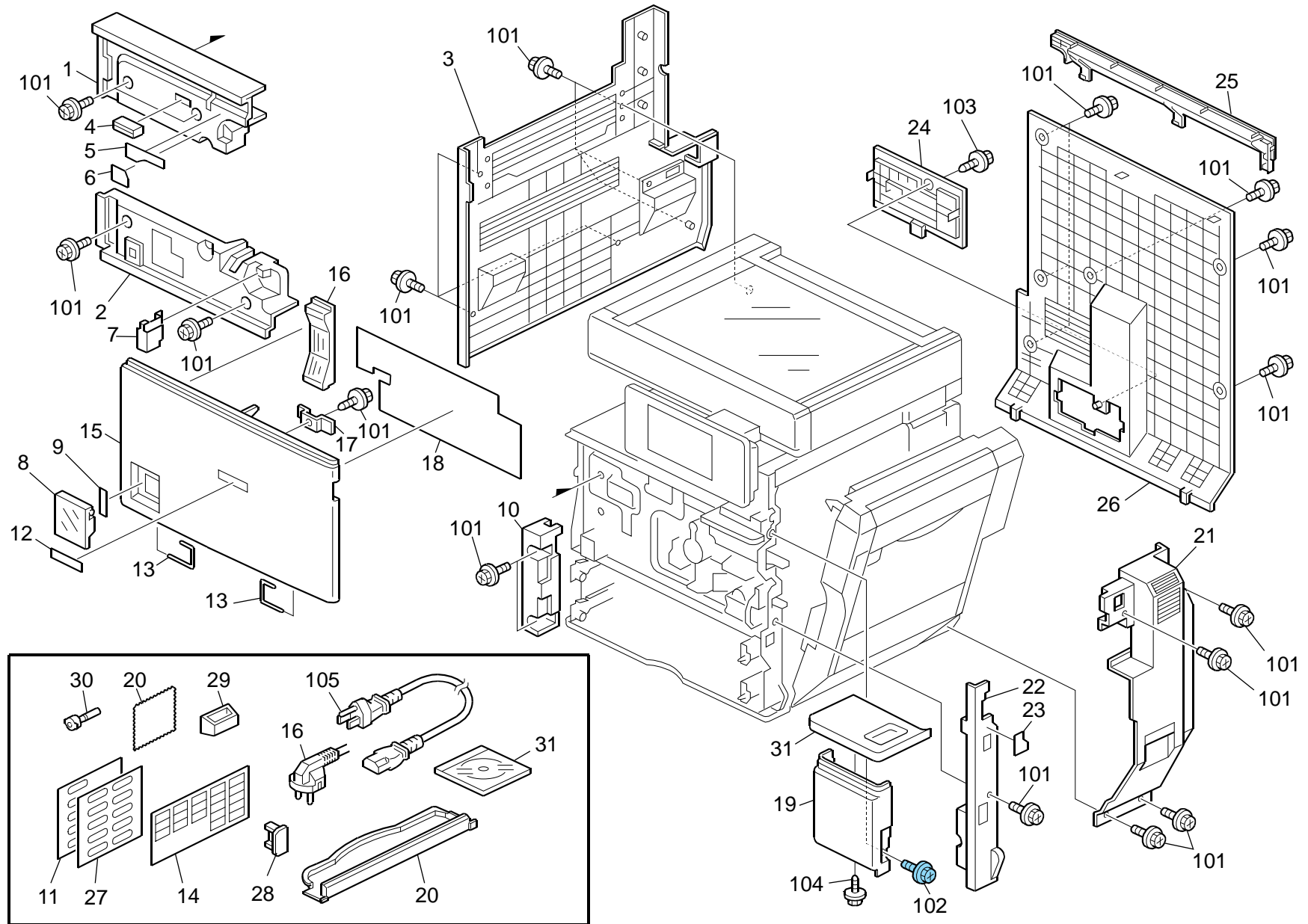
See Page 113

52. Frame Section (D129/D130)



See Page 115

1.Exterior 1 (D129/D130)

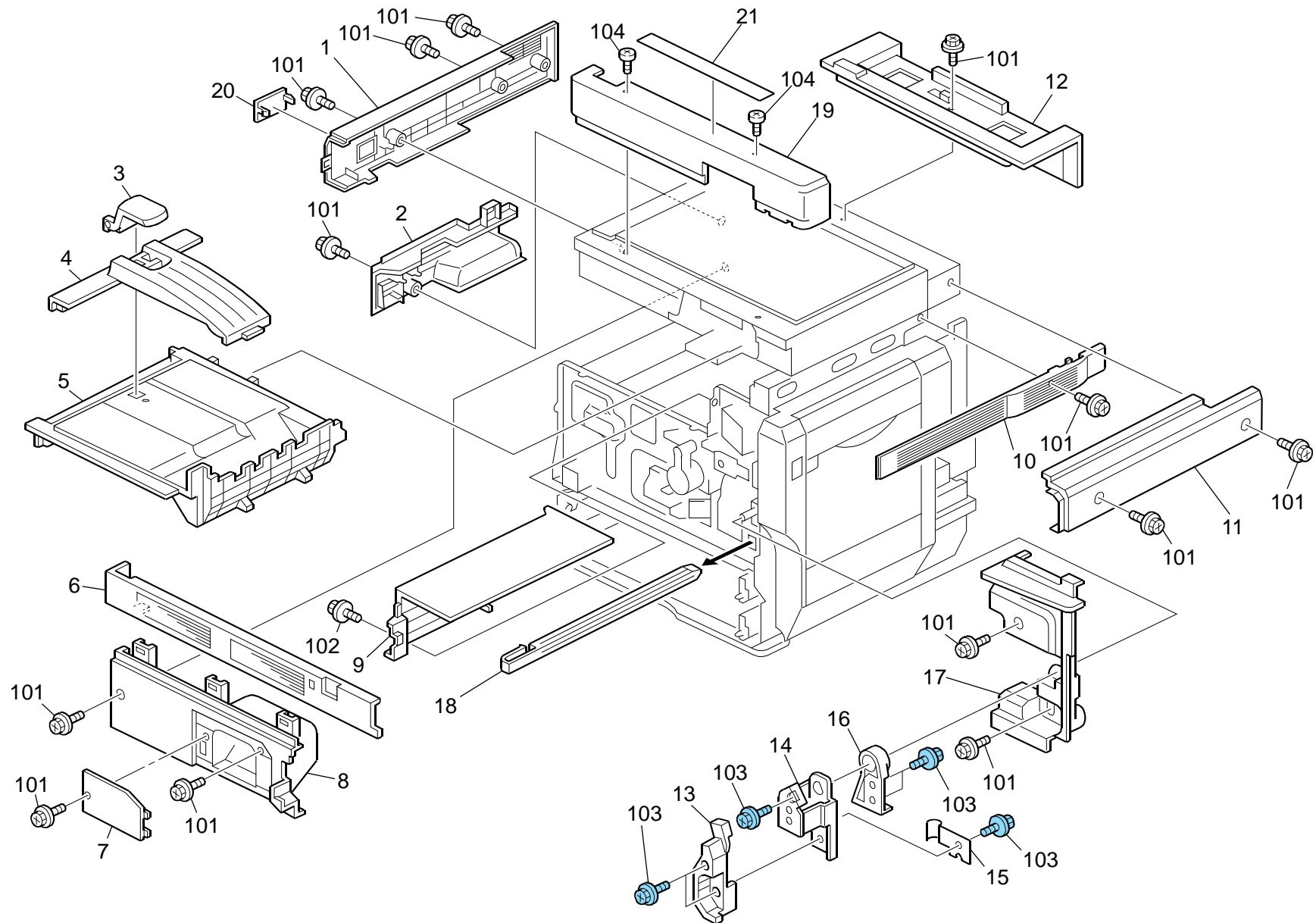


1.Exterior 1 (D129/D130)

Index No.	Part No.	Description	Q'ty Per Assembly
1	D129 1241	Inner Cover: Upper: Left	1
2	D129 1244	Inner Cover: Middle	1
3	D129 1281	Cover: Left	1
4	AG07 1012	Magnet Catch: Ass'y	1
5	D129 3268	Decal: Toner Bottle: Lock	1
6	D129 3269	Decal: Toner Bottle: Release	1
7	B004 1325	Cover - Shield Glass	1
8	D129 1255	Cover: Main Switch: C3	1
9	D120 8868	Decal: Main Switch: On-Standby: DOM: NA	1
9	D011 1252	Decal: Main Switch: On-Standby	1
9	D011 1251	Decal: Main Switch: O-I	1
9	D120 8867	Decal: Main Switch: On-Standby: EU	1
9	D144 6849	Decal: Main Switch: On-Standby: CHN	1
10	D129 1242	Inner Cover: Left	1
11	G179 5854	Bracket: Power Supply Cord: Stay	1
12	AA00 1564	Plate: Logotype: RIC	1
12	AA00 1565	Plate: Logotype: LAN	1
12	AA00 1567	Plate: Logotype: GES	1
12	D120 1551	Sheet: Logo	1
12	D129 6601	Model Name Plate: Aficio: 4002	1
12	D129 6602	Model Name Plate: Aficio: 5002	1
12	D129 6603	Model Name Plate: Aficio: 4002sp	1
12	D129 6604	Model Name Plate: Aficio: 5002SP	1
12	D129 6629	Model Name Plate: LAN: 4002: NA	1
12	D129 6630	Model Name Plate: LAN: 5002: NA	1
12	D129 6633	Model Name Plate: GES: 4002: AA	1
12	D129 6634	Model Name Plate: GES: 5002: AA	1
12	D129 6635	Model Name Plate: LAN: 5002SP: AA	1
12	D129 6636	Model Name Plate: GES: 4002sp: AA	1
12	D129 6637	Model Name Plate: LAN: 4002SP: AA	1
12	D129 6638	Model Name Plate: GES: 5002SP: AA	1
13	G179 1032	Shaft: Hinge	2
14	B238 2524	Decal - Paper Size	1
15	D129 1251	Cover: Front	1
16	GZ00 0005	Power Cord - 230V	1

Index No.	Part No.	Description	Q'ty Per Assembly
17	B024 1264	Magnet Catch	1
18	D129 6616	Sheet: Misfeed Removal: C1	1
19	D129 1264	Cover: Front Right	1
20	B065 1374	Cloth - DF Exposure Glass	1
21	D129 1272	Cover: Right: Rear	1
22	D129 1271	Cover: Right: Front	1
23	D129 6605	Decal: Misfeed Removal: B1: AL-C2	1
24	D120 1336	Cap: Cover	1
24	D129 1293	Cover: Rear	1
25	D129 1292	Cover: Rear: Upper	1
26	D129 1291	Cover: Rear	1
27	D120 2874	Decal: Size Indication: Paper Tray	1
28	D129 5891	Cap: USB	1
29	B065 1371	Cloth Holder (CHN)	1
29	D144 1396	Holder: Exposure Glass: Ig: Ass'y	1
30	H511 5007	Stamp	1
31	D129 1269	Cover: Front Right: Upper	1
32	D129 7895	CD-ROM: AL-C2: Drv: AA: Ass'y	1
101	0451 3008N	Tapping Screw - M3x8	
102	0454 3008Q	Tapping Screw: 3x8	
103	0450 3012N	Tapping Screw: 3x12	
105	1150 0438	Power Supply Code: 125V: 15A: NA	
105	1150 0377	Power Supply Code: 250V: 10A: EU	
105	1150 0409	Power Supply Code: 125V: 15A: TWN	

2.Exterior 2 (D129/D130)

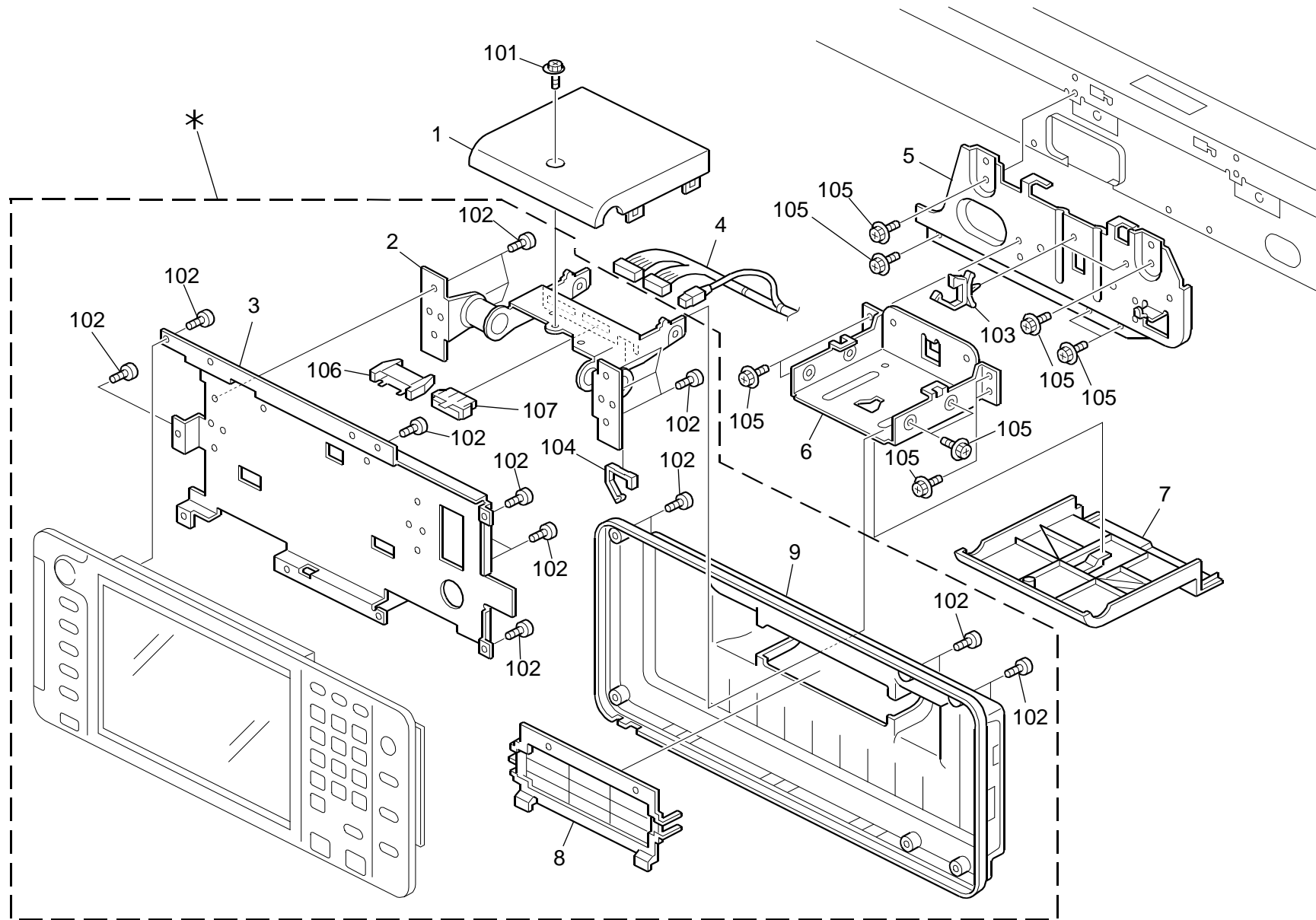


2.Exterior 2 (D129/D130)

Index No.	Part No.	Description	Q'ty Per Assembly
1	D144 1334	Cover: Scanner: Left: EXP	1
2	D129 1282	Cover: Left: Upper	1
3	D129 4487	End Fence: Exit	1
4	D129 4486	Tray: Exit	1
5	D144 1261	Cover: Upper	1
6	D129 1262	Cover: Inner Back: Upper: EXP	1
7	D144 1274	Cover: Inner Back: Middle: EXP	1
8	D129 1263	Cover: Inner Back	1
9	D144 1266	Cover: Paper Exit Sub-unit: Upper	1
10	D129 1273	Cover: Right: Upper Middle	1
11	D129 1545	Sheet: Side: NA/AA	1
11	D144 1336	Cover: Scanner: Right: EXP	1
12	D144 1338	Cover: Scanner: Rear: EXP	1
13	D129 2247	Cover: Lever: Lock: PCD	1
14	D009 2254	Base - Lock Lever	1
15	D009 2249	Spring Plate - Lock Lever	1
16	D129 2248	Guide Plate: Lever: Lock: PCD	1
17	D129 1243	Inner Cover: Upper: Right	1
18	D129 2616	Case: Remove Paper Dust	1
19	D129 1318	Cover: Scanner: Front	1
20	D129 1283	Cover: Left: Cover	1
21	D129 6610	Decal: Caution: Original: English	1

Index No.	Part No.	Description	Q'ty Per Assembly
101	0451 3008N	Tapping Screw - M3x8	
102	0454 3008Q	Tapping Screw: 3x8	
103	0454 3006Q	Tapping Screw - M3x6	
104	0353 0050N	Screw-M3x5	

3.Operation Panel (D129/D130)

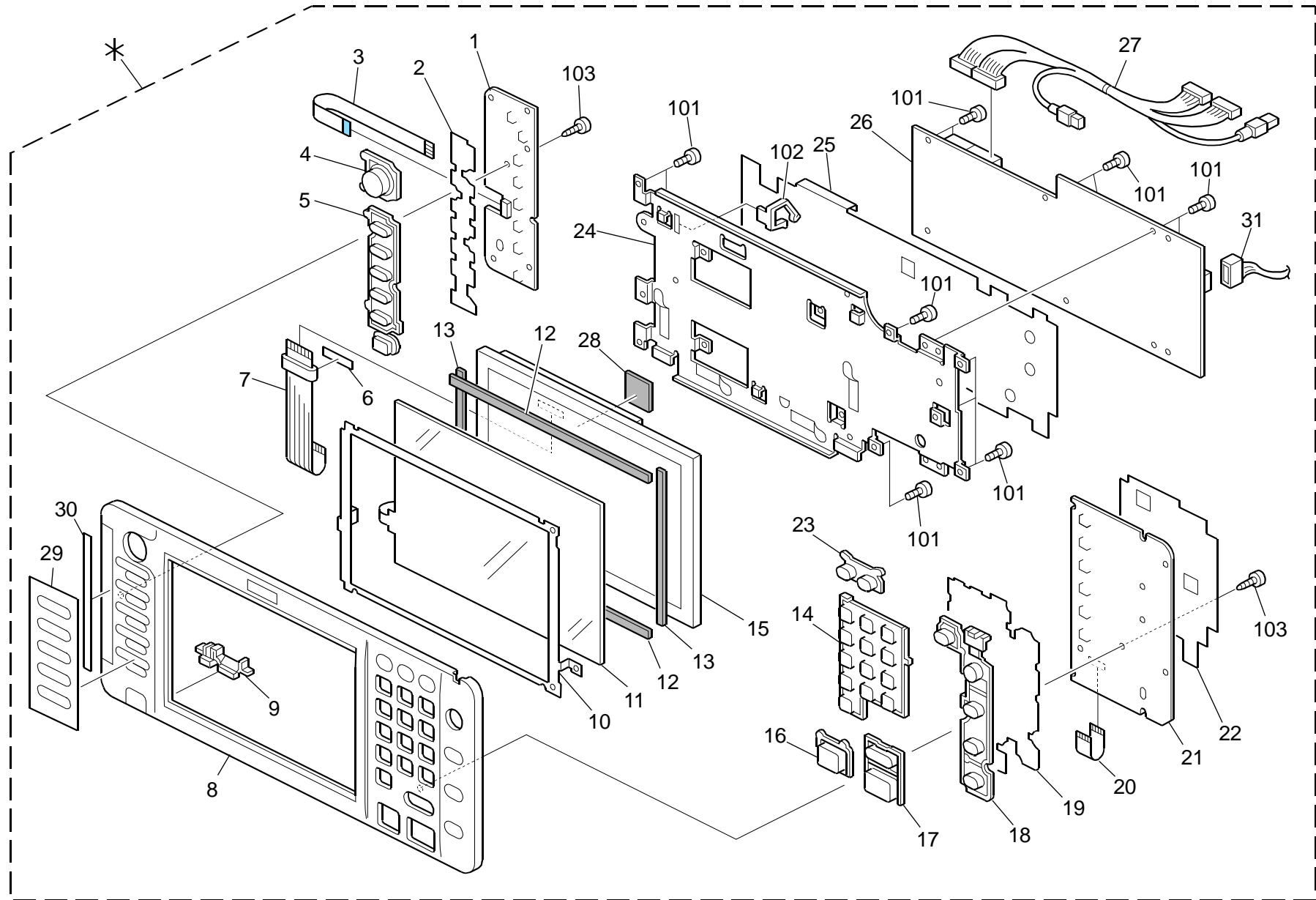


3.Operation Panel (D129/D130)

Index No.	Part No.	Description	Q'ty Per Assembly
*	D129 1401	Operation Panel: NA: Ass'y	1
*	D129 1402	Operation Panel: EU: Ass'y	1
*	D129 1403	Operation Panel: AA: Ass'y	1
*	D129 1404	Operation Panel: CHN: Ass'y	1
*	D129 1405	Operation Panel: TWN: Ass'y	1
1	D129 1321	Cover: Bracket: Operation Panel: Upper	1
2	D129 1530	Hinge: AA-C3: Ass'y	1
3	D129 1517	Bracket: Base: Hinge	1
4	D129 1437	Cable: OPE: USB	1
5	D129 1394	Supporting Plate: Bracket: Operation Panel	1
6	D129 1396	Bracket: Operation Panel	1
7	D129 1322	Cover: Bracket: Operation Panel: Lower	1
8	D129 1512	Cover: Rear: Small	1
9	D129 1511	Cover: Rear: Large	1

Index No.	Part No.	Description	Q'ty Per Assembly
101	0459 3010N	Binding Head Tapping Screw: 3x10	
102	0353 0040N	Screw - M3x4	
103	1105 0598	Clamp: LWSS-1N	
104	1105 0723	Clamps: WES-0507	
105	0451 3006N	Tapping Screw - 3x6	
106	1102 6253	Relay Connector	
107	1103 3657	Connector: 55482-1319	

4.Operation Pane2 (D129/D130)

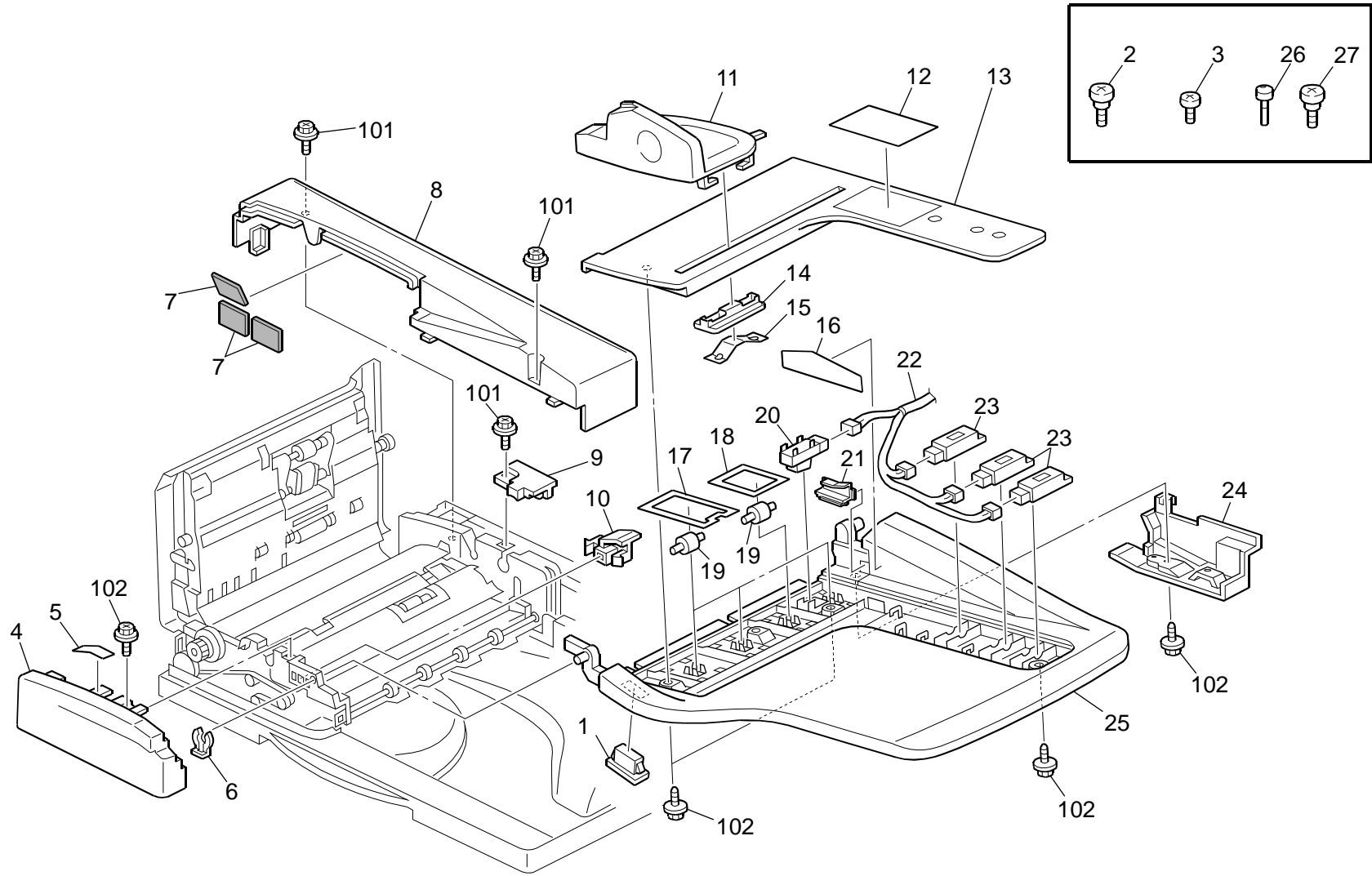


4.Operation Pane2 (D129/D130)

Index No.	Part No.	Description	Q'ty Per Assembly
*	D129 1401	Operation Panel: NA: Ass'y	1
*	D129 1402	Operation Panel: EU: Ass'y	1
*	D129 1403	Operation Panel: AA: Ass'y	1
*	D129 1404	Operation Panel: CHN: Ass'y	1
*	D129 1405	Operation Panel: TWN: Ass'y	1
1	D129 1459	PCB: OP-L: Ass'y	1
2	D129 1528	Sheet: Keytop: Left	1
3	D129 1431	Cable: FFC: OOL	1
4	D129 1508	Keytop: Home	1
5	D129 1509	Keytop: Left	1
6	D009 1511	Stopper: Core	1
7	D129 1432	Cable: FFC: LCD	1
8	D129 1531	Cover: Upper: NA/AA	1
8	D129 1532	Cover: Upper: EU/CHN/TWN	1
8	D130 1500	Cover: Upper: CHN	1
9	D129 1510	Lens: Front	1
10	D129 1513	Shadeing Plate: Touch Panel	1
11	D129 1422	Touch Panel: WVGA: MV	1
12	B238 1535	LCD Spacer B	2
13	B238 1534	LCD Spacer A	2
14	D129 1533	Keytop: 10key: NA	1
14	D129 1534	Keytop: 10key: EU	1
14	D129 1535	Keytop: 10key: AA	1
15	D129 1423	LCD: TFT: WVGA: LED: SH	1
16	D129 1503	Keytop: Stop	1
17	D129 1502	Keytop: Start	1
18	D129 1507	Keytop: Power Source	1
19	D129 1527	Sheet: Keytop: Right	1
20	D129 1430	Cable: FFC: OPR	1
21	D129 1458	PCB: OP-R: Ass'y	1
22	D129 1529	Sheet: OP-R	1
23	D129 1506	Keytop: Reset Switch	1
24	D129 1514	Bracket: LCDC: Ass'y	1
25	D129 1526	Sheet: LCDC	1
26	D129 1441	PCB: LCDC: NA: FT	1

Index No.	Part No.	Description	Q'ty Per Assembly
26	D129 1442	PCB: LCDC: EU: FT	1
26	D129 1443	PCB: LCDC: AA/TWN: FT	1
26	D129 1444	PCB: AL-C2: LCDC: CHN: FT	1
27	D129 5515	Harness: Operation Sub-unit: Ass'y	1
28	M052 1553	Cushion: Core	1
29	D129 1566	Sheet: Application: Multi-language: NA	1
29	D129 1567	Sheet: Application: Multi-language: EU	1
29	D129 1568	Sheet: Application: Multi-language: Blank	1
30	D129 1536	Sheet: Journal: NA/AA	1
31	D129 1435	Harness: OPE: LVDS	1
101	0353 0040N	Screw - M3x4	
102	1105 0598	Clamp: LWSS-1N	
103	0459 3010N	Binding Head Tapping Screw: 3x10	

5.ARDF Exterior (D129/D130)

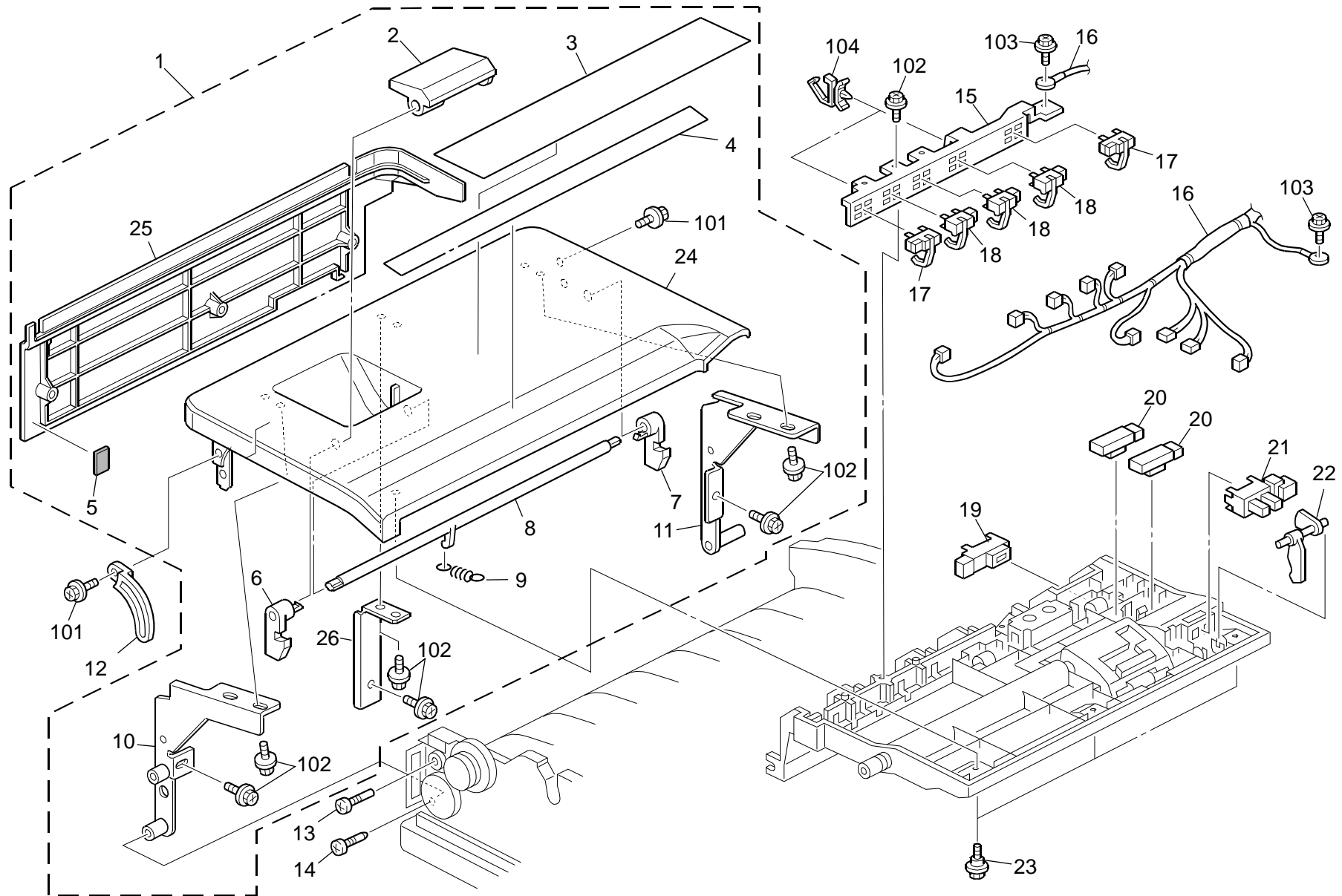


5.ARDF Exterior (D129/D130)

Index No.	Part No.	Description	Q'ty Per Assembly
1	AG07 0513	Magnet Catch	1
2	A859 7211	Stepped Screw	2
3	D540 6121	Full Dug Point Screw: Fix: Hinge	2
4	D630 4411	Cover: Front	1
5	D630 6013	Decal: Display: Misfeed Removal: P1	1
6	5215 2621	Snap Ring - M6	1
7	B802 4712	Sound Proofing Material: Cover: Rear	3
8	D630 4511	Cover: Rear	1
9	B802 2551	Stay: Original Table: Contact Point	1
10	B802 2581	Stopper: Original Table	1
11	D630 2526	Side Fence	1
12	D578 6031	Decal - Original Table	1
13	D630 2522	Original Table: Face Front	1
14	B802 2536	Slider: Side Fence	1
15	B802 2532	Spring Plate: Side Fence	1
16	D630 6011	Decal: Side Fence	1
17	B802 2571	Spring Plate: 0.2T	3
18	A858 4676	Spring Plate - Pressure Roller	1
19	A858 4671	Roller Driven	4
20	GW01 0007	Photo Refiection Sensor: Exit	1
21	D630 2541	Guide: Original Insert	1
22	B802 5880	Harness: Sensor: Original Table	1
23	AW01 0129	Photo Refiection Sensor	3
24	B802 2562	Plate: Contact Point	1
25	D630 2512	Original Table	1
26	H511 5007	Stamp	1
27	AA14 3542	Screw: M3: DIA4X5.6	1

Index No.	Part No.	Description	Q'ty Per Assembly
101	0451 3006N	Tapping Screw - 3x6	
102	0450 3008N	Tapping Screw - M3x8	

6.Original Feed 1 (D129/D130)

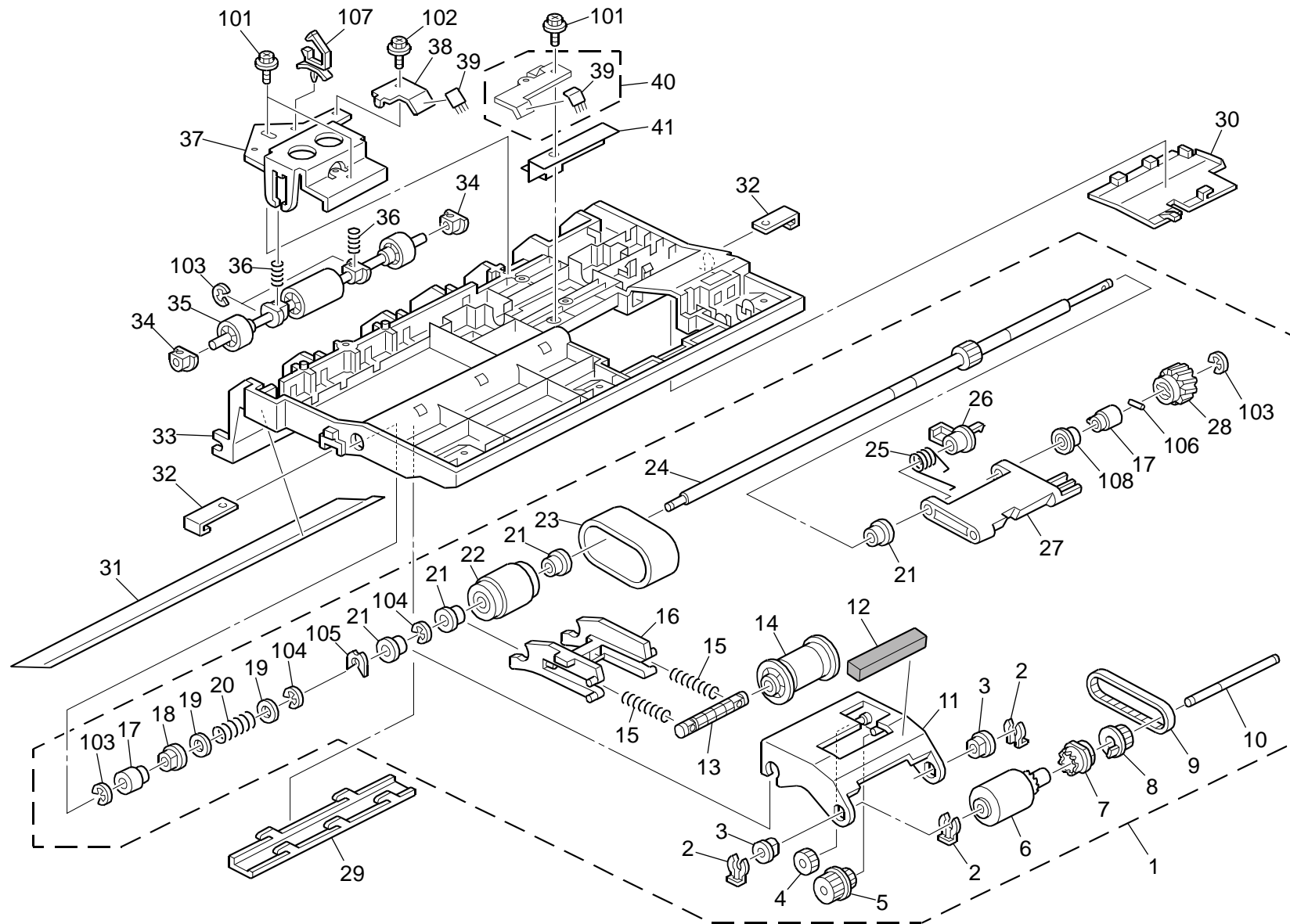


6.Original Feed 1 (D129/D130)

Index No.	Part No.	Description	Q'ty Per Assembly
1	D630 4121	Cover: Paper Feed	1
2	D630 4152	Grip: Cover: Paper Feed	1
3	D630 6013	Decal: Display: Misfeed Removal: P1	1
4	D578 6021	Decal: Size: Original	1
5	B802 4712	Sound Proofing Material: Cover: Rear	5
6	B802 4154	Hook: Grip: Cover: Front	1
7	B802 4155	Hook: Grip: Cover: Inner Back	1
8	B802 4158	Shaft: Grip: Cover	1
9	AA06 2262	Tension Spring	1
10	D630 4241	Bracket: Cover: Paper Feed: Front: Ass'y	1
11	D630 4231	Bracket: Cover: Paper Feed: Inner Back: Ass'y	1
12	B802 4162	Stopper: Cover	1
13	AA14 3789	Shaft: Cleaner	1
14	AA14 3788	Pin: Guide Plate: Paper Feed	1
15	B802 4252	Bracket: Paper Size Sensor	1
16	D630 5870	Harness: Sensor: Paper Feed	1
17	AW02 0154	Photointerruptor: Entrance	2
18	AW02 0155	Photointerruptor: Paper Size Sensor	3
19	GW01 0007	Photo Refiection Sensor: Exit	1
20	AW01 0091	Photo Reflection Sensor	2
21	AW02 0198	Photointerruptor: LG2A14NI1	1
22	B802 4263	Feeler: Original Sensor	1
23	GA14 3003	Screw: MM5: 2.5mm	3
24	D630 4141	Cover: Upper: Paper Feed	1
25	D630 4142	Cover: Left: Paper Feed	1
26	D630 4221	Bracket: Cover: Paper Feed: Middle	1

Index No.	Part No.	Description	Q'ty Per Assembly
101	0451 3010N	Tapping Screw: 3x10	
102	0450 3008N	Tapping Screw - M3x8	
103	0451 3006N	Tapping Screw - 3x6	
104	1105 0516	Clamp	

7.Original Feed 2 (D129/D130)

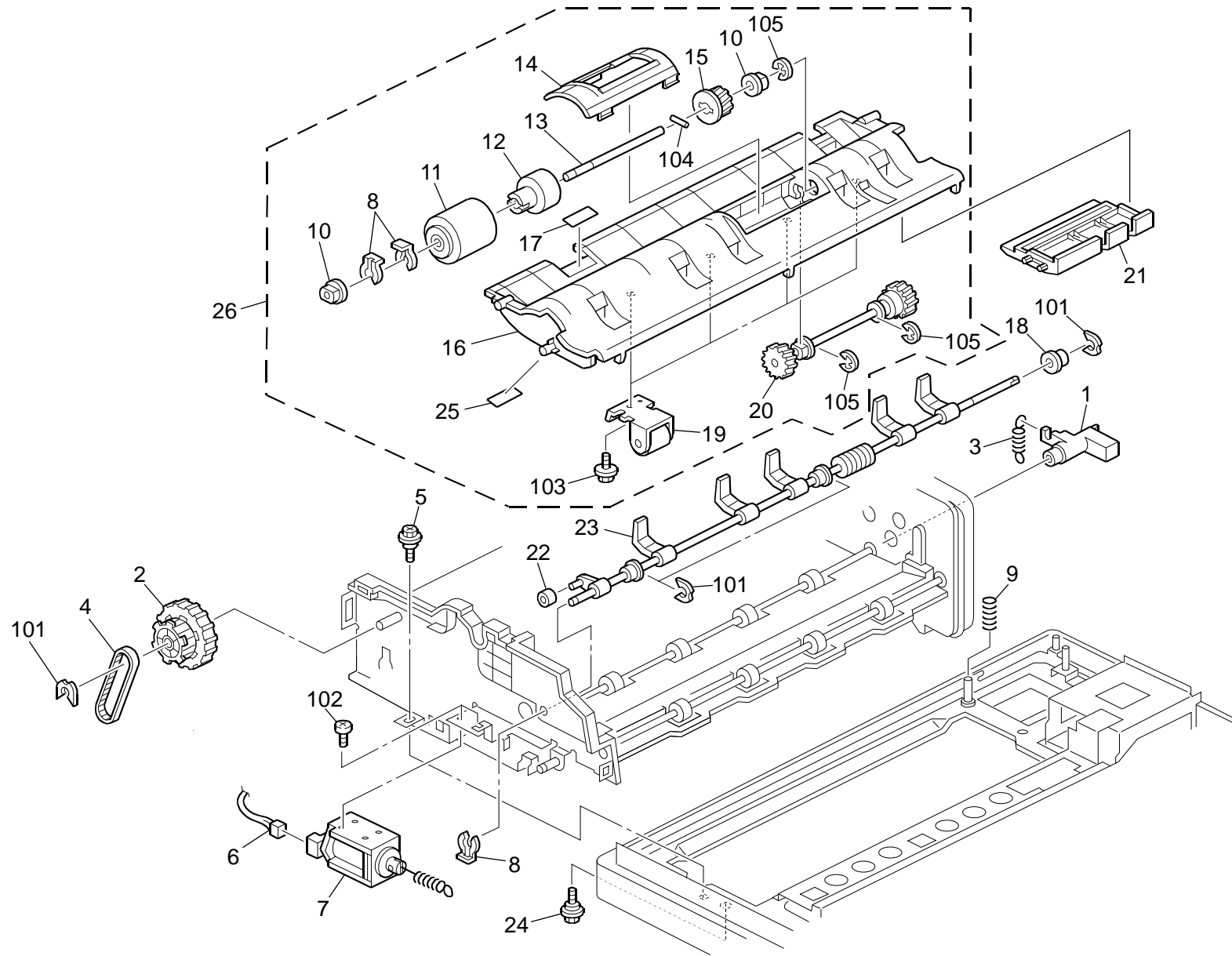


7.Original Feed 2 (D129/D130)

Index No.	Part No.	Description	Q'ty Per Assembly
1	B802 4311	Paper Feed: Unit	1
2	5447 2681	Snap Ring	3
3	AA08 2101	Bushing - 6x10x6	2
4	B802 4357	Gear: Z19	1
5	B802 4358	Timing Pulley: Gear: T19/Z22	1
6	B802 4361	Roller: Pickup	1
7	B387 2163	Pickup Collar	1
8	B802 4372	Timing Pulley: T21	1
9	AA04 3328	Timing Belt: 40S2M130	1
10	B802 4352	Shaft: Pickup	1
11	B802 4355	Bracket: Pickup	1
12	B802 4359	Cushion: Pickup	1
13	A859 2112	Drive Shaft - Paper Feed Belt	1
14	B387 2113	Roller - Paper Feed Belt	1
15	B386 3320	Spring: Belt: Paper Feed: 8N	2
16	B802 4333	Bracket: Paper Feed Belt	1
17	B802 4326	Collar: Shaft	2
18	AA08 2104	Bushing - 8x12x7	1
19	AA13 2013	Spacer	2
20	AA06 3435	Compression Spring: Paper Feed: Joint	1
21	A628 1225	Bushing - 8mm	4
22	B789 2114	Paper Feed Belt Roller	1
23	A806 1295	Feed Belt	1
24	B802 4322	Shaft: Drive	1
25	B652 3174	Tension Spring	1
26	B802 4323	Holder	1
27	B802 4325	Lever: Pickup: Release	1
28	B802 4328	Gear: Z20	1
29	B802 4228	Drum Stay: Upper: Front	1
30	B802 4227	Drum Stay: Upper: Inner Back	1
31	B802 4229	Sheet: Guide: Upper	1
32	B802 4224	Spring Plate: Upper	2
33	B802 4222	Guide: Upper	1
34	AA08 0288	Bushing: DIA6	2
35	B802 4295	Driven Roller: Pull Out	1

Index No.	Part No.	Description	Q'ty Per Assembly
36	AA06 3441	Compression Spring	2
37	B802 4282	Bracket: Driven Roller: Pull Out	1
38	B802 4292	Ground Plate: Driven Roller: Pull Out	1
39	G052 4892	Discharge Brush: Exit: Small	2
40	B802 4265	Ground Plate	1
41	B802 4225	Sheet: Driven Roller: Pull Out	1
101	0450 3008N	Tapping Screw - M3x8	
102	0451 3006N	Tapping Screw - 3x6	
103	0720 0040E	Retaining Ring - M4	
104	0720 0060E	Retaining Ring - M6	
105	0805 0088	Retaining Ring - M6	
106	0632 0100G	Pin - 2x10mm	
107	1105 0516	Clamp	
108	0741 3506	Ball Bearing - 6x12x4mm	

8.Original Feed 3 (D129/D130)

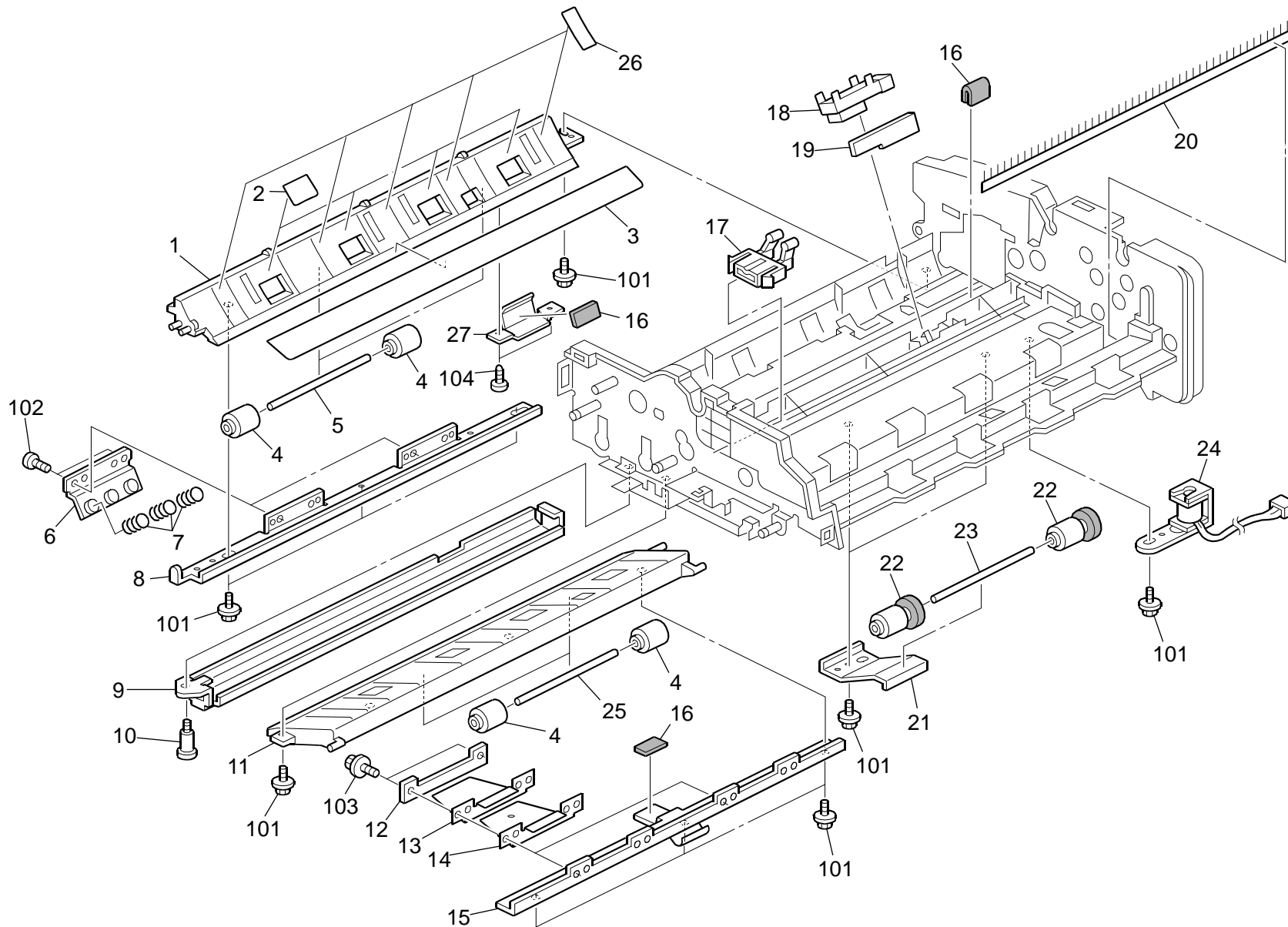


8.Original Feed 3 (D129/D130)

Index No.	Part No.	Description	Q'ty Per Assembly
1	B802 2115	Lever: Stopper Pawl	1
2	D630 1777	Knob: Misfeed Removal: T27	1
3	AA06 0843	Tension Spring	1
4	B802 1774	Timing Belt: 40S3M186	1
5	AA14 3823	Tapping Screw	1
6	B802 5790	Harness: Solenoid	1
7	B802 3811	DC Solenoid: 24V	1
8	5447 2681	Snap Ring	3
9	AA06 3919	Spring: Pressure	1
10	AA08 2101	Bushing - 6x10x6	2
11	A859 2241	Reverse Roller	1
12	B802 2255	Torque Limiter Mechanical Clutch: Separator	1
13	B802 2252	Shaft: Roller: Reverse	1
14	B802 2225	Drum Stay: Guide: Reverse	1
15	B802 2253	Gear: Z20	1
16	B802 2228	Guide: Reverse: Open And Close	1
17	D630 6014	Decal: Display: Misfeed Removal: P2	1
18	AA08 0265	Bushing: 6x8x5	1
19	B802 2285	Roller: Reverse Exit: Driven	4
20	B802 2231	Shaft: Reverse: Drive: Press Fit	1
21	B802 2227	Guide: Reverse: Open And Close: Behind	1
22	A458 2251	Cushion - Bin Solenoid Lever	1
23	B802 2111	Stopper Pawl: Paper Feed	1
24	AA14 3790	Screw: Contact Point	1
25	B802 2223	Sheet: Guard	2
26	B802 2229	Guide: Reverse: Open And Close: Sub-Ass'y	1

Index No.	Part No.	Description	Q'ty Per Assembly
101	0805 0089	Retaining Ring - M4	
102	0353 0040N	Screw - M3x4	
103	0450 3008N	Tapping Screw - M3x8	
104	0632 0120G	Parallel Pin - 2x12	
105	0720 0040E	Retaining Ring - M4	

9.Original Transfer 1 (D129/D130)

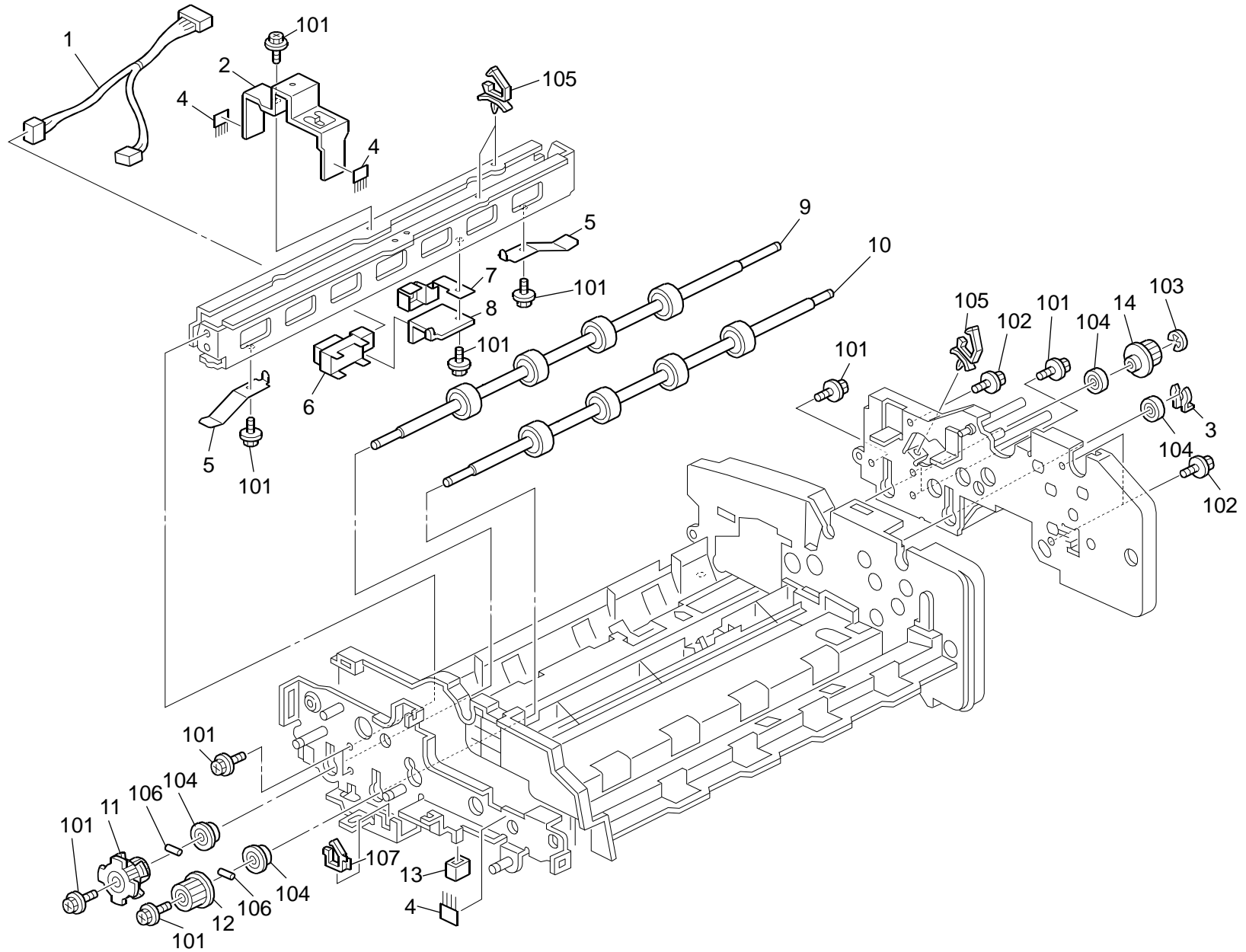


9.Original Transfer 1 (D129/D130)

Index No.	Part No.	Description	Q'ty Per Assembly
1	B802 3415	Guide: Scanning: Entrance: Lower	1
2	B802 3413	Sheet: Roller: Scanning: Entrance	4
3	D630 3413	Sheet: Scanning: Entrance	1
4	B802 3471	Roller: Scanning: Driven	8
5	B802 3492	Shaft: Driven: Entrance	2
6	B802 3431	Bracket: Entrance: Pressure: Ass'y	2
7	B802 3435	Compression Spring: 3.3n	6
8	B802 3422	Stay: Scanning: Entrance: Lower	1
9	B802 3511	Guide Plate: Scanning	1
10	AA14 3569	Screw	1
11	B802 3553	Guide: Scanning: Exit: Lower	1
12	B802 3566	Plate: Exit: Pressure: Auxiliary	2
13	B802 3567	Spring Plate: Scanning: Exit: Driven: Upper	2
14	B802 3569	Spring Plate: Scanning: Exit: Driven: Lower	2
15	B802 3561	Stay: Scanning: Exit: Lower	1
16	A422 1063	Seal - 0.7x13x20	3
17	B802 2291	Stopper: Guide: Reverse	1
18	GW01 0007	Photo Refiection Sensor: Exit	1
19	B802 3851	Bracket: Sensor: Scanning: Exit	1
20	B802 3755	Discharge Brush: Reverse	1
21	B802 3711	Spring Plate	2
22	B789 3712	Exit Driven Roller	4
23	B789 3491	Scanning Driven Shaft	2
24	B714 5006	DC Solenoid: Transmitted Rubber Stamp	1
25	B802 3592	Shaft: Driven: Exit	2
26	B802 3417	Sheet: Auxiliary: Scanning: Entrance	5
27	B802 3442	Sensor Barcket	1

Index No.	Part No.	Description	Q'ty Per Assembly
101	0450 3008N	Tapping Screw - M3x8	
102	0453 3006N	Tapping Screw - M3x6	
103	0451 3006N	Tapping Screw - 3x6	
104	0452 3006N	Binding Self-tapping Screw: 3x6	

10.Original Transfer 2 (D129/D130)

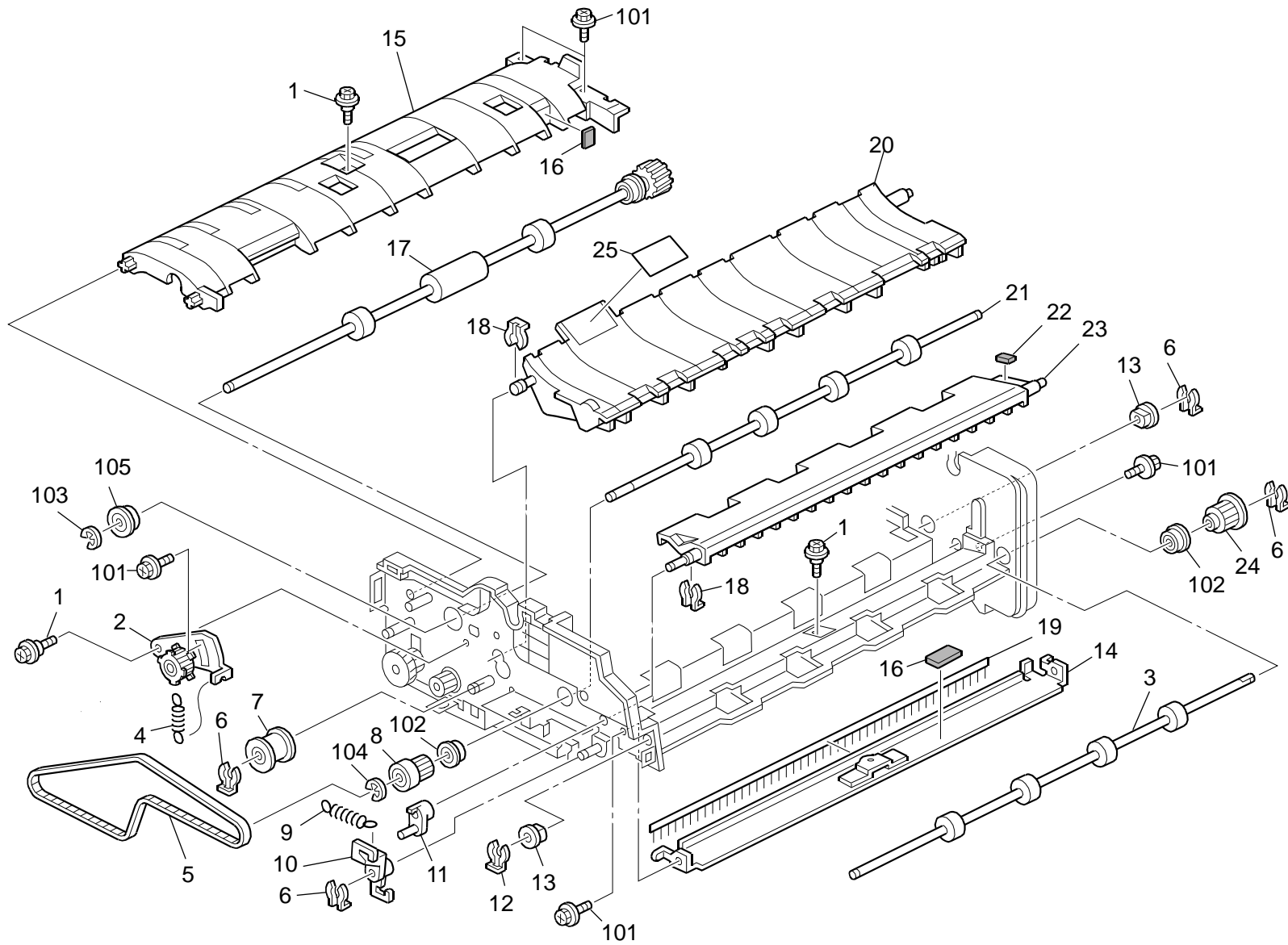


10.Original Transfer 2 (D129/D130)

Index No.	Part No.	Description	Q'ty Per Assembly
1	B802 5810	Harness: Registration Sensor	1
2	B802 3382	Bracket: Guide: Paper Feed: Lower	1
3	5447 2681	Snap Ring	1
4	G052 4892	Discharge Brush: Exit: Small	3
5	B802 3145	Spring Plate	2
6	GW01 0007	Photo Refiection Sensor: Exit	1
7	B802 3833	Shielding Plate: Sensor	1
8	B802 3834	Bracket: Registration Sensor	1
9	B802 3231	Roller: Scanning: Entrance	1
10	B802 3251	Roller: Scanning: Exit	1
11	B802 3235	Timing Pulley: T33-T24	1
12	B802 3252	Timing Pulley: T33	1
13	A697 2102	Damper - Junction Gate Solenoid	1
14	B802 3233	Timing Pulley: T33	1

Index No.	Part No.	Description	Q'ty Per Assembly
101	0451 3006N	Tapping Screw - 3x6	
102	0450 3008N	Tapping Screw - M3x8	
103	0720 0040E	Retaining Ring - M4	
104	0741 3506	Ball Bearing - 6x12x4 mm	
105	1105 0511	Harness Clamp - LWS-0306ZC	
106	0632 0100G	Pin - 2x10mm	
107	1105 0514	Edge Saddle - EDS-0607I	

11.Original Transfer 3 (D129/D130)

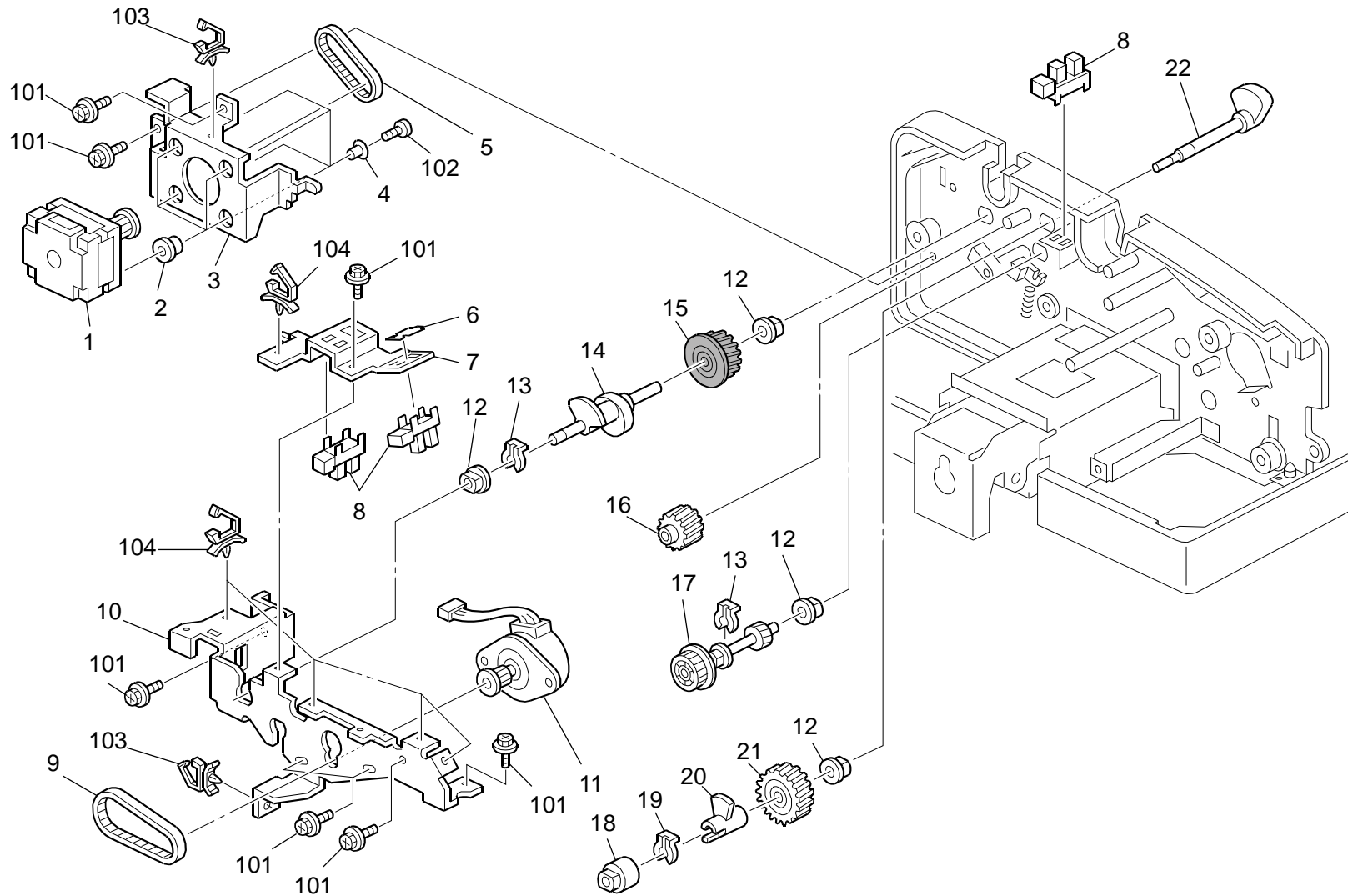


11.Original Transfer 3 (D129/D130)

Index No.	Part No.	Description	Q'ty Per Assembly
1	AA14 3790	Screw: Contact Point	3
2	B802 1752	Timing Pulley: T31: Idler: Ass'y	1
3	B802 3331	Roller: Reverse	1
4	AA06 0842	Tension Spring	1
5	AA04 3321	Timing Belt: 40S1.5M378	1
6	5447 2681	Snap Ring	4
7	B802 1768	Pulley: Idler: DIA16: Ass'y	1
8	B802 3312	Timing Pulley: T26	1
9	AA06 2260	Tension Spring	1
10	B802 3631	Link: Solenoid	1
11	B802 3615	Lever: Exchange Powl: Reverse	1
12	G020 1160	Snap Ring	1
13	AA08 2101	Bushing - 6x10x6	2
14	B802 3751	Stay: Reverse	1
15	B802 3351	Guide: Paper Feed: Lower	1
16	A422 1063	Seal - 0.7x13x20	2
17	B802 3211	Roller: Pull Out	1
18	5215 2621	Snap Ring - M6	2
19	B802 3756	Discharge Brush: Exit	1
20	B802 3653	Guide: Exit: Upper	1
21	B802 3311	Roller: Exit	1
22	B802 3612	Cushion: Exchange Powl	1
23	B802 3611	Exchange Powl: Reverse	1
24	B802 3332	Timing Pulley: T23	1
25	D630 6015	Decal: Display: Misfeed Removal: P3	1

Index No.	Part No.	Description	Q'ty Per Assembly
101	0451 3006N	Tapping Screw - 3x6	
102	0741 3506	Ball Bearing - 6x12x4mm	
103	0720 0060E	Retaining Ring - M6	
104	0720 0030E	Retaining Ring - M3	
105	0742 3808	Ball Bearing - 8x16x5	

12.ARDF Drive Section 1 (D129/D130)

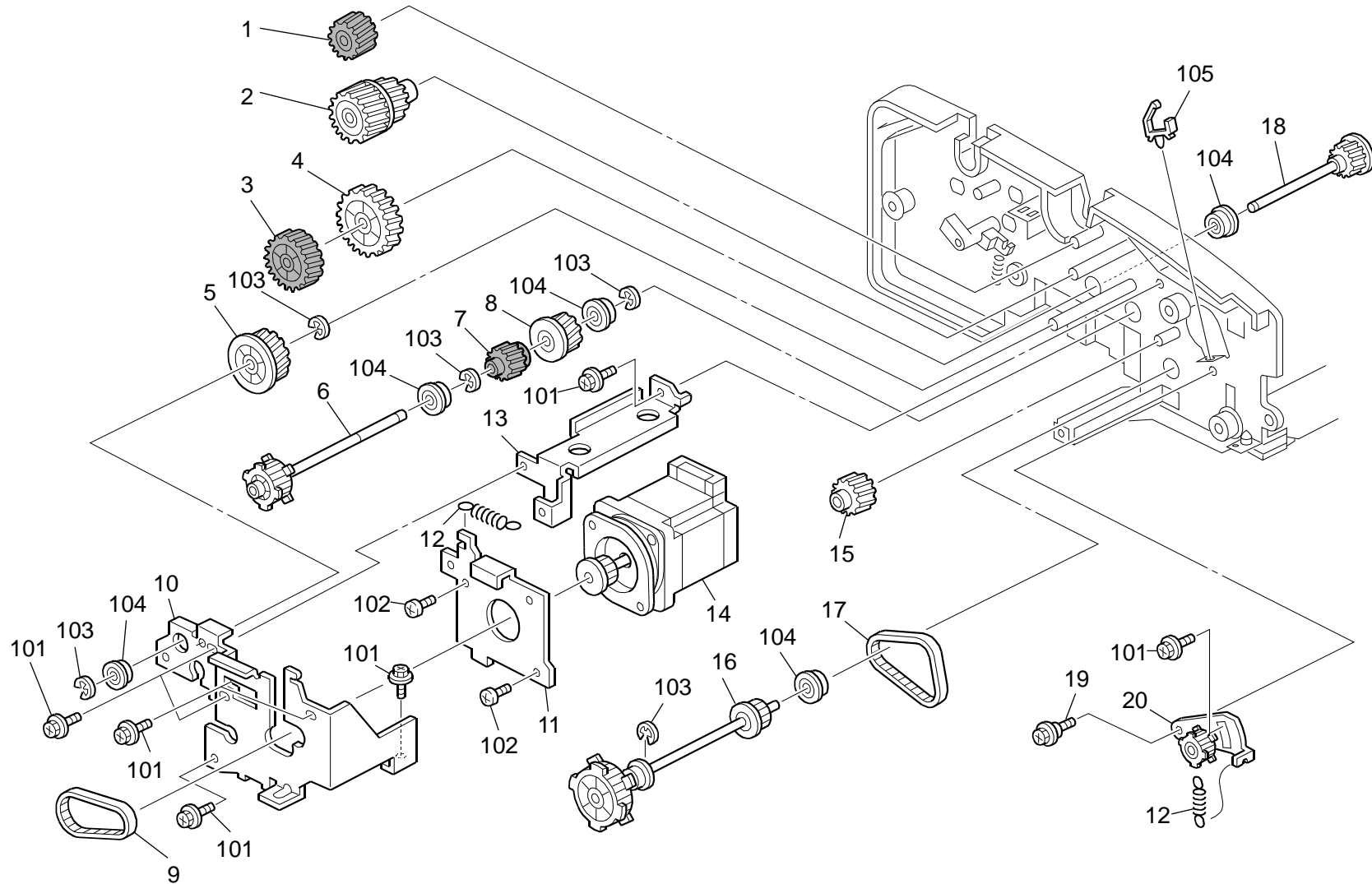


12.ARDF Drive Section 1 (D129/D130)

Index No.	Part No.	Description	Q'ty Per Assembly
1	B802 1812	Stepper Motor: DC4.08V 2.4W	1
2	AA10 1021	Rubber Bushing - 6 45HS	4
3	B802 1815	Bracket: Reverse: Drive	1
4	B044 1825	Collar	4
5	J503 3116	Timing Belt: 40S2M128	1
6	G570 1225	Sensor Shielding Plate	1
7	B802 1985	Bracket: Sensor: Pickup	1
8	AW02 0198	Photointerruptor: LG2A14NI1	3
9	AA04 3323	Timing Belt: 40S2M120	1
10	B802 1925	Bracket: Pickup: Drive	1
11	B700 5805	Stepper Motor: PM: S2M: T15: Ass'y	1
12	AA08 2101	Bushing - 6x10x6	4
13	5447 2681	Snap Ring	2
14	B802 1951	Cam: Stopper Pawl	1
15	B802 1956	Gear: Stopper: Original Insert: Z25	1
16	B351 1781	Gear - 18Z	1
17	B802 1931	Timing Pulley: T33-Z17	1
18	B802 1942	Stopper: Cam: Pickup	1
19	5206 2686	Snap Ring	1
20	B802 1943	Feeler: Cam: Pickup	1
21	B802 1946	Gear: Drive: Arm: Pickup	1
22	B802 1941	Cam: Pickup	1

Index No.	Part No.	Description	Q'ty Per Assembly
101	0451 3006N	Tapping Screw - 3x6	
102	0353 0060N	Bind Screw - M3x6	
103	1105 0511	Harness Clamp - LWS-0306ZC	
104	1105 0516	Clamp	

13.ARDF Drive Section 2 (D129/D130)

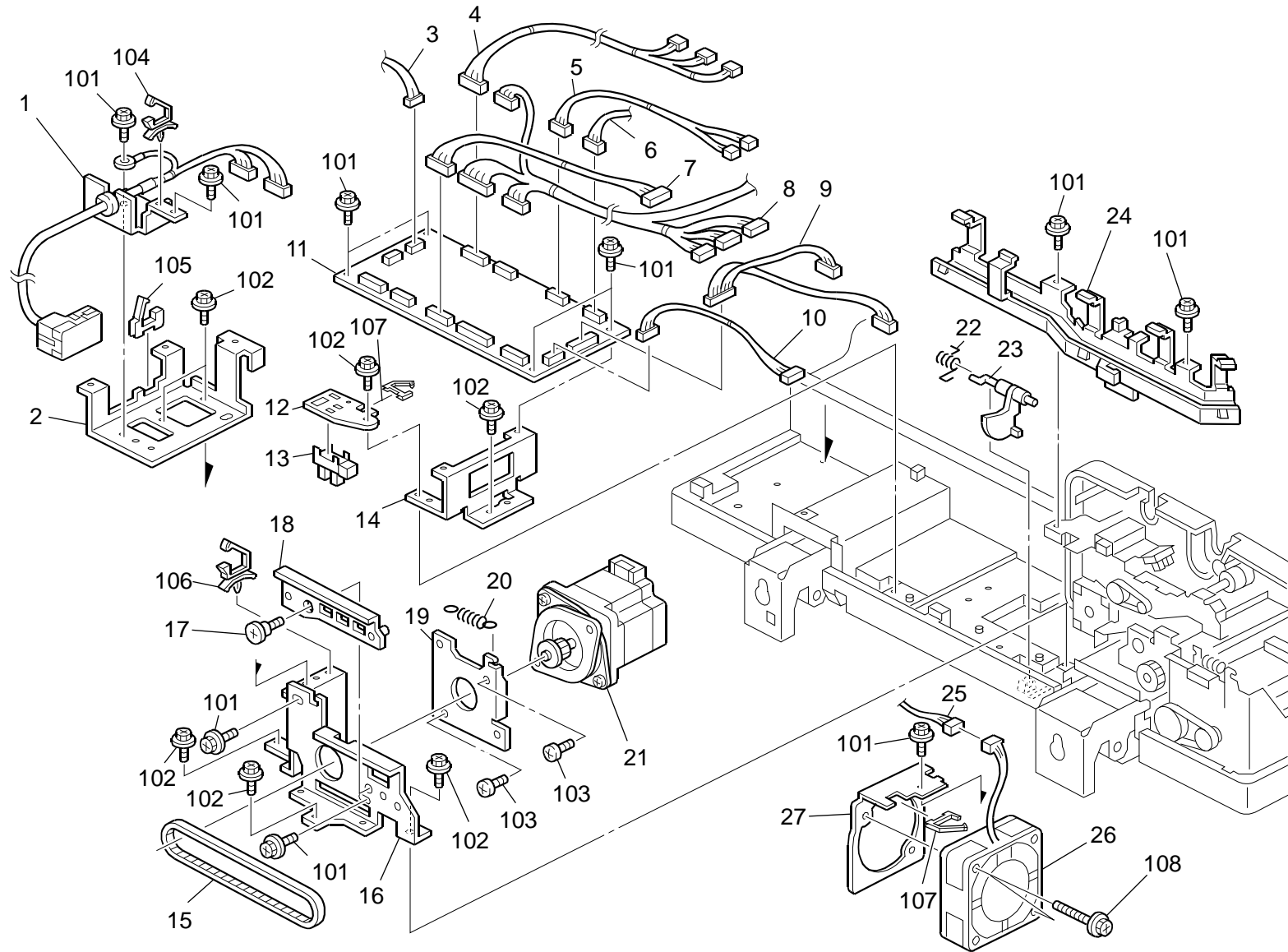


13.ARDF Drive Section 2 (D129/D130)

Index No.	Part No.	Description	Q'ty Per Assembly
1	B802 1671	Gear: Z17	1
2	B802 1661	Gear: Z21/Z23	1
3	B802 1642	Gear: Z37	1
4	B802 1643	Gear: Z26	1
5	B802 1651	Gear: Z25	1
6	B802 1631	Timing Pulley: T31	1
7	B802 1632	Gear: Z18	1
8	B802 1633	Gear: Z19	1
9	AA04 3320	Timing Belt: 40S1.5M150	1
10	B802 1715	Bracket: Stepper Motor	1
11	B802 1731	Stay: Motor: Scanning	1
12	AA06 0842	Tension Spring	2
13	B802 1736	Bracket: Protect: Drive	1
14	D540 1721	Stepper Motor: Scanning: DC 72W	1
15	B802 1681	Gear: Z18	1
16	B802 1741	Timing Pulley: T31/T61	1
17	AA04 3322	Timing Belt: 40S1.5M157.5	1
18	B802 1641	Gear: Z18	1
19	AA14 3790	Screw: Contact Point	1
20	B802 1752	Timing Pulley: T31: Idler: Ass'y	1

Index No.	Part No.	Description	Q'ty Per Assembly
101	0451 3006N	Tapping Screw - 3x6	
102	0453 4006N	Binding Self Tapping Screw: 4x6	
103	0720 0040E	Retaining Ring - M4	
104	0741 3506	Ball Bearing - 6x12x4mm	
105	1105 0511	Harness Clamp - LWS-0306ZC	

14.ARDF Electrical Section (D129/D130)

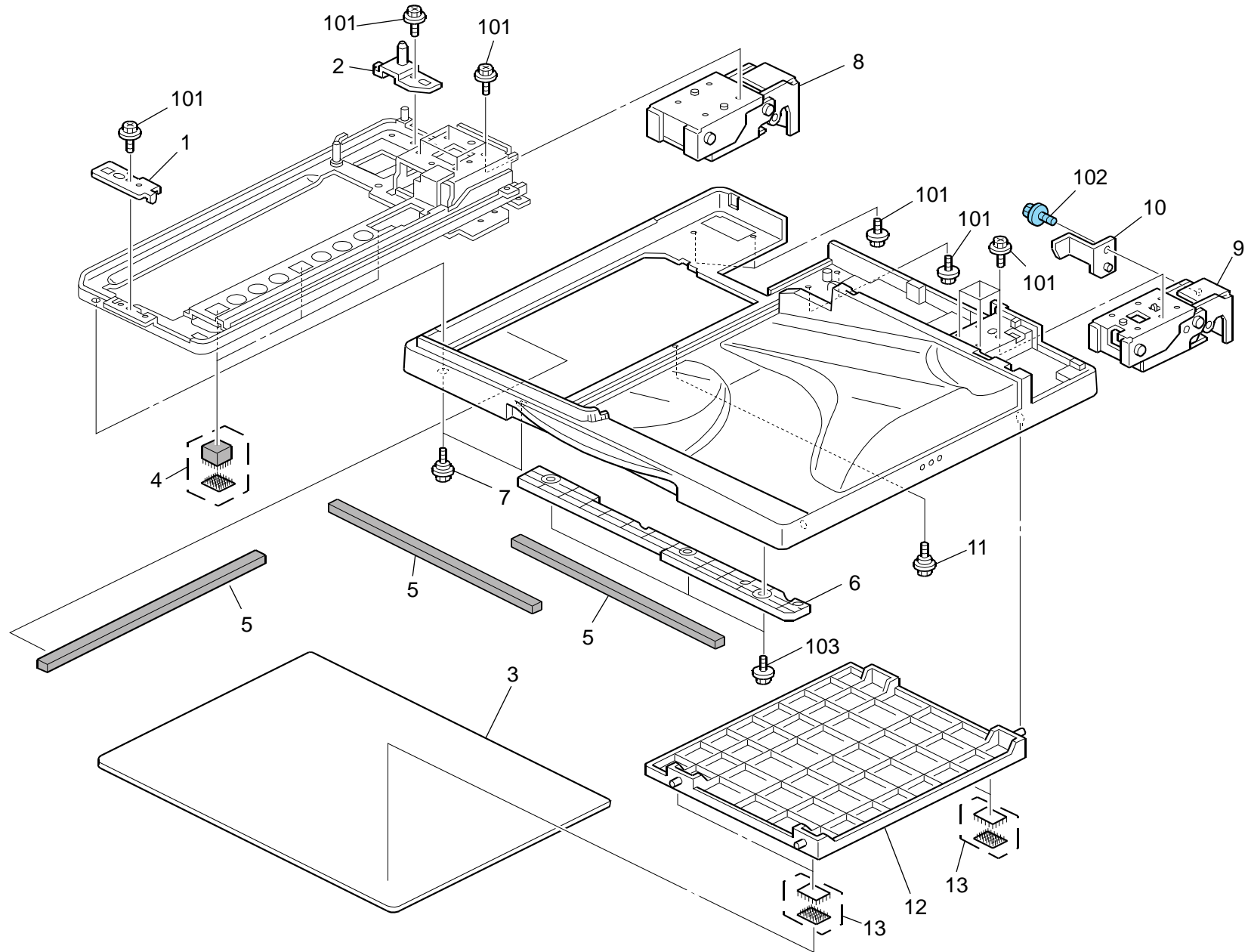


14.ARDF Electrical Section (D129/D130)

Index No.	Part No.	Description	Q'ty Per Assembly
1	B802 5710	Harness: Interface	1
2	B802 1231	Bracket: PCB: Right	1
3	B802 5780	Harness: Lift_Up	1
4	B802 5730	Harness: Paper Feed	1
5	B802 5800	Harness: Solenoid	1
6	B802 5770	Harness: Motor: Reverse	1
7	B802 5880	Harness: Sensor: Original Table	1
8	D630 5870	Harness: Sensor: Paper Feed	1
9	D540 5763	Harness: Motor: Scanning: Jst	1
10	B802 5820	Harness: Motor: Pick Up	1
11	D630 5500	PCB: Main Control Board: Document Feeder: Ass'y	1
12	B802 1246	Bracket: On Off Detector	1
13	AW02 0198	Photointerruptor: LG2A14NI1	1
14	B802 1236	Bracket: PCB: Left	1
15	B703 1165	Timing Belt: B40S2M390	1
16	B802 1612	Bracket: Motor	1
17	AA14 3802	Screw: 6x1.7	1
18	B802 1624	Bracket: Coupling	1
19	B802 1616	Stay: Motor	1
20	AA06 0842	Tension Spring	1
21	B802 1621	Stepper Motor: DC24V 4.8W	1
22	B387 1951	Spring - Paper Size Sensor	1
23	D630 1252	Feeler: Paper Size Sensor: Pressure Plate	1
24	B802 1412	Plate: Harness: Guide	1
25	D540 5851	Harness: Connecting: DC Fan Motor	1
26	AX64 0202	Fan: MM40x15: NIDEC: H	1
27	D540 1629	Bracket: Fan: Fix: 0.8mm	1

Index No.	Part No.	Description	Q'ty Per Assembly
101	0451 3006N	Tapping Screw - 3x6	
102	0450 3008N	Tapping Screw - M3x8	
103	0453 4006N	Binding Self Tapping Screw: 4x6	
104	1105 0511	Harness Clamp - LWS-0306ZC	
105	1105 0522	Edge Saddle - LES0510	
106	1105 0487	Harness Clamp	
107	1105 0514	Edge Saddle - EDS-0607I	
108	0451 3020N	Tapping Screw: 3x20	

15.ARDF Frame Section (D129/D130)

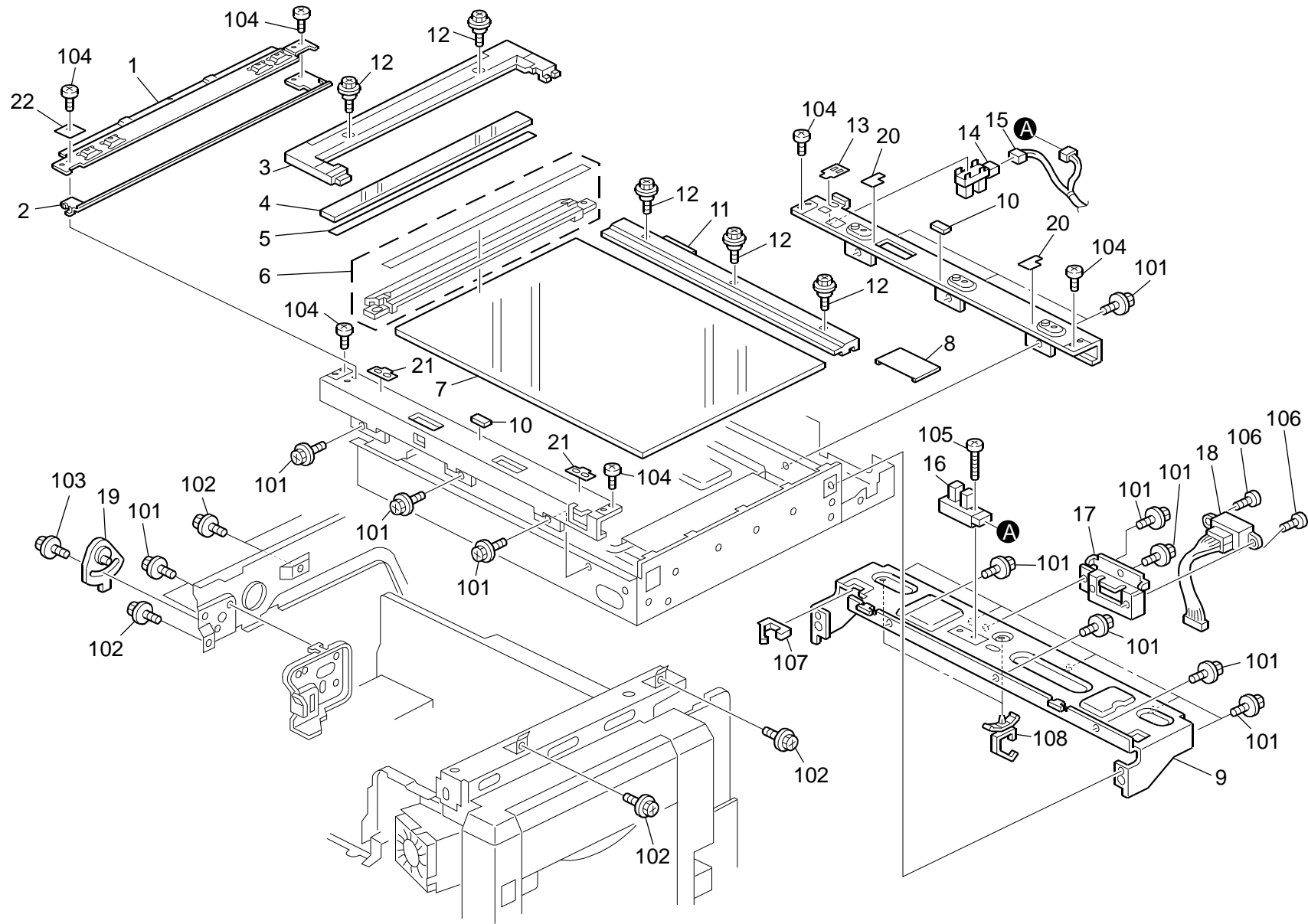


15.ARDF Frame Section (D129/D130)

Index No.	Part No.	Description	Q'ty Per Assembly
1	B802 1121	Positioning Plate: Front	1
2	B802 1131	Positioning Plate: Rear	1
3	B802 4611	Pressure Plate	1
4	B802 4632	Cushion: Pressure Plate: Left	3
5	B802 4712	Sound Proofing Material: Cover: Rear	3
6	D630 1261	Grip: Lower	1
7	AA14 3790	Screw: Contact Point	2
8	B802 1321	Hinge: Left: Ass'y	1
9	B802 1361	Damper: Hinge: Right: Ass'y	1
10	A859 1841	Filter - DF Open Sensor	1
11	AA14 3520	Shoulder Screw - M3	1
12	D630 4621	Drum Stay: Pressure Plate	1
13	B477 2715	Pressure Plate Tape	4

Index No.	Part No.	Description	Q'ty Per Assembly
101	0451 3006N	Tapping Screw - 3x6	
102	0454 3006Q	Tapping Screw - M3x6	
103	0450 3008N	Tapping Screw - M3x8	

16.Scanner Section 1 (D129/D130)

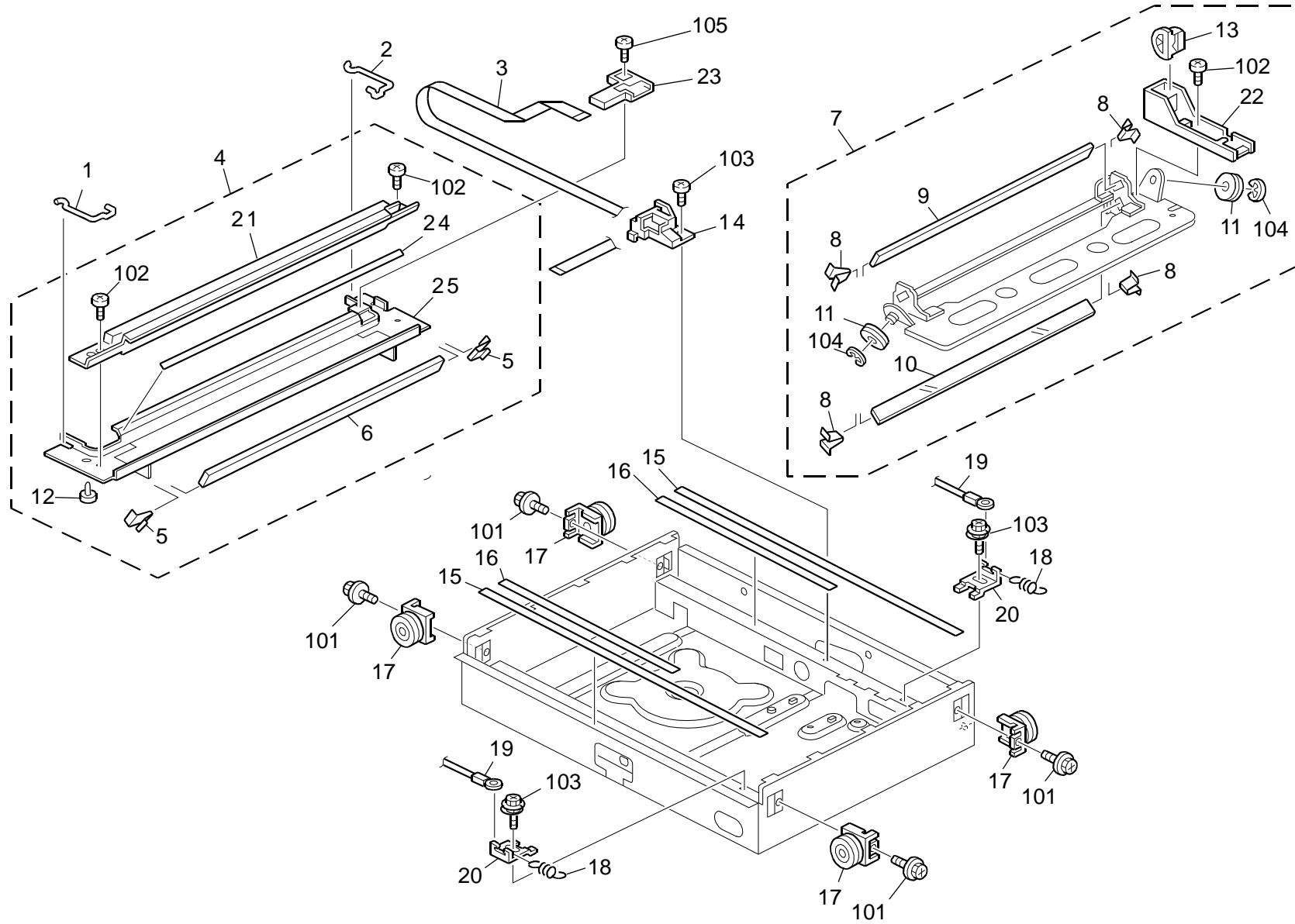


16.Scanner Section 1 (D129/D130)

Index No.	Part No.	Description	Q'ty Per Assembly
1	D009 1731	Bracket A - Left Scale	1
2	D129 1732	Bracket: Scale: Left: B	1
3	D129 1773	Scale: Machine Or Copier	1
4	BC01 2002	Exposure Glass: Sheet Through: 344x20	1
5	B223 1774	Seal: Sheet Through	1
6	D129 1779	Scale: Left: NA: Ass'y	1
6	D129 1777	Scale: Left: EU/AA/CHN: Ass'y	1
7	A250 1752	Exposure Glass	1
8	B223 1784	Optical Filter: Infrared: 76x36.5: Ass'y	1
9	B223 1806	Bracket: Document Feeder: Holder	1
10	5442 1924	Exposure Glass Cushion	1
11	D129 1782	Scale: Rear: Printing	1
12	AA14 3520	Shoulder Screw - M3	5
13	A193 1793	Scanner Home Sensor Stopper	1
14	AW02 0145	Photointerruptor: Flat	1
15	D029 5212	Harness: SIO: Sensor	1
16	AW02 0146	Photointerruptor: Flat: PICH2mm: M4	1
17	B223 1808	Document Feeder: Connector: Bracket	1
18	D029 5213	Harness: SIO: ARDF	1
19	B223 1116	Cam: Guide Plate: Scanner: Left	1
20	B223 1833	Seal: Exposure Glass: Rear	3
21	B238 1845	Seal: Exposure Glass	2
22	D029 1774	Seal: Guard: Exposure Glass: Document Feeder	1

Index No.	Part No.	Description	Q'ty Per Assembly
101	0451 3006N	Tapping Screw - 3x6	
102	0451 3008N	Tapping Screw - M3x8	
103	0451 3010N	Tapping Screw: 3x10	
104	0453 3006N	Tapping Screw - M3x6	
105	0314 0120N	Screw - M4x12	
106	0453 3008N	Binding Self Tapping Screw: 3x8	
107	1105 0522	Edge Saddle - LES0510	
108	1105 0511	Harness Clamp - LWS-0306ZC	

17.Scanner Section 2 (D129/D130)

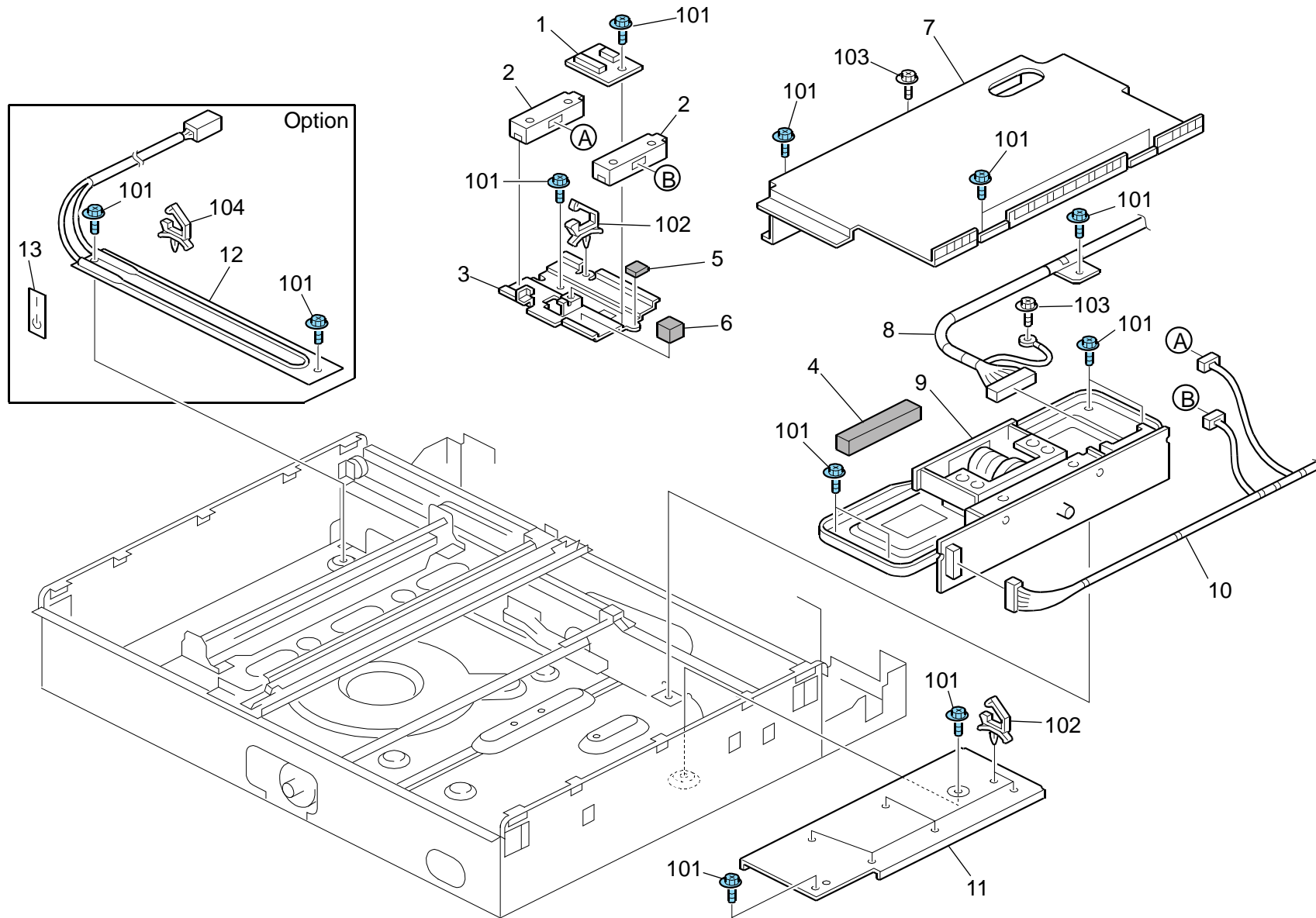


17.Scanner Section 2 (D129/D130)

Index No.	Part No.	Description	Q'ty Per Assembly
1	A193 1766	Wire Clamp	1
2	A193 1769	Clamp - Rear Wire	1
3	D129 5541	Harness: FFC: LED	1
4	D129 1721	Carriage: No.1: Ass'y	1
5	M026 1815	Clamp: Mirror: No.1	2
6	AC03 0169	Mirror: No.1	1
7	D129 1731	Carriage: No.2: Ass'y	1
8	G404 2810	Spring Plate - 2nd Mirror	4
9	D029 1736	Mirror: No.2: Concave: Ass'y	1
10	D029 1737	Mirror: No.2: Convax: Ass'y	1
11	B238 1807	Pulley	2
12	G570 2730	Slider - Scanner	4
13	M026 1778	Guide: FFC	1
14	D129 1801	Guide: Flat Cable	1
15	A193 1816	1st Slide Rail	2
16	B180 1734	Slide Rail: No.2	2
17	B238 1806	Idler Pulley	4
18	AA06 0980	Tension Spring: Tension: 11300mN	2
19	D029 1747	Drive Were: Carriage: DIA1.0	2
20	D089 1741	Bracket: Tension: Drive Wire	2
21	D129 1722	Illumination Unit: LED: Ass'y	1
22	D120 1711	Guide: FFC: Carriage: No.2	1
23	D120 1710	Guide: FFC: Carriage: No.1	1
24	D120 1705	Reflector: Scanner	1
25	D120 1700	Carriage: No.1: Sub-ass'y	1

Index No.	Part No.	Description	Q'ty Per Assembly
101	0451 3006N	Tapping Screw - 3x6	
102	0353 0050N	Screw-M3x5	
103	0802 5299	Tapping Screw - M3x8	
104	0720 0040E	Retaining Ring - M4	
105	0353 0060N	Bind Screw - M3x6	

18.Scanner Section 3 (D129/D130)

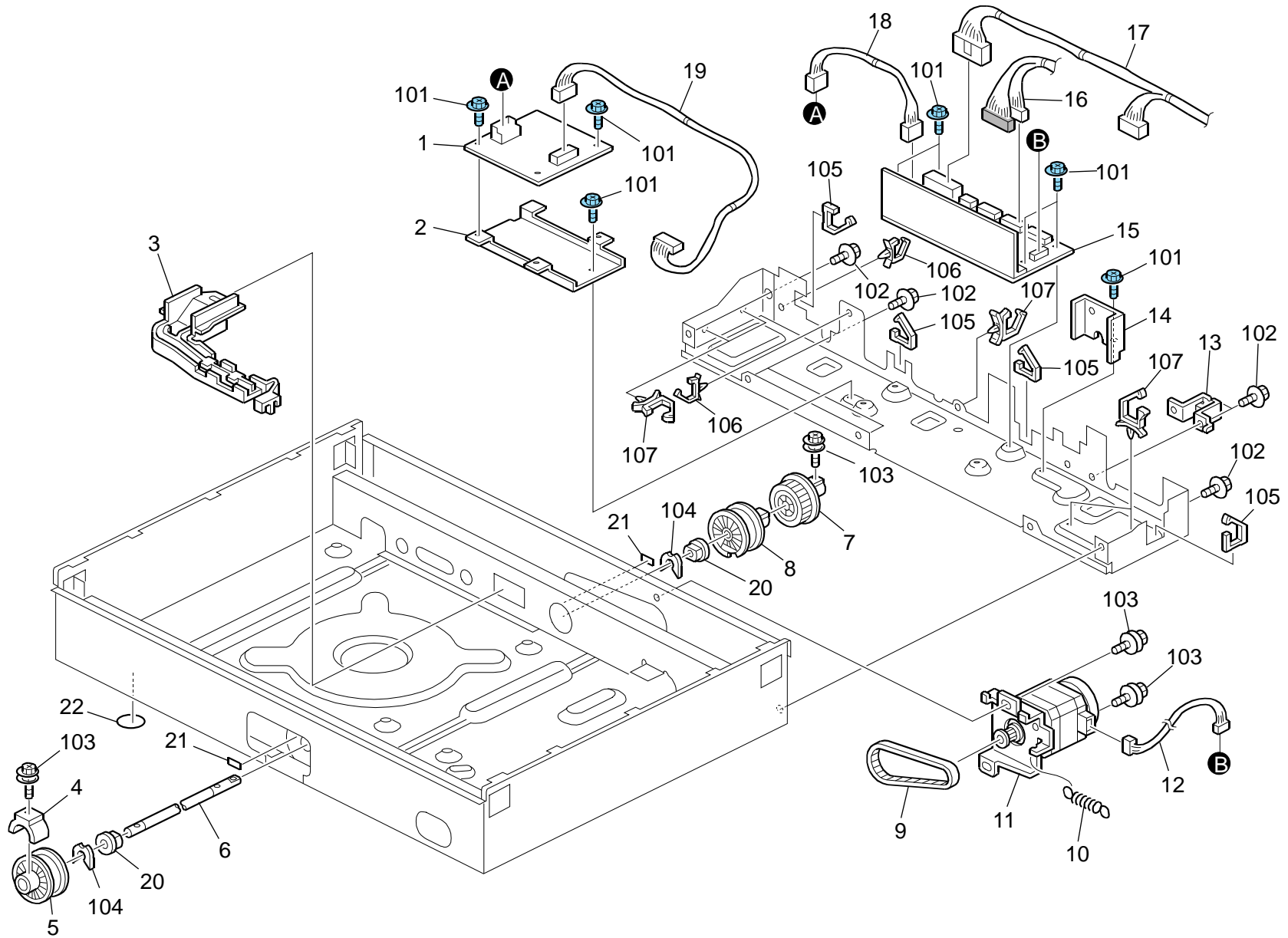


18.Scanner Section 3 (D129/D130)

Index No.	Part No.	Description	Q'ty Per Assembly
1	D129 5350	PCB: SCNB	1
2	AW01 0133	Original Sensor - 66mm	2
3	D129 1815	Bracket: Original Sensor: SUB Scanning	1
4	D029 1830	Gasket: 13x17x35: R	1
5	D029 1832	Gasket: 9x3x10	1
6	D029 1831	Gasket: 13x17x10: R	1
7	D029 1789	Inner Cover: Ground Plate: Peen	1
8	D129 5531	Interface Cable: Scanner: LVDS: Ass'y	1
9	D129 1771	Lens: Holder: Ass'y	1
10	D089 5217	Harness: SIO: Scanner Unit	1
11	D129 1816	Bracket: Guide: Harness: Base	1
12	B229 1687	Heater: Option: 120V: 9W	1
12	B229 1688	Heater: Option: 230V: 9W	1
13	D011 1253	Decal: Main Switch: On-Standby: EU	1

Index No.	Part No.	Description	Q'ty Per Assembly
101	0454 3006Q	Tapping Screw - M3x6	
102	1105 0511	Harness Clamp - LWS-0306ZC	
103	0451 3006N	Tapping Screw - 3x6	
104	1105 0460	Clamp	

19.Scanner Section 4 (D129/D130)

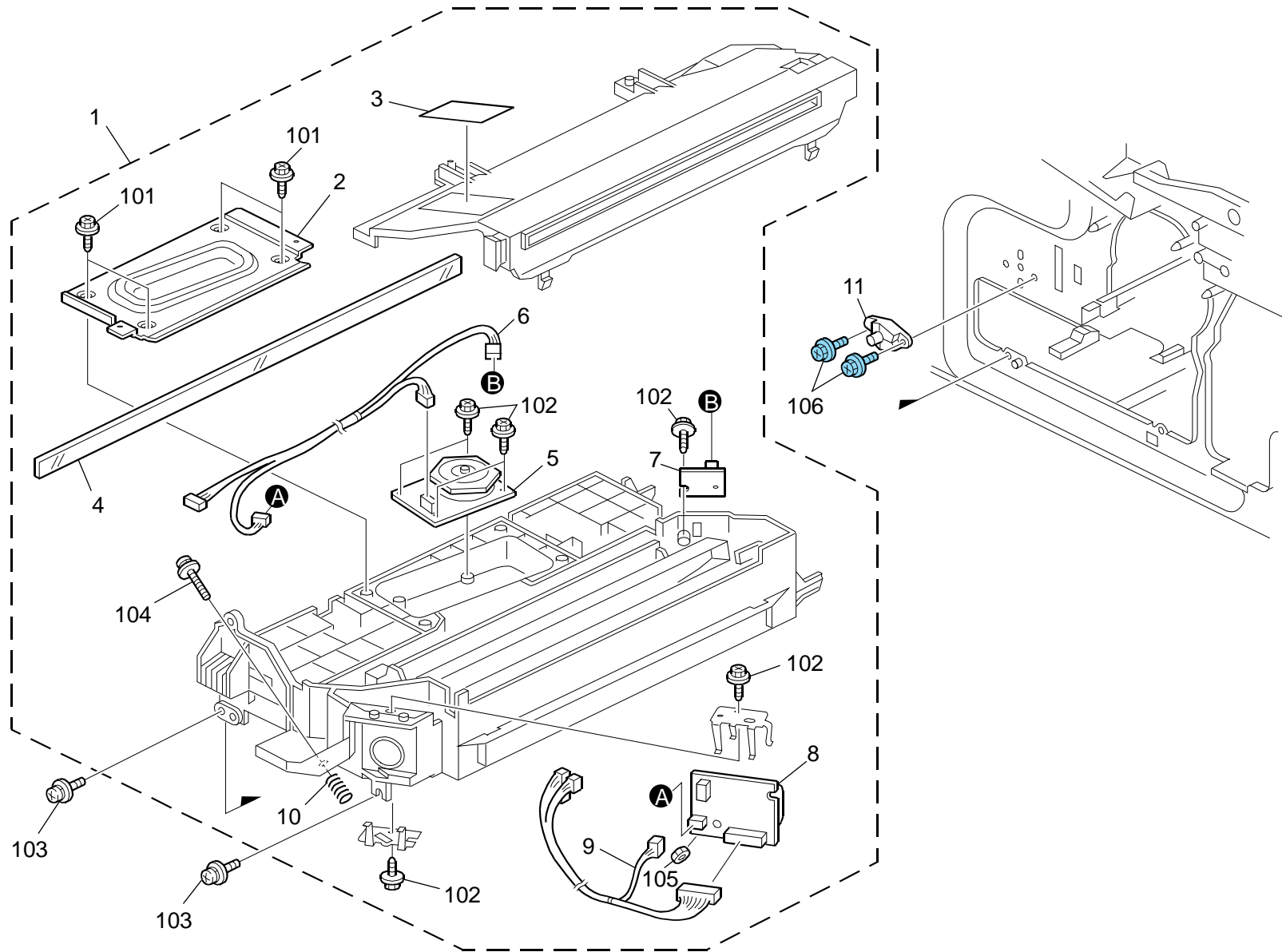


19.Scanner Section 4 (D129/D130)

Index No.	Part No.	Description	Q'ty Per Assembly
1	D129 5342	PCB: LED-DB	1
2	D129 1821	Bracket: LED Control Board	1
3	D129 1803	Guide: Harness: Led Control Board	1
4	D029 1749	Pulley: Protection	1
5	D029 1745	Pulley: DriveE Were: Front	1
6	B180 1814	Shaft: Scanner: Drive	1
7	G570 1133	Timing Pulley 73	1
8	D029 1748	Pulley: Drive Were: Rear: Ass'y	1
9	B238 1792	Timing Belt - 157ST1.5-4.0	1
10	AA06 0979	Tension Spring: Tension: 14720MN	1
11	B180 1713	Stepper Motor: Ass'y	1
12	D029 5215	Harness: SIO: STM	1
13	B223 1779	Cover: Stepper Motor: Rear	1
14	B223 1807	Bracket: Exterior: Rear	2
15	D129 5138	PCB: SIO	1
16	D089 5217	Harness: SIO: Scanner Unit	1
17	D129 5535	Harness: SIO: BCU	1
18	D029 5214	Harness: SIO: Lamp Regulator	1
19	D129 5534	Harness: Led-db: Scnb	1
20	AA08 2144	Bushing - 8x12x7	2
21	G570 1160	Spacer Bushing	2
22	B223 1824	Seal: Scanner: Frame: Base	1

Index No.	Part No.	Description	Q'ty Per Assembly
101	0454 3006Q	Tapping Screw - M3x6	
102	0451 3006N	Tapping Screw - 3x6	
103	0802 5299	Tapping Screw - M3x8	
104	0805 0088	Retaining Ring - M6	
105	1105 0516	Clamp	
106	1105 0488	Harness Clamp	
107	1105 0511	Harness Clamp - LWS-0306ZC	

20.LD Unit (D129/D130)

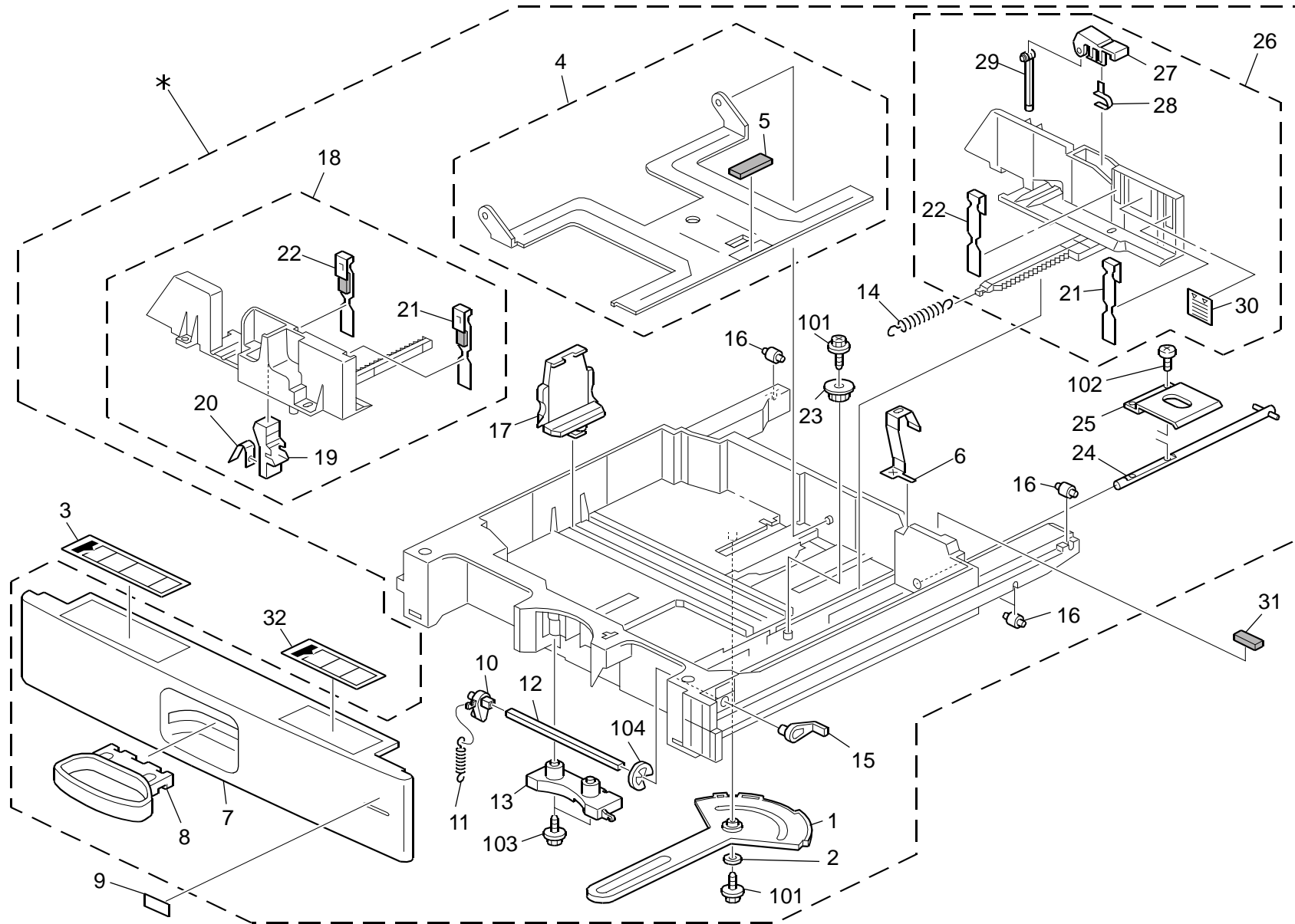


20.LD Unit (D129/D130)

Index No.	Part No.	Description	Q'ty Per Assembly
1	D129 1860	Optical Writing Unit: Ass'y	1
2	D009 1861	Cover - Polygon Motor	1
3	G029 1980	Decal - LD	1
4	AC01 5025	Shield Glass	1
5	AX06 0416	Polygon Scanner Motor: DC: Brushless: 16.8W	1
6	D009 5570	Harness - Imaging Unit	1
7	D009 5325	SYNC Detector Board	1
8	D129 1870	Laser Diode Unit: Ass'y	1
9	D009 5571	Harness: Laser Diode Control	1
10	AA06 3445	Spring - Laser Diode Unit	1
11	A232 1937	Positioning Pin - Laser Unit Ass'y	1

Index No.	Part No.	Description	Q'ty Per Assembly
101	0450 3010N	Tapping Screw - M3x10	
102	0450 3008N	Tapping Screw - M3x8	
103	0951 3008N	Screw: Polished Round: M3x8	
104	0951 3020N	Screw: Polished Round: M3x20	
105	0712 0030N	Hexagonal Nut: M3	
106	0454 3006Q	Tapping Screw - M3x6	

21.Paper Tray (D129/D130)

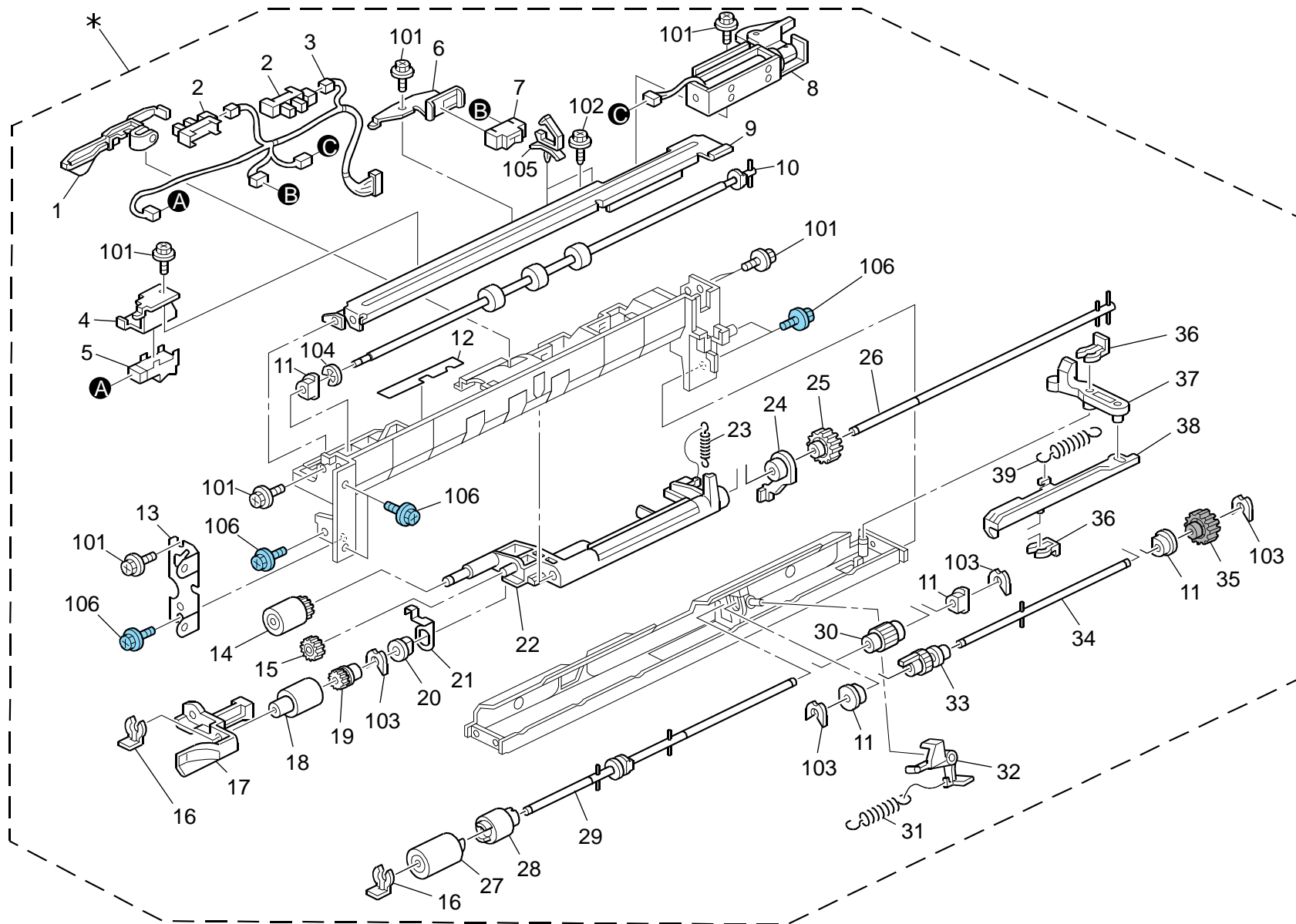


21.Paper Tray (D129/D130)

Index No.	Part No.	Description	Q'ty Per Assembly
*	D580 2900	Paper Tray: No.2: Ass'y	1
1	B223 2910	Link - Paper Size Sensor	1
2	B223 2911	Spacer	1
3	D580 2523	Decal: Paper Set Direction: Tray: No.2	1
4	D089 2940	Tray Bottom Plate: Ass'y	1
5	AF01 3016	Bottom Plate Pad	1
6	B223 2919	Ground Plate - Paper Tray No.2	1
7	D580 2946	Cover: Paper Tray: No.2	1
8	D580 2870	Grip: Paper Tray	1
9	D120 2872	Decal: Paper Tray: No.1	1
9	D120 2873	Decal: Paper Tray: No.2	1
10	B223 2862	Lever - Release Inner	1
11	AA06 1014	Tension Spring: Grip	1
12	D029 2863	Release Shaft	1
13	B223 2861	Grip Holder	1
14	AA06 1003	Tension Spring: Side Fence: Rear	1
15	B223 2868	Lever: Release: Paper Tray: Outer	1
16	A232 2987	Roller - Paper Tray	4
17	D120 2832	End Fence: Ass'y	1
18	D129 2920	Side Fence: Front: Ass'y	1
19	D120 2924	Stopper Lever - Front	1
20	B004 2923	Spring Plate - Release Lever	1
21	B223 2935	Plate - Side Fence Right	2
22	B223 2934	Plate - Side Fence	2
23	B223 2936	Gear - 16Z	1
24	B223 2865	Rise No.1 Shaft	1
25	B223 2918	Rise Lever	1
26	D129 2930	Side Fence: Rear: Ass'y	1
27	D120 2864	Lever: Stopper: Positioning	1
28	A267 2857	Spring Plate - Side Fence	1
29	A267 2859	Side Fence Stopper	1
30	D120 2875	Decal: Side Fence: Rear	1
31	B180 2782	Seal: Tray	1
32	D129 2747	Decal: Paper Set Direction: Tray: Right: EXP	2

Index No.	Part No.	Description	Q'ty Per Assembly
101	0450 4008N	Tapping Screw - M4x8	
102	0453 3008N	Binding Self Tapping Screw: 3x8	
103	0450 3012N	Tapping Screw: 3x12	
104	0720 0080E	Retaining Ring - M8	

22.Paper Feed Section (D129/D130)

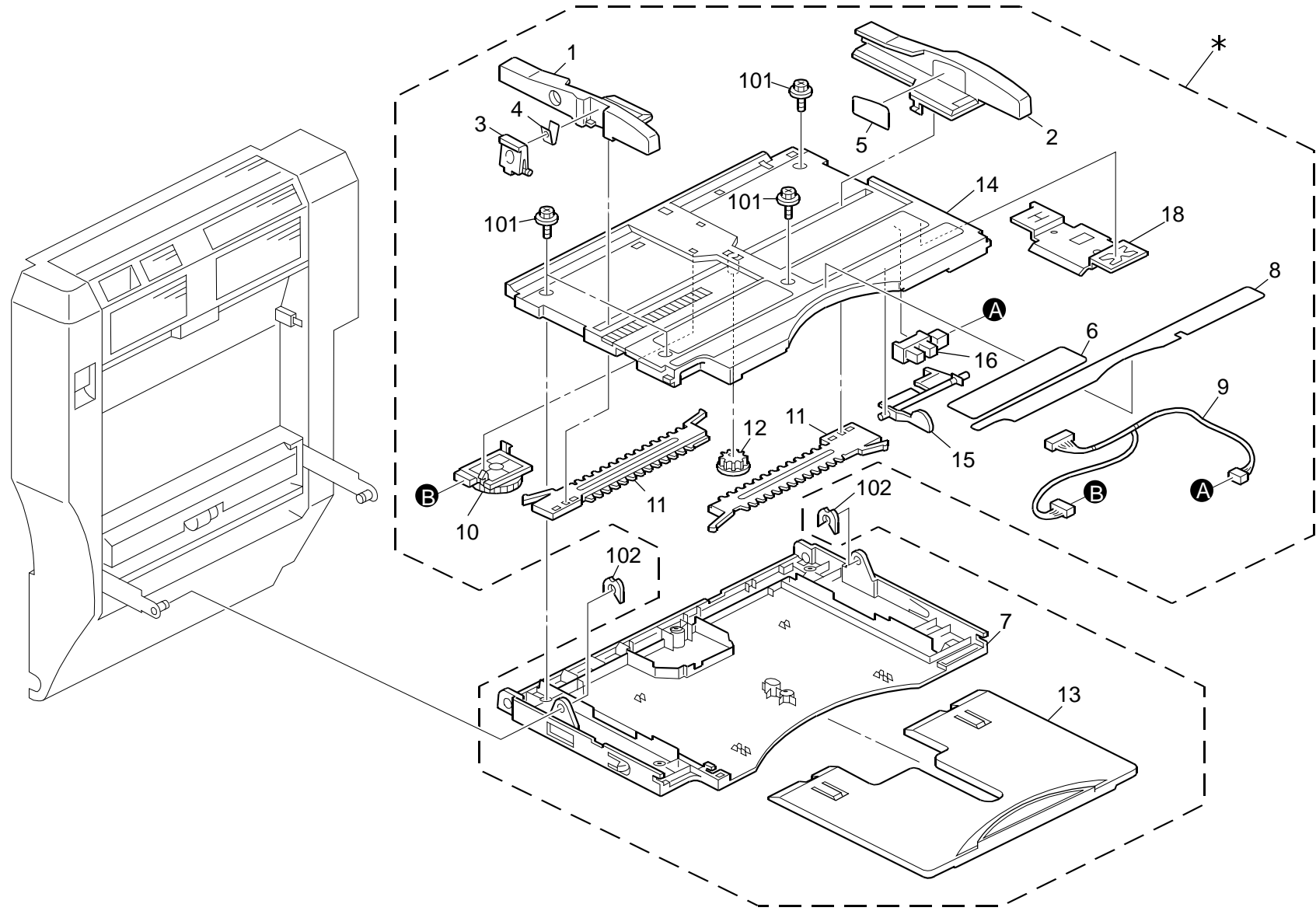


22.Paper Feed Section (D129/D130)

Index No.	Part No.	Description	Q'ty Per Assembly
*	D129 2750	Paper Feed Unit: Ass'y	2
1	D089 2767	Feeler: Paper End	1
2	AW02 0145	Photointerruptor: Flat	2
3	D029 2773	Harness - Paper Feed Unit	1
4	D089 2778	Bracket: Sensor: Feed	1
5	AW01 0128	Paper Feed Sensor	1
6	D089 2781	Bracket: Sensor	1
7	AW01 0122	Paper Feed Sensor	1
8	B223 2780	DC Solenoid 24V	1
9	B223 2776	Stay	1
10	D009 2757	Transport Roller: Drive: Ass'y	1
11	AA08 2143	Bushing - 6x10x6	4
12	B223 2772	Harness Sheet	1
13	B223 2786	Ground Plate - Front	1
14	AF03 0090	Paper Feed Roller: Pickup	1
15	AB01 1252	Gear - 20Z	1
16	AA10 0014	Retaining Ring C - Separate	2
17	D089 2829	Guide: Feed	1
18	AF03 1090	Paper Feed Roller: Feed	1
19	AB01 1218	Gear - Roller Clutch	1
20	AA08 2150	Plain Shaft Bearing: M6	1
21	B223 2765	Ground Plate - Feed	1
22	D089 2761	Arm: Pickup	1
23	AA06 0691	Tension Spring	1
24	G065 2767	Lever - Feed	1
25	B223 2764	Gear-24Z	1
26	B223 2762	Feed Shaft	1
27	AF03 2090	Paper Feed Roller: Separate	1
28	D129 2783	Torque Limiter Mechanical Clutch: 40mm: DIA18	1
29	B223 2810	Separate Driven Shaft	1
30	AB01 0157	Gear: Separate: Drive	1
31	AA06 0693	Tension Spring	1
32	G065 2774	Pressure Lever	1
33	AB01 0156	Gear: Separate: Drive	1

Index No.	Part No.	Description	Q'ty Per Assembly
34	B223 2815	Separate Drive Shaft	1
35	B223 2819	Gear - 22Z	1
36	5206 2686	Snap Ring	1
37	G065 2776	Release Lever	1
38	G065 2775	Link Lever	1
39	AA06 2259	Spring - Release	1
101	0451 3006N	Tapping Screw - 3x6	
102	0450 3008N	Tapping Screw - M3x8	
103	0805 0089	Retaining Ring - M4	
104	0720 0040E	Retaining Ring - M4	
105	1105 0511	Harness Clamp - LWS-0306ZC	
106	0454 3008Q	Tapping Screw: 3x8	

23.By-pass Feed Section 1 (D129/D130)

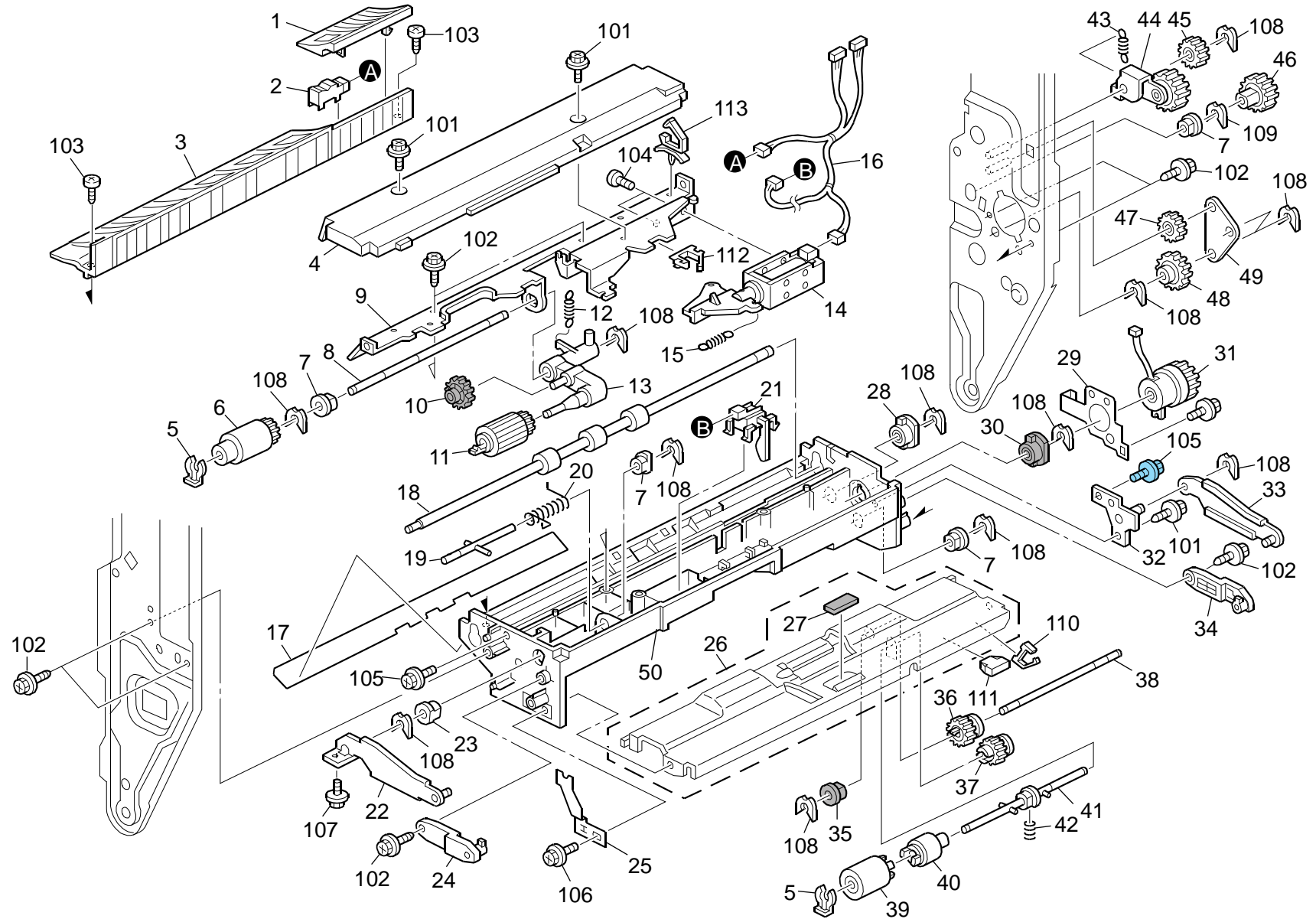


23.By-pass Feed Section 1 (D129/D130)

Index No.	Part No.	Description	Q'ty Per Assembly
*	D129 2740	Manual Feed Table: Ass'y	1
1	D129 2674	Side Fence: Front	1
2	D129 2673	Side Fence: Rear	1
3	D129 2726	Grip: Side Fence: Manual Feed	1
4	B223 2668	Spring Plate: Stopper	1
5	D129 2675	Decal: Side Fence: Manual Feed	1
6	D129 2745	Decal: Paper Set Direction: Manual Feed: EXP	1
7	D129 2661	Cover: Manual Feed	1
8	D129 2748	Decal: Scale: Manual Feed	1
9	D029 2769	Harness: Paper Size Sensor: Manual Feed	1
10	AW50 0031	Paper Size Sensor	1
11	B223 2713	Rack: Manual Feed	2
12	B223 2666	Gear: 16Z	1
13	D129 2667	Extension Tray: Manual Feed	1
14	D129 2662	Manual Feed Table	1
15	D029 2664	Feeler: Paper Size Sensor: Manual Feed	1
16	AW02 0204	Photointerruptor: LGRC102	1
17	D129 2743	Decal: Tray: Manual Feed: Extension Tray: EXP	1
18	D029 2710	Cover: Harness: Manual Feed Table	1

Index No.	Part No.	Description	Q'ty Per Assembly
101	0450 3008N	Tapping Screw - M3x8	
102	0805 0089	Retaining Ring - M4	

24.By-pass Feed Section 2 (D129/D130)

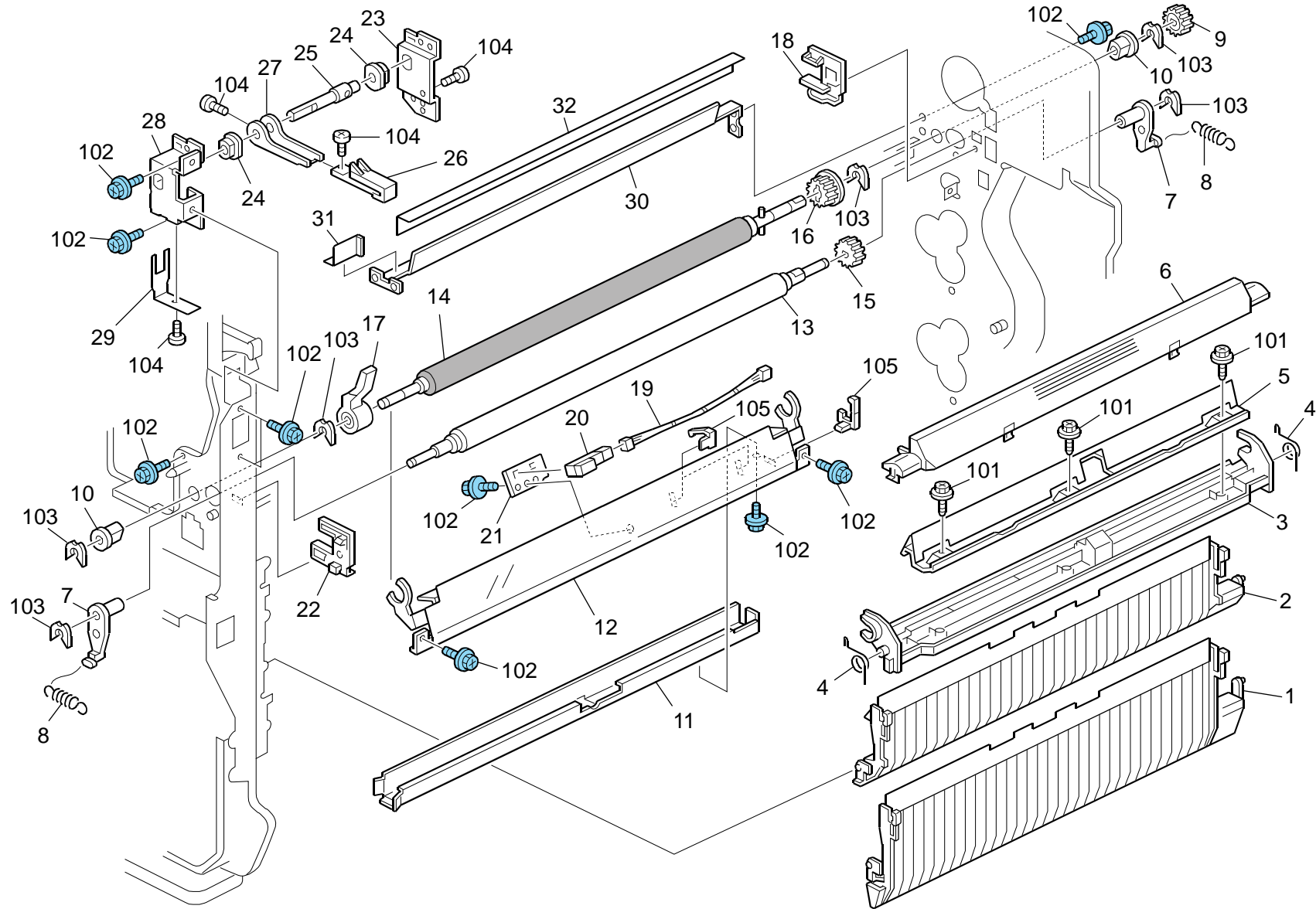


24.By-pass Feed Section 2 (D129/D130)

Index No.	Part No.	Description	Q'ty Per Assembly
1	B223 2623	Cover: Guide Plate: Exit	1
2	AW01 0107	Paper Feed Sensor	1
3	B223 2622	Guide Plate: Exit	1
4	D129 2621	Cover: Manual Feed Unit	1
5	AA10 0014	Retaining Ring C - Separate	2
6	AF03 1046	Feed Roller - Manual Feed	1
7	AA08 2101	Bushing - 6x10x6	4
8	AA14 0777	Shaft: Feed	1
9	B223 2629	Stay: Feed	1
10	AB01 1387	Gear - 23Z	1
11	AF03 0049	Pick-up Roller	1
12	AA06 3568	Pressure Spring	1
13	G060 2932	Pick-up Arm - Manual Feed	1
14	B223 2632	DC Solenoid: Pickup	1
15	B223 2633	Spring: Release: Pickup	1
16	B223 2659	Harness: Manual Feed	1
17	D009 2552	Guide Sheet - Manual Feed	1
18	D009 2555	Transport Roller - Duplex Exit	1
19	B223 2634	Support Stay: Arm	1
20	B223 2636	Torsion Spring: 27N	1
21	AW50 0035	Paper End Sensor	1
22	B223 2651	Arm: Manual Feed: Front	1
23	AA08 2102	Bushing - 6x10x6	1
24	D129 2657	Arm: Manual Feed: Short: Front	1
25	D029 2612	Ground Plate: Front: Manual Feed	1
26	D029 2709	Guide Plate: Separator: Ass'y	1
27	AF01 3016	Bottom Plate Pad	1
28	AA08 3018	Roller Clutch - 6x14x10	1
29	D029 2611	Ground Plate: Rear: Manual Feed	1
30	AA08 3014	One-way Clutch	1
31	AX20 2007	Magnetic Clutch	1
32	B223 2637	Bracket: Arm: Manual Feed: Rear	1
33	B223 2652	Arm: Manual Feed: Rear	1
34	D129 2658	Arm: Manual Feed: Short: Rear	1
35	A259 6754	Bushing - 6 6mm	1

Index No.	Part No.	Description	Q'ty Per Assembly
36	AB01 1416	Gear - 20Z	1
37	B223 2608	Gear: Z16	1
38	AA14 0778	Shaft: Separator: Drive	1
39	AF03 2046	Separation Roller - Manual Feed	1
40	D129 2783	Torque Limiter Mechanical Clutch: 40mm: DIA18	1
41	B180 2871	Shaft: Separator: Driven: Ass'y	1
42	AA06 3499	Pressure Spring	1
43	AA06 0872	Spring	1
44	B223 2681	Arm: Tightener	1
45	AB01 1223	Idler Gear - 25Z	1
46	B223 2686	Gear: Z31	1
47	B223 2683	Gear: 25Z	1
48	B223 2689	Gear: Z28	1
49	B223 2696	Drum Stay: Drive	1
50	AA08 3018	Roller Clutch - 6x14x10	1
101	0451 3006N	Tapping Screw - 3x6	
102	0450 3008N	Tapping Screw - M3x8	
103	0452 3008N	Tapping Screw - M3x8	
104	0353 0040N	Screw - M3x4	
105	0454 3008Q	Tapping Screw: 3x8	
106	0451 3008N	Tapping Screw - M3x8	
107	0360 3006N	Screw - M3x6	
108	0805 0089	Retaining Ring - M4	
109	0805 0088	Retaining Ring - M6	
110	1105 0522	Edge Saddle - LES0510	
111	1102 6248	Connector - 5P	
112	1105 0551	Clamp: LES-0505	
113	1105 0511	Harness Clamp - LWS-0306ZC	

25. Paper Registration (D129/D130)

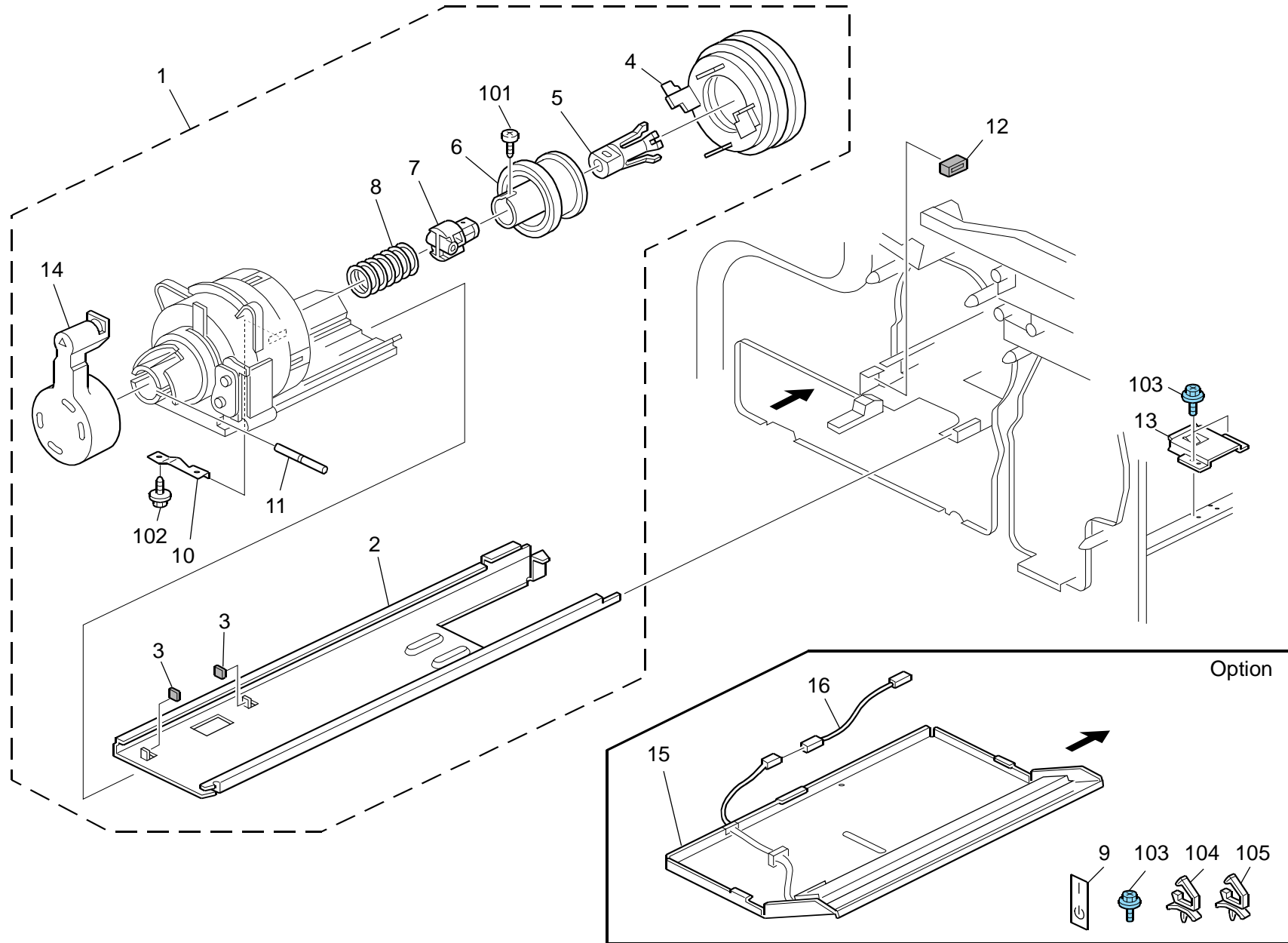


25.Paper Registration (D129/D130)

Index No.	Part No.	Description	Q'ty Per Assembly
1	D129 2841	Guide Plate: Swivel: No.2: Ass'y	1
2	D129 2836	Guide Plate: Swivel: Ass'y	1
3	D009 2617	Upper Guide Plate - Registration	1
4	D009 2650	Torsion Spring - Registration	2
5	D009 2638	Stay - Paper Dust Removal	1
6	D009 2618	Cover - Paper Dust Removal	1
7	D009 2607	Bushing - Driven Registration	2
8	D009 2636	Tension Spring	2
9	D009 2603	Gear - 28Z	1
10	AA08 2074	Bushing - M8	2
11	D009 2612	Case Supporter - Remove Paper Dust	1
12	D009 2624	Lower Guide Plate - Registration	1
13	D009 2606	Registration Roller - Driven	1
14	D009 2600	Registration Roller - Drive	1
15	B238 2655	Gear - 16Z	1
16	D009 2602	Gear - 18Z	1
17	D129 2604	Knob: Registration Roller	1
18	D009 2623	Rear Positioning Guide	1
19	D009 2626	Harness - Registration Sensor	1
20	AW01 0107	Paper Feed Sensor	1
21	D009 2614	Bracket - Registration Sensor	1
22	D009 2622	Front Positioning Guide	1
23	D009 2240	Rear Flange - Lock	1
24	AA08 2158	Plain Shaft Bearing: Mm8	2
25	D009 2243	Shaft - Lock	1
26	D129 2245	Cover: Stopper: Lock: PCD	1
27	D009 2244	Stopper - Lock	1
28	D009 2241	Front Flange - Lock	1
29	D009 2242	Spring Plate - Lock	1
30	D009 3858	Entrance Guide Plate - Transfer	1
31	D009 3107	Seal: Shielding Plate	1
32	D009 3108	Seal: Guide Plate	1

Index No.	Part No.	Description	Q'ty Per Assembly
101	0450 3006N	Tapping Screw - M3x6	
102	0454 3006Q	Tapping Screw - M3x6	
103	0805 0089	Retaining Ring - M4	
104	0453 3006N	Tapping Screw - M3x6	
105	1105 0568	Clamp: LWSS-0504	

26.Toner Supply Unit (D129/D130)

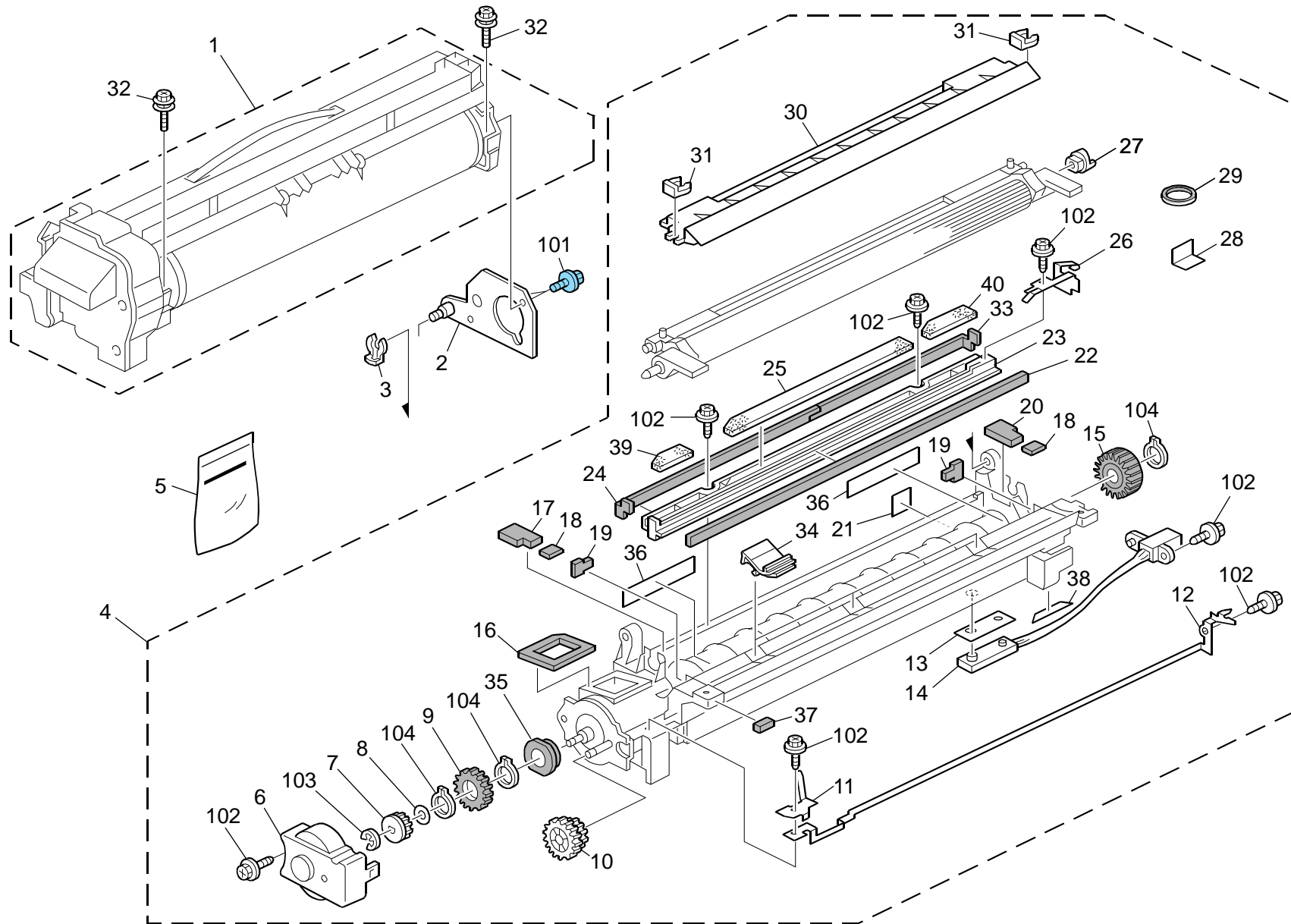


26.Toner Supply Unit (D129/D130)

Index No.	Part No.	Description	Q'ty Per Assembly
1	D129 3209	Toner Supply Unit	1
2	B077 3262	Slide Rail: Toner Supply Unit	1
3	A232 3266	Seal - Slide Rail	2
4	A232 3240	Cover - Toner Bottle Ass'y	1
5	A134 3180	Bottle Chuck	1
6	A232 3252	Slider Ass'y	1
7	A232 3251	Chuck Shaft	1
8	AA06 3566	Pressure Spring	1
9	D011 1252	Decal: Main Switch: On-standby	1
9	D011 1253	Decal: Main Switch: On-standby: EU	1
10	A232 3263	Spring Plate - Toner Bottle	1
11	D009 3265	Shaft - Slide	1
12	A232 3264	Stopper - Slide Rail	1
13	D009 5892	Heater Stopper	1
15	D011 5841	Heater: PCD: NA: Sub-ass'y	1
15	D011 5842	Heater: PCD: EU: Sub-ass'y	1
16	D009 5611	Harness: AC: Heater	1

Index No.	Part No.	Description	Q'ty Per Assembly
101	0452 3010N	Binding Self-tapping Screw: 3x10	
102	0456 3008N	Tapping Screw - M3x8	
103	0454 3006Q	Tapping Screw - M3x6	
104	1105 0487	Harness Clamp	
105	1105 0516	Clamp	

27.PCDU 1 (D129/D130)

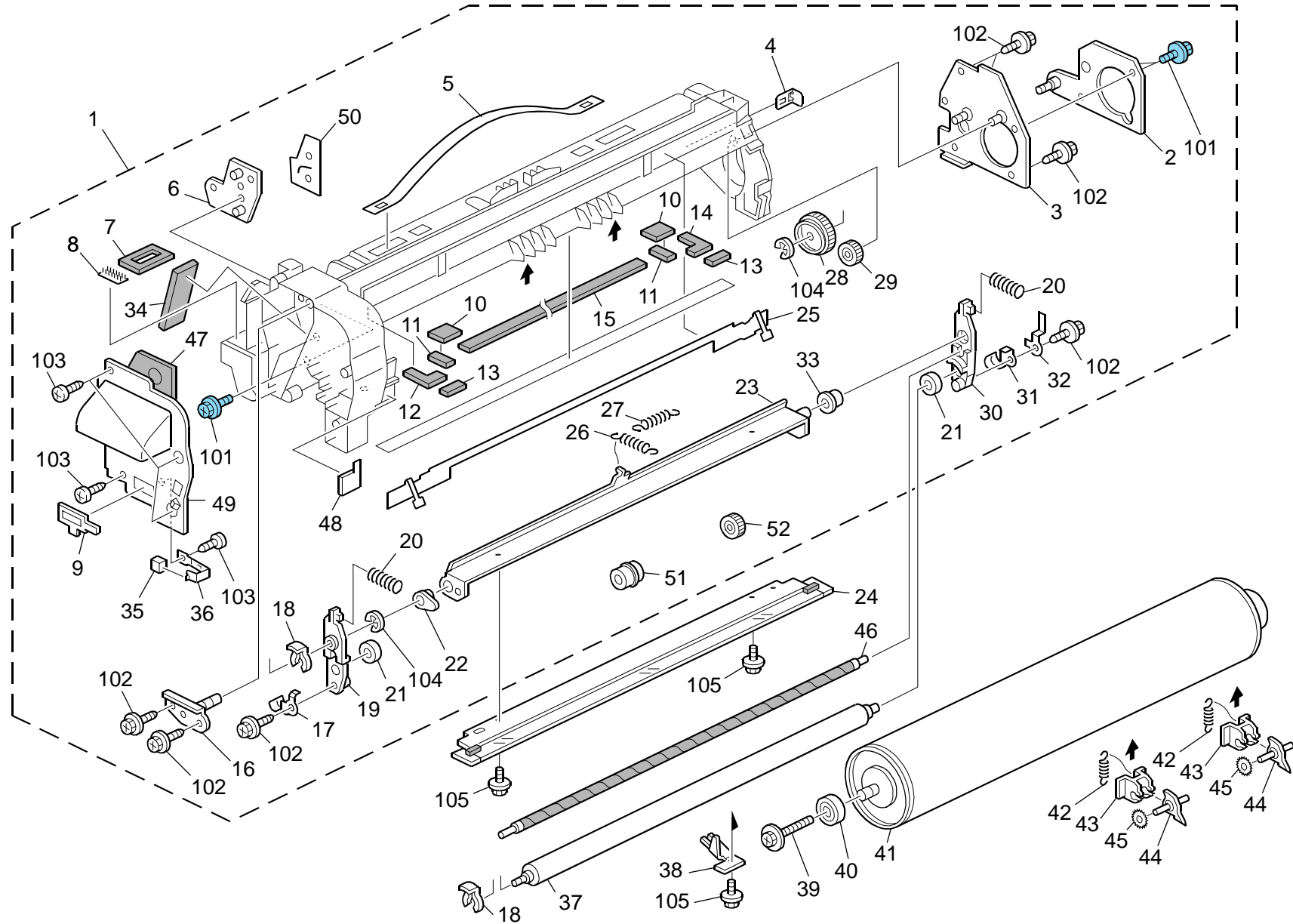


27.PCDU 1 (D129/D130)

Index No.	Part No.	Description	Q'ty Per Assembly
1	D129 2110	PCU: Alex-C2: EXP: Service: Ass'y	1
2	D009 2389	Rear Side Plate - Coupling	1
3	G065 2681	Snap Ring - M6	1
4	D009 2301	Development Unit	1
5	B296 9640	Developer - Black	1
6	A232 3155	Front Cover - Development Unit	1
7	AB01 4061	Gear - 13Z	1
8	A232 3077	Spacer - M5	1
9	AB01 4060	Gear - 21Z	1
10	AB01 4062	Gear - 17Z/25Z	1
11	D009 3068	Front Bias Terminal	1
12	D009 3069	Rear Bias Terminal	1
13	A232 3067	Tape - TD Sensor	1
14	B213 3065	Density Sensor: Development: C4	1
15	D009 3078	Joint- Paddle	1
16	D009 3066	Entrance Seal - Toner Supply	1
17	D009 3205	Seal: Side Plate: Front	1
18	AA15 3095	Shield - Development - Center	2
19	B082 3123	Shield: Case: Development: Front Rear: C3	2
20	D009 3206	Seal: Side Plate: Rear	1
21	D009 3072	Seal - Density Sensor Harness	1
22	D009 3053	Upper Case Seal	1
23	D009 3070	Upper Cover - Development Unit	1
24	D009 3204	Front Seal - Upper Cover	1
25	D009 3086	Development Filter	1
26	D009 3162	Ground Plate: Doctor Blade	1
27	D009 1155	Joint: Development Sleeve: Ass'y	1
28	D009 3130	Spacer: Guide Plate: 0.05	2
29	AA15 3062	Sponge - M46	1
30	D009 3152	Entrance Seal Ass'y	1
31	5206 2686	Snap Ring	2
32	D009 2480	Screw - M3x10	2
33	D009 3203	Rear Seal - Upper Cover	1
34	D009 3102	Upper Cap - Development Case	3
35	AA08 0281	Bushing - 12x18x5.5	1

Index No.	Part No.	Description	Q'ty Per Assembly
36	D009 3101	Seal: Development	2
37	D009 3106	Sponge	1
38	D009 3178	Seal: Slide	1
39	D009 3084	Development Filter: Front	1
40	D009 3085	Development Filter: Rear	1
101	0454 3006Q	Tapping Screw - M3x6	
102	0456 3008N	Tapping Screw - M3x8	
103	0720 0030E	Retaining Ring - M3	
104	0725 0110E	C Ring - M11	

28.PCDU 2 (D129/D130)

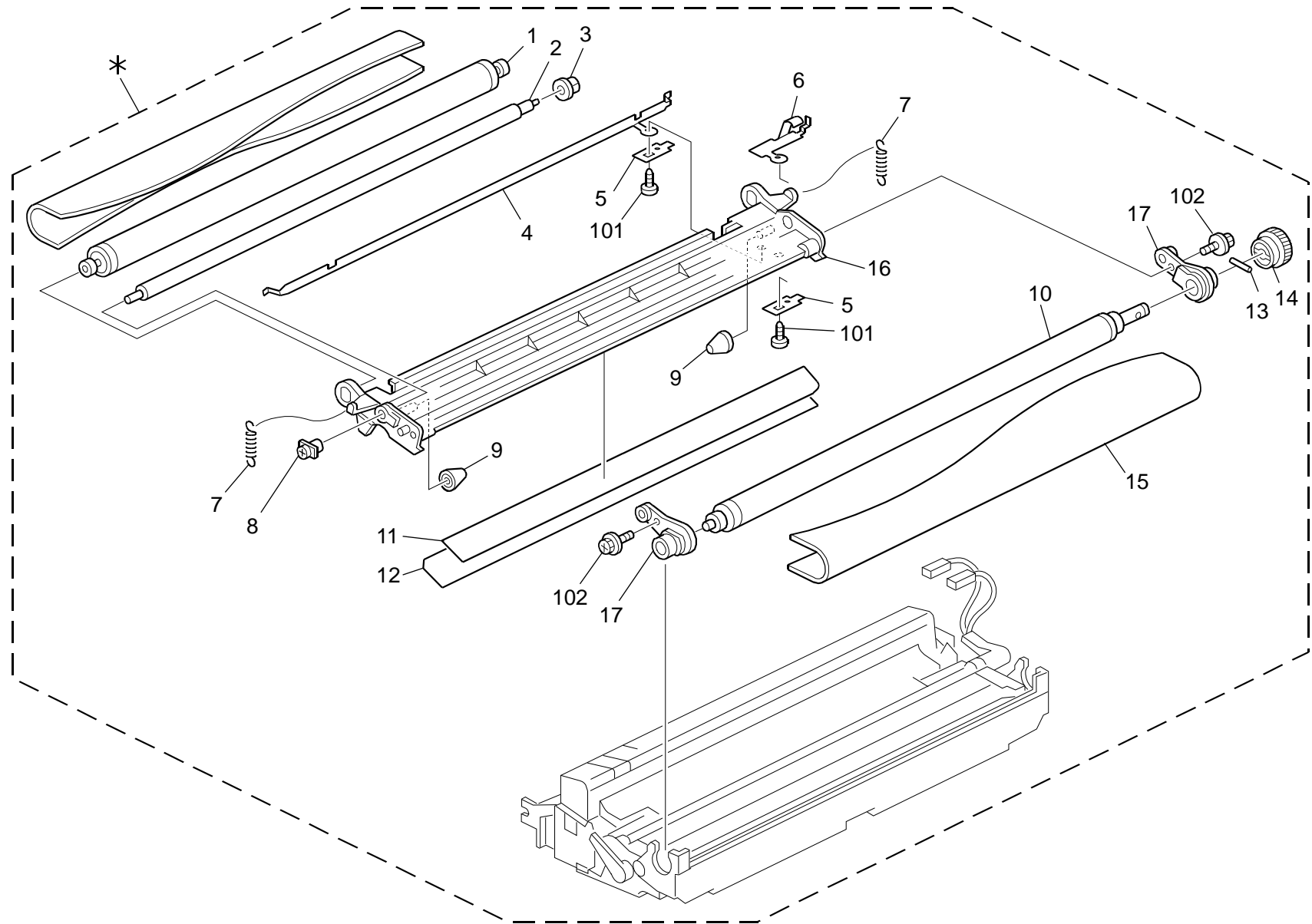


28.PCDU 2 (D129/D130)

Index No.	Part No.	Description	Q'ty Per Assembly
1	D129 2212	Frame: PCU: Upper: C2: Ass'y	1
2	D009 2389	Rear Side Plate - Coupling	1
3	D129 2390	Side Plate: Idler: Ass'y	1
4	D009 2317	Electrode Plate - Charge	1
5	D009 2445	Handle - PCU	1
6	D009 2380	Front Side Plate - Coupling	1
7	D009 2279	Seal: Toner Supply: Entrance: Upper	1
8	D009 3267	Seal: Toner Supply: Entrance: Front	1
9	D009 2633	Cap - Toner Supply	1
10	A232 2399	Seal - Blade 13x9.5x3	2
11	D009 2205	Seal: Blade: Upper Rear: Small	2
12	D009 2201	Seal: Drum: Front	1
13	D009 2203	Seal: Drum: Entrance	2
14	D009 2202	Seal: Drum: Rear	1
15	D009 2204	Seal: Blade: Upper: Case	1
16	B213 2316	Stud: Contact Point: Cleaning	1
17	G065 2354	Electrode Plate: Charge: Front	1
18	G065 2681	Snap Ring - M6	2
19	D009 2331	Front Arm - Pressure/Charge	1
20	AA06 3648	Pressure Spring	2
21	A232 2421	Bushing - 6x10x3	2
22	A232 2315	Front Bushing - Cleaning Bracket	1
23	B213 2312	Bracket: Cleaning Blade	1
24	D009 2351	Cleaning Blade	1
25	D009 2318	Spring Plate - Electrode	1
26	AA06 2348	Pressure Spring	1
27	AA06 2300	Tension Spring	1
28	AB01 1380	Cam - Cleaning Blade	1
29	AB01 1379	Gear - 19Z	1
30	D009 2336	Rear Arm - Pressure/Charge	1
31	G065 2308	Electrode Plate: Charge: Rear	1
32	B082 2333	Terminale: Brush Roller	1
33	A232 2318	Collar - Cleaning	1
34	D009 2426	Seal - 24.5x68.5	1
35	D129 2415	Cover: Spring Plate: Front	1

Index No.	Part No.	Description	Q'ty Per Assembly
36	D009 2414	Spring Plate: Cover: PCU: Front	1
37	AD02 7012	Roller: Charge: Apply	1
38	D009 2303	Drum Hold Plate	1
39	AA14 3549	Screw: DIA10: M3x8	1
40	A232 3553	Ball Bearing - 8x16x5	1
41	D009 9510	OPC Drum	1
42	AA06 2310	Pressure Spring	2
43	A232 2340	Holder - Pick-Off Pawl	2
44	AD02 5021	Pick-Off Pawl	2
45	A232 2339	Spur	2
46	G790 2329	Brush Roller: Cleaner: Charge: Amabuki: Ass'y	1
47	D009 2412	Seal: Cover: PCU: Front	1
48	D009 3104	Seal: Level	1
49	D129 2411	Cover: PCU: Front: C2	1
50	D009 2433	Seal: Cover: Shutter	1
51	A232 2292	Bushing - Toner Collection Coil	1
52	AB01 1377	Gear - 14Z	1
101	0454 3006Q	Tapping Screw - M3x6	
102	0456 3008N	Tapping Screw - M3x8	
103	0457 3008N	Tapping Screw - M3x8	
104	0720 0040E	Retaining Ring - M4	
105	0360 3006N	Screw - M3x6	

29. Transfer Belt Unit 1 (D129/D130)

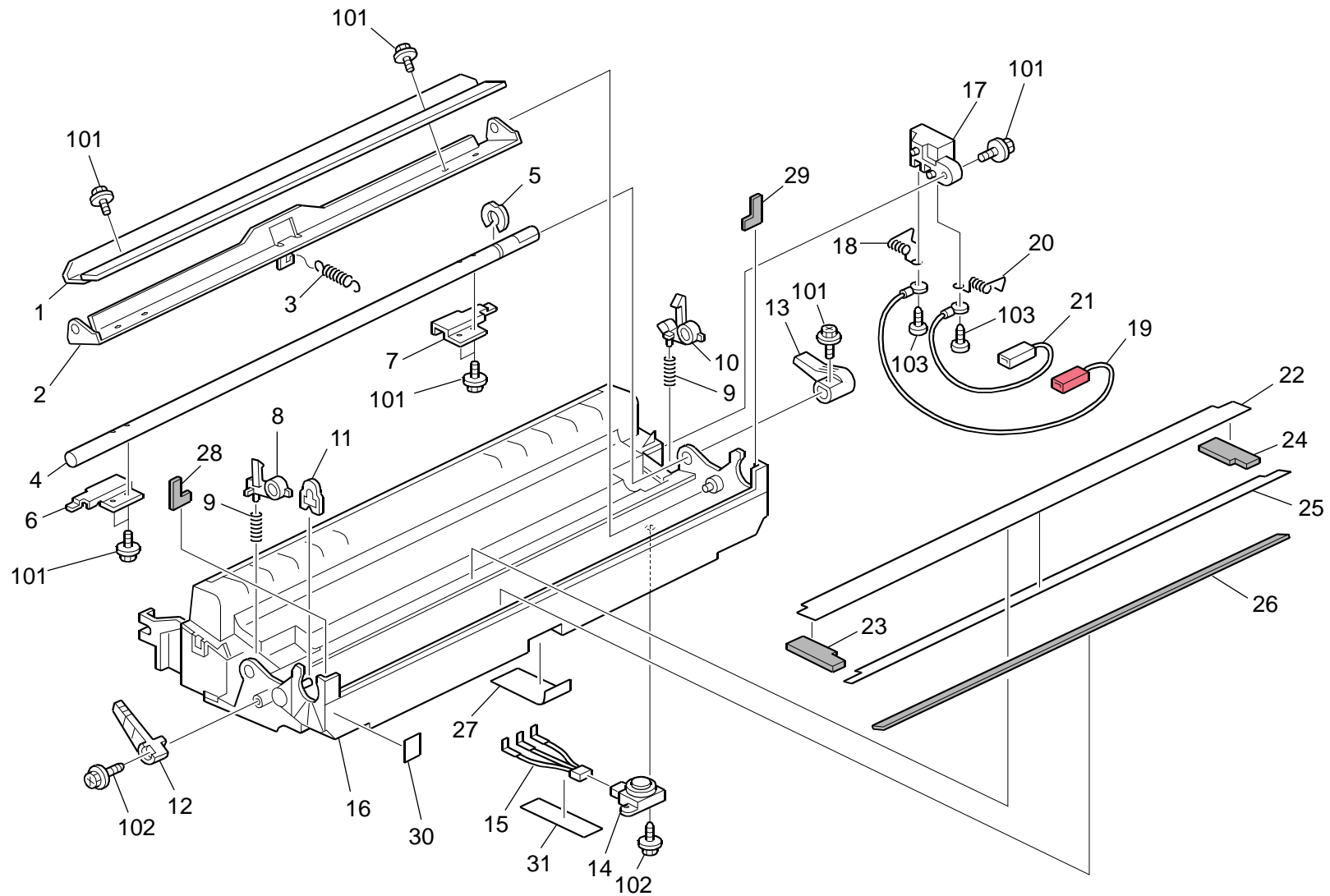


29.Transfer Belt Unit 1 (D129/D130)

Index No.	Part No.	Description	Q'ty Per Assembly
*	D009 3806	Transfer Unit: EXP: Ass'y	1
1	A232 3885	Driven Roller - Transfer Unit	1
2	B213 3889	Roller: Bias	1
3	AA08 2054	Bushing - M4	1
4	D009 3935	Earth Terminal - Transfer Belt	1
5	D009 3937	Terminal - Transfer Belt	1
6	D009 3934	Bias Terminal - Transfer Belt	1
7	AA06 1020	Spring: Release: Transfer Belt	2
8	D009 3890	Front Bushing - Bias Roller	1
9	A232 3926	Transfer Belt Roller	2
10	D009 3894	Drive Roller - Transfer Belt	1
11	D009 3954	Sheet: Preventfence: Transfer Belt	1
12	D009 3948	Scraper - Drive Roller	1
13	G024 1314	Pulley Pin	1
14	AB01 1282	Gear - 31Z	1
15	A232 3880	Transfer Belt	1
16	D009 3883	Frame - Transfer Belt	1
17	D009 3893	Arm - Transfer Belt	2

Index No.	Part No.	Description	Q'ty Per Assembly
101	0452 3006N	Binding Self-tapping Screw: 3x6	
102	0451 3006N	Tapping Screw - 3x6	

30.Transfer Belt Unit 2 (D129/D130)

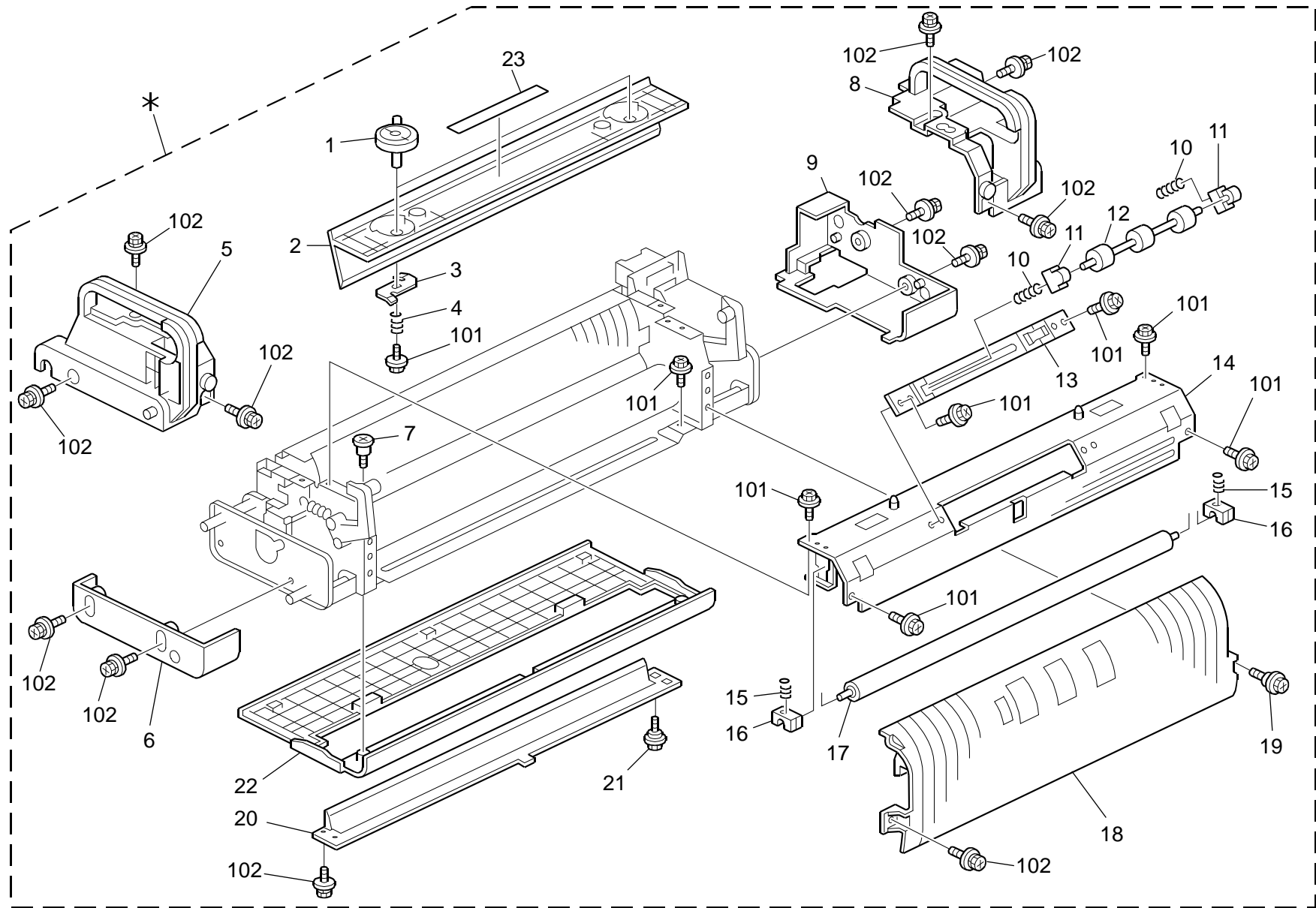


30.Transfer Belt Unit 2 (D129/D130)

Index No.	Part No.	Description	Q'ty Per Assembly
1	AD04 1135	Cleaning Blade - Transfer Belt	1
2	D009 3943	Bracket: Cleaning Blade: Transfer Belt	1
3	AA06 1100	Spring: Pressure: Cleaning Blade	1
4	D009 3919	Release Lever Shaft	1
5	B223 6172	Retaining Rings-E	1
6	D009 3920	Front Release Plate	1
7	D009 3921	Rear Release Plate	1
8	D009 3916	Front Lever - Transfer Belt	1
9	AA06 3447	Spring - Transfer Belt	2
10	D009 3917	Rear Lever - Transfer Belt	1
11	G102 3837	Stopper: Blade	1
12	D009 3899	Set Lever - Transfer Unit	1
13	D009 3918	Release Lever	1
14	GW23 0001	Toner End Sensor	1
15	D009 3872	Harness - Used Toner Sensor	1
16	D009 3803	Case - Transfer Unit	1
17	D009 3992	Receptacle Housing - Transfer Unit	1
18	AA06 6380	Spring	1
19	D009 3876	Earth Harness - Transfer Unit	1
20	AA06 6381	Spring	1
21	D009 3875	Harness - Transfer Unit Bias	1
22	D009 3907	Seal - Transfer Belt Exit	1
23	D009 3953	Front Seal - Cleaning Blade	1
24	D009 3952	Rear Seal - Cleaning Blade	1
25	D009 3906	Seal - Rear Transfer Exit	1
26	B082 3867	Shield: Remove Paper Dust	1
27	AA15 0423	Seal - Cleaning Pressure	1
28	A232 3909	Seal - Front Case	1
29	A232 3908	Seal - Rear Case	1
30	B234 3177	Decal: Positioning Display: Development	1
31	B082 3867	Shield: Remove Paper Dust	1

Index No.	Part No.	Description	Q'ty Per Assembly
101	0451 3006N	Tapping Screw - 3x6	
102	0456 3008N	Tapping Screw - M3x8	
103	0452 3008N	Tapping Screw - M3x8	

31.Fusing Unit 1 (D129/D130)

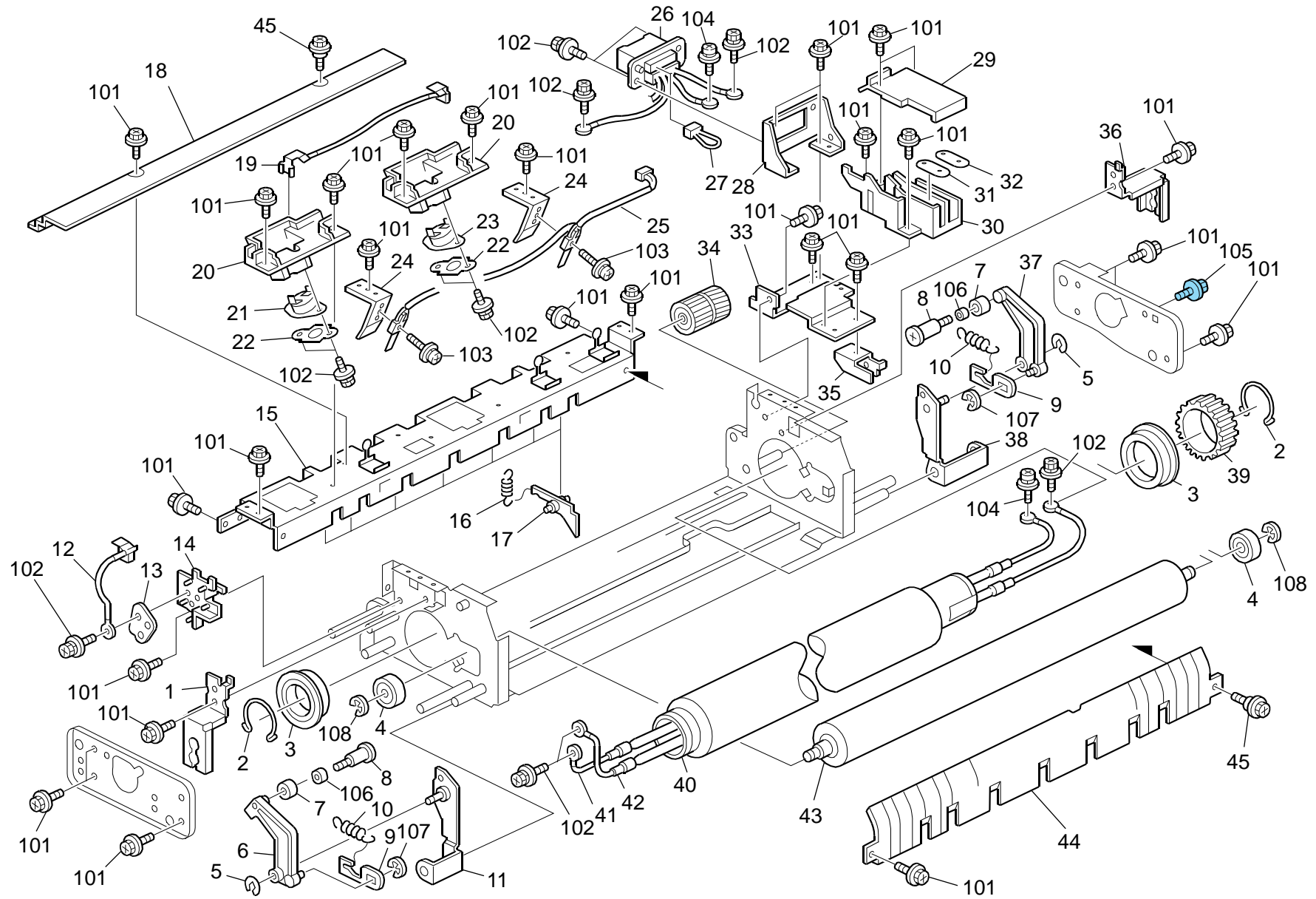


31.Fusing Unit 1 (D129/D130)

Index No.	Part No.	Description	Q'ty Per Assembly
*	D130 4002	Fusing Unit: NA: Service: Ass'y	1
*	D130 4003	Fusing Unit: EU: Service: Ass'y	1
*	D130 4004	Fusing Unit: TWN: Ass'y	1
1	D009 4244	Knob	2
2	D009 4243	Exit Guide - Pressure Roller Unit	1
3	D009 4248	Knob Bracket	1
4	AA06 1023	Compression Spring - Knob	1
5	D129 4059	Fusing Cover: Upper: Front	1
6	D129 4055	Fusing Cover: Lower: Front	1
7	B223 1317	Screw	1
8	D129 4062	Fusing Cover: Upper: Rear	1
9	D129 4057	Fusing Cover: Lower: Rear	1
10	AA06 1022	Spring - Driven Roller	2
11	AA08 0352	Bushing - Driven Roller	2
12	D009 4664	Driven Roller	1
13	D009 4238	Bracket - Driven Roller	1
14	D009 4225	Stay - Pressure Roller Unit	1
15	AA06 1099	Compression Spring: Cleaning Roller	2
16	AA08 0351	Bushing - Cleaning Roller	2
17	AE04 2098	Cleaning Roller: Ass'y	1
18	D009 4066	Fusing Cover - Duplex Guide	1
19	AA14 3520	Shoulder Screw - M3	1
20	D009 4069	Entrance Guide Plate - Fusing	1
21	AA14 3520	Shoulder Screw - M3	1
22	D129 4053	Fusing Cover: Lower: Middle: Ass'y	1
23	D129 2705	Decal: H-temp Warning	1

Index No.	Part No.	Description	Q'ty Per Assembly
101	0360 3006N	Screw - M3x6	
103	0804 6123	Hexagonal Bolt: W/Washer: M3x8	

32.Fusing Unit 2 (D129/D130)

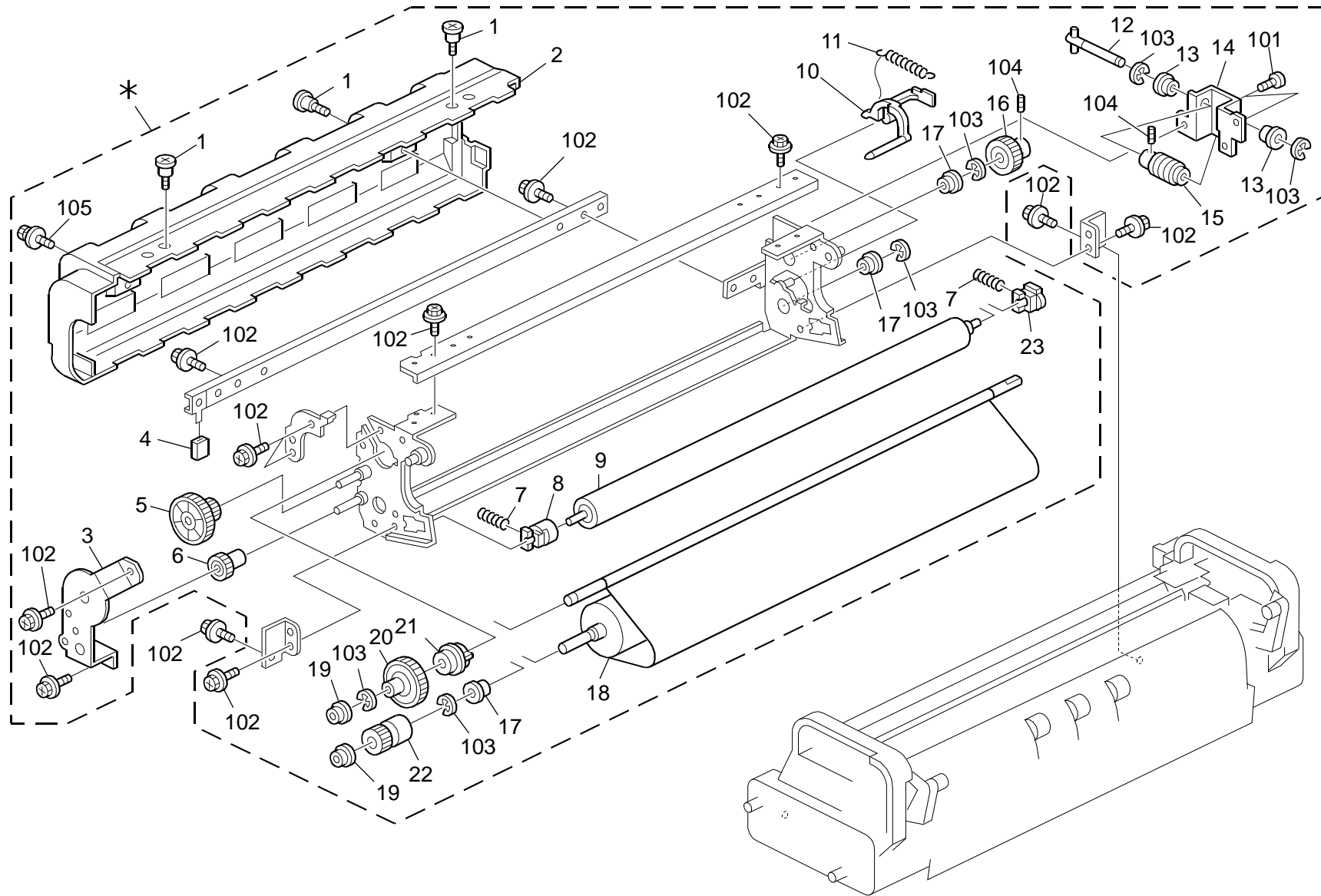


32.Fusing Unit 2 (D129/D130)

Index No.	Part No.	Description	Q'ty Per Assembly
1	D009 4126	Front Heater Bracket	1
2	D009 4156	Retaining Rings-C - Hot Roller	2
3	AE03 0099	Ball Bearing - 30x42x7	2
4	AE03 0098	Ball Bearing - 8x22x7	2
5	B238 4166	End Ring: Spring: DIA4	2
6	D009 4271	Front Lever - Pressure Release	1
7	B238 4194	Roller: Lever: Pressure	2
8	AA14 3792	Screw: Drawer	2
9	D009 4274	Pressure Lock Lever	2
10	AA06 1024	Tension Spring - Pressure	2
11	D009 4275	Front Pressure Lever	1
12	D009 4196	Harness 1 - Thermostat	1
13	D009 4143	Electrode Plate 3	1
14	D009 4135	Terminal - AC	1
15	D009 4152	Stay: Fusing Sub-unit: Fusing Exit: Peen	1
16	AA06 0948	Tension Spring: Stripper Pawls: 50mN	7
17	AE04 4099	Stripper Pawls	7
18	D129 4165	Cover: Fusing Sub-unit	1
19	D009 4197	Harness 2 - Thermostat	1
20	D009 4193	Housing - Thermostat	2
21	AW11 0098	Thermostat - 220C	1
22	D009 4195	Spacer - Thermostat	2
23	AW11 0099	Thermostat - 219C	1
24	D009 4178	Thermistor Bracket	2
25	D009 4177	Thermistor	1
26	D009 4099	Harness - Fusing Unit	1
27	D009 4095	Harness: Set Sensor: TWN: C1P1	1
27	D009 4097	Harness - Set Sensor NA	1
27	D009 4098	Set Sensor Harness - 230V	1
28	D009 4125	Connector Bracket 2	1
29	D009 4132	Terminal Cover	1
30	D009 4131	Terminal - AC/DC	1
31	D009 4142	Electrode Plate 2	1
32	D009 4141	Electrode Plate 1	1
33	D009 4124	Connector Bracket 1	1

Index No.	Part No.	Description	Q'ty Per Assembly
34	AB01 0172	Gear - 24Z/25Z	1
35	D009 4123	Bracket: Side Plate: Auxiliary	1
36	D009 4127	Rear Heater Bracket	1
37	D009 4291	Rear Lever - Pressure Release	1
38	D009 4295	Front Pressure Lever	1
39	AB01 0171	Gear - 40Z	1
40	AE01 1132	Hot Roller	1
41	AX43 0112	Heater - 120V 550W	1
41	AX43 0113	Heater - 230V 550W	1
41	AX43 0114	Heater: 110V: CE	1
42	AX44 0252	Heater - 120V 750W	1
42	AX44 0253	Heater - 230V 750W	1
42	AX44 0254	Heater: 110V: Si	1
43	AE02 0199	Pressure Roller	1
44	D009 4163	Exit Guide - Hot Roller Unit	1
45	AA14 3520	Shoulder Screw - M3	2
101	0360 3006N	Screw - M3x6	
102	0804 6123	Hexagonal Bolt: W/Washer: M3x8	
103	0954 3010N	Screw: Polished Round/Spring: M3x10	
104	0957 4008N	Screw: Small Round/Spring: M4x8	
105	0454 3006Q	Tapping Screw - M3x6	
106	0733 0408	Bushing: 4x8	
107	0720 0030E	Retaining Ring - M3	
108	0720 0080E	Retaining Ring - M8	

33.Fusing Unit 3 (D129/D130)

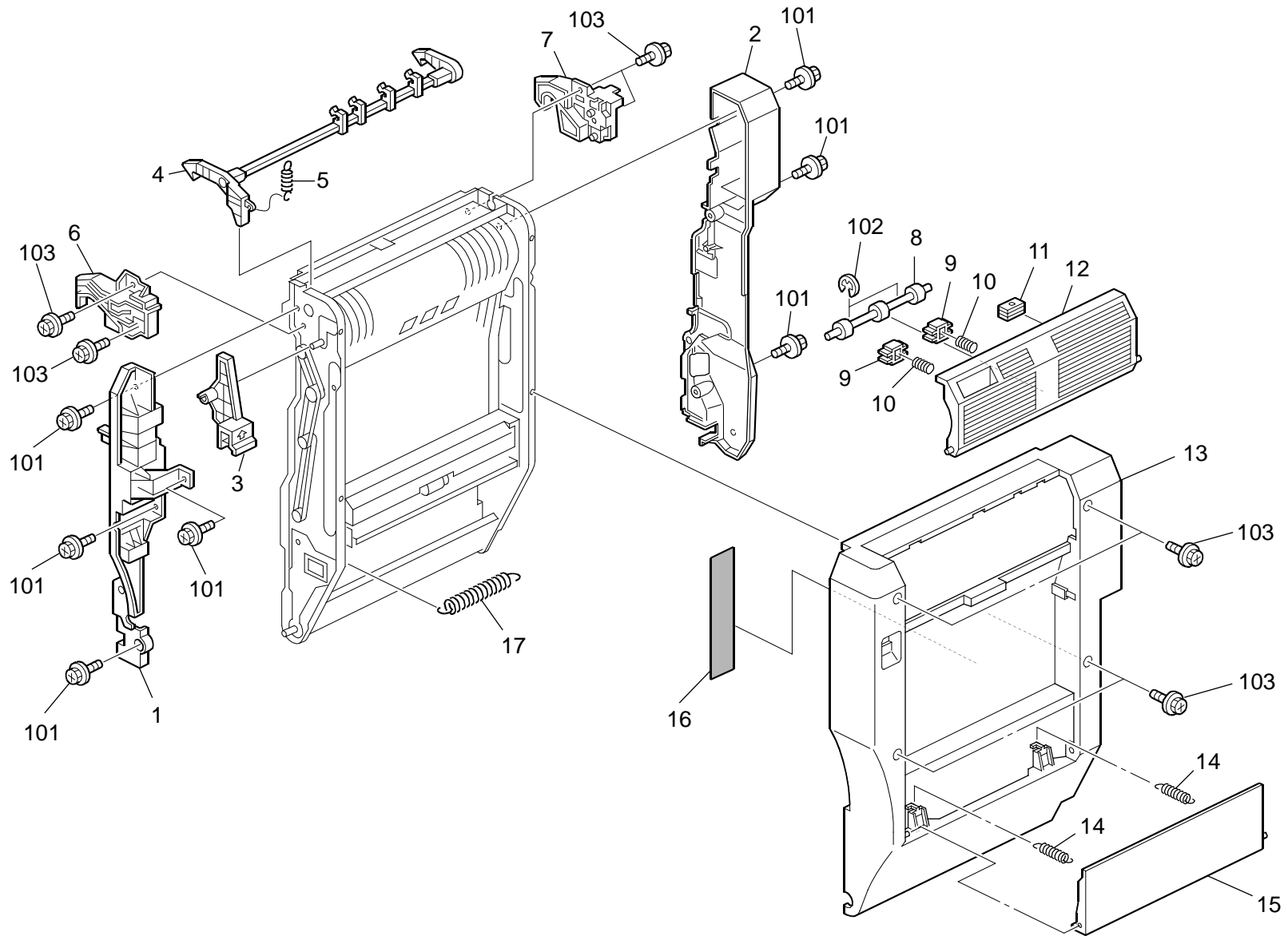


33.Fusing Unit 3 (D129/D130)

Index No.	Part No.	Description	Q'ty Per Assembly
*	D129 4305	Cleaning Unit: Ass'y	1
1	AA14 3812	Screw - Scale	2
2	D129 4307	Cover: Cleaning Unit	1
3	D009 4369	Bracket - Cleaning Unit Drive	1
4	B065 4247	Brake Pad	1
5	AB01 0174	Gear - 20Z/50Z	1
6	AB01 0175	Gear - 24Z	1
7	AA06 3886	Spring	2
8	D009 4355	Roller Clutch	2
9	AE04 0099	Holder Roller	1
10	D009 4393	Feeler - Web	1
11	B065 4221	Feeler Spring	1
12	D009 4378	Worm Gear Shaft	1
13	AA08 0355	Bushing - 7mm	2
14	D009 4377	Worm Gear Bracket	1
15	AB01 0178	Worm Gear	1
16	AB01 0177	Gear - 32Z	1
17	AA08 0356	Bushing - 6mm	3
18	AE04 5099	Cleaning Web	1
19	AA08 0354	Bushing - 6mm	2
20	AB01 0173	Gear - 60Z	1
21	D009 4388	Roller Clutch	1
22	AB01 0176	Gear - 24Z	1
23	AA08 0353	Bushing - 4mm	1

Index No.	Part No.	Description	Q'ty Per Assembly
101	0353 0050N	Screw-M3x5	
102	0360 3006N	Screw - M3x6	
103	0720 0030E	Retaining Ring - M3	
104	0573 0030E	Hexagonal Set Screw - M3x3	
105	0804 6123	Hexagonal Bolt: W/Washer: M3x8	

34. Duplex Unit 1 (D129/D130)

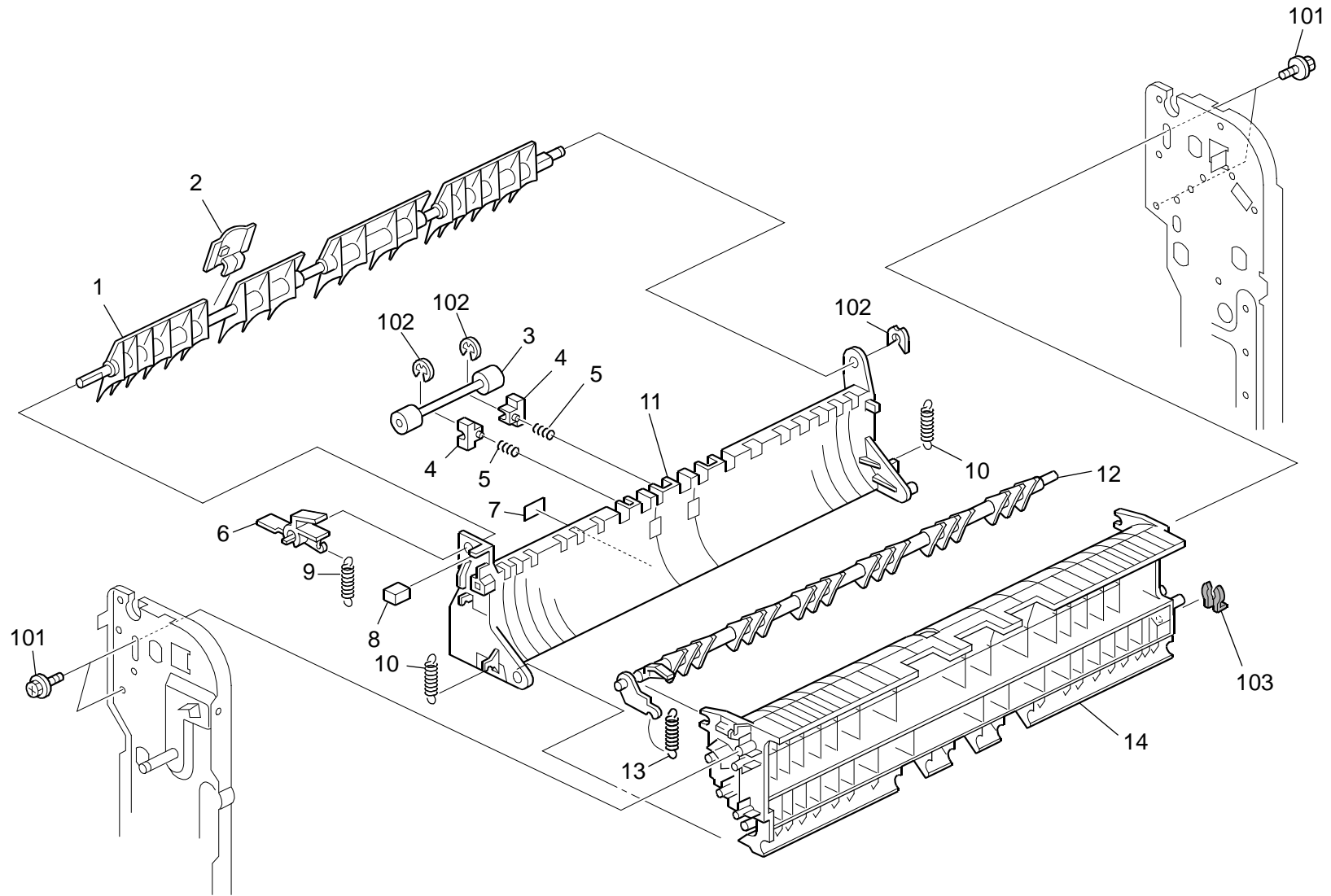


34. Duplex Unit 1 (D129/D130)

Index No.	Part No.	Description	Q'ty Per Assembly
1	D129 4534	Inner Cover: Duplex: Front	1
2	D129 4533	Inner Cover: Duplex: Rear	1
3	D129 4579	Grip: Open And Close: Duplex Unit	1
4	D009 4590	Stopper Hook - Duplex Unit	1
5	D009 4532	Tension Spring - Stopper Hook	1
6	D009 4537	Front Release Arm	1
7	D009 4538	Rear Release Arm	1
8	D009 4664	Driven Roller	1
9	AA08 0254	Bushing - M4	2
10	B223 4538	Compression Spring	2
11	AG07 0514	Magnet Catch	1
12	D129 4531	Guide Plate: Cover: Open And Close	1
13	D129 4540	Cover: Duplex	1
14	B223 2665	Spring: Cover: Manual Feed	2
15	D129 2664	Cover: Manual Feed: Entrance	1
16	B223 4539	Sheet: Cover: Duplex	1
17	B223 4525	Tension Spring: Wire: 180N	1

Index No.	Part No.	Description	Q'ty Per Assembly
101	0451 3006N	Tapping Screw - 3x6	
102	0720 0030E	Retaining Ring - M3	
103	0451 3008N	Tapping Screw - M3x8	

35.Duplex Unit 2 (D129/D130)

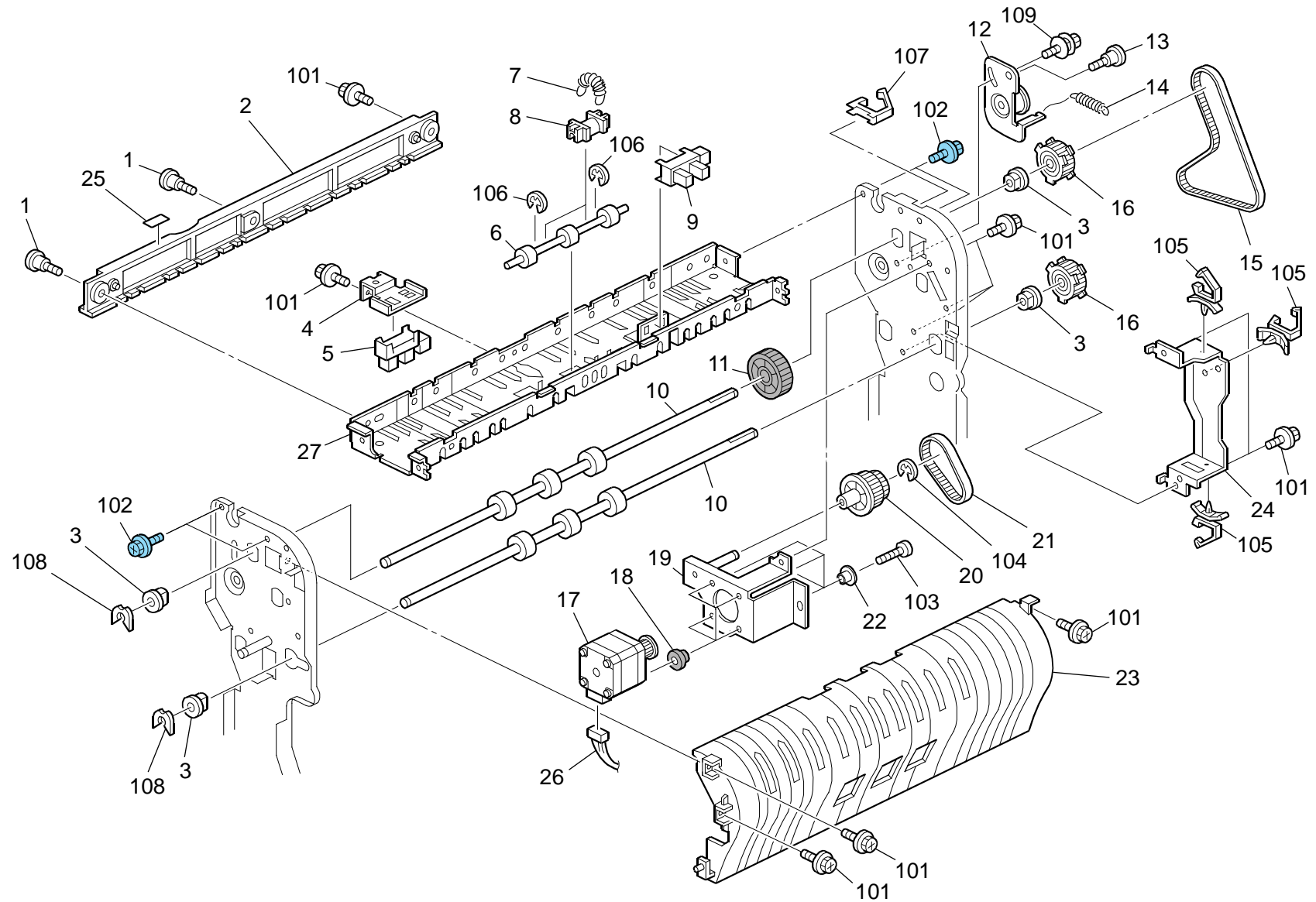


35. Duplex Unit 2 (D129/D130)

Index No.	Part No.	Description	Q'ty Per Assembly
1	D009 4483	Upper Gate	1
2	D129 4481	Grip: Gate Pawl: Upper	1
3	D009 4489	Driven Roller	1
4	D009 4485	Bushing - Gate	2
5	D009 4543	Tension Spring - Duplex Gate	2
6	D009 4486	Lever - Upper Gate	1
7	D009 4409	Sheet - Gate	1
8	B223 4494	Stopper - Uppergate Pawl	1
9	B223 4479	Tension Spring: Gate Pawl: 1.6N	1
10	D009 4488	Right Spring - Guide Plate	2
11	D009 4482	Right Guide Plate - Open/Close	1
12	D009 4577	Duplex Gate	1
13	D009 4522	Tension Spring - Duplex Gate	1
14	D009 4503	Guide Plate - Left Upper	1

Index No.	Part No.	Description	Q'ty Per Assembly
101	0450 3008N	Tapping Screw - M3x8	
102	0805 0092	Retaining Ring - 3M	
103	0805 0097	Ring Separator	

36.Duplex Unit 3 (D129/D130)

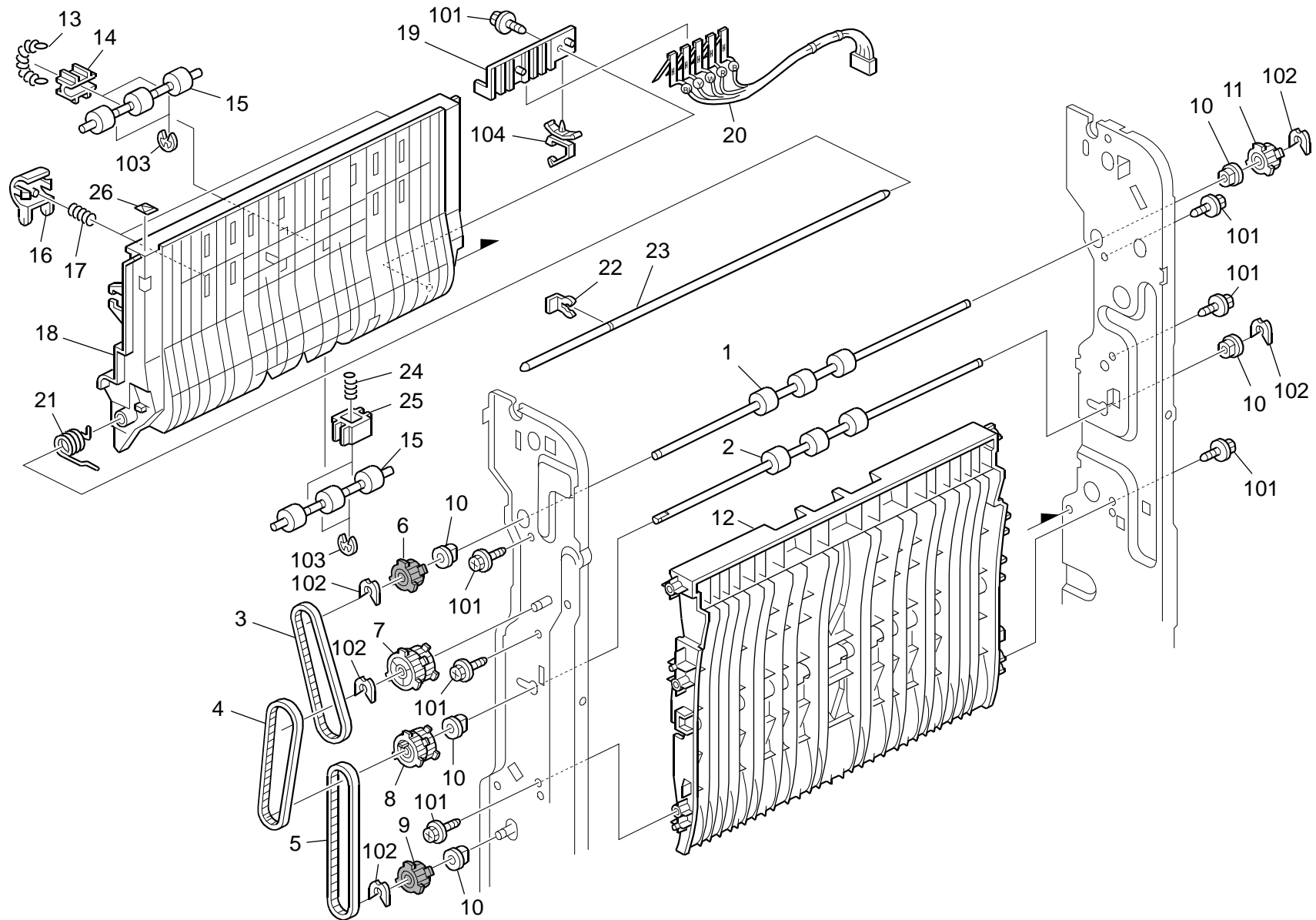


36. Duplex Unit 3 (D129/D130)

Index No.	Part No.	Description	Q'ty Per Assembly
1	AA14 3807	Screw: A	2
2	D009 4504	Upper Guide Plate - Gate	1
3	AA08 2104	Bushing - 8x12x7	4
4	B223 4566	Bracket: Sensor: Entrance	1
5	AW01 0107	Paper Feed Sensor	1
6	D009 4664	Driven Roller	1
7	B223 4560	Tension Spring: Driven Roller	2
8	B223 4552	Bushing: DIA4	2
9	AW02 0145	Photointerruptor: Flat	1
10	D009 4661	Reverse Roller - Feed	2
11	AB01 4161	Reverse Roller Gear	1
12	B223 4562	Tightener	1
13	B044 1847	Shoulder Screw	1
14	B223 4564	Spring: Tightener	1
15	B223 4526	Timing Belt: 30S2M268	1
16	B223 4586	Pulley: T30	2
17	B223 4572	Stepper Motor: DC4.29V 1.7W	1
18	AA10 1021	Rubber Bushing - 6 45HS	4
19	B223 4575	Bracket: Stepper Motor	1
20	B223 4571	Gear: Pulley: Z24/T40	1
21	B223 4573	Timing Belt: 30S2M128	1
22	B044 1825	Collar	4
23	B223 4501	Guide Plate: Right	1
24	D009 4521	Harness Bracket	1
25	D129 4483	Decal: Guide: Right	1
26	D009 4652	Motor Harness	1
27	B223 4567	Stay: Transport: Upper: Peen	1

Index No.	Part No.	Description	Q'ty Per Assembly
101	0451 3006N	Tapping Screw - 3x6	
102	0454 3006Q	Tapping Screw - M3x6	
103	0353 0100N	Screw-M3x10	
104	0720 0040E	Retaining Ring - M4	
105	1105 0511	Harness Clamp - LWS-0306ZC	
106	0720 0030E	Retaining Ring - M3	
107	1105 0551	Clamp: LES-0505	
108	0805 0088	Retaining Ring - M6	
109	0802 5299	Tapping Screw - M3x8	

37. Duplex Unit 4 (D129/D130)

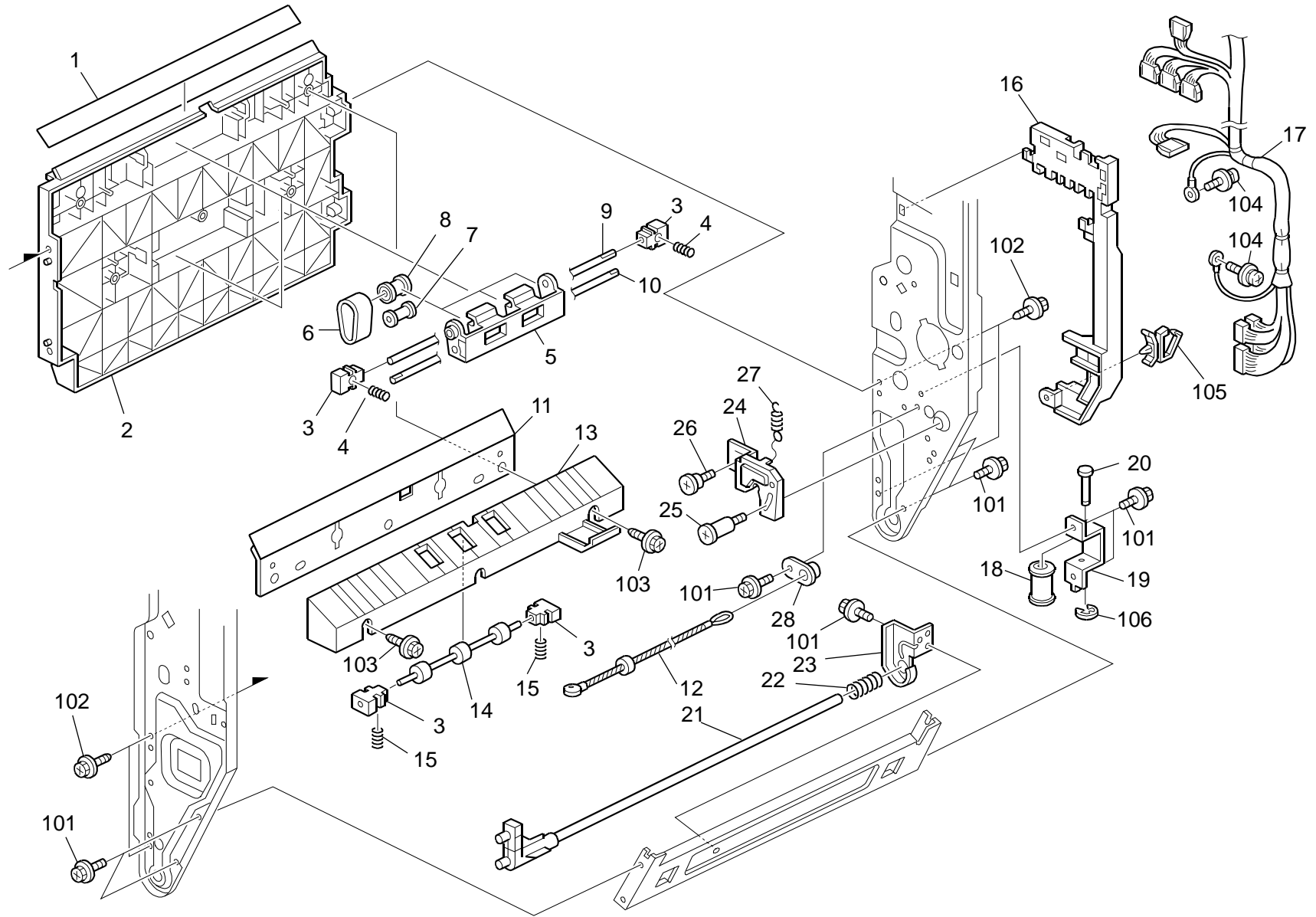


37. Duplex Unit 4 (D129/D130)

Index No.	Part No.	Description	Q'ty Per Assembly
1	D009 4662	Transport Roller 1	1
2	D009 4663	Transport Roller 2	1
3	B223 4512	Timing Belt: 30S2M182	1
4	B223 4536	Timing Belt: 30S2M234	1
5	B223 4511	Timing Belt: 30S2M312	1
6	B223 4529	Roller Clutch: T24	1
7	B223 4544	Pulley: T35/T33	1
8	B223 4527	Pulley: T26/T24	1
9	B223 4535	Roller Clutch: T26	1
10	AA08 2101	Bushing - 6x10x6	5
11	B223 4514	Roller Clutch: T24	1
12	B223 4502	Guide Plate: Left Lower	1
13	B223 4553	Tension Spring: Driven Roller	2
14	B223 4552	Bushing: DIA4	2
15	D009 4664	Driven Roller	2
16	D009 3860	Spring Cover - Transfer Unit	2
17	AA06 3448	Pressure Spring - Transfer Unit	2
18	D009 4551	Guide Plate - Holder	1
19	D009 3861	Terminal Holder - Transfer Unit	1
20	D009 3884	Sensor Harness	1
21	D009 4541	Front Torsion Spring	1
22	AA10 0014	Retaining Ring C - Separate	1
23	D009 4545	Holder Shaft - Transfer Unit	1
24	AA06 3303	Pressure Spring	2
25	AA08 0254	Bushing - M4	2
26	B234 3177	Decal: Positioning Display: Development	1

Index No.	Part No.	Description	Q'ty Per Assembly
101	0450 3008N	Tapping Screw - M3x8	
102	0805 0089	Retaining Ring - M4	
103	0720 0030E	Retaining Ring - M3	
104	1105 0623	Clamp - LBWS-0206S-V0	

38.Duplex Unit 5 (D129/D130)

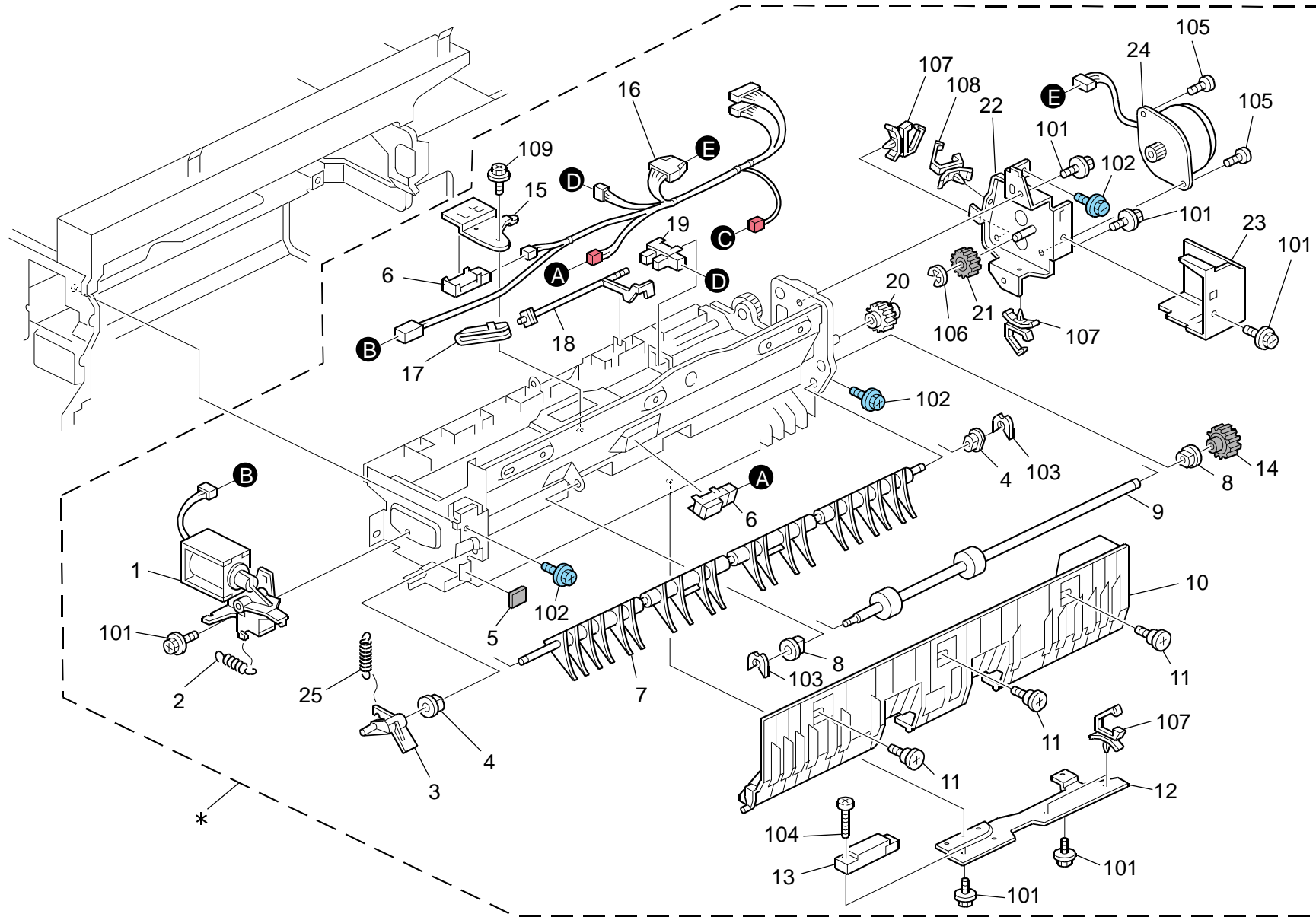


38. Duplex Unit 5 (D129/D130)

Index No.	Part No.	Description	Q'ty Per Assembly
1	D009 2554	Guide Sheet - Vertical Transport	1
2	D009 2563	Guide Plate - Vertical Transport	1
3	G060 2652	Bushing - M4	6
4	B223 2676	Spring - 11N	4
5	D009 2571	Holder - Vertical Transport	1
6	D029 2677	Transport Belt: Driven: Vertical Transport	1
7	D009 2574	Pulley - Idler	1
8	D009 2573	Pulley - Vertical Transport	1
9	D009 2576	Shaft - Vertical Transport	1
10	D009 2575	Shaft - Idler	1
11	D009 2511	Guide Plate: Feed Paper Again: Exit: Adhesion	1
12	B223 4524	Wire: Stopper: DIA1.5	1
13	B223 2648	Guide Plate: Transport Unit: Exit	1
14	D009 2560	Driven Roller	1
15	B223 2649	Spring: Pressure: 5N	2
16	D009 4535	Harness Guide	1
17	D129 4651	Harness: Duplex Unit	1
18	B223 4595	Pulley: DIA13	1
19	D009 4597	Bracket - Wire Pulley Shaft	1
20	B223 4594	Shaft: Pulley: Wire	1
21	D009 4599	Shaft - Duplex Unit	1
22	D009 4598	Spring - Set Shaft	1
23	D009 4589	Guide - Set Shaft	1
24	D009 4588	Stopper Bracket - Spring	1
25	AA14 3183	Stepped Screw	1
26	D009 4593	Stepped Screw - M3	1
27	D009 4587	Tension Spring - Release Bracket	1
28	B223 4522	Spacer: Wire: Stopper	1

Index No.	Part No.	Description	Q'ty Per Assembly
101	0451 3006N	Tapping Screw - 3x6	
102	0450 3008N	Tapping Screw - M3x8	
103	0450 3010N	Tapping Screw - M3x10	
104	0954 3008N	Screw - M3x8	
105	1105 0487	Harness Clamp	
106	0720 0040E	Retaining Ring - M4	

39.Paper Exit Section 1 (D129/D130)

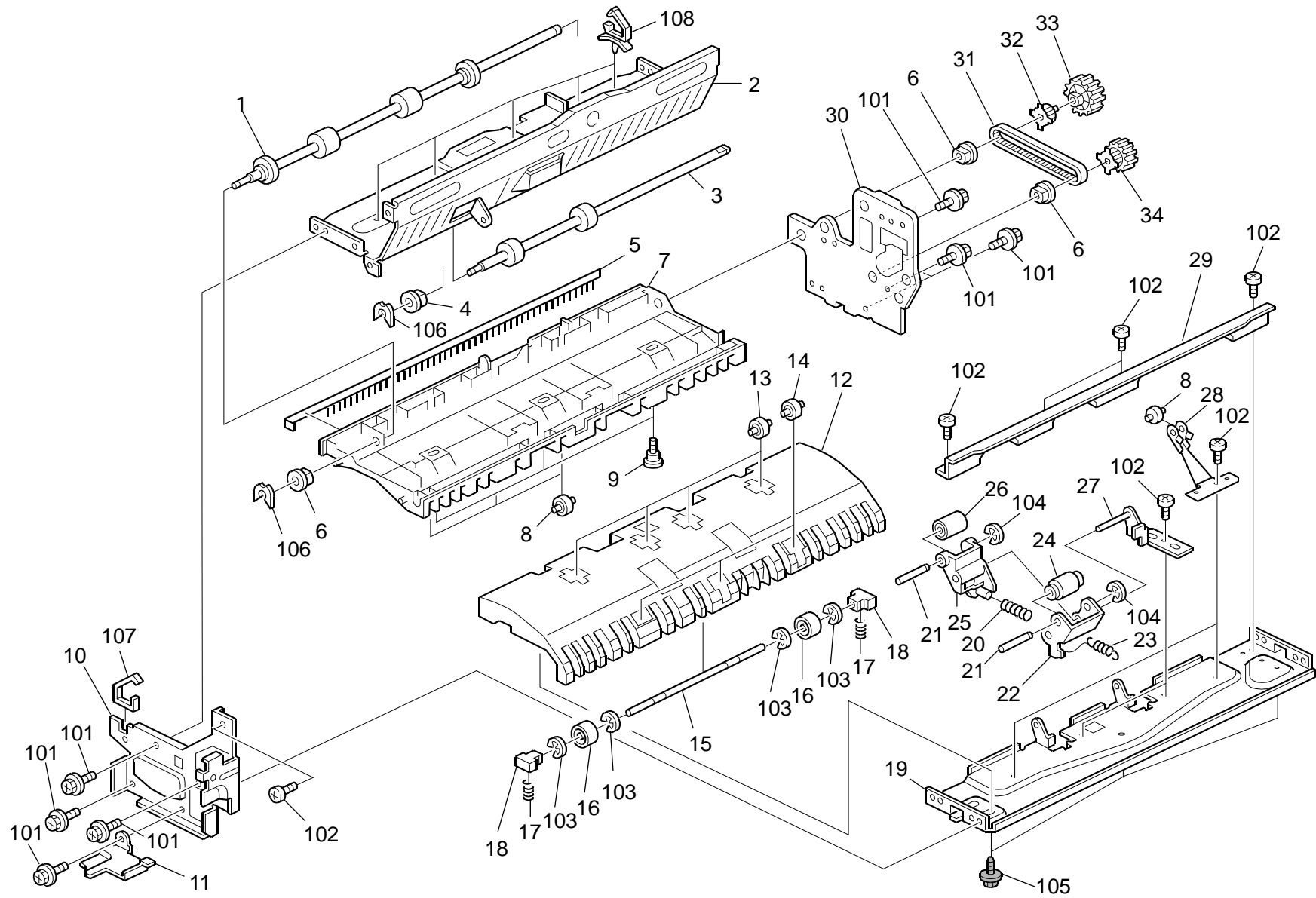


39.Paper Exit Section 1 (D129/D130)

Index No.	Part No.	Description	Q'ty Per Assembly
*	D009 4420	Paper Exit Unit: Main: Ass'y	1
1	D009 4430	DC Solenoid - Exit	1
2	D009 4457	Tension Spring Release	1
3	D009 4438	Lever - Entrance Gate	1
4	D009 4439	Bushing - 4mm	2
5	D009 4455	Cushion - DC Solenoid	1
6	AW01 0107	Paper Feed Sensor	2
7	D009 4436	Entrance Gate	1
8	H053 2208	Bushing - M4	2
9	D009 4445	Transport Roller	1
10	D009 4441	Exit Guide Plate - Upper Right	1
11	D009 4418	Stepped Tapping Screw - M3	3
12	D009 4408	Bracket - Fusing Exit Sensor	1
13	AW01 0127	Paper Feed Sensor	1
14	D009 4464	Gear - 22Z	1
15	D009 4447	Exit Sensor Bracket	1
16	D009 4499	Harness - Paper Exit Unit	1
17	D009 4407	Feeler - Overflow	1
18	B223 4497	Shaft: Feeler: Overflow	1
19	AW02 0145	Photointerruptor: Flat	1
20	D009 4461	Gear - 17Z	1
21	D009 4469	Gear - 17Z	1
22	D009 4471	Stepper Motor Bracket	1
23	D009 4490	Exit Motor Cover	1
24	D009 4547	Stepper Motor - DC 5.79W	1
25	D009 4448	Tension Spring - Gate Pawl	1

Index No.	Part No.	Description	Q'ty Per Assembly
101	0451 3006N	Tapping Screw - 3x6	
102	0454 3006Q	Tapping Screw - M3x6	
103	0805 0092	Retaining Ring - 3M	
104	0353 0100N	Screw-M3x10	
105	0453 3006N	Tapping Screw - M3x6	
106	0720 0040E	Retaining Ring - M4	
107	1105 0511	Harness Clamp - LWS-0306ZC	
108	1105 0516	Clamp	
109	0450 3006N	Tapping Screw - M3x6	

40.Paper Exit Section 2 (D129/D130)

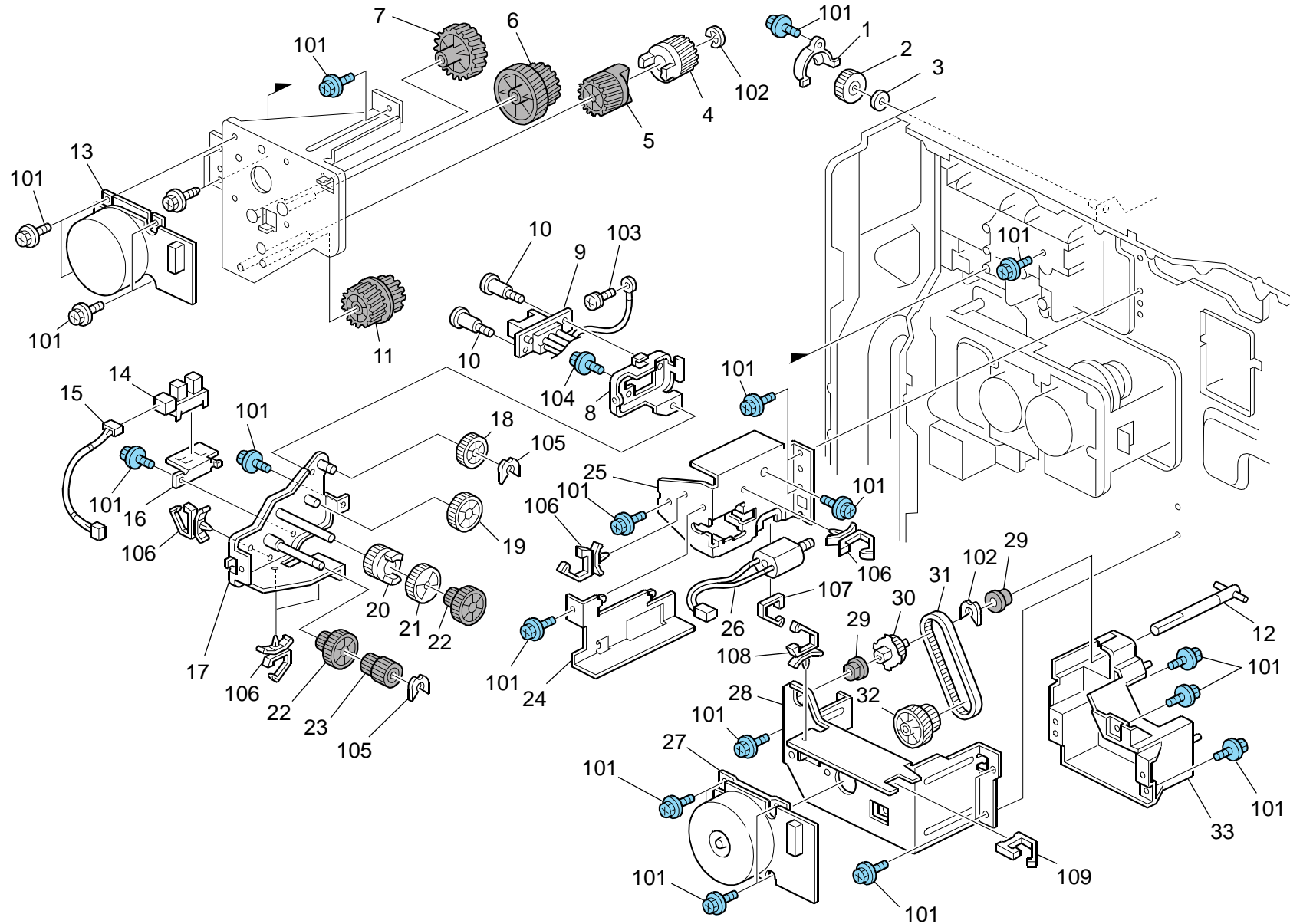


40.Paper Exit Section 2 (D129/D130)

Index No.	Part No.	Description	Q'ty Per Assembly
1	D009 4444	Exit Roller	1
2	D009 4428	Upper Stay	1
3	D009 4445	Transport Roller	1
4	H053 2208	Bushing - M4	1
5	D009 4443	Discharge Brush - Exit	1
6	AA08 2101	Bushing - 6x10x6	3
7	D009 4442	Exit Guide Plate - Upper	1
8	AF04 0575	Driven Roller	3
9	5206 2684	Shoulder Screw - M3	3
10	D009 4434	Front Side Plate	1
11	D009 4406	Separation Plate - Paper Exit	1
12	D009 4412	Lower Guide Plate - Exit	1
13	AF04 0571	Guide Roller	1
14	B223 4428	Roller: Guide: pFA	1
15	D009 4422	Driven Roller Shaft	1
16	B223 4435	Roller: Auxiliary: Driven: DIA16: pFA	1
17	D009 4419	Spring - Lower Guide Plate	2
18	D009 4498	Bushing - Lower Guide Plate	2
19	D009 4413	Lower Stay - Exit	1
20	D009 4477	Spring - Exit Pressure	1
21	B213 4460	Shaft: Pressure Roller	2
22	D009 4491	Entrance Arm	1
23	D009 4476	Spring - Entrance Pressure	1
24	AF04 0601	Pressure Roller: Entrance	1
25	D009 4492	Exit Arm	1
26	AF04 0599	Pressure Roller: 15	1
27	D009 4493	Bracket - Contact Point	1
28	D009 4496	Spring Plate - Exit Roller	1
29	D009 4478	Lower Supporting Plate	1
30	D009 4431	Rear Side Plate	1
31	D009 4466	Timing Belt - 30S2M172	1
32	D009 4465	Timing Pulley - 22T	1
33	D009 4462	Gear - 22Z	1
34	D009 4463	Gear/Pulley - 22Z/22T	1

Index No.	Part No.	Description	Q'ty Per Assembly
101	0451 3006N	Tapping Screw - 3x6	
102	0353 0040N	Screw - M3x4	
103	0720 0025E	Retaining Ring - M2.5	
104	0720 0030E	Retaining Ring - M3	
105	0450 3008P	Tapping Screw 3x8	
106	0805 0092	Retaining Ring - 3M	
107	1105 0551	Clamp: LES-0505	
108	1105 0511	Harness Clamp - LWS-0306ZC	

41. Drive Section 1 (D129/D130)

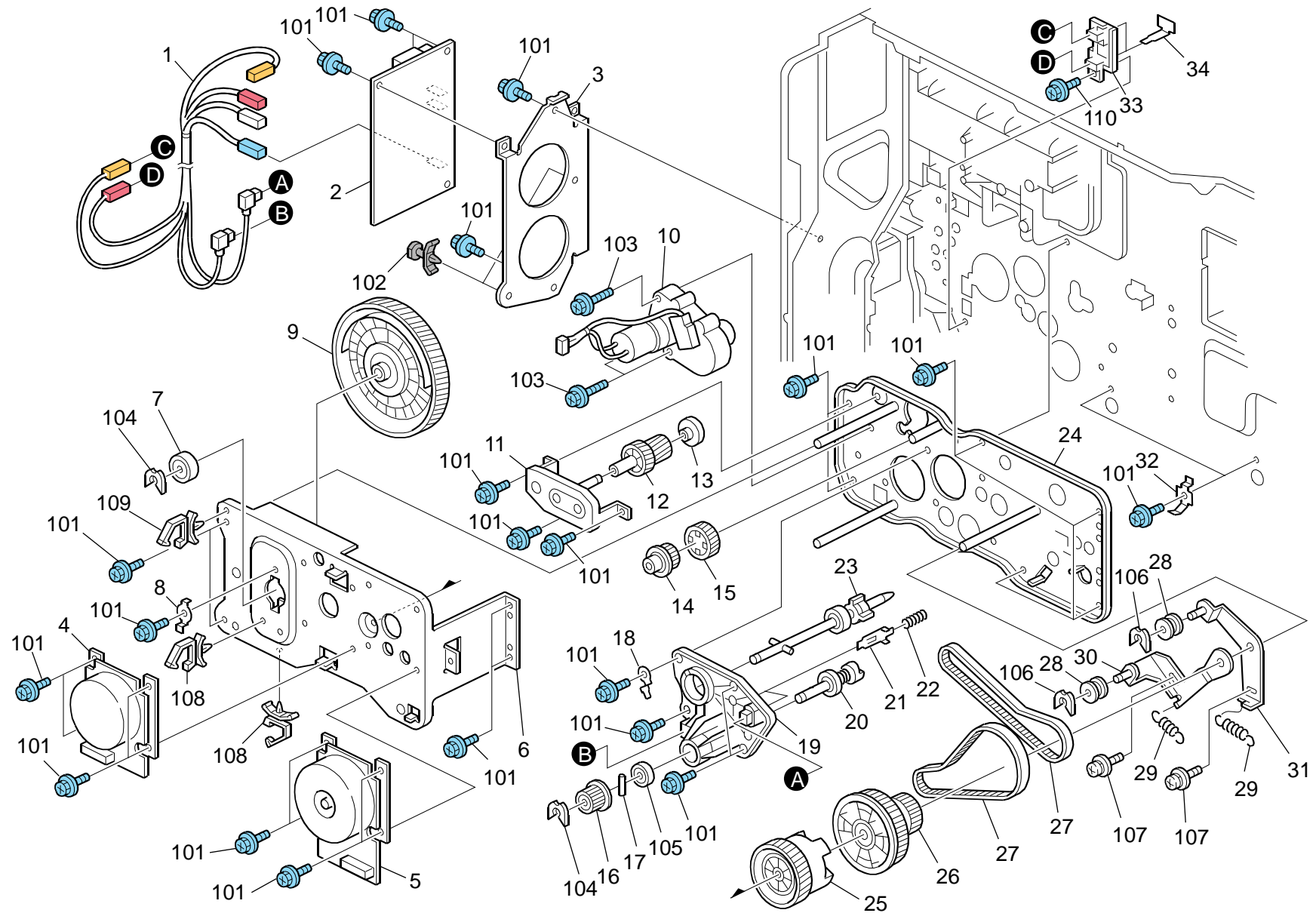


41. Drive Section 1 (D129/D130)

Index No.	Part No.	Description	Q'ty Per Assembly
1	D009 1182	Joint Cover	1
2	D009 1183	Joint - Cleaning	1
3	AA13 2208	Spacer - M6	1
4	AB01 4284	Gear - 24Z	1
5	AB01 4283	Gear - 24Z	1
6	AB01 4280	Gear - 26Z/90Z	1
7	AB01 4281	Gear - 40Z	1
8	D009 1090	Connector Bracket - Fusing	1
9	D009 5620	AC Harness - Fusing	1
10	AA14 3744	Stepped Screw	2
11	AB01 4282	Gear - 26Z/30Z	1
12	D009 1164	Shaft - Paddle Rooler Drive	1
13	AX06 0356	Brushless Motor: DC24V 18W	1
14	AW02 0150	Photointerruptor: Flat: 7mm	1
15	D009 5500	Interface Harness - Web Sensor	1
16	D009 1193	Sensor Bracket	1
17	D009 1187	Bracket - Fusing Cleaning Drive	1
18	AB01 1523	Gear - 24Z	1
19	AB01 1524	Gear - 36Z	1
20	AB01 1526	Gear - 24Z	1
21	AB01 1525	Gear - 32Z	1
22	AB01 1527	Gear - 14Z/32Z	2
23	AB01 1528	Gear - 14Z/32Z	1
24	D009 1194	Motor Holder	1
25	D009 1195	Motor Bracket	1
26	AX04 0167	Motor: DC5V 0.71W	1
27	AX06 0355	Brushless Motor - DC 11W	1
28	D009 1161	Bracket - Paddle Roller Drive	1
29	AA08 0347	Bushing - 8mm	2
30	AB03 0815	Timing Pulley - 24T	1
31	AA04 3656	Timing Belt - 60S3M177	1
32	AB01 7743	Gear - 20Z	1
33	D009 1158	Holder - Paddle Roller Drive	1

Index No.	Part No.	Description	Q'ty Per Assembly
101	0454 3006Q	Tapping Screw - M3x6	
102	0720 0060E	Retaining Ring - M6	
103	0957 4008N	Screw: Small Round/Spring: M4x8	
104	0454 3008Q	Tapping Screw: 3x8	
105	0805 0089	Retaining Ring - M4	
106	1105 0511	Harness Clamp - LWS-0306ZC	
107	1105 0522	Edge Saddle - LES0510	
108	1105 0487	Harness Clamp	
109	1105 0613	Clamp: EDS-1010L-V0	

42.Drive Section 2 (D129/D130)

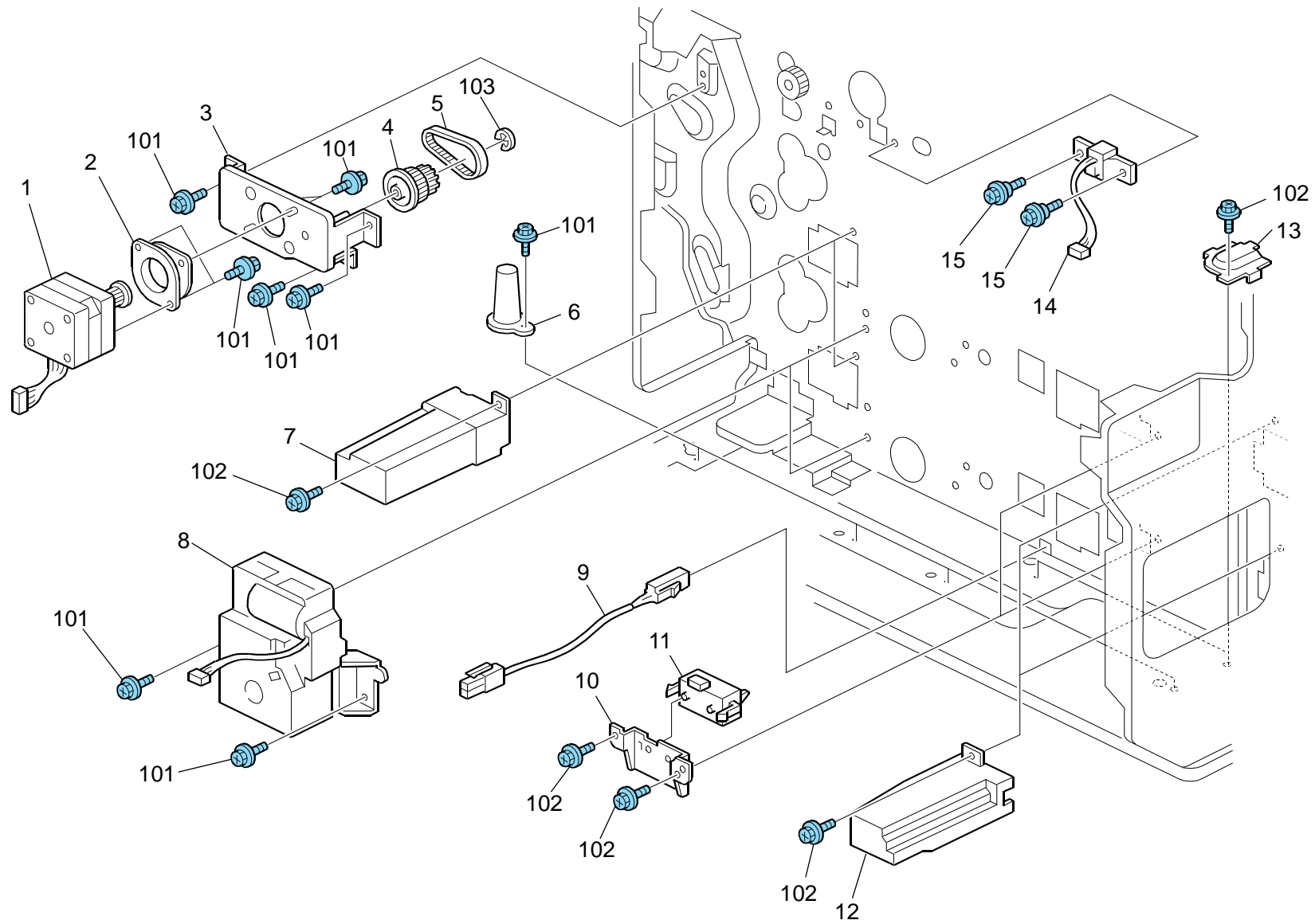


42. Drive Section 2 (D129/D130)

Index No.	Part No.	Description	Q'ty Per Assembly
1	D009 5420	Harness - High Voltage Cable	1
2	AZ32 0177	Power Pack: CBT	1
3	D009 5854	Bracket - Power Pack	1
4	AX06 0415	Brushless Motor: Drive: Drum: DC 10W	1
5	AX06 0355	Brushless Motor - DC 11W	1
6	D009 1120	Rear Drive Bracket - Engine	1
7	B242 1161	Ball Bearing - 8x22x7	1
8	D009 1121	Ground Plate - Drum	1
9	AB01 0379	Gear: Drum	1
10	D009 1113	Drive Unit- Transfer On-Off	1
11	D009 1123	Drive Bracket - Transfer	1
12	AB01 7752	Gear - 27TZ/42Z	1
13	D009 1148	Collar - 6x18.8mm	1
14	AB03 0821	Pulley - 31T	1
15	AB01 0141	Gear - 46Z	1
16	AB03 0820	Pulley - 31T	1
17	AA14 5294	Parallel Pin - 2x12mm	1
18	D009 1141	Ground Plate - Drum	1
19	D009 1145	Drum Shaft Holder	1
20	D009 1155	Joint: Development Sleeve: Ass'y	1
21	D009 1147	Terminal - Development Roller	1
22	AA06 3432	Spring - Intermediate Drawer	1
23	D009 1111	Drum Shaft	1
24	D009 1139	Front Drive Bracket - Engine	1
25	AB01 0140	Gear - 90Z	1
26	D009 1142	Pulley - 48T/90T	1
27	AA04 3658	Timing Belt - 60S2M300	2
28	D009 1127	Roller - Tightener	2
29	D009 1128	Spring - Tightener	2
30	D009 1135	Tightener Bracket - Development	1
31	D009 1125	Tightener Bracket - Transfer	1
32	B004 1936	Plate - Optical Housing Unit	2
33	D009 3831	Receptacle Housing - Transfer	1
34	D009 3832	Receptacle Terminal - Transfer	2

Index No.	Part No.	Description	Q'ty Per Assembly
101	0454 3006Q	Tapping Screw - M3x6	
102	1105 0367	Spacer	
103	0454 3020Q	Tapping Screw: 3x20	
104	0805 0088	Retaining Ring - M6	
105	0740 3808	Ball Bearing - 8x16x5MM	
106	0805 0089	Retaining Ring - M4	
107	0954 3010N	Screw: Polished Round/Spring: M3x10	
108	1105 0534	Clamp	
109	1105 0623	Clamp - LBWS-0206S-V0	
110	0451 3008N	Tapping Screw - M3x8	

43. Drive Section 3 (D129/D130)

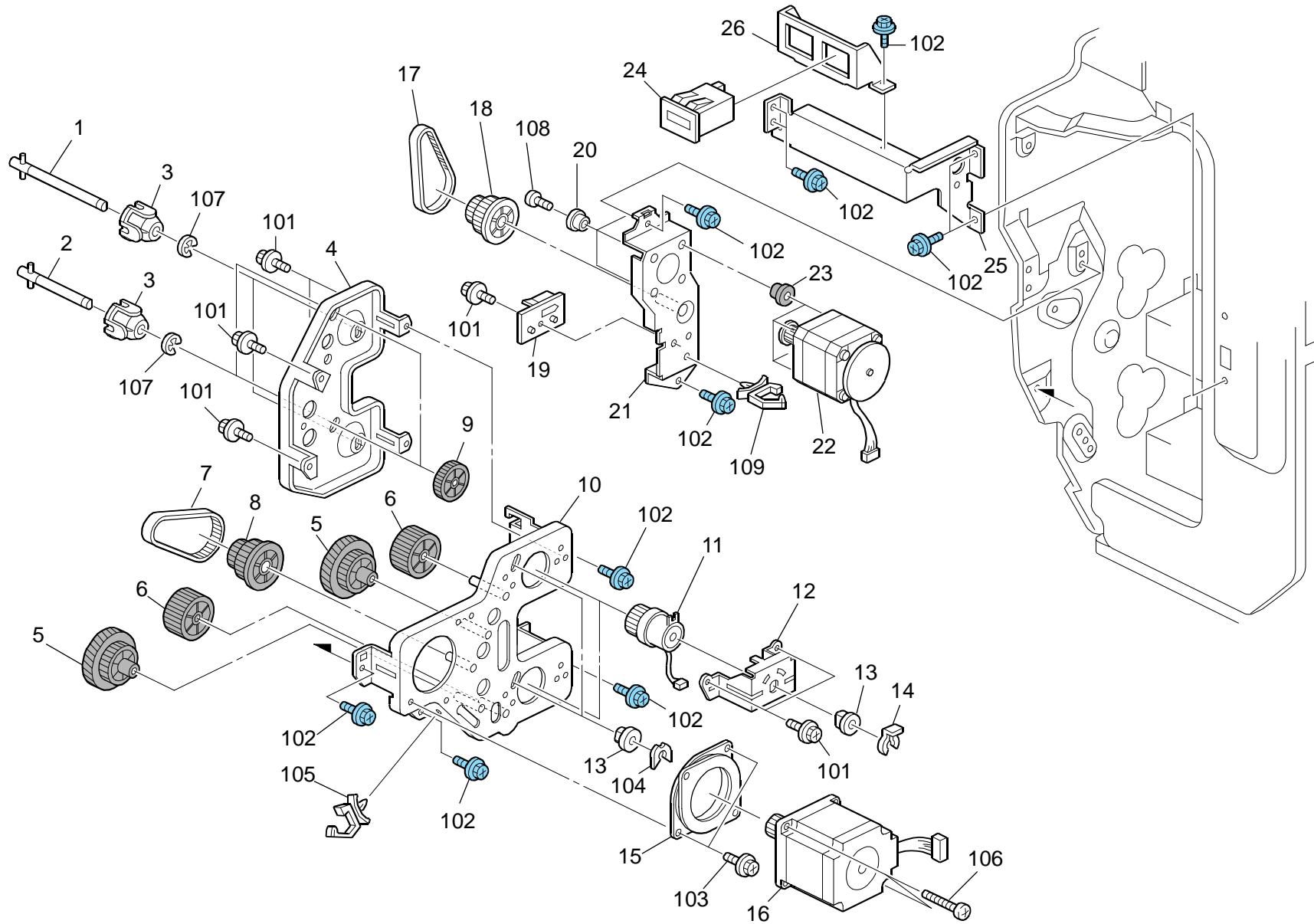


43. Drive Section 3 (D129/D130)

Index No.	Part No.	Description	Q'ty Per Assembly
1	B223 1350	Stepper Motor DC5.06V	1
2	A232 4666	Cushion - Stepper Motor	1
3	D009 1151	Bracket - Registration Drive Unit	1
4	AB03 0744	Timing Pulley - 27Z/40T	1
5	AA04 3601	Timing Belt - B40S2M118	1
6	B238 1089	Cover - Positioning Pin	1
7	B238 2541	Tray Cover - Right	2
8	AX04 0154	DC Motor 24V	2
9	D009 5851	Bracket - IO Board	1
10	B223 2721	Bracket: Push Switch	1
11	AW50 0038	Push Switch: Paper Size Sensor	1
12	B238 2543	Cover - Tray Left	1
13	B238 1066	Rubber Foot Cover	1
14	D009 5440	Harness - Development Drawer	1
15	AA14 3579	Screw - M3	2

Index No.	Part No.	Description	Q'ty Per Assembly
101	0454 3006Q	Tapping Screw - M3x6	
102	0454 3008Q	Tapping Screw: 3x8	
103	0720 0040E	Retaining Ring - M4	

44. Drive Section 4 (D129/D130)

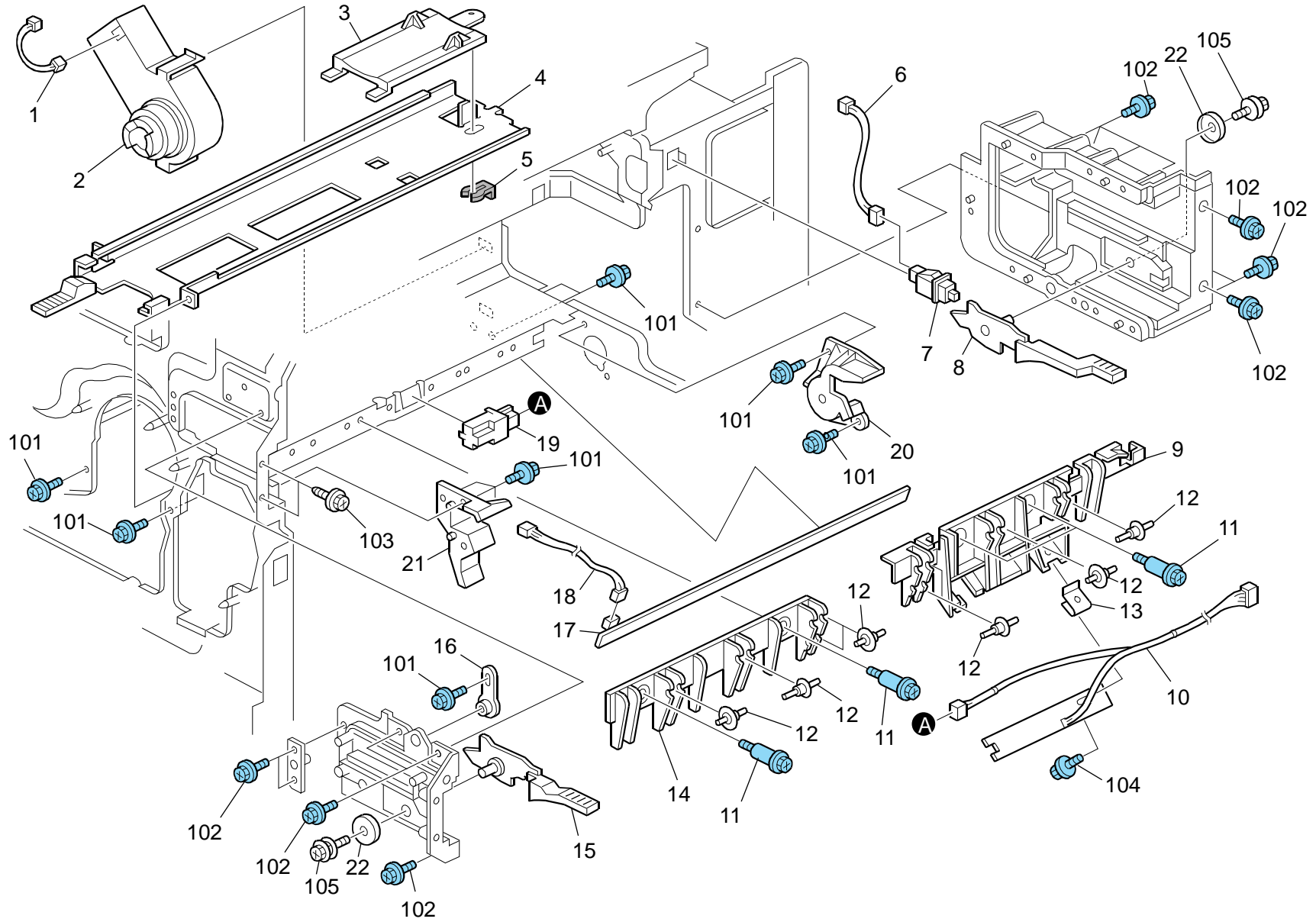


44. Drive Section 4 (D129/D130)

Index No.	Part No.	Description	Q'ty Per Assembly
1	B223 1189	Feed Drive Shaft	1
2	B223 1183	Grip Shaft	1
3	B223 1186	Drive Joint	2
4	B223 1354	Drum Stay: Drive Unit	1
5	AB01 7699	Gear - 33Z/44Z	2
6	AB01 1258	Gear - 38Z	2
7	AA04 3585	Timing Belt: 40S3M162	1
8	AB03 0781	Timing Pulley - 28Z/30T	1
9	AB01 1259	Gear - 32Z	1
10	B223 1180	Bracket: Paper Feed	1
11	AX20 0289	Magnetic Clutch - 32Z	2
12	B223 1187	Magnetic Clutch Bracket	2
13	AA08 0346	Bushing: Flange Type: DIA6	2
14	5447 2681	Snap Ring	2
15	AA16 1180	Cushion: DC Stepper Motor	1
16	B223 1188	Stepper Motor DC24V	1
17	B700 2649	Timing Belt: 40S2M144	1
18	AB01 7493	Gear Pulley	1
19	B223 2694	Guide: Gear	1
20	B044 1825	Collar	4
21	B223 2691	Bracket: Stepper Motor	1
22	B223 2745	Stepper Motor: Ass'y	1
23	AA10 1021	Rubber Bushing - 6 45HS	4
24	AX31 0045	Total Counter: 7FIG: 24V	1
25	D009 1088	Grip Bracket - Right Rear	1
26	B223 5846	Bracket: Total Counter	1

Index No.	Part No.	Description	Q'ty Per Assembly
101	0451 3006N	Tapping Screw - 3x6	
102	0454 3006Q	Tapping Screw - M3x6	
103	0451 4008N	Tapping Screw: 4x8	
104	0805 0089	Retaining Ring - M4	
105	1105 0488	Harness Clamp	
106	0434 0100N	Tapping Screw - 4x10	
107	0720 0040E	Retaining Ring - M4	
108	0353 0080N	Screw: M3x8	
109	1105 0511	Harness Clamp - LWS-0306ZC	

45.Electrical Section 1 (D129/D130)

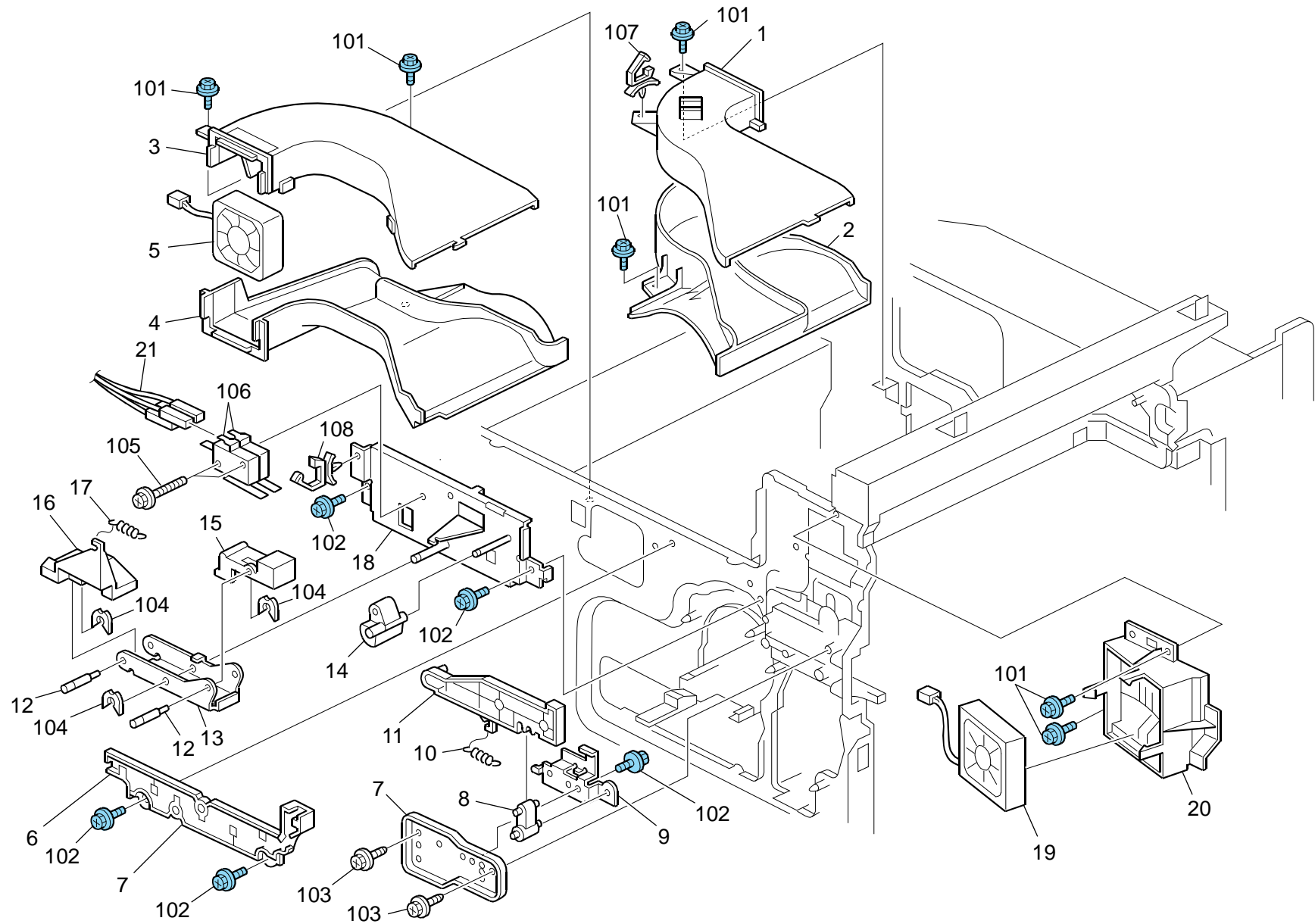


45.Electrical Section 1 (D129/D130)

Index No.	Part No.	Description	Q'ty Per Assembly
1	D009 5505	Harness - Toner Supply Motor	1
2	AX05 0329	DC Motor: Toner Bottle: Ass'y	1
3	B004 7667	Holder: Toner Bottle: EU	1
4	D129 3210	Guide: Toner Supply: Ass'y	1
5	A096 2065	Slider Ring	1
6	D009 5481	Interface Harness - IOB-Switch	1
7	AW50 0023	Push Switch	1
8	D009 4351	Rear Lock Lever	1
9	D009 3865	Holder - Density Sensor	1
10	D009 2367	Density Sensor	1
11	AA14 3579	Screw - M3	4
12	B004 2310	Spur	4
13	A232 1284	Spring Holder	1
14	D009 3866	Guide - Separation/Transport	1
15	D009 4350	Front Lock Lever	1
16	B238 1119	Lever - Front Upper	1
17	B213 2362	LED Array QL Ass'y	1
18	D009 5510	Harness - Quenching Lamp	1
19	AW01 0199	Entrance Sensor	1
20	D009 3856	Guide: Standard: Transfer Unit: Rear	1
21	D009 3857	Guide: Standard: Transfer Unit: Front	1
22	D009 4356	Washer: DIA3.5	2

Index No.	Part No.	Description	Q'ty Per Assembly
101	0454 3008Q	Tapping Screw: 3x8	
102	0454 3008Q	Tapping Screw: 3x8	
103	0450 3010N	Tapping Screw - M3x10	
104	0451 3008N	Tapping Screw - M3x8	
105	0802 5299	Tapping Screw - M3x8	

46.Electrical Section 2 (D129/D130)

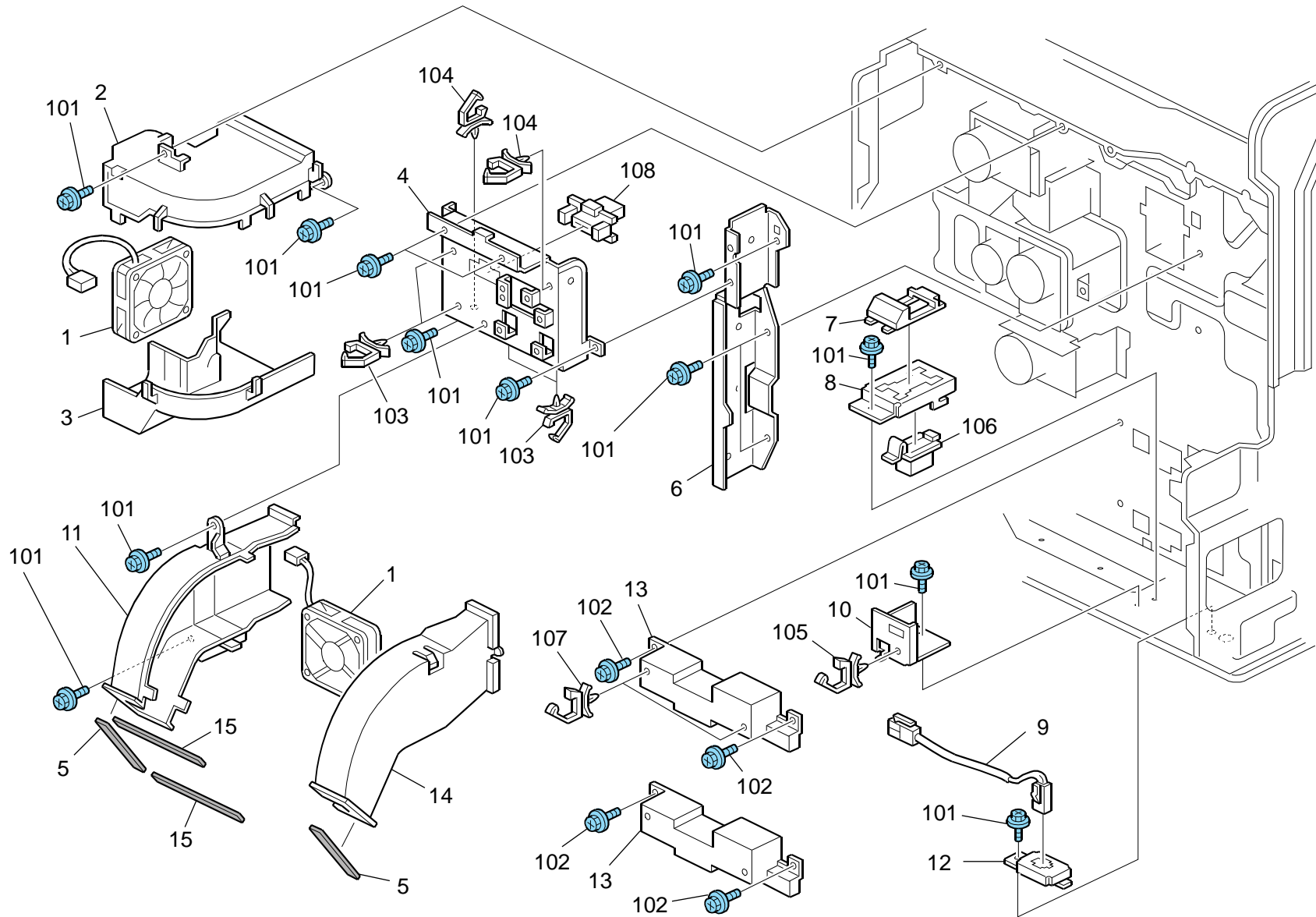


46.Electrical Section 2 (D129/D130)

Index No.	Part No.	Description	Q'ty Per Assembly
1	D009 1366	Middle Exhaust Duct - Upper	1
2	D009 1367	Middle Exhaust Duct - Lower	1
3	D009 1368	Front Upper Duct	1
4	D009 1369	Front Lower Duct	1
5	B223 1332	Fan Motor - MM60 DC24V	1
6	D009 5898	Harness Guide - Safety Switch	1
7	D009 5866	Base - Right Safety Switch	1
8	D009 5869	Right Lower Lever - Safety Switch	1
9	D009 5867	Guide Plate - Safety Switch	1
10	D009 5896	Spring - Right Safety Switch	1
11	D009 5868	Right Lever - Safety Switch	1
12	D009 5857	Shaft - Safety Switch	2
13	D009 5864	Middle Lever - Safety Switch	1
14	D009 5865	Cam - Safety Switch	1
15	D009 5858	Left/Right Lever - Safety Switch	1
16	D009 5863	Left Lever - Safety Switch	1
17	D009 5895	Tension Spring: Safety Switch: Left	1
18	D009 5840	Base - Left Safety Switch	1
19	AX64 0194	Fan Motor - DC 2.16W	1
20	D009 1371	Exit Duct - MM60	1
21	D009 5425	Harness - Safety Switch	1

Index No.	Part No.	Description	Q'ty Per Assembly
101	0454 3008Q	Tapping Screw: 3x8	
102	0454 3006Q	Tapping Screw - M3x6	
103	0450 3008N	Tapping Screw - M3x8	
104	0805 0092	Retaining Ring - 3M	
105	0451 3025N	Tapping Screw: M3x25	
106	1204 2612	Micro Switch: D3V-16506-3C25	
107	1105 0487	Harness Clamp	
108	1105 0534	Clamp	

47.Electrical Section 3 (D129/D130)

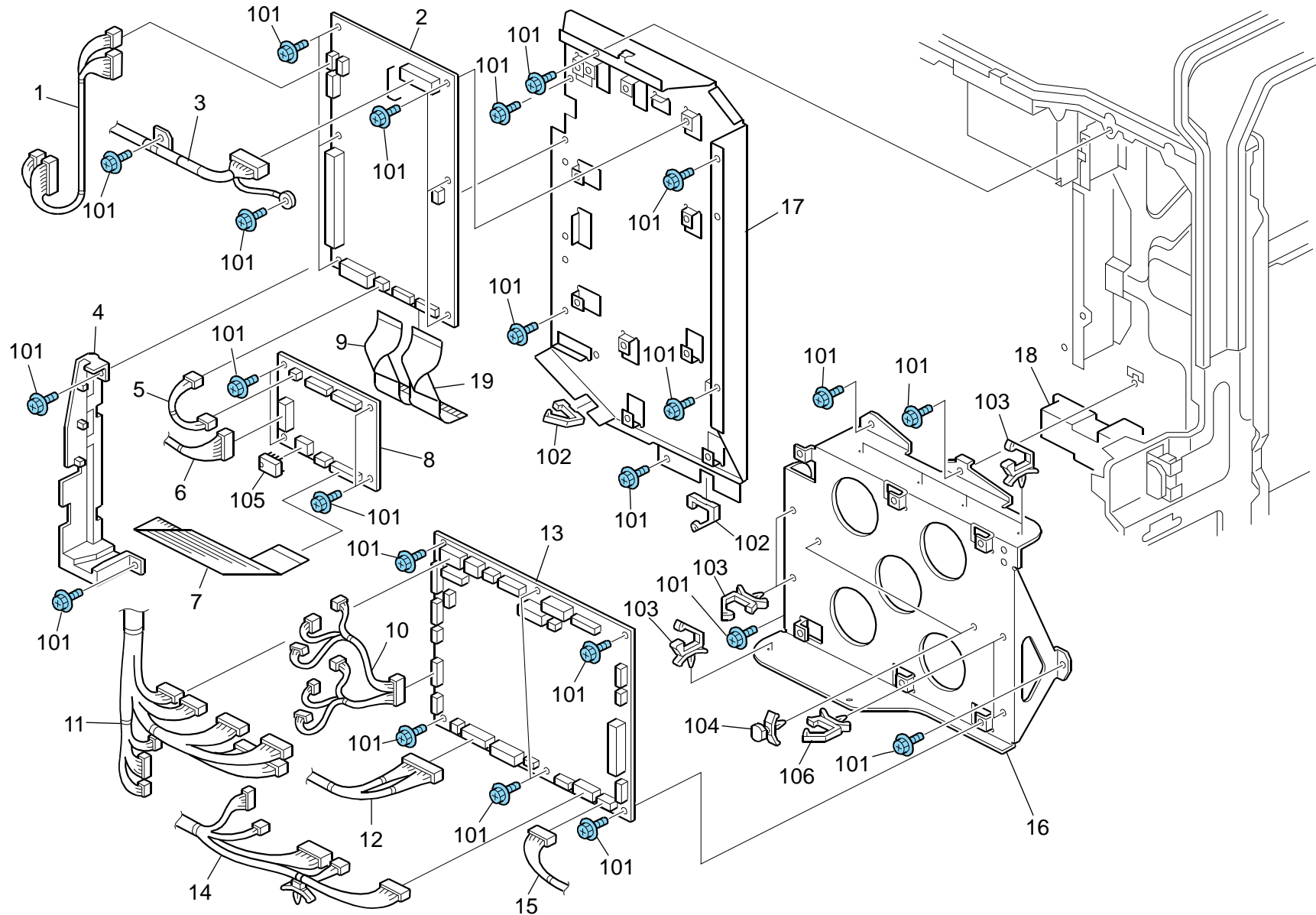


47.Electrical Section 3 (D129/D130)

Index No.	Part No.	Description	Q'ty Per Assembly
1	AX64 0159	Fan Motor MM80	2
2	D009 1351	Upper Fusing Duct	1
3	D009 1352	Lower Fusing Duct	1
4	D009 5852	Connector Bracket	1
5	D009 1358	Sponge: Duct: Exhaust: 1	2
6	D009 5876	Small Bracket - BICU	1
7	B238 1088	Cover - Connector	1
8	B223 1065	Connector Bracket	1
9	D009 5615	AC Harness - Heater	1
10	D009 5856	Bracket - Heater Connector	1
11	D009 1355	Rear Exhaust Duct - Left	1
12	B223 5848	Bracket: Base: Connector	1
13	D009 2527	Cover - Electrical Components	2
14	D009 1354	Rear Exhaust Duct - Right	1
15	D009 1359	Sponge: Duct: Exhaust: 2	2

Index No.	Part No.	Description	Q'ty Per Assembly
101	0454 3006Q	Tapping Screw - M3x6	
102	0454 3008Q	Tapping Screw: 3x8	
103	1105 0488	Harness Clamp	
104	1105 0489	Harness Clamp - LWS 1316	
105	1105 0487	Harness Clamp	
106	1102 8534	Connector - QR/P17-14S-B	
107	1105 0522	Edge Saddle - LES0510	
108	1102 9782	Connector: 51405-1819	

48.Electrical Section 4 (D129/D130)

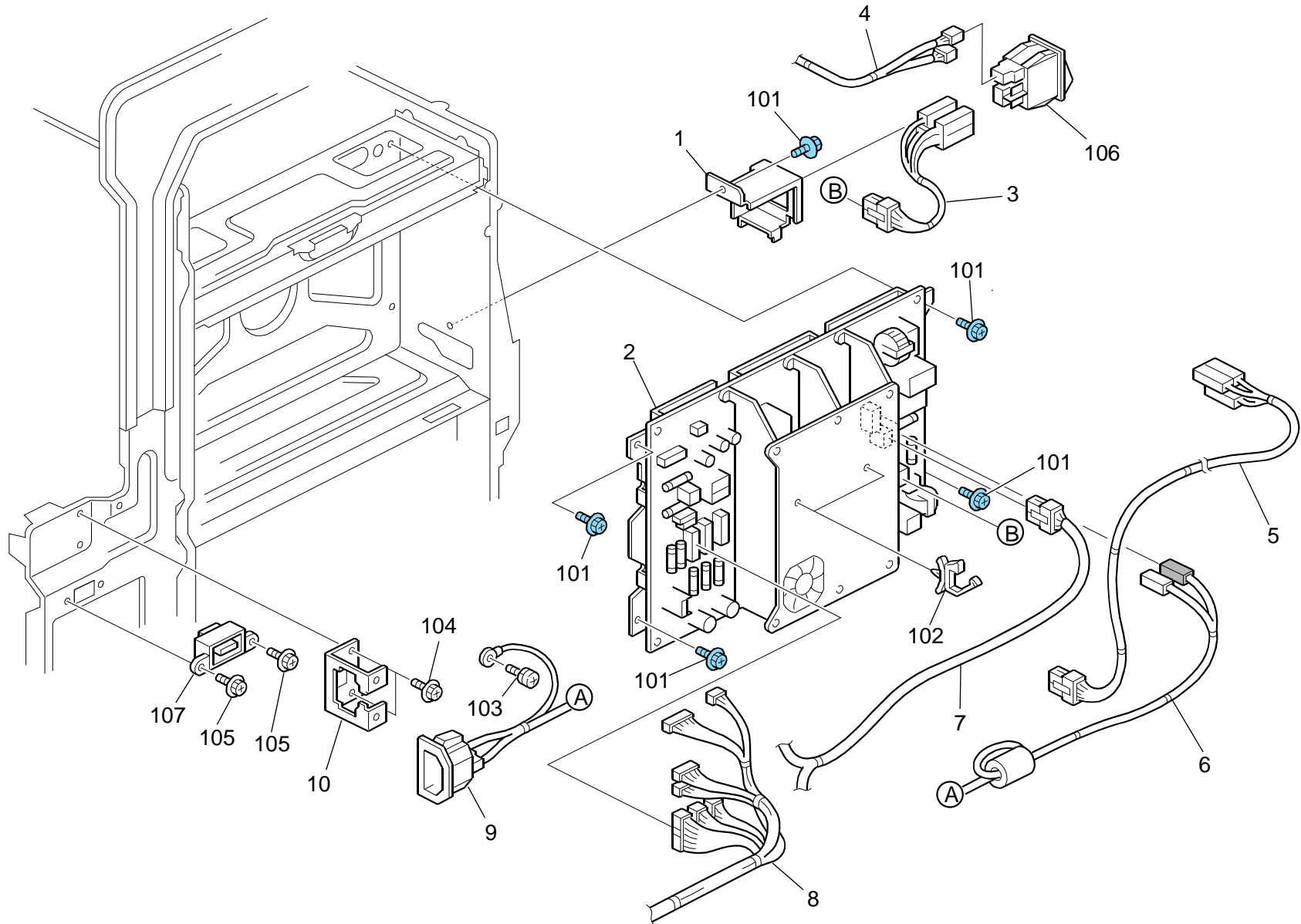


48.Electrical Section 4 (D129/D130)

Index No.	Part No.	Description	Q'ty Per Assembly
1	D009 5470	Harness - BICU-IDB	1
2	D129 5242	PCB: IPU: Type-ISA	1
3	D129 5531	Interface Cable: Scanner: LVDS: Ass'y	1
4	D009 5877	Guide - Mother Board	1
5	D129 5446	Harness: BCU: Image Processing Unit	1
6	D129 5465	Harness: BCU: SIO	1
7	D129 5461	Harness: BCU: IOB: FFC	1
8	D129 5081	PCB: BCU: Ass'y	1
9	D129 5452	Harness: Image Processing Unit: BCU: FFC: 30	1
10	D009 5495	Harness - IOB-Lift Motor	1
11	D009 5480	Harness - IOB Upper	1
12	D009 5520	Harness - IOB-Motor	1
13	D129 5157	PCB: IOB	1
14	D129 5486	Harness: IOB: Lower	1
15	D009 5490	Harness - IOB Lower Behind	1
16	D009 5851	Bracket - IO Board	1
17	D009 5875	Bracket - BICU	1
18	D009 5876	Small Bracket - BICU	1
19	D129 5453	Harness: Image Processing Unit: BCU: FFC: 50	1

Index No.	Part No.	Description	Q'ty Per Assembly
101	0454 3006Q	Tapping Screw - M3x6	
102	1105 0724	Clamps: WES-1210	
103	1105 0489	Harness Clamp - LWS 1316	
104	1105 0367	Spacer	
105	1407 7677	EEPROM: BR24T64-W	
106	1105 0487	Harness Clamp	

49.Electrical Section 5 (D129/D130)

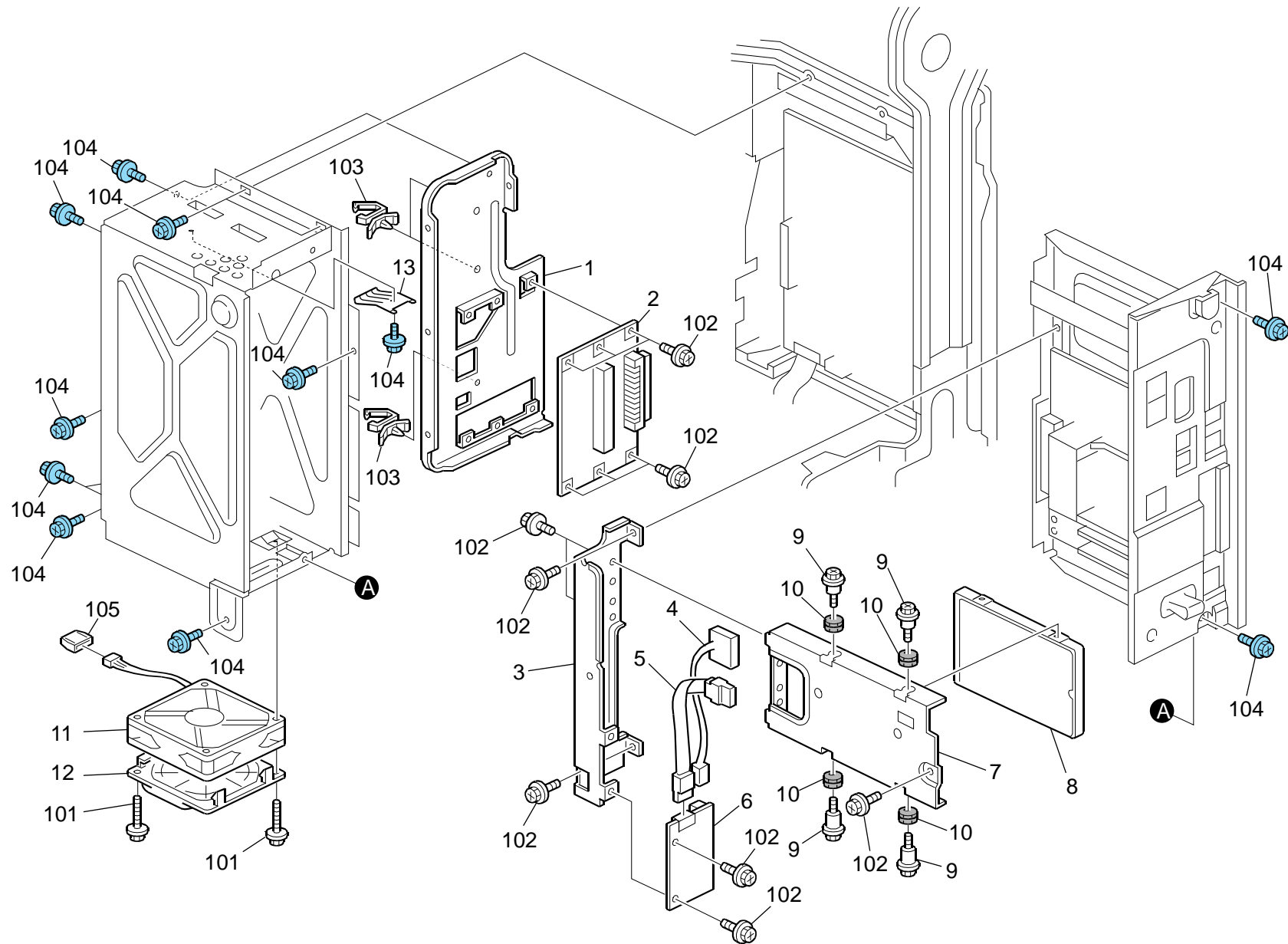


49.Electrical Section 5 (D129/D130)

Index No.	Part No.	Description	Q'ty Per Assembly
1	D129 5853	Bracket: Main Switch	1
2	AZ24 0204	Power Supply Unit: 353W: NA/TWN	1
2	AZ24 0205	Power Supply Unit: 353W: EU/AA/CHN	1
3	D129 5605	Harness: Power Supply Unit: SDSW	1
4	D129 5443	Harness: MB: SSW	1
5	D009 5425	Harness - Safety Switch	1
6	D009 5602	Harness: AC: Inlet	1
7	D009 5610	AC Harness - Heater	1
8	D129 5431	Harness: DC Power Supply: IOB: Right	1
9	D009 5602	Harness: AC: Inlet	1
10	D009 5855	Bracket - Inlet	1

Index No.	Part No.	Description	Q'ty Per Assembly
101	0454 3006Q	Tapping Screw - M3x6	
102	1105 0724	Harness Clamp	
103	0360 3006N	Screw - M3X6	
104	0451 3006N	Tapping Screw - 3x6	
105	0451 3008N	Tapping Screw - M3x8	
106	1204 2903	Rocker Switch: A8gs-tgp85kr	
107	1102 8502	Connector - 54679-1615	

50.Controller Section 1 (D129/D130)



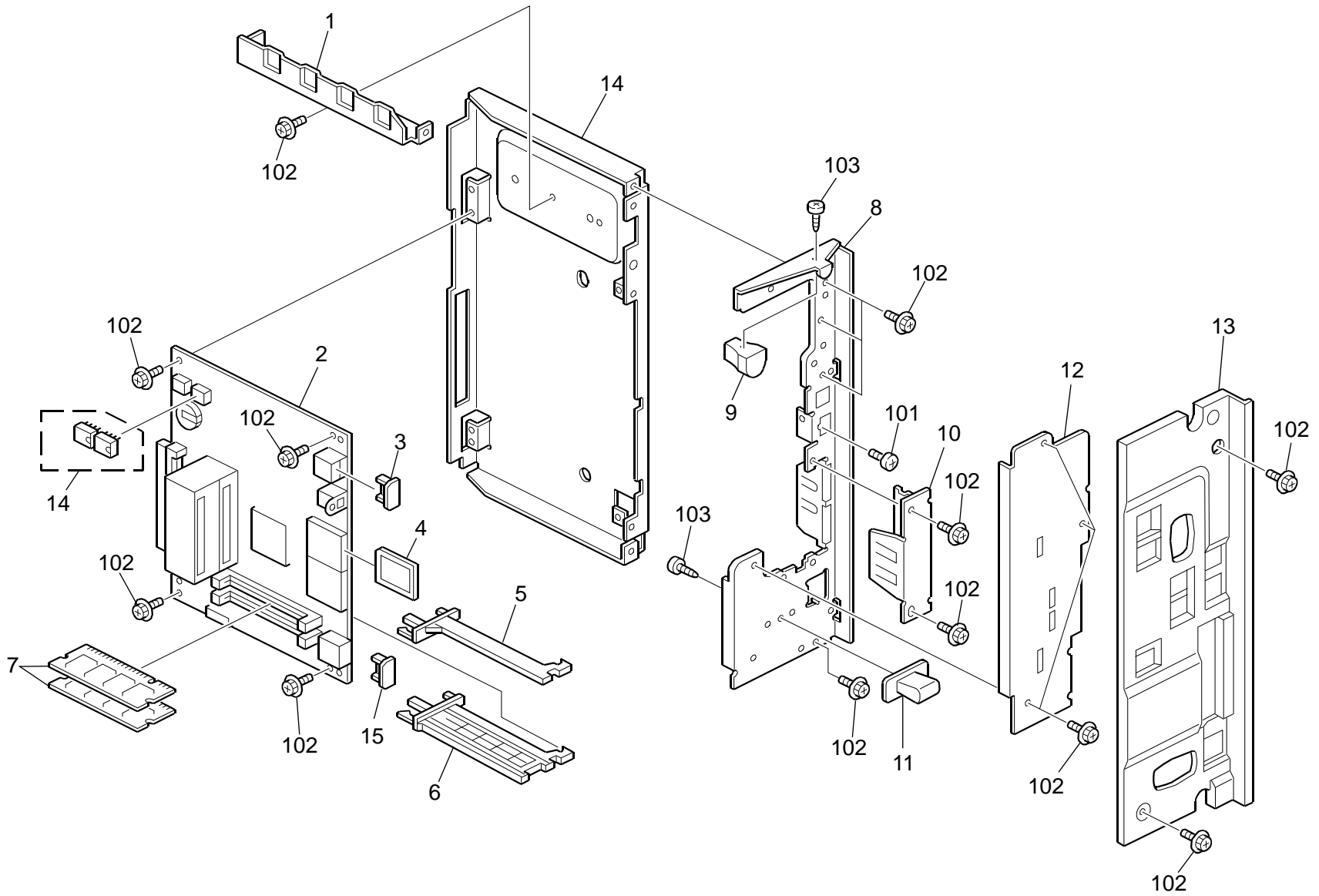
50.Controller Section 1 (D129/D130)

Rev. 3/5/2012

Index No.	Part No.	Description	Q'ty Per Assembly
1	D009 5879	Bracket - Mother Board	1
2	D129 5250	PCB: MB	1
3	D129 5852	Bracket: Base: SATIE	1
4	D129 5719	Cable: HDD: Sata: Power: 2P	1
5	D129 5713	Cable: HDD: Sata: 135	1
6	D129 5710	PCB: SATIE2	1
7	D129 5850	Bracket: HDD: Large	1
8	D124 5298	HDD: WD: 320GB: WD3200BUCT	1
9	AA14 3848	Stepped Screw - M3	4
10	AA16 1167	Rubber Cushion	4
11	AX64 0195	Fan Motor - DC 2.16W	1
12	B154 5861	Guard: Fan	1
13	D009 5886	Ground Plate- C/T Box	1

Index No.	Part No.	Description	Q'ty Per Assembly
101	0360 3006N	Screw - M3x6	
102	0451 3006N	Tapping Screw - 3x6	
103	0452 3008N	Tapping Screw - M3x8	
104	0454 3006Q	Tapping Screw - M3x6	
105	0353 0060N	Bind Screw - M3x6	

51.Controller Section 2 (D129/D130)

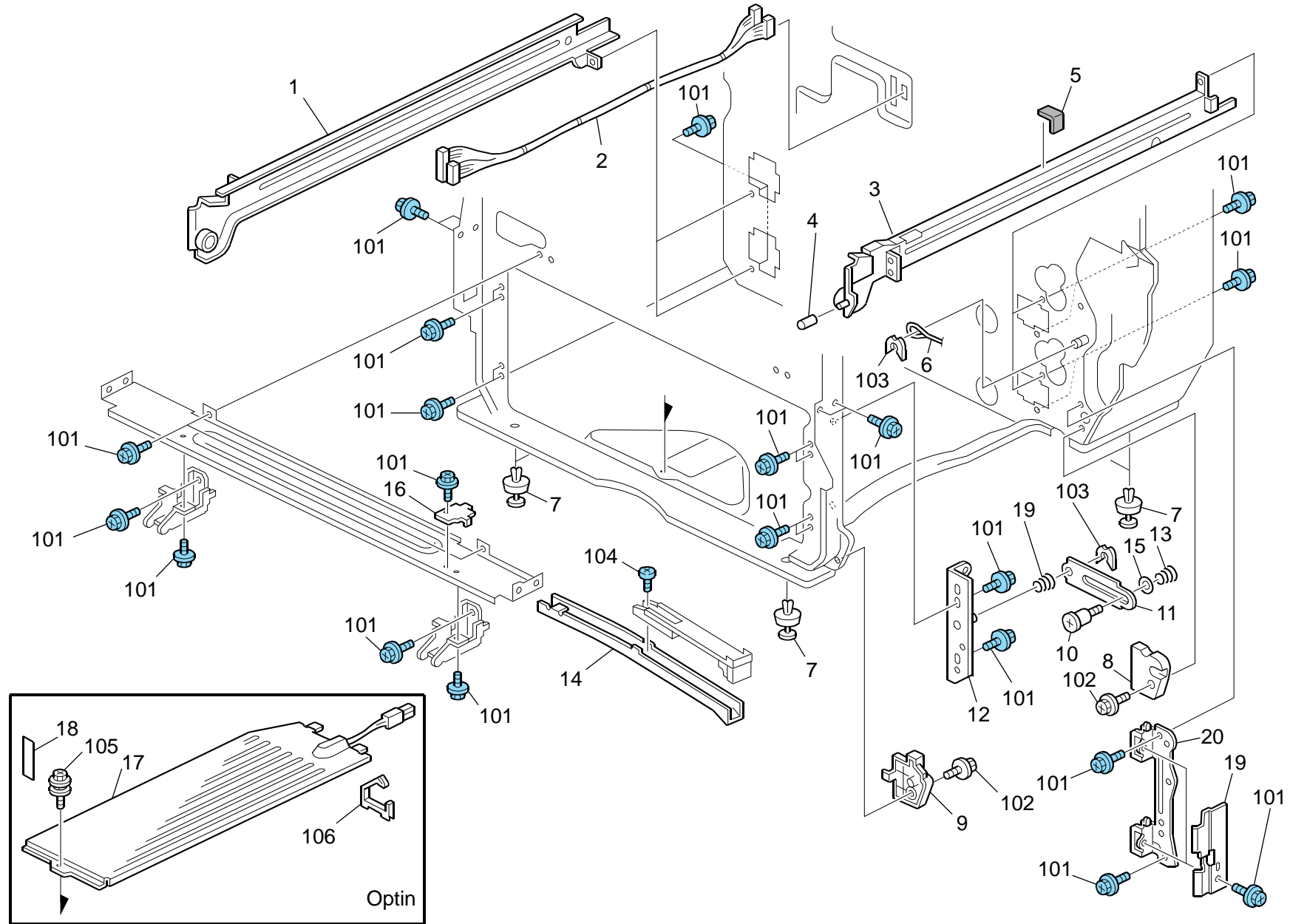


51.Controller Section 2 (D129/D130)

Index No.	Part No.	Description	Q'ty Per Assembly
1	D009 5881	Guide - Fax Control Unit	1
2	D129 5725	PCB: CTL: 50	1
2	D129 5726	PCB: CTL: 40	1
3	B154 5865	Cap: Connector: USB	1
4	D129 5740	SD-Card: P/S Unit: Ass'y	1
5	D009 5899	Right Rail - Small	1
6	D009 5891	Left Rail - Fax Control Unit	1
7	M052 5391	PCB: Memory: 512MB	1
9	D129 5870	Grip: C/T Box: Upper: IG	1
10	B154 5869	Panel: Interface: SECC	1
11	D144 5885	Grip: Control Board: IG	1
12	D129 5872	Cover: Fax Control Unit: Large	1
13	D129 5890	Cover: Control Unit	1
14	D129 9590	NVRAM	1
15	B129 5008	Cap - LAN Connector	1

Index No.	Part No.	Description	Q'ty Per Assembly
101	0353 0060N	Bind Screw - M3x6	
102	0360 3006N	Screw - M3X6	
103	0457 3008N	Tapping Screw - M3x8	

52.Frame Section (D129/D130)

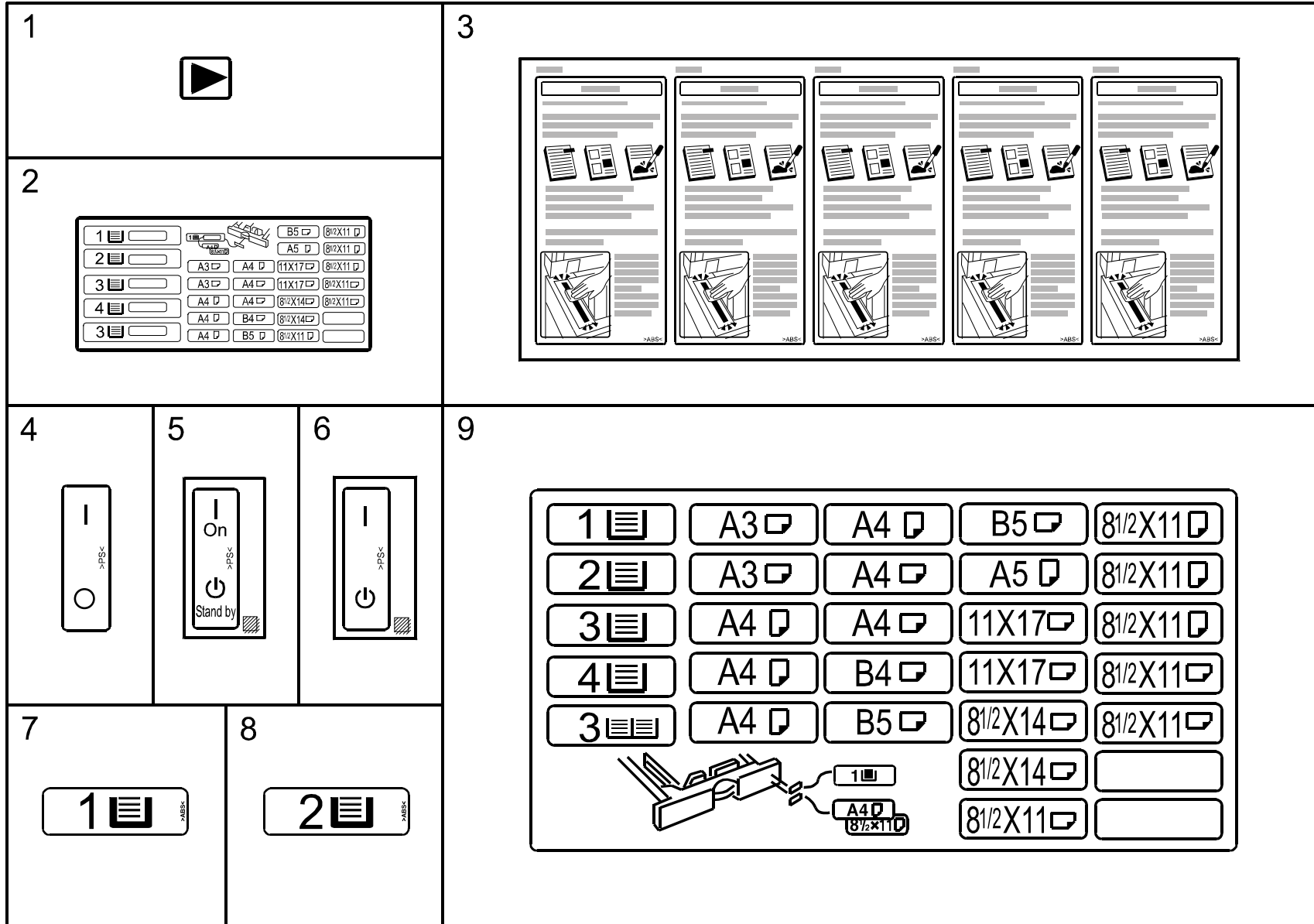


52.Frame Section (D129/D130)

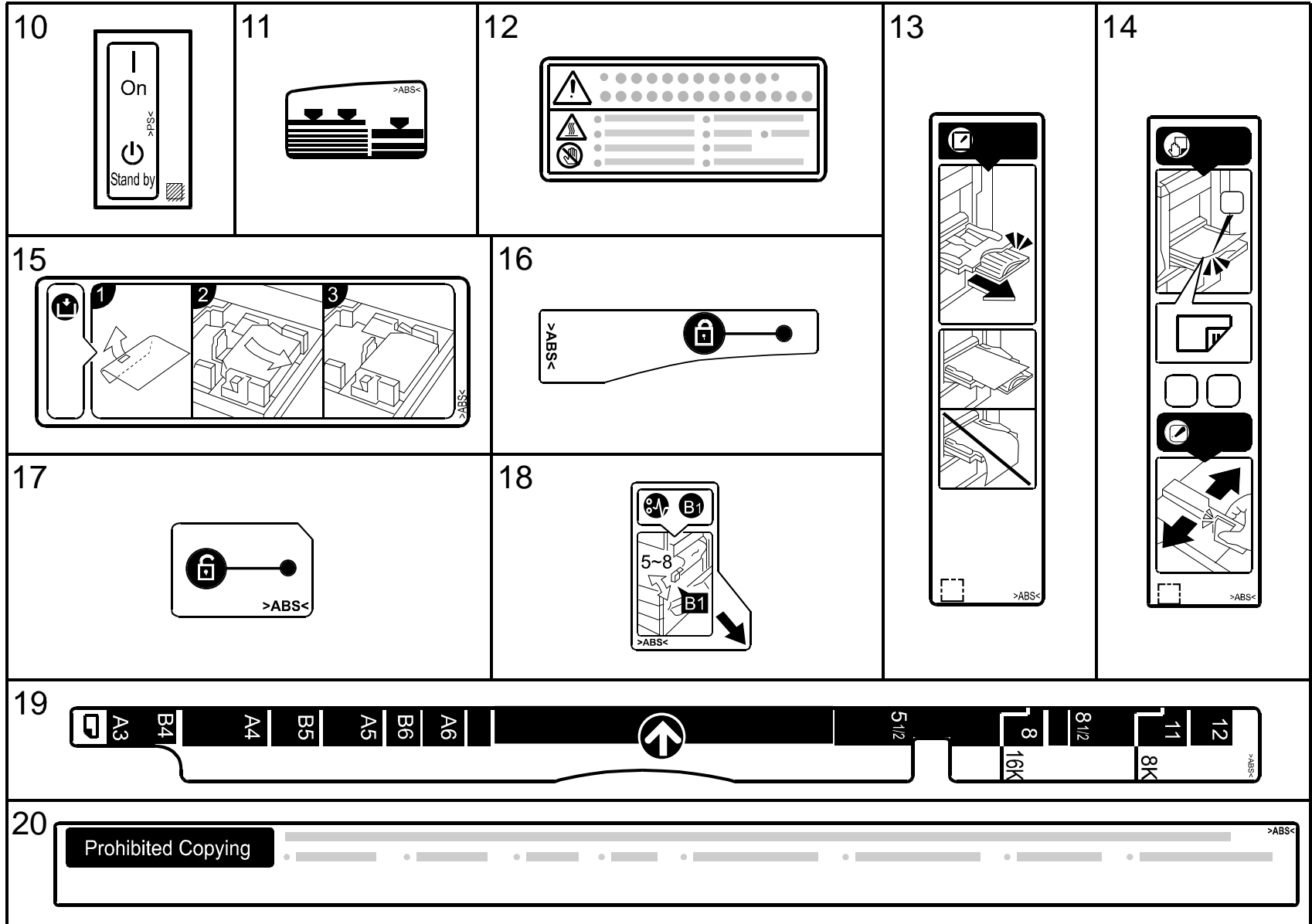
Index No.	Part No.	Description	Q'ty Per Assembly
1	B223 2710	Supporter - Left No.2	1
2	D009 5475	Interface Harness - BICU-LDB	1
3	B223 2715	Supporter - Right	1
4	B223 2714	Positioning Cap - Short	1
5	AA16 1163	Cushion	1
6	B223 4524	Wire: Stopper: DIA1.5	1
7	B101 1097	Rubber Foot: H5	6
8	D009 4595	Rear Guide - Duplex Unit Set	1
9	D009 4594	Front Guide - Duplex Unit Set	1
10	AA14 3404	Stepped Screw - M4	1
11	D009 4512	Link: Stopper	1
12	B223 1120	Bracket: Paper Feed Unit	1
13	D009 4513	Compression Spring: Earth: Duplex Unit	2
14	B223 1101	Grip: Front	1
15	D009 4511	Spacer: DIA8.0: 1.5mm	1
16	D009 1093	Stopper Bracket - Grip	1
17	B223 2702	Heat Sink: Heater: NA	1
17	B223 2703	Heat Sink: Heater: EU	1
18	D120 8867	Decal: Main Switch: On-standby: EU	1
18	D011 1252	Decal: Main Switch: On-standby	1
19	B223 2848	Cover: Harness	1
20	B223 2846	Bracket: Cover: Harness	1

Index No.	Part No.	Description	Q'ty Per Assembly
101	0454 3006Q	Tapping Screw - M3x6	
102	0451 3008N	Tapping Screw - M3x8	
103	0805 0088	Retaining Ring - M6	
104	0802 5305	Tapping Screw - M3x6	
105	1105 0522	Edge Saddle - LES0510	
106	0802 5299	Tapping Screw - M3x8	

53.Decals and Documents (D129/D130)



53.Decals and Documents (D129/D130)



53.Decals and Documents (D129/D130)

21

22

23

24

25

26

27

28

29

English	Français	Deutsch	Italiano	Español
Attention Avoid pressure or dropping heavy objects during operation. Do Not Place These Originals	Attention Éviter toute pression ou chute d'objets lourds pendant le fonctionnement. Ne pas positionner les originaux suivants	Achtung Während des Betriebs keinen Druck ausüben oder schwere Objekte fallen lassen. Diese Vorlagen nicht einlegen	Attenzione Non esercitare pressione e non far cadere oggetti pesanti durante il funzionamento. Non posizionare gli originali seguenti	Atención No ejerza presión ni deje caer objetos pesados durante el funcionamiento. No coloque estos originales
<ul style="list-style-type: none"> Originals with notes stuck to them Originals pasted together Originals with correction fluid or ink that has not dried completely Originals with staples Originals with paper clips 	<ul style="list-style-type: none"> Originals avec notes adhesives Originals réalisés par collage Originals comportant du fluide correcteur ou de l'encre non sèche Originals agrafés Originals avec trombones 	<ul style="list-style-type: none"> Vorlagen mit angeklebten Notizen Zusammengeklebte Vorlagen Vorlagen mit nicht vollständig trockener Korr.flüssigkeit o. Toner Vorlagen mit Heftklammern Vorlagen mit Büroklammern 	<ul style="list-style-type: none"> Originali con fogli adesivi Originali incollati Originali con liquido di correzione o inchiostro ancora umidi Originali con punti metallici Originali con fermagli 	<ul style="list-style-type: none"> Originales con notas pegadas Originales pegados Originales with correction fluid or ink that has not dried completely Originales con grapas Originales con clips
<p> When Streaks Appear on Copies/Scanned Images</p> <p>with a cloth "sangre" con un paño o con un trapo. Wait until it dries completely before using the ADF.</p>	<p> Si des stries apparaissent sur les copies/images numérisées.</p> <p>avec un tissu mousseline ou un détergent neutre. Attendre que le verre soit complètement séché avant d'utiliser l'ADF.</p>	<p> Wenn Streifen auf Kopien/gescannten Bildern auftauchen</p> <p>mit Wasser "saugen" mit einem sauberen, feuchtem Tuch abwischen. Vor Verwendung des ADF warten, bis er vollständig getrocknet ist.</p>	<p> Se appaiono strisce sulle copie o sulle immagini acquisite</p> <p>con un panno "pulimento" con acqua e detergente neutro. Attendere che sia completamente asciutta prima di usare l'ADF.</p>	<p> Si aparecen líneas en las copias/imágenes escaneadas</p> <p>un trapo suave o agua o jabón neutro. Esperar a que se seque completamente antes de utilizar el ADF.</p>

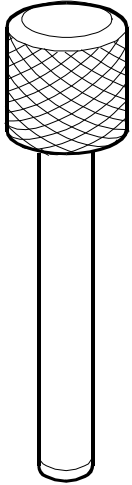
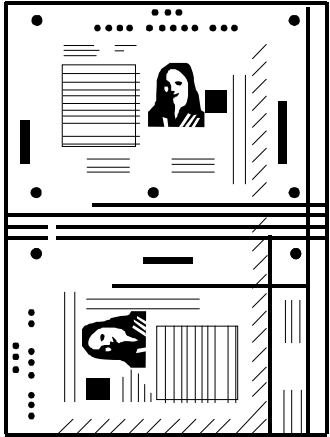
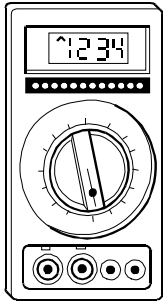
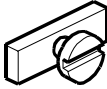

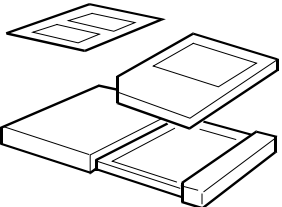
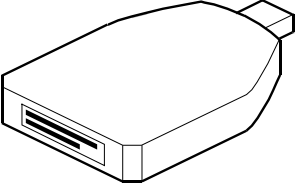
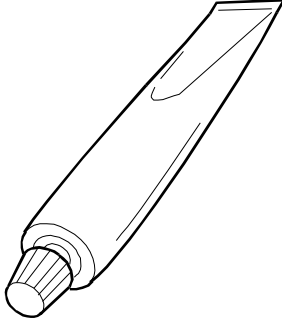
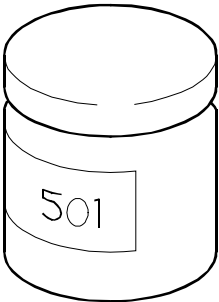
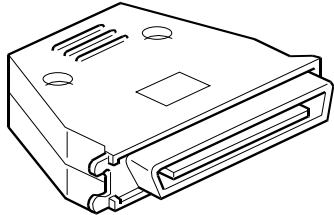
30

53.Decals and Documents (D129/D130)

Index No.	Part No.	Description	Q'ty Per Assembly
1	B234 3177	Decal: Positioning Display: Development	1
2	B238 2524	Decal - Paper Size	1
3	B652 2379	Decal: Caution: Original: 5-Lang	2
4	D011 1251	Decal: Main Switch: O-I	1
5	D011 1252	Decal: Main Switch: On-standby	1
6	D011 1253	Decal: Main Switch: On-standby: EU	1
7	D120 2872	Decal: Paper Tray: No.1	1
8	D120 2873	Decal: Paper Tray: No.2	1
9	D120 2874	Decal: Size Indication: Paper Tray	1
10	D120 8868	Decal: Main Switch: On-standby: DOM: NA	1
11	D129 2675	Decal: Side Fence: Manual Feed	1
12	D129 2705	Decal: H-temp Warning	1
13	D129 2743	Decal: Tray: Manual Feed: Extension Tray: EXP	1
14	D129 2745	Decal: Paper Set Direction: Manual Feed: EXP	1
15	D129 2747	Decal: Paper Set Direction: Tray: Right: EXP	1
16	D129 3268	Decal: Toner Bottle: Lock	1
17	D129 3269	Decal: Toner Bottle: Release	1
18	D129 6605	Decal: Misfeed Removal: B1: AI-C2	1
19	D129 2748	Decal: Scale: Manual Feed	1
20	D129 6610	Decal: Caution: Original: English	1
21	D144 6849	Decal: Main Switch: On-standby: CHN	1
22	D578 6021	Decal: Size: Original	1
23	D578 6031	Decal: Original Table	1
24	D580 2523	Decal: Paper Set Direction: Tray: No.2	1
25	D630 6011	Decal: Side Fence	1
26	D630 6013	Decal: Display: Misfeed Removal: P1	1
27	D630 6014	Decal: Display: Misfeed Removal: P2	1
28	D630 6015	Decal: Display: Misfeed Removal: P3	1
29	D630 6022	Decal: Caution: Original: Many Languages	1
30	G029 1980	Decal - LD	1

Index No.	Part No.	Description	Q'ty Per Assembly
-----------	----------	-------------	-------------------

54.Special Tools (D129/D130)

<p>1</p> 	<p>2</p> 	<p>3</p> 	<p>4</p> 	<p>5</p> 
<p>6</p> 	<p>7</p> 	<p>8</p> 	<p>9</p> 	<p>10</p> 

54.Special Tools (D129/D130)

Index No.	Part No.	Description	Q'ty Per Assembly
1	A006 9104	Scanner Positioning Pin (4PCS/Set)	1
2	A292 9500	Test Chart - S5S (10PCS/Set)	1
3	VSSM 9000	Digital Multimeter - FLUKE 187	1
4	A230 9003	Adjustment Cam - Laser Unit	1
5	A230 9004	Positioning Pin - Laser Unit	1
6	B645 5010	SD Card	1
7	B645 6820	SD-Card: USB: Writer: BN-SDCGTY	1
8	A257 9300	Grease Barrierta - S552R	1
9	5203 9502	Silicon Grease G-501	1
10	G021 9350	Loop Back Connector	1

Index No.	Part No.	Description	Q'ty Per Assembly

**D129/D130
PARTS INDEX**

This section shows you the part numbers and descriptions used on this machine.

PM Parts Index

Section Name	Part No.	Description in Service Manual	Description in Parts Catalog	Q'ty Per Assembly	Page and Index No.
PCDU 1 (D129/D130)	B296 9640	Developer - Black	Developer - Black	1	65 - 5
PCDU 1 (D129/D130)	D009 3086	Development Filter	Development Filter	1	65 - 25
PCDU 1 (D129/D130)	D009 3084	Development Filter: Front	Development Filter: Front	1	65 - 39
PCDU 1 (D129/D130)	D009 3085	Development Filter: Rear	Development Filter: Rear	1	65 - 40
PCDU 2 (D129/D130)	D009 2351	Cleaning Blade	Cleaning Blade	1	67 - 24
PCDU 2 (D129/D130)	AD02 7012	Roller: Charge: Apply	Roller: Charge: Apply	1	67 - 37
PCDU 2 (D129/D130)	D009 9510	OPC Drum	OPC Drum	1	67 - 41
PCDU 2 (D129/D130)	AD02 5021	Pick-Off Pawl	Pick-Off Pawl	1	67 - 44
PCDU 2 (D129/D130)	G790 2329	Brush Roller: Cleaner: Charge: Amabuki	Brush Roller: Cleaner: Charge:	1	67 - 46
Transfer Belt Unit 1 (D129/D130)	A232 3880	Transfer Belt	Transfer Belt	1	69 - 15
Transfer Belt Unit 2 (D129/D130)	AD04 1135	Cleaning Blade - Transfer Belt	Cleaning Blade - Transfer Belt	1	71 - 1
Fusing Unit 2 (D129/D130)	AE04 4099	Stripper Pawls	Stripper Pawls	1	75 - 17
Fusing Unit 2 (D129/D130)	D009 4177	Thermistor	Thermistor	1	75 - 25
Fusing Unit 1 (D129/D130)	AE01 0099	Hot Roller	Hot Roller	1	73 - 40
Fusing Unit 2 (D129/D130)	AE02 0199	Pressure Roller	Pressure Roller	1	75 - 43
Fusing Unit 3 (D129/D130)	B065 4247	Brake Pad	Brake Pad	1	77 - 4
Fusing Unit 3 (D129/D130)	AE04 0099	Holder Roller	Holder Roller	1	77 - 9
Fusing Unit 3 (D129/D130)	AE04 5099	Cleaning Web	Cleaning Web	1	77 - 18

Parts Index

Part No.	Description	Page and Index No.
D129 1241	Inner Cover: Upper: Left	13 - 1
D129 1242	Inner Cover: Left	13 - 10
D129 1243	Inner Cover: Upper: Right	15 - 17
D129 1244	Inner Cover: Middle	13 - 2
D129 1251	Cover: Front	13 - 15
D129 1255	Cover: Main Switch: C3	13 - 8
D129 1262	Cover: Inner Back: Upper: EXP	15 - 6
D129 1263	Cover: Inner Back	15 - 8
D129 1264	Cover: Front Right	13 - 19
D129 1269	Cover: Front Right: Upper	13 - 31
D129 1271	Cover: Right: Front	13 - 22
D129 1272	Cover: Right: Rear	13 - 21
D129 1273	Cover: Right: Upper Middle	15 - 10
D129 1281	Cover: Left	13 - 3
D129 1282	Cover: Left: Upper	15 - 2
D129 1283	Cover: Left: Cover	15 - 20
D129 1291	Cover: Rear	13 - 26
D129 1292	Cover: Rear: Upper	13 - 25
D129 1293	Cover: Rear	13 - 24
D129 1318	Cover: Scanner: Front	15 - 19
D129 1321	Cover: Bracket: Operation Panel: Upper	17 - 1
D129 1322	Cover: Bracket: Operation Panel: Lower	17 - 7
D129 1394	Supporting Plate: Bracket: Operation Panel	17 - 5
D129 1396	Bracket: Operation Panel	17 - 6
D129 1401	Operation Panel: NA: Ass'y	19 - *
D129 1401	Operation Panel: NA: Ass'y	17 - *
D129 1402	Operation Panel: EU: Ass'y	17 - *
D129 1402	Operation Panel: EU: Ass'y	19 - *
D129 1403	Operation Panel: AA: Ass'y	17 - *
D129 1403	Operation Panel: AA: Ass'y	19 - *
D129 1404	Operation Panel: CHN: Ass'y	19 - *
D129 1404	Operation Panel: CHN: Ass'y	17 - *
D129 1405	Operation Panel: TWN: Ass'y	17 - *
D129 1405	Operation Panel: TWN: Ass'y	19 - *
D129 1422	Touch Panel: WVGA: MV	19 - 11

Part No.	Description	Page and Index No.
D129 1423	LCD: TFT: WVGA: LED: SH	19 - 15
D129 1430	Cable: FFC: OPR	19 - 20
D129 1431	Cable: FFC: OOL	19 - 3
D129 1432	Cable: FFC: LCD	19 - 7
D129 1435	Harness: OPE: LVDS	19 - 31
D129 1437	Cable: OPE: USB	17 - 4
D129 1441	PCB: LCDC: NA: FT	19 - 26
D129 1442	PCB: LCDC: EU: FT	19 - 26
D129 1443	PCB: LCDC: AA/TWN: FT	19 - 26
D129 1444	PCB: AL-C2: LCDC: CHN: FT	19 - 26
D129 1458	PCB: OP-R: Ass'y	19 - 21
D129 1459	PCB: OP-L: Ass'y	19 - 1
D129 1502	Keytop: Start	19 - 17
D129 1503	Keytop: Stop	19 - 16
D129 1506	Keytop: Reset Switch	19 - 23
D129 1507	Keytop: Power Source	19 - 18
D129 1508	Keytop: Home	19 - 4
D129 1509	Keytop: Left	19 - 5
D129 1510	Lens: Front	19 - 9
D129 1511	Cover: Rear: Large	17 - 9
D129 1512	Cover: Rear: Small	17 - 8
D129 1513	Shadeing Plate: Touch Panel	19 - 10
D129 1514	Bracket: LCDC: Ass'y	19 - 24
D129 1517	Bracket: Base: Hinge	17 - 3
D129 1526	Sheet: LCDC	19 - 25
D129 1527	Sheet: Keytop: Right	19 - 19
D129 1528	Sheet: Keytop: Left	19 - 2
D129 1529	Sheet: OP-R	19 - 22
D129 1530	Hinge: AA-C3: Ass'y	17 - 2
D129 1531	Cover: Upper: NA/AA	19 - 8
D129 1532	Cover: Upper: EU/CHN/TWN	19 - 8
D129 1533	Keytop: 10key: NA	19 - 14
D129 1534	Keytop: 10key: EU	19 - 14
D129 1535	Keytop: 10key: AA	19 - 14
D129 1536	Sheet: Journal: NA/AA	19 - 30

Part No.	Description	Page and Index No.
D129 1545	Sheet: Side: NA/AA	15 - 11
D129 1566	Sheet: Application: Multi-language: NA	19 - 29
D129 1567	Sheet: Application: Multi-language: EU	19 - 29
D129 1568	Sheet: Application: Multi-language: Blank	19 - 29
D129 1721	Carriage: No.1: Ass'y	45 - 4
D129 1722	Illumination Unit: LED: Ass'y	45 - 21
D129 1731	Carriage: No.2: Ass'y	45 - 7
D129 1732	Bracket: Scale: Left: B	43 - 2
D129 1771	Lens: Holder: Ass'y	47 - 9
D129 1773	Scale: Machine Or Copier	43 - 3
D129 1777	Scale: Left: EU/AA/CHN: Ass'y	43 - 6
D129 1779	Scale: Left: NA: Ass'y	43 - 6
D129 1782	Scale: Rear: Printing	43 - 11
D129 1801	Guide: Flat Cable	45 - 14
D129 1803	Guide: Harness: Led Control Board	49 - 3
D129 1815	Bracket: Original Sensor: SUB Scanning	47 - 3
D129 1816	Bracket: Guide: Harness: Base	47 - 11
D129 1821	Bracket: LED Control Board	49 - 2
D129 1860	Optical Writing Unit: Ass'y	51 - 1
D129 1870	Laser Diode Unit: Ass'y	51 - 8
D129 2110	PCU: Alex-C2: EXP: Service: Ass'y	65 - 1
D129 2212	Frame: PCU: Upper: C2: Ass'y	67 - 1
D129 2245	Cover: Stopper: Lock: PCD	61 - 26
D129 2247	Cover: Lever: Lock: PCD	15 - 13
D129 2248	Guide Plate: Lever: Lock: PCD	15 - 16
D129 2390	Side Plate: Idler: Ass'y	67 - 3
D129 2411	Cover: PCU: Front: C2	67 - 49
D129 2415	Cover: Spring Plate: Front	67 - 35
D129 2604	Knob: Registration Roller	61 - 17
D129 2616	Case: Remove Paper Dust	15 - 18
D129 2621	Cover: Manual Feed Unit	59 - 4
D129 2657	Arm: Manual Feed: Short: Front	59 - 24
D129 2658	Arm: Manual Feed: Short: Rear	59 - 34
D129 2661	Cover: Manual Feed	57 - 7
D129 2662	Manual Feed Table	57 - 14

Part No.	Description	Page and Index No.
D129 2664	Cover: Manual Feed: Entrance	79 - 15
D129 2667	Extension Tray: Manual Feed	57 - 13
D129 2673	Side Fence: Rear	57 - 2
D129 2674	Side Fence: Front	57 - 1
D129 2675	Decal: Side Fence: Manual Feed	117 - 11
D129 2675	Decal: Side Fence: Manual Feed	57 - 5
D129 2705	Decal: H-temp Warning	73 - 23
D129 2705	Decal: H-temp Warning	117 - 12
D129 2726	Grip: Side Fence: Manual Feed	57 - 3
D129 2740	Manual Feed Table: Ass'y	57 - *
D129 2743	Decal: Tray: Manual Feed: Extension Tray: EXP	117 - 13
D129 2743	Decal: Tray: Manual Feed: Extension Tray: EXP	57 - 17
D129 2745	Decal: Paper Set Direction: Manual Feed: EXP	57 - 6
D129 2745	Decal: Paper Set Direction: Manual Feed: EXP	117 - 14
D129 2747	Decal: Paper Set Direction: Tray: Right: EXP	117 - 15
D129 2747	Decal: Paper Set Direction: Tray: Right: EXP	53 - 32
D129 2748	Decal: Scale: Manual Feed	57 - 8
D129 2748	Decal: Scale: Manual Feed	117 - 19
D129 2750	Paper Feed Unit: Ass'y	55 - *
D129 2783	Torque Limiter Mechanical Clutch: 40mm: DIA18	59 - 40
D129 2783	Torque Limiter Mechanical Clutch: 40mm: DIA18	55 - 28
D129 2836	Guide Plate: Swivel: Ass'y	61 - 2
D129 2841	Guide Plate: Swivel: No.2: Ass'y	61 - 1
D129 2920	Side Fence: Front: Ass'y	53 - 18
D129 2930	Side Fence: Rear: Ass'y	53 - 26
D129 3209	Toner Supply Unit	63 - 1
D129 3210	Guide: Toner Supply: Ass'y	101 - 4
D129 3268	Decal: Toner Bottle: Lock	117 - 16
D129 3268	Decal: Toner Bottle: Lock	13 - 5
D129 3269	Decal: Toner Bottle: Release	117 - 17
D129 3269	Decal: Toner Bottle: Release	13 - 6
D129 4053	Fusing Cover: Lower: Middle: Ass'y	73 - 22
D129 4055	Fusing Cover: Lower: Front	73 - 6

Part No.	Description	Page and Index No.
D129 4057	Fusing Cover: Lower: Rear	73 - 9
D129 4059	Fusing Cover: Upper: Front	73 - 5
D129 4062	Fusing Cover: Upper: Rear	73 - 8
D129 4165	Cover: Fusing Sub-unit	75 - 18
D129 4305	Cleaning Unit: Ass'y	77 - *
D129 4307	Cover: Cleaning Unit	77 - 2
D129 4481	Grip: Gate Pawl: Upper	81 - 2
D129 4483	Decal: Guide: Right	83 - 25
D129 4486	Tray: Exit	15 - 4
D129 4487	End Fence: Exit	15 - 3
D129 4531	Guide Plate: Cover: Open And Close	79 - 12
D129 4533	Inner Cover: Duplex: Rear	79 - 2
D129 4534	Inner Cover: Duplex: Front	79 - 1
D129 4540	Cover: Duplex	79 - 13
D129 4579	Grip: Open And Close: Duplex Unit	79 - 3
D129 4651	Harness: Duplex Unit	87 - 17
D129 5081	PCB: BCU: Ass'y	107 - 8
D129 5138	PCB: SIO	49 - 15
D129 5157	PCB: IOB	107 - 13
D129 5242	PCB: IPU: Type-ISA	107 - 2
D129 5250	PCB: MB	111 - 2
D129 5342	PCB: LED-DB	49 - 1
D129 5350	PCB: SCNB	47 - 1
D129 5431	Harness: DC Power Supply: IOB: Right	109 - 8
D129 5443	Harness: MB: SSW	109 - 4
D129 5446	Harness: BCU: Image Processing Unit	107 - 5
D129 5452	Harness: Image Processing Unit: BCU: FFC: 30	107 - 9
D129 5453	Harness: Image Processing Unit: BCU: FFC: 50	107 - 19
D129 5461	Harness: BCU: IOB: FFC	107 - 7
D129 5465	Harness: BCU: SIO	107 - 6
D129 5486	Harness: IOB: Lower	107 - 14
D129 5515	Harness: Operation Sub-unit: Ass'y	19 - 27
D129 5531	Interface Cable: Scanner: LVDS: Ass'y	47 - 8
D129 5531	Interface Cable: Scanner: LVDS: Ass'y	107 - 3
D129 5534	Harness: Led-db: Scnb	49 - 19

Part No.	Description	Page and Index No.
D129 5535	Harness: SIO: BCU	49 - 17
D129 5541	Harness: FFC: LED	45 - 3
D129 5605	Harness: Power Supply Unit: SDSW	109 - 3
D129 5710	PCB: SATIE2	111 - 6
D129 5713	Cable: HDD: Sata: 135	111 - 5
D129 5719	Cable: HDD: Sata: Power: 2P	111 - 4
D129 5725	PCB: CTL: 50	113 - 2
D129 5726	PCB: CTL: 40	113 - 2
D129 5740	SD-Card: P/S Unit: Ass'y	113 - 4
D129 5784	HDD: 160GB: WD1600BUCT: AF2	111 - 8
D129 5850	Bracket: HDD: Large	111 - 7
D129 5852	Bracket: Base: SATIE	111 - 3
D129 5853	Bracket: Main Switch	109 - 1
D129 5870	Grip: C/T Box: Upper: IG	113 - 9
D129 5872	Cover: Fax Control Unit: Large	113 - 12
D129 5890	Cover: Control Unit	113 - 13
D129 5891	Cap: USB	13 - 28
D129 6601	Model Name Plate: Aficio: 4002	13 - 12
D129 6602	Model Name Plate: Aficio: 5002	13 - 12
D129 6603	Model Name Plate: Aficio: 4002sp	13 - 12
D129 6604	Model Name Plate: Aficio: 5002SP	13 - 12
D129 6605	Decal: Misfeed Removal: B1: AL-C2	13 - 23
D129 6605	Decal: Misfeed Removal: B1: AI-C2	117 - 18
D129 6610	Decal: Caution: Original: English	117 - 20
D129 6610	Decal: Caution: Original: English	15 - 21
D129 6616	Sheet: Misfeed Removal: C1	13 - 18
D129 6629	Model Name Plate: LAN: 4002: NA	13 - 12
D129 6630	Model Name Plate: LAN: 5002: NA	13 - 12
D129 6633	Model Name Plate: GES: 4002: AA	13 - 12
D129 6634	Model Name Plate: GES: 5002: AA	13 - 12
D129 6635	Model Name Plate: LAN: 5002SP: AA	13 - 12
D129 6636	Model Name Plate: GES: 4002sp: AA	13 - 12
D129 6637	Model Name Plate: LAN: 4002SP: AA	13 - 12
D129 6638	Model Name Plate: GES: 5002SP: AA	13 - 12
D129 7895	CD-ROM: AL-C2: Drv: AA: Ass'y	13 - 32

Part No.	Description	Page and Index No.
D129 9590	NVRAM	113 - 14
D130 1500	Cover: Upper: CHN	19 - 8
D130 4002	Fusing Unit: NA: Service: Ass'y	73 - *
D130 4003	Fusing Unit: EU: Service: Ass'y	73 - *
D130 4004	Fusing Unit: TWN: Ass'y	73 - *

Part No.	Description	Page and Index No.
A006 9104	Scanner Positioning Pin (4PCS/Set)	119 - 1
A096 2065	Slider Ring	101 - 5
A134 3180	Bottle Chuck	63 - 5
A193 1766	Wire Clamp	45 - 1
A193 1769	Clamp - Rear Wire	45 - 2
A193 1793	Scanner Home Sensor Stopper	43 - 13
A193 1816	1st Slide Rail	45 - 15
A230 9003	Adjustment Cam - Laser Unit	119 - 4
A230 9004	Positioning Pin - Laser Unit	119 - 5
A232 1284	Spring Holder	101 - 13
A232 1937	Positioning Pin - Laser Unit Ass'y	51 - 11
A232 2292	Bushing - Toner Collection Coil	67 - 51
A232 2315	Front Bushing - Cleaning Bracket	67 - 22
A232 2318	Collar - Cleaning	67 - 33
A232 2339	Spur	67 - 45
A232 2340	Holder - Pick-Off Pawl	67 - 43
A232 2399	Seal - Blade 13x9.5x3	67 - 10
A232 2421	Bushing - 6x10x3	67 - 21
A232 2987	Roller - Paper Tray	53 - 16
A232 3067	Tape - TD Sensor	65 - 13
A232 3077	Spacer - M5	65 - 8
A232 3155	Front Cover - Development Unit	65 - 6
A232 3240	Cover - Toner Bottle Ass'y	63 - 4
A232 3251	Chuck Shaft	63 - 7
A232 3252	Slider Ass'y	63 - 6
A232 3263	Spring Plate - Toner Bottle	63 - 10
A232 3264	Stopper - Slide Rail	63 - 12
A232 3266	Seal - Slide Rail	63 - 3
A232 3553	Ball Bearing - 8x16x5	67 - 40
A232 3880	Transfer Belt	69 - 15
A232 3885	Driven Roller - Transfer Unit	69 - 1
A232 3908	Seal - Rear Case	71 - 29
A232 3909	Seal - Front Case	71 - 28
A232 3926	Transfer Belt Roller	69 - 9
A232 4666	Cushion - Stepper Motor	97 - 2

Part No.	Description	Page and Index No.
A250 1752	Exposure Glass	43 - 7
A257 9300	Grease Barrierta - S552R	119 - 8
A259 6754	Bushing - 6 6mm	59 - 35
A267 2857	Spring Plate - Side Fence	53 - 28
A267 2859	Side Fence Stopper	53 - 29
A292 9500	Test Chart - S5S (10PCS/Set)	119 - 2
A422 1063	Seal - 0.7x13x20	29 - 16
A422 1063	Seal - 0.7x13x20	33 - 16
A458 2251	Cushion - Bin Solenoid Lever	27 - 22
A628 1225	Bushing - 8mm	25 - 21
A697 2102	Damper - Junction Gate Solenoid	31 - 13
A806 1295	Feed Belt	25 - 23
A858 4671	Roller Driven	21 - 19
A858 4676	Spring Plate - Pressure Roller	21 - 18
A859 1841	Filter - DF Open Sensor	41 - 10
A859 2112	Drive Shaft - Paper Feed Belt	25 - 13
A859 2241	Reverse Roller	27 - 11
A859 7211	Stepped Screw	21 - 2
B004 1325	Cover - Shield Glass	13 - 7
B004 1936	Plate - Optical Housing Unit	95 - 32
B004 2310	Spur	101 - 12
B004 2923	Spring Plate - Release Lever	53 - 20
B004 7667	Holder: Toner Bottle: EU	101 - 3
B024 1264	Magnet Catch	13 - 17
B044 1825	Collar	99 - 20
B044 1825	Collar	83 - 22
B044 1825	Collar	35 - 4
B044 1847	Shoulder Screw	83 - 13
B065 1371	Cloth Holder (CHN)	13 - 29
B065 1374	Cloth - DF Exposure Glass	13 - 20
B065 4221	Feeler Spring	77 - 11
B065 4247	Brake Pad	77 - 4
B077 3262	Slide Rail: Toner Supply Unit	63 - 2
B082 2333	Terminale: Brush Roller	67 - 32
B082 3123	Shield: Case: Development: Front Rear: C3	65 - 19

Part No.	Description	Page and Index No.
B082 3867	Shield: Remove Paper Dust	71 - 31
B082 3867	Shield: Remove Paper Dust	71 - 26
B101 1097	Rubber Foot: H5	115 - 7
B129 5008	Cap - LAN Connector	113 - 15
B154 5861	Guard: Fan	111 - 12
B154 5865	Cap: Connector: USB	113 - 3
B154 5869	Panel: Interface: SECC	113 - 10
B180 1713	Stepper Motor: Ass'y	49 - 11
B180 1734	Slide Rail: No.2	45 - 16
B180 1814	Shaft: Scanner: Drive	49 - 6
B180 2782	Seal: Tray	53 - 31
B180 2871	Shaft: Separator: Driven: Ass'y	59 - 41
B213 2312	Bracket: Cleaning Blade	67 - 23
B213 2316	Stud: Contact Point: Cleaning	67 - 16
B213 2362	LED Array QL Ass'y	101 - 17
B213 3065	Density Sensor: Development: C4	65 - 14
B213 3889	Roller: Bias	69 - 2
B213 4460	Shaft: Pressure Roller	91 - 21
B223 1065	Connector Bracket	105 - 8
B223 1101	Grip: Front	115 - 14
B223 1116	Cam: Guide Plate: Scanner: Left	43 - 19
B223 1120	Bracket: Paper Feed Unit	115 - 12
B223 1180	Bracket: Paper Feed	99 - 10
B223 1183	Grip Shaft	99 - 2
B223 1186	Drive Joint	99 - 3
B223 1187	Magnetic Clutch Bracket	99 - 12
B223 1188	Stepper Motor DC24V	99 - 16
B223 1189	Feed Drive Shaft	99 - 1
B223 1317	Screw	73 - 7
B223 1332	Fan Motor - MM60 DC24V	103 - 5
B223 1350	Stepper Motor DC5.06V	97 - 1
B223 1354	Drum Stay: Drive Unit	99 - 4
B223 1774	Seal: Sheet Through	43 - 5
B223 1779	Cover: Stepper Motor: Rear	49 - 13
B223 1784	Optical Filter: Infrared: 76x36.5: Ass'y	43 - 8

Part No.	Description	Page and Index No.
B223 1806	Bracket: Document Feeder: Holder	43 - 9
B223 1807	Bracket: Exterior: Rear	49 - 14
B223 1808	Document Feeder: Connector: Bracket	43 - 17
B223 1824	Seal: Scanner: Frame: Base	49 - 22
B223 1833	Seal: Exposure Glass: Rear	43 - 20
B223 2608	Gear: Z16	59 - 37
B223 2622	Guide Plate: Exit	59 - 3
B223 2623	Cover: Guide Plate: Exit	59 - 1
B223 2629	Stay: Feed	59 - 9
B223 2632	DC Solenoid: Pickup	59 - 14
B223 2633	Spring: Release: Pickup	59 - 15
B223 2634	Support Stay: Arm	59 - 19
B223 2636	Torsion Spring: 27N	59 - 20
B223 2637	Bracket: Arm: Manual Feed: Rear	59 - 32
B223 2648	Guide Plate: Transport Unit: Exit	87 - 13
B223 2649	Spring: Pressure: 5N	87 - 15
B223 2651	Arm: Manual Feed: Front	59 - 22
B223 2652	Arm: Manual Feed: Rear	59 - 33
B223 2659	Harness: Manual Feed	59 - 16
B223 2665	Spring: Cover: Manual Feed	79 - 14
B223 2666	Gear: 16Z	57 - 12
B223 2668	Spring Plate: Stopper	57 - 4
B223 2676	Spring - 11N	87 - 4
B223 2681	Arm: Tightener	59 - 44
B223 2683	Gear: 25Z	59 - 47
B223 2686	Gear: Z31	59 - 46
B223 2689	Gear: Z28	59 - 48
B223 2691	Bracket: Stepper Motor	99 - 21
B223 2694	Guide: Gear	99 - 19
B223 2696	Drum Stay: Drive	59 - 49
B223 2702	Heat Sink: Heater: NA	115 - 17
B223 2703	Heat Sink: Heater: EU	115 - 17
B223 2710	Supporter - Left No.2	115 - 1
B223 2713	Rack: Manual Feed	57 - 11
B223 2714	Positioning Cap - Short	115 - 4

Part No.	Description	Page and Index No.
B223 2715	Supporter - Right	115 - 3
B223 2721	Bracket: Push Switch	97 - 10
B223 2745	Stepper Motor: Ass'y	99 - 22
B223 2762	Feed Shaft	55 - 26
B223 2764	Gear-24Z	55 - 25
B223 2765	Ground Plate - Feed	55 - 21
B223 2772	Harness Sheet	55 - 12
B223 2776	Stay	55 - 9
B223 2780	DC Solenoid 24V	55 - 8
B223 2786	Ground Plate - Front	55 - 13
B223 2810	Separate Driven Shaft	55 - 29
B223 2815	Separate Drive Shaft	55 - 34
B223 2819	Gear - 22Z	55 - 35
B223 2846	Bracket: Cover: Harness	115 - 20
B223 2848	Cover: Harness	115 - 19
B223 2861	Grip Holder	53 - 13
B223 2862	Lever - Release Inner	53 - 10
B223 2865	Rise No.1 Shaft	53 - 24
B223 2868	Lever: Release: Paper Tray: Outer	53 - 15
B223 2910	Link - Paper Size Sensor	53 - 1
B223 2911	Spacer	53 - 2
B223 2918	Rise Lever	53 - 25
B223 2919	Ground Plate - Paper Tray No.2	53 - 6
B223 2934	Plate - Side Fence	53 - 22
B223 2935	Plate - Side Fence Right	53 - 21
B223 2936	Gear - 16Z	53 - 23
B223 4428	Roller: Guide: PFA	91 - 14
B223 4435	Roller: Auxiliary: Driven: DIA16: PFA	91 - 16
B223 4479	Tension Spring: Gate Pawl: 1.6N	81 - 9
B223 4494	Stopper - Uppergate Pawl	81 - 8
B223 4497	Shaft: Feeler: Overflow	89 - 18
B223 4501	Guide Plate: Right	83 - 23
B223 4502	Guide Plate: Left Lower	85 - 12
B223 4511	Timing Belt: 30S2M312	85 - 5
B223 4512	Timing Belt: 30S2M182	85 - 3

Part No.	Description	Page and Index No.
B223 4514	Roller Clutch: T24	85 - 11
B223 4522	Spacer: Wire: Stopper	87 - 28
B223 4524	Wire: Stopper: DIA1.5	115 - 6
B223 4524	Wire: Stopper: DIA1.5	87 - 12
B223 4525	Tension Spring: Wire: 180N	79 - 17
B223 4526	Timing Belt: 30S2M268	83 - 15
B223 4527	Pulley: T26/T24	85 - 8
B223 4529	Roller Clutch: T24	85 - 6
B223 4535	Roller Clutch: T26	85 - 9
B223 4536	Timing Belt: 30S2M234	85 - 4
B223 4538	Compression Spring	79 - 10
B223 4539	Sheet: Cover: Duplex	79 - 16
B223 4544	Pulley: T35/T33	85 - 7
B223 4552	Bushing: DIA4	83 - 8
B223 4552	Bushing: DIA4	85 - 14
B223 4553	Tension Spring: Driven Roller	85 - 13
B223 4560	Tension Spring: Driven Roller	83 - 7
B223 4562	Tightener	83 - 12
B223 4564	Spring: Tightener	83 - 14
B223 4566	Bracket: Sensor: Entrance	83 - 4
B223 4567	Stay: Transport: Upper: Peen	83 - 27
B223 4571	Gear: Pulley: Z24/T40	83 - 20
B223 4572	Stepper Motor: DC4.29V 1.7W	83 - 17
B223 4573	Timing Belt: 30S2M128	83 - 21
B223 4575	Bracket: Stepper Motor	83 - 19
B223 4586	Pulley: T30	83 - 16
B223 4594	Shaft: Pulley: Wire	87 - 20
B223 4595	Pulley: DIA13	87 - 18
B223 5846	Bracket: Total Counter	99 - 26
B223 5848	Bracket: Base: Connector	105 - 12
B223 6172	Retaining Rings-E	71 - 5
B229 1687	Heater: Option: 120V: 9W	47 - 12
B229 1688	Heater: Option: 230V: 9W	47 - 12
B234 3177	Decal: Positioning Display: Development	117 - 1
B234 3177	Decal: Positioning Display: Development	71 - 30

Part No.	Description	Page and Index No.
B234 3177	Decal: Positioning Display: Development	85 - 26
B238 1066	Rubber Foot Cover	97 - 13
B238 1088	Cover - Connector	105 - 7
B238 1089	Cover - Positioning Pin	97 - 6
B238 1119	Lever - Front Upper	101 - 16
B238 1534	LCD Spacer A	19 - 13
B238 1535	LCD Spacer B	19 - 12
B238 1792	Timing Belt - 157ST1.5-4.0	49 - 9
B238 1806	Idler Pulley	45 - 17
B238 1807	Pulley	45 - 11
B238 1845	Seal: Exposure Glass	43 - 21
B238 2524	Decal - Paper Size	117 - 2
B238 2524	Decal - Paper Size	13 - 14
B238 2541	Tray Cover - Right	97 - 7
B238 2543	Cover - Tray Left	97 - 12
B238 2655	Gear - 16Z	61 - 15
B238 4166	End Ring: Spring: DIA4	75 - 5
B238 4194	Roller: Lever: Pressure	75 - 7
B242 1161	Ball Bearing - 8x22x7	95 - 7
B296 9640	Developer - Black	65 - 5
B351 1781	Gear - 18Z	35 - 16
B386 3320	Spring: Belt: Paper Feed: 8N	25 - 15
B387 1951	Spring - Paper Size Sensor	39 - 22
B387 2113	Roller - Paper Feed Belt	25 - 14
B387 2163	Pickup Collar	25 - 7
B477 2715	Pressure Plate Tape	41 - 13
B645 5010	SD Card	119 - 6
B645 6820	SD-Card: USB: Writer: BN-SDCGTY	119 - 7
B652 2379	Decal: Caution: Original: 5-Lang	117 - 3
B652 3174	Tension Spring	25 - 25
B700 2649	Timing Belt: 40S2M144	99 - 17
B700 5805	Stepper Motor: PM: S2M: T15: Ass'y	35 - 11
B703 1165	Timing Belt: B40S2M390	39 - 15
B714 5006	DC Solenoid: Transmitted Rubber Stamp	29 - 24
B789 2114	Paper Feed Belt Roller	25 - 22

Part No.	Description	Page and Index No.
B789 3491	Scanning Driven Shaft	29 - 23
B789 3712	Exit Driven Roller	29 - 22
B802 1121	Positioning Plate: Front	41 - 1
B802 1131	Positioning Plate: Rear	41 - 2
B802 1231	Bracket: PCB: Right	39 - 2
B802 1236	Bracket: PCB: Left	39 - 14
B802 1246	Bracket: On Off Detector	39 - 12
B802 1321	Hinge: Left: Ass'y	41 - 8
B802 1361	Damper: Hinge: Right: Ass'y	41 - 9
B802 1412	Plate: Harness: Guide	39 - 24
B802 1612	Bracket: Motor	39 - 16
B802 1616	Stay: Motor	39 - 19
B802 1621	Stepper Motor: DC24V 4.8W	39 - 21
B802 1624	Bracket: Coupling	39 - 18
B802 1631	Timing Pulley: T31	37 - 6
B802 1632	Gear: Z18	37 - 7
B802 1633	Gear: Z19	37 - 8
B802 1641	Gear: Z18	37 - 18
B802 1642	Gear: Z37	37 - 3
B802 1643	Gear: Z26	37 - 4
B802 1651	Gear: Z25	37 - 5
B802 1661	Gear: Z21/Z23	37 - 2
B802 1671	Gear: Z17	37 - 1
B802 1681	Gear: Z18	37 - 15
B802 1715	Bracket: Stepper Motor	37 - 10
B802 1731	Stay: Motor: Scanning	37 - 11
B802 1736	Bracket: Protect: Drive	37 - 13
B802 1741	Timing Pulley: T31/T61	37 - 16
B802 1752	Timing Pulley: T31: Idler: Ass'y	33 - 2
B802 1752	Timing Pulley: T31: Idler: Ass'y	37 - 20
B802 1768	Pulley: Idler: DIA16: Ass'y	33 - 7
B802 1774	Timing Belt: 40S3M186	27 - 4
B802 1812	Stepper Motor: DC4.08V 2.4W	35 - 1
B802 1815	Bracket: Reverse: Drive	35 - 3
B802 1925	Bracket: Pickup: Drive	35 - 10

Part No.	Description	Page and Index No.
B802 1931	Timing Pulley: T33-Z17	35 - 17
B802 1941	Cam: Pickup	35 - 22
B802 1942	Stopper: Cam: Pickup	35 - 18
B802 1943	Feeler: Cam: Pickup	35 - 20
B802 1946	Gear: Drive: Arm: Pickup	35 - 21
B802 1951	Cam: Stopper Pawl	35 - 14
B802 1956	Gear: Stopper: Original Insert: Z25	35 - 15
B802 1985	Bracket: Sensor: Pickup	35 - 7
B802 2111	Stopper Pawl: Paper Feed	27 - 23
B802 2115	Lever: Stopper Pawl	27 - 1
B802 2223	Sheet: Guard	27 - 25
B802 2225	Drum Stay: Guide: Reverse	27 - 14
B802 2227	Guide: Reverse: Open And Close: Behind	27 - 21
B802 2228	Guide: Reverse: Open And Close	27 - 16
B802 2229	Guide: Reverse: Open And Close: Sub-Ass'y	27 - 26
B802 2231	Shaft: Reverse: Drive: Press Fit	27 - 20
B802 2252	Shaft: Roller: Reverse	27 - 13
B802 2253	Gear: Z20	27 - 15
B802 2255	Torque Limiter Mechanical Clutch: Separator	27 - 12
B802 2285	Roller: Reverse Exit: Driven	27 - 19
B802 2291	Stopper: Guide: Reverse	29 - 17
B802 2532	Spring Plate: Side Fence	21 - 15
B802 2536	Slider: Side Fence	21 - 14
B802 2551	Stay: Original Table: Contact Point	21 - 9
B802 2562	Plate: Contact Point	21 - 24
B802 2571	Spring Plate: 0.2T	21 - 17
B802 2581	Stopper: Original Table	21 - 10
B802 3145	Spring Plate	31 - 5
B802 3211	Roller: Pull Out	33 - 17
B802 3231	Roller: Scanning: Entrance	31 - 9
B802 3233	Timing Pulley: T33	31 - 14
B802 3235	Timing Pulley: T33-T24	31 - 11
B802 3251	Roller: Scanning: Exit	31 - 10
B802 3252	Timing Pulley: T33	31 - 12
B802 3311	Roller: Exit	33 - 21

Part No.	Description	Page and Index No.
B802 3312	Timing Pulley: T26	33 - 8
B802 3331	Roller: Reverse	33 - 3
B802 3332	Timing Pulley: T23	33 - 24
B802 3351	Guide: Paper Feed: Lower	33 - 15
B802 3382	Bracket: Guide: Paper Feed: Lower	31 - 2
B802 3413	Sheet: Roller: Scanning: Entrance	29 - 2
B802 3415	Guide: Scanning: Entrance: Lower	29 - 1
B802 3417	Sheet: Auxiliary: Scanning: Entrance	29 - 26
B802 3422	Stay: Scanning: Entrance: Lower	29 - 8
B802 3431	Bracket: Entrance: Pressure: Ass'y	29 - 6
B802 3435	Compression Spring: 3.3n	29 - 7
B802 3442	Sensor Barcket	29 - 27
B802 3471	Roller: Scanning: Driven	29 - 4
B802 3492	Shaft: Driven: Entrance	29 - 5
B802 3511	Guide Plate: Scanning	29 - 9
B802 3553	Guide: Scanning: Exit: Lower	29 - 11
B802 3561	Stay: Scanning: Exit: Lower	29 - 15
B802 3566	Plate: Exit: Pressure: Auxiliary	29 - 12
B802 3567	Spring Plate: Scanning: Exit: Driven: Upper	29 - 13
B802 3569	Spring Plate: Scanning: Exit: Driven: Lower	29 - 14
B802 3592	Shaft: Driven: Exit	29 - 25
B802 3611	Exchange Powl: Reverse	33 - 23
B802 3612	Cushion: Exchange Powl	33 - 22
B802 3615	Lever: Exchange Powl: Reverse	33 - 11
B802 3631	Link: Solenoid	33 - 10
B802 3653	Guide: Exit: Upper	33 - 20
B802 3711	Spring Plate	29 - 21
B802 3751	Stay: Reverse	33 - 14
B802 3755	Discharge Brush: Reverse	29 - 20
B802 3756	Discharge Brush: Exit	33 - 19
B802 3811	DC Solenoid: 24V	27 - 7
B802 3833	Shielding Plate: Sensor	31 - 7
B802 3834	Bracket: Registration Sensor	31 - 8
B802 3851	Bracket: Sensor: Scanning: Exit	29 - 19
B802 4154	Hook: Grip: Cover: Front	23 - 6

Part No.	Description	Page and Index No.
B802 4155	Hook: Grip: Cover: Inner Back	23 - 7
B802 4158	Shaft: Grip: Cover	23 - 8
B802 4162	Stopper: Cover	23 - 12
B802 4222	Guide: Upper	25 - 33
B802 4224	Spring Plate: Upper	25 - 32
B802 4225	Sheet: Driven Roller: Pull Out	25 - 41
B802 4227	Drum Stay: Upper: Inner Back	25 - 30
B802 4228	Drum Stay: Upper: Front	25 - 29
B802 4229	Sheet: Guide: Upper	25 - 31
B802 4252	Bracket: Paper Size Sensor	23 - 15
B802 4263	Feeler: Original Sensor	23 - 22
B802 4265	Ground Plate	25 - 40
B802 4282	Bracket: Driven Roller: Pull Out	25 - 37
B802 4292	Ground Plate: Driven Roller: Pull Out	25 - 38
B802 4295	Driven Roller: Pull Out	25 - 35
B802 4311	Paper Feed: Unit	25 - 1
B802 4322	Shaft: Drive	25 - 24
B802 4323	Holder	25 - 26
B802 4325	Lever: Pickup: Release	25 - 27
B802 4326	Collar: Shaft	25 - 17
B802 4328	Gear: Z20	25 - 28
B802 4333	Bracket: Paper Feed Belt	25 - 16
B802 4352	Shaft: Pickup	25 - 10
B802 4355	Bracket: Pickup	25 - 11
B802 4357	Gear: Z19	25 - 4
B802 4358	Timing Pulley: Gear: T19/Z22	25 - 5
B802 4359	Cushion: Pickup	25 - 12
B802 4361	Roller: Pickup	25 - 6
B802 4372	Timing Pulley: T21	25 - 8
B802 4611	Pressure Plate	41 - 3
B802 4632	Cushion: Pressure Plate: Left	41 - 4
B802 4712	Sound Proofing Material: Cover: Rear	21 - 7
B802 4712	Sound Proofing Material: Cover: Rear	23 - 5
B802 4712	Sound Proofing Material: Cover: Rear	41 - 5
B802 5710	Harness: Interface	39 - 1

Part No.	Description	Page and Index No.
B802 5730	Harness: Paper Feed	39 - 4
B802 5770	Harness: Motor: Reverse	39 - 6
B802 5780	Harness: Lift_Up	39 - 3
B802 5790	Harness: Solenoid	27 - 6
B802 5800	Harness: Solenoid	39 - 5
B802 5810	Harness: Registration Sensor	31 - 1
B802 5820	Harness: Motor: Pick Up	39 - 10
B802 5880	Harness: Sensor: Original Table	39 - 7
B802 5880	Harness: Sensor: Original Table	21 - 22
D009 1088	Grip Bracket - Right Rear	99 - 25
D009 1090	Connector Bracket - Fusing	93 - 8
D009 1093	Stopper Bracket - Grip	115 - 16
D009 1111	Drum Shaft	95 - 23
D009 1113	Drive Unit- Transfer On-Off	95 - 10
D009 1120	Rear Drive Bracket - Engine	95 - 6
D009 1121	Ground Plate - Drum	95 - 8
D009 1123	Drive Bracket - Transfer	95 - 11
D009 1125	Tightener Bracket - Transfer	95 - 31
D009 1127	Roller - Tightener	95 - 28
D009 1128	Spring - Tightener	95 - 29
D009 1135	Tightener Bracket - Development	95 - 30
D009 1139	Front Drive Bracket - Engine	95 - 24
D009 1141	Ground Plate - Drum	95 - 18
D009 1142	Pulley - 48T/90T	95 - 26
D009 1145	Drum Shaft Holder	95 - 19
D009 1147	Terminal - Development Roller	95 - 21
D009 1148	Collar - 6x18.8mm	95 - 13
D009 1151	Bracket - Registration Drive Unit	97 - 3
D009 1155	Joint: Development Sleeve: Ass'y	95 - 20
D009 1155	Joint: Development Sleeve: Ass'y	65 - 27
D009 1158	Holder - Paddle Roller Drive	93 - 33
D009 1161	Bracket - Paddle Roller Drive	93 - 28
D009 1164	Shaft - Paddle Rooler Drive	93 - 12
D009 1182	Joint Cover	93 - 1
D009 1183	Joint - Cleaning	93 - 2

Part No.	Description	Page and Index No.
D009 1187	Bracket - Fusing Cleaning Drive	93 - 17
D009 1193	Sensor Bracket	93 - 16
D009 1194	Motor Holder	93 - 24
D009 1195	Motor Bracket	93 - 25
D009 1351	Upper Fusing Duct	105 - 2
D009 1352	Lower Fusing Duct	105 - 3
D009 1354	Rear Exhaust Duct - Right	105 - 14
D009 1355	Rear Exhaust Duct - Left	105 - 11
D009 1358	Sponge: Duct: Exhaust: 1	105 - 5
D009 1359	Sponge: Duct: Exhaust: 2	105 - 15
D009 1366	Middle Exhaust Duct - Upper	103 - 1
D009 1367	Middle Exhaust Duct - Lower	103 - 2
D009 1368	Front Upper Duct	103 - 3
D009 1369	Front Lower Duct	103 - 4
D009 1371	Exit Duct - MM60	103 - 20
D009 1511	Stopper: Core	19 - 6
D009 1731	Bracket A - Left Scale	43 - 1
D009 1861	Cover - Polygon Motor	51 - 2
D009 2201	Seal: Drum: Front	67 - 12
D009 2202	Seal: Drum: Rear	67 - 14
D009 2203	Seal: Drum: Entrance	67 - 13
D009 2204	Seal: Blade: Upper: Case	67 - 15
D009 2205	Seal: Blade: Upper Rear: Small	67 - 11
D009 2240	Rear Flange - Lock	61 - 23
D009 2241	Front Flange - Lock	61 - 28
D009 2242	Spring Plate - Lock	61 - 29
D009 2243	Shaft - Lock	61 - 25
D009 2244	Stopper - Lock	61 - 27
D009 2249	Spring Plate - Lock Lever	15 - 15
D009 2254	Base - Lock Lever	15 - 14
D009 2279	Seal: Toner Supply: Entrance: Upper	67 - 7
D009 2301	Development Unit	65 - 4
D009 2303	Drum Hold Plate	67 - 38
D009 2317	Electrode Plate - Charge	67 - 4
D009 2318	Spring Plate - Electrode	67 - 25

Part No.	Description	Page and Index No.
D009 2331	Front Arm - Pressure/Charge	67 - 19
D009 2336	Rear Arm - Pressure/Charge	67 - 30
D009 2351	Cleaning Blade	67 - 24
D009 2367	Density Sensor	101 - 10
D009 2380	Front Side Plate - Coupling	67 - 6
D009 2389	Rear Side Plate - Coupling	65 - 2
D009 2389	Rear Side Plate - Coupling	67 - 2
D009 2412	Seal: Cover: PCU: Front	67 - 47
D009 2414	Spring Plate: Cover: PCU: Front	67 - 36
D009 2426	Seal - 24.5x68.5	67 - 34
D009 2433	Seal: Cover: Shutter	67 - 50
D009 2445	Handle - PCU	67 - 5
D009 2480	Screw - M3x10	65 - 32
D009 2511	Guide Plate: Feed Paper Again: Exit: Adhesion	87 - 11
D009 2527	Cover - Electrical Components	105 - 13
D009 2552	Guide Sheet - Manual Feed	59 - 17
D009 2554	Guide Sheet - Vertical Transport	87 - 1
D009 2555	Transport Roller - Duplex Exit	59 - 18
D009 2560	Driven Roller	87 - 14
D009 2563	Guide Plate - Vertical Transport	87 - 2
D009 2571	Holder - Vertical Transport	87 - 5
D009 2573	Pulley - Vertical Transport	87 - 8
D009 2574	Pulley - Idler	87 - 7
D009 2575	Shaft - Idler	87 - 10
D009 2576	Shaft - Vertical Transport	87 - 9
D009 2600	Registration Roller - Drive	61 - 14
D009 2602	Gear - 18Z	61 - 16
D009 2603	Gear - 28Z	61 - 9
D009 2606	Registration Roller - Driven	61 - 13
D009 2607	Bushing - Driven Registration	61 - 7
D009 2612	Case Supporter - Remove Paper Dust	61 - 11
D009 2614	Bracket - Registration Sensor	61 - 21
D009 2617	Upper Guide Plate - Registration	61 - 3
D009 2618	Cover - Paper Dust Removal	61 - 6
D009 2622	Front Positioning Guide	61 - 22

Part No.	Description	Page and Index No.
D009 2623	Rear Positioning Guide	61 - 18
D009 2624	Lower Guide Plate - Registration	61 - 12
D009 2626	Harness - Registration Sensor	61 - 19
D009 2633	Cap - Toner Supply	67 - 9
D009 2636	Tension Spring	61 - 8
D009 2638	Stay - Paper Dust Removal	61 - 5
D009 2650	Torsion Spring - Registration	61 - 4
D009 2757	Transport Roller: Drive: Ass'y	55 - 10
D009 3053	Upper Case Seal	65 - 22
D009 3066	Entrance Seal - Toner Supply	65 - 16
D009 3068	Front Bias Terminal	65 - 11
D009 3069	Rear Bias Terminal	65 - 12
D009 3070	Upper Cover - Development Unit	65 - 23
D009 3072	Seal - Density Sensor Harness	65 - 21
D009 3078	Joint- Paddle	65 - 15
D009 3084	Development Filter: Front	65 - 39
D009 3085	Development Filter: Rear	65 - 40
D009 3086	Development Filter	65 - 25
D009 3101	Seal: Development	65 - 36
D009 3102	Upper Cap - Development Case	65 - 34
D009 3104	Seal: Level	67 - 48
D009 3106	Sponge	65 - 37
D009 3107	Seal: Shielding Plate	61 - 31
D009 3108	Seal: Guide Plate	61 - 32
D009 3130	Spacer: Guide Plate: 0.05	65 - 28
D009 3152	Entrance Seal Ass'y	65 - 30
D009 3162	Ground Plate: Doctor Blade	65 - 26
D009 3178	Seal: Slide	65 - 38
D009 3203	Rear Seal - Upper Cover	65 - 33
D009 3204	Front Seal - Upper Cover	65 - 24
D009 3205	Seal: Side Plate: Front	65 - 17
D009 3206	Seal: Side Plate: Rear	65 - 20
D009 3265	Shaft - Slide	63 - 11
D009 3267	Seal: Toner Supply: Entrance: Front	67 - 8
D009 3803	Case - Transfer Unit	71 - 16

Part No.	Description	Page and Index No.
D009 3806	Transfer Unit: EXP: Ass'y	69 - *
D009 3831	Receptacle Housing - Transfer	95 - 33
D009 3832	Receptacle Terminal - Transfer	95 - 34
D009 3856	Guide: Standard: Transfer Unit: Rear	101 - 20
D009 3857	Guide: Standard: Transfer Unit: Front	101 - 21
D009 3858	Entrance Guide Plate - Transfer	61 - 30
D009 3860	Spring Cover - Transfer Unit	85 - 16
D009 3861	Terminal Holder - Transfer Unit	85 - 19
D009 3865	Holder - Density Sensor	101 - 9
D009 3866	Guide - Separation/Transport	101 - 14
D009 3872	Harness - Used Toner Sensor	71 - 15
D009 3875	Harness - Transfer Unit Bias	71 - 21
D009 3876	Earth Harness - Transfer Unit	71 - 19
D009 3883	Frame - Transfer Belt	69 - 16
D009 3884	Sensor Harness	85 - 20
D009 3890	Front Bushing - Bias Roller	69 - 8
D009 3893	Arm - Transfer Belt	69 - 17
D009 3894	Drive Roller - Transfer Belt	69 - 10
D009 3899	Set Lever - Transfer Unit	71 - 12
D009 3906	Seal - Rear Transfer Exit	71 - 25
D009 3907	Seal - Transfer Belt Exit	71 - 22
D009 3916	Front Lever - Transfer Belt	71 - 8
D009 3917	Rear Lever - Transfer Belt	71 - 10
D009 3918	Release Lever	71 - 13
D009 3919	Release Lever Shaft	71 - 4
D009 3920	Front Release Plate	71 - 6
D009 3921	Rear Release Plate	71 - 7
D009 3934	Bias Terminal - Transfer Belt	69 - 6
D009 3935	Earth Terminal - Transfer Belt	69 - 4
D009 3937	Terminal - Transfer Belt	69 - 5
D009 3943	Bracket: Cleaning Blade: Transfer Belt	71 - 2
D009 3948	Scraper - Drive Roller	69 - 12
D009 3952	Rear Seal - Cleaning Blade	71 - 24
D009 3953	Front Seal - Cleaning Blade	71 - 23
D009 3954	Sheet: Preventfence: Transfer Belt	69 - 11

Part No.	Description	Page and Index No.
D009 3992	Receptacle Housing - Transfer Unit	71 - 17
D009 4066	Fusing Cover - Duplex Guide	73 - 18
D009 4069	Entrance Guide Plate - Fusing	73 - 20
D009 4095	Harness: Set Sensor: TWN: C1P1	75 - 27
D009 4097	Harness - Set Sensor NA	75 - 27
D009 4098	Set Sensor Harness - 230V	75 - 27
D009 4099	Harness - Fusing Unit	75 - 26
D009 4123	Bracket: Side Plate: Auxiliary	75 - 35
D009 4124	Connector Bracket 1	75 - 33
D009 4125	Connector Bracket 2	75 - 28
D009 4126	Front Heater Bracket	75 - 1
D009 4127	Rear Heater Bracket	75 - 36
D009 4131	Terminal - AC/DC	75 - 30
D009 4132	Terminal Cover	75 - 29
D009 4135	Terminal - AC	75 - 14
D009 4141	Electrode Plate 1	75 - 32
D009 4142	Electrode Plate 2	75 - 31
D009 4143	Electrode Plate 3	75 - 13
D009 4152	Stay: Fusing Sub-unit: Fusing Exit: Peen	75 - 15
D009 4156	Retaining Rings-C - Hot Roller	75 - 2
D009 4163	Exit Guide - Hot Roller Unit	75 - 44
D009 4177	Thermistor	75 - 25
D009 4178	Thermistor Bracket	75 - 24
D009 4193	Housing - Thermostat	75 - 20
D009 4195	Spacer - Thermostat	75 - 22
D009 4196	Harness 1 - Thermostat	75 - 12
D009 4197	Harness 2 - Thermostat	75 - 19
D009 4225	Stay - Pressure Roller Unit	73 - 14
D009 4238	Bracket - Driven Roller	73 - 13
D009 4243	Exit Guide - Pressure Roller Unit	73 - 2
D009 4244	Knob	73 - 1
D009 4248	Knob Bracket	73 - 3
D009 4271	Front Lever - Pressure Release	75 - 6
D009 4274	Pressure Lock Lever	75 - 9
D009 4275	Front Pressure Lever	75 - 11

Part No.	Description	Page and Index No.
D009 4291	Rear Lever - Pressure Release	75 - 37
D009 4295	Front Pressure Lever	75 - 38
D009 4350	Front Lock Lever	101 - 15
D009 4351	Rear Lock Lever	101 - 8
D009 4355	Roller Clutch	77 - 8
D009 4356	Washer: DIA3.5	101 - 22
D009 4369	Bracket - Cleaning Unit Drive	77 - 3
D009 4377	Worm Gear Bracket	77 - 14
D009 4378	Worm Gear Shaft	77 - 12
D009 4388	Roller Clutch	77 - 21
D009 4393	Feeler - Web	77 - 10
D009 4406	Separation Plate - Paper Exit	91 - 11
D009 4407	Feeler - Overflow	89 - 17
D009 4408	Bracket - Fusing Exit Sensor	89 - 12
D009 4409	Sheet - Gate	81 - 7
D009 4412	Lower Guide Plate - Exit	91 - 12
D009 4413	Lower Stay - Exit	91 - 19
D009 4418	Stepped Tapping Screw - M3	89 - 11
D009 4419	Spring - Lower Guide Plate	91 - 17
D009 4420	Paper Exit Unit: Main: Ass'y	89 - *
D009 4422	Driven Roller Shaft	91 - 15
D009 4428	Upper Stay	91 - 2
D009 4430	DC Solenoid - Exit	89 - 1
D009 4431	Rear Side Plate	91 - 30
D009 4434	Front Side Plate	91 - 10
D009 4436	Entrance Gate	89 - 7
D009 4438	Lever - Entrance Gate	89 - 3
D009 4439	Bushing - 4mm	89 - 4
D009 4441	Exit Guide Plate - Upper Right	89 - 10
D009 4442	Exit Guide Plate - Upper	91 - 7
D009 4443	Discharge Brush - Exit	91 - 5
D009 4444	Exit Roller	91 - 1
D009 4445	Transport Roller	89 - 9
D009 4445	Transport Roller	91 - 3
D009 4447	Exit Sensor Bracket	89 - 15

Part No.	Description	Page and Index No.
D009 4448	Tension Spring - Gate Pawl	89 - 25
D009 4455	Cushion - DC Solenoid	89 - 5
D009 4457	Tension Spring Release	89 - 2
D009 4461	Gear - 17Z	89 - 20
D009 4462	Gear - 22Z	91 - 33
D009 4463	Gear/Pulley - 22Z/22T	91 - 34
D009 4464	Gear - 22Z	89 - 14
D009 4465	Timing Pulley - 22T	91 - 32
D009 4466	Timing Belt - 30S2M172	91 - 31
D009 4469	Gear - 17Z	89 - 21
D009 4471	Stepper Motor Bracket	89 - 22
D009 4476	Spring - Entrance Pressure	91 - 23
D009 4477	Spring - Exit Pressure	91 - 20
D009 4478	Lower Supporting Plate	91 - 29
D009 4482	Right Guide Plate - Open/Close	81 - 11
D009 4483	Upper Gate	81 - 1
D009 4485	Bushing - Gate	81 - 4
D009 4486	Lever - Upper Gate	81 - 6
D009 4488	Right Spring - Guide Plate	81 - 10
D009 4489	Driven Roller	81 - 3
D009 4490	Exit Motor Cover	89 - 23
D009 4491	Entrance Arm	91 - 22
D009 4492	Exit Arm	91 - 25
D009 4493	Bracket - Contact Point	91 - 27
D009 4496	Spring Plate - Exit Roller	91 - 28
D009 4498	Bushing - Lower Guide Plate	91 - 18
D009 4499	Harness - Paper Exit Unit	89 - 16
D009 4503	Guide Plate - Left Upper	81 - 14
D009 4504	Upper Guide Plate - Gate	83 - 2
D009 4511	Spacer: DIA8.0: 1.5mm	115 - 15
D009 4512	Link: Stopper	115 - 11
D009 4513	Compression Spring: Earth: Duplex Unit	115 - 13
D009 4521	Harness Bracket	83 - 24
D009 4522	Tension Spring - Duplex Gate	81 - 13
D009 4532	Tension Spring - Stopper Hook	79 - 5

Part No.	Description	Page and Index No.
D009 4535	Harness Guide	87 - 16
D009 4537	Front Release Arm	79 - 6
D009 4538	Rear Release Arm	79 - 7
D009 4541	Front Torsion Spring	85 - 21
D009 4543	Tension Spring - Duplex Gate	81 - 5
D009 4545	Holder Shaft - Transfer Unit	85 - 23
D009 4547	Stepper Motor - DC 5.79W	89 - 24
D009 4551	Guide Plate - Holder	85 - 18
D009 4577	Duplex Gate	81 - 12
D009 4587	Tension Spring - Release Bracket	87 - 27
D009 4588	Stopper Bracket - Spring	87 - 24
D009 4589	Guide - Set Shaft	87 - 23
D009 4590	Stopper Hook - Duplex Unit	79 - 4
D009 4593	Stepped Screw - M3	87 - 26
D009 4594	Front Guide - Duplex Unit Set	115 - 9
D009 4595	Rear Guide - Duplex Unit Set	115 - 8
D009 4597	Bracket - Wire Pulley Shaft	87 - 19
D009 4598	Spring - Set Shaft	87 - 22
D009 4599	Shaft - Duplex Unit	87 - 21
D009 4652	Motor Harness	83 - 26
D009 4661	Reverse Roller - Feed	83 - 10
D009 4662	Transport Roller 1	85 - 1
D009 4663	Transport Roller 2	85 - 2
D009 4664	Driven Roller	73 - 12
D009 4664	Driven Roller	85 - 15
D009 4664	Driven Roller	83 - 6
D009 4664	Driven Roller	79 - 8
D009 5325	SYNC Detector Board	51 - 7
D009 5420	Harness - High Voltage Cable	95 - 1
D009 5425	Harness - Safety Switch	109 - 5
D009 5425	Harness - Safety Switch	103 - 21
D009 5440	Harness - Development Drawer	97 - 14
D009 5470	Harness - BICU-IDB	107 - 1
D009 5475	Interface Harness - BICU-LDB	115 - 2
D009 5480	Harness - IOB Upper	107 - 11

Part No.	Description	Page and Index No.
D009 5481	Interface Harness - IOB-Switch	101 - 6
D009 5490	Harness - IOB Lower Behind	107 - 15
D009 5495	Harness - IOB-Lift Motor	107 - 10
D009 5500	Interface Harness - Web Sensor	93 - 15
D009 5505	Harness - Toner Supply Motor	101 - 1
D009 5510	Harness - Quenching Lamp	101 - 18
D009 5520	Harness - IOB-Motor	107 - 12
D009 5570	Harness - Imaging Unit	51 - 6
D009 5571	Harness: Laser Diode Control	51 - 9
D009 5602	Harness: AC: Inlet	109 - 6
D009 5602	Harness: AC: Inlet	109 - 9
D009 5610	AC Harness - Heater	109 - 7
D009 5611	Harness: AC: Heater	63 - 16
D009 5615	AC Harness - Heater	105 - 9
D009 5620	AC Harness - Fusing	93 - 9
D009 5840	Base - Left Safety Switch	103 - 18
D009 5851	Bracket - IO Board	97 - 9
D009 5851	Bracket - IO Board	107 - 16
D009 5852	Connector Bracket	105 - 4
D009 5854	Bracket - Power Pack	95 - 3
D009 5855	Bracket - Inlet	109 - 10
D009 5856	Bracket - Heater Connector	105 - 10
D009 5857	Shaft - Safety Switch	103 - 12
D009 5858	Left/Right Lever - Safety Switch	103 - 15
D009 5863	Left Lever - Safety Switch	103 - 16
D009 5864	Middle Lever - Safety Switch	103 - 13
D009 5865	Cam - Safety Switch	103 - 14
D009 5866	Base - Right Safety Switch	103 - 7
D009 5867	Guide Plate - Safety Switch	103 - 9
D009 5868	Right Lever - Safety Switch	103 - 11
D009 5869	Right Lower Lever - Safety Switch	103 - 8
D009 5875	Bracket - BICU	107 - 17
D009 5876	Small Bracket - BICU	107 - 18
D009 5876	Small Bracket - BICU	105 - 6
D009 5877	Guide - Mother Board	107 - 4

Part No.	Description	Page and Index No.
D009 5879	Bracket - Mother Board	111 - 1
D009 5881	Guide - Fax Control Unit	113 - 1
D009 5886	Ground Plate- C/T Box	111 - 13
D009 5891	Left Rail - Fax Control Unit	113 - 6
D009 5892	Heater Stopper	63 - 13
D009 5895	Tension Spring: Safety Switch: Left	103 - 17
D009 5896	Spring - Right Safety Switch	103 - 10
D009 5898	Harness Guide - Safety Switch	103 - 6
D009 5899	Right Rail - Small	113 - 5
D009 9510	OPC Drum	67 - 41
D011 1251	Decal: Main Switch: O-I	117 - 4
D011 1251	Decal: Main Switch: O-I	13 - 9
D011 1252	Decal: Main Switch: On-standby	63 - 9
D011 1252	Decal: Main Switch: On-standby	115 - 18
D011 1252	Decal: Main Switch: On-standby	13 - 9
D011 1252	Decal: Main Switch: On-standby	117 - 5
D011 1253	Decal: Main Switch: On-standby: EU	117 - 6
D011 1253	Decal: Main Switch: On-standby: EU	47 - 13
D011 1253	Decal: Main Switch: On-standby: EU	63 - 9
D011 5841	Heater: PCD: NA: Sub-ass'y	63 - 15
D011 5842	Heater: PCD: EU: Sub-ass'y	63 - 15
D029 1736	Mirror: No.2: Concave: Ass'y	45 - 9
D029 1737	Mirror: No.2: Convax: Ass'y	45 - 10
D029 1745	Pulley: DriveE Were: Front	49 - 5
D029 1747	Drive Were: Carriage: DIA1.0	45 - 19
D029 1748	Pulley: Drive Were: Rear: Ass'y	49 - 8
D029 1749	Pulley: Protection	49 - 4
D029 1774	Seal: Guard: Exposure Glass: Document Feeder	43 - 22
D029 1789	Inner Cover: Ground Plate: Peen	47 - 7
D029 1830	Gasket: 13x17x35: R	47 - 4
D029 1831	Gasket: 13x17x10: R	47 - 6
D029 1832	Gasket: 9x3x10	47 - 5
D029 2611	Ground Plate: Rear: Manual Feed	59 - 29
D029 2612	Ground Plate: Front: Manual Feed	59 - 25

Part No.	Description	Page and Index No.
D029 2664	Feeler: Paper Size Sensor: Manual Feed	57 - 15
D029 2677	Transport Belt: Driven: Vertical Transport	87 - 6
D029 2709	Guide Plate: Separator: Ass'y	59 - 26
D029 2710	Cover: Harness: Manual Feed Table	57 - 18
D029 2769	Harness: Paper Size Sensor: Manual Feed	57 - 9
D029 2773	Harness - Paper Feed Unit	55 - 3
D029 2863	Release Shaft	53 - 12
D029 5212	Harness: SIO: Sensor	43 - 15
D029 5213	Harness: SIO: ARDF	43 - 18
D029 5214	Harness: SIO: Lamp Regulator	49 - 18
D029 5215	Harness: SIO: STM	49 - 12
D089 1741	Bracket: Tension: Drive Wire	45 - 20
D089 2761	Arm: Pickup	55 - 22
D089 2767	Feeler: Paper End	55 - 1
D089 2778	Bracket: Sensor: Feed	55 - 4
D089 2781	Bracket: Sensor	55 - 6
D089 2829	Guide: Feed	55 - 17
D089 2940	Tray Bottom Plate: Ass'y	53 - 4
D089 5217	Harness: SIO: Scanner Unit	47 - 10
D089 5217	Harness: SIO: Scanner Unit	49 - 16
D120 1336	Cap: Cover	13 - 24
D120 1551	Sheet: Logo	13 - 12
D120 1700	Carriage: No.1: Sub-ass'y	45 - 25
D120 1705	Reflector: Scanner	45 - 24
D120 1710	Guide: FFC: Carriage: No.1	45 - 23
D120 1711	Guide: FFC: Carriage: No.2	45 - 22
D120 2832	End Fence: Ass'y	53 - 17
D120 2864	Lever: Stopper: Positioning	53 - 27
D120 2872	Decal: Paper Tray: No.1	53 - 9
D120 2872	Decal: Paper Tray: No.1	117 - 7
D120 2873	Decal: Paper Tray: No.2	53 - 9
D120 2873	Decal: Paper Tray: No.2	117 - 8
D120 2874	Decal: Size Indication: Paper Tray	13 - 27
D120 2874	Decal: Size Indication: Paper Tray	117 - 9
D120 2875	Decal: Side Fence: Rear	53 - 30

Part No.	Description	Page and Index No.
D120 2924	Stopper Lever - Front	53 - 19
D120 8867	Decal: Main Switch: On-standby: EU	115 - 18
D120 8867	Decal: Main Switch: On-standby: EU	13 - 9
D120 8868	Decal: Main Switch: On-standby: DOM: NA	117 - 10
D120 8868	Decal: Main Switch: On-standby: DOM: NA	13 - 9
D144 1261	Cover: Upper	15 - 5
D144 1266	Cover: Paper Exit Sub-unit: Upper	15 - 9
D144 1274	Cover: Inner Back: Middle: EXP	15 - 7
D144 1334	Cover: Scanner: Left: EXP	15 - 1
D144 1336	Cover: Scanner: Right: EXP	15 - 11
D144 1338	Cover: Scanner: Rear: EXP	15 - 12
D144 1396	Holder: Exposure Glass: Ig: Ass'y	13 - 29
D144 5885	Grip: Control Board: IG	113 - 11
D144 6849	Decal: Main Switch: On-standby: CHN	117 - 21
D144 6849	Decal: Main Switch: On-standby: CHN	13 - 9
D540 1629	Bracket: Fan: Fix: 0.8mm	39 - 27
D540 1721	Stepper Motor: Scanning: DC 72W	37 - 14
D540 5763	Harness: Motor: Scanning: Jst	39 - 9
D540 5851	Harness: Connecting: DC Fan Motor	39 - 25
D540 6121	Full Dug Point Screw: Fix: Hinge	21 - 3
D578 6021	Decal: Size: Original	23 - 4
D578 6021	Decal: Size: Original	117 - 22
D578 6031	Decal: Original Table	117 - 23
D578 6031	Decal - Original Table	21 - 12
D580 2523	Decal: Paper Set Direction: Tray: No.2	117 - 24
D580 2523	Decal: Paper Set Direction: Tray: No.2	53 - 3
D580 2870	Grip: Paper Tray	53 - 8
D580 2900	Paper Tray: No.2: Ass'y	53 - *
D580 2946	Cover: Paper Tray: No.2	53 - 7
D630 1252	Feeler: Paper Size Sensor: Pressure Plate	39 - 23
D630 1261	Grip: Lower	41 - 6
D630 1777	Knob: Misfeed Removal: T27	27 - 2
D630 2512	Original Table	21 - 25
D630 2522	Original Table: Face Front	21 - 13
D630 2526	Side Fence	21 - 11

Part No.	Description	Page and Index No.
D630 2541	Guide: Original Insert	21 - 21
D630 3413	Sheet: Scanning: Entrance	29 - 3
D630 4121	Cover: Paper Feed	23 - 1
D630 4141	Cover: Upper: Paper Feed	23 - 24
D630 4142	Cover: Left: Paper Feed	23 - 25
D630 4152	Grip: Cover: Paper Feed	23 - 2
D630 4221	Bracket: Cover: Paper Feed: Middle	23 - 26
D630 4231	Bracket: Cover: Paper Feed: Inner Back: Ass'y	23 - 11
D630 4241	Bracket: Cover: Paper Feed: Front: Ass'y	23 - 10
D630 4411	Cover: Front	21 - 4
D630 4511	Cover: Rear	21 - 8
D630 4621	Drum Stay: Pressure Plate	41 - 12
D630 5500	PCB: Main Control Board:	
	Document Feeder: Ass'y	39 - 11
D630 5870	Harness: Sensor: Paper Feed	39 - 8
D630 5870	Harness: Sensor: Paper Feed	23 - 16
D630 6011	Decal: Side Fence	21 - 16
D630 6011	Decal: Side Fence	117 - 25
D630 6013	Decal: Display: Misfeed Removal: P1	23 - 3
D630 6013	Decal: Display: Misfeed Removal: P1	21 - 5
D630 6013	Decal: Display: Misfeed Removal: P1	117 - 26
D630 6014	Decal: Display: Misfeed Removal: P2	117 - 27
D630 6014	Decal: Display: Misfeed Removal: P2	27 - 17
D630 6015	Decal: Display: Misfeed Removal: P3	117 - 28
D630 6015	Decal: Display: Misfeed Removal: P3	33 - 25
D630 6022	Decal: Caution: Original: Many Languages	117 - 29
G020 1160	Snap Ring	33 - 12
G021 9350	Loop Back Connector	119 - 10
G024 1314	Pulley Pin	69 - 13
G029 1980	Decal - LD	117 - 30
G029 1980	Decal - LD	51 - 3
G052 4892	Discharge Brush: Exit: Small	31 - 4
G052 4892	Discharge Brush: Exit: Small	25 - 39
G060 2652	Bushing - M4	87 - 3
G060 2932	Pick-up Arm - Manual Feed	59 - 13

Part No.	Description	Page and Index No.
G065 2308	Electrode Plate: Charge: Rear	67 - 31
G065 2354	Electrode Plate: Charge: Front	67 - 17
G065 2681	Snap Ring - M6	67 - 18
G065 2681	Snap Ring - M6	65 - 3
G065 2767	Lever - Feed	55 - 24
G065 2774	Pressure Lever	55 - 32
G065 2775	Link Lever	55 - 38
G065 2776	Release Lever	55 - 37
G102 3837	Stopper: Blade	71 - 11
G179 1032	Shaft: Hinge	13 - 13
G179 5854	Bracket: Power Supply Cord: Stay	13 - 11
G404 2810	Spring Plate - 2nd Mirror	45 - 8
G570 1133	Timing Pulley 73	49 - 7
G570 1160	Spacer Bushing	49 - 21
G570 1225	Sensor Shielding Plate	35 - 6
G570 2730	Slider - Scanner	45 - 12
G790 2329	Brush Roller: Cleaner: Charge: Amabuki: Ass'y	67 - 46
H053 2208	Bushing - M4	89 - 8
H053 2208	Bushing - M4	91 - 4
H511 5007	Stamp	13 - 30
H511 5007	Stamp	21 - 26
J503 3116	Timing Belt: 40S2M128	35 - 5

Part No.	Description	Page and Index No.
M026 1778	Guide: FFC	45 - 13
M026 1815	Clamp: Mirror: No.1	45 - 5
M052 1553	Cushion: Core	19 - 28
M052 5391	PCB: Memory: 512MB	113 - 7

Part No.	Description	Page and Index No.
AA00 1564	Plate: Logotype: RIC	13 - 12
AA00 1565	Plate: Logotype: LAN	13 - 12
AA00 1567	Plate: Logotype: GES	13 - 12
AA04 3320	Timing Belt: 40S1.5M150	37 - 9
AA04 3321	Timing Belt: 40S1.5M378	33 - 5
AA04 3322	Timing Belt: 40S1.5M157.5	37 - 17
AA04 3323	Timing Belt: 40S2M120	35 - 9
AA04 3328	Timing Belt: 40S2M130	25 - 9
AA04 3585	Timing Belt: 40S3M162	99 - 7
AA04 3601	Timing Belt - B40S2M118	97 - 5
AA04 3656	Timing Belt - 60S3M177	93 - 31
AA04 3658	Timing Belt - 60S2M300	95 - 27
AA06 0691	Tension Spring	55 - 23
AA06 0693	Tension Spring	55 - 31
AA06 0842	Tension Spring	37 - 12
AA06 0842	Tension Spring	33 - 4
AA06 0842	Tension Spring	39 - 20
AA06 0843	Tension Spring	27 - 3
AA06 0872	Spring	59 - 43
AA06 0948	Tension Spring: Stripper Pawls: 50mN	75 - 16
AA06 0979	Tension Spring: Tension: 14720MN	49 - 10
AA06 0980	Tension Spring: Tension: 11300mN	45 - 18
AA06 1003	Tension Spring: Side Fence: Rear	53 - 14
AA06 1014	Tension Spring: Grip	53 - 11
AA06 1020	Spring: Release: Transfer Belt	69 - 7
AA06 1022	Spring - Driven Roller	73 - 10
AA06 1023	Compression Spring - Knob	73 - 4
AA06 1024	Tension Spring - Pressure	75 - 10
AA06 1099	Compression Spring: Cleaning Roller	73 - 15
AA06 1100	Spring: Pressure: Cleaning Blade	71 - 3
AA06 2259	Spring - Release	55 - 39
AA06 2260	Tension Spring	33 - 9
AA06 2262	Tension Spring	23 - 9
AA06 2300	Tension Spring	67 - 27
AA06 2310	Pressure Spring	67 - 42

Part No.	Description	Page and Index No.
AA06 2348	Pressure Spring	67 - 26
AA06 3303	Pressure Spring	85 - 24
AA06 3432	Spring - Intermediate Drawer	95 - 22
AA06 3435	Compression Spring: Paper Feed: Joint	25 - 20
AA06 3441	Compression Spring	25 - 36
AA06 3445	Spring - Laser Diode Unit	51 - 10
AA06 3447	Spring - Transfer Belt	71 - 9
AA06 3448	Pressure Spring - Transfer Unit	85 - 17
AA06 3499	Pressure Spring	59 - 42
AA06 3566	Pressure Spring	63 - 8
AA06 3568	Pressure Spring	59 - 12
AA06 3648	Pressure Spring	67 - 20
AA06 3886	Spring	77 - 7
AA06 3919	Spring: Pressure	27 - 9
AA06 6380	Spring	71 - 18
AA06 6381	Spring	71 - 20
AA08 0254	Bushing - M4	79 - 9
AA08 0254	Bushing - M4	85 - 25
AA08 0265	Bushing: 6x8x5	27 - 18
AA08 0281	Bushing - 12x18x5.5	65 - 35
AA08 0288	Bushing: DIA6	25 - 34
AA08 0346	Bushing: Flange Type: DIA6	99 - 13
AA08 0347	Bushing - 8mm	93 - 29
AA08 0351	Bushing - Cleaning Roller	73 - 16
AA08 0352	Bushing - Driven Roller	73 - 11
AA08 0353	Bushing - 4mm	77 - 23
AA08 0354	Bushing - 6mm	77 - 19
AA08 0355	Bushing - 7mm	77 - 13
AA08 0356	Bushing - 6mm	77 - 17
AA08 2054	Bushing - M4	69 - 3
AA08 2074	Bushing - M8	61 - 10
AA08 2101	Bushing - 6x10x6	33 - 13
AA08 2101	Bushing - 6x10x6	25 - 3
AA08 2101	Bushing - 6x10x6	35 - 12
AA08 2101	Bushing - 6x10x6	27 - 10

Part No.	Description	Page and Index No.
AA08 2101	Bushing - 6x10x6	59 - 7
AA08 2101	Bushing - 6x10x6	91 - 6
AA08 2101	Bushing - 6x10x6	85 - 10
AA08 2102	Bushing - 6x10x6	59 - 23
AA08 2104	Bushing - 8x12x7	83 - 3
AA08 2104	Bushing - 8x12x7	25 - 18
AA08 2143	Bushing - 6x10x6	55 - 11
AA08 2144	Bushing - 8x12x7	49 - 20
AA08 2150	Plain Shaft Bearing: M6	55 - 20
AA08 2158	Plain Shaft Bearing: Mm8	61 - 24
AA08 3014	One-way Clutch	59 - 30
AA08 3018	Roller Clutch - 6x14x10	59 - 28
AA08 3018	Roller Clutch - 6x14x10	59 - 50
AA10 0014	Retaining Ring C - Separate	59 - 5
AA10 0014	Retaining Ring C - Separate	55 - 16
AA10 0014	Retaining Ring C - Separate	85 - 22
AA10 1021	Rubber Bushing - 6 45HS	35 - 2
AA10 1021	Rubber Bushing - 6 45HS	99 - 23
AA10 1021	Rubber Bushing - 6 45HS	83 - 18
AA13 2013	Spacer	25 - 19
AA13 2208	Spacer - M6	93 - 3
AA14 0777	Shaft: Feed	59 - 8
AA14 0778	Shaft: Separator: Drive	59 - 38
AA14 3183	Stepped Screw	87 - 25
AA14 3404	Stepped Screw - M4	115 - 10
AA14 3520	Shoulder Screw - M3	73 - 21
AA14 3520	Shoulder Screw - M3	73 - 19
AA14 3520	Shoulder Screw - M3	43 - 12
AA14 3520	Shoulder Screw - M3	75 - 45
AA14 3520	Shoulder Screw - M3	41 - 11
AA14 3542	Screw: M3: DIA4X5.6	21 - 27
AA14 3549	Screw: DIA10: M3x8	67 - 39
AA14 3569	Screw	29 - 10
AA14 3579	Screw - M3	101 - 11
AA14 3579	Screw - M3	97 - 15

Part No.	Description	Page and Index No.
AA14 3744	Stepped Screw	93 - 10
AA14 3788	Pin: Guide Plate: Paper Feed	23 - 14
AA14 3789	Shaft: Cleaner	23 - 13
AA14 3790	Screw: Contact Point	37 - 19
AA14 3790	Screw: Contact Point	33 - 1
AA14 3790	Screw: Contact Point	27 - 24
AA14 3790	Screw: Contact Point	41 - 7
AA14 3792	Screw: Drawer	75 - 8
AA14 3802	Screw: 6x1.7	39 - 17
AA14 3807	Screw: A	83 - 1
AA14 3812	Screw - Scale	77 - 1
AA14 3823	Tapping Screw	27 - 5
AA14 3848	Stepped Screw - M3	111 - 9
AA14 5294	Parallel Pin - 2x12mm	95 - 17
AA15 0423	Seal - Cleaning Pressure	71 - 27
AA15 3062	Sponge - M46	65 - 29
AA15 3095	Shield - Development - Center	65 - 18
AA16 1163	Cushion	115 - 5
AA16 1167	Rubber Cushion	111 - 10
AA16 1180	Cushion: DC Stepper Motor	99 - 15
AB01 0140	Gear - 90Z	95 - 25
AB01 0141	Gear - 46Z	95 - 15
AB01 0156	Gear: Separate: Drive	55 - 33
AB01 0157	Gear: Separate: Drive	55 - 30
AB01 0171	Gear - 40Z	75 - 39
AB01 0172	Gear - 24Z/25Z	75 - 34
AB01 0173	Gear - 60Z	77 - 20
AB01 0174	Gear - 20Z/50Z	77 - 5
AB01 0175	Gear - 24Z	77 - 6
AB01 0176	Gear - 24Z	77 - 22
AB01 0177	Gear - 32Z	77 - 16
AB01 0178	Worm Gear	77 - 15
AB01 0379	Gear: Drum	95 - 9
AB01 1218	Gear - Roller Clutch	55 - 19
AB01 1223	Idler Gear - 25Z	59 - 45

Part No.	Description	Page and Index No.
AB01 1252	Gear - 20Z	55 - 15
AB01 1258	Gear - 38Z	99 - 6
AB01 1259	Gear - 32Z	99 - 9
AB01 1282	Gear - 31Z	69 - 14
AB01 1377	Gear - 14Z	67 - 52
AB01 1379	Gear - 19Z	67 - 29
AB01 1380	Cam - Cleaning Blade	67 - 28
AB01 1387	Gear - 23Z	59 - 10
AB01 1416	Gear - 20Z	59 - 36
AB01 1523	Gear - 24Z	93 - 18
AB01 1524	Gear - 36Z	93 - 19
AB01 1525	Gear - 32Z	93 - 21
AB01 1526	Gear - 24Z	93 - 20
AB01 1527	Gear - 14Z/32Z	93 - 22
AB01 1528	Gear - 14Z/32Z	93 - 23
AB01 4060	Gear - 21Z	65 - 9
AB01 4061	Gear - 13Z	65 - 7
AB01 4062	Gear - 17Z/25Z	65 - 10
AB01 4161	Reverse Roller Gear	83 - 11
AB01 4280	Gear - 26Z/90Z	93 - 6
AB01 4281	Gear - 40Z	93 - 7
AB01 4282	Gear - 26Z/30Z	93 - 11
AB01 4283	Gear - 24Z	93 - 5
AB01 4284	Gear - 24Z	93 - 4
AB01 7493	Gear Pulley	99 - 18
AB01 7699	Gear - 33Z/44Z	99 - 5
AB01 7743	Gear - 20Z	93 - 32
AB01 7752	Gear - 27TZ/42Z	95 - 12
AB03 0744	Timing Pulley - 27Z/40T	97 - 4
AB03 0781	Timing Pulley - 28Z/30T	99 - 8
AB03 0815	Timing Pulley - 24T	93 - 30
AB03 0820	Pulley - 31T	95 - 16
AB03 0821	Pulley - 31T	95 - 14
AC01 5025	Shield Glass	51 - 4
AC03 0169	Mirror: No.1	45 - 6

Part No.	Description	Page and Index No.
AD02 5021	Pick-Off Pawl	67 - 44
AD02 7012	Roller: Charge: Apply	67 - 37
AD04 1135	Cleaning Blade - Transfer Belt	71 - 1
AE01 1132	Hot Roller	75 - 40
AE02 0199	Pressure Roller	75 - 43
AE03 0098	Ball Bearing - 8x22x7	75 - 4
AE03 0099	Ball Bearing - 30x42x7	75 - 3
AE04 0099	Holder Roller	77 - 9
AE04 2098	Cleaning Roller: Ass'y	73 - 17
AE04 4099	Stripper Pawls	75 - 17
AE04 5099	Cleaning Web	77 - 18
AF01 3016	Bottom Plate Pad	53 - 5
AF01 3016	Bottom Plate Pad	59 - 27
AF03 0049	Pick-up Roller	59 - 11
AF03 0090	Paper Feed Roller: Pickup	55 - 14
AF03 1046	Feed Roller - Manual Feed	59 - 6
AF03 1090	Paper Feed Roller: Feed	55 - 18
AF03 2046	Separation Roller - Manual Feed	59 - 39
AF03 2090	Paper Feed Roller: Separate	55 - 27
AF04 0571	Guide Roller	91 - 13
AF04 0575	Driven Roller	91 - 8
AF04 0599	Pressure Roller: 15	91 - 26
AF04 0601	Pressure Roller: Entrance	91 - 24
AG07 0513	Magnet Catch	21 - 1
AG07 0514	Magnet Catch	79 - 11
AG07 1012	Magnet Catch: Ass'y	13 - 4
AW01 0091	Photo Reflection Sensor	23 - 20
AW01 0107	Paper Feed Sensor	83 - 5
AW01 0107	Paper Feed Sensor	89 - 6
AW01 0107	Paper Feed Sensor	59 - 2
AW01 0107	Paper Feed Sensor	61 - 20
AW01 0122	Paper Feed Sensor	55 - 7
AW01 0127	Paper Feed Sensor	89 - 13
AW01 0128	Paper Feed Sensor	55 - 5
AW01 0129	Photo Refiection Sensor	21 - 23

Part No.	Description	Page and Index No.
AW01 0133	Original Sensor - 66mm	47 - 2
AW01 0199	Entrance Sensor	101 - 19
AW02 0145	Photointerruptor: Flat	43 - 14
AW02 0145	Photointerruptor: Flat	89 - 19
AW02 0145	Photointerruptor: Flat	83 - 9
AW02 0145	Photointerruptor: Flat	55 - 2
AW02 0146	Photointerruptor: Flat: PICH2mm: M4	43 - 16
AW02 0150	Photointerruptor: Flat: 7mm	93 - 14
AW02 0154	Photointerruptor: Entrance	23 - 17
AW02 0155	Photointerruptor: Paper Size Sensor	23 - 18
AW02 0198	Photointerruptor: LG2A14NI1	23 - 21
AW02 0198	Photointerruptor: LG2A14NI1	35 - 8
AW02 0198	Photointerruptor: LG2A14NI1	39 - 13
AW02 0204	Photointerruptor: LGRC102	57 - 16
AW11 0098	Thermostat - 220C	75 - 21
AW11 0099	Thermostat - 219C	75 - 23
AW50 0023	Push Switch	101 - 7
AW50 0031	Paper Size Sensor	57 - 10
AW50 0035	Paper End Sensor	59 - 21
AW50 0038	Push Switch: Paper Size Sensor	97 - 11
AX04 0154	DC Motor 24V	97 - 8
AX04 0167	Motor: DC5V 0.71W	93 - 26
AX05 0329	DC Motor: Toner Bottle: Ass'y	101 - 2
AX06 0355	Brushless Motor - DC 11W	95 - 5
AX06 0355	Brushless Motor - DC 11W	93 - 27
AX06 0356	Brushless Motor: DC24V 18W	93 - 13
AX06 0415	Brushless Motor: Drive: Drum: DC 10W	95 - 4
AX06 0416	Polygon Scanner Motor: DC: Brushless: 16.8W	51 - 5
AX20 0289	Magnetic Clutch - 32Z	99 - 11
AX20 2007	Magnetic Clutch	59 - 31
AX31 0045	Total Counter: 7FIG: 24V	99 - 24
AX43 0112	Heater - 120V 550W	75 - 41
AX43 0113	Heater - 230V 550W	75 - 41
AX43 0114	Heater: 110V: CE	75 - 41
AX44 0252	Heater - 120V 750W	75 - 42

Part No.	Description	Page and Index No.
AX44 0253	Heater - 230V 750W	75 - 42
AX44 0254	Heater: 110V: Si	75 - 42
AX64 0159	Fan Motor MM80	105 - 1
AX64 0194	Fan Motor - DC 2.16W	103 - 19
AX64 0195	Fan Motor - DC 2.16W	111 - 11
AX64 0202	Fan: MM40x15: NIDEC: H	39 - 26
AZ24 0204	Power Supply Unit: 353W: NA/TWN	109 - 2
AZ24 0205	Power Supply Unit: 353W: EU/AA/CHN	109 - 2
AZ32 0177	Power Pack: CBT	95 - 2
BC01 2002	Exposure Glass: Sheet Through: 344x20	43 - 4
GA14 3003	Screw: MM5: 2.5mm	23 - 23
GW01 0007	Photo Refiection Sensor: Exit	29 - 18
GW01 0007	Photo Refiection Sensor: Exit	31 - 6
GW01 0007	Photo Refiection Sensor: Exit	23 - 19
GW01 0007	Photo Refiection Sensor: Exit	21 - 20
GW23 0001	Toner End Sensor	71 - 14
GZ00 0005	Power Cord - 230V	13 - 16

Part No.	Description	Page and Index No.
VSSM 9000	Digital Multimeter - FLUKE 187	119 - 3

Part No.	Description	Page and Index No.
0314 0120N	Screw - M4x12	43 - 105
0353 0040N	Screw - M3x4	17 - 102
0353 0040N	Screw - M3x4	91 - 102
0353 0040N	Screw - M3x4	59 - 104
0353 0040N	Screw - M3x4	19 - 101
0353 0040N	Screw - M3x4	27 - 102
0353 0050N	Screw-M3x5	45 - 102
0353 0050N	Screw-M3x5	77 - 101
0353 0050N	Screw-M3x5	15 - 104
0353 0060N	Bind Screw - M3x6	35 - 102
0353 0060N	Bind Screw - M3x6	45 - 105
0353 0060N	Bind Screw - M3x6	111 -105
0353 0060N	Bind Screw - M3x6	113 -101
0353 0080N	Screw: M3x8	99 - 108
0353 0100N	Screw-M3x10	83 - 103
0353 0100N	Screw-M3x10	89 - 104
0360 3006N	Screw - M3x6	67 - 105
0360 3006N	Screw - M3x6	111 -101
0360 3006N	Screw - M3X6	109 -103
0360 3006N	Screw - M3x6	59 - 107
0360 3006N	Screw - M3x6	73 - 101
0360 3006N	Screw - M3x6	75 - 101
0360 3006N	Screw - M3X6	113 -102
0360 3006N	Screw - M3x6	77 - 102
0434 0100N	Tapping Screw - 4x10	99 - 106
0450 3006N	Tapping Screw - M3x6	61 - 101
0450 3006N	Tapping Screw - M3x6	89 - 109
0450 3008N	Tapping Screw - M3x8	85 - 101
0450 3008N	Tapping Screw - M3x8	31 - 102
0450 3008N	Tapping Screw - M3x8	81 - 101
0450 3008N	Tapping Screw - M3x8	41 - 103
0450 3008N	Tapping Screw - M3x8	39 - 102
0450 3008N	Tapping Screw - M3x8	27 - 103
0450 3008N	Tapping Screw - M3x8	87 - 102
0450 3008N	Tapping Screw - M3x8	29 - 101

Part No.	Description	Page and Index No.
0450 3008N	Tapping Screw - M3x8	51 - 102
0450 3008N	Tapping Screw - M3x8	59 - 102
0450 3008N	Tapping Screw - M3x8	103 -103
0450 3008N	Tapping Screw - M3x8	57 - 101
0450 3008N	Tapping Screw - M3x8	55 - 102
0450 3008N	Tapping Screw - M3x8	21 - 102
0450 3008N	Tapping Screw - M3x8	25 - 101
0450 3008N	Tapping Screw - M3x8	23 - 102
0450 3008P	Tapping Screw 3x8	91 - 105
0450 3010N	Tapping Screw - M3x10	51 - 101
0450 3010N	Tapping Screw - M3x10	87 - 103
0450 3010N	Tapping Screw - M3x10	101 -103
0450 3012N	Tapping Screw: 3x12	13 - 103
0450 3012N	Tapping Screw: 3x12	53 - 103
0450 4008N	Tapping Screw - M4x8	53 - 101
0451 3006N	Tapping Screw - 3x6	39 - 101
0451 3006N	Tapping Screw - 3x6	83 - 101
0451 3006N	Tapping Screw - 3x6	45 - 101
0451 3006N	Tapping Screw - 3x6	69 - 102
0451 3006N	Tapping Screw - 3x6	43 - 101
0451 3006N	Tapping Screw - 3x6	71 - 101
0451 3006N	Tapping Screw - 3x6	59 - 101
0451 3006N	Tapping Screw - 3x6	41 - 101
0451 3006N	Tapping Screw - 3x6	29 - 103
0451 3006N	Tapping Screw - 3x6	111 -102
0451 3006N	Tapping Screw - 3x6	87 - 101
0451 3006N	Tapping Screw - 3x6	17 - 105
0451 3006N	Tapping Screw - 3x6	31 - 101
0451 3006N	Tapping Screw - 3x6	47 - 103
0451 3006N	Tapping Screw - 3x6	89 - 101
0451 3006N	Tapping Screw - 3x6	109 -104
0451 3006N	Tapping Screw - 3x6	55 - 101
0451 3006N	Tapping Screw - 3x6	21 - 101
0451 3006N	Tapping Screw - 3x6	37 - 101
0451 3006N	Tapping Screw - 3x6	79 - 101

Part No.	Description	Page and Index No.
0451 3006N	Tapping Screw - 3x6	25 - 102
0451 3006N	Tapping Screw - 3x6	99 - 101
0451 3006N	Tapping Screw - 3x6	35 - 101
0451 3006N	Tapping Screw - 3x6	91 - 101
0451 3006N	Tapping Screw - 3x6	49 - 102
0451 3006N	Tapping Screw - 3x6	23 - 103
0451 3006N	Tapping Screw - 3x6	33 - 101
0451 3008N	Tapping Screw - M3x8	79 - 103
0451 3008N	Tapping Screw - M3x8	13 - 101
0451 3008N	Tapping Screw - M3x8	59 - 106
0451 3008N	Tapping Screw - M3x8	95 - 110
0451 3008N	Tapping Screw - M3x8	101 -104
0451 3008N	Tapping Screw - M3x8	43 - 102
0451 3008N	Tapping Screw - M3x8	115 -102
0451 3008N	Tapping Screw - M3x8	15 - 101
0451 3008N	Tapping Screw - M3x8	109 -105
0451 3010N	Tapping Screw: 3x10	23 - 101
0451 3010N	Tapping Screw: 3x10	43 - 103
0451 3020N	Tapping Screw: 3x20	39 - 108
0451 3025N	Tapping Screw: M3x25	103 -105
0451 4008N	Tapping Screw: 4x8	99 - 103
0452 3006N	Binding Self-tapping Screw: 3x6	29 - 104
0452 3006N	Binding Self-tapping Screw: 3x6	69 - 101
0452 3008N	Tapping Screw - M3x8	111 -103
0452 3008N	Tapping Screw - M3x8	71 - 103
0452 3008N	Tapping Screw - M3x8	59 - 103
0452 3010N	Binding Self-tapping Screw: 3x10	63 - 101
0453 3006N	Tapping Screw - M3x6	61 - 104
0453 3006N	Tapping Screw - M3x6	89 - 105
0453 3006N	Tapping Screw - M3x6	43 - 104
0453 3006N	Tapping Screw - M3x6	29 - 102
0453 3008N	Binding Self Tapping Screw: 3x8	43 - 106
0453 3008N	Binding Self Tapping Screw: 3x8	53 - 102
0453 4006N	Binding Self Tapping Screw: 4x6	37 - 102
0453 4006N	Binding Self Tapping Screw: 4x6	39 - 103

Part No.	Description	Page and Index No.
0454 3006Q	Tapping Screw - M3x6	61 - 102
0454 3006Q	Tapping Screw - M3x6	103 -102
0454 3006Q	Tapping Screw - M3x6	83 - 102
0454 3006Q	Tapping Screw - M3x6	115 -101
0454 3006Q	Tapping Screw - M3x6	89 - 102
0454 3006Q	Tapping Screw - M3x6	111 -104
0454 3006Q	Tapping Screw - M3x6	93 - 101
0454 3006Q	Tapping Screw - M3x6	65 - 101
0454 3006Q	Tapping Screw - M3x6	95 - 101
0454 3006Q	Tapping Screw - M3x6	75 - 105
0454 3006Q	Tapping Screw - M3x6	97 - 101
0454 3006Q	Tapping Screw - M3x6	109 -101
0454 3006Q	Tapping Screw - M3x6	63 - 103
0454 3006Q	Tapping Screw - M3x6	99 - 102
0454 3006Q	Tapping Screw - M3x6	105 -101
0454 3006Q	Tapping Screw - M3x6	107 -101
0454 3006Q	Tapping Screw - M3x6	67 - 101
0454 3006Q	Tapping Screw - M3x6	49 - 101
0454 3006Q	Tapping Screw - M3x6	15 - 103
0454 3006Q	Tapping Screw - M3x6	47 - 101
0454 3006Q	Tapping Screw - M3x6	41 - 102
0454 3006Q	Tapping Screw - M3x6	51 - 106
0454 3008Q	Tapping Screw: 3x8	103 -101
0454 3008Q	Tapping Screw: 3x8	97 - 102
0454 3008Q	Tapping Screw: 3x8	59 - 105
0454 3008Q	Tapping Screw: 3x8	101 -101
0454 3008Q	Tapping Screw: 3x8	101 -102
0454 3008Q	Tapping Screw: 3x8	93 - 104
0454 3008Q	Tapping Screw: 3x8	55 - 106
0454 3008Q	Tapping Screw: 3x8	105 -102
0454 3008Q	Tapping Screw: 3x8	15 - 102
0454 3008Q	Tapping Screw: 3x8	13 - 102
0454 3020Q	Tapping Screw: 3x20	95 - 103
0456 3008N	Tapping Screw - M3x8	65 - 102
0456 3008N	Tapping Screw - M3x8	67 - 102

Part No.	Description	Page and Index No.
0456 3008N	Tapping Screw - M3x8	71 - 102
0456 3008N	Tapping Screw - M3x8	63 - 102
0457 3008N	Tapping Screw - M3x8	67 - 103
0457 3008N	Tapping Screw - M3x8	113 -103
0459 3010N	Binding Head Tapping Screw: 3x10	19 - 103
0459 3010N	Binding Head Tapping Screw: 3x10	17 - 101
0573 0030E	Hexagonal Set Screw - M3x3	77 - 104
0632 0100G	Pin - 2x10mm	31 - 106
0632 0100G	Pin - 2x10mm	25 - 106
0632 0120G	Parallel Pin - 2x12	27 - 104
0712 0030N	Hexagonal Nut: M3	51 - 105
0720 0025E	Retaining Ring - M2.5	91 - 103
0720 0030E	Retaining Ring - M3	79 - 102
0720 0030E	Retaining Ring - M3	91 - 104
0720 0030E	Retaining Ring - M3	65 - 103
0720 0030E	Retaining Ring - M3	85 - 103
0720 0030E	Retaining Ring - M3	83 - 106
0720 0030E	Retaining Ring - M3	75 - 107
0720 0030E	Retaining Ring - M3	33 - 104
0720 0030E	Retaining Ring - M3	77 - 103
0720 0040E	Retaining Ring - M4	25 - 103
0720 0040E	Retaining Ring - M4	89 - 106
0720 0040E	Retaining Ring - M4	37 - 103
0720 0040E	Retaining Ring - M4	99 - 107
0720 0040E	Retaining Ring - M4	87 - 106
0720 0040E	Retaining Ring - M4	67 - 104
0720 0040E	Retaining Ring - M4	55 - 104
0720 0040E	Retaining Ring - M4	45 - 104
0720 0040E	Retaining Ring - M4	83 - 104
0720 0040E	Retaining Ring - M4	31 - 103
0720 0040E	Retaining Ring - M4	97 - 103
0720 0040E	Retaining Ring - M4	27 - 105
0720 0060E	Retaining Ring - M6	33 - 103
0720 0060E	Retaining Ring - M6	25 - 104
0720 0060E	Retaining Ring - M6	93 - 102

Part No.	Description	Page and Index No.
0720 0080E	Retaining Ring - M8	53 - 104
0720 0080E	Retaining Ring - M8	75 - 108
0725 0110E	C Ring - M11	65 - 104
0733 0408	Bushing: 4x8	75 - 106
0740 3808	Ball Bearing - 8x16x5MM	95 - 105
0741 3506	Ball Bearing - 6x12x4mm	25 - 108
0741 3506	Ball Bearing - 6x12x4mm	37 - 104
0741 3506	Ball Bearing - 6x12x4 mm	31 - 104
0741 3506	Ball Bearing - 6x12x4mm	33 - 102
0742 3808	Ball Bearing - 8x16x5	33 - 105
0802 5299	Tapping Screw - M3x8	101 -105
0802 5299	Tapping Screw - M3x8	83 - 109
0802 5299	Tapping Screw - M3x8	115 -106
0802 5299	Tapping Screw - M3x8	45 - 103
0802 5299	Tapping Screw - M3x8	49 - 103
0802 5305	Tapping Screw - M3x6	115 -104
0804 6123	Hexagonal Bolt: W/Washer: M3x8	77 - 105
0804 6123	Hexagonal Bolt: W/Washer: M3x8	73 - 103
0804 6123	Hexagonal Bolt: W/Washer: M3x8	75 - 102
0805 0088	Retaining Ring - M6	49 - 104
0805 0088	Retaining Ring - M6	115 -103
0805 0088	Retaining Ring - M6	59 - 109
0805 0088	Retaining Ring - M6	25 - 105
0805 0088	Retaining Ring - M6	95 - 104
0805 0088	Retaining Ring - M6	83 - 108
0805 0089	Retaining Ring - M4	99 - 104
0805 0089	Retaining Ring - M4	27 - 101
0805 0089	Retaining Ring - M4	93 - 105
0805 0089	Retaining Ring - M4	61 - 103
0805 0089	Retaining Ring - M4	95 - 106
0805 0089	Retaining Ring - M4	55 - 103
0805 0089	Retaining Ring - M4	85 - 102
0805 0089	Retaining Ring - M4	59 - 108
0805 0089	Retaining Ring - M4	57 - 102
0805 0092	Retaining Ring - 3M	89 - 103

Part No.	Description	Page and Index No.
0805 0092	Retaining Ring - 3M	81 - 102
0805 0092	Retaining Ring - 3M	103 -104
0805 0092	Retaining Ring - 3M	91 - 106
0805 0097	Ring Separator	81 - 103
0951 3008N	Screw: Polished Round: M3x8	51 - 103
0951 3020N	Screw: Polished Round: M3x20	51 - 104
0954 3008N	Screw - M3x8	87 - 104
0954 3010N	Screw: Polished Round/Spring: M3x10	75 - 103
0954 3010N	Screw: Polished Round/Spring: M3x10	95 - 107
0957 4008N	Screw: Small Round/Spring: M4x8	93 - 103
0957 4008N	Screw: Small Round/Spring: M4x8	75 - 104
1102 6248	Connector - 5P	59 - 111
1102 6253	Relay Connector	17 - 106
1102 8502	Connector - 54679-1615	109 -107
1102 8534	Connector - QR/P17-14S-B	105 -106
1102 9782	Connector: 51405-1819	105 -108
1103 3657	Connector: 55482-1319	17 - 107
1105 0367	Spacer	95 - 102
1105 0367	Spacer	107 -104
1105 0460	Clamp	47 - 104
1105 0487	Harness Clamp	39 - 106
1105 0487	Harness Clamp	63 - 104
1105 0487	Harness Clamp	93 - 108
1105 0487	Harness Clamp	107 -106
1105 0487	Harness Clamp	87 - 105
1105 0487	Harness Clamp	103 -107
1105 0487	Harness Clamp	105 -105
1105 0488	Harness Clamp	105 -103
1105 0488	Harness Clamp	49 - 106
1105 0488	Harness Clamp	99 - 105
1105 0489	Harness Clamp - LWS 1316	107 -103
1105 0489	Harness Clamp - LWS 1316	105 -104
1105 0511	Harness Clamp - LWS-0306ZC	59 - 113
1105 0511	Harness Clamp - LWS-0306ZC	35 - 103
1105 0511	Harness Clamp - LWS-0306ZC	89 - 107

Part No.	Description	Page and Index No.
1105 0511	Harness Clamp - LWS-0306ZC	37 - 105
1105 0511	Harness Clamp - LWS-0306ZC	91 - 108
1105 0511	Harness Clamp - LWS-0306ZC	93 - 106
1105 0511	Harness Clamp - LWS-0306ZC	39 - 104
1105 0511	Harness Clamp - LWS-0306ZC	55 - 105
1105 0511	Harness Clamp - LWS-0306ZC	83 - 105
1105 0511	Harness Clamp - LWS-0306ZC	43 - 108
1105 0511	Harness Clamp - LWS-0306ZC	47 - 102
1105 0511	Harness Clamp - LWS-0306ZC	49 - 107
1105 0511	Harness Clamp - LWS-0306ZC	99 - 109
1105 0511	Harness Clamp - LWS-0306ZC	31 - 105
1105 0514	Edge Saddle - EDS-0607I	39 - 107
1105 0514	Edge Saddle - EDS-0607I	31 - 107
1105 0516	Clamp	23 - 104
1105 0516	Clamp	49 - 105
1105 0516	Clamp	25 - 107
1105 0516	Clamp	63 - 105
1105 0516	Clamp	89 - 108
1105 0516	Clamp	35 - 104
1105 0522	Edge Saddle - LES0510	43 - 107
1105 0522	Edge Saddle - LES0510	115 - 105
1105 0522	Edge Saddle - LES0510	93 - 107
1105 0522	Edge Saddle - LES0510	59 - 110
1105 0522	Edge Saddle - LES0510	39 - 105
1105 0522	Edge Saddle - LES0510	105 - 107
1105 0534	Clamp	95 - 108
1105 0534	Clamp	103 - 108
1105 0551	Clamp: LES-0505	59 - 112
1105 0551	Clamp: LES-0505	83 - 107
1105 0551	Clamp: LES-0505	91 - 107
1105 0568	Clamp: LWSS-0504	61 - 105
1105 0598	Clamp: LWSS-1N	17 - 103
1105 0598	Clamp: LWSS-1N	19 - 102
1105 0613	Clamp: EDS-1010L-V0	93 - 109
1105 0623	Clamp - LBWS-0206S-V0	85 - 104

Part No.	Description	Page and Index No.
1105 0623	Clamp - LBWS-0206S-V0	95 - 109
1105 0723	Clamps: WES-0507	17 - 104
1105 0724	Harness Clamp	109 - 102
1105 0724	Clamps: WES-1210	107 - 102
1150 0377	Power Supply Code: 250V: 10A: EU	13 - 105
1150 0409	Power Supply Code: 125V: 15A: TWN	13 - 105
1150 0438	Power Supply Code: 125V: 15A: NA	13 - 105
1204 2612	Micro Switch: D3V-16506-3C25	103 - 106
1204 2903	Rocker Switch: A8gs-tgp85kr	109 - 106
1407 7677	EEPROM: BR24T64-W	107 - 105
5203 9502	Silicon Grease G-501	119 - 9
5206 2684	Shoulder Screw - M3	91 - 9
5206 2686	Snap Ring	65 - 31
5206 2686	Snap Ring	55 - 36
5206 2686	Snap Ring	35 - 19
5215 2621	Snap Ring - M6	21 - 6
5215 2621	Snap Ring - M6	33 - 18
5442 1924	Exposure Glass Cushion	43 - 10
5447 2681	Snap Ring	33 - 6
5447 2681	Snap Ring	31 - 3
5447 2681	Snap Ring	27 - 8
5447 2681	Snap Ring	25 - 2
5447 2681	Snap Ring	99 - 14
5447 2681	Snap Ring	35 - 13