



RICOH UNIVERSITY

Learning ♦ Knowledge ♦ Performance



B291/B295/B296/B297 **PARTS CATALOG**

002928MIU

Gestetner **LANIER RICOH SAVIN**



**B291/B295/B296/B297
PARTS CATALOG**

Gestetner
LANIER
RICOH
SAVIN



RICOH UNIVERSITY

Learning ♦ Knowledge ♦ Performance

B291/B295/B296/B297 PARTS CATALOG

002928MIU

Gestetner **LANIER RICOH SAVIN**

It is the reader's responsibility when discussing the information contained within this document to maintain a level of confidentiality that is in the best interest of Ricoh Corporation and its member companies.

**NO PART OF THIS DOCUMENT MAY BE REPRODUCED IN ANY
FASHION AND DISTRIBUTED WITHOUT THE PRIOR
PERMISSION OF RICOH CORPORATION.**

All product names, domain names or product illustrations, including desktop images, used in this document are trademarks, registered trademarks or the property of their respective companies.

They are used throughout this book in an informational or editorial fashion only and for the benefit of such companies. No such use, or the use of any trade name, or web site is intended to convey endorsement or other affiliation with Ricoh products.

LEGEND

PRODUCT CODE	COMPANY			
	GESTETNER	LANIER	RICOH	SAVIN
B291	DSm735eg	-----	Aficio MP 3500g	8035eg
B295	DSm745eg	-----	Aficio MP 4500g	8045eg
B296	DSm735e	LD335	Aficio MP 3500	8035e
B297	DSm745e	LD345	Aficio MP 4500	8045e
B538	Bridge Unit Type 2045			
B542	Paper Tray Unit PS530			
B543	Large Capacity Tray RT45			
B544	1-Bin Tray PT330			
B545	Finisher SR880			
B546	Finisher SR890			
B779	Fax Option Type 3045			
B780	G3 Interface Unit Type 3045			
B815	Scanner Accessibility Option Type 3045			

DOCUMENTATION HISTORY

REV. NO.	DATE	COMMENTS
*	01/2007	Original Printing

B291/B295/B296/B297

TABLE OF CONTENTS

B291/B295/B296/B297 PARTS LOCATION AND LIST

LOCATION OF UNIT	2	17.OPC UNIT 1 (B291/B295/B296/B297)	40
1.EXTERIOR 1 (B291/B295/B296/B297)	8	18.OPC UNIT 2 (B291/B295/B296/B297)	42
2.EXTERIOR 2 (B291/B295/B296/B297)	10	19.TRANSFER UNIT (B291/B295/B296/B297).....	44
3.EXTERIOR 3 (B291/B295/B296/B297)	12	20.FUSING UNIT 1 (B291/B295/B296/B297)	46
4.OPERATION PANEL ASS'Y		21.FUSING UNIT 2 (B291/B295/B296/B297)	48
(B291/B295/B296/B297)	14	22.PAPER SEPARATION UNIT 1	
5.OPTICS UNIT 1 (B291/B295/B296/B297).....	16	(B291/B295/B296/B297)	50
6.OPTICS UNIT 2 (B291/B295/B296/B297).....	18	23.PAPER SEPARATION UNIT 2	
7.OPTICS UNIT 3 (B291/B295/B296/B297).....	20	(B291/B295/B296/B297)	52
8.LASER UNIT (B291/B295/B296/B297)	22	24.DUPLEX UNIT 1 (B291/B295/B296/B297).....	54
9.BY-PASS FEED UNIT 1		25.DUPLEX UNIT 2 (B291/B295/B296/B297).....	56
(B291/B295/B296/B297)	24	26.DUPLEX UNIT 3 (B291/B295/B296/B297).....	58
10.BY-PASS FEED UNIT 2		27.DRIVE SECTION 1 (B291/B295/B296/B297) ...	60
(B291/B295/B296/B297)	26	28.DRIVE SECTION 2 (B291/B295/B296/B297) ...	62
11.PAPER TRAY UNIT (B291/B295/B296/B297) ..	28	29.DRIVE SECTION 3 (B291/B295/B296/B297) ...	64
12.PAPER FEED SECTION		30.ELECTRICAL SECTION 1	
(B291/B295/B296/B297)	30	(B291/B295/B296/B297)	66
13.VERTICAL TRANSPORT		31.ELECTRICAL SECTION 2	
(B291/B295/B296/B297)	32	(B291/B295/B296/B297)	68
14.PAPER REGISTRATION		32.ELECTRICAL SECTION 3	
(B291/B295/B296/B297)	34	(B291/B295/B296/B297)	70
15.TONER HOPPER UNIT		33.FRAME SECTION 1 (B291/B295/B296/B297)..	72
(B291/B295/B296/B297)	36	34.FRAME SECTION 2 (B291/B295/B296/B297)..	74
16.DEVELOPMENT UNIT		35.IOB BOARD (B291/B295/B296/B297).....	76
(B291/B295/B296/B297)	38	36.BICU BOARD (B291/B295/B296/B297)	82
		37.CONTROLLER BOARD	

(B291/B295/B296/B297).....	90
38.DECAL AND DOCUMENT	
(B291/B295/B296/B297).....	106
39.SPECIAL TOOLS (B291/B295/B296/B297).....	108

B291/B295/B296/B297 PARTS INDEX	
PARTS INDEX	2

BRIDGE UNIT TYPE 2045 B538 PARTS LOCATION AND LIST

1.BRIDGE UNIT 1 (B538)	2
2.BRIDGE UNIT 2 (B538)	4

BRIDGE UNIT TYPE 2045 B538 PARTS INDEX	
PARTS INDEX	2

PAPER TRAY UNIT PS530 B542 PARTS LOCATION AND LIST

1.EXTERIOR (B542)	2
2.PAPER TRAY (B542).....	4
3.PAPER REGISTRATION (B542)	6
4.DRIVE SECTION (B542).....	8
5.DRIVE AND ELECTRICAL SECTION (B542)	10

PAPER TRAY UNIT PS530 B542 PARTS INDEX	
PARTS INDEX	2

LARGE CAPACITY TRAY RT45 B543 PARTS LOCATION AND LIST

1.EXTERIOR (B543)	2
2.PAPER REGISTRATION (B543)	4
3.PAPER TRAY (B543).....	6
4.FRAME SECTION (B543).....	8

5.DRIVE AND ELECTRICAL SECTION (B543).....	10
--	----

LARGE CAPACITY TRAY RT45 B543 PARTS INDEX	
PARTS INDEX	2

1-BIN TRAY PT330 B544 PARTS LOCATION AND LIST

1.1 BIN TRAY 1 (B544)	2
2.1 BIN TRAY 2 (B544)	4

1-BIN TRAY PT330 B544 PARTS INDEX	
PARTS INDEX	2

FINISHER SR880 B545 PARTS LOCATION AND LIST

1.EXTERIOR 1 (B545)	6
2.EXTERIOR 2 (B545)	8
3.PUNCH FRAME (B545)	10
4.PAPER TRANSFER 1 (B545).....	12
5.PAPER TRANSFER 2 (B545).....	14
6.PAPER TRANSFER 3 (B545).....	16
7.STAPLE TRAY 1 (B545)	18
8.STAPLE TRAY 2 (B545)	20
9.STAPLE UNIT (B545)	22
10.UPPER PAPER EXIT 1 (B545)	24
11.UPPER PAPER EXIT 2 (B545).....	26
12.UPPER PAPER EXIT 3 (B545).....	28
13.LOWER PAPER EXIT (B545)	30
14.SHIFT DRIVE 1 (B545)	32
15.SHIFT DRIVE 2 (B545)	34
16.DRIVE SECTION (B545).....	36
17.ELECTRICAL SECTION (B545)	38
18.DECAL AND DOCUMENT (B545)	40

FINISHER SR880 B545 PARTS INDEX	
--	--

PARTS INDEX 2

FINISHER SR890 B546 PARTS LOCATION AND LIST

1.EXTERIOR 1 (B546)	8
2.EXTERIOR 2 (B546)	10
3.EXTERIOR 3 (B546)	12
4.EXTERIOR 4 (B546)	14
5.ENTRANCE GUIDE SECTION 1 (B546)	16
6.ENTRANCE GUIDE SECTION 2 (B546)	18
7.STAPLE TRAY GUIDE UNIT (B546)	20
8.UPPER EXIT UNIT (B546).....	22
9.JOgger SECTION (B546).....	24
10.LOWER EXIT UNIT (B546)	26
11.TRANSPORT SECTION 1 (B546)	28
12.TRANSPORT SECTION 2 (B546)	30
13.TRANSPORT SECTION 3 (B546)	32
14.FINISHER STAPLE UNIT (B546).....	34
15.TRAY DRIVE SECTION (B546)	36
16.FINISHER DRIVE SECTION (B546).....	38
17.BOOKLET TRANSPORT SECTION 1 (B546) ..	40
18.BOOKLET TRANSPORT SECTION 2 (B546) ..	42
19.BOOKLET PAPER GUIDE 1 (B546)	44
20.BOOKLET PAPER GUIDE 2 (B546)	46
21.BOOKLET STAPLE UNIT (B546)	48
22.PAPER FOLDER UNIT 1 (B546)	50
23.PAPER FOLDER UNIT 2 (B546)	52
24.BOOKLET DRIVE SECTION (B546).....	54
25.BOOKLET EXIT SECTION (B546).....	56

FINISHER SR890 B546 PARTS INDEX

PARTS INDEX 2

FAX OPTION TYPE 3045 B779 PARTS LOCATION AND LIST

1.Fax Option (B779)	2
2.FCU Board (B779).....	4

FAX OPTION TYPE 3045 B779 PARTS INDEX

PARTS INDEX..... 2

G3 INTERFACE UNIT TYPE 3045 B780 PARTS LOCATION AND LIST

1.G3 Interface Unit (B780).....	2
---------------------------------	---

G3 INTERFACE UNIT TYPE 3045 B780 PARTS INDEX PARTS INDEX..... 2

SCANNER ACCESSIBILITY OPTION TYPE 3045 B815 PARTS LOCATION AND LIST

1.Scanner Accessibility (B815).....	2
-------------------------------------	---

SCANNER ACCESSIBILITY OPTION TYPE 3045 B815 PARTS INDEX

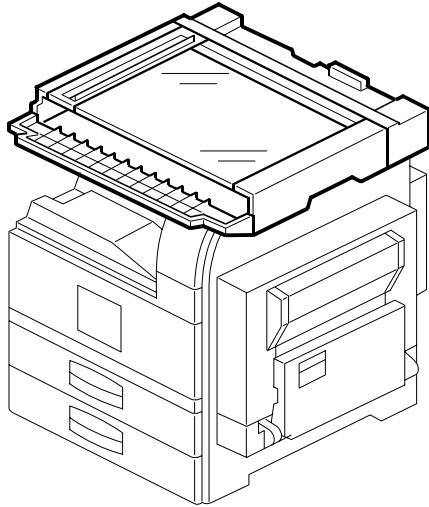
PARTS INDEX..... 2

**B291/B295/B296/B297
PARTS LOCATION AND LIST**

This section instructs you as to the numbers and names of parts on this machine.

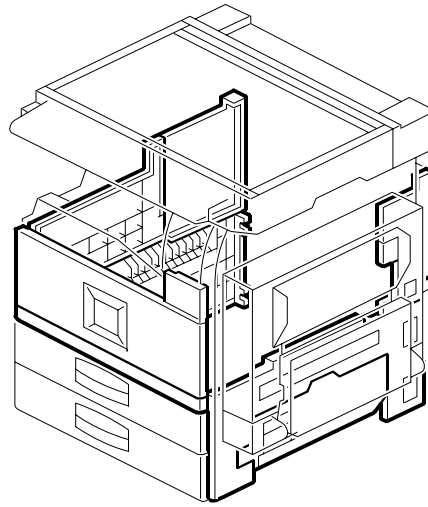
LOCATIONS OF UNITS

1. EXTERIOR 1 (B291/B295/B296/B297)



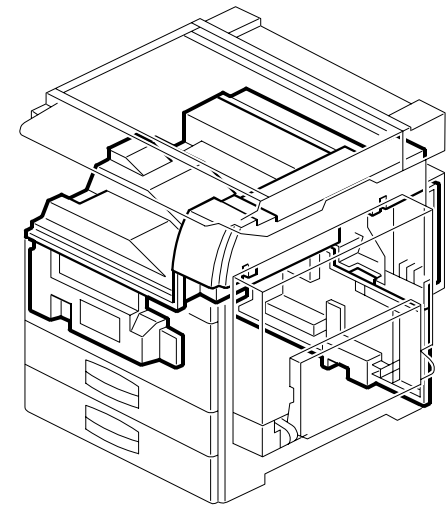
See Page 9

2. EXTERIOR 2 (B291/B295/B296/B297)



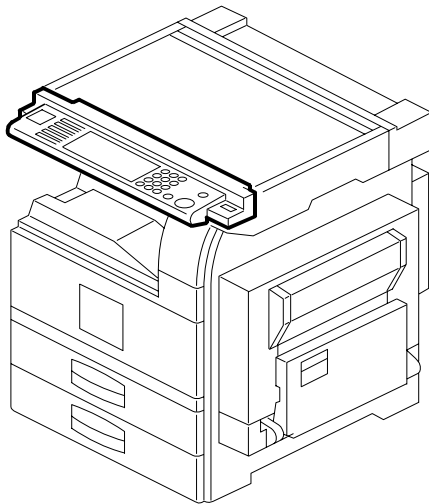
See Page 11

3. EXTERIOR 3 (B291/B295/B296/B297)



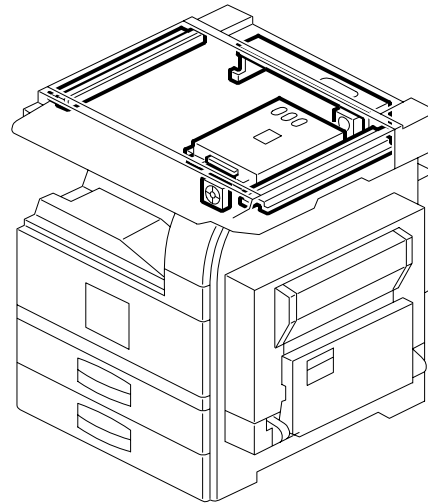
See Page 13

4. OPERATION PANEL ASS'Y



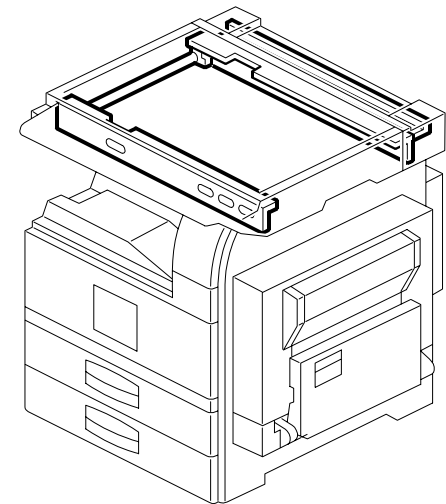
See Page 15

5. OPTICS UNIT 1



See Page 17

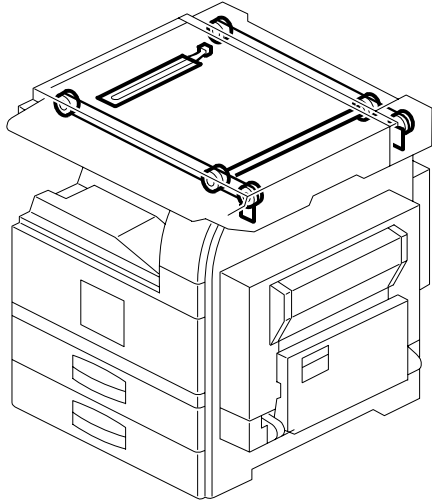
6. OPTICS UNIT 2



See Page 19

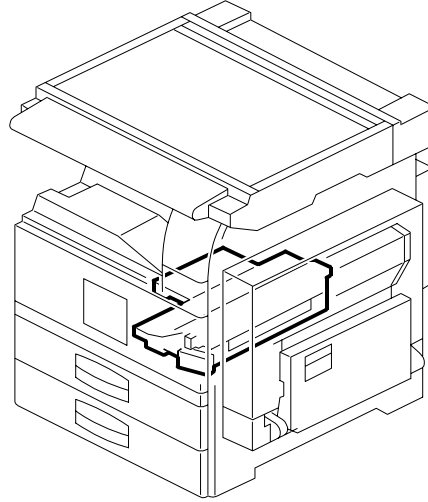
LOCATIONS OF UNITS

7. OPTICS UNIT 3



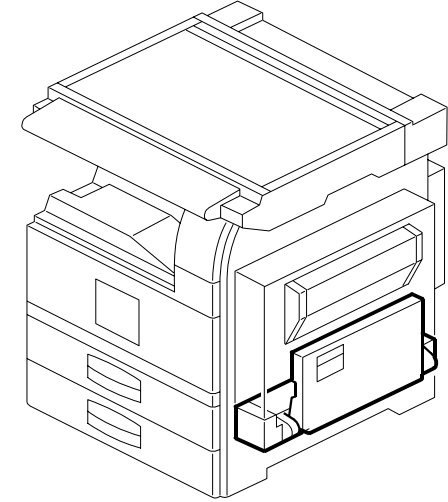
See Page 21

8. LASER UNIT (B291/B295/B296/B297)



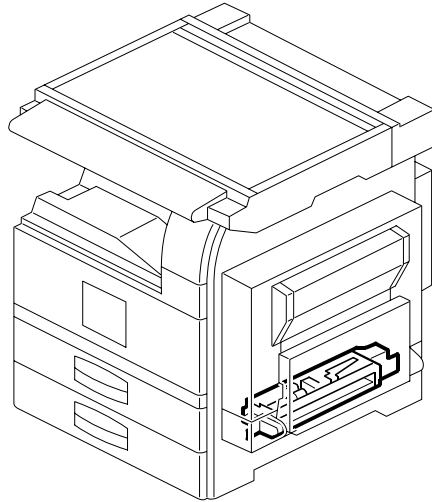
See Page 23

9. BY-PASS FEED UNIT 1



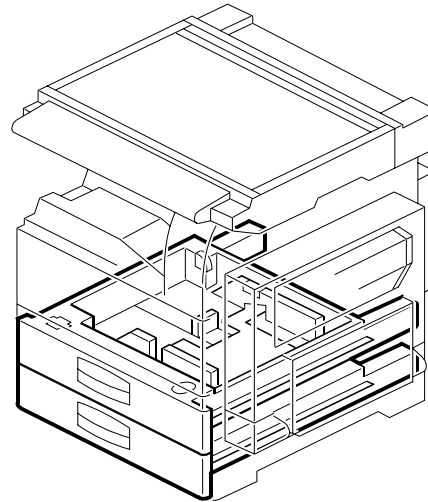
See Page 25

10. BY-PASS FEED UNIT 2



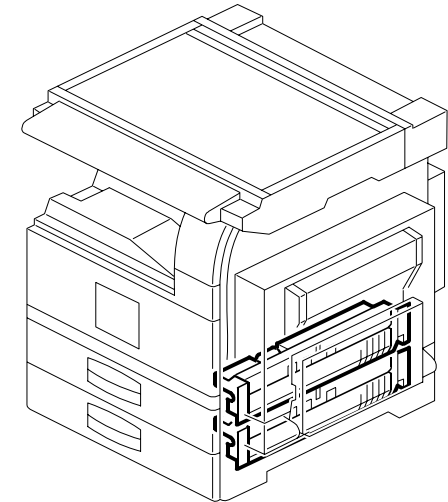
See Page 27

11. PAPER TRAY UNIT



See Page 29

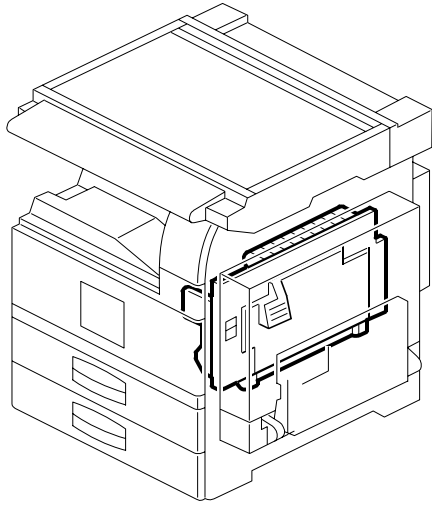
12. PAPER FEED SECTION



See Page 31

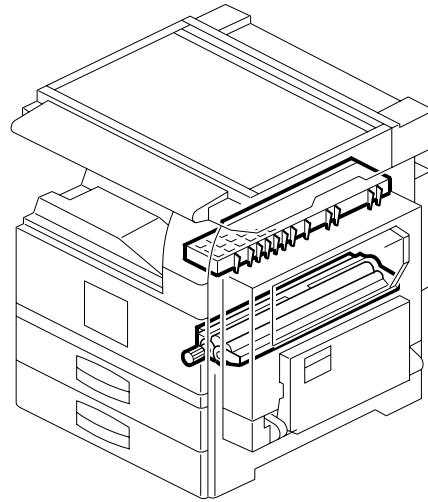
LOCATIONS OF UNITS

13. VERTICAL TRANSPORT



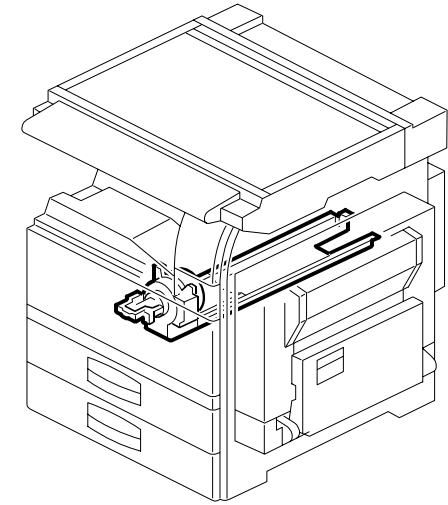
See Page 33

14. PAPER REGISTRATION



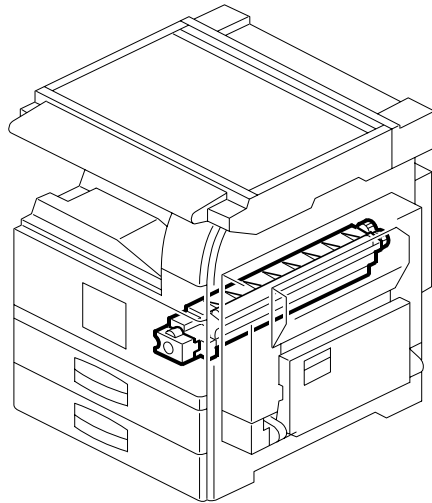
See Page 35

15. TONER HOPPER UNIT



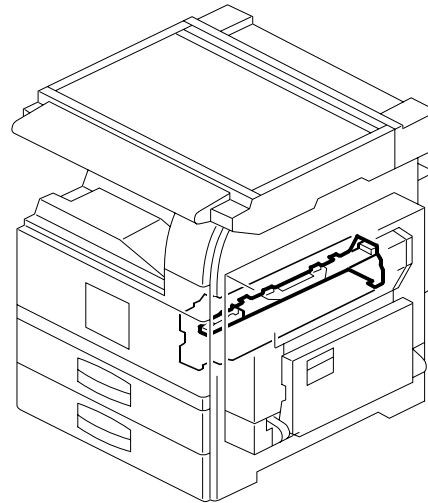
See Page 37

16. DEVELOPMENT UNIT



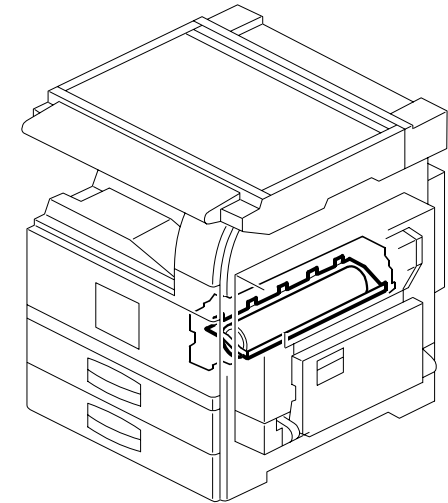
See Page 39

17. OPC UNIT 1 (B291/B295/B296/B297)



See Page 41

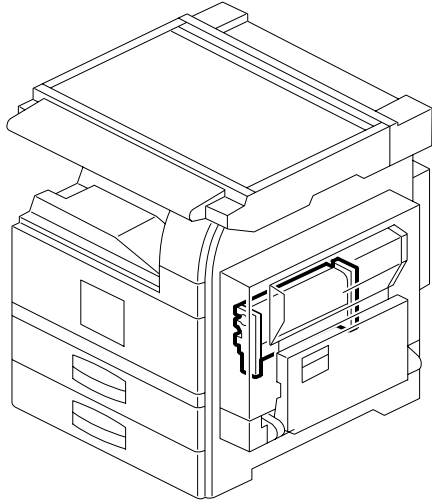
18. OPC UNIT 2 (B291/B295/B296/B297)



See Page 43

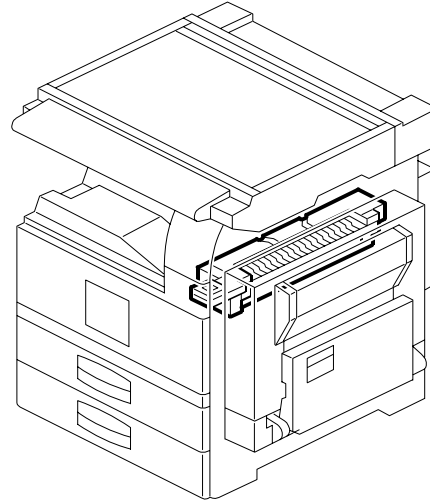
LOCATIONS OF UNITS

19. TRANSFER UNIT



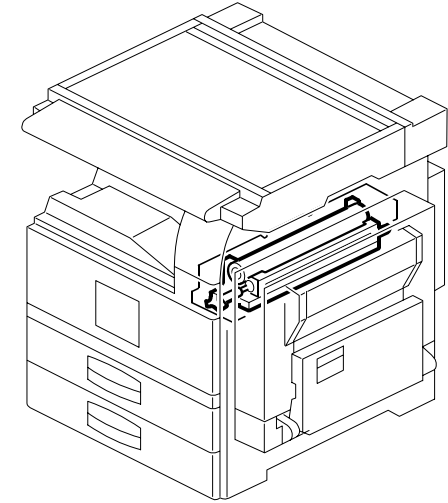
See Page 45

20. FUSING UNIT 1



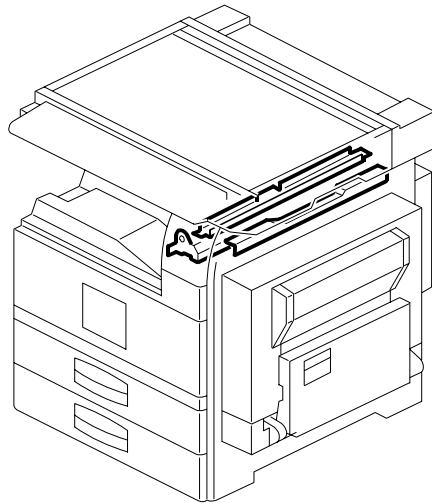
See Page 47

21. FUSING UNIT 2



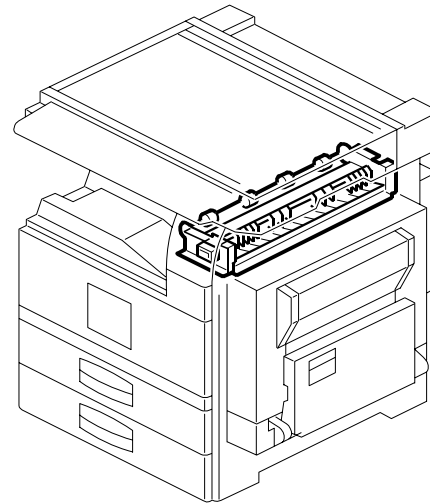
See Page 49

22. PAPER SEPARATION UNIT 1



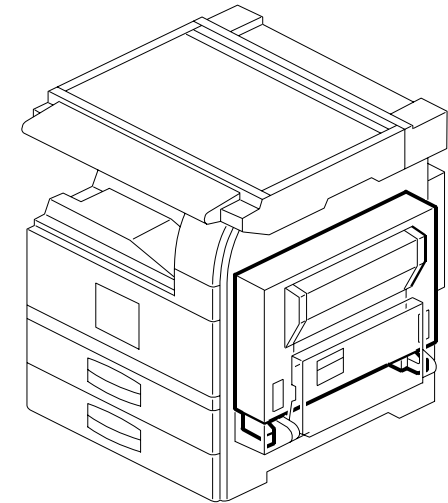
See Page 51

23. PAPER SEPARATION UNIT 2



See Page 53

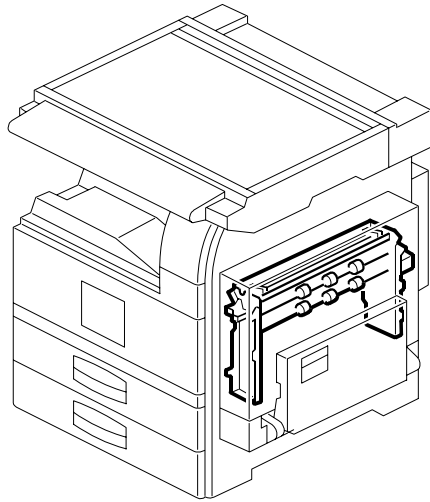
24. DUPLEX UNIT 1



See Page 55

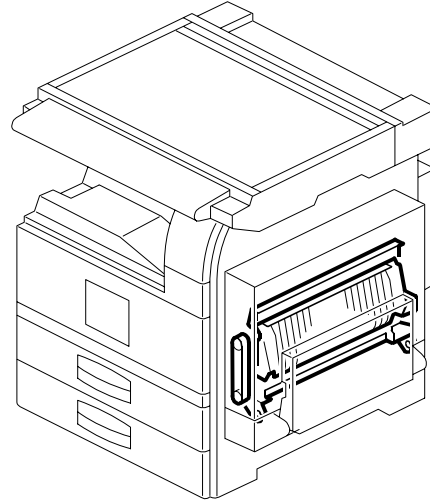
LOCATIONS OF UNITS

25. DUPLEX UNIT 2



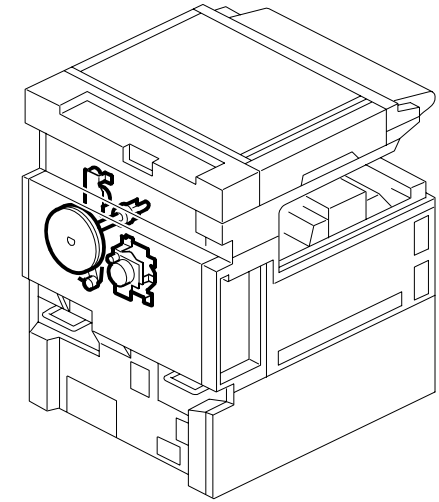
See Page 57

26. DUPLEX UNIT 3



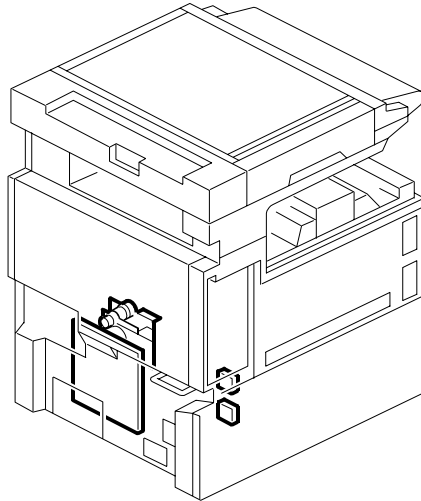
See Page 59

27. DRIVE SECTION 1



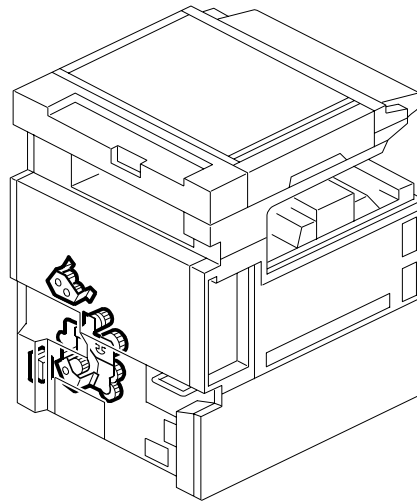
See Page 61

28. DRIVE SECTION 2



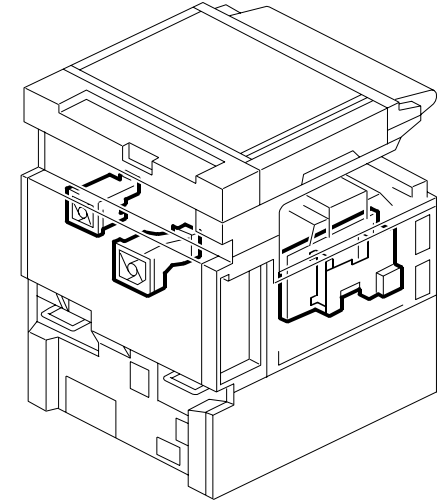
See Page 63

29. DRIVE SECTION 3



See Page 65

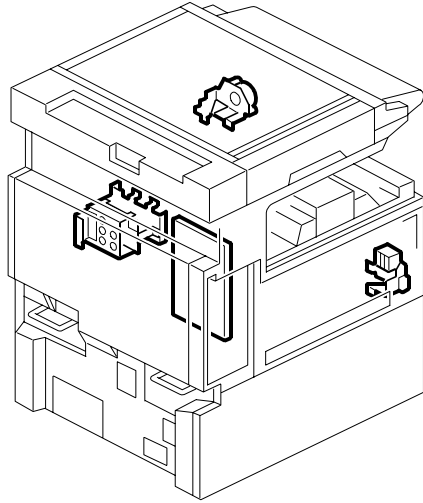
30. ELECTRICAL SECTION 1



See Page 67

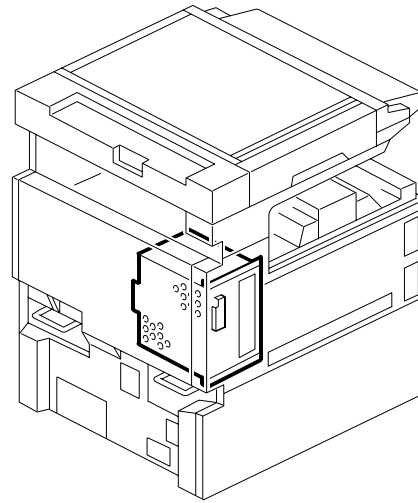
LOCATIONS OF UNITS

31. ELECTRICAL SECTION 2



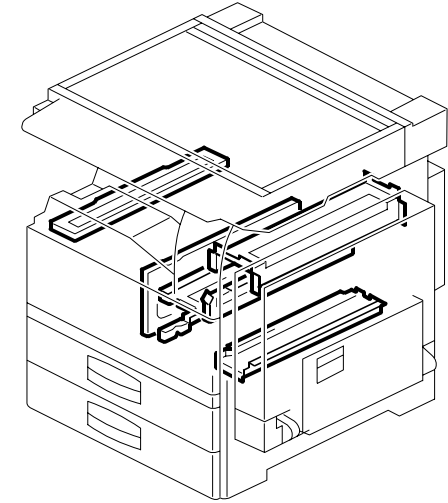
See Page 69

32. ELECTRICAL SECTION 3



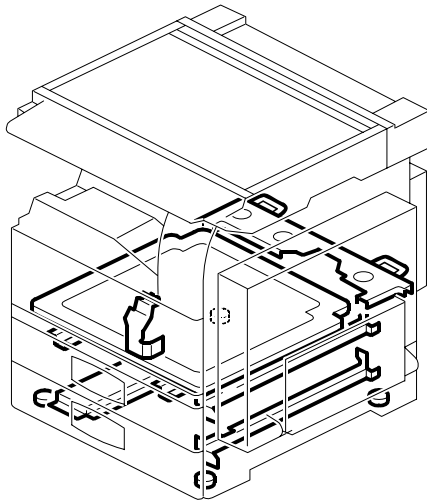
See Page 71

33. FRAME SECTION 1



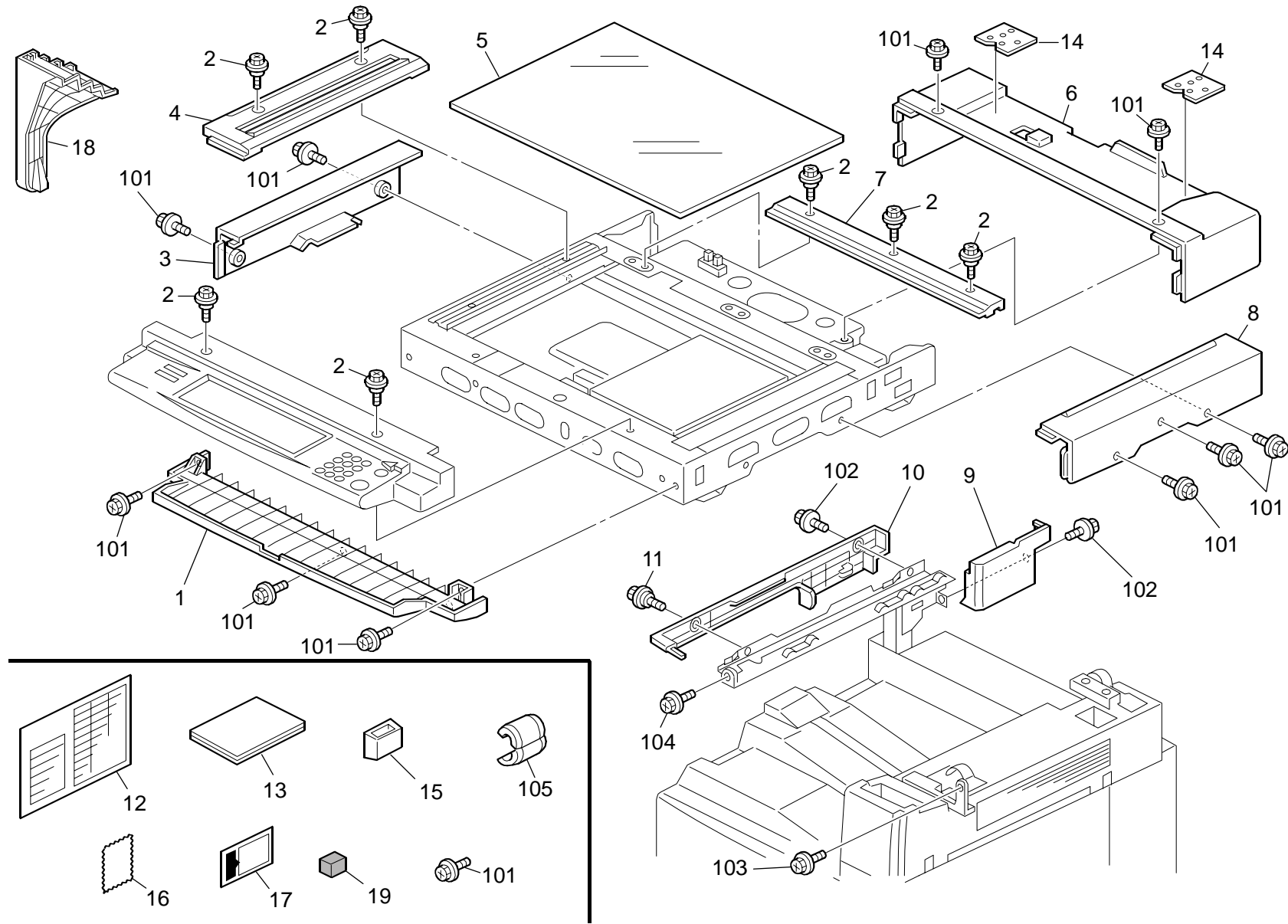
See Page 73

34. FRAME SECTION 2



See Page 75

1.EXTERIOR 1 (B291/B295/B296/B297)

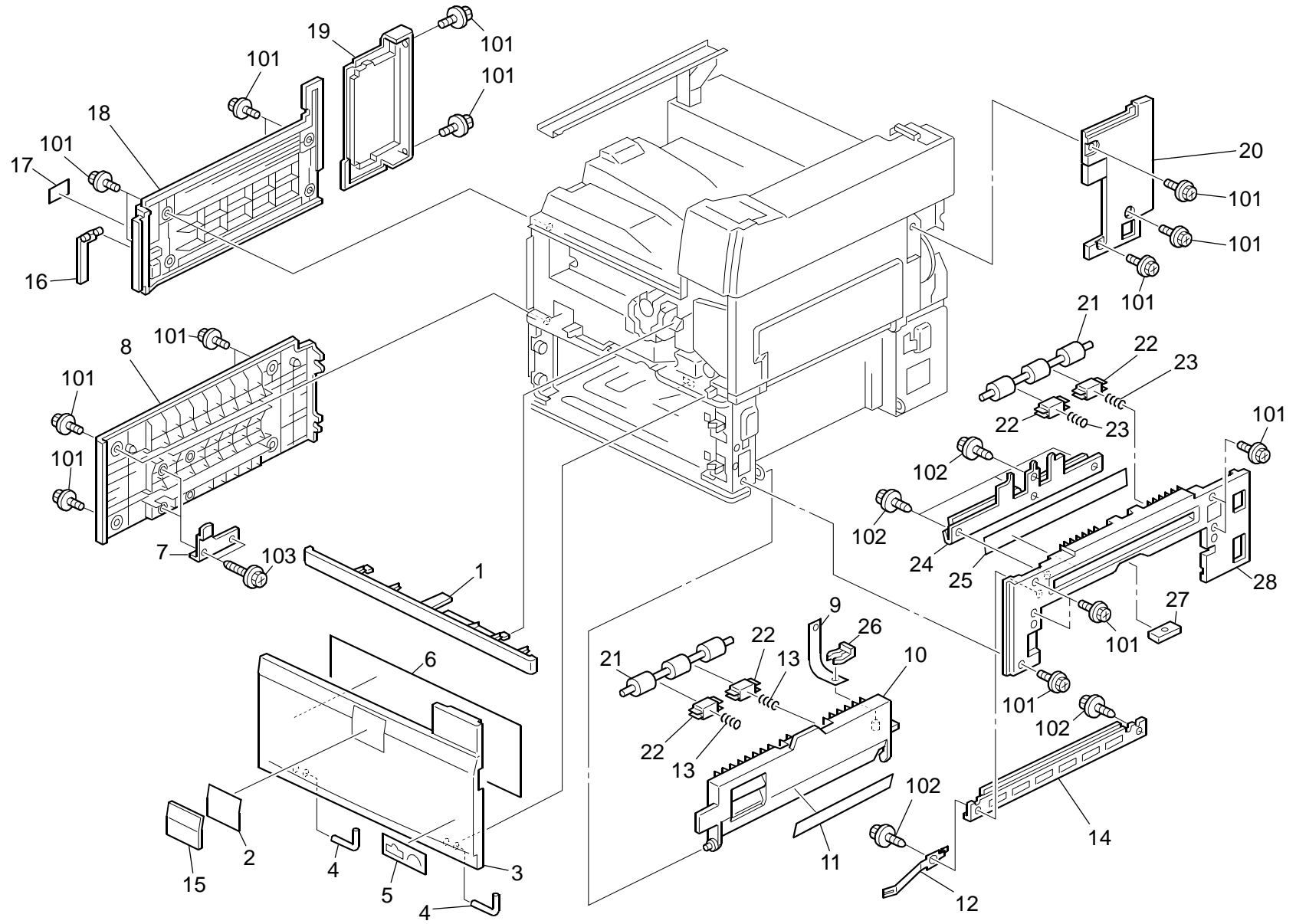


1.EXTERIOR 1 (B291/B295/B296/B297)

Index No.	Part No.	Description	Q'ty Per Assembly
1	B077 1338	Cover: Lower: Operation Sub-unit	1
1	B077 6338	Cover: Lower: Operation Sub-unit: EU	1
2	AA14 3520	Shoulder Screw - M3	7
3	B077 1337	Cover: Left: Scanner	1
3	B077 6337	Cover: Left: Scanner: EU	1
4	G564 6521	Left Scale - NA	1
4	G564 6511	Left Scale - EU	1
5	AC01 2067	Exposure Glass	1
6	B077 1330	Cover: Upper Rear: Scanner	1
6	B077 6335	Cover: Upper Rear: Scanner: EU	1
7	G570 1245	Rear Scale	1
8	B077 1336	Cover: Right: Scanner	1
8	B077 6336	Cover: Right: Scanner: EU	1
9	B077 1276	Cover: Arm: Right	1
10	B077 1275	Cover: Arm: Scanner Unit	1
11	AA14 3523	Shoulder Screw - M3	1
12	B082 6400	Decal: Size Indication	1
13	B198 6507	Operating Instructions - Main: NA	1
13	B198 6508	Operating Instructions - Main: AA	1
13	B198 6509	Operating Instructions - Main: TWN	1
13	B198 6510	Operating Instructions: Main: RIC: GSA	1
13	B198 6607	Operating Instructions - Copy: NA	1
13	B198 6608	Operating Instructions - Copy: AA	1
13	B198 6609	Operating Instructions - Copy: TWN	1
13	B198 6610	Operating Instructions: Copy: RIC: GSA	1
14	B213 1326	Spacer: Document Feeder	2
15	B065 1371	Cloth Holder	1
16	B065 1374	Cloth - DF Exposure Glass	1
17	B082 6403	Decal: Power Source: Off: EXP	1
18	B198 1341	Guide Plate: Scanner	1
19	B138 5801	Gasket: Inner Cover	1

Index No.	Part No.	Description	Q'ty Per Assembly
101	0451 3008N	Tapping Screw - M3x8	
102	0451 3012N	Tapping Screw: 3x12	
103	0451 3010N	Tapping Screw: 3x10	
104	0804 6123	Hexagonal Bolt: W/washer: M3x8	
105	1607 1831	Ferrite Core: K1 Nf-80(n)gy2	

2.EXTERIOR 2 (B291/B295/B296/B297)

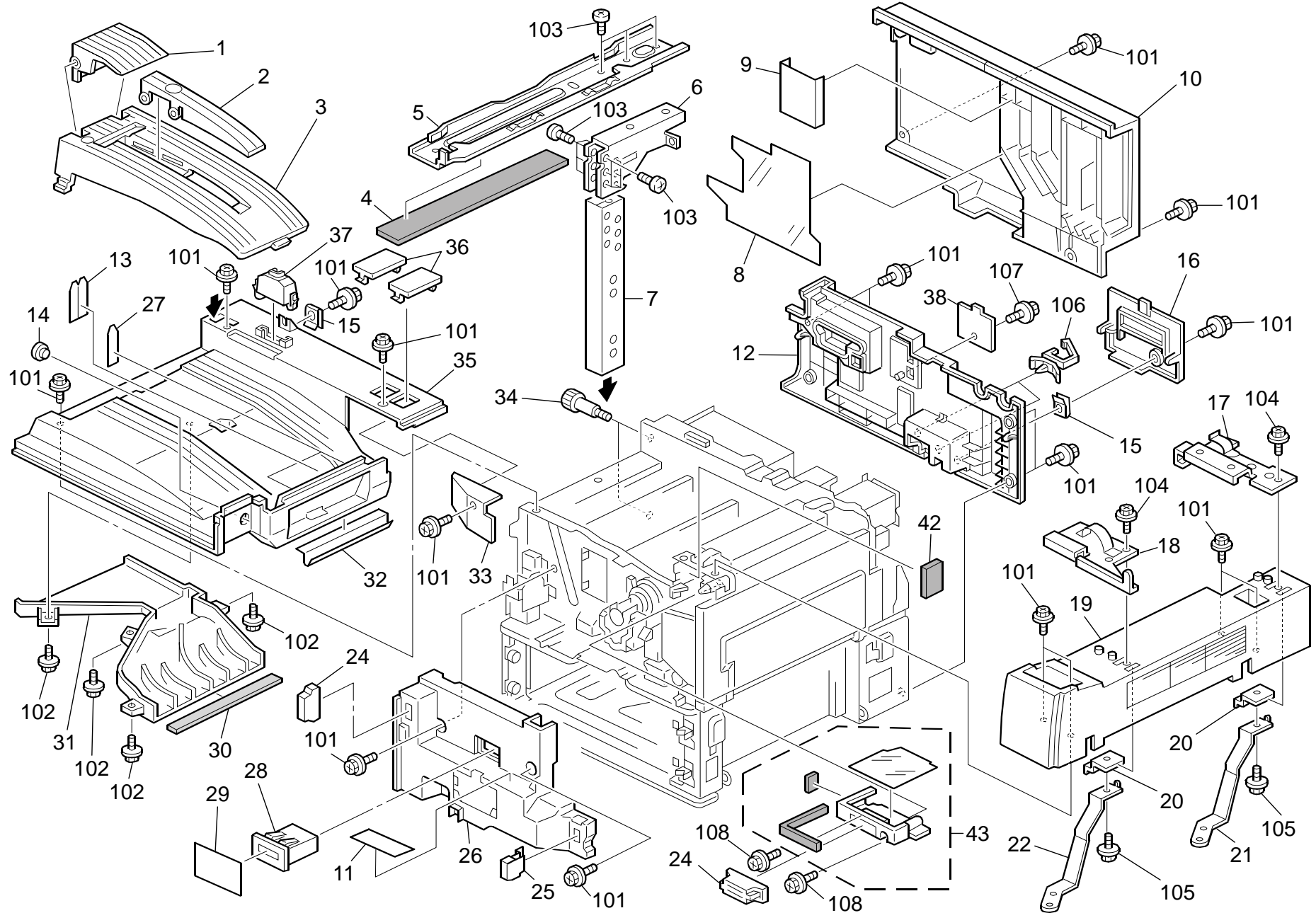


2.EXTERIOR 2 (B291/B295/B296/B297)

Index No.	Part No.	Description	Q'ty Per Assembly
1	B077 1264	Cover: Front Upper: Paper Feed Sub-unit	1
2	B291 6431	Emblem Sheet - RIC 35G	1
2	B291 6432	Emblem Sheet - SVN 35G	1
2	B291 6433	Emblem Sheet - GES NA 35G	1
2	B295 6431	Emblem Sheet - RIC 45G	1
2	B295 6432	Emblem Sheet - SVN 45G	1
2	B295 6433	Emblem Sheet - GES NA 45G	1
2	B296 6431	Emblem Sheet - RIC 35	1
2	B296 6432	Emblem Sheet - SVN 35	1
2	B296 6433	Emblem Sheet - GES NA 35	1
2	B296 6434	Emblem Sheet - GES 35	1
2	B296 6435	Emblem Sheet - NSA 35	1
2	B296 6436	Emblem Sheet - LEX 35	1
2	B296 6437	Emblem Sheet - INF 35	1
2	B296 6438	Emblem Sheet - LAN 35	1
2	B296 6439	Emblem Sheet - LAN 35 AA	1
2	B296 6440	Emblem Sheet - GES 35 AA	1
2	B296 6441	Emblem Sheet - RIC 35 AA Printer	1
2	B296 6442	Emblem Sheet - GES 35 AA Printer	1
2	B297 6431	Emblem Sheet - RIC 45	1
2	B297 6432	Emblem Sheet - SVN 45	1
2	B297 6433	Emblem Sheet - GES NA 45	1
2	B297 6434	Emblem Sheet - GES 45	1
2	B297 6435	Emblem Sheet - NSA 45	1
2	B297 6436	Emblem Sheet - REX 45	1
2	B297 6437	Emblem Sheet - INF 45	1
2	B297 6438	Emblem Sheet - LAN 45	1
2	B297 6439	Emblem Sheet - LAN 45 AA	1
2	B297 6440	Emblem Sheet - GES 45	1
2	B297 6441	Emblem Sheet - RIC 45 AA Printer	1
2	B297 6442	Emblem Sheet - GES 45 AA Printer	1
3	B213 1261	Cover: Front	1
3	B198 6316	Cover: Front: EU	1
4	G020 1332	Hinge - Front Cover	2
5	GA00 3035	Energy Decal	1

Index No.	Part No.	Description	Q'ty Per Assembly
6	B198 6405	Sheet: Operation Instructions	1
7	B077 1286	Stopper: Left	2
8	B077 1285	Cover: Left: Paper Feed Sub-unit	1
8	B077 6324	Cover: Left: EU	1
9	A232 2863	Stopper Band	1
10	B077 2876	Cover: Vertical Transport: Lower	1
11	AA00 0204	Decal - Right Lower Cover	1
12	A232 5838	Spring Plate - BICU	1
13	AA06 3564	Tension Spring	2
14	B077 2859	Supporting Plate: Lower	1
15	B132 1531	Panel: Logo	1
16	A232 1282	Cap - Switch	1
17	B082 6403	Decal: Power Source: Off: EXP	1
18	B077 6302	Cover: Left Front: NA	1
18	B077 6305	Cover: Left Front: EU	1
19	B077 1283	Cover: Left Rear	1
19	B077 6325	Cover: Left Rear: EU	1
20	B082 1272	Cover: Right Rear: Duplex	1
20	B082 6319	Cover: Right Rear: Duplex: EU	1
21	B154 2862	Roller: Driven: Ass'y	2
22	AA08 0275	Bushing: Pressure: Mm4	4
23	AA06 3662	Compression Spring	2
24	B077 2858	Supporting Plate: Upper	1
25	A232 2860	Entrance Seal	1
26	5206 2686	Snap Ring	1
27	AG07 0514	Magnet Catch	1
28	B077 2857	Cover: Vertical Transport	1
28	B077 2861	Cover: Vertical Transport: Duplex: EU	1
101	0451 3008N	Tapping Screw - M3x8	
102	0450 3008N	Tapping Screw - M3x8	
103	0450 3012N	Tapping Screw: 3x12	

3.EXTERIOR 3 (B291/B295/B296/B297)

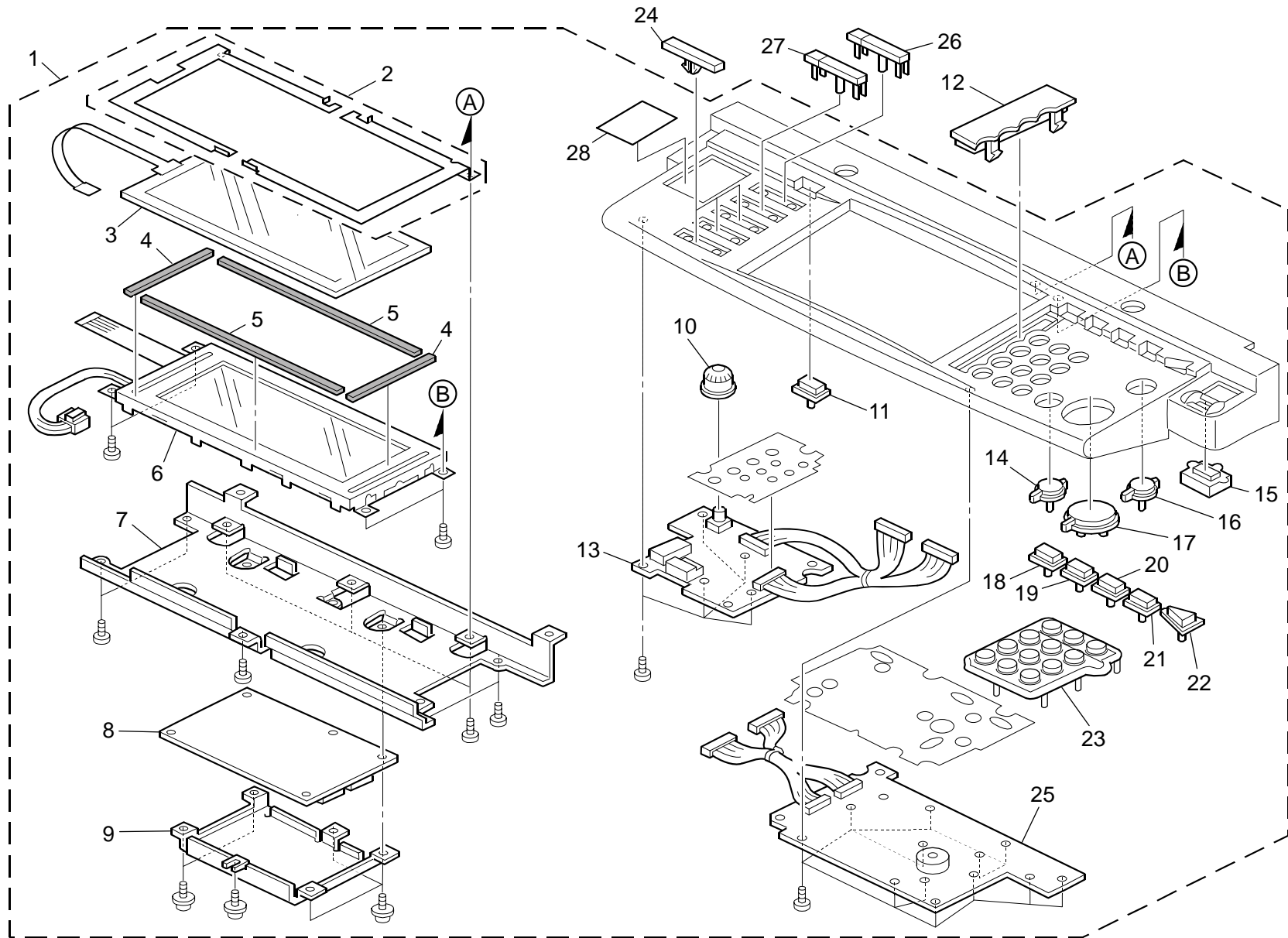


3.EXTERIOR 3 (B291/B295/B296/B297)

Index No.	Part No.	Description	Q'ty Per Assembly
1	B077 4497	End Fence: Copy Tray: C3	1
2	B077 4436	Guide: Copy Tray: Auxiliary	1
3	B077 4435	Guide: Copy Tray	1
4	AA15 3070	Dehumidifier Sheet	1
5	B077 1382	Guide Plate: Scanner Unit: Peen	1
6	B077 1384	Supporting Plate: Arm: Scanner Unit	1
7	B077 1385	Arm: Scanner Unit	1
8	G065 1173	Sheet - Duct	1
9	G065 1174	Sheet - Duct - Upper	1
10	B077 1291	Cover: Rear	1
10	B077 6328	Cover: Rear: EU	1
11	B082 3265	Decal: Caution Chart	1
12	B082 1296	Cover: Rear: Paper Feed Sub-unit	1
12	B082 6332	Cover: Rear: EU	1
13	B004 4440	Middle Guide - Paper Exit	1
14	A232 1257	Cap - Upper Cover	1
15	A232 1284	Spring Holder	2
16	B077 1297	Cover: Rear: Paper Feed Sub-unit	1
16	B077 6330	Cover: Rear: Paper Feed Sub-unit: EU	1
17	B077 1373	Bracket: Scanner Unit: Rear: Peen	1
18	B077 1371	Bracket: Scanner Unit: Front: Peen	1
19	B082 1362	Spacer: Scanner Unit: Duplex	1
19	B082 6342	Spacer: Scanner Unit: Duplex: EU	1
20	B077 1363	Plate Nut: Spacer: Scanner Unit	2
21	B077 1364	Ground Plate: Spacer: Rear	1
22	B077 1365	Ground Plate: Spacer: Front	1
24	AG07 1012	Magnet Catch: Ass'y	2
25	B004 1325	Cover - Shield Glass	1
26	A284 1376	Inner Cover-left	1
27	A232 4499	Copy Tray Mylar	1
28	AX31 0046	Total Counter: 7FIG: 24V	1
29	A232 1381	Decal - Total Counter	1
30	AA15 3390	Sponge - 202x3.5x4	1
31	A232 1252	Duct - Upper Cover	1
32	AA15 0685	Seal - 215x10	1

Index No.	Part No.	Description	Q'ty Per Assembly
33	B077 1252	Cover: Upper Right: Small	1
33	B077 6312	Cover: Upper Right: Small: EU	1
34	AA14 3501	Stepped Screw - M8	2
35	B077 1250	Cover: Upper	1
35	B077 6314	Cover: Upper: EU	1
36	B077 1253	Cap: 34x55	2
37	B077 1251	Cover: Connector: Scanner	1
38	B077 6308	Cover: CSS: EXP	1
42	B082 1379	Seal: Side Plate: Front: Switch	1
43	G147 1372	Inner Cover: Upper: Sub-ass'y	1
101	0451 3008N	Tapping Screw - M3x8	
102	0450 3006N	Tapping Screw - M3x6	
103	0354 0080N	Screw: M4x8	
104	0451 4010N	Tapping Screw: 4x10	
105	0451 3006N	Tapping Screw - 3x6	
106	1105 0487	Harness Clamp	
107	0450 3008N	Tapping Screw - M3x8	
108	0454 3008Q	Tapping Screw: 3x8	

4. OPERATION PANEL ASS'Y (B291/B295/B296/B297)

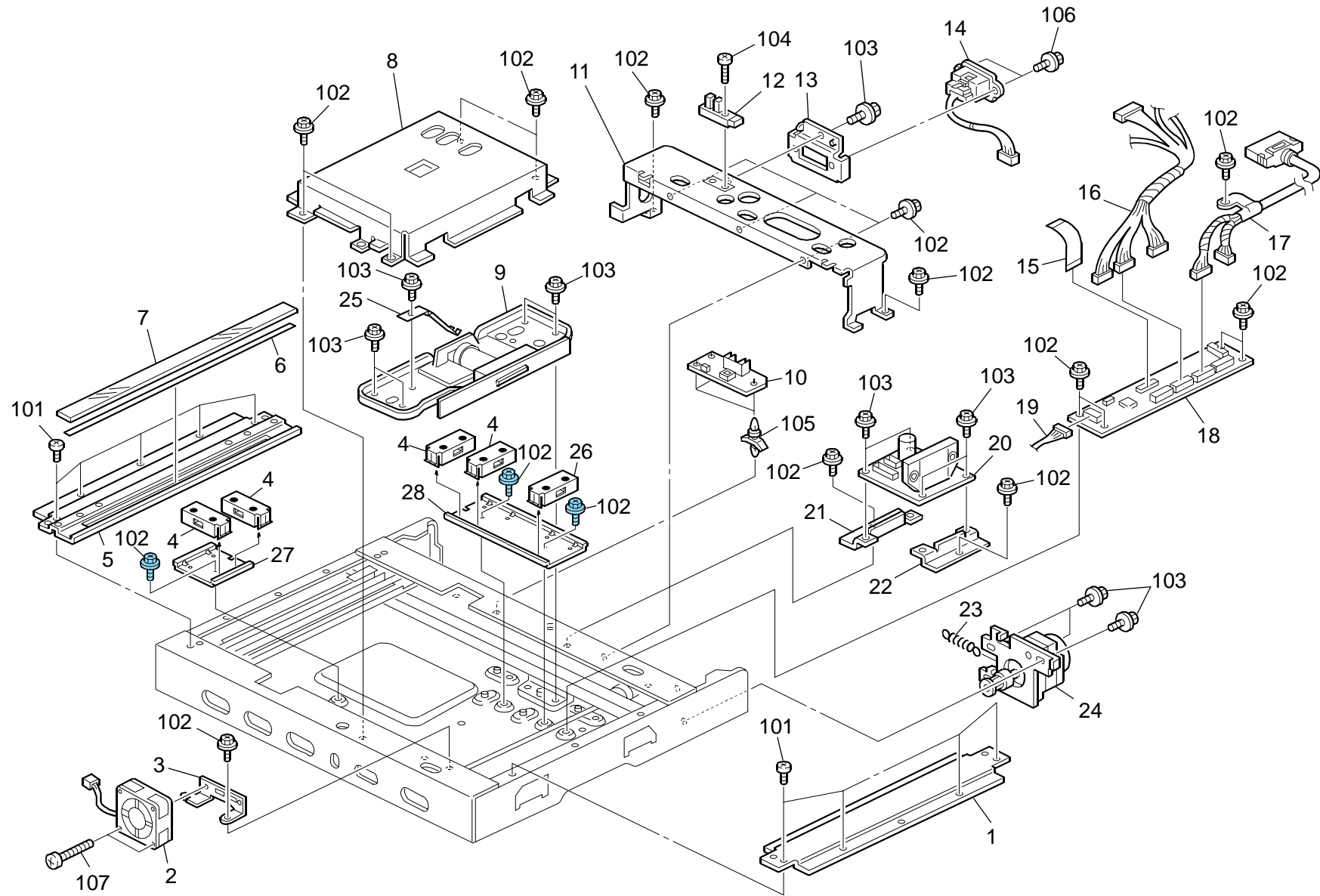


4.OPERATION PANEL ASS'Y (B291/B295/B296/B297)

Index No.	Part No.	Description	Q'ty Per Assembly
1	B198 6350	Operation Panel: NA	1
1	B198 6362	Operation Panel: EU	1
1	B198 6370	Operation Panel: TWN	1
1	B198 6380	Operation Panel: KOR	1
1	B198 6385	Operation Panel: ASIA	1
2	B004 1517	Earth Sheet - Touch Panel	1
3	B213 5222	Touch Panel: HVGA	1
4	B004 1525	Cushion: Touch Panel: Short	2
5	B004 1526	Cushion: Touch Panel: Long	2
6	B213 5225	LCD: HVGA: SH: BL	1
7	B077 1520	Bracket: LCDC	1
8	B198 5223	PCB: LCDC: NA: Ass'y	1
8	B198 5224	PCB: LCDC: EU: Ass'y	1
8	B198 5225	PCB: LCDC: TWN: Ass'y	1
8	B198 5227	PCB: LCDC: KOR: Ass'y	1
9	B077 1521	Cover: LCDC	1
10	B077 1513	Dial: Contrast	1
11	B077 1511	Keytop: User Tools	1
12	B077 1535	Cover: Basic	1
13	B213 1519	PCB: Operation Panel: Left	1
14	B004 1503	Keytop - Clear/Stop	1
15	B077 1506	Keytop: Power Source	1
16	B077 1504	Keytop: Sample Copy	1
17	B004 1505	Keytop - Start	1
18	B077 1510	Keytop: Check Modes	1
19	B077 1509	Keytop: Program	1
20	B077 6358	Keytop: Clear Modes	1
21	B077 1508	Keytop: Energy Saver	1
22	B077 1512	Keytop: Interrupt	1
23	B077 1502	Keytop: 10key	1
23	B077 6355	Keytop: 10key: NA	1
23	B077 6387	Keytop: 10key: AA	1
24	B077 1534	Cover: Application	1
25	B213 1518	PCB: Operation Panel: Right	1
26	B077 6356	Keytop: Copy: 1: NA	1

Index No.	Part No.	Description	Q'ty Per Assembly
26	B077 6366	Keytop: Copy: 1: EU	1
27	B077 6357	Keytop: Copy: 2: NA	1
27	B077 6367	Keytop: Copy: 2: EU	1
28	B077 6354	Sheet: Caption: NA	1

5.OPTICS UNIT 1 (B291/B295/B296/B297)

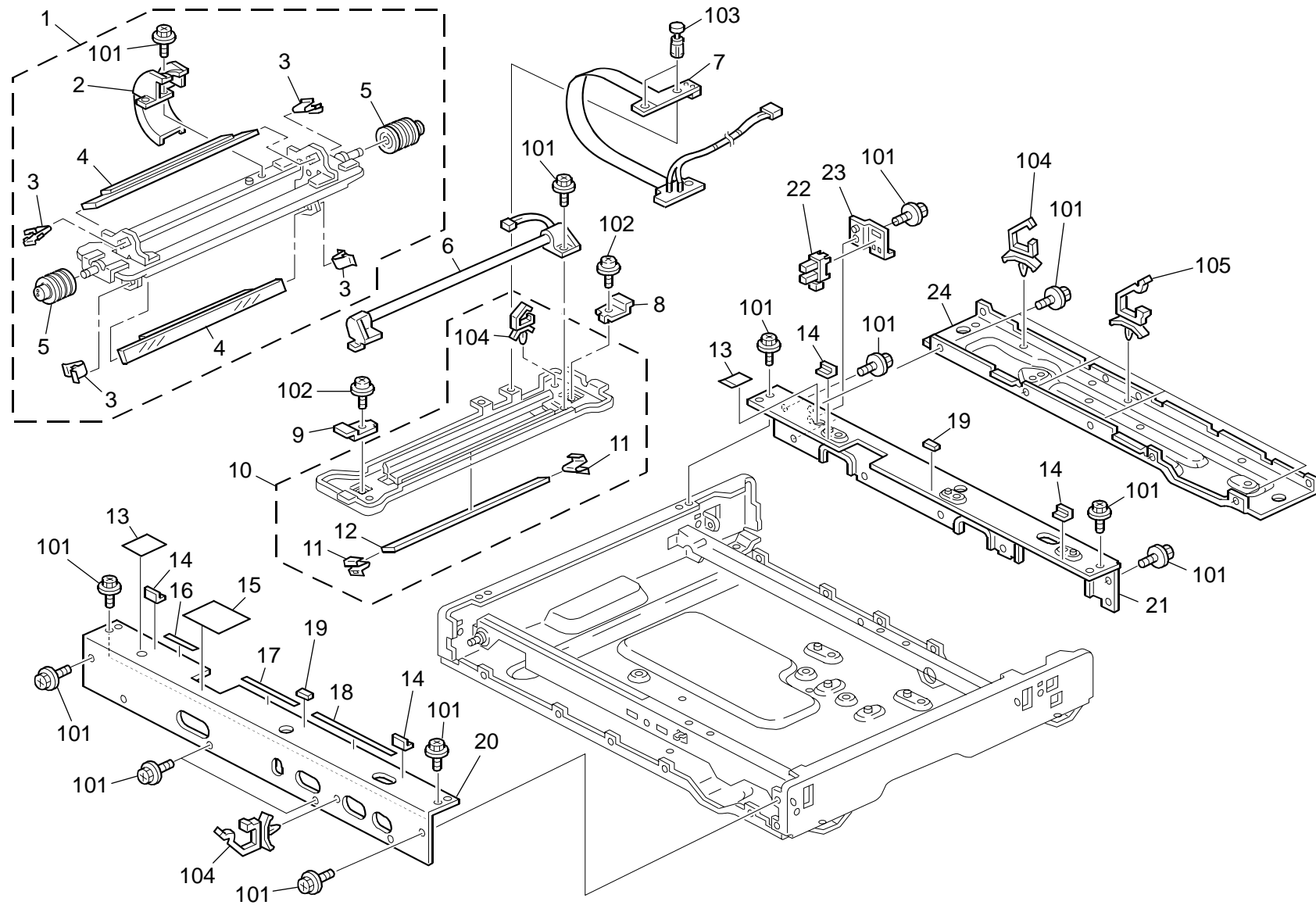


5.OPTICS UNIT 1 (B291/B295/B296/B297)

Index No.	Part No.	Description	Q'ty Per Assembly
1	B077 1678	Stay: Right	1
2	AX64 0164	Fan Motor: 15mm: 24V	1
3	B077 1742	Bracket: Fan	1
4	AW01 0133	Original Sensor - 66mm	3
5	B082 1676	Bracket: Scale: Left	1
6	B351 6523	Seal - ADF Exposure Glass	1
7	BC01 2002	Exposure Glass: Sheet Through: 344x20	1
8	B298 1681	Inner Cover	1
9	B298 1832	Holder: Lens: Adonis-C4.5: Ass'y	1
10	AZ50 0067	Stabilizer: Xenon Lamp	1
11	B077 1739	Bracket: Hinge	1
12	AW02 0146	Photointerruptor: Flat: PICH2mm: M4	1
13	B077 1849	Bracket: Connector: ARDF	1
14	B213 5541	Harness: Scanner: ADF	1
15	B213 5544	Harness: FFC: SBU: 50wick: 80mm	1
16	B298 5543	Harness: SIB: EXP	1
17	B213 1847	Interface Cable: Scanner: LW: Ass'y	1
18	B298 5343	PCB: SIB	1
19	B213 5538	Harness: OPU	1
20	B213 5397	PCB: MDB	1
21	B077 1846	Bracket: MDB: Left	1
22	B077 1847	Bracket: MDB: Right	1
23	AA06 0702	Tension Spring	1
24	B213 1751	Stepper Motor: Scanner	1
25	B213 1826	Ground Plate: Lens block SMD	1
27	B298 1841	Bracket: Original Sensor: Front	1
28	B298 1843	Bracket: Original Sensor: Inner Back	2
29	B298 1744	Seal: Original Sensor: Inner Back	1

Index No.	Part No.	Description	Q'ty Per Assembly
101	0353 0060N	Philips Pan Head Bind Screw - M3x6	
102	0454 3006Q	Tapping Screw - M3x6	
103	0451 3006N	Tapping Screw - 3x6	
104	0314 0120N	Screw - M4x12	
105	1105 0162	Locking Support	
106	0451 3008N	Tapping Screw - M3x8	
107	0314 0180N	Pan Head Screw: M4x18	

6.OPTICS UNIT 2 (B291/B295/B296/B297)

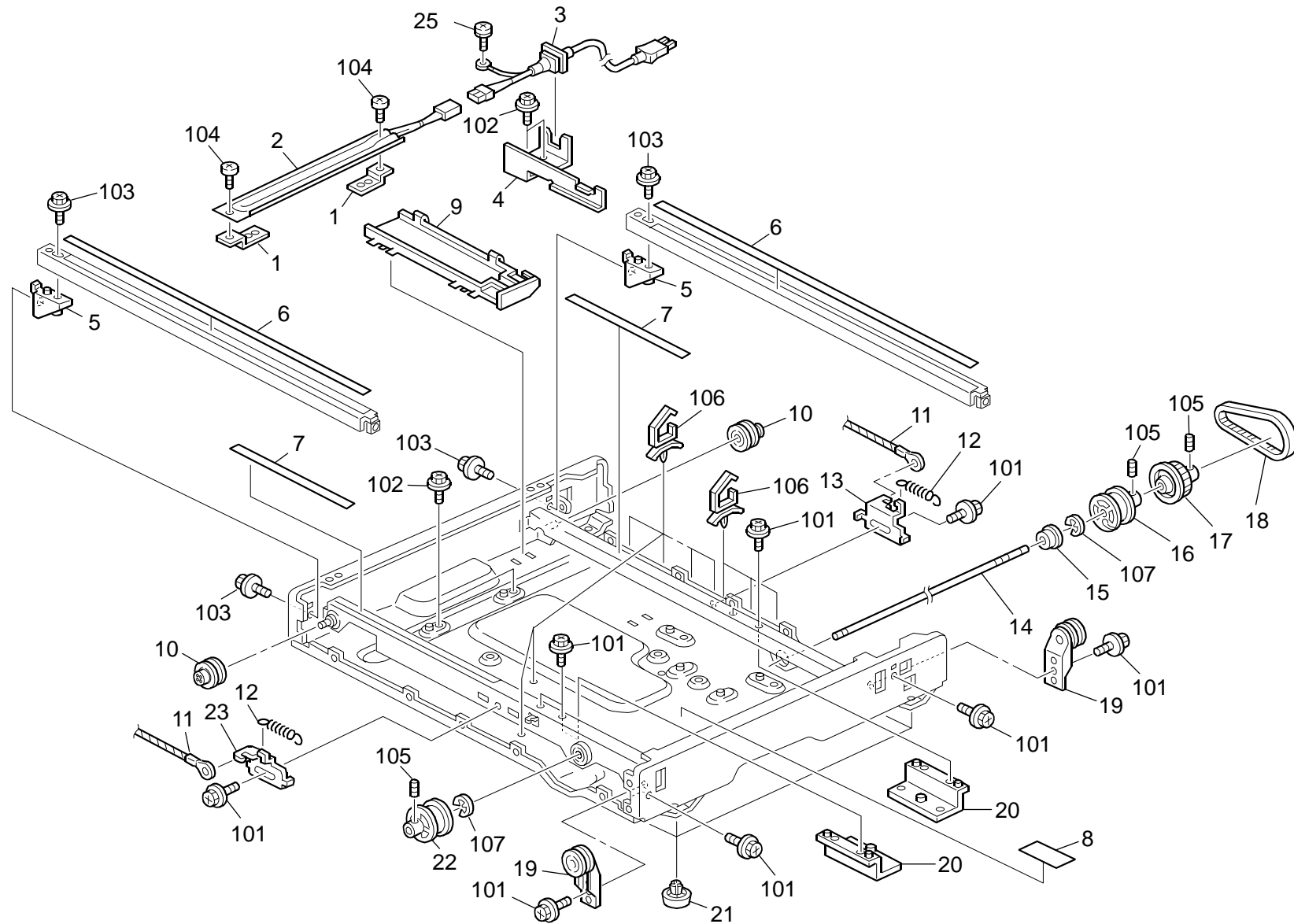


6.OPTICS UNIT 2 (B291/B295/B296/B297)

Index No.	Part No.	Description	Q'ty Per Assembly
1	B077 1801	Carriage: No.2: Ass'y	1
2	A232 1808	Harness Guide	1
3	G404 2810	Spring Plate - 2nd Mirror	4
4	B004 1820	2nd Mirror Ass'y	2
5	B004 1809	Carriage Pulley - 22mm	2
6	AX50 0083	Xenon Lamp: Mm8.5	1
7	B213 1846	Flexible Board: Ass'y (RIC/INF)	1
7	B213 1842	Flexible Board	1
8	B077 1792	Clamp: Wire: Rear	1
9	B077 1791	Clamp: Wire: Front	1
10	B077 1781	Carriage: No.1: Ass'y	1
11	A232 1789	1st Mirror Holder	2
12	AC03 0110	Scanner Mirror	1
13	AA15 0721	Shield: Side Plate: Left	2
14	A284 1674	Exposure Glass Holder	4
15	AA15 0722	Shield: Side Plate: Front Rear: Left Middle	1
16	AA15 0723	Sheet: Left	1
17	AA15 0724	Sheet: Left Middle	1
18	AA15 0725	Sheet: Right	1
19	AA16 1133	Cushion - 4x15x1	2
20	B082 1736	Side Plate: Front	1
21	B082 1738	Side Plate: Rear	1
22	AW02 0145	Photointerruptor: Flat	1
23	B213 1844	Bracket: Home Position Sensor	1
24	B077 1728	Base: Scanner: Rear	1

Index No.	Part No.	Description	Q'ty Per Assembly
101	0451 3006N	Tapping Screw - 3x6	
102	0951 3006N	Screw - M3X6	
103	1005 0728	Rivet - Nrp335	
104	1105 0516	Clamp	
105	1105 0508	Harness Clamp - LWS-0711	

7.OPTICS UNIT 3 (B291/B295/B296/B297)

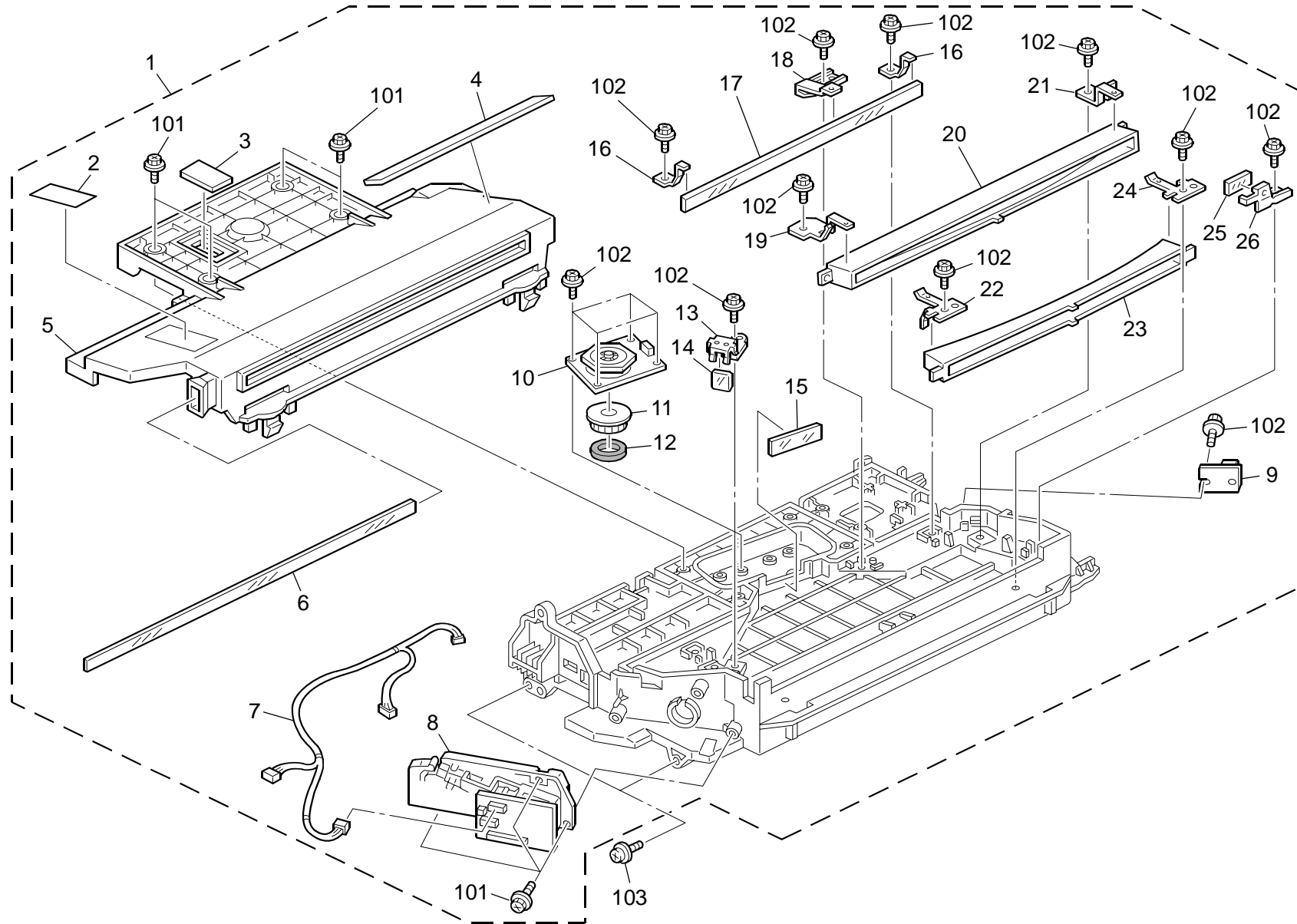


7.OPTICS UNIT 3 (B291/B295/B296/B297)

Index No.	Part No.	Description	Q'ty Per Assembly
1	B213 1728	Bracket: Heater: Scanner	2
2	AX40 0140	Heater - 120V 15W	1
2	AX40 0142	Heater - 240V 15W	1
3	B213 1745	Heater Bracket NA Ass'y	1
3	B213 1746	Heater Bracket EU Ass'y	1
4	B213 1742	Bracket: Power Supply Cord: Heater: EXP	1
5	A232 1728	Rail Supporter	2
6	A232 1731	Scanner Rail	2
7	A232 1707	Second Slide Rail	2
8	AA15 0711	Shield -Base	1
9	B004 1726	Rail - Flexible Board	1
10	B004 1713	Pulley 2 - 22MM	2
11	AA05 0106	Carriage Drive Wire	2
12	AA06 0703	Tension Spring	2
13	B077 1722	Bracket: Tension: Wire: Rear	1
14	A232 1771	Drive Shaft	1
15	0742 3808	Ball Bearing - 8x16x5	1
16	AB03 2062	Rear Scanner Pulley	1
17	AB03 0572	Timing Pulley - Z61	1
18	AA04 3439	Timing Belt - S2M-224	1
19	B004 1714	Idler Bracket	2
20	A232 1713	Lens Block Supporter	2
21	AH01 0010	Rubber Foot: H5	4
22	AB03 2061	Front Scanner Pulley	1
23	B077 1712	Bracket: Tension: Wire: Front	1
25	AA14 3592	Screw- M4x6	

Index No.	Part No.	Description	Q'ty Per Assembly
101	0451 3006N	Tapping Screw - 3x6	
102	0454 3006Q	Tapping Screw - M3x6	
103	0450 3008N	Tapping Screw - M3x8	
104	0314 0060N	Screw - M4X6	
105	0575 0050E	Hexagon Headless Set Screw - M5x5	
106	1105 0487	Harness Clamp	
107	0720 0060E	Retaining Ring - M6	

8.LASER UNIT (B291/B295/B296/B297)

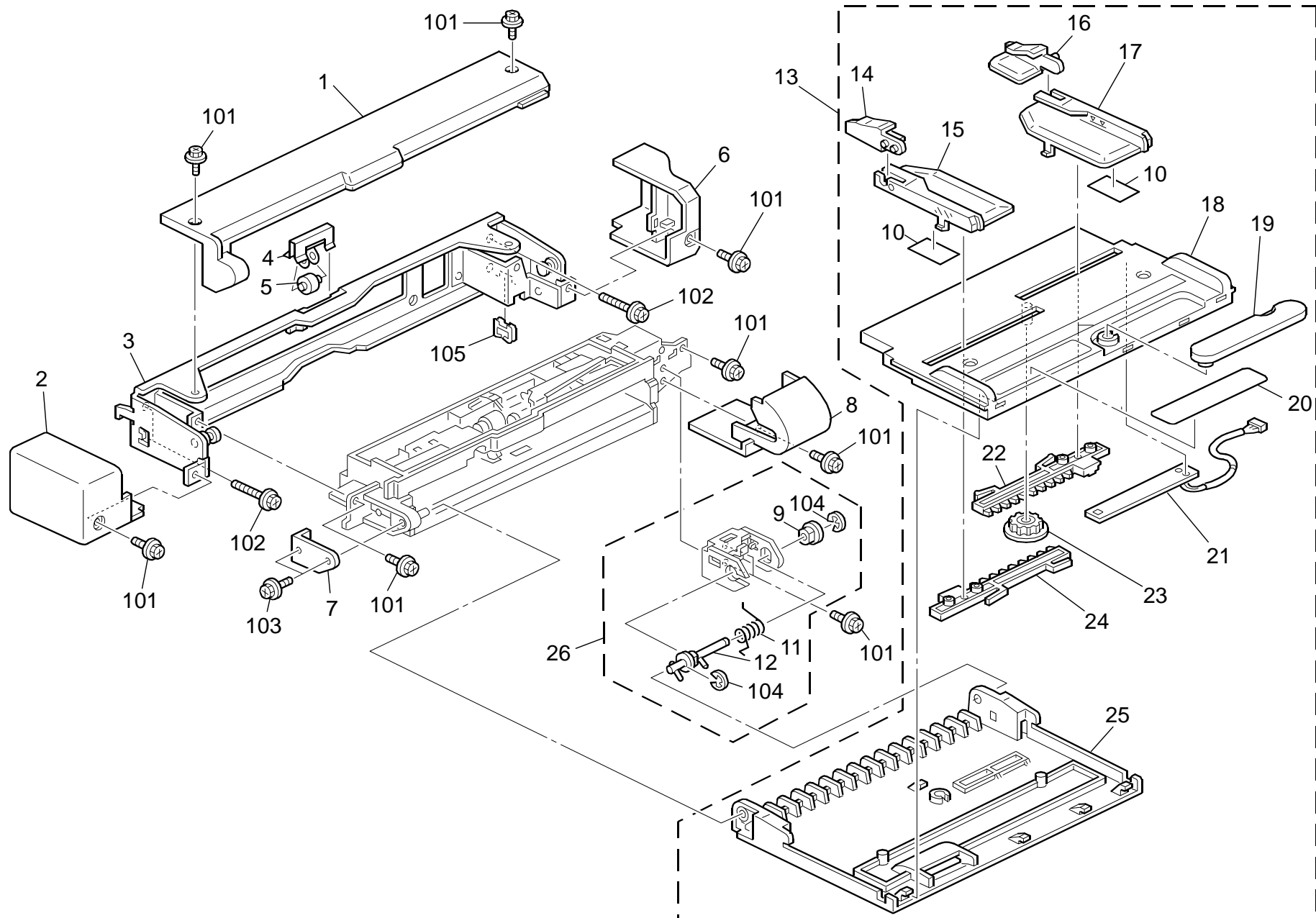


8.LASER UNIT (B291/B295/B296/B297)

Index No.	Part No.	Description	Q'ty Per Assembly
1	B298 1870	Laser Unit	1
2	G029 1980	Decal - LD	1
3	B077 1904	Cap: Cover: Optical Housing	1
4	B077 1907	Supporting Plate: Cover: Imaging Unit	1
5	A284 1904	Cover - Optical Housing	1
6	AC01 5025	Shield Glass	1
7	B213 5455	Harness: Imaging Unit	1
8	B298 1891	Laser Diode Unit	1
9	B213 5320	PCB: Sync Detector: SHARP	1
10	AX06 0303	Polygon Scanner Motor	1
11	B002 1898	Heat Sinker: Polygon Scanner: M: Ass'y	1
12	A232 1920	Seal - Heatsink	1
13	A232 1927	Cylindrical Lens Holder	1
14	G020 1966	Cylindrical Lens	1
15	AC01 5024	Shield Glass - Polygon Motor	1
16	A232 1926	Mirror Holder	6
17	AC03 0115	Mirror	1
18	A232 1925	Middle Mirror Holder	1
19	A232 1923	Front Holder - BTL	1
20	G020 1969	BTL Lens	1
21	A232 1924	Rear Holder - BTL	1
22	A232 1921	Front Holder - F Theta Mirror	1
23	G020 1968	F Theta Mirror	1
24	A232 1922	Rear Holder - F Theta Mirror	1
25	GC03 0020	Sync. Detector Mirror	1
26	A232 1928	Holder - Sync. Detector Mirror	1

Index No.	Part No.	Description	Q'ty Per Assembly
101	0450 3010N	Tapping Screw - M3x10	
102	0450 3008N	Tapping Screw - M3x8	
103	0951 3008N	Screw: Polished Roud: M3x8	

9.BY-PASS FEED UNIT 1 (B291/B295/B296/B297)

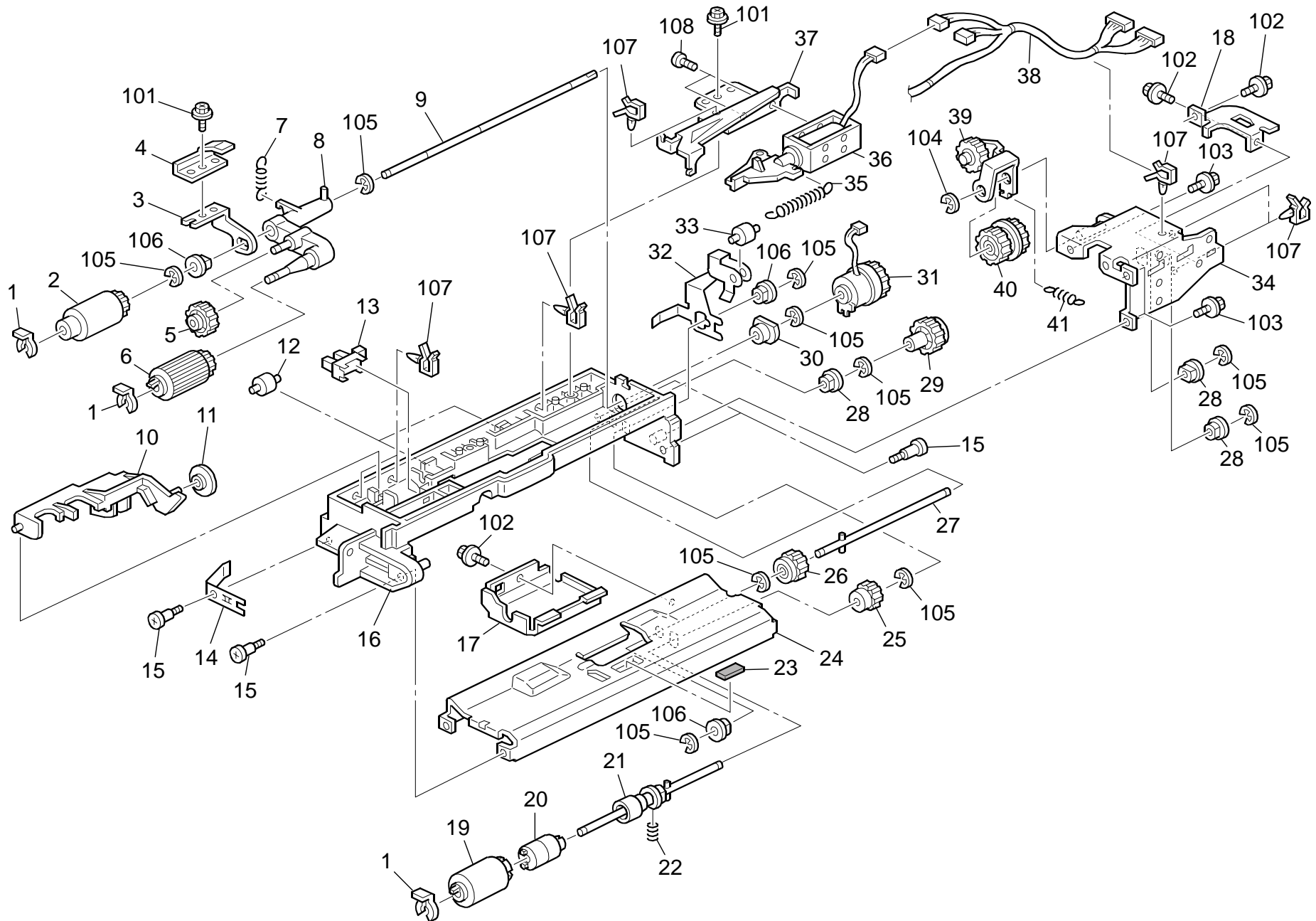


9.BY-PASS FEED UNIT 1 (B291/B295/B296/B297)

Index No.	Part No.	Description	Q'ty Per Assembly
1	B077 6106	Cover: Holder: Middle	1
2	B077 6109	Cover: Manual Feed: Front	1
3	B082 6095	Frame: Holder: Ass'y	1
4	A232 6092	Roller - Holder	1
5	AF04 0559	Driven Roller - M9	1
6	B077 6108	Cover: Manual Feed: Inner Back	1
7	B004 6024	Supporting Plate: Contact Point	1
8	B077 6107	Cover: Contact Point	1
9	AA08 2070	Bushing - 8x16x7	1
10	G060 2908	Pad - Side Fence	2
11	AA06 6574	Torsion Spring	1
12	A232 6091	Positioning Pin	1
13	B198 6009	Manual Feed Table: SUB-Ass'y	1
14	B077 6071	Side Fence: Auxiliary: Front	1
15	B077 6069	Side Fence: Front	1
16	B077 6072	Side Fence: Auxiliary: Rear	1
17	B077 6070	Side Fence: Inner Back	1
18	B077 6067	Manual Feed Table	1
19	G060 2905	Paper Guide - Manual Feed Table	1
20	B082 6073	Decal: Manual Feed Direction	1
21	B198 6080	Paper Size Sensor	1
22	A232 6083	Rear Rack	1
23	G011 3305	Gear - 16Z	1
24	A232 6082	Front Rack	1
25	B077 6068	Cover: Manual Feed Table	1
26	B082 6010	Support Stay: Sub-Ass'y	1

Index No.	Part No.	Description	Q'ty Per Assembly
101	0451 3008N	Tapping Screw - M3x8	
102	0451 4010N	Tapping Screw: 4x10	
103	0450 3010N	Tapping Screw - M3x10	
104	0720 0040E	Retaining Ring - M4	
105	1105 0349	Edge Saddle	

10.BY-PASS FEED UNIT 2 (B291/B295/B296/B297)

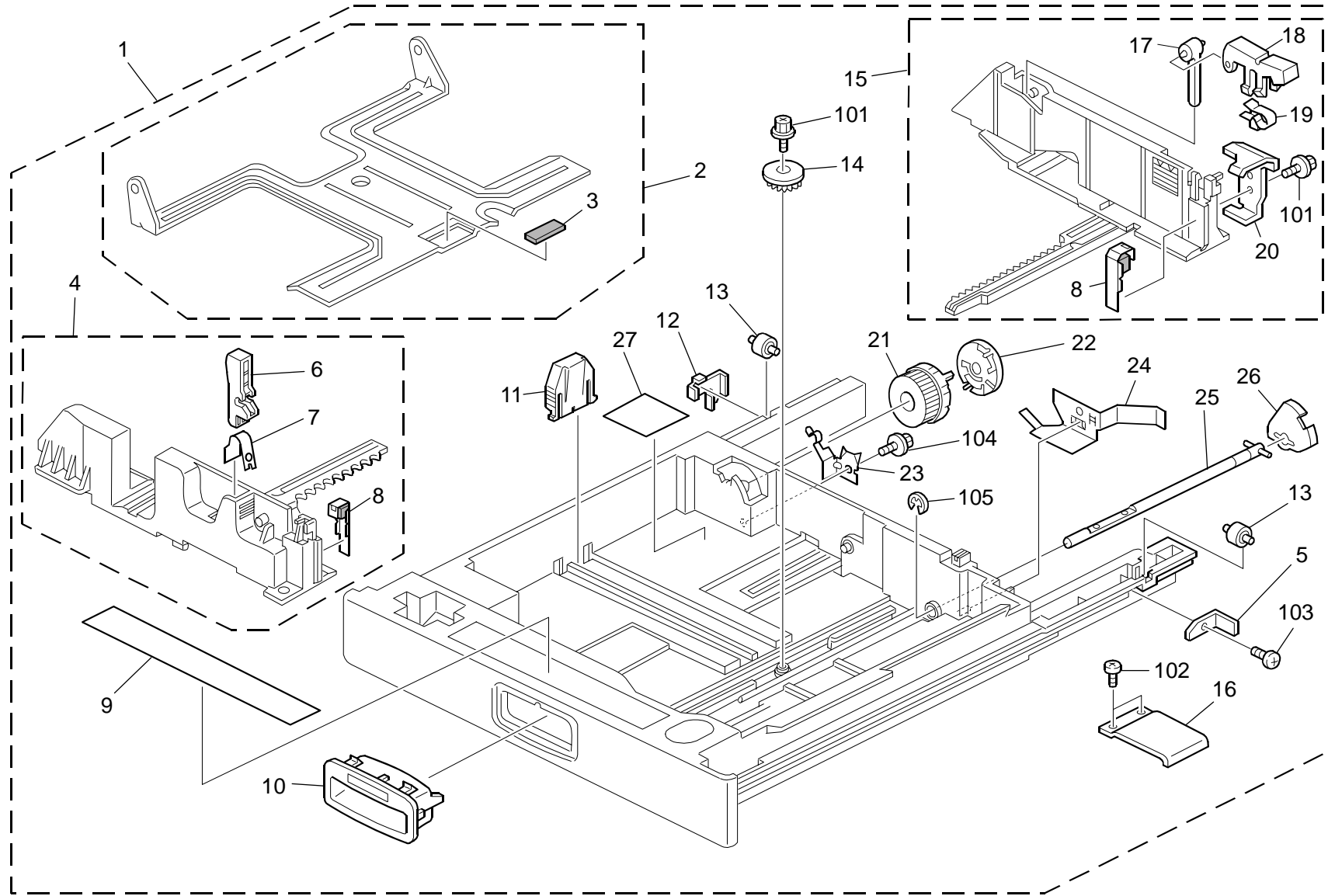


10.BY-PASS FEED UNIT 2 (B291/B295/B296/B297)

Index No.	Part No.	Description	Q'ty Per Assembly
1	5447 2681	Snap Ring	3
2	AF03 1046	Feed Roller - Manual Feed	1
3	B077 6044	Guide Plate: Feed	1
4	A232 6046	Grounding Plate - Feed	1
5	AB01 1387	Gear - 23Z	1
6	AF03 0049	Pick-up Roller	1
7	AA06 3568	Pressure Spring	1
8	A232 6043	Arm Paper Pick Up	1
9	AA14 0753	Feed Shaft	1
10	A232 6055	Paper End Feeler	1
11	A134 2661	Feeler Roller	1
12	AF04 0031	Driven Roller	2
13	AW02 0145	Photointerruptor: Flat	1
14	A232 6023	Grounding Plate - Reverse	1
15	5216 4198	Stepped Screw - Guide Plate	3
16	B077 6022	Housing: Manual Feed	1
17	B082 6038	Cover: Gear: Adhesion	1
18	B077 6065	Rail: Holder	1
19	AF03 2046	Separation Roller - Manual Feed	1
20	B004 2783	Torque Limiter	1
21	B213 6033	Shaft: Separator: Driven	1
22	AA06 3499	Pressure Spring	1
23	AF01 3016	Bottom Plate Pad	1
24	B082 6028	Guide Plate: Separator: Ass'y	1
25	AB01 1388	Gear - Z16	1
26	AB01 1389	Gear - 20Z	1
27	A232 6035	Shaft - Drive Roller	1
28	GA08 0002	Bushing - 6mm	2
29	AB01 1390	Gear - 27Z	1
30	AA08 3018	Roller Clutch - 6x14x10	1
31	AX20 0292	Magnetic Clutch: 245mn.m	1
32	B004 6062	Pressure Plate - By-pass Feed	1
33	AF04 0575	Driven Roller	1
34	B082 6061	Bracket: Drive: Ass'y	1
35	AA06 3567	Tension Spring	1

Index No.	Part No.	Description	Q'ty Per Assembly
36	B213 6051	DC Solenoid: Pickup: Sub-ass'y	1
37	B213 6049	Bracket: DC Solenoid	1
38	B082 5427	Harness: Manual Feed Unit	1
39	B213 6059	Arm: Tightener: Ass'y	1
40	AB01 7454	Gear - 24Z/30Z	1
41	AA06 3569	Spring	1
101	0450 3010N	Tapping Screw - M3x10	
102	0451 3008N	Tapping Screw - M3x8	
103	0450 3008N	Tapping Screw - M3x8	
104	0720 0060E	Retaining Ring - M6	
105	0720 0040E	Retaining Ring - M4	
106	0805 3480	Bushing - 6mm	
107	1105 0267	Harness Clamp - YMC-10-0	
108	0353 0040N	Screw - M3X4	

11.PAPER TRAY UNIT (B291/B295/B296/B297)

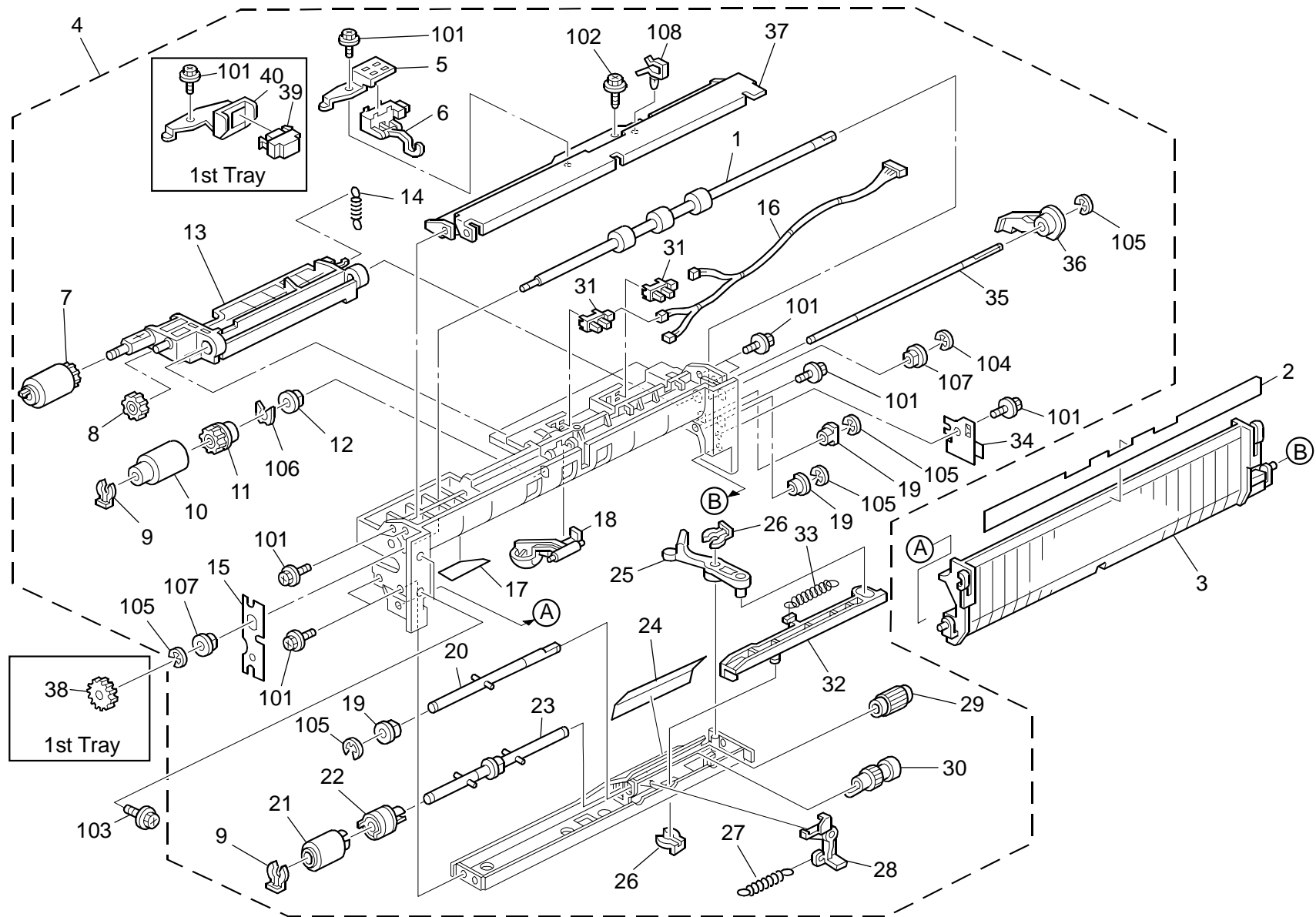


11.PAPER TRAY UNIT (B291/B295/B296/B297)

Index No.	Part No.	Description	Q'ty Per Assembly
1	B213 2903	Paper Tray: Universal	1
2	B077 2940	Tray Bottom Plate: Ass'y	1
3	AF01 3006	Bottom Plate Pad	1
4	B082 2920	Side Fence: Front: Ass'y	1
5	B077 2951	Stopper: Right: Paper Tray	1
6	B004 2922	Release Lever - Side Fence	1
7	B004 2923	Spring Plate - Release Lever	1
8	B082 2925	Shield: Side Fence: Ass'y	2
9	B082 2965	Decal: Paper Set Direction	1
10	B077 2988	Cover: Grip: C3	1
11	AF01 7026	End Fence	1
12	B077 2952	Shoe: Left	1
13	A232 2987	Roller - Paper Tray	2
14	B004 2936	Gear - 16Z	1
15	B082 2930	Side Fence: Rear: Ass'y	1
16	B077 2975	Lever: Rise	1
17	B004 2933	Rear Stopper	1
18	B004 2932	Rear Stopper Lever	1
19	B004 2934	Spring Plate - Lock Lever	1
20	B082 2937	Paper Stopper: Side Fence	1
21	B082 2955	Dial: Paper Size Sensor: Printing	1
22	B004 2948	Paper Size Sensor	1
23	B004 2947	Spring Plate-Paper Size Sensor	1
24	B004 2943	Grounding Plate - Paper Tray	1
25	B213 2915	Shaft: Rise	1
26	A235 2979	Feeler - Paper Height Sensor	1
27	B213 2967	Decal: Paper Select: Dial: EXP	1

Index No.	Part No.	Description	Q'ty Per Assembly
101	0450 4008N	Tapping Screw - M4x8	
102	0353 0060N	Philips Pan Head Bind Screw - M3x6	
103	0452 3008N	Tapping Screw - M3x8	
104	0450 3008N	Tapping Screw - M3x8	
105	0720 0060E	Retaining Ring - M6	

12.PAPER FEED SECTION (B291/B295/B296/B297)

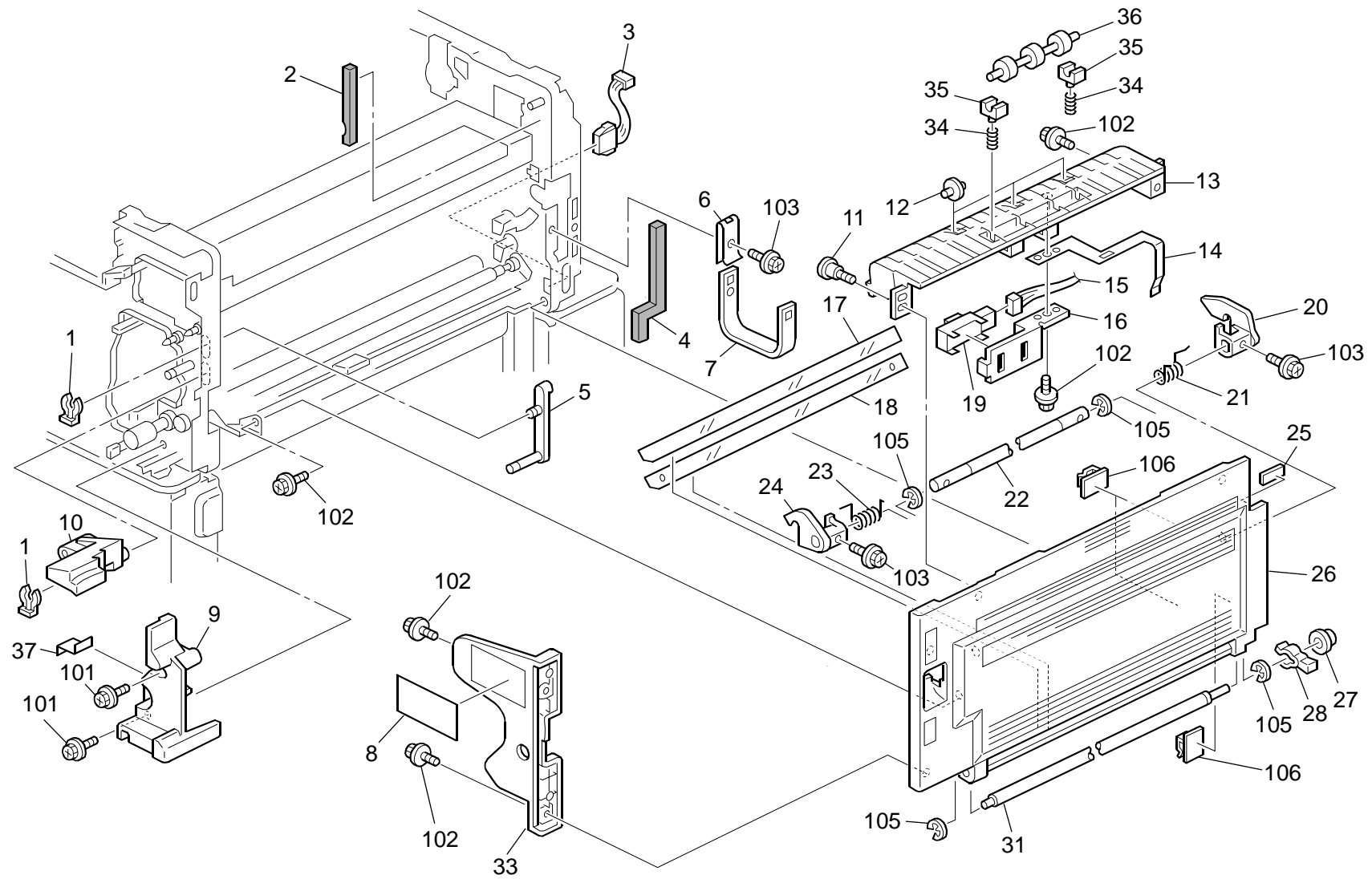


12.PAPER FEED SECTION (B291/B295/B296/B297)

Index No.	Part No.	Description	Q'ty Per Assembly
1	AF02 0701	Transport Roller: Drive	1
2	A232 2787	Vertical Transport Guide	1
3	B082 2785	Guide Plate: Swivel: Adhesion	1
4	B213 2740	Paper Feed Unit: No.1	1
4	B213 2750	Paper Feed Unit	1
5	B077 2781	Bracket: Sensor	1
6	AW01 0122	Paper Feed Sensor	1
7	AF03 0090	Paper Feed Roller: Pickup	1
8	AB01 1188	Gear - 21Z	1
9	5447 2681	Snap Ring	2
10	AF03 1090	Paper Feed Roller: Feed	1
11	AB01 1189	Gear - 18Z	1
12	AA08 2070	Bushing - 8x16x7	1
13	A232 2763	Pick-up Arm	1
14	AA06 0691	Tension Spring	1
15	A232 2765	Front Grounding Plate	1
16	B082 5428	Harness: Paper Feed Unit	1
16	B082 5430	Harness: Paper Feed Unit: No.1	1
17	A232 2766	Feed Mylar	1
18	A232 2762	Paper End Feeler	1
19	AA08 2072	Bushing - M6	2
20	B213 2784	Shaft: Separate: Drive	1
21	AF03 2090	Paper Feed Roller: Separate	1
22	B004 2783	Torque Limiter	1
23	B213 2777	Shaft: Separate: Driven	1
24	B004 2782	Rear Feed Mylar	1
25	G065 2776	Release Lever	1
26	5206 2686	Snap Ring	2
27	AA06 0693	Tension Spring	1
28	G065 2774	Pressure Lever	1
29	AB01 0157	Gear: Separate: Driven	1
30	AB01 0156	Gear: Separate: Drive	1
31	AW02 0145	Photointerruptor: Flat	2
32	G065 2775	Link Lever	1
33	AA06 0908	Release Spring	1

Index No.	Part No.	Description	Q'ty Per Assembly
34	A232 2764	Rear Grounding Plate	1
35	AA14 0655	Shaft - Paper Feed	1
36	G065 2767	Lever - Feed	1
37	B077 2780	Stay: Feed	1
38	AB01 4275	Gear - 17Z	1
39	AW02 0157	Paper Feed Sensor	1
40	B082 2781	Bracket: Sensor	1
101	0451 3008N	Tapping Screw - M3x8	
102	0450 3008N	Tapping Screw - M3x8	
103	0451 3006N	Tapping Screw - 3x6	
104	0720 0060E	Retaining Ring - M6	
105	0720 0040E	Retaining Ring - M4	
106	0805 0089	Retaining Ring - M4	
107	0805 3480	Bushing - 6mm	
108	1105 0283	Clamp	

13.VERTICAL TRANSPORT (B291/B295/B296/B297)



13.VERTICAL TRANSPORT (B291/B295/B296/B297)

Index No.	Part No.	Description	Q'ty Per Assembly
1	5447 2681	Snap Ring	2
2	AA15 3393	Frame Seal - Rear Vertical	1
3	B213 5470	Harness: Connecting: Right Rear	1
4	AA15 3391	Frame Seal - Rear Right	1
5	A232 3950	Hook Lever	1
6	A232 3962	Spring Plate - Band Stopper	1
7	A232 3963	Band Stopper	1
8	B082 3992	Decal: Drum: Belt	1
9	B077 1305	Inner Cover: Right	1
9	B077 6322	Inner Cover: Right: EU	1
10	B077 3999	Lever: Handle: C3	1
11	B213 4330	Screw - MM4.5	1
12	AF04 0571	Guide Roller	3
13	B082 4322	Guide Plate: Exit: Entrance	1
14	B004 4329	Grounding Plate - Exit Sensor	1
15	G147 5466	Harness: Used Toner Sensor	1
16	B077 4323	Bracket: Paper Feed Sensor	1
17	A232 3998	Upper Entrance Guide	1
18	A232 3999	Lower Entrance Guide	1
19	AW01 0118	Paper Feed Sensor	1
20	A232 3948	Rear Hook - Right Cover	1
21	AA06 6576	Torsion Spring	1
22	B213 3821	Shaft: Hook	1
23	AA06 6575	Torsion Spring	1
24	A232 3945	Front Hook - Right Cover	1
25	AA15 3392	Sponge - 24x6x5	1
26	G147 3940	Cover: Right	1
27	AA08 2079	Bushing - 6x8x5.8	1
28	A232 3942	Stopper - Right Cover	1
31	G147 3941	Shaft: Contact Point: Cover: Right	1
33	B082 4199	Shielding Plate: Cover: Right	1
34	AA06 3855	Spring - 3.5n	2
35	B004 4327	Bushing - 4mm	2
36	B298 4328	Driven Roller	1
37	B213 1306	Sheet: Inner Cover: Right	1

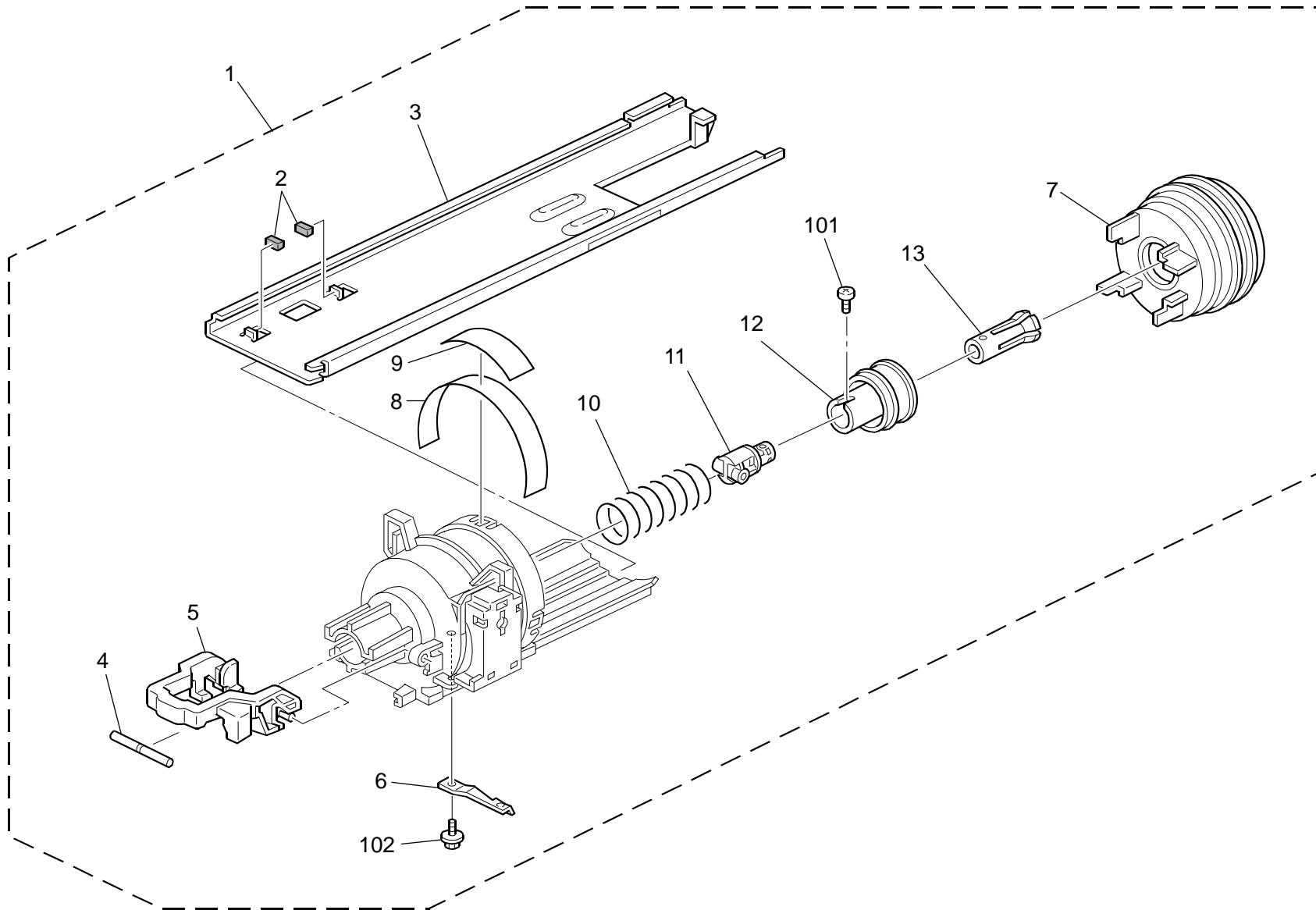
Index No.	Part No.	Description	Q'ty Per Assembly
101	0454 3006Q	Tapping Screw - M3x6	
102	0450 3008N	Tapping Screw - M3x8	
103	0451 3006N	Tapping Screw - 3x6	
105	0720 0060E	Retaining Ring - M6	
106	1105 0165	Flat Cable Clamp	

14.PAPER REGISTRATION (B291/B295/B296/B297)

Index No.	Part No.	Description	Q'ty Per Assembly
1	AG05 0099	Knob: Registration	1
2	AB03 0778	Gear: Pulley - 20Z/30T	1
3	AA08 2080	Bushing - M8	2
4	AB01 4051	Gear - 16Z	1
5	AA08 0229	Front Bushing - M6	1
6	AA06 2304	Pressure Spring	2
7	A232 2578	Stopper - Guide Plate	2
8	AA06 6577	Torsion Spring	1
9	B077 3985	Link: Cover: Ass'y	1
10	AA14 9291	Pin - Link	1
11	B077 2596	Link: Guide Plate: Open And Close	1
12	5206 2686	Snap Ring	1
13	B082 2575	Grip: Guide Plate	1
14	AA00 1393	Decal - A2	1
15	B213 2614	Bracket: Registration Roller	1
16	B082 2611	Case: Registration Roller: Ass'y	1
17	B077 2583	Guide Plate: Entrance: Lower: Adhesion	1
18	B077 2594	Bracket: Registration Sensor	1
19	AW01 0106	Paper Feed Sensor	1
20	B082 5420	Harness: Registration Sensor	1
21	B213 2574	Guide Plate: Entrance: Upper: Peen	1
22	AA06 2305	Tension Spring	1
23	AF02 1083	Registration Roller: Driven: MM16	1
24	AF02 0608	Registration Roller: Drive: MM20	1
25	A232 1074	Guide - Transfer Entrance	1
26	B082 1072	Stay: Drum: Lower: Ass'y	1
27	AA15 3442	Shield - Stay - PCU	1
28	B082 2603	Cleaner: Registration Roller: Ass'y	1
29	B082 2602	Case: Cleaner: Registration Roller	1
30	B004 2310	Spur	8
31	B082 2403	Supporter: PCU	1
32	A232 2366	Holder - ID Sensor	1
33	B213 2367	Density Sensor: P	1
34	A232 1284	Spring Holder	1
35	B213 1127	Receptacle: Transfer Belt	1

Index No.	Part No.	Description	Q'ty Per Assembly
36	AA06 3304	Terminal Spring	2
37	AX20 0280	Magnetic Clutch: 0.5n.m: 28z	1
38	AA08 0230	Rear Bushing - M6	1
39	AA04 3580	Timing Belt: 50S2M192	1
40	AA08 2072	Bushing - M6	2
41	B213 2575	Shaft: Drive: Registration	1
42	B213 2570	Bracket: Registration: Drive: Front	1
43	AB01 4276	Gear - 16Z	1
44	AB01 4275	Gear - 17Z	1
45	AB03 0779	Timing Pulley - 30T	1
101	0450 3008N	Tapping Screw - M3x8	
102	0454 3006Q	Tapping Screw - M3x6	
103	0451 3006N	Tapping Screw - 3x6	
104	0720 0040E	Retaining Ring - M4	
105	0720 0020E	Retaining Ring - M2	
106	0313 0060N	Screw - M3X6	
107	0720 0060E	Retaining Ring - M6	
108	1102 6246	Relay Connector - 4P	
109	1105 0283	Clamp	
110	0353 0060N	Philips Pan Head Bind Screw - M3x6	

15.TONER HOPPER UNIT (B291/B295/B296/B297)

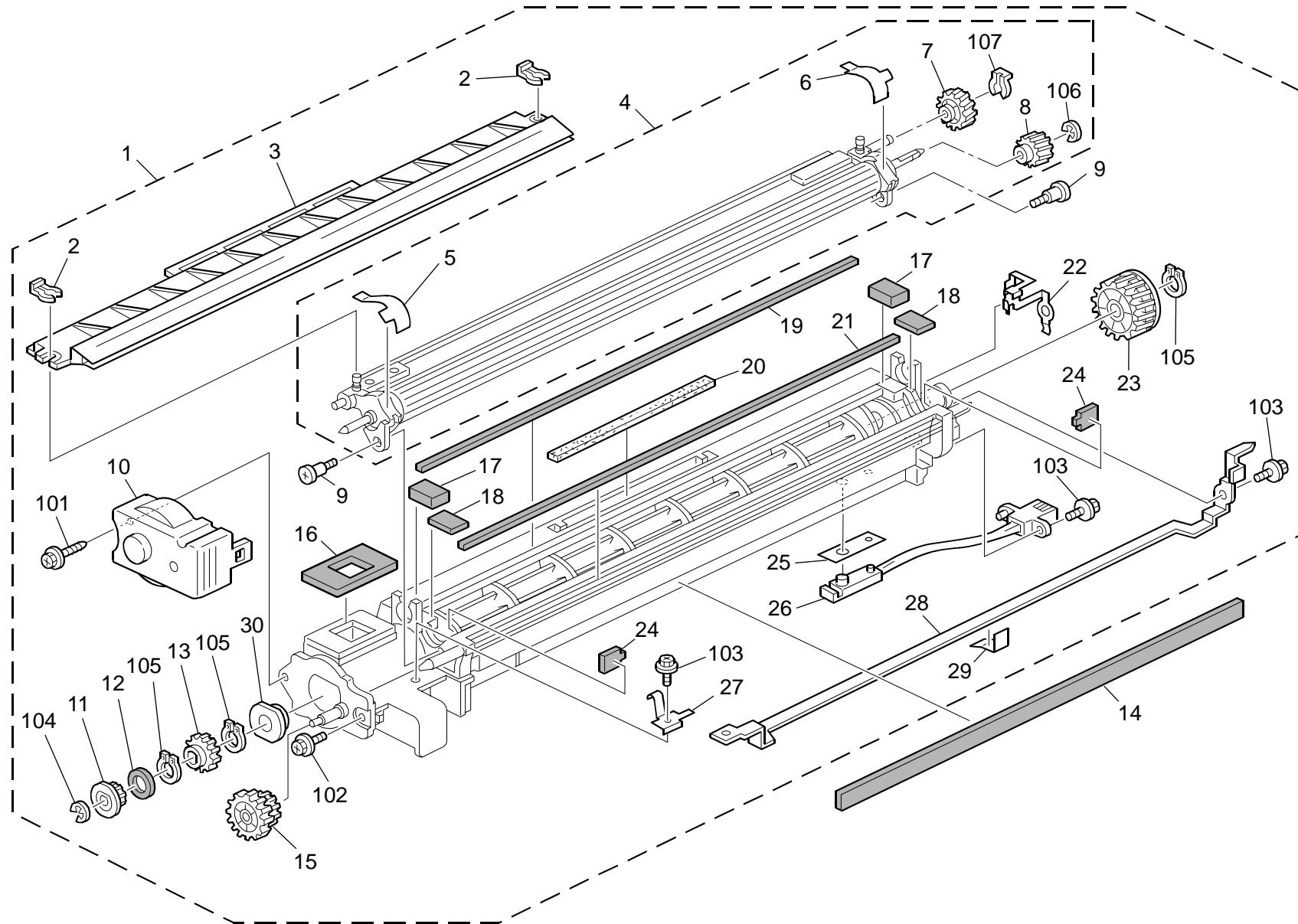


15.TONER HOPPER UNIT (B291/B295/B296/B297)

Index No.	Part No.	Description	Q'ty Per Assembly
1	B082 3209	Toner Supply Unit	1
2	A232 3266	Seal - Slide Rail	2
3	B077 3262	Slide Rail: Toner Supply Unit	1
4	AA14 5831	Shaft: Slide	1
5	A232 3261	Handle - Toner Supply	1
6	A232 3263	Spring Plate - Toner Bottle	1
7	A232 3240	Cover- Toner Bottle Ass'y	1
8	AA15 3083	Seal - Toner Supply Unit Cover	1
9	B082 3265	Decal: Caution Chart	1
10	AA06 3566	Pressure Spring	1
11	A232 3251	Chuck Shaft	1
12	A232 3252	Slider Ass'y	1
13	A134 3180	Bottle Chuck	1

Index No.	Part No.	Description	Q'ty Per Assembly
101	0452 3010N	Binding Self-tapping Screw: 3x10	
102	0450 3008N	Tapping Screw - M3x8	

16.DEVELOPMENT UNIT (B291/B295/B296/B297)

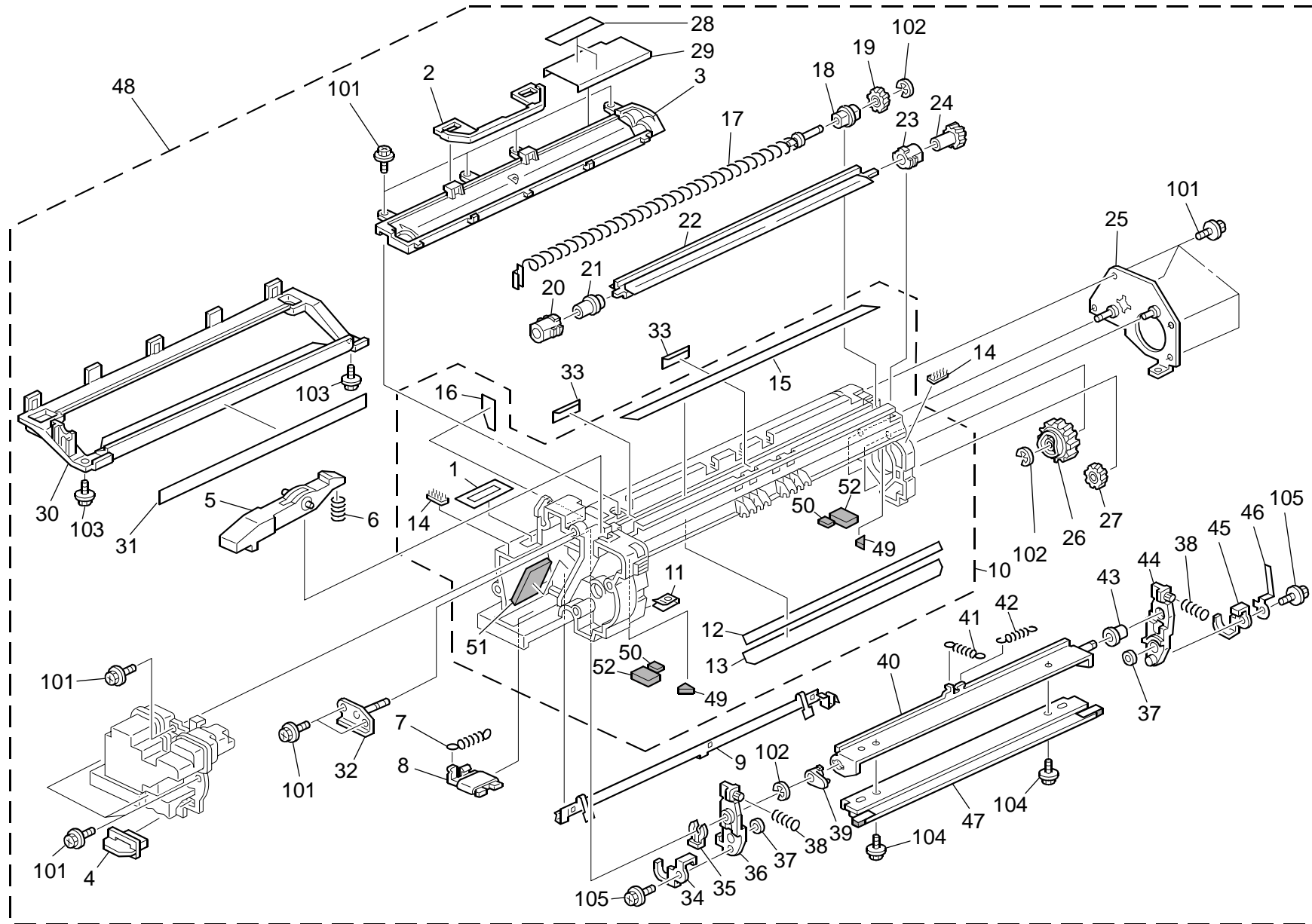


16.DEVELOPMENT UNIT (B291/B295/B296/B297)

Index No.	Part No.	Description	Q'ty Per Assembly
1	B213 3010	Development Unit	1
2	5206 2686	Snap Ring	2
3	A232 3150	Entrance Seal Ass'y	1
4	B082 3100	Development Sleeve: Ass'y	1
5	B082 3121	Shield: Development Sleeve: Front: C3	1
6	B082 3122	Shield: Development Sleeve: Rear: C3	1
7	AB01 1386	Development Sleeve Gear	1
8	AB01 1446	Gear - 29Z	1
9	AA14 3219	Stepped Screw	2
10	A232 3155	Front Cover - Development Unit	1
11	AB01 4061	Gear - 13Z	1
12	A232 3077	Spacer - M5	1
13	AB01 4060	Gear - 21Z	1
14	AA15 3443	Mylar -Development Unit-Right	1
15	AB01 4062	Gear - 17Z/25Z	1
16	G065 3066	Entrance Shield - Toner Supply	1
17	AA15 3054	Sponge - 17x7x5	2
18	AA15 3095	Shield - Development - Center	2
19	AA15 3053	Sponge - 317x5x5	1
20	AA01 2131	Filter: Development	1
21	G065 3067	Coupling Shield	1
22	A232 3069	Rear Bias Terminal - Development	1
23	B004 3078	Joint - Paddle	1
24	B082 3123	Shield: Case: Development: Front Rear: C3	2
25	A232 3067	Tape - TD Sensor	1
26	B213 3065	Density Sensor	1
27	A232 3068	Front Bias Terminal - Development	1
28	B004 3062	Ground Plate- Doctor Blade	1
29	G012 3897	Film - Toner End Sensor Harness	1
30	AA08 0281	Bushing - 12x18x5.5	1

Index No.	Part No.	Description	Q'ty Per Assembly
101	0450 3014N	Tapping Screw: M3x14	
102	0450 3010N	Tapping Screw - M3x10	
103	0450 3008N	Tapping Screw - M3x8	
104	0720 0030E	Retaining Ring - M3	
105	0725 0110E	C Ring - M11	
106	0720 0040E	Retaining Ring - M4	
107	0805 0097	Ring Separator	

17.OPC UNIT 1 (B291/B295/B296/B297)

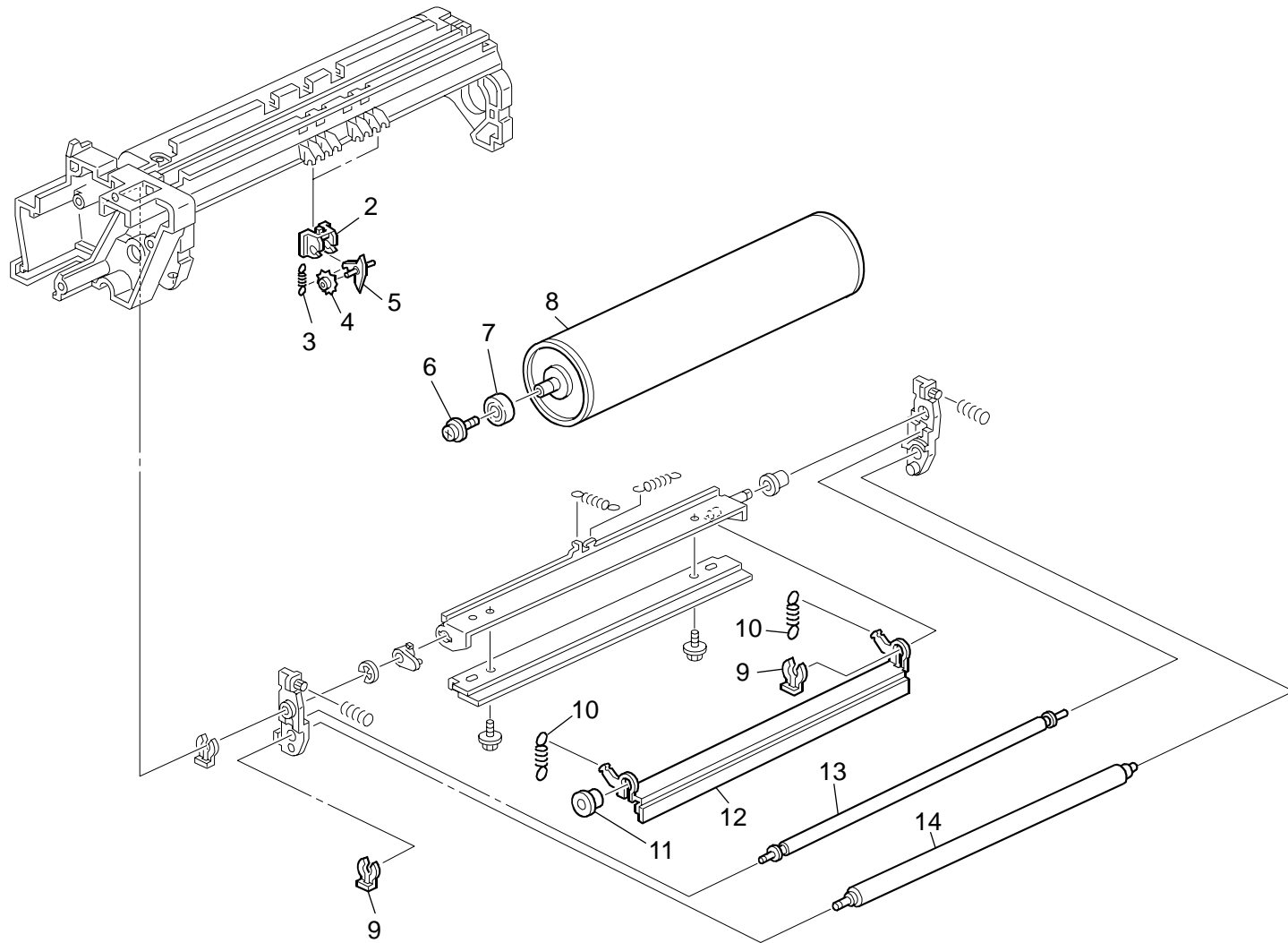


17.OPC UNIT 1 (B291/B295/B296/B297)

Index No.	Part No.	Description	Q'ty Per Assembly
1	G065 2279	Entrance Seal - Toner Supply	1
2	G065 2259	Handle - PCU	1
3	G065 2251	Cover: PCU: Upper: Ass'y	1
4	G065 2328	Cap - Toner Supply	1
5	B082 2217	Stopper: PCU: C3	1
6	G065 2219	Compression Spring: Stopper: PCU	1
7	AA06 2316	Tension Spring - Shutter	1
8	G065 2241	Shutter - Toner Supply	1
9	G065 2271	Electrode Plate: Charge: Receptacle: Abk: Ass'y	1
10	B082 2220	Frame: PCU: Upper: Ass'y	1
11	A232 1284	Spring Holder	1
12	A232 2280	Tape - Entrance Seal	1
13	AD04 7023	Cleaning Entrance Seal	1
14	A232 3267	Front Entrance Seal - Toner Supply	2
15	AA15 0671	Shield - Collection Coil	1
16	B004 2215	Entrance Seal - Toner Supply	1
17	B213 2292	Toner Collection Coil	1
18	A232 2292	Bushing - Toner Collection Coil	1
19	AB01 1377	Gear - 14Z	1
20	A232 2289	Front Bushing - Collection Mylar	1
21	A232 2288	Shaft - Toner Collection Mylar	1
22	B082 2288	Collection Coil: Ass'y	1
23	A232 2290	Bushing - Collection Mylar	1
24	AB01 1378	Gear - 19Z	1
25	B213 2290	Bracket: Idler	1
26	AB01 1380	Cam - Cleaning Blade	1
27	AB01 1379	Gear - 19Z	1
28	B082 2307	Tape: Cover: PCU	1
29	B082 2306	Cover: PCU	1
30	B082 2302	Frame: PCU: Lower: Ass'y	1
31	AA00 3206	Decal: PCU: Spring: Caution Chart	1
32	B213 2316	Stud: Contact Point: Cleaning	1
33	G065 2282	Shield: PCU: Rail	2
34	G065 2354	Electrode Plate: Charge: Front	1
35	5447 2681	Snap Ring	1

Index No.	Part No.	Description	Q'ty Per Assembly
36	G065 2321	Front Arm - Charge Unit	1
37	A232 2421	Bushing - 6x10x3	2
38	AA06 3648	Pressure Spring	2
39	A232 2315	Front Bushing - Cleaning Bracket	1
40	B213 2312	Bracket: Cleaning Blade	1
41	AA06 2299	Pressure Spring	1
42	AA06 2300	Tension Spring	1
43	A232 2318	Collar - Cleaning	1
44	G065 2326	Rear Arm - Charge Unity	1
45	G065 2308	Electrode Plate: Charge: Rear	1
46	B082 2333	Terminal: Brush Roller	1
47	B291 2354	Cleaning Blade	1
48	B291 2203	PCU Unit	1
49	A232 2350	Seal - Entrance	2
50	A232 2348	Seal - Blade 12x7x3	2
51	A232 2414	Seal - 2x20x45	1
52	A232 2399	Seal - Blade 13x9.5x3	2
101	0450 3008N	Tapping Screw - M3x8	
102	0720 0040E	Retaining Ring - M4	
103	0451 3008N	Tapping Screw - M3x8	
104	0451 3006N	Tapping Screw - 3x6	
105	0450 3006N	Tapping Screw - M3x6	

18.OPC UNIT 2 (B291/B295/B296/B297)

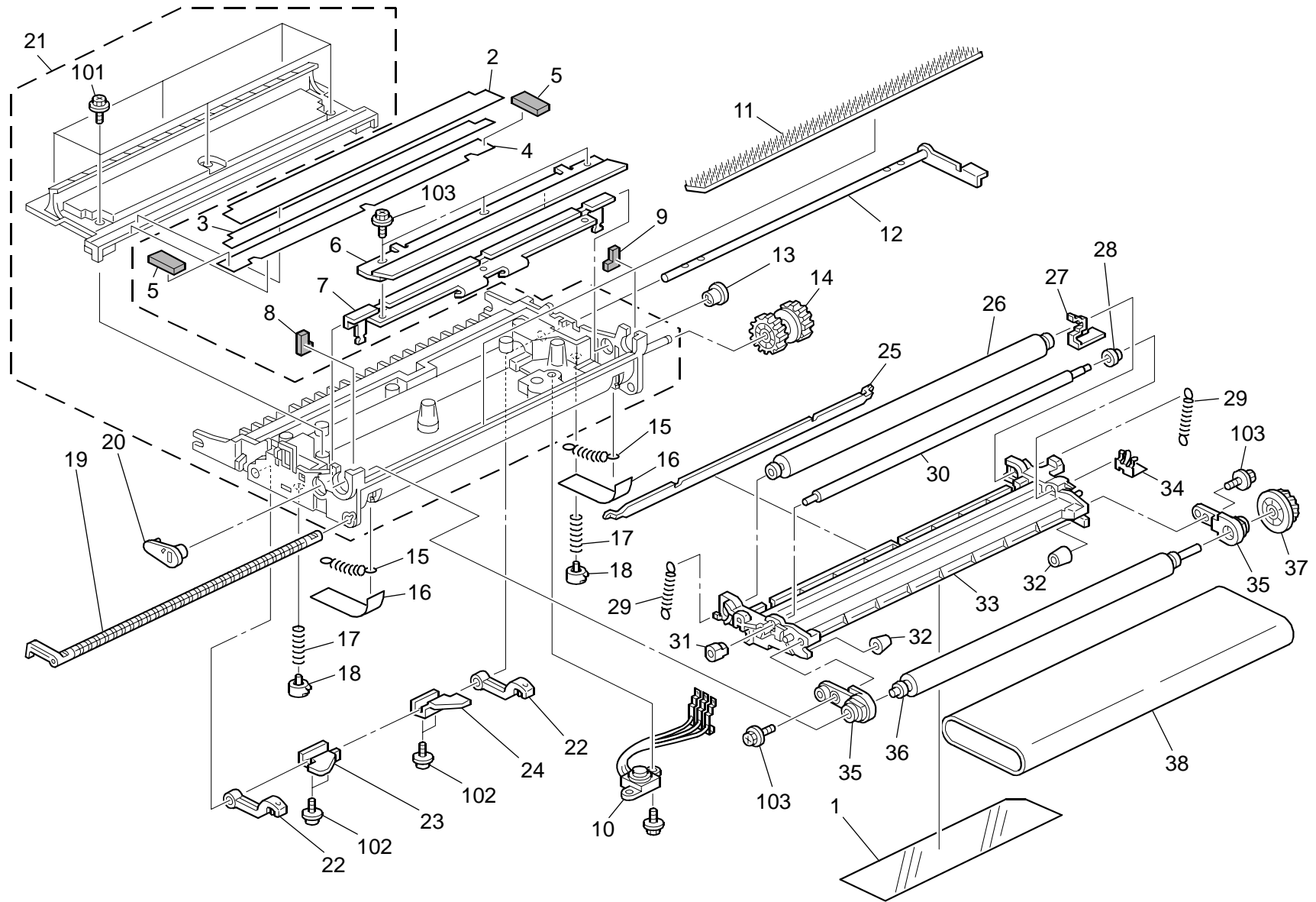


18.OPC UNIT 2 (B291/B295/B296/B297)

Index No.	Part No.	Description	Q'ty Per Assembly
2	A232 2340	Holder - Pick-off Pawl	2
3	AA06 2310	Pressure Spring	2
4	A232 2339	Spur	2
5	AD02 5021	Pick-off Pawl	2
6	AA14 3549	Screw: Dia10: M3x18	1
7	A232 3553	Ball Bearing - 8x16x5	1
8	A230 9510	OPC Drum	1
9	G065 2681	Snap Ring - M6	2
10	AA06 2258	Spring: Pressure: Cleaning Blade: No.2	2
11	5203 1852	Bushing - 6x8x4mm	1
12	AD04 1105	Cleaning Blade: No.2: Ass'y	1
13	G790 2329	Brush Roller: Cleaner: Charge: Ass'y	1
14	AD02 7012	Roller: Charge: Apply	1

Index No.	Part No.	Description	Q'ty Per Assembly

19. TRANSFER UNIT (B291/B295/B296/B297)

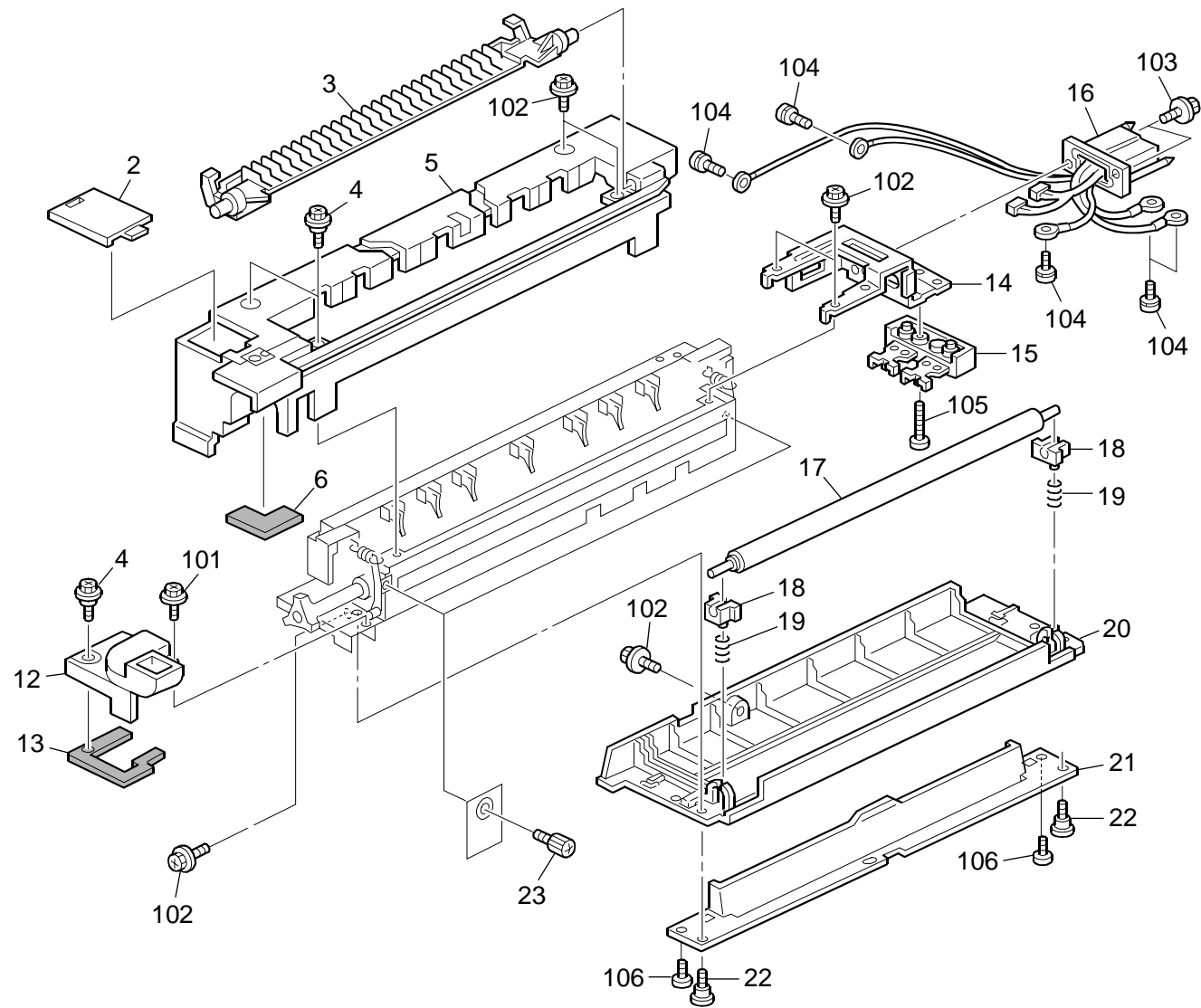


19. TRANSFER UNIT (B291/B295/B296/B297)

Index No.	Part No.	Description	Q'ty Per Assembly
1	B004 3914	Mylar - Belt Drive Roller	1
2	A232 3907	Seal - Transfer Exit	1
3	A232 3906	Seal - Rear Transfer Exit	1
4	A232 3905	Seal - Shield Plate	1
5	A232 3927	Shield - Transfer Belt - Exit	2
6	B213 3831	Cleaning Blade: Transfer Belt	1
7	B082 3920	Cleaning Blade Bracket	1
8	A232 3909	Seal - Front Case	1
9	A232 3908	Seal - Rear Case	1
10	AW31 0011	Used Toner Sensor - Transfer Unit	1
11	B082 3867	Shield: Remove Paper Dust	1
12	B213 3917	Lever: Release: Pressure	1
13	A232 3924	Rear Bushing - Cleaning Holder	1
14	AB01 4189	Gear - 27Z	1
15	AA06 0939	Spring: Pressure: Cleaning Blade: 4.4n	2
16	AA15 0401	Seal - 70x20	2
17	AA06 3305	Torsion Spring	2
18	A232 3921	Spring Anchor	2
19	A232 3935	Shaft - Transfer Unit Stopper	1
20	A232 3925	Front Bushing - Cleaning Holder	1
21	B004 3900	Case - Transfer Unit	1
22	A232 3916	Pressure Lever - Transfer Belt	2
23	B077 3914	Lever: Front	1
24	B077 3913	Lever: Rear	1
25	A232 3883	Spring Plate - Transfer Unit	1
26	A232 3885	Driven Roller - Transfer Unit	1
27	A232 3887	Rear Terminal - Transfer Belt	1
28	AA08 2054	Bushing - M4	1
29	AA06 0712	Torsion Spring	2
30	B213 3889	Roller: Bias	1
31	AA08 0246	Bushing - Bias Roller	1
32	A232 3926	Transfer Belt Roller	2
33	B213 3882	Frame: Transfer Belt	1
34	A232 3891	Bias Terminal	1
35	A232 3893	Arm - Transfer Belt	2

Index No.	Part No.	Description	Q'ty Per Assembly
36	B213 3894	Roller: Drive: Dia14.5	1
37	AB01 1190	Gear - 25Z	1
38	A232 3880	Transfer Belt	1
101	0451 3008N	Tapping Screw - M3x8	
102	0951 3006N	Screw - M3X6	
103	0451 3006N	Tapping Screw - 3x6	

20.FUSING UNIT 1 (B291/B295/B296/B297)

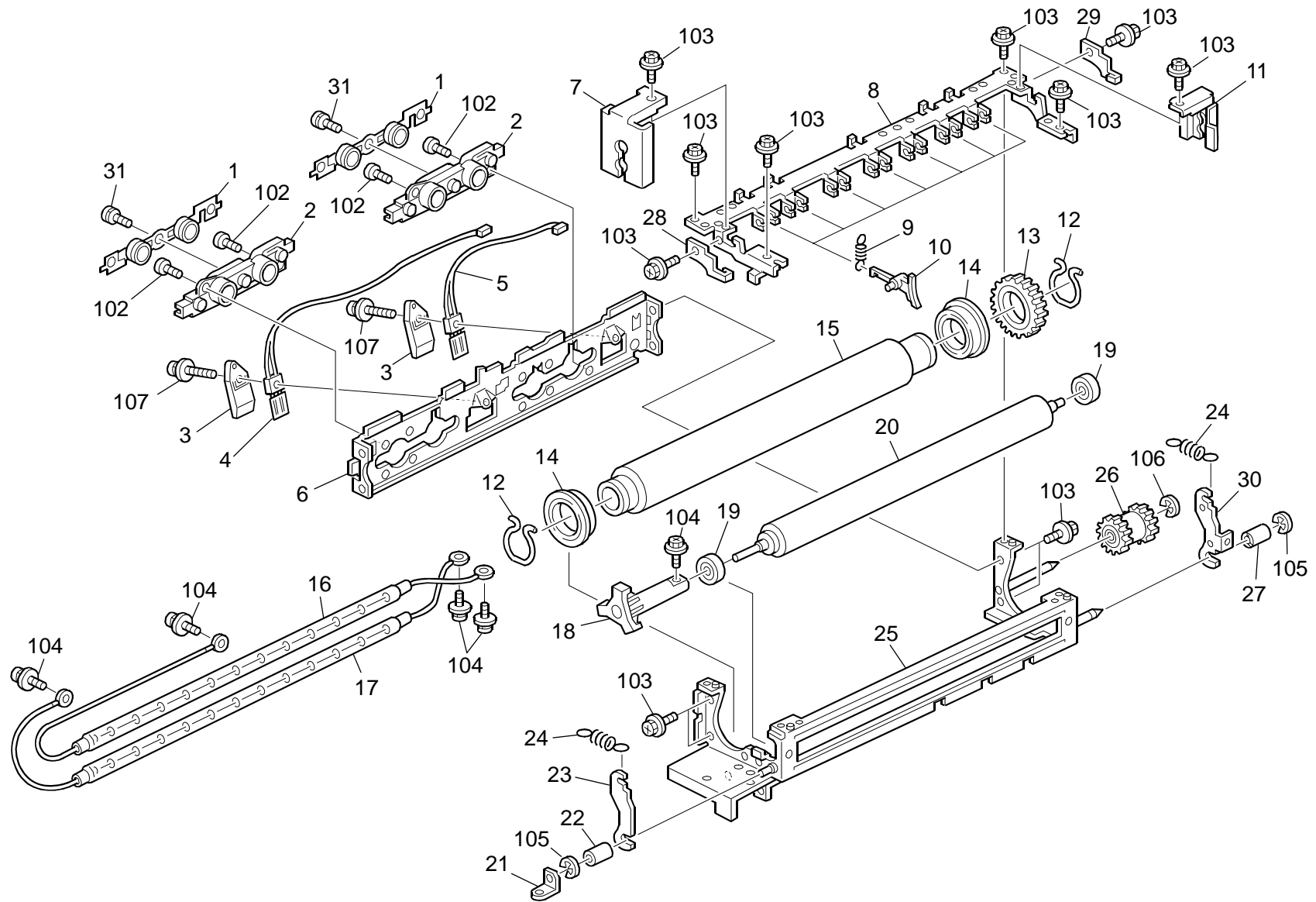


20.FUSING UNIT 1 (B291/B295/B296/B297)

Index No.	Part No.	Description	Q'ty Per Assembly
2	B004 4133	Cap- Fusing Cover	1
3	B004 4135	Guide Plate-fusing Exit	1
4	AA14 3520	Shoulder Screw - M3	3
5	B213 4131	Fusing Cover: Printing	1
6	B082 4144	Shield: Fusing Cover	1
12	B082 4152	Duct: Fusing: Front Lower	1
13	B082 4153	Shield: Duct: Fusing: Front Lower: Long	1
14	B077 4092	Bracket: Drawer: Fusing: Welding	1
15	B004 4095	Terminal Plate - Fusing Unit	1
16	B298 4217	Fusing Unit Harness - 115V	1
16	B298 4227	Fusing Unit Harness - 230V	1
17	AE04 2039	Cleaning Roller	1
18	AA08 2073	Roller Busing	2
19	AA06 3668	Compression Spring: Fusing Cleaning Roller	2
20	A232 4123	Upper Fusing Entrance Guide	1
21	B004 4126	Lower Entrance Guide Plate	1
22	AA14 3792	Screw: Drawer	2
23	AA14 3860	Knob Screw: M4	1

Index No.	Part No.	Description	Q'ty Per Assembly
101	0804 6123	Hexagonal Bolt: W/washer: M3x8	
102	0451 3006N	Tapping Screw - 3x6	
103	0451 3008N	Tapping Screw - M3x8	
104	AA14 3592	Screw- M4x6	
105	0957 3012N	Screw - M3X12	
106	0353 0080N	Screw: M3x8	

21.FUSING UNIT 2 (B291/B295/B296/B297)

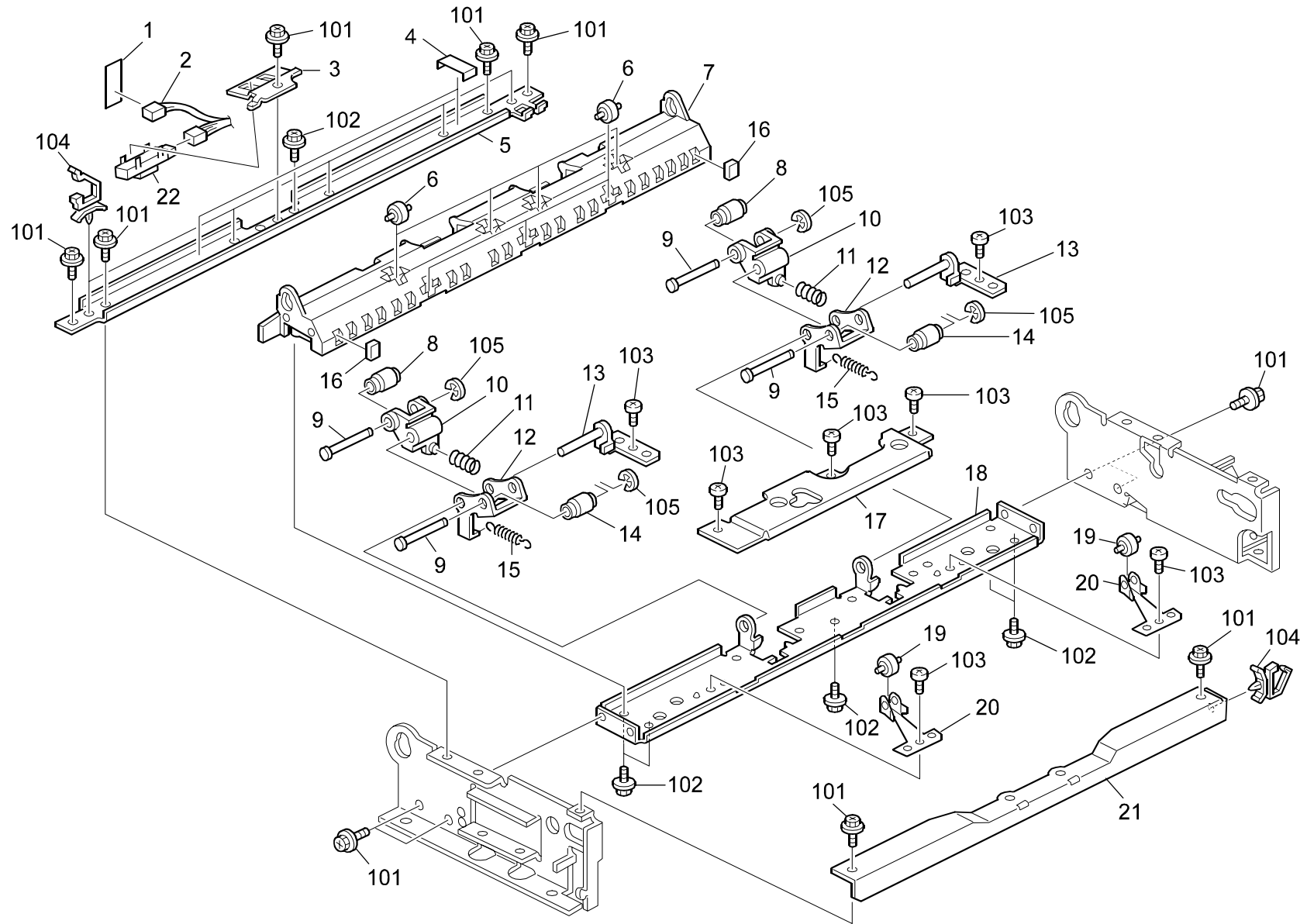


21.FUSING UNIT 2 (B291/B295/B296/B297)

Index No.	Part No.	Description	Q'ty Per Assembly
1	B298 4156	Thermostat: Ass'y	2
2	G065 4155	Housing: Thermostat	2
3	B004 4087	Plate- Thermistor	2
4	AW10 0111	Thermistor: Fusing: Middle	1
5	AW10 0112	Thermistor: Fusing: Inner Back	1
6	G065 4056	Stay: Fusing: Thermostat	1
7	B082 4111	Socket: Heater: Front	1
8	B077 4081	Frame: Fusing: Upper	1
9	AA06 0948	Tension Spring: Stripper Pawls: 50mn	7
10	AE04 4056	Stripper Pawls	7
11	B077 4115	Socket: Heater: Rear	1
12	A232 4064	C Ring - Hot Roller	2
13	AB01 3882	Gear - 40Z	1
14	AE03 0047	Ball Bearing - 30x42x7	2
15	AE01 1115	Hot Roller: T0.4: HB	1
16	AX43 0152	Heater: 120V: 650W: 215mm	1
16	AX43 0153	Heater: 230V: 650W: 215mm	1
17	AX44 0173	Heater: 120V: 650W: 335mm	1
17	AX44 0174	Heater: 230V: 650W: 335mm	1
18	AG05 0094	Knob: Fusing	1
19	AE03 0048	Ball Bearing - 8x22x7	2
20	AE02 0125	Pressure Roller MM32 Ass'y	1
21	B082 4054	Positioning Plate Front	1
22	A232 4057	Front Collar - Pressure Lever	1
23	B213 4263	Lever: Pressure: Front	1
24	AA06 0840	Pressure Spring - 29n	2
25	B213 4171	Frame: Fusing: Ass'y	1
26	AB01 4046	Gear - 25Z	1
27	A232 4058	Rear Collar - Pressure Lever	1
28	B082 4105	Spacer: Frame: Front	1
29	B082 4106	Spacer: Frame: Rear	1
30	B213 4264	Lever: Pressure: Rear	1
31	AA14 3592	Screw- M4x6	

Index No.	Part No.	Description	Q'ty Per Assembly
102	0453 3006N	Tapping Screw - M3x6	
103	0451 3006N	Tapping Screw - 3x6	
104	0804 6123	Hexagonal Bolt: W/Washer: M3x8	
105	0720 0040E	Retaining Ring - M4	
106	0720 0030E	Retaining Ring - M3	
107	0454 3012N	Screw - M3X12	

22.PAPER SEPARATION UNIT 1 (B291/B295/B296/B297)

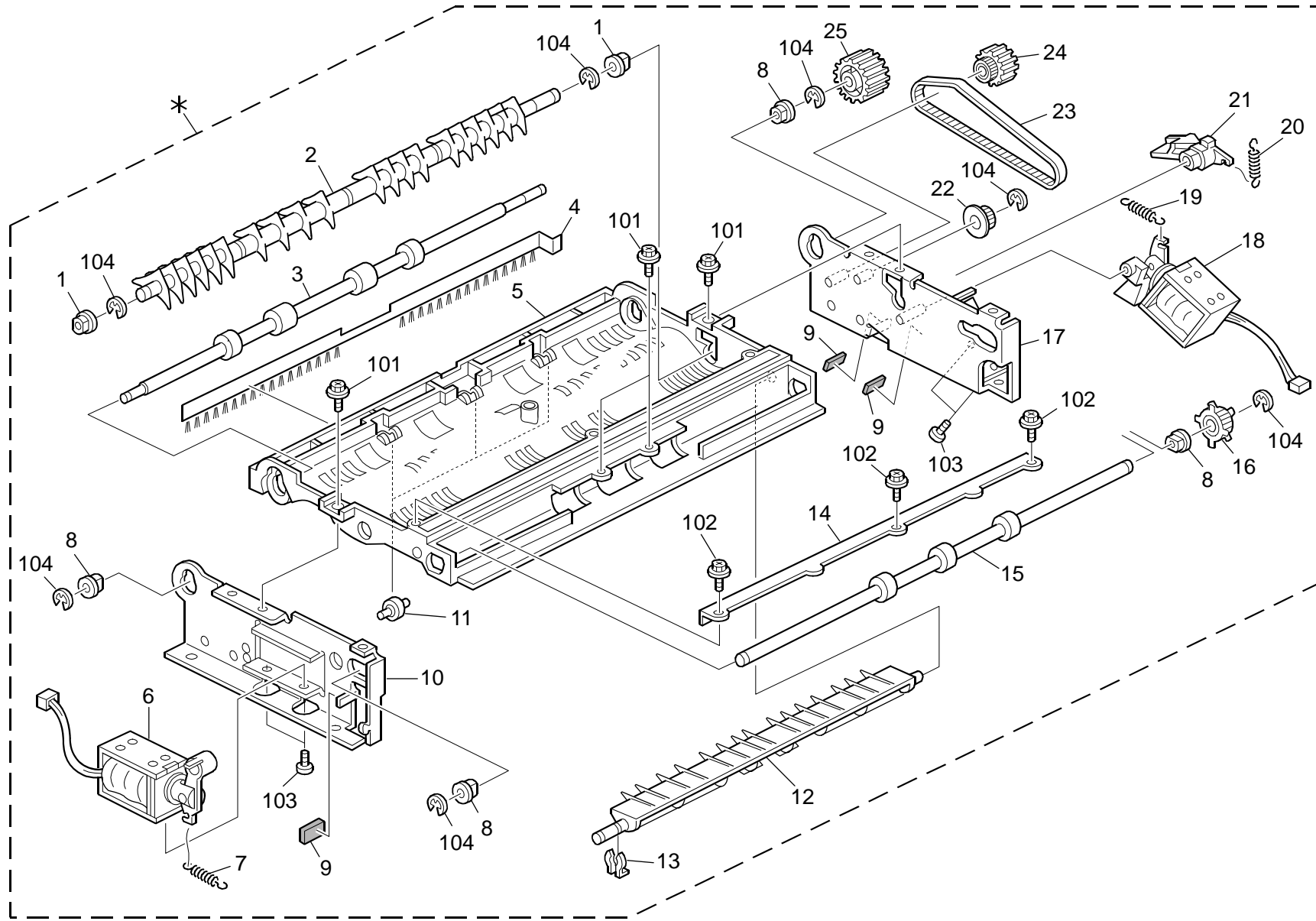


22.PAPER SEPARATION UNIT 1 (B291/B295/B296/B297)

Index No.	Part No.	Description	Q'ty Per Assembly
1	G012 3897	Film - Toner End Sensor Harness	1
2	B082 5459	Harness: DC: Exit	1
3	B077 4494	Bracket: Paper Feed Sensor	1
4	B004 4434	Harness Guide	1
5	B077 4493	Joint: Machine Or Copier	1
6	AF04 0571	Guide Roller	7
7	B004 4453	Lower Guide Plate	1
8	AF04 0599	Pressure Roller: 15	2
9	B213 4460	Shaft: Pressure Roller	4
10	B004 4458	Pressure Arm - Exit	2
11	AA06 3854	Pressure Spring	2
12	B077 4463	Arm: Pressure: Entrance	2
13	B213 4466	Bracket: Contact Point	2
14	AF04 0601	Pressure Roller: Entrance	2
15	AA06 2312	Pressure Spring	2
16	AA16 1629	Pad-guide Plate	2
17	B077 4437	Supporting Plate: Frame: Left Lower	1
18	B077 4455	Frame: Left Lower	1
19	AF04 0600	Roller: Driven: 9mm	2
20	B004 4469	Spring Plate - Exit Roller	2
21	B077 4490	Supporting Plate: Frame: Right	1
22	AW01 0117	Paper Feed Sensor	1

Index No.	Part No.	Description	Q'ty Per Assembly
101	0451 3006N	Tapping Screw - 3x6	
102	0450 3006N	Tapping Screw - M3x6	
103	0353 0040N	Screw - M3X4	
104	1105 0511	Harness Clamp - LWS-0306ZC	
105	0720 0030E	Retaining Ring - M3	

23.PAPER SEPARATION UNIT 2 (B291/B295/B296/B297)

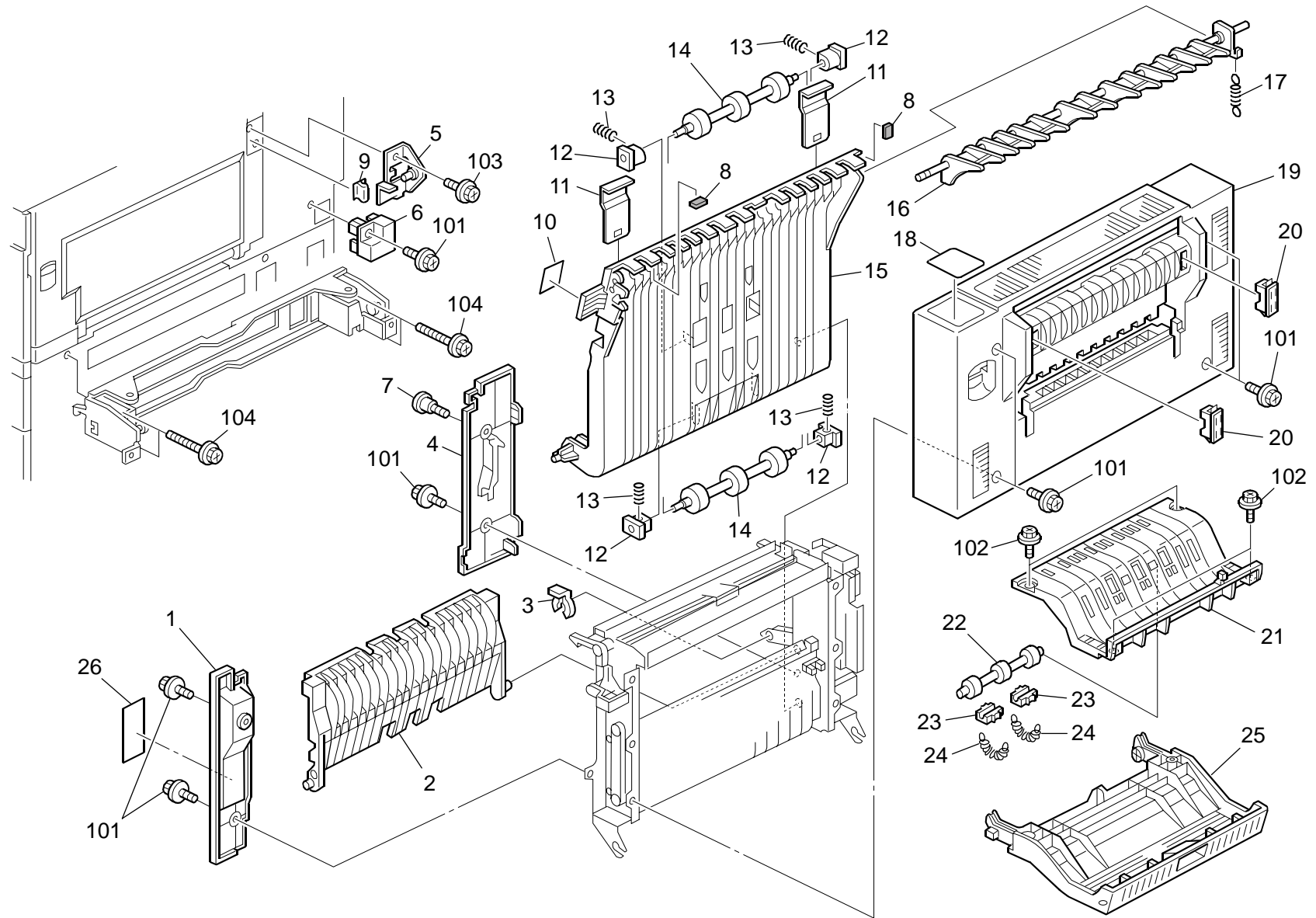


23.PAPER SEPARATION UNIT 2 (B291/B295/B296/B297)

Index No.	Part No.	Description	Q'ty Per Assembly
*	B298 4450	Paper Exit Unit	1
1	B004 4438	Bushing	2
2	B213 4478	Gate Pawl: Entrance	1
3	AF02 0694	Exit Roller	1
4	B007 4498	Discharge Brush: Ass'y	1
5	B004 4477	Upper Guide Plate	1
6	B213 4484	DC Solenoid: Exit: Ass'y	1
7	AA06 0716	Tension Spring	1
8	AA08 2058	Bushing - 6x10x9mm	4
9	AA16 1160	Cushion: Link: 10x5x1.5	1
10	B077 4471	Side Plate: Front	1
11	AF04 0574	Guide Roller	3
12	B004 4481	Exit Junction Gate	1
13	5447 2681	Snap Ring	1
14	B077 4439	Bracket: Protect: Middle	1
15	AF02 0698	Transport Roller	1
16	AB03 0568	Pulley - 23T	1
17	B213 4472	Side Plate: Rear: Ass'y	1
18	B213 4486	DC Solenoid: Entrance: Ass'y	1
19	AA06 0855	Return Spring	1
20	AA06 2313	Gate Pawl Spring 1.5n	1
21	B004 4479	Lever - Entrance Junction Gate	1
22	AB03 0818	Idle Pulley	1
23	AA04 3555	Timing Belt - S2M234	1
24	AB01 7458	Gear Pulley - 18Z/22T	1
25	AB01 4049	Gear - 24Z	1

Index No.	Part No.	Description	Q'ty Per Assembly
101	0451 3006N	Tapping Screw - 3x6	
102	0450 3006N	Tapping Screw - M3x6	
103	0353 0040N	Screw - M3X4	
104	0720 0040E	Retaining Ring - M4	

24.DUPLEX UNIT 1 (B291/B295/B296/B297)

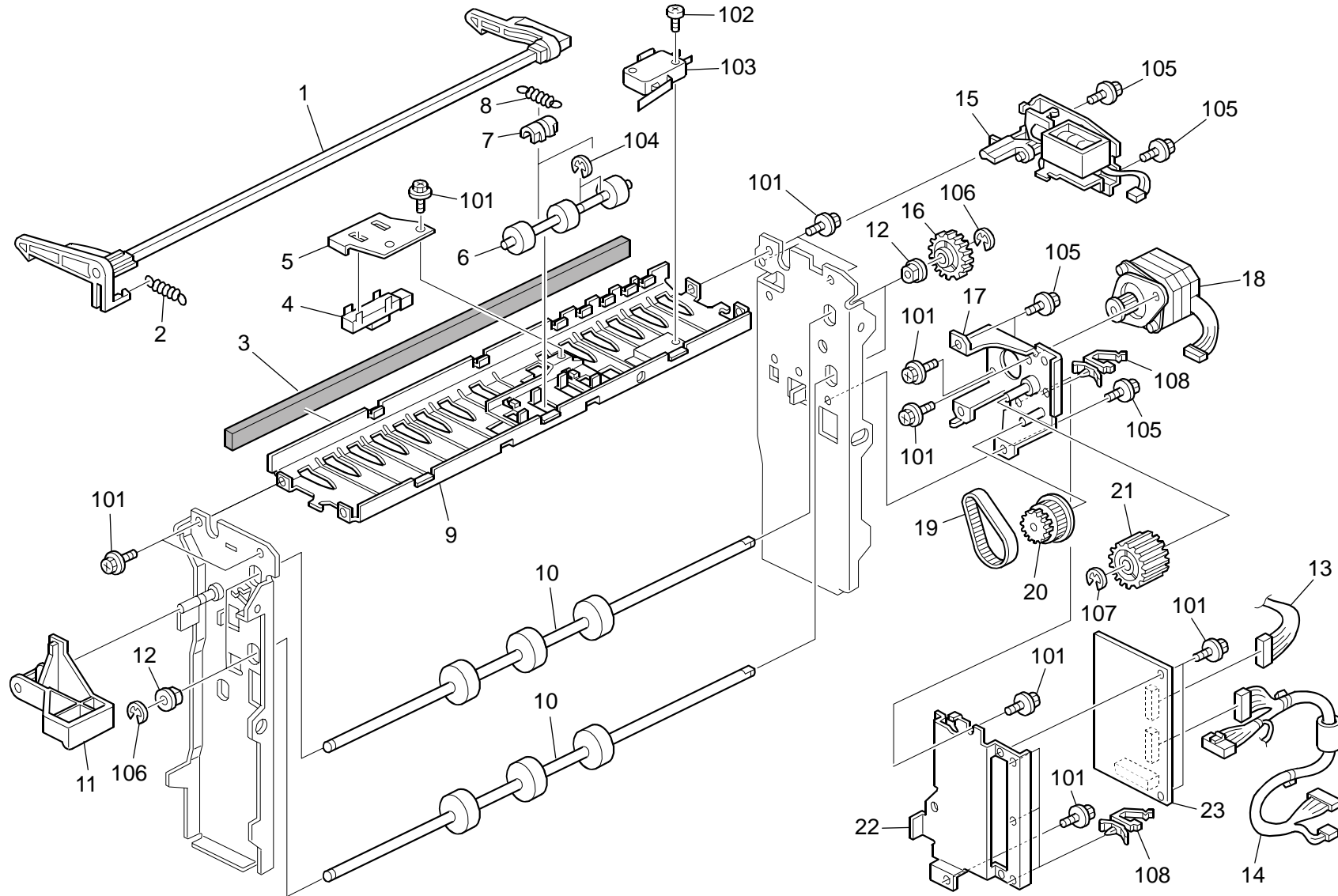


24.DUPLEX UNIT 1 (B291/B295/B296/B297)

Index No.	Part No.	Description	Q'ty Per Assembly
1	B077 4720	Inner Cover: Duplex Unit: Front	1
2	B004 4645	Guide Plate - Middle	1
3	5447 2681	Snap Ring	1
4	B077 4730	Inner Cover: Duplex Unit: Rear	1
5	B213 4793	Bracket: Link	1
6	B077 4810	Cover: Harness: Duplex	1
7	B213 5843	Screw: Inner Cover: Joint Unit	1
8	AA16 1126	Exchange Pawl Cushion	2
9	B004 5842	Gasket - Duplex Unit	1
10	B004 4851	Decal - Jam Removal	1
11	A232 4653	Pressure Plate - Guide Plate	2
12	AA08 0034	Bushing - 4x5x7	4
13	AA06 3303	Pressure Spring	4
14	AF02 0696	Roller: Driven	2
15	A232 4647	Driven Guide Plate	1
16	AF02 5044	Exchange Gate	1
17	AA06 0709	Tension Spring	1
18	B082 4853	Decal: Duplex Unit: Upper	1
19	B077 4701	Cover: Duplex Unit	1
20	AG07 0513	Magnet Catch: 13n	2
21	B077 4710	Guide Plate: Open And Close: Right	1
22	AF02 0695	Reverse Roller: Driven	1
23	AA08 0307	Bushing - M4	2
24	AA06 0839	Pressure Spring - Driven	2
25	B077 4711	Cover: Duplex Unit: Right	1
26	B082 4852	Decal: Duplex	1

Index No.	Part No.	Description	Q'ty Per Assembly
101	0451 3008N	Tapping Screw - M3x8	
102	0450 3008N	Tapping Screw - M3x8	
103	0451 3006N	Tapping Screw - 3x6	
104	0451 4010N	Tapping Screw: 4x10	

25.DUPLEX UNIT 2 (B291/B295/B296/B297)

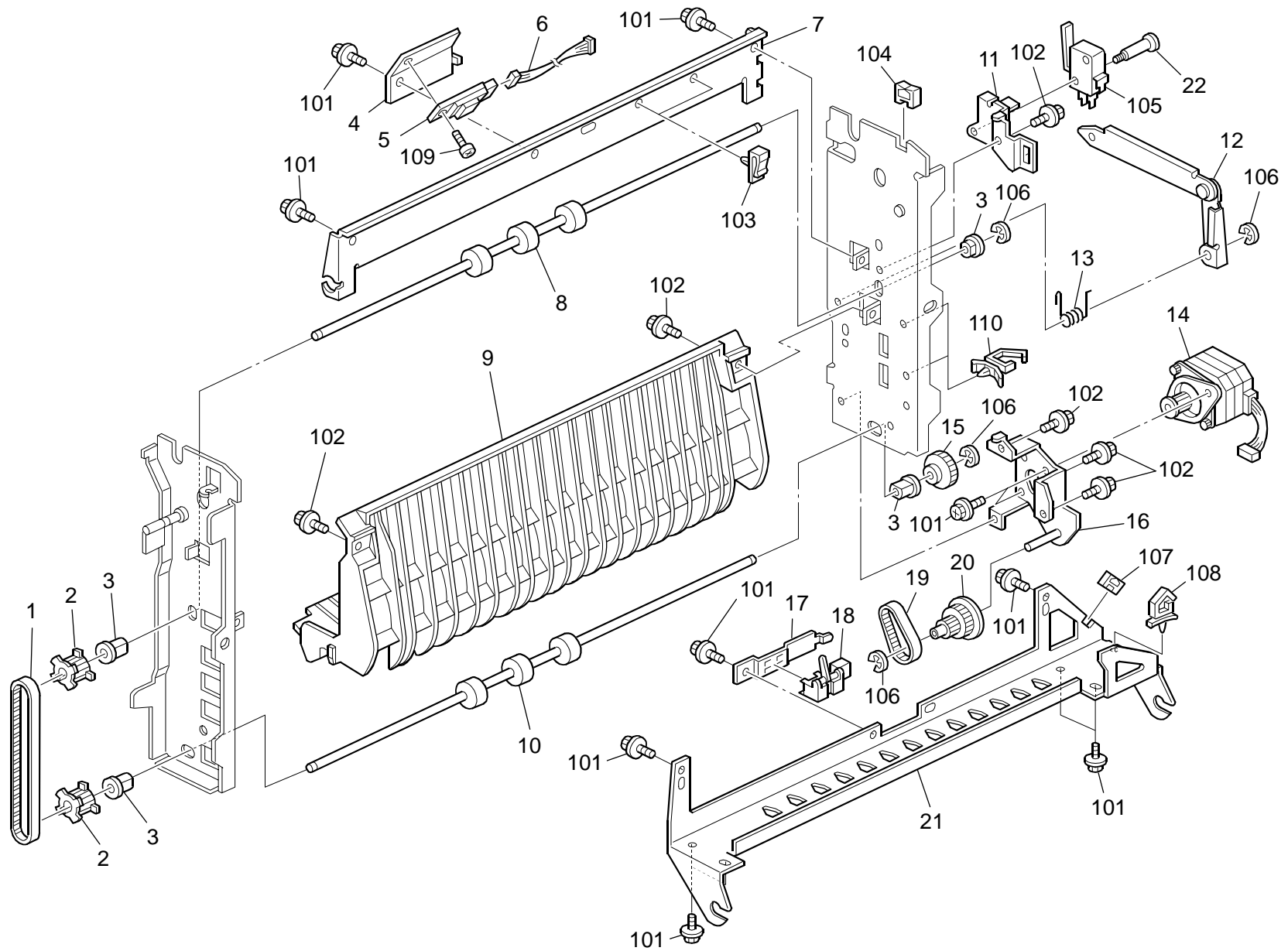


25.DUPLEX UNIT 2 (B291/B295/B296/B297)

Index No.	Part No.	Description	Q'ty Per Assembly
1	A232 4685	Hook - Unit Release	1
2	AA06 6152	Tension Spring	1
3	AA16 2080	Cushion: Duplex Unit	1
4	AW01 0117	Paper Feed Sensor	1
5	B077 4763	Bracket: Entrance Sensor	1
6	AF02 0695	Duplex Reverse Roller- Driven	1
7	AA08 0307	Bushing - M4	1
8	AA06 0839	Pressure Spring - Driven	1
9	B077 4634	Guide Plate: Reverse: Peen	1
10	AF02 0699	Reverse Roller	2
11	B077 4684	Grip: Un Lock	1
12	AA08 2074	Bushing - M8	4
13	B082 5461	Harness: Duplex Unit: Sensor	1
14	B082 5460	Harness: Duplex Unit	1
15	B213 4690	Link: DC Solenoid: Ass'y	1
16	AB01 4161	Reverse Roller Gear	1
17	B213 4666	Bracket: Stepper Motor: Reverse	1
18	B213 4664	Stepper Motor: Duplex: Sub-ass'y	1
19	AA04 3443	Timing Belt - S2M 140	1
20	AB03 0670	Gear - 24Z	1
21	AB01 4162	Gear - 46Z	1
22	B077 4800	Bracket: Base	1
23	B213 5140	PCB: Duplex Unit	1

Index No.	Part No.	Description	Q'ty Per Assembly
101	0451 3006N	Tapping Screw - 3x6	
102	0353 0120N	Screw M3x12	
103	1204 2466	Micro Switch - V-16506-1c25	
104	0720 0030E	Retaining Ring - M3	
105	0454 3006Q	Tapping Screw - M3x6	
106	0720 0060E	Retaining Ring - M6	
107	0720 0040E	Retaining Ring - M4	
108	1105 0460	Clamp	

26.DUPLEX UNIT 3 (B291/B295/B296/B297)

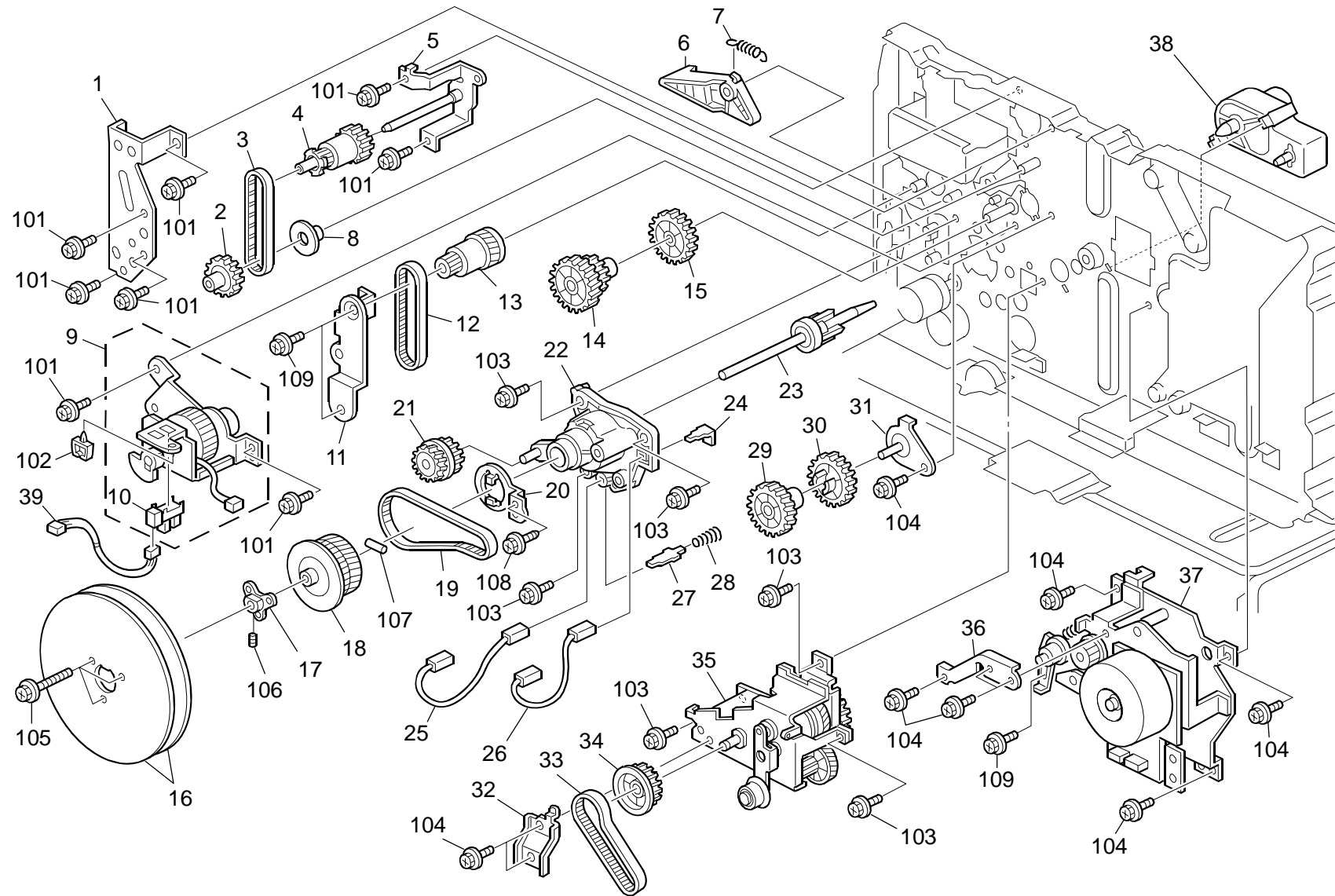


26.DUPLEX UNIT 3 (B291/B295/B296/B297)

Index No.	Part No.	Description	Q'ty Per Assembly
1	AA04 3444	Timing Belt - S2M 350	1
2	AB03 0474	Pulley - 24T	2
3	AA08 2075	Bushing - M6	4
4	B077 4795	Bracket: Sensor	1
5	AW01 0106	Paper Feed Sensor	1
6	B082 5462	Harness: Duplex Unit: Sensor	1
7	B077 4796	Stay: Middle	1
8	AF02 0691	Exit Transport Roller	1
9	B004 4622	Guide Plate - Right Lower	1
10	AF02 0697	Transport Roller: Middle	1
11	B077 4697	Bracket: Micro Switch: Ass'y	1
12	B213 4790	Link: Duplex	1
13	AA06 6335	Torsion Spring	1
14	B213 4664	Stepper Motor: Duplex: Sub-ass'y	1
15	AB01 1088	Gear - 30Z	1
16	B213 4678	Bracket: Stepper Motor: Paper Feed	1
17	B077 4757	Bracket: Sensor: Paper Feed	1
18	AW02 0158	Paper Feed Sensor	1
19	AA04 3443	Timing Belt - S2M 140	1
20	AB03 0671	Gear Pulley - TRANSPORT	1
21	B077 4630	Stay: Lower	1
22	AA14 3561	Screw - MM3: M2.5	1

Index No.	Part No.	Description	Q'ty Per Assembly
101	0451 3006N	Tapping Screw - 3x6	
102	0454 3006Q	Tapping Screw - M3x6	
103	1105 0283	Clamp	
104	1105 0522	Edge Saddle - LES0510	
105	1204 2466	Micro Switch - V-16506-1c25	
106	0720 0040E	Retaining Ring - M4	
107	1105 0328	Harness Clamp - ES-0505	
108	1105 0291	Harness Clamp - LWS-3S	
109	0313 0060N	Screw - M3X6	
110	1105 0460	Clamp	

27.DRIVE SECTION 1 (B291/B295/B296/B297)

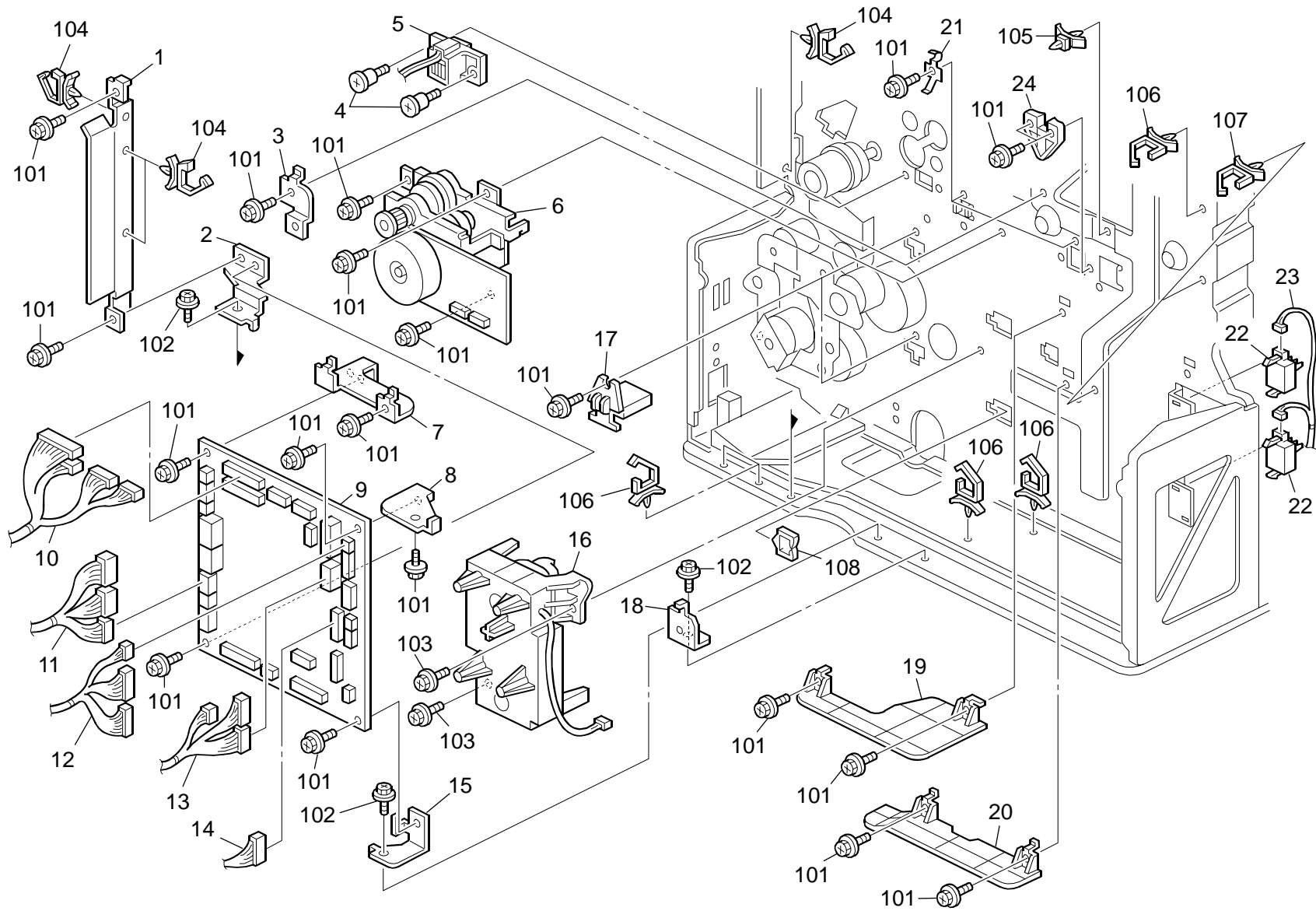


27.DRIVE SECTION 1 (B291/B295/B296/B297)

Index No.	Part No.	Description	Q'ty Per Assembly
1	B082 1158	Bracket: Belt: Plate	1
2	AB03 0716	Gear - 32Z/29T	1
3	AA04 3571	Timing Belt - S3m - 180	1
4	AB03 0717	Gear - 30Z/18T	1
5	B213 1135	Bracket: Belt: Positioning	1
6	A232 2372	Lock Lever - Transfer Unit	1
7	AA06 2317	Tension Spring	1
8	G065 1143	Bushing - M34	1
9	AX21 0093	Spring Clutch: On-Off	1
10	AW02 0159	Photointerruptor: Spring Clutch	1
11	B213 1148	Bracket: Transfer Drive	1
12	AA04 3570	Timing Belt - B60S2M240	1
13	AB03 0715	Timing Pulley - Transfer Unit	1
14	AB01 4222	Gear - 33Z/30T	1
15	AB01 4223	Gear - 30Z	1
16	B213 1189	Fly Wheel: Dia160	2
17	G065 1128	Flange - Fly Wheel	1
18	G065 1122	Timing Pulley - 58Z/79T	1
19	AA04 3553	Timing Belt-B60S2M316	1
20	B213 1146	Bracket: Holder: OPC Drum	1
21	AB03 0714	Timing Pulley - 32Z/52T	1
22	B213 1142	Holder: OPC Drum	1
23	B213 1144	Drum Shaft	1
24	A232 2380	Terminal Plate - Change Roller	1
25	B213 2383	High Voltage Line: Development Bias	1
26	B213 2381	High Voltage Line: Charge	1
27	A232 2382	Terminal Plate - Development Bias	1
28	B082 1135	Spring: Bias	1
29	AB01 4237	Gear: Fusing Drive Sub-unit: No.1	1
30	AB01 4238	Gear: Fusing Drive Sub-unit: No.2	1
31	B213 1134	Bracket: Fusing Drive Sub-unit	1
32	B077 1140	Supporting Plate: Development: Unit	1
33	AA04 3551	Timing Belt - B50S3M213UG	1
34	B079 1144	Timing Pulley: Paddle	1
35	B213 1136	Development Drive Unit	1

Index No.	Part No.	Description	Q'ty Per Assembly
36	B213 1156	Bracket: OPC Drum: Plate	1
37	AX06 0330	Brushless Motor: Main: Ass'y	1
38	AX05 0292	DC Motor: Toner Bottle	1
39	B082 5437	Harness: Sensor: On-off: Connecting	1
101	0454 3006Q	Tapping Screw - M3x6	
102	1105 0511	Harness Clamp - LWS-0306ZC	
103	0451 3008N	Tapping Screw - M3x8	
104	0451 3006N	Tapping Screw - 3x6	
105	0451 3014N	Tapping Screw: 3x14	
106	0534 0050E	Headless Screw - M4x5	
107	0633 0140G	Parallel Pin - 3x14	
108	0450 3008N	Tapping Screw - M3x8	
109	0802 5299	Tapping Screw: Washer: 3x8	

28.DRIVE SECTION 2 (B291/B295/B296/B297)

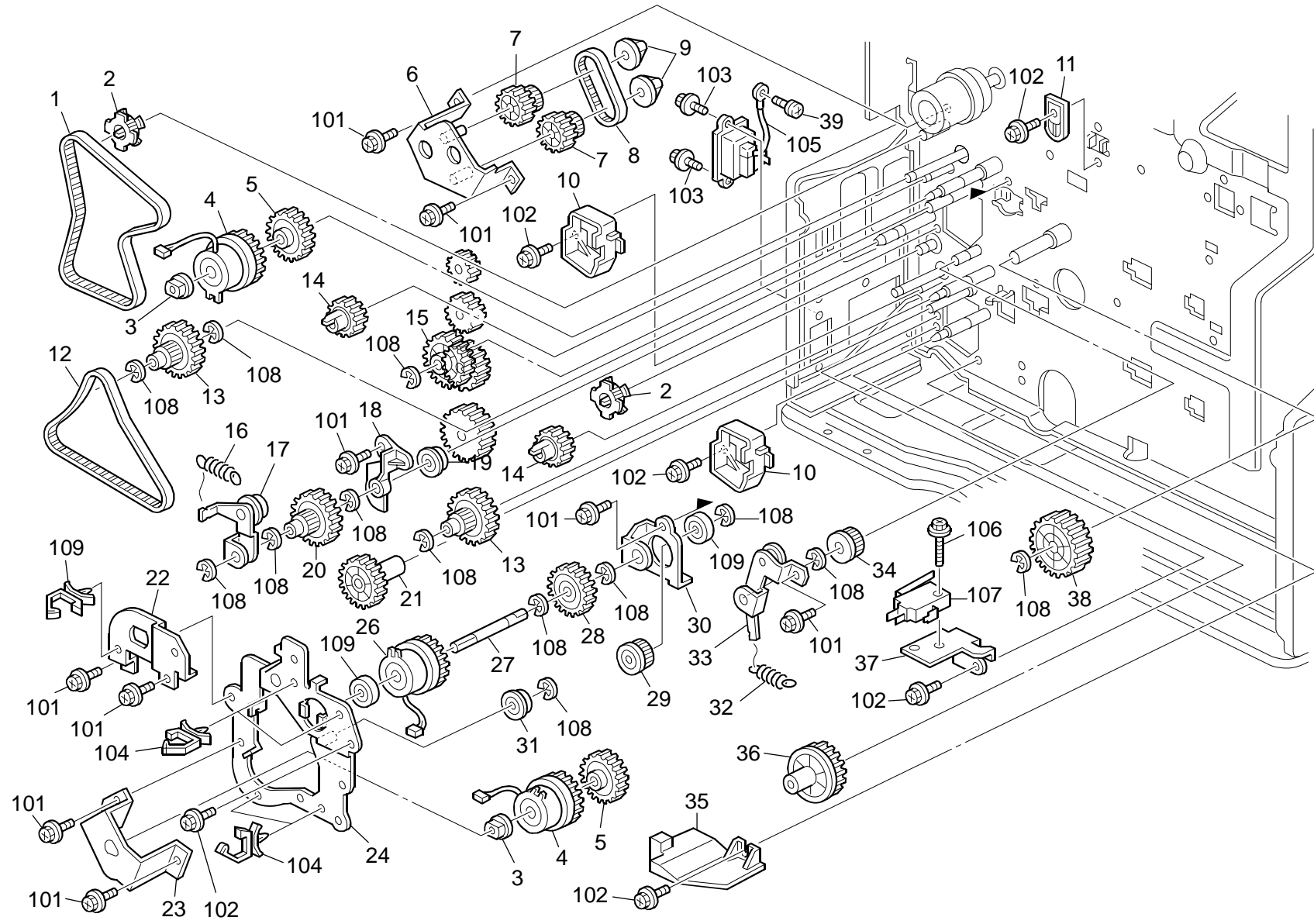


28.DRIVE SECTION 2 (B291/B295/B296/B297)

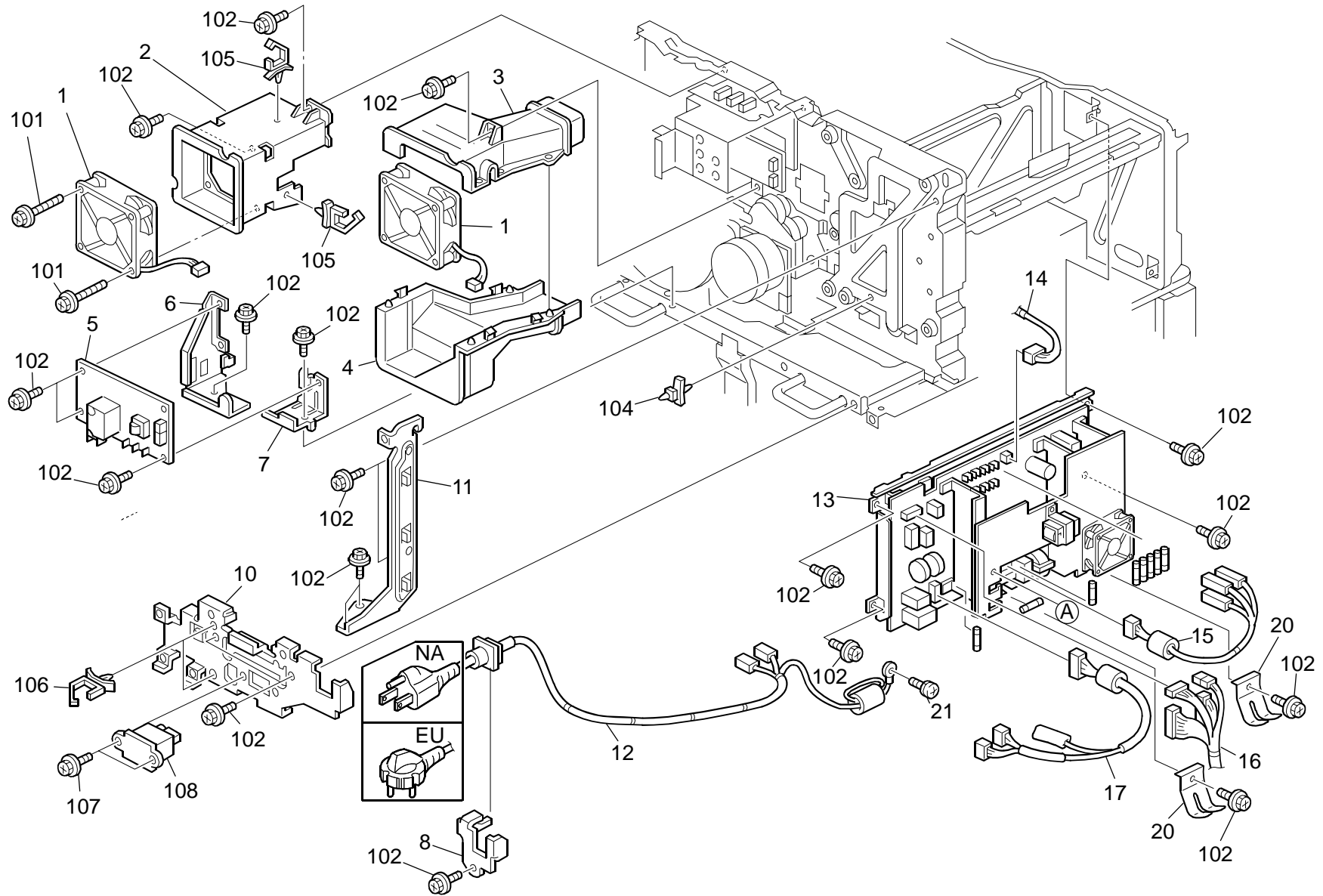
Index No.	Part No.	Description	Q'ty Per Assembly
1	B082 5839	Bracket: Harness: Paper Feed	1
2	B082 5837	Bracket: I/O Board: Right Lower	1
3	B082 1084	Bracket: BICU: Right Lower	1
4	AA14 3567	Screw - M3	2
5	B213 5453	Harness: DC: Development: Drawer	1
6	AX06 0351	Brushless Motor - DC 30w	1
7	B082 5836	Bracket: I/O Board: Right Upper	1
8	B082 5832	Bracket: I/O Board: Left Upper	1
9	B298 5150	I/O Control Board	1
10	B213 5468	Harness: DC: Lower	1
11	B082 5426	Harness: Paper Feed: Main	1
12	B298 5469	Harness: DC: Upper Front	1
13	B298 5467	Harness: DC: Upper	1
14	B082 5465	Harness: Paper Feed: Sensor	1
15	B082 5833	Bracket: I/O Board: Left Lower	1
16	AX04 0143	Rise Motor D - 1.92W	1
17	A232 2996	Rear Positioning Guide	2
18	B077 1053	Bracket: Stay: Lengthwise: Rear	1
19	B004 1322	Shield Plate - DC Motor	1
20	B004 1321	Shield Plate - BICU	1
21	B004 1936	Plate - Optical Housing Unit	2
22	G020 2620	Push Switch - Paper Size	2
23	B082 5455	Harness: Paper Size Sensor	1
24	B004 1939	Holder - Optical Housing Unit	1

Index No.	Part No.	Description	Q'ty Per Assembly
101	0451 3006N	Tapping Screw - 3x6	
102	0454 3006Q	Tapping Screw - M3x6	
103	0451 3008N	Tapping Screw - M3x8	
104	1105 0511	Harness Clamp - LWS-0306ZC	
105	1105 0192	Locking Support	
106	1105 0487	Harness Clamp	
107	1105 0488	Harness Clamp	
108	1105 0349	Edge Saddle	

29.DRIVE SECTION 3 (B291/B295/B296/B297)



30.ELECTRICAL SECTION 1 (B291/B295/B296/B297)

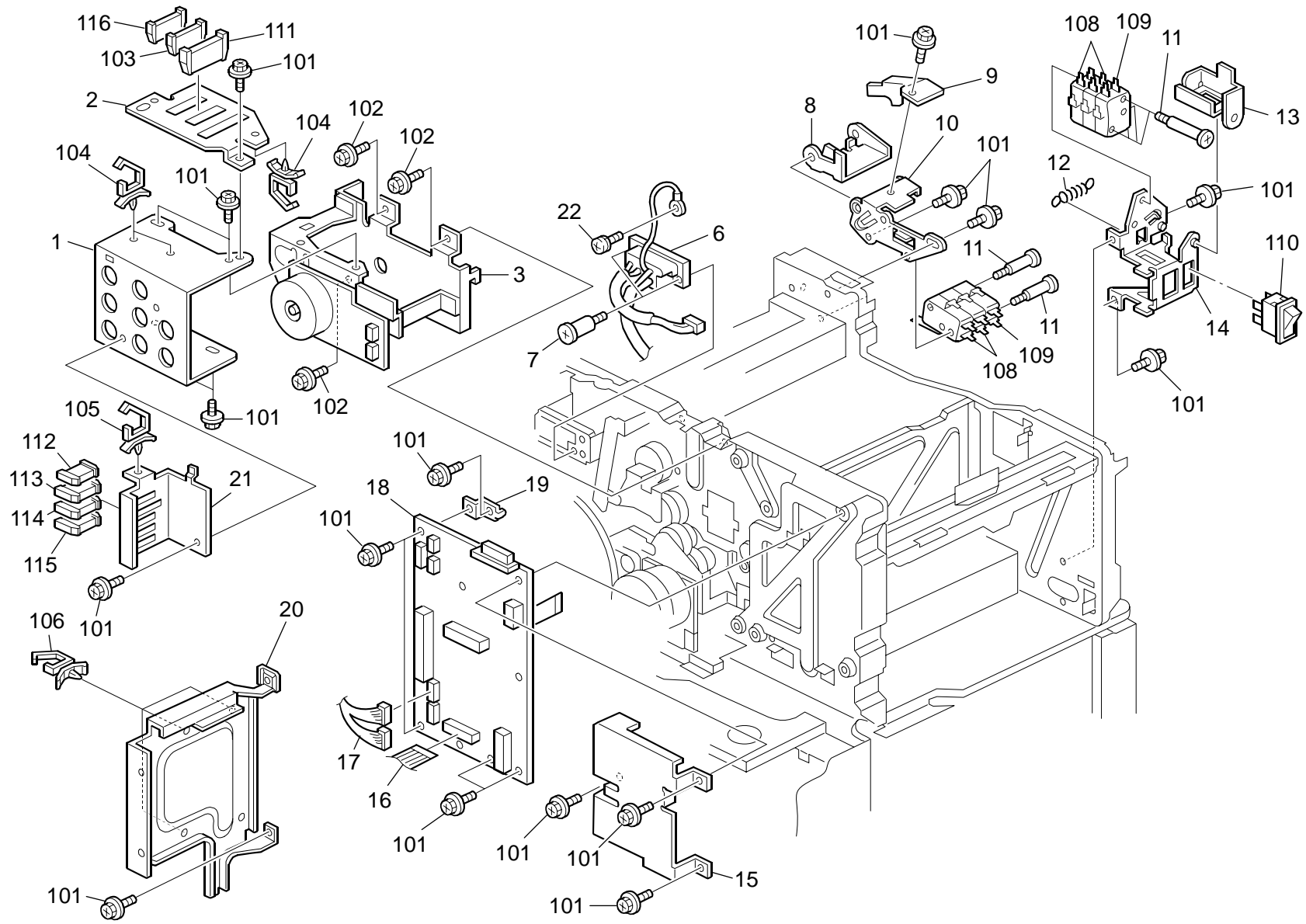


30.ELECTRICAL SECTION 1 (B291/B295/B296/B297)

Index No.	Part No.	Description	Q'ty Per Assembly
1	AX64 0191	Fan Motor DC24V/2.40W	2
2	A232 1172	Duct - Cooling Fan	1
3	G065 1171	Upper Duct	1
4	G065 1170	Lower Duct	1
5	AZ32 0145	Power Pack: CBT	1
6	B077 5812	Bracket: Power Pack: Right	1
7	B077 5811	Bracket: Power Pack: Left	1
8	B077 5898	Bracket: Power Supply Cord	1
10	B082 5897	Bracket: Connector	1
11	B077 1055	Guide Plate: Arm: Scanner Unit	1
12	B213 5602	Power Supply Cord: EU	1
12	B213 5604	Power Supply Cord: NA	1
13	AZ23 0186	Power Supply Unit: 285W	1
13	AZ23 0187	Power Supply Unit: 285W: EU/AA:	1
14	B082 5457	Harness: DC: Safety Switch	1
15	B213 5606	Harness: AC: SW	1
16	B213 5521	Harness: DC: DC Power Supply	1
17	B213 5611	Harness: AC: Dehumidifier	1
20	G034 5820	Spring Plate - Power Supply Unit	2
21	AA14 3592	Screw- M4x6	

Index No.	Part No.	Description	Q'ty Per Assembly
101	0450 4035N	Tapping Screw: 4x35	
102	0451 3006N	Tapping Screw - 3x6	
104	1105 0192	Locking Support	
105	1105 0310	Harness Clamp - LWS-1S	
106	1105 0488	Harness Clamp	
107	0451 3008N	Tapping Screw - M3x8	
108	1102 8502	Connector - 54679-1615	

31.ELECTRICAL SECTION 2 (B291/B295/B296/B297)

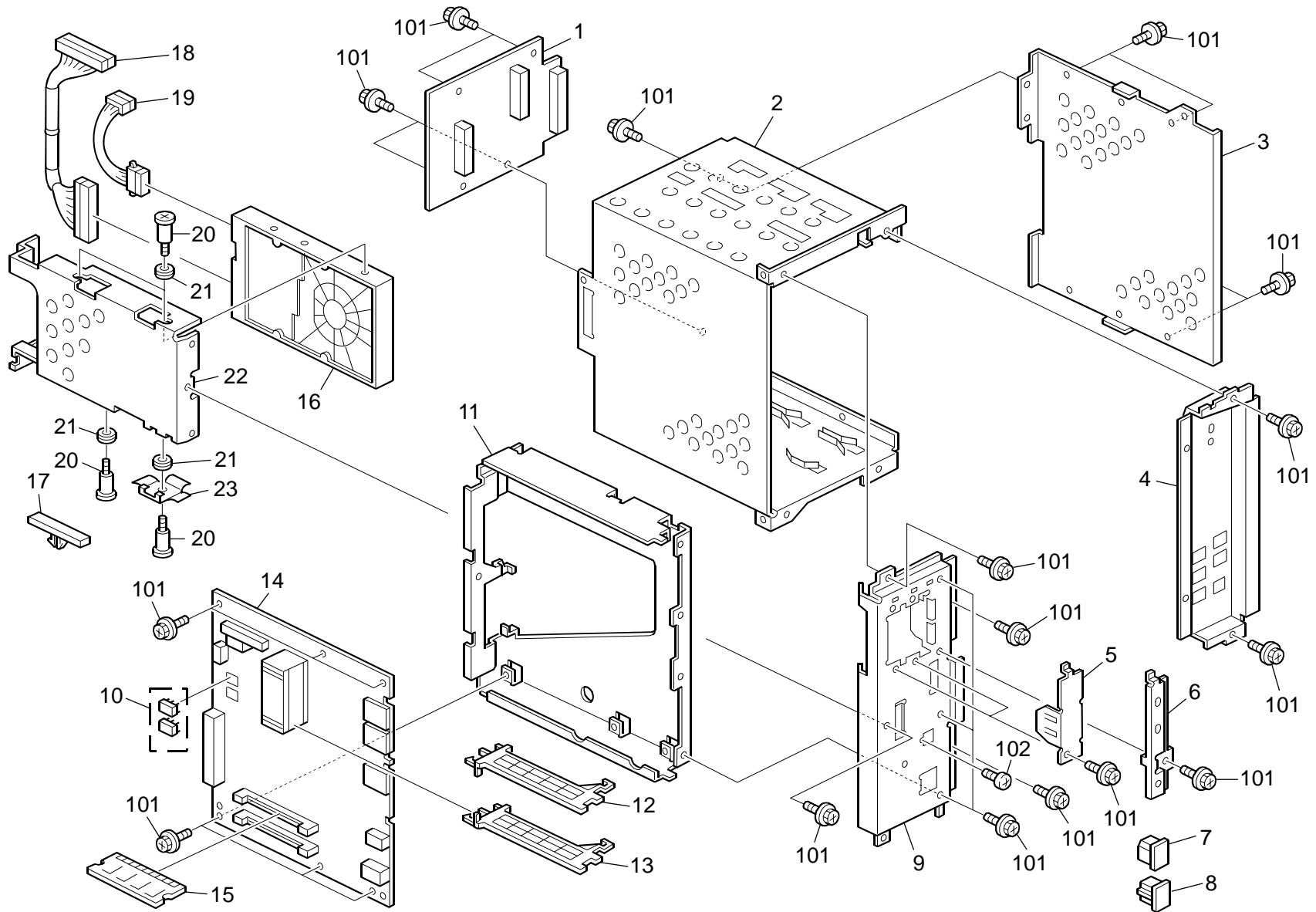


31.ELECTRICAL SECTION 2 (B291/B295/B296/B297)

Index No.	Part No.	Description	Q'ty Per Assembly
1	B077 1126	Bracket: Harness	1
2	B082 5864	Bracket: Harness: Joint Unit	1
3	AX06 0350	Brushless Motor: Fusing/Paper Exit Unit: Ass'y	1
6	B298 5608	Harness: Fusing Unit (EU)	1
6	B298 5609	Harness: Fusing Unit (NA)	1
7	AA14 3301	Stepped Screw - M3x4	2
8	B077 5861	Lever: Safety Switch	1
9	B077 5862	Cover: Lever	1
10	B077 5860	Bracket: Safety Switch	1
11	AA14 3512	Stepped Screw - M2.5	4
12	AA06 0713	Tension Spring	1
13	B077 5865	Lever: Safety Switch: Front	1
14	B077 5866	Bracket: Safety Switch	1
15	B213 5846	Shading Plate: BICU	1
16	B213 5426	Harness: BICU: IOB	1
17	B213 5445	Harness: Laser Diode Control	1
18	B298 5066	PCB: BICU	1
19	B082 1083	Bracket: BICU: Right Upper	1
20	B082 5880	Bracket: Rack: Application: Ass'y	1
21	B077 5825	Bracket: Connector: Harness	1
22	AA14 3592	Screw- M4x6	

Index No.	Part No.	Description	Q'ty Per Assembly
101	0451 3006N	Tapping Screw - 3x6	
102	0454 3006Q	Tapping Screw - M3x6	
103	1102 6266	Relay Connector - 9P	
104	1105 0487	Harness Clamp	
105	1105 0516	Clamp	
106	1105 0511	Harness Clamp - LWS-0306ZC	
108	1204 2521	Micro Switch	
109	1204 2529	Switch - V-5F912DN	
110	1204 2608	Rocker Switch: SDDJE33900	
111	1102 6256	Relay Connector - 13P	
112	1102 6246	Relay Connector - 4P	
113	1102 6263	Connector - 6P	
114	1102 6260	Relay Connector - 3P	
115	1102 6245	Relay Connector - 2P	
116	1102 6943	Relay Connector -10p	

32.ELECTRICAL SECTION 3 (B291/B295/B296/B297)

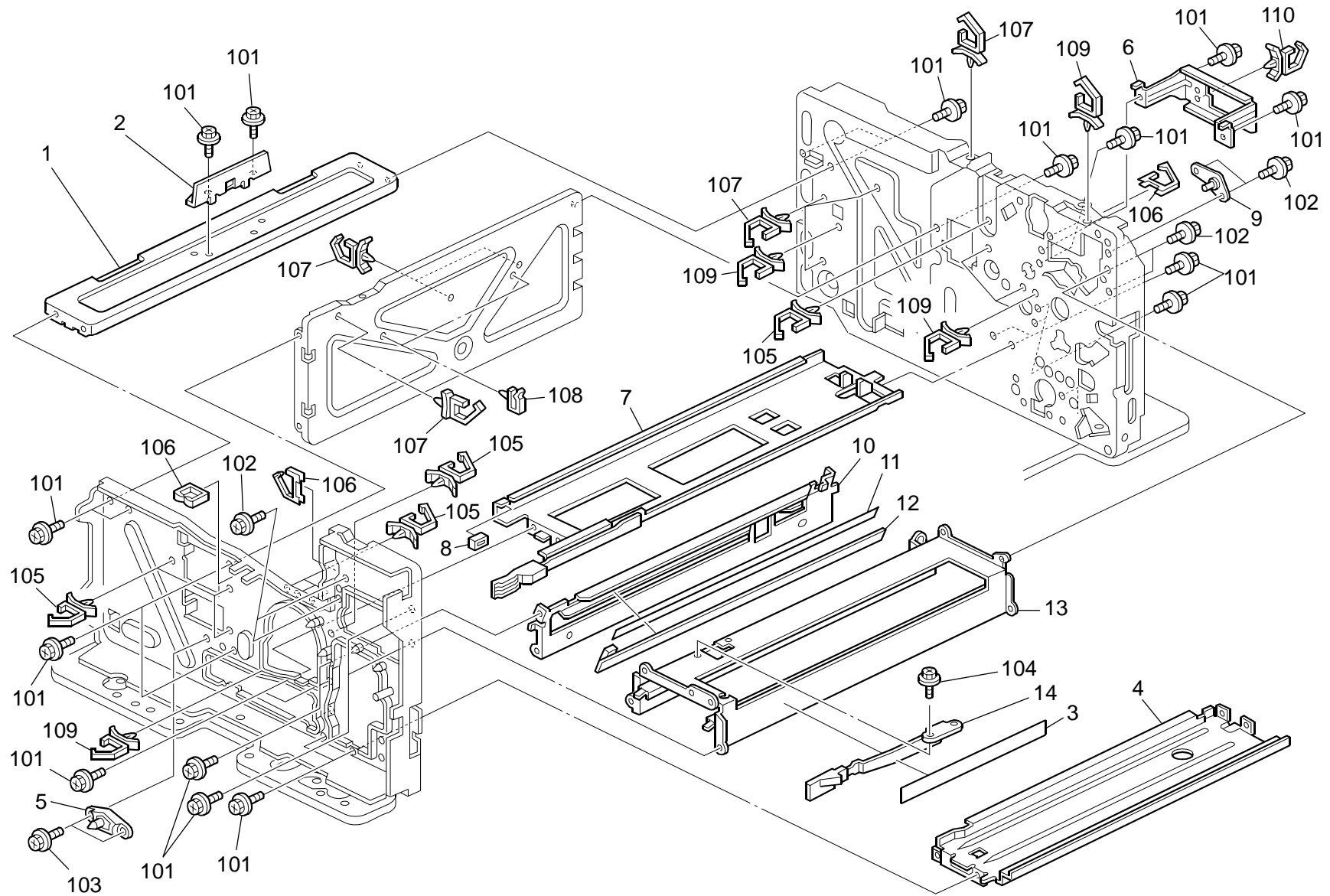


32.ELECTRICAL SECTION 3 (B291/B295/B296/B297)

Index No.	Part No.	Description	Q'ty Per Assembly
1	B213 5180	PCB: MB	1
2	B213 5871	Rack: Application	1
3	B213 5876	Stay: Rack	1
4	B198 5886	Panel: Fax	1
5	B198 5893	Cover: RIO	2
6	B198 5894	Cover: SD	1
7	B154 5865	Cap: Connector: USB	1
8	B129 5008	Cap - LAN Connector	1
9	B213 5851	Panel: Control Board	1
10	B195 9590	NVRAM-Zero Counter	1
11	B213 5852	Bracket: Control Board: Printer	1
12	B622 5831	Rail: Right	1
13	B622 5832	Rail: Left	1
14	B298 5105	Controller Board - 35	1
14	B298 5106	Controller Board - 45	1
15	B584 5050	PCB: DDR-DIMM: 128MB	1
16	B179 5995	HDD: Hitachi: 40GB: Path: ROHS	1
17	B077 6356	Keytop: Copy: 1: NA	1
17	B077 6357	Keytop: Copy: 2: NA	1
17	B077 6366	Keytop: Copy: 1: EU	1
17	B077 6367	Keytop: Copy: 2: EU	1
18	B198 5475	Harness: HDD	1
19	B198 5476	Harness: HDD: Power Source	1
20	AA14 3499	Stepped Screw	4
21	AA16 1167	Bushing: HDD	4
22	B298 5891	Bracket: HDD	1
23	B198 5892	Spring Plate: HDD	1

Index No.	Part No.	Description	Q'ty Per Assembly
101	0451 3006N	Tapping Screw - 3x6	
102	0353 0060N	Philips Pan Head Bind Screw - M3x6	

33.FRAME SECTION 1 (B291/B295/B296/B297)

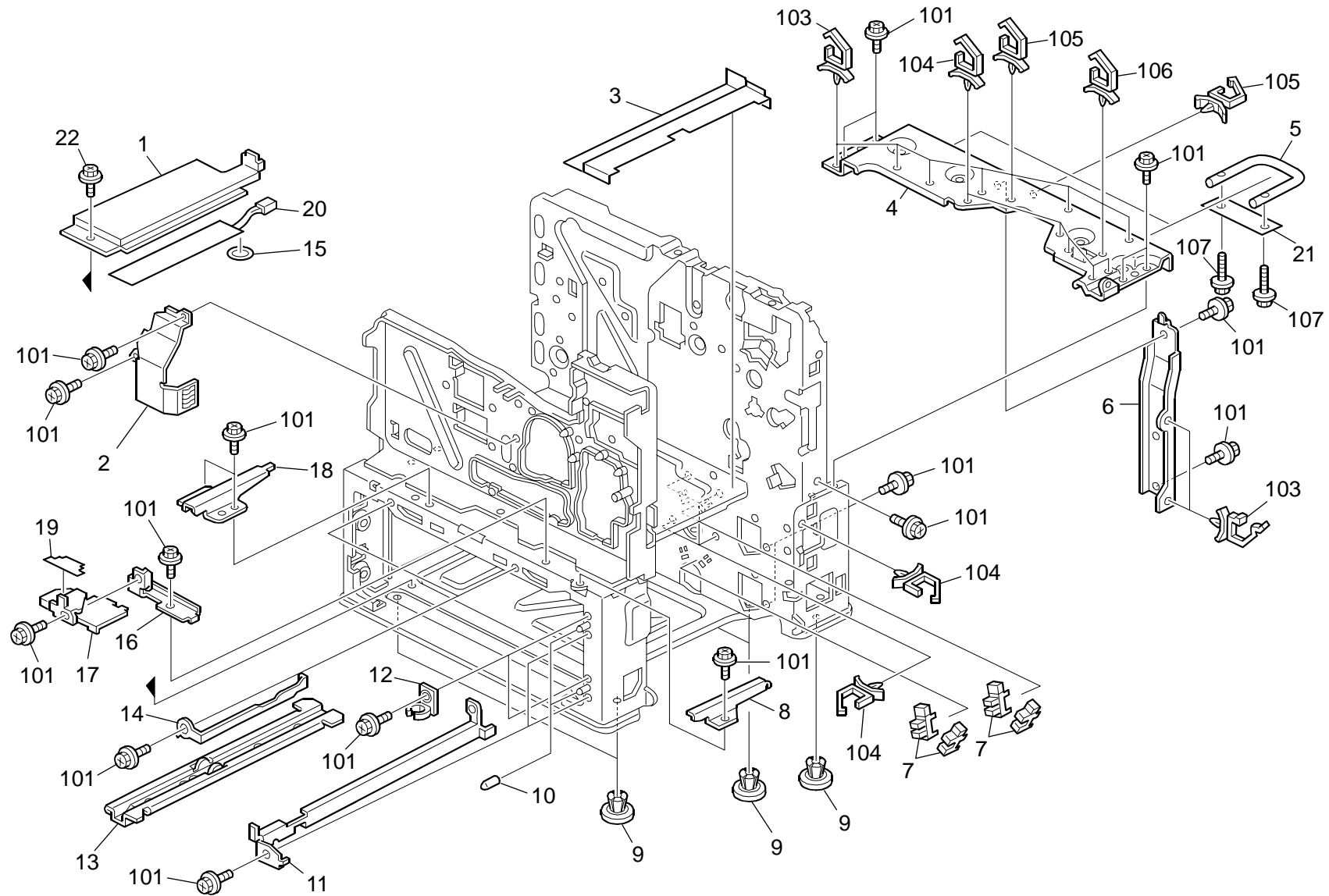


33.FRAME SECTION 1 (B291/B295/B296/B297)

Index No.	Part No.	Description	Q'ty Per Assembly
1	B077 1066	Stay: Paper Exit Sub-unit: Left	1
2	B077 1067	Bracket: Plate: Joint Unit	1
3	B213 4122	Decal: Warning (High Temperature)	1
4	B077 1078	Supporter: Development Unit	1
5	A232 1937	Positioning Pin - Laser Unit Ass'y	1
6	B077 1054	Bracket: Connector: Fusing	1
7	B077 3210	Guide: Toner Supply Unit: Ass'y	1
8	A232 3264	Stopper - Slide Rail	1
9	B077 1051	Bracket: Shaft: Stopper: Ass'y	1
10	B082 2362	Stay: Around The Photoconductor	1
11	B082 2363	Magnet - Discharge Lamp	1
12	AX50 0094	LED Array: QI	1
13	B077 1071	Supporter: Fusing Unit: Welding	1
14	A232 4201	Stopper - Fusing Unit	1

Index No.	Part No.	Description	Q'ty Per Assembly
101	0451 3006N	Tapping Screw - 3x6	
102	0454 3006Q	Tapping Screw - M3x6	
103	0451 3008N	Tapping Screw - M3x8	
104	0451 3005P	Tapping Screw - M3x5	
105	1105 0516	Clamp	
106	1105 0522	Edge Saddle - LES0510	
107	1105 0487	Harness Clamp	
108	1105 0267	Harness Clamp - YMC-10-0	
109	1105 0511	Harness Clamp - LWS-0306ZC	
110	1105 0508	Harness Clamp - LWS-0711	

34.FRAME SECTION 2 (B291/B295/B296/B297)



34.FRAME SECTION 2 (B291/B295/B296/B297)

Index No.	Part No.	Description	Q'ty Per Assembly
1	B077 2512	Heat Sink: Heater	1
2	B213 1968	Shading Plate	1
3	B004 2597	Sheet - Separation Plate	1
4	B082 1076	Stay: Machine Or Copier: Rear	1
5	B198 1077	Grip: Rear	2
6	B198 1093	Stay: Machine or Copier: Lengthwise: R	1
7	AW02 0145	Photointerruptor: Flat	4
8	B213 1267	Bracket: Hinge: Right	1
9	AH01 0010	Rubber Foot: H5	4
10	B004 2995	Cap - Positioning	1
11	B213 2990	Supporter: Paper Tray	2
12	A232 2995	Front Positioning Guide	2
13	B077 1021	Grip: Adhesion	1
14	B077 1023	Stopper: Grip	2
15	A230 2525	Heater Stopper	1
16	B077 1082	Base: Fix: Development	1
17	B213 1081	Cover: Fix: Development	1
18	B077 1266	Bracket: Hinge: Left	1
19	B213 1082	Sheet: Cover: Fix: Development	1
20	AX40 0190	Heater: 120V: 9W	1
20	AX40 0191	Heater: 230V: 9W	1
21	B213 1078	Spacer: Grip: Rear	1
22	B435 4943	Tapping Screw - M4x8	1

Index No.	Part No.	Description	Q'ty Per Assembly
101	0451 3006N	Tapping Screw - 3x6	
102	0360 4014N	Screw - M4X14	
103	1105 0488	Harness Clamp	
104	1105 0511	Harness Clamp - LWS-0306ZC	
105	1105 0489	Harness Clamp - LWS 1316	
106	1105 0516	Clamp	

35.IOB BOARD (B291/B295/B296/B297)

CAPACITOR

SYMBOL NO.	INDEX NO.	SYMBOL NO.	INDEX NO.	SYMBOL NO.	INDEX NO.	SYMBOL NO.	INDEX NO.	SYMBOL NO.	INDEX NO.	SYMBOL NO.	INDEX NO.	SYMBOL NO.	INDEX NO.
C1	197	C101	203	C111	202	C121	203	C131	204	C141	204	C151	201
C2	197	C102	203	C112	202	C122	203	C132	203	C142	198	C152	201
C3	197	C103	203	C113	204	C123	164	C133	203	C143	156	C153	204
C4	197	C104	203	C114	203	C124	204	C134	204	C144	204	C154	204
C5	153	C105	203	C115	203	C125	156	C135	201	C145	203	C155	203
C6	153	C106	203	C116	204	C126	156	C136	152	C146	203	C156	203
C7	153	C107	203	C117	203	C127	203	C137	203	C147	203	C157	203
C8	153	C108	203	C118	155	C128	203	C138	204	C148	203	C158	203
C9	153	C109	203	C119	203	C129	203	C139	198	C149	204	C159	203
C10	153	C110	202	C120	203	C130	155	C140	201	C150	204	C160	204

CAPACITOR

SYMBOL NO.	INDEX NO.	SYMBOL NO.	INDEX NO.	SYMBOL NO.	INDEX NO.	SYMBOL NO.	INDEX NO.	SYMBOL NO.	INDEX NO.	SYMBOL NO.	INDEX NO.	SYMBOL NO.	INDEX NO.
C161	203	C171	202	C181	152	C191	201	C201	204	C211	204	C221	199
C162	203	C172	200	C182	204	C192	201	C202	203	C212	203	C222	199
C163	203	C173	203	C183	152	C193	156	C203	155	C213	199	C223	199
C164	203	C174	203	C184	152	C194	201	C204	161	C214	204	C224	204
C165	163	C175	152	C185	165	C195	154	C205	161	C215	203	C225	204
---	---	C176	204	C186	200	C196	199	C206	203	C216	199	C226	199
C167	203	C177	152	C187	152	C197	204	C207	162	C217	199	C227	199
C168	203	C178	152	C188	156	C198	204	C208	164	C218	199	C228	199
C169	203	C179	204	C189	199	C199	157	C209	203	C219	204	C229	199
C170	203	C180	152	C190	199	C200	156	C210	203	C220	199	C230	199

35.IOB BOARD (B291/B295/B296/B297)

CAPACITOR

SYMBOL NO.	INDEX NO.
C231	199
C232	199
C233	199
C234	199
C235	199
C236	199
C237	199
C238	204
C239	201
C240	204

SYMBOL NO.	INDEX NO.
C241	201
C242	204
C243	201
C244	203
C245	204
C246	201
C247	201
C248	204
C249	204
C250	201

SYMBOL NO.	INDEX NO.
C251	204
C252	156
C253	157
C254	201
C255	203
C256	203
C257	203
C258	203
C259	203
C260	203

SYMBOL NO.	INDEX NO.
C261	203
C262	203
C263	203
C264	203
C265	152
C266	203
C267	203
C268	203
C269	203
C270	203

CONNECTOR

SYMBOL NO.	INDEX NO.
CN201	103
CN202	119
CN203	106
CN204	117
CN205	118
CN206	205
CN207	104
CN208	108
CN209	107
CN210	101

SYMBOL NO.	INDEX NO.
CN211	111
CN212	102
CN213	114
CN214	106
CN215	110
CN216	120
CN217	116
CN218	115
CN219	103
CN220	112

SYMBOL NO.	INDEX NO.
CN221	110
CN222	113
CN223	109
CN224	116
CN225	115
CN226	105
---	---
---	---
CN299	121

DIODE

SYMBOL NO.	INDEX NO.
D101	128
D102	127
D103	127
D104	129
D105	129
D106	128
D107	129
D108	128
D109	128
D110	128

SYMBOL NO.	INDEX NO.
D111	128
D112	128
D113	128
D114	128
D115	128
D116	128
D117	128
D118	128
D119	128

FIL

SYMBOL NO.	INDEX NO.
FIL1	158

IC

SYMBOL NO.	INDEX NO.
IC101	133
IC102	136
IC103	136
IC104	145
IC105	136
IC106	142
IC107	144
IC108	145
IC109	134
IC110	136

SYMBOL NO.	INDEX NO.
IC111	134
IC112	141
IC113	138
IC114	142
IC115	139
IC116	135
IC117	137
IC118	143
IC119	139
IC120	140

SYMBOL NO.	INDEX NO.
IC121	141
IC122	134
IC123	134

OSC

SYMBOL NO.	INDEX NO.
OSC101	147

Q

SYMBOL NO.	INDEX NO.
Q101	124
Q102	126
Q103	124
Q104	123
Q105	125

35.IOB BOARD (B291/B295/B296/B297)

RESISTOR

SYMBOL NO.	INDEX NO.	SYMBOL NO.	INDEX NO.	SYMBOL NO.	INDEX NO.	SYMBOL NO.	INDEX NO.	SYMBOL NO.	INDEX NO.	SYMBOL NO.	INDEX NO.	SYMBOL NO.	INDEX NO.
R1	185	R11	182	R101	172	R111	173	R121	148	R131	172	R141	184
R2	171	R12	182	R102	181	R112	172	R122	172	R132	173	R142	172
R3	171	R13	180	R103	184	R113	172	R123	172	R133	172	R143	172
R4	171	---	---	R104	172	R114	190	R124	190	R134	184	R144	172
R5	171	---	---	R105	184	R115	188	R125	188	R135	180	R145	187
R6	171	---	---	R106	173	R116	167	R126	188	R136	181	R146	173
R7	171	---	---	R107	188	R117	172	R127	173	R137	172	R147	173
R8	171	---	---	R108	188	R118	173	R128	172	R138	184	R148	166
R9	171	---	---	R109	190	R119	172	R129	173	R139	180	R149	172
R10	182	---	---	R110	188	R120	148	R130	172	R140	175	R150	173

RESISTOR

SYMBOL NO.	INDEX NO.	SYMBOL NO.	INDEX NO.	SYMBOL NO.	INDEX NO.	SYMBOL NO.	INDEX NO.	SYMBOL NO.	INDEX NO.	SYMBOL NO.	INDEX NO.	SYMBOL NO.	INDEX NO.
R151	172	R161	173	R171	173	R181	172	R191	168	R201	180	R211	173
R152	172	R162	196	R172	189	R182	172	R192	173	R202	173	R212	173
R153	194	R163	195	R173	172	R183	172	R193	173	R203	177	R213	172
R154	178	R164	183	R174	172	R184	172	R194	172	R204	176	R214	172
R155	178	R165	172	R175	173	R185	173	R195	172	R205	173	R215	170
R156	173	R166	172	R176	172	R186	172	R196	172	R206	172	R216	180
R157	172	R167	173	R177	173	R187	172	R197	172	R207	172	R217	172
R158	172	R168	183	R178	173	R188	172	R198	173	R208	172	R218	173
R159	194	R169	191	R179	180	R189	173	R199	173	R209	172	R219	180
R160	172	R170	173	R180	180	R190	172	R200	173	R210	179	R220	183

35.IOB BOARD (B291/B295/B296/B297)

RESISTOR

SYMBOL NO.	INDEX NO.	SYMBOL NO.	INDEX NO.	SYMBOL NO.	INDEX NO.	SYMBOL NO.	INDEX NO.	SYMBOL NO.	INDEX NO.	SYMBOL NO.	INDEX NO.	SYMBOL NO.	INDEX NO.
R221	183	R231	179	R241	173	R251	173	R261	173	R271	173	R281	173
R222	183	R232	180	R242	173	R252	172	R262	169	R272	173	R282	173
R223	180	R233	170	R243	173	R253	173	R263	169	R273	173	R283	173
R224	170	R234	183	R244	172	R254	172	R264	169	R274	173	R284	173
R225	170	R235	183	R245	173	R255	173	R265	169	R275	173	R285	173
R226	170	R236	180	R246	173	R256	172	R266	169	R276	172	R286	173
R227	183	R237	173	R247	173	R257	184	R267	169	R277	173	R287	173
R228	183	R238	182	R248	173	R258	173	R268	169	R278	173	R288	173
R229	173	R239	182	R249	187	R259	186	R269	169	R279	173	R289	173
R230	183	R240	182	R250	172	R260	172	R270	173	R280	173	R290	173

RESISTOR

SYMBOL NO.	INDEX NO.	SYMBOL NO.	INDEX NO.	SYMBOL NO.	INDEX NO.	SYMBOL NO.	INDEX NO.	SYMBOL NO.	INDEX NO.	SYMBOL NO.	INDEX NO.	SYMBOL NO.	INDEX NO.
R291	173	R301	173	R311	173	R321	173	R331	173	R341	173	R351	173
R292	173	R302	173	R312	173	R322	173	R332	173	R342	173	R352	173
R293	183	R303	183	R313	173	R323	173	R333	173	R343	173	R353	173
R294	172	R304	172	R314	173	R324	173	R334	173	R344	173	R354	173
R295	183	R305	173	R315	173	R325	173	R335	173	R345	173	R355	184
R296	172	R306	173	R316	173	R326	172	R336	173	R346	173	R356	184
R297	173	R307	173	R317	173	R327	173	R337	173	R347	173	R357	193
R298	173	R308	173	R318	173	R328	173	R338	173	R348	173	R358	192
R299	184	R309	173	R319	172	R329	173	R339	173	R349	173	R359	187
R300	181	R310	173	R320	172	R330	173	R340	173	R350	173	R360	173

35.IOB BOARD (B291/B295/B296/B297)

RESISTOR

SYMBOL NO.	INDEX NO.
R361	192
R362	173
R363	193
R364	172
R365	192
R366	192
R367	172
R368	173
R369	173
R370	172

SYMBOL NO.	INDEX NO.
R371	173
R372	184
R373	173
R374	172
R375	172
R376	184
R377	172
R378	173
R379	183
R380	173

SYMBOL NO.	INDEX NO.
R381	173
R382	173
R383	172
R384	181
R385	181
R386	174
R387	173
R388	173
R389	172
R390	183

SYMBOL NO.	INDEX NO.
R391	172
R392	172
R393	172
R394	173
R395	173
R396	173
R397	172

REG

SYMBOL NO.	INDEX NO.
REG101	146

RN

SYMBOL NO.	INDEX NO.
RN101	150
RN102	149
RN103	149
RN104	151
RN105	159
RN106	150
RN107	159
RN108	159
RN109	149
RN110	160

SYMBOL NO.	INDEX NO.
RN111	160

SW

SYMBOL NO.	INDEX NO.
SW101	122

TH

SYMBOL NO.	INDEX NO.
TH101	132

ZD

SYMBOL NO.	INDEX NO.
ZD101	131
ZD102	131
ZD103	131
ZD104	131
ZD105	131
ZD106	130

35.IOB BOARD (B291/B295/B296/B297)

Index No.	Part No.	Description	Q'ty Per Assembly
*	B213 5155	PCB: IOB	1

Index No.	Part No.	Description	Q'ty Per Assembly
101	1102 3822	Connector - 20P	
102	1102 5306	Connector - 7P	
103	1102 6295	Connector - 2P	
104	1102 6297	Connector - 4P	
105	1102 6301	Connector - 8P	
106	1102 6302	Connector - 9P	
107	1102 6303	Connector - 10P	
108	1102 6305	Connector - 12P	
109	1102 6308	Connector - 15P	
110	1102 6309	Connector - 2P	
111	1102 6311	Connector - 4P	
112	1102 6316	Connector - 9P	
113	1102 6321	Connector	
114	1102 6394	Connector - 12P	
115	1102 6396	Connector - 1P	
116	1102 6397	Box Header	
117	1102 6398	Connector - 2P	
118	1102 6401	Connector - 26P	
119	1102 6402	Connector - 2P	
120	1102 7244	Connector	
121	1102 7496	Connector	
122	1204 1537	DIP Switch	
123	1400 0381	Transistor - 2SA1036KR	
124	1400 0775	Transistor - 2SC4081	
125	1400 0902	Transistor - DTA113ZUA	
126	1400 0918	Transistor - DTC123JUA	
127	1402 1322	Diode Array - DAN202U	
128	1402 1336	Diode - 1SS355	
129	1402 1584	Diode - DAN217U	
130	1402 1662	Diode: PTZ6.2B	
131	1402 1663	Diode - ZTP12B	
132	1404 0360	Thermistor - 103HT	
133	1407 1535	IC - TD62308AP	
134	1407 2187	TTLIC - SN74LS07NS	
135	1407 2218	TTLIC - SN74LS06NS	

Index No.	Part No.	Description	Q'ty Per Assembly
136	1407 2219	IC - TD62003AP	
137	1407 5344	IC - SN74LV02APW	
138	1407 5347	IC - SN74LV08APW	
139	1407 5351	IC - SN74LV14APW	
140	1407 5469	IC - SN74LV07APW	
141	1407 6167	IC - EIO	
142	1408 1204	IC - TA8083P	
143	1408 1779	IC - R3112Q281A	
144	1408 2029	Comparator: LM2901PW	
145	1408 2030	Operational Amplifier - LM224D	
146	1408 2122	Series Regulator - R1130H331A-FB	
147	1503 1004	Oscillator - 19.6608Mhz	
148	1601 5477	Resistor - 330Ω ±5% 1W	
149	1601 7887	Resistor Array - 10K Ω ±5% 1/32W	
150	1601 7898	Resistor Array	
151	1601 7983	Resistor Array: 2.2kΩ: ±5%: 1/16W	
152	1605 1137	Capacitor - 470pF ±10% 50V	
153	1605 1225	Capacitor - 0.1μF±10% 50V	
154	1605 1281	Capacitor - 0.22μF±10% 16V	
155	1605 1294	Capacitor - 1000pF ±5% 50V	
156	1605 1353	Capacitor - 0.1μF±10% 25V	
157	1605 1489	Capacitor - 2.2μF±10% 25V	
158	1607 1315	Filter - BK1608HS600	
159	1609 0005	Resistor: 33 Ω: ±5%: 1/16w	
160	1609 0006	Resistor: 10k Ω: ±5%: 1/16W	
161	1640 2470	Capacitor - 47μF±20% 25V	
162	1640 2471	Capacitor - 470μF±20% 25V	
163	1640 5100	Capacitor - 10μF+20% 50	
164	1640 5101	Capacitor - 100μF±20% 50V	
165	1643 1470	Capacitor - 47μF±20% 16V	
166	1650 2101	Resistor - 100Ω ±5% 1/4W	
167	1650 2221	Resistor: 220Ω: ±5%: 1/4W	
168	1650 2682	Resistor - 6.8KΩ ±5% 1/4W	
169	1650 3221	Resistor - 220Ω±5%1/8W	
170	1650 4100	Resistor - 10Ω ±5% 1/10W	

Index No.	Part No.	Description	Q'ty Per Assembly
171	1650 4101	Resistor - 100Ω±5%1/10W	
172	1650 4102	Resistor - 1KΩ ±5% 1/10W	
173	1650 4103	Resistor - 10KΩ ±5% 1/10W	
174	1650 4104	Resistor - 100KΩ±5%1/10W	
175	1650 4105	Resistor - 1MΩ ±5% 1/10W	
176	1650 4111	Chip Resistor: 110KΩ: ±5%: 1/10W	
177	1650 4123	Resistor - 12KΩ±5%1/10W	
178	1650 4204	Resistor - 200KΩ±5%1/10W	
179	1650 4220	Chip Resistor - 22Ω ±5% 1/10W	
180	1650 4222	Resistor - 2.2KΩ±5%1/10W	
181	1650 4223	Resistor - 22KΩ±5%1/10W	
182	1650 4330	Chip Resistor - 33Ω ±5% 1/10W	
183	1650 4332	Resistor - 3.3KΩ±5%1/10W	
184	1650 4472	Resistor - 4.7KΩ ±5% 1/10W	
185	1650 4560	Chip Resistor - 56Ω ±5% 1/10W	
186	1650 4562	Resistor - 5.6KΩ ±5% 1/10W	
187	1654 1002	Resistor - 10KΩ±5%1/10W	
188	1654 1003	Resistor - 100KΩ±1%1/10W	
189	1654 1004	Chip Resistor - 1mΩ ±1% 1/10W	
190	1654 1403	Resistor: 140kΩ: ±1%: 1/10W	
191	1654 1501	Resistor - 1.5K Ω ±1% 1/10W 1608	
192	1654 2002	Resistor - 20KΩ±1%1/10W	
193	1654 2401	Resistor - 2.4KΩ ±1% 1/10W	
194	1654 2402	Chip Resistor: 24kΩ: ±1%: 1/10W	
195	1654 4641	Resistor: 4.64kΩ: ±1%: 1/10W	
196	1654 5621	Resistor: 5.62kΩ: ±1%: 1/10W	
197	1660 2101	Capacitor - 100pF - ±10% - 50V	
198	1660 2150	Capacitor - 15pF ±5% 50V	
199	1660 2270	Capacitor - 27pF ±20% 35V	
200	1660 2470	Capacitor - 47pF ±5% 50V	
201	1660 2471	Capacitor - 470pF - ±5% - 50V	
202	1660 4472	Capacitor - 4700pF±10% 50V	
203	1660 6103	Capacitor - 10000pF - +80%-20%50V	
204	1660 8104	Capacitor - 0.1μF+80-20% 25V	
205	1103 3179	Connector: FH12-50S-0.5SV(89)	

36.BICU BOARD (B291/B295/B296/B297)

CAPACITOR

SYMBOL NO.	INDEX NO.	SYMBOL NO.	INDEX NO.	SYMBOL NO.	INDEX NO.	SYMBOL NO.	INDEX NO.	SYMBOL NO.	INDEX NO.	SYMBOL NO.	INDEX NO.	SYMBOL NO.	INDEX NO.
C1	165	C11	153	C21	168	C31	167	C41	167	---	---	C61	165
C2	165	C12	168	C22	170	---	---	C42	168	C52	167	C62	168
C3	165	C13	168	C23	155	C33	168	C43	168	C53	170	C63	171
C4	165	C14	168	C24	168	C34	165	C44	157	C54	170	C64	168
C5	165	C15	168	C25	168	C35	168	---	---	C55	163	C65	168
C6	167	C16	168	---	---	C36	168	---	---	C56	164	C66	165
C7	154	C17	167	C27	170	C37	165	C47	168	C57	168	C67	155
---	---	---	---	C28	168	---	---	---	---	C58	168	C68	171
C9	175	C19	168	C29	172	C39	166	C49	168	C59	168	C69	168
C10	167	C20	170	C30	172	C40	171	C50	168	C60	170	C70	171

CAPACITOR

SYMBOL NO.	INDEX NO.	SYMBOL NO.	INDEX NO.	SYMBOL NO.	INDEX NO.	SYMBOL NO.	INDEX NO.	SYMBOL NO.	INDEX NO.	SYMBOL NO.	INDEX NO.	SYMBOL NO.	INDEX NO.
C71	157	C81	158	C91	165	C101	161	C111	237	C121	161	C131	237
C72	168	C82	154	C92	167	C102	237	C112	230	C122	161	C132	230
C73	176	C83	168	C93	156	C103	237	C113	237	C123	161	C133	230
C74	176	C84	168	C94	237	C104	162	C114	237	C124	237	C134	230
C75	168	C85	168	C95	236	C105	161	C115	161	C125	161	C135	233
C76	152	C86	159	---	---	C106	161	C116	161	C126	230	C136	161
C77	168	C87	170	C97	161	C107	162	C117	237	C127	230	C137	237
C78	168	C88	170	C98	161	C108	230	C118	237	C128	230	C138	237
C79	168	C89	177	C99	237	C109	161	C119	161	C129	237	C139	237
C80	152	C90	165	---	---	C110	237	C120	237	C130	230	C140	237

36.BICU BOARD (B291/B295/B296/B297)

CAPACITOR

SYMBOL NO.	INDEX NO.	SYMBOL NO.	INDEX NO.	SYMBOL NO.	INDEX NO.	SYMBOL NO.	INDEX NO.	SYMBOL NO.	INDEX NO.	SYMBOL NO.	INDEX NO.	SYMBOL NO.	INDEX NO.
C141	237	C151	237	C162	230	C172	161	C182	161	C192	237	C202	160
C142	161	C152	173	C163	161	C173	237	C183	161	C193	230	C203	235
C143	161	C153	232	C164	236	C174	173	C184	237	C194	174	C204	237
C144	236	---	---	C165	230	C175	161	C185	229	C195	236	C205	160
C145	237	C155	237										
		C156	228	C166	230	C176	237	C186	230	C196	237	C206	161
C146	161	C157	237	C167	230	C177	173	C187	237	C197	160	C207	161
C147	237	C158	161	C168	230	C178	237	C188	161	C198	234	C208	162
C148	161	C159	161	C169	230	C179	230	C189	161	C199	161	C209	230
C149	237	C160	173	C170	161	---	---	C190	161	C200	161	C210	162
C150	237	C161	237	C171	237	C181	237	C191	160	C201	161	C211	162

Q

SYMBOL NO.	INDEX NO.
C212	169
C213	161
C214	161
C215	169
C216	161
C217	237
C218	161
C219	231
C220	231
C221	231

SYMBOL NO.	INDEX NO.
C222	231
---	---
C224	230

CONNECTOR

SYMBOL NO.	INDEX NO.
CN301	107
CN302	109
CN303	110
---	---
CN305	108
---	---
CN307	240
CN308	241
---	---
CN310	102
---	---

SYMBOL NO.	INDEX NO.
CN312	101
CN313	104
CN314	105
---	---
---	---
---	---
---	---
CN319	103
CN320	2
CN321	106

DIODE

SYMBOL NO.	INDEX NO.
D1	113
D2	113
D3	113
D4	113
---	---
D6	114
D7	113
D8	113

IC

SYMBOL NO.	INDEX NO.
IC1	120
IC2	124
IC3	124
IC4	124
IC5	122
IC6	130
IC7	134
IC8	119
IC9	133
IC10	128

SYMBOL NO.	INDEX NO.
IC11	138
IC12	121
IC13	127
IC14	121
IC15	1
IC16	131
IC17	138
IC18	138
IC19	140
IC20	124

36.BICU BOARD (B291/B295/B296/B297)

IC

SYMBOL NO.	INDEX NO.
IC21	124
IC22	132
IC23	239
IC24	238
IC25	238
IC26	126
IC27	142
IC28	123
IC29	125
IC30	129

SYMBOL NO.	INDEX NO.
IC31	137
IC32	125

L

SYMBOL NO.	INDEX NO.
L1	180
L2	178
L3	179

LED

SYMBOL NO.	INDEX NO.
LED101	116
LED102	118
LED103	117

Q

SYMBOL NO.	INDEX NO.
Q1	112
Q2	112
Q3	111
Q4	111

RESISTOR

SYMBOL NO.	INDEX NO.
R1	216
R2	216
R3	216
R4	206
R5	206
R6	206
R7	206
R8	212
R9	208
R10	214

SYMBOL NO.	INDEX NO.
R11	207
R12	213
R13	214
R14	188
R15	187
R16	208
R17	222
R18	222
R19	208
R20	208

OSC

SYMBOL NO.	INDEX NO.
OSC1	143
OSC2	144

RESISTOR

SYMBOL NO.	INDEX NO.
R21	215
R22	208
R23	215
R24	208
R25	208
R26	208
R27	206
R28	208
R29	208
R30	208

SYMBOL NO.	INDEX NO.
R31	206
R32	206
R33	227
R34	226
R35	223
R36	223
R37	223
R38	223
R39	214
---	---

SYMBOL NO.	INDEX NO.
R41	208
R42	215
R43	214
R44	208
R45	208
R46	208
R47	215
R48	215
R49	208
R50	208

SYMBOL NO.	INDEX NO.
R51	215
R52	214
R53	208
R54	208
---	---
R56	208
R57	209
R58	209
R59	224
R60	211

SYMBOL NO.	INDEX NO.
R61	208
R62	214
R63	214
R64	225
R65	207
R66	208
---	---
R68	215
R69	208
R70	208

SYMBOL NO.	INDEX NO.
R71	208
R72	193
R73	212
R74	206
R75	208
---	---
R77	198
R78	214
R79	208
R80	208

SYMBOL NO.	INDEX NO.
R81	215
R82	215
R83	215
R84	215
R85	207
R86	208
R87	208
R88	208
R89	210
R90	210

36.BICU BOARD (B291/B295/B296/B297)

RESISTOR

SYMBOL NO.	INDEX NO.	SYMBOL NO.	INDEX NO.	SYMBOL NO.	INDEX NO.	SYMBOL NO.	INDEX NO.	SYMBOL NO.	INDEX NO.	SYMBOL NO.	INDEX NO.	SYMBOL NO.	INDEX NO.
R91	207	R101	196	R111	193	R121	193	R131	207	R141	192	R151	195
R92	220	R102	203	R112	193	R122	193	R132	205	R142	193	R152	193
R93	221	R103	203	R113	193	R123	204	R133	205	R143	193	R153	193
R94	193	R104	203	R114	193	R124	189	R134	203	R144	199	R154	193
R95	193	R105	193	R115	193	R125	217	R135	193	---	---	R155	199
R96	193	R106	200	R116	193	R126	193	R136	196	R146	192	R156	205
R97	193	R107	191	R117	193	R127	193	R137	196	R147	193	R157	193
R98	193	R108	193	R118	193	R128	193	R138	199	R148	193	R158	193
R99	196	R109	193	R119	193	R129	193	R139	199	R149	197	R159	192
R100	193	R110	193	R120	193	R130	200	R140	192	R150	193	R160	203

RESISTOR

SYMBOL NO.	INDEX NO.	SYMBOL NO.	INDEX NO.	SYMBOL NO.	INDEX NO.	SYMBOL NO.	INDEX NO.	SYMBOL NO.	INDEX NO.	REG	INDEX NO.	SYMBOL NO.	INDEX NO.
R161	199	R171	189	R181	192	R191	219	R201	189	REG1	136	RN1	185
R162	199	R172	193	R182	193	R192	219	R202	205	REG2	139	RN2	185
R163	199	R173	205	R183	192	R193	219	R203	204	REG3	135	RN3	146
R164	191	R174	218	R184	201	R194	189	R204	204	REG4	141	RN4	145
R165	193	R175	192	R185	201	R195	189					RN5	151
R166	193	R176	193	R186	194	R196	189					RN6	182
R167	204	R177	193	R187	194	R197	189					RN7	182
R168	202	R178	203	R188	194	R198	189					---	---
---	---	R179	190	R189	194	R199	189					---	---
R170	189	R180	192	R190	219	R200	189					---	---

REG

RN

36.BICU BOARD (B291/B295/B296/B297)

RESISTOR

SYMBOL NO.	INDEX NO.	SYMBOL NO.	INDEX NO.	SYMBOL NO.	INDEX NO.	SYMBOL NO.	INDEX NO.	SYMBOL NO.	INDEX NO.	SYMBOL NO.	INDEX NO.	SYMBOL NO.	INDEX NO.
RN11	183	RN21	145	RN31	145	RN41	146	RN51	186	RN61	186	RN71	148
RN12	145	RN22	148	RN32	145	RN42	182	RN52	181	RN62	186	RN72	182
RN13	183	RN23	182	RN33	145	RN43	184	RN53	181	RN63	186	RN73	184
RN14	145	RN24	182	RN34	148	RN44	181	RN54	182	RN64	145	RN74	184
RN15	185	RN25	183	RN35	148	RN45	186	RN55	181	RN65	147	RN75	184
RN16	185	RN26	145	---	---	RN46	184	RN56	181	RN66	181	RN76	184
RN17	185	RN27	146	RN37	182	RN47	146	RN57	181	RN67	181	RN77	184
RN18	182	---	---	RN38	182	RN48	181	RN58	181	RN68	181	RN78	183
RN19	182	RN29	149	RN39	183	RN49	147	RN59	147	RN69	148	RN79	150
RN20	146	RN30	147	RN40	185	RN50	146	RN60	186	RN70	148	RN80	186

ZD

SYMBOL NO.	INDEX NO.
ZD1	115
ZD2	115

36.BICU BOARD (B291/B295/B296/B297)

Index No.	Part No.	Description	Q'ty Per Assembly
*	B298 5066	BICU Board	1
1	B198 5240	IC: CDICAN	1

Index No.	Part No.	Description	Q'ty Per Assembly
101	1102 4203	CT Header - 4P	
102	1102 4204	CT Header - 5P	
103	1102 4645	CT Connector - 4p	
104	1102 5305	Connector - 6P	
105	1102 6303	Connector - 10P	
106	1102 6311	Connector - 4P	
107	1102 6595	Connector - 11P	
108	1102 7729	Connector - DX10G1M-50SE	
109	1102 8272	Connector - TX25-100P-12ST-H1	
110	1102 9116	Connector - 353297-5	
111	1400 0688	Transistor -DTC143ZUA	
112	1400 0795	Transistor - 2SC4617	
113	1402 1343	Diode - RB106L-40	
114	1402 1546	Diode - RB081	
115	1402 1662	Diode: PTZ6.2B	
116	1403 0953	LED - SML-310MT	
117	1403 0996	LED - SML-310VT	
118	1403 1033	LED - SML-310YT	
119	1407 2187	TTLIC - SN74LS07NS	
120	1407 5090	IC - DS90CF364MTD	
121	1407 5351	IC - SN74LV14APW	
122	1407 5353	IC - SN74LV244APW	
123	1407 5388	IC - SN74LV08ANS	
124	1407 5392	IC: SN74LV541APW	
125	1407 5421	IC - SN74LV74ANS	
126	1407 5463	IC - SN74LV245APW	
127	1407 5469	IC - SN74LV07APW	
128	1407 5483	IC - SN74AHC1G125DCK	
129	1407 5712	IC: SN74LVL07ANS	
130	1407 5896	Controller Image Processing RF5V861	
131	1407 6166	IC - ESOC	
132	1407 6380	Eeprom - BR24I08-W	
	1407 6385	Clock Generator - MB88154PNF-G-102-	
134	1407 6430	IC - GAVD TYPE-R	
135	1408 1448	Regulator - PQ3DZ13	

Index No.	Part No.	Description	Q'ty Per Assembly
136	1408 1463	Regulator: LM1085IS-ADJ	
137	1408 1680	Operational Amplifier - LM358D	
138	1408 1779	IC - R3112Q281A	
139	1408 1818	Series Regulator - LM1117MP-1.8	
140	1408 1826	IC - R3112Q421A	
141	1408 2015	Series Regulator - PQ018EZ02ZPH	
142	1408 2151	IC - PQ1CX12H2ZPQ	
144	1503 1215	Crystal Oscillator - 17.5MHZ	
145	1601 7887	Resistor Array - 10K Ω \pm 5% 1/32W	
146	1601 7896	Resistor Array - 56 Ω \pm 5% 1/32W	
147	1601 7898	Resistor Array	
148	1601 7943	Resistor Array - 68 Ω \pm 5% 1/32W	
149	1601 7959	Resistor	
150	1601 7960	Resistor Array - 100 Ω \pm 5% 1/16W	
151	1601 7981	Resistor Array - 100K Ω \pm 5% 1/16W	
152	1604 4733	Capacitor - 100 μ F \pm 20% 10V	
153	1604 4782	Capacitor - 470 μ F \pm 20% 16V	
154	1604 4925	Capacitor - 100 μ F \pm 20% 10V	
155	1604 4999	Capacitor - 68 μ F \pm 20%: 10V	
156	1604 5046	Capacitor - 150 μ F \pm 20%: 10V	
157	1604 5291	Capacitor - 10 μ F \pm 20% 16V	
158	1604 5367	Capacitor - 220 μ F \pm 20% 10V	
159	1604 5368	Capacitor - 470 μ F \pm 20% 10V	
160	1605 1124	Capacitor - 4.7 μ F+80 -20% 10V	
161	1605 1137	Capacitor - 470pF \pm 10% 50V	
162	1605 1148	Capacitor - 0.1 μ F+80-20% 50V	
163	1605 1201	Capacitor - 12pF \pm 5% 50V	
164	1605 1202	Capacitor - 15pF \pm 5% 50V	
165	1605 1206	Capacitor - 47pF \pm 5% 50V	
166	1605 1208	Capacitor: 100pF: \pm 5%: 50V	
167	1605 1212	Capacitor - 470pF \pm 10% 50V	
168	1605 1221	Capacitor - 0.1 UF+80-20%16V	
169	1605 1224	Capacitor 4.7 μ F \pm 10% 6.3V	
170	1605 1234	Capacitor: 4700pF: \pm 10%: 50V	
171	1605 1240	Capacitor - 0.01 μ F \pm 10% 25V	

Index No.	Part No.	Description	Q'ty Per Assembly
172	1605 1282	Capacitor: 22uf: +80-20%: 10V	
173	1605 1295	Capacitor: 10uf: +80-20%: 10V	
174	1605 1355	Ceramic Capacitor: 680pF: \pm 10%: 50V	
175	1605 1430	Capacitor - 1 μ F+80-20% 50V	
176	1605 1447	Capacitor - 470pF \pm 5% 50V	
177	1605 1465	Capacitor - 1 μ F \pm 10% 25V	
178	1607 1196	Inductor -220uh \pm 20% 0.33A	
179	1607 1223	Inductor - 47uh \pm 20% 2.7A	
180	1607 1546	Inductor - SLF6028-220MR77-pF	
181	1609 0005	Resistor: 33 Ω : \pm 5%: 1/16W	
182	1609 0006	Resistor: 10k Ω : \pm 5%: 1/16W	
183	1609 0007	Resistor - 68 Ω \pm 5% 1/16W	
184	1609 0011	Resistor: 22 Ω : \pm 5%: 1/16W	
185	1609 0016	Resistor: 56 Ω : \pm 5%: 1/16W	
186	1609 0076	Resistor - 150K Ω \pm 5% 1/16W	
187	1610 1821	Resistor - 2.7 Ω \pm 1% 1/10W	
188	1610 1834	Resistor - 150 Ω \pm 0.5% 1/16W	
189	1634 0000	Resistor - 0 Ω 1/16W	
190	1650 4100	Resistor - 10 Ω \pm 5% 1/10W	
191	1650 4101	Resistor - 100 Ω \pm 5%1/10W	
192	1650 4102	Resistor - 1K Ω \pm 5% 1/10W	
193	1650 4103	Resistor - 10K Ω \pm 5% 1/10W	
194	1650 4104	Resistor - 100K Ω \pm 5%1/10W	
195	1650 4122	Resistor - 1.2K Ω \pm 5% 1/10W	
196	1650 4222	Resistor - 2.2K Ω \pm 5%1/10W	
197	1650 4223	Resistor - 22K Ω \pm 5%1/10W	
198	1650 4301	Chip Resistor: 300k Ω : \pm 5%: 1/10W	
199	1650 4330	Chip Resistor - 33 Ω \pm 5% 1/10W	
200	1650 4332	Resistor - 3.3K Ω \pm 5%1/10W	
201	1650 4479	Resistor - 4.7 Ω \pm 5% 1/10W	
202	1650 4511	Resistor - 510 Ω \pm 5%1/10W	
203	1650 4560	Chip Resistor - 56 Ω \pm 5% 1/10W	
204	1650 4561	Resistor - 560 Ω \pm 5% 1/10W	
205	1650 4680	Resistor - 68 Ω \pm 5%1/10W	
206	1650 5101	Chip Resistor - 100 Ω \pm 5%1/16W	

37.CONTROLLER BOARD (B291/B295/B296/B297)

BAT

SYMBOL NO.	INDEX NO.
BAT1	114

CAPACITOR

SYMBOL NO.	INDEX NO.
C1	169
C2	188
C3	190
C4	188
C5	188
C6	190
C7	188
C8	205
---	---
C10	198

SYMBOL NO.	INDEX NO.
C11	198
C12	198
C13	198
C14	198
C15	190
C16	190
C17	198
C18	198
---	---
C20	198

SYMBOL NO.	INDEX NO.
C21	198
C22	198
C23	209
C24	198
C25	198
C26	198
C27	198
C28	198
C29	198
C30	198

SYMBOL NO.	INDEX NO.
C31	198
C32	198
C33	198
C34	198
C35	198
C36	198
C37	198
C38	198
C39	198
C40	198

SYMBOL NO.	INDEX NO.
C41	170
C42	198
C43	198
C44	198
C45	198
C46	198
C47	198
C48	198
C49	198
C50	198

SYMBOL NO.	INDEX NO.
C51	198
C52	198
C53	198
C54	198
C55	198
C56	198
C57	198
C58	198
C59	190
C60	168

CAPACITOR

SYMBOL NO.	INDEX NO.
C61	188
---	---
C63	168
C64	168
C65	188
C66	190
---	---
C68	204
C69	204
C70	204

SYMBOL NO.	INDEX NO.
C71	204
C72	204
C73	190
C74	190
C75	187
C76	187
C77	187
C78	187
C79	191
C80	188

SYMBOL NO.	INDEX NO.
---	---
C82	191
C83	191
C84	191
C85	191
C86	187
C87	172
---	---
---	---
C90	188

SYMBOL NO.	INDEX NO.
C91	198
C92	188
C93	190
C94	178
C95	179
C96	209
C97	190
C98	188
C99	179
C100	209

SYMBOL NO.	INDEX NO.
C101	190
C102	205
C103	188
C104	194
C105	209
C106	183
C107	190
C108	193
C109	188
C110	187

SYMBOL NO.	INDEX NO.
C111	191
C112	191
C113	191
C114	191
C115	187
C116	187
C117	187
C118	191
C119	187
C120	187

SYMBOL NO.	INDEX NO.
C121	187
C122	191
C123	191
C124	191
C125	187
C126	191
C127	204
C128	204
C129	204
C130	204

37.CONTROLLER BOARD (B291/B295/B296/B297)

CAPACITOR

SYMBOL NO.	INDEX NO.	SYMBOL NO.	INDEX NO.	SYMBOL NO.	INDEX NO.	SYMBOL NO.	INDEX NO.	SYMBOL NO.	INDEX NO.	SYMBOL NO.	INDEX NO.	SYMBOL NO.	INDEX NO.
C131	204	C141	191	C151	195	C161	201	C171	209	C181	178	C191	209
C132	187	C142	187	---	---	C162	199	C172	190	C182	178	C192	188
C133	191	C143	191	C153	191	C163	209	C173	188	C183	198	C193	182
C134	171	C144	199	C154	193	C164	202	C174	209	C184	177	C194	211
C135	191	C145	199	C155	198	C165	199	C175	209	C185	192	C195	189
C136	187	C146	186	C156	184	C166	199	C176	208	C186	208	C196	190
C137	170	---	---	C157	190	C167	209	C177	209	C187	198	C197	190
C138	170	C148	199	---	---	C168	200	C178	210	C188	188	C198	188
C139	187	C149	180	---	---	C169	190	C179	175	C189	209	C199	203
C140	191	C150	180	C160	198	C170	209	C180	188	C190	209	C200	189

CAPACITOR

SYMBOL NO.	INDEX NO.	SYMBOL NO.	INDEX NO.	SYMBOL NO.	INDEX NO.	SYMBOL NO.	INDEX NO.	SYMBOL NO.	INDEX NO.	SYMBOL NO.	INDEX NO.	SYMBOL NO.	INDEX NO.
C201	183	C211	209	C221	198	C231	198	C241	198	C251	190	C261	198
C202	201	C212	209	---	---	C232	188	C242	190	C252	188	C262	213
C203	193	C213	170	---	---	C233	188	---	---	C253	190	C263	188
C204	190	C214	209	C224	198	C234	190	C244	188	C254	205	C264	197
C205	180	C215	181	C225	198	C235	188	C245	198	C255	190	C265	198
C206	209	C216	186	C226	174	C236	188	C246	188	C256	190	C266	198
C207	205	C217	178	C227	206	C237	198	C247	198	C257	188	C267	191
C208	201	C218	178	C228	198	C238	190	C248	188	C258	188	C268	205
C209	203	C219	178	C229	198	C239	200	C249	198	C259	190	C269	190
C210	190	C220	198	C230	198	C240	188	---	---	C260	205	C270	190

37.CONTROLLER BOARD (B291/B295/B296/B297)

CAPACITOR

SYMBOL NO.	INDEX NO.	SYMBOL NO.	INDEX NO.	SYMBOL NO.	INDEX NO.	SYMBOL NO.	INDEX NO.	SYMBOL NO.	INDEX NO.	SYMBOL NO.	INDEX NO.	SYMBOL NO.	INDEX NO.
C271	203	C281	200	---	---	C301	198	C311	188	C321	200	C331	198
C272	188	C282	198	C292	188	C302	188	C312	178	C322	198	C332	188
C273	201	C283	209	---	---	C303	198	C313	213	C323	188	C333	190
C274	190	C284	188	---	---	C304	198	C314	213	C324	198	C334	197
C275	188	C285	198	C295	198	C305	198	C315	213	C325	188	C335	197
C276	198	C286	198	C296	213	C306	212	C316	200	C326	188	C336	197
C277	190	---	---	C297	197	C307	200	C317	198	C327	188	C337	188
C278	190	C288	191	C298	188	C308	176	C318	191	C328	188	C338	191
C279	176	C289	197	C299	191	C309	200	C319	191	C329	213	C339	197
C280	212	C290	200	C300	213	C310	198	C320	191	C330	198	C340	198

CAPACITOR

SYMBOL NO.	INDEX NO.	SYMBOL NO.	INDEX NO.	SYMBOL NO.	INDEX NO.	SYMBOL NO.	INDEX NO.	SYMBOL NO.	INDEX NO.	SYMBOL NO.	INDEX NO.	SYMBOL NO.	INDEX NO.
C341	188	C351	188	C361	198	C371	213	C381	197	C391	188	C401	198
C342	198	C352	205	C362	198	C372	191	C382	178	C392	198	C402	190
C343	198	C353	197	C363	198	C373	188	C383	178	C393	198	C403	190
C344	188	C354	188	C364	188	C374	198	C384	188	C394	198	C404	188
C345	198	C355	191	C365	198	C375	198	C385	178	C395	308	C405	190
C346	188	C356	213	C366	198	C376	188	C386	178	C396	188	C406	188
C347	198	C357	190	C367	198	C377	188	C387	198	C397	198	C407	190
C348	198	C358	184	C368	198	C378	191	C388	188	C398	178	C408	190
C349	188	C359	198	C369	200	C379	197	C389	198	C399	178	C409	188
C350	198	C360	198	C370	213	C380	190	C390	188	C400	191	C410	198

37.CONTROLLER BOARD (B291/B295/B296/B297)

CAPACITOR

SYMBOL NO.	INDEX NO.	SYMBOL NO.	INDEX NO.	SYMBOL NO.	INDEX NO.	SYMBOL NO.	INDEX NO.	SYMBOL NO.	INDEX NO.	SYMBOL NO.	INDEX NO.	SYMBOL NO.	INDEX NO.
C411	198	C421	190	C431	188	C441	191	C451	180	C461	188	---	---
C412	188	C422	190	C432	213	---	---	C452	209	C462	180	C472	190
---	---	C423	185	C433	188	C443	188	C453	197	---	---	C473	188
C414	213	C424	195	C434	178	C444	190	C454	188	C464	190	C474	191
C415	209	C425	190	C435	178	C445	188	C455	209	C465	197	C475	188
C416	203	C426	191	C436	178	C446	188	C456	178	C466	197	C476	191
C417	308	C427	188	C437	178	C447	188	C457	191	C467	213	---	---
C418	198	C428	197	C438	190	C448	180	---	---	C468	180	C478	198
C419	201	C429	197	C439	190	C449	188	---	---	C469	188	C479	209
C420	188	C430	188	C440	190	C450	190	C460	190	C470	197	---	---

CAPACITOR

SYMBOL NO.	INDEX NO.	SYMBOL NO.	INDEX NO.	SYMBOL NO.	INDEX NO.	SYMBOL NO.	INDEX NO.	SYMBOL NO.	INDEX NO.	SYMBOL NO.	INDEX NO.	SYMBOL NO.	INDEX NO.
C481	213	C490	178	C501	188	C511	203	C521	188	C531	190	C541	198
C482	191	---	---	---	---	C512	209	C522	190	C532	188	C542	201
C483	188	---	---	C503	190	---	---	C523	196	C533	190	C543	190
C484	190	---	---	C504	201	C514	198	C524	203	C534	203	C544	188
C485	213	---	---	C505	188	C515	188	C525	190	C535	190	C545	201
C486	213	C496	188	---	---	C516	190	C526	188	C536	190	C546	190
---	---	C497	188	C507	190	C517	188	C527	201	C537	188	C547	190
C488	190	C498	188	C508	205	C518	201	C528	188	C538	188	C548	307
C489	190	C499	198	C509	176	C519	188	C529	201	C539	190	C549	207
C490	188	---	---	C510	190	C520	201	C530	201	C540	309	C550	183

37.CONTROLLER BOARD (B291/B295/B296/B297)

CAPACITOR

SYMBOL NO.	INDEX NO.	SYMBOL NO.	INDEX NO.	SYMBOL NO.	INDEX NO.	SYMBOL NO.	INDEX NO.	SYMBOL NO.	INDEX NO.	SYMBOL NO.	INDEX NO.	SYMBOL NO.	INDEX NO.
C551	190	C561	198	C571	198	C581	205	C591	198	---	---	---	---
C552	190	C562	198	C572	190	C582	198	C592	191	---	---	C613	198
C553	192	C563	309	C573	200	C583	178	C593	184	---	---	C614	198
C554	190	C564	198	C574	198	C584	198	C594	198	---	---	C615	198
C555	188	C565	198	C575	200	C585	176	C595	188	C605	198	C616	198
C556	188	C566	198	C576	190	C586	176	C596	188	C606	169	C617	198
C557	203	C567	198	C577	203	C587	176	C597	188	---	---	C618	198
C558	188	C568	198	C578	201	C588	198	C598	198	---	---	C619	198
C559	188	C569	188	C579	198	C589	191	C599	198	---	---	C620	188
C560	190	C570	198	C580	178	C590	191	C600	203	---	---	C621	188

CAPACITOR

SYMBOL NO.	INDEX NO.	SYMBOL NO.	INDEX NO.
C622	188	C632	190
---	---	C633	183
C624	190	C634	173
---	---	C635	190
---	---	---	---
C627	190	C637	173
C628	190	C638	183
C629	173	C639	190
---	---	C640	173
C631	173	C641	183

CONNECTOR

SYMBOL NO.	INDEX NO.
---	---
C4123	188

SYMBOL NO.	INDEX NO.
CN100	105
CN101	110
CN102	110
CN103	109
---	---
CN105	103
CN106	104
CN107	104
CN108	104
CN109	106
CN110	106

SYMBOL NO.	INDEX NO.
---	---
CN112	101
CN113	107
---	---
CN115	102
---	---
CN117	108

DIODE

SYMBOL NO.	INDEX NO.
D1	120
D2	120
D3	120
D4	123
D5	122
D6	120
D7	121
D8	122
---	---
D10	123

SYMBOL NO.	INDEX NO.
D11	120
---	---
D13	120

37.CONTROLLER BOARD (B291/B295/B296/B297)

FILTER

SYMBOL NO.	INDEX NO.
FIL1	222
FIL2	222
FIL3	215
FIL4	215
FIL5	218
FIL6	218
FIL7	224
FIL8	214
FIL9	214
FIL10	216

SYMBOL NO.	INDEX NO.
FIL11	216
FIL12	214
FIL13	224

FU

SYMBOL NO.	INDEX NO.
FU1	112
FU2	112

IC

SYMBOL NO.	INDEX NO.
IC1	131
IC2	111
IC3	152
IC4	134
IC5	151
IC6	111
IC7	127
IC8	2
IC9	126
IC10	128

SYMBOL NO.	INDEX NO.
---	---
IC12	149
IC13	137
IC14	134
IC15	152
IC16	144
---	---
---	---
IC19	131
---	---

SYMBOL NO.	INDEX NO.
---	---
IC22	140
IC23	137
---	---
IC25	1
IC26	138
---	---
IC28	153
IC29	148
IC30	153

SYMBOL NO.	INDEX NO.
IC31	310
IC32	142
IC33	133
---	---
IC35	150
IC36	136
IC37	135
---	---
IC39	129
---	---

SYMBOL NO.	INDEX NO.
---	---
---	---
IC43	125
---	---
---	---
IC46	128
IC47	146
IC48	145
IC49	139
IC50	143

IC

SYMBOL NO.	INDEX NO.
---	---
IC52	137
IC53	132
IC54	137
IC55	147
---	---
---	---
IC58	137
---	---
---	---

SYMBOL NO.	INDEX NO.
IC61	130
IC62	143
IC63	141
IC64	143
---	---
---	---
IC67	141
IC68	141

L

SYMBOL NO.	INDEX NO.
L1	217
L2	225
L3	221
L4	221
L5	223
L6	217
L7	219
L8	220
L9	220
L10	220

SYMBOL NO.	INDEX NO.
L11	220
L12	220

OSC

SYMBOL NO.	INDEX NO.
OSC1	154
OSC2	155
OSC3	157
OSC4	156

LED

SYMBOL NO.	INDEX NO.
LED1	124
---	---
---	---
---	---
---	---
---	---
---	---
---	---
---	---
LED11	124

Q

SYMBOL NO.	INDEX NO.
Q1	115
Q2	118
Q3	116
Q4	116
Q5	117
Q6	117
Q7	115
Q8	118
Q9	115
Q10	119

SYMBOL NO.	INDEX NO.
Q11	115
Q12	115

37.CONTROLLER BOARD (B291/B295/B296/B297)

RESISTOR

SYMBOL NO.	INDEX NO.	SYMBOL NO.	INDEX NO.	SYMBOL NO.	INDEX NO.	SYMBOL NO.	INDEX NO.	SYMBOL NO.	INDEX NO.	SYMBOL NO.	INDEX NO.	SYMBOL NO.	INDEX NO.
R1	248	R11	285	---	---	R31	273	R41	278	R51	278	R61	265
R2	248	R12	271	R22	265	R32	285	R42	265	---	---	R62	287
R3	248	R13	249	R23	265	R33	278	---	---	R53	278	R63	248
---	---	---	---	R24	259	---	---	R44	247	---	---	R64	278
---	---	---	---	R25	278	---	---	R45	290	R55	265	---	---
R6	248	---	---	R26	265	R36	278	R46	294	R56	273	R66	247
R7	268	R17	248	R27	265	---	---	R47	245	R57	265	R67	278
R8	285	R18	281	R28	264	---	---	R48	248	R58	268	R68	273
R9	279	---	---	R29	278	---	---	R49	273	R59	247	R69	273
R10	285	R20	279	R30	265	R40	279	R50	248	R60	278	R70	257

RESISTOR

SYMBOL NO.	INDEX NO.	SYMBOL NO.	INDEX NO.	SYMBOL NO.	INDEX NO.	SYMBOL NO.	INDEX NO.	SYMBOL NO.	INDEX NO.	SYMBOL NO.	INDEX NO.	SYMBOL NO.	INDEX NO.
R71	278	R81	268	---	---	R101	273	R111	285	R121	248	---	---
---	---	R82	278	---	---	R102	247	R112	273	R122	273	---	---
R73	248	R83	248	R93	273	R103	247	R113	285	R123	273	R133	278
R74	268	R84	268	R94	257	R104	273	R114	273	R124	280	R134	249
R75	278	R85	268	R95	278	R105	248	R115	248	R125	263	R135	278
---	---	R86	268	R96	265	R106	248	---	---	R126	280	R136	249
R77	248	R87	273	R97	248	R107	248	R117	265	R127	273	---	---
---	---	R88	274	R98	273	R108	248	R118	257	R128	273	R138	265
---	---	R89	278	R99	265	---	---	R119	273	R129	285	R139	273
---	---	R90	265	R100	248	R110	273	R120	273	R130	265	---	---

37.CONTROLLER BOARD (B291/B295/B296/B297)

RESISTOR

SYMBOL NO.	INDEX NO.	SYMBOL NO.	INDEX NO.	SYMBOL NO.	INDEX NO.	SYMBOL NO.	INDEX NO.	SYMBOL NO.	INDEX NO.	SYMBOL NO.	INDEX NO.	SYMBOL NO.	INDEX NO.
R141	278	R151	265	R161	265	R171	268	R181	239	R191	276	R201	265
R142	285	R152	257	R162	278	R172	268	R182	245	R192	276	R202	265
R143	278	R153	278	R163	278	R173	247	R183	239	R193	265	R203	267
R144	278	R154	265	R164	276	---	---	R184	239	R194	267	R204	249
R145	278	R155	278	R165	273	---	---	R185	239	---	---	R205	245
R146	265	R156	273	R166	278	R176	239	R186	239	R196	245	R206	245
R147	273	R157	265	R167	273	R177	239	R187	239	R197	245	R207	239
R148	278	R158	265	R168	278	R178	239	R188	248	---	---	R208	236
R149	278	R159	257	R169	278	R179	239	R189	268	R199	276	R209	248
---	---	R160	278	---	---	R180	239	R190	265	R200	265	R210	247

RESISTOR

SYMBOL NO.	INDEX NO.	SYMBOL NO.	INDEX NO.	SYMBOL NO.	INDEX NO.	SYMBOL NO.	INDEX NO.	SYMBOL NO.	INDEX NO.	SYMBOL NO.	INDEX NO.	SYMBOL NO.	INDEX NO.
R211	243	---	---	---	---	R241	248	R251	285	R261	277	---	---
R212	299	R222	245	R232	240	---	---	R252	286	R262	285	R272	248
R213	248	R223	245	---	---	R243	248	R253	288	R263	248	R273	302
R214	265	R224	268	R234	298	R244	288	---	---	---	---	R274	304
R215	265	---	---	R235	248	R245	248	R255	250	R265	254	R275	283
R216	265	R226	239	R236	248	R246	246	R256	246	R266	247	R276	249
R217	247	R227	239	R237	248	R247	245	R257	266	R267	276	R277	247
R218	241	R228	239	R238	285	---	---	R258	266	R268	296	R278	247
R219	242	R229	239	---	---	R249	260	R259	306	R269	288	R279	247
---	---	R230	239	R240	245	---	---	R260	288	R270	283	R280	237

37.CONTROLLER BOARD (B291/B295/B296/B297)

RESISTOR

SYMBOL NO.	INDEX NO.	SYMBOL NO.	INDEX NO.	SYMBOL NO.	INDEX NO.	SYMBOL NO.	INDEX NO.	SYMBOL NO.	INDEX NO.	SYMBOL NO.	INDEX NO.	SYMBOL NO.	INDEX NO.
R281	275	R291	248	R301	265	R311	247	R321	265	R331	249	R341	268
R282	275	R292	248	R302	285	R312	248	R322	285	R332	249	R342	268
R283	282	R293	248	R303	285	R313	265	R323	268	R333	249	R343	268
R284	282	R294	238	---	---	R314	287	R324	280	R334	249	R344	268
R285	238	R295	238	---	---	R315	248	R325	247	R335	249	R345	268
R286	238	R296	238	---	---	R316	265	R326	265	R336	249	R346	268
R287	238	---	---	R307	247	---	---	R327	252	R337	280	R347	278
R288	238	R298	285	R308	248	R318	280	R328	248	R338	280	R348	278
R289	248	R299	265	R309	265	R319	265	R329	252	R339	268	R349	247
R290	248	R300	265	R310	247	R320	248	R330	249	R340	268	R350	263

RESISTOR

SYMBOL NO.	INDEX NO.	SYMBOL NO.	INDEX NO.	SYMBOL NO.	INDEX NO.	SYMBOL NO.	INDEX NO.	SYMBOL NO.	INDEX NO.	SYMBOL NO.	INDEX NO.	SYMBOL NO.	INDEX NO.
R351	278	R361	278	R371	248	R381	273	R391	278	R401	271	R411	279
R352	248	R362	269	R372	271	R382	257	---	---	R402	278	R412	278
R353	247	R363	271	R373	278	R383	278	R393	248	---	---	---	---
R354	247	R364	278	R374	248	R384	248	R394	248	R404	248	R414	285
---	---	R365	248	---	---	R385	268	R395	281	R405	248	R415	273
---	---	R366	248	R376	281	R386	278	R396	248	R406	278	R416	278
---	---	R367	274	R375	248	R387	285	R397	269	R407	248	R417	273
---	---	R368	281	R378	278	R388	285	R398	268	---	---	R418	268
R359	269	R369	278	R379	285	R389	268	R399	248	R409	269	---	---
R360	278	R370	245	R380	248	R390	285	R400	248	R410	278	R420	279

37.CONTROLLER BOARD (B291/B295/B296/B297)

RESISTOR

SYMBOL NO.	INDEX NO.	SYMBOL NO.	INDEX NO.	SYMBOL NO.	INDEX NO.	SYMBOL NO.	INDEX NO.	SYMBOL NO.	INDEX NO.	SYMBOL NO.	INDEX NO.	SYMBOL NO.	INDEX NO.
R421	257	R431	268	---	---	---	---	---	---	R471	273	R481	269
R422	273	R432	273	---	---	R452	248	R462	265	R472	285	R482	273
R423	279	---	---	---	---	R453	273	R463	273	R473	278	R483	278
R424	268	R434	273	---	---	R454	273	R464	249	R474	257	R484	257
R425	273	---	---	R445	273	R455	265	R465	259	R475	278	R485	278
R426	245	R436	251	R446	248	R456	273	---	---	R476	269	R486	271
R427	248	R437	273	R447	248	R457	251	R467	273	R477	278	---	---
R428	265	---	---	R448	248	R458	273	R468	249	R478	278	R488	278
R429	247	R439	248	R449	248	R459	242	R469	257	R479	278	R489	281
R430	268	R440	268	R450	273	R460	265	R470	273	R480	278	---	---

RESISTOR

SYMBOL NO.	INDEX NO.	SYMBOL NO.	INDEX NO.	SYMBOL NO.	INDEX NO.	SYMBOL NO.	INDEX NO.	SYMBOL NO.	INDEX NO.	SYMBOL NO.	INDEX NO.	SYMBOL NO.	INDEX NO.
---	---	R501	269	R511	269	R521	268	R531	265	R541	240	---	---
R492	278	R502	265	R512	265	R522	267	R532	240	R542	285	---	---
R493	248	R503	278	R513	278	R523	267	R533	240	R543	248	---	---
R494	265	R504	278	R514	265	R524	268	R534	240	R544	285	R554	238
R495	265	R505	278	R515	278	R525	248	R535	240	R545	239	R555	247
R496	265	R506	268	---	---	R526	248	R536	265	R546	239	---	---
R497	268	R507	268	R517	265	R527	265	---	---	R547	239	R557	238
R498	265	R508	246	R518	251	R528	245	R538	247	R548	239	R558	248
R499	265	R509	246	R519	251	---	---	R539	248	R549	248	R559	265
R500	268	R510	278	R520	258	R530	259	R540	240	R550	263	R560	248

37.CONTROLLER BOARD (B291/B295/B296/B297)

RESISTOR

SYMBOL NO.	INDEX NO.	SYMBOL NO.	INDEX NO.	SYMBOL NO.	INDEX NO.	SYMBOL NO.	INDEX NO.	SYMBOL NO.	INDEX NO.	SYMBOL NO.	INDEX NO.	SYMBOL NO.	INDEX NO.
R561	293	---	---	R581	242	R591	245	R601	248	R611	239	R621	268
R562	242	R572	245	R582	285	R592	252	R602	252	R612	248	R622	239
R563	242	R573	248	R583	253	R593	246	R603	278	---	---	R623	242
R564	240	---	---	R584	248	R594	239	R604	239	R614	265	R624	247
R565	240	R575	239	R585	247	R595	248	R605	242	R615	247	---	---
R566	265	R576	245	R586	239	R596	247	---	---	R616	268	---	---
---	---	---	---	R587	242	R597	285	R607	256	R617	248	---	---
R568	268	R578	248	R588	245	R598	265	R608	278	R618	247	R628	268
R569	248	R579	239	R589	245	R599	265	---	---	R619	243	R629	247
R570	265	R580	242	R590	247	R600	265	R610	242	R620	248	R630	247

RESISTOR

SYMBOL NO.	INDEX NO.	SYMBOL NO.	INDEX NO.	SYMBOL NO.	INDEX NO.	SYMBOL NO.	INDEX NO.	SYMBOL NO.	INDEX NO.	SYMBOL NO.	INDEX NO.	SYMBOL NO.	INDEX NO.
R631	248	R641	242	R651	239	R661	239	R671	248	R681	248	---	---
---	---	R642	244	R652	245	R662	301	R672	265	R682	297	R692	261
---	---	R643	247	---	---	---	---	R673	248	---	---	R693	303
R634	248	R644	247	---	---	R664	250	---	---	R684	248	R694	245
R635	247	R645	243	R655	265	R665	248	R675	248	R685	248	R695	256
R636	239	R646	248	R656	291	R666	248	---	---	---	---	R696	245
R637	239	---	---	R657	245	R667	289	---	---	R687	285	R697	245
---	---	R648	257	---	---	R668	272	R679	300	R688	295	R698	265
R639	248	---	---	---	---	R669	272	R680	292	---	---	---	---
R640	248	R650	245	R660	265	R670	265	R680	265	R690	248	R700	265

37.CONTROLLER BOARD (B291/B295/B296/B297)

RESISTOR

SYMBOL NO.	INDEX NO.	SYMBOL NO.	INDEX NO.	SYMBOL NO.	INDEX NO.	SYMBOL NO.	INDEX NO.	SYMBOL NO.	INDEX NO.	SYMBOL NO.	INDEX NO.	SYMBOL NO.	INDEX NO.
R701	247	R712	238	R722	255	R732	246	---	---	R752	265	R762	285
R702	268	R713	238	R723	280	R733	270	R743	262	R753	265	---	---
R703	248	R714	265	R724	284	R734	265	R744	238	R754	265	---	---
---	---	---	---	R725	262	R735	270	R745	238	R755	265	---	---
R705	305	---	---	---	---	---	---	R746	238	R756	265	---	---
R706	265	---	---	R727	248	R737	238	---	---	R757	265	---	---
R707	248	---	---	R728	238	R738	238	R748	265	R758	265	---	---
R708	246	R718	265	R729	270	R739	270	R749	265	R759	265	---	---
R709	246	---	---	R730	246	R740	270	R750	265	R760	265	---	---
R710	238	R720	238	R731	246	---	---	R751	265	R761	265	---	---
R711	238	R721	248										

RESISTOR

SYMBOL NO.	INDEX NO.	SYMBOL NO.	INDEX NO.	SYMBOL NO.	INDEX NO.	SYMBOL NO.	INDEX NO.	SYMBOL NO.	INDEX NO.	SYMBOL NO.	INDEX NO.	SYMBOL NO.	INDEX NO.
RN1	161	RN11	226	RN21	226	RN31	160	RN41	232	RN51	233	RN61	162
RN2	161	RN12	161	RN22	163	RN32	234	RN42	232	---	---	RN62	162
RN3	161	RN13	226	RN23	230	RN33	234	RN43	231	RN53	226	RN63	163
RN4	226	RN14	230	RN24	167	RN34	230	RN44	160	RN54	226	RN64	161
RN5	226	RN15	226	RN25	161	RN35	165	RN45	231	RN55	226	RN65	163
RN6	226	RN16	226	RN26	230	RN36	231	RN46	226	RN56	161	RN66	159
RN7	226	RN17	230	RN27	234	RN37	228	RN47	234	RN57	226	---	---
RN8	226	RN18	226	RN28	230	RN38	231	RN48	226	RN58	226	RN68	234
RN9	230	RN19	230	RN29	234	RN39	232	RN49	161	RN59	161	RN69	167
RN10	226	RN20	226	RN30	230	RN40	232	RN50	233	RN60	162	RN70	235

37.CONTROLLER BOARD (B291/B295/B296/B297)

RESISTOR

SYMBOL NO.	INDEX NO.
RN71	227
RN72	235
RN73	166
RN74	226
RN75	235
RN76	227
RN77	229
RN78	235
RN79	163
RN80	161

SYMBOL NO.	INDEX NO.
RN81	230
RN82	161
RN83	158
RN84	164
---	---
RN86	226
RN87	227
RN88	227
---	---
RN90	159

SYMBOL NO.	INDEX NO.
RN91	159
RN92	227
RN93	227
RN94	159
RN95	226
RN96	226

SYMBOL NO.	INDEX NO.
SW1	113

37.CONTROLLER BOARD (B291/B295/B296/B297)

Index No.	Part No.	Description	Q'ty Per Assembly
*	B298 5105	Controller Board - 35	1
*	B298 5106	Controller Board - 45	1
1	B238 5720	ASIC: Shaker5.5	1
2	B180 5891	ASIC: TRUMPET3	1

Index No.	Part No.	Description	Q'ty Per Assembly
101	1102 5303	Connector - 4P	
102	1102 7615	Connector - B8B-XH-A	
103	1102 8329	Connector - USB - UBB-4R-D14C	
104	1102 9336	Connector: FPS009-2300-0	
105	1102 9535	Connector - 200PS-JUK-G-B	
106	1102 9686	Connector - RHM-176P-SDK11-U1L1C	
107	1102 9689	Connector 2-440091-4	
108	1102 9887	Connector: 52588-3090	
109	1102 9890	Connector: 5-1605706-2	
110	1102 9928	Connector: 29 6406 200 000 856	
111	1104 0764	IC Socket - 8 PIN	
112	1107 1099	Fuse Sst 5	
113	1204 2727	Dip Switch: Ndi-08h	
114	1206 0115	Lithium Cell - CR1632/V1A	
115	1400 0730	Transistor - 2SD1782K	
116	1401 1209	IC - HAT2093R	
117	1401 1228	Fet: SI3433DV-E3	
118	1401 1296	Fet: TPC8115	
119	1401 1320	Fet - TPC8107	
120	1402 1336	Diode - 1SS355	
121	1402 1365	Diode-RB751V-40	
122	1402 1698	Diode - RB	
123	1402 1709	Diode: EC21QS06G	
124	1403 1131	LED: SML-311UT	
125	1407 4919	IC - 74VHCT244 TSSOP	
126	1407 5274	CMOS Logic - 74LVCH162244A TSSOP	
127	1407 5300	CMOS Logic - 74LVC16244A TSSOP	
128	1407 5334	IC - CMOS LOGIC 74LVC244A TSSOP	
129	1407 5345	IC-SN74LV04APW	
130	1407 5376	IC - SN74LV32APW	
131	1407 5469	IC - SN74LV07APW	
132	1407 5520	IC - SN74LVC125APW	
133	1407 5523	ROM - I2C SOP 3V	
134	1407 5604	IC - SN74LVC16245ADGG	
135	1407 6585	CMOS Logic: SN74AHCT1G32DCK	

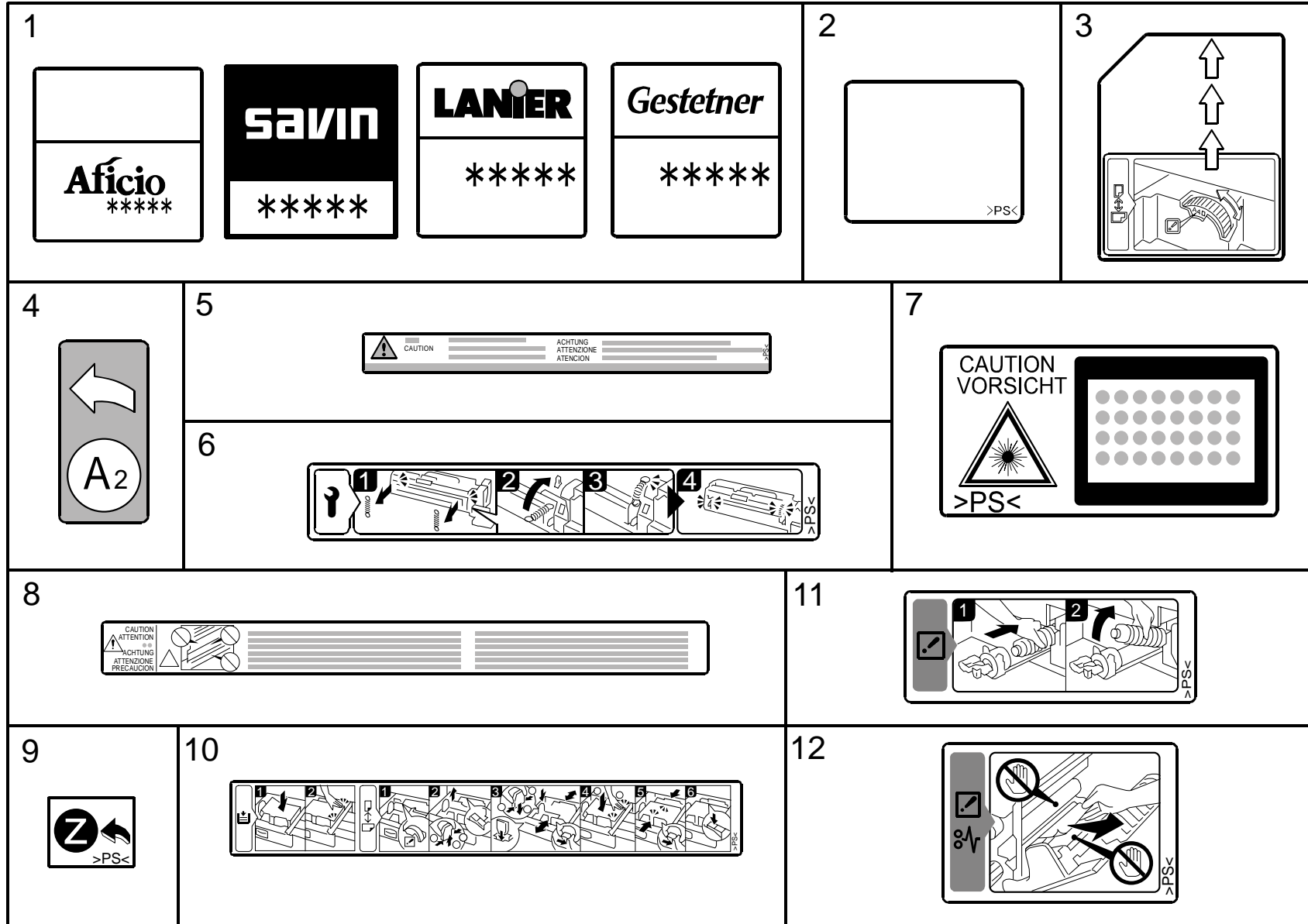
Index No.	Part No.	Description	Q'ty Per Assembly
136	1407 5868	Ethernet Cont LSI - DP83847ALQA56A	
137	1407 6101	IC - SN74LVC2G17DCK	
138	1407 6127	Clock Generator: ICS960008AFLF	
139	1407 6145	IC: SN74IVC373APW	
140	1407 6161	Clock Generator: ICS960009AFLF	
141	1407 6187	CMOS Logic - SN74LVC1G07DCK	
142	1407 6265	Real Time Clock: R2025S	
143	1407 6335	CMOS Logic: SN74LVC1G17DCK	
144	1407 6453	CPU - RM7035C-466L-REV1.1	
145	1408 1778	IC: R3112Q101A	
146	1408 1825	IC - R3112Q121A	
147	1408 1826	IC - R3112Q421A	
148	1408 1956	IC: LTC3728LXCUH#TRPBF	
149	1408 1960	IC: LP2996LQ/NOPB	
150	1408 1975	IC - TPS62040DGQ	
151	1408 2034	IC: TPS62042DGQ	
152	1408 2053	IC: R3112Q291A-FA	
153	1408 2066	IC: TPS54310PWP	
154	1503 0842	Oscillator - 14.31818Mhz	
155	1503 1007	Crystal Oscillator - 25Mhz	
156	1503 1181	Crystal Oscillator: 30mhz	
157	1503 1239	Crystal Oscillator: 25mhz	
158	1601 7877	Resistor Array 4.7k Ω \pm 5% 1/32W	
159	1601 7887	Resistor Array - 10K Ω \pm 5% 1/32W	
160	1601 7896	Resistor Array - 56 Ω \pm 5% 1/32W	
161	1601 7898	Resistor Array	
162	1601 7909	Resistor Array - 10 Ω \pm 5% 1/32W	
163	1601 7913	Resistor 22 Ω \pm 5% 1/32W	
164	1601 7959	Resistor	
165	1601 7960	Resistor Array - 100 Ω \pm 5% 1/16W	
166	1601 7981	Resistor Array - 100K Ω \pm 5% 1/16W	
167	1601 7994	Resistor - 8.2K Ω \pm 5% 1/16W	
168	1604 4630	Capacitor - 100 μ F \pm 20% 6.3V	
169	1604 4728	Capacitor - 100 μ F \pm 20% 16V	
170	1604 4994	Capacitor - 100 μ F \pm 20% 6.3V	

Index No.	Part No.	Description	Q'ty Per Assembly
171	1604 5002	Capacitor - 220 μ F \pm 20% 6.3V	
172	1604 5102	Capacitor: 33uf: \pm 20%: 16V	
173	1605 1034	Ceramic Capacitor: 1000pF: \pm 10%: 50V	
174	1605 1081	Capacitor - 10 μ F+80-20% 25V	
175	1605 1095	Capacitor: 180pF: \pm 5%: 25V	
176	1605 1124	Capacitor - 4.7 μ F+80 -20% 10V	
177	1605 1165	Capacitor: 680pF: \pm 5%: 50V	
178	1605 1200	Capacitor - 10PF \pm 0.5pF 50V	
179	1605 1201	Capacitor - 12pF \pm 5% 50V	
180	1605 1204	Capacitor-pF50V	
181	1605 1205	Capacitor - 33pF \pm 5% 50V	
182	1605 1206	Capacitor - 47pF \pm 5% 50V	
183	1605 1207	Capacitor - 68pF \pm 5% 50V	
184	1605 1208	Capacitor: 100pF: \pm 5%: 50V	
185	1605 1209	Capacitor - 150pF \pm 5% 50V	
186	1605 1210	Capacitor: 180pF: \pm 5%: 50V	
187	1605 1212	Capacitor - 470pF \pm 10% 50V	
188	1605 1214	Capacitor - 1000pF \pm 10% 50V	
189	1605 1216	Capacitor - 2200pF \pm 10%50V	
190	1605 1221	Capacitor - 0.1 UF+80-20%16V	
191	1605 1240	Capacitor - 0.01 μ F \pm 10% 25V	
192	1605 1249	Capacitor: 0.047uf: \pm 10%: 16V	
193	1605 1282	Capacitor: 22uf: +80-20%: 10V	
194	1605 1283	Capacitor - 680pF \pm 10% 50V	
195	1605 1284	Capacitor: 1500pF: \pm 10%: 50V	
196	1605 1285	Capacitor - 3300pF \pm 10% 50V	
197	1605 1288	Capacitor - 220pF \pm 5% 50V	
198	1605 1289	Capacitor - 0.1 μ F \pm 10% 10V	
199	1605 1294	Resistor - 1000pF \pm 5% 50V	
200	1605 1295	Capacitor: 10uf: +80-20%: 10V	
201	1605 1296	Capacitor - 330pF \pm 10% 50V	
202	1605 1299	Capacitor - 56pF \pm 5% 50V	
203	1605 1303	Capacitor - 0.01 μ F+80-20% 50V	
204	1605 1307	Capacitor - 2.2 μ F+80-20% 11V	
205	1605 1347	Capacitor - 1UF: +80-20%: 16V	

Index No.	Part No.	Description	Q'ty Per Assembly
206	1605 1353	Capacitor - 0.1 μ F \pm 10% 25V	
207	1605 1354	Capacitor: 1200pF: \pm 5%: 50V	
208	1605 1359	Capacitor - 10UF: \pm 20%: 16V	
209	1605 1391	Capacitor - 22UF: \pm 20%: 6.3V	
210	1605 1406	Capacitor - 10 μ F \pm 10% 6.3V	
211	1605 1416	Capacitor - 1800pF: \pm 5%: 50V	
212	1605 1417	Capacitor: 47uf: +80-20%: 10V	
213	1605 1466	Capacitor - 4.7 μ F+80-20% 10V	
214	1607 0978	Inductor - BLM21P300SPB	
215	1607 1051	Filter -FBMJ2125HS420	
216	1607 1061	Filter - BLM11P300SPB	
217	1607 1228	Inductor - SLF7045-4R7M2R0	
218	1607 1351	Filter BLM21PG221SN1B	
219	1607 1362	Coil - ACM3225-800-2P	
220	1607 1471	Inductor: LB2518B6R8M	
221	1607 1477	Inductor - RLF7030-4R7M3R4	
222	1607 1489	Filter - MMZ1608B301C	
223	1607 1556	Inductor: RLF7030-1R5N6R1	
224	1607 1567	Filter: MPZ2012S101A	
225	1607 1650	Inductor: RLF7030-6R8M2R8	
226	1609 0005	Resistor: 33 Ω : \pm 5%: 1/16W	
227	1609 0006	Resistor: 10k Ω : \pm 5%: 1/16W	
228	1609 0007	Resistor - 68 Ω \pm 5% 1/16W	
229	1609 0008	Resistor: 4.7k Ω : \pm 5%: 1/16W	
230	1609 0011	Resistor: 22 Ω : \pm 5%: 1/16W	
231	1609 0016	Resistor: 56 Ω : \pm 5%: 1/16W	
232	1609 0019	Resistor: 0 Ω : 1608	
233	1609 0020	Resistor: 10 Ω : \pm 5%: 1/16W	
234	1609 0026	Resistor - 47 Ω \pm 5% 1/16W	
235	1609 0027	Resistor - 100K Ω \pm 5% 1/16W	
236	1610 1775	Resistor - 0.03 Ω \pm 1% 1W	
237	1610 1804	Resistor: 0.006 Ω : \pm 1%: 1W	
238	1632 0000	Resistor - 0 Ω 1/8W	
239	1634 0000	Resistor - 0 Ω 1/16W	
240	1650 4100	Resistor - 10 Ω \pm 5% 1/10W	

Index No.	Part No.	Description	Q'ty Per Assembly
241	1650 4220	Chip Resistor - 22 Ω \pm 5% 1/10W	
242	1650 4330	Chip Resistor - 33 Ω \pm 5% 1/10W	
243	1650 4470	Resistor - 47 Ω \pm 5%1/10W	
244	1650 4560	Chip Resistor - 56 Ω \pm 5% 1/10W	
245	1650 5100	Chip Resistor - 10 Ω \pm 5%1/16W	
246	1650 5101	Chip Resistor - 100 Ω \pm 5%1/16W	
247	1650 5102	Chip Resistor - 1k Ω \pm 5%1/16W	
248	1650 5103	Chip Resistor - 10k Ω \pm 5%1/16W	
249	1650 5104	Chip Resistor - 100k Ω \pm 5%1/16W	
250	1650 5105	Chip Resistor - 1m Ω \pm 5%1/16W	
251	1650 5109	Chip Resistor 1 Ω \pm 5% 1/16W	
252	1650 5122	Chip Resistor - 1.2k Ω \pm 5%1/16W	
253	1650 5150	Resistor - 15 Ω \pm 5% 1/16W	
254	1650 5152	Chip Resistor: 1.5k Ω : \pm 5%: 1/16W	
255	1650 5153	Chip Resistor - 15k Ω \pm 5% 1/16W	
256	1650 5202	Chip Resistor: 2k Ω : \pm 5%: 1/16W	
257	1650 5220	Resistor - 22 Ω \pm 5% 1/16W	
258	1650 5221	Chip Resistor - 220 Ω \pm 5%1/16W	
259	1650 5222	Resistor - 2.2K Ω \pm 5% 1/16W	
260	1650 5229	Resistor: 2.2 Ω : \pm 5%: 1/16W: 1005	
261	1650 5249	Resistor - 2.4 Ω \pm 5% 1/16W	
262	1650 5271	Chip Resistor 270 Ω \pm 5% 1/16W	
263	1650 5272	Chip Resistor: 2.7k Ω : \pm 5%: 1/16W	
264	1650 5273	Resistor: 27k Ω : \pm 5%: 1/16w	
265	1650 5330	Chip Resistor - 33 Ω \pm 5%1/16w	
266	1650 5360	Resistor - 36 Ω \pm 5% 1/16W	
267	1650 5470	Chip Resistor 47 Ω \pm 5% 1/16W	
268	1650 5472	Chip Resistor: 4.7k Ω : \pm 5%: 1/16W	
269	1650 5510	Chip Resistor - 51 Ω \pm 5%1/16W	
270	1650 5512	Chip Resistor 5.1k Ω \pm 5% 1/16W	
271	1650 5513	Chip Resistor: 51k Ω : \pm 5%: 1/16W	
272	1650 5514	Chip Resistor: 510k Ω : \pm 5%: 1/16W	
273	1650 5560	Chip Resistor 56 Ω \pm 5% 1/16W	
274	1650 5562	Chip Resistor: 5.6k Ω : \pm 5%: 1/16W	
275	1650 5621	Chip Resistor 620 Ω \pm 5% 1/16W	

38.DECAL AND DOCUMENT (B291/B295/B296/B297)



38.DECAL AND DOCUMENT (B291/B295/B296/B297)

13

15

17

18

14

16

	A3	A4	11X17	5 1/2 X 8 1/2
1	A3	B4	11X17	8 1/2 X 11
2	A4	B5	11X17	8 1/2 X 11
3	A4	B5	11X17	11X15
4	A4	● ●	11X17	10X14
	A4	● ●	11X17	8X10 1/2
	A4	A5	11X17	8X10
	F	F	*	*

19

English

Deutsch

Francals

Itallano

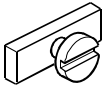
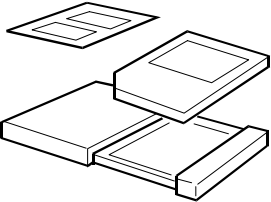
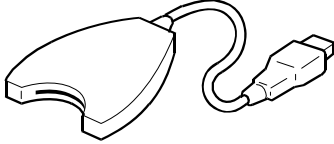
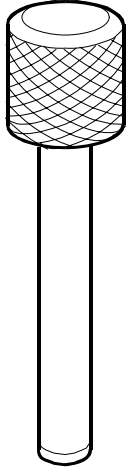
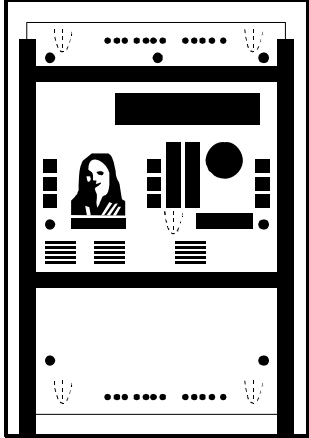
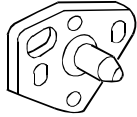
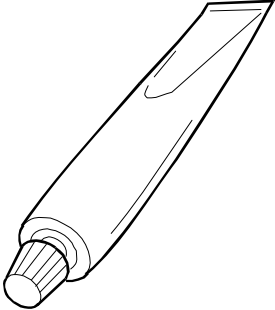
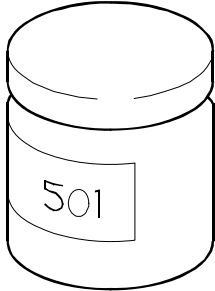
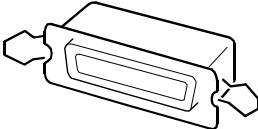
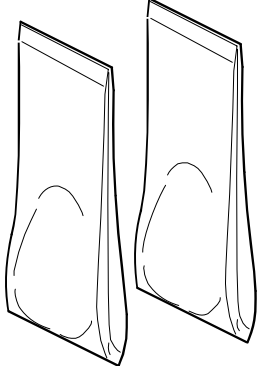
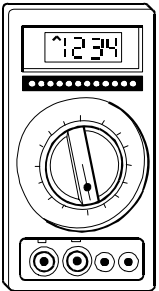
Espanol

38.DECAL AND DOCUMENT (B291/B295/B296/B297)

Index No.	Part No.	Description	Q'ty Per Assembly
1	B291 6431	Emblem Sheet - RIC 35G	1
1	B291 6432	Emblem Sheet - SVN 35G	1
1	B291 6433	Emblem Sheet - GES NA 35G	1
1	B295 6431	Emblem Sheet - RIC 45G	1
1	B295 6432	Emblem Sheet - SVN 45G	1
1	B295 6433	Emblem Sheet - GES NA 45G	1
1	B296 6431	Emblem Sheet - RIC 35	1
1	B296 6432	Emblem Sheet - SVN 35	1
1	B296 6433	Emblem Sheet - GES NA 35	1
1	B296 6434	Emblem Sheet - GES 35	1
1	B296 6435	Emblem Sheet - NSA 35	1
1	B296 6436	Emblem Sheet - LEX 35	1
1	B296 6437	Emblem Sheet - INF 35	1
1	B296 6438	Emblem Sheet - LAN 35	1
1	B296 6439	Emblem Sheet - LAN 35 AA	1
1	B296 6440	Emblem Sheet - GES 35 AA	1
1	B296 6441	Emblem Sheet - RIC 35 AA Printer	1
1	B296 6442	Emblem Sheet - GES 35 AA Printer	1
1	B297 6431	Emblem Sheet - RIC 45	1
1	B297 6432	Emblem Sheet - SVN 45	1
1	B297 6433	Emblem Sheet - GES NA 45	1
1	B297 6434	Emblem Sheet - GES 45	1
1	B297 6435	Emblem Sheet - NSA 45	1
1	B297 6436	Emblem Sheet - REX 45	1
1	B297 6437	Emblem Sheet - INF 45	1
1	B297 6438	Emblem Sheet - LAN 45	1
1	B297 6439	Emblem Sheet - LAN 45 AA	1
1	B297 6440	Emblem Sheet - GES 45	1
1	B297 6441	Emblem Sheet - RIC 45 AA Printer	1
1	B297 6442	Emblem Sheet - GES 45 AA Printer	1
2	A232 1381	Decal - Total Counter	1
3	B213 2967	Decal: Paper Select: Dial: EXP	1
4	AA00 1393	Decal - A2	1
5	AA00 0204	Decal - Right Lower Cover	1
6	AA00 3206	Decal: PCU: Spring: Caution Chart	1

Index No.	Part No.	Description	Q'ty Per Assembly
7	G029 1980	Decal - LD	1
8	B004 7620	Decal - High Temperature: KOR	1
8	B138 6111	Decal - High Temperature: TWN	1
8	B213 4122	Decal: Warning (high Temperature)	1
9	B004 4851	Decal - Jam Removal	1
10	B082 2965	Decal: Paper Set Direction	1
11	B082 3265	Decal: Caution Chart	1
12	B082 3992	Decal: Drum: Belt	1
13	B082 4852	Decal: Duplex	1
14	B082 4853	Decal: Duplex Unit: Upper	1
15	B082 6073	Decal: Manual Feed Direction	1
16	B082 6400	Decal: Size Indication	1
17	B082 6403	Decal: Power Source: Off: EXP	1
18	GA00 3035	Energy Decal	1
19	B138 3266	Decal: Toner Supply Unit	1

39.SPECIAL TOOLS (B291/B295/B296/B297)

1 	3 	4 	5 	6 
2 	8 	9 	10 	11 
7 				

39.SPECIAL TOOLS (B291/B295/B296/B297)

Index No.	Part No.	Description	Q'ty Per Assembly
1	A230 9003	Adjusting Cam - Laser Unit	1
2	A230 9004	Positioning Pin Laser Unit	1
3	B645 5010	SD-Card: Ass'y	1
4	B645 6800	SD-Card: USB: Writer: BN-SDCE2	1
5	A006 9104	Adjusting Scanner Pin (4pcs/set)	1
6	A292 9500	Test Chart - S5s (10 Pcs/set)	1
7	A029 9387	Digital Multimeter - Fluke87	1
8	A257 9300	Grease - Barrierta S552R	1
9	5203 9502	Grease 501	1
10	G021 9350	Loopback Connector - Parallel	1
11	B296 9640	Developer - Black	1

Index No.	Part No.	Description	Q'ty Per Assembly

**B291/B295/B296/B297
PARTS INDEX**

This section instructs you as to the numbers and names of parts on this machine.

PM Parts Index

Section Name	Part No.	Description in Service Manual	Description in Parts Catalog	Q'ty Per Assembly	Page and Index No.
BY-PASS FEED UNIT 2 (B291/B295/B296/B297)	AF03 1046	Paper Feed Roller	Feed Roller - Manual Feed	1	27 - 2
BY-PASS FEED UNIT 2 (B291/B295/B296/B297)	AF03 0049	Pick-up Roller	Pick-up Roller	1	27 - 6
BY-PASS FEED UNIT 2 (B291/B295/B296/B297)	AF03 2046	Separation Roller	Separation Roller - Manual Feed	1	27 - 19
PAPER REGISTRATION (B291/B295/B296/B297)	B082 2603	Registration Roller Cleaner	Cleaner:Registration Roller:Ass'y	1	35 - 28
DEVELOPMENT UNIT (B291/B295/B296/B297)	AA01 2131	Development Filter	Filter:Development	1	39 - 20
OPC UNIT 1 (B291/B295/B296/B297)	B291 2354	Drum Cleaning Blade 1	Cleaning Blade:Ass'y	1	41 - 47
OPC UNIT 2 (B291/B295/B296/B297)	AD02 5021	Pick-off Pawls	Pick-off Pawl	2	43 - 5
OPC UNIT 2 (B291/B295/B296/B297)	A230 9510	OPC Drum	OPC Drum	1	43 - 8
OPC UNIT 2 (B291/B295/B296/B297)	AD04 1105	Drum Cleaning Blade 2	Cleaning Blade:No.2:Ass'y	1	43 - 12
OPC UNIT 2 (B291/B295/B296/B297)	G790 2329	Charge Roller Cleaning Roller	Brush Roller:Cleaner:Charge: Ass'y	1	43 - 13
OPC UNIT 2 (B291/B295/B296/B297)	AD02 7012	Charge Roller	Roller:Charge:Apply	1	43 - 14
TRANSFER UNIT (B291/B295/B296/B297)	B213 3831	Transfer Belt Cleaning Blade	Cleaning Blade:Transfer Belt	1	45 - 6
TRANSFER UNIT (B291/B295/B296/B297)	A232 3880	Transfer Belt	Transfer Belt	1	45 - 38
FUSING UNIT 2 (B291/B295/B296/B297)	AW10 0111	Fusing Thermistor	Thermistor:Fusing:Middle	1	49 - 4
FUSING UNIT 2 (B291/B295/B296/B297)	AW10 0112	Fusing Thermistor	Thermistor:Fusing:Inner Back	1	49 - 5
FUSING UNIT 2 (B291/B295/B296/B297)	AE04 4056	Hot Roller Strippers	Stripper Pawls	7	49 - 10
FUSING UNIT 2 (B291/B295/B296/B297)	AE01 1115	Hot Roller	Hot Roller:T0.4:HB	1	49 - 15
FUSING UNIT 2 (B291/B295/B296/B297)	AE02 0125	Pressure Roller	Pressure Roller MM32 Ass'y	1	49 - 20
SPECIAL TOOLS (B291/B295/B296/B297)	B296 9640	Developer Type 26 Black	Developer Type 26 Black	1	85 - 11

Parts Index

Part No.	Description	Page and Index No.
B291 2354	Cleaning Blade	41 - 47

Part No.	Description	Page and Index No.
A006 9104	Adjusting Scanner Pin (4pcs/set)	85 - 5
A029 9387	Digital Multimeter - Fluke87	85 - 7
A134 2661	Feeler Roller	27 - 11
A134 3180	Bottle Chuck	37 - 13
A230 2525	Heater Stopper	75 - 15
A230 9003	Adjusting Cam - Laser Unit	85 - 1
A230 9004	Positioning Pin Laser Unit	85 - 2
A230 9510	OPC Drum	43 - 8
A232 1074	Guide - Transfer Entrance	35 - 25
A232 1172	Duct - Cooling Fan	67 - 2
A232 1252	Duct - Upper Cover	13 - 31
A232 1257	Cap - Upper Cover	13 - 14
A232 1282	Cap - Switch	11 - 16
A232 1284	Spring Holder	13 - 15
A232 1284	Spring Holder	35 - 34
A232 1284	Spring Holder	41 - 11
A232 1381	Decal - Total Counter	83 - 2
A232 1381	Decal - Total Counter	13 - 29
A232 1707	Second Slide Rail	21 - 7
A232 1713	Lens Block Supporter	21 - 20
A232 1728	Rail Supporter	21 - 5
A232 1731	Scanner Rail	21 - 6
A232 1771	Drive Shaft	21 - 14
A232 1789	1st Mirror Holder	19 - 11
A232 1808	Harness Guide	19 - 2
A232 1920	Seal - Heatsink	23 - 12
A232 1921	Front Holder - F Theta Mirror	23 - 22
A232 1922	Rear Holder - F Theta Mirror	23 - 24
A232 1923	Front Holder - BTL	23 - 19
A232 1924	Rear Holder - BTL	23 - 21
A232 1925	Middle Mirror Holder	23 - 18
A232 1926	Mirror Holder	23 - 16
A232 1927	Cylindrical Lens Holder	23 - 13
A232 1928	Holder - Sync. Detector Mirror	23 - 26
A232 1937	Positioning Pin - Laser Unit Ass'y	73 - 5

Part No.	Description	Page and Index No.
A232 2280	Tape - Entrance Seal	41 - 12
A232 2288	Shaft - Toner Collection Mylar	41 - 21
A232 2289	Front Bushing - Collection Mylar	41 - 20
A232 2290	Bushing - Collection Mylar	41 - 23
A232 2292	Bushing - Toner Collection Coil	41 - 18
A232 2315	Front Bushing - Cleaning Bracket	41 - 39
A232 2318	Collar - Cleaning	41 - 43
A232 2339	Spur	43 - 4
A232 2340	Holder - Pick-off Pawl	43 - 2
A232 2348	Seal - Blade 12x7x3	41 - 50
A232 2350	Seal - Entrance	41 - 49
A232 2366	Holder - ID Sensor	35 - 32
A232 2372	Lock Lever - Transfer Unit	61 - 6
A232 2380	Terminal Plate - Change Roller	61 - 24
A232 2382	Terminal Plate - Development Bias	61 - 27
A232 2399	Seal - Blade 13x9.5x3	41 - 52
A232 2414	Seal - 2x20x45	41 - 51
A232 2421	Bushing - 6x10x3	41 - 37
A232 2578	Stopper - Guide Plate	35 - 7
A232 2692	Cover - Paper Drive	65 - 10
A232 2762	Paper End Feeler	31 - 18
A232 2763	Pick-up Arm	31 - 13
A232 2764	Rear Grounding Plate	31 - 34
A232 2765	Front Grounding Plate	31 - 15
A232 2766	Feed Mylar	31 - 17
A232 2787	Vertical Transport Guide	31 - 2
A232 2860	Entrance Seal	11 - 25
A232 2863	Stopper Band	11 - 9
A232 2987	Roller - Paper Tray	29 - 13
A232 2995	Front Positioning Guide	75 - 12
A232 2996	Rear Positioning Guide	63 - 17
A232 3067	Tape - TD Sensor	39 - 25
A232 3068	Front Bias Terminal - Development	39 - 27
A232 3069	Rear Bias Terminal - Development	39 - 22
A232 3077	Spacer - M5	39 - 12

Part No.	Description	Page and Index No.
A232 3150	Entrance Seal Ass'y	39 - 3
A232 3155	Front Cover - Development Unit	39 - 10
A232 3240	Cover- Toner Bottle Ass'y	37 - 7
A232 3251	Chuck Shaft	37 - 11
A232 3252	Slider Ass'y	37 - 12
A232 3261	Handle - Toner Supply	37 - 5
A232 3263	Spring Plate - Toner Bottle	37 - 6
A232 3264	Stopper - Slide Rail	73 - 8
A232 3266	Seal - Slide Rail	37 - 2
A232 3267	Front Entrance Seal - Toner Supply	41 - 14
A232 3552	Ball Bearing - 8x22x7	65 - 25
A232 3553	Ball Bearing - 8x16x5	43 - 7
A232 3880	Transfer Belt	45 - 38
A232 3883	Spring Plate - Transfer Unit	45 - 25
A232 3885	Driven Roller - Transfer Unit	45 - 26
A232 3887	Rear Terminal - Transfer Belt	45 - 27
A232 3891	Bias Terminal	45 - 34
A232 3893	Arm - Transfer Belt	45 - 35
A232 3905	Seal - Shield Plate	45 - 4
A232 3906	Seal - Rear Transfer Exit	45 - 3
A232 3907	Seal - Transfer Exit	45 - 2
A232 3908	Seal - Rear Case	45 - 9
A232 3909	Seal - Front Case	45 - 8
A232 3916	Pressure Lever - Transfer Belt	45 - 22
A232 3921	Spring Anchor	45 - 18
A232 3924	Rear Bushing - Cleaning Holder	45 - 13
A232 3925	Front Bushing - Cleaning Holder	45 - 20
A232 3926	Transfer Belt Roller	45 - 32
A232 3927	Shield - Transfer Belt - Exit	45 - 5
A232 3935	Shaft - Transfer Unit Stopper	45 - 19
A232 3942	Stopper - Right Cover	33 - 28
A232 3945	Front Hook - Right Cover	33 - 24
A232 3948	Rear Hook - Right Cover	33 - 20
A232 3950	Hook Lever	33 - 5
A232 3962	Spring Plate - Band Stopper	33 - 6

Part No.	Description	Page and Index No.
A232 3963	Band Stopper	33 - 7
A232 3998	Upper Entrance Guide	33 - 17
A232 3999	Lower Entrance Guide	33 - 18
A232 4057	Front Collar - Pressure Lever	49 - 22
A232 4058	Rear Collar - Pressure Lever	49 - 27
A232 4064	C Ring - Hot Roller	49 - 12
A232 4123	Upper Fusing Entrance Guide	47 - 20
A232 4201	Stopper - Fusing Unit	73 - 14
A232 4499	Copy Tray Mylar	13 - 27
A232 4647	Driven Guide Plate	55 - 15
A232 4653	Pressure Plate - Guide Plate	55 - 11
A232 4685	Hook - Unit Release	57 - 1
A232 5838	Spring Plate - BICU	11 - 12
A232 6023	Grounding Plate - Reverse	27 - 14
A232 6035	Shaft - Drive Roller	27 - 27
A232 6043	Arm Paper Pick Up	27 - 8
A232 6046	Grounding Plate - Feed	27 - 4
A232 6055	Paper End Feeler	27 - 10
A232 6082	Front Rack	25 - 24
A232 6083	Rear Rack	25 - 22
A232 6091	Positioning Pin	25 - 12
A232 6092	Roller - Holder	25 - 4
A235 2979	Feeler - Paper Height Sensor	29 - 26
A257 9300	Grease - Barrierta S552R	85 - 8
A284 1376	Inner Cover-left	13 - 26
A284 1674	Exposure Glass Holder	19 - 14
A284 1904	Cover - Optical Housing	23 - 5
A292 9500	Test Chart - S5s (10 Pcs/set)	85 - 6
B002 1898	Heat Sink: Polygon Scanner: M: Ass'y	23 - 11
B004 1167	Flange - 24mm	65 - 9
B004 1177	Spacer - By-pass Feed	65 - 18
B004 1320	Base Cover	65 - 35
B004 1321	Shield Plate - BICU	63 - 20
B004 1322	Shield Plate - DC Motor	63 - 19
B004 1325	Cover - Shield Glass	13 - 25

Part No.	Description	Page and Index No.
B004 1503	Keytop - Clear/Stop	15 - 14
B004 1505	Keytop - Start	15 - 17
B004 1517	Earth Sheet - Touch Panel	15 - 2
B004 1525	Cushion: Touch Panel: Short	15 - 4
B004 1526	Cushion: Touch Panel: Long	15 - 5
B004 1713	Pulley 2 - 22MM	21 - 10
B004 1714	Idler Bracket	21 - 19
B004 1726	Rail - Flexible Board	21 - 9
B004 1809	Carriage Pulley - 22mm	19 - 5
B004 1820	2nd Mirror Ass'y	19 - 4
B004 1936	Plate - Optical Housing Unit	63 - 21
B004 1938	Holder - Optical Housing Unit	65 - 11
B004 1939	Holder - Optical Housing Unit	63 - 24
B004 2215	Entrance Seal - Toner Supply	41 - 16
B004 2310	Spur	35 - 30
B004 2597	Sheet - Separation Plate	75 - 3
B004 2782	Rear Feed Mylar	31 - 24
B004 2783	Torque Limiter	27 - 20
B004 2783	Torque Limiter	31 - 22
B004 2922	Release Lever - Side Fence	29 - 6
B004 2923	Spring Plate - Release Lever	29 - 7
B004 2932	Rear Stopper Lever	29 - 18
B004 2933	Rear Stopper	29 - 17
B004 2934	Spring Plate - Lock Lever	29 - 19
B004 2936	Gear - 16Z	29 - 14
B004 2943	Grounding Plate - Paper Tray	29 - 24
B004 2947	Spring Plate-Paper Size Sensor	29 - 23
B004 2948	Paper Size Sensor	29 - 22
B004 2995	Cap - Positioning	75 - 10
B004 3062	Ground Plate- Doctor Blade	39 - 28
B004 3078	Joint - Paddle	39 - 23
B004 3900	Case - Transfer Unit	45 - 21
B004 3914	Mylar - Belt Drive Roller	45 - 1
B004 4087	Plate- Thermistor	49 - 3
B004 4095	Terminal Plate - Fusing Unit	47 - 15

Part No.	Description	Page and Index No.
B004 4126	Lower Entrance Guide Plate	47 - 21
B004 4133	Cap- Fusing Cover	47 - 2
B004 4135	Guide Plate-fusing Exit	47 - 3
B004 4327	Bushing - 4mm	33 - 35
B004 4329	Grounding Plate - Exit Sensor	33 - 14
B004 4434	Harness Guide	51 - 4
B004 4438	Bushing	53 - 1
B004 4440	Middle Guide - Paper Exit	13 - 13
B004 4453	Lower Guide Plate	51 - 7
B004 4458	Pressure Arm - Exit	51 - 10
B004 4469	Spring Plate - Exit Roller	51 - 20
B004 4477	Upper Guide Plate	53 - 5
B004 4479	Lever - Entrance Junction Gate	53 - 21
B004 4481	Exit Junction Gate	53 - 12
B004 4622	Guide Plate - Right Lower	59 - 9
B004 4645	Guide Plate - Middle	55 - 2
B004 4851	Decal - Jam Removal	83 - 9
B004 4851	Decal - Jam Removal	55 - 10
B004 5842	Gasket - Duplex Unit	55 - 9
B004 6024	Supporting Plate: Contact Point	25 - 7
B004 6062	Pressure Plate - By-pass Feed	27 - 32
B004 7620	Decal - High Temperature	83 - 8
B007 4498	Discharge Brush: Ass'y	53 - 4
B065 1371	Cloth Holder	9 - 15
B065 1374	Cloth - DF Exposure Glass	9 - 16
B077 1021	Grip: Adhesion	75 - 13
B077 1023	Stopper: Grip	75 - 14
B077 1051	Bracket: Shaft: Stopper: Ass'y	73 - 9
B077 1053	Bracket: Stay: Lengthwise: Rear	63 - 18
B077 1054	Bracket: Connector: Fusing	73 - 6
B077 1055	Guide Plate: Arm: Scanner Unit	67 - 11
B077 1066	Stay: Paper Exit Sub-unit: Left	73 - 1
B077 1067	Bracket: Plate: Joint Unit	73 - 2
B077 1071	Supporter: Fusing Unit: Welding	73 - 13
B077 1078	Supporter: Development Unit	73 - 4

Part No.	Description	Page and Index No.
B077 1082	Base: Fix: Development	75 - 16
B077 1126	Bracket: Harness	69 - 1
B077 1140	Supporting Plate: Development: Unit	61 - 32
B077 1172	Guide Plate: Upper	65 - 22
B077 1174	Bracket: Middle	65 - 30
B077 1182	Guide Plate: Lower	65 - 23
B077 1250	Cover: Upper	13 - 35
B077 1251	Cover: Connector: Scanner	13 - 37
B077 1252	Cover: Upper Right: Small	13 - 33
B077 1253	Cap: 34x55	13 - 36
B077 1264	Cover: Front Upper: Paper Feed Sub-unit	11 - 1
B077 1266	Bracket: Hinge: Left	75 - 18
B077 1275	Cover: Arm: Scanner Unit	9 - 10
B077 1276	Cover: Arm: Right	9 - 9
B077 1283	Cover: Left Rear	11 - 19
B077 1285	Cover: Left: Paper Feed Sub-unit	11 - 8
B077 1286	Stopper: Left	11 - 7
B077 1291	Cover: Rear	13 - 10
B077 1297	Cover: Rear: Paper Feed Sub-unit	13 - 16
B077 1305	Inner Cover: Right	33 - 9
B077 1330	Cover: Upper Rear: Scanner	9 - 6
B077 1336	Cover: Right: Scanner	9 - 8
B077 1337	Cover: Left: Scanner	9 - 3
B077 1338	Cover: Lower: Operation Sub-unit	9 - 1
B077 1363	Plate Nut: Spacer: Scanner Unit	13 - 20
B077 1364	Ground Plate: Spacer: Rear	13 - 21
B077 1365	Ground Plate: Spacer: Front	13 - 22
B077 1371	Bracket: Scanner Unit: Front: Peen	13 - 18
B077 1373	Bracket: Scanner Unit: Rear: Peen	13 - 17
B077 1382	Guide Plate: Scanner Unit: Peen	13 - 5
B077 1384	Supporting Plate: Arm: Scanner Unit	13 - 6
B077 1385	Arm: Scanner Unit	13 - 7
B077 1502	Keytop: 10key	15 - 23
B077 1504	Keytop: Sample Copy	15 - 16
B077 1506	Keytop: Power Source	15 - 15

Part No.	Description	Page and Index No.
B077 1508	Keytop: Energy Saver	15 - 21
B077 1509	Keytop: Program	15 - 19
B077 1510	Keytop: Check Modes	15 - 18
B077 1511	Keytop: User Tools	15 - 11
B077 1512	Keytop: Interrupt	15 - 22
B077 1513	Dial: Contrast	15 - 10
B077 1520	Bracket LCDC	15 - 7
B077 1521	Cover: LCDC	15 - 9
B077 1534	Cover: Application	15 - 24
B077 1535	Cover: Basic	15 - 12
B077 1678	Stay: Right	17 - 1
B077 1712	Bracket: Tension: Wire: Front	21 - 23
B077 1722	Bracket: Tension: Wire: Rear	21 - 13
B077 1725C	Base: Scanner	21 - 24
B077 1728	Base: Scanner: Rear	19 - 24
B077 1739	Bracket: Hinge	17 - 11
B077 1742	Bracket: Fan	17 - 3
B077 1781	Carriage: No.1: Ass'y	19 - 10
B077 1791	Clamp: Wire: Front	19 - 9
B077 1792	Clamp: Wire: Rear	19 - 8
B077 1801	Carriage: No.2: Ass'y	19 - 1
B077 1846	Bracket: MDB: Left	17 - 21
B077 1847	Bracket: MDB: Right	17 - 22
B077 1849	Bracket: Connector: ARDF	17 - 13
B077 1904	Cap: Cover: Optical Housing	23 - 3
B077 1907	Supporting Plate: Cover: Imaging Unit	23 - 4
B077 2512	Heat Sink: Heater	75 - 1
B077 2583	Guide Plate: Entrance: Lower: Adhesion	35 - 17
B077 2594	Bracket: Registration Sensor	35 - 18
B077 2596	Link: Guide Plate: Open And Close	35 - 11
B077 2780	Stay: Feed	31 - 37
B077 2781	Bracket: Sensor	31 - 5
B077 2857	Cover: Vertical Transport	11 - 28
B077 2858	Supporting Plate: Upper	11 - 24
B077 2859	Supporting Plate: Lower	11 - 14

Part No.	Description	Page and Index No.
B077 2861	Cover: Vertical Transport: Duplex: EU	11 - 28
B077 2876	Cover: Vertical Transport: Lower	11 - 10
B077 2882	Bracket: Micro Switch	65 - 37
B077 2940	Tray Bottom Plate: Ass'y	29 - 2
B077 2951	Stopper: Right: Paper Tray	29 - 5
B077 2952	Shoe: Left	29 - 12
B077 2975	Lever: Rise	29 - 16
B077 2988	Cover: Grip: C3	29 - 10
B077 3210	Guide: Toner Supply Unit: Ass'y	73 - 7
B077 3262	Slide Rail: Toner Supply Unit	37 - 3
B077 3913	Lever: Rear	45 - 24
B077 3914	Lever: Front	45 - 23
B077 3985	Link: Cover: Ass'y	35 - 9
B077 3999	Lever: Handle: C3	33 - 10
B077 4081	Frame: Fusing: Upper	49 - 8
B077 4092	Bracket: Drawer: Fusing: Welding	47 - 14
B077 4115	Socket: Heater: Rear	49 - 11
B077 4323	Bracket: Paper Feed Sensor	33 - 16
B077 4435	Guide: Copy Tray	13 - 3
B077 4436	Guide: Copy Tray: Auxiliary	13 - 2
B077 4437	Supporting Plate: Frame: Left Lower	51 - 17
B077 4439	Bracket: Protect: Middle	53 - 14
B077 4455	Frame: Left Lower	51 - 18
B077 4463	Arm: Pressure: Entrance	51 - 12
B077 4471	Side Plate: Front	53 - 10
B077 4490	Supporting Plate: Frame: Right	51 - 21
B077 4493	Joint: Machine Or Copier	51 - 5
B077 4494	Bracket: Paper Feed Sensor	51 - 3
B077 4497	End Fence: Copy Tray: C3	13 - 1
B077 4630	Stay: Lower	59 - 21
B077 4634	Guide Plate: Reverse: Peen	57 - 9
B077 4684	Grip: Un Lock	57 - 11
B077 4697	Bracket: Micro Switch: Ass'y	59 - 11
B077 4701	Cover: Duplex Unit	55 - 19
B077 4710	Guide Plate: Open And Close: Right	55 - 21

Part No.	Description	Page and Index No.
B077 4711	Cover: Duplex Unit: Right	55 - 25
B077 4720	Inner Cover: Duplex Unit: Front	55 - 1
B077 4730	Inner Cover: Duplex Unit: Rear	55 - 4
B077 4757	Bracket: Sensor: Paper Feed	59 - 17
B077 4763	Bracket: Entrance Sensor	57 - 5
B077 4795	Bracket: Sensor	59 - 4
B077 4796	Stay: Middle	59 - 7
B077 4800	Bracket: Base	57 - 22
B077 4810	Cover: Harness: Duplex	55 - 6
B077 5811	Bracket: Power Pack: Left	67 - 7
B077 5812	Bracket: Power Pack: Right	67 - 6
B077 5825	Bracket: Connector: Harness	69 - 21
B077 5860	Bracket: Safety Switch	69 - 10
B077 5861	Lever: Safety Switch	69 - 8
B077 5862	Cover: Lever	69 - 9
B077 5865	Lever: Safety Switch: Front	69 - 13
B077 5866	Bracket: Safety Switch	69 - 14
B077 5898	Bracket: Power Supply Cord	67 - 8
B077 6022	Housing: Manual Feed	27 - 16
B077 6044	Guide Plate: Feed	27 - 3
B077 6065	Rail: Holder	27 - 18
B077 6067	Manual Feed Table	25 - 18
B077 6068	Cover: Manual Feed Table	25 - 25
B077 6069	Side Fence: Front	25 - 15
B077 6070	Side Fence: Inner Back	25 - 17
B077 6071	Side Fence: Auxiliary: Front	25 - 14
B077 6072	Side Fence: Auxiliary: Rear	25 - 16
B077 6106	Cover: Holder: Middle	25 - 1
B077 6107	Cover: Contact Point	25 - 8
B077 6108	Cover: Manual Feed: Inner Back	25 - 6
B077 6109	Cover: Manual Feed: Front	25 - 2
B077 6302	Cover: Left Front: NA	11 - 18
B077 6305	Cover: Left Front: EU	11 - 18
B077 6308	Cover: CSS: EXP	13 - 38
B077 6312	Cover: Upper Right: Small: EU	13 - 33

Part No.	Description	Page and Index No.
B077 6314	Cover: Upper: EU	13 - 35
B077 6322	Inner Cover: Right: EU	33 - 9
B077 6324	Cover: Left: EU	11 - 8
B077 6325	Cover: Left Rear: EU	11 - 19
B077 6328	Cover: Rear: EU	13 - 10
B077 6330	Cover: Rear: Paper Feed Sub-unit: EU	13 - 16
B077 6335	Cover: Upper Rear: Scanner: EU	9 - 6
B077 6336	Cover: Right: Scanner: EU	9 - 8
B077 6337	Cover: Left: Scanner: EU	9 - 3
B077 6338	Cover: Lower: Operation Sub-unit: EU	9 - 1
B077 6354	Sheet: Caption: NA	15 - 28
B077 6355	Keytop: 10key: NA	15 - 23
B077 6356	Keytop: Copy: 1: NA	15 - 26
B077 6356	Keytop: Copy: 1: NA	71 - 17
B077 6357	Keytop: Copy: 2: NA	15 - 27
B077 6357	Keytop: Copy: 2: NA	71 - 17
B077 6358	Keytop: Clear Modes	15 - 20
B077 6366	Keytop: Copy: 1: EU	71 - 17
B077 6366	Keytop: Copy: 1: EU	15 - 26
B077 6367	Keytop: Copy: 2: EU	15 - 27
B077 6367	Keytop: Copy: 2: EU	71 - 17
B077 6387	Keytop: 10key: AA	15 - 23
B077 7757	Bracket: Circuit Breaker	67 - 9
B079 1144	Timing Pulley: Paddle	61 - 34
B082 1072	Stay: Drum: Lower: Ass'y	35 - 26
B082 1076	Stay: Machine Or Copier: Rear	75 - 4
B082 1083	Bracket: BICU: Right Upper	69 - 19
B082 1084	Bracket: BICU: Right Lower	63 - 3
B082 1135	Spring: Bias	61 - 28
B082 1158	Bracket: Belt: Plate	61 - 1
B082 1177	Pulley: mm17	65 - 31
B082 1272	Cover: Right Rear: Duplex	11 - 20
B082 1296	Cover: Rear: Paper Feed Sub-unit	13 - 12
B082 1362	Spacer: Scanner Unit: Duplex	13 - 19
B082 1372	Inner Cover: Upper	13 - 23

Part No.	Description	Page and Index No.
B082 1379	Seal: Side Plate: Front: Switch	13 - 42
B082 1676	Bracket: Scale: Left	17 - 5
B082 1736	Side Plate: Front	19 - 20
B082 1738	Side Plate: Rear	19 - 21
B082 2217	Stopper: PCU: C3	41 - 5
B082 2220	Frame: PCU: Upper: Ass'y	41 - 10
B082 2288	Collection Coil: Ass'y	41 - 22
B082 2302	Frame: PCU: Lower: Ass'y	41 - 30
B082 2306	Cover: PCU	41 - 29
B082 2307	Tape: Cover: PCU	41 - 28
B082 2333	Terminal: Brush Roller	41 - 46
B082 2362	Stay: Around The Photoconductor	73 - 10
B082 2363	Magnet - Discharge Lamp	73 - 11
B082 2403	Supporter: PCU	35 - 31
B082 2575	Grip: Guide Plate	35 - 13
B082 2602	Case: Cleaner: Registration Roller	35 - 29
B082 2603	Cleaner: Registration Roller: Ass'y	35 - 28
B082 2611	Case: Registration Roller: Ass'y	35 - 16
B082 2614	Bracket: Registration Roller	35 - 15
B082 2781	Bracket: Sensor	31 - 40
B082 2785	Guide Plate: Swivel: Adhesion	31 - 3
B082 2920	Side Fence: Front: Ass'y	29 - 4
B082 2925	Shield: Side Fence: Ass'y	29 - 8
B082 2930	Side Fence: Rear: Ass'y	29 - 15
B082 2937	Paper Stopper: Side Fence	29 - 20
B082 2955	Dial: Paper Size Sensor: Printing	29 - 21
B082 2965	Decal: Paper Set Direction	29 - 9
B082 2965	Decal: Paper Set Direction	83 - 10
B082 3100	Development Sleeve: Ass'y	39 - 4
B082 3121	Shield: Development Sleeve: Front: C3	39 - 5
B082 3122	Shield: Development Sleeve: Rear: C3	39 - 6
B082 3123	Shield: Case: Development: Front Rear: C3	39 - 24
B082 3209	Toner Supply Unit	37 - 1
B082 3265	Decal: Caution Chart	83 - 11
B082 3265	Decal: Caution Chart	37 - 9

Part No.	Description	Page and Index No.
B082 3265	Decal: Caution Chart	13 - 11
B082 3867	Shield: Remove Paper Dust	45 - 11
B082 3920	Cleaning Blade Bracket	45 - 7
B082 3992	Decal: Drum: Belt	33 - 8
B082 3992	Decal: Drum: Belt	83 - 12
B082 4054	Positioning Plate Front	49 - 21
B082 4105	Spacer: Frame: Front	49 - 28
B082 4106	Spacer: Frame: Rear	49 - 29
B082 4111	Socket: Heater: Front	49 - 7
B082 4142	Duct: Fusing: Front	47 - 10
B082 4144	Shield: Fusing Cover	47 - 6
B082 4145	Shield: Duct: Front Lower	47 - 11
B082 4147	Cover: Duct: Fusing: Front	47 - 8
B082 4148	Shield: Cover: Upper	47 - 7
B082 4149	Shield: Cover: Lower	47 - 9
B082 4152	Duct: Fusing: Front Lower	47 - 12
B082 4153	Shield: Duct: Fusing: Front Lower: Long	47 - 13
B082 4199	Shielding Plate: Cover: Right	33 - 33
B082 4322	Guide Plate: Exit: Entrance	33 - 13
B082 4852	Decal: Duplex	83 - 13
B082 4852	Decal: Duplex	55 - 26
B082 4853	Decal: Duplex Unit: Upper	55 - 18
B082 4853	Decal: Duplex Unit: Upper	83 - 14
B082 5420	Harness: Registration Sensor	35 - 20
B082 5426	Harness: Paper Feed: Main	63 - 11
B082 5427	Harness: Manual Feed Unit	27 - 38
B082 5428	Harness: Paper Feed Unit	31 - 16
B082 5430	Harness: Paper Feed Unit: No.1	31 - 16
B082 5437	Harness: Sensor: On-off: Connecting	61 - 39
B082 5455	Harness: Paper Size Sensor	63 - 23
B082 5457	Harness: DC: Safety Switch	67 - 14
B082 5459	Harness: DC: Exit	51 - 2
B082 5460	Harness: Duplex Unit	57 - 14
B082 5461	Harness: Duplex Unit: Sensor	57 - 13
B082 5462	Harness: Duplex Unit: Sensor	59 - 6

Part No.	Description	Page and Index No.
B082 5465	Harness: Paper Feed: Sensor	63 - 14
B082 5832	Bracket: I/O Board: Left Upper	63 - 8
B082 5833	Bracket: I/O Board: Left Lower	63 - 15
B082 5836	Bracket: I/O Board: Right Upper	63 - 7
B082 5837	Bracket: I/O Board: Right Lower	63 - 2
B082 5839	Bracket: Harness: Paper Feed	63 - 1
B082 5864	Bracket: Harness: Joint Unit	69 - 2
B082 5880	Bracket: Rack: Application: Ass'y	69 - 20
B082 5897	Bracket: Connector	67 - 10
B082 6010	Support Stay: Sub-Ass'y	25 - 26
B082 6028	Guide Plate: Separator: Ass'y	27 - 24
B082 6038	Cover: Gear: Adhesion	27 - 17
B082 6061	Bracket: Drive: Ass'y	27 - 34
B082 6073	Decal: Manual Feed Direction	83 - 15
B082 6073	Decal: Manual Feed Direction	25 - 20
B082 6095	Frame: Holder: Ass'y	25 - 3
B082 6319	Cover: Right Rear: Duplex: EU	11 - 20
B082 6332	Cover: Rear: EU	13 - 12
B082 6342	Spacer: Scanner Unit: Duplex: EU	13 - 19
B082 6400	Decal: Size Indication	83 - 16
B082 6400	Decal: Size Indication	9 - 12
B082 6403	Decal: Power Source: Off: EXP	9 - 17
B082 6403	Decal: Power Source: Off: EXP	83 - 17
B082 6403	Decal: Power Source: Off: EXP	11 - 17
B101 1097	Rubber Foot: H5	21 - 21
B101 1097	Rubber Foot: H5	75 - 9
B129 5008	Cap - LAN Connector	71 - 8
B132 1531	Panel: Logo	11 - 15
B138 3266	Decal: Toner Supply Unit	83 - 19
B138 5801	Gasket: Inner Cover	9 - 19
B138 6111	Decal - High Temperature	83 - 8
B154 2862	Roller: Driven: Ass'y	11 - 21
B154 5739	Connector: FFC: PB: FH12-50S-0.5SV	77 - 1
B154 5865	Cap: Connector: USB	71 - 7
B179 5995	HDD: Hitachi: 40GB: Path: ROHS	71 - 16

Part No.	Description	Page and Index No.
B180 5891	ASIC: TRUMPET3	81 - 2
B195 6431	Decal: Emblem: RIC	83 - 1
B195 6432	Decal: Emblem: SVN	83 - 1
B195 6433	Decal: Emblem: GES: NA	83 - 1
B195 6438	Decal: Emblem: LAN	83 - 1
B195 9590	NVRAM-Zero Counter	71 - 10
B198 1077	Grip: Rear	75 - 5
B198 1093	Stay: Machine or Copier: Lengthwise: R	75 - 6
B198 1341	Guide Plate: Scanner	9 - 18
B198 2203	PCU Unit	41 - 48
B198 5223	PCB: LCDC: NA: Ass'y	15 - 8
B198 5224	PCB: LCDC: EU: Ass'y	15 - 8
B198 5225	PCB: LCDC: TWN: Ass'y	15 - 8
B198 5227	PCB: LCDC: KOR: Ass'y	15 - 8
B198 5240	IC: CDICAN	79 - 1
B198 5475	Harness: HDD	71 - 18
B198 5476	Harness: HDD: Power Source	71 - 19
B198 5886	Panel: Fax	71 - 4
B198 5892	Spring Plate: HDD	71 - 23
B198 5893	Cover: RIO	71 - 5
B198 5894	Cover: SD	71 - 6
B198 6009	Manual Feed Table: SUB-Ass'y	25 - 13
B198 6080	Paper Size Sensor	25 - 21
B198 6316	Cover: Front: EU	11 - 3
B198 6350	Operation Panel: NA	15 - 1
B198 6362	Operation Sub-unit: EU: Ass'y	15 - 1
B198 6385	Operation Panel: ASIA	15 - 1
B198 6405	Sheet: Operation Instructions	11 - 6
B198 6431	Decal: Emblem: RIC	83 - 1
B198 6432	Decal: Emblem: SVN	83 - 1
B198 6433	Decal: Emblem: GES: NA	83 - 1
B198 6438	Decal: Emblem: LAN	83 - 1
B198 6507	Operating Instructions - Main	9 - 13
B198 6508	Operating Instructions - Main	9 - 13
B198 6509	Operating Instructions - Main	9 - 13

Part No.	Description	Page and Index No.
B198 6510	Operating Instructions: Main: RIC: GSA	9 - 13
B198 6607	Operating Instructions - Copy	9 - 13
B198 6608	Operating Instructions - Copy	9 - 13
B198 6609	Operating Instructions - Copy	9 - 13
B198 6610	Operating Instructions: Copy: RIC: GSA	9 - 13
B198 7315	Fusing Unit: NA: Service: Ass'y	47 - 1
B198 7715	Fusing Unit: EU: Service: Ass'y	47 - 1
B213 1078	Spacer: Grip: Rear	75 - 21
B213 1081	Cover: Fix: Development	75 - 17
B213 1082	Sheet: Cover: Fix: Development	75 - 19
B213 1127	Receptacle: Transfer Belt	35 - 35
B213 1134	Bracket: Fusing Drive Sub-unit	61 - 31
B213 1135	Bracket: Belt: Positioning	61 - 5
B213 1136	Development Drive Unit	61 - 35
B213 1142	Holder: OPC Drum	61 - 22
B213 1144	Drum Shaft	61 - 23
B213 1146	Bracket: Holder: OPC Drum	61 - 20
B213 1148	Bracket: Transfer Drive	61 - 11
B213 1149	Tightener: Paper Feed	65 - 17
B213 1151	Tightener: Middle	65 - 33
B213 1153	Bracket: Protect	65 - 24
B213 1155	Bracket: Timing Pulley: Registration	65 - 6
B213 1156	Bracket: OPC Drum: Plate	61 - 36
B213 1189	Fly Wheel: Dia 160	61 - 16
B213 1261	Cover: Front	11 - 3
B213 1267	Bracket: Hinge: Right	75 - 8
B213 1306	Sheet: Inner Cover: Right	33 - 37
B213 1326	Spacer: Document Feeder	9 - 14
B213 1518	PCB: Operation Panel: Right	15 - 25
B213 1519	PCB: Operation Panel: Left	15 - 13
B213 1728	Bracket: Heater: Scanner	21 - 1
B213 1742	Bracket: Power Supply Cord: Heater: EXP	21 - 4
B213 1745	Heater Bracket NA Ass'y	21 - 3
B213 1746	Heater Bracket EU Ass'y	21 - 3
B213 1751	Stepper Motor: Scanner	17 - 24

Part No.	Description	Page and Index No.
B213 1826	Ground Plate: Lensblock SMD	17 - 25
B213 1842	Flexible Board	19 - 7
B213 1844	Bracket: Home Position Sensor	19 - 23
B213 1846	Flexible Board: Ass'y (RIC/INF)	19 - 7
B213 1847	Interface Cable: Scanner: LW: Ass'y	17 - 17
B213 1968	Shading Plate	75 - 2
B213 2290	Bracket: Idler	41 - 25
B213 2292	Toner Collection Coil	41 - 17
B213 2312	Bracket: Cleaning Blade	41 - 40
B213 2316	Stud: Contact Point: Cleaning	41 - 32
B213 2367	Density Sensor: P	35 - 33
B213 2381	High Voltage Line: Charge	61 - 26
B213 2383	High Voltage Line: Development Bias	61 - 25
B213 2570	Bracket: Registration: Drive: Front	35 - 42
B213 2574	Guide Plate: Entrance: Upper: Peen	35 - 21
B213 2575	Shaft: Drive: Registration	35 - 41
B213 2740	Paper Feed Unit: No.1	31 - 4
B213 2750	Paper Feed Unit	31 - 4
B213 2777	Shaft: Separate: Driven	31 - 23
B213 2784	Shaft: Separate: Drive	31 - 20
B213 2903	Paper Tray: Universal	29 - 1
B213 2915	Shaft: Rise	29 - 25
B213 2967	Decal: Paper Select: Dial: EXP	29 - 27
B213 2967	Decal: Paper Select: Dial: EXP	83 - 3
B213 2990	Supporter: Paper Tray	75 - 11
B213 3010	Development Unit	39 - 1
B213 3065	Density Sensor	39 - 26
B213 3821	Shaft: Hook	33 - 22
B213 3831	Cleaning Blade: Transfer Belt	45 - 6
B213 3882	Frame: Transfer Belt	45 - 33
B213 3889	Roller: Bias	45 - 30
B213 3894	Roller: Drive: Dia14.5	45 - 36
B213 3917	Lever: Release: Pressure	45 - 12
B213 3945	Shaft: Contact Point: Cover: Right	33 - 31
B213 3956	Cover: Fan	33 - 29

Part No.	Description	Page and Index No.
B213 4122	Decal: Warning (high Temperature)	83 - 8
B213 4122	Decal: Warning (High Temperature)	73 - 3
B213 4131	Fusing Cover: Printing	47 - 5
B213 4171	Frame: Fusing: Ass'y	49 - 25
B213 4263	Lever: Pressure: Front	49 - 23
B213 4264	Lever: Pressure: Rear	49 - 30
B213 4330	Screw - MM4.5	33 - 11
B213 4460	Shaft: Pressure Roller	51 - 9
B213 4466	Bracket: Contact Point	51 - 13
B213 4472	Side Plate: Rear: Ass'y	53 - 17
B213 4478	Gate Pawl: Entrance	53 - 2
B213 4484	DC Solenoid: Exit: Ass'y	53 - 6
B213 4486	DC Solenoid: Entrance: Ass'y	53 - 18
B213 4664	Stepper Motor: Duplex: Sub-ass'y	59 - 14
B213 4664	Stepper Motor: Duplex: Sub-ass'y	57 - 18
B213 4666	Bracket: Stepper Motor: Reverse	57 - 17
B213 4678	Bracket: Stepper Motor: Paper Feed	59 - 16
B213 4690	Link: DC Solenoid: Ass'y	57 - 15
B213 4790	Link: Duplex	59 - 12
B213 4793	Bracket: Link	55 - 5
B213 5065	PCB: BICU	79 - *
B213 5101	PCB: Main: 35	71 - 14
B213 5102	PCB: Main: 45	71 - 14
B213 5140	PCB: Duplex Unit	57 - 23
B213 5155	PCB: IOB	77 - *
B213 5180	PCB: MB	71 - 1
B213 5222	Touch Panel: HVGA	15 - 3
B213 5225	LCD: HVGA: SH: BL	15 - 6
B213 5320	PCB: Sync Detector: SHARP	23 - 9
B213 5397	PCB: MDB	17 - 20
B213 5426	Harness: BICU: IOB	69 - 16
B213 5445	Harness: Laser Diode Control	69 - 17
B213 5453	Harness: DC: Development: Drawer	63 - 5
B213 5455	Harness: Imaging Unit	23 - 7
B213 5468	Harness: DC: Lower	63 - 10

Part No.	Description	Page and Index No.
B213 5470	Harness: Connecting: Right Rear	33 - 3
B213 5521	Harness: DC: DC Power Supply	67 - 16
B213 5538	Harness: OPU	17 - 19
B213 5541	Harness: Scanner: ADF	17 - 14
B213 5544	Harness: FFC: Sbu: 50wick: 80mm	17 - 15
B213 5550	Connector - FFC 6240 PB 50P	79 - 2
B213 5551	Connector - FFC 6240 PB 45P	79 - 3
B213 5602	Power Supply Cord: EU	67 - 12
B213 5603	Harness: Circuit Breaker: EU	67 - 19
B213 5604	Power Supply Cord: NA	67 - 12
B213 5606	Harness: AC: SW	67 - 15
B213 5611	Harness: AC: Dehumidifier	67 - 17
B213 5843	Screw: Inner Cover: Joint Unit	55 - 7
B213 5846	Shading Plate: BICU	69 - 15
B213 5851	Panel: Control Board	71 - 9
B213 5852	Bracket: Control Board: Printer	71 - 11
B213 5871	Rack: Application	71 - 2
B213 5876	Stay: Rack	71 - 3
B213 6033	Shaft: Separator: Driven	27 - 21
B213 6049	Bracket: DC Solenoid	27 - 37
B213 6051	DC Solenoid: Pickup: Sub-ass'y	27 - 36
B213 6059	Arm: Tightener: Ass'y	27 - 39
B238 5720	ASIC: Shaker 5.5	81 - 1
B296 9640	Developer Type 26 Black	85 - 11
B298 1681	Inner Cover	17 - 8
B298 1744	Seal: Original Sensor: Inner Back	17 - 29
B298 1832	Holder: Lens: Adonis-C4.5: Ass'y	17 - 9
B298 1841	Bracket: Original Sensor: Front	17 - 27
B298 1843	Bracket: Original Sensor: Inner Back	17 - 28
B298 1870	Laser Unit	23 - 1
B298 1891	Laser Diode Unit	23 - 8
B298 4156	Thermostat: Ass'y	49 - 1
B298 4217	Fusing Unit Harness - 115V	47 - 16
B298 4227	Fusing Unit Harness - 230V	47 - 16
B298 4328	Driven Roller	33 - 36

Part No.	Description	Page and Index No.
B298 5066	PCB: BICU	69 - 18
B298 5105	Controller Board - 35	81 - *
B298 5106	Controller Board - 45	81 - *
B298 5150	I/O Control Board	63 - 9
B298 5343	PCB: SIB	17 - 18
B298 5467	Harness: DC: Upper	63 - 13
B298 5469	Harness: DC: Upper Front	63 - 12
B298 5543	Harness: SIB: EXP	17 - 16
B298 5608	Harness: Fusing Unit (EU)	69 - 6
B298 5609	Harness: Fusing Unit (NA)	69 - 6
B298 5891	Bracket: HDD	71 - 22
B351 6523	Seal - ADF Exposure Glass	17 - 6
B435 4943	Tapping Screw - M4x8	75 - 22
B584 5050	PCB: DDR-DIMM: 128MB	71 - 15
B622 5831	Rail: Right	71 - 12
B622 5832	Rail: Left	71 - 13
B645 5010	SD-Card: Ass'y	85 - 3
B645 6800	SD-Card: USB: Writer: BN-SDCE2	85 - 4
G011 3305	Gear - 16Z	25 - 23
G012 3897	Film - Toner End Sensor Harness	51 - 1
G012 3897	Film - Toner End Sensor Harness	39 - 29
G020 1332	Hinge - Front Cover	11 - 4
G020 1966	Cylindrical Lens	23 - 14
G020 1968	F Theta Mirror	23 - 23
G020 1969	BTL Lens	23 - 20
G020 2620	Push Switch - Paper Size	63 - 22
G021 9350	Loopback Connector - Parallel	85 - 10
G029 1980	Decal - LD	83 - 7
G029 1980	Decal - LD	23 - 2
G034 5820	Spring Plate - Power Supply Unit	67 - 20
G060 2905	Paper Guide - Manual Feed Table	25 - 19
G060 2908	Pad - Side Fence	25 - 10
G065 1122	Timing Pulley - 58Z/79T	61 - 18
G065 1128	Flange - Fly Wheel	61 - 17
G065 1143	Bushing - M34	61 - 8

Part No.	Description	Page and Index No.
G065 1170	Lower Duct	67 - 4
G065 1171	Upper Duct	67 - 3
G065 1173	Sheet - Duct	13 - 8
G065 1174	Sheet - Duct - Upper	13 - 9
G065 2219	Compression Spring: Stopper: PCU	41 - 6
G065 2241	Shutter - Toner Supply	41 - 8
G065 2251	Cover: PCU: Upper: Ass'y	41 - 3
G065 2259	Handle - PCU	41 - 2
G065 2271	Electrode Plate: Charge: Receptacle: Abk: Ass'y	41 - 9
G065 2279	Entrance Seal - Toner Supply	41 - 1
G065 2282	Shield: PCU: Rail	41 - 33
G065 2308	Electrode Plate: Charge: Rear	41 - 45
G065 2321	Front Arm - Charge Unit	41 - 36
G065 2326	Rear Arm - Charge Unity	41 - 44
G065 2328	Cap - Toner Supply	41 - 4
G065 2354	Electrode Plate: Charge: Front	41 - 34
G065 2681	Snap Ring - M6	43 - 9
G065 2767	Lever - Feed	31 - 36
G065 2774	Pressure Lever	31 - 28
G065 2775	Link Lever	31 - 32
G065 2776	Release Lever	31 - 25
G065 3066	Entrance Shield - Toner Supply	39 - 16
G065 3067	Coupling Shield	39 - 21
G065 4056	Stay: Fusing: Thermostat	49 - 6
G065 4155	Housing: Thermostat	49 - 2
G069 6006	Knob Screw	47 - 23
G147 1372	Inner Cover: Upper: Sub-ass'y	13 - 43
G147 3940	Cover: Right	33 - 26
G147 5466	Harness: Used Toner Sensor	33 - 15
G404 2810	Spring Plate - 2nd Mirror	19 - 3
G564 6511	Left Scale - EU	9 - 4
G564 6521	Left Scale - NA	9 - 4
G570 1245	Rear Scale	9 - 7
G790 2329	Brush Roller: Cleaner: Charge: Ass'y	43 - 13
AA00 0204	Decal - Right Lower Cover	11 - 11

Part No.	Description	Page and Index No.
AA00 0204	Decal - Right Lower Cover	83 - 5
AA00 1393	Decal - A2	35 - 14
AA00 1393	Decal - A2	83 - 4
AA00 3206	Decal: PCU: Spring: Caution Chart	83 - 6
AA00 3206	Decal: PCU: Spring: Caution Chart	41 - 31
AA01 2131	Filter: Development	39 - 20
AA04 3439	Timing Belt - S2M-224	21 - 18
AA04 3443	Timing Belt - S2M 140	59 - 19
AA04 3443	Timing Belt - S2M 140	57 - 19
AA04 3444	Timing Belt - S2M 350	59 - 1
AA04 3445	Timing Belt - S3M-360	65 - 1
AA04 3446	Timing Belt - S3M-312	65 - 12
AA04 3551	Timing Belt - B50S3M213UG	61 - 33
AA04 3553	Timing Belt-B60S2M316	61 - 19
AA04 3554	Timing Belt - B60S3M129	65 - 8
AA04 3555	Timing Belt - S2M234	53 - 23
AA04 3570	Timing Belt - B60S2M240	61 - 12
AA04 3571	Timing Belt - S3m - 180	61 - 3
AA04 3580	Timing Belt: 50S2M192	35 - 39
AA05 0106	Carriage Drive Wire	21 - 11
AA06 0691	Tension Spring	31 - 14
AA06 0693	Tension Spring	31 - 27
AA06 0694	Tension Spring	65 - 32
AA06 0695	Tension Spring	65 - 16
AA06 0702	Tension Spring	17 - 23
AA06 0703	Tension Spring	21 - 12
AA06 0709	Tension Spring	55 - 17
AA06 0712	Torsion Spring	45 - 29
AA06 0713	Tension Spring	69 - 12
AA06 0716	Tension Spring	53 - 7
AA06 0839	Pressure Spring - Driven	57 - 8
AA06 0839	Pressure Spring - Driven	55 - 24
AA06 0840	Pressure Spring - 29n	49 - 24
AA06 0855	Return Spring	53 - 19
AA06 0908	Release Spring	31 - 33

Part No.	Description	Page and Index No.
AA06 0939	Spring: Pressure: Cleaning Blade: 4.4n	45 - 15
AA06 0948	Tension Spring: Stripper Pawls: 50mn	49 - 9
AA06 2258	Spring: Pressure: Cleaning Blade: No.2	43 - 10
AA06 2299	Pressure Spring	41 - 41
AA06 2300	Tension Spring	41 - 42
AA06 2304	Pressure Spring	35 - 6
AA06 2305	Tension Spring	35 - 22
AA06 2310	Pressure Spring	43 - 3
AA06 2312	Pressure Spring	51 - 15
AA06 2313	Gate Pawl Spring 1.5n	53 - 20
AA06 2316	Tension Spring - Shutter	41 - 7
AA06 2317	Tension Spring	61 - 7
AA06 3303	Pressure Spring	55 - 13
AA06 3304	Terminal Spring	35 - 36
AA06 3305	Torsion Spring	45 - 17
AA06 3499	Pressure Spring	27 - 22
AA06 3564	Tension Spring	11 - 13
AA06 3566	Pressure Spring	37 - 10
AA06 3567	Tension Spring	27 - 35
AA06 3568	Pressure Spring	27 - 7
AA06 3569	Spring	27 - 41
AA06 3648	Pressure Spring	41 - 38
AA06 3662	Compression Spring	11 - 23
AA06 3668	Compression Spring: Fusing Cleaning Roller	47 - 19
AA06 3854	Pressure Spring	51 - 11
AA06 3855	Spring - 3.5n	33 - 34
AA06 6152	Tension Spring	57 - 2
AA06 6335	Torsion Spring	59 - 13
AA06 6574	Torsion Spring	25 - 11
AA06 6575	Torsion Spring	33 - 23
AA06 6576	Torsion Spring	33 - 21
AA06 6577	Torsion Spring	35 - 8
AA08 0034	Bushing - 4x5x7	55 - 12
AA08 0229	Front Bushing - M6	35 - 5
AA08 0230	Rear Bushing - M6	35 - 38

Part No.	Description	Page and Index No.
AA08 0246	Bushing - Bias Roller	45 - 31
AA08 0275	Bushing: Pressure: Mm4	11 - 22
AA08 0281	Bushing - 12x18x5.5	39 - 30
AA08 0307	Bushing - M4	55 - 23
AA08 0307	Bushing - M4	57 - 7
AA08 2054	Bushing - M4	45 - 28
AA08 2058	Bushing - 6x10x9mm	53 - 8
AA08 2070	Bushing - 8x16x7	31 - 12
AA08 2070	Bushing - 8x16x7	25 - 9
AA08 2072	Bushing - M6	31 - 19
AA08 2072	Bushing - M6	35 - 40
AA08 2073	Roller Busing	47 - 18
AA08 2074	Bushing - M8	57 - 12
AA08 2075	Bushing - M6	59 - 3
AA08 2080	Bushing - M8	35 - 3
AA08 3018	Roller Clutch - 6x14x10	27 - 30
AA14 0655	Shaft - Paper Feed	31 - 35
AA14 0753	Feed Shaft	27 - 9
AA14 3219	Stepped Screw	39 - 9
AA14 3301	Stepped Screw - M3x4	69 - 7
AA14 3499	Stepped Screw	71 - 20
AA14 3501	Stepped Screw - M8	13 - 34
AA14 3512	Stepped Screw - M2.5	69 - 11
AA14 3520	Shoulder Screw - M3	47 - 4
AA14 3520	Shoulder Screw - M3	9 - 2
AA14 3523	Shoulder Screw - M3	9 - 11
AA14 3549	Screw: Dia10: M3x18	43 - 6
AA14 3561	Screw - MM3: M2.5	59 - 22
AA14 3567	Screw - M3	63 - 4
AA14 3592	Screw- M4x6	65 - 39
AA14 3592	Screw- M4x6	21 - 25
AA14 3592	Screw- M4x6	47 - 104
AA14 3592	Screw- M4x6	69 - 22
AA14 3592	Screw- M4x6	67 - 21
AA14 3592	Screw- M4x6	49 - 31

Part No.	Description	Page and Index No.
AA14 3792	Screw: Drawer	47 - 22
AA14 5831	Shaft: Slide	37 - 4
AA14 9291	Pin - Link	35 - 10
AA14 9979	Shaft: Middle	65 - 27
AA15 0401	Seal - 70x20	45 - 16
AA15 0671	Shield - Collection Coil	41 - 15
AA15 0685	Seal - 215x10	13 - 32
AA15 0711	Shield -Base	21 - 8
AA15 0721	Shield: Side Plate: Left	19 - 13
AA15 0722	Shield: Side Plate: Front Rear: Left Middle	19 - 15
AA15 0723	Sheet: Left	19 - 16
AA15 0724	Sheet: Left Middle	19 - 17
AA15 0725	Sheet: Right	19 - 18
AA15 3053	Sponge - 317x5x5	39 - 19
AA15 3054	Sponge - 17x7x5	39 - 17
AA15 3070	Dehumidifier Sheet	13 - 4
AA15 3083	Seal - Toner Supply Unit Cover	37 - 8
AA15 3095	Shield - Development - Center	39 - 18
AA15 3390	Sponge - 202x3.5x4	13 - 30
AA15 3391	Frame Seal - Rear Right	33 - 4
AA15 3392	Sponge - 24x6x5	33 - 25
AA15 3393	Frame Seal - Rear Vertical	33 - 2
AA15 3442	Shield - Stay - PCU	35 - 27
AA15 3443	Mylar -Development Unit-Right	39 - 14
AA16 1126	Exchange Pawl Cushion	55 - 8
AA16 1133	Cushion - 4x15x1	19 - 19
AA16 1160	Cushion: Link: 10x5x1.5	53 - 9
AA16 1167	Bushing: HDD	71 - 21
AA16 1629	Pad-guide Plate	51 - 16
AA16 2080	Cushion: Duplex Unit	57 - 3
AB01 0156	Gear: Separate: Drive	31 - 30
AB01 0157	Gear: Separate: Driven	31 - 29
AB01 1088	Gear - 30Z	59 - 15
AB01 1188	Gear - 21Z	31 - 8
AB01 1189	Gear - 18Z	31 - 11

Part No.	Description	Page and Index No.
AB01 1190	Gear - 25Z	45 - 37
AB01 1377	Gear - 14Z	41 - 19
AB01 1378	Gear - 19Z	41 - 24
AB01 1379	Gear - 19Z	41 - 27
AB01 1380	Cam - Cleaning Blade	41 - 26
AB01 1386	Development Sleeve Gear	39 - 7
AB01 1387	Gear - 23Z	27 - 5
AB01 1388	Gear - Z16	27 - 25
AB01 1389	Gear - 20Z	27 - 26
AB01 1390	Gear - 27Z	27 - 29
AB01 1446	Gear - 29Z	39 - 8
AB01 3882	Gear - 40Z	49 - 13
AB01 4038	Gear - 22Z	65 - 14
AB01 4039	Gear - 31Z	65 - 21
AB01 4040	Gear - 29Z	65 - 36
AB01 4046	Gear - 25Z	49 - 26
AB01 4049	Gear - 24Z	53 - 25
AB01 4051	Gear - 16Z	35 - 4
AB01 4060	Gear - 21Z	39 - 13
AB01 4061	Gear - 13Z	39 - 11
AB01 4062	Gear - 17Z/25Z	39 - 15
AB01 4159	Gear - 49Z	65 - 38
AB01 4160	Idler Gear-registration	65 - 15
AB01 4161	Reverse Roller Gear	57 - 16
AB01 4162	Gear - 46Z	57 - 21
AB01 4164	Gear - 28T	65 - 28
AB01 4189	Gear - 27Z	45 - 14
AB01 4219	Gear - 24Z	65 - 5
AB01 4222	Gear - 33Z/30T	61 - 14
AB01 4223	Gear - 30Z	61 - 15
AB01 4237	Gear: Fusing Drive Sub-unit: No.1	61 - 29
AB01 4238	Gear: Fusing Drive Sub-unit: No.2	61 - 30
AB01 4275	Gear - 17Z	35 - 44
AB01 4275	Gear - 17Z	31 - 38
AB01 4276	Gear - 16Z	35 - 43

Part No.	Description	Page and Index No.
AB01 7454	Gear - 24Z/30Z	27 - 40
AB01 7458	Gear Pulley - 18Z/22T	53 - 24
AB03 0474	Pulley - 24T	59 - 2
AB03 0561	Timing Pulley - 31Z/20T	65 - 13
AB03 0562	Timing Pulley - 31Z/20T	65 - 20
AB03 0566	Timing Pulley - 20T	65 - 29
AB03 0567	Timing Pulley - 18T	65 - 19
AB03 0568	Pulley - 23T	53 - 16
AB03 0572	Timing Pulley - Z61	21 - 17
AB03 0625	Timing Pulley - 20Z	65 - 2
AB03 0634	Pulley	65 - 34
AB03 0669	Timing Pulley - Registration	65 - 7
AB03 0670	Gear - 24Z	57 - 20
AB03 0671	Gear Pulley - TRANSPORT	59 - 20
AB03 0672	Idler Pulley	53 - 22
AB03 0714	Timing Pulley - 32Z/52T	61 - 21
AB03 0715	Timing Pulley - Transfer Unit	61 - 13
AB03 0716	Gear - 32Z/29T	61 - 2
AB03 0717	Gear - 30Z/18T	61 - 4
AB03 0778	Gear: Pulley - 20Z/30T	35 - 2
AB03 0779	Timing Pulley - 30T	35 - 45
AB03 2061	Front Scanner Pulley	21 - 22
AB03 2062	Rear Scanner Pulley	21 - 16
AC01 2067	Exposure Glass	9 - 5
AC01 5024	Shield Glass - Polygon Motor	23 - 15
AC01 5025	Shield Glass	23 - 6
AC03 0110	Scanner Mirror	19 - 12
AC03 0115	Mirror	23 - 17
AD02 5021	Pick-off Pawl	43 - 5
AD02 7012	Roller: Charge: Apply	43 - 14
AD04 1105	Cleaning Blade: No.2: Ass'y	43 - 12
AD04 7023	Cleaning Entrance Seal	41 - 13
AE01 1115	Hot Roller: T0.4: HB	49 - 15
AE02 0125	Pressure Roller MM32 Ass'y	49 - 20
AE03 0047	Ball Bearing - 30x42x7	49 - 14

Part No.	Description	Page and Index No.
AE03 0048	Ball Bearing - 8x22x7	49 - 19
AE04 2039	Cleaning Roller	47 - 17
AE04 4056	Stripper Pawls	49 - 10
AF01 3006	Bottom Plate Pad	29 - 3
AF01 3016	Bottom Plate Pad	27 - 23
AF01 7026	End Fence	29 - 11
AF02 0608	Registration Roller: Drive: MM20	35 - 24
AF02 0652	Reverse Roller: Driven	57 - 6
AF02 0691	Exit Transport Roller	59 - 8
AF02 0694	Exit Roller	53 - 3
AF02 0695	Reverse Roller: Driven	55 - 22
AF02 0696	Roller: Driven	55 - 14
AF02 0697	Transport Roller: Middle	59 - 10
AF02 0698	Transport Roller	53 - 15
AF02 0699	Reverse Roller	57 - 10
AF02 0701	Transport Roller: Drive	31 - 1
AF02 1083	Registration Roller: Driven: MM16	35 - 23
AF02 5044	Exchange Gate	55 - 16
AF03 0049	Pick-up Roller	27 - 6
AF03 0090	Paper Feed Roller: Pickup	31 - 7
AF03 1046	Feed Roller - Manual Feed	27 - 2
AF03 1090	Paper Feed Roller: Feed	31 - 10
AF03 2046	Separation Roller - Manual Feed	27 - 19
AF03 2090	Paper Feed Roller: Separate	31 - 21
AF04 0031	Driven Roller	27 - 12
AF04 0559	Driven Roller - M9	25 - 5
AF04 0571	Guide Roller	51 - 6
AF04 0571	Guide Roller	33 - 12
AF04 0574	Guide Roller	53 - 11
AF04 0575	Driven Roller	27 - 33
AF04 0599	Pressure Roller: 15	51 - 8
AF04 0600	Roller: Driven: 9mm	51 - 19
AF04 0601	Pressure Roller: Entrance	51 - 14
AG05 0094	Knob: Fusing	49 - 18
AG05 0099	Knob: Registration	35 - 1

Part No.	Description	Page and Index No.
AG07 0513	Magnet Catch: 13n	55 - 20
AG07 0514	Magnet Catch	11 - 27
AG07 1012	Magnet Catch: Ass'y	13 - 24
AW01 0106	Paper Feed Sensor	35 - 19
AW01 0106	Paper Feed Sensor	59 - 5
AW01 0117	Paper Feed Sensor	57 - 4
AW01 0117	Paper Feed Sensor	51 - 22
AW01 0118	Paper Feed Sensor	33 - 19
AW01 0122	Paper Feed Sensor	31 - 6
AW01 0133	Original Sensor - 66mm	17 - 4
AW02 0145	Photointerruptor: Flat	31 - 31
AW02 0145	Photointerruptor: Flat	27 - 13
AW02 0145	Photointerruptor: Flat	75 - 7
AW02 0145	Photointerruptor: Flat	19 - 22
AW02 0146	Photointerruptor: Flat: PICH2mm: M4	17 - 12
AW02 0157	Paper Feed Sensor	31 - 39
AW02 0158	Paper Feed Sensor	59 - 18
AW02 0159	Photointerruptor: Spring Clutch	61 - 10
AW10 0111	Thermistor: Fusing: Middle	49 - 4
AW10 0112	Thermistor: Fusing: Inner Back	49 - 5
AW31 0011	Used Toner Sensor - Transfer Unit	45 - 10
AX04 0143	Rise Motor D - 1.92W	63 - 16
AX05 0292	DC Motor: Toner Bottle	61 - 38
AX06 0303	Polygon Scanner Motor	23 - 10
AX06 0330	Brushless Motor: Main: Ass'y	61 - 37
AX06 0350	Brushless Motor: Fusing/Paper Exit Unit: Ass'y	69 - 3
AX06 0351	Brushless Motor - DC 30w	63 - 6
AX20 0280	Magnetic Clutch: 0.5n.m: 28z	65 - 26
AX20 0280	Magnetic Clutch: 0.5n.m: 28z	35 - 37
AX20 0281	Magnetic Clutch: 0.5n.o70m: 28z	65 - 4
AX20 0292	Magnetic Clutch: 245mn.m	27 - 31
AX21 0093	Spring Clutch: On-Off	61 - 9
AX31 0046	Total Counter: 7FIG: 24V	13 - 28
AX40 0140	Heater - 120V 15W	21 - 2
AX40 0142	Heater - 240V 15W	21 - 2

Part No.	Description	Page and Index No.
AX40 0190	Heater: 120V: 9W	75 - 20
AX40 0191	Heater: 230V: 9W	75 - 20
AX43 0152	Heater: 120V: 650W: 215mm	49 - 16
AX43 0153	Heater: 230V: 650W: 215mm	49 - 16
AX44 0173	Heater: 120V: 650W: 335mm	49 - 17
AX44 0174	Heater: 230V: 650W: 335mm	49 - 17
AX50 0083	Xenon Lamp: Mm8.5	19 - 6
AX50 0092	LED Array: QI	73 - 12
AX64 0162	Fan Motor Sirocco: DC24V: 3350rpm	33 - 30
AX64 0164	Fan Motor: 15mm: 24V	17 - 2
AX64 0191	Fan Motor DC24V/2.40W	67 - 1
AZ23 0186	Power Supply Unit: 285W	67 - 13
AZ23 0187	Power Supply Unit: 285W: EU/AA:	67 - 13
AZ32 0145	Power Pack: CBT	67 - 5
AZ50 0067	Stabilizer: Xenon Lamp	17 - 10
BC01 2002	Exposure Glass: Sheet Through: 344x20	17 - 7
GA00 3035	Energy Decal	11 - 5
GA00 3035	Energy Decal	83 - 18
GA08 0002	Bushing - 6mm	65 - 3
GA08 0002	Bushing - 6mm	27 - 28
GC03 0020	Sync. Detector Mirror	23 - 25

Part No.	Description	Page and Index No.
0313 0060N	Screw - M3X6	59 - 109
0313 0060N	Screw - M3X6	35 - 106
0314 0060N	Screw - M4X6	21 - 104
0314 0120N	Screw - M4x12	17 - 104
0314 0180N	Pan Head Screw: M4x18	17 - 107
0353 0040N	Screw - M3X4	51 - 103
0353 0040N	Screw - M3X4	27 - 108
0353 0040N	Screw - M3X4	53 - 103
0353 0060N	Philips Pan Head Bind Screw - M3x6	35 - 110
0353 0060N	Philips Pan Head Bind Screw - M3x6	71 - 102
0353 0060N	Philips Pan Head Bind Screw - M3x6	17 - 101
0353 0060N	Philips Pan Head Bind Screw - M3x6	29 - 102
0353 0080N	Screw: M3x8	47 - 106
0353 0120N	Screw M3x12	57 - 102
0354 0080N	Screw: M4x8	13 - 103
0360 4014N	Screw - M4X14	75 - 102
0450 3006N	Tapping Screw - M3x6	53 - 102
0450 3006N	Tapping Screw - M3x6	41 - 105
0450 3006N	Tapping Screw - M3x6	51 - 102
0450 3006N	Tapping Screw - M3x6	13 - 102
0450 3008N	Tapping Screw - M3x8	37 - 102
0450 3008N	Tapping Screw - M3x8	29 - 104
0450 3008N	Tapping Screw - M3x8	13 - 107
0450 3008N	Tapping Screw - M3x8	55 - 102
0450 3008N	Tapping Screw - M3x8	27 - 103
0450 3008N	Tapping Screw - M3x8	33 - 102
0450 3008N	Tapping Screw - M3x8	35 - 101
0450 3008N	Tapping Screw - M3x8	23 - 102
0450 3008N	Tapping Screw - M3x8	31 - 102
0450 3008N	Tapping Screw - M3x8	21 - 103
0450 3008N	Tapping Screw - M3x8	11 - 102
0450 3008N	Tapping Screw - M3x8	39 - 103
0450 3008N	Tapping Screw - M3x8	61 - 108
0450 3008N	Tapping Screw - M3x8	41 - 101
0450 3010N	Tapping Screw - M3x10	39 - 102

Part No.	Description	Page and Index No.
0450 3010N	Tapping Screw - M3x10	23 - 101
0450 3010N	Tapping Screw - M3x10	25 - 103
0450 3010N	Tapping Screw - M3x10	27 - 101
0450 3012N	Tapping Screw: 3x12	11 - 103
0450 3014N	Tapping Screw: M3x14	39 - 101
0450 4008N	Tapping Screw - M4x8	29 - 101
0450 4035N	Tapping Screw: 4x35	67 - 101
0451 3005P	Tapping Screw - M3x5	73 - 104
0451 3006N	Tapping Screw - 3x6	75 - 101
0451 3006N	Tapping Screw - 3x6	63 - 101
0451 3006N	Tapping Screw - 3x6	47 - 102
0451 3006N	Tapping Screw - 3x6	49 - 103
0451 3006N	Tapping Screw - 3x6	35 - 103
0451 3006N	Tapping Screw - 3x6	33 - 103
0451 3006N	Tapping Screw - 3x6	13 - 105
0451 3006N	Tapping Screw - 3x6	45 - 103
0451 3006N	Tapping Screw - 3x6	41 - 104
0451 3006N	Tapping Screw - 3x6	55 - 103
0451 3006N	Tapping Screw - 3x6	67 - 102
0451 3006N	Tapping Screw - 3x6	59 - 101
0451 3006N	Tapping Screw - 3x6	71 - 101
0451 3006N	Tapping Screw - 3x6	57 - 101
0451 3006N	Tapping Screw - 3x6	69 - 101
0451 3006N	Tapping Screw - 3x6	31 - 103
0451 3006N	Tapping Screw - 3x6	73 - 101
0451 3006N	Tapping Screw - 3x6	61 - 104
0451 3006N	Tapping Screw - 3x6	21 - 101
0451 3006N	Tapping Screw - 3x6	19 - 101
0451 3006N	Tapping Screw - 3x6	51 - 101
0451 3006N	Tapping Screw - 3x6	65 - 102
0451 3006N	Tapping Screw - 3x6	17 - 103
0451 3006N	Tapping Screw - 3x6	53 - 101
0451 3008N	Tapping Screw - M3x8	65 - 103
0451 3008N	Tapping Screw - M3x8	55 - 101
0451 3008N	Tapping Screw - M3x8	63 - 103

Part No.	Description	Page and Index No.
0451 3008N	Tapping Screw - M3x8	61 - 103
0451 3008N	Tapping Screw - M3x8	31 - 101
0451 3008N	Tapping Screw - M3x8	67 - 107
0451 3008N	Tapping Screw - M3x8	41 - 103
0451 3008N	Tapping Screw - M3x8	13 - 101
0451 3008N	Tapping Screw - M3x8	47 - 103
0451 3008N	Tapping Screw - M3x8	11 - 101
0451 3008N	Tapping Screw - M3x8	73 - 103
0451 3008N	Tapping Screw - M3x8	25 - 101
0451 3008N	Tapping Screw - M3x8	45 - 101
0451 3008N	Tapping Screw - M3x8	17 - 106
0451 3008N	Tapping Screw - M3x8	27 - 102
0451 3008N	Tapping Screw - M3x8	9 - 101
0451 3010N	Tapping Screw: 3x10	9 - 103
0451 3012N	Tapping Screw: 3x12	9 - 102
0451 3014N	Tapping Screw: 3x14	65 - 106
0451 3014N	Tapping Screw: 3x14	61 - 105
0451 4010N	Tapping Screw: 4x10	13 - 104
0451 4010N	Tapping Screw: 4x10	25 - 102
0451 4010N	Tapping Screw: 4x10	55 - 104
0452 3008N	Tapping Screw - M3x8	29 - 103
0452 3010N	Binding Self-tapping Screw: 3x10	37 - 101
0453 3006N	Tapping Screw - M3x6	49 - 102
0453 3025N	Tapping Screw - M3x25	33 - 104
0453 4030N	Tapping Screw - M4x30	69 - 107
0454 3006Q	Tapping Screw - M3x6	73 - 102
0454 3006Q	Tapping Screw - M3x6	21 - 102
0454 3006Q	Tapping Screw - M3x6	35 - 102
0454 3006Q	Tapping Screw - M3x6	61 - 101
0454 3006Q	Tapping Screw - M3x6	59 - 102
0454 3006Q	Tapping Screw - M3x6	63 - 102
0454 3006Q	Tapping Screw - M3x6	33 - 101
0454 3006Q	Tapping Screw - M3x6	69 - 102
0454 3006Q	Tapping Screw - M3x6	17 - 102
0454 3006Q	Tapping Screw - M3x6	57 - 105

Part No.	Description	Page and Index No.
0534 0050E	Headless Screw - M4x5	61 - 106
0575 0050E	Hexagon Headless Set Screw - M5x5	21 - 105
0633 0140G	Parallel Pin - 3x14	61 - 107
0720 0020E	Retaining Ring - M2	35 - 105
0720 0030E	Retaining Ring - M3	39 - 104
0720 0030E	Retaining Ring - M3	51 - 105
0720 0030E	Retaining Ring - M3	49 - 106
0720 0030E	Retaining Ring - M3	57 - 104
0720 0040E	Retaining Ring - M4	49 - 105
0720 0040E	Retaining Ring - M4	25 - 104
0720 0040E	Retaining Ring - M4	41 - 102
0720 0040E	Retaining Ring - M4	59 - 106
0720 0040E	Retaining Ring - M4	27 - 105
0720 0040E	Retaining Ring - M4	57 - 107
0720 0040E	Retaining Ring - M4	39 - 106
0720 0040E	Retaining Ring - M4	53 - 104
0720 0040E	Retaining Ring - M4	31 - 105
0720 0040E	Retaining Ring - M4	35 - 104
0720 0060E	Retaining Ring - M6	57 - 106
0720 0060E	Retaining Ring - M6	33 - 105
0720 0060E	Retaining Ring - M6	35 - 107
0720 0060E	Retaining Ring - M6	31 - 104
0720 0060E	Retaining Ring - M6	29 - 105
0720 0060E	Retaining Ring - M6	65 - 108
0720 0060E	Retaining Ring - M6	27 - 104
0720 0060E	Retaining Ring - M6	21 - 107
0725 0110E	C Ring - M11	39 - 105
0742 3808	Ball Bearing - 8x16x5	21 - 15
0802 5299	Tapping Screw: Washer: 3x8	65 - 101
0802 5299	Tapping Screw: Washer: 3x8	61 - 109
0804 6123	Hexagonal Bolt: W/Washer: M3x8	49 - 104
0804 6123	Hexagonal Bolt: W/washer: M3x8	9 - 104
0804 6123	Hexagonal Bolt: W/washer: M3x8	47 - 101
0805 0089	Retaining Ring - M4	31 - 106
0805 0097	Ring Separator	39 - 107

Part No.	Description	Page and Index No.
0805 3480	Bushing - 6mm	27 - 106
0805 3480	Bushing - 6mm	31 - 107
0951 3006N	Screw - M3X6	19 - 102
0951 3006N	Screw - M3X6	45 - 102
0951 3008N	Screw: Polished Roud: M3x8	23 - 103
0954 3012B	Screw - M3X12	49 - 107
0957 3012N	Screw - M3X12	47 - 105
1005 0728	Rivet - Nrp335	19 - 103
1102 3822	Connector - 20P	77 - 101
1102 4203	CT Header - 4P	79 - 101
1102 4204	CT Header - 5P	79 - 102
1102 4645	CT Connector - 4p	79 - 103
1102 5303	Connector - 4P	81 - 101
1102 5305	Connector - 6P	79 - 104
1102 5306	Connector - 7P	77 - 102
1102 6245	Relay Connector - 2P	69 - 115
1102 6246	Relay Connector - 4P	35 - 108
1102 6246	Relay Connector - 4P	69 - 112
1102 6256	Relay Connector - 13P	69 - 111
1102 6260	Relay Connector - 3P	69 - 114
1102 6263	Connector - 6P	69 - 113
1102 6266	Relay Connector - 9P	69 - 103
1102 6295	Connector - 2P	77 - 103
1102 6297	Connector - 4P	77 - 104
1102 6301	Connector - 8P	77 - 105
1102 6302	Connector - 9P	77 - 106
1102 6303	Connector - 10P	77 - 107
1102 6303	Connector - 10P	79 - 105
1102 6305	Connector - 12P	77 - 108
1102 6308	Connector - 15P	77 - 109
1102 6309	Connector - 2P	77 - 110
1102 6311	Connector - 4P	79 - 106
1102 6311	Connector - 4P	77 - 111
1102 6316	Connector - 9P	77 - 112
1102 6321	Connector	77 - 113

Part No.	Description	Page and Index No.
1102 6394	Connector - 12P	77 - 114
1102 6396	Connector - 1P	77 - 115
1102 6397	Box Header	77 - 116
1102 6398	Connector - 2P	77 - 117
1102 6401	Connector - 26P	77 - 118
1102 6402	Connector - 2P	77 - 119
1102 6595	Connector - 11P	79 - 107
1102 6943	Relay Connector -10p	69 - 116
1102 7244	Connector	77 - 120
1102 7496	Connector	77 - 121
1102 7615	Connector - B8B-XH-A	81 - 102
1102 7729	Connector - DX10G1M-50SE	79 - 108
1102 8272	Connector - TX25-100P-12ST-H1	79 - 109
1102 8329	Connector - USB - UBB-4R-D14C	81 - 103
1102 8502	Connector - 54679-1615	67 - 108
1102 8504	Connector	65 - 105
1102 9116	Connector - 353297-5	79 - 110
1102 9336	Connector: FPS009-2300-0	81 - 104
1102 9535	Connector - 200PS-JUK-G-B	81 - 105
1102 9686	Connector - RHM-176P-SDK11-U1L1C	81 - 106
1102 9689	Connector 2-440091-4	81 - 107
1102 9887	Connector: 52588-3090	81 - 108
1102 9890	Connector: 5-1605706-2	81 - 109
1102 9928	Connector: 29 6406 200 000 856	81 - 110
1104 0764	IC Socket - 8 PIN	81 - 111
1105 0162	Locking Support	17 - 105
1105 0165	Flat Cable Clamp	33 - 106
1105 0192	Locking Support	63 - 105
1105 0192	Locking Support	67 - 104
1105 0267	Harness Clamp - YMC-10-0	73 - 108
1105 0267	Harness Clamp - YMC-10-0	27 - 107
1105 0283	Clamp	31 - 108
1105 0283	Clamp	59 - 103
1105 0283	Clamp	35 - 109
1105 0291	Harness Clamp - LWS-3S	59 - 108

Part No.	Description	Page and Index No.
1105 0310	Harness Clamp - LWS-1S	67 - 105
1105 0328	Harness Clamp - ES-0505	59 - 107
1105 0349	Edge Saddle	63 - 108
1105 0349	Edge Saddle	25 - 105
1105 0460	Clamp	59 - 110
1105 0460	Clamp	57 - 108
1105 0487	Harness Clamp	21 - 106
1105 0487	Harness Clamp	63 - 106
1105 0487	Harness Clamp	69 - 104
1105 0487	Harness Clamp	13 - 106
1105 0487	Harness Clamp	73 - 107
1105 0488	Harness Clamp	63 - 107
1105 0488	Harness Clamp	67 - 106
1105 0488	Harness Clamp	75 - 103
1105 0489	Harness Clamp - LWS 1316	75 - 105
1105 0508	Harness Clamp - LWS-0711	73 - 110
1105 0508	Harness Clamp - LWS-0711	19 - 105
1105 0511	Harness Clamp - LWS-0306ZC	51 - 104
1105 0511	Harness Clamp - LWS-0306ZC	65 - 104
1105 0511	Harness Clamp - LWS-0306ZC	69 - 106
1105 0511	Harness Clamp - LWS-0306ZC	73 - 109
1105 0511	Harness Clamp - LWS-0306ZC	75 - 104
1105 0511	Harness Clamp - LWS-0306ZC	61 - 102
1105 0511	Harness Clamp - LWS-0306ZC	63 - 104
1105 0516	Clamp	19 - 104
1105 0516	Clamp	69 - 105
1105 0516	Clamp	73 - 105
1105 0516	Clamp	75 - 106
1105 0522	Edge Saddle - LES0510	73 - 106
1105 0522	Edge Saddle - LES0510	59 - 104
1107 0472	Circuit Breaker - W28XQ1A 8A 25V	67 - 103
1107 1099	Fuse Sst 5	81 - 112
1204 1537	DIP Switch	77 - 122
1204 1543	DIP Switch	81 - 113
1204 2466	Micro Switch - V-16506-1c25	57 - 103

Part No.	Description	Page and Index No.
1204 2466	Micro Switch - V-16506-1c25	59 - 105
1204 2521	Micro Switch	69 - 108
1204 2529	Switch - V-5F912DN	65 - 107
1204 2529	Switch - V-5F912DN	69 - 109
1204 2608	Rocker Switch: SDDJE33900	69 - 110
1206 0115	Lithium Cell - CR1632/V1A	81 - 114
1400 0381	Transistor - 2SA1036KR	77 - 123
1400 0688	Transistor -DTC143ZUA	79 - 111
1400 0730	Transistor - 2SD1782K	81 - 115
1400 0775	Transistor - 2SC4081	77 - 124
1400 0795	Transistor - 2SC4617	79 - 112
1400 0902	Transistor - DTA113ZUA	77 - 125
1400 0918	Transistor - DTC123JUA	77 - 126
1401 1209	IC - HAT2093R	81 - 116
1401 1228	Fet: SI3433DV-E3	81 - 117
1401 1296	Fet: TPC8115	81 - 118
1401 1320	Fet - TPC8107	81 - 119
1402 1322	Diode Array - DAN202U	77 - 127
1402 1336	Diode - 1SS355	81 - 120
1402 1336	Diode - 1SS355	77 - 128
1402 1343	Diode - RB106L-40	79 - 113
1402 1365	Diode-RB751V-40	81 - 121
1402 1546	Diode - RB081	79 - 114
1402 1584	Diode - DAN217U	77 - 129
1402 1662	Diode: PTZ6.2B	77 - 130
1402 1662	Diode: PTZ6.2B	79 - 115
1402 1663	Diode - ZTP12B	77 - 131
1402 1698	Diode - RB	81 - 122
1402 1709	Diode: EC21QS06G	81 - 123
1403 0953	LED - SML-310MT	79 - 116
1403 0996	LED - SML-310VT	79 - 117
1403 1033	LED - SML-310YT	79 - 118
1403 1131	LED: SML-311UT	81 - 124
1404 0360	Thermistor - 103HT	77 - 132
1407 1535	IC - TD62308AP	77 - 133

Part No.	Description	Page and Index No.
1407 2187	TTLIC - SN74LS07NS	79 - 119
1407 2187	TTLIC - SN74LS07NS	77 - 134
1407 2218	TTLIC - SN74LS06NS	77 - 135
1407 2219	IC - TD62003AP	77 - 136
1407 4919	IC - 74VHCT244 TSSOP	81 - 125
1407 5090	IC - DS90CF364MTD	79 - 120
1407 5274	CMOS Logic - 74LVCH162244A TSSOP	81 - 126
1407 5300	CMOS Logic - 74LVC16244A TSSOP	81 - 127
1407 5334	IC - CMOS LOGIC 74LVC244A TSSOP	81 - 128
1407 5344	IC - SN74LV02APW	77 - 137
1407 5345	IC-SN74LV04APW	81 - 129
1407 5347	IC - SN74LV08APW	77 - 138
1407 5351	IC - SN74LV14APW	79 - 121
1407 5351	IC - SN74LV14APW	77 - 139
1407 5353	IC - SN74LV244APW	79 - 122
1407 5376	IC - SN74LV32APW	81 - 130
1407 5388	IC - SN74LV08ANS	79 - 123
1407 5392	IC: SN74IV541APW	79 - 124
1407 5421	IC - SN74LV74ANS	79 - 125
1407 5463	IC - SN74LV245APW	79 - 126
1407 5469	IC - SN74LV07APW	81 - 131
1407 5469	IC - SN74LV07APW	79 - 127
1407 5469	IC - SN74LV07APW	77 - 140
1407 5483	IC - SN74AHC1G125DCK	79 - 128
1407 5520	IC - SN74LVC125APW	81 - 132
1407 5523	ROM - I2C SOP 3V	81 - 133
1407 5604	IC - SN74LVC16245ADGG	81 - 134
1407 5685	IC: SN74AHC1G32HDCK	81 - 135
1407 5712	IC: SN74LV07ANS	79 - 129
1407 5868	Ethernet Cont LSI - DP83847ALQA56A	81 - 136
1407 5896	Controller Image Processing RF5V861	79 - 130
1407 6101	IC - SN74LVC2G17DCK	81 - 137
1407 6127	Clock Generator: ICS960008AFLF	81 - 138
1407 6145	IC: SN74IVC373APW	81 - 139
1407 6161	Clock Generator: ICS960009AFLF	81 - 140

Part No.	Description	Page and Index No.
1407 6166	IC - ESOC	79 - 131
1407 6167	IC - EIO	77 - 141
1407 6187	CMOS Logic - SN74LVC1G07DCK	81 - 141
1407 6265	Real Time Clock: R2025S	81 - 142
1407 6335	CMOS Logic: SN74LVC1G17DCK	81 - 143
1407 6380	Eeprom - BR24I08-W	79 - 132
1407 6385	Clock Generator - MB88154PNF-G-102-	79 - 133
1407 6430	IC - GAVD TYPE-R	79 - 134
1407 6453	CPU - RM7035C-466L-REV1.1	81 - 144
1408 1204	IC - TA8083P	77 - 142
1408 1448	Regulator - PQ3DZ13	79 - 135
1408 1463	Regulator: LM1085IS-ADJ	79 - 136
1408 1680	Operational Amplifier - LM358D	79 - 137
1408 1778	IC: R3112Q101A	81 - 145
1408 1779	IC - R3112Q281A	79 - 138
1408 1779	IC - R3112Q281A	77 - 143
1408 1818	Series Regulator - LM1117MP-1.8	79 - 139
1408 1825	IC - R3112Q121A	81 - 146
1408 1826	IC - R3112Q421A	81 - 147
1408 1826	IC - R3112Q421A	79 - 140
1408 1956	IC: LTC3728LXCUH#TRPBF	81 - 148
1408 1960	IC: LP2996LQ/NOPB	81 - 149
1408 1975	IC - TPS62040DGQ	81 - 150
1408 2015	Series Regulator - PQ018EZ02ZPH	79 - 141
1408 2029	Comparator: LM2901PW	77 - 144
1408 2030	Operational Amplifier - LM224D	77 - 145
1408 2034	IC: TPS62042DGQ	81 - 151
1408 2053	IC: R3112Q291A-FA	81 - 152
1408 2066	IC: TPS54310PWP	81 - 153
1408 2122	Series Regulator - R1130H331A-FB	77 - 146
1408 2151	IC - PQ1CX12H2ZPQ	79 - 142
1503 0842	Oscillator - 14.31818Mhz	81 - 154
1503 1004	Oscillator - 19.6608Mhz	81 - 147
1503 1007	Crystal Oscillator - 25Mhz	81 - 155
1503 1106	Crystal Oscillator: 40.97Mhz	79 - 143

Part No.	Description	Page and Index No.
1503 1181	Crystal Oscillator: 30mhz	81 - 156
1503 1215	Crystal Oscillator - 17.5MHZ	79 - 144
1503 1239	Crystal Oscillator: 25mhz	81 - 157
1601 5477	Resistor - 330 Ω \pm 5% 1W	77 - 148
1601 7877	Resistor Array 4.7k Ω \pm 5% 1/32W	81 - 158
1601 7887	Resistor Array - 10K Ω \pm 5% 1/32W	77 - 149
1601 7887	Resistor Array - 10K Ω \pm 5% 1/32W	79 - 145
1601 7887	Resistor Array - 10K Ω \pm 5% 1/32W	81 - 159
1601 7896	Resistor Array - 56 Ω \pm 5% 1/32W	79 - 146
1601 7896	Resistor Array - 56 Ω \pm 5% 1/32W	81 - 160
1601 7898	Resistor Array	79 - 147
1601 7898	Resistor Array	77 - 150
1601 7898	Resistor Array	81 - 161
1601 7909	Resistor Array - 10 Ω \pm 5% 1/32W	81 - 162
1601 7913	Resistor 22 Ω \pm 5% 1/32W	81 - 163
1601 7943	Resistor Array - 68 Ω \pm 5% 1/32W	79 - 148
1601 7959	Resistor	79 - 149
1601 7959	Resistor	81 - 164
1601 7960	Resistor Array - 100 Ω \pm 5% 1/16W	81 - 165
1601 7960	Resistor Array - 100 Ω \pm 5% 1/16W	79 - 150
1601 7981	Resistor Array - 100K Ω \pm 5% 1/16W	79 - 151
1601 7981	Resistor Array - 100K Ω \pm 5% 1/16W	81 - 166
1601 7983	Resistor Array: 2.2k Ω : \pm 5%: 1/16W	77 - 151
1601 7994	Resistor - 8.2K Ω \pm 5% 1/16W	81 - 167
1604 4630	Capacitor - 100 μ F \pm 20% 6.3V	81 - 168
1604 4728	Capacitor - 100 μ F \pm 20% 16V	81 - 169
1604 4733	Capacitor - 100 μ F \pm 20% 10V	79 - 152
1604 4782	Capacitor - 470 μ F \pm 20% 16V	79 - 153
1604 4925	Capacitor - 100 μ F \pm 20% 10V	79 - 154
1604 4994	Capacitor - 100 μ F \pm 20% 6.3V	81 - 170
1604 4999	Capacitor - 68 μ F \pm 20%: 10V	79 - 155
1604 5002	Capacitor - 220 μ F \pm 20% 6.3V	81 - 171
1604 5046	Capacitor - 150 μ F \pm 20%: 10V	79 - 156
1604 5102	Capacitor: 33 μ F: \pm 20%: 16V	81 - 172
1604 5291	Capacitor - 10 μ F \pm 20% 16V	79 - 157

Part No.	Description	Page and Index No.
1604 5367	Capacitor - 220 μ F \pm 20% 10V	79 - 158
1604 5368	Capacitor - 470 μ F \pm 20% 10V	79 - 159
1605 1034	Ceramic Capacitor: 1000pf: \pm 10%: 50V	81 - 173
1605 1081	Capacitor - 10 μ F +80-20% 25V	81 - 174
1605 1095	Capacitor: 180pf: \pm 5%: 25V	81 - 175
1605 1124	Capacitor - 4.7 μ F +80 -20% 10V	79 - 160
1605 1124	Capacitor - 4.7 μ F +80 -20% 10V	81 - 176
1605 1137	Capacitor - 470pF \pm 10% 50V	79 - 161
1605 1137	Capacitor - 470pF \pm 10% 50V	77 - 152
1605 1148	Capacitor - 0.1 μ F +80-20% 50V	79 - 162
1605 1165	Capacitor: 680pf: \pm 5%: 50V	81 - 177
1605 1200	Capacitor - 10PF \pm 0.5pF 50V	81 - 178
1605 1201	Capacitor - 12pF \pm 5% 50V	79 - 163
1605 1201	Capacitor - 12pF \pm 5% 50V	81 - 179
1605 1202	Capacitor - 15pF \pm 5% 50V	79 - 164
1605 1204	Capacitor-pf50V	81 - 180
1605 1205	Capacitor - 33pF \pm 5% 50V	81 - 181
1605 1206	Capacitor - 47pF \pm 5% 50V	79 - 165
1605 1206	Capacitor - 47pF \pm 5% 50V	81 - 182
1605 1207	Capacitor - 68pF \pm 5% 50V	81 - 183
1605 1208	Capacitor: 100pf: \pm 5%: 50V	79 - 166
1605 1208	Capacitor: 100pf: \pm 5%: 50V	81 - 184
1605 1209	Capacitor - 150pF \pm 5% 50V	81 - 185
1605 1210	Capacitor: 180pf: \pm 5%: 50V	81 - 186
1605 1212	Capacitor - 470pF \pm 10% 50V	79 - 167
1605 1212	Capacitor - 470pF \pm 10% 50V	81 - 187
1605 1214	Capacitor - 1000pF \pm 10% 50V	81 - 188
1605 1216	Capacitor - 2200PF \pm 10%50V	81 - 189
1605 1221	Capacitor - 0.1 μ F+80-20%16V	81 - 190
1605 1221	Capacitor - 0.1 μ F+80-20%16V	79 - 168
1605 1224	Capacitor 4.7 μ F \pm 10% 6.3V	79 - 169
1605 1225	Capacitor - 0.1 μ F \pm 10% 50V	77 - 153
1605 1234	Capacitor: 4700pf: \pm 10%: 50V	79 - 170
1605 1240	Capacitor - 0.01 μ F \pm 10% 25V	81 - 191
1605 1240	Capacitor - 0.01 μ F \pm 10% 25V	79 - 171

Part No.	Description	Page and Index No.
1605 1249	Capacitor: 0.047 μ F: \pm 10%: 16V	81 - 192
1605 1281	Capacitor - 0.22 μ F \pm 10% 16V	77 - 154
1605 1282	Capacitor: 22 μ F: +80-20%: 10V	79 - 172
1605 1282	Capacitor: 22 μ F: +80-20%: 10V	81 - 193
1605 1283	Capacitor - 680pF \pm 10% 50V	81 - 194
1605 1284	Capacitor: 1500pf: \pm 10%: 50V	81 - 195
1605 1285	Capacitor - 3300pF \pm 10% 50V	81 - 196
1605 1288	Capacitor - 220pF \pm 5% 50V	81 - 197
1605 1289	Capacitor - 0.1 μ F \pm 10% 10V	81 - 198
1605 1294	Capacitor - 1000pF \pm 5% 50V	77 - 155
1605 1294	Capacitor - 1000pF \pm 5% 50V	81 - 199
1605 1295	Capacitor: 10 μ F: +80-20%: 10V	79 - 173
1605 1295	Capacitor: 10 μ F: +80-20%: 10V	81 - 200
1605 1296	Capacitor - 330pF \pm 10% 50V	81 - 201
1605 1299	Capacitor - 56pF \pm 5% 50V	81 - 202
1605 1303	Capacitor - 0.01 μ F +80-20% 50V	81 - 203
1605 1307	Capacitor - 2.2 μ F +80-20% 11V	81 - 204
1605 1347	Capacitor - 1 μ F: +80-20%: 16V	81 - 205
1605 1353	Capacitor - 0.1 μ F \pm 10% 25V	81 - 206
1605 1353	Capacitor - 0.1 μ F \pm 10% 25V	77 - 156
1605 1354	Capacitor: 1200pf: \pm 5%: 50V	81 - 207
1605 1355	Ceramic Capacitor: 680pf: \pm 10%: 50V	79 - 174
1605 1359	Capacitor - 10 μ F: \pm 20%: 16V	81 - 208
1605 1391	Capacitor - 22 μ F: \pm 20%: 6.3V	81 - 209
1605 1406	Capacitor - 10 μ F \pm 10% 6.3V	81 - 210
1605 1416	Capacitor - 1800PF: \pm 5%: 50V	81 - 211
1605 1417	Capacitor: 47 μ F: +80-20%: 10V	81 - 212
1605 1430	Capacitor - 1 μ F +80-20% 50V	79 - 175
1605 1447	Capacitor - 470pF \pm 5% 50V	79 - 176
1605 1465	Capacitor - 1 μ F \pm 10% 25V	79 - 177
1605 1466	Capacitor - 4.7 μ F +80-20% 10V	81 - 213
1605 1489	Capacitor - 2.2 μ F \pm 10% 25V	77 - 157
1607 0978	Inductor - BLM21P300SPB	81 - 214
1607 1051	Filter -FBMJ2125HS420	81 - 215
1607 1061	Filter - BLM11P300SPB	81 - 216

Part No.	Description	Page and Index No.
1607 1196	Inductor -220uh \pm 20% 0.33A	79 - 178
1607 1223	Inductor - 47uh \pm 20% 2.7A	79 - 179
1607 1228	Inductor - SLF7045-4R7M2R0	81 - 217
1607 1315	Filter - BK1608HS600	77 - 158
1607 1351	Filter BLM21PG221SN1B	81 - 218
1607 1362	Coil - ACM3225-800-2P	81 - 219
1607 1471	Inductor: LB2518B6R8M	81 - 220
1607 1477	Inductor - RLF7030-4R7M3R4	81 - 221
1607 1489	Filter - MMZ1608B301C	81 - 222
1607 1546	Inductor - SLF6028-220MR77-PF	79 - 180
1607 1556	Inductor: RLF7030-1R5N6R1	81 - 223
1607 1567	Filter: MPZ2012S101A	81 - 224
1607 1650	Inductor: RLF7030-6R8M2R8	81 - 225
1607 1831	Ferrite Core: K1 Nf-80(n)gy2	9 - 105
1609 0005	Resistor: 33 Ω : \pm 5%: 1/16w	77 - 159
1609 0005	Resistor: 33 Ω : \pm 5%: 1/16W	79 - 181
1609 0005	Resistor: 33 Ω : \pm 5%: 1/16W	81 - 226
1609 0006	Resistor: 10k Ω : \pm 5%: 1/16W	79 - 182
1609 0006	Resistor: 10k Ω : \pm 5%: 1/16W	77 - 160
1609 0006	Resistor: 10k Ω : \pm 5%: 1/16W	81 - 227
1609 0007	Resistor - 68 Ω \pm 5% 1/16W	79 - 183
1609 0007	Resistor - 68 Ω \pm 5% 1/16W	81 - 228
1609 0008	Resistor: 4.7k Ω : \pm 5%: 1/16W	81 - 229
1609 0011	Resistor: 22 Ω : \pm 5%: 1/16W	79 - 184
1609 0011	Resistor: 22 Ω : \pm 5%: 1/16W	81 - 230
1609 0016	Resistor: 56 Ω : \pm 5%: 1/16W	79 - 185
1609 0016	Resistor: 56 Ω : \pm 5%: 1/16W	81 - 231
1609 0019	Resistor: 0 Ω : 1608	81 - 232
1609 0020	Resistor: 10 Ω : \pm 5%: 1/16W	81 - 233
1609 0026	Resistor - 47 Ω \pm 5% 1/16W	81 - 234
1609 0027	Resistor - 100K Ω \pm 5% 1/16W	81 - 235
1609 0076	Resistor - 150K Ω \pm 5% 1/16W	79 - 186
1610 1775	Resistor - 0.03 Ω \pm 1% 1W	81 - 236
1610 1804	Resistor: 0.006 Ω : \pm 1%: 1W	81 - 237
1610 1821	Resistor - 2.7 Ω \pm 1% 1/10W	79 - 187

Part No.	Description	Page and Index No.
1610 1834	Resistor - 150 Ω \pm 0.5% 1/16W	79 - 188
1632 0000	Resistor - 0 Ω 1/8W	81 - 238
1634 0000	Resistor - 0 Ω 1/16W	79 - 189
1634 0000	Resistor - 0 Ω 1/16W	81 - 239
1640 2470	Capacitor - 47 μ F \pm 20% 25V	77 - 161
1640 2471	Capacitor - 470 μ F \pm 20% 25V	77 - 162
1640 5100	Capacitor - 10 μ F \pm 20% 50	77 - 163
1640 5101	Capacitor - 100 μ F \pm 20% 50V	77 - 164
1643 1470	Capacitor - 47 μ F \pm 20% 16V	77 - 165
1650 2101	Resistor - 100 Ω \pm 5% 1/4W	77 - 166
1650 2221	Resistor: 220 Ω : \pm 5%: 1/4W	77 - 167
1650 2682	Resistor - 6.8K Ω \pm 5% 1/4W	77 - 168
1650 3221	Resistor - 220 Ω \pm 5%1/8W	77 - 169
1650 4100	Resistor - 10 Ω \pm 5% 1/10W	79 - 190
1650 4100	Resistor - 10 Ω \pm 5% 1/10W	81 - 240
1650 4100	Resistor - 10 Ω \pm 5% 1/10W	77 - 170
1650 4101	Resistor - 100 Ω \pm 5%1/10W	77 - 171
1650 4101	Resistor - 100 Ω \pm 5%1/10W	79 - 191
1650 4102	Resistor - 1K Ω \pm 5% 1/10W	77 - 172
1650 4102	Resistor - 1K Ω \pm 5% 1/10W	79 - 192
1650 4103	Resistor - 10K Ω \pm 5% 1/10W	79 - 193
1650 4103	Resistor - 10K Ω \pm 5% 1/10W	77 - 173
1650 4104	Resistor - 100K Ω \pm 5%1/10W	79 - 194
1650 4104	Resistor - 100K Ω \pm 5%1/10W	77 - 174
1650 4105	Resistor - 1M Ω \pm 5% 1/10W	77 - 175
1650 4111	Chip Resistor: 110K Ω : \pm 5%: 1/10W	77 - 176
1650 4122	Resistor - 1.2K Ω \pm 5% 1/10W	79 - 195
1650 4123	Resistor - 12K Ω \pm 5%1/10W	77 - 177
1650 4204	Resistor - 200K Ω \pm 5%1/10W	77 - 178
1650 4220	Chip Resistor - 22 Ω \pm 5% 1/10W	77 - 179
1650 4220	Chip Resistor - 22 Ω \pm 5% 1/10W	81 - 241
1650 4222	Resistor - 2.2K Ω \pm 5%1/10W	79 - 196
1650 4222	Resistor - 2.2K Ω \pm 5%1/10W	77 - 180
1650 4223	Resistor - 22K Ω \pm 5%1/10W	79 - 197
1650 4223	Resistor - 22K Ω \pm 5%1/10W	77 - 181

Part No.	Description	Page and Index No.
1650 4301	Chip Resistor: 300kΩ: ±5%: 1/10W	79 - 198
1650 4330	Chip Resistor - 33Ω ±5% 1/10W	81 - 242
1650 4330	Chip Resistor - 33Ω ±5% 1/10W	79 - 199
1650 4330	Chip Resistor - 33Ω ±5% 1/10W	77 - 182
1650 4332	Resistor - 3.3KΩ±5%1/10W	79 - 200
1650 4332	Resistor - 3.3KΩ±5%1/10W	77 - 183
1650 4470	Resistor - 47Ω±5%1/10W	81 - 243
1650 4472	Resistor - 4.7KΩ ±5% 1/10W	77 - 184
1650 4479	Resistor - 4.7Ω ±5% 1/10W	79 - 201
1650 4511	Resistor - 510Ω±5%1/10W	79 - 202
1650 4560	Chip Resistor - 56Ω ±5% 1/10W	79 - 203
1650 4560	Chip Resistor - 56Ω ±5% 1/10W	77 - 185
1650 4560	Chip Resistor - 56Ω ±5% 1/10W	81 - 244
1650 4561	Resistor - 560Ω ±5% 1/10W	79 - 204
1650 4562	Resistor - 5.6KΩ ±5% 1/10W	77 - 186
1650 4680	Resistor - 68Ω±5%1/10W	79 - 205
1650 5100	Chip Resistor - 10 Ω±5%1/16W	81 - 245
1650 5101	Chip Resistor - 100 Ω±5%1/16W	81 - 246
1650 5101	Chip Resistor - 100 Ω±5%1/16W	79 - 206
1650 5102	Chip Resistor - 1kΩ±5%1/16W	81 - 247
1650 5102	Chip Resistor - 1kΩ±5%1/16W	79 - 207
1650 5103	Chip Resistor - 10kΩ±5%1/16W	79 - 208
1650 5103	Chip Resistor - 10kΩ±5%1/16W	81 - 248
1650 5104	Chip Resistor - 100kΩ±5%1/16W	79 - 209
1650 5104	Chip Resistor - 100kΩ±5%1/16W	81 - 249
1650 5105	Chip Resistor - 1mΩ±5%1/16W	81 - 250
1650 5109	Chip Resistor 1Ω ±5% 1/16W	81 - 251
1650 5122	Chip Resistor - 1.2kΩ±5%1/16W	81 - 252
1650 5150	Resistor - 15Ω ±5% 1/16W	81 - 253
1650 5152	Chip Resistor: 1.5kΩ: ±5%: 1/16W	81 - 254
1650 5153	Chip Resistor - 15kΩ ±5% 1/16W	81 - 255
1650 5202	Chip Resistor: 2kΩ: ±5%: 1/16W	81 - 256
1650 5220	Resistor - 22Ω ±5% 1/16W	81 - 257
1650 5221	Chip Resistor - 220Ω±5%1/16W	81 - 258
1650 5222	Resistor - 2.2KΩ ±5% 1/16W	79 - 210

Part No.	Description	Page and Index No.
1650 5222	Resistor - 2.2KΩ ±5% 1/16W	81 - 259
1650 5229	Resistor: 2.2 Ω: ±5%: 1/16W: 1005	81 - 260
1650 5244	Resistor: 240k Ω: ±5%: 1/16W: 1005	79 - 211
1650 5249	Resistor - 2.4Ω ±5% 1/16W	81 - 261
1650 5271	Chip Resistor 270Ω ±5% 1/16W	81 - 262
1650 5272	Chip Resistor: 2.7kΩ: ±5%: 1/16W	81 - 263
1650 5273	Resistor: 27kΩ: ±5%: 1/16w	81 - 264
1650 5330	Chip Resistor - 33Ω±5%1/16w	81 - 265
1650 5330	Chip Resistor - 33Ω±5%1/16W	79 - 212
1650 5360	Resistor - 36Ω ±5% 1/16W	81 - 266
1650 5470	Chip Resistor 47Ω ±5% 1/16W	81 - 267
1650 5472	Chip Resistor: 4.7kΩ: ±5%: 1/16W	79 - 213
1650 5472	Chip Resistor: 4.7kΩ: ±5%: 1/16W	81 - 268
1650 5510	Chip Resistor - 51Ω±5%1/16W	81 - 269
1650 5512	Chip Resistor 5.1kΩ ±5% 1/16W	81 - 270
1650 5513	Chip Resistor: 51kΩ: ±5%: 1/16W	81 - 271
1650 5514	Chip Resistor: 510kΩ: ±5%: 1/16W	81 - 272
1650 5560	Chip Resistor 56Ω ±5% 1/16W	81 - 273
1650 5560	Chip Resistor 56Ω ±5% 1/16W	79 - 214
1650 5562	Chip Resistor: 5.6kΩ: ±5%: 1/16W	81 - 274
1650 5621	Chip Resistor 620Ω ±5% 1/16W	81 - 275
1650 5680	Resistor - 68Ω ±5% 1/16W	79 - 215
1650 5680	Resistor - 68Ω ±5% 1/16W	81 - 276
1650 5681	Chip Resistor: 680Ω: ±5%: 1/16W	81 - 277
1650 5681	Chip Resistor: 680Ω: ±5%: 1/16W	79 - 216
1650 5750	Chip Resistor: 75Ω: ±5%: 1/16W	81 - 278
1650 5820	Chip Resistor: 82Ω: ±5%: 1/16W	81 - 279
1650 5822	Chip Resistor: 8.2kΩ: ±5%: 1/16W	81 - 280
1650 5823	Chip Resistor: 82kΩ: ±5%: 1/16W	81 - 281
1653 4999	Resistor - 49.9Ω ±1% 1/8W	81 - 282
1653 5499	Resistor - 54.9Ω ±1% 1/8W	81 - 283
1654 1001	Resistor - 1KΩ±1%1/10W	79 - 217
1654 1002	Resistor - 10KΩ±5%1/10W	77 - 187
1654 1003	Resistor - 100KΩ±1%1/10W	77 - 188
1654 1004	Chip Resistor - 1mΩ ±1% 1/10W	77 - 189

Part No.	Description	Page and Index No.
1654 1403	Resistor: 140kΩ: ±1%: 1/10W	77 - 190
1654 1500	Resistor - 150Ω±1 %1/10W	79 - 218
1654 1501	Resistor - 1.5K Ω ±1% 1/10W 1608	81 - 284
1654 1501	Resistor - 1.5K Ω ±1% 1/10W 1608	77 - 191
1654 2002	Resistor - 20KΩ±1%1/10W	77 - 192
1654 2401	Resistor - 2.4KΩ ±1% 1/10W	77 - 193
1654 2402	Chip Resistor: 24kΩ: ±1%: 1/10W	77 - 194
1654 4641	Resistor: 4.64kΩ: ±1%: 1/10W	77 - 195
1654 4709	Resistor - 47Ω±1% 1/10W	79 - 219
1654 5109	Resistor: 51Ω: ±1%: 1/10W	79 - 220
1654 5621	Resistor: 5.62kΩ: ±1%: 1/10W	77 - 196
1654 8259	Resistor - 82.5Ω ±1% 1/10W	79 - 221
1655 0000	Chip Resistor - 0Ω±0%1/16W	79 - 222
1655 0000	Chip Resistor - 0Ω±0%1/16W	81 - 285
1655 1000	Chip Resistor: 100Ω: ±1%: 1/16W	81 - 286
1655 1000	Chip Resistor: 100Ω: ±1%: 1/16W	79 - 223
1655 1001	Chip Resistor - 1kΩ ±1% 1/16W	81 - 287
1655 1001	Chip Resistor - 1kΩ ±1% 1/16W	79 - 224
1655 1002	Chip Resistor - 10kΩ±1%1/16W	81 - 288
1655 1004	Resistor - 1MΩ ±1% 1/16W	79 - 225
1655 1102	Resistor - 11KΩ ±1% 1/16W	81 - 289
1655 1301	Chip Resistor: 1.3kΩ: ±1%: 1/16W	81 - 290
1655 1602	Resistor: 16k Ω: ±1%: 1/16W	81 - 291
1655 1651	Resistor: 1.65k Ω: ±1%: 1/16W: 1005	81 - 292
1655 1800	Chip Resistor: 180Ω: ±1%: 1/16W	81 - 293
1655 1912	Resistor: 19.1k Ω: ±1%: 1/16W	81 - 294
1655 2002	Chip Resistor - 20kΩ±1%1/16W	81 - 295
1655 2152	Chip Resistor: 21.5kΩ: ±1%: 1/16W	81 - 296
1655 3000	Chip Resistor: 300Ω: ±1%: 1/16W	81 - 297
1655 3402	Resistor: 34k Ω: ±1%: 1/16W	81 - 298
1655 3900	Resistor: 390 Ω: ±1%: 1/16W	81 - 299
1655 4321	Resistor: 4.32k Ω: ±1%: 1/16W	81 - 300
1655 4701	Chip Resistor - 4.7kΩ±1%1/16W	81 - 301
1655 4701	Chip Resistor - 4.7kΩ±1%1/16W	79 - 226
1655 4703	Resistor - 470KΩ ±1% 1/16W	81 - 302

Part No.	Description	Page and Index No.
1655 5600	Resistor - 560Ω ±1% 1/16W	79 - 227
1655 6342	Resistor: 63.4k Ω: ±1%: 1/16W	81 - 303
1655 8202	Resistor - 82KΩ ±1% 1/16W	81 - 304
1655 8251	Resistor: 8.25k Ω: ±1%: 1/16W	81 - 305
1655 9761	Resistor: 9.76k Ω: ±1%: 1/16W	81 - 306
1660 2101	Capacitor - 100pF - ±10% - 50V	79 - 228
1660 2101	Capacitor - 100pF - ±10% - 50V	77 - 197
1660 2121	Capacitor - 120pF ±5% 50V	81 - 307
1660 2150	Capacitor - 15pF ±5% 50V	77 - 198
1660 2181	Capacitor - 180pF ±5% 50V	79 - 229
1660 2270	Capacitor - 27pF ±20% 35V	77 - 199
1660 2470	Capacitor - 47pF ±5% 50V	79 - 230
1660 2470	Capacitor - 47pF ±5% 50V	77 - 200
1660 2471	Capacitor - 470pF - ±5% - 50V	77 - 201
1660 2560	Capacitor - 56pF ±5% 50V	79 - 231
1660 4102	Capacitor - 1000pF ±10% 50V	79 - 232
1660 4102	Capacitor - 1000pF ±10% 50V	81 - 308
1660 4103	Capacitor - 10000pF - ±10% - 50V	79 - 233
1660 4222	Capacitor - 2200pF - ±10% - 50V	79 - 234
1660 4332	Capacitor - 3300pF - ±10% - 50V	79 - 235
1660 4472	Capacitor - 4700PF±10% 50V	77 - 202
1660 4472	Capacitor - 4700PF±10% 50V	79 - 236
1660 4472	Capacitor - 4700PF±10% 50V	81 - 309
1660 6103	Capacitor - 10000pF - +80%-20%50V	77 - 203
1660 8104	Capacitor - 0.1μF +80-20% 25V	77 - 204
1660 8104	Capacitor - 0.1μF +80-20% 25V	79 - 237
1902 0070	SRAM - 1M: X8: 3.3V: G2	79 - 238
1906 0021	IC - DRAM MBM29LV160BE70TN	79 - 239
1906 0076	Flash Memory: MBM29PL12LM12PCN	81 - 310

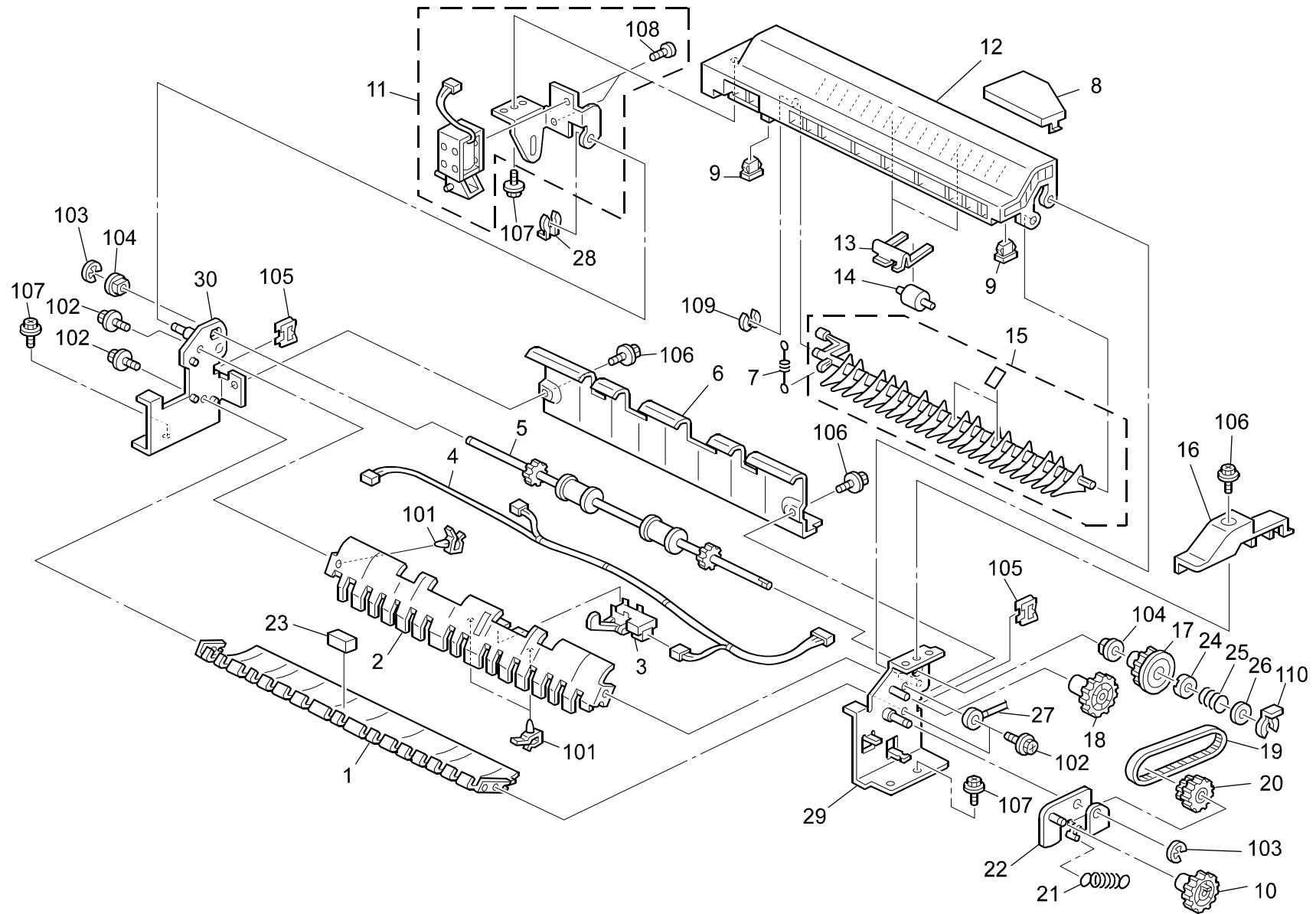
Part No.	Description	Page and Index No.
5203 1852	Bushing - 6x8x4mm	43 - 11
5203 9502	Grease 501	85 - 9
5206 2686	Snap Ring	11 - 26
5206 2686	Snap Ring	39 - 2
5206 2686	Snap Ring	35 - 12
5206 2686	Snap Ring	31 - 26
5216 4198	Stepped Screw - Guide Plate	27 - 15
5447 2681	Snap Ring	33 - 1
5447 2681	Snap Ring	31 - 9
5447 2681	Snap Ring	41 - 35
5447 2681	Snap Ring	53 - 13
5447 2681	Snap Ring	55 - 3
5447 2681	Snap Ring	27 - 1

Part No.	Description	Page and Index No.
----------	-------------	--------------------

**BRIDGE UNIT TYPE 2045
B538
PARTS LOCATION AND LIST**

This section instructs you as to the numbers and names of parts on this machine

1.BRIDGE UNIT 1 (B538)

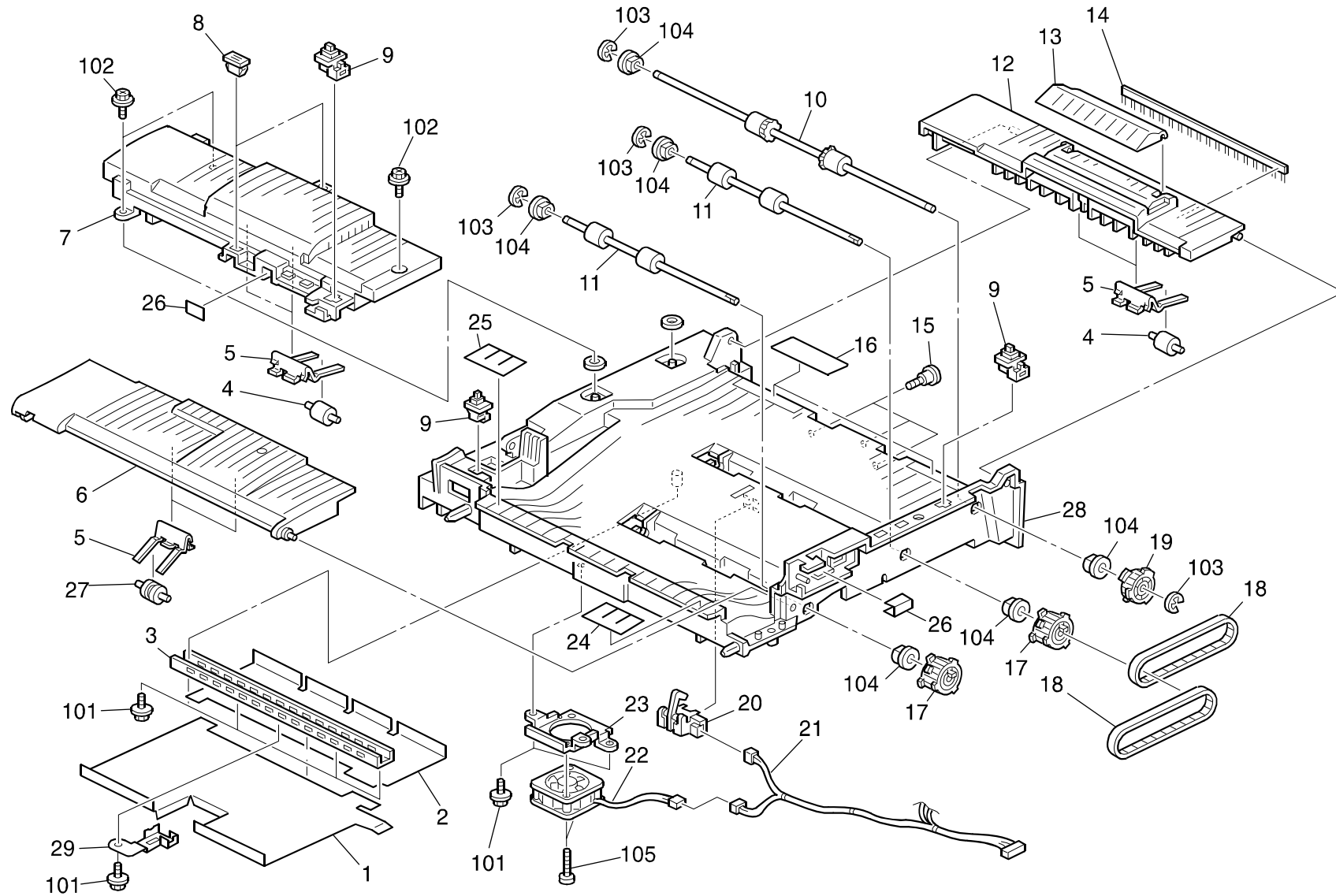


1.BRIDGE UNIT 1 (B538)

Index No.	Part No.	Description	Q'ty Per Assembly
1	B538 4478	Guide Plate:Lower	1
2	B538 4453	Guide Plate:Upper:Ass'y	1
3	AW02 0179	Paper Feed Sensor	1
4	B538 5436	Harness:Joint Unit:Exit	1
5	AF02 0657	Exit Roller:Joint Unit:Upper	1
6	B538 4456	Cover:Exit:Left	1
7	AA06 6579	Tension Spring	1
8	B538 1350	Cover:Connector	1
9	AA02 1031	Magnetic Catch	2
10	AB01 4054	Gear - 20Z	1
11	B538 4485	DC Solenoid:Ass'y	1
12	B538 4481	Cover:Exit:Upper	1
13	A688 4482	Roller Holder	2
14	AF04 0558	Driven Roller	2
15	A688 4490	Junction Gate Ass'y	1
16	B538 1300	Cover:Exit:Rear	1
17	AB01 4174	Exit Gear - 21z	1
18	AB01 4055	Gear - 24Z	1
19	AA04 3448	Timing Belt - S2M 216	1
20	AB01 7459	Gear/pulley - 16Z/26T	1
21	AA06 6578	Tension Spring	1
22	B538 4473	Bracket:Input:Ass'y	1
23	AA16 1082	Cushion - Mirror	1
24	A688 4473	Disc - Torque Limiter	1
25	AA06 3410	Compression Spring:Torque Limiter	1
26	A688 4474	Spacer - T2	1
27	B538 5510	Harness:Ground Wire:Joint Unit	1
28	5447 2681	Snap Ring	1
29	B538 4468	Side Plate:Rear:Ass'y	1
30	B538 4463	Side Plate:Front:Ass'y	1

Index No.	Part No.	Description	Q'ty Per Assembly
101	1105 0283	Clamp	
102	0451 3006N	Tapping Screw - 3x6	
103	0720 0040E	Retaining Ring - M4	
104	0805 3480	Bushing - 6mm	
105	1105 0328	Harness Clamp - ES-0505	
106	0451 3006N	Tapping Screw - 3x6	
107	0450 3008N	Tapping Screw - M3x8	
108	0951 3004B	Philips Pan Head Screw - M3x4	
109	0805 0089	Retaining Ring - M4	
110	0805 0097	Ring Separator	

2.BRIDGE UNIT 2 (B538)



2.BRIDGE UNIT 2 (B538)

Index No.	Part No.	Description	Q'ty Per Assembly
1	B538 3918	Sheet:Connecting:Right	1
2	B538 3919	Sheet:Connecting:Left	1
3	B538 3913	Supporting Plate:Base	1
4	AF04 0558	Driven Roller	4
5	A688 3960	Roller Holder	6
6	B538 3964	Cover:Joint Unit:Right	1
7	B538 3980	Cover:Joint Unit:Middle	1
8	AA02 1030	Magnet Catch	2
9	AW50 0022	Push Switch	1
10	AF02 0656	Exit Roller:Joint Unit:Lower	3
11	AF02 0655	Transport Roller:Joint Unit	2
12	B538 3988	Cover:Joint Unit:Left:Ass'y	1
13	B538 3995	Tray:Auxiliary	1
14	AA12 0089	Antistatic Brush	1
15	AA14 3219	Stepped Screw	3
16	A688 3915	Guide Sheet	1
17	AB03 0569	Pulley - 30T	2
18	AA04 3449	Timing Belt - S2M 316	2
19	AB03 0570	Pulley - 30T	1
20	AW02 0179	Paper Feed Sensor	1
21	B538 5429	Harness:Joint Unit:Connecting	1
22	AX64 0091	Fan:Axial:60	1
23	B538 3912	Bracket:Fan	1
24	A688 3916	Rear Mylar Guide	1
25	A688 3917	Front Mylar Guide	1
26	G012 3897	Film - Toner End Sensor Harness	2
27	AF04 0562	Driven Roller	2
28	B538 3910	Bridge Unit Base	1
29	A688 3914	Spring Plate:Sensor:Connecting	1

Index No.	Part No.	Description	Q'ty Per Assembly
101	0450 3008N	Tapping Screw - M3x8	
102	0450 3008Z	Tapping Screw - M3x8	
103	0720 0040E	Retaining Ring - M4	
104	0805 3480	Bushing - 6mm	
105	0313 0220N	Pan Head Screw - M3x22	
106	0451 3006N	Tapping Screw - 3x6	

BRIDGE UNIT TYPE 2045
B538
PARTS INDEX

This section instructs you as to the numbers and names of parts on this machine

Parts Index

Part No.	Description	Page and Index No.
B538 1300	Cover:Exit:Rear	3 - 16
B538 1350	Cover:Connector	3 - 8
B538 3910	Bridge Unit Base	5 - 28
B538 3912	Bracket:Fan	5 - 23
B538 3913	Supporting Plate:Base	5 - 3
B538 3918	Sheet:Connecting:Right	5 - 1
B538 3919	Sheet:Connecting:Left	5 - 2
B538 3964	Cover:Joint Unit:Right	5 - 6
B538 3980	Cover:Joint Unit:Middle	5 - 7
B538 3988	Cover:Joint Unit:Left:Ass'y	5 - 12
B538 3995	Tray:Auxiliary	5 - 13
B538 4453	Guide Plate:Upper:Ass'y	3 - 2
B538 4456	Cover:Exit:Left	3 - 6
B538 4463	Side Plate:Front:Ass'y	3 - 30
B538 4468	Side Plate:Rear:Ass'y	3 - 29
B538 4473	Bracket:Input:Ass'y	3 - 22
B538 4478	Guide Plate:Lower	3 - 1
B538 4481	Cover:Exit:Upper	3 - 12
B538 4485	DC Solenoid:Ass'y	3 - 11
B538 5429	Harness:Joint Unit:Connecting	5 - 21
B538 5436	Harness:Joint Unit:Exit	3 - 4
B538 5510	Harness:Ground Wire:Joint Unit	3 - 27

Part No.	Description	Page and Index No.
A688 3914	Spring Plate:Sensor:Connecting	5 - 29
A688 3915	Guide Sheet	5 - 16
A688 3916	Rear Mylar Guide	5 - 24
A688 3917	Front Mylar Guide	5 - 25
A688 3960	Roller Holder	5 - 5
A688 4473	Disc - Torque Limiter	3 - 24
A688 4474	Spacer - T2	3 - 26
A688 4482	Roller Holder	3 - 13
A688 4490	Junction Gate Ass'y	3 - 15
G012 3897	Film - Toner End Sensor Harness	5 - 26

Part No.	Description	Page and Index No.
AA02 1030	Magnet Catch	5 - 8
AA02 1031	Magnetic Catch	3 - 9
AA04 3448	Timing Belt - S2M 216	3 - 19
AA04 3449	Timing Belt - S2M 316	5 - 18
AA06 3410	Compression Spring:Torque Limiter	3 - 25
AA06 6578	Tension Spring	3 - 21
AA06 6579	Tension Spring	3 - 7
AA12 0089	Antistatic Brush	5 - 14
AA14 3219	Stepped Screw	5 - 15
AA16 1082	Cushion - Mirror	3 - 23
AB01 4054	Gear - 20Z	3 - 10
AB01 4055	Gear - 24Z	3 - 18
AB01 4174	Exit Gear - 21z	3 - 17
AB01 7459	Gear/pulley - 16Z/26T	3 - 20
AB03 0569	Pulley - 30T	5 - 17
AB03 0570	Pulley - 30T	5 - 19
AF02 0655	Transport Roller:Joint Unit	5 - 11
AF02 0656	Exit Roller:Joint Unit:Lower	5 - 10
AF02 0657	Exit Roller:Joint Unit:Upper	3 - 5
AF04 0558	Driven Roller	3 - 14
AF04 0558	Driven Roller	5 - 4
AF04 0562	Driven Roller	5 - 27
AW02 0179	Paper Feed Sensor	5 - 20
AW02 0179	Paper Feed Sensor	3 - 3
AW50 0022	Push Switch	5 - 9
AX64 0091	Fan:Axial:60	5 - 22

Part No.	Description	Page and Index No.
0313 0220N	Pan Head Screw - M3x22	5 -105
0450 3008N	Tapping Screw - M3x8	3 -107
0450 3008N	Tapping Screw - M3x8	5 -101
0450 3008Z	Tapping Screw - M3x8	5 -102
0451 3006N	Tapping Screw - 3x6	3 -102
0451 3006N	Tapping Screw - 3x6	3 -106
0451 3006N	Tapping Screw - 3x6	5 -106
0720 0040E	Retaining Ring - M4	3 -103
0720 0040E	Retaining Ring - M4	5 -103
0805 0089	Retaining Ring - M4	3 -109
0805 0097	Ring Separator	3 -110
0805 3480	Bushing - 6mm	5 -104
0805 3480	Bushing - 6mm	3 -104
0951 3004B	Philips Pan Head Screw - M3x4	3 -108
1105 0283	Clamp	3 -101
1105 0328	Harness Clamp - ES-0505	3 -105

Part No.	Description	Page and Index No.
5447 2681	Snap Ring	3 - 28

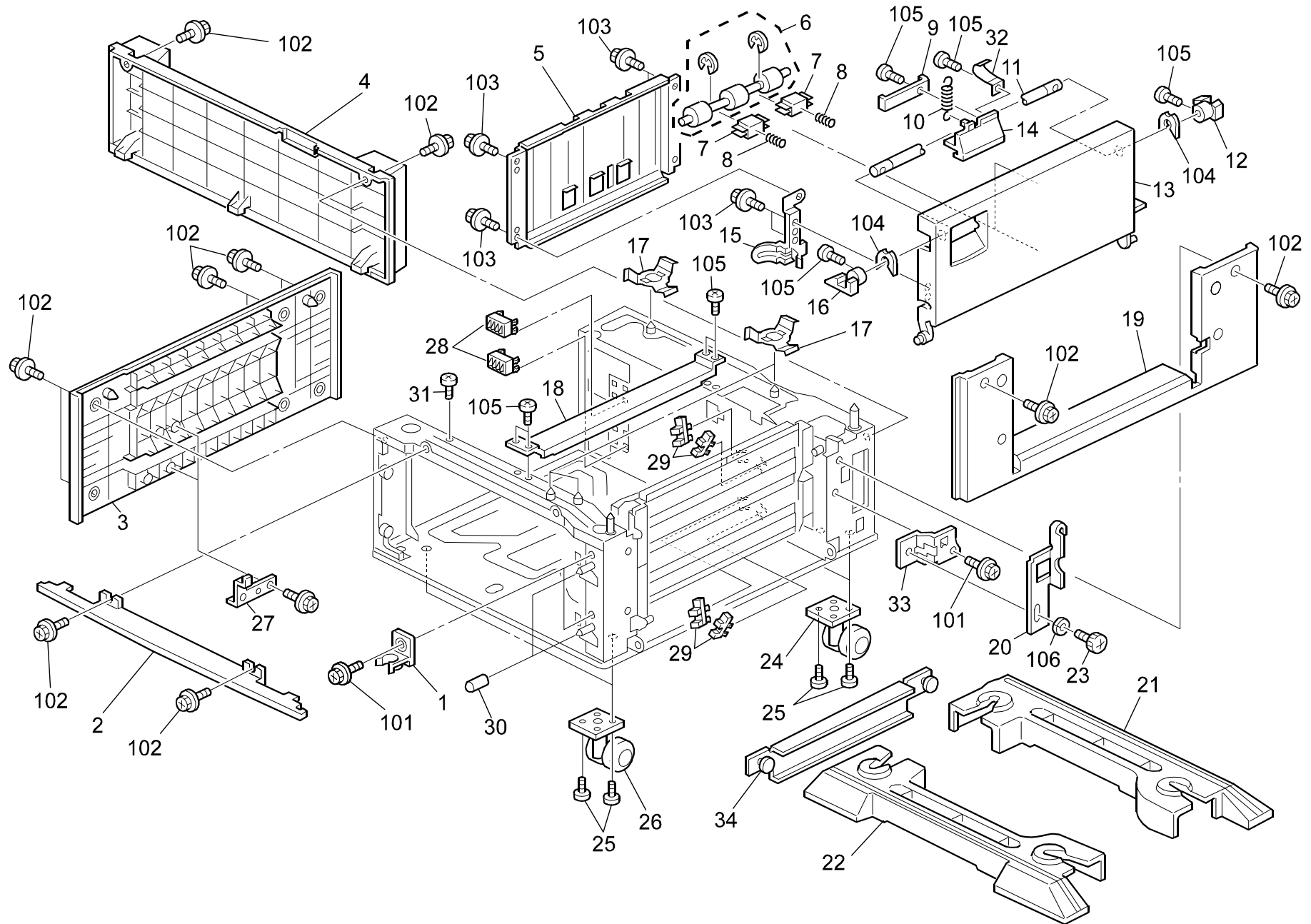
Part No.	Description	Page and Index No.

PS530 B542 (rev. 01/23/07)

PARTS LOCATION AND LIST

This section instructs you as to the numbers and names of parts on this machine.

1.EXTERIOR (B542)

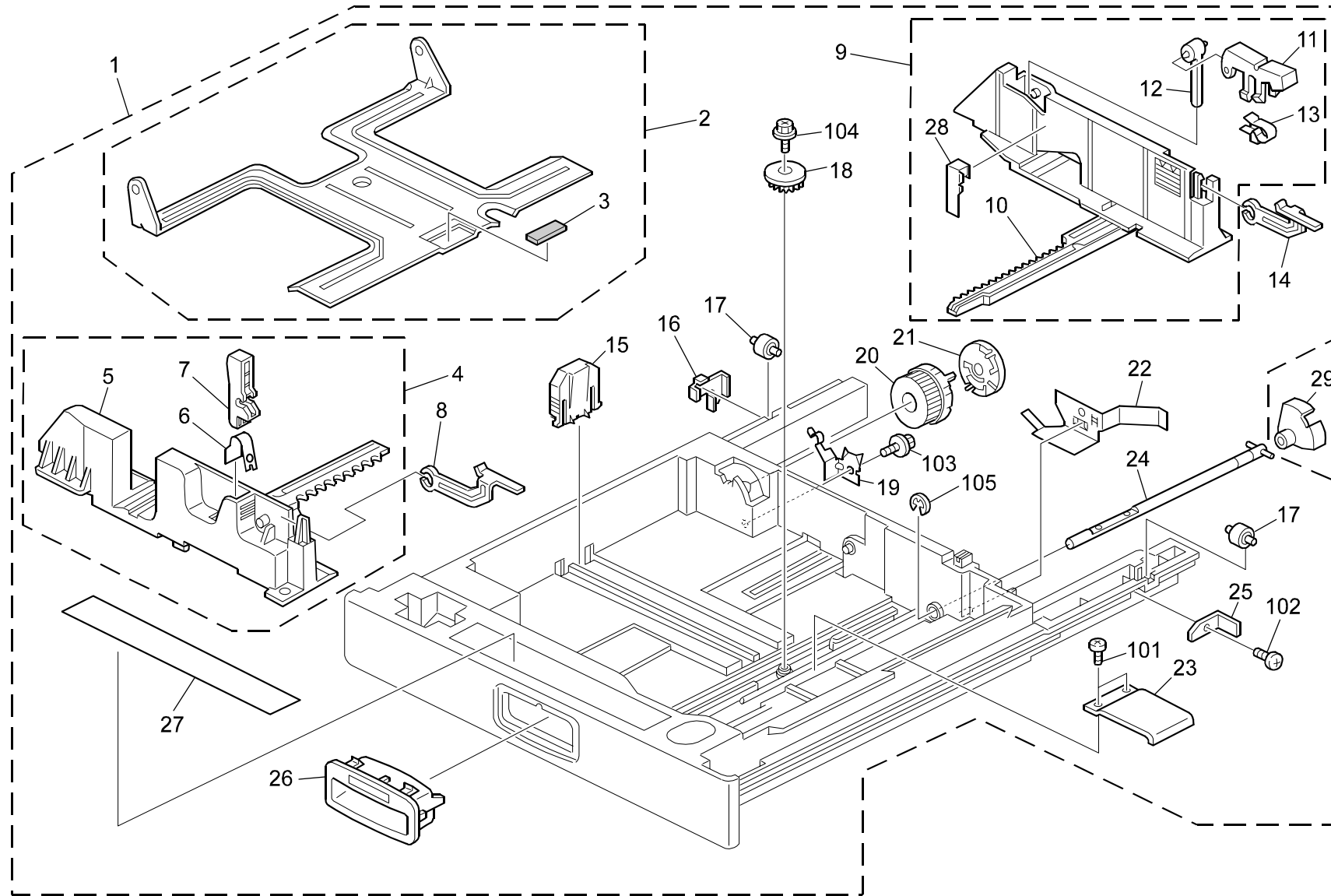


1.EXTERIOR (B542)

Index No.	Part No.	Description	Q'ty Per Assembly
1	A232 2995	Front Positioning Guide	2
2	B542 1260	Cover:Front Upper:Paper Bank	1
3	B542 1253	Cover:Left:Paper Bank	1
4	B542 1251	Cover:Rear:Paper Bank	1
5	A682 2560	Vertical Transport Guide	1
6	B542 2862	Roller:Driven:Ass'y	2
7	AA08 0254	Bushing - M4	4
8	AA06 3573	Compression Spring	4
9	B542 2559	Stopper:Lever:Vertical Transport	1
10	AA06 0715	Pressure Spring	1
11	AA14 0670	Un Lock Shaft	1
12	A682 2553	Rear Hook - Vertical Transport Cover	1
13	G568 2550	Cover:Vertical Transport:Paper Bank	1
14	G568 2551	Lever - Vertical Transport	1
15	A682 2565	Stopper - Vertical Transport Cover	1
16	A682 2552	Front Hook - Vertical Transport	1
17	A682 1074	Grounding Plate	4
18	B542 1067	Stay:Upper:Protect	1
19	B542 1250	Cover:Right:Paper Bank	1
20	G567 6310	Bracket:Coupling:Paper Bank	1
21	A682 6167	Rear Stand	1
22	A682 6166	Front Stand	1
23	G568 6220	Fixing Screw	1
24	AH01 2014	Caster - 60kgf	2
25	A507 1096	Philips Screw - M5x6	16
26	AH01 2013	Stopper Caster - 60kgf	2
27	B077 1286	Stopper:Left	2
28	G020 2620	Push Switch - Paper Size	2
29	AW02 0056	Photointerruptor - EE-SX4235A-P1	4
30	B004 2995	Cap - Positioning	1
31	A217 1340	Knob Screw - M4x10	1
32	G569 2570	Grounding Plate - Vertical Transport Shaft	1
33	G567 6311	Bracket:Coupling:2	1
34	B542 6170	Bracket:Stand:Front Rear	1

Index No.	Part No.	Description	Q'ty Per Assembly
101	0451 3006B	Tapping Screw - M3x6	
102	0451 3008H	Tapping Screw - M3x8	
103	0450 4010B	Tapping Screw - 4x10	
104	0805 0088	Retaining Ring - M6	
105	0453 3006B	Tapping Screw - M3x6	
106	0703 0040B	Philips Washer - M4	

2.PAPER TRAY (B542)



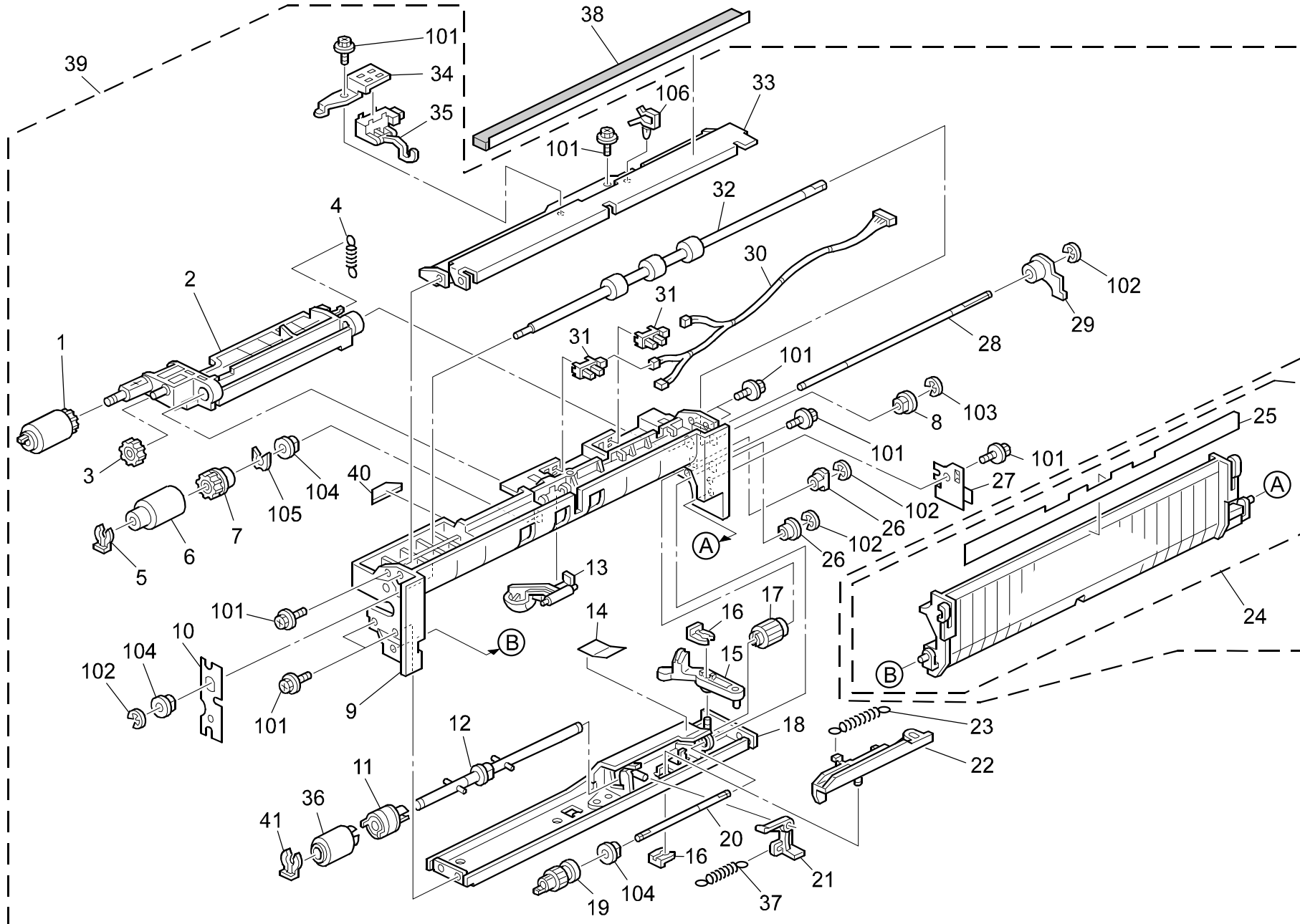
2.PAPER TRAY (B542)

Index No.	Part No.	Description	Q'ty Per Assembly
1	B077 2906	Paper Tray:Universal	1
1	B082 2903	Paper Tray:Universal:Ass'y	1
2	B077 2940	Tray Bottom Plate:Ass'y	4
3	AF01 3006	Bottom Plate Pad	1
4	B082 2920	Side Fence:Front:Ass'y	1
5	B077 2921	Side Fence:Front	1
6	B004 2923	Spring Plate - Release Lever	1
7	B004 2922	Release Lever - Side Fence	1
8	B082 2937	Paper Stopper:Side Fence	1
9	B082 2930	Side Fence:Rear:Ass'y	1
10	B077 2931	Side Fence:Rear	1
11	B004 2932	Rear Stopper Lever	2
12	B004 2933	Rear Stopper	1
13	B004 2934	Spring Plate - Lock Lever	1
14	B082 2937	Paper Stopper:Side Fence	1
15	AF01 7026	End Fence	1
16	B077 2952	Shoe:Left	1
17	A232 2987	Roller - Paper Tray	2
18	B004 2936	Gear - 16Z	1
19	B004 2947	Spring Plate-Paper Size Sensor	1
20	B082 2955	Dial:Paper Size Sensor:Printing	1
21	B004 2948	Paper Size Sensor	1
22	B004 2943	Grounding Plate - Paper Tray	1
23	B077 2975	Lever:Rise	1
24	B004 2915	Bottom Lift Shaft	1
25	B077 2951	Stopper:Right:Paper Tray	1
26	B077 2988	Cover:Grip:C3	1
27	B082 2965	Decal:Paper Set Direction	1
28	B082 2925	Shield:Side Fence:Ass'y	1
29	A235 2979	Feeler - Paper Height Sensor	1

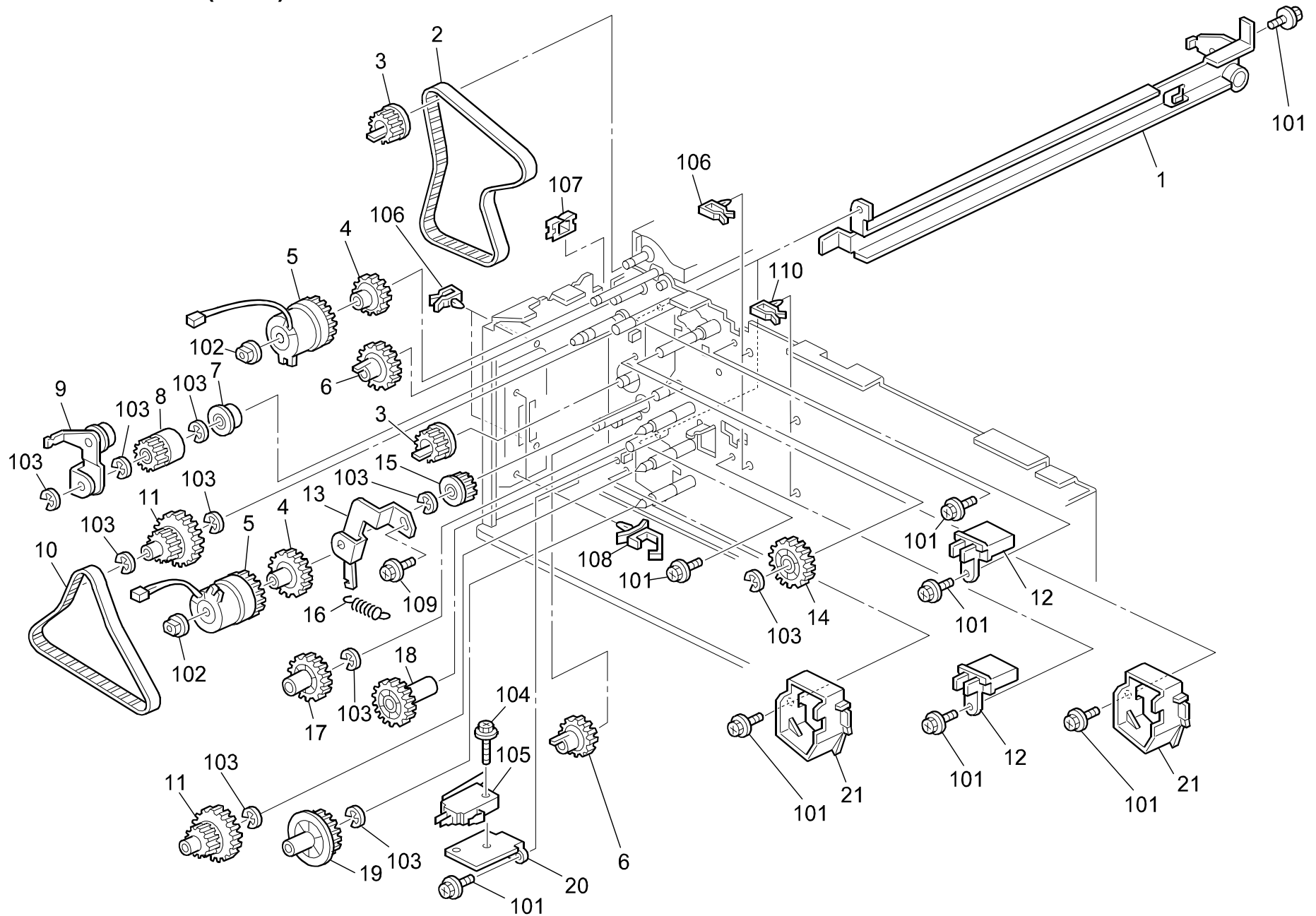
Index No.	Part No.	Description	Q'ty Per Assembly
101	0353 0060B	Philips Pan Head Screw - M3x6	
102	0452 3008B	Tapping Screw - M3x8	
103	0450 4008B	Tapping Screw - 4x8	
104	0450 3008B	Tapping Screw - M3x8	
105	0720 0060E	Retaining Ring - M6	

3.PAPER REGISTRATION (B542)

Rev.08/31/2004



4.DRIVE SECTION (B542)

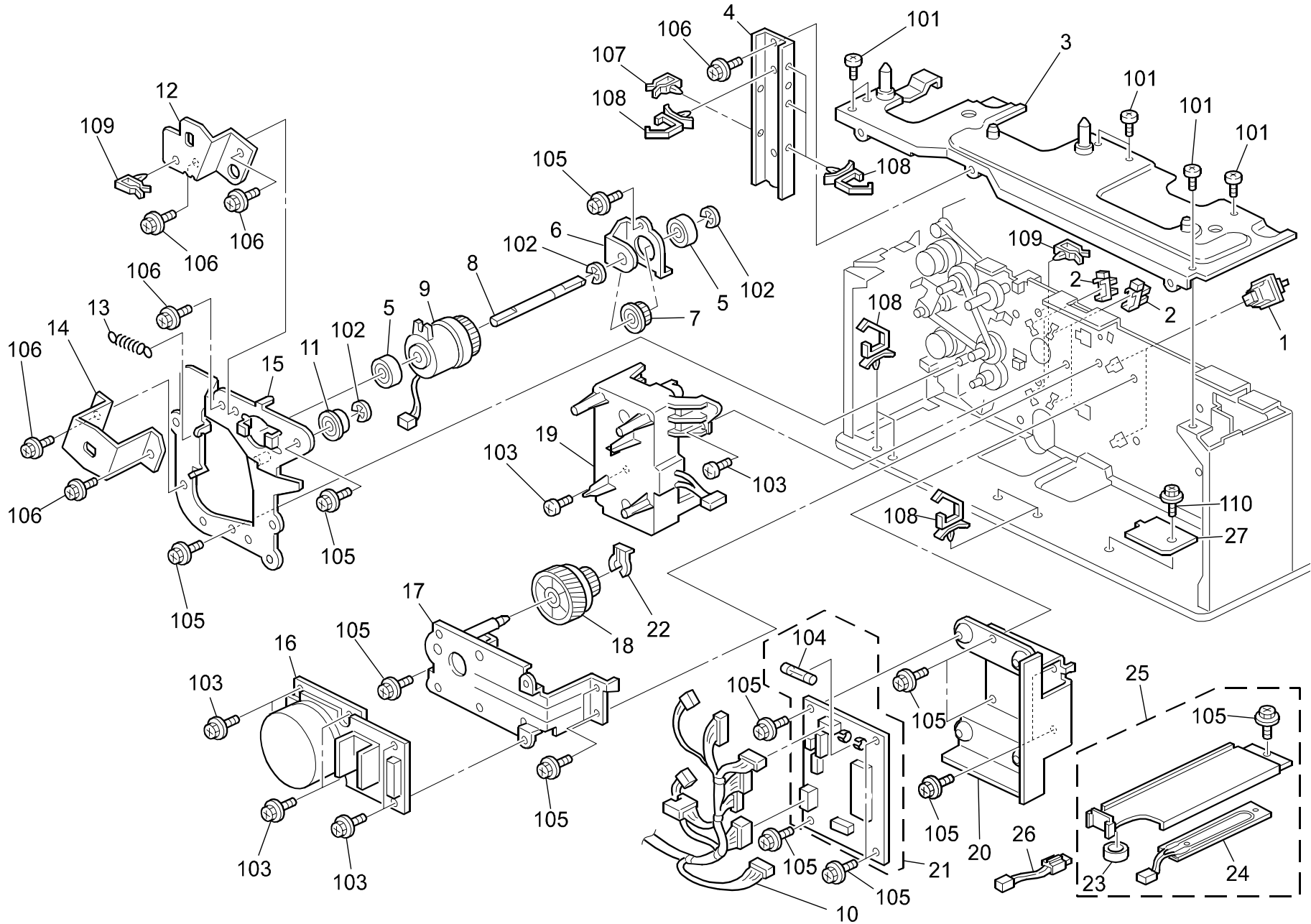


4.DRIVE SECTION (B542)

Index No.	Part No.	Description	Q'ty Per Assembly
1	B077 2990	Supporter:Paper Tray:Ass'y	2
2	AA04 3445	Timing Belt - S3M-360	1
3	AB03 0625	Timing Pulley - 20Z	2
4	AB01 4037	Gear - 24Z	2
5	AX20 0153	Electrical Clutch	2
6	AB01 4038	Gear - 22Z	2
7	AB03 0590	Pulley - M17	1
8	AB03 0575	Timing Pulley - 20T	1
9	B077 1170	Tightener:Paper Feed:Ass'y	1
10	AA04 3446	Timing Belt - S3M-312	1
11	AB03 0561	Timing Pulley - 31Z/20T	2
12	A682 2996	Positioning Guide	2
13	A232 2703	Tightener	1
14	AB01 4066	Gear - 31Z	1
15	AB03 0566	Timing Pulley - 20T	1
16	AA06 0695	Tension Spring	1
17	AB03 0567	Timing Pulley - 18T	1
18	AB01 4039	Gear - 31Z	1
19	AB01 4040	Gear - 29Z	1
20	B077 2882	Bracket:Micro Switch	1
21	A232 2692	Cover - Paper Drive	2

Index No.	Part No.	Description	Q'ty Per Assembly
101	0451 3006B	Tapping Screw - M3x6	
102	0805 3480	Bushing - 6mm	
103	0720 0060E	Retaining Ring - M6	
104	0451 3014B	Tapping Screw - M3-14	
105	1204 2466	Microswitch - V-16506-1C25	
106	1105 0290	Harness Clamp - Horizontal	
107	1105 0113	Edge - P108	
108	1105 0310	Harness Clamp - LWS-1S	
109	0951 3006B	Philips Screw With Flat Washer - M3x6	
110	1105 0283	Clamp	

5.DRIVE AND ELECTRICAL SECTION (B542)



5.DRIVE AND ELECTRICAL SECTION (B542)

Rev. 01/22/2007

Index No.	Part No.	Description	Q'ty Per Assembly
1	G020 2620	Push Switch - Paper Size	2
2	AW02 0056	Photointerruptor - EE-SX4235A-P1	4
3	B542 1054	Stay: Rear Upper	1
4	B542 1071	Supporting Plate: Frame: Rear	1
5	A232 3552	Ball Bearing - 8x22x7	2
6	A232 2702	Pulley Bracket	1
7	AB03 0567	Timing Pulley - 18T	1
8	AA14 5260	Gear Shaft	1
9	AX20 0138	Electrical Clutch - Mice-13	1
10	B542 5310	Harness: Main: Ass'y	1
11	AB03 0590	Pulley - M17	1
12	B542 1120	Guide Plate: Upper	1
13	AA06 0694	Tension Spring	1
14	A232 2711	Lower Holder Plate	1
15	B542 1110	Bracket: Protect: Ass'y	1
16	AX06 0259	DC Motor: Brushless Motor: S	1
17	B542 1150	Bracket: Brushless Motor	1
18	AB01 4065	Coupling Gear - 49z/27z	1
19	AX04 0077	DC Motor - 3w	1
20	B542 1075	Bracket: Interface Board	1
21	B542 5110	Interface Board: Ass'y	1
22	5215 2621	Snap Ring - M6	1
23	A230 2525	Heater Stopper	1
24	AX40 0109	Heater - 120v 9w	1
25	B542 2513	Heater: NA/EU: Ass'y [TSB#002]	1
26	B542 5320	Harness: AC Power Supply	1
27	B542 1082	Shielding Plate: Base	1

Index No.	Part No.	Description	Q'ty Per Assembly
101	0453 3006B	Tapping Screw - M3x6	
102	0720 0060E	Retaining Ring - M6	
103	0451 3008B	Tapping Screw - M3x8	
104	1107 0392	Fuse - 6.3A 125V	
105	0451 3006B	Tapping Screw - M3x6	
106	0951 3006B	Philips Screw With Flat Washer - M3x6	
107	1105 0290	Harness Clamp - Horizontal	
108	1105 0310	Harness Clamp - LWS-1S	
109	1105 0283	Clamp	
110	0802 5276	Tapping Screw With Washer - M3x6	

PS530 B542
PARTS INDEX

This section instructs you as to the numbers and names of parts on this machine.

PM Parts Index

Section Name	Part No.	Description in Service Manual	Description in Parts Catalog	Q'ty Per Assembly	Page and Index No.
PAPER REGISTRATION (B542)	AF03 1049	Feed Roller	Feed Roller	1	7- 6
	AF03 0049	Pick-up Roller	Pick-up Roller	1	7- 1
	AF03 2049	Separation Roller	Separation Roller	1	7- 36

Parts Index

Part No.	Description	Page and Index No.
B542 1054	Stay:Rear Upper	11 - 3
B542 1067	Stay:Upper:Protect	3 - 18
B542 1071	Supporting Plate:Frame:Rear	11 - 4
B542 1075	Bracket:Interface Board	11 - 20
B542 1082	Shielding Plate:Base	11 - 27
B542 1110	Bracket:Protect:Ass'y	11 - 15
B542 1120	Guide Plate:Upper	11 - 12
B542 1150	Bracket:Brushless Motor	11 - 17
B542 1250	Cover:Right:Paper Bank	3 - 19
B542 1251	Cover:Rear:Paper Bank	3 - 4
B542 1253	Cover:Left:Paper Bank	3 - 3
B542 1260	Cover:Front Upper:Paper Bank	3 - 2
B542 2511	Heater:NA:Ass'y	11 - 25
B542 2559	Stopper:Lever:Vertical Transport	3 - 9
B542 2862	Roller:Driven:Ass'y	3 - 6
B542 5110	Interface Board:Ass'y	11 - 21
B542 5310	Harness:Main:Ass'y	11 - 10
B542 5320	Harness:AC Power Supply	11 - 26
B542 6170	Bracket:Stand:Front Rear	3 - 34

Part No.	Description	Page and Index No.
A217 1340	Knob Screw - M4x10	3 - 31
A230 2525	Heater Stopper	11 - 23
A232 2692	Cover - Paper Drive	9 - 21
A232 2702	Pulley Bracket	11 - 6
A232 2703	Tightener	9 - 13
A232 2711	Lower Holder Plate	11 - 14
A232 2762	Paper End Feeler	7 - 13
A232 2763	Pick-up Arm	7 - 2
A232 2764	Rear Grounding Plate	7 - 27
A232 2765	Front Grounding Plate	7 - 10
A232 2766	Feed Mylar	7 - 40
A232 2785	Vertical Guide	7 - 24
A232 2787	Vertical Transport Guide	7 - 25
A232 2987	Roller - Paper Tray	5 - 17
A232 2995	Front Positioning Guide	3 - 1
A232 3552	Ball Bearing - 8x22x7	11 - 5
A235 2979	Feeler - Paper Height Sensor	5 - 29
A507 1096	Philips Screw - M5x6	3 - 25
A682 1074	Grounding Plate	3 - 17
A682 2552	Front Hook - Vertical Transport	3 - 16
A682 2553	Rear Hook - Vertical Transport Cover	3 - 12
A682 2560	Vertical Transport Guide	3 - 5
A682 2565	Stopper - Vertical Transport Cover	3 - 15
A682 2570	Guide	7 - 38
A682 2996	Positioning Guide	9 - 12
A682 6166	Front Stand	3 - 22
A682 6167	Rear Stand	3 - 21
B004 2777	Shaft - Paper Separation	7 - 12
B004 2782	Rear Feed Mylar	7 - 14
B004 2783	Torque Limiter	7 - 11
B004 2915	Bottom Lift Shaft	5 - 24
B004 2922	Release Lever - Side Fence	5 - 7
B004 2923	Spring Plate - Release Lever	5 - 6
B004 2932	Rear Stopper Lever	5 - 11
B004 2933	Rear Stopper	5 - 12

Part No.	Description	Page and Index No.
B004 2934	Spring Plate - Lock Lever	5 - 13
B004 2936	Gear - 16Z	5 - 18
B004 2943	Grounding Plate - Paper Tray	5 - 22
B004 2947	Spring Plate-Paper Size Sensor	5 - 19
B004 2948	Paper Size Sensor	5 - 21
B004 2995	Cap - Positioning	3 - 30
B077 1170	Tightener:Paper Feed:Ass'y	9 - 9
B077 1286	Stopper:Left	3 - 27
B077 2770	Stay:Separate:Ass'y	7 - 18
B077 2780	Stay:Feed	7 - 33
B077 2781	Bracket:Sensor	7 - 34
B077 2882	Bracket:Micro Switch	9 - 20
B077 2906	Paper Tray:Universal	5 - 1
B077 2921	Side Fence:Front	5 - 5
B077 2931	Side Fence:Rear	5 - 10
B077 2940	Tray Bottom Plate:Ass'y	5 - 2
B077 2951	Stopper:Right:Paper Tray	5 - 25
B077 2952	Shoe:Left	5 - 16
B077 2975	Lever:Rise	5 - 23
B077 2988	Cover:Grip:C3	5 - 26
B077 2990	Supporter:Paper Tray:Ass'y	9 - 1
B082 2750	Paper Feed Unit:Ass'y	7 - 39
B082 2760	Housing:Paper Feed Unit	7 - 9
B082 2784	Shaft:Separate:Drive:Ass'y	7 - 20
B082 2903	Paper Tray:Universal:Ass'y	5 - 1
B082 2920	Side Fence:Front:Ass'y	5 - 4
B082 2925	Shield:Side Fence:Ass'y	5 - 28
B082 2930	Side Fence:Rear:Ass'y	5 - 9
B082 2937	Paper Stopper:Side Fence	5 - 8
B082 2937	Paper Stopper:Side Fence	5 - 14
B082 2955	Dial:Paper Size Sensor:Printing	5 - 20
B082 2965	Decal:Paper Set Direction	5 - 27
B082 5428	Harness:Paper Feed Unit	7 - 30
G020 2620	Push Switch - Paper Size	3 - 28
G020 2620	Push Switch - Paper Size	11 - 1

Part No.	Description	Page and Index No.
G065 2767	Lever - Feed	7 - 29
G065 2774	Pressure Lever	7 - 21
G065 2775	Link Lever	7 - 22
G065 2776	Release Lever	7 - 15
G567 6310	Bracket:Coupling:Paper Bank	3 - 20
G567 6311	Bracket:Coupling:2	3 - 33
G568 2550	Cover:Vertical Transport:Paper Bank	3 - 13
G568 2551	Lever - Vertical Transport	3 - 14
G568 6220	Fixing Screw	3 - 23
G569 2570	Grounding Plate - Vertical Transport Shaft	3 - 32

Part No.	Description	Page and Index No.
AA04 3445	Timing Belt - S3M-360	9 - 2
AA04 3446	Timing Belt - S3M-312	9 - 10
AA06 0691	Tension Spring	7 - 4
AA06 0693	Tension Spring	7 - 37
AA06 0694	Tension Spring	11 - 13
AA06 0695	Tension Spring	9 - 16
AA06 0715	Pressure Spring	3 - 10
AA06 0908	Release Spring	7 - 23
AA06 3573	Compression Spring	3 - 8
AA08 0254	Bushing - M4	3 - 7
AA08 2070	Bushing - 8x16x7	7 - 8
AA08 2072	Bushing - M6	7 - 26
AA10 0014	Retaining Ring C - Separate	7 - 5
AA14 0655	Shaft - Paper Feed	7 - 28
AA14 0670	Un Lock Shaft	3 - 11
AA14 5260	Gear Shaft	11 - 8
AB01 0156	Gear:Separate:Drive	7 - 19
AB01 0157	Gear:Separate:Driven	7 - 17
AB01 1188	Gear - 21Z	7 - 3
AB01 1189	Gear - 18Z	7 - 7
AB01 4037	Gear - 24Z	9 - 4
AB01 4038	Gear - 22Z	9 - 6
AB01 4039	Gear - 31Z	9 - 18
AB01 4040	Gear - 29Z	9 - 19
AB01 4065	Coupling Gear - 49z/27z	11 - 18
AB01 4066	Gear - 31Z	9 - 14
AB03 0561	Timing Pulley - 31Z/20T	9 - 11
AB03 0566	Timing Pulley - 20T	9 - 15
AB03 0567	Timing Pulley - 18T	11 - 7
AB03 0567	Timing Pulley - 18T	9 - 17
AB03 0575	Timing Pulley - 20T	9 - 8
AB03 0590	Pulley - M17	11 - 11
AB03 0590	Pulley - M17	9 - 7
AB03 0625	Timing Pulley - 20Z	9 - 3
AF01 3006	Bottom Plate Pad	5 - 3

Part No.	Description	Page and Index No.
AF01 7026	End Fence	5 - 15
AF02 0404	Transport Roller	7 - 32
AF03 0049	Pick-up Roller	7 - 1
AF03 1049	Feed Roller	7 - 6
AF03 2049	Separation Roller	7 - 36
AH01 2013	Stopper Caster - 60kgf	3 - 26
AH01 2014	Caster - 60kgf	3 - 24
AW02 0056	Photointerruptor - EE-SX4235A-P1	7 - 31
AW02 0056	Photointerruptor - EE-SX4235A-P1	11 - 2
AW02 0056	Photointerruptor - EE-SX4235A-P1	3 - 29
AW02 0096	Photointerruptor	7 - 35
AX04 0077	DC Motor - 3w	11 - 19
AX06 0259	DC Motor:Brushless Motor:S	11 - 16
AX20 0138	Electrical Clutch - Mice-13	11 - 9
AX20 0153	Electrical Clutch	9 - 5
AX40 0109	Heater - 120v 9w	11 - 24

Part No.	Description	Page and Index No.
0353 0060B	Philips Pan Head Screw - M3x6	5 -101
0450 3008B	Tapping Screw - M3x8	5 -104
0450 4008B	Tapping Screw - 4x8	5 -103
0450 4010B	Tapping Screw - 4x10	3 -103
0451 3006B	Tapping Screw - M3x6	11 -105
0451 3006B	Tapping Screw - M3x6	3 -101
0451 3006B	Tapping Screw - M3x6	9 -101
0451 3008B	Tapping Screw - M3x8	7 -101
0451 3008B	Tapping Screw - M3x8	11 -103
0451 3008H	Tapping Screw - M3x8	3 -102
0451 3014B	Tapping Screw - M3-14	9 -104
0452 3008B	Tapping Screw - M3x8	5 -102
0453 3006B	Tapping Screw - M3x6	11 -101
0453 3006B	Tapping Screw - M3x6	3 -105
0703 0040B	Philips Washer - M4	3 -106
0720 0040E	Retaining Ring - M4	7 -102
0720 0060E	Retaining Ring - M6	5 -105
0720 0060E	Retaining Ring - M6	7 -103
0720 0060E	Retaining Ring - M6	11 -102
0720 0060E	Retaining Ring - M6	9 -103
0802 5276	Tapping Screw With Washer - M3x6	11 -110
0805 0088	Retaining Ring - M6	3 -104
0805 0089	Retaining Ring - M4	7 -105
0805 3480	Bushing - 6mm	7 -104
0805 3480	Bushing - 6mm	9 -102
0951 3006B	Philips Screw With Flat Washer - M3x6	9 -109
0951 3006B	Philips Screw With Flat Washer - M3x6	11 -106
1105 0113	Edge - P108	9 -107
1105 0283	Clamp	9 -110
1105 0283	Clamp	7 -106
1105 0283	Clamp	11 -109
1105 0290	Harness Clamp - Horizontal	9 -106
1105 0290	Harness Clamp - Horizontal	11 -107
1105 0310	Harness Clamp - LWS-1S	9 -108
1105 0310	Harness Clamp - LWS-1S	11 -108

Part No.	Description	Page and Index No.
1107 0392	Fuse - 6.3A 125V	11 -104
1204 2466	Microswitch - V-16506-1C25	9 -105

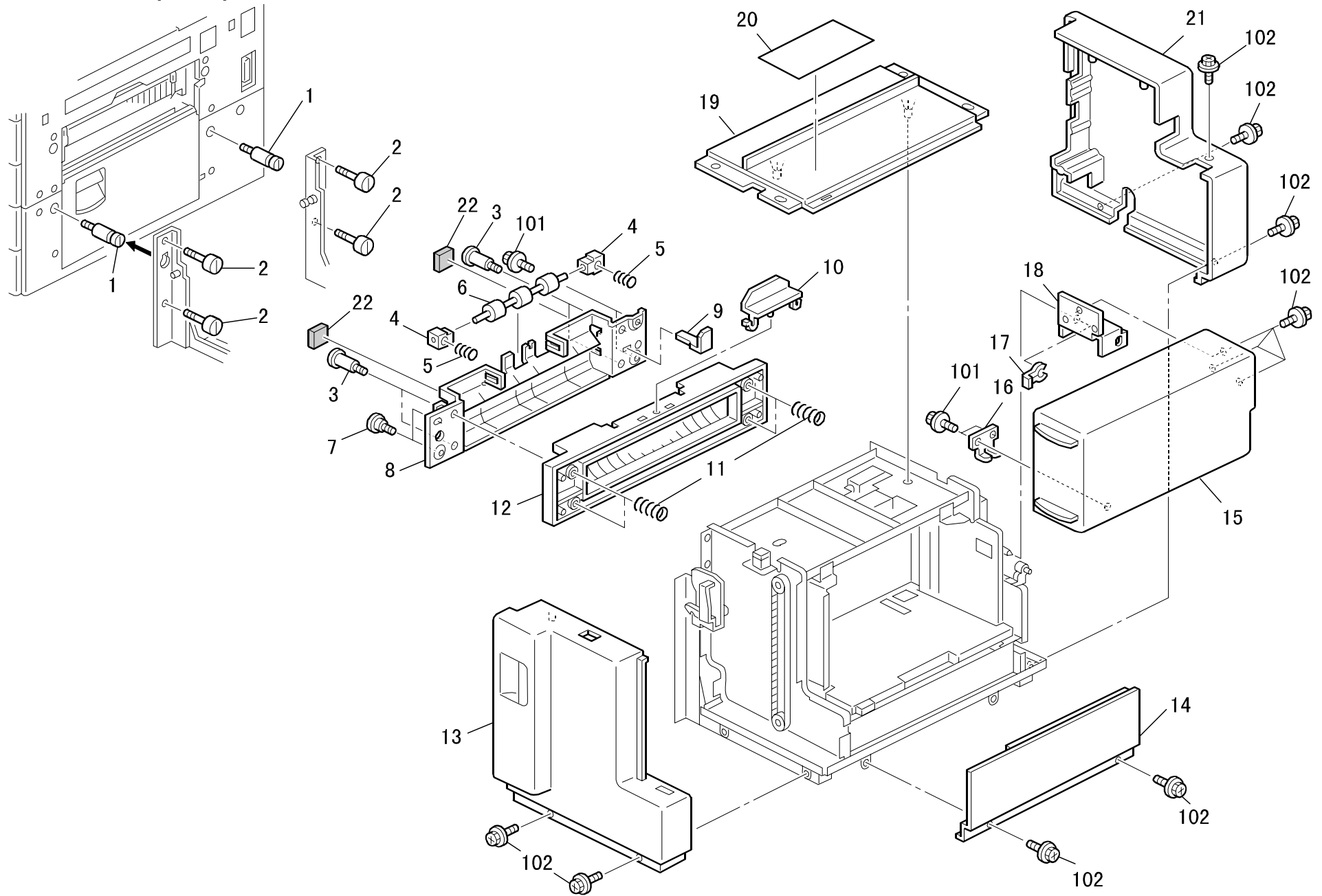
Part No.	Description	Page and Index No.
5206 2686	Snap Ring	7 - 16
5215 2621	Snap Ring - M6	11 - 22

Part No.	Description	Page and Index No.
----------	-------------	--------------------

**LARGE CAPACITY TRAY RT 45
B543
PARTS LOCATION AND LIST**

This section instructs you as to the numbers and names of parts on this machine

1.EXTERIOR (B543)

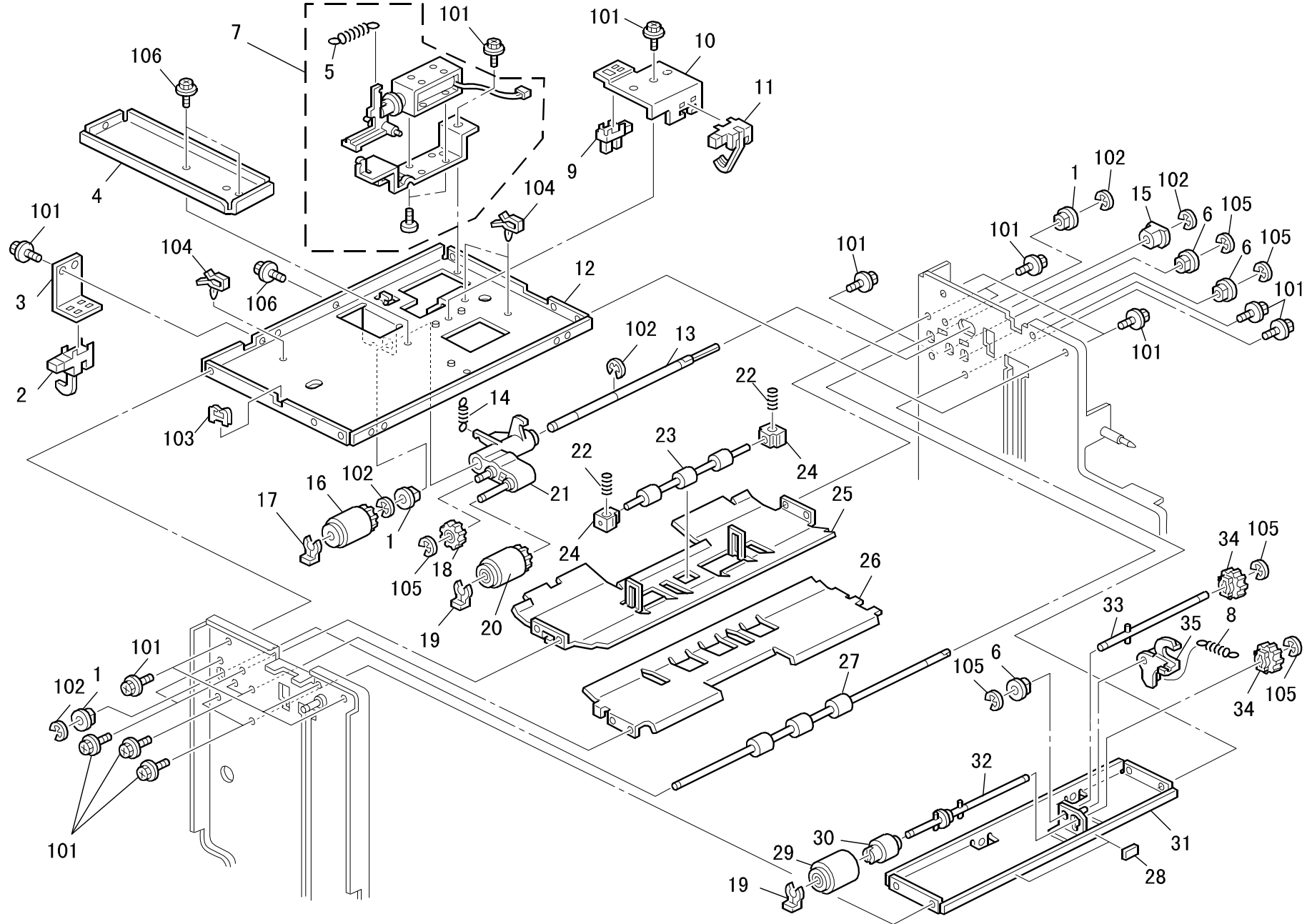


1.EXTERIOR (B543)

Index No.	Part No.	Description	Q'ty Per Assembly
1	AA14 3503	Positioning Pin	2
2	AA14 3504	Coupling Screw	4
3	B543 3481	Shaft:Guide Pin	4
4	AA08 0236	Bushing	2
5	AA06 3571	Compression Spring	2
6	AF02 0420	Driven Roller	1
7	B543 3482	Screw:Vertical Transport:M3	2
8	B543 2700	Guide Plate:Vertical Transport:Driven:Peen	1
9	B543 2711	Lever Switch	1
10	A683 1285	Magnetic Catch Cover	1
11	AA06 3572	Compression Spring	4
12	B543 2710	Guide Plate:Vertical Transport	1
13	B543 1250	Cover:Front	1
14	B543 1260	Cover:Right Lower	1
15	B543 1275	Cover:Upper Right	1
16	B543 1281	Bracket:Magnet Catch	1
17	5447 2681	Snap Ring	1
18	B543 1280	Bracket:Hinge:Right Upper:Cover	1
19	B543 1265	Cover:Upper Left	1
20	B543 2900	Decal:Paper:Installation Procedure	1
21	B543 1255	Cover:Rear	1
22	A680 4223	Cushion	2

Index No.	Part No.	Description	Q'ty Per Assembly
101	0450 3008N	Tapping Screw - M3x8	
102	0451 3008N	Tapping Screw - M3x8	

2.PAPER REGISTRATION (B543)

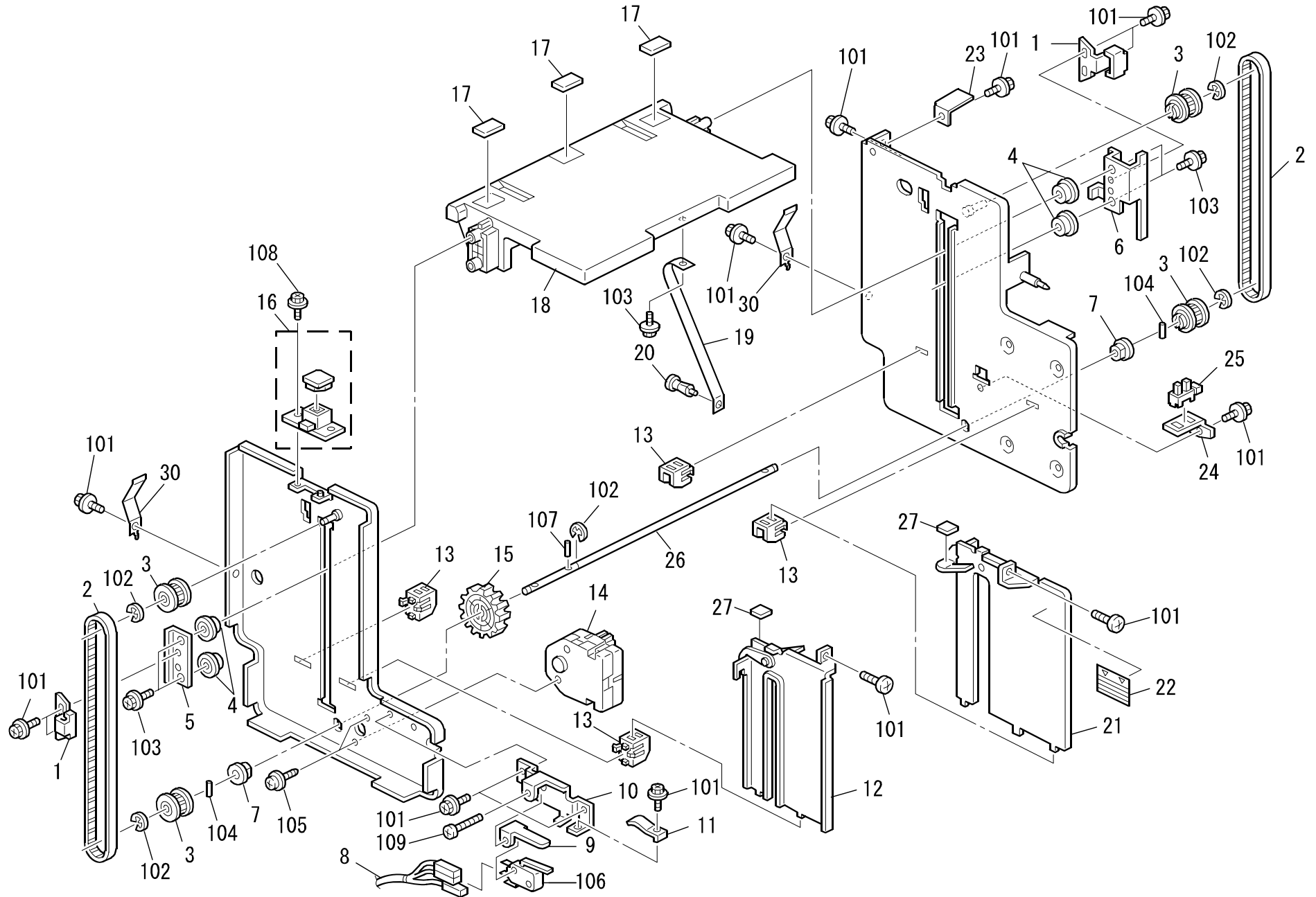


2.PAPER REGISTRATION (B543)

Index No.	Part No.	Description	Q'ty Per Assembly
1	5053 0223	Bushing - 8mm	3
2	AW02 0177	Photointerruptor:Vertical Transport	1
3	B543 2632	Bracket:Connecting:Sensor	1
4	B543 2675	Supporting Plate:Stay:Upper	1
5	A380 2460	Pick-up Release Spring	1
6	5053 0447	Bushing - 6mm	3
7	B543 2625	DC Solenoid:Pickup:Ass'y	1
8	AA06 0636	Pressure Spring	1
9	AW02 0160	Paper Feed Sensor	1
10	B543 2622	Bracket:Photointerruptor:Paper Feed	1
11	AW02 0176	Photointerruptor:Paper End Sensor	1
12	B543 2670	Stay:Upper:Paper Feed	1
13	AA14 0669	Feed Roller Shaft	1
14	AA06 0741	Pressure Spring	1
15	AA08 3015	Roller Clutch	1
16	AF03 1081	Paper Feed Roller:Feed:Manual Feed	1
17	5215 2621	Snap Ring - M6	1
18	5447 2706	Gear - 15T	1
19	5447 2681	Snap Ring	2
20	AF03 0080	Paper Feed Roller:Pickup	1
21	A380 2211	Pick-up Arm	1
22	AA06 3571	Compression Spring	2
23	AF02 0420	Driven Roller	1
24	AA08 0236	Bushing	2
25	B543 2681	Guide Plate:Transport:Upper	1
26	B543 2685	Guide Plate:Transport:Lower	1
27	AF02 0419	Transport Drive Roller	1
28	H516 3625	Spacer - 10x18x2mm	2
29	AF03 2080	Paper Feed Roller:Separate	1
30	A293 6399	Torque Limiter - Separator	1
31	B543 2650	Base:Paper Feed Roller:Peen	1
32	B543 2668	Shaft:Driven:Reverse:Press Fit	1
33	A683 2667	Drive Shaft - Reverse Roller	1
34	AB01 3420	Gear - 18Z	2
35	A683 2666	Pressure Lever	1

Index No.	Part No.	Description	Q'ty Per Assembly
101	0451 3006N	Tapping Screw - 3x6	
102	0720 0060E	Retaining Ring - M6	
103	1105 0328	Harness Clamp - ES-0505	
104	1105 0267	Harness Clamp - YMC-10-0	
105	0720 0040E	Retaining Ring - M4	
106	0802 5276	Tapping Screw With Washer - M3x6	

3.PAPER TRAY (B543)

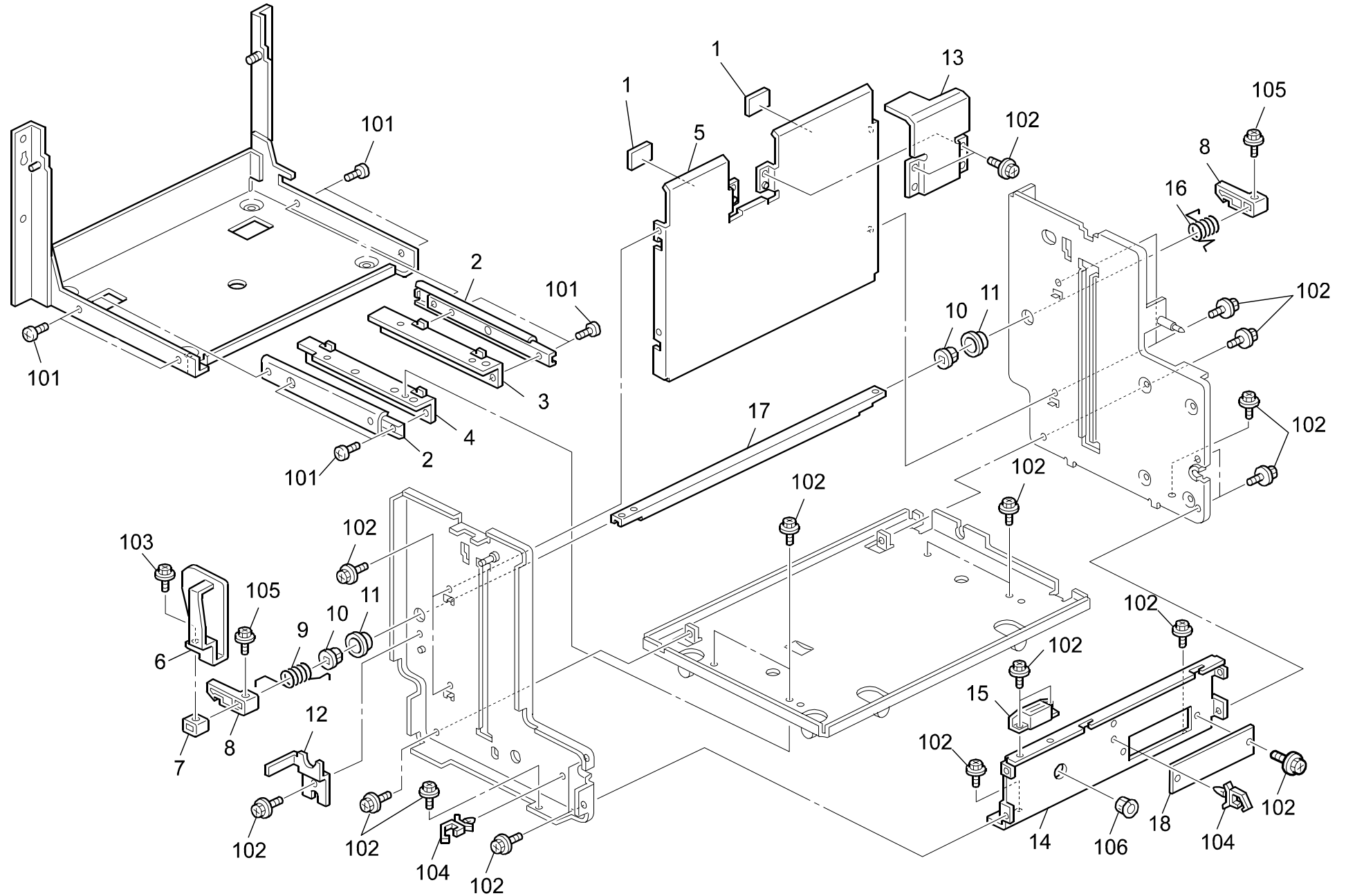


3.PAPER TRAY (B543)

Index No.	Part No.	Description	Q'ty Per Assembly
1	A667 2660	Belt Stopper	2
2	AA04 3259	Timing Belt	2
3	AB03 0548	Pulley - 16T	4
4	A335 4351	Guide Roller	4
5	B543 2731	Bracket:Coupling:Tray:Front	1
6	B543 2732	Bracket:Coupling:Tray:Rear	1
7	5053 0223	Bushing - 8mm	2
8	B543 5320	Harness:Main:Bahama-b:Ass'y	1
9	B543 2743	Lever:Safety Switch	1
10	B543 2741	Bracket:Safety Switch	1
11	A683 2742	Plate Spring - Safety Switch	1
12	B543 2750	Side Fence:Front:Peen	1
13	A667 2644	Supporter - Side Fence	4
14	AX04 0214	DC Motor:Shift:Upper Lower:Drive	1
15	AB01 4023	Gear - 45z	1
16	B543 5175	Push Switch:Large Capacity Tray	1
17	A421 2543	Friction Pad	3
18	AF01 1041	Paper Tray	1
19	A667 2653	Paper Stopper	1
20	A048 2838	Nylon Rivet	1
21	B543 2755	Side Fence:Rear:Peen	1
22	AA00 2010	Decal - Paper Level	1
23	B543 2585	Supporting Plate:Side Plate:Rear	1
24	B543 2746	Bracket:Paper Size Sensor	1
25	AW02 0160	Paper Feed Sensor	1
26	AA14 5561	Tray Drive Shaft	1
27	B543 2758	Guide:Paper:Plate	2
28	B543 2550	Side Plate:Front:Peen	1
29	B543 2560	Side Plate:Rear:Peen	1
30	A683 1287	Spring Plate:Auxiliary:Vertical Tray	2

Index No.	Part No.	Description	Q'ty Per Assembly
101	0451 3006N	Tapping Screw - 3x6	
102	0720 0060E	Retaining Ring - M6	
103	0450 3008N	Tapping Screw - M3x8	
104	0633 0140G	Parallel Pin - 3x14	
105	0450 4020N	Tapping Screw - M4x20	
106	1204 2723	Switch:Am51612a531n	
107	0633 0180G	Parallel Pin - 3x18mm	
108	0451 4008N	Tapping Screw:4x8	
109	0313 0180N	Pan Head Screw - M3x18	

4.FRAME SECTION (B543)

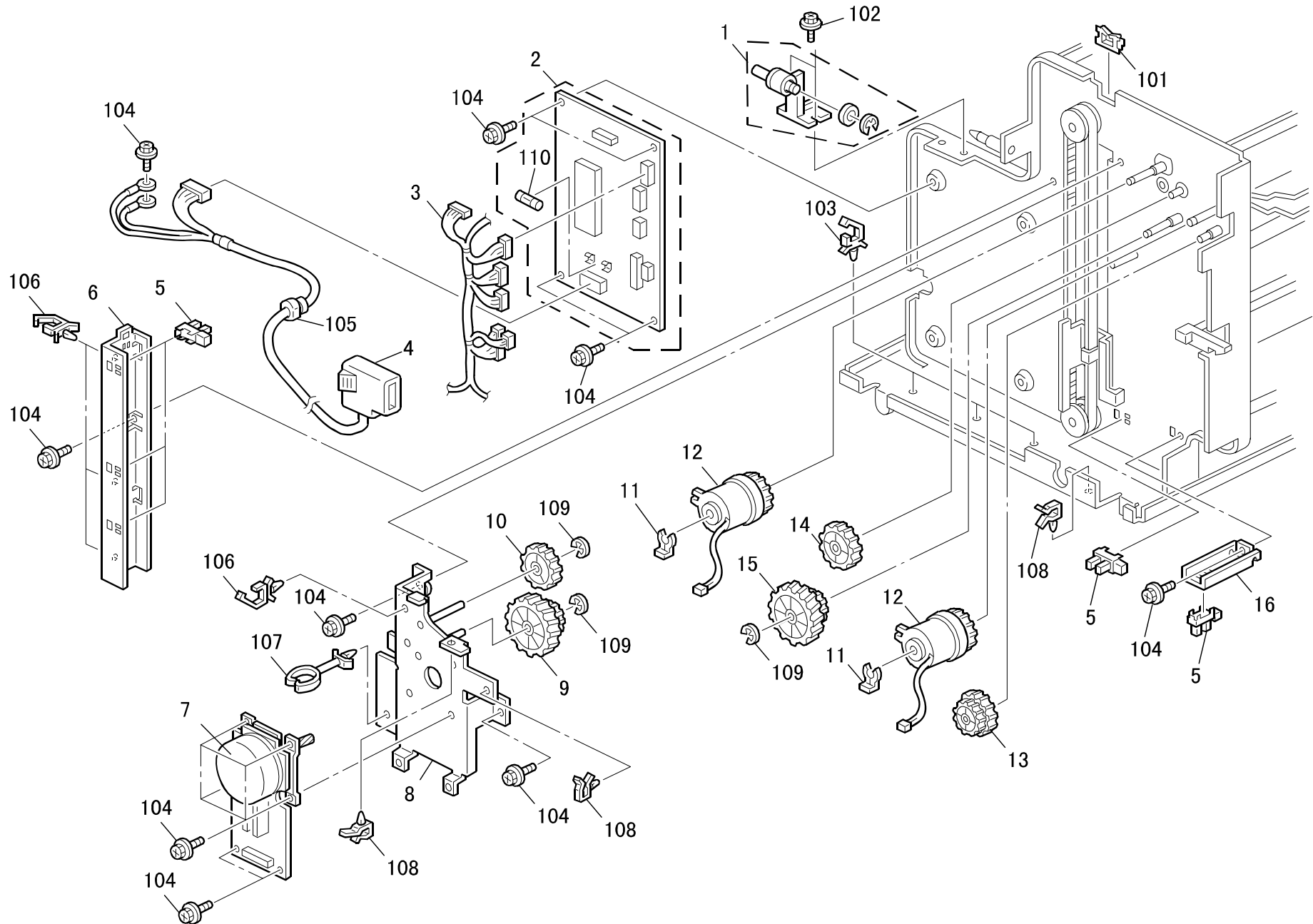


4.FRAME SECTION (B543)

Index No.	Part No.	Description	Q'ty Per Assembly
1	B543 2577	Cushion:Guide Plate:Lower	2
2	AA07 0041	Slide Rail	2
3	B543 1085	Bracket:Base:Rear	1
4	B543 1080	Bracket:Base:Front	1
5	B543 2575	Guide Plate:Front	1
6	B543 2815	Knob:Large Capacity Tray	1
7	A683 2811	Handle Collar	1
8	A667 2571	Lock Lever	2
9	AA06 6294	Torsion Spring	1
10	A007 2757	Sector Gear Bushing	2
11	A007 2756	Bushing - Volume Sensor Shaft	2
12	B543 2813	Lever:Lock:Front	1
13	B543 2576	Guide Plate:Paper Feed Roller	1
14	B543 2581	Stay:Magnet Catch:Side Plate	1
15	AG07 0004	Magnetic Catch	1
16	AA06 6295	Torsion Spring	1
17	B543 2812	Stay:Lock	1
18	B543 2582	Separation Plate:Stay:Magnet Catch	1

Index No.	Part No.	Description	Q'ty Per Assembly
101	0453 3005N	Binding Self Tapping Screw:3x5	
102	0451 3006N	Tapping Screw - 3x6	
103	0451 3010N	Tapping Screw:3x10	
104	1105 0310	Harness Clamp - LWS-1S	
105	0451 3008N	Tapping Screw - M3x8	
106	1106 0458	Bushing - 9.9mm	

5.DRIVE AND ELECTRICAL SECTION (B543)



5.DRIVE AND ELECTRICAL SECTION (B543)

Index No.	Part No.	Description	Q'ty Per Assembly
1	A683 1282	Hinge	1
2	B543 5150	Interface Board:Bahama-b:Ass'y	1
3	B543 5320	Harness:Main:Bahama-b:Ass'y	1
4	B543 5020	Harness:Interface:Ass'y	1
5	AW02 0160	Paper Feed Sensor	5
6	B543 2821	Bracket:Paper Volume Sensor	1
7	AX06 0140	Brushless Motor - DC24V 12.3W	1
8	B543 2695	Bracket:Motor:Peen	1
9	AB01 7462	Gear - 49Z/21Z	1
10	AB01 4059	Idler Gear - 31Z	1
11	5215 2621	Snap Ring - M6	2
12	AX20 0280	Magnetic Clutch:0.5n.m:28z	2
13	AB01 7470	Gear - 31Z/37Z	1
14	AB01 4057	Drive Gear - 34Z	1
15	AB01 7463	Gear - 47Z/24Z	1
16	B543 2831	Bracket:Set Sensor	1

Index No.	Part No.	Description	Q'ty Per Assembly
101	1105 0113	Edge - P108	
102	0451 4008N	Tapping Screw:4x8	
103	1105 0291	Harness Clamp - LWS-3S	
104	0451 3006N	Tapping Screw - 3x6	
105	1106 0132	Cord Stopper	
106	1105 0310	Harness Clamp - LWS-1S	
107	1105 0348	Clamp	
108	1105 0267	Harness Clamp - YMC-10-0	
109	0720 0040E	Retaining Ring - M4	
110	1107 0392	Fuse - 6.3A 125V	

**LARGE CAPACITY TRAY RT45
B543
PARTS INDEX**

This section instructs you as to the numbers and names of parts on this machine

PM Parts Index

Section Name	Part No.	Description in Service Manual	Description in Parts Catalog	Q'ty Per Assembly	Page and Index No.
PAPER REGISTRATION (B543)	AF03 1081	Feed Roller	Paper Feed Roller:Feed:Manual Feed	1	5 - 16
PAPER REGISTRATION (B543)	AF03 0080	Pick-up Roller	Paper Feed Roller:Pickup	1	5 - 20
PAPER REGISTRATION (B543)	AF03 2080	Separation Roller	Paper Feed Roller:Separate	1	5 - 29

Parts Index

Part No.	Description	Page and Index No.
B543 1080	Bracket:Base:Front	9 - 4
B543 1085	Bracket:Base:Rear	9 - 3
B543 1250	Cover:Front	3 - 13
B543 1255	Cover:Rear	3 - 21
B543 1260	Cover:Right Lower	3 - 14
B543 1265	Cover:Upper Left	3 - 19
B543 1275	Cover:Upper Right	3 - 15
B543 1280	Bracket:Hinge:Right Upper:Cover	3 - 18
B543 1281	Bracket:Magnet Catch	3 - 16
B543 2550	Side Plate:Front:Peen	7 - 28
B543 2560	Side Plate:Rear:Peen	7 - 29
B543 2575	Guide Plate:Front	9 - 5
B543 2576	Guide Plate:Paper Feed Roller	9 - 13
B543 2577	Cushion:Guide Plate:Lower	9 - 1
B543 2581	Stay:Magnet Catch:Side Plate	9 - 14
B543 2582	Separation Plate:Stay:Magnet Catch	9 - 18
B543 2585	Supporting Plate:Side Plate:Rear	7 - 23
B543 2622	Bracket:Photointerruptor:Paper Feed	5 - 10
B543 2625	DC Solenoid:Pickup:Ass'y	5 - 7
B543 2632	Bracket:Connecting:Sensor	5 - 3
B543 2650	Base:Paper Feed Roller:Peen	5 - 31
B543 2668	Shaft:Driven:Reverse:Press Fit	5 - 32
B543 2670	Stay:Upper:Paper Feed	5 - 12
B543 2675	Supporting Plate:Stay:Upper	5 - 4
B543 2681	Guide Plate:Transport:Upper	5 - 25
B543 2685	Guide Plate:Transport:Lower	5 - 26
B543 2695	Bracket:Motor:Peen	11 - 8
B543 2700	Guide Plate:Vertical Transport:Driven:Peen	3 - 8
B543 2710	Guide Plate:Vertical Transport	3 - 12
B543 2711	Lever Switch	3 - 9
B543 2731	Bracket:Coupling:Tray:Front	7 - 5
B543 2732	Bracket:Coupling:Tray:Rear	7 - 6
B543 2741	Bracket:Safety Switch	7 - 10
B543 2743	Lever:Safety Switch	7 - 9
B543 2746	Bracket:Paper Size Sensor	7 - 24

Part No.	Description	Page and Index No.
B543 2750	Side Fence:Front:Peen	7 - 12
B543 2755	Side Fence:Rear:Peen	7 - 21
B543 2758	Guide:Paper:Plate	7 - 27
B543 2812	Stay:Lock	9 - 17
B543 2813	Lever:Lock:Front	9 - 12
B543 2815	Knob:Large Capacity Tray	9 - 6
B543 2821	Bracket:Paper Volume Sensor	11 - 6
B543 2831	Bracket:Set Sensor	11 - 16
B543 2900	Decal:Paper:Installation Procedure	3 - 20
B543 3481	Shaft:Guide Pin	3 - 3
B543 3482	Screw:Vertical Transport:M3	3 - 7
B543 5020	Harness:Interface:Ass'y	11 - 4
B543 5150	Interface Board:Bahama-b:Ass'y	11 - 2
B543 5175	Push Switch:Large Capacity Tray	7 - 16
B543 5320	Harness:Main:Bahama-b:Ass'y	7 - 8
B543 5320	Harness:Main:Bahama-b:Ass'y	11 - 3

Part No.	Description	Page and Index No.
A007 2756	Bushing - Volume Sensor Shaft	9 - 11
A007 2757	Sector Gear Bushing	9 - 10
A048 2838	Nylon Rivet	7 - 20
A293 6399	Torque Limiter - Separator	5 - 30
A335 4351	Guide Roller	7 - 4
A380 2211	Pick-up Arm	5 - 21
A380 2460	Pick-up Release Spring	5 - 5
A421 2543	Friction Pad	7 - 17
A667 2571	Lock Lever	9 - 8
A667 2644	Supporter - Side Fence	7 - 13
A667 2653	Paper Stopper	7 - 19
A667 2660	Belt Stopper	7 - 1
A680 4223	Cushion	3 - 22
A683 1282	Hinge	11 - 1
A683 1285	Magnetic Catch Cover	3 - 10
A683 1287	Spring Plate:Auxiliary:Vertical Tray	7 - 30
A683 2666	Pressure Lever	5 - 35
A683 2667	Drive Shaft - Reverse Roller	5 - 33
A683 2742	Plate Spring - Safety Switch	7 - 11
A683 2811	Handle Collar	9 - 7
H516 3625	Spacer - 10x18x2mm	5 - 28

Part No.	Description	Page and Index No.
AA00 2010	Decal - Paper Level	7 - 22
AA04 3259	Timing Belt	7 - 2
AA06 0636	Pressure Spring	5 - 8
AA06 0741	Pressure Spring	5 - 14
AA06 3571	Compression Spring	5 - 22
AA06 3571	Compression Spring	3 - 5
AA06 3572	Compression Spring	3 - 11
AA06 6294	Torsion Spring	9 - 9
AA06 6295	Torsion Spring	9 - 16
AA07 0041	Slide Rail	9 - 2
AA08 0236	Bushing	5 - 24
AA08 0236	Bushing	3 - 4
AA08 3015	Roller Clutch	5 - 15
AA14 0669	Feed Roller Shaft	5 - 13
AA14 3503	Positioning Pin	3 - 1
AA14 3504	Coupling Screw	3 - 2
AA14 5561	Tray Drive Shaft	7 - 26
AB01 3420	Gear - 18Z	5 - 34
AB01 4023	Gear - 45z	7 - 15
AB01 4057	Drive Gear - 34Z	11 - 14
AB01 4059	Idler Gear - 31Z	11 - 10
AB01 7462	Gear - 49Z/21Z	11 - 9
AB01 7463	Gear - 47Z/24Z	11 - 15
AB01 7470	Gear - 31Z/37Z	11 - 13
AB03 0548	Pulley - 16T	7 - 3
AF01 1041	Paper Tray	7 - 18
AF02 0419	Transport Drive Roller	5 - 27
AF02 0420	Driven Roller	3 - 6
AF02 0420	Driven Roller	5 - 23
AF03 0080	Paper Feed Roller:Pickup	5 - 20
AF03 1081	Paper Feed Roller:Feed:Manual Feed	5 - 16
AF03 2080	Paper Feed Roller:Separate	5 - 29
AG07 0004	Magnetic Catch	9 - 15
AW02 0160	Paper Feed Sensor	7 - 25
AW02 0160	Paper Feed Sensor	11 - 5

Part No.	Description	Page and Index No.
AW02 0160	Paper Feed Sensor	5 - 9
AW02 0176	Photo Interruptor:Paper End Sensor	5 - 11
AW02 0177	Photo Interruptor:Vertical Transport	5 - 2
AX04 0214	DC Motor:Shift:Upper Lower:Drive	7 - 14
AX06 0140	Brushless Motor - DC24V 12.3W	11 - 7
AX20 0280	Magnetic Clutch:0.5n.m:28z	11 - 12

Part No.	Description	Page and Index No.
0313 0180N	Pan Head Screw - M3x18	7 -109
0450 3008N	Tapping Screw - M3x8	7 -103
0450 3008N	Tapping Screw - M3x8	3 -101
0450 4020N	Tapping Screw - M4x20	7 -105
0451 3006N	Tapping Screw - 3x6	9 -102
0451 3006N	Tapping Screw - 3x6	11 -104
0451 3006N	Tapping Screw - 3x6	7 -101
0451 3006N	Tapping Screw - 3x6	5 -101
0451 3008N	Tapping Screw - M3x8	9 -105
0451 3008N	Tapping Screw - M3x8	3 -102
0451 3010N	Tapping Screw:3x10	9 -103
0451 4008N	Tapping Screw:4x8	11 -102
0451 4008N	Tapping Screw:4x8	7 -108
0453 3005N	Binding Self Tapping Screw:3x5	9 -101
0633 0140G	Parallel Pin - 3x14	7 -104
0633 0180G	Parallel Pin - 3x18mm	7 -107
0720 0040E	Retaining Ring - M4	11 -109
0720 0040E	Retaining Ring - M4	5 -105
0720 0060E	Retaining Ring - M6	5 -102
0720 0060E	Retaining Ring - M6	7 -102
0802 5276	Tapping Screw With Washer - M3x6	5 -106
1105 0113	Edge - P108	11 -101
1105 0267	Harness Clamp - YMC-10-0	5 -104
1105 0267	Harness Clamp - YMC-10-0	11 -108
1105 0291	Harness Clamp - LWS-3S	11 -103
1105 0310	Harness Clamp - LWS-1S	9 -104
1105 0310	Harness Clamp - LWS-1S	11 -106
1105 0328	Harness Clamp - ES-0505	5 -103
1105 0348	Clamp	11 -107
1106 0132	Cord Stopper	11 -105
1106 0458	Bushing - 9.9mm	9 -106
1107 0392	Fuse - 6.3A 125V	11 -110
1204 2723	Switch:Am51612a531n	7 -106

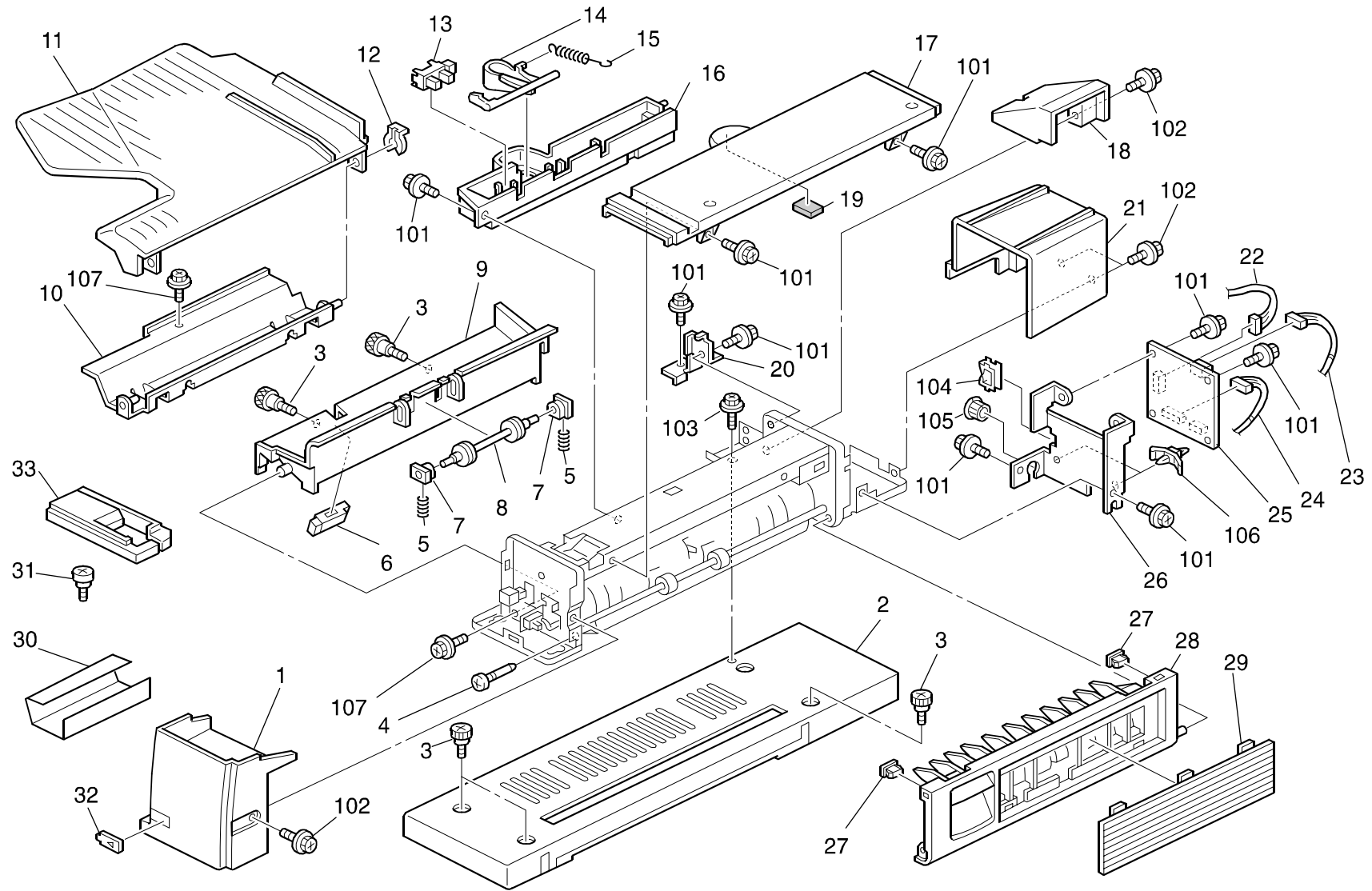
Part No.	Description	Page and Index No.
5053 0223	Bushing - 8mm	5 - 1
5053 0223	Bushing - 8mm	7 - 7
5053 0447	Bushing - 6mm	5 - 6
5215 2621	Snap Ring - M6	5 - 17
5215 2621	Snap Ring - M6	11 - 11
5447 2681	Snap Ring	3 - 17
5447 2681	Snap Ring	5 - 19
5447 2706	Gear - 15T	5 - 18

Part No.	Description	Page and Index No.
----------	-------------	--------------------

PT330 B544
PARTS LOCATION AND LIST

This section instructs you as to the numbers and names of parts on this machine.

1.1 Bin Tray 1 (B544)

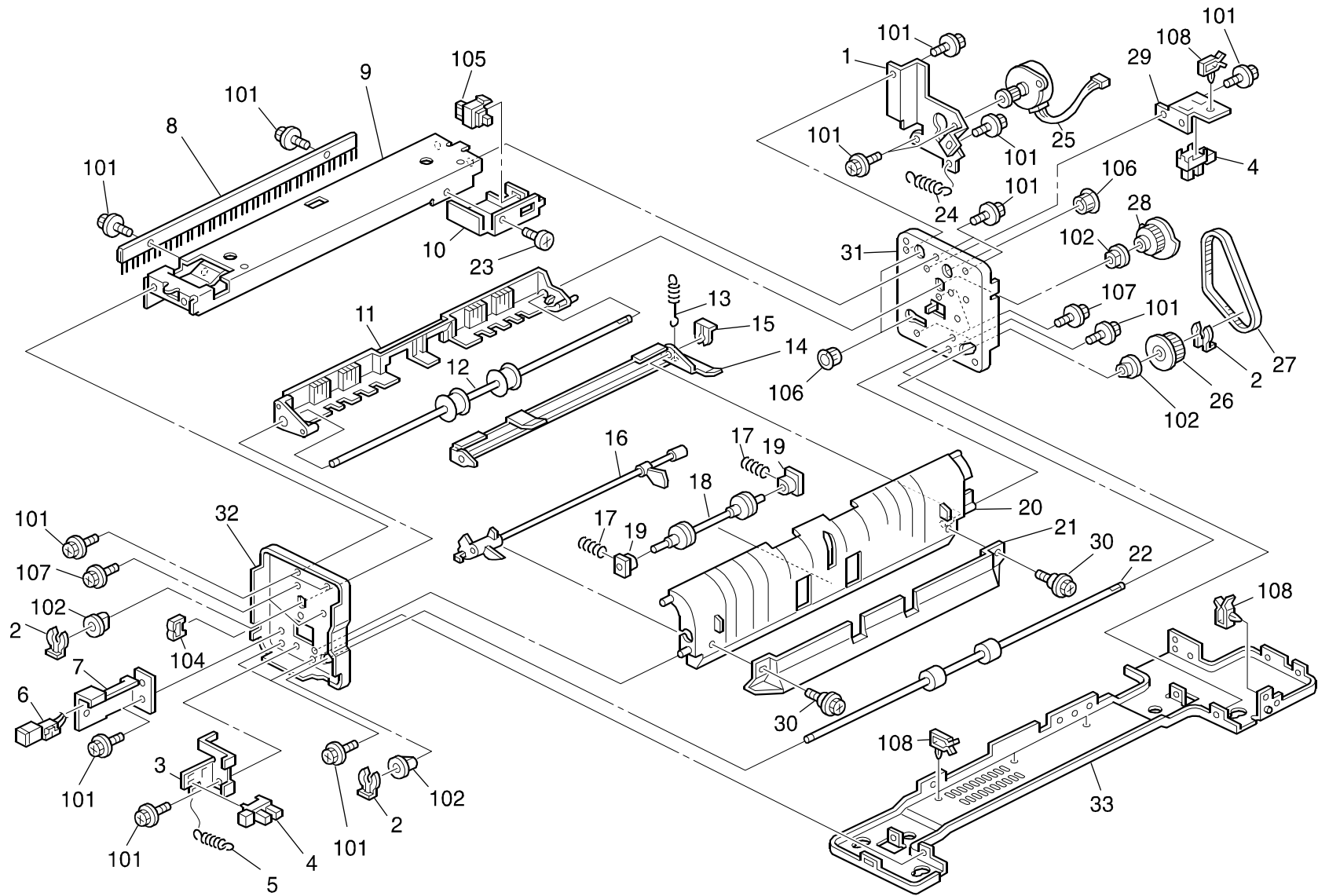


1.1 Bin Tray 1 (B544)

Index No.	Part No.	Description	Q'ty Per Assembly
1	B544 1511	Cover:Front	1
2	B544 1552	Cover:Upper Right	1
3	A684 6111	Stepped Screw - M3	5
4	5446 2824	Screw - Duplex Guide Plate	1
5	AA06 3529	Pressure Spring - 14.5mm	2
6	AW01 0070	Photosensor - Ps-r11d1-b	1
7	AA08 0034	Bushing - 4x5x7	2
8	AF02 2101	Driven Roller	1
9	B544 1811	Cover:Bin Sensor	1
10	B544 3201	Copy Tray Bracket	1
11	B544 3111	Copy Tray	1
12	5447 2681	Snap Ring	1
13	AW02 0075	Photointerruptor	1
14	A684 2151	Actuator - Paper Height Sensor	1
15	AA06 0752	Tension Spring	1
16	B544 1821	Cover:Surface of Paper Sensor	1
17	B544 1711	Cover:Upper	1
18	B544 1911	Cover:Connector	1
19	A684 1721	Upper Cover Cushion	1
20	B544 1413	Grounding Plate	1
21	B544 1611	Cover:Rear	1
22	B544 5300	Harness:Interface	1
23	B544 5310	Harness:Sensor	1
24	B544 5320	Harness:Bin Display	1
25	B544 5100	PCb:Main Control	1
26	B544 1214	Main Board Bracket	1
27	G012 1531	Magnet	2
28	B544 2411	Cover:Open and Close	1
29	B544 2421	Louver:Cover:Open and Close	1
30	B005 1391	Arm Guide - C2	2
31	5918 3040	Shoulder Screw - M4	1
32	A684 1521	Cover:Display	1
33	B544 1306	Cover:Arm:1bin	1
34	B376 1557	Middle Guide	1

Index No.	Part No.	Description	Q'ty Per Assembly
101	0451 3006B	Tapping Screw - M3x6	
102	0451 3008H	Tapping Screw - M3x8	
103	0451 3014B	Tapping Screw - M3-14	
104	1105 0243	Wire Saddle	
105	1106 0458	Bushing - 9.9mm	
106	1105 0160	Clamp	
107	0450 3008B	Tapping Screw - M3x8	

2.1 Bin Tray 2 (B544)



2.1 Bin Tray 2 (B544)

Index No.	Part No.	Description	Q'ty Per Assembly
1	B544 2511	Motor Bracket	1
2	5447 2681	Snap Ring	3
3	B544 1112	Transport Sensor Bracket	1
4	AW02 0075	Photointerruptor	2
5	AA06 0737	Tension Spring	1
6	B544 5320	Harness:Bin Display	1
7	B544 1113	Bracket - LED	1
8	AA12 0090	Discharge Brush L=320 Mm3	1
9	B544 1311	Upper Stay	1
10	B544 1212	Safety Switch Bracket	1
11	A684 2215	Upper Exit Guide	1
12	B376 2121	Exit Roller	1
13	AA06 0735	Tension Spring	1
14	B544 2332	Pressure Release Bracket	1
15	5206 2686	Snap Ring	1
16	A684 2251	Sensor Actuator	1
17	AA06 3529	Pressure Spring - 14.5mm	2
18	AF02 2075	Driven Roller	1
19	AA08 0034	Bushing - 4x5x7	2
20	B376 2211	Left Guide Plate-middle	1
21	A684 2213	Guide Plate:Middle:Right	1
22	B376 2111	Transport Roller	1
23	5875 2088	Shoulder Screw - M4	1
24	AA06 0736	Tension Spring	1
25	AX04 0103	Stepper Motor - DC 17.8w	1
26	AB03 0381	Timing Pulley - 26Z	1
27	AA04 3486	Timing Belt - B40S2M194	1
28	A684 2531	Sensor Actuator	1
29	B544 1213	Sensor Bracket	1
30	A684 6131	Screw:Guide Plate	2
31	B544 1211	Side Plate - Rear	1
32	B544 1111	Side Plate - Front	1
33	B544 1401	Base:Ass'y	1

Index No.	Part No.	Description	Q'ty Per Assembly
101	0451 3006B	Tapping Screw - M3x6	
102	0805 3480	Bushing - 6mm	
103	5875 2088	Shoulder Screw - M4	
104	1105 0328	Harness Clamp - ES-0505	
105	1204 2379	Micro Switch - Cs2a-b2ba	
106	1106 0241	Bushing - 6.7mm	
107	0450 3008B	Tapping Screw - M3x8	
108	1105 0267	Harness Clamp - YMC-10-0	

PT330 B544
PARTS INDEX

This section instructs you as to the numbers and names of parts on this machine.

Parts Index

Part No.	Description	Page and Index No.
B544 1111	Side Plate - Front	5 - 32
B544 1112	Transport Sensor Bracket	5 - 3
B544 1113	Bracket - LED	5 - 7
B544 1211	Side Plate - Rear	5 - 31
B544 1212	Safety Switch Bracket	5 - 10
B544 1213	Sensor Bracket	5 - 29
B544 1214	Main Board Bracket	3 - 26
B544 1306	Cover:Arm:1bin	3 - 33
B544 1311	Upper Stay	5 - 9
B544 1401	Base:Ass'y	5 - 33
B544 1413	Grounding Plate	3 - 20
B544 1511	Cover:Front	3 - 1
B544 1552	Cover:Upper Right	3 - 2
B544 1611	Cover:Rear	3 - 21
B544 1711	Cover:Upper	3 - 17
B544 1811	Cover:Bin Sensor	3 - 9
B544 1821	Cover:Surface of Paper Sensor	3 - 16
B544 1911	Cover:Connector	3 - 18
B544 2332	Pressure Release Bracket	5 - 14
B544 2411	Cover:Open and Close	3 - 28
B544 2421	Louver:Cover:Open and Close	3 - 29
B544 2511	Motor Bracket	5 - 1
B544 3111	Copy Tray	3 - 11
B544 3201	Copy Tray Bracket	3 - 10
B544 5100	Pcb:Main Control	3 - 25
B544 5300	Harness:Interface	3 - 22
B544 5310	Harness:Sensor	3 - 23
B544 5320	Harness:Bin Display	5 - 6
B544 5320	Harness:Bin Display	3 - 24

Part No.	Description	Page and Index No.
A684 1521	Cover:Display	3 - 32
A684 1721	Upper Cover Cushion	3 - 19
A684 2151	Actuator - Paper Height Sensor	3 - 14
A684 2213	Guide Plate:Middle:Right	5 - 21
A684 2215	Upper Exit Guide	5 - 11
A684 2251	Sensor Actuator	5 - 16
A684 2531	Sensor Actuator	5 - 28
A684 6111	Stepped Screw - M3	3 - 3
A684 6131	Screw:Guide Plate	5 - 30
B005 1391	Arm Guide - C2	3 - 30
B376 1557	Middle Guide	3 - 34
B376 2111	Transport Roller	5 - 22
B376 2121	Exit Roller	5 - 12
B376 2211	Left Guide Plate-middle	5 - 20
G012 1531	Magnet	3 - 27

Part No.	Description	Page and Index No.
AA04 3486	Timing Belt - B40S2M194	5 - 27
AA06 0735	Tension Spring	5 - 13
AA06 0736	Tension Spring	5 - 24
AA06 0737	Tension Spring	5 - 5
AA06 0752	Tension Spring	3 - 15
AA06 3529	Pressure Spring - 14.5mm	5 - 17
AA06 3529	Pressure Spring - 14.5mm	3 - 5
AA08 0034	Bushing - 4x5x7	3 - 7
AA08 0034	Bushing - 4x5x7	5 - 19
AA12 0090	Discharge Brush L=320 Mm3	5 - 8
AB03 0381	Timing Pulley - 26Z	5 - 26
AF02 2075	Driven Roller	5 - 18
AF02 2101	Driven Roller	3 - 8
AW01 0070	Photosensor - Ps-r11d1-b	3 - 6
AW02 0075	Photointerruptor	5 - 4
AW02 0075	Photointerruptor	3 - 13
AX04 0103	Stepper Motor - DC 17.8w	5 - 25

Part No.	Description	Page and Index No.
0450 3008B	Tapping Screw - M3x8	3 -107
0450 3008B	Tapping Screw - M3x8	5 -107
0451 3006B	Tapping Screw - M3x6	5 -101
0451 3006B	Tapping Screw - M3x6	3 -101
0451 3008H	Tapping Screw - M3x8	3 -102
0451 3014B	Tapping Screw - M3-14	3 -103
0805 3480	Bushing - 6mm	5 -102
1105 0160	Clamp	3 -106
1105 0243	Wire Saddle	3 -104
1105 0267	Harness Clamp - YMC-10-0	5 -108
1105 0328	Harness Clamp - ES-0505	5 -104
1106 0241	Bushing - 6.7mm	5 -106
1106 0458	Bushing - 9.9mm	3 -105
1204 2379	Micro Switch - Cs2a-b2ba	5 -105

Part No.	Description	Page and Index No.
5206 2686	Snap Ring	5 - 15
5446 2824	Screw - Duplex Guide Plate	3 - 4
5447 2681	Snap Ring	3 - 12
5447 2681	Snap Ring	5 - 2
5875 2088	Shoulder Screw - M4	5 - 23
5875 2088	Shoulder Screw - M4	5 - 103
5918 3040	Shoulder Screw - M4	3 - 31

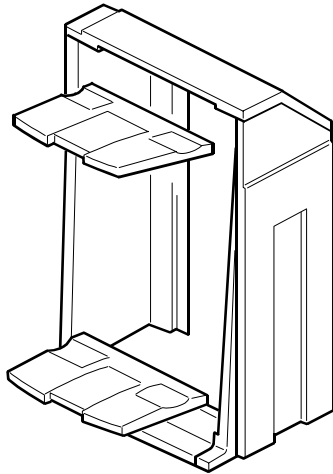
Part No.	Description	Page and Index No.
----------	-------------	--------------------

SR880 B545
PARTS LOCATION AND LIST

This section instructs you as to the numbers and names of parts on this machine.

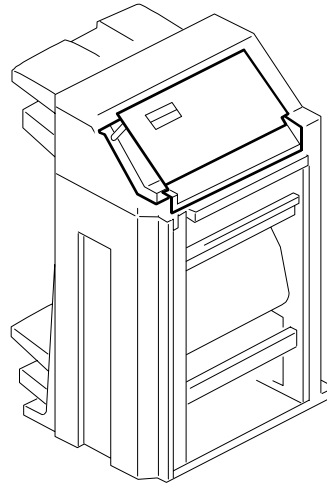
LOCATIONS OF UNITS

1. EXTERIOR 1 (B545)



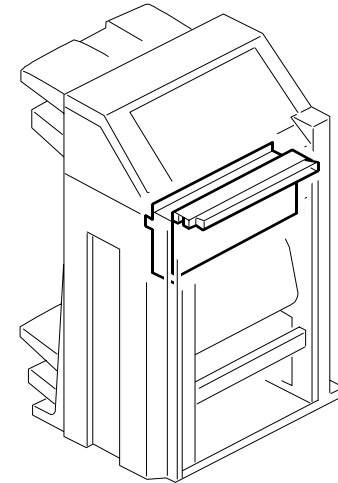
See Page 7

2. EXTERIOR 2 (B545)



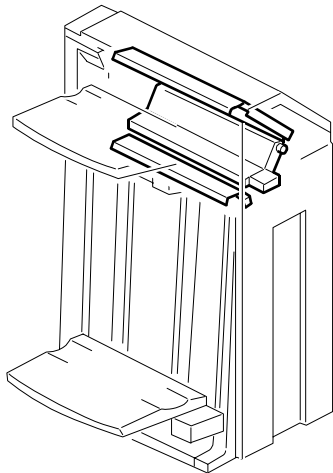
See Page 9

3. PUNCH FRAME (B545)



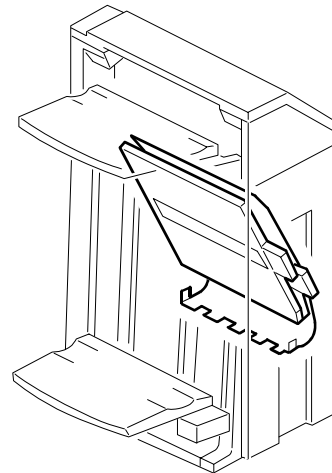
See Page 11

4. PAPER TRANSFER 1 (B545)



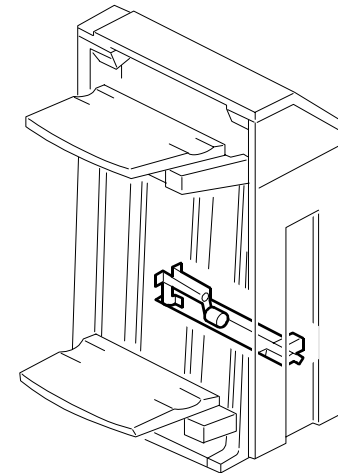
See Page 13

5. PAPER TRANSFER 2 (B545)



See Page 15

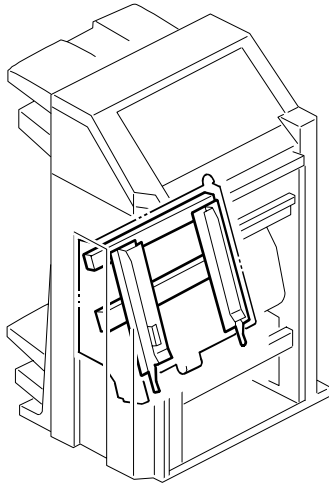
6. PAPER TRANSFER 3 (B545)



See Page 17

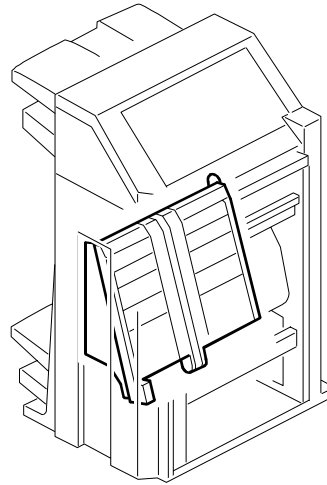
LOCATIONS OF UNITS

7. STAPLE TRAY 1 (B545)



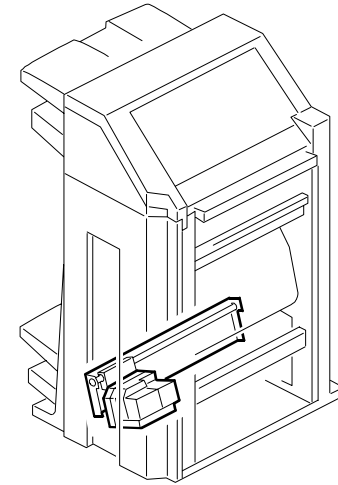
See Page 19

8. STAPLE TRAY 2 (B545)



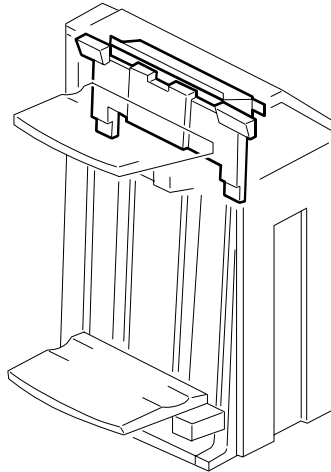
See Page 21

9. STAPLE UNIT (B545)



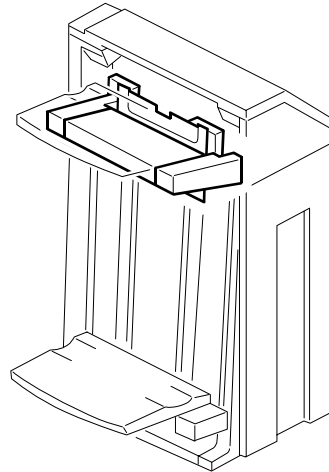
See Page 23

10. UPPER PAPER EXIT 1 (B545)



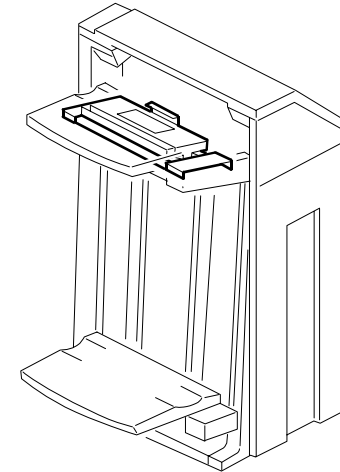
See Page 25

11. UPPER PAPER EXIT 2 (B545)



See Page 27

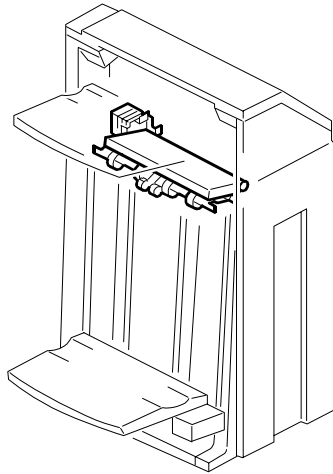
12. UPPER PAPER EXIT 3 (B545)



See Page 29

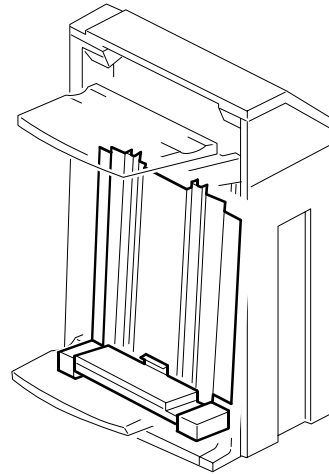
LOCATIONS OF UNITS

13. LOWER PAPER EXIT (B545)



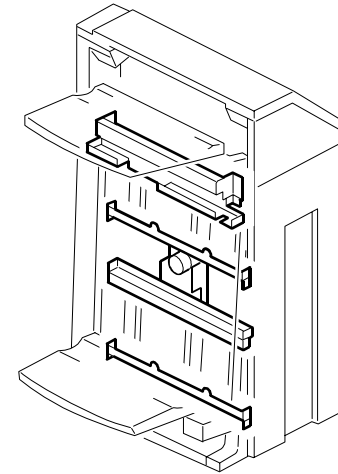
See Page 31

14. SHIFT DRIVE 1 (B545)



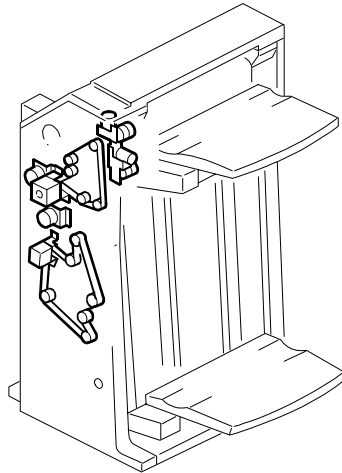
See Page 33

15. SHIFT DRIVE 2 (B545)



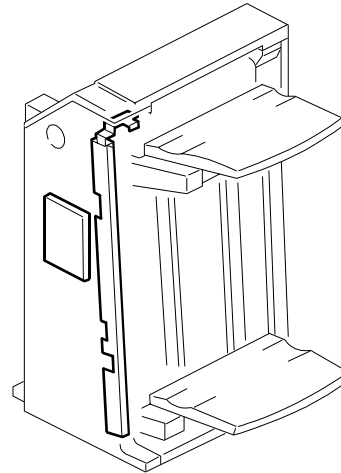
See Page 35

16. DRIVE SECTION (B545)



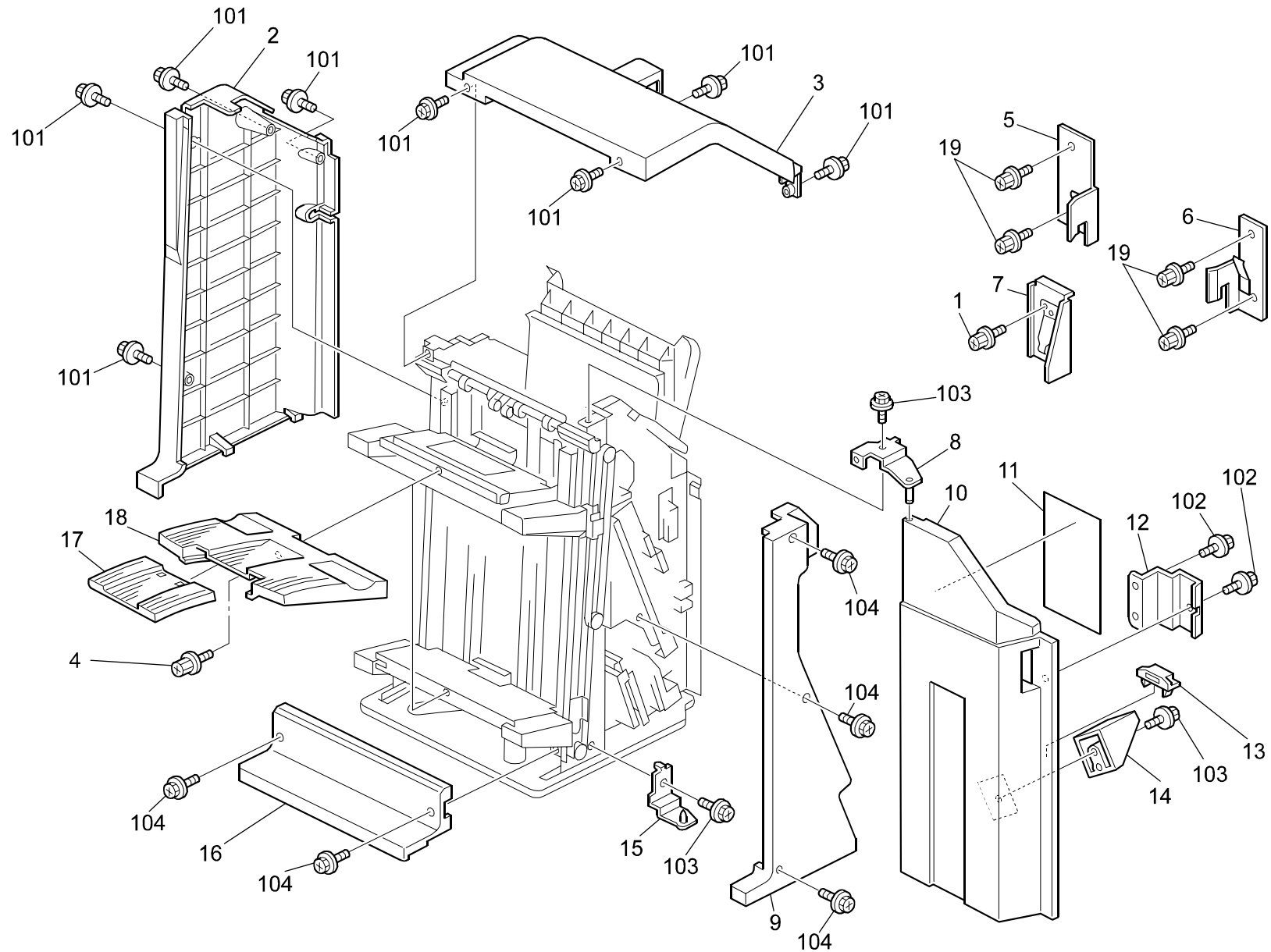
See Page 37

17. ELECTRICAL SECTION (B545)



See Page 39

1.EXTERIOR 1 (B545)



1.EXTERIOR 1 (B545)

Index No.	Part No.	Description	Q'ty Per Assembly
1	G034 2986	Flanged Hexagonal Head Bolt - M4x8	2
2	G565 6301	Rear Cover	1
3	B545 6101	Cover:Upper	1
4	G034 2993	Flanged Hexagonal Head Bolt - M3x6	2
5	A697 1144	Rear Joint Bracket	1
6	A697 1153	Front Joint Bracket	1
7	B545 1170	Bracket:Ground Plate:Upper:Ass'y	1
8	B545 6203	Upper Hinge – Front Door	1
9	G565 6501	Inner Cover	1
10	G565 6201	Front Cover	1
11	G565 7351	Decal - Misfeed Removal	1
12	G565 6202	Auxiliary Grip Cover	1
13	G020 2630	Magnetic Catch	1
14	A606 1595	Small Door Cover	1
15	B545 6206	Lower Hinge - Front Door	1
16	G565 6451	Lower Left Cover	1
17	G565 3921	Slide Tray	1
18	G565 3911	Shift Tray	1
19	G522 1152	Flanged Hexagonal Head Bolt	1

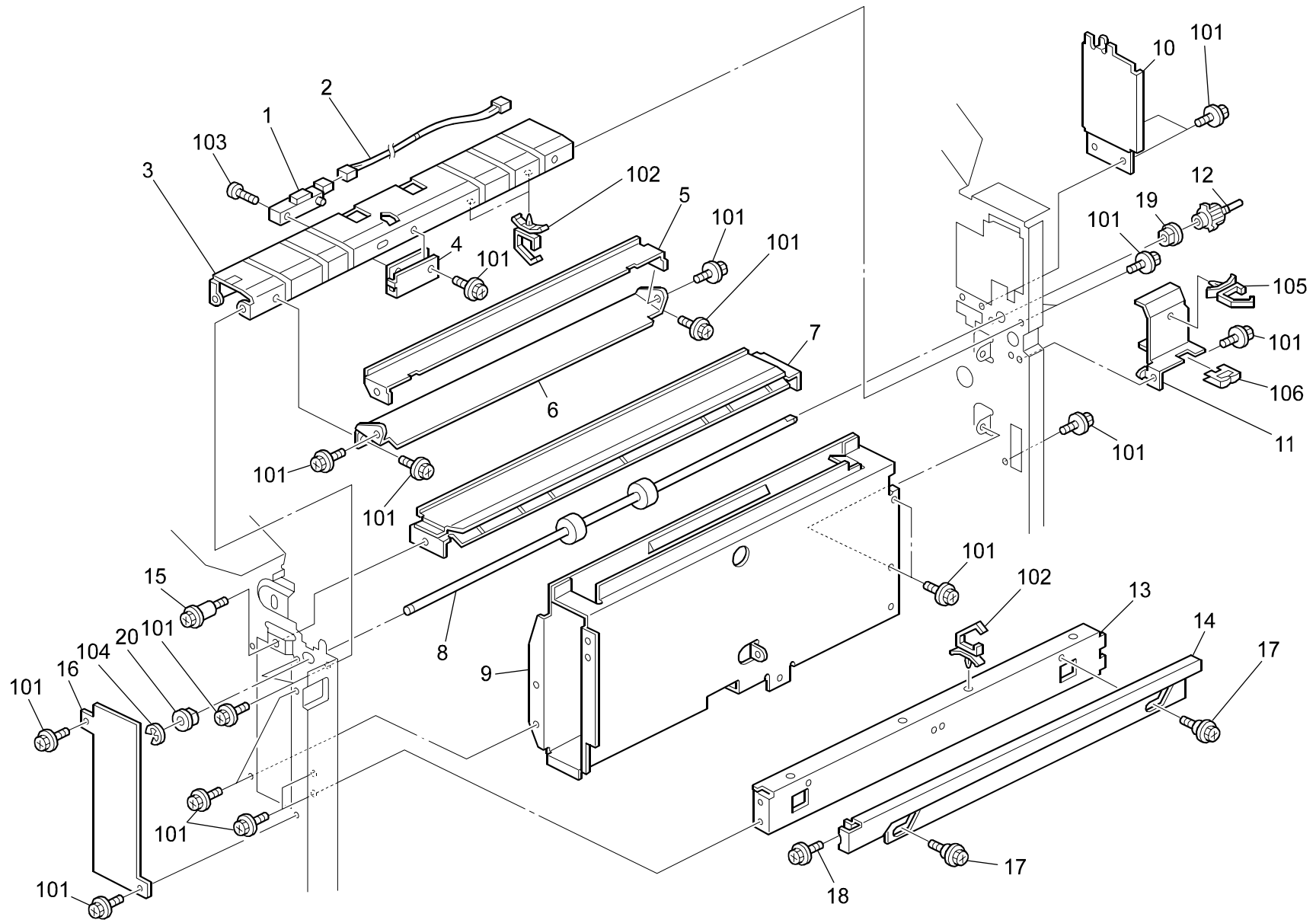
Index No.	Part No.	Description	Q'ty Per Assembly
101	0802 5277	Tapping Screw	
102	0450 3008B	Tapping Screw - M3x8	
103	0451 3006B	Tapping Screw - M3x6	
104	0451 3008H	Tapping Screw - M3x8	
105	0802 5276	Tapping Screw With Washer - M3x6	

2.EXTERIOR 2 (B545)

Index No.	Part No.	Description	Q'ty Per Assembly
1	B352 2204	Driven Roller	4
2	B352 2205	Bushing - Driven Roller	8
3	AA06 3529	Pressure Spring - 14.5mm	8
4	A049 3371	Magnet	2
5	A612 2435	Support Plate	1
6	B352 2111	Guide Plate - Transport Cover	1
7	B352 2113	Link Spacer	2
8	B352 2114	Pressure Spring	2
9	B352 2112	Link - Transport Cover	2
10	5447 2681	Snap Ring	2
11	B545 2115	Transport Cover	1
12	AW02 0086	Photointerruptor	2
13	B352 2140	Oil Damper	1
14	B545 2137	Bracket - Oil Damper	1
15	B545 2139	Bracket - Transport Cover	1
16	B352 2136	Oil Damper Shaft	1
17	B352 2135	Sector Gear - Transport Cover	1
18	B545 2138	Bracket - Entrance Cover	1
19	G565 2151	Entrance Cover	1
20	B545 2101	Guide Plate - Entrance Cover	1
21	B545 2145	Support Plate - Transport Cover	1
22	A680 1181	Magnetic Catch	1
23	B352 3656	Compression Spring	2
24	5446 2824	Screw - Duplex Guide Plate	4
25	B352 2650	Magnet Catch - 5N	2
26	B545 2105	Film:Shielding Plate	1

Index No.	Part No.	Description	Q'ty Per Assembly
101	0450 3008B	Tapping Screw - M3x8	
102	0450 3010B	Tapping Screw - M3x10	
103	0720 0040B	Retaining Ring - M4	
104	0802 5276	Tapping Screw With Washer - M3x6	
105	0451 4006B	Tapping Screw - 4x6	

3.PUNCH FRAME (B545)

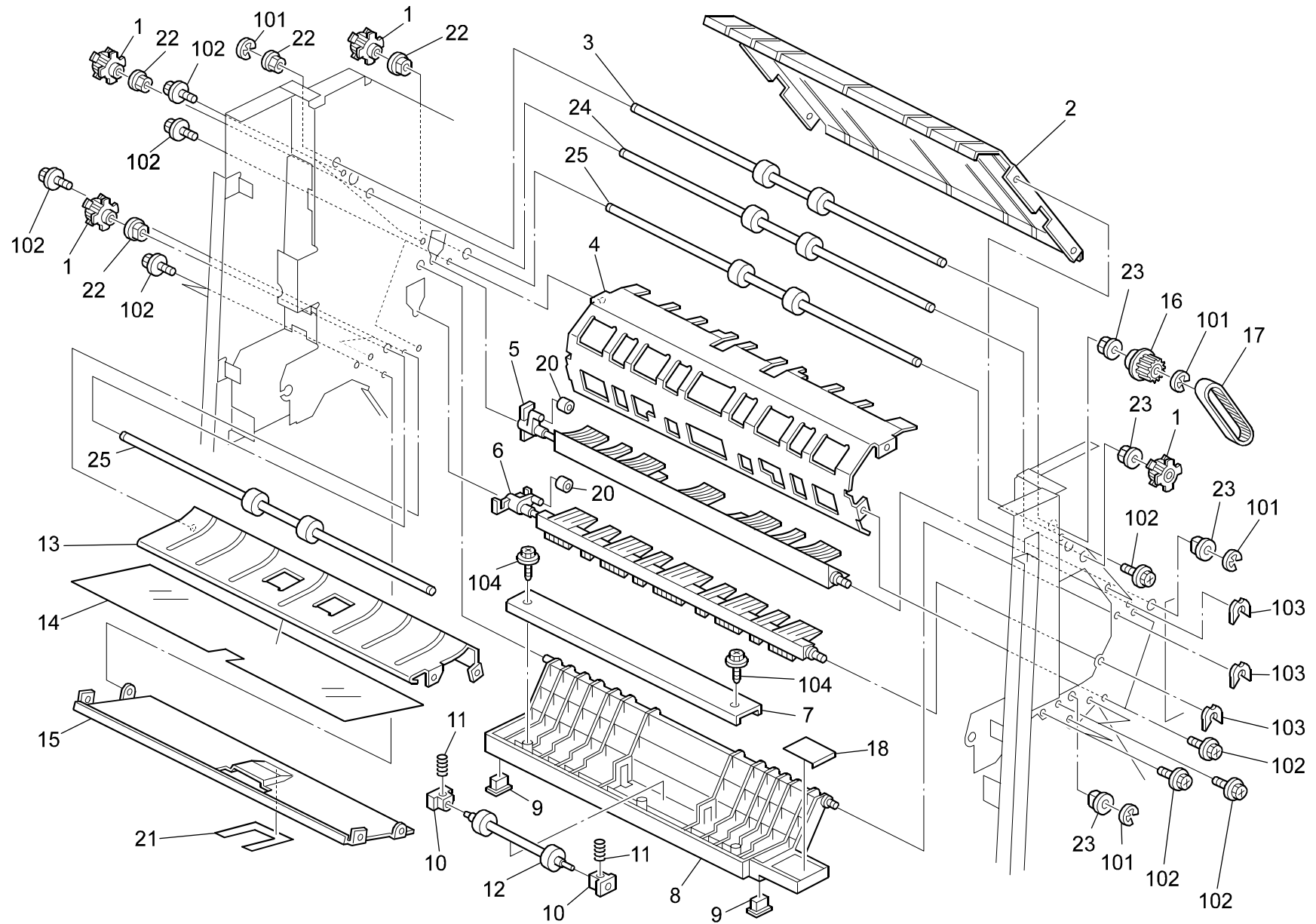


3.PUNCH FRAME (B545)

Index No.	Part No.	Description	Q'ty Per Assembly
1	AW01 0089	Photosensor - GP2A28C	1
2	B545 5300	Harness:Connecting:240mm	1
3	A697 2150	Lower Entrance Guide	1
4	A697 2145	Entrance Sensor Bracket	1
5	B545 2251	Upper Relay Guide	1
6	A697 2250	Lower Relay Guide	1
7	B545 2500	Guide Plate:Auxiliary:Punch:Ass'y	1
8	B352 2620	Lower Transport Roller	1
9	A697 1151	Hopper Bracket	1
10	B545 2506	Rear Cover - Punch Unit	1
11	B545 1135	Angle:Harness Clamp	1
12	B352 1602	Timing Pulley - T20-S2M	1
13	B408 1413	Coupling Stay	1
14	A697 1128	Joint Lever	1
15	B352 7507	Screw - Punch	1
16	B545 2505	Front Cover - Hopper	1
17	A697 1125	Stepped Screw - Lever	2
18	G034 2993	Flanged Hexagonal Head Bolt - M3x6	1
19	AA08 0238	Bushing - M6	1
20	G800 3089	Bushing - 6mm	1

Index No.	Part No.	Description	Q'ty Per Assembly
101	0451 3006B	Tapping Screw - M3x6	
102	1105 0511	Harness Clamp - LWS-0306ZC	
103	0313 0120B	Philips Pan Head Screw - M3x12	
104	0720 0040B	Retaining Ring - M4	
105	1105 0310	Harness Clamp - LWS-1S	
106	1105 0329	Clamp - ES-0510	

4.PAPER TRANSFER 1 (B545)

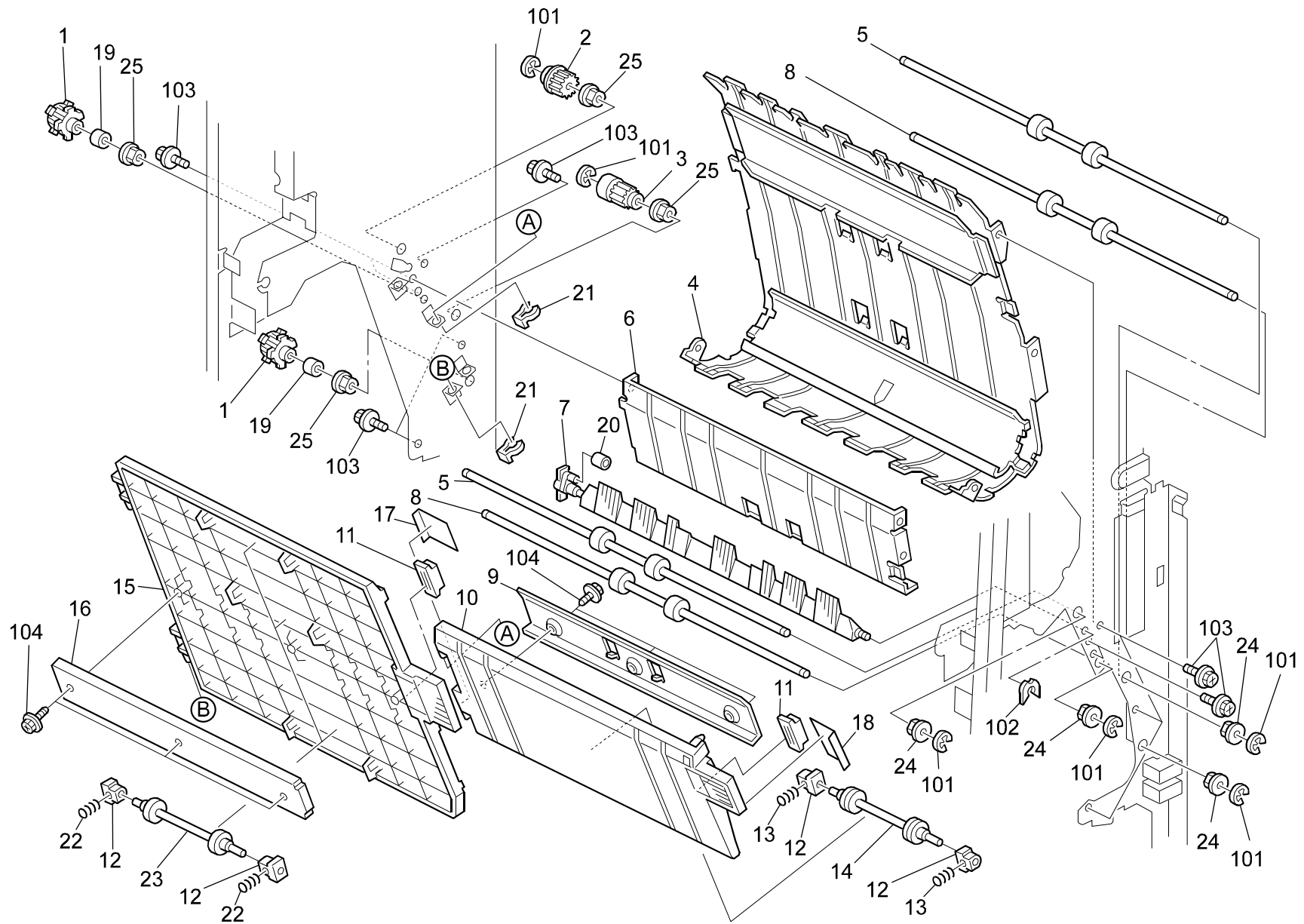


4.PAPER TRANSFER 1 (B545)

Index No.	Part No.	Description	Q'ty Per Assembly
1	B352 1607	Timing Pulley - T20-S3M	4
2	B545 2110	Upper Guide Plate	1
3	B312 2176	Transport Roller	1
4	B545 2425	Lower Turn Guide Plate	1
5	A697 2245	Junction Gate - Proof Tray	1
6	B352 2440	Junction Gate - Stapler Tray	1
7	B545 2450	Support Plate - Guide Plate	1
8	B352 2420	Guide Plate - Shift Tray	1
9	B352 2650	Magnet Catch - 5N	1
10	B352 2205	Bushing - Driven Roller	2
11	AA06 3529	Pressure Spring - 14.5mm	1
12	B352 2204	Driven Roller	1
13	B545 2430	Guide Plate - Turn Gate	1
14	B352 2431	Sheet - Guide Plate	1
15	B545 2217	Exit Guide Plate	1
16	B352 1606	Timing Pulley - T20-S3M	1
17	B352 1605	Timing Belt - B40S3M216	1
18	B352 7101	Decal - R1	1
20	A458 2251	Cushion - Bin Solenoid Lever	2
21	B352 2235	Mylar - Exit Guide	1
22	AA08 0238	Bushing - M6	4
23	5053 0447	Bushing - 6mm	4
24	B352 2600	Upper Transport Roller	1
25	B352 2610	Shift Transport Roller	2

Index No.	Part No.	Description	Q'ty Per Assembly
101	0720 0040B	Retaining Ring - M4	
102	0451 3006B	Tapping Screw - M3x6	
103	0805 0089	Retaining Ring - M4	
104	0450 3008B	Tapping Screw - M3x8	

5.PAPER TRANSFER 2 (B545)

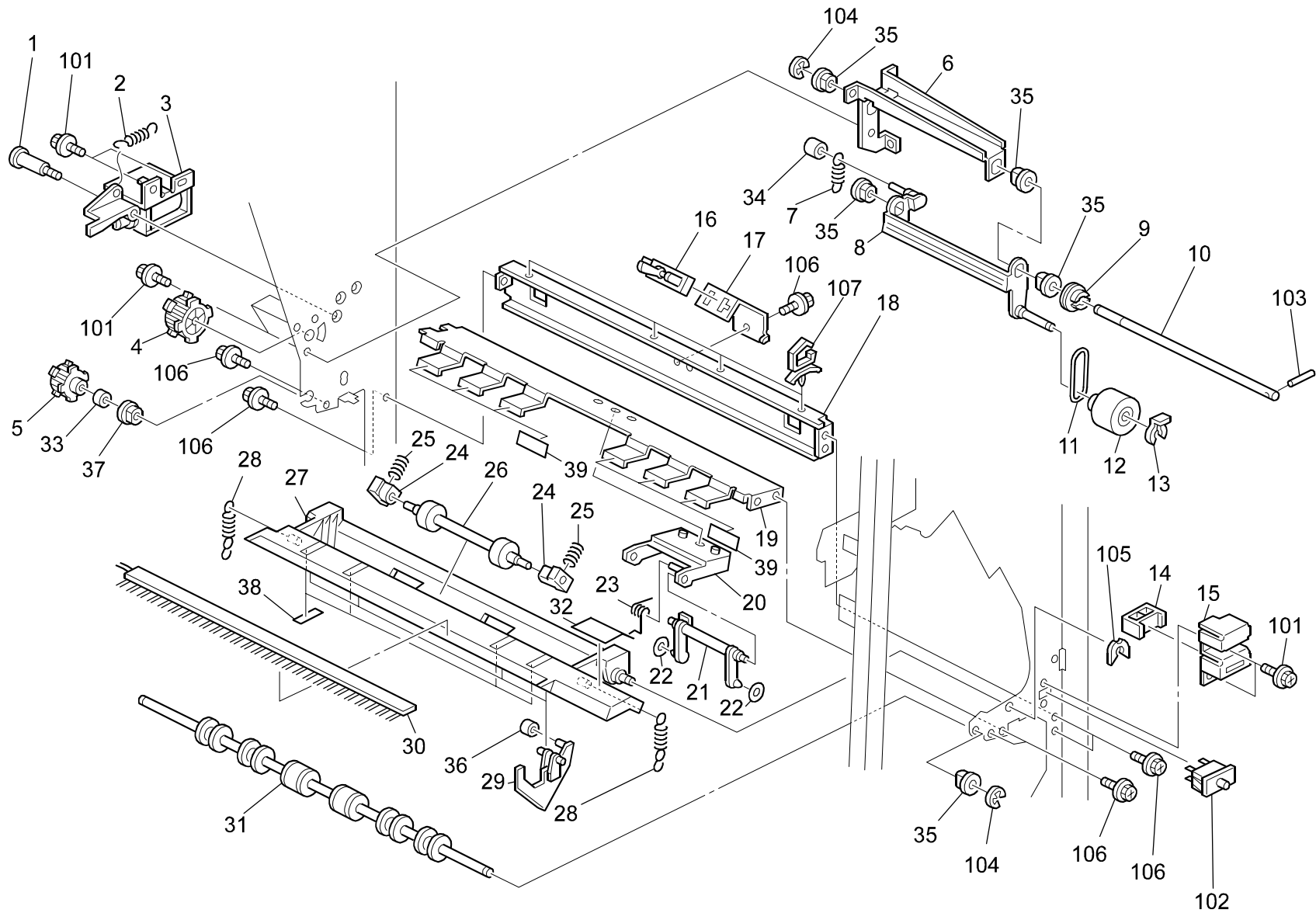


5.PAPER TRANSFER 2 (B545)

Index No.	Part No.	Description	Q'ty Per Assembly
1	B352 1607	Timing Pulley - T20-S3M	3
2	B352 1606	Timing Pulley - T20-S3M	1
3	B312 1521	Timing Pulley - 20T	1
4	B545 2210	Vertical Transport Guide	1
5	B312 2176	Transport Roller	2
6	B312 2166	Vertical Guide	1
7	B312 2100	Pre-stack Gate	1
8	B352 2620	Lower Transport Roller	2
9	B312 2173	Support Plate	1
10	B312 2171	Middle Guide - Vertical Transport	1
11	AG07 1010	Magnet Catch	2
12	B352 2205	Bushing - Driven Roller	8
13	B312 2174	Pressure Spring - 12mm	2
14	B312 2172	Driven Roller	1
15	B312 2151	Left Guide - Vertical Transport	1
16	A612 2435	Support Plate	1
17	B352 7151	Decal - R2	1
18	B352 7201	Decal - R3	1
19	A376 1295	Spacer - M6x10x5	1
20	A458 2251	Cushion - Bin Solenoid Lever	1
21	5447 2681	Snap Ring	2
22	AA06 3529	Pressure Spring - 14.5mm	6
23	B352 2204	Driven Roller	3
24	5053 0447	Bushing - 6mm	4
25	AA08 0238	Bushing - M6	1

Index No.	Part No.	Description	Q'ty Per Assembly
101	0720 0040B	Retaining Ring - M4	
102	0805 0089	Retaining Ring - M4	
103	0451 4006B	Tapping Screw - 4x6	
104	0452 3008B	Tapping Screw - M3x8	

6.PAPER TRANSFER 3 (B545)

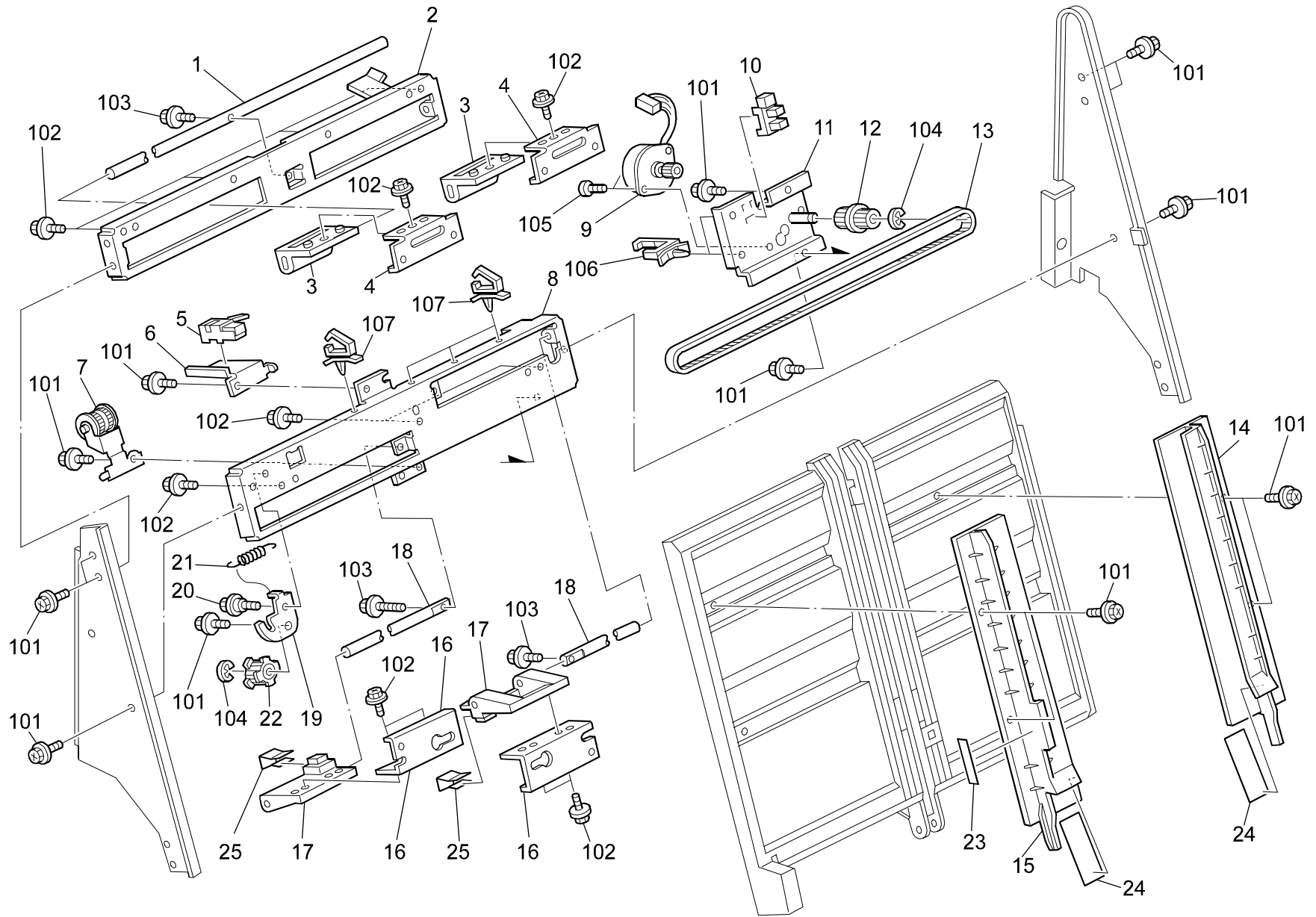


6.PAPER TRANSFER 3 (B545)

Index No.	Part No.	Description	Q'ty Per Assembly
1	A300 3858	Stepped Screw - M4	1
2	A300 3865	Release Spring	1
3	B352 2084	DC Solenoid Assembly	1
4	B352 2445	Pulley - T31	1
5	B352 1607	Timing Pulley - T20-S3M	1
6	A300 3851	Positioning Roller Bracket	1
7	AA06 0557	Positioning Roller Spring	1
8	A379 2811	Positioning Roller Arm	1
9	5919 2127	Positioning Roller Pulley	1
10	B352 2446	Positioning Roller Shaft	1
11	5919 2132	Positioning Roller Belt	1
12	B312 2187	Positioning Roller	1
13	5447 2681	Snap Ring	1
14	A821 1662	Interlock Switch Lever	1
15	A821 1661	Interlock Switch Cover	1
16	AW02 0049	Photointerruptor - Os - 580213-703	1
17	B545 2215	Exit Sensor Bracket	1
18	B408 1413	Coupling Stay	1
19	B545 2221	Stay:Guide:Trailing Edge	1
20	B352 2221	Holder - Paper Guide	1
21	B352 2222	Paper Guide - Trailing Edge	1
22	B352 2229	Roller - Paper Guide	2
23	B352 2232	Torsion Spring	1
24	B352 2205	Bushing - Driven Roller	2
25	A697 2187	Pressure Spring - 14.1mm	1
26	B352 2204	Driven Roller	1
27	B352 2200	Lower Guide Plate	1
28	B352 2206	Tension Spring - Lower Guide	2
29	B352 2201	Guide - Trailing Edge	4
30	B352 2203	Discharge Brush - Stapler Tray	1
31	B352 2630	Exit Roller - Stapler	1
32	B352 7251	Decal - R4	1
33	A376 1295	Spacer - M6x10x5	1
34	AA16 1099	Lever Cushion	1
35	5053 0447	Bushing - 6mm	5

Index No.	Part No.	Description	Q'ty Per Assembly
36	A458 2251	Cushion - Bin Solenoid Lever	4
37	AA08 0238	Bushing - M6	1
38	B352 2207	Pad - Stapler Tray	4
39	G565 2222	Guide - Trailing Edge	1
101	0451 4006B	Tapping Screw - 4x6	
102	1204 2384	Interlock Switch	
103	0623 0120E	Spring Pin - M3x12	
104	0720 0040B	Retaining Ring - M4	
105	0805 0089	Retaining Ring - M4	
106	0451 3006B	Tapping Screw - M3x6	
107	1105 0511	Harness Clamp - LWS-0306ZC	

7.STAPLE TRAY 1 (B545)

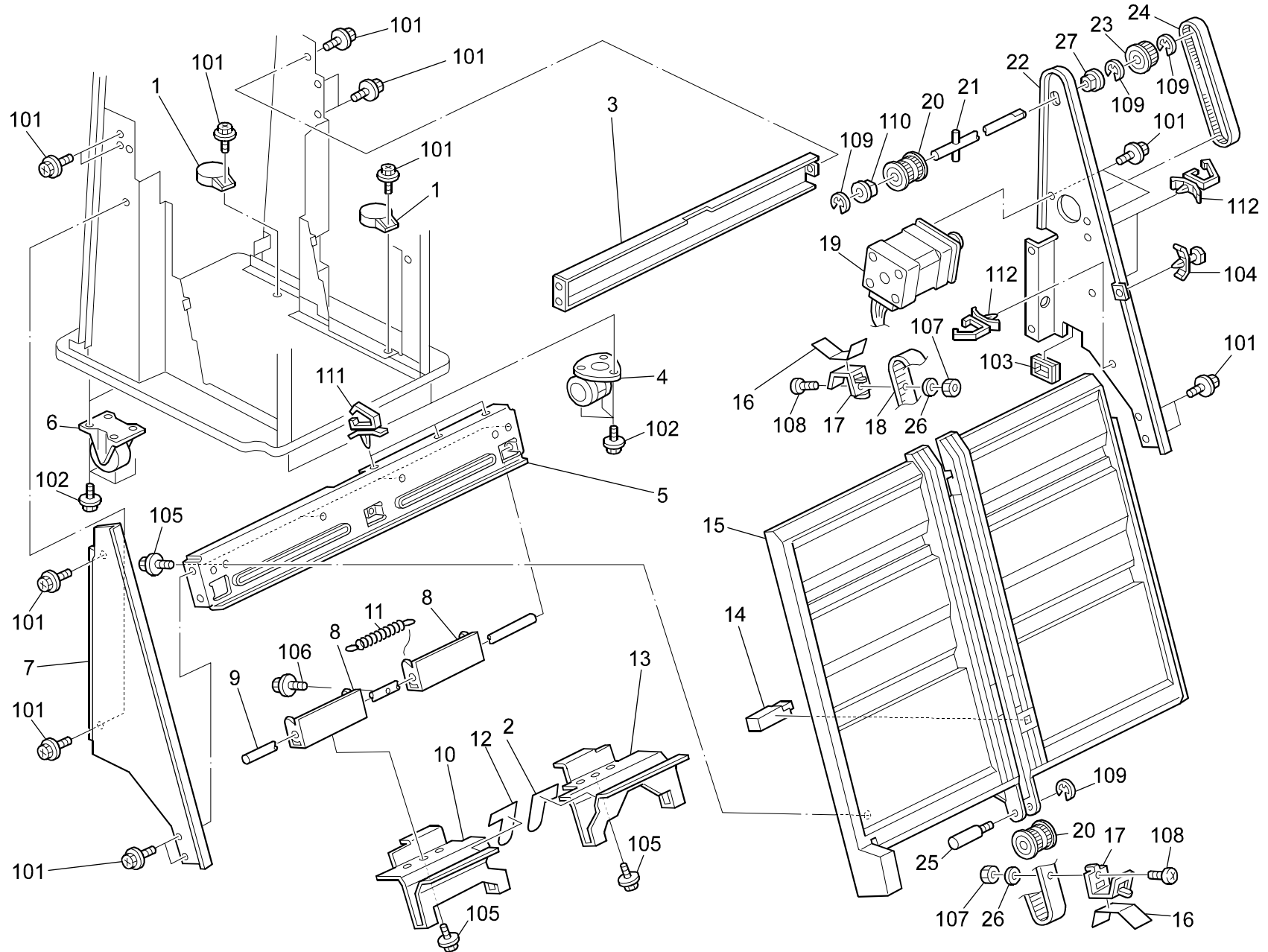


7.STAPLE TRAY 1 (B545)

Index No.	Part No.	Description	Q'ty Per Assembly
1	B352 4215	Shaft - Jogger Fence	1
2	B545 4151	Upper Stay - Jogger Fence	1
3	B352 4152	Upper Slider - Jogger Fence	1
4	B545 4153	Upper Bracket - Jogger Fence	2
5	G020 4429	Exit Sensor	2
6	B545 4245	Bracket - Pull Out Sensor	1
7	B352 4261	Tightener - Exit Belt	1
8	B545 4161	Jogger Fence Stay	1
9	AX05 0160	Stepper Motor - MM42 0.85A	1
10	AW02 0086	Photointerruptor	1
11	B545 4171	Jogger Motor Bracket	1
12	B352 4175	Timing Pulley - Jogger Drive	1
13	B352 4185	Timing Belt - 940P2M4	1
14	B352 4141	Rear Jogger Fence	1
15	B352 4131	Front Jogger Fence	1
16	B545 4163	Jogger Fence Bracket	2
17	B352 4162	Jogger Fence Slider	2
18	B352 4165	Slider Shaft - Jogger Fence	2
19	B545 4181	Tightener	1
20	A697 1125	Stepped Screw - Lever	1
21	5442 4121	Spring - Oil Blade	1
22	A697 4170	Pulley - 32T	1
23	B352 7301	Decal - R5	1
24	B302 4629	Guide Mylar	2
25	A300 3634	Spring Plate - Timing Belt	2

Index No.	Part No.	Description	Q'ty Per Assembly
101	0451 3006B	Tapping Screw - M3x6	
102	0450 3008B	Tapping Screw - M3x8	
103	0451 3008B	Tapping Screw - M3x8	
104	0720 0040B	Retaining Ring - M4	
105	0453 3006B	Tapping Screw - M3x6	
106	1105 0310	Harness Clamp - LWS-1S	
107	1105 0511	Harness Clamp - LWS-0306ZC	

8.STAPLE TRAY 2 (B545)

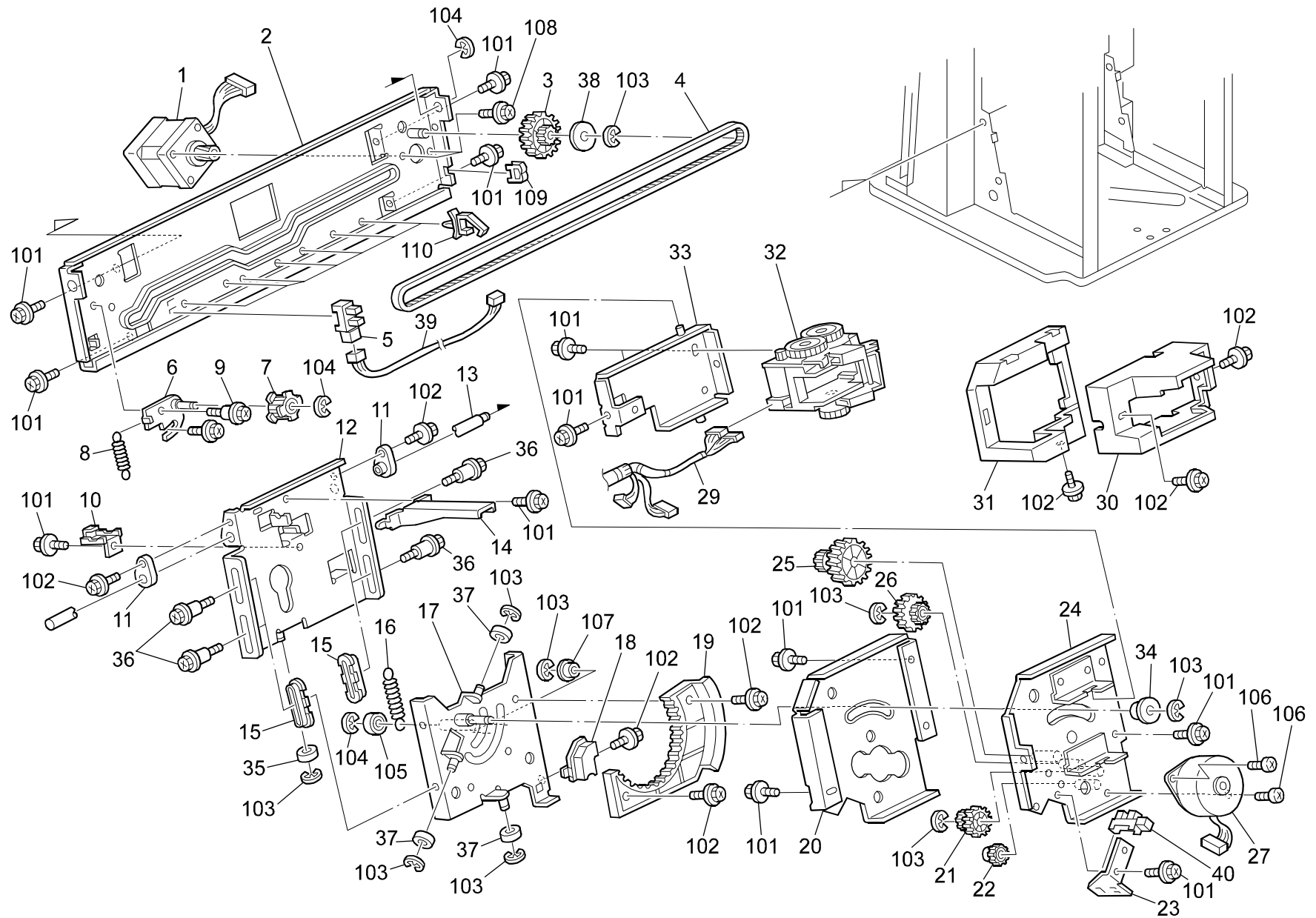


8.STAPLE TRAY 2 (B545)

Index No.	Part No.	Description	Q'ty Per Assembly
1	A697 1117	Base Plate Cap	1
2	G565 4235	Rear Fence Guide	1
3	B545 1120	Stay - Stapler Tray	1
4	AH01 2019	Caster	1
5	B545 4211	Slider Fence Stay	1
6	G565 1140	Caster:40kgf	1
7	B545 4111	Side Plate - Front Tray - Stapler	1
8	B352 4232	Slider - Training Edge Fence	2
9	B352 4215	Shaft - Jogger Fence	1
10	B352 4221	Front Training Edge Fence	1
11	A300 3759	Spring	1
12	G565 4234	Front Entrance Guide	2
13	B352 4231	Rear Training Edge Fence	1
14	AW01 0093	Photo Reflection Sensor - PS-17ND1	1
15	B352 4100	Stapler Tray	1
16	B352 4237	Sheet - Pull Out Pawl	2
17	A697 4235	Paper Exit Pawl	2
18	B352 4242	Exit Belt-900P2M14	1
19	B312 4121	Stepping Motor	1
20	A666 3180	Timing Pulley - Z32	1
21	B352 4251	Upper Exit Shaft	1
22	B545 4121	Rear Side Plate - Stapler Tray	1
23	B312 4126	Pulley - 32T	1
24	B352 4255	Timing Belt - 258P2M4	1
25	A300 3813	Shaft - 6x21.5	1
26	A353 2763	Washer - M5	2
27	5053 0447	Bushing - 6mm	1

Index No.	Part No.	Description	Q'ty Per Assembly
101	0451 3006B	Tapping Screw - M3x6	
102	0451 4008B	Philips Tapping Screw - M4x8	
103	1105 0334	Edge - 17	
104	1105 0410	Card Spacer - 9.4mm	
105	0450 3008B	Tapping Screw - M3x8	
106	0451 3008B	Tapping Screw - M3x8	
107	0710 0020W	Hexagonal Nut - M2	
108	0242 0035B	Pan Head Screw - M2x3.5	
109	0720 0040B	Retaining Ring - M4	
110	0805 3385	Bushing - 6mm	
111	1105 0511	Harness Clamp - LWS-0306ZC	
112	1105 0291	Harness Clamp - LWS-3S	

9.STAPLE UNIT (B545)

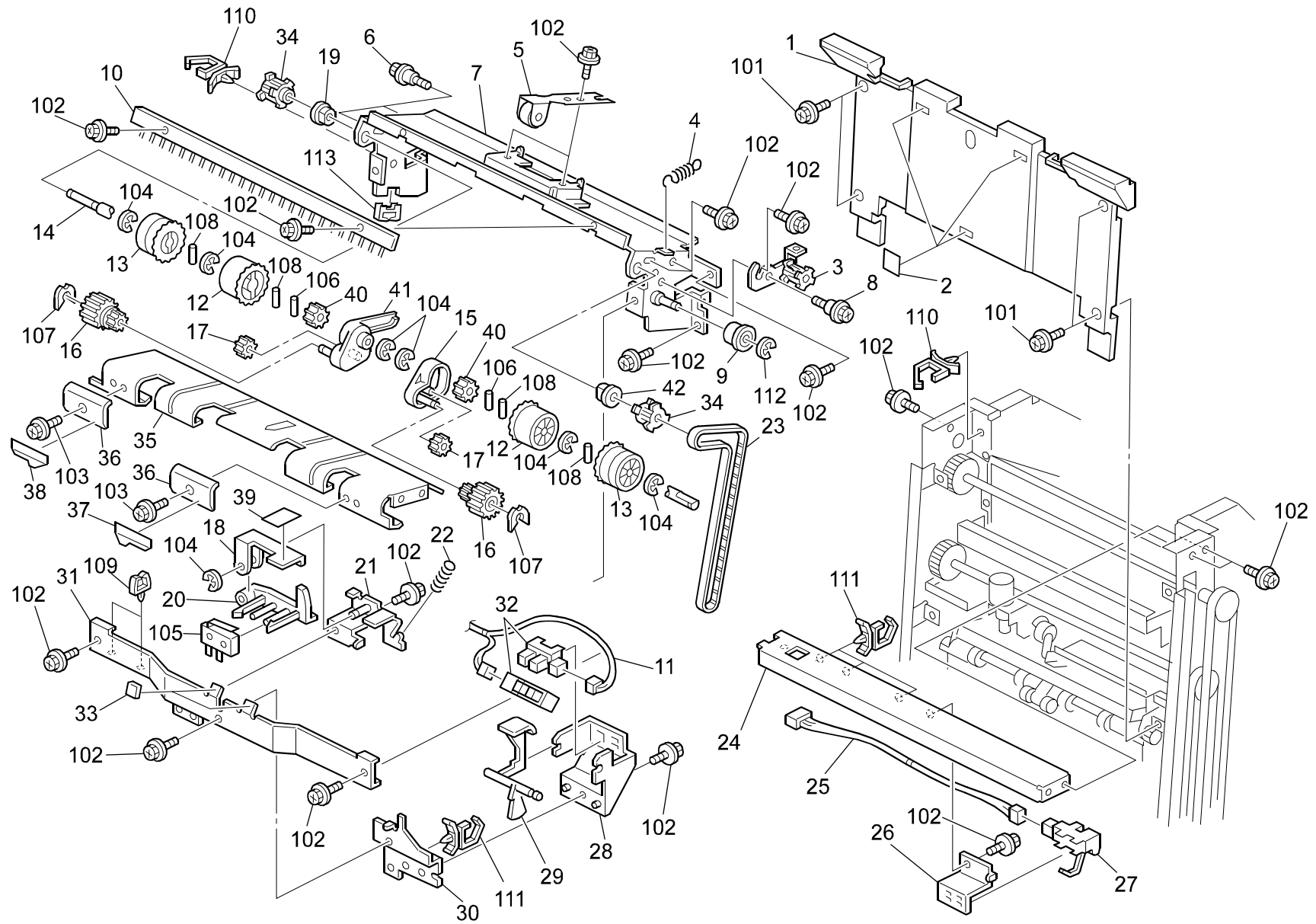


9.STAPLE UNIT (B545)

Index No.	Part No.	Description	Q'ty Per Assembly
1	B312 4145	Stepping Motor - 8.0W	1
2	B545 4411	Bracket - Stapler Movement	1
3	B352 4421	Timing Pulley - Drive	1
4	B352 4422	Timing Belt - 918P3M4	1
5	AW02 0086	Photointerruptor	1
6	B545 4431	Tightener Bracket	1
7	AB03 0278	Idler - 20z	1
8	5442 4121	Spring - Oil Blade	1
9	A697 1125	Stepped Screw - Lever	1
10	B352 4316	Stopper - Timing Belt	1
11	B352 4318	Bushing - Lower Slider	1
12	B545 4311	Stapler Unit Slider	1
13	B352 4415	Guide Rod	1
14	B545 4317	Fence Hook	1
15	A300 3731	Slide Supporter	4
16	B352 4315	Spring - 18N	1
17	B545 4321	Lower Slider - Staple Unit	1
18	B545 4327	Holder:Harness:Stapler	1
19	B352 4331	Sector Gear - Staple Unit	1
20	B545 4355	Slider Holder - Stapler Unit	1
21	B352 4351	Gear - 46Z/25Z	1
22	B352 4354	Gear - 27Z	1
23	B545 4362	Bracket:Sensor:Diagonal,slanted	1
24	B545 4391	Slider:Turn:Ass'y	1
25	B352 4353	Pinion - 46Z/18Z	1
26	B352 4352	Gear - 46Z/19Z	1
27	AX05 0160	Stepper Motor - MM42 0.85A	1
29	B545 5235	Harness - Stapler	1
30	B352 4378	Stapler Cover	1
31	B352 4358	Stapler Base Cover	1
32	B545 4079	Stapler Unit	1
33	B545 4371	Stapler Base	1
34	B352 4347	Bushing - 6mm	1
35	A300 2132	Guide Roller	1
36	A697 4150	Stepped Screw - M5	4

Index No.	Part No.	Description	Q'ty Per Assembly
37	A377 4741	Roller - M14	3
38	A300 3812	Spacer - 6x22x1.5	1
39	B545 5310	Harness:Connecting:560mm	1
40	AW02 0114	Photo Interruptor - Lower Limit	1
41	B352 4379	Lower Guide Plate	1
101	0451 3006B	Tapping Screw - M3x6	
102	0451 3008B	Tapping Screw - M3x8	
103	0720 0040B	Retaining Ring - M4	
104	0720 0060B	Retaining Ring - M6	
105	0740 3008	Ball Bearing - 8x22x7	
106	0453 3006B	Tapping Screw - M3x6	
107	0805 3263	Bearing - 6x10x6mm	
108	0353 0050B	Philips Truss Head Screw - M3x5	
109	1105 0328	Harness Clamp - ES-0505	
110	1105 0511	Harness Clamp - LWS-0306ZC	

10. UPPER PAPER EXIT 1 (B545)

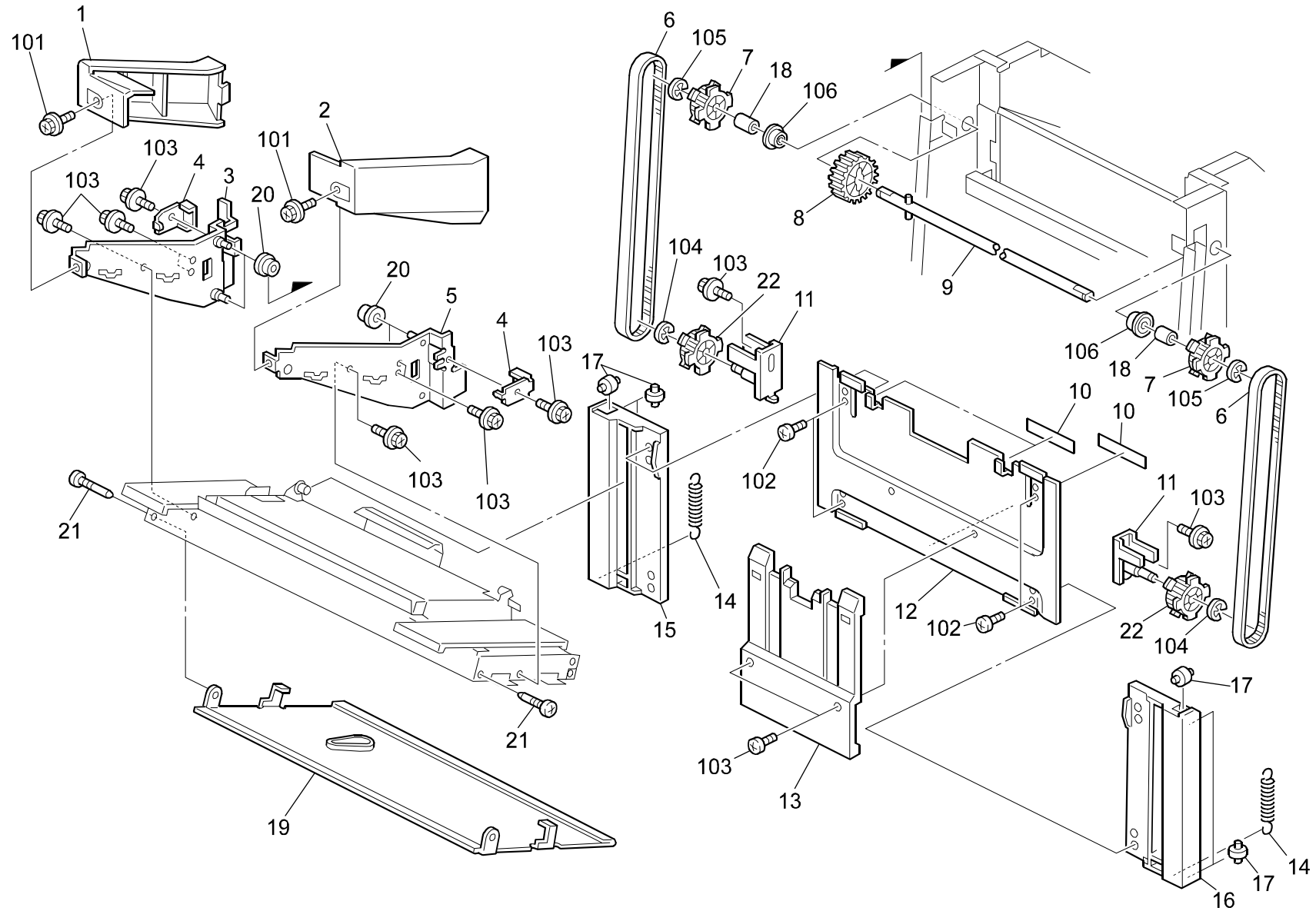


10.UPPER PAPER EXIT 1 (B545)

Index No.	Part No.	Description	Q'ty Per Assembly
1	G565 6401	Left Upper Cover	1
2	B352 2365	Upper Left Pad	3
3	B545 1533	Tightener	1
4	B352 1630	Tension Spring	1
5	A666 4260	Entrance Roller	2
6	A666 4170	Stepped Screw - M3x6	2
7	B545 2120	Upper Guide Plate - Exit	1
8	A697 1125	Stepped Screw - Lever	1
9	B312 1615	Tension Roller	1
10	AA12 0090	Discharge Brush L=320 MM3	1
11	B545 5220	Harness:Sensor:Paper Senser	1
12	B352 2400	Exit Roller	2
13	B352 2405	Outer Exit Roller	2
14	B352 2406	Exit Roller Shaft	1
15	B352 2410	Front Arm - Reverse Roller	1
16	B352 2407	Reverse Roller - 20Z	2
17	B352 2409	Idler Gear - 17Z	2
18	B545 3102	Micro Switch Lever	1
19	AA08 0238	Bushing - M6	1
20	B352 3655	Switch Holder	1
21	B545 3105	Bracket - Micro Switch	1
22	B352 3656	Compression Spring	1
23	B352 1631	Timing Belt - B40S2M594	1
24	B545 3130	Exit Stay	1
25	B408 5355	Harness:Connecting:280mm	1
26	B545 2126	Upper Bracket - Paper Feed Sensor	1
27	AW02 0104	Photointerruptor	1
28	B352 3101	Holder - Sensor Feeler	1
29	B352 3100	Sensor Feeler	1
30	B545 3215	Adjusting Bracket - Sensor Feeler	1
31	B545 2125	Upper Bracket - Paper Exit Unit	1
32	AW02 0086	Photointerruptor	2
33	B352 3220	Roller Pad	2
34	B352 1600	Timing Pulley - S2M T24	1
35	B545 2124	Upper Guide Plate - Exit Small	1

Index No.	Part No.	Description	Q'ty Per Assembly
36	B352 2131	Exit Guide	2
37	B352 2132	Front Exit Plate	1
38	B352 2133	Rear Exit Plate	1
39	B352 3225	Pad - Switch Lever	1
40	B352 2408	Gear - 26Z	2
41	B352 2411	Rear Arm - Reverse Roller	1
42	5053 0447	Bushing - 6mm	1
101	0451 3008H	Tapping Screw - M3x8	
102	0451 3006B	Tapping Screw - M3x6	
103	0353 0060B	Philips Pan Head Screw - M3x6	
104	0720 0040B	Retaining Ring - M4	
105	1204 2543	Switch - DE2L-BJ22	
106	0632 0080G	Parallel Key - 2x8mm	
107	0805 0089	Retaining Ring - M4	
108	0632 0100G	Pin - 2x10mm	
109	1105 0230	Clamp	
110	1105 0310	Harness Clamp - LWS-1S	
111	1105 0511	Harness Clamp - LWS-0306ZC	
112	0720 0060B	Retaining Ring - M6	
113	1105 0329	Clamp - ES-0510	

11.UPPER PAPER EXIT 2 (B545)

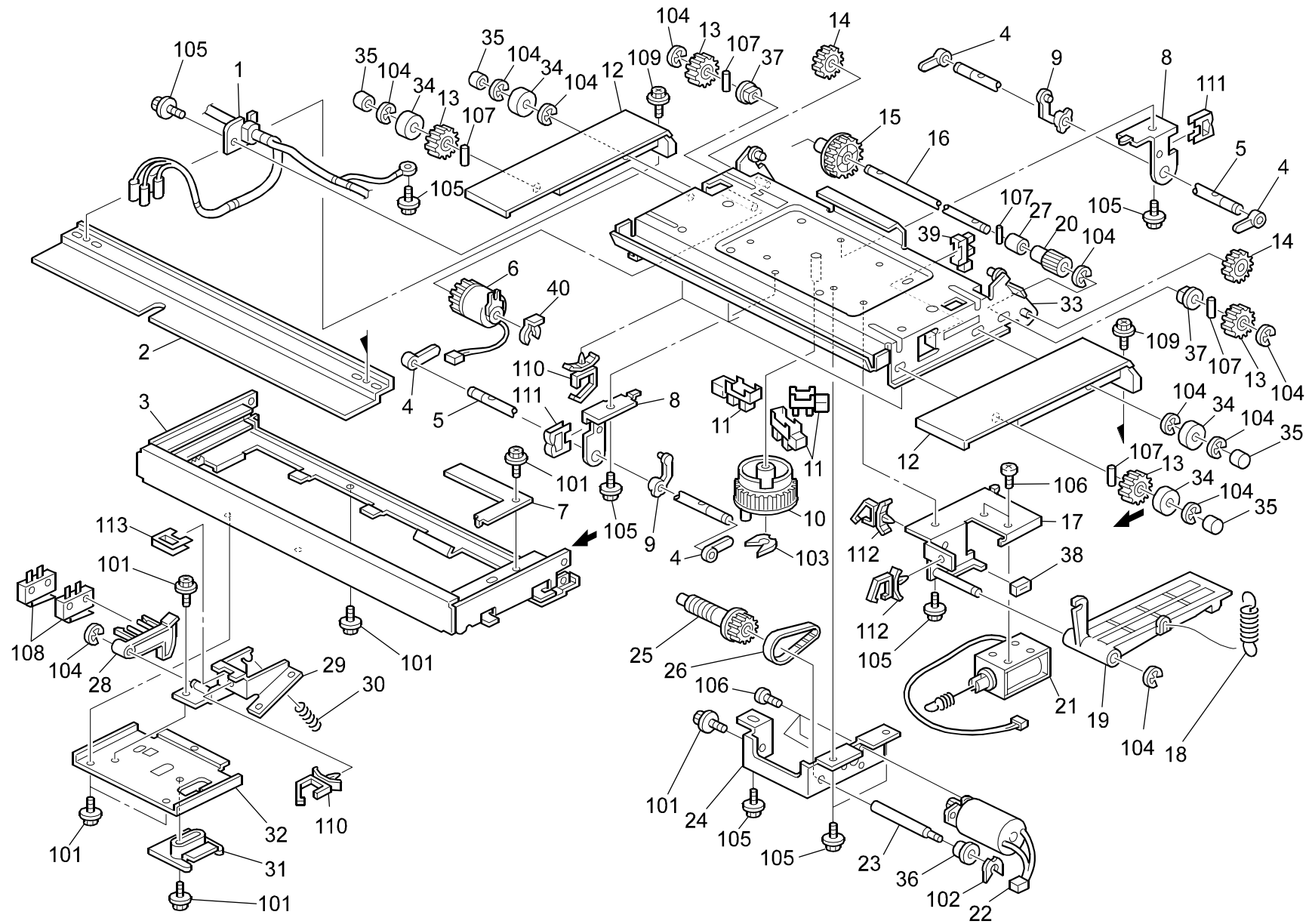


11.UPPER PAPER EXIT 2 (B545)

Index No.	Part No.	Description	Q'ty Per Assembly
1	G565 6651	Rear Upper Tray Cover	1
2	G565 6601	Front Upper Tray Cover	1
3	B545 3530	Side Plate - Upper Rear	1
4	B352 3165	Timing Belt Guide Plate	1
5	B545 3520	Side Plate - Upper Front	1
6	B352 3161	Timing Belt - B60S5M1055	2
7	B352 3145	Timing Pulley - T18	2
8	A666 2347	Gear - Z45	1
9	B352 3013	Shaft - Upper Drive	1
10	B352 3605	Upper Guide - End Fence	1
11	B545 3155	Upper Tighter	2
12	B545 3601	End Fence	1
13	G565 3611	End Fence Guide Plate	1
14	B352 3608	Tension Spring - End Fence	1
15	G565 3631	Rear End Fence Rail	1
16	G565 3621	Front End Fence Rail	1
17	B352 3629	End Fence Roller	6
18	B352 3170	Spacer	1
19	B545 3761	Base Cover	1
20	A379 3316	Shift Guide Roller	4
21	5446 2824	Screw - Duplex Guide Plate	2
22	B352 3146	Timing Pulley - T18	2

Index No.	Part No.	Description	Q'ty Per Assembly
101	0451 3008H	Tapping Screw - M3x8	
102	0452 3008B	Tapping Screw - M3x8	
103	0451 3006B	Tapping Screw - M3x6	
104	0720 0040B	Retaining Ring - M4	
105	0720 0060B	Retaining Ring - M6	
106	0742 3808	Ball Bearing - 8x16x5	

12.UPPER PAPER EXIT 3 (B545)

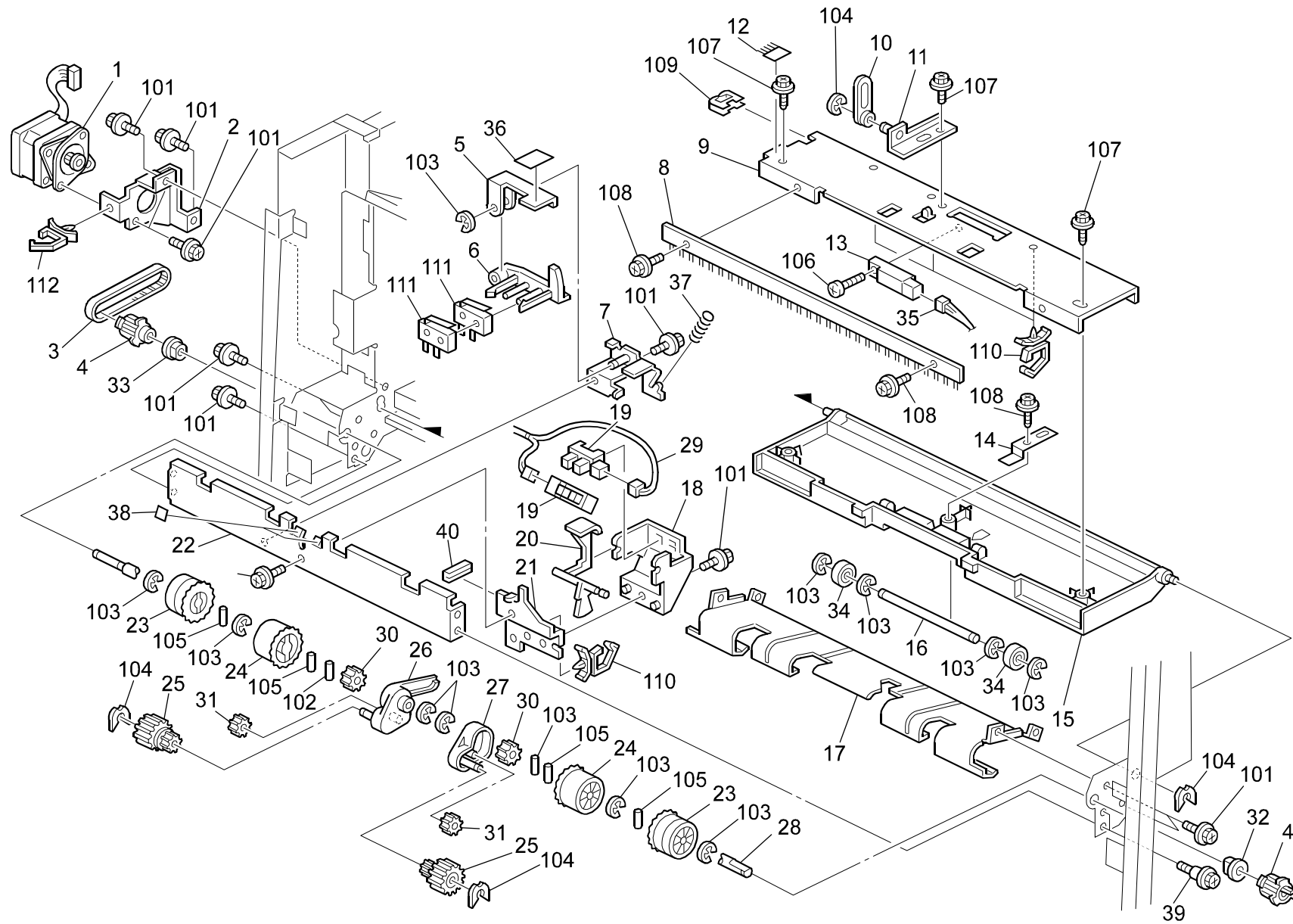


12.UPPER PAPER EXIT 3 (B545)

Index No.	Part No.	Description	Q'ty Per Assembly
1	B545 3771	Upper Harness - Shift Tray	1
2	B545 3766	Slide Cover	1
3	B545 3510	Base - Upper Tray	1
4	B352 3572	Bushing - 6mm	4
5	B352 3575	Shaft - Upper Tray	2
6	AX21 0069	Magnetic Clutch - Z30	1
7	B545 3515	Front Stopper - Tray Shift	1
8	B545 3570	Support Plate - Tray Shift	2
9	B352 3571	Slider Bearing	2
10	B352 3580	Worm Wheel - 40Z	1
11	AW02 0075	Photointerruptor	3
12	G565 3751	Upper Base Cover	2
13	B352 3576	Gear - 20Z	4
14	B352 3592	Idle Gear - 20Z	2
15	B352 3591	Gear - 40Z	1
16	B352 3595	Rear Shaft - Upper Tray	1
17	B545 3700	Bracket - Lock Lever	1
18	AA06 0092	Release Spring	1
19	B352 3705	Lock Lever - Upper Tray	1
20	B352 3593	Ratchet - Tray Lock	1
21	B352 2090	DC Solenoid Assembly	1
22	AX05 0161	DC Motor - DC24V 7.2W	1
23	B352 3586	Shift - Worm Gear	1
24	B545 3585	Motor Bracket	1
25	A681 3316	Shift Tray Worm	1
26	B352 3587	Timing Belt - B0S2M104	1
27	B352 3594	Torque Limiter - 100MN	4
28	B352 3655	Switch Holder	1
29	B545 3650	Bracket - Tray Safety Switch	1
30	B352 3656	Compression Spring	1
31	B352 3517	Slide Guide	1
32	B545 3516	Base Bracket	1
33	B545 3560	Base - Shift	1
34	A353 3272	Guide Roller	1
35	B352 3577	Shaft Cap	4

Index No.	Part No.	Description	Q'ty Per Assembly
36	5443 2668	Bushing - 4x6x7mm	1
37	5053 0447	Bushing - 6mm	1
38	A697 2102	Damper - Junction Gate Solenoid	1
39	AW02 0114	Photo Interruptor - Lower Limit	1
40	G011 3275	Snap Ring	1
101	0451 3006B	Tapping Screw - M3x6	
102	0805 0092	Retaining Ring - 3m	
103	0805 0088	Retaining Ring - M6	
104	0720 0040B	Retaining Ring - M4	
105	0802 5276	Tapping Screw With Washer - M3x6	
106	0313 0050B	Philips Pan Head Screw - M3x5	
107	0632 0120G	Parallel Pin - 2x12	
108	1204 2543	Switch - DE2L-BJ22	
109	0802 5277	Tapping Screw	
110	1105 0310	Harness Clamp - LWS-1S	
111	1105 0329	Clamp - ES-0510	
112	1105 0511	Harness Clamp - LWS-0306ZC	
113	1105 0522	Edge Saddle - LES0510	

13.LOWER PAPER EXIT (B545)

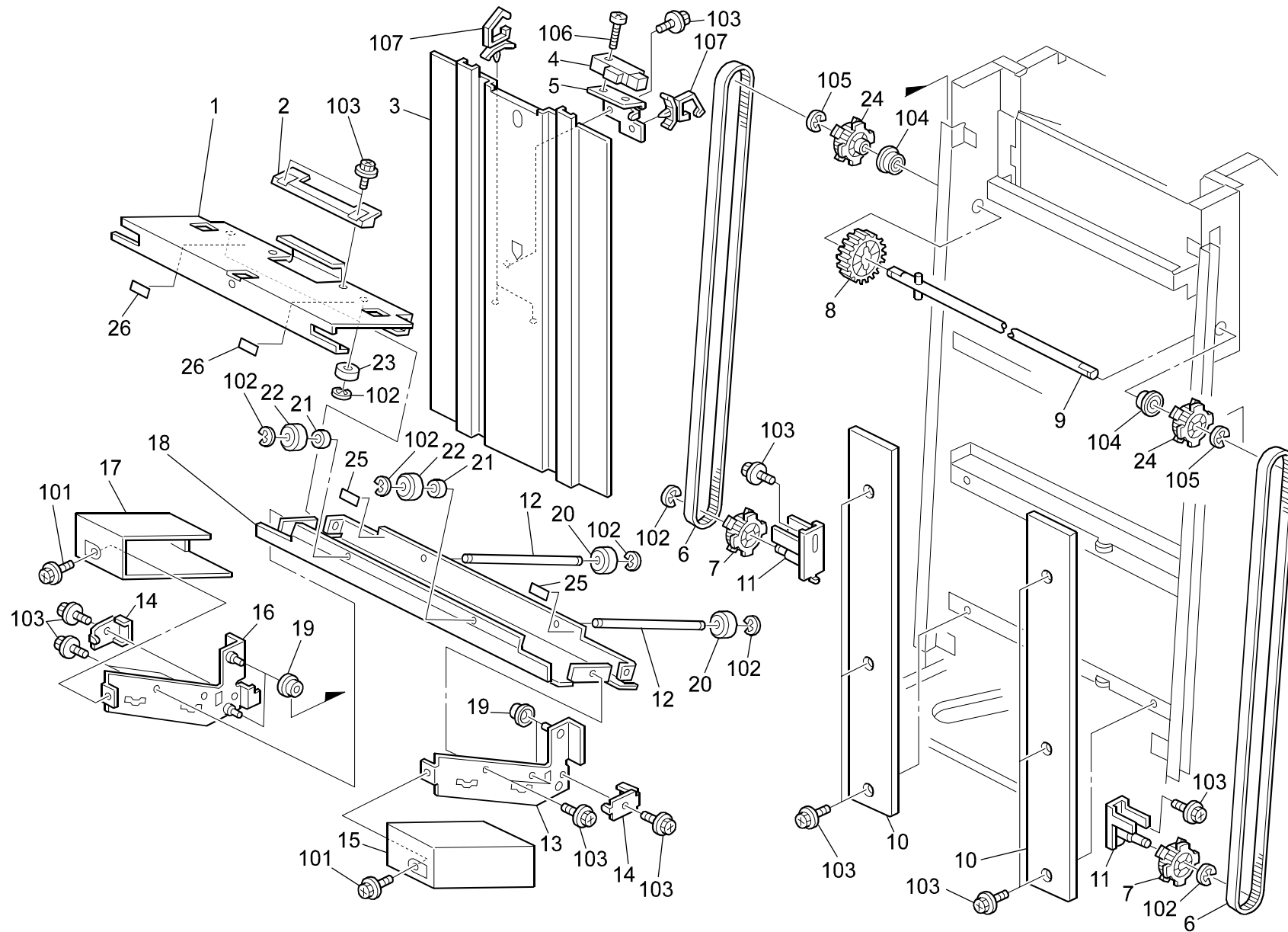


13.LOWER PAPER EXIT (B545)

Index No.	Part No.	Description	Q'ty Per Assembly
1	B312 1550	Stepping Motor - DC 6.2W	1
2	B545 1620	Exit Roller Bracket	1
3	B352 1632	Timing Belt - B40S2M200	1
4	B352 1600	Timing Pulley - S2M T24	1
5	B545 3102	Micro Switch Lever	1
6	B352 3655	Switch Holder	1
7	B545 3105	Bracket - Micro Switch	1
8	AA12 0027	Antistatic Brush	1
9	A379 2213	Exit Guide Bracket	1
10	B352 3190	Driven Roller Link	1
11	B545 3185	Bracket - Open Link	1
12	A697 2131	Antistatic Brush	1
13	AW01 0070	Photosensor - PS-R11D1-B	1
14	A353 3354	Driven Roller Holder	1
15	B352 2435	Exit Guide	1
16	A379 2212	Driven Roller Shaft	1
17	B545 2415	Lower Guide Plate	1
18	B352 3101	Holder - Sensor Feeler	1
19	AW02 0086	Photointerruptor	1
20	B352 3100	Sensor Feeler	1
21	B545 3215	Adjusting Bracket - Sensor Feeler	1
22	B545 3210	Exit Roller Cover	1
23	B352 2405	Outer Exit Roller	2
24	B352 2400	Exit Roller	2
25	B352 2407	Reverse Roller - 20Z	1
26	B352 2411	Rear Arm - Reverse Roller	1
27	B352 2410	Front Arm - Reverse Roller	1
28	B352 2406	Exit Roller Shaft	1
29	B545 5325	Harness:Connecting:Paper Senser	1
30	B352 2408	Gear - 26Z	2
31	B352 2409	Idler Gear - 17Z	2
32	5053 0447	Bushing - 6mm	1
33	AA08 0238	Bushing - M6	2
34	B352 2436	Exit Driven Roller	1
35	B545 5305	Harness:Connecting:430mm	1

Index No.	Part No.	Description	Q'ty Per Assembly
36	B352 3225	Pad - Switch Lever	1
37	B352 3656	Compression Spring	1
38	B352 3220	Roller Pad	1
39	A666 4170	Stepped Screw - M3x6	1
40	B352 5450	Bushing - CE-012LV0	1
101	0451 3006B	Tapping Screw - M3x6	
102	0632 0080G	Parallel Key - 2x8mm	
103	0720 0040B	Retaining Ring - M4	
104	0805 0089	Retaining Ring - M4	
105	0632 0100G	Pin - 2x10mm	
106	0313 0100B	Philips Pan Head Screw - M3x10	
107	0450 4008B	Tapping Screw - 4x8	
108	0451 4006B	Tapping Screw - 4x6	
109	1105 0328	Harness Clamp - ES-0505	
110	1105 0511	Harness Clamp - LWS-0306ZC	
111	1204 2543	Switch - DE2L-BJ22	
112	1105 0310	Harness Clamp - LWS-1S	

14.SHIFT DRIVE 1 (B545)

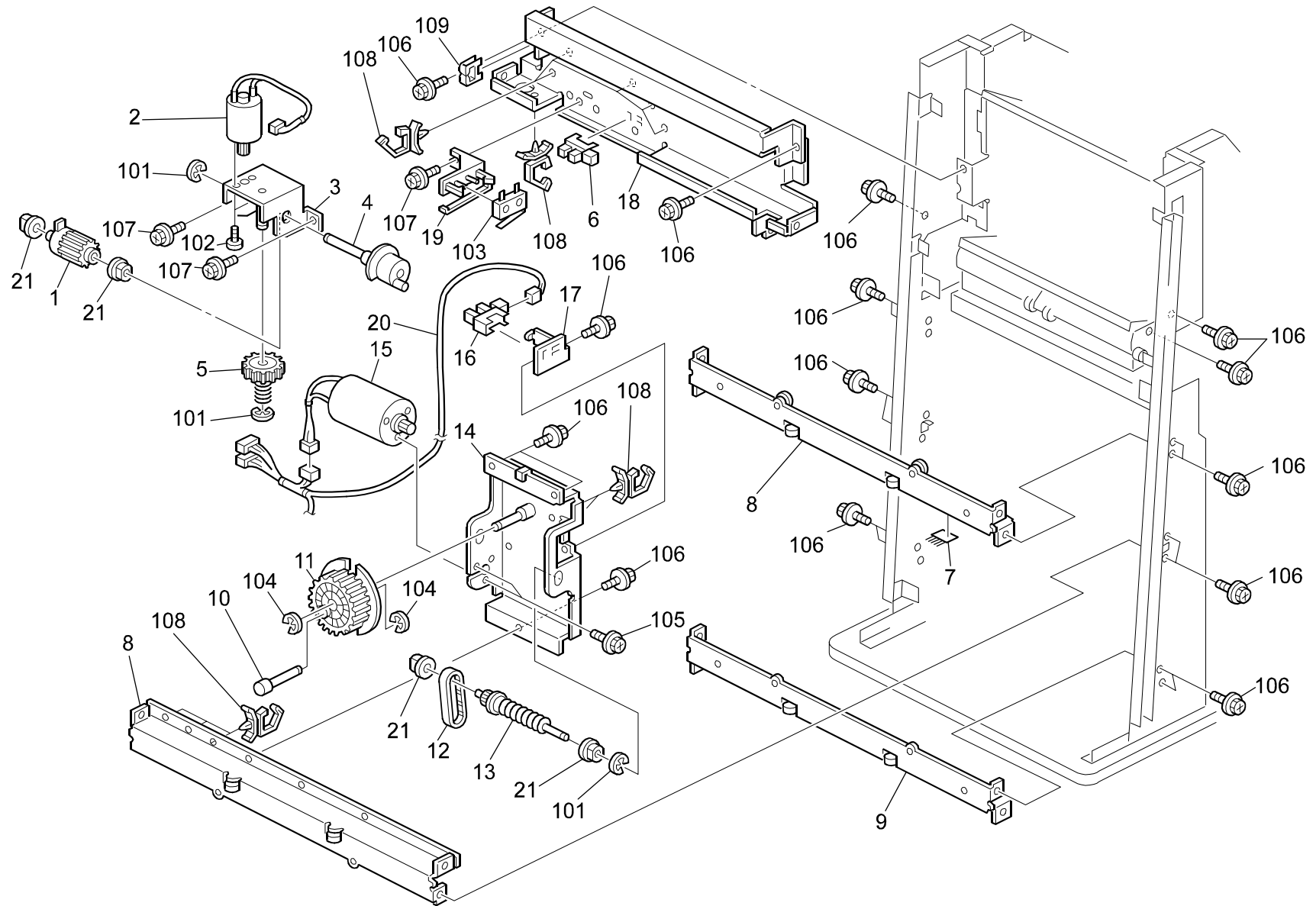


14.SHIFT DRIVE 1 (B545)

Index No.	Part No.	Description	Q'ty Per Assembly
1	B545 3840	Lower Tray Holder	1
2	B352 3845	Slider Pawl	1
3	B545 3110	End Fence	1
4	AW01 0089	Photosensor - GP2A28C	1
5	B545 3115	Sensor Bracket	1
6	B352 3160	Timing Belt - B60S5M1530	2
7	B352 3146	Timing Pulley - T18	2
8	A666 2347	Gear - Z45	1
9	B352 3016	Shaft - Lower Drive	1
10	B545 3140	End Fence Cover	1
11	B545 3150	Lower Tighter	2
12	B352 3835	Tray Shift Shaft	1
13	B545 3812	Side Plate - Lower Front	1
14	B352 3165	Timing Belt Guide Plate	2
15	G565 6701	Front Lower Tray Cover	1
16	B545 3822	Side Plate - Lower Back	1
17	G565 6751	Rear Lower Tray Cover	1
18	B545 3830	Base - Lower Tray	1
19	A379 3316	Shift Guide Roller	4
20	A666 2213	Shift Tray Roller	2
21	A697 1606	Spacer - 6x12x2.7mm	2
22	A353 3351	Exit Driven Roller	2
23	A353 3272	Guide Roller	2
24	B352 3145	Timing Pulley - T18	2
25	B352 3833	Short Cushion - Base	2
26	B352 3844	Long Cushion - Base	2

Index No.	Part No.	Description	Q'ty Per Assembly
101	0451 3008H	Tapping Screw - M3x8	
102	0720 0040B	Retaining Ring - M4	
103	0451 3006B	Tapping Screw - M3x6	
104	0742 3808	Ball Bearing - 8x16x5	
105	0720 0060B	Retaining Ring - M6	
106	0313 0100B	Philips Pan Head Screw - M3x10	
107	1105 0511	Harness Clamp - LWS-0306ZC	

15.SHIFT DRIVE 2 (B545)



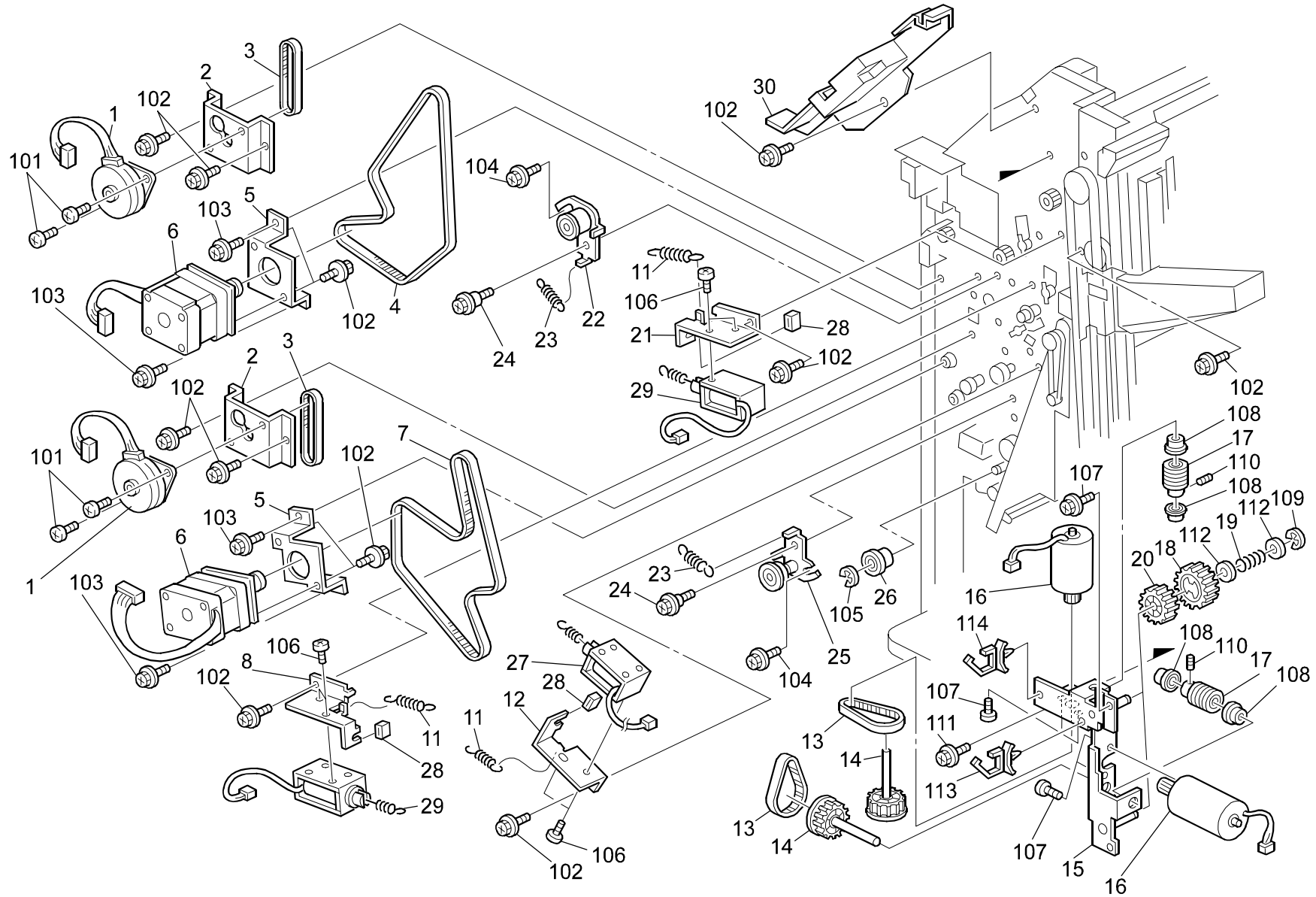
15.SHIFT DRIVE 2 (B545)

Index No.	Part No.	Description	Q'ty Per Assembly
1	A681 2702	Worm Wheel - 20Z	1
2	AX04 0053	DC Motor - 24V/2.2W	1
3	B545 3180	Motor Bracket	1
4	B352 3176	Cam:Paper Exit Unit	1
5	A681 2711	Worm Gear - 50z	1
6	AW02 0086	Photointerruptor	1
7	A697 2131	Antistatic Brush	1
8	B545 3120	Stay - Upper Exit	2
9	B545 3125	Stay - Lower Exit	1
10	A697 3200	Worm Wheel Shaft	1
11	A697 3195	Worm Wheel	1
12	A697 3220	Timing Belt - B40S2M112	1
13	A697 3215	Pulley - 19T	1
14	A697 3210	Shift Motor Bracket	1
15	AX05 0115	DC Motor - 24V 7.2W	1
16	AW02 0075	Photointerruptor	1
17	A697 3205	Shift Sensor Bracket	1
18	B545 3131	Upper Left Stay	1
19	B352 3195	Exit Switch holder	1
20	B545 5320	Harness:Connecting:Shift Tray	1
21	5053 0447	Bushing - 6mm	4

Index No.	Part No.	Description	Q'ty Per Assembly
101	0720 0040E	Retaining Ring - M4	
102	0800 0072	Philips Pan Head Screw - M2.6x4	
103	1204 2544	Switch - DE2L-BJ23	
104	0720 0060B	Retaining Ring - M6	
105	0451 4006B	Tapping Screw - 4x6	
106	0451 3006B	Tapping Screw - M3x6	
107	0802 5277	Tapping Screw	
108	1105 0511	Harness Clamp - LWS-0306ZC	
109	1105 0328	Harness Clamp - ES-0505	

16.DRIVE SECTION (B545)

Rev. 10/10/2003



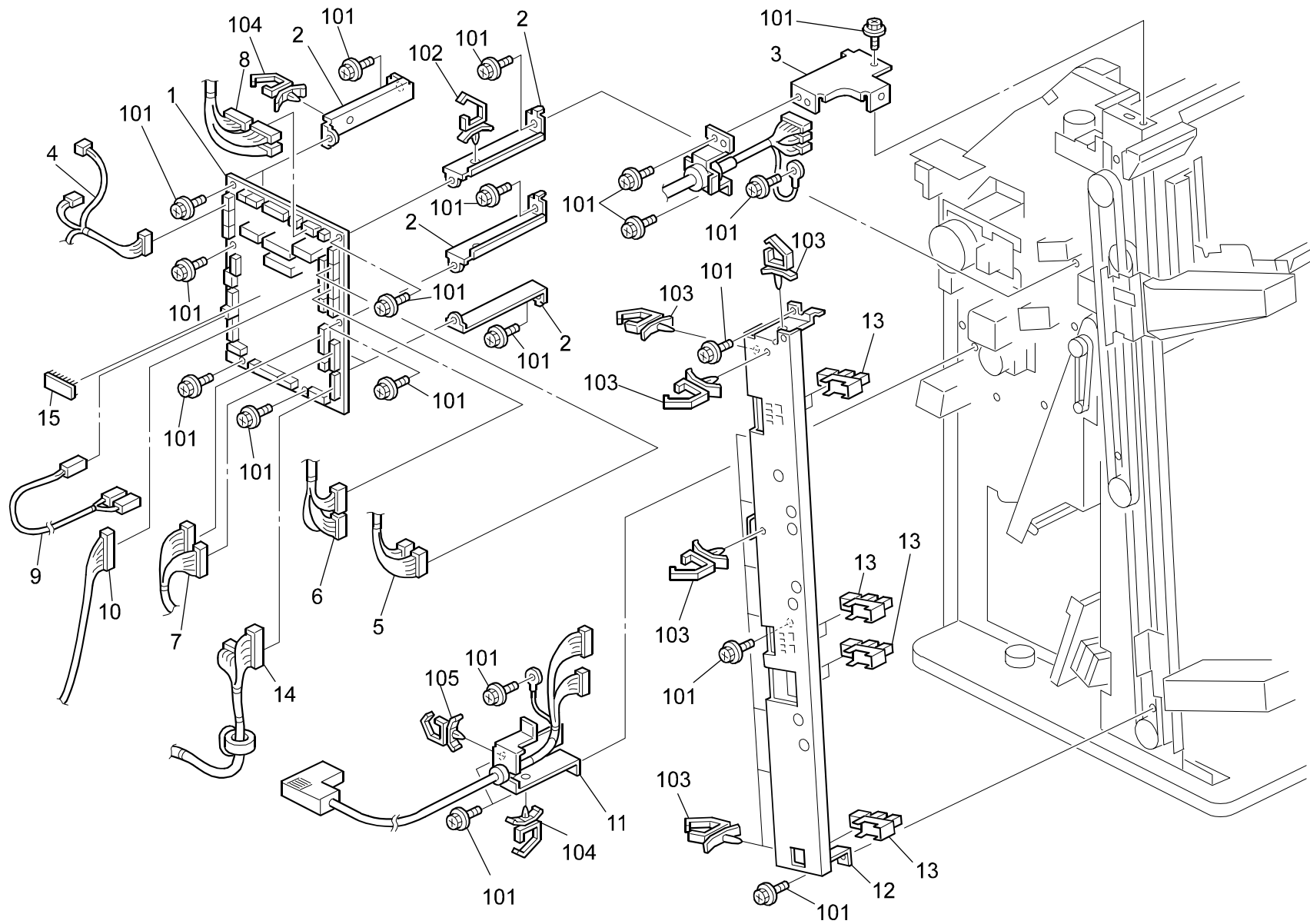
16.DRIVE SECTION (B545)

Rev. 10/10/2003

Index No.	Part No.	Description	Q'ty Per Assembly
1	AX04 0121	Stepping Motor - DC 6.5W	2
2	B312 1524	Motor Bracket	2
3	B352 1601	Timing Belt - B40S2M196	1
4	B352 1610	Timing Belt - B40S3M612	1
5	A612 1612	Bracket - Motor	2
6	B468 5750	Stepper Motor	2
7	B352 1617	Timing Belt - B40S3M759	2
8	A697 2105	Bracket - Junction Gate Solenoid	1
11	AA06 0092	Release Spring	3
12	B312 2106	Bracket - Pre-stack Gate Solenoid	1
13	AA04 3054	Timing Belt - 142 P2M4	2
14	A697 3225	Worm Wheel Shaft	2
15	B545 3200	Bracket - Tray Lift Motor	1
16	AX06 0211	DC Motor - NA4056D05	2
17	AB01 3709	Worm Gear	1
18	B352 3206	Worm Wheel - 30Z	2
19	A353 3113	Pressure Spring	2
20	B352 3205	Gear - 26Z	2
21	A697 2235	Bracket - Junction Gate Solenoid	1
22	B312 1600	Tightener	1
23	A697 1518	Spring-oil Blade	2
24	A697 1125	Stepped Screw - Lever	1
25	B312 1605	Tightener	1
26	B312 1615	Tension Roller	1
27	B312 2105	Pre-stack Gate Solenoid	1
28	A697 2102	Damper - Junction Gate Solenoid	3
29	B352 2090	DC Solenoid Assembly	2
30	G565 6130	Rear Cover - Side Plate	1

Index No.	Part No.	Description	Q'ty Per Assembly
101	0453 3006B	Tapping Screw - M3x6	
102	0451 3006B	Tapping Screw - M3x6	
103	0451 4006B	Tapping Screw - 4x6	
104	0451 3008B	Tapping Screw - M3x8	
105	0720 0040B	Retaining Ring - M4	
106	0313 0040B	Philips Pan Head Screw - M3x4	
107	0313 0050B	Philips Pan Head Screw - M3x5	
108	0741 3506	Ball Bearing - 6x12x4 Mm	
109	0720 0060B	Retaining Ring - M6	
110	0574 0040E	Hexagon Headless Set Screw - M4x4	
111	0802 5277	Tapping Screw	
112	0807 5056	Washer - 8.1mm	
113	1105 0310	Harness Clamp - LWS-1S	
114	1105 0511	Harness Clamp - LWS-0306ZC	

17.ELECTRICAL SECTION (B545)



17.ELECTRICAL SECTION (B545)

Rev. 05/11/2004

Index No.	Part No.	Description	Q'ty Per Assembly
1	B545 5110	PCB:Main Control [TSB#002]	1
2	B545 1140	Board Bracket	6
3	B545 1150	Upper Cover Bracket	1
4	B545 5215	Harness:Sensor:Entrance	1
5	B545 5240	Harness:Motor:Rising Tray	1
6	B545 5250	Harness:Shift Tray:Upper	1
7	B545 5225	Harness:Sensor:Shift Tray	1
8	B545 5220	Harness:Sensor:Paper Sensor	1
9	B545 5210	Harness:Safety Switch	1
10	B545 5245	Harness:Shift Tray:Lower	1
11	B545 5201	Harness:Interface:Ass'y	1
12	B545 3135	Stay - Positioning Sensor	1
13	AW02 0114	Photo Interruptor - Lower Limit	7
14	B545 5230	Harness:Stapler Tray:Upper	1
15	B545 5120	EPROM:Main Control [TSB#002]	1

Index No.	Part No.	Description	Q'ty Per Assembly
101	0451 3006B	Tapping Screw - M3x6	
102	1105 0292	Wire Saddle	
103	1105 0291	Harness Clamp - LWS-3S	
104	1105 0310	Harness Clamp - LWS-1S	
105	1105 0511	Harness Clamp - LWS-0306ZC	

18.MAIN CONTROL BOARD (B545)

CAPACITOR

SYMBOL NO.	INDEX NO.	SYMBOL NO.	INDEX NO.	SYMBOL NO.	INDEX NO.	SYMBOL NO.	INDEX NO.	SYMBOL NO.	INDEX NO.	SYMBOL NO.	INDEX NO.	SYMBOL NO.	INDEX NO.
C101	195	C111	160	C121	192	C131	195	C141	192	C151	193	C161	165
C102	195	C112	161	C122	161	C132	164	C142	195	C152	193	C162	193
C103	161	C113	195	C123	160	C133	195	C143	195	C153	193	C163	195
C104	161	C114	195	C124	161	C134	193	C144	195	C154	193	C164	193
C105	161	C115	163	C125	160	C135	164	C145	195	C155	193	C165	193
C106	161	C116	195	C126	195	C136	195	C146	193	C156	193	C166	195
C107	161	C117	195	C127	195	C137	165	C147	195	C157	165	C167	192
C108	195	C118	195	C128	195	C138	162	C148	193	C158	193	C168	165
C109	195	C119	161	C129	195	C139	161	C149	193	C159	165	C169	195
C110	161	C120	192	C130	161	C140	164	C150	193	C160	165	C170	195

CAPACITOR

SYMBOL NO.	INDEX NO.	SYMBOL NO.	INDEX NO.	SYMBOL NO.	INDEX NO.	SYMBOL NO.	INDEX NO.	SYMBOL NO.	INDEX NO.	SYMBOL NO.	INDEX NO.	SYMBOL NO.	INDEX NO.
C171	192	C181	193	C191	193	C201	165	C211	165	C221	193	C231	195
C172	165	C182	165	C192	195	C202	165	C212	195	C222	193	C232	195
C173	193	C183	193	C193	193	C203	193	C213	192	C223	193	C233	195
C174	193	C184	165	C194	195	C204	193	C214	192	C224	193	C234	194
C175	193	C185	165	C195	193	C205	193	C215	165	C225	193	C235	192
C176	192	C186	195	C196	193	C206	193	C216	195	C226	165	C236	195
C177	192	C187	195	C197	193	C207	195	C217	195	C227	193	C237	192
C178	195	C188	195	C198	193	C208	194	C218	195	---	---	C238	195
C179	195	C189	192	C199	195	C209	195	C219	192	C229	193	C239	165
C180	193	C190	165	C200	165	C210	195	C220	193	C230	193	C240	192

18.MAIN CONTROL BOARD (B545)

CAPACITOR

SYMBOL NO.	INDEX NO.
C241	192
C242	194
C243	195
C244	195
C245	195
C246	165
C247	193
C248	193
C249	165
C250	193

SYMBOL NO.	INDEX NO.
C251	193
C252	195
C253	192
C254	192
C255	195
C256	165
C257	195
C258	195
C259	165
C260	195

SYMBOL NO.	INDEX NO.
C261	165
C262	195
C263	165
C264	193
C265	191
C266	165
C267	193
C268	193
C269	193
C270	193

SYMBOL NO.	INDEX NO.
C271	195
C272	193
C273	193
C274	195
C275	193
C276	193

CONNECTOR

SYMBOL NO.	INDEX NO.
CN101	122
CN102	123
CN103	120
CN104	109
CN105	105
CN106	117
CN107	106
CN108	108
CN109	119
CN110	113

SYMBOL NO.	INDEX NO.
CN111	106
CN112	116
CN113	106
CN114	111
CN115	108
CN116	115
CN117	124
CN118	112
CN119	107
CN120	102

SYMBOL NO.	INDEX NO.
CN121	112
CN122	104
CN123	103
CN124	121
CN125	102
---	---
CN127	102
CN128	114
CN129	118
CN130	107

CONNECTOR

SYMBOL NO.	INDEX NO.
CN131	111
CN132	109
CN133	110
CN134	103
---	---
CN125	107

DIODE

SYMBOL NO.	INDEX NO.
D101	136
D102	136
D103	136
D104	138
D105	138
D106	136
D107	138
D108	136
D109	136
D110	138

SYMBOL NO.	INDEX NO.
D111	138
D112	138
D113	138

FUSE

SYMBOL NO.	INDEX NO.
FU101	125
FU101	127

IC

SYMBOL NO.	INDEX NO.
IC101	143
IC102	147
IC103	151
IC104	146
IC105	144
IC106	144
IC107	154
IC108	140
IC109	149
IC110	154

SYMBOL NO.	INDEX NO.
IC111	154
IC112	126
IC112	2
IC113	148
IC114	148
IC115	148
IC116	148
IC117	145
IC118	155
IC119	141

SYMBOL NO.	INDEX NO.
IC120	152
IC121	1
IC122	151
IC123	151
IC124	151
IC125	151
IC126	153
IC127	143
IC128	151
IC129	151

SYMBOL NO.	INDEX NO.
IC130	142
IC131	147
IC132	147
IC133	150

18.MAIN CONTROL BOARD (B545)

FILTER

SYMBOL NO.	INDEX NO.
L101	166
L102	166
L103	166
L104	166
L105	166
L106	166
L107	166
L108	166
L109	166
L110	166

PC

SYMBOL NO.	INDEX NO.
L111	166
L112	166
L113	166
L114	166

SYMBOL NO.	INDEX NO.
PC101	139
PC102	139
PC103	139
PC104	139

Q

SYMBOL NO.	INDEX NO.
Q101	130
Q102	130
Q103	130
Q104	133
Q105	134
Q106	134
Q107	133
Q108	131
Q109	132
Q110	129

RESISTOR

SYMBOL NO.	INDEX NO.
R101	182
R102	182
R103	184
R104	184
R105	184
R106	184
R107	184
R108	184
R109	184
R110	184

SYMBOL NO.	INDEX NO.
R111	184
R112	184
R113	184
R114	184
R115	184
R116	184
R117	184
R118	184
R119	184
R120	184

SYMBOL NO.	INDEX NO.
R121	184
R122	184
R123	184
R124	184
R125	184
R126	184
R127	184
R128	184
R129	184
R130	184

OSC

SYMBOL NO.	INDEX NO.
OSC101	156

RESISTOR

SYMBOL NO.	INDEX NO.
R131	184
R132	182
R133	182
R134	182
R135	182
R136	182
R137	167
R138	167
R139	178
R140	182

SYMBOL NO.	INDEX NO.
R141	182
R142	167
R143	167
R144	167
R145	167
R146	182
R147	173
R148	182
R149	177
R150	173

SYMBOL NO.	INDEX NO.
R151	176
R152	171
R153	171
R154	171
R155	177
R156	177
R157	177
R158	171
R159	171
R160	177

SYMBOL NO.	INDEX NO.
R161	177
R162	177
R163	177
R164	171
R165	177
R166	177
R167	171
R168	171
R169	168
R170	168

SYMBOL NO.	INDEX NO.
R171	177
R172	177
R173	177
R174	177
R175	177
R176	177
R177	177
R178	190
R179	188
R180	172

SYMBOL NO.	INDEX NO.
R181	182
R182	168
R183	182
R184	172
R185	170
R186	170
R187	182
R188	172
R189	173
R190	171

SYMBOL NO.	INDEX NO.
R191	171
R192	171
R193	171
R194	171
R195	171
R196	171
R197	171
R198	182
R199	168
R200	182

18.MAIN CONTROL BOARD (B545)

RESISTOR

SYMBOL NO.	INDEX NO.	SYMBOL NO.	INDEX NO.	SYMBOL NO.	INDEX NO.	SYMBOL NO.	INDEX NO.	SYMBOL NO.	INDEX NO.	SYMBOL NO.	INDEX NO.	SYMBOL NO.	INDEX NO.
R201	182	R211	187	R221	172	R231	177	R241	188	R251	175	R261	169
R202	170	R212	170	R222	172	R232	177	R242	177	R252	172	R262	176
R203	172	R213	182	R223	182	R233	177	R243	177	R253	190	R263	182
R204	172	R214	182	R224	182	R234	177	R244	172	R254	188	R264	182
R205	187	R215	172	R225	190	R235	171	R245	172	R255	171	R265	177
R206	186	R216	181	R226	188	R236	182	R246	172	R256	177	R266	177
R207	185	R217	172	R227	177	R237	182	R247	175	R257	182	R267	177
R208	185	R218	182	R228	177	R238	182	R248	172	R258	183	R268	177
R209	189	R219	180	R229	177	R239	182	R249	172	R259	174	R269	171
R210	185	R220	172	R230	177	R240	190	R250	182	R260	182	R270	177

RESISTOR

SYMBOL NO.	INDEX NO.	SYMBOL NO.	INDEX NO.	SYMBOL NO.	INDEX NO.	SYMBOL NO.	INDEX NO.
R271	179	RN101	159	RN111	159	RN121	159
R272	179	RN102	159	RN112	157	RN122	159
R273	172	RN103	157	RN113	157	RN123	159
R274	182	RN104	159	RN114	157	RN124	157
R275	171	RN105	157	RN115	157	RN125	157
R276	171	RN106	157	RN116	158	RN126	159
R277	177	RN107	157	RN117	158	RN127	159
R278	177	RN108	157	RN118	157		
R279	177	RN109	157	RN119	158		
		RN110	157	RN120	159		

SW

SYMBOL NO.	INDEX NO.
SW101	128

TP

SYMBOL NO.	INDEX NO.
TP101	101
TP102	101
TP103	101
TP104	101

ZD

SYMBOL NO.	INDEX NO.
ZD101	135
ZD102	135
ZD103	137

18.MAIN CONTROL BOARD (B545)

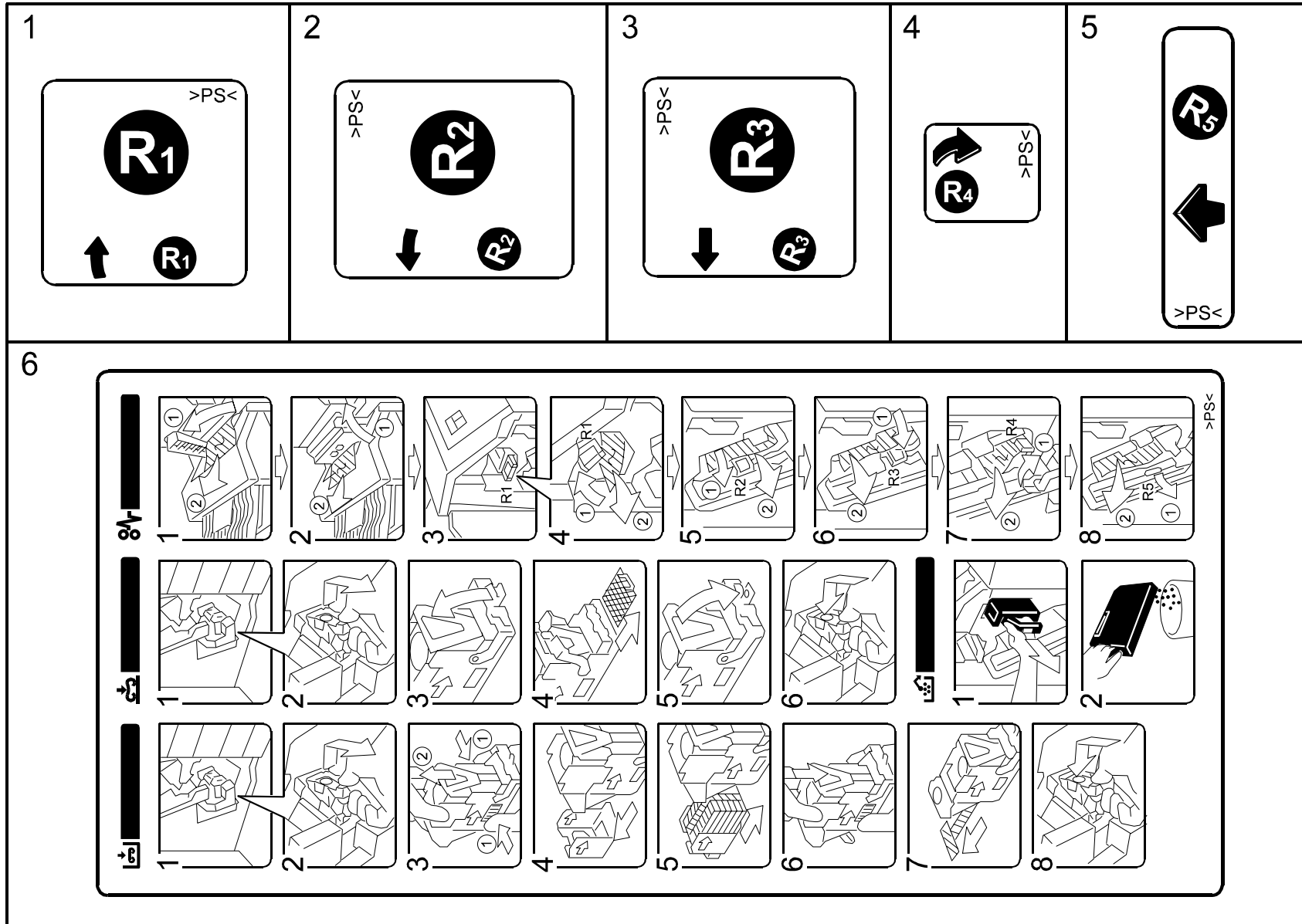
Index No.	Part No.	Description	Q'ty Per Assembly
*	B545 5100	PCB:Main Control	1
1	A377 5150	IC - TC11DG03AF-0071	1
2	B545 5103	EPROM:Main Control	1

Index No.	Part No.	Description	Q'ty Per Assembly
101	1101 0328	Connector Pin Contact	
102	1102 4201	Connector - 2P	
103	1102 4203	CT Header - 4P	
104	1102 4204	CT Header - 5P	
105	1102 4205	CT Header - 6P	
106	1102 4206	Connector - 7P	
107	1102 4207	Connector - 8P	
108	1102 4208	Connector - 9P	
109	1102 4209	CT Header - 10P	
110	1102 4210	Connector - 11P	
111	1102 4212	CT Header - 15P	
112	1102 4464	CT Header(h) - 6P	
113	1102 4465	Connector - 7P	
114	1102 4497	Connector - 13P	
115	1102 4624	CT Connector - 7p	
116	1102 4625	CT Connector 8p	
117	1102 4626	Connector - 9P	
118	1102 4630	CT Connector	
119	1102 5007	CT Header - 14P	
120	1102 5301	Connector - 2P	
121	1102 6295	Connector - 2P	
122	1102 6301	Connector - 8P	
123	1102 6302	Connector - 9P	
124	1102 6956	Connector - 13P	
125	1104 0333	Fuse Holder	
126	1104 0589	DIP Socket - 32p	
127	1107 0884	Fuse - 5a 250v	
128	1204 1542	DIP Switch	
129	1400 0398	Transistor - 2SC2412K	
130	1400 0748	Transistor - FMG1A	
131	1400 0978	Transistor:2sb1381	
132	1400 0979	Transistor:2sd2079	
133	1400 0982	Transistor:2sb1495	
134	1400 0983	Transistor:2sd2257	
135	1402 1353	Diode - HZ12BP	

Index No.	Part No.	Description	Q'ty Per Assembly
136	1402 1506	Diode - ERA15-02	
137	1402 1507	Diode - UDZS8.2B	
138	1402 1559	Diode - ERC91-02	
139	1403 0519	Photocoupler - TLP621	
140	1407 1596	TTLIC - SN74LS14NS	
141	1407 2187	TTLIC - SN74LS07NS	
142	1407 2218	TTLIC - SN74LS06NS	
143	1407 2231	IC - TD62308AF	
144	1407 4316	IC - TD52308BF	
145	1407 4724	CPU - Hd6413003tf-16	
146	1407 5341	IC - SN74LV00ANS	
147	1407 5387	IC - SN74LV04ANS	
148	1407 5393	IC - SN74LV541ANS	
149	1407 5414	IC - SN74LV14ANS	
150	1407 5513	IC - SN74LV02ANS	
151	1407 5744	IC - STK672-330	
152	1408 0611	IC - 3771	
153	1408 0827	IC - TA8429H	
154	1408 1200	IC - STK681-050	
155	1408 1287	IC - SI-8501L	
156	1503 0347	Oscillator - 12MHZ	
157	1601 7751	Resistor - 4.7K Ω \pm 5%	
158	1601 7752	Resistor Array - 10K Ω \pm 5%	
159	1601 7814	Resistor - 3.3K Ω \pm 5%	
160	1604 4300	Capacitor - 1 μ F \pm 20% 50V	
161	1604 4661	Capacitor - 100 μ F \pm 20% 50V	
162	1604 4708	Capacitor - 10 μ F \pm 20% 50V	
163	1604 4782	Capacitor - 470 μ F \pm 20% 16V	
164	1604 4873	Capacitor - 220uf: \pm 20%:50v	
165	1605 1148	Capacitor - 0.1 μ F+80-20% 50V	
166	1607 0069	Fuse - BI02rn2-r62-pb	
167	1634 0000	Resistor - 0 Ω 1/16W	
168	1650 2562	Resistor:5.6k Ω : \pm 5%:1/4w	
169	1650 4100	Resistor - 10 Ω \pm 5% 1/10W	
170	1650 4101	Resistor - 100 Ω \pm 5%1/10W	

Index No.	Part No.	Description	Q'ty Per Assembly
171	1650 4102	Resistor - 1K Ω \pm 5% 1/10W	
172	1650 4103	Resistor - 10K Ω \pm 5% 1/10W	
173	1650 4122	Resistor - 1.2K Ω \pm 5% 1/10W	
174	1650 4161	Resistor - 160 Ω \pm 5% 1/10W	
175	1650 4203	Resistor - 20K Ω \pm 5% 1/10W	
176	1650 4222	Resistor - 2.2K Ω \pm 5%1/10W	
177	1650 4223	Resistor - 22K Ω \pm 5%1/10W	
178	1650 4330	Chip Resistor - 33 Ω \pm 5% 1/10w	
179	1650 4332	Resistor - 3.3K Ω \pm 5%1/10W	
180	1650 4362	Resistor - 3.6K Ω \pm 5%1/10W	
181	1650 4392	Chip Resistor - 3.9k Ω \pm 5%1/10w	
182	1650 4472	Resistor - 4.7K Ω \pm 5% 1/10W	
183	1650 4562	Resistor - 5.6K Ω \pm 5% 1/10W	
184	1650 4910	Resistor - 91 Ω \pm 5%1/10W	
185	1654 1002	Resistor - 10K Ω \pm 5%1/10W	
186	1654 2200	Resistor:220 Ω : \pm 1%:1/10w:1608	
187	1654 3900	Resistor:390 Ω : \pm 1%:1/10w	
188	1654 5100	Resistor:510 Ω : \pm 1%:1/10w	
189	1654 8200	Resistor - 820 Ω \pm 1%1/10W	
190	1654 9101	Resistor:9.1k Ω : \pm 1%:1/10w	
191	1660 2471	Capacitor - 470pF - \pm 5% - 50V	
192	1660 4102	Capacitor - 1000pF \pm 10% 50V	
193	1660 4103	Capacitor - 10000pF - \pm 10% - 50V	
194	1660 4472	Capacitor - 4700pF \pm 10% 50V	
195	1660 8104	Capacitor - 0.1 μ F+80-20% 25V	

19.DECAL AND DOCUMENT (B545)



19.DECAL AND DOCUMENT (B545)

Index No.	Part No.	Description	Q'ty Per Assembly
1	B352 7101	Decal - R1	1
2	B352 7151	Decal - R2	1
3	B352 7201	Decal - R3	1
4	B352 7251	Decal - R4	1
5	B352 7301	Decal - R5	1
6	G565 7351	Decal - Misfeed Removal	1

Index No.	Part No.	Description	Q'ty Per Assembly

SR880 B545
PARTS INDEX

This section instructs you as to the numbers and names of parts on this machine.

Parts Index

Part No.	Description	Page and Index No.
B545 1120	Stay - Stapler Tray	21 - 3
B545 1135	Angle:Harness Clamp	11 - 11
B545 1140	Board Bracket	39 - 2
B545 1150	Upper Cover Bracket	39 - 3
B545 1170	Bracket:Ground Plate:Upper:Ass'y	7 - 7
B545 1533	Tightener	25 - 3
B545 1620	Exit Roller Bracket	31 - 2
B545 2101	Guide Plate - Entrance Cover	9 - 20
B545 2105	Film:Shielding Plate	9 - 26
B545 2110	Upper Guide Plate	13 - 2
B545 2115	Transport Cover	9 - 11
B545 2120	Upper Guide Plate - Exit	25 - 7
B545 2124	Upper Guide Plate - Exit Small	25 - 35
B545 2125	Upper Bracket - Paper Exit Unit	25 - 31
B545 2126	Upper Bracket - Paper Feed Sensor	25 - 26
B545 2137	Bracket - Oil Damper	9 - 14
B545 2138	Bracket - Entrance Cover	9 - 18
B545 2139	Bracket - Transport Cover	9 - 15
B545 2145	Support Plate - Transport Cover	9 - 21
B545 2210	Vertical Transport Guide	15 - 4
B545 2215	Exit Sensor Bracket	17 - 17
B545 2217	Exit Guide Plate	13 - 15
B545 2221	Stay:Guide:Trailing Edge	17 - 19
B545 2251	Upper Relay Guide	11 - 5
B545 2415	Lower Guide Plate	31 - 17
B545 2425	Lower Turn Guide Plate	13 - 4
B545 2430	Guide Plate - Turn Gate	13 - 13
B545 2450	Support Plate - Guide Plate	13 - 7
B545 2500	Guide Plate:Auxiliary:Punch:Ass'y	11 - 7
B545 2505	Front Cover - Hopper	11 - 16
B545 2506	Rear Cover - Punch Unit	11 - 10
B545 3102	Micro Switch Lever	31 - 5
B545 3102	Micro Switch Lever	25 - 18
B545 3105	Bracket - Micro Switch	31 - 7
B545 3105	Bracket - Micro Switch	25 - 21

Part No.	Description	Page and Index No.
B545 3110	End Fence	33 - 3
B545 3115	Sensor Bracket	33 - 5
B545 3120	Stay - Upper Exit	35 - 8
B545 3125	Stay - Lower Exit	35 - 9
B545 3130	Exit Stay	25 - 24
B545 3131	Upper Left Stay	35 - 18
B545 3135	Stay - Positioning Sensor	39 - 12
B545 3140	End Fence Cover	33 - 10
B545 3150	Lower Tighter	33 - 11
B545 3155	Upper Tighter	27 - 11
B545 3180	Motor Bracket	35 - 3
B545 3185	Bracket - Open Link	31 - 11
B545 3200	Bracket - Tray Lift Motor	37 - 15
B545 3210	Exit Roller Cover	31 - 22
B545 3215	Adjusting Bracket - Sensor Feeler	31 - 21
B545 3215	Adjusting Bracket - Sensor Feeler	25 - 30
B545 3510	Base - Upper Tray	29 - 3
B545 3515	Front Stopper - Tray Shift	29 - 7
B545 3516	Base Bracket	29 - 32
B545 3520	Side Plate - Upper Front	27 - 5
B545 3530	Side Plate - Upper Rear	27 - 3
B545 3560	Base - Shift	29 - 33
B545 3570	Support Plate - Tray Shift	29 - 8
B545 3585	Motor Bracket	29 - 24
B545 3601	End Fence	27 - 12
B545 3650	Bracket - Tray Safety Switch	29 - 29
B545 3700	Bracket - Lock Lever	29 - 17
B545 3761	Base Cover	27 - 19
B545 3766	Slide Cover	29 - 2
B545 3771	Upper Harness - Shift Tray	29 - 1
B545 3812	Side Plate - Lower Front	33 - 13
B545 3822	Side Plate - Lower Back	33 - 16
B545 3830	Base - Lower Tray	33 - 18
B545 3840	Lower Tray Holder	33 - 1
B545 4079	Stapler Unit	23 - 32

Part No.	Description	Page and Index No.
B545 4111	Side Plate - Front Tray - Stapler	21 - 7
B545 4121	Rear Side Plate - Stapler Tray	21 - 22
B545 4151	Upper Stay - Jogger Fence	19 - 2
B545 4153	Upper Bracket - Jogger Fence	19 - 4
B545 4161	Jogger Fence Stay	19 - 8
B545 4163	Jogger Fence Bracket	19 - 16
B545 4171	Jogger Motor Bracket	19 - 11
B545 4181	Tightener	19 - 19
B545 4211	Slider Fence Stay	21 - 5
B545 4245	Bracket - Pull Out Sensor	19 - 6
B545 4311	Stapler Unit Slider	23 - 12
B545 4317	Fence Hook	23 - 14
B545 4321	Lower Slider - Staple Unit	23 - 17
B545 4327	Holder:Harness:Stapler	23 - 18
B545 4355	Slider Holder - Stapler Unit	23 - 20
B545 4362	Bracket:Sensor:Diagonal,slanted	23 - 23
B545 4371	Stapler Base	23 - 33
B545 4391	Slider:Turn:Ass'y	23 - 24
B545 4411	Bracket - Stapler Movement	23 - 2
B545 4431	Tightener Bracket	23 - 6
B545 5100	PCB:Main Control	43 - *
B545 5100	PCB:Main Control	39 - 1
B545 5103	EPROM:Main Control	39 - 15
B545 5103	EPROM:Main Control	43 - 2
B545 5201	Harness:Interface:Ass'y	39 - 11
B545 5210	Harness:Safety Switch	39 - 9
B545 5215	Harness:Sensor:Entrance	39 - 4
B545 5220	Harness:Sensor:Paper Senser	25 - 11
B545 5220	Harness:Sensor:Paper Senser	39 - 8
B545 5225	Harness:Sensor:Shift Tray	39 - 7
B545 5230	Harness:Stapler Tray:Upper	39 - 14
B545 5235	Harness - Stapler	23 - 29
B545 5240	Harness:Motor:Rising Tray	39 - 5
B545 5245	Harness:Shift Tray:Lower	39 - 10
B545 5250	Harness:Shift Tray:Upper	39 - 6

Part No.	Description	Page and Index No.
B545 5300	Harness:Connecting:240mm	11 - 2
B545 5305	Harness:Connecting:430mm	31 - 35
B545 5310	Harness:Connecting:560mm	23 - 39
B545 5320	Harness:Connecting:Shift Tray	35 - 20
B545 5325	Harness:Connecting:Paper Senser	31 - 29
B545 6101	Cover:Upper	7 - 3
B545 6203	Upper Hinge - Front Door	7 - 8
B545 6206	Lower Hinge - Front Door	7 - 15

Part No.	Description	Page and Index No.
A049 3371	Magnet	9 - 4
A300 2132	Guide Roller	23 - 35
A300 3634	Spring Plate - Timing Belt	19 - 25
A300 3731	Slide Supporter	23 - 15
A300 3759	Spring	21 - 11
A300 3812	Spacer - 6x22x1.5	23 - 38
A300 3813	Shaft - 6x21.5	21 - 25
A300 3851	Positioning Roller Bracket	17 - 6
A300 3858	Stepped Screw - M4	17 - 1
A300 3865	Release Spring	17 - 2
A353 2763	Washer - M5	21 - 26
A353 3113	Pressure Spring	37 - 19
A353 3272	Guide Roller	29 - 34
A353 3272	Guide Roller	33 - 23
A353 3351	Exit Driven Roller	33 - 22
A353 3354	Driven Roller Holder	31 - 14
A376 1295	Spacer - M6x10x5	15 - 19
A376 1295	Spacer - M6x10x5	17 - 33
A377 4741	Roller - M14	23 - 37
A377 5150	IC - TC11DG03AF-0071	43 - 1
A379 2212	Driven Roller Shaft	31 - 16
A379 2213	Exit Guide Bracket	31 - 9
A379 2811	Positioning Roller Arm	17 - 8
A379 3316	Shift Guide Roller	27 - 20
A379 3316	Shift Guide Roller	33 - 19
A458 2251	Cushion - Bin Solenoid Lever	13 - 20
A458 2251	Cushion - Bin Solenoid Lever	15 - 20
A458 2251	Cushion - Bin Solenoid Lever	17 - 36
A606 1595	Small Door Cover	7 - 14
A612 1612	Bracket - Motor	37 - 5
A612 2435	Support Plate	15 - 16
A612 2435	Support Plate	9 - 5
A666 2213	Shift Tray Roller	33 - 20
A666 2347	Gear - Z45	33 - 8
A666 2347	Gear - Z45	27 - 8

Part No.	Description	Page and Index No.
A666 3180	Timing Pulley - Z32	21 - 20
A666 4170	Stepped Screw - M3x6	25 - 6
A666 4170	Stepped Screw - M3x6	31 - 39
A666 4260	Entrance Roller	25 - 5
A680 1181	Magnetic Catch	9 - 22
A681 2702	Worm Wheel - 20Z	35 - 1
A681 2711	Worm Gear - 50z	35 - 5
A681 3316	Shift Tray Worm	29 - 25
A697 1117	Base Plate Cap	21 - 1
A697 1125	Stepped Screw - Lever	37 - 24
A697 1125	Stepped Screw - Lever	25 - 8
A697 1125	Stepped Screw - Lever	23 - 9
A697 1125	Stepped Screw - Lever	19 - 20
A697 1125	Stepped Screw - Lever	11 - 17
A697 1128	Joint Lever	11 - 14
A697 1144	Rear Joint Bracket	7 - 5
A697 1151	Hopper Bracket	11 - 9
A697 1153	Front Joint Bracket	7 - 6
A697 1518	Spring-oil Blade	37 - 23
A697 1606	Spacer - 6x12x2.7mm	33 - 21
A697 2102	Damper - Junction Gate Solenoid	29 - 38
A697 2102	Damper - Junction Gate Solenoid	37 - 28
A697 2105	Bracket - Junction Gate Solenoid	37 - 8
A697 2131	Antistatic Brush	31 - 12
A697 2131	Antistatic Brush	35 - 7
A697 2145	Entrance Sensor Bracket	11 - 4
A697 2150	Lower Entrance Guide	11 - 3
A697 2187	Pressure Spring - 14.1mm	17 - 25
A697 2235	Bracket - Junction Gate Solenoid	37 - 21
A697 2245	Junction Gate - Proof Tray	13 - 5
A697 2250	Lower Relay Guide	11 - 6
A697 3195	Worm Wheel	35 - 11
A697 3200	Worm Wheel Shaft	35 - 10
A697 3205	Shift Sensor Bracket	35 - 17
A697 3210	Shift Motor Bracket	35 - 14

Part No.	Description	Page and Index No.
A697 3215	Pulley - 19T	35 - 13
A697 3220	Timing Belt - B40S2M112	35 - 12
A697 3225	Worm Wheel Shaft	37 - 14
A697 4150	Stepped Screw - M5	23 - 36
A697 4170	Pulley - 32T	19 - 22
A697 4235	Paper Exit Pawl	21 - 17
A821 1661	Interlock Switch Cover	17 - 15
A821 1662	Interlock Switch Lever	17 - 14
B302 4629	Guide Mylar	19 - 24
B312 1521	Timing Pulley - 20T	15 - 3
B312 1524	Motor Bracket	37 - 2
B312 1550	Stepping Motor - DC 6.2W	31 - 1
B312 1600	Tightener	37 - 22
B312 1605	Tightener	37 - 25
B312 1615	Tension Roller	37 - 26
B312 1615	Tension Roller	25 - 9
B312 2100	Pre-stack Gate	15 - 7
B312 2105	Pre-stack Gate Solenoid	37 - 27
B312 2106	Bracket - Pre-stack Gate Solenoid	37 - 12
B312 2151	Left Guide - Vertical Transport	15 - 15
B312 2166	Vertical Guide	15 - 6
B312 2171	Middle Guide - Vertical Transport	15 - 10
B312 2172	Driven Roller	15 - 14
B312 2173	Support Plate	15 - 9
B312 2174	Pressure Spring - 12mm	15 - 13
B312 2176	Transport Roller	15 - 5
B312 2176	Transport Roller	13 - 3
B312 2187	Positioning Roller	17 - 12
B312 4121	Stepping Motor	21 - 19
B312 4126	Pulley - 32T	21 - 23
B312 4145	Stepping Motor - 8.0W	23 - 1
B352 1600	Timing Pulley - S2M T24	25 - 34
B352 1600	Timing Pulley - S2M T24	31 - 4
B352 1601	Timing Belt - B40S2M196	37 - 3
B352 1602	Timing Pulley - T20-S2M	11 - 12

Part No.	Description	Page and Index No.
B352 1605	Timing Belt - B40S3M216	13 - 17
B352 1606	Timing Pulley - T20-S3M	15 - 2
B352 1606	Timing Pulley - T20-S3M	13 - 16
B352 1607	Timing Pulley - T20-S3M	13 - 1
B352 1607	Timing Pulley - T20-S3M	17 - 5
B352 1607	Timing Pulley - T20-S3M	15 - 1
B352 1610	Timing Belt - B40S3M612	37 - 4
B352 1617	Timing Belt - B40S3M759	37 - 7
B352 1630	Tension Spring	25 - 4
B352 1631	Timing Belt - B40S2M594	25 - 23
B352 1632	Timing Belt - B40S2M200	31 - 3
B352 2084	DC Solenoid Assembly	17 - 3
B352 2090	DC Solenoid Assembly	29 - 21
B352 2090	DC Solenoid Assembly	37 - 29
B352 2111	Guide Plate - Transport Cover	9 - 6
B352 2112	Link - Transport Cover	9 - 9
B352 2113	Link Spacer	9 - 7
B352 2114	Pressure Spring	9 - 8
B352 2131	Exit Guide	25 - 36
B352 2132	Front Exit Plate	25 - 37
B352 2133	Rear Exit Plate	25 - 38
B352 2135	Sector Gear - Transport Cover	9 - 17
B352 2136	Oil Damper Shaft	9 - 16
B352 2140	Oil Damper	9 - 13
B352 2200	Lower Guide Plate	17 - 27
B352 2201	Guide - Trailing Edge	17 - 29
B352 2203	Discharge Brush - Stapler Tray	17 - 30
B352 2204	Driven Roller	15 - 23
B352 2204	Driven Roller	9 - 1
B352 2204	Driven Roller	13 - 12
B352 2204	Driven Roller	17 - 26
B352 2205	Bushing - Driven Roller	13 - 10
B352 2205	Bushing - Driven Roller	9 - 2
B352 2205	Bushing - Driven Roller	17 - 24
B352 2205	Bushing - Driven Roller	15 - 12

Part No.	Description	Page and Index No.
B352 2206	Tension Spring - Lower Guide	17 - 28
B352 2207	Pad - Stapler Tray	17 - 38
B352 2221	Holder - Paper Guide	17 - 20
B352 2222	Paper Guide - Trailing Edge	17 - 21
B352 2229	Roller - Paper Guide	17 - 22
B352 2232	Torsion Spring	17 - 23
B352 2235	Mylar - Exit Guide	13 - 21
B352 2365	Upper Left Pad	25 - 2
B352 2400	Exit Roller	31 - 24
B352 2400	Exit Roller	25 - 12
B352 2405	Outer Exit Roller	25 - 13
B352 2405	Outer Exit Roller	31 - 23
B352 2406	Exit Roller Shaft	31 - 28
B352 2406	Exit Roller Shaft	25 - 14
B352 2407	Reverse Roller - 20Z	25 - 16
B352 2407	Reverse Roller - 20Z	31 - 25
B352 2408	Gear - 26Z	25 - 40
B352 2408	Gear - 26Z	31 - 30
B352 2409	Idler Gear - 17Z	31 - 31
B352 2409	Idler Gear - 17Z	25 - 17
B352 2410	Front Arm - Reverse Roller	25 - 15
B352 2410	Front Arm - Reverse Roller	31 - 27
B352 2411	Rear Arm - Reverse Roller	25 - 41
B352 2411	Rear Arm - Reverse Roller	31 - 26
B352 2420	Guide Plate - Shift Tray	13 - 8
B352 2431	Sheet - Guide Plate	13 - 14
B352 2435	Exit Guide	31 - 15
B352 2436	Exit Driven Roller	31 - 34
B352 2440	Junction Gate - Stapler Tray	13 - 6
B352 2445	Pulley - T31	17 - 4
B352 2446	Positioning Roller Shaft	17 - 10
B352 2600	Upper Transport Roller	13 - 24
B352 2610	Shift Transport Roller	13 - 25
B352 2620	Lower Transport Roller	11 - 8
B352 2620	Lower Transport Roller	15 - 8

Part No.	Description	Page and Index No.
B352 2630	Exit Roller - Stapler	17 - 31
B352 2650	Magnet Catch - 5N	9 - 25
B352 2650	Magnet Catch - 5N	13 - 9
B352 3013	Shaft - Upper Drive	27 - 9
B352 3016	Shaft - Lower Drive	33 - 9
B352 3100	Sensor Feeler	31 - 20
B352 3100	Sensor Feeler	25 - 29
B352 3101	Holder - Sensor Feeler	31 - 18
B352 3101	Holder - Sensor Feeler	25 - 28
B352 3145	Timing Pulley - T18	33 - 24
B352 3145	Timing Pulley - T18	27 - 7
B352 3146	Timing Pulley - T18	27 - 22
B352 3146	Timing Pulley - T18	33 - 7
B352 3160	Timing Belt - B60S5M1530	33 - 6
B352 3161	Timing Belt - B60S5M1055	27 - 6
B352 3165	Timing Belt Guide Plate	33 - 14
B352 3165	Timing Belt Guide Plate	27 - 4
B352 3170	Spacer	27 - 18
B352 3176	Cam:Paper Exit Unit	35 - 4
B352 3190	Driven Roller Link	31 - 10
B352 3195	Exit Switch holder	35 - 19
B352 3205	Gear - 26Z	37 - 20
B352 3206	Worm Wheel - 30Z	37 - 18
B352 3220	Roller Pad	25 - 33
B352 3220	Roller Pad	31 - 38
B352 3225	Pad - Switch Lever	31 - 36
B352 3225	Pad - Switch Lever	25 - 39
B352 3517	Slide Guide	29 - 31
B352 3571	Slider Bearing	29 - 9
B352 3572	Bushing - 6mm	29 - 4
B352 3575	Shaft - Upper Tray	29 - 5
B352 3576	Gear - 20Z	29 - 13
B352 3577	Shaft Cap	29 - 35
B352 3580	Worm Wheel - 40Z	29 - 10
B352 3586	Shift - Worm Gear	29 - 23

Part No.	Description	Page and Index No.
B352 3587	Timing Belt - BOS2M104	29 - 26
B352 3591	Gear - 40Z	29 - 15
B352 3592	Idle Gear - 20Z	29 - 14
B352 3593	Ratchet - Tray Lock	29 - 20
B352 3594	Torque Limiter - 100MN	29 - 27
B352 3595	Rear Shaft - Upper Tray	29 - 16
B352 3605	Upper Guide - End Fence	27 - 10
B352 3608	Tension Spring - End Fence	27 - 14
B352 3629	End Fence Roller	27 - 17
B352 3655	Switch Holder	29 - 28
B352 3655	Switch Holder	31 - 6
B352 3655	Switch Holder	25 - 20
B352 3656	Compression Spring	31 - 37
B352 3656	Compression Spring	29 - 30
B352 3656	Compression Spring	9 - 23
B352 3656	Compression Spring	25 - 22
B352 3705	Lock Lever - Upper Tray	29 - 19
B352 3833	Short Cushion - Base	33 - 25
B352 3835	Tray Shift Shaft	33 - 12
B352 3844	Long Cushion - Base	33 - 26
B352 3845	Slider Pawl	33 - 2
B352 4100	Stapler Tray	21 - 15
B352 4131	Front Jogger Fence	19 - 15
B352 4141	Rear Jogger Fence	19 - 14
B352 4152	Upper Slider - Jogger Fence	19 - 3
B352 4162	Jogger Fence Slider	19 - 17
B352 4165	Slider Shaft - Jogger Fence	19 - 18
B352 4175	Timing Pulley - Jogger Drive	19 - 12
B352 4185	Timing Belt - 940P2M4	19 - 13
B352 4215	Shaft - Jogger Fence	19 - 1
B352 4215	Shaft - Jogger Fence	21 - 9
B352 4221	Front Training Edge Fence	21 - 10
B352 4231	Rear Training Edge Fence	21 - 13
B352 4232	Slider - Training Edge Fence	21 - 8
B352 4237	Sheet - Pull Out Pawl	21 - 16

Part No.	Description	Page and Index No.
B352 4242	Exit Belt-900P2M14	21 - 18
B352 4251	Upper Exit Shaft	21 - 21
B352 4255	Timing Belt - 258P2M4	21 - 24
B352 4261	Tightener - Exit Belt	19 - 7
B352 4315	Spring - 18N	23 - 16
B352 4316	Stopper - Timing Belt	23 - 10
B352 4318	Bushing - Lower Slider	23 - 11
B352 4331	Sector Gear - Staple Unit	23 - 19
B352 4347	Bushing - 6mm	23 - 34
B352 4351	Gear - 46Z/25Z	23 - 21
B352 4352	Gear - 46Z/19Z	23 - 26
B352 4353	Pinion - 46Z/18Z	23 - 25
B352 4354	Gear - 27Z	23 - 22
B352 4358	Stapler Base Cover	23 - 31
B352 4378	Stapler Cover	23 - 30
B352 4379	Lower Guide Plate	23 - 41
B352 4415	Guide Rod	23 - 13
B352 4421	Timing Pulley - Drive	23 - 3
B352 4422	Timing Belt - 918P3M4	23 - 4
B352 5450	Bushing - CE-012LV0	31 - 40
B352 7101	Decal - R1	45 - 1
B352 7101	Decal - R1	13 - 18
B352 7151	Decal - R2	15 - 17
B352 7151	Decal - R2	45 - 2
B352 7201	Decal - R3	15 - 18
B352 7201	Decal - R3	45 - 3
B352 7251	Decal - R4	45 - 4
B352 7251	Decal - R4	17 - 32
B352 7301	Decal - R5	19 - 23
B352 7301	Decal - R5	45 - 5
B352 7507	Screw - Punch	11 - 15
B408 1413	Coupling Stay	11 - 13
B408 1413	Coupling Stay	17 - 18
B408 5355	Harness:Connecting:280mm	25 - 25
B468 5750	Stepper Motor	37 - 6

Part No.	Description	Page and Index No.
G011 3275	Snap Ring	29 - 40
G020 2630	Magnetic Catch	7 - 13
G020 4429	Exit Sensor	19 - 5
G034 2986	Flanged Hexagonal Head Bolt - M4x8	7 - 1
G034 2993	Flanged Hexagonal Head Bolt - M3x6	11 - 18
G034 2993	Flanged Hexagonal Head Bolt - M3x6	7 - 4
G522 1152	Flanged Hexagonal Head Bolt	7 - 19
G565 1140	Caster:40kgf	21 - 6
G565 2151	Entrance Cover	9 - 19
G565 2222	Guide - Trailing Edge	17 - 39
G565 3611	End Fence Guide Plate	27 - 13
G565 3621	Front End Fence Rail	27 - 16
G565 3631	Rear End Fence Rail	27 - 15
G565 3751	Upper Base Cover	29 - 12
G565 3911	Shift Tray	7 - 18
G565 3921	Slide Tray	7 - 17
G565 4234	Front Entrance Guide	21 - 12
G565 4235	Rear Fence Guide	21 - 2
G565 6130	Rear Cover - Side Plate	37 - 30
G565 6201	Front Cover	7 - 10
G565 6202	Auxiliary Grip Cover	7 - 12
G565 6301	Rear Cover	7 - 2
G565 6401	Left Upper Cover	25 - 1
G565 6451	Lower Left Cover	7 - 16
G565 6501	Inner Cover	7 - 9
G565 6601	Front Upper Tray Cover	27 - 2
G565 6651	Rear Upper Tray Cover	27 - 1
G565 6701	Front Lower Tray Cover	33 - 15
G565 6751	Rear Lower Tray Cover	33 - 17
G565 7351	Decal - Misfeed Removal	45 - 6
G565 7351	Decal - Misfeed Removal	7 - 11
G800 3089	Bushing - 6mm	11 - 20

Part No.	Description	Page and Index No.
AA04 3054	Timing Belt - 142 P2M4	37 - 13
AA06 0092	Release Spring	37 - 11
AA06 0092	Release Spring	29 - 18
AA06 0557	Positioning Roller Spring	17 - 7
AA06 3529	Pressure Spring - 14.5mm	13 - 11
AA06 3529	Pressure Spring - 14.5mm	9 - 3
AA06 3529	Pressure Spring - 14.5mm	15 - 22
AA08 0238	Bushing - M6	31 - 33
AA08 0238	Bushing - M6	17 - 37
AA08 0238	Bushing - M6	25 - 19
AA08 0238	Bushing - M6	13 - 22
AA08 0238	Bushing - M6	15 - 25
AA08 0238	Bushing - M6	11 - 19
AA12 0027	Antistatic Brush	31 - 8
AA12 0090	Discharge Brush L=320 MM3	25 - 10
AA16 1099	Lever Cushion	17 - 34
AB01 3709	Worm Gear	37 - 17
AB03 0278	Idler - 20z	23 - 7
AG07 1010	Magnet Catch	15 - 11
AH01 2019	Caster	21 - 4
AW01 0070	Photosensor - PS-R11D1-B	31 - 13
AW01 0089	Photosensor - GP2A28C	11 - 1
AW01 0089	Photosensor - GP2A28C	33 - 4
AW01 0093	Photo Reflection Sensor - PS-17ND1	21 - 14
AW02 0049	Photointerruptor - Os - 580213-703	17 - 16
AW02 0075	Photointerruptor	29 - 11
AW02 0075	Photointerruptor	35 - 16
AW02 0086	Photointerruptor	23 - 5
AW02 0086	Photointerruptor	25 - 32
AW02 0086	Photointerruptor	9 - 12
AW02 0086	Photointerruptor	19 - 10
AW02 0086	Photointerruptor	31 - 19
AW02 0086	Photointerruptor	35 - 6
AW02 0104	Photointerruptor	25 - 27
AW02 0114	Photo Interruptor - Lower Limit	39 - 13

Part No.	Description	Page and Index No.
AW02 0114	Photo Interruptor - Lower Limit	23 - 40
AW02 0114	Photo Interruptor - Lower Limit	29 - 39
AX04 0053	DC Motor - 24V/2.2W	35 - 2
AX04 0121	Stepping Motor - DC 6.5W	37 - 1
AX05 0115	DC Motor - 24V 7.2W	35 - 15
AX05 0160	Stepper Motor - MM42 0.85A	23 - 27
AX05 0160	Stepper Motor - MM42 0.85A	19 - 9
AX05 0161	DC Motor - DC24V 7.2W	29 - 22
AX06 0211	DC Motor - NA4056D05	37 - 16
AX21 0069	Magnetic Clutch - Z30	29 - 6

Part No.	Description	Page and Index No.
0242 0035B	Pan Head Screw - M2x3.5	21 -108
0313 0040B	Philips Pan Head Screw - M3x4	37 -106
0313 0050B	Philips Pan Head Screw - M3x5	29 -106
0313 0050B	Philips Pan Head Screw - M3x5	37 -107
0313 0100B	Philips Pan Head Screw - M3x10	33 -106
0313 0100B	Philips Pan Head Screw - M3x10	31 -106
0313 0120B	Philips Pan Head Screw - M3x12	11 -103
0353 0050B	Philips Truss Head Screw - M3x5	23 -108
0353 0060B	Philips Pan Head Screw - M3x6	25 -103
0450 3008B	Tapping Screw - M3x8	21 -105
0450 3008B	Tapping Screw - M3x8	9 -101
0450 3008B	Tapping Screw - M3x8	19 -102
0450 3008B	Tapping Screw - M3x8	13 -104
0450 3008B	Tapping Screw - M3x8	7 -102
0450 3010B	Tapping Screw - M3x10	9 -102
0450 4008B	Tapping Screw - 4x8	31 -107
0451 3006B	Tapping Screw - M3x6	31 -101
0451 3006B	Tapping Screw - M3x6	21 -101
0451 3006B	Tapping Screw - M3x6	23 -101
0451 3006B	Tapping Screw - M3x6	19 -101
0451 3006B	Tapping Screw - M3x6	17 -106
0451 3006B	Tapping Screw - M3x6	33 -103
0451 3006B	Tapping Screw - M3x6	37 -102
0451 3006B	Tapping Screw - M3x6	25 -102
0451 3006B	Tapping Screw - M3x6	13 -102
0451 3006B	Tapping Screw - M3x6	11 -101
0451 3006B	Tapping Screw - M3x6	29 -101
0451 3006B	Tapping Screw - M3x6	27 -103
0451 3006B	Tapping Screw - M3x6	39 -101
0451 3006B	Tapping Screw - M3x6	7 -103
0451 3006B	Tapping Screw - M3x6	35 -106
0451 3008B	Tapping Screw - M3x8	23 -102
0451 3008B	Tapping Screw - M3x8	19 -103
0451 3008B	Tapping Screw - M3x8	37 -104
0451 3008B	Tapping Screw - M3x8	21 -106

Part No.	Description	Page and Index No.
0451 3008H	Tapping Screw - M3x8	7 -104
0451 3008H	Tapping Screw - M3x8	27 -101
0451 3008H	Tapping Screw - M3x8	33 -101
0451 3008H	Tapping Screw - M3x8	25 -101
0451 4006B	Tapping Screw - 4x6	9 -105
0451 4006B	Tapping Screw - 4x6	35 -105
0451 4006B	Tapping Screw - 4x6	17 -101
0451 4006B	Tapping Screw - 4x6	31 -108
0451 4006B	Tapping Screw - 4x6	37 -103
0451 4006B	Tapping Screw - 4x6	15 -103
0451 4008B	Philips Tapping Screw - M4x8	21 -102
0452 3008B	Tapping Screw - M3x8	27 -102
0452 3008B	Tapping Screw - M3x8	15 -104
0453 3006B	Tapping Screw - M3x6	23 -106
0453 3006B	Tapping Screw - M3x6	37 -101
0453 3006B	Tapping Screw - M3x6	19 -105
0574 0040E	Hexagon Headless Set Screw - M4x4	37 -110
0623 0120E	Spring Pin - M3x12	17 -103
0632 0080G	Parallel Key - 2x8mm	25 -106
0632 0080G	Parallel Key - 2x8mm	31 -102
0632 0100G	Pin - 2x10mm	25 -108
0632 0100G	Pin - 2x10mm	31 -105
0632 0120G	Parallel Pin - 2x12	29 -107
0710 0020W	Hexagonal Nut - M2	21 -107
0720 0040B	Retaining Ring - M4	29 -104
0720 0040B	Retaining Ring - M4	9 -103
0720 0040B	Retaining Ring - M4	27 -104
0720 0040B	Retaining Ring - M4	13 -101
0720 0040B	Retaining Ring - M4	15 -101
0720 0040B	Retaining Ring - M4	33 -102
0720 0040B	Retaining Ring - M4	17 -104
0720 0040B	Retaining Ring - M4	11 -104
0720 0040B	Retaining Ring - M4	37 -105
0720 0040B	Retaining Ring - M4	19 -104
0720 0040B	Retaining Ring - M4	25 -104

Part No.	Description	Page and Index No.
0720 0040B	Retaining Ring - M4	21 -109
0720 0040B	Retaining Ring - M4	23 -103
0720 0040B	Retaining Ring - M4	31 -103
0720 0040E	Retaining Ring - M4	35 -101
0720 0060B	Retaining Ring - M6	33 -105
0720 0060B	Retaining Ring - M6	25 -112
0720 0060B	Retaining Ring - M6	37 -109
0720 0060B	Retaining Ring - M6	27 -105
0720 0060B	Retaining Ring - M6	23 -104
0720 0060B	Retaining Ring - M6	35 -104
0740 3008	Ball Bearing - 8x22x7	23 -105
0741 3506	Ball Bearing - 6x12x4 Mm	37 -108
0742 3808	Ball Bearing - 8x16x5	27 -106
0742 3808	Ball Bearing - 8x16x5	33 -104
0800 0072	Philips Pan Head Screw - M2.6x4	35 -102
0802 5276	Tapping Screw With Washer - M3x6	9 -104
0802 5276	Tapping Screw With Washer - M3x6	29 -105
0802 5276	Tapping Screw With Washer - M3x6	7 -105
0802 5277	Tapping Screw	37 -111
0802 5277	Tapping Screw	35 -107
0802 5277	Tapping Screw	7 -101
0802 5277	Tapping Screw	29 -109
0805 0088	Retaining Ring - M6	29 -103
0805 0089	Retaining Ring - M4	25 -107
0805 0089	Retaining Ring - M4	15 -102
0805 0089	Retaining Ring - M4	13 -103
0805 0089	Retaining Ring - M4	31 -104
0805 0089	Retaining Ring - M4	17 -105
0805 0092	Retaining Ring - 3m	29 -102
0805 3263	Bearing - 6x10x6mm	23 -107
0805 3385	Bushing - 6mm	21 -110
0807 5056	Washer - 8.1mm	37 -112
1101 0328	Connector Pin Contact	43 -101
1102 4201	Connector - 2P	43 -102
1102 4203	CT Header - 4P	43 -103

Part No.	Description	Page and Index No.
1102 4204	CT Header - 5P	43 -104
1102 4205	CT Header - 6P	43 -105
1102 4206	Connector - 7P	43 -106
1102 4207	Connector - 8P	43 -107
1102 4208	Connector - 9P	43 -108
1102 4209	CT Header - 10P	43 -109
1102 4210	Connector - 11P	43 -110
1102 4212	CT Header - 15P	43 -111
1102 4464	CT Header(h) - 6P	43 -112
1102 4465	Connector - 7P	43 -113
1102 4497	Connector - 13P	43 -114
1102 4624	CT Connector - 7p	43 -115
1102 4625	CT Connector 8p	43 -116
1102 4626	Connector - 9P	43 -117
1102 4630	CT Connector	43 -118
1102 5007	CT Header - 14P	43 -119
1102 5301	Connector - 2P	43 -120
1102 6295	Connector - 2P	43 -121
1102 6301	Connector - 8P	43 -122
1102 6302	Connector - 9P	43 -123
1102 6956	Connector - 13P	43 -124
1104 0333	Fuse Holder	43 -125
1104 0589	DIP Socket - 32p	43 -126
1105 0230	Clamp	25 -109
1105 0291	Harness Clamp - LWS-3S	39 -103
1105 0291	Harness Clamp - LWS-3S	21 -112
1105 0292	Wire Saddle	39 -102
1105 0310	Harness Clamp - LWS-1S	29 -110
1105 0310	Harness Clamp - LWS-1S	31 -112
1105 0310	Harness Clamp - LWS-1S	25 -110
1105 0310	Harness Clamp - LWS-1S	39 -104
1105 0310	Harness Clamp - LWS-1S	19 -106
1105 0310	Harness Clamp - LWS-1S	37 -113
1105 0310	Harness Clamp - LWS-1S	11 -105
1105 0328	Harness Clamp - ES-0505	23 -109

Part No.	Description	Page and Index No.
1105 0328	Harness Clamp - ES-0505	31 -109
1105 0328	Harness Clamp - ES-0505	35 -109
1105 0329	Clamp - ES-0510	29 -111
1105 0329	Clamp - ES-0510	11 -106
1105 0329	Clamp - ES-0510	25 -113
1105 0334	Edge - 17	21 -103
1105 0410	Card Spacer - 9.4mm	21 -104
1105 0511	Harness Clamp - LWS-0306ZC	17 -107
1105 0511	Harness Clamp - LWS-0306ZC	29 -112
1105 0511	Harness Clamp - LWS-0306ZC	19 -107
1105 0511	Harness Clamp - LWS-0306ZC	31 -110
1105 0511	Harness Clamp - LWS-0306ZC	11 -102
1105 0511	Harness Clamp - LWS-0306ZC	25 -111
1105 0511	Harness Clamp - LWS-0306ZC	35 -108
1105 0511	Harness Clamp - LWS-0306ZC	33 -107
1105 0511	Harness Clamp - LWS-0306ZC	23 -110
1105 0511	Harness Clamp - LWS-0306ZC	37 -114
1105 0511	Harness Clamp - LWS-0306ZC	21 -111
1105 0511	Harness Clamp - LWS-0306ZC	39 -105
1105 0522	Edge Saddle - LES0510	29 -113
1107 0884	Fuse - 5a 250v	43 -127
1204 1542	DIP Switch	43 -128
1204 2384	Interlock Switch	17 -102
1204 2543	Switch - DE2L-BJ22	25 -105
1204 2543	Switch - DE2L-BJ22	31 -111
1204 2543	Switch - DE2L-BJ22	29 -108
1204 2544	Switch - DE2L-BJ23	35 -103
1400 0398	Transistor - 2SC2412K	43 -129
1400 0748	Transistor - FMG1A	43 -130
1400 0978	Transistor:2sb1381	43 -131
1400 0979	Transistor:2sd2079	43 -132
1400 0982	Transistor:2sb1495	43 -133
1400 0983	Transistor:2sd2257	43 -134
1402 1353	Diode - HZ12BP	43 -135
1402 1506	Diode - ERA15-02	43 -136

Part No.	Description	Page and Index No.
1402 1507	Diode - UDZS8.2B	43 -137
1402 1559	Diode - ERC91-02	43 -138
1403 0519	Photocoupler - TLP621	43 -139
1407 1596	TTLIC - SN74LS14NS	43 -140
1407 2187	TTLIC - SN74LS07NS	43 -141
1407 2218	TTLIC - SN74LS06NS	43 -142
1407 2231	IC - TD62308AF	43 -143
1407 4316	IC - TD52308BF	43 -144
1407 4724	CPU - Hd6413003tf-16	43 -145
1407 5341	IC - SN74LV00ANS	43 -146
1407 5387	IC - SN74LV04ANS	43 -147
1407 5393	IC - SN74LV541ANS	43 -148
1407 5414	IC - SN74LV14ANS	43 -149
1407 5513	IC - SN74LV02ANS	43 -150
1407 5744	IC - STK672-330	43 -151
1408 0611	IC - 3771	43 -152
1408 0827	IC - TA8429H	43 -153
1408 1200	IC - STK681-050	43 -154
1408 1287	IC - SI-8501L	43 -155
1503 0347	Oscillator - 12MHZ	43 -156
1601 7751	Resistor - 4.7K Ω \pm 5%	43 -157
1601 7752	Resistor Array - 10K Ω \pm 5%	43 -158
1601 7814	Resistor - 3.3K Ω \pm 5%	43 -159
1604 4300	Capacitor - 1 μ F \pm 20% 50V	43 -160
1604 4661	Capacitor - 100 μ F \pm 20% 50V	43 -161
1604 4708	Capacitor - 10 μ F \pm 20% 50V	43 -162
1604 4782	Capacitor - 470 μ F \pm 20% 16V	43 -163
1604 4873	Capacitor - 220 μ F: \pm 20%:50v	43 -164
1605 1148	Capacitor - 0.1 μ F +80-20% 50V	43 -165
1607 0069	Fuse - BI02rn2-r62-pb	43 -166
1634 0000	Resistor - 0 Ω 1/16W	43 -167
1650 2562	Resistor:5.6k Ω : \pm 5%:1/4w	43 -168
1650 4100	Resistor - 10 Ω \pm 5% 1/10W	43 -169
1650 4101	Resistor - 100 Ω \pm 5% 1/10W	43 -170
1650 4102	Resistor - 1K Ω \pm 5% 1/10W	43 -171

Part No.	Description	Page and Index No.
1650 4103	Resistor - 10K Ω \pm 5% 1/10W	43 -172
1650 4122	Resistor - 1.2K Ω \pm 5% 1/10W	43 -173
1650 4161	Resistor - 160 Ω \pm 5% 1/10W	43 -174
1650 4203	Resistor - 20K Ω \pm 5% 1/10W	43 -175
1650 4222	Resistor - 2.2K Ω \pm 5%1/10W	43 -176
1650 4223	Resistor - 22K Ω \pm 5%1/10W	43 -177
1650 4330	Chip Resistor - 33 Ω \pm 5% 1/10w	43 -178
1650 4332	Resistor - 3.3K Ω \pm 5%1/10W	43 -179
1650 4362	Resistor - 3.6K Ω \pm 5%1/10W	43 -180
1650 4392	Chip Resistor - 3.9k Ω \pm 5%1/10w	43 -181
1650 4472	Resistor - 4.7K Ω \pm 5% 1/10W	43 -182
1650 4562	Resistor - 5.6K Ω \pm 5% 1/10W	43 -183
1650 4910	Resistor - 91 Ω \pm 5%1/10W	43 -184
1654 1002	Resistor - 10K Ω \pm 5%1/10W	43 -185
1654 2200	Resistor:220 Ω : \pm 1%:1/10w:1608	43 -186
1654 3900	Resistor:390 Ω : \pm 1%:1/10w	43 -187
1654 5100	Resistor:510 Ω : \pm 1%:1/10w	43 -188
1654 8200	Resistor - 820 Ω \pm 1%1/10W	43 -189
1654 9101	Resistor:9.1k Ω : \pm 1%:1/10w	43 -190
1660 2471	Capacitor - 470pF - \pm 5% - 50V	43 -191
1660 4102	Capacitor - 1000pF \pm 10% 50V	43 -192
1660 4103	Capacitor - 10000pF - \pm 10% - 50V	43 -193
1660 4472	Capacitor - 4700PF \pm 10% 50V	43 -194
1660 8104	Capacitor - 0.1 μ F +80-20% 25V	43 -195

Part No.	Description	Page and Index No.
5053 0447	Bushing - 6mm	17 - 35
5053 0447	Bushing - 6mm	31 - 32
5053 0447	Bushing - 6mm	29 - 37
5053 0447	Bushing - 6mm	25 - 42
5053 0447	Bushing - 6mm	21 - 27
5053 0447	Bushing - 6mm	35 - 21
5053 0447	Bushing - 6mm	15 - 24
5053 0447	Bushing - 6mm	13 - 23
5442 4121	Spring - Oil Blade	19 - 21
5442 4121	Spring - Oil Blade	23 - 8
5443 2668	Bushing - 4x6x7mm	29 - 36
5446 2824	Screw - Duplex Guide Plate	27 - 21
5446 2824	Screw - Duplex Guide Plate	9 - 24
5447 2681	Snap Ring	17 - 13
5447 2681	Snap Ring	15 - 21
5447 2681	Snap Ring	9 - 10
5919 2127	Positioning Roller Pulley	17 - 9
5919 2132	Positioning Roller Belt	17 - 11

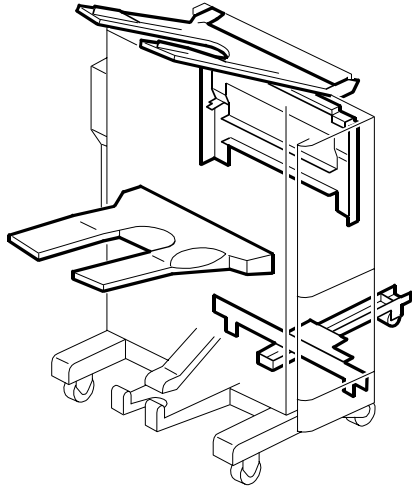
Part No.	Description	Page and Index No.

SR890 B546
PARTS LOCATION AND LIST

This section instructs you as to the numbers and names of parts on this machine.

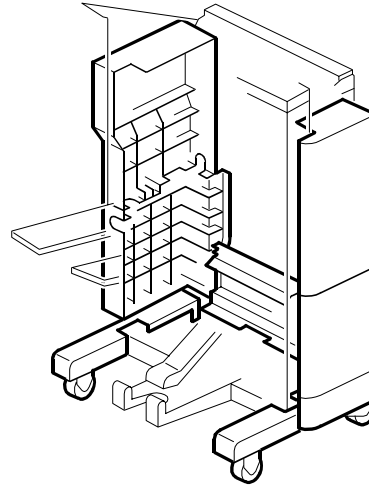
LOCATIONS OF UNITS

1. EXTERIOR 1 (B546)



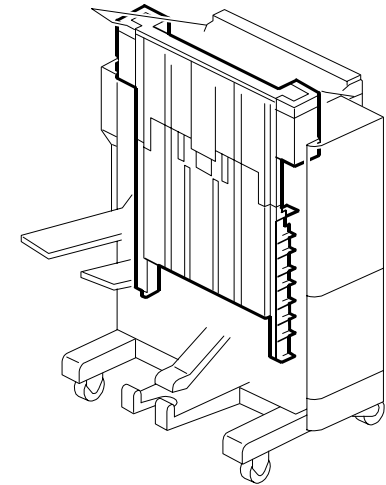
See Page 9

2. EXTERIOR 2 (B546)



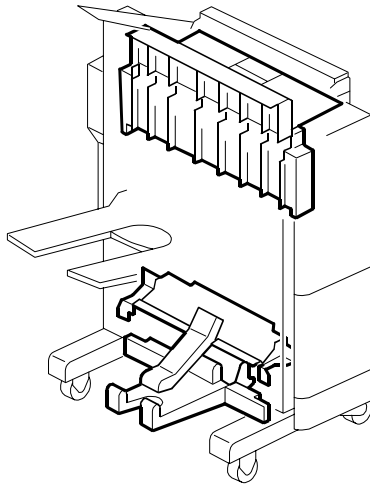
See Page 11

3. EXTERIOR 3 (B546)



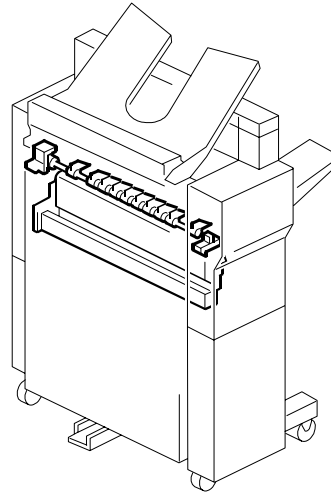
See Page 13

4. EXTERIOR 4 (B546)



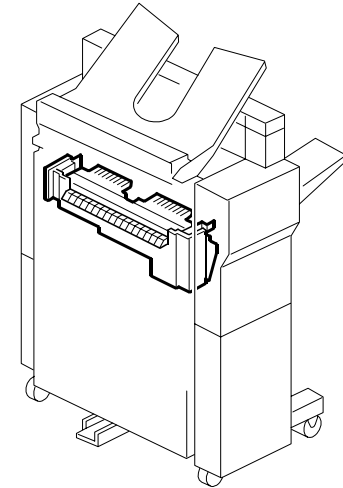
See Page 15

5. ENTRANCE GUIDE SECTION 1 (B546)



See Page 17

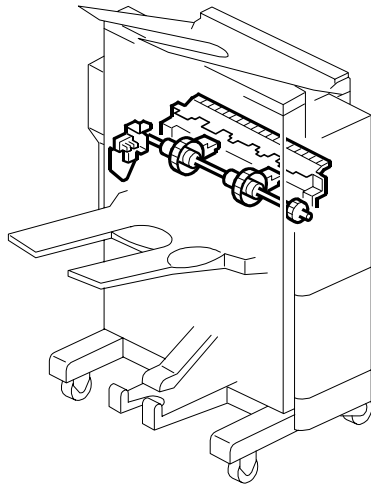
6. ENTRANCE GUIDE SECTION 2 (B546)



See Page 19

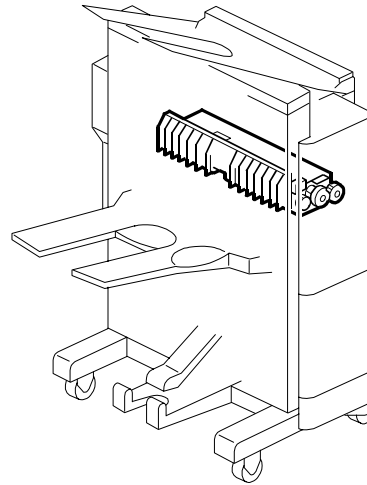
LOCATIONS OF UNITS

7. STAPLE TRAY GUIDE UNIT (B546)



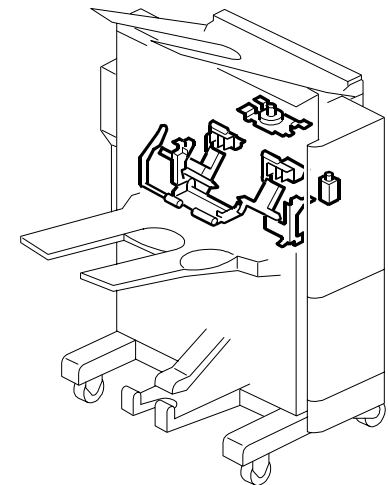
See Page 21

8. UPPER EXIT UNIT (B546)



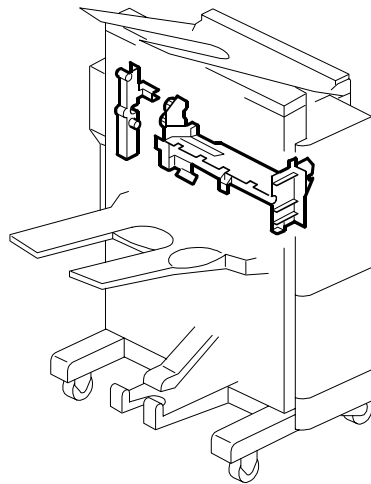
See Page 23

9. JOGGER SECTION (B546)



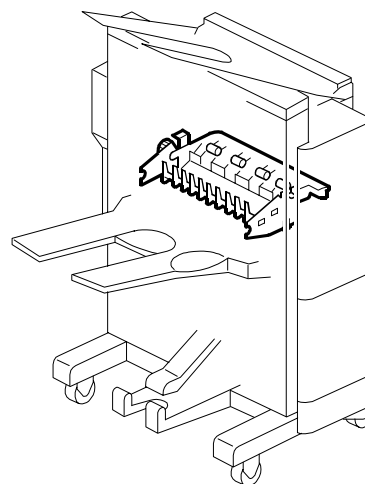
See Page 25

10. LOWER EXIT UNIT (B546)



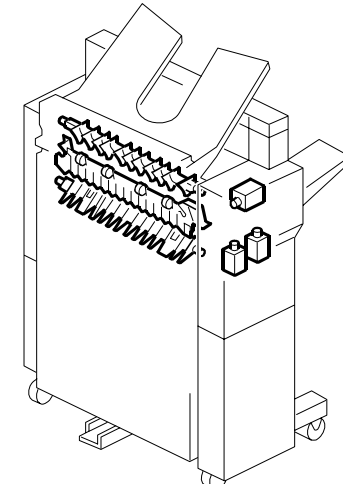
See Page 27

11. TRANSPORT SECTION 1 (B546)



See Page 29

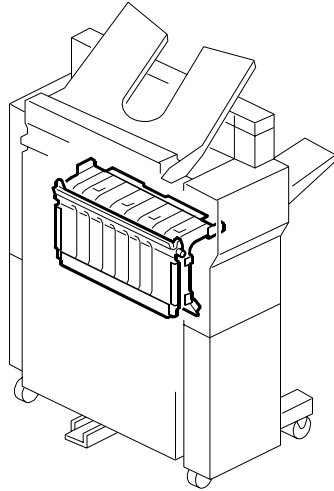
12. TRANSPORT SECTION 2 (B546)



See Page 31

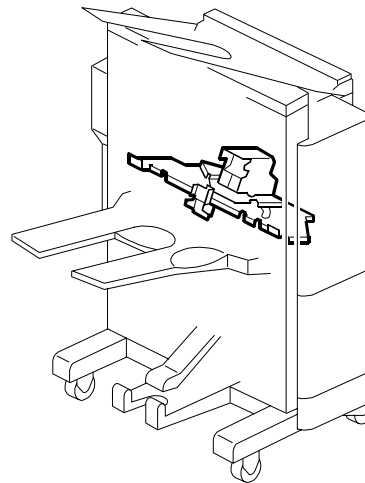
LOCATIONS OF UNITS

13. TRANSPORT SECTION 3 (B546)



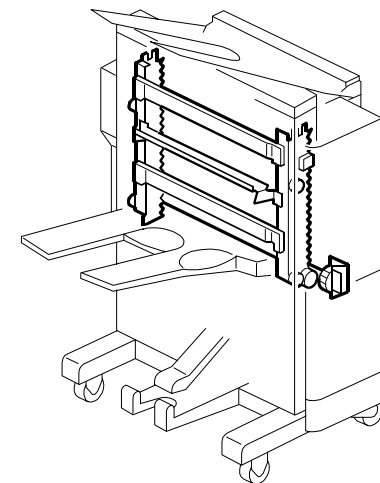
See Page 33

14. FINISHER STAPLE UNIT (B546)



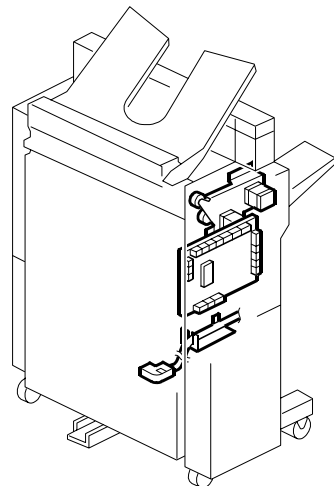
See Page 35

15. TRAY DRIVE SECTION (B546)



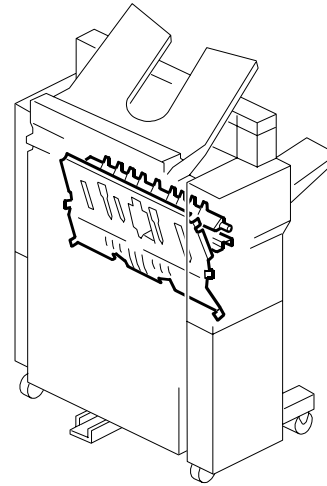
See Page 37

16. FINISHER DRIVE SECTION (B546)



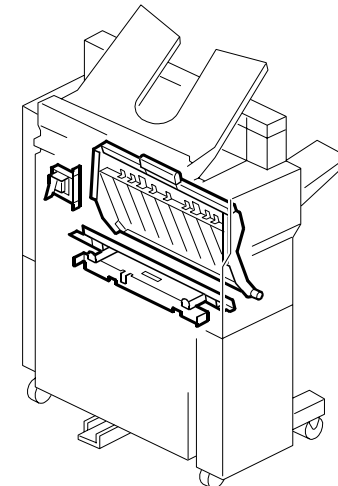
See Page 39

17. BOOKLET TRANSPORT SECTION 1



See Page 41

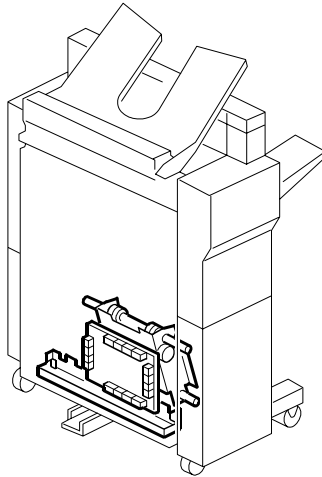
18. BOOKLET TRANSPORT SECTION 2



See Page 43

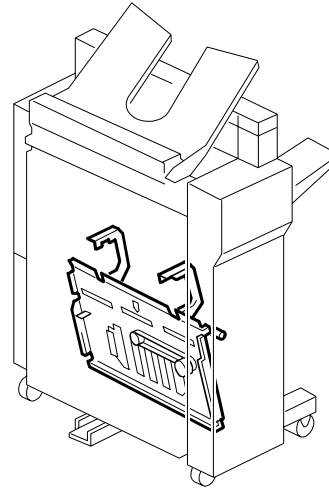
LOCATIONS OF UNITS

19. BOOKLET PAPER GUIDE 1 (B546)



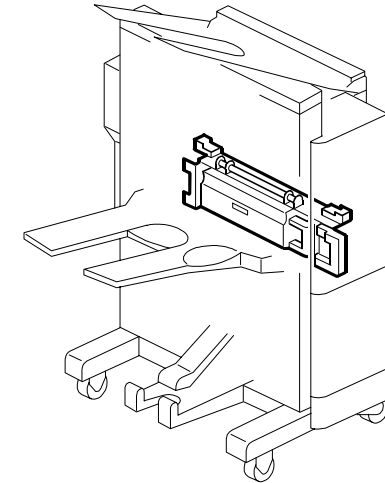
See Page 45

20. BOOKLET PAPER GUIDE 2 (B546)



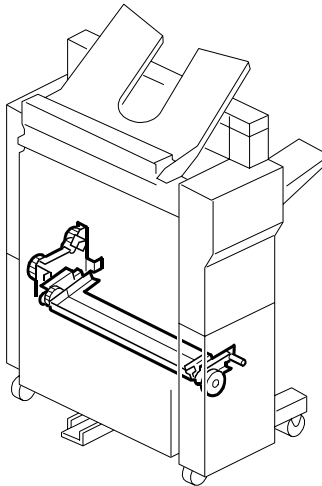
See Page 47

21. BOOKLET STAPLE UNIT (B546)



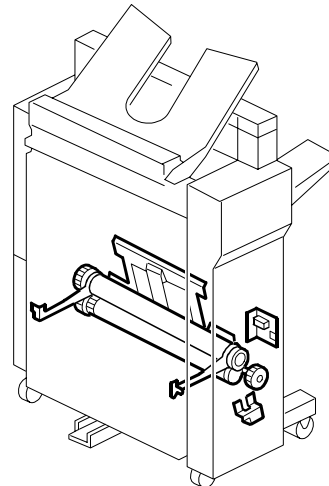
See Page 49

22. PAPER FOLDER UNIT 1 (B546)



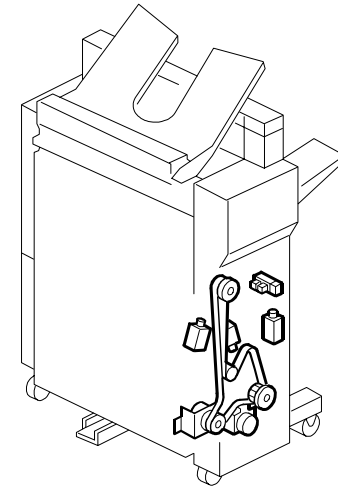
See Page 51

23. PAPER FOLDER UNIT 2 (B546)



See Page 53

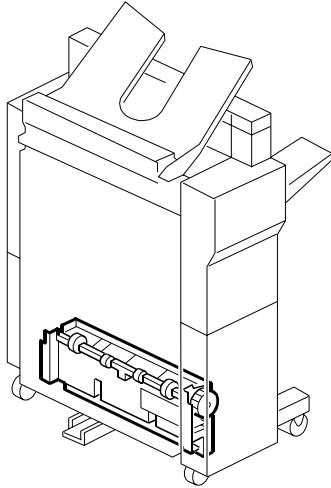
24. BOOKLET DRIVE SECTION (B546)



See Page 55

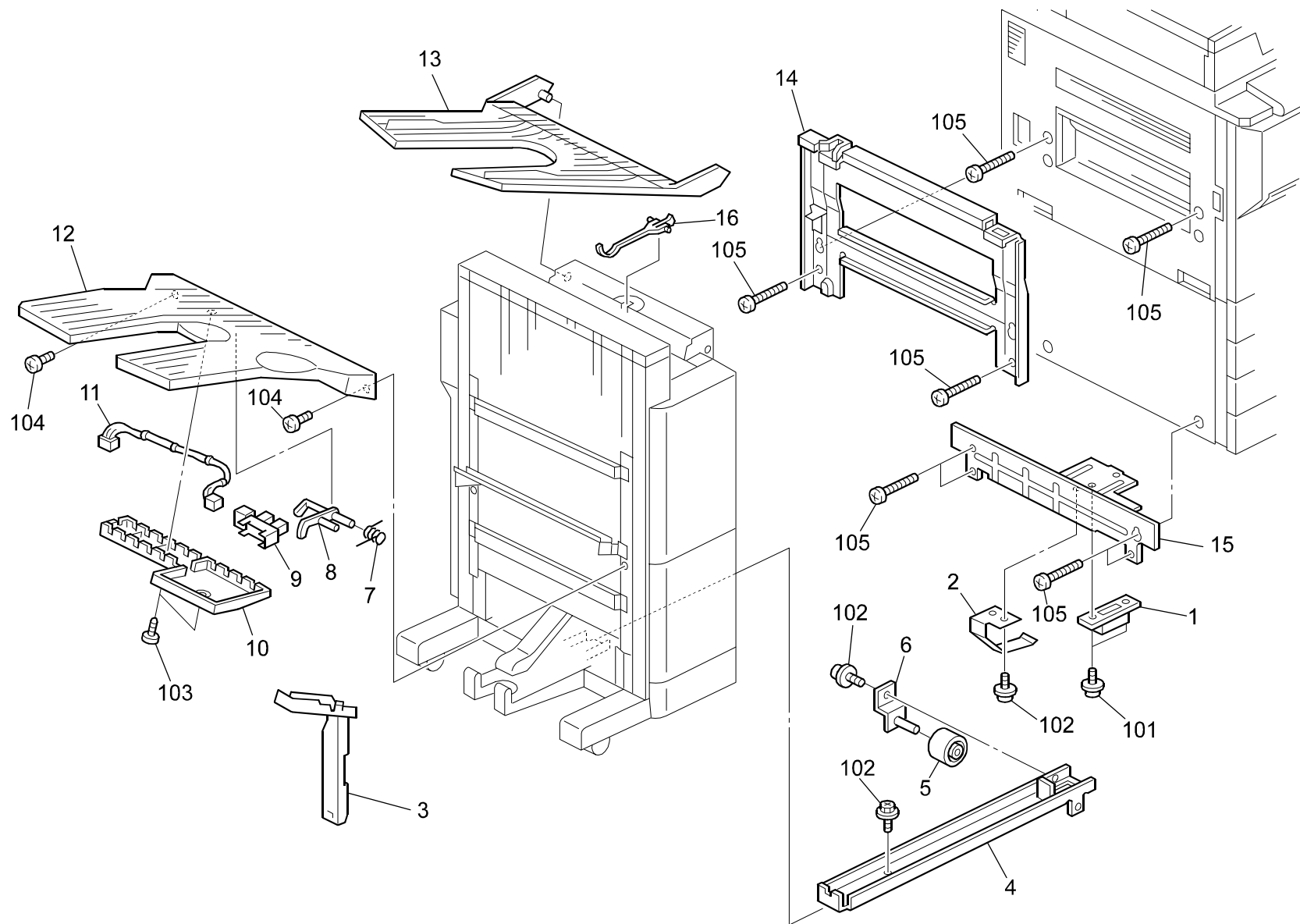
LOCATIONS OF UNITS

25. BOOKLET EXIT SECTION (B546)



See Page 57

1.EXTERIOR 1 (B546)

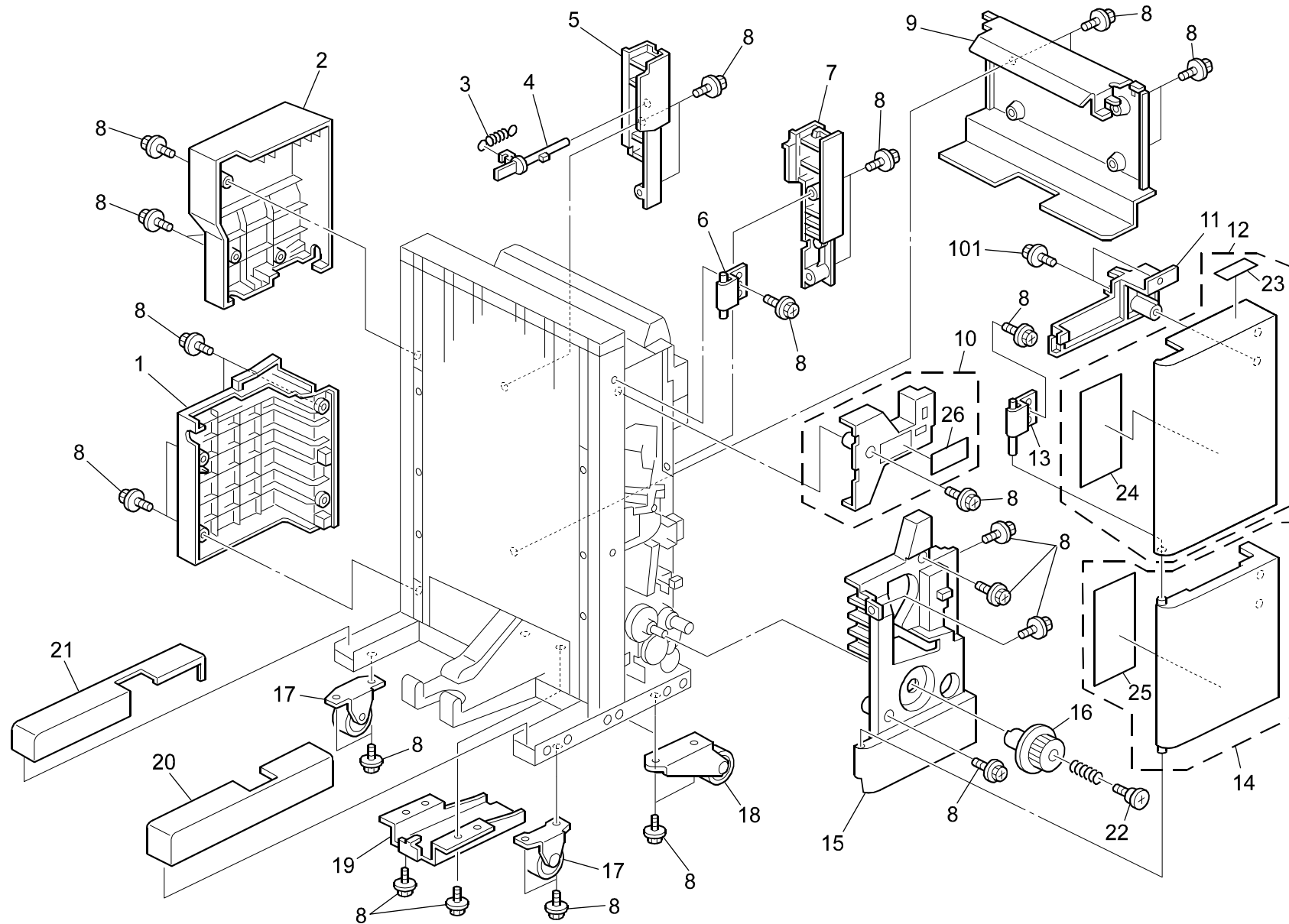


1.EXTERIOR 1 (B546)

Index No.	Part No.	Description	Q'ty Per Assembly
1	VFC1 6314	Slide Shoe	1
2	VFA6 0777	Grounding Plate	1
3	V4B1 1175	Tray Cover	1
4	VFB3 7330	Joint Rail	1
5	VFA6 0914	Guide Roller	1
6	VFF5 7550	Caster Support Bracket	1
7	VFS6 2556	Spring	1
8	VFB3 7307	Sensor Actuator	1
9	VWG8 5309	Photointerrupter	1
10	V4B1 1179	Shift Tray Sensor Cover	1
11	VFF5 5689	Relay Harness - Tray Sensor	1
12	V4B1 1178	Shift Tray	1
13	V4B1 1176	Proof Tray	1
14	V4B1 1177	Joint Bracket	1
15	V4F1 1022	Rail Mounting Plate	1
16	V4A1 5538	Limit Sensor Feeler	1

Index No.	Part No.	Description	Q'ty Per Assembly
101	0452 4010W	Binding Self-Tapping Screw - M4X10	
102	0951 4006W	Philips Screw With Flat Washer - M4X6	
103	0452 3006W	Tapping Screw - 3X6	
104	0354 0060W	Philips Truss Head Screw - M4X6	
105	0314 0200Z	Philips Screw - 4x20	

2.EXTERIOR 2 (B546)

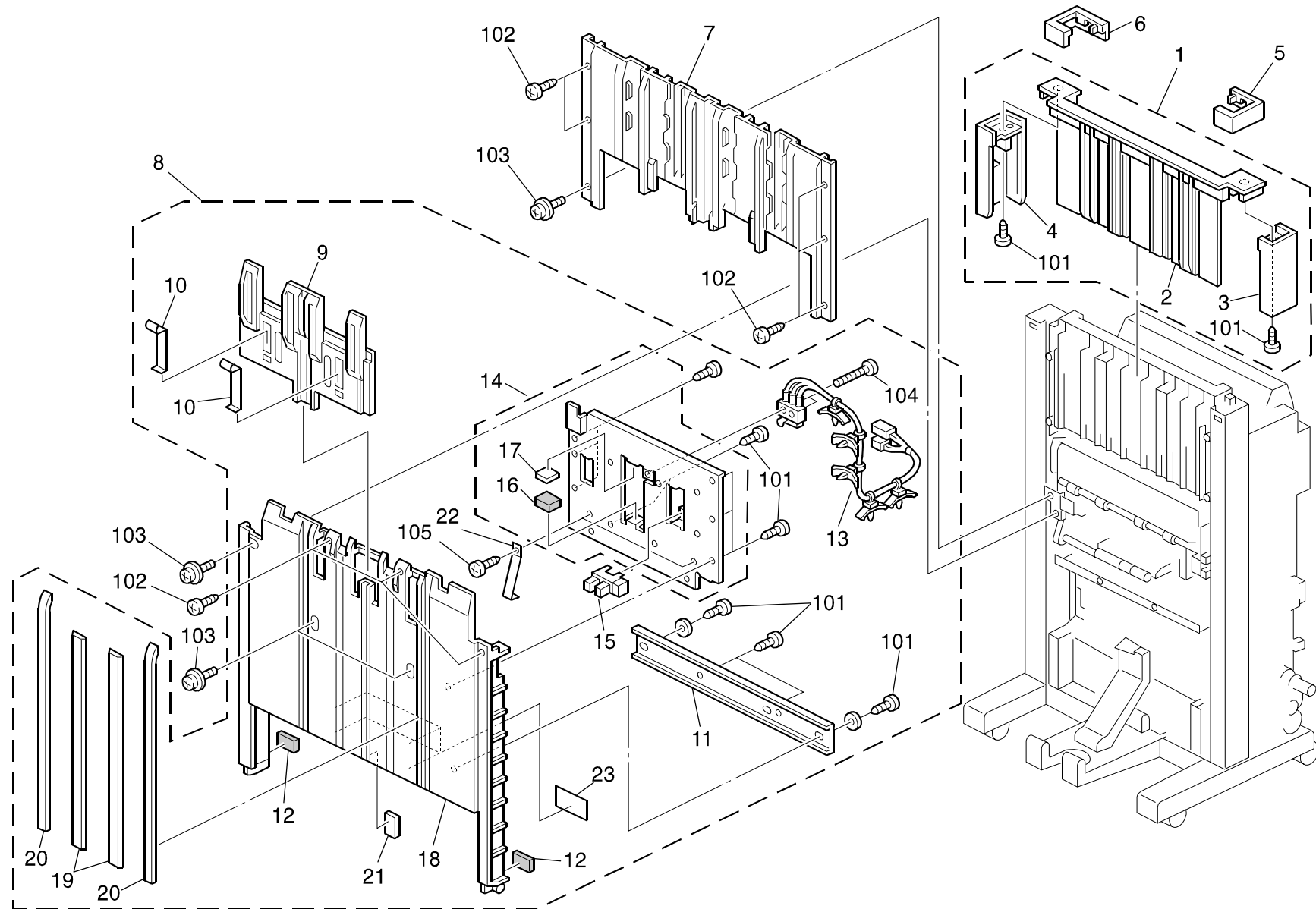


2.EXTERIOR 2 (B546)

Index No.	Part No.	Description	Q'ty Per Assembly
1	V4B1 1136	Lower Rear Cover	1
2	V4B1 1138	Upper Rear Cover	1
3	VRS5 2596	Spring	1
4	VFB3 7310	Sensor Actuator	1
5	V4B1 1163	Right Cover	1
6	VFB3 7436	Door Hinge	1
7	V4B1 1137	Right Front Cover	1
8	VXA9 0732	Screw	32
9	VFB3 7958	Right Cover	1
10	V4F1 1014	Upper Inner Cover	1
11	V4B1 1172	Upper Door Actuator	1
12	V4F1 2123	Upper Door	1
13	VFB3 7962	Front Door Hinge	1
14	V4B1 1140	Lower Door	1
15	V4B1 1141	Lower Inner Cover	1
16	V4A1 4487	Folder Roller Knob	1
17	VRB2 1624	Caster	1
18	VFB4 0655	Caster	1
19	V4A1 4807	Rail Bracket	1
20	V4B1 1132	Front Stand Cover	1
21	V4B1 1133	Rear Stand Cover	1
22	VFS5 9579	Stepped Screw	1
23	V4B1 1213	Decal - Misfeed Removal	1
24	V4B1 1189	Decal - Upper Door	1
25	V4B1 1182	Decal - Lower Door	1
26	V4A1 4538	Decal - Caution	1

Index No.	Part No.	Description	Q'ty Per Assembly
101	0414 0082W	Tapping Screw With Flat Washer - M4X8	

3.EXTERIOR 3 (B546)

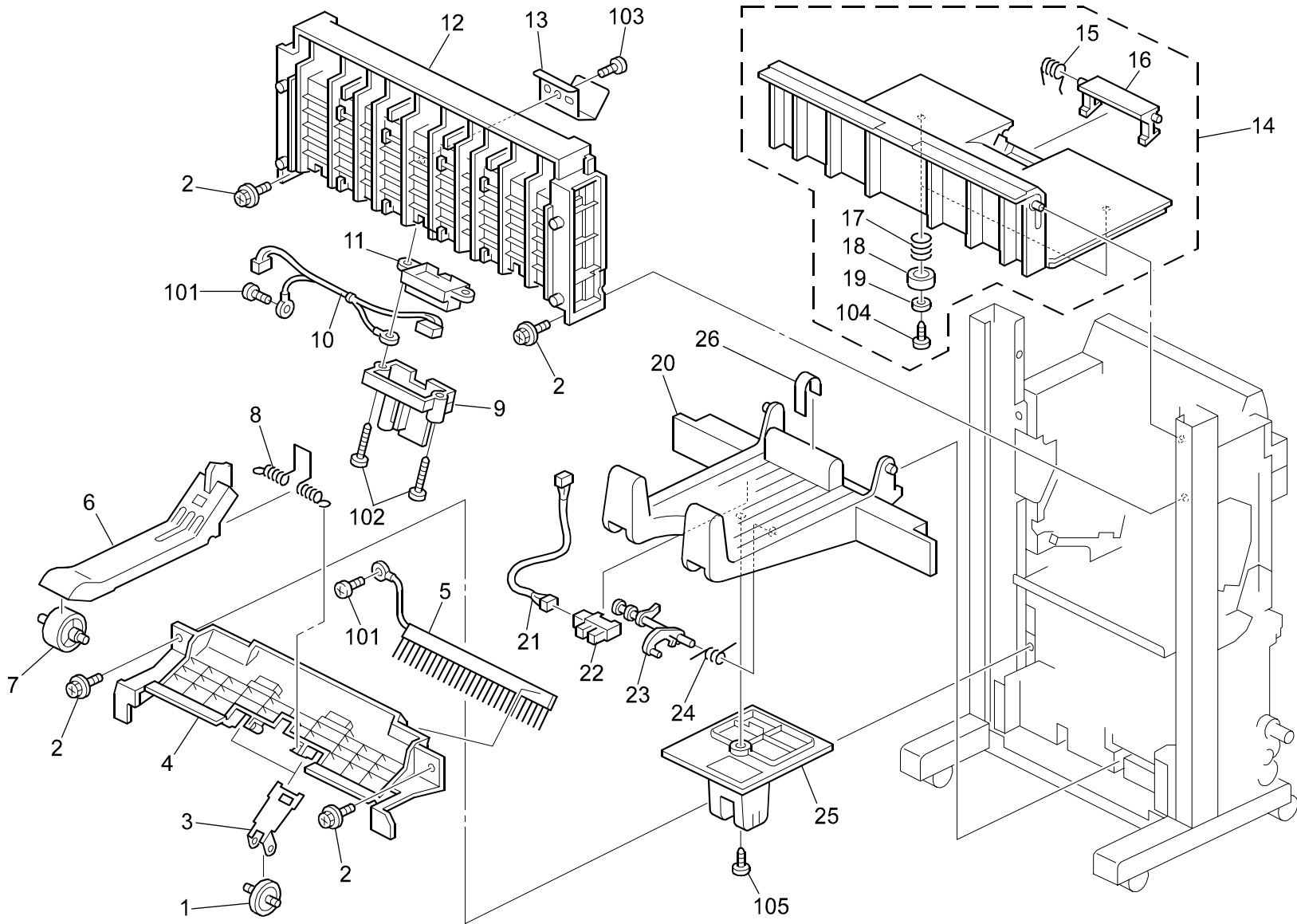


3.EXTERIOR 3 (B546)

Index No.	Part No.	Description	Q'ty Per Assembly
1	V4G1 5331	Slide Guide Ass'y	1
2	V4B1 1145	Slider	1
3	V4B1 1146	Front Slide Cover	1
4	V4B1 1147	Rear Slide Cover	1
5	V4B1 1131	Front Slider Stopper	1
6	V4B1 1134	Rear Slider Stopper	1
7	V4B1 1135	Guide Plate	1
8	V4G1 5364	Upper Tray Guide Ass'y	1
9	V4B1 1160	Shift Guide Shutter	1
10	VFB3 9408	Leaf Spring	2
11	VFB3 9401	Guide Plate Stay	1
12	V4A1 2460	Cushion	2
13	VFF3 4080	Shutter Sensor Harness	1
14	VFF6 0639	Shutter Holder Ass'y	1
15	VWG8 5364	Photointerrupter	1
16	VFB3 7253	Damper	1
17	VFB3 7285	Shutter Damper	1
18	V4B1 1162	Lower Shift Guide	1
19	V4B1 1161	Shift Guide Plate - 4	2
20	VFB5 6240	Shift Guide Plate - 3	2
21	VFB4 9168	Mylar	1
22	VFB5 5908	Grounding Plate	2
23	V4A1 2461	Cushion	4

Index No.	Part No.	Description	Q'ty Per Assembly
101	0452 4008B	Binding Self Tapping Screw - M4x8	
102	0452 4012B	Philips Tapping Screw - M4x12	
103	0452 3008B	Tapping Screw - M3X8	
104	0252 0080W	Screw - M2X8	
105	0353 0040B	Screw - M3X4	

4.EXTERIOR 4 (B546)

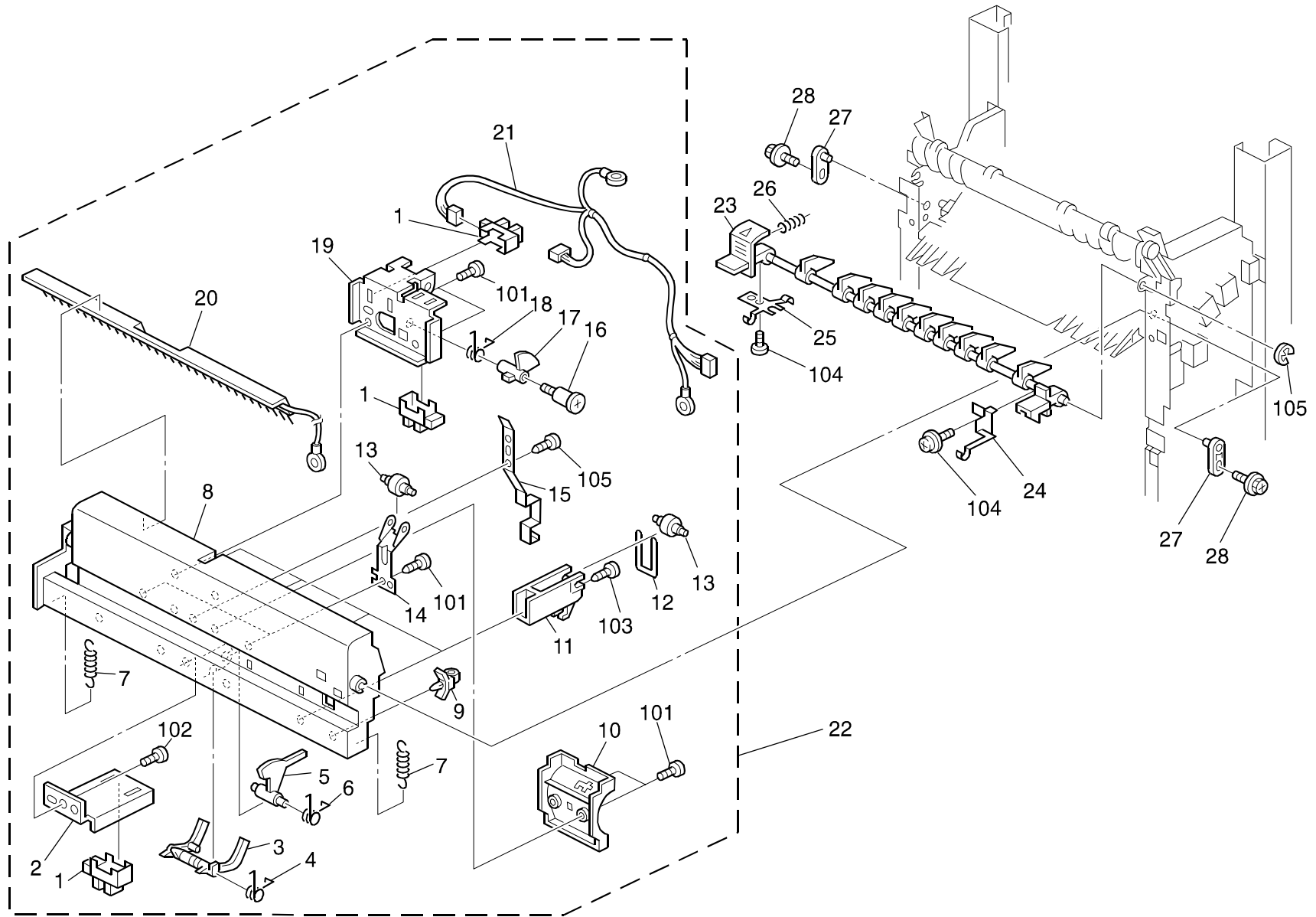


4.EXTERIOR 4 (B546)

Index No.	Part No.	Description	Q'ty Per Assembly
1	VFS5 6546	Roller	2
2	VXA9 0732	Screw	4
3	VFB3 7903	Plate Spring	2
4	V4F1 2131	Exit Upper Guide	1
5	VFB3 7855	Discharge Brush	1
6	V4B1 1150	Exit Guide	1
7	VFS5 6545	Roller	1
8	VFB3 7971	Spring	1
9	V4A1 4554	Sensor Cover	1
10	V4F1 1317	Paper Sensor Harness	1
11	V4H1 6280	Sensor	1
12	V4B1 1174	Slide Table	1
13	VFS6 2567	Spring	1
14	V4G1 5349	Top Cover	1
15	VFS6 2545	Spring	1
16	V4B1 1142	Grip	1
17	VFS6 2544	Spring	2
18	VFB3 7357	Pressure Ring	2
19	VFS5 6516	Washer	2
20	V4B1 1149	Booklet Tray	1
21	VFF3 4081	Trailing Sensor Harness	1
22	VWG8 5362	Photointerrupter	1
23	VFB3 7905	Sensor Actuator	1
24	VFB3 7964	Torsion Spring	1
25	V4B1 1148	Booklet Tray Sensor Cover	1
26	VFB4 9175	Cushion	1

Index No.	Part No.	Description	Q'ty Per Assembly
101	0353 0060W	Philips Pan Head Screw - M3X6	
102	0413 0252W	Tapping Screw - M3x25	
103	0452 4010B	Tapping Bind Screw - M4x10	
104	0452 3008B	Tapping Screw - M3X8	
105	0452 4008W	Tapping Bind Screw - M4X8	

5.ENTRANCE GUIDE SECTION 1 (B546)

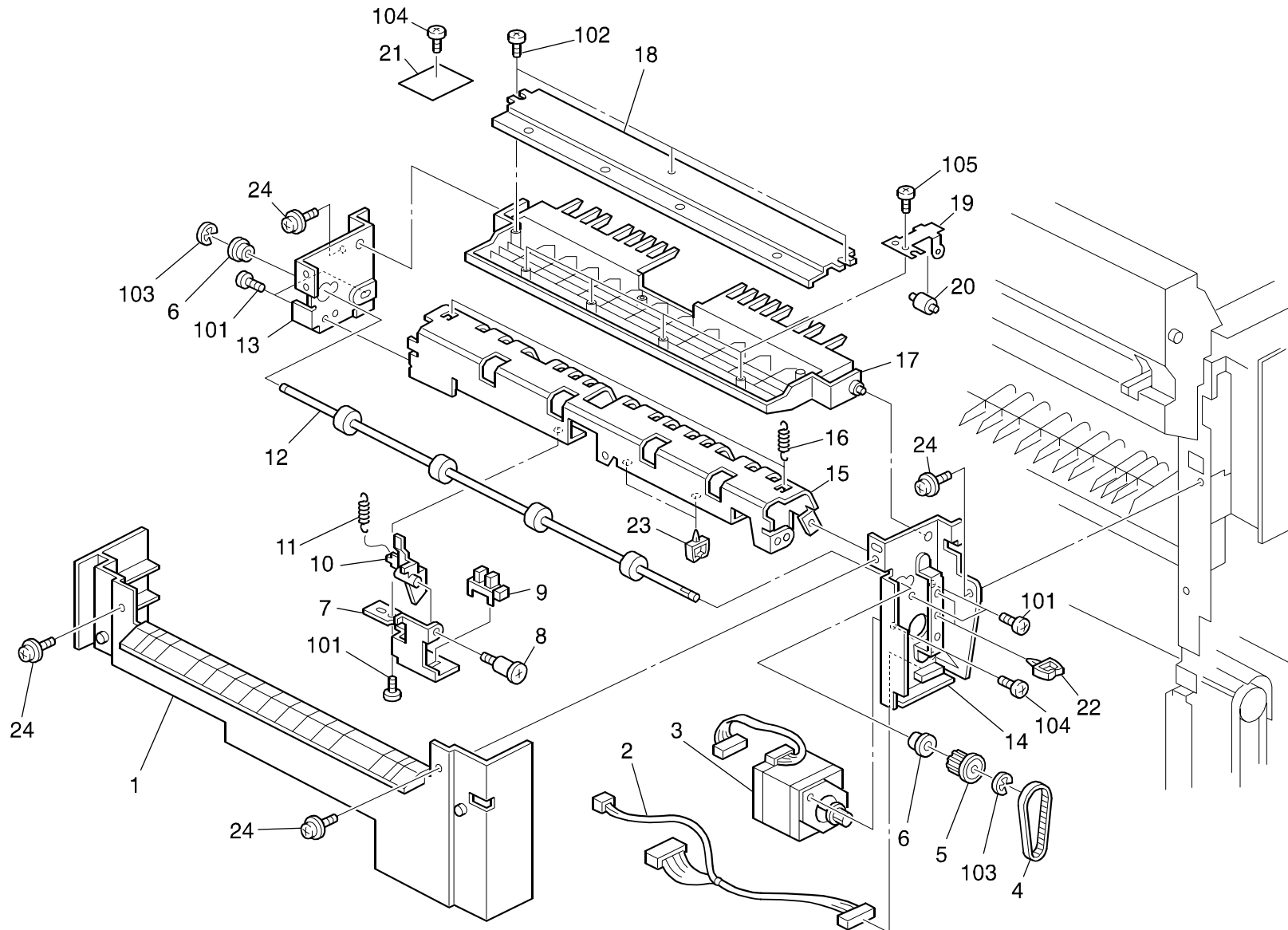


5.ENTRANCE GUIDE SECTION 1 (B546)

Index No.	Part No.	Description	Q'ty Per Assembly
1	VWG8 5364	Photointerrupter	3
2	V4A1 5535	Sensor Holder	1
3	VFB4 0654	Paper Pressure Arm	1
4	VFS6 2649	Spring	1
5	VFB3 7395	Sensor Actuator	1
6	VFS6 2552	Spring	1
7	V4A1 5544	Guide Pressure Spring	2
8	V4B1 1158	Lower Entrance Guide	1
9	VWT2 0308	Clamp	1
10	V4A1 1157	Harness Guide	1
11	V4A1 1159	Roller Holder	4
12	VFS6 2555	Spring Plate	4
13	V4A1 5536	Transport Roller	4
14	V4A1 5534	Leaf Spring	2
15	V4A1 5543	Grounding Plate	1
16	VFS2 9407	Stepped Screw	1
17	V4A1 5540	Exit Sensor Actuator	1
18	V4A1 5541	Exit Sensor Actuator Spring	1
19	V4A1 5539	Guide Sensor Holder	1
20	V4A1 5533	Antistatic Brush	1
21	V4F1 1287	Relay Harness	1
22	V4G1 5362	Guide Unit - R70	1
23	V4A1 4506	Joint Shaft	1
24	VFB4 9690	Grounding Spring	1
25	VFB4 9689	Grounding Spring - F	1
26	VFS6 2547	Spring	1
27	VFB3 7322	Pin	2
28	VXA9 0732	Screw	2

Index No.	Part No.	Description	Q'ty Per Assembly
101	0413 0062F	Bind Tapping Screw - M3x6	
102	0414 0082F	Philips Truss Head Screw - M4x8	
103	0414 0102F	Tapping Screw - M4x10	
104	0353 0060W	Philips Pan Head Screw - M3X6	
105	0720 0050E	Retaining Ring - M5	

6.ENTRANCE GUIDE SECTION 2 (B546)

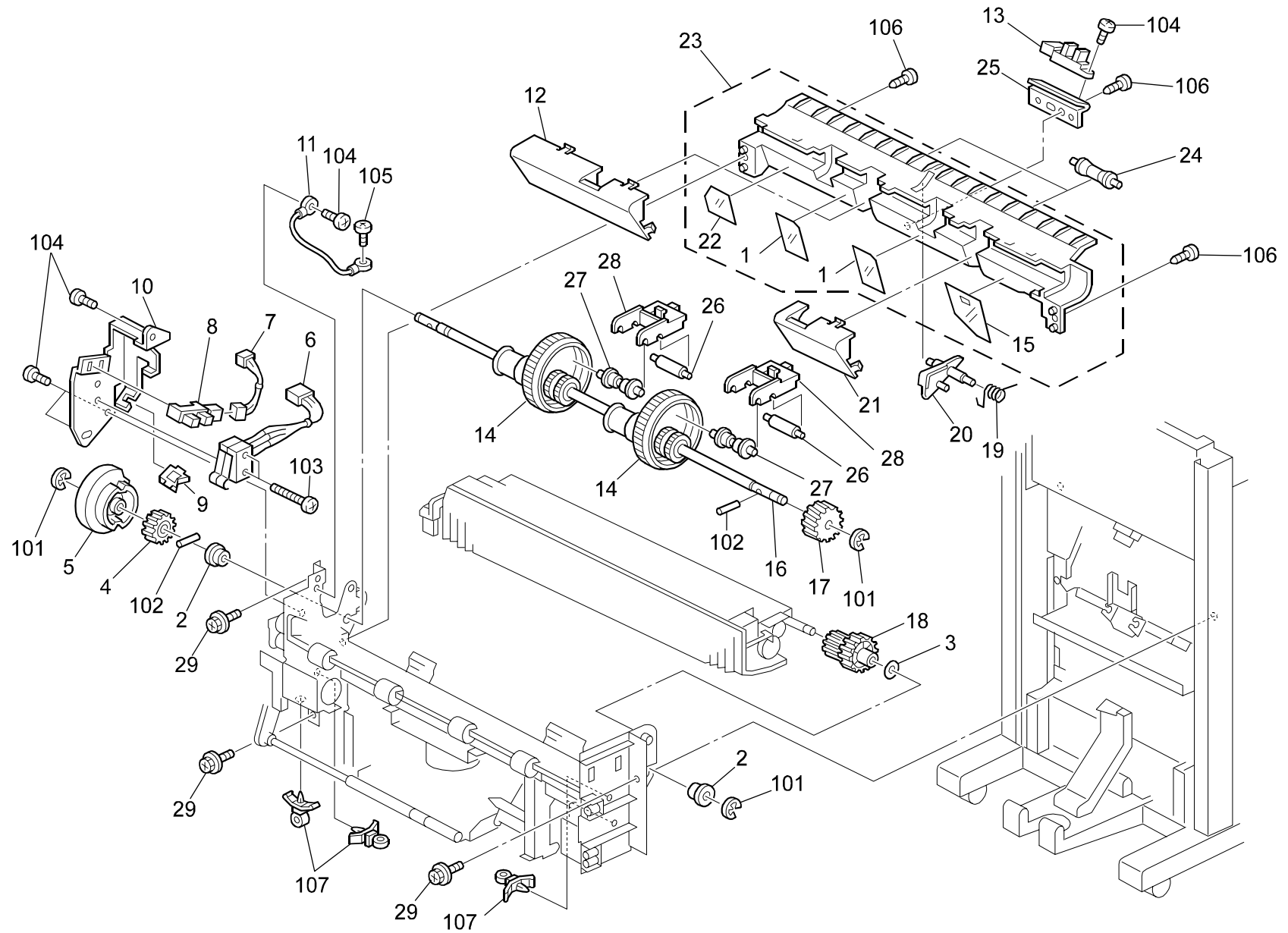


6.ENTRANCE GUIDE SECTION 2 (B546)

Index No.	Part No.	Description	Q'ty Per Assembly
1	V4B1 1139	Lower Entrance Guide	1
2	V4F1 1286	Entrance/Transport Harness	1
3	V4K1 1046	Stepping Motor	1
4	VXF2 16070	Timing Belt - B40S2M140	1
5	V4A1 5520	Pulley - 19T	1
6	VXG9 0407	Bearing - 6x10x3	2
7	VFB5 6222	Entrance Sensor Holder	1
8	VFE9 0018	Stepped Screw - M3	1
9	VWG8 5364	Photointerrupter	1
10	VFB5 6223	Entrance Sensor Feeler	1
11	VFS7 2476	Spring	1
12	V4A1 5519	Entrance Transport Roller	1
13	V4A1 5517	Front Side Plate	1
14	V4A1 5518	Rear Side Plate	1
15	V4A1 5522	Lower Entrance Guide	1
16	V4A1 5521	Upper Guide Spring	2
17	V4B1 1155	Upper Entrance Guide	1
18	V4A1 5524	Entrance Support Guide	1
19	V4A1 5557	Entrance Roller Spring	4
20	VFS5 6518	Roller	4
21	V4A1 5559	Grounding Plate	1
22	VWT2 5026	Clamp	1
23	VWT2 5598	Clamp	2
24	VXA9 0732	Screw	4

Index No.	Part No.	Description	Q'ty Per Assembly
101	0414 0060W	Tapping Screw - M4X6	
102	0414 0082F	Philips Truss Head Screw - M4x8	
103	0720 0030E	Retaining Ring - M3	
104	0313 0060W	Philips Pan Head Screw - M3X6	
105	0413 0062F	Bind Tapping Screw - M3x6	

7.STAPLE TRAY GUIDE UNIT (B546)

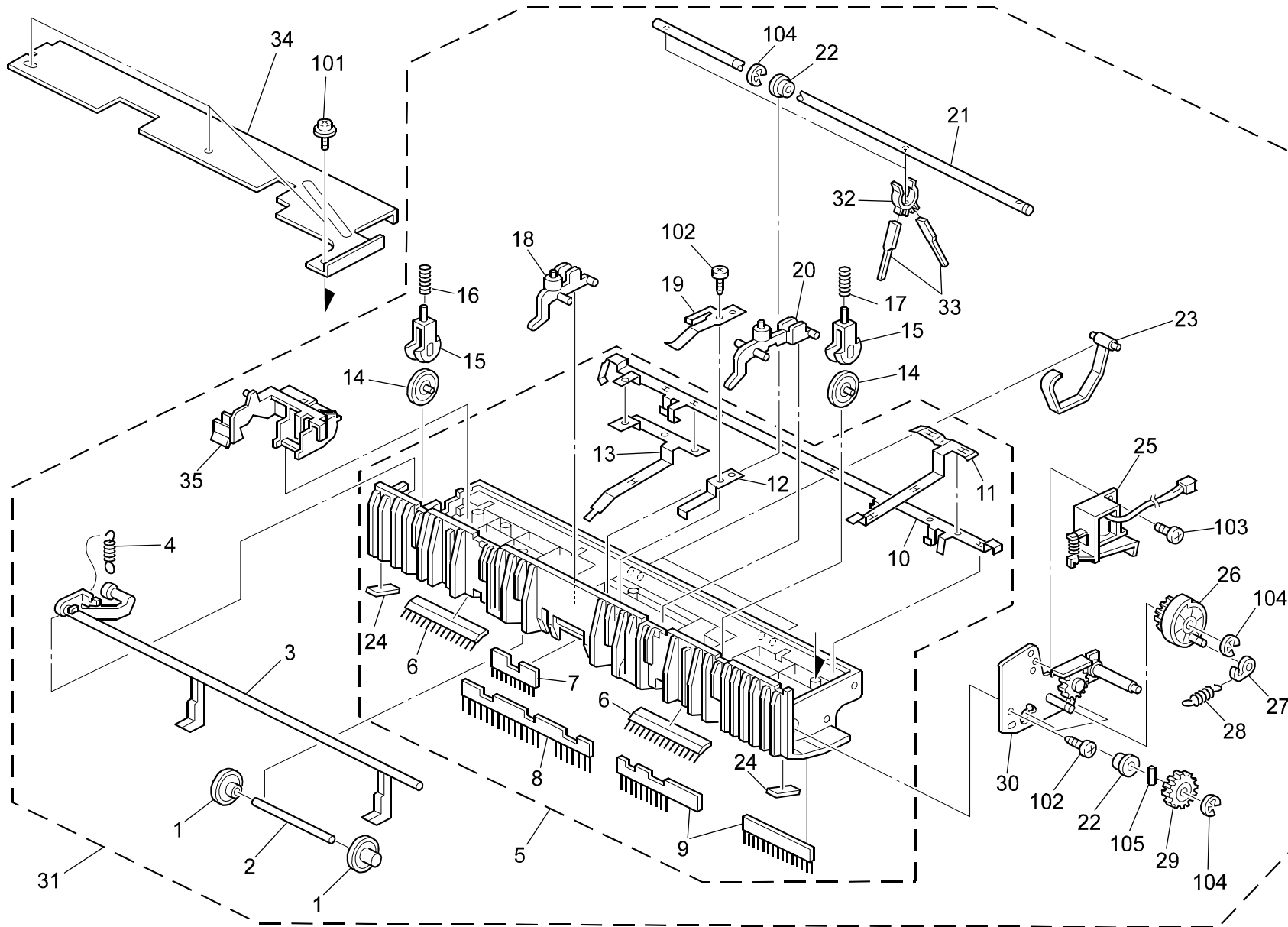


7.STAPLE TRAY GUIDE UNIT (B546)

Index No.	Part No.	Description	Q'ty Per Assembly
1	VFB3 7272	Rear Sheet	2
2	VFS1 1187	Bushing	2
3	VXD1 1106	Spacer	1
4	VFS5 3547	Gear - 18Z	1
5	VFB3 7298	Shutter Cam	1
6	VFF3 4021	Detector Harness	1
7	VFF3 4020	Detector Harness	1
8	VWG8 5364	Photointerrupter	1
9	VWT2 5035	Edge Saddle	1
10	VFB5 5842	Switch Plate - Exit Sensor	1
11	VFF3 4079	Grounding Wire	1
12	VFB5 5834	Stapler Support Guide - Rear	1
13	VFH7 7419	Photointerrupter	1
14	VFB4 6656	Transport Belt	2
15	VFB5 6250	Paper Guide Mylar - F	1
16	VFB5 5909	Exit Roller - 1D	1
17	VFS7 0830	Gear	1
18	VFS7 0829	Gear	1
19	VFS6 2543	Spring	1
20	VFB4 9051	Exit Sensor Actuator	1
21	VFB5 5833	Stapler Support Guide - Front	1
22	VFB5 6251	Paper Guide Mylar - RR	1
23	VFF6 0434	Stp Guide Ass'y	1
24	VFB5 5854	Pressure Roller	2
25	VFB3 7292	Sensor Bracket	1
26	VFB5 5903	Release Roller - B	2
27	VFB5 5902	Release Roller - A	2
28	V4A1 6899	Roller Holder	2
29	VXA9 0732	Screw	3

Index No.	Part No.	Description	Q'ty Per Assembly
101	0720 0050E	Retaining Ring - M5	
102	0632 0080G	Parallel Key - 2x8mm	
103	0252 0140W	Philips Pan Head Screw - M2x14	
104	0353 0040W	Philips Pan Head Bind Screw -M3X4	
105	0452 4010W	Binding Self-Tapping Screw - M4X10	
106	0452 4008W	Tapping Bind Screw - M4X8	
107	1105 0199	Clamp	

8.UPPER EXIT UNIT (B546)

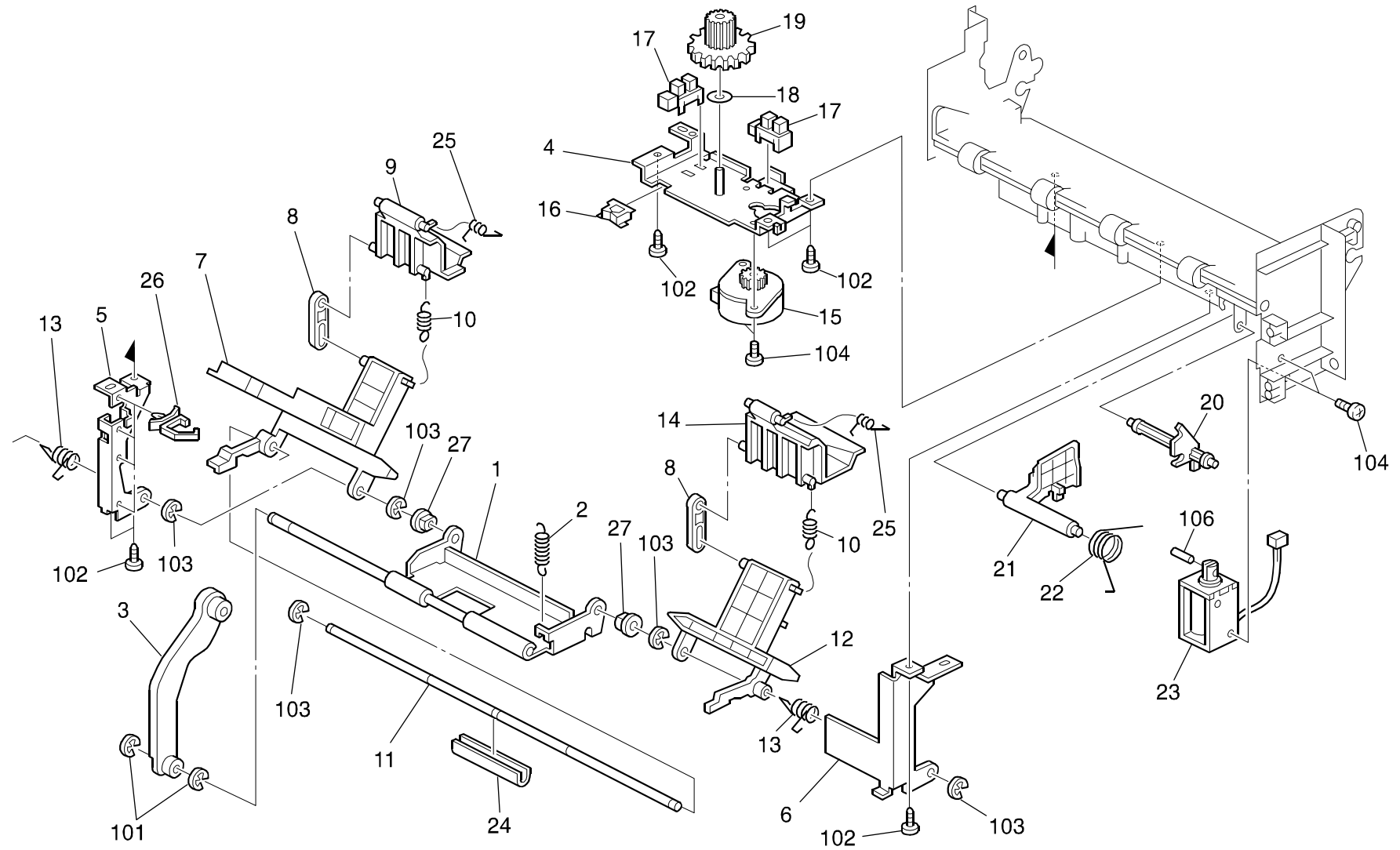


8.UPPER EXIT UNIT (B546)

Index No.	Part No.	Description	Q'ty Per Assembly
1	VFS5 6514	Roller	2
2	VFB3 7289	Roller Shaft	1
3	VFB3 7283	Lever	1
4	VFS6 2562	Spring	1
5	V4G1 5356	Upper Exit Guide Arm Unit	1
6	VFB5 6242	Antistatic Brush FD	2
7	VFB4 6651	Antistatic Brush	1
8	VFB4 9054	Antistatic Brush	1
9	VFB4 9053	Antistatic Brush FD	2
10	VFB5 5852	Grounding Plate - Exit Guide	1
11	V4A1 2449	Front Grounding Plate	1
12	VFB4 6649	Grounding Plate	1
13	V4A1 2250	Rear Grounding Plate	1
14	VFS5 6531	Roller	2
15	VFB4 8153	Roller Holder	2
16	VFS6 2541	Spring	1
17	VFS6 2648	Spring	1
18	VFF6 0420	Trailing Edge Guide Plate 2R	1
19	VFB3 7284	Plate Spring	1
20	VFF6 0419	Trailing Edge Guide Plate 2R	1
21	VFB3 7288	Paddle Shaft	1
22	VFS5 1805	Bushing	2
23	VFB5 5858	Paper Guide Plate - 1	2
24	VFB4 8147	Cushion	2
25	VFH7 5979	Solenoid	1
26	VFS5 3542	Gear - 21Z	1
27	VRB1 2190	Spring Hook	1
28	VFS6 2542	Spring	1
29	VFS5 3541	Gear - 21Z	1
30	VFF5 5654	Paddle Drive Plate	1
31	V4G1 5354	Upper Exit Guide Unit	1
32	VFB4 6826	Paddle Holder	2
33	VFB4 6825	Paddle	4
34	VFB5 5851	Support Plate - Exit Guide	1
35	VFB5 5850	Swing Guide Arm	1

Index No.	Part No.	Description	Q'ty Per Assembly
101	0951 4006B	Philips Screw With Washer - M4x6	
102	0452 4008W	Tapping Bind Screw - M4X8	
103	0353 0040W	Philips Pan Head Bind Screw -M3X4	
104	0720 0050E	Retaining Ring - M5	
105	0632 0080G	Parallel Key - 2x8mm	

9.JOGGER SECTION (B546)

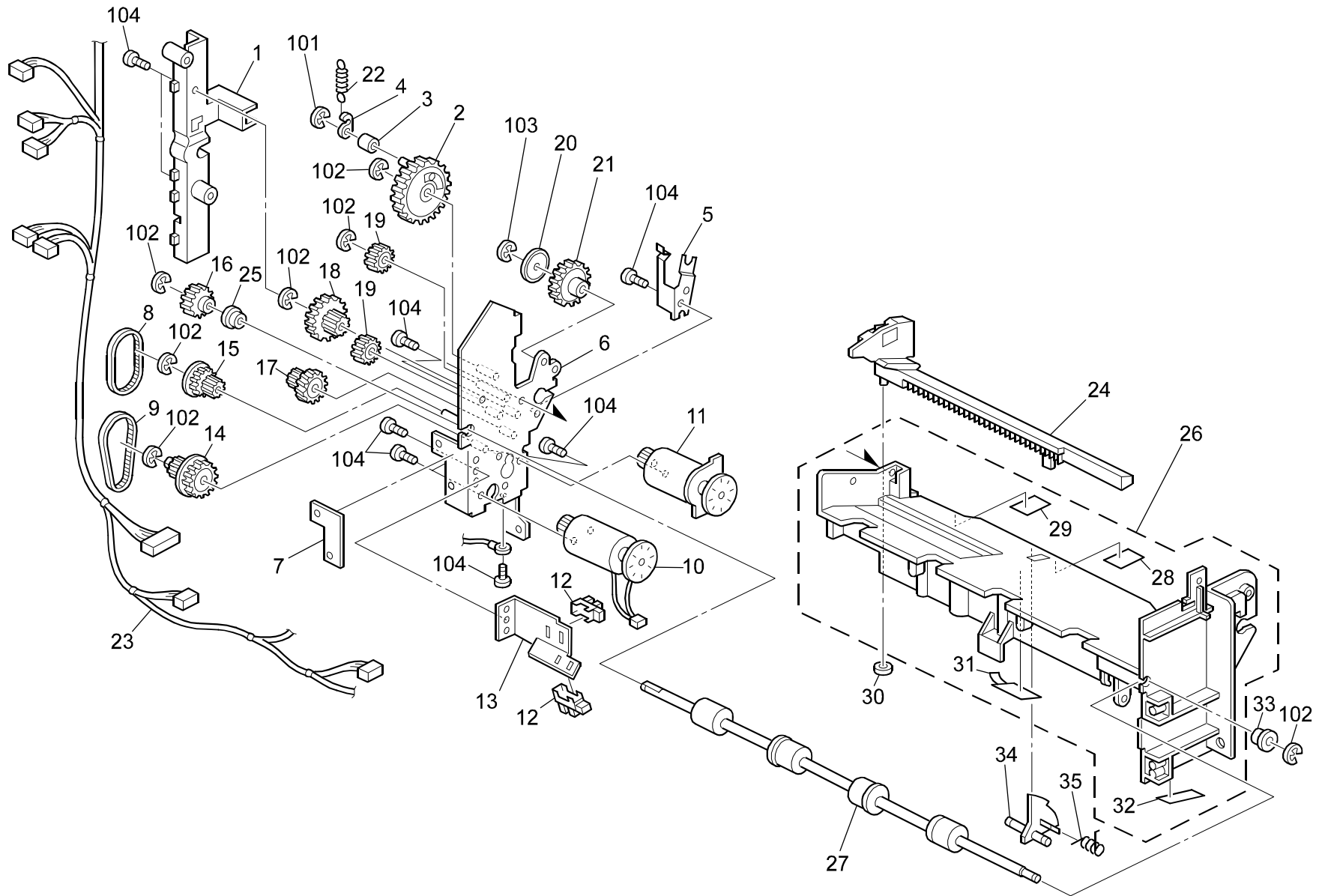


9.JOGGER SECTION (B546)

Index No.	Part No.	Description	Q'ty Per Assembly
1	VFB5 5847	Shutter Link - A	1
2	VFS6 2647	Spring	1
3	VFB3 7249	Shutter Link	1
4	VFF6 0428	Jogger Motor Holder	1
5	VFB5 5846	Stopper Holder Plate - R	1
6	VFB5 5845	Stopper Holder Plate - R	1
7	VFB5 5835	Stopper Link - R	1
8	VFB3 7409	Link	2
9	VFB5 5836	Stopper - R	1
10	VFS6 2646	Spring	2
11	VFB5 5848	Stopper Shaft Collar	1
12	VFB3 7400	Front Stopper Lever	1
13	VFS6 2565	Spring	2
14	VFB3 9409	Front Stopper	1
15	VFH6 1342	Stepping Motor - DC 14.4W	1
16	VWT2 5035	Edge Saddle	1
17	VWG8 5364	Photointerrupter	2
18	VFB3 9403	Spacer	1
19	VFS5 3548	Coupled Gear - 12Z/36Z	1
20	VFB3 7252	Shutter Lever	1
21	V4F1 2167	Jogger Shutter Ass'y	1
22	VFS6 2650	Spring	1
23	VFH7 5940	Solenoid	1
24	VFB5 5859	Stopper Shaft Collar	1
25	VFS6 2778	Spring	2
26	VWT2 5357	Clamp	4
27	VFS5 1004	Bushing - 5mm	2

Index No.	Part No.	Description	Q'ty Per Assembly
101	0720 0050E	Retaining Ring - M5	
102	0452 4008W	Tapping Bind Screw - M4X8	
103	0720 0030E	Retaining Ring - M3	
104	0353 0040W	Philips Pan Head Bind Screw -M3X4	
105	0951 3008W	Philips Screw With Flat Washer - M3x8	
106	0623 0080E	Spring Pin - 3x8mm	

10.LOWER EXIT UNIT (B546)

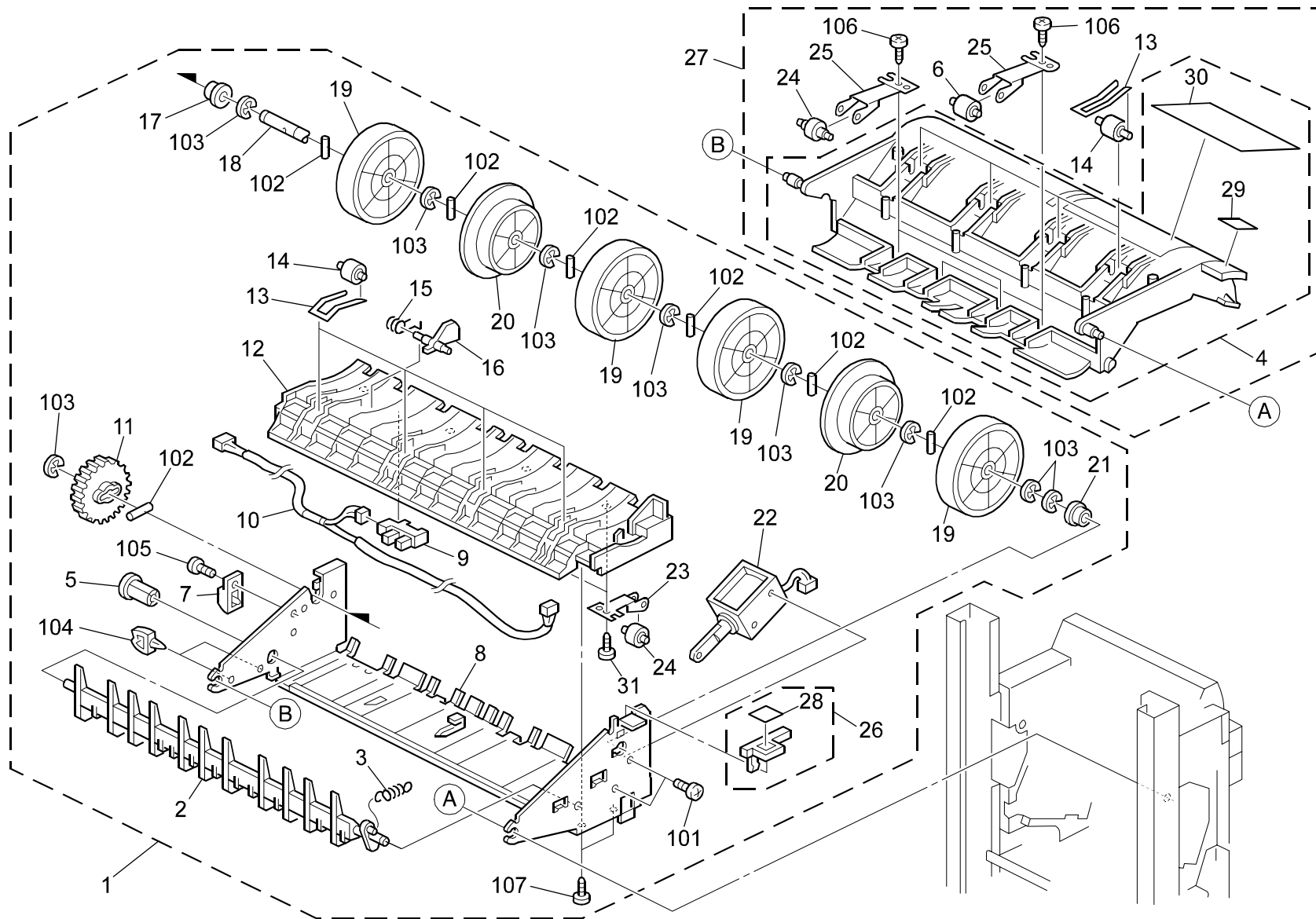


10.LOWER EXIT UNIT (B546)

Index No.	Part No.	Description	Q'ty Per Assembly
1	VFB5 5853	Exit Support Guide	1
2	VFS7 0845	Gear	1
3	VFB5 8592	Collar	1
4	VRB1 2190	Spring Hook	1
5	VFB5 5857	Shutter Cam Spring	1
6	VFF6 0425	Rear Bracket	1
7	VFB4 9056	Shift Guide Mylar - M	1
8	VXF2 16078	Timing Belt - B40S2M156	1
9	VXF9 0719	Timing Belt - B40S2M196	1
10	VFH6 1781	Motor	1
11	VFH6 1460	Motor - DC 4.8W	1
12	VFH7 7394	Photointerruptor	2
13	VFB5 5843	Sensor Bracket - Exit Motor	1
14	VFS5 3849	Pulley	1
15	VFS5 3850	Gear - 30/14Z	1
16	VFS7 0834	Gear - 15Z	1
17	VFS5 3563	Gear - 23/15Z	1
18	VFS7 0831	Gear - 15/34Z	1
19	VFS7 0832	Gear - 20Z	2
20	VFB5 5913	Exit Gear Flange	1
21	VFS5 3540	Gear - 25Z	1
22	VFS7 2480	Spring	1
23	VFF3 4018	Main Harness - Swing Guide	1
24	V4B1 1215	Jogger Fence	1
25	VXG3 60103	Ball Bearing	1
26	V4F1 2128	Staple Tray Ass'y	1
27	VFB5 5849	Exit Roller - 2	1
28	VRB1 8589	Seal	1
29	VFB4 6655	Mylar	1
30	VFS5 6526	Washer	1
31	VFB3 9407	Leaf Spring	1
32	VFB3 9404	Silencer Sheet	1
33	VFS1 1213	Bushing - 6mm	1
34	VFB5 5840	Actuator - Stapler Tray Sensor	1
35	VFS7 2481	Spring	1

Index No.	Part No.	Description	Q'ty Per Assembly
101	0720 0030E	Retaining Ring - M3	
102	0720 0050E	Retaining Ring - M5	
103	0720 0040E	Retaining Ring - M4	
104	0353 0040W	Philips Pan Head Bind Screw -M3X4	

11. TRANSPORT SECTION 1 (B546)

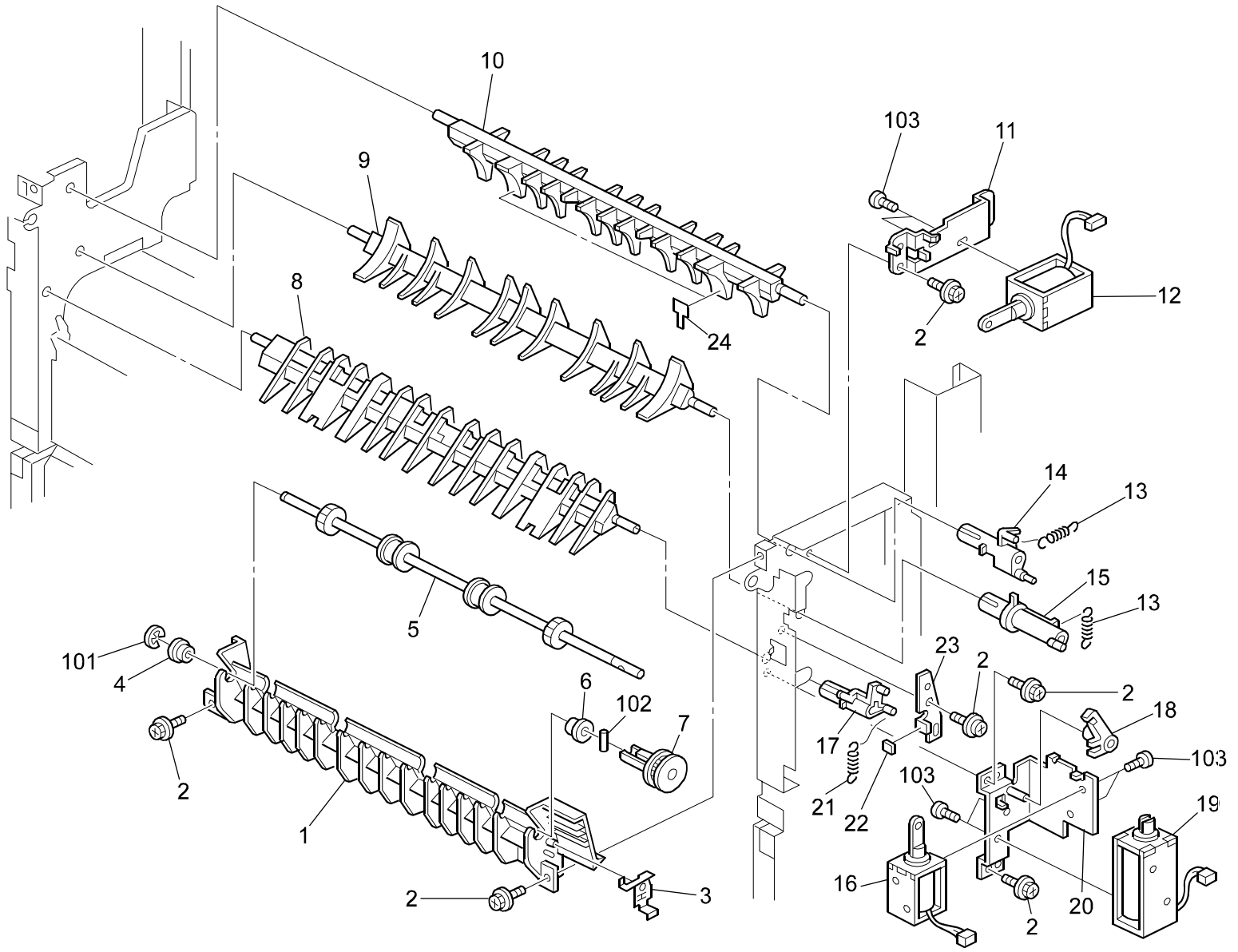


11. TRANSPORT SECTION 1 (B546)

Index No.	Part No.	Description	Q'ty Per Assembly
1	V4G1 5430	Middle Transport Unit	1
2	VFB3 7417	Junction Gate	1
3	VFS6 2546	Spring	1
4	V4F1 2157	Upper Guide	1
5	VFB3 7423	Junction Gate Holder	1
6	VFS5 6530	Roller	2
7	VFB4 8148	Guide	1
8	VFF5 7557	Middle Guide Plate	1
9	VWG8 5309	Photointerrupter	1
10	V4F1 1316	Relay Harness	1
11	VFS5 3550	Gear - 35Z	1
12	VFB3 7419	Guide Plate	1
13	VFS6 2548	Spring	8
14	VFS5 6517	Roller	8
15	VFS6 2550	Spring	1
16	VFB3 7420	Sensor Actuator	1
17	VFS1 1508	Bushing	1
18	VFB4 5387	Roller Shaft	1
19	VFB4 5388	Roller - 1	4
20	VFB4 5389	Roller - 2	2
21	VFS1 1187	Bushing	1
22	V4F1 1292	Solenoid	1
23	VFB3 7422	Guide Roller Holder	4
24	VFS5 6518	Roller	6
25	VFB3 7415	Plate Spring	2
26	V4F1 2135	Guide Grip	1
27	V4G1 5431	Upper Transport Unit	1
28	V4B1 1184	Decal - R2	1
29	V4B1 1183	Decal - R1	1
30	V4B1 1212	Decal - Misfeed Removal	1

Index No.	Part No.	Description	Q'ty Per Assembly
101	0353 0040W	Philips Pan Head Bind Screw -M3X4	
102	0632 0080G	Parallel Key - 2x8mm	
103	0720 0050E	Retaining Ring - M5	
104	1105 0199	Clamp	
105	0314 0060W	Philips Pan Head Screw - M4X6	
106	0413 0062W	Tapping Screw - M3x6	
107	0452 4010W	Binding Self-Tapping Screw - M4X10	

12.TRANSPORT SECTION 2 (B546)

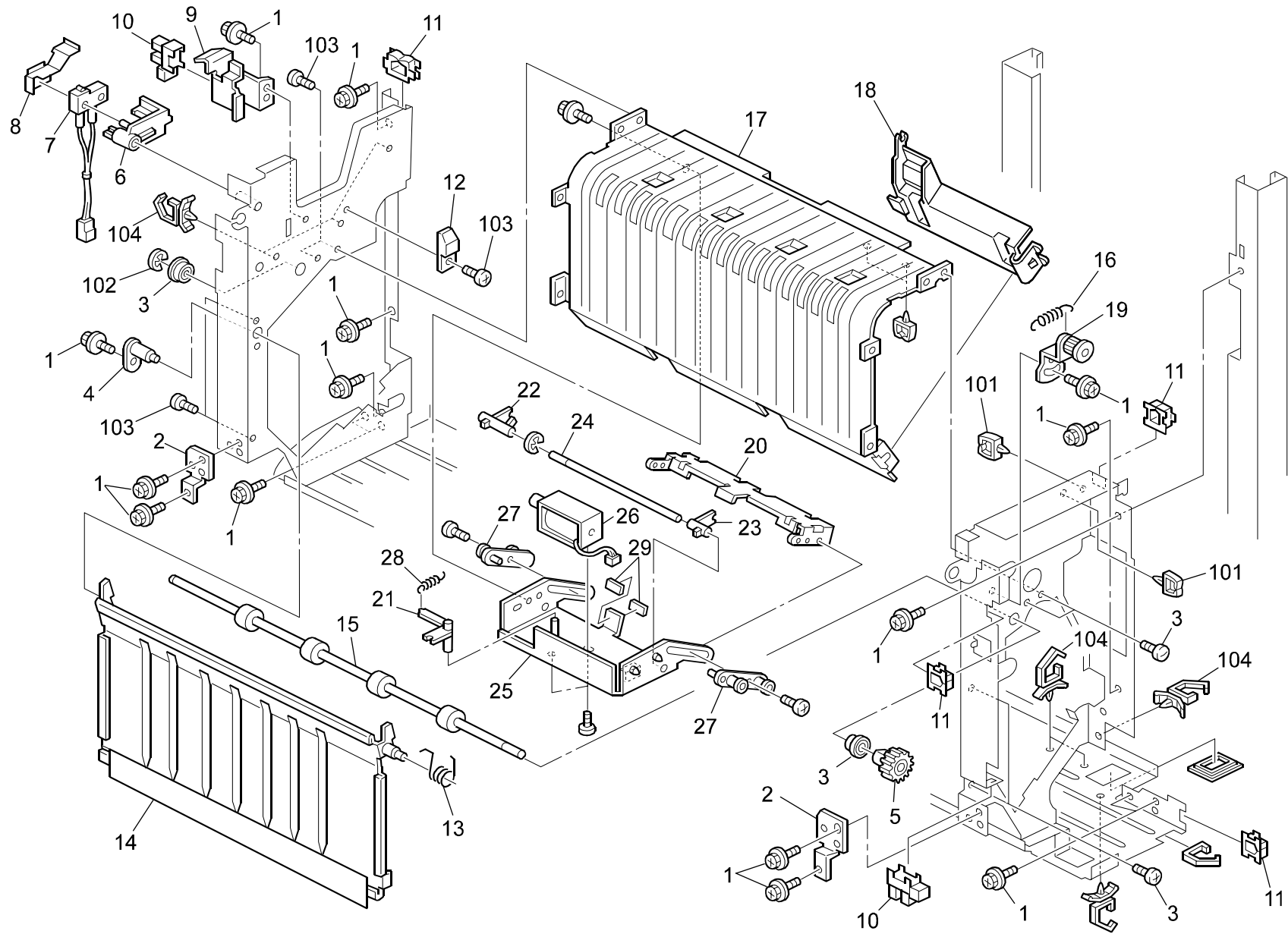


12. TRANSPORT SECTION 2 (B546)

Index No.	Part No.	Description	Q'ty Per Assembly
1	V4B1 1156	Rear Inner Guide	1
2	VXA9 0732	Screw	6
3	VFB4 0657	Grounding Plate	1
4	VFS1 1187	Bushing	1
5	V4A1 5529	Exit Support Roller	1
6	VFS1 1213	Bushing - 6mm	1
7	VFS5 3561	Pulley - 26Z	1
8	V4A1 5550	Buffer Entrance	1
9	VFB3 7403	Rear Stopper Lever	1
10	VFB3 7404	Junction Gate	1
11	VFB3 7366	Solenoid Bracket	1
12	VFF5 5668	Solenoid	1
13	VFS6 2549	Spring	2
14	VFB3 7405	Junction Gate Lever	1
15	VFB3 7406	Junction Gate Lever	1
16	VFF5 5667	Solenoid	1
17	VFB3 7407	Junction Gate Lever	1
18	VFB3 7431	Link	1
19	VFF5 5666	Solenoid	1
20	VFF5 5669	Solenoid Bracket	1
21	V4A1 5562	Buffer Entrance Spring	1
22	V4A1 5560	Cushion	1
23	V4A1 5561	Proof Exit Guide	1
24	V4A1 4879	Support Guide Mylar	2
25	V4A1 6207	Mylar	

Index No.	Part No.	Description	Q'ty Per Assembly
101	0720 0050E	Retaining Ring - M5	
102	0632 0100G	Pin - 2x10mm	
103	0353 0040W	Philips Pan Head Bind Screw -M3X4	

13.TRANSPORT SECTION 3 (B546)

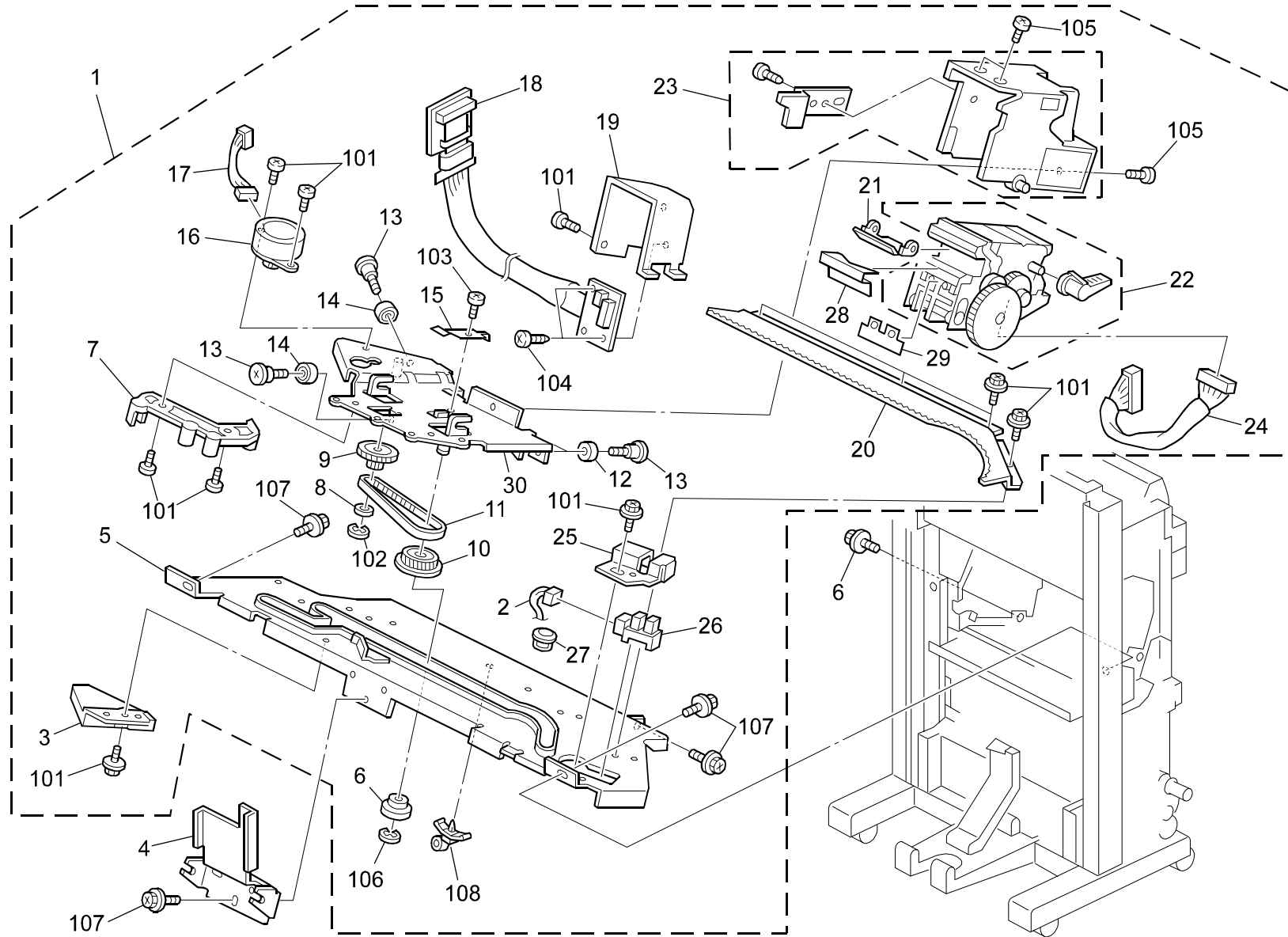


13. TRANSPORT SECTION 3 (B546)

Index No.	Part No.	Description	Q'ty Per Assembly
1	VXA9 0732	Screw	12
2	VFB3 7975	Stay	2
3	VXG9 0407	Bearing - 6x10x3	2
4	VFF5 5809	Guide Holder	1
5	VFS5 3549	Gear - 21Z	1
6	VFB3 7399	Switch Bracket	1
7	VFF3 4074	Detector Harness	1
8	VFB4 0656	Leaf Spring	1
9	VFB3 7434	Sensor Bracket	1
10	VWG8 5364	Photointerrupter	2
11	VWT2 0136	Clamp	4
12	VFB4 8148	Guide	1
13	VFB4 9157	Torsion Spring	1
14	VFB3 7963	Guide Plate	1
15	VFB3 7438	Transport Roller	1
16	V4A1 4883	Tension Spring	1
17	VFB5 5830	Middle Frame	1
18	VFB3 7398	Harness Guide	1
19	VFF5 5662	Tightener	1
20	VFB5 5868	Holder Plate	1
21	VFB5 5870	Release Link - A	1
22	VFB5 5898	Release Link - B	1
23	VFB5 5899	Release Link - C	1
24	VFB5 5900	Release Link Shaft	1
25	VFF6 0426	RB Release Holder 1	1
26	VFF6 0640	Release Solenoid Ass'y	1
27	VFF6 0427	RB Release Holder 3	2
28	VFS7 2482	Spring	1
29	VFB5 6243	Cushion	2

Index No.	Part No.	Description	Q'ty Per Assembly
101	1105 0229	Clamp	
102	0720 0050E	Retaining Ring - M5	
103	0314 0060W	Philips Pan Head Screw - M4X6	
104	1105 0310	Harness Clamp - LWS-1S	

14.FINISHER STAPLE UNIT (B546)

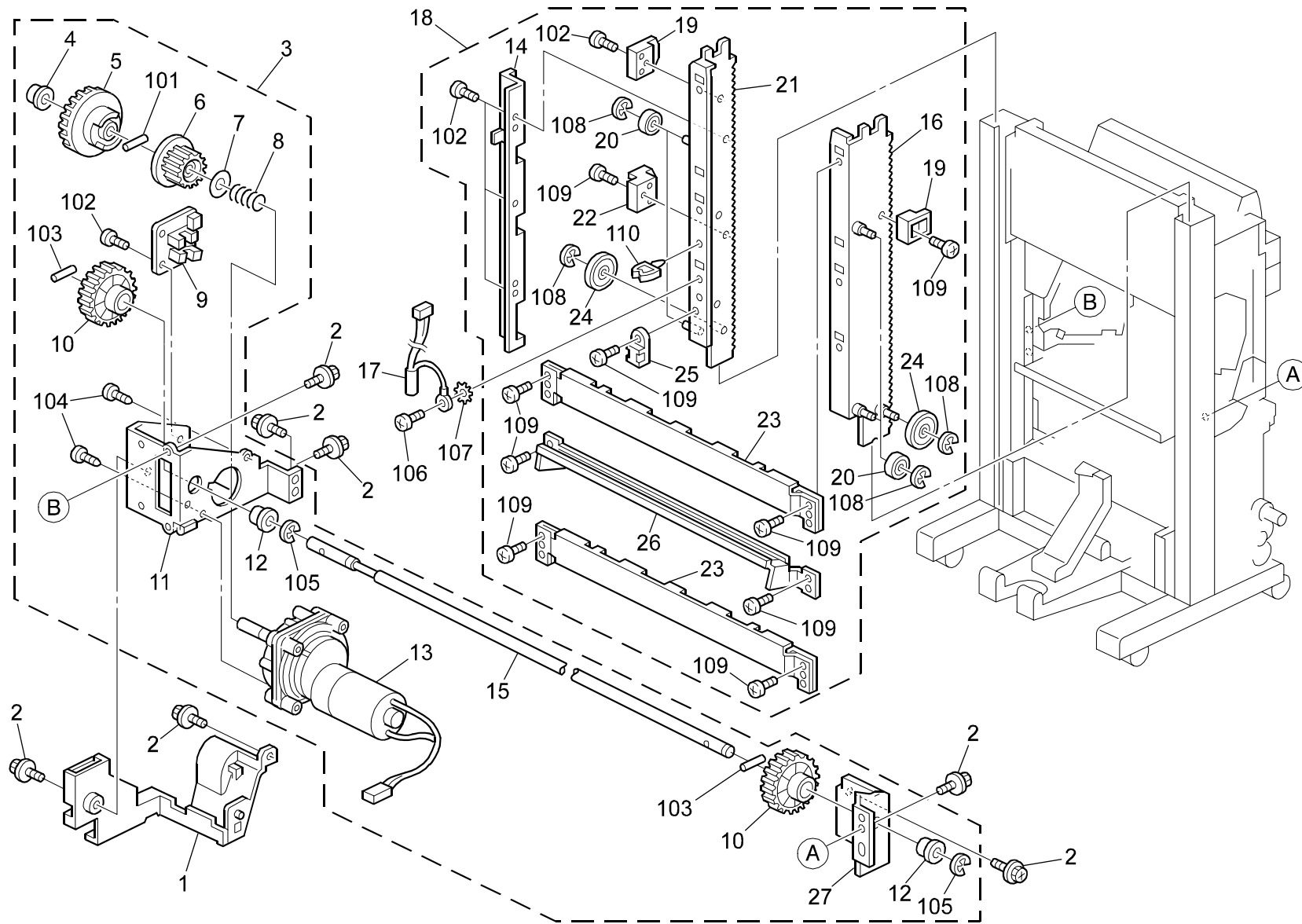


14.FINISHER STAPLE UNIT (B546)

Index No.	Part No.	Description	Q'ty Per Assembly
1	V4G1 3559	Staple Unit - R70	1
2	VFF3 4069	Stapler Relay Harness	1
3	VFB3 7373	Guide Plate	1
4	VFB3 7375	Bracket	1
5	VFB3 7371	Stapler Guide	1
6	VFS5 6524	Roller	1
7	VFB3 7382	Stopper Cam	1
8	VFS5 6525	Washer	1
9	VFS5 3551	Gear/Pulley - 44Z/16Z	1
10	VFS5 3552	Gear/Pulley - 16Z/40Z	1
11	VFB3 7380	Timing Belt - B40S2M264	1
12	VFS5 6528	Washer	2
13	VFS1 9102	Stepped Screw - M3	4
14	VFS5 6523	Roller	2
15	VFB3 7367	Grounding Plate	1
16	VFH6 1343	Stepping Motor - DC 14.4W	1
17	VFF3 4077	Stapler Harness	1
18	VFG5 8191	Stapler Relay Harness	1
19	VFB3 7318	Board Cover	1
20	VFB3 7372	Rack	1
21	VFB4 6652	Upper Entrance Guide	1
22	V4A1 4504	Stapler	1
23	V4A1 4505	Stapler Cover	1
24	VFF3 4078	Stapler Harness 2	1
25	VFB3 7374	Sensor Cover	1
26	VWG8 5364	Photointerrupter	1
27	VWT2 5625	Clamp	1
28	VFB4 6653	Lower Entrance Guide	1
29	VFB5 6261	Securing Plate	1
30	VFF5 5699	Staple Unit Holder MB2 ADDED	1

Index No.	Part No.	Description	Q'ty Per Assembly
101	0451 3006W	Tapping Screw - M3x6	
102	0720 0050E	Retaining Ring - M5	
103	0353 0040W	Philips Pan Head Bind Screw -M3X4	
104	0452 3008W	Binding Self Tapping Screw - M3x8	
105	0354 0060W	Philips Truss Head Screw - M4X6	
106	0720 0070E	Retaining Ring - M7	
107	0451 4006Z	Tapping Screw 4x6	
108	1105 0229	Clamp	

15. TRAY DRIVE SECTION (B546)

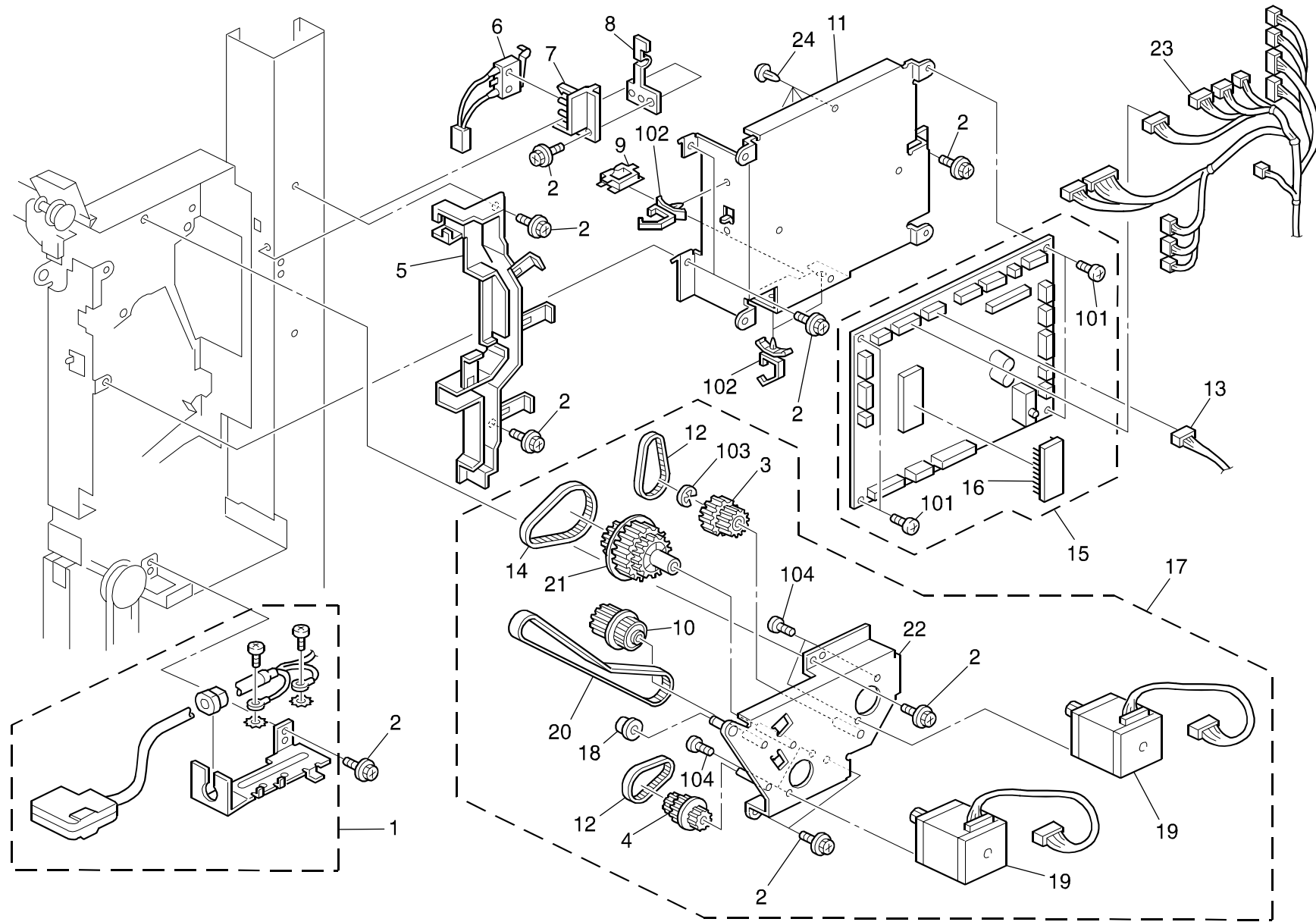


15. TRAY DRIVE SECTION (B546)

Index No.	Part No.	Description	Q'ty Per Assembly
1	VFB4 0659	Harness Guide	1
2	VXA9 0732	Screw	7
3	VFG6 6242	Tray Drive Unit	1
4	VFS1 1273	Bushing	1
5	VFB4 0658	Cam	1
6	VFB5 5865	Gear - 22Z	1
7	VFS5 6527	Washer	1
8	VFS6 2561	Spring	1
9	VFG5 8190	Sensor PCB	1
10	VFS7 0835	Gear - 48Z	2
11	VFB5 5862	Drive Bracket Base	1
12	VFS1 1189	Bushing	2
13	VFH6 1783	Motor - DC 21.6W	1
14	VFB3 7306	Guide Plate	1
15	VFB5 5864	Tray Drive Shaft	1
16	VFF5 5660	Front Tray Frame	1
17	V4F1 1319	Tray Unit Relay Harness	1
18	V4G1 5350	Shift Tray Ass'y	1
19	VFB3 7302	Slide Guide A	1
20	VFB3 7344	Roller	4
21	VFF5 7554	Rear Tray Frame	1
22	VFB3 7303	Slide Guide B	1
23	V4B1 1144	Shift Tray Stay	2
24	VFB3 7365	Roller	2
25	VWT2 5123	Clamp	1
26	VFB3 7304	Bracket	1
27	VFB5 5863	Lower Drive Bracket	1

Index No.	Part No.	Description	Q'ty Per Assembly
101	0632 0160G	Parallel Pin-m2x16	
102	0353 0040W	Philips Pan Head Bind Screw -M3X4	
103	0633 0160E	Pin - 3x16mm	
104	0452 3008W	Binding Self Tapping Screw - M3x8	
105	0720 0070E	Retaining Ring - M7	
106	0354 0060W	Philips Truss Head Screw - M4x6	
107	0704 0040E	Toothed Washer - M4	
108	0720 0050E	Retaining Ring - M5	
109	0354 0060W	Philips Truss Head Screw - M4X6	
110	1105 0229	Clamp	

16.FINISHER DRIVE SECTION (B546)

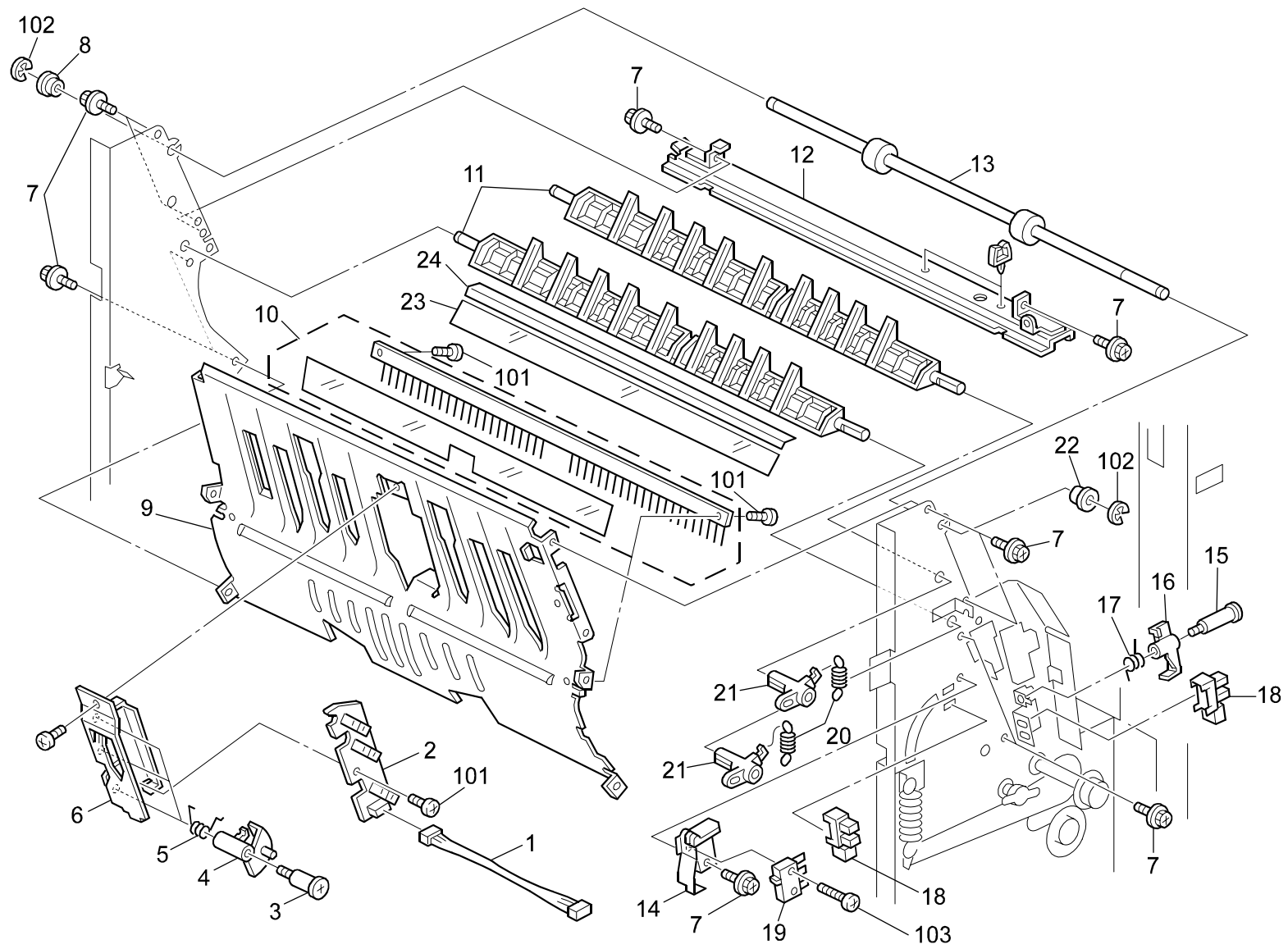


16.FINISHER DRIVE SECTION (B546)

Index No.	Part No.	Description	Q'ty Per Assembly
1	V4G1 2204	Interface Harness	1
2	VXA9 0732	Screw	10
3	V4A1 5558	Gear - 18Z	1
4	VFS7 0827	Gear - 20/21/21Z	1
5	V4A1 4553	Harness Guide	1
6	VFF3 4074	Detector Harness	1
7	VFB3 7345	Sensor Cover	1
8	VFS6 2563	Spring Plate	1
9	VWT2 0204	Clamp	1
10	V4A1 5546	Pulley Gear - 32Z	1
11	V4A1 4550	Finisher Board Bracket	1
12	VXF2 16050	Timing Belt - B40S2M100	2
13	VFF3 4071	Booklet Interface Harness	1
14	VXF2 16098	Timing Belt - B40S2M196	1
15	V4G1 1319	Finisher Board	1
16	V4F1 2143	IC - M27C4002-80XF1	1
17	V4G1 3548	Transfer Drive Unit - R70	1
18	VFS5 6520	Roller	1
19	V4K1 1046	Stepping Motor - DC 18W	2
20	VXF2 16172	Timing Belt - B40S2M344	1
21	V4A1 5545	Transport Gear - 25/45/85Z	1
22	V4F1 1296	Drive Bracket	1
23	V4G1 3537	Main Harness	1
24	VVT2 5027	Cap	4

Index No.	Part No.	Description	Q'ty Per Assembly
101	0353 0060B	Philips Pan Head Screw - M3x6	
102	1105 0310	Harness Clamp - LWS-1S	
103	0720 0050E	Retaining Ring - M5	
104	0353 0040W	Philips Pan Head Bind Screw -M3X4	

17.BOOKLET TRANSPORT SECTION 1 (B546)



17. BOOKLET TRANSPORT SECTION 1 (B546)

Index No.	Part No.	Description	Q'ty Per Assembly
1	VFF3 4086	Relay Harness - Paper Size	1
2	VFG5 8408	Paper Size Sensor PCB	1
3	VFS1 9166	Stepped Screw - M4	1
4	VFB3 7846	Sensor Actuator	1
5	VFB3 7848	Torsion Spring	1
6	VFB3 7847	Sensor Board	1
7	VXA9 0732	Screw	11
8	VFS1 1187	Bushing	1
9	VFB3 7849	Guide Plate	1
10	VFF5 8683	Antistatic Brush	1
11	VFB3 7928	Junction Gate	2
12	VFB3 7949	Upper Slide Rail	1
13	VFB3 7915	Entrance Roller	1
14	VFB4 9171	Switch Holder	1
15	VFS5 9212	Stepped Screw	1
16	VFB3 7979	Sensor Actuator	1
17	VFB3 7980	Torsion Spring	1
18	VWG8 5405	Photointerrupter	2
19	VWC4 5128	Microswitch	1
20	VFS6 2576	Spring	2
21	VFB3 7930	Junction Gate Lever	2
22	VFS1 1213	Bushing - 6mm	1
23	V4A1 4549	Guide Mylar	1
24	V4A1 4809	Guide Mylar Plate	1

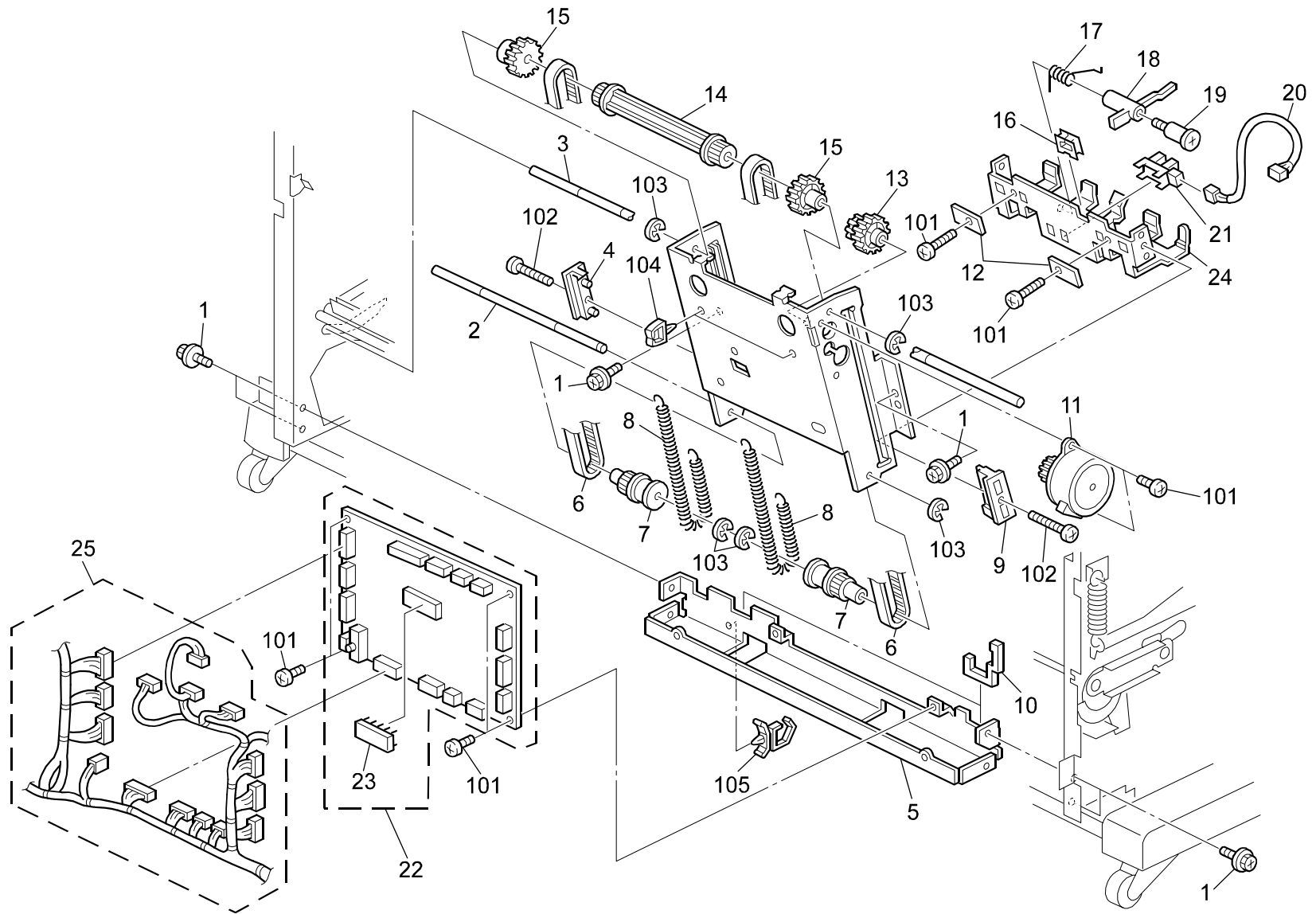
Index No.	Part No.	Description	Q'ty Per Assembly
101	0353 0060W	Philips Pan Head Screw - M3X6	
102	0720 0050E	Retaining Ring - M5	
103	0252 0080W	Screw - M2X8	

18.BOOKLET TRANSPORT SECTION 2 (B546)

Index No.	Part No.	Description	Q'ty Per Assembly
1	VFB3 7950	Lower Rail	1
2	VXA9 0732	Screw	11
3	VFB3 7883	Right Cover Bracket	2
4	VFB3 7953	Upper Plate	1
5	VFS6 4200	Shaft	1
6	VFB3 7984	Sensor Actuator	1
7	VFF3 3111	Paper Pass Sensor Harness	1
8	VFB3 7985	Torsion Spring	1
9	VWG8 5405	Photointerrupter	2
10	VFB3 7885	Sensor Bracket	1
11	VWT2 5056	Clamp	2
12	VFB4 9171	Switch Holder	1
13	VWC4 5128	Microswitch	1
14	VFB3 7976	Switch Bracket	1
15	VFF5 5809	Guide Holder	1
16	V4A1 4535	Entrance Guide Grip	1
17	VFS6 2581	Spring	2
18	VFB3 7854	Discharge Brush	1
19	VWS6 5091	Connector	1
20	VWT2 0369	Clamp	1
21	VFF5 8684	Antistatic Brush	1
22	VFB3 7853	Guide Plate	1
23	VFS5 6544	Roller	2
24	VFB3 7851	Plate Spring	2

Index No.	Part No.	Description	Q'ty Per Assembly
101	1105 0183	Spacer	
102	0720 0030E	Retaining Ring - M3	
103	1105 0310	Harness Clamp - LWS-1S	
104	0353 0040W	Philips Pan Head Bind Screw -M3X4	
105	0354 0080W	Philips Pan Head Screw - M4x8	
106	0353 0080W	Tapping Screw - M3x8	
107	1105 0229	Clamp	

19.BOOKLET PAPER GUIDE 1 (B546)

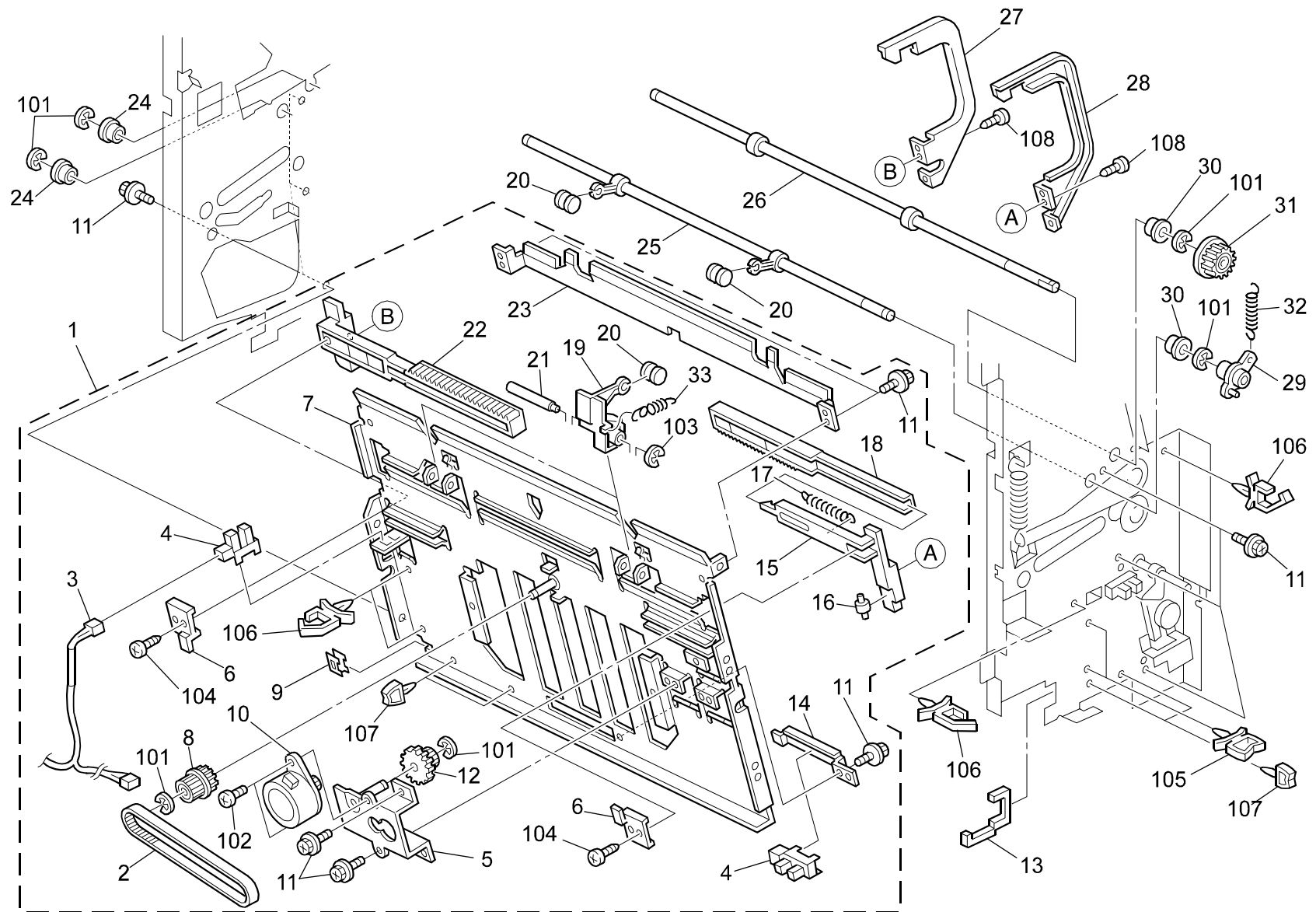


19. BOOKLET PAPER GUIDE 1 (B546)

Index No.	Part No.	Description	Q'ty Per Assembly
1	VXA9 0732	Screw	4
2	VFB3 7891	Shaft	1
3	VFB3 7892	Shaft	1
4	VFB3 7894	Guide	1
5	VFB3 7955	Stay	1
6	VXF9 0669	Timing Belt - B40S2M438	2
7	VFS5 3574	Gear - 30Z	2
8	VFS6 2571	Spring	2
9	VFB3 7977	Guide	1
10	VWT2 5031	Clamp	2
11	VFH6 1527	Motor - DC 12.72W	1
12	VFB3 7897	Belt Holder	2
13	VFS6 0820	Coupled Gear - 15Z/30Z	1
14	VFS5 3575	Gear - 30Z	1
15	VFS6 0821	Gear - 30Z	2
16	VWT2 5056	Clamp	1
17	VFB3 7896	Torsion Spring	1
18	VFB3 7895	Sensor Actuator	1
19	VFS5 9212	Stepped Screw	1
20	VFF3 4132	Paper Position Sensor Harness	1
21	VWG8 5382	Photointerrupter	1
22	V4G1 1320	Booklet Unit Board	1
23	V4F1 2144	IC - CY27H010-70WC	1
24	VFB3 7893	Stopper	1
25	VFG3 1373	Main Saddle Harness	1

Index No.	Part No.	Description	Q'ty Per Assembly
101	0353 0060W	Philips Pan Head Screw - M3X6	
102	0353 0120W	Philips Pan Head Screw - M3x12	
103	0720 0050E	Retaining Ring - M5	
104	1105 0229	Clamp	
105	1105 0310	Harness Clamp - LWS-1S	

20.BOOKLET PAPER GUIDE 2 (B546)

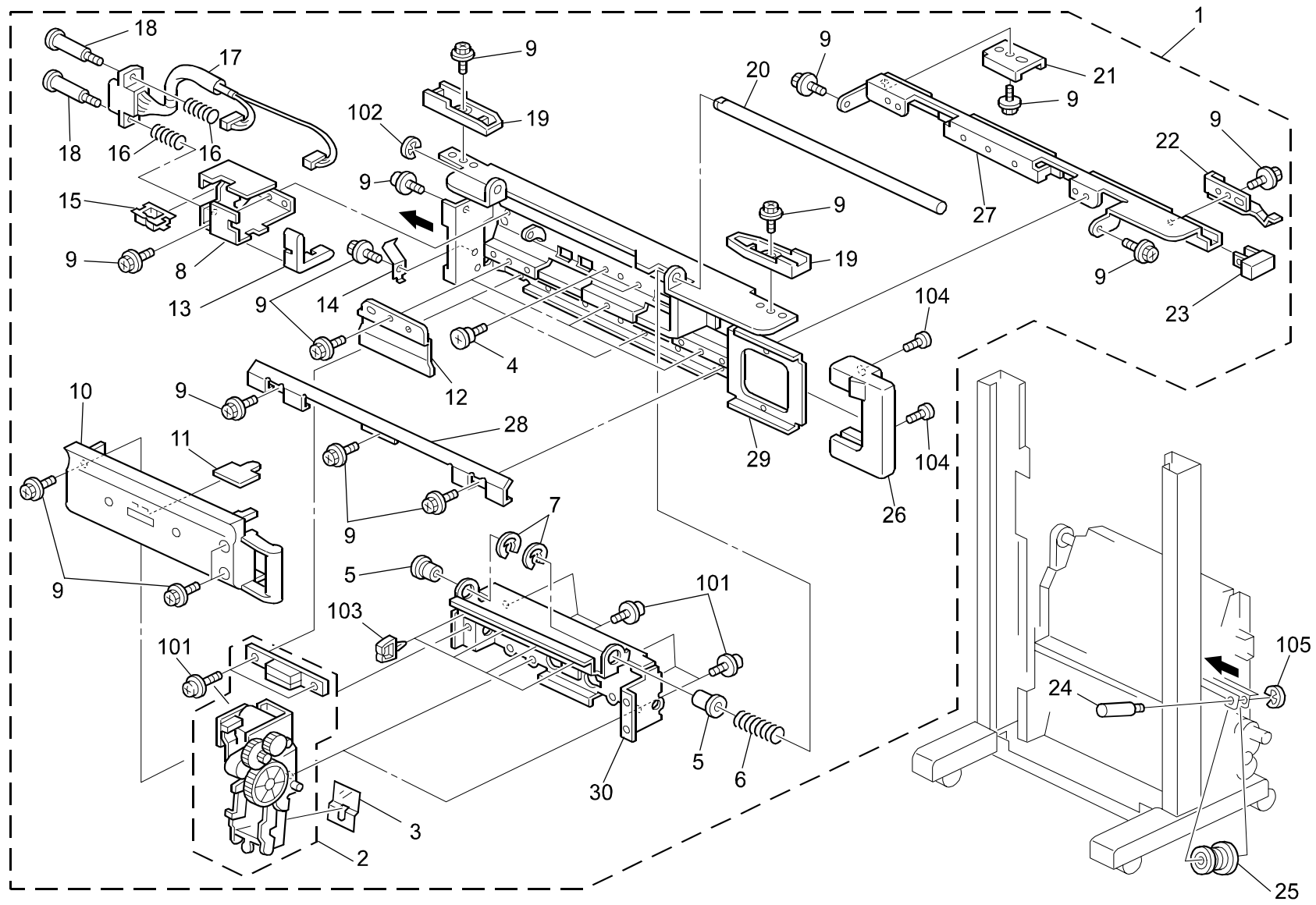


20.BOOKLET PAPER GUIDE 2 (B546)

Index No.	Part No.	Description	Q'ty Per Assembly
1	VFG5 8390	Lower Bus Guide Ass'y	1
2	VXF9 0646	Timing Belt - B40S2M286	1
3	VFF3 4087	Relay Harness	1
4	VWG8 5405	Photointerrupter	2
5	VFF5 5804	Motor Bracket	1
6	VFB3 7878	Guide Gear Holder	2
7	VFF5 5798	Guide Plate	1
8	VFS6 0814	Pulley/gear - 32Z/32Z	1
9	VWT2 5056	Clamp	1
10	VFH6 1457	Motor - DC 12.72W	1
11	VXA9 0732	Screw	4
12	VFS6 0815	Pulley/gear - 16Z/32Z	1
13	VWT2 5031	Clamp	1
14	VFB3 7946	Sensor Bracket	1
15	VFB3 7947	Rear Slide Guide	1
16	VFB3 7945	Guide Roller	1
17	VFS6 2570	Spring	1
18	VFB3 7877	Rear Guide Gear	1
19	VFB3 7926	Roller Bracket	1
20	VFB3 7927	Idle Roller	3
21	VFS6 4200	Shaft	1
22	VFB3 7876	Front Guide Gear	1
23	VFB3 7875	Roller Guide	1
24	VFS1 1187	Bushing	2
25	VFB3 7923	Cam Shaft	1
26	VFB3 7920	Middle Roller	1
27	VFB3 7943	Front Side Guide	1
28	VFB3 7944	Rear Side Guide	1
29	VFB3 7973	Link	1
30	VFS1 1213	Bushing - 6mm	2
31	VFS5 3580	Gear - 24Z	1
32	VFS6 2574	Spring	1
33	VFS6 2583	Spring	1

Index No.	Part No.	Description	Q'ty Per Assembly
101	0720 0050E	Retaining Ring - M5	
102	0353 0040W	Philips Pan Head Bind Screw -M3X4	
103	0720 0040E	Retaining Ring - M4	
104	0313 0060W	Philips Pan Head Screw - M3X6	
105	1105 0201	Harness Clamp	
106	1105 0310	Harness Clamp - LWS-1S	
107	1105 0229	Clamp	
108	0413 0082W	Tapping Screw - M3x8	

21.BOOKLET STAPLE UNIT (B546)

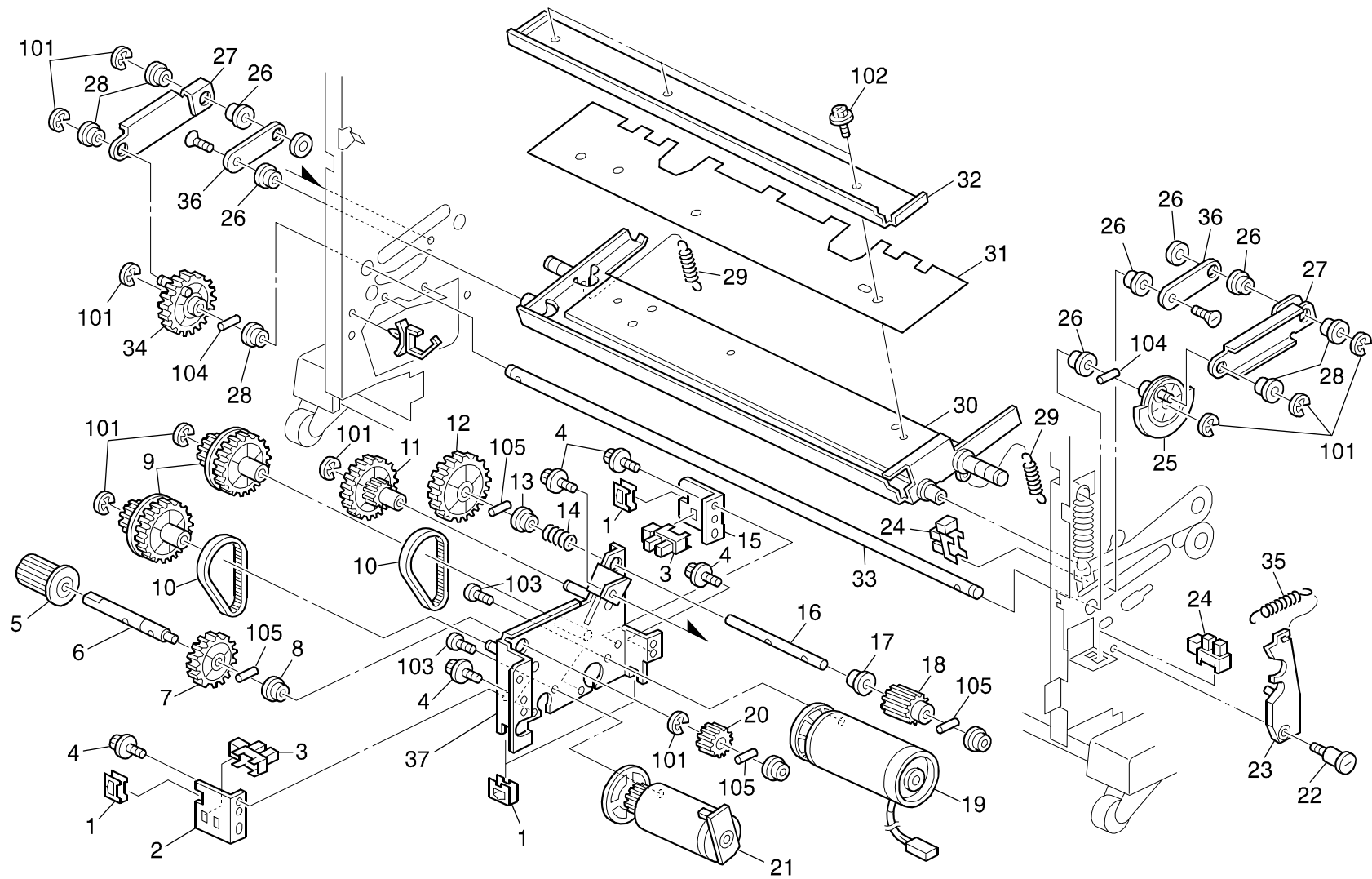


21.BOOKLET STAPLE UNIT (B546)

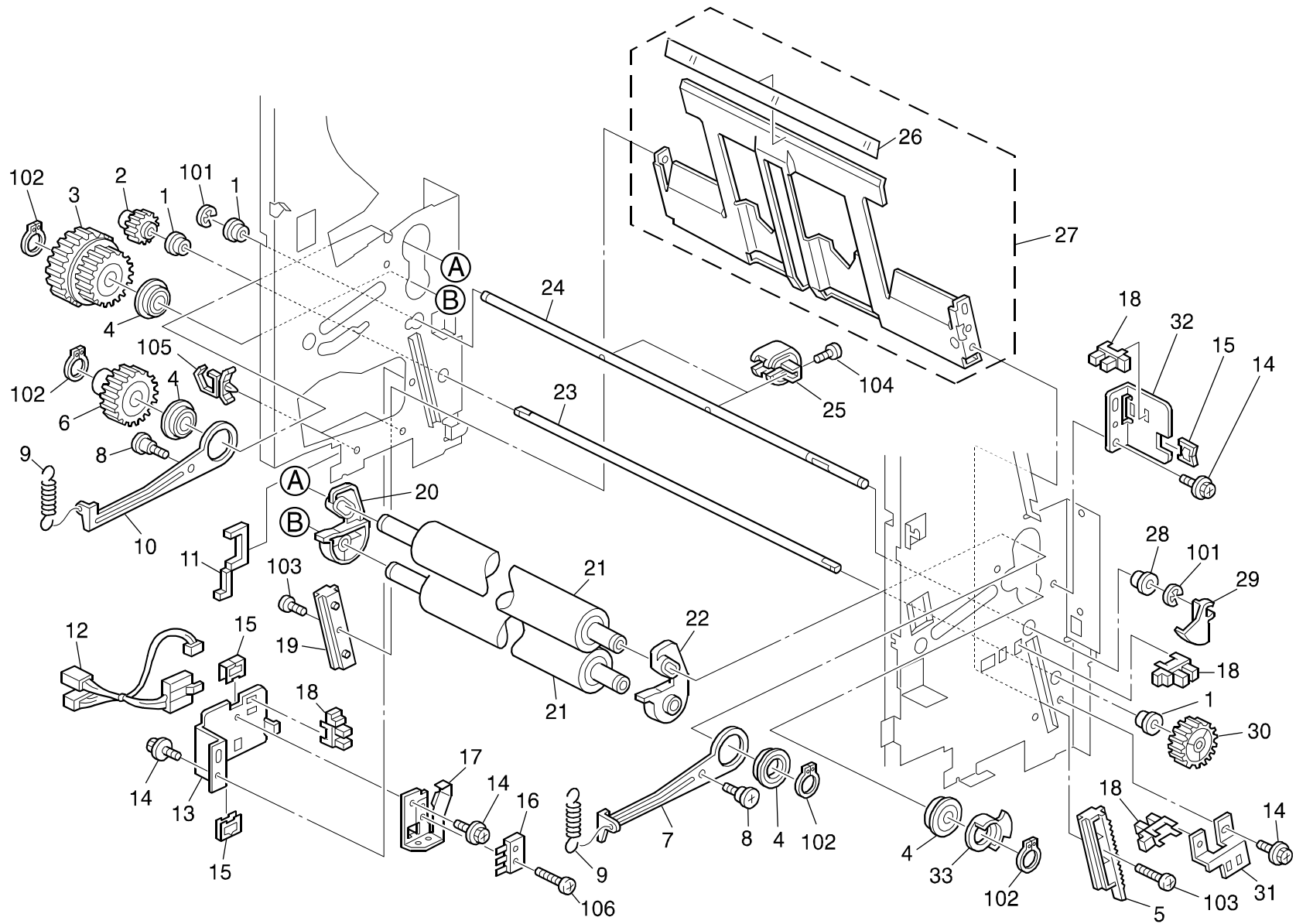
Index No.	Part No.	Description	Q'ty Per Assembly
1	V4G1 5368	Stapler Ass'y	1
2	V4A1 4531	Booklet Stapler	2
3	VFB4 9159	Stapler Sheet	2
4	VFS1 9076	Stepped Screw - M1.9	2
5	VFS5 1753	Bushing	2
6	VFS6 2569	Spring	1
7	VFB2 6416	Plastic Washer	2
8	VFB3 7863	Stopper	1
9	VXA9 0732	Screw	16
10	V4A1 4532	Booklet Stapler Cover	1
11	VFB3 7866	Stapler Positioning Pin	1
12	VFB3 7859	Stapler Guide	3
13	VFB3 7871	Cover	1
14	VFB4 9158	Leaf Spring	1
15	VWT2 0136	Clamp	1
16	VFS6 2572	Spring	2
17	VFF3 4084	Stapler Relay Harness	1
18	VFS2 9407	Stepped Screw	2
19	VFB3 7865	Upper Slider	2
20	VFB3 7862	Slide Shaft	1
21	VFB3 7867	Lower Slider	1
22	VFB3 7981	Plate Spring	1
23	V4B1 1164	Rail Cover	1
24	VFS6 4199	Shaft	1
25	VFS5 6549	Roller	1
26	VFA9 3739	Stapler Unit Grip	1
27	VFB3 7864	Plate	1
28	VFB3 7861	Guide	1
29	VFB3 7857	Stay	1
30	VFB3 7858	Stapler Bracket	1

Index No.	Part No.	Description	Q'ty Per Assembly
101	0451 4006Z	Tapping Screw 4x6	
102	0720 0070E	Retaining Ring - M7	
103	1105 0229	Clamp	
104	0354 0100W	Philips Pan Head Screw - M4x10	
105	0720 0050E	Retaining Ring - M5	

22.PAPER FOLDER UNIT 1 (B546)



23.PAPER FOLDER UNIT 2 (B546)

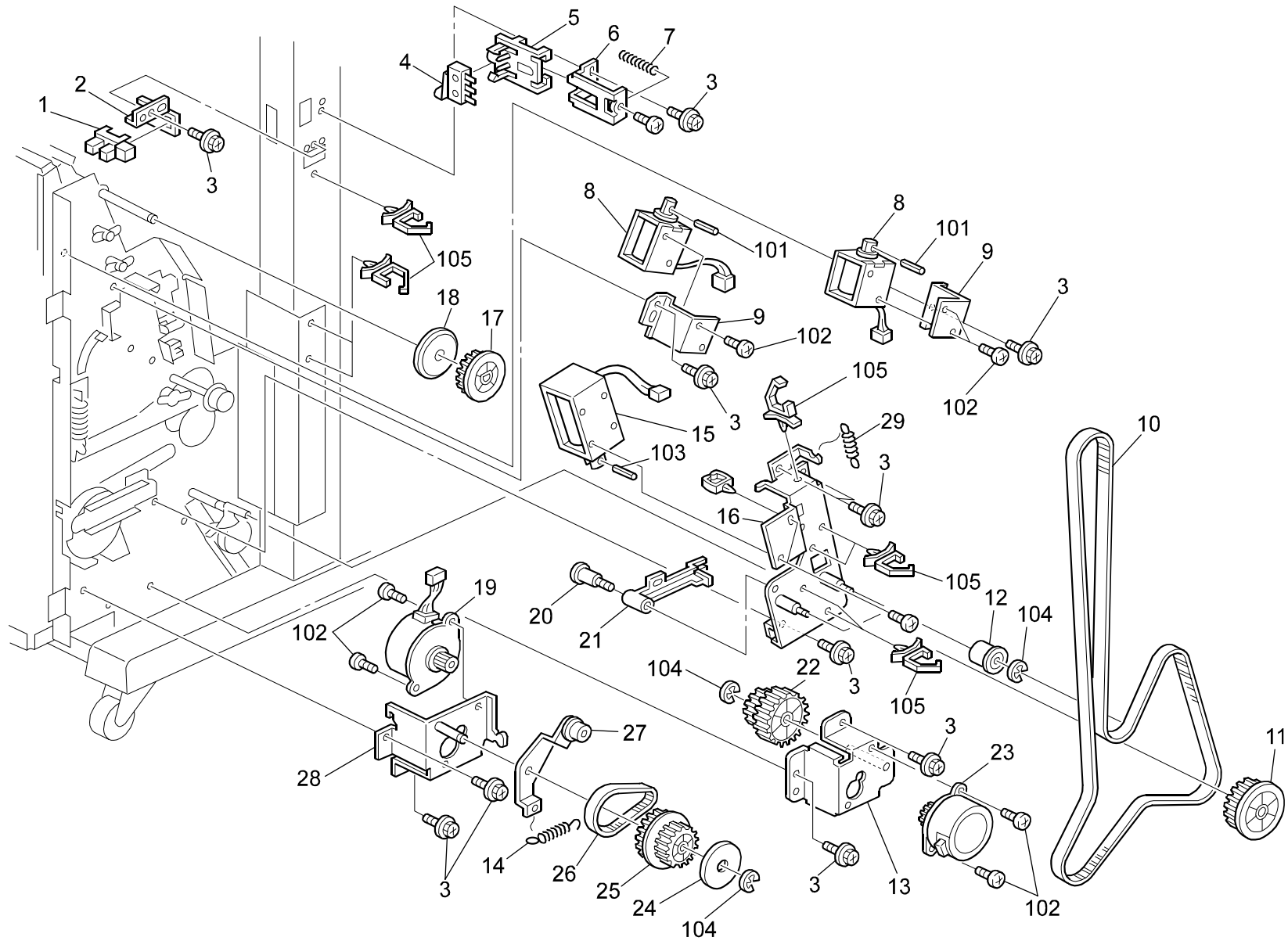


23.PAPER FOLDER UNIT 2 (B546)

Index No.	Part No.	Description	Q'ty Per Assembly
1	VFS1 1187	Bushing	3
2	VFS6 0823	Gear - 16Z	1
3	VFS6 0829	Coupled Gear - 16Z/56Z	1
4	VXG9 0131	Ball Bearing - 12x28x7	4
5	VFB3 7934	Rear Rack Gear	1
6	VFS6 0830	Gear - 16Z	1
7	VFB3 7940	Rear Pressure Lever	1
8	VFS1 9076	Stepped Screw - M1.9	2
9	VFS6 2580	Spring	2
10	VFB3 7939	Front Pressure Lever	1
11	VWT2 5031	Clamp	1
12	VFF3 4085	Relay Harness - Cover Sensor	1
13	VFB3 7873	Switch Bracket	1
14	VXA9 0732	Screw	4
15	VWT2 5056	Clamp	2
16	VVC4 5128	Microswitch	1
17	VFB4 9171	Switch Holder	1
18	VWG8 5405	Photointerrupter	3
19	VFB3 7967	Front Rack Gear	1
20	VFB3 7856	Front Roller Holder	1
21	VFB5 5936	Folding Roller	2
22	VFB3 7969	Rear Roller Holder	1
23	VFB3 7935	Drive Shaft	1
24	VFB3 7911	Shaft	1
25	VFB3 7912	Roller	2
26	VFB3 7954	Guide Sheet	1
27	VFF5 5810	Roller Guide	1
28	VFS1 1213	Bushing - 6mm	1
29	VFB3 7925	Sensor Actuator	1
30	VFS6 0822	Coupled Gear - 16Z/33Z	1
31	VFB3 7948	Sensor Bracket	1
32	VFB3 7884	Sensor Bracket	1
33	VFB5 5937	Positioning Roller Sensor Actuator	1

Index No.	Part No.	Description	Q'ty Per Assembly
101	0720 0050E	Retaining Ring - M5	
102	0725 0150E	Retaining Ring C - M15	
103	0353 0080W	Tapping Screw - M3x8	
104	0353 0060W	Philips Pan Head Screw - M3X6	
105	1105 0310	Harness Clamp - LWS-1S	
106	0252 0080W	Screw - M2X8	

24.BOOKLET DRIVE SECTION (B546)

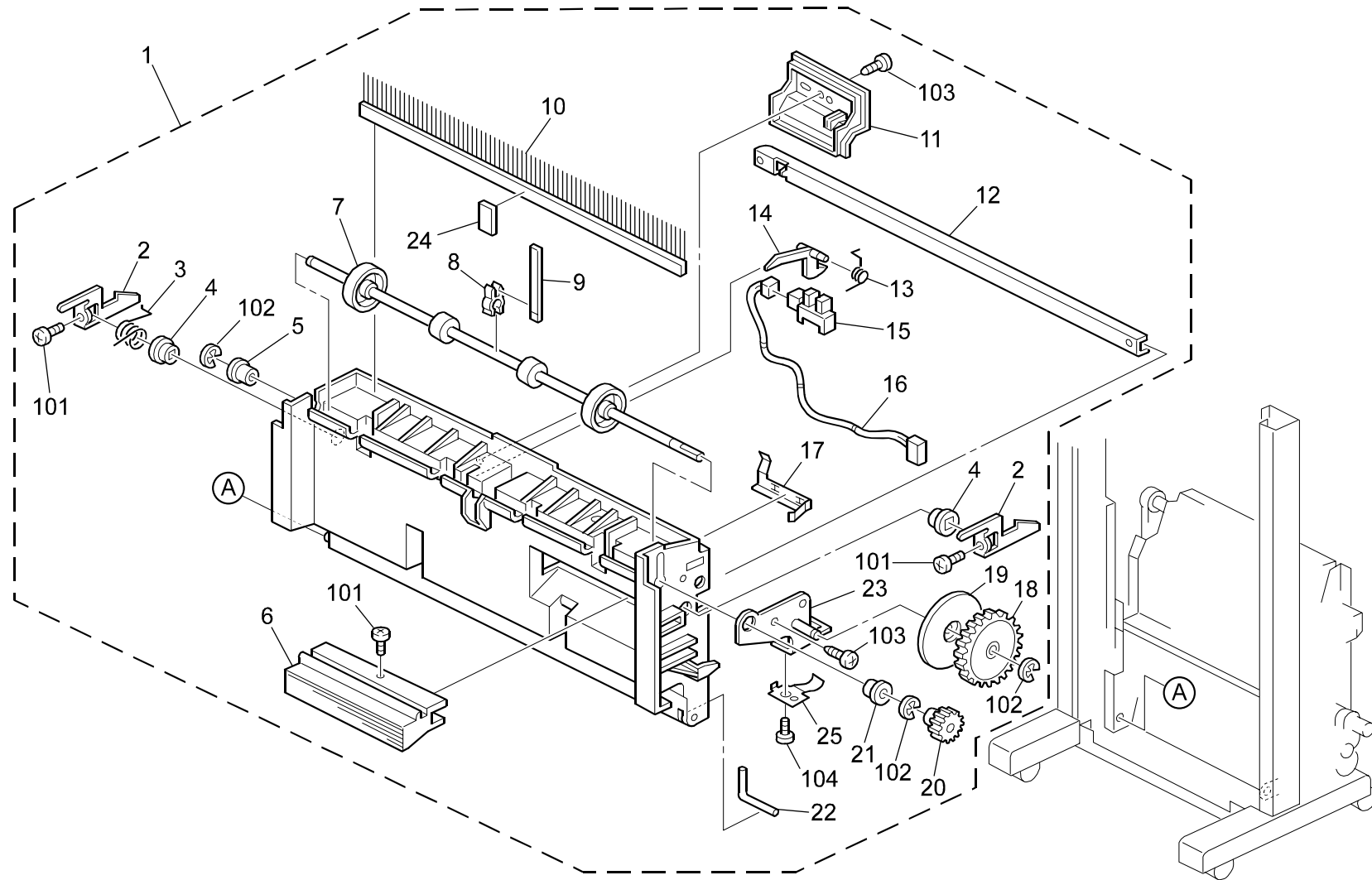


24.BOOKLET DRIVE SECTION (B546)

Index No.	Part No.	Description	Q'ty Per Assembly
1	VWG8 5309	Photointerrupter	1
2	VFB3 7351	Sensor Bracket	1
3	VXA9 0732	Screw	11
4	VWC4 5130	Microswitch	1
5	VFB3 7350	Holder	1
6	VFB3 7353	Bracket	1
7	VFS6 2564	Spring	1
8	VFH7 5766	Solenoid	2
9	VFB3 7931	Solenoid Bracket	2
10	VXF9 0647	Timing Belt - B40S3M1119	1
11	VFS5 3577	Gear - 39Z	1
12	VFS5 3409	Idle Pulley	2
13	VFF5 5807	Motor Bracket	1
14	VFS6 2573	Spring	1
15	VFH7 5767	Solenoid	1
16	VFF5 5806	Solenoid Bracket	1
17	VFS5 3576	Gear - 30Z	1
18	VFS5 6550	Washer	1
19	VFH6 1458	Motor - DC 7.68W	1
20	VFS1 9054	Stepped Screw	1
21	VFB3 7972	Link	1
22	VFS6 0832	Coupled Gear - 22Z/48Z	1
23	VFH6 1457	Motor - DC 12.72W	1
24	VFS5 6547	Washer	1
25	V4A1 4740	Transport Idle Roller	1
26	VXF2 13038	Timing Belt - B40S2M114	1
27	VFF5 5805	Tightener	1
28	V4F1 1095	Transport Motor Bracket	1
29	VFS6 2574	Spring	1

Index No.	Part No.	Description	Q'ty Per Assembly
101	0623 0080E	Spring Pin - 3x8mm	
102	0353 0040W	Philips Pan Head Bind Screw -M3X4	
103	0623 0100E	Spring Pin - 3x10mm	
104	0720 0050E	Retaining Ring - M5	
105	1105 0310	Harness Clamp - LWS-1S	

25.BOOKLET EXIT SECTION (B546)



SR890 B546
PARTS INDEX

This section instructs you as to the numbers and names of parts on this machine.

Parts Index

Part No.	Description	Page and Index No.
V4A1 1157	Harness Guide	17 - 10
V4A1 1159	Roller Holder	17 - 11
V4A1 2250	Rear Grounding Plate	23 - 13
V4A1 2349	Door Shaft	57 - 22
V4A1 2449	Front Grounding Plate	23 - 11
V4A1 2460	Cushion	13 - 12
V4A1 2461	Cushion	13 - 23
V4A1 4487	Folder Roller Knob	11 - 16
V4A1 4504	Stapler	35 - 22
V4A1 4505	Stapler Cover	35 - 23
V4A1 4506	Joint Shaft	17 - 23
V4A1 4531	Booklet Stapler	49 - 2
V4A1 4532	Booklet Stapler Cover	49 - 10
V4A1 4535	Entrance Guide Grip	43 - 16
V4A1 4538	Decal - Caution	11 - 26
V4A1 4549	Guide Mylar	41 - 23
V4A1 4550	Finisher Board Bracket	39 - 11
V4A1 4553	Harness Guide	39 - 5
V4A1 4554	Sensor Cover	15 - 9
V4A1 4740	Transport Idle Roller	55 - 25
V4A1 4807	Rail Bracket	11 - 19
V4A1 4809	Guide Mylar Plate	41 - 24
V4A1 4879	Support Guide Mylar	31 - 24
V4A1 4883	Tension Spring	33 - 16
V4A1 5517	Front Side Plate	19 - 13
V4A1 5518	Rear Side Plate	19 - 14
V4A1 5519	Entrance Transport Roller	19 - 12
V4A1 5520	Pulley - 19T	19 - 5
V4A1 5521	Upper Guide Spring	19 - 16
V4A1 5522	Lower Entrance Guide	19 - 15
V4A1 5524	Entrance Support Guide	19 - 18
V4A1 5529	Exit Support Roller	31 - 5
V4A1 5533	Antistatic Brush	17 - 20
V4A1 5534	Leaf Spring	17 - 14
V4A1 5535	Sensor Holder	17 - 2

Part No.	Description	Page and Index No.
V4A1 5536	Transport Roller	17 - 13
V4A1 5538	Limit Sensor Feeler	9 - 16
V4A1 5539	Guide Sensor Holder	17 - 19
V4A1 5540	Exit Sensor Actuator	17 - 17
V4A1 5541	Exit Sensor Actuator Spring	17 - 18
V4A1 5543	Grounding Plate	17 - 15
V4A1 5544	Guide Pressure Spring	17 - 7
V4A1 5545	Transport Gear - 25/45/85Z	39 - 21
V4A1 5546	Pulley Gear - 32Z	39 - 10
V4A1 5550	Buffer Entrance	31 - 8
V4A1 5557	Entrance Roller Spring	19 - 19
V4A1 5558	Gear - 18Z	39 - 3
V4A1 5559	Grounding Plate	19 - 21
V4A1 5560	Cushion	31 - 22
V4A1 5561	Proof Exit Guide	31 - 23
V4A1 5562	Buffer Entrance Spring	31 - 21
V4A1 6207	Mylar	31 - 25
V4B1 1131	Front Slider Stopper	13 - 5
V4B1 1132	Front Stand Cover	11 - 20
V4B1 1133	Rear Stand Cover	11 - 21
V4B1 1134	Rear Slider Stopper	13 - 6
V4B1 1135	Guide Plate	13 - 7
V4B1 1136	Lower Rear Cover	11 - 1
V4B1 1137	Right Front Cover	11 - 7
V4B1 1138	Upper Rear Cover	11 - 2
V4B1 1139	Lower Entrance Guide	19 - 1
V4B1 1140	Lower Door	11 - 14
V4B1 1141	Lower Inner Cover	11 - 15
V4B1 1142	Grip	15 - 16
V4B1 1144	Shift Tray Stay	37 - 23
V4B1 1145	Slider	13 - 2
V4B1 1146	Front Slide Cover	13 - 3
V4B1 1147	Rear Slide Cover	13 - 4
V4B1 1148	Booklet Tray Sensor Cover	15 - 25
V4B1 1149	Booklet Tray	15 - 20

Part No.	Description	Page and Index No.
V4B1 1150	Exit Guide	15 - 6
V4B1 1155	Upper Entrance Guide	19 - 17
V4B1 1156	Rear Inner Guide	31 - 1
V4B1 1158	Lower Entrance Guide	17 - 8
V4B1 1160	Shift Guide Shutter	13 - 9
V4B1 1161	Shift Guide Plate - 4	13 - 19
V4B1 1162	Lower Shift Guide	13 - 18
V4B1 1163	Right Cover	11 - 5
V4B1 1164	Rail Cover	49 - 23
V4B1 1167	Exit Roller	57 - 7
V4B1 1172	Upper Door Actuator	11 - 11
V4B1 1174	Slide Table	15 - 12
V4B1 1175	Tray Cover	9 - 3
V4B1 1176	Proof Tray	9 - 13
V4B1 1177	Joint Bracket	9 - 14
V4B1 1178	Shift Tray	9 - 12
V4B1 1179	Shift Tray Sensor Cover	9 - 10
V4B1 1182	Decal - Lower Door	11 - 25
V4B1 1183	Decal - R1	29 - 29
V4B1 1184	Decal - R2	29 - 28
V4B1 1189	Decal - Upper Door	11 - 24
V4B1 1212	Decal - Misfeed Removal	29 - 30
V4B1 1213	Decal - Misfeed Removal	11 - 23
V4B1 1215	Jogger Fence	27 - 24
V4F1 1014	Upper Inner Cover	11 - 10
V4F1 1022	Rail Mounting Plate	9 - 15
V4F1 1095	Transport Motor Bracket	55 - 28
V4F1 1286	Entrance/Transport Harness	19 - 2
V4F1 1287	Relay Harness	17 - 21
V4F1 1292	Solenoid	29 - 22
V4F1 1296	Drive Bracket	39 - 22
V4F1 1316	Relay Harness	29 - 10
V4F1 1317	Paper Sensor Harness	15 - 10
V4F1 1319	Tray Unit Relay Harness	37 - 17
V4F1 2123	Upper Door	11 - 12

Part No.	Description	Page and Index No.
V4F1 2128	Staple Tray Ass'y	27 - 26
V4F1 2131	Exit Upper Guide	15 - 4
V4F1 2135	Guide Grip	29 - 26
V4F1 2143	IC - M27C4002-80XF1	39 - 16
V4F1 2144	IC - CY27H010-70WC	45 - 23
V4F1 2157	Upper Guide	29 - 4
V4F1 2167	Jogger Shutter Ass'y	25 - 21
V4G1 1319	Finisher Board	39 - 15
V4G1 1320	Booklet Unit Board	45 - 22
V4G1 2204	Interface Harness	39 - 1
V4G1 3537	Main Harness	39 - 23
V4G1 3548	Transfer Drive Unit - R70	39 - 17
V4G1 3559	Staple Unit - R70	35 - 1
V4G1 5331	Slide Guide Ass'y	13 - 1
V4G1 5349	Top Cover	15 - 14
V4G1 5350	Shift Tray Ass'y	37 - 18
V4G1 5354	Upper Exit Guide Unit	23 - 31
V4G1 5356	Upper Exit Guide Arm Unit	23 - 5
V4G1 5362	Guide Unit - R70	17 - 22
V4G1 5364	Upper Tray Guide Ass'y	13 - 8
V4G1 5368	Stapler Ass'y	49 - 1
V4G1 5370	Exit Frame Ass'y	57 - 1
V4G1 5430	Middle Transport Unit	29 - 1
V4G1 5431	Upper Transport Unit	29 - 27
V4H1 6280	Sensor	15 - 11
V4K1 1046	Stepping Motor - DC 18W	39 - 19
V4K1 1046	Stepping Motor	19 - 3

Part No.	Description	Page and Index No.
VFA1 6899	Roller Holder	21 - 28
VFA2 8244	Bushing	57 - 4
VFA6 0777	Grounding Plate	9 - 2
VFA6 0914	Guide Roller	9 - 5
VFA9 3739	Stapler Unit Grip	49 - 26
VFA9 3742	Folder Table Knob	51 - 5
VFA9 3955	Grip	57 - 6
VFB2 6416	Plastic Washer	49 - 7
VFB3 7249	Shutter Link	25 - 3
VFB3 7252	Shutter Lever	25 - 20
VFB3 7253	Damper	13 - 16
VFB3 7272	Rear Sheet	21 - 1
VFB3 7283	Lever	23 - 3
VFB3 7284	Plate Spring	23 - 19
VFB3 7285	Shutter Damper	13 - 17
VFB3 7288	Paddle Shaft	23 - 21
VFB3 7289	Roller Shaft	23 - 2
VFB3 7292	Sensor Bracket	21 - 25
VFB3 7298	Shutter Cam	21 - 5
VFB3 7302	Slide Guide A	37 - 19
VFB3 7303	Slide Guide B	37 - 22
VFB3 7304	Bracket	37 - 26
VFB3 7306	Guide Plate	37 - 14
VFB3 7307	Sensor Actuator	9 - 8
VFB3 7310	Sensor Actuator	11 - 4
VFB3 7318	Board Cover	35 - 19
VFB3 7322	Pin	17 - 27
VFB3 7330	Joint Rail	9 - 4
VFB3 7344	Roller	37 - 20
VFB3 7345	Sensor Cover	39 - 7
VFB3 7350	Holder	55 - 5
VFB3 7351	Sensor Bracket	55 - 2
VFB3 7353	Bracket	55 - 6
VFB3 7357	Pressure Ring	15 - 18
VFB3 7365	Roller	37 - 24

Part No.	Description	Page and Index No.
VFB3 7366	Solenoid Bracket	31 - 11
VFB3 7367	Grounding Plate	35 - 15
VFB3 7371	Stapler Guide	35 - 5
VFB3 7372	Rack	35 - 20
VFB3 7373	Guide Plate	35 - 3
VFB3 7374	Sensor Cover	35 - 25
VFB3 7375	Bracket	35 - 4
VFB3 7380	Timing Belt - B40S2M264	35 - 11
VFB3 7382	Stopper Cam	35 - 7
VFB3 7395	Sensor Actuator	17 - 5
VFB3 7398	Harness Guide	33 - 18
VFB3 7399	Switch Bracket	33 - 6
VFB3 7400	Front Stopper Lever	25 - 12
VFB3 7403	Rear Stopper Lever	31 - 9
VFB3 7404	Junction Gate	31 - 10
VFB3 7405	Junction Gate Lever	31 - 14
VFB3 7406	Junction Gate Lever	31 - 15
VFB3 7407	Junction Gate Lever	31 - 17
VFB3 7409	Link	25 - 8
VFB3 7415	Plate Spring	29 - 25
VFB3 7417	Junction Gate	29 - 2
VFB3 7419	Guide Plate	29 - 12
VFB3 7420	Sensor Actuator	29 - 16
VFB3 7422	Guide Roller Holder	29 - 23
VFB3 7423	Junction Gate Holder	29 - 5
VFB3 7431	Link	31 - 18
VFB3 7434	Sensor Bracket	33 - 9
VFB3 7436	Door Hinge	11 - 6
VFB3 7438	Transport Roller	33 - 15
VFB3 7846	Sensor Actuator	41 - 4
VFB3 7847	Sensor Board	41 - 6
VFB3 7848	Torsion Spring	41 - 5
VFB3 7849	Guide Plate	41 - 9
VFB3 7851	Plate Spring	43 - 24
VFB3 7853	Guide Plate	43 - 22

Part No.	Description	Page and Index No.
VFB3 7854	Discharge Brush	43 - 18
VFB3 7855	Discharge Brush	15 - 5
VFB3 7856	Front Roller Holder	53 - 20
VFB3 7857	Stay	49 - 29
VFB3 7858	Stapler Bracket	49 - 30
VFB3 7859	Stapler Guide	49 - 12
VFB3 7861	Guide	49 - 28
VFB3 7862	Slide Shaft	49 - 20
VFB3 7863	Stopper	49 - 8
VFB3 7864	Plate	49 - 27
VFB3 7865	Upper Slider	49 - 19
VFB3 7866	Stapler Positioning Pin	49 - 11
VFB3 7867	Lower Slider	49 - 21
VFB3 7869	Guide Pulley	51 - 25
VFB3 7870	Shaft	51 - 33
VFB3 7871	Cover	49 - 13
VFB3 7873	Switch Bracket	53 - 13
VFB3 7875	Roller Guide	47 - 23
VFB3 7876	Front Guide Gear	47 - 22
VFB3 7877	Rear Guide Gear	47 - 18
VFB3 7878	Guide Gear Holder	47 - 6
VFB3 7882	Guide Gear Holder	51 - 6
VFB3 7883	Right Cover Bracket	43 - 3
VFB3 7884	Sensor Bracket	51 - 15
VFB3 7884	Sensor Bracket	53 - 32
VFB3 7885	Sensor Bracket	43 - 10
VFB3 7888	Folder Bracket	51 - 30
VFB3 7889	Folder Holder	51 - 32
VFB3 7891	Shaft	45 - 2
VFB3 7892	Shaft	45 - 3
VFB3 7893	Stopper	45 - 24
VFB3 7894	Guide	45 - 4
VFB3 7895	Sensor Actuator	45 - 18
VFB3 7896	Torsion Spring	45 - 17
VFB3 7897	Belt Holder	45 - 12

Part No.	Description	Page and Index No.
VFB3 7903	Plate Spring	15 - 3
VFB3 7904	Release Shaft	57 - 12
VFB3 7905	Sensor Actuator	15 - 23
VFB3 7906	Idle Roller	57 - 19
VFB3 7907	Torsion Spring	57 - 13
VFB3 7909	Exit Sensor Cover	57 - 11
VFB3 7910	Photosensor	57 - 14
VFB3 7911	Shaft	53 - 24
VFB3 7912	Roller	53 - 25
VFB3 7915	Entrance Roller	41 - 13
VFB3 7918	Shaft	51 - 16
VFB3 7920	Middle Roller	47 - 26
VFB3 7923	Cam Shaft	47 - 25
VFB3 7925	Sensor Actuator	53 - 29
VFB3 7926	Roller Bracket	47 - 19
VFB3 7927	Idle Roller	47 - 20
VFB3 7928	Junction Gate	41 - 11
VFB3 7929	Lock Lever	57 - 2
VFB3 7930	Junction Gate Lever	41 - 21
VFB3 7931	Solenoid Bracket	55 - 9
VFB3 7932	Grounding Plate	57 - 25
VFB3 7934	Rear Rack Gear	53 - 5
VFB3 7935	Drive Shaft	53 - 23
VFB3 7937	Link	51 - 27
VFB3 7939	Front Pressure Lever	53 - 10
VFB3 7940	Rear Pressure Lever	53 - 7
VFB3 7941	Stopper	51 - 23
VFB3 7943	Front Side Guide	47 - 27
VFB3 7944	Rear Side Guide	47 - 28
VFB3 7945	Guide Roller	47 - 16
VFB3 7946	Sensor Bracket	47 - 14
VFB3 7947	Rear Slide Guide	47 - 15
VFB3 7948	Sensor Bracket	53 - 31
VFB3 7949	Upper Slide Rail	41 - 12
VFB3 7950	Lower Rail	43 - 1

Part No.	Description	Page and Index No.
VFB3 7953	Upper Plate	43 - 4
VFB3 7954	Guide Sheet	53 - 26
VFB3 7955	Stay	45 - 5
VFB3 7958	Right Cover	11 - 9
VFB3 7962	Front Door Hinge	11 - 13
VFB3 7963	Guide Plate	33 - 14
VFB3 7964	Torsion Spring	15 - 24
VFB3 7966	Grounding Plate	57 - 17
VFB3 7967	Front Rack Gear	53 - 19
VFB3 7969	Rear Roller Holder	53 - 22
VFB3 7971	Spring	15 - 8
VFB3 7972	Link	55 - 21
VFB3 7973	Link	47 - 29
VFB3 7974	Sensor Bracket	51 - 2
VFB3 7975	Stay	33 - 2
VFB3 7976	Switch Bracket	43 - 14
VFB3 7977	Guide	45 - 9
VFB3 7978	Discharge Brush	57 - 10
VFB3 7979	Sensor Actuator	41 - 16
VFB3 7980	Torsion Spring	41 - 17
VFB3 7981	Plate Spring	49 - 22
VFB3 7984	Sensor Actuator	43 - 6
VFB3 7985	Torsion Spring	43 - 8
VFB3 9401	Guide Plate Stay	13 - 11
VFB3 9403	Spacer	25 - 18
VFB3 9404	Silencer Sheet	27 - 32
VFB3 9407	Leaf Spring	27 - 31
VFB3 9408	Leaf Spring	13 - 10
VFB3 9409	Front Stopper	25 - 14
VFB4 0654	Paper Pressure Arm	17 - 3
VFB4 0655	Caster	11 - 18
VFB4 0656	Leaf Spring	33 - 8
VFB4 0657	Grounding Plate	31 - 3
VFB4 0658	Cam	37 - 5
VFB4 0659	Harness Guide	37 - 1

Part No.	Description	Page and Index No.
VFB4 5387	Roller Shaft	29 - 18
VFB4 5388	Roller - 1	29 - 19
VFB4 5389	Roller - 2	29 - 20
VFB4 6649	Grounding Plate	23 - 12
VFB4 6651	Antistatic Brush	23 - 7
VFB4 6652	Upper Entrance Guide	35 - 21
VFB4 6653	Lower Entrance Guide	35 - 28
VFB4 6655	Mylar	27 - 29
VFB4 6656	Transport Belt	21 - 14
VFB4 6825	Paddle	23 - 33
VFB4 6826	Paddle Holder	23 - 32
VFB4 8147	Cushion	23 - 24
VFB4 8148	Guide	33 - 12
VFB4 8148	Guide	29 - 7
VFB4 8153	Roller Holder	23 - 15
VFB4 9051	Exit Sensor Actuator	21 - 20
VFB4 9053	Antistatic Brush FD	23 - 9
VFB4 9054	Antistatic Brush	23 - 8
VFB4 9056	Shift Guide Mylar - M	27 - 7
VFB4 9157	Torsion Spring	33 - 13
VFB4 9158	Leaf Spring	49 - 14
VFB4 9159	Stapler Sheet	49 - 3
VFB4 9165	Paddle Holder	57 - 8
VFB4 9166	Paddle	57 - 9
VFB4 9168	Mylar	57 - 24
VFB4 9168	Mylar	13 - 21
VFB4 9171	Switch Holder	41 - 14
VFB4 9171	Switch Holder	53 - 17
VFB4 9171	Switch Holder	43 - 12
VFB4 9172	Back Up Plate	51 - 36
VFB4 9175	Cushion	15 - 26
VFB4 9689	Grounding Spring - F	17 - 25
VFB4 9690	Grounding Spring	17 - 24
VFB5 5830	Middle Frame	33 - 17
VFB5 5833	Stapler Support Guide - Front	21 - 21

Part No.	Description	Page and Index No.
VFB5 5834	Stapler Support Guide - Rear	21 - 12
VFB5 5835	Stopper Link - R	25 - 7
VFB5 5836	Stopper - R	25 - 9
VFB5 5840	Actuator - Stapler Tray Sensor	27 - 34
VFB5 5842	Switch Plate - Exit Sensor	21 - 10
VFB5 5843	Sensor Bracket - Exit Motor	27 - 13
VFB5 5845	Stopper Holder Plate - R	25 - 6
VFB5 5846	Stopper Holder Plate - R	25 - 5
VFB5 5847	Shutter Link - A	25 - 1
VFB5 5848	Stopper Shaft Collar	25 - 11
VFB5 5849	Exit Roller - 2	27 - 27
VFB5 5850	Swing Guide Arm	23 - 35
VFB5 5851	Support Plate - Exit Guide	23 - 34
VFB5 5852	Grounding Plate - Exit Guide	23 - 10
VFB5 5853	Exit Support Guide	27 - 1
VFB5 5854	Pressure Roller	21 - 24
VFB5 5857	Shutter Cam Spring	27 - 5
VFB5 5858	Paper Guide Plate - 1	23 - 23
VFB5 5859	Stopper Shaft Collar	25 - 24
VFB5 5862	Drive Bracket Base	37 - 11
VFB5 5863	Lower Drive Bracket	37 - 27
VFB5 5864	Tray Drive Shaft	37 - 15
VFB5 5865	Gear - 22Z	37 - 6
VFB5 5868	Holder Plate	33 - 20
VFB5 5870	Release Link - A	33 - 21
VFB5 5898	Release Link - B	33 - 22
VFB5 5899	Release Link - C	33 - 23
VFB5 5900	Release Link Shaft	33 - 24
VFB5 5902	Release Roller - A	21 - 27
VFB5 5903	Release Roller - B	21 - 26
VFB5 5908	Grounding Plate	13 - 22
VFB5 5909	Exit Roller - 1D	21 - 16
VFB5 5913	Exit Gear Flange	27 - 20
VFB5 5936	Folding Roller	53 - 21
VFB5 5937	Positioning Roller Sensor Actuator	53 - 33

Part No.	Description	Page and Index No.
VFB5 5939	Folder Plate	51 - 31
VFB5 6222	Entrance Sensor Holder	19 - 7
VFB5 6223	Entrance Sensor Feeler	19 - 10
VFB5 6240	Shift Guide Plate - 3	13 - 20
VFB5 6242	Antistatic Brush FD	23 - 6
VFB5 6243	Cushion	33 - 29
VFB5 6250	Paper Guide Mylar - F	21 - 15
VFB5 6251	Paper Guide Mylar - RR	21 - 22
VFB5 6261	Securing Plate	35 - 29
VFB5 8592	Collar	27 - 3
VFC1 6314	Slide Shoe	9 - 1
VFC1 7432	Torsion Spring	57 - 3
VFE9 0018	Stepped Screw - M3	19 - 8
VFF3 3111	Paper Pass Sensor Harness	43 - 7
VFF3 4018	Main Harness - Swing Guide	27 - 23
VFF3 4020	Detector Harness	21 - 7
VFF3 4021	Detector Harness	21 - 6
VFF3 4069	Stapler Relay Harness	35 - 2
VFF3 4071	Booklet Interface Harness	39 - 13
VFF3 4073	Relay Harness - Exit Sensor	57 - 16
VFF3 4074	Detector Harness	33 - 7
VFF3 4074	Detector Harness	39 - 6
VFF3 4077	Stapler Harness	35 - 17
VFF3 4078	Stapler Harness 2	35 - 24
VFF3 4079	Grounding Wire	21 - 11
VFF3 4080	Shutter Sensor Harness	13 - 13
VFF3 4081	Trailing Sensor Harness	15 - 21
VFF3 4084	Stapler Relay Harness	49 - 17
VFF3 4085	Relay Harness - Cover Sensor	53 - 12
VFF3 4086	Relay Harness - Paper Size	41 - 1
VFF3 4087	Relay Harness	47 - 3
VFF3 4132	Paper Position Sensor Harness	45 - 20
VFF5 5654	Paddle Drive Plate	23 - 30
VFF5 5660	Front Tray Frame	37 - 16
VFF5 5662	Tightener	33 - 19

Part No.	Description	Page and Index No.
VFF5 5666	Solenoid	31 - 19
VFF5 5667	Solenoid	31 - 16
VFF5 5668	Solenoid	31 - 12
VFF5 5669	Solenoid Bracket	31 - 20
VFF5 5689	Relay Harness - Tray Sensor	9 - 11
VFF5 5699	Staple Unit Holder MB2 ADDED	35 - 30
VFF5 5798	Guide Plate	47 - 7
VFF5 5799	Motor Bracket	51 - 37
VFF5 5802	Idler Gear Bracket	57 - 23
VFF5 5804	Motor Bracket	47 - 5
VFF5 5805	Tightener	55 - 27
VFF5 5806	Solenoid Bracket	55 - 16
VFF5 5807	Motor Bracket	55 - 13
VFF5 5809	Guide Holder	33 - 4
VFF5 5809	Guide Holder	43 - 15
VFF5 5810	Roller Guide	53 - 27
VFF5 7550	Caster Support Bracket	9 - 6
VFF5 7554	Rear Tray Frame	37 - 21
VFF5 7557	Middle Guide Plate	29 - 8
VFF5 8683	Antistatic Brush	41 - 10
VFF5 8684	Antistatic Brush	43 - 21
VFF6 0419	Trailing Edge Guide Plate 2R	23 - 20
VFF6 0420	Trailing Edge Guide Plate 2R	23 - 18
VFF6 0425	Rear Bracket	27 - 6
VFF6 0426	RB Release Holder 1	33 - 25
VFF6 0427	RB Release Holder 3	33 - 27
VFF6 0428	Jogger Motor Holder	25 - 4
VFF6 0434	Stp Guide Ass'y	21 - 23
VFF6 0639	Shutter Holder Ass'y	13 - 14
VFF6 0640	Release Solenoid Ass'y	33 - 26
VFG3 1373	Main Saddle Harness	45 - 25
VFG5 8190	Sensor PCB	37 - 9
VFG5 8191	Stapler Relay Harness	35 - 18
VFG5 8390	Lower Bus Guide Ass'y	47 - 1
VFG5 8408	Paper Size Sensor PCB	41 - 2

Part No.	Description	Page and Index No.
VFG6 6242	Tray Drive Unit	37 - 3
VFH6 1342	Stepping Motor - DC 14.4W	25 - 15
VFH6 1343	Stepping Motor - DC 14.4W	35 - 16
VFH6 1455	Motor - DC 55.5W	51 - 19
VFH6 1456	Motor - DC 28.8W	51 - 21
VFH6 1457	Motor - DC 12.72W	55 - 23
VFH6 1457	Motor - DC 12.72W	47 - 10
VFH6 1458	Motor - DC 7.68W	55 - 19
VFH6 1460	Motor - DC 4.8W	27 - 11
VFH6 1527	Motor - DC 12.72W	45 - 11
VFH6 1781	Motor	27 - 10
VFH6 1783	Motor - DC 21.6W	37 - 13
VFH7 5766	Solenoid	55 - 8
VFH7 5767	Solenoid	55 - 15
VFH7 5940	Solenoid	25 - 23
VFH7 5979	Solenoid	23 - 25
VFH7 7394	Photointerruptor	27 - 12
VFH7 7394	Photointerruptor	51 - 3
VFH7 7419	Photointerrupter	21 - 13
VFS1 1187	Bushing	47 - 24
VFS1 1187	Bushing	41 - 8
VFS1 1187	Bushing	31 - 4
VFS1 1187	Bushing	57 - 5
VFS1 1187	Bushing	29 - 21
VFS1 1187	Bushing	53 - 1
VFS1 1187	Bushing	21 - 2
VFS1 1189	Bushing	37 - 12
VFS1 1189	Bushing	51 - 28
VFS1 1206	Bushing	51 - 13
VFS1 1213	Bushing - 6mm	57 - 21
VFS1 1213	Bushing - 6mm	27 - 33
VFS1 1213	Bushing - 6mm	53 - 28
VFS1 1213	Bushing - 6mm	41 - 22
VFS1 1213	Bushing - 6mm	31 - 6
VFS1 1213	Bushing - 6mm	47 - 30

Part No.	Description	Page and Index No.
VFS1 1273	Bushing	37 - 4
VFS1 1508	Bushing	29 - 17
VFS1 1510	Bushing	51 - 8
VFS1 9054	Stepped Screw	55 - 20
VFS1 9073	Stepped Screw - 8.2	51 - 22
VFS1 9076	Stepped Screw - M1.9	53 - 8
VFS1 9076	Stepped Screw - M1.9	49 - 4
VFS1 9102	Stepped Screw - M3	35 - 13
VFS1 9166	Stepped Screw - M4	41 - 3
VFS2 9407	Stepped Screw	17 - 16
VFS2 9407	Stepped Screw	49 - 18
VFS5 1004	Bushing - 5mm	25 - 27
VFS5 1753	Bushing	49 - 5
VFS5 1754	Bushing	51 - 26
VFS5 1805	Bushing	23 - 22
VFS5 3409	Idle Pulley	55 - 12
VFS5 3540	Gear - 25Z	27 - 21
VFS5 3541	Gear - 21Z	23 - 29
VFS5 3542	Gear - 21Z	23 - 26
VFS5 3547	Gear - 18Z	21 - 4
VFS5 3548	Coupled Gear - 12Z/36Z	25 - 19
VFS5 3549	Gear - 21Z	33 - 5
VFS5 3550	Gear - 35Z	29 - 11
VFS5 3551	Gear/Pulley - 44Z/16Z	35 - 9
VFS5 3552	Gear/Pulley - 16Z/40Z	35 - 10
VFS5 3561	Pulley - 26Z	31 - 7
VFS5 3563	Gear - 23/15Z	27 - 17
VFS5 3574	Gear - 30Z	45 - 7
VFS5 3575	Gear - 30Z	45 - 14
VFS5 3576	Gear - 30Z	55 - 17
VFS5 3577	Gear - 39Z	55 - 11
VFS5 3580	Gear - 24Z	47 - 31
VFS5 3849	Pulley	27 - 14
VFS5 3850	Gear - 30/14Z	27 - 15
VFS5 6514	Roller	23 - 1

Part No.	Description	Page and Index No.
VFS5 6516	Washer	15 - 19
VFS5 6517	Roller	29 - 14
VFS5 6518	Roller	29 - 24
VFS5 6518	Roller	19 - 20
VFS5 6520	Roller	39 - 18
VFS5 6523	Roller	35 - 14
VFS5 6524	Roller	35 - 6
VFS5 6525	Washer	35 - 8
VFS5 6526	Washer	27 - 30
VFS5 6527	Washer	37 - 7
VFS5 6528	Washer	35 - 12
VFS5 6530	Roller	29 - 6
VFS5 6531	Roller	23 - 14
VFS5 6544	Roller	43 - 23
VFS5 6545	Roller	15 - 7
VFS5 6546	Roller	15 - 1
VFS5 6547	Washer	55 - 24
VFS5 6549	Roller	49 - 25
VFS5 6550	Washer	55 - 18
VFS5 9212	Stepped Screw	41 - 15
VFS5 9212	Stepped Screw	45 - 19
VFS5 9579	Stepped Screw	11 - 22
VFS6 0814	Pulley/gear - 32Z/32Z	47 - 8
VFS6 0815	Pulley/gear - 16Z/32Z	47 - 12
VFS6 0816	Gear - 42Z	51 - 7
VFS6 0817	Gear - 16Z	51 - 20
VFS6 0819	Pulley/gear - 44Z/24Z	51 - 9
VFS6 0820	Coupled Gear - 15Z/30Z	45 - 13
VFS6 0821	Gear - 30Z	45 - 15
VFS6 0822	Coupled Gear - 16Z/33Z	53 - 30
VFS6 0823	Gear - 16Z	53 - 2
VFS6 0824	Gear - 44Z	51 - 34
VFS6 0825	Gear - 71Z	57 - 18
VFS6 0826	Gear - 17Z	57 - 20
VFS6 0828	Coupled Gear - 16Z/60Z	51 - 11

Part No.	Description	Page and Index No.
VFS6 0829	Coupled Gear - 16Z/56Z	53 - 3
VFS6 0830	Gear - 16Z	53 - 6
VFS6 0831	Gear - 16Z	51 - 12
VFS6 0832	Coupled Gear - 22Z/48Z	55 - 22
VFS6 0833	Gear - 16Z	51 - 18
VFS6 2541	Spring	23 - 16
VFS6 2542	Spring	23 - 28
VFS6 2543	Spring	21 - 19
VFS6 2544	Spring	15 - 17
VFS6 2545	Spring	15 - 15
VFS6 2546	Spring	29 - 3
VFS6 2547	Spring	17 - 26
VFS6 2548	Spring	29 - 13
VFS6 2549	Spring	31 - 13
VFS6 2550	Spring	29 - 15
VFS6 2552	Spring	17 - 6
VFS6 2555	Spring Plate	17 - 12
VFS6 2556	Spring	9 - 7
VFS6 2561	Spring	37 - 8
VFS6 2562	Spring	23 - 4
VFS6 2563	Spring Plate	39 - 8
VFS6 2564	Spring	55 - 7
VFS6 2565	Spring	25 - 13
VFS6 2567	Spring	15 - 13
VFS6 2569	Spring	49 - 6
VFS6 2570	Spring	47 - 17
VFS6 2571	Spring	45 - 8
VFS6 2572	Spring	49 - 16
VFS6 2573	Spring	55 - 14
VFS6 2574	Spring	55 - 29
VFS6 2574	Spring	47 - 32
VFS6 2576	Spring	41 - 20
VFS6 2578	Spring	51 - 14
VFS6 2579	Spring	51 - 35
VFS6 2580	Spring	53 - 9

Part No.	Description	Page and Index No.
VFS6 2581	Spring	43 - 17
VFS6 2582	Spring	51 - 29
VFS6 2583	Spring	47 - 33
VFS6 2646	Spring	25 - 10
VFS6 2647	Spring	25 - 2
VFS6 2648	Spring	23 - 17
VFS6 2649	Spring	17 - 4
VFS6 2650	Spring	25 - 22
VFS6 2778	Spring	25 - 25
VFS6 4199	Shaft	49 - 24
VFS6 4200	Shaft	43 - 5
VFS6 4200	Shaft	47 - 21
VFS7 0827	Gear - 20/21/21Z	39 - 4
VFS7 0829	Gear	21 - 18
VFS7 0830	Gear	21 - 17
VFS7 0831	Gear - 15/34Z	27 - 18
VFS7 0832	Gear - 20Z	27 - 19
VFS7 0834	Gear - 15Z	27 - 16
VFS7 0835	Gear - 48Z	37 - 10
VFS7 0845	Gear	27 - 2
VFS7 2476	Spring	19 - 11
VFS7 2480	Spring	27 - 22
VFS7 2481	Spring	27 - 35
VFS7 2482	Spring	33 - 28
VRB1 2190	Spring Hook	23 - 27
VRB1 2190	Spring Hook	27 - 4
VRB1 8589	Seal	27 - 28
VRB2 1624	Caster	11 - 17
VRS1 1042	Bushing	51 - 17
VRS5 2596	Spring	11 - 3
VVT2 5027	Cap	39 - 24
VWC4 5128	Microswitch	41 - 19
VWC4 5128	Microswitch	53 - 16
VWC4 5128	Microswitch	43 - 13
VWC4 5130	Microswitch	55 - 4

Part No.	Description	Page and Index No.
VWG8 5309	Photointerrupter	29 - 9
VWG8 5309	Photointerrupter	55 - 1
VWG8 5309	Photointerrupter	9 - 9
VWG8 5362	Photointerrupter	15 - 22
VWG8 5364	Photointerrupter	19 - 9
VWG8 5364	Photointerrupter	17 - 1
VWG8 5364	Photointerrupter	21 - 8
VWG8 5364	Photointerrupter	25 - 17
VWG8 5364	Photointerrupter	13 - 15
VWG8 5364	Photointerrupter	33 - 10
VWG8 5364	Photointerrupter	35 - 26
VWG8 5382	Photointerrupter	45 - 21
VWG8 5405	Photointerrupter	47 - 4
VWG8 5405	Photointerrupter	43 - 9
VWG8 5405	Photointerrupter	57 - 15
VWG8 5405	Photointerrupter	41 - 18
VWG8 5405	Photointerrupter	51 - 24
VWG8 5405	Photointerrupter	53 - 18
VWS6 5091	Connector	43 - 19
VWT2 0136	Clamp	33 - 11
VWT2 0136	Clamp	49 - 15
VWT2 0204	Clamp	39 - 9
VWT2 0308	Clamp	17 - 9
VWT2 0369	Clamp	43 - 20
VWT2 5026	Clamp	19 - 22
VWT2 5031	Clamp	45 - 10
VWT2 5031	Clamp	53 - 11
VWT2 5031	Clamp	47 - 13
VWT2 5035	Edge Saddle	21 - 9
VWT2 5035	Edge Saddle	25 - 16
VWT2 5056	Clamp	43 - 11
VWT2 5056	Clamp	53 - 15
VWT2 5056	Clamp	45 - 16
VWT2 5056	Clamp	47 - 9
VWT2 5056	Clamp	51 - 1

Part No.	Description	Page and Index No.
VWT2 5123	Clamp	37 - 25
VWT2 5357	Clamp	25 - 26
VWT2 5598	Clamp	19 - 23
VWT2 5625	Clamp	35 - 27
VXA9 0732	Screw	49 - 9
VXA9 0732	Screw	55 - 3
VXA9 0732	Screw	43 - 2
VXA9 0732	Screw	41 - 7
VXA9 0732	Screw	39 - 2
VXA9 0732	Screw	37 - 2
VXA9 0732	Screw	11 - 8
VXA9 0732	Screw	33 - 1
VXA9 0732	Screw	31 - 2
VXA9 0732	Screw	47 - 11
VXA9 0732	Screw	45 - 1
VXA9 0732	Screw	21 - 29
VXA9 0732	Screw	19 - 24
VXA9 0732	Screw	53 - 14
VXA9 0732	Screw	51 - 4
VXA9 0732	Screw	17 - 28
VXA9 0732	Screw	15 - 2
VXD1 1106	Spacer	21 - 3
VXF2 13038	Timing Belt - B40S2M114	55 - 26
VXF2 16050	Timing Belt - B40S2M100	39 - 12
VXF2 16070	Timing Belt - B40S2M140	19 - 4
VXF2 16078	Timing Belt - B40S2M156	27 - 8
VXF2 16098	Timing Belt - B40S2M196	39 - 14
VXF2 16172	Timing Belt - B40S2M344	39 - 20
VXF9 0646	Timing Belt - B40S2M286	47 - 2
VXF9 0647	Timing Belt - B40S3M1119	55 - 10
VXF9 0669	Timing Belt - B40S2M438	45 - 6
VXF9 0698	Timing Belt - B60S3M192	51 - 10
VXF9 0719	Timing Belt - B40S2M196	27 - 9
VXG3 60103	Ball Bearing	27 - 25
VXG9 0131	Ball Bearing - 12x28x7	53 - 4

Part No.	Description	Page and Index No.
VXG9 0407	Bearing - 6x10x3	19 - 6
VXG9 0407	Bearing - 6x10x3	33 - 3

Part No.	Description	Page and Index No.
0252 0080W	Screw - M2X8	13 -104
0252 0080W	Screw - M2X8	41 -103
0252 0080W	Screw - M2X8	53 -106
0252 0140W	Philips Pan Head Screw - M2x14	21 -103
0313 0060W	Philips Pan Head Screw - M3X6	47 -104
0313 0060W	Philips Pan Head Screw - M3X6	19 -104
0314 0060W	Philips Pan Head Screw - M4X6	29 -105
0314 0060W	Philips Pan Head Screw - M4X6	57 -104
0314 0060W	Philips Pan Head Screw - M4X6	33 -103
0314 0200Z	Philips Screw - 4x20	9 -105
0353 0040B	Screw - M3X4	13 -105
0353 0040W	Philips Pan Head Bind Screw -M3X4	31 -103
0353 0040W	Philips Pan Head Bind Screw -M3X4	21 -104
0353 0040W	Philips Pan Head Bind Screw -M3X4	23 -103
0353 0040W	Philips Pan Head Bind Screw -M3X4	43 -104
0353 0040W	Philips Pan Head Bind Screw -M3X4	55 -102
0353 0040W	Philips Pan Head Bind Screw -M3X4	39 -104
0353 0040W	Philips Pan Head Bind Screw -M3X4	25 -104
0353 0040W	Philips Pan Head Bind Screw -M3X4	47 -102
0353 0040W	Philips Pan Head Bind Screw -M3X4	37 -102
0353 0040W	Philips Pan Head Bind Screw -M3X4	27 -104
0353 0040W	Philips Pan Head Bind Screw -M3X4	29 -101
0353 0040W	Philips Pan Head Bind Screw -M3X4	35 -103
0353 0060B	Philips Pan Head Screw - M3x6	39 -101
0353 0060W	Philips Pan Head Screw - M3X6	17 -104
0353 0060W	Philips Pan Head Screw - M3X6	41 -101
0353 0060W	Philips Pan Head Screw - M3X6	57 -101
0353 0060W	Philips Pan Head Screw - M3X6	53 -104
0353 0060W	Philips Pan Head Screw - M3X6	45 -101
0353 0060W	Philips Pan Head Screw - M3X6	15 -101
0353 0080W	Tapping Screw - M3x8	53 -103
0353 0080W	Tapping Screw - M3x8	43 -106
0353 0120W	Philips Pan Head Screw - M3x12	45 -102
0354 0060W	Philips Truss Head Screw - M4X6	9 -104
0354 0060W	Philips Truss Head Screw - M4X6	51 -103

Part No.	Description	Page and Index No.
0354 0060W	Philips Truss Head Screw - M4X6	37 -109
0354 0060W	Philips Truss Head Screw - M4x6	37 -106
0354 0060W	Philips Truss Head Screw - M4X6	35 -105
0354 0080W	Philips Pan Head Screw - M4x8	43 -105
0354 0100W	Philips Pan Head Screw - M4x10	49 -104
0413 0062F	Bind Tapping Screw - M3x6	17 -101
0413 0062F	Bind Tapping Screw - M3x6	19 -105
0413 0062W	Tapping Screw - M3x6	29 -106
0413 0082W	Tapping Screw - M3x8	47 -108
0413 0252W	Tapping Screw - M3x25	15 -102
0414 0060W	Tapping Screw - M4X6	19 -101
0414 0082F	Philips Truss Head Screw - M4x8	19 -102
0414 0082F	Philips Truss Head Screw - M4x8	17 -102
0414 0082W	Tapping Screw With Flat Washer - M4X8	11 -101
0414 0102F	Tapping Screw - M4x10	17 -103
0451 3006W	Tapping Screw - M3x6	35 -101
0451 4006Z	Tapping Screw 4x6	35 -107
0451 4006Z	Tapping Screw 4x6	49 -101
0452 3006W	Tapping Screw - 3X6	9 -103
0452 3008B	Tapping Screw - M3X8	15 -104
0452 3008B	Tapping Screw - M3X8	13 -103
0452 3008W	Binding Self Tapping Screw - M3x8	37 -104
0452 3008W	Binding Self Tapping Screw - M3x8	35 -104
0452 4008B	Binding Self Tapping Screw - M4x8	13 -101
0452 4008W	Tapping Bind Screw - M4X8	23 -102
0452 4008W	Tapping Bind Screw - M4X8	57 -103
0452 4008W	Tapping Bind Screw - M4X8	21 -106
0452 4008W	Tapping Bind Screw - M4X8	15 -105
0452 4008W	Tapping Bind Screw - M4X8	25 -102
0452 4010B	Tapping Bind Screw - M4x10	15 -103
0452 4010W	Binding Self-Tapping Screw - M4X10	29 -107
0452 4010W	Binding Self-Tapping Screw - M4X10	21 -105
0452 4010W	Binding Self-Tapping Screw - M4X10	9 -101
0452 4012B	Philips Tapping Screw - M4x12	13 -102
0622 0100E	Spring Pin - 2x10MM	51 -105

Part No.	Description	Page and Index No.
0623 0080E	Spring Pin - 3x8mm	55 -101
0623 0080E	Spring Pin - 3x8mm	25 -106
0623 0100E	Spring Pin - 3x10mm	55 -103
0632 0080G	Parallel Key - 2x8mm	29 -102
0632 0080G	Parallel Key - 2x8mm	23 -105
0632 0080G	Parallel Key - 2x8mm	21 -102
0632 0100G	Pin - 2x10mm	31 -102
0632 0160G	Parallel Pin-m2x16	37 -101
0633 0160E	Pin - 3x16mm	37 -103
0633 0200G	Pin - M3x20	51 -104
0704 0040E	Toothed Washer - M4	37 -107
0720 0030E	Retaining Ring - M3	43 -102
0720 0030E	Retaining Ring - M3	25 -103
0720 0030E	Retaining Ring - M3	19 -103
0720 0030E	Retaining Ring - M3	27 -101
0720 0040E	Retaining Ring - M4	47 -103
0720 0040E	Retaining Ring - M4	27 -103
0720 0050E	Retaining Ring - M5	39 -103
0720 0050E	Retaining Ring - M5	21 -101
0720 0050E	Retaining Ring - M5	33 -102
0720 0050E	Retaining Ring - M5	17 -105
0720 0050E	Retaining Ring - M5	31 -101
0720 0050E	Retaining Ring - M5	35 -102
0720 0050E	Retaining Ring - M5	57 -102
0720 0050E	Retaining Ring - M5	29 -103
0720 0050E	Retaining Ring - M5	47 -101
0720 0050E	Retaining Ring - M5	53 -101
0720 0050E	Retaining Ring - M5	49 -105
0720 0050E	Retaining Ring - M5	45 -103
0720 0050E	Retaining Ring - M5	55 -104
0720 0050E	Retaining Ring - M5	27 -102
0720 0050E	Retaining Ring - M5	23 -104
0720 0050E	Retaining Ring - M5	37 -108
0720 0050E	Retaining Ring - M5	25 -101
0720 0050E	Retaining Ring - M5	41 -102

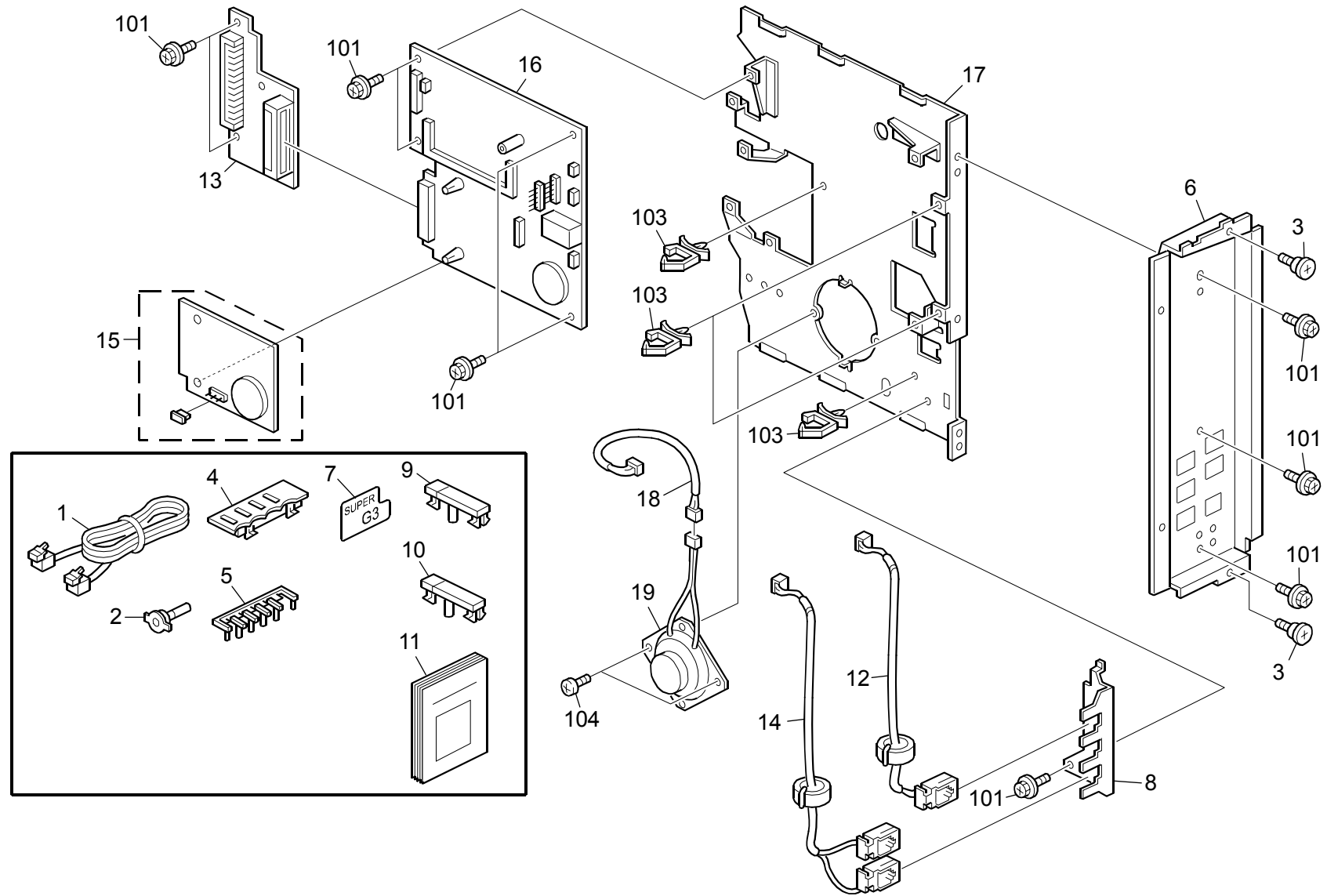
Part No.	Description	Page and Index No.
0720 0070E	Retaining Ring - M7	35 -106
0720 0070E	Retaining Ring - M7	37 -105
0720 0070E	Retaining Ring - M7	49 -102
0720 0070E	Retaining Ring - M7	51 -101
0725 0150E	Retaining Ring C - M15	53 -102
0951 3008W	Philips Screw With Flat Washer - M3x8	25 -105
0951 4006B	Philips Screw With Washer - M4x6	23 -101
0951 4006W	Philips Screw With Flat Washer - M4X6	51 -102
0951 4006W	Philips Screw With Flat Washer - M4X6	9 -102
1105 0183	Spacer	43 -101
1105 0199	Clamp	29 -104
1105 0199	Clamp	21 -107
1105 0201	Harness Clamp	47 -105
1105 0229	Clamp	49 -103
1105 0229	Clamp	35 -108
1105 0229	Clamp	37 -110
1105 0229	Clamp	33 -101
1105 0229	Clamp	43 -107
1105 0229	Clamp	45 -104
1105 0229	Clamp	47 -107
1105 0310	Harness Clamp - LWS-1S	43 -103
1105 0310	Harness Clamp - LWS-1S	39 -102
1105 0310	Harness Clamp - LWS-1S	45 -105
1105 0310	Harness Clamp - LWS-1S	55 -105
1105 0310	Harness Clamp - LWS-1S	47 -106
1105 0310	Harness Clamp - LWS-1S	33 -104
1105 0310	Harness Clamp - LWS-1S	53 -105

Part No.	Description	Page and Index No.

**B779 FAX OPTION TYPE 3045
PARTS LOCATION AND LIST**

This section instructs you as to the numbers and names of parts on this machine.

1.Fax Option (B779)



1.Fax Option (B779)

Rev. 11/10/2006

Index No.	Part No.	Description	Q'ty Per Assembly
1	B779 5273	Harness:Modular:Line:EU	1
2	H511 5007	Stamp	1
3	A684 6111	Stepped Screw - M3	1
4	B547 6370	Cover:Fax:EXP [TSB#004]	1
4	B547 6374	Cover:Fax:Chn [TSB#004]	1
4	B547 6375	Cover:Fax:Twn [TSB#004]	1
5	B077 1537	Keytop:Key Top-pause	1
6	B7795886	Panel:Fax:EXP [TSB#004]	1
7	B404 3861	SG3 Decal	1
8	B779 5894	Bracket:Modular:Fax	1
9	B077 6356	Keytop:Copy:1:NA	1
9	B077 6366	Keytop:Copy:1:EU	1
10	B547 6357	Keytop:Fax:NA	1
10	B547 6367	Keytop:Fax:EU	1
11	B779 8510	Operating Instructions:Fax:1	1
11	B779 8511	Operating Instructions:Fax:2	1
11	B779 8520	Operating Instructions:Fax:1	1
11	B779 8521	Operating Instructions:Fax:2	1
11	B779 8530	Operating Instructions:Fax:1	1
11	B779 8531	Operating Instructions:Fax:2	1
11	B779 8540	Operating Instructions:Fax:1	1
11	B779 8541	Operating Instructions:Fax:2	1
11	B779 8600	Operating Instructions:Fax:1	1
11	B779 8650	Operating Instructions:Fax:2	1
12	B779 5270	Harness:Modular:Line	1
13	B712 5175	PCB:Fcuif1	1
14	B779 5274	Harness:Modular:Tel:NA	1
14	B779 5275	Harness:Modular:Tel:EU	1
15	B779 5180	PCB:Mbu	1
16	B712 5172	PCB:Gwfcu3:NA	1
16	B712 5174	PCB:Gwfcu3:EU	1
16	B712 5178	PCB:Gwfcu3:Twn:Ass'y	1
17	B779 5889	Bracket:Fax	1
18	B779 5272	Harness:Speaker:Connecting	1
19	B712 5050	Speaker:Gr:100	1

Index No.	Part No.	Description	Q'ty Per Assembly
101	0451 3006N	Tapping Screw - 3x6	1
103	1105 0516	Clamp	1
104	0353 0060N	Philips Pan Head Bind Screw - M3x6	1

2.FCU Board (B779)

A

CAPACITOR

SYMBOL NO.	INDEX NO.
A1	134
A2	134

SYMBOL NO.	INDEX NO.
---	---
C2	147
C3	146
C4	148
C5	149
C6	149
C7	164
---	---
C9	157
C10	157

SYMBOL NO.	INDEX NO.
C11	154
C12	157
C13	157
C14	168
C15	168
C16	171
C17	167
C18	167
C19	169
C20	169

SYMBOL NO.	INDEX NO.
C21	172
C22	158
C23	160
C24	177
C25	235
C26	165
C27	165
C28	170
---	---
C30	170

SYMBOL NO.	INDEX NO.
C31	232
C32	231
C33	160
C34	151
C35	192
C36	157
C37	157
C38	234
C39	157
C40	157

SYMBOL NO.	INDEX NO.
C41	234
C42	157
C43	157
---	---
---	---
C46	157
C47	234
C48	234
---	---
C50	157

SYMBOL NO.	INDEX NO.
C51	157
C52	157
C53	234
C54	157
C55	161
C56	157
C57	163
C58	232
C59	233
C60	160

BAT

SYMBOL NO.	INDEX NO.
BAT1	111

CAPACITOR

SYMBOL NO.	INDEX NO.
C61	153
C62	152
C63	162
C64	234
C65	157
C66	234
C67	157
C68	234
C69	157
C70	234

SYMBOL NO.	INDEX NO.
C71	234
C72	234
C73	234
C74	157
C75	157
C76	157
C77	175
C78	157
---	---
C80	236

SYMBOL NO.	INDEX NO.
C81	157
C82	157
C83	157
C84	157
C85	157
C86	157
C87	157
C88	234
C89	234
C90	156

SYMBOL NO.	INDEX NO.
C91	157
C92	157
C93	153
C94	166
C95	178
C96	157
C97	157
C98	159
C99	159
C100	165

SYMBOL NO.	INDEX NO.
C101	179
C102	153
---	---
C104	155
---	---
C106	157
C107	150
C108	150
---	---
C110	157

SYMBOL NO.	INDEX NO.
C111	157
C112	151
C113	151
C114	174
C115	174
C116	155
C117	155
---	---
C119	157
---	---

SYMBOL NO.	INDEX NO.
---	---
---	---
---	---
---	---
---	---
C128	173
C129	173
C130	173
C203	230
C204	176

2.FCU Board (B779)

CONNECTOR

SYMBOL NO.	INDEX NO.
CN600	107
CN601	108
---	---
---	---
CN604	105
CN605	102
CN606	104
---	---
---	---
---	---

SYMBOL NO.	INDEX NO.
---	---
---	---
CN622	106
CN622	109
CN623	103

DIODE

SYMBOL NO.	INDEX NO.
D1	122
---	---
D3	122
D4	131
D5	131
D6	127
D7	127
D8	122
D9	128
D10	130

SYMBOL NO.	INDEX NO.
D11	131
D12	131
D13	126

DA

SYMBOL NO.	INDEX NO.
DA1	123

FIL

SYMBOL NO.	INDEX NO.
FI L1	180
---	---
---	---
FI L4	181
FI L4	184
FI L5	181
FI L5	184

IC

SYMBOL NO.	INDEX NO.
---	---
IC2	140
IC3	141
---	---
IC5	237
IC6	138
IC7	1
IC8	139
---	---
IC10	137

L

SYMBOL NO.	INDEX NO.
L1	185
L2	183
L2	186
L3	182
L3	187
L4	182
L4	187

LED

SYMBOL NO.	INDEX NO.
LED1	132
LED2	133

Q

SYMBOL NO.	INDEX NO.
Q1	117
Q2	118
Q3	117
Q4	116
Q5	113
Q6	114
Q7	114
Q8	113
Q9	114
Q10	114

SYMBOL NO.	INDEX NO.
Q11	114
Q12	120
Q13	115
Q14	119

RESISTOR

SYMBOL NO.	INDEX NO.
---	---
R2	207
R3	207
R4	207
R5	207
R6	207
R7	207
R8	207
R9	207
R10	207

SYMBOL NO.	INDEX NO.
R11	211
R12	211
R13	207
R14	197
R15	207
R16	196
R17	196
R18	196
R19	196
R20	196

SYMBOL NO.	INDEX NO.
R21	198
R22	198
R23	222
R24	204
R25	217
R26	217
R27	200
R28	226
R29	229
R30	201

SYMBOL NO.	INDEX NO.
R31	193
---	---
R33	193
R34	196
R35	197
R36	207
R37	191
R38	207
R39	207
R40	207

OSC

SYMBOL NO.	INDEX NO.
OSC1	142
OSC2	143

2.FCU Board (B779)

RESISTOR

SYMBOL NO.	INDEX NO.	SYMBOL NO.	INDEX NO.	SYMBOL NO.	INDEX NO.	SYMBOL NO.	INDEX NO.	SYMBOL NO.	INDEX NO.	SYMBOL NO.	INDEX NO.	SYMBOL NO.	INDEX NO.
R41	207	F51	191	---	---	R71	216	R81	195	F91	207	R101	207
R42	207	F52	196	R62	207	R72	209	R82	210	F92	207	R102	204
R43	207	F53	223	R63	207	R73	209	R83	198	F93	203	---	---
R44	207	F54	223	R64	207	R74	209	---	---	F94	203	R104	196
R45	207	---	---	R65	218	R75	205	R85	214	F95	207	R105	196
R46	196	F56	191	R66	207	R76	217	R86	208	F96	207	R106	196
R47	195	F57	196	R67	207	R77	209	---	---	F97	207	R107	196
R48	195	F58	191	R68	207	R78	224	R88	191	F98	196	R108	219
R49	207	F59	191	R69	207	R79	224	---	---	F99	207	---	---
R50	207	---	---	R70	196	R80	228	R90	191	R100	207	R110	197

RESISTOR

SYMBOL NO.	INDEX NO.	SYMBOL NO.	INDEX NO.	SYMBOL NO.	INDEX NO.	SYMBOL NO.	INDEX NO.	SYMBOL NO.	INDEX NO.	SYMBOL NO.	INDEX NO.	SYMBOL NO.	INDEX NO.
R111	219	R121	206	R131	191	R141	220	---	---	---	---	RN1	189
R112	219	R122	197	R132	199	R142	220	---	---	R212	191	RN2	189
R113	207	R123	207	R133	196	R143	227	---	---	R213	191	RN3	188
R114	191	R124	212	R134	191	R144	225	---	---	---	---	RN4	188
R115	196	R125	196	---	---	R145	220	---	---	---	---	RN5	145
R116	196	R126	196	R136	191	R146	220	---	---	---	---	RN6	188
R117	196	R127	213	---	---	R147	220	---	---	R217	191	RN7	188
R118	196	R128	202	---	---	R148	221	---	---	---	---	RN8	188
R119	196	R129	191	R139	196	R149	221	R209	191	R219	191	RN9	188
R120	215	R130	194	R140	220	R150	196	---	---	---	---	RN10	188

RN

2.FCU Board (B779)

RN

SYMBOL NO.	INDEX NO.
RN11	188
RN12	145
RN13	188
RN14	188
RN15	190
RN16	190
RN17	188
RN18	188
RN19	189
RN20	189

SYMBOL NO.	INDEX NO.
RN21	144
RN22	189

RY

SYMBOL NO.	INDEX NO.
RY2	112

V

SYMBOL NO.	INDEX NO.
V1	135
V2	136
V3	135

ZD

SYMBOL NO.	INDEX NO.
ZD1	121
ZD2	125
ZD3	125
ZD4	129
ZD5	124

2.FCU Board (B779)

Index No.	Part No.	Description	Q'ty Per Assembly
*	B712 5172	PCB:GWFCU3:NA	1
*	B712 5174	PCB:GWFCU3:EU	1
*	B712 5178	PCB:GWFCU3:TWN:Ass'y	1
1	B620 5511	IF-FAME-RL5T818-0001	1
2	B620 5513	IC-FACE3-RB5A264	1
3	B712 5051	Connector:FFC:PB:50P	1

Index No.	Part No.	Description	Q'ty Per Assembly
101	1002 0307	Jumper Wire	
102	1102 4201	Connector - 2P	
103	1102 4205	CT Header - 6P	
104	1102 4633	CT Header - 4P	
105	1102 8189	DIMM Connector - 54534-1440	
106	1102 8396	Connector - B06B-CZHK-B-1(LF)(V)	
107	1102 9093	Connector:RHM-88R-SSK-	
108	1102 9634	Connector - WR-60P-VF50-1	
109	1102 9999	Connector - B03B-CZHK-B(LF)(V)	
110	1105 0338	Spacer - 8mm	
111	1206 0084	2ndary Lithium Cell:VI2330/1hf	
112	1208 1438	Relay - EC2 5ND	
113	1400 0769	Transistor - 2SA1576A	
114	1400 0775	Transistor - 2SC4081	
115	1400 0781	Transistor:2SB1132R	
116	1400 0841	Transistor:2SD1898Q	
117	1400 1018	Transistor - MMBTA42	
118	1400 1019	Transistor - MMBTA92	
119	1401 1056	Fet - 2SK2158	
120	1401 1116	Transistor - 2SC5053	
121	1402 0506	Diode - RD43EB	
122	1402 1336	Diode - 1SS355	
123	1402 1343	Diode - RB106L-40	
124	1402 1384	Diode - UDZS12B	
125	1402 1505	Diode - UDZS5.6B	
126	1402 1530	Diode - RB520S-30	
127	1402 1584	Diode - DAN217U	
128	1402 1599	Diode - RB551	
129	1402 1647	Diode - UDZS3.6B	
130	1402 1698	Diode - RB	
131	1402 1734	Diode - 1SR156-400	
132	1403 0953	LED - SML-310MT	
133	1403 0996	LED - SML-310VT	
134	1404 0983	Arrestor- RA-102MS-V7-F(5)	
135	1404 1033	Varistor - TNR9SE431K	

Index No.	Part No.	Description	Q'ty Per Assembly
136	1404 1070	Varistor - TISP4290H3BJ	
137	1407 5441	IC - 74LVC00A:TSOP	
138	1407 5858	IC - SI3016	
139	1408 1829	Ope Amp - LM358PW	
140	1408 1861	Regulator - UPC2918T	
141	1408 2080	IC - RN5RK	
142	1503 0460	Oscillator - 32.768KHZ	
143	1503 1004	Oscilator - 19.6608Mhz	
144	1601 7752	Resistor Array - 10K Ω \pm 5%	
145	1601 7867	Resistor - 33 Ω \pm 5% 1/16W	
146	1604 5210	Capacitor - 22 μ F \pm 20% 16V	
147	1604 5211	Capacitor - 47 μ F \pm 20% 16V	
148	1604 5212	Capacitor - 100 μ F \pm 20% 16V	
149	1604 5213	Capacitor - 220 μ F \pm 20% 10V	
150	1605 0832	Capacitor - 8PF \pm 0.5pF 50V	
151	1605 1148	Capacitor - 0.1 μ F+80-20% 50V	
152	1605 1163	Ceramic Capacitor - 560pF \pm 5%:50V	
153	1605 1190	Resistor - 0.022 μ F \pm 10% 50V	
154	1605 1200	Capacitor - 10PF \pm 0.5pF 50V	
155	1605 1214	Capacitor - 1000pF \pm 10% 50V	
156	1605 1216	Capacitor - 2200pF \pm 10%50V	
157	1605 1221	Capacitor - 0.1 UF+80-20%16V	
158	1605 1225	Capacitor - 0.1 μ F \pm 10% 50V	
159	1605 1275	Capacitor - 820pF \pm 5% 50V	
160	1605 1281	Capacitor - 0.22 μ F \pm 10% 16V	
161	1605 1295	Capacitor:10uf:+80-20%:10V	
162	1605 1299	Resistor - 56pF \pm 5% 50V	
163	1605 1306	Capacitor - 1 μ F \pm 10% 10V	
164	1605 1347	Capacitor - 1UF:+80-20%:16V	
165	1605 1353	Capacitor - 0.1 μ F \pm 10% 25V	
166	1605 1396	Capacitor - 0.33 μ F \pm 10% 50V	
167	1605 1397	Capacitor - 560pF \pm 10% 630V	
168	1605 1398	Capacitor - 1000pF \pm 20% AC250V	
169	1605 1399	Capacitor - 3900pF \pm 5% 50V	
170	1605 1400	Capacitor - 150pF \pm 10% AC250V	

Index No.	Part No.	Description	Q'ty Per Assembly
171	1605 1401	Capacitor - 0.01 μ F \pm 10% 250V	
172	1605 1402	Capacitor - 1800pF \pm 5% 50V	
173	1605 1421	Capacitor - 150pF \pm 10% AC250V	
174	1605 1422	Capacitor - 1000pF \pm 20% AC250V	
175	1605 1446	Resistor - 120pF \pm 5% 50V	
176	1605 1460	Capacitor - 0.22pF \pm 10% AC250V	
177	1605 1475	Resistor - 1 μ F \pm 10% 16V	
178	1605 1539	Resistor - 1.5 μ F \pm 10% 16V	
179	1605 1544	Resistor - 330pF \pm 5% 50V	
180	1607 0069	Fuse - BL02RN2-R62-PB	
181	1607 0824	Filter - BLM11A601SPB	
182	1607 0425	Coil: SBT-0260	
183	1607 0612	St-110AV	
184	1607 0824	Filter - BLM11A601SPB	
185	1607 1196	Inductor -220uh \pm 20% 0.33A	
186	1607 1284	Choke Coil - ST-110BV	
187	1607 1584	Inductor - LAV35VB151J	
188	1609 0005	Registor:33 Ω : \pm 5%:1/16W	
189	1609 0006	Registor:10k Ω : \pm 5%:1/16W	
190	1609 0026	Resistor - 47 Ω \pm 5% 1/16W	
191	1634 0000	Resistor - 0 Ω 1/16W	
192	1640 3221	Capacitor:220uf: \pm 20%:35V	
193	1650 4100	Resistor - 10 Ω \pm 5% 1/10W	
194	1650 4101	Resistor - 100 Ω \pm 5%1/10W	
195	1650 4102	Resistor - 1K Ω \pm 5% 1/10W	
196	1650 4103	Resistor - 10K Ω \pm 5% 1/10W	
197	1650 4104	Resistor - 100K Ω \pm 5%1/10W	
198	1650 4106	Resistor - 10M Ω \pm 5%1/10W	
199	1650 4121	Resistor - 120 Ω \pm 5%1/10W	
200	1650 4124	Resistor:120k Ω : \pm 5%:1/10W	
201	1650 4151	Resistor - 150 Ω \pm 5%1/10W	
202	1650 4204	Resistor - 200K Ω \pm 5%1/10W	
203	1650 4220	Chip Resistor - 22 Ω \pm 5% 1/10W	
204	1650 4222	Resistor - 2.2K Ω \pm 5%1/10W	
205	1650 4223	Resistor - 22K Ω \pm 5%1/10W	

**B779 FAX OPTION TYPE 3045
PARTS INDEX**

This section instructs you as to the numbers and names of parts on this machine.

Parts Index

Part No.	Description	Page and Index No.
B779 5180	PCB:Mbu	1 - 15
B779 5270	Harness:Modular:Line	1 - 12
B779 5272	Harness:Speaker:Connecting	1 - 18
B779 5273	Harness:Modular:Line:EU	1 - 1
B779 5274	Harness:Modular:Tel:NA	1 - 14
B779 5275	Harness:Modular:Tel:EU	1 - 14
B779 5886	Panel:Fax:EXP	1 - 4
B779 5889	Bracket:Fax	1 - 17
B779 5894	Bracket:Modular:Fax	1 - 8
B779 8510	Operating Instructions:Fax:1	1 - 11
B779 8511	Operating Instructions:Fax:2	1 - 11
B779 8520	Operating Instructions:Fax:1	1 - 11
B779 8521	Operating Instructions:Fax:2	1 - 11
B779 8530	Operating Instructions:Fax:1	1 - 11
B779 8531	Operating Instructions:Fax:2	1 - 11
B779 8540	Operating Instructions:Fax:1	1 - 11
B779 8541	Operating Instructions:Fax:2	1 - 11
B779 8600	Operating Instructions:Fax:1	1 - 11
B779 8650	Operating Instructions:Fax:2	1 - 11

Part No.	Description	Page and Index No.
A684 6111	Stepped Screw - M3	3 - 3
B077 1537	Keytop:Key Top-pause	1 - 5
B077 6356	Keytop:Copy:1:NA	1 - 9
B077 6366	Keytop:Copy:1:EU	1 - 9
B404 3861	SG3 Decal	1 - 7
B547 6357	Keytop:Fax:NA	1 - 10
B547 6367	Keytop:Fax:EU	1 - 10
B547 6370	Cover:Fax:EXP	1 - 6
B547 6374	Cover:Fax:Chn	1 - 6
B547 6375	Cover:Fax:Twn	1 - 6
B620 5511	Ic-fame-r15t818-0001	2 - 1
B620 5513	Ic-face3-rb5a264	2 - 2
B712 5050	Speaker:Gr:100	1 - 19
B712 5051	Connector:FFC:Pb:50p	2 - 3
B712 5172	PCB:Gwfcu3:NA	1 - 16
B712 5172	PCB:Gwfcu3:NA	2 - *
B712 5174	PCB:Gwfcu3:EU	1 - 16
B712 5174	PCB:Gwfcu3:EU	2 - *
B712 5175	PCB:Fcuif1	1 - 13
B712 5178	PCB:Gwfcu3:Twn:Ass'y	2 - *
B712 5178	PCB:Gwfcu3:Twn:Ass'y	1 - 16
H511 5007	Stamp	1 - 2

Part No.	Description	Page and Index No.
0353 0060N	Philips Pan Head Bind Screw - M3x6	1 - 104
0451 3006N	Tapping Screw - 3x6	1 - 101
1002 0307	Jumper Wire	2 - 101
1102 4201	Connector - 2P	2 - 102
1102 4205	CT Header - 6P	2 - 103
1102 4633	CT Header - 4P	2 - 104
1102 8189	DIMM Connector - 54534-1440	2 - 105
1102 8396	Connector - B06B-CZHK-B-1(LF)(V)	2 - 106
1102 9093	Connector:Rhm-88r-ssk-	2 - 107
1102 9634	Connector - WR-60P-VF50-1	2 - 108
1102 9999	Connector - B03B-CZHK-B(LF)(V)	2 - 109
1105 0338	Spacer - 8mm	2 - 110
1105 0516	Clamp	1 - 103
1206 0084	2ndary Lithium Cell:VI2330/1hf	2 - 111
1208 1438	Relay - EC2 5ND	2 - 112
1400 0769	Transistor - 2SA1576A	2 - 113
1400 0775	Transistor - 2SC4081	2 - 114
1400 0781	Transistor:2sb1132r	2 - 115
1400 0841	Transistor:2sd1898q	2 - 116
1400 1018	Transistor - MMBTA42	2 - 117
1400 1019	Transistor - MMBTA92	2 - 118
1401 1056	Fet - 2sk2158	2 - 119
1401 1116	Transistor - 2SC5053	2 - 120
1402 0506	Diode - RD43EB	2 - 121
1402 1336	Diode - 1SS355	2 - 122
1402 1343	Diode - RB106L-40	2 - 123
1402 1384	Diode - UDZS12B	2 - 124
1402 1505	Diode - UDZS5.6B	2 - 125
1402 1530	Diode - RB520S-30	2 - 126
1402 1584	Diode - DAN217U	2 - 127
1402 1599	Diode - RB551	2 - 128
1402 1647	Diode - UDZS3.6B	2 - 129
1402 1698	Diode - RB	2 - 130
1402 1734	Diode - 1SR156-400	2 - 131
1403 0953	LED - SML-310MT	2 - 132

Part No.	Description	Page and Index No.
1403 0996	LED - SML-310VT	2 - 133
1404 0983	Arrestor- Ra-102ms-v7-f(5)	2 - 134
1404 1033	Varistor - TNR9SE431K	2 - 135
1404 1070	Varistor - TISP4290H3BJ	2 - 136
1407 5441	IC - 74LVC00A:TSOP	2 - 137
1407 5858	IC - SI3016	2 - 138
1408 1829	Ope Amp - Lm358pw	2 - 139
1408 1861	Regulator - UPC2918T	2 - 140
1408 2080	IC - RN5RK	2 - 141
1503 0460	Oscillator - 32.768KHZ	2 - 142
1503 1004	Oscilator - 19.6608mhz	2 - 143
1601 7752	Resistor Array - 10K Ω \pm 5%	2 - 144
1601 7867	Resistor - 33 Ω \pm 5% 1/16W	2 - 145
1604 5210	Capacitor - 22 μ F \pm 20% 16V	2 - 146
1604 5211	Capacitor - 47 μ F \pm 20% 16V	2 - 147
1604 5212	Capacitor - 100 μ F \pm 20% 16V	2 - 148
1604 5213	Capacitor - 220 μ F \pm 20% 10V	2 - 149
1605 0832	Capacitor - 8PF \pm 0.5pF 50V	2 - 150
1605 1148	Capacitor - 0.1 μ F +80-20% 50V	2 - 151
1605 1163	Ceramic Capacitor - 560pf: \pm 5%:50v	2 - 152
1605 1190	Resistor - 0.022 μ F \pm 10% 50V	2 - 153
1605 1200	Capacitor - 10PF \pm 0.5pF 50V	2 - 154
1605 1214	Capacitor - 1000pF \pm 10% 50V	2 - 155
1605 1216	Capacitor - 2200PF \pm 10%50V	2 - 156
1605 1221	Capacitor - 0.1 μ F+80-20%16V	2 - 157
1605 1225	Capacitor - 0.1 μ F \pm 10% 50V	2 - 158
1605 1275	Capacitor - 820pF \pm 5% 50V	2 - 159
1605 1281	Capacitor - 0.22 μ F \pm 10% 16V	2 - 160
1605 1295	Capacitor:10 μ F:+80-20%:10v	2 - 161
1605 1299	Resistor - 56pF \pm 5% 50V	2 - 162
1605 1306	Capacitor - 1 μ F \pm 10% 10V	2 - 163
1605 1347	Capacitor - 1 μ F:+80-20%:16V	2 - 164
1605 1353	Capacitor - 0.1 μ F \pm 10% 25V	2 - 165
1605 1396	Capacitor - 0.33 μ F \pm 10% 50V	2 - 166
1605 1397	Capacitor - 560pF \pm 10% 630V	2 - 167

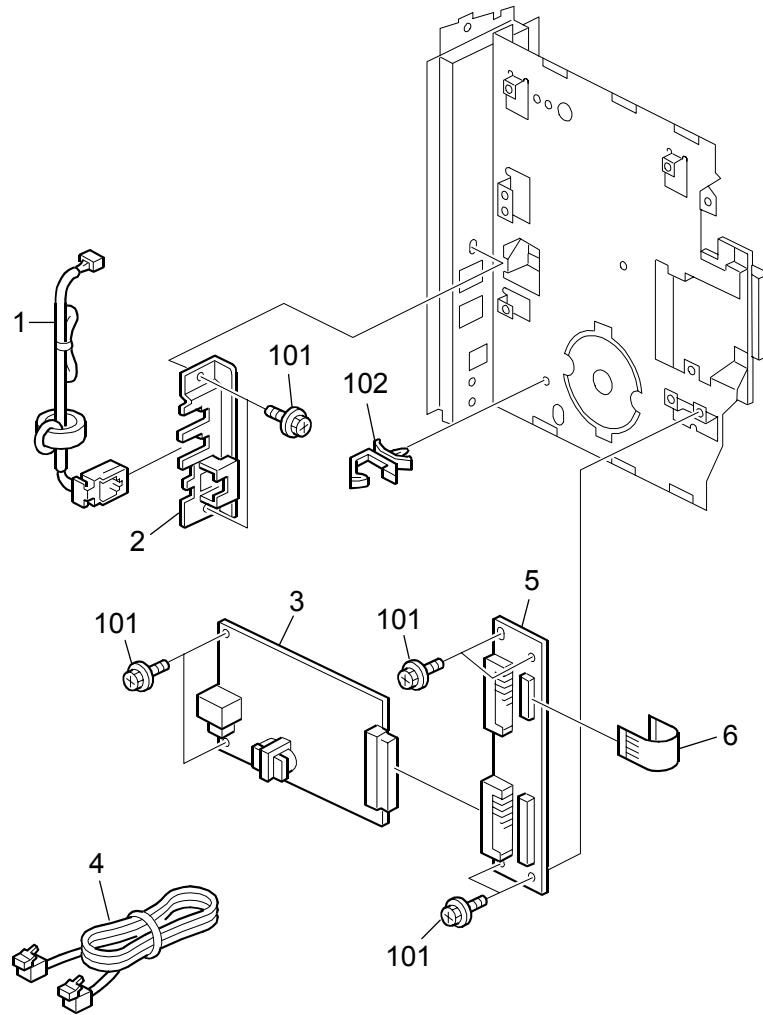
Part No.	Description	Page and Index No.
1605 1398	Capacitor - 1000pF \pm 20% AC250V	2 - 168
1605 1399	Capacitor - 3900pF \pm 5% 50V	2 - 169
1605 1400	Capacitor - 150pF \pm 10% AC250V	2 - 170
1605 1401	Capacitor - 0.01 μ F \pm 10% 250V	2 - 171
1605 1402	Capacitor - 1800pF \pm 5% 50V	2 - 172
1605 1421	Capacitor - 150pF \pm 10% AC250V	2 - 173
1605 1422	Capacitor - 1000pF \pm 20% AC250V	2 - 174
1605 1446	Resistor - 120pF \pm 5% 50V	2 - 175
1605 1460	Capacitor - 0.22pF \pm 10% AC250V	2 - 176
1605 1475	Resistor - 1 μ F \pm 10% 16V	2 - 177
1605 1539	Resistor - 1.5 μ F \pm 10% 16V	2 - 178
1605 1544	Resistor - 330pF \pm 5% 50V	2 - 179
1607 0069	Fuse - BI02rn2-r62-pb	2 - 180
1607 0425	Coil: Sbt-0260	2 - 182
1607 0612	St-110av	2 - 183
1607 0824	Filter - BLM11A601SPB	2 - 184
1607 0824	Filter - BLM11A601SPB	2 - 181
1607 1196	Inductor -220uh \pm 20% 0.33a	2 - 185
1607 1284	Choke Coil - St-110bv	2 - 186
1607 1584	Inductor - Lav35vb151j	2 - 187
1609 0005	Resistor:33 Ω : \pm 5%:1/16w	2 - 188
1609 0006	Resistor:10k Ω : \pm 5%:1/16w	2 - 189
1609 0026	Resistor - 47 Ω \pm 5% 1/16W	2 - 190
1634 0000	Resistor - 0 Ω 1/16W	2 - 191
1640 3221	Capacitor:220 μ F: \pm 20%:35v	2 - 192
1650 4100	Resistor - 10 Ω \pm 5% 1/10W	2 - 193
1650 4101	Resistor - 100 Ω \pm 5%1/10W	2 - 194
1650 4102	Resistor - 1K Ω \pm 5% 1/10W	2 - 195
1650 4103	Resistor - 10K Ω \pm 5% 1/10W	2 - 196
1650 4104	Resistor - 100K Ω \pm 5%1/10W	2 - 197
1650 4106	Resistor - 10M Ω \pm 5%1/10W	2 - 198
1650 4121	Resistor - 120 Ω \pm 5%1/10W	2 - 199
1650 4124	Resistor:120k Ω : \pm 5%:1/10w	2 - 200
1650 4151	Resistor - 150 Ω \pm 5%1/10W	2 - 201
1650 4204	Resistor - 200K Ω \pm 5%1/10W	2 - 202

Part No.	Description	Page and Index No.
1650 4220	Chip Resistor - 22 Ω \pm 5% 1/10w	2 - 203
1650 4222	Resistor - 2.2K Ω \pm 5%1/10W	2 - 204
1650 4223	Resistor - 22K Ω \pm 5%1/10W	2 - 205
1650 4304	Resistor:300k Ω : \pm 5%:1/10w	2 - 206
1650 4330	Chip Resistor - 33 Ω \pm 5% 1/10w	2 - 207
1650 4331	Resistor - 330 Ω \pm 5%1/10W	2 - 208
1650 4333	Resistor - 33K Ω \pm 5%1/10W	2 - 209
1650 4334	Resistor - 330K Ω \pm 5%1/10W	2 - 210
1650 4470	Resistor - 47 Ω \pm 5%1/10W	2 - 211
1650 4472	Resistor - 4.7K Ω \pm 5% 1/10W	2 - 212
1650 4474	Chip Resistor:470k Ω : \pm 5%:1/10w	2 - 213
1650 4511	Resistor - 510 Ω \pm 5%1/10W	2 - 214
1650 4561	Resistor - 560 Ω \pm 5% 1/10W	2 - 215
1650 4562	Resistor - 5.6K Ω \pm 5% 1/10W	2 - 216
1650 4563	Resistor - 56K Ω \pm 5%1/10W	2 - 217
1650 4680	Resistor - 68 Ω \pm 5%1/10W	2 - 218
1650 4912	Resistor - 9.1K Ω \pm 5%1/10W	2 - 219
1652 5361	Resistor - 5.36K Ω \pm 1%1/4W	2 - 220
1654 1001	Resistor - 1K Ω \pm 1%1/10W	2 - 221
1654 1003	Resistor - 100K Ω \pm 1%1/10W	2 - 222
1654 1200	Resistor - 120 Ω \pm 1% 1/10W	2 - 223
1654 2002	Resistor - 20K Ω \pm 1%1/10W	2 - 224
1654 2200	Resistor:220 Ω : \pm 1%:1/10w:1608	2 - 225
1654 2430	Resistor - 243 Ω \pm 1% 1/10W	2 - 226
1654 3609	Resistor - 36 Ω \pm 1%1/10W	2 - 227
1654 4301	Resistor - 4.3K Ω \pm 1%1/10W	2 - 228
1654 9311	Resistor - 9.31K Ω \pm 1% 1/10W	2 - 229
1655 0000	Chip Resistor - 0 Ω \pm 0%1/16w	2 - 230
1660 2120	Capacitor - 12 pF \pm 5% 50V	2 - 231
1660 2150	Capacitor - 15pF \pm 5% 50V	2 - 232
1660 2180	Capacitor 18pF \pm 5% 50v	2 - 233
1660 2471	Capacitor - 470pF - \pm 5% - 50V	2 - 234
1660 4103	Capacitor - 10000pF - \pm 10% - 50V	2 - 235
1660 4682	Capacitor - 6800pF 50V 1608	2 - 236
1907 0031	SDRAM - 128m 2mx16x4 133mhz G3	2 - 237

**B780 G3 INTERFACE UNIT TYPE 3045
PARTS LOCATION AND LIST**

This section instructs you as to the numbers and names of parts on this machine.

1.G3 Interface Unit (B780)



1.G3 Interface Unit (B780)

Index No.	Part No.	Description	Q'ty Per Assembly
1	B780 5274	Harness:G3	1
2	B779 5896	Bracket:Modular:G3	1
3	B713 5172	PCB:Sg3-neo:NA	1
3	B713 5174	PCB:Sg3-neo:Ea	1
4	H523 5350	Telephone Cable	1
5	B712 5190	PCB:Ccuif	1
6	B780 5273	Harness:Fcu-ccu	1

Index No.	Part No.	Description	Q'ty Per Assembly
101	0451 3006N	Tapping Screw - 3x6	
102	1105 0508	Harness Clamp - LWS-0711	

**B780 G3 INTERFACE UNIT TYPE 3045
PARTS INDEX**

This section instructs you as to the numbers and names of parts on this machine.

Parts Index

Part No.	Description	Page and Index No.
B780 5273	Harness:Fcu-ccu	3 - 6
B780 5274	Harness:G3	3 - 1

Part No.	Description	Page and Index No.
B712 5190	PCB:Ccuif	3 - 5
B713 5172	PCB:Sg3-neo:NA	3 - 3
B713 5174	PCB:Sg3-neo:Ea	3 - 3
B779 5896	Bracket:Modular:G3	3 - 2
H523 5350	Telephone Cable	3 - 4

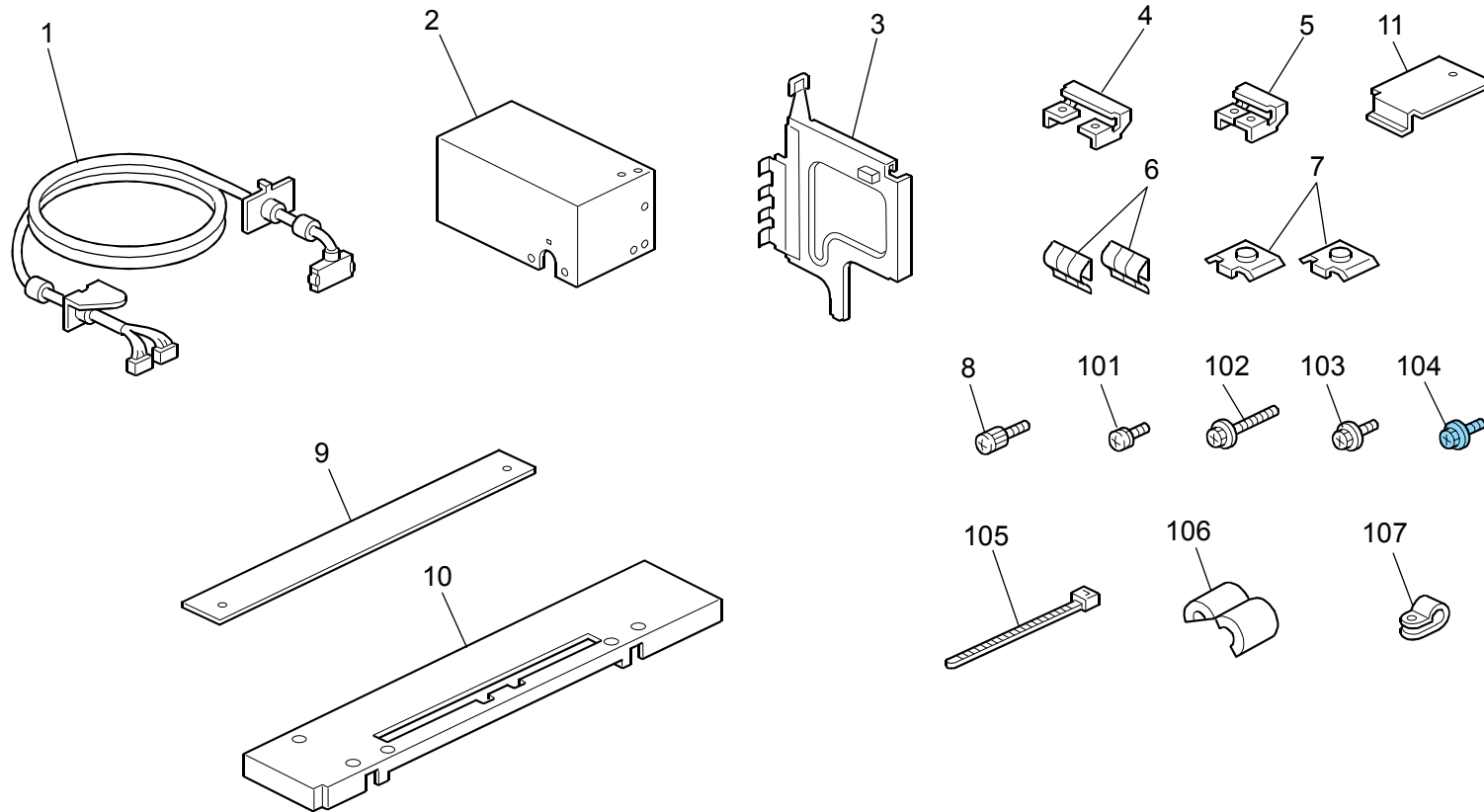
Part No.	Description	Page and Index No.
0451 3006N	Tapping Screw - 3x6	3 - 101
1105 0508	Harness Clamp - LWS-0711	3 - 102

Part No.	Description	Page and Index No.
----------	-------------	--------------------

**B815 SCANNER ACCESSIBILITY OPTION
TYPE 3045
PARTS LOCATION AND LIST**

This section instructs you as to the numbers and names of parts on this machine.

1.Scanner Accessibility (B815)



1.Scanner Accessibility (B815)

Index No.	Part No.	Description	Q'ty Per Assembly
1	B815 1845	Interface Cable	1
2	B815 8440	Cover:Cable	1
3	B815 5876	Stay:Rack:Ass'y	1
4	B714 1251	Stopper:Hinge:Left	1
5	B714 1252	Stopper:Hinge:Right	1
6	B815 1844	Spring Plate:Operation Sub-unit	2
7	B815 8431	Spacer:Adjusting Pin	2
8	A628 3115	Knob Screw - M4	4
9	B815 8439	Cover:Paper Exit Sub-unit	1
10	B544 1562	Cover:Upper Right	1
11	B815 8438	Arm Cap	1

Index No.	Part No.	Description	Q'ty Per Assembly
101	0454 3006Q	Tapping Screw:3x6	
102	0451 3014N	Tapping Screw:3x14	
103	0454 3006Q	Tapping Screw:3x6	
104	0950 4006Z	Screw:M4x6	
105	1105 0046	Harness Band	
106	1607 1139	Ferrite Core:Rfc-8	
107	1105 0063	Clamp:NK-8N	

**B815 SCANNER ACCESSIBILITY OPTION
TYPE 3045
PARTS INDEX**

This section instructs you as to the numbers and names of parts on this machine.

Parts Index

Part No.	Description	Page and Index No.
B815 1844	Spring Plate:Operation Sub-unit	3 - 6
B815 1845	Interface Cable	3 - 1
B815 5876	Stay:Rack:Ass'y	3 - 3
B815 8431	Spacer:Adjusting Pin	3 - 7
B815 8438	Arm Cap	3 - 11
B815 8439	Cover:Paper Exit Sub-unit	3 - 9
B815 8440	Cover:Cable	3 - 2

Part No.	Description	Page and Index No.
A628 3115	Knob Screw - M4	3 - 8
B544 1562	Cover:Upper Right	3 - 10
B714 1251	Stopper:Hinge:Left	3 - 4
B714 1252	Stopper:Hinge:Right	3 - 5

Part No.	Description	Page and Index No.
0451 3014N	Tapping Screw:3x14	3 - 102
0454 3006Q	Tapping Screw:3x6	3 - 101
0454 3006Q	Tapping Screw:3x6	3 - 103
0950 4006Z	Screw:M4x6	3 - 104
1105 0046	Harness Band	3 - 105
1105 0063	Clamp:NK-8N	3 - 107
1607 1139	Ferrite Core:Rfc-8	3 - 106

Part No.	Description	Page and Index No.
----------	-------------	--------------------

