

Product Support Guide D084 / D085

Introduction

Model Type	B/W MFP
Launch Date	12/18/2009
S/N Configuration	V82 / V83
Product Code	D084 / D085

Brand/Model Name

Product Code	Gestetner	Lanier	Ricoh	Savin
D084	MP 2851SP	LD528SP	Aficio MP 2851SP	9228SP
D085	MP 3351SP	LD533SP	Aficio MP 3351SP	9233SP

Product Concept

The D084 Series is being launched to accelerate Ricoh's strategy to "Be a Document Solutions Provider". The machines will come standard with a VM card and App2Me as the platform to help accelerate our solutions approach in the monochrome mid-range market.



Product Support Guide

D084 / D085

Main Frame

Item	Model Name	EDP Code	Lanier ID	Notes
D084	MP 2851SP LD528SP Aficio MP 2851SP 9228SP	415235		28 PPM, Duplex, Bypass, Interchange Unit, 768MB, and Printer/Scanner unit, 40GB HDD, JAVA Card
D085	MP 3351SP LD533SP Aficio MP 3351SP 9233SP	415248		33 PPM, Duplex, Bypass, Interchange Unit, 768MB, and Printer/Scanner unit, 40GB HDD, JAVA Card

NOTE: Order numbers are provided for reference purposes only. Please use your Pricing Guide for proper order numbers to insure you receive the correct branding emblem.

Order Number

Options

Item	Description	EDP Code	Lanier ID	Product Code	Common / Unique
ARDF	ARDF DF 3030	414143	0414143	D336	C (D017)
Paper Feed Unit	2 Tray Paper Bank PB3030	413673	481-7220	D331	C (D010)
1 Bin Tray	1 Bin Tray Type BN 3030	414127	0414127	D367	C (D017)
Bridge Unit	Bridge Unit Type BU 3020	414125	0414125	D680	C (D017)
Post Script 3 Unit Type 3350	Post Script 3 Unit Type 3350	414120	481-7552	D383	C (D017)
Shift Tray	Internal Shift Tray SH3010	414140	0414140	D385	C (D017)
Gigabit Ethernet Type A	Gigabit Ethernet Type A	402507	481-7029	G874	C (D009)
IEEE 1284 I/F PCB	IEE 1284 I/F Type A	411699	481-0786	B679	C (D009, D014)
Bluetooth I/F Unit Type 3245	Bluetooth I/F Unit Type 3245	412866	216-7092	B826	C (D009, D014)
IEEE 802.11 A/G	IEEE 802.11a/g I/F Unit Type J	414008	216-7197	D377	C (D009, D014)
500 Sheet Finisher	Finisher SR3050	414130	0414430	D372	C (D017)
1000 Sheet Finisher	Finisher SR 790	412730	479-1333	B408	C (B295, D008)

Product Support Guide D084 / D085

Item	Description	EDP Code	Lanier ID	Product Code	Common / Unique
1000 Sheet Booklet Finisher	Booklet Finisher SR3000	412851	216-1236	B793	C (B230)
Platen Cover	Platen Cover Type 3800	412551	481-0334	G329	C (B178, B296)
2000 Sheet LCT	2000 Sheet LCT PS500	410958	481-0477	B391	C (B205, D008)
Fax Option	Fax Option Type 3351	415285		D510	U
G3 Interface Unit	G3 Interface Unit Type 3350	414084	0414084	D361	C (D017)
Memory Unit Type B	Memory Unit Type B 32MB, Fax Memory	001342MIU	481-0174	G578	C (B237)
Hand Set	Hand Set Type 1018	410781	481-0393	B433	C (B295, D008)
Key Counter Bracket Type H	Key Counter Bracket Type H	412552	481-0105	A674	C (B291)
Optional Counter Interface Unit	Optional Counter Interface Unit Type A	413012	216-7186	B870	C (D009, D014)
FAC 38 Cabinet	Cabinet	414520	481-7625		C (D017)
File Format Converter	File Format Converter Type E	414007	216-7196	D377	C (D009, D014)
Data Overwrite Security Unit	Data Overwrite Security Unit Type I	413955	0413955	D362	C (D009, D014)
HDD Encryption Unit	HDD Encryption Unit Type A	414021	0414021	D377	C (D009, D014)
Punch Kit PU 3000 N.A. 3/2	Punch Kit PU 3000 N.A. 3/2	412855	216-7163	B807	C (B237)
3L68-19 USB Keyboard and slide bracket	Supports optional GlobalScan NX, eCopy ShareScan, Reform PDC	100256FNG			U
ACK3400-U Keyboard Only	Supports optional GlobalScan NX, eCopy ShareScan, Reform PDC	100266FNG			U
VZ G106030 Keyboard Bracket Only (fixed)	Supports optional GlobalScan NX, eCopy ShareScan, Reform PDC	100268FNG			C (D009)
Hardware 4 Pack Bundle of PPDM	PPDM Bundle Upgrade	005304MIU			U

Product Support Guide

D084 / D085

Supplies/Yields

Item	Name	Order Code	Target Yield
Gestetner			
Toner	Toner Type 2120D/2522/5627	841337	11,000prints/bottle
Developer**	Developer Type 28	B1219645	60,000/bag
Drum**	Drum	B0399510	60,000
Staple Set Cartridge CSC760A	Staple Set Cartridge CSC760A for SR790/3000/3050	89858	1 x 5,000/Ctn.
Staple Cartridge CSC760B	Staple Cartridge CSC760B Refill for SR790/3000/3050	89859	3 x 5,000/Ctn.
Staple Type S	Staple Type S (Saddle Stitch) for SR3000	413118	1 x 5,000/Ctn.
Marker Type 30	Marker Type 30	1600089	4 - Markers/ Box
Lanier			
Toner	Toner Type 2120D/2522/5627	841337	11,000prints/bottle
Developer**	Developer Type 28	B1219645	60,000/bag
Drum**	Drum	B0399510	60,000
Staple Type K	Staple Type K for SR790/3000/3050	410801	1 x 5,000/Ctn.
Staple Type K Refill	Staple Type K Refill for SR790/3000/3050	410802	3 x 5,000/Ctn.
Staple Type S	Staple Type S (Saddle Stitch) for SR3000	4800391	1 x 5,000/Ctn.
Marker Type 30	Marker Type 30	4910245	4 - Markers/ Box
Ricoh			
Toner	Toner Type 2120D/2522/5627	841337	11,000prints/bottle
Developer**	Developer Type 28	B1219645	60,000/bag
Drum**	Drum	B0399510	60,000
Staple Type K	Staple Type K for SR790/3000/3050	410801	1 x 5,000/Ctn.
Staple Type K Refill	Staple Type K Refill for SR790/3000/3050	410802	3 x 5,000/Ctn.
Staple Type S	Staple Type S (Saddle Stitch) for SR3000	412874	1 x 5,000/Ctn.
Marker Type 30	Marker Type 30	334049	4 - Markers/ Box
Savin			
Toner	Toner Type 2120D/2522/5627	841337	11,000prints/bottle
Developer**	Developer Type 28	B1219645	60,000/bag
Drum**	Drum	B0399510	60,000
Staple Type K	Staple Type K for SR790/3000/3050	9858	1 x 5,000/Ctn.
Staple Type K Refill	Staple Type K Refill for SR790/3000/3050	9859	3 x 5,000/Ctn.
Staple Type S	Staple Type S (Saddle Stitch) for SR3000	412877	1 x 5,000/Ctn.
Marker Type 30	Marker Type 30	1600089	4 - Markers/ Box

NOTE: *A4, 6% chart is used to measure the above yield. Storage period for toner is max. 1 year.

NOTE: ** Part Number

Product Support Guide

D084 / D085

Option Compatibility

		1.	2.	3.	4.	5.	6.	7.	8.	9.	10.	11.	12.	13.	14.	15.	16.	17.	18.	19.	20.	21.	22.	23.	24.	25.
1	ARDF		●																							
2	Platen Cover	●																								
3	1 Bin Tray																								●	
4	Bridge Unit					●			○	○	○															
5	Shift Tray				●				●	●	●															
6	Paper Bank							●																		
7	LCT							●																		
8	1K Finisher (*2)				○	●	○	○		●																
9	1K Booklet Finisher (*2)				○	●	○	○	●																	
10	500 Finisher				○				●	●																
11	Bypass Tray (Standard)																									
12	Gigabit Ethernet Board (*1)(*3)													△	△						△					
13	IEEE 802.11 (*1)(*3)												△		△						△					
14	IEEE 1284 (*1)												△	△							△					
15	Fax Unit																									
16	G3 Unit (*4)															○										
17	SAF 32MB Memory (*4)															○										
18	Handset (*4)															○										
19	PS3																									
20	Bluetooth (*1)												△	△	△											
21	File Format Converter																									
22	Data Overwrite Security																									
23	KeyCounterBracket																									
24	HDD Encryption																									
25	3L68-19 USB Keyboard			●																						

○ Must Install Together ● Cannot Install Together △ Refer to note below
 (*1) IEEE802.11b, IEEE1284, Bluetooth: cannot be installed at the same time.
 (*2) LCT, Paper Bank or Cabinet is required to use 1K sheet finisher.
 (*3) NIC, Gigabit Ethernet and IEEE802.11b cannot be used at the same time.
 (*4) Fax Unit required.

Product Support Guide

D084 / D085

Branding Information

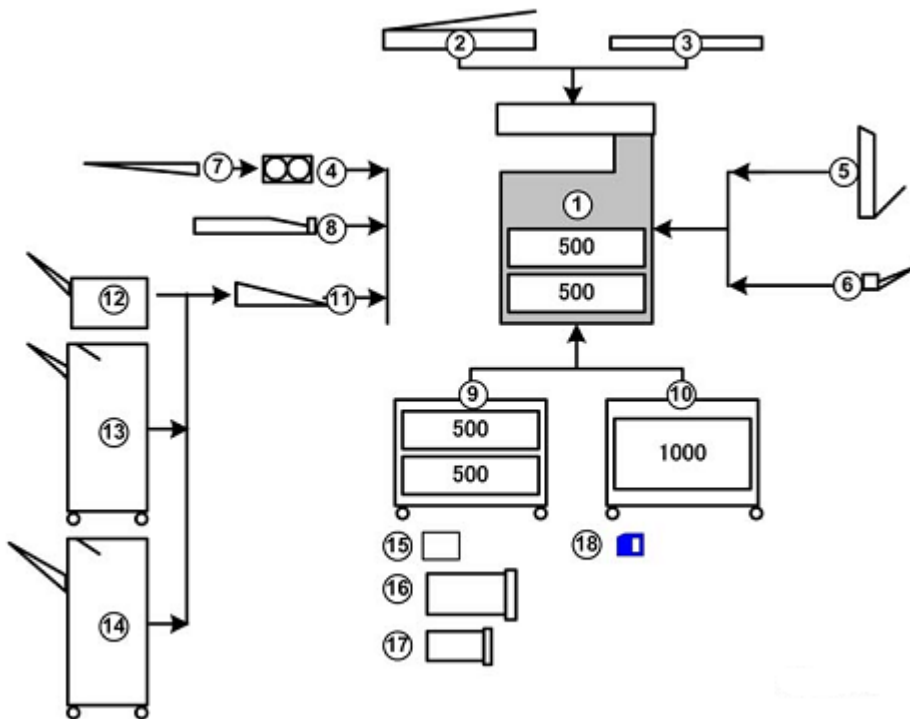
Branding is required as the machines are shipped as a generic version.

Ricoh version machines: You must attach the model label (provided) to the front cover.

Savin/Lanier: You must attach the model label (provided) to the front cover and set the Plug and Play name with SP 5-907.

Configuration

Main Frame Configuration



Product Support Guide

D084 / D085

No.	Item	Comments
1	Main Machine D084/D085	
2	ARDF (D366)	
3	Platen Cover (B406)	
4	Interchange Unit (D371)	Required for Item 5, 7
5	Duplex Unit (D369)	
6	Bypass Tray (D370)	
7	1-Bin Tray (D367)	Requires Item 4
8	Internal Shift Tray (D385)	
9	Paper Tray Unit (D331)	
10	LCT (B391)	
11	Bridge Unit (D368)	Required for Items 12,13,14
12	500-Sheet Finisher (D372)	Requires Item 11
13	1000-Sheet Finisher (B408)	Requires Item 11
14	1000-Sheet Booklet Finisher (B793)	Requires Item 11
15	Fax Unit D510 for D084/D085)	
16	G3 Interface Unit (D361)	
17	Interface Board Controller Options	See Note 1
18	SD Card MFP Options	See Note 2

Note 1:

The following interface boards are available for installation.



- There is only one board slot on the back of the machine.
Only one of these options can be installed.

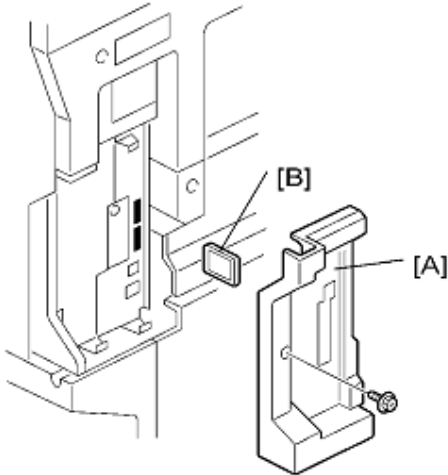
These options not shown.

Interface Board
Bluetooth Interface Unit Type 3245 (B826)
File Format Converter Type E (D377)
IEEE1284 Interface Board Type A (B679)
IEEE802.11a/g Interface Unit Type J (D377)
Gigabit Ethernet Type 7300 (G381)

Product Support Guide

D084 / D085

MFP Option Board Slot / SD Card Assignments



Note 2:

The following options are provided on SD cards.

- Two SD card slots are available. If more than two options need to be installed, the applications can be moved to one SD card with SP5873-1.
- The VM application and HDD Encryption Unit SD cards must be installed in Slot 2 (lower). However, HDD Encryption Unit SD card does not need to be kept in SD slot 2 (it can be removed after installing & kept in machine).
- Due to copyright restrictions, the PostScript Unit (D383) cannot be moved to another SD card. However, other applications can be moved onto the PostScript 3 SD card. (For more, see the Printer/Scanner Option manual.)
- Due to limitations, the VM Card (D377) can be neither merged nor moved to another SD card. This card must be installed in Slot 2 (lower).
- VM Card Type F is standard for D084/D085 models.

These options can be installed at any time.

SD Cards
Data Overwrite Security Unit Type I (D362)
HDD Encryption Option (D377)
PostScript3 Unit Type 3350 (D383)
VM Card Type F (D377)*

* VM card is installed in the D084/D085 models by default. The VM Card Type F which is supplied as an option is different from the VM card in the D084/D085 models.

- VM Card Type F: **No** "App 2 Me" application installed
- VM card in the D084/D085 models: "App 2 Me" application installed

Feature Comparison To Previous Version

Feature	D084 / D085	D017/D018/D019/D020
PPM	28/33 PPM	25/33 PPM
Scanning	Color	Color & Monochrome
VM Card	Standard	Option
App2Me	Standard	Option
PPDM	Standard – 1 license	Option

Product Support Guide

D084 / D085

Installation

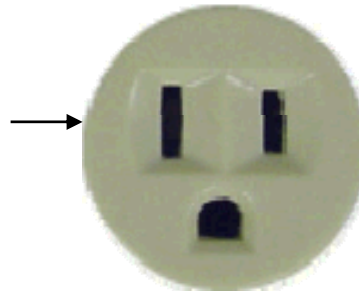
Installation Requirements

- Temperature Range: 10° C to 32° C (50° F to 89.6° F)
Humidity Range: 15% to 80% RH
Ambient Illumination: Less than 1,500 lux (do not expose to direct sunlight)
Ventilation: Room air should turn over at least 30 m³/hr/person
Ambient Dust: Less than 0.10 mg/m³
Avoid areas exposed to sudden temperature changes:
Areas directly exposed to cool air from an air conditioner.
Areas directly exposed to heat from a heater.

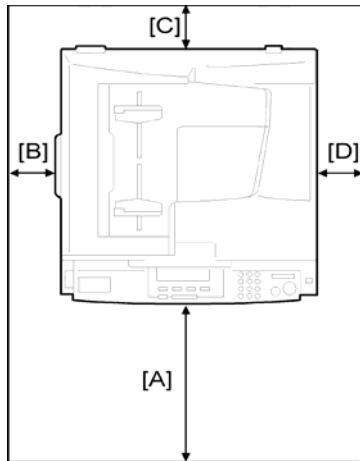
- Do not place machine where it will be exposed to corrosive gas or vapor.
Do not install the machine at any location over 2,000m (6,500 ft.) above sea level.
Place the machine on a strong and level base. Inclination on any side should be no more than 5mm (0.2")
Do not place the machine where it may be subject to strong vibrations.
Machine level
- Front to back: within 5mm (0.2") of level
 - Right to left: within 5mm (0.2") of level

Power Requirements

- Input voltage level: 110 - 120 V, 60Hz: more than 12A
Do not place anything on power cord.
The required wall outlet is a NEMA 5-15R (receptacle)



Space



- | | |
|-----------|---------------|
| A (Front) | >750 mm (30") |
| B (Left) | >100 mm (4") |
| C (Rear) | >100 mm (4") |
| D (Right) | >100 mm (4") |

The recommended 750 mm (30") front space is sufficient to allow the paper tray to be pulled out. Additional front space is required to allow operators to stand at the front of the machine.

Foot Print

Dimensions (W x D x H): 1165mm x 653mm x 1100mm (25.59" x 23.77" x 35.04")

NOTE: Measurement Conditions: Mainframe + duplex + ARDF + Paper Bank + Booklet Finisher.

Product Support Guide

D084 / D085

Power Consumption / Noise Emission

Power Consumption

Main unit only

Model	Power consumption	BTU
D084	Under 1400 Watts (max)	4773
D085		

Noise Emission

Sound	Condition	Model	Main Unit
Sound Power Level (Mainframe Only)	Stand-by	D084	Less than 40.0db
		D085	Less than 42.9db
	Copying	D084	Less than 65.8db
		D085	Less than 67.6db
Sound Power Level (Full System)	Stand-by	D084	Less than 40.0db0
		D085	Less than 42.9db
	Copying	D084	Less than 69.8db
		D085	Less than 71.6db
Sound Pressure Level (Mainframe Only)	Stand-by	D084	Less than 34.0db
		D085	Less than 36.9db
	Copying	D084	Less than 59.8db
		D085	Less than 61.6db
Sound Pressure Level (Full System)	Stand-by	D084	Less than 34.0db
		D085	Less than 36.9db
	Copying	D084	Less than 63.8db
		D085	Less than 65.6db

- Sound power level and sound pressure level are actual values measured in accordance with ISO 7779.
- Sound power level and sound pressure level are measured from the position of the bystander.
- The complete system consists of the main unit, booklet finisher, ADF, bridge unit, internal tray 2, and paper tray unit.

Product Support Guide

D084 / D085

Installation Times

Unit	Installation Time (Minutes)	Unit	Installation Time (Minutes)
Platen Cover	5	Bridge Unit BU3020	10
ARDF DF3030	10	Duplex Unit*	15
Paper Bank B3030	10	3L68-19 USB Keyboard Option	15
Large Capacity Tray PS500	10	FAX Option Type 3351	5
1 bin Tray BN3030	15	G3 Interface Unit Type 3350	5
By-pass Tray*	15	32MB Memory Unit Type B	5
Booklet Finisher-1000 SR3000	15	PostScript 3 Type 3350	5
Punch Unit PU3000	15	IEEE802.11a/b/g I/F Unit Type J	5
Finisher-500 SR3050	5	Bluetooth Interface Type 3245	5
Finisher-1000 SR790	10	File Format Converter Type E	10
Internal Shift Tray SH3010	10	IEEE 1284 Interface Type A	5
Gigabit Ethernet Type A	5	Key Counter Bracket Type H	5
Handset Type 1018	5	Data Overwrite Security Type I	10
Optional Counter Interface Type A	10	HDD Encryption Unit Type A	5
Interchange Unit*	10		

*Standard for N.A. Market - Bypass, Duplex & Interchange are options for 220v engines

Storage/Transportation

	Storage	Transportation
Mainframe	-30°C to 40°C (-22°F to 104°F) Under 80% RH *1 Storage Period: Maximum 12 months from production date.	-30°C to 40°C (-22°F to 104°F) 15% to 95% RH *2
Toner (*1)	Under 40°C (104°) *3	Under 40°C (104°) *3
Developer (*1)	Under 40°C (104°) *3	Under 40°C (104°) *3

*1: When stored or transported under 0°C, temperature conditions must be higher than outside air temperature.

*2: Please avoid the direct sunlight when stored or transported.

*3: Do not store more than a month under the temperature between 35°C and 40°C.

Product Support Guide

D084 / D085

Parts / Special Tools / Maintenance

PM Parts / Yields

Mainframe

*1 part of the PM Kit #: PMB20560K
 *2 part of the PM Kit #: PMB205120K

Unique/Common
 U: Unique for this model
 C: Common with listed model

Part Number	Description	Q'ty/ Unit	PM Interval	Unique or Common
PCU				
B0399510	OPC Drum	1	60k	C (D017)
B0392335	Pickoff Pawl	2	60k	C (D017)
AD027018	Charge Roller	1	60k	C (D017)
AD042058	Charge Cleaner Brush Roller	1	60k	C (D017)
AD041114	Blade Cleaning	1	60k	C (D017)
B1219645	Developer	1	60k	C (D017)
B2093370	Development Case	1	600k (Yield Part)	C (D017)
Paper Feed				
A2672751	Paper Feed Roller	2	120k	C (D017)
D0102822	Friction Pad	2	120k	C (D010)
Transfer Roller Unit				
B2093831	Transfer/Separation Unit Ass'y	1	120k	C (D017)
Fusing Unit				
AE011103	Hot Roller	1	120k	C (D017)
AE020161	Pressure Roller	1	120k	C (D017)
AE044025	Hot Roller Stripper	5	120k	C (D017)
AW100053	Thermistor	2	120k	C (D017)

Options

Paper Tray Unit D330

Part Number	Description	Q'ty /Unit	PM Interval	Unique or Common
A2672751	Paper Feed Roller	2	120k	C (D010)
D0102821	Friction Pad	2	120k	C (D010)

Auto Reverse Document Feeder D336

Part Number	Description	Q'ty /Unit	PM Interval	Unique or Common
A8061295	Belt Paper Feed	1	120k	C (D017)
A8592241	Reverse Roller	1	120k	C (D017)
B3872161	Pick-up Roller	1	120k	C (D017)

Product Support Guide

D084 / D085

LCT B391

Part Number	Description	Q'ty /Unit	PM Interval	Unique or Common
AF031035	Feed Roller	1	120k	C (D008)
AF032035	Separation Roller	1	120k	C (D008)
AF030035	Pick-up Roller	1	120k	C (D008)

Special Tools & Lubricants

The following special tools should be prepared to maintain the new model properly in the field:

Item	Part Number	Description	Q'ty	Unique or Common
1	A2929500	Test Chart - OS-A3 (10 paces/set)	1	C (D017)
2	VSSM9000	Digital Multimeter – FLUKE 87	1	C (D017)
3	A2309003	Adjustment Cam – Laser Unit	1	C (D017)
4	A2309004	Positioning Pin – Laser Unit	1	C (D017)
5	B6455010	SD Card	1	C (D017)
6	B6456830	USB Read/Writer	1	C (D017)
7	A2579300	Grease Barrierta – JFE 5 5/2	1	C (D017)
8	52039502	Silicon Grease G-501	1	C (D017)
9	G0219350	Loop Back Connector	1	C (D017)
10	A0069104	Scanner Positioning Pin (4pcs/set)	1	C (D017)
11	B6795100	Plug - IEEE1284 Type C	1	C (D017)
12	---	Ricoh System Information Tool (Support Tool Version 2) - Basic version - Mail version - Rlogtool (for use with GW controller)	1	C (General)

NOTE: Loop-back Connector (item 9) requires Plug-- IEEE1284 Type C (item 11) and the optional IEEE 1284.

Target Reliability

Item	Model
Average Monthly Volume	D084: 7K D085: 9K
Max. Monthly Volume	D084: 35K D085: 45K
PM Interval	60k: PCU replaceable components 120k: All other parts

Product Support Guide

D084 / D085

Specifications / Documentation

Copier General Features				
Copy Spec	CPM Black		D084: 28cpm, D085: 33cpm	
	Multiple Copying		Up to 999 copies	
	Reproduction Ratio	US	400%, 200%, 155%, 129%, 121%, 100%, 93%, 85%, 78%, 73%, 65%, 50%, 25%	
	Zoom		Platen: From 25% to 400% in 1% step ARDF: From 25% to 200% in 1% step	
	Number of Copy Reservations		8 jobs	
General Spec	Configuration		Desktop	
	Scanning Element		Flatbed with moving CCD array image-sensor	
	Printing Process		Single Laser beam scanning & electro-photographic printing	
	Development		Dry two-component magnetic brush development system	
	Fusing		Fusing roller type	
	First Copy Time		4.5sec	
	Warm-up Time		22sec	
	Dimension(WxDxH)	mm	570x653x709(Mainframe without paper bank) 570x653x980(Mainframe with paper bank) 630x653x980(Mainframe + Duplex with paper bank) 1165x653x1100(Mainframe + Duplex + ARDF + Paper bank + Booklet finisher)	
		Inch (1inch = 25.4mm)	22.4x25.7x27.9(Mainframe without paper bank) 22.4x25.7x38.6(Mainframe with paper bank) 24.8x25.7x38.6(Mainframe + Duplex with paper bank) 45.9x25.7x43.3(Mainframe + Duplex + ARDF + Paper bank + Booklet finisher)	
	Weight	kg	Standard mainframe: Less than 60kg Mainframe with Duplex(incl. bypass and interchange): Less than 65Kg	
lbs.		Standard mainframe: Less than 132 lbs. Mainframe with Duplex(incl. bypass and interchange): Less than 143 lbs.		
Paper Handling	Max Paper Size	Bypass	297 x 420 (A3) / 11"x 17" (DLT)	
		Cassettes	297 x 420 (A3) / 11" x 17" (DLT)	
	Minimum Paper Size	Bypass	148 x 210 (A5) / 5.5" x 8.5" (HLT)	
		Cassettes	148 x 210 (A5) / 5.5" x 8.5" (HLT)	
	Envelope Printing		Yes	
	Paper Feeding Capacity(LT/A4)	Std	NA 1,100 sheets (500 sheets x 2 trays + 100 Sheets /Bypass)	
		Max	3,100sheets (Standard + Bypass + LCT 2000sheets)	
	Paper Output Capacity(LT/A4)	Std	Face Down: 500sheets(A4/LT), 250sheets(A3/LG/DLT)	
		Max	250 + 125 + 1250sheets (bridge unit + 1bin + 1,000 sheets finisher)	
	Paper Weight	1st Tray	60-105 g/m2 / 16-28lb	
2nd Tray		52-157 g/m2 / 14-42lb		
Bypass Tray		52-157 g/m2 / 14-42lb		
Duplex Unit		60-105 g/m2 / 16-28lb		

Product Support Guide

D084 / D085

Copier Enhanced Features		Remarks
Image Density		Auto Density Selection Manual: 9 levels
Color Mode		Default=Black & White Mode Auto Color Selection (ACS) (For Color Scanner), Full Color (For Color Scanner), Black & White
Copy Mode		Default = Text Auto Text & Photo Separation (Printed/Glossy/Copied)
Copy Mode -Photo Type Selection		Photo (Printed/Glossy/Copied), Text, Map, Pale, Generation
Paper Selection		Default = Auto Paper Selection (APS)Auto Paper Selection (APS)1st Tray2nd Tray3rd Tray (with Paper Bank)4th Tray (with Paper Bank)5th Tray LCTBypass Tray
Paper Type Display	Std Tray	Plain Paper (No Display Paper Type), Recycle Paper, Special Paper, Color Paper, Letterhead, Cardstock, Preprinted Paper, Bond Paper, Plain Paper Backside, Pre-punched Paper, Envelopes (2nd tray)
	Bank, LCT	Plain Paper (No Display Paper Type), Recycle Paper, Special Paper, Color Paper, Letterhead, Cardstock, Preprinted Paper, Bond Paper, Plain Paper Backside, Pre-punched Paper
	Bypass Tray	Plain Paper (No Display Paper Type), Recycle Paper, Special Paper, Color Paper, Letterhead, Cardstock, Label Paper, OHP, Preprinted Paper, Bond Paper, Pre-punched Paper, Thin Paper, Thick Paper, Envelopes
Auto Tray Switch		Yes
Duplex		1 sided to 2 sided, 2sided to 2 sided(w/ARDF), Book to 2 sided, Front and Back to 2 sided
Book	Booklet	Yes
	Magazine	Yes
Series	Book to simplex	Yes
	2 sided original to simplex	Yes
Combine	2 into 1 simplex	Yes
	4 into 1 simplex	Yes
	8 into 1 simplex	Yes
	1 duplex into 1 simplex	Yes
	2 duplex into 1 simplex	Yes
	4 duplex into 1 simplex	Yes
	4 into 1 duplex	Yes
	8 into 1 duplex	Yes
	16 into 1 duplex	Yes
	2 duplex into 1 duplex	Yes
Shift/Eraser/Margin Adjustment	Centering	Yes
	Cornering	No
	Margin Adjustment	1mm step (0-30mm)Default = Front Page:5mm left, Back Page:5mm right
	Erase Center	1mm step (2-99mm), Default = 10mm
	Erase Border	1mm step (2-99mm), Default = 10mm
	Erase Center/Border	1mm step (2-99mm), Center: 10mm, Border: 10mm
Cover Sheet/Chapter/Slip	Front Cover	Copy or Blank (Default = Copy)

Product Support Guide

D084 / D085

Copier Enhanced Features		Remarks
Sheets	Front & Back Cover	Copy or Blank (Default = Copy)
	Chapter	Yes(Up to 20 chapters)
	Slip Sheets	Yes
	OHP Slip Sheets	Yes (Bypass, 2nd tray)
Image Rotation		Yes (A4, LT, B5)
Electronic Sort	Without Shift Sort	With finisher: Yes Without finisher: Yes
	Rotate Sort	With finisher: Yes Without finisher: Yes
	Shift Sort	With finisher: Yes(w/shift tray to Finisher) Without finisher: No
Electronic Stack		Yes (with Finisher)
Stapling		Yes (with Finisher)
Image Creation	Repeat	Yes
	Double Copy	Yes
	Mirror	No
	Positive/Negative	Yes
Stamp/Numbering	Preset Stamp	Yes (8 Stamps/2 sizes)
	User Stamp	Yes (4 Stamps/2 sizes)
	Date Stamp	Yes
	Page Number	Yes
Color Balance Adjustment		No
Color Balance Program		No
Auto Color Calibration(ACC)		No
Sharp/Soft		7 levels
Contrast		9 levels
Background Density Adjustment		9 levels
Job Programs		Mode: 10 Program, Default: 1 Program
User Code		8 digits / 500 user codes
Interrupt Copy		Yes
Auto Start		Yes
Job Preset		Yes (8 job)
Sample Copy		Yes
Simplified Display		Yes
Login/Logout Button		Yes
Logging Data Print out		Yes
NRS Option		Yes
Document Server		Yes
Auto Off Timer		Yes
Energy Saver Timer		Yes
Panel Off Timer		Yes
System Reset Timer		Yes

Product Support Guide

D084 / D085

Document Server Specifications	
HDD Capacity	40GB (Shared with other functions)
Max Stored Documents	3000 documents
Max Pages Per Documents	1000 page /A4
Max Pages of All Stored Documents	9000 sheets

Productivity

Mode	Location	Model	DLT	Legal	Letter(LEF)	Letter(SEF)	
ADF 1to1 Simplex to Simplex (cpm)	1st Tray	D084 (28CPM)	16.9	19.7	28.3	23.5	
		D085 (33CPM)	17.5	20.5	32.7	25.0	
	2nd Tray	D084 (28CPM)	16.9	19.7	28.3	23.4	
		D085 (33CPM)	17.5	20.5	32.5	25.0	
	3rd Tray	D084 (28CPM)	16.9	19.7	28.2	23.4	
		D085 (33CPM)	17.5	20.5	33.0	25.0	
	4th Tray	D084 (28CPM)	16.9	19.7	28.3	23.4	
		D085 (33CPM)	17.5	20.5	32.9	25.0	
	LCT	D084 (28CPM)	-	-	28.1	-	
		D085 (33CPM)	-	-	32.6	-	
	ADF 1to1 Simplex to Duplex (cpm)	1st Tray	D084 (28CPM)	11.9	13.1	30.1	25.9
			D085 (33CPM)	12.0	13.4	32.7	25.6
2nd Tray		D084 (28CPM)	11.9	13.2	30.0	25.9	
		D085 (33CPM)	12.1	13.4	32.8	25.6	
3rd Tray		D084 (28CPM)	11.9	13.2	30.0	25.7	
		D085 (33CPM)	12.0	13.4	32.7	25.6	
4th Tray		D084 (28CPM)	11.9	13.2	30.0	25.8	
		D085 (33CPM)	12.1	13.4	32.8	25.6	
LCT		D084 (28CPM)	-	-	30.0	-	
		D085 (33CPM)	-	-	32.9	-	
ADF 1to1 Duplex to Duplex (cpm0)		1st Tray	D084 (28CPM)	11.4	12.7	16.6	14.6
			D085 (33CPM)	11.4	12.8	16.5	14.6
	2nd Tray	D084 (28CPM)	11.3	12.8	16.6	14.6	
		D085 (33CPM)	11.3	12.8	16.6	14.6	
	3rd Tray	D084 (28CPM)	11.4	12.7	16.6	14.6	
		D085 (33CPM)	11.3	12.8	16.6	14.6	
	4th Tray	D084 (28CPM)	11.4	12.8	16.5	14.6	
		D085 (33CPM)	11.3	12.8	16.6	14.6	
	LCT	D084 (28CPM)	-	-	16.5	-	
		D085 (33CPM)	-	-	16.6	-	

Product Support Guide

D084 / D085

Options

ARDF (D366)			
Paper Size/Weight	Simplex	Size	A3 to A5, DLT to HLT
		Weight	40 to 128 g/m ² (10 to 34 lb)
	Duplex	Size	A3 to A5, DLT to HLT
		Weight	52 to 105 g/m ² (14 to 28 lb)
Table Capacity	50 sheets (80 g/m ² , 20 lb)		
Original Standard Position	Rear left corner		
Separation	Feed belt and separation roller		
Original Transport	Roller transport		
Original Feed Order	From the top original		
Supported Magnification Ratios	Copy		32 to 200 %
	Fax	Color	32.6 to 200 %
		Black & white	48.9 to 200 %
Power Source	DC 24V, 5V from the scanner unit		
Power Consumption	50 W or less		
Dimensions (W x D x H)	550 mm x 491 mm x 120 mm (21.7" x 19.3" x 4.7")		
Weight	10 kg (22 lb)		

Paper Tray Unit (D331)	
Paper Size	A5 to A3, 5 ¹ / ₂ " x 8 ¹ / ₂ " SEF to 11" x 17"
Paper Weight	60 – 105 g/m ² , (16 – 28 lb)
Tray Capacity	500 sheets (80 g/m ² , 20 lb) x 2 trays
Paper Feed System	Feed roller and friction pad
Paper Height Detection	4 steps (100%, 70%, 30%, Near end)
Power Source	<ul style="list-style-type: none"> ▪ 24 Vdc and 5Vdc (from the copier/printer): ▪ 120 Vac (120 V version) from the copier/printer when the optional tray heater is installed ▪ 220 – 240 Vac (230 V version) from the copier/printer when the optional tray heater is installed
Power Consumption	Max: 28 W (Copying/printing) 23 W (Optional Tray Heater On)
	Average: 17 W (Copying/printing) 15 W (Optional Tray Heater On)
Weight	25 kg (55 lb)
Size (W x D x H)	550 mm x 520 mm x 271 mm (22" x 20" x 10")

LCT (B391)	
Paper Size	A4 LEF/LT LEF
Paper Weight	60 g/m ² to 105 g/m ² , (16 lb to 28 lb)
Tray Capacity	2,000 sheets 80 g/m ² , (20lb)
Remaining Paper Detection	5 steps (100%, 70%, 30%, 10%, Empty): Right Tray 4 steps (100%, 70%, 30%, Empty): Left Tray
Power Source	DC 24 V, 5 V (from copier/printer)
Power Consumption	50 W (Max.)/30 W (Ave.)
Weight	25 kg (55 lb)

Product Support Guide

D084 / D085

LCT (B391)	
Size (W x D x H)	580 mm x 620 mm x 260 mm (22.8" x 24.4" x 10.2")

One Bin Tray (D367)	
Paper Size	A5 LEF to A3, HLT to DLT
Paper Weight	60 g/m ² to 105 g/m ² (16 lb to 28 lb)
Tray Capacity	125 sheets (80 g/m ² , 20 lb)
Power Source	DC 5 V, 24 V (from copier)
Power Consumption	15 W
Weight	1.1kg (2.5 lb)
Size (W x D x H)	530 x 410x124 mm (20.9" x 16.1" x 4.9")

Bridge Unit (D368)	
Paper Size	Standard sizes: A6 LEF to A3, HLT to DLT Non-standard sizes: Width: 100 to 305 mm,(3.9" to 12") Length: 148 to 432 mm (5.8" to 17")
Paper Weight	52 g/m ² to 135 g/m ² (16 lb to 42 lb)
Power Source	DC 24 V, 5 V (from copier)
Dimensions (W x D x H)	413 x 435 x 126 mm (16.2" x 17.1" x 4.9")
Weight	3.0 kg (6.6 lb)

Shift Tray Unit (D385)	
Paper Size:	Standard Size: A5 LEF to A3, HLT LEF to DLT Non-standard Size: Width: 90 to 297 mm (3.5" to 11.7"), Length: 148 to 432 mm (5.8" to 17")
Paper Weight	60 to 105 g/m ² (16 to 28 lb)
Tray Capacity	125 sheets (80 g/m ² , 20 lb): B4 or larger 250 sheets (80 g/m ² , 20 lb): A4 or smaller
Power Source	DC 5 V, 24 V (from copier)
Power Consumption	17 W
Weight	1.1 kg (2.43 lb)
Size (W x D x H)	530 mm x 410 mm x 120 mm (20" x 16" x 4.7")

Product Support Guide

D084 / D085

500 Sheet Finisher SR3050 (D372)		
Paper Size	5 ½"x8 ½" SEF(HLT) – 11"x17" (DLT), A6 SEF – A3 SEF	
Paper Weight	52-157 g/m2 (14-42 lb)	
Stack Capacity	Shift Tray	500 sheet (8 ½"x11" LEF/SEF, A4 LEF/SEF or smaller)250 sheet (8 ½"x14", B4 or larger)
	Normal Staple Sort	LT LEF, B5, A4 LEF: 10 – 45 sets (50 – 10 sheets/set) 46 - 55 sets (2 – 9 sheets/set) LT SEF, B5, A4 SEF: 8 - 25 sets (50 - 10 sheets/set) 27 - 55 sets (2 – 9 sheets/set) LG, DLT, B4, A3: 8 - 25 sets (30 – 10 sheets/set) 27 - 55 sets (2 – 9 sheets/set)
Staple Capacity	Without Mixed Size	50 sheets (8 ½"x11" LEF/SEF, A4 LEF/SEF)30 sheets (8 ½"x14", B4 or larger)
	With Mixed Size	30 sheets (8 ½"x11"SEF - 11"x17"SEF, B5 LEF - A3 SEF)
Staple Paper Size	B5 LEF/SEF – A3 LEF/SEF8 ½"x11" LEF/SEF(LT)-11"x17"(DLT)	
Supported Paper Size for Mixed Size Mode	A3 SEF and A4 LEF, B4 SEF and B5 LEF, 11"x17" SEF and 8 ½"x11" LEF, 8 ½"x14" SEF and 8 ½"x11" LEF	
Staple Paper Weight	52-157g/m2 / 14-42 lb.	
Staple Position	1 staple / 4 positions 2 staples / 1 position	
Staple Cartridge Capacity	5000pcs./cartridge	
Power Consumption	50W (Power is supplied from the mainframe)	
Dimension(WxDxH)	396x551x275mm / 15.6"x21.7"x10.9"	
Weight	Under 12kg / 26.5 lb	

1000 Sheet Finisher SR790 (B408)		
Paper Size	Proof Tray	5 ½"x8 ½"LEF/SEF(HLT) – 11"x17" (DLT), A6 SEF - A3 SEF
	Shift Tray	5 ½"x8 ½"LEF/SEF(HLT) – 11"x17"(DLT), A5 SEF-A3 SEF
Paper Weight	Proof Tray	52-260g/m2 / 14-42 lb
	Shift Tray	52-163g/m2 / 14-42 lb
Stack Capacity	Proof Tray	250 sheets (A4 / 8 ½"x11" or smaller / 80g/m2 / 20 lb) 50 sheets (B4 / 8 ½"x14" or larger / 80g/m2 / 20 lb)
	Shift Tray	1000 sheets (A4 / 8 ½"x11" or smaller / 80g/m2 / 20 lb) 500 sheets (B4 / 8 ½"x14" or larger / 80g/m2 / 20 lb)
	Normal Staple Sort	LT LEF, A4 LEF: 20-100 sets (50 – 10 sheets/set) 100 sets (2 – 9 sheets/set) LT SEF, B5, A4 SEF: 10 - 50 sets (50 - 10 sheets/set) 100 sets (2 – 9 sheets/set) LG, DLT, B4, A3: 10 - 50 sets (30 – 10 sheets/set) 50 sets (2 – 9 sheets/set)
Staple Capacity	50 sheets (A4 / 8 ½"x11" / 80g/m2 / 20 lb) 30 sheets (B4 / 8 ½"x14" or larger / 80g/m2 / 20 lb)	
Staple Paper Size	8 ½"x11"(LT) – 11"x17"(DLT), B5 LEF/SEF – A3 SEF	
Staple Paper Weight	64-90g/m2 / 17-28 lb	
Staple Position	1 staple / 2 positions 2 staples / 1positions	
Staple Cartridge Capacity	5,000pcs. /cartridge	
Power Consumption	50W (Power is supplied from the mainframe)	
Dimension(WxDxH)	270x520x790mm / 10.7"x20.5"x31.2"	
Weight:	Approx. 25kg / Approx. 55.2 lb	

Product Support Guide

D084 / D085

1000 Sheet Booklet Finisher SR3000 (B793)			
Paper Size	Proof Tray	5 ½"x8 ½"LEF/SEF(HLT) – 11"x17" (DLT), A5 - A3 SEF, B6 SEF, A6 SEF	
	Shift Tray	5 ½"x8 ½"LEF/SEF(HLT) – 11"x17"(DLT), A6 SEF, B6 SEF, A5 – A3 SEF	
Paper Weight	Proof Tray	52-105g/m2 / 14-28 lb	
	Shift Tray	52-256g/m2 / 14-68 lb	
Stack Capacity	Proof Tray	100 sheets (A4 / 8 ½"x11" or smaller / 80g/m2 / 20 lb) 50 sheets (B4 / 8 ½"x14" or larger / 80g/m2 / 20 lb)	
	Shift Tray	1000 sheets (A4 / 8 ½"x11" or smaller / 80g/m2 / 20 lb) 500 sheets (B4 / 8 ½"x14" or larger / 80g/m2 / 20 lb)	
	Normal Staple Sort	LT LEF, A4 LEF:	20 – 100 sets (50 – 10 sheets/set) 100 sets (2 – 9 sheets/set)
		LT SEF, B5, A4 SEF:	10 - 50 sets (50 - 10 sheets/set) 100 sets (2 – 9 sheets/set)
		LG, DLT, B4, A3:	10 - 50 sets (30 – 10 sheets/set) 50 sets (2– 9 sheets/set)
	Saddle Stitch	20 sets (2 – 5 sheets/set, all size for saddle stitch)	
Staple Sort	10 sets (6 – 10 sheets/set, all size for saddle stitch)		
Staple Capacity	Normal Staple	50 sheets (A4 / 8 ½"x11" / 80g/m2 / 20 lb) 30 sheets (B4 / 8 ½"x14" or larger / 80g/m2 / 20 lb)	
	Saddle Stitch Staple	10 sheets (80g/m2 / 20 lb)	
Staple Paper Size	Normal Staple	8 ½"x11" (LT) – 11"x17"(DLT), B5 LEF/SEF – A3 SEF	
	Saddle Stitch Staple	8 ½"x11"(LT) SEF, 8 ½"x14"(LG) SEF, 11"x17"(DLT) SEF, B5 SEF, A4 SEF, B4 SEF, A3 SEF	
Staple Paper Weight	Normal / Saddle Stitch Staple	64-90g/m2 / 17-24 lb	
Staple Position		1 staple / 2 positions, 2 staples / 1 positions	
Staple Cartridge Capacity		5,000pcs. /cartridge	
Power Consumption		60W (Power supplied via mainframe)	
Dimension(WxDxH)		535 x 600 x 930mm / 21.1"x23.7"x36.7"	
Weight		W/O Punch Unit: Approx. 105.9 lbs. / 48kg With Punch Unit: Approx. 110.3 lbs. / 50kg	
Paper Size (Punch Unit Option)	NA/2 Holes	SEF: HLT – DLT/ A5 – A3 LEF: HLT, LT, A4-A5	
	NA/3 Holes	SEF: DLT, B4, A3, LEF: LT, B5, A4	
Paper Weight (Punch Unit Option)	NA/2 Holes	52-163g/m2 / 14 – 43 lb.	
	NA/3 Holes	52-163g/m2 / 14 – 43 lb.	

Product Support Guide

D084 / D085

Printer

General Specification (D084/D085)		
CPU		RM7035C-533
RAM		768 MB (Resident 512 MB + 256 MB)
HDD		40GB
Print Drivers	Std	PCL5e, PCL6 (AirFace)
	Option	Adobe PostScript3
Print Resolution (Max)	PCL5e	600dpi
	PCL6	600dpi
	PS3	600dpi
Font	PCL	46 fonts (TrueType: 10 fonts, Intelli: 35 fonts, Bitmapped: 1 font) + International fonts: 13 Intellifonts *Cyrillic (Russian), Greek, Hebrew and Arabic are included
	PS3	136 Roman fonts
Host Interfaces	Std	Ethernet (RJ-45 network port: 10Base-T/100BaseTX), USB2.0
	Option	IEEE1284/ECP, Wireless LAN (IEEE802.11a/g, WPA support), Bluetooth, Gigabit Ethernet
Network Protocol		TCP/IP (IP v4, IP v6), IPX/SPX, Apple Talk (Auto Switching)
Standard MIB		MIB-II (RFC1213), Host Resource (RFC1514), PrintMib (RFC1759)
Private MIB		Ricoh Original
Network/Operating System		Windows: 2000/XP/Vista/Server2003/Server2008, Netware: 3.12, 3.2, 4.1, 4.11, 5.0, 5.1, 6, 6.5, Unix: Sun Solaris, HP-UX, SCO OpenServer, Red Hat Linux, IBM AIX Mac: OS 8.6-9.2x, OS X10.1 or later, SAP R/3, NDPS Gateway, IBM iSeries/AS/400-using OS/400 Host Print Transform

Scanner		
Color Scan		Std
Scanning Speed	B&W	B&W 2 value (Tex, Photo), A4(LEF), 200dpi, Compression(MH): 50ipm
	Color	FC (Text, Photo), A4 (LEF), 200dpi, Compression(default level): 29ipm
Scanning Resolution	Std	100/200/300/400/600 dpi
	Default	200 dpi
Auto Size Detection (US Model)	Contact Glass	11"x17"(DLT) SEF, 8 ½ ,x14"(LG) SEF, 8 ½x11"(LT) LEF/SEF
	ARDF	11"x17"(DLT) SEF, 8½ ,x14"(LG) SEF, 8½x11"(LT) LEF/SEF, 5 ½x8 ½(HLT) LEF/SRF, 8½x13"(Foolscap) SEF, 10"x14"SEF, 11"x15"SEF(detected the same as DLT SEF, Default=DLT SEF), 8"x10"SEF(detected the same as LT SEF, Default=LT SEF), 7 ¼x10½(EXE)LEF/SEF
Scan Area	Main Scan	297mm / 11.7 inch
	Sub Scan	432mm / 17 inch
RGB Support		Std
Network Interface		Ethernet 10/100Base TX, Gigabit Ethernet, Wireless LAN(802,11a/g)
Protocol		Network: TCP/IP, Sending E-mail: SMTP, POP3 Scan to Folder: SMB, FTP, NCP

Product Support Guide

D084 / D085

Scanner		
Compression Method	B&W	TIFF (MH,MR,MMR), Grayscale
	Color	Full Color: JPEG (5 levels)
Scan Mode (Mono Scan)	Standard: BW: Text, BW: Text/Line Art, BW: Photo, Gray Scale	
Scan Mode (Color Scan)	Standard: BW: Text, BW: Text/Line Art, BW: Text/Photo, BW: Photo, Gray Scale, FC: Photo, Text Photo, FC Photo: Glossy Photo, Auto Color Select	
Image Density	Auto Density Selection (Effective only in BW and Grayscale scan mode) Manual: 7levels (Effective in BW/Grayscale and FC scan mode)	
Image Rotation	BW: Yes, Grayscale / FC: Single and Multi valued PDF only.	
SADF/Batch Mode	Yes	
Mixed Size Mode	Yes	

Scan to E-mail		
Requirement	SMTP (Mail Server) Gateway and TCP/IP	
Authorization Function	SMTP authentication, POP before SMTP authentication	
Resolution	Std	100/200/300/400/600 dpi
	Default	200dpi
Max Email Address in HDD	2,000 addresses	
Register Group Address in HDD	Max. 100 Group (Max. 500 addresses in one group address)	
Maintain Email Address in HDD	Direct input on operation panel, Web Image Monitor, SmartDeviceMonitor	
Input of Destination E-mail Address via Soft Key	Possible, Max. 100 destinations per job	
Search Email Address in HDD	By name and E-mail address	
LDAP Search	Yes	
Max Address Numbers Per Send	Max. 500 addresses per send	
Address Numbers Per Send	from HDD	Max.500
	direct input	Max.100
	via LDAP	Max.100
Attention	To, cc, bcc	
Email Size	with Restriction	128 - 102,400KB Default: 2,048KB
	w/o Restriction	975MB
File type	Single Page TIFF/JPEG, Single Page PDF, Multi Page TIFF, Multi Page PDF, Single Page High Compression PDF, Multi Page High Compression PDF	
Program User Settings	Yes (up to 10 programs)	
Divide and send Email	Yes (By page or size) / No, Default = Yes (By size)	
Resend	Yes / No, Default: Yes	

Scan to Folder		
Protocol Support	SMB, FTP, NCP	
Security	Client folder log-in (log-in name and password), Encryption of log-in name and password during transmission	
Resolution	Std	100/200/300/400/600 dpi
	Default	200 dpi

Product Support Guide

D084 / D085

Scan to Folder	
Register client folder address in HDD	Max. 2,000 folders
Maintain client folder address in HDD	Direct input on operation panel, Web Image Monitor, Smart Device Monitor
Destination client folder address input via soft key	Yes SMB: Network path->Client folder->Password FTB: Server->Network path->User account->Password NCP: Network path->User account->Password->Connection Type: NDS/Bindery
Search client folder	SMB: Browsing directly to the designated folders FTP: By client folder name NCP: Browsing
Max. client folder numbers per send	Max. 50 client folders / PCs per send
Destination Combination	Yes
Group address	Max. 100 destinations (To Folder: 50, To E-mail: 100) e.g. 100 destinations 50 folders included >>>OK 100 destinations 51 folders included>>>Failure
Input Subject	No
Scan to File size	Up to 2GB
File Type	Single Page TIFF/JPEG, Single Page PDF, Multi Page TIFF, Multi Page PDF, Single Page High Compression PDF, Multi Page High Compression PDF
Program User Settings	Yes (Up to 10 programs)
Dividing File in Scan to Email	Yes (By page or size)/ No, Default =Yes (By size)
Resend	Yes/No, Default = Yes

Max. address numbers per sending (combination between E-mail and Folder)				
Input Via		Condition 1*	Condition 2*	Condition 3*
Scan to E-mail	Address book	500	500	550
	Manual Input	100		
Scan to Folder	Address book	50	50	
	Manual Input	50		

Note: Condition1: Max. addresses can select or input
Condition2: Max. addresses allow in single operation
Condition3: Combination of addresses: Max

Network TWAIN Driver		
OS	Windows 2000, Server 2003, 2003 R2, 2008, Windows XP, Windows Vista, Windows 7	
Scanning Speed	B&W	53 (A4 @ 200dpi)
	Color	37 (A4 @ 200dpi)
Resolution	B&W	100 - 1200dpi
	Color	100 - 600dpi
Scan Mode	Standard / Photo / OCR / Filing	
Image Adjustment	Brightness / Contrast / Threshold/ Gamma Adjustment / Halftone Pattern	
Stamp	Date / Page Number / Text	
Endorse	Supported	

Product Support Guide

D084 / D085

Fax Specification		
Circuit	PSTN, PBX	
Compatibility	ITU-T(CCITT) G3, Additional G3 (option)	
Resolution	8 x 3.85 line/mm, 200 x 100dpi (std) 8 x 7.7 line/mm, 200 x 200dpi (std) 8 x 15.4 line/mm, 16 x 15.4 line/mm, 400 x 400dpi (with optional SAF memory)	
Compression Method	MH, MR, MMR, JBIG	
Scanning Speed (DF used)	0.56sec. (A4/LT SEF, Standard/Detail mode) 0.40sec. (A4/LT LEF, Standard/Detail mode) 1.12sec. (A4/LT SEF, Super Fine mode) 0.80sec. (A4/LT LEF, Super Fine mode) *ITU-T No.1 chart, 200 x 100dpi (Standard mode), 200dpi (Detail mode), 400dpi (Super Fine mode)	
Scan Page per Minute(DF used)	A4/LT SEF	Standard mode: 39cpm Detail mode: 38cpm Super Fine mode: 27cpm
	A4/LT LEF Image Rotation	Standard mode: 41cpm Detail mode: 38cpm Super Fine mode: 22cpm
Modem Speed	33.6K – 2,400 300bps (G3, Standard with Automatic Shift Down) (33600, 31200, 28800, 26400, 24000, 21600, 19200, 16800, 14400, 12000, 9600, 7200, 4800, 2400, 300 bps)	
Transmission Speed	G3: Approx.2 seconds (200 x 100dpi, JBIG, ITUT #1 chart TTI off, memory transmission) G3: Approx.3 seconds (200 x 100dpi, MMR, ITUT #1 chart, TTI off, memory transmission)	
Page Memory Size	Std	8MB
	with Optional SAF Memory	16MB
SAF Memory Size	Std	4MB (Approx. 320 pages)
	with Optional SAF Memory	28MB (Approx. 2,240 pages)
Option	32MB SD-RAM (24MB SAF Memory + 8MB Page Memory)	
Memory Backup	One hour	
Smoothing	Standard	
TTI/RTI	Standard	
CSI	Standard	
Quick Dial	Standard: 500 number (without HDD) / 2,000 numbers (with HDD)	
Group Dial	Standard: 100 groups (500 numbers per 1 group)	
Program	Standard: 100 members	
Redial	Standard	
Direct Fax Number Entry	Standard	
Dual access	Standard	
User Code	Standard: 500 codes	
Page Counter	Standard	
Auto Reduction	Standard	
Wild Cards	Standard	
Summer Time	Yes	

Product Support Guide

D084 / D085

Fax Specification	
ID Code Programming	Standard (4 digits)
Programming by OMR	No
User Function Key	Standard (3 keys)
Night Timer	No
Energy Saver	Standard
LCD Prompt	Standard
Remaining Memory Indication	Standard
Clock Adjustment	Standard
User Parameter Settings	Standard
User Data Transfer	Standard

Transmission Features	
Immediate Transmission	Standard
Memory Transmission	Standard
Serial Broadcasting	Standard (Max. 500 numbers)
Send Later	Standard
Error Correction Mode	Standard
Page Retransmission	Standard
Forwarding	Standard
Image Rotation	Standard
Book Fax	Standard
Closed Network Transmission	Standard
Double Sided Transmission	Yes
Transmission Reserve	No

Reception Features	
Automatic Reception	Standard
Manual Reception	Standard
Substitute Reception	Standard
Authorized Reception	Standard
Multi Copy	Standard
Closed Network	Standard
Reception Time Printing	Standard
Center Mark	Standard
Checkered Mark	Standard
Economy Printing Mode	No
Duplex Reception	Yes with option

Telephone Specification	
Handset/Telephone	Option
Telephone Connection	Standard
Monitor Speaker	Standard

Product Support Guide

D084 / D085

Telephone Specification	
Automatic Voice Message	No
On Hook Dial	Standard
Tone Transmission	Standard
Pause	Standard
Pulse/Tone Selection	Standard
Chain Dialing	Standard
Reception Mode Selection	Standard
Automatic Fax/Phone change	No
Reception Mode Switch over (remote)	No
Answering Machine interface	Yes
Reception Mode Switching Timer	Standard
Auto Answer Delay Time	Standard (SP mode)
Busy Tone Detection	Standard
Silent Ringing Detection	No

LAN-Fax M8 Specification	
Paper Size	Letter (default for NA model), Legal, B5, A5
Resolution	Super Fine (400 x 400 dpi) Detail (200 x 200 dpi) *default Standard (200 x 100 dpi)
Gray Scale	Not supported (Because Window 9x, Me are not supported)
Number of Address	500
OS	Windows 2000, Server 2003, 2003 R2, 2008, Windows XP, Windows Vista, Windows 7 (Gray Scale is only available for the driver of Windows95/98, Me)
LAN-Fax Editor Support Language	1.English, 2.German, 3.French, 4.Italian, 5.Spanish, 6.Dutch, 7.Swedish, 8.Norwegian, 9.Danish, 10.Finnish, 11.Hungarian, 12.Czech, 13.Polish, 14.Portuguese, 15.Russian, 16.Korean, 17.Traditional Chinese, 18.Simplified Chinese Condition: OS need to have the same language.

Internet Fax (T.37 Full mode) Specification	
Requirement of Mainframe	G3 fax option is required. Printer Scanner option is required.
Number of Address	2,000 HDD storage
Email Address Input	From LCD operation panel, Web Image Monitor, Smart Device Monitor for Admin
Attention	"to" or "bcc" (select only one), max 500 attentions
Destination Combination	Internet Fax + G3 Fax, Internet Fax to PC + G3 Fax
Network	LAN: Local Area Network Ethernet/10Base-T, 100 Base-TX, IEEE802.11b (wireless LAN)
Transmit Function	E-mail
Scan Line Density	200 x 100dpi (Standard character), 200 x 200dpi (Detail character), 200 x 400dpi (Fine character: optional) 400 x 400dpi (Super Fine character: optional)
Original Size: Scanning width	A3, B4, A4
Communication Protocol	-Transmission: SMTP, TCP/IP -Reception: POP3, SMTP, IMAP4, TCP/IP
Email Format	Single/Multi-part, MIME Conversion, Attached file forms: TIFF-F (MH, MR, MMR compression)

Product Support Guide

D084 / D085

Internet Fax (T.37 Full mode) Specification	
Authentication Method	SMTP-AUTH, POP before SMTP, A-POP
Internet Communication	Send and receive e-mail with a computer that has e-mail address
Email Send Functions	Automatic conversion of sent documents to e-mail format and e-mail transmission. Memory transmission only.
Email Receive Functions	Automatic detection and printing of appended TIFF-F (MH) files and ASCII text. Memory reception only.

IP Fax Specification	
Network	Ethernet:1000BASE-T, 100BASE-TX, 10BASE-T Wireless LAN: IEEE 802.11a/b/g
Scan Line Density	8 x 3.85 lines/mm, 200 x 100 dpi (Standard character), 8 x 7.7 lines/mm, 200 x 200 dpi (Detail character), 8 x 15.4 lines/mm (Fine character: optional expansion memory required), 16 x 15.4 lines/mm, 400 x 400 dpi (Super Fine character: optional expansion memory required)
Original Size	Maximum A3 or 11" x 17" (DLT)
Max Scanning Size	Standard: A3, 297mm x 432mm (11" x 17") (DLT) Irregular: 297 mm x 1200 mm (11" x 47")
Transmission Protocol	Recommended: T.38 Annex, TCP, UDP/IP communication, SIP(RFC 3261 compliant), H.323 v2
Compatible Machines	IP-Fax compatible machines
IP-Fax Transmission Function	Specify an IP address and send faxes to an IP-Fax compatible fax through a network. Also capable of sending faxes from a G3 fax connected to a telephone line via a VoIP gateway.
IP-Fax Reception Function	Receive faxes sent from an IP-Fax compatible fax through a network. Also capable of receiving faxes from a G3 fax connected to a telephone line via a VoIP gateway

MFP Supported Environments

Windows Environments				
OS	Type	PCL5c	PCL6	PostScript3
Windows 2000	Professional	Y	Y	Y
	Server	Y	Y	Y
	Advanced Server	Y	Y	Y
	Datacenter Server	N	N	N
Windows XP	Professional	Y	Y	Y
	Home Edition	Y	Y	Y
Windows Server 2003	Standard Edition	Y	Y	Y
	Enterprise Edition	Y	Y	Y
	Datacenter Edition	N	N	N
	Web Edition	N	N	N
Windows Server 2008	Standard Edition	Y	Y	Y
	Enterprise Edition	Y	Y	Y
	Datacenter Edition	N	N	N
	Web Edition	N	N	N
Windows Vista	Home Basic	Y	Y	Y
	Home Premium	Y	Y	Y
	Business	Y	Y	Y
	Ultimate	Y	Y	Y
	Enterprise	Y	Y	Y

Product Support Guide

D084 / D085

Windows Environments				
OS	Type	PCL5c	PCL6	PostScript3
Windows 7	Home Premium	Y	Y	Y
	Professional	Y	Y	Y
	Enterprise	Y	Y	Y
	Ultimate	Y	Y	Y

Point & Print			
Windows OS		Drivers	
Server	Client(Push to)	PCL5c/6	PS
Windows Server 2003	Vista	Yes	Yes
	XP	Yes	Yes
	W2K Pro	Yes	Yes
Windows Server 2008	Vista	Yes	Yes
	XP	Yes	Yes
	W2K Pro	Yes	Yes
Windows XP Professional	Vista	Yes	Yes
	XP	Yes	Yes
	W2K Pro	Yes	Yes
Windows 2000 Professional Server & Advanced Server	Vista	Yes	Yes
	XP	Yes	Yes
	W2K Pro	Yes	Yes
Windows Vista	Vista	Yes	Yes
	XP	Yes	Yes
	W2K Pro	Yes	Yes

Terminal Service & Citrix MetaFrame		
Server	Driver	
	PCL5c/6	PS
Windows Server 2003	Yes	Yes
Windows 2000 Server	Yes	Yes
Win 2003 Servers + MetaFrame	Yes	Yes
Win 2000 Servers + MetaFrame	Yes	Yes
Win 2003 Servers + Citrix PresentationServer4.0	Yes	Yes
Win 2000 Servers + Citrix PresentationServer4.0	Yes	Yes
Win 2003 Servers + Citrix PresentationServer4.5	Yes	Yes
Win 2000 Servers + Citrix PresentationServer4.5	No	No
Windows Server 2008 + Citrix XenApp 5.0	Yes	Yes

Product Support Guide

D084 / D085

Mac OS

	PostScript3	Printer Utility for MAC
Mac OS 8.6 or later, Mac OS X classic	Yes	Yes
Mac OS X Native : v. 10.1 or later	Yes	Yes

UNIX Filter

Unix Platforms	Version
Sun Solaris	2.6 / 7 / 8 / 9 / 10
HP-UX	10.x / 11.x / 11iv2
Red Hat Linux	6.x / 7.x / 8.x / 9.x / Enterprise
SCO OpenServer	5.0.6 / 5.0.7 / 6.0
IBM AIX	V4.3 & 5L Version 5.1 / 5.2 / 5.3

Novell Netware

Netware Server	Supported Version	Netware 3.12 / 3.2 / 4.1 / 4.11 / 5.0 / 5.1 / 6.0/6.5
Client	Supported OS	Windows 95 / 98 / Me / NT4.0 / 2000 / XP (Professional)
Supported Print System		Q-base, NPDS Gateway, I-print

SAP/R3 Environment (Device Type / Barcode & OCR Package)

Supported Environments	R/3 version	3.x or later, mySAP ERP2004 or later
	Platform	Independent
	PDL	PCL5e
	Character Set	Latin 1(Western European), Latin 2 (Eastern European)
	Localization	English only
Supported features	i.e: Input/Output Bin, Duplex, Stapling, Resolution, Collation, Econo Mode/Toner Saving, Smoothing, Page Protect, Auto Tray Change/Opt Tray select	
Supported Barcode & OCR Fonts* (* BOP will be procured locally)	Barcode Fonts (Support Latin 1 only)	Code 128, Code 39, Code 93, Codabar, 2 of 5 interleaved/Industrial/Matrix, MSI, USPS, UPC/EAN
	OCR Fonts	OCR A, OCR B

Utility Software

Software	Description
Font Manager	This software enables you to use screen fonts.
Smart Device Monitor for Admin	This software enables you to manage and monitor printers and other devices over the network.
DeskTopBinder – SmartDeviceMonitor for Client	This software enables you to access networked printers to print, monitor or to receive notifications. With DeskTopBinder Lite you can connect client computers to I/O devices enabling you to efficiently manage data.

Product Support Guide

D084 / D085

Software	Description
Device Graphic Update Module	Device Graphic Update Module provides bitmap images used to represent the various statuses of devices graphically within Smart Device Monitor or Web Smart Device Monitor. Available on website.
Printer Utility for Mac	This is a utility for Macintosh that provides access to several network printing administrative features.
PS Descriptions	PPD for Mac By interacting with the Adobe PostScript 3 controller in the device, this PPD is able to produce an accurate representation of the screen image.
Mac OS X PPD Installer	This PPD installer is used to install a PPD (Postscript Printer Description) file on Mac OSX. PPD files contain descriptions of printer capabilities such as paper sizes, number of input trays and duplexing. Once the PPD file is installed on the system using the PPD installer, the PS driver that comes bundled with Mac OS X can use the information in the PPD to control the print device and enable full functionality. It supports the Mac OS X 10.1 or later. Please see the Readme file for information about compatibility with versions of Mac OS X.
LAN FAX Driver M8	This software enables you to fax documents directly from your computer. The Address Book Editor and Cover Sheet Editor are installed as well. This software requires the optional fax unit to be installed on the machine. M10 Driver
PCL 6 Driver	Printer driver for B/W printing in Windows. It supports HP PCL XL commands and is optimized for the Windows GDI. High performance printing can be expected.
PCL 5e Driver	Printer driver for printing in Windows. It supports HP PCL 5e commands.
Post Script Driver	By interacting with the Adobe PostScript 3 controller in the device, this driver is able to produce an accurate representation of the screen image.
Network TWAIN Driver	TWAIN scanner driver for network connections with new features Combine/Series, compatible with SNMP V3 and Network Connection Tool.

Print Driver Information

Printer Driver Features				
Features	PCL5c/6	PostScript3		
		Windows 2000/XP/Vista	Mac OS 8.6-9.2	Mac OS X
Send to job Binding	N	N	N	N
Send to Document Server	Y	Y	Y	Y
Sample Print	Y	Y	Y	Y
Locked Print	Y	Y	Y	Y
Hold Print	Y	Y	Y	Y
Stored Print	Y	Y	Y	Y
Stored Print (Shared)	Y	N	N	N
Store and Print	Y	Y	Y	Y
Store and Print (Shared)	Y	N	N	N
Reduce/Enlarge (Zoom/Scaling)	Y	Y	Y	Y
Reduce/Enlarge Centering	Y	N	N	N

Product Support Guide

D084 / D085

Printer Driver Features				
Fit to Paper Size	Y	Y	Y	Y
Unauthorized Copy Control	N	N	N	N
Layout (N-up, Page per sheet)	Y	Y	Y	Y
Poster	N	N	N	N
Duplex	Y	Y	Y	Y
Booklet1	N	N	N	N
Booklet2 (Magazine)	Y	Y	N	N
Non-Reduction Booklet	Y	N	N	N
Watermark	Y	Y	Y	Y
Overlay	N	N	N	N
Header/Footer	N	N	N	N
Adjust Image Position	N	N	N	N
Binding Margins	N	N	N	N
Collate	Y	Y	Y	Y
Punch	Y	Y	Y	Y
Staple	Y	Y	Y	Y
Cover Sheet (Front Cover)	Y	N	Y	Y
Front and Back Cover	Y	N	N	N
Slip Sheet	Y	N	N	N
Chaptering	Y	N	N	N
Rotate by 180 degrees	Y	Y	N	N
Reverse Order Print	N	Y	Y	Y
Do not print Blank Pages	Y	N	N	N
Dithering	N	Y	Y	Y
Toner Saving	Y	Y	Y	Y
Black Over Print	N	N	N	N
CLP Color Simulation	N	N	N	N
Print Priority Setting :Quality	N	N	N	N
Print Priority Setting :Speed	N	N	N	N
Print Priority Setting :High Speed	N	N	N	N
User ID	Y	Y	Y	Y
User Code	Y	Y	Y	Y
User Authentication	Y	N	N	N
Encryption/Encoding	Y	N	N	N
Mirror image Print	N	Y	Y	N
Negative Image Print	N	Y	Y	N
Edge to Edge Print	Y	Y	Y	Y
Limitation Setting	Y	N	N	N
Classification Code	N	N	N	N

Y: supported
N: not supported

Product Support Guide

D084 / D085

Other MFP Support Information

Documentation received with the machine.

Manual Name	Paper Manual	HTML Manual	PDF Manual
About This Machine	Yes	Yes	Yes
Troubleshooting	Yes	Yes	Yes
Copy/Document Server Reference	NA	Yes	Yes
Facsimile Reference	NA	Yes	Yes
Printer Reference	NA	Yes	Yes
Scanner Reference	NA	Yes	Yes
Network Guide	NA	Yes	Yes
General Setting Guide	NA	Yes	Yes
Information	NA	Yes	NA
PostScript 3 Supplement	NA	Yes	Yes
Security Reference	NA	Yes	Yes

Note: For "UNIX Supplement", please visit our Web site or consult an authorized dealer. This manual includes descriptions of functions and settings that might not be available on this machine.

Product Support Guide

D084 / D085

Counters

- User Tools / Counter → Counter → OK → Print → Start
- User Tools → System Settings → Administrator Tools → Display / Print Counter → Print → Start
- Electronic counter: 8 digits
- Mechanical counter 7 digits – Location: open front cover – Left Hand Corner. This counter is optional.

Paper

Recommended Throughput Material

Not Applicable

Non Recommended Throughput Material

Refer to pages in the Operating Instructions- About This Machine.

Do not use any of the following kinds of paper or a fault might occur:

- Aluminum Foil, Carbon paper,
- Conductive paper
- Paper meant for an inkjet printer
- Bent, folded, or creased paper
- Torn paper
- Thermal fax paper
- Art paper
- Paper with perforated lines
- Hemmed-edge paper
- Tab stock
- Slippery paper
- Perforated paper
- Rough paper
- Thin paper with little stiffness
- Paper with a dusty surface

Special Paper

Not Applicable

Product Support Guide

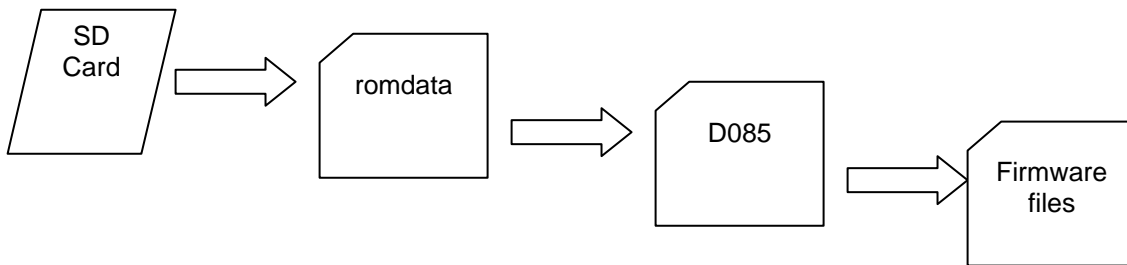
D084 / D085

Firmware Information

Firmware

Firmware SD Card	Firmware Type
Animation	Animation
Engine	Engine
Fax	Fax
Finisher SR3050	500 Sheet Finisher
Font EXP	Font EXP
GWFCU3-11(WW)	FCU
Language Install	Language
Network DocBox	Netfile
Network Support	NCS
OpePanel.EXP	LCDC
Option PCL	PCL
Printer	Printer
PS3/PDF	PS3/PDF
Remote Fax	Rfax
Scanner	Scanner
System/Copy	Controller
Web Support	WebSys
Web Uapl	Web DocBox

SD Card Arrangement



NOTE: Only ,fwu files are used on the SD Card. For RFU firmware refer to Pub Bulletin 059.

Product Support Guide

D084 / D085

Contact Information

Name	Contact
Technical Services Call Center (Hotline)	Ricoh: (800) 537-4264 Savin/Gestetner: (800) 291-6044 Lanier: (800) 333-3147
Application Help Desk (Software Issues)	Ricoh Phone Card: 2 Call - 000781MIU, 5 Call - 000900MIU Savin Phone Card: 2 Call - 12992, 5 Call - 12993 Gestetner Phone Card: 2 Call - 12994, 5 Call - 12995
Hytec Parts and Logistics Control	(800) 557-4264 http://www.nrc-usa.com
Technology Solutions Resource Center	http://www.tscweb.net
Configurator	http://www.connectivity-cafe.com
Ricoh Web Site	http://www.ricoh-usa.com/
Savin iLINC Web Site	http://www.savin.com
Headquarter Web Sites	Ricoh Corporation: http://www.ricoh-usa.com Savin Corporation: http://www.savin.com Gestetner Corporation: http://www.gestetnerusa.com/ Lanier Corporation: http://www.lanier.com
Material Safety Data Sheets	(800) 336-MSDS (6737)
Ricoh University	973.882.2200. http://www.ricohuniversity.com

Training Information

Documentation

Description	EDP Code	RFG E-Source Number
D017/D018/D019/D020 Self Pace CBT Update Package to the B205/B209/D007/D008, B089/B093, B022/B027, and A265/A267	003319MIU	N/A
D017/D018/D019/D020/D084/D085 Service Manual	003320MIU	rfg030242
D017/D018/D019/D020/D084/D085 Parts Catalog	003321MIU	rfg030246
D017/D018/D019/D020/D084/D085Point to Points	003322MIU	rfg030243

Please refer to the <http://www.ricohuniversity.com/> web site for the most up to date training information.

Please be aware that once a model or series is out of production, the Field Service Manual, Technical Service Bulletins and Ricoh University should be referenced for the most current information. Check the TSC website and e-source.

Product Support Guide

D084 / D085

Revisions

- 1.0 Original
- 1.1 Added Optional USB keyboard information.