

## Product Support Guide D017/D018/D019/D020

### Introduction

Product Type	B/W MFP
Launch Date	02/08
S/N Configuration	M64/M65/M62/M63
Product Code	D017/D018/D019/D020

### Brand/Model Name

Product Code	Lanier	Ricoh	Savin
D017	LD425B	Aficio MP 2550B	9025B
D018	LD425/SP/SPF	Aficio MP 2550/SP/SPF	9025B/SP/SPF
D019	LD433B	Aficio MP 3350B	9033B
D020	LD433/SP/SPF	Aficio MP 3350/SP/SPF	9033/SP/SPF

### Product Concept

The D017 Series with its advanced features will allow us to provide customers with the best features, such as the full color wide VGA touch panel and color scanner capability that our competition cannot match. Also, we have created a lineup of basic models that can be upgraded to a black & white scanner P/S model for the cost conscious customer.



# Product Support Guide D017/D018/D019/D020

## Order Number

## Main Frame

Item	Model Name	EDP Code	Lanier ID	Notes
D017	LD425B Aficio MP 2550B/ 9025B	414395	479-1901	25 PPM, Duplex, Bypass and Interchange Standard, Mono Scanner*
D018	LD425SP/SPF** Aficio MP 2550 SP/SPF** 9025SP/SPF**	414397 (SP) 414398 (SPF)	479-1903 (SP) 479-1904 (SPF)	25 PPM, Duplex, Bypass Interchange, Color Scanner, HDD, 768Mb Ram Standard, Print/Scan option
D019	LD433B Aficio MP 3350B 9033B	414396	479-1902	33 PPM, Duplex, Bypass and Interchange Standard, Mono Scanner*
D020	LD433SP/SPF** Aficio MP 3350 SP/SPF** 9033SP/SPF**	414399 (SP) 414400 (SPF)	479-1905 (SP) 479-1906 (SPF)	33 PPM, Duplex, Bypass Interchange, Color Scanner, HDD, 768Mb Ram Standard, Print/Scan option

*\*Cannot upgrade Mono Scanner to Color.*

*\*\*SPF includes Fax Option.*

## Options

Item	Description	EDP Code	Lanier ID	Product Code	Common / Unique
Printer Scanner Unit	Printer Scanner Unit Type 3350, HDD, SD Card, Memory	414401	481-7547		U
RPSC Printer Unit	RPSC Printer Unit Type 3350 SD Card, Memory	414402	481-7548		U
Printer Enhance Unit	Printer Enhance Option Type 3350, HDD, SD Card	414114	481-7550		U
Scanner Enhance Unit	Scanner Enhance Unit Type 3350, SD Card	414117	481-7551		U
Postscript Unit	Postscript 3 Type 3350	414120	481-7552		U

## Product Support Guide D017/D018/D019/D020

Item	Description	EDP Code	Lanier ID	Product Code	Common / Unique
Fax Option	Fax Option Type 3350	414403	481-7549	D361	U
G3 Interface	G3 Interface Unit Type 3350	414084	0414084	D361	U
IPDS Option	Intelligent Printer Data Stream Option Type 3350	414052	481-7553		U
Bridge Unit	Bridge Unit BU 3020	414125	0414125	D368	U
1 Bin Tray	1 Bin Tray Unit Type BN3030	414127	0414127	D367	U
500 Sheet Finisher	Finisher SR3050	414130	0414430	D372	U
ARDF	ARDF DF3030	414143	0414143	D366	U
Shift Tray	Internal Shift Tray SH3010	414140	0414140	D385	U
Cabinet	FAC 38 Cabinet	414520	481-7625		U
2 Tray Paper Bank	2 Tray Paper Bank PB3030	413673	481-7220	D331	C (D010)
Gigabit Ethernet Card	Gigabit Ethernet Type A	402547	481-7029	G874	C (D009)
IEEE 1284 I/F Board	IEEE 1284 I/F Board Type A	411699	481-0786	B679	C (D009, D014)
Bluetooth Interface	Bluetooth Interface Unit Type 3245	412866	216-7092	B826	C (D009, D014)
Platen Cover	Platen Cover Type 3800C	412551	481-0334	G329	C (B178, B296)
2000 Sheet LCT	2000 Sheet LCT PS500	410958	481-0477	B391	C (B205, D008)
1000 Sheet Finisher	1000 Sheet Finisher SR790	412730	479-1333	B408	C (B295, D008)
1000 Sheet Booklet Finisher	1000 Sheet Booklet Finisher SR3000	412851	216-1236	B793	C (B230)
Memory Unit Type B	Memory Unit Type B 32 MB (Fax Memory)	400516	481-0174	G578	C (B237)
Key Counter Bracket	Key Counter Bracket Type H	412552	481-0105	A674	C (B291)

# Product Support Guide

## D017/D018/D019/D020

Item	Description	EDP Code	Lanier ID	Product Code	Common / Unique
Punch Unit	Punch Kit PU 3000 2/3 Hole	412855	216-7163	B807	C (B237)
Hand Set	Handset Type 1018	410781	481-0393	B433	C (B295, D008)
Copy Data Security Unit	Copy Data Security Unit Type F	413985	216-7198	B829	C (D009, D014)
Java VM Card	VM Card Type F	414004	481-7552	D377	C (D009, D014)
File Format Converter	FFC Type E	414007	216-7196	D377	C (D009, D014)
IEEE 802.11 I/F	IEEE 802.11 A/G Interface Unit Type J	414008	216-7197	D377	C (D009, D014)
DOSS Unit	Data Overwrite Security Unit	413955	0413955	D362	C (D009, D014)
Memory Unit	Memory Unit Type G 256MB	414046	N/A	D362	C (D009)
HDD Option	Hard Disk Option Type 5000	413889	0413889	D362	C (D009, D014)
HDD Encryption	HDD Encryption Unit Type A	414021	0414021	D377	C (D009, D014)
Key Counter Interface Type	Interface Type A	413012	216-7186	B870	C (D009, D014)

### Supplies/Yields

Item	Name	Order Code	Target Yield
<b>Lanier</b>			
Toner	Toner for 5622/5627/LD122/LD127/LD225/LD230/LD325/LD330	480-0068	11K
Developer**	Type 28 Black	GB1219640	60K
Staple Set Cartridge	Staple Cassette SC645 type K SR790/SR3000/SR3050	480-0063	5K x 1 Carton
Staple Refill Cartridge	Staple Type K Refill	480-0062	5K x 3 Cartons
Staple Type S	Refill for Booklet Finisher SR 3000	480-0391	5K
Marker 30	Marker Stamp Type 30	491-0245	1 oz carton of 4 markers
<b>Ricoh</b>			
Toner	Toner Type 2120D Black	885288	11K
Developer**	Type 28 Black	B1219640	60K
Staple Set Cartridge	Staple Set Cartridge Type K	410801	5K x 1Carton
Staple Refill Cartridge	Staple Type K Refill	410802	5K x 3 Cartons
Staple Type S	Refill for Booklet Finisher Type SR3000	412874	5K

# Product Support Guide

## D017/D018/D019/D020

Item	Name	Order Code	Target Yield
Marker 30	Marker Stamp Type 30	334049	1 oz carton of 4 markers
<b>Savin</b>			
Toner	Toner Type 2522 Black	9870	11K
Developer**	Type 28 Black	B1219640	60K
Staple Set Cartridge	Staple Set Cartridge Type K	9858	5K x 1Carton
Staple Refill Cartridge	Staple Type K Refill	9859	5K x 3 Cartons
Staple Type S	Refill for Booklet Finisher Type SR3000	412877	5K
Marker 30	Marker Stamp Type 30	1600089	1 oz carton of 4 markers

NOTE:\*A4, 6% chart is used to measure the above yield. Storage period for toner is max. 1 year.

NOTE:\*\* Part Number.

# Product Support Guide D017/D018/D019/D020

## Option Compatibility

		1	2	3	4	5	6	7	8	9	10	11	12	13	14	15	16	17	18	19	20	21	22	23	24	25	26	27	28	29	30	31	32		
1	ARDF	■	●																																
2	Platen Cover	●	■																																
3	1 Bin Tray			■																															
4	Bridge Unit				■	●			○	○	○																								
5	Shift Tray				●	■			●	●	●																								
6	Paper Bank						■	●																											
7	LCT							●	■																										
8	1K Finisher (*3)				○	●	○	○	■	●																									
9	1K Booklet Finisher (*3)				○	●	○	○	●	■																									
10	500 Finisher				○				●	●	■																								
11	Bypass Tray (Standard)											■																							
12	IEEE 802.11B (*1)(*4)												■	△					○	○													△		
13	IEEE 1284 (*1)													△	■				○	○													△		
14	Fax Unit																																		
15	G3 Unit (*6)															○	■																		
16	SAF 32MB Memory (*6)															○	■																		
17	Handset (*6)															○	■																		
18	Printer/Scanner Unit																			■						○	○								
19	Printer Unit																				■					○	○								
20	RPCS Printer Unit																					■					○								
21	Printer Upgrade																					■					○	○							
22	Scanner Upgrade (*5)																						■				○	○							
23	PS3>(*5)																			○	○	○			■	○	○								
24	HDD (*2)																			●	●	●			■										
25	256 MB Memory																			○	○	○	○	○		■									
26	Bluetooth (*1)													△	△																				
27	File Format Converter																											■							
28	Data Overwrite Security																								○										
29	CopyDataSecurity																																		
30	KeyCounterBracket																																		
31	VM Card																																		
32	Hdd Encrcryption																									○									

○ Must Install Together    ● Cannot Install Together    △ Refer to note below

- (\*1) IEEE802.11b, IEEE1284, Bluetooth: can not be installed at the same time.
- (\*2) HDD is included with Printer/Scanner Unit, Printer Unit, and Printer Upgrade.
- (\*3) LCT, Paper Bank or Cabinet is required to use 1K sheet finisher.
- (\*4) NIC and IEEE802.11b cannot be used at the same time.
- (\*5) HDD is required for this feature.
- (\*6) Fax Unit required.

# Product Support Guide D017/D018/D019/D020

## Branding Information

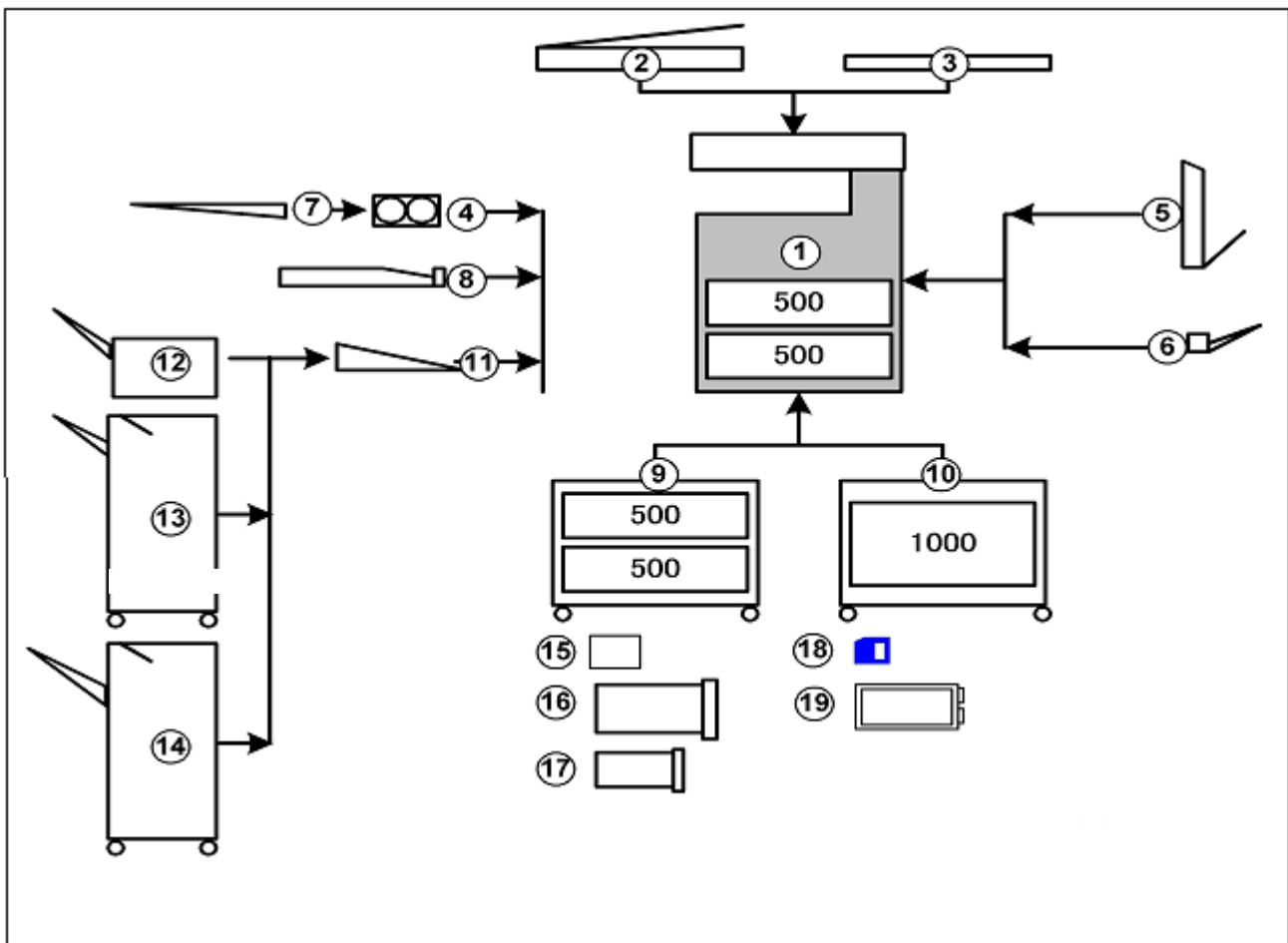
Branding is required as the machines are shipped as a generic version.

**Ricoh version machines:** You must attach the model label (provided) to the front cover.

**Savin/Lanier:** You must attach the model label (provided) to the front cover and set the Plug and Play name with SP 5-907.

## Configuration

### Main Frame Configuration



# Product Support Guide

## D017/D018/D019/D020

No.	Item	Comments
1	Main Machine D017/D018/B019/D020	D019/D017 Monochrome -or- D018/D020 Color
2	ARDF (D366)	
3	Platen Cover (B406)	
4	Interchange Unit (D371)	Required for Item 5, 7
5	Duplex Unit (D369)	
6	Bypass Tray (D370)	
7	1-Bin Tray (D367)	Requires Item 4
8	Internal Shift Tray (D385)	
9	Paper Tray Unit (D331)	
10	LCT (B391)	
11	Bridge Unit (D368)	Required for Items 12,13,14
12	500-Sheet Finisher (D372)	Requires Item 11
13	1000-Sheet Finisher (B408: Common with D007 Series))	Requires Item 11
14	1000-Sheet Booklet Finisher (B793)	Requires Item 11
15	Copy Data Security Unit (B829)	PCB (installed on BICU)
16	Fax Unit (D361)	See Fax manual
17	Interface Board Controller Options	See <b>Note 1</b>
18	SD Card Controller Options	See <b>Note 2</b>
19	HDD Unit (D362)	D017/D019 only

**Note 1:**

The following interface boards are available for installation.



- There is only one board slot on the back of the machine. Only one of these options can be installed. These options can be installed at any time.

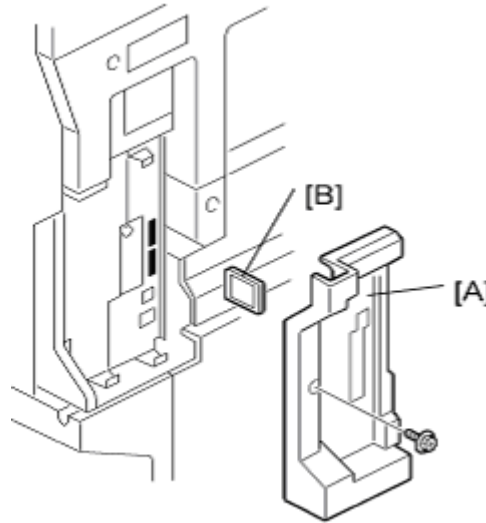
Interface Board	For Installation See:
Bluetooth Interface Unit Type 3245 (B826)	Printer/Scanner Option
Modem for @Remote Service	Installation Section
File Format Converter Type E (D377)	Installation Section
IEEE1284 Interface Board Type A (B679)	Printer/Scanner Option
IEEE802.11a/g Interface Unit Type J (D377)	Printer/Scanner Option



# Product Support Guide D017/D018/D019/D020

Interface Board	For Installation See:
Gigabit Ethernet Type 7300 (G381)	Printer/Scanner Option

## MFP Option Board Slot / SD Card Assignments



**Note 2:**

The following options are provided on SD cards.

- Two SD card slots are available. If more than two options need to be installed, the applications can be moved to one SD card with SP5873-1.
- Due to copyright restrictions, the PostScript Unit (D383) cannot be moved to another SD card. However, other applications can be moved onto the PostScript 3 SD card. (For more, see the Printer/Scanner Field Service Manual.)

SD Cards	For Installation See:
Browser Unit Type D (D377)	Installation Section
Data Overwrite Security Unit Type I (D362)	Printer/Scanner Option
HDD Encryption Option (D377)	Installation Section
PostScript3 Unit Type 3350 (D383)	Printer/Scanner Option
Printer Enhance Option Type 3350 (D383)	Printer/Scanner Option
Printer Unit Type 3350 (D383)	Printer/Scanner Option
Printer/Scanner Unit Type 3350 (D383)	Printer/Scanner Option
RPCS Printer Unit Type 3350 (D383)	Printer/Scanner Option
Scanner Enhance Option Type 3350 (D383)	Printer/Scanner Option
VM Card Type E (D377)	Installation Section

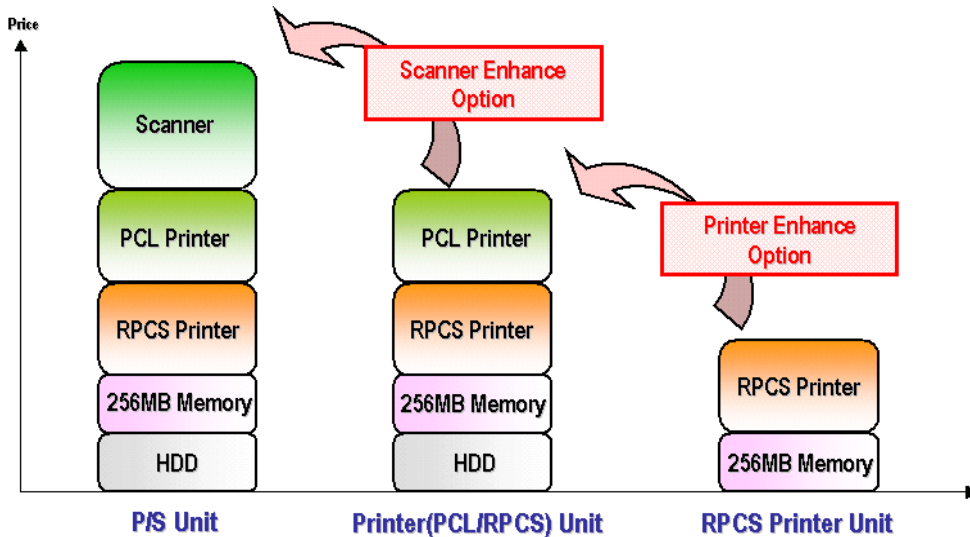
# Product Support Guide D017/D018/D019/D020

## Feature Comparison to Previous Model

Feature	MP 2510/MP 3010	MP 2550/MP 3350
PPM	25/30 PPM	25/33 PPM
Scanning	Monochrome Only	<b>Color &amp; Monochrome</b>
Control Panel	Monochrome Touch Screen	Color Touch Screen
Simplified Display	Not Available	Standard
Manage Jobs	Not Available	Available
User Codes	Standard 100	Standard 500
Mail to Print	Not Available	Available
Job Preset	2 Jobs	3 Jobs
Booklet Finisher	Not Available	Available
3-Hole Punch	Not Available	Available
Capacity of ARDF	50 Sheets	100 Sheets
Processor Speed	466 MHz	533 MHz
Maximum RAM	384MB	768MB

## New Configurations

As with the D007 series, the D017 series will also have the upgrade path from "RPCS to PCL" and "Printer to Printer/Scanner".



# Product Support Guide

## D017/D018/D019/D020

### Installation

#### Installation Requirements

Temperature Range: 10° C to 32° C (50° F to 89.6° F).  
Humidity Range: 15% to 80% RH.  
Ambient Illumination: Less than 1,500 lux (do not expose to direct sunlight).  
Ventilation: 3 times/hr/person.  
Ambient Dust: Less than 0.075 mg/m<sup>3</sup> (2.0 x 10-6oz/yd<sup>3</sup>).  
Avoid areas exposed to sudden temperature changes:

- Areas directly exposed to cool air from an air conditioner.
- Areas directly exposed to heat from a heater.

Do not place machine where it will be exposed to corrosive gas or vapor.

Do not install the machine at any location over 2,000m (6,500 ft.) above sea level.

Place the machine on a strong and level base. Inclination on any side should be no more than 5mm (0.2").

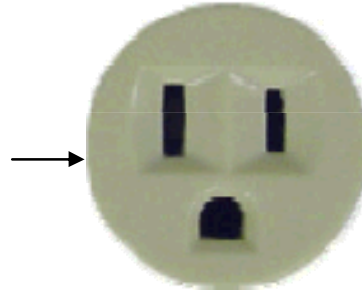
Do not place the machine where it may be subject to strong vibrations.

Machine level

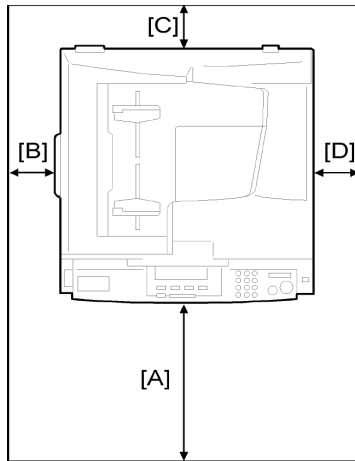
- Front to back: within 5mm (0.2") of level.
- Right to left: within 5mm (0.2") of level.

#### Power Requirements

Input voltage level: 110 - 120 V, 60Hz:more than12A  
Do not place anything on power cord.  
The required wall outlet is a NEMA 5-15R (receptacle)



#### Space



A (Front)	750 mm (30")
B (Left)	100 mm (4")
C (Rear)	100 mm (4")
D (Right)	100 mm (4")

The recommended 750 mm (30") front space is sufficient to allow the paper tray to be pulled out. Additional front space is required to allow operators to stand at the front of the machine.

#### Foot Print

Dimensions (W x D x H): 1165mm x 653mm x 1100mm (48.9" x 25.7" x 43.3")

NOTE:Measurement Conditions: All options installed on machine.

# Product Support Guide

## D017/D018/D019/D020

### Power Consumption / Noise Emission

#### Power Consumption

	Power consumption	BTU
D017/D018	1.4Kw Maximum	3.41
D019/D020	1.4Kw Maximum	3.41

#### Noise Emission

	Main Unit
Standby D017/D018 Mainframe/Full system	40.0db or less
Standby D019/D020 Mainframe/Full system	42.9db or less
Operating D017/D018 Mainframe	64.8db or less
Operating D019/D020 Mainframe	67.6db or less
Operating D017/D018 Mainframe/Full System	68.8db or less
Operating D019/D020 Mainframe/Full System	71.6db or less

NOTE: The above measurements were made in accordance with ISO 7779. The measurements were taken from the normal position of the operator.

### Installation Times

#### Mainframe: 30 Minutes

Peripherals	Installation Time (minutes)	Peripherals	Installation Time (minutes)
ARDF	10	HDD	5
Paper Bank/LTC	10	FAX Option (incl. all FAX options)	5
1 Bin Tray	15	Printer/Scanner Option	10
By-pass Tray*	15	Post script3	5
Booklet Finisher-1000	15	Wireless LAN	5
Punch Kit	15	Bluetooth	5
Finisher-500	5	File Format Converter	10
Finisher-1000	10	Copy Data Security Option	10
Interchange Unit*	10	IEEE 1284	5
Bridge Unit	10	HDD Encryption Unit	5
Duplex Unit*	15	RPCS Option	10
Scanner Option	10	Printer Enhance Option	10
Java VM Option	10	Scanner Enhance Option	10
Platen Cover	5		

\* Standard on North American machines

# Product Support Guide

## D017/D018/D019/D020

### Storage/Transportation

	Storage	Transportation
<b>Mainframe</b>	-30°C to 40°C (-22°F to 104°F) Under 80% RH *1	-30°C to 40°C (-22°F to 104°F) 15% to 95% RH *2
<b>Toner (*1)</b>	Under 40°C (104°) *3	Under 40°C (104°) *3
<b>Developer (*1)</b>	Under 40°C (104°) *3	Under 40°C (104°) *3

\*1: When stored or transported under 0°C, temperature conditions must be higher than outside air temperature.

\*2: Please avoid the direct sunlight when stored or transported.

\*3 Do not store more than a month under the temperature between 35°C and 40°C.

### Parts / Special Tools / Maintenance

#### PM Parts / Yields

##### Mainframe

**Unique/Common**  
**U:** Unique for this model  
**C:** Common with listed model

\*1 part of the PM Kit #: TBD

\*2 part of the PM KIT #: TBD

Part Number	Description	Q'ty/ Unit	PM Interval	Unique or Common
<b>PCU</b>				
B0399510	OPC Drum	1	60k	C (D008)
B0392335	Pickoff Pawl	2	60k	C (D008)
AD027018	Charge Roller	1	60k	C (D008)
AD042058	Charge Cleaner Brush Roller	1	60k	C (D008)
AD041114	Blade Cleaning	1	60k	C (D008)
B1219640	Developer	1	60k	C (D008)
B2093370	Development Case	1	600k (Yield Part)	C (D008)
<b>Paper Feed</b>				
A2672751	Paper Feed Roller	2	120k	C (D008)
D0102822	Friction Pad	2	120k	C (D010)
<b>Transfer Roller Unit</b>				
B2093831	Transfer/Separation Unit Ass'y	1	120k	C (D008)
<b>Fusing Unit</b>				
AE011103	Hot Roller	1	120k	C (D008)
AE020161	Pressure Roller	1	120k	C (D008)
AE044025	Hot Roller Stripper	5	120k	C (D008)
AW100053	Thermistor	2	120k	C (D008)

# Product Support Guide

## D017/D018/D019/D020

### Options

#### Paper Tray Unit D330

**Unique/Common**  
**U:** Unique for this model  
**C:** Common with listed model

Part Number	Description	Q'ty /Unit	PM Interval	Unique or Common
A2672751	Paper Feed Roller	2	120k	C (D010)
D0102821	Friction Pad	2	120k	C (D010)

#### Auto Reverse Document Feeder D366

**Unique/Common**  
**U:** Unique for this model  
**C:** Common with listed model

Part Number	Description	Q'ty /Unit	PM Interval (Originals)	Unique or Common
A8061295	Belt Paper Feed	1	80k	U
A8592241	Reverse Roller	1	80k	U
B3872161	Pick-up Roller	1	80k	U

#### LCT B391

**Unique/Common**  
**U:** Unique for this model  
**C:** Common with listed model

Part Number	Description	Q'ty /Unit	PM Interval	Unique or Common
AF031035	Feed Roller	1	120k	C (D008)
AF032035	Separation Roller	1	120k	C (D008)
AF030035	Pick-up Roller	1	120k	C (D008)

### Special Tools & Lubricants

Item	Part Number	Description	Q'ty	Unique or Common
1	A2929500	Test Chart - OS-A3 (10 paces/set)	1	C (D008)
2	VSSM9000	Digital Multimeter – FLUKE 87	1	C (D008)
3	A2309003	Adjustment Cam – Laser Unit	1	C (D008)
4	A2309002	Positioning Pin – Laser Unit	1	C (D008)
5	B6455010	SD Card	1	C (D008)
6	B6456800	USB Read/Writer	1	C (D008)
7	A2579300	Grease Barrierta – JFE 5 5/2	1	C (D008)
8	52039502	Silicon Grease G-501	1	C (D008)
9	G0219350	Loop Back Connector	1	C (D008)
10	A0069104	Scanner Positioning Pin (4pcs/set)	1	C (D008)
11	B6456705	SD Card Adapter (for use with GW controller)	1	C (D008)
12	B6795100	Plug - IEEE1284 Type C	1	C (D008)
13		Ricoh System Information Tool (Support Tool Version 2) - Basic version - Mail version - Rlogtool (for use with GW controller)	1	C (General)

NOTE: Loop-back Connector (item 9) requires Plug-- IEEE1284 Type C (item 12) and the optional IEEE 1284.

# Product Support Guide D017/D018/D019/D020

## Target Reliability

Model	
<b>Average Monthly Volume</b>	D017/D018 7K D019/D020 9K
<b>Max. Monthly Volume</b>	D017/D018 35K D017/D018 45K
<b>PM Interval</b>	60K PCU Replaceable Components 120K Other Items
<b>Duty</b>	100K

## Specifications / Documentation

Mainframe		
Original Size		Max: 11"x17" (DLT) / 297x420mm (A3)
Thickness of Original		Less than 30mm / Less than 5kg
Scan Resolution		600dpi
Copy/Print Resolution		600dpi
Auto Original Size Detection	Exposure Glass	<NA/LA 120V model> 11"x17"(DLT) SEF, 8 ½"x14" (LG) SEF, 8 ½"x11" (LT) LEF/SEF, 5 ½"x 8½ (HLT) LEF/SEF
	ARDF	<NA/LA 120V model> A3 SEF, A4 LEF/SEF, 11"x17"(DLT) SEF, 8 ½"x14" (LG) SEF, 8 ½"x13" (Foolscap) SEF, 8 ½"x11" (LT) LEF/SEF, 5 ½"x8 ½" (HLT) LEF/SEF, 11"x15" (11x15) SEF, 10"x14" (USB4) SEF, 7¼"x 10½" (Executive) LEF/SEF
Paper Weight	1st Tray	60-105 g/m2 (16-28lb.)
	2nd Tray	52-157 g/m2 (14-42 lb.)
	Bypass Tray	52-157 g/m2 (14-42 lb.)
	Duplex Unit	60-105 g/m2 (16-28lb.)
Copy Speed (ARDF 1to1)	D017/D018	25cpm (LT/A4 LEF)
	D019/D020	33cpm (LT/A4 LEF)
Copying Speed (Simplex to Duplex)	D017/D018	25cpm (LT/A4 LEF)
	D019/D020	33cpm (LT/A4 LEF)
1st Copy Time : (LT/A4 LEF/from 1st tray)	D017/D018	4.5sec.
	D019/D020	4.5sec.
Warm-up Time (from main switch):	D017/D018/D019/D020	14sec.
Recovery Time (from Auto off mode)	D017/D018/D019/D020	10sec.
Multiple Copying:		Up to 999copies

# Product Support Guide

## D017/D018/D019/D020

Mainframe		
Reproduction Ratio	NA/LA 120V Model	7 Reduction & 5 Enlargement 400%, 200%, 155%, 129%, 121%, 100%, 93%, 85%, 78%, 73%, 65%, 50%, 25%
Zoom		Platen: From 25% to 400% in 1% step ARDF: From 25% to 200% in 1% step
Paper Feeding Capacity (by 80g/m <sup>2</sup> , 20lb paper)	Standard	Paper Bank Unit: 500 sheets x 2trays
	Option	Bypass: 100 sheets Paper Bank Unit: 500sheet x 2 trays Or LCT: 2,000sheets
	Max. Capacity	3,100sheets (Standard + Bypass + LCT 2,000sheets)
Paper Output Capacity (by 80g/m <sup>2</sup> , 20lb paper)	Standard	Face Down: 500sheets (A4/LT), 250sheets (A3/LG/DLT)
	Option	Bridge Unit or Shift Tray: 250 sheets 1 Bin Tray: 125 sheets 500 sheets Finisher: max 500 sheets (A4/LT or smaller) Or 1,000 sheets Finisher: 1,000 (shift tray)+ 250 sheets (proof tray) Or 1,000 sheets Booklet Finisher: 1,000 (shift tray) + 100 sheets (proof tray)
	Max. Capacity	250+125+1250sheets (internal+1bin+finisher)
Power Source	NA/LA 120V Model	120V 60Hz
Technology	Scanning Element	Flatbed with moving CCD array image-sensor
	Printing Processing	Single Laser beam scanning & electro-photographic printing
Dimension (Width x Depth x Height)		570mm x 653mm x 709mm (22" x 26" x 28" ) Mainframe without paper bank 570mm x 653mm x 980mm (22" x 26" x 38") Mainframe with paper bank 630mm x 653mm x 709mm (25" x 26" x 28") Mainframe + Duplex without paper bank 630mm x 653mm x 980mm (25: x 26" x 38") Mainframe + Duplex with paper bank 1165mm x 653mm x 1100mm (46" x 26" x 43") Mainframe + Duplex + ARDF + paper bank + Booklet Finisher
Machine Weight		Standard Mainframe: Less than 60kg (Less than 132 lbs) Mainframe w duplex (incl. Bypass and Interchange): Less than 65kg (Less than 143 lbs)
JBIG Standard		Transmission Speed: 2.0 Sec
Color Mode (Only for color scanner model)		Default=Black & White Mode Auto Color Selection (ACS) (For Color Scanner), Full Color (For Color Scanner), Black & White
Copy Mode		Default = Text Auto Text & Photo Separation (Printed/Glossy/Copied) Photo (Printed/Glossy/Copied), Text, Map, Pale, Generation



# Product Support Guide

## D017/D018/D019/D020

Mainframe			
Paper Type Display	Standard Tray, Paper Bank Unit, LCT	[Paper Type] Plain Paper (No Display Paper Type), Recycle Paper, Special Paper, Color Paper, Letterhead, Cardstock, Preprinted Paper, Bond Paper, Plain Paper Backside, Prepunched Paper	
	Bypass Tray, 2nd Tray	[Paper Type] Plain Paper (No Display Paper Type), Recycle Paper, Special Paper, Color Paper, Letterhead, Cardstock, Label Paper, OHP, Preprinted Paper, Bond Paper, Prepunched Paper, Thin Paper, Thick Paper, Envelopes	
Auto Tray Switch		Yes	
Reduce / Enlarge		Auto Magnification Selection (AMS) Preset Reduce / Enlarge Zoom Size Magnification Directional Magnification (%) Directional Size Magnification (Inch/mm) Full Image Copy (93% & Centering)	
Duplex		1 sided to 2 sided 2 sided to 2 sided (with ARDF) Book to 2 sided Front and back to 2sided	
Book / Series / Combine	Book	Booklet	Yes
		Magazine	Yes (Optional HDD Required)
	Series	Book to simplex	Yes
		2 sided original to simplex (with ARDF)	Yes
	Combine	2 into 1 simplex 4 into 1 simplex 8 into 1 simplex 1 duplex into 1 simplex 2 duplex into 1 simplex 4 duplex into 1 simplex 4 into 1 duplex 8 into 1 duplex 16 into 1 duplex 2 duplex into 1 duplex 4 duplex into 1 duplex 8 duplex into 1 duplex	Yes
Shift / Erase / Margin Adjustment		Centering:	Yes
		Cornering:	No
		Margin Adjustment:	1mm step (0-30mm) Default = Front page: 5mm left Back page: 5mm right
		Erase Center:	1mm step (2-99mm) Default = 10mm
		Erase Border:	1mm step (2-99mm) Default = 10mm
		Erase Center / Border:	1mm step (2-99mm) Default = Center: 10mm, Border: 10mm

# Product Support Guide

## D017/D018/D019/D020

Mainframe			
Cover Sheet / Chapter / Slip Sheets	Front Cover	Copy or Blank (Default = Copy)	
	Front & Back Cover	Copy or Blank (Default = Copy)	
	Chapter	Yes (Up to 20 chapters)	
	Slip Sheets	Yes	
Image Rotation	Yes (A4, LT, B5, 8"x10", DLT), 7¼"x 10½" (Executive), and 195mmx 267mm)		
Electronic Sort		With Finisher	W/O Finisher
	Electronic Sort	Yes	Yes
	Rotate Sort	Yes	Yes
	Shift Sort	Yes (w/shift tray to Finisher)	No
Electronic Stack (w/Finisher)	Yes (with Finisher)		
Stapling	Yes (with Finisher)		
Punch	Yes (Finisher Option) 3 or 2 holes		
Editing Function	Color Creation	Color Conversion	No
	Image Creation	Repeat:	Yes
		Double Copy:	Yes
		Mirror:	Yes
		Positive / Negative	Yes
Stamp / Numbering	Stamp (Preset):	Yes (8 Stamps / 2 sizes)	
	User Stamp:	Yes (4 Stamps / 2 sizes)	
	Date Stamp:	Yes	
	Page Number:	Yes	
Image Adjustment	Image Adjustment	Color Balance Adjustment:	No
		Color Balance Program:	No
		Auto Color Calibration (ACC):	No
		Sharp / Soft	7 levels
		Contrast:	9 levels
		Background Density Adjustment:	9 levels
Mode Program	10 program		
Default Program	1 program		
User Code	8 digits / 500 user codes (Maximum)		
Interrupt Copy	Yes		
Auto Start	Yes		
Job Present	Yes (8 job)		
Sample Copy	Yes		
Simplified Display	Yes		
Login/Logout Button	Yes		
Logging Data Print out	Yes		
NRS Option	Yes		
Document Server	Yes		

# Product Support Guide D017/D018/D019/D020

## Options

ARDF			
Paper Size/Weight	Simplex	Size	A3 to A5, DLT to HLT
		Weight	40 to 128 g/m <sup>2</sup> (10 to 34 lb)
	Duplex	Size	A3 to A5, DLT to HLT
		Weight	52 to 105 g/m <sup>2</sup> (14 to 28 lb)
Table Capacity	50 sheets (80 g/m <sup>2</sup> , 20 lb)		
Original Standard Position	Rear left corner		
Separation	Feed belt and separation roller		
Original Transport	Roller transport		
Original Feed Order	From the top original		
Supported Magnification Ratios	Copy	-	32 to 200 %
	Fax	Color	32.6 to 200 %
		Black & white	48.9 to 200 %
Power Source	DC 24V, 5V from the scanner unit		
Power Consumption	50 W or less		
Dimensions (W × D × H)	550 mm x 491 mm x 120 mm (21.7" x 19.3" x 4.7")		
Weight	10 kg (22 lb)		

Paper Tray Unit		
Paper Size	A5 to A3, 5 <sup>1</sup> / <sub>2</sub> " x 8 <sup>1</sup> / <sub>2</sub> " SEF to 11" x 17"	
Paper Weight	60 – 105 g/m <sup>2</sup> , (16 – 28 lb)	
Tray Capacity	500 sheets (80 g/m <sup>2</sup> , 20 lb) x 2 trays	
Paper Feed System	Feed roller and friction pad	
Paper Height Detection	4 steps (100%, 70%, 30%, Near end)	
Power Source	<ul style="list-style-type: none"> <li>▪ 24 Vdc and 5Vdc (from the copier/printer):</li> <li>▪ 120 Vac (120 V version) from the copier/printer when the optional tray heater is installed</li> <li>▪ 220 – 240 Vac (230 V version) from the copier/printer when the optional tray heater is installed</li> </ul>	
Power Consumption	Max:	28 W (Copying/printing) 23 W (Optional Tray Heater On)
	Average:	17 W (Copying/printing) 15 W (Optional Tray Heater On)

# Product Support Guide

## D017/D018/D019/D020

<b>Paper Tray Unit</b>	
Weight	25 kg (55 lb)
Size (W x D x H)	550 mm x 520 mm x 271 mm (22" x 20" x 10")

<b>LCT</b>	
Paper Size	A4 LEF/LT LEF
Paper Weight	60 g/m <sup>2</sup> to 169 g/m <sup>2</sup> , (16 lb to 45 lb)
Tray Capacity	2,000 sheets 80 g/m <sup>2</sup> , (20lb)
Remaining Paper Detection	5 steps (100%, 70%, 30%, 10%, Empty): Right Tray 4 steps (100%, 70%, 30%, Empty): Left Tray
Power Source	DC 24 V, 5 V (from copier/printer)
Power Consumption	50 W (Max.)/30 W (Ave.)
Weight	25 kg (55 lb)
Size (W x D x H)	580 mm x 620 mm x 260 mm (22.8" x 24.4" x 10.2")

<b>Bridge Unit</b>	
Paper Size	Standard sizes: A6 LEF to A3, HLT to DLT Non-standard sizes: Width: 100 to 305 mm,(3.9 "to 12") Length: 148 to 432 mm (5.8" to 17")
Paper Weight	52 g/m <sup>2</sup> to 135 g/m <sup>2</sup> (16 lb to 42 lb)
Power Source	DC 24 V, 5 V (from copier)
Dimensions (W x D x H)	413 x 435 x 126 mm (16.2" x 17.1" x 4.9")
Weight	3.0 kg (6.6 lb)

<b>500 Sheet Finisher</b>	
Target Line Speed	77 mm/sec. to 205 mm/sec
Target CPM	35 cpm
Face-down Output Size	12"x18", A3 SEF to A6 SEF, DLT to HLT SEF Shift sizes: A3 SEF to B5 SEF A5, B6, A6 SEF labels possible
Paper Thickness	52 g/m <sup>2</sup> (45 K) to 157 g/m <sup>2</sup> (135 K) Up to 253 g/m <sup>2</sup> (220K) without shift
Stack Height for Stapling	50 sheets: A4, LT and smaller

# Product Support Guide

## D017/D018/D019/D020

500 Sheet Finisher			
	30 sheets: B4, LG and larger		
Size	A3 SEF to B5 SEF (can be mixed if same width)		
Stack Thickness	64g/m <sup>2</sup> (45 K) to 157 g/m (135 K)		
Stapling Positions	Front/Oblique: 1, Front/Parallel: 1 Rear/Oblique: 1, Rear/Parallel: 1, 2 locations		
Output Tray Capacity			
Non-staple Mode		500 sheets: A4, LT and smaller	
Staple Mode		250 sheets: B4, LG and larger Stack Size (Stapling)	Stacks      Size
	2 to 9 Sheets		55 to 46
	10 to 50 Sheets		45 to 10
	2 to 9 Sheets		55 to 27
	10 to 50 Sheets		25 to 8
	2 to 9 Sheets		55 to 27
	10 to 30 Sheets		25 to 8
Stacking		Non-Stapling Mode	Vertical: 15 mm or less
			Horizontal: 15 mm or less
Jogging Precision			
	2 to 30 Sheets	2 mm	
	31 to 50 Sheets	3 mm	
Dimensions (w x d x h)		396 x 551 x 276 mm (15.6 x 21.7 x 10.9 in.)	
Weight		12 kg (26.4 lb)	

# Product Support Guide

## D017/D018/D019/D020

1000 Sheet Booklet Finisher				
<b>Upper Tray</b>				
Paper Size	A3 to A6 11" x 17" to 5.5" x 8.5"			
Paper Weight	60 to 157 g/m <sup>2</sup> (16 to 42 lb)			
Paper Capacity	250 sheets (A4 LEF/8.5" x 11" SEF or smaller) 50 sheets (A4, 8.5" x 11" or smaller) 30 sheets (B4, 8.5" x 14" or larger)			
<b>Lower Tray</b>				
Paper Size	No staple mode: A3 to B5, DLT to HLT Staple mode: A3, B4, A4, B5, DLT to LT			
Paper Weight	No staple mode: 60 to 157 g/m <sup>2</sup> (16 to 42 lb) Staple mode: 64 to 90 g/m <sup>2</sup> (17 to 24 lb)			
Stapler Capacity	30 sheets (A3, B4, DLT, LG) 50 sheets (A4, B5 LEF, LT)			
Paper Capacity	No staple mode: 1,000 sheets (A4/LT or smaller: 80 g/m <sup>2</sup> , 20 lb) 500 sheets (A3, B4, DLT, LG: 80 g/m <sup>2</sup> , 20 lb) Staple mode: (80 g/m <sup>2</sup> , 20 lb, number of sets)			
	Set Size	2 to 9	10 to 50	-
	Size		10 to 30	31 to 50
	A4/LT LEF B5 LEF	100	100 to 20	100 to 20
	A4/LT SEF	100	50 to 10	50 to 10
	A3, B4, DLT, LG	50	50 to 10	-
Staple positions	1 Staple: 2 positions (Front, Rear) 2 Staples: 2 positions (Upper, Left)			
Staple Replenishment:	Cartridge (5,000 staples/cartridge)			
Power Source	DC 24 V, 5 V (from the copier/printer)			
Power Consumption	50 W			
Weight	25 kg (55.2 lbs)			
Dimensions (W x D x H)	527 x 520 x 790 mm (20.8" x 20.5" x 31.1")			

# Product Support Guide

## D017/D018/D019/D020

1000 Sheet Finisher		
Print Paper Size	No punch mode: A3/11" x 17" to A5/8.5" x 5.5" (LEF) Punch mode: 2 holes: A3/11" x 17" to B6/5.5" x 8.5" (SEF) or A4/8.5" x 11" to A5/8.5" x 5.5" (LEF) 3 holes: A3, B4, 11" x 17" (SEF) or A4, B5, 8.5" x 11" (LEF)	
Paper Weight	No punch mode: 52 to 256 g/m <sup>2</sup> (14 to 68 lb) (Shift tray) 52 to 105 g/m <sup>2</sup> (14 to 28 lb) (Proof tray) Punch mode: 52 to 163 g/m <sup>2</sup> (14 to 43 lb) Staple mode: 64 to 90 g/m <sup>2</sup> (17 to 24 lb) Label/Thick paper/OHP cannot be stapled	
Tray Capacity	[Proof tray] 100 sheets: A4, 8.5" x 11" or less 50 sheets: B4, 8.5" x 14" or more [Shift tray] 1000 sheets: A4, 8.5" x 11" (LEF) or smaller 500 sheets: B4, 8.5" x 14" or larger	
Staple capacity	Single size: 50 sheets: A4, 8.5" x 11" or smaller 30 sheets: B4, 8.5" x 14" or larger	
Staple position	3 positions 1-staple: 2 positions (Top Left, Top Right) 2-staples: 1 positions	
Staple replenishment	Cartridge (5000 staples)	
Power consumption	60 W	
Dimensions (W x D x H)	535 mm x 600 mm x 930 mm (21.1" x 23.6" x 36.6")	
Weight	Without punch unit:	48 kg (105.8 lb)
	With punch unit:	50 Kg (110.3 lb)

Shift Tray Unit	
Paper Size	Standard Size: A5 LEF to A3, HLT LEF to DLT Non-standard Size: Width: 90 to 297 mm, Length: 148 to 432 mm
Paper Weight	60 to 105 g/m <sup>2</sup> (16 to 28 lbs.)
Tray Capacity	125 sheets (80 g/m <sup>2</sup> , 20 lbs.): B4 or larger 250 sheets (80 g/m <sup>2</sup> , 20 lbs.): A4 or smaller
Power Source	DC 5 V, 24 V (from copier)
Power Consumption	17 W
Weight	1.1 kg

# Product Support Guide

## D017/D018/D019/D020

Shift Tray Unit	
Size (W x D x H)	530 mm x 410 mm x 120 mm (20" x 16" x 4.7")

### Printer Specifications

CPU			RM7035C-533L
RAM	Std.	256MB *1 (Max 512 for Mono PS / Printer Model / 768MB for Color PS Model)	
Hard Disk Drive	Std.	40GB *1	
PDL	Std.	RPCS	
	Option	PCL5e, PCL6, Adobe PostScript3	
Print Resolution	Max.	600 dpi (2400 x 600 dpi with smoothing)	
Fonts	Std.	--	
	Option	PCL: 46 fonts (Truetype: 10 fonts, Intelli: 35 fonts, Bitmapped: 1 font) + International fonts: 13 Intellifonts *2PS3: 136 Roman fonts	
Connectivity	Host Interface	Std.	Ethernet (RJ-45 network port: 10Base-T/100Base-TX), USB2.0
		Option	IEEE1284/ECP, Wireless LAN (IEEE802.11a/g, WPA support), Bluetooth, Gigabit Ethernet
	Network Protocol		TCP/IP (IP v4, IP v6), IPX/SPX, Apple Talk (Auto Switching)
	MIB support	Standard MIB (SMNP Printer MIB)	MIB-II(RFC1213), HostResource(RFC1514), PrinterMib(RFC1759)
		Private MIB	Ricoh Original
	Network/Operating Systems		Windows Vista/ 2000/ Me/ XP/ Server 2003 Netware 3.12, 3.2, 4.1, 4.11, 5.0, 5.1, 6, 6.5Unix; Sun Solaris, HP-UX, SCO OpenServer, RedHat Linux, IBM AIXMac OS 8.6-9.2x, OS X 10.1 or laterSAP R/3, NDPS GatewayIBM iSeries/ AS/ 400-using OS/400 Host Print Transform

\*1) Shared with other features (Copy, Fax, Scanner)

\*2) Cyrillic (Russian), Greek, Hebrew and Arabic are included in International Fonts.



# Product Support Guide

## D017/D018/D019/D020

### Scanner Specifications

Optical Resolution		100 / 200 / 300 / 400 / 600 dpi Default = 200dpi	
Scan Speed (Color Scanner)		<B&W> B&W 2 value(Text,Photo), A4(LEF),200dpi, Compression(MH): 50ipm <Color> FC(Text, Photo), A4(LEF), 200dpi, Compression(default level): 29ipm	
Scan Speed (Mono Scanner)		<B&W> B&W 2 value(Text,Photo), A4(LEF),200dpi, Compression(MH): 50ipm	
Auto scan size detection	US model	Contact Glass	11"x17"(DLT) SEF, 8 1/2"x14"(LG) SEF, 8 1/2"x11"(LT) LEF/SEF,
		ARDF	11"x17" (DLT)SEF, 8 1/2"x14" (LG)SEF, 8 1/2"x11"(LT) LEF/SEF, 5 1/2"x8 1/2"(HLT) LEF/SEF, 8 1/2"x13"(Foolscap) SEF, 10"x14"SEF, 11"x15"SEF (detected the same as DLT SEF, Default = DLT SEF), 8"x10"SEF (detected the same as LT SEF, Default = LT SEF), 7 1/4"x10 1/2"(EXE) LEF/SEF
Scan Area		Main Scan: 297mm, Sub Scan: 432mm	
sRGB Support		Standard	
NETWORK INTERFACE		Ethernet 10/100BaseTX, Gigabit Ethernet, Wireless LAN(802.11a/g)	
Protocol		Network: TCP/IP, Sending E-mail: SMTP, POP3Scan to Folder: SMB, FTP, NCP	
Compression Method		BW: TIFF (MH, MR, MMR), Grayscale, Full color: JPEG(5 levels)	
Scan Mode (Mono Scan) Standard		Standard: BW: Text, BW :Text/Line Art, BW Text/Photo, BW Photo, Gray Scale	
Scan Mode (Color Scan) Standard:		Standard: BW: Text, BW :Text/Line Art, BW Text/Photo, BW Photo, Gray Scale, FC Photo: Text/Photo, FC Photo: Glossy Photo, Auto Color Select	
Image Density		Auto Density Selection (Effective only in BW and Grayscale scan mode) Manual: 7 levels (Effective in BW/Grayscale and FC scan mode)	
Image Rotation		BW: Yes, Grayscale/FC: Single and Multi valued PDF only	
SADF / Batch Mode		Yes	
Mixed Size Mode		Yes	

### Scan to E-Mail

Requirement	SMTP (Mail Server) Gateway and TCP/IP
Authorization function	SMTP authentication, POP before SMTP authentication
Resolution	100dpi, 200dpi (Default), 300dpi, 400dpi, 600dpi
MAX E-mail address# in HDD	2,000 addresses
Register Group address in HDD	Max. 100 Group (Max. 500 addresses in one group address)
Maintain E-mail address in HDD	Direct input on operation panel, Web Image Monitor, SmartDeviceMonitor
Input of destination E-mail address via soft key	Possible, Max. 100 destinations per job

# Product Support Guide

## D017/D018/D019/D020

Search E-mail address in HDD		By name and E-mail address
LDAP Search		Yes
Max. address numbers per send		Max. 500 addresses per send
Address numbers per send		Address from HDD address book
		Max. 500
		Address looked up via LDAP
		Max. 100
Attention		To, cc, bcc
Subject	Manual Input	Max. 128 Characters via soft key
Body Message	Manual Input	Max. 80 Characters via soft key
	Storing Words	5 body messages. 80 characters x 5 lines per a body message Title name of the body message: Max. 20 characters per a name
	Present	Message: "This e-mail included attached file sent from xxxx (machine model name)."
E-mail Size (with restriction)		128 - 102,400KB, Default = 2,048KB
E-mail Size (w/o restriction)		975MB
File type		Single Page TIFF/JPEG, Single Page PDF, Multi Page TIFF, Multi Page PDF, Single Page High Compression PDF, Multi Page High Compression PDF
Program User Setting		Yes (up to 10 programs)
Divide and send e-mail		Yes (By page or size) / No, Default = Yes(By size)
Resend		Yes / No, Default = Yes
Encryption(S/MIME)		Yes

## Scan to Folder

Protocol Support	SMB (Server Message Block), FTP (File Transfer Protocol), NCP
Security	Client folder log-in (log-in name and password)Encryption of log-in name and password during transmission
Resolution:	100dpi, 200dpi (Default), 300dpi, 400dpi, 600dpi
Register client folder address in HDD	Max. 2,000 folders
Maintain client folder address in HDD	Direct input on operation panel, WebImageMonitor, SmartDeviceMonitor
Destination client folder address input via soft key	Yes SMB: Network path -> Client folder -> Password FTB: Server -> Network path -> User account -> Password NCP: Network path -> User account -> Password -> Connection Type: NDS/Bindery
Search client folder	SMB: Browsing directly to the designated folders FTP: By client folder name NCP: Browsing
Max. client folder numbers per send	Max. 50 client folders / PCs per send
Group address	Max. 100 destinations (To Folder: 50, To E-mail: 100) (*1) e.g. 100 destinations 50 folders included >>>OK 100 destinations 51 folders included>>>Failure
Input subject	No
Scan File Size	Up to 2000MB

# Product Support Guide

## D017/D018/D019/D020

File type	Single Page TIFF/JPEG, Single Page PDF, Multi Page TIFF, Multi Page PDF, Single Page High Compression PDF, Multi Page High Compression PDF
Program User Setting	Yes (up to 10 programs)
Resend	Yes / No, Default = Yes

The number of destinations which user can put has to satisfy all of above 3 conditions. User can combine E-mail and Folder destinations up to 550 destinations.

### Max. Address numbers per sending (combination between E-mail and Folder)

	Input via	Condition 1:Max.address can select or input	Condition 2: Max. address allow in single operation	Condition 3: Combination of addresses: Max.
Scan to E-mail	Adress book	500	500	550
	Manual Input	100		
Scan to Folder	Adress book	50	50	
	Manual Input	50		

### Network Twain Driver

OS	Windows 2000, Server 2003, Windows XP, Windows Vista
Resolution	100-1200dpi (Black and White / Grayscale), 100 - 600dpi (Full Color)
Scan Mode	Standard / Photo / OCR / Filing
Image Adjustment	Brightness / Contrast / Threshold /Gamma Adjustment / Halftone Pattern
Stamp	Date / Page Number / Text
Endorse	Supported

# Product Support Guide

## D017/D018/D019/D020

### Fax Specifications

Fax Specifications		
Circuit	PSTN, PBX	
Capability	ITU-T (CCITT) G3, Additional G3 (option),	
Resolution	8 x 3.85 line/mm, 200 x 100dpi (std.) 8 x 7.7 line/mm, 200 x 200dpi (std.) 8 x 15.4 line/mm, 16 x 15.4 line/mm, 400 x 400dpi (with optional SAF memory)	
Compression Method	MH, MR, MMR, JBIG(standard from R-C4)els)	
Scanning speed (DF Used)	0.56sec.(A4/LT SEF, Standard/Detail mode), 0.40sec.(A4/LT LEF, Standard/Detail mode) 1.12sec.(A4/LT SEF, Super Fine mode) 0.80sec.(A4/LT LEF, Super Fine mode) *ITU-T No1 chart, 200 x 100 dpi(Standard mode), 200dpi(Detail mode), 400dpi(Super Fine mode)	
Number of Pages Scanned Per Minutes:(DF Used)	A4/LT SEF	Standard mode: 39 cpm Detail mode: 38cpm Super Fine mode: 27 cpm
	A4/LT LEF/image rotation	Standard mode: 41 cpm Detail mode: 38 cpm Super Fine mode: 22 cpm
Modem speed	33.6K – 2,400 300bps (G3, Standard with Automatic Shift Down) (33600, 31200, 28800, 26400, 24000, 21600, 19200, 16800, 14400, 12000, 9600, 7200, 4800, 2400, 300 bps)	
Transmission speed	G3: Approx.2 seconds (200x100 dpi, JBIG, ITUT #1 chart TTI off, memory transmission) G3: Approx.3 seconds (200x100dpi, MMR, ITUT #1 chart, TTI off, memory transmission)	
Page Memory Size	Standard	8MB
	With Optional SAF Memory	16MB
SAF Memory Size	Standard	4MB (Approx. 320 pages)
	With Optional SAF Memory	28MB (Approx. 2,240 pages)
Option:32MB SD-RAM	(24MB SAF Memory + 8MB Page Memory)	
Multi-Port	Up-gradable up to 3 lines	
Memory backup	One hour	
Smoothing	Standard	
TTI/RTI	Standard	
CSI	Standard	
Quick dial/Speed dial	Standard: 500 number (without HDD) / 2,000 numbers (with HDD)	
Group dial	Standard: 100 groups (500 numbers per 1 group)	
Program	Standard: 100 numbers	
Redial	Standard	
Direct fax number entry	Standard	
Dual access	Standard	

# Product Support Guide D017/D018/D019/D020

Fax Specifications	
User code	Std. 500 Codes
Page counter	Standard
Auto reduction	Standard
Wild cards	Standard
Summer time (day light saving time)	Yes
ID code programming	Standard (4 digits)
Programming by OMR	No
User function key	Standard (3 keys)
Night timer	No
Energy saver	Standard
LCD prompt	Standard
Remaining memory indication	Standard
Clock adjustment	Standard
User parameter setting	Standard
User data transfer	Standard

## Transmission Specifications

Immediate transmission	Standard
Memory transmission	Standard
Serial broadcasting	Standard (Max. 500 numbers)
Send later	Standard
Error correction mode	Standard
Page retransmission	Standard
Forwarding	Standard
Image rotation	Standard
Closed network (transmission)	Standard
Double sided transmission	Yes
Transmission reserve	No

## Reception Specifications

Automatic reception	Standard
Manual reception	Standard
Substitute reception	Standard
Authorized reception	Standard
Multi-copy	Standard
Closed network	Standard
Reception time printing	Standard
Center mark	Standard
Checked mark	Standard
Economy printing mode	No
Duplex reception	Yes with option

# Product Support Guide

## D017/D018/D019/D020

### Telephone Specifications

Handset / telephone	Option
Telephone connection	Standard
Monitor speaker	Standard
Automatic voice message	No
On hook dial	Standard
Tone transmission	Standard
Pause	Standard
Pulse/tone selection	Standard
Chain dialing	Standard
Reception mode selection	Standard
Automatic fax/phone change	No
Reception mode switch over (remote)	No
Answering machine interface	Yes
Reception mode switching timer	Standard
Auto answer delay time	Standard
Busy tone detection	Standard
Silent ringing detection:	No

### Internet Fax Basic Specifications

Requirement of Mainframe	G3 fax option is required. Printer Scanner option is required.
Number of Address	2,000 (HDD storage)
E-mail Address Input	From LCD operation panel, Web Image Monitor, Smart Device Monitor for Admin
Attention	“to” or “bcc” (select only one), max 500 attentions
Destination Combination	Internet Fax + G3 Fax, Internet Fax to PC + G3 Fax
Network	LAN: Local Area Network Ethernet/10Base-T, 100Base-TX, IEEE802.11b(wireless LAN)
Transmit function	E-mail
Scan line density	200 x 100 dpi(Standard character), 200 x 200 dpi(Detail character), 200 x 400 dpi(Fine character: optional) *1 , 400 x 400 dpi(Super Fine character: optional) *1
Original size: Scanning width	A3 *1, B4 *1, A4
Communication Protocols	Transmission SMTP, TCP/IP Reception POP3, SMTP, IMAP4, TCP/IP
E-mail format	Single/Multi-part, MIME Conversion Attached file forms: TIFF-F(MH, MR *1, MMR*1 compression)
Authentication method	SMTP-AUTH, POP before SMTP, A-POP
Internet communication	Send and receive e-mail with a computer that

# Product Support Guide

## D017/D018/D019/D020

	has an e-mail address
E-mail send functions	Automatic conversion of sent documents to e-mail format and e-mail transmission. Memory transmission only.
E-mail receive functions	Automatic detection and printing of appended TIFF-F(MH) files and ASCII text. Memory reception only.

\* 1 Full mode

### Lan Fax M8 Basic Specifications

Paper Size	A3, DLT, B4, A4 (default for EU/Asia model), Letter (default for NA model), Legal, B5, A5
Resolution	Super Fine (400 x 400 dpi) Detail (200 x 200 dpi) *default Standard (200 x 100 dpi)
Gray Scale	Off On normal *default On lighter
Number of Address	500
OS	Windows2000, Windows XP, Windows Vista (Gray Scale is only available for the driver of Windows95/98, Me)

### IP Fax Specifications

Network	LAN: Local Area Network Ethernet/10base-T, 100base-TX, IEEE802.11b(wireless LAN)
Scan line density	8 x 3.85 lines/mm, 200 x 100 dpi(Standard character), 8 x 7.7 lines/mm, 200 x 200 dpi(Details character), 8 x 15.4 lines/mm(Fine character: optional expansion memory required), 16 x 15.4 lines/mm, 400 x 400 dpi(Super Fine character: optional expansion memory required)
Original size	Maximum A3 or 11" x 17" (DLT)
Maximum scanning size	Standard: A3, 297mm x 432mm (12" x 17") Irregular: 297mm x 1200mm (12" x 47")
Transmission protocol	Recommended: T.38 Annex, TCP, UDP/IP communication, SIP(RFC 3261 compliant), H.323 v2
Compatible machines	IP-Fax compatible machines
IP-Fax transmission function	Specify an IP address and send faxes to an IP-Fax compatible fax through a network. Also capable of sending faxes from a G3 fax connected to a telephone line via a VoIP gateway.
IP-Fax reception function	Receive faxes sent from an IP-Fax compatible fax through a network. Also capable of receiving faxes from a G3 fax connected to a telephone line via a VoIP gateway

# Product Support Guide D017/D018/D019/D020

## MFP Supported Environments

OS	Type	PCL5e	PCL6	PRCS	PostScript3
Windows 2000	Professional	Y	Y	Y	Y
	Server	Y	Y	Y	Y
	Advanced Server	Y	Y	Y	Y
	Datacenter Server	N	N	N	N
Windows XP	Professional	Y	Y	Y	Y
	Home Edition	Y	Y	Y	Y
Windows Server 2003	Standard Edition	Y	Y	Y	Y
	Enterprise Edition	Y	Y	Y	Y
	Datacenter Edition	N	N	N	N
	Web Edition	N	N	N	N
Windows Vista	Ultimate	Y	Y	Y	Y
	Enterprise	Y	Y	Y	Y
	Business	Y	Y	Y	Y
	Home Premium	Y	Y	Y	Y
	Home Basic	Y	Y	Y	Y

[Remarks]

Service Pack 6a or later is required.

Adobe does not release PS driver for Windows2000/XP and Vista. Only MS-PostScript driver is available and PPD file for MS-PS is included in the Driver CD.

Cluster Server configuration is not supported.

RPCS driver does not support "Fast User Switching" functions of Windows XP.

<Important Notice>

Windows NT 4.0/9X (Windows 95/98/ME) drivers are available only from web site and these are available only until March 2008. Please note that Windows 9X drivers are not available from April 2008 onwards.

Windows OS		Drivers		
Server	Client(Push to)	PCL5e/6	RPCS	PS
Windows Vista	VISTA	Yes	Yes	Yes
	XP	Yes	Yes	Yes
	W2K Pro	Yes	Yes	Yes
	MT4.0 WS	No	No	No
	98 / ME	No	No	No
Windows Server 2003	VISTA	Yes	Yes	Yes
		Yes	Yes	Yes
		Yes	Yes	Yes
		Yes	Yes	Yes
		Yes	Yes	Yes
Windows XP Professional	VISTA	Yes	Yes	Yes
	XP	Yes	Yes	Yes
	W2K Pro	Yes	Yes	Yes
	MT4.0 WS	Yes	Yes	Yes
	98 / ME	Yes	Yes	Yes
Windows 2000 Professional, Server & Advanced Server	VISTA	Yes	Yes	Yes
	XP	Yes	Yes	Yes
	W2K Pro	Yes	Yes	Yes



# Product Support Guide

## D017/D018/D019/D020

Windows OS		Drivers		
	MT4.0 WS	Yes	Yes	Yes
	98 / ME	Yes	Yes	Yes
NT 4.0 Workstation & Server (Intel)	VISTA	No	No	No
	XP	No	No	No
	W2K Pro	Yes	No	No
	MT4.0 WS	Yes	Yes	Yes
	98 / ME	Yes	Yes	Yes

### Terminal Service and Citrix MetaFrame

Server	Driver		
	PCL5e/6	RPCS	PS
Windows Server 2003	Yes	Yes	Yes
Windows 2000 Server	Yes	Yes	Yes
Win 2003 Servers + MetaFrame	Yes	Yes	Yes
Win 2000 Servers + MetaFrame	Yes	Yes	Yes
Windows 2003 Servers + Citrix PresentationServer4.0	Yes	No	Yes
Windows 2000 Servers + Citrix PresentationServer4.0	Yes	No	Yes
Win NT4.0 TS E+ Citrix PresentationServer4.0	No	No	No
Win 2000 Servers + Citrix PresentationServer4.5	Yes	No	Yes
Win 2000 Servers + Citrix PresentationServer4.5	No	No	No
Win NT4.0 TSE + Citrix PresentationServer4.5	No	No	No

[Operating Environments]

The following combinations of operating system and Citrix MetaFrame are supported:

[Windows 2000 Server /Advanced Server -]

1. Windows Terminal Service (RDP protocol)
2. MetaFrame 1.8 SP3/FR1+SP3/SP4 (ICA protocol) \*1
3. MetaFrame XP 1.0 SP1/SP2/SP3/SP4/FR1/FR2/FR3 (ICA protocol)
4. MetaFrame PresentationServer3.0
5. Citrix PresentationServer4.0 \*2

[Windows 2003 Server ]

1. Windows Terminal Service (RDP protocol)
2. MetaFrame XP 1.0 SP4/FR3 (ICA protocol)
3. MetaFrame PresentationServer3.0
4. Citrix PresentationServer4.0 \*2
5. Citrix PresentationServer4.5 \*2

\*1: PCL mono-drivers do not support MetaFrame1.8 + SP3 Environment. Only mini-driver support Meta1.8+SP3 Environment.

\*2: Only PCL/PS drivers are tested under this environment.

\*3: PCL5/6, RPCS and PS3 drivers are not available on Windows NT4.0 TSE from April 2008 onwards.

# Product Support Guide

## D017/D018/D019/D020

[Windows NT Server 4.0 Terminal Server Edition.- with SP6 and later required]

1. Windows Terminal Service (RDP protocol)
2. MetaFrame 1.8 SP3/FR1+SP3/SP4 (ICA protocol)
3. MetaFrame XP 1.0 SP1/SP2/FR1 (ICA protocol)

### Note

Even "Yes" is put in the cell, there is a case driver is not supported under the combination of FR and Service Pack of MetaFrame. Please refer to the release announcement of Terminal Service for more.

## Mac OS

	PostScript3	Printer Utility for MAC
Mac OS 8.6 or later, Mac OS X classic	Yes	Yes
Mac OS X Native : v. 10.1 or later *1	Yes	Yes*2

\*1: Mac OS X v.10.0.X is not supported.

\*2: Mac OS X v.10.2.0 is not supported.

## UNIX Filter

Unix Platforms	Version
Sun Solaris	2.6 / 7 / 8 / 9 / 10
HP-UX	10.x / 11.x / 11iv2
Red Hat Linux	6.x / 7.x / 8.x / 9.x / Enterprise
SCO OpenServer	5.0.6 / 5.0.7 / 6.0
IBM AIX	V4.3 & 5L Version 5.1 / 5.2 / 5.3

Please refer to the release announcement of Unix Filter on Ricoh-usa.com for more details.

## Novell Netware

Netware Sever	Supported Version	Netware 3.12 / 3.2 / 4.1 / 4.11 / 5.0 / 5.1 / 6.0/6.5
Client	Supported OS	Windows 2000 / XP (Professional)
Supported Print System		Q-base, NDPS Gateway, i-print

# Product Support Guide

## D017/D018/D019/D020

### SAP/R3 Environment (Device Type / Barcode & OCR Package)

<b>Supported environments</b>	R/3 version	3.x or later , mySAP ERP2004 or later
	Platform	Independent
	PDL	PCL 5e
	Character Set	Latin 1(Western European), Latin 2 (Eastern European)
	Localization	English only
<b>Supported features</b>		i.e: Input/Output Bin, Duplex, Stapling, Punching, Resolution, Collation,EconoMode/TonerSaving, Smoothing, Page Protect, Auto Tray Change/Opt Tray select
<b>Supported Barcode &amp; OCR Fonts*</b> (* BOP will be Procured locally.)	Barcode Fonts (Support Latin 1 only)	Code 128, Code 39, Code 93, Codabar, 2 of 5 interleaved/Industrial/Matrix, MSI, USPS, UPC/EAN
	OCR Fonts	OCRA, OCRB

Please refer to the release announcement of SAP Device Type for more details.

### Utility Software

Software	Description
For GW Controller Font Manager	This software enables you to use screen fonts.
Smart Device Monitor for Admin	This software enables you to manage and monitor printers and other devices over the network.
DeskTopBinder – SmartDeviceMonitor for Client	This software enables you to access networked printers to print, monitor or to receive notifications. With DeskTopBinder Lite you can connect client computers to I/O devices enabling you to efficiently manage data.
Device Graphic Update Module	Device Graphic Update Module provides bitmap images used to represent the various statuses of devices graphically within Smart Device Monitor or Web Smart Device Monitor. Available on website.
Printer Utility for Mac	This is a utility for Macintosh that provides access to several network printing administrative features.
PS Descriptions	PPD for Mac By interacting with the Adobe PostScript 3 controller in the device, this PPD is able to produce an accurate representation of the screen image.
Mac OS X PPD Installer	This PPD installer is used to install a PPD (Postscript Printer Description) file on Mac OSX. PPD files contain descriptions of printer capabilities such as paper sizes, number of input trays and duplexing. Once the PPD file is installed on the system using the PPD installer, the PS driver that comes bundled with Mac OS X can use the information in the PPD to control the print device and enable full functionality. It supports the Mac OS X 10.1 or later. Please see the Readme file for information about compatibility with versions of Mac OS X.
LAN FAX Driver M8	This software enables you to fax documents directly from your computer. The Address Book Editor and Cover Sheet Editor are installed as well. This software requires the optional fax unit to be installed on the machine. M8 Driver
RPCS Driver	Printer driver for Windows: It is optimized for the Windows GDI. High performance printing can be expected. Regularly used settings can be saved as a "one-click icon" in the driver interface. These settings can be reused easily by clicking the icon.
PCL 6 Driver	Printer driver for B/W printing in Windows. It supports HP PCL XL commands and is optimized for the Windows GDI. High performance printing can be expected.
PCL 5e Driver	Printer driver for printing in Windows. It supports HP PCL 5e

# Product Support Guide

## D017/D018/D019/D020

Software	Description
	commands.
Post Script Driver	By interacting with the Adobe PostScript 3 controller in the device, this driver is able to produce an accurate representation of the screen image.
Network TWAIN Driver	TWAIN scanner driver for network connections with new features Combine/Series, compatible with SNMP V3and Network Connection Tool.

# Product Support Guide

## D017/D018/D019/D020

### Print Driver Information

	PCL 5e / 6	RPCS	PostScript3			
			Windows 2000 XP	Windows Vista	Mac OS 8.6-9.2	Mac OSX
Job Binding	N	Y	N	N	N	N
Send to Document Server	Y	Y	Y	Y	Y	Y*1
Sample Print	Y	Y	Y	Y	Y	Y*1
Locked Print	Y	Y	Y	Y	Y	Y*1
Hold Print	Y	Y	Y	Y	Y	Y*1
Stored Print	Y	Y	Y	Y	Y	Y*1
Stored Print (Shared)	Y	Y	N	N	N	Y*1
Reduce/Enlarge (Zoom/Scaling)	Y*2	Y	Y	Y	Y	Y
Reduce/Enlarge Centering	Y*2	Y	N	N	N	N
Collate	Y*3	Y	Y	Y	Y	Y
Layout (N-up)	Y	Y	Y	Y	Y	Y
Poster	N	Y	N	N	Y	N
Duplex	Y	Y	Y	Y	Y	Y
Booklet1	N	Y	N	N	N	N
Booklet2(Magazine)	Y	Y	Y	Y	N	N
Non-Reduction Booklet	Y	Y	N	N	N	N
Punch	Y	Y	Y	Y	Y	Y
Staple	Y	Y	Y	Y	Y	Y
Front Cover	Y	Y	N	N	Y*4	Y*4
Back Cover	N	N	N	N	N	N
Front and Back Cover	Y	Y	N	N	N	N
Ship Sheet	Y	Y	N	N	N	N
Chaptering	Y	Y	N	N	N	N
User Defined Pages	Y	N	N	N	N	N
Tab Shift Printing	N	N	N	N	N	N
Fit to Print	Y	Y	Y	Y	Y	N
Mirror Image Print	N	N	Y	Y	Y	N
Negative Image Print	N	N	Y	Y	Y	N
Dithering	N	Y	Y	Y	Y	Y
Edge Smoothing	Y	Y	Y	Y	Y	Y
Toner Saving	Y	Y	Y	Y	Y	Y
Watermark	Y	Y	Y*5	Y*5	Y	Y*5
Overlay	N	Y	N	N	N	N
Header/Footer	N	Y	N	N	N	N
Adjust image position	N	Y	N	N	N	N
Binding Margins	N	Y	N	N	N	N
User ID	Y	Y	Y	Y	Y	Y*1
User Code	Y	Y	Y	Y	Y	Y*1
Rotate Print	Y	Y	Y	Y	N	N
Reverse Order Print	N	Y	Y	Y	Y	Y

# Product Support Guide

## D017/D018/D019/D020

	PCL 5e / 6	RPCS	PostScript3			
Do not print Black pages	Y*6	Y	N	N	N	N
Edge to Edge Print	Y	Y	Y	Y	Y	Y
Authentication	Y	Y	N	N	N	N
Encryption/Encoding	Y	Y	N	N	N	N
Unauthorized Copy Control	N	Y	N	N	N	N
Bi-directional communication w/o Maple(*7)	Y	Y	N	N	N	N

Y: supported

N: not supported

\*1: Available with MAC OS X 10.2. or later

\*2: "Centering" feature cannot be selected from PCL driver. However PCL has this feature as the original function.

When printing with Reduce/Enlarge (Zoom) feature of PCL driver, the output will be automatically centered by the PCL 's original centering function.

\*3: [Use Application Collate] which was placed on [Advanced Option] Tab, is considered as always ON and its setting is not longer shown in UI.

[Collate] setting is also not shown in UI. This setting implied capability of collate on Printer.

\*4: Same as "First page/Other pages" feature

\*5: Custom "Watermark Name" is not available.

\*6: This feature cannot be selected from printer driver. But enables to set to "On" in "PCL setting " of MFP

\*7: Temporary Naming.

## Other MFP Support Information

Documentation received with the machine.

Destination	North America / Latin America		
	Paper	CD	
Medium		HTML	PDF
About This Machine	Yes	Yes	Yes
Troubleshooting	Yes	Yes	Yes
Copy/Document Server Reference	NA	Yes	Yes
Facsimile Reference	NA	Yes	Yes
Printer Reference	NA	Yes	Yes
Scanner Reference	NA	Yes	Yes
Network Guide	NA	Yes	Yes
General Setting Guide	NA	Yes	Yes
Information	NA	Yes	NA
PostScript 3 Supplement	NA	Yes	Yes
IPDS Supplement	NA	Yes	Yes
UNIX Supplement	NA	NA	NA
Security Reference	NA	Yes	Yes

# Product Support Guide

## D017/D018/D019/D020

### Counters

- User Tools / Counter → Counter → OK → Print → Start
- User Tools / System Settings → Administrator Tools → Display / Print Counter → Print → Start
- Maximum 7 digits
- Mechanical counter 7 digits – Location: open front cover – Left Hand Corner. This counter is optional.

### Paper

#### Recommended Throughput Material

Not Applicable

#### Non Recommended Throughput Material

Refer to pages in the Operators Instructions Hardware Guide.

Do not use any of the following kinds of paper or a fault might occur:

- Aluminum Foil, Carbon paper,
- Conductive paper
- Paper meant for an inkjet printer
- Bent, folded, or creased paper
- Torn paper
- Thermal fax paper
- Art paper
- Paper with perforated lines
- Hemmed-edge paper
- Tab stock
- Slippery paper
- Perforated paper
- Rough paper
- Thin paper with little stiffness
- Paper with a dusty surface

#### Special Paper

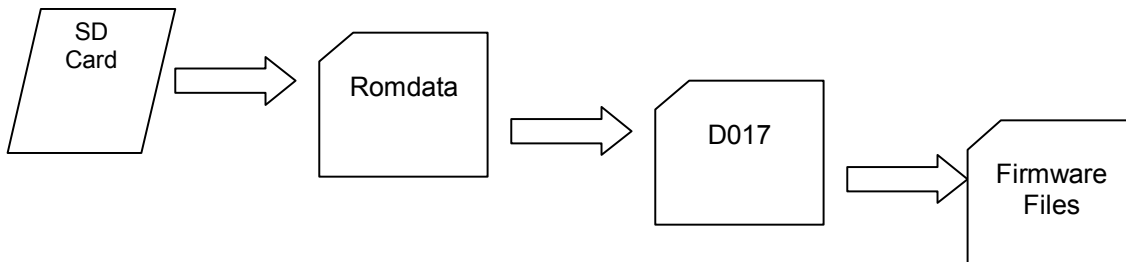
Not Applicable

# Product Support Guide D017/D018/D019/D020

## Firmware Information

Firmware SD Card	Firmware Type
Animation	Animation
Engine	Engine
Fax	Fax
Finisher SR3050	500 Sheet Finisher
Font EXP	Font EXP
GWFCU3-11(WW)	MBU
Language Install	Language
Network DocBox	Netfile
Network Support	NCS
OpePanel.EXP	LCDC
Option PCL	PCL
Printer	Printer
PS3/PDF	PS3/PDF
Remote Fax	Rfax
Scanner	Scanner
System/Copy	Controller
Web Support	WebSys
Web Uapl	Web Uapl

## SD Card Arrangement



**Note: Only .fwu files are used on the SD Card. For RFU firmware, refer to Pub Bulletin 059**



# Product Support Guide D017/D018/D019/D020

## Contact Information

Name	Contact
Technical Services Call Center (Hotline)	Ricoh: (800) 537-4264 Savin/Gestetner: (800) 291-6044 Lanier: (800) 333-3147
Application Help Desk (Software Issues)	Ricoh Phone Card: 2 Call - 000781MIU, 5 Call - 000900MIU Savin Phone Card: 2 Call - 12992, 5 Call - 12993 Gestetner Phone Card: 2 Call - 12994, 5 Call - 12995
National Reclamation Center	(800) 557-4264 <a href="http://www.nrc-usa.com">http://www.nrc-usa.com</a>
Technology Solutions Center Web Site	<a href="http://www.tscweb.net">http://www.tscweb.net</a>
Configurator	<a href="http://www.connectivity-cafe.com">http://www.connectivity-cafe.com</a>
Ricoh Web Site	<a href="http://www.ricoh-usa.com/">http://www.ricoh-usa.com/</a>
Savin iLINC Web Site	<a href="http://www.savin.com">http://www.savin.com</a>
Headquarter Web Sites	Ricoh Corporation: <a href="http://www.ricoh-usa.com">http://www.ricoh-usa.com</a> Savin Corporation: <a href="http://www.savin.com">http://www.savin.com</a> Gestetner Corporation: <a href="http://www.gestetnerusa.com/">http://www.gestetnerusa.com/</a> Lanier Corporation: <a href="http://www.lanier.com">http://www.lanier.com</a>
Material Safety Data Sheets	(800) 336-MSDS (6737)
Eastern Training Center	(973) 808-7646 <a href="http://www.ricohuniversity.com">http://www.ricohuniversity.com</a>
Western Training Center	(714) 566-3692 <a href="http://www.ricohuniversity.com">http://www.ricohuniversity.com</a>

## Training Information

## Documentation

Description	EDP Code	RFG Number
D017/D018/D019/D020 Self Pace CBT Update Package to the B205/B209/D007/D008, B089/B093, B022/B027, and A265/A267	003319MIU	
D017/D018/D019/D020 Service Manual	003320MIU	rfg030242
D017/D018/D019/D020 Parts Catalog	003321MIU	rfg030246
D017/D018/D019/D020 Point to Points	003322MIU	rfg030243

# Product Support Guide

## D017/D018/D019/D020

### MFP Update Certified Service Personnel

The Ricoh Family Group is pleased to announce the release of the D017 Series B/W Copiers.

Training will be accomplished by a self paced course with a 20 question final exam for technicians that are currently certified on the D007 series, and a standalone 5 day ILT for technicians that do not have certification on the D007 series. Auto certification does not apply.

The new D017 Series are low cost black and white MFP with advanced features. Since these copiers are low cost, our customers will be able to have the best features at reduced cost. The copiers offer a full color wide VGA touch panel and color scanner capability. In addition, the basic models can be upgraded to a mono scanner P/S model. The D017 Series models will allow us to reach a wider base of customers, thereby increasing our sales in this segment.

The D017 Series and the D007 Series predecessor model share some similarities; however, there is enough of a difference between the two models to warrant a new certification. The Instructor Led course (not offered at this time) is for Service Professionals who have taken Core Basics 4.0 (not offered at this time). The Self-Pace Update is for Service Professionals who currently hold any previous 25 to 30 page per minute black and white MFP certification.

It is **strongly** recommended that all the information provided in the update package, including the Self-Pace Update be thoroughly reviewed by the support engineer prior to performing any service. It is also **strongly** recommended that the technician perform the review of this support documentation/ material while having access to the D017 Series equipment.

If you have questions about this or any other training program, please visit the Ricoh University home page at <http://www.ricohuniversity.com>, or contact Ricoh University at 973-882-2200.

# Product Support Guide

## D017/D018/D019/D020

### Revisions

- 1.0 Original
- 1.1 Serial number configuration corrected
- 1.2 Key Counter Interface Added, new configurations added.