

Product Support Guide D120 / D121 / D122

Introduction

Model Type

B/W MFP

Launch Date

11/28/2011

S/N Configuration

W41/W42/W43

Product Code

D120/ D121/ D122

Brand/Model Name

Product Code	Lanier	Ricoh	Savin
D120	MP 2352SP	Aficio MP 2352SP	MP 2352SP
D121	MP 2852 /SP	Aficio MP 2852 /SP	MP 2852 /SP
D122	MP 3352 /SP	Aficio MP 3352 /SP	MP 3352 /SP

Product Concept

The D120/21/22 engine will replace the D018/D084 engine. The product will be offered in three speed ranges (23PPM, 28PPM and 33PPM).

The 23ppm will ONLY be made available as a SP model, however, the 28ppm & 33ppm will be available in both copier basic and standard SP configurations.

Major Technical Enhancements

The first Ricoh A3 B/W MFP to support an internal finisher.
Three speeds available 23, 28 and 33 PPM (New offering at 23PPM).
Standard DOSS and HDD Encryption resides on the controller board.
Optional Scan To and Print From Media.
One of the Smallest Footprints in the Mid-Range A3 MFP Class.



Product Support Guide

D120/ D121/ D122

Main Frame

Item	Model Name	EDP Code	Notes
D120	MP 2352SP Aficio MP 2352SP MP 2352SP	415756	Standard: ARDF/Duplex/Bypass/RAM 1GB/120GB HDD/VM Card/HDD Encryption/DOSS/PDF Direct
D121	MP 2852 Aficio MP 2852 MP 2852	415762	Standard: Duplex/Bypass/RAM 512MB/HDD Encryption/DOSS.
D121	MP 2852SP Aficio MP 2852SP MP 2852SP	415768	Standard: ARDF/Duplex/Bypass/RAM 1GB/120GB HDD/VM Card/HDD Encryption/DOSS/PDF Direct Print.
D122	MP 3352 Aficio MP 3352 MP 3352	415774	Standard: Duplex/Bypass/RAM 512MB/HDD Encryption/DOSS.
D122	MP 3352SP Aficio MP 3352SP MP 3352SP	415780	Standard: ARDF/Duplex/Bypass/RAM 1GB/120GB HDD/VM Card/HDD Encryption/DOSS/PDF Direct.

NOTE: Order numbers are provided for reference purposes only. Please use your Pricing Guide for proper order numbers to ensure that you receive the correct branding emblem.

Order Number

Options

Item	Description	EDP Code	Product Code	Common / Unique
Fax Option	Fax Option Type 3352	415836	D59601	U
Hard Disk Drive	Option Hard Disk Drive Option Type 3352	415805	D59411	U
Printer/Scanner Unit	Printer/Scanner Unit Type 3352	415821	D59521	U
PostScript3 Unit	PostScript3 Unit Type 3352	415830	D59551	U
IPDS Unit	IPDS Unit Type 3352	415833	D59571	U
Java VM Card	VM Card Type N	415868	D59451	U
USB2.0/SD Slot (With pdf direct)	USB2.0/SD Slot Type H	415808	D59431	U
G3 Interface Unit	G3 Interface Unit Type 3352	415841	D59611	U
ARDF	ARDF DF3060	415791	D57817	U
Platen Cover	Platen Cover Type 3352	415809	D59301	U

Product Support Guide D120/ D121/ D122

Item	Description	EDP Code	Product Code	Common / Unique
Paper Feed Unit (550x2)	Paper Feed Unit PB3130	415793	D58017	U
Paper Feed Unit (550x1)	Paper Feed Unit PB3120	415794	D57917	U
1000 x 2LCT	LCIT PB3140	415795	D58117	U
1 Bin Tray	1 Bin Tray BN3090	415796	D58217	U
Internal Shift Tray	Internal Shift Tray SH3050	415797	D58317	U
Bridge Unit	Bridge Unit BU3050	415798	D58417	U
500 sheet External Finisher	Finisher SR3070	415799	D58517	U
500 sheet Internal Finisher	Internal Finisher Type 3352	415800	D58617	U
Punch Kit NA (for Internal Finisher)	Punch Kit PU3020 NA	415801	D58717	U
1000 sheet Finisher	Finisher SR3090	415804	D58817	U
1000 sheet Booklet Finisher	Booklet Finisher SR3100	415810	D58917	U
Caster Table	Caster Table Type D	415811	D59311	U
ADF Handle Option	ADF Handle Type C	416213	D59381	U
Card Reader Bracket	Card Reader Bracket Type 3352	415814	D59361	U
Handset	Handset Type 3352	415820	D59371	U
FAC52 Cabinet	FAC52 Cabinet	416337	5K6123	U
Key Counter Bracket	Key Counter Bracket Type H	412552	A67405	D017/D084
Bluetooth Interface Unit (USB)	Bluetooth Interface Unit Type D	415818	D56601	D088/M022/M052
File Format Converter	File Format Converter Type E	414007	D37704	D017/D084
IEEE802.11a/g Interface Unit	IEEE802.11a/g Interface Unit Type J	414008	D37701	D017/D084
Gigabit Ethernet Board	Gigabit Ethernet Board Type A	402547	G87401	D017/D084
IEEE 1284 Interface Board	IEEE 1284 Interface Board Type A	411699	B67917	D017/D084

Product Support Guide D120/ D121/ D122

Item	Description	EDP Code	Product Code	Common / Unique
Memory Unit for Fax (SAF)	Memory Unit Type B 32MB	001342MIU	G57817	D017/D084
Punch Kit NA (for Booklet Finisher)	Punch Kit PU3000 NA	412855	B80717	D017/D084
Unicode Font Package	Unicode Font Package for SAP® 1 License	413009	B86901	D084/D062
Unicode Font Package	Unicode Font Package for SAP® 10 License	413010	B86902	D084/D062
Unicode Font Package	Unicode Font Package for SAP® 100 License	413011	B86903	D084/D062
Optional Counter Interface	Optional Counter Interface Unit Type A	413012	B87011	D017/D084
ACK3400-U Keyboard Only	Supports optional GlobalScan NX, eCopy ShareScan, NSi AutoStore	100266FNG		C (D009)
VZ G106030 Keyboard Bracket Only (fixed)	Supports optional GlobalScan NX, eCopy ShareScan, NSi AutoStore	100268FNG		C (D009)
Brand Plaque for Orval-C1a	Brand Plaque for Savin MP 2352	415844	D12033	U
Brand Plaque for Orval-C1a	Brand Plaque for Lanier MP 2352	415845	D12034	U
Brand Plaque for Orval-C1b	Brand Plaque for Savin MP 2852	415847	D12133	U
Brand Plaque for Orval-C1b	Brand Plaque for Lanier MP 2852	415848	D12134	U
Brand Plaque for Orval-C1c	Brand Plaque for Savin MP 3352	415850	D12233	U
Brand Plaque for Orval-C1c	Brand Plaque for Lanier MP 3352	415851	D12234	U

Product Support Guide

D120/ D121/ D122

Supplies/Yields

Item	Name	Order Code	Target Yield
Lanier			
Toner	Toner Type 2120D/2522/5627	841337	66,000
Developer**	Developer Type 28	B1219645	60,000
Drum**	Drum	B0399510	60,000
Staple Type K	Staple Type K for SR3070/SR3090	410801	5,000
Staple Refill Type K	Staple Refill Type K for SR3070/SR3090/SR3100	410802	15,000
Staple Type S	Staple Type S for SR3100 (Saddle Stitch) (Uses Type K Refill)	412878	5,000
Staple Type T	Staple Type T for Internal Finisher Type 3352	415009	5,000
Staple Refill Type T	Staple Refill Type T for Internal Finisher Type 3352	415010	10,000
Marker 30	Marker Type 30	334049	12,000
Ricoh			
Toner	Toner Type 2120D/2522/5627	841337	66,000
Developer**	Developer Type 28	B1219645	60,000
Drum**	Drum	B0399510	60,000
Staple Type K	Staple Type K for SR3070/SR3090	410801	5,000
Staple Refill Type K	Staple Refill Type K for SR3070/SR3090/SR3100	410802	15,000
Staple Type S	Staple Type S for SR3100 (Saddle Stitch) (Uses Type K Refill)	412874	5,000
Staple Type T	Staple Type T for Internal Finisher Type 3352	415009	5,000
Staple Refill Type T	Staple Refill Type T for Internal Finisher Type 3352	415010	10,000
Marker 30	Marker Type 30	334049	12,000
Savin			
Toner	Toner Type 2120D/2522/5627	841337	66,000
Developer**	Developer Type 28	B1219645	60,000
Drum**	Drum	B0399510	60,000
Staple Type K	Staple Type K for SR3070/SR3090	410803	5,000
Staple Refill Type K	Staple Refill Type K for SR3070/SR3090/SR3100	410804	15,000
Staple Type S	Staple Type S for SR3100 (Saddle Stitch) (Uses Type K Refill)	412877	5,000
Staple Type T	Staple Type T for Internal Finisher Type 3352	415009	5,000
Staple Refill Type T	Staple Refill Type T for Internal Finisher Type 3352	415010	10,000
Marker 30	Marker Type 30	334049	12,000

NOTE: A4, 6% chart is used to measure the above yield. Storage period for toner is max. 1 year. This yield number may change depending on the circumstances and printing conditions.

NOTE: ** Part Number

Option Compatibility

Category	Product name	Must Install	Cannot Install
Original Feeding	ARDF DF3060		Platen Cover Type 3352
Paper Feeding	Paper Feed Unit PB3120 (550x1)		ARDF DF3060
			Paper Feed Unit PB3130 (550x2) LCIT PB3140 (1000x2) Finisher SR3090 (1000 sheets) Booklet Finisher SR3100 FAC52 Cabinet

Product Support Guide D120/ D121/ D122

Category	Product name	Must Install	Cannot Install
	Paper Feed Unit PB3130 (550x2)		Paper Feed Unit PB3120 (550x1) LCIT PB3140 (1000x2) Caster Table Type D FAC52 Cabinet
	LCIT PB3140 (1000x2)		Paper Feed Unit PB3120 (550x1) Paper Feed Unit PB3130 (550x2) Caster Table Type D FAC52 Cabinet
Finishing	Finisher SR3070 (500 sheets external)	Bridge Unit BU3050	Internal Finisher Type 3352 Finisher SR3090 (1000 sheets) Booklet Finisher SR3100 Internal shift Tray
	Internal Finisher Type 3352		Finisher SR3070 (500 sheets external) Finisher SR3090 (1000 sheets) Booklet Finisher SR3100 Internal shift Tray
	Punch Kit PU3020 NA (for Internal Finisher)	Internal Finisher Type 3352	PU3000
	Finisher SR3090 (1000 sheets)	Bridge Unit BU3050 Paper Feed Unit PB3130 (550x2) or LCIT PB3140 (1000x2)	Finisher SR3070 (500 sheets external) Internal Finisher Type 3352 Booklet Finisher SR3100 Internal shift Tray
	Booklet Finisher SR3100	Bridge Unit BU3050 Paper Feed Unit PB3130 (550x2) or LCIT PB3140 (1000x2)	Finisher SR3070 (500 sheets external) Internal Finisher Type 3352 Finisher SR3090 (1000 sheets) Internal shift Tray IEEE 1284 Interface Board Type A USB2.0/SD Slot Type H
	Punch Kit PU3000 NA (for Booklet Finisher)	Booklet Finisher SR3100	PU3020
	1 Bin Tray BN3090		
	Internal Shift Tray SH3050		Finisher SR3070 (500 sheets external) Internal Finisher Type 3352 Finisher SR3090 (1000 sheets) Booklet Finisher SR3100
	Bridge Unit BU3050	Finisher SR3070 Finisher SR3090 Booklet Finisher SR3100	Internal Finisher Type 3352 Internal Shift Tray SH3050
Fax	Fax Option Type 3352		
	G3 Interface Unit Type 3352	Fax Option Type 3352	
	Handset Type 3352	Fax Option Type 3352	
	Memory Unit Type B 32MB	Fax Option Type 3352	
Printer	Printer/Scanner Option Type 3352		Printer Unit Type 3352 Scanner Enhance Option Type 3352 Hard Disk Option Type 3352

Product Support Guide

D120/ D121/ D122

Category	Product name	Must Install	Cannot Install
	PostScript3 Unit Type 3352	Printer/Scanner Option Type 3352	
	IPDS Unit Type 3352	Printer/Scanner Option Type 3352	
	Hard Disk Option Type 3352		Printer/Scanner Option Type 3352
Network	Bluetooth Interface Unit Type D	Printer/Scanner Option Type 3352	IEEE802. 11a/g Interface Unit Type J USB2.0/SD Slot Type H
	IEEE802. 11a/g Interface Unit Type J	Printer/Scanner Option Type 3352	IEEE 1284 Interface Board Type A Bluetooth Interface Unit Type D Gigabit Ethernet Board Type A File Format Converter Type E
	Gigabit Ethernet Board Type A	Printer/Scanner Option Type 3352	IEEE802. 11a/g Interface Unit Type J IEEE 1284 Interface Board Type A File Format Converter Type E
	IEEE 1284 Interface Board Type A	Printer/Scanner Option Type 3352	Booklet Finisher SR3100 IEEE802. 11a/g Interface Unit Type J Gigabit Ethernet Board Type A File Format Converter Type E
Other	VM Card Type N	Printer/Scanner Option Type 3352	
	USB2.0/SD Slot Type H	Printer/Scanner Option Type 3352	Bluetooth Interface Unit Type D Booklet Finisher SR3100
	Caster Table Type D	Paper Feed Unit PB3120	Paper Feed Unit PB3130 (550x2) LCIT PB3140 (1000x2) Finisher SR3090 (1000 sheets) Booklet Finisher SR3100
	Card Reader Bracket Type 3352		
	Accessibility Handle	ARDF DF3060	
	Browser Unit Type E	Printer/Scanner Option Type 3352	
	Key Counter Bracket Type H		
	File Format Converter Type E		IEEE802.11a/g Interface Unit Type J Gigabit Ethernet Board Type A IEEE 1284 Interface Board Type A
	Unicode Font Package for SAP 1 License	Printer/Scanner Option Type 3352	
	Unicode Font Package for SAP 10 License	Printer/Scanner Option Type 3352	
	Unicode Font Package for SAP 100 License	Printer/Scanner Option Type 3352	
	Optional Counter Interface Unit Type A		
	3L68-19 USB Keyboard		

Product Support Guide

D120/ D121/ D122

Branding Information

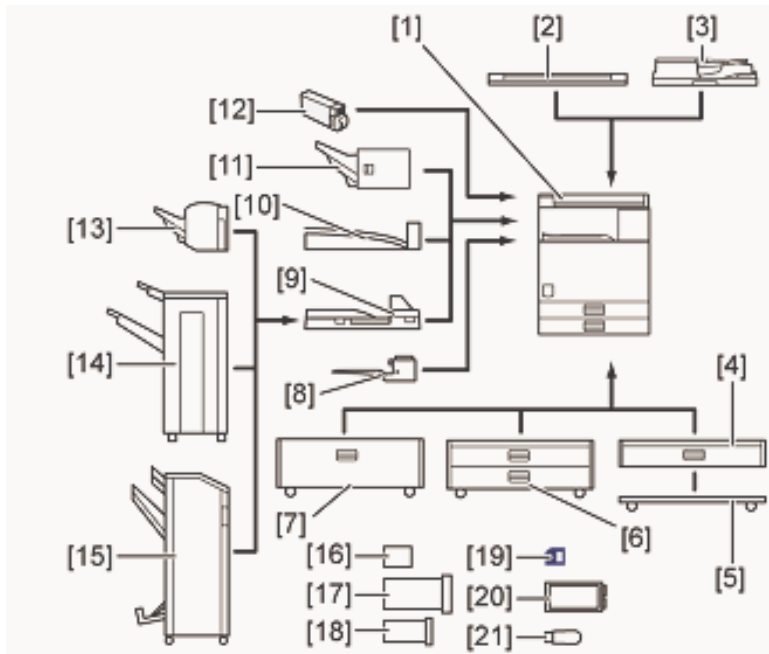
Branding is required as the machines are shipped as a generic version.

Ricoh version machines: You must attach the model label (provided) to the front cover. **Note:** The Ricoh model name and logo emblems are inserted at the factory

Savin/Lanier: You must attach the model label (provided) to the front cover and set the Plug and Play name with SP 5-907.

Configuration

Main Frame Configuration



No.	Item	Comments
1	Main Machine D120/D121/D122	
2	Platen Cover (D593)	
3	ARDF (D578)	
4	Paper Feed Unit (D579)	Required for Item 5
5	Caster Table (D593)	
6	Paper Feed Unit (D580)	Required for item 14, 15
7	LCT (D581)	Required for item 14, 15
8	1-Bin Tray (D582)	
9	Bridge Unit (D584)	Required for item 13, 14, 15
10	Internal Shift Tray (D583)	
11	Internal Finisher (D586)	
12	USB2.0/SD Slot Type H (D594)	
13	500-Sheet Finisher (D585)	Requires item 9
14	1000-Sheet Finisher (D588)	Requires item 9, 6 or 7

Product Support Guide

D120/ D121/ D122

No.	Item	Comments
15	Booklet Finisher (D589)	Requires item 9, 6 or 7
16	Copy Data Security Unit Type F (B829)	
17	Fax Unit (D596)	See Fax manual
18	Interface Board Controller Options	See Note 1
19	SD Card Controller Options	See Note 2
20	HDD Unit (D594)	
21	Bluetooth Interface Unit Type D (D566)	

Note 1:

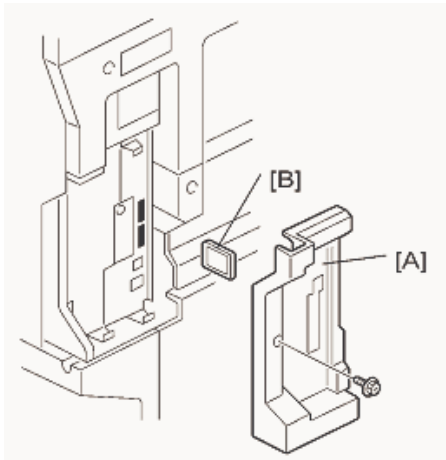
The following interface boards are available for installation.

★ Important

- There is only one board slot on the back of the machine.
Only one of these options can be installed.

Interface Board
File Format Converter Type E (D377)
IEEE1284 Interface Board Type A (B679)
IEEE802.11a/g Interface Unit Type J (D377)
Gigabit Ethernet Type A (G874)

MFP Option Board Slot / SD Card Assignments



Note 2:

The following options are provided on SD cards.

- Two SD card slots are available. If more than two options need to be installed, the applications can be moved to one SD card with SP5873-1.

Printer/scanner unit: New

- SP models: Included with the machine (in SD card slot 1). Card also contains VM and PDF Direct. No installation or setup needed.
- Basic models: Option (SD card slot 1 or 2). Contains PDF Direct

VM card: New

- SP models: Include VM on the printer/scanner SD card, which is shipped with the machine in slot 1.
- Basic models: Option (SD card slot 2 only).

Product Support Guide

D120/ D121/ D122

Postscript 3: New

- Contains PDF Direct. Goes in SD card slot 1 or 2
Note: PostScript 3 and PDF Direct can now be moved to another SD card. In previous models, this is not possible because of licensing restrictions.

These options can be installed at any time.

SD Cards
Printer/Scanner Unit Type 3352 (D595) – basic models only.
Browser Unit Type E (D430)
PostScript3 Unit Type 3352 (D595)
IPDS Unit Type 3352 (D595)
VM Card Type N (D594) *1 only for Basic models

*1: Java-VM is standard on SP models.

Feature Comparison To Previous Version

Feature	D120/D121/D122	D084 / D085
PPM	3 models 23 cpm/ 28 cpm/ 33 cpm	2 models 28 cpm/ 33 cpm
Safety Shutdown Function	Available	Xenon
Scanner Lamp	LED	Option
Paper Feed Method	FRR System	Friction Pad System
Data Overwrite Security	Standard (resident on controller ROM)	Option
HDD Encryption	Standard (resident on controller ROM)	Option
VM	Standard (SP model only) Included on Printer/Scanner SD card.	Standard
PDF Direct	Standard (SP model only) Included on Printer/Scanner and PS3 SD card.	Option
PPDM	Standard w/ SP models only	Standard – 1 license

Product Support Guide

D120/ D121/ D122

Installation

Installation Requirements

- Temperature Range: 10° C to 32° C (50° F to 89.6° F)
Humidity Range: 15% to 80% RH
Ambient Illumination: Less than 1,500 lux (do not expose to direct sunlight)
Ventilation: Room air should turn over at least 30 m³/hr/person
Ambient Dust: Less than 0.10 mg/m³
Avoid areas exposed to sudden temperature changes:
Areas directly exposed to cool air from an air conditioner.
Areas directly exposed to heat from a heater.

Do not place machine where it will be exposed to corrosive gas or vapor.

Do not install the machine at any location over 2,000m (6,500 ft.) above sea level.

Place the machine on a strong and level base. Inclination on any side should be no more than 5mm (0.2")

Do not place the machine where it may be subject to strong vibrations.

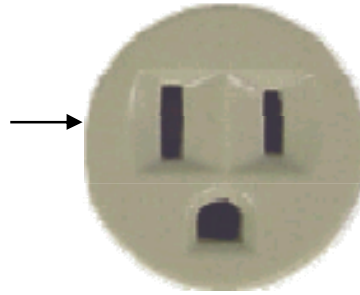
- Machine level
- Front to back: within 5mm (0.2") of level
 - Right to left: within 5mm (0.2") of level

Power Requirements

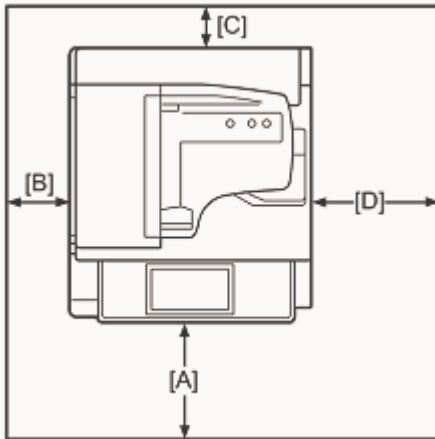
Input voltage level: 110 - 120 V, 60Hz: more than 12A

Do not place anything on power cord.

The required wall outlet is a NEMA 5-15R (receptacle)



Space



- | | |
|-----------|-----------------|
| A (Front) | >400 mm (15.8") |
| B (Left) | >100 mm (4") |
| C (Rear) | >100 mm (4") |
| D (Right) | >900 mm (36") |

The 400 mm recommended for the space at the front is only for pulling out the paper tray. If an operator stands at the front of the copier, more space is required.

Foot Print

Dimensions (W x D x H):

587mm x 653mm x 829mm (Mainframe w/ARDF) (23.1" x 25.7" x 32.6")

587mm x 653mm x 965mm (with 2-Tray Optional Bank) (23.1" x 25.7" x 38.0")

1152mm x 653mm x 1085mm (Full system) (45.4" x 25.7" x 42.7")

Product Support Guide

D120/ D121/ D122

Power Consumption / Noise Emission

Power Consumption

Main unit only

Mode		Power consumption	BTU
Max Power		Under 1600 Watts (max)	5462.4
Full Option Max Power			
Operating Power		Under 800 W	2731.2
Ready Mode		Under 240 W	819.36
Sleep Mode		Under 4W	13.656
TEC (Typical Electricity Consumption)	D120 SP	NA(SP): 1,773 Wh	
	D121 basic	NA(SP): 2,101 Wh	
	D121 SP	NA(SP): 2,210 Wh	
	D122 basic	NA(SP): 2,455 Wh	
	D122 SP	NA(SP): 2,511 Wh	

Noise Emission

Sound	Condition	Model	Main Unit
Sound Power Level (Mainframe Only)	Stand-by	D120	Less than 40.0db
		D121	Less than 40.0db
		D122	Less than 42.9db
	Copying	D120	Less than 64.1 db
		D121	Less than 65.8db
		D122	Less than 67.6db
Sound Power Level (Full System)	Stand-by	D120	Less than 44db
		D121	Less than 44db
		D122	Less than 46.9db
	Copying	D120	Less than 68.1 db
		D121	Less than 69.8db
		D122	Less than 71.6db
Sound Pressure Level (Mainframe Only)	Stand-by	D120	Less than 34db
		D121	Less than 34db
		D122	Less than 36.9db
	Copying	D120	Less than 58.1 db
		D121	Less than 59.8db
		D122	Less than 61.6db
Sound Pressure Level (Full System)	Stand-by	D120	Less than 38db
		D121	Less than 38db
		D122	Less than 40.9db
	Copying	D120	Less than 62.1 db
		D121	Less than 63.8db
		D122	Less than 65.6db

- Sound power level and sound pressure level are actual values measured in accordance with ISO 7779.
- Sound power level and sound pressure level are measured from the position of the bystander.
- The complete system consists of the mainframe, ADF, bridge unit, internal tray 2, paper tray unit and finisher,

Product Support Guide

D120/ D121/ D122

Installation Times

Unit	Installation Time (Minutes)	Unit	Installation Time (Minutes)
ARDF DF3060	10	Fax Option Type 3352	15
Platen Cover Type 3352	5	Printer/Scanner Unit Type 3352	10
LCIT PB3140	10	PostScript3 Unit Type 3352	5
1 Bin Tray BN3090	15	IEEE802.11a/b/g I/F Unit Type J	5
Paper Feed Unit PB3130 (550x2)	10	IEEE 1284 Interface Type A	5
Paper Feed Unit PB3120 (550x1)	10	Gigabit Ethernet Board Type A	5
Internal Shift Tray SH3050	10	Bluetooth Interface Unit Type D	5
Caster table Type D	5	File Format Converter Type E	5
Booklet Finisher-1000 SR3100	15	G3 Interface Unit Type 3352	5
Punch Kit for Booklet Finisher	15	32MB Memory Unit Type B	5
Finisher-500 SR3070	5	USB/SD Slot	10
Finisher-1000 SR3090	10	VM Card Type N	5
Internal Finisher Type 3352	15	Key Counter Bracket Type H	5
Punch Unit for Internal Finisher PU3020 NA	15	Optional Counter Interface Unit Type A	10
IPDS Unit Type 3352	5	3L68-19 USB Keyboard Option	15
Bridge Unit BU3050	10		

Storage/Transportation

	Storage	Transportation
Mainframe	-30°C to 50°C (-22°F to 122°F) Under 80% RH *1 Storage Period: Maximum 12 months from production date.	-30°C to 50°C (-22°F to 122°F) 15% to 95% RH *2
Toner (*1)	Under 40°C (104°) *3	Under 40°C (104°) *3
Developer (*1)	Under 40°C (104°) *3	Under 40°C (104°) *3

*1: When stored or transported under 0°C, temperature conditions must be higher than outside air temperature.

*2: Please avoid the direct sunlight when stored or transported.

*3: Do not store more than a month under the temperature between 35°C and 40°C.

Product Support Guide

D120/ D121/ D122

Parts / Special Tools / Maintenance

PM Parts / Yields

Mainframe

*1 part of the PM Kit #: PMB20560K
 *2 part of the PM Kit #: PMD120120K

Unique/Common
U: Unique for this model
C: Common with listed model

Part Number	Description	Q'ty/ Unit	PM Interval	Unique or Common
PCU				
B0399510	OPC Drum	1	60k	C (D017)
B0392335	Pickoff Pawl	2	60k	C (D017)
AD027018	Charge Roller	1	60k	C (D017)
AD042058	Charge Cleaner Brush Roller	1	60k	C (D017)
AD041114	Blade Cleaning	1	60k	C (D017)
B1219645	Developer	1	60k	C (D017)
D1203371	Development Case	1	600k (Yield Part)	U not interchangeable with other models
Transfer Roller Unit				
D1203831	Transfer/Separation Unit Ass'y	1	120k	U
Fusing Unit				
AE011128	Hot Roller	1	120k	C (D017)
AE020161	Pressure Roller	1	120k	C (D017)
AE044025	Hot Roller Stripper	5	120k	C (D017)
AW100053	Thermistor	2	120k	C (D017)

Options

Auto Reverse Document Feeder D578

Part Number	Description	Qty /Unit	PM Interval	Unique or Common
D5412121	Feed Belt	1	80k	C (D038/D104)
D5412241	Reverse Roller	1	80k	C (D038/D104)
B3872161	Pick-up Roller	1	80k	C (D084)

Product Support Guide

D120/ D121/ D122

Special Tools & Lubricants

The following special tools should be prepared to maintain the new model properly in the field:

Item	Part Number	Description	Q'ty	Unique or Common
1	A2929500	Test Chart – S5S (10 paces/set)	1	C (General)
2	VSSM9000	Digital Multimeter – FLUKE 87	1	C (General)
3	A2309003	Adjustment Cam – Laser Unit	1	C (D017)
4	A2679002	Positioning Pin – Laser Unit	1	C (D017)
5	B6455010	SD Card	1	C (General)
6	A2579300	Grease Barrierta – JFE 5 5/2	1	C (General)
7	G0219350	Loop Back Connector	1	C (D017)
8	A1849501	Scanner Positioning Pin (2pcs/set)	1	C (D086/D088)
9	B6795100	Plug - IEEE1284 Type C	1	C (D017)
10	---	Ricoh System Information Tool (Support Tool Version 2) - Basic version - Mail version - Rlogtool (for use with GW controller)	1	C (General)

NOTE: Loop-back Connector (item 9) requires Plug-- IEEE1284 Type C (item 11) and the optional IEEE 1284.

Target Reliability

Item	Model
Average Monthly Volume	D120: 4k D121: 5k D122: 7k
Max. Monthly Volume	D120: 15K D121: 20k D122: 30k
PM Interval	60k: PCU replaceable components 120k: All other parts

Product Support Guide

D120/ D121/ D122

Specifications / Documentation

Copier General Features											
General Spec	Configuration	Desk Top									
	Scanning Element	One-dimensional solid scanning through CCD									
	Printing Process	Single Laser beam scanning & electro-photographic printing									
	Development	Dry two-component magnetic brush development system									
	Fusing	Fusing roller pressure system									
	Maximum Imageable Area	297x432mm / 11"x17" inch									
	First Copy Time (LT/A4 LEF, 1st tray)	D120: less than 5.4 sec. D121/D122: less than 4.5 sec.									
	Warm-up Time (From main switch)	With HDD : less than 20 sec. Without HDD : less than 14 sec.									
	Power Source	US 120V-127V 60Hz 12A									
	Max Power Consumption	US Less than 1.6KW									
	Dimension(W x D x H)	mm	587 x 653 x 709 (Without ARDF) 587 x 653 x 829 (With ARDF) 587 x 653 x 965 (with 2-Tray Optional Bank) 1152 x 653 x 1085 (Full system)								
		1 inch = 25.4mm	23.1 x 25.7 x 27.9 (Without ARDF) 23.1 x 25.7 x 32.6 (With ARDF) 23.1 x 25.7 x 38.0 (with 2-Tray Paper Bank) 45.4 x 25.7 x 42.7 (Full system)								
	Weight	kg	Basic(without ARDF): Less than 65kg SP(with ARDF): Less than 75Kg								
		lbs.	Basic(without ARDF): Less than 143lbs. SP(with ARDF): Less than 165lbs.								
Paper Handling	Recommended Paper Size 1st & 2nd Paper Tray (Standard)	<p>[1st Tray]</p> <p>A3 SEF, A4 SEF/LEF, A5 SEF/LEF, A6 SEF, B4 SEF, B5 SEF/LEF, B6 SEF, 11"x17"(DLT) SEF, 8 ½"x14" (LG) SEF, 8 ½"x13" (Foolscap) SEF, 8 ½"x11" (LT) LEF/SEF, 8¼"x14" (Government LG), 8 ¼"x13" (Folio) SEF, 8"x13"(F/GL) SEF, (GLT) SEF/LEF, 8"x10" (Eng Quatro) SEF/LEF, 7 ¼"x10 ½" (Executive) SEF/LEF, 5 ½"x8 ½" (HLT) SEF, 11"x15" SEF, 11"x14" SEF, 10"x15" SEF, 10"x14" SEF, 8K SEF, 16K SEF/LEF, Envelope size: Com 10(4.125x9.5), Monarch (3.87x7.5), C5, C6, DL Env <Custom Size Paper></p> <table border="1" style="margin-left: auto; margin-right: auto;"> <thead> <tr> <th></th> <th>Width</th> <th>Length</th> </tr> </thead> <tbody> <tr> <td>mm</td> <td>100 - 297mm</td> <td>148 - 432mm</td> </tr> <tr> <td>inch</td> <td>3.94" - 11.69"</td> <td>5.83" - 17"</td> </tr> </tbody> </table>		Width	Length	mm	100 - 297mm	148 - 432mm	inch	3.94" - 11.69"	5.83" - 17"
			Width	Length							
mm	100 - 297mm	148 - 432mm									
inch	3.94" - 11.69"	5.83" - 17"									
<p>[2nd Tray]</p> <p>A3 SEF, A4 SEF/LEF, A5 LEF, B4 SEF, B5 SEF/LEF, 11"x17"(DLT) SEF, 8½"x14" (LG) SEF, 8 ½"x13" (Foolscap) SEF, 8 ½"x11" (LT) LEF/SEF, 8¼"x14" (Government LG), 8 ¼"x13" (Folio) SEF, 8"x13"(F/GL) SEF, (GLT) SEF/LEF, 8"x10" (Eng Quatro) SEF/LEF, 7 ¼"x10 ½" (Executive) SEF/LEF, 11"x15" SEF, 11"x14" SEF, 10"x15" SEF, 10"x14" SEF, 8K SEF, 16K SEF/LEF, <Custom Size Paper></p> <table border="1" style="margin-left: auto; margin-right: auto;"> <thead> <tr> <th></th> <th>Width</th> <th>Length</th> </tr> </thead> <tbody> <tr> <td>mm</td> <td>182 - 297mm</td> <td>148 - 432mm</td> </tr> <tr> <td>inch</td> <td>7.17" - 11.69"</td> <td>5.83" - 17"</td> </tr> </tbody> </table>		Width	Length	mm	182 - 297mm	148 - 432mm	inch	7.17" - 11.69"	5.83" - 17"		
	Width	Length									
mm	182 - 297mm	148 - 432mm									
inch	7.17" - 11.69"	5.83" - 17"									

Product Support Guide

D120/ D121/ D122

Copier General Features											
3rd & 4th Paper Tray (Option)	A3 SEF, A4 SEF/LEF, A5 LEF, B4 SEF, B5 SEF/LEF, 11"x17"(DLT) SEF, 8 ½"x14" (LG) SEF, 8 ½"x13" (Foolscap) SEF, 8 ½"x11" (LT) LEF/SEF, 8¼"x14" (Government LG), 8 ¼"x13" (Folio) SEF, 8"x13"(F/GL) SEF, (GLT) SEF/LEF, 8"x10" (Eng Quatro) SEF/LEF, 7 ¼"x10 ½" (Executive) SEF/LEF, 11"x15" SEF, 11"x14" SEF, 10"x15" SEF, 10"x14" SEF, 8K SEF, 16K SEF/LEF, <Custom Size Paper> <table border="1" style="width: 100%; border-collapse: collapse;"> <thead> <tr> <th></th> <th>Width</th> <th>Length</th> </tr> </thead> <tbody> <tr> <td>mm</td> <td>182 - 297mm</td> <td>148 - 432mm</td> </tr> <tr> <td>inch</td> <td>7.17" - 11.69"</td> <td>5.83" - 17"</td> </tr> </tbody> </table>			Width	Length	mm	182 - 297mm	148 - 432mm	inch	7.17" - 11.69"	5.83" - 17"
	Width	Length									
mm	182 - 297mm	148 - 432mm									
inch	7.17" - 11.69"	5.83" - 17"									
LCT	A4 LEF, 8 ½"x11" (LT) LEF										
Bypass Tray	A3 SEF, A4 SEF/LEF, A5 SEF/LEF, A6 SEF, B4 SEF, B5 SEF/LEF, B6 SEF, 11"x17"(DLT) SEF, 8 ½"x14" (LG) SEF, 8 ½"x13" (Foolscap) SEF, 8 ½"x11" (LT) LEF/SEF, 8¼"x14" (Government LG), 8 ¼"x13" (Folio) SEF, 8"x13"(F/GL) SEF, (GLT) SEF/LEF, 8"x10" (Eng Quatro) SEF/LEF, 7 ¼"x10 ½" (Executive) SEF/LEF, 5 ½"x8 ½" (HLT) SEF, 12"x18" SEF, 11"x15" SEF, 11"x14" SEF, 10"x15" SEF, 10"x14" SEF, 8K SEF, 16K SEF/LEF, <Custom Size Paper> <table border="1" style="width: 100%; border-collapse: collapse;"> <thead> <tr> <th></th> <th>Width</th> <th>Length</th> </tr> </thead> <tbody> <tr> <td>mm</td> <td>90 - 305mm</td> <td>148 - 600mm</td> </tr> <tr> <td>inch</td> <td>3.55" - 12"</td> <td>5.83" - 23.62"</td> </tr> </tbody> </table>			Width	Length	mm	90 - 305mm	148 - 600mm	inch	3.55" - 12"	5.83" - 23.62"
	Width	Length									
mm	90 - 305mm	148 - 600mm									
inch	3.55" - 12"	5.83" - 23.62"									
Duplex Unit	A3 SEF , A4 SEF/LEF , A5 SEF/LEF , B4 SEF , B5 SEF/LEF , DLT SEF , Legal SEF , Foolscap SEF , LT SEF/LEF , Government LG SEF , Folio SEF , F/GL SEF , G LT SEF/LEF , Eng Quatro SEF/LEF , Executive SEF/LEF , HLT SEF										
Envelope Printing	Yes supported from Bypass and Tray 1										
Paper Feeding Capacity (LT/A4)	Std	1,150 sheets (500 sheets + 550 sheets + 100 Sheets/Bypass)									
	Max	1,050 + 100 + 2,000 3,150 sheets (Standard + Bypass + LCT 2000sheets)									
Paper Output Capacity	Std	Face Down: 500 sheets (A4/LT), 250sheets(A3/LG/DLT)									
	Max	250 + 100 + 1250sheets (bridge unit + 1bin + 1,000 sheets finisher) : (A4/LT)									
Paper Weight	1st Tray	52-157 g/m2 / 14-42 lb. Bond									
	2nd Tray	52-157 g/m2 / 14-42 lb. Bond									
	Bypass Tray	52-157 g/m2 / 14-42 lb. Bond									
	Duplex Unit	52-105 g/m2 / 14-28 lb. Bond									
Copy Spec	CPM Black	A4/LT LEF : D120: 23, D121: 28, D122: 33 A3/DLT SEF : D120: 12, D121: 14, D122: 17 B4 SEF : D120: 14, D121: 17, D122: 20									
	Copy Resolution	600dpi / 1bit (Without HDD) 600dpi / 2bit (With HDD)									
	Multiple Copying	Up to 999 copies									
	Reproduction Ratio	400%, 200%, 155%, 129%, 121%, 100%, 93%, 85%, 78%, 73%, 65%, 50%, 25%									
	Zoom	From 25% to 400% in 1% step									
	Number of Copy Reservations	8 jobs (HDD required)									

Product Support Guide

D120/ D121/ D122

Copier Enhanced Features		
Image Density		Auto Density Selection Manual: 9 levels
Copy Mode		Default = Auto Text & Photo Separation (Printed/Glossy/Copied) / Photo (Printed/Glossy/Copied), Text, Map, Pale, Generation
Paper Selection		Default = Auto Paper Selection (APS) Auto Paper Selection (APS) 1st Tray 2nd Tray 3rd Tray (with Paper Bank) 4th Tray (with Paper Bank) 5th Tray LCT Bypass Tray
Paper Type Capability	Std Tray	[Paper Type] Plain Paper (No Display Paper Type), Recycled Paper, Special Paper, Color Paper, Letterhead, Cardstock, Preprinted Paper, Bond Paper, Plain Paper Backside, Pre-punched Paper, Label Paper (1st Tray), Envelope (1st Tray) [Thickness] Thin Paper, Normal Plain Paper 1, Normal Paper 2, Middle Thick Paper, Thick Paper
	Bank, LCT	[Paper Type] Plain Paper (No Display Paper Type), Recycled Paper, Special Paper, Color Paper, Letterhead, Cardstock, Preprinted Paper, Bond Paper, Plain Paper Backside, Pre-punched Paper [Thickness] Thin paper, Normal Plain Paper 1, Normal Paper 2, Middle Thick Paper, Thick Paper
	Bypass Tray	[Paper Type] Plain Paper (No Display Paper Type), Recycled Paper, Special Paper, Color Paper, Letterhead, Cardstock, Preprinted Paper, Bond Paper, Plain Paper Backside, Pre-punched Paper, Label Paper, Envelope [Thickness] Thin Paper, Normal Plain Paper 1, Normal Paper 2, Middle Thick Paper, Thick Paper
Auto Tray Switch		Yes
Duplex		1 sided to 2 sided, 2sided to 2 sided(w/ARDF), Book to 2 sided, Front and Back to 2 sided
Book	Booklet	Yes HDD required
	Magazine	Yes HDD required
Series	Book to simplex	Yes
	2 sided original to simplex	Yes
Combine	2 into 1 simplex	Yes
	4 into 1 simplex	Yes
	8 into 1 simplex	Yes
	1 duplex into 1 simplex	Yes
	2 duplex into 1 simplex	Yes
	4 duplex into 1 simplex	Yes

Product Support Guide

D120/ D121/ D122

Copier Enhanced Features		
	4 into 1 duplex	Yes
	8 into 1 duplex	Yes
	16 into 1 duplex	Yes
	2 duplex into 1 duplex	Yes
	4 duplex into 1 duplex	Yes
	8 duplex into 1 duplex	Yes
Shift/Erase/Margin Adjustment	Centering	Yes
	Cornering	No
	Margin Adjustment	1mm step (0-30mm), Default=Front Page:5mm left, Back Page:5mm right
	Erase Center	1mm step (2-99mm), Default=10mm
	Erase Border	1mm step (2-99mm), Default = 10mm
	Erase Center/Border	1mm step (2-99mm), Center: 10mm, Border: 10mm
Cover Sheet/Chapter/Slip Sheets	Front Cover	Copy or Blank (Default=Copy)
	Front & Back Cover	Copy or Blank (Default=Copy)
	Chapter	Yes(Up to 20 chapters)
	Sheets	Yes
	OHP Slip Sheets	Yes (Bypass, 1st Tray)
Image Rotation		Yes (A4, LT, B5)
Electronic Sort	Without Shift Sort	With finisher: No Without finisher: Yes
	Rotate Sort	With finisher: Yes Without finisher: Yes
	Shift Sort	With finisher: Yes(w/shift tray to Finisher) Without finisher: No
Electronic Stack		Yes
Stapling		Yes (with Finisher)
Image Creation	Repeat	Yes
	Double Copy	Yes
	Mirror	No
	Positive/Negative	Yes
Stamp/Numbering	Preset Stamp	Yes (8 Stamps / 2 sizes) (HDD required)
	User Stamp	Yes (4 Stamps / 1 sizes) (HDD required)
	Date Stamp	Yes (5 Stamps)
	Page Number	Yes (6 Stamps)
Sharp/Soft		7 levels
Contrast		9 levels
Background Density Adjustment		9 levels
Job Programs		Mode: 10 Program, Default: 1 Program
User Code		8 digits / 500 user codes
Interrupt Copy		Yes
Auto Start		Yes

Product Support Guide

D120/ D121/ D122

Copier Enhanced Features	
Job Preset	Yes(8 jobs) (HDD required)
Sample Copy	Yes
Simplified Display	Yes
Login/Logout Button	Yes
SMC Report Print out (Logging Data)	Yes
NRS Option	Yes
Document Server	Yes (HDD required)
Auto Off Timer	Yes (Default: 1min, Able to adjust from 1-240min)
Energy Saver Timer	No
Panel Off Timer	Yes
System Reset Timer	Yes

Document Server Specifications	
HDD Capacity	120GB Shared with other features (Copy, Fax, Scanner)
Max Stored Documents	3000 documents
Max Pages Per Documents	1000 page /A4
Max Pages of All Stored Documents	9000 sheets

Security Specifications	
Network User Authentication	Yes
IP Address Filtering	Yes
MAC Address Filtering	No
HDD Overwrite	Yes
HDD Encryption	Yes
Secure Print	Yes
Encrypted Secure Print	Yes
Encrypted PDF Mode	Yes
IP Sec	Yes
Secure Sockets Layer(SSL)	Yes
SNMPv3	Yes
IPv6	Yes
Transport Layer Security	Yes
Removable HDD	No

Product Support Guide

D120/ D121/ D122

Productivity

ADF Copy

Model	Mode							
D120 (23cpm)	ADF1to1 Simplex to Simplex (cpm)							
		A3/DLT	B4	A4/LT	A4R	B5	B5R	Legal
	1st Tray	12.5/12.5	14.5	23.52/23.52	18.5	23.3	20.5	14.5
	2nd Tray	12.5/12.4	14.4	23.51/23.51	18.3	23.3	20.4	14.4
	3rd Tray	12.4/12.4	14.5	23.49/23.50	18.6	23.3	20.5	14.5
	4th Tray	12.5/12.5	14.5	23.49/23.53	18.6	23.2	20.5	14.4
	LCT	-	-	23.46/23.52	-	-	-	-
	ADF1to1 Simplex to Duplex (cpm)							
		A3/DLT	B4	A4/LT	A4R	B5	B5R	Legal
	1st Tray	9.7/9.8	10.6	23.8/21.4	17.3	22.4	19.1	10.7
	2nd Tray	9.7/9.7	10.6	23.7/21.4	17.3	22.5	19.1	10.8
	3rd Tray	9.7/9.7	10.5	23.9/21.3	17.3	22.4	19	10.7
	4th Tray	9.7/9.8	10.6	23.7/21.3	17.3	22.5	19.1	10.5
	LCT	-	-	23.6/21.3	-	-	-	-
	ADF1to1 Duplex to Duplex (cpm)							
		A3/DLT	B4	A4/LT	A4R	B5	B5R	Legal
	1st Tray	9.7/9.6	10.6	15.9/15.8	12.2	16.4	13	10.7
	2nd Tray	9.6/9.6	10.5	15.8/15.8	12.1	16.4	13.1	10.7
	3rd Tray	9.6/9.6	10.5	15.7/15.8	12.1	16.2	12.8	10.7
	4th Tray	9.7/9.6	10.5	15.9/15.9	12.2	16.5	13	10.8
LCT	-	-	15.9/15.9	-	-	-	-	
D121 (28cpm)	ADF1to1 Simplex to Simplex (cpm)							
		A3/DLT	B4	A4/LT	A4R	B5	B5R	Legal
	1st Tray	15.0/14.9	17.6	28.51/28.53	22.3	28.7	24.7	17.3
	2nd Tray	15.0/14.9	17.5	28.49/28.62	22.3	28.5	24.8	17.4
	3rd Tray	15.2/14.8	17.6	28.51/28.56	22.6	28.7	24.7	17.3
	4th Tray	15.0/15.0	17.5	28.50/28.52	22.4	28.7	24.9	17.5
	LCT	-	-	28.49/28.53	-	-	-	-
	ADF1to1 Simplex to Duplex (cpm)							
		A3/DLT	B4	A4/LT	A4R	B5	B5R	Legal
	1st Tray	11.7/11.6	12.8	26.0/26.0	20.9	26.5	23	12.9
	2nd Tray	11.6/11.7	12.8	26.0/25.8	20.7	26.3	23.1	12.7
	3rd Tray	11.7/11.6	12.7	26.1/26.2	20.9	26.5	23.2	12.9
	4th Tray	11.8/11.7	12.7	25.8/26.0	20.9	26.4	23	12.9
	LCT	-	-	26.0/25.9	-	-	-	-
	ADF1to1 Duplex to Duplex (cpm)							
		A3/DLT	B4	A4/LT	A4R	B5	B5R	Legal
	1st Tray	11.6/11.4	12.6	16.8/16.6	14.1	17.6	15.3	12.9
	2nd Tray	11.6/11.5	12.3	16.8/16.7	14.1	17.5	15.3	12.8
	3rd Tray	11.4/11.5	12.5	16.7/16.6	14.1	17.5	15.4	12.9
	4th Tray	11.6/11.6	12.5	16.6/16.5	14.1	17.5	15.3	12.8
LCT	-	-	16.6/16.6	-	-	-	-	

Product Support Guide

D120/ D121/ D122

Model	Mode							
D122 (33cpm)	ADF1to1 Simplex to Simplex (cpm)							
	Tray	A3/DLT	B4	A4/LT	A4R	B5	B5R	Legal
	1st Tray	17.5/17.5	20.5	33.46/33.28	23.5	33.7	28.6	20.5
	2nd Tray	17.3/17.1	20.8	33.51/33.36	23.3	33.6	28.7	20.5
	3rd Tray	17.5/17.4	20.5	33.40/33.48	23.5	33.8	28.6	20.3
	4th Tray	17.5/17.3	20.6	33.49/33.37	23.4	33.8	28.6	20.2
	LCT	-	-	33.45/33.43	-	-	-	-
	ADF1to1 Simplex to Duplex (cpm)							
	Tray	A3/DLT	B4	A4/LT	A4R	B5	B5R	Legal
	1st Tray	12.2/12.3	13.6	28.9/28.8	23	29.5	25.3	13.6
	2nd Tray	12.1/12.3	13.5	28.8/28.8	22.8	29.5	25.4	13.8
	3rd Tray	12.2/12.2	13.5	28.8/28.7	22.8	29.5	25.3	13.8
	4th Tray	12.2/12.2	13.5	28.8/28.7	23.1	29.6	25.3	13.8
	LCT	-	-	28.9/28.7	-	-	-	-
	ADF1to1 Duplex to Duplex (cpm)							
	Tray	A3/DLT	B4	A4/LT	A4R	B5	B5R	Legal
	1st Tray	11.4/11.6	12.6	16.9/16.6	14.2	18	15.4	12.8
	2nd Tray	11.6/11.5	12.5	16.8/16.6	14.2	17.7	15.3	12.9
	3rd Tray	11.7/11.6	12.5	16.8/16.6	14.1	18.1	15.4	12.9
	4th Tray	11.7/11.6	12.7	16.9/16.7	14.2	18	15.3	12.7
LCT	-	-	16.9/16.5	-	-	-	-	

Platen Copy

Model	Mode							
D120 (23cpm)	Platen Cover : Simplex (cpm)							
	Tray	A3/DLT	B4	A4/LT	A4R (SEF)	B5	B5R	Legal
	1st Tray	12.52/12.51	14.51	23.52/23.51	18.4	23.5	20.4	14.5
	2nd Tray	12.51/12.50	14.5	23.50/23.51	18.5	23.6	20.2	14.5
	3rd Tray	12.51/12.50	14.5	23.51/23.51	18.3	23.4	20.2	14.6
	4th Tray	12.51/12.51	14.51	23.49/23.52	18.4	23.5	20.2	14.5
	LCT	-	-	23.53/23.49	-	-	-	-
	Platen Cover : Duplex (cpm)							
	Tray	A3/DLT	B4	A4/LT	A4R	B5	B5R	Legal
	1st Tray	9.9/9.6	10.6	25.1/25.2	20.3	25.6	22.4	10.6
	2nd Tray	9.8/9.6	10.5	25.2/25.1	20.2	25.7	22.2	10.6
	3rd Tray	9.8/9.6	10.5	25.2/25.1	20.2	25.8	22.2	10.5
	4th Tray	9.7/9.8	10.6	25.2/25.2	20.1	25.7	22.2	10.5
	LCT	-	-	25.2/25.1	-	-	-	-
D121 (28cpm)	Platen Cover : Simplex (cpm)							
	Tray	A3/DLT	B4	A4/LT	A4R(SE F)	B5	B5R	Legal
	1st Tray	15/15	17.5	28.55/28.49	22.3	28.7	24.7	17.5
	2nd Tray	15/15	17.5	28.45/28.57	22.4	28.9	24.7	17.4
	3rd Tray	15/15	17.5	28.47/28.58	22.3	28.9	24.8	17.6
	4th Tray	15/15	17.51	28.50/28.51	22.3	28.6	24.7	17.4
LCT	-	-	28.51/28.53	-	-	-	-	

Product Support Guide

D120/ D121/ D122

D121 (28cpm)	Platen Cover : Duplex (cpm)							
	Tray	A3/DLT	B4	A4/LT	A4R	B5	B5R	Legal
	1st Tray	11.7/11.6	12.8	30.4/30.4	24.4	29.3	26.8	12.9
	2nd Tray	11.6/11.6	12.8	30.4/30.3	24.3	29.2	26.7	12.8
	3rd Tray	11.7/11.5	12.8	30.3/30.3	24.2	29.3	26.8	12.9
	4th Tray	11.7/11.6	12.9	30.5/30.4	24.3	29.2	26.7	12.8
LCT	-	-	30.4/30.4	-	-	-	-	
D122 (33cpm)	Platen Cover : Simplex (cpm)							
	Tray	A3/DLT	B4	A4/LT	A4R	B5	B5R	Legal
	1st Tray	17.51/17.51	20.5	33.52/33.35	25.4	33.5	28.7	20.6
	2nd Tray	17.51/17.50	20.52	33.50/33.45	25.3	33.5	28.9	20.4
	3rd Tray	17.50/17.50	20.51	33.51/33.51	25.4	33.6	28.8	20.5
	4th Tray	17.50/17.53	20.5	33.49/33.48	25.4	33.6	28.7	20.5
	LCT	-	-	33.44/33.44	-	-	-	-
	Platen Cover : Duplex (cpm)							
	Tray	A3/DLT	B4	A4/LT	A4R	B5	B5R	Legal
	1st Tray	12.3/12.3	13.5	34.5/34.2	27.1	34.9	29.9	13.5
	2nd Tray	12.3/12.2	13.4	34.4/34.4	27.1	34.8	30.1	13.6
	3rd Tray	12.2/12.2	13.3	34.5/34.4	27.1	34.8	29.7	13.6
	4th Tray	12.3/12.3	13.3	34.6/34.5	27.1	34.9	29.8	13.6
	LCT	-	-	34.5/34.4	-	-	-	-

Options

ARDF DF3060 (D578)			
Paper Size/Weight	Simplex	Size	A3 to A5, DLT to HLT
		Weight	40 to 128g/m ² (11 to 34 lb.)
	Duplex	Size	A3 to A5, DLT to HLT
		Weight	52 to 105g/m ² (14 to 28 lb.) 64 to 105g/m ² (17 to 28 lb. Bond) for 11"x17"
Table Capacity	50 sheets (80g/m ² , 20 lb.)		
Original Standard Position	Rear left corner		
Separation	Feed belt and separation roller		
Original Transport	Roller transport		
Original Feed Order	From the top original		
Supported Magnification Ratios	33.3 to 200 %		
Power Source	DC 24V, 5V from the scanner unit		
Power Consumption	50 W or less		
Dimensions (W x D x H)	550 mm x 496 mm x 120 mm (21.7" x 19.5" x 4.7")		
Weight	10 kg (22 lbs.)		

Paper Tray Unit (D579)	
Paper Size	A5 to A3, B4, B5, 7 ¼"x10 ½" SEF to 11" x 17"
Paper Weight	52-157g/m ² , 14-42 lb.
Tray Capacity	550 sheets (80g/m ² , 20 lb.) x 1 tray
Paper Feed System	FRR

Product Support Guide

D120/ D121/ D122

Paper Tray Unit (D579)	
Paper Height Detection	5 steps (100%, 70%, 30%, 10%, Empty)
Power Source	<ul style="list-style-type: none"> ▪ 24 Vdc and 5Vdc (from the copier/printer): ▪ 120 Vac (120 V version) from the copier/printer when the optional tray heater is installed ▪ 220 – 240 Vac (230 V version) from the copier/printer when the optional tray heater is installed
Power Consumption	Max: Less than 37W
	Average: Less than 22W
Weight	15kg (33 lbs.)
Size (W x D x H)	580 mm x 629 mm x 120 mm (22.9" x 24.8" x 4.8")

Paper Tray Unit (D580)	
Paper Size	A5 to A3,B4, B5, 7 ¼" x 10 ½" SEF to 11" x 17"
Paper Weight	52-157g/m ² ,14-42 lb.
Tray Capacity	550 sheets (80g/m ² , 20 lb.) x 2 trays
Paper Feed System	FRR
Paper Height Detection	5 steps (100%, 70%, 30%, 10%, Empty)
Power Source	<ul style="list-style-type: none"> ▪ DC 24 V, 5 V (from copier) ▪ 120 Vac (120 V version) from the copier/printer when the optional tray heater is installed ▪ 220 – 240 Vac (230 V version) from the copier/printer when the optional tray heater is installed
Power Consumption	Max: Less than 40W
	Average: Less than 25W
Weight	26kg (57 lbs.)
Size (W x D x H)	580 mm x 629 mm x 260 mm (22.9" x 24.8" x 10.3")

LCT (D581)	
Paper Size	A4 LEF / 8 ½"x11" (LT) LEF
Paper Weight	52 to 157g/m ² , 14 to 42lb.
Tray Capacity	2,000 sheets 80g/m ² , (20lb.)
Remaining Paper Detection	5 steps (100%, 70%, 30%, 10%, Empty): Right Tray 4 steps (100%, 70%, 30%, Empty): Left Tray
Power Source	DC 24 V, 5 V (from copier)
Power Consumption	Less than 45 W (Max.)/ 27 W (Ave.)
Weight	26 kg (57 lbs.)
Size (W x D x H)	580 mm x 629 mm x 260 mm (22.9" x 24.8" x 10.3")

One Bin Tray (D582)	
Paper Size	A5 to A3 SEF, B4, B5, 5 ½"x8 ½"(HLT) SEF – 11"x17"(DLT) SEF
Paper Weight	60 to 105g/m ² (16 to 28 lb.)
Tray Capacity	100 sheets (80g/m ² , 20 lb.): A4 or smaller 50 sheets (80g/m ² , 20 lb.): A3 or larger
Power Source	DC 5 V, 24 V (from copier)
Power Consumption	2 W or less
Weight	2kg (4.5 lbs.)
Size (W x D x H)	502 x 417 x 142 mm (19.8" x 16.5" x 5.6")

Product Support Guide

D120/ D121/ D122

Bridge Unit (D584)	
Paper Size	Standard Size: A6 LEF to A3, HLT LEF to DLT Non-standard Size: Width: 90 - 305 mm (3.54"- 12.01"), Length: 148 - 600 mm (5.83" – 23.62")
Paper Weight	52 to 157g/m ² (14 to 42 lb.)
Tray Capacity:	125 sheets (80g/m ² , 20 lb.): B4, 8 ½"x14" or larger 250 sheets (80g/m ² , 20 lb.): A4, 8 ½"x11" or smaller
Power Source	DC 24 V, 5 V (from copier)
Power consumption	4.4W or less
Dimensions (W x D x H)	420 x 513 x 145 mm (16.5" x 20.2" x 5.7")
Weight	4.0 kg (8.8 lbs.)

Shift Tray Unit (D583)	
Paper Size:	Standard Size: 5½" x 8½" SEF - 12"x18", A6 SEF - A3 SEF Non-standard Size: Width: 90 to 305 mm (3.5" to 12.01"), Length: 148 to 600 mm (5.83" to 23.62")
Paper Weight	52 to 157g/m ² (14 to 42 lb.)
Tray Capacity	250 sheets (80g/m ² , 20 lb.): A4, 8 ½"x11" or smaller 125 sheets (80g/m ² , 20 lb.): B4, 8 ½"x14" or larger
Power Source	DC 5 V, 24 V (from copier)
Power Consumption	4.4W or less
Weight	2 kg (4.5 lbs.)
Size (W x D x H)	423 mm x 467 mm x 113 mm (16.7" x 18.4" x 4.5")

500 Sheet Finisher SR3070 (D585)		
Paper Size	7 ¼"x10 ½" – 11"x17" (DLT), A3 SEF, A4, B4, B5	
Paper Weight	52-157g/m ² (14-42 lb.)	
Stack Capacity	Shift Tray	500 sheet (8 ½"x11" LEF/SEF, A4 LEF/SEF or smaller) 250 sheet (8 ½"x14", B4 or larger)
	Normal Staple Sort	LT LEF, B5, A4 LEF: 10 – 45 sets (50 – 10 sheets/set) 46 - 55 sets (2 – 9 sheets/set) LT SEF, B5, A4 SEF: 8 - 25 sets (50 - 10 sheets/set) 27 - 55 sets (2 – 9 sheets/set) LG, DLT, B4, A3: 8 - 25 sets (30 – 10 sheets/set) 27 - 55 sets (2 – 9 sheets/set)
Staple Capacity	Without Mixed Size	50 sheets (8 ½"x11" LEF/SEF, A4 LEF/SEF or smaller) 30 sheets (8 ½"x14", B4 or larger)
	With Mixed Size	30 sheets (8 ½"x14", B4 or larger)
Staple Paper Size	B5 LEF/SEF – A3 LEF/SEF 8 ½"x11" LEF/SEF(LT) 11"x17"(DLT)	
Supported Paper Size for Mixed Size Mode	A3 SEF and A4 LEF, B4 SEF and B5 LEF, 11"x17" SEF and 8 ½"x11" LEF, 8 ½"x14" SEF and 8 ½"x11" LEF	
Staple Paper Weight	52-157g/m ² / 14-42 lb.	
Staple Position	Top Slant, Bottom Slant, Left 2, Top 2	
Staple Cartridge Capacity	5000pcs./cartridge	
Power Consumption	Less than 50W (Power is supplied from the mainframe)	
Dimension(WxDxH)	392 x 551 x 275 mm / 15.6" x 21.7" x 10.9"	
Weight	12kg / 26.5 lbs.	

Product Support Guide

D120/ D121/ D122

500 Sheet Internal Finisher Type 3352 (D586)		
Paper Size		7 ¼" x10 ½"– 11"x17" (DLT) SEF, A3, A4, B4, B5
Paper Weight		52-256g/m ² (14-140lb.)
Stack Capacity	Shift Tray	500 sheets (8 ½"x11" LEF/SEF, A4 LEF/SEF or smaller) 250 sheets (B4 / 8 ½"x14" or larger)
	Normal Staple Sort	LT LEF, B5 LEF, A4 LEF: 10 - 45 sets (50 - 10 sheets/set) 46 - 55 sets (2 - 9 sheets/set) LT SEF, B5 SEF, A4 SEF: 8 - 25 sets (50 - 10 sheets/set) 27 - 55 sets (2 - 9 sheets/set) LG, DLT, B4, A3: 8 - 25 sets (50 - 10 sheets/set) 27 - 55 sets (2 - 9 sheets/set)
Staple Capacity		50 sheets 8 ½"x11" 30 sheets: A3, B4, 11"x17"(DLT), 8 ½"x14"(LG)
Staple Paper Size		7 ¼"x 10 ½"(Executive) LEF/SEF - 11"x17"(DLT) SEF B5 LEF/SEF - A3 SEF, 8K/ 16K SEF/LEF
Staple Paper Weight		52-105g/m ² (14-28lb.)
Staple Position		Top 1, Bottom 1, Left 2, Top 2
Staple Cartridge Capacity		5,000pcs. /cartridge
Power Consumption		Less than 50W
Dimension(WxDxH)		495 x 477 x 161mm / 19.5" x 18.8" x 6.4"
Weight		Less than 13Kg (28.7lbs.)
Optional Punch Unit Paper Size	NA/2 Holes	[Paper size] SEF: A3, A4, DLT, LG, Foolscap, LT, 7 ¼"x10 ½", LEF: A4, LT
	NA/3 Holes	[Paper size] SEF: DLT, A3, LEF: LT, A4
Paper Weight	NA/2 Holes	[Paper Weight] 60-105g/m ² (16 – 28 lb.)
	NA/3 Holes	[Paper Weight] 60-105g/m ² (16 – 28 lb.)

1000 Sheet Finisher SR3090 (B588)		
Paper Size	Proof Tray	5 ½"x8 ½"LEF/SEF(HLT) – 11"x17" (DLT), A6 - A3, B6, - B4
	Shift Tray	7 ¼"x10 ½" – 11"x17"(DLT), A3, A4, B4, B5
Paper Weight	Proof Tray	52-260 g/m ² / 14-140 lb.
	Shift Tray	52-163 g/m ² / 14-90 lb.
Stack Capacity	Proof Tray	250 sheets (A4 / 8 ½"x11" or smaller / 80g/m ² / 20 lb.) 50 sheets (B4 / 8 ½"x14" or larger / 80g/m ² / 20 lb.)
	Shift Tray	1000 sheets (A4 / 8 ½"x11" or smaller / 80g/m ² / 20 lb.) 500 sheets (B4 / 8 ½"x14" or larger / 80g/m ² / 20 lb.)
	Normal Staple Sort	LT LEF, A4 LEF: 20-100 sets (50 – 10 sheets/set) 100 sets (2 – 9 sheets/set) LT SEF, B5, A4 SEF: 10 - 50 sets (50 - 10 sheets/set) 100 sets (2 – 9 sheets/set) LG, DLT, B4, A3: 10 - 50 sets (30 – 10 sheets/set) 50 sets (2– 9 sheets/set)
Staple Capacity		50 sheets (A4 / 8 ½"x11" / 80g/m ² / 20 lb.) 30 sheets (B4 / 8 ½"x14" or larger / 80g/m ² / 20 lb.)
Staple Paper Size		7 ¼"x10 ½" – 11"x17"(DLT), B5 LEF/SEF – A3 SEF
Staple Paper Weight		64-90g/m ² / 17-24 lb.
Staple Position		Top 1, Bottom 1, Left 2, Top 2
Staple Cartridge Capacity		5,000pcs. /cartridge

Product Support Guide

D120/ D121/ D122

1000 Sheet Finisher SR3090 (B588)	
Power Consumption	Less than 50W (Power is supplied from the mainframe)
Dimension(WxDxH)	270 x 520 x 790 mm / 10.7" x 20.5" x 31.2"
Weight:	Less than 25kg / 55.2 lbs.

1000 Sheet Booklet Finisher SR3100 (D589)			
Paper Size	Proof Tray	5 ½"x8 ½" LEF/SEF(HLT) – 11"x17" (DLT), A3 - A6, B4 – B6	
	Shift Tray	7 ¼"x10 ½" – 11"x17"(DLT), A3, A4, B4, B5	
Paper Weight	Proof Tray	52-105 g/m ² / 14-28 lb.	
	Shift Tray	52-256 g/m ² / 14-140 lb.	
Stack Capacity	Proof Tray	100 sheets (A4 / 8 ½"x11" or smaller / 80g/m ² / 20 lb.) 50 sheets (B4 / 8 ½"x14" or larger / 80g/m ² / 20 lb.)	
	Shift Tray	1000 sheets (A4 / 8 ½"x11" LEF or smaller / 80g/m ² / 20 lb.) 500 sheets (B4 / 8 ½"x14" or larger / 80g/m ² / 20 lb.)	
	Normal Staple Sort	LT LEF, A4 LEF:	20 – 100 sets (50 – 10 sheets/set) 100 sets (2 – 9 sheets/set)
		LT SEF, B5, A4 SEF:	10 - 50 sets (50 - 10 sheets/set) 100 sets (2 – 9 sheets/set)
		LG, DLT, B4, A3:	10 - 50 sets (30 – 10 sheets/set) 50 sets (2– 9 sheets/set)
Saddle Stitch	20 sets (2 – 5 sheets/set, all size for saddle stitch)		
Staple Sort	10 sets (6 – 10 sheets/set, all size for saddle stitch)		
Staple Capacity	Normal Staple - Same size papers	50 sheets (A4 / 8 ½"x11" or smaller / 90g/m ² / 24 lb.) 30 sheets (B4 / 8 ½"x14" or larger / 90g/m ² / 24 lb.)	
	Normal Staple - Different size papers (Mixed)	22 sheets (A4 LEF / A3) (8 ½"x11" LEF / 11"x17") (B5 LEF / B4) 90g/m ² / 24lb.	
	Saddle Stitch Staple	10 sheets (80g/m ² / 20 lb.)	
Staple Paper Size	Normal Staple	7 ¼"x 10 ½" – 11"x17"(DLT), B5 LEF/SEF – A3 SEF	
	Saddle Stitch Staple	8 ½"x11"(LT) SEF, 8 ½"x14"(LG) SEF, 11"x17"(DLT) SEF, B5 SEF, A4 SEF, B4 SEF, A3 SEF	
Staple Paper Weight	Normal / Saddle Stitch Staple	64-90g/m ² / 17-24 lb.	
Staple Position		Top 1, Center, Left 2, Top 2, Saddle stitch: Center 2 positions	
Staple Cartridge Capacity		5,000pcs. /cartridge	
Power Consumption		60W (Power supplied via mainframe)	
Dimension(WxDxH)		535 x 600 x 930 mm / 21.1" x 23.7" x 36.7"	
Weight		W/O Punch Unit: Approx. 105.9 lbs. / 48kg With Punch Unit: Approx. 110.3 lbs. / 50kg	
Paper Size (Punch Unit Option)	NA/2 Holes	SEF: HLT – DLT/ A5 – A3 LEF: HLT, LT, A4-A5	
	NA/3 Holes	SEF: DLT, B4, A3, LEF: LT, B5, A4	
Paper Weight (Punch Unit Option)	NA/2 Holes	52-163g/m ² / 14 – 43 lb.	
	NA/3 Holes	52-163g/m ² / 14 – 43 lb.	

Product Support Guide

D120/ D121/ D122

Printer

General Specification (D084/D085)		
CPU		RM7035C-533 MHz
RAM		Basic:512MB, SP:1GB• (Resident 512 MB + Additional 512 MB) Additional 512 MB (basic model) is required for printer/scanner unit
HDD		120GB Shared with other features (Copy, Fax, Scanner)
PDL	Std	PCL5e/PCL6(XL), Adobe PDF Direct
	Option	Adobe PostScript3, IPDS
Print Resolution (Max)	Max	600 × 600dpi
	PCL5e	300 x 300 dpi (available only with B/W mode) 600 x 600 dpi <Gradation > Fast (1bit)
	PCL6	600 x 600 dpi <Gradation > Fast (1bit)
	PS3	600 x 600 dpi <Gradation > Fast (1bit)
	IPDS	300 x 300 dpi 600 x 600 dpi
Font	Standard	PCL: Scalable 45 fonts + Bitmapped: 6 fonts + International 13 fonts Cyrillic (Russian), Greek, Hebrew and Arabic are included in international fonts
	Option	PS3:136 Roman fonts, IPDS : 108 Roman fonts
Host Interfaces	Std	Ethernet (100BASE-TX/10BASE-T), USB2.0 Type A(2 port)/Type B
	Option	Gigabit Ethernet (1000Base-T), IEEE1284 ECP, Wireless LAN (IEEE 802.11a/b/g), Bluetooth Ver2.0 + EDR (USB type)
Network Protocol		TCP/IP (IP v4, IP v6), IPX/SPX
Standard MIB		MIB-II(RFC1213), Host Resource(RFC1514), Printer MIB(RFC1759), Printer Port Monitor MIB
Private MIB		Ricoh Original
Network/Operating System		Windows XP/Vista/7/Server 2003/Server 2008 Netware: 6.5 or later Unix: Sun Solaris, HP-UX, SCO OpenServer, Red Hat Linux, IBM AIX Citrix Presentation Server4.5/Citrix XenApp5.0 Mac OS X v.10.2 or later SAP R/3, NDPS Gateway, IBM iSeries/AS/400-using OS/400 Host Print Transform

Scanner		
Color Scan		Std
Scanning Speed	B&W	B&W 2 value (Tex, Photo), A4(LEF), 200dpi, Compression(MH), ARDF:50ipm
	Color	FC (Text, Photo), A4 (LEF), 200dpi, Compression(default level), ARDF:45ipm
Scanning Resolution	Std	100 / 200 / 300 / 400 / 600 dpi
	Default	200 dpi
Auto Size Detection (US Model)	Contact Glass	11"x17"(DLT) SEF, 8 1/2"x14"(LG) SEF, 8 1/2"x11"(LT) LEF/SEF, 5 1/2"x8 1/2"(HLT) LEF/SEF
	ARDF	11"x17"(DLT) SEF, 8 1/2"x14"(LG) SEF, 8 1/2"x11"(LT) LEF/SEF, 5 1/2"x8 1/2"(HLT) LEF/SEF, 10"x14"SEF, 7 1/4"x10 1/2" (US EXE) SEF

Product Support Guide

D120/ D121/ D122

Scanner		
Scan Area	Main Scan	297mm / 11.7 inches
	Sub Scan	432mm / 17 inches
Network Interface		Ethernet 10/100Base TX, Gigabit Ethernet (1000Base-T), Wireless LAN(802.11a/g)
Protocol		Network: TCP/IP, Sending E-mail: SMTP, POP3 Scan to Folder: SMB, FTP, NCP, Web Services on Devices for Scanning
Compression Method	B&W	TIFF (MH,MR,MMR), Grayscale
	Color	JPEG
Scan Mode		BW Text/Line Art, BW Text, BW Text/Photo, BW Photo, BW Grayscale, FC Photo, FC Text, ACS (Standard: BW Text/Line Art)
Image Density		Auto Density Selection (Effective in BW/Grayscale and FC scan mode) Manual: 7 levels (Effective in BW/Grayscale and FC scan mode)
Image Rotation		BW: Yes, Grayscale / FC: Single and Multi valued PDF only.
SADF/Batch Mode		Yes
Mixed Size Mode		Yes

File Format	Compression On / Off	Data / Compression Method
Single Page TIFF	On	BW 1bit / (MH, MR, MMR)
	Off	BW 1bit, BW Grayscale, Full Color
Multi Page TIFF	On	BW 1bit / (MH, MR, MMR)
	Off	BW 1bit, BW Grayscale, Full Color
Single Page JPEG	On	BW Grayscale Full Color/ JPEG
	Off	-
Single Page PDF	On	BW 1bit(MH, MR, MMR), BW Grayscale(JPEG), Full Color(JPEG)
	Off	BW 1bit, BW Grayscale, Full Color
Multi Page PDF	On	BW 1bit(MH, MR, MMR), BW Grayscale(JPEG), Full Color(JPEG)
	Off	BW 1bit, BW Grayscale, Full Color
High Compression PDF	On	BW Grayscale(JPEG,JPEG2000) Full Color(JPEG,JPEG2000)
	Off	-

Scan to E-mail		
Requirement		SMTP (Mail Server) Gateway and TCP/IP
Authorization Function		SMTP authentication, POP before SMTP authentication
Resolution	Std	100 / 200 / 300 / 400 / 600 dpi
	Default	200dpi
Max Email Address in HDD		2,000
Register Group Address in HDD		Max. 100 Group (Max. 500 addresses in one group address)
Maintain Email Address in HDD		Direct input on operation panel, Web Image Monitor, Smart Device Monitor for Admin
Input of Destination E-mail Address via Soft Key		Possible, Max. 100 destinations per job
Search Email Address in HDD		By name and E-mail address
LDAP Search		Yes
Max Address Numbers Per Send		Max. 500 addresses per send

Product Support Guide

D120/ D121/ D122

Scan to E-mail		
Address Numbers Per Send	from HDD	Max 500
	direct input	Max 100
	via LDAP	Max 100
Attention		To, cc, bcc
Email Size	with Restriction	128 - 102,400KB
	w/o Restriction	725MB
Input Subject	Manual	Max. 128 Characters via soft key
	User Pre-register	Max. 20 characters via soft key
Input Main Body Text	Manual	Max. 80 Characters via soft key
	User Pre-register	Max. 400 Characters via soft key (80 characters x 5 lines)
Input File Name		Yes
File type		Single Page TIFF/JPEG/PDF/High compression PDF, Multi Page TIFF/PDF/High Compression PDF, encryption PDF
Program User Settings		Yes (up to 10 programs)
Divide and send Email		Yes (By page or size) / No, Default = Yes (By size)
Resend		Yes / No, Default = Yes (retry 3 times)

Scan to Folder		
Protocol Support		SMB, FTP, NCP
Security		Client folder log-in (log-in name and password), Encryption of log-in name and password during transmission
Resolution	Std	100 / 200 / 300 / 400 / 600 dpi
	Default	200 dpi
Register client folder address in HDD		Max. 2,000 folders
Maintain client folder address in HDD		Direct input on operation panel, Web Image Monitor, Smart Device Monitor
Destination client folder address input via soft key		Yes SMB: Network path->Client folder->Password FTB: Server->Network path->User account->Password NCP: Network path->User account->Password->Connection: NDS or Bindery
Search client folder		SMB: Browsing directly to the designated folders FTP: By client folder name NCP: Browsing
Max. client folder numbers per send		Max. 50 client folders / PCs per send
Simultaneous Transmission		Max 550
Group address		Max. 100 destinations (To Folder: 50, To E-mail: 100) e.g. 100 destinations 50 folders included >>>OK 100 destinations 51 folders included>>>Failure
Input Subject		No
Scan to File size		Up to 2GB
File Size when combined Scan to Folder & Scan to E-mail		128 - 102,400kB, Default = 2,048KB (With restriction) 725MB (Without restriction)
File Type		Single Page: TIFF/JPEG, PDF, High Compression PDF Multi Page: TIFF, PDF, High Compression PDF
Program User Settings		Yes (Up to 10 programs)
Dividing File in Scan to Email		Yes (By page or size)/ No, Default =Yes (By size)
Resend		Yes / No, Default = Yes (retry 3 times)

Product Support Guide

D120/ D121/ D122

Max. address numbers per sending (combination between E-mail and Folder)				
Input Via		Condition 1: (Max address can select or input)	Condition 2: (Max address allow in single operation)	Condition 3: (Combination of addresses: Max)
Scan to E-mail	Address book	500	500	550
	Manual Input	100		
Scan to Folder	Address book	50	50	
	Manual Input			

Network TWAIN Driver	
OS	Server 2003, 2003 R2, 2008, Windows XP, Windows Vista, Windows 7
Scanning Speed	B&W 53 (A4 @ 200dpi)
	Color 37 (A4 @ 200dpi)
Resolution	B&W 100 - 1200dpi
	Color 100 - 600dpi
Scan Mode	Standard / Photo / OCR / Filing
Image Adjustment	Brightness / Contrast / Threshold/ Gamma Adjustment / Halftone Pattern
Stamp	Date / Page Number / Text
Endorse	Supported

Fax Specification	
Circuit	PSTN, PBX
Compatibility	ITU-T(CCITT) G3, Additional G3 (option)
Resolution	8 x 3.85 line/mm, 200 x 100dpi (std) 8 x 7.7 line/mm, 200 x 200dpi (std) 8 x 15.4 line/mm, 16 x 15.4 line/mm, 400 x 400dpi (with optional SAF memory)
Compression Method	MH, MR, MMR, JBIG
Scanning Speed	Less than 1 sec. (A4/LT SEF, Standard/Platen used), *ITU-T No1 chart, 200 x 100 dpi(Standard mode), 200dpi(Detail mode), 400dpi(Super Fine mode) 0.50sec.(A4/LT SEF, Standard/Detail mode), 0.35sec.(A4/LT LEF, Standard/Detail mode) 0.90sec.(A4/LT SEF, Super Fine mode) 0.64sec.(A4/LT LEF, Super Fine mode)
Scan Page per Minute(DF used)	A4/LT SEF Standard mode: 43cpm Detail mode: 43cpm Super Fine mode: 32cpm
	A4/LT LEF Image Rotation Standard mode: 50cpm Detail mode: 50cpm Super Fine mode: 27cpm
Modem Speed	33.6K – 2,400 300bps (G3, Standard with Automatic Shift Down) (33600, 31200, 28800, 26400, 24000, 21600, 19200, 16800, 14400, 12000, 9600, 7200, 4800, 2400 bps)
Transmission Speed	G3: Approx.2 seconds (200 x 100dpi, JBIG, ITUT #1 chart TTI off, memory transmission) G3: Approx.3 seconds (200 x 100dpi, MMR, ITUT #1 chart, TTI off, memory transmission)
Page Memory Size	Std 4MB

Product Support Guide

D120/ D121/ D122

Fax Specification		
	with Optional SAF Memory	8MB
SAF Memory Size	Std	4MB (Approx. 320 pages)
	with Optional SAF Memory	28MB (Approx. 2,240 pages)
	Option	32MB SD-RAM (24MB SAF Memory + 8MB Page Memory)
Memory Backup		One hour
Smoothing		Standard
TTI/RTI		Standard
CSI		Standard
Quick dial/ Speed dial		Standard: 500 number (without HDD) / 2,000 numbers (with HDD)
Group Dial		Standard: 100 groups (500 numbers per 1 group)
Program		Standard: 100 members
Redial		Standard
Direct Fax Number Entry		Standard
Dual Access		Standard
User Codes		Standard: 500 codes
Page Counter		Standard
Auto Reduction		Standard
Wild Cards		Standard
Summer Time		Standard
Memory Lock ID Code		Standard
SID Code (Sender ID)		Standard
Programming by OMR		No
User Function Key		Standard (3 keys)
Night Timer		No
Energy Saver		Standard
LCD Prompt		Standard
Remaining Memory Indication		Standard
Clock Adjustment		Standard
User Parameter Settings		Standard
User Data Transfer		Standard

Transmission Features	
Immediate Transmission	Standard
Parallel Memory Transmission	Standard
Memory Transmission	Standard
Serial Broadcasting	Standard (Max. 500 numbers)
Send Later	Standard

Product Support Guide

D120/ D121/ D122

Transmission Features	
Error Correction Mode	Standard
Page Retransmission	Standard
Forwarding	Standard
Image Rotation	Standard
Book Fax	No
Closed Network Transmission	Standard
Double Sided Transmission	Yes

Reception Features	
Automatic Reception	Standard
Manual Reception	Standard
Substitute Reception	Standard
Authorized Reception	Standard
Multi Copy	Standard
Closed Network	Standard
Reception Time Printing	Standard
Center Mark	Standard
Checkered Mark	Standard
Economy Printing Mode	No
Duplex Reception	Standard

Telephone Specification	
Handset/Telephone	Option
Telephone Connection	Standard
Monitor Speaker	Standard
Automatic Voice Message	No
On Hook Dial	Standard
Tone Transmission	Standard
Pause	Standard
Pulse/Tone Selection	Standard
Chain Dialing	No
Reception Mode Selection	Standard
Automatic Fax/Phone change	No
Reception Mode Switch over (remote)	No
Answering Machine interface	No
Reception Mode Switching Timer	Standard
Auto Answer Delay Time	Standard
Busy Tone Detection	Standard
Silent Ringing Detection	No

LAN-Fax Specification	
Paper Size	Letter (default for NA model), Legal, B5, A5

Product Support Guide

D120/ D121/ D122

LAN-Fax Specification	
Resolution	Super Fine (400 x 400 dpi) Detail (200 x 200 dpi) *default Standard (200 x 100 dpi)
Gray Scale	Not supported (Because Window 9x, Me are not supported)
Number of Address	500
OS	Windows 2000, Server 2003, 2003 R2, 2008, Windows XP, Windows Vista, Windows 7 (Gray Scale is only available for the driver of Windows95/98, Me)
LAN-Fax Editor Support Language	1.English, 2.German, 3.French, 4.Italian, 5.Spanish, 6.Dutch, 7.Swedish, 8.Norwegian, 9.Danish, 10.Finnish, 11.Hungarian, 12.Czech, 13.Polish, 14.Portuguese, 15.Russian, 16.Korean, 17.Traditional Chinese, 18.Simplified Chinese Condition: OS need to have the same language.

Internet Fax (T.37 Full mode) Specification	
Requirement of Mainframe	G3 fax option is required. Printer Scanner option is required.
Number of Address	2,000 HDD storage
Email Address Input	From LCD operation panel, Web Image Monitor, Smart Device Monitor for Admin
Attention	"to" or "bcc" (select only one), max 500 attentions
Destination Combination	Internet Fax + G3 Fax, Internet Fax to PC + G3 Fax
Network	LAN: Local Area Network Ethernet/10Base-T, 100 Base-TX, IEEE802.11b (wireless LAN), 1000Base-T
Transmit Function	E-mail
Scan Line Density	200 x 100dpi (Standard character), 200 x 200dpi (Detail character), 200 x 400dpi (Fine character: optional) 400 x 400dpi (Super Fine character: optional)
Original Size: Scanning width	A3, B4, A4
Communication Protocol	Transmission: SMTP, TCP/IP Reception: POP3, SMTP, IMAP4, TCP/IP
Email Format	Single/Multi-part, MIME Conversion, Attached file forms: TIFF-F (MH, MR, MMR compression)
Authentication Method	SMTP-AUTH, POP before SMTP, A-POP
Internet Communication	Send and receive e-mail with a computer that has e-mail address
Email Send Functions	Automatic conversion of sent documents to e-mail format and e-mail transmission. Memory transmission only.
Email Receive Functions	Automatic detection and printing of appended TIFF-F (MH) files and ASCII text. Memory reception only.

IP Fax Specification	
Network	Ethernet:1000BASE-T, 100BASE-TX, 10BASE-T Wireless LAN: IEEE 802.11a/b/g
Scan Line Density	8 x 3.85 lines/mm, 200 x 100 dpi (Standard character), 8 x 7.7 lines/mm, 200 x 200 dpi (Detail character), 8 x 15.4 lines/mm (Fine character: optional expansion memory required), 16 x 15.4 lines/mm, 400 x 400 dpi (Super Fine character: optional expansion memory required)
Original Size	Maximum A3 or 11" x 17" (DLT)
Max Scanning Size	Standard: A3, 297mm x 432mm (11" x 17") (DLT) Irregular: 297 mm x 1200 mm (11" x 47")
Transmission Protocol	Recommended: T.38 Annex, TCP, UDP/IP communication, SIP(RFC 3261 compliant), H.323 v2
Compatible Machines	IP-Fax compatible machines
IP-Fax Transmission	Specify an IP address and send faxes to an IP-Fax compatible fax through a network. Also

Product Support Guide

D120/ D121/ D122

IP Fax Specification	
Function	capable of sending faxes from a G3 fax connected to a telephone line via a VoIP gateway.
IP-Fax Reception Function	Receive faxes sent from an IP-Fax compatible fax through a network. Also capable of receiving faxes from a G3 fax connected to a telephone line via a VoIP gateway

MFP Supported Environments

Windows Environments		Driver			
OS	Type	PCL5e	PCL6	RPCS	PostScript3
Windows 2000	Professional	Y	Y	N/A	Y
	Server	Y	Y	N/A	Y
	Advanced Server	Y	Y	N/A	Y
	Datacenter Server	N	N	N/A	N
Windows XP	Professional	Y	Y	N/A	Y
	Home Edition	Y	Y	N/A	Y
Windows Vista	Starter	N	N	N/A	N
	Home Basic	Y	Y	N/A	Y
	Home Premium	Y	Y	N/A	Y
	Business	Y	Y	N/A	Y
	Ultimate	Y	Y	N/A	Y
	Enterprise	Y	Y	N/A	Y
Windows 7	Starter	N	N	N/A	N
	Home Basic	N	N	N/A	N
	Home Premium	Y	Y	N/A	Y
	Professional	Y	Y	N/A	Y
	Ultimate	Y	Y	N/A	Y
Windows Server 2003	Standard Edition	Y	Y	N/A	Y
	Enterprise Edition	Y	Y	N/A	Y
	Datacenter Edition	N	N	N/A	N
	Web Edition	N	N	N/A	N
Windows Server 2008	Standard Edition	Y	Y	N/A	Y
	Enterprise Edition	Y	Y	N/A	Y
	Datacenter Edition	N	N	N/A	N
	Web Edition	N	N	N/A	N
Windows Server 2008R2	Standard Edition	Y	Y	N/A	Y
	Enterprise Edition	Y	Y	N/A	Y
	Datacenter Edition	N	N	N/A	N
	Web Edition	N	N	N/A	N

RPCS driver has been discontinued.

Point & Print

Windows OS	Driver		
Server	Client(Push to)	PCL5c/6	PS
Windows Server 2003	7	Y	Y
	Vista	Y	Y

Product Support Guide

D120/ D121/ D122

Windows OS	Driver		
	XP	Y	Y
	W2K Pro	Y	Y
Windows Server 2008	7	Y	Y
	Vista	Y	Y
	XP	Y	Y
	W2K Pro	Y	Y
Windows Server 2008R2	7	Y	Y
	Vista	Y	Y
	XP	Y	Y
	W2K Pro	Y	Y
Windows 2000 Professional Server & Advanced Server	7	Y	Y
	Vista	Y	Y
	XP	Y	Y
	W2K Pro	Y	Y
Windows XP Professional	7	Y	Y
	Vista	Y	Y
	XP	Y	Y
	W2K Pro	Y	Y
Windows Vista	7	Y	Y
	Vista	Y	Y
	XP	Y	Y
	W2K Pro	Y	Y

Terminal Service & Citrix MetaFrame		
Server	Driver	
	PCL5c/6	PS
Win Server 2008R2	Yes	Yes
Win Server 2008	Yes	Yes
Win Server 2003	Yes	Yes
Win 2000 Server	Yes	Yes
Win Server 2003 + MetaFrame	Yes	Yes
Win 2000 Server + MetaFrame	Yes	Yes
Win Server 2003 + Citrix PresentationServer4.0	Yes	Yes
Win 2000 Server + Citrix PresentationServer4.0	Yes	Yes
Win Server 2003 + Citrix PresentationServer4.5	Yes	Yes
Win Server 2008 + XenApp5.0	Yes	Yes

*RPCS driver has been discontinued.

*XPS driver is not supported in the environment of terminal service and Citrix MetaFrame.

*Even "Yes" is put in the cell, there is a case driver is not supported under the combination of FR and Service Pack of Meta Frame.

*Following combinations of operating system and Citrix MetaFrame are supported.

Windows 2000 Server /Advanced Server

1. Windows Terminal Service (RDP protocol)
2. MetaFrame XP 1.0 SP1/SP2/SP3/SP4 /FR1/FR2/FR3 (ICA protocol)
3. MetaFrame PresentationServer3.0 Citrix PresentationServer4.0

Windows 2003 Server

1. Windows Terminal Service (RDP protocol)
2. MetaFrame XP 1.0 SP4 /FR3 (ICA protocol)
3. MetaFrame PresentationServer3.0
4. Citrix PresentationServer4.0
5. Citrix PresentationServer4.5

Windows 2008 Server

1. Windows Terminal Service (RDP protocol)

Product Support Guide

D120/ D121/ D122

2. Citrix XenApp5.0

Mac OS

OS	PostScript3	Printer Utility for MAC
Mac OS 8.6 or later, Mac OS X classic	No	No
Mac OS X Native: v.10.2 or later* ¹	Yes	Yes * ²

*1: Mac OS X v10.0.x and v.10.1.x are not supported.

*2: Mac OS X v10.2.0 is not supported.

UNIX Filter

Unix Platforms	Version
Sun Solaris	2.6 / 7 / 8 / 9 / 10
HP-UX	10.x / 11.x / 11i v2 / 11i v3
Red Hat Linux	6.x / 7.x / 8.x / 9.x / Enterprise
SCO OpenServer	5.0.6 / 5.0.7 / 6.0
IBM AIX	V4.3 & 5L Version 5.1 / 5.2 / 5.3

Novell Netware

Netware Server	Supported Version	
Client	Supported OS	Windows 2000/XP professional/Vista/2008/7

SAP/R3 Environment (Device Type / Barcode & OCR Package)

Supported Environments	R/3 version	3.x or later, mySAP ERP2004 or later
	Platform	Independent
	PDL	PCL5e
	Character Set	Latin 1(Western European), Latin 2 (Eastern European)
	Localization	English only
Supported features	i.e: Input/Output Bin, Duplex, Stapling, Resolution, Collation, Econo Mode/Toner Saving, Smoothing, Page Protect, Auto Tray Change/Opt Tray select	
Supported Barcode & OCR Fonts* (* BOP will be procured locally)	Barcode Fonts (Support Latin 1 only)	Code 128, Code 39, Code 93, Codabar, 2 of 5 interleaved/Industrial/Matrix, MSI, USPS, UPC/EAN
	OCR Fonts	OCR A, OCR B

Utility Software

Software	Description
Font Manager	This software enables you to use screen fonts.
Smart Device Monitor for Admin	This software enables you to manage and monitor printers and other devices over the network.
DeskTopBinder – SmartDeviceMonitor for Client	This software enables you to access networked printers to print, monitor or to receive notifications. With DeskTopBinder Lite you can connect client computers to I/O devices enabling you to efficiently manage data.
Printer Utility for Mac	This is a utility for Macintosh that provides access to several network printing administrative features.

Ver.1

Page 37 of 43

11/8/2011

Subject to change without notice

Product Support Guide

D120/ D121/ D122

Software	Description
PS Descriptions	PPD for Mac By interacting with the Adobe PostScript 3 controller in the device, this PPD is able to produce an accurate representation of the screen image.
Mac OS X PPD Installer	This PPD installer is used to install a PPD (Postscript Printer Description) file on Mac OSX. PPD files contain descriptions of printer capabilities such as paper sizes, number of input trays and duplexing. Once the PPD file is installed on the system using the PPD installer, the PS driver that comes bundled with Mac OS X can use the information in the PPD to control the print device and enable full functionality. It supports the Mac OS X 10.1 or later. Please see the Readme file for information about compatibility with versions of Mac OS X.
LAN FAX Driver M8	This software enables you to fax documents directly from your computer. The Address Book Editor and Cover Sheet Editor are installed as well. This software requires the optional fax unit to be installed on the machine. M10 Driver
PCL 6 Driver	Printer driver for B/W printing in Windows. It supports HP PCL XL commands and is optimized for the Windows GDI. High performance printing can be expected.
PCL 5e Driver	Printer driver for printing in Windows. It supports HP PCL 5e commands.
Post Script Driver	By interacting with the Adobe PostScript 3 controller in the device, this driver is able to produce an accurate representation of the screen image.
Network TWAIN Driver	TWAIN scanner driver for network connections with new features Combine/Series, compatible with SNMP V3 and Network Connection Tool.

Print Driver Information

Print Driver Features			
Feature	PCL5c/6	Postscript3	
		Windows 2000/XP/Vista/7	Mac OS X v.10.2 or later
Send to job Binding	N	N	N
Send to Document Server	Y	Y	Y
Sample Print	Y	Y	Y
Locked Print	Y	Y	Y
Hold Print	Y	Y	Y
Stored Print	Y	Y	Y
Stored Print(Shared)	Y	N	N
Store and Print	Y	Y	Y
Store and Print(Shared)	Y	N	N
Reduce/Enlarge(Zoom/Scaling)	Y*1	Y	Y
Reduce/Enlarge Centering	N	N	N
Fit to Paper Size	Y	Y	Y
Unauthorized Copy Control	N	N	N
Layout(N-up, Page per sheet)	Y	Y	Y
Poster	N	N	N
Duplex	Y	Y	Y
Booklet1	N	N	N
Booklet2(Magazine)	Y	Y	N

Product Support Guide

D120/ D121/ D122

Print Driver Features			
Non-Reduction Booklet	Y	N	N
Watermark	Y	Y	Y
Overlay	N	N	N
Header/Footer	N	N	N
Adjust Image Position	N	N	N
Binding Margins	N	N	N
Collate	Y	Y	Y
Punch	Y	Y	Y
Staple	Y	Y	Y
Cover Sheet(Front Cover)	Y	N	N
Front and Back Cover	Y	N	N
Slip Sheet	Y	N	N
Chaptering	Y	N	N
Rotate by 180 degrees	Y	Y	Y
Reverse Order Print	N	Y	Y
Do not print Blank Pages	Y*2	N	N
Dithering	Y	Y	Y
Toner Saving	N	Y	Y
Black Over Print	N	N	N
CLP Color Simulation	N	N	N
Print Priority Setting :Quality	N	N	N
Print Priority Setting :Speed	N	N	N
Print Priority Setting :High Speed	N	N	N
User ID	Y	Y	Y
User Code	Y	Y	Y
User Authentication	Y	N	N
Encryption/Encoding	Y	N	N
Mirror image Print	N	Y	N
Negative Image Print	N	N	N
Edge to Edge Print	Y	Y	Y
Limitation Setting	Y	N	N
Classification Code	Y	N	N

*RPCS driver has been discontinued.

*Usage on Mac OS 8.6-9.2 is not be supported.

*1: "Centering" feature cannot be selected from PCL driver. However PCL has this feature as the original function.

When printing with Reduce/Enlarge(Zoom) feature of PCL driver, the output will be automatically centered by the PCL's original centering function.

*2: This feature cannot be set from printer driver but is set "On" at "PCL setting" of MFP.

Other MFP Support Information

Documentation received with the machine.

Manual Name	Paper Manual	HTML Manual	PDF Manual
Manuals and Safety Information for this Machine	Yes	No	No
About This Machine	Yes	Yes	Yes
Troubleshooting	Yes	Yes	Yes
Copy and Document Server Reference	No	Yes	Yes
Facsimile Reference	No	Yes	Yes
Printer Reference	No	Yes	Yes
Scanner Reference	No	Yes	Yes
Network and System Settings Reference	No	Yes	Yes
Security Reference	No	Yes	Yes

Product Support Guide

D120/ D121/ D122

Manual Name	Paper Manual	HTML Manual	PDF Manual
PostScript 3 Supplement	No	Yes	Yes
VM Card Extended Feature Settings Device Reference	No	Yes	Yes

Note: For "UNIX Supplement", please visit our Web site or consult an authorized dealer. This manual includes descriptions of functions and settings that might not be available on this machine.

Counters

- User Tools / Counter → Counter → OK → Print → Start
- User Tools → System Settings → Administrator Tools → Display / Print Counter → Print → Start
- Electronic counter: 8 digits
- Mechanical counter 7 digits – Location: open front cover – Left hand side. This counter is optional.

Paper

Recommended Throughput Material

Not Applicable

Non Recommended Throughput Material

Refer to pages in the Operating Instructions- About This Machine.

Do not use any of the following kinds of paper or a fault might occur:

- Aluminum Foil, Carbon paper,
- Conductive paper
- Paper meant for an inkjet printer
- Bent, folded, or creased paper
- Torn paper
- Thermal fax paper
- Art paper
- Paper with perforated lines
- Hemmed-edge paper
- Tab stock
- Slippery paper
- Perforated paper
- Rough paper
- Thin paper with little stiffness
- Paper with a dusty surface

Special Paper

Not Applicable

Firmware Information

Firmware

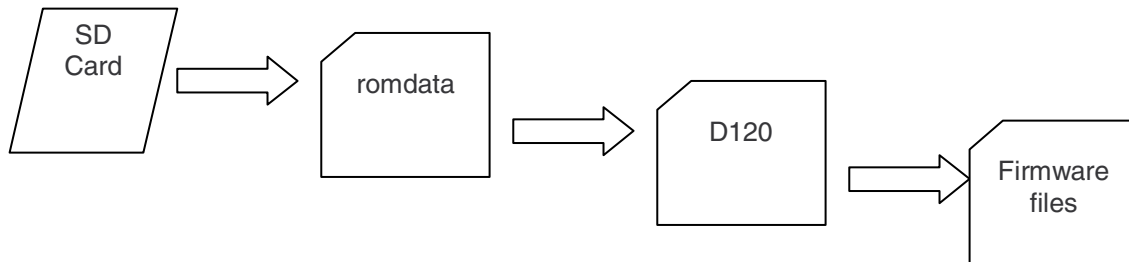
Firmware SD Card	Firmware Type
------------------	---------------

Product Support Guide

D120/ D121/ D122

Firmware SD Card	Firmware Type
ADF_LHOTSE-D	ADF
Animation	Animation
Engine	Engine
Fax	Fax
Finisher SR3070	500-Sheet Finisher
Finisher SR3090	1000-Sheet Finisher
Internal Finisher Type 3352	500-Sheet Internal Finisher
Finisher SR3100	1000-sheet Booklet Finisher
Font EXP	Font EXP
GWFCU3.5-1(WW)	FCU
Language Install	Language
MediaPrint	MediaPrint
Network DocBox	Netfile
Network Support	NCS
OpePanel.EXP	LCDC
PCL	PCL
PCL Font	PCL Font
PDF	PDF
Printer	Printer
PS	PS
PS3 Font	PS3 Font
Remote Fax	Rfax
Scanner	Scanner
System/Copy	Controller
Web Support	WebSys
Web Uapl	Web DocBox

SD Card Arrangement



Con NOTE: Only ,fwu files are used on the SD Card. For RFU firmware refer to Pub Bulletin 059.

Name	
Technical Services Call Center (Home)	Phone: (800) 307-7207 Savin: (800) 291-6044

Product Support Guide

D120/ D121/ D122

Name	Contact
	Lanier: (800) 333-3147
Application Help Desk (Software Issues)	Ricoh Phone Card: 2 Call - 000781MIU, 5 Call - 000900MIU Savin Phone Card: 2 Call - 12992, 5 Call - 12993
Hytex Parts and Logistics Control	(800) 557-4264 http://www.nrc-usa.com
Technology Solutions Resource Center	http://www.tscweb.net
Headquarter Web Sites	Ricoh Corporation: http://www.ricoh-usa.com Savin Corporation: http://www.savin.com Lanier Corporation: http://www.lanier.com
Material Safety Data Sheets	(800) 336-MSDS (6737)
Ricoh University	973.882.2200. http://www.ricohuniversity.com

Training Information

Documentation

Description	EDP Code	RFG E-Source Number
D120/D121/D122 Self Pace CBT Update Package		N/A
D120/D121/D122 Service Manual		rfg049796
D120/D121/D122 Parts Catalog		rfg049797
D120/D121/D122 Point to Points		rfg049798
D120/D121/D122 Operating Instruction Manual;		rfg049800

Please refer to the <http://www.ricohuniversity.com/> web site for the most up to date training information.

Please be aware that once a model or series is out of production, the Field Service Manual, Technical Service Bulletins and Ricoh University should be referenced for the most current information. Check the TSC website and e-source.

Product Support Guide

D120/ D121/ D122

Revisions

1.0 Original