



**RICOH UNIVERSITY**  
Learning ♦ Knowledge ♦ Performance



# **D120/D121/D122/D139/D140/D141 PARTS CATALOG**

*WWW.SERVICE-MANUAL.NET*

**LANIER RICOH SAVIN®**

It is the reader's responsibility when discussing the information contained within this document to maintain a level of confidentiality that is in the best interest of Ricoh Americas Corporation and its member companies.

**NO PART OF THIS DOCUMENT MAY BE REPRODUCED IN ANY  
FASHION AND DISTRIBUTED WITHOUT THE PRIOR  
PERMISSION OF RICOH AMERICAS CORPORATION.**

All product names, domain names or product illustrations, including desktop images, used in this document are trademarks, registered trademarks or the property of their respective companies.

They are used throughout this book in an informational or editorial fashion only and for the benefit of such companies. No such use, or the use of any trade name, or web site is intended to convey endorsement or other affiliation with Ricoh products.

© 2011 RICOH Americas Corporation. All rights reserved.

*WWW.SERVICE-MANUAL.NET*

# LEGEND

PRODUCT CODE	COMPANY		
	LANIER	RICOH	SAVIN
D120	MP 2352SP	Aficio MP 2352SP	MP 2352SP
D121	MP 2852	Aficio MP 2852	MP 2852
D122	MP 3352	Aficio MP 3352	MP 3352
D139 (220V)	MP 2352SP	Aficio MP 2352SP	MP 2352SP
D140 (220V)	MP 2852	Aficio MP 2852	MP 2852
D141 (220V)	MP 3352	Aficio MP 3352	MP 3352
D578	DF3060 Document Feeder		
D579	PB3120 Paper Feed Unit		
D580	PB3130 Paper Feed Unit		
D581	PB3140 Large Capacity Tray		
D582	BN3090 One-bin Tray		
D584	BU3050 Bridge Unit		
D584	SH3050 Shift Tray		
D585	SR3070 500-sheet Finisher		
D586	Internal Finisher Type 3352		

D587	PU3020 Punch Unit
D588	SR3090 1,000-sheet Finisher
D589	SR3100 Booklet Finisher
D595	Printer/Scanner Unit Type 3352
D596	Fax Option Type 3352

# DOCUMENTATION HISTORY

REV. NO.	DATE	COMMENTS
*	10/2011	Original Printing



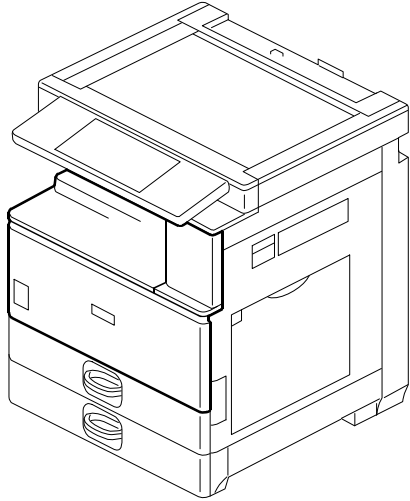


# **D120/D121/D122/D139/D140/D141 PARTS LOCATION AND LIST**

This section shows you the part numbers and descriptions used on this machine.

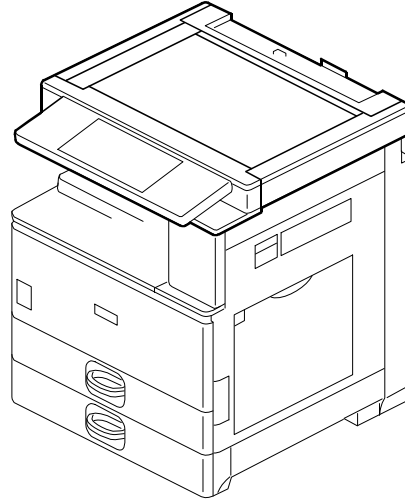
# LOCATIONS OF UNITS

1. Exterior 1 (D120/D121/D122/D139/D140/D141)



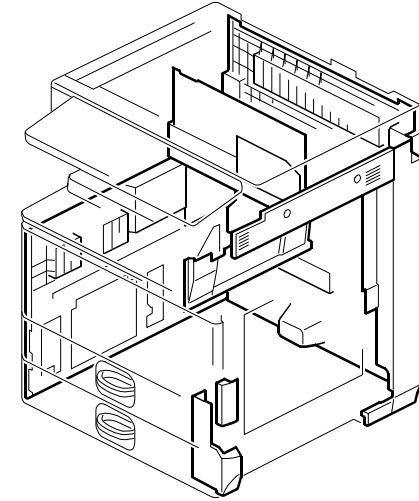
See Page 9

2. Exterior 2 (D120/D121/D122/D139/D140/D141)



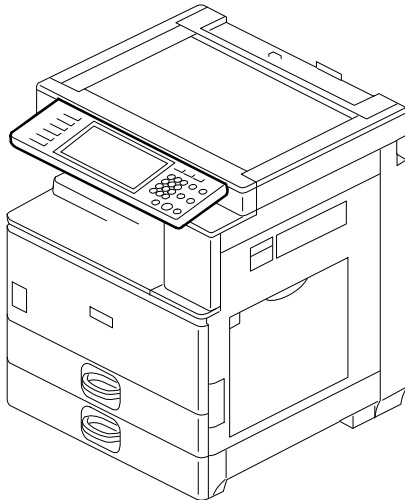
See Page 11

3. Exterior 3 (D120/D121/D122/D139/D140/D141)



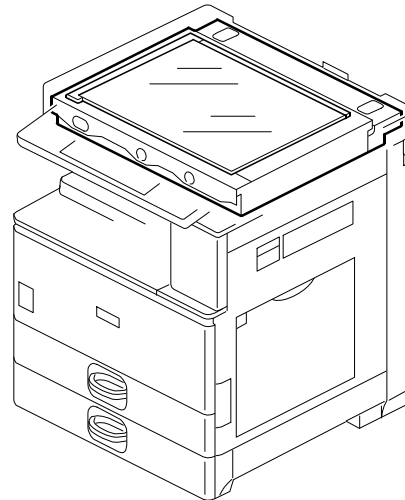
See Page 13

4. Operation Panel  
(D120/D121/D122/D139/D140/D141)



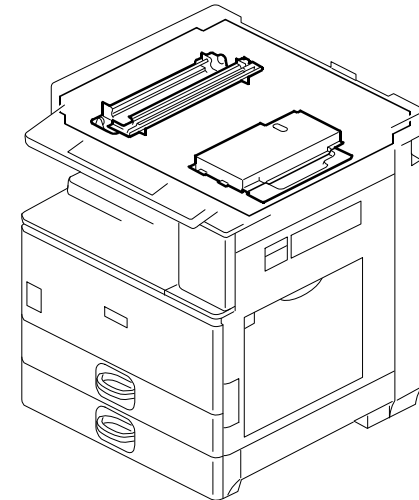
See Page 15

5. Scanner Section1  
(D120/D121/D122/D139/D140/D141)



See Page 17

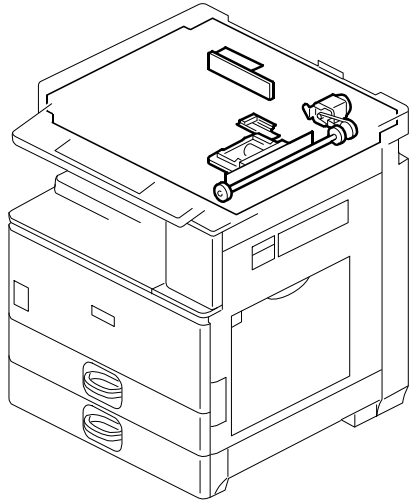
6. Scanner Section2  
(D120/D121/D122/D139/D140/D141)



See Page 19

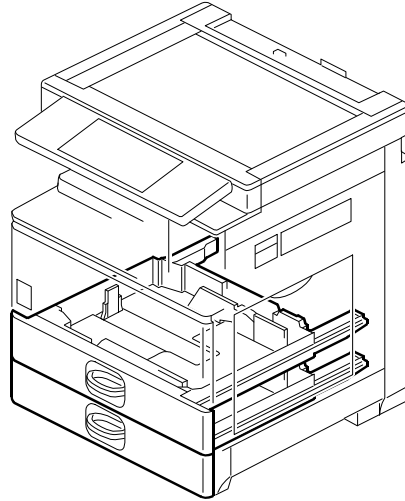
## LOCATIONS OF UNITS

7. Scanner Section3  
(D120/D121/D122/D139/D140/D141)



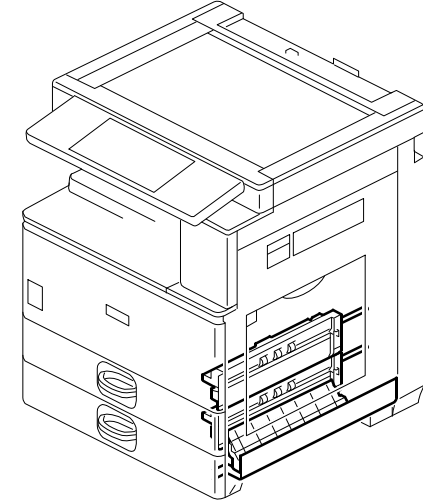
See Page 21

8. Paper Tray (D120/D121/D122/D139/D140/D141)



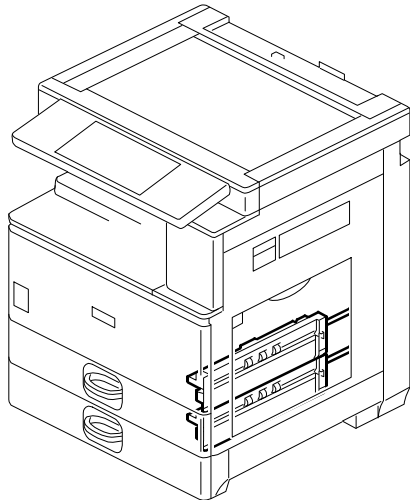
See Page 23

9. Paper Feed Section 1  
(D120/D121/D122/D139/D140/D141)



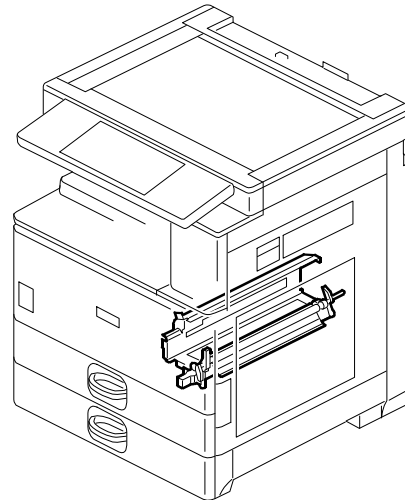
See Page 25

10. Paper Feed Section 2  
(D120/D121/D122/D139/D140/D141)



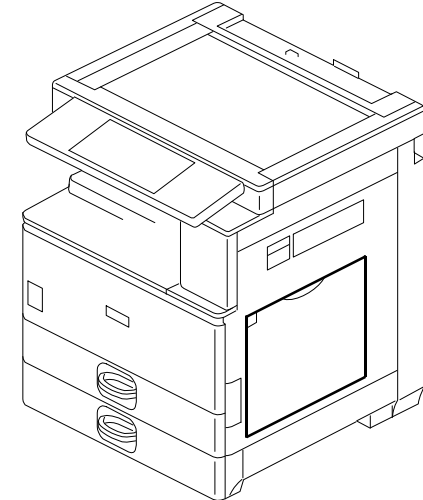
See Page 27

11. Paper Registration  
(D120/D121/D122/D139/D140/D141)



See Page 29

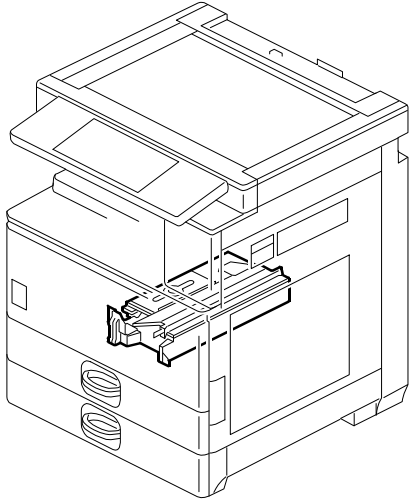
12. By-pass Feed Section  
(D120/D121/D122/D139/D140/D141)



See Page 31

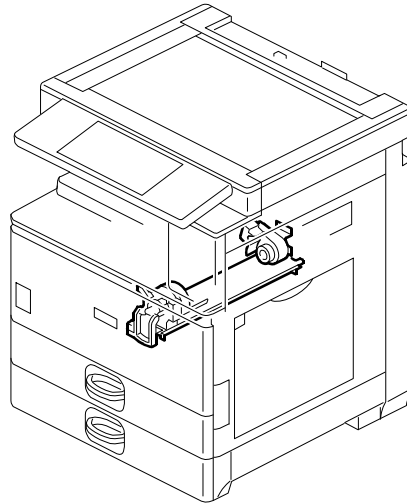
## LOCATIONS OF UNITS

13. LD Unit (D120/D121/D122/D139/D140/D141)



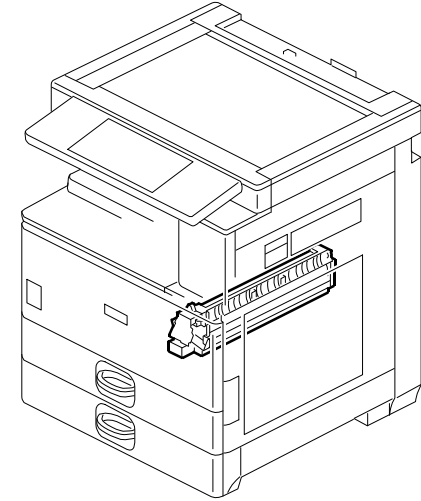
See Page 33

14. Toner Supply Unit  
(D120/D121/D122/D139/D140/D141)



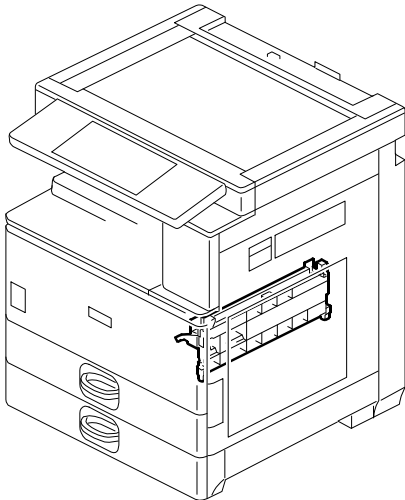
See Page 35

15. PCU (D120/D121/D122/D139/D140/D141)



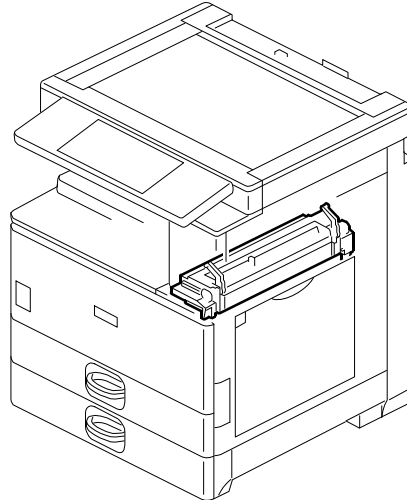
See Page 37

16. Transfer Unit  
(D120/D121/D122/D139/D140/D141)



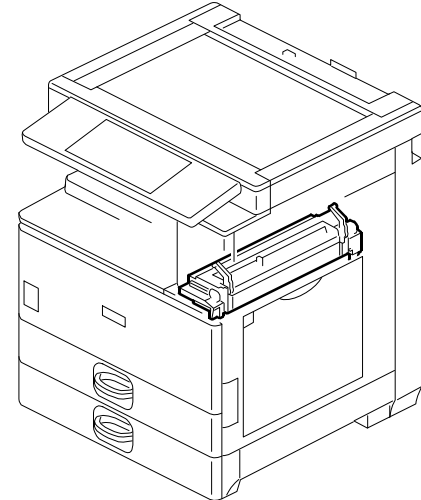
See Page 39

17. Fusing Unit 1  
(D120/D121/D122/D139/D140/D141)



See Page 41

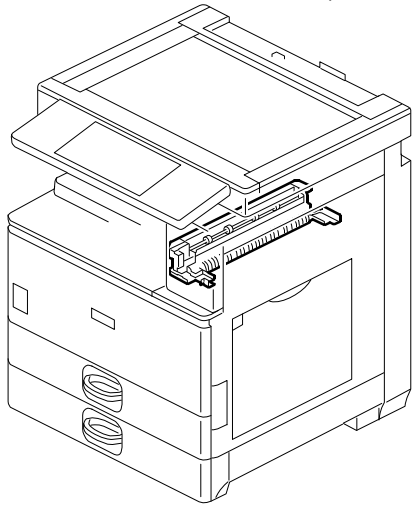
18. Fusing Unit 2  
(D120/D121/D122/D139/D140/D141)



See Page 43

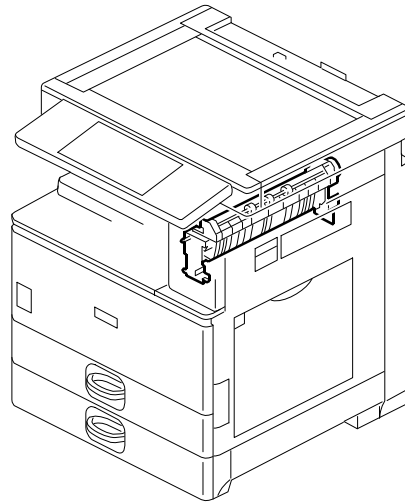
## LOCATIONS OF UNITS

19. Paper Exit Section  
(D120/D121/D122/D139/D140/D141)



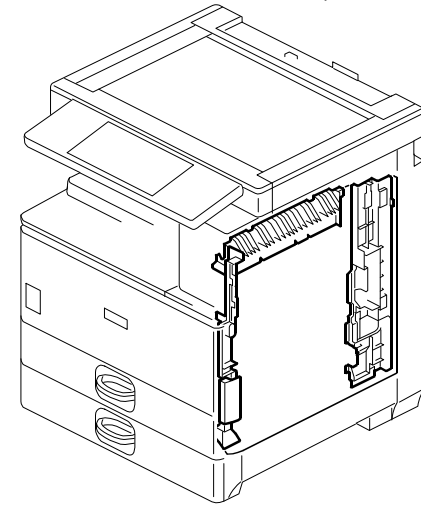
See Page 45

20. Paper Invert Section  
(D120/D121/D122/D139/D140/D141)



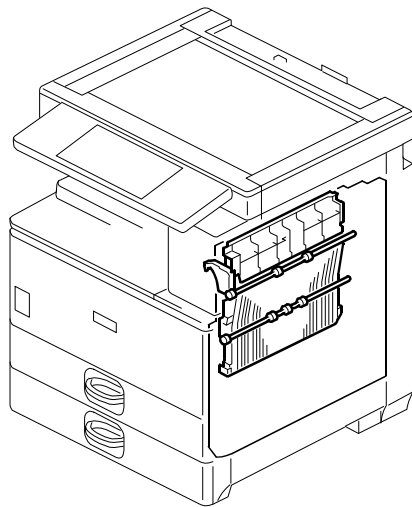
See Page 47

21. Duplex Section 1  
(D120/D121/D122/D139/D140/D141)



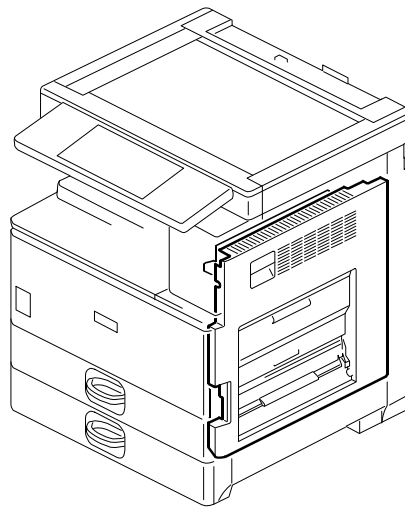
See Page 49

22. Duplex Section 2  
(D120/D121/D122/D139/D140/D141)



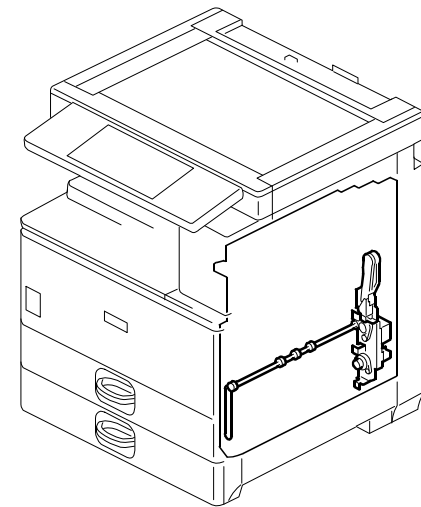
See Page 51

23. Duplex Section 3  
(D120/D121/D122/D139/D140/D141)



See Page 53

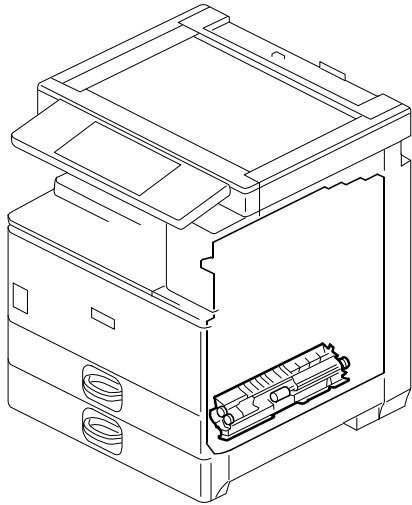
24. Duplex Section 4  
(D120/D121/D122/D139/D140/D141)



See Page 55

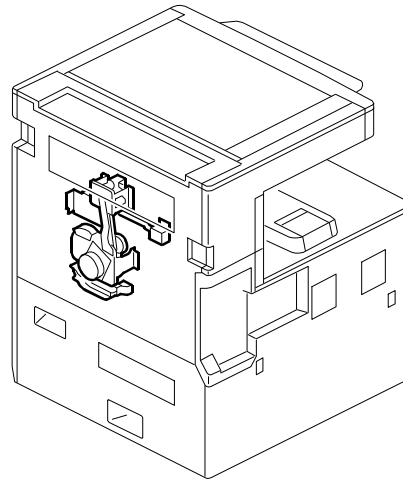
## LOCATIONS OF UNITS

25. Duplex Section 5  
(D120/D121/D122/D139/D140/D141)



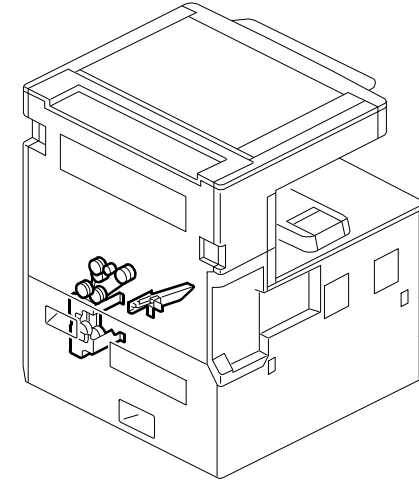
See Page 57

26. Drive Section 1  
(D120/D121/D122/D139/D140/D141)



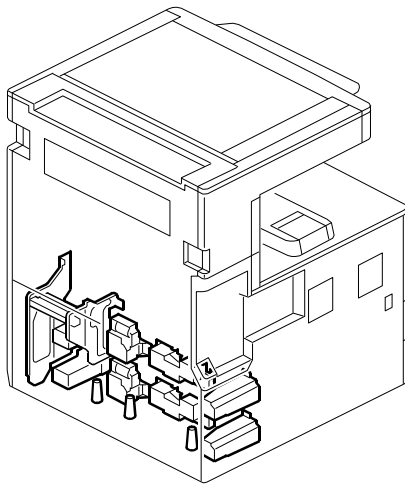
See Page 59

27. Drive Section 2  
(D120/D121/D122/D139/D140/D141)



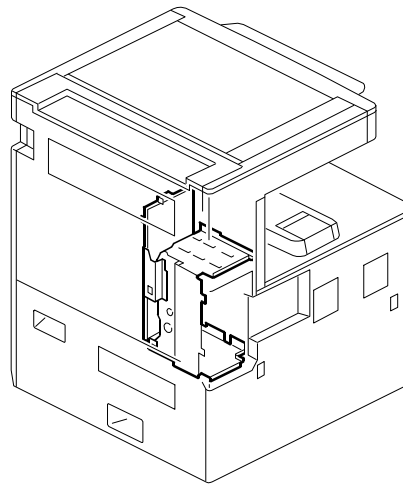
See Page 61

28. Drive Section 3  
(D120/D121/D122/D139/D140/D141)



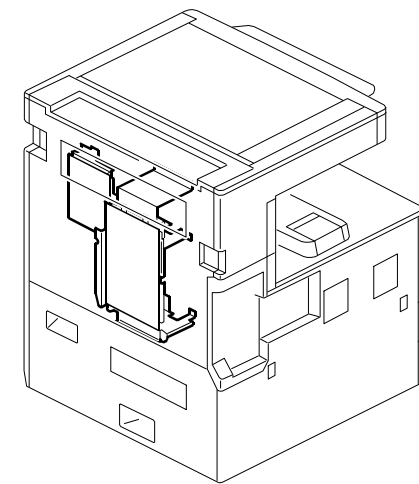
See Page 63

29. Electrical Section 1  
(D120/D121/D122/D139/D140/D141)



See Page 65

30. Electrical Section 2  
(D120/D121/D122/D139/D140/D141)

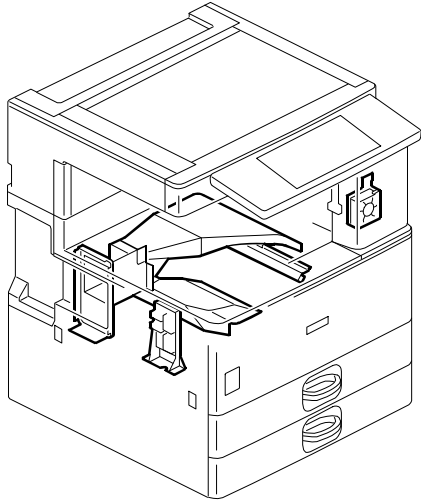


See Page 67



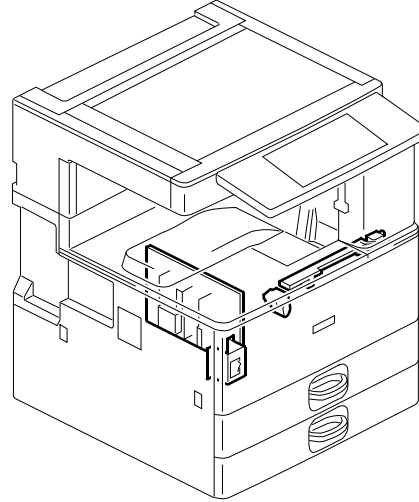
## LOCATIONS OF UNITS

31. Electrical Section 3  
(D120/D121/D122/D139/D140/D141)



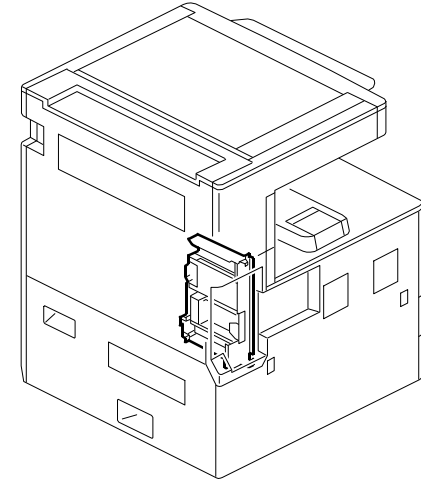
See Page 69

32. Electrical Section 4  
(D120/D121/D122/D139/D140/D141)



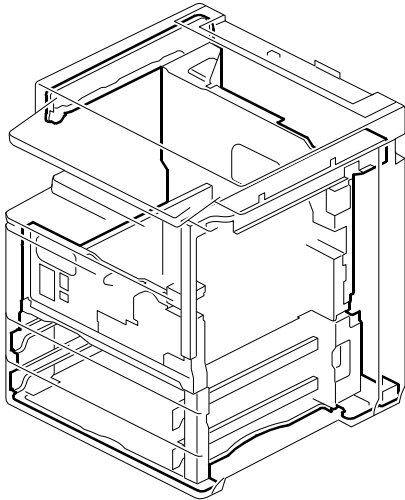
See Page 71

33. Controller Section  
(D120/D121/D122/D139/D140/D141)



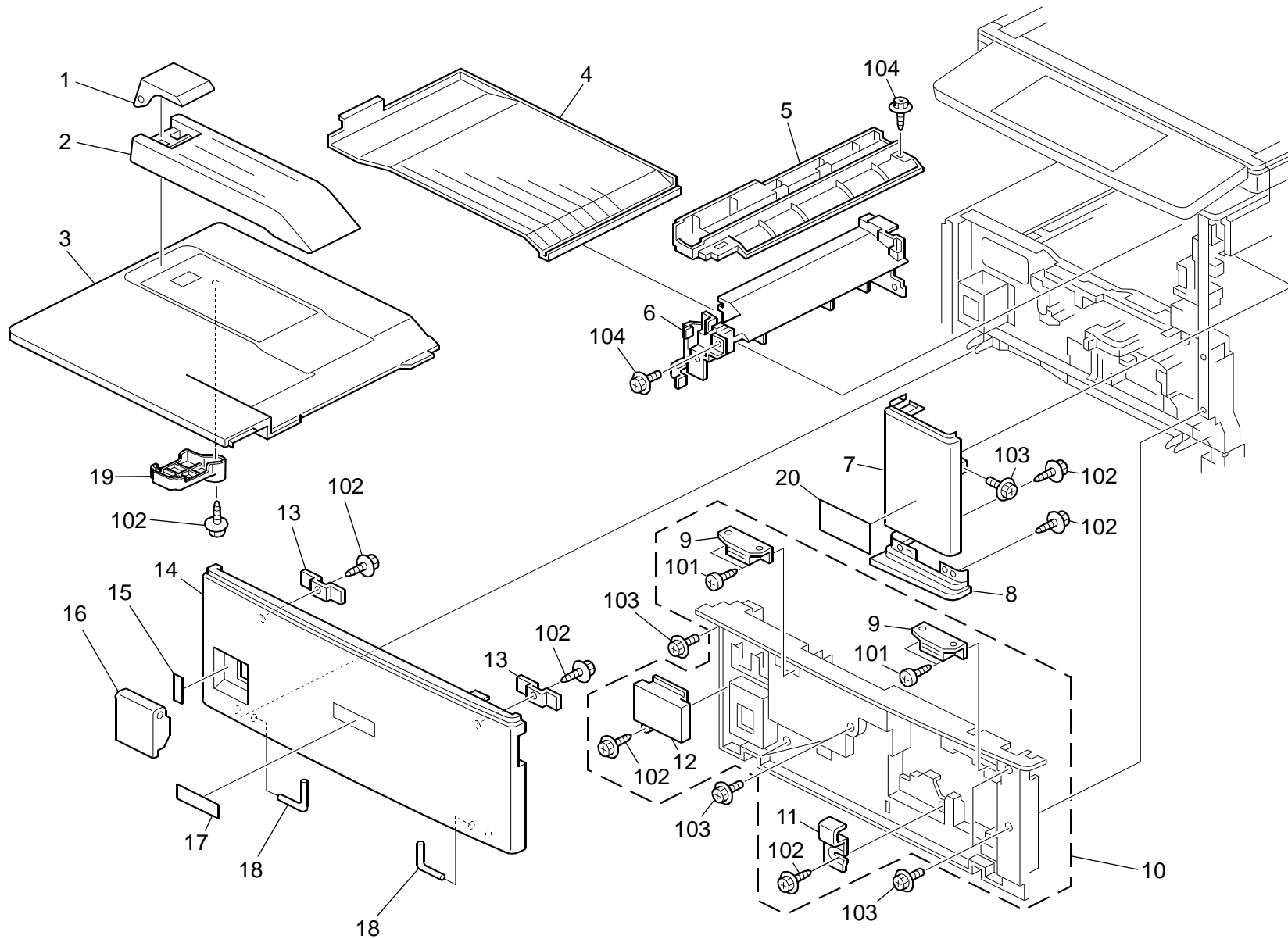
See Page 73

34. Frame Section  
(D120/D121/D122/D139/D140/D141)



See Page 75

# 1.Exterior 1 (D120/D121/D122/D139/D140/D141)

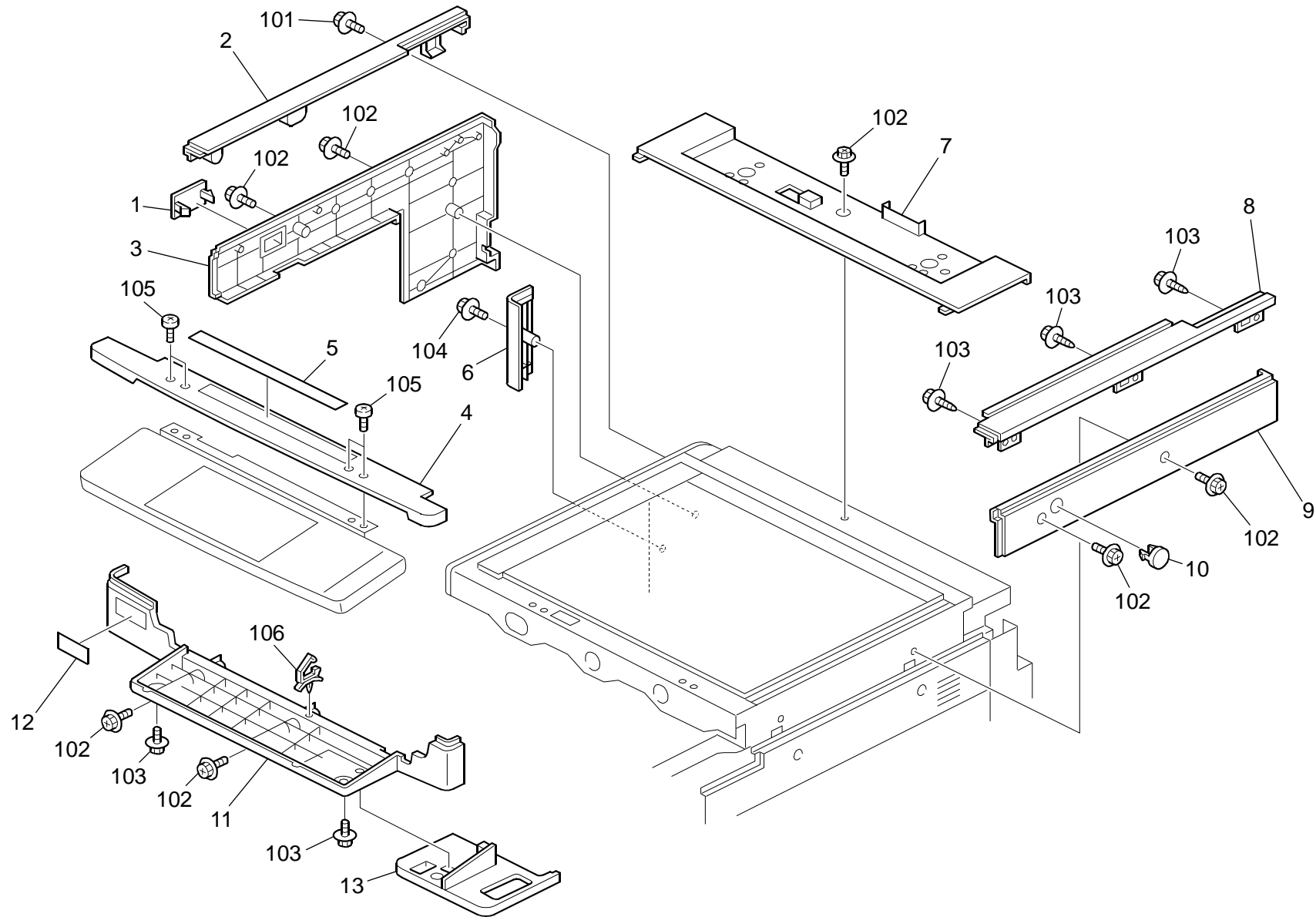


## 1.Exterior 1 (D120/D121/D122/D139/D140/D141)

Index No.	Part No.	Description	Q'ty Per Assembly
1	D120 1307	End Fence: Exit	1
2	D120 1341	Cover: Paper Exit Sub-unit: Lower: Upper	1
3	D120 1340	Cover: Paper Exit Sub-unit: Lower	1
4	D120 4818	Tray: Reverse	1
5	D120 4821	Frame: Reverse: Upper	1
6	D120 4831	Frame: Reverse: Lpser	1
7	D120 1304	Cover: Front: Right Upper	1
8	D120 1306	Cover: Front: Right Lower	1
9	AG07 0504	Magnet Catch: 44.1N	2
10	D120 1330	Cover: Front: Ass'y	1
11	D120 1322	Cover: Shield Glass	1
12	D120 1321	Cover: SD-Card	1
13	B024 1264	Magnet Catch	2
14	D120 1262	Door: Front	1
15	D011 1252	Decal: Main Switch: On-standby	1
15	D011 1253	Decal: Main Switch: On-standby: EU	1
16	D120 1263	Cover: Main Switch	1
17	AA00 1564	Plate: Logotype: RIC	1
17	AA00 1565	Plate: Logotype: LAN	1
17	AA00 1566	Plate: Logotype: SVN	1
17	AA00 1567	Plate: Logotype: GES	1
17	AA00 1568	Plate: Logotype: NSA	1
17	AA00 1569	Plate: Logotype: REX	1
17	AA00 1570	Plate: Logotype: INF	1
18	G020 1332	Hinge - Front Cover	2
19	D120 1343	Cover: Paper Exit Sub-unit: Behind	1
20	D120 6490	Decal: Caution: Inkjet	1

Index No.	Part No.	Description	Q'ty Per Assembly
101	0802 5318	Binding Head Tapping Screw: Es: 3x10	
102	0802 5320	Hexagon Head Tapping Screw: Es: 3x10	
103	0451 3008N	Tapping Screw - M3x8	
104	0802 5319	Hexagon Head Tapping Screw: Es: 3x8	

## 2.Exterior 2 (D120/D121/D122/D139/D140/D141)



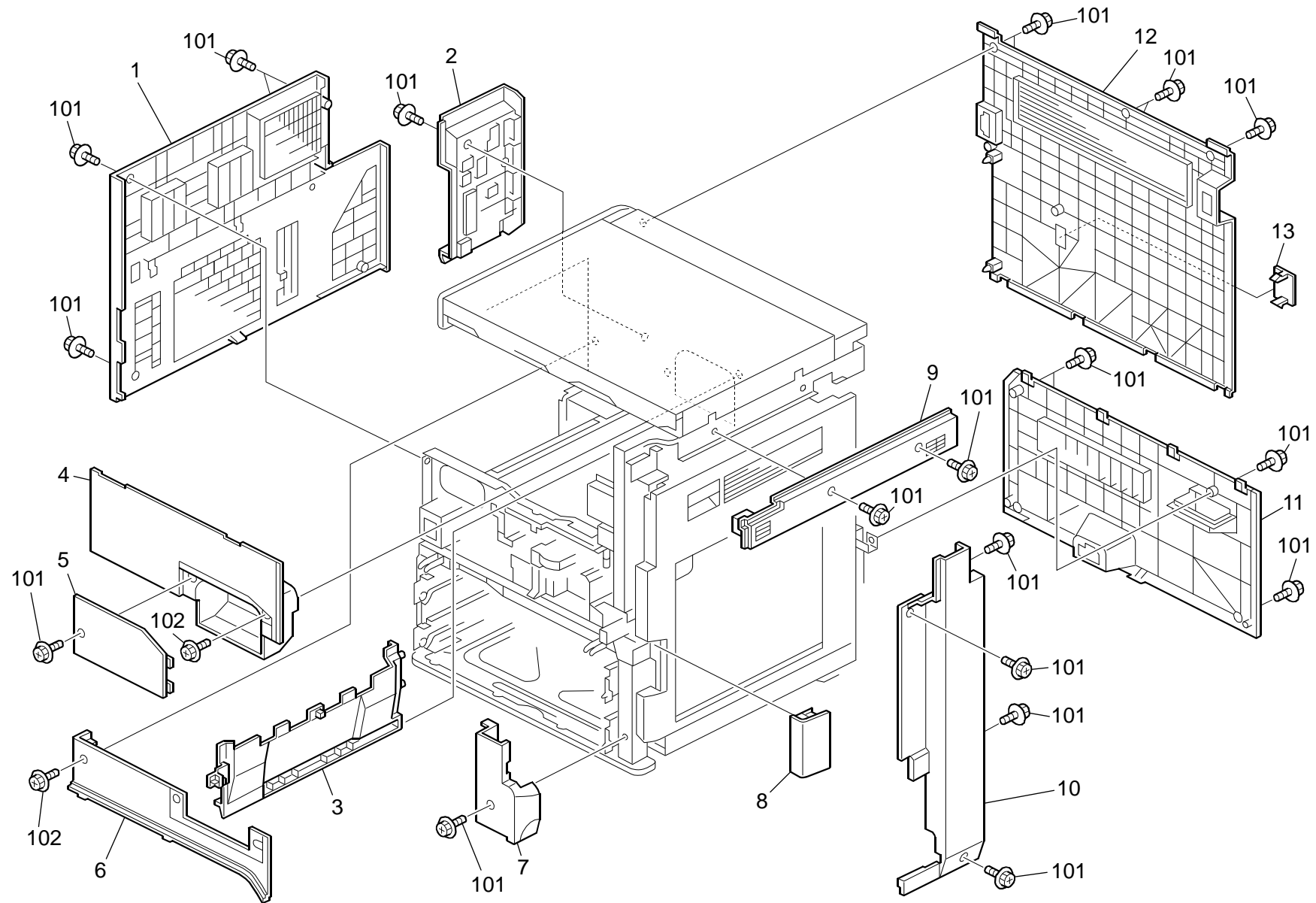
[WWW.SERVICE-MANUAL.NET](http://WWW.SERVICE-MANUAL.NET)

## 2.Exterior 2 (D120/D121/D122/D139/D140/D141)

Index No.	Part No.	Description	Q'ty Per Assembly
1	D120 1337	Cap: Cover	1
2	D120 1251	Cover: Scanner: Left Upper	1
3	D120 1250	Cover: Scanner: Left Lower	1
4	D120 1255	Cover: Scanner: Front Upper	1
5	D120 6441	Decal: Caution: Original: English	1
6	D120 1301	Cover: Paper Exit Sub-unit: Left	1
7	D120 1252	Cover: Scanner: Rear	1
8	D120 1254	Cover: Scanner: Right Upper	1
9	D120 1253	Cover: Scanner: Right Lower	1
10	D120 1344	Cap: Cover: Right	1
11	D120 1265	Cover: Scanner: Front Lower	1
12	D120 8620	Decal: Model Name Plate: MP2352: EXP	1
12	D120 8621	Decal: Model Name Plate: MP2352: SVN	1
12	D120 8622	Decal: Model Name Plate: MP2352: LAN	1
12	D120 8623	Decal: Model Name Plate: MP2352: GES: NA	1
12	D120 8624	Decal: Model Name Plate: MP2352: NRG	1
12	D120 8625	Decal: Model Name Plate: MP2352: INF	1
12	D120 8626	Decal: Model Name Plate: MP2352SP: EXP	1
12	D120 8627	Decal: Model Name Plate: MP2352SP: LAN	1
12	D120 8628	Decal: Model Name Plate: MP2352SP: GES: NA	1
12	D120 8629	Decal: Model Name Plate: MP2352SP: NRG	1
12	D120 8630	Decal: Model Name Plate: MP2352SP: INF	1
12	D121 8620	Decal: Model Name Plate: MP2852: EXP	1
12	D121 8621	Decal: Model Name Plate: MP2852: SVN	1
12	D121 8622	Decal: Model Name Plate: MP2852: LAN	1
12	D121 8623	Decal: Model Name Plate: MP2852: GES: NA	1
12	D121 8624	Decal: Model Name Plate: MP2852: NRG	1
12	D121 8625	Decal: Model Name Plate: MP2852: INF	1
12	D121 8626	Decal: Model Name Plate: MP2852SP: EXP	1
12	D121 8627	Decal: Model Name Plate: MP2852SP: LAN	1
12	D121 8628	Decal: Model Name Plate: MP2852SP: GES: NA	1
12	D121 8629	Decal: Model Name Plate: MP2852SP: NRG	1
12	D121 8630	Decal: Model Name Plate: MP2852SP: INF	1

Index No.	Part No.	Description	Q'ty Per Assembly
12	D122 8620	Decal: Model Name Plate: MP3352: EXP	1
12	D122 8621	Decal: Model Name Plate: MP3352: SVN	1
12	D122 8622	Decal: Model Name Plate: MP3352: LAN	1
12	D122 8623	Decal: Model Name Plate: MP3352: GES: NA	1
12	D122 8624	Decal: Model Name Plate: MP3352: NRG	1
12	D122 8625	Decal: Model Name Plate: MP3352: INF	1
12	D122 8626	Decal: Model Name Plate: MP3352SP: EXP	1
12	D122 8627	Decal: Model Name Plate: MP3352SP: LAN	1
12	D122 8628	Decal: Model Name Plate: MP3352SP: GES: NA	1
12	D122 8629	Decal: Model Name Plate: MP3352SP: NRG	1
12	D122 8630	Decal: Model Name Plate: MP3352SP: INF	1
13	D120 1259	Cover: Scanner: Front Right	1
101	0454 3008Q	Tapping Screw: 3x8	
102	0451 3008N	Tapping Screw - M3x8	
103	0802 5320	Hexagon Head Tapping Screw: ES: 3x10	
104	0451 3008P	Tapping Screw - 3x8	
105	0353 0050P	Screw: M3x5	
106	1105 0511	Harness Clamp - LWS-0306ZC	

### 3.Exterior 3 (D120/D121/D122/D139/D140/D141)



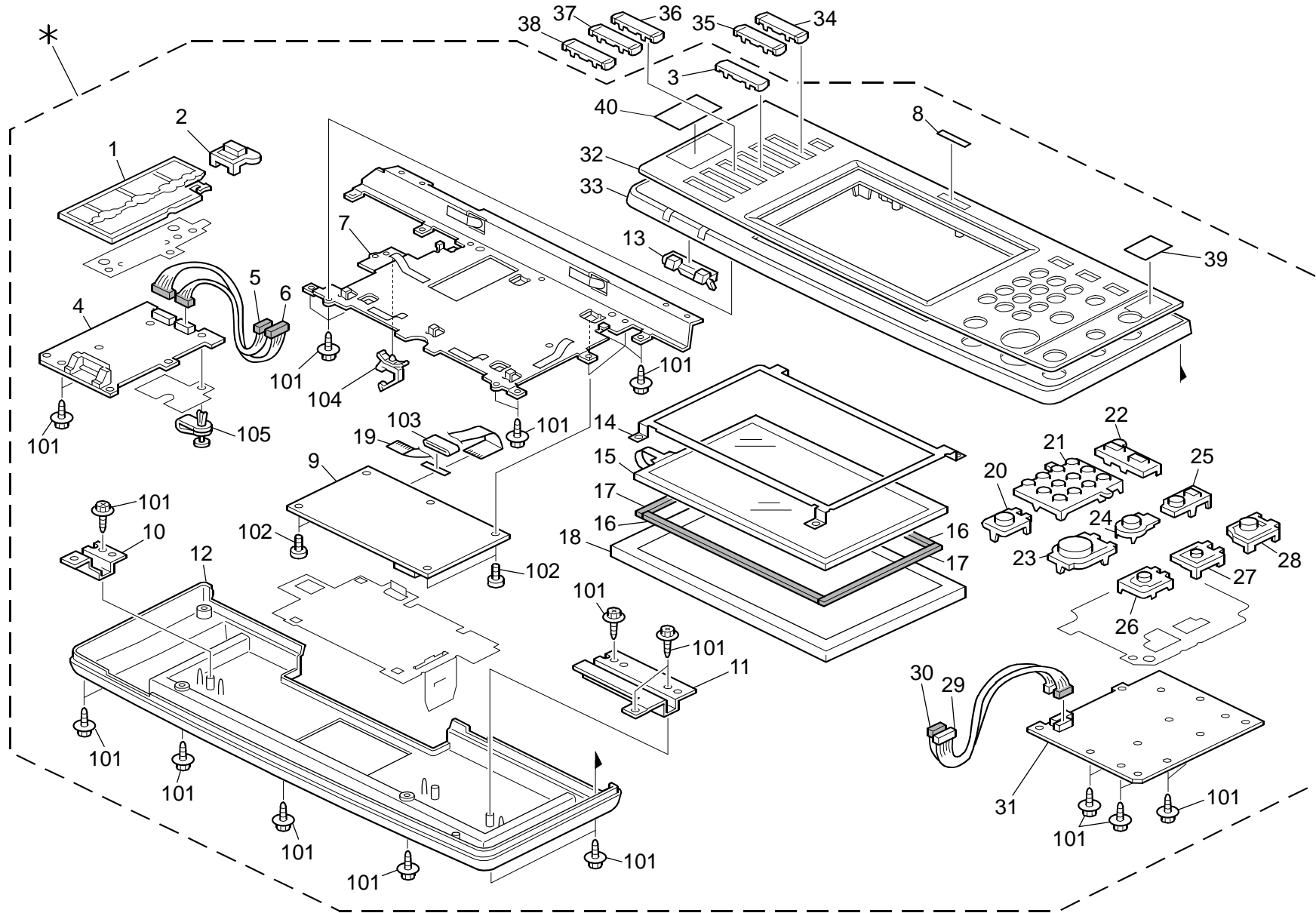
[WWW.SERVICE-MANUAL.NET](http://WWW.SERVICE-MANUAL.NET)

### 3.Exterior 3 (D120/D121/D122/D139/D140/D141)

Index No.	Part No.	Description	Q'ty Per Assembly
1	D120 1280	Cover: Left	1
2	D120 1281	Cover: Left Rear	1
3	D120 1305	Cover: Paper Exit Sub-unit: Right Lower	1
4	D120 1300	Cover: Paper Exit Sub-unit: Rear	1
5	D120 1309	Cover: Paper Exit Sub-unit: Inner Back	1
6	D120 1342	Cover: Paper Exit Sub-unit: Rear Lower	1
7	D120 1272	Cover: Right Front	1
8	D120 4645	Inner Cover: Grip: Duplex Unit	1
9	D120 1270	Cover: Right	1
10	D120 1271	Cover: Right Rear	1
11	D120 1290	Cover: Rear: Lower	1
12	D120 1291	Cover: Rear: Upper	1
13	D120 1337	Cap: Cover	1

Index No.	Part No.	Description	Q'ty Per Assembly
101	0451 3008N	Tapping Screw - M3x8	
102	0451 3008P	Tapping Screw - 3x8	

# 4.Operation Panel (D120/D121/D122/D139/D140/D141)



WWW.SERVICE-MANUAL.NET



#### 4.Operation Panel (D120/D121/D122/D139/D140/D141)

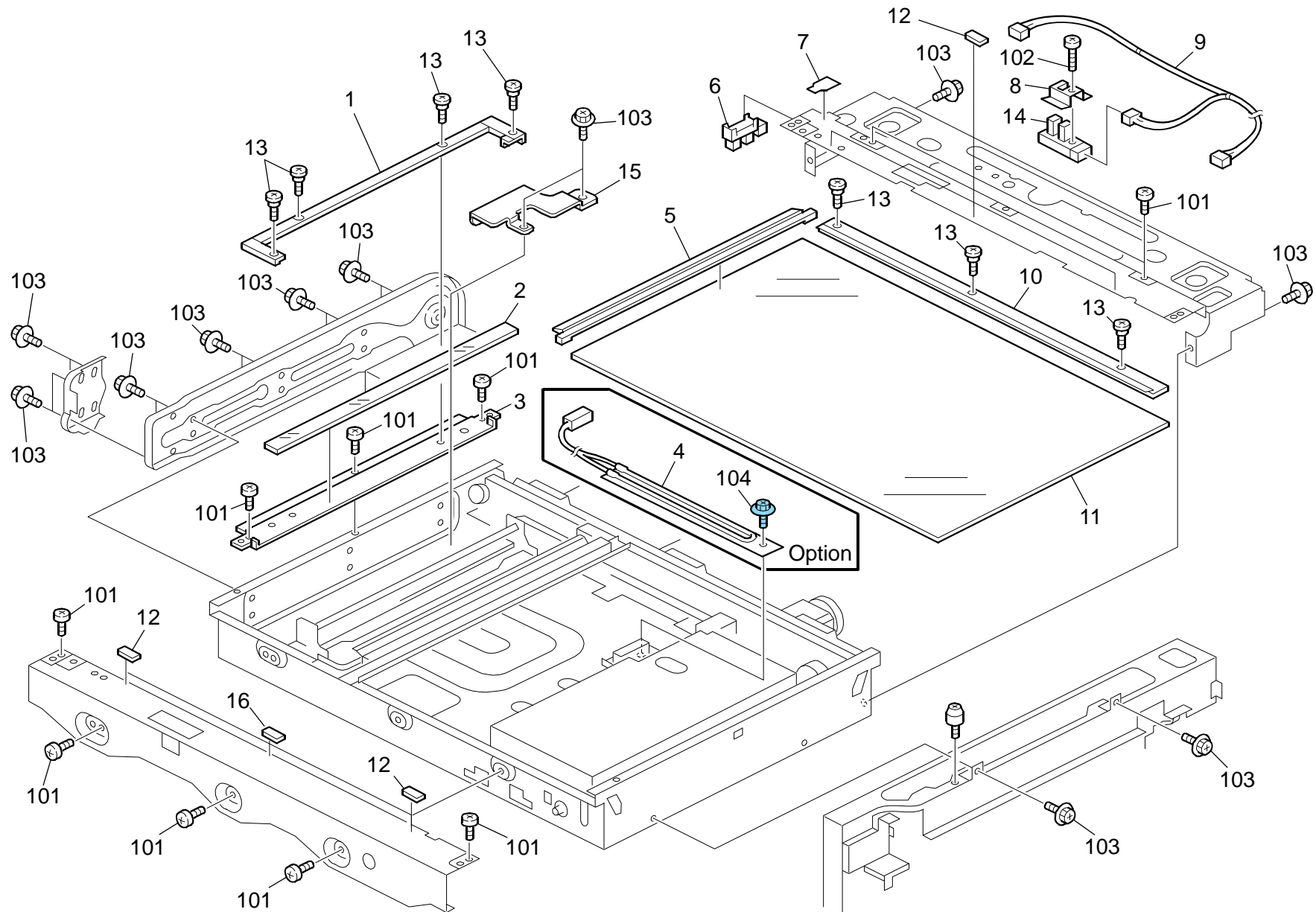
Rev. 12/15/2011

Index No.	Part No.	Description	Q'ty Per Assembly
*	D120 1401	Operation Sub-Unit: OVL-C1: NA: Ass'y	1
*	D120 1402	Operation Sub-Unit: OVL-C1: EU: Ass'y	1
*	D120 1403	Operation Sub-Unit: OVL-C1: AA: Ass'y	1
*	D120 1414	Operation Sub-Unit: OVL-C1: TWN: Ass'y	1
*	D120 1415	Operation Sub-Unit: OVL-C1: CHN: Ass'y	1
1	B238 1547	Spacer - Keytop	1
2	D120 1514	Keytop: Counter	1
3	D120 1521	Keytop: Blank	5
4	D120 1471	PCB OP-L: Service: Ass'y	1
5	D009 1480	Harness: OP-L: 12	1
6	D009 1481	Harness: OP-R: 13	1
7	D120 1540	Bracket: LCDC: Ass'y	1
8	D120 1551	Sheet: Logo	1
8	D120 1556	Sheet: Logo: LAN	1
8	D120 1557	Sheet: Logo: GES	1
8	D120 1558	Sheet: Logo: REX	1
8	D120 1559	Sheet: Logo: NAS	1
8	D120 1560	Sheet: Logo: INF	1
8	D120 1561	Sheet: Logo: SAV	1
9	D120 1474	PCB: LCDC: NA: FT: Ass'y	1
9	D120 1475	PCB: LCDC: EU: FT: Ass'y	1
9	D120 1479	PCB: LCDC: TWN/AA: FT: Ass'y	1
10	B238 1527	Operation Panel Bracket	1
11	B238 1548	Operation Panel Bracket - Right	1
12	D120 1501	Cover: Lower	1
13	B238 1519	Lens - Front	1
14	D120 1543	Shading Plate: Touch Panel	1
15	D120 1489	Touch Panel: W-VGA: P	1
16	B238 1534	LCD Spacer A	2
17	B238 1535	LCD Spacer B	2
18	D120 1498	LCD: TFT: W-VGA: MV: LED	1
19	D120 1487	Cable: FFC: LCD	1
20	D120 1507	Keytop: Clear/Stop	1
21	D120 1513	Keytop: 10key: AA	1
21	D120 1511	Keytop: 10key	1

Index No.	Part No.	Description	Q'ty Per Assembly
22	D120 1509	Keytop: Clear Modes	1
23	D120 1506	Keytop: Start	1
24	D120 1510	Keytop: Try Print	1
25	B238 1509	Keytop - Interrupt	1
26	B238 1552	Keytop - Kantan	1
27	D120 1552	Keytop: Login	1
28	B238 1549	Keytop - Power Source	1
29	D120 1483	Harness: OP-L: 13	1
30	D120 1482	Harness: OP-L: 12	1
31	D120 1470	PCB: OP-R: Service: Ass'y	1
32	D120 1504	Panel: NA	1
32	D120 1505	Panel: EU	1
33	D120 1500	Cover: Upper	1
34	D120 1528	Keytop: Copy: NA	1
34	D120 1534	Keytop: Copy: EU	1
35	D120 1529	Keytop: DOC: NA	1
35	D120 1535	Keytop: DOC: EU	1
36	D120 1532	Keytop: Scanner: NA	1
36	D120 1538	Keytop: Scanner: EU	1
37	D120 1531	Keytop: Printer: NA	1
37	D120 1537	Keytop: Printer: EU	1
38	D120 1533	Keytop: Function: NA	1
38	D120 1539	Keytop: Function: EU	1
39	D120 1546	Sheet: Power Source: Display: NA(NA/AA)	1
39	D120 1547	Sheet: Power Source: Display: EU(EU/TWN/CHN)	1
40	D120 1549	Sheet: Data: Display: NA(NA/AA)	1
101	0450 3010N	Tapping Screw - M3x10	
102	0353 0060N	Bind Screw - M3x6	
103	1607 2392	Ferrite Core: K3 FF 25.00x10.00x3.00x0.80(M)	
104	1105 0032	Clamp	
105	1105 0582	Clamp: RBWS-0510D-V0	

# 5.Scanner Section1 (D120/D121/D122/D139/D140/D141)

Rev. 02/22/2012



WWW.SERVICE-MANUAL.NET

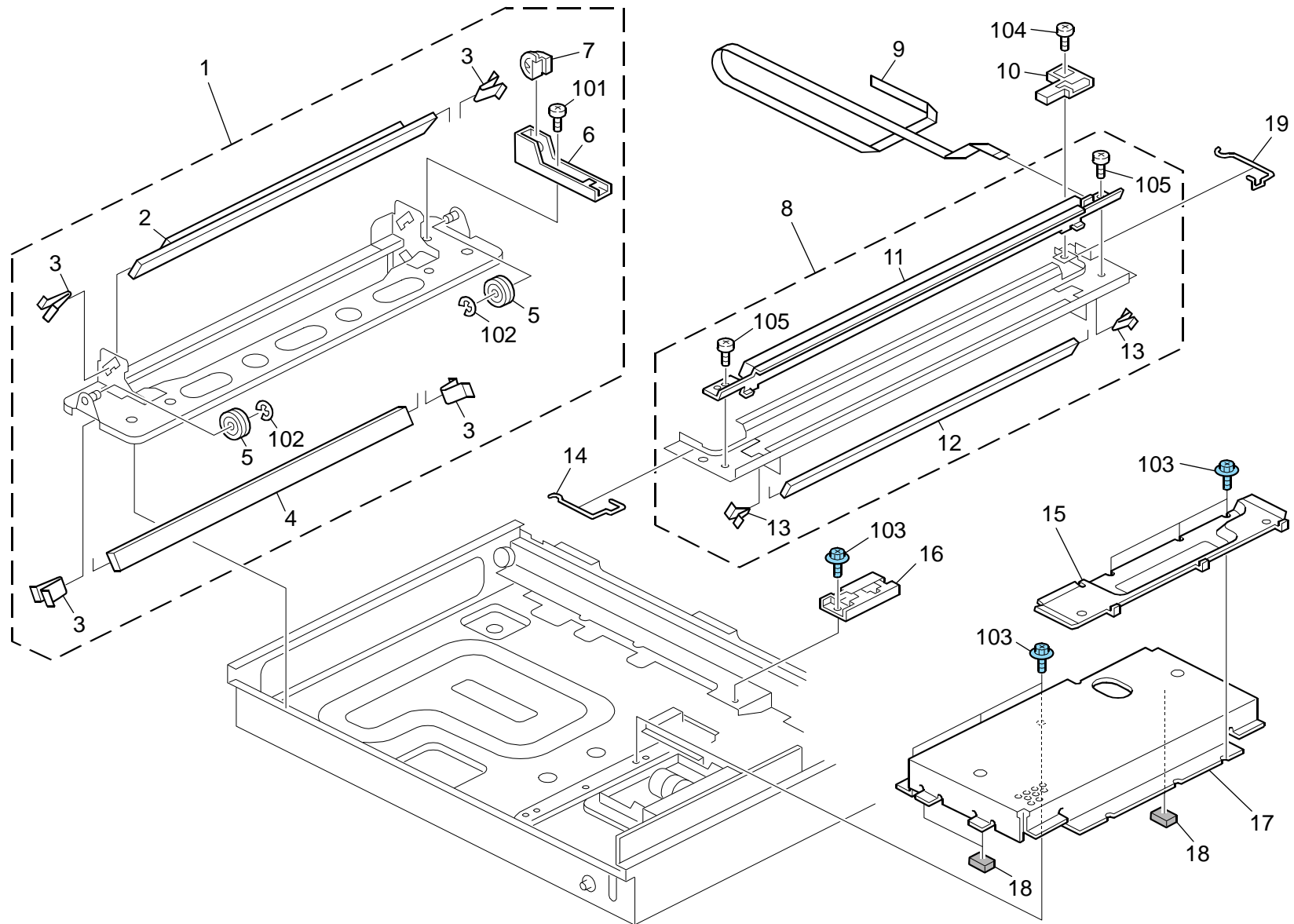
## 5.Scanner Section1 (D120/D121/D122/D139/D140/D141)

Rev. 02/22/2012

Index No.	Part No.	Description	Q'ty Per Assembly
1	D120 1781	Scale: Left: A	1
2	D105 1795	Exposure Glass: Document Feeder	1
3	B238 1803	Document Feeder Bracket	1
4	B229 1687	Heater: Option: 120V: 9W	1
4	B229 1688	Heater: Option: 230V: 9W	1
5	D120 1783	Scale: Left: B: DOM/EU: Ass'y	1
5	D120 1787	Scale: Left: B: NA: Ass'y	1
6	AW02 0146	Photointerruptor: Flat: Pitch 2 mm: M4	1
7	G570 1225	Sensor Shielding Plate	1
8	D039 1770	Ground Plate: Sensor: Aks	1
9	D120 5216	Harness: Scanner: Frame	1
10	D120 1791	Scale: Inner Back: Printing	1
11	A250 1752	Exposure Glass	1
12	D120 1751	Holder: Exposure Glass <b>[TSB#002R]</b>	5
13	D120 1759	Stepped Screw: M3: Scale	7
14	AW02 0204	Photointerruptor: LGRC102	1
15	D039 1823	Cover: Heater: Scanner	1
16	B223 1833	Seal: Exposure Glass: Rear <b>[TSB#002R]</b>	1

Index No.	Part No.	Description	Q'ty Per Assembly
101	0353 0060N	Bind Screw - M3x6	
102	0314 0120N	Screw - M4x12	
103	0360 3006N	Screw - M3x6	
104	0454 3005Q	Tapping Screw: 3x5	

## 6.Scanner Section2 (D120/D121/D122/D139/D140/D141)

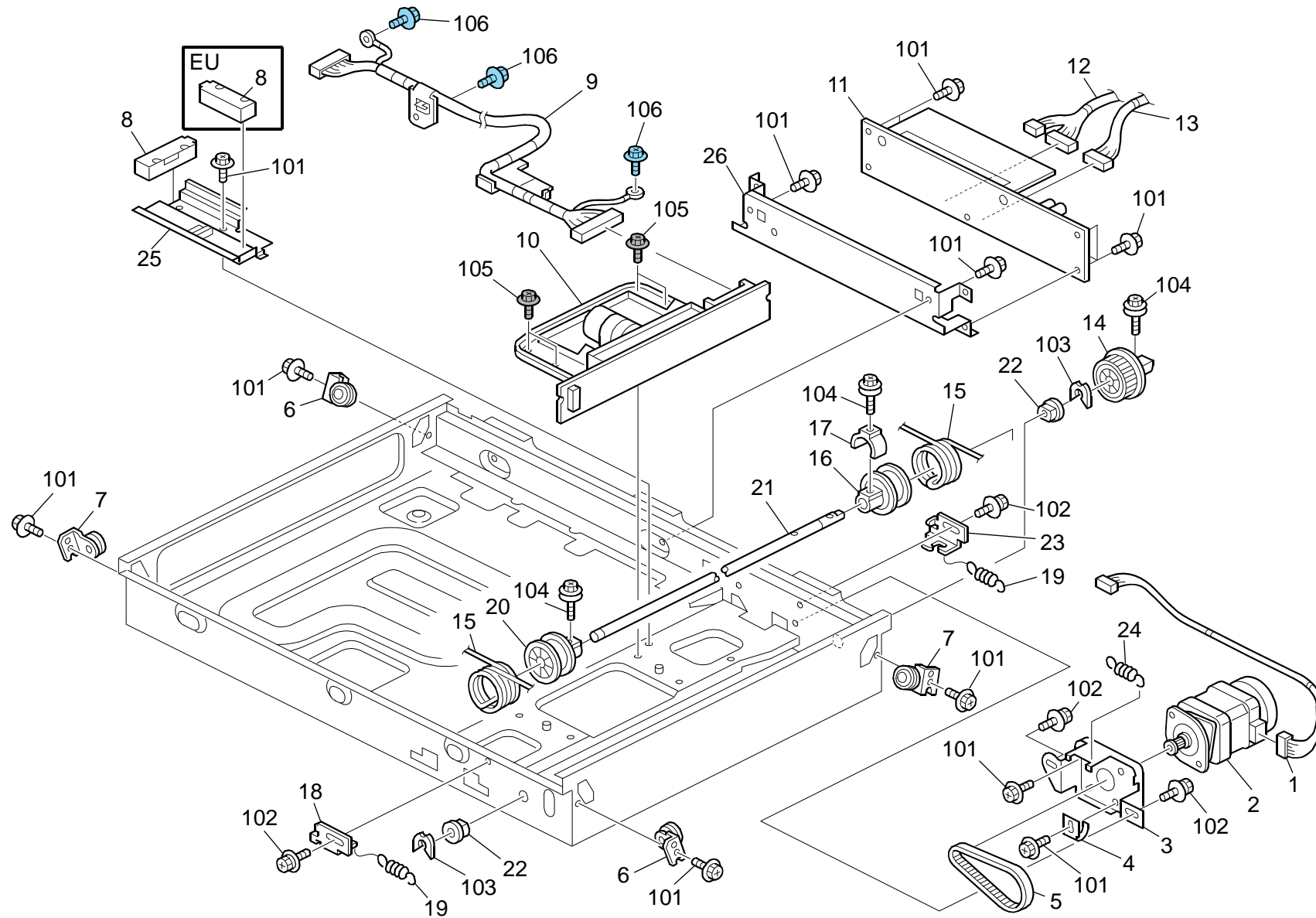


## 6.Scanner Section2 (D120/D121/D122/D139/D140/D141)

Index No.	Part No.	Description	Q'ty Per Assembly
1	D120 1740	Carriage: No.2: Ass'y	1
2	D025 1728	Mirror: No.2: Convax: Ass'y	1
3	G404 2810	Spring Plate - 2Nd Mirror	4
4	D025 1727	Mirror: No.2: Concave: Ass'y	1
5	B238 1807	Pulley	2
6	D120 1711	Guide: FFC: Carriage: No.2	1
7	M026 1778	Guide: FFC	1
8	D120 1731	Carriage: No.1: Ass'y	1
9	D120 5203	Harness: FFC: LED	1
10	D120 1710	Guide: FFC: Carriage: No.1	1
11	D120 1732	Illumination Unit: LED: Ass'y	1
12	AC03 0169	Mirror: No.1	1
13	M026 1815	Clamp: MIRROR: NO.1	2
14	A193 1766	Wire Clamp	1
15	D039 1705	Ground Plate: Harness: SBU	1
16	D120 1712	Guide: FFC: Base	1
17	D039 1700	Inner Cover: Scanner: Peen	1
18	D105 1703	Gasket: 9x5.5x17	3
19	A193 1769	Clamp - Rear Wire	1

Index No.	Part No.	Description	Q'ty Per Assembly
101	0353 0050N	Screw-m3x5	
102	0720 0040E	Retaining Ring - M4	
103	0454 3006Q	Tapping Screw - M3x6	
104	0353 0060N	Bind Screw - M3x6	
105	0352 5050N	Bind Screw - M3x5	

## 7.Scanner Section3 (D120/D121/D122/D139/D140/D141)

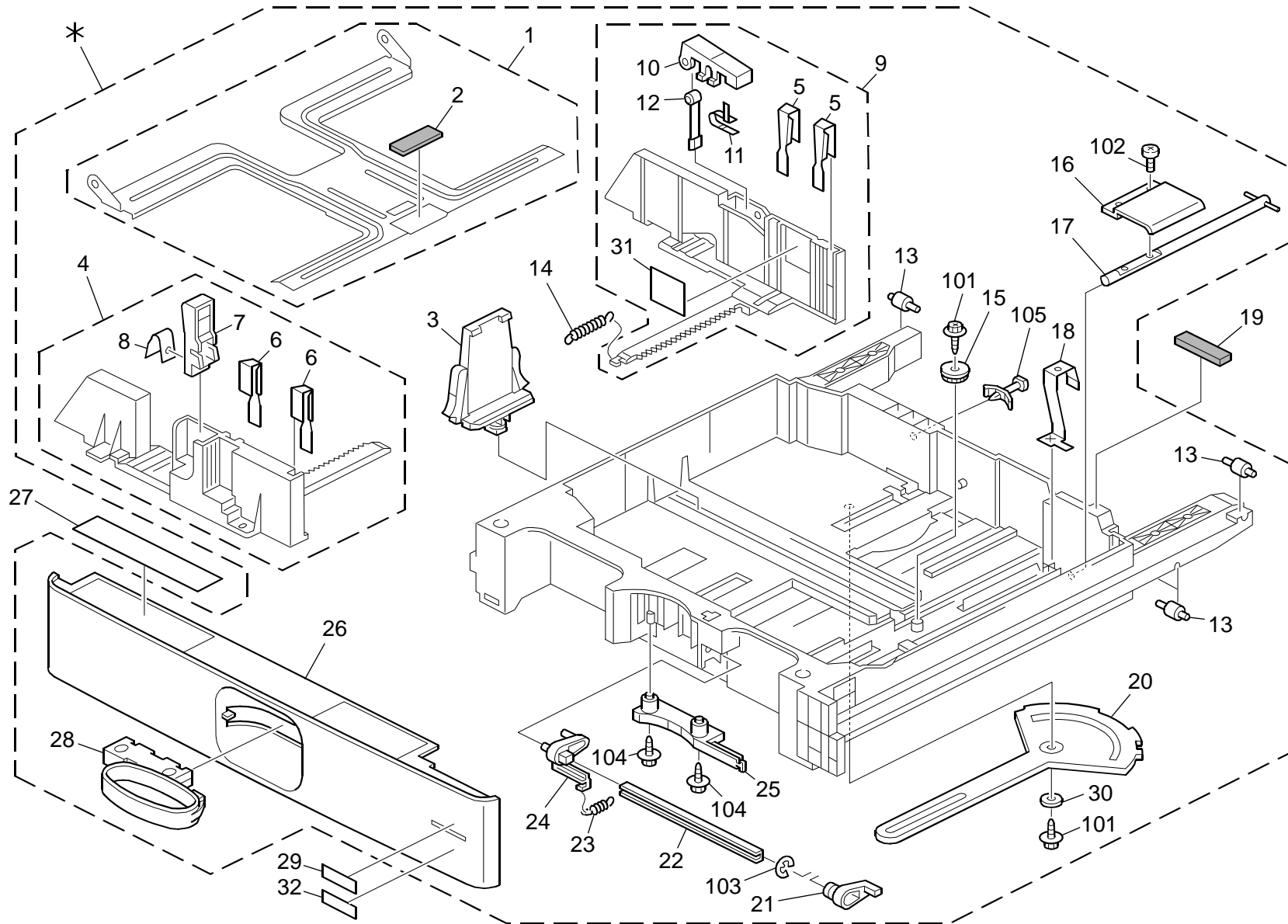


### 7.Scanner Section3 (D120/D121/D122/D139/D140/D141)

Index No.	Part No.	Description	Q'ty Per Assembly
1	D120 5218	Harness: Scanner: STM	1
2	B238 1715	Stepper Motor DC3.9V	1
3	D039 1724	Bracket: Stepper Motor: Drive	1
4	B238 1762	Ground Plate - Stepper Motor	1
5	B238 1792	Timing Belt - 157ST1.5-4.0	1
6	D039 1718	Pulley: Idler: Left Front: PeenN	2
7	D039 1720	Pulley: Idler: Left Rear: PeenN	2
8	AW01 0134	Original Sensor - 48mm	2
9	D120 5221	Interface Cable: Scanner: LVDS: Hf: Ass'y	1
10	D120 1821	Lens: Holder: Ass'y	1
11	D120 5180	PCB: SIO	1
12	D120 5215	Harness: Scanner: Base	1
13	D120 5217	Harness: Scanner: BCU	1
14	G570 1133	Timing Pulley 73	1
15	D039 1715	Drive Were	2
16	D029 1748	Pulley: Drive Were: Rear: Ass'y	1
17	D029 1749	Pulley: Protection	1
18	D039 1712	Bracket: Tension: Front	1
19	AA06 0979	Tension Spring: Tension: 14720mn	2
20	D029 1745	Pulley: Drive Were: Front	1
21	D039 1717	Shaft: Scanner: Drive	1
22	AA08 2144	Bushing - 8x12x7	2
23	D039 1713	Bracket: Tension: Rear	1
24	AA06 0980	Tension Spring: Tension: 11300mn	1
25	D039 1764	Bracket: Original Sensor: Sub Scanning	1
26	D120 1761	Bracket: SIO	1

Index No.	Part No.	Description	Q'ty Per Assembly
101	0360 3006N	Screw - M3x6	
102	0804 6123	Hexagonal Bolt: W/Washer: M3x8	
103	0805 0088	Retaining Ring - M6	
104	0802 5312	Tapping Screw: Washer: 3x10	
105	0360 3006P	Screw - M3x6	
106	0454 3006Q	Tapping Screw - M3x6	

## 8. Paper Tray (D120/D121/D122/D139/D140/D141)



WWW.SERVICE-MANUAL.NET

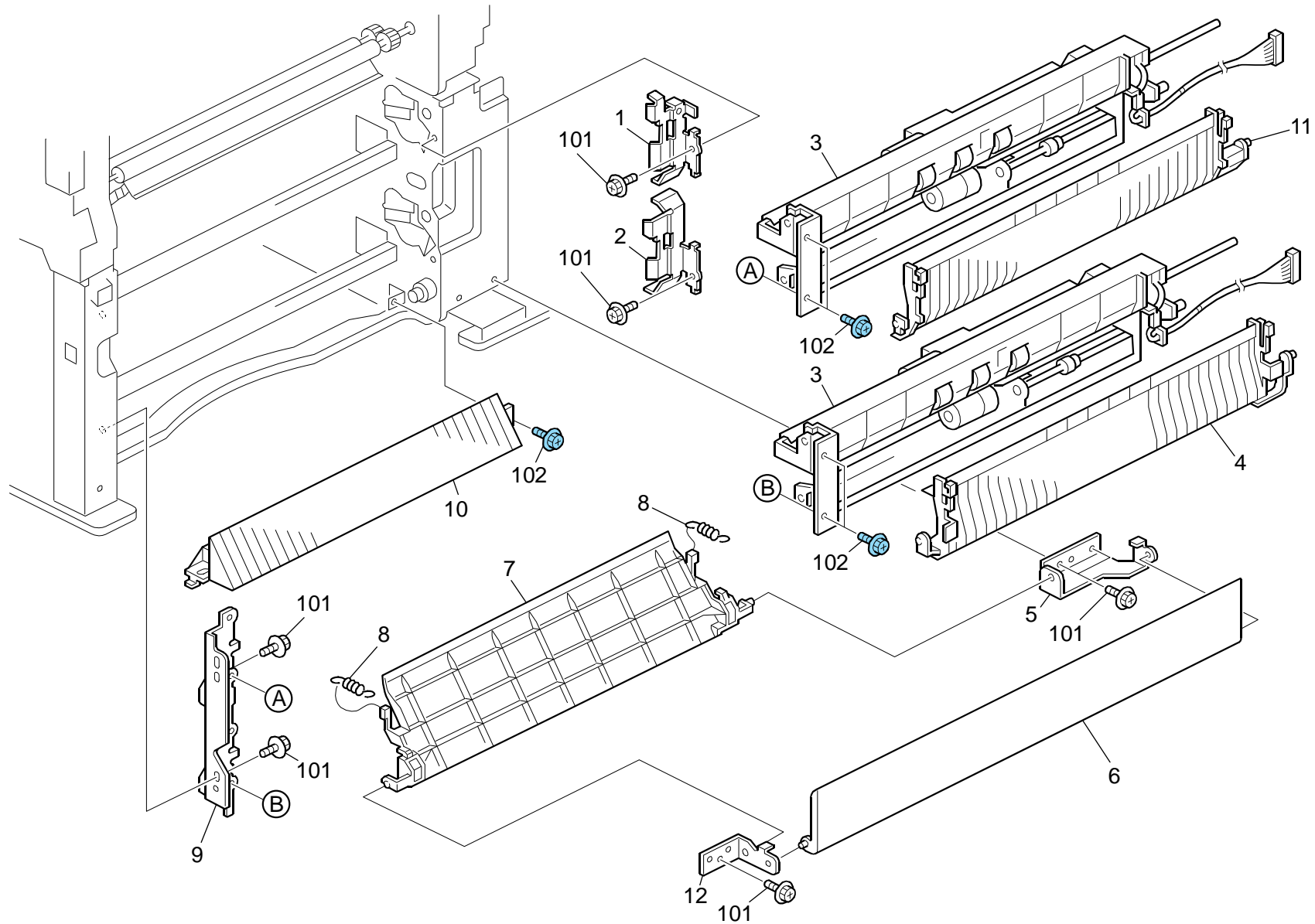


## 8.Paper Tray (D120/D121/D122/D139/D140/D141)

Index No.	Part No.	Description	Q'ty Per Assembly
*	D120 2850	Paper Tray: No.1: Ass'y	1
*	D120 2900	Paper Tray: No.2: Ass'y	1
1	D089 2940	Tray Bottom Plate: Ass'y (2nd Tray)	1
1	D120 2940	Tray Bottom Plate: No.1: Ass'y	1
2	AF03 3010	PAD	1
3	D120 2832	End Fence: Ass'y	1
4	D120 2920	Side Fence: Front: Ass'y (1st Tray)	1
4	D120 2926	Side Fence: Front: Ass'y (2nd Tray)	1
5	B223 2935	Plate: Side Fence: Right	2
6	B223 2934	Plate: Side Fence	2
7	D120 2924	Lever: Stopper: Front	1
8	B004 2923	Spring Plate: Stopper: Front	1
9	D120 2930	Side Fence: Rear: Ass'y (1st Tray)	1
9	D120 2933	Side Fence: Rear: Ass'y (2nd Tray)	1
10	D120 2864	Lever: Stopper: Positioning	1
11	A267 2857	Spring Plate: Side Fence: Positioning	1
12	A267 2859	Stopper: Positioning	1
13	A232 2987	Roller - Paper Tray	4
14	AA06 1003	Tension Spring: Side Fence: Rear	1
15	B223 2936	Gear - 16Z	1
16	B223 2918	Rise Lever	1
17	B223 2865	Rise No.1 Shaft	1
18	B223 2919	Ground Plate - Paper Tray No.2	1
19	B180 2782	Seal: Tray	1
20	B223 2910	Link - Paper Size Sensor	1
21	B223 2868	Lever: Release: Paper Tray: Outer	1
22	D029 2863	Shaft: Release: Paper Tray	1
23	AA06 1014	Tension Spring: Grip	1
24	D120 2862	Lever: Release: Paper Tray: Inner	1
25	D120 2861	Holder: Grip: Paper Tray	1
26	D120 2946	Cover: Paper Tray	1
27	D120 2870	Decal: Paper Set Direction: Tray: Left	1
28	D120 2860	Grip: Paper Tray	1
29	D120 2872	Decal: Paper Tray: No.1	1
29	D120 2873	Decal: Paper Tray: No.2	1

Index No.	Part No.	Description	Q'ty Per Assembly
30	B223 2911	Spacer	1
31	D120 2875	Decal: Side Fence: Rear	1
32	D120 2874	Decal: Size Indication: Paper Tray	1
101	0450 4008N	Tapping Screw - M4x8	
102	0453 3008N	Binding Self Tapping Screw: 3x8	
103	0720 0080E	Retaining Ring - M8	
104	0802 5322	Hexagon Head Tapping Screw: ES: 3x12	
105	1105 0415	Spacer - 12.7mm	

# 9.Paper Feed Section 1 (D120/D121/D122/D139/D140/D141)



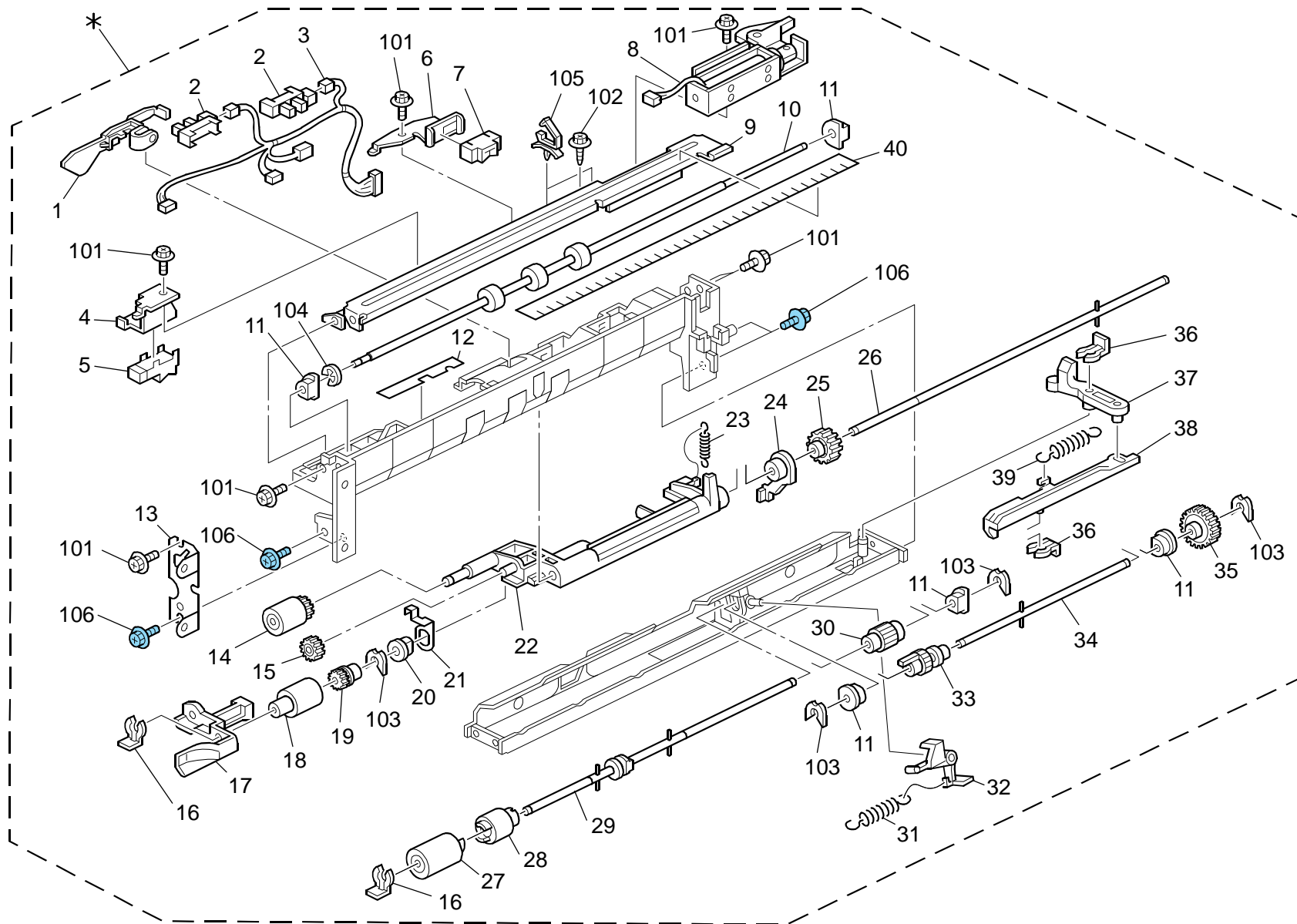
WWW.SERVICE-MANUAL.NET

### 9.Paper Feed Section 1 (D120/D121/D122/D139/D140/D141)

Index No.	Part No.	Description	Q'ty Per Assembly
1	D120 2847	Cover: Harness: Upper	1
2	D120 2848	Cover: Harness: Lower	1
3	D120 2700	Paper Feed Unit: Ass'y	2
4	D120 2963	Guide Plate: Swivel: No.2	1
5	D120 5699	Bracket: Cover: Rear	1
6	D120 2967	Cover: Duplex: Lower	1
7	D120 2962	Guide Plate: Vertical Transport: Right	1
8	B223 2665	Spring: Cover: Manual Feed	2
9	D120 1119	Bracket: Paper Feed Unit	1
10	D120 2961	Guide Plate: Vertical Transport: Left	1
11	D009 2836	Guide Plate	1
12	D120 5698	Bracket: Cover: Front	1

Index No.	Part No.	Description	Q'ty Per Assembly
101	0451 3006N	Tapping Screw - 3x6	
102	0454 3008Q	Tapping Screw: 3x8	

# 10.Paper Feed Section 2 (D120/D121/D122/D139/D140/D141)

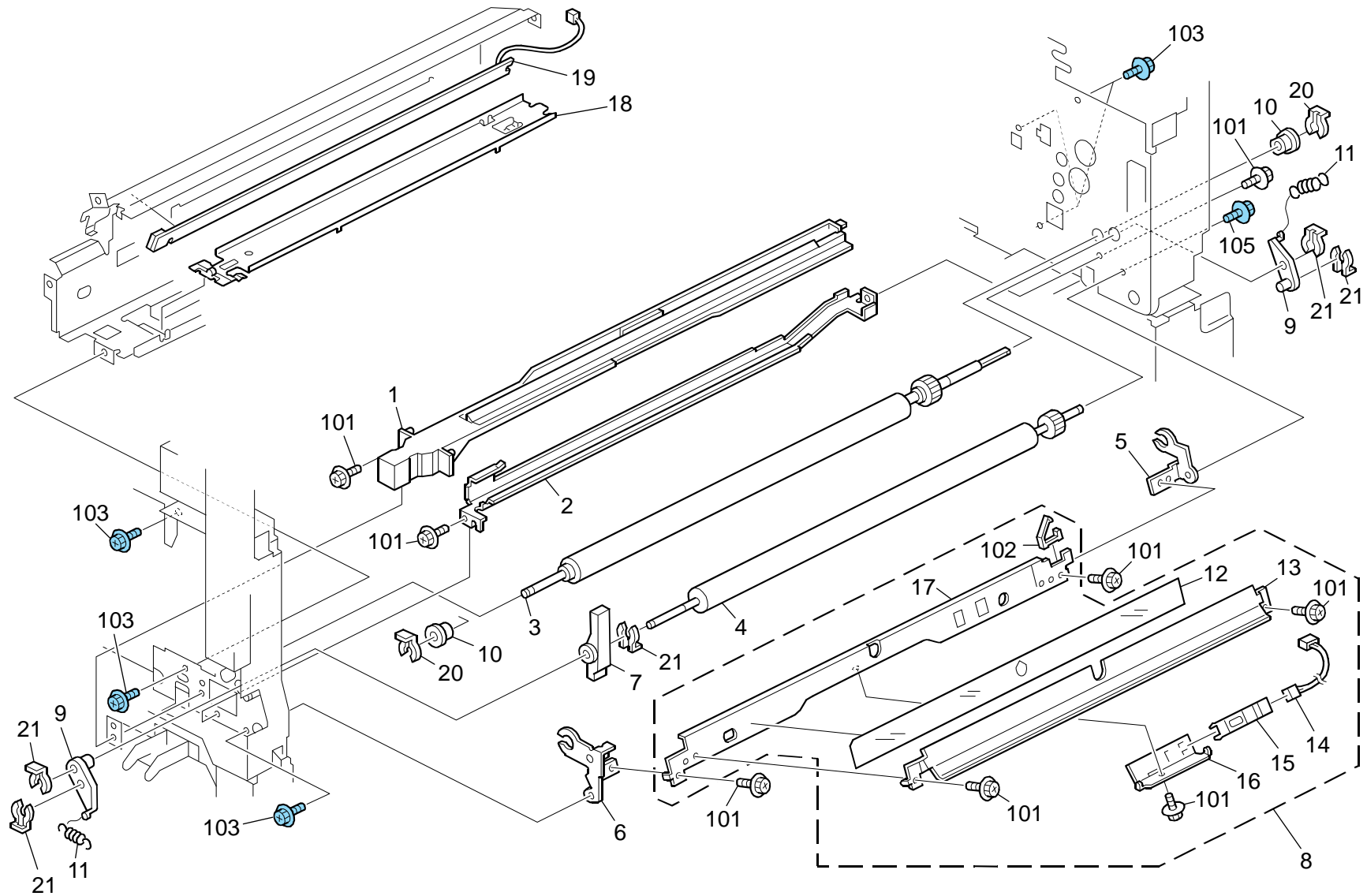


WWW.SERVICE-MANUAL.NET

## 10.Paper Feed Section 2 (D120/D121/D122/D139/D140/D141)

Index No.	Part No.	Description	Q'ty Per Assembly	Index No.	Part No.	Description	Q'ty Per Assembly
*	D120 2700	Paper Feed Unit: Ass'y	2	35	D089 2819	Gear: Separator: Input	1
1	D089 2767	Feeler: Paper End	1	36	5206 2686	Snap Ring	2
2	AW02 0204	Photointerruptor: LGRC102	2	37	G065 2776	Release Lever	1
3	D120 5353	Harness: Paper Feed Unit	1	38	G065 2775	Link Lever	1
4	D089 2778	Bracket: Sensor: Feed	1	39	AA06 2259	Spring - Release	1
5	AW01 0128	Paper Feed Sensor	1	40	D120 2618	Discharge Brush: Paper Feed Unit: Upper	1
6	D089 2781	Bracket: Sensor	1				
7	AW01 0122	Paper Feed Sensor	1				
8	B223 2780	DC Solenoid 24V	1				
9	B223 2776	Stay	1				
10	AF02 0764	Transport Roller: Drive	1				
11	AA08 2152	Plain Shaft Bearing: DIA6	4				
12	B223 2772	Harness Sheet	1				
13	B223 2786	Ground Plate - Front	1				
14	AF03 0090	Paper Feed Roller: Pickup	1				
15	AB01 1252	Gear - 20Z	1				
16	AA10 0014	Retaining Ring C - Separate	2				
17	D089 2829	Guide: Feed	1				
18	AF03 1090	Paper Feed Roller: Feed	1				
19	AB01 1218	Gear - Roller Clutch	1				
20	AA08 2101	Bushing - 6x10x6	1				
21	B223 2765	Ground Plate - Feed	1				
22	D089 2761	Arm: Pickup	1				
23	AA06 0691	Tension Spring	1				
24	G065 2767	Lever - Feed	1				
25	D089 2764	Gear: Feed	1				
26	D120 2762	Shaft: Feed: Ass'y	1				
27	AF03 2090	Paper Feed Roller: Separate	1				
28	B004 2783	Torque Limiter	1				
29	D120 2810	Shaft: Separate: Driven: Ass'y	1	101	0451 3006N	Tapping Screw - 3x6	
30	AB01 0157	Gear: Separate: Drive	1	102	0450 3008N	Tapping Screw - M3x8	
31	AA06 0693	Tension Spring	1	103	0805 0089	Retaining Ring - M4	
32	G065 2774	Pressure Lever	1	104	0720 0040E	Retaining Ring - M4	
33	AB01 0156	Gear: Separate: Drive	1	105	1105 0511	Harness Clamp - LWS-0306ZC	
34	B223 2815	Separate Drive Shaft	1	106	0454 3008Q	Tapping Screw: 3x8	

# 11. Paper Registration (D120/D121/D122/D139/D140/D141)

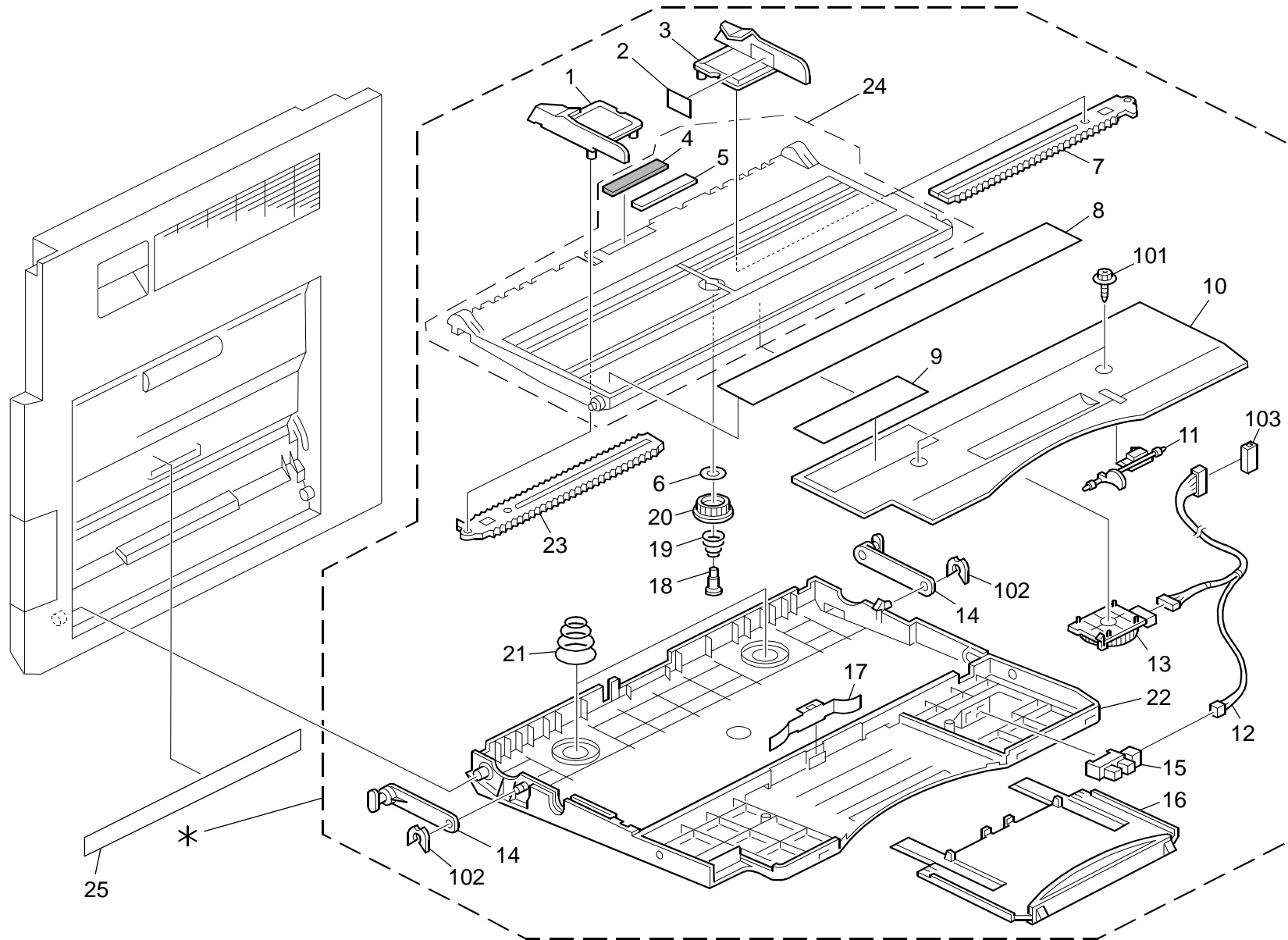


## 11.Paper Registration (D120/D121/D122/D139/D140/D141)

Index No.	Part No.	Description	Q'ty Per Assembly
1	D120 2755	Cleaner: Registration: Ass'y	1
2	D120 2757	Bracket: Cleaner: Registration	1
3	AF02 0763	Registration Roller: Drive: DIA18.21: Ass'y	1
4	AF02 1087	Registration Roller: Driven: Ass'y	1
5	D120 2827	Bracket: Registration Guide: Rear	1
6	D120 2826	Bracket: Registration Guide: Front	1
7	D120 2819	Knob: Registration Roller: Ass'y	1
8	D120 2690	Guide Plate: Registration: Left: Ass'y	1
9	D019 2823	Bushing - Driven Roller	2
10	AA08 2116	Bushing - M8	2
11	D120 2829	Tension Spring: Registration: Driven	2
12	D120 2699	Guide Plate: Registration: Left: Auxiliary	1
13	D120 2694	Guide Plate: Registration: Right	1
14	D120 5337	Harness: Connecting: Registration Sensor	1
15	GW01 0007	Photo Reflection Sensor: Exit	1
16	D120 2697	Bracket: Registration Sensor	1
17	D120 2692	Guide Plate: Registration: Left	1
18	D120 5641	Bracket: Heater: PCU	1
19	D120 3452	Discharge Lamp: C1: Ass'y	1
20	5215 2621	Snap Ring - M6	2
21	5447 2681	Snap Ring	4

Index No.	Part No.	Description	Q'ty Per Assembly
101	0451 3006N	Tapping Screw - 3x6	
102	1105 0723	Clamps: WES-0507	
103	0454 3006Q	Tapping Screw - M3x6	

## 12.By-pass Feed Section (D120/D121/D122/D139/D140/D141)



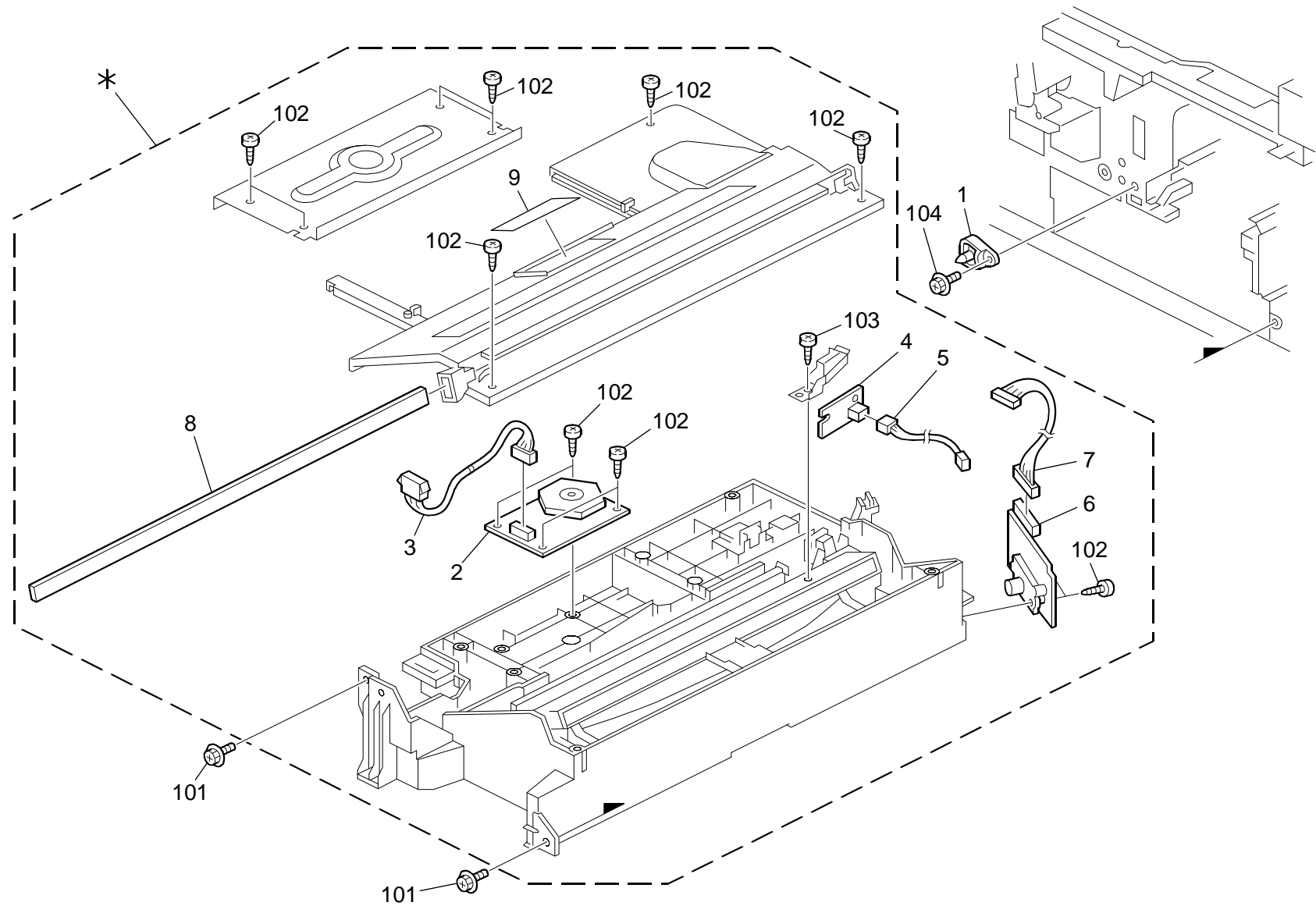
WWW.SERVICE-MANUAL.NET



## 12.By-pass Feed Section (D120/D121/D122/D139/D140/D141)

Index No.	Part No.	Description	Q'ty Per Assembly	Index No.	Part No.	Description	Q'ty Per Assembly
*	D120 2605	Manual Feed Table: Ass'y	1	101	0802 5319	Hexagon Head Tapping Screw: ES: 3x8	
1	D120 2747	Side Fence: Front	1	102	0805 0089	Retaining Ring - M4	
2	D120 2632	Decal: Side Fence: Manual Feed	1	103	1102 4431	CT Connector - 8P	
3	D120 2750	Side Fence: Rear	1				
4	AF03 3008	Friction Pad: 10x50	1				
5	B039 2628	Bottom Plate Pad	1				
6	D039 2752	Disc: Side Fence	1				
7	D039 2751	Rack: Side Fence: Rear	1				
8	D120 2651	Decal: Scale: Manual Feed	1				
9	D120 2631	Decal: Manual Feed: Inkjet: EXP	1				
10	D120 2638	Cover: Paper: Trailing Edge	1				
11	D039 2737	Feeler: Paper: Trailing Edge	1				
12	D120 5358	Harness: Connecting: Manual Feed Unit: Sensor	1				
13	AW50 0037	Paper Size Sensor	1				
14	D120 2696	Link: Manual Feed Table	2				
15	AW02 0198	Photointerruptor: Lg2a14nl1	1				
16	D120 2740	Extension Tray: Manual Feed	1				
17	D039 2779	Spring Plate: Extension Tray	1				
18	D039 2788	Pin: Side Fence	1				
19	D039 2754	Spring: Side Fence	1				
20	D039 2753	Gear: Side Fence	1				
21	D039 2798	Spring: Base: 2.5N	2				
22	D120 2736	Cover: Manual Feed Table	1				
23	D039 2750	Rack: Side Fence: Front	1				
24	D120 2744	Base: Manual Feed Table: Ass'y	1				
25	D120 4643	Decal: Cover: Right	1				

# 13.LD Unit (D120/D121/D122/D139/D140/D141)



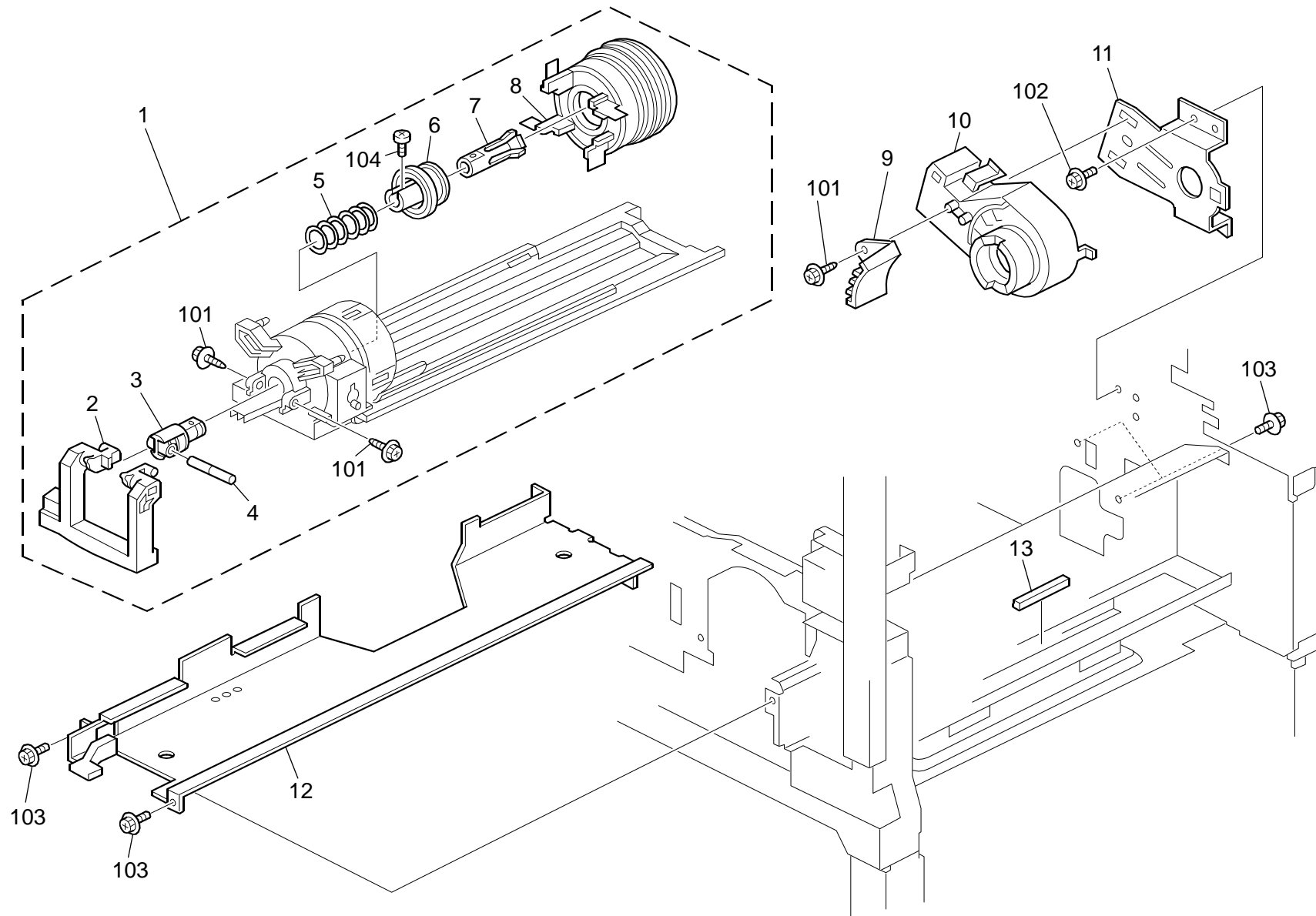
WWW.SERVICE-MANUAL.NET

### 13.LD Unit (D120/D121/D122/D139/D140/D141)

Index No.	Part No.	Description	Q'ty Per Assembly
*	D120 1860	Optical Writing Unit: Ass'y	1
1	D120 1928	Block: Positioning Pin: Optical Writing Unit	1
2	AX06 0403	DC Polygon Mirror Motor: Brushless: 19.2W	1
3	D120 5224	Harness: Dc Polygon Mirror Motor	1
4	D009 5325	PCB: Sync Detector	1
5	D120 5222	Harness: Sync Detector	1
6	D120 1891	Laser Diode Unit: Ass'y	1
7	D120 5223	Harness: LD	1
8	AC01 5052	Shield Glass	1
9	G029 1980	Decal - LD	1

Index No.	Part No.	Description	Q'ty Per Assembly
101	0451 3008N	Tapping Screw - M3x8	
102	0802 5318	Binding Head Tapping Screw: ES: 3x10	
103	0802 5317	Binding Head Tapping Screw: ES: 3x8	
104	0451 3006N	Tapping Screw - 3x6	

# 14. Toner Supply Unit (D120/D121/D122/D139/D140/D141)

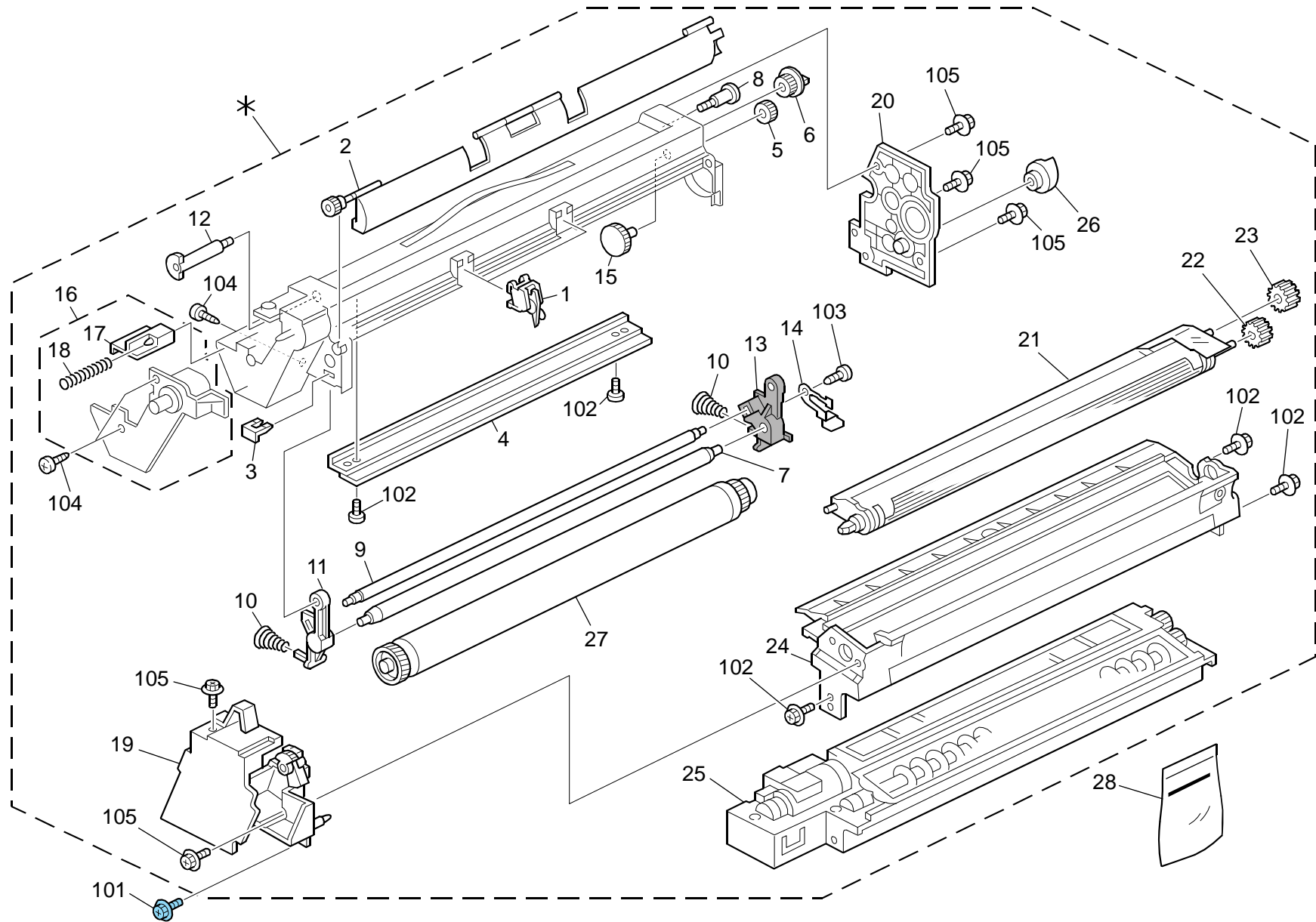


### 14.Toner Supply Unit (D120/D121/D122/D139/D140/D141)

Index No.	Part No.	Description	Q'ty Per Assembly
1	D120 3503	Toner Supply Unit: Ctype: Ass'y	1
2	D120 3605	Cam: Handle	1
3	D120 3572	Shaft: Chuck	1
4	A184 3422	Toner Slider	1
5	A267 3556	Chuck Spring - Tonner Bottle	1
6	D120 3573	Slider: Ass'y	1
7	D120 3571	Chuck: Bottle	1
8	D120 3568	Cover: Toner Bottle: Ctype: Sub-ass'y	1
9	D120 3620	Spacer: Dc Motor: Toner Bottle	1
10	D085 3616	DC Motor: Toner Bottle: Z: R-C5.5: Ass'y	1
11	D120 7440	Bracket: Dc Motor: Toner Bottle: Z: EXP	1
12	D120 5608	Guide Plate: Toner Supply Unit: Ass'y	1
13	D120 2925	Cushion: Remove Paper Dust: Upper	1

Index No.	Part No.	Description	Q'ty Per Assembly
101	0802 5319	Hexagon Head Tapping Screw: Es: 3x8	
102	0451 3006N	Tapping Screw - 3x6	
103	0454 3006Q	Tapping Screw - M3x6	
104	0802 5317	Binding Head Tapping Screw: ES: 3x8	

# 15.PCU (D120/D121/D122/D139/D140/D141)



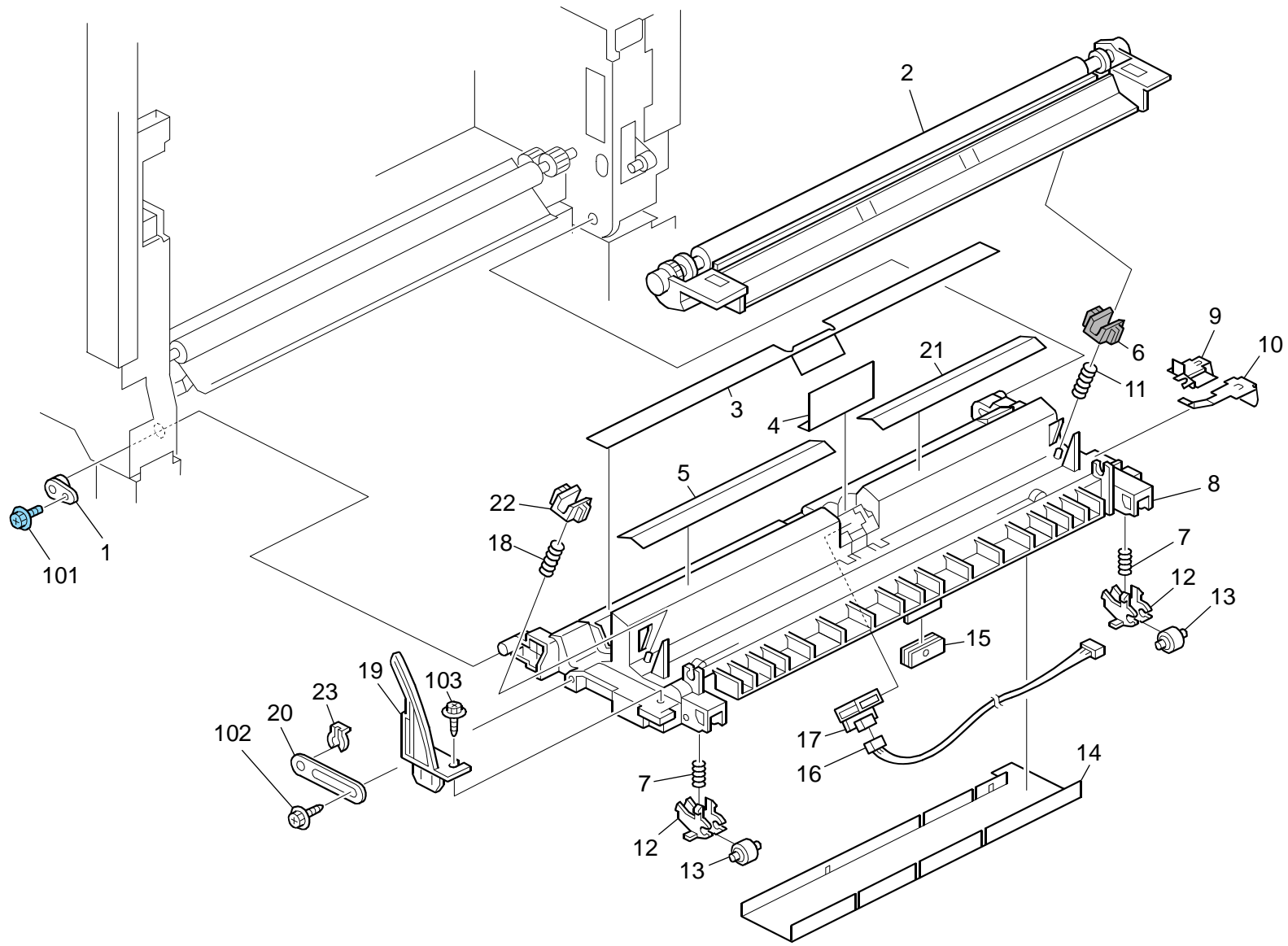
WWW.SERVICE-MANUAL.NET

### 15.PCU (D120/D121/D122/D139/D140/D141)

Index No.	Part No.	Description	Q'ty Per Assembly
*	D120 3000	PCU: EXP: Ass'y	1
<b>1</b>	<b>B039 2335</b>	<b>Pickoff Pawl</b>	<b>2</b>
2	B039 2343	Drum Shutter	1
3	B039 2350	Clip - OPC Drum	1
<b>4</b>	<b>AD04 1114</b>	<b>Blade: Cleaning</b>	<b>1</b>
5	AB01 1403	Gear - 13Z	1
6	AB01 1402	Gear - 14Z	1
<b>7</b>	<b>AD02 7018</b>	<b>Roller: Charge: A3</b>	<b>1</b>
8	AA14 3444	Stepped Screw	1
<b>9</b>	<b>AD04 2058</b>	<b>Charge Cleaner Brush Roller</b>	<b>1</b>
10	B039 2287	Charge Roller Spring	2
11	B039 2292	Front Pressure Arm - Charge Roller	1
12	B039 2293	Pin - Front Pressure Arm	1
13	D120 3174	Arm: Pressure: Charge: Rear	1
14	D120 3175	Electrode Plate: Roller: Charge: Ass'y	1
15	D120 3183	Gear: Idler: Toner Recycling	1
16	D120 3180	Cover: PCU: Front: Ass'y	1
17	D120 3193	Shutter: PCU	1
18	A267 3194	Compression Spring: Shutter: PCU	1
19	D120 3210	Drum Stay: Front: Ass'y	1
20	D120 3233	Drum Stay: Rear: Sub-ass'y	1
21	D120 3320	Development Roller: Ass'y	1
22	B039 3060	Development Roller Gear	1
23	B039 3062	Idler Gear - 16Z	1
24	D120 3360	Case: Development Roller: Ass'y	1
25	D120 3371	Case: Development: Ass'y	1
26	D120 3440	Joint: Development	1
<b>27</b>	<b>B039 9510</b>	<b>OPC Drum</b>	<b>1</b>
<b>28</b>	<b>B121 9640</b>	<b>Developer Type 28 Black</b>	<b>1</b>

Index No.	Part No.	Description	Q'ty Per Assembly
101	0454 3008Q	Tapping Screw: 3x8	
102	0353 0060N	Bind Screw - M3x6	
103	0452 3006N	Binding Self-tapping Screw: 3x6	
104	0802 5319	Hexagon Head Tapping Screw: ES: 3x8	
105	0360 3006N	Screw - M3x6	

## 16. Transfer Unit (D120/D121/D122/D139/D140/D141)



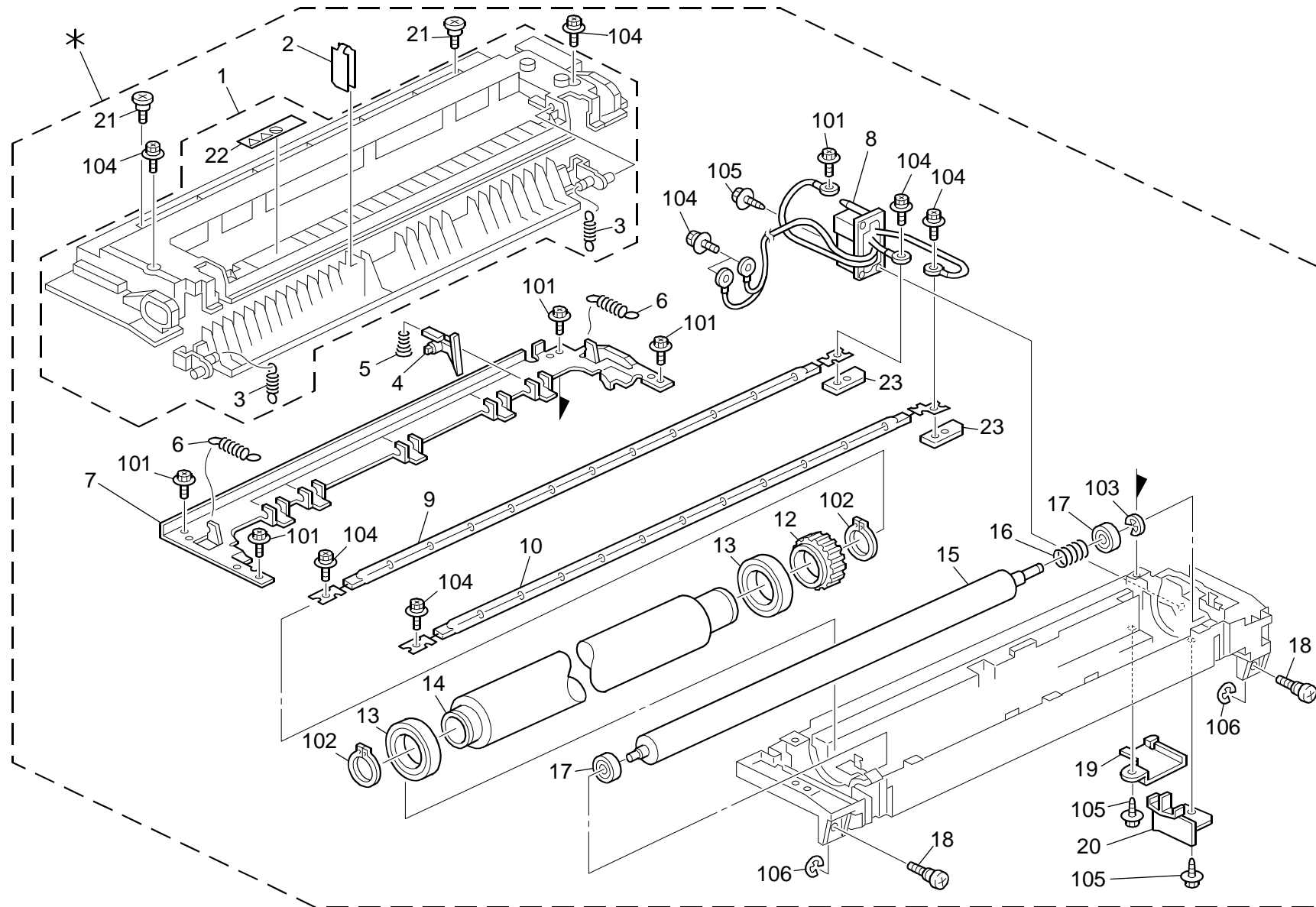


## 16.Transfer Unit (D120/D121/D122/D139/D140/D141)

Index No.	Part No.	Description	Q'ty Per Assembly
1	D120 3858	Plain Shaft Bearing: Positioning: Transfer/Separation Unit	1
2	<b>D120 3831</b>	<b>Transfer/Separation Unit: C1: Ass'y</b>	<b>1</b>
3	D120 3812	Cleaner: Registration: Driven	1
4	D120 3905	Cover: Density Sensor	1
5	AA15 0708	Front Discharge Sheet	1
6	AA08 0349	Bushing: Transfer Roller	1
7	D120 3859	Compression Spring: Pressure: Transfer/Separation Unit	2
8	D120 3855	Cover: Transfer/Separation Unit	1
9	D120 3861	Terminal: Transfer Roller	1
10	D120 3862	Terminal: Separation	1
11	D120 3912	Compression Spring: Pressure: Transfer Roller: Rear	1
12	D120 3866	Cover: Pressure: Transfer Unit	2
13	D120 3867	Roller: Transfer Unit	2
14	D120 3908	Cover: Harness: Density Sensor	1
15	AG07 0514	Magnet Catch	1
16	D120 5336	Harness: Connecting: Density Sensor	1
17	B259 3890	Density Sensor	1
18	D120 3911	Compression Spring: Pressure: Transfer Roller: Front	1
19	D120 3931	Lever: Shutter	1
20	D120 3941	Band: Stopper: Cover: Transfer/Separation Unit	1
21	AA15 0709	Rear Discharge Sheet	1
22	AA08 0350	Bushing: Transfer Roller: Front	1
23	5447 2681	Snap Ring	1

Index No.	Part No.	Description	Q'ty Per Assembly
101	0454 3006Q	Tapping Screw - M3x6	
102	0451 3006N	Tapping Screw - 3x6	
103	0802 5319	Hexagon Head Tapping Screw: ES: 3x8	

# 17.Fusing Unit 1 (D120/D121/D122/D139/D140/D141)

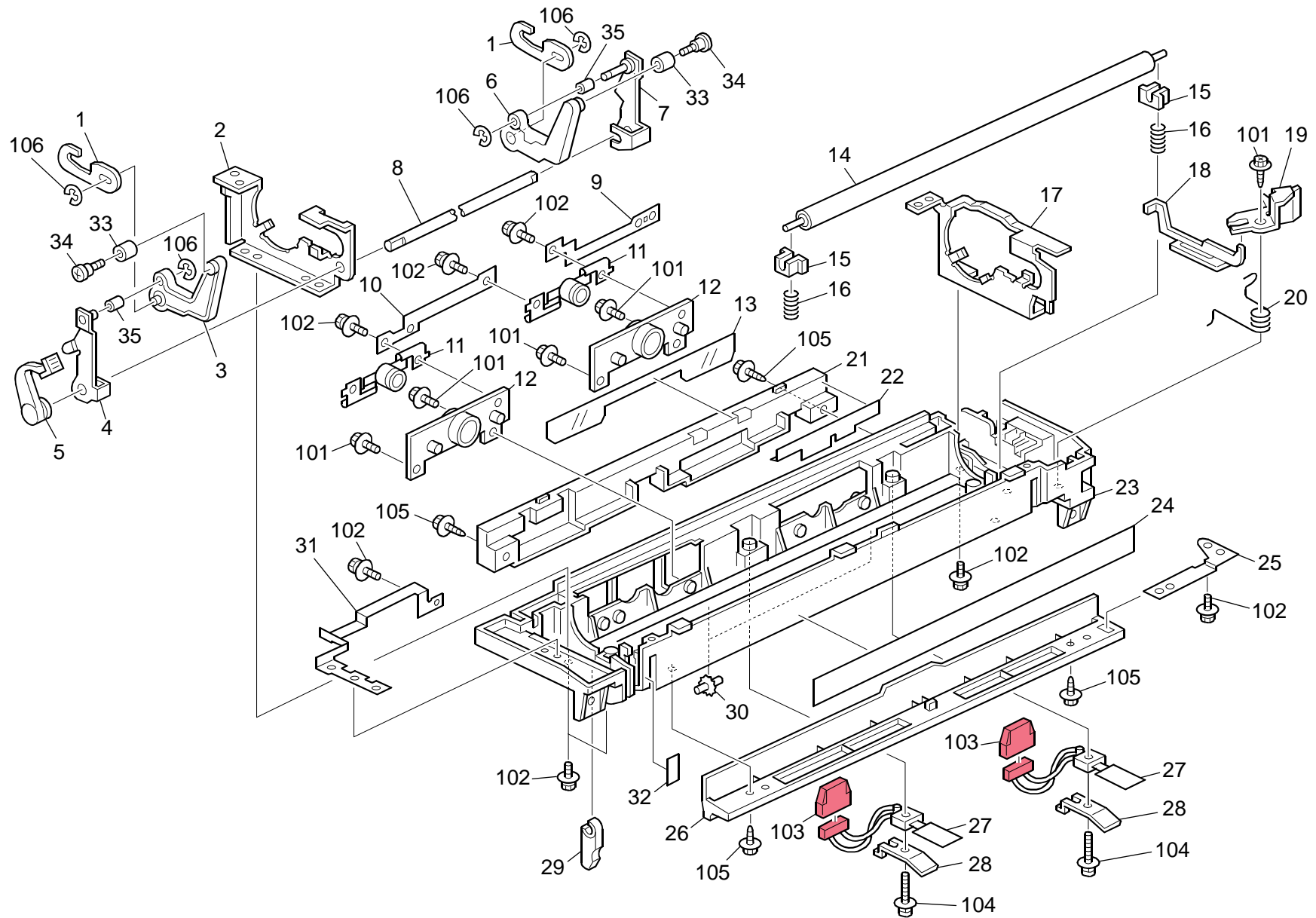


## 17.Fusing Unit 1 (D120/D121/D122/D139/D140/D141)

Index No.	Part No.	Description	Q'ty Per Assembly
*	D120 4001	Fusing Unit: NA: Ass'y	1
*	D120 4002	Fusing Unit: EU: Ass'y	1
1	D120 4032	Frame: Fusing: Upper: Ass'y	1
2	D120 4181	Decal: Grip: Guide Plate: Fusing Exit	1
3	AA06 6418	Spring: Open And Close: Guide	2
<b>4</b>	<b>AE04 4025</b>	<b>Hot Roller Stripper</b>	<b>5</b>
5	AA06 3697	Compression Spring: Stripper Pawls	5
6	AA06 6412	Tension Spring: Pressure: 34.2N	2
7	D120 4101	Bracket: Stripper Pawls	1
8	D120 5274	Harness: Drawer: Fusing: 120V: NA	1
8	D120 5275	Harness: Drawer: Fusing: 230V: EU	1
9	AX44 0353	Heater: 120V: Sub	1
9	AX44 0355	Heater: Infrared: 230V/600W: SUB	1
10	AX44 0352	Heater: 120V: Main	1
10	AX44 0354	Heater: Infrared: 230V/600W: Main	1
12	AB01 1400	Gear - 48Z	1
13	G052 4618	Bearing 30x42x7	2
<b>14</b>	<b>AE01 1128</b>	<b>Hot Roller: DIA40: T0.4</b>	<b>1</b>
<b>15</b>	<b>AE02 0161</b>	<b>Pressure Roller: MM27</b>	<b>1</b>
16	AA06 3698	Spring: Flange: Pressure Roller	1
17	AE03 0030	Ball Bearing - 8x19x6	2
18	D120 4161	Knob Screw: Fix: Fusing	2
19	D120 4077	Guide: Harness: Plate	1
20	D120 4071	Stopper: External Circlip	1
21	AA14 3219	Stepped Screw	2
22	D120 4184	Decal: H-temp Warning: Small	1
23	D120 4090	Terminal: Heater	2

Index No.	Part No.	Description	Q'ty Per Assembly
101	0360 3006N	Screw - M3x6	
102	0725 0300E	Retaining Ring C - M30	
103	0720 0060E	Retaining Ring - M6	
104	0804 6127	Hexagonal Bolt: Double Screw: M3x8	
105	0802 5320	Hexagon Head Tapping Screw: ES: 3x10	
106	0720 0030E	Retaining Ring - M3	

# 18.Fusing Unit 2 (D120/D121/D122/D139/D140/D141)

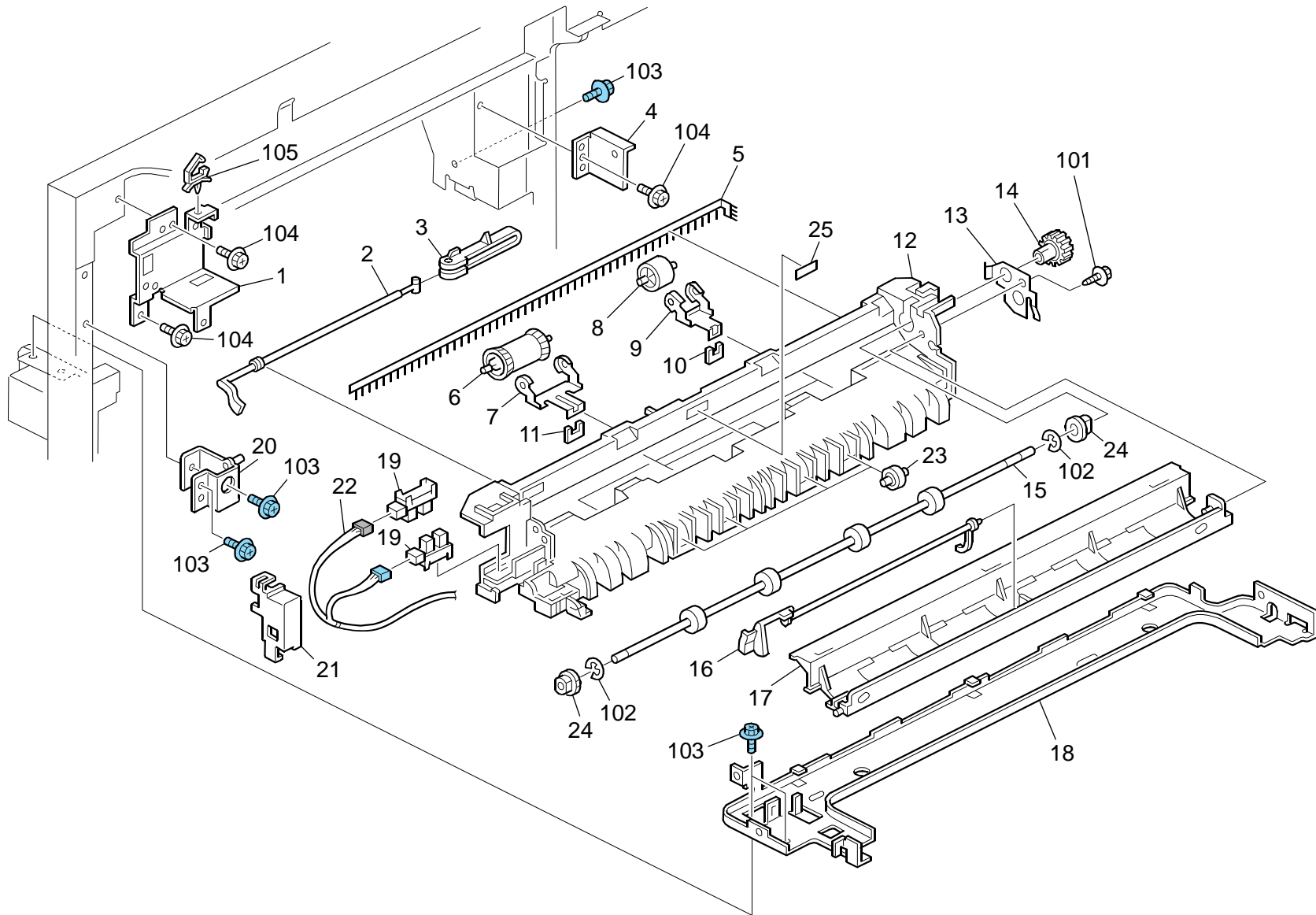


## 18.Fusing Unit 2 (D120/D121/D122/D139/D140/D141)

Index No.	Part No.	Description	Q'ty Per Assembly
1	D120 4197	Lever: Lock: Pressure	2
2	D120 4121	Side Plate: Fusing: Front	1
3	D120 4171	Lever: Pressure Release: Front: Ass'y	1
4	D120 4116	Lever: Pressure Roller: Front	1
5	D120 4112	Grip: Pressure: Change	1
6	D120 4191	Lever: Pressure Release: Rear: Ass'y	1
7	D120 4117	Lever: Pressure Roller: Rear	1
8	AA14 0794	Shaft: Pressure: Change	1
9	D120 4093	Electrode Plate: Thermostat: Rear	1
10	D120 4092	Electrode Plate: Thermostat: Connecting	1
11	D120 4095	Thermostat: Ass'y	2
12	D120 4094	Housing: Thermostat	2
13	D120 4079	Sheet: Plate: Harness	1
14	AE04 2029	Fusing Cleaning Roller	1
15	AA08 2073	Roller Busing	2
16	AA06 3699	Compression Spring: Fusing Cleaning Roller: 5N	2
17	D120 4125	Side Plate: Fusing: Rear	1
18	D120 4082	Link: Release: Drive	1
19	D120 4083	Lever: Release: Drive	1
20	AA06 6411	Spring: Release: Drive	1
21	D120 4078	Cover: Thermostat	1
22	D120 4080	Sheet: Thermostat	1
23	D120 4072	Frame: Fusing: Lower	1
24	D120 4183	Decal: H-temp Warning	1
24	D120 4187	Decal: H-temp Warning: EU	1
25	D120 4086	Ground Plate: Fusing Entrance Guide Plate	1
26	D120 4085	Fusing Entrance Guide Plate: Right	1
<b>27</b>	<b>AW10 0053</b>	<b>Thermistor - Rear</b>	<b>2</b>
28	D120 4099	Holder: Thermistor	2
29	D120 4076	Spacer: Safety Switch: Fusing Unit	1
30	A232 2374	Guide: Paper: Rail: PCU	1
31	D120 4091	Electrode Plate: Thermostat: Front	1
32	D120 4182	Decal: Exchange Indication: Envelope	1
33	B238 4194	Roller: Lever: Pressure	2

Index No.	Part No.	Description	Q'ty Per Assembly
34	AA14 3792	Screw: Drawer	2
35	D120 4208	Plain Shaft Bearing: Fusing	2
101	0360 3006N	Screw - M3x6	
102	0804 6127	Hexagonal Bolt: Double Screw: M3x8	
103	1102 6260	Relay Connector - 3P	
104	0954 3012N	Screw - M3x12	
105	0802 5320	Hexagon Head Tapping Screw: ES: 3x10	
106	0720 0030E	Retaining Ring - M3	

## 19. Paper Exit Section (D120/D121/D122/D139/D140/D141)

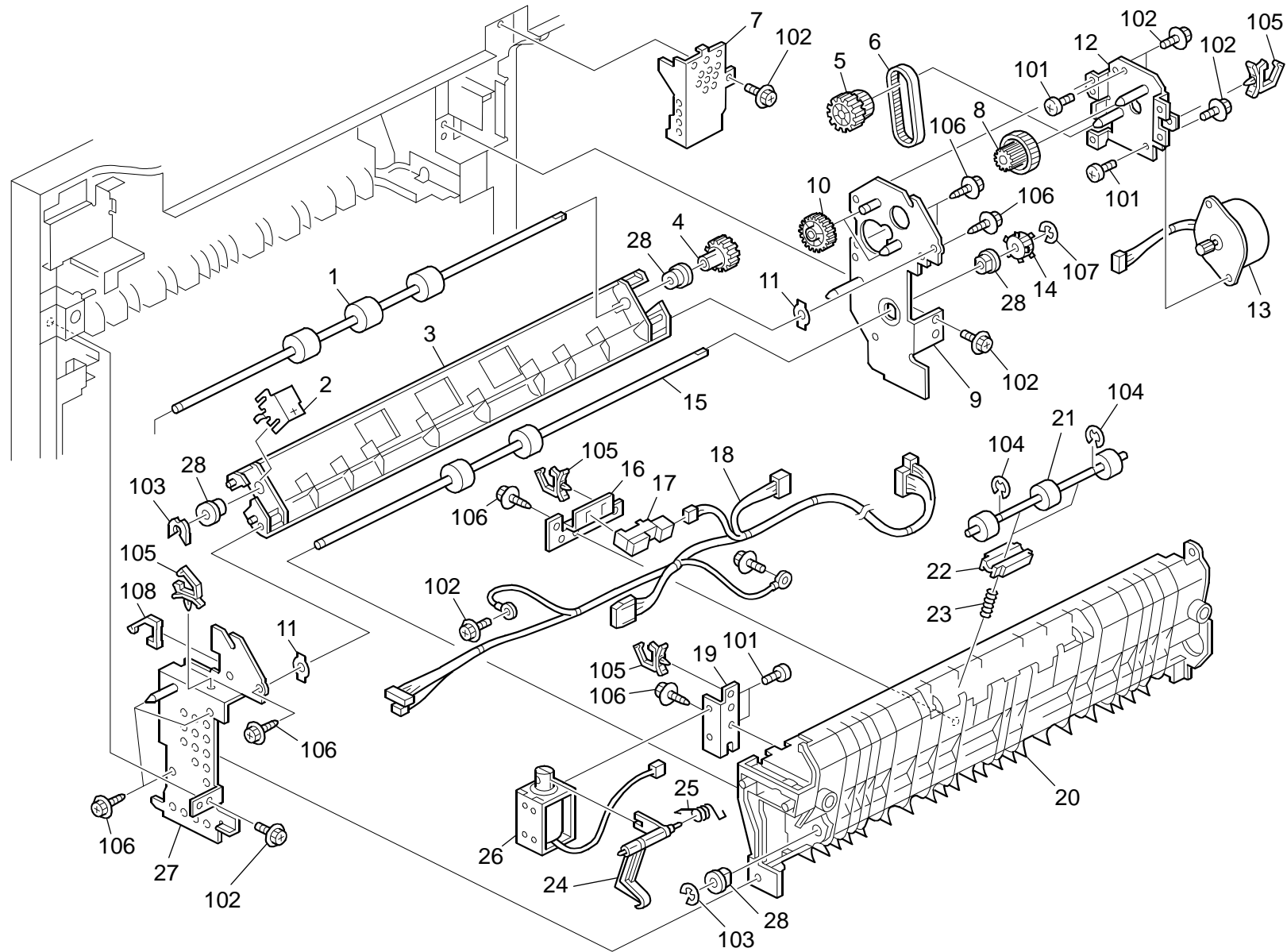


## 19.Paper Exit Section (D120/D121/D122/D139/D140/D141)

Index No.	Part No.	Description	Q'ty Per Assembly
1	D120 1129	Bracket: DC Fan Motor: Sirocco	1
2	D120 4479	Shaft: Exit: Exit	1
3	D120 4478	Feeler: Exit: Exit	1
4	D120 1099	Bracket: Duplex: Lock: Rear: Ass'y	1
5	AA12 0146	Discharge Brush: Exit	1
6	AF04 0059	Roller: Tension	1
7	D120 4474	Spring Plate: Roller: Tension	1
8	AF04 0060	Roller: Tension: Outer	1
9	D120 4483	Spring Plate: Roller: Tension: Outer	1
10	D120 4486	Stopper: Spring Plate: Outer	1
11	D120 4487	Stopper: Spring Plate	1
12	D120 4452	Guide Plate: Paper Exit Unit: Lower	1
13	D120 4454	Ground Plate: Paper Exit Unit	1
14	AB01 1297	Gear: Exit Roller	1
15	AF02 0757	Exit Roller	1
16	D120 4476	Feeler: Paper Feed Sensor	1
17	D120 4453	Guide Plate: Paper Exit Unit: Upper	1
18	D120 4455	Stay: Exit	1
19	AW02 0198	Photointerruptor: LG2A14NL1	2
20	D120 1097	Bracket: Duplex: Lock: Front: Ass'y	1
21	D120 4489	Cover: Exit: Sensor	1
22	D120 5307	Harness: BCU: Paper Feed Sensor	1
23	AF02 2180	Roller: Driven	4
24	AA08 2118	Bushing - M6	2
25	D120 4456	Spacer: Exit	1

Index No.	Part No.	Description	Q'ty Per Assembly
101	0802 5320	Hexagon Head Tapping Screw: ES: 3x10	
102	0720 0040E	Retaining Ring - M4	
103	0454 3006Q	Tapping Screw - M3x6	
104	0451 3006N	Tapping Screw - 3x6	
105	1105 0511	Harness Clamp - LWS-0306ZC	

## 20. Paper Invert Section (D120/D121/D122/D139/D140/D141)



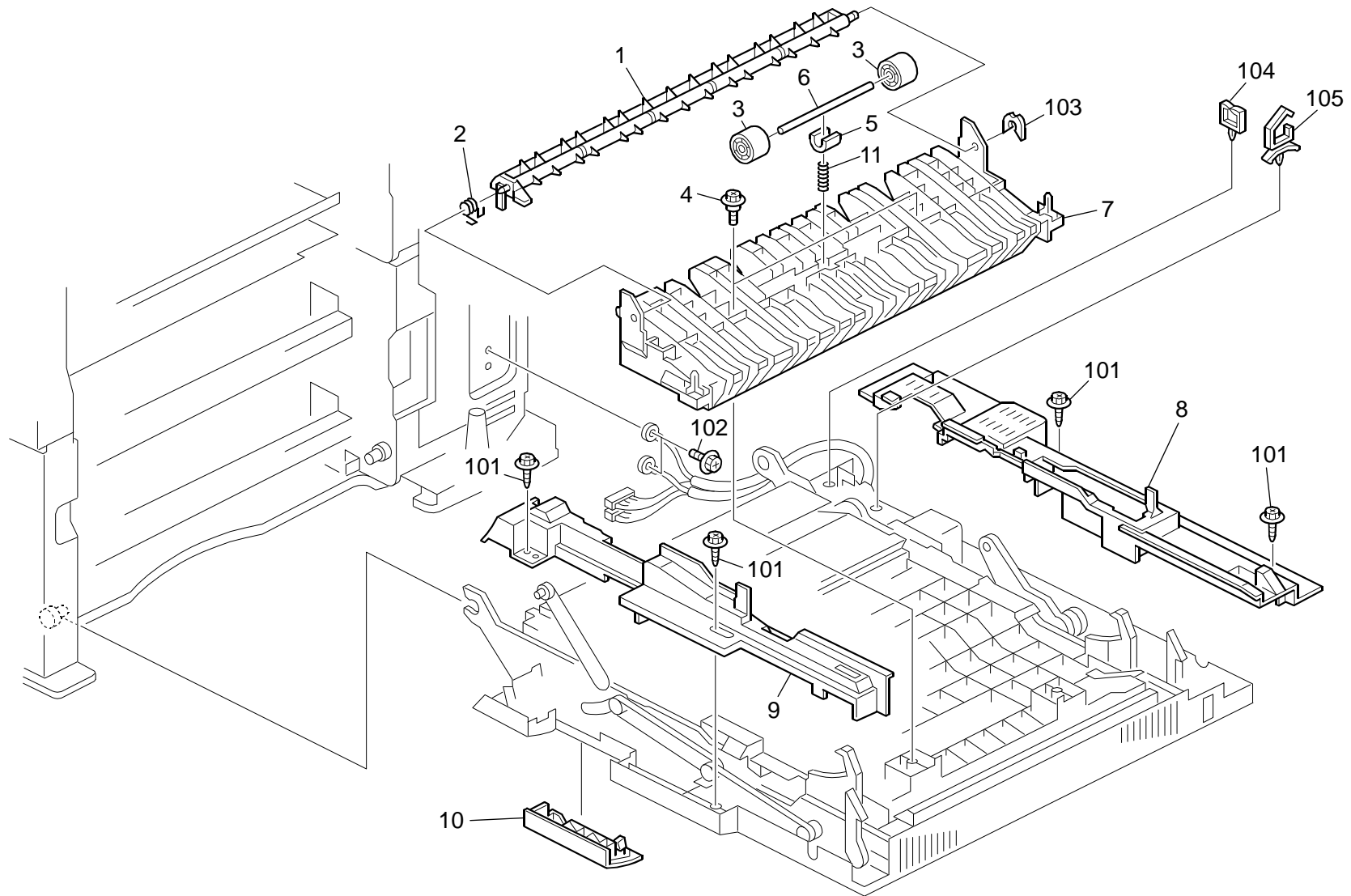
WWW.SERVICE-MANUAL.NET



## 20.Paper Invert Section (D120/D121/D122/D139/D140/D141)

Index No.	Part No.	Description	Q'ty Per Assembly	Index No.	Part No.	Description	Q'ty Per Assembly
1	AF02 0758	Reverse Roller	1	101	0353 0040N	Screw - M3x4	
2	D120 4837	Ground Plate: Reverse Roller	1	102	0451 3006N	Tapping Screw - 3x6	
3	D120 4840	Frame: Reverse Roller	1	103	0805 0089	Retaining Ring - M4	
4	AB01 1298	Gear: Reverse Roller	1	104	0720 0030E	Retaining Ring - M3	
5	AB03 0853	Timing Pulley: 19T: Gear: Z24	1	105	1105 0511	Harness Clamp - LWS-0306ZC	
6	AA04 3648	Synchronous Belt: S3M: 150	1	106	0802 5319	Hexagon Head Tapping Screw: ES: 3x8	
7	D120 4833	Cover: Motor: Reverse	1	107	0720 0040E	Retaining Ring - M4	
8	AB01 0162	Gear: Idler	1	108	1105 0723	Clamps: WES-0507	
9	D120 4811	Side Plate: Reverse: Rear: Ass'y	1				
10	AB01 0161	Gear: Z31	2				
11	AA00 0273	Seal: Reverse Roller	2				
12	D120 4810	Bracket: DC Stepper Motor	1				
13	AX06 0401	DC Stepper Motor: 14.4W	1				
14	AB03 0849	Pulley: Transport Roller: Reverse	1				
15	AF02 0759	Transport Roller: Reverse	1				
16	D120 4834	Bracket: Photo Refiection Sensor: Reverse	1				
17	GW01 0007	Photo Reflection Sensor: Exit	1				
18	D120 5355	Harness: Reverse Unit	1				
19	D120 4828	Bracket: DC Solenoid	1				
20	D120 4830	Frame: Reverse	1				
21	AF02 0778	Reverse Roller: Driven	1				
22	AA08 0297	Plain Shaft Bearing: DIA4	2				
23	AA06 3478	Coil Spring: Reverse Roller: Driven	2				
24	D120 4829	Link: Gate Pawl: Lower	1				
25	AA06 6415	Coil Spring: Link: Gate Pawl: Lower	1				
26	D120 4827	DC Solenoid: 24V: 2.9N	1				
27	D120 4823	Side Plate: Reverse: Front: Ass'y	1				
28	AA08 2118	Bushing - M6	2				

## 21. Duplex Section 1 (D120/D121/D122/D139/D140/D141)

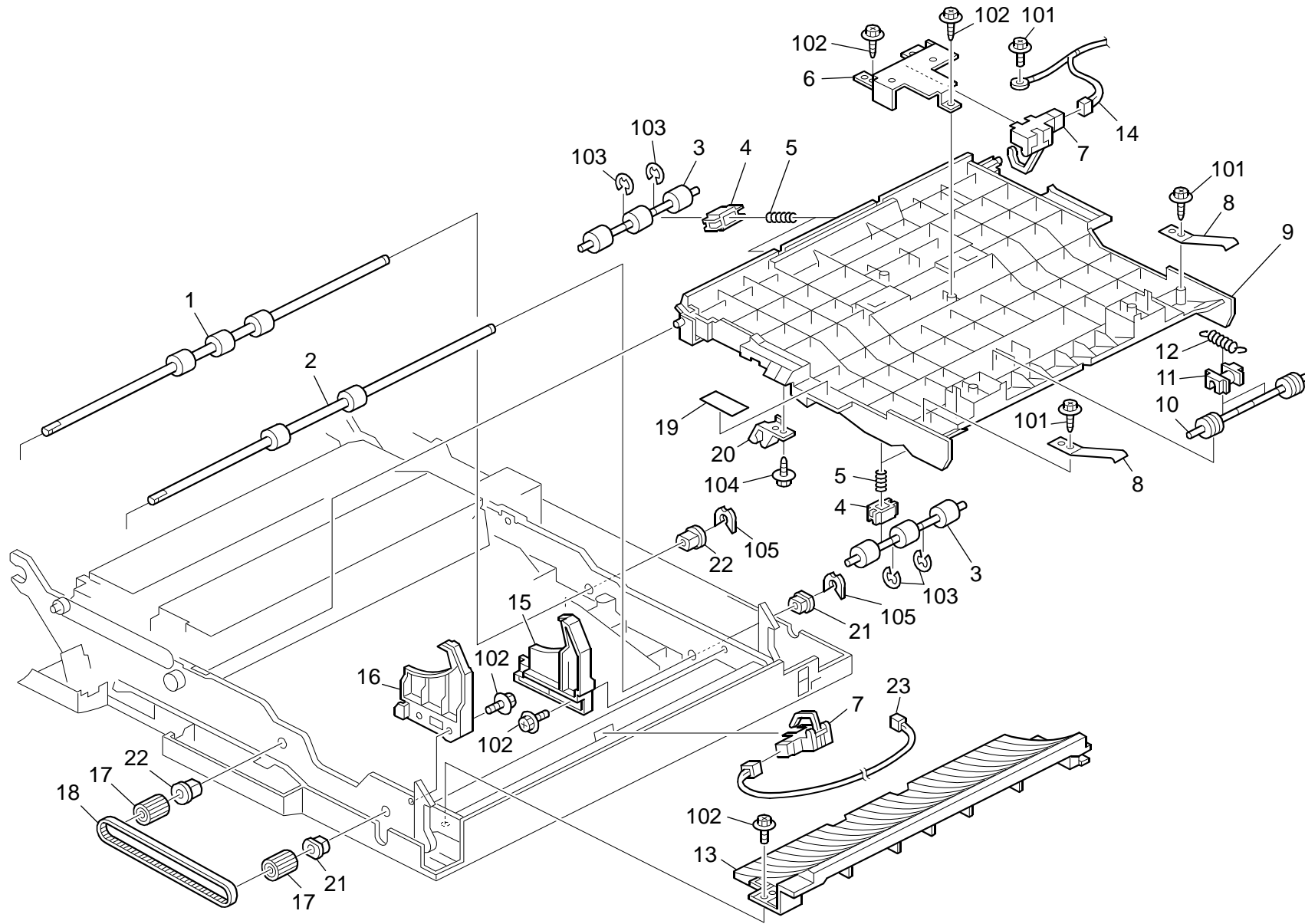


## 21. Duplex Section 1 (D120/D121/D122/D139/D140/D141)

Index No.	Part No.	Description	Q'ty Per Assembly
1	AF02 5045	Gate Pawl: Lower	1
2	AA06 6414	Coil Spring: Gate Pawl: Lower	1
3	B300 4566	Roller Tension	2
4	GA14 3003	Screw: MM5: 2.5MM	1
5	AA08 0156	Bushing - M4	1
6	AA14 5818	Tension Roller Shaft	1
7	D120 4665	Guide Plate: Open And Close: Gate	1
8	D120 4628	Inner Cover: Rear	1
9	D120 4629	Inner Cover: Front	1
10	D120 4645	Inner Cover: Grip: Duplex Unit	1
11	5205 4527	Spring - Exit	1

Index No.	Part No.	Description	Q'ty Per Assembly
101	0802 5319	Hexagon Head Tapping Screw: ES: 3x8	
102	0451 3006N	Tapping Screw - 3x6	
103	0805 0089	Retaining Ring - M4	
104	1105 0518	Edge Saddle - LES-1010	
105	1105 0551	Clamp: LES-0505	

## 22. Duplex Section 2 (D120/D121/D122/D139/D140/D141)



WWW.SERVICE-MANUAL.NET

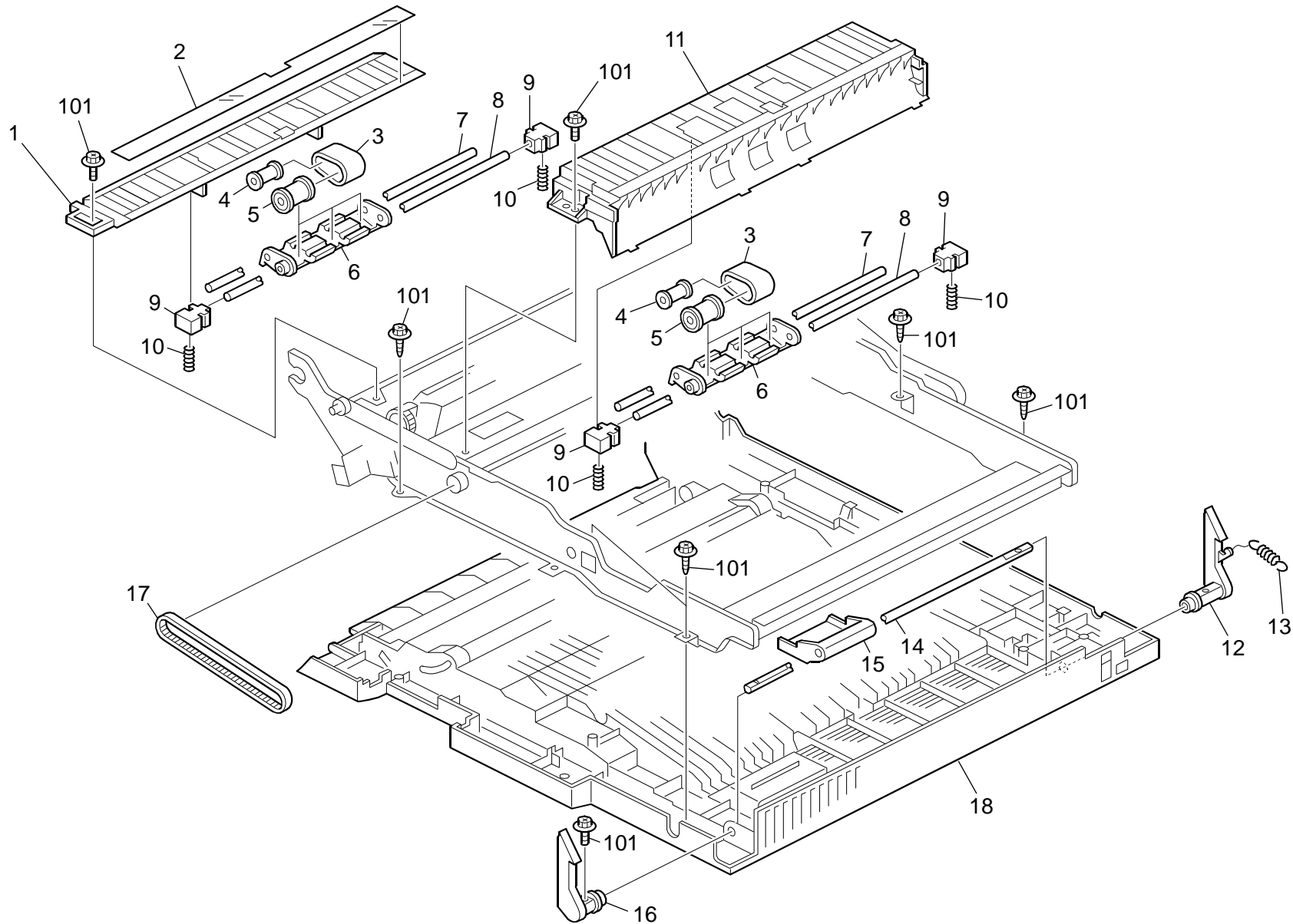
## 22. Duplex Section 2 (D120/D121/D122/D139/D140/D141)

Rev. 02/06/2012

Index No.	Part No.	Description	Q'ty Per Assembly
1	AF02 0756	Transport Roller: Duplex: Connecting	1
2	AF02 0754	Transport Roller: Duplex: Exit	1
3	D009 4664	Driven Roller	2
4	AA08 0254	Bushing - M4	4
5	AA06 3475	Compression Spring: Roller: Driven	4
6	D120 4647	Bracket: Duplex: Exit Sensor	1
7	AW02 0206	Photointerruptor: Duplex	2
8	D120 4675	Spring Plate: Guide Plate: Pressure	2
9	D120 4613	Guide Plate: Driven	1
10	D039 4542	Driven Roller: Entrance: Duplex	1
11	B223 4552	Bushing: DIA4	2
12	D039 4597	Tension Spring: Driven Roller	2
13	D120 4619	Guide Plate: Duplex: Entrance	1
14	D120 5352	Harness: Duplex Unit: Main	1
15	D120 4664	Arm: Pressure Release: Duplex: Rear	1
16	D120 4653	Arm: Pressure Release: Duplex: Front	1
17	AB03 0847	Pulley: Transport Roller: Entrance	2
18	AA04 3584	Timing Belt: S2M288	1
19	D120 4640	Decal: Duplex: Open And Close	1
20	D120 4614	Stopper: Guide Plate: Driven	1
21	AA08 2118	Bushing - M6	2
22	AA08 2154	Bushing: DIA6: DIA10: 9	2
23	D120 5351	Harness: Connecting: Duplex Unit: Sensor	1

Index No.	Part No.	Description	Q'ty Per Assembly
101	0802 5319	Hexagon Head Tapping Screw: ES: 3x8	
102	0451 3006N	Tapping Screw - 3x6	
103	0720 0030E	Retaining Ring - M3	
104	0454 3006Q	Tapping Screw - M3x6	
105	0805 0089	Retaining Ring - M4	

## 23. Duplex Section 3 (D120/D121/D122/D139/D140/D141)

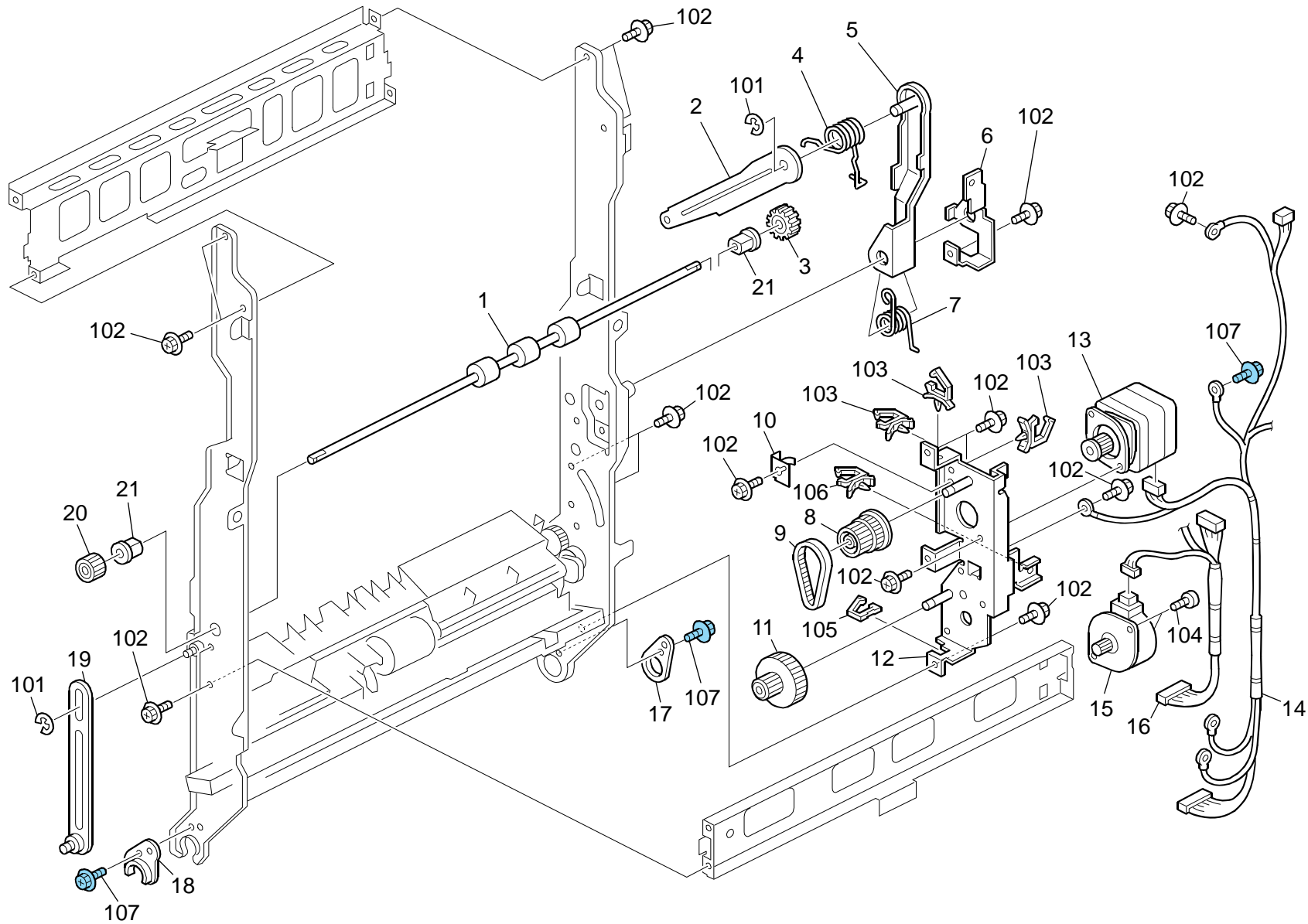


### 23. Duplex Section 3 (D120/D121/D122/D139/D140/D141)

Index No.	Part No.	Description	Q'ty Per Assembly
1	D120 2956	Guide Plate: Vertical Transport: Lower	1
2	D120 2958	Sheet: Guide: Vertical Transport: Lower	1
3	D029 2677	Transport Belt: Driven: Vertical Transport	2
4	D009 2574	Pulley - Idler	2
5	D009 2573	Pulley - Vertical Transport	2
6	D009 2571	Holder - Vertical Transport	2
7	D009 2575	Shaft - Idler	2
8	D009 2576	Shaft - Vertical Transport	2
9	G060 2652	Bushing - M4	4
10	B223 2676	Spring - 11N	4
11	D120 2957	Guide Plate: Vertical Transport: Driven: Upper	1
12	D120 4699	Hook: Stopper: Rear	1
13	AA06 1105	Tension Spring: Lever: Duplex	1
14	D039 2998	Shaft: Grip	1
15	D120 2996	Grip: Cover: Right	1
16	D039 2996	Hook: Stopper: Duplex Unit: Front	1
17	AA04 3584	Timing Belt: S2M288	1
18	D120 4618	Cover: Right	1

Index No.	Part No.	Description	Q'ty Per Assembly
101	0451 3006N	Tapping Screw - 3x6	

## 24. Duplex Section 4 (D120/D121/D122/D139/D140/D141)



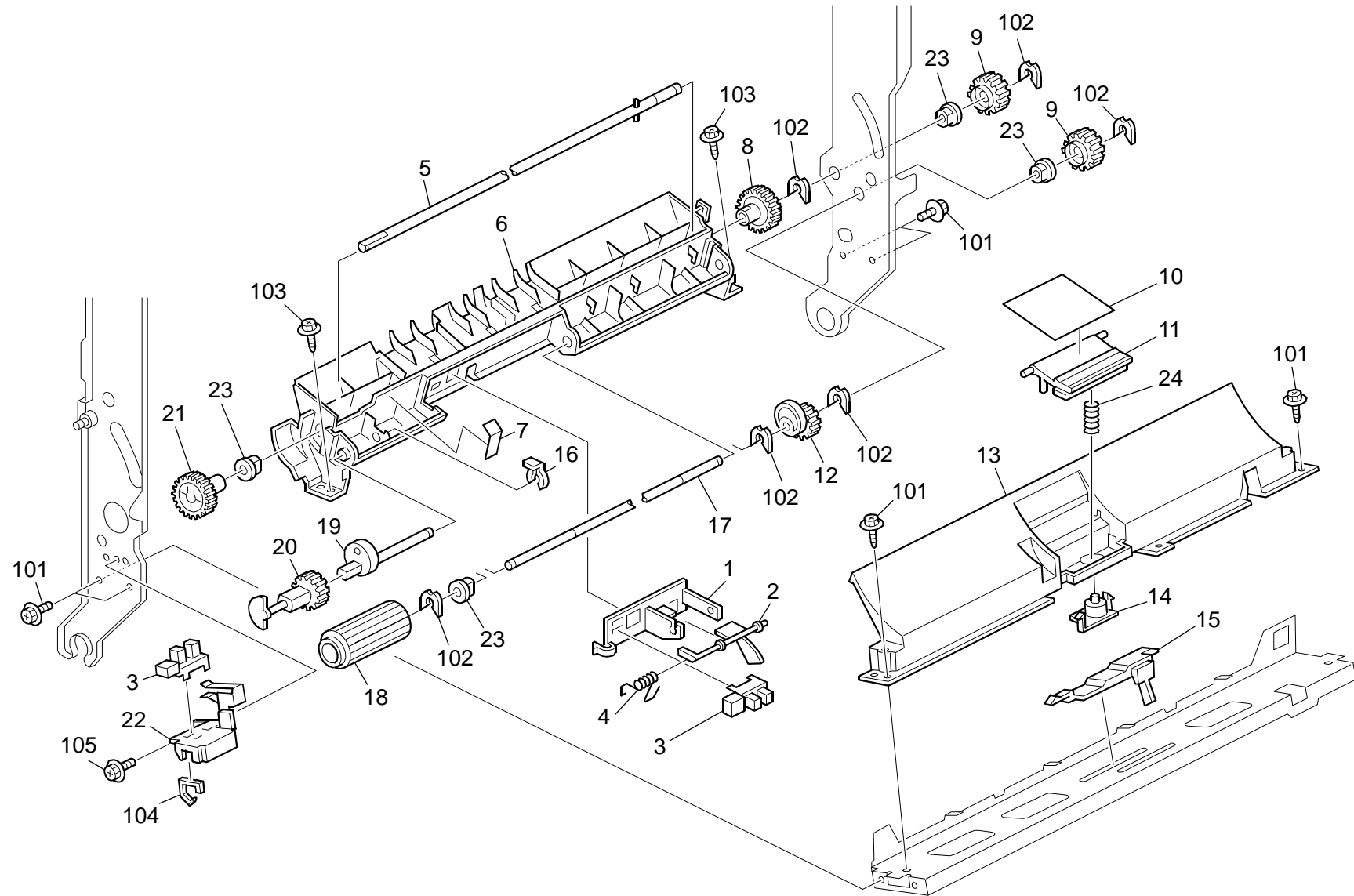


## 24. Duplex Section 4 (D120/D121/D122/D139/D140/D141)

Index No.	Part No.	Description	Q'ty Per Assembly
1	AF02 0755	Transport Roller: Duplex: Entrance	1
2	D120 4677	Link: Stopper	1
3	AB01 1295	Gear: Transport Roller	1
4	AA06 6416	Torsion Spring: Stopper	1
5	D039 2796	Shaft: Cam: Ass'y	1
5	D120 4673	Arm: Stopper	1
6	D120 4655	Bracket: Arm: Stopper	1
7	AA06 6410	Torsion Spring: Stopper: Contact Point	1
8	AB01 1296	Gear: Idler: Duplex: Exit	1
9	AA04 3323	Timing Belt: 40S2M120	1
10	B238 1762	Ground Plate - Stepper Motor	1
10	D120 2614	Sheet: Guide Plate: Manual Feed	1
11	D039 2781	Gear: Stepper Motor	1
12	D120 4612	Bracket: Cover: Right	1
13	D120 4671	DC Stepper Motor: Duplex: 2.32W	1
14	D120 5350	Harness: Duplex Unit: Main	1
15	AX05 0302	Stepper Motor: Transport	1
16	D120 5357	Harness: Manual Feed Unit: Main	1
17	D120 4609	Spacer: Duplex: Contact Point: Rear	1
18	D120 4610	Spacer: Duplex: Connect Point: Front	1
19	D120 4625	Link: Front: Duplex: Ass'y	1
20	AB03 0848	Pulley: Transport Roller	1
21	AA08 2118	Bushing - M6	2

Index No.	Part No.	Description	Q'ty Per Assembly
101	0720 0060E	Retaining Ring - M6	
102	0451 3006N	Tapping Screw - 3x6	
103	1105 0511	Harness Clamp - LWS-0306ZC	
104	0353 0040N	Screw - M3x4	
105	0451 3006N	Tapping Screw - 3x6	
106	1105 0516	Clamp	
107	0454 3006Q	Tapping Screw - M3x6	

## 25. Duplex Section 5 (D120/D121/D122/D139/D140/D141)

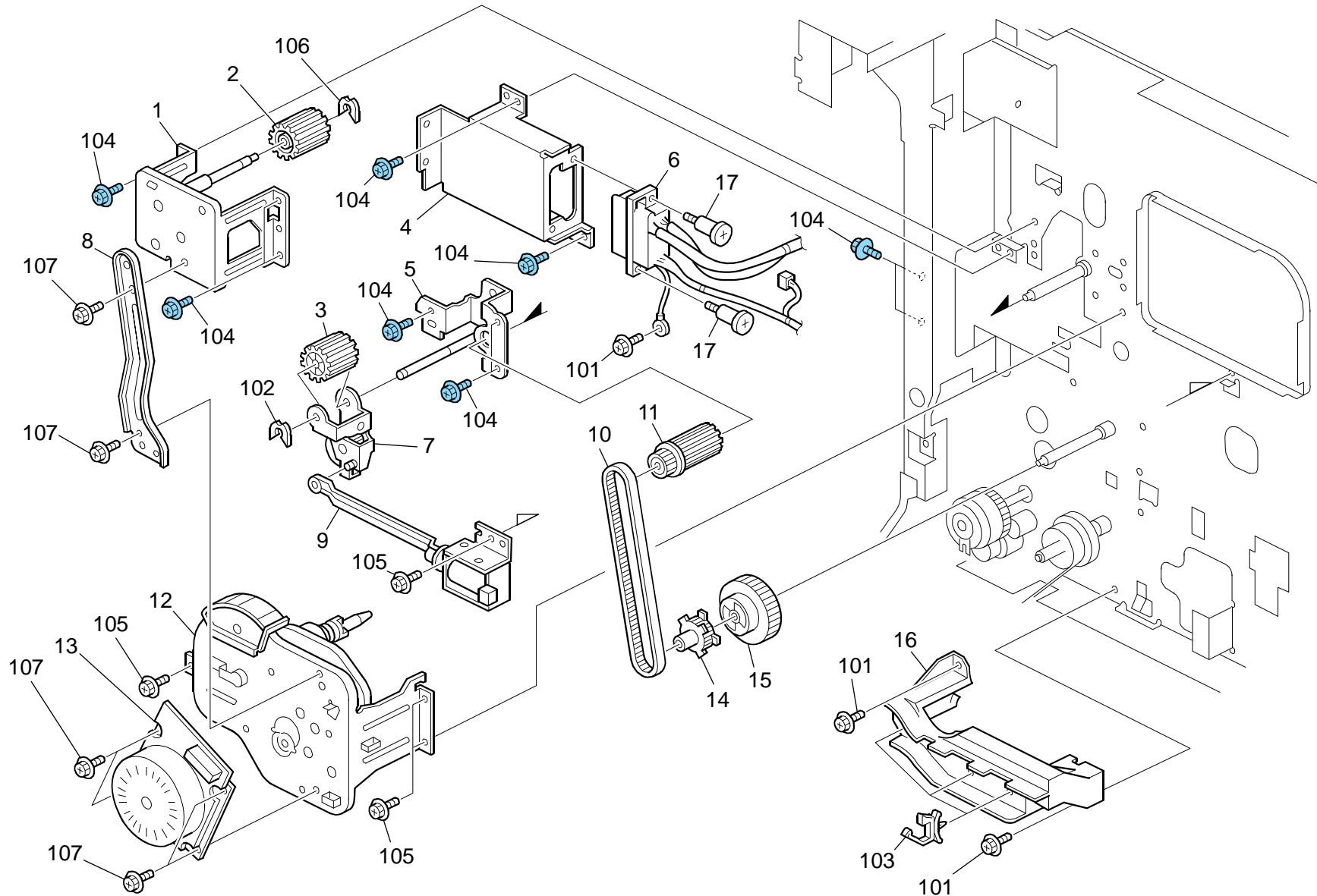


## 25. Duplex Section 5 (D120/D121/D122/D139/D140/D141)

Index No.	Part No.	Description	Q'ty Per Assembly
1	D039 2724	Bracket: Paper End Sensor: Manual Feed	1
2	D039 2725	Feeler: Manual Feed	1
3	AW02 0198	Photointerruptor: LG2A14NHL1	2
4	D039 2797	Torsion Spring: Paper End Sensor	1
6	D120 2626	Guide Plate: Manual Feed Unit: Upper	1
7	D039 2763	Plate: Harness: Manual Feed	1
8	D039 2789	Gear: Cam: Right Rear	1
9	D039 2780	Gear: Roller Clutch	2
11	B261 4650	Separation Pad	1
12	D039 2720	Gear: Cam: Right	1
13	D120 2613	Guide Plate: Manual Feed Unit: Lower	1
14	D039 2714	Holder: Compression Spring: Separation Pad	1
15	D039 2711	Lever: Compression Spring: Separation Pad	1
16	D039 2799	Retaining Rings-C: DIA4	1
17	D039 2786	Shaft: Drive: Manual Feed Unit	1
18	AF03 1060	By-pass Feed Roller	1
19	D039 2793	Cam: Left	1
20	D039 2790	Gear: Feeler: Left	1
21	D039 2722	Gear: Cam: Left Rear	1
22	D120 2612	Bracket: Home Position Sensor	1
23	AA08 2118	Bushing - M6	4
24	B043 4685	Spring - 2.8N	1

Index No.	Part No.	Description	Q'ty Per Assembly
101	0451 3008N	Tapping Screw - M3x8	
102	0805 0089	Retaining Ring - M4	
103	0802 5319	Hexagon Head Tapping Screw: ES: 3x8	
104	1105 0551	Clamp: LES-0505	
105	1105 0551	Clamp: LES-0505	

## 26. Drive Section 1 (D120/D121/D122/D139/D140/D141)



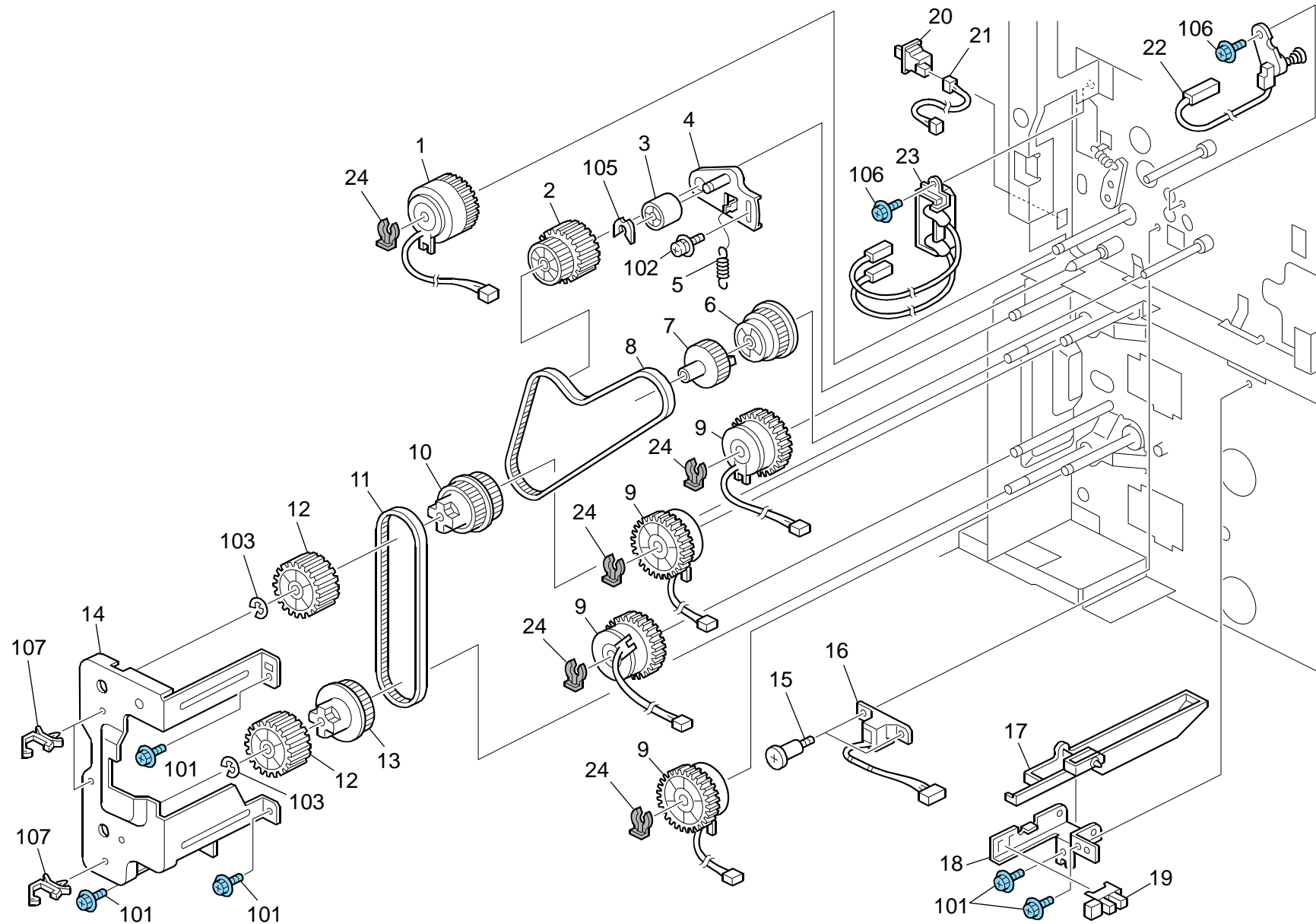
WWW.SERVICE-MANUAL.NET

## 26. Drive Section 1 (D120/D121/D122/D139/D140/D141)

Index No.	Part No.	Description	Q'ty Per Assembly
1	D120 6105	Cover: Drive: Fusing	1
2	AB01 1567	Gear: Exit: Drive	1
3	AB01 1565	Gear: Fusing: Idler	1
4	D120 5613	Guide Plate: Fusing Unit: Rear	1
5	D120 1185	Bracket: Drive: Fusing	1
6	D120 5321	Harness: AC: Fusing: NA	1
6	D120 5322	Harness: AC: Fusing: EU	1
7	D120 1189	Bracket: Fusing: Swivel	1
8	D120 6111	Bracket: Arm: Fusing/Paper Exit Unit	1
9	D120 1193	Lever: DC Solenoid: Ass'y	1
10	AA04 3673	Synchronous Belt: Fusing: S3M: 5x288	1
11	AB03 0856	Pulley: Fusing: NO.2	1
12	D120 1027	Bracket: Drive: Drum: Ass'y	1
13	AX06 0402	DC Brushless Motor: Main: 30.7W	1
14	AB03 0855	Pulley: Fusing: No.1	1
15	AB01 0404	Gear: Fusing: No.2	1
16	D120 1178	Holder: Registration	1
17	AA14 3301	Stepped Screw - M3x4	2

Index No.	Part No.	Description	Q'ty Per Assembly
101	0454 3008Q	Tapping Screw: 3x8	
102	0720 0040E	Retaining Ring - M4	
103	1105 0511	Harness Clamp - LWS-0306ZC	
104	0454 3006Q	Tapping Screw - M3x6	
105	0451 3006N	Tapping Screw - 3x6	
106	0805 0089	Retaining Ring - M4	
107	0360 3006N	Screw - M3x6	

## 27. Drive Section 2 (D120/D121/D122/D139/D140/D141)



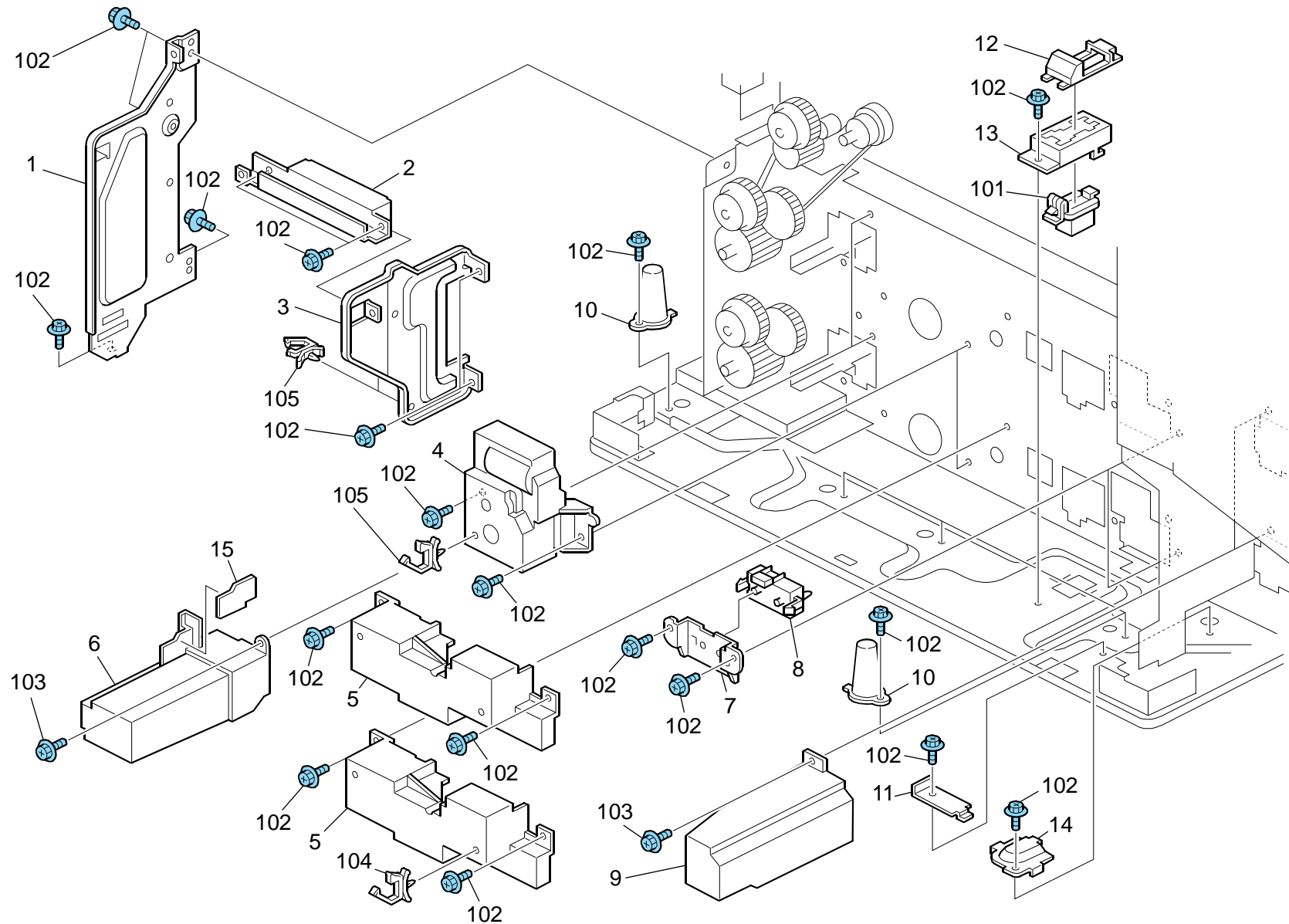
WWW.SERVICE-MANUAL.NET

## 27. Drive Section 2 (D120/D121/D122/D139/D140/D141)

Index No.	Part No.	Description	Q'ty Per Assembly
1	AX20 0325	Electromagnetic Clutch: Registration: 0.5NM	1
2	AB03 0858	Pulley: Gear: Electromagnetic Clutch: Connecting	1
3	D120 1175	Pulley: Registration: Tightener	1
4	D120 1172	Bracket: Drive: Tightener: Peen	1
5	B238 4717	Tension Spring: Arm: Coupling	1
6	AB03 0857	Pulley: Transport: No.1	1
7	AB01 0406	Gear: Transport: No.2	1
8	AA04 3671	Synchronous Belt: Transport: S3M: 5x387	1
9	AX20 0324	Electromagnetic Clutch: 0.45NM: Z44	4
10	AB03 0859	Pulley: Connecting: Paper Feed: Registration	1
11	AA04 3674	Synchronous Belt: S2M: 288	1
12	AB01 1568	Gear: Idler: Paper Feed: Vertical Transport	2
13	AB03 0860	Pulley: Paper Feed: NO.2	1
14	D120 1170	Bracket: Paper Feed: Vertical Transport	1
15	B259 1131	Screw: PCU	2
16	D120 5344	Harness: Development: Drawer	1
17	D120 2723	Feeler: Paper Size Sensor: Inner Back	1
18	D120 2724	Bracket: Paper Size Sensor: Inner Back	1
19	AW02 0204	Photointerruptor: LGRC102	1
20	G020 5626	Push Switch	1
21	D120 5338	Harness: Connecting: Right: Door Switch	1
22	D019 3461	Charge Receptacle	1
23	D019 3950	Receptacle - Transfer/Separation	1
24	5447 2681	Snap Ring	5

Index No.	Part No.	Description	Q'ty Per Assembly
101	0454 3006Q	Tapping Screw - M3x6	
102	0954 3006N	Screw - M3x6	
103	0720 0060E	Retaining Ring - M6	
104	0805 0097	Ring Separator	
105	0805 0088	Retaining Ring - M6	
106	0451 3006N	Tapping Screw - 3x6	
107	1105 0511	Harness Clamp - LWS-0306ZC	

## 28. Drive Section 3 (D120/D121/D122/D139/D140/D141)



WWW.SERVICE-MANUAL.NET

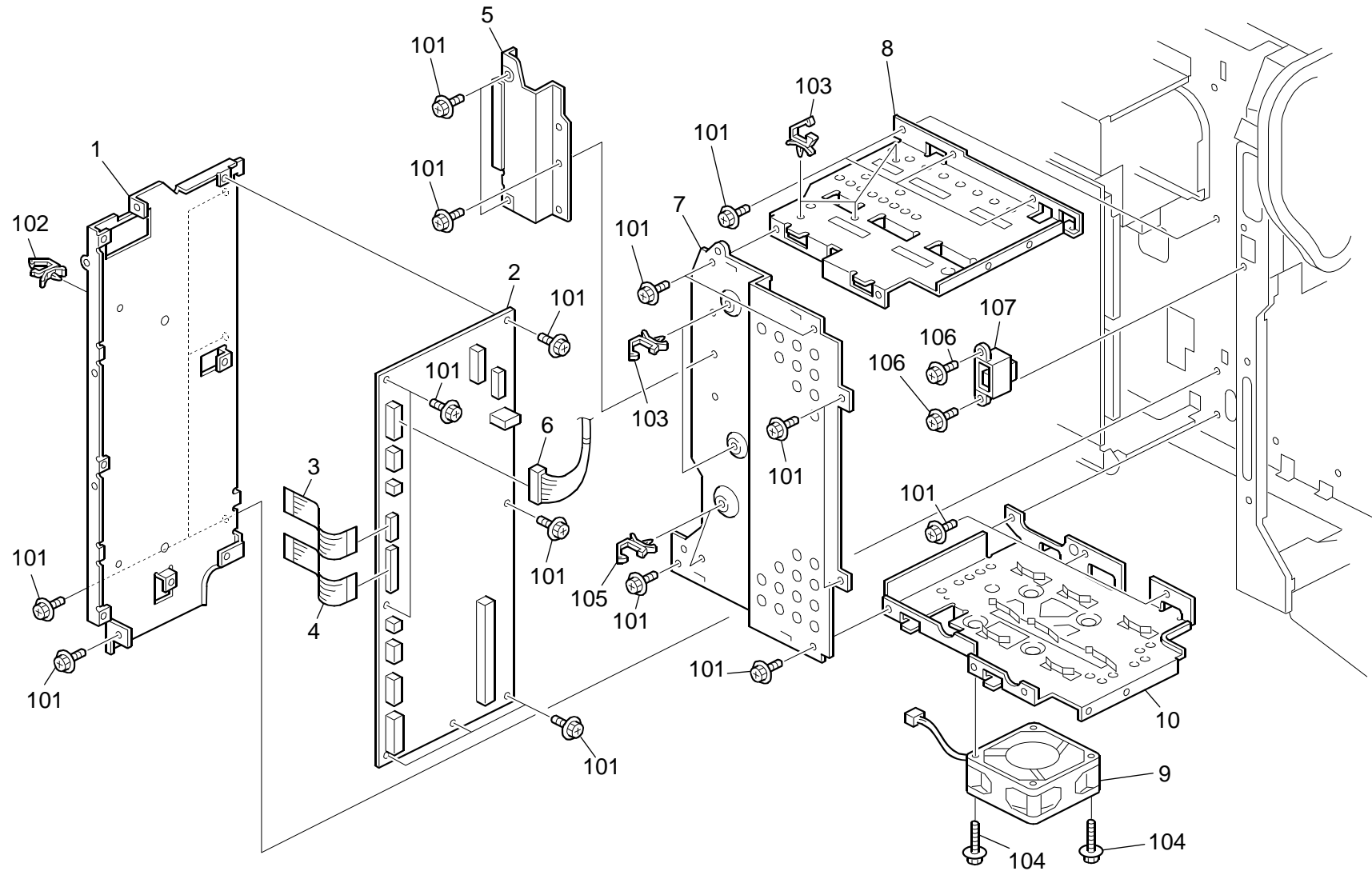


### 28. Drive Section 3 (D120/D121/D122/D139/D140/D141)

Index No.	Part No.	Description	Q'ty Per Assembly
1	D120 5826	Bracket: Grip: Rear Right	1
2	D120 5828	Grip: Rear Right	1
3	D120 5834	Bracket: Grip: Support	1
4	AX04 0154	DC Motor 24V	1
5	B223 2722	Cover	2
6	D120 2541	Cover: Tray: Right	1
7	B223 2721	Bracket: Push Switch	1
8	AW50 0038	Push Switch: Paper Size Sensor	1
9	D120 2543	Cover: Tray: Left	1
10	B238 1089	Cover - Positioning Pin	4
11	D120 1091	Bracket: Base	1
12	B238 1088	Cover - Connector	1
13	D120 1096	Bracket: Connector: Base	1
14	B238 1066	Rubber Foot Cover	1
15	D120 2820	Cushion: Electromagnetic Clutch: Paper Feed	1

Index No.	Part No.	Description	Q'ty Per Assembly
101	1102 8534	Connector - QR/P17-14S-B	
102	0454 3006Q	Tapping Screw - M3x6	
103	0454 3008Q	Tapping Screw: 3x8	
104	1105 0487	Harness Clamp	
105	1105 0511	Harness Clamp - LWS-0306ZC	

## 29.Electrical Section 1 (D120/D121/D122/D139/D140/D141)



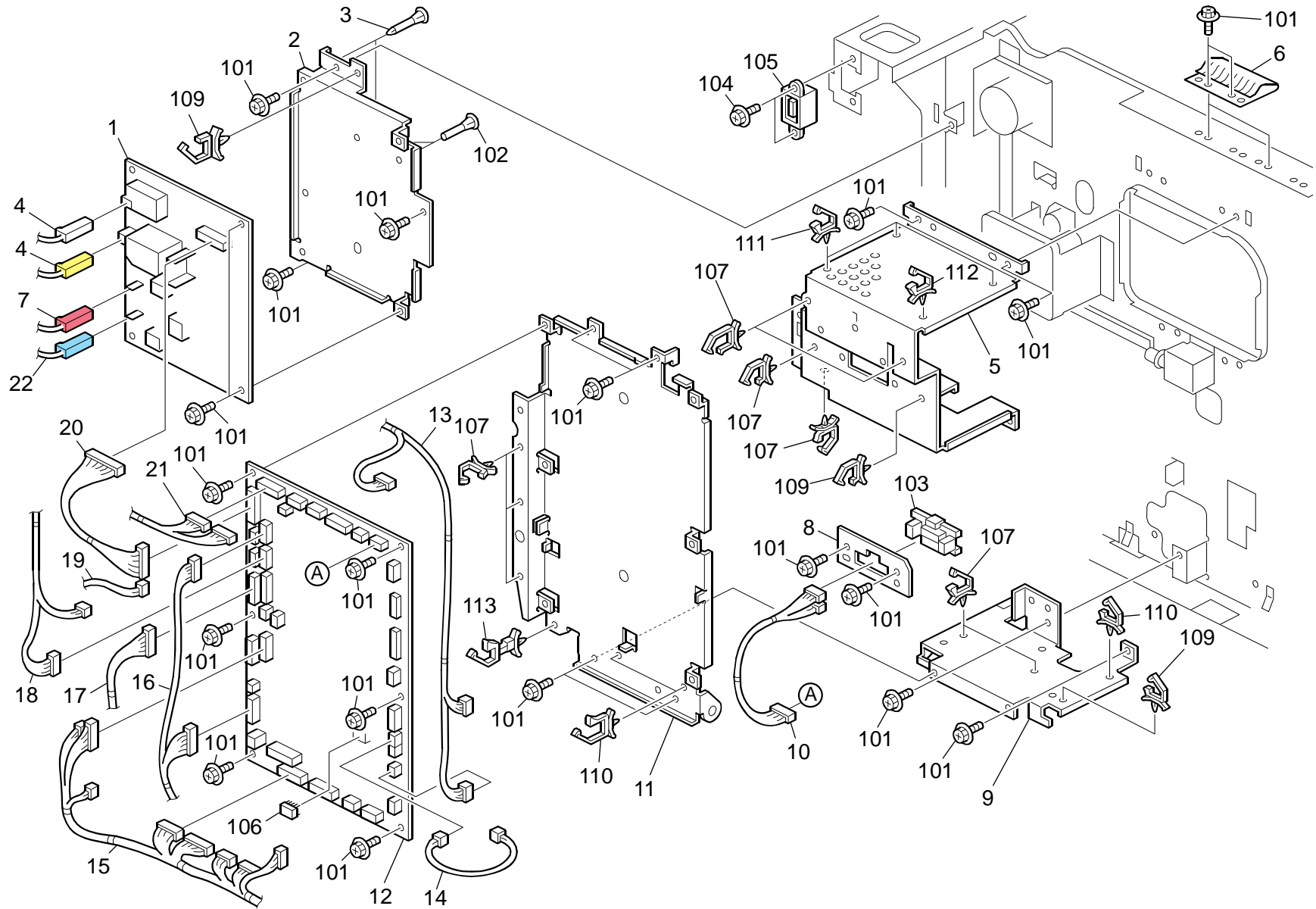
[WWW.SERVICE-MANUAL.NET](http://WWW.SERVICE-MANUAL.NET)

## 29. Electrical Section 1 (D120/D121/D122/D139/D140/D141)

Index No.	Part No.	Description	Q'ty Per Assembly
1	D120 5850	Bracket: Image Processing Unit	1
2	D120 5152	PCB: IPU Image Processing Unit	1
3	D120 5316	Harness: FFC: Image Processing Unit: 2	1
4	D120 5315	Harness: FFC: Image Processing Unit: 1	1
5	D120 5853	Bracket: FFC: Image Processing Unit	1
6	D120 5326	Harness: Operation Sub-unit	1
7	D120 5875	Shadeing Plate: CTL	1
8	D120 5856	Rack: Application: Upper	1
9	AX64 0170	Fan Motor - MM60 DC24V	1
10	D120 5860	Rack: Application: Lower: Ass'y	1

Index No.	Part No.	Description	Q'ty Per Assembly
101	0451 3006N	Tapping Screw - 3x6	
102	1105 0511	Harness Clamp - LWS-0306ZC	
103	1105 0516	Clamp	
104	0954 3030N	Screw: Polished Round/Spring: M3x30	
105	1105 0487	Harness Clamp	
106	0451 3008N	Tapping Screw - M3x8	
107	1102 8502	Connector - 54679-1615	

### 30.Electrical Section 2 (D120/D121/D122/D139/D140/D141)



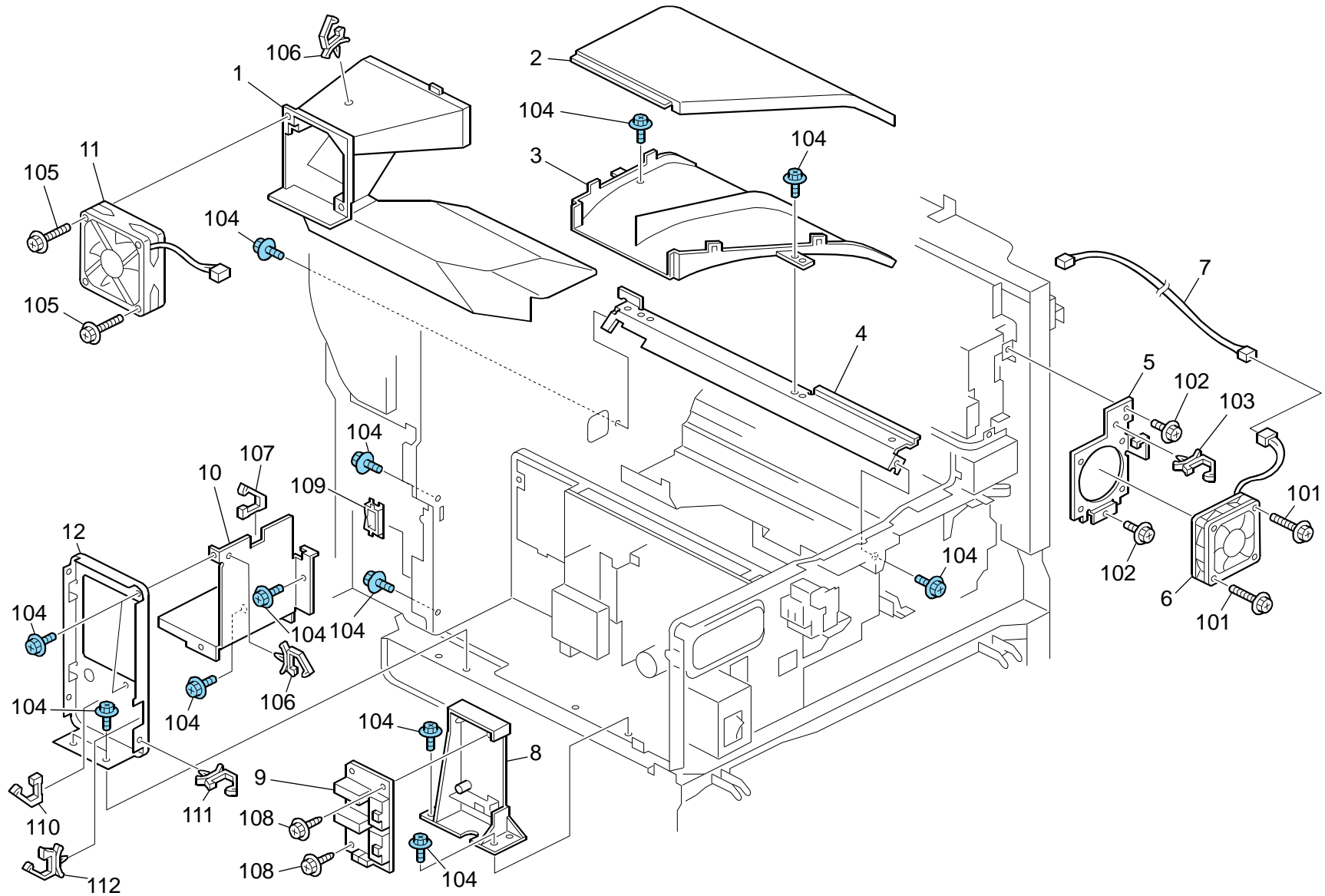
WWW.SERVICE-MANUAL.NET

### 30. Electrical Section 2 (D120/D121/D122/D139/D140/D141)

Index No.	Part No.	Description	Q'ty Per Assembly
1	AZ32 0176	Power Pack: BCTD	1
2	D120 5833	Bracket: Power Pack	1
3	G020 5871	Spacer: Lock: KGLS-12RT	1
4	D019 3950	Receptacle - Transfer/Separation	2
5	D120 5839	Stand: IOB: Upper	1
6	D039 1095	Ground Plate: Scanner: Stay: Upper Rear	1
7	D019 3461	Charge Receptacle	1
8	B238 5891	Drawer Bracket	1
9	D120 5840	Stand: IOB: Lower	1
10	D120 5341	Harness: BCU: Joint Unit	1
11	D120 5838	Bracket: IOB	1
12	D120 5122	PCB: BCU: Ass'y	1
13	D120 5300	Harness: BCU: ADF	1
14	D120 5339	Harness: BCU: Image Processing Unit: Power Source	1
15	D120 5330	Harness: BCU: Main: Lower	1
16	D120 5302	Harness: BCU: Motor: Main	1
17	D120 5301	Harness: BCU: Registration Sensor	1
18	D120 5321	Harness: AC: Fusing: NA	1
18	D120 5322	Harness: AC: Fusing: EU	1
19	D120 5305	Harness: BCU: Discharge Lamp	1
20	D120 5317	Harness: BCU: HVP	1
21	D120 5306	Harness: BCU: Paper Exit Section: 1bin	1
22	D120 5343	Harness: HVP: B	1

Index No.	Part No.	Description	Q'ty Per Assembly
101	0451 3006N	Tapping Screw - 3x6	
102	1105 0499	KGPS-12RF	
103	1102 9782	Connector: 51405-1819	
104	0451 3008N	Tapping Screw - M3x8	
105	1102 8501	Connector: 54679-1609	
106	1407 7153	EEPROM: AT24C64C-PU: 64K	
107	1105 0487	Harness Clamp	
108	1105 0701	KGPS-16RF-V0	
109	1105 0488	Harness Clamp	
110	1105 0490	Harness Clamp - IWS-2218	
111	1105 0511	Harness Clamp - LWS-0306ZC	
112	1105 0516	Clamp	
113	1105 0755	Clamp: RSPC-315P	

### 31.Electrical Section 3 (D120/D121/D122/D139/D140/D141)

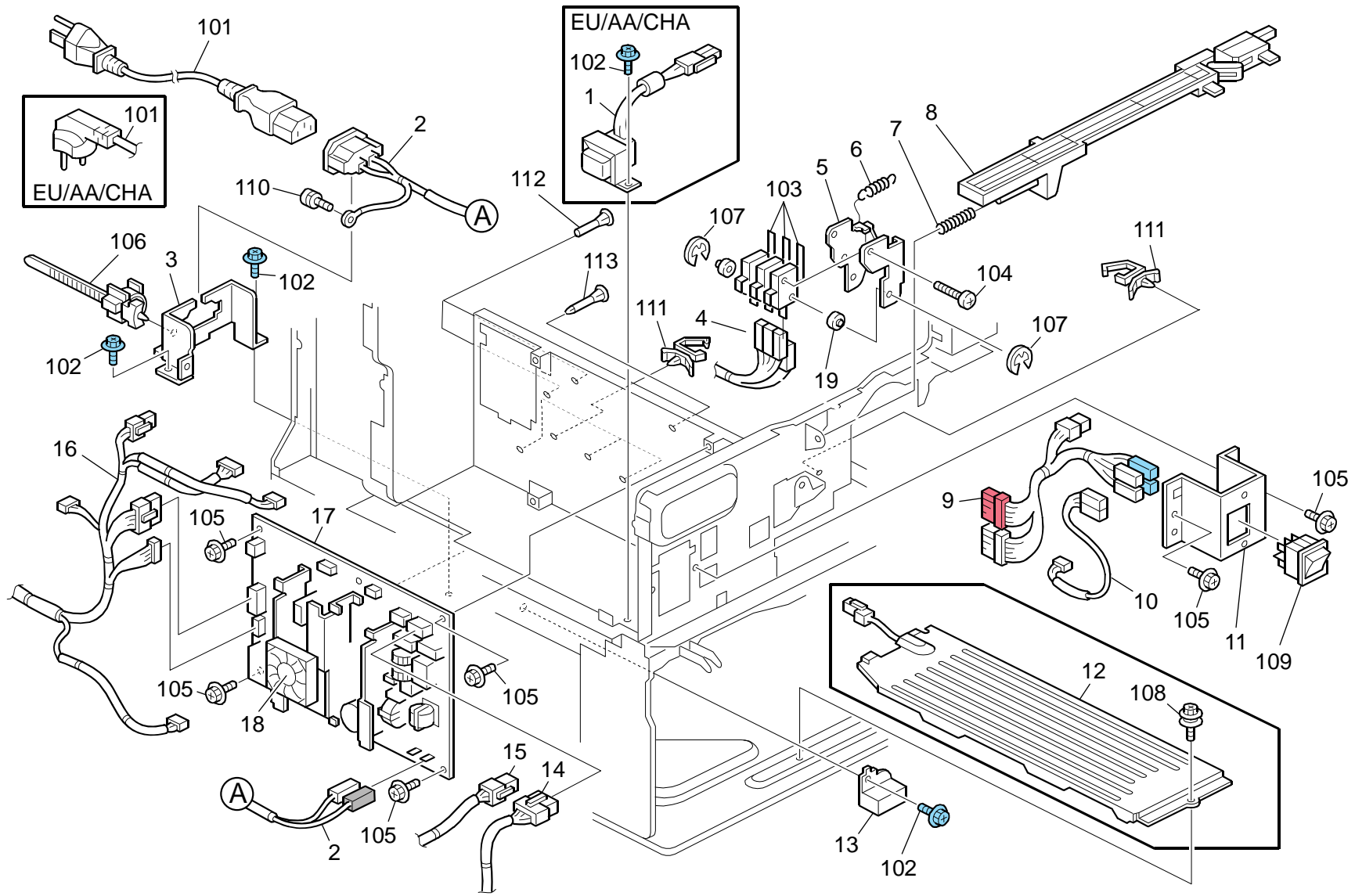


### 31. Electrical Section 3 (D120/D121/D122/D139/D140/D141)

Index No.	Part No.	Description	Q'ty Per Assembly
1	D120 1102	Duct: DC Fan Motor	1
2	D120 1105	Duct: Upper	1
3	D120 1104	Duct: Lower	1
4	D120 1108	Holder: Duct	1
5	D120 1127	Bracket: DC Fan Motor: MM60	1
6	AX64 0170	Fan Motor - MM60 DC24V	1
7	D120 5346	Harness: Connecting: Duplex Section: Fan	1
8	D120 5874	Bracket: SDB	1
9	M026 5194	PCB: SDB	1
10	D120 1106	Guide Plate: Duct: Exhaust	1
11	GX64 5734	Fan Motor: MM80 DC24V 3.12W	1
12	D120 1085	Bracket: Protect: Side Plate: Left Rear	1

Index No.	Part No.	Description	Q'ty Per Assembly
101	0451 3030N	Tapping Screw: 3x30	
102	0451 3006N	Tapping Screw - 3x6	
103	1105 0511	Harness Clamp - LWS-0306ZC	
104	0454 3006Q	Tapping Screw - M3x6	
105	0451 4035N	Tapping Screw: 4x35	
106	1105 0724	Clamps: WES-1210	
107	1105 0508	Harness Clamp - LWS-0711	
108	0802 5320	Hexagon Head Tapping Screw: ES: 3x10	
109	1105 0726	Clamps: WES-2217	
110	1105 0725	Clamps: WES-1117	
111	1105 0516	Clamp	
112	1105 0488	Harness Clamp	

### 32.Electrical Section 4 (D120/D121/D122/D139/D140/D141)



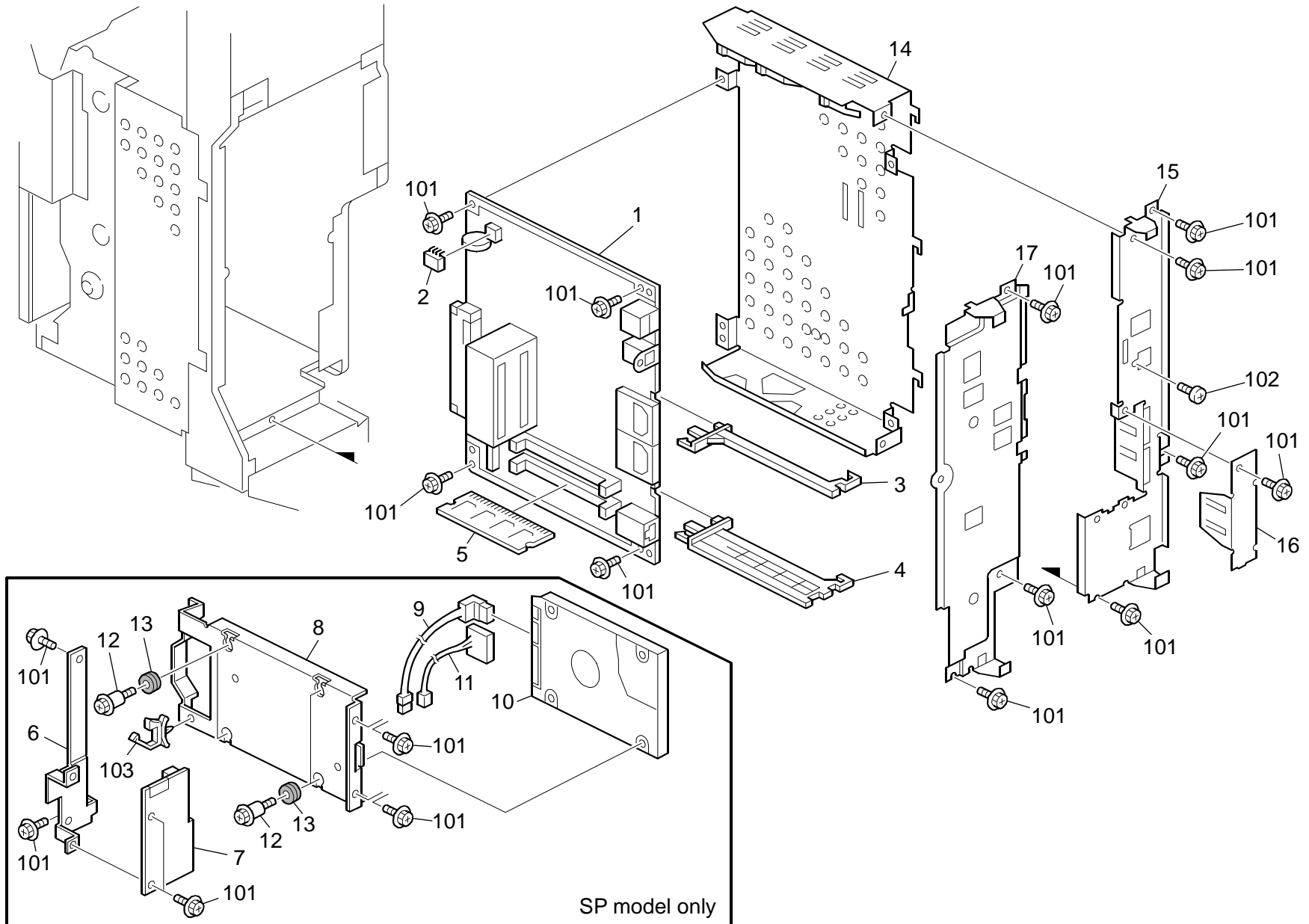


### 32. Electrical Section 4 (D120/D121/D122/D139/D140/D141)

Index No.	Part No.	Description	Q'ty Per Assembly
1	B121 5018	Choke Coil	1
2	D120 5314	Harness: AC: Inlet	1
3	D120 5831	Bracket: Power Supply Cord	1
4	D120 5304	Harness: BCU: Door Switch	1
5	D120 5629	Bracket: Micro Switch	1
6	AA06 3476	Compression Spring: Door Switch	1
7	D120 1095	Tension Spring: Door Switch	1
8	D120 5602	Lever: Door Switch: Ass'y	1
9	D120 5318	Harness: SDB: Main Switch	1
10	D120 5310	Harness: SDB: Switch: 2P	1
11	D120 5616	Bracket: Main Switch	1
12	D120 2702	Heater: Nichrome Wire: 120V: 9W: NA	1
12	D120 2705	Heater: Nichrome Wire: 230V: 9W	1
13	B223 2727	Cover - Connector	1
14	D120 5319	Harness: AC: Heater: EXP	1
15	D120 5321	Harness: AC: Fusing: NA	1
15	D120 5322	Harness: AC: Fusing: EU	1
16	D120 5312	Harness: PSU	1
17	AZ23 0255	Power Supply Unit: 247W: DOM/NA	1
17	AZ23 0257	Power Supply Unit: 247W: EU/AA/CHN	1
18	AX64 0208	DC Fan Motor: Mm60: 24V	1
19	D120 5733	Pin: Bracket: Micro Switch	1

Index No.	Part No.	Description	Q'ty Per Assembly
101	1150 0377	Power Supply Code: 250V: 10A: EU	
101	1150 0409	Power Supply Code: 125V: 15A: TWN	
101	1150 0438	Power Supply Code: AC125V: 15A: NA	
101	GZ00 0005	Power Supply Cord: CHN	
102	0454 3006Q	Tapping Screw - M3x6	
103	1204 2510	Micro Switch	
104	0313 0350N	Pan Head Screw: M3x35	
105	0451 3006N	Tapping Screw - 3x6	
106	1105 0574	Connector: OG-503040V	
107	0805 0092	Retaining Ring - 3m	
108	0802 5299	Tapping Screw - M3x8	
109	1204 2901	Rocker Switch: RS51-AJAJ	
110	0950 4006N	Screw - M4X6	
111	1105 0488	Harness Clamp	
112	1105 0701	KGPS-16RF-V0	
113	1105 0296	Spacer - KGLS-16RT	

### 33.Controller Section (D120/D121/D122/D139/D140/D141)



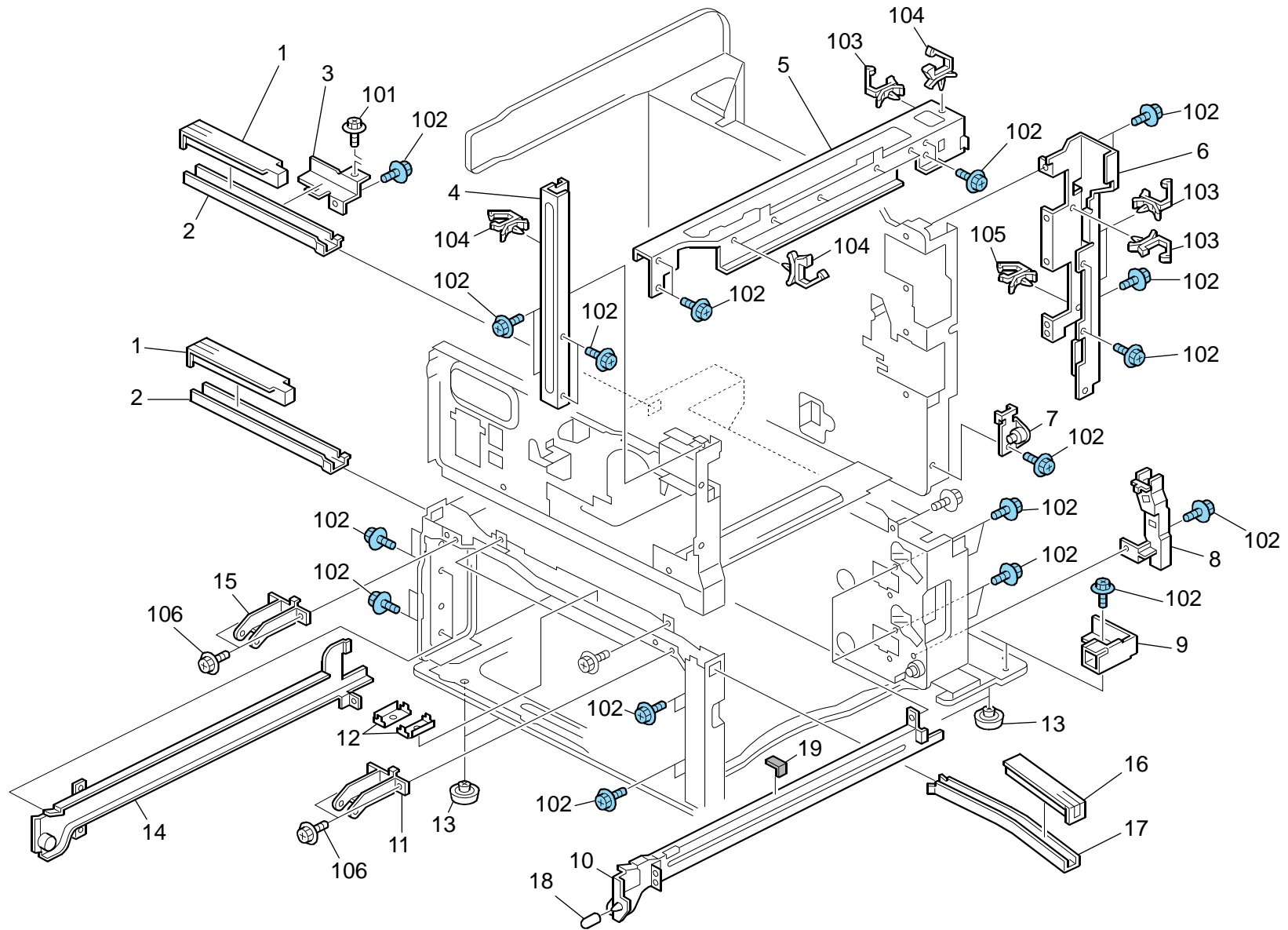
### 33.Controller Section (D120/D121/D122/D139/D140/D141)

Rev. 02/14/2012

Index No.	Part No.	Description	Q'ty Per Assembly
1	D122 5720	PCB: CTL: ORV-C1: 23CPM	1
1	D122 5740	PCB: CTL: ORV-C1: 28CPM	1
1	D122 5750	PCB: CTL: ORV-C1: 33CPM	1
2	D120 9590	NVRAM	1
3	D009 5899	Rail: Right: Small	1
4	D009 5891	Rail: Left: Fax Control Unit	1
5	M052 5391	PCB: Memory: 512MB	1
6	D120 5692	Bracket: SATIE2	1
7	D129 5710	PCB: SATIE2	1
8	D120 5691	Bracket: HDD	1
9	D129 5713	Cable: HDD: SATA: 135	1
10	M080 5320	HDD: 160GB: MK1676GSX	1
11	D129 5719	Cable: HDD: SATA: Power: 2P	1
12	AA14 3848	Stepped Screw - M3	4
13	AA16 1125	Rubber Cushion	4
14	D120 5859	Bracket: Control Board: NO.2: Ass'y	1
15	D120 5868	Bracket: Control Board: Ass'y	1
16	D120 5869	Panel: Interface	1
17	D120 5890	Panel: FAX	1

Index No.	Part No.	Description	Q'ty Per Assembly
101	0360 3006N	Screw - M3x6	
102	0353 0060N	Bind Screw - M3x6	
103	1105 0516	Clamp	

### 34.Frame Section (D120/D121/D122/D139/D140/D141)

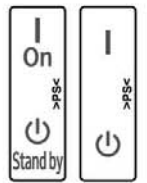


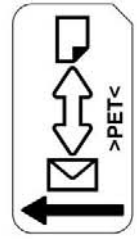

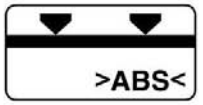

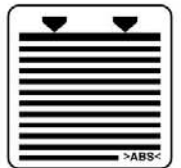


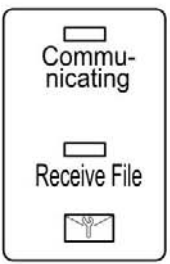
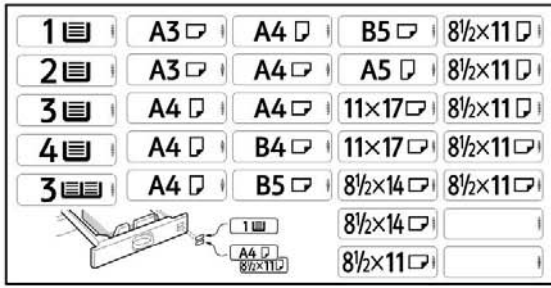


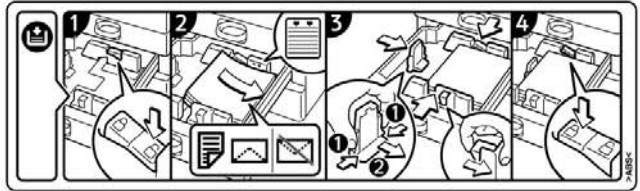


### 34.Frame Section (D120/D121/D122/D139/D140/D141)

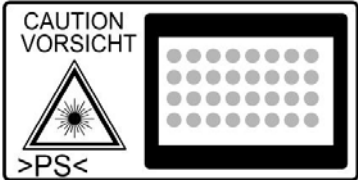







Index No.	Part No.	Description	Q'ty Per Assembly
1	D120 5625	Cover: Grip: Left	2
2	D120 5624	Grip: Left	2
3	D120 1077	Bracket: Grip: Left Rear	1
4	D120 1078	Frame: Lengthwise: Right Front	1
5	D120 1080	Stay: Scanner: Right Lower	1
6	D120 1079	Frame: Lengthwise: Right Rear	1
7	D120 5604	Bracket: Link: Main: Ass'y	1
8	D120 2816	Guide: Harness: Paper Feed: Inner Back	1
9	D120 5615	Bracket: Cover: Rear	1
10	B223 2715	Supporter - Right	1
11	D120 1386	Hinge: Door: Front: Right	1
12	D120 1082	Bracket: Grip: Front: Left And Right	2
13	AH01 0009	Rubber Pad - H5	5
14	D120 2710	Supporter: Left: Ass'y	1
15	D120 1387	Hinge: Door: Front: Left	1
16	D120 5623	Cover: Grip: Right Front	1
17	D120 5620	Grip: Right Front: Ass'y	1
18	B223 2714	Positioning Cap - Short	2
19	AA16 1163	Cushion	1

Index No.	Part No.	Description	Q'ty Per Assembly
101	0451 4008N	Tapping Screw: 4x8	
102	0454 3006Q	Tapping Screw - M3x6	
103	1105 0516	Clamp	
104	1105 0511	Harness Clamp - LWS-0306ZC	
105	1105 0534	Clamp	
106	0451 3006N	Tapping Screw - 3x6	

### 35. Decal and Documents (D120/D121/D122/D139/D140/D141)

<p>1</p> 	<p>2</p> 	<p>3</p> 	<p>4</p> 	<p>5</p> 
<p>6</p> 	<p>7</p> 	<p>8</p> 	<p>9</p> 	<p>10</p> 
<p>11</p> 	<p>12</p> 	<p>13</p> 		
<p>14</p> 	<p>15</p> 			

### 35.Decal and Documents (D120/D121/D122/D139/D140/D141)


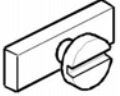
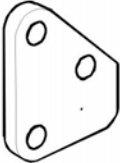
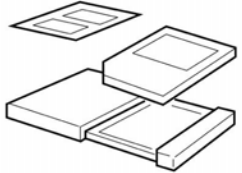
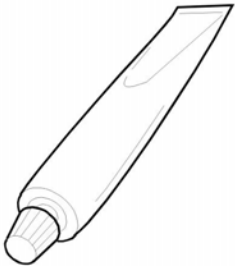
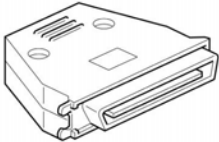

<p>16</p> 	<p>17</p> 						
<p>18</p> <div style="border: 1px solid black; padding: 10px; text-align: center;"> <p><b>Prohibited Copying</b> <span style="float: right;">&gt;ABS&lt;</span></p> <p>Do not copy any item for which copying is prohibited by national or local law. Copying the following items is generally prohibited:</p> <p>●Bank notes ●Passports ●Checks ●Bonds ●Revenue stamps ●Driver's licenses ●Bank drafts ●Stock certificates</p> </div>							
<p>19</p> <div style="border: 1px solid black; padding: 10px;"> <table border="0" style="width: 100%;"> <tr> <td style="width: 33%; vertical-align: top;"> <p>CAUTION ATTENTION ATTENZIONE PRECAUCIÓN</p> <p>注意高温 高温注意 高温注意</p>  </td> <td style="width: 33%; vertical-align: top;"> <p>●High temperature parts. Wait a while to allow the Fusing Unit to cool down before removing misfed paper. ●Attention, température élevée. Attendez que l'unité de fusion refroidisse avant de retirer le papier coincé. ●Parti a temperatura elevata. Attendere finché l'unità di fusione si raffredda prima di rimuovere la carta inceppata. ●Áreas de alta temperatura. Espere hasta que la Unidad de fusión se enfrie antes de retirar el papel atascado.</p> </td> <td style="width: 33%; vertical-align: top;"> <p>●高温部品。在取出卡纸前，请等待一段时间，让定影单元先冷却下来。 ●高温零件。請稍候，等定影單元冷卻後再取出夾紙。 ●機械内部には高温の部分があります。定着部の紙づまりを取り除くときは、時間を置いて定着ユニットの温度が十分に下がるまでお待ちください。</p> </td> </tr> </table>   <table border="0" style="width: 100%;"> <tr> <td style="width: 33%; vertical-align: top;"> <p>CAUTION ACHTUNG ATTENTION ATTENZIONE</p> <p>PRECAUCIÓN 注意高温 高温注意</p>  </td> <td style="width: 33%; vertical-align: top;"> <p>●High temperature parts. Wait a while to allow the Fusing Unit to cool down before removing misfed paper. ●Heiße Geräteteile. Warten Sie vor Entfernen des Papierstaus eine Weile, damit die Fixiereinheit abkühlen kann. ●Attention, température élevée. Attendez que l'unité de fusion refroidisse avant de retirer le papier coincé. ●Parti a temperatura elevata. Attendere finché l'unità di fusione si raffredda prima di rimuovere la carta inceppata.</p> </td> <td style="width: 33%; vertical-align: top;"> <p>●Áreas de alta temperatura. Espere hasta que la Unidad de fusión se enfrie antes de retirar el papel atascado. ●高温部品。在取出卡纸前，请等待一段时间，让定影单元先冷却下来。 ●高温零件。請稍候，等定影單元冷卻後再取出夾紙。</p> </td> </tr> </table> </div>		<p>CAUTION ATTENTION ATTENZIONE PRECAUCIÓN</p> <p>注意高温 高温注意 高温注意</p> 	<p>●High temperature parts. Wait a while to allow the Fusing Unit to cool down before removing misfed paper. ●Attention, température élevée. Attendez que l'unité de fusion refroidisse avant de retirer le papier coincé. ●Parti a temperatura elevata. Attendere finché l'unità di fusione si raffredda prima di rimuovere la carta inceppata. ●Áreas de alta temperatura. Espere hasta que la Unidad de fusión se enfrie antes de retirar el papel atascado.</p>	<p>●高温部品。在取出卡纸前，请等待一段时间，让定影单元先冷却下来。 ●高温零件。請稍候，等定影單元冷卻後再取出夾紙。 ●機械内部には高温の部分があります。定着部の紙づまりを取り除くときは、時間を置いて定着ユニットの温度が十分に下がるまでお待ちください。</p>	<p>CAUTION ACHTUNG ATTENTION ATTENZIONE</p> <p>PRECAUCIÓN 注意高温 高温注意</p> 	<p>●High temperature parts. Wait a while to allow the Fusing Unit to cool down before removing misfed paper. ●Heiße Geräteteile. Warten Sie vor Entfernen des Papierstaus eine Weile, damit die Fixiereinheit abkühlen kann. ●Attention, température élevée. Attendez que l'unité de fusion refroidisse avant de retirer le papier coincé. ●Parti a temperatura elevata. Attendere finché l'unità di fusione si raffredda prima di rimuovere la carta inceppata.</p>	<p>●Áreas de alta temperatura. Espere hasta que la Unidad de fusión se enfrie antes de retirar el papel atascado. ●高温部品。在取出卡纸前，请等待一段时间，让定影单元先冷却下来。 ●高温零件。請稍候，等定影單元冷卻後再取出夾紙。</p>
<p>CAUTION ATTENTION ATTENZIONE PRECAUCIÓN</p> <p>注意高温 高温注意 高温注意</p> 	<p>●High temperature parts. Wait a while to allow the Fusing Unit to cool down before removing misfed paper. ●Attention, température élevée. Attendez que l'unité de fusion refroidisse avant de retirer le papier coincé. ●Parti a temperatura elevata. Attendere finché l'unità di fusione si raffredda prima di rimuovere la carta inceppata. ●Áreas de alta temperatura. Espere hasta que la Unidad de fusión se enfrie antes de retirar el papel atascado.</p>	<p>●高温部品。在取出卡纸前，请等待一段时间，让定影单元先冷却下来。 ●高温零件。請稍候，等定影單元冷卻後再取出夾紙。 ●機械内部には高温の部分があります。定着部の紙づまりを取り除くときは、時間を置いて定着ユニットの温度が十分に下がるまでお待ちください。</p>					
<p>CAUTION ACHTUNG ATTENTION ATTENZIONE</p> <p>PRECAUCIÓN 注意高温 高温注意</p> 	<p>●High temperature parts. Wait a while to allow the Fusing Unit to cool down before removing misfed paper. ●Heiße Geräteteile. Warten Sie vor Entfernen des Papierstaus eine Weile, damit die Fixiereinheit abkühlen kann. ●Attention, température élevée. Attendez que l'unité de fusion refroidisse avant de retirer le papier coincé. ●Parti a temperatura elevata. Attendere finché l'unità di fusione si raffredda prima di rimuovere la carta inceppata.</p>	<p>●Áreas de alta temperatura. Espere hasta que la Unidad de fusión se enfrie antes de retirar el papel atascado. ●高温部品。在取出卡纸前，请等待一段时间，让定影单元先冷却下来。 ●高温零件。請稍候，等定影單元冷卻後再取出夾紙。</p>					

### 35. Decal and Documents (D120/D121/D122/D139/D140/D141)

Index No.	Part No.	Description	Q'ty Per Assembly	Index No.	Part No.	Description	Q'ty Per Assembly
1	D011 1252	Decal: Main Switch: On-standby: NA	1	2	D122 8627	Decal: Model Name Plate: MP3352SP: LAN	1
1	D011 1253	Decal: Main Switch: On-standby: EU	1	2	D122 8628	Decal: Model Name Plate: MP3352SP: GES: NA	1
1	D120 8867	Decal: Main Switch: On-standby: CHN	1	2	D122 8629	Decal: Model Name Plate: MP3352SP: NRG	1
1	D120 8868	Decal: Main Switch: On-standby: AA	1	2	D122 8630	Decal: Model Name Plate: MP3352SP: INF	1
2	D120 8620	Decal: Model Name Plate: MP2352: EXP	1	3	D120 4181	Decal: Grip: Guide Plate: Fusing Exit	1
2	D120 8621	Decal: Model Name Plate: MP2352: SVN	1	4	D120 4182	Decal: Exchange Indication: Envelope	1
2	D120 8622	Decal: Model Name Plate: MP2352: LAN	1	5	D120 2872	Decal: Paper Tray: No.1	1
2	D120 8623	Decal: Model Name Plate: MP2352: GES: NA	1	5	D120 2873	Decal: Paper Tray: No.2	1
2	D120 8624	Decal: Model Name Plate: MP2352: NRG	1	6	D120 2632	Decal: Side Fence: Manual Feed	1
2	D120 8625	Decal: Model Name Plate: MP2352: INF	1	7	D120 4184	Decal: H-temp Warning: Small	1
2	D120 8626	Decal: Model Name Plate: MP2352SP: EXP	1	8	D120 2875	Decal: Side Fence: Rear	1
2	D120 8627	Decal: Model Name Plate: MP2352SP: LAN	1	9	D120 4640	Decal: Duplex: Open And Close	1
2	D120 8628	Decal: Model Name Plate: MP2352SP: GES: NA	1	10	D120 6490	Decal: Caution: Inkjet	1
2	D120 8629	Decal: Model Name Plate: MP2352SP: NRG	1	11	D120 1549	Sheet: Data: Display: NA(NA/AA)	1
2	D120 8630	Decal: Model Name Plate: MP2352SP: INF	1	12	D120 2874	Decal: Size Indication: Paper Tray	1
2	D121 8620	Decal: Model Name Plate: MP2852: EXP	1	13	D120 2631	Decal: Manual Feed: Inkjet: EXP	1
2	D121 8621	Decal: Model Name Plate: MP2852: SVN	1	14	D120 1546	Sheet: Power Source: Display: NA(NA/AA)	1
2	D121 8622	Decal: Model Name Plate: MP2852: LAN	1	14	D120 1547	Sheet: Power Source: Display: EU(EU/TWN/CHN)	1
2	D121 8623	Decal: Model Name Plate: MP2852: GES: NA	1	15	D120 2870	Decal: Paper Set Direction: Tray: Left	1
2	D121 8624	Decal: Model Name Plate: MP2852: NRG	1	16	G029 1980	Decal - LD	1
2	D121 8625	Decal: Model Name Plate: MP2852: INF	1	17	D120 2651	Decal: Scale: Manual Feed	1
2	D121 8626	Decal: Model Name Plate: MP2852SP: EXP	1	18	D120 6441	Decal: Caution: Original: English	1
2	D121 8627	Decal: Model Name Plate: MP2852SP: LAN	1	19	D120 4183	Decal: H-temp Warning	1
2	D121 8628	Decal: Model Name Plate: MP2852SP: GES: NA	1	19	D120 4187	Decal: H-temp Warning: EU	1
2	D121 8629	Decal: Model Name Plate: MP2852SP: NRG	1				
2	D121 8630	Decal: Model Name Plate: MP2852SP: INF	1				
2	D122 8620	Decal: Model Name Plate: MP3352: EXP	1				
2	D122 8621	Decal: Model Name Plate: MP3352: SVN	1				
2	D122 8622	Decal: Model Name Plate: MP3352: LAN	1				
2	D122 8623	Decal: Model Name Plate: MP3352: GES: NA	1				
2	D122 8624	Decal: Model Name Plate: MP3352: NRG	1				
2	D122 8625	Decal: Model Name Plate: MP3352: INF	1				
2	D122 8626	Decal: Model Name Plate: MP3352SP: EXP	1				



### 36.Special Tools (D120/D121/D122/D139/D140/D141)

<p>1</p> 	<p>2</p> 	<p>3</p> 	<p>4</p> 
<p>5</p> 	<p>6</p> 	<p>7</p> 	

### 36.Special Tools (D120/D121/D122/D139/D140/D141)

Index No.	Part No.	Description	Q'ty Per Assembly
1	A292 9500	Test Chart - S5S (10 paces/set)	1
2	A230 9003	Adjustment Cam - Laser Unit	1
3	A267 9002	Positioning Pin - Laser Unit	1
4	B645 5010	SD Card	1
5	A257 9300	Grease Barrierta - JFE 5 5/2	1
6	G021 9350	Loop Back Connector	1
7	A184 9501	Scanner Positioning Pin (2pcs/set)	1

Index No.	Part No.	Description	Q'ty Per Assembly



# **D120/D121/D122/D139/D140/D141 PARTS INDEX**

This section shows you the part numbers and descriptions used on this machine.

## PM Parts Index

Section Name	Part No.	Description in Service Manual	Description in Parts Catalog	Q'ty Per Assembly	Page and Index No.
PCU (D120/D121/D122/D139/D140/D141)	B039 2335	Pickoff Pawl	Pickoff Pawl	2	37 - 1
	AD04 1114	Blade Cleaning	Blade:Cleaning	1	37 - 4
	AD02 7018	Charge Roller	Roller:Charge:A3	1	37 - 7
	AD04 2058	Charge Cleaner Brush Roller	Charge Cleaner Brush Roller	1	37 - 9
	B121 9640	Developer	Developer Type 28 Black	1	37 - 18
	B039 9510	OPC Drum	OPC Drum	1	37 - 27
	D120 3831	Transfer/Separation Unit Ass'y	Transfer/Separation Unit:C1:Ass'y	1	39 - 2
Transfer Unit (D120/D121/D122/D139/D140/D141)					
Fusing Unit 1 (D120/D121/D122/D139/D140/D141)	AE04 4025	Hot Roller Stripper	Hot Roller Stripper	5	41 - 4
	AE01 1128	Hot Roller	Hot Roller:DIA40:T0.4	1	41 - 14
	AE02 0161	Pressure Roller	Pressure Roller:MM27	1	41 - 15
Fusing Unit 2 (D120/D121/D122/D139/D140/D141)	AW10 0053	Thermistor	Thermistor - Rear	1	43 - 27



## Parts Index

Part No.	Description	Page and Index No.
D120 1027	Bracket: Drive: Drum: Ass'y	59 - 12
D120 1077	Bracket: Grip: Left Rear	75 - 3
D120 1078	Frame: Lengthwise: Right Front	75 - 4
D120 1079	Frame: Lengthwise: Right Rear	75 - 6
D120 1080	Stay: Scanner: Right Lower	75 - 5
D120 1082	Bracket: Grip: Front: Left And Right	75 - 12
D120 1085	Bracket: Protect: Side Plate: Left Rear	69 - 12
D120 1091	Bracket: Base	63 - 11
D120 1095	Tension Spring: Door Switch	71 - 7
D120 1096	Bracket: Connector: Base	63 - 13
D120 1097	Bracket: Duplex: Lock: Front: Ass'y	45 - 20
D120 1099	Bracket: Duplex: Lock: Rear: Ass'y	45 - 4
D120 1102	Duct: DC Fan Motor	69 - 1
D120 1104	Duct: Lower	69 - 3
D120 1105	Duct: Upper	69 - 2
D120 1106	Guide Plate: Duct: Exhaust	69 - 10
D120 1108	Holder: Duct	69 - 4
D120 1119	Bracket: Paper Feed Unit	25 - 9
D120 1127	Bracket: DC Fan Motor: MM60	69 - 5
D120 1129	Bracket: DC Fan Motor: Sirocco	45 - 1
D120 1170	Bracket: Paper Feed: Vertical Transport	61 - 14
D120 1172	Bracket: Drive: Tightener: Peen	61 - 4
D120 1175	Pulley: Registration: Tightener	61 - 3
D120 1178	Holder: Registration	59 - 16
D120 1185	Bracket: Drive: Fusing	59 - 5
D120 1189	Bracket: Fusing: Swivel	59 - 7
D120 1193	Lever: DC Solenoid: Ass'y	59 - 9
D120 1250	Cover: Scanner: Left Lower	11 - 3
D120 1251	Cover: Scanner: Left Upper	11 - 2
D120 1252	Cover: Scanner: Rear	11 - 7
D120 1253	Cover: Scanner: Right Lower	11 - 9
D120 1254	Cover: Scanner: Right Upper	11 - 8
D120 1255	Cover: Scanner: Front Upper	11 - 4
D120 1259	Cover: Scanner: Front Right	11 - 13
D120 1262	Door: Front	9 - 14

Part No.	Description	Page and Index No.
D120 1263	Cover: Main Switch	9 - 16
D120 1265	Cover: Scanner: Front Lower	11 - 11
D120 1270	Cover: Right	13 - 9
D120 1271	Cover: Right Rear	13 - 10
D120 1272	Cover: Right Front	13 - 7
D120 1280	Cover: Left	13 - 1
D120 1281	Cover: Left Rear	13 - 2
D120 1290	Cover: Rear: Lower	13 - 11
D120 1291	Cover: Rear: Upper	13 - 12
D120 1300	Cover: Paper Exit Sub-unit: Rear	13 - 4
D120 1301	Cover: Paper Exit Sub-unit: Left	11 - 6
D120 1304	Cover: Front: Right Upper	9 - 7
D120 1305	Cover: Paper Exit Sub-unit: Right Lower	13 - 3
D120 1306	Cover: Front: Right Lower	9 - 8
D120 1307	End Fence: Exit	9 - 1
D120 1309	Cover: Paper Exit Sub-unit: Inner Back	13 - 5
D120 1321	Cover: SD-Card	9 - 12
D120 1322	Cover: Shield Glass	9 - 11
D120 1330	Cover: Front: Ass'y	9 - 10
D120 1337	Cap: Cover	11 - 1
D120 1337	Cap: Cover	13 - 13
D120 1340	Cover: Paper Exit Sub-unit: Lower	9 - 3
D120 1341	Cover: Paper Exit Sub-unit: Lower: Upper	9 - 2
D120 1342	Cover: Paper Exit Sub-unit: Rear Lower	13 - 6
D120 1343	Cover: Paper Exit Sub-unit: Behind	9 - 19
D120 1344	Cap: Cover: Right	11 - 10
D120 1386	Hinge: Door: Front: Right	75 - 11
D120 1387	Hinge: Door: Front: Left	75 - 15
D120 1401	Operation Sub-Unit: OVL-C1: NA: Ass'y	15 - *
D120 1402	Operation Sub-Unit: OVL-C1: EU: Ass'y	15 - *
D120 1403	Operation Sub-Unit: OVL-C1: AA: Ass'y	15 - *
D120 1414	Operation Sub-Unit: OVL-C1: TWN: Ass'y	15 - *
D120 1415	Operation Sub-Unit: OVL-C1: CHN: Ass'y	15 - *
D120 1466	PCB: OP-R	15 - 31
D120 1474	PCB: LCDC: NA: FT: Ass'y	15 - 9



Part No.	Description	Page and Index No.
D120 1475	PCB: LCDC: EU: FT: Ass'y	15 - 9
D120 1479	PCB: LCDC: TWN/AA: FT: Ass'y	15 - 9
D120 1482	Harness: OP-L: 12	15 - 30
D120 1483	Harness: OP-L: 13	15 - 29
D120 1487	Cable: FFC: LCD	15 - 19
D120 1489	Touch Panel: W-VGA: P	15 - 15
D120 1497	PCB OP-L	15 - 4
D120 1498	LCD: TFT: W-VGA: MV: LED	15 - 18
D120 1500	Cover: Upper	15 - 33
D120 1501	Cover: Lower	15 - 12
D120 1504	Panel: NA	15 - 32
D120 1505	Panel: EU	15 - 32
D120 1506	Keytop: Start	15 - 23
D120 1507	Keytop: Clear/Stop	15 - 20
D120 1509	Keytop: Clear Modes	15 - 22
D120 1510	Keytop: Try Print	15 - 24
D120 1511	Keytop: 10key	15 - 21
D120 1513	Keytop: 10key: AA	15 - 21
D120 1514	Keytop: Counter	15 - 2
D120 1521	Keytop: Blank	15 - 3
D120 1528	Keytop: Copy: NA	15 - 34
D120 1529	Keytop: DOC: NA	15 - 35
D120 1531	Keytop: Printer: NA	15 - 37
D120 1532	Keytop: Scanner: NA	15 - 36
D120 1533	Keytop: Function: NA	15 - 38
D120 1534	Keytop: Copy: EU	15 - 34
D120 1535	Keytop: DOC: EU	15 - 35
D120 1537	Keytop: Printer: EU	15 - 37
D120 1538	Keytop: Scanner: EU	15 - 36
D120 1539	Keytop: Function: EU	15 - 38
D120 1540	Bracket: LCDC: Ass'y	15 - 7
D120 1543	Shadeing Plate: Touch Panel	15 - 14
D120 1546	Sheet: Power Source: Display: NA(NA/AA)	15 - 39

Part No.	Description	Page and Index No.
D120 1546	Sheet: Power Source: Display: NA(NA/AA)	77 - 14
D120 1547	Sheet: Power Source: Display: EU(EU/TWN/CHN)	15 - 39
D120 1547	Sheet: Power Source: Display: EU(EU/TWN/CHN)	77 - 14
D120 1549	Sheet: Data: Display: NA(NA/AA)	15 - 40
D120 1549	Sheet: Data: Display: NA(NA/AA)	77 - 11
D120 1551	Sheet: Logo	15 - 8
D120 1552	Keytop: Login	15 - 27
D120 1556	Sheet: Logo: LAN	15 - 8
D120 1557	Sheet: Logo: GES	15 - 8
D120 1558	Sheet: Logo: REX	15 - 8
D120 1559	Sheet: Logo: NAS	15 - 8
D120 1560	Sheet: Logo: INF	15 - 8
D120 1561	Sheet: Logo: SAV	15 - 8
D120 1710	Guide: FFC: Carriage: No.1	19 - 10
D120 1711	Guide: FFC: Carriage: No.2	19 - 6
D120 1712	Guide: FFC: Base	19 - 16
D120 1731	Carriage: No.1: Ass'y	19 - 8
D120 1732	Illumination Unit: LED: Ass'y	19 - 11
D120 1740	Carriage: No.2: Ass'y	19 - 1
D120 1751	Holder: Exposure Glass	17 - 12
D120 1759	Stepped Screw: M3: Scale	17 - 13
D120 1761	Bracket: SIO	21 - 26
D120 1781	Scale: Left: A	17 - 1
D120 1783	Scale: Left: B: DOM/EU: Ass'y	17 - 5
D120 1787	Scale: Left: B: NA: Ass'y	17 - 5
D120 1791	Scale: Inner Back: Printing	17 - 10
D120 1821	Lens: Holder: Ass'y	21 - 10
D120 1860	Optical Writing Unit: Ass'y	33 - *
D120 1891	Laser Diode Unit: Ass'y	33 - 6
D120 1928	Block: Positioning Pin: Optical Writing Unit	33 - 1
D120 2541	Cover: Tray: Right	63 - 6
D120 2543	Cover: Tray: Left	63 - 9

Part No.	Description	Page and Index No.
D120 2605	Manual Feed Table: Ass'y	31 - *
D120 2612	Bracket: Home Position Sensor	57 - 22
D120 2613	Guide Plate: Manual Feed Unit: Lower	57 - 13
D120 2614	Sheet: Guide Plate: Manual Feed	55 - 10
D120 2618	Discharge Brush: Paper Feed Unit: Upper	27 - 40
D120 2626	Guide Plate: Manual Feed Unit: Upper	57 - 6
D120 2631	Decal: Manual Feed: Inkjet: EXP	77 - 13
D120 2631	Decal: Manual Feed: Inkjet: EXP	31 - 9
D120 2632	Decal: Side Fence: Manual Feed	31 - 2
D120 2632	Decal: Side Fence: Manual Feed	77 - 6
D120 2638	Cover: Paper: Trailing Edge	31 - 10
D120 2651	Decal: Scale: Manual Feed	31 - 8
D120 2651	Decal: Scale: Manual Feed	77 - 17
D120 2690	Guide Plate: Registration: Left: Ass'y	29 - 8
D120 2692	Guide Plate: Registration: Left	29 - 17
D120 2694	Guide Plate: Registration: Right	29 - 13
D120 2696	Link: Manual Feed Table	31 - 14
D120 2697	Bracket: Registration Sensor	29 - 16
D120 2699	Guide Plate: Registration: Left: Auxiliary	29 - 12
D120 2700	Paper Feed Unit: Ass'y	27 - *
D120 2700	Paper Feed Unit: Ass'y	25 - 3
D120 2702	Heater: Nichrome Wire: 120V: 9W: NA	71 - 12
D120 2705	Heater: Nichrome Wire: 230V: 9W	71 - 12
D120 2710	Supporter: Left: Ass'y	75 - 14
D120 2723	Feeler: Paper Size Sensor: Inner Back	61 - 17
D120 2724	Bracket: Paper Size Sensor: Inner Back	61 - 18
D120 2736	Cover: Manual Feed Table	31 - 22
D120 2740	Extension Tray: Manual Feed	31 - 16
D120 2744	Base: Manual Feed Table: Ass'y	31 - 24
D120 2747	Side Fence: Front	31 - 1
D120 2750	Side Fence: Rear	31 - 3
D120 2755	Cleaner: Registration: Ass'y	29 - 1
D120 2757	Bracket: Cleaner: Registration	29 - 2
D120 2762	Shaft: Feed: Ass'y	27 - 26
D120 2810	Shaft: Separate: Driven: Ass'y	27 - 29

Part No.	Description	Page and Index No.
D120 2816	Guide: Harness: Paper Feed: Inner Back	75 - 8
D120 2819	Knob: Registration Roller: Ass'y	29 - 7
D120 2820	Cushion: Electromagnetic Clutch: Paper Feed	63 - 15
D120 2826	Bracket: Registration Guide: Front	29 - 6
D120 2827	Bracket: Registration Guide: Rear	29 - 5
D120 2829	Tension Spring: Registration: Driven	29 - 11
D120 2832	End Fence: Ass'y	23 - 3
D120 2847	Cover: Harness: Upper	25 - 1
D120 2848	Cover: Harness: Lower	25 - 2
D120 2850	Paper Tray: No.1: Ass'y	23 - *
D120 2860	Grip: Paper Tray	23 - 28
D120 2861	Holder: Grip: Paper Tray	23 - 25
D120 2862	Lever: Release: Paper Tray: Inner	23 - 24
D120 2864	Lever: Stopper: Positioning	23 - 10
D120 2870	Decal: Paper Set Direction: Tray: Left	77 - 15
D120 2870	Decal: Paper Set Direction: Tray: Left	23 - 27
D120 2872	Decal: Paper Tray: No.1	77 - 5
D120 2872	Decal: Paper Tray: No.1	23 - 29
D120 2873	Decal: Paper Tray: No.2	77 - 5
D120 2873	Decal: Paper Tray: No.2	23 - 29
D120 2874	Decal: Size Indication: Paper Tray	23 - 32
D120 2874	Decal: Size Indication: Paper Tray	77 - 12
D120 2875	Decal: Side Fence: Rear	77 - 8
D120 2875	Decal: Side Fence: Rear	23 - 31
D120 2900	Paper Tray: No.2: Ass'y	23 - *
D120 2920	Side Fence: Front: Ass'y (1st Tray)	23 - 4
D120 2924	Lever: Stopper: Front	23 - 7
D120 2925	Cushion: Remove Paper Dust: Upper	35 - 13
D120 2926	Side Fence: Front: Ass'y (2nd Tray)	23 - 4
D120 2930	Side Fence: Rear: Ass'y (1st Tray)	23 - 9
D120 2933	Side Fence: Rear: Ass'y (2nd Tray)	23 - 9
D120 2940	Tray Bottom Plate: No.1: Ass'y	23 - 1
D120 2946	Cover: Paper Tray	23 - 26
D120 2956	Guide Plate: Vertical Transport: Lower	53 - 1
D120 2957	Guide Plate: Vertical Transport: Driven: Upper	53 - 11

Part No.	Description	Page and Index No.
D120 2958	Sheet: Guide: Vertical Transport: Lower	53 - 2
D120 2961	Guide Plate: Vertical Transport: Left	25 - 10
D120 2962	Guide Plate: Vertical Transport: Right	25 - 7
D120 2963	Guide Plate: Swivel: No.2	25 - 4
D120 2967	Cover: Duplex: Lower	25 - 6
D120 2996	Grip: Cover: Right	53 - 15
D120 3000	PCU: EXP: Ass'y	37 - *
D120 3174	Arm: Pressure: Charge: Rear	37 - 13
D120 3175	Electrode Plate: Roller: Charge: Ass'y	37 - 14
D120 3180	Cover: PCU: Front: Ass'y	37 - 16
D120 3183	Gear: Idler: Toner Recycling	37 - 15
D120 3193	Shutter: PCU	37 - 17
D120 3210	Drum Stay: Front: Ass'y	37 - 19
D120 3233	Drum Stay: Rear: Sub-ass'y	37 - 20
D120 3320	Development Roller: Ass'y	37 - 21
D120 3360	Case: Development Roller: Ass'y	37 - 24
D120 3371	Case: Development: Ass'y	37 - 25
D120 3440	Joint: Development	37 - 26
D120 3452	Discharge Lamp: C1: Ass'y	29 - 19
D120 3503	Toner Supply Unit: Ctype: Ass'y	35 - 1
D120 3568	Cover: Toner Bottle: Ctype: Sub-ass'y	35 - 8
D120 3571	Chuck: Bottle	35 - 7
D120 3572	Shaft: Chuck	35 - 3
D120 3573	Slider: Ass'y	35 - 6
D120 3605	Cam: Handle	35 - 2
D120 3620	Spacer: Dc Motor: Toner Bottle	35 - 9
D120 3812	Cleaner: Registration: Driven	39 - 3
D120 3831	Transfer/Separation Unit: C1: Ass'y	39 - 2
D120 3855	Cover: Transfer/Separation Unit	39 - 8
D120 3858	Plain Shaft Bearing: Positioning: Transfer/Separation Unit	39 - 1
D120 3859	Compression Spring: Pressure: Transfer/Separation Unit	39 - 7
D120 3861	Terminal: Transfer Roller	39 - 9
D120 3862	Terminal: Separation	39 - 10

Part No.	Description	Page and Index No.
D120 3866	Cover: Pressure: Transfer Unit	39 - 12
D120 3867	Roller: Transfer Unit	39 - 13
D120 3905	Cover: Density Sensor	39 - 4
D120 3908	Cover: Harness: Density Sensor	39 - 14
D120 3911	Compression Spring: Pressure: Transfer Roller: Front	39 - 18
D120 3912	Compression Spring: Pressure: Transfer Roller: Rear	39 - 11
D120 3931	Lever: Shutter	39 - 19
D120 3941	Band: Stopper: Cover: Transfer/Separation Unit	39 - 20
D120 4001	Fusing Unit: NA: Ass'y	41 - *
D120 4002	Fusing Unit: EU: Ass'y	41 - *
D120 4032	Frame: Fusing: Upper: Ass'y	41 - 1
D120 4071	Stopper: External Circlip	41 - 20
D120 4072	Frame: Fusing: Lower	43 - 23
D120 4076	Spacer: Safety Switch: Fusing Unit	43 - 29
D120 4077	Guide: Harness: Plate	41 - 19
D120 4078	Cover: Thermostat	43 - 21
D120 4079	Sheet: Plate: Harness	43 - 13
D120 4080	Sheet: Thermostat	43 - 22
D120 4082	Link: Release: Drive	43 - 18
D120 4083	Lever: Release: Drive	43 - 19
D120 4085	Fusing Entrance Guide Plate: Right	43 - 26
D120 4086	Ground Plate: Fusing Entrance Guide Plate	43 - 25
D120 4090	Terminal: Heater	41 - 23
D120 4091	Electrode Plate: Thermostat: Front	43 - 31
D120 4092	Electrode Plate: Thermostat: Connecting	43 - 10
D120 4093	Electrode Plate: Thermostat: Rear	43 - 9
D120 4094	Housing: Thermostat	43 - 12
D120 4095	Thermostat: Ass'y	43 - 11
D120 4099	Holder: Thermistor	43 - 28
D120 4101	Bracket: Stripper Pawls	41 - 7
D120 4112	Grip: Pressure: Change	43 - 5
D120 4116	Lever: Pressure Roller: Front	43 - 4

Part No.	Description	Page and Index No.
D120 4117	Lever: Pressure Roller: Rear	43 - 7
D120 4121	Side Plate: Fusing: Front	43 - 2
D120 4125	Side Plate: Fusing: Rear	43 - 17
D120 4161	Knob Screw: Fix: Fusing	41 - 18
D120 4171	Lever: Pressure Release: Front: Ass'y	43 - 3
D120 4181	Decal: Grip: Guide Plate: Fusing Exit	77 - 3
D120 4181	Decal: Grip: Guide Plate: Fusing Exit	41 - 2
D120 4182	Decal: Exchange Indication: Envelope	43 - 32
D120 4182	Decal: Exchange Indication: Envelope	77 - 4
D120 4183	Decal: H-temp Warning	77 - 19
D120 4183	Decal: H-temp Warning	43 - 24
D120 4184	Decal: H-temp Warning: Small	77 - 7
D120 4184	Decal: H-temp Warning: Small	41 - 22
D120 4187	Decal: H-temp Warning: EU	77 - 19
D120 4187	Decal: H-temp Warning: EU	43 - 24
D120 4191	Lever: Pressure Release: Rear: Ass'y	43 - 6
D120 4197	Lever: Lock: Pressure	43 - 1
D120 4208	Plain Shaft Bearing: Fusing	43 - 35
D120 4452	Guide Plate: Paper Exit Unit: Lower	45 - 12
D120 4453	Guide Plate: Paper Exit Unit: Upper	45 - 17
D120 4454	Ground Plate: Paper Exit Unit	45 - 13
D120 4455	Stay: Exit	45 - 18
D120 4456	Spacer: Exit	45 - 25
D120 4474	Spring Plate: Roller: Tension	45 - 7
D120 4476	Feeler: Paper Feed Sensor	45 - 16
D120 4478	Feeler: Exit: Exit	45 - 3
D120 4479	Shaft: Exit: Exit	45 - 2
D120 4483	Spring Plate: Roller: Tension: Outer	45 - 9
D120 4486	Stopper: Spring Plate: Outer	45 - 10
D120 4487	Stopper: Spring Plate	45 - 11
D120 4489	Cover: Exit: Sensor	45 - 21
D120 4609	Spacer: Duplex: Contact Point: Rear	55 - 17
D120 4610	Spacer: Duplex: Connect Point: Front	55 - 18
D120 4612	Bracket: Cover: Right	55 - 12
D120 4613	Guide Plate: Driven	51 - 9

Part No.	Description	Page and Index No.
D120 4614	Stopper: Guide Plate: Driven	51 - 20
D120 4618	Cover: Right	53 - 18
D120 4619	Guide Plate: Duplex: Entrance	51 - 13
D120 4625	Link: Front: Duplex: Ass'y	55 - 19
D120 4628	Inner Cover: Rear	49 - 8
D120 4629	Inner Cover: Front	49 - 9
D120 4640	Decal: Duplex: Open And Close	77 - 9
D120 4640	Decal: Duplex: Open And Close	51 - 19
D120 4643	Decal: Cover: Right	31 - 25
D120 4645	Inner Cover: Grip: Duplex Unit	49 - 10
D120 4645	Inner Cover: Grip: Duplex Unit	13 - 8
D120 4647	Bracket: Duplex: Exit Sensor	51 - 6
D120 4653	Arm: Pressure Release: Duplex: Front	51 - 15
D120 4655	Bracket: Arm: Stopper	55 - 6
D120 4664	Arm: Pressure Release: Duplex: Rear	51 - 16
D120 4665	Guide Plate: Open And Close: Gate	49 - 7
D120 4671	DC Stepper Motor: Duplex: 2.32W	55 - 13
D120 4673	Arm: Stopper	55 - 5
D120 4675	Spring Plate: Guide Plate: Pressure	51 - 8
D120 4677	Link: Stopper	55 - 2
D120 4699	Hook: Stopper: Rear	53 - 12
D120 4810	Bracket: DC Stepper Motor	47 - 12
D120 4811	Side Plate: Reverse: Rear: Ass'y	47 - 9
D120 4818	Tray: Reverse	9 - 4
D120 4821	Frame: Reverse: Upper	9 - 5
D120 4823	Side Plate: Reverse: Front: Ass'y	47 - 27
D120 4827	DC Solenoid: 24V: 2.9N	47 - 26
D120 4828	Bracket: DC Solenoid	47 - 19
D120 4829	Link: Gate Pawl: Lower	47 - 24
D120 4830	Frame: Reverse	47 - 20
D120 4831	Frame: Reverse: Lpser	9 - 6
D120 4833	Cover: Motor: Reverse	47 - 7
D120 4834	Bracket: Photo Refiection Sensor: Reverse	47 - 16
D120 4837	Ground Plate: Reverse Roller	47 - 2
D120 4840	Frame: Reverse Roller	47 - 3

Part No.	Description	Page and Index No.
D120 5122	PCB: BCU: Ass'y	67 - 12
D120 5152	PCB: IPU Image Processing Unit	65 - 2
D120 5180	PCB: SIO	21 - 11
D120 5203	Harness: FFC: LED	19 - 9
D120 5215	Harness: Scanner: Base	21 - 12
D120 5216	Harness: Scanner: Frame	17 - 9
D120 5217	Harness: Scanner: BCU	21 - 13
D120 5218	Harness: Scanner: STM	21 - 1
D120 5221	Interface Cable: Scanner: LVDS: Hf: Ass'y	21 - 9
D120 5222	Harness: Sync Detector	33 - 5
D120 5223	Harness: LD	33 - 7
D120 5224	Harness: Dc Polygon Mirror Motor	33 - 3
D120 5274	Harness: Drawer: Fusing: 120V: NA	41 - 8
D120 5275	Harness: Drawer: Fusing: 230V: EU	41 - 8
D120 5300	Harness: BCU: ADF	67 - 13
D120 5301	Harness: BCU: Registration Sensor	67 - 17
D120 5302	Harness: BCU: Motor: Main	67 - 16
D120 5304	Harness: BCU: Door Switch	71 - 4
D120 5305	Harness: BCU: Discharge Lamp	67 - 19
D120 5306	Harness: BCU: Paper Exit Section: 1bin	67 - 21
D120 5307	Harness: BCU: Paper Feed Sensor	45 - 22
D120 5310	Harness: SDB: Switch: 2P	71 - 10
D120 5312	Harness: PSU	71 - 16
D120 5314	Harness: AC: Inlet	71 - 2
D120 5315	Harness: FFC: Image Processing Unit: 1	65 - 4
D120 5316	Harness: FFC: Image Processing Unit: 2	65 - 3
D120 5317	Harness: BCU: HVP	67 - 20
D120 5318	Harness: SDB: Main Switch	71 - 9
D120 5319	Harness: AC: Heater: EXP	71 - 14
D120 5321	Harness: AC: Fusing: NA	59 - 6
D120 5321	Harness: AC: Fusing: NA	67 - 18
D120 5321	Harness: AC: Fusing: NA	71 - 15
D120 5322	Harness: AC: Fusing: EU	67 - 18
D120 5322	Harness: AC: Fusing: EU	59 - 6
D120 5322	Harness: AC: Fusing: EU	71 - 15

Part No.	Description	Page and Index No.
D120 5326	Harness: Operation Sub-unit	65 - 6
D120 5330	Harness: BCU: Main: Lower	67 - 15
D120 5336	Harness: Connecting: Density Sensor	39 - 16
D120 5337	Harness: Connecting: Registration Sensor	29 - 14
D120 5338	Harness: Connecting: Right: Door Switch	61 - 21
D120 5339	Harness: BCU: Image Processing Unit: Power Source	67 - 14
D120 5341	Harness: BCU: Joint Unit	67 - 10
D120 5343	Harness: HVP: B	67 - 22
D120 5344	Harness: Development: Drawer	61 - 16
D120 5346	Harness: Connecting: Duplex Section: Fan	69 - 7
D120 5350	Harness: Duplex Unit: Main	55 - 14
D120 5351	Harness: Connecting: Duplex Unit: Sensor	51 - 23
D120 5352	Harness: Duplex Unit: Main	51 - 14
D120 5353	Harness: Paper Feed Unit	27 - 3
D120 5355	Harness: Reverse Unit	47 - 18
D120 5357	Harness: Manual Feed Unit: Main	55 - 16
D120 5358	Harness: Connecting: Manual Feed Unit: Sensor	31 - 12
D120 5602	Lever: Door Switch: Ass'y	71 - 8
D120 5604	Bracket: Link: Main: Ass'y	75 - 7
D120 5608	Guide Plate: Toner Supply Unit: Ass'y	35 - 12
D120 5613	Guide Plate: Fusing Unit: Rear	59 - 4
D120 5615	Bracket: Cover: Rear	75 - 9
D120 5616	Bracket: Main Switch	71 - 11
D120 5620	Grip: Right Front: Ass'y	75 - 17
D120 5623	Cover: Grip: Right Front	75 - 16
D120 5624	Grip: Left	75 - 2
D120 5625	Cover: Grip: Left	75 - 1
D120 5629	Bracket: Micro Switch	71 - 5
D120 5641	Bracket: Heater: PCU	29 - 18
D120 5691	Bracket: HDD	73 - 8
D120 5692	Bracket: SATIE2	73 - 6
D120 5698	Bracket: Cover: Front	25 - 12
D120 5699	Bracket: Cover: Rear	25 - 5

Part No.	Description	Page and Index No.
D120 5710	PCB: SATIE2	73 - 7
D120 5733	Pin: Bracket: Micro Switch	71 - 19
D120 5826	Bracket: Grip: Rear Right	63 - 1
D120 5828	Grip: Rear Right	63 - 2
D120 5831	Bracket: Power Supply Cord	71 - 3
D120 5833	Bracket: Power Pack	67 - 2
D120 5834	Bracket: Grip: Support	63 - 3
D120 5838	Bracket: IOB	67 - 11
D120 5839	Stand: IOB: Upper	67 - 5
D120 5840	Stand: IOB: Lower	67 - 9
D120 5850	Bracket: Image Processing Unit	65 - 1
D120 5853	Bracket: FFC: Image Processing Unit	65 - 5
D120 5856	Rack: Application: Upper	65 - 8
D120 5859	Bracket: Control Board: NO.2: Ass'y	73 - 14
D120 5860	Rack: Application: Lower: Ass'y	65 - 10
D120 5868	Bracket: Control Board: Ass'y	73 - 15
D120 5869	Panel: Interface	73 - 16
D120 5874	Bracket: SDB	69 - 8
D120 5875	Shadeing Plate: CTL	65 - 7
D120 5890	Panel: FAX	73 - 17
D120 6105	Cover: Drive: Fusing	59 - 1
D120 6111	Bracket: Arm: Fusing/Paper Exit Unit	59 - 8
D120 6441	Decal: Caution: Original: English	11 - 5
D120 6441	Decal: Caution: Original: English	77 - 18
D120 6490	Decal: Caution: Inkjet	9 - 20
D120 6490	Decal: Caution: Inkjet	77 - 10
D120 7440	Bracket: Dc Motor: Toner Bottle: Z: EXP	35 - 11
D120 8620	Decal: Model Name Plate: MP2352: EXP	77 - 2
D120 8620	Decal: Model Name Plate: MP2352: EXP	11 - 12
D120 8621	Decal: Model Name Plate: MP2352: SVN	11 - 12
D120 8621	Decal: Model Name Plate: MP2352: SVN	77 - 2
D120 8622	Decal: Model Name Plate: MP2352: LAN	11 - 12
D120 8622	Decal: Model Name Plate: MP2352: LAN	77 - 2
D120 8623	Decal: Model Name Plate: MP2352: GES: NA	11 - 12

Part No.	Description	Page and Index No.
D120 8623	Decal: Model Name Plate: MP2352: GES: NA	77 - 2
D120 8624	Decal: Model Name Plate: MP2352: NRG	11 - 12
D120 8624	Decal: Model Name Plate: MP2352: NRG	77 - 2
D120 8625	Decal: Model Name Plate: MP2352: INF	11 - 12
D120 8625	Decal: Model Name Plate: MP2352: INF	77 - 2
D120 8626	Decal: Model Name Plate: MP2352SP: EXP	11 - 12
D120 8626	Decal: Model Name Plate: MP2352SP: EXP	77 - 2
D120 8627	Decal: Model Name Plate: MP2352SP: LAN	77 - 2
D120 8627	Decal: Model Name Plate: MP2352SP: LAN	11 - 12
D120 8628	Decal: Model Name Plate: MP2352SP: GES: NA	11 - 12
D120 8628	Decal: Model Name Plate: MP2352SP: GES: NA	77 - 2
D120 8629	Decal: Model Name Plate: MP2352SP: NRG	11 - 12
D120 8629	Decal: Model Name Plate: MP2352SP: NRG	77 - 2
D120 8630	Decal: Model Name Plate: MP2352SP: INF	77 - 2
D120 8630	Decal: Model Name Plate: MP2352SP: INF	11 - 12
D120 8867	Decal: Main Switch: On-standby: CHN	77 - 1
D120 8868	Decal: Main Switch: On-standby: AA (D139/D140/D141/D142)	77 - 1
D120 9590	NVRAM	73 - 2
D121 8620	Decal: Model Name Plate: MP2852: EXP	77 - 2
D121 8620	Decal: Model Name Plate: MP2852: EXP	11 - 12
D121 8621	Decal: Model Name Plate: MP2852: SVN	77 - 2
D121 8621	Decal: Model Name Plate: MP2852: SVN	11 - 12
D121 8622	Decal: Model Name Plate: MP2852: LAN	77 - 2
D121 8622	Decal: Model Name Plate: MP2852: LAN	11 - 12
D121 8623	Decal: Model Name Plate: MP2852: GES: NA	11 - 12
D121 8623	Decal: Model Name Plate: MP2852: GES: NA	77 - 2
D121 8624	Decal: Model Name Plate: MP2852: NRG	11 - 12
D121 8624	Decal: Model Name Plate: MP2852: NRG	77 - 2
D121 8625	Decal: Model Name Plate: MP2852: INF	11 - 12
D121 8625	Decal: Model Name Plate: MP2852: INF	77 - 2

Part No.	Description	Page and Index No.
D121 8626	Decal: Model Name Plate: MP2852SP: EXP	11 - 12
D121 8626	Decal: Model Name Plate: MP2852SP: EXP	77 - 2
D121 8627	Decal: Model Name Plate: MP2852SP: LAN	77 - 2
D121 8627	Decal: Model Name Plate: MP2852SP: LAN	11 - 12
D121 8628	Decal: Model Name Plate: MP2852SP:	
	GES: NA	77 - 2
D121 8628	Decal: Model Name Plate: MP2852SP:	
	GES: NA	11 - 12
D121 8629	Decal: Model Name Plate: MP2852SP: NRG	77 - 2
D121 8629	Decal: Model Name Plate: MP2852SP: NRG	11 - 12
D121 8630	Decal: Model Name Plate: MP2852SP: INF	11 - 12
D121 8630	Decal: Model Name Plate: MP2852SP: INF	77 - 2
D122 5720	PCB: CTL: ORV-C1: 23CPM	73 - 1
D122 5740	PCB: CTL: ORV-C1: 28CPM	73 - 1
D122 5750	PCB: CTL: ORV-C1: 33CPM	73 - 1
D122 8620	Decal: Model Name Plate: MP3352: EXP	77 - 2
D122 8620	Decal: Model Name Plate: MP3352: EXP	11 - 12
D122 8621	Decal: Model Name Plate: MP3352: SVN	77 - 2
D122 8621	Decal: Model Name Plate: MP3352: SVN	11 - 12
D122 8622	Decal: Model Name Plate: MP3352: LAN	11 - 12
D122 8622	Decal: Model Name Plate: MP3352: LAN	77 - 2
D122 8623	Decal: Model Name Plate: MP3352:	
	GES: NA	77 - 2
D122 8623	Decal: Model Name Plate: MP3352:	
	GES: NA	11 - 12
D122 8624	Decal: Model Name Plate: MP3352: NRG	11 - 12
D122 8624	Decal: Model Name Plate: MP3352: NRG	77 - 2
D122 8625	Decal: Model Name Plate: MP3352: INF	11 - 12
D122 8625	Decal: Model Name Plate: MP3352: INF	77 - 2
D122 8626	Decal: Model Name Plate: MP3352SP: EXP	11 - 12
D122 8626	Decal: Model Name Plate: MP3352SP: EXP	77 - 2
D122 8627	Decal: Model Name Plate: MP3352SP: LAN	11 - 12
D122 8627	Decal: Model Name Plate: MP3352SP: LAN	77 - 2
D122 8628	Decal: Model Name Plate: MP3352SP:	
	GES: NA	11 - 12

Part No.	Description	Page and Index No.
D122 8628	Decal: Model Name Plate: MP3352SP:	
	GES: NA	77 - 2
D122 8629	Decal: Model Name Plate: MP3352SP: NRG	11 - 12
D122 8629	Decal: Model Name Plate: MP3352SP: NRG	77 - 2
D122 8630	Decal: Model Name Plate: MP3352SP: INF	77 - 2
D122 8630	Decal: Model Name Plate: MP3352SP: INF	11 - 12

Part No.	Description	Page and Index No.
A184 3422	Toner Slider	35 - 4
A184 9501	Scanner Positioning Pin (2pcs/set)	79 - 7
A193 1766	Wire Clamp	19 - 14
A193 1769	Clamp - Rear Wire	19 - 19
A230 9003	Adjustment Cam - Laser Unit	79 - 2
A232 2374	Guide: Paper: Rail: PCU	43 - 30
A232 2987	Roller - Paper Tray	23 - 13
A250 1752	Exposure Glass	17 - 11
A257 9300	Grease Barrierta - JFE 5 5/2	79 - 5
A267 2857	Spring Plate: Side Fence: Positioning	23 - 11
A267 2859	Stopper: Positioning	23 - 12
A267 3194	Compression Spring: Shutter: PCU	37 - 18
A267 3556	Chuck Spring - Tonner Bottle	35 - 5
A267 9002	Positioning Pin - Laser Unit	79 - 3
A292 9500	Test Chart - S5S (10 paces/set)	79 - 1
B004 2783	Torque Limiter	27 - 28
B004 2923	Spring Plate: Stopper: Front	23 - 8
B024 1264	Magnet Catch	9 - 13
B039 2287	Charge Roller Spring	37 - 10
B039 2292	Front Pressure Arm - Charge Roller	37 - 11
B039 2293	Pin - Front Pressure Arm	37 - 12
B039 2335	Pickoff Pawl	37 - 1
B039 2343	Drum Shutter	37 - 2
B039 2350	Clip - OPC Drum	37 - 3
B039 2628	Bottom Plate Pad	31 - 5
B039 3060	Development Roller Gear	37 - 22
B039 3062	Idler Gear - 16Z	37 - 23
B039 9510	OPC Drum	37 - 27
B043 4685	Spring - 2.8N	57 - 24
B121 5018	Choke Coil	71 - 1
B121 9640	Developer Type 28 Black	37 - 28
B180 2782	Seal: Tray	23 - 19
B223 2665	Spring: Cover: Manual Feed	25 - 8
B223 2676	Spring - 11N	53 - 10
B223 2714	Positioning Cap - Short	75 - 18

Part No.	Description	Page and Index No.
B223 2715	Supporter - Right	75 - 10
B223 2721	Bracket: Push Switch	63 - 7
B223 2722	Cover	63 - 5
B223 2727	Cover - Connector	71 - 13
B223 2765	Ground Plate - Feed	27 - 21
B223 2772	Harness Sheet	27 - 12
B223 2776	Stay	27 - 9
B223 2780	DC Solenoid 24V	27 - 8
B223 2786	Ground Plate - Front	27 - 13
B223 2815	Separate Drive Shaft	27 - 34
B223 2865	Rise No.1 Shaft	23 - 17
B223 2868	Lever: Release: Paper Tray: Outer	23 - 21
B223 2910	Link - Paper Size Sensor	23 - 20
B223 2911	Spacer	23 - 30
B223 2918	Rise Lever	23 - 16
B223 2919	Ground Plate - Paper Tray No.2	23 - 18
B223 2934	Plate: Side Fence	23 - 6
B223 2935	Plate: Side Fence: Right	23 - 5
B223 2936	Gear - 16Z	23 - 15
B223 4552	Bushing: DIA4	51 - 11
B229 1687	Heater: Option: 120V: 9W	17 - 4
B229 1688	Heater: Option: 230V: 9W	17 - 4
B238 1066	Rubber Foot Cover	63 - 14
B238 1088	Cover - Connector	63 - 12
B238 1089	Cover - Positioning Pin	63 - 10
B238 1509	Keytop - Interrupt	15 - 25
B238 1519	Lens - Front	15 - 13
B238 1527	Operation Panel Bracket	15 - 10
B238 1534	LCD Spacer A	15 - 16
B238 1535	LCD Spacer B	15 - 17
B238 1547	Spacer - Keytop	15 - 1
B238 1548	Operation Panel Bracket - Right	15 - 11
B238 1549	Keytop - Power Source	15 - 28
B238 1552	Keytop - Kantan	15 - 26
B238 1715	Stepper Motor DC3.9V	21 - 2



Part No.	Description	Page and Index No.
B238 1762	Ground Plate - Stepper Motor	21 - 4
B238 1762	Ground Plate - Stepper Motor	55 - 10
B238 1792	Timing Belt - 157ST1.5-4.0	21 - 5
B238 1803	Document Feeder Bracket	17 - 3
B238 1807	Pulley	19 - 5
B238 4194	Roller: Lever: Pressure	43 - 33
B238 4717	Tension Spring: Arm: Coupling	61 - 5
B238 5891	Drawer Bracket	67 - 8
B259 1131	Screw: PCU	61 - 15
B259 3890	Density Sensor	39 - 17
B261 4650	Separation Pad	57 - 11
B300 4566	Roller Tension	49 - 3
B645 5010	SD Card	79 - 4
D009 1480	Harness: OP-L: 12	15 - 5
D009 1481	Harness: OP-R: 13	15 - 6
D009 2571	Holder - Vertical Transport	53 - 6
D009 2573	Pulley - Vertical Transport	53 - 5
D009 2574	Pulley - Idler	53 - 4
D009 2575	Shaft - Idler	53 - 7
D009 2576	Shaft - Vertical Transport	53 - 8
D009 2836	Guide Plate	25 - 11
D009 4664	Driven Roller	51 - 3
D009 5325	PCB: Sync Detector	33 - 4
D009 5891	Rail: Left: Fax Control Unit	73 - 4
D009 5899	Rail: Right: Small	73 - 3
D011 1252	Decal: Main Switch: On-standby	9 - 15
D011 1252	Decal: Main Switch: On-standby: NA	77 - 1
D011 1253	Decal: Main Switch: On-standby: EU	77 - 1
D011 1253	Decal: Main Switch: On-standby: EU	9 - 15
D019 2823	Bushing - Driven Roller	29 - 9
D019 3461	Charge Receptacle	67 - 7
D019 3461	Charge Receptacle	61 - 22
D019 3950	Receptacle - Transfer/Separation	61 - 23
D019 3950	Receptacle - Transfer/Separation	67 - 4
D025 1727	Mirror: No.2: Concave: Ass'y	19 - 4

Part No.	Description	Page and Index No.
D025 1728	Mirror: No.2: Convax: Ass'y	19 - 2
D029 1745	Pulley: Drive Were: Front	21 - 20
D029 1748	Pulley: Drive Were: Rear: Ass'y	21 - 16
D029 1749	Pulley: Protection	21 - 17
D029 2677	Transport Belt: Driven: Vertical Transport	53 - 3
D029 2863	Shaft: Release: Paper Tray	23 - 22
D039 1095	Ground Plate: Scanner: Stay: Upper Rear	67 - 6
D039 1700	Inner Cover: Scanner: Peen	19 - 17
D039 1705	Ground Plate: Harness: SBU	19 - 15
D039 1712	Bracket: Tension: Front	21 - 18
D039 1713	Bracket: Tension: Rear	21 - 23
D039 1715	Drive Were	21 - 15
D039 1717	Shaft: Scanner: Drive	21 - 21
D039 1718	Pulley: Idler: Left Front: PeenN	21 - 6
D039 1720	Pulley: Idler: Left Rear: PeenN	21 - 7
D039 1724	Bracket: Stepper Motor: Drive	21 - 3
D039 1764	Bracket: Original Sensor: Sub Scanning	21 - 25
D039 1770	Ground Plate: Sensor: Aks	17 - 8
D039 1823	Cover: Heater: Scanner	17 - 15
D039 2711	Lever: Compression Spring: Separation Pad	57 - 15
D039 2714	Holder: Compression Spring: Separation Pad	57 - 14
D039 2720	Gear: Cam: Right	57 - 12
D039 2722	Gear: Cam: Left Rear	57 - 21
D039 2724	Bracket: Paper End Sensor: Manual Feed	57 - 1
D039 2725	Feeler: Manual Feed	57 - 2
D039 2737	Feeler: Paper: Trailing Edge	31 - 11
D039 2750	Rack: Side Fence: Front	31 - 23
D039 2751	Rack: Side Fence: Rear	31 - 7
D039 2752	Disc: Side Fence	31 - 6
D039 2753	Gear: Side Fence	31 - 20
D039 2754	Spring: Side Fence	31 - 19
D039 2763	Plate: Harness: Manual Feed	57 - 7
D039 2779	Spring Plate: Extension Tray	31 - 17
D039 2780	Gear: Roller Clutch	57 - 9
D039 2781	Gear: Stepper Motor	55 - 11

Part No.	Description	Page and Index No.
D039 2786	Shaft: Drive: Manual Feed Unit	57 - 17
D039 2788	Pin: Side Fence	31 - 18
D039 2789	Gear: Cam: Right Rear	57 - 8
D039 2790	Gear: Feeler: Left	57 - 20
D039 2793	Cam: Left	57 - 19
D039 2796	Shaft: Cam: Ass'y	55 - 5
D039 2797	Torsion Spring: Paper End Sensor	57 - 4
D039 2798	Spring: Base: 2.5N	31 - 21
D039 2799	Retaining Rings-C: DIA4	57 - 16
D039 2996	Hook: Stopper: Duplex Unit: Front	53 - 16
D039 2998	Shaft: Grip	53 - 14
D039 4542	Driven Roller: Entrance: Duplex	51 - 10
D039 4597	Tension Spring: Driven Roller	51 - 12
D085 3616	DC Motor: Toner Bottle: Z: R-C5.5: Ass'y	35 - 10
D089 2761	Arm: Pickup	27 - 22
D089 2764	Gear: Feed	27 - 25
D089 2767	Feeler: Paper End	27 - 1
D089 2778	Bracket: Sensor: Feed	27 - 4
D089 2781	Bracket: Sensor	27 - 6
D089 2819	Gear: Separator: Input	27 - 35
D089 2829	Guide: Feed	27 - 17
D089 2940	Tray Bottom Plate: Ass'y (2nd Tray)	23 - 1
D105 1703	Gasket: 9x5.5x17	19 - 18
D105 1795	Exposure Glass: Document Feeder	17 - 2
D105 5705	HDD: 160GB: MK1665GSX	73 - 10
D129 5713	Cable: HDD: SATA: 135	73 - 9
D129 5719	Cable: HDD: SATA: Power: 2P	73 - 11
G020 1332	Hinge - Front Cover	9 - 18
G020 5626	Push Switch	61 - 20
G020 5871	Spacer: Lock: KGLS-12RT	67 - 3
G021 9350	Loop Back Connector	79 - 6
G029 1980	Decal - LD	77 - 16
G029 1980	Decal - LD	33 - 9
G052 4618	Bearing 30x42x7	41 - 13
G060 2652	Bushing - M4	53 - 9

Part No.	Description	Page and Index No.
G065 2767	Lever - Feed	27 - 24
G065 2774	Pressure Lever	27 - 32
G065 2775	Link Lever	27 - 38
G065 2776	Release Lever	27 - 37
G404 2810	Spring Plate - 2Nd Mirror	19 - 3
G570 1133	Timing Pulley 73	21 - 14
G570 1225	Sensor Shielding Plate	17 - 7

Part No.	Description	Page and Index No.
M026 1778	Guide: FFC	19 - 7
M026 1815	Clamp: MIRROR: NO.1	19 - 13
M026 5194	PCB: SDB	69 - 9
M052 5391	PCB: Memory: 512MB	73 - 5

Part No.	Description	Page and Index No.
AA00 0273	Seal: Reverse Roller	47 - 11
AA00 1564	Plate: Logotype: RIC	9 - 17
AA00 1565	Plate: Logotype: LAN	9 - 17
AA00 1566	Plate: Logotype: SVN	9 - 17
AA00 1567	Plate: Logotype: GES	9 - 17
AA00 1568	Plate: Logotype: NSA	9 - 17
AA00 1569	Plate: Logotype: REX	9 - 17
AA00 1570	Plate: Logotype: INF	9 - 17
AA04 3323	Timing Belt: 40S2M120	55 - 9
AA04 3584	Timing Belt: S2M288	51 - 18
AA04 3584	Timing Belt: S2M288	53 - 17
AA04 3648	Synchronous Belt: S3M: 150	47 - 6
AA04 3671	Synchronous Belt: Transport: S3M: 5x387	61 - 8
AA04 3673	Synchronous Belt: Fusing: S3M: 5x288	59 - 10
AA04 3674	Synchronous Belt: S2M: 288	61 - 11
AA06 0691	Tension Spring	27 - 23
AA06 0693	Tension Spring	27 - 31
AA06 0979	Tension Spring: Tension: 14720mn	21 - 19
AA06 0980	Tension Spring: Tension: 11300mn	21 - 24
AA06 1003	Tension Spring: Side Fence: Rear	23 - 14
AA06 1014	Tension Spring: Grip	23 - 23
AA06 1105	Tension Spring: Lever: Duplex	53 - 13
AA06 2259	Spring - Release	27 - 39
AA06 3475	Compression Spring: Roller: Driven	51 - 5
AA06 3476	Compression Spring: Door Switch	71 - 6
AA06 3478	Coil Spring: Reverse Roller: Driven	47 - 23
AA06 3697	Compression Spring: Stripper Pawls	41 - 5
AA06 3698	Spring: Flange: Pressure Roller	41 - 16
AA06 3699	Compression Spring: Fusing Cleaning Roller: 5N	43 - 16
AA06 6410	Torsion Spring: Stopper: Contact Point	55 - 7
AA06 6411	Spring: Release: Drive	43 - 20
AA06 6412	Tension Spring: Pressure: 34.2N	41 - 6
AA06 6414	Coil Spring: Gate Pawl: Lower	49 - 2
AA06 6415	Coil Spring: Link: Gate Pawl: Lower	47 - 25

Part No.	Description	Page and Index No.
AA06 6416	Torsion Spring: Stopper	55 - 4
AA06 6418	Spring: Open And Close: Guide	41 - 3
AA08 0156	Bushing - M4	49 - 5
AA08 0254	Bushing - M4	51 - 4
AA08 0297	Plain Shaft Bearing: DIA4	47 - 22
AA08 0349	Bushing: Transfer Roller	39 - 6
AA08 0350	Bushing: Transfer Roller: Front	39 - 22
AA08 2073	Roller Busing	43 - 15
AA08 2101	Bushing - 6x10x6	27 - 20
AA08 2116	Bushing - M8	29 - 10
AA08 2118	Bushing - M6	57 - 23
AA08 2118	Bushing - M6	45 - 24
AA08 2118	Bushing - M6	47 - 28
AA08 2118	Bushing - M6	55 - 21
AA08 2118	Bushing - M6	51 - 21
AA08 2144	Bushing - 8x12x7	21 - 22
AA08 2152	Plain Shaft Bearing: DIA6	27 - 11
AA08 2154	Bushing: DIA6: DIA10: 9	51 - 22
AA10 0014	Retaining Ring C - Separate	27 - 16
AA12 0146	Discharge Brush: Exit	45 - 5
AA14 0794	Shaft: Pressure: Change	43 - 8
AA14 3219	Stepped Screw	41 - 21
AA14 3301	Stepped Screw - M3x4	59 - 17
AA14 3444	Stepped Screw	37 - 8
AA14 3792	Screw: Drawer	43 - 34
AA14 3848	Stepped Screw - M3	73 - 12
AA14 5818	Tension Roller Shaft	49 - 6
AA15 0708	Front Discharge Sheet	39 - 5
AA15 0709	Rear Discharge Sheet	39 - 21
AA16 1125	Rubber Cushion	73 - 13
AA16 1163	Cushion	75 - 19
AB01 0156	Gear: Separate: Drive	27 - 33
AB01 0157	Gear: Separate: Drive	27 - 30
AB01 0161	Gear: Z31	47 - 10
AB01 0162	Gear: Idler	47 - 8

Part No.	Description	Page and Index No.
AB01 0404	Gear: Fusing: No.2	59 - 15
AB01 0406	Gear: Transport: No.2	61 - 7
AB01 1218	Gear - Roller Clutch	27 - 19
AB01 1252	Gear - 20Z	27 - 15
AB01 1295	Gear: Transport Roller	55 - 3
AB01 1296	Gear: Idler: Duplex: Exit	55 - 8
AB01 1297	Gear: Exit Roller	45 - 14
AB01 1298	Gear: Reverse Roller	47 - 4
AB01 1400	Gear - 48Z	41 - 12
AB01 1402	Gear - 14Z	37 - 6
AB01 1403	Gear - 13Z	37 - 5
AB01 1565	Gear: Fusing: Idler	59 - 3
AB01 1567	Gear: Exit: Drive	59 - 2
AB01 1568	Gear: Idler: Paper Feed: Vertical Transport	61 - 12
AB03 0847	Pulley: Transport Roller: Entrance	51 - 17
AB03 0848	Pulley: Transport Roller	55 - 20
AB03 0849	Pulley: Transport Roller: Reverse	47 - 14
AB03 0853	Timing Pulley: 19T: Gear: Z24	47 - 5
AB03 0855	Pulley: Fusing: No.1	59 - 14
AB03 0856	Pulley: Fusing: NO.2	59 - 11
AB03 0857	Pulley: Transport: No.1	61 - 6
AB03 0858	Pulley: Gear: Electromagnetic Clutch: Connecting	61 - 2
AB03 0859	Pulley: Connecting: Paper Feed: Registration	61 - 10
AB03 0860	Pulley: Paper Feed: NO.2	61 - 13
AC01 5052	Shield Glass	33 - 8
AC03 0169	Mirror: No.1	19 - 12
AD02 7018	Roller: Charge: A3	37 - 7
AD04 1114	Blade: Cleaning	37 - 4
AD04 2058	Charge Cleaner Brush Roller	37 - 9
AE01 1128	Hot Roller: DIA40: T0.4	41 - 14
AE02 0161	Pressure Roller: MM27	41 - 15
AE03 0030	Ball Bearing - 8x19x6	41 - 17
AE04 2029	Fusing Cleaning Roller	43 - 14
AE04 4025	Hot Roller Stripper	41 - 4

Part No.	Description	Page and Index No.
AF02 0754	Transport Roller: Duplex: Exit	51 - 2
AF02 0755	Transport Roller: Duplex: Entrance	55 - 1
AF02 0756	Transport Roller: Duplex: Connecting	51 - 1
AF02 0757	Exit Roller	45 - 15
AF02 0758	Reverse Roller	47 - 1
AF02 0759	Transport Roller: Reverse	47 - 15
AF02 0763	Registration Roller: Drive: DIA18.21: Ass'y	29 - 3
AF02 0764	Transport Roller: Drive	27 - 10
AF02 0778	Reverse Roller: Driven	47 - 21
AF02 1087	Registration Roller: Driven: Ass'y	29 - 4
AF02 2180	Roller: Driven	45 - 23
AF02 5045	Gate Pawl: Lower	49 - 1
AF03 0090	Paper Feed Roller: Pickup	27 - 14
AF03 1060	By-pass Feed Roller	57 - 18
AF03 1090	Paper Feed Roller: Feed	27 - 18
AF03 2090	Paper Feed Roller: Separate	27 - 27
AF03 3008	Friction Pad: 10x50	31 - 4
AF03 3010	PAD	23 - 2
AF04 0059	Roller: Tension	45 - 6
AF04 0060	Roller: Tension: Outer	45 - 8
AG07 0504	Magnet Catch: 44.1N	9 - 9
AG07 0514	Magnet Catch	39 - 15
AH01 0009	Rubber Pad - H5	75 - 13
AW01 0122	Paper Feed Sensor	27 - 7
AW01 0128	Paper Feed Sensor	27 - 5
AW01 0134	Original Sensor - 48mm	21 - 8
AW02 0146	Photointerruptor: Flat: Pich 2mm: M4	17 - 6
AW02 0198	Photointerruptor: LG2A14NHL1	57 - 3
AW02 0198	Photointerruptor: Lg2a14n1	31 - 15
AW02 0198	Photointerruptor: LG2A14NL1	45 - 19
AW02 0204	Photointerruptor: LGRC102	61 - 19
AW02 0204	Photointerruptor: LGRC102	27 - 2
AW02 0204	Photointerruptor: LGRC102	17 - 14
AW02 0206	Photointerruptor: Duplex	51 - 7
AW10 0053	Thermistor - Rear	43 - 27

Part No.	Description	Page and Index No.
AW50 0037	Paper Size Sensor	31 - 13
AW50 0038	Push Switch: Paper Size Sensor	63 - 8
AX04 0154	DC Motor 24V	63 - 4
AX05 0302	Stepper Motor: Transport	55 - 15
AX06 0401	DC Stepper Motor: 14.4W	47 - 13
AX06 0402	DC Brushless Motor: Main: 30.7W	59 - 13
AX06 0403	DC Polygon Mirror Motor: Brushless: 19.2W	33 - 2
AX20 0324	Electromagnetic Clutch: 0.45NM: Z44	61 - 9
AX20 0325	Electromagnetic Clutch: Registration: 0.5NM	61 - 1
AX44 0352	Heater: 120V: Main	41 - 10
AX44 0353	Heater: 120V: Sub	41 - 9
AX44 0354	Heater: Infrared: 230V/600W: Main	41 - 10
AX44 0355	Heater: Infrared: 230V/600W: SUB	41 - 9
AX64 0170	Fan Motor - MM60 DC24V	65 - 9
AX64 0170	Fan Motor - MM60 DC24V	69 - 6
AX64 0208	DC Fan Motor: Mm60: 24V	71 - 18
AZ23 0255	Power Supply Unit: 247W: DOM/NA	71 - 17
AZ23 0257	Power Supply Unit: 247W: EU/AA/CHN	71 - 17
AZ32 0176	Power Pack: BCTD	67 - 1
GA14 3003	Screw: MM5: 2.5MM	49 - 4
GW01 0007	Photo Reflection Sensor: Exit	47 - 17
GW01 0007	Photo Reflection Sensor: Exit	29 - 15
GX64 5734	Fan Motor: MM80 DC24V 3.12W	69 - 11
GZ00 0005	Power Supply Cord: CHN	71 - 101

Part No.	Description	Page and Index No.
0313 0350N	Pan Head Screw: M3x35	71 - 104
0314 0120N	Screw - M4x12	17 - 102
0352 5050N	Bind Screw - M3x5	19 - 105
0353 0040N	Screw - M3x4	55 - 104
0353 0040N	Screw - M3x4	47 - 101
0353 0050N	Screw-m3x5	19 - 101
0353 0050P	Screw: M3x5	11 - 105
0353 0060N	Bind Screw - M3x6	73 - 102
0353 0060N	Bind Screw - M3x6	19 - 104
0353 0060N	Bind Screw - M3x6	15 - 102
0353 0060N	Bind Screw - M3x6	37 - 102
0353 0060N	Bind Screw - M3x6	17 - 101
0360 3006N	Screw - M3x6	43 - 101
0360 3006N	Screw - M3x6	21 - 101
0360 3006N	Screw - M3x6	59 - 107
0360 3006N	Screw - M3x6	41 - 101
0360 3006N	Screw - M3x6	17 - 103
0360 3006N	Screw - M3x6	37 - 105
0360 3006N	Screw - M3x6	73 - 101
0360 3006P	Screw - M3x6	21 - 105
0450 3008N	Tapping Screw - M3x8	27 - 102
0450 3010N	Tapping Screw - M3x10	15 - 101
0450 4008N	Tapping Screw - M4x8	23 - 101
0451 3006N	Tapping Screw - 3x6	65 - 101
0451 3006N	Tapping Screw - 3x6	27 - 101
0451 3006N	Tapping Screw - 3x6	29 - 101
0451 3006N	Tapping Screw - 3x6	67 - 101
0451 3006N	Tapping Screw - 3x6	51 - 102
0451 3006N	Tapping Screw - 3x6	25 - 101
0451 3006N	Tapping Screw - 3x6	49 - 102
0451 3006N	Tapping Screw - 3x6	59 - 105
0451 3006N	Tapping Screw - 3x6	33 - 104
0451 3006N	Tapping Screw - 3x6	61 - 106
0451 3006N	Tapping Screw - 3x6	35 - 102
0451 3006N	Tapping Screw - 3x6	75 - 106

Part No.	Description	Page and Index No.
0451 3006N	Tapping Screw - 3x6	39 - 102
0451 3006N	Tapping Screw - 3x6	71 - 105
0451 3006N	Tapping Screw - 3x6	53 - 101
0451 3006N	Tapping Screw - 3x6	69 - 102
0451 3006N	Tapping Screw - 3x6	47 - 102
0451 3006N	Tapping Screw - 3x6	55 - 102
0451 3006N	Tapping Screw - 3x6	55 - 105
0451 3006N	Tapping Screw - 3x6	45 - 104
0451 3008N	Tapping Screw - M3x8	67 - 104
0451 3008N	Tapping Screw - M3x8	57 - 101
0451 3008N	Tapping Screw - M3x8	11 - 102
0451 3008N	Tapping Screw - M3x8	65 - 106
0451 3008N	Tapping Screw - M3x8	9 - 103
0451 3008N	Tapping Screw - M3x8	33 - 101
0451 3008N	Tapping Screw - M3x8	13 - 101
0451 3008P	Tapping Screw - 3x8	11 - 104
0451 3008P	Tapping Screw - 3x8	13 - 102
0451 3030N	Tapping Screw: 3x30	69 - 101
0451 4008N	Tapping Screw: 4x8	75 - 101
0451 4035N	Tapping Screw: 4x35	69 - 105
0452 3006N	Binding Self-tapping Screw: 3x6	37 - 103
0453 3008N	Binding Self Tapping Screw: 3x8	23 - 102
0454 3005Q	Tapping Screw: 3x5	17 - 104
0454 3006Q	Tapping Screw - M3x6	51 - 104
0454 3006Q	Tapping Screw - M3x6	39 - 101
0454 3006Q	Tapping Screw - M3x6	59 - 104
0454 3006Q	Tapping Screw - M3x6	61 - 101
0454 3006Q	Tapping Screw - M3x6	55 - 107
0454 3006Q	Tapping Screw - M3x6	45 - 103
0454 3006Q	Tapping Screw - M3x6	29 - 103
0454 3006Q	Tapping Screw - M3x6	35 - 103
0454 3006Q	Tapping Screw - M3x6	69 - 104
0454 3006Q	Tapping Screw - M3x6	19 - 103
0454 3006Q	Tapping Screw - M3x6	21 - 106
0454 3006Q	Tapping Screw - M3x6	63 - 102

Part No.	Description	Page and Index No.
0454 3006Q	Tapping Screw - M3x6	71 - 102
0454 3006Q	Tapping Screw - M3x6	75 - 102
0454 3008Q	Tapping Screw: 3x8	11 - 101
0454 3008Q	Tapping Screw: 3x8	59 - 101
0454 3008Q	Tapping Screw: 3x8	27 - 106
0454 3008Q	Tapping Screw: 3x8	25 - 102
0454 3008Q	Tapping Screw: 3x8	37 - 101
0454 3008Q	Tapping Screw: 3x8	63 - 103
0720 0030E	Retaining Ring - M3	41 - 106
0720 0030E	Retaining Ring - M3	43 - 106
0720 0030E	Retaining Ring - M3	47 - 104
0720 0030E	Retaining Ring - M3	51 - 103
0720 0040E	Retaining Ring - M4	47 - 107
0720 0040E	Retaining Ring - M4	19 - 102
0720 0040E	Retaining Ring - M4	45 - 102
0720 0040E	Retaining Ring - M4	27 - 104
0720 0040E	Retaining Ring - M4	59 - 102
0720 0060E	Retaining Ring - M6	55 - 101
0720 0060E	Retaining Ring - M6	41 - 103
0720 0060E	Retaining Ring - M6	61 - 103
0720 0080E	Retaining Ring - M8	23 - 103
0725 0300E	Retaining Ring C - M30	41 - 102
0802 5299	Tapping Screw - M3x8	71 - 108
0802 5312	Tapping Screw: Washer: 3x10	21 - 104
0802 5317	Binding Head Tapping Screw: ES: 3x8	33 - 103
0802 5317	Binding Head Tapping Screw: ES: 3x8	35 - 104
0802 5318	Binding Head Tapping Screw: Es: 3x10	9 - 101
0802 5318	Binding Head Tapping Screw: ES: 3x10	33 - 102
0802 5319	Hexagon Head Tapping Screw: ES: 3x8	51 - 101
0802 5319	Hexagon Head Tapping Screw: ES: 3x8	37 - 104
0802 5319	Hexagon Head Tapping Screw: Es: 3x8	35 - 101
0802 5319	Hexagon Head Tapping Screw: ES: 3x8	57 - 103
0802 5319	Hexagon Head Tapping Screw: ES: 3x8	31 - 101
0802 5319	Hexagon Head Tapping Screw: ES: 3x8	39 - 103
0802 5319	Hexagon Head Tapping Screw: Es: 3x8	9 - 104

Part No.	Description	Page and Index No.
0802 5319	Hexagon Head Tapping Screw: ES: 3x8	47 - 106
0802 5319	Hexagon Head Tapping Screw: ES: 3x8	49 - 101
0802 5320	Hexagon Head Tapping Screw: ES: 3x10	11 - 103
0802 5320	Hexagon Head Tapping Screw: ES: 3x10	41 - 105
0802 5320	Hexagon Head Tapping Screw: Es: 3x10	9 - 102
0802 5320	Hexagon Head Tapping Screw: ES: 3x10	69 - 108
0802 5320	Hexagon Head Tapping Screw: ES: 3x10	43 - 105
0802 5320	Hexagon Head Tapping Screw: ES: 3x10	45 - 101
0802 5322	Hexagon Head Tapping Screw: ES: 3x12	23 - 104
0804 6123	Hexagonal Bolt: W/Washer: M3x8	21 - 102
0804 6127	Hexagonal Bolt: Double Screw: M3x8	43 - 102
0804 6127	Hexagonal Bolt: Double Screw: M3x8	41 - 104
0805 0088	Retaining Ring - M6	61 - 105
0805 0088	Retaining Ring - M6	21 - 103
0805 0089	Retaining Ring - M4	31 - 102
0805 0089	Retaining Ring - M4	27 - 103
0805 0089	Retaining Ring - M4	49 - 103
0805 0089	Retaining Ring - M4	51 - 105
0805 0089	Retaining Ring - M4	47 - 103
0805 0089	Retaining Ring - M4	59 - 106
0805 0089	Retaining Ring - M4	57 - 102
0805 0092	Retaining Ring - 3m	71 - 107
0805 0097	Ring Separator	61 - 104
0950 4006N	Screw - M4X6	71 - 110
0954 3006N	Screw - M3x6	61 - 102
0954 3012N	Screw - M3x12	43 - 104
0954 3030N	Screw: Polished Round/Spring: M3x30	65 - 104
1102 4431	CT Connector - 8P	31 - 103
1102 6260	Relay Connector - 3P	43 - 103
1102 8501	Connector: 54679-1609	67 - 105
1102 8502	Connector - 54679-1615	65 - 107
1102 8534	Connector - QR/P17-14S-B	63 - 101
1102 9782	Connector: 51405-1819	67 - 103
1105 0032	Clamp	15 - 104
1105 0296	Spacer - KGLS-16RT	71 - 113

Part No.	Description	Page and Index No.
1105 0415	Spacer - 12.7mm	23 - 105
1105 0487	Harness Clamp	67 - 107
1105 0487	Harness Clamp	63 - 104
1105 0487	Harness Clamp	65 - 105
1105 0488	Harness Clamp	71 - 111
1105 0488	Harness Clamp	67 - 109
1105 0488	Harness Clamp	69 - 112
1105 0490	Harness Clamp - IWS-2218	67 - 110
1105 0499	KGPS-12RF	67 - 102
1105 0508	Harness Clamp - LWS-0711	69 - 107
1105 0511	Harness Clamp - LWS-0306ZC	63 - 105
1105 0511	Harness Clamp - LWS-0306ZC	27 - 105
1105 0511	Harness Clamp - LWS-0306ZC	47 - 105
1105 0511	Harness Clamp - LWS-0306ZC	55 - 103
1105 0511	Harness Clamp - LWS-0306ZC	69 - 103
1105 0511	Harness Clamp - LWS-0306ZC	75 - 104
1105 0511	Harness Clamp - LWS-0306ZC	45 - 105
1105 0511	Harness Clamp - LWS-0306ZC	65 - 102
1105 0511	Harness Clamp - LWS-0306ZC	67 - 111
1105 0511	Harness Clamp - LWS-0306ZC	59 - 103
1105 0511	Harness Clamp - LWS-0306ZC	11 - 106
1105 0511	Harness Clamp - LWS-0306ZC	61 - 107
1105 0516	Clamp	73 - 103
1105 0516	Clamp	69 - 111
1105 0516	Clamp	65 - 103
1105 0516	Clamp	75 - 103
1105 0516	Clamp	67 - 112
1105 0516	Clamp	55 - 106
1105 0518	Edge Saddle - LES-1010	49 - 104
1105 0534	Clamp	75 - 105
1105 0551	Clamp: LES-0505	49 - 105
1105 0551	Clamp: LES-0505	57 - 105
1105 0551	Clamp: LES-0505	57 - 104
1105 0574	Connector: OG-503040V	71 - 106
1105 0582	Clamp: RBWS-0510D-V0	15 - 105

Part No.	Description	Page and Index No.
1105 0701	KGPS-16RF-V0	67 - 108
1105 0701	KGPS-16RF-V0	71 - 112
1105 0723	Clamps: WES-0507	29 - 102
1105 0723	Clamps: WES-0507	47 - 108
1105 0724	Clamps: WES-1210	69 - 106
1105 0725	Clamps: WES-1117	69 - 110
1105 0726	Clamps: WES-2217	69 - 109
1105 0755	Clamp: RSPC-315P	67 - 113
1150 0377	Power Supply Code: 250V: 10A: EU	71 - 101
1150 0409	Power Supply Code: 125V: 15A: TWN	71 - 101
1150 0438	Power Supply Code: AC125V: 15A: NA	71 - 101
1204 2510	Micro Switch	71 - 103
1204 2901	Rocker Switch: RS51-AJAJ	71 - 109
1407 7153	EEPROM: AT24C64C-PU: 64K	67 - 106
1607 2392	Ferrite Core: K3 FF 25.00x10.00x3.00x0.80(M)	15 - 103
5205 4527	Spring - Exit	49 - 11
5206 2686	Snap Ring	27 - 36
5215 2621	Snap Ring - M6	29 - 20
5447 2681	Snap Ring	29 - 21
5447 2681	Snap Ring	39 - 23
5447 2681	Snap Ring	61 - 24