

Product Support Guide Model D115/D116

Introduction

Model Type	B/W MFP Segment 1
Launch Date	2/3/11
Serial Number Prefix	W30 / W31
Product Code	D115 / D116

Brand/Model Name

Product Code	Lanier	Ricoh	Savin
D115	LD 220SPF	Aficio MP 201SPF	920SPF
D116	LD 220F	Aficio MP 201F	920F

Product Concept

Predecessor models D069 / D068

Major technical changes

Hardware

- Increased copy speed from 17cpm to 21cpm.

Connectivity / Software

- No AppleTalk or Mac OS 8.6/9.x/10.1 support.
- Adds Use of the 32-bit TWAIN driver from x64 edition of Windows.
- Does not support the use of IC card authentication if using TWAIN on an x64 host.

•
•
•



Product Support Guide

Model D115/D116

Main Frame

Item	Model Name	EDP Code	Notes
D115	Lanier LD 220SPF Ricoh Aficio MP 201SPF Savin 920SPF	415652	21ppm mainframe with copy/fax/print/scan functionality with ARDF
D116	Lanier LD 220F Ricoh Aficio MP 201F Savin 920F	415655	21ppm mainframe with copy/fax functionality with ARDF (cannot upgrade to printer/scanner function)

NOTE: Order Numbers are provided for reference purposes only. Please use your Pricing Guide for proper order numbers to insure you receive the correct branding emblem.

Order Number

Options

Item	Description	EDP Code	Product Code	Common / Unique	Notes
Accessibility Handle	Accessibility Handle Type C	414901	D461-17	C(D069)	
VM Card	VM Card Type L**	414902	D467-00	C(D069)	
Scan to SD/USB	USB2.0/SD Slot Type B**	414917	D467-03	C(D069)	
Hard Disk Drive Option	Hard Disk Drive Option Type 201**	416438	D577-01	U	New. Comes with DOS and Encryption SD card.
IEEE 1284	IEEE 1284**	411699	B679-17	C (D069)	
Key Counter Interface Unit 20 pin	Optional Counter Interface Unit A	413012	B870-11	C (D069)	
Wireless LAN Interface	IEEE802.11 A/G Interface Unit type L**	403000	M344-01	C (D069)	
Paper Bank	Paper Feed Unit PB1030	415674	D567-17	U	Max two tray options
Gigabit Ethernet	Gigabit Ethernet Board Type A**	402547	G874-01	C(D069)	
Shorter Cabinet	FAC44 Cabinet	415129	---	C(D069)	This cabinet is recommend to be used when installing two optional paper trays

Product Support Guide

Model D115/D116

Item	Description	EDP Code	Product Code	Common / Unique	Notes
Taller Cabinet	FAC19 Cabinet	411136	---	C(D069)	(B288) This cabinet is recommended when either one optional tray is added or no optional tray is added.
Handset	Handset Type 1018	410781	B433	C (D069))	
External MFP Keyboard with Bracket	External MFP Keyboard with Bracket (USB 3L68-28)	100275FNG		C(D069)	Used for Global Scan NX only

**D115 only. D116 is a copy/fax unit and does not use these options.

Supplies/Yields

Item	Name	Order Code	Target Yield
Gestetner			
Toner	Toner DSm415/ DSm415f/DSm415p/ DSm415pf	89906	7K per cartridge
PCU	Photoconductor Unit Type 1515	411844	45K
Lanier			
Toner	Black Toner for LD015/ LD015f/ LD015spf	480-0237	7K per cartridge
PCU	Photoconductor Unit Type 1515	480-0238	45K
Ricoh			
Toner	Toner Type 1170D (Black)	885531	7K per cartridge
PCU	Photoconductor Unit Type 1515	411844	45K
Savin			
Toner	Toner Type S15 (Black)	9906	7K per cartridge
PCU	Photoconductor Unit Type 1515	411844	45K

NOTE: *A4, 6% chart is used to measure the above yield. Storage period for toner is max. 1 year.

Product Support Guide

Model D115/D116

Option Compatibility D116

	1	2	3	4
1. Paper Bank 500 x 1 max of 2				
2. Optional Counter Interface				
3. Accessibility handle				
4. Handset				

D115

	1	2	3	4	5	6	7	8	9	10	11
1. Wireless LAN I/F		X	X								
2. IEEE 1284 I/F	X		X								
3. Gigabit Ethernet	X	X									
4. HDD option includes DOS and Encryption											
5. VM card option											
6. Optional Counter Interface											
7. Accessibility handle											
8. Scan to SD/USB option											X
9. Paper Bank 500 x 1 max of 2											
10. Handset											
11. External Keyboard				O				X			

X: Cannot be installed together
O:Required

Product Support Guide

Model D115/D116

Branding Information

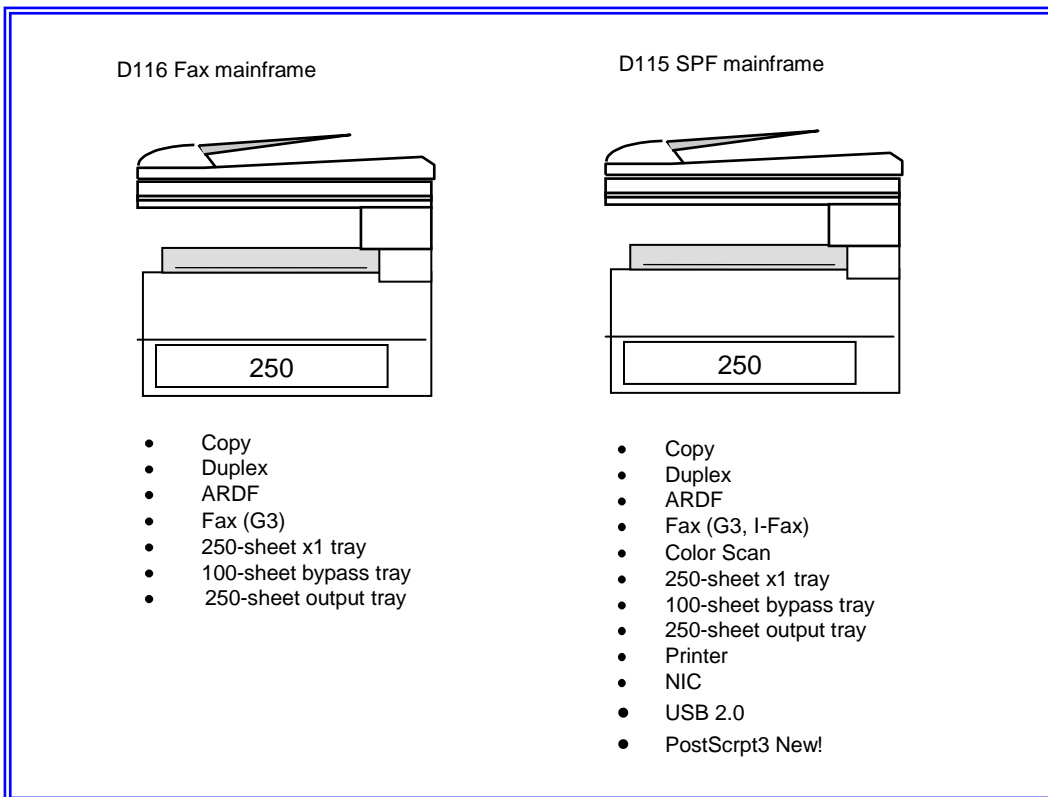
Branding is required as the machines are shipped as a generic version.

Ricoh version machines: You must attach the model label (provided) to the front cover.

Savin/Lanier: You must attach the model label (provided) to the front cover and set the Plug and Play name with SP 5-907.

Configuration

Main Frame Configuration



External Options

1x500 tray paper bank (*Maximum 2 optional paper trays can be installed)
Accessibility handle (for standard tray only.)
Key counter Interface
Scan to SD/USB Option (D115 only) or External Keyboard Option for Global Scan NX (D115 only)
Handset

Internal Options for D115 SPF model

HDD option (includes Data Encryption Unit and Data Overwrite Security Unit)
Wireless LAN option or IEEE 1284 option or Gigabit Ethernet option
VM card option

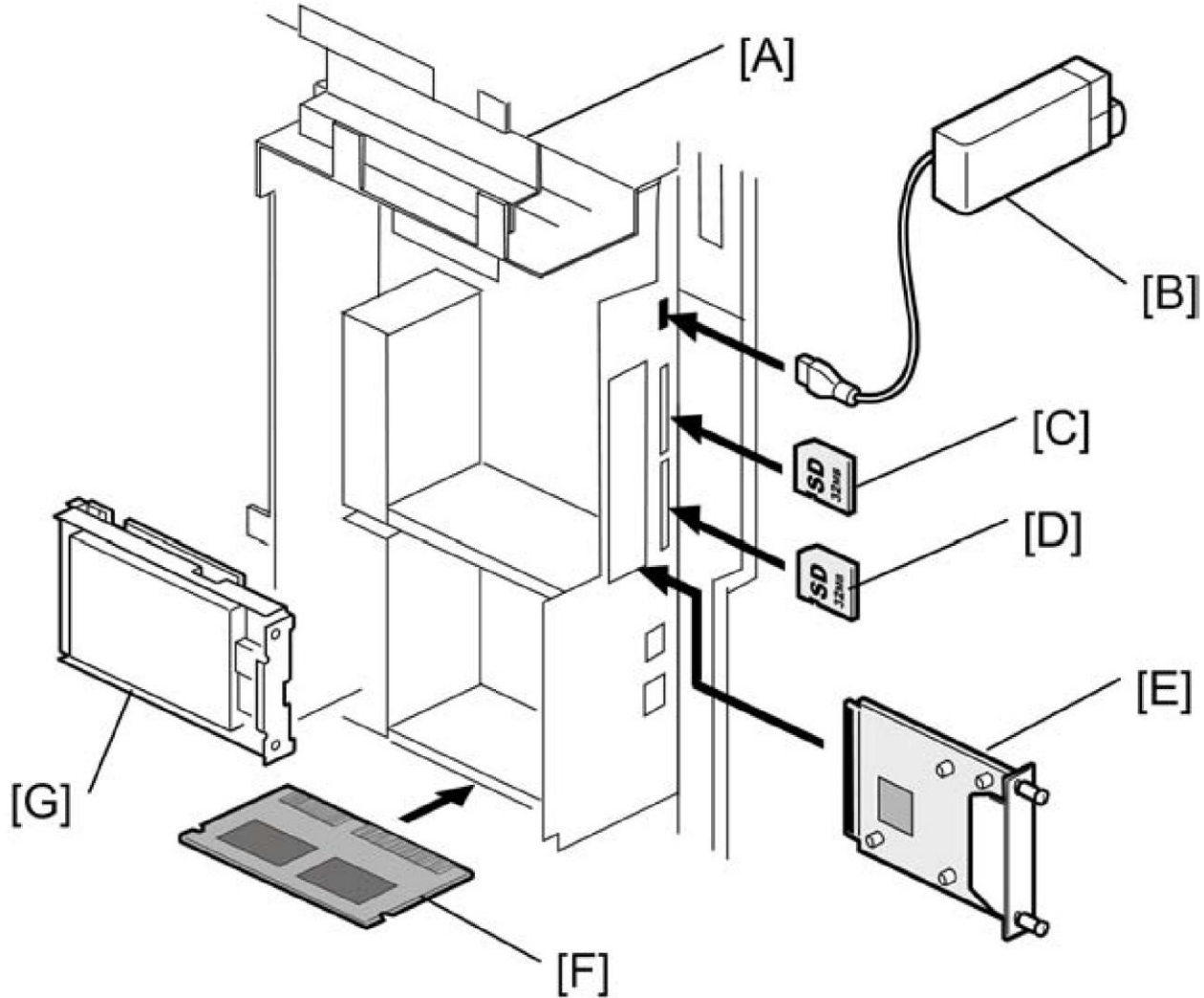
Product Support Guide

Model D115/D116

MFP Options

System Components / SD Card Assignments

D115 SPF model only (D116 Fax model not upgradable)



Item	Product Code		Remarks
Controller Box		A	Standard
USB2.0/ SD Slot	D467	B	Option only for D115
Printer / PS / Scanner Unit		C	Standard on D115
HDD Encryption Unit		C	Both come with Hard Drive Option (must merge onto Printer/Scanner SD card)
Data Overwrite Security Unit		C	
VM Card	D467	D	
IEEE 1284	B679	E	Only one option can be installed
Wireless LAN	M344	E	
Gigabit Ethernet PCB	G874	E	
Ram DIMM		F	Standard on D115
HDD	D577	G	Only for D115 (comes with DOS and Encryption SD cards)

Product Support Guide

Model D115/D116

Feature Comparison To Previous Version	D069 series	D115	D116
General Specification			
Copy speed	17cpm	21cpm	21cpm
Paper feeding capacity			
No changes			
Printer Specification			
Print Speed(A4/LT LEF)	17ppm	21ppm	Fax / Copy model No printer options
Memory Capacity	640MB	640MB	
HDD	Option 80Gb	Option 80Gb comes with DOS and encryption	
Supported Printer language	Standard	Standard	
	PCL5e, PCL 6	PCL5e, PCL 6	
	Option : Adobe PostScript3	Standard: Adobe PostScript3	
Optional I/F	EEE1284	IEEE1284	
	Wireless LAN (IEEE802.11a/b/g)	Wireless LAN (IEEE802.11a/b/g)	
	Gigabit Ethernet	Gigabit Ethernet	
Scanner Specification			
Scan to USB/SD	Yes	Yes	No scanner options
FAX Specification			
No changes			

Product Support Guide

Model D115/D116

Installation

Installation Requirements

Temperature Range: 10° C to 32° C (50° F to 89.6° F)
Humidity Range: 15% to 80% RH
Ambient Illumination: Less than 1,500 lux (do not expose to direct sunlight)
Ventilation: 3 times/hr/person
Ambient Dust: Less than 0.1 mg/m³
Avoid areas exposed to sudden temperature changes:

- Areas directly exposed to to direct sunlight or to direct air (from a fan, air conditioner, air cleaner etc.)

Do not place machine where it will be exposed to corrosive gas or vapor.

Place the machine on a firm and level base.

Do not place the machine where it may be subject to strong vibrations.

- Machine level
- Front to back: within 5mm (0.2") of level
 - Right to left: within 5mm (0.2") of level

Power Requirements

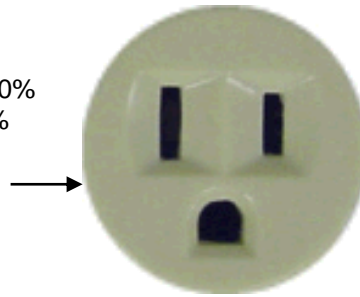
Input voltage level: 110 - 120 V, 60Hz:8A

Image quality not guaranteed at a rate voltage higher than +/-10%

Operation not guaranteed at a rate voltage higher than +/- 15%

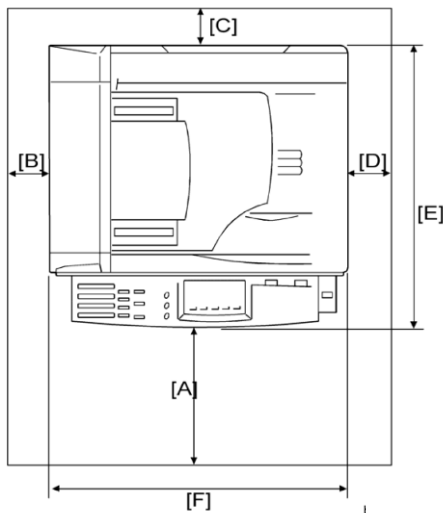
Do not place anything on power cord.

The required wall outlet is a NEMA 5-15R (receptacle)



Space

Place the machine near the power source, providing clearance as shown.



A (Front)	750 mm (29.6")
B (Left)	100 mm (3.9")
C (Rear)	100 mm (3.9")
D (Right)	100 mm (3.9")
E Depth	450 mm (17.7")
F Width	485 mm (19.1")

The 750 mm front space is sufficient to allow the paper tray to be pulled out. Additional space is required to allow an operator to stand at the front of the machine.

Foot Print

Dimensions (W x D x H):: 485 x 450 x 481mm (19.09" x 17.72" x 18.94")

Product Support Guide

Model D115/D116

Power Consumption / Noise Emission

Power Consumption

Mode	Power Consumption	BTU
Low power mode	Less than 35W	119.42
Sleep mode	Less than 10W	34.12
Off mode	-	-
Maximum	Less than 1000W	3414

Noise Emission

D115/116	Main Frame	Full System
Standby	40dB(A) or Less	40dB(A) or Less
Operating	62dB(A) or Less	66dB(A) or Less

NOTE: The above measurements were made in accordance with ISO 779. The measurements were taken from the normal position of the operator.

Installation Times

Unit	Installation Time (Minutes)	Unit	Installation Time (Minutes)
Main Frame	15	Paper Tray Unit per unit (max of two 500 sheet trays)	10
IEEE 1284	5	Wireless LAN	5
Hard Disk Drive Option Type 201	15	Gigabit Ethernet Board Type A	5
Data Encryption Unit	5	Accessibility Handle	5
Data Overwrite Security Unit	10	Scan to SD/USB	10
Handset Type 1018	5	VM Card	10
Optional Counter Interface Unit A	10		

Storage/Transportation

	Storage	Transportation
Mainframe	-30 ~ 40°C (22 ~ 104°F) 80% RH or less <ul style="list-style-type: none"> Storage period Max 12 months 	-30 ~ 40°C (22 ~ 104°F) 90% RH or less
Toner (*1)	Less than 35°C (95°F) 15 ~ 80% RH or less <ul style="list-style-type: none"> Storage period: Max 12 months (Max 24 months/Un opened status) 	Less than 35°C (95°F) 15 ~ 80% RH or less <ul style="list-style-type: none"> Storage period: Max 12 months (Max 24 months/Un opened status)
PCU	-30 ~35°C (22 ~ 95°F) 15 ~ 80% RH or less <ul style="list-style-type: none"> Storage period: Max 12 months 	-30 ~35°C (22 ~ 95°F) 15 ~ 80% RH or less <ul style="list-style-type: none"> Storage period: Max 12 months

NOTE: (*1) Do not store in 35-40°C (95 ~104°F environment more than 1 month

Product Support Guide

Model D115/D116

Parts / Special Tools / Maintenance

PM Parts / Yields

Mainframe

Unique/Common
U: Unique for this model
C: Common with listed model

*1 part of the PM Kit #: **PMB12990K**

Part Number	Description	Q'ty/ Unit	PM Interval	Unique or Common
ARDF				
AF032030	Reverse Roller	1	90k	C (D069)
AF030363	Pick-up Roller	1	90k	C (D069)
AF031062	Feed Roller	1	90k	C (D069)
Paper Feed				
AF031061	Paper Feed Roller *1	1	90k	C (D069)
D0672710	Friction Pad *1	1	90k	C (D069)
Transfer Roller Unit				
B2623802	Transfer Roller *1	1	90k	C (D069)
Fusing Unit				
AE011086	Hot Roller *1	1	90k	C (D069)
AE020164	Pressure Roller *1	1	90k	C (D069)
AE044059	Stripper Pawls *1	3	90k	C (D069)
AE031044	Bushing – Fusing *1	2	90k	C (D069)
Others				
B0443857	Separation Plate *1	1	90k	C (D069)

PCU (Photoconductor Unit)

Unique/Common
U: Unique for this model
C: Common with listed model

Part Number	Expected Life	Unique or Common
-	45k	C

- 1) Developer is included in the PCU.
- 2) PCU is not available as service part. It is a consumable product.
- 3) The expected life mentioned above assumes a printout condition of 2 outputs/job (Copier, Fax, or Printer).
- 4) The PCU should be replaced by the CE (Customer Engineer).
- 5) When replacing the PCU, the CE should clean any scattered toner present in the following areas:
 - The inside of the front door
 - The surface of the toner bottle holder
 - The entrance of the PCU

Product Support Guide

Model D115/D116

Options

Paper Tray Unit D567

Part Number	Description	Q'ty /Unit	PM Interval	Unique or Common
AF031063	Paper Feed Roller	1	120k	C (PS480)
B4212608	Friction Pad	1	120k	C (PS480)

Special Tools & Lubricants

Unique or Common:
U: Unique for this model
C: Common with listed model

Item	Part Number	Description	Q'ty	Unique or Common
1	A1849501	Optics Adjustment Tool (2pcs/set)	1	C
2	A2929500	Test Chart - S5S (10pcs/set)	1	C
3	VSSM9000	Digital Multimeter - FLUKE 87	1	C
4	N8036701	Flash Memory Card - 4MB	1	C
5	N8031000	Case for Flash Memory Card	1	C
6	A2579300	Grease Barrierta – S552R	1	C
7	52039502	Silicon Grease 501	1	C
8	B6455010	SD Card Kit	1	C
9	G0219350	Loop Back Connector (Note)	1	C
10	---	Ricoh System Information Tool (Support Tool Version 2) - Basic version - Mail version - Rlogtool (for use with GW controller)	1	C

NOTE: Loop-back Connector (item 10) requires Plug-- IEEE1284 Type C (item 11) and the optional IEEE 1284.

Product Support Guide

Model D115/D116

Target Reliability

Model	D115/D116
Average Monthly Volume	2K/month
Max. Monthly Volume	5K/month
PM Interval	45k for PCU/ all others 90k

Specifications / Documentation

Mainframe			Remarks
Technology			
Reading element	Flatbed with CCD array image-sensor		
Printing processing	Laser beam scanning/marketing & electro-photographic printing. Dry, dual component toner development		
Weight	29kg (63.9lb.) or less (with ARDF)		
Input Capacity	Standard	250 sheets tray x 1 100 sheets multi bypass tray*	*Bypass tray and duplex unit do not work together.
	Options	Paper Bank: 500 sheets x 1 or 2 (max of two)	Max total capacity 1,350sheets
Output Capacity	250 sheets (internal tray)		
Paper size / weight			
Size	Standard Tray	A4 (SEF), A5 (LEF), B5(SEF), LT(SEF), HLT(LEF) 16K (SEF)	
	Bypass Tray	A4 (SEF), A5, B5(SEF), LT(SEF), HLT, LG(SEF) Executive (7 1/4"x10 1/2") (SEF) F(8"x13")(SEF) Foolscap (8 1/2"x13")(SEF) Folio (8 1/4"x13")(SEF) Government (8 1/4"x 14")(SEF) Irregular size: 90 - 216 x 139 – 356 mm	
	Optional paper bank Tray	A4 (SEF), LT(SEF), LG(SEF) Foolscap(8 1/2"x13")(SEF) Folio(8 1/4"x13")(SEF) Government(8 1/4"x 14")(SEF)	
	Duplex	A4 (SEF), B5(SEF), LT(SEF), LG(SEF) Foolscap(8 1/2"x13")(SEF) Folio(8 1/4"x13")(SEF) Government(8 1/4"x 14")(SEF)	
Weight	Standard Tray	Standard Tray: 60 to 90 g/m ² (16 - 24 lbs.)	
	Bypass Tray	60 to 157 g/m ² (16 - 42 lbs.)	
	Optional paper bank Tray	60 to 90 g/m ² (16 - 24 lbs.)	
	Duplex	64 to 90 g/m ² (20 - 24 lbs.)	
Memory Capacity	D115	640Mb	
	D116	256Mb	

Product Support Guide

Model D115/D116

Copier General Features		Remarks
Original Size	Max LG (from ARDF)	
1 st Copy Speed	7.5 seconds or less	When polygon mirror motor is spinning. A4/ 8 1/2" x 11" (SEF) from the standard tray, no R/E.
Multi Copy Speed	21cpm	A4 / 8 1/2" x 11" (SEF), no R/E from the standard tray.
Multi Copy Speed	Up to 99	
Resolution	600dpi	
Gray Scale (per dot)	Scanning: 256 levels, Marking: Binary	
Warm up time	Less than 30 seconds	
Recovery time	Less than 10 seconds	20°C (68°F)
Enlargement	129, 155 %	2E
Reduction	93, 78, 65%	3R
Zoom	50% to 200% in 1% step	
Image Density Adjustment	Manual or Automatic	
Interrupt Copy	Not available	
User Code	Standard (100 codes, eight digits)	
Display Language	English, French, Spanish, Portuguese	

Copier Enhanced Features		Remarks
APS / AMS	No	
Auto Tray Switch	Option (Available with optional paper bank)	
Directional magnification	No	
Directional size magnification	No	
Photo mode	Standard	
Auto start	Standard	
Duplex	Standard	2 sided scanning is available.
Electronic Sort	Standard	Rotate sorting is not available.
Scan once copy many	Standard	
Image Rotation	No	
Series Copy	Yes	2 sided -> 1 sided only.
Combine Copy	Standard	
	2 in 1 (simplex), 4 in 1 (duplex)	
	4 in 1 (simplex), 8 in 1 (duplex)	

Product Support Guide

Model D115/D116

Printer

Printer Features D115			Remarks
CPU	RM5231 400Mhz		
RAM	Standard		640MB(128MB Resident + 512MB DIMM) Memory is pre-installed to printer/scanner Unit.
HDD	Optional (80Gb)		80Gb
PDL	Standard	PCL5e, PCL6, Adobe Postscript 3	
Print Resolution	600 x 600 dpi		Max
Fonts	Standard	PCL: 45 fonts + 13 International fonts *1	
	Optional	PS3: 136 Roman fonts	
Connectivity	Host Interface	Standard	Ethernet (RJ-45 network port 10Base-T/100Base-TX), USB2.0
		Option	IEEE1284, IEEE802.11a/b/g board, Gigabit Ethernet
	Network Protocol		TCP/IP (IPv4, IPv6), IPX/SPX,
	MIB Support	Standard MIB (SMNP Printer MIB)	MIB-II(RFC1213), HostResource (RFC1514), PrinterMib (RFC1759) SNMPv3 (RFC2574)
		Private MIB	Ricoh private MIB
	Network/Operating Systems		Windows2000/ XP/ Server 2003/ Vista,/ Server 2008 Mac OS 8.6-9.x, Mac OS X 10.1 or later
Language Drivers (PCL) *2	1.English, 2.French, 3.German, 4.Italian, 5.Spanish, 6.Dutch, 7.Swedish, 8.Norwegian, 9.Danish, 10.Czech, 11.Hungarian, 12.Finnish, 13.Polish, 14.Portuguese, 15.Russian, 16. Catalan, 17.Turkish		

*1) Cyrillic (Russian), Greek, Hebrew and Arabic are included in International Fonts.

*2) PS and XPS driver don't support following language; Czech, Hungarian, Finnish, Polish, Portuguese, Russian, Catalan and Turkish.

Product Support Guide

Model D115/D116

Scanner For D115	
Optical Resolution	Scan to email/folder: 100 / 200* / 300 / 400 / 600 dpi, *Default Twain: 100-600dpi
Scan Speed	Scan to E-mail and ScanRouter Pro: approx.BW: 22 pages/minute (A4/SEF,200dpi BW binary, ITU-T No.1 chart, MH) FC: 10 pages/minute (A4/SEF,200dpi Full color Photo Text mode, with default compression) *Scanning speed varies according to machine operating conditions, computer (specification, network traffic, software, etc.) and original types.
Scan Area	Main Scan: 216mm, Sub Scan: 356mm
Network Interface	Ethernet 10/100BaseTX, Wireless LAN (802.11a/b/g) (option) Gigabit Ethernet (1000 Base T option)
Protocol	Network: TCP/IP Sending E-mail: SMTP, POP3 Scan to Folder: SMB, FTP, NCP Web Services on Devices for Scanning
Compression Method	MH(default),MR,MMR *Can be changed in SP mode Grayscale, Full color JPEG
Scan Mode	BW Text Mode:Text, Text/Line Art, Text/Photo, Photo, Gray Scale BW Photo Mode:Text, Text/ Line Art, Text/Photo, Photo, Gray Scale Color Text:Full Color: Text/Photo, Glossy Photo Color Photo:Full Color: Text/Photo, Glossy Photo Color (24bit), Grayscale (8bit)
2 Sided Scan	Yes (ARDF and Printer scanner option is required for basic/ standard for SPF model)

Scan to E-mail For D115		
Requirement	SMTP (Mail Server) Gateway and TCP/IP	
Authorization function	SMTP authentication POP before SMTP authentication	
Resolution	100dpi, 200dpi (Default), 300dpi, 400dpi, 600dpi	
MAX E-mail address#	150 addresses (Incl. 32 speed dials)	
Register Group address	Standard: 10 groups (100 numbers per 1 group)	
Maintain E-mail address	Direct input on operation panel, Web Image Monitor, SmartDeviceMonitor for Admin	
Manual Input of destination E-mail address	Possible, Max. 50 destinations per job	
Search E-mail address in Mainframe	By name and E-mail address	
LDAP Search	Yes	
Max. address numbers per send	Max. 100 addresses per send *1	
Address numbers per send:	Address from address book *1	Max. 100
	Address directly input via operation panel*1 *2	Max. 50
	Address looked up via LDAP *1 *2	Max. 100
Attention	To	
Subject	Manual Input	Max. 128 Characters
	Pre-register by user	No
Body Message	Manual Input	No
	Pre-register by user	No
	Preset	Message: "This e-mail included attached file sent from xxxx (machine model name)." User can select either preset message or no preset message.
E-mail Size (with restriction)	128 – 45,389KB, Default = 2,048KB	
File type	Multi Page TIFF (Default), Multi Page PDF, Single Page TIFF, Single Page PDF, Single Page JPEG	
PDF Security Setting	Yes	

Product Support Guide

Model D115/D116

Scan to E-mail For D115	
Program User Setting	No
Resend	No
Local Storage	No

*1: Address from address book + Address input via operation panel + Address looked up via LDAP = Max.100.

*2: Address directly input via operation panel + Address looked up via LDAP = Max. 100.

*3: If the sent file size exceeded the maximum E-mail size, it would be divided to multiple sending. In addition, the sent files might not be accepted by the receiving side due to the limitation in the receiving capacity at the receiver SMTP server or E-mail software setting.

Scan to Folder For D115	
Protocol Support	SMB (Server Message Block), FTP (File Transfer Protocol), NCP
Security	Client folder log-in (log-in name and password), Encryption of log-in name and password during transmission
Resolution	100dpi, 200dpi (Default), 300dpi, 400dpi, 600dpi
Register client folder address	Max. 150 folders
Maintain client folder address	Direct input on operation panel, WebImageMonitor, SmartDeviceMonitor for Admin
Destination client folder address input via operation panel	Yes. SMB: Network path > Client folder > Password, FTP: Server > Network path > User account > Password, NCP: Network path > User account > Password > Connection
Search client folder	SMB: Browsing directly to the designated folders, FTP: By client folder name, NCP: Browsing
Max. client folder numbers per send	Max. 32 client folders / PCs per send
Group address	Max. 132 destinations (To Folder: 32, To E-mail: 100) (*1) e.g. 100 destinations 32 folders included >>>OK, 100 destinations 33 folders included>>>Failure
Input Subject	No
Scan File Size	Max 31.88MB
File Size when combined Scan to Folder & Scan to E-mail	128 – 45,389KB, Default = 2,048KB (With restriction) (Scan to E-mail file size applied).
File type	Multi Page TIFF (Default), Multi Page PDF, Single Page TIFF, Single Page PDF, Single Page JPEG
PDF Security Setting	Yes
Program User Setting	No
Resend	No

(*1) User can send to Max. 132 destinations in the same group. But the number of folders has to be less than 32, since Max. folder destinations are 32. If there are more than 32 folder destinations registered in the Group address, a message pops up.

Max. Address Numbers Per Sending (combination between E-mail and Folder)				
	Input via	Condition 1: Max.address can select or input	Condition 2: Max. address allow in single operation	Condition 3: Combination of addresses: Max.
Scan to E-mail	Address book	100	100	132
	Manual input	50		
Scan to Folder	Address book	32	32	

Product Support Guide

Model D115/D116

Network TWAIN Driver	
Document Size	Max A4 / 8 1/2"x14"
Resolution	Scanner: 600dpi Driver: 100-600dpi in 1dpi step
OS	Windows2000/XP/Server2003/Vista(32bit)*1
Scan Mode	Standard / Photo / OCR / Filing
Image Adjustment	Brightness / Contrast / Threshold /Gamma Adjustment / Halftone Pattern
Stamp	No
Endorse	Yes

*1 Use of the 32-bit TWAIN driver from an x64 edition of Windows is supported, however the use of IC card authentication is not supported if using the TWAIN on an x64 host.

Fax For D115 /D116		Remarks
Circuit	PSTN, PBX	
Compatibility	ITU-T (CCITT) G3	
Resolution	200x100dpi, 200x200 dpi 8 x 3.85 l/mm, 8x7.7 l/mm, 8x15.4 l/mm (send only)	
Compression method	MH, MR, MMR, JBIG	
Scanning speed	2.0 second (200x200/200x100,8x15.4mm/ A4)	
Number of Pages Scanned	20 pages/ minute (200x100dpi, 200x200dpi, 8x15.4mm/A4/ 8 1/2" x 11")	
Modem speed	Standard with Automatic Shift Down: 336000, 31200, 28800, 26400, 24000, 21600, 19200, 16800, 14400, 12000, 9600, 7200, 4800, 2400 bps	
Transmission speed	G3: Approx.2 seconds (200x100dpi, JBIG, ITUT#1 chart, A4SEF, JBIG, TTI off, memory transmission) G3: Approx.3 seconds (200x100dpi, MMR, ITUT #1 chart, A4 SEF TTI off, memory transmission)	
SAF memory	Standard: 4MB No SAF memory option available.	
Page memory	4 MB No page memory option available.	
SAF memory storage	320 sheets (ITU-T No. 1 chart)	
Memory backup	12 hours	
Super smoothing	Standard (Binary)	
Stamp	No	
TTI/RTI	Standard	
CSI	Standard	
Quick dial	Standard (16 numbers)	16 out of 150 Speed dial can be assigned to Quick dial.
Speed dial	Standard (150 numbers)	
Group dial	Standard (10 groups, Max. 100 numbers per group)	
Keystroke program	No	
Redial	Standard (Last 10 destinations)	
AI short protocol	No	
Direct fax number entry	Standard	
Dual access	Standard	
User Code	Standard (8 digits, 100 Personal Codes)	
Label insertion	Standard	
Auto document	No	
Telephone directory	Standard	
Page count	Standard	
Auto reduction	Standard	
Wild cards	Standard	

Product Support Guide

Model D115/D116

Fax For D115 /D116		Remarks
Summer time (day light saving time)	Standard	
ID code programming	Standard (4 digits, only for Memory Lock)	
Programming by OMR	No	
User function key	Standard (3 keys)	
Night timer	No	
Energy saver	Standard	
LCD prompt	Standard	
Remaining memory indication	Standard	
Time indicator /clock adjustment	No /Standard	
User parameter setting	Standard	
Memory file transfer	Standard	
Internet FAX	Standard (T.37, Full mode)	Only for D115
LAN FAX	Standard	Only for D115
Local Storage	Yes with HDD option(*1)	

(*1)HDD option can be attached to the D069 not D068.

Transmission Features D115 / D116		Remarks
Immediate transmission	Standard	
Memory transmission	Standard	Max files: 200 Max attention: 300
Serial broadcasting (later)	Standard (Max. 300 numbers)	
Send later	Standard	Memory transmission only
Automatic Redial	Yes	Memory transmission only
Error correction mode	Standard	
Page retransmission	Standard	
Economy transmission	No	
Forwarding	Standard	
Batch transmission	No	
Parallel memory transmission	Standard (Automatically selected.)	
Image rotation	No	
Book fax	No	Book fax = split two facing pages of the book original into two separate pages and send each of the separate page.
Transmission deadline	No	
Closed network (transmission)	No	
Confidential transmission/with ID	No	
Transfer request	No	
Transfer transmission	No	
Multi-step Transfer	No	
Polling transmission	No	
Double sided transmission	Yes	Memory transmission only. Up to A4 SEF.
Transmission reserve	No	
Well log transmission	Standard (Max. 1,200mm)	

Product Support Guide

Model D115/D116

Reception Features D115 / D116		Remarks
Automatic reception	Standard	
Manual reception	Standard	
Substitute reception	Yes	
Authorized reception	Standard	
Multi copy	No	
Reverse order printing	No	
Memory lock	Yes	
Confidential reception	No	
Program special sender	Yes	
Wild cards	Standard	
Closed network	No	
Polling reception	No (* SEP code polling reception: Yes)	
Poll later	No (* SEP code polling reception: Yes)	
Polling from memory	No (* SEP code polling reception: Yes)	
Multi-polling reception	No (* SEP code polling reception: Yes)	
Continuous polling	No	
Reception time printing	Standard	
Center mark	Standard	
Checkered mark	Standard	
2 in 1 (two in one)	Yes	
Image rotation	No	
Image reduction	No	
Economy printing mode	No	
2 sided print	Yes	duplex reception

LAN-Fax M13 Specification D115 Only	
Paper Size	Letter (default for NA model), Legal, A5
Resolution	Detail (200 x 200 dpi) *default Standard (200 x 100 dpi)
Number of Address	300
LAN-Fax Editor support language:	1.English, 2.German, 3.French, 4.Italian, 5.Spanish, 6.Dutch, 7.Swedish, 8.Norwegian, 9.Danish, 10.Finnish, 11.Hungarian, 12.Czech, 13.Polish, 14.Portuguese, 15.Russian, 16.Korean, 17.Traditional Chinese, 18.Simplified Chinese 19.Catalan 20.Turkish Condition: OS need to have the same language.
OS	Windows XP, Windows2000/2003, Windows Vista, Windows 2008 Server
Memory	Minimum required for each OS
CPU	Minimum required for each OS
HDD	Minimum required for each OS
Interface	Ethernet (100Base-TX/ 10BASE-T) Wireless LAN Interface (IEEE802.11a/b/g)
Protocol	G3
TTI	Yes
Compression Method	MMR
Send Later	Yes
Page Rotation	Yes
Internet Fax	Yes
Local Storage	No
MIB	Yes
Transfer Request	No
Cover Sheet Editor	Yes
Address Book Import/Export	Yes

Product Support Guide

Model D115/D116

Internet Fax (T.37 Full mode) Basic Specification D115 Only	
Interface	Ethernet (100BASE-TX/ 10BASE-T) Wireless LAN Interface (IEEE802.11a/b/g)
Paper Size	MAX A4/ 8 1/2" x 14" (A4:default for EU/Asia model), (Letter :default for NA model), Legal, B5, A5
Resolution	200x100dpi, 200x200dpi (default)
Compression method	MH, MR, MMR
File Format	TIFF-F
Scan Mode	Text: for text original Photo: for photo mode original
Number of Address storage	Standard: 150 (Share address book capacity with E-mail address)
Maintain E-mail Address	Operation panel, Web Image Monitor, Smart Device Monitor for Admin
Attention	To (max attention 300 address)

IP-Fax Specifications D115 Only	
Network	LAN: Local Area Network Ethernet/10base-T, 100base-TX, IEEE802.11a/b/g (wireless LAN)
Scan line density	8 x 3.85 lines/mm, 200 x 100 dpi (Standard character), 8 x 7.7 lines/mm, 200 x 200 dpi (Details character), 8 x 15.4 lines/mm (Fine character),
Original size	Maximum A4 or 8.5" x 14"
Maximum scanning size	Standard: A4, 216mm x 356mm
Transmission protocol	Recommended: T.38 Annex, TCP, UDP/IP communication, SIP(RFC 3261 compliant), H.323 v2
Compatible machines	IP-FAX compatible machines
IP-FAX transmission function	Specify an IP address and send faxes to an IP-FAX compatible fax through a network. Also capable of sending faxes from a G3 fax connected to a telephone line via a VoIP gateway.
IP-FAX reception function	Receive faxes sent from an IP-FAX compatible fax through a network. Also capable of receiving faxes from a G3 fax connected to a telephone line via a VoIP gateway

Product Support Guide

Model D115/D116

MFP Supported Environments

Windows Environments					
OS	Type	PCL5e	PCL6	PostScript3	XPS
Windows 2000	Professional	Y	Y	Y*1	N
	Server	Y	Y	Y*1	N
	Advanced Server	Y	Y	Y*1	N
	Datacenter Server	N	N	N	N
Windows XP	Professional	Y	Y	Y*1	N
	Home Edition	Y	Y	Y*1	N
Windows Server 2003	Standard Edition	Y	Y	Y*1	N
	Enterprise Edition	Y	Y	Y*1	N
	Datacenter Edition	N	N	N	N
	Web Edition	N	N	N	N
Windows VISTA	Home Basic	Y	Y	Y	Y
	Home Premium	Y	Y	Y	Y
	Business	Y	Y	Y	Y
	Ultimate	Y	Y	Y	Y
	Enterprise	Y	Y	Y	Y
Windows Server 2008	Standard Edition	Y	Y	Y	Y
	Enterprise Edition	Y	Y	Y	Y
	Datacenter Edition	N	N	N	N
	Web Edition	N	N	N	N

*1 Adobe does not release PS driver for Windows2000 and XP. Only MS-PostScript driver is available and PPD file for MS-PS is included in the Driver CD.

Point & Print

Windows OS		Driver		
Server	Client (Push to)	PCL5e/6	PostScript3	XPS
Windows server 2003	VISTA	Y	Y	N
	XP	Y	Y	N
	W2K PRO	Y	Y	N
Windows XP Pro	VISTA	Y	Y	N
	XP	Y	Y	N
	W2K PRO	Y	Y	N
Windows 2K Professional Server & Advance Server	VISTA	Y	Y	N
	XP	Y	Y	N
	W2K PRO	Y	Y	N
Windows Vista	VISTA	Y	Y	Y
	XP	Y	Y	N
	W2K Pro	Y	Y	N
Windows Server 2008	Vista	Y	Y	Y
	XP	Y	Y	N
	W2K Pro	Y	Y	N

*1: PS3 driver for Windows Vista is not contained in a CD-ROM. Please download it from web site.

Product Support Guide

Model D115/D116

Terminal Service & Citrix MetaFrame		
Server	Driver	
	PCL5e/6	PS
Windows Server 2008	Y	Y
Windows Server 2003	Y	Y
Windows 2000 Server	Y	Y
Win 2008 Servers + MetaFrame XP/3.0	N	N
Win 2003 Servers + MetaFrame XP/3.0	Y	Y
Win 2000 Servers + MetaFrame XP/3.0	Y	Y
Win 2008 Servers + Citrix PresentationServer4.0 *1	N	N
Win 2003 Servers + Citrix PresentationServer4.0 *1	Y	Y
Win 2000 Servers + Citrix PresentationServer4.0 *1	Y	Y
Win 2008 Servers + Citrix PresentationServer4.5	N	N
Win 2003 Servers + Citrix PresentationServer4.5	Y	Y
Win 2000 Servers + Citrix PresentationServer4.5	N	N

[Operating Environments]

The following combinations of operating system and Citrix environment are supported:

[Windows 2000 Server / Advanced Server -]

1. Windows Terminal Service (RDP protocol)
2. MetaFrame XP 1.0 SP1/SP2/SP3/SP4/FR1/FR2/FR3 (ICA protocol)
3. MetaFrame PresentationServer3.0
4. Citrix PresentationServer4.0 *1

[Windows Server 2003]

1. Windows Terminal Service (RDP protocol)
2. MetaFrame XP 1.0 SP4/FR3 (ICA protocol)
3. MetaFrame PresentationServer3.0
4. Citrix PresentationServer4.0 *1
5. Citrix PresentationServer4.5

[Windows Server 2008]

1. Windows Terminal Service (RDP protocol)

*1: Citrix Presentation Server4.0 (64bit) is not supported.

Notes:

- 1) XPS driver is not supported in the environment of terminal service and Citrix environment.
- 2) Even "Yes" is put in the cell, there is a case driver is not supported under the combination of FR and Service Pack of MetaFrame. Please refer to the release announcement of Terminal Service for more details.

Product Support Guide

Model D115/D116

Mac OS

	PostScript3	Printer Utility for MAC
Mac OS 8.6/9.x/10.1	No	No
Mac OS X Native : v. 10.2 or later	Yes	No

*

UNIX Filter

Unix Platforms	Version
Sun Solaris	2.6 / 7 / 8 / 9 /10
HP-UX	10.x / 11.x / 11iv2 /11iv3
Red Hat Linux	6.x / 7.x / 8.x / 9.x / Enterprise
SCO OpenServer	5.0.6 /5.0.7/6.0
IBM AIX	V4.3 & 5L Version 5.1/5.2 /5.3

Supported Schedule: TBA

The above specification and schedule are current plan and may change in final release. Please refer to the release announcement of Unix Filter for more details.

Novell Netware

Netware Server	Supported Version	Netware 3.12 / 3.2 / 4.1 / 4.11 / 5.0 / 5.1 / 6.0/6.5
	Supported OS	Windows 95 / 98 / Me / NT4.0 / 2000 / XP (Professional)

For customers who use D115, please advise to use Novell generic NDPS gateway.

The difference between Ricoh NDPS Gateway and Novell generic NDPS gateway are as the following:

- Novell generic NDPS gateway cannot automatically set status of accessories. (You can set a status of accessories manually.)
- Novell generic NDPS gateway cannot display a status of accessories by bitmap.

Please refer to discontinuation announcement of NDPS Gateway for details.

SAP/R3 Environment (Device Type / Barcode & OCR Package)

Supported Environments	R/3 version	3.x or later, mySAP ERP2004 or later
	Platform	Independent
	PDL	PCL5e/PCL 5c
	Character Set	Latin 1(Western European), Latin 2 (Eastern European)
	Localization	English only
Supported features	i.e: Input/Output Bin, Duplex, Stapling, Resolution, Collation, Econo Mode/Toner Saving, Smoothing, Page Protect, Auto Tray Change/Opt Tray select	
Supported Barcode & OCR Fonts* (* BOP will be procured locally.)	Barcode Fonts (Support Latin 1 only)	Code 128, Code 39, Code 93, Codabar, 2 of 5 interleaved/Industrial/Matrix, MSI, USPS, UPC/EAN
	OCR Fonts	OCR A, OCR B

Product Support Guide

Model D115/D116

Utility Software

Software	Description
Font Manager	This software enables you to use screen fonts.
Smart Device Monitor for Admin	This software enables you to manage and monitor printers and other devices over the network.
DeskTopBinder – SmartDeviceMonitor for Client	This software enables you to access networked printers to print, monitor or to receive notifications. With DeskTopBinder Lite you can connect client computers to I/O devices enabling you to efficiently manage data.
Device Graphic Update Module	Device Graphic Update Module provides bitmap images used to represent the various statuses of devices graphically within Smart Device Monitor or Web Smart Device Monitor. Available on website.
Printer Utility for Mac	This is a utility for Macintosh that provides access to several network printing administrative features.
PS Descriptions	PPD for Mac By interacting with the Adobe PostScript 3 controller in the device, this PPD is able to produce an accurate representation of the screen image.
Mac OS X PPD Installer	This PPD installer is used to install a PPD (Postscript Printer Description) file on Mac OSX. PPD files contain descriptions of printer capabilities such as paper sizes, number of input trays and duplexing. Once the PPD file is installed on the system using the PPD installer, the PS driver that comes bundled with Mac OS X can use the information in the PPD to control the print device and enable full functionality. It supports the Mac OS X 10.1 or later. Please see the Readme file for information about compatibility with versions of Mac OS X.
LAN FAX Driver M13	This software enables you to fax documents directly from your computer. The Address Book Editor and Cover Sheet Editor are installed as well. This software requires the optional fax unit to be installed on the machine. M13 Driver
PCL 6 Driver	Printer driver for B/W printing in Windows. It supports HP PCL XL commands and is optimized for the Windows GDI. High performance printing can be expected.
PCL 5e Driver	Printer driver for printing in Windows. It supports HP PCL 5e commands.
Post Script Driver	By interacting with the Adobe PostScript 3 controller in the device, this driver is able to produce an accurate representation of the screen image.
Network TWAIN Driver	TWAIN scanner driver for network connections with new features Combine/Series, compatible with SNMP V3 and Network Connection Tool.

Product Support Guide

Model D115/D116

Print Driver Information

Model	PCL 5e/6	XPS	PostScript3		
			Windows 2000/XP	Mac OS 8.6-9.2	Mac OSX
Send to Job Binding	N	N	N	NA	N
Send to Document Server	N	N	N	NA	N
Sample Print	Y	Y	Y	NA	Y*1
Locked Print	Y	Y	Y	NA	Y*1
Hold Print	Y	Y	Y	NA	Y*1
Stored Print	Y	Y	Y	NA	Y*1
Stored Print (Shared)	Y	N	N	NA	N
Store and Print	Y	Y	Y	NA	Y
Store and Print(Shared)	Y	N	N	NA	N
Reduce/Enlarge (Zoom/Scaling)	Y	Y	Y	NA	Y
Reduce/Enlarge Centering	Y*2	N	N	NA	N
Fit to Paper size	Y	N	Y	NA	Y
Unauthorized Copy	N	N	N	NA	N
Layout (N-up)	Y	Y	Y	NA	Y
Poster	N	N	N	NA	N
Duplex	Y	Y	Y	NA	Y
Booklet	Y	Y	Y	NA	N
Non-Reduction Booklet	N	N	N	NA	N
Watermark	Y	N	Y	NA	Y
Overlay	N	N	N	NA	N
Header/Footer	N	N	N	NA	N
Adjust image position	N	N	N	NA	N
Binding Margins	N	N	N	NA	N
Collate	Y	Y	Y	NA	Y
Punch	N	N	N	NA	N
Staple	N	N	N	NA	N
Z-Folding	N	N	N	NA	N
Cover sheet(Front Cover)	N	N	N	NA	N
Back Cover	N	N	N	NA	N
Front and Back Cover	N	N	N	NA	N
Slip Sheet	N	N	N	NA	N
Chaptering	N	N	N	NA	N
Designated Sheet Print	N	N	N	NA	N
Tab Shift Printing	N	N	N	NA	N
Rotate by 180 degrees	Y	Y	Y	NA	Y
Reverse Order Print	N	Y	Y	NA	Y
Do not print Blank pages	Y*3	N	N	NA	N
Dithering	N	N	Y	NA	Y
Edge Smoothing	Y	N	Y	NA	Y
Toner Saving	Y	Y	Y	NA	Y
User ID	Y	Y	Y	NA	Y*1
User Code	Y	Y	Y	NA	Y*1

Product Support Guide

Model D115/D116

Model	PCL 5e/6	XPS	PostScript3		
			Windows 2000/XP	Mac OS 8.6-9.2	Mac OSX
User Authentication	Y	N	N	NA	N
Encryption/Encoding	Y	N	N	NA	N
User Defined Pages	N	N	N	NA	N
Mirror Image Print	N	N	Y	NA	N
Negative Image Print	N	N	Y	NA	N
Edge to Edge Print (Full Bleed)	Y	N	Y	NA	Y
Limitation setting	Y	N	N	NA	N
Classification Code	Y	N	N	NA	N

*1: Available with MAC OS X 10.2. or later.

*2: "Centering" feature cannot be selected from PCL driver. However PCL has this feature as the original function. When printing with Reduce/Enlarge (Zoom) feature of PCL driver, the output will be automatically centered by the PCL 's original centering function.

*3: This feature cannot be selected from printer driver. But enables to set to "On" in "PCL setting" of MFP.

Other MFP Support Information

Not Applicable

Counters

- User Tools / Counter → Counter → OK → Print → Start
- User Tools / Counter → Arrow Down → System Settings → OK → Arrow up until Administrator Tools → OK → Arrow up until Display / Print Counter → OK → Print → Start
- Maximum 7 digits
- Mechanical counter 7 digits – Location: open front cover – Left Hand Corner.

Paper

Recommended Throughput Material

Not Applicable

Product Support Guide

Model D115/D116

Non Recommended Throughput Material

Refer to pages in the Operators Instructions Hardware Guide.

Do not use any of the following kinds of paper or a fault might occur:

- Aluminum Foil, Carbon paper.
- Conductive paper.
- Paper meant for an inkjet printer.
- Bent, folded, or creased paper.
- Torn paper.
- Thermal fax paper.
- Art paper.
- Paper with perforated lines.
- Hemmed-edge paper.
- Tab stock.
- Slippery paper.
- Perforated paper.
- Rough paper.
- Thin paper with little stiffness.
- Paper with a dusty surface.

Special Paper

Not Applicable.

Firmware Information

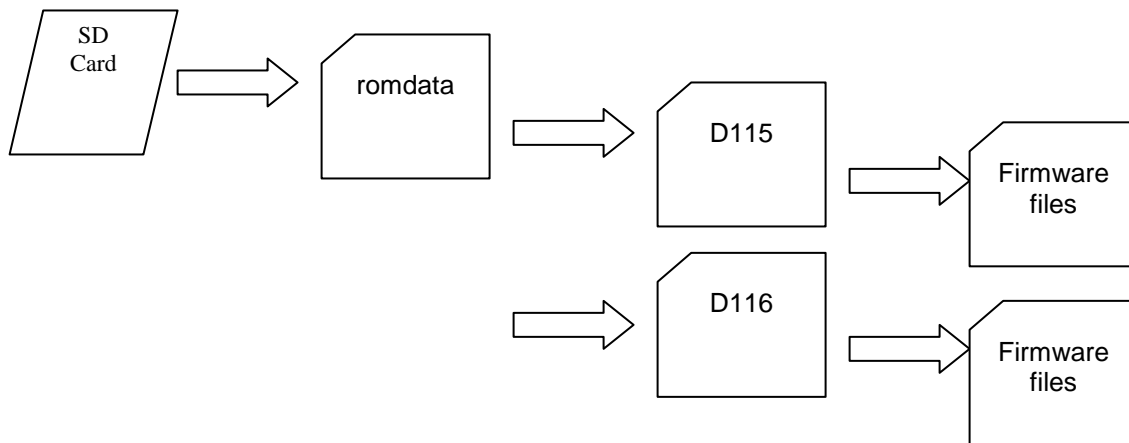
Firmware

Firmware SD Card	Firmware Type
System/Copy	SD card System
Engine	SD card Engine
FCU	SD card FCU
NFA	SD card Network Docbox
Network Support	SD card NCS
Fax	SD card Fax
Printer	SD card Printer
Scanner	SD card Scanner
RFax	SD card RFax
Websys	SD card WebSystem
WebUapl	SD card WebUapl
Font	SD card Font
PCL	SD card PCL
PCL Font	SD card PCL Font
PS Font	SD card PS Font
PS3/PDF	SD card PS3/PDF

Product Support Guide

Model D115/D116

SD Card Arrangement



Contact Information

Name	Contact
Technical Services Call Center (Hotline)	Ricoh: (800) 537-4264 Savin/Gestetner: (800) 291-6044 Lanier: (800) 333-3147
Application Help Desk (Software Issues)	Ricoh Phone Card: 2 Call - 000781MIU, 5 Call - 000900MIU Savin Phone Card: 2 Call - 12992, 5 Call - 12993 Gestetner Phone Card: 2 Call - 12994, 5 Call - 12995
Hytec Parts and Logistics Control	(800) 557-4264 http://www.nrc-usa.com
Technology Solutions Resource Center	http://www.tscweb.net
Ricoh Web Site	http://www.ricoh-usa.com/
Savin iLINC Web Site	http://www.savin.com
Headquarter Web Sites	Ricoh Corporation: http://www.ricoh-usa.com Savin Corporation: http://www.savin.com Gestetner Corporation: http://www.gestetnerusa.com/ Lanier Corporation: http://www.lanier.com
Material Safety Data Sheets	(800) 336-MSDS (6737)
Ricoh University	973.882.2200. http://www.ricohuniversity.com

Product Support Guide

Model D115/D116

Training Information

Description	EDP Code	RFG E-Source Number
D115/D116 Service Manual	TBD	TBD
D115/D116 Point to Points	TBD	TBD
D115/D116 Operating Instruction Manual	TBD	TBD
D115/D116 Parts Catalog	TBD	TBD
D115/D116 Service Documentation Update Package	TBD	TBD
D115/D116 Self Pace Training	TBD	TBD

Documentation

Please refer to the <http://www.ricohuniversity.com/> web site for the most up to date training information.

Please be aware that once a model or series is out of production, the Field Service Manual, Technical Service Bulletins and Ricoh University should be referenced for the most current information. Check the TSC website and e-Source.

Product Support Guide

Model D115/D116

Revisions

Version 1.0 Original

Version 1.01 2/7/12- Changed Hard Drive Option order number from 415713 D557-00 to 416438 D557-01.