



RICOH UNIVERSITY

Learning ♦ Knowledge ♦ Performance



D115/D116
PARTS CATALOG

006373MIU

LANIER RICOH SAVIN

WWW.SERVICE-MANUAL.NET



D115/D116
PARTS CATALOG

LANIER
RICOH
SAVIN®



RICOH UNIVERSITY
Learning ♦ Knowledge ♦ Performance

D115/D116 PARTS CATALOG

006373MIU

LANIER RICOH SAVIN®

WWW.SERVICE-MANUAL.NET

It is the reader's responsibility when discussing the information contained within this document to maintain a level of confidentiality that is in the best interest of Ricoh Americas Corporation and its member companies.

**NO PART OF THIS DOCUMENT MAY BE REPRODUCED IN ANY
FASHION AND DISTRIBUTED WITHOUT THE PRIOR
PERMISSION OF RICOH AMERICAS CORPORATION.**

All product names, domain names or product illustrations, including desktop images, used in this document are trademarks, registered trademarks or the property of their respective companies.

They are used throughout this book in an informational or editorial fashion only and for the benefit of such companies. No such use, or the use of any trade name, or web site is intended to convey endorsement or other affiliation with Ricoh products.

© 2011 RICOH Americas Corporation. All rights reserved.

WWW.SERVICE-MANUAL.NET

LEGEND

| PRODUCT CODE | COMPANY | | |
|-----------------------------------|------------------------------|-----------------|--------|
| | LANIER | RICOH | SAVIN |
| D115 | LD220SPF | Aficio MP201SPF | 902SPF |
| D116 | LD220F | Aficio MP201F | 902F |
| D567 | PAPER FEED UNIT PB1030 | | |
| B679/B870/D577/ D467/G874/M344 | D115/D116 CONTROLLER OPTIONS | | |

DOCUMENTATION HISTORY

| REV. NO. | DATE | COMMENTS |
|----------|---------|-------------------|
| * | 04/2008 | Original Printing |
| | | |

D115/D116

TABLE OF CONTENTS

D115/D116 PARTS LOCATION AND LIST

| | |
|--|----|
| 1.Exterior (D115/D116)..... | 6 |
| 2.Operation Panel (D115/D116)..... | 8 |
| 3.Operation Panel GW (D115/D116)..... | 10 |
| 4.By-pass Feed Unit (D115/D116)..... | 12 |
| 5.Paper Registration (D115/D116)..... | 14 |
| 6.Transport Section (D115/D116)..... | 16 |
| 7.Paper Cassette (D115/D116)..... | 18 |
| 8.ARDf 1 (D115/D116)..... | 20 |
| 9.ARDf 2 (D115/D116)..... | 22 |
| 10.ARDf 3 (D115/D116)..... | 24 |
| 11.ARDf 4 (D115/D116)..... | 26 |
| 12.ARDf 5 (D115/D116)..... | 28 |
| 13.Optics Section 1 (D115/D116)..... | 30 |
| 14.Optics Section 2 (D115/D116)..... | 32 |
| 15.Laser Unit (D115/D116)..... | 34 |
| 16.PCU Section (D115/D116)..... | 36 |
| 17.Fusing Unit (D115/D116)..... | 38 |
| 18.Drive Section (D115/D116)..... | 40 |
| 19.Electrical Section (D115/D116)..... | 43 |
| 20.Frame Section (D115/D116)..... | 44 |
| 21.Extension Box (D115/D116)..... | 46 |
| 22.Accessory (D115/D116)..... | 48 |
| 23.Decals And Documents (D115/D116)..... | 50 |
| 24.Special Tools (D115/D116)..... | 52 |

D115/D116 PARTS INDEX

| | |
|------------------|---|
| PARTS INDEX..... | 2 |
|------------------|---|

PAPER FEED UNIT PB1030 (D567) PARTS LOCATION AND LIST

| | |
|---------------------------------|---|
| 1.Paper Tray Unit 1 (D567)..... | 2 |
| 2.Paper Tray Unit 2 (D567)..... | 4 |
| 3.Paper Tray Unit 3 (D567)..... | 6 |

PAPER FEED UNIT PB1030 (D567) PARTS INDEX

| | |
|------------------|---|
| PARTS INDEX..... | 2 |
|------------------|---|

D115/D116 CONTROLLER OPTIONS

(B679/B870/D577/D467/G874/M344) PARTS LOCATION AND LIST

| | |
|-----------------------------|---|
| 1.Controller Options 1..... | 2 |
| 2.Controller Options 2..... | 4 |

D115/D116 CONTROLLER OPTIONS

(B679/B870/D577/D467/G874/M344) PARTS INDEX

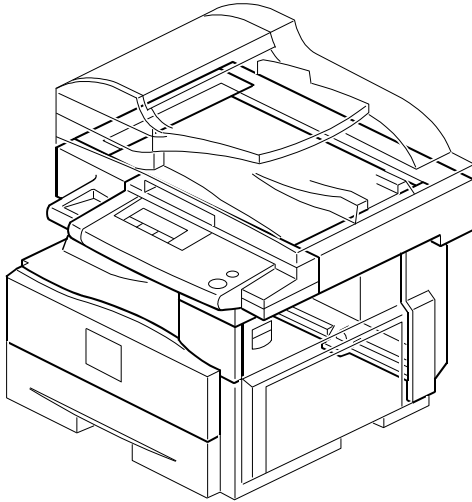
| | |
|------------------|---|
| PARTS INDEX..... | 2 |
|------------------|---|

D115/D116 PARTS LOCATION AND LIST

This section shows you the part numbers and descriptions used on this machine.

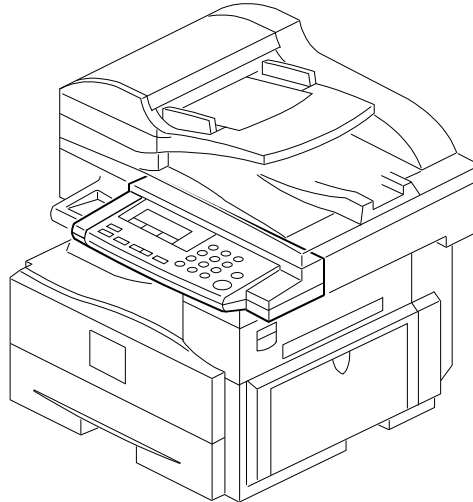
LOCATIONS OF UNITS

1. Exterior (D115/D116)



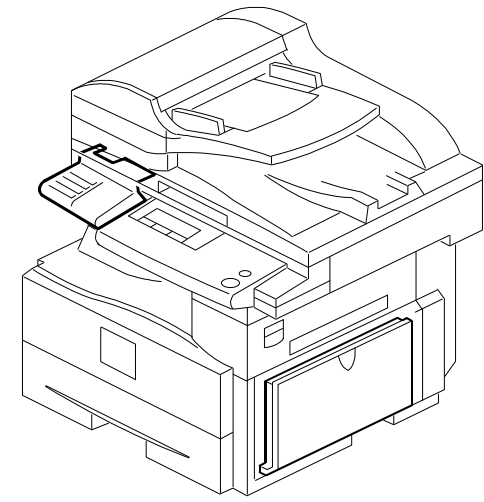
See Page 7

2. Operation Panel (D115/D116)



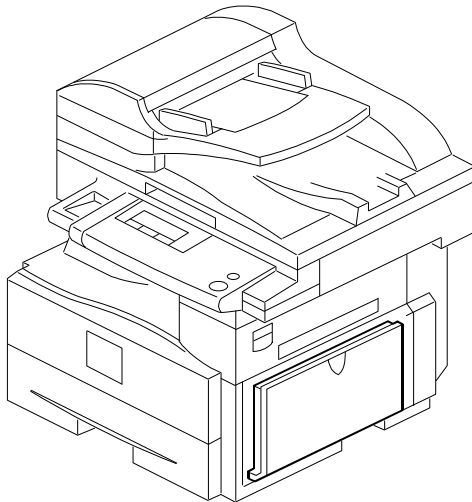
See Page 9

3. Operation Panel GW (D115/D116)



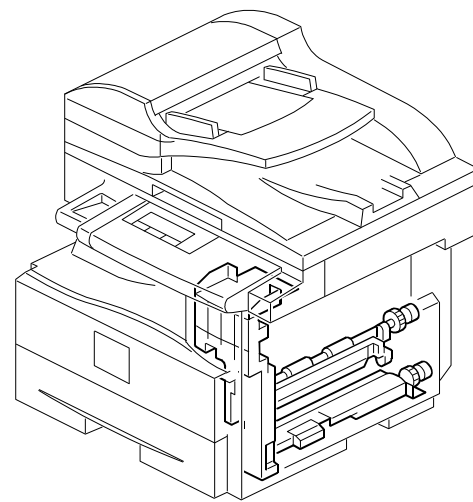
See Page 11

4. By-pass Feed Unit (D115/D116)



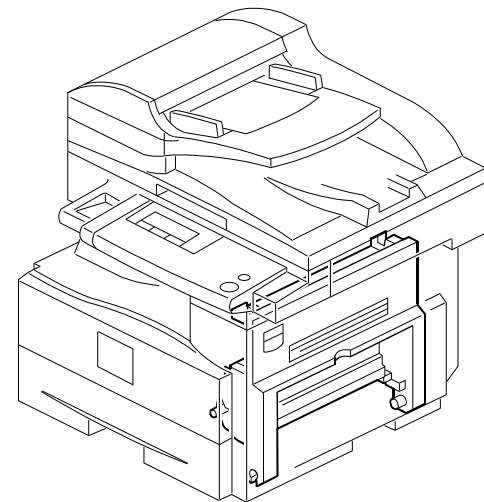
See Page 13

5. Paper Registration (D115/D116)



See Page 15

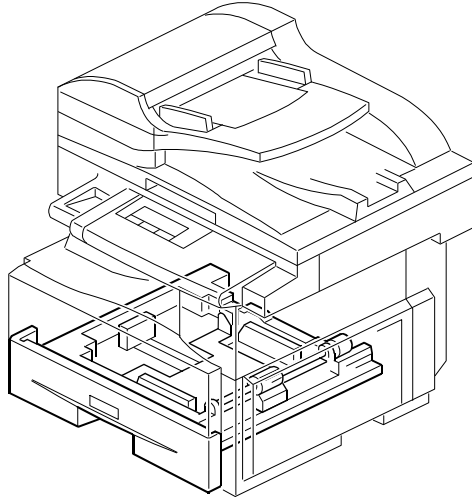
6. Transport Section (D115/D116)



See Page 17

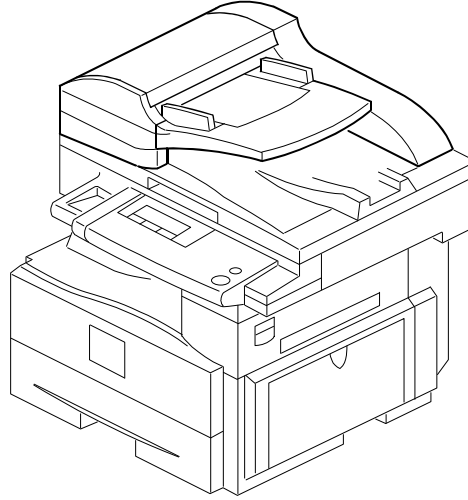
LOCATIONS OF UNITS

7. Paper Cassette (D115/D116)



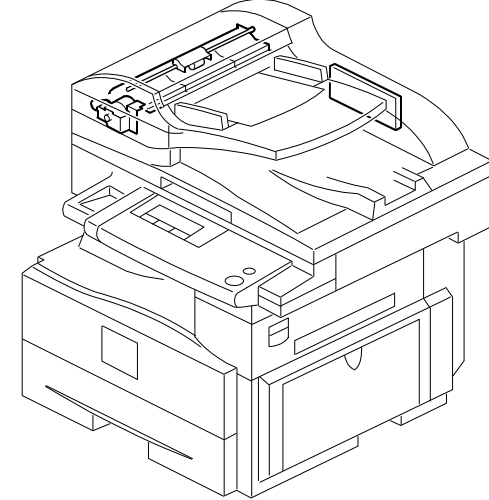
See Page 19

8. ARDF 1 (D115/D116)



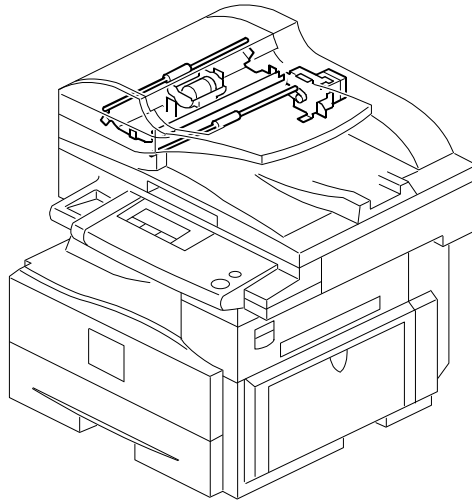
See Page 21

9. ARDF 2 (D115/D116)



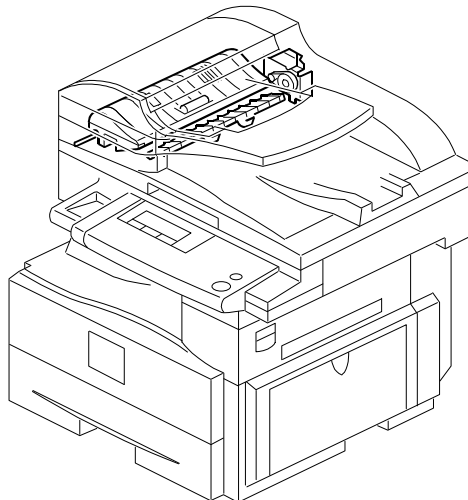
See Page 23

10. ARDF 3 (D115/D116)



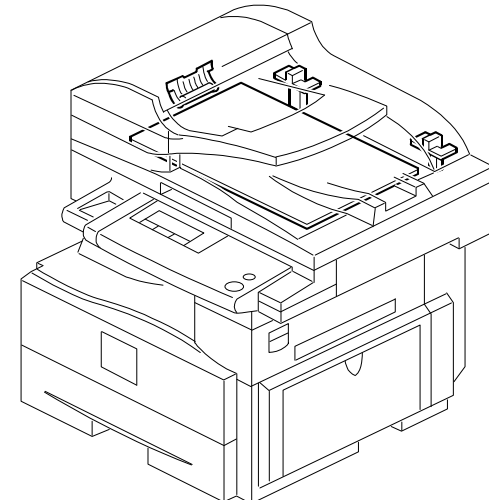
See Page 25

11. ARDF 4 (D115/D116)



See Page 27

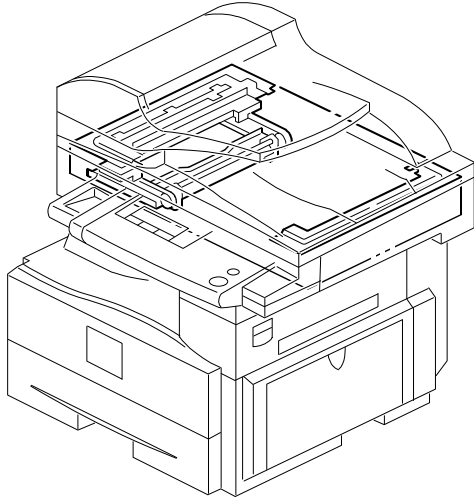
12. ARDF 5 (D115/D116)



See Page 29

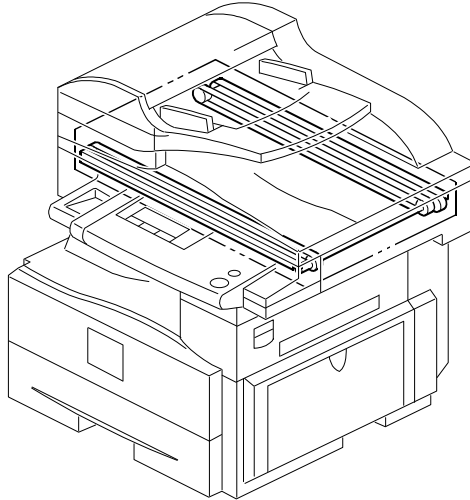
LOCATIONS OF UNITS

13. Optics Section 1 (D115/D116)



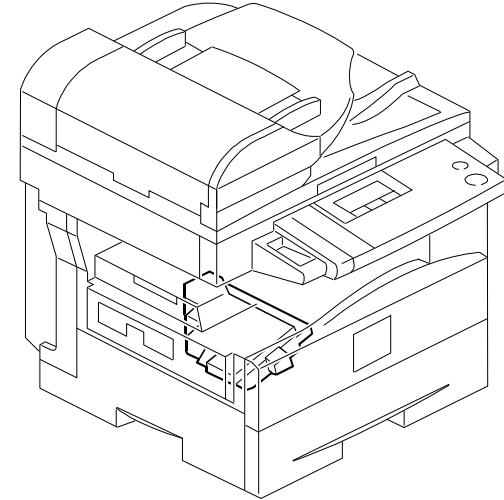
See Page 31

14. Optics Section 2 (D115/D116)



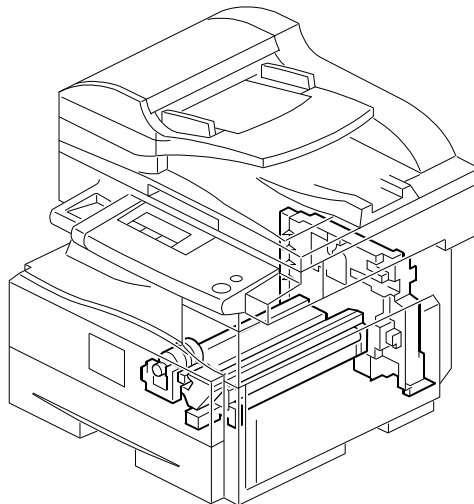
See Page 33

15. Laser Unit (D115/D116)



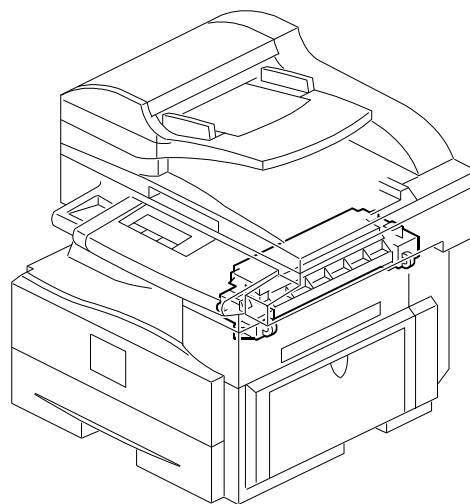
See Page 35

16. PCU Section (D115/D116)



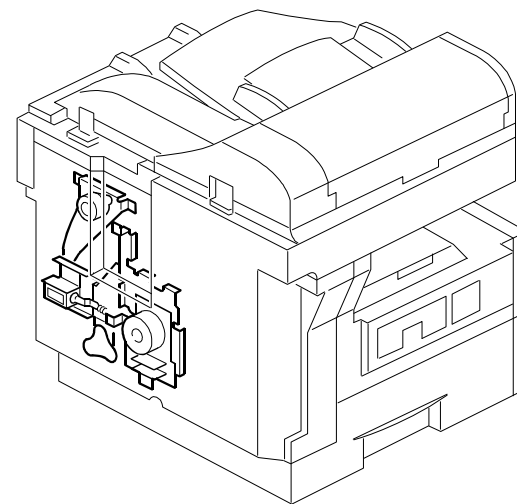
See Page 37

17. Fusing Unit (D115/D116)



See Page 39

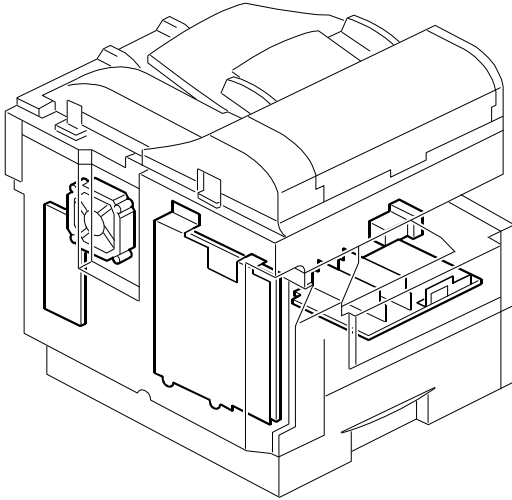
18. Drive Section (D115/D116)



See Page 41

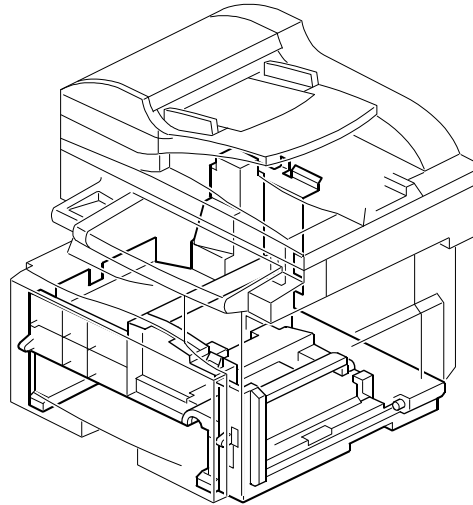
LOCATIONS OF UNITS

19. Electrical Section (D115/D116)



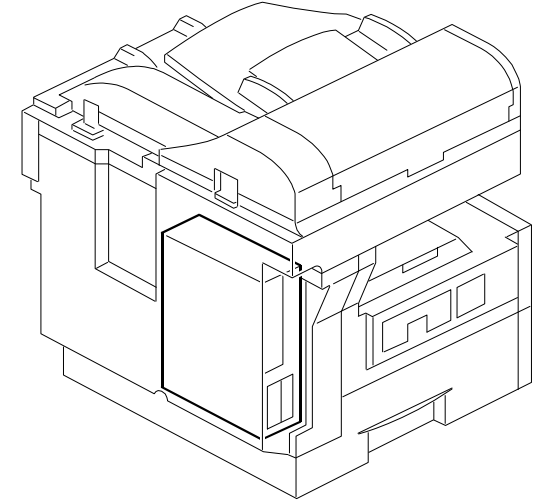
See Page 42

20. Frame Section (D115/D116)



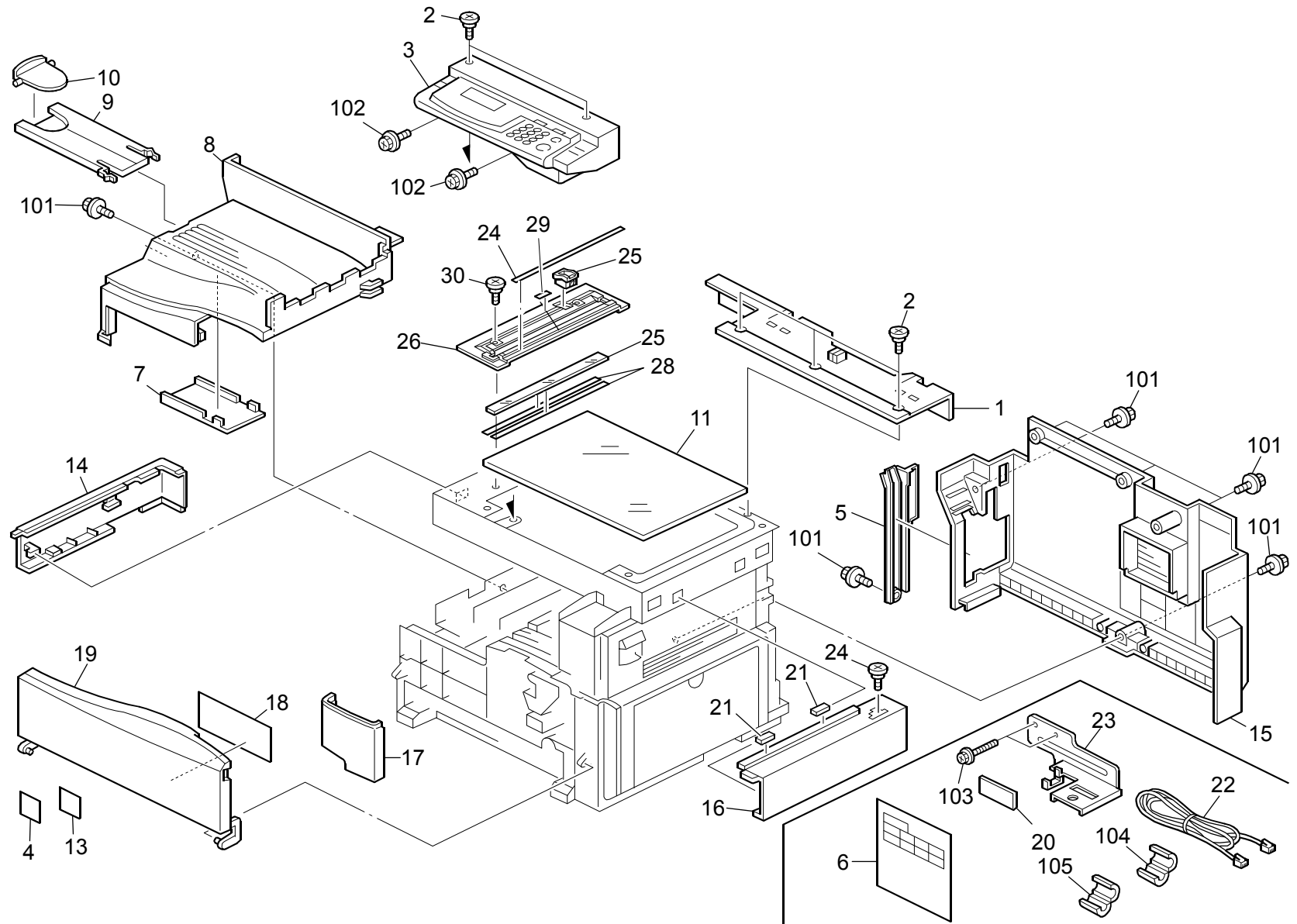
See Page 45

21. Extension Box (D115/D116)



See Page 47

1.Exterior (D115/D116)



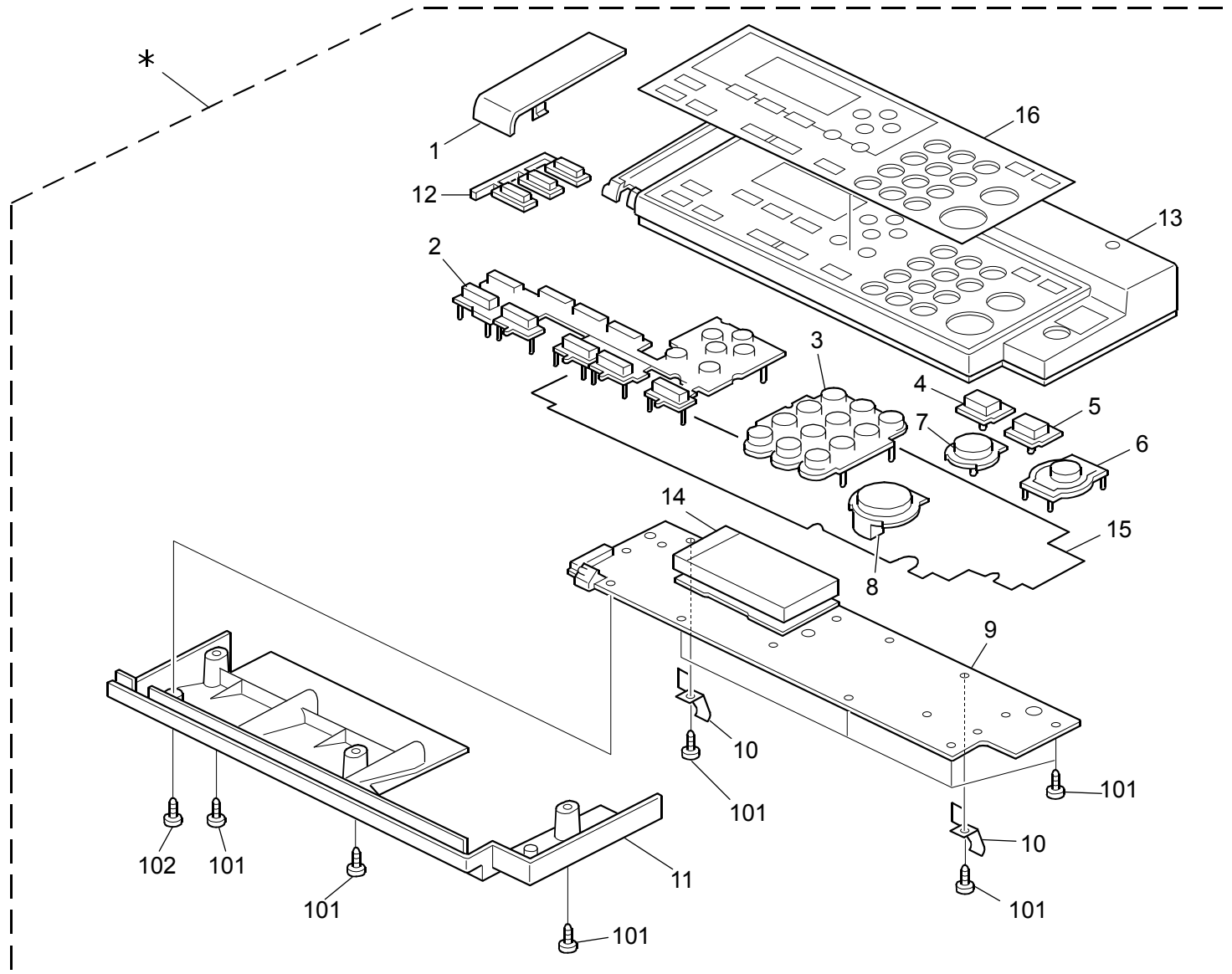
1.Exterior (D115/D116)

Rev. 05/17/2011

| Index No. | Part No. | Description | Q'ty Per Assembly |
|-----------|-----------|----------------------------------|-------------------|
| 1 | B262 1848 | Scale: Inner Back: NA | 1 |
| 1 | B262 1847 | Scale: Inner Back: EU | 1 |
| 2 | B044 1847 | Shoulder Screw | 8 |
| 3 | D115 7500 | Model Name Plate: D115: RIC | 1 |
| 3 | D067 1436 | Operation Panel: NA: D068 (D116) | 1 |
| 3 | D067 1437 | Operation Panel: EU: D068 (D116) | 1 |
| 3 | D067 1438 | Operation Panel: AA: D068 (D116) | 1 |
| 3 | D067 1431 | Operation Panel: NA: D069 (D115) | 1 |
| 3 | D067 1435 | Operation Panel: EU: D069 (D115) | 1 |
| 3 | D067 1434 | Operation Panel: AA: D069 (D115) | 1 |
| 4 | D116 7500 | Model Name Plate: D116: RIC | 1 |
| 4 | D115 7504 | Model Name Plate: D115: LAN: AA | 1 |
| 4 | D116 7504 | Model Name Plate: D116: LAN: AA | 1 |
| 5 | D067 1256 | Cover: IC Card | 1 |
| 6 | H555 2790 | Decal - Paper Size | 1 |
| 7 | B044 1258 | Shielding Plate | 1 |
| 8 | D115 1252 | Cover: Exit: EU | 1 |
| 8 | D115 1262 | Cover: Exit: NA/AA | 1 |
| 9 | D067 1284 | Extension Tray | 1 |
| 10 | D067 1254 | End Fence: Paper Exit | 1 |
| 11 | AC01 2070 | Exposure Glass | 1 |
| 12 | B390 1759 | Shaft: Scale | 1 |
| 13 | H310 4120 | Plate: Logotype: RIC | 1 |
| 13 | H555 4184 | Plate: Logotype: H555: INF | 1 |
| 13 | H555 4185 | Plate: Logotype: H555: NSA | 1 |
| 13 | H555 4186 | Plate: Logotype: H555: REX | 1 |
| 13 | H555 4187 | Plate: Logotype: H555: GES | 1 |
| 14 | B129 1261 | Left Scanner Cover NA | 1 |
| 14 | B129 1251 | Left Scanner Cover EU | 1 |
| 15 | D067 1250 | Cover: Rear | 1 |
| 16 | B262 1266 | Cover: Scanner: Right: NA | 1 |
| 16 | B262 1256 | Cover: Scanner: Right: EU | 1 |
| 17 | B044 1278 | Right Upper Cover | 1 |
| 18 | B044 1290 | Sheet - Operation Instructions | 1 |
| 19 | D067 1286 | Door: Front | 1 |

| Index No. | Part No. | Description | Q'ty Per Assembly |
|-----------|------------|--|-------------------|
| 20 | H310 4120 | Plate: Logotype: RIC | 1 |
| 20 | H555 4182 | Plate: Logotype: SAV | 1 |
| 20 | H555 4183 | Plate: Logotype: H555: LAN | 1 |
| 20 | H555 4184 | Plate: Logotype: H555: INF | 1 |
| 20 | H555 4185 | Plate: Logotype: H555: NSA | 1 |
| 20 | H555 4186 | Plate: Logotype: H555: REX | 1 |
| 20 | H555 4187 | Plate: Logotype: H555: GES | 1 |
| 21 | B262 1258 | Plate: Exposure Glass | 2 |
| 22 | H523 5350 | Telephone Cable | 1 |
| 23 | D068 5821 | Bracket: Hand Set | 1 |
| 24 | B872 6061 | Decal: Scale: Left: NA | 1 |
| 24 | B872 6071 | Decal: Scale: Left: EU | 1 |
| 25 | B872 7014 | Cap: Registration Sensor: Scale | 1 |
| 26 | B872 7010 | Scale: Left: Adhesion (D068/D069/D072) | 1 |
| 27 | AC01 3005 | DF Exposure Glass | 1 |
| 28 | B044 4929 | Sheet - Exposure Glass | 2 |
| 29 | B872 6081 | Decal: Caution Chart | 1 |
| 30 | AA14 3866 | Screw: DIA3.4: M3 | 1 |
| 101 | 0451 3008N | Tapping Screw - M3x8 | |
| 102 | 0451 3006N | Tapping Screw - 3x6 | |
| 103 | 0450 3010N | Tapping Screw - M3x10 | |
| 104 | 1607 1139 | Ferrite Core: RFC-8 | |
| 105 | 1607 1715 | Ferrite Core - RFC-5 | |

2.Operation Panel (D115/D116)



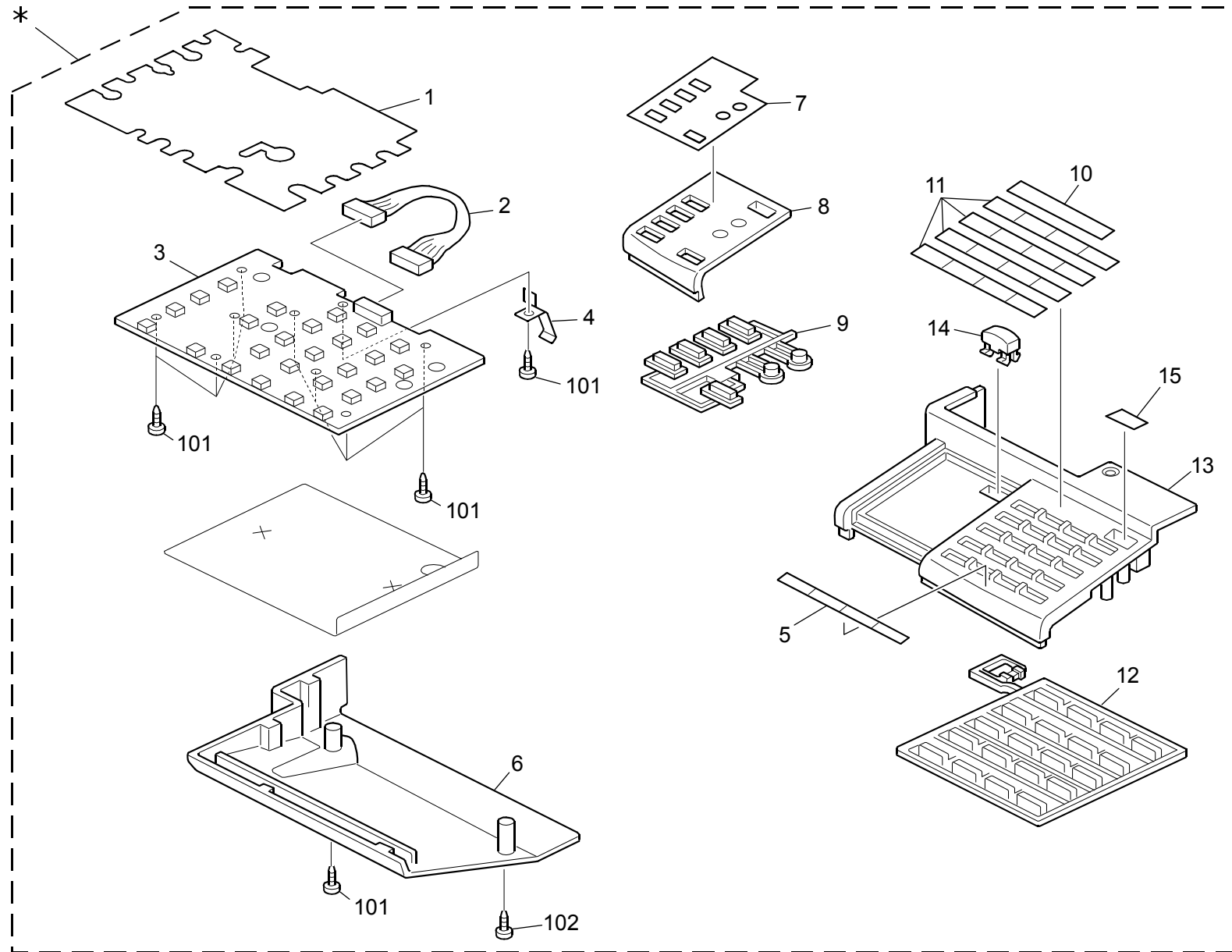
WWW.SERVICE-MANUAL.NET

2.Operation Panel (D115/D116)

| Index No. | Part No. | Description | Q'ty Per Assembly |
|-----------|-----------|---|-------------------|
| * | D067 1436 | Operation Panel: NA: D068 (D116) | 1 |
| * | D067 1437 | Operation Panel: EU: D068 (D116) | 1 |
| * | D067 1438 | Operation Panel: AA: D068 (D116) | 1 |
| * | D067 1431 | Operation Panel: NA: D069 (D115) | 1 |
| * | D067 1435 | Operation Panel: EU: D069 (D115) | 1 |
| * | D067 1434 | Operation Panel: AA: D069 (D115) | 1 |
| 1 | B262 1474 | Cover: On-line: C (D116) | 1 |
| 1 | B262 1479 | Cover: On-line: CPS: NA (D115) | 1 |
| 1 | B262 1481 | Cover: On-line: CPS: EU (D115) | 1 |
| 2 | B243 1459 | Keypop - Cursor | 1 |
| 3 | B229 1475 | Keypop - 10key | 1 |
| 3 | B229 1526 | Keypop - 10key NA | 1 |
| 3 | B229 1557 | Keypop - 10key AA | 1 |
| 4 | B229 1525 | Keypop-Initial | 1 |
| 5 | B229 1537 | Keypop - Clear Modes | 1 |
| 6 | B243 1458 | Keypop - Power Source | 1 |
| 7 | B229 1454 | Keypop - Clear/Stop | 1 |
| 8 | B229 1453 | Keypop - Start | 1 |
| 9 | D067 1551 | PCB: OPU | 1 |
| 10 | B129 1474 | Spring Plate - Stl | 2 |
| 11 | B262 1452 | Cover: Lower: Basic | 1 |
| 12 | B243 1477 | Keypop: Copy: NA (D068) | 1 |
| 13 | B262 1451 | Cover: Upper: Basic | 1 |
| 14 | D067 1495 | LCD: 168x64DOTS | 1 |
| 15 | B262 1455 | Sheet: Base: Right | 1 |
| 16 | D067 1450 | Sheet: Display: Operation Panel: NA: C4 | 1 |
| 16 | D067 1451 | Sheet: Display: Operation Panel: EU: C4 | 1 |

| Index No. | Part No. | Description | Q'ty Per Assembly |
|-----------|------------|-----------------------------------|-------------------|
| 101 | 0452 3010N | Binding Self-Tapping Screw: 3x10 | |
| 102 | 0452 3012N | Binding Self-Tapping Screw: M3x12 | |

3.Operation Panel GW (D115/D116)

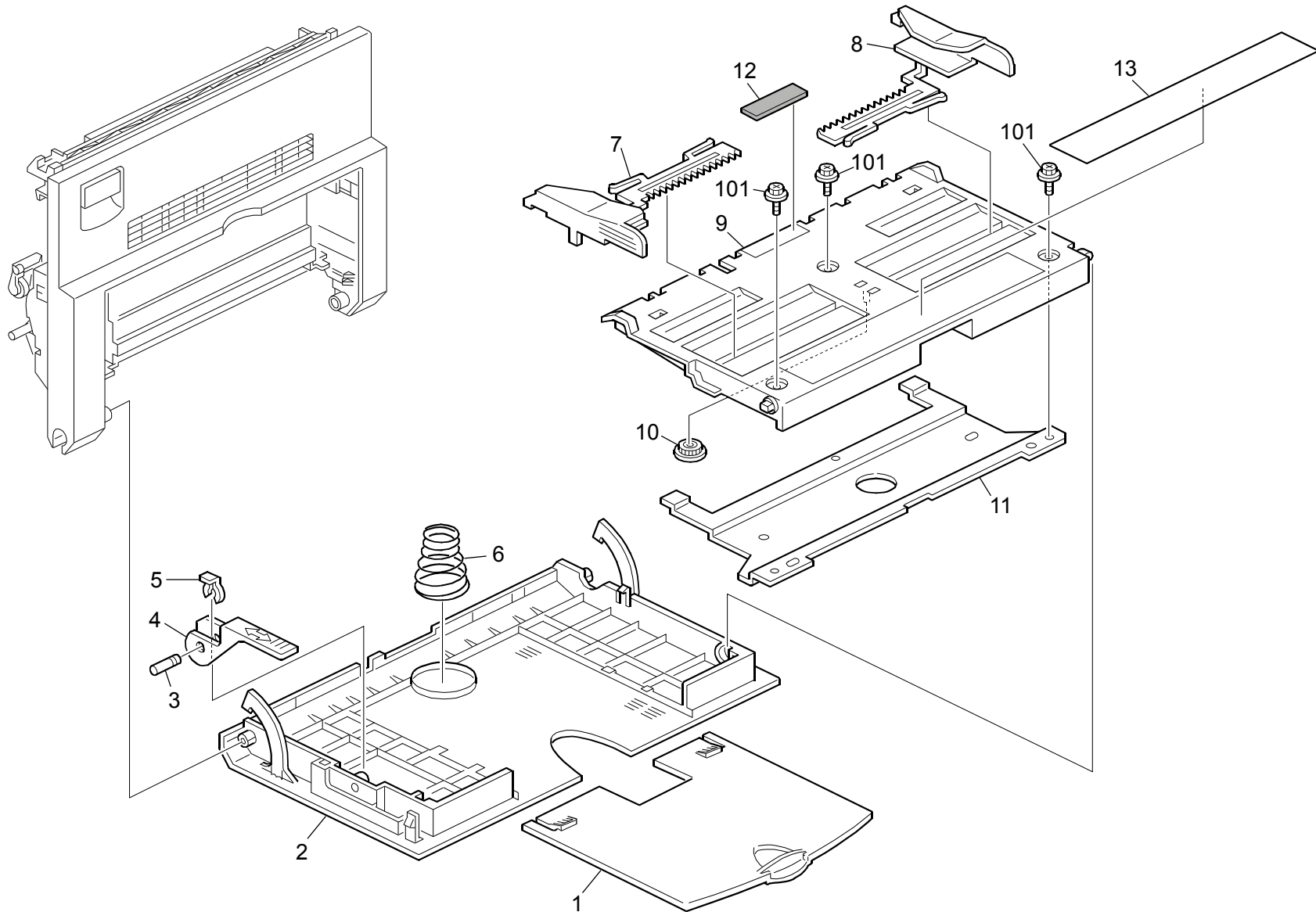


3.Operation Panel GW (D115/D116)

| Index No. | Part No. | Description | Q'ty Per Assembly |
|-----------|-----------|--|-------------------|
| * | D067 1425 | Operation Panel: CF: NA/AA: D068 (D116) | 1 |
| * | D067 1424 | Operation Panel: CF: EU: D068 (D116) | 1 |
| * | D067 1421 | Operation Panel: SpF: NA/AA: D069 (D115) | 1 |
| * | D067 1422 | Operation Panel: SpF: EU: D069Y (D115) | 1 |
| 1 | B262 1464 | Sheet: Base: Left | 1 |
| 2 | D067 5290 | Harness: OPU: Expand | 1 |
| 3 | D067 1565 | PCB: OPU: EXT | 1 |
| 4 | B129 1474 | Spring Plate: STL | 1 |
| 5 | B262 1469 | Sheet: Display: Expand: D: NA | 1 |
| 6 | B262 1460 | Cover: Lower: Fax | 1 |
| 7 | B262 1470 | Sheet: Display: Function: Fax: NA | 1 |
| 8 | B262 1463 | Cover: Function: Fax | 1 |
| 9 | B262 1462 | Keytop: Function: Fax | 1 |
| 10 | B262 1466 | Sheet: Display: Expand: A: NA | 1 |
| 11 | B262 1468 | Sheet: Display: Expand: C | 1 |
| 12 | B262 1461 | Keytop: Dial: Fax | 1 |
| 13 | B262 1459 | Cover: Upper: Fax | 1 |
| 14 | B843 1478 | Keytop: Fax: NA | 1 |
| 14 | B843 1479 | Keytop: Fax: EU | 1 |
| 15 | B262 1485 | Sheet: Display: Expand: B: Blank | 1 |

| Index No. | Part No. | Description | Q'ty Per Assembly |
|-----------|------------|-----------------------------------|-------------------|
| 101 | 0452 3010N | Binding Self-Tapping Screw: 3x10 | |
| 102 | 0452 3012N | Binding Self-Tapping Screw: M3x12 | |

4.By-pass Feed Unit (D115/D116)

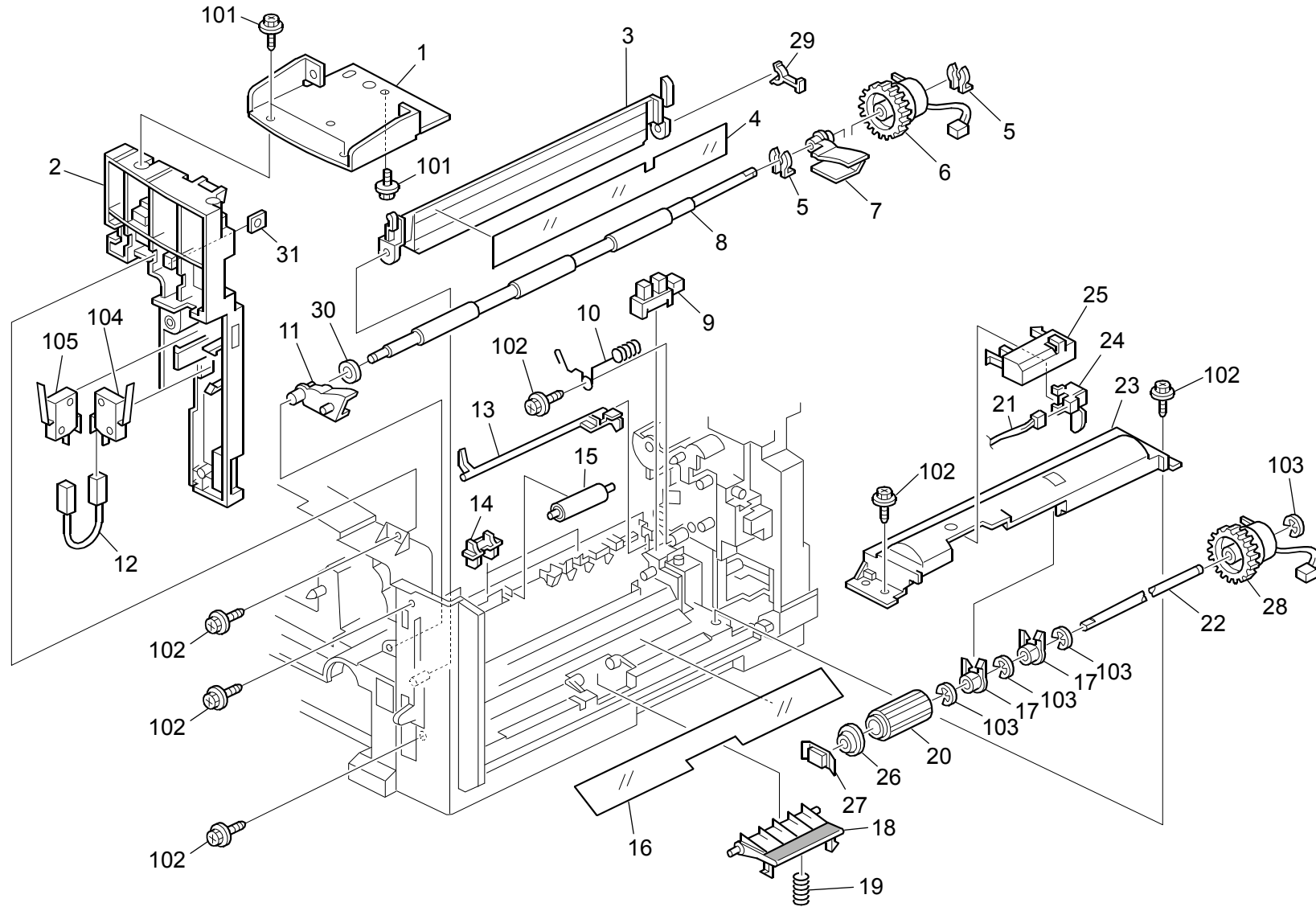


4.By-pass Feed Unit (D115/D116)

| Index No. | Part No. | Description | Q'ty Per Assembly |
|-----------|-----------|----------------------------|-------------------|
| 1 | B044 2808 | Paper Guide | 1 |
| 2 | B044 2801 | By-pass Feed Table | 1 |
| 3 | B259 2786 | Lever Shaft | 1 |
| 4 | B044 2806 | Lever - Manual Feed Table | 1 |
| 5 | 5447 2681 | Snap Ring | 1 |
| 6 | B044 2809 | Spring - Manual Feed Table | 1 |
| 7 | B044 2804 | Front Side Fence | 1 |
| 8 | B044 2805 | Rear Side Fence | 1 |
| 9 | B044 2803 | Tray Bottom Plate | 1 |
| 10 | G800 3133 | Side Fence Gear | 1 |
| 11 | B044 2807 | Stay - Tray Bottom Plate | 1 |
| 12 | 5215 2713 | Bottom Plate Pad | 1 |
| 13 | AA00 3011 | Manual Feed Decal | 1 |

| Index No. | Part No. | Description | Q'ty Per Assembly |
|-----------|------------|---------------------|-------------------|
| 101 | 0451 3006N | Tapping Screw - 3x6 | |

5.Paper Registration (D115/D116)

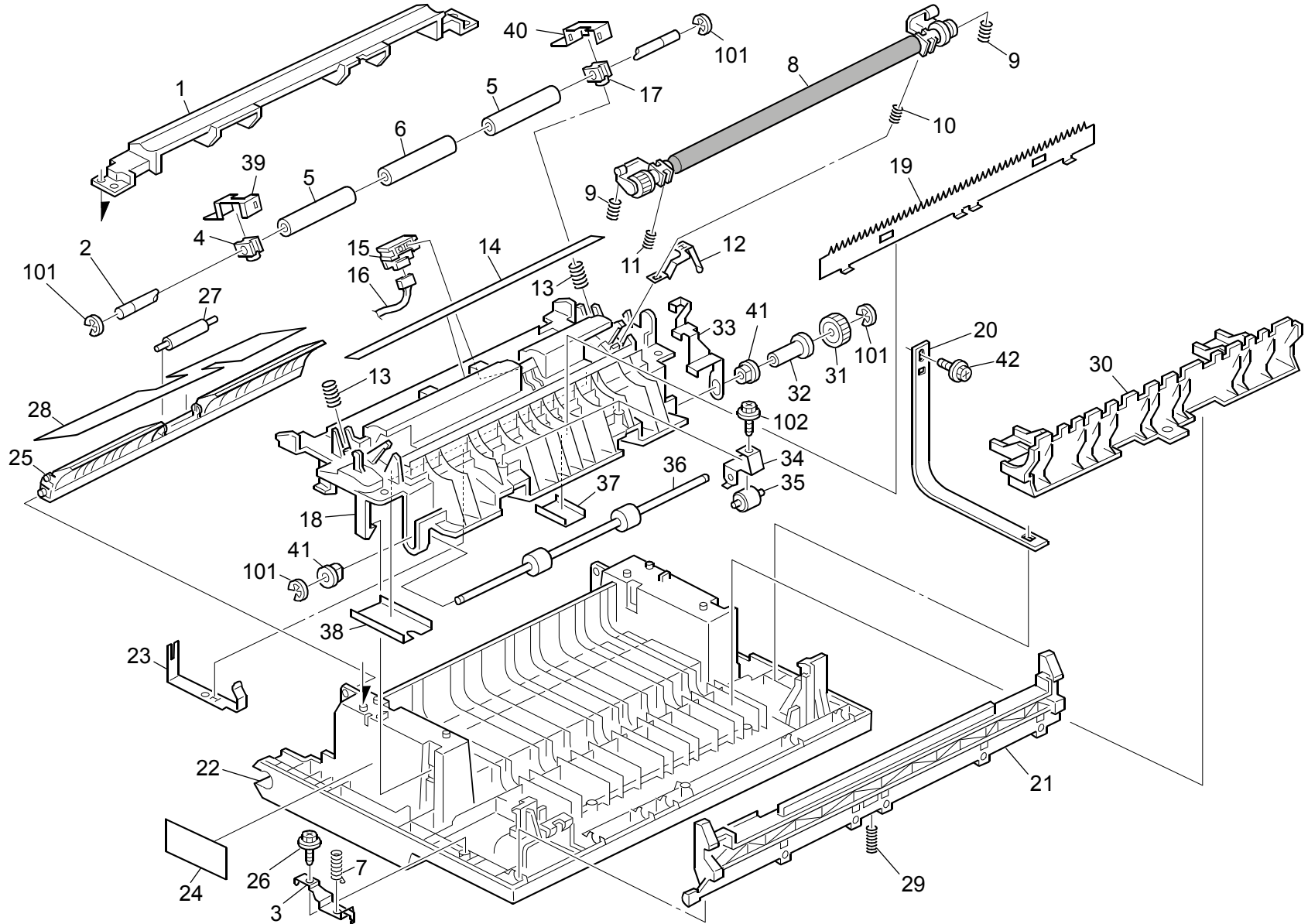


5.Paper Registration (D115/D116)

| Index No. | Part No. | Description | Q'ty Per Assembly |
|-----------|-----------|-------------------------------|-------------------|
| 1 | B262 1064 | Scanner Bracket - Front Right | 1 |
| 2 | B044 1063 | Scanner Stud | 1 |
| 3 | B044 2653 | Guide Plate - Paper Feed | 1 |
| 4 | B044 2654 | Paper Feedguide | 1 |
| 5 | H521 3355 | C Ring - Paper Feed Roller | 2 |
| 6 | AX20 0308 | Magnetic Clutch: 0.25N.m: Z43 | 1 |
| 7 | B044 2605 | Rear Bushing | 1 |
| 8 | AF02 0686 | Registration Roller | 1 |
| 9 | GW02 0020 | Photointerruptor: LG248NL1 | 1 |
| 10 | B044 1102 | Registration Electrode Plate | 1 |
| 11 | B044 2604 | Front Bushing | 1 |
| 12 | D067 5211 | Harness: Switch: Front Right | 1 |
| 13 | B044 2603 | Registration Feeler | 1 |
| 14 | B044 2616 | Support Bushing | 2 |
| 15 | B044 2602 | Turn Roller | 1 |
| 16 | B044 2814 | Exit Guide | 1 |
| 17 | AA08 0322 | Bushing - 6mm | 2 |
| 18 | B044 2815 | Friction Pad - Manual Feed | 1 |
| 19 | B044 2817 | Friction Pad Spring | 1 |
| 20 | AF03 1086 | By-pass Feed Roller | 1 |
| 21 | D067 5218 | Harness: Paper End Sensor | 1 |
| 22 | B044 2829 | Manual Feed Shaft | 1 |
| 23 | B044 2811 | Guide Plate - Manual Feed | 1 |
| 24 | G020 2772 | By-pass Paper End Sensor | 1 |
| 25 | B044 2812 | Manual Feed Bracket | 1 |
| 26 | B044 2825 | Spacer-manual Feed Roller | 1 |
| 27 | B044 2824 | Cushion-manual Feed Roller | 1 |
| 28 | AX20 0310 | Magnetic Clutch: 0.25N.m: Z43 | 1 |
| 29 | B044 2656 | Guide Plate Stopper | 1 |
| 30 | B044 2622 | Spacer - Registration | 1 |
| 31 | B044 4200 | Fusing Plate Nut | 1 |

| Index No. | Part No. | Description | Q'ty Per Assembly |
|-----------|------------|----------------------|-------------------|
| 101 | 0451 3006N | Tapping Screw - 3x6 | |
| 102 | 0450 3006N | Tapping Screw - M3x6 | |
| 103 | 0720 0040E | Retaining Ring - M4 | |
| 104 | 1204 2521 | Micro Switch | |
| 105 | 1204 2529 | Switch - V-5F912DN | |

6.Transport Section (D115/D116)



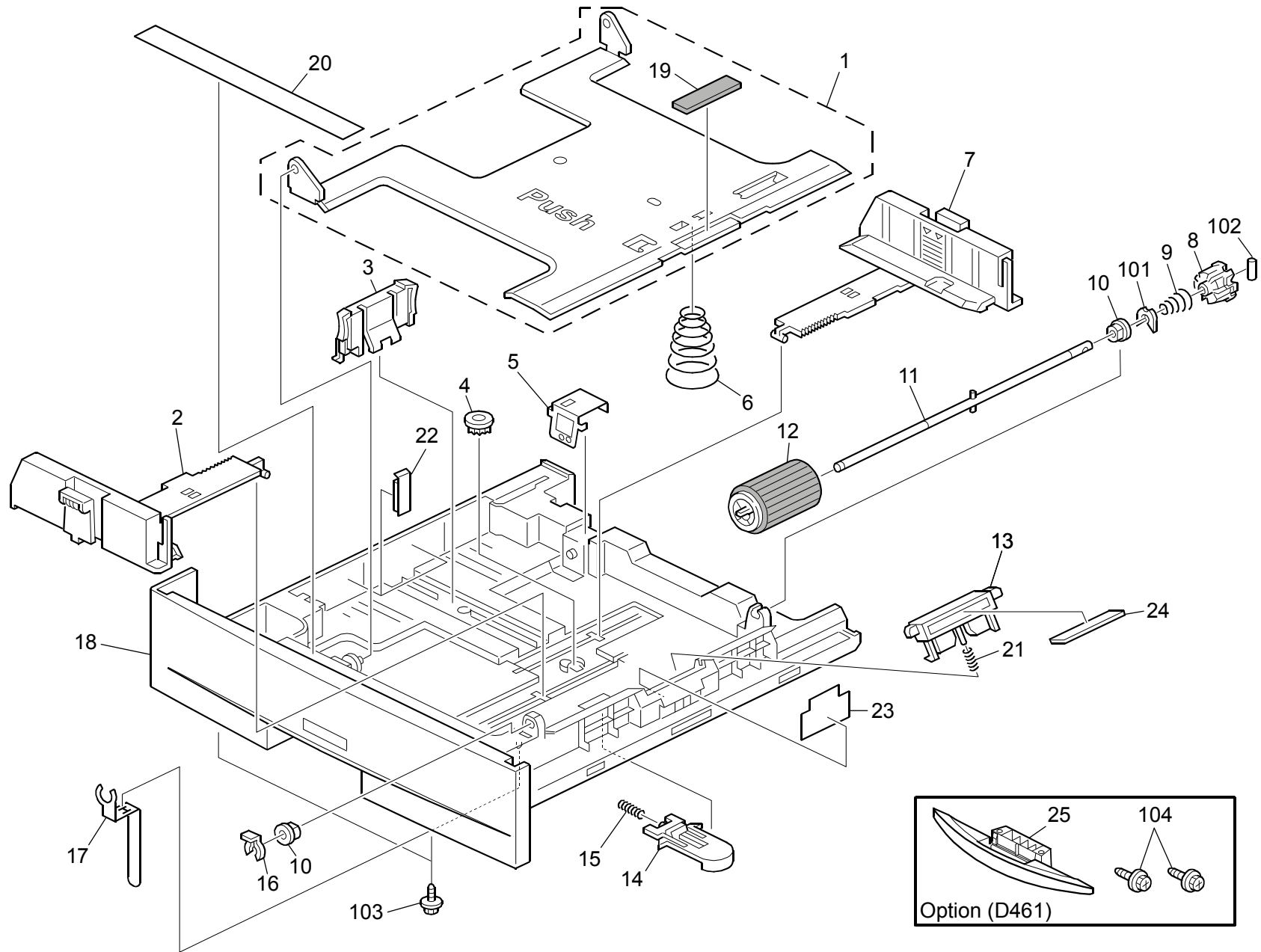
WWW.SERVICE-MANUAL.NET

6.Transport Section (D115/D116)

| Index No. | Part No. | Description | Q'ty Per Assembly |
|-----------|------------------|--------------------------------------|-------------------|
| 1 | B044 2612 | Guide Plate | 1 |
| 2 | B044 2624 | Registration Roller Shaft | 1 |
| 3 | B044 4618 | Spring Holder | 1 |
| 4 | B044 2614 | Driven Roller Bushing | 1 |
| 5 | AF02 2139 | Driven Roller - Front Rear | 2 |
| 6 | AF02 2140 | Middle Driven Roller | 1 |
| 7 | AA06 3409 | Right Door Spring | 1 |
| 8 | B262 3802 | Transfer Roller | 1 |
| 9 | B044 3990 | Positioning Spring - Transfer Roller | 2 |
| 10 | B044 3866 | Transfer Roller Spring - Rear | 1 |
| 11 | B044 3865 | Transfer Roller Spring - Front | 1 |
| 12 | B044 3860 | Transfer Plate | 1 |
| 13 | B044 2615 | Pressure Spring | 2 |
| 14 | B044 3870 | Transfer Guide | 1 |
| 15 | B044 3894 | Density Sensor: Longdist: Adhesion | 1 |
| 16 | D067 5214 | Harness: Density Sensor | 1 |
| 17 | B044 2621 | Bushing - Driven Roller | 1 |
| 18 | B044 4663 | Reverse Guide Plate | 1 |
| 19 | B044 3857 | Separation Plate | 1 |
| 20 | B044 4624 | Right Door Belt | 1 |
| 21 | B044 4616 | Right Cover Lever | 1 |
| 22 | B044 4655 | Right Door | 1 |
| 23 | B044 3859 | Discharge Plate | 1 |
| 24 | B044 4617 | Fusing Unit Decal | 1 |
| 25 | H556 2818 | Guide Plate | 1 |
| 26 | B044 3191 | Tapping Screw-M3x8 | 1 |
| 27 | AF02 2143 | Guide Roller | 1 |
| 28 | H556 2820 | Mylar Reverse | 1 |
| 29 | AA06 3443 | Lever Spring | 1 |
| 30 | H556 4192 | Right Guide Plate | 1 |
| 31 | AB01 2033 | Gear - 21Z | 1 |
| 32 | H556 4186 | Positioning Roller | 1 |
| 33 | H556 4181 | Spring Plate | 1 |
| 34 | H556 4185 | Transport Roller Holder | 2 |
| 35 | AF02 2152 | Transport Driven Roller | 2 |

| Index No. | Part No. | Description | Q'ty Per Assembly |
|-----------|------------|-----------------------|-------------------|
| 36 | H556 4190 | Transport Roller | 1 |
| 37 | H556 4188 | Sheet | 1 |
| 38 | H556 4189 | Sheet | 2 |
| 39 | B044 2860 | Front Stopper Plate | 1 |
| 40 | B044 2861 | Rear Stopper Plate | 1 |
| 41 | 5053 0447 | Bushing - 6mm | 2 |
| 42 | B129 4293 | Tapping Screr - M3x10 | 1 |
| 101 | 0720 0040E | Retaining Ring - M4 | |
| 102 | 0450 3008N | Tapping Screw - M3x8 | |

7. Paper Cassette (D115/D116)

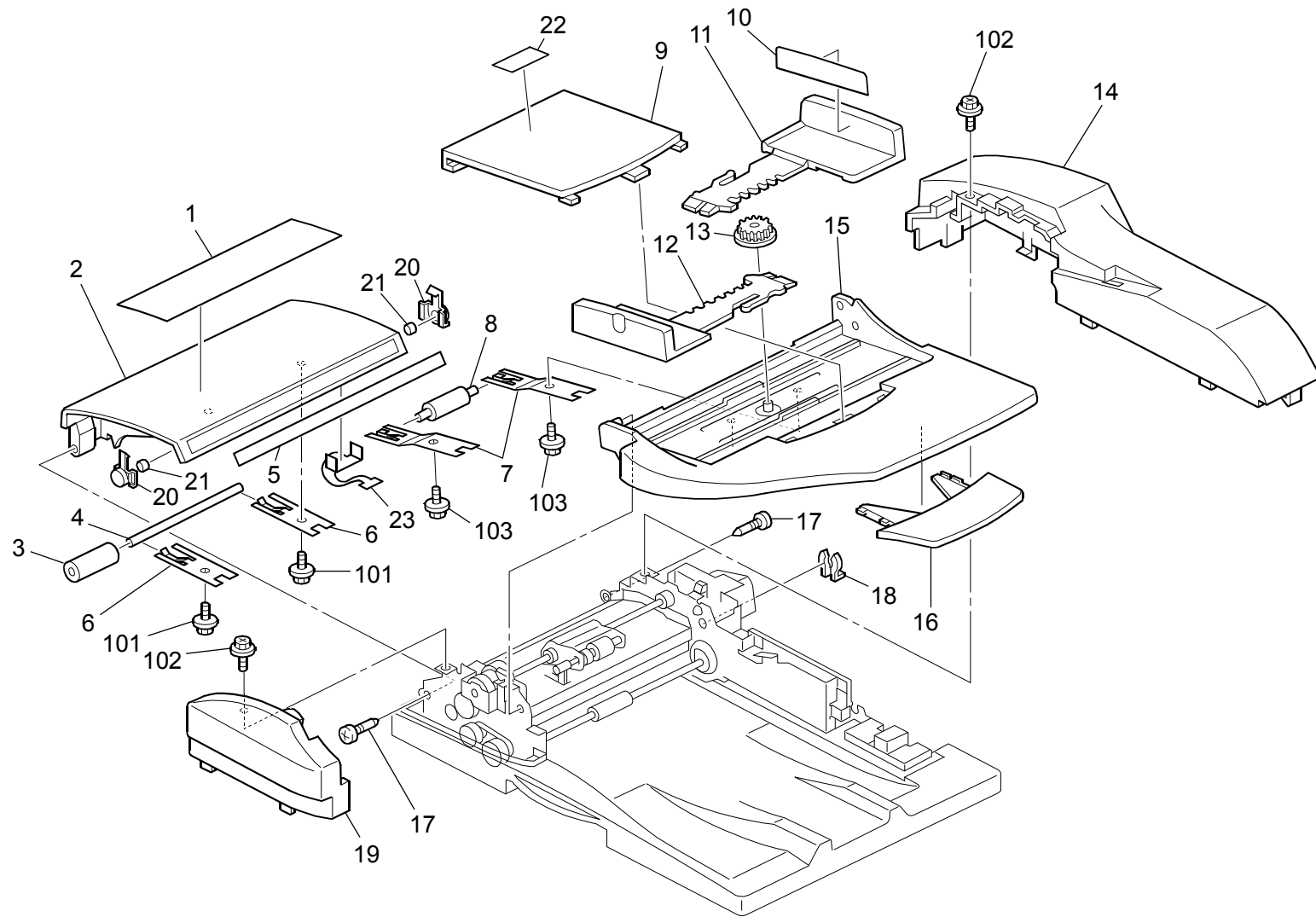


7.Paper Cassette (D115/D116)

| Index No. | Part No. | Description | Q'ty Per Assembly |
|-----------|------------------|---------------------------------|-------------------|
| * | D067 2511 | Paper Tray Unit: NA | 1 |
| * | D067 2510 | Paper Tray Unit: EU | 1 |
| 1 | B044 2704 | Tray Bottom Plate | 1 |
| 2 | B044 2702 | Front Side Fence | 1 |
| 3 | B044 2706 | End Fence | 1 |
| 4 | G800 3133 | Side Fence Gear | 1 |
| 5 | B262 2709 | Ground Plate: Tray Bottom Plate | 1 |
| 6 | B044 2716 | Pressure Spring | 1 |
| 7 | B044 2703 | Rear Side Fence | 1 |
| 8 | B044 2751 | Joint - Paper Feed Roller | 1 |
| 9 | B044 2756 | Spring - Paper Feed Roller | 1 |
| 10 | AA08 2101 | Bushing - 6x10x6 | 2 |
| 11 | B044 2758 | Shaft - Paper Feed Roller | 1 |
| 12 | AF03 1061 | Paper Feed Roller | 1 |
| 13 | D067 2710 | Friction Pad: Adhesion | 1 |
| 14 | B044 2713 | Stopper | 1 |
| 15 | G020 2599 | Spring - Release Lever | 1 |
| 16 | H521 3355 | C Ring - Paper Feed Roller | 1 |
| 17 | B262 2711 | Ground Plater | 1 |
| 18 | B262 2704 | Cover: Paper Tray: NA | 1 |
| 18 | B262 2703 | Cover: Paper Tray: EU | 1 |
| 19 | 5215 2713 | Bottom Plate Pad | 1 |
| 20 | B044 2720 | Decal - Cassette Operation | 1 |
| 21 | B044 2717 | Pressure Spring | 1 |
| 22 | B044 2715 | Sponge - End Fence | 2 |
| 23 | B044 2721 | Paper Tray Sheet | 1 |
| 24 | B044 2714 | Rubber Plate - Friction Pad | 1 |
| 25 | D461 2705 | Grip: Option: Paper Tray | 1 |

| Index No. | Part No. | Description | Q'ty Per Assembly |
|-----------|------------|-----------------------|-------------------|
| 101 | 0805 0089 | Retaining Ring - M4 | |
| 102 | 0622 0120E | Spring Pin - 2x12mm | |
| 103 | 0450 3008N | Tapping Screw - M3x8 | |
| 104 | 0450 3010N | Tapping Screw - M3x10 | |

8.ARDF 1 (D115/D116)

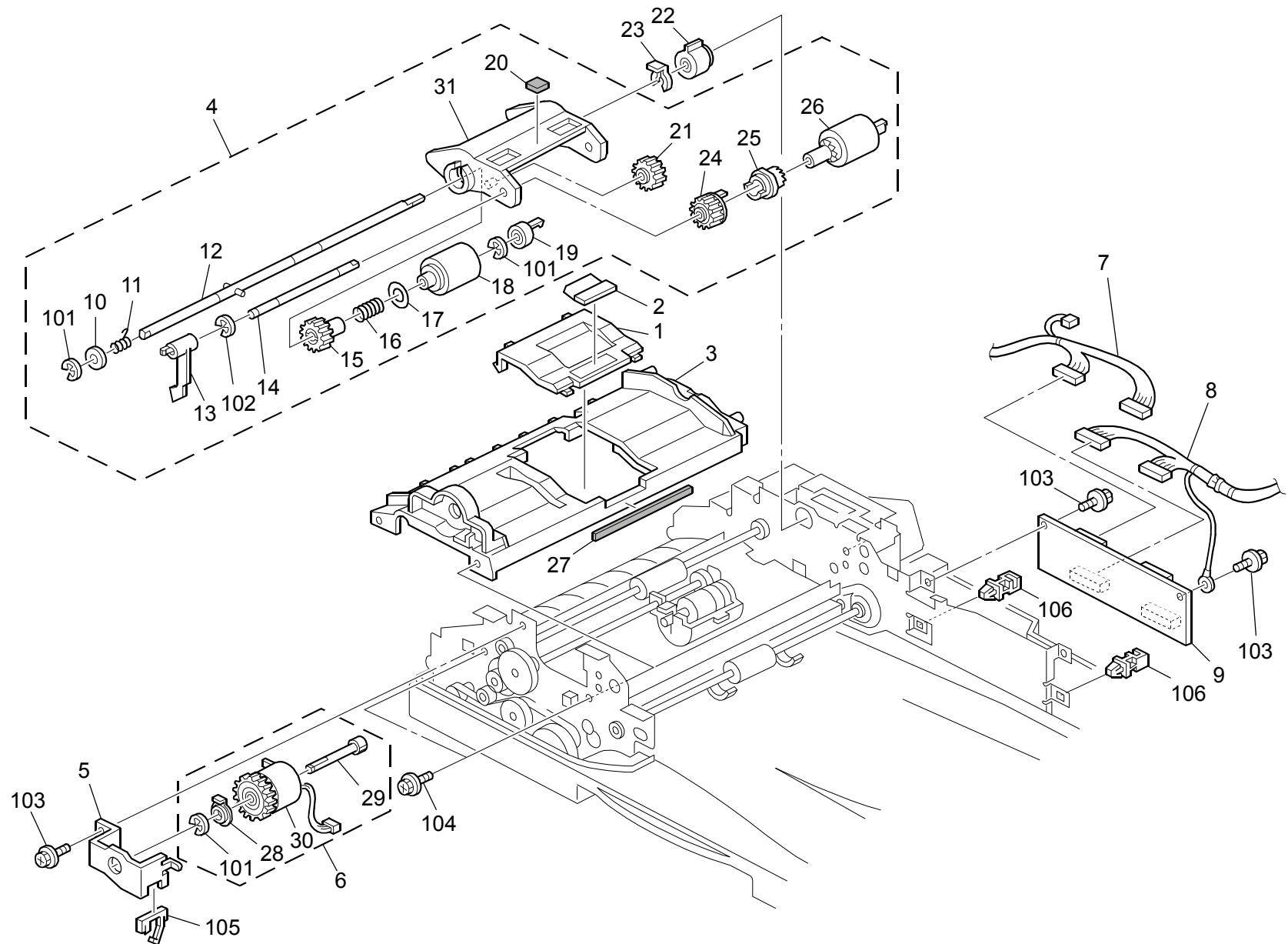


8.ARDF 1 (D115/D116)

| Index No. | Part No. | Description | Q'ty Per Assembly |
|-----------|-----------|------------------------------|-------------------|
| 1 | B872 6011 | Decal: Misfeed Removal | 1 |
| 2 | B872 4711 | Cover: Open And Close | 1 |
| 3 | AF02 2144 | Pressure Roller | 1 |
| 4 | B872 4721 | Shaft: Pressure: Dia4 | 1 |
| 5 | B872 6031 | Decal: Size: Original | 1 |
| 6 | B872 4722 | Spring Plate: R0 | 2 |
| 7 | B872 4624 | Spring Plate | 2 |
| 8 | B872 4616 | Roller: Reverse: Pressure | 1 |
| 9 | B872 4615 | Cover: Original Table | 1 |
| 10 | B872 6021 | Decal: Side Fence | 1 |
| 11 | B872 4613 | Guide: Original Table: Rear | 1 |
| 12 | B872 4612 | Guide: Original Table: Front | 1 |
| 13 | BB01 3003 | Gear - 14Z | 1 |
| 14 | B872 4731 | Cover: Rear | 1 |
| 15 | B872 4611 | Original Table | 1 |
| 16 | B872 4621 | Original Table: Auxiliary | 1 |
| 17 | AA14 3788 | Pin: Guide Plate: Paper Feed | 2 |
| 18 | 5215 2621 | Snap Ring - M6 | 1 |
| 19 | B872 4741 | Cover: Front | 1 |
| 20 | B872 4726 | Case: Magnetic | 2 |
| 21 | G827 1023 | Magnetic: Hale: DIA10x7 | 2 |
| 22 | A859 2352 | Pressure Plate Pad | 1 |
| 23 | B872 4712 | Guide Mylar | 1 |

| Index No. | Part No. | Description | Q'ty Per Assembly |
|-----------|------------|------------------------|-------------------|
| 101 | 0452 3008N | Tapping Screw - M3x8 | |
| 102 | 0451 3008N | Tapping Screw - M3x8 | |
| 103 | 0450 3006N | Tapping Screw - M3x6 | |
| 104 | 1105 0518 | Edge Saddle - LES-1010 | |

9.ARDF 2 (D115/D116)



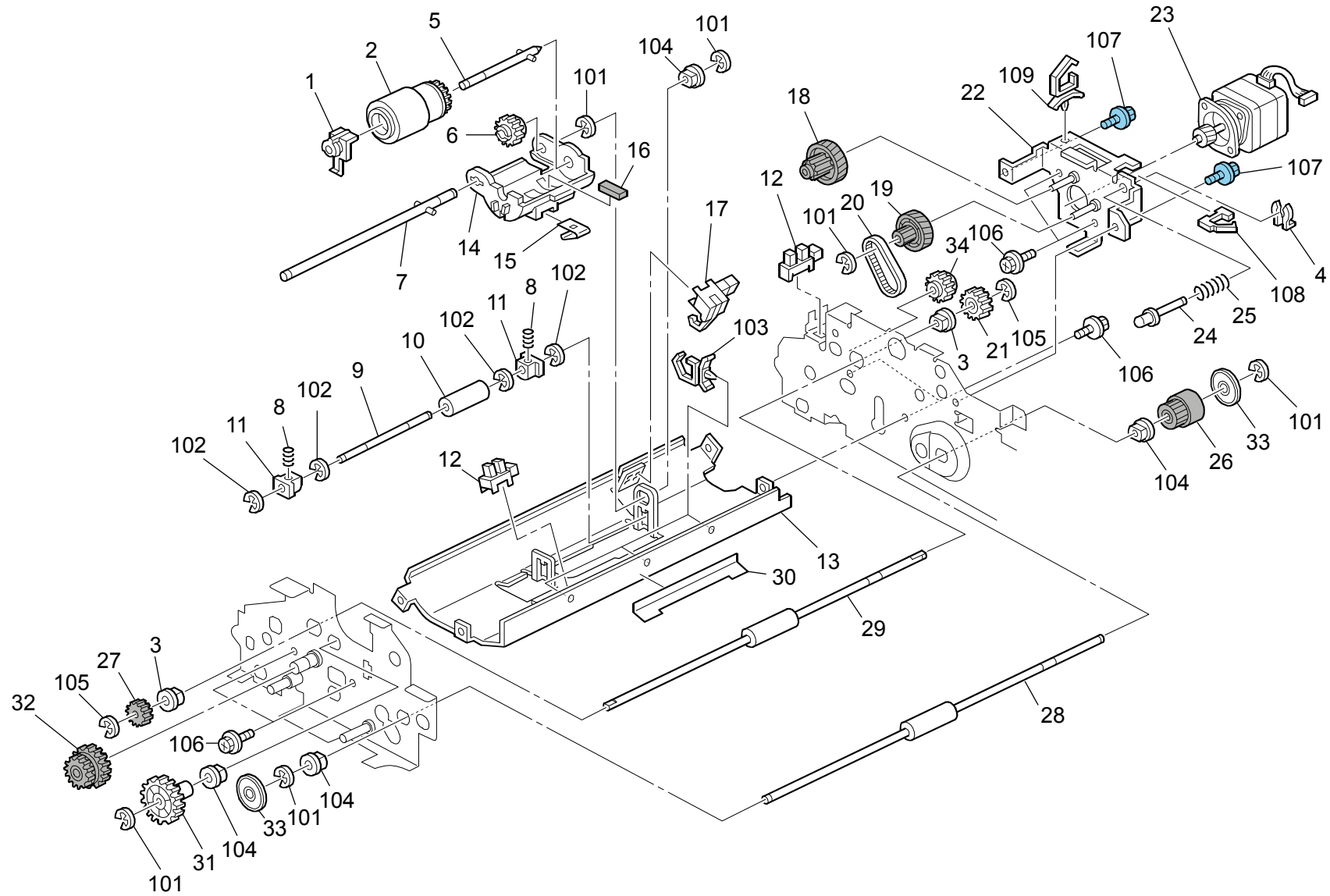
WWW.SERVICE-MANUAL.NET

9.ARDF 2 (D115/D116)

| Index No. | Part No. | Description | Q'ty Per Assembly |
|-----------|------------------|--------------------------------|-------------------|
| 1 | B872 2312 | Guide Plate: Paper Feed: Upper | 1 |
| 2 | H310 1360 | Pad: Pickup | 1 |
| 3 | B872 2311 | Guide Plate: Paper Feed: Upper | 1 |
| 4 | B872 2510 | Feeder Unit | 1 |
| 5 | B872 2412 | Bracket: Magnetic Clutch | 1 |
| 6 | B872 2420 | Magnetic Clutch: Ass'y | 1 |
| 7 | B872 5240 | Harness: Main | 1 |
| 8 | B872 5210 | Harness: Interface | 1 |
| 9 | B872 5100 | PCB: Main Control | 1 |
| 10 | B872 2524 | Spacer: DIA9 | 1 |
| 11 | B872 2523 | Spring Clutch: Feed: DIA6 | 1 |
| 12 | B872 2521 | Shaft: Feed: C | 1 |
| 13 | B872 2513 | Feeler: Original Sensor | 1 |
| 14 | B872 2514 | Shaft: Pickup | 1 |
| 15 | B872 2512 | Gear: Z18 | 1 |
| 16 | B872 2526 | Spring: Roller Clutch | 1 |
| 17 | H072 2220 | Spacer - M6x10 | 1 |
| 18 | AF03 1062 | Feed Roller | 1 |
| 19 | B872 2527 | Roller Clutch: Bracket: Feed | 1 |
| 20 | B872 2515 | Cushion: Bracket: Feed | 1 |
| 21 | B872 2511 | Gear: Idler: Z16 | 1 |
| 22 | B044 4961 | Oneway Clutch | 1 |
| 23 | 5447 2681 | Snap Ring | 1 |
| 24 | B872 2528 | Gear: Z18 | 1 |
| 25 | B872 2529 | Collar: Pickup | 1 |
| 26 | AF03 0363 | Pickup Roller | 1 |
| 27 | B872 2313 | Cushion-Guide Plate | 1 |
| 28 | B872 2421 | Bushing: Feed | 1 |
| 29 | B872 2422 | Shaft: Coupling: Feed | 1 |
| 30 | AX20 0303 | Magnetic Clutch: 245MN.M | 1 |
| 31 | B872 2525 | Bracket: Feed | 1 |

| Index No. | Part No. | Description | Q'ty Per Assembly |
|-----------|------------|-----------------------------|-------------------|
| 101 | 0720 0040E | Retaining Ring - M4 | |
| 102 | 0720 0030E | Retaining Ring - M3 | |
| 103 | 0451 3006N | Tapping Screw - 3x6 | |
| 104 | 0450 3008N | Tapping Screw - M3x8 | |
| 105 | 1105 0612 | Clamp: EDS-0704L-V0 | |
| 106 | 1105 0436 | Locking Support - KGCP-08-0 | |

10.ARDF 3 (D115/D116)

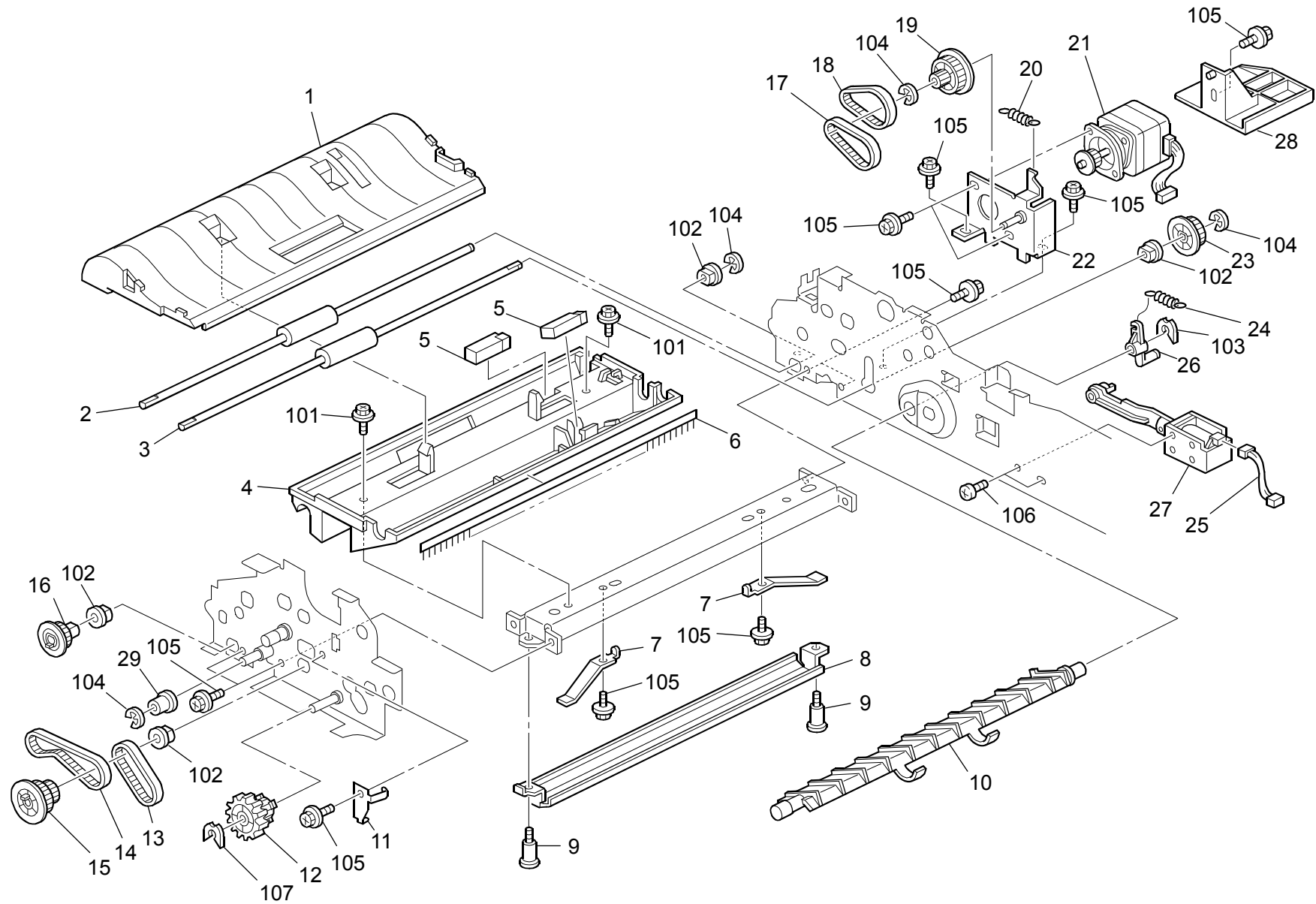


10.ARDF 3 (D115/D116)

| Index No. | Part No. | Description | Q'ty Per Assembly |
|-----------|------------------|-------------------------------------|-------------------|
| 1 | B872 2222 | Holder: Reverse Roller | 1 |
| 2 | AF03 2030 | Reverse Roller | 1 |
| 3 | B872 2614 | Bushing: R1 | 2 |
| 4 | 5447 2681 | Snap Ring | 1 |
| 5 | B872 2221 | Shaft: Reverse Roller | 1 |
| 6 | B872 2223 | Gear: Z17 | 1 |
| 7 | B872 2213 | Shaft: Drive: Separation | 1 |
| 8 | B872 2116 | Compression Spring: Reverse: Driven | 2 |
| 9 | B872 2113 | Shaft: Reverse: Roller: Driven | 1 |
| 10 | B872 2112 | Roller: Driven: Dia14 | 1 |
| 11 | AA08 0034 | Bushing - 4x5x7 | 2 |
| 12 | AW02 0141 | Photointerruptor | 2 |
| 13 | B872 2110 | Guide Plate: Paper Feed: Lower | 1 |
| 14 | B872 2211 | Bracket: Reverse | 1 |
| 15 | B872 2251 | Spring Plate: Reverse: Pressure | 1 |
| 16 | B044 4962 | Cushion | 1 |
| 17 | AW02 0155 | Photointerruptor: Paper Size Sensor | 1 |
| 18 | B872 4116 | Gear: Z44/T14 | 1 |
| 19 | B872 4113 | Gear: Z44/T16 | 1 |
| 20 | AA04 3603 | Timing Belt: B40S2M128 | 1 |
| 21 | B872 2613 | Gear: Z22 | 1 |
| 22 | B872 4141 | Bracket: Motor: Paper Feed: Ass'y | 1 |
| 23 | B872 5810 | Stepper Motor DC24V 3.53W | 1 |
| 24 | B872 1121 | Stopper: Original Table | 1 |
| 25 | B872 1122 | Compression Spring: Stopper | 1 |
| 26 | B872 3233 | Torque Limiter: T24: S2M | 1 |
| 27 | B872 2612 | Gear: Z19 | 1 |
| 28 | B872 3261 | Roller: Reverse: Drive | 1 |
| 29 | B872 2611 | Roller: R0 | 1 |
| 30 | B872 2118 | Guide: Reverse: 0.1 | 1 |
| 31 | B872 2217 | Gear: Z28 | 1 |
| 32 | AB01 7591 | Gear - 18/30Z | 1 |
| 33 | B789 4257 | Pulley Flange | 2 |
| 34 | B872 4121 | Gear: Idler: Z17 | 1 |

| Index No. | Part No. | Description | Q'ty Per Assembly |
|-----------|------------|----------------------------|-------------------|
| 101 | 0720 0040E | Retaining Ring - M4 | |
| 102 | 0720 0030E | Retaining Ring - M3 | |
| 103 | 1105 0511 | Harness Clamp - LWS-0306ZC | |
| 104 | 0805 3480 | Bushing - 6mm | |
| 105 | 0720 0060E | Retaining Ring - M6 | |
| 106 | 0451 3006N | Tapping Screw - 3x6 | |
| 107 | 0454 3006Q | Tapping Screw - M3x6 | |
| 108 | 1105 0612 | Clamp: EDS-0704L-V0 | |
| 109 | 1105 0516 | Clamp | |

11.ARDF 4 (D115/D116)

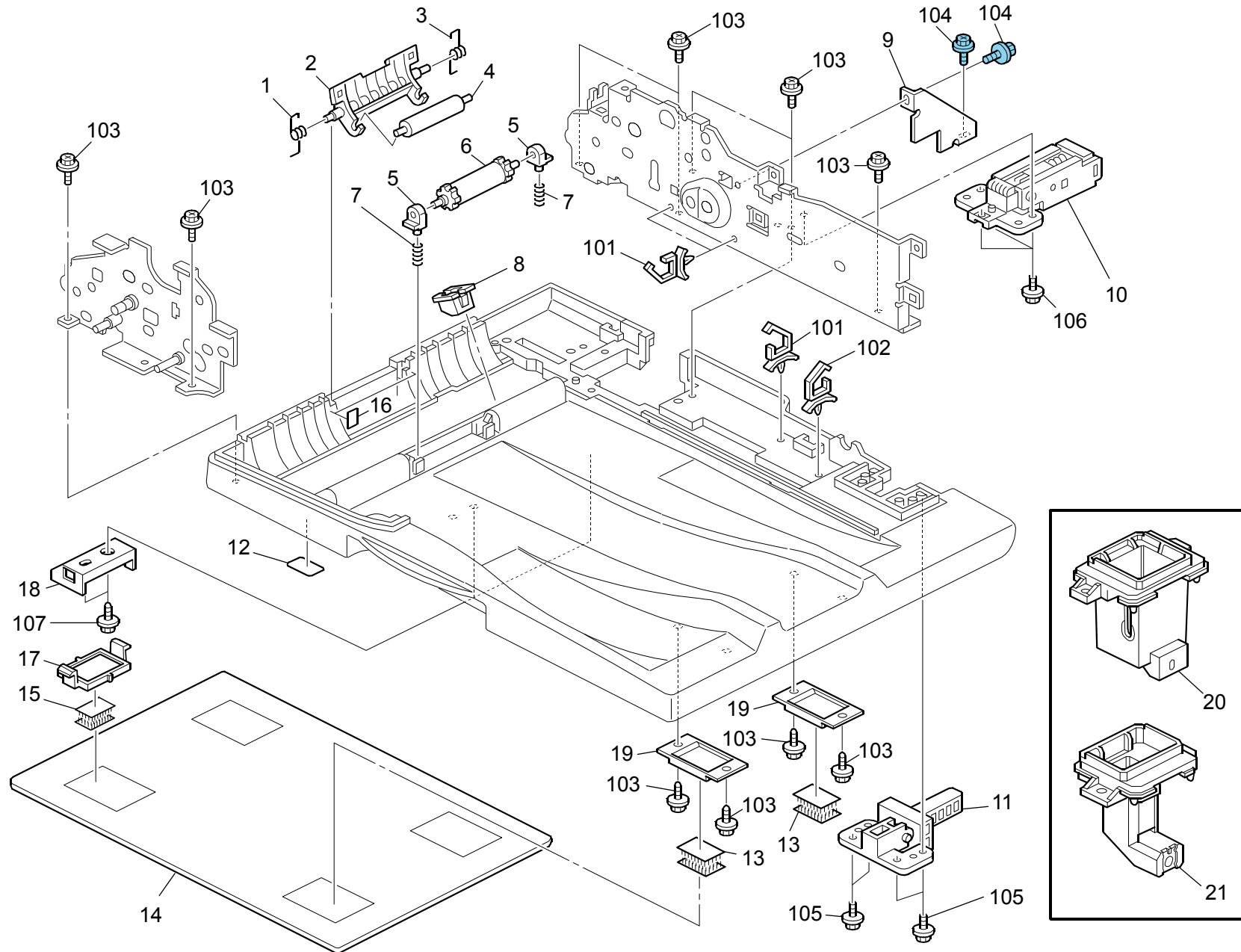


11.ARDF 4 (D115/D116)

| Index No. | Part No. | Description | Q'ty Per Assembly |
|-----------|-----------|-------------------------------------|-------------------|
| 1 | B872 3121 | Guide Plate: Scanning: Upper | 1 |
| 2 | B872 3211 | Roller: Scanning: Front: Drive | 1 |
| 3 | B872 3221 | Roller: Exit: Drive | 1 |
| 4 | B872 3111 | Guide Plate: Scanning: Lower | 1 |
| 5 | AW01 0109 | Photo Reflection Sensor: PS117ED1 | 2 |
| 6 | B872 3114 | Discharge Brush: Lower | 1 |
| 7 | B872 1515 | Spring Plate: Guide: Exposure Glass | 2 |
| 8 | B872 1522 | Guide: Exposure Glass | 1 |
| 9 | AA14 3544 | Screw - M3 | 2 |
| 10 | B872 3311 | Exchange Powl: Reverse | 1 |
| 11 | B872 3113 | Spring Plate: Earth: Exit | 1 |
| 12 | B872 3241 | Knob: Pick-up Paper Jam | 1 |
| 13 | AA04 3605 | Timing Belt: B40S3M114 | 1 |
| 14 | B830 1456 | Timing Belt - 40S2M190 | 1 |
| 15 | B872 3223 | Timing Pulley: T32 | 1 |
| 16 | B872 3212 | Pulley: T25 | 1 |
| 17 | AA04 3604 | Timing Belt: B40S2M110 | 1 |
| 18 | AA04 3603 | Timing Belt: B40S2M128 | 1 |
| 19 | B872 4214 | Pulley: T16/T44 | 1 |
| 20 | B872 4216 | Tension Spring: Motor: Transport | 1 |
| 21 | B872 5820 | Stepper Motor: DC24V 3.35W | 1 |
| 22 | B872 4210 | Bracket: Motor: Transport | 1 |
| 23 | B872 3222 | Timing Pulley: T32 | 1 |
| 24 | B872 3313 | Tension Spring: Exchange Powl | 1 |
| 25 | B872 5250 | Harness: Dc Solenoid | 1 |
| 26 | B872 3312 | Lever: Exchange Powl | 1 |
| 27 | B872 4310 | DC Solenoid: Exchange Powl | 1 |
| 28 | B872 4131 | Inner Cover: Left Rear | 1 |
| 29 | A859 4141 | Pulley Idler | 1 |

| Index No. | Part No. | Description | Q'ty Per Assembly |
|-----------|------------|----------------------|-------------------|
| 101 | 0451 3008N | Tapping Screw - M3x8 | |
| 102 | 0805 3480 | Bushing - 6mm | |
| 103 | 0805 0088 | Retaining Ring - M6 | |
| 104 | 0720 0040E | Retaining Ring - M4 | |
| 105 | 0451 3006N | Tapping Screw - 3x6 | |
| 106 | 0353 0040N | Screw - M3x4 | |
| 107 | 0805 0089 | Retaining Ring - M4 | |

12.ARDF 5 (D115/D116)

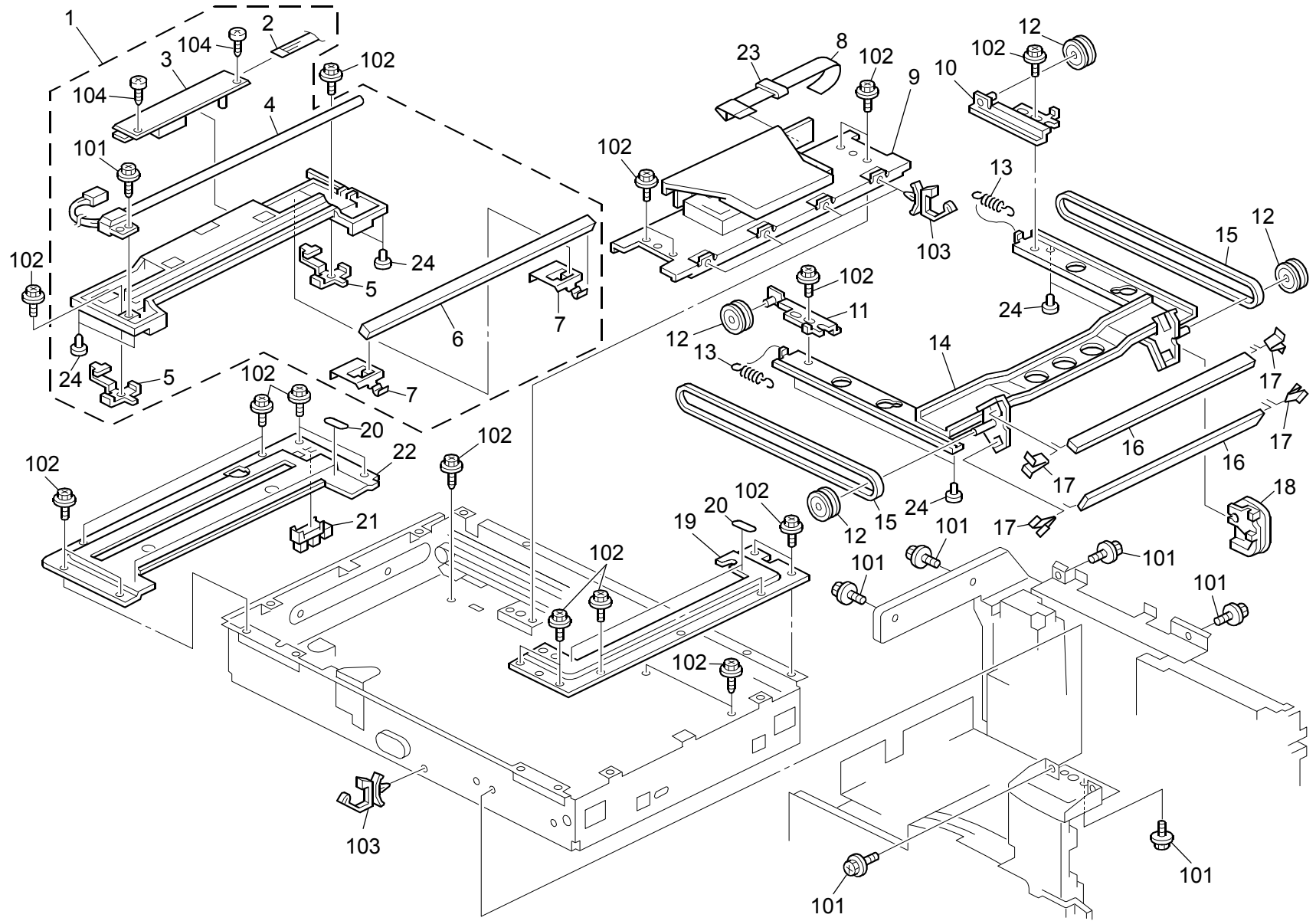


12.ARDF 5 (D115/D116)

| Index No. | Part No. | Description | Q'ty Per Assembly |
|-----------|-----------|----------------------------------|-------------------|
| 1 | B872 1923 | Torsion Spring: Pressure: Front | 1 |
| 2 | B872 1921 | Lever: Driven: Pressure | 1 |
| 3 | B872 1924 | Torsion Spring: Pressure: Rear | 1 |
| 4 | B872 1922 | Roller: Driven: Scanning: Front | 1 |
| 5 | B872 1934 | Bushing: Exit | 2 |
| 6 | B872 1931 | Exit Roller: Driven | 1 |
| 7 | B872 1933 | Compression Spring: Exit: Driven | 2 |
| 8 | B872 1912 | Cap: Paper Feed Sensor: Base | 1 |
| 9 | B872 1114 | Bracket: Side Plate: Rear Right | 1 |
| 10 | B872 1414 | Hinge: Left | 1 |
| 11 | B872 1421 | Hinge: Right | 1 |
| 12 | B872 6041 | Decal: Lever: Knob | 1 |
| 13 | B351 4322 | Tape: Pressuer Plate | 2 |
| 14 | B872 4512 | Pressure Plate | 1 |
| 15 | B872 4513 | Tape: Pressure Plate: Left | 2 |
| 16 | B872 1941 | Guide: Base: Driven | 2 |
| 17 | B872 1916 | Bracket: Pressure Plate | 2 |
| 18 | B872 1915 | Holder: Bracket: Pressure Plate | 2 |
| 19 | B872 1914 | Spacer: Pressure Plate | 2 |
| 20 | B262 1667 | Holder: Hinge: Left | 1 |
| 21 | B262 1668 | Holder: Hinge: Right | 1 |

| Index No. | Part No. | Description | Q'ty Per Assembly |
|-----------|------------|----------------------------|-------------------|
| 101 | 1105 0511 | Harness Clamp - LWS-0306ZC | |
| 102 | 1105 0508 | Harness Clamp - LWS-0711 | |
| 103 | 0450 3008N | Tapping Screw - M3x8 | |
| 104 | 0454 3006Q | Tapping Screw - M3x6 | |
| 105 | 0450 3010N | Tapping Screw - M3x10 | |
| 106 | 0451 3010N | Tapping Screw: 3x10 | |
| 107 | 0450 3006N | Tapping Screw - M3x6 | |

13.Optics Section 1 (D115/D116)



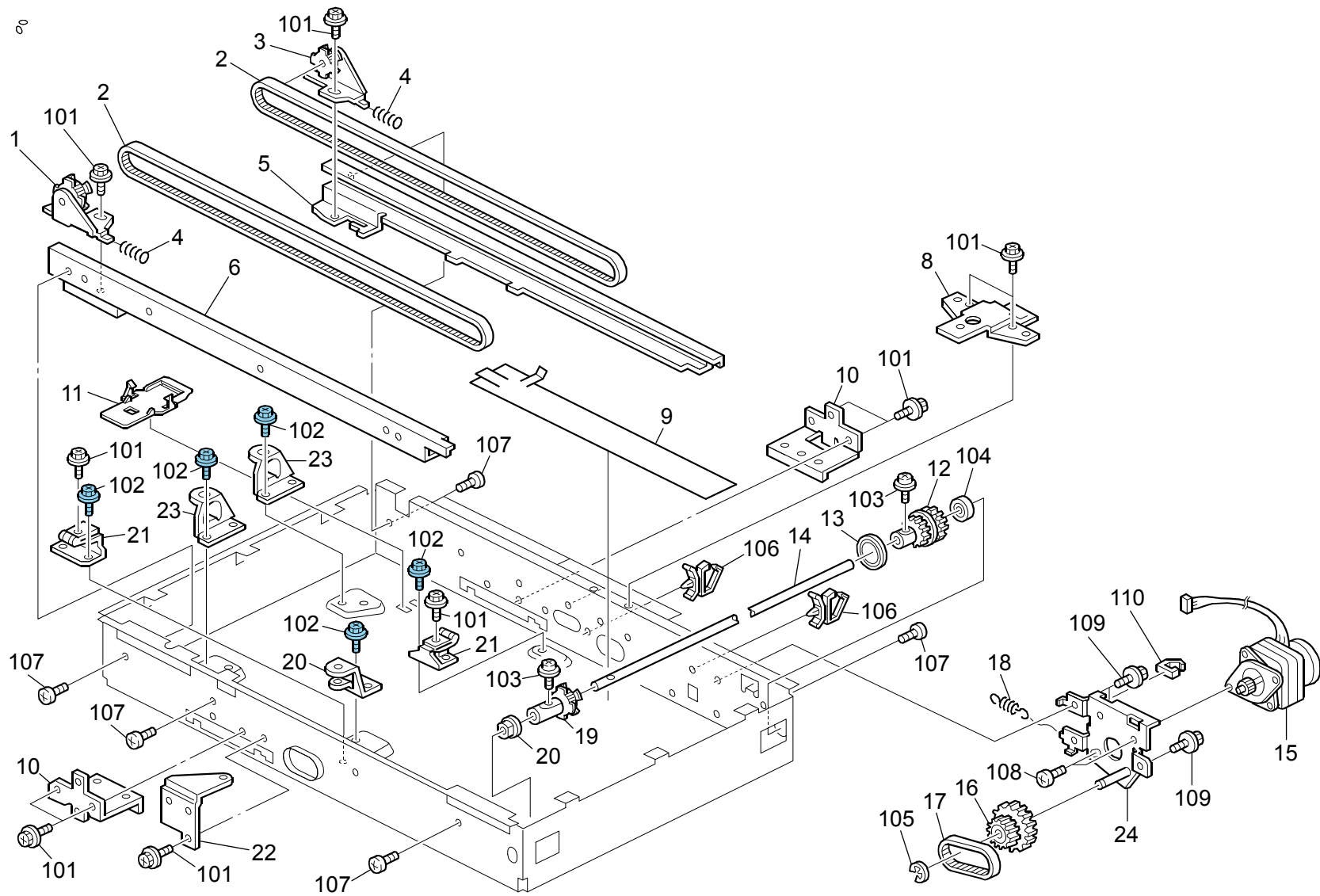
13.Optics Section 1 (D115/D116)

Rev. 03/08/2011

| Index No. | Part No. | Description | Q'ty Per Assembly |
|-----------|-----------|------------------------------------|-------------------|
| 1 | B262 1700 | Carriage: No.1 Unit | 1 |
| 2 | B262 5237 | Flat Cable: Stabilizer | 1 |
| 3 | AZ50 0077 | Stabilizer: Xenon Lamp: Chn | 1 |
| 4 | AX50 0096 | Xenon Lamp: Dia8 | 1 |
| 5 | B044 1715 | Timing Belt Holder | 2 |
| 6 | AC03 0145 | 1st Mirror | 1 |
| 7 | B044 1721 | 1st Mirror Holder | 2 |
| 8 | B262 5236 | Flat Cable: SBU | 1 |
| 9 | B262 1770 | Lens Unit | 1 |
| 10 | B262 1745 | Bracket: Belt Pulley: Idler: Rear | 1 |
| 11 | B262 1741 | Bracket: Belt Pulley: Idler: Front | 1 |
| 12 | B039 1785 | Scanner Drive Pulley | 4 |
| 13 | B039 1786 | Tension Spring | 2 |
| 14 | D108 1630 | Carriage: No. 2: Peen | 1 |
| 15 | AA04 2053 | Belt: 3mm | 2 |
| 16 | AC03 0146 | 2nd Mirror | 2 |
| 17 | B039 1781 | 2nd Mirror Holder | 4 |
| 18 | B044 1751 | Flat Cable Guide | 1 |
| 19 | B262 1683 | Supporting Plate: Right Upper | 1 |
| 20 | A250 1824 | Exposure Glass Sheet | 4 |
| 21 | GW02 0020 | Photointerruptor: LG248NL1 | 1 |
| 22 | B262 1681 | Bracket: Scale | 1 |
| 23 | H555 5150 | Ferrite Core | 1 |
| 24 | B044 1719 | Scanner Slider Pin | 8 |

| Index No. | Part No. | Description | Q'ty Per Assembly |
|-----------|------------|----------------------------------|-------------------|
| 101 | 0450 3008N | Tapping Screw - M3x8 | |
| 102 | 0451 3006N | Tapping Screw - 3x6 | |
| 103 | 1105 0511 | Harness Clamp - LWS-0306ZC | |
| 104 | 0452 3010N | Binding Self-Tapping Screw: 3x10 | |

14.Optics Section 2 (D115/D116)



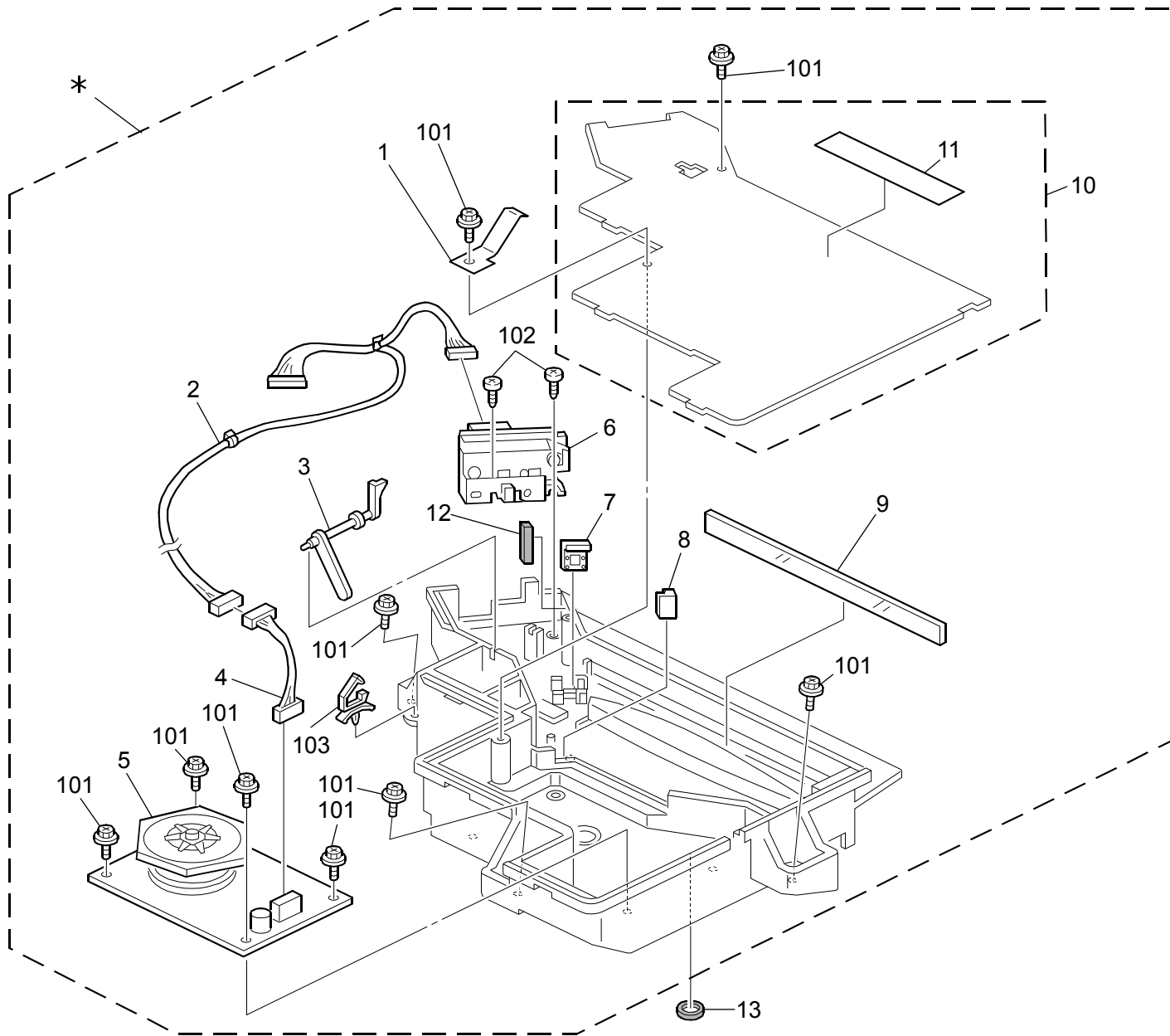
14.Optics Section 2 (D115/D116)

Rev. 6/6/2011

| Index No. | Part No. | Description | Q'ty Per Assembly |
|-----------|-----------|--------------------------------------|-------------------|
| 1 | B044 1827 | Front Idler Bracket | 1 |
| 2 | AA04 3997 | Timing Belt: ST55 | 2 |
| 3 | B044 1828 | Rear Idler Bracket | 1 |
| 4 | B039 1704 | Spring - Timing Pulley | 2 |
| 5 | D106 1637 | Rail: Rear | 1 |
| 6 | D108 1636 | Rail: Front | 1 |
| 7 | GW02 0020 | Photointerruptor: LG248NL1 | 1 |
| 8 | B262 1665 | Bracket: Scale: Inner Back | 1 |
| 9 | B262 1663 | Sheet: Flat Cable: Stabilizer | 1 |
| 10 | B044 1663 | Lens Bracket | 2 |
| 11 | B262 1677 | Holder: Ferrite Core: SBU | 1 |
| 12 | AB03 3095 | Drive Pully - 41T/37T | 1 |
| 13 | B039 1695 | Flange - Pulley | 1 |
| 14 | B044 1826 | Scanner Drive Shaft | 1 |
| 15 | B284 1814 | Stepping Motor - DC 5.3W | 1 |
| 16 | B121 1680 | Gear - 53Z/60Z | 1 |
| 17 | B121 1696 | Timing Belt L147 | 1 |
| 18 | B039 1683 | Tension Spring - Stepper Motor | 1 |
| 19 | AB03 0711 | Drive Pully - 37T | 1 |
| 20 | B262 1670 | Bracket: Stopper: Rear | 1 |
| 21 | B044 1661 | Belt Clamp Bracket | 2 |
| 22 | B044 1671 | Bracket | 1 |
| 23 | B044 1669 | Stopper Bracket - 1st Scanner | 2 |
| 24 | D067 1811 | Bracket: Stepper Motor: ST-C4: Ass'y | 1 |
| 25 | AA08 2101 | Bushing - 6x10x6 | 1 |

| Index No. | Part No. | Description | Q'ty Per Assembly |
|-----------|------------|----------------------------|-------------------|
| 101 | 0451 3006N | Tapping Screw - 3x6 | |
| 102 | 0454 3006Q | Tapping Screw - M3x6 | |
| 103 | 0360 3006P | Screw - M3x6 | |
| 104 | 0740 3906 | Ball Bearing - 6x15x5 | |
| 105 | 0720 0060E | Retaining Ring - M6 | |
| 106 | 1105 0511 | Harness Clamp - LWS-0306ZC | |
| 107 | 0453 3006N | Tapping Screw - M3x6 | |
| 108 | 0353 0060N | Bind Screw - M3x6 | |
| 109 | 0451 3008N | Tapping Screw - M3x8 | |
| 110 | 1105 0522 | Edge Saddle - LES0510 | |

15.Laser Unit (D115/D116)



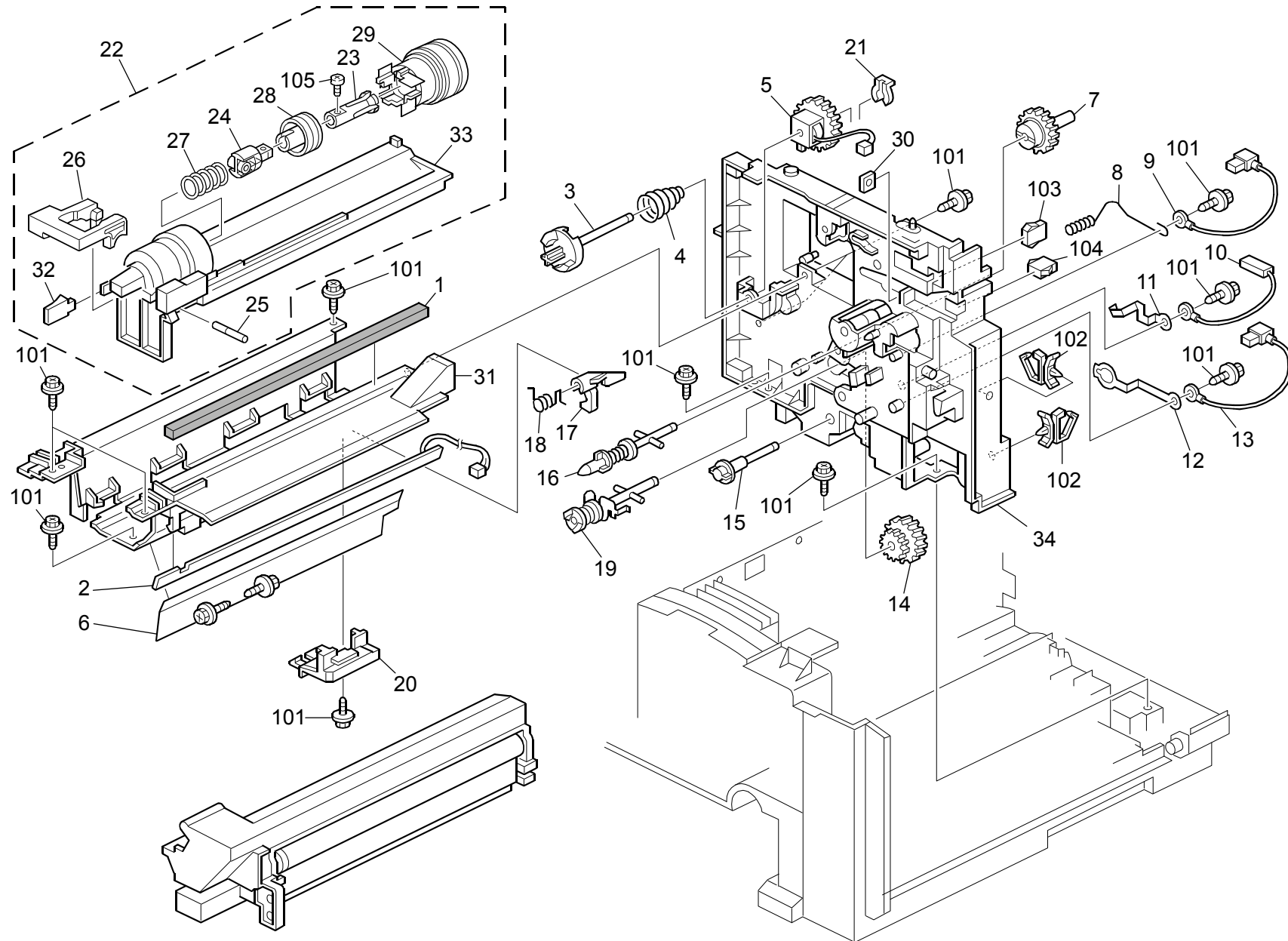
WWW.SERVICE-MANUAL.NET

15.Laser Unit (D115/D116)

| Index No. | Part No. | Description | Q'ty Per Assembly |
|-----------|-----------|----------------------------------|-------------------|
| * | D115 1901 | Imaging Unit | 1 |
| 1 | B044 1943 | Ground Plate | 1 |
| 2 | D067 5204 | Harness: LDDR: Interface | 1 |
| 3 | B044 1944 | Shutter Plate | 1 |
| 4 | D067 5207 | Harness: DC Polygon Mirror Motor | 1 |
| 5 | G127 1953 | Polygon Mirror Motor: DC24V 36W | 1 |
| 6 | D115 1912 | Laser Diode Unit: Ass'y | 1 |
| 7 | G025 2730 | Cylindrical Lens | 1 |
| 8 | G025 2731 | Synchronizing Detector Lens | 1 |
| 9 | B044 1931 | Shield Glass | 1 |
| 10 | B044 1941 | Laser Unit Cover | 1 |
| 11 | G029 1982 | LD Decal | 1 |
| 12 | B044 1906 | Seal - LDU | 1 |
| 13 | B044 1999 | Spacer - 5mm | 1 |

| Index No. | Part No. | Description | Q'ty Per Assembly |
|-----------|------------|----------------------------------|-------------------|
| 101 | 0450 3008N | Tapping Screw - M3x8 | |
| 102 | 0452 3010N | Binding Self-Tapping Screw: 3x10 | |
| 103 | 1105 0511 | Harness Clamp - LWS-0306ZC | |

16.PCU Section (D115/D116)

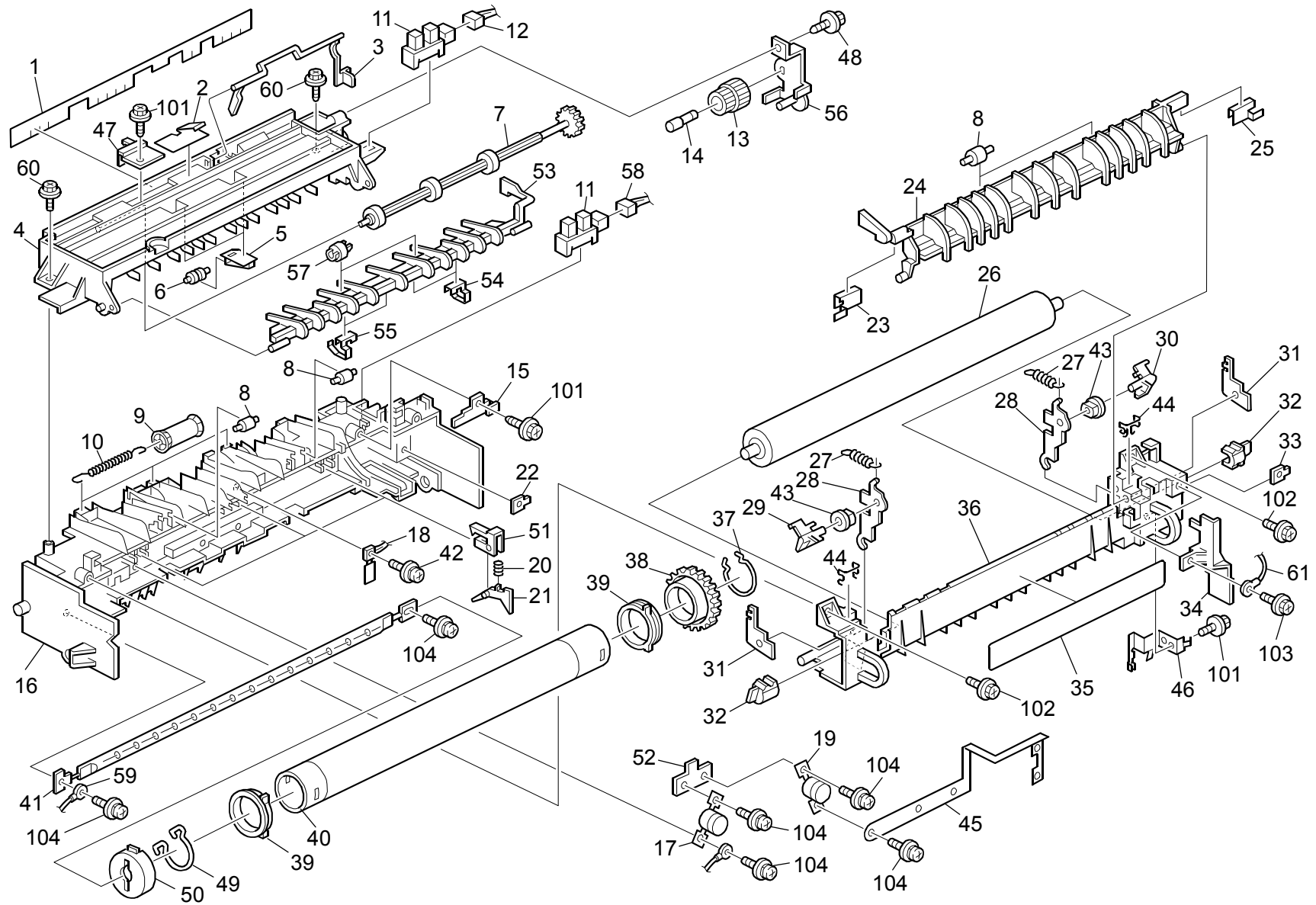


16.PCU Section (D115/D116)

| Index No. | Part No. | Description | Q'ty Per Assembly |
|-----------|-----------|------------------------------------|-------------------|
| 1 | B044 1069 | Duct Shield | 1 |
| 2 | AX50 0098 | Quenching Lamp | 1 |
| 3 | B129 1176 | Toner Supply Shaft | 1 |
| 4 | B129 1175 | Toner Bottle Drive Spring | 1 |
| 5 | AB04 0023 | Spring Clutch: 0.7N.m: Z53 | 1 |
| 6 | D067 1068 | Sheet: Block Light: Discharge Lamp | 1 |
| 7 | AB01 0358 | Gear - 64Z | 1 |
| 8 | AA11 3034 | Electrode Plate - Charge | 1 |
| 9 | B262 5220 | Harness: High Voltage Line: C | 1 |
| 10 | B262 5222 | Harness: High Voltage Line: T | 1 |
| 11 | AA11 3035 | Electrode Plate - Transfer | 1 |
| 12 | AA11 3032 | Electrode Plate - Development | 1 |
| 13 | B262 5221 | Harness: High Voltage Line: B | 1 |
| 14 | AB01 7582 | Coupled Gear 22/50Z | 1 |
| 15 | AA14 8651 | Shaft - Paper Feed Roller | 1 |
| 16 | AB00 0025 | Drum Shaft | 1 |
| 17 | B044 1100 | Shutter | 1 |
| 18 | B044 1101 | Shutter Spring | 1 |
| 19 | AB00 0027 | Development Shaft Ass'y | 1 |
| 20 | B044 1103 | Shutter Cover | 1 |
| 21 | G014 3291 | Snap Ring - Pick Up | 1 |
| 22 | B262 3020 | Toner Supply Unit | 1 |
| 23 | A184 3420 | Bottle Chuck | 1 |
| 24 | B044 3426 | Chuck Shaft | 1 |
| 25 | B044 3427 | Slide Shaft | 1 |
| 26 | B044 3461 | Handlw Cam | 1 |
| 27 | A267 3556 | Chuck Spring - Tonner Bottle | 1 |
| 28 | B044 3485 | Slider Ass'y | 1 |
| 29 | B129 3465 | Cover - Toner Supply Unit | 1 |
| 30 | B044 4200 | Fusing Plate Nut | 1 |
| 31 | B044 1067 | Toner Supply Rail | 1 |
| 32 | B044 3475 | Un Lock Grip | 1 |
| 33 | B044 3470 | Toner Supply Case Ass'y | 1 |
| 34 | B129 1059 | Frame-Drive-C2 | 1 |

| Index No. | Part No. | Description | Q'ty Per Assembly |
|-----------|------------|----------------------------|-------------------|
| 101 | 0450 3008N | Tapping Screw - M3x8 | |
| 102 | 1105 0511 | Harness Clamp - LWS-0306ZC | |
| 103 | 1102 8534 | Connector - QR/P17-14S-B | |
| 104 | 1103 3734 | Connector: TM-6-DC1(01) | |
| 105 | 0452 3008N | Tapping Screw - M3x8 | |

17.Fusing Unit (D115/D116)

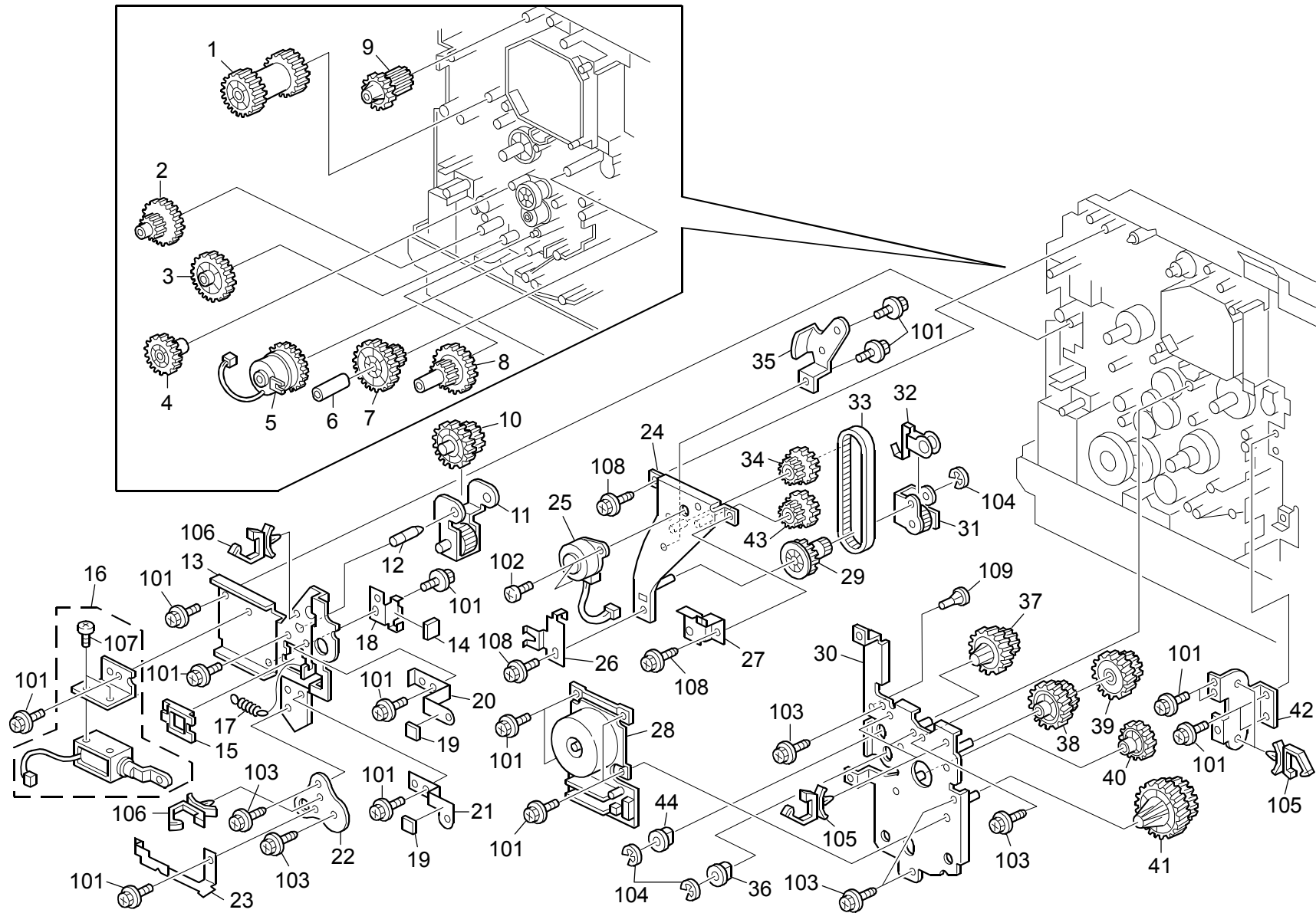


17.Fusing Unit (D115/D116)

| Index No. | Part No. | Description | Q'ty Per Assembly |
|-----------|------------------|--|-------------------|
| * | D067 4018 | Fusing Unit: 115V | 1 |
| * | D067 4028 | Fusing Unit: 230V | 1 |
| 1 | D067 4165 | Discharge Brush: Exit | 1 |
| 2 | B044 4166 | Spring Plate | 1 |
| 3 | B044 4183 | Feeler | 1 |
| 4 | B044 4186 | Guide Plate | 1 |
| 5 | B044 4138 | Spring | 2 |
| 6 | AF02 2141 | Turn-roller | 2 |
| 7 | AF04 0603 | Exit Roller | 1 |
| 8 | AF02 2142 | Middle Roller | 4 |
| 9 | AF04 0588 | Exit Roller | 3 |
| 10 | B044 4154 | Exit Spring | 3 |
| 11 | GW02 0020 | Photointerruptor: LG248NL1 | 2 |
| 12 | D067 5203 | Harness: Paper Feed Sensor: Connecting | 1 |
| 13 | H556 2210 | Gear - 19/28Z | 1 |
| 14 | H556 2222 | Stud | 1 |
| 15 | B129 4143 | Electrode Plate Cover | 1 |
| 16 | B129 4102 | Fusing Frame | 1 |
| 17 | AW11 0037 | Thermostat - 160C | 1 |
| 18 | AW10 0088 | Thermistor - Fusing | 1 |
| 19 | AW11 0038 | Thermostat - 170C | 1 |
| 20 | B044 4155 | Spring - Pickoff Pawl | 3 |
| 21 | AE04 4059 | Stripper Pawls | 3 |
| 22 | B044 4135 | Lamp Holder | 1 |
| 23 | B044 4117 | Front Spring Plate | 1 |
| 24 | H556 2206 | Guide Plate | 1 |
| 25 | B044 4118 | Rear Spring Plate | 1 |
| 26 | AE02 0164 | Pressure Roller | 1 |
| 27 | B044 4152 | Pressure Spring | 2 |
| 28 | B044 4130 | Pressure Lever | 2 |
| 29 | B044 4141 | Pressure Release Lever - Front | 1 |
| 30 | B044 4146 | Pressure Release Lever - Rear | 1 |
| 31 | B044 4132 | Side Plate | 2 |
| 32 | AE03 1035 | Pressure Roller Bushing | 2 |
| 33 | B044 4200 | Fusing Plate Nut | 1 |

| Index No. | Part No. | Description | Q'ty Per Assembly |
|-----------|------------------|--------------------------|-------------------|
| 34 | B044 4201 | Fusing Harness Cover | 1 |
| 35 | B044 4161 | Warning Decal | 1 |
| 36 | B044 4104 | Pressure Frame | 1 |
| 37 | B044 4150 | Hot Roller Stopper | 1 |
| 38 | B044 4170 | Fusing Gear | 1 |
| 39 | AE03 1044 | Fusing Bushing | 2 |
| 40 | AE01 1086 | Hot Roller | 1 |
| 41 | AX44 0202 | Heater - 120V/800W | 1 |
| 41 | AX44 0203 | Heater - 230V: 750W | 1 |
| 42 | B129 4294 | Screw-M3x13 | 1 |
| 43 | B044 4131 | Bushing-Pressure Release | 2 |
| 44 | B044 4153 | Cushion | 2 |
| 45 | B129 4134 | Electrode Plate Fusing | 1 |
| 46 | B044 4136 | Ground Plate | 1 |
| 47 | B044 4401 | Paper Holder Stand | 1 |
| 48 | B044 3191 | Tapping Screw-M3x8 | 1 |
| 49 | B044 4156 | Front Hot Roller Stopper | 1 |
| 50 | B044 4112 | Hot Roller Cap | 1 |
| 51 | B044 4179 | Holder - Pickoff Pawl | 1 |
| 52 | B129 4195 | Thermostat Plate Nut | 1 |
| 53 | H556 2208 | Gate Plate | 1 |
| 54 | H556 2201 | Reargate Plate Guide | 2 |
| 55 | H556 2202 | Front Gate Plate Guide | 1 |
| 56 | H556 2219 | Gear Bracket | 1 |
| 57 | H556 2220 | Roller | 2 |
| 58 | D067 5251 | Harness: Sensor: Gate | 1 |
| 59 | B262 5209 | Harness: AC: Fusing: NA | 1 |
| 59 | B262 5208 | Harness: AC: Fusing: EU | 1 |
| 60 | B129 4293 | Tapping Screr - M3x10 | 2 |
| 61 | D067 5235 | Ground Wire: Cassette | 1 |
| 101 | 0450 3008N | Tapping Screw - M3x8 | |
| 102 | 0451 3006N | Tapping Screw - 3x6 | |
| 103 | 0451 3008N | Tapping Screw - M3x8 | |
| 104 | 0954 3008N | Screw - M3x8 | |

18. Drive Section (D115/D116)



WWW.SERVICE-MANUAL.NET

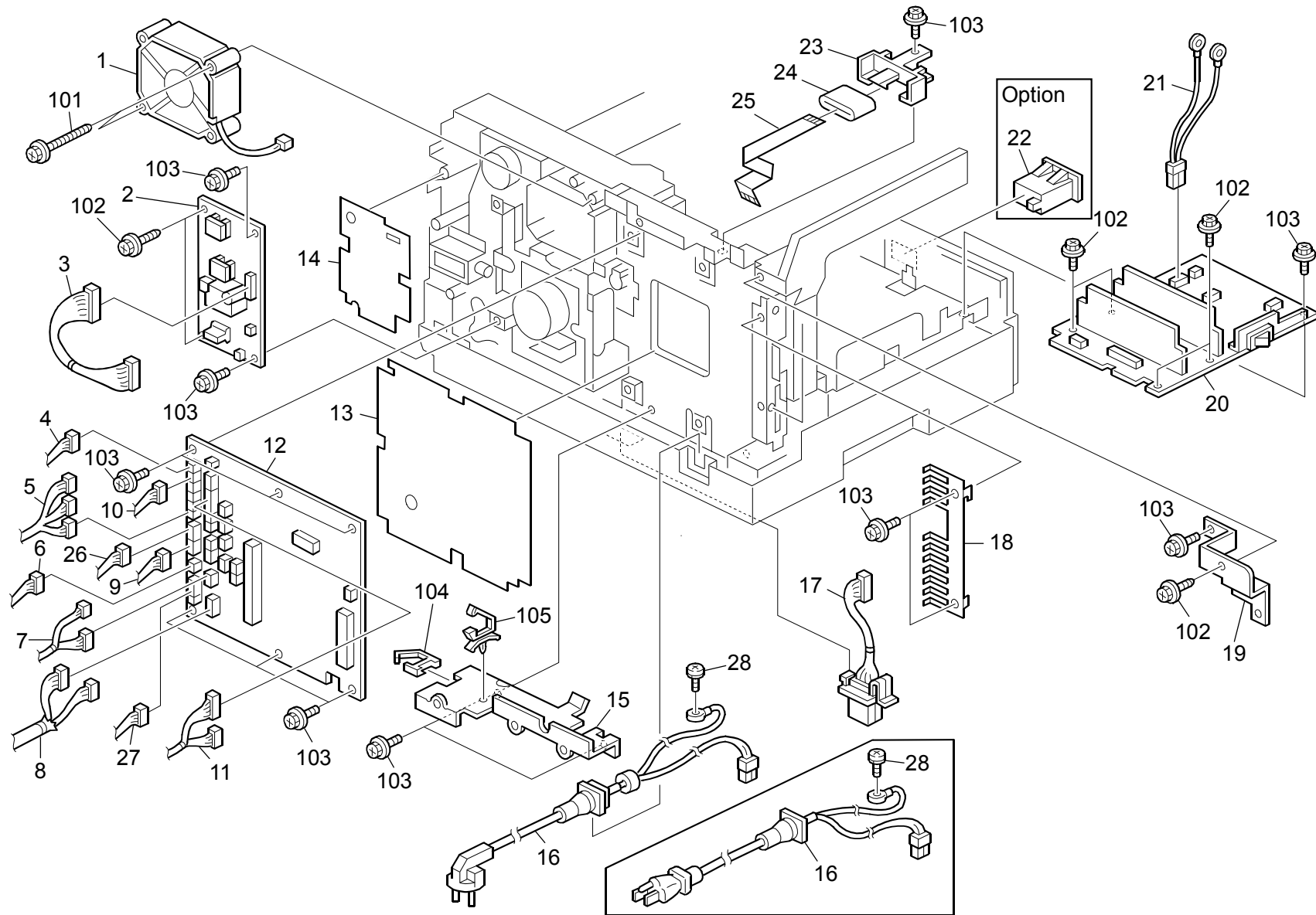
18. Drive Section (D115/D116)

Rev. 03/08/2011

| Index No. | Part No. | Description | Q'ty Per Assembly |
|-----------|-----------|-------------------------------------|-------------------|
| 1 | BB01 3006 | Gear - 27Z | 1 |
| 2 | AB01 7586 | Coupled Gear - 43/53Z | 1 |
| 3 | AB01 1438 | Gear - 41Z | 1 |
| 4 | AB01 1492 | Gear - 29Z | 1 |
| 5 | AX20 0309 | Magnetic Clutch: 0.25N.m: Z43 | 1 |
| 6 | AA13 2217 | Collar | 1 |
| 7 | AB01 7587 | Coupled Gear - 17/44Z | 1 |
| 8 | AB01 7585 | Coupled Gear - 17/44Z | 1 |
| 9 | AB01 7629 | Gear - 19/21Z | 1 |
| 10 | AB01 7663 | Gear - 18/40Z | 1 |
| 11 | B129 1164 | Fusing Bracket Ass'y | 1 |
| 12 | AA14 3804 | Fusing Shaft 5 | 1 |
| 13 | B129 1110 | Rear Drive Plate 2 | 1 |
| 14 | AA16 1157 | Bracket Cushion | 1 |
| 15 | B129 1056 | Shaft Spacer | 1 |
| 16 | B129 1161 | Lever DC Solenoid Ass'y | 1 |
| 17 | AA06 2326 | Spring - Swivel Fusing | 1 |
| 18 | B129 1129 | Plate Cushion | 1 |
| 19 | B044 1139 | Damping Insulation | 2 |
| 20 | AA12 0124 | Ground Plate - Drum Drive | 1 |
| 21 | AA12 0104 | Ground Plate - Registration | 1 |
| 22 | B129 1157 | Side Plate - Manual Feed | 1 |
| 23 | B129 2820 | Ground Plate - Manual Feed | 1 |
| 24 | H556 4172 | Duplex Drive Bracket | 1 |
| 25 | AX06 0336 | Stepper Motor-Duplex-DC24V 14.9W | 1 |
| 26 | B129 4703 | Ground Plate - Lower Duplex Bracket | 1 |
| 27 | B262 4701 | Spring Plate: Discharge | 1 |
| 28 | AX06 0344 | Brushless Motor: DC24V: 20W | 1 |
| 29 | AB01 7628 | Gear - 19/38Z | 1 |
| 30 | D108 1635 | Plate: Drive: Rear: 1: Ass'y | 1 |
| 31 | H556 4183 | Swivel Bracket | 1 |
| 32 | H556 4178 | Spring Plate | 1 |
| 33 | AA04 3582 | Timing Belt | 1 |
| 34 | AB03 2071 | Pulley - 24Z | 1 |
| 35 | H556 4180 | Plate Bracket | 1 |

| Index No. | Part No. | Description | Q'ty Per Assembly |
|-----------|------------|----------------------------|-------------------|
| 36 | 5424 4142 | Bushing - Cleaning Roller | 1 |
| 37 | AB01 7661 | Gear - 29/69Z | 1 |
| 38 | AB01 7660 | Gear - 44/67Z | 1 |
| 39 | AB01 7662 | Gear - 17/67Z | 1 |
| 40 | AB01 0362 | Gear - 49Z | 1 |
| 41 | AB01 7659 | Gear - 43/91Z | 1 |
| 42 | B044 1158 | Bracket | 1 |
| 43 | AB01 7627 | Gear - 28/43Z | 1 |
| 44 | 5053 0447 | Bushing - 6mm | 1 |
| 101 | 0451 3006N | Tapping Screw - 3x6 | |
| 102 | 0453 3006N | Tapping Screw - M3x6 | |
| 103 | 0450 3010N | Tapping Screw - M3x10 | |
| 104 | 0720 0040E | Retaining Ring - M4 | |
| 105 | 1105 0487 | Harness Clamp | |
| 106 | 1105 0511 | Harness Clamp - LWS-0306ZC | |
| 107 | 0353 0040N | Screw - M3x4 | |
| 108 | 0450 3008N | Tapping Screw - M3x8 | |
| 109 | 1105 0499 | Support Spacer - M3x29 | |

19. Electrical Section (D115/D116)

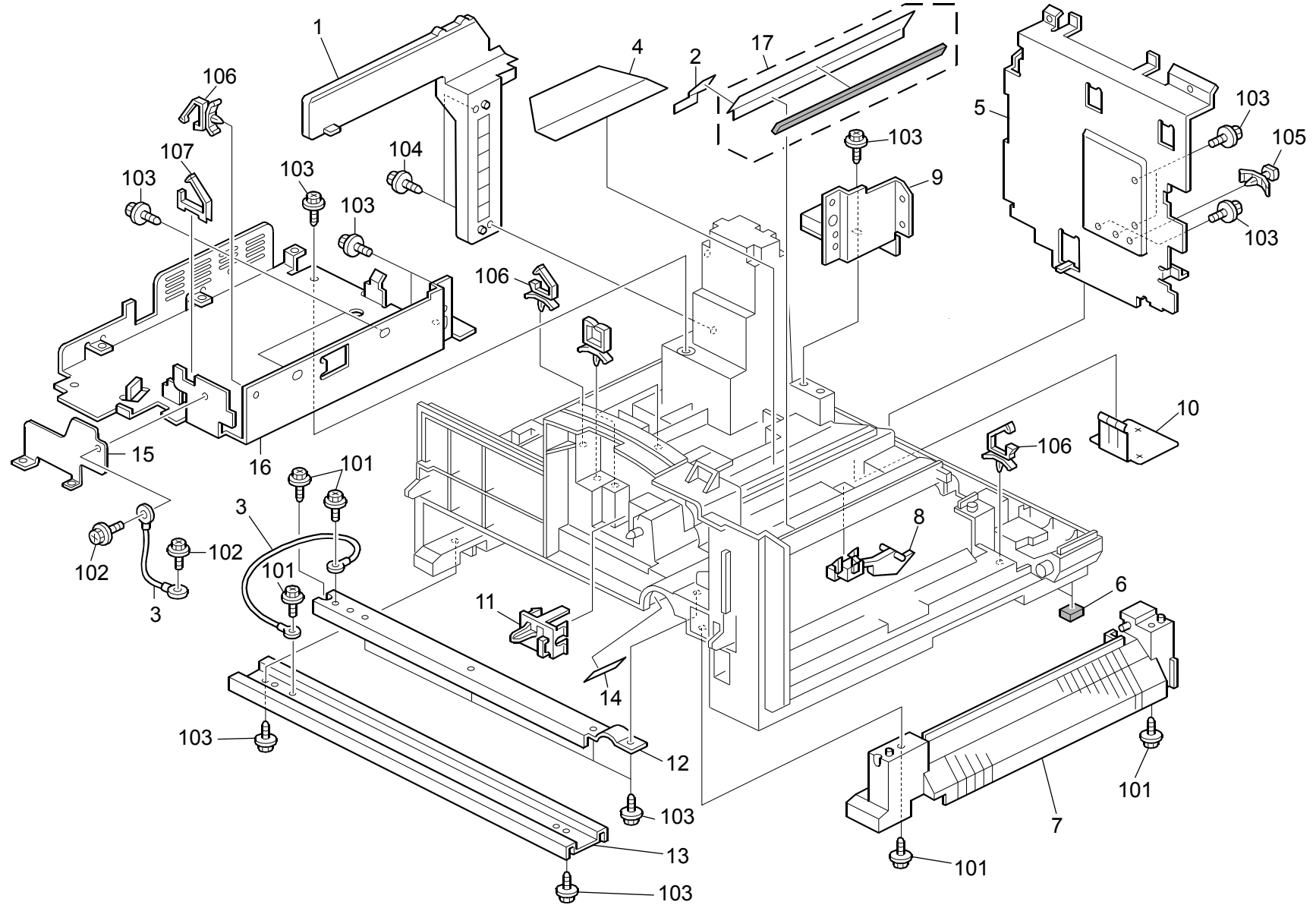


19. Electrical Section (D115/D116)

| Index No. | Part No. | Description | Q'ty Per Assembly |
|-----------|-----------|---------------------------------------|-------------------|
| 1 | GX64 5734 | Fan Motor: MM80 DC24V 3.12W | 1 |
| 2 | AZ32 0152 | Power Pack BCT | 1 |
| 3 | D067 5217 | Harness: HVP | 1 |
| 4 | D067 5201 | Harness: HPS | 1 |
| 5 | D067 5202 | Harness: Paper Feed Sensor | 1 |
| 6 | D067 5213 | Harness: Registration Sensor | 1 |
| 7 | D067 5200 | Harness: Toner: Connecting | 1 |
| 8 | D067 5206 | Harness: Power Supply Unit | 1 |
| 9 | D067 5216 | Harness: Motor: Main | 1 |
| 10 | D067 5205 | Harness: Operation Sub-unit | 1 |
| 11 | D067 5210 | Harness: Door Switch | 1 |
| 12 | D116 5101 | PCB: BICU: GW: EXP: Ass'y | 1 |
| 13 | B129 1307 | BICU Insulating Sheet | 1 |
| 14 | AA17 0026 | Insulating Sheet Power Pack | 1 |
| 15 | B129 1301 | BICU Shadeing Plate | 1 |
| 16 | D067 5021 | Power Supply Cord: NA | 1 |
| 16 | B262 5023 | Power Supply Cord: Stopper: EU: Ass'y | 1 |
| 17 | D067 5223 | Harness: Paper Feed Table: Connecting | 1 |
| 18 | B129 1313 | Spring Plate - Gwctl | 1 |
| 19 | B129 1303 | Rear Cover Bracket | 1 |
| 20 | AZ23 0226 | Power Supply Unit: S-C3: 100V | 1 |
| 20 | AZ23 0249 | Power Supply Unit: 200V | 1 |
| 21 | B262 5209 | Harness: AC: Fusing: NA | 1 |
| 21 | B262 5208 | Harness: AC: Fusing: EU | 1 |
| 22 | AX31 0049 | Total Counter: 7Fig: 24V | 1 |
| 23 | B262 5805 | Holder: Ferrite Core | 1 |
| 24 | H555 5150 | Ferrite Core | 1 |
| 25 | B262 5236 | Flat Cable: SBU | 1 |
| 27 | D067 5223 | Harness: Paper Feed Table: Connecting | 1 |
| 28 | AA14 3592 | Screw- M4x6 | 1 |

| Index No. | Part No. | Description | Q'ty Per Assembly |
|-----------|------------|-----------------------|-------------------|
| 101 | 0450 3035N | Tapping Screw: 3x35 | |
| 102 | 0450 3008N | Tapping Screw - M3x8 | |
| 103 | 0451 3006N | Tapping Screw - 3x6 | |
| 104 | 1105 0522 | Edge Saddle - LES0510 | |
| 105 | 1105 0487 | Harness Clamp | |

20.Frame Section (D115/D116)

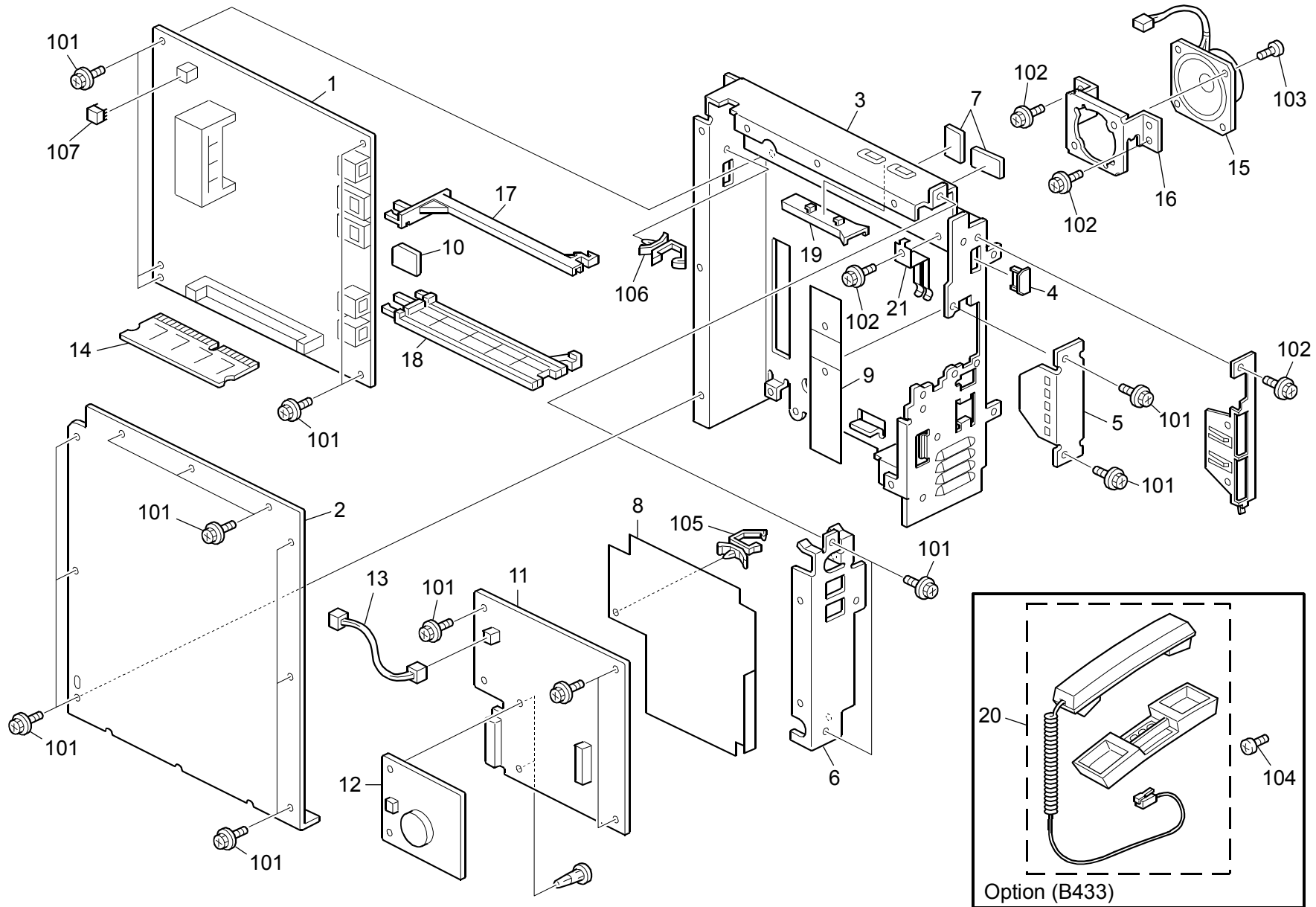


20.Frame Section (D115/D116)

| Index No. | Part No. | Description | Q'ty Per Assembly |
|-----------|-----------|-----------------------------------|-------------------|
| 1 | B044 1060 | Scanner Unit Stay | 1 |
| 2 | B262 2623 | Guide - Paper Dust Remover | 1 |
| 3 | D067 5235 | Ground Wire: Cassette | 2 |
| 4 | B044 1998 | Plate: Harness: Imaging Unit | 1 |
| 5 | B129 1300 | BICU Bracket | 1 |
| 6 | G512 3029 | Rubber Foot | 2 |
| 7 | B044 2651 | Right Rail | 1 |
| 8 | B044 5300 | Paper End Sensor | 1 |
| 9 | B129 1060 | PSU Stay | 1 |
| 10 | B044 1066 | Ground Plate - Option Tray | 1 |
| 11 | B044 1105 | Positioning Plate - Toner Bottle | 1 |
| 12 | B044 1061 | Base Bracket | 1 |
| 13 | B044 1062 | Base Bracket - Paper Feed | 1 |
| 14 | B044 2202 | Mylar-Quenching Lamp | 1 |
| 15 | B129 1315 | Separation Bracket | 1 |
| 16 | B129 1302 | Power Supply Unit Bracket | 1 |
| 17 | B044 2617 | Holder Ass'y - Paper Dust Removal | 1 |

| Index No. | Part No. | Description | Q'ty Per Assembly |
|-----------|------------|----------------------------|-------------------|
| 101 | 0450 3008N | Tapping Screw - M3x8 | |
| 102 | 0954 3008N | Screw - M3x8 | |
| 103 | 0451 3006N | Tapping Screw - 3x6 | |
| 104 | 0450 3010N | Tapping Screw - M3x10 | |
| 105 | 1105 0409 | Card Spacer- 6.4mm | |
| 106 | 1105 0511 | Harness Clamp - LWS-0306ZC | |
| 107 | 1105 0522 | Edge Saddle - LES0510 | |

21.Extension Box (D115/D116)

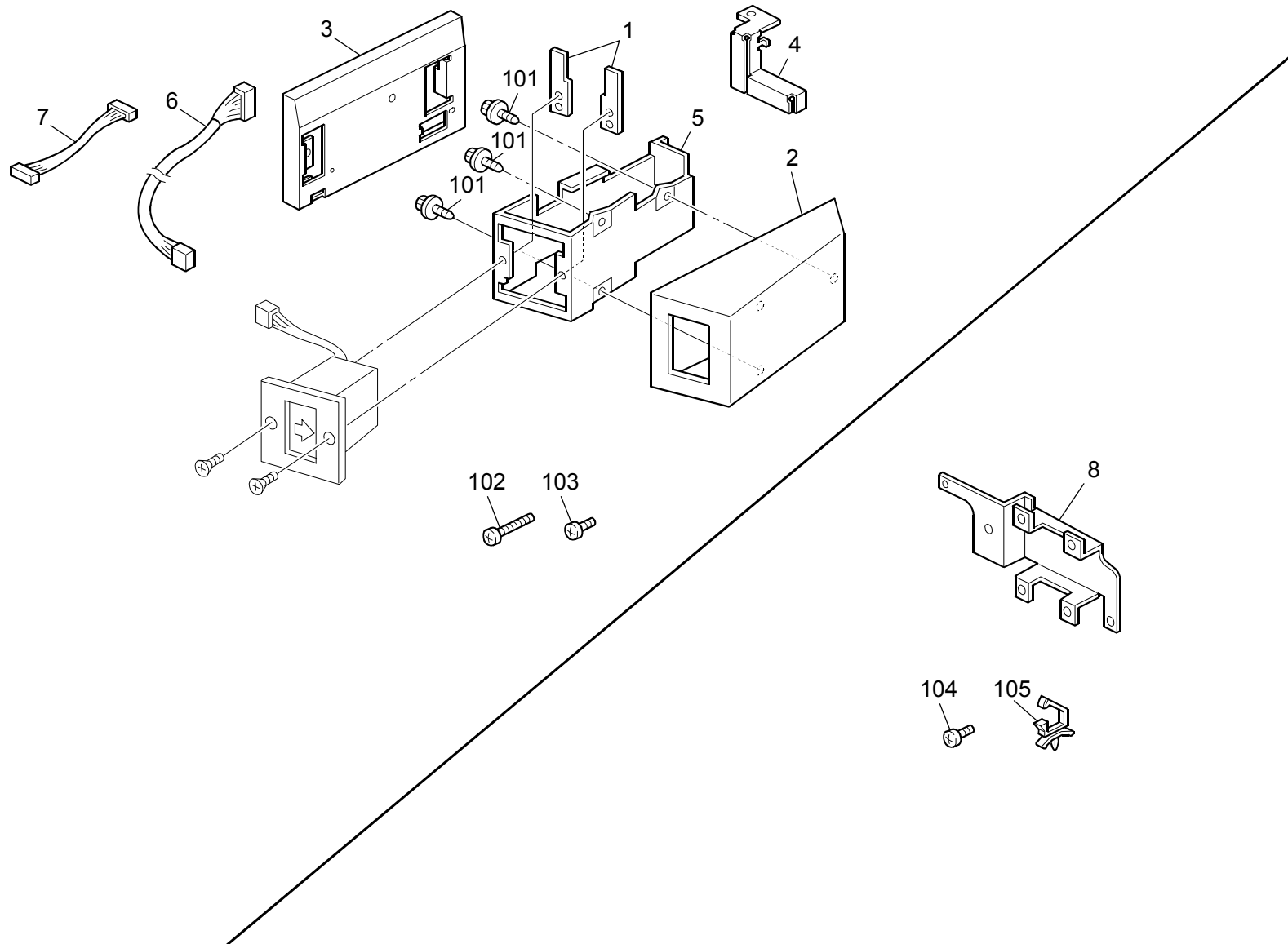


21.Extension Box (D115/D116)

| Index No. | Part No. | Description | Q'ty Per Assembly |
|-----------|-----------|------------------------------------|-------------------|
| 1 | D115 5711 | PCB: CTL: Ass'y | 1 |
| 2 | D067 1330 | Shadeing Plate: GWCTL | 1 |
| 3 | D067 1301 | Bracket: PCB: GW | 1 |
| 4 | D009 5871 | Connector Cap - USB-A | 1 |
| 5 | B129 1309 | Interface Cover | 1 |
| 6 | D067 1308 | Bracket: Fax Control Unit | 1 |
| 7 | H547 4203 | Guide Plate Sponge | 2 |
| 8 | D067 1314 | Insulating Sheet: Fax Control Unit | 1 |
| 9 | D067 1313 | Insulating Sheet: CTL | 1 |
| 10 | D115 5099 | SD-Card: SpF: Ass'y | 1 |
| 11 | D401 5132 | PCB: GWFCU3: NA: Ass'y | 1 |
| 11 | D401 5134 | PCB: GWFCU3: EU: Ass'y | 1 |
| 12 | D116 5180 | PCB: Mbu: Ass'y | 1 |
| 13 | D068 5230 | Speaker Interface Harness | 1 |
| 14 | B584 5120 | PCB: DDR1-DIMM-32B: 128MB: Ass'y | 1 |
| 14 | B585 5140 | PCB: DDR1-DIMM-32B: 512MB: Ass'y | 1 |
| 15 | B284 5050 | Speaker: B284 | 1 |
| 16 | B262 1311 | Bracket: Speaker | 1 |
| 17 | D009 5899 | Right Rail - Small | 1 |
| 18 | D009 5891 | Left Rail - Fax Control Unit | 1 |
| 19 | H556 5857 | OPIF Rail | 1 |
| 20 | B433 5003 | Hand Set: MLG: 390: EXP: Ass'y | 1 |
| 21 | D067 1311 | Ground Plate: USB | 1 |
| 22 | D067 1310 | Ground Plate: Expand: CTL | 1 |

| Index No. | Part No. | Description | Q'ty Per Assembly |
|-----------|------------|---------------------------------|-------------------|
| 101 | 0451 3006N | Tapping Screw - 3x6 | |
| 102 | 0360 3006N | Screw - M3x6 | |
| 103 | 0453 3006N | Tapping Screw - M3x6 | |
| 104 | 0353 0080N | Screw: M3x8 | |
| 105 | 1105 0511 | Harness Clamp - LWS-0306ZC | |
| 106 | 1105 0487 | Harness Clamp | |
| 107 | 1407 6732 | RAM: FM25L512-PGC(REV.AC): 512K | |

22. Accessory (D115/D116)

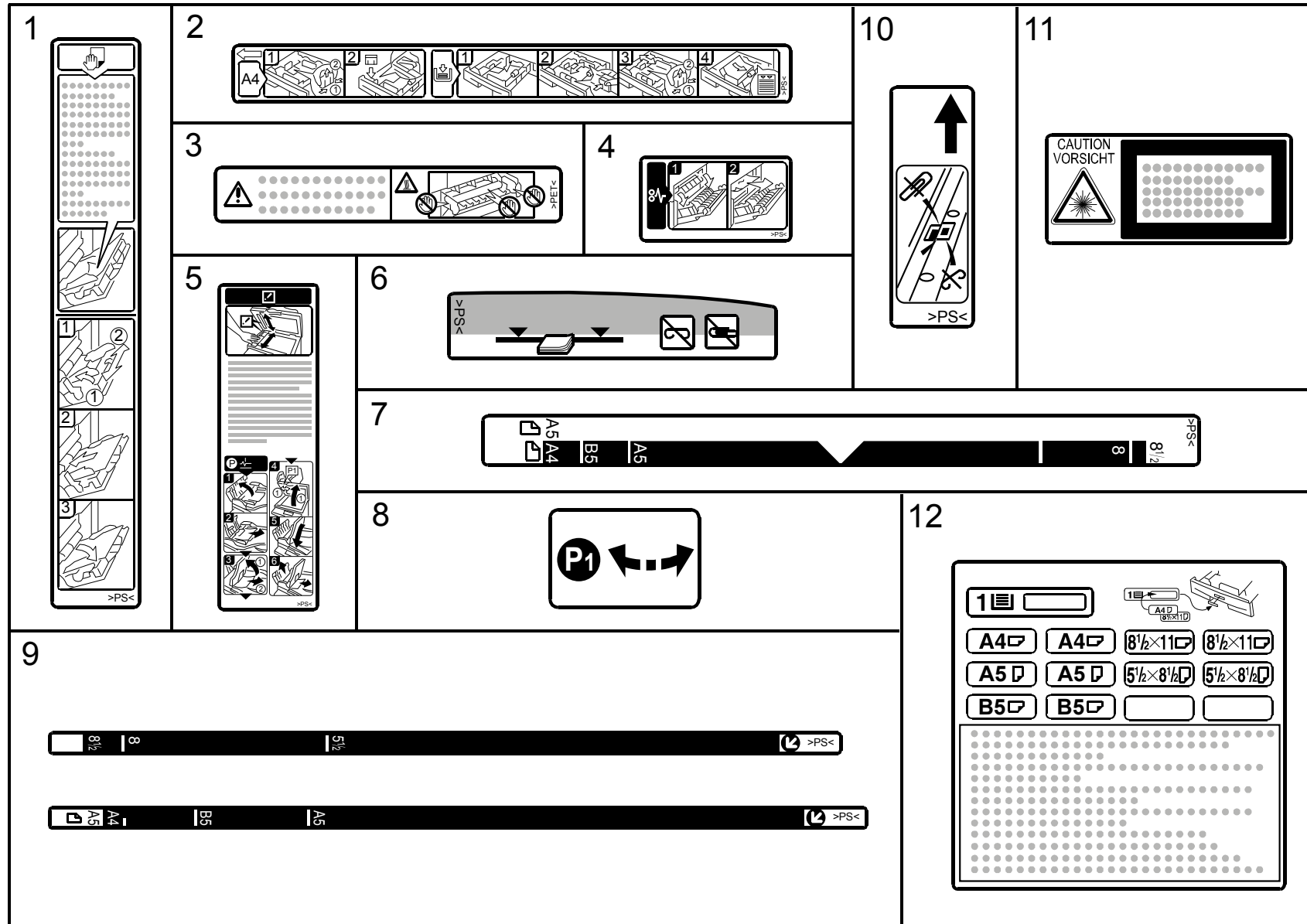


22.Accessory (D115/D116)

| Index No. | Part No. | Description | Q'ty Per Assembly |
|-----------|-----------|------------------------------------|-------------------|
| 1 | A509 1063 | Plate Nut | 2 |
| 2 | A509 1260 | Holder Cover | 1 |
| 3 | B262 1318 | Bracket: Key Counter Holder | 1 |
| 4 | B262 1319 | Cover: Harness: Key Counter Holder | 1 |
| 5 | B262 1324 | Bracket: Key Counter Holder | 1 |
| 6 | D067 5261 | Harness: Key Counter | 1 |
| 7 | D067 5299 | Harness: Key Counter: Connecting | 1 |
| 8 | B262 1310 | Bracket: MKB | 1 |

| Index No. | Part No. | Description | Q'ty Per Assembly |
|-----------|------------|--------------------------|-------------------|
| 101 | 0450 4008N | Tapping Screw - M4x8 | |
| 102 | 0354 0160N | Screw: M4x16 | |
| 103 | 0353 0080N | Screw: M3x8 | |
| 104 | 0353 0060N | Bind Screw - M3x6 | |
| 105 | 1105 0508 | Harness Clamp - LWS-0711 | |

23.Decals And Documents (D115/D116)



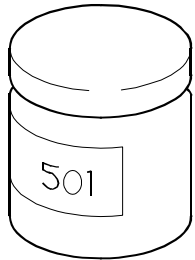
23.Decals And Documents (D115/D116)

| Index No. | Part No. | Description | Q'ty Per Assembly |
|-----------|-----------|----------------------------|-------------------|
| 1 | AA00 3011 | Manual Feed Decal | 1 |
| 2 | B044 2720 | Decal - Cassette Operation | 1 |
| 3 | B044 4161 | Warning Decal | 1 |
| 4 | B044 4617 | Fusing Unit Decal | 1 |
| 5 | B872 6011 | Decal: Misfeed Removal | 1 |
| 6 | B872 6021 | Decal: Side Fence | 1 |
| 7 | B872 6031 | Decal: Size: Original | 1 |
| 8 | B872 6041 | Decal: Lever: Knob | 1 |
| 9 | B872 6061 | Decal: Scale: Left: NA | 1 |
| 9 | B872 6071 | Decal: Scale: Left: EU | 1 |
| 10 | B872 6081 | Decal: Caution Chart | 1 |
| 11 | G029 1982 | LD Decal | 1 |
| 12 | H555 2790 | Decal - Paper Size | 1 |

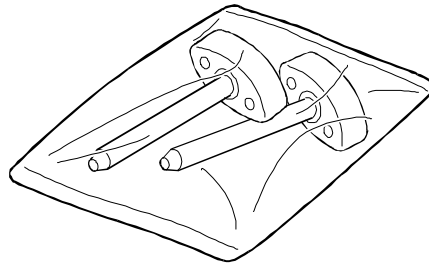
| Index No. | Part No. | Description | Q'ty Per Assembly |
|-----------|----------|-------------|-------------------|
| | | | |

24.Special Tools (D115/D116)

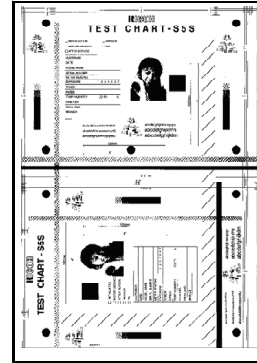
1



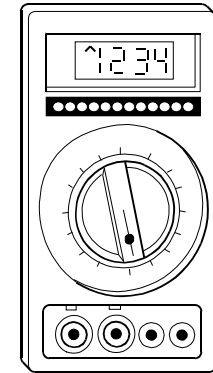
2



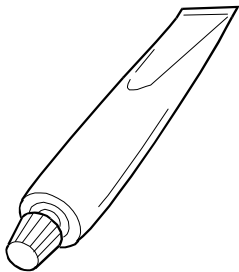
3



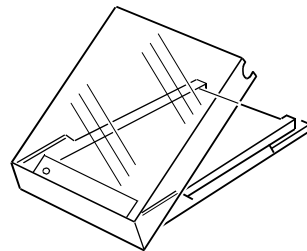
4



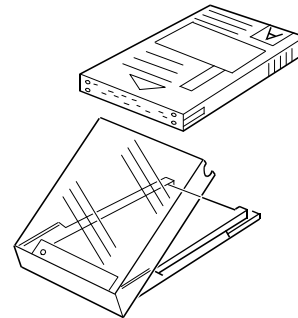
5



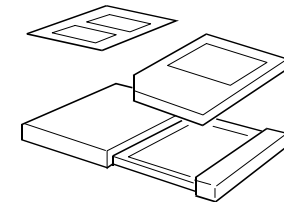
6



7



8



24.Special Tools (D115/D116)

| Index No. | Part No. | Description | Q'ty Per Assembly |
|-----------|-----------|-------------------------------|-------------------|
| 1 | 5203 9502 | Grease 501 | 1 |
| 2 | A184 9501 | Optics Adjustment Tool | 1 |
| 3 | A292 9500 | Test Chart - S5S (10 pcs/set) | 1 |
| 4 | VSSM 9000 | Digital Multimeter-Fluke187 | 1 |
| 5 | A257 9300 | Grease - Barrierta S552R | 1 |
| 6 | N803 1000 | Case - Flash Memory Card | 1 |
| 7 | N803 6701 | Flash Memory Card-4MB | 1 |
| 8 | B645 5010 | SD - Card: Ass'y | 1 |

| Index No. | Part No. | Description | Q'ty Per Assembly |
|-----------|----------|-------------|-------------------|
| | | | |

D115/D116 PARTS INDEX

This section shows you the part numbers and descriptions used on this machine.

PM Parts Index

| Section Name | Part No. | Description in Service Manual | Description in Parts Catalog | Q'ty Per Assembly | Page and Index No. |
|-------------------------------|-----------|-------------------------------|------------------------------|-------------------|--------------------|
| Transport Section (D115/D116) | B262 3802 | Transfer Roller | Transfer Roller | 1 | 17 - 8 |
| | B044 3857 | Separation Plate | Separation Plate | 1 | 17 - 19 |
| Paper Cassette (D115/D116) | AF03 1061 | Paper Feed Roller | Paper Feed Roller | 1 | 19 - 12 |
| | D067 2710 | Friction Pad: Adhesion | Friction Pad: Adhesion | 1 | 19 - 13 |
| ARDF 2 (D115/D116) | AF03 1062 | Feed Roller | Feed Roller | 1 | 23 - 18 |
| | AF03 0363 | Pickup Roller | Pickup Roller | 1 | 23 - 26 |
| ARDF 3 (D115/D116) | AF03 2030 | Reverse Roller | Reverse Roller | 1 | 25 - 2 |
| | AE04 4059 | Stripper Pawls | Stripper Pawls | 3 | 39 - 21 |
| | AE02 0164 | Pressure Roller | Pressure Roller | 1 | 39 - 26 |
| | AE03 1044 | Fusing Bushing | Fusing Bushing | 2 | 39 - 39 |
| | AE01 1086 | Hot Roller | Hot Roller | 1 | 39 - 40 |

Parts Index

| Part No. | Description | Page and Index No. |
|-----------|---------------------------------|--------------------|
| D115 1252 | Cover: Exit: EU | 7 - 8 |
| D115 1262 | Cover: Exit: NA/AA | 7 - 8 |
| D115 1901 | Imaging Unit | 35 - * |
| D115 1912 | Laser Diode Unit: Ass'y | 35 - 6 |
| D115 5099 | SD-Card: SPF: Ass'y | 47 - 10 |
| D115 5711 | PCB: CTL: Ass'y | 47 - 1 |
| D115 7500 | Model Name Plate: D115: RIC | 7 - 3 |
| D115 7504 | Model Name Plate: D115: LAN: AA | 7 - 4 |
| D116 5101 | PCB: BICU: GW: EXP: Ass'y | 42 - 12 |
| D116 5180 | PCB: Mbu: Ass'y | 47 - 12 |
| D116 7500 | Model Name Plate: D116: RIC | 7 - 3 |
| D116 7504 | Model Name Plate: D116: LAN: AA | 7 - 4 |

| Part No. | Description | Page and Index No. |
|-----------|----------------------------------|--------------------|
| A184 3420 | Bottle Chuck | 37 - 23 |
| A184 9501 | Optics Adjustment Tool | 53 - 2 |
| A250 1824 | Exposure Glass Sheet | 31 - 20 |
| A257 9300 | Grease - Barrierta S552R | 53 - 5 |
| A267 3556 | Chuck Spring - Tonner Bottle | 37 - 27 |
| A292 9500 | Test Chart - S5S (10 pcs/set) | 53 - 3 |
| A509 1063 | Plate Nut | 49 - 1 |
| A509 1260 | Holder Cover | 49 - 2 |
| A859 2352 | Pressure Plate Pad | 21 - 22 |
| A859 4141 | Pulley Idler | 27 - 29 |
| B039 1683 | Tension Spring - Stepper Motor | 33 - 18 |
| B039 1695 | Flange - Pulley | 33 - 13 |
| B039 1704 | Spring - Timing Pulley | 33 - 4 |
| B039 1781 | 2nd Mirror Holder | 31 - 17 |
| B039 1785 | Scanner Drive Pulley | 31 - 12 |
| B039 1786 | Tension Spring | 31 - 13 |
| B044 1060 | Scanner Unit Stay | 45 - 1 |
| B044 1061 | Base Bracket | 45 - 12 |
| B044 1062 | Base Bracket - Paper Feed | 45 - 13 |
| B044 1063 | Scanner Stud | 15 - 2 |
| B044 1066 | Ground Plate - Option Tray | 45 - 10 |
| B044 1067 | Toner Supply Rail | 37 - 31 |
| B044 1069 | Duct Shield | 37 - 1 |
| B044 1100 | Shutter | 37 - 17 |
| B044 1101 | Shutter Spring | 37 - 18 |
| B044 1102 | Registration Electrode Plate | 15 - 10 |
| B044 1103 | Shutter Cover | 37 - 20 |
| B044 1105 | Positioning Plate - Toner Bottle | 45 - 11 |
| B044 1139 | Damping Insulation | 41 - 19 |
| B044 1158 | Bracket | 41 - 42 |
| B044 1258 | Shielding Plate | 7 - 7 |
| B044 1278 | Right Upper Cover | 7 - 17 |
| B044 1290 | Sheet - Operation Instructions | 7 - 18 |
| B044 1661 | Belt Clamp Bracket | 33 - 21 |
| B044 1663 | Lens Bracket | 33 - 10 |

| Part No. | Description | Page and Index No. |
|-----------|-----------------------------------|--------------------|
| B044 1669 | Stopper Bracket - 1st Scanner | 33 - 23 |
| B044 1671 | Bracket | 33 - 22 |
| B044 1715 | Timing Belt Holder | 31 - 5 |
| B044 1719 | Scanner Slider Pin | 31 - 24 |
| B044 1721 | 1st Mirror Holder | 31 - 7 |
| B044 1734 | 2nd Scanner | 31 - 14 |
| B044 1751 | Flat Cable Guide | 31 - 18 |
| B044 1826 | Scanner Drive Shaft | 33 - 14 |
| B044 1827 | Front Idler Bracket | 33 - 1 |
| B044 1828 | Rear Idler Bracket | 33 - 3 |
| B044 1847 | Shoulder Screw | 7 - 2 |
| B044 1906 | Seal - LDU | 35 - 12 |
| B044 1931 | Shield Glass | 35 - 9 |
| B044 1941 | Laser Unit Cover | 35 - 10 |
| B044 1943 | Ground Plate | 35 - 1 |
| B044 1944 | Shutter Plate | 35 - 3 |
| B044 1998 | Plate: Harness: Imaging Unit | 45 - 4 |
| B044 1999 | Spacer - 5mm | 35 - 13 |
| B044 2202 | Mylar-Quenching Lamp | 45 - 14 |
| B044 2602 | Turn Roller | 15 - 15 |
| B044 2603 | Registration Feeler | 15 - 13 |
| B044 2604 | Front Bushing | 15 - 11 |
| B044 2605 | Rear Bushing | 15 - 7 |
| B044 2612 | Guide Plate | 17 - 1 |
| B044 2614 | Driven Roller Bushing | 17 - 4 |
| B044 2615 | Pressure Spring | 17 - 13 |
| B044 2616 | Support Bushing | 15 - 14 |
| B044 2617 | Holder Ass'y - Paper Dust Removal | 45 - 17 |
| B044 2621 | Bushing - Driven Roller | 17 - 17 |
| B044 2622 | Spacer - Registration | 15 - 30 |
| B044 2624 | Registration Roller Shaft | 17 - 2 |
| B044 2651 | Right Rail | 45 - 7 |
| B044 2653 | Guide Plate - Paper Feed | 15 - 3 |
| B044 2654 | Paper Feedguide | 15 - 4 |
| B044 2656 | Guide Plate Stopper | 15 - 29 |

| Part No. | Description | Page and Index No. |
|-----------|-----------------------------|--------------------|
| B044 2702 | Front Side Fence | 19 - 2 |
| B044 2703 | Rear Side Fence | 19 - 7 |
| B044 2704 | Tray Bottom Plate | 19 - 1 |
| B044 2706 | End Fence | 19 - 3 |
| B044 2713 | Stopper | 19 - 14 |
| B044 2714 | Rubber Plate - Friction Pad | 19 - 24 |
| B044 2715 | Sponge - End Fence | 19 - 22 |
| B044 2716 | Pressure Spring | 19 - 6 |
| B044 2717 | Pressure Spring | 19 - 21 |
| B044 2720 | Decal - Cassette Operation | 51 - 2 |
| B044 2720 | Decal - Cassette Operation | 19 - 20 |
| B044 2721 | Paper Tray Sheet | 19 - 23 |
| B044 2751 | Joint - Paper Feed Roller | 19 - 8 |
| B044 2756 | Spring - Paper Feed Roller | 19 - 9 |
| B044 2758 | Shaft - Paper Feed Roller | 19 - 11 |
| B044 2801 | By-pass Feed Table | 13 - 2 |
| B044 2803 | Tray Bottom Plate | 13 - 9 |
| B044 2804 | Front Side Fence | 13 - 7 |
| B044 2805 | Rear Side Fence | 13 - 8 |
| B044 2806 | Lever - Manual Feed Table | 13 - 4 |
| B044 2807 | Stay - Tray Bottom Plate | 13 - 11 |
| B044 2808 | Paper Guide | 13 - 1 |
| B044 2809 | Spring - Manual Feed Table | 13 - 6 |
| B044 2811 | Guide Plate - Manual Feed | 15 - 23 |
| B044 2812 | Manual Feed Bracket | 15 - 25 |
| B044 2814 | Exit Guide | 15 - 16 |
| B044 2815 | Friction Pad - Manual Feed | 15 - 18 |
| B044 2817 | Friction Pad Spring | 15 - 19 |
| B044 2824 | Cushion-manual Feed Roller | 15 - 27 |
| B044 2825 | Spacer-manual Feed Roller | 15 - 26 |
| B044 2829 | Manual Feed Shaft | 15 - 22 |
| B044 2860 | Front Stopper Plate | 17 - 39 |
| B044 2861 | Rear Stopper Plate | 17 - 40 |
| B044 3191 | Tapping Screw-M3x8 | 17 - 26 |
| B044 3191 | Tapping Screw-M3x8 | 39 - 48 |

| Part No. | Description | Page and Index No. |
|-----------|--------------------------------------|--------------------|
| B044 3426 | Chuck Shaft | 37 - 24 |
| B044 3427 | Slide Shaft | 37 - 25 |
| B044 3461 | Handlw Cam | 37 - 26 |
| B044 3470 | Toner Supply Case Ass'y | 37 - 33 |
| B044 3475 | Un Lock Grip | 37 - 32 |
| B044 3485 | Slider Ass'y | 37 - 28 |
| B044 3857 | Separation Plate | 17 - 19 |
| B044 3859 | Discharge Plate | 17 - 23 |
| B044 3860 | Transfer Plate | 17 - 12 |
| B044 3865 | Transfer Roller Spring - Front | 17 - 11 |
| B044 3866 | Transfer Roller Spring - Rear | 17 - 10 |
| B044 3870 | Transfer Guide | 17 - 14 |
| B044 3894 | Density Sensor: Longdist: Adhesion | 17 - 15 |
| B044 3990 | Positioning Spring - Transfer Roller | 17 - 9 |
| B044 4104 | Pressure Frame | 39 - 36 |
| B044 4112 | Hot Roller Cap | 39 - 50 |
| B044 4117 | Front Spring Plate | 39 - 23 |
| B044 4118 | Rear Spring Plate | 39 - 25 |
| B044 4130 | Pressure Lever | 39 - 28 |
| B044 4131 | Bushing-Pressure Release | 39 - 43 |
| B044 4132 | Side Plate | 39 - 31 |
| B044 4135 | Lamp Holder | 39 - 22 |
| B044 4136 | Ground Plate | 39 - 46 |
| B044 4138 | Spring | 39 - 5 |
| B044 4141 | Pressure Release Lever - Front | 39 - 29 |
| B044 4146 | Pressure Release Lever - Rear | 39 - 30 |
| B044 4150 | Hot Roller Stopper | 39 - 37 |
| B044 4152 | Pressure Spring | 39 - 27 |
| B044 4153 | Cushion | 39 - 44 |
| B044 4154 | Exit Spring | 39 - 10 |
| B044 4155 | Spring - Pickoff Pawl | 39 - 20 |
| B044 4156 | Front Hot Roller Stopper | 39 - 49 |
| B044 4161 | Warning Decal | 39 - 35 |
| B044 4161 | Warning Decal | 51 - 3 |
| B044 4166 | Spring Plate | 39 - 2 |

| Part No. | Description | Page and Index No. |
|-----------|---------------------------|--------------------|
| B044 4170 | Fusing Gear | 39 - 38 |
| B044 4179 | Holder - Pickoff Pawl | 39 - 51 |
| B044 4183 | Feeler | 39 - 3 |
| B044 4186 | Guide Plate | 39 - 4 |
| B044 4200 | Fusing Plate Nut | 37 - 30 |
| B044 4200 | Fusing Plate Nut | 39 - 33 |
| B044 4200 | Fusing Plate Nut | 15 - 31 |
| B044 4201 | Fusing Harness Cover | 39 - 34 |
| B044 4401 | Paper Holder Stand | 39 - 47 |
| B044 4616 | Right Cover Lever | 17 - 21 |
| B044 4617 | Fusing Unit Decal | 17 - 24 |
| B044 4617 | Fusing Unit Decal | 51 - 4 |
| B044 4618 | Spring Holder | 17 - 3 |
| B044 4624 | Right Door Belt | 17 - 20 |
| B044 4655 | Right Door | 17 - 22 |
| B044 4663 | Reverse Guide Plate | 17 - 18 |
| B044 4929 | Sheet - Exposure Glass | 7 - 28 |
| B044 4961 | Oneway Clutch | 23 - 22 |
| B044 4962 | Cushion | 25 - 16 |
| B044 5300 | Paper End Sensor | 45 - 8 |
| B121 1680 | Gear - 53Z/60Z | 33 - 16 |
| B121 1696 | Timing Belt L147 | 33 - 17 |
| B129 1056 | Shaft Spacer | 41 - 15 |
| B129 1059 | Frame-Drive-C2 | 37 - 34 |
| B129 1060 | PSU Stay | 45 - 9 |
| B129 1110 | Rear Drive Plate 2 | 41 - 13 |
| B129 1129 | Plate Cushion | 41 - 18 |
| B129 1157 | Side Plate - Manual Feed | 41 - 22 |
| B129 1161 | Lever DC Solenoid Ass'y | 41 - 16 |
| B129 1163 | Rear Drive Plate 1 Ass'y | 41 - 30 |
| B129 1164 | Fusing Bracket Ass'y | 41 - 11 |
| B129 1175 | Toner Bottle Drive Spring | 37 - 4 |
| B129 1176 | Toner Supply Shaft | 37 - 3 |
| B129 1251 | Left Scanner Cover EU | 7 - 14 |
| B129 1261 | Left Scanner Cover NA | 7 - 14 |

| Part No. | Description | Page and Index No. |
|-----------|-------------------------------------|--------------------|
| B129 1300 | BICU Bracket | 45 - 5 |
| B129 1301 | BICU Shadeing Plate | 42 - 15 |
| B129 1302 | Power Supply Unit Bracket | 45 - 16 |
| B129 1303 | Rear Cover Bracket | 42 - 19 |
| B129 1307 | BICU Insulating Sheet | 42 - 13 |
| B129 1309 | Interface Cover | 47 - 5 |
| B129 1313 | Spring Plate - Gwctl | 42 - 18 |
| B129 1315 | Separation Bracket | 45 - 15 |
| B129 1474 | Spring Plate - Stl | 9 - 10 |
| B129 1474 | Spring Plate: STL | 11 - 4 |
| B129 2820 | Ground Plate - Manual Feed | 41 - 23 |
| B129 3465 | Cover - Toner Supply Unit | 37 - 29 |
| B129 4102 | Fusing Frame | 39 - 16 |
| B129 4134 | Electrode Plate Fusing | 39 - 45 |
| B129 4143 | Electrode Plate Cover | 39 - 15 |
| B129 4195 | Thermostat Plate Nut | 39 - 52 |
| B129 4293 | Tapping Screr - M3x10 | 17 - 42 |
| B129 4293 | Tapping Screr - M3x10 | 39 - 60 |
| B129 4294 | Screw-M3x13 | 39 - 42 |
| B129 4703 | Ground Plate - Lower Duplex Bracket | 41 - 26 |
| B229 1453 | Keytop - Start | 9 - 8 |
| B229 1454 | Keytop - Clear/Stop | 9 - 7 |
| B229 1475 | Keytop - 10key | 9 - 3 |
| B229 1525 | Keytop-Initial | 9 - 4 |
| B229 1526 | Keytop - 10key NA | 9 - 3 |
| B229 1537 | Keytop - Clear Modes | 9 - 5 |
| B229 1557 | Keytop - 10key AA | 9 - 3 |
| B243 1458 | Keytop - Power Source | 9 - 6 |
| B243 1459 | Keytop - Cursor | 9 - 2 |
| B243 1477 | Keytop: Copy: NA (D068) | 9 - 12 |
| B259 2786 | Lever Shaft | 13 - 3 |
| B262 1064 | Scanner Bracket - Front Right | 15 - 1 |
| B262 1256 | Cover: Scanner: Right: EU | 7 - 16 |
| B262 1258 | Plate: Exposure Glass | 7 - 21 |
| B262 1266 | Cover: Scanner: Right: NA | 7 - 16 |

| Part No. | Description | Page and Index No. |
|-----------|------------------------------------|--------------------|
| B262 1310 | Bracket: MKB | 49 - 8 |
| B262 1311 | Bracket: Speaker | 47 - 16 |
| B262 1318 | Bracket: Key Counter Holder | 49 - 3 |
| B262 1319 | Cover: Harness: Key Counter Holder | 49 - 4 |
| B262 1324 | Bracket: Key Counter Holder | 49 - 5 |
| B262 1451 | Cover: Upper: Basic | 9 - 13 |
| B262 1452 | Cover: Lower: Basic | 9 - 11 |
| B262 1455 | Sheet: Base: Right | 9 - 15 |
| B262 1459 | Cover: Upper: Fax | 11 - 13 |
| B262 1460 | Cover: Lower: Fax | 11 - 6 |
| B262 1461 | Keytop: Dial: Fax | 11 - 12 |
| B262 1462 | Keytop: Function: Fax | 11 - 9 |
| B262 1463 | Cover: Function: Fax | 11 - 8 |
| B262 1464 | Sheet: Base: Left | 11 - 1 |
| B262 1466 | Sheet: Display: Expand: A: NA | 11 - 10 |
| B262 1468 | Sheet: Display: Expand: C | 11 - 11 |
| B262 1469 | Sheet: Display: Expand: D: NA | 11 - 5 |
| B262 1470 | Sheet: Display: Function: Fax: NA | 11 - 7 |
| B262 1474 | Cover: On-line: C (D116) | 9 - 1 |
| B262 1479 | Cover: On-line: CPS: NA (D115) | 9 - 1 |
| B262 1481 | Cover: On-line: CPS: EU (D115) | 9 - 1 |
| B262 1485 | Sheet: Display: Expand: B: Blank | 11 - 15 |
| B262 1653 | Rail: Front | 33 - 6 |
| B262 1654 | Rail: Rear | 33 - 5 |
| B262 1663 | Sheet: Flat Cable: Stabilizer | 33 - 9 |
| B262 1665 | Bracket: Scale: Inner Back | 33 - 8 |
| B262 1667 | Holder: Hinge: Left | 29 - 20 |
| B262 1668 | Holder: Hinge: Right | 29 - 21 |
| B262 1670 | Bracket: Stopper: Rear | 33 - 20 |
| B262 1677 | Holder: Ferrite Core: SBU | 33 - 11 |
| B262 1681 | Bracket: Scale | 31 - 22 |
| B262 1683 | Supporting Plate: Right Upper | 31 - 19 |
| B262 1700 | Carriage: No.1 Unit | 31 - 1 |
| B262 1741 | Bracket: Belt Pulley: Idler: Front | 31 - 11 |
| B262 1745 | Bracket: Belt Pulley: Idler: Rear | 31 - 10 |

| Part No. | Description | Page and Index No. |
|-----------|---------------------------------------|--------------------|
| B262 1770 | Lens Unit | 31 - 9 |
| B262 1847 | Scale: Inner Back: EU | 7 - 1 |
| B262 1848 | Scale: Inner Back: NA | 7 - 1 |
| B262 2623 | Guide - Paper Dust Remover | 45 - 2 |
| B262 2703 | Cover: Paper Tray: EU | 19 - 18 |
| B262 2704 | Cover: Paper Tray: NA | 19 - 18 |
| B262 2709 | Ground Plate: Tray Bottom Plate | 19 - 5 |
| B262 2711 | Ground Plater | 19 - 17 |
| B262 3020 | Toner Supply Unit | 37 - 22 |
| B262 3802 | Transfer Roller | 17 - 8 |
| B262 4701 | Spring Plate: Discharge | 41 - 27 |
| B262 5023 | Power Supply Cord: Stopper: EU: Ass'y | 42 - 16 |
| B262 5208 | Harness: AC: Fusing: EU | 39 - 59 |
| B262 5208 | Harness: AC: Fusing: EU | 42 - 21 |
| B262 5209 | Harness: AC: Fusing: NA | 42 - 21 |
| B262 5209 | Harness: AC: Fusing: NA | 39 - 59 |
| B262 5220 | Harness: High Voltage Line: C | 37 - 9 |
| B262 5221 | Harness: High Voltage Line: B | 37 - 13 |
| B262 5222 | Harness: High Voltage Line: T | 37 - 10 |
| B262 5236 | Flat Cable: SBU | 42 - 25 |
| B262 5236 | Flat Cable: SBU | 31 - 8 |
| B262 5237 | Flat Cable: Stabilizer | 31 - 2 |
| B262 5805 | Holder: Ferrite Core | 42 - 23 |
| B284 1814 | Stepping Motor - DC 5.3W | 33 - 15 |
| B284 5050 | Speaker: B284 | 47 - 15 |
| B351 4322 | Tape: Pressuer Plate | 29 - 13 |
| B390 1759 | Shaft: Scale | 7 - 12 |
| B433 5003 | Hand Set: MLG: 390: EXP: Ass'y | 47 - 20 |
| B584 5120 | PCB: DDR1-DIMM-32B: 128MB: Ass'y | 47 - 14 |
| B585 5140 | PCB: DDR1-DIMM-32B: 512MB: Ass'y | 47 - 14 |
| B645 5010 | SD - Card: Ass'y | 53 - 8 |
| B789 4257 | Pulley Flange | 25 - 33 |
| B830 1456 | Timing Belt - 40S2M190 | 27 - 14 |
| B843 1478 | Keytop: Fax: NA | 11 - 14 |
| B843 1479 | Keytop: Fax: EU | 11 - 14 |

| Part No. | Description | Page and Index No. |
|-----------|-------------------------------------|--------------------|
| B872 1114 | Bracket: Side Plate: Rear Right | 29 - 9 |
| B872 1121 | Stopper: Original Table | 25 - 24 |
| B872 1122 | Compression Spring: Stopper | 25 - 25 |
| B872 1414 | Hinge: Left | 29 - 10 |
| B872 1421 | Hinge: Right | 29 - 11 |
| B872 1515 | Spring Plate: Guide: Exposure Glass | 27 - 7 |
| B872 1522 | Guide: Exposure Glass | 27 - 8 |
| B872 1912 | Cap: Paper Feed Sensor: Base | 29 - 8 |
| B872 1914 | Spacer: Pressure Plate | 29 - 19 |
| B872 1915 | Holder: Bracket: Pressure Plate | 29 - 18 |
| B872 1916 | Bracket: Pressure Plate | 29 - 17 |
| B872 1921 | Lever: Driven: Pressure | 29 - 2 |
| B872 1922 | Roller: Driven: Scanning: Front | 29 - 4 |
| B872 1923 | Torsion Spring: Pressure: Front | 29 - 1 |
| B872 1924 | Torsion Spring: Pressure: Rear | 29 - 3 |
| B872 1931 | Exit Roller: Driven | 29 - 6 |
| B872 1933 | Compression Spring: Exit: Driven | 29 - 7 |
| B872 1934 | Bushing: Exit | 29 - 5 |
| B872 1941 | Guide: Base: Driven | 29 - 16 |
| B872 2110 | Guide Plate: Paper Feed: Lower | 25 - 13 |
| B872 2112 | Roller: Driven: Dia14 | 25 - 10 |
| B872 2113 | Shaft: Reverse: Roller: Driven | 25 - 9 |
| B872 2116 | Compression Spring: Reverse: Driven | 25 - 8 |
| B872 2118 | Guide: Reverse: 0.1 | 25 - 30 |
| B872 2211 | Bracket: Reverse | 25 - 14 |
| B872 2213 | Shaft: Drive: Separation | 25 - 7 |
| B872 2217 | Gear: Z28 | 25 - 31 |
| B872 2221 | Shaft: Reverse Roller | 25 - 5 |
| B872 2222 | Holder: Reverse Roller | 25 - 1 |
| B872 2223 | Gear: Z17 | 25 - 6 |
| B872 2251 | Spring Plate: Reverse: Pressure | 25 - 15 |
| B872 2311 | Guide Plate: Paper Feed: Upper | 23 - 3 |
| B872 2312 | Guide Plate: Paper Feed: Upper | 23 - 1 |
| B872 2313 | Cushion-Guide Plate | 23 - 27 |
| B872 2412 | Bracket: Magnetic Clutch | 23 - 5 |

| Part No. | Description | Page and Index No. |
|-----------|--------------------------------|--------------------|
| B872 2420 | Magnetic Clutch: Ass'y | 23 - 6 |
| B872 2421 | Bushing: Feed | 23 - 28 |
| B872 2422 | Shaft: Coupling: Feed | 23 - 29 |
| B872 2510 | Feeder Unit | 23 - 4 |
| B872 2511 | Gear: Idler: Z16 | 23 - 21 |
| B872 2512 | Gear: Z18 | 23 - 15 |
| B872 2513 | Feeler: Original Sensor | 23 - 13 |
| B872 2514 | Shaft: Pickup | 23 - 14 |
| B872 2515 | Cushion: Bracket: Feed | 23 - 20 |
| B872 2521 | Shaft: Feed: C | 23 - 12 |
| B872 2523 | Spring Clutch: Feed: DIA6 | 23 - 11 |
| B872 2524 | Spacer: DIA9 | 23 - 10 |
| B872 2525 | Bracket: Feed | 23 - 31 |
| B872 2526 | Spring: Roller Clutch | 23 - 16 |
| B872 2527 | Roller Clutch: Bracket: Feed | 23 - 19 |
| B872 2528 | Gear: Z18 | 23 - 24 |
| B872 2529 | Collar: Pickup | 23 - 25 |
| B872 2611 | Roller: R0 | 25 - 29 |
| B872 2612 | Gear: Z19 | 25 - 27 |
| B872 2613 | Gear: Z22 | 25 - 21 |
| B872 2614 | Bushing: R1 | 25 - 3 |
| B872 3111 | Guide Plate: Scanning: Lower | 27 - 4 |
| B872 3113 | Spring Plate: Earth: Exit | 27 - 11 |
| B872 3114 | Discharge Brush: Lower | 27 - 6 |
| B872 3121 | Guide Plate: Scanning: Upper | 27 - 1 |
| B872 3211 | Roller: Scanning: Front: Drive | 27 - 2 |
| B872 3212 | Pulley: T25 | 27 - 16 |
| B872 3221 | Roller: Exit: Drive | 27 - 3 |
| B872 3222 | Timing Pulley: T32 | 27 - 23 |
| B872 3223 | Timing Pulley: T32 | 27 - 15 |
| B872 3233 | Torque Limiter: T24: S2M | 25 - 26 |
| B872 3241 | Knob: Pick-up Paper Jam | 27 - 12 |
| B872 3261 | Roller: Reverse: Drive | 25 - 28 |
| B872 3311 | Exchange Powl: Reverse | 27 - 10 |
| B872 3312 | Lever: Exchange Powl | 27 - 26 |

| Part No. | Description | Page and Index No. |
|-----------|-----------------------------------|--------------------|
| B872 3313 | Tension Spring: Exchange Powl | 27 - 24 |
| B872 4113 | Gear: Z44/T16 | 25 - 19 |
| B872 4116 | Gear: Z44/T14 | 25 - 18 |
| B872 4121 | Gear: Idler: Z17 | 25 - 34 |
| B872 4131 | Inner Cover: Left Rear | 27 - 28 |
| B872 4141 | Bracket: Motor: Paper Feed: Ass'y | 25 - 22 |
| B872 4210 | Bracket: Motor: Transport | 27 - 22 |
| B872 4214 | Pulley: T16/T44 | 27 - 19 |
| B872 4216 | Tension Spring: Motor: Transport | 27 - 20 |
| B872 4310 | DC Solenoid: Exchange Powl | 27 - 27 |
| B872 4512 | Pressure Plate | 29 - 14 |
| B872 4513 | Tape: Pressure Plate: Left | 29 - 15 |
| B872 4611 | Original Table | 21 - 15 |
| B872 4612 | Guide: Original Table: Front | 21 - 12 |
| B872 4613 | Guide: Original Table: Rear | 21 - 11 |
| B872 4615 | Cover: Original Table | 21 - 9 |
| B872 4616 | Roller: Reverse: Pressure | 21 - 8 |
| B872 4621 | Original Table: Auxiliary | 21 - 16 |
| B872 4624 | Spring Plate | 21 - 7 |
| B872 4711 | Cover: Open And Close | 21 - 2 |
| B872 4712 | Guide Mylar | 21 - 23 |
| B872 4721 | Shaft: Pressure: Dia4 | 21 - 4 |
| B872 4722 | Spring Plate: R0 | 21 - 6 |
| B872 4726 | Case: Magnetic | 21 - 20 |
| B872 4731 | Cover: Rear | 21 - 14 |
| B872 4741 | Cover: Front | 21 - 19 |
| B872 5100 | PCB: Main Control | 23 - 9 |
| B872 5210 | Harness: Interface | 23 - 8 |
| B872 5240 | Harness: Main | 23 - 7 |
| B872 5250 | Harness: Dc Solenoid | 27 - 25 |
| B872 5810 | Stepper Motor DC24V 3.53W | 25 - 23 |
| B872 5820 | Stepper Motor: DC24V 3.35W | 27 - 21 |
| B872 6011 | Decal: Misfeed Removal | 51 - 5 |
| B872 6011 | Decal: Misfeed Removal | 21 - 1 |
| B872 6021 | Decal: Side Fence | 21 - 10 |

| Part No. | Description | Page and Index No. |
|-----------|--|--------------------|
| B872 6021 | Decal: Side Fence | 51 - 6 |
| B872 6031 | Decal: Size: Original | 51 - 7 |
| B872 6031 | Decal: Size: Original | 21 - 5 |
| B872 6041 | Decal: Lever: Knob | 29 - 12 |
| B872 6041 | Decal: Lever: Knob | 51 - 8 |
| B872 6061 | Decal: Scale: Left: NA | 7 - 24 |
| B872 6061 | Decal: Scale: Left: NA | 51 - 9 |
| B872 6071 | Decal: Scale: Left: EU | 51 - 9 |
| B872 6071 | Decal: Scale: Left: EU | 7 - 24 |
| B872 6081 | Decal: Caution Chart | 7 - 29 |
| B872 6081 | Decal: Caution Chart | 51 - 10 |
| B872 7010 | Scale: Left: Adhesion (D068/D069/D072) | 7 - 26 |
| B872 7014 | Cap: Registration Sensor: Scale | 7 - 25 |
| D009 5871 | Connector Cap - USB-A | 47 - 4 |
| D009 5891 | Left Rail - Fax Control Unit | 47 - 18 |
| D009 5899 | Right Rail - Small | 47 - 17 |
| D067 1068 | Sheet: Block Light: Discharge Lamp | 37 - 6 |
| D067 1250 | Cover: Rear | 7 - 15 |
| D067 1254 | End Fence: Paper Exit | 7 - 10 |
| D067 1256 | Cover: IC Card | 7 - 5 |
| D067 1284 | Extension Tray | 7 - 9 |
| D067 1286 | Door: Front | 7 - 19 |
| D067 1301 | Bracket: PCB: GW | 47 - 3 |
| D067 1308 | Bracket: Fax Control Unit | 47 - 6 |
| D067 1310 | Ground Plate: Expand: CTL | 47 - 22 |
| D067 1311 | Ground Plate: USB | 47 - 21 |
| D067 1313 | Insulating Sheet: CTL | 47 - 9 |
| D067 1314 | Insulating Sheet: Fax Control Unit | 47 - 8 |
| D067 1330 | Shadeing Plate: GWCTL | 47 - 2 |
| D067 1421 | Operation Panel: SPF: NA/AA: D069 (D115) | 11 - * |
| D067 1422 | Operation Panel: SPF: EU: D069Y (D115) | 11 - * |
| D067 1424 | Operation Panel: CF: EU: D068 (D116) | 11 - * |
| D067 1425 | Operation Panel: CF: NA/AA: D068 (D116) | 11 - * |
| D067 1431 | Operation Panel: NA: D069 (D115) | 9 - * |
| D067 1431 | Operation Panel: NA: D069 (D115) | 7 - 3 |

| Part No. | Description | Page and Index No. |
|-----------|---|--------------------|
| D067 1434 | Operation Panel: AA: D069 (D115) | 9 - * |
| D067 1434 | Operation Panel: AA: D069 (D115) | 7 - 3 |
| D067 1435 | Operation Panel: EU: D069 (D115) | 7 - 3 |
| D067 1435 | Operation Panel: EU: D069 (D115) | 9 - * |
| D067 1436 | Operation Panel: NA: D068 (D116) | 9 - * |
| D067 1436 | Operation Panel: NA: D068 (D116) | 7 - 3 |
| D067 1437 | Operation Panel: EU: D068 (D116) | 9 - * |
| D067 1437 | Operation Panel: EU: D068 (D116) | 7 - 3 |
| D067 1438 | Operation Panel: AA: D068 (D116) | 7 - 3 |
| D067 1438 | Operation Panel: AA: D068 (D116) | 9 - * |
| D067 1450 | Sheet: Display: Operation Panel: NA: C4 | 9 - 16 |
| D067 1451 | Sheet: Display: Operation Panel: EU: C4 | 9 - 16 |
| D067 1495 | LCD: 168x64DOTS | 9 - 14 |
| D067 1551 | PCB: OPU | 9 - 9 |
| D067 1565 | PCB: OPU: EXT | 11 - 3 |
| D067 1811 | Bracket: Stepper Motor: ST-C4: Ass'y | 33 - 24 |
| D067 2510 | Paper Tray Unit: EU | 19 - * |
| D067 2511 | Paper Tray Unit: NA | 19 - * |
| D067 2710 | Friction Pad: Adhesion | 19 - 13 |
| D067 4018 | Fusing Unit: 115V | 39 - * |
| D067 4028 | Fusing Unit: 230V | 39 - * |
| D067 4165 | Discharge Brush: Exit | 39 - 1 |
| D067 5021 | Power Supply Cord: NA | 42 - 16 |
| D067 5200 | Harness: Toner: Connecting | 42 - 7 |
| D067 5201 | Harness: HPS | 42 - 4 |
| D067 5202 | Harness: Paper Feed Sensor | 42 - 5 |
| D067 5203 | Harness: Paper Feed Sensor: Connecting | 39 - 12 |
| D067 5204 | Harness: LDDR: Interface | 35 - 2 |
| D067 5205 | Harness: Operation Sub-unit | 42 - 10 |
| D067 5206 | Harness: Power Supply Unit | 42 - 8 |
| D067 5207 | Harness: DC Polygon Mirror Motor | 35 - 4 |
| D067 5210 | Harness: Door Switch | 42 - 11 |
| D067 5211 | Harness: Switch: Front Right | 15 - 12 |
| D067 5213 | Harness: Registration Sensor | 42 - 6 |
| D067 5214 | Harness: Density Sensor | 17 - 16 |

| Part No. | Description | Page and Index No. |
|-----------|---------------------------------------|--------------------|
| D067 5216 | Harness: Motor: Main | 42 - 9 |
| D067 5217 | Harness: HVP | 42 - 3 |
| D067 5218 | Harness: Paper End Sensor | 15 - 21 |
| D067 5223 | Harness: Paper Feed Table: Connecting | 42 - 17 |
| D067 5223 | Harness: Paper Feed Table: Connecting | 42 - 27 |
| D067 5235 | Ground Wire: Cassette | 39 - 61 |
| D067 5235 | Ground Wire: Cassette | 45 - 3 |
| D067 5251 | Harness: Sensor: Gate | 39 - 58 |
| D067 5261 | Harness: Key Counter | 49 - 6 |
| D067 5290 | Harness: OPU: Expand | 11 - 2 |
| D067 5299 | Harness: Key Counter: Connecting | 49 - 7 |
| D068 5230 | Speaker Interface Harness | 47 - 13 |
| D068 5821 | Bracket: Hand Set | 7 - 23 |
| D401 5132 | PCB: GWFCU3: NA: Ass'y | 47 - 11 |
| D401 5134 | PCB: GWFCU3: EU: Ass'y | 47 - 11 |
| D461 2705 | Grip: Option: Paper Tray | 19 - 25 |
| G014 3291 | Snap Ring - Pick Up | 37 - 21 |
| G020 2599 | Spring - Release Lever | 19 - 15 |
| G020 2772 | By-pass Paper End Sensor | 15 - 24 |
| G025 2730 | Cylindrical Lens | 35 - 7 |
| G025 2731 | Synchronizing Detector Lens | 35 - 8 |
| G029 1982 | LD Decal | 35 - 11 |
| G029 1982 | LD Decal | 51 - 11 |
| G127 1953 | Polygon Mirror Motor: DC24V 36W | 35 - 5 |
| G512 3029 | Rubber Foot | 45 - 6 |
| G800 3133 | Side Fence Gear | 19 - 4 |
| G800 3133 | Side Fence Gear | 13 - 10 |
| G827 1023 | Magnetic: Hale: DIA10x7 | 21 - 21 |
| H072 2220 | Spacer - M6x10 | 23 - 17 |
| H310 1360 | Pad: Pickup | 23 - 2 |
| H310 4120 | Plate: Logotype: RIC | 7 - 13 |
| H310 4120 | Plate: Logotype: RIC | 7 - 20 |
| H521 3355 | C Ring - Paper Feed Roller | 19 - 16 |
| H521 3355 | C Ring - Paper Feed Roller | 15 - 5 |
| H523 5350 | Telephone Cable | 7 - 22 |

| Part No. | Description | Page and Index No. |
|-----------|----------------------------|--------------------|
| H547 4203 | Guide Plate Sponge | 47 - 7 |
| H555 2790 | Decal - Paper Size | 51 - 12 |
| H555 2790 | Decal - Paper Size | 7 - 6 |
| H555 4182 | Plate: Logotype: SAV | 7 - 20 |
| H555 4183 | Plate: Logotype: H555: LAN | 7 - 20 |
| H555 4184 | Plate: Logotype: H555: INF | 7 - 20 |
| H555 4184 | Plate: Logotype: H555: INF | 7 - 13 |
| H555 4185 | Plate: Logotype: H555: NSA | 7 - 20 |
| H555 4185 | Plate: Logotype: H555: NSA | 7 - 13 |
| H555 4186 | Plate: Logotype: H555: REX | 7 - 20 |
| H555 4186 | Plate: Logotype: H555: REX | 7 - 13 |
| H555 4187 | Plate: Logotype: H555: GES | 7 - 20 |
| H555 4187 | Plate: Logotype: H555: GES | 7 - 13 |
| H555 5150 | Ferrite Core | 42 - 24 |
| H555 5150 | Ferrite Core | 31 - 23 |
| H556 2201 | Reargate Plate Guide | 39 - 54 |
| H556 2202 | Front Gate Plate Guide | 39 - 55 |
| H556 2206 | Guide Plate | 39 - 24 |
| H556 2208 | Gate Plate | 39 - 53 |
| H556 2210 | Gear - 19/28Z | 39 - 13 |
| H556 2219 | Gear Bracket | 39 - 56 |
| H556 2220 | Roller | 39 - 57 |
| H556 2222 | Stud | 39 - 14 |
| H556 2818 | Guide Plate | 17 - 25 |
| H556 2820 | Mylar Reverse | 17 - 28 |
| H556 4172 | Duplex Drive Bracket | 41 - 24 |
| H556 4178 | Spring Plate | 41 - 32 |
| H556 4180 | Plate Bracket | 41 - 35 |
| H556 4181 | Spring Plate | 17 - 33 |
| H556 4183 | Swivel Bracket | 41 - 31 |
| H556 4185 | Transport Roller Holder | 17 - 34 |
| H556 4186 | Positioning Roller | 17 - 32 |
| H556 4188 | Sheet | 17 - 37 |
| H556 4189 | Sheet | 17 - 38 |
| H556 4190 | Transport Roller | 17 - 36 |

| Part No. | Description | Page and Index No. |
|-----------|-------------------|--------------------|
| H556 4192 | Right Guide Plate | 17 - 30 |
| H556 5857 | OPIF Rail | 47 - 19 |

| Part No. | Description | Page and Index No. |
|-----------|--------------------------|--------------------|
| N803 1000 | Case - Flash Memory Card | 53 - 6 |
| N803 6701 | Flash Memory Card-4MB | 53 - 7 |

| Part No. | Description | Page and Index No. |
|-----------|-------------------------------|--------------------|
| AA00 3011 | Manual Feed Decal | 13 - 13 |
| AA00 3011 | Manual Feed Decal | 51 - 1 |
| AA04 2053 | Belt: 3mm | 31 - 15 |
| AA04 3582 | Timing Belt | 41 - 33 |
| AA04 3603 | Timing Belt: B40S2M128 | 27 - 18 |
| AA04 3603 | Timing Belt: B40S2M128 | 25 - 20 |
| AA04 3604 | Timing Belt: B40S2M110 | 27 - 17 |
| AA04 3605 | Timing Belt: B40S3M114 | 27 - 13 |
| AA04 3997 | Timing Belt: ST55 | 33 - 2 |
| AA06 2326 | Spring - Swivel Fusing | 41 - 17 |
| AA06 3409 | Right Door Spring | 17 - 7 |
| AA06 3443 | Lever Spring | 17 - 29 |
| AA08 0034 | Bushing - 4x5x7 | 25 - 11 |
| AA08 0322 | Bushing - 6mm | 15 - 17 |
| AA08 2101 | Bushing - 6x10x6 | 19 - 10 |
| AA08 2101 | Bushing - 6x10x6 | 33 - 25 |
| AA11 3032 | Electrode Plate - Development | 37 - 12 |
| AA11 3034 | Electrode Plate - Charge | 37 - 8 |
| AA11 3035 | Electrode Plate - Transfer | 37 - 11 |
| AA12 0104 | Ground Plate - Registration | 41 - 21 |
| AA12 0124 | Ground Plate - Drum Drive | 41 - 20 |
| AA13 2217 | Collar | 41 - 6 |
| AA14 3544 | Screw - M3 | 27 - 9 |
| AA14 3592 | Screw- M4x6 | 42 - 28 |
| AA14 3788 | Pin: Guide Plate: Paper Feed | 21 - 17 |
| AA14 3804 | Fusing Shaft 5 | 41 - 12 |
| AA14 3866 | Screw: DIA3.4: M3 | 7 - 30 |
| AA14 8651 | Shaft - Paper Feed Roller | 37 - 15 |
| AA16 1157 | Bracket Cushion | 41 - 14 |
| AA17 0026 | Insulating Sheet Power Pack | 42 - 14 |
| AB00 0025 | Drum Shaft | 37 - 16 |
| AB00 0027 | Development Shaft Ass'y | 37 - 19 |
| AB01 0358 | Gear - 64Z | 37 - 7 |
| AB01 0362 | Gear - 49Z | 41 - 40 |
| AB01 1438 | Gear - 41Z | 41 - 3 |

| Part No. | Description | Page and Index No. |
|-----------|----------------------------|--------------------|
| AB01 1492 | Gear - 29Z | 41 - 4 |
| AB01 2033 | Gear - 21Z | 17 - 31 |
| AB01 7582 | Coupled Gear 22/50Z | 37 - 14 |
| AB01 7585 | Coupled Gear - 17/44Z | 41 - 8 |
| AB01 7586 | Coupled Gear - 43/53Z | 41 - 2 |
| AB01 7587 | Coupled Gear - 17/44Z | 41 - 7 |
| AB01 7591 | Gear - 18/30Z | 25 - 32 |
| AB01 7627 | Gear - 28/43Z | 41 - 43 |
| AB01 7628 | Gear - 19/38Z | 41 - 29 |
| AB01 7629 | Gear - 19/21Z | 41 - 9 |
| AB01 7659 | Gear - 43/91Z | 41 - 41 |
| AB01 7660 | Gear - 44/67Z | 41 - 38 |
| AB01 7661 | Gear - 29/69Z | 41 - 37 |
| AB01 7662 | Gear - 17/67Z | 41 - 39 |
| AB01 7663 | Gear - 18/40Z | 41 - 10 |
| AB03 0711 | Drive Pulley - 37T | 33 - 19 |
| AB03 2071 | Pulley - 24Z | 41 - 34 |
| AB03 3095 | Drive Pulley - 41T/37T | 33 - 12 |
| AB04 0023 | Spring Clutch: 0.7N.m: Z53 | 37 - 5 |
| AC01 2070 | Exposure Glass | 7 - 11 |
| AC01 3005 | DF Exposure Glass | 7 - 27 |
| AC03 0145 | 1st Mirror | 31 - 6 |
| AC03 0146 | 2nd Mirror | 31 - 16 |
| AE01 1086 | Hot Roller | 39 - 40 |
| AE02 0164 | Pressure Roller | 39 - 26 |
| AE03 1035 | Pressure Roller Bushing | 39 - 32 |
| AE03 1044 | Fusing Bushing | 39 - 39 |
| AE04 4059 | Stripper Pawls | 39 - 21 |
| AF02 0686 | Registration Roller | 15 - 8 |
| AF02 2139 | Driven Roller - Front Rear | 17 - 5 |
| AF02 2140 | Middle Driven Roller | 17 - 6 |
| AF02 2141 | Turn-roller | 39 - 6 |
| AF02 2142 | Middle Roller | 39 - 8 |
| AF02 2143 | Guide Roller | 17 - 27 |
| AF02 2144 | Pressure Roller | 21 - 3 |

| Part No. | Description | Page and Index No. |
|-----------|-------------------------------------|--------------------|
| AF02 2152 | Transport Driven Roller | 17 - 35 |
| AF03 0363 | Pickup Roller | 23 - 26 |
| AF03 1061 | Paper Feed Roller | 19 - 12 |
| AF03 1062 | Feed Roller | 23 - 18 |
| AF03 1086 | By-pass Feed Roller | 15 - 20 |
| AF03 2030 | Reverse Roller | 25 - 2 |
| AF04 0588 | Exit Roller | 39 - 9 |
| AF04 0603 | Exit Roller | 39 - 7 |
| AW01 0109 | Photo Reflection Sensor: PS117ED1 | 27 - 5 |
| AW02 0141 | Photointerruptor | 25 - 12 |
| AW02 0155 | Photointerruptor: Paper Size Sensor | 25 - 17 |
| AW10 0088 | Thermistor - Fusing | 39 - 18 |
| AW11 0037 | Thermostat - 160C | 39 - 17 |
| AW11 0038 | Thermostat - 170C | 39 - 19 |
| AX06 0336 | Stepper Motor-Duplex-DC24V 14.9W | 41 - 25 |
| AX06 0344 | Brushless Motor: DC24V: 20W | 41 - 28 |
| AX20 0303 | Magnetic Clutch: 245MN.M | 23 - 30 |
| AX20 0308 | Magnetic Clutch: 0.25N.m: Z43 | 15 - 6 |
| AX20 0309 | Magnetic Clutch: 0.25N.m: Z43 | 41 - 5 |
| AX20 0310 | Magnetic Clutch: 0.25N.m: Z43 | 15 - 28 |
| AX31 0049 | Total Counter: 7Fig: 24V | 42 - 22 |
| AX44 0202 | Heater - 120V/800W | 39 - 41 |
| AX44 0203 | Heater - 230V: 750W | 39 - 41 |
| AX50 0096 | Xenon Lamp: Dia8 | 31 - 4 |
| AX50 0098 | Quenching Lamp | 37 - 2 |
| AZ23 0226 | Power Supply Unit: S-C3: 100V | 42 - 20 |
| AZ23 0249 | Power Supply Unit: 200V | 42 - 20 |
| AZ32 0152 | Power Pack BCT | 42 - 2 |
| AZ50 0077 | Stabilizer: Xenon Lamp: Chn | 31 - 3 |
| BB01 3003 | Gear - 14Z | 21 - 13 |
| BB01 3006 | Gear - 27Z | 41 - 1 |
| GW02 0020 | Photointerruptor: LG248NL1 | 31 - 21 |
| GW02 0020 | Photointerruptor: LG248NL1 | 15 - 9 |
| GW02 0020 | Photointerruptor: LG248NL1 | 33 - 7 |
| GW02 0020 | Photointerruptor: LG248NL1 | 39 - 11 |

| Part No. | Description | Page and Index No. |
|-----------|-----------------------------|--------------------|
| GX64 5734 | Fan Motor: MM80 DC24V 3.12W | 42 - 1 |

| Part No. | Description | Page and Index No. |
|-----------|-----------------------------|--------------------|
| VSSM 9000 | Digital Multimeter-Fluke187 | 53 - 4 |

| Part No. | Description | Page and Index No. |
|------------|-----------------------|--------------------|
| 0353 0040N | Screw - M3x4 | 27 - 106 |
| 0353 0040N | Screw - M3x4 | 41 - 107 |
| 0353 0060N | Bind Screw - M3x6 | 33 - 108 |
| 0353 0060N | Bind Screw - M3x6 | 49 - 104 |
| 0353 0080N | Screw: M3x8 | 47 - 104 |
| 0353 0080N | Screw: M3x8 | 49 - 103 |
| 0354 0160N | Screw: M4x16 | 49 - 102 |
| 0360 3006N | Screw - M3x6 | 47 - 102 |
| 0360 3006P | Screw - M3x6 | 33 - 103 |
| 0450 3006N | Tapping Screw - M3x6 | 29 - 107 |
| 0450 3006N | Tapping Screw - M3x6 | 15 - 102 |
| 0450 3006N | Tapping Screw - M3x6 | 21 - 103 |
| 0450 3008N | Tapping Screw - M3x8 | 23 - 104 |
| 0450 3008N | Tapping Screw - M3x8 | 42 - 102 |
| 0450 3008N | Tapping Screw - M3x8 | 41 - 108 |
| 0450 3008N | Tapping Screw - M3x8 | 29 - 103 |
| 0450 3008N | Tapping Screw - M3x8 | 19 - 103 |
| 0450 3008N | Tapping Screw - M3x8 | 39 - 101 |
| 0450 3008N | Tapping Screw - M3x8 | 17 - 102 |
| 0450 3008N | Tapping Screw - M3x8 | 31 - 101 |
| 0450 3008N | Tapping Screw - M3x8 | 35 - 101 |
| 0450 3008N | Tapping Screw - M3x8 | 45 - 101 |
| 0450 3008N | Tapping Screw - M3x8 | 37 - 101 |
| 0450 3010N | Tapping Screw - M3x10 | 29 - 105 |
| 0450 3010N | Tapping Screw - M3x10 | 19 - 104 |
| 0450 3010N | Tapping Screw - M3x10 | 45 - 104 |
| 0450 3010N | Tapping Screw - M3x10 | 7 - 103 |
| 0450 3010N | Tapping Screw - M3x10 | 41 - 103 |
| 0450 3035N | Tapping Screw: 3x35 | 42 - 101 |
| 0450 4008N | Tapping Screw - M4x8 | 49 - 101 |
| 0451 3006N | Tapping Screw - 3x6 | 31 - 102 |
| 0451 3006N | Tapping Screw - 3x6 | 7 - 102 |
| 0451 3006N | Tapping Screw - 3x6 | 42 - 103 |
| 0451 3006N | Tapping Screw - 3x6 | 41 - 101 |
| 0451 3006N | Tapping Screw - 3x6 | 39 - 102 |

| Part No. | Description | Page and Index No. |
|------------|-----------------------------------|--------------------|
| 0451 3006N | Tapping Screw - 3x6 | 13 - 101 |
| 0451 3006N | Tapping Screw - 3x6 | 15 - 101 |
| 0451 3006N | Tapping Screw - 3x6 | 45 - 103 |
| 0451 3006N | Tapping Screw - 3x6 | 23 - 103 |
| 0451 3006N | Tapping Screw - 3x6 | 33 - 101 |
| 0451 3006N | Tapping Screw - 3x6 | 27 - 105 |
| 0451 3006N | Tapping Screw - 3x6 | 25 - 106 |
| 0451 3006N | Tapping Screw - 3x6 | 47 - 101 |
| 0451 3008N | Tapping Screw - M3x8 | 27 - 101 |
| 0451 3008N | Tapping Screw - M3x8 | 33 - 109 |
| 0451 3008N | Tapping Screw - M3x8 | 21 - 102 |
| 0451 3008N | Tapping Screw - M3x8 | 7 - 101 |
| 0451 3008N | Tapping Screw - M3x8 | 39 - 103 |
| 0451 3010N | Tapping Screw: 3x10 | 29 - 106 |
| 0452 3008N | Tapping Screw - M3x8 | 37 - 105 |
| 0452 3008N | Tapping Screw - M3x8 | 21 - 101 |
| 0452 3010N | Binding Self-Tapping Screw: 3x10 | 9 - 101 |
| 0452 3010N | Binding Self-Tapping Screw: 3x10 | 11 - 101 |
| 0452 3010N | Binding Self-Tapping Screw: 3x10 | 31 - 104 |
| 0452 3010N | Binding Self-Tapping Screw: 3x10 | 35 - 102 |
| 0452 3012N | Binding Self-Tapping Screw: M3x12 | 11 - 102 |
| 0452 3012N | Binding Self-Tapping Screw: M3x12 | 9 - 102 |
| 0453 3006N | Tapping Screw - M3x6 | 41 - 102 |
| 0453 3006N | Tapping Screw - M3x6 | 33 - 107 |
| 0453 3006N | Tapping Screw - M3x6 | 47 - 103 |
| 0454 3006Q | Tapping Screw - M3x6 | 29 - 104 |
| 0454 3006Q | Tapping Screw - M3x6 | 25 - 107 |
| 0454 3006Q | Tapping Screw - M3x6 | 33 - 102 |
| 0622 0120E | Spring Pin - 2x12mm | 19 - 102 |
| 0720 0030E | Retaining Ring - M3 | 25 - 102 |
| 0720 0030E | Retaining Ring - M3 | 23 - 102 |
| 0720 0040E | Retaining Ring - M4 | 41 - 104 |
| 0720 0040E | Retaining Ring - M4 | 25 - 101 |
| 0720 0040E | Retaining Ring - M4 | 15 - 103 |
| 0720 0040E | Retaining Ring - M4 | 27 - 104 |

| Part No. | Description | Page and Index No. |
|------------|-----------------------------|--------------------|
| 0720 0040E | Retaining Ring - M4 | 23 - 101 |
| 0720 0040E | Retaining Ring - M4 | 17 - 101 |
| 0720 0060E | Retaining Ring - M6 | 25 - 105 |
| 0720 0060E | Retaining Ring - M6 | 33 - 105 |
| 0740 3906 | Ball Bearing - 6x15x5 | 33 - 104 |
| 0805 0088 | Retaining Ring - M6 | 27 - 103 |
| 0805 0089 | Retaining Ring - M4 | 19 - 101 |
| 0805 0089 | Retaining Ring - M4 | 27 - 107 |
| 0805 3480 | Bushing - 6mm | 27 - 102 |
| 0805 3480 | Bushing - 6mm | 25 - 104 |
| 0954 3008N | Screw - M3x8 | 45 - 102 |
| 0954 3008N | Screw - M3x8 | 39 - 104 |
| 1102 8534 | Connector - QR/P17-14S-B | 37 - 103 |
| 1103 3734 | Connector: TM-6-DC1(01) | 37 - 104 |
| 1105 0409 | Card Spacer- 6.4mm | 45 - 105 |
| 1105 0436 | Locking Support - KGCP-08-0 | 23 - 106 |
| 1105 0487 | Harness Clamp | 47 - 106 |
| 1105 0487 | Harness Clamp | 42 - 105 |
| 1105 0487 | Harness Clamp | 41 - 105 |
| 1105 0499 | Support Spacer - M3x29 | 41 - 109 |
| 1105 0508 | Harness Clamp - LWS-0711 | 49 - 105 |
| 1105 0508 | Harness Clamp - LWS-0711 | 29 - 102 |
| 1105 0511 | Harness Clamp - LWS-0306ZC | 47 - 105 |
| 1105 0511 | Harness Clamp - LWS-0306ZC | 25 - 103 |
| 1105 0511 | Harness Clamp - LWS-0306ZC | 41 - 106 |
| 1105 0511 | Harness Clamp - LWS-0306ZC | 45 - 106 |
| 1105 0511 | Harness Clamp - LWS-0306ZC | 29 - 101 |
| 1105 0511 | Harness Clamp - LWS-0306ZC | 31 - 103 |
| 1105 0511 | Harness Clamp - LWS-0306ZC | 33 - 106 |
| 1105 0511 | Harness Clamp - LWS-0306ZC | 35 - 103 |
| 1105 0511 | Harness Clamp - LWS-0306ZC | 37 - 102 |
| 1105 0516 | Clamp | 25 - 109 |
| 1105 0518 | Edge Saddle - LES-1010 | 21 - 104 |
| 1105 0522 | Edge Saddle - LES0510 | 33 - 110 |
| 1105 0522 | Edge Saddle - LES0510 | 45 - 107 |

| Part No. | Description | Page and Index No. |
|-----------|---------------------------------|--------------------|
| 1105 0522 | Edge Saddle - LES0510 | 42 - 104 |
| 1105 0612 | Clamp: EDS-0704L-V0 | 25 - 108 |
| 1105 0612 | Clamp: EDS-0704L-V0 | 23 - 105 |
| 1204 2521 | Micro Switch | 15 - 104 |
| 1204 2529 | Switch - V-5F912DN | 15 - 105 |
| 1407 6732 | RAM: FM25L512-PGC(REV.AC): 512K | 47 - 107 |
| 1607 1139 | Ferrite Core: RFC-8 | 7 - 104 |
| 1607 1715 | Ferrite Core - RFC-5 | 7 - 105 |

| Part No. | Description | Page and Index No. |
|-----------|---------------------------|--------------------|
| 5053 0447 | Bushing - 6mm | 17 - 41 |
| 5053 0447 | Bushing - 6mm | 41 - 44 |
| 5203 9502 | Grease 501 | 53 - 1 |
| 5215 2621 | Snap Ring - M6 | 21 - 18 |
| 5215 2713 | Bottom Plate Pad | 13 - 12 |
| 5215 2713 | Bottom Plate Pad | 19 - 19 |
| 5424 4142 | Bushing - Cleaning Roller | 41 - 36 |
| 5447 2681 | Snap Ring | 13 - 5 |
| 5447 2681 | Snap Ring | 23 - 23 |
| 5447 2681 | Snap Ring | 25 - 4 |