



**RICOH UNIVERSITY**

Learning ♦ Knowledge ♦ Performance



**B262/B292/B284/B288**

**PARTS CATALOG**

002945MIU

*Gestetner* **LANIER RICOH SAVIN**





**B262/B292/B284/B288  
PARTS CATALOG**

*Gestetner*  
**LANIER**  
**RICOH**  
**SAVIN**





# **B262/B292/B284/B288 PARTS CATALOG**

002945MIU

*Gestetner* **LANIER RICOH SAVIN**



It is the reader's responsibility when discussing the information contained within this document to maintain a level of confidentiality that is in the best interest of Ricoh Corporation and its member companies.

**NO PART OF THIS DOCUMENT MAY BE REPRODUCED IN ANY  
FASHION AND DISTRIBUTED WITHOUT THE PRIOR  
PERMISSION OF RICOH CORPORATION.**

All product names, domain names or product illustrations, including desktop images, used in this document are trademarks, registered trademarks or the property of their respective companies.

They are used throughout this book in an informational or editorial fashion only and for the benefit of such companies. No such use, or the use of any trade name, or web site is intended to convey endorsement or other affiliation with Ricoh products.





# LEGEND

PRODUCT CODE	COMPANY			
	GESTETNER	LANIER	RICOH	SAVIN
*B262	DSm416	LD016	Aficio MP 161	----
B284	DSm416f	LD016f	Aficio MP 161F	816f
B288	DSm416pf	LD016SPF	Aficio MP 161SPF	816mf
B292	DSm416	LD016	Aficio MP 161	816
B421	Paper Tray Unit PS480			
B871	Platen Cover PN1000			
B872	Auto Reverse Document Feeder DF1000			
B893/B880	DDST Unit Type C/D			

\*Latin America Only

# DOCUMENTATION HISTORY

REV. NO.	DATE	COMMENTS
*	01/2007	Original Printing



# B262/B292/B284/B288

## TABLE OF CONTENTS

### B262/B292 PARTS LOCATION AND LIST

<b>LOCATION OF UNIT .....</b>	<b>2</b>
1.EXTERIOR (B262/B292).....	6
2.OPERATION PANEL (B262/B292).....	8
3.BY-PASS FEED UNIT (B262/B292).....	10
4.PAPER REGISTRATION (B262/B292).....	12
5.TRANSPORT SECTION (B262/B292).....	14
6.PAPER CASSETTE (B262/B292).....	16
7.ARDF 1 (B292).....	18
8.ARDF 2 (B292).....	20
9.ARDF 3 (B292).....	22
10.ARDF 4 (B292).....	24
11.ARDF 5 (B292).....	26
12.OPTICS SECTION 1 (B262/B292).....	28
13.OPTICS SECTION 2 (B262/B292).....	30
14.LASER UNIT (B262/B292).....	32
15.PCU SECTION (B262/B292).....	34
16.FUSING UNIT (B262/B292).....	36
17.DRIVE SECTION (B262/B292).....	38
18.ELECTRICAL SECTION (B262/B292).....	40
19.FRAME SECTION (B262/B292).....	42
20.EXTENTION BOX (B262/B292).....	44
21.BICU BOARD (B262/B292).....	46
22.DECALS AND DOCUMENTS (B262/B292).....	70
23.SPECIAL TOOLS (B262/B292).....	72

### B262/B292 PARTS INDEX

<b>PARTS INDEX.....</b>	<b>2</b>
-------------------------	----------

### B284/B288 PARTS LOCATION AND LIST

<b>LOCATION OF UNIT.....</b>	<b>2</b>
1.Exterior (B284/B288).....	6
2.Operation Panel (B284/B288).....	8
3.By-pass Feed Unit (B284/B288).....	10
4.Paper Registration (B284/B288).....	12
5.Transport Section (B284/B288).....	14
6.Paper Cassette (B284/B288).....	16
7.ARDF 1 (B284/B288).....	18
8.ARDF 2 (B284/B288).....	20
9.ARDF 3 (B284/B288).....	22
10.ARDF 4 (B284/B288).....	24
11.ARDF 5 (B284/B288).....	26
12.Optics Section 1 (B284/B288).....	28
13.Optics Section 2 (B284/B288).....	30
14.Laser Unit (B284/B288).....	32
15.PCU Section (B284/B288).....	34
16.Fusing Unit (B284/B288).....	36
17.Drive Section (B284/B288).....	38
18.Electrical Section (B284/B288).....	40
19.Frame Section (B284/B288).....	42
20.Operation Panel GW (B284/B288).....	44

21.Extension Box (B284/B288) .....	46
22.CTL Board (B284/B288).....	48
23.BICU Board (B284/B288).....	58
24.GWFCU Board .....	66
25.Decals And Documents (B284/B288) .....	76
26.Special Tools (B284/B288) .....	78

<b>B284/B288 PARTS INDEX</b>	
<b>PARTS INDEX .....</b>	<b>2</b>

**PAPER TRAY UNIT PS480 B421 PARTS LOCATION AND LIST**

1.PAPER TRAY UNIT 1 (B421) .....	2
2.PAPER TRAY UNIT 2 (B421) .....	4
3.PAPER TRAY UNIT 3 (B421) .....	6

<b>PAPER TRAY UNIT PS480 B421 PARTS INDEX</b>	
<b>PARTS INDEX .....</b>	<b>2</b>

**PLATEN COVER PN1000 B871 PARTS LOCATION AND LIST**

1.Platen Cover (B871).....	2
----------------------------	---

<b>PLATEN COVER PN1000 B871 PARTS INDEX</b>	
<b>PARTS INDEX .....</b>	<b>2</b>

**ARDF DF1000 B872 PARTS LOCATION AND LIST**

1.Exterior (B872) .....	2
2.Original Feed 1 (B872).....	4
3.Original Feed 2 (B872).....	6
4.Drive Section (B872) .....	8
5.Frame Section (B872) .....	10
6.Decal and Document (B872).....	12

<b>ARDF DF1000 B872 PARTS INDEX</b>	
<b>PARTS INDEX .....</b>	<b>2</b>

**DDST UNIT TYPE C/D B893/B880 PARTS LOCATION AND LIST**

1.DDST Unit Type C/D (B893/B880).....	2
---------------------------------------	---

<b>DDST UNIT TYPE C/D B893/B880 PARTS INDEX</b>	
<b>PARTS INDEX .....</b>	<b>2</b>

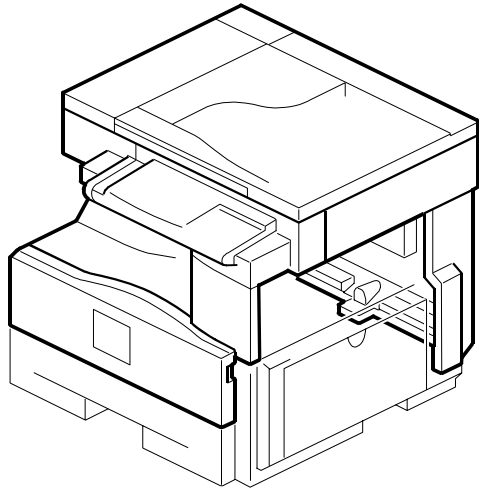
**B262/B292**  
**PARTS LOCATION AND LIST**



This section instructs you as to the numbers and names of parts on this machine

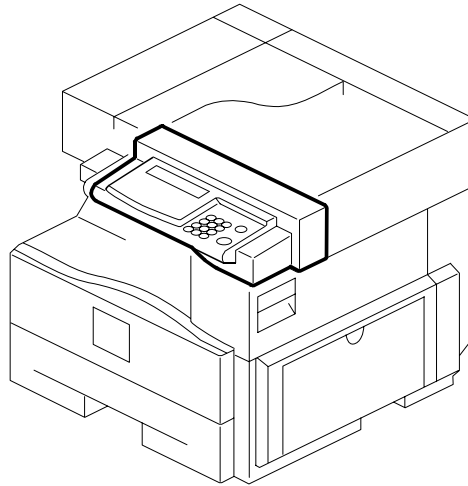
## LOCATIONS OF UNITS

1. EXTERIOR (B262/B292)



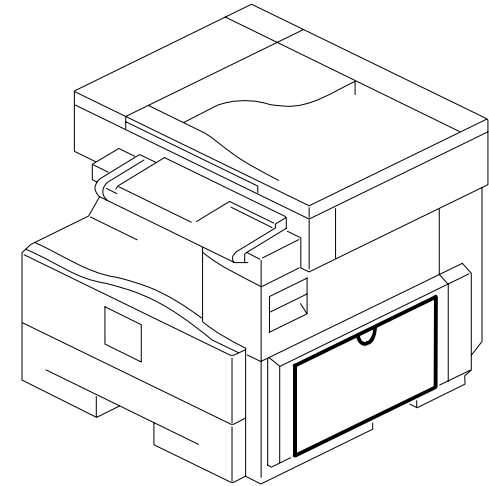
See Page 7

2. OPERATION PANEL



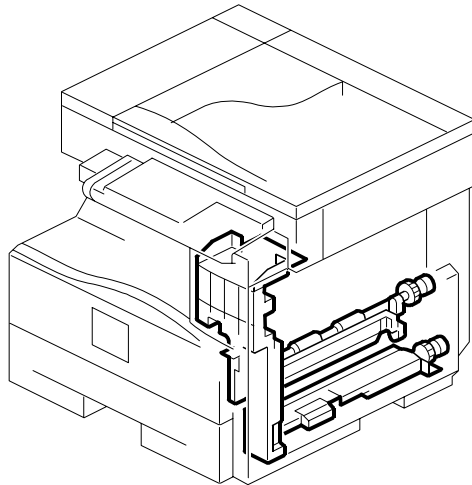
See Page 9

3. BY-PASS FEED UNIT



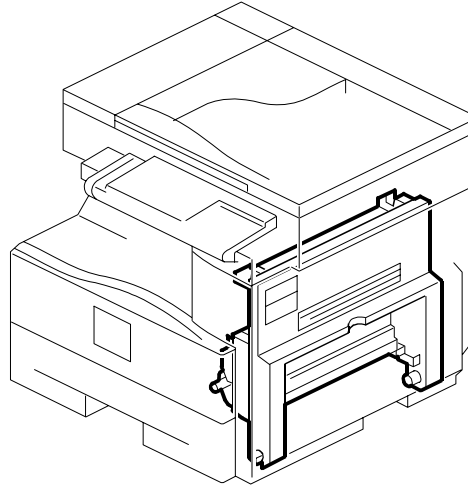
See Page 11

4. PAPER REGISTRATION



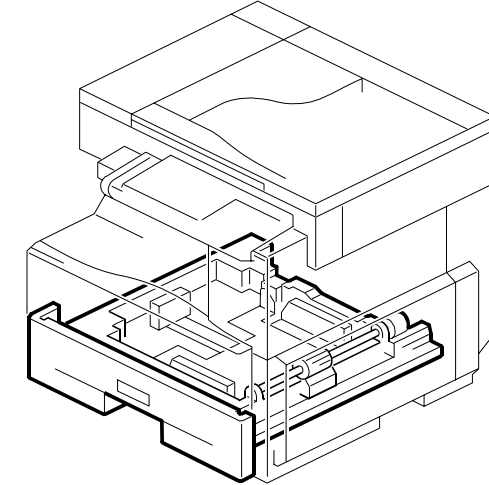
See Page 13

5. TRANSPORT SECTION



See Page 15

6. PAPER CASSETTE

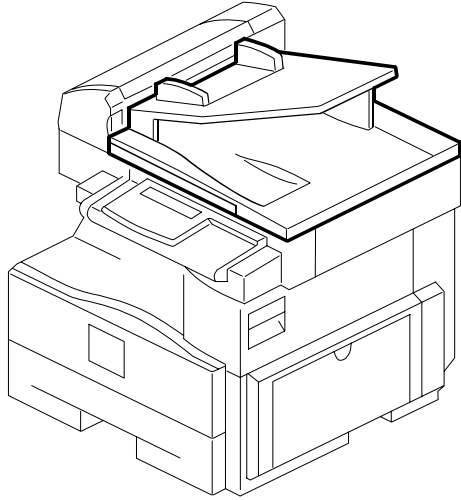


See Page 17



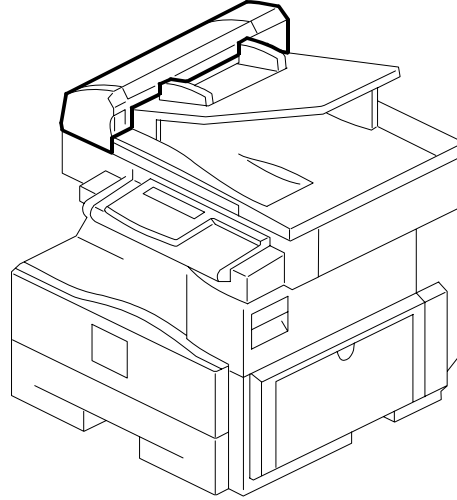
## LOCATIONS OF UNITS

7. ARDF 1 (B292)



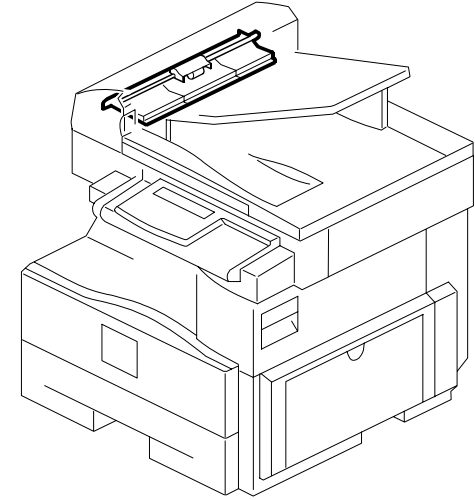
See Page 19

8. ARDF 2 (B292)



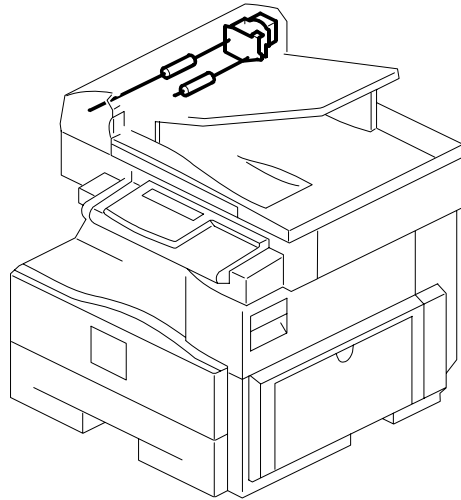
See Page 21

9. ARDF 3 (B292)



See Page 23

10. ARDF 4 (B292)



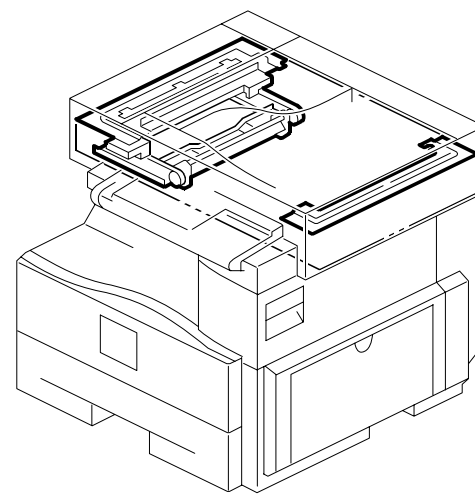
See Page 25

11. ARDF 5 (B292)



See Page 0

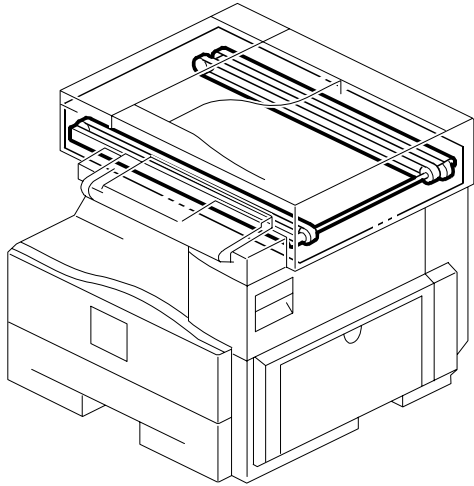
12. OPTICS SECTION 1



See Page 27

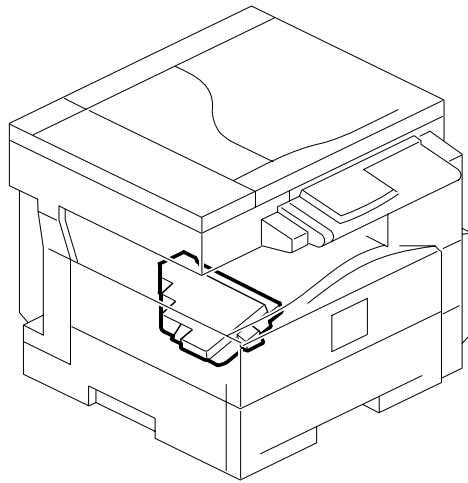
## LOCATIONS OF UNITS

13. OPTICS SECTION 2



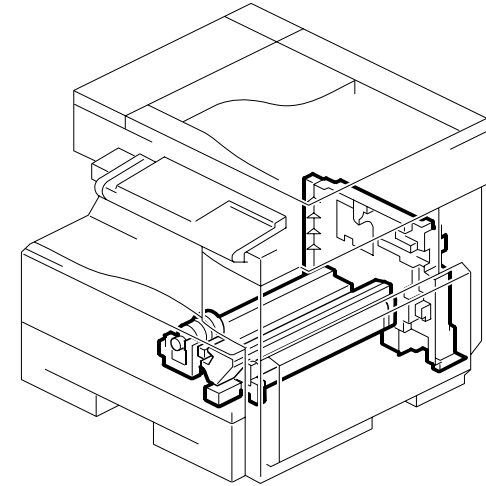
See Page 29

14. LASER UNIT (B262/B292)



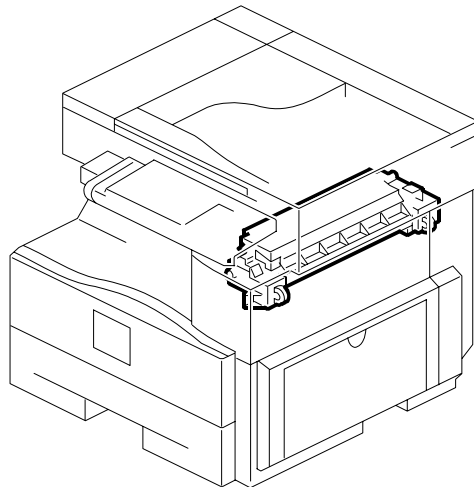
See Page 31

15. PCU SECTION



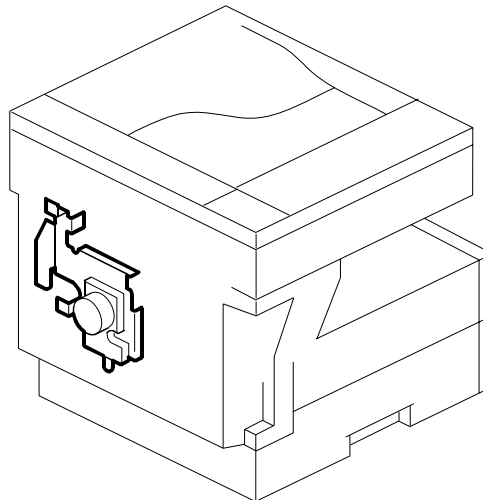
See Page 33

16. FUSING UNIT (B262/B292)



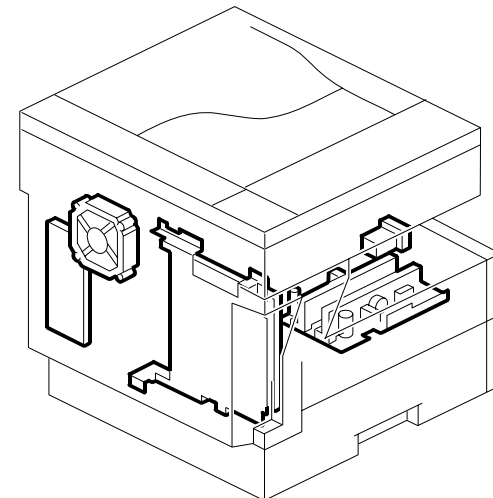
See Page 35

17. DRIVE SECTION



See Page 37

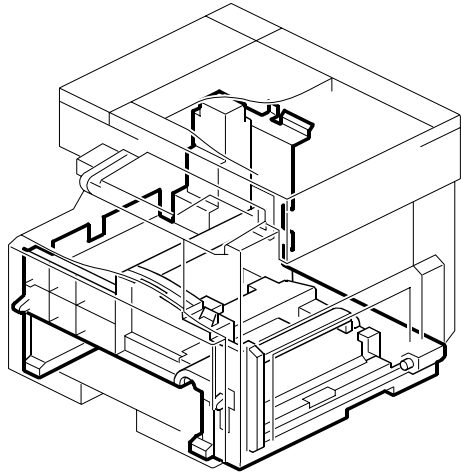
18. ELECTRICAL SECTION



See Page 39

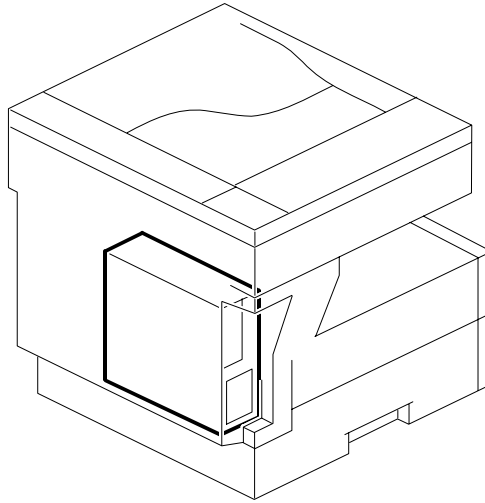
## LOCATIONS OF UNITS

19. FRAME SECTION



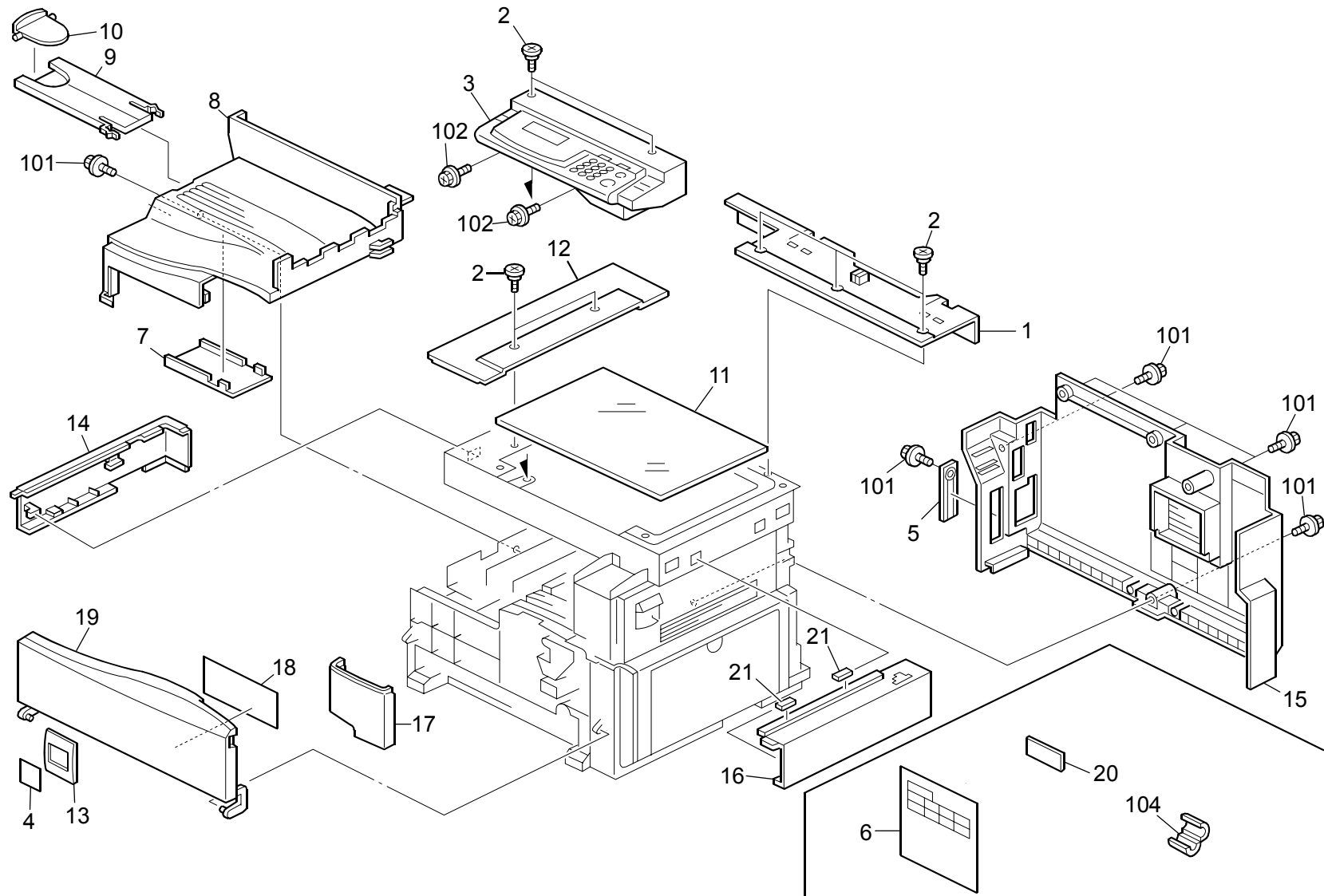
See Page 41

20. EXTENSION BOX



See Page 45

# 1.EXTERIOR (B262/B292)

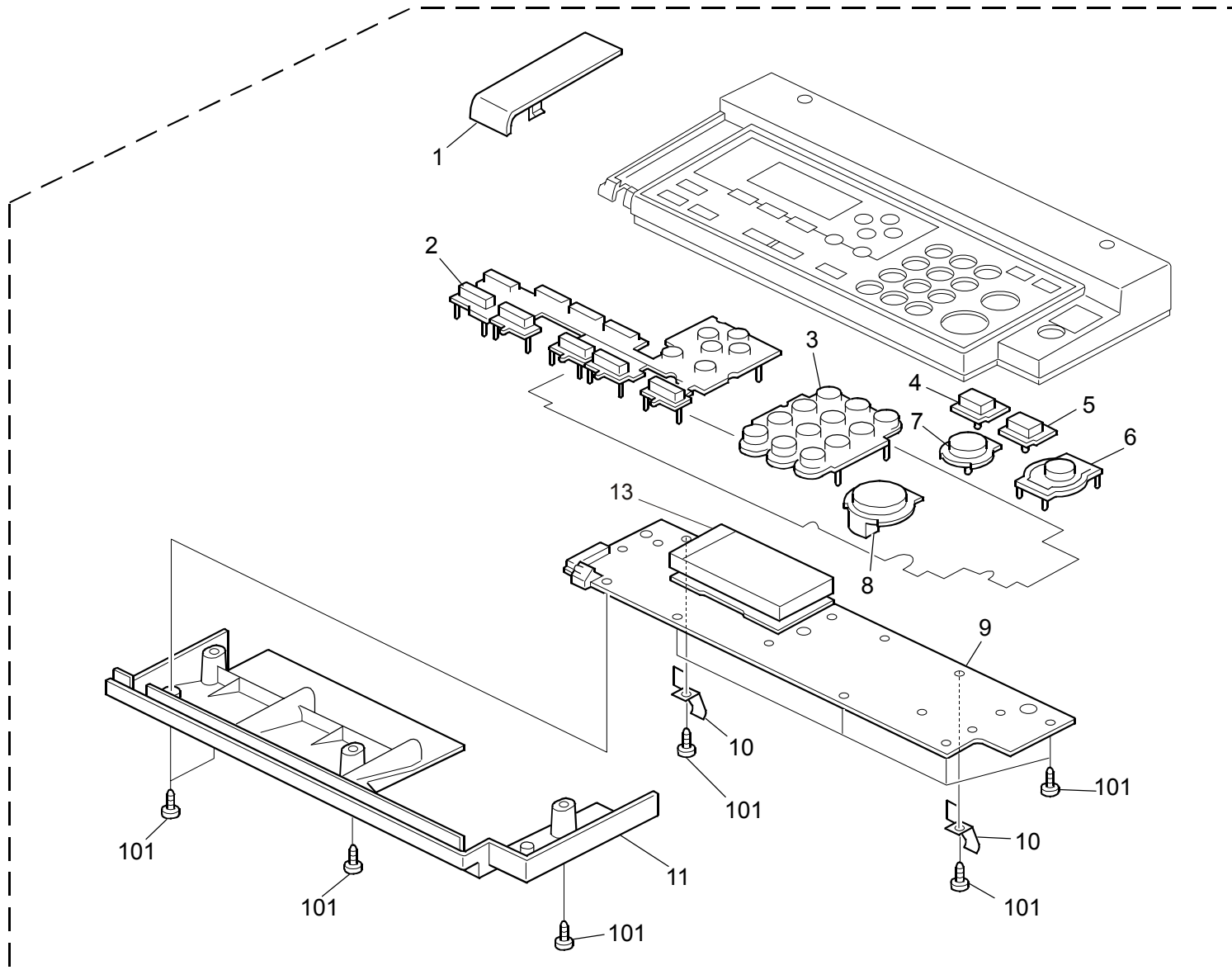


# 1.EXTERIOR (B262/B292)

Rev. 08/15/2007

Index No.	Part No.	Description	Q'ty Per Assembly
1	B262 1847	Scale:Inner Back:EU	1
1	B262 1848	Scale:Inner Back:NA	1
2	B044 1847	Shoulder Screw	7
3	B262 1412	Operation Panel:NA (B262/B292)	1
3	B262 1413	Operation Panel:EU (B262/B292)	1
3	B262 1414	Operation Panel:Asia (B280)	1
3	B262 1415	Operation Panel:EU (B280/B293)	1
4	B262 7500	Model Name Plate:RIC (B262/B292)	1
4	B262 7501	Model Name Plate:REX (B262)	1
4	B262 7502	Model Name Plate:NSA (B262)	1
4	B262 7503	Model Name Plate:GES:EU (B262)	1
4	B262 7504	Model Name Plate:LAN (B262)	1
4	B262 7506	Model Name Plate:GES:NA (B262/B292)	1
4	B262 7507	Model Name Plate:LAN (B262/B292)	1
4	B280 7500	Model Name Plate:RIC (B280)	1
4	B280 7501	Model Name Plate:REX (B280)	1
4	B280 7502	Model Name Plate:NSA (B280)	1
4	B280 7503	Model Name Plate:GES (B280)	1
4	B280 7504	Model Name Plate:LAN (B280)	1
4	B280 7505	Model Name Plate:GES:AA (B280)	1
4	B280 7509	Model Name Plate:INF (B280)	1
4	B292 7508	Model Name Plate:SVN (B292)	1
4	B293 7500	Model Name Plate:RIC (B293)	1
4	B293 7501	Model Name Plate:REX (B292)	1
4	B293 7502	Model Name Plate:NSA (B292)	1
4	B293 7503	Model Name Plate:GES (B292)	1
4	B293 7504	Model Name Plate:LAN (B292)	1
4	B293 7509	Model Name Plate:INF (B292)	1
5	B262 1255	Cover:IC Card <b>[TSB#002R]</b>	1
6	H555 2790	Decal - Paper Size	1
7	B044 1258	Shielding Plate	1
8	B129 1252	Exit Cover EU	1
8	B129 1262	Exit Cover NA	1
9	B044 1284	Extension Tray - EU	1
9	B044 1285	Extension Tray - NA	1

Index No.	Part No.	Description	Q'ty Per Assembly
10	B044 1254	End Fence	1
11	AC01 2070	Exposure Glass	1
12	B262 1805	Scale:Left:NA	1
12	B262 1802	Scale:Left:EU	1
13	H555 4190	Plate Holder	1
14	B129 1261	Left Scanner Cover NA	1
14	B129 1251	Left Scanner Cover EU	1
15	B262 1250	Cover:Rear <b>[TSB#010]</b>	1
16	B262 1266	Cover:Scanner:Right:NA	1
16	B262 1256	Cover:Scanner:Right:EU	1
17	B044 1279	Front Right Cover	1
17	B044 1278	Right Upper Cover	1
18	B044 1290	Sheet - Operation Instructions	1
19	B044 1286	Front Door	1
20	H310 4120	Plate:Logotype:RIC	1
20	H555 4182	Plate:Logotype:SAV	1
20	H555 4183	Plate:Logotype:H555:LAN	1
20	H555 4184	Plate:Logotype:H555:INF	1
20	H555 4185	Plate:Logotype:H555:NSA	1
20	H555 4186	Plate:Logotype:H555:REX	1
20	H555 4187	Plate:Logotype:H555:GES	1
21	B262 1258	Plate:Exposure Glass	2
101	0451 3008N	Tapping Screw - M3x8	
102	0451 3006N	Tapping Screw - 3x6	
103	0450 3010N	Tapping Screw - M3x10	
104	1607 1461	Ferrite Core	



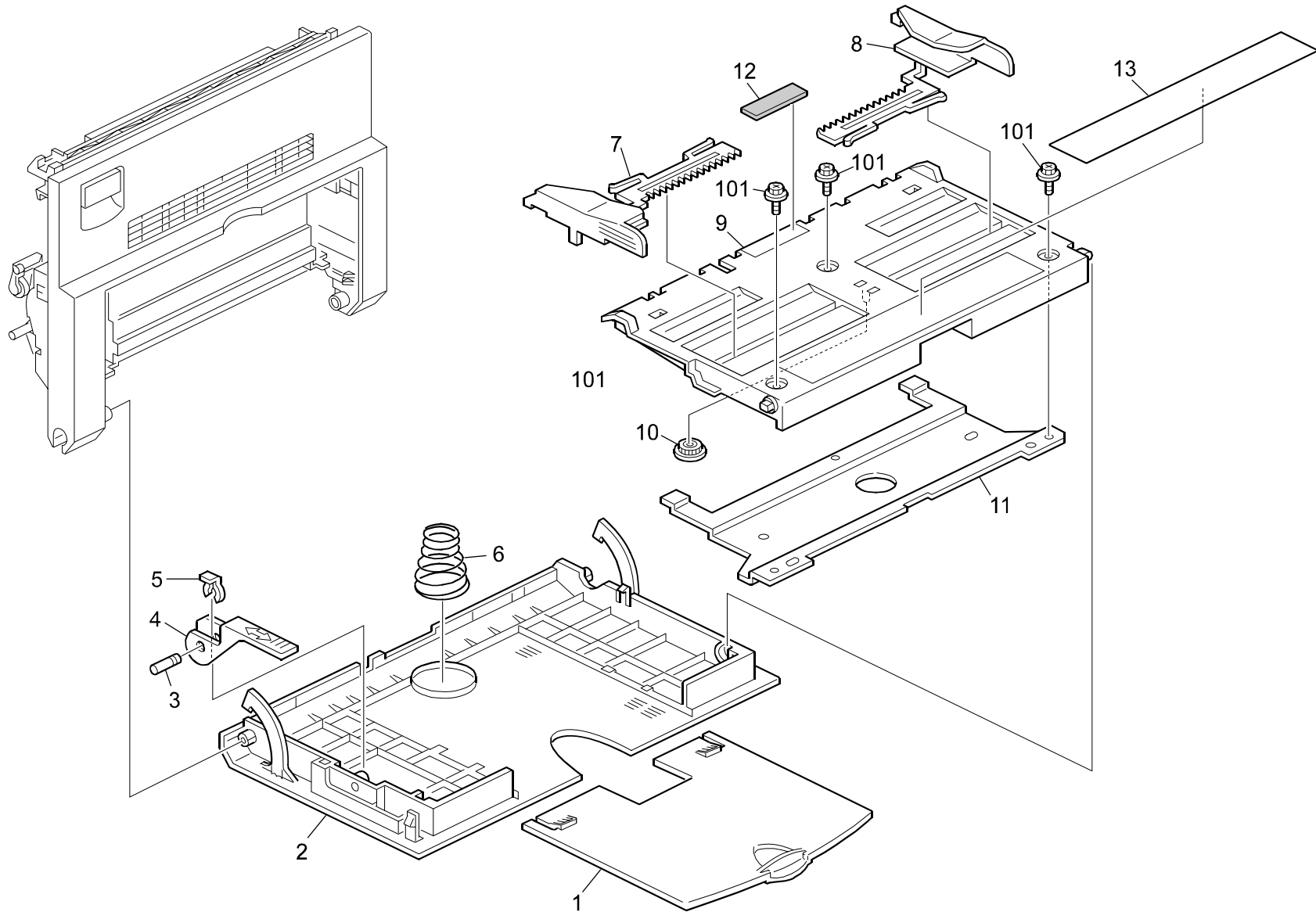
## 2.OPERATION PANEL (B262/B292)

Rev. 08/06/2007

Index No.	Part No.	Description	Q'ty Per Assembly
*	B262 1412	Operation Panel:NA (B262/B292)	1
*	B262 1413	Operation Panel:EU (B262/B292)	1
*	B262 1414	Operation Panel:Asia (B280)	1
*	B262 1415	Operation Panel:EU (B280/B293)	1
1	B262 1471	Cover:On-line:Dummy	1
1	B262 1473	Cover:Fax:Dummy	1
1	B262 1479	Cover:On-line:CPS:NA	1
1	B262 1481	Cover:On-line:CPS:EU	1
2	B243 1459	Keytop - Cursor	1
3	B229 1475	Keytop - 10key	1
3	B229 1526	Keytop - 10key NA	1
3	B229 1557	Keytop - 10key Asia	1
4	B229 1525	Keytop - Initial	1
5	B229 1537	Keytop - Clear Modes	1
6	B243 1458	Keytop - Power Source	1
7	B229 1454	Keytop - Clear/Stop	1
8	B229 1453	Keytop - Start	1
9	B262 1550	PCB:OPU	1
10	B129 1474	Spring Plate - STL	1
11	B262 1452	Lower Cover <b>[TSB#009]</b>	1
13	B262 1495	LCD <b>[TSB#009]</b>	1

Index No.	Part No.	Description	Q'ty Per Assembly
101	0452 3010N	Binding Self-tapping Screw:3x10	

### 3.BY-PASS FEED UNIT (B262/B292)



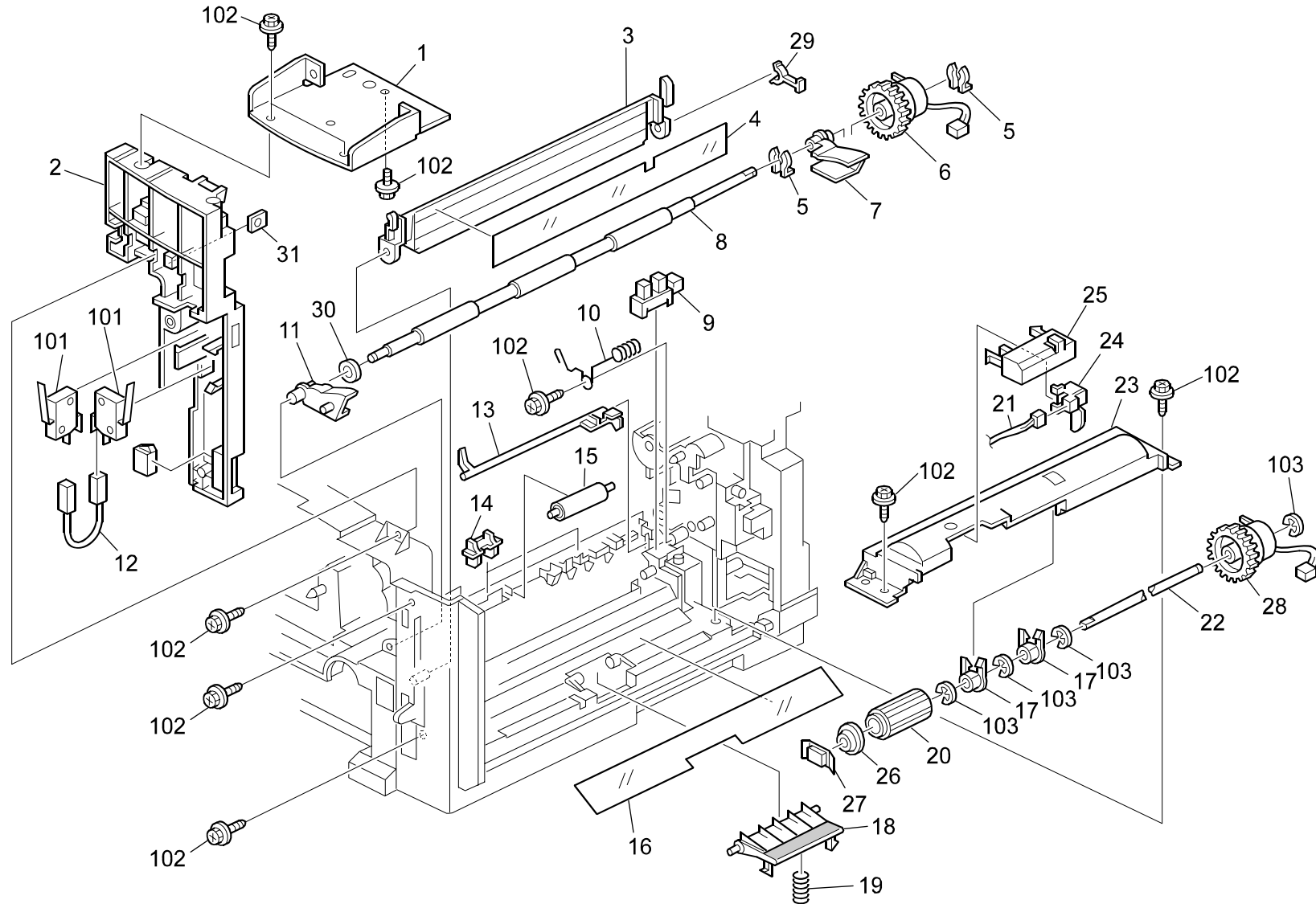


### 3.BY-PASS FEED UNIT (B262/B292)

Index No.	Part No.	Description	Q'ty Per Assembly
1	B044 2808	Paper Guide	1
2	B044 2801	By-pass Feed Table	1
3	B259 2786	Lever Shaft	1
4	B044 2806	Lever - Manual Feed Table	1
5	5447 2681	Snap Ring	1
6	B044 2809	Spring - Manual Feed Table	1
7	B044 2804	Front Side Fence	1
8	B044 2805	Rear Side Fence	1
9	B044 2803	Tray Bottom Plate	1
10	G800 3133	Side Fence Gear	1
11	B044 2807	Stay - Tray Bottom Plate	1
12	5215 2713	Bottom Plate Pad	1
13	AA00 3011	Manual Feed Decal	1

Index No.	Part No.	Description	Q'ty Per Assembly
101	0451 3006N	Tapping Screw - 3x6	

## 4.PAPER REGISTRATION (B262/B292)

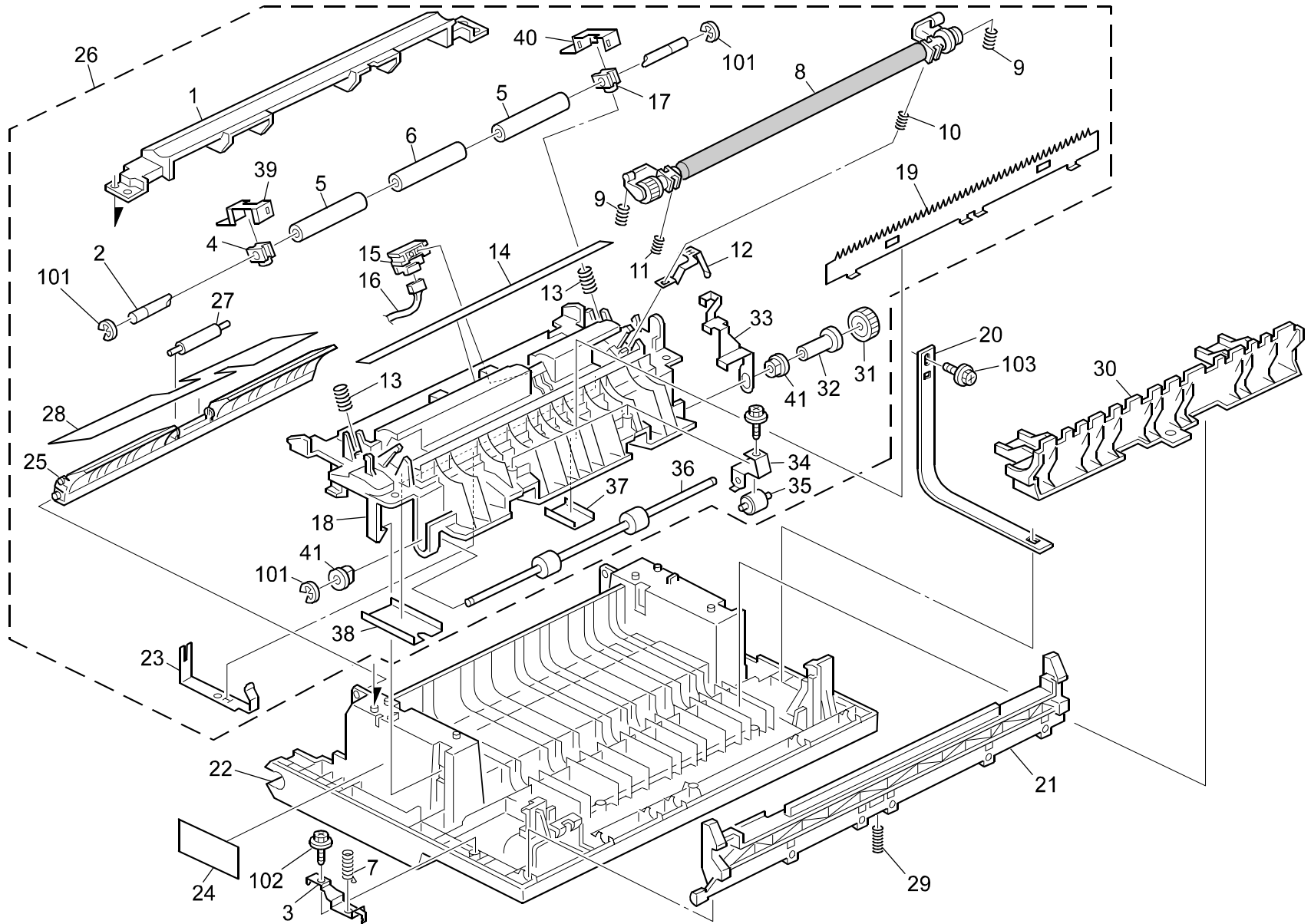


#### 4.PAPER REGISTRATION (B262/B292)

Index No.	Part No.	Description	Q'ty Per Assembly
1	B262 1064	Scanner Bracket - Front Right	1
2	B044 1063	Scanner Stud	1
3	B044 2653	Guide Plate - Paper Feed	1
4	B044 2654	Paper Feedguide	1
5	H521 3355	C Ring - Paper Feed Roller	1
6	AX20 0308	Magnetic Clutch:0.25n.m:Z43	1
7	B044 2605	Rear Bushing	1
8	AF02 0686	Registration Roller	1
9	GW02 0020	Photointerruptor:Lg248n1	1
10	B044 1102	Registration Electrode Plate	1
11	B044 2604	Front Bushing	1
12	B129 5211	Harness - Front Right Switch	1
13	B044 2603	Registration Feeler	1
14	B044 2616	Support Bushing	2
15	B044 2602	Turn Roller	1
16	B044 2814	Exit Guide	1
17	AA08 0322	Bushing - 6mm	1
18	B044 2815	Friction Pad - Manual Feed	1
19	B044 2817	Friction Pad Spring	1
20	AF03 1086	By-pass Feed Roller	1
21	B262 5218	Harness:Paper End Sensor	1
22	B044 2829	Manual Feed Shaft	1
23	B044 2811	Guide Plate - Manual Feed	1
24	G020 2772	By-pass Paper End Sensor	1
25	B044 2812	Manual Feed Bracket	1
26	B044 2825	Spacer-manual Feed Roller	1
27	B044 2824	Cushion-manual Feed Roller	1
28	AX20 0310	Magnetic Clutch:0.25n.m:Z43	1
29	B044 2656	Guide Plate Stopper	1
30	B044 2622	Spacer - Registration	1
31	B044 4200	Fusing Plate Nut	1

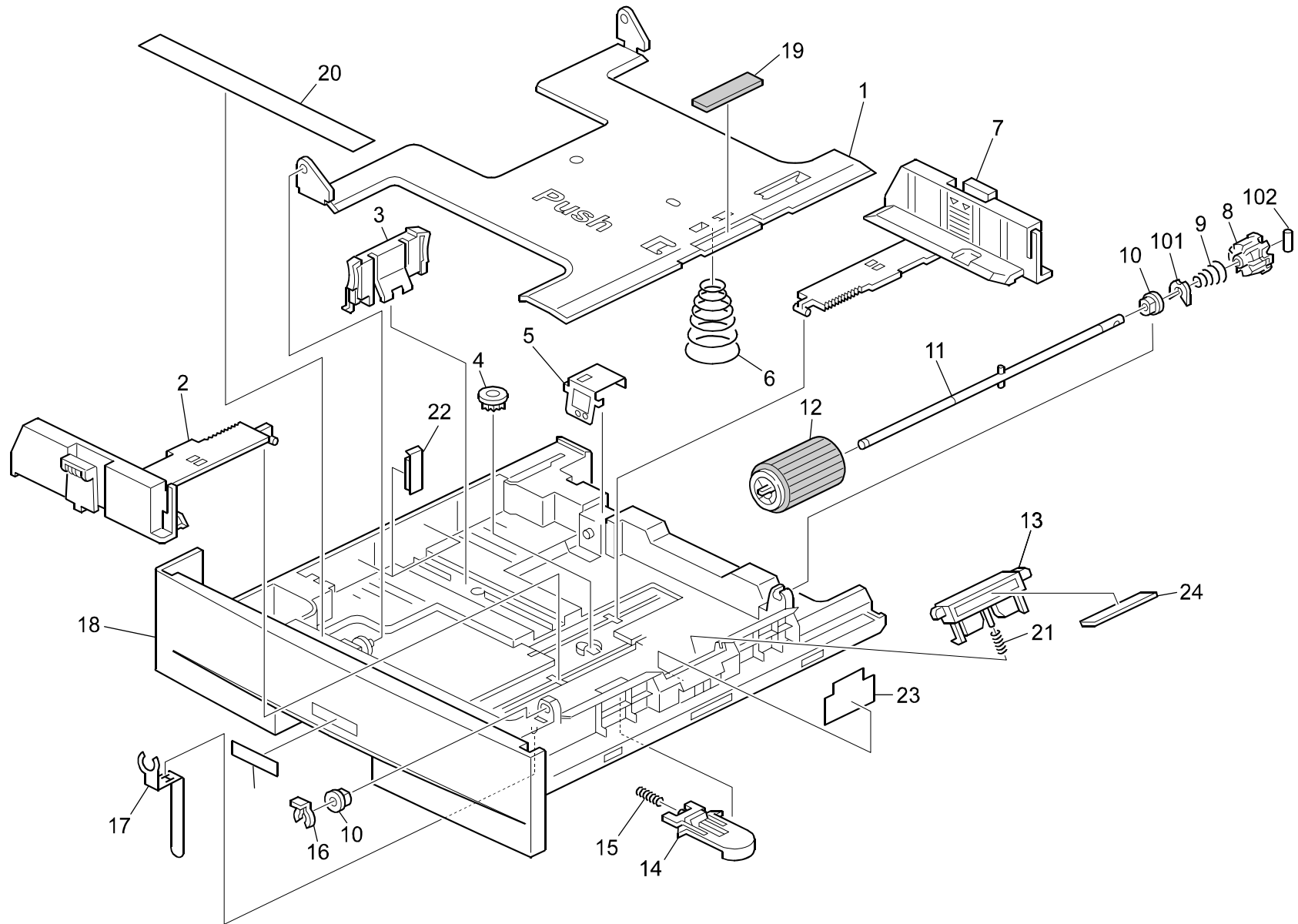
Index No.	Part No.	Description	Q'ty Per Assembly
101	1204 2521	Micro Switch	
102	0450 3006N	Tapping Screw - M3x6	
103	0720 0040E	Retaining Ring - M4	
104	1105 0197	Wire Saddle	

# 5. TRANSPORT SECTION (B262/B292)





## 6.PAPER CASSETTE (B262/B292)

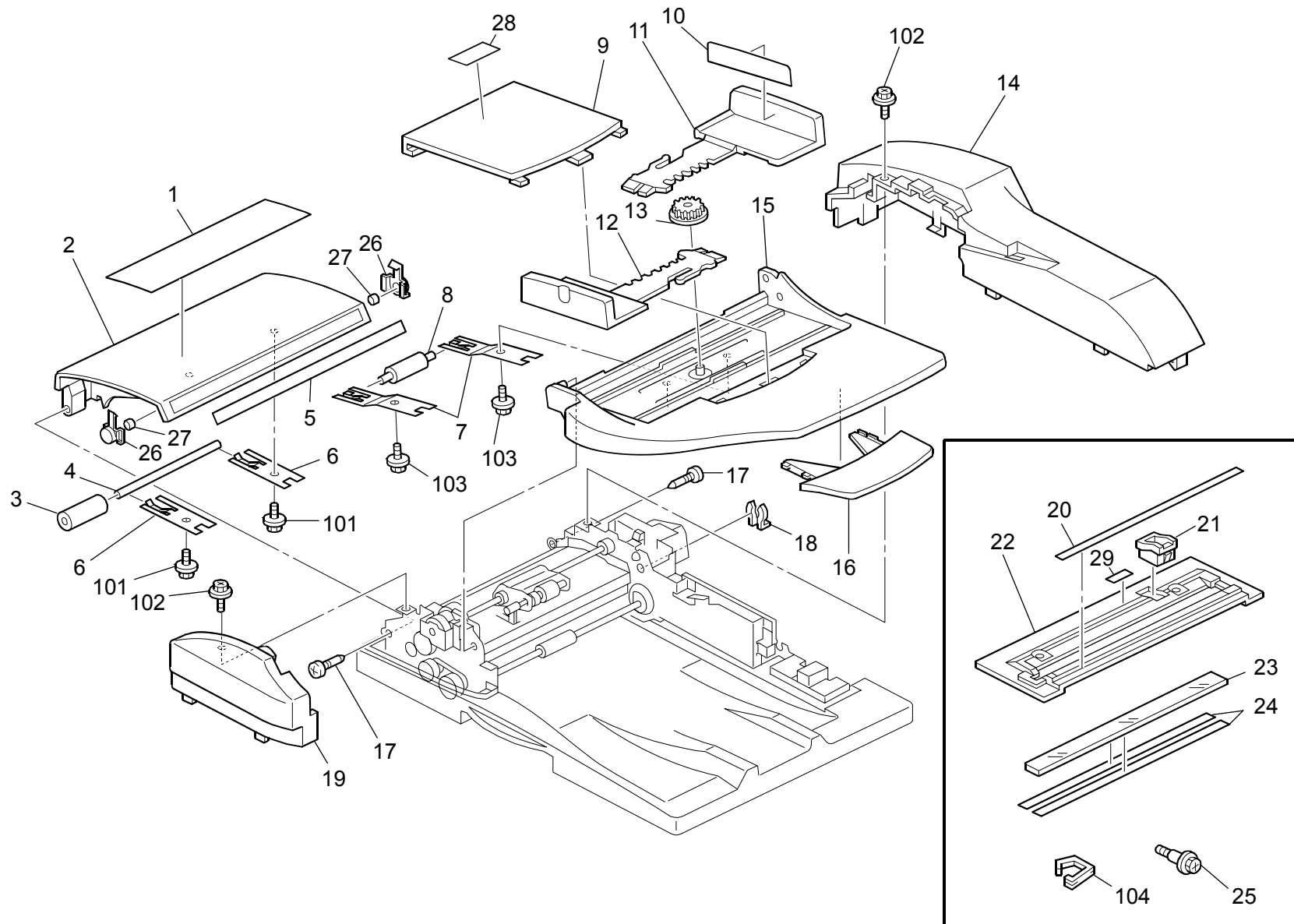


## 6.PAPER CASSETTE (B262/B292)

Index No.	Part No.	Description	Q'ty Per Assembly
*	B262 2511	Paper Tray Unit:NA	1
*	B262 2510	Paper Tray Unit:EU	1
1	B044 2704	Tray Bottom Plate	1
2	B044 2702	Front Side Fence	1
3	B044 2706	End Fence	1
4	G800 3133	Side Fence Gear	1
5	B262 2709	Ground Plate:Tray Bottom Plate	1
6	B044 2716	Pressure Spring	1
7	B044 2703	Rear Side Fence	1
8	B044 2751	Joint - Paper Feed Roller	1
9	B044 2756	Spring - Paper Feed Roller	1
10	AA08 2101	Bushing - 6x10x6	2
11	B044 2758	Shaft - Paper Feed Roller	1
12	AF03 1061	Paper Feed Roller	1
13	B044 2710	Friction Pad	1
14	B044 2713	Stopper	1
15	G020 2599	Spring - Release Lever	1
16	H521 3355	C Ring - Paper Feed Roller	1
17	B262 2711	Ground Plate	1
18	B262 2704	Cover:Paper Tray:NA	1
18	B262 2703	Cover:Paper Tray:Eu	1
19	5215 2713	Bottom Plate Pad	1
20	B044 2720	Decal - Cassette Operation	1
21	B044 2717	Pressure Spring	1
22	B044 2715	Sponge - End Fence	1
23	B044 2721	Paper Tray Sheet	1
24	B044 2714	Rubber Plate - Friction Pad	1

Index No.	Part No.	Description	Q'ty Per Assembly
101	0805 0089	Retaining Ring - M4	
102	0622 0120E	Spring Pin - 2x12mm	

# 7.ARDF 1 (B292)



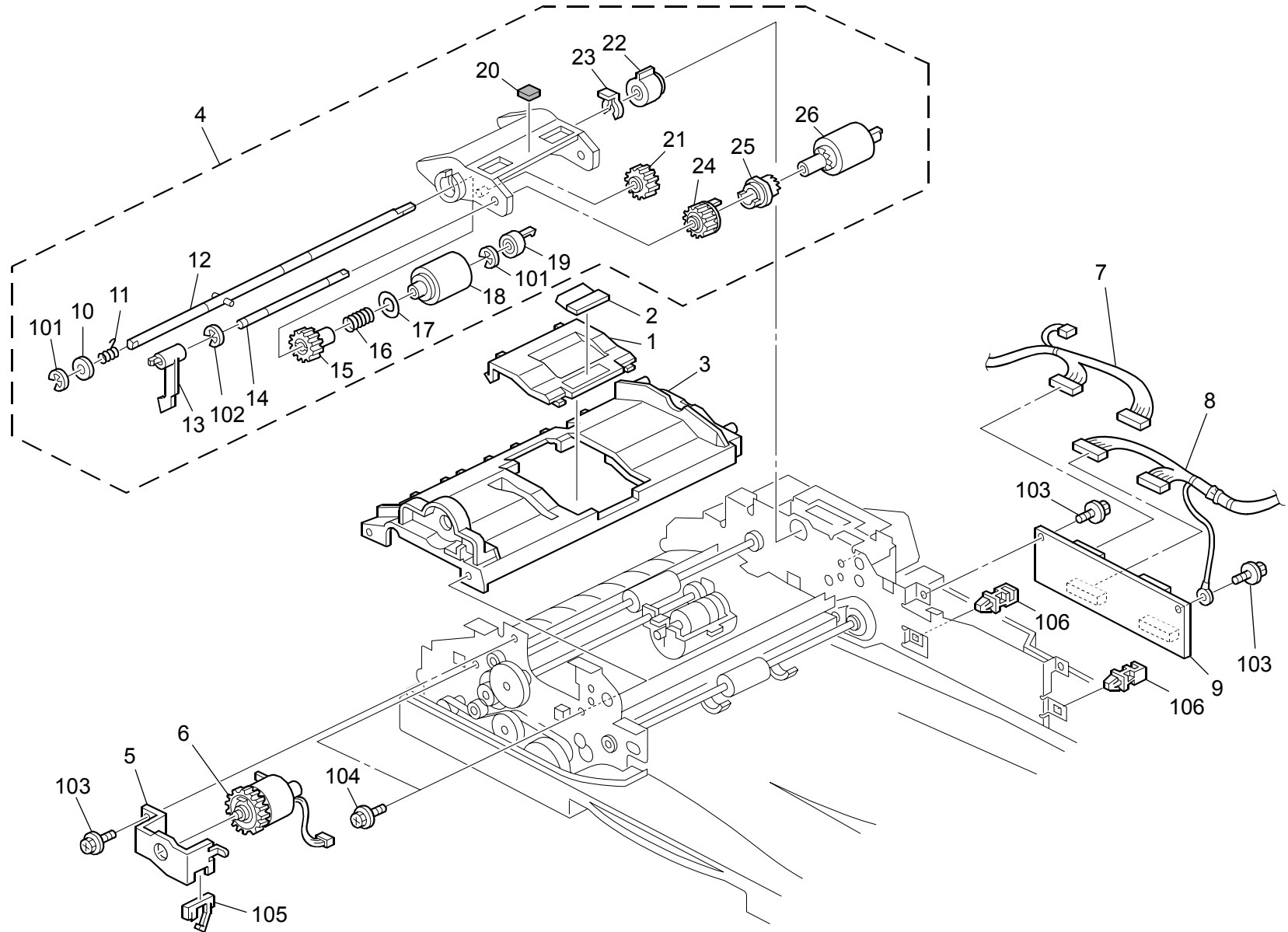


## 7.ARDF 1 (B292)

Index No.	Part No.	Description	Q'ty Per Assembly
1	B872 6011	Decal: Misfeed Removal	1
2	B872 4711	Cover: Open And Close	1
3	AF02 2144	Pressure Roller	1
4	B872 4721	Shaft: Pressure: Dia4	1
5	B872 6031	Decal: Size: Original	1
6	B872 4722	Spring Plate: R0	2
7	B872 4624	Spring Plate	2
8	B872 4616	Roller: Reverse: Pressure	1
9	B872 4615	Cover: Original Table	1
10	B872 6021	Decal: Side Fence	1
11	B872 4613	Guide: Original Table: Rear	1
12	B872 4612	Guide: Original Table: Front	1
13	BB01 3003	Gear - 14Z	1
14	B872 4731	Cover: Rear	1
15	B872 4611	Original Table	1
16	B872 4621	Original Table: Auxiliary	1
17	AA14 3788	Pin: Guide Plate: Paper Feed	2
18	5215 2621	Snap Ring - M6	1
19	B872 4741	Cover: Front	1
20	B872 6061	Decal: Scale: Left: NA	1
20	B872 6071	Decal: Scale: Left: EU	1
21	B872 7014	Cap: Registration Sensor: Scale	1
22	B872 7010	Scale: Left: Adhesion	1
23	AC01 3005	Df Exposure Glass	1
24	B044 4929	Sheet - Exposure Glass	2
25	AA14 3866	Screw: Dia3.4: M3	1
26	B872 4726	Case: Magnetic	2
27	G827 1023	Magnetic: Hale: Dia10x7	2
28	B859 2352	Pressure Plate Pad	1
29	B872 6081	Decal: Caution Chart	1

Index No.	Part No.	Description	Q'ty Per Assembly
101	0452 3008N	Tapping Screw - M3x8	
102	0451 3008N	Tapping Screw - M3x8	
103	0450 3006N	Tapping Screw - M3x6	
104	1105 0518	Edge Saddle - Les-1010	

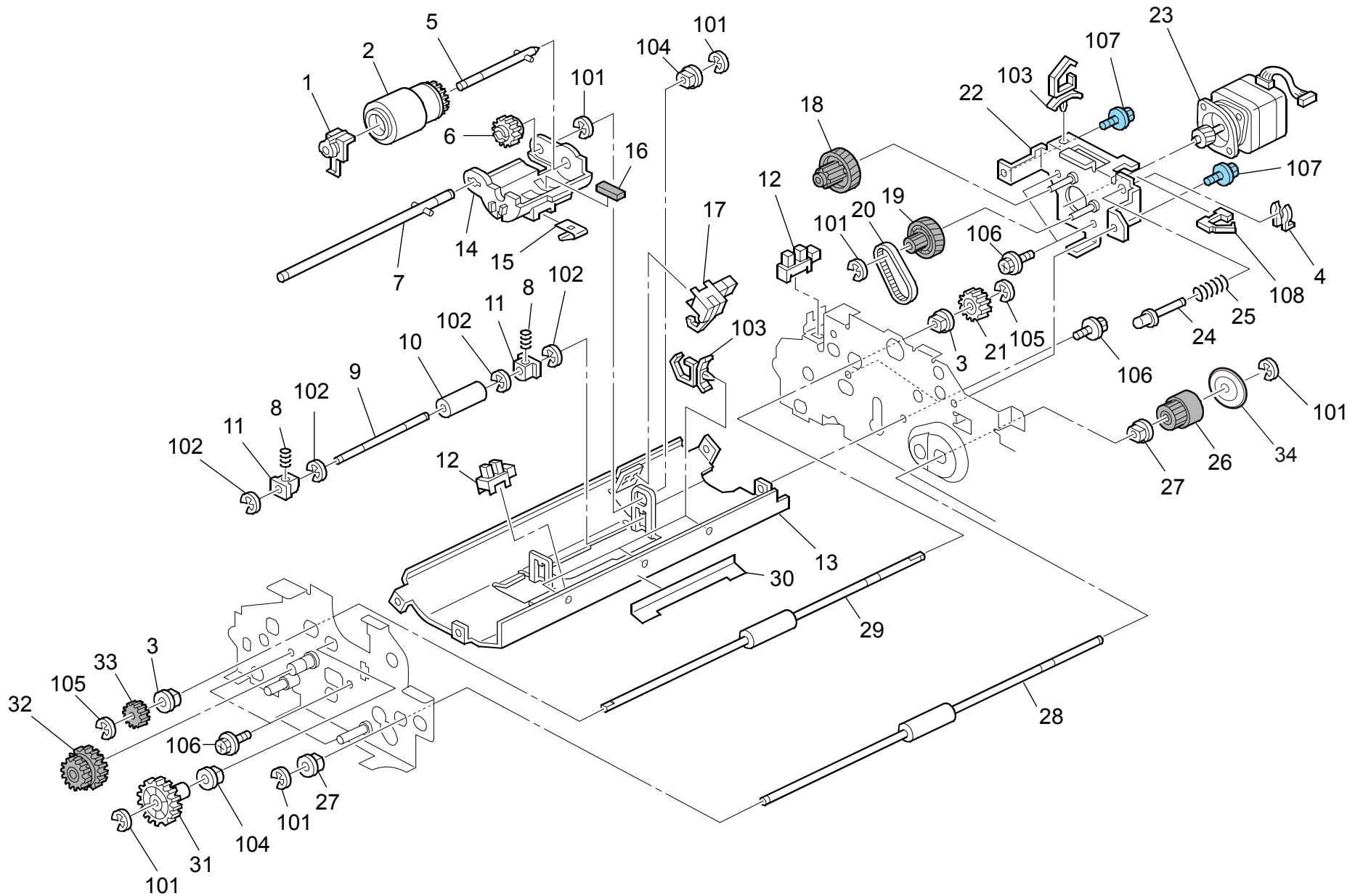
# 8.ARDF 2 (B292)



## 8.ARDF 2 (B292)

Index No.	Part No.	Description	Q'ty Per Assembly
1	B872 2312	Guide Plate:Paper Feed:Upper	1
2	H521 1350	Pad - Pick-up	1
3	B872 2311	Guide Plate:Paper Feed:Upper	1
4	B872 2510	Feeder Unit	1
5	B872 2412	Bracket:Magnetic Clutch	1
6	B872 2420	Magnetic Clutch:Ass'y	1
7	B872 5240	Harness:Main	1
8	B872 5210	Harness:Interface	1
9	B872 5100	PCB:Main Control	1
10	B872 2524	Spacer:Dia9	1
11	B872 2523	Spring Clutch:Feed:Dia6	1
12	B872 2521	Shaft:Feed:C	1
13	B872 2513	Feeler:Original Sensor	1
14	B872 2514	Shaft:Pickup	1
15	B872 2512	Gear:Z18	1
16	B872 2526	Spring:Roller Clutch	1
17	B872 2522	Spacer:Pickup	1
18	AF03 1062	Feed Roller	1
19	B872 2527	Roller Clutch:Bracket:Feed	1
20	B872 2515	Cushion:Bracket:Feed	1
21	B872 2511	Gear:Idler:Z16	1
22	B044 4961	Oneway Clutch	1
23	5447 2681	Snap Ring	1
24	B872 2528	Gear:Z18	1
25	B872 2529	Collar:Pickup	1
26	AF03 0363	Pickup Roller	1

Index No.	Part No.	Description	Q'ty Per Assembly
101	0720 0040E	Retaining Ring - M4	
102	0720 0030E	Retaining Ring - M3	
103	0451 3006N	Tapping Screw - 3x6	
104	0450 3008N	Tapping Screw - M3x8	
105	1105 0612	Clamp:EDS-0704L-V0	
106	1105 0436	Locking Support - Kgcp-08-0	



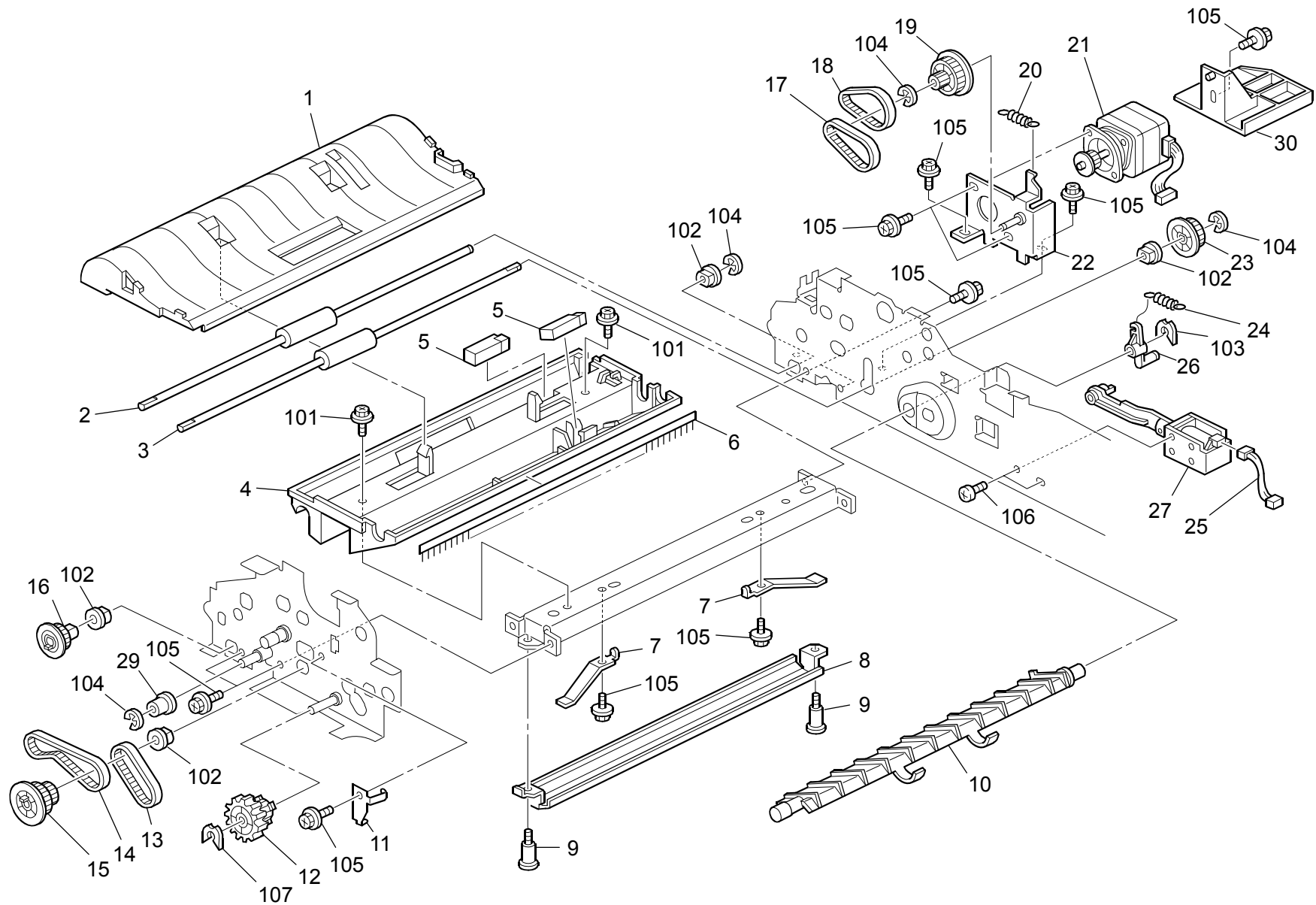
### 9.ARDF 3 (B292)

Rev. 03/27/2007

Index No.	Part No.	Description	Q'ty Per Assembly
1	B872 2222	Holder:Reverse Roller	1
2	AF03 2030	Reverse Roller	1
3	B872 2614	Bushing:R1	2
4	5447 2681	Snap Ring	1
5	B872 2221	Shaft:Reverse Roller	1
6	B872 2223	Gear:Z17	1
7	B872 2213	Shaft:Drive:Separation	1
8	B872 2116	Compression Spring:Reverse:Driven	2
9	B872 2113	Shaft:Reverse:Roller:Driven	1
10	B872 2112	Roller:Driven:Dia14	1
11	AA08 0034	Bushing - 4x5x7	2
12	AW02 0141	Photointerruptor	2
13	B872 2110	Guide Plate:Paper Feed:Lower	1
14	B872 2211	Bracket:Reverse	1
15	B872 2212	Spring Plate:Reverse:Pressure	1
16	B044 4962	Cushion	1
17	AW02 0155	Photointerruptor:Paper Size Sensor	1
18	B872 4116	Gear:Z44/T14	1
19	B872 4113	Gear:Z44/T16	1
20	AA04 3603	Timing Belt:B40S2M128	1
21	B872 2613	Gear:Z22	1
22	B872 4141	Bracket:Motor:Paper Feed:Ass'y <b>[TSB#004]</b>	1
23	B872 5810	Stepper Motor Dc24v 3.53w	1
24	B872 1121	Stopper:Original Table	1
25	B872 1122	Compression Spring:Stopper	1
26	B872 3232	Torque Limiter:T24:S2m	1
27	B872 2614	Bushing:R1	2
28	B872 3261	Roller:Reverse:Drive <b>[TSB#004]</b>	1
29	B872 2611	Roller:R0	1
30	B872 2118	Guide:Reverse	1
31	B872 2217	Gear:Z28	1
32	AB01 7591	Gear - 18/30Z	1
33	B872 2612	Gear:Z19	1
34	B789 4257	Flange: Pulley <b>[TSB#004]</b>	1

Index No.	Part No.	Description	Q'ty Per Assembly
101	0720 0040E	Retaining Ring - M4	
102	0720 0030E	Retaining Ring - M3	
103	1105 0511	Harness Clamp - LWS-0306ZC	
104	0805 3480	Bushing - 6mm	
105	0720 0060E	Retaining Ring - M6	
106	0451 3006N	Tapping Screw - 3x6	
107	0454 3006Q	Tapping Screw - M3x6	

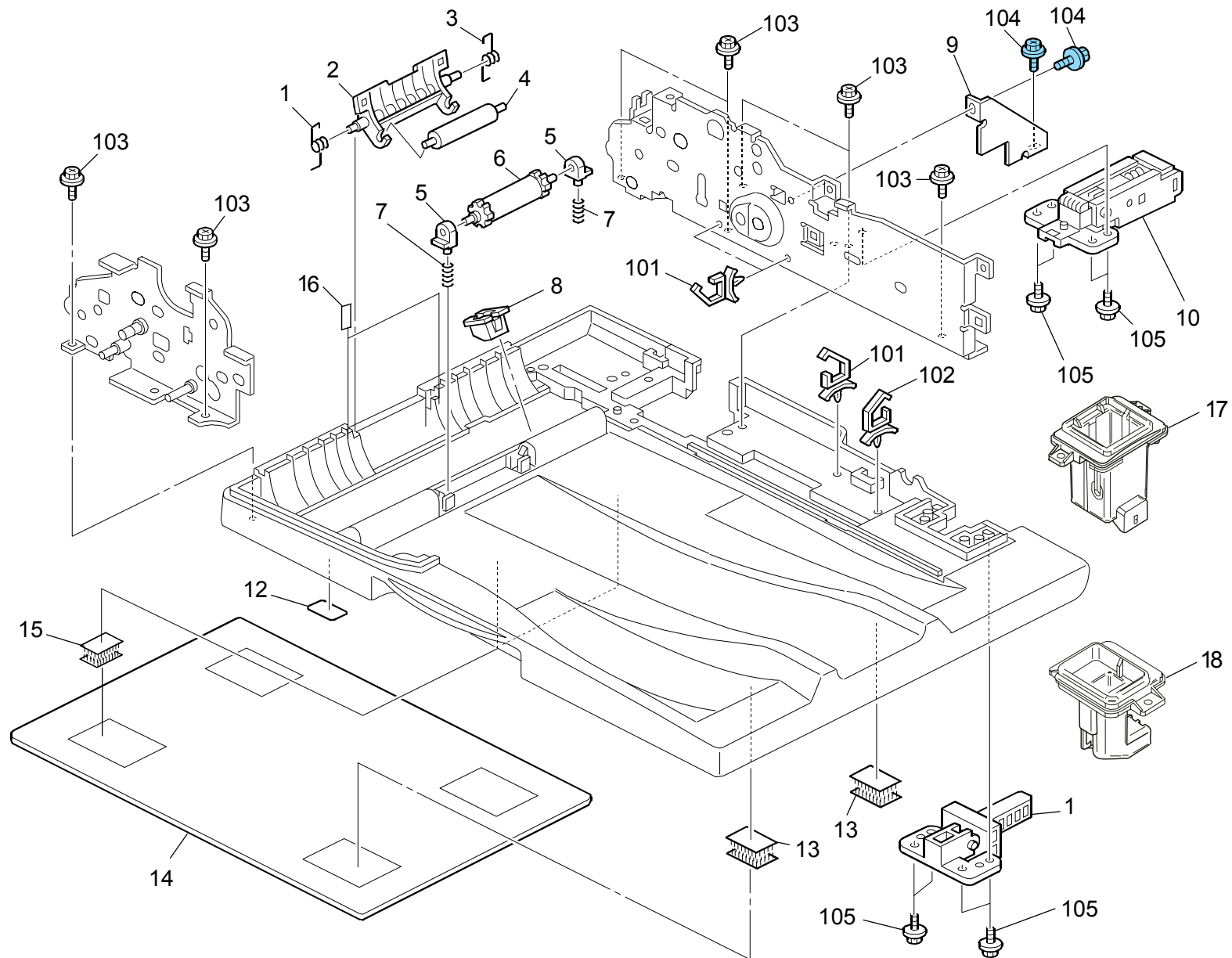
# 10.ARDF 4 (B292)



## 10.ARDF 4 (B292)

Index No.	Part No.	Description	Q'ty Per Assembly
1	B872 3121	Guide Plate:Scanning:Upper	1
2	B872 3211	Roller:Scanning:Front:Drive	1
3	B872 3221	Roller:Exit:Drive	1
4	B872 3111	Guide Plate:Scanning:Lower	1
5	AW01 0109	Photo Reflection Sensor:Ps117ed1	2
6	B872 3114	Discharge Brush:Lower	1
7	B872 1515	Spring Plate:Guide:Exposure Glass	2
8	B872 1522	Guide:Exposure Glass	1
9	AA14 3544	Screw - M3	2
10	B872 3311	Exchange Pawl:Reverse	1
11	B872 3113	Spring Plate:Earth:Exit	1
12	B872 3241	Knob:Pick-up Paper Jam	1
13	AA04 3605	Timing Belt:B40S3M114	1
14	G417 3669	Timing Belt:B40S2M190	1
15	B872 3223	Timing Pulley:T32	1
16	B872 3212	Pulley:T25	1
17	AA04 3604	Timing Belt:B40S2M110	1
18	AA04 3603	Timing Belt:B40S2M128	1
19	B872 4214	Pulley:T16/T44	1
20	B872 4216	Tension Spring:Motor:Transport	1
21	B872 5820	Stepper Motor:Dc24v 3.35w	1
22	B872 4210	Bracket:Motor:Transport	1
23	B872 3222	Timing Pulley:T32	1
24	B872 3313	Tension Spring:Exchange Pawl	1
26	B872 3312	Lever:Exchange Pawl	1
27	B872 4310	DC Solenoid:Exchange Pawl	1
28	B872 5250	Harness:Dc Solenoid	1
29	A859 4141	Pulley Idler	1
30	B872 4131	Inner Cover:Left Rear	1

Index No.	Part No.	Description	Q'ty Per Assembly
101	0451 3008N	Tapping Screw - M3x8	
102	0805 3480	Bushing - 6mm	
103	0805 0088	Retaining Ring - M6	
104	0720 0040E	Retaining Ring - M4	
105	0451 3006N	Tapping Screw - 3x6	
106	0353 0040N	Screw - M3X4	
107	0805 0088	Retaining Ring - M6	





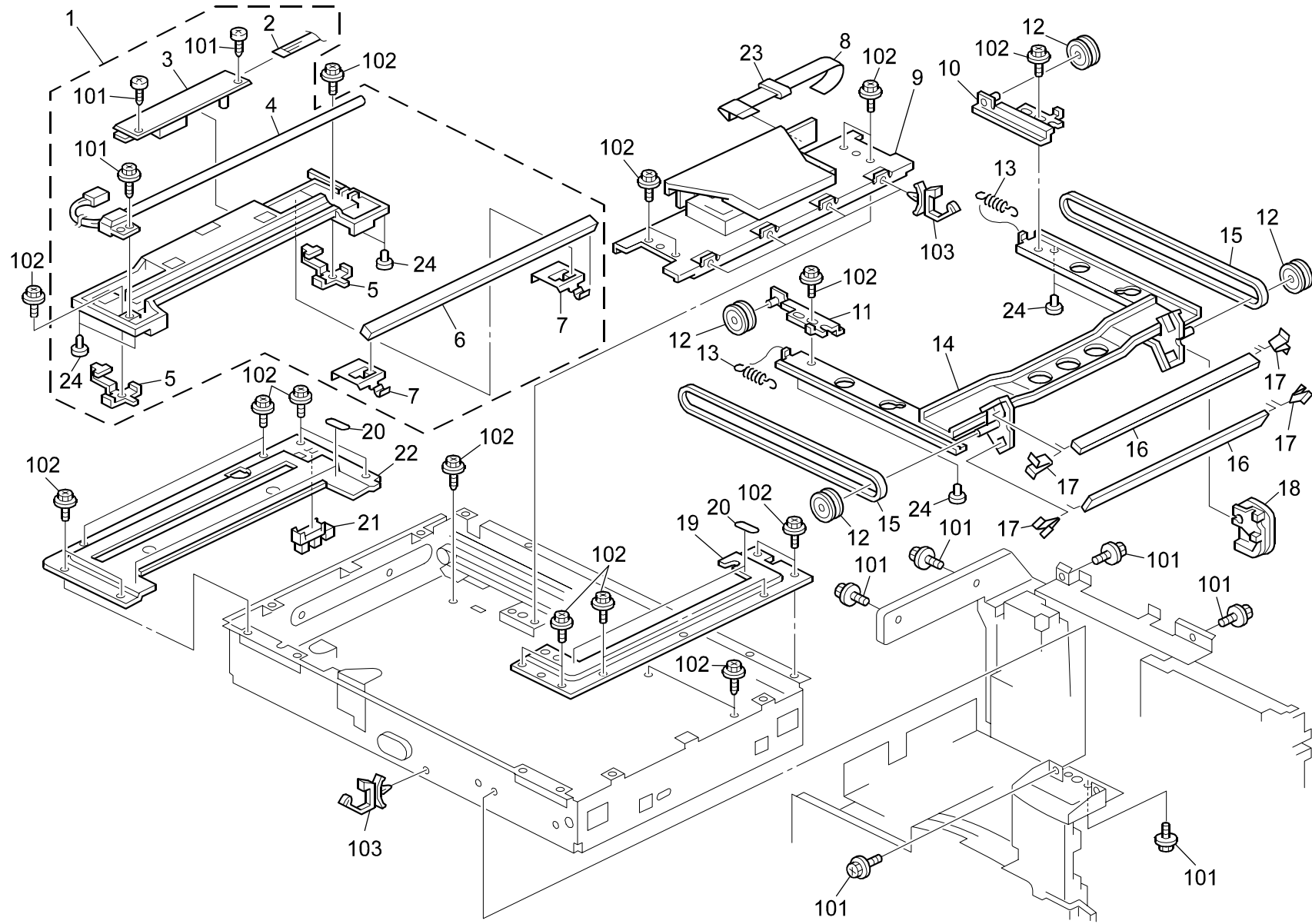
**11.ARDF 5 (B292)**

Rev. 12/06/2007

Index No.	Part No.	Description	Q'ty Per Assembly
1	B872 1923	Torsion Spring:Pressure:Front	1
2	B872 1921	Lever:Driven:Pressure	1
3	B872 1924	Torsion Spring:Pressure:Rear	1
4	B872 1922	Roller:Driven:Scanning:Front	1
5	B872 1934	Bushing:Exit	2
6	B872 1931	Exit Roller:Driven	1
7	B872 1933	Compression Spring:Exit:Driven	2
8	B872 1912	Cap:Paper Feed Sensor:Base	1
9	B872 1114	Bracket:Side Plate:Rear Right	1
10	B872 1414	Hinge:Left	1
11	B872 1421	Hinge:Right	1
12	B872 6041	Decal:Lever:Knob	1
13	B351 4322	Tape:Pressure Plate	2
14	B872 4510	Pressure Plate	1
15	B872 4513	Tape:Pressure Plate:Left	2
16	B872 1941	Guide: Base: Driven <b>[TSB#014]</b>	2
17	B262 1667	Holder: Hinge: Left <b>[TSB#013]</b>	1
18	B262 1668	Holder: Hinge: Right <b>[TSB#013]</b>	1

Index No.	Part No.	Description	Q'ty Per Assembly
101	1105 0511	Harness Clamp - LWS-0306ZC	
102	1105 0508	Harness Clamp - LWS-0711	
103	0450 3008N	Tapping Screw - M3x8	
104	0454 3006Q	Tapping Screw - M3x6	
105	0450 3010N	Tapping Screw - M3x10	

# 12.OPTICS SECTION 1 (B262/B292)

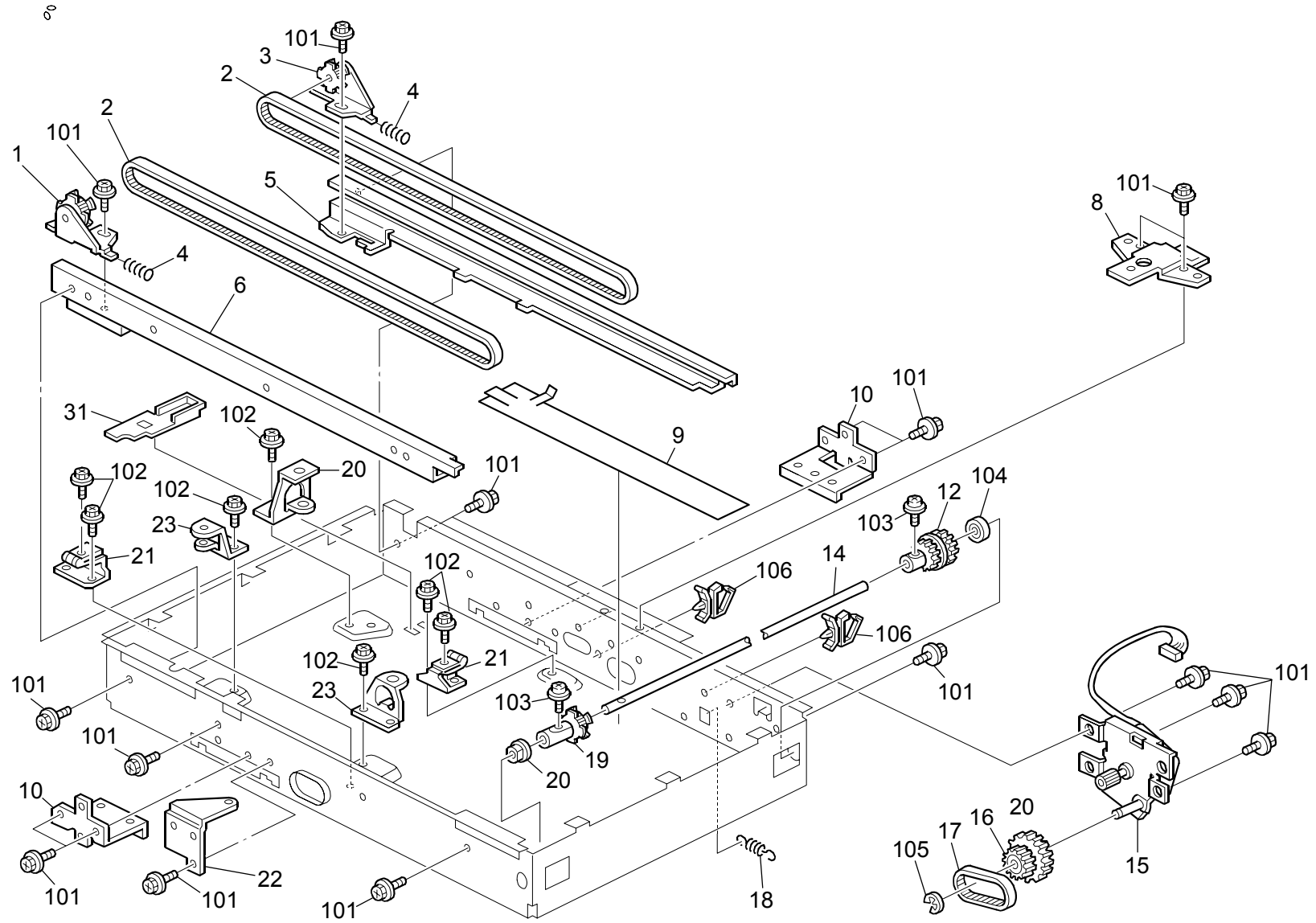


## 12.OPTICS SECTION 1 (B262/B292)

Index No.	Part No.	Description	Q'ty Per Assembly
1	B262 1700	Carriage:No.1 Unit	1
2	B262 5237	Flat Cable:Stabilizer	1
3	AZ50 0073	Stabilizer-xenon Lamp	1
4	AX50 0096	Xenon Lamp:Dia8	1
5	B044 1715	Timing Belt Holder	2
6	AC03 0145	1st Mirror	1
7	B044 1721	1st Mirror Holder	2
8	B262 5236	Flat Cable:Sbu	1
9	B262 1770	Lens Unit	1
10	B262 1745	Bracket:Belt Pulley:Idler:Rear	1
11	B262 1741	Bracket:Belt Pulley:Idler:Front	1
12	B039 1785	Scanner Drive Pulley	4
13	B039 1786	Tension Spring	2
14	B044 1734	2nd Scanner	1
15	AA04 2053	Belt:3mm	2
16	AC03 0146	2nd Mirror	2
17	B039 1781	2nd Mirror Holder	4
18	B044 1751	Flat Cable Guide	1
19	B262 1683	Supporting Plate:Right Upper	1
20	A250 1824	Exposure Glass Sheet	4
21	GW02 0020	Photointerruptor:Lg248n1	1
22	B262 1681	Bracket:Scale	1
23	H555 5150	Ferrite Core	1
24	B044 1719	Scanner Slider Pin	8

Index No.	Part No.	Description	Q'ty Per Assembly
101	0450 3008N	Tapping Screw - M3x8	
102	0451 3006N	Tapping Screw - 3x6	
103	1105 0511	Harness Clamp - LWS-0306ZC	

# 13.OPTICS SECTION 2 (B262/B292)

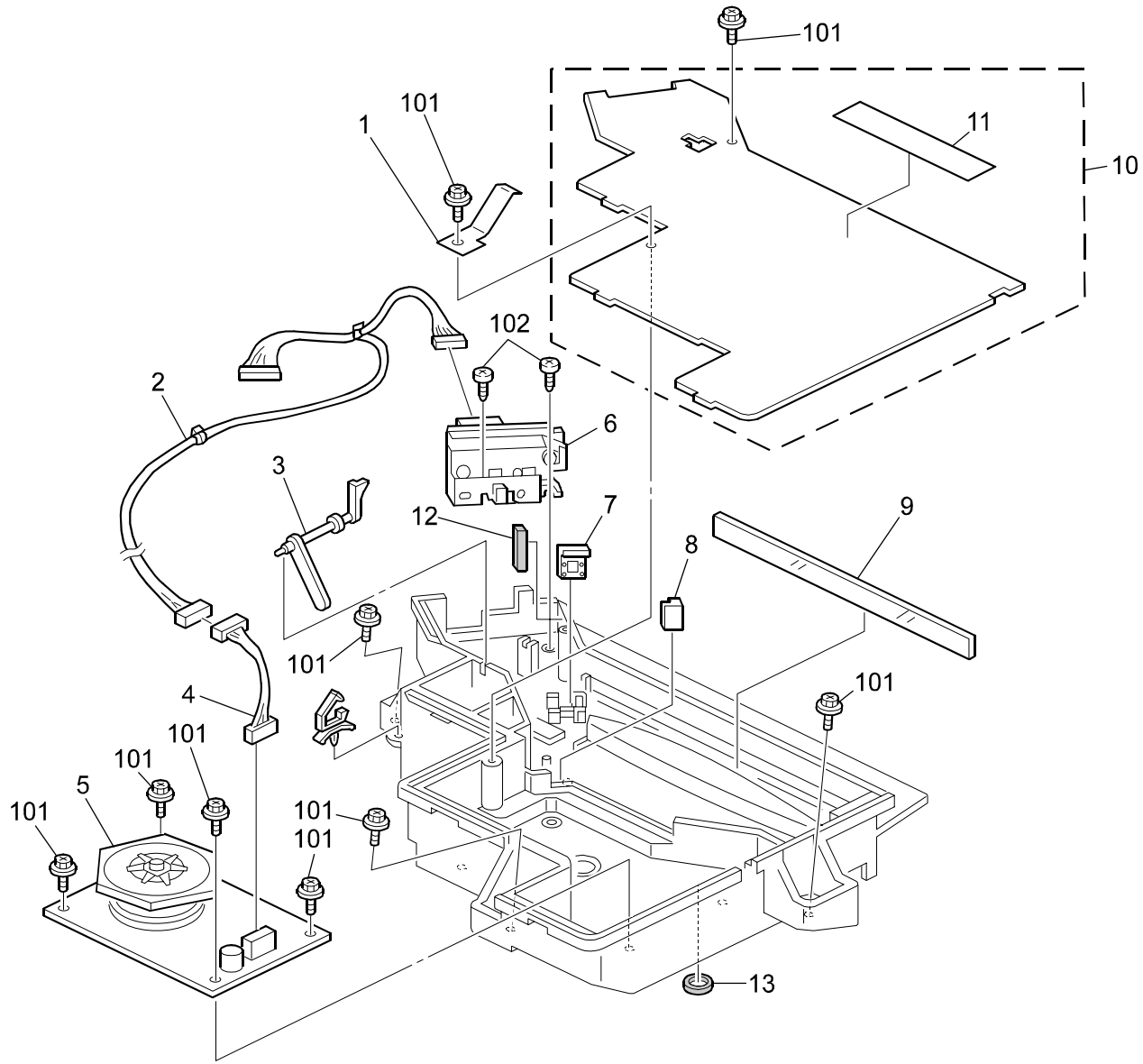


### 13.OPTICS SECTION 2 (B262/B292)

Index No.	Part No.	Description	Q'ty Per Assembly
1	B044 1827	Front Idler Bracket	1
2	AA04 3997	Timing Belt:ST55	2
3	B044 1828	Rear Idler Bracket	1
4	B039 1704	Spring - Timing Pulley	2
5	B262 1654	Rail:Rear	1
6	B262 1653	Rail:Front	1
7	GW02 0020	Photointerruptor:Lg248nl1	1
8	B262 1665	Bracket:Scale:Inner Back	1
9	B262 1663	Sheet:Flat Cable:Stabilizer	1
10	B044 1663	Lens Bracket	2
11	B262 1811	Bracket:Stepper Motor	1
12	AB03 3095	Drive Pulley - 41t/37t	1
13	B039 1695	Flange - Pulley	1
14	B044 1826	Scanner Drive Shaft	1
15	B262 1814	Stepper Motor:Dc24v 5.3w	1
16	B121 1680	Gear - 53Z/60Z	1
17	B121 1696	Timing Belt L147	1
18	B039 1683	Tension Spring - Stepper Motor	1
19	AB03 0711	Drive Pulley - 37t	1
20	B262 1670	Bracket:Stopper:Rear	1
21	B044 1661	Belt Clamp Bracket	2
22	B044 1671	Bracket	1
23	B044 1669	Stopper Bracket - 1st Scanner	2

Index No.	Part No.	Description	Q'ty Per Assembly
101	0451 3006N	Tapping Screw - 3x6	
102	0454 3006Q	Tapping Screw - M3x6	
103	0360 3006P	Screw - M3X6	
104	0740 3906	Ball Bearing - 6x15x5	
105	0720 0060E	Retaining Ring - M6	
106	1105 0487	Harness Clamp	

# 14.LASER UNIT (B262/B292)

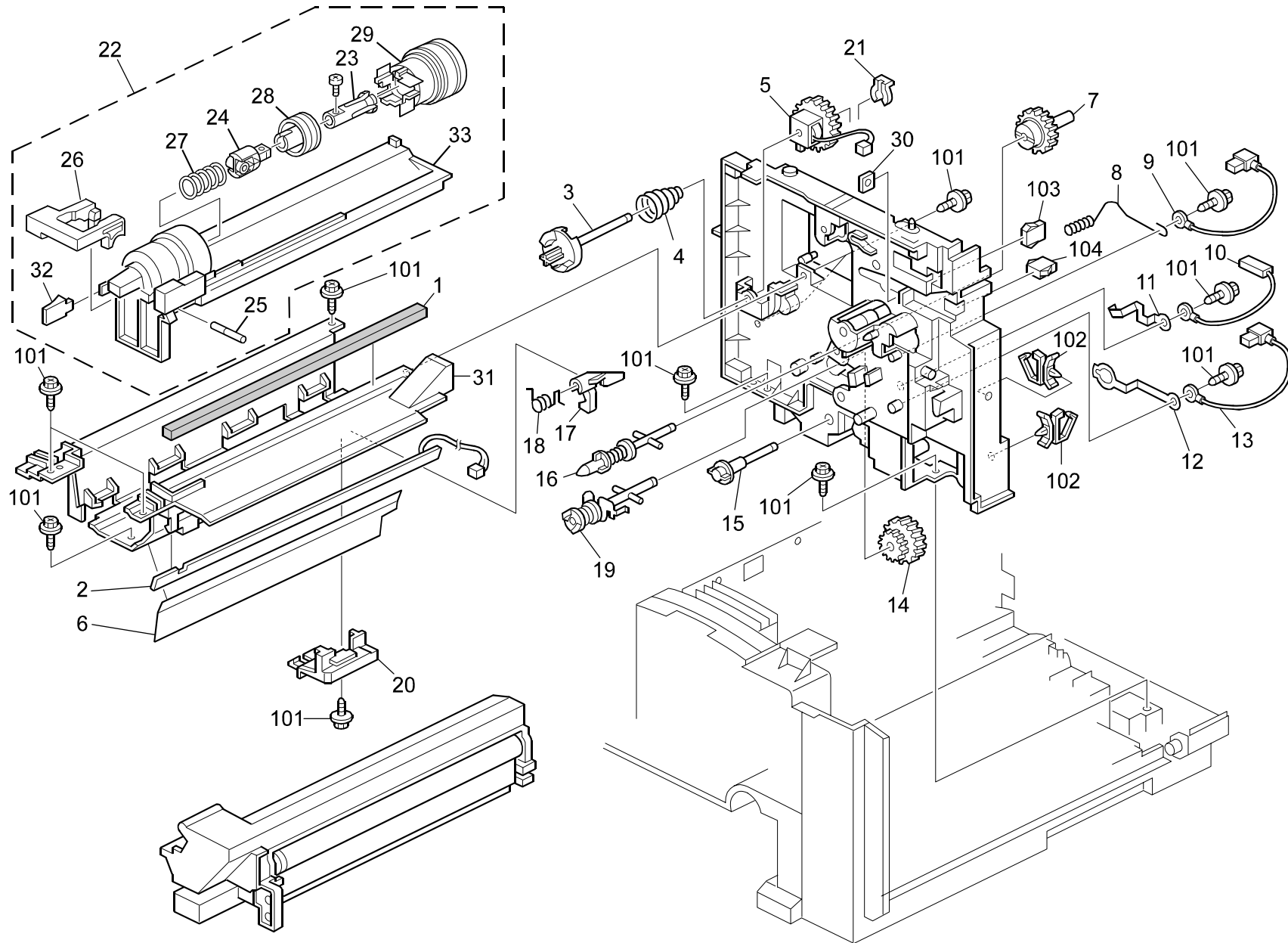


### 14.LASER UNIT (B262/B292)

Index No.	Part No.	Description	Q'ty Per Assembly
*	B262 1901	Laser Unit	1
1	B044 1943	Ground Plate	1
2	B262 5204	Harness:Lddr:Connecting	1
3	B044 1944	Shutter Plate	1
4	B262 5207	Harness:Polygon Scanner	1
5	AX06 0342	Polygon Scannermotor-dc24v	1
6	B044 1912	Laser Diode Unit:Ass'y	1
7	G025 2730	Cylindrical Lens	1
8	G025 2731	Synchronizing Detector Lens	1
9	B044 1931	Shield Glass	1
10	B044 1941	Laser Unit Cover	1
11	G029 1982	LD Decal	1
12	B044 1906	Seal - LDU	1
13	B044 1999	Spacer - 5mm	1

Index No.	Part No.	Description	Q'ty Per Assembly
101	0450 3008N	Tapping Screw - M3x8	
102	0452 3010N	Binding Self-tapping Screw:3x10	

# 15.PCU SECTION (B262/B292)



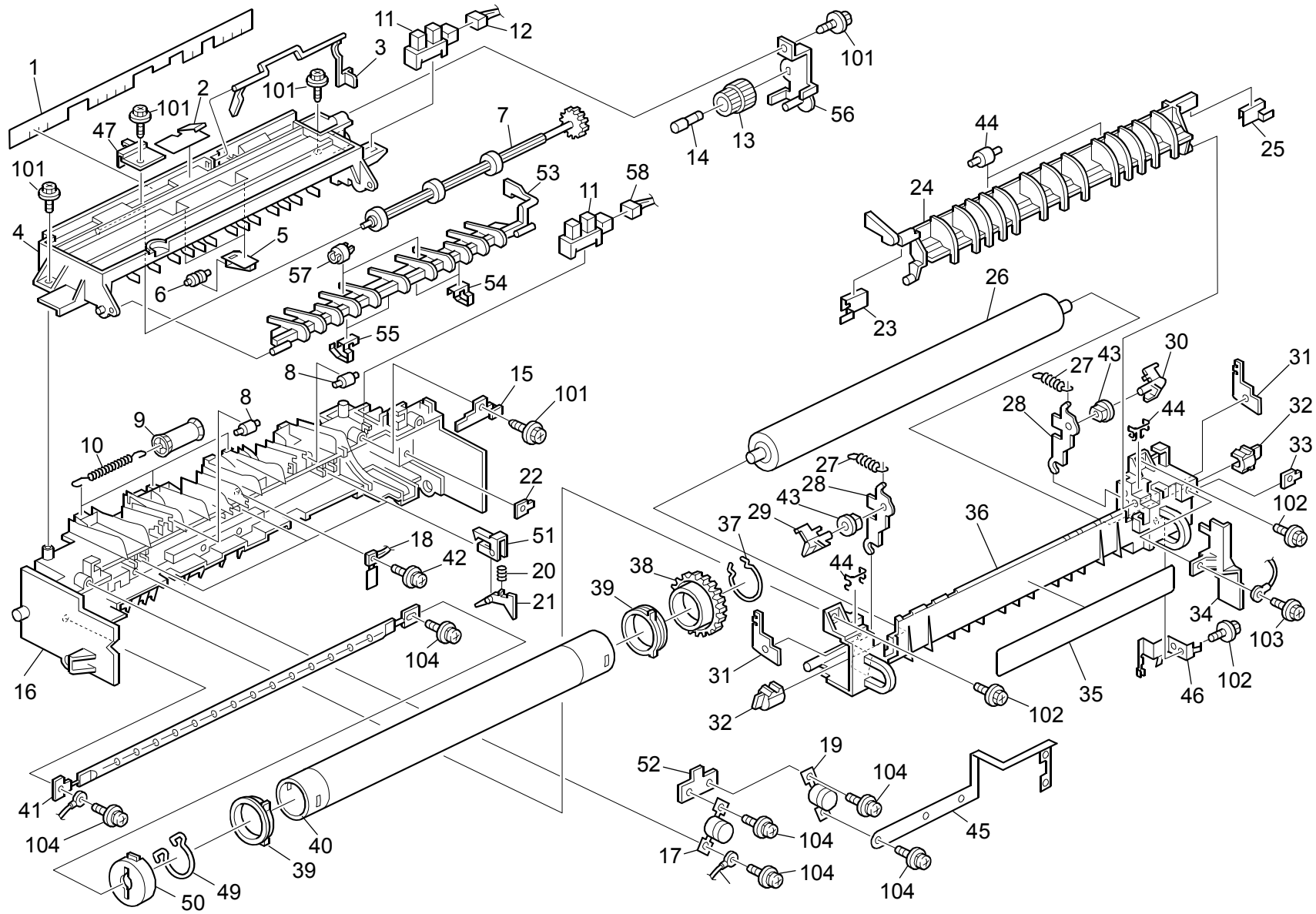


## 15.PCU SECTION (B262/B292)

Index No.	Part No.	Description	Q'ty Per Assembly
1	B044 1069	Duct Shield	1
2	AX50 0098	Quenching Lamp	1
3	B129 1176	Toner Supply Shaft	1
4	B129 1175	Toner Bottle Drive Spring	1
5	AB04 0023	Spring Clutch:0.7n.m.:Z53	1
6	B044 1068	Toner Supply Rail	1
7	AB01 0358	Gear - 64Z	1
8	AA11 3034	Electrode Plate - Charge	1
9	B262 5220	Harness:High Voltage Line:C	1
10	B262 5222	Harness:High Voltage Line:T	1
11	AA11 3035	Electrode Plate - Transfer	1
12	AA11 3032	Electrode Plate - Development	1
13	B262 5221	Harness:High Voltage Line:B	1
14	AB01 7582	Coupled Gear 22/50z	1
15	AA14 8651	Shaft - Paper Feed Roller	1
16	AB00 0025	Drum Shaft	1
17	B044 1100	Shutter	1
18	B044 1101	Shutter Spring	1
19	AB00 0027	Development Shaft Assy	1
20	B044 1103	Shutter Cover	1
21	G014 3291	Snap Ring - Pick Up	1
22	B262 3020	Toner Supply Unit	1
23	A184 3420	Bottle Chuck	1
24	B044 3426	Chuck Shaft	1
25	B044 3427	Slide Shaft	1
26	B044 3461	Handlw Cam	1
27	A267 3556	Chuck Spring - Toner Bottle	1
28	B044 3485	Slider Ass'y	1
29	B129 3465	Cover - Toner Supply Unit	1
30	B044 4200	Fusing Plate Nut	1
31	B044 1067	Toner Supply Rail	1
32	B044 3475	Un Lock Grip	1
33	B044 3470	Toner Supply Case Ass'y	1

Index No.	Part No.	Description	Q'ty Per Assembly
101	0450 3008N	Tapping Screw - M3x8	
102	1105 0511	Harness Clamp - LWS-0306ZC	
103	1102 6259	Connector - 2P	
104	1102 4559	Connector - 3P	

# 16.FUSING UNIT (B262/B292)

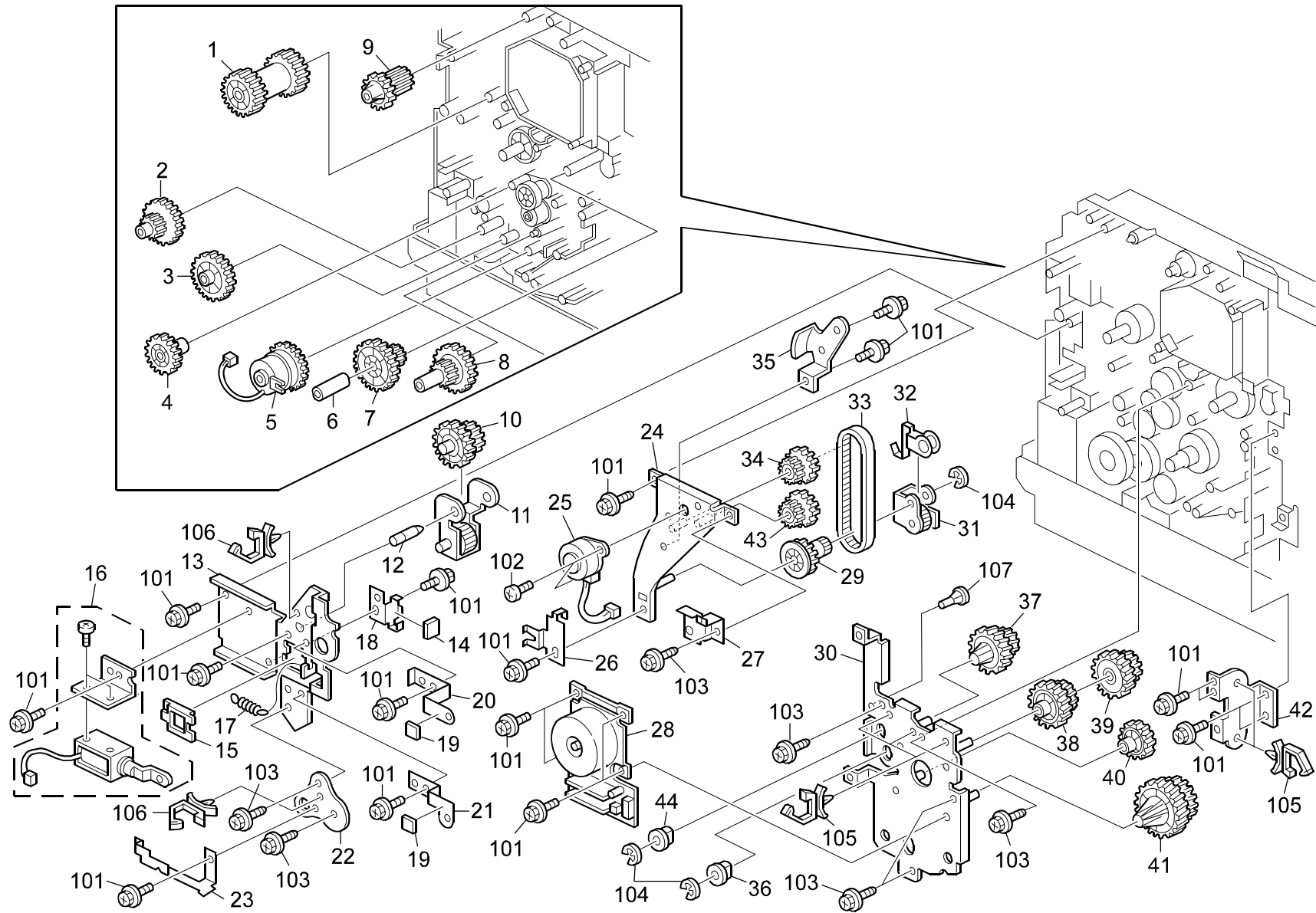


## 16.FUSING UNIT (B262/B292)

Index No.	Part No.	Description	Q'ty Per Assembly
*	B262 4018	Fusing Unit (120V)	1
*	B262 4028	Fusing Unit (230V)	1
1	B044 4165	Discharge Brush	1
2	B044 4166	Spring Plate	1
3	B044 4183	Feeler	1
4	B044 4186	Guide Plate	1
5	B044 4138	Spring	2
6	AF02 2141	Turn-roller	2
7	AF04 0603	Exit Roller	1
8	AF02 2142	Middle Roller	2
9	AF04 0588	Exit Roller	3
10	B044 4154	Exit Spring	3
11	GW02 0020	Photointerruptor:Lg248nl1	1
12	B129 5203	Harness - Paper Feed Sensor	1
13	H556 2210	Gear - 19/28Z	1
14	H556 2222	Stud	1
15	B129 4143	Electrode Plate Cover	1
16	B129 4102	Fusing Frame	1
17	AW11 0037	Thermostat - 160c	1
18	AW10 0088	Thermistor - Fusing	1
19	AW11 0038	Thermostat - 170c	1
20	B044 4155	Spring - Pickoff Pawl	1
21	AE04 4059	Stripper Pawls	3
22	B044 4135	Lamp Holder	1
23	B044 4117	Front Spring Plate	1
24	H556 2206	Guide Plate	1
25	B044 4118	Rear Spring Plate	1
26	AE02 0149	Pressure Roller	1
27	B044 4152	Pressure Spring	2
28	B044 4130	Pressure Lever	2
29	B044 4141	Pressure Release Lever - Front	1
30	B044 4146	Pressure Release Lever - Rear	1
31	B044 4132	Side Plate	2
32	AE03 1035	Pressure Roller Bushing	2
33	B044 4200	Fusing Plate Nut	1

Index No.	Part No.	Description	Q'ty Per Assembly
34	B044 4201	Fusing Harness Cover	1
35	B044 4161	Warning Decal	1
36	B044 4104	Pressure Frame	1
37	B044 4150	Hot Roller Stopper	1
38	B044 4170	Fusing Gear	1
39	AE03 1044	Fusing Bushing	2
40	AE01 1086	Hot Roller	1
41	AX44 0202	Heater - 120v/800w	1
41	AX44 0203	Heater - 230v:750w	1
42	B129 4294	Screw-m3x13	1
43	B044 4131	Bushing-pressure Release	2
44	B044 4153	Cushion	2
45	B129 4134	Electrode Plate Fusing	1
46	B044 4136	Ground Plate	1
47	B044 4401	Paper Holder Stand	1
48	AF02 2142	Middle Roller	2
49	B044 4156	Front Hot Roller Stopper	1
50	B044 4112	Hot Roller Cap	1
51	B044 4179	Holder - Pickoff Pawl	1
52	B129 4195	Thermostat Plate Nut	1
53	H556 2208	Gate Plate	1
54	H556 2201	Reargate Plate Guide	1
55	H556 2202	Front Gate Plate Guide	1
56	H556 2219	Gear Bracket	1
57	H556 2220	Roller	2
58	H556 5106	Gate Sensor Harness	1
101	0450 3008N	Tapping Screw - M3x8	
102	0451 3006N	Tapping Screw - 3x6	
103	0450 3010N	Tapping Screw - M3x10	
104	0954 3008N	Screw - M3X8	

# 17.DRIVE SECTION (B262/B292)

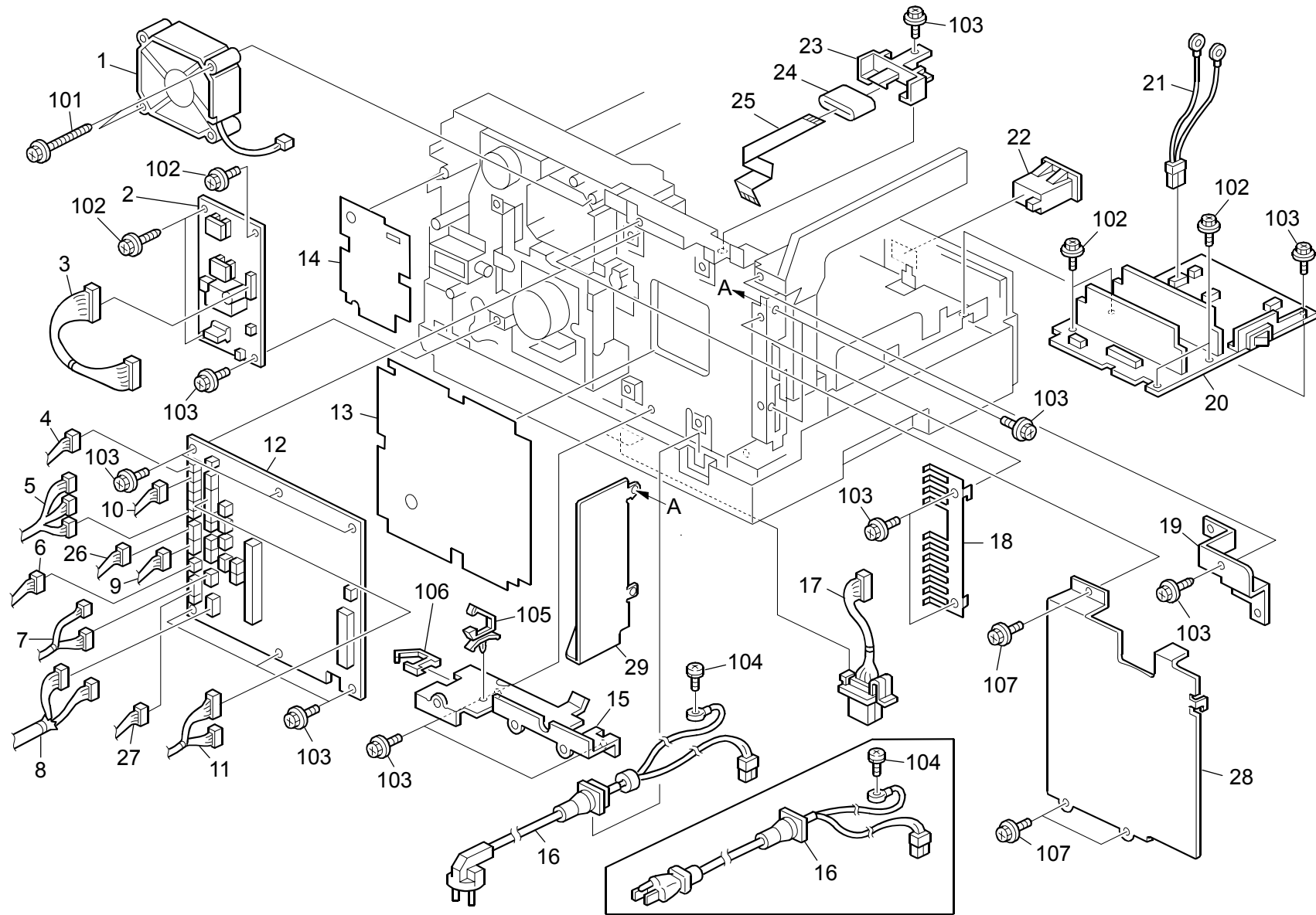


## 17.DRIVE SECTION (B262/B292)

Index No.	Part No.	Description	Q'ty Per Assembly
1	BB01 3006	Gear - 27Z	1
2	AB01 7586	Coupled Gear - 43/53z	1
3	AB01 1438	Gear - 41Z	1
4	AB01 1492	Gear - 29Z	1
5	AX20 0309	Magnetic Clutch:0.25n.m:Z43	1
6	AA13 2217	Collar	1
7	AB01 7587	Coupled Gear - 17/44z	1
8	AB01 7585	Coupled Gear - 17/44z	1
9	AB01 7629	Gear - 19/21Z	1
10	AB01 7663	Gear - 18/40Z	1
11	B129 1164	Fusing Bracket Assy	1
12	AA14 3804	Fusing Shaft 5	1
13	B129 1110	Rear Drive Plate 2	1
14	AA16 1157	Bracket Cushion	1
15	B129 1056	Shaft Spacer	1
16	B129 1161	Lever DC Solenoid Ass'y	1
17	AA06 2326	Spring - Swivel Fusing	1
18	B129 1129	Plate Cushion	1
19	B044 1139	Damping Insulation	2
20	AA12 0124	Ground Plate - Drum Drive	1
21	AA12 0104	Ground Plate - Registration	1
22	B129 1157	Side Plate - Manual Feed	1
23	B129 2820	Ground Plate - Manual Feed	1
24	H556 4172	Duplex Drive Bracket	1
25	AX06 0336	Stepper Motor-duplex-dc24v 14.9w	1
26	B129 4703	Ground Plate - Lower Duplex Bracket	1
27	B262 4701	Spring Plate:Discharge	1
28	AX06 0344	Brushless Motor:Dc24v:20w	1
29	AB01 7628	Gear - 19/38Z	1
30	B129 1163	Rear Drive Plate 1 Assy	1
31	H556 4183	Swivel Bracket	1
32	H556 4178	Spring Plate	1
33	AA04 3582	Timing Belt	1
34	AB03 2071	Pulley - 24Z	1
35	H556 4180	Plate Bracket	1

Index No.	Part No.	Description	Q'ty Per Assembly
36	5424 4142	Bushing - Cleaning Roller	1
37	AB01 7661	Gear - 29/69Z	1
38	AB01 7660	Gear - 44/67Z	1
39	AB01 7662	Gear - 17/67Z	1
40	AB01 0362	Gear - 49Z	1
41	AB01 7659	Gear - 43/91Z	1
42	B044 1158	Bracket	1
43	AB01 7627	Gear - 28/43Z	1
44	5053 0447	Bushing - 6mm	1
101	0451 3006N	Tapping Screw - 3x6	
102	0453 3006N	Tapping Screw - M3x6	
103	0450 3010N	Tapping Screw - M3x10	
104	0720 0040E	Retaining Ring - M4	
105	1105 0197	Wire Saddle	
106	1105 0511	Harness Clamp - LWS-0306ZC	

# 18.ELECTRICAL SECTION (B262/B292)

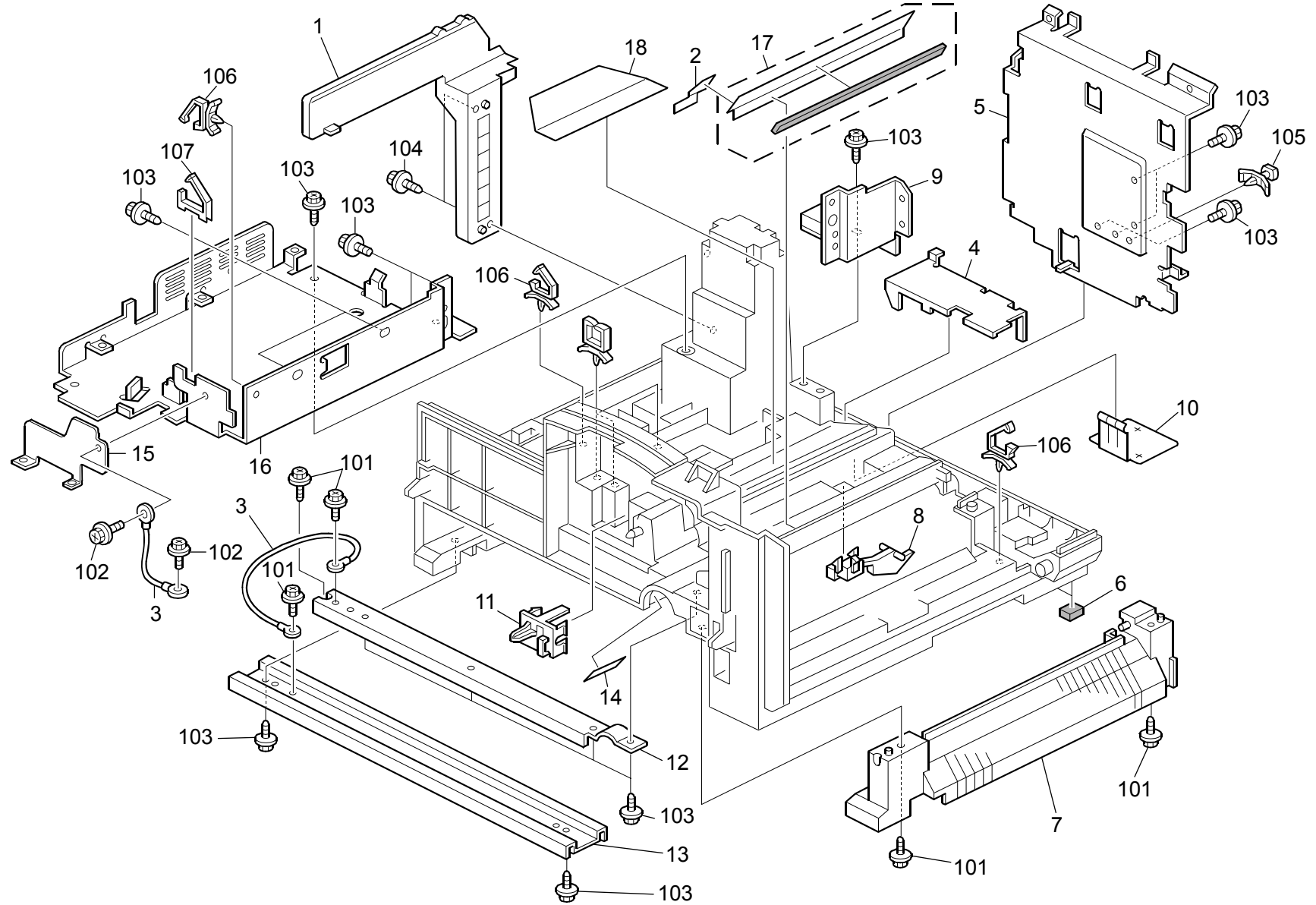


## 18.ELECTRICAL SECTION (B262/B292)

Index No.	Part No.	Description	Q'ty Per Assembly
1	GX64 5734	Fan Motor:Mm80 Dc24v 3.12w	1
2	AZ32 0152	Power Pack BCT	1
3	B262 5217	Harness:HVP	1
4	B262 5201	Harness:HPS	1
5	B262 5202	Harness:Paper Feed Sensor	1
6	B129 5213	Harness - Registration Sensor	1
7	B262 5200	Harness:Toner:Connecting	1
8	B262 5206	Harness - Power Supply Unit	1
9	B262 5216	Harness:Motor:Main	1
10	B262 5205	Harness:Operation Panel	1
11	B262 5210	Harness:Door Switch	1
12	B262 5101	PCB:BICU	1
12	B262 5103	PCB:BICU:Asia	1
13	B129 1307	BICU Insulating Sheet	1
14	AA17 0026	Insulating Sheet Power Pack	1
15	B129 1301	BICU Shading Plate	1
16	B129 5021	Power Supply Cord Na	1
16	B262 5023	Power Supply Cord:Stopper:Eu:Ass'y	1
17	B129 5223	Harness - Paper Feed Table	1
18	B129 1313	Spring Plate - Gwctl	1
19	B129 1303	Rear Cover Bracket	1
20	AZ23 0161	Power Supply Unit:100V	1
20	AZ23 0162	Power Supply Unit:200V	1
21	B262 5209	Harness:AC:Fusing:NA	1
21	B262 5208	Harness:AC:Fusing:EU	1
22	AX31 0049	Total Counter:7fig:24V	1
23	B262 5805	Holder:Ferrite Core	1
24	H555 5150	Ferrite Core	1
25	B262 5236	Flat Cable:SBU	1
26	B262 5217	Harness:HVP	1
27	B129 5223	Harness - Paper Feed Table	1
28	B129 1301	BICU Shading Plate	1
29	B262 1314	Bracket:Basic	1

Index No.	Part No.	Description	Q'ty Per Assembly
101	0450 3035N	Tapping Screw:3x35	
102	0450 3008N	Tapping Screw - M3x8	
103	0451 3006N	Tapping Screw - 3x6	
104	0950 4006N	Screw - M4X6	
105	1105 0487	Harness Clamp	
106	1105 0522	Edge Saddle - Les0510	
107	0451 3008N	Tapping Screw - M3x8	

# 19.FRAME SECTION (B262/B292)



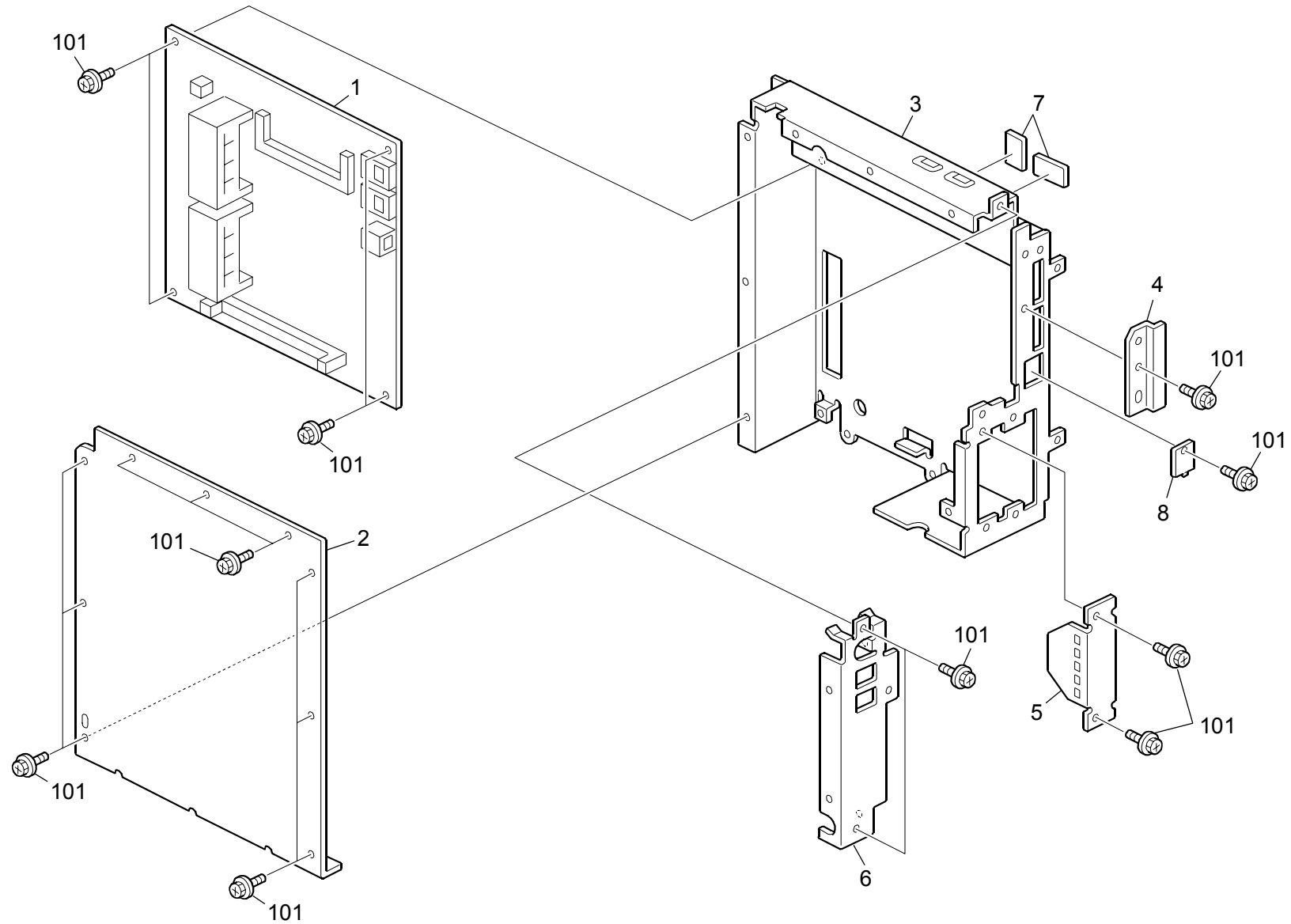


## 19.FRAME SECTION (B262/B292)

Index No.	Part No.	Description	Q'ty Per Assembly
1	B044 1060	Scanner Unit Stay	1
2	B262 2623	Guide -paper Dust Remover	1
3	B262 5235	Ground Wire:Cassette	2
4	B129 1301	BICU Shading Plate	1
5	B129 1300	BICU Bracket	1
6	G512 3029	Rubber Foot	4
7	B044 2651	Right Rail	1
8	B044 5300	Paper End Sensor	1
9	B129 1060	PSU Stay	1
10	B044 1066	Ground Plate - Option Tray	1
11	B044 1105	Positioning Plate - Toner Bottle	1
12	B044 1061	Base Bracket	1
13	B044 1062	Base Bracket - Paper Feed	1
14	B044 2202	Mylar-quenching Lamp	1
15	B129 1315	Separation Bracket	1
16	B129 1302	Power Supply Unit Bracket	1
17	B044 2617	Holder Ass'y - Paper Dust Removal	1
18	B044 1998	Harness Holder Bracket	1

Index No.	Part No.	Description	Q'ty Per Assembly
101	0450 3008N	Tapping Screw - M3x8	
102	0954 3008N	Screw - M3X8	
103	0451 3006N	Tapping Screw - 3x6	
104	0450 3010N	Tapping Screw - M3x10	
105	1105 0409	Card Spacer- 6.4mm	
106	1105 0511	Harness Clamp - LWS-0306ZC	
107	1105 0522	Edge Saddle - Les0510	

## 20.EXTENSION BOX (B262/B292)



## 20.EXTENSION BOX (B262/B292)

Index No.	Part No.	Description	Q'ty Per Assembly
1	B880 5171	PCB:NC4-S:GDI-Nob	1
1	B880 5172	PCB:NC4-S:GDI-Basic	1
2	B129 1306	GWCTL Shading Plate	1
3	B262 1300	Bracket:PCB:GDI	1
4	B262 1254	Cover:SD	1
5	B129 1309	Interface Cover	1
6	B129 1308	Fcu Bracket	1
7	H547 4203	Guide Plate Sponge	2
8	B262 1323	Bracket:Lan	1

Index No.	Part No.	Description	Q'ty Per Assembly
101	0451 3006N	Tapping Screw - 3x6	

## 21.BICU BOARD (B262/B292)

### CAPACITOR

SYMBOL NO.	INDEX NO.	SYMBOL NO.	INDEX NO.	SYMBOL NO.	INDEX NO.	SYMBOL NO.	INDEX NO.	SYMBOL NO.	INDEX NO.	SYMBOL NO.	INDEX NO.	SYMBOL NO.	INDEX NO.
C1	216	C11	206	C21	206	C31	216	---	---	C51	216	C61	191
C2	189	C12	206	C22	203	C32	206	C42	200	C52	206	C62	216
C3	201	C13	210	C23	206	C33	216	C43	198	C53	206	---	---
C4	201	C14	203	C24	203	C34	216	---	---	C54	203	---	---
C5	206	C15	203	C25	216	C35	215	C45	198	C55	203	C65	216
C6	310	C16	205	C26	216	C36	216	C46	216	C56	201	C66	233
C7	201	C17	203	C27	203	C37	206	C47	212	C57	203	C67	238
C8	203	C18	199	C28	203	C38	216	C48	212	---	---	C68	206
C9	310	C19	216	C29	203	C39	206	C49	210	C59	191	C69	237
C10	204	C20	219	C30	216	---	---	C50	203	C60	199	C70	203

### CAPACITOR

SYMBOL NO.	INDEX NO.	SYMBOL NO.	INDEX NO.	SYMBOL NO.	INDEX NO.	SYMBOL NO.	INDEX NO.	SYMBOL NO.	INDEX NO.	SYMBOL NO.	INDEX NO.	SYMBOL NO.	INDEX NO.
C71	188	---	---	C91	203	C101	206	C111	199	C121	199	C131	206
C72	206	C82	209	C92	216	C102	216	C112	236	C122	199	C132	203
C73	234	C83	203	C93	206	C103	216	C113	313	C123	206	C133	206
C74	234	C84	206	C94	199	C104	308	C114	221	---	---	C134	203
C75	206	C85	203	C95	216	C105	216	C115	206	C125	203	C135	216
C76	216	C86	216	C96	191	C106	206	---	---	C126	206	C136	206
C77	206	C87	189	C97	216	C107	204	C117	234	C127	203	C137	216
---	---	---	---	C98	206	C108	199	---	---	C128	202	C138	206
C79	203	C89	206	---	---	C109	216	C119	199	C129	199	C139	199
---	---	---	---	C100	216	C110	311	C120	199	C130	218	C140	199

## 21.BICU BOARD (B262/B292)

### CAPACITOR

SYMBOL NO.	INDEX NO.	SYMBOL NO.	INDEX NO.	SYMBOL NO.	INDEX NO.	SYMBOL NO.	INDEX NO.	SYMBOL NO.	INDEX NO.	SYMBOL NO.	INDEX NO.	SYMBOL NO.	INDEX NO.
C141	206	---	---	C161	203	C171	199	C181	199	C191	314	C201	199
C142	216	---	---	---	---	C172	199	---	---	---	---	C202	199
C143	199	C153	199	C163	197	C173	199	C183	196	C193	199	C203	199
C144	199	C154	197	C164	206	C174	199	C184	199	C194	199	C204	200
C145	199	C155	201	C165	203	C175	199	C185	221	C195	199	C205	203
C146	199	C156	199	C166	212	C176	199	C186	206	---	---	C206	206
---	---	C157	197	C167	212	C177	199	---	---	C197	199	C207	203
---	---	C158	199	C168	199	C178	199	C188	239	C198	203	C208	206
---	---	C159	217	C169	311	C179	199	C189	235	C199	206	C209	196
---	---	C160	206	C170	311	C180	199	C190	191	C200	199	C210	196

### CAPACITOR

SYMBOL NO.	INDEX NO.	SYMBOL NO.	INDEX NO.	SYMBOL NO.	INDEX NO.	SYMBOL NO.	INDEX NO.	SYMBOL NO.	INDEX NO.	SYMBOL NO.	INDEX NO.	SYMBOL NO.	INDEX NO.
C211	203	C221	203	---	---	C241	199	---	---	C261	203	C271	238
C212	196	C222	206	C232	203	C242	199	C252	196	C262	199	C272	311
C213	206	C223	203	C233	206	C243	199	C253	196	C263	206	C273	311
C214	206	C224	196	C234	206	C244	217	C254	200	---	---	C274	306
C215	206	C225	199	---	---	C245	206	C255	206	C265	212	C275	306
C216	199	C226	206	C236	199	C246	199	C256	203	C266	212	C276	238
C217	196	C227	203	---	---	C247	199	C257	206	C267	196	C277	199
C218	221	C228	206	C238	199	---	---	C258	203	C268	196	C278	199
C219	206	C229	203	C239	199	---	---	C259	206	C269	206	C279	199
C220	196	---	---	C240	199	---	---	C260	203	C270	206	C280	199

## 21.BICU BOARD (B262/B292)

### CAPACITOR

SYMBOL NO.	INDEX NO.	SYMBOL NO.	INDEX NO.	SYMBOL NO.	INDEX NO.	SYMBOL NO.	INDEX NO.	SYMBOL NO.	INDEX NO.	SYMBOL NO.	INDEX NO.	SYMBOL NO.	INDEX NO.
C281	210	C291	234	C301	197	C311	221	C321	203	C331	199	C341	207
C282	210	C292	206	C302	197	---	---	C322	206	C332	206	C342	220
C283	210	C293	214	C303	197	---	---	C323	206	C333	206	C343	211
C284	195	C294	206	C304	197	---	---	C324	206	C334	213	C344	211
C285	195	C295	197	C305	203	C315	203	C325	203	C335	213	C345	211
C286	195	C296	197	C306	206	C316	206	C326	203	C336	213	C346	238
C287	234	C297	206	C307	197	C317	206	C327	199	C337	211	C347	206
C288	192	C298	199	C308	197	C318	203	C328	199	C338	211	C348	199
C289	214	C299	197	C309	197	C319	206	C329	199	C339	211	C349	206
C290	208	C300	197	C310	197	C320	206	C330	206	C340	211	---	---

### CAPACITOR

SYMBOL NO.	INDEX NO.	SYMBOL NO.	INDEX NO.	SYMBOL NO.	INDEX NO.	SYMBOL NO.	INDEX NO.	SYMBOL NO.	INDEX NO.	SYMBOL NO.	INDEX NO.	SYMBOL NO.	INDEX NO.
---	---	C361	206	C371	314	C381	190	C391	190	C401	311	C411	190
C352	203	C362	216	C372	191	C382	190	C392	314	C402	307	C412	190
C353	203	C363	216	C373	314	C383	314	C393	314	C403	314	C413	314
C354	203	C364	216	C374	206	C384	314	C394	190	C404	309	C414	190
---	---	C365	216	C375	203	C385	190	C395	314	C405	194	C415	314
---	---	C366	206	C376	190	C386	190	C396	314	---	---	C416	190
C357	216	C367	206	C377	314	C387	190	C397	190	C407	314	C417	314
C358	206	C368	206	C378	190	C388	314	C398	311	C408	190	C418	190
C359	206	C369	191	C379	314	C389	190	---	---	C409	314	C419	190
C360	206	C370	191	C380	314	C390	314	C400	314	C410	314	C420	190

## 21.BICU BOARD (B262/B292)

### CAPACITOR

SYMBOL NO.	INDEX NO.	SYMBOL NO.	INDEX NO.	SYMBOL NO.	INDEX NO.	SYMBOL NO.	INDEX NO.	SYMBOL NO.	INDEX NO.	SYMBOL NO.	INDEX NO.	SYMBOL NO.	INDEX NO.
C421	190	C431	312	C441	199	C901	206	C921	314	C931	206	C941	206
C422	314	C432	312	---	---	C902	206	C922	314	---	---	C942	206
C423	314	C433	312	C443	206	C903	206	C923	314	---	---	C943	---
C424	314	C434	312	C444	206	---	---	C924	314	---	---	C944	314
---	---	C435	312	C445	201	---	---	C925	314	---	---	---	---
C426	191	C436	314	C446	312	---	---	C926	314	C936	206	---	---
C427	314	C437	193	---	---	---	---	---	---	C937	203	---	---
C428	206	C438	199	---	---	---	---	---	---	---	---	---	---
C429	206	C439	206	---	---	C919	314	---	---	---	---	---	---
C430	194	C440	206	---	---	C920	314	---	---	C940	206	---	---

### CONNECTER

SYMBOL NO.	INDEX NO.	SYMBOL NO.	INDEX NO.	SYMBOL NO.	INDEX NO.	SYMBOL NO.	INDEX NO.	SYMBOL NO.	INDEX NO.	SYMBOL NO.	INDEX NO.	SYMBOL NO.	INDEX NO.
CN101	112	---	---	---	---	---	---	---	---	D1	149	---	---
---	---	CN112	130	CN122	101	CN132	120	---	---	D2	149	D12	147
CN103	126	---	---	CN123	123	---	---	CN143	103	D3	148	---	---
CN104	110	CN114	106	CN124	105	---	---	---	---	D4	150	---	---
CN105	122	CN115	117	CN125	115	---	---	---	---	D5	149	---	---
CN106	107	CN116	114	CN126	127	CN136	108	---	---	D6	149	---	---
CN107	122	CN117	118	CN127	119	---	---	CN147	125	D7	149	---	---
CN108	102	---	---	CN128	121	CN138	128	CN148	129	D8	149	---	---
CN109	124	CN119	104	CN129	108	---	---	CN149	113	D9	149	---	---
CN110	116	---	---	CN130	111	CN140	109	---	---	---	---	---	---

### DIODE

SYMBOL NO.	INDEX NO.
---	---
D12	147

## 21.BICU BOARD (B262/B292)

### FILTER

SYMBOL NO.	INDEX NO.
FIL1	222
FIL2	222
FIL3	224
FIL4	224
FIL5	222
FIL6	223
FIL7	223
FIL8	223

### IC

SYMBOL NO.	INDEX NO.
IC1	161
IC2	152
IC3	168
IC4	153
IC5	166
IC6	162
IC7	158
IC8	158
IC9	156
IC10	3

SYMBOL NO.	INDEX NO.
IC11	2
---	---
IC13	157
---	---
IC15	159
IC16	163
IC17	154
IC18	154
IC19	165
IC20	171

SYMBOL NO.	INDEX NO.
IC21	4
IC22	318
IC22	131
IC23	1
IC24	316
IC25	315
IC26	315
IC27	155
IC28	155
IC29	173
IC30	164

SYMBOL NO.	INDEX NO.
IC31	160
---	---
IC33	317
IC34	159
---	---
IC36	172

### LED

SYMBOL NO.	INDEX NO.
LED2	151

### OSC

SYMBOL NO.	INDEX NO.
OSC1	175
OSC2	176

### Q

SYMBOL NO.	INDEX NO.
Q1	141
---	---
Q3	138
Q4	142
Q5	139
Q6	133
Q7	144
Q8	145
Q9	145
Q10	143

### Q

SYMBOL NO.	INDEX NO.
Q11	137
Q12	145
Q13	145
Q14	145
Q15	135
Q16	132
Q17	136
Q18	140
Q19	134
Q20	145

SYMBOL NO.	INDEX NO.
---	---
Q22	139
Q23	141
---	---
---	---
Q26	144
Q27	141

### RESISTOR

SYMBOL NO.	INDEX NO.
R1	231
R2	254
R3	256
R4	254
R5	256
R6	232
R7	243
R8	277
R9	256
R10	280

SYMBOL NO.	INDEX NO.
R11	254
R12	232
R13	256
R14	256
R15	254
R16	232
R17	277
R18	254
R19	277
---	---

SYMBOL NO.	INDEX NO.
R21	256
R22	254
R23	291
R24	292
R25	256
R26	256
R27	254
R28	255
R29	282
R30	272

SYMBOL NO.	INDEX NO.
R31	254
R32	272
R33	256
R34	254
R35	256
R36	269
R37	256
R38	254
R39	256
R40	254

SYMBOL NO.	INDEX NO.
R41	268
R42	256
R43	259
R44	256
R45	256
R46	256
R47	255
R48	256
R49	245
R50	260



## 21.BICU BOARD (B262/B292)

### RESISTOR

SYMBOL NO.	INDEX NO.	SYMBOL NO.	INDEX NO.	SYMBOL NO.	INDEX NO.	SYMBOL NO.	INDEX NO.	SYMBOL NO.	INDEX NO.	SYMBOL NO.	INDEX NO.	SYMBOL NO.	INDEX NO.
R51	284	R61	257	R71	277	R81	281	R91	254	R101	250	R111	272
R52	255	R62	294	R72	268	R82	230	R92	255	R102	255	R112	278
R53	255	R63	256	R73	254	R83	253	R93	254	R103	256	R113	272
R54	255	---	---	R74	256	R84	276	R94	255	R104	257	R114	241
R55	255	R65	273	R75	277	R85	269	R95	278	R105	257	R115	256
R56	257	R66	256	R76	254	R86	262	R96	256	R106	260	R116	241
R57	298	R67	269	R77	254	R87	276	R97	255	R107	272	R117	256
R58	255	R68	304	R78	256	R88	256	R98	256	R108	260	R118	278
R59	298	R69	296	R79	254	---	---	R99	254	R109	257	R119	255
R60	294	R70	279	R80	277	---	---	R100	240	R110	257	R120	242

### RESISTOR

SYMBOL NO.	INDEX NO.	SYMBOL NO.	INDEX NO.	SYMBOL NO.	INDEX NO.	SYMBOL NO.	INDEX NO.	SYMBOL NO.	INDEX NO.	SYMBOL NO.	INDEX NO.	SYMBOL NO.	INDEX NO.
R121	256	R131	256	R141	256	R151	272	R161	267	R171	256	---	---
R122	178	R132	302	R142	177	R152	257	R162	284	R172	249	R182	256
R123	256	R133	256	R143	181	R153	255	R163	264	R173	180	---	---
R124	255	R134	263	R144	178	R154	256	R164	249	R174	180	R184	231
R125	288	R135	303	R145	272	---	---	R165	270	R175	232	R185	179
R126	286	R136	255	---	---	R156	268	R166	272	---	---	R186	272
R127	285	R137	255	R147	252	R157	259	R167	256	R177	265	R187	272
R128	256	R138	256	R148	245	R158	260	R168	256	R178	256	---	---
R129	287	R139	276	R149	272	R159	256	R169	249	---	---	R189	256
R130	177	R140	256	R150	256	R160	255	R170	272	---	---	R190	272

## 21.BICU BOARD (B262/B292)

### RESISTOR

SYMBOL NO.	INDEX NO.	SYMBOL NO.	INDEX NO.	SYMBOL NO.	INDEX NO.	SYMBOL NO.	INDEX NO.	SYMBOL NO.	INDEX NO.	SYMBOL NO.	INDEX NO.	SYMBOL NO.	INDEX NO.
R191	305	R201	268	R211	272	R221	268	R231	272	R241	272	R251	273
R192	293	R202	264	R212	272	R222	272	R232	256	R242	254	R252	256
R193	297	R203	268	R213	257	R223	257	R233	275	R243	281	R253	249
R194	299	R204	268	R214	272	---	---	R234	261	R244	249	R254	249
R195	268	R205	264	R215	273	R225	232	R235	232	R245	248	R255	232
R196	268	R206	272	R216	273	R226	272	R236	255	R246	266	R256	272
R197	295	R207	272	R217	256	R227	257	R237	272	R247	280	R257	272
R198	272	R208	256	---	---	---	---	R238	254	R248	258	R258	256
R199	272	R209	272	R219	272	R229	261	R239	247	R249	283	R259	256
R200	264	R210	272	R220	268	R230	256	R240	232	R250	252	R260	272

### RESISTOR

SYMBOL NO.	INDEX NO.	SYMBOL NO.	INDEX NO.	SYMBOL NO.	INDEX NO.	SYMBOL NO.	INDEX NO.	SYMBOL NO.	INDEX NO.	SYMBOL NO.	INDEX NO.	SYMBOL NO.	INDEX NO.
R261	280	R271	272	R281	272	R291	256	R301	273	R311	256	R321	277
R262	257	R272	272	R282	272	R292	272	R302	272	---	---	R322	255
R263	256	R273	256	R283	256	---	---	R303	272	R313	255	R323	255
R264	256	R274	272	R284	280	---	---	R304	272	R314	256	R324	273
---	---	R275	256	R285	273	R295	272	---	---	R315	256	R325	256
---	---	R276	256	R286	280	---	---	R306	232	R316	280	R326	256
---	---	R277	272	---	---	R297	256	R307	272	R317	272	R327	256
R268	272	R278	272	R288	280	R298	255	R308	272	R318	274	R328	256
R269	272	R279	272	---	---	R299	266	R309	254	R319	277	R329	256
R270	272	R280	280	R290	272	R300	281	R310	272	R320	274	R330	272

## 21.BICU BOARD (B262/B292)

### RESISTOR

SYMBOL NO.	INDEX NO.	SYMBOL NO.	INDEX NO.	SYMBOL NO.	INDEX NO.	SYMBOL NO.	INDEX NO.	SYMBOL NO.	INDEX NO.	SYMBOL NO.	INDEX NO.	SYMBOL NO.	INDEX NO.
R331	272	R341	289	R351	258	R361	273	R371	272	R381	255	---	---
R332	256	R342	289	R352	273	R362	272	R372	272	R382	255	R392	272
R333	256	R343	290	R353	256	R363	272	R373	272	---	---	R393	255
R334	256	R344	290	R354	272	R364	255	R374	272	R384	280	R394	280
R335	256	R345	290	R355	272	R365	255	R375	272	R385	280	R395	268
---	---	R346	272	---	---	R366	256	R376	256	R386	280	R396	272
R337	257	R347	272	---	---	R367	256	---	---	R387	272	R397	268
R338	232	R348	272	---	---	R368	256	R378	255	R388	256	R398	256
R339	289	R349	271	R359	256	---	---	---	---	R389	272	R399	268
R340	289	R350	289	R360	245	---	---	---	---	R390	232	R400	268

### RESISTOR

SYMBOL NO.	INDEX NO.	SYMBOL NO.	INDEX NO.	SYMBOL NO.	INDEX NO.	SYMBOL NO.	INDEX NO.	SYMBOL NO.	INDEX NO.	SYMBOL NO.	INDEX NO.	SYMBOL NO.	INDEX NO.
R401	---	R411	255	R421	245	R431	249	R441	256	R451	241	---	---
R402	280	R412	255	R422	252	R432	245	R442	280	R452	241	R462	232
R403	255	R413	255	R423	252	R433	249	R443	280	R453	231	R463	289
R404	268	R414	255	R424	252	R434	244	---	---	R454	231	R464	289
---	---	R415	256	R425	249	R435	249	---	---	R455	254	R465	289
R406	273	R416	232	R426	252	R436	251	R446	232	R456	232	R466	246
---	---	R417	275	---	---	R437	246	R447	280	R457	256	R467	289
R408	268	R418	280	R428	249	R438	246	R448	256	---	---	R468	289
R409	255	R419	301	---	---	R439	245	R449	249	R459	256	---	---
R410	255	R420	300	R430	232	R440	245	R450	249	R460	249	R470	245

## 21.BICU BOARD (B262/B292)

### RESISTOR

SYMBOL NO.	INDEX NO.
R471	245
R472	245
R473	245
R474	245
R475	245
R476	245
R477	245
R478	244

### REG

SYMBOL NO.	INDEX NO.
REG1	169
REG2	167
REG3	174
REG4	170

### RN

SYMBOL NO.	INDEX NO.
RN1	183
RN2	229
RN3	229
RN4	229
RN5	229
RN6	229
RN7	229
---	---
RN9	184
RN10	184

SYMBOL NO.	INDEX NO.
RN11	184
RN12	184
RN13	227
RN14	225
---	---
RN16	187
RN17	184
RN18	226
RN19	227
RN20	227

SYMBOL NO.	INDEX NO.
RN21	225
RN22	225
RN23	225
RN24	225
RN25	225
RN26	225
RN27	227
RN28	184
RN29	225
RN30	229

SYMBOL NO.	INDEX NO.
RNB1	228
---	---
RNB3	226
---	---
RNB5	226
RNB6	229
RNB7	228
RNB8	228
RNB9	184
---	---

SYMBOL NO.	INDEX NO.
RN41	184
RN42	227
RN43	184
RN44	226
RN45	225
RN46	184
RN47	225
RN48	226
RN49	183
RN50	183

### RN

SYMBOL NO.	INDEX NO.
RN51	185
RN52	184
RN53	227
RN54	184
RN55	185
RN56	183
RN57	184
RN58	182
RN59	227
RN60	227

SYMBOL NO.	INDEX NO.
RN61	227
RN62	227
RN63	227
RN64	185
RN65	183
RN66	186
RN67	183
RN68	184
RN69	184
RN70	225

SYMBOL NO.	INDEX NO.
RN71	225
RN72	226
RN73	184
RN74	225
RN75	225
RN76	226
RN77	184
RN78	227
RN79	227
RN80	183

SYMBOL NO.	INDEX NO.
RN81	183
RN82	227
RN83	227
RN84	226
RN85	226
RN86	225
RN87	227
RN88	226
---	---
RN90	227

### ZD

SYMBOL NO.	INDEX NO.
ZD1	146

## 21.BICU BOARD (B262/B292)

Index No.	Part No.	Description	Q'ty Per Assembly
*	B262 5091	PCB BICU EXP Ass'y	1
*	B262 5093	PCB BICU ASIA Ass'y	1
1	B040 5506	IC:IMAC_K:RF5C789	1
2	B121 5501	IC:SCRATCH:KS6M2U1651CBP	1
3	B121 5502	LSI:TRIO:UPD65945GD-103-LML-A	1
4	B262 7100	LSI CALDA RL5C667	1

Index No.	Part No.	Description	Q'ty Per Assembly
101	1102 4202	Connector - 3P	
102	1102 4205	CT Header - 6P	
103	1102 4619	Connector - 2P	
104	1102 4621	CT Header - 4P	
105	1102 4623	CT Connector - 6P	
106	1102 4630	CT Connector	
107	1102 4631	CT Connector - 2P	
108	1102 5302	Connector - 3P	
109	1102 5306	Connector - 7P	
110	1102 6295	Connector - 2P	
111	1102 6297	Connector - 4P	
112	1102 6299	Connector - 6P	
113	1102 6304	Connector - 11P	
114	1102 6309	Connector - 2P	
115	1102 8153	Connector - FCN-568P068-G/05A-V4	
116	1102 8544	Connector 1-353297-3	
117	1102 8655	Connector - 9P 353297-9	
118	1102 8807	Connector - FFC/FPC-52045-0545	
119	1102 8808	Connector - FFC/FPC-52806-1110	
120	1102 9108	Connector - 353297-3	
121	1102 9109	Connector - 353297-4	
122	1102 9110	Connector - 353297-6	
123	1102 9111	Connector - 353297-7	
124	1102 9112	Connector - 353297-8	
125	1102 9116	Connector - 353297-5	
126	1102 9133	Connector:292206-8	
127	1102 9548	Connector - TX25-100P-8ST-H1	
128	1102 9601	Connector:5-353297-3	
129	1102 9602	Connector:5-353297-6	
130	1102 9710	Connector:5-353297-4	
131	1104 0588	DIP Socket - 28P	
132	1400 0688	Transistor -DTC143ZUA	
133	1400 0717	Transistor:2SA1226-A-E4	
134	1400 0769	Transistor - 2SA1576A	
135	1400 0775	Transistor - 2SC4081	

Index No.	Part No.	Description	Q'ty Per Assembly
136	1400 0789	Transistor - IMT17	
137	1400 0796	Transistor - UMH10N	
138	1400 0799	Transistor - 2SB1326	
139	1400 0862	Transistor - UMH9N	
140	1400 0901	Transistor - DTC144VUA	
141	1400 0918	Transistor - DTC123JUA	
142	1400 0936	Transistor - UMD3N	
143	1400 0967	Transistor - DTC123EUA	
144	1401 0821	Diode - 1SS133	
145	1401 1116	Transistor - 2SC5053	
146	1401 1175	FET:HAT1043M	
147	1402 1057	Diode ARRAY - DAP202U	
148	1402 1336	Diode - 1SS355	
149	1402 1565	Diode - RB	
150	1402 1584	Diode - DAN217U	
151	1403 0996	LED - SML-310VT	
152	1407 2219	IC - TD62003AP	
153	1407 5343	IC - SN74LV240APW	
154	1407 5353	IC - SN74LV244APW	
155	1407 5369	IC - SN74AHCT32PW	
156	1407 5374	IC - SN74LV4052APW	
157	1407 5469	IC - SN74LV07APW	
158	1407 5509	IC - SN74AHCT08PW	
159	1407 5555	IC - SN74AHCT126PW	
160	1407 5588	IC - MTD2006F	
161	1407 5886	CPU - HD6412390F20	
162	1407 5958	CMOS Locic:SN74AHCT86PW	
163	1407 5976	IC:SN74LVC2G53DCT	
164	1407 6032	IC - SN74LV161APW	
165	1407 6089	CMOS Logic:SN74AHCT1G14DCK	
166	1408 0227	Regulator - 12V	
167	1408 1290	Regulator - TA7805S	
168	1408 1550	IC - LM2902PW	
169	1408 1581	A/D Converter - ADC1175-50CIMT	
170	1408 1585	IC - STK672-310	

Index No.	Part No.	Description	Q'ty Per Assembly
171	1408 1774	Series Regulator:UPC2933AT	
172	1408 1818	Series Regulator - LM1117MP-1.8	
173	1408 1829	Operational Amplifier:LM358PW	
174	1408 1929	IC - R3112Q441A	
175	1503 0993	Crystal Oscillator - 14.7456MHZ	
176	1600 1418	Resistor - 1.0Ω 1W	
177	1600 1684	Resistor:0.47 Ω:±5%:2W	
178	1601 5442	Resistor - 220Ω ±5% 2W	
179	1601 5492	Resistor - 47Ω ±5% 2W	
180	1601 7751	Resistor - 4.7KΩ ±5%	
181	1601 7752	Resistor Array - 10K Ω ±5%	
182	1601 7757	Resistor 0Ω	
183	1601 7760	Resistor Array	
184	1601 7791	Resistor Array - 1K Ω ±5%	
185	1601 7867	Resistor - 33 Ω ±5% 1/16W	
186	1601 7871	Resistor - 68Ω ±5% 1/16W	
187	1601 7872	Resistor Array - 220 Ω ±5% 1/16W	
188	1604 4716	Capacitor:330UF:±20%:35V	
189	1605 0976	Capacitor - 1μF+80% -20% 10V	
190	1605 1148	Capacitor - 0.1μF+80-20% 50V	
191	1605 1176	Ceramic Capacitor 0.47μF+80-20%16V	
192	1605 1190	Ceramic Capacitor - 0.022μF±10% 50V	
193	1605 1281	Capacitor - 0.22μF±10% 16V	
194	1605 1353	Capacitor - 0.1μF±10% 25V	
195	1607 0824	Filter - BLM11A601SPB	
196	1607 1013	EMI Filter-BLM11A102SPB	
197	1607 1014	EMI Filter - BLM11P600SPB	
198	1607 1142	Filter-BLM11B121SBPB	
199	1607 1342	Filter - BLM18BD121SN1B	
200	1607 1387	Filter - BLM18BB600SN1B	
201	1609 0005	Resistor:33 Ω:±5%:1/16W	
202	1609 0006	Resistor:10k Ω:±5%:1/16W	
203	1609 0007	Resistor - 68Ω ±5% 1/16W	
204	1609 0027	Resistor - 100KΩ±5% 1/16W	
205	1611 8181	Resistor:180 Ω:±5%:1/4W	

Index No.	Part No.	Description	Q'ty Per Assembly
206	1611 8510	Resistor 51Ω ±5% 1/4W	
207	1633 0000	Resistor - 0 Ω 1/10W	
208	1634 0000	Resistor - 0 Ω 1/16W	
209	1642 0101	Capacitor - 100μF±20% 50V	
210	1642 0220	Capacitor:22UF:±20%:10V	
211	1642 0470	Capacitor - 47μF±20% 10V	
212	1642 1470	Capacitor - 47μF±20% 10V	
213	1642 2470	Capacitor - 47μF±20% 25V	
214	1642 3330	Capacitor:33UF:±20%:35V	
215	1642 3470	Capacitor - 47μF±20% 35V	
216	1642 5100	Capacitor - 10μF±20% 50V	
217	1642 5220	Capacitor - 22μF±20% 50V	
218	1650 3101	Resistor - 100Ω±5%1/8W	
219	1650 3102	Resistor:1KΩ:±5%:1/8W:2125	
220	1650 4100	Resistor - 10Ω ±5% 1/10W	
221	1650 4101	Resistor - 100Ω±5%1/10W	
222	1650 4102	Resistor - 1KΩ ±5% 1/10W	
223	1650 4103	Resistor - 10KΩ ±5% 1/10W	
224	1650 4104	Resistor - 100KΩ±5%1/10W	
225	1650 4105	Resistor - 1MΩ ±5% 1/10W	
226	1650 4111	Chip Resistor:110KΩ:±5%:1/10W	
227	1650 4121	Resistor - 120Ω±5%1/10W	
228	1650 4122	Resistor - 1.2KΩ ±5% 1/10W	
229	1650 4123	Resistor - 12KΩ±5%1/10W	
230	1650 4151	Resistor - 150Ω ±5%1/10W	
231	1650 4152	Resistor - 1.5KΩ ±5% 1/10W	
232	1650 4153	Resistor - 15K Ω ±5% 1/10W	
233	1650 4163	Resistor 16KΩ ±5% 1/10W 1608	
234	1650 4181	Resistor - 180Ω±5%1/10W	
235	1650 4201	Resistor - 200Ω±5%1/10W	
236	1650 4202	Resistor - 2KΩ±5%1/10W	
237	1650 4203	Resistor - 20KΩ ±5% 1/10W	
238	1650 4221	Resistor - 220Ω±5%1/10W	
239	1650 4222	Resistor - 2.2KΩ±5%1/10W	
240	1650 4243	Resistor - 24KΩ±5%1/10W	

Index No.	Part No.	Description	Q'ty Per Assembly
241	1650 4271	Resistor - 270Ω±5%1/10W	
242	1650 4301	Chip Resistor:300KΩ:±5%:1/10W	
243	1650 4330	Chip Resistor - 33Ω ±5% 1/10W	
244	1650 4331	Resistor - 330Ω±5%1/10W	
245	1650 4332	Resistor - 3.3KΩ±5%1/10W	
246	1650 4471	Resistor - 470Ω±5%1/10W	
247	1650 4472	Resistor - 4.7KΩ ±5% 1/10W	
248	1650 4473	Resistor - 47KΩ±5%1/10W	
249	1650 4511	Resistor - 510Ω±5%1/10W	
250	1650 4561	Resistor - 560Ω ±5% 1/10W	
251	1650 4624	Resistor - 620KΩ ±5% 1/10W	
252	1650 4680	Resistor - 68Ω±5%1/10W	
253	1650 4681	Resistor - 680Ω ±5% 1/10W	
254	1650 4682	Resistor - 6.8KΩ ±5% 1/10W	
255	1650 4750	Resistor - 75Ω±5%1/10W	
256	1650 4821	Chip Resistor - 820Ω ±5% 1/10W	
257	1650 4822	Chip Resistor:8.2KΩ:±5%:1/10W	
258	1650 4913	Resistor - 91KΩ±5%1/10W	
259	1654 1000	Resistor - 100Ω ±1% 1/10W	
260	1654 1002	Resistor - 10KΩ±5%1/10W	
261	1654 1003	Resistor - 100KΩ±1%1/10W	
262	1654 1021	Resistor - 1.02KΩ±1%1/10W	
263	1654 1100	Resistor - 110Ω±1% 1/10W	
264	1654 1302	Chip Resistor:13KΩ:±1%:1/10W:1608	
265	1654 1500	Resistor - 150Ω±1 %1/10W	
266	1654 1501	Resistor - 1.5K Ω ±1% 1/10W 1608	
267	1654 1802	Resistor - 18KΩ±1%1/10W	
268	1654 1803	Resistor - 180KΩ±1%1/10W	
269	1654 2002	Resistor - 20KΩ±1%1/10W	
270	1654 2100	Chip Resistor:210oh:±1%:1/10W:1608	
271	1654 2200	Resistor:220Ω:±1%:1/10W:1608	
272	1654 2400	Resistor:240:Ω±1%:1/10W	
273	1654 2402	Chip Resistor:24KΩ:±1%:1/10W	
274	1654 2403	Chip Resistor:240KΩ:±1%:1/10W:1608	
275	1654 2551	Resistor - 2.55KΩ ±1% 1/10W	

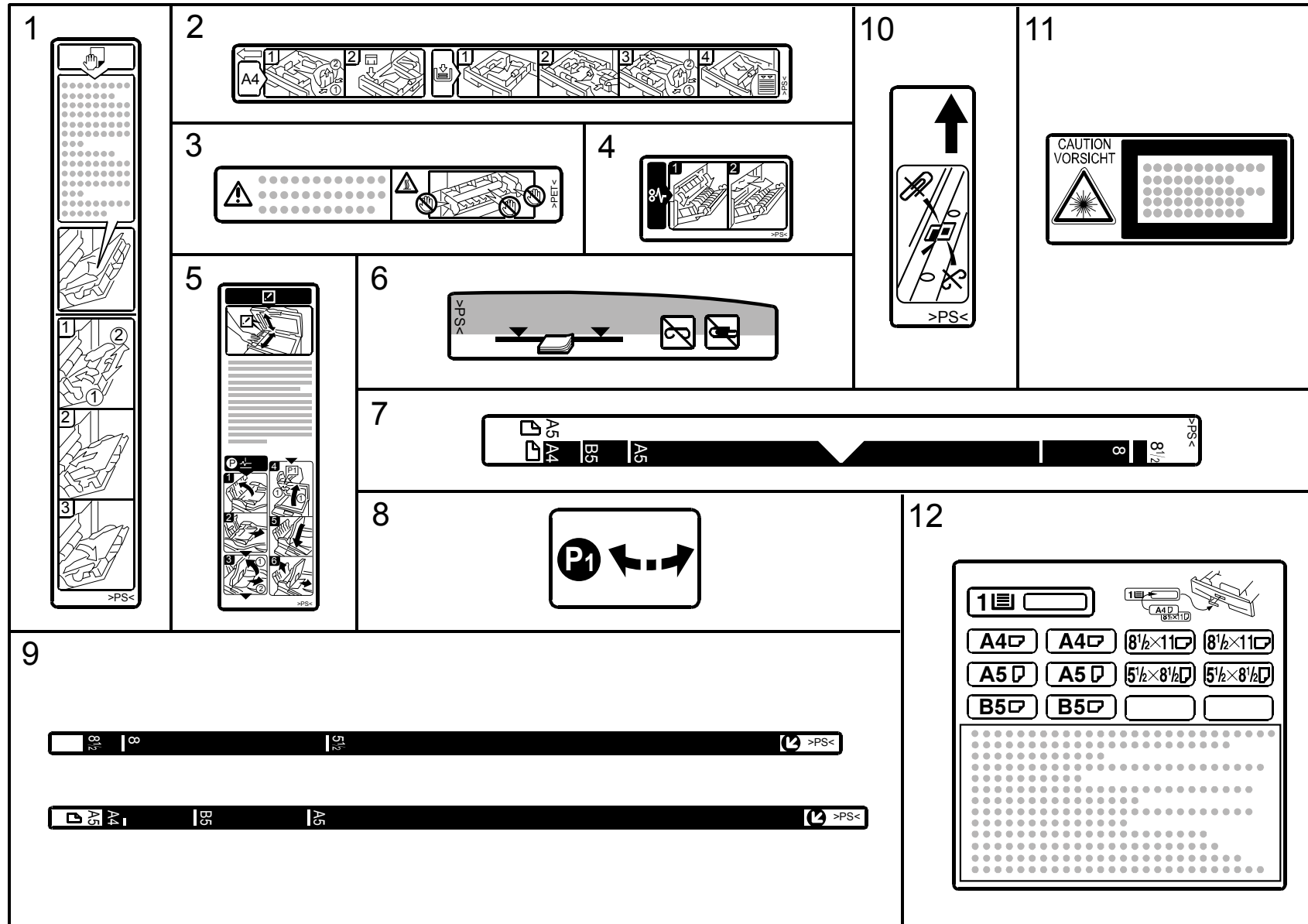




Index No.	Part No.	Description	Q'ty Per Assembly
276	1654 2701	Resistor - 2.7K $\Omega$ $\pm$ 1% 1/10W	
277	1654 2702	Resistor - 27K $\Omega$ $\pm$ 1%1/10W	
278	1654 3002	Resistor - 30K $\Omega$ $\pm$ 1%1/10W	
279	1654 3160	Registor:316 $\Omega$ : $\pm$ 1%:1/10W:1608	
280	1654 3302	Chip Registor:33K $\Omega$ : $\pm$ 1%:1/10W:1608	
281	1654 3740	Chip Registor:374 $\Omega$ : $\pm$ 1%:1/10W:1608	
282	1654 3900	Registor:390 $\Omega$ : $\pm$ 1%:1/10W	
283	1654 4220	Resistor - 422 $\Omega$ $\pm$ 1% 1/10W	
284	1654 4700	Resistor - 470 $\Omega$ $\pm$ 1%1/10W	
285	1654 5600	Resistor - 560 $\Omega$ $\pm$ 1% 1/10W	
286	1654 6800	Resistor - 680 $\Omega$ $\pm$ 1% 1/10W	
287	1654 6981	Resistor - 6.98K $\Omega$ $\pm$ 1% 1/10W	
288	1654 7509	Resistor - 75 $\Omega$ $\pm$ 1% 1/10W	
289	1654 8209	Resistor - 82 $\Omega$ $\pm$ 1% 1/10W	
290	1654 9101	Registor:9.1K $\Omega$ : $\pm$ 1%:1/10W	
291	1654 9310	Registor:931 $\Omega$ : $\pm$ 1%:1/10W:1608	
292	1660 0100	Capacitor - 10PF $\pm$ 0.5pF 50V	
293	1660 2101	Capacitor - 100pF - $\pm$ 10% - 50V	
294	1660 2120	Capacitor - 12 pF $\pm$ 5% 50V	
295	1660 2150	Capacitor - 15pF $\pm$ 5% 50V	
296	1660 2151	Capacitor - 150pF $\pm$ 20% 35V	
297	1660 2181	Capacitor - 180pF $\pm$ 5% 50V	
298	1660 2220	Capacitor - 22pF $\pm$ 20% 35V	
299	1660 2221	Capacitor - 220pF +80-20% 50V	
300	1660 2270	Capacitor - 27pF $\pm$ 20% 35V	
301	1660 2271	Capacitor - 270pF - +80-20% - 50V	
302	1660 2330	Capacitor - 33pF - $\pm$ 5% - 50V	
303	1660 2390	Ceramic Capacitor - 39pF 50V	
304	1660 2391	Capacitor - 390pF $\pm$ 5% 50V	
305	1660 2470	Capacitor - 47pF $\pm$ 5% 50V	
306	1660 2471	Capacitor - 470pF - $\pm$ 5% - 50V	
307	1660 2820	Capacitor - 82pF $\pm$ 5% 50V	
308	1660 4102	Capacitor - 1000pF $\pm$ 10% 50V	
309	1660 4103	Capacitor - 10000pF - $\pm$ 10% - 50V	
310	1660 4152	Capacitor - 1500pF $\pm$ 10% 50V	

Index No.	Part No.	Description	Q'ty Per Assembly
311	1660 4222	Capacitor - 2200pF - $\pm$ 10% - 50V	
312	1660 4332	Capacitor - 3300pF - $\pm$ 10% - 50V	
313	1660 6103	Capacitor - 10000pF - +80%-20%50V	
314	1660 6473	Capacitor - 47000pF +80,-20% 50V	
315	1660 8104	Capacitor - 0.1 $\mu$ F+80-20% 25V	
316	1902 0068	SRAM:1M:X8:TSOP:G4	
317	1906 0018	Flash Memory - MBM29F160BE70TN	
318	1907 0031	SDRAM:128M:2MX16X4:133MHZ:G3	
319	1407 5299	RAM:FM1608-120-P	

## 22.DECALS AND DOCUMENTS (B262/B292)



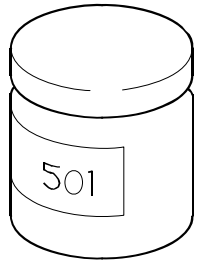
## 22.DECALS AND DOCUMENTS (B262/B292)

Index No.	Part No.	Description	Q'ty Per Assembly
1	AA00 3011	Manual Feed Decal	1
2	B044 2720	Decal - Cassette Operation	1
3	B044 4161	Warning Decal	1
4	B044 4617	Fusing Unit Decal	1
5	B872 6011	Decal: Misfeed Removal	1
6	B872 6021	Decal: Side Fence	1
7	B872 6031	Decal: Size: Original	1
8	B872 6041	Decal: Lever: Knob	1
9	B872 6061	Decal: Scale: Left: NA	1
9	B872 6071	Decal: Scale: Left: EU	1
10	B872 6081	Decal: Caution Chart	1
11	G029 1982	LD Decal	1
12	H555 2790	Decal - Paper Size	1

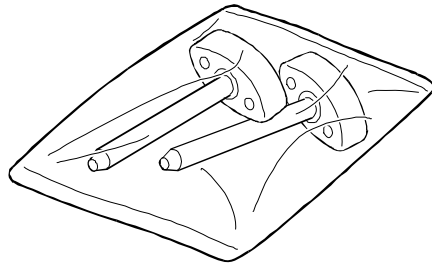
Index No.	Part No.	Description	Q'ty Per Assembly

## 23.SPECIAL TOOLS (B262/B292)

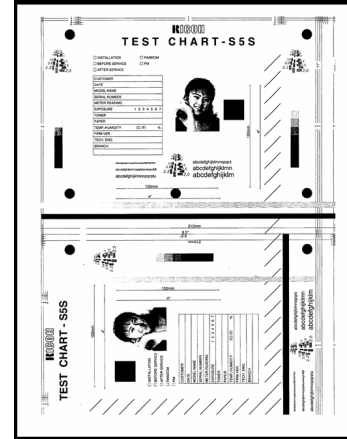
1



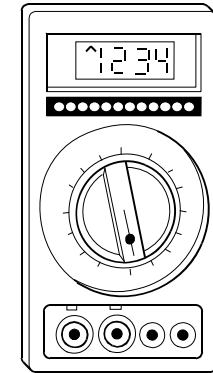
2



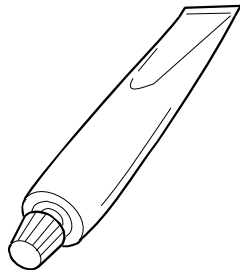
3



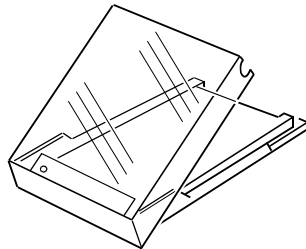
4



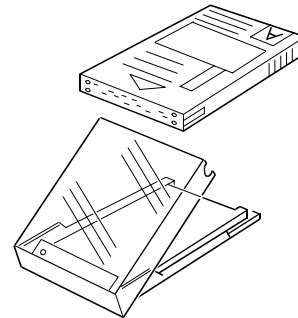
5



6



7



### 23.SPECIAL TOOLS (B262/B292)

Index No.	Part No.	Description	Q'ty Per Assembly
1	5203 9502	Grease 501	1
2	A184 9501	Optics Adjustment Tool	1
3	A292 9500	Test Chart - S5S (10 Pcs/Set)	1
4	VSSM 9000	Digital Multimeter-fluke187	1
5	A257 9300	Grease - Barrierta S552R	1
6	N803 1000	Case - Flash Memory Card	1
7	N803 6701	Flash Memory Card-4MB	1

Index No.	Part No.	Description	Q'ty Per Assembly



**B262/B292  
PARTS INDEX**





This section instructs you as to the numbers and names of parts on this machine

## Parts Index

Part No.	Description	Page and Index No.
B262 1064	Scanner Bracket - Front Right	13 - 1
B262 1250	Cover:Rear:EU	7 - 15
B262 1253	Cover:IC Card	7 - 5
B262 1254	Cover:SD	45 - 4
B262 1256	Cover:Scanner:Right:EU	7 - 16
B262 1258	Plate:Exposure Glass	7 - 21
B262 1266	Cover:Scanner:Right:NA	7 - 16
B262 1300	Bracket:PCB:GDI	45 - 3
B262 1314	Bracket:Basic	41 - 29
B262 1323	Bracket:Lan	45 - 8
B262 1412	Operation Panel:NA (B262/B292)	9 - *
B262 1412	Operation Panel:NA (B262/B292)	7 - 3
B262 1413	Operation Panel:EU (B262/B292)	7 - 3
B262 1413	Operation Panel:EU (B262/B292)	9 - *
B262 1414	Operation Panel:Asia (B280)	7 - 3
B262 1414	Operation Panel:Asia (B280)	9 - *
B262 1415	Operation Panel:EU (B280/B293)	7 - 3
B262 1415	Operation Panel:EU (B280/B293)	9 - *
B262 1471	Cover:On-line:Dummy	9 - 1
B262 1473	Cover:Fax:Dummy	9 - 1
B262 1479	Cover:On-line:CPS:NA	9 - 1
B262 1481	Cover:On-line:CPS:EU	9 - 1
B262 1495	LCD	9 - 11
B262 1550	PCB:OPU	9 - 9
B262 1653	Rail:Front	31 - 6
B262 1654	Rail:Rear	31 - 5
B262 1663	Sheet:Flat Cable:Stabilizer	31 - 9
B262 1665	Bracket:Scale:Inner Back	31 - 8
B262 1670	Bracket:Stopper:Rear	31 - 20
B262 1681	Bracket:Scale	29 - 22
B262 1683	Supporting Plate:Right Upper	29 - 19
B262 1700	Carriage:No.1 Unit	29 - 1
B262 1741	Bracket:Belt Pulley:Idler:Front	29 - 11
B262 1745	Bracket:Belt Pulley:Idler:Rear	29 - 10
B262 1770	Lens Unit	29 - 9

Part No.	Description	Page and Index No.
B262 1802	Scale:Left:EU	7 - 12
B262 1805	Scale:Left:NA	7 - 12
B262 1811	Bracket:Stepper Motor	31 - 11
B262 1814	Stepper Motor:Dc24v 5.3w	31 - 15
B262 1847	Scale:Inner Back:EU	7 - 1
B262 1848	Scale:Inner Back:NA	7 - 1
B262 1901	Laser Unit	33 - *
B262 2510	Paper Tray Unit:EU	17 - *
B262 2511	Paper Tray Unit:NA	17 - *
B262 2623	Guide -paper Dust Remover	43 - 2
B262 2703	Cover:Paper Tray:Eu	17 - 18
B262 2704	Cover:Paper Tray:NA	17 - 18
B262 2709	Ground Plate:Tray Bottom Plate	17 - 5
B262 2711	Ground Plate	17 - 17
B262 3020	Toner Supply Unit	35 - 22
B262 3802	Transfer Roller	15 - 8
B262 4018	Fusing Unit (120V)	37 - *
B262 4028	Fusing Unit (230V)	37 - *
B262 4154	Duplex Guide Plate Assy	15 - 26
B262 4701	Spring Plate:Discharge	39 - 27
B262 5023	Power Supply Cord:Stopper:Eu:Ass'y	41 - 16
B262 5091	PCB BICU EXP Ass'y	55 - *
B262 5093	PCB BICU ASIA Ass'y	55 - *
B262 5101	PCB:BICU	41 - 12
B262 5103	PCB:BICU:Asia	41 - 12
B262 5200	Harness:Toner:Connecting	41 - 7
B262 5201	Harness:HPS	41 - 4
B262 5202	Harness:Paper Feed Sensor	41 - 5
B262 5204	Harness:Lddr:Connecting	33 - 2
B262 5205	Harness:Operation Panel	41 - 10
B262 5206	Harness - Power Supply Unit	41 - 8
B262 5207	Harness:Polygon Scanner	33 - 4
B262 5208	Harness:AC:Fusing:EU	41 - 21
B262 5209	Harness:AC:Fusing:NA	41 - 21
B262 5210	Harness:Door Switch	41 - 11

Part No.	Description	Page and Index No.
B262 5214	Harness:Density Sensor	15 - 16
B262 5216	Harness:Motor:Main	41 - 9
B262 5217	Harness:HVP	41 - 26
B262 5217	Harness:HVP	41 - 3
B262 5218	Harness:Paper End Sensor	13 - 21
B262 5220	Harness:High Voltage Line:C	35 - 9
B262 5221	Harness:High Voltage Line:B	35 - 13
B262 5222	Harness:High Voltage Line:T	35 - 10
B262 5235	Ground Wire:Cassette	43 - 3
B262 5236	Flat Cable:SBU	41 - 25
B262 5236	Flat Cable:Sbu	29 - 8
B262 5237	Flat Cable:Stabilizer	29 - 2
B262 5805	Holder:Ferrite Core	41 - 23
B262 7100	LSI CALDA RL5C667	55 - 4
B262 7500	Model Name Plate:RIC (B262/B292)	7 - 4
B262 7501	Model Name Plate:REX (B262)	7 - 4
B262 7502	Model Name Plate:NSA (B262)	7 - 4
B262 7503	Model Name Plate:GES:EU (B262)	7 - 4
B262 7504	Model Name Plate:LAN (B262)	7 - 4
B262 7506	Model Name Plate:GES:NA (B262/B292)	7 - 4
B262 7507	Model Name Plate:LAN (B262/B292)	7 - 4
B280 7500	Model Name Plate:RIC (B280)	7 - 4
B280 7501	Model Name Plate:REX (B280)	7 - 4
B280 7502	Model Name Plate:NSA (B280)	7 - 4
B280 7503	Model Name Plate:GES (B280)	7 - 4
B280 7504	Model Name Plate:LAN (B280)	7 - 4
B280 7505	Model Name Plate:GES:AA (B280)	7 - 4
B280 7509	Model Name Plate:INF (B280)	7 - 4
B292 7508	Model Name Plate:SVN (B292)	7 - 4
B293 7500	Model Name Plate:RIC (B293)	7 - 4
B293 7501	Model Name Plate:REX (B292)	7 - 4
B293 7502	Model Name Plate:NSA (B292)	7 - 4
B293 7503	Model Name Plate:GES (B292)	7 - 4
B293 7504	Model Name Plate:LAN (B292)	7 - 4
B293 7509	Model Name Plate:INF (B292)	7 - 4

Part No.	Description	Page and Index No.
A184 3420	Bottle Chuck	35 - 23
A184 9501	Optics Adjustment Tool	73 - 2
A250 1824	Exposure Glass Sheet	29 - 20
A257 9300	Grease - Barrierta S552R	73 - 5
A267 3556	Chuck Spring - Toner Bottle	35 - 27
A292 9500	Test Chart - S5S (10 Pcs/Set)	73 - 3
A859 4141	Pulley Idler	25 - 29
B039 1683	Tension Spring - Stepper Motor	31 - 18
B039 1695	Flange - Pulley	31 - 13
B039 1704	Spring - Timing Pulley	31 - 4
B039 1781	2nd Mirror Holder	29 - 17
B039 1785	Scanner Drive Pulley	29 - 12
B039 1786	Tension Spring	29 - 13
B040 5506	IC:IMAC_K:RF5C789	55 - 1
B044 1060	Scanner Unit Stay	43 - 1
B044 1061	Base Bracket	43 - 12
B044 1062	Base Bracket - Paper Feed	43 - 13
B044 1063	Scanner Stud	13 - 2
B044 1066	Ground Plate - Option Tray	43 - 10
B044 1067	Toner Supply Rail	35 - 31
B044 1068	Toner Supply Rail	35 - 6
B044 1069	Duct Shield	35 - 1
B044 1100	Shutter	35 - 17
B044 1101	Shutter Spring	35 - 18
B044 1102	Registration Electrode Plate	13 - 10
B044 1103	Shutter Cover	35 - 20
B044 1105	Positioning Plate - Toner Bottle	43 - 11
B044 1139	Damping Insulation	39 - 19
B044 1158	Bracket	39 - 42
B044 1254	End Fence	7 - 10
B044 1258	Shielding Plate	7 - 7
B044 1278	Right Upper Cover	7 - 17
B044 1279	Front Right Cover	7 - 17
B044 1284	Extension Tray - EU	7 - 9
B044 1285	Extension Tray - NA	7 - 9

Part No.	Description	Page and Index No.
B044 1286	Front Door	7 - 19
B044 1290	Sheet - Operation Instructions	7 - 18
B044 1661	Belt Clamp Bracket	31 - 21
B044 1663	Lens Bracket	31 - 10
B044 1669	Stopper Bracket - 1st Scanner	31 - 23
B044 1671	Bracket	31 - 22
B044 1715	Timing Belt Holder	29 - 5
B044 1719	Scanner Slider Pin	29 - 24
B044 1721	1st Mirror Holder	29 - 7
B044 1734	2nd Scanner	29 - 14
B044 1751	Flat Cable Guide	29 - 18
B044 1826	Scanner Drive Shaft	31 - 14
B044 1827	Front Idler Bracket	31 - 1
B044 1828	Rear Idler Bracket	31 - 3
B044 1847	Shoulder Screw	7 - 2
B044 1906	Seal - LDU	33 - 12
B044 1912	Laser Diode Unit:Ass'y	33 - 6
B044 1931	Shield Glass	33 - 9
B044 1941	Laser Unit Cover	33 - 10
B044 1943	Ground Plate	33 - 1
B044 1944	Shutter Plate	33 - 3
B044 1998	Harness Holder Bracket	43 - 18
B044 1999	Spacer - 5mm	33 - 13
B044 2202	Mylar-queenching Lamp	43 - 14
B044 2602	Turn Roller	13 - 15
B044 2603	Registration Feeler	13 - 13
B044 2604	Front Bushing	13 - 11
B044 2605	Rear Bushing	13 - 7
B044 2612	Guide Plate	15 - 1
B044 2614	Driven Roller Bushing	15 - 4
B044 2615	Pressure Spring	15 - 13
B044 2616	Support Bushing	13 - 14
B044 2617	Holder Ass'y - Paper Dust Removal	43 - 17
B044 2621	Bushing - Driven Roller	15 - 42
B044 2621	Bushing - Driven Roller	15 - 17

Part No.	Description	Page and Index No.
B044 2622	Spacer - Registration	13 - 30
B044 2624	Registration Roller Shaft	15 - 2
B044 2651	Right Rail	43 - 7
B044 2653	Guide Plate - Paper Feed	13 - 3
B044 2654	Paper Feedguide	13 - 4
B044 2656	Guide Plate Stopper	13 - 29
B044 2702	Front Side Fence	17 - 2
B044 2703	Rear Side Fence	17 - 7
B044 2704	Tray Bottom Plate	17 - 1
B044 2706	End Fence	17 - 3
B044 2710	Friction Pad	17 - 13
B044 2713	Stopper	17 - 14
B044 2714	Rubber Plate - Friction Pad	17 - 24
B044 2715	Sponge - End Fence	17 - 22
B044 2716	Pressure Spring	17 - 6
B044 2717	Pressure Spring	17 - 21
B044 2720	Decal - Cassette Operation	17 - 20
B044 2720	Decal - Cassette Operation	71 - 2
B044 2721	Paper Tray Sheet	17 - 23
B044 2751	Joint - Paper Feed Roller	17 - 8
B044 2756	Spring - Paper Feed Roller	17 - 9
B044 2758	Shaft - Paper Feed Roller	17 - 11
B044 2801	By-pass Feed Table	11 - 2
B044 2803	Tray Bottom Plate	11 - 9
B044 2804	Front Side Fence	11 - 7
B044 2805	Rear Side Fence	11 - 8
B044 2806	Lever - Manual Feed Table	11 - 4
B044 2807	Stay - Tray Bottom Plate	11 - 11
B044 2808	Paper Guide	11 - 1
B044 2809	Spring - Manual Feed Table	11 - 6
B044 2811	Guide Plate - Manual Feed	13 - 23
B044 2812	Manual Feed Bracket	13 - 25
B044 2814	Exit Guide	13 - 16
B044 2815	Friction Pad - Manual Feed	13 - 18
B044 2817	Friction Pad Spring	13 - 19

Part No.	Description	Page and Index No.
B044 2824	Cushion-manual Feed Roller	13 - 27
B044 2825	Spacer-manual Feed Roller	13 - 26
B044 2829	Manual Feed Shaft	13 - 22
B044 2860	Front Stopper Plate	15 - 39
B044 2861	Rear Stopper Plate	15 - 40
B044 3426	Chuck Shaft	35 - 24
B044 3427	Slide Shaft	35 - 25
B044 3461	Handlw Cam	35 - 26
B044 3470	Toner Supply Case Ass'y	35 - 33
B044 3475	Un Lock Grip	35 - 32
B044 3485	Slider Ass'y	35 - 28
B044 3857	Separation Plate	15 - 19
B044 3859	Discharge Plate	15 - 23
B044 3860	Transfer Plate	15 - 12
B044 3865	Transfer Roller Spring - Front	15 - 11
B044 3866	Transfer Roller Spring - Rear	15 - 10
B044 3870	Transfer Guide	15 - 14
B044 3894	Density Sensor:Longdist:Adhesion	15 - 15
B044 3990	Positioning Spring - Transfer Roller	15 - 9
B044 4104	Pressure Frame	37 - 36
B044 4112	Hot Roller Cap	37 - 50
B044 4117	Front Spring Plate	37 - 23
B044 4118	Rear Spring Plate	37 - 25
B044 4130	Pressure Lever	37 - 28
B044 4131	Bushing-pressure Release	37 - 43
B044 4132	Side Plate	37 - 31
B044 4135	Lamp Holder	37 - 22
B044 4136	Ground Plate	37 - 46
B044 4138	Spring	37 - 5
B044 4141	Pressure Release Lever - Front	37 - 29
B044 4146	Pressure Release Lever - Rear	37 - 30
B044 4150	Hot Roller Stopper	37 - 37
B044 4152	Pressure Spring	37 - 27
B044 4153	Cushion	37 - 44
B044 4154	Exit Spring	37 - 10

Part No.	Description	Page and Index No.
B044 4155	Spring - Pickoff Pawl	37 - 20
B044 4156	Front Hot Roller Stopper	37 - 49
B044 4161	Warning Decal	37 - 35
B044 4161	Warning Decal	71 - 3
B044 4165	Discharge Brush	37 - 1
B044 4166	Spring Plate	37 - 2
B044 4170	Fusing Gear	37 - 38
B044 4179	Holder - Pickoff Pawl	37 - 51
B044 4183	Feeler	37 - 3
B044 4186	Guide Plate	37 - 4
B044 4200	Fusing Plate Nut	13 - 31
B044 4200	Fusing Plate Nut	35 - 30
B044 4200	Fusing Plate Nut	37 - 33
B044 4201	Fusing Harness Cover	37 - 34
B044 4401	Paper Holder Stand	37 - 47
B044 4616	Right Cover Lever	15 - 21
B044 4617	Fusing Unit Decal	71 - 4
B044 4617	Fusing Unit Decal	15 - 24
B044 4618	Spring Holder	15 - 3
B044 4624	Right Door Belt	15 - 20
B044 4655	Right Door	15 - 22
B044 4663	Reverse Guide Plate	15 - 18
B044 4929	Sheet - Exposure Glass	19 - 24
B044 4961	Oneway Clutch	21 - 22
B044 4962	Cushion	23 - 16
B044 5300	Paper End Sensor	43 - 8
B121 1680	Gear - 53Z/60Z	31 - 16
B121 1696	Timing Belt L147	31 - 17
B121 5501	IC:SCRATCH:KS6M2U1651CBP	55 - 2
B121 5502	LSI:TRIO:UPD65945GD-103-LML-A	55 - 3
B129 1056	Shaft Spacer	39 - 15
B129 1060	PSU Stay	43 - 9
B129 1110	Rear Drive Plate 2	39 - 13
B129 1129	Plate Cushion	39 - 18
B129 1157	Side Plate - Manual Feed	39 - 22

Part No.	Description	Page and Index No.
B129 1161	Lever DC Solenoid Ass'y	39 - 16
B129 1163	Rear Drive Plate 1 Assy	39 - 30
B129 1164	Fusing Bracket Assy	39 - 11
B129 1175	Toner Bottle Drive Spring	35 - 4
B129 1176	Toner Supply Shaft	35 - 3
B129 1251	Left Scanner Cover EU	7 - 14
B129 1252	Exit Cover EU	7 - 8
B129 1261	Left Scanner Cover NA	7 - 14
B129 1262	Exit Cover NA	7 - 8
B129 1300	BICU Bracket	43 - 5
B129 1301	BICU Shading Plate	41 - 28
B129 1301	BICU Shading Plate	43 - 4
B129 1301	BICU Shading Plate	41 - 15
B129 1302	Power Supply Unit Bracket	43 - 16
B129 1303	Rear Cover Bracket	41 - 19
B129 1306	GWCTL Shading Plate	45 - 2
B129 1307	BICU Insulating Sheet	41 - 13
B129 1308	Fcu Bracket	45 - 6
B129 1309	Interface Cover	45 - 5
B129 1313	Spring Plate - Gwctl	41 - 18
B129 1315	Separation Bracket	43 - 15
B129 1474	Spring Plate - STL	9 - 10
B129 2820	Ground Plate - Manual Feed	39 - 23
B129 3465	Cover - Toner Supply Unit	35 - 29
B129 4102	Fusing Frame	37 - 16
B129 4134	Electrode Plate Fusing	37 - 45
B129 4143	Electrode Plate Cover	37 - 15
B129 4195	Thermostat Plate Nut	37 - 52
B129 4294	Screw-m3x13	37 - 42
B129 4703	Ground Plate - Lower Duplex Bracket	39 - 26
B129 5021	Power Supply Cord Na	41 - 16
B129 5203	Harness - Paper Feed Sensor	37 - 12
B129 5211	Harness - Front Right Switch	13 - 12
B129 5213	Harness - Registration Sensor	41 - 6
B129 5223	Harness - Paper Feed Table	41 - 27

Part No.	Description	Page and Index No.
B129 5223	Harness - Paper Feed Table	41 - 17
B229 1453	Keytop - Start	9 - 8
B229 1454	Keytop - Clear/Stop	9 - 7
B229 1475	Keytop - 10key	9 - 3
B229 1525	Keytop - Initial	9 - 4
B229 1526	Keytop - 10key NA	9 - 3
B229 1537	Keytop - Clear Modes	9 - 5
B229 1557	Keytop - 10key Asia	9 - 3
B243 1458	Keytop - Power Source	9 - 6
B243 1459	Keytop - Cursor	9 - 2
B259 2786	Lever Shaft	11 - 3
B351 4322	Tape:Pressure Plate	27 - 13
B859 2352	Pressure Plate Pad	19 - 28
B872 1114	Bracket:Side Plate:Rear Right	27 - 9
B872 1121	Stopper:Original Table	23 - 24
B872 1122	Compression Spring:Stopper	23 - 25
B872 1414	Hinge:Left	27 - 10
B872 1421	Hinge:Right	27 - 11
B872 1515	Spring Plate:Guide:Exposure Glass	25 - 7
B872 1522	Guide:Exposure Glass	25 - 8
B872 1912	Cap:Paper Feed Sensor:Base	27 - 8
B872 1921	Lever:Driven:Pressure	27 - 2
B872 1922	Roller:Driven:Scanning:Front	27 - 4
B872 1923	Torsion Spring:Pressure:Front	27 - 1
B872 1924	Torsion Spring:Pressure:Rear	27 - 3
B872 1931	Exit Roller:Driven	27 - 6
B872 1933	Compression Spring:Exit:Driven	27 - 7
B872 1934	Bushing:Exit	27 - 5
B872 2110	Guide Plate:Paper Feed:Lower	23 - 13
B872 2112	Roller:Driven:Dia14	23 - 10
B872 2113	Shaft:Reverse:Roller:Driven	23 - 9
B872 2116	Compression Spring:Reverse:Driven	23 - 8
B872 2118	Guide:Reverse	23 - 30
B872 2211	Bracket:Reverse	23 - 14
B872 2212	Spring Plate:Reverse:Pressure	23 - 15

Part No.	Description	Page and Index No.
B872 2213	Shaft:Drive:Separation	23 - 7
B872 2217	Gear:Z28	23 - 31
B872 2221	Shaft:Reverse Roller	23 - 5
B872 2222	Holder:Reverse Roller	23 - 1
B872 2223	Gear:Z17	23 - 6
B872 2311	Guide Plate:Paper Feed:Upper	21 - 3
B872 2312	Guide Plate:Paper Feed:Upper	21 - 1
B872 2412	Bracket:Magnetic Clutch	21 - 5
B872 2420	Magnetic Clutch:Ass'y	21 - 6
B872 2510	Feeder Unit	21 - 4
B872 2511	Gear:Idler:Z16	21 - 21
B872 2512	Gear:Z18	21 - 15
B872 2513	Feeler:Original Sensor	21 - 13
B872 2514	Shaft:Pickup	21 - 14
B872 2515	Cushion:Bracket:Feed	21 - 20
B872 2521	Shaft:Feed:C	21 - 12
B872 2522	Spacer:Pickup	21 - 17
B872 2523	Spring Clutch:Feed:Dia6	21 - 11
B872 2524	Spacer:Dia9	21 - 10
B872 2526	Spring:Roller Clutch	21 - 16
B872 2527	Roller Clutch:Bracket:Feed	21 - 19
B872 2528	Gear:Z18	21 - 24
B872 2529	Collar:Pickup	21 - 25
B872 2611	Roller:R0	23 - 29
B872 2612	Gear:Z19	23 - 33
B872 2613	Gear:Z22	23 - 21
B872 2614	Bushing:R1	23 - 27
B872 2614	Bushing:R1	23 - 3
B872 3111	Guide Plate:Scanning:Lower	25 - 4
B872 3113	Spring Plate:Earth:Exit	25 - 11
B872 3114	Discharge Brush:Lower	25 - 6
B872 3121	Guide Plate:Scanning:Upper	25 - 1
B872 3211	Roller:Scanning:Front:Drive	25 - 2
B872 3212	Pulley:T25	25 - 16
B872 3221	Roller:Exit:Drive	25 - 3

Part No.	Description	Page and Index No.
B872 3222	Timing Pulley:T32	25 - 23
B872 3223	Timing Pulley:T32	25 - 15
B872 3231	Roller:Reverse:Drive	23 - 28
B872 3232	Torque Limiter:T24:S2m	23 - 26
B872 3241	Knob:Pick-up Paper Jam	25 - 12
B872 3311	Exchange Pawl:Reverse	25 - 10
B872 3312	Lever:Exchange Pawl	25 - 26
B872 3313	Tension Spring:Exchange Pawl	25 - 24
B872 4111	Bracket:Motor:Paper Feed:Ass'y	23 - 22
B872 4113	Gear:Z44/T16	23 - 19
B872 4116	Gear:Z44/T14	23 - 18
B872 4131	Inner Cover:Left Rear	25 - 30
B872 4210	Bracket:Motor:Transport	25 - 22
B872 4214	Pulley:T16/T44	25 - 19
B872 4216	Tension Spring:Motor:Transport	25 - 20
B872 4310	DC Solenoid:Exchange Pawl	25 - 27
B872 4510	Pressure Plate	27 - 14
B872 4513	Tape:Pressure Plate:Left	27 - 15
B872 4611	Original Table	19 - 15
B872 4612	Guide:Original Table:Front	19 - 12
B872 4613	Guide:Original Table:Rear	19 - 11
B872 4615	Cover:Original Table	19 - 9
B872 4616	Roller:Reverse:Pressure	19 - 8
B872 4621	Original Table:Auxiliary	19 - 16
B872 4624	Spring Plate	19 - 7
B872 4711	Cover:Open And Close	19 - 2
B872 4721	Shaft:Pressure:Dia4	19 - 4
B872 4722	Spring Plate:R0	19 - 6
B872 4726	Case:Magnetic	19 - 26
B872 4731	Cover:Rear	19 - 14
B872 4741	Cover:Front	19 - 19
B872 5100	PCB:Main Control	21 - 9
B872 5210	Harness:Interface	21 - 8
B872 5240	Harness:Main	21 - 7
B872 5250	Harness:Dc Solenoid	25 - 28

Part No.	Description	Page and Index No.
B872 5810	Stepper Motor Dc24v 3.53w	23 - 23
B872 5820	Stepper Motor:Dc24v 3.35w	25 - 21
B872 6011	Decal: Misfeed Removal	19 - 1
B872 6011	Decal: Misfeed Removal	71 - 5
B872 6021	Decal: Side Fence	19 - 10
B872 6021	Decal: Side Fence	71 - 6
B872 6031	Decal: Size: Original	19 - 5
B872 6031	Decal: Size: Original	71 - 7
B872 6041	Decal: Lever: Knob	71 - 8
B872 6041	Decal: Lever: Knob	27 - 12
B872 6061	Decal: Scale: Left: NA	71 - 9
B872 6061	Decal: Scale: Left: NA	19 - 20
B872 6071	Decal: Scale: Left: EU	71 - 9
B872 6071	Decal: Scale: Left: EU	19 - 20
B872 6081	Decal: Caution Chart	19 - 29
B872 6081	Decal: Caution Chart	71 - 10
B872 7010	Scale: Left: Adhesion	19 - 22
B872 7014	Cap: Registration Sensor: Scale	19 - 21
B880 5171	PCB: NC4-S: GDI-Nob	45 - 1
B880 5172	PCB: NC4-S: GDI-Basic	45 - 1
G014 3291	Snap Ring - Pick Up	35 - 21
G020 2599	Spring - Release Lever	17 - 15
G020 2772	By-pass Paper End Sensor	13 - 24
G025 2730	Cylindrical Lens	33 - 7
G025 2731	Synchronizing Detector Lens	33 - 8
G029 1982	LD Decal	71 - 11
G029 1982	LD Decal	33 - 11
G417 3669	Timing Belt: B40S2M190	25 - 14
G512 3029	Rubber Foot	43 - 6
G800 3133	Side Fence Gear	11 - 10
G800 3133	Side Fence Gear	17 - 4
G827 1023	Magnetic: Hale: Dia10x7	19 - 27
H310 4120	Plate: Logotype: RIC	7 - 20
H521 1350	Pad - Pick-up	21 - 2
H521 3355	C Ring - Paper Feed Roller	17 - 16

Part No.	Description	Page and Index No.
H521 3355	C Ring - Paper Feed Roller	13 - 5
H547 4203	Guide Plate Sponge	45 - 7
H555 2790	Decal - Paper Size	7 - 6
H555 2790	Decal - Paper Size	71 - 12
H555 4182	Plate: Logotype: SAV	7 - 20
H555 4183	Plate: Logotype: H555: LAN	7 - 20
H555 4184	Plate: Logotype: H555: INF	7 - 20
H555 4185	Plate: Logotype: H555: NSA	7 - 20
H555 4186	Plate: Logotype: H555: REX	7 - 20
H555 4187	Plate: Logotype: H555: GES	7 - 20
H555 4190	Plate Holder	7 - 13
H555 5150	Ferrite Core	41 - 24
H555 5150	Ferrite Core	29 - 23
H556 2201	Reargate Plate Guide	37 - 54
H556 2202	Front Gate Plate Guide	37 - 55
H556 2206	Guide Plate	37 - 24
H556 2208	Gate Plate	37 - 53
H556 2210	Gear - 19/28Z	37 - 13
H556 2219	Gear Bracket	37 - 56
H556 2220	Roller	37 - 57
H556 2222	Stud	37 - 14
H556 2818	Guide Plate	15 - 25
H556 2820	Mylar Reverse	15 - 28
H556 4172	Duplex Drive Bracket	39 - 24
H556 4178	Spring Plate	39 - 32
H556 4180	Plate Bracket	39 - 35
H556 4181	Spring Plate	15 - 33
H556 4183	Swivel Bracket	39 - 31
H556 4185	Transport Roller Holder	15 - 34
H556 4186	Positioning Roller	15 - 32
H556 4188	Sheet	15 - 37
H556 4189	Sheet	15 - 38
H556 4190	Transport Roller	15 - 36
H556 4192	Right Guide Plate	15 - 30
H556 5106	Gate Sensor Harness	37 - 58



Part No.	Description	Page and Index No.
N803 1000	Case - Flash Memory Card	73 - 6
N803 6701	Flash Memory Card-4MB	73 - 7

Part No.	Description	Page and Index No.
AA00 3011	Manual Feed Decal	11 - 13
AA00 3011	Manual Feed Decal	71 - 1
AA04 2053	Belt:3mm	29 - 15
AA04 3582	Timing Belt	39 - 33
AA04 3603	Timing Belt:B40S2M128	23 - 20
AA04 3603	Timing Belt:B40S2M128	25 - 18
AA04 3604	Timing Belt:B40S2M110	25 - 17
AA04 3605	Timing Belt:B40S3M114	25 - 13
AA04 3997	Timing Belt:ST55	31 - 2
AA06 2326	Spring - Swivel Fusing	39 - 17
AA06 3409	Right Door Spring	15 - 7
AA06 3443	Lever Spring	15 - 29
AA08 0034	Bushing - 4x5x7	23 - 11
AA08 0322	Bushing - 6mm	13 - 17
AA08 2101	Bushing - 6x10x6	17 - 10
AA11 3032	Electrode Plate - Development	35 - 12
AA11 3034	Electrode Plate - Charge	35 - 8
AA11 3035	Electrode Plate - Transfer	35 - 11
AA12 0104	Ground Plate - Registration	39 - 21
AA12 0124	Ground Plate - Drum Drive	39 - 20
AA13 2217	Collar	39 - 6
AA14 3544	Screw - M3	25 - 9
AA14 3788	Pin:Guide Plate:Paper Feed	19 - 17
AA14 3804	Fusing Shaft 5	39 - 12
AA14 3866	Screw:Dia3.4:M3	19 - 25
AA14 8651	Shaft - Paper Feed Roller	35 - 15
AA16 1157	Bracket Cushion	39 - 14
AA17 0026	Insulating Sheet Power Pack	41 - 14
AB00 0025	Drum Shaft	35 - 16
AB00 0027	Development Shaft Assy	35 - 19
AB01 0358	Gear - 64Z	35 - 7
AB01 0362	Gear - 49Z	39 - 40
AB01 1438	Gear - 41Z	39 - 3
AB01 1492	Gear - 29Z	39 - 4
AB01 2033	Gear - 21Z	15 - 31

Part No.	Description	Page and Index No.
AB01 7582	Coupled Gear 22/50z	35 - 14
AB01 7585	Coupled Gear - 17/44z	39 - 8
AB01 7586	Coupled Gear - 43/53z	39 - 2
AB01 7587	Coupled Gear - 17/44z	39 - 7
AB01 7591	Gear - 18/30Z	23 - 32
AB01 7627	Gear - 28/43Z	39 - 43
AB01 7628	Gear - 19/38Z	39 - 29
AB01 7629	Gear - 19/21Z	39 - 9
AB01 7659	Gear - 43/91Z	39 - 41
AB01 7660	Gear - 44/67Z	39 - 38
AB01 7661	Gear - 29/69Z	39 - 37
AB01 7662	Gear - 17/67Z	39 - 39
AB01 7663	Gear - 18/40Z	39 - 10
AB03 0711	Drive Pulley - 37t	31 - 19
AB03 2071	Pulley - 24Z	39 - 34
AB03 3095	Drive Pulley - 41t/37t	31 - 12
AB04 0023	Spring Clutch:0.7n.m:Z53	35 - 5
AC01 2070	Exposure Glass	7 - 11
AC01 3005	Df Exposure Glass	19 - 23
AC03 0145	1st Mirror	29 - 6
AC03 0146	2nd Mirror	29 - 16
AE01 1086	Hot Roller	37 - 40
AE02 0149	Pressure Roller	37 - 26
AE03 1035	Pressure Roller Bushing	37 - 32
AE03 1044	Fusing Bushing	37 - 39
AE04 4059	Stripper Pawls	37 - 21
AF02 0686	Registration Roller	13 - 8
AF02 2139	Driven Roller - Front Rear	15 - 5
AF02 2140	Middle Driven Roller	15 - 6
AF02 2141	Turn-roller	37 - 6
AF02 2142	Middle Roller	37 - 8
AF02 2142	Middle Roller	37 - 48
AF02 2143	Guide Roller	15 - 27
AF02 2144	Pressure Roller	19 - 3
AF02 2152	Transport Driven Roller	15 - 35

Part No.	Description	Page and Index No.
AF03 0363	Pickup Roller	21 - 26
AF03 1061	Paper Feed Roller	17 - 12
AF03 1062	Feed Roller	21 - 18
AF03 1086	By-pass Feed Roller	13 - 20
AF03 2030	Reverse Roller	23 - 2
AF04 0588	Exit Roller	37 - 9
AF04 0603	Exit Roller	37 - 7
AW01 0109	Photo Reflection Sensor:Ps117ed1	25 - 5
AW02 0141	Photointerruptor	23 - 12
AW02 0155	Photointerruptor:Paper Size Sensor	23 - 17
AW10 0088	Thermistor - Fusing	37 - 18
AW11 0037	Thermostat - 160c	37 - 17
AW11 0038	Thermostat - 170c	37 - 19
AX06 0336	Stepper Motor-duplex-dc24v 14.9w	39 - 25
AX06 0342	Polygon Scannermotor-dc24v	33 - 5
AX06 0344	Brushless Motor:Dc24v:20w	39 - 28
AX20 0308	Magnetic Clutch:0.25n.m:Z43	13 - 6
AX20 0309	Magnetic Clutch:0.25n.m:Z43	39 - 5
AX20 0310	Magnetic Clutch:0.25n.m:Z43	13 - 28
AX31 0049	Total Counter:7fig:24V	41 - 22
AX44 0202	Heater - 120v/800w	37 - 41
AX44 0203	Heater - 230v:750w	37 - 41
AX50 0096	Xenon Lamp:Dia8	29 - 4
AX50 0098	Quenching Lamp	35 - 2
AZ23 0161	Power Supply Unit:100V	41 - 20
AZ23 0162	Power Supply Unit:200V	41 - 20
AZ32 0152	Power Pack BCT	41 - 2
AZ50 0073	Stabilizer-xenon Lamp	29 - 3
BB01 3003	Gear - 14Z	19 - 13
BB01 3006	Gear - 27Z	39 - 1
GW02 0020	Photointerruptor:Lg248n1	13 - 9
GW02 0020	Photointerruptor:Lg248n1	37 - 11
GW02 0020	Photointerruptor:Lg248n1	31 - 7
GW02 0020	Photointerruptor:Lg248n1	29 - 21
GX64 5734	Fan Motor:Mm80 Dc24v 3.12w	41 - 1

Part No.	Description	Page and Index No.
VSSM 9000	Digital Multimeter-fluke187	73 - 4

Part No.	Description	Page and Index No.
0353 0040N	Screw - M3X4	25 - 106
0360 3006P	Screw - M3X6	31 - 103
0450 3006N	Tapping Screw - M3x6	19 - 103
0450 3006N	Tapping Screw - M3x6	13 - 102
0450 3006N	Tapping Screw - M3x6	15 - 102
0450 3008N	Tapping Screw - M3x8	41 - 102
0450 3008N	Tapping Screw - M3x8	37 - 101
0450 3008N	Tapping Screw - M3x8	35 - 101
0450 3008N	Tapping Screw - M3x8	33 - 101
0450 3008N	Tapping Screw - M3x8	29 - 101
0450 3008N	Tapping Screw - M3x8	27 - 103
0450 3008N	Tapping Screw - M3x8	21 - 104
0450 3008N	Tapping Screw - M3x8	43 - 101
0450 3008N	Tapping Screw - M3x8	15 - 103
0450 3010N	Tapping Screw - M3x10	43 - 104
0450 3010N	Tapping Screw - M3x10	39 - 103
0450 3010N	Tapping Screw - M3x10	27 - 105
0450 3010N	Tapping Screw - M3x10	37 - 103
0450 3010N	Tapping Screw - M3x10	7 - 103
0450 3035N	Tapping Screw:3x35	41 - 101
0451 3006N	Tapping Screw - 3x6	45 - 101
0451 3006N	Tapping Screw - 3x6	25 - 105
0451 3006N	Tapping Screw - 3x6	29 - 102
0451 3006N	Tapping Screw - 3x6	23 - 106
0451 3006N	Tapping Screw - 3x6	31 - 101
0451 3006N	Tapping Screw - 3x6	11 - 101
0451 3006N	Tapping Screw - 3x6	39 - 101
0451 3006N	Tapping Screw - 3x6	37 - 102
0451 3006N	Tapping Screw - 3x6	21 - 103
0451 3006N	Tapping Screw - 3x6	43 - 103
0451 3006N	Tapping Screw - 3x6	7 - 102
0451 3006N	Tapping Screw - 3x6	41 - 103
0451 3008N	Tapping Screw - M3x8	7 - 101
0451 3008N	Tapping Screw - M3x8	41 - 107
0451 3008N	Tapping Screw - M3x8	19 - 102

Part No.	Description	Page and Index No.
0451 3008N	Tapping Screw - M3x8	25 - 101
0452 3008N	Tapping Screw - M3x8	19 - 101
0452 3010N	Binding Self-tapping Screw:3x10	9 - 101
0452 3010N	Binding Self-tapping Screw:3x10	33 - 102
0453 3006N	Tapping Screw - M3x6	39 - 102
0454 3006Q	Tapping Screw - M3x6	23 - 107
0454 3006Q	Tapping Screw - M3x6	31 - 102
0454 3006Q	Tapping Screw - M3x6	27 - 104
0622 0120E	Spring Pin - 2x12mm	17 - 102
0720 0030E	Retaining Ring - M3	23 - 102
0720 0030E	Retaining Ring - M3	21 - 102
0720 0040E	Retaining Ring - M4	13 - 103
0720 0040E	Retaining Ring - M4	39 - 104
0720 0040E	Retaining Ring - M4	15 - 101
0720 0040E	Retaining Ring - M4	23 - 101
0720 0040E	Retaining Ring - M4	21 - 101
0720 0040E	Retaining Ring - M4	25 - 104
0720 0060E	Retaining Ring - M6	23 - 105
0720 0060E	Retaining Ring - M6	31 - 105
0740 3906	Ball Bearing - 6x15x5	31 - 104
0805 0088	Retaining Ring - M6	25 - 103
0805 0088	Retaining Ring - M6	25 - 107
0805 0089	Retaining Ring - M4	17 - 101
0805 3480	Bushing - 6mm	25 - 102
0805 3480	Bushing - 6mm	23 - 104
0950 4006N	Screw - M4X6	41 - 104
0954 3008N	Screw - M3X8	43 - 102
0954 3008N	Screw - M3X8	37 - 104
1102 4202	Connector - 3P	55 - 101
1102 4205	CT Header - 6P	55 - 102
1102 4559	Connector - 3P	35 - 104
1102 4619	Connector - 2P	55 - 103
1102 4621	CT Header - 4P	55 - 104
1102 4623	CT Connector - 6P	55 - 105
1102 4630	CT Connector	55 - 106

Part No.	Description	Page and Index No.
1102 4631	CT Connector - 2P	55 - 107
1102 5302	Connector - 3P	55 - 108
1102 5306	Connector - 7P	55 - 109
1102 6259	Connector - 2P	35 - 103
1102 6295	Connector - 2P	55 - 110
1102 6297	Connector - 4P	55 - 111
1102 6299	Connector - 6P	55 - 112
1102 6304	Connector - 11P	55 - 113
1102 6309	Connector - 2P	55 - 114
1102 8153	Connector - FCN-568P068-G/05A-V4	55 - 115
1102 8544	Connector 1-353297-3	55 - 116
1102 8655	Connector - 9P 353297-9	55 - 117
1102 8807	Connector - FFC/FPC-52045-0545	55 - 118
1102 8808	Connector - FFC/FPC-52806-1110	55 - 119
1102 9108	Connector - 353297-3	55 - 120
1102 9109	Connector - 353297-4	55 - 121
1102 9110	Connector - 353297-6	55 - 122
1102 9111	Connector - 353297-7	55 - 123
1102 9112	Connector - 353297-8	55 - 124
1102 9116	Connector - 353297-5	55 - 125
1102 9133	Connector:292206-8	55 - 126
1102 9548	Connector - TX25-100P-8ST-H1	55 - 127
1102 9601	Connector:5-353297-3	55 - 128
1102 9602	Connector:5-353297-6	55 - 129
1102 9710	Connector:5-353297-4	55 - 130
1104 0588	DIP Socket - 28P	55 - 131
1105 0197	Wire Saddle	13 - 104
1105 0197	Wire Saddle	39 - 105
1105 0409	Card Spacer- 6.4mm	43 - 105
1105 0436	Locking Support - Kgcp-08-0	21 - 106
1105 0487	Harness Clamp	41 - 105
1105 0487	Harness Clamp	31 - 106
1105 0508	Harness Clamp - LWS-0711	27 - 102
1105 0511	Harness Clamp - LWS-0306ZC	43 - 106
1105 0511	Harness Clamp - LWS-0306ZC	39 - 106

Part No.	Description	Page and Index No.
1105 0511	Harness Clamp - LWS-0306ZC	35 - 102
1105 0511	Harness Clamp - LWS-0306ZC	29 - 103
1105 0511	Harness Clamp - LWS-0306ZC	27 - 101
1105 0511	Harness Clamp - LWS-0306ZC	23 - 103
1105 0518	Edge Saddle - Les-1010	19 - 104
1105 0522	Edge Saddle - Les0510	43 - 107
1105 0522	Edge Saddle - Les0510	41 - 106
1105 0612	Clamp:EDS-0704L-V0	21 - 105
1204 2521	Micro Switch	13 - 101
1400 0688	Transistor -DTC143ZUA	55 - 132
1400 0717	Transistor:2SA1226-A-E4	55 - 133
1400 0769	Transistor - 2SA1576A	55 - 134
1400 0775	Transistor - 2SC4081	55 - 135
1400 0789	Transistor - IMT17	55 - 136
1400 0796	Transistor - UMH10N	55 - 137
1400 0799	Transistor - 2SB1326	55 - 138
1400 0862	Transistor - UMH9N	55 - 139
1400 0901	Transistor - DTC144VUA	55 - 140
1400 0918	Transistor - DTC123JUA	55 - 141
1400 0936	Transistor - UMD3N	55 - 142
1400 0967	Transistor - DTC123EUA	55 - 143
1401 0821	Diode - 1SS133	55 - 144
1401 1116	Transistor - 2SC5053	55 - 145
1401 1175	FET:HAT1043M	55 - 146
1402 1057	Diode ARRAY - DAP202U	55 - 147
1402 1336	Diode - 1SS355	55 - 148
1402 1565	Diode - RB	55 - 149
1402 1584	Diode - DAN217U	55 - 150
1403 0996	LED - SML-310VT	55 - 151
1407 2219	IC - TD62003AP	55 - 152
1407 5299	RAM:FM1608-120-P	55 - 319
1407 5343	IC - SN74LV240APW	55 - 153
1407 5353	IC - SN74LV244APW	55 - 154
1407 5369	IC - SN74AHCT32PW	55 - 155
1407 5374	IC - SN74LV4052APW	55 - 156

Part No.	Description	Page and Index No.
1407 5469	IC - SN74LV07APW	55 - 157
1407 5509	IC - SN74AHCT08PW	55 - 158
1407 5555	IC - SN74AHCT126PW	55 - 159
1407 5588	IC - MTD2006F	55 - 160
1407 5886	CPU - HD6412390F20	55 - 161
1407 5958	CMOS Logic:SN74AHCT86PW	55 - 162
1407 5976	IC:SN74LVC2G53DCT	55 - 163
1407 6032	IC - SN74LV161APW	55 - 164
1407 6089	CMOS Logic:SN74AHCT1G14DCK	55 - 165
1408 0227	Regulator - 12V	55 - 166
1408 1290	Regulator - TA7805S	55 - 167
1408 1550	IC - LM2902PW	55 - 168
1408 1581	A/D Converter - ADC1175-50CIMT	55 - 169
1408 1585	IC - STK672-310	55 - 170
1408 1774	Series Regulator:UPC2933AT	55 - 171
1408 1818	Series Regulator - LM1117MP-1.8	55 - 172
1408 1829	Operational Amplifier:LM358PW	55 - 173
1408 1929	IC - R3112Q441A	55 - 174
1503 0993	Crystal Oscillator - 14.7456MHZ	55 - 175
1600 1418	Resistor - 1.0 $\Omega$ 1W	55 - 176
1600 1684	Resistor:0.47 $\Omega$ : $\pm$ 5%:2W	55 - 177
1601 5442	Resistor - 220 $\Omega$ $\pm$ 5% 2W	55 - 178
1601 5492	Resistor - 47 $\Omega$ $\pm$ 5% 2W	55 - 179
1601 7751	Resistor - 4.7K $\Omega$ $\pm$ 5%	55 - 180
1601 7752	Resistor Array - 10K $\Omega$ $\pm$ 5%	55 - 181
1601 7757	Resistor 0 $\Omega$	55 - 182
1601 7760	Resistor Array	55 - 183
1601 7791	Resistor Array - 1K $\Omega$ $\pm$ 5%	55 - 184
1601 7867	Resistor - 33 $\Omega$ $\pm$ 5% 1/16W	55 - 185
1601 7871	Resistor - 68 $\Omega$ $\pm$ 5% 1/16W	55 - 186
1601 7872	Resistor Array - 220 $\Omega$ $\pm$ 5% 1/16W	55 - 187
1604 4716	Capacitor:330 $\mu$ F: $\pm$ 20%:35V	55 - 188
1605 0976	Capacitor - 1 $\mu$ F +80% -20% 10V	55 - 189
1605 1148	Capacitor - 0.1 $\mu$ F +80-20% 50V	55 - 190
1605 1176	Ceramic Capacitor 0.47 $\mu$ F +80-20%16V	55 - 191

Part No.	Description	Page and Index No.
1605 1190	Ceramic Capacitor - 0.022 $\mu$ F $\pm$ 10% 50V	55 - 192
1605 1281	Capacitor - 0.22 $\mu$ F $\pm$ 10% 16V	55 - 193
1605 1353	Capacitor - 0.1 $\mu$ F $\pm$ 10% 25V	55 - 194
1607 0824	Filter - BLM11A601SPB	55 - 195
1607 1013	EMI Filter-BLM11A102SPB	55 - 196
1607 1014	EMI Filter - BLM11P600SPB	55 - 197
1607 1142	Filter-BLM11B121SBPB	55 - 198
1607 1342	Filter - BLM18BD121SN1B	55 - 199
1607 1387	Filter - BLM18BB600SN1B	55 - 200
1607 1461	Ferrite Core	7 - 104
1609 0005	Resistor:33 $\Omega$ : $\pm$ 5%:1/16W	55 - 201
1609 0006	Resistor:10k $\Omega$ : $\pm$ 5%:1/16W	55 - 202
1609 0007	Resistor - 68 $\Omega$ $\pm$ 5% 1/16W	55 - 203
1609 0027	Resistor - 100K $\Omega$ $\pm$ 5% 1/16W	55 - 204
1611 8181	Resistor:180 $\Omega$ : $\pm$ 5%:1/4W	55 - 205
1611 8510	Resistor 51 $\Omega$ $\pm$ 5% 1/4W	55 - 206
1633 0000	Resistor - 0 $\Omega$ 1/10W	55 - 207
1634 0000	Resistor - 0 $\Omega$ 1/16W	55 - 208
1642 0101	Capacitor - 100 $\mu$ F $\pm$ 20% 50V	55 - 209
1642 0220	Capacitor:22 $\mu$ F: $\pm$ 20%:10V	55 - 210
1642 0470	Capacitor - 47 $\mu$ F $\pm$ 20% 10V	55 - 211
1642 1470	Capacitor - 47 $\mu$ F $\pm$ 20% 10V	55 - 212
1642 2470	Capacitor - 47 $\mu$ F $\pm$ 20% 25V	55 - 213
1642 3330	Capacitor:33 $\mu$ F: $\pm$ 20%:35V	55 - 214
1642 3470	Capacitor - 47 $\mu$ F $\pm$ 20% 35V	55 - 215
1642 5100	Capacitor - 10 $\mu$ F $\pm$ 20% 50V	55 - 216
1642 5220	Capacitor - 22 $\mu$ F $\pm$ 20% 50V	55 - 217
1650 3101	Resistor - 100 $\Omega$ $\pm$ 5%1/8W	55 - 218
1650 3102	Resistor:1K $\Omega$ : $\pm$ 5%:1/8W:2125	55 - 219
1650 4100	Resistor - 10 $\Omega$ $\pm$ 5% 1/10W	55 - 220
1650 4101	Resistor - 100 $\Omega$ $\pm$ 5%1/10W	55 - 221
1650 4102	Resistor - 1K $\Omega$ $\pm$ 5% 1/10W	55 - 222
1650 4103	Resistor - 10K $\Omega$ $\pm$ 5% 1/10W	55 - 223
1650 4104	Resistor - 100K $\Omega$ $\pm$ 5%1/10W	55 - 224
1650 4105	Resistor - 1M $\Omega$ $\pm$ 5% 1/10W	55 - 225

Part No.	Description	Page and Index No.
1650 4111	Chip Resistor:110K $\Omega$ : $\pm$ 5%:1/10W	55 - 226
1650 4121	Resistor - 120 $\Omega$ $\pm$ 5%1/10W	55 - 227
1650 4122	Resistor - 1.2K $\Omega$ $\pm$ 5% 1/10W	55 - 228
1650 4123	Resistor - 12K $\Omega$ $\pm$ 5%1/10W	55 - 229
1650 4151	Resistor - 150 $\Omega$ $\pm$ 5%1/10W	55 - 230
1650 4152	Resistor - 1.5K $\Omega$ $\pm$ 5% 1/10W	55 - 231
1650 4153	Resistor - 15K $\Omega$ $\pm$ 5% 1/10W	55 - 232
1650 4163	Resistor 16K $\Omega$ $\pm$ 5% 1/10W 1608	55 - 233
1650 4181	Resistor - 180 $\Omega$ $\pm$ 5%1/10W	55 - 234
1650 4201	Resistor - 200 $\Omega$ $\pm$ 5%1/10W	55 - 235
1650 4202	Resistor - 2K $\Omega$ $\pm$ 5%1/10W	55 - 236
1650 4203	Resistor - 20K $\Omega$ $\pm$ 5% 1/10W	55 - 237
1650 4221	Resistor - 220 $\Omega$ $\pm$ 5%1/10W	55 - 238
1650 4222	Resistor - 2.2K $\Omega$ $\pm$ 5%1/10W	55 - 239
1650 4243	Resistor - 24K $\Omega$ $\pm$ 5%1/10W	55 - 240
1650 4271	Resistor - 270 $\Omega$ $\pm$ 5%1/10W	55 - 241
1650 4301	Chip Resistor:300K $\Omega$ : $\pm$ 5%:1/10W	55 - 242
1650 4330	Chip Resistor - 33 $\Omega$ $\pm$ 5% 1/10W	55 - 243
1650 4331	Resistor - 330 $\Omega$ $\pm$ 5%1/10W	55 - 244
1650 4332	Resistor - 3.3K $\Omega$ $\pm$ 5%1/10W	55 - 245
1650 4471	Resistor - 470 $\Omega$ $\pm$ 5%1/10W	55 - 246
1650 4472	Resistor - 4.7K $\Omega$ $\pm$ 5% 1/10W	55 - 247
1650 4473	Resistor - 47K $\Omega$ $\pm$ 5%1/10W	55 - 248
1650 4511	Resistor - 510 $\Omega$ $\pm$ 5%1/10W	55 - 249
1650 4561	Resistor - 560 $\Omega$ $\pm$ 5% 1/10W	55 - 250
1650 4624	Resistor - 620K $\Omega$ $\pm$ 5% 1/10W	55 - 251
1650 4680	Resistor - 68 $\Omega$ $\pm$ 5%1/10W	55 - 252
1650 4681	Resistor - 680 $\Omega$ $\pm$ 5% 1/10W	55 - 253
1650 4682	Resistor - 6.8K $\Omega$ $\pm$ 5% 1/10W	55 - 254
1650 4750	Resistor - 75 $\Omega$ $\pm$ 5%1/10W	55 - 255
1650 4821	Chip Resistor - 820 $\Omega$ $\pm$ 5% 1/10W	55 - 256
1650 4822	Chip Resistor:8.2K $\Omega$ : $\pm$ 5%:1/10W	55 - 257
1650 4913	Resistor - 91K $\Omega$ $\pm$ 5%1/10W	55 - 258
1654 1000	Resistor - 100 $\Omega$ $\pm$ 1% 1/10W	55 - 259
1654 1002	Resistor - 10K $\Omega$ $\pm$ 5%1/10W	55 - 260

Part No.	Description	Page and Index No.
1654 1003	Resistor - 100K $\Omega$ $\pm$ 1% 1/10W	55 - 261
1654 1021	Resistor - 1.02K $\Omega$ $\pm$ 1% 1/10W	55 - 262
1654 1100	Resistor - 110 $\Omega$ $\pm$ 1% 1/10W	55 - 263
1654 1302	Chip Resistor: 13K $\Omega$ : $\pm$ 1%:1/10W:1608	55 - 264
1654 1500	Resistor - 150 $\Omega$ $\pm$ 1 %1/10W	55 - 265
1654 1501	Resistor - 1.5K $\Omega$ $\pm$ 1% 1/10W 1608	55 - 266
1654 1802	Resistor - 18K $\Omega$ $\pm$ 1% 1/10W	55 - 267
1654 1803	Resistor - 180K $\Omega$ $\pm$ 1% 1/10W	55 - 268
1654 2002	Resistor - 20K $\Omega$ $\pm$ 1% 1/10W	55 - 269
1654 2100	Chip Resistor: 210 $\Omega$ : $\pm$ 1%:1/10W:1608	55 - 270
1654 2200	Resistor: 220 $\Omega$ : $\pm$ 1%:1/10W:1608	55 - 271
1654 2400	Resistor: 240 $\Omega$ : $\pm$ 1%:1/10W	55 - 272
1654 2402	Chip Resistor: 24K $\Omega$ : $\pm$ 1%:1/10W	55 - 273
1654 2403	Chip Resistor: 240K $\Omega$ : $\pm$ 1%:1/10W:1608	55 - 274
1654 2551	Resistor - 2.55K $\Omega$ $\pm$ 1% 1/10W	55 - 275
1654 2701	Resistor - 2.7K $\Omega$ $\pm$ 1% 1/10W	55 - 276
1654 2702	Resistor - 27K $\Omega$ $\pm$ 1% 1/10W	55 - 277
1654 3002	Resistor - 30K $\Omega$ $\pm$ 1% 1/10W	55 - 278
1654 3160	Resistor: 316 $\Omega$ : $\pm$ 1%:1/10W:1608	55 - 279
1654 3302	Chip Resistor: 33K $\Omega$ : $\pm$ 1%:1/10W:1608	55 - 280
1654 3740	Chip Resistor: 374 $\Omega$ : $\pm$ 1%:1/10W:1608	55 - 281
1654 3900	Resistor: 390 $\Omega$ : $\pm$ 1%:1/10W	55 - 282
1654 4220	Resistor - 422 $\Omega$ $\pm$ 1% 1/10W	55 - 283
1654 4700	Resistor - 470 $\Omega$ $\pm$ 1% 1/10W	55 - 284
1654 5600	Resistor - 560 $\Omega$ $\pm$ 1% 1/10W	55 - 285
1654 6800	Resistor - 680 $\Omega$ $\pm$ 1% 1/10W	55 - 286
1654 6981	Resistor - 6.98K $\Omega$ $\pm$ 1% 1/10W	55 - 287
1654 7509	Resistor - 75 $\Omega$ $\pm$ 1% 1/10W	55 - 288
1654 8209	Resistor - 82 $\Omega$ $\pm$ 1% 1/10W	55 - 289
1654 9101	Resistor: 9.1K $\Omega$ : $\pm$ 1%:1/10W	55 - 290
1654 9310	Resistor: 931 $\Omega$ : $\pm$ 1%:1/10W:1608	55 - 291
1660 0100	Capacitor - 10PF $\pm$ 0.5pF 50V	55 - 292
1660 2101	Capacitor - 100pF - $\pm$ 10% - 50V	55 - 293
1660 2120	Capacitor - 12 pF $\pm$ 5% 50V	55 - 294
1660 2150	Capacitor - 15pF $\pm$ 5% 50V	55 - 295

Part No.	Description	Page and Index No.
1660 2151	Capacitor - 150pF $\pm$ 20% 35V	55 - 296
1660 2181	Capacitor - 180pF $\pm$ 5% 50V	55 - 297
1660 2220	Capacitor - 22pF $\pm$ 20% 35V	55 - 298
1660 2221	Capacitor - 220pF +80-20% 50V	55 - 299
1660 2270	Capacitor - 27pF $\pm$ 20% 35V	55 - 300
1660 2271	Capacitor - 270pF - +80-20% - 50V	55 - 301
1660 2330	Capacitor - 33pF - $\pm$ 5% - 50V	55 - 302
1660 2390	Ceramic Capacitor - 39pF 50V	55 - 303
1660 2391	Capacitor - 390pF $\pm$ 5% 50V	55 - 304
1660 2470	Capacitor - 47pF $\pm$ 5% 50V	55 - 305
1660 2471	Capacitor - 470pF - $\pm$ 5% - 50V	55 - 306
1660 2820	Capacitor - 82pF $\pm$ 5% 50V	55 - 307
1660 4102	Capacitor - 1000pF $\pm$ 10% 50V	55 - 308
1660 4103	Capacitor - 10000pF - $\pm$ 10% - 50V	55 - 309
1660 4152	Capacitor - 1500pF $\pm$ 10% 50V	55 - 310
1660 4222	Capacitor - 2200pF - $\pm$ 10% - 50V	55 - 311
1660 4332	Capacitor - 3300pF - $\pm$ 10% - 50V	55 - 312
1660 6103	Capacitor - 10000pF - +80%-20% 50V	55 - 313
1660 6473	Capacitor - 47000pF +80,-20% 50V	55 - 314
1660 8104	Capacitor - 0.1 $\mu$ F +80-20% 25V	55 - 315
1902 0068	SRAM: 1M:X8:TSOP:G4	55 - 316
1906 0018	Flash Memory - MBM29F160BE70TN	55 - 317
1907 0031	SDRAM: 128M:2MX16X4:133MHZ:G3	55 - 318

Part No.	Description	Page and Index No.
5053 0447	Bushing - 6mm	15 - 41
5053 0447	Bushing - 6mm	39 - 44
5203 9502	Grease 501	73 - 1
5215 2621	Snap Ring - M6	19 - 18
5215 2713	Bottom Plate Pad	11 - 12
5215 2713	Bottom Plate Pad	17 - 19
5424 4142	Bushing - Cleaning Roller	39 - 36
5447 2681	Snap Ring	11 - 5
5447 2681	Snap Ring	21 - 23
5447 2681	Snap Ring	23 - 4

Part No.	Description	Page and Index No.
----------	-------------	--------------------



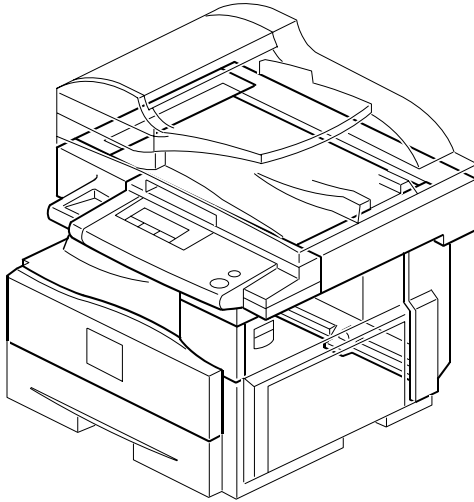
**B284/B288**  
**PARTS LOCATION AND LIST**



This section instructs you as to the numbers and names of parts on this machine.

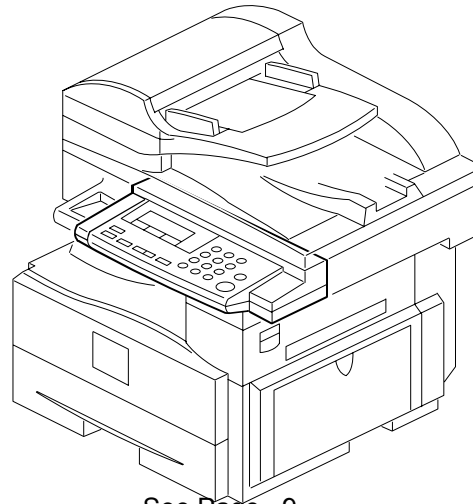
## LOCATIONS OF UNITS

1. Exterior (B284/B288)



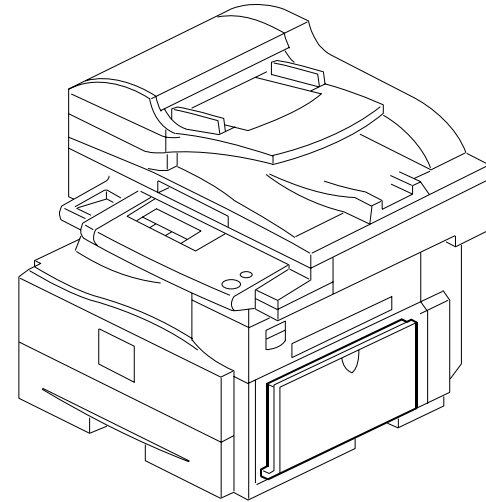
See Page 7

2. Operation Panel (B284/B288)



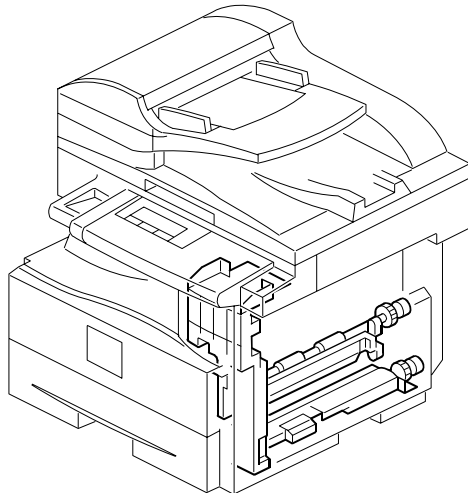
See Page 9

3. By-pass Feed Unit (B284/B288)



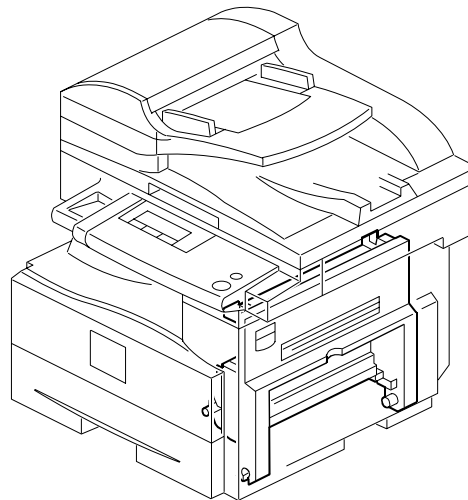
See Page 11

4. Paper Registration (B284/B288)



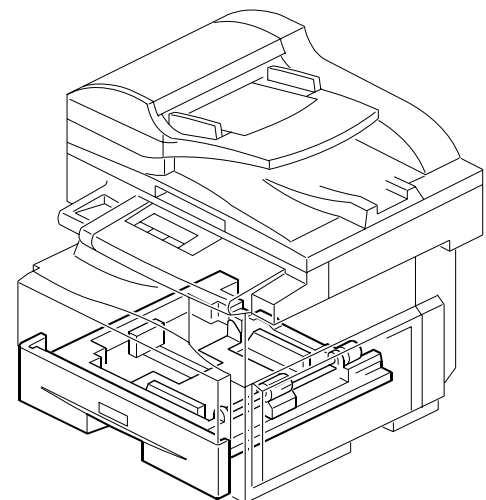
See Page 13

5. Transport Section (B284/B288)



See Page 15

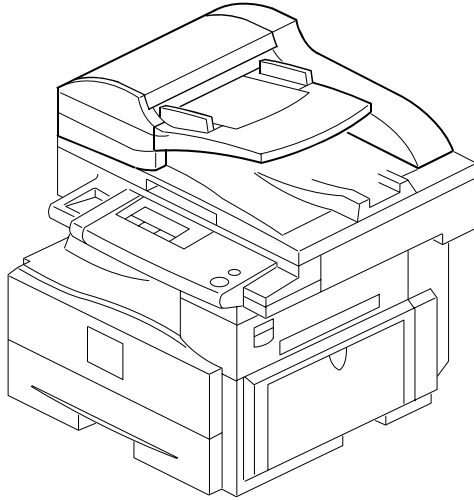
6. Paper Cassette (B284/B288)



See Page 17

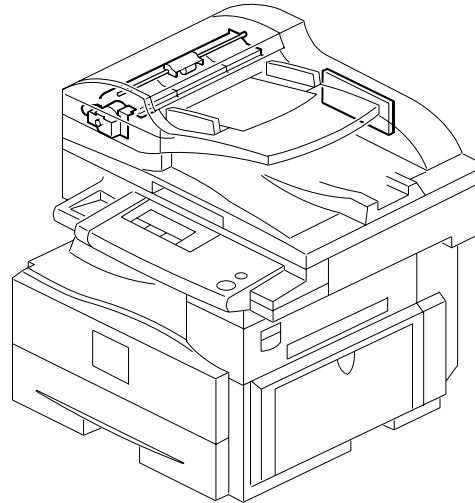
## LOCATIONS OF UNITS

7. ARDF 1 (B284/B288)



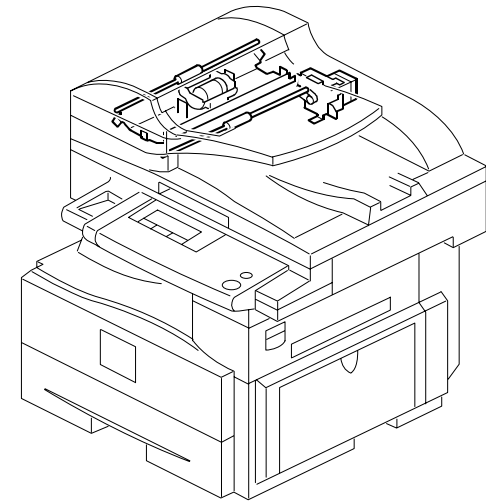
See Page 19

8. ARDF 2 (B284/B288)



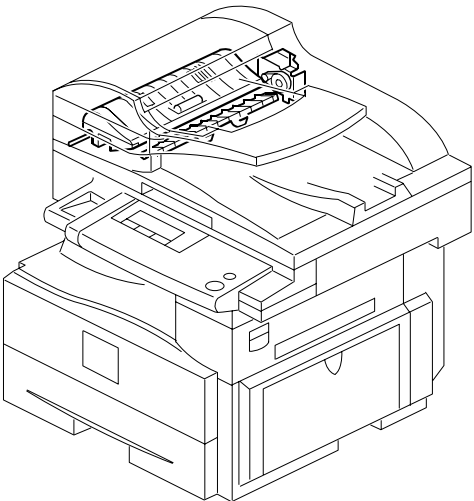
See Page 21

9. ARDF 3 (B284/B288)



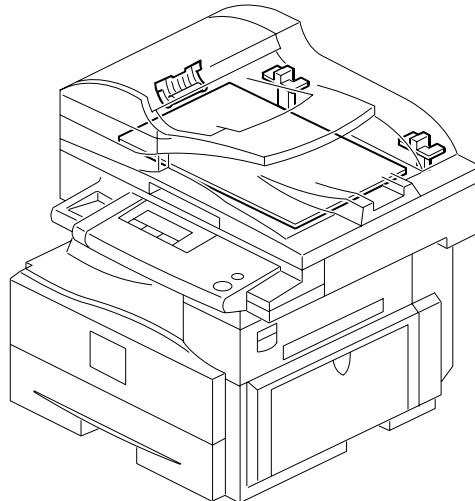
See Page 23

10. ARDF 4 (B284/B288)



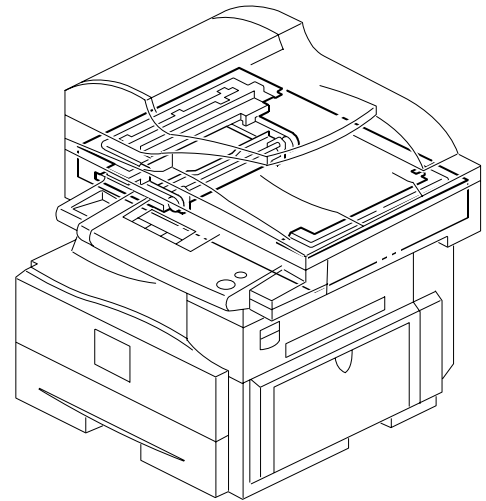
See Page 25

11. ARDF 5 (B284/B288)



See Page 27

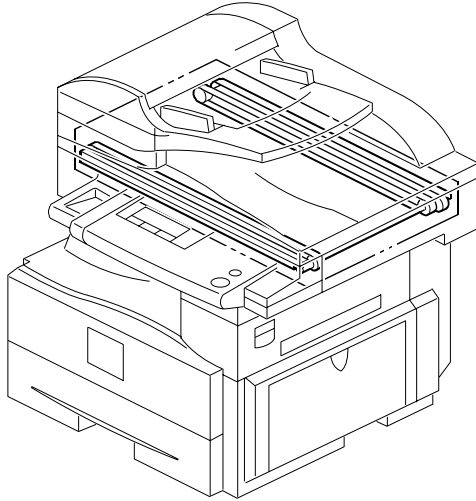
12. Optics Section 1 (B284/B288)



See Page 29

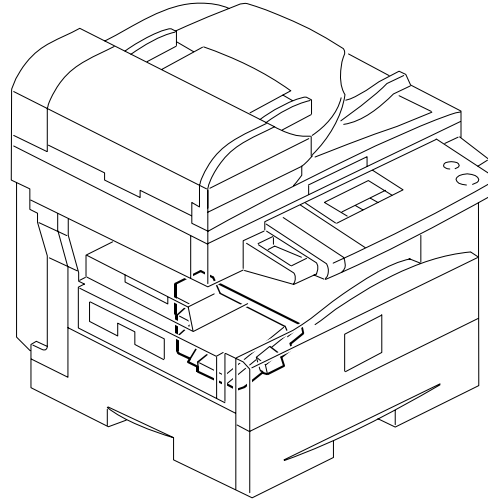
## LOCATIONS OF UNITS

13. Optics Section 2 (B284/B288)



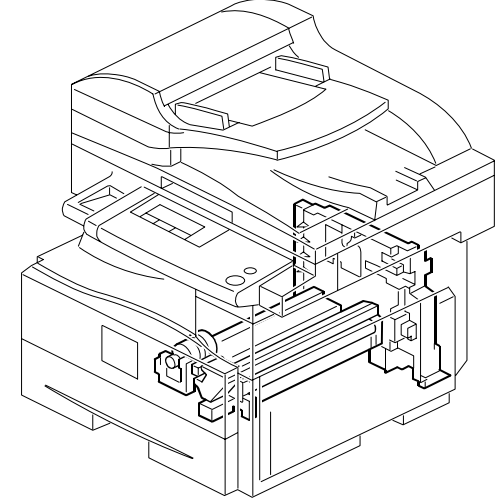
See Page 31

14. Laser Unit (B284/B288)



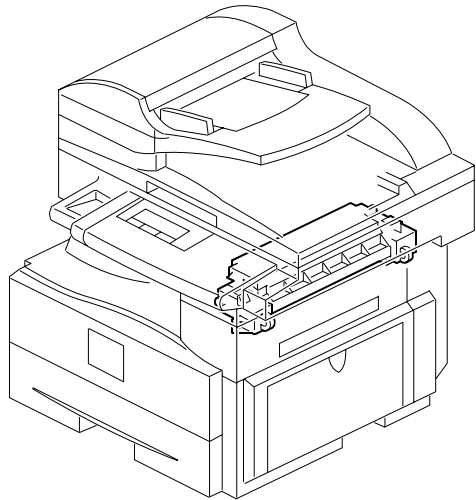
See Page 33

15. PCU Section (B284/B288)



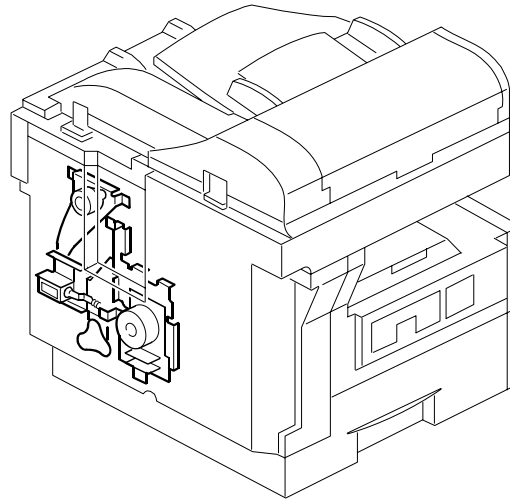
See Page 35

16. Fusing Unit (B284/B288)



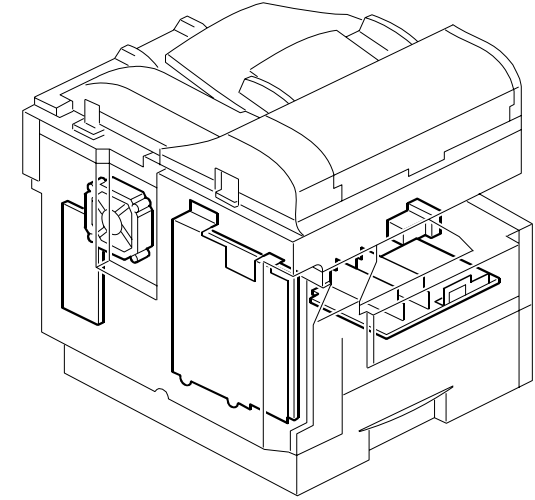
See Page 37

17. Drive Section (B284/B288)



See Page 39

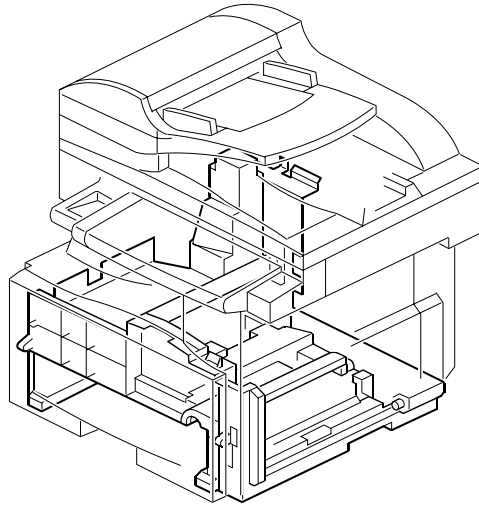
18. Electrical Section (B284/B288)



See Page 41

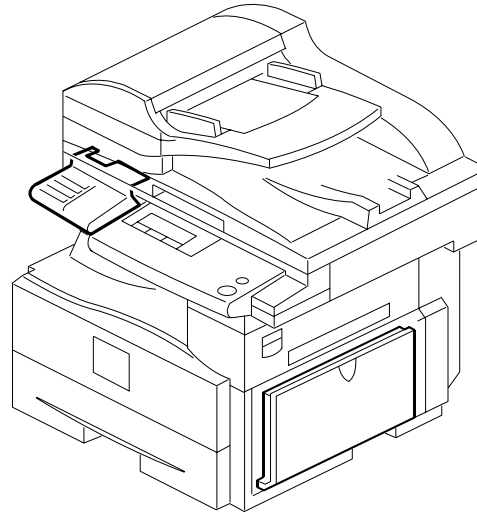
## LOCATIONS OF UNITS

19. Frame Section (B284/B288)



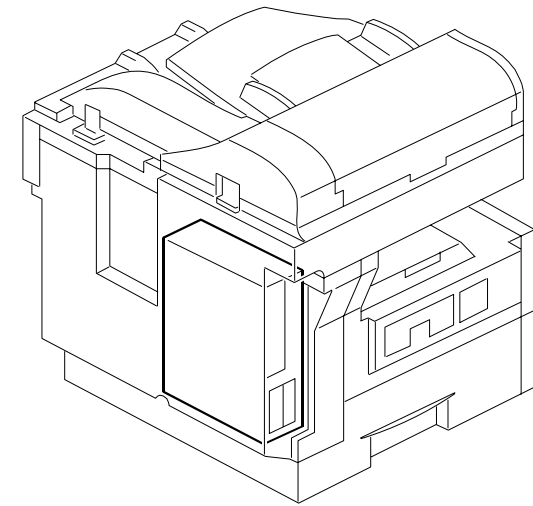
See Page 43

20. Operation Panel GW (B284/B288)



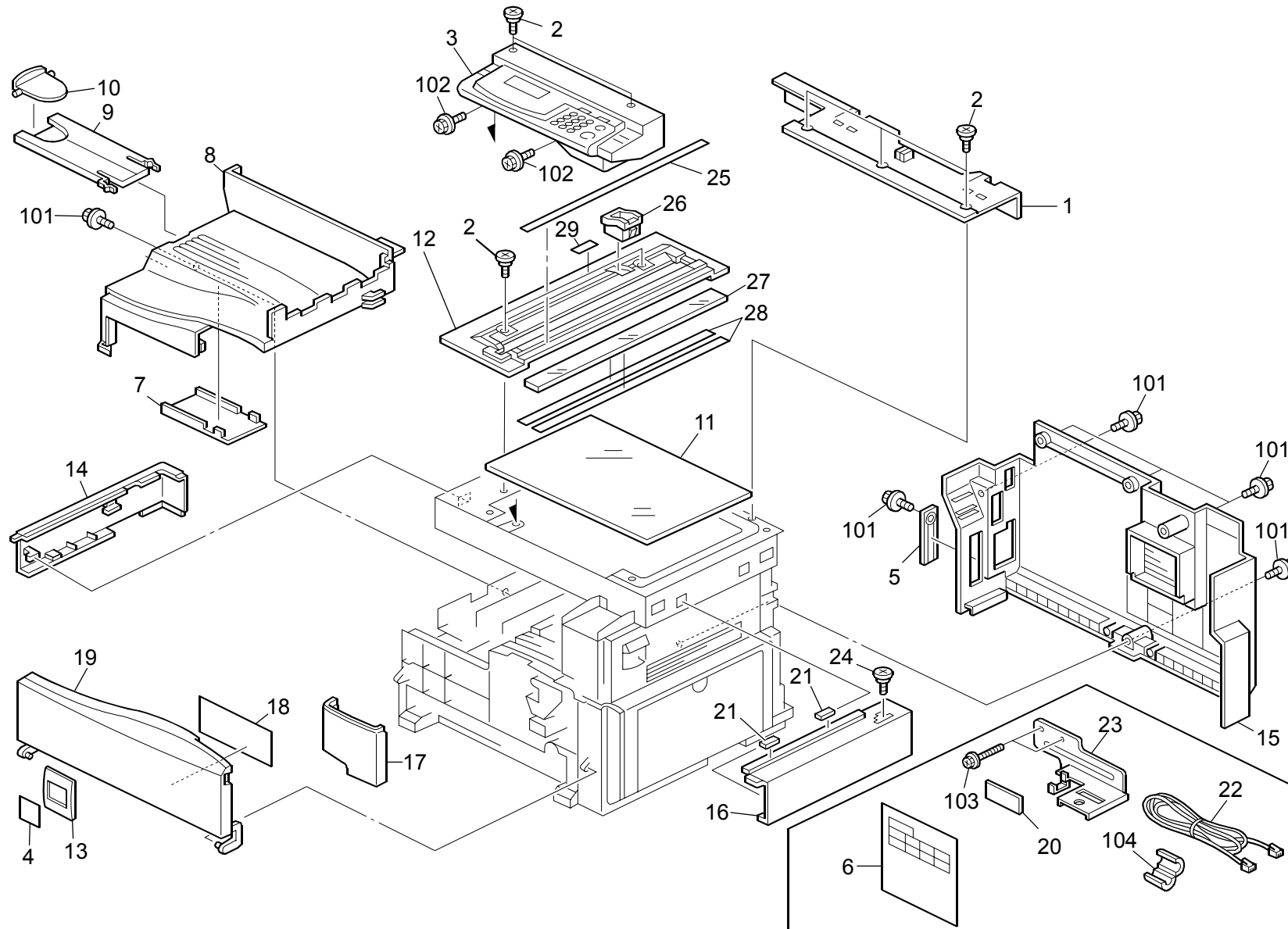
See Page 45

21. Extension Box (B284/B288)



See Page 47

# 1.Exterior (B284/B288)





# 1.Exterior (B284/B288)

Rev. 03/19/2007

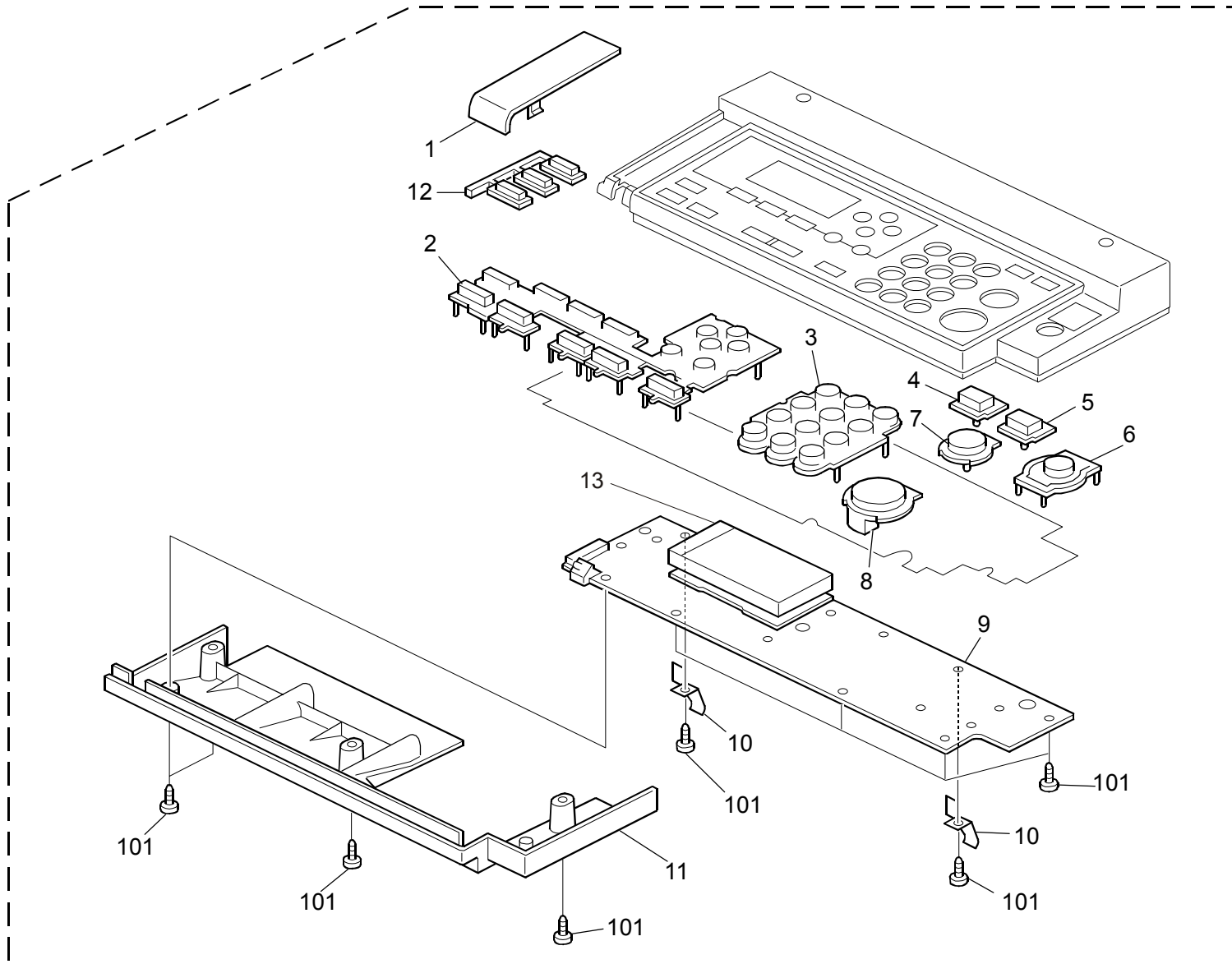
Index No.	Part No.	Description	Q'ty Per Assembly
1	B262 1847	Scale:Inner Back:EU	1
1	B262 1848	Scale:Inner Back:NA	1
2	B044 1847	Shoulder Screw	7
3	B262 1416	Operation Panel:NA (B284)	1
3	B262 1417	Operation Panel:EU (B284)	1
3	B262 1418	Operation Panel:Asia (B284)	1
3	B262 1411	Operation Panel:NA (B288)	1
3	B262 1415	Operation Panel:EU (B288)	1
3	B262 1414	Operation Panel:Asia (B288)	1
3	B262 1425	Operation Panel:Fax:NA (B284)	1
3	B262 1421	Operation Panel:Full:NA (B288)	1
3	B262 1424	Operation Panel:Fax:EU (B284)	1
3	B262 1422	Operation Panel:Fax:EU (B288)	1
4	B284 7500	Model Name Plate:RIC (B284)	1
4	B284 7501	Model Name Plate:REX (B284)	1
4	B284 7502	Model Name Plate:NSA (B284)	1
4	B284 7503	Model Name Plate:GES/EU (B284)	1
4	B284 7504	Model Name Plate:LAN (B284)	1
4	B284 7505	Model Name Plate:GES/Asia (B284)	1
4	B284 7506	Model Name Plate:GES/NA (B284)	1
4	B284 7507	Model Name Plate:LAN (NA)(B284)	1
4	B284 7508	Model Name Plate:SVN (B284)	1
4	B284 7509	Model Name Plate:INF (B284)	1
4	B288 7500	Model Name Plate:RIC (B288)	1
4	B288 7501	Model Name Plate:REX (B288)	1
4	B288 7502	Model Name Plate:NSA (B288)	1
4	B288 7503	Model Name Plate:GES/EU (B288)	1
4	B288 7504	Model Name Plate:LAN (B288)	1
4	B288 7505	Model Name Plate:GES/Asia (B288)	1
4	B288 7506	Model Name Plate:GES/NA (B288)	1
4	B288 7507	Model Name Plate:LAN (NA)(B288)	1
4	B288 7508	Model Name Plate:SVN (B288)	1
4	B288 7509	Model Name Plate:INF (B288)	1
5	B262 1255	Cover: IC Card <b>[TSB#002R]</b>	1
6	H555 2790	Decal - Paper Size	1

Index No.	Part No.	Description	Q'ty Per Assembly
7	B044 1258	Shielding Plate	1
8	B129 1252	Exit Cover EU	1
8	B129 1262	Exit Cover NA	1
9	B044 1284	Extension Tray - EU	1
9	B044 1285	Extension Tray - NA	1
10	B044 1254	End Fence	1
11	AC01 2070	Exposure Glass	1
12	B872 7010	Scale:Left:Adhesion	1
13	H555 4190	Plate Holder	1
14	B129 1261	Left Scanner Cover NA	1
14	B129 1251	Left Scanner Cover EU	1
15	B262 1250	Cover:Rear:EU	1
16	B262 1266	Cover:Scanner:Right:NA	1
16	B262 1256	Cover:Scanner:Right:EU	1
17	B044 1279	Front Right Cover	1
17	B044 1278	Right Upper Cover	1
18	B044 1290	Sheet - Operation Instructions	1
19	B044 1286	Front Door	1
20	H310 4120	Plate:Logotype:RIC	1
20	H555 4182	Plate:Logotype:SAV	1
20	H555 4183	Plate:Logotype:H555:LAN	1
20	H555 4184	Plate:Logotype:H555:INF	1
20	H555 4185	Plate:Logotype:H555:NSA	1
20	H555 4186	Plate:Logotype:H555:REX	1
20	H555 4187	Plate:Logotype:H555:GES	1
21	B262 1258	Plate:Exposure Glass	2
22	H523 5350	Telephone Cable	1
23	B404 5821	Handset Bracket	1
24	B390 1759	Shaft:Scale	1
25	B872 6061	Decal:Scale:Left:NA	1
25	B872 6071	Decal:Scale:Left:EU	1
26	B872 7014	Cap:Registration Sensor:Scale	1
27	AC01 3005	DF Exposure Glass	1
28	B044 4929	Sheet - Exposure Glass	2
29	B872 6081	Decal:Caution Chart	1



Index No.	Part No.	Description	Q'ty Per Assembly
101	0451 3008N	Tapping Screw - M3x8	
102	0451 3006N	Tapping Screw - 3x6	
103	0450 3010N	Tapping Screw - M3x10	
104	1607 1715	Ferrite Core - RFC - 5	

Index No.	Part No.	Description	Q'ty Per Assembly



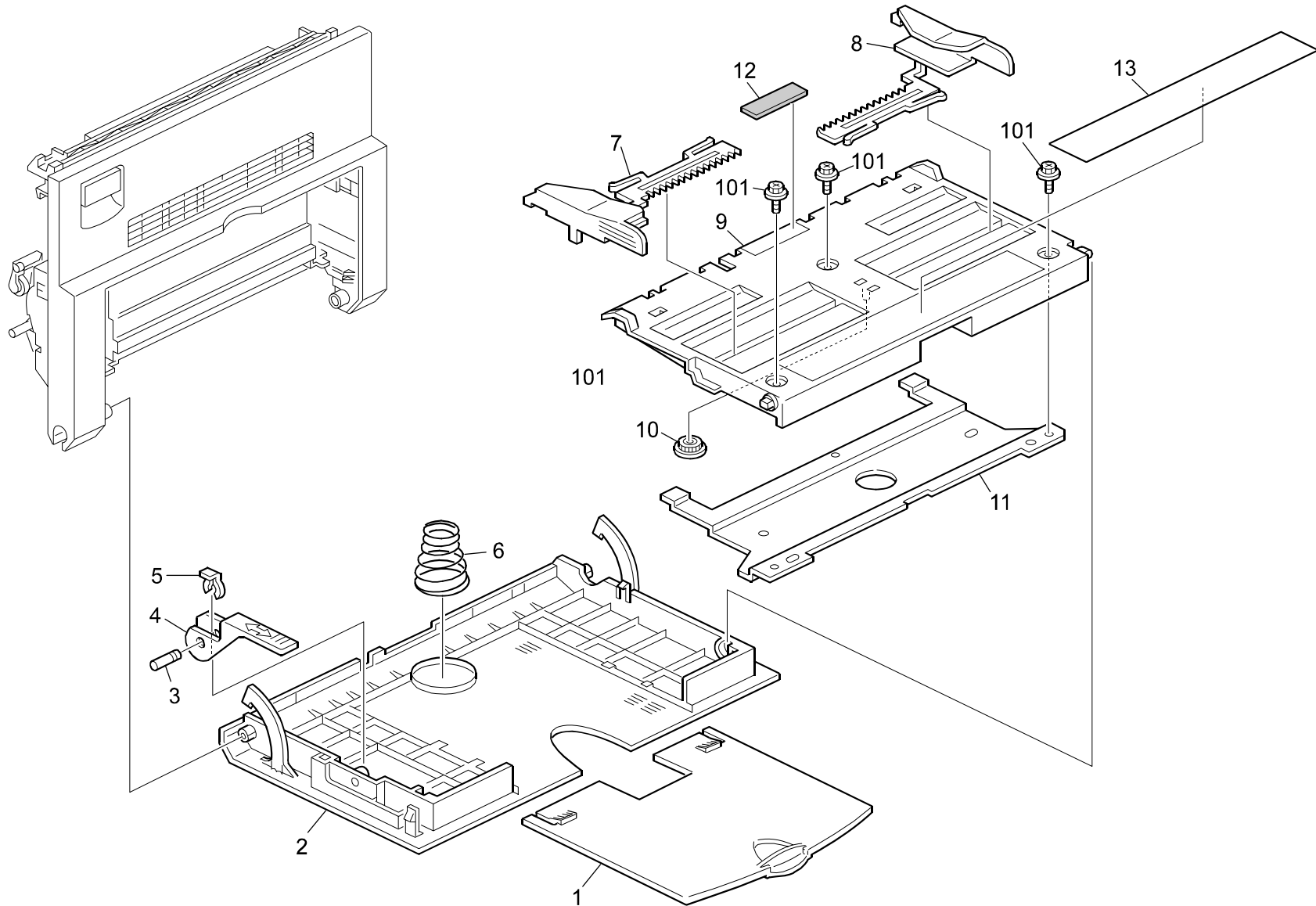
## 2.Operation Panel (B284/B288)

Rev. 08/04/2007

Index No.	Part No.	Description	Q'ty Per Assembly
*	B262 1414	Operation Panel:Asia (B288)	1
*	B262 1415	Operation Panel:EU (B288)	1
*	B262 1416	Operation Panel:NA (B284)	1
*	B262 1417	Operation Panel:EU (B284)	1
*	B262 1418	Operation Panel:Asia (B284)	1
1	B262 1474	Cover:On-line:C (B284)	1
1	B262 1479	Cover:On-line:CPS:NA (B288)	1
1	B262 1481	Cover:On-line:CPS:EU (B288)	1
2	B243 1459	Keytop - Cursor	1
3	B229 1475	Keytop - 10key	1
3	B229 1526	Keytop - 10key NA	1
3	B229 1557	Keytop - 10key Asia	1
4	B229 1525	Keytop - Initial	1
5	B229 1537	Keytop - Clear Modes	1
6	B243 1458	Keytop - Power Source	1
7	B229 1454	Keytop - Clear/Stop	1
8	B229 1453	Keytop - Start	1
9	B262 1550	PCB:OPU	1
10	B129 1474	Spring Plate - STL	1
11	B262 1452	Lower Cover <b>[TSB#009]</b>	1
12	B243 1477	Keytop:Copy:NA	1
13	B262 1495	LCD <b>[TSB#009]</b>	1

Index No.	Part No.	Description	Q'ty Per Assembly
101	0452 3010N	Binding Self-tapping Screw:3x10	

### 3.By-pass Feed Unit (B284/B288)

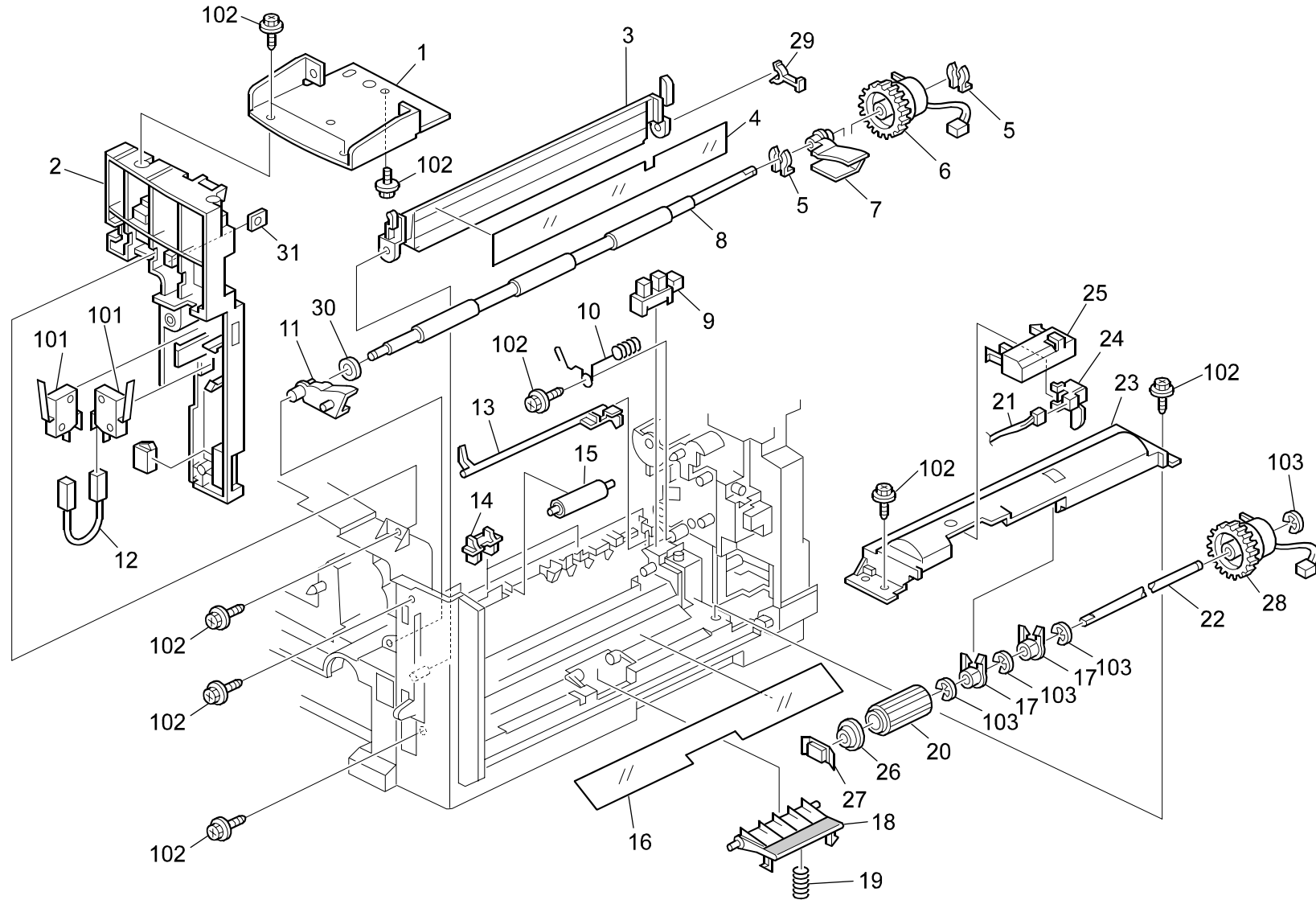


### 3.By-pass Feed Unit (B284/B288)

Index No.	Part No.	Description	Q'ty Per Assembly
1	B044 2808	Paper Guide	1
2	B044 2801	By-pass Feed Table	1
3	B259 2786	Lever Shaft	1
4	B044 2806	Lever - Manual Feed Table	1
5	5447 2681	Snap Ring	1
6	B044 2809	Spring - Manual Feed Table	1
7	B044 2804	Front Side Fence	1
8	B044 2805	Rear Side Fence	1
9	B044 2803	Tray Bottom Plate	1
10	G800 3133	Side Fence Gear	1
11	B044 2807	Stay - Tray Bottom Plate	1
12	5215 2713	Bottom Plate Pad	1
13	AA00 3011	Manual Feed Decal	1

Index No.	Part No.	Description	Q'ty Per Assembly
101	0451 3006N	Tapping Screw - 3x6	

## 4.Paper Registration (B284/B288)



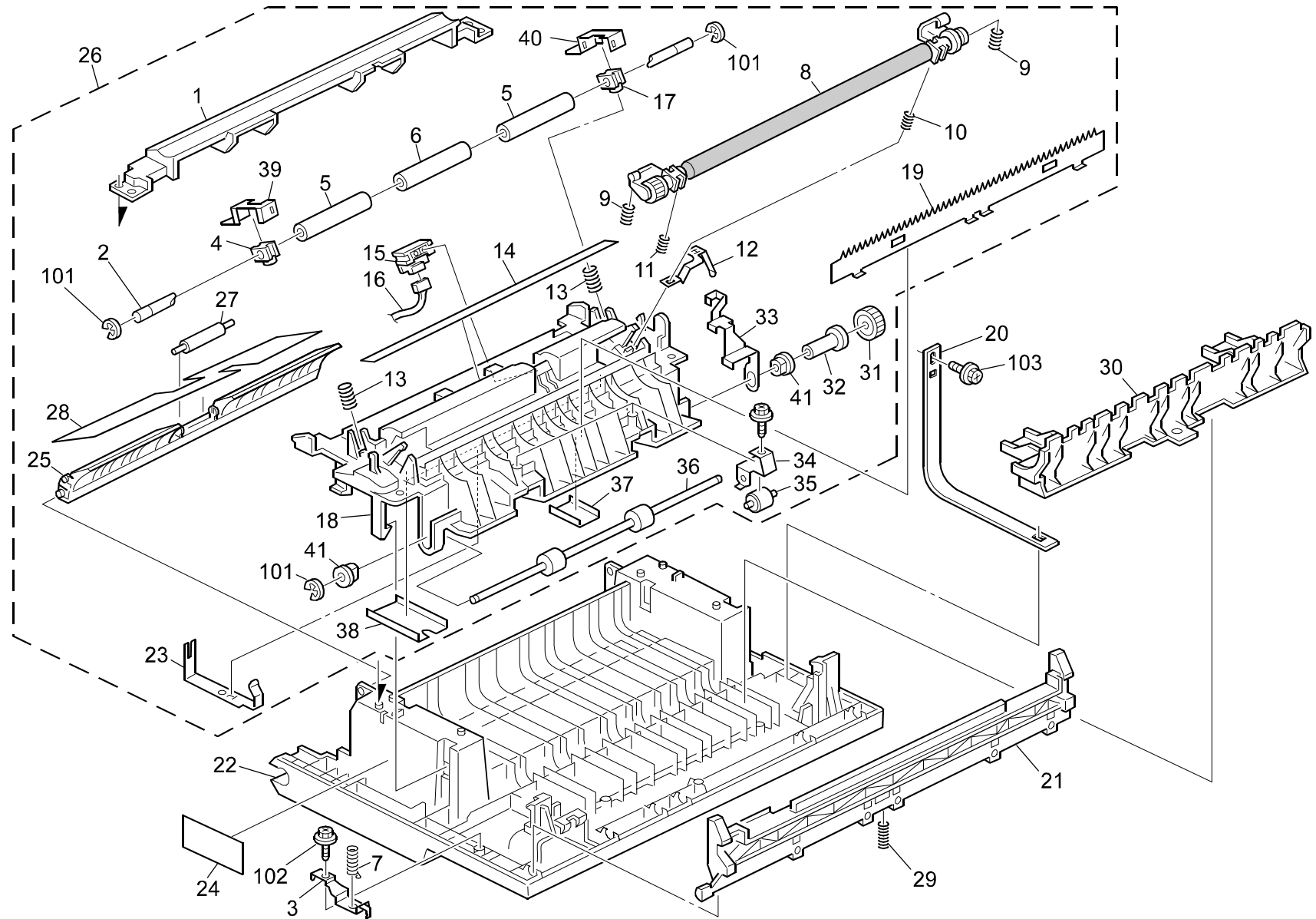


#### 4.Paper Registration (B284/B288)

Index No.	Part No.	Description	Q'ty Per Assembly
1	B262 1064	Scanner Bracket - Front Right	1
2	B044 1063	Scanner Stud	1
3	B044 2653	Guide Plate - Paper Feed	1
4	B044 2654	Paper Feedguide	1
5	H521 3355	C Ring - Paper Feed Roller	1
6	AX20 0308	Magnetic Clutch:0.25n.m:Z43	1
7	B044 2605	Rear Bushing	1
8	AF02 0686	Registration Roller	1
9	GW02 0020	Photointerruptor:LG248NL1	1
10	B044 1102	Registration Electrode Plate	1
11	B044 2604	Front Bushing	1
12	B129 5211	Harness - Front Right Switch	1
13	B044 2603	Registration Feeler	1
14	B044 2616	Support Bushing	2
15	B044 2602	Turn Roller	1
16	B044 2814	Exit Guide	1
17	AA08 0322	Bushing - 6mm	1
18	B044 2815	Friction Pad - Manual Feed	1
19	B044 2817	Friction Pad Spring	1
20	AF03 1086	By-pass Feed Roller	1
21	B262 5218	Harness:Paper End Sensor	1
22	B044 2829	Manual Feed Shaft	1
23	B044 2811	Guide Plate - Manual Feed	1
24	G020 2772	By-pass Paper End Sensor	1
25	B044 2812	Manual Feed Bracket	1
26	B044 2825	Spacer-manual Feed Roller	1
27	B044 2824	Cushion-manual Feed Roller	1
28	AX20 0310	Magnetic Clutch:0.25N.M:Z43	1
29	B044 2656	Guide Plate Stopper	1
30	B044 2622	Spacer - Registration	1
31	B044 4200	Fusing Plate Nut	1

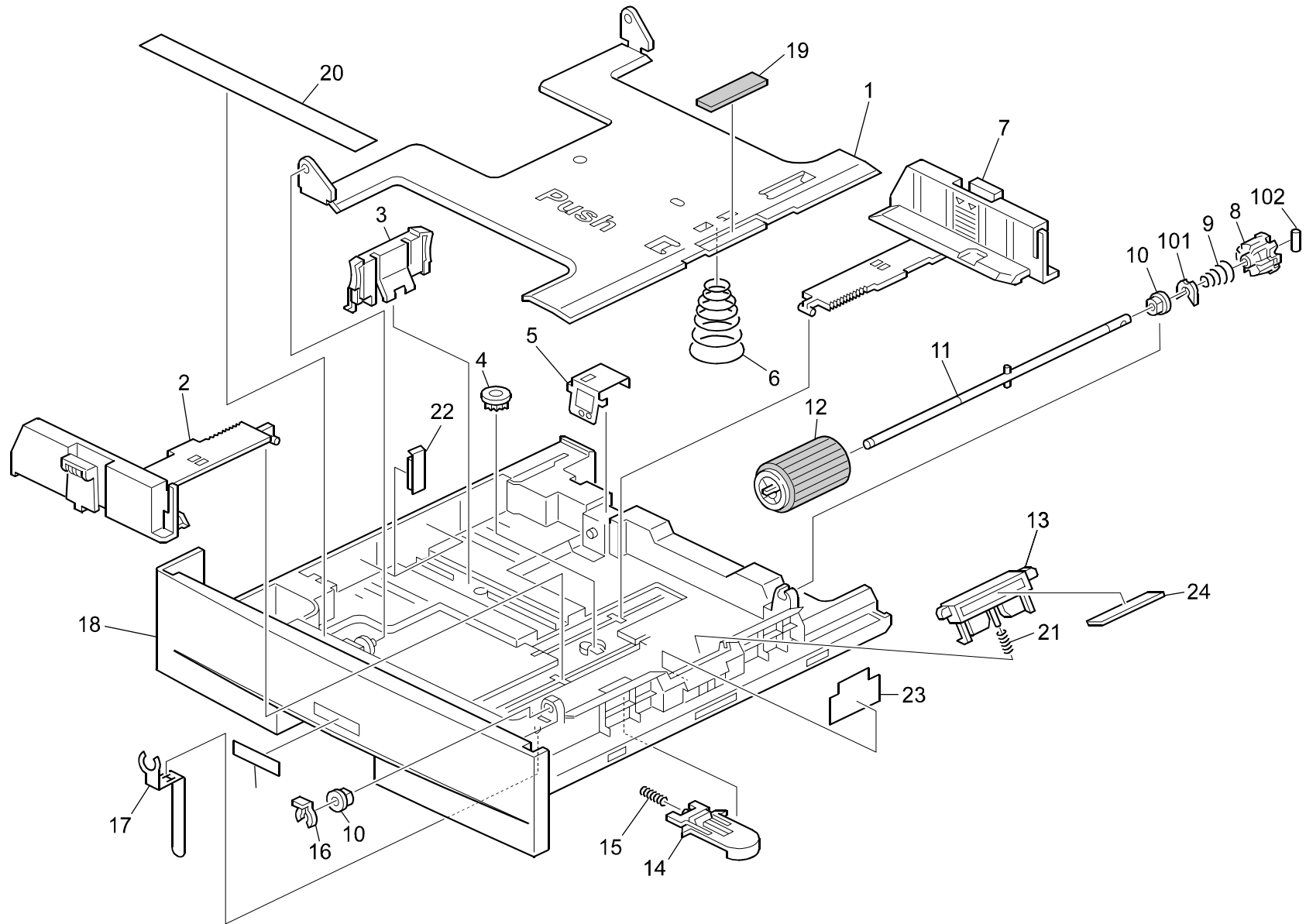
Index No.	Part No.	Description	Q'ty Per Assembly
101	1204 2521	Micro Switch	
102	0450 3006N	Tapping Screw - M3x6	
103	0720 0040E	Retaining Ring - M4	
104	1105 0197	Wire Saddle	

## 5. Transport Section (B284/B288)





## 6. Paper Cassette (B284/B288)

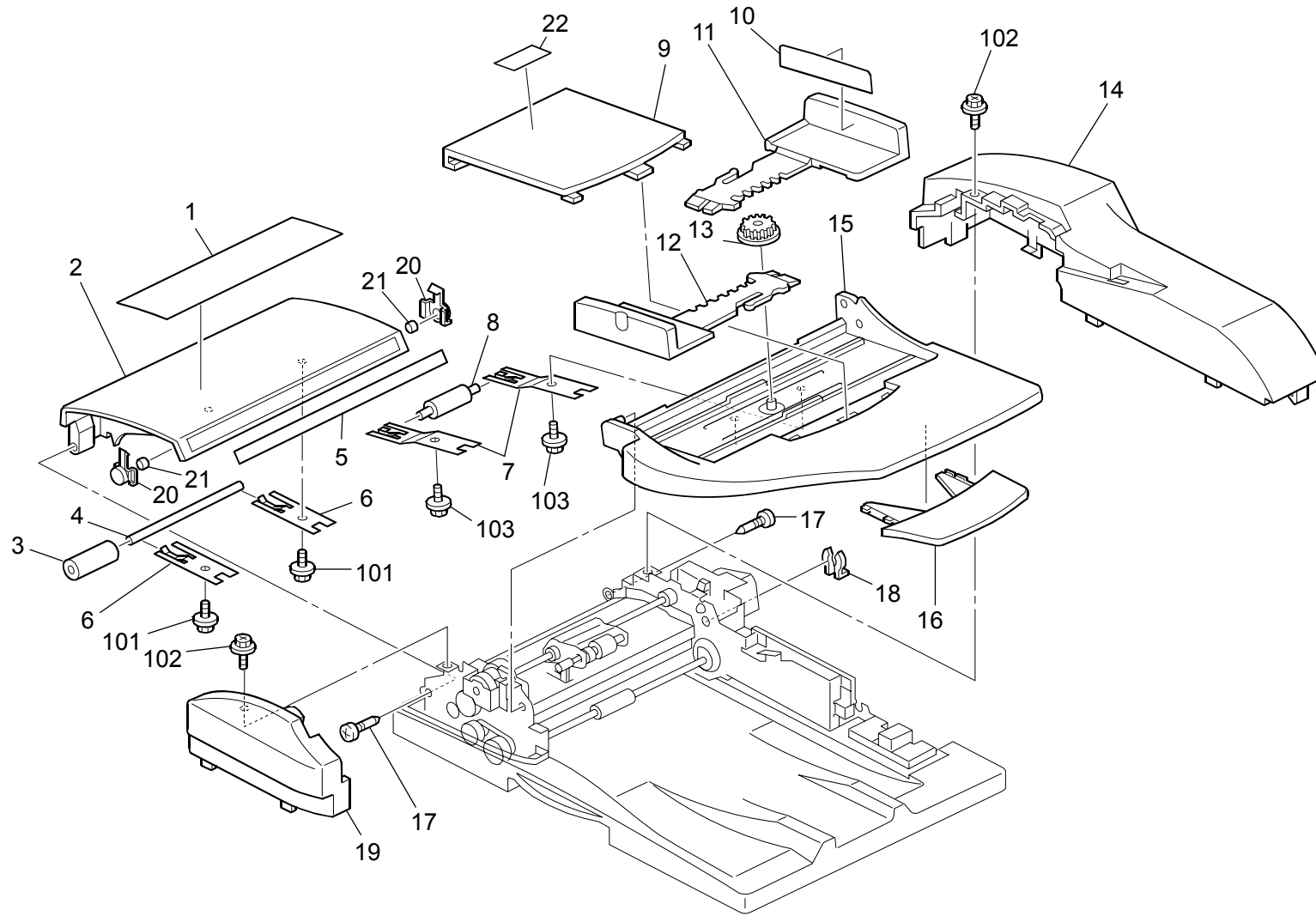


## 6.Paper Cassette (B284/B288)

Index No.	Part No.	Description	Q'ty Per Assembly
*	B262 2511	Paper Tray Unit:NA	1
*	B262 2510	Paper Tray Unit:EU	1
1	B044 2704	Tray Bottom Plate	1
2	B044 2702	Front Side Fence	1
3	B044 2706	End Fence	1
4	G800 3133	Side Fence Gear	1
5	B262 2709	Ground Plate:Tray Bottom Plate	1
6	B044 2716	Pressure Spring	1
7	B044 2703	Rear Side Fence	1
8	B044 2751	Joint - Paper Feed Roller	1
9	B044 2756	Spring - Paper Feed Roller	1
10	AA08 2101	Bushing - 6x10x6	2
11	B044 2758	Shaft - Paper Feed Roller	1
12	AF03 1061	Paper Feed Roller	1
13	B044 2710	Friction Pad	1
14	B044 2713	Stopper	1
15	G020 2599	Spring - Release Lever	1
16	H521 3355	C Ring - Paper Feed Roller	1
17	B262 2711	Ground Plate	1
18	B262 2704	Cover:Paper Tray:NA	1
18	B262 2703	Cover:Paper Tray:EU	1
19	5215 2713	Bottom Plate Pad	1
20	B044 2720	Decal - Cassette Operation	1
21	B044 2717	Pressure Spring	1
22	B044 2715	Sponge - End Fence	1
23	B044 2721	Paper Tray Sheet	1
24	B044 2714	Rubber Plate - Friction Pad	1

Index No.	Part No.	Description	Q'ty Per Assembly
101	0805 0089	Retaining Ring - M4	
102	0622 0120E	Spring Pin - 2x12mm	

# 7.ARDF 1 (B284/B288)

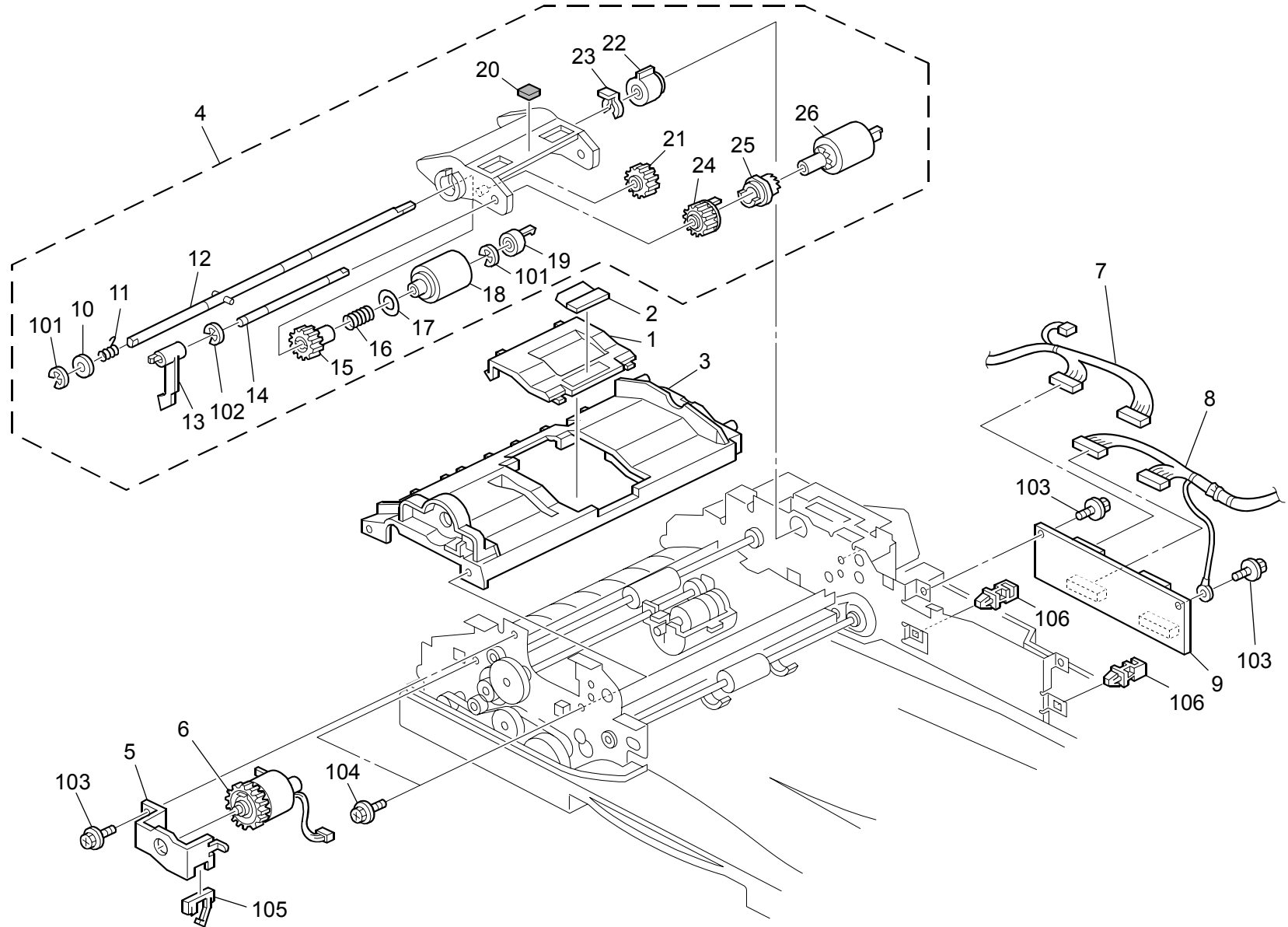


## 7.ARDF 1 (B284/B288)

Index No.	Part No.	Description	Q'ty Per Assembly
1	B872 6011	Decal: Misfeed Removal	1
2	B872 4711	Cover: Open And Close	1
3	AF02 2144	Pressure Roller	1
4	B872 4721	Shaft: Pressure: Dia4	1
5	B872 6031	Decal: Size: Original	1
6	B872 4722	Spring Plate: R0	2
7	B872 4624	Spring Plate	2
8	B872 4616	Roller: Reverse: Pressure	1
9	B872 4615	Cover: Original Table	1
10	B872 6021	Decal: Side Fence	1
11	B872 4613	Guide: Original Table: Rear	1
12	B872 4612	Guide: Original Table: Front	1
13	BB01 3003	Gear - 14Z	1
14	B872 4731	Cover: Rear	1
15	B872 4611	Original Table	1
16	B872 4621	Original Table: Auxiliary	1
17	AA14 3788	Pin: Guide Plate: Paper Feed	2
18	5215 2621	Snap Ring - M6	1
19	B872 4741	Cover: Front	1
20	B872 4726	Case: Magnetic	2
21	G827 1023	Magnetic: Hale: Dia 10x7	2
22	A859 2352	Pressure Plate Pad	1

Index No.	Part No.	Description	Q'ty Per Assembly
101	0452 3008N	Tapping Screw - M3x8	
102	0451 3008N	Tapping Screw - M3x8	
103	0450 3006N	Tapping Screw - M3x6	

# 8.ARDF 2 (B284/B288)





## 8.ARDF 2 (B284/B288)

Index No.	Part No.	Description	Q'ty Per Assembly
1	B872 2312	Guide Plate:Paper Feed:Upper	1
2	H521 1350	Pad - Pick-Up	1
3	B872 2311	Guide Plate:Paper Feed:Upper	1
4	B872 2510	Feeder Unit	1
5	B872 2412	Bracket:Magnetic Clutch	1
6	B872 2420	Magnetic Clutch:Ass'y	1
7	B872 5240	Harness:Main	1
8	B872 5210	Harness:Interface	1
9	B872 5100	PCB:Main Control	1
10	B872 2524	Spacer:Dia9	1
11	B872 2523	Spring Clutch:Feed:Dia6	1
12	B872 2521	Shaft:Feed:C	1
13	B872 2513	Feeler:Original Sensor	1
14	B872 2514	Shaft:Pickup	1
15	B872 2512	Gear:Z18	1
16	B872 2526	Spring:Roller Clutch	1
17	B872 2524	Spacer:Dia9	1
18	AF03 1062	Feed Roller	1
19	B872 2527	Roller Clutch:Bracket:Feed	1
20	B872 2515	Cushion:Bracket:Feed	1
21	B872 2511	Gear:Idler:Z16	1
22	B044 4961	Oneway Clutch	1
23	5447 2681	Snap Ring	1
24	B872 2528	Gear:Z18	1
25	B872 2529	Collar:Pickup	1
26	AF03 0363	Pickup Roller	1

Index No.	Part No.	Description	Q'ty Per Assembly
101	0720 0040E	Retaining Ring - M4	
102	0720 0030E	Retaining Ring - M3	
103	0451 3006N	Tapping Screw - 3x6	
104	0450 3008N	Tapping Screw - M3x8	
105	1105 0612	Clamp:EDS-0704L-V0	
106	1105 0436	Locking Support - Kgcp-08-0	



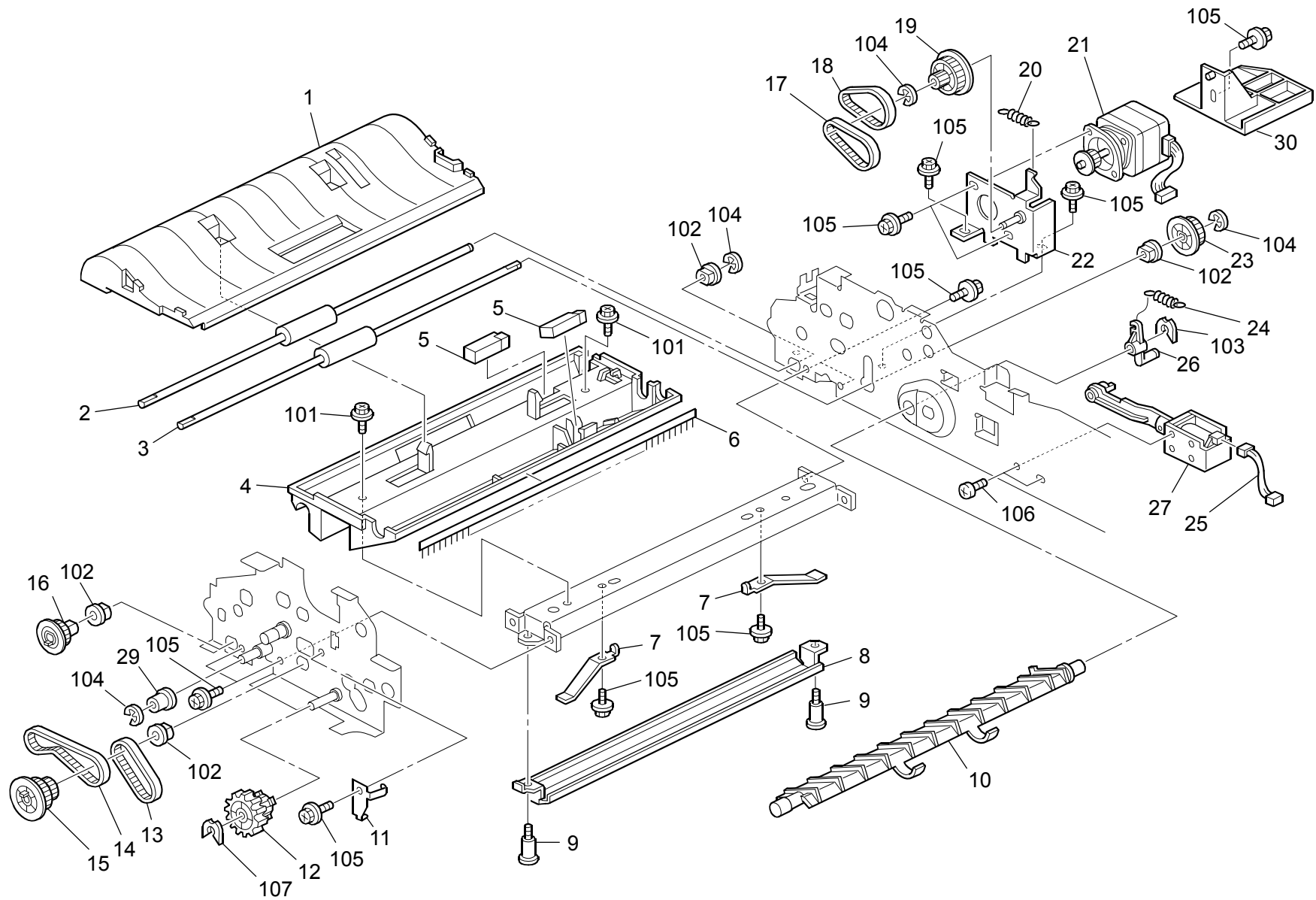
### 9.ARDF 3 (B284/B288)

Rev. 03/27/2007

Index No.	Part No.	Description	Q'ty Per Assembly
1	B872 2222	Holder:Reverse Roller	1
2	AF03 2030	Reverse Roller	1
3	B872 2614	Bushing:R1	2
4	5447 2681	Snap Ring	1
5	B872 2221	Shaft:Reverse Roller	1
6	B872 2223	Gear:Z17	1
7	B872 2213	Shaft:Drive:Separation	1
8	B872 2116	Compression Spring:Reverse:Driven	2
9	B872 2113	Shaft:Reverse:Roller:Driven	1
10	B872 2112	Roller:Driven:Dia14	1
11	AA08 0034	Bushing - 4x5x7	2
12	AW02 0141	Photointerruptor	2
13	B872 2110	Guide Plate:Paper Feed:Lower	1
14	B872 2211	Bracket:Reverse	1
15	B872 2212	Spring Plate:Reverse:Pressure	1
16	B044 4962	Cushion	1
17	AW02 0155	Photointerruptor:Paper Size Sensor	1
18	B872 4116	Gear:Z44/T14	1
19	B872 4113	Gear:Z44/T16	1
20	AA04 3603	Timing Belt:B40S2M128	1
21	B872 2613	Gear:Z22	1
22	B872 4141	Bracket:Motor:Paper Feed:Ass'y <b>[TSB#004]</b>	1
23	B872 5810	Stepper Motor Dc24V 3.53W	1
24	B872 1121	Stopper:Original Table	1
25	B872 1122	Compression Spring:Stopper	1
26	B872 3232	Torque Limiter:T24:S2M	1
27	B872 2614	Bushing:R1	2
28	B872 3261	Roller:Reverse:Drive <b>[TSB#004]</b>	1
29	B872 2611	Roller:R0	1
30	B872 2118	Guide:Reverse:0.1	1
31	B872 2217	Gear:Z28	1
32	AB01 7591	Gear - 18/30Z	1
33	B872 2612	Gear:Z19	1
34	B7894257	Flange: Pulley <b>[TSB#004]</b>	1

Index No.	Part No.	Description	Q'ty Per Assembly
101	0720 0040E	Retaining Ring - M4	
102	0720 0030E	Retaining Ring - M3	
103	1105 0511	Harness Clamp - LWS-0306ZC	
104	0805 3480	Bushing - 6mm	
105	0720 0060E	Retaining Ring - M6	
106	0451 3006N	Tapping Screw - 3x6	
107	0454 3006Q	Tapping Screw - M3x6	

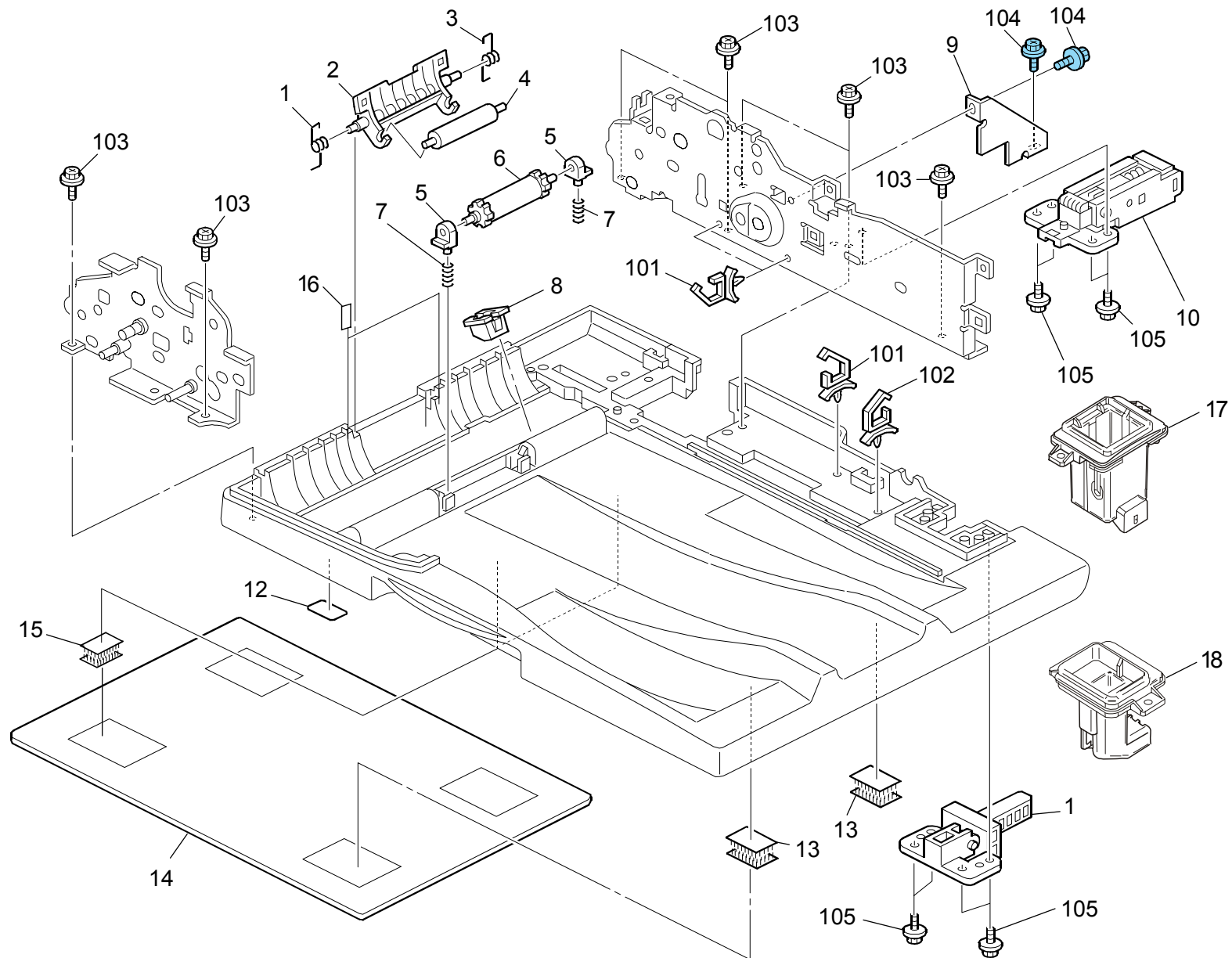
# 10.ARDF 4 (B284/B288)



## 10.ARDF 4 (B284/B288)

Index No.	Part No.	Description	Q'ty Per Assembly
1	B872 3121	Guide Plate:Scanning:Upper	1
2	B872 3211	Roller:Scanning:Front:Drive	1
3	B872 3221	Roller:Exit:Drive	1
4	B872 3111	Guide Plate:Scanning:Lower	1
5	AW01 0109	Photo Reflection Sensor:PS117ED1	2
6	B872 3114	Discharge Brush:Lower	1
7	B872 1515	Spring Plate:Guide:Exposure Glass	2
8	B872 1522	Guide:Exposure Glass	1
9	AA14 3544	Screw - M3	2
10	B872 3311	Exchange Pawl:Reverse	1
11	B872 3113	Spring Plate:Earth:Exit	1
12	B872 3241	Knob:Pick-Up Paper Jam	1
13	AA04 3605	Timing Belt:B40S3M114	1
14	G417 3669	Timing Belt:B40S2M190	1
15	B872 3223	Timing Pulley:T32	1
16	B872 3212	Pulley:T25	1
17	AA04 3604	Timing Belt:B40S2M110	1
18	AA04 3603	Timing Belt:B40S2M128	1
19	B872 4214	Pulley:T16/T44	1
20	B872 4216	Tension Spring:Motor:Transport	1
21	B872 5820	Stepper Motor:DC24V 3.35W	1
22	B872 4210	Bracket:Motor:Transport	1
23	B872 3222	Timing Pulley:T32	1
24	B872 3313	Tension Spring:Exchange Pawl	1
26	B872 3312	Lever:Exchange Pawl	1
27	B872 4310	DC Solenoid:Exchange Pawl	1
28	B872 5250	Harness:Dc Solenoid	1
29	A859 4141	Pulley Idler	1
30	B872 4131	Inner Cover:Left Rear	1

Index No.	Part No.	Description	Q'ty Per Assembly
101	0451 3008N	Tapping Screw - M3x8	
102	0805 3480	Bushing - 6mm	
103	0805 0088	Retaining Ring - M6	
104	0720 0040E	Retaining Ring - M4	
105	0451 3006N	Tapping Screw - 3x6	
106	0353 0040N	Screw - M3X4	
107	0805 0088	Retaining Ring - M6	



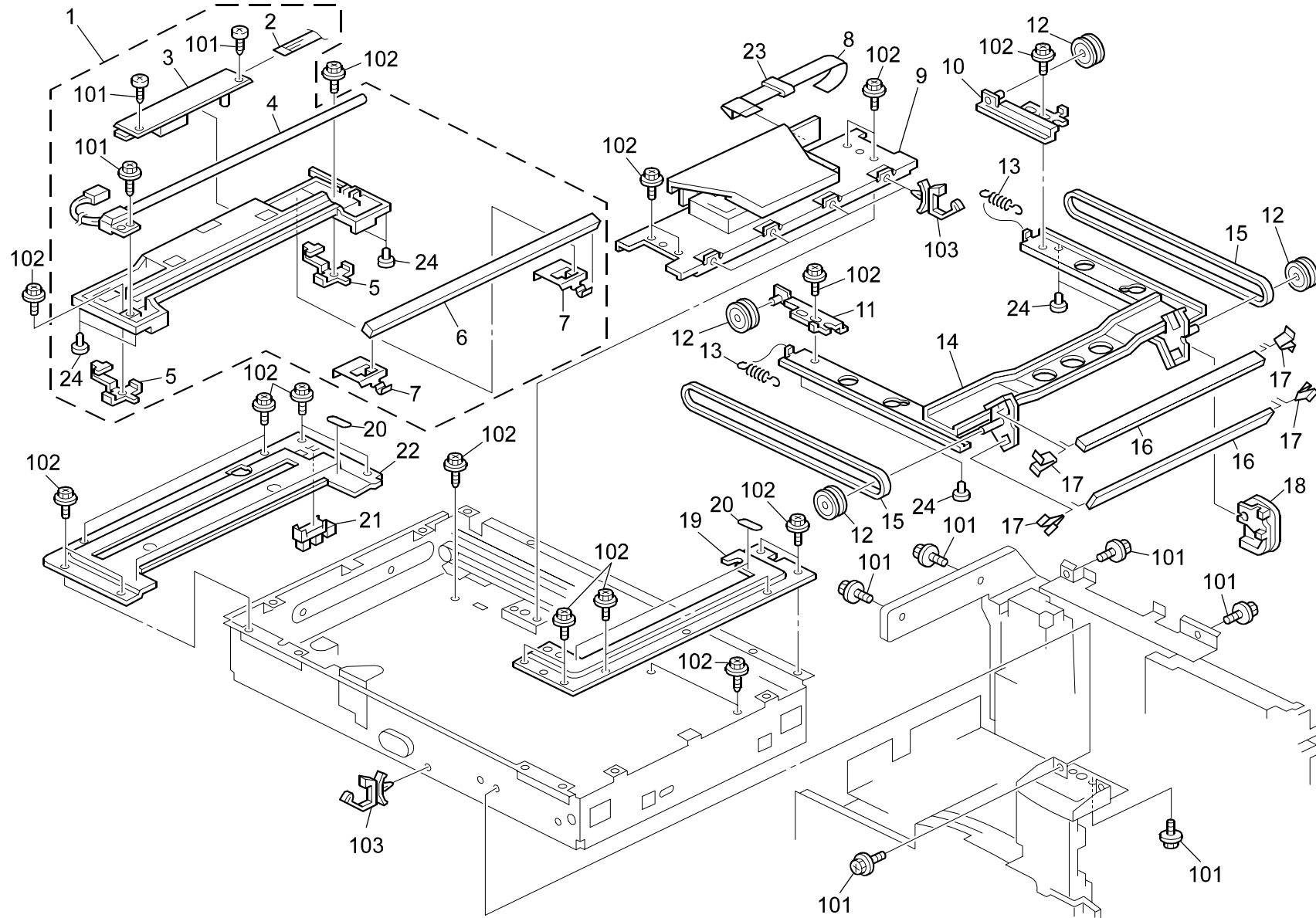
**11.ARDF 5 (B284/B288)**

Rev. 12/06/2007

Index No.	Part No.	Description	Q'ty Per Assembly
1	B872 1923	Torsion Spring:Pressure:Front	1
2	B872 1921	Lever:Driven:Pressure	1
3	B872 1924	Torsion Spring:Pressure:Rear	1
4	B872 1922	Roller:Driven:Scanning:Front	1
5	B872 1934	Bushing:Exit	2
6	B872 1931	Exit Roller:Driven	1
7	B872 1933	Compression Spring:Exit:Driven	2
8	B872 1912	Cap:Paper Feed Sensor:Base	1
9	B872 1114	Bracket:Side Plate:Rear Right	1
10	B872 1414	Hinge:Left	1
11	B872 1421	Hinge:Right	1
12	B872 6041	Decal:Lever:Knob	1
13	B351 4322	Tape:Pressure Plate	2
14	B872 4512	Pressure Plate	1
15	B872 4513	Tape:Pressure Plate:Left	2
16	B872 1941	Guide: Base: Driven <b>[TSB#014]</b>	2
17	B262 1667	Holder: Hinge: Left <b>[TSB#013]</b>	1
18	B262 1668	Holder: Hinge: Right <b>[TSB#013]</b>	1

Index No.	Part No.	Description	Q'ty Per Assembly
101	1105 0511	Harness Clamp - LWS-0306ZC	
102	1105 0508	Harness Clamp - LWS-0711	
103	0450 3008N	Tapping Screw - M3x8	
104	0454 3006Q	Tapping Screw - M3x6	
105	0450 3010N	Tapping Screw - M3x10	

## 12. Optics Section 1 (B284/B288)



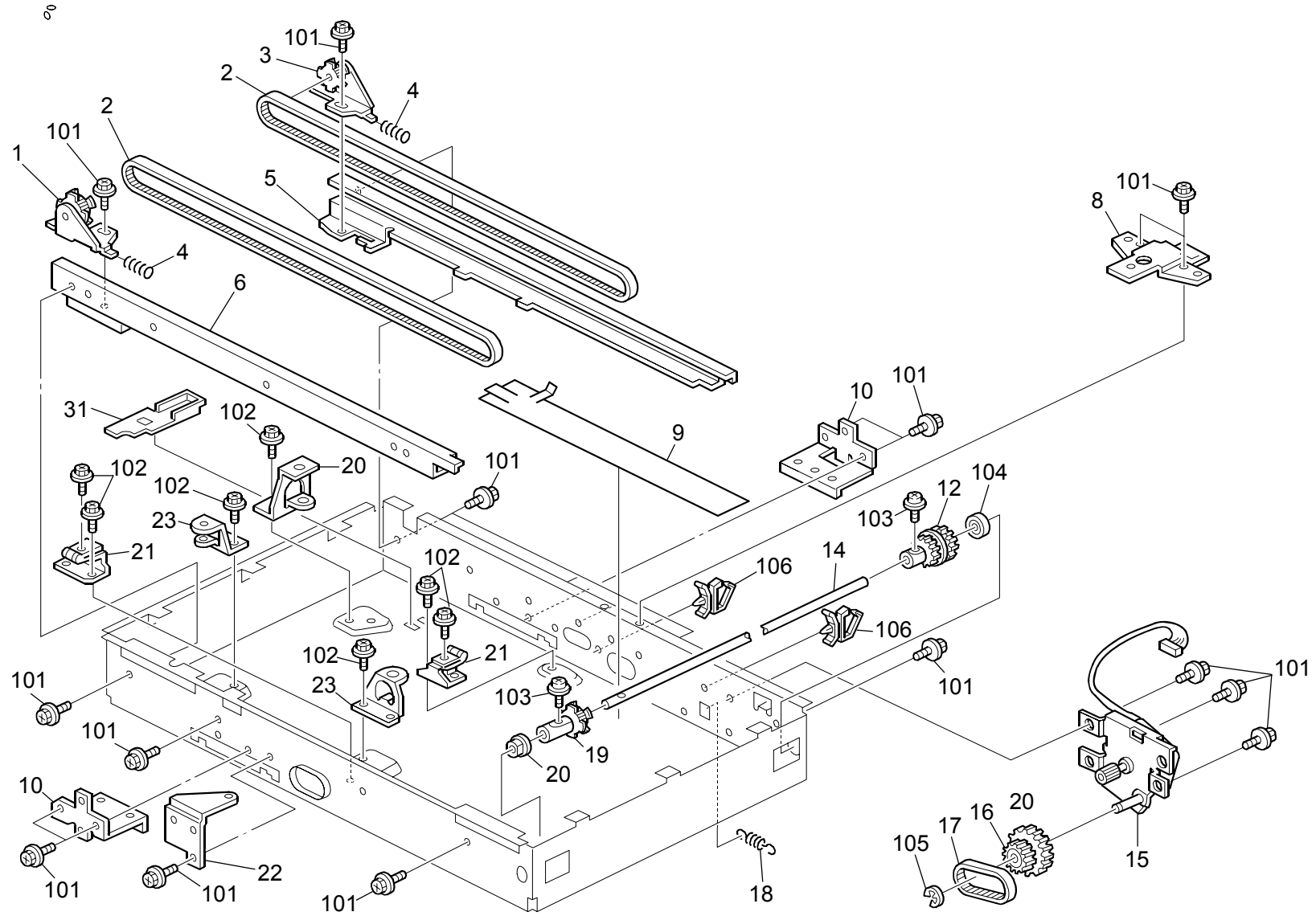


## 12.Optics Section 1 (B284/B288)

Index No.	Part No.	Description	Q'ty Per Assembly
1	B262 1700	Carriage:No.1 Unit	1
2	B262 5237	Flat Cable:Stabilizer	1
3	AZ50 0073	Stabilizer-xenon Lamp	1
4	AX50 0096	Xenon Lamp:Dia8	1
5	B044 1715	Timing Belt Holder	2
6	AC03 0145	1st Mirror	1
7	B044 1721	1st Mirror Holder	2
8	B262 5236	Flat Cable:Sbu	1
9	B262 1770	Lens Unit	1
10	B262 1745	Bracket:Belt Pulley:Idler:Rear	1
11	B262 1741	Bracket:Belt Pulley:Idler:Front	1
12	B039 1785	Scanner Drive Pulley	4
13	B039 1786	Tension Spring	2
14	B044 1734	2nd Scanner	1
15	AA04 2053	Belt:3mm	2
16	AC03 0146	2nd Mirror	2
17	B039 1781	2nd Mirror Holder	4
18	B044 1751	Flat Cable Guide	1
19	B262 1683	Supporting Plate:Right Upper	1
20	A250 1824	Exposure Glass Sheet	4
21	GW02 0020	Photointerruptor:LG248NL1	1
22	B262 1681	Bracket:Scale	1
23	H555 5150	Ferrite Core	1
24	B044 1719	Scanner Slider Pin	8

Index No.	Part No.	Description	Q'ty Per Assembly
101	0450 3008N	Tapping Screw - M3x8	
102	0451 3006N	Tapping Screw - 3x6	
103	1105 0511	Harness Clamp - LWS-0306ZC	

# 13.Optics Section 2 (B284/B288)

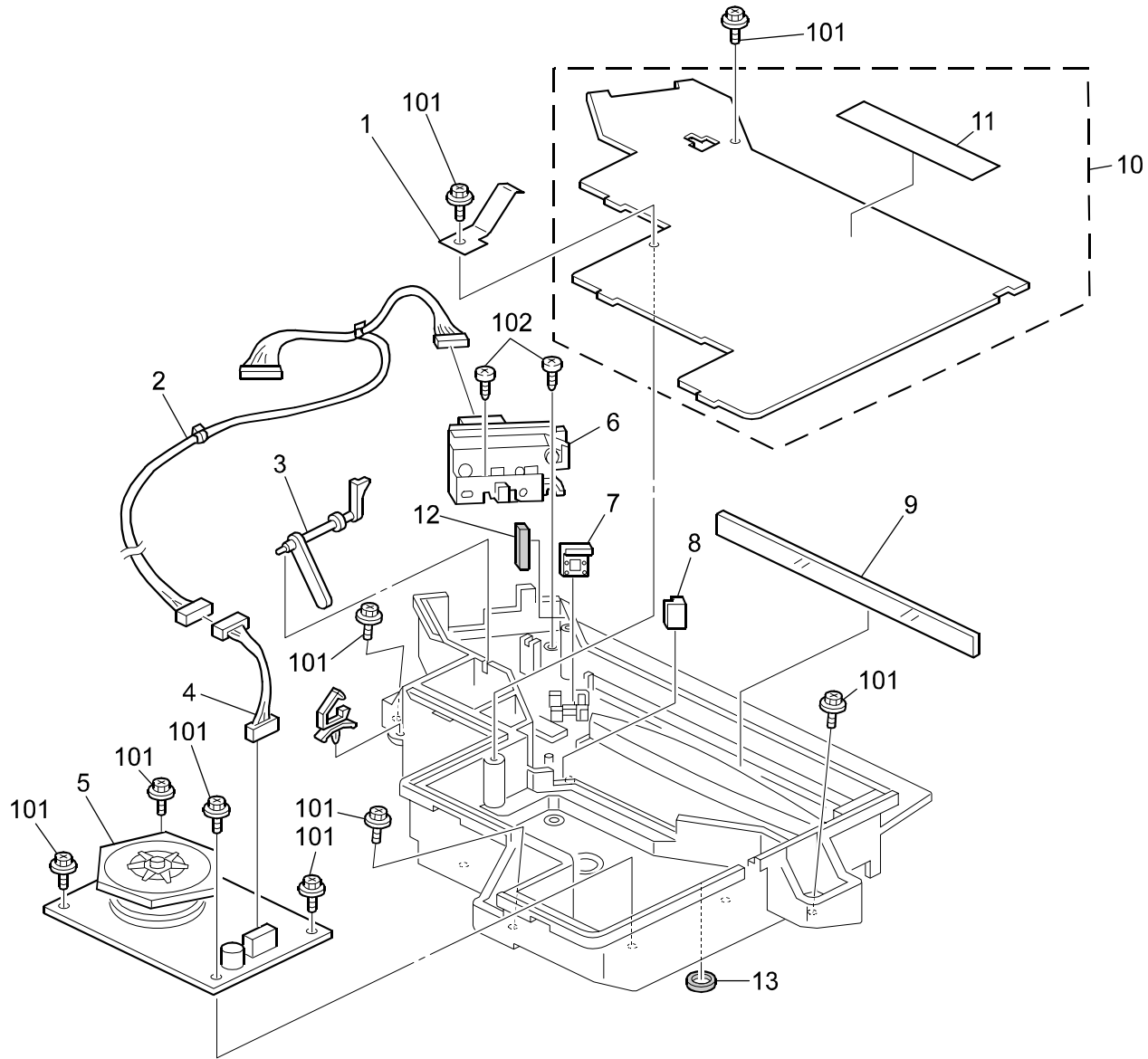


### 13.Optics Section 2 (B284/B288)

Index No.	Part No.	Description	Q'ty Per Assembly
1	B044 1827	Front Idler Bracket	1
2	AA04 3997	Timing Belt:ST55	2
3	B044 1828	Rear Idler Bracket	1
4	B039 1704	Spring - Timing Pulley	2
5	B262 1654	Rail:Rear	1
6	B262 1653	Rail:Front	1
7	GW02 0020	Photointerruptor:LG248NL1	1
8	B262 1665	Bracket:Scale:Inner Back	1
9	B262 1663	Sheet:Flat Cable:Stabilizer	1
10	B044 1663	Lens Bracket	2
11	B262 1811	Bracket:Stepper Motor	1
12	AB03 3095	Drive Pulley - 41T/37T	1
13	B039 1695	Flange - Pulley	1
14	B044 1826	Scanner Drive Shaft	1
15	B284 1814	Stepping Motor - DC5.3W	1
16	B121 1680	Gear - 53Z/60Z	1
17	B121 1696	Timing Belt L147	1
18	B039 1683	Tension Spring - Stepper Motor	1
19	AB03 0711	Drive Pulley - 37T	1
20	B262 1670	Bracket:Stopper:Rear	1
21	B044 1661	Belt Clamp Bracket	2
22	B044 1671	Bracket	1
23	B044 1669	Stopper Bracket - 1st Scanner	2

Index No.	Part No.	Description	Q'ty Per Assembly
101	0451 3006N	Tapping Screw - 3x6	
102	0454 3006Q	Tapping Screw - M3x6	
103	0360 3006P	Screw - M3X6	
104	0740 3906	Ball Bearing - 6x15x5	
105	0720 0060E	Retaining Ring - M6	
106	1105 0487	Harness Clamp	

# 14.Laser Unit (B284/B288)

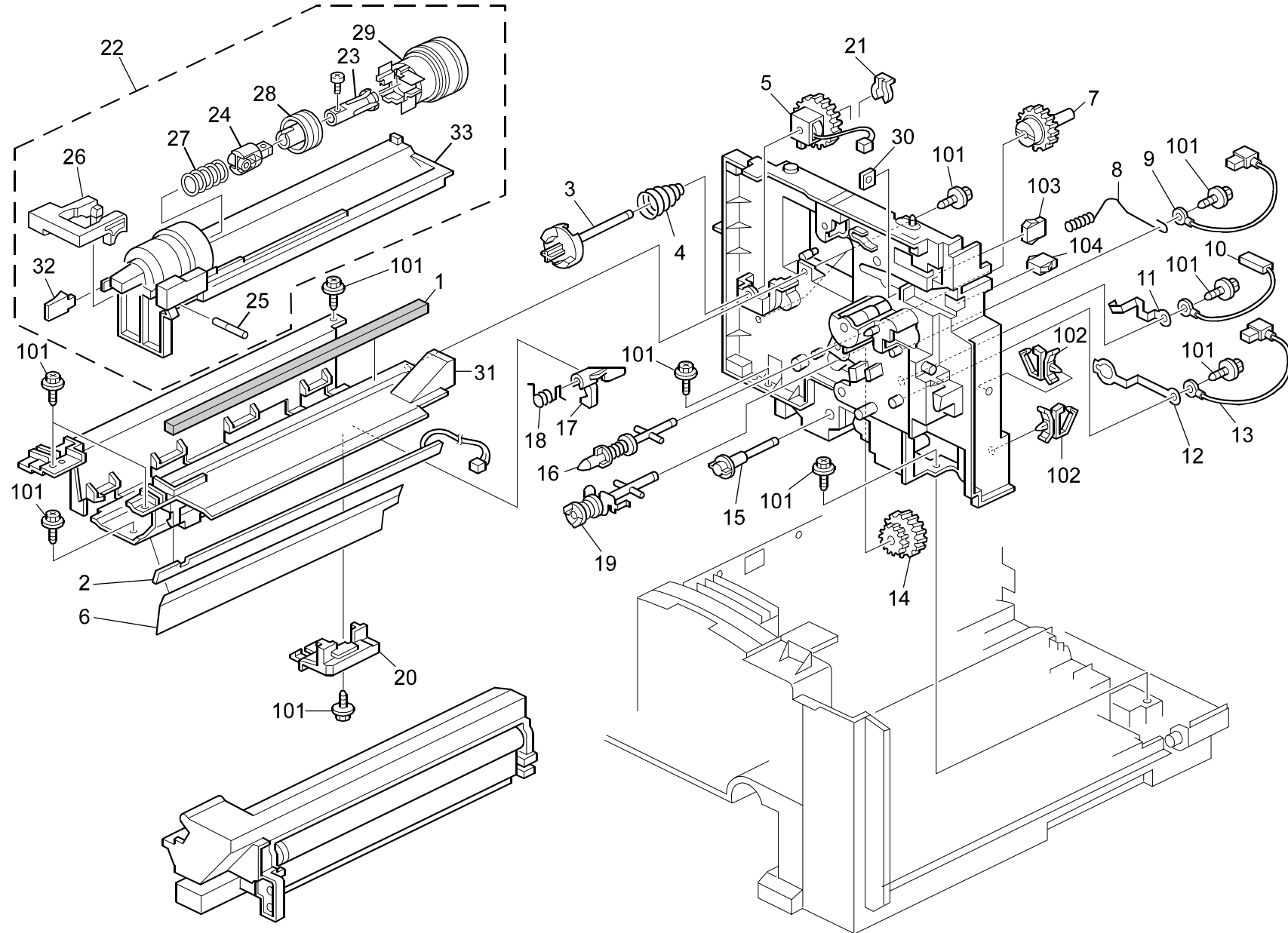


### 14.Laser Unit (B284/B288)

Index No.	Part No.	Description	Q'ty Per Assembly
*	B262 1901	Laser Unit	1
1	B044 1943	Ground Plate	1
2	B262 5204	Harness:Lddr:Connecting	1
3	B044 1944	Shutter Plate	1
4	B262 5207	Harness:Polygon Scanner	1
5	AX06 0342	Polygon Scannermotor-dc24V	1
6	B044 1912	Laser Diode Unit:Ass'y	1
7	G025 2730	Cylindrical Lens	1
8	G025 2731	Synchronizing Detector Lens	1
9	B044 1931	Shield Glass	1
10	B044 1941	Laser Unit Cover	1
11	G029 1982	LD Decal	1
12	B044 1906	Seal - LDU	1
13	B044 1999	Spacer - 5mm	1

Index No.	Part No.	Description	Q'ty Per Assembly
101	0450 3008N	Tapping Screw - M3x8	
102	0452 3010N	Binding Self-tapping Screw:3x10	

# 15.PCU Section (B284/B288)

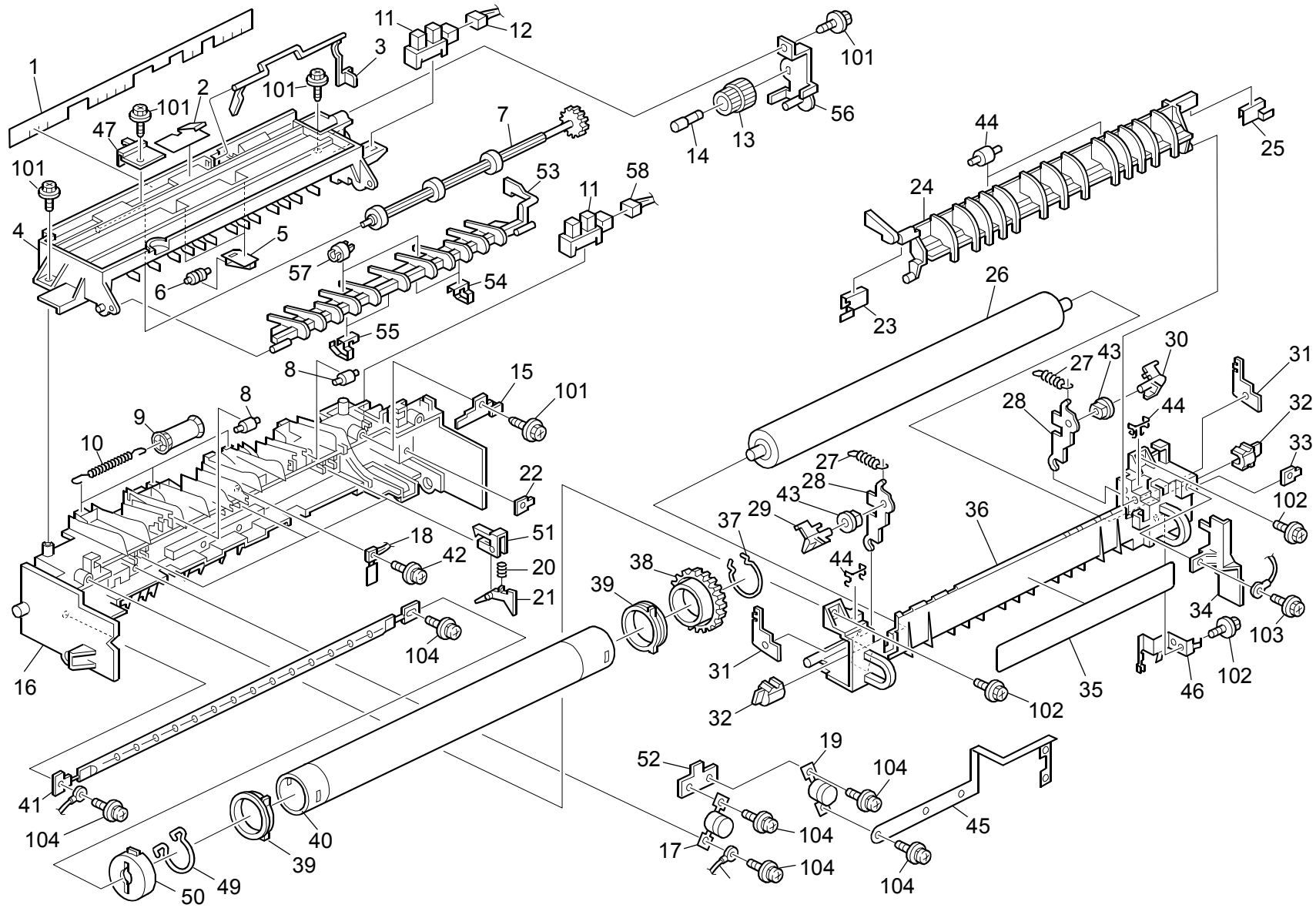


### 15.PCU Section (B284/B288)

Index No.	Part No.	Description	Q'ty Per Assembly
1	B044 1069	Duct Shield	1
2	AX50 0098	Quenching Lamp	1
3	B129 1176	Toner Supply Shaft	1
4	B129 1175	Toner Bottle Drive Spring	1
5	AB04 0023	Spring Clutch:0.7N.M:Z53	1
6	B044 1068	Toner Supply Rail	1
7	AB01 0358	Gear - 64Z	1
8	AA11 3034	Electrode Plate - Charge	1
9	B262 5220	Harness:High Voltage Line:C	1
10	B262 5222	Harness:High Voltage Line:T	1
11	AA11 3035	Electrode Plate - Transfer	1
12	AA11 3032	Electrode Plate - Development	1
13	B262 5221	Harness:High Voltage Line:B	1
14	AB01 7582	Coupled Gear 22/50Z	1
15	AA14 8651	Shaft - Paper Feed Roller	1
16	AB00 0025	Drum Shaft	1
17	B044 1100	Shutter	1
18	B044 1101	Shutter Spring	1
19	AB00 0027	Development Shaft Assy	1
20	B044 1103	Shutter Cover	1
21	G014 3291	Snap Ring - Pick Up	1
22	B262 3020	Toner Supply Unit	1
23	A184 3420	Bottle Chuck	1
24	B044 3426	Chuck Shaft	1
25	B044 3427	Slide Shaft	1
26	B044 3461	Handlw Cam	1
27	A267 3556	Chuck Spring - Toner Bottle	1
28	B044 3485	Slider Ass'y	1
29	B129 3465	Cover - Toner Supply Unit	1
30	B044 4200	Fusing Plate Nut	1
31	B044 1067	Toner Supply Rail	1
32	B044 3475	Un Lock Grip	1
33	B044 3470	Toner Supply Case Ass'y	1

Index No.	Part No.	Description	Q'ty Per Assembly
101	0450 3008N	Tapping Screw - M3x8	
102	1105 0511	Harness Clamp - LWS-0306ZC	
103	1102 6259	Connector - 2P	
104	1102 4559	Connector - 3P	

# 16.Fusing Unit (B284/B288)



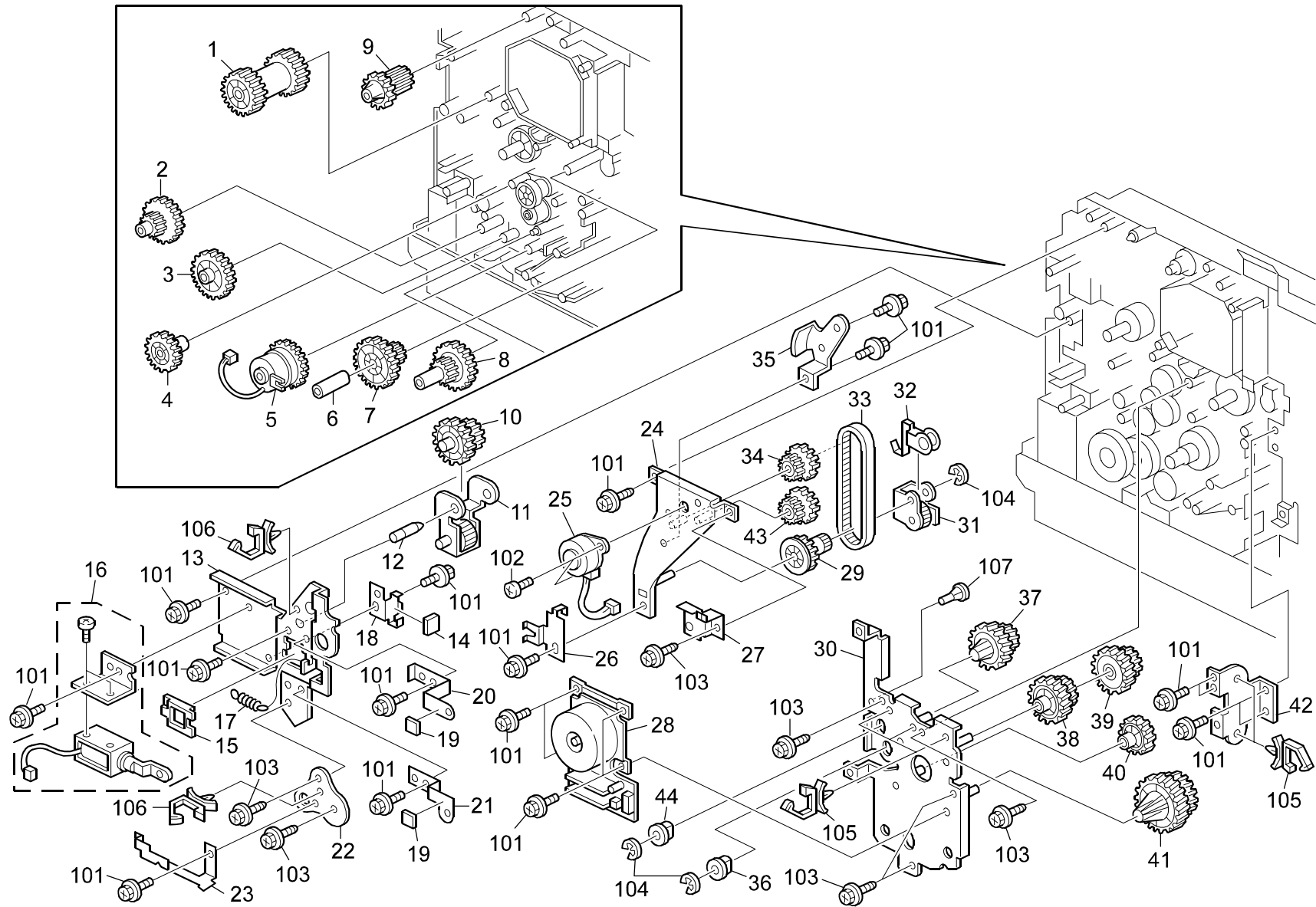


## 16.Fusing Unit (B284/B288)

Index No.	Part No.	Description	Q'ty Per Assembly
*	B262 4018	Fusing Unit (120V)	1
*	B262 4028	Fusing Unit (230V)	1
1	B044 4165	Discharge Brush	1
2	B044 4166	Spring Plate	1
3	B044 4183	Feeler	1
4	B044 4186	Guide Plate	1
5	B044 4138	Spring	2
6	AF02 2141	Turn-roller	2
7	AF04 0603	Exit Roller	1
8	AF02 2142	Middle Roller	2
9	AF04 0588	Exit Roller	3
10	B044 4154	Exit Spring	3
11	GW02 0020	Photointerruptor:LG248NL1	1
12	B129 5203	Harness - Paper Feed Sensor	1
13	H556 2210	Gear - 19/28Z	1
14	H556 2222	Stud	1
15	B129 4143	Electrode Plate Cover	1
16	B129 4102	Fusing Frame	1
17	AW11 0037	Thermostat - 160C	1
18	AW10 0088	Thermistor - Fusing	1
19	AW11 0038	Thermostat - 170C	1
20	B044 4155	Spring - Pickoff Pawl	1
21	AE04 4059	Stripper Pawls	3
22	B044 4135	Lamp Holder	1
23	B044 4117	Front Spring Plate	1
24	H556 2206	Guide Plate	1
25	B044 4118	Rear Spring Plate	1
26	AE02 0149	Pressure Roller	1
27	B044 4152	Pressure Spring	2
28	B044 4130	Pressure Lever	2
29	B044 4141	Pressure Release Lever - Front	1
30	B044 4146	Pressure Release Lever - Rear	1
31	B044 4132	Side Plate	2
32	AE03 1035	Pressure Roller Bushing	2
33	B044 4200	Fusing Plate Nut	1

Index No.	Part No.	Description	Q'ty Per Assembly
34	B044 4201	Fusing Harness Cover	1
35	B044 4161	Warning Decal	1
36	B044 4104	Pressure Frame	1
37	B044 4150	Hot Roller Stopper	1
38	B044 4170	Fusing Gear	1
39	AE03 1044	Fusing Bushing	2
40	AE01 1086	Hot Roller	1
41	AX44 0202	Heater - 120V/800W	1
41	AX44 0203	Heater - 230V:750W	1
42	B129 4294	Screw - M3x13	1
43	B044 4131	Bushing-pressure Release	2
44	B044 4153	Cushion	2
45	B129 4134	Electrode Plate Fusing	1
46	B044 4136	Ground Plate	1
47	B044 4401	Paper Holder Stand	1
48	AF02 2142	Middle Roller	2
49	B044 4156	Front Hot Roller Stopper	1
50	B044 4112	Hot Roller Cap	1
51	B044 4179	Holder - Pickoff Pawl	1
52	B129 4195	Thermostat Plate Nut	1
53	H556 2208	Gate Plate	1
54	H556 2201	Reargate Plate Guide	1
55	H556 2202	Front Gate Plate Guide	1
56	H556 2219	Gear Bracket	1
57	H556 2220	Roller	2
58	H556 5106	Gate Sensor Harness	1
101	0450 3008N	Tapping Screw - M3x8	
102	0451 3006N	Tapping Screw - 3x6	
103	0450 3010N	Tapping Screw - M3x10	
104	0954 3008N	Screw - M3x8	

# 17. Drive Section (B284/B288)

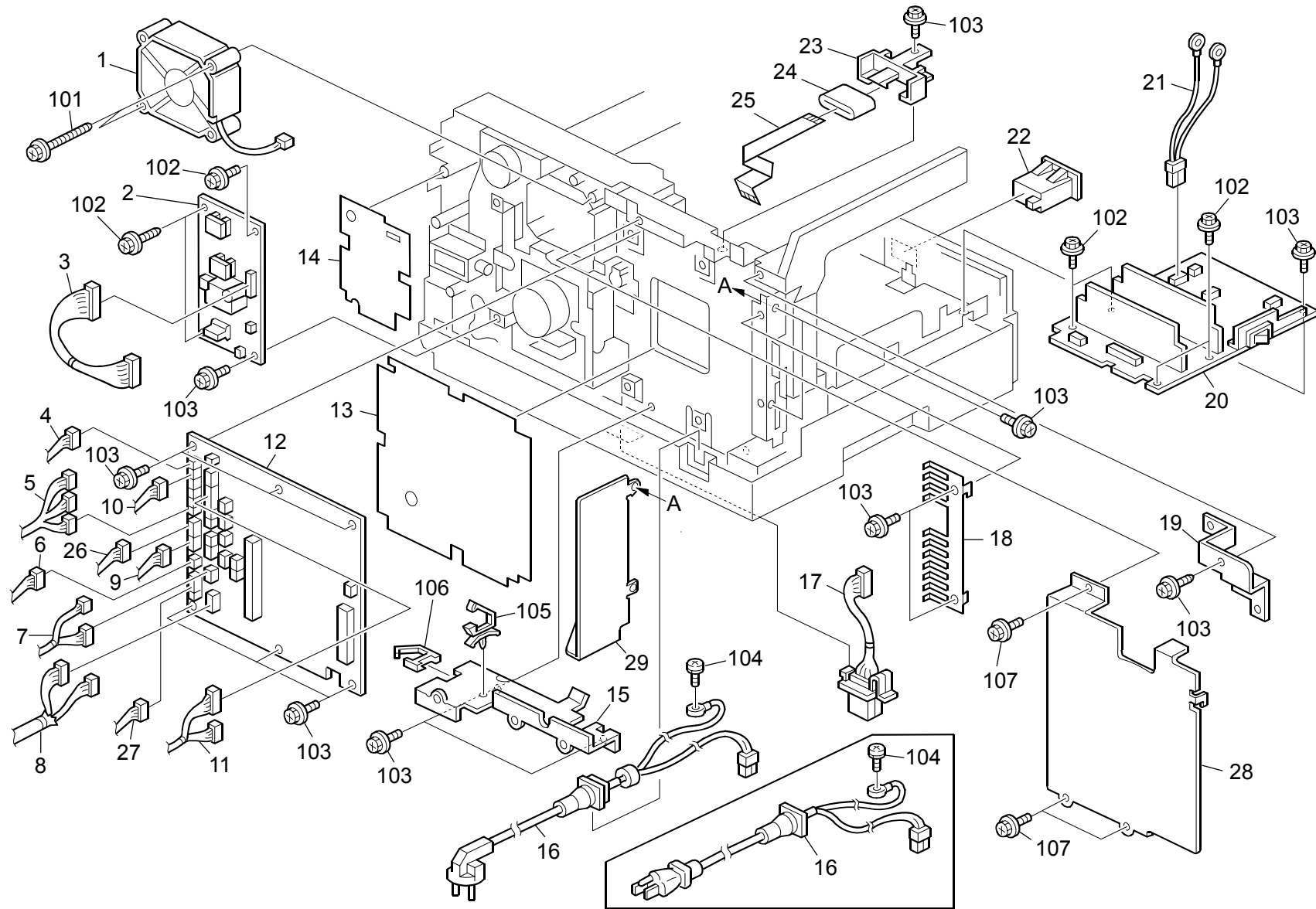


## 17. Drive Section (B284/B288)

Index No.	Part No.	Description	Q'ty Per Assembly
1	BB01 3006	Gear - 27Z	1
2	AB01 7586	Coupled Gear - 43/53Z	1
3	AB01 1438	Gear - 41Z	1
4	AB01 1492	Gear - 29Z	1
5	AX20 0309	Magnetic Clutch:0.25N.M:Z43	1
6	AA13 2217	Collar	1
7	AB01 7587	Coupled Gear - 17/44Z	1
8	AB01 7585	Coupled Gear - 17/44Z	1
9	AB01 7629	Gear - 19/21Z	1
10	AB01 7663	Gear - 18/40Z	1
11	B129 1164	Fusing Bracket Assy	1
12	AA14 3804	Fusing Shaft 5	1
13	B129 1110	Rear Drive Plate 2	1
14	AA16 1157	Bracket Cushion	1
15	B129 1056	Shaft Spacer	1
16	B129 1161	Lever DC Solenoid Ass'y	1
17	AA06 2326	Spring - Swivel Fusing	1
18	B129 1129	Plate Cushion	1
19	B044 1139	Damping Insulation	2
20	AA12 0124	Ground Plate - Drum Drive	1
21	AA12 0104	Ground Plate - Registration	1
22	B129 1157	Side Plate - Manual Feed	1
23	B129 2820	Ground Plate - Manual Feed	1
24	H556 4172	Duplex Drive Bracket	1
25	AX06 0336	Stepper Motor - Duplex - DC24V 14.9W	1
26	B129 4703	Ground Plate - Lower Duplex Bracket	1
27	B262 4701	Spring Plate:Discharge	1
28	AX06 0344	Brushless Motor:DC24V:20W	1
29	AB01 7628	Gear - 19/38Z	1
30	B129 1163	Rear Drive Plate 1 Assy	1
31	H556 4183	Swivel Bracket	1
32	H556 4178	Spring Plate	1
33	AA04 3582	Timing Belt	1
34	AB03 2071	Pulley - 24Z	1
35	H556 4180	Plate Bracket	1

Index No.	Part No.	Description	Q'ty Per Assembly
36	5424 4142	Bushing - Cleaning Roller	1
37	AB01 7661	Gear - 29/69Z	1
38	AB01 7660	Gear - 44/67Z	1
39	AB01 7662	Gear - 17/67Z	1
40	AB01 0362	Gear - 49Z	1
41	AB01 7659	Gear - 43/91Z	1
42	B044 1158	Bracket	1
43	AB01 7627	Gear - 28/43Z	1
44	5053 0447	Bushing - 6mm	1
101	0451 3006N	Tapping Screw - 3x6	
102	0453 3006N	Tapping Screw - M3x6	
103	0450 3010N	Tapping Screw - M3x10	
104	0720 0040E	Retaining Ring - M4	
105	1105 0197	Wire Saddle	
106	1105 0511	Harness Clamp - LWS-0306ZC	

# 18. Electrical Section (B284/B288)

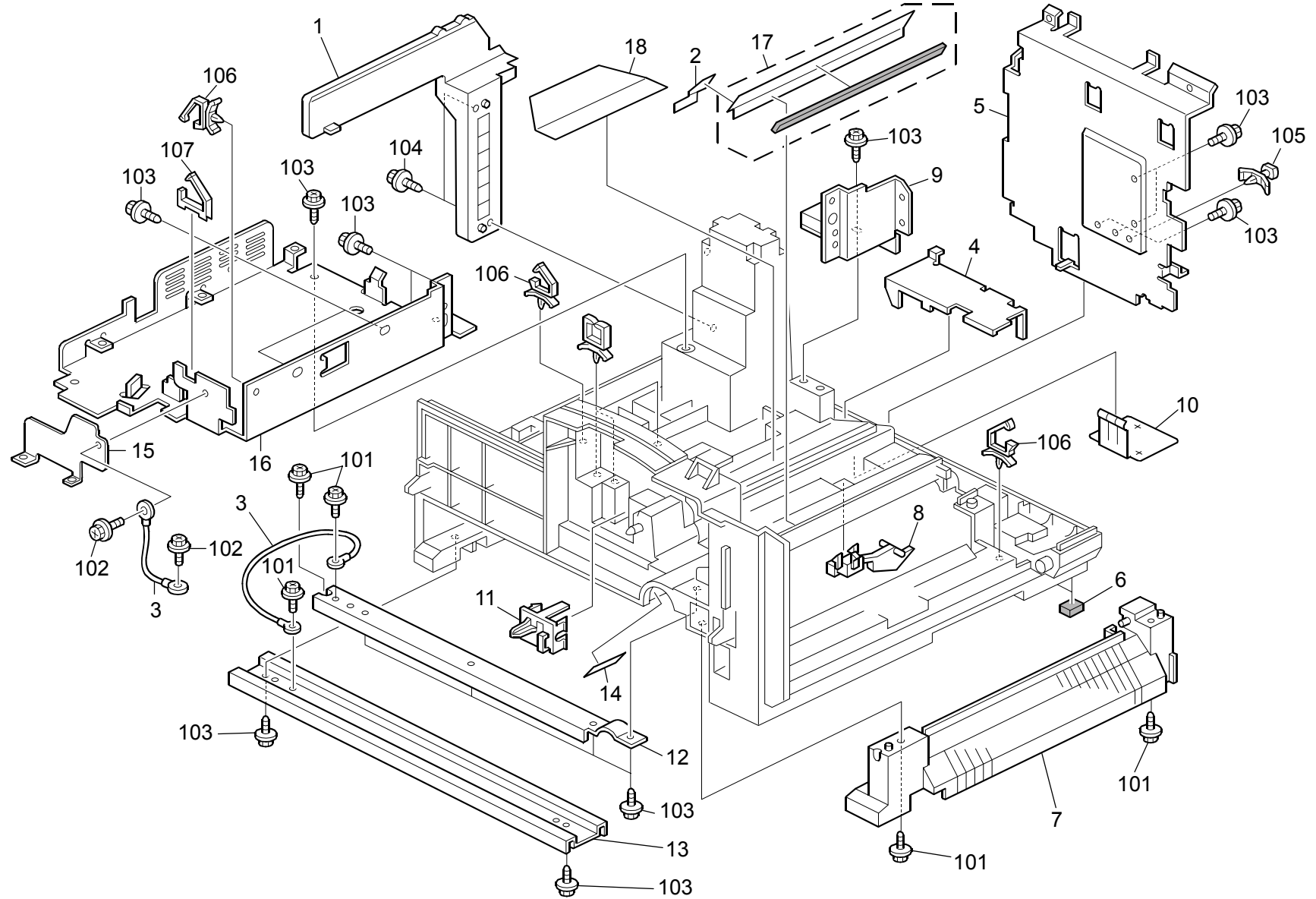


## 18.Electrical Section (B284/B288)

Index No.	Part No.	Description	Q'ty Per Assembly
1	GX64 5734	Fan Motor:Mm80 DC24V 3.12W	1
2	AZ32 0152	Power Pack BCT	1
3	B262 5217	Harness:HVP	1
4	B262 5201	Harness:HPS	1
5	B262 5202	Harness:Paper Feed Sensor	1
6	B129 5213	Harness - Registration Sensor	1
7	B262 5200	Harness:Toner:Connecting	1
8	B262 5206	Harness - Power Supply Unit	1
9	B262 5216	Harness:Motor:Main	1
10	B262 5205	Harness:Operation Panel	1
11	B262 5210	Harness:Door Switch	1
12	B284 5101	PCB:BICU:GW	1
12	B284 5103	PCB:BICU:GW:Asia	1
13	B129 1307	BICU Insulating Sheet	1
14	AA17 0026	Insulating Sheet Power Pack	1
15	B129 1301	BICU Shading Plate	1
16	B129 5021	Power Supply Cord NA	1
16	B262 5023	Power Supply Cord:Stopper:EU:Ass'y	1
17	B129 5223	Harness - Paper Feed Table	1
18	B129 1313	Spring Plate - GWCTL	1
19	B129 1303	Rear Cover Bracket	1
20	AZ23 0161	Power Supply Unit:100V	1
20	AZ23 0162	Power Supply Unit:200V	1
21	B262 5209	Harness:AC:Fusing:NA	1
21	B262 5208	Harness:AC:Fusing:EU	1
22	AX31 0049	Total Counter:7Fig:24V	1
23	B262 5805	Holder:Ferrite Core	1
24	H555 5150	Ferrite Core	1
25	B262 5236	Flat Cable:SBU	1
26	B262 5217	Harness:HVP	1
27	B129 5223	Harness - Paper Feed Table	1
28	B129 1301	BICU Shading Plate	1
29	B129 1300	BICU Bracket	1

Index No.	Part No.	Description	Q'ty Per Assembly
101	0450 3035N	Tapping Screw:3x35	
102	0450 3008N	Tapping Screw - M3x8	
103	0451 3006N	Tapping Screw - 3x6	
104	0950 4006N	Screw - M4x6	
105	1105 0487	Harness Clamp	
106	1105 0522	Edge Saddle - Les0510	
107	0451 3008N	Tapping Screw - M3x8	

# 19.Frame Section (B284/B288)

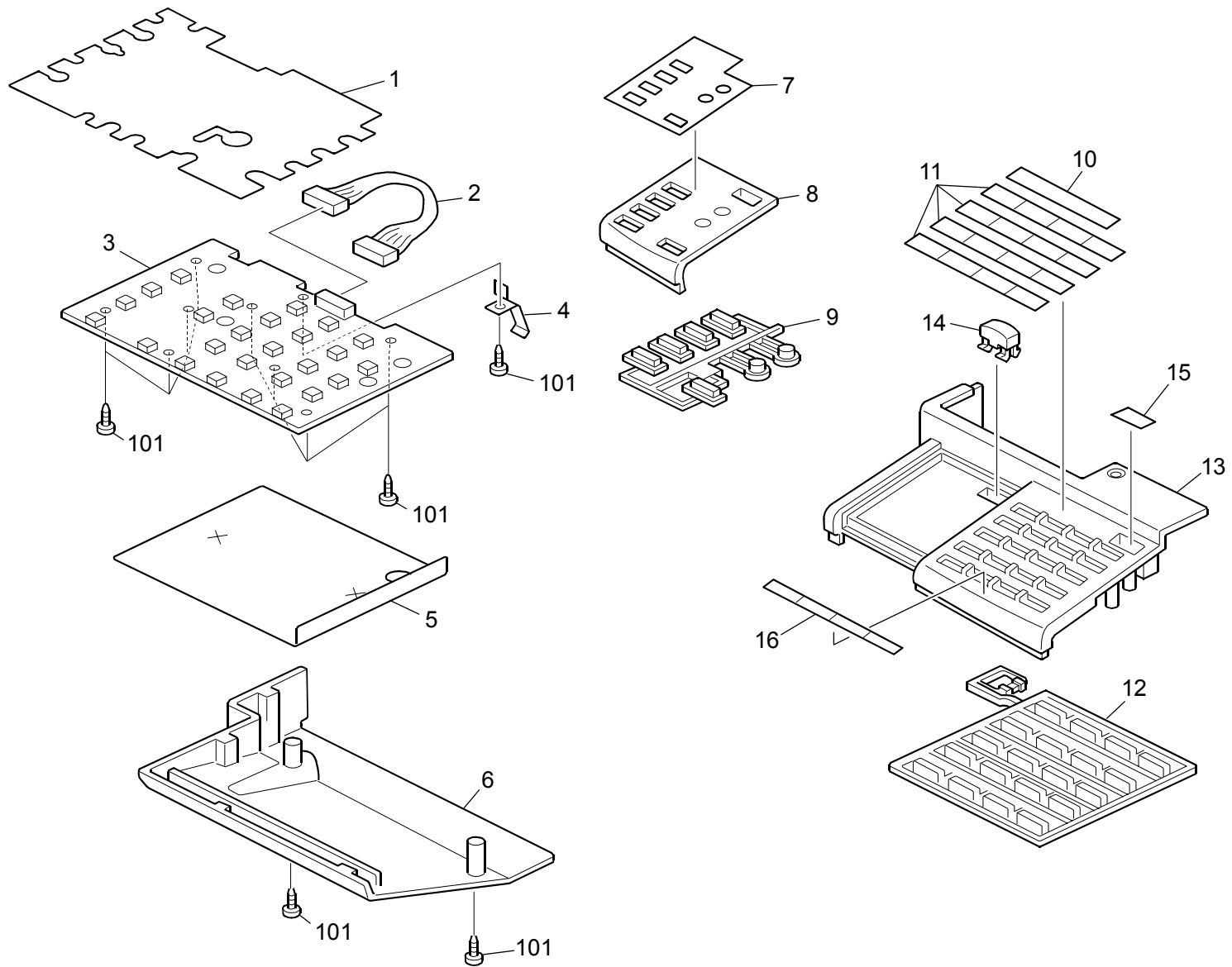


## 19.Frame Section (B284/B288)

Index No.	Part No.	Description	Q'ty Per Assembly
1	B044 1060	Scanner Unit Stay	1
2	B262 2623	Guide -paper Dust Remover	1
3	B262 5235	Ground Wire:Cassette	2
4	B129 1301	BICU Shading Plate	1
5	B129 1300	BICU Bracket	1
6	G512 3029	Rubber Foot	4
7	B044 2651	Right Rail	1
8	B044 5300	Paper End Sensor	1
9	B129 1060	PSU Stay	1
10	B044 1066	Ground Plate - Option Tray	1
11	B044 1105	Positioning Plate - Toner Bottle	1
12	B044 1061	Base Bracket	1
13	B044 1062	Base Bracket - Paper Feed	1
14	B044 2202	Mylar-quenching Lamp	1
15	B129 1315	Separation Bracket	1
16	B129 1302	Power Supply Unit Bracket	1
17	B044 2617	Holder Ass'y - Paper Dust Removal	1
18	B044 1998	Plate:Harness:Imaging Unit	1

Index No.	Part No.	Description	Q'ty Per Assembly
101	0450 3008N	Tapping Screw - M3x8	
102	0954 3008N	Screw - M3x8	
103	0451 3006N	Tapping Screw - 3x6	
104	0450 3010N	Tapping Screw - M3x10	
105	1105 0409	Card Spacer- 6.4mm	
106	1105 0511	Harness Clamp - LWS-0306ZC	
107	1105 0522	Edge Saddle - Les0510	

## 20.Operation Panel GW (B284/B288)

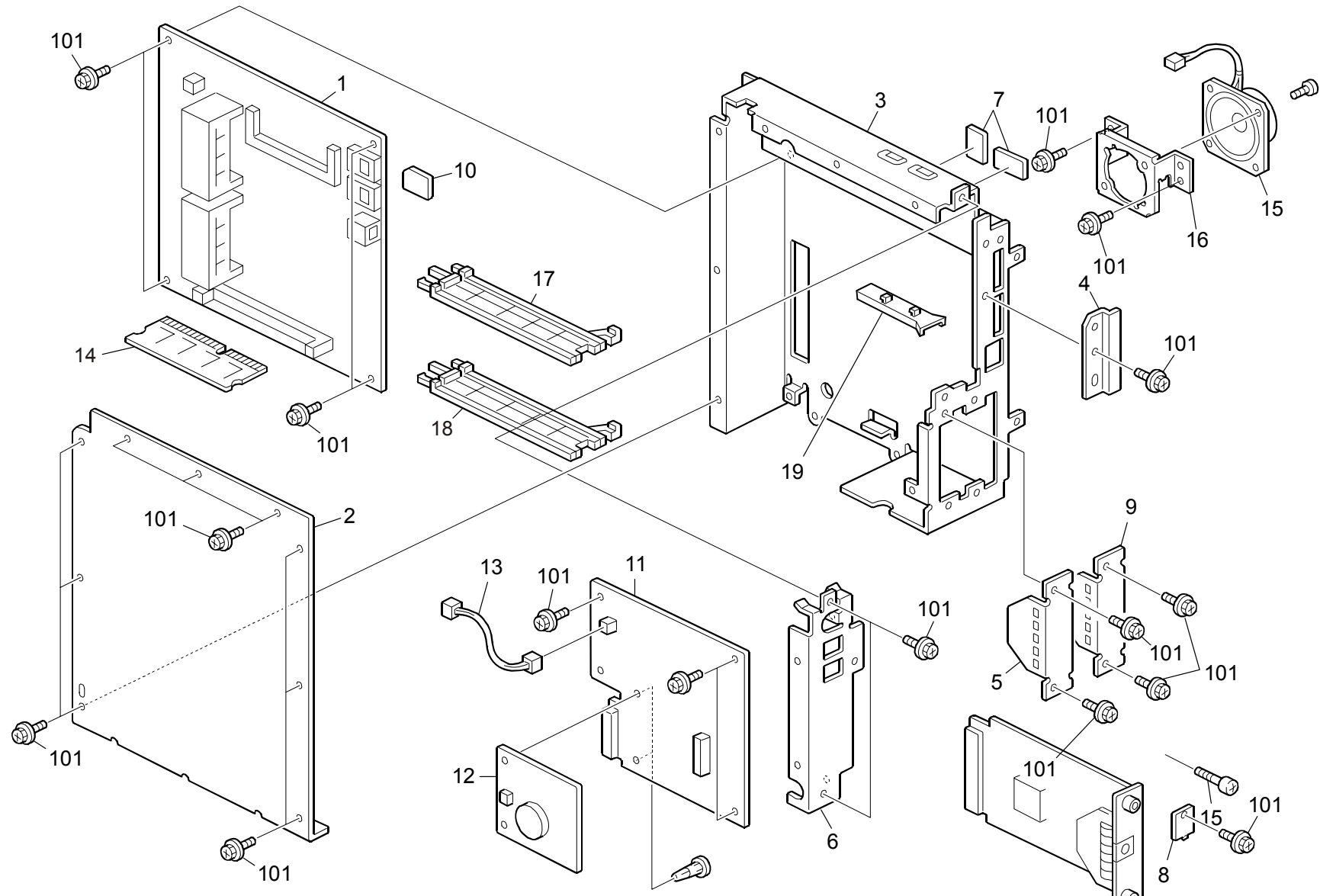




## 20.Operation Panel GW (B284/B288)

Index No.	Part No.	Description	Q'ty Per Assembly
1	B262 1464	Sheet:Base:Left	1
2	B130 5290	Harness - OPU	1
3	B262 1565	PCB:PU:EXT	1
4	B129 1474	Spring Plate0:STL	1
5	B262 1455	Sheet:Base:Right	1
6	B262 1460	Cover:LOWER:FAX	1
7	B262 1470	Sheet:Display:Function:Fax:NA	1
8	B262 1463	Cover:Function:Fax	1
9	B262 1462	Keytop:Function:Fax	1
10	B262 1466	Sheet:Display:Expand:A:NA	1
11	B262 1468	Sheet:Display:Expand:C	1
12	B262 1461	Keytop:Dial:Fax	1
13	B262 1459	Cover:Upper:Fax	1
14	B843 1478	Keytop:Fax:NA	1
14	B843 1479	Keytop:Fax:EU	1
15	B262 1485	Sheet:Display:Expand:B:BLANK	1
16	B262 1469	Sheet:Display:Expand:D:NA	1

Index No.	Part No.	Description	Q'ty Per Assembly



## 21.Extension Box (B284/B288)

Index No.	Part No.	Description	Q'ty Per Assembly
1	B284 5150	PCB:Controller	1
2	B129 1306	Gwctl Shading Plate	1
3	B262 1305	Bracket:GWCTL	1
4	B262 1254	Cover:SD	1
5	B129 1309	Interface Cover	1
6	B262 1308	Bracket- Fax Control Unit	1
7	H547 4203	Guide Plate Sponge	2
9	B262 1309	Cover:Interface	1
10	B868 5099	SD-Card:Fax	1
10	B892 5049	SD-Card:Printer	1
11	B868 5172	PCB:GWFCU3:NA:Ass'y	1
11	B868 5174	PCB:GWFCU3:EU	1
12	B284 5080	PCB:MBU	1
13	B284 5234	Speaker Interface Harness	1
14	G332 5730	PCB:Sdram-dimm:256mb:Chn:Ass'y	1
15	B284 5050	Speaker:B284	1
16	B262 1311	Bracket:Speaker	1
17	B622 5831	Rail:Right	1
18	B622 5832	Rail:Left	1
19	H556 5857	Opif Rail	1

Index No.	Part No.	Description	Q'ty Per Assembly
101	0451 3006N	Tapping Screw - 3x6	

## 22.CTL Board (B284/B288)

### BAT

SYMBOL NO.	INDEX NO.
BAT1	113

### CAPACITOR

SYMBOL NO.	INDEX NO.
C1	170
C2	239
C3	162
C4	168
C5	168
C6	170
C7	164
C8	159
C9	159
C10	170

SYMBOL NO.	INDEX NO.
C11	159
C12	168
C13	168
C14	165
C15	158
C16	158
C17	156
C18	168
C19	167
C20	153

SYMBOL NO.	INDEX NO.
C21	168
C22	168
C23	167
C24	170
C25	170
C26	170
C27	170
---	---
C29	172
C30	170

SYMBOL NO.	INDEX NO.
C31	167
C32	167
---	---
C34	167
C35	170
C36	165
C37	179
C38	179
C39	168
C40	167

SYMBOL NO.	INDEX NO.
C41	179
C42	167
C43	170
C44	170
C45	170
C46	170
C47	163
C48	168
C48	170
---	---

SYMBOL NO.	INDEX NO.
C51	178
C52	168
C53	167
C54	167
C55	178
C56	170
C57	155
C58	176
C59	176
C60	170

### CAPACITOR

SYMBOL NO.	INDEX NO.
C61	170
C62	170
C63	157
C64	167
C65	168
C66	168
C67	152
C68	167
C69	152
---	---

SYMBOL NO.	INDEX NO.
C71	170
C72	170
C73	167
C74	168
C75	167
C76	170
C77	176
C78	176
C79	176
C80	168

SYMBOL NO.	INDEX NO.
C81	178
---	---
---	---
---	---
C85	237
---	---
C87	176
C88	238
C89	241
C90	170

SYMBOL NO.	INDEX NO.
C91	155
C92	167
C93	167
C94	170
C95	154
C96	154
C97	154
C98	154
C99	161
C100	176

SYMBOL NO.	INDEX NO.
C101	238
C102	237
C103	241
C104	167
C105	161
C106	170
C107	161
C108	176
C109	238
C110	237

SYMBOL NO.	INDEX NO.
C111	241
C112	167
C113	167
C114	159
C115	159
C116	159
C117	176
C118	238
C119	237
C120	241

SYMBOL NO.	INDEX NO.
C121	167
C122	167
C123	169
C124	155
C125	155
C126	155
C127	168
C128	169
C129	169
C130	172

## 22.CTL Board (B284/B288)

### CAPACITOR

SYMBOL NO.	INDEX NO.	SYMBOL NO.	INDEX NO.	SYMBOL NO.	INDEX NO.	SYMBOL NO.	INDEX NO.	SYMBOL NO.	INDEX NO.	SYMBOL NO.	INDEX NO.
C131	167	---	---	C151	167	C161	168	---	---	C181	173
C132	181	C142	167	C152	170	C162	167	C172	168	C182	168
C133	170	C143	170	C153	168	C163	240	C173	155	C183	167
C134	170	---	---	C154	167	C164	168	C174	169	C184	167
C135	170	---	---	C155	170	---	---	---	---	C185	168
C136	170	---	---	---	---	C166	171	---	---	C186	173
---	---	C147	168	---	---	---	---	C177	174	C187	174
C138	172	C148	159	---	---	C168	168	C178	165	C188	165
C139	170	C149	168	C159	168	C169	167	C179	169	C189	169
C140	159	C150	167	C160	164	C170	164	C180	155	C190	155
										C191	168
										C192	168
										C193	173
										---	---
										C195	175
										C196	167
										C197	167
										C198	167
										C199	173
										C200	168

### CAPACITOR

SYMBOL NO.	INDEX NO.	SYMBOL NO.	INDEX NO.	SYMBOL NO.	INDEX NO.	SYMBOL NO.	INDEX NO.	SYMBOL NO.	INDEX NO.	SYMBOL NO.	INDEX NO.
C201	167	---	---	C221	167	C231	156	C241	168	C251	168
---	---	C212	168	C222	174	C232	167	C242	168	C252	167
C203	168	C213	168	---	---	C233	168	C243	155	C253	178
---	---	C214	167	C224	167	C234	168	C244	174	C254	167
C205	169	C215	168	C225	168	C235	169	C245	165	C255	155
---	---	C216	168	C226	165	---	---	C246	169	C256	167
C207	167	---	---	C227	169	C237	168	C247	168	C257	168
C208	167	C218	155	---	---	C238	167	C248	168	C258	167
C209	167	C219	175	---	---	C239	155	C249	167	C259	168
C210	167	C220	168	C230	165	C240	167	C250	168	---	---
										C261	167
										---	---
										---	---
										---	---
										C265	167
										C266	167
										C267	169
										---	---
										C269	168
										C270	168

## 22.CTL Board (B284/B288)

### CAPACITOR

SYMBOL NO.	INDEX NO.	SYMBOL NO.	INDEX NO.	SYMBOL NO.	INDEX NO.	SYMBOL NO.	INDEX NO.	SYMBOL NO.	INDEX NO.	SYMBOL NO.	INDEX NO.	SYMBOL NO.	INDEX NO.
C271	168	---	---	---	---	C301	172	C311	168	C321	167	C331	170
---	---	---	---	C292	165	C302	168	---	---	C322	170	C332	167
C273	172	---	---	C293	167	C303	168	---	---	C323	170	C333	167
C274	155	---	---	C294	167	---	---	C314	166	C324	167	C334	167
C275	168	---	---	C295	175	C305	167	C315	167	C325	168	C335	167
C276	168	C286	167	C296	168	---	---	C316	175	---	---	C336	167
---	---	---	---	---	---	---	---	C317	156	---	---	C337	167
C278	175	---	---	C298	156	C308	167	C318	168	C328	167	C338	170
C279	167	C289	168	C299	167	C309	178	C319	170	---	---	C339	170
C280	167	C290	168	---	---	C310	179	C320	167	C330	170	C340	170

### CAPACITOR

SYMBOL NO.	INDEX NO.	SYMBOL NO.	INDEX NO.	SYMBOL NO.	INDEX NO.	SYMBOL NO.	INDEX NO.	SYMBOL NO.	INDEX NO.	SYMBOL NO.	INDEX NO.	SYMBOL NO.	INDEX NO.
C341	170	---	---	C361	163	C371	176	---	---	C391	163	C701	170
C342	167	C352	167	---	---	C372	176	C382	167	---	---	C702	170
C343	170	---	---	---	---	---	---	C383	167	---	---	C703	170
---	---	C354	160	---	---	---	---	C384	167	---	---	C704	170
---	---	C355	168	C365	160	C375	167	C385	167	---	---	C705	170
C346	167	---	---	C366	163	C376	168	C386	167	---	---	C706	170
C347	170	C357	167	---	---	C377	167	C387	167	---	---	C707	170
---	---	C358	167	C368	160	C378	168	---	---	---	---	C708	170
C349	167	C359	163	C369	160	C379	167	---	---	---	---	C709	170
---	---	C360	160	---	---	C380	168	C390	163	---	---	C710	170

## 22.CTL Board (B284/B288)

### CAPACITOR

SYMBOL NO.	INDEX NO.
C711	170
---	---
---	---
---	---
---	---
---	---
---	---
---	---
---	---
---	---

SYMBOL NO.	INDEX NO.
C721	168
C722	167
---	---
---	---
---	---
---	---
---	---
---	---
---	---
---	---

SYMBOL NO.	INDEX NO.
C801	168
C802	168
C803	168
C804	168
C805	168
---	---
C806	168
C807	168
C808	168
C809	168
C810	168

### IC

SYMBOL NO.	INDEX NO.
C811	168
C812	168
C813	168
C814	168
C815	168
---	---
C816	168
C817	168
C818	168
C819	168
C820	168

SYMBOL NO.	INDEX NO.
C821	168
C822	168
C823	168
C824	168
---	---
---	---
---	---
---	---
---	---
C1300	155

SYMBOL NO.	INDEX NO.
C1301	167
C1302	180
C1303	177
---	---
---	---
---	---
---	---
---	---
---	---

SYMBOL NO.	INDEX NO.
---	---
---	---
C3453	168

### CONNECTOR

SYMBOL NO.	INDEX NO.
CN701	106
CN702	105
---	---
CN704	108
---	---
---	---
CN706	109
CN707	107
CN708	107
CN709	107
---	---

SYMBOL NO.	INDEX NO.
CN711	104
CN712	110
---	---
---	---
---	---
---	---
CN717	102
CN718	103

### DIODE

SYMBOL NO.	INDEX NO.
D1	114
D2	115
D3	115
D4	115
D5	115
---	---
D6	115

### FIL

SYMBOL NO.	INDEX NO.
FIL1	183
FIL2	183
FIL3	188
FIL4	188
FIL5	182
---	---
FIL6	184
FIL7	184

### IC

SYMBOL NO.	INDEX NO.
IC1	132
IC2	125
---	---
---	---
IC5	24
---	---
IC6	133
IC7	243
---	---
IC9	1
IC11	243

SYMBOL NO.	INDEX NO.
IC12	243
IC13	122
IC14	131
IC15	242
IC16	136
IC17	111
IC17	101
IC17	244
IC19	121
IC20	101
IC20	111

SYMBOL NO.	INDEX NO.
IC21	127
IC22	135
IC23	142
IC24	123
---	---
---	---
IC27	120
---	---
---	---
---	---

## 22.CTL Board (B284/B288)

### IC

SYMBOL NO.	INDEX NO.
IC31	120
IC32	120
---	---
---	---
---	---
IC36	137
IC37	140
IC38	139
IC39	138
IC40	120

SYMBOL NO.	INDEX NO.
---	---
---	---
---	---
IC44	126
---	---
---	---
IC46	141
IC47	124
IC48	122
---	---
IC50	118

SYMBOL NO.	INDEX NO.
IC51	129
IC52	134
IC53	130
---	---
IC55	119
---	---
---	---
IC57	134
IC58	130
IC59	127
---	---

SYMBOL NO.	INDEX NO.
IC61	128
---	---
---	---
---	---
IC65	117
IC66	130

### L

SYMBOL NO.	INDEX NO.
L1	186
L2	187

### LED

SYMBOL NO.	INDEX NO.
LED1	116

### OSC

SYMBOL NO.	INDEX NO.
OSC2	144
OSC3	145
OSC4	143

### RESISTOR

SYMBOL NO.	INDEX NO.
R1	213
R2	218
R3	213
---	---
R5	215
---	---
R6	215
R7	215
R8	228
R9	215
R10	224

### RESISTOR

SYMBOL NO.	INDEX NO.
R11	223
R12	223
R13	229
R14	233
R15	196
---	---
R16	215
R17	196
R18	215
R19	224
R20	215

SYMBOL NO.	INDEX NO.
R21	205
R22	202
R23	202
R24	205
R25	205
---	---
R26	185
R27	199
R28	199
R29	199
R30	199

SYMBOL NO.	INDEX NO.
R31	210
R32	199
R33	217
R34	227
---	---
R36	208
R37	208
R38	225
R39	232
R40	215

SYMBOL NO.	INDEX NO.
R41	227
---	---
R43	215
R44	215
R45	215
---	---
R46	210
R47	210
R48	230
R49	---
---	---

SYMBOL NO.	INDEX NO.
---	---
R52	215
R53	202
R54	215
---	---
R56	215
R57	215
R58	211
---	---
---	---

SYMBOL NO.	INDEX NO.
---	---
---	---
---	---
R64	216
R65	215
---	---
R66	217
---	---
R68	216
---	---
R70	215

SYMBOL NO.	INDEX NO.
R71	215
---	---
R73	215
---	---
R75	216
---	---
---	---
R77	217
R78	205
---	---
R80	219



## 22.CTL Board (B284/B288)

### RESISTOR

SYMBOL NO.	INDEX NO.	SYMBOL NO.	INDEX NO.	SYMBOL NO.	INDEX NO.	SYMBOL NO.	INDEX NO.	SYMBOL NO.	INDEX NO.	SYMBOL NO.	INDEX NO.	SYMBOL NO.	INDEX NO.
---	---	R91	217	R101	215	---	---	R121	205	---	---	R141	208
R82	205	R92	217	R102	205	R112	215	R122	215	R132	205	R142	205
R83	205	R93	217	R103	215	R113	215	R123	215	R133	195	R143	215
---	---	R94	217	---	---	R114	215	R124	217	R134	195	R144	205
---	---	---	---	R105	215	R115	215	R125	196	R135	215	R145	204
---	---	R96	197	R106	217	R116	205	R126	208	R136	220	R146	199
R87	205	R97	215	---	---	R117	215	---	---	R137	215	R147	215
R88	197	R98	215	R108	215	R118	215	---	---	R138	215	R148	205
---	---	R99	215	---	---	R119	215	---	---	R139	199	R149	215
---	---	R100	205	R110	205	---	---	R130	205	R140	199	R150	215

### RESISTOR

SYMBOL NO.	INDEX NO.	SYMBOL NO.	INDEX NO.	SYMBOL NO.	INDEX NO.	SYMBOL NO.	INDEX NO.	SYMBOL NO.	INDEX NO.	SYMBOL NO.	INDEX NO.	SYMBOL NO.	INDEX NO.
---	---	R161	215	R171	205	R181	215	---	---	---	---	---	---
R152	205	R162	215	R172	215	R182	205	---	---	R202	205	R212	218
R153	205	R163	215	R173	215	R183	215	R193	215	---	---	R213	218
---	---	R164	215	R174	215	R184	205	R194	234	---	---	R214	218
---	---	R165	215	---	---	R185	215	---	---	---	---	---	---
R156	198	R166	196	R176	205	R186	215	R196	215	---	---	---	---
R157	198	R167	194	---	---	R187	205	---	---	R207	203	---	---
R158	203	R168	215	R178	205	---	---	---	---	R208	215	---	---
R159	203	R169	215	---	---	---	---	---	---	R209	215	---	---
R160	215	R170	215	R180	215	---	---	---	---	R210	215	R220	215

## 22.CTL Board (B284/B288)

### RESISTOR

SYMBOL NO.	INDEX NO.	SYMBOL NO.	INDEX NO.	SYMBOL NO.	INDEX NO.	SYMBOL NO.	INDEX NO.	SYMBOL NO.	INDEX NO.	SYMBOL NO.	INDEX NO.	SYMBOL NO.	INDEX NO.
R221	215	R231	205	R241	217	R252	215	R261	215	R271	217	---	---
R222	236	---	---	R242	217	R253	205	---	---	---	---	R282	202
R223	205	---	---	---	---	R253	205	---	---	---	---	R283	202
R224	218	R234	203	---	---	R254	197	---	---	R274	227	R284	202
---	---	R235	215	R245	205	---	---	---	---	R275	202	R285	202
---	---	---	---	---	---	---	---	---	---	---	---	---	---
---	---	---	---	---	---	R256	215	R266	204	---	---	R286	202
R228	215	---	---	---	---	R257	215	R267	217	---	---	R287	202
R229	215	---	---	---	---	R258	215	---	---	R278	233	---	---
R230	205	R239	217	---	---	R259	196	R269	205	R279	202	---	---
		R240	217	R251	196	R260	196	---	---	R280	215	R290	217

### RESISTOR

SYMBOL NO.	INDEX NO.	SYMBOL NO.	INDEX NO.	SYMBOL NO.	INDEX NO.	SYMBOL NO.	INDEX NO.	SYMBOL NO.	INDEX NO.	SYMBOL NO.	INDEX NO.	SYMBOL NO.	INDEX NO.
---	---	R301	205	R311	205	R321	205	---	---	R341	202	R351	217
R292	202	---	---	R312	205	R322	205	R332	200	R342	217	R352	217
R293	208	R303	205	R313	204	R323	204	R333	200	R343	205	R353	217
R294	215	R304	204	---	---	R324	215	R334	202	R344	205	R354	215
R295	215	R305	217	---	---	R325	217	R335	202	R345	205	R355	217
---	---	---	---	---	---	---	---	---	---	---	---	---	---
R296	226	R306	205	R316	215	R326	217	R336	202	R346	217	R356	212
R297	205	R307	204	R317	217	R327	217	R337	202	R347	233	---	---
---	---	R308	215	R318	205	---	---	R338	202	R348	217	R358	205
---	---	R309	210	---	---	R329	217	R339	202	R349	197	R359	215
---	---	R310	204	R320	205	R330	204	R340	202	R350	198	---	---

## 22.CTL Board (B284/B288)

### RESISTOR

SYMBOL NO.	INDEX NO.	SYMBOL NO.	INDEX NO.	SYMBOL NO.	INDEX NO.	SYMBOL NO.	INDEX NO.	SYMBOL NO.	INDEX NO.	SYMBOL NO.	INDEX NO.	SYMBOL NO.	INDEX NO.
R361	205	R371	217	R381	207	R391	202	R401	215	---	---	R421	202
R362	205	---	---	R382	200	R392	202	---	---	---	---	R422	202
---	---	---	---	R383	233	R393	202	---	---	R413	203	R423	217
---	---	---	---	R384	217	R394	203	R404	205	R414	217	R424	202
R365	205	R375	217	---	---	---	---	R405	215	R415	217	---	---
R366	215	R376	217	R386	205	---	---	R406	233	R416	202	R426	214
R367	217	R377	215	R387	202	R397	202	---	---	---	---	R427	204
R368	204	R378	205	R388	202	R398	217	R408	205	R418	202	R428	203
---	---	R379	215	R389	202	R399	205	R409	205	R419	202	R429	235
---	---	R380	207	R390	202	---	---	R410	204	R420	202	---	---

### RESISTOR

SYMBOL NO.	INDEX NO.	SYMBOL NO.	INDEX NO.	SYMBOL NO.	INDEX NO.	SYMBOL NO.	INDEX NO.	SYMBOL NO.	INDEX NO.	SYMBOL NO.	INDEX NO.	SYMBOL NO.	INDEX NO.
R431	233	R441	217	R451	217	---	---	R471	205	R481	205	R491	203
R432	202	R442	202	R452	233	R462	217	---	---	---	---	R492	198
---	---	R443	197	R453	217	R463	206	R473	215	R483	204	R493	201
---	---	R444	206	---	---	---	---	R474	215	R484	205	R494	206
R435	216	R445	204	R455	217	R465	206	R475	205	R485	205	R495	200
---	---	R446	203	---	---	R466	215	---	---	---	---	R496	198
R437	217	R447	203	R457	204	---	---	---	---	---	---	---	---
R438	202	R448	204	---	---	---	---	---	---	R488	201	R498	205
R439	205	R449	204	---	---	---	---	R479	215	R489	198	---	---
---	---	R450	203	---	---	---	---	R480	215	R490	203	R500	198

## 22.CTL Board (B284/B288)

### RESISTOR

SYMBOL NO.	INDEX NO.	SYMBOL NO.	INDEX NO.	SYMBOL NO.	INDEX NO.	SYMBOL NO.	INDEX NO.	SYMBOL NO.	INDEX NO.	SYMBOL NO.	INDEX NO.	SYMBOL NO.	INDEX NO.
R501	201	R511	204	---	---	R531	196	R541	205	R551	198	---	---
R502	201	R512	206	---	---	R532	196	---	---	R552	201	R562	215
R503	198	R513	222	---	---	R533	198	R543	231	R553	205	---	---
R504	204	R514	222	---	---	R534	200	---	---	---	---	R564	215
---	---	R515	222	---	---	R535	200	R545	209	---	---	---	---
---	---	R516	222	R526	196	R536	198	---	---	R556	205	R566	204
---	---	R517	222	R527	198	R537	215	---	---	---	---	---	---
R508	196	R518	222	R528	200	R538	196	R548	219	---	---	---	---
R509	215	R519	204	R529	201	R539	198	---	---	---	---	---	---
R510	215	R520	198	R530	198	R540	200	---	---	R560	205	---	---

### RESISTOR

SYMBOL NO.	INDEX NO.	SYMBOL NO.	INDEX NO.	SYMBOL NO.	INDEX NO.	SYMBOL NO.	INDEX NO.	SYMBOL NO.	INDEX NO.	SYMBOL NO.	INDEX NO.	SYMBOL NO.	INDEX NO.
---	---	R601	216	R1301	185	RN1	147	RN11	193	RN21	147	RNB1	149
R572	233	R602	216	R1302	185	RN2	147	---	---	RN22	147	RNB2	190
R573	233	R603	216	R1303	185	RNB	190	RN13	193	RN23	147	RNB3	190
R574	216	R604	216	---	---	---	---	RN14	147	RN24	190	RNB4	190
R575	216	---	---	---	---	RN5	192	RN15	147	RN25	151	RNB5	189
R576	221	---	---	---	---	RN6	148	RN16	193	RN26	190	RNB6	189
R577	216	R717	202	---	---	RN7	190	RN17	147	RN27	192	RNB7	191
---	---	---	---	---	---	RN8	192	RN18	193	RN28	190	RNB8	189
---	---	---	---	---	---	RN9	193	RN19	192	RN29	190	RNB9	189
---	---	R1300	185	---	---	---	---	RN20	190	RNB0	150	RN40	190

### RN

## 22.CTL Board (B284/B288)

### RN

SYMBOL NO.	INDEX NO.
RN41	146
---	---
RN43	190
---	---
RN45	147
---	---
RN46	147
RN47	147
---	---
RN49	190
RN50	146

SYMBOL NO.	INDEX NO.
RN51	148
RN52	147
---	---
---	---
---	---
---	---
RN57	147
RN58	147
RN59	146
---	---

SYMBOL NO.	INDEX NO.
RN61	190
RN62	147
RN63	147
RN64	189
RN65	189
---	---
RN66	189
RN67	189
RN68	146
RN69	190
RN70	189

SYMBOL NO.	INDEX NO.
RN71	189
RN72	189
RN73	149
---	---
RN75	149
RN76	149

### SW

SYMBOL NO.	INDEX NO.
SW2	112

## 22.CTL Board (B284/B288)

Index No.	Part No.	Description	Q'ty Per Assembly
*	B284 5150	PCB:CTL:STL-C3	1
1	B229 7180	Asic:Charango	1

Index No.	Part No.	Description	Q'ty Per Assembly
101	1407 6465	Ram:FM25I256-PG(rev.ag)	
102	1102 4203	CT Header - 4P	
103	1102 7615	Connector - B8B-XH-A	
104	1102 8329	Connector - Usb - UBB-4R-D14C	
105	1102 8832	Connector - DM-3D4-B3210	
106	1102 9181	Connector:TX24-100R-12ST-N1	
107	1102 9336	Connector:FPS009-2300-0	
108	1102 9686	Connector - RHM-176P-SDK11-U1L1C	
109	1102 9687	Connector - RHM-88PU-SDK11-1C	
110	1102 9890	Connector:5-1605706-2	
111	1104 0764	IC Socket - 8 PIN	
112	1204 1542	Dip Switch	
113	1206 0115	Lithium Cell - CR1632/V1A	
114	1402 1909	Diode:SDB310D	
115	1402 1911	Diode - SDS511	
116	1403 1131	Led:SML-311UT	
117	1407 4919	IC - 74VHCT244 TSSOP	
118	1407 5300	CMOS Logic - 74LVC16244A TSSOP	
119	1407 5344	IC - SN74LV02APW	
120	1407 5351	IC - SN74LV14APW	
121	1407 5482	IC - SN74LVC07APW	
122	1407 5520	IC - SN74LVC125APW	
123	1407 5523	Rom - I2C SOP 3V	
124	1407 5604	IC - SN74LVC16245ADGG	
125	1407 5868	Ethernet Cont Lsi - DP83847ALQA56A	
126	1407 6100	IC:SN74LVC1G04DCK	
127	1407 6101	IC - SN74LVC2G17DCK	
128	1407 6123	IC SN74IVC2G125DCU	
129	1407 6145	IC:SN74LVC373APW	
130	1407 6187	CMOS Logic - SN74LVC1G07DCK	
131	1407 6203	CMOS Logic - SN74LVC3G07DCT	
132	1407 6265	Real Time Clock:R2025s	
133	1407 6305	Cpu - RM5231A-400L	
134	1407 6335	CMOS Logic:SN74LVC1G17DCK	
135	1407 6400	Clock Generator - ICS960013BFLF	

Index No.	Part No.	Description	Q'ty Per Assembly
136	1407 6560	CMOS Logic:SN74LVC2G126DCU	
137	1408 1778	IC:R3112Q101A	
138	1408 1815	IC - R3112Q151A	
139	1408 1826	IC - R3112Q421A	
140	1408 2053	IC:R3112Q291A-FA	
141	1408 2096	IC - BD9103FVM	
142	1408 2213	Dc/dc Converter - H8D3214	
143	1503 0842	Oscillator - 14.31818MHZ	
144	1503 1138	Crystal Oscillator - 48MHZ	
145	1503 1309	Crystal Oscillator - 25MHZ	
146	1601 7887	Resistor Array - 10K $\Omega$ $\pm$ 5% 1/32W	
147	1601 7898	Resistor Array	
148	1601 7909	Resistor Array - 10 $\Omega$ $\pm$ 5% 1/32W	
149	1601 7914	Resistor Array - 47 $\Omega$ $\pm$ 5%	
150	1601 7943	Resistor Array - 68 $\Omega$ $\pm$ 5% 1/32W	
151	1601 7959	Resistor	
152	1604 4728	Capacitor - 100UF $\pm$ 20% 16V	
153	1604 4994	Capacitor - 100UF $\pm$ 20% 6.3V	
154	1604 5135	Capacitor - 1000UF $\pm$ 20% 10V	
155	1605 1124	Capacitor - 4.7UF+80-20% 10V	
156	1605 1132	Capacitor - 2.2UF+80-20% 16V	
157	1605 1195	Capacitor:4pF: $\pm$ 0.25PF:50V	
158	1605 1199	Capacitor - 8PF $\pm$ 0.5pF 50V	
159	1605 1200	Capacitor - 10PF $\pm$ 0.5pF 50V	
160	1605 1201	Capacitor - 12pF $\pm$ 5% 50V	
161	1605 1202	Capacitor - 15pF $\pm$ 5% 50V	
162	1605 1204	Capacitor-pF50V	
163	1605 1207	Capacitor - 68pF $\pm$ 5% 50V	
164	1605 1208	Capacitor:100pF: $\pm$ 5%:50V	
165	1605 1211	Capacitor - 220pF $\pm$ 10% 50V	
166	1605 1212	Capacitor - 470pF $\pm$ 10% 50V	
167	1605 1214	Capacitor - 1000pF $\pm$ 10% 50V	
168	1605 1221	Capacitor - 0.1UF+80-20% 16V	
169	1605 1240	Capacitor - 0.01UF $\pm$ 10% 25V	
170	1605 1289	Capacitor - 0.1UF $\pm$ 10% 10V	

Index No.	Part No.	Description	Q'ty Per Assembly
171	1605 1294	Resistor - 1000pF $\pm$ 5% 50V	
172	1605 1295	Capacitor:10UF:+80-20%:10V	
173	1605 1296	Capacitor - 330pF $\pm$ 10% 50V	
174	1605 1299	Resistor - 56pF $\pm$ 5% 50V	
175	1605 1305	Capacitor - 1UF+80-20% 6.3V	
176	1605 1306	Capacitor - 1UF $\pm$ 10% 10V	
177	1605 1344	Capacitor - 33pF $\pm$ 5% 50V	
178	1605 1391	Capacitor - 22UF: $\pm$ 20%:6.3V	
179	1605 1406	Capacitor - 10UF $\pm$ 10% 6.3V	
180	1605 1447	Resistor - 470pF $\pm$ 5% 50V	
181	1605 1474	Capacitor - 47UF $\pm$ 20% 6.3V	
182	1607 0978	Inductor - BLM21P300SPB	
183	1607 1051	Filter -FBMJ2125HS420	
184	1607 1061	Filter - BLM11P300SPB	
185	1607 1123	Filter:BLM18BB471SN1B	
186	1607 1362	Coil - ACM3225-800-2P	
187	1607 1477	Inductor - RLF7030-4R7M3R4	
188	1607 1567	Filter:MPZ2012S101A	
189	1609 0005	Resistor:33 $\Omega$ : $\pm$ 5%:1/16W	
190	1609 0006	Resistor:10K $\Omega$ : $\pm$ 5%:1/16W	
191	1609 0007	Resistor - 68 $\Omega$ $\pm$ 5% 1/16W	
192	1609 0011	Resistor:22 $\Omega$ : $\pm$ 5%:1/16W	
193	1609 0026	Resistor - 47 $\Omega$ $\pm$ 5% 1/16W	
194	1610 1377	Resistor - 0.1 $\Omega$ $\pm$ 2% 1/2W	
195	1610 1871	Resistor - 0.22 $\Omega$ $\pm$ 1%	
196	1632 0000	Resistor - 0 $\Omega$ 1/8W	
197	1633 0000	Resistor - 0 $\Omega$ 1/10W	
198	1634 0000	Resistor - 0 $\Omega$ 1/16W	
199	1650 4309	RESISTOR:3 $\Omega$ : $\pm$ 5%:1/10W:1608	
200	1650 4330	Chip Resistor - 33 $\Omega$ $\pm$ 5% 1/10W	
201	1650 4470	Resistor - 47 $\Omega$ $\pm$ 5% 1/10W	
202	1650 5100	Chip Resistor - 10 $\Omega$ $\pm$ 5% 1/16W	
203	1650 5101	Chip Resistor - 100 $\Omega$ $\pm$ 5% 1/16W	
204	1650 5102	Chip Resistor - 1K $\Omega$ $\pm$ 5% 1/16W	
205	1650 5103	Chip Resistor - 10K $\Omega$ $\pm$ 5% 1/16W	





Index No.	Part No.	Description	Q'ty Per Assembly
206	1650 5104	Chip Resistor - 100K $\Omega$ $\pm$ 5% 1/16W	
207	1650 5109	Chip Resistor 1 $\Omega$ $\pm$ 5% 1/16W	
208	1650 5122	Chip Resistor - 1.2K $\Omega$ $\pm$ 5% 1/16W	
209	1650 5182	Chip Resistor - 1.8K $\Omega$ $\pm$ 5% 1/16W	
210	1650 5203	Resistor - 20K $\Omega$ $\pm$ 5% 1/16W	
211	1650 5221	Chip Resistor - 220 $\Omega$ $\pm$ 5% 1/16W	
212	1650 5222	Resistor - 2.2K $\Omega$ $\pm$ 5% 1/16W	
213	1650 5271	Chip Resistor 270 $\Omega$ $\pm$ 5% 1/16W	
214	1650 5272	Chip Resistor:2.7K $\Omega$ : $\pm$ 5%:1/16W	
215	1650 5330	Chip Resistor - 33 $\Omega$ $\pm$ 5% 1/16W	
216	1650 5470	Chip Resistor 47 $\Omega$ $\pm$ 5% 1/16W	
217	1650 5472	Chip Resistor:4.7K $\Omega$ : $\pm$ 5%:1/16W	
218	1650 5512	Chip Resistor 5.1K $\Omega$ $\pm$ 5% 1/16W	
219	1650 5562	Chip Resistor:5.6K $\Omega$ : $\pm$ 5%:1/16W	
220	1650 5621	Chip Resistor 620 $\Omega$ $\pm$ 5% 1/16W	
221	1650 5683	Chip Resistor 68K $\Omega$ $\pm$ 5% 1/16W	
222	1650 5822	Chip Resistor:8.2K $\Omega$ : $\pm$ 5%:1/16W	
223	1653 4999	Resistor - 49.9 $\Omega$ $\pm$ 1% 1/8W	
224	1653 5499	Resistor - 54.9 $\Omega$ $\pm$ 1% 1/8W	
225	1654 1004	Chip Resistor - 1M $\Omega$ $\pm$ 1% 1/10W	
226	1654 1102	Resistor - 11K $\Omega$ $\pm$ 1% 1/10W	
227	1654 1501	Resistor - 1.5K $\Omega$ $\pm$ 1% 1/10W 1608	
228	1654 1502	Resistor - 15K $\Omega$ $\pm$ 1% 1/10W	
229	1654 3002	Resistor - 30K $\Omega$ $\pm$ 1% 1/10W	
230	1654 3909	Resistor - 39 $\Omega$ $\pm$ 1% 1/10W	
231	1654 5101	Resistor - 5.1K $\Omega$ $\pm$ 1% 1/10W	
232	1654 6800	Resistor - 680 $\Omega$ $\pm$ 1% 1/10W	
233	1655 0000	Chip Resistor - 0 $\Omega$ $\pm$ 0% 1/16W	
234	1655 1002	Chip Resistor - 10K $\Omega$ $\pm$ 1% 1/16W	
235	1655 1502	Resistor - 15K $\Omega$ $\pm$ 1% 1/16W	
236	1655 1651	Resistor:1.65K $\Omega$ : $\pm$ 1%:1/16W:1005	
237	1660 2471	Capacitor - 470pF - $\pm$ 5% - 50V	
238	1660 2560	Capacitor - 56pF $\pm$ 5% 50V	
239	1660 4103	Capacitor - 10000pF - $\pm$ 10% - 50V	
240	1660 4472	Capacitor - 4700pF $\pm$ 10% 50V	

Index No.	Part No.	Description	Q'ty Per Assembly
241	1660 6103	Capacitor - 10000pF - +80%-20% 50V	
242	1906 0105	Flash Memory:S29GL128N10TFI020	
243	1907 0013	SDRAM:256M:4Mx16x4:133MHZ:G1	
244	1407 6465	RAM:FM25L256 - PG	

## 23.BICU Board (B284/B288)

### CAPACITOR

SYMBOL NO.	INDEX NO.	SYMBOL NO.	INDEX NO.	SYMBOL NO.	INDEX NO.	SYMBOL NO.	INDEX NO.	SYMBOL NO.	INDEX NO.	SYMBOL NO.	INDEX NO.	SYMBOL NO.	INDEX NO.
C1	211	C11	201	C21	201	C31	211	---	---	C51	211	C61	186
C2	184	C12	201	C22	198	C32	201	C42	195	C52	201	C62	211
C3	196	C13	205	C23	201	C33	211	C43	193	C53	201	---	---
C4	196	C14	198	C24	198	C34	211	---	---	C54	198	---	---
C5	201	C15	198	C25	211	C35	210	C45	193	C55	198	C65	211
C6	303	C16	200	C26	211	C36	211	C46	211	C56	196	C66	228
C7	196	C17	198	C27	198	C37	201	C47	207	C57	198	C67	233
C8	198	C18	194	C28	198	C38	211	C48	207	---	---	C68	201
C9	303	C19	211	C29	198	C39	201	C49	205	C59	186	C69	232
C10	199	C20	214	C30	211	---	---	C50	198	C60	194	C70	198

### CAPACITOR

SYMBOL NO.	INDEX NO.	SYMBOL NO.	INDEX NO.	SYMBOL NO.	INDEX NO.	SYMBOL NO.	INDEX NO.	SYMBOL NO.	INDEX NO.	SYMBOL NO.	INDEX NO.	SYMBOL NO.	INDEX NO.
C71	183	---	---	C91	198	C101	201	C111	194	C901	201	C921	307
C72	201	C82	204	C92	211	C102	211	C112	231	C902	201	C922	307
C73	229	C83	198	C93	201	C103	211	C113	306	C903	201	C923	307
C74	229	C84	201	---	---	C104	301	C114	216	---	---	C924	307
C75	201	C85	198	C95	211	C105	211	C115	201	---	---	C925	307
C76	211	C86	211	C96	194	C106	201	---	---	---	---	C926	307
C77	201	C87	184	C96	186	C107	199	C117	229	---	---	---	---
---	---	---	---	C97	211	C108	194	---	---	---	---	---	---
C79	198	C89	201	C98	201	C109	211	C119	194	C919	307	---	---
---	---	---	---	---	---	C110	304	C120	194	C920	307	---	---



## 23.BICU Board (B284/B288)

### CAPACITOR

SYMBOL NO.	INDEX NO.	SYMBOL NO.	INDEX NO.	SYMBOL NO.	INDEX NO.	SYMBOL NO.	INDEX NO.	SYMBOL NO.	INDEX NO.	SYMBOL NO.	INDEX NO.	SYMBOL NO.	INDEX NO.
C261	198	C271	233	C281	205	C291	229	C301	192	C311	216	C321	198
C262	194	C272	304	C282	205	C292	201	C302	192	---	---	C322	201
C263	201	C273	304	C283	205	C293	209	C303	192	---	---	C323	201
---	---	C274	299	C284	190	C294	201	C304	192	---	---	C324	201
C265	207	C275	299	C285	190	C295	192	---	---	---	---	C325	198
C266	207	C276	233	C286	190	C296	192	---	---	---	---	C326	198
C267	191	C277	194	C287	229	C297	201	C307	192	---	---	C327	194
C268	191	C278	194	C288	187	---	---	C308	192	---	---	C328	194
C269	201	C279	194	C289	209	C299	192	C309	192	---	---	C329	194
C270	201	C280	194	C290	203	C300	192	C310	192	---	---	C330	201

### CAPACITOR

SYMBOL NO.	INDEX NO.	SYMBOL NO.	INDEX NO.	SYMBOL NO.	INDEX NO.	SYMBOL NO.	INDEX NO.	SYMBOL NO.	INDEX NO.	SYMBOL NO.	INDEX NO.	SYMBOL NO.	INDEX NO.
C331	194	C341	202	---	---	---	---	C371	307	C381	185	---	---
C332	201	C342	215	C352	198	C362	211	C372	186	C382	185	---	---
C333	201	C343	206	C353	198	C363	211	C373	307	C383	307	C393	307
C334	208	C344	206	C354	198	C364	211	C374	201	C384	307	C394	185
C335	208	C345	206	---	---	C365	211	C375	198	C385	185	C395	307
C336	208	C346	233	---	---	C366	201	C376	185	C386	185	---	---
C337	206	---	---	C357	211	C367	201	C377	307	---	---	---	---
C338	206	C348	194	---	---	C368	201	C378	185	---	---	C398	304
C339	206	C349	201	---	---	C369	186	C379	307	---	---	---	---
C340	206	---	---	---	---	C370	186	C380	307	---	---	C400	307

## 23.BICU Board (B284/B288)

### CAPACITOR

SYMBOL NO.	INDEX NO.	SYMBOL NO.	INDEX NO.	SYMBOL NO.	INDEX NO.	SYMBOL NO.	INDEX NO.	SYMBOL NO.	INDEX NO.	SYMBOL NO.	INDEX NO.
---	---	C411	185	C421	185	C431	305	C441	194	C931	201
C402	300	C412	185	C422	307	C432	305	---	---	---	---
C403	307	C413	307	C423	307	C433	305	C443	201	---	---
C404	302	C414	185	C424	307	C434	305	C444	201	---	---
C405	189	C415	307	---	---	C435	305	C445	196	---	---
---	---	C416	185	C426	186	C436	307	C446	305	C936	201
C407	307	C417	307	C427	307	C437	188	---	---	C937	198
C408	185	C418	185	C428	201	C438	194	---	---	---	---
C409	307	C419	185	C429	201	C439	201	---	---	---	---
C410	307	C420	185	C430	189	C440	201	---	---	C940	201
										C941	201
										C942	201
										C943	201
										C944	307

### CONNECTOR

SYMBOL NO.	INDEX NO.	SYMBOL NO.	INDEX NO.	SYMBOL NO.	INDEX NO.	SYMBOL NO.	INDEX NO.	SYMBOL NO.	INDEX NO.	SYMBOL NO.	INDEX NO.
CNI01	112	---	---	---	---	---	---	---	---	D1	147
---	---	CNI12	129	CNI22	101	CNI32	120	---	---	D2	147
CNI03	126	---	---	CNI23	123	---	---	CNI43	103	D3	146
CNI04	110	CNI14	106	CNI24	105	---	---	---	---	D4	148
CNI05	122	CNI15	117	CNI25	115	---	---	---	---	D5	147
CNI06	107	CNI16	114	CNI26	127	CNI36	108	---	---	D6	147
CNI07	122	CNI17	118	CNI27	119	---	---	CNI47	125	D7	147
CNI08	102	---	---	CNI28	121	CNI38	128	---	---	D8	147
CNI09	124	CNI19	104	CNI29	108	---	---	CNI49	113	D9	147
CNI10	116	---	---	CNI30	111	CNI40	109	---	---	---	---
										---	---
										DI2	145

### DIODE

SYMBOL NO.	INDEX NO.
---	---
DI2	145

## 23.BICU Board (B284/B288)

### FILTER

SYMBOL NO.	INDEX NO.
FIL1	217
FIL2	217
FIL3	219
FIL4	219
FIL5	217
FIL6	218
FIL7	218
FIL8	218

### IC

SYMBOL NO.	INDEX NO.
IC1	158
IC2	150
IC3	164
IC4	151
IC5	162
IC6	159
IC7	155
IC8	155
IC9	153
IC10	2

SYMBOL NO.	INDEX NO.
IC11	1
---	---
IC13	154
---	---
IC15	156
IC16	160
---	---
---	---
IC19	161
IC20	167

SYMBOL NO.	INDEX NO.
IC21	3
---	---
---	---
IC24	309
IC25	308
IC26	308
IC27	152
IC28	152
IC29	169
---	---

SYMBOL NO.	INDEX NO.
IC31	157
---	---
---	---
IC34	156
---	---
IC36	168

### LED

SYMBOL NO.	INDEX NO.
LED2	149

### OSC

SYMBOL NO.	INDEX NO.
OSC1	171
OSC2	172

### Q

SYMBOL NO.	INDEX NO.
Q1	139
---	---
Q3	136
Q4	140
Q5	137
Q6	131
Q7	142
Q8	143
Q9	143
Q10	141

### Q

SYMBOL NO.	INDEX NO.
Q1	135
Q2	143
Q3	143
Q4	143
Q5	133
Q6	130
Q7	134
Q8	138
Q9	132
Q0	143

SYMBOL NO.	INDEX NO.
---	---
Q2	137
Q3	139
---	---
---	---
Q6	142
Q7	139

### RESISTOR

SYMBOL NO.	INDEX NO.
R1	226
R2	248
R3	250
R4	248
R5	250
R6	227
R7	238
R8	270
R9	250
R10	273

SYMBOL NO.	INDEX NO.
R11	248
R12	227
R13	250
R14	250
R15	248
R16	227
R17	270
R18	248
R19	270
---	---

SYMBOL NO.	INDEX NO.
R21	250
R22	248
R23	284
R24	285
R25	250
R26	250
R27	248
R28	249
R29	275
R30	265

SYMBOL NO.	INDEX NO.
R31	248
R32	265
R33	250
R34	248
R35	250
R36	262
R37	250
R38	248
R39	250
R40	248

SYMBOL NO.	INDEX NO.
R41	261
R42	250
R43	253
R44	250
R45	250
R46	250
R47	249
R48	250
R49	240
R50	254

## 23.BICU Board (B284/B288)

### RESISTOR

SYMBOL NO.	INDEX NO.	SYMBOL NO.	INDEX NO.	SYMBOL NO.	INDEX NO.	SYMBOL NO.	INDEX NO.	SYMBOL NO.	INDEX NO.	SYMBOL NO.	INDEX NO.	SYMBOL NO.	INDEX NO.
R51	277	R61	251	R71	270	R81	274	R91	248	R101	244	R111	265
R52	249	R62	287	R72	261	R82	225	R92	249	R102	249	R112	271
R53	249	R63	250	R73	248	R83	247	R93	248	R103	250	R113	265
R54	249	---	---	R74	250	R84	269	R94	249	R104	251	R114	236
R55	249	R65	266	R75	270	R85	262	R95	271	R105	251	R115	250
R56	251	R66	250	R76	248	R86	255	R96	250	R106	254	R116	236
R57	291	R67	262	R77	248	R87	269	R97	249	R107	265	R117	250
R58	249	R68	297	R78	250	R88	250	R98	250	R108	254	R118	271
R59	291	R69	289	R79	248	---	---	R99	248	R109	251	R119	249
R60	287	R70	272	R80	270	---	---	R100	235	R110	251	R120	237

### RESISTOR

SYMBOL NO.	INDEX NO.	SYMBOL NO.	INDEX NO.	SYMBOL NO.	INDEX NO.	SYMBOL NO.	INDEX NO.	SYMBOL NO.	INDEX NO.	SYMBOL NO.	INDEX NO.	SYMBOL NO.	INDEX NO.
R121	250	R131	250	R141	250	R151	265	R161	260	R171	250	---	---
R122	174	R132	295	R142	173	R152	251	R162	277	R172	243	R182	250
R123	250	R133	250	R143	177	R153	249	R163	257	R173	176	---	---
R124	249	R134	256	R144	174	R154	250	R164	243	R174	176	R184	226
R125	281	R135	296	R145	265	---	---	R165	263	---	---	R185	175
R126	279	R136	249	---	---	R156	261	R166	265	---	---	R186	265
R127	278	R137	249	R147	246	R157	253	R167	250	R177	258	R187	265
R128	250	R138	250	R148	240	R158	254	R168	250	R178	250	---	---
R129	280	R139	269	R149	265	R159	250	R169	243	---	---	R189	250
R130	173	R140	250	R150	250	R160	249	R170	265	---	---	R190	265

## 23.BICU Board (B284/B288)

### RESISTOR

SYMBOL NO.	INDEX NO.	SYMBOL NO.	INDEX NO.	SYMBOL NO.	INDEX NO.	SYMBOL NO.	INDEX NO.	SYMBOL NO.	INDEX NO.	SYMBOL NO.	INDEX NO.		
R191	298	R201	261	R211	265	R221	261	R231	265	R241	265	R251	266
R192	286	R202	257	R212	265	R222	265	R232	250	R242	248	R252	250
R193	290	R203	261	R213	251	R223	251	---	---	R243	274	R253	243
R194	292	R204	261	R214	265	---	---	---	---	R244	243	R254	243
R195	261	R205	257	R215	266	---	---	R235	227	R245	242	R255	227
R196	261	R206	265	R216	266	R226	265	R236	249	R246	259	R256	265
R197	288	R207	265	R217	250	R227	251	R237	265	R247	273	R257	265
R198	265	R208	250	---	---	---	---	R238	248	R248	252	R258	250
R199	265	R209	265	R219	265	---	---	---	---	R249	276	R259	250
R200	257	R210	265	R220	261	R230	250	R240	227	R250	246	R260	265

### RESISTOR

SYMBOL NO.	INDEX NO.	SYMBOL NO.	INDEX NO.	SYMBOL NO.	INDEX NO.	SYMBOL NO.	INDEX NO.	SYMBOL NO.	INDEX NO.	SYMBOL NO.	INDEX NO.		
R261	273	R271	265	R281	265	R291	250	R301	266	R311	250	R321	270
R262	251	R272	265	R282	265	R292	265	R302	265	R312	249	R322	249
R263	250	R273	250	---	---	R293	282	R303	265	---	---	R323	249
R264	250	R274	265	---	---	R294	282	R304	265	R314	250	R324	266
---	---	R275	250	---	---	R295	265	---	---	R315	250	R325	250
---	---	R276	250	---	---	R296	282	R306	227	R316	273	R326	250
---	---	R277	265	---	---	R297	250	R307	265	R317	265	R327	250
---	---	R278	265	---	---	R298	249	R308	265	R318	267	R328	250
---	---	R279	265	---	---	R299	259	R309	248	R319	270	R329	250
R270	265	R280	273	R290	265	R300	274	R310	265	R320	267	R330	265



## 23.BICU Board (B284/B288)

### RESISTOR

SYMBOL NO.	INDEX NO.	SYMBOL NO.	INDEX NO.	SYMBOL NO.	INDEX NO.	SYMBOL NO.	INDEX NO.	SYMBOL NO.	INDEX NO.	SYMBOL NO.	INDEX NO.	SYMBOL NO.	INDEX NO.
R331	265	R341	282	R351	252	---	---	---	---	R381	249	---	---
R332	250	R342	282	R352	266	R362	265	---	---	R382	249	---	---
R333	250	R343	283	R353	250	R363	265	---	---	---	---	---	---
R334	250	R344	283	R354	265	R364	249	---	---	R384	273	R394	273
R335	250	R345	283	R355	265	R365	249	---	---	R385	273	R395	261
---	---	R346	265	---	---	R366	250	---	---	R386	273	R396	265
R337	251	R347	265	---	---	R367	250	---	---	R387	265	R397	261
R338	227	R348	265	---	---	R368	250	R378	249	R388	250	R398	250
R339	282	R349	264	R359	250	---	---	---	---	R389	265	R399	261
R340	282	R350	282	R360	240	---	---	---	---	R390	227	R400	261

### RESISTOR

SYMBOL NO.	INDEX NO.	SYMBOL NO.	INDEX NO.	SYMBOL NO.	INDEX NO.	SYMBOL NO.	INDEX NO.	SYMBOL NO.	INDEX NO.	SYMBOL NO.	INDEX NO.	SYMBOL NO.	INDEX NO.
R401	265	R411	249	R421	240	R431	243	R441	250	R451	236	---	---
R402	273	R412	249	R422	246	R432	240	R442	273	R452	236	R462	227
R403	249	R413	249	R423	246	R433	243	R443	273	R453	226	R463	282
R404	261	R414	249	R424	246	R434	239	---	---	R454	226	R464	282
---	---	R415	250	R425	243	R435	243	---	---	R455	248	R465	282
R406	266	R416	227	---	---	R436	245	---	---	R456	227	R466	241
---	---	R417	268	---	---	R437	241	R447	273	R457	250	R467	282
R408	261	R418	273	---	---	R438	241	R448	250	---	---	R468	282
R409	249	R419	294	R429	227	R439	240	---	---	R459	250	---	---
R410	249	R420	293	R430	227	R440	240	R450	243	R460	243	R470	240

## 23.BICU Board (B284/B288)

### RESISTOR

SYMBOL NO.	INDEX NO.
R471	240
R472	240
R473	240
R474	240
R475	240
R476	240
R477	240
R478	239

### REG

SYMBOL NO.	INDEX NO.
REG1	165
REG2	163
REG3	170
REG4	166

### RN

SYMBOL NO.	INDEX NO.
RN1	179
RN2	224
RN3	224
RN4	224
RN5	224
RN6	224
RN7	224
---	---
RN9	180
RN10	180

SYMBOL NO.	INDEX NO.
RN11	180
RN12	180
RN13	222
RN14	220
---	---
---	---
---	---
---	---
RN19	222
---	---

SYMBOL NO.	INDEX NO.
RN21	220
RN22	220
RN23	220
RN24	220
RN25	220
RN26	220
RN27	222
RN28	180
RN29	220
RN30	224

SYMBOL NO.	INDEX NO.
RN31	223
---	---
RN33	221
---	---
RN35	221
RN36	224
RN37	223
RN38	223
RN39	180
---	---

SYMBOL NO.	INDEX NO.
RN41	180
RN42	222
RN43	180
RN44	221
RN45	220
RN46	180
RN47	220
RN48	221
---	---
---	---

### RN

SYMBOL NO.	INDEX NO.
---	---
---	---
---	---
---	---
---	---
---	---
RN57	180
RN58	178
RN59	222
RN60	222

SYMBOL NO.	INDEX NO.
RN61	222
RN62	222
RN63	222
RN64	181
RN65	179
RN66	182
RN67	179
RN68	180
RN69	180
RN70	220

SYMBOL NO.	INDEX NO.
---	---
---	---
---	---
---	---
---	---
---	---
---	---
RN78	222
RN79	222
RN80	179

SYMBOL NO.	INDEX NO.
RN81	179
RN82	222
RN83	222
RN84	221
RN85	221
RN86	220
---	---
RN88	221
---	---
RN90	222

### ZD

SYMBOL NO.	INDEX NO.
ZD1	144

### 23.BICU Board (B284/B288)

Index No.	Part No.	Description	Q'ty Per Assembly
*	B284 5101	PCB:BICU:GW	1
*	B284 5103	PCB:BICU:GW:Asia	1
1	B121 5501	IC:Scratch:KS6M2U1651CBP	1
2	B121 5502	LSI:TRIO:UPB65945GD-103-LML-A	1
3	B262 7100	LSI:CALDA:RL5C667	1

Index No.	Part No.	Description	Q'ty Per Assembly
101	1102 4202	Connector - 3P	
102	1102 4205	CT Header - 6P	
103	1102 4462	CT Header(H) - 4P	
104	1102 4619	Connector - 2P	
105	1102 4631	CT Connector - 2P	
106	1102 5302	Connector - 3P	
107	1102 5306	Connector - 7P	
108	1102 6295	Connector - 2P	
109	1102 6297	Connector - 4P	
110	1102 6304	Connector - 11P	
111	1102 6309	Connector - 2P	
112	1102 8153	Connector - FCN-568P068-G/05A-V4	
113	1102 8477	Connector - 13P	
114	1102 8544	Connector 1-353297-3	
115	1102 8545	Connector - 1-353297-6	
116	1102 8546	Connector - 1-353297-7	
117	1102 8655	Connector - 9P 353297-9	
118	1102 8807	Connector - FFC/FPC-52045-0545	
119	1102 9108	Connector - 353297-3	
120	1102 9109	Connector - 353297-4	
121	1102 9110	Connector - 353297-6	
122	1102 9111	Connector - 353297-7	
123	1102 9112	Connector - 353297-8	
124	1102 9117	Connector - 353297-8	
125	1102 9133	Connector - 292206-8	
126	1102 9548	Connector - TX25-100P-8ST-H1	
127	1102 9602	Connector - 5-353297-6	
128	1102 9710	Connector - 5-353297-4	
129	1103 3863	Connector - 52806-1810	
130	1400 0356	Transistor - 2SA1036K	
131	1400 0789	Transistor - IMT17	
132	1400 0799	Transistor - 2SB1326	
133	1400 0901	Transistor - DTC144VUA	
134	1400 0953	Transistor - 2SC4081S	
135	1400 0967	Transistor - DTC123EUA	

Index No.	Part No.	Description	Q'ty Per Assembly
136	1400 1163	Transistor - 2SA1979UF	
137	1400 1164	Transistor:2SC5343UF	
138	1400 1170	Transistor - SRC1206UF	
139	1400 1171	Transistor:SRC1205UF	
140	1400 1174	Transistor - SRC1219UF	
141	1400 1190	Transistor - STD1664	
142	1400 1191	Transistor - RT3NDDM-T111	
143	1400 1208	Transistor - SUR519J	
144	1402 1511	Zenerdiode - MTZJ13B	
145	1402 1565	Diode - RB	
146	1402 1910	Diode - SDS142WAF	
147	1402 1911	Diode - SDS511	
148	1402 1912	Diode - SDS142WMF	
149	1403 1266	LED - KPT-1608EC	
150	1407 2219	IC - TD62003AP	
151	1407 5353	IC - SN74LV244APW	
152	1407 5368	IC - 74LVC245A TSSOP	
153	1407 5374	IC - SN74LV4052APW	
154	1407 5376	IC - SN74LV32APW	
155	1407 5382	CMOS Logic - SN74LV373APW	
156	1407 5454	IC - SN74LV86APW	
157	1407 5469	IC - SN74LV07APW	
158	1407 5509	IC - SN74AHCT08PW	
159	1407 5588	IC - MTD2006F	
160	1407 6032	IC - SN74LV161APW	
161	1407 6525	Cpu - HD6412320VF25V	
162	1407 6584	IC - STK672-400B-E	
163	1408 1290	Regulator - TA7805S	
164	1408 1653	Opeamp - LMV324IPW	
165	1408 1669	Series Regulator:R1170H331B	
166	1408 1850	Regulator - R1170H181B	
167	1408 1929	IC - R3112Q441A	
168	1408 2316	IC - R3112Q381A-FA	
169	1408 2336	Analog IC - WM8214SCDS	
170	1408 2384	Series Regulator - BAJ2CC0WFP	

Index No.	Part No.	Description	Q'ty Per Assembly
171	1503 0993	Crystal Oscillator - 14.7456MHZ	
172	1503 1319	Crystal Oscillator - 16.2MHZ	
173	1600 1418	Resistor - 1.0Ω 1W	
174	1600 1684	Resistor - 0.47Ω±5% 2W	
175	1601 5390	Resistor - 270HM±27Ω 1W	
176	1601 5492	Resistor - 47Ω±5% 2W	
177	1601 5668	Resistor - 390Ω±5% 2W	
178	1601 7877	Resistor Array 4.7KΩ±5% 1/32W	
179	1601 7887	Resistor Array - 10KΩ±5% 1/32W	
180	1601 7898	Resistor Array	
181	1601 7943	Resistor Array - 68Ω±5% 1/32W	
182	1601 7959	Resistor	
183	1604 5525	Capacitor - 100UF±20% 10V	
184	1604 5581	Capacitor - 330UF±20% 35V	
185	1605 1137	Capacitor - 470pF±10% 50V	
186	1605 1148	Capacitor - 0.1UF+80-20% 50V	
187	1605 1154	Capacitor - 1UF±10% 16V	
188	1605 1166	Capacitor - 0.015UF±10% 50V	
189	1605 1190	Resistor - 0.022UF±10% 50V	
190	1605 1200	Capacitor - 10PF±0.5pF 50V	
191	1605 1201	Capacitor - 12pF±5% 50V	
192	1605 1204	Capacitor - pF50V	
193	1605 1205	Capacitor - 33pF±5% 50V	
194	1605 1206	Capacitor - 47pF±5% 50V	
195	1605 1208	Capacitor:100pF:±5%:50V	
196	1605 1209	Capacitor - 150pF±5% 50V	
197	1605 1210	Capacitor:180pF:±5%:50V	
198	1605 1212	Capacitor - 470pF±10% 50V	
199	1605 1214	Capacitor - 1000pF±10% 50V	
200	1605 1216	Capacitor - 2200pF±10% 50V	
201	1605 1221	Capacitor - 0.1UF+80-20% 16V	
202	1605 1240	Capacitor - 0.01UF±10% 25V	
203	1605 1250	Capcitor:0.068UF:±10%:10V	
204	1605 1285	Capacitor - 3300pF±10% 50V	
205	1605 1288	Capacitor - 220pF±5% 50V	

Index No.	Part No.	Description	Q'ty Per Assembly
206	1605 1289	Capacitor - 0.1UF±10% 10V	
207	1605 1293	Capacitor - 27pF±5% 50V	
208	1605 1294	Resistor - 1000pF±5% 50V	
209	1605 1295	Capacitor:10UF:+80-20%:10V	
210	1605 1300	Capacitor - 270pF±5% 50V	
211	1605 1303	Capacitor - 0.01UF+80-20% 50V	
212	1605 1347	Capacitor - 1UF:+80-20%:16V	
213	1605 1352	Resistor - 82pF±5% 50V	
214	1605 1447	Resistor - 470pF±5% 50V	
215	1605 1452	Capacitor - 1UF±10% 6.3V	
216	1605 1464	Resistor - 10UF±20% 25V	
217	1607 0824	Filter - BLM11A601SPB	
218	1607 0973	Inductor - BLM11A121SPB	
219	1607 1342	Filter - BLM18BD121SN1B	
220	1609 0005	Resistor:33 Ω:±5%:1/16W	
221	1609 0006	Resistor:10K Ω:±5%:1/16W	
222	1609 0007	Resistor - 68Ω±5% 1/16W	
223	1609 0019	Resistor:0Ω:1608	
224	1609 0027	Resistor - 100KΩ±5% 1/16W	
225	1611 8510	Resistor 51Ω±5% 1/4W	
226	1633 0000	Resistor - 0Ω 1/10W	
227	1634 0000	Resistor - 0Ω 1/16W	
228	1640 5470	Capacitor - 47UF±20% 50V	
229	1642 1470	Capacitor 47UF±20% 16V	
230	1642 2470	Capacitor - 47MF±20% 25V	
231	1642 3330	Capacitor - 33UF±20%-35V	
232	1642 3470	Capacitor - 47UF±20% 35V	
233	1642 5100	Capacitor - 10MF±20% 50V	
234	1642 5220	Capacitor - 22UF±20% 50V	
235	1650 2472	Chip Resistor - 4.7K	
236	1650 3101	Resistor - 100Ω±5% 1/8W	
237	1650 3102	Resistor:1KΩ:±5%:1/8W:2125	
238	1650 4101	Resistor - 100Ω±5% 1/10W	
239	1650 4102	Resistor - 1KΩ±5% 1/10W	
240	1650 4103	Resistor - 10KΩ±5% 1/10W	

Index No.	Part No.	Description	Q'ty Per Assembly
241	1650 4104	Resistor - 100KΩ±5% 1/10W	
242	1650 4220	Chip Resistor - 22Ω±5% 1/10W	
243	1650 4330	Chip Resistor - 33Ω±5% 1/10W	
244	1650 4472	Resistor - 4.7KΩ±5% 1/10W	
245	1650 4473	Resistor - 47KΩ±5% 1/10W	
246	1650 4680	Resistor - 68Ω±5% 1/10W	
247	1650 4750	Resistor - 75Ω±5% 1/10W	
248	1650 5101	Chip Resistor - 100Ω±5% 1/16W	
249	1650 5102	Chip Resistor - 1KΩ±5% 1/16W	
250	1650 5103	Chip Resistor - 10KΩ±5% 1/16W	
251	1650 5104	Chip Resistor - 100KΩ±5% 1/16W	
252	1650 5105	Chip Resistor - 1MΩ±5% 1/16W	
253	1650 5122	Chip Resistor - 1.2KΩ±5% 1/16W	
254	1650 5123	Resistor - 12KΩ±5% 1/16W	
255	1650 5153	Chip Resistor - 15KΩ±5% 1/16W	
256	1650 5163	Resistor - 16KΩ±5% 1/16W	
257	1650 5201	Resistor - 200Ω±5% 1/16W	
258	1650 5202	Chip Resistor:2KΩ:±5%:1/16W	
259	1650 5203	Resistor - 20KΩ±5% 1/16W	
260	1650 5221	Chip Resistor - 220Ω±5% 1/16W	
261	1650 5222	Resistor - 2.2KΩ±5% 1/16W	
262	1650 5243	Resistor - 24KΩ±5% 1/16W	
263	1650 5244	Resistor:240KΩ:±5%:1/16W:1005	
264	1650 5300	Resistor - 30Ω±5% 1/16W	
265	1650 5330	Chip Resistor - 33Ω±5% 1/16W	
266	1650 5331	Resistor - 330Ω±5% 1/16W	
267	1650 5332	Resistor - 3.3KΩ±5% 1/16W	
268	1650 5470	Chip Resistor 47Ω±5% 1/16W	
269	1650 5471	Chip Resistor - 470Ω-5% 1/16W	
270	1650 5472	Chip Resistor:4.7KΩ:±5%:1/16W	
271	1650 5473	Chip Resistor - 47KΩ±5% 1/16W	
272	1650 5624	Resistor - 620KΩ±5% 1/16W	
273	1650 5680	Resistor - 68Ω±5% 1/16W	
274	1650 5750	Chip Resistor:75Ω:±5%:1/16W	
275	1650 5751	Resistor:750Ω:±5%:1/16W:1005	





## 24.GWFCU Board (B284/B288)

### BAT

SYMBOL NO.	INDEX NO.
BAT1	107

### CAPACITOR

SYMBOL NO.	INDEX NO.
C1	145
C2	145
C3	144
C4	146
C5	147
C6	147
C7	163
---	---
C9	154
C10	154

SYMBOL NO.	INDEX NO.
C11	151
C12	154
C13	154
C14	167
C15	167
C16	170
C17	166
C18	166
C19	168
C20	168

SYMBOL NO.	INDEX NO.
C21	171
C22	155
C23	157
C24	175
C25	229
C26	164
C27	164
C28	169
---	---
C30	169

SYMBOL NO.	INDEX NO.
C31	226
C32	225
C33	157
C34	148
C35	187
C36	154
C37	154
C38	228
C39	154
C40	154

SYMBOL NO.	INDEX NO.
C41	228
C42	154
C43	154
C44	154
C45	154
C46	154
C47	228
C48	228
C49	154
C50	154

SYMBOL NO.	INDEX NO.
C51	154
C52	154
C53	228
C54	154
C55	159
C56	154
C57	162
C58	226
C59	227
C60	157

### CAPACITOR

SYMBOL NO.	INDEX NO.
C61	150
C62	149
C63	160
C64	228
C65	154
C66	228
C67	154
C68	228
C69	154
C70	228

SYMBOL NO.	INDEX NO.
C71	228
C72	228
C73	228
C74	154
C75	154
C76	158
C77	173
C78	154
---	---
C80	230

SYMBOL NO.	INDEX NO.
C81	154
C82	154
C83	158
C84	154
C85	154
C86	154
C87	154
C88	228
C89	228
C90	153

SYMBOL NO.	INDEX NO.
C91	154
C92	154
C93	150
C94	165
C95	176
C96	154
C97	154
C98	156
C99	156
C100	164

SYMBOL NO.	INDEX NO.
C101	177
C102	150
---	---
C104	152
---	---
C106	154
---	---
---	---
---	---
C110	154

SYMBOL NO.	INDEX NO.
C111	154
C112	148
C113	148
---	---
---	---
C116	152
C117	152
---	---
---	---
C119	154
---	---

SYMBOL NO.	INDEX NO.
---	---
---	---
C203	161
C204	174
C205	172
---	---
---	---
---	---
---	---



## 24.GWFCU Board (B284/B288)

### CONNECTOR

SYMBOL NO.	INDEX NO.
CN600	104
CN601	105
---	---
---	---
CN605	101
CN606	102
---	---
---	---
---	---
CN620	103

SYMBOL NO.	INDEX NO.
CN621	103

### DIODE

SYMBOL NO.	INDEX NO.
D1	118
D2	118
D3	118
D4	127
D5	127
D6	123
D7	123
D8	118
D9	124
D10	126

SYMBOL NO.	INDEX NO.
DI1	127
DI2	127
DI3	122

### DA

SYMBOL NO.	INDEX NO.
DA1	119

### FIL

SYMBOL NO.	INDEX NO.
FIL1	178
---	---
---	---
FIL4	181
FIL5	181

### IC

SYMBOL NO.	INDEX NO.
IC1	139
IC2	137
IC3	138
IC4	2
IC5	231
IC6	135
IC7	1
IC8	136
---	---
IC10	134

### JP

SYMBOL NO.	INDEX NO.
JP3	186

### L

SYMBOL NO.	INDEX NO.
L1	182
L2	180
L3	179
L4	179

### LED

SYMBOL NO.	INDEX NO.
LED1	129
LED2	130

### PC

SYMBOL NO.	INDEX NO.
PC2	128

### Q

SYMBOL NO.	INDEX NO.
Q1	113
Q2	114
Q3	113
Q4	112
Q5	109
Q6	110
Q7	110
Q8	109
Q9	110
Q10	110

SYMBOL NO.	INDEX NO.
Q11	110
Q12	116
Q13	111
Q14	115

### RESISTOR

SYMBOL NO.	INDEX NO.
---	---
R2	203
R3	203
R4	203
R5	203
R6	203
R7	203
R8	203
R9	203
R10	203

SYMBOL NO.	INDEX NO.
R11	207
R12	207
R13	203
R14	192
R15	203
R16	191
R17	191
R18	191
R19	191
R20	191

SYMBOL NO.	INDEX NO.
R21	193
R22	193
R23	217
R24	199
R25	213
R26	213
R27	195
R28	221
R29	224
R30	196

### OSC

SYMBOL NO.	INDEX NO.
OSC1	140
OSC2	141

## 24.GWFCU Board (B284/B288)

### RESISTOR

SYMBOL NO.	INDEX NO.	SYMBOL NO.	INDEX NO.	SYMBOL NO.	INDEX NO.	SYMBOL NO.	INDEX NO.	SYMBOL NO.	INDEX NO.	SYMBOL NO.	INDEX NO.	SYMBOL NO.	INDEX NO.
R31	188	R41	203	R50	203	---	---	R70	191	R80	223	R91	203
---	---	R42	203	R51	186	---	---	R71	212	R81	190	R92	203
R33	188	R43	203	R52	191	R62	203	R72	205	R82	206	R93	198
R34	191	R44	203	R53	218	R63	203	R73	205	R83	193	R94	198
R35	192	R45	203	R54	218	R64	203	R74	205	---	---	R95	203
				---	---	R65	214	R75	200	R85	210		
R36	203	R46	191	R56	186	R66	203	R76	213	R86	204	R96	203
R37	186	R47	190	R57	191	R67	203	R77	205	---	---	R97	203
R38	203	R47	190	R58	186	R68	203	R78	219	R88	186	R98	191
R39	203	---	---	R59	186	R69	203	R79	219	---	---	R99	203
R40	203	R49	203							R90	186	R100	203

### RESISTOR

SYMBOL NO.	INDEX NO.	SYMBOL NO.	INDEX NO.	SYMBOL NO.	INDEX NO.	SYMBOL NO.	INDEX NO.	SYMBOL NO.	INDEX NO.	SYMBOL NO.	INDEX NO.	SYMBOL NO.	INDEX NO.
R101	203	R111	215	R121	202	R131	186	R141	216	---	---	---	---
---	---	R112	215	R122	192	R132	194	R142	216	---	---	---	---
---	---	R113	203	R123	203	R133	191	R143	222	---	---	R213	186
R104	191	R114	186	R124	208	R134	186	R144	220	---	---	R214	201
R105	191	R115	191	R125	191	---	---	R145	216	---	---	R215	201
R106	191	R116	191	R126	191	R136	186	R146	216	---	---	R216	189
R107	191	R117	191	R127	209	---	---	R147	216	---	---	---	---
R108	215	R118	191	R128	197	---	---	---	---	---	---	R218	192
---	---	R119	191	R129	186	R139	191	---	---	R209	186	R219	196
R110	192	R120	211	R130	189	R140	216	R150	191	---	---	R220	198

## 24.GWFCU Board (B284/B288)

### RESISTOR

SYMBOL NO.	INDEX NO.
R221	199

### RN

SYMBOL NO.	INDEX NO.
RN1	184
RN2	184
RN3	183
RN4	183
RN5	143
RN6	183
RN7	183
RN8	183
RN9	183
RN10	183

SYMBOL NO.	INDEX NO.
RN11	183
RN12	143
RN13	183
RN14	183
RN15	185
RN16	185
RN17	183
RN18	183
RN19	184
RN20	184

SYMBOL NO.	INDEX NO.
RN21	142
RN22	184

### RY

SYMBOL NO.	INDEX NO.
RY2	108

### V

SYMBOL NO.	INDEX NO.
V1	132
V2	133
V3	132
V4	131

### ZD

SYMBOL NO.	INDEX NO.
ZD1	117
ZD2	121
ZD3	121
ZD4	125
ZD5	120

## 24.GWFCU Board (B284/B288)

Index No.	Part No.	Description	Q'ty Per Assembly
*	B868 5172	PCB:Gwfcu3:NA:Ass'y	1
1	B620 5511	lc-fame-RL5T818-0001	1
2	B620 5513	lc-face3-RB5A264	1

Index No.	Part No.	Description	Q'ty Per Assembly
101	1102 4201	Connector - 2P	
102	1102 4633	CT Header - 4P	
103	1102 7604	Connector - 52830-6245	
104	1102 9093	Connector:RHM-88R-SSK-	
105	1102 9634	Connector - WR-60P-VF50-1	
106	1105 0232	Locking Card Spacer	
107	1206 0084	2ndary Lithium Cell:VI2330/1HF	
108	1208 1438	Relay - EC2 5ND	
109	1400 0769	Transistor - 2SA1576A	
110	1400 0775	Transistor - 2SC4081	
111	1400 0781	Transistor:2SB1132R	
112	1400 0841	Transistor:2SD1898Q	
113	1400 1018	Transistor - MMBTA42	
114	1400 1019	Transistor - MMBTA92	
115	1401 1056	Fet - 2SK2158	
116	1401 1116	Transistor - 2SC5053	
117	1402 0506	Diode - RD43EB	
118	1402 1336	Diode - 1SS355	
119	1402 1343	Diode - RB106L-40	
120	1402 1384	Diode - UDZS12B	
121	1402 1505	Diode - UDZS5.6B	
122	1402 1530	Diode - RB520S-30	
123	1402 1584	Diode - DAN217U	
124	1402 1599	Diode - RB551	
125	1402 1647	Diode - UDZS3.6B	
126	1402 1698	Diode - RB	
127	1402 1734	Diode - 1SR156-400	
128	1403 0908	Photocoupler:TLP620(D4GB-LF2,pF	
129	1403 0953	LED - SML-310MT	
130	1403 0996	LED - SML-310VT	
131	1404 0129	Varistor - VR - 63B	
132	1404 1033	Varistor - TNR9SE431K	
133	1404 1070	Varistor - TISP4290H3BJ	
134	1407 5441	IC - 74LVC00A:TSOP	
135	1407 5858	IC - SI3016	

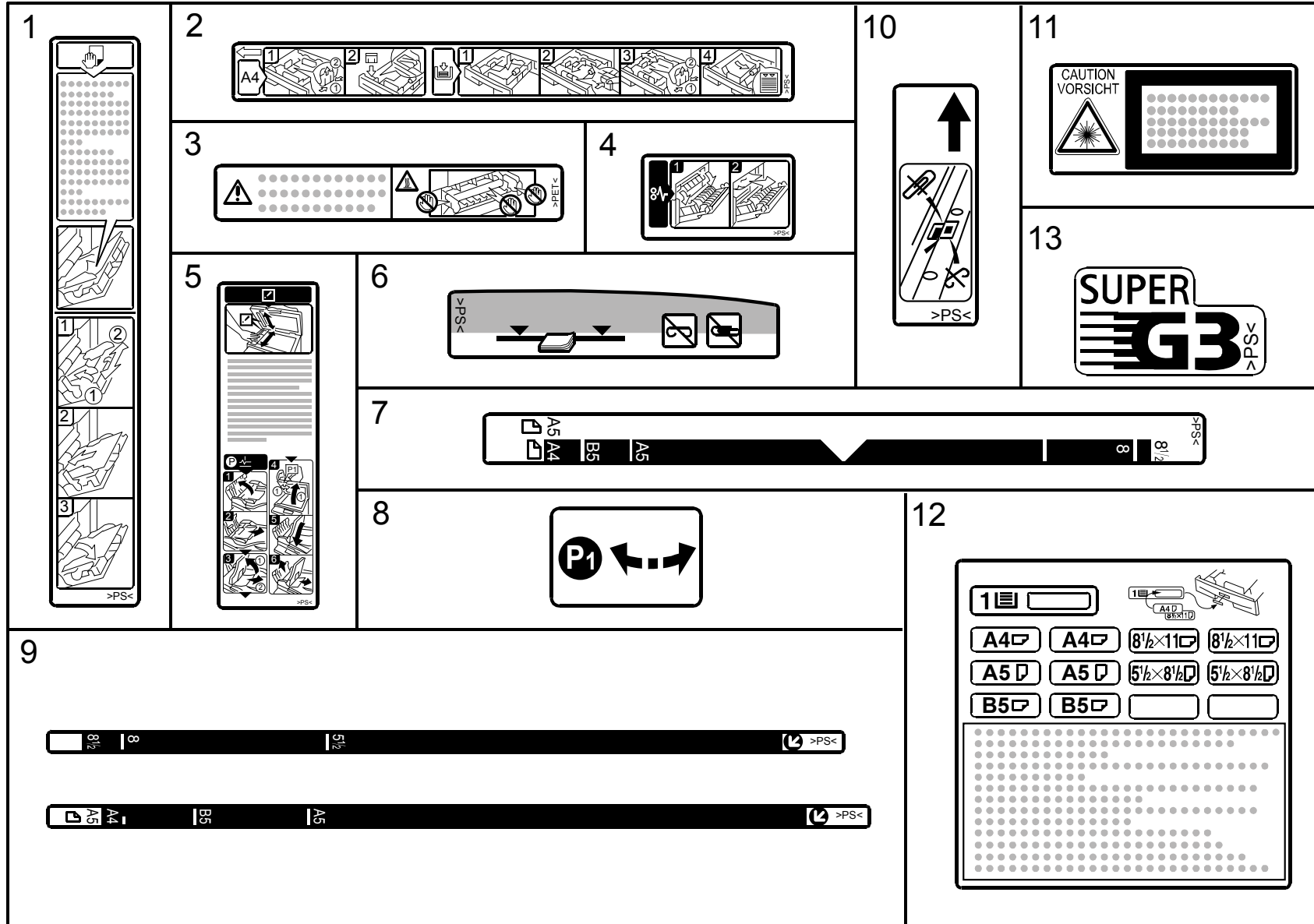
Index No.	Part No.	Description	Q'ty Per Assembly
136	1408 1829	Ope Amp - LM358PW	
137	1408 1861	Regulator - UPC2918T	
138	1408 2080	IC - RN5RK	
139	1408 2388	Series Regulator:AIC1117A-33PYJ	
140	1503 0460	Oscillator - 32.768KHZ	
141	1503 1004	Oscillator - 19.6608MHZ	
142	1601 7752	Resistor Array - 10K $\Omega$ $\pm$ 5%	
143	1601 7867	Resistor - 33 $\Omega$ $\pm$ 5% 1/16W	
144	1604 5210	Capacitor - 22UF $\pm$ 20% 16V	
145	1604 5211	Capacitor - 47UF $\pm$ 20% 16V	
146	1604 5212	Capacitor - 100UF $\pm$ 20% 16V	
147	1604 5213	Capacitor - 220UF $\pm$ 20% 10V	
148	1605 1148	Capacitor - 0.1UF+80-20% 50V	
149	1605 1163	Ceramic Capacitor - 560pF: $\pm$ 5%:50V	
150	1605 1190	Resistor - 0.022UF $\pm$ 10% 50V	
151	1605 1200	Capacitor - 10PF $\pm$ 0.5pF 50V	
152	1605 1214	Capacitor - 1000pF $\pm$ 10% 50V	
153	1605 1216	Capacitor - 2200pF $\pm$ 10% 50V	
154	1605 1221	Capacitor - 0.1UF+80-20% 16V	
155	1605 1225	Capacitor - 0.1UF $\pm$ 10% 50V	
156	1605 1275	Capacitor - 820pF $\pm$ 5% 50V	
157	1605 1281	Capacitor - 0.22UF $\pm$ 10% 16V	
158	1605 1289	Capacitor - 0.1UF $\pm$ 10% 10V	
159	1605 1295	Capacitor:10UF:+80-20%:10V	
160	1605 1299	Resistor - 56pF $\pm$ 5% 50V	
161	1605 1300	Capacitor - 270pF $\pm$ 5% 50V	
162	1605 1306	Capacitor - 1UF $\pm$ 10% 10V	
163	1605 1347	Capacitor - 1UF:+80-20%:16V	
164	1605 1353	Capacitor - 0.1UF $\pm$ 10% 25V	
165	1605 1396	Capacitor - 0.33UF $\pm$ 10% 50V	
166	1605 1397	Capacitor - 560pF $\pm$ 10% 630V	
167	1605 1398	Capacitor - 1000pF $\pm$ 20% AC250V	
168	1605 1399	Capacitor - 3900pF $\pm$ 5% 50V	
169	1605 1400	Capacitor - 150pF $\pm$ 10% AC250V	
170	1605 1401	Capacitor - 0.01UF $\pm$ 10% 250V	

Index No.	Part No.	Description	Q'ty Per Assembly
171	1605 1402	Capacitor - 1800pF $\pm$ 5% 50V	
172	1605 1417	Capacitor:47UF:+80-20%:10V	
173	1605 1446	Resistor - 120pF $\pm$ 5% 50V	
174	1605 1460	Capacitor:0.022UF: $\pm$ 10%:250V	
175	1605 1475	Resistor - 1UF $\pm$ 10% 16V	
176	1605 1539	Resistor - 1.5UF $\pm$ 10% 16V	
177	1605 1544	Resistor - 330pF $\pm$ 5% 50V	
178	1607 0069	Fuse - BL02RN2-R62-PB	
179	1607 0425	Coil: SBT-0260	
180	1607 0612	ST-110AV	
181	1607 0824	Filter - BLM11A601SPB	
182	1607 1196	Inductor - 220UH $\pm$ 20% 0.33A	
183	1609 0005	Resistor:33 $\Omega$ : $\pm$ 5%:1/16W	
184	1609 0006	Resistor:10K $\Omega$ : $\pm$ 5%:1/16W	
185	1609 0026	Resistor - 47 $\Omega$ $\pm$ 5% 1/16W	
186	1634 0000	Resistor - 0 $\Omega$ 1/16W	
187	1640 3221	Capacitor:220UF: $\pm$ 20%:35V	
188	1650 4100	Resistor - 10 $\Omega$ $\pm$ 5% 1/10W	
189	1650 4101	Resistor - 100 $\Omega$ $\pm$ 5% 1/10W	
190	1650 4102	Resistor - 1K $\Omega$ $\pm$ 5% 1/10W	
191	1650 4103	Resistor - 10K $\Omega$ $\pm$ 5% 1/10W	
192	1650 4104	Resistor - 100K $\Omega$ $\pm$ 5% 1/10W	
193	1650 4106	Resistor - 10M $\Omega$ $\pm$ 5% 1/10W	
194	1650 4121	Resistor - 120 $\Omega$ $\pm$ 5% 1/10W	
195	1650 4124	Resistor:120K $\Omega$ : $\pm$ 5%:1/10W	
196	1650 4151	Resistor - 150 $\Omega$ $\pm$ 5% 1/10W	
197	1650 4204	Resistor - 200K $\Omega$ $\pm$ 5% 1/10W	
198	1650 4220	Chip Resistor - 22 $\Omega$ $\pm$ 5% 1/10W	
199	1650 4222	Resistor - 2.2K $\Omega$ $\pm$ 5% 1/10W	
200	1650 4223	Resistor - 22K $\Omega$ $\pm$ 5% 1/10W	
201	1650 4224	Resistor:220K $\Omega$ : $\pm$ 5%:1/10W	
202	1650 4304	Resistor:300K $\Omega$ : $\pm$ 5%:1/10W	
203	1650 4330	Chip Resistor - 33 $\Omega$ $\pm$ 5% 1/10W	
204	1650 4331	Resistor - 330 $\Omega$ $\pm$ 5% 1/10W	
205	1650 4333	Resistor - 33K $\Omega$ $\pm$ 5% 1/10W	





## 25. Decals And Documents (B284/B288)





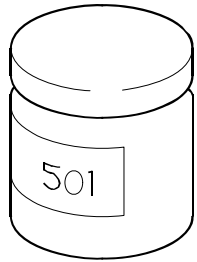
## 25.Decals And Documents (B284/B288)

Index No.	Part No.	Description	Q'ty Per Assembly
1	AA00 3011	Manual Feed Decal	1
2	B044 2720	Decal - Cassette Operation	1
3	B044 4161	Warning Decal	1
4	B044 4617	Fusing Unit Decal	1
5	B872 6011	Decal: Misfeed Removal	1
6	B872 6021	Decal: Side Fence	1
7	B872 6031	Decal: Size: Original	1
8	B872 6041	Decal: Lever: Knob	1
9	B872 6061	Decal: Scale: Left: NA	1
9	B872 6071	Decal: Scale: Left: EU	1
10	B872 6081	Decal: Caution Chart	1
11	G029 1982	LD Decal	1
12	H555 2790	Decal - Paper Size	1
13	B404 3861	SG3 Decal	1

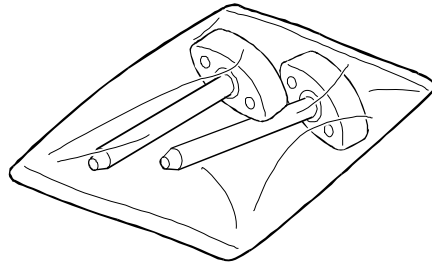
Index No.	Part No.	Description	Q'ty Per Assembly

## 26.Special Tools (B284/B288)

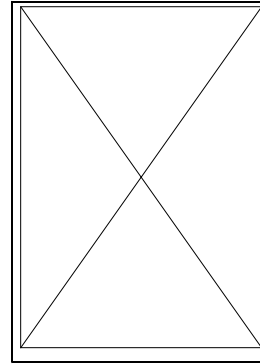
1



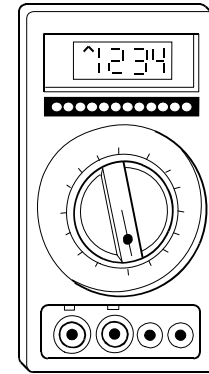
2



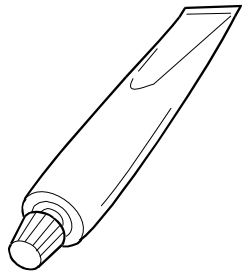
3



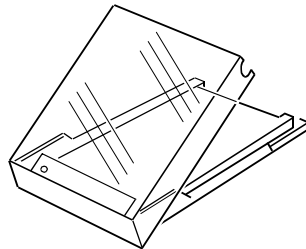
4



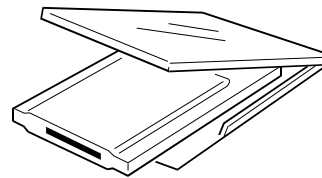
5



6



7



## 26.Special Tools (B284/B288)

Index No.	Part No.	Description	Q'ty Per Assembly
1	5203 9502	Grease 501	1
2	A184 9501	Optics Adjustment Tool	1
3	A292 9500	Test Chart - S5S (10 Pcs/Set)	1
4	VSSM 9000	Digital Multimeter-fluke187	1
5	A257 9300	Grease - Barrierta S552R	1
6	N803 1000	Case - Flash Memory Card	1
7	B645 5010	SD - Card:Assy	1

Index No.	Part No.	Description	Q'ty Per Assembly



**B284/B288**  
**PARTS INDEX**



This section instructs you as to the numbers and names of parts on this machine.

## Parts Index

Part No.	Description	Page and Index No.
B284 1814	Stepping Motor - DC5.3W	31 - 15
B284 5050	Speaker:B284	47 - 15
B284 5080	PCB:MBU	47 - 12
B284 5101	PCB:BICU:GW	65 - *
B284 5101	PCB:BICU:GW	41 - 12
B284 5103	PCB:BICU:GW:Asia	41 - 12
B284 5103	PCB:BICU:GW:Asia	65 - *
B284 5150	PCB:CTL:STL-C3	57 - *
B284 5150	PCB:Controller	47 - 1
B284 5234	Speaker Interface Harness	47 - 13
B284 7500	Model Name Plate:RIC (B284)	7 - 4
B284 7501	Model Name Plate:REX (B284)	7 - 4
B284 7502	Model Name Plate:NSA (B284)	7 - 4
B284 7503	Model Name Plate:GES/EU (B284)	7 - 4
B284 7504	Model Name Plate:LAN (B284)	7 - 4
B284 7505	Model Name Plate:GES/Asia (B284)	7 - 4
B284 7506	Model Name Plate:GES/NA (B284)	7 - 4
B284 7507	Model Name Plate:LAN (NA)(B284)	7 - 4
B284 7508	Model Name Plate:SVN (B284)	7 - 4
B284 7509	Model Name Plate:INF (B284)	7 - 4

Part No.	Description	Page and Index No.
A184 3420	Bottle Chuck	35 - 23
A184 9501	Optics Adjustment Tool	79 - 2
A250 1824	Exposure Glass Sheet	29 - 20
A257 9300	Grease - Barrierta S552R	79 - 5
A267 3556	Chuck Spring - Tonner Bottle	35 - 27
A292 9500	Test Chart - S5S (10 Pcs/Set)	79 - 3
A859 2352	Pressure Plate Pad	19 - 22
A859 4141	Pulley Idler	25 - 29
B039 1683	Tension Spring - Stepper Motor	31 - 18
B039 1695	Flange - Pulley	31 - 13
B039 1704	Spring - Timing Pulley	31 - 4
B039 1781	2nd Mirror Holder	29 - 17
B039 1785	Scanner Drive Pulley	29 - 12
B039 1786	Tension Spring	29 - 13
B044 1060	Scanner Unit Stay	43 - 1
B044 1061	Base Bracket	43 - 12
B044 1062	Base Bracket - Paper Feed	43 - 13
B044 1063	Scanner Stud	13 - 2
B044 1066	Ground Plate - Option Tray	43 - 10
B044 1067	Toner Supply Rail	35 - 31
B044 1068	Toner Supply Rail	35 - 6
B044 1069	Duct Shield	35 - 1
B044 1100	Shutter	35 - 17
B044 1101	Shutter Spring	35 - 18
B044 1102	Registration Electrode Plate	13 - 10
B044 1103	Shutter Cover	35 - 20
B044 1105	Positioning Plate - Toner Bottle	43 - 11
B044 1139	Damping Insulation	39 - 19
B044 1158	Bracket	39 - 42
B044 1254	End Fence	7 - 10
B044 1258	Shielding Plate	7 - 7
B044 1278	Right Upper Cover	7 - 17
B044 1279	Front Right Coveer	7 - 17
B044 1284	Extension Tray - EU	7 - 9
B044 1285	Extension Tray - NA	7 - 9



Part No.	Description	Page and Index No.
B044 1286	Front Door	7 - 19
B044 1290	Sheet - Operation Instructions	7 - 18
B044 1661	Belt Clamp Bracket	31 - 21
B044 1663	Lens Bracket	31 - 10
B044 1669	Stopper Bracket - 1st Scanner	31 - 23
B044 1671	Bracket	31 - 22
B044 1715	Timing Belt Holder	29 - 5
B044 1719	Scanner Slider Pin	29 - 24
B044 1721	1st Mirror Holder	29 - 7
B044 1734	2nd Scanner	29 - 14
B044 1751	Flat Cable Guide	29 - 18
B044 1826	Scanner Drive Shaft	31 - 14
B044 1827	Front Idler Bracket	31 - 1
B044 1828	Rear Idler Bracket	31 - 3
B044 1847	Shoulder Screw	7 - 2
B044 1906	Seal - LDU	33 - 12
B044 1912	Laser Diode Unit:Ass'y	33 - 6
B044 1931	Shield Glass	33 - 9
B044 1941	Laser Unit Cover	33 - 10
B044 1943	Ground Plate	33 - 1
B044 1944	Shutter Plate	33 - 3
B044 1998	Plate:Harness:Imaging Unit	43 - 18
B044 1999	Spacer - 5mm	33 - 13
B044 2202	Mylar-quenching Lamp	43 - 14
B044 2602	Turn Roller	13 - 15
B044 2603	Registration Feeler	13 - 13
B044 2604	Front Bushing	13 - 11
B044 2605	Rear Bushing	13 - 7
B044 2612	Guide Plate	15 - 1
B044 2614	Driven Roller Bushing	15 - 4
B044 2615	Pressure Spring	15 - 13
B044 2616	Support Bushing	13 - 14
B044 2617	Holder Ass'y - Paper Dust Removal	43 - 17
B044 2621	Bushing - Driven Roller	15 - 42
B044 2621	Bushing - Driven Roller	15 - 17

Part No.	Description	Page and Index No.
B044 2622	Spacer - Registration	13 - 30
B044 2624	Registration Roller Shaft	15 - 2
B044 2651	Right Rail	43 - 7
B044 2653	Guide Plate - Paper Feed	13 - 3
B044 2654	Paper Feedguide	13 - 4
B044 2656	Guide Plate Stopper	13 - 29
B044 2702	Front Side Fence	17 - 2
B044 2703	Rear Side Fence	17 - 7
B044 2704	Tray Bottom Plate	17 - 1
B044 2706	End Fence	17 - 3
B044 2710	Friction Pad	17 - 13
B044 2713	Stopper	17 - 14
B044 2714	Rubber Plate - Friction Pad	17 - 24
B044 2715	Sponge - End Fence	17 - 22
B044 2716	Pressure Spring	17 - 6
B044 2717	Pressure Spring	17 - 21
B044 2720	Decal - Cassette Operation	77 - 2
B044 2720	Decal - Cassette Operation	17 - 20
B044 2721	Paper Tray Sheet	17 - 23
B044 2751	Joint - Paper Feed Roller	17 - 8
B044 2756	Spring - Paper Feed Roller	17 - 9
B044 2758	Shaft - Paper Feed Roller	17 - 11
B044 2801	By-pass Feed Table	11 - 2
B044 2803	Tray Bottom Plate	11 - 9
B044 2804	Front Side Fence	11 - 7
B044 2805	Rear Side Fence	11 - 8
B044 2806	Lever - Manual Feed Table	11 - 4
B044 2807	Stay - Tray Bottom Plate	11 - 11
B044 2808	Paper Guide	11 - 1
B044 2809	Spring - Manual Feed Table	11 - 6
B044 2811	Guide Plate - Manual Feed	13 - 23
B044 2812	Manual Feed Bracket	13 - 25
B044 2814	Exit Guide	13 - 16
B044 2815	Friction Pad - Manual Feed	13 - 18
B044 2817	Fricion Pad Spring	13 - 19

Part No.	Description	Page and Index No.
B044 2824	Cushion-manual Feed Roller	13 - 27
B044 2825	Spacer-manual Feed Roller	13 - 26
B044 2829	Manual Feed Shaft	13 - 22
B044 2860	Front Stopper Plate	15 - 39
B044 2861	Rear Stopper Plate	15 - 40
B044 3426	Chuck Shaft	35 - 24
B044 3427	Slide Shaft	35 - 25
B044 3461	Handlw Cam	35 - 26
B044 3470	Toner Supply Case Ass'y	35 - 33
B044 3475	Un Lock Grip	35 - 32
B044 3485	Slider Ass'y	35 - 28
B044 3857	Separation Plate	15 - 19
B044 3859	Discharge Plate	15 - 23
B044 3860	Transfer Plate	15 - 12
B044 3865	Transfer Roller Spring - Front	15 - 11
B044 3866	Transfer Roller Spring - Rear	15 - 10
B044 3870	Transfer Guide	15 - 14
B044 3894	Density Sensor:Longdist:Adhesion	15 - 15
B044 3990	Positioning Spring - Transfer Roller	15 - 9
B044 4104	Pressure Frame	37 - 36
B044 4112	Hot Roller Cap	37 - 50
B044 4117	Front Spring Plate	37 - 23
B044 4118	Rear Spring Plate	37 - 25
B044 4130	Pressure Lever	37 - 28
B044 4131	Bushing-pressure Release	37 - 43
B044 4132	Side Plate	37 - 31
B044 4135	Lamp Holder	37 - 22
B044 4136	Ground Plate	37 - 46
B044 4138	Spring	37 - 5
B044 4141	Pressure Release Lever - Front	37 - 29
B044 4146	Pressure Release Lever - Rear	37 - 30
B044 4150	Hot Roller Stopper	37 - 37
B044 4152	Pressure Spring	37 - 27
B044 4153	Cushion	37 - 44
B044 4154	Exit Spring	37 - 10

Part No.	Description	Page and Index No.
B044 4155	Spring - Pickoff Pawl	37 - 20
B044 4156	Front Hot Roller Stopper	37 - 49
B044 4161	Warning Decal	37 - 35
B044 4161	Warning Decal	77 - 3
B044 4165	Discharge Brush	37 - 1
B044 4166	Spring Plate	37 - 2
B044 4170	Fusing Gear	37 - 38
B044 4179	Holder - Pickoff Pawl	37 - 51
B044 4183	Feeler	37 - 3
B044 4186	Guide Plate	37 - 4
B044 4200	Fusing Plate Nut	35 - 30
B044 4200	Fusing Plate Nut	37 - 33
B044 4200	Fusing Plate Nut	13 - 31
B044 4201	Fusing Harness Cover	37 - 34
B044 4401	Paper Holder Stand	37 - 47
B044 4616	Right Cover Lever	15 - 21
B044 4617	Fusing Unit Decal	15 - 24
B044 4617	Fusing Unit Decal	77 - 4
B044 4618	Spring Holder	15 - 3
B044 4624	Right Door Belt	15 - 20
B044 4655	Right Door	15 - 22
B044 4663	Reverse Guide Plate	15 - 18
B044 4929	Sheet - Exposure Glass	7 - 28
B044 4961	Oneway Clutch	21 - 22
B044 4962	Cushion	23 - 16
B044 5300	Paper End Sensor	43 - 8
B121 1680	Gear - 53Z/60Z	31 - 16
B121 1696	Timing Belt L147	31 - 17
B121 5501	IC:Scratch:KS6M2U1651CBP	65 - 1
B121 5502	LSI:TRIO:UPB65945GD-103-LML-A	65 - 2
B129 1056	Shaft Spacer	39 - 15
B129 1060	PSU Stay	43 - 9
B129 1110	Rear Drive Plate 2	39 - 13
B129 1129	Plate Cushion	39 - 18
B129 1157	Side Plate - Manual Feed	39 - 22

Part No.	Description	Page and Index No.
B129 1161	Lever DC Solenoid Ass'y	39 - 16
B129 1163	Rear Drive Plate 1 Assy	39 - 30
B129 1164	Fusing Bracket Assy	39 - 11
B129 1175	Toner Bottle Drive Spring	35 - 4
B129 1176	Toner Supply Shaft	35 - 3
B129 1251	Left Scanner Cover EU	7 - 14
B129 1252	Exit Cover EU	7 - 8
B129 1261	Left Scanner Cover NA	7 - 14
B129 1262	Exit Cover NA	7 - 8
B129 1300	BICU Bracket	41 - 29
B129 1300	BICU Bracket	43 - 5
B129 1301	BICU Shadeing Plate	43 - 4
B129 1301	BICU Shadeing Plate	41 - 15
B129 1301	BICU Shadeing Plate	41 - 28
B129 1302	Power Supply Unit Bracket	43 - 16
B129 1303	Rear Cover Bracket	41 - 19
B129 1306	Gwctl Shadeing Plate	47 - 2
B129 1307	BICU Insulating Sheet	41 - 13
B129 1309	Interface Cover	47 - 5
B129 1313	Spring Plate - GWCTL	41 - 18
B129 1315	Separation Bracket	43 - 15
B129 1474	Spring Plate0:STL	45 - 4
B129 1474	Spring Plate - STL	9 - 10
B129 2820	Ground Plate - Manual Feed	39 - 23
B129 3465	Cover - Toner Supply Unit	35 - 29
B129 4102	Fusing Frame	37 - 16
B129 4134	Electrode Plate Fusing	37 - 45
B129 4143	Electrode Plate Cover	37 - 15
B129 4195	Thermostat Plate Nut	37 - 52
B129 4294	Screw - M3x13	37 - 42
B129 4703	Ground Plate - Lower Duplex Bracket	39 - 26
B129 5021	Power Supply Cord NA	41 - 16
B129 5203	Harness - Paper Feed Sensor	37 - 12
B129 5211	Harness - Front Right Switch	13 - 12
B129 5213	Harness - Registration Sensor	41 - 6

Part No.	Description	Page and Index No.
B129 5223	Harness - Paper Feed Table	41 - 27
B129 5223	Harness - Paper Feed Table	41 - 17
B130 5290	Harness - OPU	45 - 2
B229 1453	Keytop - Start	9 - 8
B229 1454	Keytop - Clear/Stop	9 - 7
B229 1475	Keytop - 10key	9 - 3
B229 1525	Keytop - Initial	9 - 4
B229 1526	Keytop - 10key NA	9 - 3
B229 1537	Keytop - Clear Modes	9 - 5
B229 1557	Keytop - 10key Asia	9 - 3
B229 7180	Asic:Charango	57 - 1
B243 1458	Keytop - Power Source	9 - 6
B243 1459	Keytop - Cursor	9 - 2
B243 1477	Keytop:Copy:NA	9 - 12
B259 2786	Lever Shaft	11 - 3
B262 1064	Scanner Bracket - Front Right	13 - 1
B262 1250	Cover:Rear:EU	7 - 15
B262 1253	Cover:IC Card	7 - 5
B262 1254	Cover:SD	47 - 4
B262 1256	Cover:Scanner:Right:EU	7 - 16
B262 1258	Plate:Exposure Glass	7 - 21
B262 1266	Cover:Scanner:Right:NA	7 - 16
B262 1305	Bracket:GWCTL	47 - 3
B262 1308	Bracket- Fax Control Unit	47 - 6
B262 1309	Cover:Interface	47 - 9
B262 1311	Bracket:Speaker	47 - 16
B262 1411	Operation Panel:NA (B288)	7 - 3
B262 1414	Operation Panel:Asia (B288)	7 - 3
B262 1414	Operation Panel:Asia (B288)	9 - *
B262 1415	Operation Panel:EU (B288)	7 - 3
B262 1415	Operation Panel:EU (B288)	9 - *
B262 1416	Operation Panel:NA (B284)	9 - *
B262 1416	Operation Panel:NA (B284)	7 - 3
B262 1417	Operation Panel:EU (B284)	9 - *
B262 1417	Operation Panel:EU (B284)	7 - 3

Part No.	Description	Page and Index No.
B262 1418	Operation Panel:Asia (B284)	7 - 3
B262 1418	Operation Panel:Asia (B284)	9 - *
B262 1421	Operation Panel:Full:NA (B288)	7 - 3
B262 1422	Operation Panel:Fax:EU (B288)	7 - 3
B262 1424	Operation Panel:Fax:EU (B284)	7 - 3
B262 1425	Operation Panel:Fax:NA (B284)	7 - 3
B262 1455	Sheet:Base:Right	45 - 5
B262 1459	Cover:Upper:Fax	45 - 13
B262 1460	Cover:LOWER:FAX	45 - 6
B262 1461	Keytop:Dial:Fax	45 - 12
B262 1462	Keytop:Function:Fax	45 - 9
B262 1463	Cover:Function:Fax	45 - 8
B262 1464	Sheet:Base:Left	45 - 1
B262 1466	Sheet:Display:Expand:A:NA	45 - 10
B262 1468	Sheet:Display:Expand:C	45 - 11
B262 1469	Sheet:Display:Expand:D:NA	45 - 16
B262 1470	Sheet:Display:Function:Fax:NA	45 - 7
B262 1474	Cover:On-line:C (B284)	9 - 1
B262 1479	Cover:On-line:CPS:NA (B288)	9 - 1
B262 1481	Cover:On-line:CPS:EU (B288)	9 - 1
B262 1485	Sheet:Display:Expand:B:BLANK	45 - 15
B262 1495	LCD	9 - 11
B262 1550	PCB:OPU	9 - 9
B262 1565	PCB:PU:EXT	45 - 3
B262 1653	Rail:Front	31 - 6
B262 1654	Rail:Rear	31 - 5
B262 1663	Sheet:Flat Cable:Stabilizer	31 - 9
B262 1665	Bracket:Scale:Inner Back	31 - 8
B262 1670	Bracket:Stopper:Rear	31 - 20
B262 1681	Bracket:Scale	29 - 22
B262 1683	Supporting Plate:Right Upper	29 - 19
B262 1700	Carriage:No.1 Unit	29 - 1
B262 1741	Bracket:Belt Pulley:Idler:Front	29 - 11
B262 1745	Bracket:Belt Pulley:Idler:Rear	29 - 10
B262 1770	Lens Unit	29 - 9

Part No.	Description	Page and Index No.
B262 1811	Bracket:Stepper Motor	31 - 11
B262 1847	Scale:Inner Back:EU	7 - 1
B262 1848	Scale:Inner Back:NA	7 - 1
B262 1901	Laser Unit	33 - *
B262 2510	Paper Tray Unit:EU	17 - *
B262 2511	Paper Tray Unit:NA	17 - *
B262 2623	Guide -paper Dust Remover	43 - 2
B262 2703	Cover:Paper Tray:EU	17 - 18
B262 2704	Cover:Paper Tray:NA	17 - 18
B262 2709	Ground Plate:Tray Bottom Plate	17 - 5
B262 2711	Ground Plater	17 - 17
B262 3020	Toner Supply Unit	35 - 22
B262 3802	Transfer Roller	15 - 8
B262 4018	Fusing Unit (120V)	37 - *
B262 4028	Fusing Unit (230V)	37 - *
B262 4154	Duplex Guide Plate Assy	15 - 26
B262 4701	Spring Plate:Discharge	39 - 27
B262 5023	Power Supply Cord:Stopper:EU:Ass'y	41 - 16
B262 5200	Harness:Toner:Connecting	41 - 7
B262 5201	Harness:HPS	41 - 4
B262 5202	Harness:Paper Feed Sensor	41 - 5
B262 5204	Harness:Lddr:Connecting	33 - 2
B262 5205	Harness:Operation Panel	41 - 10
B262 5206	Harness - Power Supply Unit	41 - 8
B262 5207	Harness:Polygon Scanner	33 - 4
B262 5208	Harness:AC:Fusing:EU	41 - 21
B262 5209	Harness:AC:Fusing:NA	41 - 21
B262 5210	Harness:Door Switch	41 - 11
B262 5214	Harness:Density Sensor	15 - 16
B262 5216	Harness:Motor:Main	41 - 9
B262 5217	Harness:HVP	41 - 3
B262 5217	Harness:HVP	41 - 26
B262 5218	Harness:Paper End Sensor	13 - 21
B262 5220	Harness:High Voltage Line:C	35 - 9
B262 5221	Harness:High Voltage Line:B	35 - 13

Part No.	Description	Page and Index No.
B262 5222	Harness:High Voltage Line:T	35 - 10
B262 5235	Ground Wire:Cassette	43 - 3
B262 5236	Flat Cable:Sbu	29 - 8
B262 5236	Flat Cable:SBU	41 - 25
B262 5237	Flat Cable:Stabilizer	29 - 2
B262 5805	Holder:Ferrite Core	41 - 23
B262 7100	LSI:CALDA:RL5C667	65 - 3
B288 7500	Model Name Plate:RIC (B288)	7 - 4
B288 7501	Model Name Plate:REX (B288)	7 - 4
B288 7502	Model Name Plate:NSA (B288)	7 - 4
B288 7503	Model Name Plate:GES/EU (B288)	7 - 4
B288 7504	Model Name Plate:LAN (B288)	7 - 4
B288 7505	Model Name Plate:GES/Asia (B288)	7 - 4
B288 7506	Model Name Plate:GES/NA (B288)	7 - 4
B288 7507	Model Name Plate:LAN (NA)(B288)	7 - 4
B288 7508	Model Name Plate:SVN (B288)	7 - 4
B288 7509	Model Name Plate:INF (B288)	7 - 4
B351 4322	Tape:Pressuer Plate	27 - 13
B390 1759	Shaft:Scale	7 - 24
B404 3861	SG3 Decal	77 - 13
B404 5821	Handset Bracket	7 - 23
B620 5511	Ic-fame-RL5T818-0001	75 - 1
B620 5513	Ic-face3-RB5A264	75 - 2
B622 5831	Rail:Right	47 - 17
B622 5832	Rail:Left	47 - 18
B645 5010	SD - Card:Assy	79 - 7
B843 1478	Keytop:Fax:NA	45 - 14
B843 1479	Keytop:Fax:EU	45 - 14
B868 5099	SD-Card:Fax	47 - 10
B868 5172	PCB:Gwfcu3:NA:Ass'y	75 - *
B868 5172	PCB:GWFCU3:NA:Ass'y	47 - 11
B868 5174	PCB:GWFCU3:EU	47 - 11
B872 1114	Bracket:Side Plate:Rear Right	27 - 9
B872 1121	Stopper:Original Table	23 - 24
B872 1122	Compression Spring:Stopper	23 - 25

Part No.	Description	Page and Index No.
B872 1414	Hinge:Left	27 - 10
B872 1421	Hinge:Right	27 - 11
B872 1515	Spring Plate:Guide:Exposure Glass	25 - 7
B872 1522	Guide:Exposure Glass	25 - 8
B872 1912	Cap:Paper Feed Sensor:Base	27 - 8
B872 1921	Lever:Driven:Pressure	27 - 2
B872 1922	Roller:Driven:Scanning:Front	27 - 4
B872 1923	Torsion Spring:Pressure:Front	27 - 1
B872 1924	Torsion Spring:Pressure:Rear	27 - 3
B872 1931	Exit Roller:Driven	27 - 6
B872 1933	Compression Spring:Exit:Driven	27 - 7
B872 1934	Bushing:Exit	27 - 5
B872 2110	Guide Plate:Paper Feed:Lower	23 - 13
B872 2112	Roller:Driven:Dia14	23 - 10
B872 2113	Shaft:Reverse:Roller:Driven	23 - 9
B872 2116	Compression Spring:Reverse:Driven	23 - 8
B872 2118	Guide:Reverse:0.1	23 - 30
B872 2211	Bracket:Reverse	23 - 14
B872 2212	Spring Plate:Reverse:Pressure	23 - 15
B872 2213	Shaft:Drive:Separation	23 - 7
B872 2217	Gear:Z28	23 - 31
B872 2221	Shaft:Reverse Roller	23 - 5
B872 2222	Holder:Reverse Roller	23 - 1
B872 2223	Gear:Z17	23 - 6
B872 2311	Guide Plate:Paper Feed:Upper	21 - 3
B872 2312	Guide Plate:Paper Feed:Upper	21 - 1
B872 2412	Bracket:Magnetic Clutch	21 - 5
B872 2420	Magnetic Clutch:Ass'y	21 - 6
B872 2510	Feeder Unit	21 - 4
B872 2511	Gear:Idler:Z16	21 - 21
B872 2512	Gear:Z18	21 - 15
B872 2513	Feeler:Original Sensor	21 - 13
B872 2514	Shaft:Pickup	21 - 14
B872 2515	Cushion:Bracket:Feed	21 - 20
B872 2521	Shaft:Feed:C	21 - 12

Part No.	Description	Page and Index No.
B872 2523	Spring Clutch:Feed:Dia6	21 - 11
B872 2524	Spacer:Dia9	21 - 10
B872 2524	Spacer:Dia9	21 - 17
B872 2526	Spring:Roller Clutch	21 - 16
B872 2527	Roller Clutch:Bracket:Feed	21 - 19
B872 2528	Gear:Z18	21 - 24
B872 2529	Collar:Pickup	21 - 25
B872 2611	Roller:R0	23 - 29
B872 2612	Gear:Z19	23 - 33
B872 2613	Gear:Z22	23 - 21
B872 2614	Bushing:R1	23 - 27
B872 2614	Bushing:R1	23 - 3
B872 3111	Guide Plate:Scanning:Lower	25 - 4
B872 3113	Spring Plate:Earth:Exit	25 - 11
B872 3114	Discharge Brush:Lower	25 - 6
B872 3121	Guide Plate:Scanning:Upper	25 - 1
B872 3211	Roller:Scanning:Front:Drive	25 - 2
B872 3212	Pulley:T25	25 - 16
B872 3221	Roller:Exit:Drive	25 - 3
B872 3222	Timing Pulley:T32	25 - 23
B872 3223	Timing Pulley:T32	25 - 15
B872 3231	Roller:Reverse:Drive	23 - 28
B872 3232	Torque Limiter:T24:S2M	23 - 26
B872 3241	Knob:Pick-Up Paper Jam	25 - 12
B872 3311	Exchange Powl:Reverse	25 - 10
B872 3312	Lever:Exchange Powl	25 - 26
B872 3313	Tension Spring:Exchange Powl	25 - 24
B872 4111	Bracket:Motor:Paper Feed:Ass'y	23 - 22
B872 4113	Gear:Z44/T16	23 - 19
B872 4116	Gear:Z44/T14	23 - 18
B872 4131	Inner Cover:Left Rear	25 - 30
B872 4210	Bracket:Motor:Transport	25 - 22
B872 4214	Pulley:T16/T44	25 - 19
B872 4216	Tension Spring:Motor:Transport	25 - 20
B872 4310	DC Solenoid:Exchange Powl	25 - 27

Part No.	Description	Page and Index No.
B872 4512	Pressure Plate	27 - 14
B872 4513	Tape:Pressure Plate:Left	27 - 15
B872 4611	Original Table	19 - 15
B872 4612	Guide:Original Table:Front	19 - 12
B872 4613	Guide:Original Table:Rear	19 - 11
B872 4615	Cover:Original Table	19 - 9
B872 4616	Roller:Reverse:Pressure	19 - 8
B872 4621	Original Table:Auxiliary	19 - 16
B872 4624	Spring Plate	19 - 7
B872 4711	Cover:Open And Close	19 - 2
B872 4721	Shaft:Pressure:Dia4	19 - 4
B872 4722	Spring Plate:R0	19 - 6
B872 4726	Case:Magnetic	19 - 20
B872 4731	Cover:Rear	19 - 14
B872 4741	Cover:Front	19 - 19
B872 5100	PCB:Main Control	21 - 9
B872 5210	Harness:Interface	21 - 8
B872 5240	Harness:Main	21 - 7
B872 5250	Harness:Dc Solenoid	25 - 28
B872 5810	Stepper Motor Dc24V 3.53W	23 - 23
B872 5820	Stepper Motor:DC24V 3.35W	25 - 21
B872 6011	Decal:Misfeed Removal	19 - 1
B872 6011	Decal:Misfeed Removal	77 - 5
B872 6021	Decal:Side Fence	77 - 6
B872 6021	Decal:Side Fence	19 - 10
B872 6031	Decal:Size:Original	19 - 5
B872 6031	Decal:Size:Original	77 - 7
B872 6041	Decal:Lever:Knob	27 - 12
B872 6041	Decal:Lever:Knob	77 - 8
B872 6061	Decal:Scale:Left:NA	77 - 9
B872 6061	Decal:Scale:Left:NA	7 - 25
B872 6071	Decal:Scale:Left:EU	77 - 9
B872 6071	Decal:Scale:Left:EU	7 - 25
B872 6081	Decal:Caution Chart	7 - 29
B872 6081	Decal:Caution Chart	77 - 10

Part No.	Description	Page and Index No.
B872 7010	Scale:Left:Adhesion	7 - 12
B872 7014	Cap:Registration Sensor:Scale	7 - 26
B892 5049	SD-Card:Printer	47 - 10
G014 3291	Snap Ring - Pick Up	35 - 21
G020 2599	Spring - Release Lever	17 - 15
G020 2772	By-pass Paper End Sensor	13 - 24
G025 2730	Cylindrical Lens	33 - 7
G025 2731	Synchronizing Detector Lens	33 - 8
G029 1982	LD Decal	33 - 11
G029 1982	LD Decal	77 - 11
G332 5730	PCB:Sdram-dimm:256mb:Chn:Ass'y	47 - 14
G417 3669	Timing Belt:B40S2M190	25 - 14
G512 3029	Rubber Foot	43 - 6
G800 3133	Side Fence Gear	11 - 10
G800 3133	Side Fence Gear	17 - 4
G827 1023	Magnetic:Hale:Dia10x7	19 - 21
H310 4120	Plate:Logotype:RIC	7 - 20
H521 1350	Pad - Pick-Up	21 - 2
H521 3355	C Ring - Paper Feed Roller	13 - 5
H521 3355	C Ring - Paper Feed Roller	17 - 16
H523 5350	Telephone Cable	7 - 22
H547 4203	Guide Plate Sponge	47 - 7
H555 2790	Decal - Paper Size	77 - 12
H555 2790	Decal - Paper Size	7 - 6
H555 4182	Plate:Logotype:SAV	7 - 20
H555 4183	Plate:Logotype:H555:LAN	7 - 20
H555 4184	Plate:Logotype:H555:INF	7 - 20
H555 4185	Plate:Logotype:H555:NSA	7 - 20
H555 4186	Plate:Logotype:H555:REX	7 - 20
H555 4187	Plate:Logotype:H555:GES	7 - 20
H555 4190	Plate Holder	7 - 13
H555 5150	Ferrite Core	29 - 23
H555 5150	Ferrite Core	41 - 24
H556 2201	Reargate Plate Guide	37 - 54
H556 2202	Front Gate Plate Guide	37 - 55

Part No.	Description	Page and Index No.
H556 2206	Guide Plate	37 - 24
H556 2208	Gate Plate	37 - 53
H556 2210	Gear - 19/28Z	37 - 13
H556 2219	Gear Bracket	37 - 56
H556 2220	Roller	37 - 57
H556 2222	Stud	37 - 14
H556 2818	Guide Plate	15 - 25
H556 2820	Myler Reverse	15 - 28
H556 4172	Duplex Drive Bracket	39 - 24
H556 4178	Spring Plate	39 - 32
H556 4180	Plate Bracket	39 - 35
H556 4181	Spring Plate	15 - 33
H556 4183	Swivel Bracket	39 - 31
H556 4185	Transport Roller Holder	15 - 34
H556 4186	Positioning Roller	15 - 32
H556 4188	Sheet	15 - 37
H556 4189	Sheet	15 - 38
H556 4190	Transport Roller	15 - 36
H556 4192	Right Guide Plate	15 - 30
H556 5106	Gate Sensor Harness	37 - 58
H556 5857	Opif Rail	47 - 19

Part No.	Description	Page and Index No.
N803 1000	Case - Flash Memory Card	79 - 6

Part No.	Description	Page and Index No.
AA00 3011	Manual Feed Decal	11 - 13
AA00 3011	Manual Feed Decal	77 - 1
AA04 2053	Belt:3mm	29 - 15
AA04 3582	Timing Belt	39 - 33
AA04 3603	Timing Belt:B40S2M128	23 - 20
AA04 3603	Timing Belt:B40S2M128	25 - 18
AA04 3604	Timing Belt:B40S2M110	25 - 17
AA04 3605	Timing Belt:B40S3M114	25 - 13
AA04 3997	Timing Belt:ST55	31 - 2
AA06 2326	Spring - Swivel Fusing	39 - 17
AA06 3409	Right Door Spring	15 - 7
AA06 3443	Lever Spring	15 - 29
AA08 0034	Bushing - 4x5x7	23 - 11
AA08 0322	Bushing - 6mm	13 - 17
AA08 2101	Bushing - 6x10x6	17 - 10
AA11 3032	Electrode Plate - Development	35 - 12
AA11 3034	Electrode Plate - Charge	35 - 8
AA11 3035	Electrode Plate - Transfer	35 - 11
AA12 0104	Ground Plate - Registration	39 - 21
AA12 0124	Ground Plate - Drum Drive	39 - 20
AA13 2217	Collar	39 - 6
AA14 3544	Screw - M3	25 - 9
AA14 3788	Pin:Guide Plate:Paper Feed	19 - 17
AA14 3804	Fusing Shaft 5	39 - 12
AA14 8651	Shaft - Paper Feed Roller	35 - 15
AA16 1157	Bracket Cushion	39 - 14
AA17 0026	Insulating Sheet Power Pack	41 - 14
AB00 0025	Drum Shaft	35 - 16
AB00 0027	Development Shaft Assy	35 - 19
AB01 0358	Gear - 64Z	35 - 7
AB01 0362	Gear - 49Z	39 - 40
AB01 1438	Gear - 41Z	39 - 3
AB01 1492	Gear - 29Z	39 - 4
AB01 2033	Gear - 21Z	15 - 31
AB01 7582	Coupled Gear 22/50Z	35 - 14



Part No.	Description	Page and Index No.
AB01 7585	Coupled Gear - 17/44Z	39 - 8
AB01 7586	Coupled Gear - 43/53Z	39 - 2
AB01 7587	Coupled Gear - 17/44Z	39 - 7
AB01 7591	Gear - 18/30Z	23 - 32
AB01 7627	Gear - 28/43Z	39 - 43
AB01 7628	Gear - 19/38Z	39 - 29
AB01 7629	Gear - 19/21Z	39 - 9
AB01 7659	Gear - 43/91Z	39 - 41
AB01 7660	Gear - 44/67Z	39 - 38
AB01 7661	Gear - 29/69Z	39 - 37
AB01 7662	Gear - 17/67Z	39 - 39
AB01 7663	Gear - 18/40Z	39 - 10
AB03 0711	Drive Pulley - 37T	31 - 19
AB03 2071	Pulley - 24Z	39 - 34
AB03 3095	Drive Pulley - 41T/37T	31 - 12
AB04 0023	Spring Clutch:0.7N.M:Z53	35 - 5
AC01 2070	Exposure Glass	7 - 11
AC01 3005	Df Exposure Glass	7 - 27
AC03 0145	1st Mirror	29 - 6
AC03 0146	2nd Mirror	29 - 16
AE01 1086	Hot Roller	37 - 40
AE02 0149	Pressure Roller	37 - 26
AE03 1035	Pressure Roller Bushing	37 - 32
AE03 1044	Fusing Bushing	37 - 39
AE04 4059	Stripper Pawls	37 - 21
AF02 0686	Registration Roller	13 - 8
AF02 2139	Driven Roller - Front Rear	15 - 5
AF02 2140	Middle Driven Roller	15 - 6
AF02 2141	Turn-roller	37 - 6
AF02 2142	Middle Roller	37 - 48
AF02 2142	Middle Roller	37 - 8
AF02 2143	Guide Roller	15 - 27
AF02 2144	Pressure Roller	19 - 3
AF02 2152	Transport Driven Roller	15 - 35
AF03 0363	Pickup Roller	21 - 26

Part No.	Description	Page and Index No.
AF03 1061	Paper Feed Roller	17 - 12
AF03 1062	Feed Roller	21 - 18
AF03 1086	By-pass Feed Roller	13 - 20
AF03 2030	Reverse Roller	23 - 2
AF04 0588	Exit Roller	37 - 9
AF04 0603	Exit Roller	37 - 7
AW01 0109	Photo Refiection Sensor:PS117ED1	25 - 5
AW02 0141	Photointerruptor	23 - 12
AW02 0155	Photointerruptor:Paper Size Sensor	23 - 17
AW10 0088	Thermistor - Fusing	37 - 18
AW11 0037	Thermostat - 160C	37 - 17
AW11 0038	Thermostat - 170C	37 - 19
AX06 0336	Stepper Motor - Duplex - DC24V 14.9W	39 - 25
AX06 0342	Polygon Scannermotor-dc24V	33 - 5
AX06 0344	Brushless Motor:DC24V:20W	39 - 28
AX20 0308	Magnetic Clutch:0.25n.m:Z43	13 - 6
AX20 0309	Magnetic Clutch:0.25N.M:Z43	39 - 5
AX20 0310	Magnetic Clutch:0.25N.M:Z43	13 - 28
AX31 0049	Total Counter:7Fig:24V	41 - 22
AX44 0202	Heater - 120V/800W	37 - 41
AX44 0203	Heater - 230V:750W	37 - 41
AX50 0096	Xenon Lamp:Dia8	29 - 4
AX50 0098	Quenching Lamp	35 - 2
AZ23 0161	Power Supply Unit:100V	41 - 20
AZ23 0162	Power Supply Unit:200V	41 - 20
AZ32 0152	Power Pack BCT	41 - 2
AZ50 0073	Stabilizer-xenon Lamp	29 - 3
BB01 3003	Gear - 14Z	19 - 13
BB01 3006	Gear - 27Z	39 - 1
GW02 0020	Photointerruptor:LG248NL1	13 - 9
GW02 0020	Photointerruptor:LG248NL1	37 - 11
GW02 0020	Photointerruptor:LG248NL1	31 - 7
GW02 0020	Photointerruptor:LG248NL1	29 - 21
GX64 5734	Fan Motor:Mm80 DC24V 3.12W	41 - 1

Part No.	Description	Page and Index No.
VSSM 9000	Digital Multimeter-fluke187	79 - 4

Part No.	Description	Page and Index No.
0353 0040N	Screw - M3X4	25 - 106
0360 3006P	Screw - M3X6	31 - 103
0450 3006N	Tapping Screw - M3x6	15 - 102
0450 3006N	Tapping Screw - M3x6	13 - 102
0450 3006N	Tapping Screw - M3x6	19 - 103
0450 3008N	Tapping Screw - M3x8	29 - 101
0450 3008N	Tapping Screw - M3x8	43 - 101
0450 3008N	Tapping Screw - M3x8	33 - 101
0450 3008N	Tapping Screw - M3x8	41 - 102
0450 3008N	Tapping Screw - M3x8	21 - 104
0450 3008N	Tapping Screw - M3x8	35 - 101
0450 3008N	Tapping Screw - M3x8	15 - 103
0450 3008N	Tapping Screw - M3x8	27 - 103
0450 3008N	Tapping Screw - M3x8	37 - 101
0450 3010N	Tapping Screw - M3x10	27 - 105
0450 3010N	Tapping Screw - M3x10	43 - 104
0450 3010N	Tapping Screw - M3x10	7 - 103
0450 3010N	Tapping Screw - M3x10	37 - 103
0450 3010N	Tapping Screw - M3x10	39 - 103
0450 3035N	Tapping Screw:3x35	41 - 101
0451 3006N	Tapping Screw - 3x6	7 - 102
0451 3006N	Tapping Screw - 3x6	25 - 105
0451 3006N	Tapping Screw - 3x6	29 - 102
0451 3006N	Tapping Screw - 3x6	31 - 101
0451 3006N	Tapping Screw - 3x6	39 - 101
0451 3006N	Tapping Screw - 3x6	23 - 106
0451 3006N	Tapping Screw - 3x6	41 - 103
0451 3006N	Tapping Screw - 3x6	11 - 101
0451 3006N	Tapping Screw - 3x6	21 - 103
0451 3006N	Tapping Screw - 3x6	43 - 103
0451 3006N	Tapping Screw - 3x6	37 - 102
0451 3006N	Tapping Screw - 3x6	47 - 101
0451 3008N	Tapping Screw - M3x8	25 - 101
0451 3008N	Tapping Screw - M3x8	19 - 102
0451 3008N	Tapping Screw - M3x8	7 - 101

Part No.	Description	Page and Index No.
0451 3008N	Tapping Screw - M3x8	41 - 107
0452 3008N	Tapping Screw - M3x8	19 - 101
0452 3010N	Binding Self-tapping Screw:3x10	9 - 101
0452 3010N	Binding Self-tapping Screw:3x10	33 - 102
0453 3006N	Tapping Screw - M3x6	39 - 102
0454 3006Q	Tapping Screw - M3x6	31 - 102
0454 3006Q	Tapping Screw - M3x6	27 - 104
0454 3006Q	Tapping Screw - M3x6	23 - 107
0622 0120E	Spring Pin - 2x12mm	17 - 102
0720 0030E	Retaining Ring - M3	21 - 102
0720 0030E	Retaining Ring - M3	23 - 102
0720 0040E	Retaining Ring - M4	39 - 104
0720 0040E	Retaining Ring - M4	21 - 101
0720 0040E	Retaining Ring - M4	23 - 101
0720 0040E	Retaining Ring - M4	13 - 103
0720 0040E	Retaining Ring - M4	15 - 101
0720 0040E	Retaining Ring - M4	25 - 104
0720 0060E	Retaining Ring - M6	23 - 105
0720 0060E	Retaining Ring - M6	31 - 105
0740 3906	Ball Bearing - 6x15x5	31 - 104
0805 0088	Retaining Ring - M6	25 - 103
0805 0088	Retaining Ring - M6	25 - 107
0805 0089	Retaining Ring - M4	17 - 101
0805 3480	Bushing - 6mm	23 - 104
0805 3480	Bushing - 6mm	25 - 102
0950 4006N	Screw - M4x6	41 - 104
0954 3008N	Screw - M3x8	37 - 104
0954 3008N	Screw - M3x8	43 - 102
1102 4201	Connector - 2P	75 - 101
1102 4202	Connector - 3P	65 - 101
1102 4203	CT Header - 4P	57 - 102
1102 4205	CT Header - 6P	65 - 102
1102 4462	CT Header(H) - 4P	65 - 103
1102 4559	Connector - 3P	35 - 104
1102 4619	Connector - 2P	65 - 104

Part No.	Description	Page and Index No.
1102 4631	CT Connector - 2P	65 - 105
1102 4633	CT Header - 4P	75 - 102
1102 5302	Connector - 3P	65 - 106
1102 5306	Connector - 7P	65 - 107
1102 6259	Connector - 2P	35 - 103
1102 6295	Connector - 2P	65 - 108
1102 6297	Connector - 4P	65 - 109
1102 6304	Connector - 11P	65 - 110
1102 6309	Connector - 2P	65 - 111
1102 7604	Connector - 52830-6245	75 - 103
1102 7615	Connector - B8B-XH-A	57 - 103
1102 8153	Connector - FCN-568P068-G/05A-V4	65 - 112
1102 8329	Connector - Usb - UBB-4R-D14C	57 - 104
1102 8477	Connector - 13P	65 - 113
1102 8544	Connector 1-353297-3	65 - 114
1102 8545	Connector - 1-353297-6	65 - 115
1102 8546	Connector - 1-353297-7	65 - 116
1102 8655	Connector - 9P 353297-9	65 - 117
1102 8807	Connector - FFC/FPC-52045-0545	65 - 118
1102 8832	Connector - DM-3D4-B3210	57 - 105
1102 9093	Connector:RHM-88R-SSK-	75 - 104
1102 9108	Connector - 353297-3	65 - 119
1102 9109	Connector - 353297-4	65 - 120
1102 9110	Connector - 353297-6	65 - 121
1102 9111	Connector - 353297-7	65 - 122
1102 9112	Connector - 353297-8	65 - 123
1102 9117	Connector - 353297-8	65 - 124
1102 9133	Connector - 292206-8	65 - 125
1102 9181	Connector:TX24-100R-12ST-N1	57 - 106
1102 9336	Connector:FPS009-2300-0	57 - 107
1102 9548	Connector - TX25-100P-8ST-H1	65 - 126
1102 9602	Connector - 5-353297-6	65 - 127
1102 9634	Connector - WR-60P-VF50-1	75 - 105
1102 9686	Connector - RHM-176P-SDK11-U1L1C	57 - 108
1102 9687	Connector - RHM-88PU-SDK11-1C	57 - 109

Part No.	Description	Page and Index No.
1102 9710	Connector - 5-353297-4	65 - 128
1102 9890	Connector:5-1605706-2	57 - 110
1103 3863	Connector - 52806-1810	65 - 129
1104 0764	IC Socket - 8 PIN	57 - 111
1105 0197	Wire Saddle	13 - 104
1105 0197	Wire Saddle	39 - 105
1105 0232	Locking Card Spacer	75 - 106
1105 0409	Card Spacer- 6.4mm	43 - 105
1105 0436	Locking Support - Kgcp-08-0	21 - 106
1105 0487	Harness Clamp	31 - 106
1105 0487	Harness Clamp	41 - 105
1105 0508	Harness Clamp - LWS-0711	27 - 102
1105 0511	Harness Clamp - LWS-0306ZC	43 - 106
1105 0511	Harness Clamp - LWS-0306ZC	27 - 101
1105 0511	Harness Clamp - LWS-0306ZC	23 - 103
1105 0511	Harness Clamp - LWS-0306ZC	39 - 106
1105 0511	Harness Clamp - LWS-0306ZC	29 - 103
1105 0511	Harness Clamp - LWS-0306ZC	35 - 102
1105 0522	Edge Saddle - Les0510	43 - 107
1105 0522	Edge Saddle - Les0510	41 - 106
1105 0612	Clamp:EDS-0704L-V0	21 - 105
1204 1542	Dip Switch	57 - 112
1204 2521	Micro Switch	13 - 101
1206 0084	2ndary Lithium Cell:VI2330/1HF	75 - 107
1206 0115	Lithium Cell - CR1632/V1A	57 - 113
1208 1438	Relay - EC2 5ND	75 - 108
1400 0356	Transistor - 2SA1036K	65 - 130
1400 0769	Transistor - 2SA1576A	75 - 109
1400 0775	Transistor - 2SC4081	75 - 110
1400 0781	Transistor:2SB1132R	75 - 111
1400 0789	Transistor - IMT17	65 - 131
1400 0799	Transistor - 2SB1326	65 - 132
1400 0841	Transistor:2SD1898Q	75 - 112
1400 0901	Transistor - DTC144VUA	65 - 133
1400 0953	Transistor - 2SC4081S	65 - 134

Part No.	Description	Page and Index No.
1400 0967	Transistor - DTC123EUA	65 - 135
1400 1018	Transistor - MMBTA42	75 - 113
1400 1019	Transistor - MMBTA92	75 - 114
1400 1163	Transistor - 2SA1979 $\mu$ F	65 - 136
1400 1164	Transistor:2SC5343 $\mu$ F	65 - 137
1400 1170	Transistor - SRC1206 $\mu$ F	65 - 138
1400 1171	Transistor:SRC1205 $\mu$ F	65 - 139
1400 1174	Transistor - SRC1219 $\mu$ F	65 - 140
1400 1190	Transistor - STD1664	65 - 141
1400 1191	Transistor - RT3NDDM-T111	65 - 142
1400 1208	Transistor - SUR519J	65 - 143
1401 1056	Fet - 2SK2158	75 - 115
1401 1116	Transistor - 2SC5053	75 - 116
1402 0506	Diode - RD43EB	75 - 117
1402 1336	Diode - 1SS355	75 - 118
1402 1343	Diode - RB106L-40	75 - 119
1402 1384	Diode - UDZS12B	75 - 120
1402 1505	Diode - UDZS5.6B	75 - 121
1402 1511	Zenerdiode - MTZJ13B	65 - 144
1402 1530	Diode - RB520S-30	75 - 122
1402 1565	Diode - RB	65 - 145
1402 1584	Diode - DAN217U	75 - 123
1402 1599	Diode - RB551	75 - 124
1402 1647	Diode - UDZS3.6B	75 - 125
1402 1698	Diode - RB	75 - 126
1402 1734	Diode - 1SR156-400	75 - 127
1402 1909	Diode:SDB310D	57 - 114
1402 1910	Diode - SDS142WAF	65 - 146
1402 1911	Diode - SDS511	65 - 147
1402 1911	Diode - SDS511	57 - 115
1402 1912	Diode - SDS142W $\mu$ F	65 - 148
1403 0908	Photocoupler:TLP620(D4GB-LF2,PF	75 - 128
1403 0953	LED - SML-310MT	75 - 129
1403 0996	LED - SML-310VT	75 - 130
1403 1131	Led:SML-311UT	57 - 116

Part No.	Description	Page and Index No.
1403 1266	LED - KPT-1608EC	65 - 149
1404 0129	Varistor - VR - 63B	75 - 131
1404 1033	Varistor - TNR9SE431K	75 - 132
1404 1070	Varistor - TISP4290H3BJ	75 - 133
1407 2219	IC - TD62003AP	65 - 150
1407 4919	IC - 74VHCT244 TSSOP	57 - 117
1407 5300	CMOS Logic - 74LVC16244A TSSOP	57 - 118
1407 5344	IC - SN74LV02APW	57 - 119
1407 5351	IC - SN74LV14APW	57 - 120
1407 5353	IC - SN74LV244APW	65 - 151
1407 5368	IC - 74LVC245A TSSOP	65 - 152
1407 5374	IC - SN74LV4052APW	65 - 153
1407 5376	IC - SN74LV32APW	65 - 154
1407 5382	CMOS Logic - SN74LV373APW	65 - 155
1407 5441	IC - 74LVC00A:TSOP	75 - 134
1407 5454	IC - SN74LV86APW	65 - 156
1407 5469	IC - SN74LV07APW	65 - 157
1407 5482	IC - SN74LVC07APW	57 - 121
1407 5509	IC - SN74AHCT08PW	65 - 158
1407 5520	IC - SN74LVC125APW	57 - 122
1407 5523	Rom - I2C SOP 3V	57 - 123
1407 5588	IC - MTD2006F	65 - 159
1407 5604	IC - SN74LVC16245ADGG	57 - 124
1407 5858	IC - SI3016	75 - 135
1407 5868	Ethernet Cont Lsi - DP83847ALQA56A	57 - 125
1407 6032	IC - SN74LV161APW	65 - 160
1407 6100	IC:SN74LVC1G04DCK	57 - 126
1407 6101	IC - SN74LVC2G17DCK	57 - 127
1407 6123	IC SN74IVC2G125DCU	57 - 128
1407 6145	IC:SN74LVC373APW	57 - 129
1407 6187	CMOS Logic - SN74LVC1G07DCK	57 - 130
1407 6203	CMOS Logic - SN74LVC3G07DCT	57 - 131
1407 6265	Real Time Clock:R2025s	57 - 132
1407 6305	Cpu - RM5231A-400L	57 - 133
1407 6335	CMOS Logic:SN74LVC1G17DCK	57 - 134

Part No.	Description	Page and Index No.
1407 6400	Clock Generator - ICS960013BFLF	57 - 135
1407 6465	RAM:FM25L256 - PG	57 - 244
1407 6465	Ram:FM25I256-PG(rev.ag)	57 - 101
1407 6525	Cpu - HD6412320VF25V	65 - 161
1407 6560	CMOS Logic:SN74LVC2G126DCU	57 - 136
1407 6584	IC - STK672-400B-E	65 - 162
1408 1290	Regulator - TA7805S	65 - 163
1408 1653	Opeamp - LMV324IPW	65 - 164
1408 1669	Series Regulator:R1170H331B	65 - 165
1408 1778	IC:R3112Q101A	57 - 137
1408 1815	IC - R3112Q151A	57 - 138
1408 1826	IC - R3112Q421A	57 - 139
1408 1829	Ope Amp - LM358PW	75 - 136
1408 1850	Regulator - R1170H181B	65 - 166
1408 1861	Regulator - UPC2918T	75 - 137
1408 1929	IC - R3112Q441A	65 - 167
1408 2053	IC:R3112Q291A-FA	57 - 140
1408 2080	IC - RN5RK	75 - 138
1408 2096	IC - BD9103FVM	57 - 141
1408 2213	Dc/dc Converter - H8D3214	57 - 142
1408 2316	IC - R3112Q381A-FA	65 - 168
1408 2336	Analog IC - WM8214SCDS	65 - 169
1408 2384	Series Regulator - BAJ2CC0WFP	65 - 170
1408 2388	Series Regulator:AIC1117A-33PYJ	75 - 139
1503 0460	Oscillator - 32.768KHZ	75 - 140
1503 0842	Oscillator - 14.31818MHZ	57 - 143
1503 0993	Crystal Oscilator - 14.7456MHZ	65 - 171
1503 1004	Oscilator - 19.6608MHZ	75 - 141
1503 1138	Crystal Oscilator - 48MHZ	57 - 144
1503 1309	Crystal Oscilator - 25MHZ	57 - 145
1503 1319	Crystal Oscilator - 16.2MHZ	65 - 172
1600 1418	Resistor - 1.0Ω 1W	65 - 173
1600 1684	Resistor - 0.47Ω±5% 2W	65 - 174
1601 5390	Resistor - 270HM±27Ω 1W	65 - 175
1601 5492	Resistor - 47Ω±5% 2W	65 - 176

Part No.	Description	Page and Index No.
1601 5668	Resistor - 390Ω±5% 2W	65 - 177
1601 7752	Resistor Array - 10KΩ±5%	75 - 142
1601 7867	Resistor - 33Ω±5% 1/16W	75 - 143
1601 7877	Resistor Array 4.7KΩ±5% 1/32W	65 - 178
1601 7887	Resistor Array - 10KΩ±5% 1/32W	65 - 179
1601 7887	Resistor Array - 10KΩ±5% 1/32W	57 - 146
1601 7898	Resistor Array	57 - 147
1601 7898	Resistor Array	65 - 180
1601 7909	Resistor Array - 10Ω±5% 1/32W	57 - 148
1601 7914	Resistor Array - 47Ω±5%	57 - 149
1601 7943	Resistor Array - 68Ω±5% 1/32W	57 - 150
1601 7943	Resistor Array - 68Ω±5% 1/32W	65 - 181
1601 7959	Resistor	57 - 151
1601 7959	Resistor	65 - 182
1604 4728	Capacitor - 100μF±20% 16V	57 - 152
1604 4994	Capacitor - 100μF±20% 6.3V	57 - 153
1604 5135	Capacitor - 1000μF±20% 10V	57 - 154
1604 5210	Capacitor - 22μF±20% 16V	75 - 144
1604 5211	Capacitor - 47μF±20% 16V	75 - 145
1604 5212	Capacitor - 100μF±20% 16V	75 - 146
1604 5213	Capacitor - 220μF±20% 10V	75 - 147
1604 5525	Capacitor - 100μF±20% 10V	65 - 183
1604 5581	Capacitor - 330μF±20% 35V	65 - 184
1605 1124	Capacitor - 4.7μF+80-20% 10V	57 - 155
1605 1132	Capacitor - 2.2μF+80-20% 16V	57 - 156
1605 1137	Capacitor - 470PF±10% 50V	65 - 185
1605 1148	Capacitor - 0.1μF+80-20% 50V	65 - 186
1605 1148	Capacitor - 0.1μF+80-20% 50V	75 - 148
1605 1154	Capacitor - 1μF±10% 16V	65 - 187
1605 1163	Ceramic Capacitor - 560PF:±5%:50V	75 - 149
1605 1166	Capacitor - 0.015μF±10% 50V	65 - 188
1605 1190	Resistor - 0.022μF±10% 50V	75 - 150
1605 1190	Resistor - 0.022μF±10% 50V	65 - 189
1605 1195	Capacitor:4pf:±0.25PF:50V	57 - 157
1605 1199	Capacitor - 8PF±0.5pF 50V	57 - 158

Part No.	Description	Page and Index No.
1605 1200	Capacitor - 10PF±0.5pF 50V	75 - 151
1605 1200	Capacitor - 10PF±0.5pF 50V	57 - 159
1605 1200	Capacitor - 10PF±0.5pF 50V	65 - 190
1605 1201	Capacitor - 12PF±5% 50V	57 - 160
1605 1201	Capacitor - 12PF±5% 50V	65 - 191
1605 1202	Capacitor - 15PF±5% 50V	57 - 161
1605 1204	Capacitor-PF50V	57 - 162
1605 1204	Capacitor - PF50V	65 - 192
1605 1205	Capacitor - 33PF±5% 50V	65 - 193
1605 1206	Capacitor - 47PF±5% 50V	65 - 194
1605 1207	Capacitor - 68PF±5% 50V	57 - 163
1605 1208	Capacitor:100PF:±5%:50V	65 - 195
1605 1208	Capacitor:100PF:±5%:50V	57 - 164
1605 1209	Capacitor - 150PF±5% 50V	65 - 196
1605 1210	Capacitor:180PF:±5%:50V	65 - 197
1605 1211	Capacitor - 220PF±10% 50V	57 - 165
1605 1212	Capacitor - 470PF±10% 50V	57 - 166
1605 1212	Capacitor - 470PF±10% 50V	65 - 198
1605 1214	Capacitor - 1000PF±10% 50V	57 - 167
1605 1214	Capacitor - 1000PF±10% 50V	65 - 199
1605 1214	Capacitor - 1000PF±10% 50V	75 - 152
1605 1216	Capacitor - 2200PF±10% 50V	75 - 153
1605 1216	Capacitor - 2200PF±10% 50V	65 - 200
1605 1221	Capacitor - 0.1μF+80-20% 16V	57 - 168
1605 1221	Capacitor - 0.1μF+80-20% 16V	65 - 201
1605 1221	Capacitor - 0.1μF+80-20% 16V	75 - 154
1605 1225	Capacitor - 0.1μF±10% 50V	75 - 155
1605 1240	Capacitor - 0.01μF±10% 25V	57 - 169
1605 1240	Capacitor - 0.01μF±10% 25V	65 - 202
1605 1250	Capcitor:0.068μF:±10%:10V	65 - 203
1605 1275	Capacitor - 820PF±5% 50V	75 - 156
1605 1281	Capacitor - 0.22μF±10% 16V	75 - 157
1605 1285	Capacitor - 3300PF±10% 50V	65 - 204
1605 1288	Capacitor - 220PF±5% 50V	65 - 205
1605 1289	Capacitor - 0.1μF±10% 10V	75 - 158

Part No.	Description	Page and Index No.
1605 1289	Capacitor - 0.1 $\mu$ F $\pm$ 10% 10V	57 - 170
1605 1289	Capacitor - 0.1 $\mu$ F $\pm$ 10% 10V	65 - 206
1605 1293	Capacitor - 27PF $\pm$ 5% 50V	65 - 207
1605 1294	Resistor - 1000PF $\pm$ 5% 50V	65 - 208
1605 1294	Resistor - 1000PF $\pm$ 5% 50V	57 - 171
1605 1295	Capacitor:10 $\mu$ F:+80-20%:10V	75 - 159
1605 1295	Capacitor:10 $\mu$ F:+80-20%:10V	65 - 209
1605 1295	Capacitor:10 $\mu$ F:+80-20%:10V	57 - 172
1605 1296	Capacitor - 330PF $\pm$ 10% 50V	57 - 173
1605 1299	Resistor - 56PF $\pm$ 5% 50V	75 - 160
1605 1299	Resistor - 56PF $\pm$ 5% 50V	57 - 174
1605 1300	Capacitor - 270PF $\pm$ 5% 50V	75 - 161
1605 1300	Capacitor - 270PF $\pm$ 5% 50V	65 - 210
1605 1303	Capacitor - 0.01 $\mu$ F+80-20% 50V	65 - 211
1605 1305	Capacitor - 1 $\mu$ F+80-20% 6.3V	57 - 175
1605 1306	Capacitor - 1 $\mu$ F $\pm$ 10% 10V	75 - 162
1605 1306	Capacitor - 1 $\mu$ F $\pm$ 10% 10V	57 - 176
1605 1344	Capacitor - 33PF $\pm$ 5% 50V	57 - 177
1605 1347	Capacitor - 1 $\mu$ F:+80-20%:16V	65 - 212
1605 1347	Capacitor - 1 $\mu$ F:+80-20%:16V	75 - 163
1605 1352	Resistor - 82PF $\pm$ 5% 50V	65 - 213
1605 1353	Capacitor - 0.1 $\mu$ F $\pm$ 10% 25V	75 - 164
1605 1391	Capacitor - 22 $\mu$ F: $\pm$ 20%:6.3V	57 - 178
1605 1396	Capacitor - 0.33 $\mu$ F $\pm$ 10% 50V	75 - 165
1605 1397	Capacitor - 560PF $\pm$ 10% 630V	75 - 166
1605 1398	Capacitor - 1000PF $\pm$ 20% AC250V	75 - 167
1605 1399	Capacitor - 3900PF $\pm$ 5% 50V	75 - 168
1605 1400	Capacitor - 150PF $\pm$ 10% AC250V	75 - 169
1605 1401	Capacitor - 0.01 $\mu$ F $\pm$ 10% 250V	75 - 170
1605 1402	Capacitor - 1800PF $\pm$ 5% 50V	75 - 171
1605 1406	Capacitor - 10 $\mu$ F $\pm$ 10% 6.3V	57 - 179
1605 1417	Capacitor:47 $\mu$ F:+80-20%:10V	75 - 172
1605 1446	Resistor - 120PF $\pm$ 5% 50V	75 - 173
1605 1447	Resistor - 470PF $\pm$ 5% 50V	65 - 214
1605 1447	Resistor - 470PF $\pm$ 5% 50V	57 - 180

Part No.	Description	Page and Index No.
1605 1452	Capacitor - 1 $\mu$ F $\pm$ 10% 6.3V	65 - 215
1605 1460	Capacitor:0.022 $\mu$ F: $\pm$ 10%:250V	75 - 174
1605 1464	Resistor - 10 $\mu$ F $\pm$ 20% 25V	65 - 216
1605 1474	Capacitor - 47 $\mu$ F $\pm$ 20% 6.3V	57 - 181
1605 1475	Resistor - 1 $\mu$ F $\pm$ 10% 16V	75 - 175
1605 1539	Resistor - 1.5 $\mu$ F $\pm$ 10% 16V	75 - 176
1605 1544	Resistor - 330PF $\pm$ 5% 50V	75 - 177
1607 0069	Fuse - BL02RN2-R62-PB	75 - 178
1607 0425	Coil: SBT-0260	75 - 179
1607 0612	ST-110AV	75 - 180
1607 0824	Filter - BLM11A601SPB	75 - 181
1607 0824	Filter - BLM11A601SPB	65 - 217
1607 0973	Inductor - BLM11A121SPB	65 - 218
1607 0978	Inductor - BLM21P300SPB	57 - 182
1607 1051	Filter -FBMJ2125HS420	57 - 183
1607 1061	Filter - BLM11P300SPB	57 - 184
1607 1123	Filter:BLM18BB471SN1B	57 - 185
1607 1196	Inductor - 220UH $\pm$ 20% 0.33A	75 - 182
1607 1342	Filter - BLM18BD121SN1B	65 - 219
1607 1362	Coil - ACM3225-800-2P	57 - 186
1607 1477	Inductor - RLF7030-4R7M3R4	57 - 187
1607 1567	Filter:MPZ2012S101A	57 - 188
1607 1715	Ferrite Core - RFC - 5	7 - 104
1609 0005	Resistor:33 $\Omega$ : $\pm$ 5%:1/16W	65 - 220
1609 0005	Resistor:33 $\Omega$ : $\pm$ 5%:1/16W	75 - 183
1609 0005	Resistor:33 $\Omega$ : $\pm$ 5%:1/16W	57 - 189
1609 0006	Resistor:10K $\Omega$ : $\pm$ 5%:1/16W	75 - 184
1609 0006	Resistor:10K $\Omega$ : $\pm$ 5%:1/16W	65 - 221
1609 0006	Resistor:10K $\Omega$ : $\pm$ 5%:1/16W	57 - 190
1609 0007	Resistor - 68 $\Omega$ $\pm$ 5% 1/16W	65 - 222
1609 0007	Resistor - 68 $\Omega$ $\pm$ 5% 1/16W	57 - 191
1609 0011	Resistor:22 $\Omega$ : $\pm$ 5%:1/16W	57 - 192
1609 0019	Resistor:0 $\Omega$ :1608	65 - 223
1609 0026	Resistor - 47 $\Omega$ $\pm$ 5% 1/16W	57 - 193
1609 0026	Resistor - 47 $\Omega$ $\pm$ 5% 1/16W	75 - 185

Part No.	Description	Page and Index No.
1609 0027	Resistor - 100K $\Omega$ $\pm$ 5% 1/16W	65 - 224
1610 1377	Resistor - 0.1 $\Omega$ $\pm$ 2% 1/2W	57 - 194
1610 1871	Resistor - 0.22 $\Omega$ $\pm$ 1%	57 - 195
1611 8510	Resistor 51 $\Omega$ $\pm$ 5% 1/4W	65 - 225
1632 0000	Resistor - 0 $\Omega$ 1/8W	57 - 196
1633 0000	Resistor - 0 $\Omega$ 1/10W	57 - 197
1633 0000	Resistor - 0 $\Omega$ 1/10W	65 - 226
1634 0000	Resistor - 0 $\Omega$ 1/16W	57 - 198
1634 0000	Resistor - 0 $\Omega$ 1/16W	65 - 227
1634 0000	Resistor - 0 $\Omega$ 1/16W	75 - 186
1640 3221	Capacitor:220 $\mu$ F $\pm$ 20%:35V	75 - 187
1640 5470	Capacitor - 47 $\mu$ F $\pm$ 20% 50V	65 - 228
1642 1470	Capacitor 47 $\mu$ F $\pm$ 20% 16V	65 - 229
1642 2470	Capacitor - 47 $\mu$ F $\pm$ 20% 25V	65 - 230
1642 3330	Capacitor - 33 $\mu$ F $\pm$ 20%-35V	65 - 231
1642 3470	Capacitor - 47 $\mu$ F $\pm$ 20% 35V	65 - 232
1642 5100	Capacitor - 10 $\mu$ F $\pm$ 20% 50V	65 - 233
1642 5220	Capacitor - 22 $\mu$ F $\pm$ 20% 50V	65 - 234
1650 2472	Chip Resistor - 4.7K	65 - 235
1650 3101	Resistor - 100 $\Omega$ $\pm$ 5% 1/8W	65 - 236
1650 3102	Resistor:1K $\Omega$ : $\pm$ 5%:1/8W:2125	65 - 237
1650 4100	Resistor - 10 $\Omega$ $\pm$ 5% 1/10W	75 - 188
1650 4101	Resistor - 100 $\Omega$ $\pm$ 5% 1/10W	65 - 238
1650 4101	Resistor - 100 $\Omega$ $\pm$ 5% 1/10W	75 - 189
1650 4102	Resistor - 1K $\Omega$ $\pm$ 5% 1/10W	65 - 239
1650 4102	Resistor - 1K $\Omega$ $\pm$ 5% 1/10W	75 - 190
1650 4103	Resistor - 10K $\Omega$ $\pm$ 5% 1/10W	65 - 240
1650 4103	Resistor - 10K $\Omega$ $\pm$ 5% 1/10W	75 - 191
1650 4104	Resistor - 100K $\Omega$ $\pm$ 5% 1/10W	65 - 241
1650 4104	Resistor - 100K $\Omega$ $\pm$ 5% 1/10W	75 - 192
1650 4106	Resistor - 10M $\Omega$ $\pm$ 5% 1/10W	75 - 193
1650 4121	Resistor - 120 $\Omega$ $\pm$ 5% 1/10W	75 - 194
1650 4124	Resistor:120K $\Omega$ : $\pm$ 5%:1/10W	75 - 195
1650 4151	Resistor - 150 $\Omega$ $\pm$ 5% 1/10W	75 - 196
1650 4204	Resistor - 200K $\Omega$ $\pm$ 5% 1/10W	75 - 197

Part No.	Description	Page and Index No.
1650 4220	Chip Resistor - 22 $\Omega$ $\pm$ 5% 1/10W	75 - 198
1650 4220	Chip Resistor - 22 $\Omega$ $\pm$ 5% 1/10W	65 - 242
1650 4222	Resistor - 2.2K $\Omega$ $\pm$ 5% 1/10W	75 - 199
1650 4223	Resistor - 22K $\Omega$ $\pm$ 5% 1/10W	75 - 200
1650 4224	Resistor:220K $\Omega$ : $\pm$ 5%:1/10W	75 - 201
1650 4304	Resistor:300K $\Omega$ : $\pm$ 5%:1/10W	75 - 202
1650 4309	RESISTOR:3 $\Omega$ : $\pm$ 5%:1/10W:1608	57 - 199
1650 4330	Chip Resistor - 33 $\Omega$ $\pm$ 5% 1/10W	65 - 243
1650 4330	Chip Resistor - 33 $\Omega$ $\pm$ 5% 1/10W	57 - 200
1650 4330	Chip Resistor - 33 $\Omega$ $\pm$ 5% 1/10W	75 - 203
1650 4331	Resistor - 330 $\Omega$ $\pm$ 5% 1/10W	75 - 204
1650 4333	Resistor - 33K $\Omega$ $\pm$ 5% 1/10W	75 - 205
1650 4334	Resistor - 330K $\Omega$ $\pm$ 5% 1/10W	75 - 206
1650 4470	Resistor - 47 $\Omega$ $\pm$ 5% 1/10W	75 - 207
1650 4470	Resistor - 47 $\Omega$ $\pm$ 5% 1/10W	57 - 201
1650 4472	Resistor - 4.7K $\Omega$ $\pm$ 5% 1/10W	65 - 244
1650 4472	Resistor - 4.7K $\Omega$ $\pm$ 5% 1/10W	75 - 208
1650 4473	Resistor - 47K $\Omega$ $\pm$ 5% 1/10W	65 - 245
1650 4474	Chip Resistor:470K $\Omega$ : $\pm$ 5%:1/10W	75 - 209
1650 4511	Resistor - 510 $\Omega$ $\pm$ 5% 1/10W	75 - 210
1650 4561	Resistor - 560 $\Omega$ $\pm$ 5% 1/10W	75 - 211
1650 4562	Resistor - 5.6K $\Omega$ $\pm$ 5% 1/10W	75 - 212
1650 4563	Resistor - 56K $\Omega$ $\pm$ 5% 1/10W	75 - 213
1650 4680	Resistor - 68 $\Omega$ $\pm$ 5% 1/10W	75 - 214
1650 4680	Resistor - 68 $\Omega$ $\pm$ 5% 1/10W	65 - 246
1650 4750	Resistor - 75 $\Omega$ $\pm$ 5% 1/10W	65 - 247
1650 4912	Resistor - 9.1K $\Omega$ $\pm$ 5% 1/10W	75 - 215
1650 5100	Chip Resistor - 10 $\Omega$ $\pm$ 5% 1/16W	57 - 202
1650 5101	Chip Resistor - 100 $\Omega$ $\pm$ 5% 1/16W	57 - 203
1650 5101	Chip Resistor - 100 $\Omega$ $\pm$ 5% 1/16W	65 - 248
1650 5102	Chip Resistor - 1K $\Omega$ $\pm$ 5% 1/16W	65 - 249
1650 5102	Chip Resistor - 1K $\Omega$ $\pm$ 5% 1/16W	57 - 204
1650 5103	Chip Resistor - 10K $\Omega$ $\pm$ 5% 1/16W	65 - 250
1650 5103	Chip Resistor - 10K $\Omega$ $\pm$ 5% 1/16w	57 - 205
1650 5104	Chip Resistor - 100K $\Omega$ $\pm$ 5% 1/16W	65 - 251



Part No.	Description	Page and Index No.
1650 5104	Chip Resistor - 100K $\Omega$ $\pm$ 5% 1/16W	57 - 206
1650 5105	Chip Resistor - 1M $\Omega$ $\pm$ 5% 1/16W	65 - 252
1650 5109	Chip Resistor 1 $\Omega$ $\pm$ 5% 1/16W	57 - 207
1650 5122	Chip Resistor - 1.2K $\Omega$ $\pm$ 5% 1/16W	65 - 253
1650 5122	Chip Resistor - 1.2K $\Omega$ $\pm$ 5% 1/16W	57 - 208
1650 5123	Resistor - 12K $\Omega$ $\pm$ 5% 1/16W	65 - 254
1650 5153	Chip Resistor - 15K $\Omega$ $\pm$ 5% 1/16w	65 - 255
1650 5163	Resistor - 16K $\Omega$ $\pm$ 5% 1/16W	65 - 256
1650 5182	Chip Resistor - 1.8K $\Omega$ $\pm$ 5% 1/16W	57 - 209
1650 5201	Resistor - 200 $\Omega$ $\pm$ 5% 1/16W	65 - 257
1650 5202	Chip Resistor:2K $\Omega$ : $\pm$ 5%:1/16W	65 - 258
1650 5203	Resistor - 20K $\Omega$ $\pm$ 5% 1/16W	65 - 259
1650 5203	Resistor - 20K $\Omega$ $\pm$ 5% 1/16W	57 - 210
1650 5221	Chip Resistor - 220 $\Omega$ $\pm$ 5% 1/16W	65 - 260
1650 5221	Chip Resistor - 220 $\Omega$ $\pm$ 5% 1/16W	57 - 211
1650 5222	Resistor - 2.2K $\Omega$ $\pm$ 5% 1/16W	65 - 261
1650 5222	Resistor - 2.2K $\Omega$ $\pm$ 5% 1/16W	57 - 212
1650 5243	Resistor - 24K $\Omega$ $\pm$ 5% 1/16W	65 - 262
1650 5244	Resistor:240K $\Omega$ : $\pm$ 5%:1/16W:1005	65 - 263
1650 5271	Chip Resistor 270 $\Omega$ $\pm$ 5% 1/16W	57 - 213
1650 5272	Chip Resistor:2.7K $\Omega$ : $\pm$ 5%:1/16W	57 - 214
1650 5300	Resistor - 30 $\Omega$ $\pm$ 5% 1/16W	65 - 264
1650 5330	Chip Resistor - 33 $\Omega$ $\pm$ 5% 1/16W	57 - 215
1650 5330	Chip Resistor - 33 $\Omega$ $\pm$ 5% 1/16W	65 - 265
1650 5331	Resistor - 330 $\Omega$ $\pm$ 5% 1/16W	65 - 266
1650 5332	Resistor - 3.3K $\Omega$ $\pm$ 5% 1/16W	65 - 267
1650 5470	Chip Resistor 47 $\Omega$ $\pm$ 5% 1/16W	57 - 216
1650 5470	Chip Resistor 47 $\Omega$ $\pm$ 5% 1/16W	65 - 268
1650 5471	Chip Resistor - 470 $\Omega$ -5% 1/16W	65 - 269
1650 5472	Chip Resistor:4.7K $\Omega$ : $\pm$ 5%:1/16W	57 - 217
1650 5472	Chip Resistor:4.7K $\Omega$ : $\pm$ 5%:1/16W	65 - 270
1650 5473	Chip Resistor - 47K $\Omega$ $\pm$ 5% 1/16W	65 - 271
1650 5512	Chip Resistor 5.1K $\Omega$ $\pm$ 5% 1/16W	57 - 218
1650 5562	Chip Resistor:5.6K $\Omega$ : $\pm$ 5%:1/16W	57 - 219
1650 5621	Chip Resistor 620 $\Omega$ $\pm$ 5% 1/16W	57 - 220

Part No.	Description	Page and Index No.
1650 5624	Resistor - 620K $\Omega$ $\pm$ 5% 1/16W	65 - 272
1650 5680	Resistor - 68 $\Omega$ $\pm$ 5% 1/16W	65 - 273
1650 5683	Chip Resistor 68K $\Omega$ $\pm$ 5% 1/16W	57 - 221
1650 5750	Chip Resistor:75 $\Omega$ : $\pm$ 5%:1/16W	65 - 274
1650 5751	Resistor:750 $\Omega$ : $\pm$ 5%:1/16W:1005	65 - 275
1650 5821	Resistor - 820 $\Omega$ $\pm$ 5% 1/16W	65 - 276
1650 5822	Chip Resistor:8.2K $\Omega$ : $\pm$ 5%:1/16W	57 - 222
1650 5913	Resistor - 91K $\Omega$ $\pm$ 5% 1/16W	65 - 277
1652 5361	Resistor - 5.36K $\Omega$ $\pm$ 1% 1/4W	75 - 216
1653 4999	Resistor - 49.9 $\Omega$ $\pm$ 1% 1/8W	57 - 223
1653 5499	Resistor - 54.9 $\Omega$ $\pm$ 1% 1/8W	57 - 224
1654 1001	Resistor - 1K $\Omega$ $\pm$ 1% 1/10W	65 - 278
1654 1003	Resistor - 100K $\Omega$ $\pm$ 1% 1/10W	75 - 217
1654 1004	Chip Resistor - 1M $\Omega$ $\pm$ 1% 1/10W	57 - 225
1654 1102	Resistor - 11K $\Omega$ $\pm$ 1% 1/10W	65 - 279
1654 1102	Resistor - 11K $\Omega$ $\pm$ 1% 1/10W	57 - 226
1654 1200	Resistor - 120 $\Omega$ $\pm$ 1% 1/10W	75 - 218
1654 1501	Resistor - 1.5K $\Omega$ $\pm$ 1% 1/10W 1608	57 - 227
1654 1502	Resistor - 15K $\Omega$ $\pm$ 1% 1/10W	57 - 228
1654 2002	Resistor - 20K $\Omega$ $\pm$ 1% 1/10W	75 - 219
1654 2200	Resistor:220 $\Omega$ : $\pm$ 1%:1/10W:1608	75 - 220
1654 2430	Resistor - 243 $\Omega$ $\pm$ 1% 1/10W	75 - 221
1654 3002	Resistor - 30K $\Omega$ $\pm$ 1% 1/10W	57 - 229
1654 3609	Resistor - 36 $\Omega$ $\pm$ 1% 1/10W	75 - 222
1654 3909	Resistor - 39 $\Omega$ $\pm$ 1% 1/10W	57 - 230
1654 4301	Resistor - 4.3K $\Omega$ $\pm$ 1% 1/10W	75 - 223
1654 4991	Resistor:4.99K $\Omega$ : $\pm$ 1%:1/10W:1608	65 - 280
1654 5101	Resistor - 5.1K $\Omega$ $\pm$ 1% 1/10W	57 - 231
1654 6800	Resistor - 680 $\Omega$ $\pm$ 1% 1/10W	57 - 232
1654 8661	Resistor - 8.66K $\Omega$ $\pm$ 1% 1/10W	65 - 281
1654 9311	Resistor - 9.31K $\Omega$ $\pm$ 1% 1/10W	75 - 224
1655 0000	Chip Resistor - 0 $\Omega$ $\pm$ 0% 1/16W	65 - 282
1655 0000	Chip Resistor - 0 $\Omega$ $\pm$ 0% 1/16W	57 - 233
1655 1000	Chip Resistor:100 $\Omega$ : $\pm$ 1%:1/16W	65 - 283
1655 1002	Chip Resistor - 10K $\Omega$ $\pm$ 1% 1/16W	65 - 284

Part No.	Description	Page and Index No.
1655 1002	Chip Resistor - 10K $\Omega$ $\pm$ 1% 1/16W	57 - 234
1655 1003	Chip Resistor - 100K $\Omega$ $\pm$ 1% 1/16W	65 - 285
1655 1021	Resistor - 1.02K $\Omega$ $\pm$ 1% 1/16W	65 - 286
1655 1502	Resistor - 15K $\Omega$ $\pm$ 1% 1/16W	57 - 235
1655 1651	Resistor:1.65K $\Omega$ $\pm$ 1%:1/16W:1005	57 - 236
1655 1801	Resistor - 1.8K $\Omega$ $\pm$ 1% 1/16W	65 - 287
1655 2100	Resistor - 210 $\Omega$ $\pm$ 1% 1/16W	65 - 288
1655 2551	Resistor - 2.55K $\Omega$ $\pm$ 1% 1/16W	65 - 289
1655 3160	Resistor - 316 $\Omega$ $\pm$ 1% 1/16W	65 - 290
1655 3301	Resistor - 3.3K $\Omega$ $\pm$ 1% 1/16W	65 - 291
1655 3740	Resistor - 374 $\Omega$ $\pm$ 1% 1/16W	65 - 292
1655 4709	Resistor - 47 $\Omega$ $\pm$ 1% 1/16W	65 - 293
1655 6809	Chip Resistor - 68 $\Omega$ $\pm$ 1% 1/16W	65 - 294
1655 6981	Resistor - 6.98K $\Omega$ $\pm$ 1% 1/16W	65 - 295
1655 7509	Resistor - 75 $\Omega$ $\pm$ 1% 1/16W	65 - 296
1655 9101	Resistor - 9.1K $\Omega$ $\pm$ 1% 1/16W	65 - 297
1655 9310	Resistor - 931 $\Omega$ $\pm$ 1% 1/16W	65 - 298
1660 0100	Capacitor - 10PF $\pm$ 0.5pF 50V	65 - 299
1660 2120	Capacitor - 12PF $\pm$ 5% 50V	75 - 225
1660 2120	Capacitor - 12PF $\pm$ 5% 50V	65 - 300
1660 2150	Capacitor - 15PF $\pm$ 5% 50V	75 - 226
1660 2180	Capacitor 18PF $\pm$ 5% 50V	75 - 227
1660 2181	Capacitor - 180PF $\pm$ 5% 50V	65 - 301
1660 2270	Capacitor - 27PF $\pm$ 20% 35V	65 - 302
1660 2391	Capacitor - 390PF $\pm$ 5% 50V	65 - 303
1660 2470	Capacitor - 47PF $\pm$ 5% 50V	65 - 304
1660 2471	Capacitor - 470pF - $\pm$ 5% - 50V	57 - 237
1660 2471	Capacitor - 470pF - $\pm$ 5% - 50V	75 - 228
1660 2560	Capacitor - 56PF $\pm$ 5% 50V	57 - 238
1660 4103	Capacitor - 10000pF - $\pm$ 10% - 50V	57 - 239
1660 4103	Capacitor - 10000pF - $\pm$ 10% - 50V	75 - 229
1660 4472	Capacitor - 4700PF $\pm$ 10% 50V	57 - 240
1660 4682	Capacitor - 6800pF 50V 1608	75 - 230
1660 6103	Capacitor - 10000pF - +80%-20% 50V	65 - 305
1660 6103	Capacitor - 10000pF - +80%-20% 50V	57 - 241

Part No.	Description	Page and Index No.
1660 6473	Capacitor - 47000PF+80-20% 50V	65 - 306
1660 8104	Capacitor - 0.1 $\mu$ F+80-20% 25V	65 - 307
1902 0080	SRAM - 1M X8 70NS TSOP32-Type1	65 - 308
1906 0094	Flash Memory - S29AL016D70TFI020	65 - 309
1906 0105	Flash Memory:S29GL128N10TFI020	57 - 242
1907 0013	SDRAM:256M:4Mx16x4:133MHZ:G1	57 - 243
1907 0031	SDRAM - 128M 2Mx16x4 133MHZ G3	75 - 231

Part No.	Description	Page and Index No.
5053 0447	Bushing - 6mm	15 - 41
5053 0447	Bushing - 6mm	39 - 44
5203 9502	Grease 501	79 - 1
5215 2621	Snap Ring - M6	19 - 18
5215 2713	Bottom Plate Pad	11 - 12
5215 2713	Bottom Plate Pad	17 - 19
5424 4142	Bushing - Cleaning Roller	39 - 36
5447 2681	Snap Ring	11 - 5
5447 2681	Snap Ring	21 - 23
5447 2681	Snap Ring	23 - 4

Part No.	Description	Page and Index No.
----------	-------------	--------------------

