

*Gestetner*® **LANIER**  **RICOH**® **SAVIN**®



**B125**

**PARTS CATALOG**

RICOH GROUP COMPANIES

001912MIU



*Gestetner*<sup>®</sup>  
**LANIER**  
**RICOH**<sup>®</sup>  
**savin**<sup>®</sup>

**B125**  
**PARTS CATALOG**

RICOH GROUP COMPANIES



*Gestetner*<sup>®</sup>  **LANIER RICOH<sup>®</sup> SAVIN<sup>®</sup>**

**B125**  
**PARTS CATALOG**

001912MIU



It is the reader's responsibility when discussing the information contained within this document to maintain a level of confidentiality that is in the best interest of Ricoh Corporation and its member companies.

***NO PART OF THIS DOCUMENT MAY BE REPRODUCED IN ANY  
FASHION AND DISTRIBUTED WITHOUT THE PRIOR  
PERMISSION OF RICOH CORPORATION.***

All product names, domain names or product illustrations, including desktop images, used in this document are trademarks, registered trademarks or the property of their respective companies.

They are used throughout this book in an informational or editorial fashion only and for the benefit of such companies. No such use, or the use of any trade name, or web site is intended to convey endorsement or other affiliation with Ricoh products.





# LEGEND

PRODUCT CODE	COMPANY			
	GESTETNER	LANIER	RICOH	SAVIN
B125	A045	LW310	Aficio 240W	2400WD
B641/B642	Roll Feeder Type 240A/B			
B643	Paper Cassette Type 240			
B662	Table Type 240			
B663	Hard Disk Drive Type 240			
B690	Interface PCB Type 240			

# DOCUMENTATION HISTORY

REV. NO.	DATE	COMMENTS
*	4/2004	Original Printing



# B125 PARTS CATALOG

## TABLE OF CONTENTS

### B125 PARTS LOCATION AND LIST

<b>LOCATION OF UNIT .....</b>	<b>2</b>
1.EXTERIOR 1 (B125) .....	6
2.EXTERIOR 2 (B125) .....	8
3.OPERATION PANEL (B125) .....	10
4.SCANNER SECTION 1 (B125).....	12
5.SCANNER SECTION 2 (B125).....	14
6.SCANNER SECTION 3 (B125).....	16
7.PAPER REGISTRATION (B125) .....	18
8.IMAGE PROCESSING (B125).....	20
9.DRUM SECTION (B125).....	22
10.DEVELOPMENT UNIT (B125).....	24
11.CHARGE & TRANSFER UNIT (B125).....	26
12.CHARGE CLEANING SECTION (B125).....	28
13.FUSING UNIT 1 (B125) .....	30
14.FUSING UNIT 2 (B125) .....	32
15.PAPER EXIT 1 (B125) .....	34
16.PAPER EXIT 2 (B125) .....	36
17.DRIVE SECTION (B125) .....	38
18.ELECTRICAL SECTION 1 (B125) .....	40
19.ELECTRICAL SECTION 2 (B125) .....	42

20.ELECTRICAL SECTION 3 (B125).....	44
21.FRAME (B125).....	46
22.MAIN CONTROL BOARD (B125).....	48
23.IPU BOARD (B125) .....	58
24.DECAL AND DOCUMENTS (B125) .....	72
25.SPECIAL TOOLS (B125).....	74

### B125 PARTS INDEX

<b>PARTS INDEX.....</b>	<b>2</b>
-------------------------	----------

### ROLL FEEDER TYPE 240A/B B641/B642 PARTS LOCATION AND LIST

1.EXTERIOR (B641/B642) .....	2
2.ROLL PAPER HOLDER (B641/B642) .....	4
3.ROLL PAPER FEED 1 (B641/B642) .....	6
4.ROLL PAPER FEED 2 (B641/B642) .....	8
5.ROLL PAPER FEED 3 (B641/B642) .....	10
6.FRAME SECTION 1 (B641/B642) .....	12
7.FRAME SECTION 2 (B641/B642) .....	14
8.DECALS AND DOCUMENTS (B641/B642) .....	16

**ROLL FEEDER TYPE 240A/B B641/B642 PARTS INDEX  
PARTS INDEX ..... 2**

**PAPER CASSETTE TYPE 240 B643 PARTS LOCATION  
AND LIST**

- 1.CASSETTE 1 (B643)..... 2
- 2.CASSETTE 2 (B643)..... 4
- 3.CASSETTE 3 (B643)..... 6

**PAPER CASSETTE TYPE 240 B643 PARTS INDEX  
PARTS INDEX ..... 2**

**TABLE TYPE 240 B662 PARTS LOCATION AND LIST**

- 1.TABLE TYPE 240 (B662)..... 2

**TABLE TYPE 240 B662 PARTS INDEX  
PARTS INDEX ..... 2**

**HARD DISK DRIVE TYPE 240 B663 PARTS LOCATION  
AND LIST**

- 1.HDD TYPE 240 (B663) ..... 2

**HARD DISK DRIVE TYPE 240 B663 PARTS INDEX  
PARTS INDEX ..... 2**

**INTERFACE PCB TYPE 240 B690 PARTS LOCATION AND  
LIST**

- 1. INTERFACE BOARD (B690)..... 2

**INTERFACE PCB TYPE 240 B690 PARTS INDEX  
PARTS INDEX..... 2**

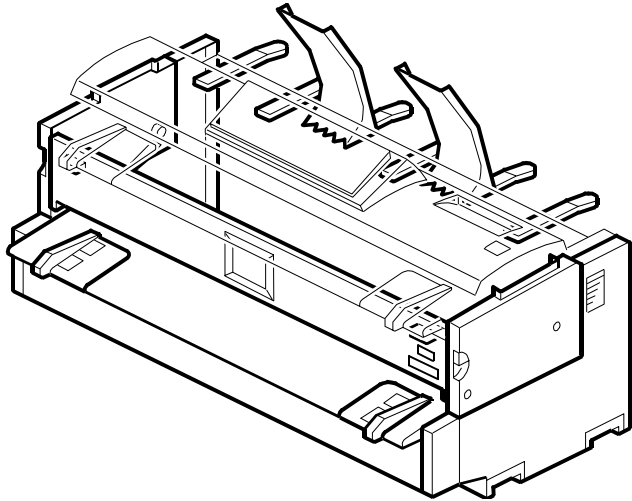
**B125**  
**PARTS LOCATION AND LIST**



This section instructs you as to the numbers and names of parts on this machine.

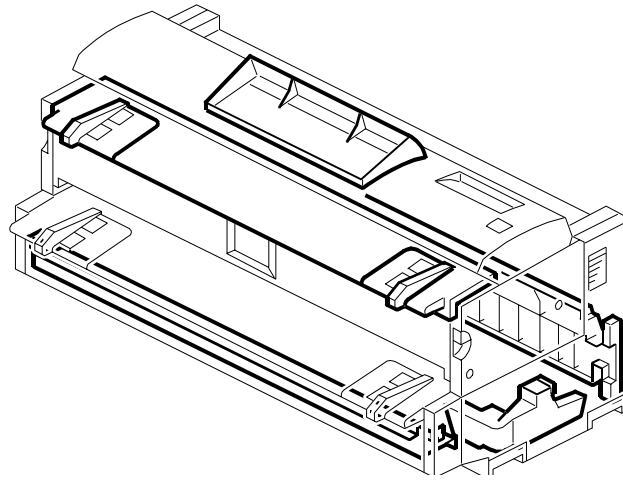
## LOCATIONS OF UNITS

1. Exterior 1 (B125)



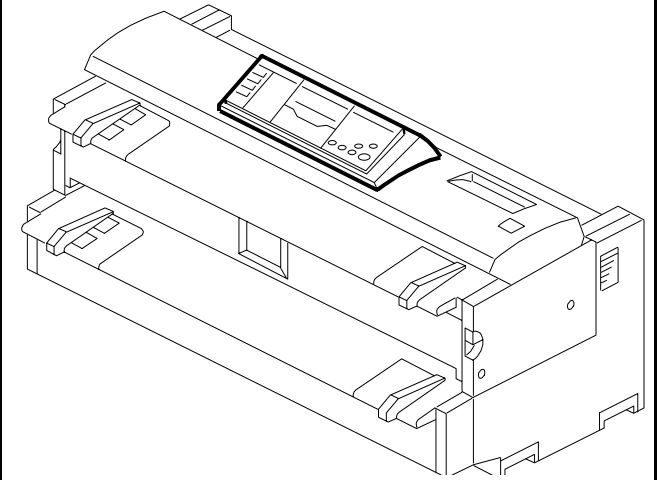
See Page 7

2. Exterior 2 (B125)



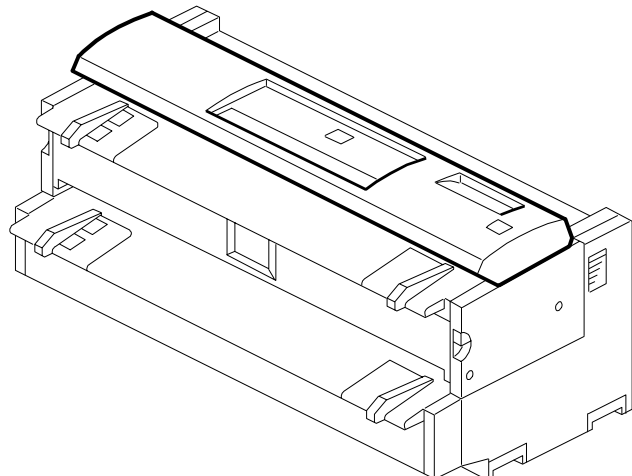
See Page 9

3. Operation Panel (B125)



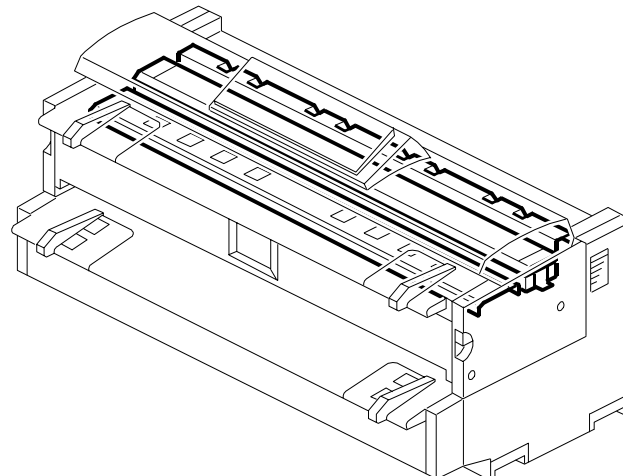
See Page 11

4. Scanner Section 1 (B125)



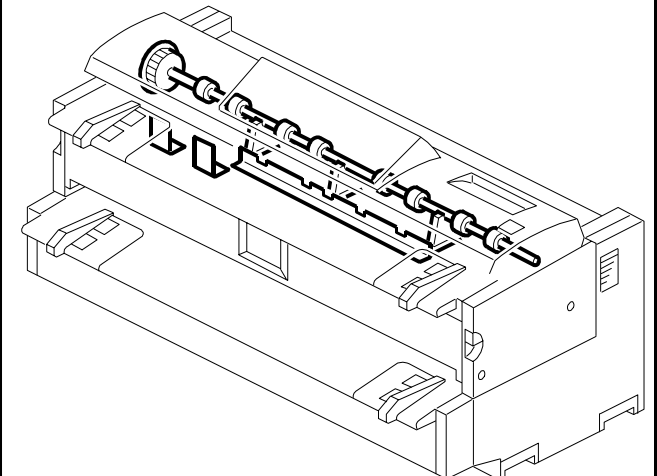
See Page 13

5. Scanner Section 2 (B125)



See Page 15

6. Scanner Section 3 (B125)

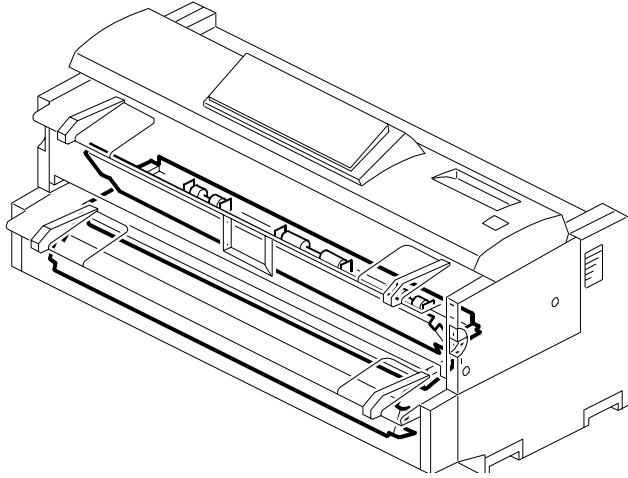


See Page 17



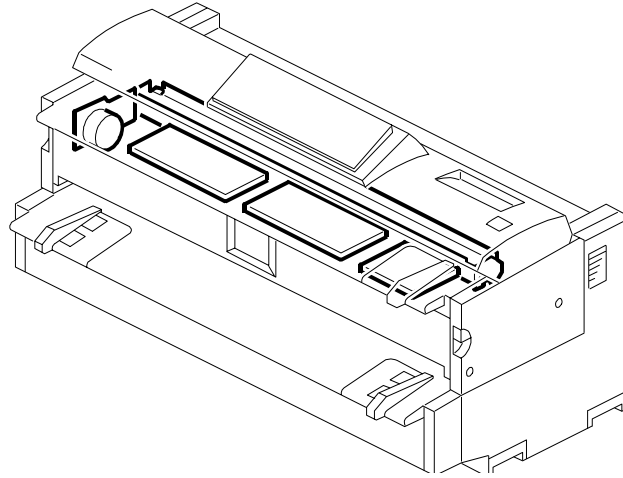
## LOCATIONS OF UNITS

7. Paper Registration (B125)



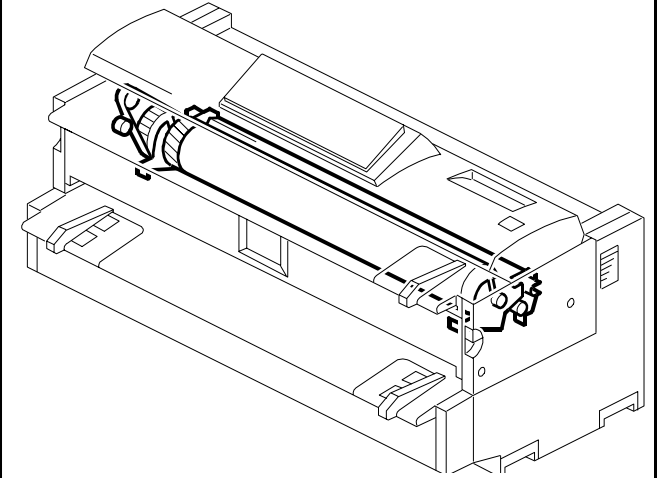
See Page 19

8. Image Processing (B125)



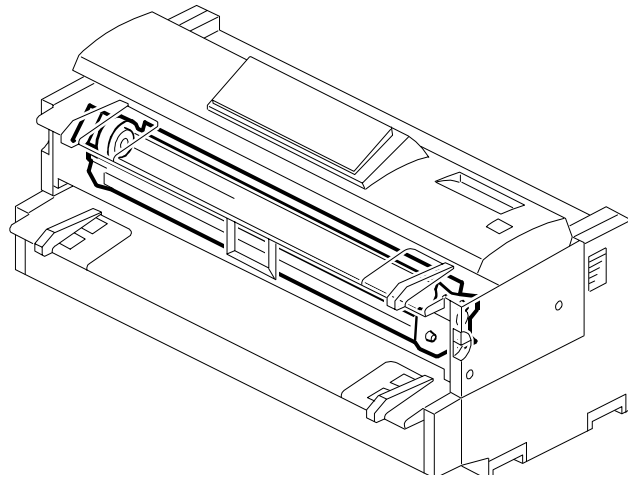
See Page 21

9. Drum Section (B125)



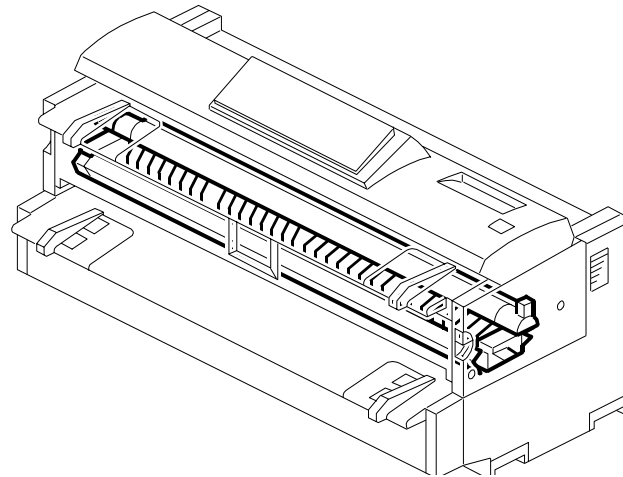
See Page 23

10. Development Unit (B125)



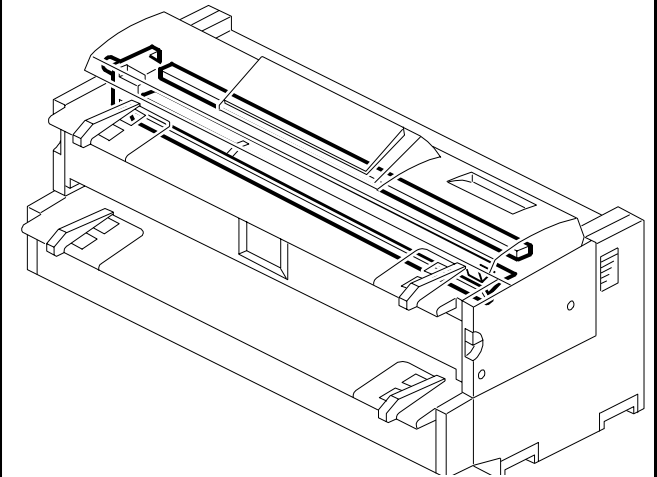
See Page 25

11. Charge & Transfer Unit (B125)



See Page 27

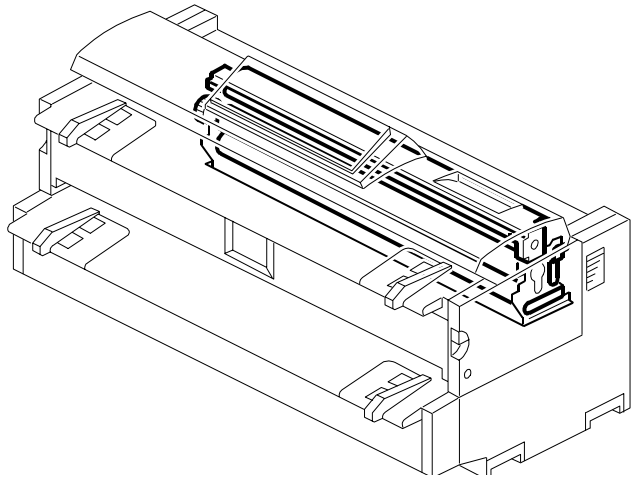
12. Charge Cleaning Section (B125)



See Page 29

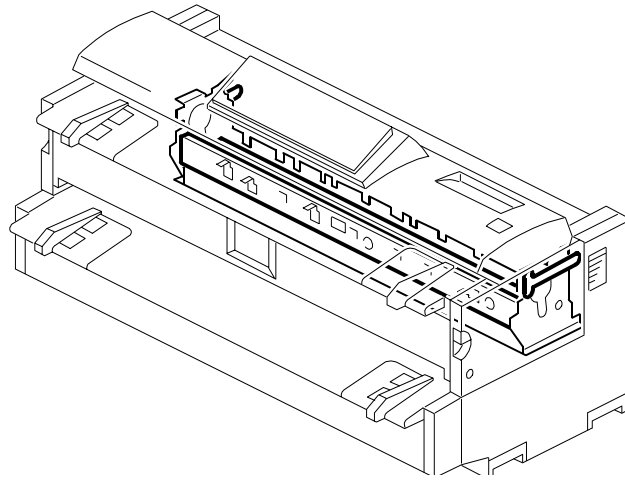
## LOCATIONS OF UNITS

13. Fusing Unit 1 (B125)



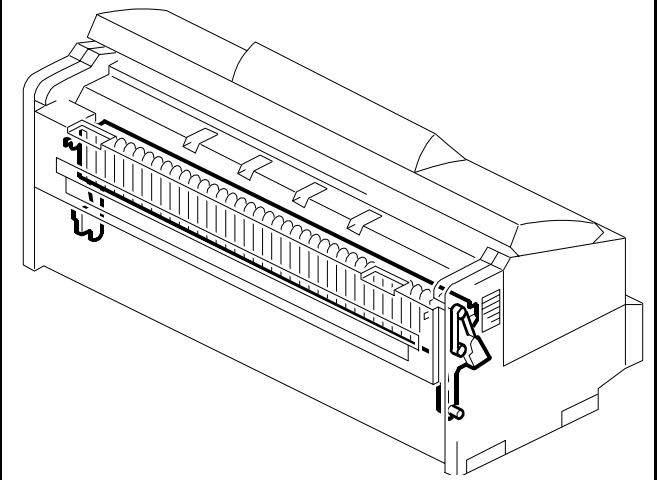
See Page 31

14. Fusing Unit 2 (B125)



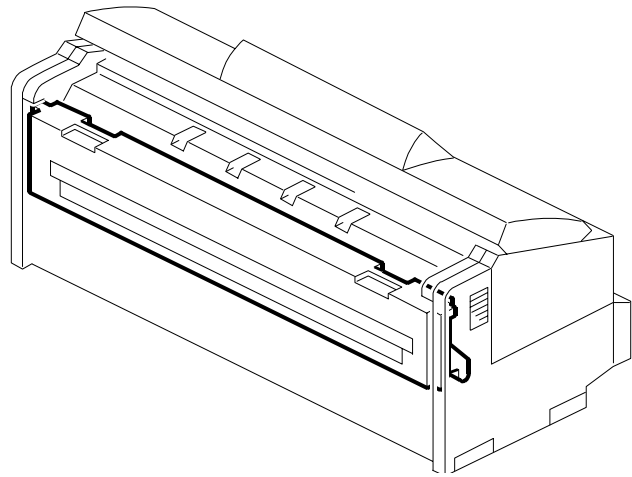
See Page 33

15. Paper Exit 1 (B125)



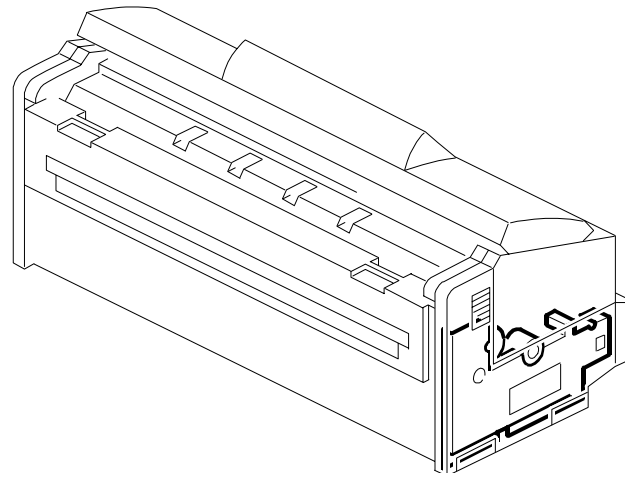
See Page 35

16. Paper Exit 2 (B125)



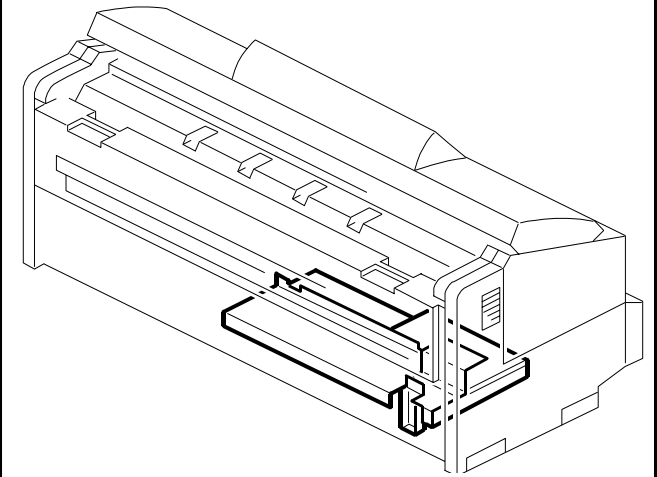
See Page 37

17. Drive Section (B125)



See Page 39

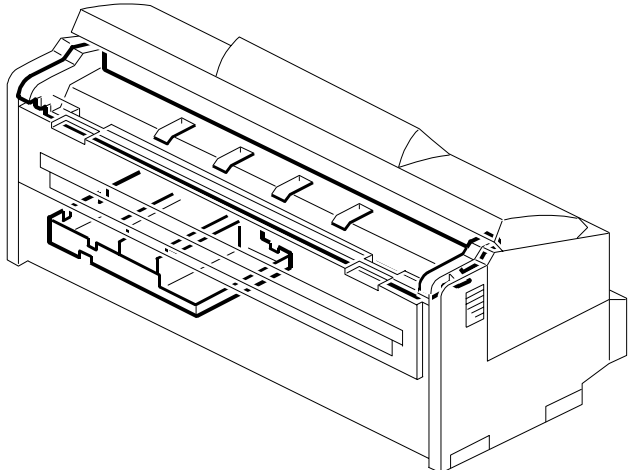
18. Electrical Section 1 (B125)



See Page 41

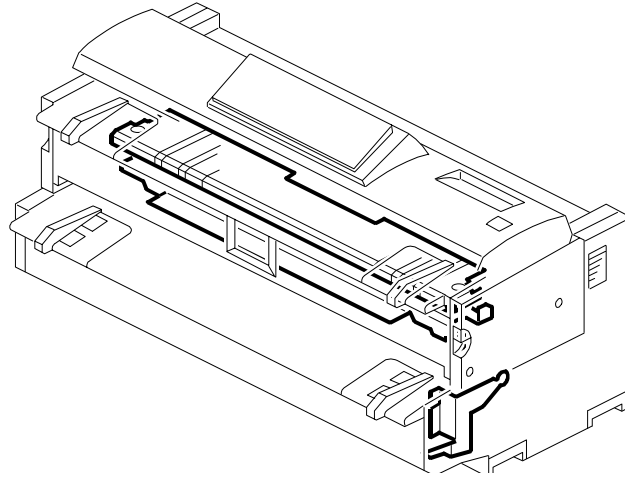
## LOCATIONS OF UNITS

19. Electrical Section 2 (B125)



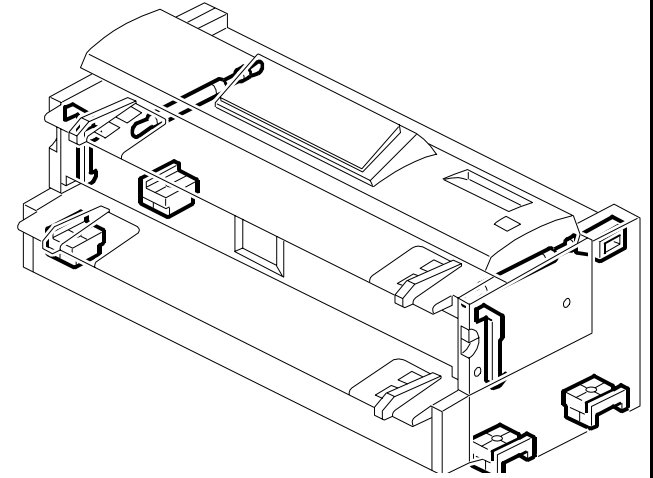
See Page 43

20. Electrical Section 3 (B125)



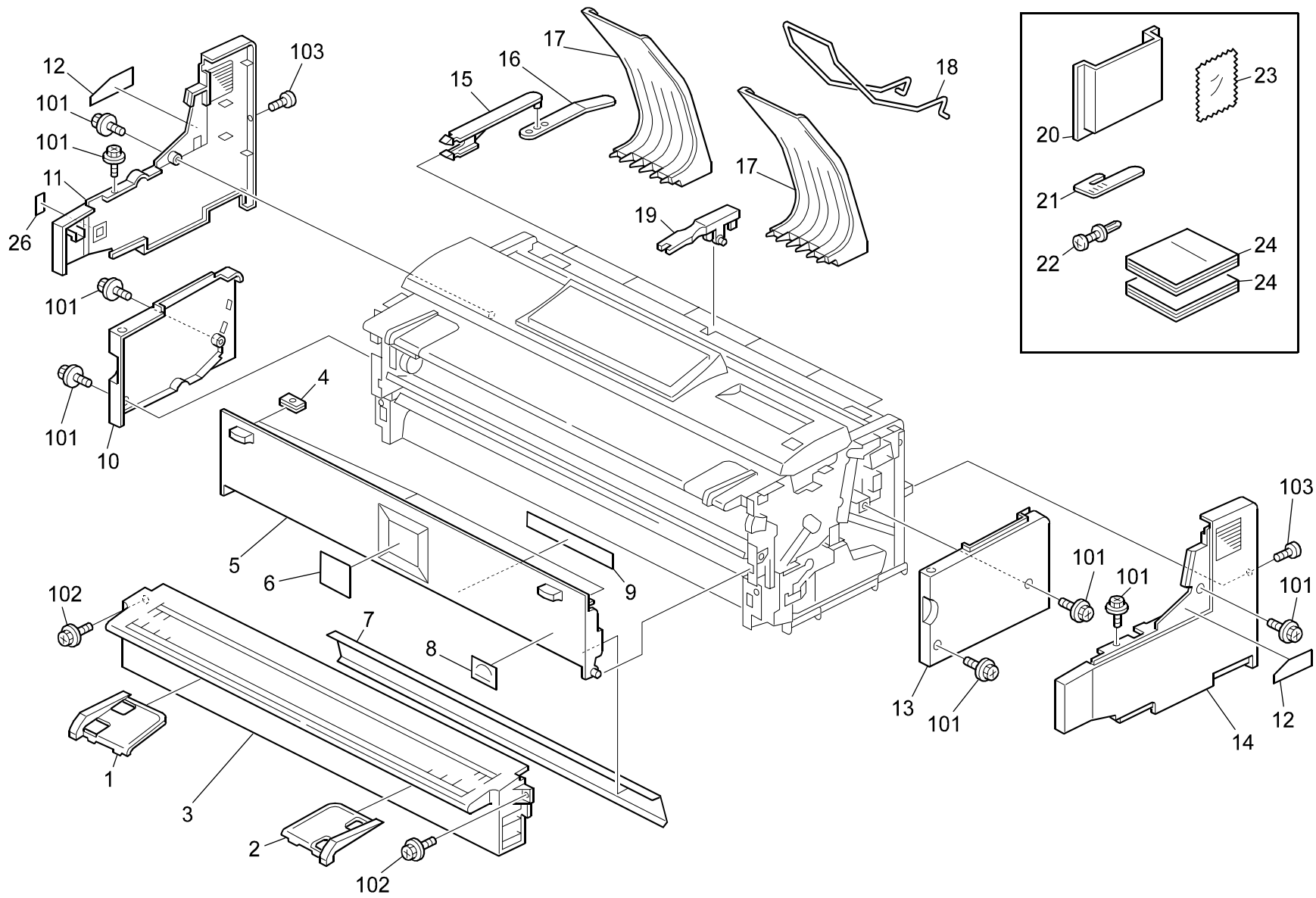
See Page 45

21. Frame (B125)



See Page 47

# 1.Exterior 1 (B125)



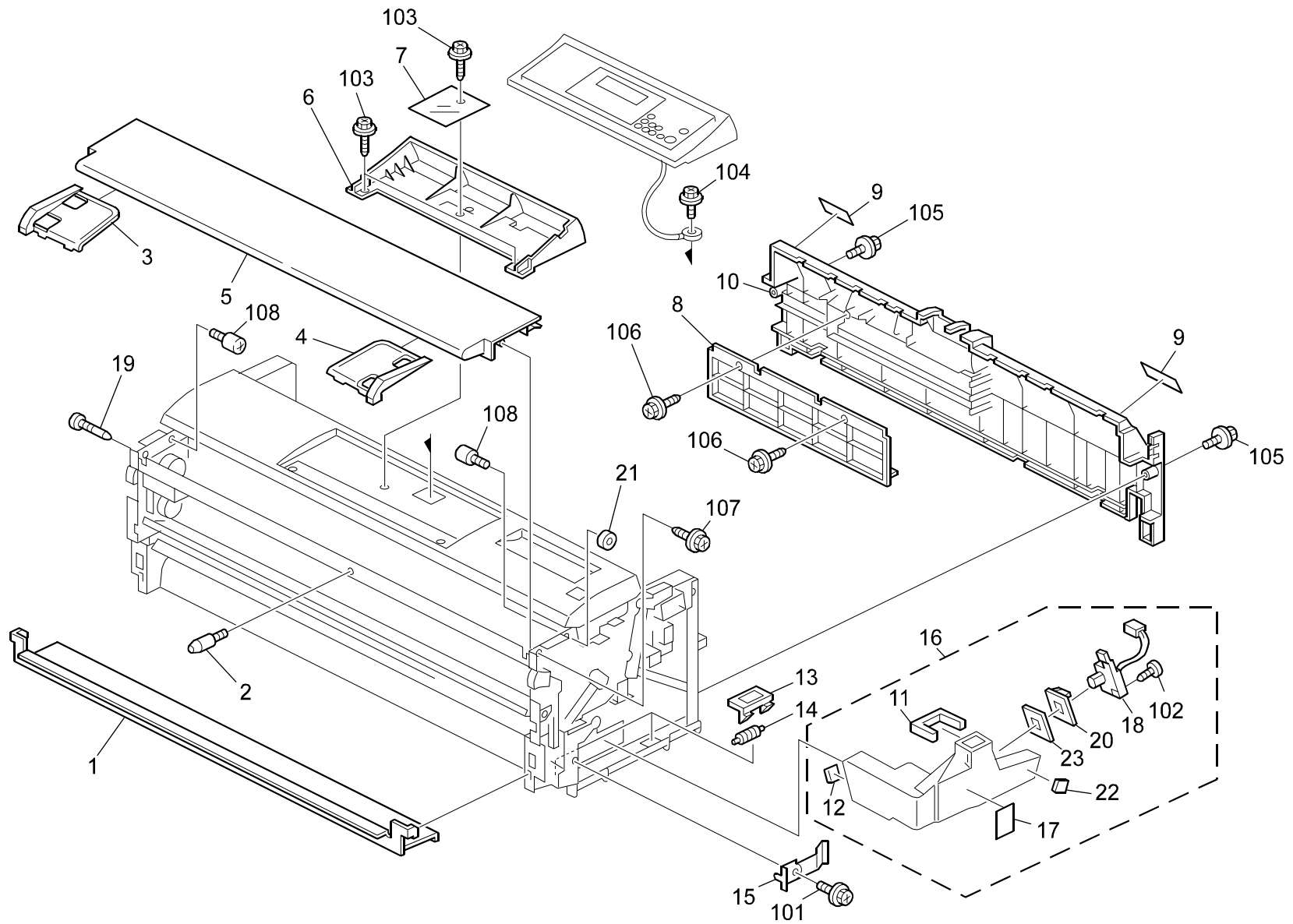
# 1.Exterior 1 (B125)

Rev. 05/23/2005

Index No.	Part No.	Description	Q'ty Per Assembly
1	B125 4720	Side Fence - Left	1
2	B125 4723	Side Fence - Right	1
3	B125 2594	Table - Manual Feed	1
4	AG07 0014	Magnet Catch	3
5	B125 4813	Cover - Toner Cartridge	1
6	B125 4833	Decal - Emblem - EXP (CHN)	1
6	B125 4846	Decal - Emblem - AF241W: CHN	1
7	B125 4806	Sheet - Cover - Toner Cartridge	1
8	AA00 1389	Large Decal - Energy Star	1
9	B125 4881	Decal - Toner Supply	1
10	B125 1286	Cover - Left Upper	1
11	B125 1287	Cover - Left Lower	1
12	B125 1265	Decal - High Temperature - Multi	1
13	B125 1283	Cover - Right Upper	1
14	B125 1288	Cover - Right Lower	1
15	B125 1353	Guide - Original	6
16	B125 1354	Guide Plate - Guide - Original	6
17	B125 1350	Copy Tray - Upper	2
18	B125 1352	Guide Rod	1
19	B125 1351	Guide - Original - Middle	1
20	B010 1359	Operating Instructions Holder	1
21	B125 1355	Guide Plate - Brush	1
22	B125 1474	Rivet - MM5	3
23	B065 1374	Cloth - DF Exposure Glass	1
24	B125 6507	Operating Instructions - System - NA	1
24	B125 6520	Operating Instructions - System - CHN	1
25	B125 6607	Operating Instructions - Copy - NA	1
25	B125 6620	Operating Instructions - Copy - CHN	1
26	B125 1262	Decal - Main Switch - NA	1
26	B125 1263	Decal - Main Switch (EU/CHN)	1

Index No.	Part No.	Description	Q'ty Per Assembly
101	0451 3008H	Tapping Screw - M3x8	
102	0451 3006B	Tapping Screw - M3x6	
103	0453 3008H	Binding Self Tapping Screw - M3x8	

## 2.Exterior 2 (B125)

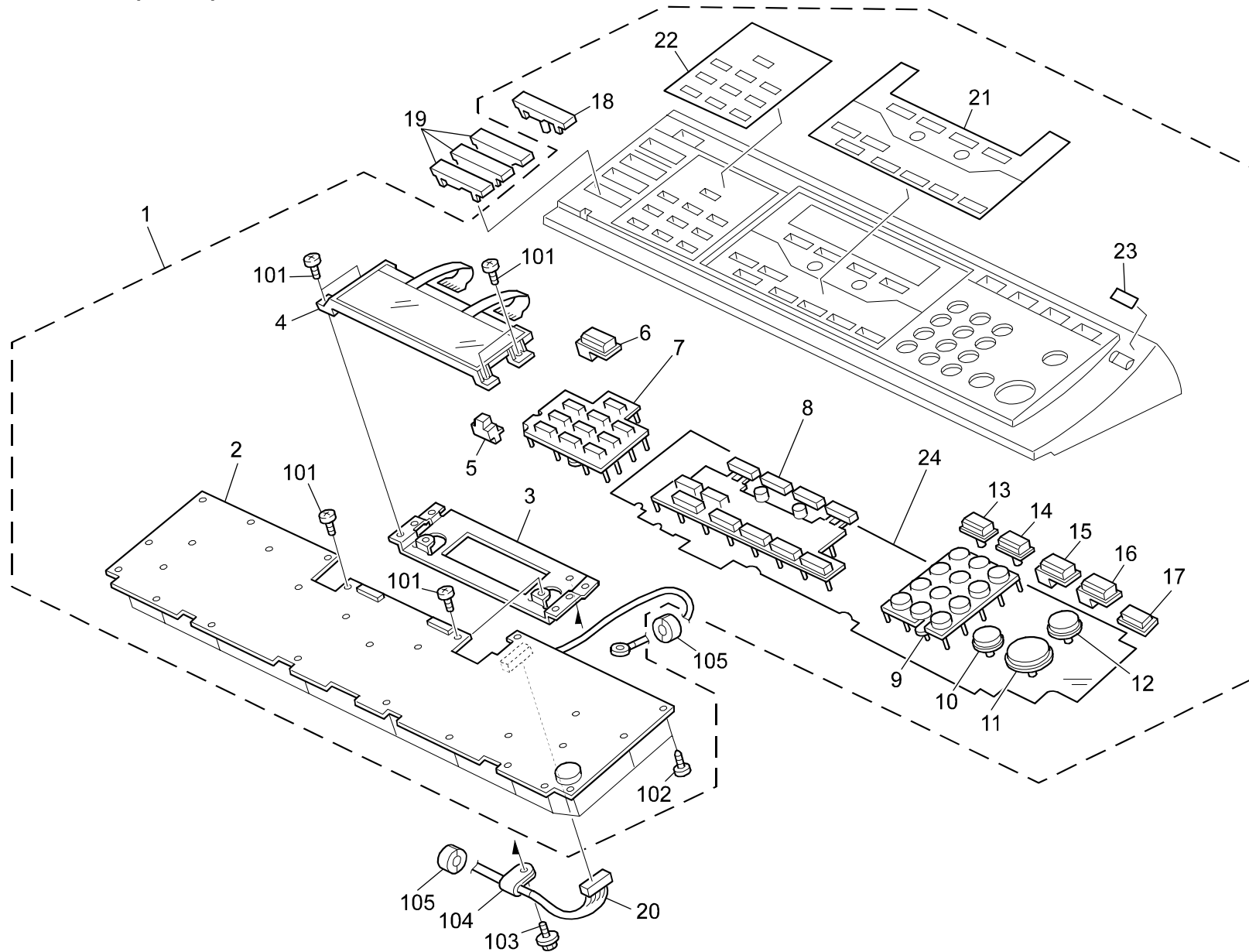


## 2.Exterior 2 (B125)

Index No.	Part No.	Description	Q'ty Per Assembly
1	B125 2590	Cover - Lower Front	1
2	5413 3903	Pin - Transfer Guide Plate	1
3	B125 4720	Side Fence - Left	1
4	B125 4723	Side Fence - Right	1
5	B125 4704	Original Table - Printing - NA	1
5	B125 4703	Original Table (EU/CHN)	1
6	B125 1471	Cover - Operation Panel - Inner	1
7	B125 1473	Sheet - Operation Panel	1
8	B125 1259	Cover - Control Unit	1
9	B125 1268	Decal - High Temperature - Side	1
10	B125 1284	Cover - Rear Lower	1
11	B125 3655	Cushion - Collection Bottle - Front - 2	1
12	B125 3658	Cushion - Collection Bottle - Rear	1
13	A060 3827	Roller Holder	2
14	A060 3826	Toner Collection Bottle Roller	2
15	B125 3688	Leaf Spring - Collection Bottle	1
16	B125 3661	Collection Bottle - Used Toner	1
17	B125 3662	Decal - Toner Recycling	1
18	5215 5304	Toner Overflow Sensor	1
19	5446 2824	Screw - Duplex Guide Plate	1
20	B125 3669	Holder - Used Toner Sensor	1
21	H072 2207	Guard	2
22	B125 3656	Cushion - Collection Bottle - Front 1	2
23	B125 3668	Shield - Used Toner Sensor	1

Index No.	Part No.	Description	Q'ty Per Assembly
101	0802 5276	Tapping Screw With Washer - M3x6	
102	0452 3006B	Tapping Screw - M3x6	
103	0450 3010B	Tapping Screw - M3x10	
104	0451 3006B	Tapping Screw - M3x6	
105	0451 3008H	Tapping Screw - M3x8	
106	0451 3012B	Tapping Screw With Washer - M3x12	
107	0451 4010B	Tapping Screw - 4x10	
108	0801 1179	Philips Screw With Toothed Washer	

### 3.Operation Panel (B125)



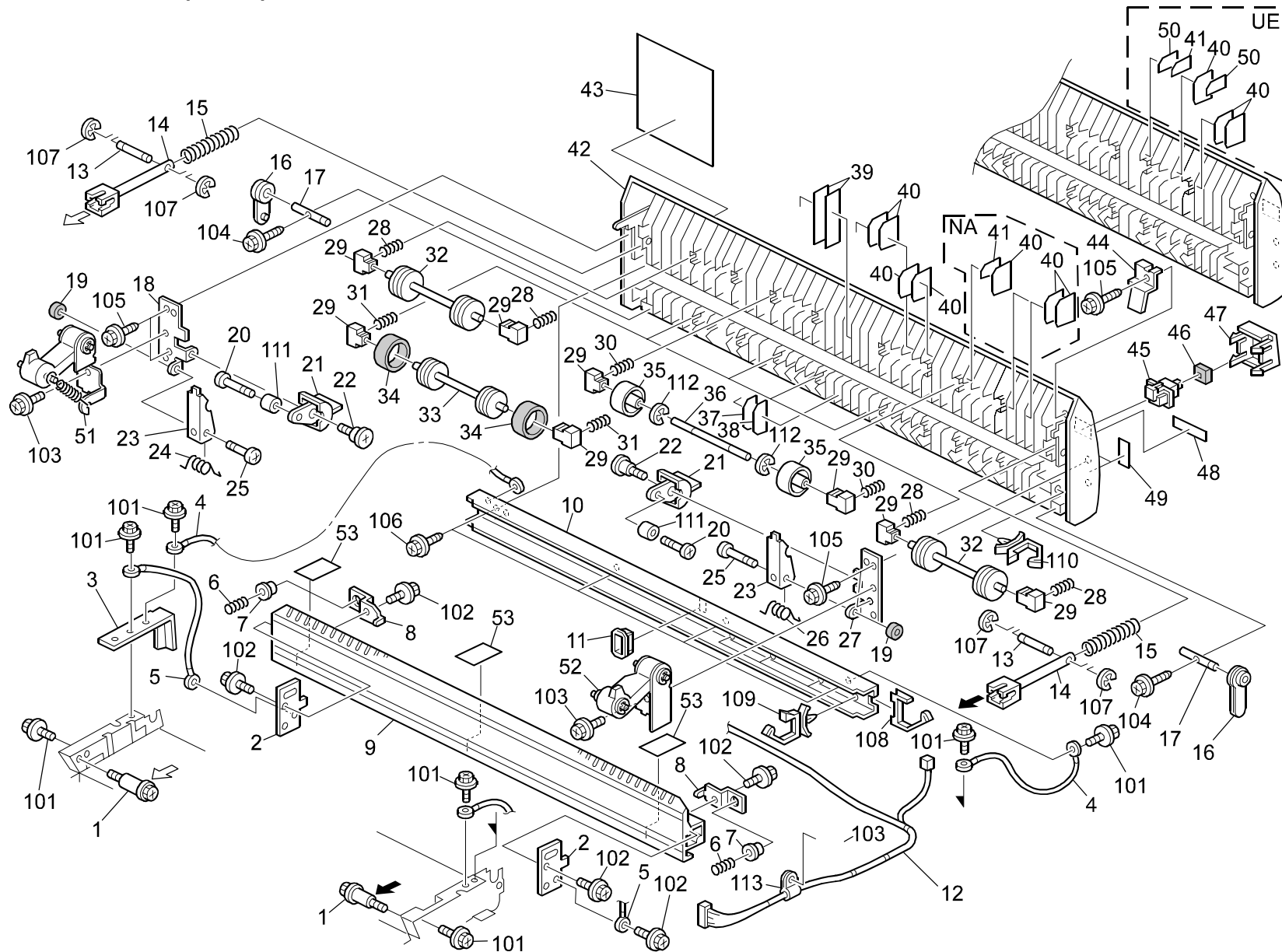


### 3.Operation Panel (B125)

Index No.	Part No.	Description	Q'ty Per Assembly
1	B125 1484	Operation Sub-unit - NA	1
1	B125 1485	Operation Sub-unit - EU	1
1	B125 1486	Operation Sub-unit - CHN	1
2	B125 1490	PCB OPU-NP	1
3	B125 1462	LCD Bracket	1
4	H310 5010	LCD	1
5	B125 1468	Lens - Data - In	1
6	B125 1458	Keytop - Ini	1
7	B125 1467	Keytop - Menu	1
8	B125 1466	Keytop - LCD	1
9	B027 7161	Keytop - 10 Key (NA)	1
9	B027 1437	Keytop - 10key (EU/CHN)	1
10	B027 1434	Keytop - Clear/Stop	1
11	B027 1433	Keytop - Start	1
12	B027 1435	Keytop - Try Print	1
13	B027 1441	Keytop - Block Diagram	1
14	B027 7162	Keytop - Reset Switch	1
15	B027 1439	Keytop - Preheat	1
16	B027 1438	Keytop - Interrupt	1
17	B027 1436	Keytop - Main Switch	1
18	B125 1500	Keytop - Copy - Reserve - NA	1
18	B125 1510	Keytop - Copy - Reserve (EU/CHN)	1
19	B027 1449	Keytop - Left Blank	3
20	B125 5680	Harness - DC-Operation Sub-unit-Connecting	1
21	B125 1502	Sheet - LCD - NA	1
21	B125 1511	Sheet - LCD (EU/CHN)	1
22	B125 1501	Sheet - Menu - NA	1
22	B125 1520	Sheet - Menu - CHN	1
23	B027 7164	Sheet - Power Source Display (NA)	1
23	B027 7184	Sheet - Power Source Display (EU/CHN)	1
24	B125 1464	Sheet - PCB	1

Index No.	Part No.	Description	Q'ty Per Assembly
101	0353 0060B	Philips Pan Head Screw - M3x6	
102	0452 3010H	Tapping Screw - M3x10	
103	0451 3006B	Tapping Screw - M3x6	
104	1105 0528	Nylon Clamp - EMT-2N	
105	1607 0663	Ferrite Core - TFC-20-10-10	

# 4.Scanner Section 1 (B125)

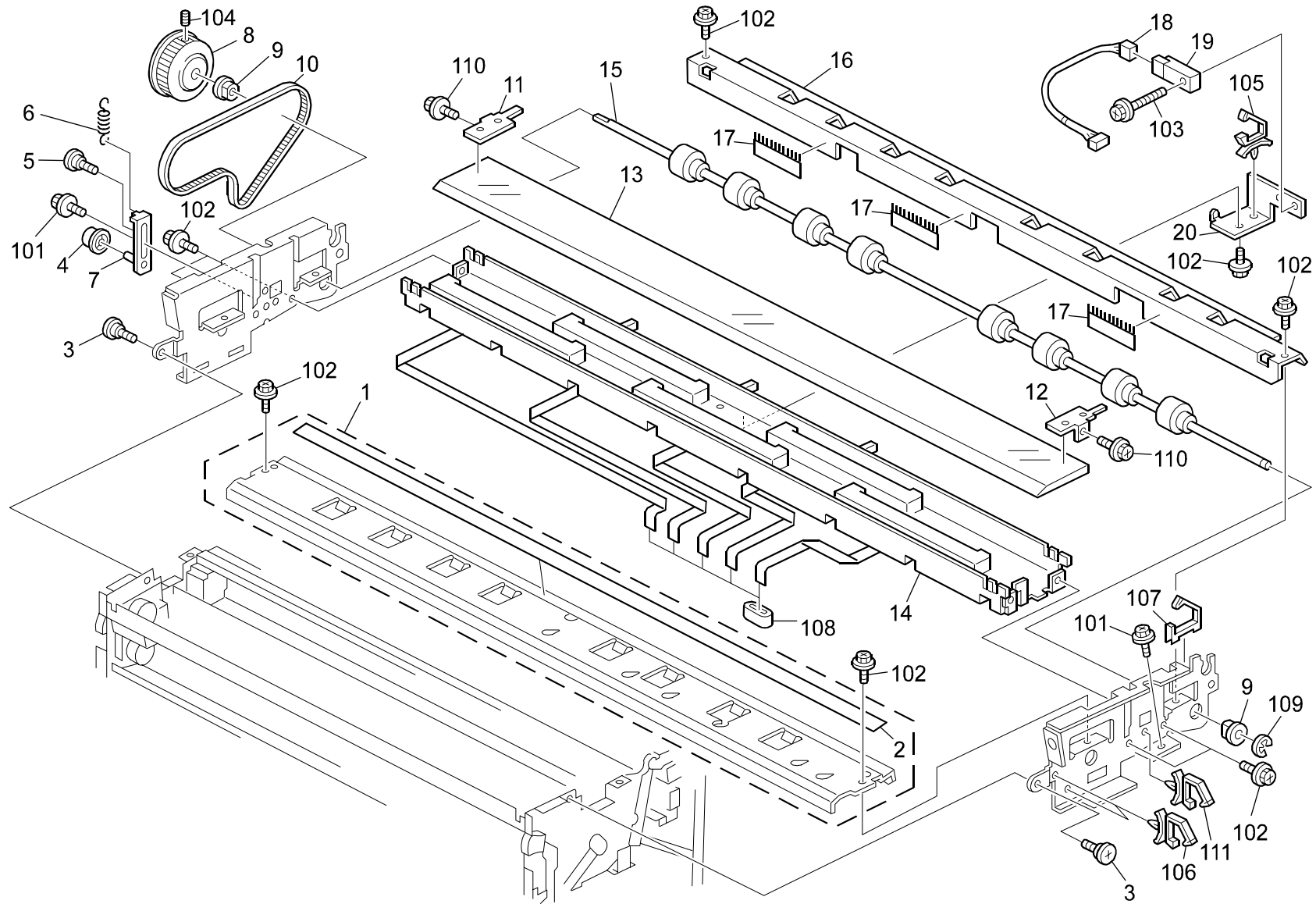


#### 4.Scanner Section 1 (B125)

Index No.	Part No.	Description	Q'ty Per Assembly
1	A666 4170	Stepped Screw - M3x6	2
2	B125 4855	Bracket - Platen Plate	2
3	B125 4809	Cover - Original - Drive	1
4	B125 5688	Grounding Wire - Scanner Unit - 1	2
5	B125 5683	Ground Wire - Pressure Plate	2
6	AA06 3419	Spring - 10n	2
7	B125 4852	Case - Spring	2
8	B125 4853	Plate - Spring	2
9	B125 4850	Platen Plate	1
10	B125 4742	Supporting Plate - Cover - Original	1
11	H004 3755	Square Bushing	1
12	B125 5680	Harness - DC-Operation Sub-unit-Connecting	1
13	A422 1356	Pin - 3x26mm	2
14	B125 4732	Stopper - Original - Upper	2
15	AA06 3415	Original Stopper Spring	2
16	A163 6052	Original Table Bushing	2
17	B125 4761	Shaft - Contact Point - Original - Upper	2
18	B125 4870	Stand - Pressure Release - Left	1
19	H072 2207	Guard	2
20	AA14 3394	Stepped Screw - M3x10	2
21	B125 4864	Knob - Pressure Release	2
22	5413 1882	Stepped Screw	2
23	B125 4866	Bracket - Pressure Release	2
24	AA06 6370	Left Pressure Release Spring - 5n	2
25	AA14 3120	Stepped Screw - M3x3	2
26	AA06 6371	Right Pressure Release Spring - 5n	1
27	B125 4871	Stand - Pressure Release - Right	1
28	AA06 3416	Spring - 3.4n	4
29	AA08 2135	Bushing - Dia4	16
30	AA06 3418	Spring - 6.6n	4
31	AA06 3417	Spring - 1.7n	8
32	AF02 2156	Front Driven Transport Roller	2
33	AF02 2157	Rear Driven Transport Roller	4
34	B125 4738	Roller - Driven - Original	8
35	B125 4752	Roller - Driven	2

Index No.	Part No.	Description	Q'ty Per Assembly
36	B125 4751	Shaft - Driven	2
37	B125 4827	Sheet - Block Light - 3	1
38	B125 4828	Sheet - Block Light - 4	1
39	B125 4829	Sheet - Block Light - 5	2
40	B125 4879	Sheet - Shield - Paper Size Sensor	6
41	B125 4825	Sheet - Block Light - 1	1
42	B125 4730	Cover - Original - Upper	1
43	B125 4885	Decal - Original - Operate - NA	1
43	B125 4925	Decal - Original - Operate - CHN	1
44	B125 4884	Cover - Original - Switch	1
45	AW50 0022	Push Switch	1
46	B125 4854	Cushion - Keytop - Original - Stop	1
47	B125 4767	Keytop - Original - Stop	1
48	B125 4887	Decal - Switch - Stop - NA	1
48	B125 4889	Decal - Switch - Stop - CHN	1
49	B125 4888	Decal - Lever - Switching - NA	1
50	B125 4826	Sheet - Block Light - 2	4
51	B125 4901	Stopper - Open And Close - Left - Unit	1
52	B125 4906	Stopper - Open And Close - Right - Unit	1
53	B125 4856	Sheet - Guide - Pressure Plate	3
101	0802 5276	Tapping Screw With Washer - M3x6	
102	0451 3008B	Tapping Screw - M3x8	
103	0451 3006B	Tapping Screw - M3x6	
104	0451 4016B	Tapping Screw - M4-16	
105	0450 3008B	Tapping Screw - M3x8	
106	0450 4008B	Tapping Screw - 4x8	
107	0720 0020E	Retaining Ring - M2	
108	1105 0518	Edge Saddle - LES-1010	
109	1105 0516	Clamp	
110	1105 0487	Harness Clamp	
111	0733 0406	Bushing - 4x6	
112	0720 0030E	Retaining Ring - M3	
113	1105 0528	Nylon Clamp - EMT-2N	

## 5.Scanner Section 2 (B125)

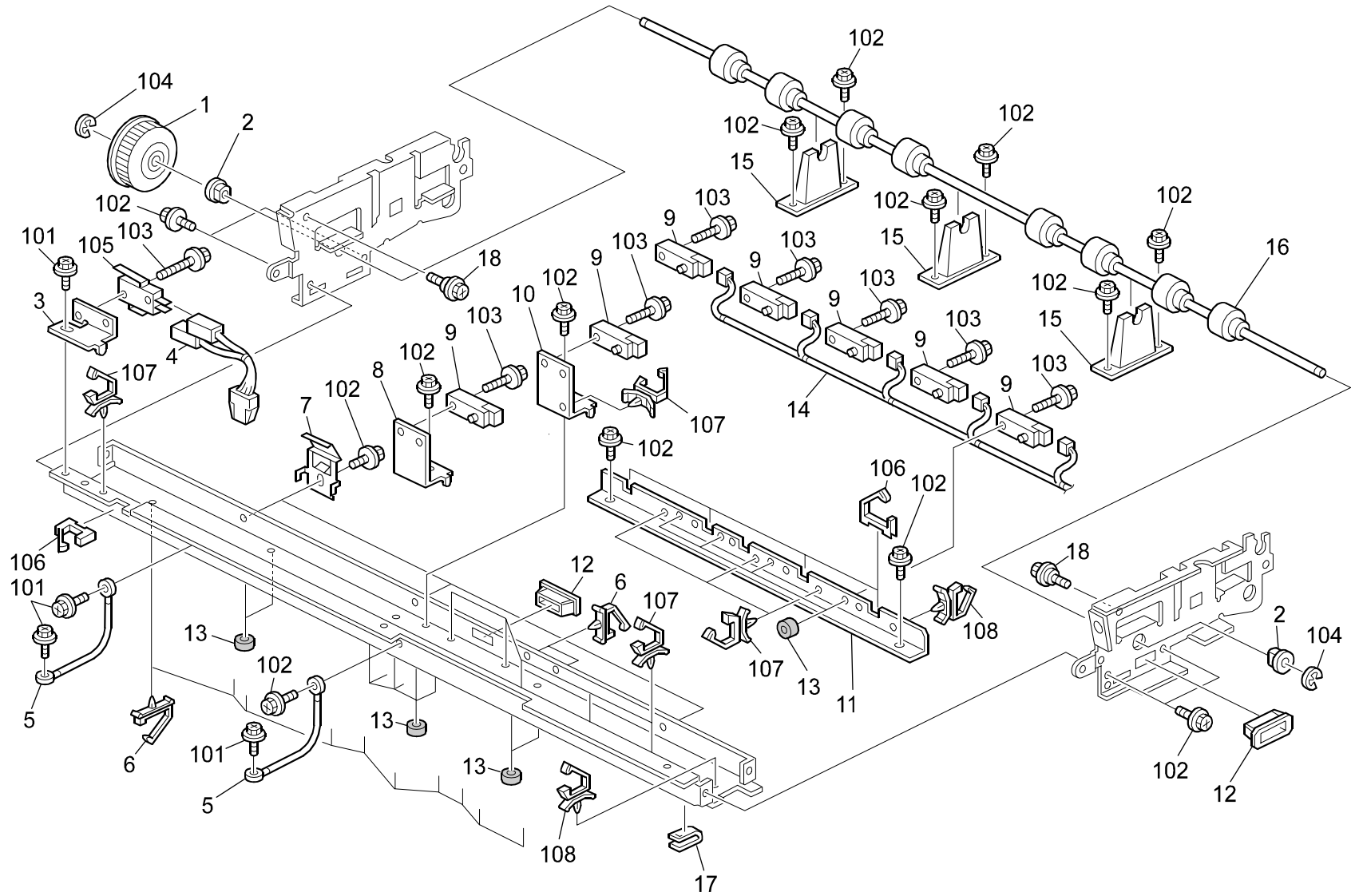


## 5.Scanner Section 2 (B125)

Index No.	Part No.	Description	Q'ty Per Assembly
1	B125 4682	Guide Plate - Front Lower - A4	1
1	B125 4692	Guide Plate - Front Lower - LT	1
2	B125 4689	Guide - CIS - Front	1
3	A498 3118	Stepped Screw - M4	2
4	G568 2839	Tightener - M16	1
5	5447 2769	Stepped Screw	1
6	AA06 0943	Belt Tensioner Spring	1
7	B125 4815	Tensioner - Belt	1
8	AB03 0745	Pulley - 76T	1
9	5053 0223	Bushing - 8mm	2
10	AA04 3588	Timing Belt - B60S2M480	1
11	B125 1728	Spring Plate - Exposure Glass - Left	1
12	B125 1727	Spring Plate - Exposure Glass - Right	1
13	AC01 0006	Exposure Glass	1
14	B125 1649	Contact Image Sensor Unit	1
15	B125 4675	Transport Roller - Original Exhaust	1
16	B125 4696	Guide Plate - Original - Rear Lower	1
17	AA12 0125	Front Discharge Brush	1
18	B125 5686	Harness - DC - Original Sensor - Connect	1
19	AW01 0093	Photo Reflection Sensor - PS-17ND1	1
20	B125 4616	Bracket - Original - Exit Sensor	1

Index No.	Part No.	Description	Q'ty Per Assembly
101	0451 4006B	Tapping Screw - 4x6	
102	0451 3006B	Tapping Screw - M3x6	
103	0451 3014B	Tapping Screw - M3-14	
104	0574 0050E	Hexagon Headless Set Screw - M4x5	
105	1105 0511	Harness Clamp - LWS-0306ZC	
106	1105 0487	Harness Clamp	
107	1105 0518	Edge Saddle - LES-1010	
108	1607 0747	FPC Core - FPC-25-12	
109	0720 0060E	Retaining Ring - M6	
110	0951 3006B	Philips Screw With Flat Washer - M3x6	
111	1105 0516	Clamp	

# 6.Scanner Section 3 (B125)

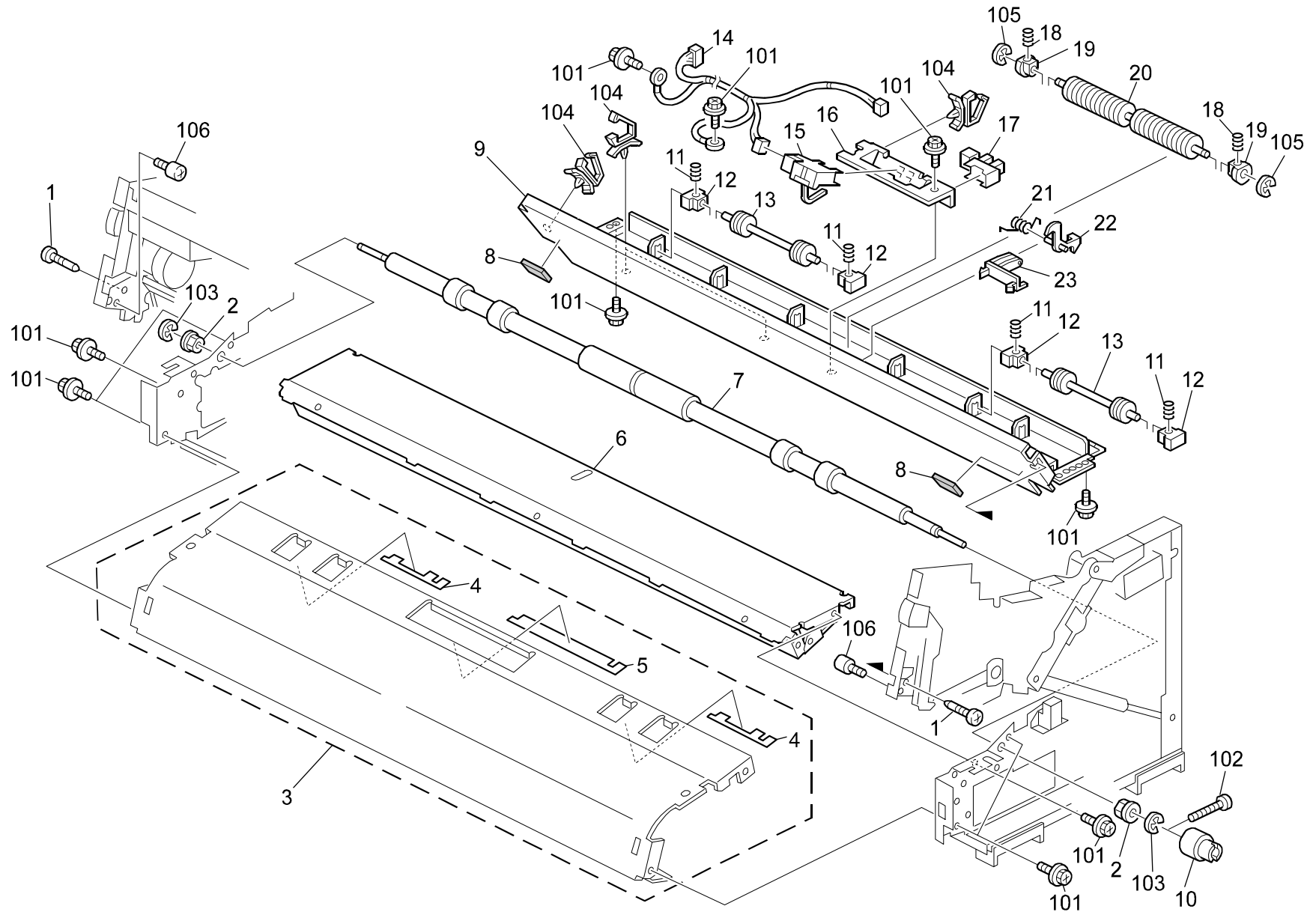


### 6.Scanner Section 3 (B125)

Index No.	Part No.	Description	Q'ty Per Assembly
1	AB03 0746	Pulley - 76T	1
2	5053 0223	Bushing - 8mm	2
3	B125 4652	Bracket - Set Sensor	1
4	B125 5691	Harness - DC - Scanner Unit - Set Sensor	1
5	B125 5689	Grounding Wire - Scanner Unit - 2	2
6	B125 5619	Clamp - Harness - FFC	13
7	B125 4753	Grounding Plate - Original - Front Lower	1
8	B125 4615	Bracket - Original Sensor - Insert	1
9	AW01 0093	Photo Reflection Sensor - PS-17ND1	7
10	B125 4613	Bracket - Registration Sensor	1
11	B125 4631	Bracket - Original Sensor - NA	1
11	B125 4630	Bracket - Original Sensor (EU/CHN)	1
12	H004 3755	Square Bushing	2
13	H072 2207	Guard (NA)	17
13	H072 2207	Guard (EU/CHN)	16
14	B125 5681	Harness - DC - Scanner Unit - Connect - NA	1
14	B125 5682	Harness - DC-Scanner-Connecting (EU/CHN)	1
15	B125 4656	Bushing - Arm - Front	3
16	B125 4665	Transport Roller - Original Insert	1
17	B125 5619	Clamp - Harness - FFC	1
18	A666 4170	Stepped Screw - M3x6	2

Index No.	Part No.	Description	Q'ty Per Assembly
101	0802 5276	Tapping Screw With Washer - M3x6	
102	0451 3006B	Tapping Screw - M3x6	
103	0451 3014B	Tapping Screw - M3-14	
104	0720 0060E	Retaining Ring - M6	
105	1204 2529	Switch - V-5F912DN	
106	1105 0522	Edge Saddle - LES0510	
107	1105 0511	Harness Clamp - LWS-0306ZC	
108	1105 0516	Clamp	

# 7.Paper Registration (B125)



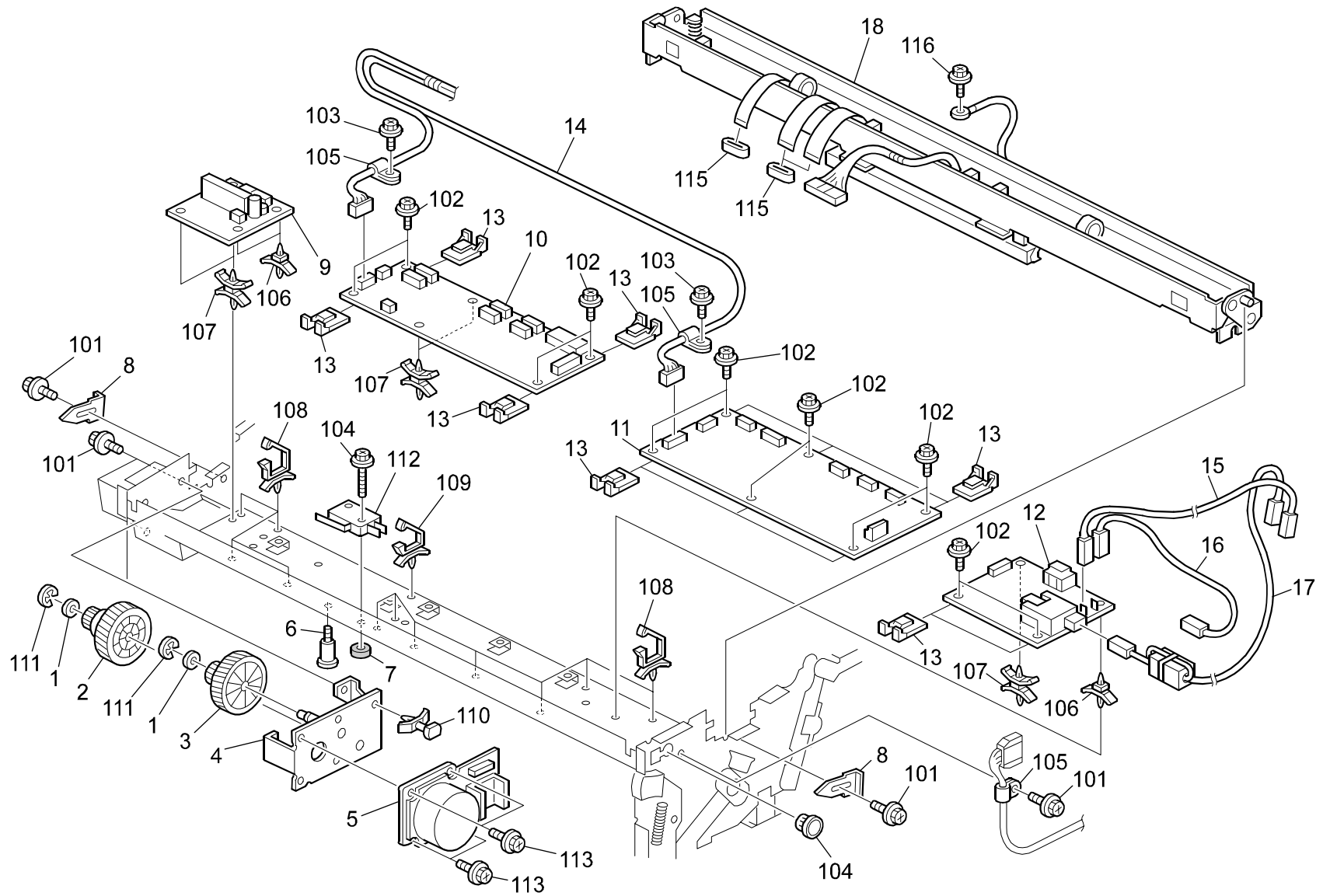


## 7.Paper Registration (B125)

Index No.	Part No.	Description	Q'ty Per Assembly
1	5446 2824	Screw - Duplex Guide Plate	1
2	AA08 2104	Bushing - 8x12x7	2
3	B125 2506	Guide Plate - Lower	1
4	B125 2585	Left And Right Manual - Feed Sheet	2
5	B125 2584	Middle Manual - Feed Sheet	1
6	B125 2572	Guide Plate - Manual Feed	1
7	AF02 0599	Registration Roller	1
8	B125 1185	Gasket - Registration Guide	2
9	B125 2575	Guide Plate - Registration - Upper	1
10	A222 2680	Torque Limiter	1
11	AA06 3900	Registration Compression Spring	4
12	AA08 2135	Bushing - Dia4	4
13	AF02 2128	Transport Driven Roller	2
14	B125 5693	Harness - Registration - Connecting	1
15	G020 4472	Paper Feed Sensor	1
16	B125 2581	Bracket - Sensor	1
17	AW02 0119	Photointerruptor - LG-24811	1
18	AA06 3277	Middle Plate Spring	2
19	5442 2751	Bushing - Upper Registration Roller	2
20	AF02 0603	Middle Driven Roller	1
21	AA06 6255	Feeler Spring	1
22	B125 2579	Feeler - Registration Sensor	1
23	B125 2580	Holder - Feeler	1

Index No.	Part No.	Description	Q'ty Per Assembly
101	0451 3006B	Tapping Screw - M3x6	
102	0800 0084	Philips Pan Head Screw - M2.3x12	
103	0720 0060E	Retaining Ring - M6	
104	1105 0511	Harness Clamp - LWS-0306ZC	
105	0720 0040E	Retaining Ring - M4	
106	0801 1179	Philips Screw With Toothed Washer	

# 8.Image Processing (B125)



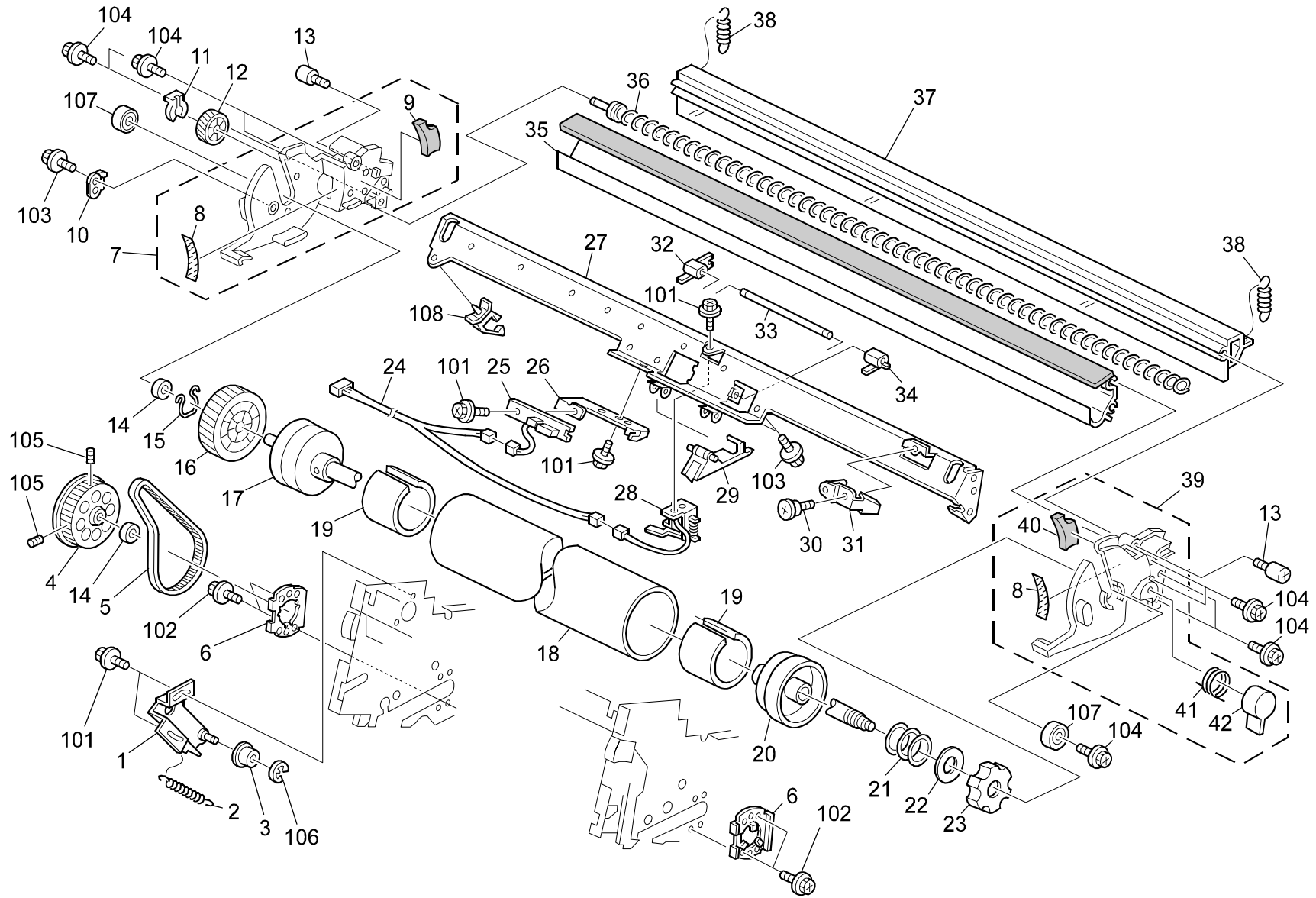
## 8.Image Processing (B125)

Rev. 04/18/2005

Index No.	Part No.	Description	Q'ty Per Assembly
1	AA13 2013	Spacer	2
2	AB01 7676	Gear - 32/100Z	1
3	AB01 7677	Gear/Pulley - 100Z/29T	1
4	B125 1116	Bracket - DC Motor	1
5	AX06 0262	Brushless Motor DC 24W	1
6	AA14 3139	Shoulder Screw - Pressure Arm	1
7	H072 2207	Guard	1
8	B125 1971	Plate - Shaft	2
9	B125 5250	PCB - SMDB	1
10	B125 5425	PCB - VDB - VDIP	1
11	B125 5465	PCB - SIB <b>[TSB#013]</b>	1
12	AZ32 0135	Power Pack - CGB	1
13	B125 1156	Cover - PCB	1
14	B125 5660	Harness - DC - LVDS - Main	1
15	B125 5613	Harness - High Voltage - Grid	1
16	B125 5612	Harness - High Voltage - Bias	1
17	B125 5614	Harness - High Voltage - Charge	1
18	B125 1858	LED Head Unit	1

Index No.	Part No.	Description	Q'ty Per Assembly
101	0451 3006B	Tapping Screw - M3x6	
102	0451 3008B	Tapping Screw - M3x8	
103	0802 5292	Tapping Screw - Round Point - M3X8	
104	0451 3014B	Tapping Screw - M3-14	
105	1105 0528	Nylon Clamp - EMT-2N	
106	1105 0160	Clamp	
107	1105 0531	Locking Support-emss-4s	
108	1105 0488	Harness Clamp	
109	1105 0516	Clamp	
110	1105 0409	Card Spacer- 6.4mm	
111	0720 0060E	Retaining Ring - M6	
112	1204 2529	Switch - V-5F912DN	
113	0451 4008B	Philips Tapping Screw - M4x8	
114	1106 0411	Bushing - 11.5mm	
115	1607 0747	FPC Core - FPC-25-12	
116	0802 5276	Tapping Screw With Washer - M3x6	

# 9.Drum Section (B125)



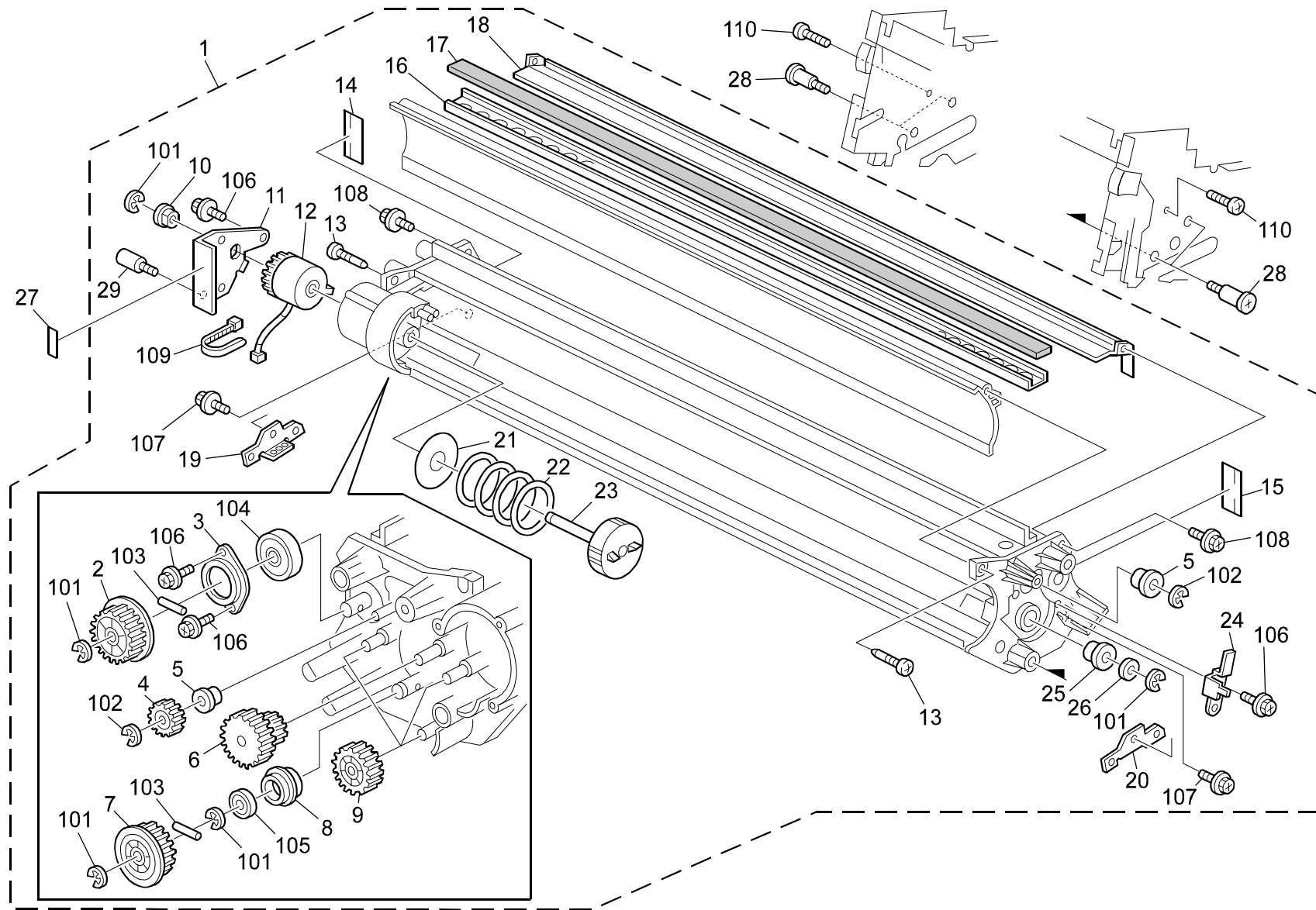
## 9.Drum Section (B125)

Rev. 07/13/2004

Index No.	Part No.	Description	Q'ty Per Assembly
1	B125 1141	Tightener - Drum	1
2	GA06 0003	Spring - Guide Plate	1
3	G568 2839	Tightener - M16	1
4	AB03 0764	Pulley - 102T	1
5	AA04 3922	Timing Belt - 426S2M	1
6	B125 2253	Holder - Ball Bearing	1
7	B125 3555	Side Plate - Left	1
8	AA15 3135	Drum Right Shield	2
9	AA15 3134	Blade Left Shield	1
10	B010 2256	Bearing Stopper	1
11	5206 2686	Snap Ring	1
12	AB01 0364	Gear - 46Z	1
13	AA14 3335	Rear Shutter Pin	2
14	AA13 2058	Spacer - 8.1x10	2
15	B125 2469	C-ring - Drum Shaft	1
16	AB01 0363	Gear - 146Z	1
17	AD01 5038	Shaft - Drum	1
18	B010 9510	Drum	1
19	B125 2472	Balancer: OPC Drum <b>[TSB#002]</b>	2
20	AD01 4030	Drum Flange	1
21	AA06 3276	Pressure Spring	1
22	A163 2255	Spacer	1
23	A163 2251	Drum Knob	1
24	B125 5692	Harness - DC - Cleaning - Connecting	1
25	A232 2367	ID Sensor	1
26	B010 3581	Density Sensor Guide Plate	1
27	B125 3567	Casing - Pickoff Pawl - Welding	1
28	AX10 0026	DC Solenoid - Pick-off Pawl	1
29	A163 3611	Pick-off Pawl	1
30	A498 3118	Stepped Screw -M4	1
31	B010 3582	Blade Release Lever	1
32	A163 3608	Left Pressure Lever	1
33	A163 3609	Lever Shaft	1
34	A163 3607	Right Pressure Lever	1
35	B125 3563	Casing - Cleaning	1

Index No.	Part No.	Description	Q'ty Per Assembly
36	AD04 3085	Toner Collection Coil - Cleaning	1
37	<b>A165 3581</b>	<b>Cleaning Blade</b>	<b>1</b>
38	AA06 2325	Cleaning Blade Spring	2
39	B125 3551	Side Plate - Right	1
40	AA15 3133	Blade Right Shield	1
41	AA06 6664	Toner Outlet Shutter Spring	1
42	B125 3554	Shutter - Discharge Used Toner	1
101	0451 3006B	Tapping Screw - M3x6	
102	0451 3008B	Tapping Screw - M3x8	
103	0451 4008B	Philips Tapping Screw - M4x8	
104	0451 4010B	Tapping Screw - 4x10	
105	0574 0060E	Hexagon Headless Set Screw - M4x6	
106	0720 0040E	Retaining Ring - M4	
107	0805 3471	Bushing - M8x22x7	
108	1105 0511	Harness Clamp - LWS-0306ZC	

# 10.Development Unit (B125)



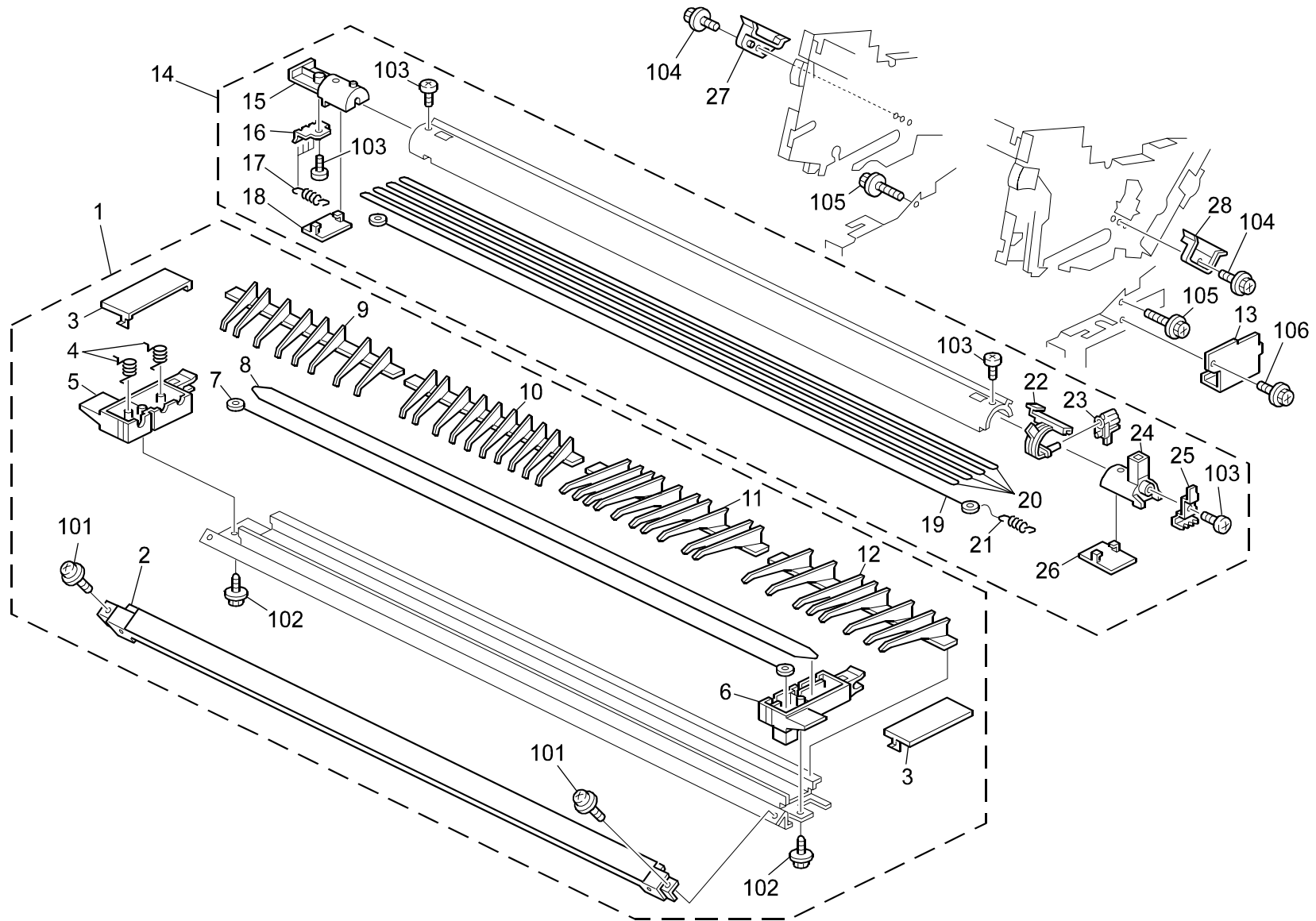
## 10.Development Unit (B125)

Rev. 07/13/2004

Index No.	Part No.	Description	Q'ty Per Assembly
1	B125 3003	Development Unit - EXP	1
2	AB01 3920	Gear - 30Z	1
3	5446 1134	Bearing Case	1
4	AB01 3921	Gear - 20Z	1
5	5205 3103	Bushing - 6mm	2
6	AB01 7378	Coupled Gear - 28/24Z	1
7	AB01 3922	Gear - 28Z	1
8	B125 3233	Bearing Case <b>[TSB#002]</b>	1
9	AB01 3924	Gear - 28Z	2
10	5446 6214	Shaft Holder - Pick-up Roller	1
11	B125 3205	Stay - Toner Hopper	1
12	AX20 0115	Spring Clutch	1
13	5446 2824	Screw - Duplex Guide Plate	2
14	AA15 3451	Left Shield - Side Plate	1
15	AA15 3450	Right Shield - Side Plate	1
16	A163 3101	Filter Bracket	1
17	AA01 2081	Development Filter	1
18	B010 3150	Entrance Seal	1
19	B125 2582	Bracket - Positioning - Left	1
20	B125 2583	Bracket - Positioning - Right	1
21	B010 3211	Drum Stay - Spring	1
22	B010 3212	Spring - Joint	1
23	B010 3206	Joint - Toner Hopper - Ass'y	1
24	B125 3213	Electrode Plate - Development	1
25	5205 3093	Bushing - 8mm	1
26	AA13 2097	Spacer	1
27	B125 4817	Sheet - Magnet Catch	1
28	AA14 3719	Development Unit Shaft	1
29	5415 2904	Stopper Pin	1

Index No.	Part No.	Description	Q'ty Per Assembly
101	0720 0060E	Retaining Ring - M6	
102	0720 0050E	Retaining Ring - M5	
103	0633 0200G	Pin - M3x20	
104	0805 3516	Ball Bearing - 10x26x8	
105	0805 3517	Ball Bearing - 8x16x5	
106	0451 4006B	Tapping Screw - 4x6	
107	0451 4010B	Tapping Screw - 4x10	
108	0451 3010B	Tapping Screw - M3x10	
109	1105 0042	Wire Band	
110	0315 0100B	Philips Pan Head Screw - M5x10	

# 11.Charge & Transfer Unit (B125)



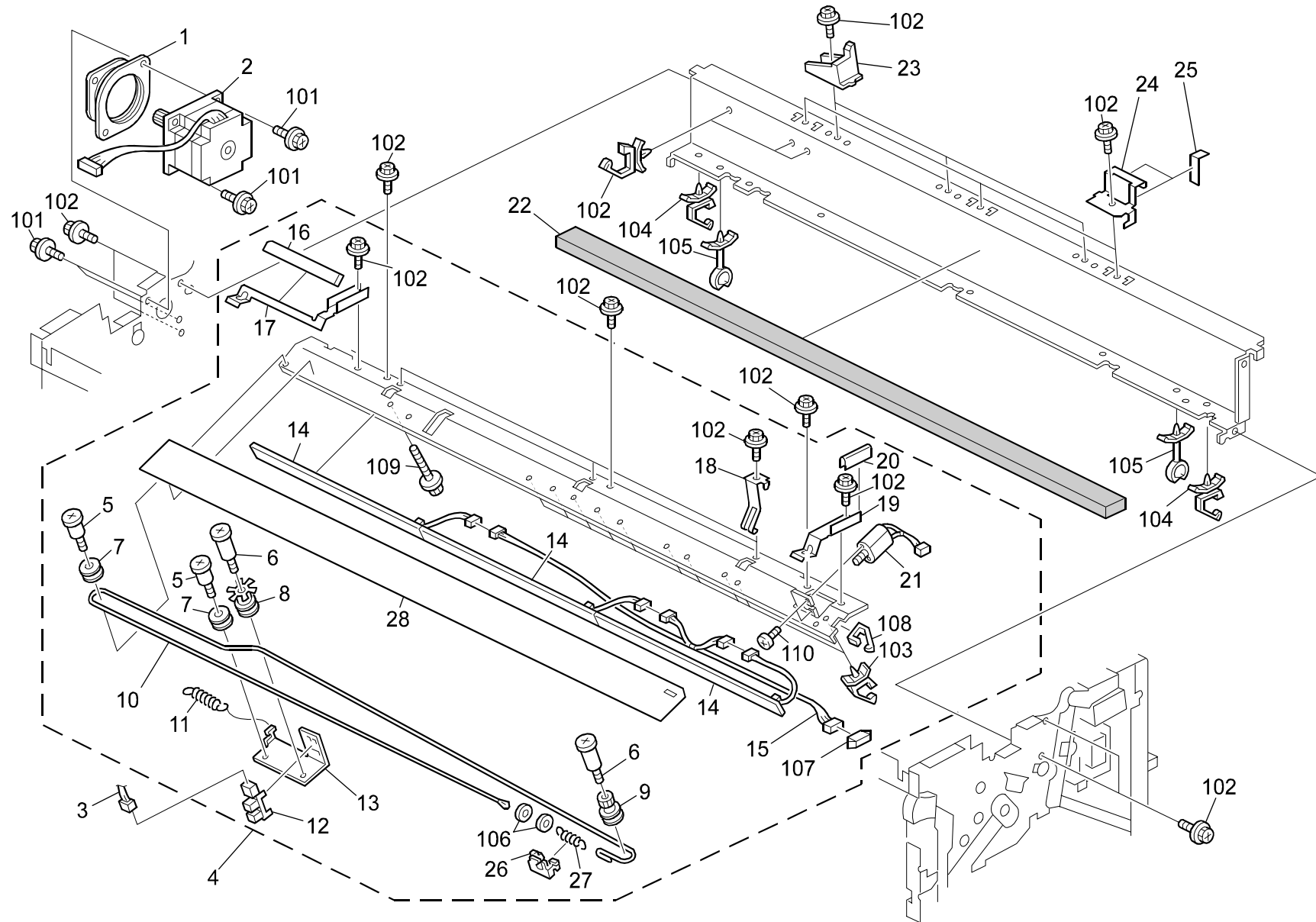


## 11.Charge & Transfer Unit (B125)

Index No.	Part No.	Description	Q'ty Per Assembly
1	B125 3830	T/S Corona Unit	1
2	B125 3855	Sheet - Entrance - Transfer	1
3	AD02 2320	End Block Cover - T & S	2
4	AA06 6254	Corona Wire Spring	2
5	AD02 2373	End Block - T/S Corona - Left	1
6	AD02 2372	End Block - T/S Corona - Right	1
7	<b>AD02 0059</b>	<b>Corona Wire - Main</b>	<b>1</b>
8	<b>AD02 0072</b>	<b>Corona Wire - Separation</b>	<b>1</b>
9	A174 3938	Left Paper Guide - T/S Outer	1
10	A174 3932	Guide - Paper - T/S Corona - Middle - Left	1
11	A174 3931	Guide - Paper - T/S Corona - Middle - Right	1
12	A174 3937	Right Paper Guide - T/S Outer	1
13	B125 3868	Shielding Plate - Harness	1
14	AD00 4103	Charge Corona Unit	1
15	AD02 2316	Left End Block - Charge	1
16	A163 2052	Left Grid Terminal	1
17	AA06 0749	Spring	4
18	AD02 2317	Left End Block Cover - Charge	1
19	<b>AD02 0089</b>	<b>Charge Corona Wire - G</b>	<b>1</b>
20	AD02 0090	Grid Wire	4
21	AA06 0750	Spring	1
22	B125 2060	Cleaner - Slider	1
23	<b>B125 2061</b>	<b>Cleaner - Charge Corona</b>	<b>1</b>
24	AD02 2370	End Block - Charge Right	1
25	B125 2018	Terminal - Grid - Right	1
26	AD02 2369	End Block Cover - Charge Corona	1
27	B010 2062	Left Holder - Charge Corona	1
28	B010 2061	Right Holder - Charge Corona	1

Index No.	Part No.	Description	Q'ty Per Assembly
101	0951 3006B	Philips Screw With Flat Washer - M3x6	
102	0450 3008B	Tapping Screw - M3x8	
103	0313 0050B	Philips Pan Head Screw - M3x5	
104	0451 4006B	Tapping Screw - 4x6	
105	0451 3008B	Tapping Screw - M3x8	
106	0802 5276	Tapping Screw With Washer - M3x6	

## 12.Charge Cleaning Section (B125)

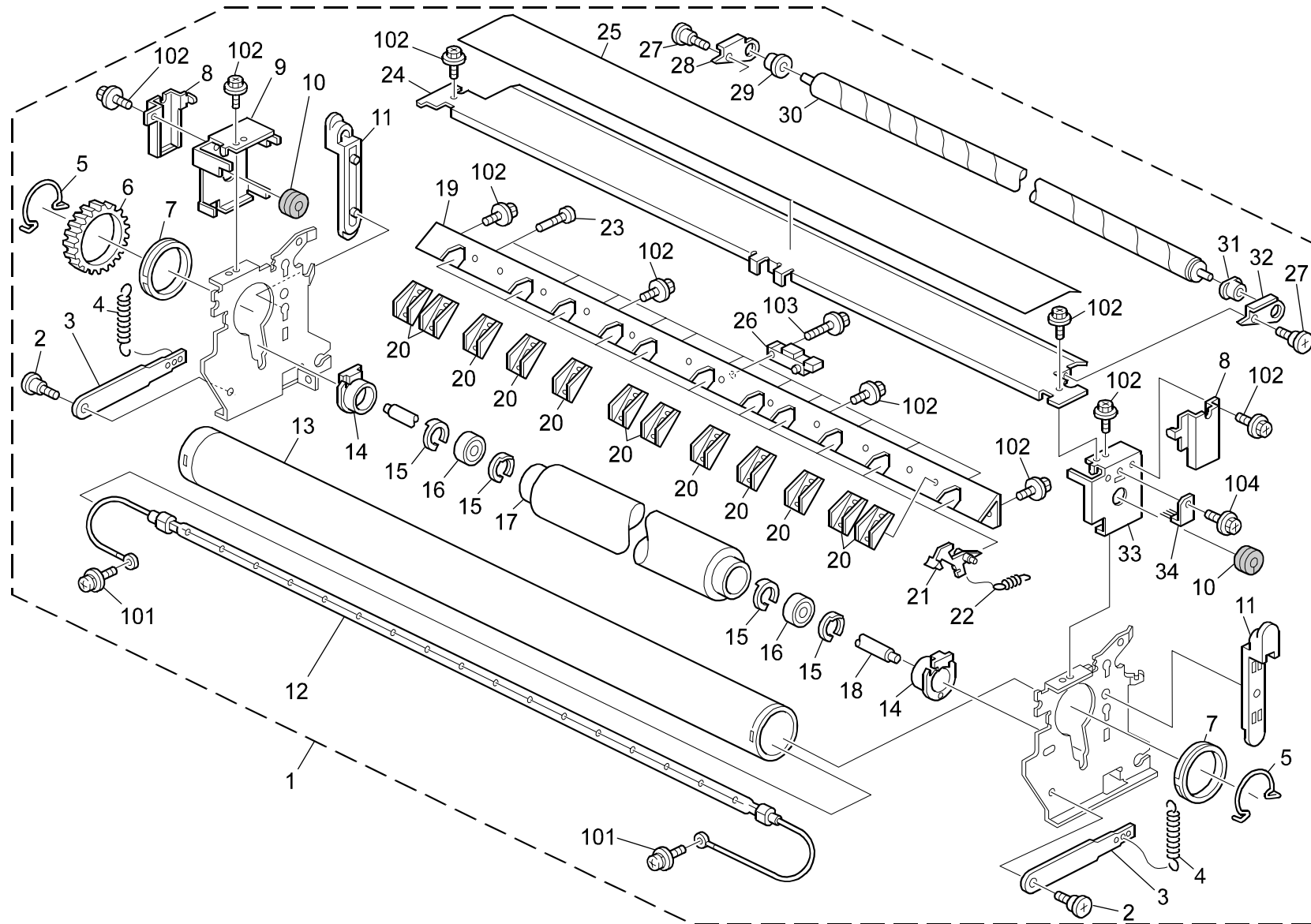


## 12.Charge Cleaning Section (B125)

Index No.	Part No.	Description	Q'ty Per Assembly
1	A675 2629	Stepper Motor Cushion	1
2	B125 4770	Stepper Motor - DC24V 34.8W	1
3	B125 5657	Harness - DC - Charge - Connecting - 1	1
4	B125 2041	Discharge Lamp - Unit	1
5	AA14 3786	Stepped Screw - M3x10.3	2
6	AA14 3787	Stepped Screw - M3x14.2	2
7	AB03 2723	Pulley - Left	2
8	AB03 2724	Pulley - Encoder	1
9	AB01 7664	Gear - Pulley - Right	1
10	AA05 0113	Wire - Cleaner	1
11	B125 2085	Tension Spring - 4291mn	1
12	AW02 0075	Photointerruptor	1
13	B125 2070	Bracket	1
14	AX50 0074	Discharge Lamp P2	3
15	B125 5690	Harness - DC - QI - Connecting	1
16	B125 2125	Guard - Spring Plate - Left	1
17	B125 2124	Spring Plate - Charge Corona - Left	1
18	B125 2106	Spring Plate - Earth	1
19	B125 2127	Spring Plate - Charge Corona - Right	1
20	B125 2128	Guard - Spring Plate - Right	1
21	AX04 0061	Cleaner Motor - DC 0.5W	1
22	B125 4755	Seal - Shield	1
23	B125 4697	Bushing - Arm - Rear	3
24	B125 4754	Grounding Plate - Original - Rear Lower	3
25	B125 4756	Guard - Grounding Plate - Rear	6
26	B125 2113	Holder - Wire	1
27	AA06 0750	Spring	1
28	B125 2130	Shielding Plate - Charge Corona	1

Index No.	Part No.	Description	Q'ty Per Assembly
101	0451 4010B	Tapping Screw - 4x10	
102	0451 3006B	Tapping Screw - M3x6	
103	1105 0511	Harness Clamp - LWS-0306ZC	
104	1105 0489	Harness Clamp - LWS 1316	
105	1105 0348	Clamp	
106	0708 0040Z	Flat Washer-M4	
107	1102 6245	Relay Connector - 2P	
108	1105 0522	Edge Saddle - LES0510	
109	0451 3014B	Tapping Screw - M3-14	
110	0252 0020B	Philips Pan Head Screw - M2x2	

# 13.Fusing Unit 1 (B125)

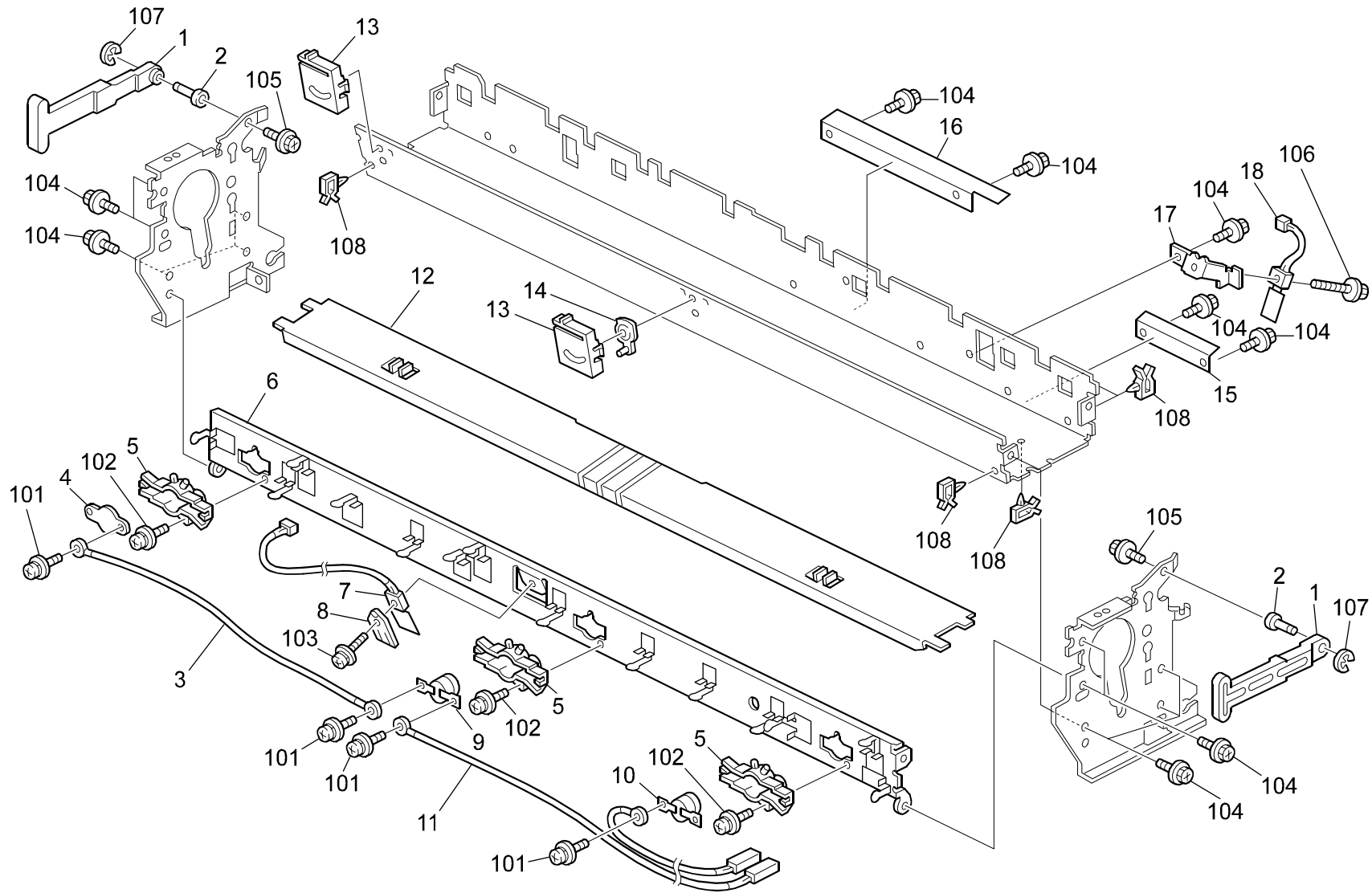


### 13.Fusing Unit 1 (B125)

Index No.	Part No.	Description	Q'ty Per Assembly
1	B125 4001	Fusing Unit - 120V	1
1	B125 4002	Fusing Unit - 220/240V	1
2	5403 2075	Stepped Screw	1
3	B125 4172	Lever - Pressure	1
4	AA06 0607	Pressure Spring	2
5	B125 4130	C-ring - MM50	2
6	AB01 4268	Gear - Drive - Fusing	1
<b>7</b>	<b>AE03 1056</b>	<b>Bushing - Fusing</b>	<b>2</b>
8	B125 4137	Cover - Heater	2
9	B125 4136	Bracket - Heater - Left	1
10	A023 4096	Fusing Lamp Supporter	2
11	B125 4173	Lever - Pressure Release - Lower	2
12	AX45 0042	Heater - 120V - 1150W	1
12	AX45 0043	Heater - 230V - 1150W	1
<b>13</b>	<b>AE01 1085</b>	<b>Hot Roller - MM50</b>	<b>1</b>
14	B125 4148	Holder - Pressure Roller	2
15	A163 4109	C - Ring - 19m	4
16	AE03 0041	Ball Bearing -20x32x7	2
<b>17</b>	<b>AE02 0148</b>	<b>Pressure Roller - MM55</b>	<b>1</b>
18	B125 4145	Shaft - Pressure Roller	1
19	B125 4194	Guide Plate - Fusing Exit - Lower	1
20	B125 4195	Guide - Auxiliary - Fusing Exit	12
21	AE04 4055	Pressure Roller Pickoff Pawl	11
22	AA06 0942	Pressure Roller Pickoff Pawl Spring	11
23	5887 4176	Screw	11
24	B125 4211	Fusing Cover - Upper	1
25	B125 4215	Heat Insulation - Cover - Fusing	1
26	AW01 0091	Photo Reflection Sensor	1
27	H041 1549	Trast Screw	2
28	B125 4214	Lever - Cleaning Roller - Left	1
29	5053 0447	Bushing - 6mm	1
<b>30</b>	<b>AE04 2047</b>	<b>Fusing Cleaning Roller</b>	<b>1</b>
31	AA08 3016	Roller Clutch - 6x14x10	1
32	B125 4213	Lever - Cleaning Roller - Right	1
33	B125 4135	Bracket - Heater - Right	1

Index No.	Part No.	Description	Q'ty Per Assembly
34	AA12 0087	Fusing Discharge Brush	1
101	0954 3008M	Screw - M3X8	
102	0451 3006B	Tapping Screw - M3x6	
103	0451 3014B	Tapping Screw - M3-14	
104	0451 4006B	Tapping Screw - 4x6	

# 14.Fusing Unit 2 (B125)

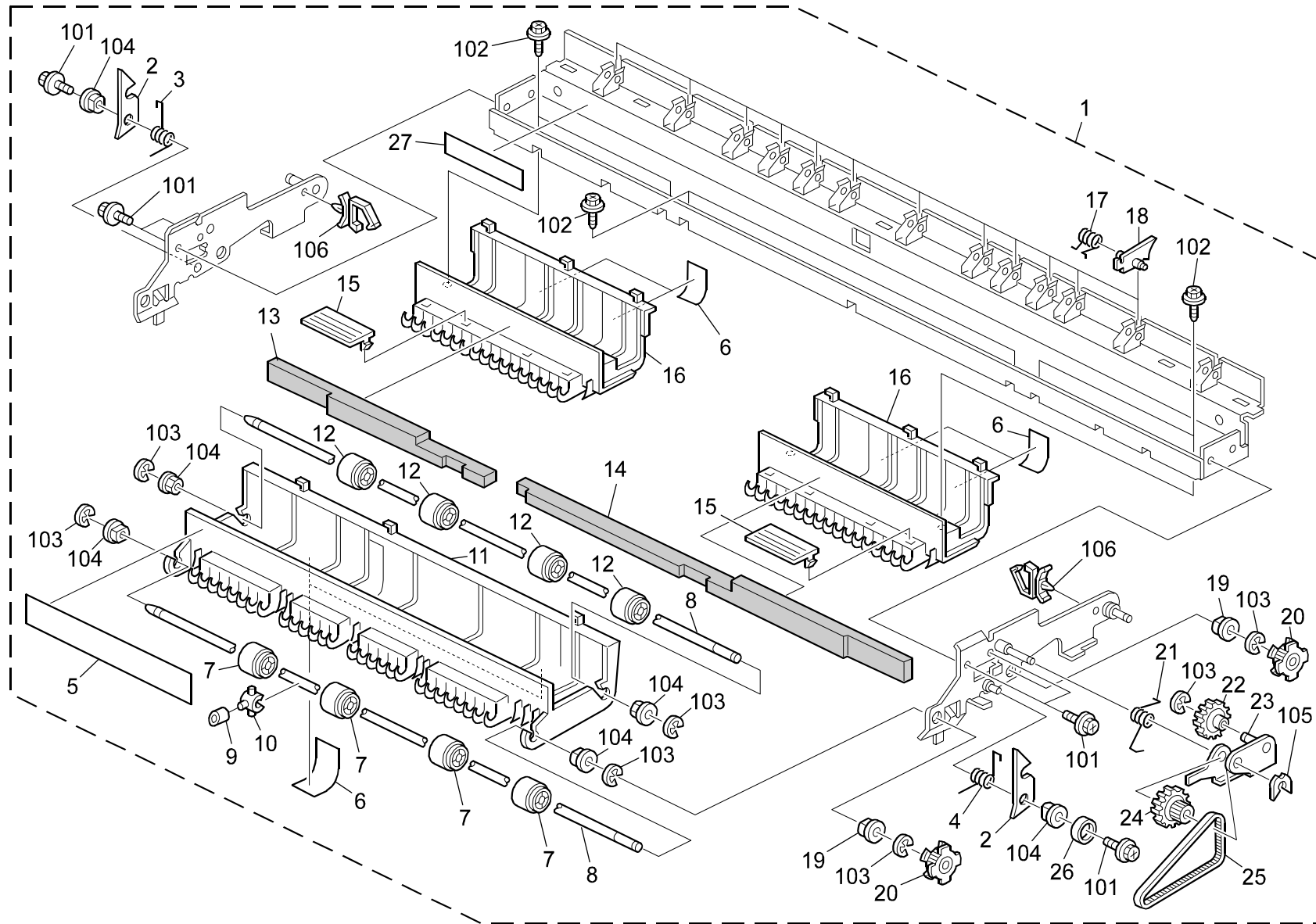


## 14.Fusing Unit 2 (B125)

Index No.	Part No.	Description	Q'ty Per Assembly
1	A163 4183	Upper Pressure Release Lever	2
2	B125 4174	Shaft - Lever - Pressure Release	2
3	B125 5602	Harness - AC - Fusing - Connecting - 1	1
4	B125 4156	Electrode Plate - Thermostat	1
5	B104 4085	Thermostat Housing	3
6	B125 4151	Stay - Fusing - Upper	1
7	AW10 0087	Fusing Thermistor	1
8	B004 4087	Plate - Thermistor	1
9	AW11 0036	Thermostat - 200C 250V/10A	1
10	AW11 0035	Thermostat - 199C 250V/10A	1
11	B125 5606	Harness - AC - Fusing - Connect - 120V	1
11	B125 5607	Harness - AC - Fusing - Connect - 220/230V	1
12	B125 4185	Fusing Entrance Guide Plate - Ass'y	1
13	A163 4122	Entrance Guide Plate Holder	2
14	A163 4124	Holder Cam	1
15	B125 1269	Sheet - Fusing - Small	1
16	B125 1271	Sheet - Fusing - Large	1
17	B125 4162	Bracket - Thermistor	1
18	AW10 0053	Thermistor - Rear	1

Index No.	Part No.	Description	Q'ty Per Assembly
101	0954 3008M	Screw - M3X8	
102	0954 3008N	Screw - M3X8	
103	0954 3012N	Screw - M3X12	
104	0451 3006B	Tapping Screw - M3x6	
105	0451 4008B	Philips Tapping Screw - M4x8	
106	0451 3008B	Tapping Screw - M3x8	
107	0720 0040E	Retaining Ring - M4	
108	1105 0290	Harness Clamp - Horizontal	

# 15.Paper Exit 1 (B125)



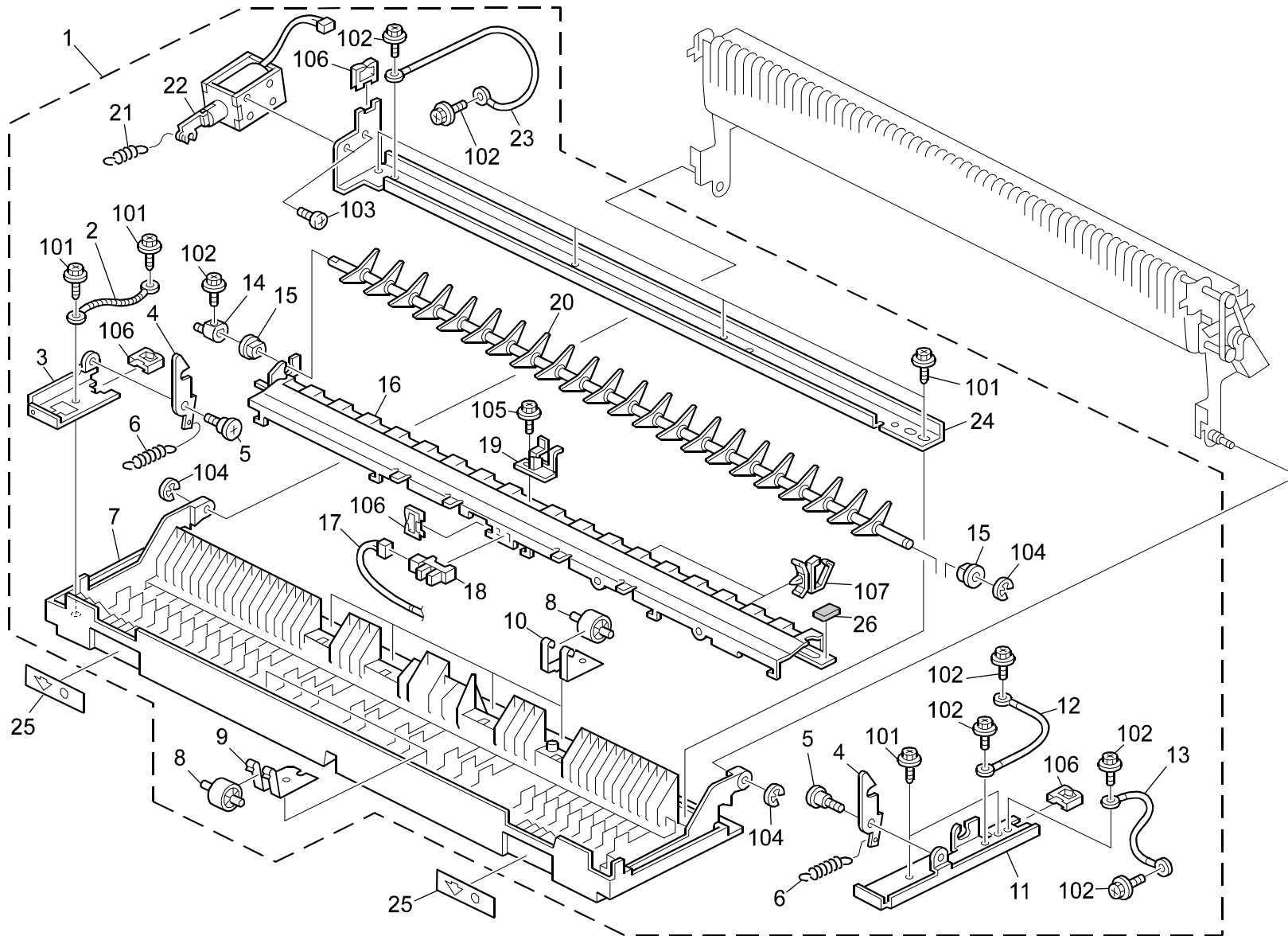


### 15.Paper Exit 1 (B125)

Index No.	Part No.	Description	Q'ty Per Assembly
1	B125 4469	Fusing/Paper Exit Unit - EXP	1
2	A163 4159	Lock Positioning Plate	2
3	AA06 6257	Left Lock Spring	1
4	AA06 6256	Right Lock Spring	1
5	AA00 0226	Decal - Warning - High Temperature	1
6	B010 4312	Upper Guide	6
7	B125 4480	Exit Roller - Drive - Upper	4
8	AA14 0844	Shaft - Exit Roller	2
9	A163 4236	Exit Tube	1
10	A163 4235	Tube Holder	1
11	B125 4477	Guide - Fusing/Paper Exit - Middle	1
12	B125 4478	Exit Roller - Drive - Lower	4
13	B125 4498	Seal - Guide - Right Upper	1
14	B125 4497	Seal - Guide - Left Upper	1
15	B125 4499	Grip - Exit	2
16	B125 4475	Guide - Fusing/Paper Exit Unit	2
17	AA06 6052	Stripper Spring	13
18	AE04 4054	Stripper Pawls	13
19	AA08 2101	Bushing - 6x10x6	2
20	AB03 0474	Pulley - 24T	1
21	AA06 6643	Arm Spring	1
22	B010 4324	Idler Gear - 30z	1
23	B125 4488	Arm - Drive - Fusing/Exit Unit	1
24	AB01 7680	Gear/Pulley - 24Z/24T	1
25	AA04 3527	Timing Belt - 230XL	1
26	A163 4231	Arm Stopper	1
27	AA00 0235	Decal - Warning - High Temperature	1

Index No.	Part No.	Description	Q'ty Per Assembly
101	0451 4006B	Tapping Screw - 4x6	
102	0450 3008B	Tapping Screw - M3x8	
103	0720 0040E	Retaining Ring - M4	
104	0805 3385	Bushing - 6mm	
105	0805 0089	Retaining Ring - M4	
106	1105 0516	Clamp	

# 16.Paper Exit 2 (B125)

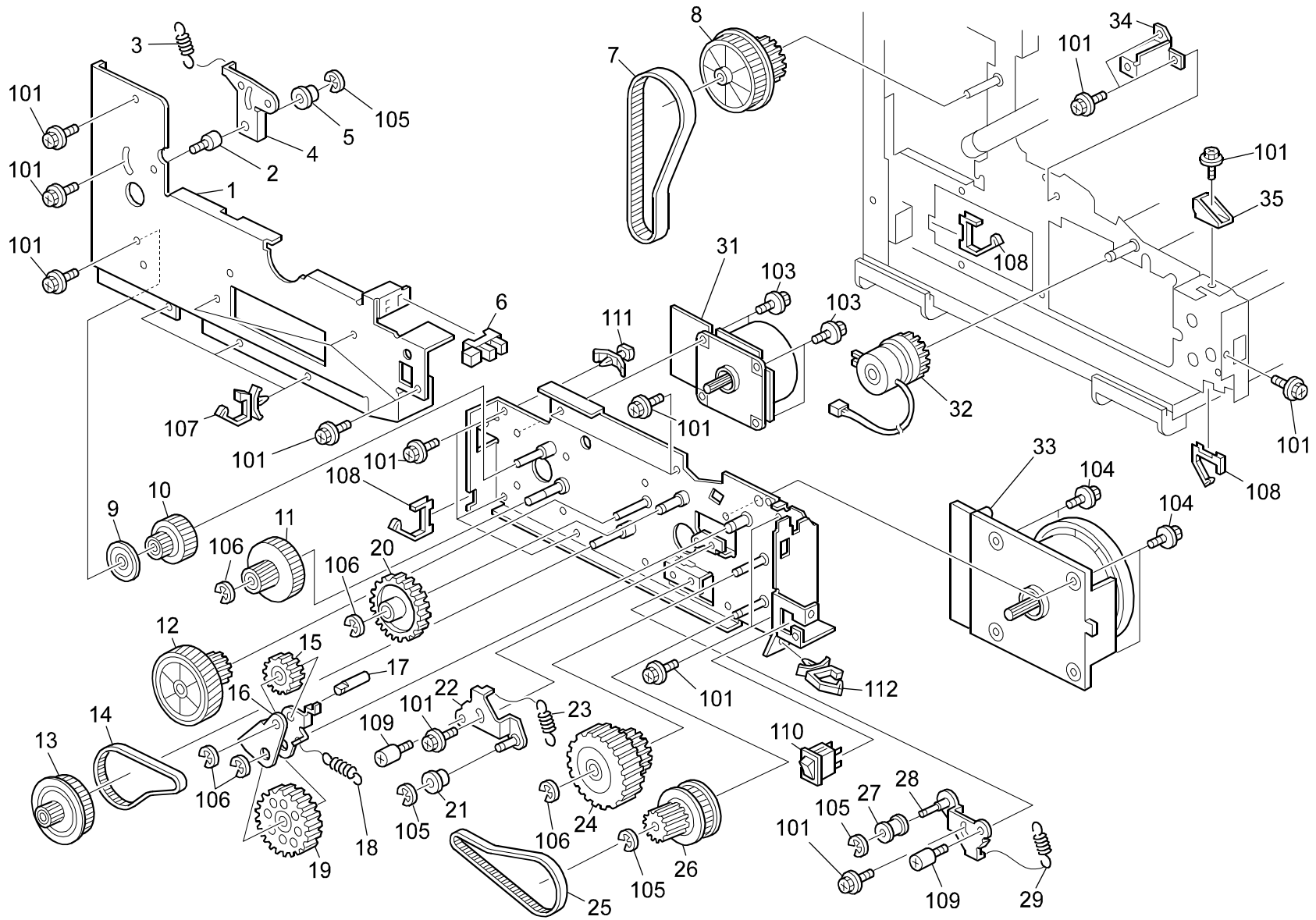


## 16.Paper Exit 2 (B125)

Index No.	Part No.	Description	Q'ty Per Assembly
1	B125 4450	Paper Exit Unit	1
2	A090 5596	LED Grounding Wire	1
3	B125 4455	Bracket - Lock - Exit - Right	1
4	B125 4456	Positioning Plate - Exit	2
5	5403 2075	Stepped Screw	2
6	AA06 0386	Pressure Spring	2
7	B125 4451	Cover - Exit	1
8	A163 4453	Exit Driven Roller	8
9	B125 4452	Leaf Spring - Exit Roller - Upper	4
10	B125 4453	Leaf Spring - Exit Roller - Lower	4
11	B125 4460	Bracket - Lock - Exit - Left	1
12	B010 4461	Grounding Wire - Paper Exit Unit	1
13	B125 5643	Ground Wire - Scanner Unit - 3	1
14	A174 4372	Gate Pawl Drive	1
15	AA08 2101	Bushing - 6x10x6	2
16	B125 4458	Guide Plate - Exit	1
17	B125 5671	Harness - DC - Original Exit - Connecting	1
18	AW02 0056	Photointerruptor - EE-SX4235A-P1	1
19	B010 4458	Gate Pawl Plate	1
20	AF02 5029	Exit Separation Pawl	1
21	AA05 0101	Spring	1
22	B125 4463	DC Solenoid - Gate Pawl	1
23	B125 5658	Grounding Wire - Paper Exit Unit	1
24	B125 4462	Stay - Exit	1
25	AA00 3210	Decal - Grip	2
26	B125 4464	Gasket - Guide Plate - Exit	1

Index No.	Part No.	Description	Q'ty Per Assembly
101	0450 3008B	Tapping Screw - M3x8	
102	0451 3006B	Tapping Screw - M3x6	
103	0353 0040B	Screw - M3X4	
104	0720 0040E	Retaining Ring - M4	
105	0451 4006B	Tapping Screw - 4x6	
106	1105 0328	Harness Clamp - ES-0505	
107	1105 0511	Harness Clamp - LWS-0306ZC	

# 17. Drive Section (B125)

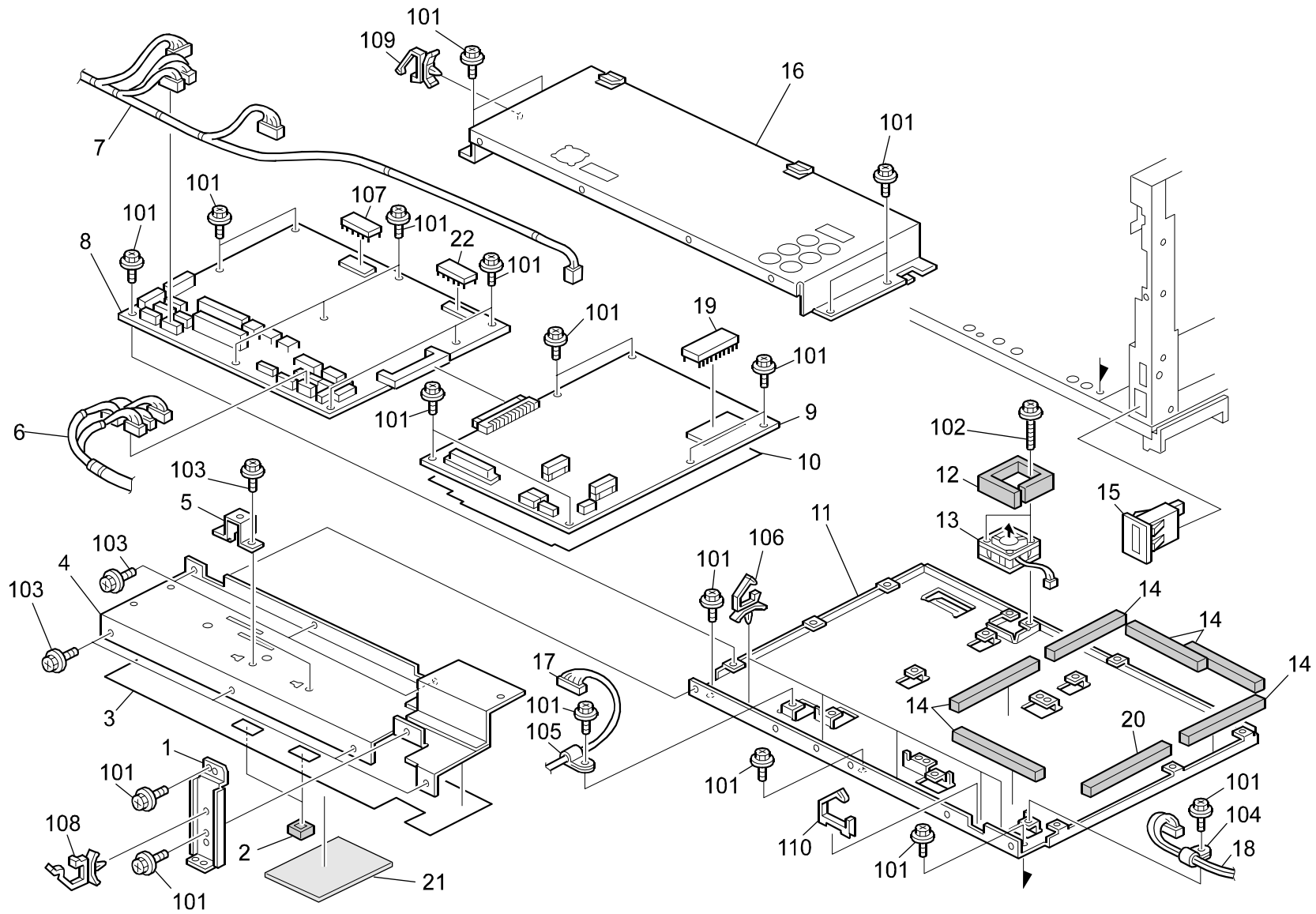


## 17. Drive Section (B125)

Index No.	Part No.	Description	Q'ty Per Assembly
1	B125 1123	Drum Stay - Drive	1
2	5918 3120	Stud - M4	1
3	AA06 0092	Release Spring	1
4	B125 1136	Tightener - Fusing	1
5	G568 2839	Tightener - M16	1
6	AW02 0119	Photointerruptor - LG-24811	1
7	AA04 3911	Timing Belt - S3M420	1
8	AB01 7675	Gear/Pulley - 30Z/63T	1
9	A259 1158	Pulley Flange	1
10	AB01 7674	Gear/Pulley - 66Z/20T	1
11	AB01 7673	Gear - 40/82Z	1
12	AB01 7672	Gear - 19/120Z	1
13	AB01 7671	Gear/Pulley - 32Z/70T	1
14	AA04 3644	Timing Belt - B60S2M214	1
15	AB01 4265	Gear - 28Z	1
16	B125 1146	Arm - Coupling - Development	1
17	B125 1147	Shaft - Coupling - Development	1
18	AA06 0117	Spring	1
19	AB01 4263	Gear - 50Z	1
20	AB01 4267	Gear - 46Z	1
21	G020 4444	Tightener	1
22	B125 1125	Tightener - Development	1
23	AA06 0244	Spring	1
24	AB01 7669	Gear - 62/30Z	1
25	AA04 3643	Timing Belt - B100S2M264	1
26	AB01 7667	Timing Pulley - 18Z/66T	1
27	A548 2139	Pulley	1
28	B125 1130	Tightener - Registration	1
29	5215 4121	Spring - Oil Blade	1
30	B125 1101	Side Plate - Drive	1
31	AX06 0262	Brushless Motor DC 24W	1
32	AX21 0079	Magnetic Clutch	1
33	AX06 0271	Brushless Motor - DC24V/45W	1
34	B125 1261	Bracket - Cover - Lower	1
35	B624 2530	Spacer - Pressure Plate - Front	1

Index No.	Part No.	Description	Q'ty Per Assembly
101	0451 3006B	Tapping Screw - M3x6	
102	0451 3008H	Tapping Screw - M3x8	
103	0451 4008B	Philips Tapping Screw - M4x8	
104	0451 4006B	Tapping Screw - 4x6	
105	0720 0040E	Retaining Ring - M4	
106	0720 0060E	Retaining Ring - M6	
107	1105 0511	Harness Clamp - LWS-0306ZC	
108	1105 0522	Edge Saddle - LES0510	
109	0801 1179	Philips Screw With Toothed Washer	
110	1204 2533	Switch - AJ76200PZ02	
111	1105 0409	Card Spacer- 6.4mm	
112	1105 0516	Clamp	

# 18.Electrical Section 1 (B125)



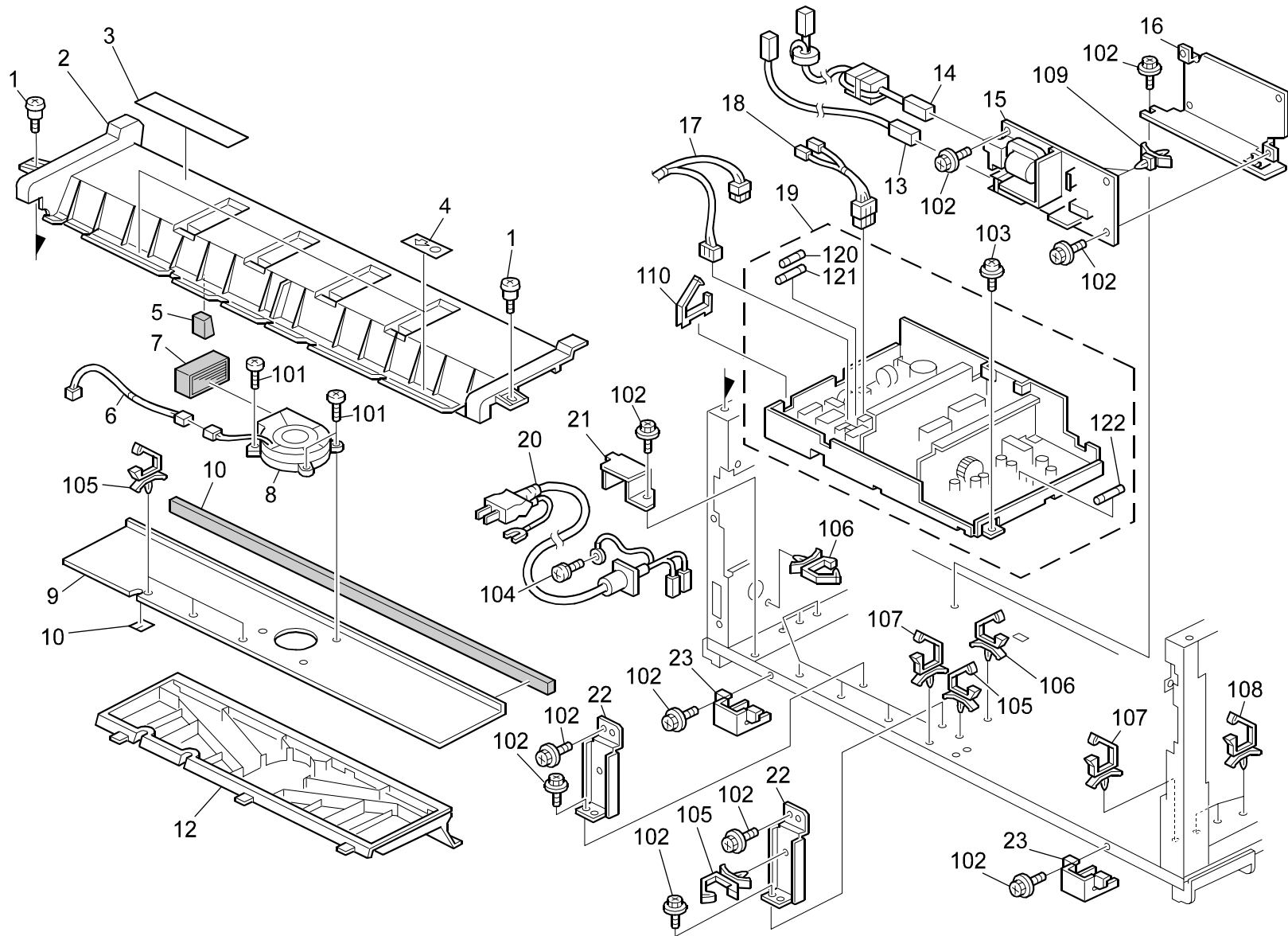
## 18.Electrical Section 1 (B125)

Rev. 12/07/2004

Index No.	Part No.	Description	Q'ty Per Assembly
1	B125 4358	Grounding Plate - Fusing	1
2	B125 3873	Guard - Leaf Spring	2
3	B125 1169	Insulating Sheet - Cable	1
4	B125 1168	Cover - Printed Circuit Board	1
5	B125 1264	Bracket - Cover - Lower - 2	2
6	B125 5652	Harness - DC - Machine Or Copier - Left	1
7	B125 5649	Harness - DC - Machine Or Copier - Right	1
8	B125 5291	PCB - MCU-NP - NA	1
8	B125 5292	PCB - MCU-NP - EU	1
8	B125 5246	PCB - MCU-NP - CHN	1
9	B125 5202	PCB - Image Processing Unit - EXP	1
10	B125 1190	Insulating Sheet - IPU/MCU	1
11	B125 1180	Base - PCB	1
12	B125 1194	Seal - Fan - MCU/IPU	1
13	AX64 0124	Fan Motor - DC3.36W	1
14	B125 1186	Gasket - Tray - IPU/MCU - Upper	1
15	AX31 0043	Total Counter	1
16	B125 1191	Holder - C/T Box	1
17	B125 5654	Harness - DC - Operation Panel	1
18	B125 5660	Harness - DC - LVDS - Main	1
19	B010 5225	IC-HDC	1
20	B125 1186	Gasket - Tray - IPU/MCU - Upper	1
21	AA15 2381	Ozone Filter Upper Seal	1
22	B125 9590	Counter - SRAM - STK15C68-P45	1

Index No.	Part No.	Description	Q'ty Per Assembly
101	0451 3006B	Tapping Screw - M3x6	
102	0451 3030B	Tapping Screw - 3x30	
103	0802 5276	Tapping Screw With Washer - M3x6	
104	1105 0529	Nylon Clamp - EMT-3N	
105	1105 0528	Nylon Clamp - EMT-2N	
106	1105 0490	Harness Clamp - IWS-2218	
107	1407 5112	IC - RAM STK15C88-W45	
108	1105 0511	Harness Clamp - LWS-0306ZC	
109	1105 0488	Harness Clamp	
110	1105 0521	Clamp - LES-1017	

# 19.Electrical Section 2 (B125)





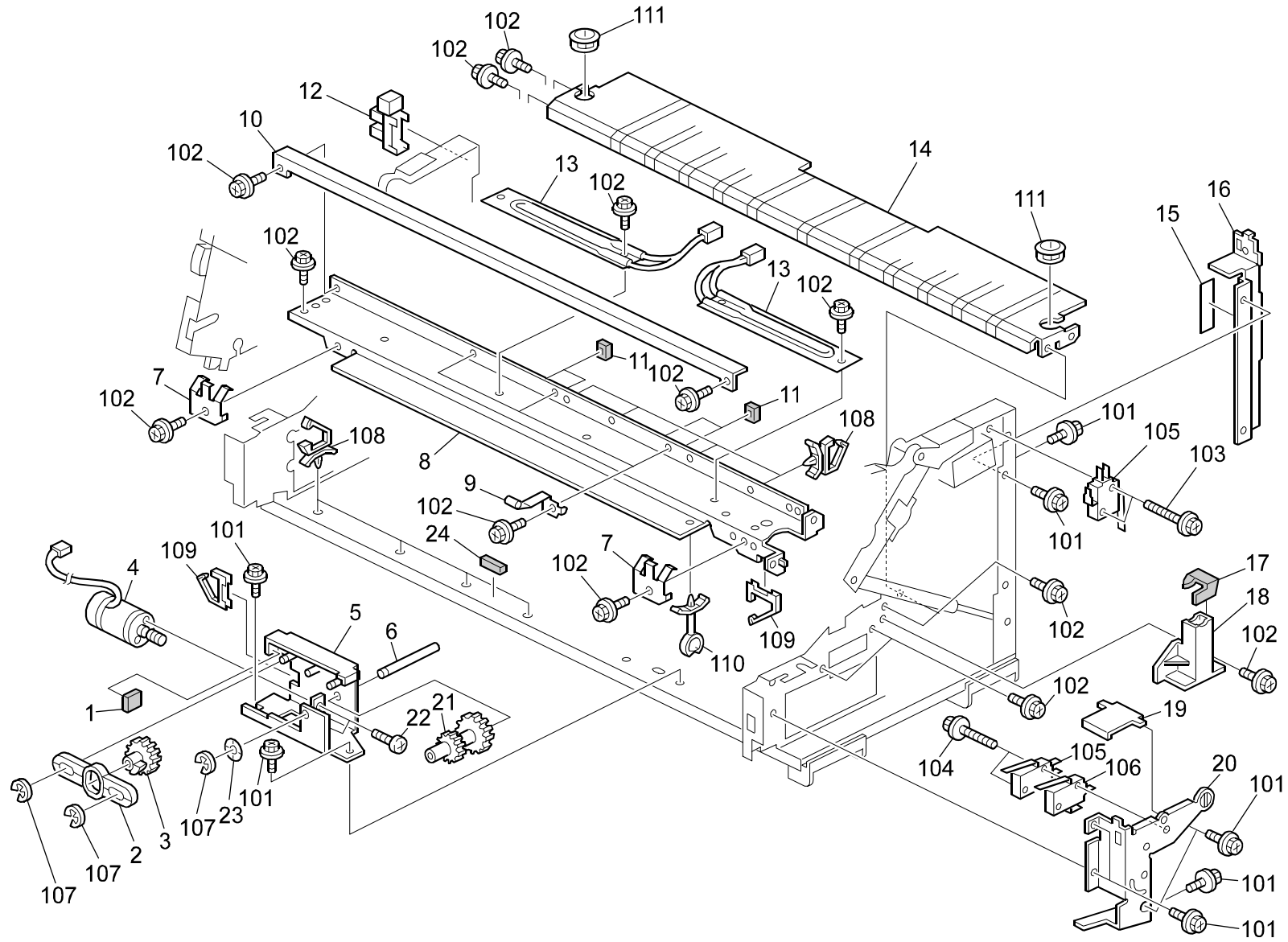
## 19.Electrical Section 2 (B125)

Rev. 01/31/2005

Index No.	Part No.	Description	Q'ty Per Assembly
1	5840 3022	Stopper Screw - M3	2
2	B125 4282	Cover - Fusing - Upper	1
3	AA00 3209	Decal - Misfeed Removal Exit	1
4	AA00 3210	Decal - Grip	2
5	B125 4285	Seal - Cover - Fusing - Harness	1
6	B125 5699	Harness - DC - Fan - Connecting	1
7	<b>AA01 0117</b>	<b>Exhaust Ozone Filter</b>	<b>1</b>
8	B125 4293	Fan Motor - DC24V 8.5W	1
9	B125 4291	Guide Plate - Duct	1
10	B125 4292	Shield - Front - Guide Plate - Duct	1
11	A134 1195	Seal - Fan Harness	1
12	B125 4283	Duct - Louver	1
13	B125 5616	Harness - High Voltage - Transfer	1
14	B125 5617	Harness - High Voltage - Separation	1
15	AZ32 0128	Power Pack - TD	1
16	B125 1171	Bracket - Power Pack	1
17	B125 5629	Harness - AC - Main <b>[TSB#010]</b>	1
18	B125 5608	Harness - AC - Fusing - 120V	1
18	B125 5609	Harness - AC - Fusing - 220/230V	1
19	AZ23 0129	Power Supply Unit 100-120V DOM/NA	1
19	AZ23 0130	Power Supply Unit - 220-240V - EU/AA	1
19	AZ23 0131	Power Supply Unit - 220-240V - CHN	1
20	A250 5741	Power Supply Cord - 120V	1
20	A250 5742	Power Supply Cord - 230V	1
20	AZ00 0075	Power Supply Cord (CHN)	1
21	B125 1170	Bracket - Power Supply Cord	1
22	B125 4358	Grounding Plate - Fusing	2
23	B125 1057	Cove - Harness Clamp	2

Index No.	Part No.	Description	Q'ty Per Assembly
101	0314 0100B	Philips Pan Head Screw - M4x10	
102	0451 3006B	Tapping Screw - M3x6	
103	0802 5285	Screw - 3X8	
104	0802 5220	Tapping Screw - M4x8	
105	1105 0511	Harness Clamp - LWS-0306ZC	
106	1105 0487	Harness Clamp	
107	1105 0490	Harness Clamp - IWS-2218	
108	1105 0517	Harness Clamp - LWS-2111Z	
109	1105 0160	Clamp	
110	1105 0518	Edge Saddle - LES-1010	
120	1107 0932	Fuse - T10AH 250VC (120V)	
120	1107 1054	Fuse - HT-6.3A-N5 (220V/240V)	
121	1107 0629	Fuse Ceramic Case - 15A 125V (120V)	
121	1107 1054	Fuse - HT-6.3A-N5 (220V/240V)	
122	1107 1067	Fuse - ET-6.3A	

## 20.Electrical Section 3 (B125)

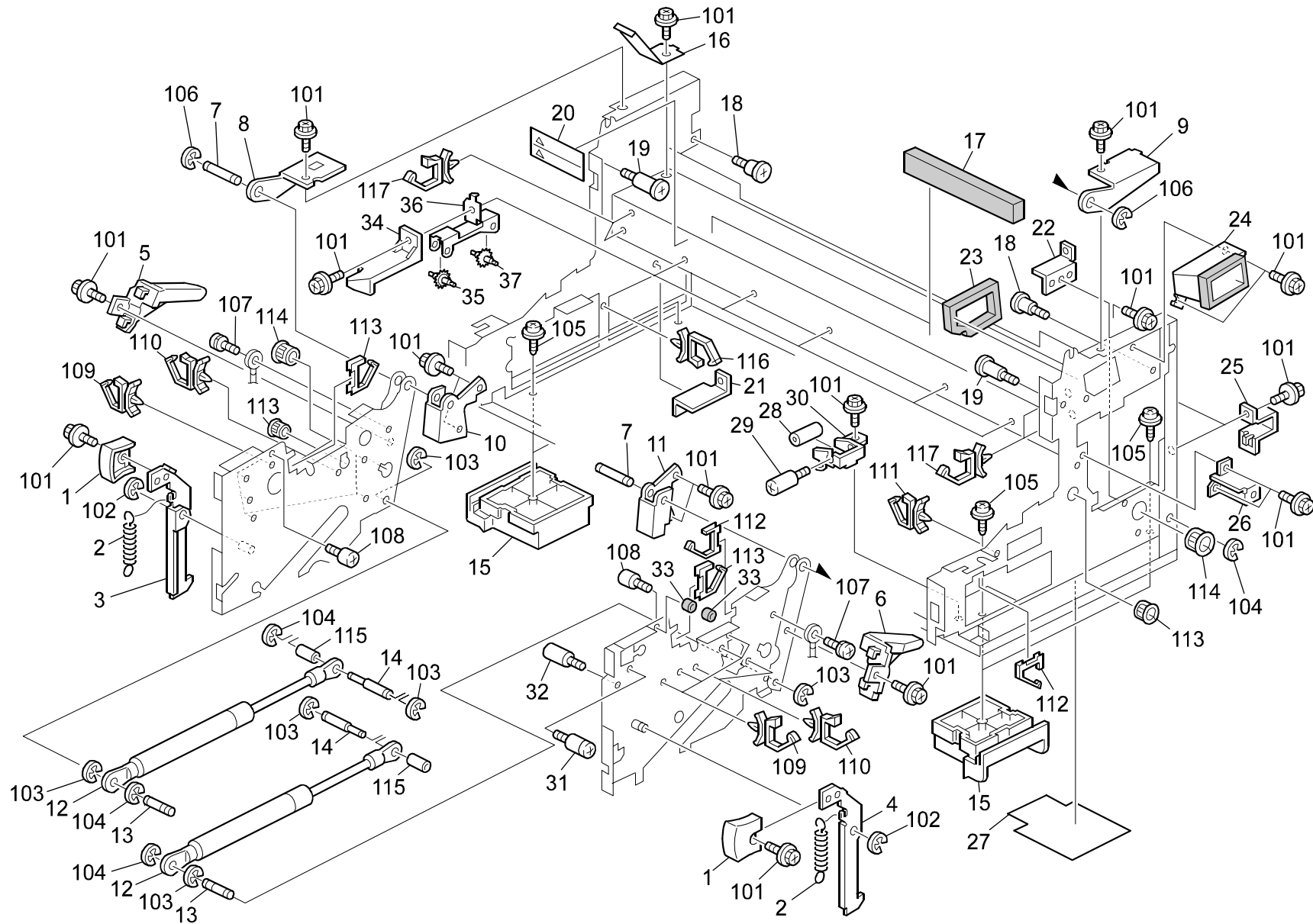


## 20.Electrical Section 3 (B125)

Index No.	Part No.	Description	Q'ty Per Assembly
1	B125 3659	Cushion - Swivel - Stopper	1
2	B125 3671	Vibrating Plate - Collection Bottle	1
3	B125 3674	Cam - Gear - Swivel	1
4	A134 3162	DC Motor - 5.85W	1
5	B125 3672	Bracket - Swivel - Collection Bottle	1
6	AA14 5830	Swing Unit Idler Shaft	1
7	B125 3864	Leaf Spring - T/S Corona	2
8	B125 3869	Guide Plate - T/S Corona - Lower	1
9	B125 3871	Grounding Plate - T/S Corona - Mid	3
10	B125 3872	Cover - Transfer Corona - Lower	1
11	B125 3873	Guard - Leaf Spring	4
12	AW02 0075	Photointerruptor	1
13	AX40 0127	Heater - 120V 13W	2
13	AX40 0128	Heater - 230V 13W	1
14	B125 3865	Guide Plate - Transport	1
15	B125 1266	Decal - High Temperature - Vertical	1
16	B125 4356	Cover - Safety Switch	1
17	B125 3683	Shield - Joint - Upper	1
18	B125 3681	Joint - Collection Bottle	1
19	B125 1085	Lever - Micro Switch	1
20	B125 1084	Bracket - Latch - Right	1
21	AB01 7347	Idle Gear	2
22	A571 7665	Screw - M2.6X5	1
23	B125 3687	Spring Washer - WW-6012	1
24	B104 5999	Gasket - STG10-10 - 20mm	1

Index No.	Part No.	Description	Q'ty Per Assembly
101	0451 3006B	Tapping Screw - M3x6	
102	0802 5276	Tapping Screw With Washer - M3x6	
103	0451 3014B	Tapping Screw - M3-14	
104	0451 3025B	Tapping Screw - M3x25	
105	1204 2529	Switch - V-5F912DN	
106	1204 2521	Micro Switch	
107	0720 0040E	Retaining Ring - M4	
108	1105 0487	Harness Clamp	
109	1105 0522	Edge Saddle - LES0510	
110	1105 0348	Clamp	
111	1106 0200	Bushing - 19.44mm	

# 21.Frame (B125)



## 21.Frame (B125)

Index No.	Part No.	Description	Q'ty Per Assembly
1	B125 1097	Knob - Lever	2
2	AA06 0456	Fusing Cover Spring	2
3	B125 1095	Lever - Machine Or Copier - Left	1
4	B125 1096	Lever - Machine Or Copier - Right	1
5	B125 4344	Cam - Pressure Release - Fusing - Left	1
6	B125 4343	Cam - Pressure Release - Fusing - Right	1
7	B125 1100	Pin - Hinge	2
8	B125 1091	Bracket - Contact Point - Outer - Left	1
9	B125 1092	Bracket - Contact Point - Outer - Right	1
10	B125 1093	Bracket - Contact Point - Inner - Left	1
11	B125 1094	Bracket - Contact Point - Inner - Right	1
12	B125 1086	Gas Spring	2
13	B125 1087	Shaft - Gas Spring - Upper	2
14	B125 1088	Anchor - Gas Spring	2
15	B125 1056	Stand	4
16	B125 4353	Ground Plate - Exhaust	1
17	AA15 2390	Shielding Seal	2
18	AA14 3404	Stepped Screw - M4	1
19	AA14 3771	Shoulder Screw - M3	1
20	AA00 0225	Decal - High Temperature - 120C	1
21	B125 1162	Bracket - Fix - Fusing Unit - Left	1
22	B125 1161	Bracket - Fix - Fusing Unit - Right	1
23	B125 1183	Inner Duct Shield	1
24	B125 1003	Exhaust Duct	1
25	B125 1264	Bracket - Cover - Lower - 2	2
26	B125 1261	Bracket - Cover - Lower	2
27	B125 1267	Sheet - Lgd	1
28	A232 4058	Rear Collar - Pressure Lever	1
29	AA14 3347	Lever Stopper Shaft	1
30	B125 3679	Bracket - Roller - Collection Bottle	1
31	5403 1910	Spring Anchor - Stopper Lever	1
32	A257 1121	Front Screw	1
33	H072 2207	Guard	2
34	B125 4352	Guide - Bracket - Roller	5
35	A163 4347	Separation Roller	5

Index No.	Part No.	Description	Q'ty Per Assembly
36	B125 4351	Bracket - Roller	5
37	B125 4359	Roller - Separation - Small	5
101	0451 3006B	Tapping Screw - M3x6	
102	0720 0060E	Retaining Ring - M6	
103	0720 0050E	Retaining Ring - M5	
104	0720 0040E	Retaining Ring - M4	
105	0965 5016B	Tapping Screw W/h Flat Washer-M5x16	
106	0720 0080E	Retaining Ring - M8	
107	0802 5220	Tapping Screw - M4x8	
108	0801 1179	Philips Screw With Toothed Washer	
109	1105 0511	Harness Clamp - LWS-0306ZC	
110	1105 0489	Harness Clamp - LWS 1316	
111	1105 0516	Clamp	
112	1105 0522	Edge Saddle - LES0510	
113	1105 0521	Clamp - LES-1017	
114	1106 0458	Bushing - 9.9mm	
115	0707 6200B	Bushing - Dia6x20	
116	1105 0517	Harness Clamp - LWS-2111Z	
117	1105 0490	Harness Clamp - IWS-2218	

## 22.Main Control Board (B125)

### BATTERY

SYMBOL NO.	INDEX NO.
BAT100	132

SYMBOL NO.	INDEX NO.
C101	194
---	---
C103	182
C104	190
C105	190
C106	182
C107	193
C108	193
C109	194
C110	194

SYMBOL NO.	INDEX NO.
C111	233
C122	233
C113	233
C114	190
C115	190
C216	233
C117	233
C218	233
C119	233
C120	181

SYMBOL NO.	INDEX NO.
C121	233
C122	182
C123	182
C124	183
C125	182
C126	182
C127	182
C128	182
C129	182
C130	233

SYMBOL NO.	INDEX NO.
C131	233
C132	233
C133	233
C134	182
C135	181
C136	182
C137	182
C138	190
C139	182
C140	182

SYMBOL NO.	INDEX NO.
C141	191
C142	182
C143	233
C144	232
C145	233
---	---
C147	182
C148	182
C149	182
C150	182

SYMBOL NO.	INDEX NO.
C151	182
C152	233
C153	233
C154	182
C155	233
C156	233
C157	233
C158	233
C159	182
C160	182

### CAPACITOR

SYMBOL NO.	INDEX NO.
C100	189

### CAPACITOR

SYMBOL NO.	INDEX NO.
C161	194
C162	182
C163	233
C164	233
C165	182
C166	182
C167	182
C168	182
C169	182
C170	182

SYMBOL NO.	INDEX NO.
C171	182
C172	189
C173	182
C174	182
C175	182
C176	181
C177	182
C178	182
---	---
C180	233

SYMBOL NO.	INDEX NO.
C181	181
C182	181
C183	181
C184	233
C185	181
C186	181
C187	181
C188	233
C189	182
C190	182

SYMBOL NO.	INDEX NO.
C191	181
C192	230
C193	182
C194	183
C195	190
C196	182
C197	233
C198	233
C199	182
C200	182

SYMBOL NO.	INDEX NO.
C201	182
C202	194
C203	233
C204	233
C205	233
C206	233
C207	233
C208	182
C209	190
C210	190

SYMBOL NO.	INDEX NO.
---	---
C212	233
C213	233
C214	192
C215	233
C216	233
C217	233
C218	233
---	---
C220	233

SYMBOL NO.	INDEX NO.
C221	233
C222	233
C223	181
---	---
C225	233
C226	233
C227	233
C228	233
C229	233
C230	182

## 22.Main Control Board (B125)

### CAPACITOR

SYMBOL NO.	INDEX NO.	SYMBOL NO.	INDEX NO.	SYMBOL NO.	INDEX NO.	SYMBOL NO.	INDEX NO.	SYMBOL NO.	INDEX NO.	SYMBOL NO.	INDEX NO.	SYMBOL NO.	INDEX NO.
C231	182	---	---	C251	233	C261	182	C271	182	C281	182	C291	233
C232	189	C242	233	C252	182	C262	182	C272	182	C282	182	C292	233
C233	182	C243	181	C253	182	C263	182	---	---	C283	181	C293	233
C234	182	C244	182	C254	182	C264	182	C274	194	C284	182	C294	233
C235	182	C245	182	C255	182	C265	182	C275	182	C285	190	C295	233
C236	182	C246	182	C256	233	C266	182	C276	182	C286	182	C296	233
C237	182	C247	182	C257	233	C267	182	C277	182	C287	181	C297	233
C238	181	C248	182	C258	233	C268	182	C278	182	C288	181	C298	233
C239	182	C249	182	C259	233	C269	189	C279	181	C289	233	C299	181
C240	232	C250	182	C260	182	C270	182	---	---	C290	233	C300	233

### CAPACITOR

SYMBOL NO.	INDEX NO.	SYMBOL NO.	INDEX NO.	SYMBOL NO.	INDEX NO.	SYMBOL NO.	INDEX NO.	SYMBOL NO.	INDEX NO.	SYMBOL NO.	INDEX NO.	SYMBOL NO.	INDEX NO.
C301	233	C311	233	---	---	C331	233	C341	182	C351	182	C361	232
C302	233	C312	190	C322	182	C332	233	C342	182	C352	182	C362	182
C303	233	C313	182	C323	232	---	---	C343	182	C353	182	C363	233
C304	233	C314	181	C324	182	C334	182	C344	182	C354	232	C364	233
---	---	C315	233	C325	232	C335	233	C345	182	C355	182	C365	231
C306	182	C316	190	C326	182	C336	182	C346	182	C356	182	C366	231
C307	181	C317	181	C327	182	C337	182	C347	232	C357	181	C367	231
C308	190	C318	182	C328	182	C338	232	C348	182	C358	182	C368	231
C309	181	C319	182	C329	182	C339	233	C349	182	C359	232	C369	231
C310	181	C320	233	C330	182	C340	182	---	---	C360	232	C370	231

## 22.Main Control Board (B125)

### CAPACITOR

SYMBOL NO.	INDEX NO.
C371	231
C372	231
C373	231
C374	231
C375	231
C376	231
C377	231
C378	231
C379	233
C380	231

SYMBOL NO.	INDEX NO.
C381	231
C382	231
C383	231
---	---
C385	233
C386	182
C387	182
C388	231
C389	231
C390	231

SYMBOL NO.	INDEX NO.
C391	231
C392	231
C393	231
C394	231
C395	231
C396	231
C397	231
C398	233
---	---
---	---

SYMBOL NO.	INDEX NO.
C401	231
C402	231
C403	231
C404	231
C405	231
C406	231
C407	180
C408	180
C409	180
C410	180

SYMBOL NO.	INDEX NO.
C411	180
C412	180
C413	180

### CONNECTOR

SYMBOL NO.	INDEX NO.
CN201	105
CN202	126
CN203	113
CN204	123
CN205	114
CN206	107
CN207	104
CN208	124
CN209	106
CN210	120

SYMBOL NO.	INDEX NO.
CN211	103
CN212	122
CN213	116
CN214	119
CN215	111
---	---
---	---
---	---
---	---
CN220	117

### CONNECTOR

SYMBOL NO.	INDEX NO.
CN221	115
---	---
---	---
CN224	118
---	---
---	---
---	---
---	---
---	---
---	---

SYMBOL NO.	INDEX NO.
CN231	125
CN232	125
CN233	102
CN234	121
CN235	123
---	---
---	---
CN238	101
CN239	237
CN240	112

SYMBOL NO.	INDEX NO.
CN241	108
CN242	109
CN243	109

### DIODE

SYMBOL NO.	INDEX NO.
---	---
D102	138
D103	138
D104	138
---	---
---	---
D107	137
D108	137
D109	139
D110	139

### DA

SYMBOL NO.	INDEX NO.
DA100	140
DA101	140
DA102	140
DA103	140
DA104	140
DA105	136
DA106	136
DA107	136

### FILTER

SYMBOL NO.	INDEX NO.
FIL100	184
FIL101	184
FIL102	184
FIL103	185
FIL104	185
FIL105	185

### FUSE

SYMBOL NO.	INDEX NO.
FU100	131
FU101	131
FU102	131
FU103	130



## 22.Main Control Board (B125)

### IC

SYMBOL NO.	INDEX NO.
IC100	150
IC101	159
IC102	149
IC103	162
IC104	151
IC105	1
IC106	166
IC107	170
IC108	170
---	---

SYMBOL NO.	INDEX NO.
IC111	145
IC112	164
IC113	163
IC114	160
IC115	236
(socket)	127
IC116	234
IC117	234
IC118	168
IC119	167
IC120	164

SYMBOL NO.	INDEX NO.
IC121	3
IC122	167
IC123	164
IC124	148
IC125	161
IC126	156
IC127	154
IC128	161
IC129	161
IC130	164

SYMBOL NO.	INDEX NO.
IC131	157
---	---
IC133	155
IC134	170
IC135	157
IC136	153
---	---
IC138	165
IC139	151
IC140	170

SYMBOL NO.	INDEX NO.
IC141	1
IC142	2
IC143	235
IC144	164
IC145	164
IC146	158
IC147	158
IC148	159
IC149	158
IC150	164

SYMBOL NO.	INDEX NO.
IC151	159
IC152	---
(socket)	129
IC153	164
IC154	162
---	---
IC157	147
IC158	147
IC159	152
IC160	152

### JP

SYMBOL NO.	INDEX NO.
JP101	188
JP102	188
JP103	188
JP104	188
JP105	188
JP106	188
JP107	188
---	---
JP109	188

### LED

SYMBOL NO.	INDEX NO.
LED1	141
LED2	141
LED3	142
LED4	142

### Q

SYMBOL NO.	INDEX NO.
Q100	133
Q101	146
Q102	146
Q103	134
Q104	144
Q105	169
Q106	144
Q107	146
---	---
Q110	135

### RESISTOR

SYMBOL NO.	INDEX NO.
R100	217
R101	208
R102	217
R103	208
R104	208
R105	200
R106	217
---	---
R108	212
R109	201
---	---

SYMBOL NO.	INDEX NO.
R111	201
R112	201
R113	201
R114	200
R115	221
R116	201
R117	200
R118	221
R119	200
R120	221

SYMBOL NO.	INDEX NO.
R121	201
R122	217
R123	213
R124	213
R125	198
R126	201
R127	198
R128	200
R129	201
R130	217

SYMBOL NO.	INDEX NO.
R131	200
R132	213
R133	213
R134	213
R135	200
R136	213
R137	213
R138	201
R139	213
R140	213

SYMBOL NO.	INDEX NO.
R141	186
R142	201
R143	200
R144	213
R145	198
R146	201
R147	213
R148	213
R149	201
R150	201

### OSC

SYMBOL NO.	INDEX NO.
OSC100	172

## 22.Main Control Board (B125)

### RESISTOR

SYMBOL NO.	INDEX NO.	SYMBOL NO.	INDEX NO.	SYMBOL NO.	INDEX NO.	SYMBOL NO.	INDEX NO.	SYMBOL NO.	INDEX NO.	SYMBOL NO.	INDEX NO.	SYMBOL NO.	INDEX NO.
R151	201	R161	217	R171	198	R181	200	R191	226	R201	202	R211	213
R152	213	---	---	R172	200	R182	201	R192	217	R202	200	R212	198
R153	201	R163	217	R173	201	R183	219	R193	217	R203	200	R213	198
R154	213	---	---	R174	201	R184	202	R194	211	R204	213	R214	201
R155	198	R165	202	R175	219	---	---	R195	200	R205	213	R215	198
R156	199	R166	201	R176	202	R186	198	R196	202	R206	213	R216	201
R157	213	R167	199	R177	202	R187	202	R197	217	R207	213	R217	201
R158	213	R168	205	R178	202	R188	201	R198	202	R208	201	R218	201
R159	198	R169	200	R179	230	R189	217	R199	202	R209	213	R219	201
R160	201	R170	213	R180	202	R190	200	R200	202	R210	213	R220	201

### RESISTOR

SYMBOL NO.	INDEX NO.	SYMBOL NO.	INDEX NO.	SYMBOL NO.	INDEX NO.	SYMBOL NO.	INDEX NO.	SYMBOL NO.	INDEX NO.	SYMBOL NO.	INDEX NO.	SYMBOL NO.	INDEX NO.
R221	198	R231	223	R241	213	R251	201	R261	229	R271	195	R281	213
R222	224	R232	223	R242	201	R252	213	R262	228	R272	201	R282	213
R223	210	R233	204	R243	213	R253	201	R263	213	R273	199	R283	213
R224	201	R234	204	R244	213	R254	213	R264	201	R274	211	R284	213
R225	201	R235	217	R245	213	R255	213	R265	213	R275	200	R285	213
R226	222	R236	204	R246	196	R256	213	R266	201	R276	211	R286	201
R227	201	R237	204	R247	213	R257	201	R267	213	R277	217	R287	201
R228	201	R238	201	R248	201	R258	222	R268	199	R278	201	R288	213
R229	201	R239	213	R249	201	R259	213	R269	201	R279	213	R289	213
R230	222	R240	201	R250	222	R260	201	R270	217	R280	201	R290	200

## 22.Main Control Board (B125)

### RESISTOR

SYMBOL NO.	INDEX NO.	SYMBOL NO.	INDEX NO.	SYMBOL NO.	INDEX NO.	SYMBOL NO.	INDEX NO.	SYMBOL NO.	INDEX NO.	SYMBOL NO.	INDEX NO.	SYMBOL NO.	INDEX NO.
R291	213	R301	213	R311	202	R321	213	R331	201	R341	210	R351	213
R292	213	R302	213	R312	225	R322	200	R332	213	R342	210	R352	210
R293	201	---	---	---	---	R323	213	R333	213	---	---	R353	198
R294	217	R304	213	R314	225	R324	200	R334	213	R344	198	R354	198
R295	211	R305	213	R315	226	R325	200	R335	213	R345	198	R355	201
R296	217	R306	213	R316	213	R326	201	R336	213	R346	210	R356	210
R297	217	R307	211	R317	213	R327	201	R337	201	R347	200	R357	210
R298	213	R308	211	R318	213	R328	201	R338	200	R348	198	R358	220
R299	201	R309	213	R319	200	R329	201	R339	200	R349	198	R359	215
R300	213	R310	202	---	---	R330	200	R340	200	R350	200	R360	201

### RESISTOR

SYMBOL NO.	INDEX NO.	SYMBOL NO.	INDEX NO.	SYMBOL NO.	INDEX NO.	SYMBOL NO.	INDEX NO.	SYMBOL NO.	INDEX NO.	SYMBOL NO.	INDEX NO.	SYMBOL NO.	INDEX NO.
R361	217	R371	215	R381	201	R391	201	R401	214	R411	200	R421	217
R362	220	R372	201	R382	200	---	---	R402	201	R412	209	R422	187
R363	215	---	---	R383	198	R393	200	R403	214	R413	201	R423	187
R364	220	R374	201	R384	200	R394	217	R404	227	R414	200	R424	200
R365	215	R375	201	R385	200	R395	210	R405	200	R415	200	R425	217
R366	220	R376	201	R386	217	R396	201	R406	200	R416	187	R426	187
R367	215	R377	198	R387	200	R397	201	R407	201	R417	200	R427	187
R368	220	R378	213	R388	200	R398	202	R408	201	R418	201	R428	201
R369	215	R379	213	R389	199	R399	214	R409	201	R419	187	R429	200
R370	220	R380	210	R390	201	R400	201	R410	214	R420	200	R430	187



## 22.Main Control Board (B125)

### RESISTOR

SYMBOL NO.	INDEX NO.	SYMBOL NO.	INDEX NO.	SYMBOL NO.	INDEX NO.	SYMBOL NO.	INDEX NO.	SYMBOL NO.	INDEX NO.	SYMBOL NO.	INDEX NO.	SYMBOL NO.	INDEX NO.
R431	187	R441	213	R451	217	R461	198	R471	213	R481	200	R491	217
R432	200	R442	213	R452	217	---	---	R472	213	R482	201	R492	213
R433	201	R443	198	R453	216	---	---	R473	206	R483	217	R493	201
R434	200	R444	213	R454	217	R464	203	R474	201	R484	210	R494	213
R435	200	R445	201	R455	217	R465	201	R475	200	R485	212	R495	217
R436	200	R446	217	R456	217	R466	217	R476	201	R486	199	R496	200
R437	200	R447	208	R457	213	R467	201	R477	201	R487	200	R497	201
R438	213	R448	200	R458	201	R468	201	R478	201	R488	200	R498	201
R439	201	R449	201	R459	201	R469	201	R479	201	R489	200	R499	213
R440	217	R450	217	R460	201	R470	201	R480	201	R490	217	R500	218

### RESISTOR

SYMBOL NO.	INDEX NO.
R501	199
R502	201
R503	217
R504	213
R505	217
R506	200
---	---
---	---
---	---
R510	207

SYMBOL NO.	INDEX NO.
R511	197
R512	197

### REG

SYMBOL NO.	INDEX NO.
REG100	171

### RN

SYMBOL NO.	INDEX NO.
RN101	175
RN102	177
RN103	174
RN104	174
RN105	174
RN106	174
RN107	176
RN108	177
RN109	175
RN110	177

SYMBOL NO.	INDEX NO.
RN111	177
---	---
RN113	177
RN114	177
RN115	178
RN116	179
---	---
---	---
RN119	176
---	---

SYMBOL NO.	INDEX NO.
RN121	176
RN122	176
RN123	176
RN124	176
RN125	176
RN126	176
---	---
RN128	177
RN129	177
RN130	177

SYMBOL NO.	INDEX NO.
RN131	177
RN132	177
RN133	173
RN134	175
RN135	175
RN136	177
RN137	174
RN138	174
RN139	174
RN140	174

SYMBOL NO.	INDEX NO.
RN141	177
RN142	177
RN143	176
RN144	175
RN145	176
RN146	176
RN147	176
RN148	176
RN149	175
RN150	175

## 22.Main Control Board (B125)

### RN

SYMBOL NO.	INDEX NO.
RN151	173
RN152	175
RN153	175
RN154	177
RN155	175
RN156	175
RN157	176
RN158	176
RN159	176
RN160	176

SYMBOL NO.	INDEX NO.
RN161	176
RN162	175
RN163	175
RN164	175
RN165	175
RN166	177
RN167	175
RN168	178
RN169	179
RN170	175

SYMBOL NO.	INDEX NO.
RN171	177
---	---
RN173	177
RN174	176
RN175	176
---	---
---	---
---	---
RN179	175
RN180	175

SYMBOL NO.	INDEX NO.
RN181	175
RN182	176
RN183	176
RN184	176
RN185	177
RN186	177
RN187	177
RN188	177
RN189	177

### TB

SYMBOL NO.	INDEX NO.
TB3	110
TB3	128
TB4	110
TB4	128

### V

SYMBOL NO.	INDEX NO.
V100	143
V101	143
V102	143

## 22.Main Control Board (B125)

Index No.	Part No.	Description	Q'ty Per Assembly
*	B125 5291	PCB - MCU-NP - NA	1
*	B125 5292	PCB - MCU-NP - EU	1
*	B125 5246	PCB - MCU-NP - CHN	1
1	A232 5350	IC - HG71C103FD	1
2	A232 5355	IC - GATEX	1
3	A232 5371	MPU CSS	1

Index No.	Part No.	Description	Q'ty Per Assembly
101	1102 3822	Connector - 20P	
102	1102 4201	Connector - 2P	
103	1102 4211	CT Header - 12P	
104	1102 5007	CT Header - 14P	
105	1102 5305	Connector - 6P	
106	1102 5344	Connector - 16P	
107	1102 5411	Connector - 24P	
108	1102 5476	Modular Cord - 6p/6p	
109	1102 5477	Modular Cord - 6p/4p	
110	1102 5944	Connector - 3P	
111	1102 6298	Connector - 5P	
112	1102 6299	Connector - 6P	
113	1102 6301	Connector - 8P	
114	1102 6304	Connector - 11P	
115	1102 6396	Connector - 1P	
116	1102 6397	Box Header	
117	1102 6515	Connector - 34P	
118	1102 6789	Connector - 100P	
119	1102 7834	Connector - B2B	
120	1102 8242	Connector - 53375-0710	
121	1102 8466	Connector - 55447-0210	
122	1102 8471	Connector - 55447-071	
123	1102 8490	Connector - 55451-3210	
124	1102 8494	Connector - 55451-4010	
125	1102 8661	Connector - FCN-564P068-G/SC-4V	
126	1102 9083	Connector - 53375-1110	
127	1104 0588	DIP Socket - 28p	
128	1104 0683	Socket - IMSA-9206H-GF	
129	1104 0771	IC Socket - 28PIN	
130	1109 0018	Circuit Protector - SMD100	
131	1109 0020	Circuit Protector - SMD150/33	
132	1206 0054	Lithium Cell - CR2032-1HS	
133	1400 0710	Transistor - 2SB1240	
134	1400 0730	Transistor - 2SD1782K	
135	1400 0822	Transistor - 2SA1900	

Index No.	Part No.	Description	Q'ty Per Assembly
136	1402 1322	Diode Array - DAN202U	
137	1402 1342	Diode - 1SR154-400	
138	1402 1343	Diode - RB106L-40	
139	1402 1365	Diode-RB75LV-40	
140	1402 1584	Diode - DAN217U	
141	1403 0953	LED - SML-310MT	
142	1403 0978	LED - SML-310DT	
143	1404 0238	Serge Absorber 22V 0.6J	
144	1407 1535	IC - TD62308AP	
145	1407 2187	TTLIC - SN74LS07NS	
146	1407 2231	IC - TD62308AF	
147	1407 3550	IC TC74HC07AF	
148	1407 4114	IC - SN751177	
149	1407 4614	IC - TA7291P	
150	1407 4773	IC - RTC-4543SA	
151	1407 4959	IC - MC68334GCFC20	
152	1407 5151	IC - MBM29F160TE70TN	
153	1407 5344	IC - SN74LV02APW	
154	1407 5345	IC-SN74LV04APW	
155	1407 5346	IC - SN74LS74ANS	
156	1407 5347	IC - SN74LV08APW	
157	1407 5350	IC - SN74LV00APW	
158	1407 5351	IC - SN74LV14APW	
159	1407 5353	IC - SN74LV244APW	
160	1407 5363	IC - SN74AHCT04PW	
161	1407 5376	IC - SN74LV32APW	
162	1407 5394	IC - SN74LV138APW	
163	1407 5457	Clock Generator - W180-51G	
164	1407 5469	IC - SN74LV07APW	
165	1407 5592	CMOS Logic - SN74LV139APW	
166	1407 5703	IC - CD4053BPW	
167	1407 5713	IC - SN74LV06APW	
168	1408 0575	IC - M51957BFP	
169	1408 0875	Transistor-array - TD62382AF	
170	1408 1095	IC - BA10324AF	

Index No.	Part No.	Description	Q'ty Per Assembly
171	1408 1401	Series Regulator - TA7808F	
172	1503 1004	Oscillator - 19.6608Mhz	
173	1601 7877	Resistor Array 4.7k $\Omega$ $\pm$ 5% 1/32W	
174	1601 7886	Resistor Array 3.3k $\Omega$ $\pm$ 5% 1/32W	
175	1601 7887	Resistor Array - 10K $\Omega$ $\pm$ 5% 1/32W	
176	1601 7898	Resistor Array	
177	1601 7959	Resistor	
178	1601 7960	Resistor Array - 100 $\Omega$ $\pm$ 5% 1/16W	
179	1601 7983	Resistor Array - 2.2k $\Omega$ - $\pm$ 5% - 1/16W	
180	1605 1106	Ceramic Capacitor - 2200 pF $\pm$ 10% 50V	
181	1605 1137	Capacitor - 470pF $\pm$ 10% 50V	
182	1605 1148	Capacitor - 0.1 $\mu$ F+80-20% 50V	
183	1605 1287	Capacitor - 0.47 $\mu$ F+80-20% 25V	
184	1607 0732	Noise Filter - AEF321825-470	
185	1607 1580	Filter - NFR21GD1016802B	
186	1610 1637	Resistor - 1 $\Omega$ - $\pm$ 1% - 1/2w - 3216	
187	1630 1161	Resistor - 160 $\Omega$ $\pm$ 5% 1/8W	
188	1634 0000	Resistor - 0 $\Omega$ 1/16W	
189	1640 5101	Capacitor - 100 $\mu$ F $\pm$ 20% 50V	
190	1640 5470	Capacitor - 47 $\mu$ F $\pm$ 20% 50V	
191	1642 5100	Capacitor - 10 $\mu$ F $\pm$ 20% 50V	
192	1642 5109	Capacitor - 1 $\mu$ F- $\pm$ 20% - 50V	
193	1642 5220	Capacitor - 22 $\mu$ F $\pm$ 20% 50V	
194	1642 5330	Capacitor - 33 $\mu$ F $\pm$ 20% 50V	
195	1650 2101	Resistor - 100 $\Omega$ $\pm$ 5% 1/4W	
196	1650 2121	Resistor - 120 $\Omega$ - $\pm$ 5% - 1/4W - 3216	
197	1650 2392	Resistor - 3.9K $\Omega$ $\pm$ 5% 1/4W	
198	1650 4100	Resistor - 10 $\Omega$ $\pm$ 5% 1/10W	
199	1650 4101	Resistor - 100 $\Omega$ $\pm$ 5%1/10W	
200	1650 4102	Resistor - 1K $\Omega$ $\pm$ 5% 1/10W	
201	1650 4103	Resistor - 10K $\Omega$ $\pm$ 5% 1/10W	
202	1650 4104	Resistor - 100K $\Omega$ $\pm$ 5%1/10W	
203	1650 4121	Resistor - 120 $\Omega$ $\pm$ 5%1/10W	
204	1650 4154	Resistor 150k $\Omega$ $\pm$ 5% 1/10W	
205	1650 4163	Resistor 16k $\Omega$ $\pm$ 5% 1/10W 1608	



Index No.	Part No.	Description	Q'ty Per Assembly
206	1650 4181	Resistor - 180Ω±5%1/10W	
207	1650 4202	Resistor - 2KΩ±5%1/10W	
208	1650 4203	Resistor - 20KΩ ±5% 1/10W	
209	1650 4204	Resistor - 200KΩ±5%1/10W	
210	1650 4222	Resistor - 2.2KΩ±5%1/10W	
211	1650 4243	Resistor - 24KΩ±5%1/10W	
212	1650 4272	Resistor - 2.7KΩ±5%1/10W	
213	1650 4330	Chip Resistor - 33Ω ±5% 1/10W	
214	1650 4332	Resistor - 3.3KΩ±5%1/10W	
215	1650 4391	Resistor - 390Ω ±5% 1/10W	
216	1650 4392	Chip Resistor - 3.9kΩ±5%1/10W	
217	1650 4472	Resistor - 4.7KΩ ±5% 1/10W	
218	1650 4473	Resistor - 47KΩ±5%1/10W	
219	1650 4513	Resistor - 51KΩ±5%1/10W	
220	1650 4562	Resistor - 5.6KΩ ±5% 1/10W	
221	1650 4620	Resistor 62Ω ±5% 1/10W	
222	1650 4751	Resistor - 750Ω ±5% 1/10W	
223	1650 4752	Resistor - 7.5kΩ - ±5% - 1/10W - 1608	
224	1654 1022	Resistor - 10.2kΩ - ±1% - 1/10W - 1608	
225	1654 1961	Resistor - 1.96KΩ±1%1/10W	
226	1654 3002	Resistor - 30KΩ±1%1/10W	
227	1654 3831	Resistor - 3.83KΩ ±1% 1/10W 1608	
228	1654 5231	Resistor - 5.23KΩ±1%1/10W	
229	1654 5360	Resistor - 536Ω ±1% 1/10W 1608	
230	1660 0100	Capacitor - 10PF ±0.5pF 50V	
231	1660 2221	Capacitor - 220pF +80-20% 50V	
232	1660 2470	Capacitor - 47pF ±5% 50V	
233	1660 6103	Capacitor - 10000pF - +80%-20%50V	
234	1902 0043	IC - 4MX8 70NS G2	
235	1904 0031	SRAM - CY7C1021 1M X16 70ns G1	
236	1407 5112	IC - RAM STK15C88-W45	
237	1102 6297	Connector - 4P	

Index No.	Part No.	Description	Q'ty Per Assembly

## 23.IPU Board (B125)

### CAPACITOR

SYMBOL NO.	INDEX NO.	SYMBOL NO.	INDEX NO.	SYMBOL NO.	INDEX NO.	SYMBOL NO.	INDEX NO.	SYMBOL NO.	INDEX NO.	SYMBOL NO.	INDEX NO.	SYMBOL NO.	INDEX NO.
C1	203	C11	150	C21	202	C31	203	C41	202	C51	203	C61	202
C2	199	C12	150	C22	203	C32	203	C42	202	C52	161	C62	161
C3	203	C13	203	C23	203	C33	202	C43	203	C53	154	C63	203
C4	203	---	---	C24	202	C34	203	C44	203	C54	202	C64	202
C5	150	---	---	C25	198	C35	203	C45	203	C55	154	C65	202
C6	150	C16	203	C26	203	C36	202	C46	168	C56	154	C66	154
C7	203	C17	202	C27	207	C37	203	C47	167	C57	157	C67	161
C8	150	C18	202	C28	203	C38	202	C48	169	C58	202	C68	203
C9	150	C19	203	C29	203	C39	203	C49	202	C59	161	C69	202
C10	203	C20	198	C30	202	C40	203	C50	202	C60	203	C70	157

### CAPACITOR

SYMBOL NO.	INDEX NO.	SYMBOL NO.	INDEX NO.	SYMBOL NO.	INDEX NO.	SYMBOL NO.	INDEX NO.	SYMBOL NO.	INDEX NO.	SYMBOL NO.	INDEX NO.	SYMBOL NO.	INDEX NO.
C71	202	C81	202	C91	161	C101	200	C111	154	C121	157	C131	151
C72	154	C82	154	C92	202	C102	151	C112	154	C122	154	C132	204
C73	200	C83	154	C93	157	C103	204	C113	202	C123	161	C133	160
C74	151	C84	154	C94	154	C104	169	C114	202	C124	203	C134	207
C75	204	C85	202	C95	161	C105	157	C115	203	C125	202	C135	207
C76	169	C86	202	C96	203	C106	202	C116	161	C126	202	C136	207
C77	157	C87	202	C97	202	C107	203	C117	202	C127	154	C137	207
C78	202	C88	161	C98	202	C108	161	C118	203	C128	202	C138	207
C79	203	C89	203	C99	202	C109	154	C119	161	C129	200	C139	207
C80	161	C90	203	C100	154	C110	202	C120	202	C130	159	C140	207

## 23.IPU Board (B125)

### CAPACITOR

SYMBOL NO.	INDEX NO.	SYMBOL NO.	INDEX NO.	SYMBOL NO.	INDEX NO.	SYMBOL NO.	INDEX NO.	SYMBOL NO.	INDEX NO.	SYMBOL NO.	INDEX NO.	SYMBOL NO.	INDEX NO.
C141	203	C151	207	C161	207	C171	207	C181	160	C191	203	C201	203
C142	203	C152	207	C162	207	C172	150	C182	207	C192	201	C202	203
C143	203	C153	203	C163	203	C173	203	C183	160	C193	203	C203	203
C144	203	C154	203	C164	207	C174	152	C184	207	C194	203	C204	203
C145	203	C155	203	C165	203	C175	155	C185	207	C195	203	C205	202
C146	203	C156	203	C166	207	C176	152	C186	207	---	---	C206	203
C147	207	C157	207	C167	207	C177	207	C187	158	C197	203	C207	202
C148	207	C158	207	C168	203	C178	160	C188	205	C198	203	C208	203
C149	207	C159	203	C169	207	C179	207	C189	202	C199	203	C209	203
C150	203	C160	203	C170	203	C180	207	C190	206	C200	203	C210	203

### CAPACITOR

SYMBOL NO.	INDEX NO.	SYMBOL NO.	INDEX NO.	SYMBOL NO.	INDEX NO.	SYMBOL NO.	INDEX NO.	SYMBOL NO.	INDEX NO.	SYMBOL NO.	INDEX NO.	SYMBOL NO.	INDEX NO.
C211	202	C221	202	C231	207	C241	207	C251	198	---	---	C271	203
C212	202	C222	203	C232	202	C242	205	C252	150	C262	202	C272	202
C213	203	C223	202	C233	203	C243	207	---	---	C263	203	C273	203
C214	203	C224	203	C234	203	C244	207	---	---	C264	202	C274	203
C215	203	C225	207	C235	169	C245	207	---	---	C265	203	C275	202
C216	202	C226	202	C236	169	C246	207	C256	203	C266	198	C276	202
C217	202	C227	203	C237	169	C247	207	C257	202	C267	198	C277	203
C218	203	C228	207	C238	207	C248	207	---	---	C268	202	C278	203
C219	203	C229	202	C239	156	C249	202	---	---	C269	202	C279	203
C220	207	C230	203	C240	150	C250	203	---	---	C270	203	C280	203

## 23.IPU Board (B125)

### CAPACITOR

SYMBOL NO.	INDEX NO.	SYMBOL NO.	INDEX NO.	SYMBOL NO.	INDEX NO.	SYMBOL NO.	INDEX NO.	SYMBOL NO.	INDEX NO.	SYMBOL NO.	INDEX NO.	SYMBOL NO.	INDEX NO.
C281	202	C291	159	C301	202	C311	203	C321	202	C331	202	C341	203
C282	202	C292	154	C302	203	C312	202	C322	203	C332	203	C342	202
C283	202	C293	203	C303	202	C313	203	C323	202	C333	203	C343	202
C284	203	C294	207	C304	203	C314	202	C324	203	C334	202	C344	203
C285	203	C295	202	C305	203	C315	203	C325	203	C335	202	C345	202
C286	202	C296	202	C306	203	C316	202	C326	202	C336	203	C346	203
C287	198	C297	203	C307	202	C317	203	C327	202	C337	202	C347	203
C288	154	C298	203	C308	202	C318	202	C328	203	C338	203	C348	202
C289	159	C299	202	C309	202	C319	203	C329	203	C339	203	C349	202
C290	154	C300	203	C310	203	C320	202	C330	202	C340	202	C350	203

### CAPACITOR

SYMBOL NO.	INDEX NO.	SYMBOL NO.	INDEX NO.	SYMBOL NO.	INDEX NO.	SYMBOL NO.	INDEX NO.	SYMBOL NO.	INDEX NO.	SYMBOL NO.	INDEX NO.	SYMBOL NO.	INDEX NO.
C351	202	C361	203	C371	202	C381	203	C391	198	C411	206	C501	207
C352	203	C362	202	C372	203	C382	202	C392	198	C412	207	C502	207
C353	203	C363	202	C373	202	C383	202	C393	198	---	---	C503	207
C354	202	C364	203	C374	203	C384	203	C394	198	---	---	C504	207
C355	202	C365	202	C375	203	C385	202	C395	153	C415	198	C505	207
C356	203	C366	203	C376	202	C386	203	C396	153	---	---	C506	207
C357	202	C367	203	C377	202	C387	203	C397	207	---	---	C507	207
C358	203	C368	202	C378	203	C388	202	C398	203	---	---	C508	207
C359	203	C369	203	C379	202	C389	198	---	---	---	---	C509	207
C360	202	C370	202	C380	203	C390	198	---	---	C500	207	C510	207

### CONNECTOR

## 23.IPU Board (B125)

### CAPACITOR

SYMBOL NO.	INDEX NO.
C511	207
C512	207
C513	207
C514	207
C515	207

### CONNECTOR

SYMBOL NO.	INDEX NO.
CN250	101
CN251	103
---	---
---	---
CN254	104
---	---
---	---
---	---
CN257	102
---	---
---	---

SYMBOL NO.	INDEX NO.
CN260	106
---	---
CN262	105
CN263	105
CN264	107

### FILTER

SYMBOL NO.	INDEX NO.
FIL1	163
FIL2	163
FIL3	163
FIL4	162
FIL5	162
---	---
FIL6	162
FIL7	162
FIL8	162
FIL9	162
FIL10	162

SYMBOL NO.	INDEX NO.
FIL11	162
FIL12	162
FIL13	162
FIL14	162
FIL15	162
---	---
FIL16	162
FIL17	163
FIL18	163
FIL19	162
FIL20	162

### IC

SYMBOL NO.	INDEX NO.
IC1	122
IC2	120
IC3	124
IC4	208
IC5	115
IC6	208
IC7	208
IC8	208
IC9	2
(socket)	108
IC10	208

SYMBOL NO.	INDEX NO.
IC11	208
IC12	113
IC13	130
IC14	118
IC15	208
---	---
IC16	208
IC17	119
IC18	125
IC19	208
IC20	208

### IC

SYMBOL NO.	INDEX NO.
IC21	127
IC22	116
IC23	127
IC24	116
IC25	129
---	---
IC26	3
IC27	128
IC28	1
IC29	126
IC30	123

SYMBOL NO.	INDEX NO.
IC31	120
IC32	118
IC33	118
---	---
IC35	121
---	---
---	---
---	---
---	---
IC40	118

SYMBOL NO.	INDEX NO.
---	---
IC42	114
---	---
IC44	118
IC45	129
---	---
IC46	117
IC47	117
IC48	117
IC49	113
IC50	4

SYMBOL NO.	INDEX NO.
---	---
IC52	131
IC53	131
IC54	131
IC55	132

### JP

SYMBOL NO.	INDEX NO.
---	---
JP6	166
JP7	166
---	---
JP9	166
---	---
JP10	166
JP11	166
JP12	166
JP13	166
---	---

SYMBOL NO.	INDEX NO.
---	---
JP22	166
JP23	166
JP24	166
JP25	166
---	---
JP26	166
JP27	166
---	---
JP29	166
JP30	166

SYMBOL NO.	INDEX NO.
JP31	166
JP32	166
JP33	166
JP34	166
JP35	166
---	---
JP37	166
JP38	166
JP39	166
JP40	166

## 23.IPU Board (B125)

### JP

SYMBOL NO.	INDEX NO.	SYMBOL NO.	INDEX NO.	SYMBOL NO.	INDEX NO.	SYMBOL NO.	INDEX NO.	SYMBOL NO.	INDEX NO.	SYMBOL NO.	INDEX NO.	SYMBOL NO.	INDEX NO.
JP41	166	JP51	166	---	---	JP81	166	---	---	JP111	166	---	---
JP42	166	JP52	166	---	---	JP82	166	---	---	JP112	166	---	---
JP43	166	JP53	166	---	---	JP83	166	---	---	JP113	166	JP123	166
JP44	166	JP54	166	JP74	166	JP84	166	---	---	JP114	166	JP124	166
JP45	166	JP55	166	JP75	166	JP85	166	---	---	JP115	166	JP125	166
JP46	166	JP56	166	---	---	JP86	166	---	---	JP116	166	JP126	166
JP47	166	---	---	JP77	166	JP87	166	JP107	166	JP117	166	JP127	166
JP48	166	---	---	JP78	166	JP88	166	JP108	166	---	---	JP128	166
JP49	166	---	---	JP79	166	JP89	166	JP109	166	JP119	166	JP129	166
JP50	166	JP60	166	JP80	166	JP90	166	JP110	166	---	---	JP130	166

### JP

SYMBOL NO.	INDEX NO.	SYMBOL NO.	INDEX NO.	SYMBOL NO.	INDEX NO.	SYMBOL NO.	INDEX NO.	SYMBOL NO.	INDEX NO.	SYMBOL NO.	INDEX NO.	SYMBOL NO.	INDEX NO.
JP131	166	JP141	166	JP151	166	JP161	166	---	---	JP181	166	---	---
JP132	166	JP142	166	JP152	166	JP162	166	---	---	---	---	---	---
JP133	166	JP143	166	JP153	166	JP163	166	---	---	JP183	166	JP193	166
---	---	JP144	166	JP154	166	---	---	---	---	JP184	166	---	---
JP135	166	JP145	166	JP155	166	---	---	JP175	166	JP185	166	---	---
JP136	166	JP146	166	JP156	166	JP166	166	---	---	JP186	166	---	---
JP137	166	JP147	166	JP157	166	JP167	166	JP177	166	JP187	166	---	---
JP138	166	JP148	166	JP158	166	JP168	166	JP178	166	JP188	166	JP198	166
JP139	166	JP149	166	JP159	166	JP169	166	JP179	166	JP189	166	---	---
JP140	166	JP150	166	JP160	166	---	---	JP180	166	JP190	166	JP200	166

## 23.IPU Board (B125)

### JP

SYMBOL NO.	INDEX NO.
JP200	166
---	---
---	---
---	---
JP204	166
JP205	166
---	---
JP206	166
JP207	166
JP208	166
---	---

### LED

SYMBOL NO.	INDEX NO.
---	---
---	---
JP212	166
JP213	166
JP214	166
JP215	166

SYMBOL NO.	INDEX NO.
LED1	111
LED2	111
LED3	111
LED4	111
LED5	111
---	---
LED6	111
LED7	112
LED8	111
LED9	111
LED10	111

SYMBOL NO.	INDEX NO.
LED11	112
LED12	112
LED13	111
LED14	111
LED15	111
---	---
LED16	111
LED17	111
LED18	112

### OSC

SYMBOL NO.	INDEX NO.
OSC2	135
OSC3	136
OSC4	138
OSC5	137
---	---
OSC6	139

### Q

SYMBOL NO.	INDEX NO.
Q1	109
Q2	109
Q3	109

### RESISTOR

SYMBOL NO.	INDEX NO.
R1	179
R2	174
R3	173
R4	173
R5	173
---	---
R6	173
R7	173
R8	173
R9	173
R10	173

### RESISTOR

SYMBOL NO.	INDEX NO.
R11	173
R12	173
R13	173
R14	187
R15	186
---	---
R16	180
R17	173
R18	173
R19	180
R20	180

SYMBOL NO.	INDEX NO.
R21	172
R22	173
R23	180
R24	173
R25	180
---	---
R26	173
R27	172
R28	172
R29	173
R30	173

SYMBOL NO.	INDEX NO.
R31	172
R32	173
R33	173
R34	180
R35	173
---	---
R36	180
---	---
R38	173
R39	180
R40	180

SYMBOL NO.	INDEX NO.
---	---
---	---
---	---
R44	180
R45	180
---	---
R46	194
R47	180
R48	172
R49	180
---	---

SYMBOL NO.	INDEX NO.
R51	172
R52	180
R53	180
---	---
---	---
---	---
R57	180
R58	180
R59	194
R60	180

SYMBOL NO.	INDEX NO.
R61	172
R62	180
---	---
R64	172
R65	180
---	---
R66	180
---	---
---	---
---	---
R70	180

SYMBOL NO.	INDEX NO.
R71	180
R72	194
R73	180
R74	180
R75	180
---	---
R76	180
R77	180
R78	180
R79	180
R80	180

## 23.IPU Board (B125)

### RESISTOR

SYMBOL NO.	INDEX NO.	SYMBOL NO.	INDEX NO.	SYMBOL NO.	INDEX NO.	SYMBOL NO.	INDEX NO.	SYMBOL NO.	INDEX NO.	SYMBOL NO.	INDEX NO.	SYMBOL NO.	INDEX NO.
R81	180	R91	165	R101	173	R111	172	R121	181	R131	174	R141	196
R82	180	R92	165	R102	171	---	---	---	---	R132	196	R142	196
R83	180	R93	173	R103	164	R113	172	---	---	R133	196	R143	173
R84	180	---	---	R104	195	---	---	---	---	R134	174	R144	173
R85	173	R95	173	R105	192	---	---	---	---	R135	196	R145	173
R86	173	R96	180	R106	171	R116	173	---	---	R136	196	R146	172
R87	173	R97	180	---	---	---	---	---	---	R137	174	R147	172
R88	165	R98	180	R108	180	---	---	---	---	R138	196	R148	172
R89	165	R99	173	---	---	R119	172	R129	173	R139	196	R149	189
R90	173	R100	165	---	---	R120	173	R130	173	R140	174	R150	170

### RESISTOR

SYMBOL NO.	INDEX NO.	SYMBOL NO.	INDEX NO.	SYMBOL NO.	INDEX NO.	SYMBOL NO.	INDEX NO.	SYMBOL NO.	INDEX NO.	SYMBOL NO.	INDEX NO.	SYMBOL NO.	INDEX NO.
R151	170	R161	178	R171	197	R181	196	R191	178	---	---	R211	173
R152	174	R162	184	R172	195	R182	170	R192	165	---	---	---	---
R153	174	---	---	R173	170	R183	180	R193	165	---	---	R213	173
R154	174	R164	178	R174	196	R184	180	R194	173	R204	165	R214	172
R155	174	R165	172	R175	196	R185	180	R195	173	---	---	R215	173
R156	180	---	---	R176	196	R186	180	R196	173	---	---	R216	173
R157	181	R167	183	R177	196	R187	180	R197	173	R207	173	R217	180
R158	173	R168	173	R178	196	R188	180	R198	173	R208	173	R218	173
R159	184	R169	173	R179	196	R189	191	R199	173	R209	173	R219	180
R160	178	R170	173	R180	196	R190	190	R200	173	---	---	R220	180



## 23.IPU Board (B125)

### RESISTOR

SYMBOL NO.	INDEX NO.	SYMBOL NO.	INDEX NO.	SYMBOL NO.	INDEX NO.	SYMBOL NO.	INDEX NO.	SYMBOL NO.	INDEX NO.	SYMBOL NO.	INDEX NO.	SYMBOL NO.	INDEX NO.
R221	180	R231	182	R241	188	R251	188	R261	188	R271	178	R281	165
R222	180	R232	188	R242	191	R252	180	R262	188	---	---	---	---
R223	165	R233	188	R243	188	R253	180	R263	188	R273	173	R283	165
R224	181	R234	188	R244	188	R254	180	R264	188	R274	173	R284	181
R225	181	R235	180	R245	188	R255	180	R265	188	R275	180	R285	181
R226	181	R236	180	R246	188	R256	180	R266	188	R276	180	R286	181
R227	181	R237	180	R247	188	R257	180	R267	188	R277	180	R287	181
R228	182	R238	180	R248	188	R258	180	R268	190	R278	165	R288	165
R229	182	---	---	R249	188	R259	181	R269	178	R279	180	R289	182
R230	182	R240	180	R250	188	R260	188	R270	190	R280	165	R290	165

### RESISTOR

SYMBOL NO.	INDEX NO.	SYMBOL NO.	INDEX NO.	SYMBOL NO.	INDEX NO.	SYMBOL NO.	INDEX NO.	SYMBOL NO.	INDEX NO.	SYMBOL NO.	INDEX NO.	SYMBOL NO.	INDEX NO.
R291	182	R301	165	R311	180	R321	173	R331	173	R341	180	R351	180
R292	165	R302	165	R312	180	R322	180	R332	173	R342	171	R352	180
R293	188	R303	165	R313	180	R323	190	---	---	R343	180	R353	180
---	---	R304	178	R314	180	R324	178	---	---	R344	180	R354	188
R295	188	R305	190	R315	181	R325	172	---	---	R345	180	R355	188
R296	165	R306	172	R316	173	R326	190	R336	188	R346	180	R356	188
R297	188	R307	180	R317	173	R327	178	R337	180	R347	180	R357	188
R298	165	R308	180	R318	173	R328	165	R338	180	R348	180	R358	180
R299	188	R309	180	R319	193	R329	165	R339	180	R349	180	R359	171
R300	165	R310	180	R320	185	R330	173	R340	180	R350	180	R360	180

## 23.IPU Board (B125)

### RESISTOR

SYMBOL NO.	INDEX NO.	SYMBOL NO.	INDEX NO.	SYMBOL NO.	INDEX NO.	SYMBOL NO.	INDEX NO.	SYMBOL NO.	INDEX NO.	SYMBOL NO.	INDEX NO.	SYMBOL NO.	INDEX NO.
R361	171	R371	173	R381	173	R391	189	R401	189	R411	189	R421	177
R362	173	R372	173	R382	173	R392	189	R402	171	R412	189	R422	173
R363	180	R373	175	R383	173	R393	189	R403	189	R413	189	R423	180
R364	180	R374	173	R384	173	R394	189	R404	189	R414	189	R424	191
R365	180	R375	173	R385	186	R395	189	R405	189	R415	176	R425	191
R366	173	R376	173	R386	173	R396	189	R406	189	R416	189	R426	188
R367	173	R377	173	R387	183	R397	189	R407	189	R417	189	R427	188
R368	180	R378	173	R388	183	R398	189	R408	189	R418	180	R428	165
R369	173	R379	173	R389	176	R399	189	R409	189	R419	180	R429	173
R370	182	R380	173	R390	186	R400	189	R410	189	R420	180	R430	189

### RESISTOR

SYMBOL NO.	INDEX NO.
R431	173
R432	173
R433	173
R434	173
R435	191
R436	165
R437	165
R438	173
R439	173
R440	180

SYMBOL NO.	INDEX NO.
R441	180
R442	180
R443	180
R444	180
R445	180
R446	180

### REG

SYMBOL NO.	INDEX NO.
REG1	133
REG2	133
REG3	133
---	---
REG5	134

### RN

SYMBOL NO.	INDEX NO.
RN1	140
RN2	140
RN3	143
RN4	140
RN5	140
RN6	140
RN7	140
RN8	140
RN9	140
RN10	142

SYMBOL NO.	INDEX NO.
RN11	142
RN12	140
RN13	140
RN14	147
RN15	145
RN16	140
RN17	142
RN18	142
RN19	140
RN20	140

SYMBOL NO.	INDEX NO.
RN21	140
RN22	140
RN23	140
RN24	142
RN25	142
RN26	140
RN27	140
RN28	145
RN29	147
RN30	145

SYMBOL NO.	INDEX NO.
RN31	145
RN32	145
RN33	145
RN34	145
RN35	145
RN36	145
RN37	145
RN38	145
RN39	145
RN40	145

## 23.IPU Board (B125)

### RN

SYMBOL NO.	INDEX NO.	SYMBOL NO.	INDEX NO.	SYMBOL NO.	INDEX NO.	SYMBOL NO.	INDEX NO.	SYMBOL NO.	INDEX NO.	SYMBOL NO.	INDEX NO.	SYMBOL NO.	INDEX NO.
RN41	145	RN51	145	RN61	149	RN71	145	RN81	145	RN91	145	RN101	149
RN42	149	RN52	145	RN62	149	RN72	145	RN82	149	RN92	145	RN102	149
RN43	148	RN53	145	RN63	145	RN73	145	RN83	148	RN93	145	RN103	145
RN44	145	RN54	149	RN64	145	RN74	145	RN84	145	RN94	149	RN104	145
RN45	149	RN55	145	RN65	145	RN75	145	RN85	149	RN95	145	RN105	145
RN46	145	RN56	149	RN66	145	RN76	145	RN86	145	RN96	149	RN106	145
RN47	145	RN57	149	RN67	145	RN77	145	RN87	145	RN97	149	RN107	145
RN48	149	RN58	149	RN68	145	RN78	145	RN88	149	RN98	149	RN108	145
RN49	145	RN59	149	RN69	145	RN79	145	RN89	145	RN99	149	RN109	145
RN50	149	RN60	149	RN70	145	RN80	145	RN90	149	RN100	149	RN110	145

### RN

SYMBOL NO.	INDEX NO.	SYMBOL NO.	INDEX NO.	SYMBOL NO.	INDEX NO.	SYMBOL NO.	INDEX NO.	SYMBOL NO.	INDEX NO.	SYMBOL NO.	INDEX NO.	SYMBOL NO.	INDEX NO.
RN111	145	RN121	145	RN131	145	RN141	149	RN151	145	RN161	144	RN171	145
RN112	145	RN122	149	RN132	145	RN142	149	RN152	144	RN162	144	RN172	145
RN113	145	RN123	148	RN133	145	RN143	145	RN153	146	RN163	144	RN173	145
RN114	145	RN124	145	RN134	149	RN144	145	RN154	146	RN164	145	RN174	141
RN115	145	RN125	149	RN135	145	RN145	145	RN155	145	---	---	RN175	141
RN116	145	RN126	145	RN136	149	RN146	145	RN156	147	---	---	RN176	147
RN117	145	RN127	145	RN137	149	RN147	145	---	---	---	---	RN177	145
RN118	145	RN128	149	RN138	149	RN148	145	RN158	147	---	---	RN178	145
RN119	145	RN129	145	---	---	RN149	145	---	---	---	---	RN179	146
RN120	145	RN130	149	RN140	149	RN150	145	RN160	145	---	---	RN180	149

## 23.IPU Board (B125)

RN

SYMBOL NO.	INDEX NO.
RN181	149
RN182	149
RN183	149
RN184	146
RN185	146
RN186	146
RN187	146
RN188	146
RN189	146
RN190	146

SYMBOL NO.	INDEX NO.
RN191	146
RN192	146
---	---
---	---
---	---
---	---
---	---
---	---
---	---
RN1639	149

ZD

SYMBOL NO.	INDEX NO.
ZD1	110

## 23.IPU Board (B125)

Rev. 12/07/2004

Index No.	Part No.	Description	Q'ty Per Assembly
*	B125 5202	PCB - Image Processing Unit - EXP	1
1	A297 5350	IC - TC220C820TB-510	1
2	B010 5225	IC-HDC	1
3	B010 5355	IC - RF5C689	1
4	B125 5431	IC - VDIP - RB5C619	1

Index No.	Part No.	Description	Q'ty Per Assembly
101	1102 5303	Connector - 4P	
102	1102 6395	Connector - 1P	
103	1102 6396	Connector - 1P	
104	1102 6790	Connector - 100R-LT-N1	
105	1102 8090	Connector - TX25-30P-12ST-N1	
106	1102 8091	Connector - 53505-4010	
107	1102 8515	Connector - DX20M-68S	
108	1104 0597	IC Socket - 64p - SN	
109	1400 0810	Transistor - DTC114EUA	
110	1402 1515	Diode UDZS6.2B	
111	1403 0953	LED - SML-310MT	
112	1403 0978	LED - SML-310DT	
113	1407 4323	TTL - TD74ABT244F	
114	1407 5090	IC - DS90CF364MTD	
115	1407 5174	CMOS - SN74LVC04APW	
116	1407 5178	IC - ABT245	
117	1407 5179	IC - ABT374 SOP	
118	1407 5334	IC - CMOS LOGIC 74LVC244A TSSOP	
119	1407 5350	IC - SN74LV00APW	
120	1407 5351	IC - SN74LV14APW	
121	1407 5353	IC - SN74LV244APW	
122	1407 5366	IC - 74LVC08A TSSOP	
123	1407 5368	IC - 74LVC245A TSSOP	
124	1407 5376	IC - SN74LV32APW	
125	1407 5392	IC - SN74LV541APW	
126	1407 5394	IC - SN74LV138APW	
127	1407 5463	IC - SN74LV245APW	
128	1407 5705	IC - SN74LVC06APW	
129	1407 5712	IC - SN74IV07ANS	
130	1407 5793	Clock Generator - HD151TS304RP	
131	1407 6109	Controller - RF5V861-1020	
132	1407 6237	Clock Generator - MB88154PNF-G-112-E1	
133	1408 1454	Series Regulator - LM1085IS-3.3	
134	1408 1650	Series Regulator - LM1084IS-ADJ	
135	1503 0899	Crystal Oscillator - 15.936Mhz	

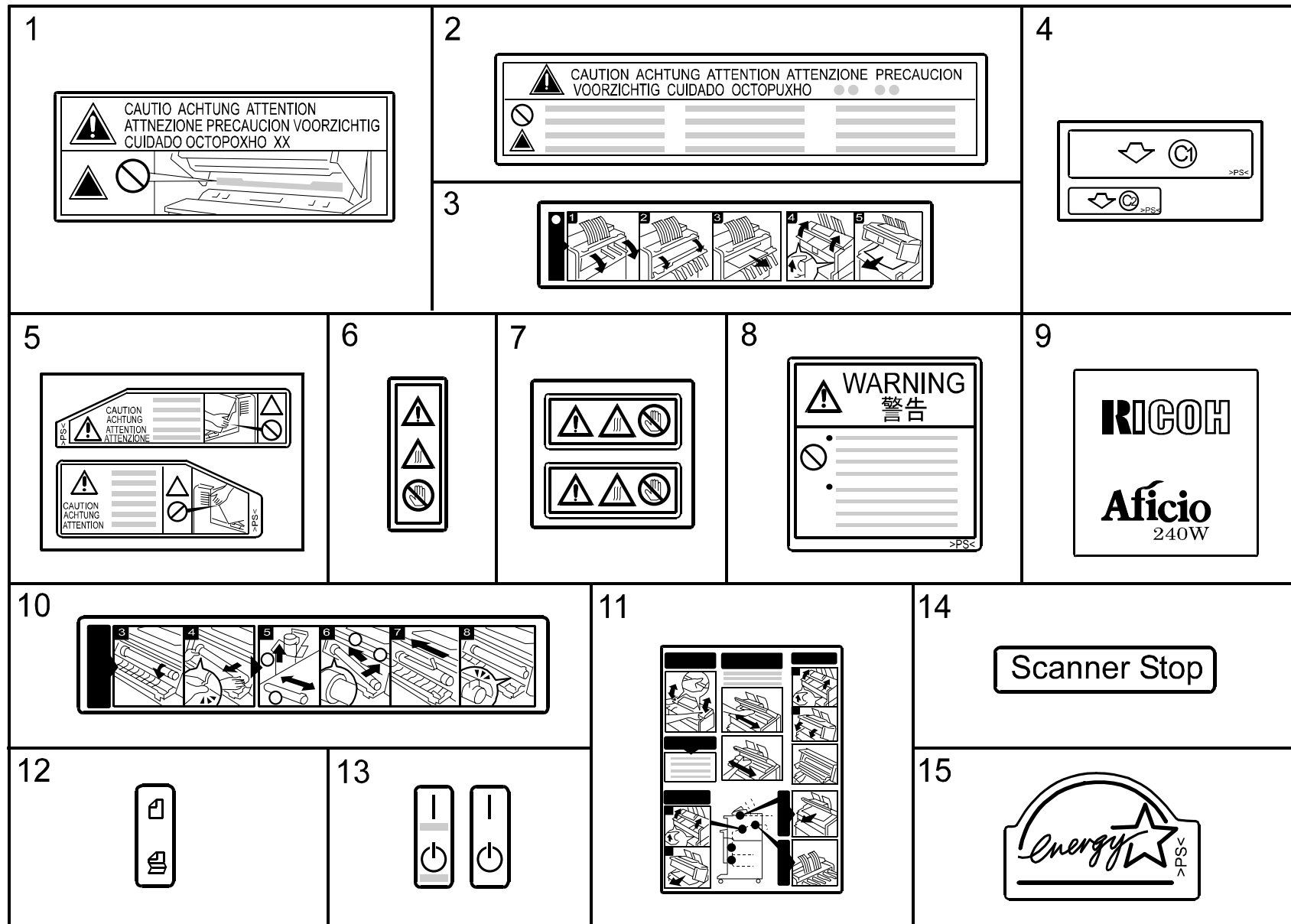
Index No.	Part No.	Description	Q'ty Per Assembly
136	1503 0902	Crystal Oscillator - 40Mhz	
137	1503 1151	Crystal Oscillator - 33.33Mhz	
138	1503 1152	Crystal Oscillator - 20Mhz	
139	1503 1153	Crystal Oscillator - 19.44Mhz	
140	1601 7752	Resistor Array - 10K $\Omega$ $\pm$ 5%	
141	1601 7757	Resistor 0 $\Omega$	
142	1601 7867	Resistor - 33 $\Omega$ $\pm$ 5% 1/16W	
143	1601 7868	Resistor Array - 82 $\Omega$ $\pm$ 5% 1/16W	
144	1601 7886	Resistor Array 3.3k $\Omega$ $\pm$ 5% 1/32W	
145	1601 7887	Resistor Array - 10K $\Omega$ $\pm$ 5% 1/32W	
146	1601 7898	Resistor Array	
147	1601 7900	Resistor Array - 0 $\Omega$ $\pm$ 5%	
148	1601 7959	Resistor	
149	1601 7960	Resistor Array - 100 $\Omega$ $\pm$ 5% 1/16W	
150	1604 4728	Capacitor - 100 $\mu$ F $\pm$ 20% 16V	
151	1605 1038	Capacitor - 680pF - $\pm$ 10% - 50V	
152	1605 1161	Capacitor - 0.33 $\mu$ F $\pm$ 10% 10V	
153	1605 1212	Capacitor - 470pF $\pm$ 10% 50V	
154	1605 1228	Capacitor - 0.1uf - $\pm$ 10% - 25V	
155	1605 1234	Capacitor - 4700pF - $\pm$ 10% - 50V	
156	1605 1250	Capacitor - 0.068uf - $\pm$ 10% - 10V	
157	1605 1306	Capacitor - 1 $\mu$ F $\pm$ 10% 10V	
158	1605 1355	Ceramic Capacitor - 680pF - $\pm$ 10% - 50V	
159	1605 1357	Capacitor - 10uf - $\pm$ 10% - 6.3V	
160	1605 1358	Capacitor - 10 $\mu$ F $\pm$ 10% 10V	
161	1605 1371	Capacitor - 4.7uf - +80-20% - 6.3V	
162	1607 0861	Filter - BK2125HS101	
163	1607 1486	Filter - BLM31PG330SN1B	
164	1610 1731	Resistor - 24k $\Omega$ - $\pm$ 0.5% - 1/10W - 1608	
165	1630 4102	Resistor - 1.0K $\Omega$ $\pm$ 5% 1/16W	
166	1634 0000	Resistor - 0 $\Omega$ 1/16W	
167	1640 0471	Capacitor - 470 $\mu$ F $\pm$ 20% 10V	
168	1640 6102	Capacitor - 1000uf - $\pm$ 20% - 6.3V	
169	1642 6331	Capacitor - 330uf - $\pm$ 20% - 6.3V	
170	1650 4100	Resistor - 10 $\Omega$ $\pm$ 5% 1/10W	

Index No.	Part No.	Description	Q'ty Per Assembly
171	1650 4101	Resistor - 100 $\Omega$ $\pm$ 5% 1/10W	
172	1650 4102	Resistor - 1K $\Omega$ $\pm$ 5% 1/10W	
173	1650 4103	Resistor - 10K $\Omega$ $\pm$ 5% 1/10W	
174	1650 4104	Resistor - 100K $\Omega$ $\pm$ 5% 1/10W	
175	1650 4121	Resistor - 120 $\Omega$ $\pm$ 5% 1/10W	
176	1650 4152	Resistor - 1.5K $\Omega$ $\pm$ 5% 1/10W	
177	1650 4220	Chip Resistor - 22 $\Omega$ $\pm$ 5% 1/10W	
178	1650 4222	Resistor - 2.2K $\Omega$ $\pm$ 5% 1/10W	
179	1650 4223	Resistor - 22K $\Omega$ $\pm$ 5% 1/10W	
180	1650 4330	Chip Resistor - 33 $\Omega$ $\pm$ 5% 1/10W	
181	1650 4332	Resistor - 3.3K $\Omega$ $\pm$ 5% 1/10W	
182	1650 4430	Resistor - 43 $\Omega$ $\pm$ 5% - 1/10W	
183	1650 4472	Resistor - 4.7K $\Omega$ $\pm$ 5% 1/10W	
184	1650 4511	Resistor - 510 $\Omega$ $\pm$ 5% 1/10W	
185	1650 4519	Resistor - 5.1 $\Omega$ - $\pm$ 5% - 1/10W	
186	1650 4562	Resistor - 5.6K $\Omega$ $\pm$ 5% 1/10W	
187	1650 4563	Resistor - 56K $\Omega$ $\pm$ 5% 1/10W	
188	1650 4620	Resistor 62 $\Omega$ $\pm$ 5% 1/10W	
189	1650 4680	Resistor - 68 $\Omega$ $\pm$ 5% 1/10W	
190	1650 4682	Resistor - 6.8K $\Omega$ $\pm$ 5% 1/10W	
191	1650 4820	Resistor - 82 $\Omega$ $\pm$ 5% 1/10W	
192	1654 1100	Resistor - 110 $\Omega$ $\pm$ 1% 1/10W	
193	1654 1210	Resistor - 121 $\Omega$ $\pm$ 1% 1/10W	
194	1654 1500	Resistor - 150 $\Omega$ $\pm$ 1% 1/10W	
195	1654 2001	Chip Resistor - 2k $\Omega$ $\pm$ 1% 1/10W	
196	1654 5109	Resistor - 51 $\Omega$ - $\pm$ 1% - 1/10W	
197	1654 5609	Resistor - 56 $\Omega$ - $\pm$ 1% - 1/10W	
198	1660 0100	Capacitor - 10PF $\pm$ 0.5pF 50V	
199	1660 2151	Capacitor - 150pF $\pm$ 20% 35V	
200	1660 2330	Capacitor - 33pF - $\pm$ 5% - 50V	
201	1660 2470	Capacitor - 47pF $\pm$ 5% 50V	
202	1660 2471	Capacitor - 470pF - $\pm$ 5% - 50V	
203	1660 4103	Capacitor - 10000pF - $\pm$ 10% - 50V	
204	1660 4222	Capacitor - 2200pF - $\pm$ 10% - 50V	
205	1660 4682	Capacitor - 6800pF 50V 1608	

Index No.	Part No.	Description	Q'ty Per Assembly
206	1660 6103	Capacitor - 10000pF - +80%-20%50V	
207	1660 8104	Capacitor - 0.1μF+80-20% 25V	
208	1907 0022	SDRAM 64M 1MX16X4 133Mhz G1	

Index No.	Part No.	Description	Q'ty Per Assembly

## 24.Decal And Documents (B125)



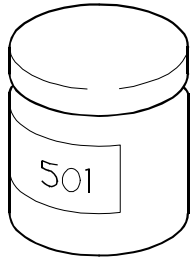
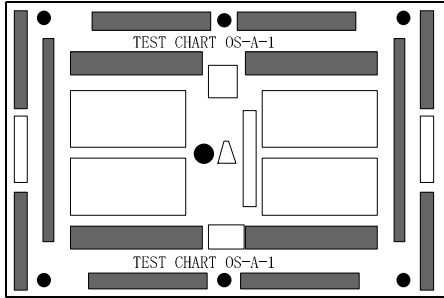
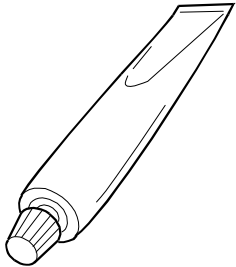


## 24.Decal And Documents (B125)

Index No.	Part No.	Description	Q'ty Per Assembly
1	AA00 0225	Decal - High Temperature - 120C	1
2	AA00 0226	Decal - Warning - High Temperature	1
3	AA00 3209	Decal - Misfeed Removal Exit	1
4	AA00 3210	Decal - Grip	1
5	B125 1265	Decal - High Temperature - Multi	1
6	B125 1266	Decal - High Temperature - Vertical	1
7	B125 1268	Decal - High Temperature - Side	1
8	B125 3662	Decal - Toner Recycling	1
9	B125 4833	Decal - Emblem - EXP (CHN)	1
10	B125 4881	Decal - Toner Supply	1
11	B125 4885	Decal - Original - Operate - NA	1
11	B125 4925	Decal - Original - Operate - CHN	1
12	B125 4888	Decal - Lever - Switching - NA	1
13	B125 1262	Decal - Main Switch - NA	1
13	B125 1263	Decal - Main Switch (EU/CHN)	1
14	B125 4887	Decal - Switch - Stop - NA	1
14	B125 4889	Decal - Switch - Stop - CHN	1
15	AA00 1389	Large Decal - Energy Star	1

Index No.	Part No.	Description	Q'ty Per Assembly

## 25.Special Tools (B125)

<p>1</p> 	<p>2</p> 	<p>3</p> 	

## 25.Special Tools (B125)

Index No.	Part No.	Description	Q'ty Per Assembly
1	5203 9501	Grease 501	1
2	A023 9504	Test Chart OS-A-1 (2 Sheets / Set)	1
3	A257 9300	Grease - Barrierta S552R	1

Index No.	Part No.	Description	Q'ty Per Assembly



**B125**  
**PARTS INDEX**



This section instructs you as to the numbers and names of parts on this machine.

## PM Parts Index

Section Name	Part No.	Description in Service Manual	Description in Parts Catalog	Q'ty Per Assembly	Page and Index No.
Drum Section (B125) Charge & Transfer Unit (B125)	A165 3581	Cleaning Blade	Cleaning Blade	1	23 - 37
	AD02 0059	Transfer Corona Wire	Corona Wire - Main	1	27 - 7
Fusing Unit 1 (B125)	AD02 0072	Separation Corona Wire	Corona Wire - Separation	1	27 - 8
	AD02 0089	Charge Corona Wire	Charge Corona Wire - G	1	27 - 19
	B125 2061	Corona Wire Cleaner	Cleaner - Charge Corona	1	27 - 23
	AE03 1056	Hot Roller Bushings	Bushing - Fusing	2	31 - 7
	AE01 1085	Hot Roller	Hot Roller - Mm50	1	31 - 13
Electrical Section 2 (B125)	AE02 0148	Pressure Roller	Pressure Roller - Mm55	1	31 - 17
	AE04 2047	Fusing Cleaning Roller	Fusing Cleaning Roller	1	31 - 30
	AA01 0117	Ozone Filter	Exhaust Ozone Filter	1	43 - 7



## Parts Index

Part No.	Description	Page and Index No.
B125 1003	Exhaust Duct	47 - 24
B125 1056	Stand	47 - 15
B125 1057	Cove - Harness Clamp	43 - 23
B125 1084	Bracket - Latch - Right	45 - 20
B125 1085	Lever - Micro Switch	45 - 19
B125 1086	Gas Spring	47 - 12
B125 1087	Shaft - Gas Spring - Upper	47 - 13
B125 1088	Anchor - Gas Spring	47 - 14
B125 1091	Bracket - Contact Point - Outer - Left	47 - 8
B125 1092	Bracket - Contact Point - Outer - Right	47 - 9
B125 1093	Bracket - Contact Point - Inner - Left	47 - 10
B125 1094	Bracket - Contact Point - Inner - Right	47 - 11
B125 1095	Lever - Machine Or Copier - Left	47 - 3
B125 1096	Lever - Machine Or Copier - Right	47 - 4
B125 1097	Knob - Lever	47 - 1
B125 1100	Pin - Hinge	47 - 7
B125 1101	Side Plate - Drive	39 - 30
B125 1116	Bracket - DC Motor	21 - 4
B125 1123	Drum Stay - Drive	39 - 1
B125 1125	Tightener - Development	39 - 22
B125 1130	Tightener - Registration	39 - 28
B125 1136	Tightener - Fusing	39 - 4
B125 1141	Tightener - Drum	23 - 1
B125 1146	Arm - Coupling - Development	39 - 16
B125 1147	Shaft - Coupling - Development	39 - 17
B125 1156	Cover - PCB	21 - 13
B125 1161	Bracket - Fix - Fusing Unit - Right	47 - 22
B125 1162	Bracket - Fix - Fusing Unit - Left	47 - 21
B125 1168	Cover - Printed Circuit Board	41 - 4
B125 1169	Insulating Sheet - Cable	41 - 3
B125 1170	Bracket - Power Supply Cord	43 - 21
B125 1171	Bracket - Power Pack	43 - 16
B125 1180	Base - PCB	41 - 11
B125 1183	Inner Duct Shield	47 - 23
B125 1185	Gasket - Registration Guide	19 - 8

Part No.	Description	Page and Index No.
B125 1186	Gasket - Tray - IPU/MCU - Upper	41 - 20
B125 1186	Gasket - Tray - IPU/MCU - Upper	41 - 14
B125 1190	Insulating Sheet - IPU/MCU	41 - 10
B125 1191	Holder - C/T Box	41 - 16
B125 1194	Seal - Fan - MCU/IPU	41 - 12
B125 1259	Cover - Control Unit	9 - 8
B125 1261	Bracket - Cover - Lower	47 - 26
B125 1261	Bracket - Cover - Lower	39 - 34
B125 1262	Decal - Main Switch - NA	7 - 26
B125 1262	Decal - Main Switch - NA	73 - 13
B125 1263	Decal - Main Switch (EU/CHN)	7 - 26
B125 1263	Decal - Main Switch (EU/CHN)	73 - 13
B125 1264	Bracket - Cover - Lower - 2	41 - 5
B125 1264	Bracket - Cover - Lower - 2	47 - 25
B125 1265	Decal - High Temperature - Multi	7 - 12
B125 1265	Decal - High Temperature - Multi	73 - 5
B125 1266	Decal - High Temperature - Vertical	45 - 15
B125 1266	Decal - High Temperature - Vertical	73 - 6
B125 1267	Sheet - Lgd	47 - 27
B125 1268	Decal - High Temperature - Side	73 - 7
B125 1268	Decal - High Temperature - Side	9 - 9
B125 1269	Sheet - Fusing - Small	33 - 15
B125 1271	Sheet - Fusing - Large	33 - 16
B125 1283	Cover - Right Upper	7 - 13
B125 1284	Cover - Rear Lower	9 - 10
B125 1286	Cover - Left Upper	7 - 10
B125 1287	Cover - Left Lower	7 - 11
B125 1288	Cover - Right Lower	7 - 14
B125 1350	Copy Tray - Upper	7 - 17
B125 1351	Guide - Original - Middle	7 - 19
B125 1352	Guide Rod	7 - 18
B125 1353	Guide - Original	7 - 15
B125 1354	Guide Plate - Guide - Original	7 - 16
B125 1355	Guide Plate - Brush	7 - 21
B125 1458	Keytop - Ini	11 - 6

Part No.	Description	Page and Index No.
B125 1462	LCD Bracket	11 - 3
B125 1464	Sheet - PCB	11 - 24
B125 1466	Keytop - LCD	11 - 8
B125 1467	Keytop - Menu	11 - 7
B125 1468	Lens - Data - In	11 - 5
B125 1471	Cover - Operation Panel - Inner	9 - 6
B125 1473	Sheet - Operation Panel	9 - 7
B125 1474	Rivet - MM5	7 - 22
B125 1484	Operation Sub-unit - NA	11 - 1
B125 1485	Operation Sub-unit - EU	11 - 1
B125 1486	Operation Sub-unit - CHN	11 - 1
B125 1490	PCB OPU-NP	11 - 2
B125 1500	Keytop - Copy - Reserve - NA	11 - 18
B125 1501	Sheet - Menu - NA	11 - 22
B125 1502	Sheet - LCD - NA	11 - 21
B125 1510	Keytop - Copy - Reserve (EU/CHN)	11 - 18
B125 1511	Sheet - LCD (EU/CHN)	11 - 21
B125 1520	Sheet - Menu - CHN	11 - 22
B125 1649	Contact Image Sensor Unit	15 - 14
B125 1727	Spring Plate - Exposure Glass - Right	15 - 12
B125 1728	Spring Plate - Exposure Glass - Left	15 - 11
B125 1858	LED Head Unit	21 - 18
B125 1971	Plate - Shaft	21 - 8
B125 2018	Terminal - Grid - Right	27 - 25
B125 2041	Discharge Lamp - Unit	29 - 4
B125 2060	Cleaner - Slider	27 - 22
B125 2061	Cleaner - Charge Corona	27 - 23
B125 2070	Bracket	29 - 13
B125 2085	Tension Spring - 4291mn	29 - 11
B125 2106	Spring Plate - Earth	29 - 18
B125 2113	Holder - Wire	29 - 26
B125 2124	Spring Plate - Charge Corona - Left	29 - 17
B125 2125	Guard - Spring Plate - Left	29 - 16
B125 2127	Spring Plate - Charge Corona - Right	29 - 19
B125 2128	Guard - Spring Plate - Right	29 - 20

Part No.	Description	Page and Index No.
B125 2130	Shielding Plate - Charge Corona	29 - 28
B125 2253	Holder - Ball Bearing	23 - 6
B125 2469	C-ring - Drum Shaft	23 - 15
B125 2506	Guide Plate - Lower	19 - 3
B125 2572	Guide Plate - Manual Feed	19 - 6
B125 2575	Guide Plate - Registration - Upper	19 - 9
B125 2579	Feeler - Registration Sensor	19 - 22
B125 2580	Holder - Feeler	19 - 23
B125 2581	Bracket - Sensor	19 - 16
B125 2582	Bracket - Positioning - Left	25 - 19
B125 2583	Bracket - Positioning - Right	25 - 20
B125 2584	Middle Manual - Feed Sheet	19 - 5
B125 2585	Left And Right Manual - Feed Sheet	19 - 4
B125 2590	Cover - Lower Front	9 - 1
B125 2594	Table - Manual Feed	7 - 3
B125 3003	Development Unit - EXP	25 - 1
B125 3205	Stay - Toner Hopper	25 - 11
B125 3213	Electrode Plate - Development	25 - 24
B125 3227	Bearing Case	25 - 8
B125 3551	Side Plate - Right	23 - 39
B125 3554	Shutter - Discharge Used Toner	23 - 42
B125 3555	Side Plate - Left	23 - 7
B125 3563	Casing - Cleaning	23 - 35
B125 3567	Casing - Pickoff Pawl - Welding	23 - 27
B125 3655	Cushion - Collection Bottle - Front - 2	9 - 11
B125 3656	Cushion - Collection Bottle - Front - 1	9 - 22
B125 3658	Cushion - Collection Bottle - Rear	9 - 12
B125 3659	Cushion - Swivel - Stopper	45 - 1
B125 3661	Collection Bottle - Used Toner	9 - 16
B125 3662	Decal - Toner Recycling	9 - 17
B125 3662	Decal - Toner Recycling	73 - 8
B125 3668	Shield - Used Toner Sensor	9 - 23
B125 3669	Holder - Used Toner Sensor	9 - 20
B125 3671	Vibrating Plate - Collection Bottle	45 - 2
B125 3672	Bracket - Swivel - Collection Bottle	45 - 5

Part No.	Description	Page and Index No.
B125 3674	Cam - Gear - Swivel	45 - 3
B125 3679	Bracket - Roller - Collection Bottle	47 - 30
B125 3681	Joint - Collection Bottle	45 - 18
B125 3683	Shield - Joint - Upper	45 - 17
B125 3687	Spring Washer - WW-6012	45 - 23
B125 3688	Leaf Spring - Collection Bottle	9 - 15
B125 3830	T/S Corona Unit	27 - 1
B125 3855	Sheet - Entrance - Transfer	27 - 2
B125 3864	Leaf Spring - T/S Corona	45 - 7
B125 3865	Guide Plate - Transport	45 - 14
B125 3868	Shielding Plate - Harness	27 - 13
B125 3869	Guide Plate - T/S Corona - Lower	45 - 8
B125 3871	Grounding Plate - T/S Corona - Mid	45 - 9
B125 3872	Cover - Transfer Corona - Lower	45 - 10
B125 3873	Guard - Leaf Spring	41 - 2
B125 3873	Guard - Leaf Spring	45 - 11
B125 4001	Fusing Unit - 120V	31 - 1
B125 4002	Fusing Unit - 220/240V	31 - 1
B125 4130	C-ring - MM50	31 - 5
B125 4135	Bracket - Heater - Right	31 - 33
B125 4136	Bracket - Heater - Left	31 - 9
B125 4137	Cover - Heater	31 - 8
B125 4145	Shaft - Pressure Roller	31 - 18
B125 4148	Holder - Pressure Roller	31 - 14
B125 4151	Stay - Fusing - Upper	33 - 6
B125 4156	Electrode Plate - Thermostat	33 - 4
B125 4162	Bracket - Thermistor	33 - 17
B125 4172	Lever - Pressure	31 - 3
B125 4173	Lever - Pressure Release - Lower	31 - 11
B125 4174	Shaft - Lever - Pressure Release	33 - 2
B125 4185	Fusing Entrance Guide Plate - Ass'y	33 - 12
B125 4194	Guide Plate - Fusing Exit - Lower	31 - 19
B125 4195	Guide - Auxiliary - Fusing Exit	31 - 20
B125 4211	Fusing Cover - Upper	31 - 24
B125 4213	Lever - Cleaning Roller - Right	31 - 32

Part No.	Description	Page and Index No.
B125 4214	Lever - Cleaning Roller - Left	31 - 28
B125 4215	Heat Insulation - Cover - Fusing	31 - 25
B125 4282	Cover - Fusing - Upper	43 - 2
B125 4283	Duct - Louver	43 - 12
B125 4285	Seal - Cover - Fusing - Harness	43 - 5
B125 4291	Guide Plate - Duct	43 - 9
B125 4292	Shield - Front - Guide Plate - Duct	43 - 10
B125 4293	Fan Motor - DC24V 8.5W	43 - 8
B125 4343	Cam - Pressure Release - Fusing - Right	47 - 6
B125 4344	Cam - Pressure Release - Fusing - Left	47 - 5
B125 4351	Bracket - Roller	47 - 36
B125 4352	Guide - Bracket - Roller	47 - 34
B125 4353	Ground Plate - Exhaust	47 - 16
B125 4356	Cover - Safety Switch	45 - 16
B125 4358	Grounding Plate - Fusing	41 - 1
B125 4358	Grounding Plate - Fusing	43 - 22
B125 4359	Roller - Separation - Small	47 - 37
B125 4450	Paper Exit Unit	37 - 1
B125 4451	Cover - Exit	37 - 7
B125 4452	Leaf Spring - Exit Roller - Upper	37 - 9
B125 4453	Leaf Spring - Exit Roller - Lower	37 - 10
B125 4455	Bracket - Lock - Exit - Right	37 - 3
B125 4456	Positioning Plate - Exit	37 - 4
B125 4458	Guide Plate - Exit	37 - 16
B125 4460	Bracket - Lock - Exit - Left	37 - 11
B125 4462	Stay - Exit	37 - 24
B125 4463	DC Solenoid - Gate Pawl	37 - 22
B125 4464	Gasket - Guide Plate - Exit	37 - 26
B125 4469	Fusing/Paper Exit Unit - EXP	35 - 1
B125 4475	Guide - Fusing/Paper Exit Unit	35 - 16
B125 4477	Guide - Fusing/Paper Exit - Middle	35 - 11
B125 4478	Exit Roller - Drive - Lower	35 - 12
B125 4480	Exit Roller - Drive - Upper	35 - 7
B125 4488	Arm - Drive - Fusing/Exit Unit	35 - 23
B125 4497	Seal - Guide - Left Upper	35 - 14

Part No.	Description	Page and Index No.
B125 4498	Seal - Guide - Right Upper	35 - 13
B125 4499	Grip - Exit	35 - 15
B125 4613	Bracket - Registration Sensor	17 - 10
B125 4615	Bracket - Original Sensor - Insert	17 - 8
B125 4616	Bracket - Original - Exit Sensor	15 - 20
B125 4630	Bracket - Original Sensor (EU/CHN)	17 - 11
B125 4631	Bracket - Original Sensor - NA	17 - 11
B125 4652	Bracket - Set Sensor	17 - 3
B125 4656	Bushing - Arm - Front	17 - 15
B125 4665	Transport Roller - Original Insert	17 - 16
B125 4675	Transport Roller - Original Exhaust	15 - 15
B125 4682	Guide Plate - Front Lower - A4	15 - 1
B125 4689	Guide - CIS - Front	15 - 2
B125 4692	Guide Plate - Front Lower - LT	15 - 1
B125 4696	Guide Plate - Original - Rear Lower	15 - 16
B125 4697	Bushing - Arm - Rear	29 - 23
B125 4703	Original Table (EU/CHN)	9 - 5
B125 4704	Original Table - Printing - NA	9 - 5
B125 4720	Side Fence - Left	7 - 1
B125 4720	Side Fence - Left	9 - 3
B125 4723	Side Fence - Right	7 - 2
B125 4723	Side Fence - Right	9 - 4
B125 4730	Cover - Original - Upper	13 - 42
B125 4732	Stopper - Original - Upper	13 - 14
B125 4738	Roller - Driven - Original	13 - 34
B125 4742	Supporting Plate - Cover - Original	13 - 10
B125 4751	Shaft - Driven	13 - 36
B125 4752	Roller - Driven	13 - 35
B125 4753	Grounding Plate - Original - Front Lower	17 - 7
B125 4754	Grounding Plate - Original - Rear Lower	29 - 24
B125 4755	Seal - Shield	29 - 22
B125 4756	Guard - Grounding Plate - Rear	29 - 25
B125 4761	Shaft - Contact Point - Original - Upper	13 - 17
B125 4767	Keytop - Original - Stop	13 - 47
B125 4770	Stepper Motor - DC24V 34.8W	29 - 2

Part No.	Description	Page and Index No.
B125 4806	Sheet - Cover - Toner Cartridge	7 - 7
B125 4809	Cover - Original - Drive	13 - 3
B125 4813	Cover - Toner Cartridge	7 - 5
B125 4815	Tensioner - Belt	15 - 7
B125 4817	Sheet - Magnet Catch	25 - 27
B125 4825	Sheet - Block Light - 1	13 - 41
B125 4826	Sheet - Block Light - 2	13 - 50
B125 4827	Sheet - Block Light - 3	13 - 37
B125 4828	Sheet - Block Light - 4	13 - 38
B125 4829	Sheet - Block Light - 5	13 - 39
B125 4833	Decal - Emblem - EXP (CHN)	7 - 6
B125 4833	Decal - Emblem - EXP (CHN)	73 - 9
B125 4850	Platen Plate	13 - 9
B125 4852	Case - Spring	13 - 7
B125 4853	Plate - Spring	13 - 8
B125 4854	Cushion - Keytop - Original - Stop	13 - 46
B125 4855	Bracket - Platen Plate	13 - 2
B125 4856	Sheet - Guide - Pressure Plate	13 - 53
B125 4864	Knob - Pressure Release	13 - 21
B125 4866	Bracket - Pressure Release	13 - 23
B125 4870	Stand - Pressure Release - Left	13 - 18
B125 4871	Stand - Pressure Release - Right	13 - 27
B125 4879	Sheet - Shield - Paper Size Sensor	13 - 40
B125 4881	Decal - Toner Supply	73 - 10
B125 4881	Decal - Toner Supply	7 - 9
B125 4884	Cover - Original - Switch	13 - 44
B125 4885	Decal - Original - Operate - NA	13 - 43
B125 4885	Decal - Original - Operate - NA	73 - 11
B125 4887	Decal - Switch - Stop - NA	13 - 48
B125 4887	Decal - Switch - Stop - NA	73 - 14
B125 4888	Decal - Lever - Switching - NA	73 - 12
B125 4888	Decal - Lever - Switching - NA	13 - 49
B125 4889	Decal - Switch - Stop - CHN	13 - 48
B125 4889	Decal - Switch - Stop - CHN	73 - 14
B125 4901	Stopper - Open And Close - Left - Unit	13 - 51

Part No.	Description	Page and Index No.
B125 4906	Stopper - Open And Close - Right - Unit	13 - 52
B125 4925	Decal - Original - Operate - CHN	73 - 11
B125 4925	Decal - Original - Operate - CHN	13 - 43
B125 5219	PCB - Image Processing Unit - EXP	41 - 9
B125 5219	PCB - Image Processing Unit - EXP	69 - *
B125 5246	PCB - MCU-NP - CHN	41 - 8
B125 5246	PCB - MCU-NP - CHN	55 - *
B125 5250	PCB - SMDB	21 - 9
B125 5291	PCB - MCU-NP - NA	55 - *
B125 5291	PCB - MCU-NP - NA	41 - 8
B125 5292	PCB - MCU-NP - EU	41 - 8
B125 5292	PCB - MCU-NP - EU	55 - *
B125 5425	PCB - VDB - VDIP	21 - 10
B125 5431	IC - VDIP - RB5C619	69 - 4
B125 5460	PCB - SIB	21 - 11
B125 5602	Harness - AC - Fusing - Connecting - 1	33 - 3
B125 5604	Harness - AC - Main	43 - 17
B125 5606	Harness - AC - Fusing - Connect - 120V	33 - 11
B125 5607	Harness - AC - Fusing - Connect - 220/230V	33 - 11
B125 5608	Harness - AC - Fusing - 120V	43 - 18
B125 5609	Harness - AC - Fusing - 220/230V	43 - 18
B125 5612	Harness - High Voltage - Bias	21 - 16
B125 5613	Harness - High Voltage - Grid	21 - 15
B125 5614	Harness - High Voltage - Charge	21 - 17
B125 5616	Harness - High Voltage - Transfer	43 - 13
B125 5617	Harness - High Voltage - Separation	43 - 14
B125 5619	Clamp - Harness - FFC	17 - 17
B125 5619	Clamp - Harness - FFC	17 - 6
B125 5643	Ground Wire - Scanner Unit - 3	37 - 13
B125 5649	Harness - DC - Machine Or Copier - Right	41 - 7
B125 5652	Harness - DC - Machine Or Copier - Left	41 - 6
B125 5654	Harness - DC - Operation Panel	41 - 17
B125 5657	Harness - DC - Charge - Connecting - 1	29 - 3
B125 5658	Grounding Wire - Paper Exit Unit	37 - 23
B125 5660	Harness - DC - LVDS - Main	21 - 14

Part No.	Description	Page and Index No.
B125 5660	Harness - DC - LVDS - Main	41 - 18
B125 5671	Harness - DC - Original Exit - Connecting	37 - 17
B125 5680	Harness - DC - Operation Sub-unit - Connecting	11 - 20
B125 5680	Harness - DC - Operation Sub-unit - Connecting	13 - 12
B125 5681	Harness - DC - Scanner Unit - Connect - NA	17 - 14
B125 5682	Harness - DC - Scanner - Connecting (EU/CHN)	17 - 14
B125 5683	Ground Wire - Pressure Plate	13 - 5
B125 5686	Harness - DC - Original Sensor - Connect	15 - 18
B125 5688	Grounding Wire - Scanner Unit - 1	13 - 4
B125 5689	Grounding Wire - Scanner Unit - 2	17 - 5
B125 5690	Harness - DC - QI - Connecting	29 - 15
B125 5691	Harness - DC - Scanner Unit - Set Sensor	17 - 4
B125 5692	Harness - DC - Cleaning - Connecting	23 - 24
B125 5693	Harness - Registration - Connecting	19 - 14
B125 5699	Harness - DC - Fan - Connecting	43 - 6
B125 6507	Operating Instructions - System - NA	7 - 24
B125 6607	Operating Instructions - Copy - NA	7 - 25
B125 8503	Operating Instructions - Copy - CHN	7 - 25
B125 8504	Operating Instructions - System - CHN	7 - 24
B125 9590	Counter - SRAM - STK15C68-P45	41 - 22

Part No.	Description	Page and Index No.
A023 4096	Fusing Lamp Supporter	31 - 10
A023 9504	Test Chart OS-A-1 (2 Sheets / Set)	75 - 2
A060 3826	Toner Collection Bottle Roller	9 - 14
A060 3827	Roller Holder	9 - 13
A090 5596	LED Grounding Wire	37 - 2
A134 1195	Seal - Fan Harness	43 - 11
A134 3162	DC Motor - 5.85W	45 - 4
A163 2052	Left Grid Terminal	27 - 16
A163 2251	Drum Knob	23 - 23
A163 2255	Spacer	23 - 22
A163 3101	Filter Bracket	25 - 16
A163 3607	Right Pressure Lever	23 - 34
A163 3608	Left Pressure Lever	23 - 32
A163 3609	Lever Shaft	23 - 33
A163 3611	Pick-off Pawl	23 - 29
A163 4109	C - Ring - 19m	31 - 15
A163 4122	Entrance Guide Plate Holder	33 - 13
A163 4124	Holder Cam	33 - 14
A163 4159	Lock Positioning Plate	35 - 2
A163 4183	Upper Pressure Release Lever	33 - 1
A163 4231	Arm Stopper	35 - 26
A163 4235	Tube Holder	35 - 10
A163 4236	Exit Tube	35 - 9
A163 4347	Separation Roller	47 - 35
A163 4453	Exit Driven Roller	37 - 8
A163 6052	Original Table Bushing	13 - 16
A165 3581	Cleaning Blade	23 - 37
A174 3931	Guide - Paper - T/S Corona - Middle - Right	27 - 11
A174 3932	Guide - Paper - T/S Corona - Middle - Left	27 - 10
A174 3937	Right Paper Guide - T/S Outer	27 - 12
A174 3938	Left Paper Guide - T/S Outer	27 - 9
A174 4372	Gate Pawl Drive	37 - 14
A222 2680	Torque Limiter	19 - 10
A232 2367	ID Sensor	23 - 25
A232 4058	Rear Collar - Pressure Lever	47 - 28

Part No.	Description	Page and Index No.
A232 5350	IC - HG71C103FD	55 - 1
A232 5355	IC - GATEX	55 - 2
A232 5371	MPU CSS	55 - 3
A250 5741	Power Supply Cord - 120V	43 - 20
A250 5742	Power Supply Cord - 230V	43 - 20
A257 1121	Front Screw	47 - 32
A257 9300	Grease - Barrierta S552R	75 - 3
A259 1158	Pulley Flange	39 - 9
A297 5350	IC - TC220C820TB-510	69 - 1
A422 1356	Pin - 3x26mm	13 - 13
A498 3118	Stepped Screw -M4	23 - 30
A498 3118	Stepped Screw -M4	15 - 3
A548 2139	Pulley	39 - 27
A571 7665	Screw - M2.6X5	45 - 22
A666 4170	Stepped Screw - M3x6	17 - 18
A666 4170	Stepped Screw - M3x6	13 - 1
A675 2629	Stepper Motor Cushion	29 - 1
B004 4087	Plate- Thermistor	33 - 8
B010 1359	Operating Instructions Holder	7 - 20
B010 2061	Right Holder - Charge Corona	27 - 28
B010 2062	Left Holder - Charge Corona	27 - 27
B010 2252	OPC Drum Balancer	23 - 19
B010 2256	Bearing Stopper	23 - 10
B010 3150	Entrance Seal	25 - 18
B010 3206	Joint - Toner Hopper - Ass'y	25 - 23
B010 3211	Drum Stay - Spring	25 - 21
B010 3212	Spring - Joint	25 - 22
B010 3581	Density Sensor Guide Plate	23 - 26
B010 3582	Blade Release Lever	23 - 31
B010 4312	Upper Guide	35 - 6
B010 4324	Idler Gear - 30z	35 - 22
B010 4458	Gate Pawl Plate	37 - 19
B010 4461	Grounding Wire - Paper Exit Unit	37 - 12
B010 5225	IC-HDC	69 - 2
B010 5225	IC-HDC	41 - 19

Part No.	Description	Page and Index No.
B010 5355	IC - RF5C689	69 - 3
B010 9510	Drum	23 - 18
B027 1433	Keytop - Start	11 - 11
B027 1434	Keytop - Clear/Stop	11 - 10
B027 1435	Keytop - Try Print	11 - 12
B027 1436	Keytop - Main Switch	11 - 17
B027 1437	Keytop - 10key (EU/CHN)	11 - 9
B027 1438	Keytop - Interrupt	11 - 16
B027 1439	Keytop - Preheat	11 - 15
B027 1441	Keytop - Block Diagram	11 - 13
B027 1449	Keytop - Left Blank	11 - 19
B027 7161	Keytop - 10 Key (NA)	11 - 9
B027 7162	Keytop - Reset Switch	11 - 14
B027 7164	Sheet - Power Source Display (NA)	11 - 23
B027 7184	Sheet - Power Source Display (EU/CHN)	11 - 23
B065 1374	Cloth - DF Exposure Glass	7 - 23
B104 4085	Thermostat Housing	33 - 5
B104 5999	Gasket - STG10-10 - 20mm	45 - 24
B624 2530	Spacer - Pressure Plate - Front	39 - 35
G020 4444	Tightener	39 - 21
G020 4472	Paper Feed Sensor	19 - 15
G568 2839	Tightener - M16	15 - 4
G568 2839	Tightener - M16	23 - 3
G568 2839	Tightener - M16	39 - 5
H004 3755	Square Bushing	17 - 12
H004 3755	Square Bushing	13 - 11
H041 1549	Trast Screw	31 - 27
H072 2207	Guard (NA)	17 - 13
H072 2207	Guard (EU/CHN)	17 - 13
H072 2207	Guard	13 - 19
H072 2207	Guard	21 - 7
H072 2207	Guard	9 - 21
H072 2207	Guard	47 - 33
H310 5010	LCD	11 - 4

Part No.	Description	Page and Index No.
AA00 0225	Decal - High Temperature - 120C	73 - 1
AA00 0225	Decal - High Temperature - 120C	47 - 20
AA00 0226	Decal - Warning - High Temperature	73 - 2
AA00 0226	Decal - Warning - High Temperature	35 - 5
AA00 0235	Decal - Warning - High Temperature	35 - 27
AA00 1389	Large Decal - Energy Star	7 - 8
AA00 1389	Large Decal - Energy Star	73 - 15
AA00 3209	Decal - Misfeed Removal Exit	73 - 3
AA00 3209	Decal - Misfeed Removal Exit	43 - 3
AA00 3210	Decal - Grip	73 - 4
AA00 3210	Decal - Grip	43 - 4
AA00 3210	Decal - Grip	37 - 25
AA01 0117	Exhaust Ozone Filter	43 - 7
AA01 2081	Development Filter	25 - 17
AA04 3527	Timing Belt - 230XL	35 - 25
AA04 3588	Timing Belt - B60S2M480	15 - 10
AA04 3643	Timing Belt - B100S2M264	39 - 25
AA04 3644	Timing Belt - B60S2M214	39 - 14
AA04 3911	Timing Belt - S3M420	39 - 7
AA04 3922	Timing Belt - 426S2M	23 - 5
AA05 0101	Spring	37 - 21
AA05 0113	Wire - Cleaner	29 - 10
AA06 0092	Release Spring	39 - 3
AA06 0117	Spring	39 - 18
AA06 0244	Spring	39 - 23
AA06 0386	Pressure Spring	37 - 6
AA06 0456	Fusing Cover Spring	47 - 2
AA06 0607	Pressure Spring	31 - 4
AA06 0749	Spring	27 - 17
AA06 0750	Spring	27 - 21
AA06 0750	Spring	29 - 27
AA06 0942	Pressure Roller Pickoff Pawl Spring	31 - 22
AA06 0943	Belt Tensioner Spring	15 - 6
AA06 2325	Cleaning Blade Spring	23 - 38
AA06 3276	Pressure Spring	23 - 21

Part No.	Description	Page and Index No.
AA06 3277	Middle Plate Spring	19 - 18
AA06 3415	Original Stopper Spring	13 - 15
AA06 3416	Spring - 3.4n	13 - 28
AA06 3417	Spring - 1.7n	13 - 31
AA06 3418	Spring - 6.6n	13 - 30
AA06 3419	Spring - 10n	13 - 6
AA06 3900	Registration Compression Spring	19 - 11
AA06 6052	Stripper Spring	35 - 17
AA06 6254	Corona Wire Spring	27 - 4
AA06 6255	Feeler Spring	19 - 21
AA06 6256	Right Lock Spring	35 - 4
AA06 6257	Left Lock Spring	35 - 3
AA06 6370	Left Pressure Release Spring - 5n	13 - 24
AA06 6371	Right Pressure Release Spring - 5n	13 - 26
AA06 6643	Arm Spring	35 - 21
AA06 6664	Toner Outlet Shutter Spring	23 - 41
AA08 2101	Bushing - 6x10x6	37 - 15
AA08 2101	Bushing - 6x10x6	35 - 19
AA08 2104	Bushing - 8x12x7	19 - 2
AA08 2135	Bushing - Dia4	13 - 29
AA08 2135	Bushing - Dia4	19 - 12
AA08 3016	Roller Clutch - 6x14x10	31 - 31
AA12 0087	Fusing Discharge Brush	31 - 34
AA12 0125	Front Discharge Brush	15 - 17
AA13 2013	Spacer	21 - 1
AA13 2058	Spacer - 8.1x10	23 - 14
AA13 2097	Spacer	25 - 26
AA14 0844	Shaft - Exit Roller	35 - 8
AA14 3120	Stepped Screw - M3x3	13 - 25
AA14 3139	Shoulder Screw - Pressure Arm	21 - 6
AA14 3335	Rear Shutter Pin	23 - 13
AA14 3347	Lever Stopper Shaft	47 - 29
AA14 3394	Stepped Screw - M3x10	13 - 20
AA14 3404	Stepped Screw - M4	47 - 18
AA14 3719	Development Unit Shaft	25 - 28

Part No.	Description	Page and Index No.
AA14 3771	Shoulder Screw - M3	47 - 19
AA14 3786	Stepped Screw - M3x10.3	29 - 5
AA14 3787	Stepped Screw - M3x14.2	29 - 6
AA14 5830	Swing Unit Idler Shaft	45 - 6
AA15 2381	Ozone Filter Upper Seal	41 - 21
AA15 2390	Shielding Seal	47 - 17
AA15 3133	Blade Right Shield	23 - 40
AA15 3134	Blade Left Shield	23 - 9
AA15 3135	Drum Right Shield	23 - 8
AA15 3450	Right Shield - Side Plate	25 - 15
AA15 3451	Left Shield - Side Plate	25 - 14
AB01 0363	Gear - 146Z	23 - 16
AB01 0364	Gear - 46Z	23 - 12
AB01 3920	Gear - 30Z	25 - 2
AB01 3921	Gear - 20Z	25 - 4
AB01 3922	Gear - 28Z	25 - 7
AB01 3924	Gear - 28Z	25 - 9
AB01 4263	Gear - 50Z	39 - 19
AB01 4265	Gear - 28Z	39 - 15
AB01 4267	Gear - 46Z	39 - 20
AB01 4268	Gear - Drive - Fusing	31 - 6
AB01 7347	Idle Gear	45 - 21
AB01 7378	Coupled Gear - 28/24Z	25 - 6
AB01 7664	Gear - Pulley - Right	29 - 9
AB01 7667	Timing Pulley - 18Z/66T	39 - 26
AB01 7669	Gear - 62/30Z	39 - 24
AB01 7671	Gear/Pulley - 32Z/70T	39 - 13
AB01 7672	Gear - 19/120Z	39 - 12
AB01 7673	Gear - 40/82Z	39 - 11
AB01 7674	Gear/Pulley - 66Z/20T	39 - 10
AB01 7675	Gear/Pulley - 30Z/63T	39 - 8
AB01 7676	Gear - 32/100Z	21 - 2
AB01 7677	Gear/Pulley - 100Z/29T	21 - 3
AB01 7680	Gear/Pulley - 24Z/24T	35 - 24
AB03 0474	Pulley - 24T	35 - 20



Part No.	Description	Page and Index No.
AB03 0745	Pulley - 76T	15 - 8
AB03 0746	Pulley - 76T	17 - 1
AB03 0764	Pulley - 102T	23 - 4
AB03 2723	Pulley - Left	29 - 7
AB03 2724	Pulley - Encoder	29 - 8
AC01 0006	Exposure Glass	15 - 13
AD00 4103	Charge Corona Unit	27 - 14
AD01 4030	Drum Flange	23 - 20
AD01 5038	Shaft - Drum	23 - 17
AD02 0059	Corona Wire - Main	27 - 7
AD02 0072	Corona Wire - Separation	27 - 8
AD02 0089	Charge Corona Wire - G	27 - 19
AD02 0090	Grid Wire	27 - 20
AD02 2316	Left End Block - Charge	27 - 15
AD02 2317	Left End Block Cover - Charge	27 - 18
AD02 2320	End Block Cover - T & S	27 - 3
AD02 2369	End Block Cover - Charge Corona	27 - 26
AD02 2370	End Block - Charge Right	27 - 24
AD02 2372	End Block - T/S Corona - Right	27 - 6
AD02 2373	End Block - T/S Corona - Left	27 - 5
AD04 3085	Toner Collection Coil - Cleaning	23 - 36
AE01 1085	Hot Roller - MM50	31 - 13
AE02 0148	Pressure Roller - MM55	31 - 17
AE03 0041	Ball Bearing -20x32x7	31 - 16
AE03 1056	Bushing - Fusing	31 - 7
AE04 2047	Fusing Cleaning Roller	31 - 30
AE04 4054	Stripper Pawls	35 - 18
AE04 4055	Pressure Roller Pickoff Pawl	31 - 21
AF02 0599	Registration Roller	19 - 7
AF02 0603	Middle Driven Roller	19 - 20
AF02 2128	Transport Driven Roller	19 - 13
AF02 2156	Front Driven Transport Roller	13 - 32
AF02 2157	Rear Driven Transport Roller	13 - 33
AF02 5029	Exit Separation Pawl	37 - 20
AG07 0014	Magnet Catch	7 - 4

Part No.	Description	Page and Index No.
AW01 0091	Photo Reflection Sensor	31 - 26
AW01 0093	Photo Reflection Sensor - PS-17ND1	15 - 19
AW01 0093	Photo Reflection Sensor - PS-17ND1	17 - 9
AW02 0056	Photointerruptor - EE-SX4235A-P1	37 - 18
AW02 0075	Photointerruptor	29 - 12
AW02 0075	Photointerruptor	45 - 12
AW02 0119	Photointerruptor - LG-24811	19 - 17
AW02 0119	Photointerruptor - LG-24811	39 - 6
AW10 0053	Thermistor - Rear	33 - 18
AW10 0087	Fusing Thermistor	33 - 7
AW11 0035	Thermostat - 199C 250V/10A	33 - 10
AW11 0036	Thermostat - 200C 250V/10A	33 - 9
AW50 0022	Push Switch	13 - 45
AX04 0061	Cleaner Motor - DC 0.5W	29 - 21
AX06 0262	Brushless Motor DC 24W	21 - 5
AX06 0262	Brushless Motor DC 24W	39 - 31
AX06 0271	Brushless Motor - DC24V/45W	39 - 33
AX10 0026	DC Solenoid - Pick-off Pawl	23 - 28
AX20 0115	Spring Clutch	25 - 12
AX21 0079	Magnetic Clutch	39 - 32
AX31 0043	Total Counter	41 - 15
AX40 0127	Heater - 120V 13W	45 - 13
AX40 0128	Heater - 230V 13W	45 - 13
AX45 0042	Heater - 120V - 1150W	31 - 12
AX45 0043	Heater - 230V - 1150W	31 - 12
AX50 0074	Discharge Lamp P2	29 - 14
AX64 0124	Fan Motor - DC3.36W	41 - 13
AZ00 0075	Power Supply Cord (CHN)	43 - 20
AZ23 0129	Power Supply Unit 100-120V DOM/NA	43 - 19
AZ23 0130	Power Supply Unit - 220-240 - EU/AA/CHN	43 - 19
AZ32 0128	Power Pack - TD	43 - 15
AZ32 0135	Power Pack - CGB	21 - 12
GA06 0003	Spring - Guide Plate	23 - 2

Part No.	Description	Page and Index No.
0252 0020B	Philips Pan Head Screw - M2x2	29 -110
0313 0050B	Philips Pan Head Screw - M3x5	27 -103
0314 0100B	Philips Pan Head Screw - M4x10	43 -101
0315 0100B	Philips Pan Head Screw - M5x10	25 -110
0353 0040B	Screw - M3X4	37 -103
0353 0060B	Philips Pan Head Screw - M3x6	11 -101
0450 3008B	Tapping Screw - M3x8	27 -102
0450 3008B	Tapping Screw - M3x8	13 -105
0450 3008B	Tapping Screw - M3x8	37 -101
0450 3008B	Tapping Screw - M3x8	35 -102
0450 3010B	Tapping Screw - M3x10	9 -103
0450 4008B	Tapping Screw - 4x8	13 -106
0451 3006B	Tapping Screw - M3x6	15 -102
0451 3006B	Tapping Screw - M3x6	33 -104
0451 3006B	Tapping Screw - M3x6	17 -102
0451 3006B	Tapping Screw - M3x6	23 -101
0451 3006B	Tapping Screw - M3x6	47 -101
0451 3006B	Tapping Screw - M3x6	29 -102
0451 3006B	Tapping Screw - M3x6	31 -102
0451 3006B	Tapping Screw - M3x6	41 -101
0451 3006B	Tapping Screw - M3x6	19 -101
0451 3006B	Tapping Screw - M3x6	13 -103
0451 3006B	Tapping Screw - M3x6	45 -101
0451 3006B	Tapping Screw - M3x6	21 -101
0451 3006B	Tapping Screw - M3x6	11 -103
0451 3006B	Tapping Screw - M3x6	39 -101
0451 3006B	Tapping Screw - M3x6	37 -102
0451 3006B	Tapping Screw - M3x6	9 -104
0451 3006B	Tapping Screw - M3x6	43 -102
0451 3006B	Tapping Screw - M3x6	7 -102
0451 3008B	Tapping Screw - M3x8	33 -106
0451 3008B	Tapping Screw - M3x8	21 -102
0451 3008B	Tapping Screw - M3x8	23 -102
0451 3008B	Tapping Screw - M3x8	27 -105
0451 3008B	Tapping Screw - M3x8	13 -102

Part No.	Description	Page and Index No.
0451 3008H	Tapping Screw - M3x8	9 -105
0451 3008H	Tapping Screw - M3x8	39 -102
0451 3008H	Tapping Screw - M3x8	7 -101
0451 3010B	Tapping Screw - M3x10	25 -108
0451 3012B	Tapping Screw With Washer - M3x12	9 -106
0451 3014B	Tapping Screw - M3-14	29 -109
0451 3014B	Tapping Screw - M3-14	15 -103
0451 3014B	Tapping Screw - M3-14	21 -104
0451 3014B	Tapping Screw - M3-14	31 -103
0451 3014B	Tapping Screw - M3-14	45 -103
0451 3014B	Tapping Screw - M3-14	17 -103
0451 3025B	Tapping Screw - M3x25	45 -104
0451 3030B	Tapping Screw - 3x30	41 -102
0451 4006B	Tapping Screw - 4x6	39 -104
0451 4006B	Tapping Screw - 4x6	25 -106
0451 4006B	Tapping Screw - 4x6	35 -101
0451 4006B	Tapping Screw - 4x6	31 -104
0451 4006B	Tapping Screw - 4x6	27 -104
0451 4006B	Tapping Screw - 4x6	37 -105
0451 4006B	Tapping Screw - 4x6	15 -101
0451 4008B	Philips Tapping Screw - M4x8	33 -105
0451 4008B	Philips Tapping Screw - M4x8	23 -103
0451 4008B	Philips Tapping Screw - M4x8	39 -103
0451 4008B	Philips Tapping Screw - M4x8	21 -113
0451 4010B	Tapping Screw - 4x10	23 -104
0451 4010B	Tapping Screw - 4x10	25 -107
0451 4010B	Tapping Screw - 4x10	29 -101
0451 4010B	Tapping Screw - 4x10	9 -107
0451 4016B	Tapping Screw - M4-16	13 -104
0452 3006B	Tapping Screw - M3x6	9 -102
0452 3010H	Tapping Screw - M3x10	11 -102
0453 3008H	Binding Self Tapping Screw - M3x8	7 -103
0574 0050E	Hexagon Headless Set Screw - M4x5	15 -104
0574 0060E	Hexagon Headless Set Screw - M4x6	23 -105
0633 0200G	Pin - M3x20	25 -103

Part No.	Description	Page and Index No.
0707 6200B	Bushing - Dia6x20	47 -115
0708 0040Z	Flat Washer-M4	29 -106
0720 0020E	Retaining Ring - M2	13 -107
0720 0030E	Retaining Ring - M3	13 -112
0720 0040E	Retaining Ring - M4	37 -104
0720 0040E	Retaining Ring - M4	23 -106
0720 0040E	Retaining Ring - M4	33 -107
0720 0040E	Retaining Ring - M4	45 -107
0720 0040E	Retaining Ring - M4	19 -105
0720 0040E	Retaining Ring - M4	39 -105
0720 0040E	Retaining Ring - M4	47 -104
0720 0040E	Retaining Ring - M4	35 -103
0720 0050E	Retaining Ring - M5	25 -102
0720 0050E	Retaining Ring - M5	47 -103
0720 0060E	Retaining Ring - M6	15 -109
0720 0060E	Retaining Ring - M6	47 -102
0720 0060E	Retaining Ring - M6	17 -104
0720 0060E	Retaining Ring - M6	39 -106
0720 0060E	Retaining Ring - M6	19 -103
0720 0060E	Retaining Ring - M6	25 -101
0720 0060E	Retaining Ring - M6	21 -111
0720 0080E	Retaining Ring - M8	47 -106
0733 0406	Bushing - 4x6	13 -111
0800 0084	Philips Pan Head Screw - M2.3x12	19 -102
0801 1179	Philips Screw With Toothed Washer	39 -109
0801 1179	Philips Screw With Toothed Washer	47 -108
0801 1179	Philips Screw With Toothed Washer	19 -106
0801 1179	Philips Screw With Toothed Washer	9 -108
0802 5220	Tapping Screw - M4x8	47 -107
0802 5220	Tapping Screw - M4x8	43 -104
0802 5276	Tapping Screw With Washer - M3x6	17 -101
0802 5276	Tapping Screw With Washer - M3x6	41 -103
0802 5276	Tapping Screw With Washer - M3x6	13 -101
0802 5276	Tapping Screw With Washer - M3x6	45 -102
0802 5276	Tapping Screw With Washer - M3x6	9 -101

Part No.	Description	Page and Index No.
0802 5276	Tapping Screw With Washer - M3x6	27 -106
0802 5276	Tapping Screw With Washer - M3x6	21 -116
0802 5285	Screw - 3X8	43 -103
0802 5292	Tapping Screw - Round Point - M3X8	21 -103
0805 0089	Retaining Ring - M4	35 -105
0805 3385	Bushing - 6mm	35 -104
0805 3471	Bushing - M8x22x7	23 -107
0805 3516	Ball Bearing - 10x26x8	25 -104
0805 3517	Ball Bearing - 8x16x5	25 -105
0951 3006B	Philips Screw With Flat Washer-M3x6	15 -110
0951 3006B	Philips Screw With Flat Washer-M3x6	27 -101
0954 3008M	Screw - M3X8	31 -101
0954 3008M	Screw - M3X8	33 -101
0954 3008N	Screw - M3X8	33 -102
0954 3012N	Screw - M3X12	33 -103
0965 5016B	Tapping Screw W/h Flat Washer-M5x16	47 -105
1102 3822	Connector - 20P	55 -101
1102 4201	Connector - 2P	55 -102
1102 4211	CT Header - 12P	55 -103
1102 5007	CT Header - 14P	55 -104
1102 5303	Connector - 4P	69 -101
1102 5305	Connector - 6P	55 -105
1102 5344	Connector - 16P	55 -106
1102 5411	Connector - 24P	55 -107
1102 5476	Modular Cord - 6p/6p	55 -108
1102 5477	Modular Cord - 6p/4p	55 -109
1102 5944	Connector - 3P	55 -110
1102 6245	Relay Connector - 2P	29 -107
1102 6297	Connector - 4P	55 -237
1102 6298	Connector - 5P	55 -111
1102 6299	Connector - 6P	55 -112
1102 6301	Connector - 8P	55 -113
1102 6304	Connector - 11P	55 -114
1102 6395	Connector - 1P	69 -102
1102 6396	Connector - 1P	69 -103

Part No.	Description	Page and Index No.
1102 6396	Connector - 1P	55 -115
1102 6397	Box Header	55 -116
1102 6515	Connector - 34P	55 -117
1102 6789	Connector - 100P	55 -118
1102 6790	Connector - 100R-LT-N1	69 -104
1102 7834	Connector - B2B	55 -119
1102 8090	Connector - TX25-30P-12ST-N1	69 -105
1102 8091	Connector - 53505-4010	69 -106
1102 8242	Connector - 53375-0710	55 -120
1102 8466	Connector - 55447-0210	55 -121
1102 8471	Connector - 55447-071	55 -122
1102 8490	Connector - 55451-3210	55 -123
1102 8494	Connector - 55451-4010	55 -124
1102 8515	Connector - DX20M-68S	69 -107
1102 8661	Connector - FCN-564P068-G/SC-4V	55 -125
1102 9083	Connector - 53375-1110	55 -126
1104 0588	DIP Socket - 28p	55 -127
1104 0597	IC Socket - 64p - SN	69 -108
1104 0683	Socket - IMSA-9206H-GF	55 -128
1104 0771	IC Socket - 28PIN	55 -129
1105 0042	Wire Band	25 -109
1105 0160	Clamp	43 -109
1105 0160	Clamp	21 -106
1105 0290	Harness Clamp - Horizontal	33 -108
1105 0328	Harness Clamp - ES-0505	37 -106
1105 0348	Clamp	29 -105
1105 0348	Clamp	45 -110
1105 0409	Card Spacer- 6.4mm	21 -110
1105 0409	Card Spacer- 6.4mm	39 -111
1105 0487	Harness Clamp	45 -108
1105 0487	Harness Clamp	15 -106
1105 0487	Harness Clamp	13 -110
1105 0487	Harness Clamp	43 -106
1105 0488	Harness Clamp	41 -109
1105 0488	Harness Clamp	21 -108

Part No.	Description	Page and Index No.
1105 0489	Harness Clamp - LWS 1316	29 -104
1105 0489	Harness Clamp - LWS 1316	47 -110
1105 0490	Harness Clamp - IWS-2218	41 -106
1105 0490	Harness Clamp - IWS-2218	43 -107
1105 0490	Harness Clamp - IWS-2218	47 -117
1105 0511	Harness Clamp - LWS-0306ZC	47 -109
1105 0511	Harness Clamp - LWS-0306ZC	41 -108
1105 0511	Harness Clamp - LWS-0306ZC	37 -107
1105 0511	Harness Clamp - LWS-0306ZC	29 -103
1105 0511	Harness Clamp - LWS-0306ZC	43 -105
1105 0511	Harness Clamp - LWS-0306ZC	23 -108
1105 0511	Harness Clamp - LWS-0306ZC	39 -107
1105 0511	Harness Clamp - LWS-0306ZC	15 -105
1105 0511	Harness Clamp - LWS-0306ZC	19 -104
1105 0511	Harness Clamp - LWS-0306ZC	17 -107
1105 0516	Clamp	21 -109
1105 0516	Clamp	17 -108
1105 0516	Clamp	35 -106
1105 0516	Clamp	15 -111
1105 0516	Clamp	13 -109
1105 0516	Clamp	47 -111
1105 0516	Clamp	39 -112
1105 0517	Harness Clamp - LWS-2111Z	47 -116
1105 0517	Harness Clamp - LWS-2111Z	43 -108
1105 0518	Edge Saddle - LES-1010	43 -110
1105 0518	Edge Saddle - LES-1010	15 -107
1105 0518	Edge Saddle - LES-1010	13 -108
1105 0521	Clamp - LES-1017	41 -110
1105 0521	Clamp - LES-1017	47 -113
1105 0522	Edge Saddle - LES0510	47 -112
1105 0522	Edge Saddle - LES0510	39 -108
1105 0522	Edge Saddle - LES0510	45 -109
1105 0522	Edge Saddle - LES0510	29 -108
1105 0522	Edge Saddle - LES0510	17 -106
1105 0528	Nylon Clamp - EMT-2N	21 -105

Part No.	Description	Page and Index No.
1105 0528	Nylon Clamp - EMT-2N	41 -105
1105 0528	Nylon Clamp - EMT-2N	11 -104
1105 0528	Nylon Clamp - EMT-2N	13 -113
1105 0529	Nylon Clamp - EMT-3N	41 -104
1105 0531	Locking Support-emss-4s	21 -107
1106 0200	Bushing - 19.44mm	45 -111
1106 0411	Bushing - 11.5mm	21 -114
1106 0458	Bushing - 9.9mm	47 -114
1107 0629	Fuse Ceramic Case 15A 125V (120V)	43 -121
1107 0932	Fuse - T10AH 250VC (120V)	43 -120
1107 1054	Fuse - HT-6.3A-N5 (220V/240V)	43 -120
1107 1054	Fuse - HT-6.3A-N5 (220V/240V)	43 -121
1107 1067	Fuse - ET-6.3A	43 -122
1109 0018	Circuit Protector - SMD100	55 -130
1109 0020	Circuit Protector - SMD150/33	55 -131
1204 2521	Micro Switch	45 -106
1204 2529	Switch - V-5F912DN	21 -112
1204 2529	Switch - V-5F912DN	17 -105
1204 2529	Switch - V-5F912DN	45 -105
1204 2533	Switch - AJ76200PZ02	39 -110
1206 0054	Lithium Cell - CR2032-1HS	55 -132
1400 0710	Transistor - 2SB1240	55 -133
1400 0730	Transistor - 2SD1782K	55 -134
1400 0810	Transistor - DTC114EUA	69 -109
1400 0822	Transistor - 2SA1900	55 -135
1402 1322	Diode Array - DAN202U	55 -136
1402 1342	Diode - 1SR154-400	55 -137
1402 1343	Diode - RB106L-40	55 -138
1402 1365	Diode-RB75LV-40	55 -139
1402 1515	Diode UDZS6.2B	69 -110
1402 1584	Diode - DAN217U	55 -140
1403 0953	LED - SML-310MT	69 -111
1403 0953	LED - SML-310MT	55 -141
1403 0978	LED - SML-310DT	55 -142
1403 0978	LED - SML-310DT	69 -112

Part No.	Description	Page and Index No.
1404 0238	Serge Absorber 22V 0.6J	55 -143
1407 1535	IC - TD62308AP	55 -144
1407 2187	TTLIC - SN74LS07NS	55 -145
1407 2231	IC - TD62308AF	55 -146
1407 3550	IC TC74HC07AF	55 -147
1407 4114	IC - SN751177	55 -148
1407 4323	TTL - TD74ABT244F	69 -113
1407 4614	IC - TA7291P	55 -149
1407 4773	IC - RTC-4543SA	55 -150
1407 4959	IC - MC68334GCFC20	55 -151
1407 5090	IC - DS90CF364MTD	69 -114
1407 5112	IC - RAM STK15C88-W45	41 -107
1407 5112	IC - RAM STK15C88-W45	55 -236
1407 5151	IC - MBM29F160TE70TN	55 -152
1407 5174	CMOS - SN74LVC04APW	69 -115
1407 5178	IC - ABT245	69 -116
1407 5179	IC - ABT374 SOP	69 -117
1407 5334	IC - CMOS LOGIC 74LVC244A TSSOP	69 -118
1407 5344	IC - SN74LV02APW	55 -153
1407 5345	IC - SN74LV04APW	55 -154
1407 5346	IC - SN74LS74ANS	55 -155
1407 5347	IC - SN74LV08APW	55 -156
1407 5350	IC - SN74LV00APW	55 -157
1407 5350	IC - SN74LV00APW	69 -119
1407 5351	IC - SN74LV14APW	55 -158
1407 5351	IC - SN74LV14APW	69 -120
1407 5353	IC - SN74LV244APW	69 -121
1407 5353	IC - SN74LV244APW	55 -159
1407 5363	IC - SN74AHCT04PW	55 -160
1407 5366	IC - 74LVC08A TSSOP	69 -122
1407 5368	IC - 74LVC245A TSSOP	69 -123
1407 5376	IC - SN74LV32APW	69 -124
1407 5376	IC - SN74LV32APW	55 -161
1407 5392	IC - SN74LV541APW	69 -125
1407 5394	IC - SN74LV138APW	55 -162

Part No.	Description	Page and Index No.
1407 5394	IC - SN74LV138APW	69 -126
1407 5457	Clock Generator - W180-51G	55 -163
1407 5463	IC - SN74LV245APW	69 -127
1407 5469	IC - SN74LV07APW	55 -164
1407 5592	CMOS Logic - SN74LV139APW	55 -165
1407 5703	IC - CD4053BPW	55 -166
1407 5705	IC - SN74LVC06APW	69 -128
1407 5712	IC - SN74IV07ANS	69 -129
1407 5713	IC - SN74LV06APW	55 -167
1407 5793	Clock Generator - HD151TS304RP	69 -130
1407 6109	Controller - RF5V861-1020	69 -131
1407 6237	Clock Generator - -MB88154PNF-G-112-E1	69 -132
1408 0575	IC - M51957BFP	55 -168
1408 0875	Transistor-array - TD62382AF	55 -169
1408 1095	IC - BA10324AF	55 -170
1408 1401	Series Regulator - TA7808F	55 -171
1408 1454	Series Regulator - LM1085IS-3.3	69 -133
1408 1650	Series Regulator - LM1084IS-ADJ	69 -134
1503 0899	Crystal Oscillator - 15.936Mhz	69 -135
1503 0902	Crystal Oscillator - 40Mhz	69 -136
1503 1004	Oscillator - 19.6608Mhz	55 -172
1503 1151	Crystal Oscillator - 33.33Mhz	69 -137
1503 1152	Crystal Oscillator - 20Mhz	69 -138
1503 1153	Crystal Oscillator - 19.44Mhz	69 -139
1601 7752	Resistor Array - 10K $\Omega$ $\pm$ 5%	69 -140
1601 7757	Resistor 0 $\Omega$	69 -141
1601 7867	Resistor - 33 $\Omega$ $\pm$ 5% 1/16W	69 -142
1601 7868	Resistor Array - 82 $\Omega$ $\pm$ 5% 1/16W	69 -143
1601 7877	Resistor Array 4.7k $\Omega$ $\pm$ 5% 1/32W	55 -173
1601 7886	Resistor Array 3.3k $\Omega$ $\pm$ 5% 1/32W	69 -144
1601 7886	Resistor Array 3.3k $\Omega$ $\pm$ 5% 1/32W	55 -174
1601 7887	Resistor Array - 10K $\Omega$ $\pm$ 5% 1/32W	69 -145
1601 7887	Resistor Array - 10K $\Omega$ $\pm$ 5% 1/32W	55 -175
1601 7898	Resistor Array	55 -176
1601 7898	Resistor Array	69 -146

Part No.	Description	Page and Index No.
1601 7900	Resistor Array - 0 $\Omega$ $\pm$ 5%	69 -147
1601 7959	Resistor	55 -177
1601 7959	Resistor	69 -148
1601 7960	Resistor Array - 100 $\Omega$ $\pm$ 5% 1/16W	55 -178
1601 7960	Resistor Array - 100 $\Omega$ $\pm$ 5% 1/16W	69 -149
1601 7983	Resistor Array - 2.2k $\Omega$ - $\pm$ 5% - 1/16W	55 -179
1604 4728	Capacitor - 100 $\mu$ F $\pm$ 20% 16V	69 -150
1605 1038	Capacitor - 680pf - $\pm$ 10% - 50V	69 -151
1605 1106	Ceramic Capacitor - 2200 pF $\pm$ 10% 50V	55 -180
1605 1137	Capacitor - 470pF $\pm$ 10% 50V	55 -181
1605 1148	Capacitor - 0.1 $\mu$ F +80-20% 50V	55 -182
1605 1161	Capacitor - 0.33 $\mu$ F $\pm$ 10% 10V	69 -152
1605 1212	Capacitor - 470pF $\pm$ 10% 50V	69 -153
1605 1228	Capacitor - 0.1 $\mu$ F - $\pm$ 10% - 25V	69 -154
1605 1234	Capacitor - 4700pf - $\pm$ 10% - 50V	69 -155
1605 1250	Capacitor - 0.068 $\mu$ F - $\pm$ 10% - 10V	69 -156
1605 1287	Capacitor - 0.47 $\mu$ F +80-20% 25V	55 -183
1605 1306	Capacitor - 1 $\mu$ F $\pm$ 10% 10V	69 -157
1605 1355	Ceramic Capacitor - 680pf - $\pm$ 10% - 50V	69 -158
1605 1357	Capacitor - 10 $\mu$ F - $\pm$ 10% - 6.3V	69 -159
1605 1358	Capacitor - 10 $\mu$ F $\pm$ 10% 10V	69 -160
1605 1371	Capacitor - 4.7 $\mu$ F - +80-20% - 6.3V	69 -161
1607 0663	Ferrite Core - TFC-20-10-10	11 -105
1607 0732	Noise Filter - AEF321825-470	55 -184
1607 0747	FPC Core - FPC-25-12	21 -115
1607 0747	FPC Core - FPC-25-12	15 -108
1607 0861	Filter - BK2125HS101	69 -162
1607 1486	Filter - BLM31PG330SN1B	69 -163
1607 1580	Filter - NFR21GD1016802B	55 -185
1610 1637	Resistor - 1 $\Omega$ - $\pm$ 1% - 1/2w - 3216	55 -186
1610 1731	Resistor - 24k $\Omega$ - $\pm$ 0.5% - 1/10W - 1608	69 -164
1630 1161	Resistor - 160 $\Omega$ $\pm$ 5% 1/8W	55 -187
1630 4102	Resistor - 1.0K $\Omega$ $\pm$ 5% 1/16W	69 -165
1634 0000	Resistor - 0 $\Omega$ 1/16W	69 -166
1634 0000	Resistor - 0 $\Omega$ 1/16W	55 -188

Part No.	Description	Page and Index No.
1640 0471	Capacitor - 470 $\mu$ F $\pm$ 20% 10V	69 -167
1640 5101	Capacitor - 100 $\mu$ F $\pm$ 20% 50V	55 -189
1640 5470	Capacitor - 47 $\mu$ F $\pm$ 20% 50V	55 -190
1640 6102	Capacitor - 1000 $\mu$ F - $\pm$ 20% - 6.3V	69 -168
1642 5100	Capacitor - 10 $\mu$ F $\pm$ 20% 50V	55 -191
1642 5109	Capacitor - 1 $\mu$ F - $\pm$ 20% - 50V	55 -192
1642 5220	Capacitor - 22 $\mu$ F $\pm$ 20% 50V	55 -193
1642 5330	Capacitor - 33 $\mu$ F $\pm$ 20% 50V	55 -194
1642 6331	Capacitor - 330 $\mu$ F - $\pm$ 20% - 6.3V	69 -169
1650 2101	Resistor - 100 $\Omega$ $\pm$ 5% 1/4W	55 -195
1650 2121	Resistor - 120 $\Omega$ - $\pm$ 5% - 1/4W - 3216	55 -196
1650 2392	Resistor - 3.9K $\Omega$ $\pm$ 5% 1/4W	55 -197
1650 4100	Resistor - 10 $\Omega$ $\pm$ 5% 1/10W	69 -170
1650 4100	Resistor - 10 $\Omega$ $\pm$ 5% 1/10W	55 -198
1650 4101	Resistor - 100 $\Omega$ $\pm$ 5% 1/10W	55 -199
1650 4101	Resistor - 100 $\Omega$ $\pm$ 5% 1/10W	69 -171
1650 4102	Resistor - 1K $\Omega$ $\pm$ 5% 1/10W	55 -200
1650 4102	Resistor - 1K $\Omega$ $\pm$ 5% 1/10W	69 -172
1650 4103	Resistor - 10K $\Omega$ $\pm$ 5% 1/10W	55 -201
1650 4103	Resistor - 10K $\Omega$ $\pm$ 5% 1/10W	69 -173
1650 4104	Resistor - 100K $\Omega$ $\pm$ 5% 1/10W	69 -174
1650 4104	Resistor - 100K $\Omega$ $\pm$ 5% 1/10W	55 -202
1650 4121	Resistor - 120 $\Omega$ $\pm$ 5% 1/10W	69 -175
1650 4121	Resistor - 120 $\Omega$ $\pm$ 5% 1/10W	55 -203
1650 4152	Resistor - 1.5K $\Omega$ $\pm$ 5% 1/10W	69 -176
1650 4154	Resistor - 150k $\Omega$ $\pm$ 5% 1/10W	55 -204
1650 4163	Resistor - 16k $\Omega$ $\pm$ 5% 1/10W 1608	55 -205
1650 4181	Resistor - 180 $\Omega$ $\pm$ 5% 1/10W	55 -206
1650 4202	Resistor - 2K $\Omega$ $\pm$ 5% 1/10W	55 -207
1650 4203	Resistor - 20K $\Omega$ $\pm$ 5% 1/10W	55 -208
1650 4204	Resistor - 200K $\Omega$ $\pm$ 5% 1/10W	55 -209
1650 4220	Chip Resistor - 22 $\Omega$ $\pm$ 5% 1/10W	69 -177
1650 4222	Resistor - 2.2K $\Omega$ $\pm$ 5% 1/10W	69 -178
1650 4222	Resistor - 2.2K $\Omega$ $\pm$ 5% 1/10W	55 -210
1650 4223	Resistor - 22K $\Omega$ $\pm$ 5% 1/10W	69 -179

Part No.	Description	Page and Index No.
1650 4243	Resistor - 24K $\Omega$ $\pm$ 5% 1/10W	55 -211
1650 4272	Resistor - 2.7K $\Omega$ $\pm$ 5% 1/10W	55 -212
1650 4330	Chip Resistor - 33 $\Omega$ $\pm$ 5% 1/10W	69 -180
1650 4330	Chip Resistor - 33 $\Omega$ $\pm$ 5% 1/10W	55 -213
1650 4332	Resistor - 3.3K $\Omega$ $\pm$ 5% 1/10W	69 -181
1650 4332	Resistor - 3.3K $\Omega$ $\pm$ 5% 1/10W	55 -214
1650 4391	Resistor - 390 $\Omega$ $\pm$ 5% 1/10W	55 -215
1650 4392	Chip Resistor - 3.9k $\Omega$ $\pm$ 5% 1/10W	55 -216
1650 4430	Resistor - 43 $\Omega$ $\pm$ 5% - 1/10W	69 -182
1650 4472	Resistor - 4.7K $\Omega$ $\pm$ 5% 1/10W	55 -217
1650 4472	Resistor - 4.7K $\Omega$ $\pm$ 5% 1/10W	69 -183
1650 4473	Resistor - 47K $\Omega$ $\pm$ 5% 1/10W	55 -218
1650 4511	Resistor - 510 $\Omega$ $\pm$ 5% 1/10W	69 -184
1650 4513	Resistor - 51K $\Omega$ $\pm$ 5% 1/10W	55 -219
1650 4519	Resistor - 5.1 $\Omega$ - $\pm$ 5% - 1/10W	69 -185
1650 4562	Resistor - 5.6K $\Omega$ $\pm$ 5% 1/10W	55 -220
1650 4562	Resistor - 5.6K $\Omega$ $\pm$ 5% 1/10W	69 -186
1650 4563	Resistor - 56K $\Omega$ $\pm$ 5% 1/10W	69 -187
1650 4620	Resistor - 62 $\Omega$ $\pm$ 5% 1/10W	55 -221
1650 4620	Resistor - 62 $\Omega$ $\pm$ 5% 1/10W	69 -188
1650 4680	Resistor - 68 $\Omega$ $\pm$ 5% 1/10W	69 -189
1650 4682	Resistor - 6.8K $\Omega$ $\pm$ 5% 1/10W	69 -190
1650 4751	Resistor - 750 $\Omega$ $\pm$ 5% 1/10W	55 -222
1650 4752	Resistor - 7.5k $\Omega$ - $\pm$ 5% - 1/10W - 1608	55 -223
1650 4820	Resistor - 82 $\Omega$ $\pm$ 5% 1/10W	69 -191
1654 1022	Resistor - 10.2k $\Omega$ - $\pm$ 1% - 1/10W - 1608	55 -224
1654 1100	Resistor - 110 $\Omega$ $\pm$ 1% 1/10W	69 -192
1654 1210	Resistor - 121 $\Omega$ $\pm$ 1% 1/10W	69 -193
1654 1500	Resistor - 150 $\Omega$ $\pm$ 1% 1/10W	69 -194
1654 1961	Resistor - 1.96K $\Omega$ $\pm$ 1% 1/10W	55 -225
1654 2001	Chip Resistor - 2k $\Omega$ $\pm$ 1% 1/10W	69 -195
1654 3002	Resistor - 30K $\Omega$ $\pm$ 1% 1/10W	55 -226
1654 3831	Resistor - 3.83K $\Omega$ $\pm$ 1% 1/10W 1608	55 -227
1654 5109	Resistor - 51 $\Omega$ - $\pm$ 1% - 1/10W	69 -196
1654 5231	Resistor - 5.23K $\Omega$ $\pm$ 1% 1/10W	55 -228

Part No.	Description	Page and Index No.
1654 5360	Resistor - 536Ω ±1% 1/10W 1608	55 -229
1654 5609	Resistor - 56Ω - ±1% - 1/10W	69 -197
1660 0100	Capacitor - 10PF ±0.5pF 50V	69 -198
1660 0100	Capacitor - 10PF ±0.5pF 50V	55 -230
1660 2151	Capacitor - 150pF ±20% 35V	69 -199
1660 2221	Capacitor - 220pF +80-20% 50V	55 -231
1660 2330	Capacitor - 33pF - ±5% - 50V	69 -200
1660 2470	Capacitor - 47pF ±5% 50V	55 -232
1660 2470	Capacitor - 47pF ±5% 50V	69 -201
1660 2471	Capacitor - 470pF - ±5% - 50V	69 -202
1660 4103	Capacitor - 10000pF - ±10% - 50V	69 -203
1660 4222	Capacitor - 2200pF - ±10% - 50V	69 -204
1660 4682	Capacitor - 6800pF 50V 1608	69 -205
1660 6103	Capacitor - 10000pF - +80%-20%50V	69 -206
1660 6103	Capacitor - 10000pF - +80%-20%50V	55 -233
1660 8104	Capacitor - 0.1μF +80-20% 25V	69 -207
1902 0043	IC - 4MX8 70NS G2	55 -234
1904 0031	SRAM - CY7C1021 1M X16 70ns G1	55 -235
1907 0022	SDRAM 64M 1MX16X4 133Mhz G1	69 -208

Part No.	Description	Page and Index No.
5053 0223	Bushing - 8mm	15 - 9
5053 0223	Bushing - 8mm	17 - 2
5053 0447	Bushing - 6mm	31 - 29
5203 9501	Grease 501	75 - 1
5205 3093	Bushing - 8mm	25 - 25
5205 3103	Bushing - 6mm	25 - 5
5206 2686	Snap Ring	23 - 11
5215 4121	Spring - Oil Blade	39 - 29
5215 5304	Toner Overflow Sensor	9 - 18
5403 1910	Spring Anchor - Stopper Lever	47 - 31
5403 2075	Stepped Screw	37 - 5
5403 2075	Stepped Screw	31 - 2
5413 1882	Stepped Screw	13 - 22
5413 3903	Pin - Transfer Guide Plate	9 - 2
5415 2904	Stopper Pin	25 - 29
5442 2751	Bushing - Upper Registration Roller	19 - 19
5446 1134	Bearing Case	25 - 3
5446 2824	Screw - Duplex Guide Plate	25 - 13
5446 2824	Screw - Duplex Guide Plate	19 - 1
5446 2824	Screw - Duplex Guide Plate	9 - 19
5446 6214	Shaft Holder - Pick-up Roller	25 - 10
5447 2769	Stepped Screw	15 - 5
5840 3022	Stopper Screw - M3	43 - 1
5887 4176	Screw	31 - 23
5918 3120	Stud - M4	39 - 2