

ARDF DF3010 (B802)

ARDF DF3010 (B802)

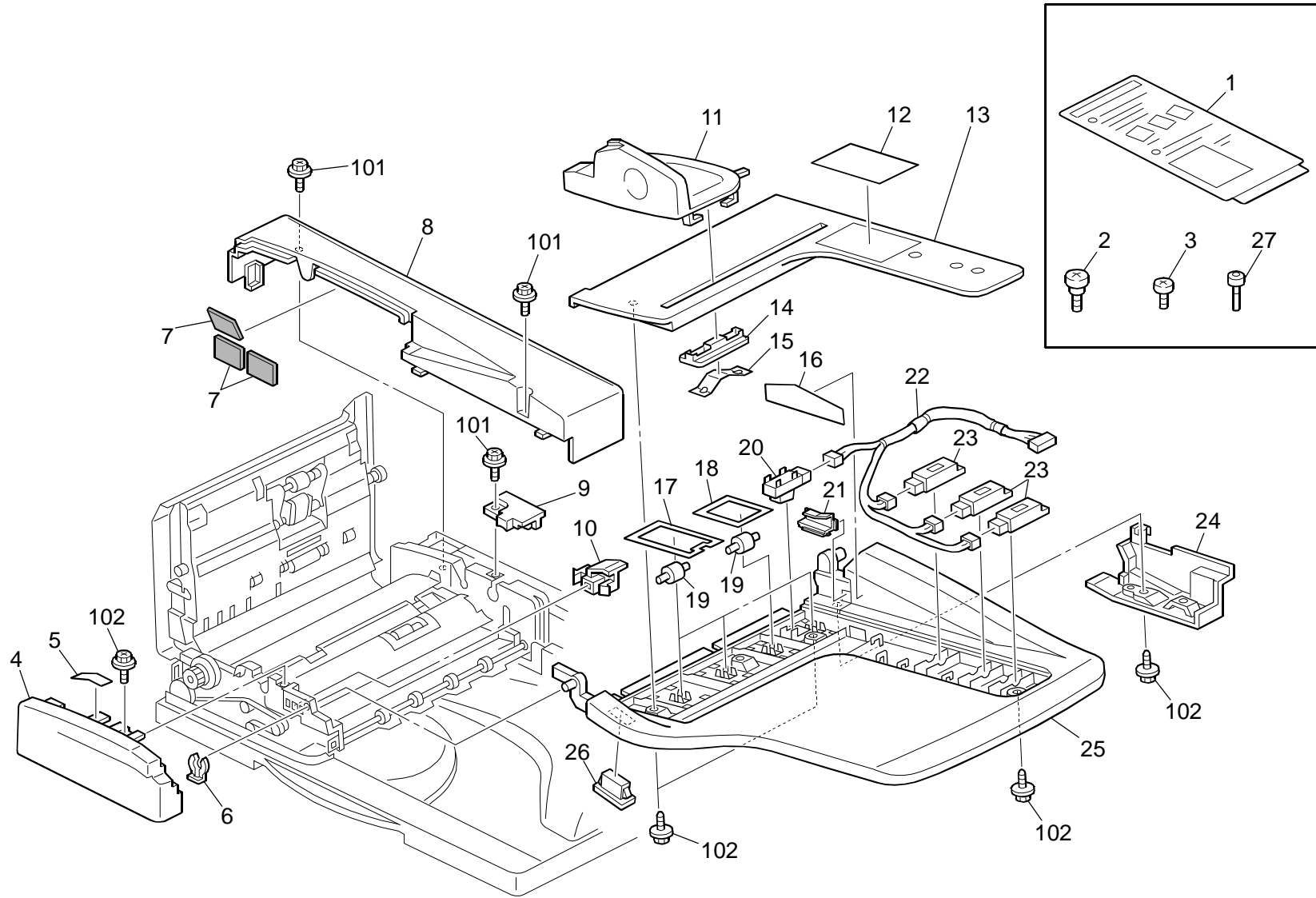
PARTS CATALOG

This catalog gives the numbers and names of parts on this machine.

1.Exterior (B802)	2
2.Original Feed 1 (B802).....	4
3.Original Feed 2 (B802).....	6
4.Original Feed 3 (B802).....	8
5.Original Transfer 1 (B802)	10
6.Original Transfer 2 (B802)	12
7.Original Transfer 3 (B802)	14
8.Drive Section 1 (B802)	16
9.Drive Section 2 (B802)	18
10.Electrical Sectio (B802).....	20
11.Frame Section (B802).....	22
12.Decals and Documents (B802)	24
Parts Index.....	28

July ,19 ' 2007

1.Exterior (B802)

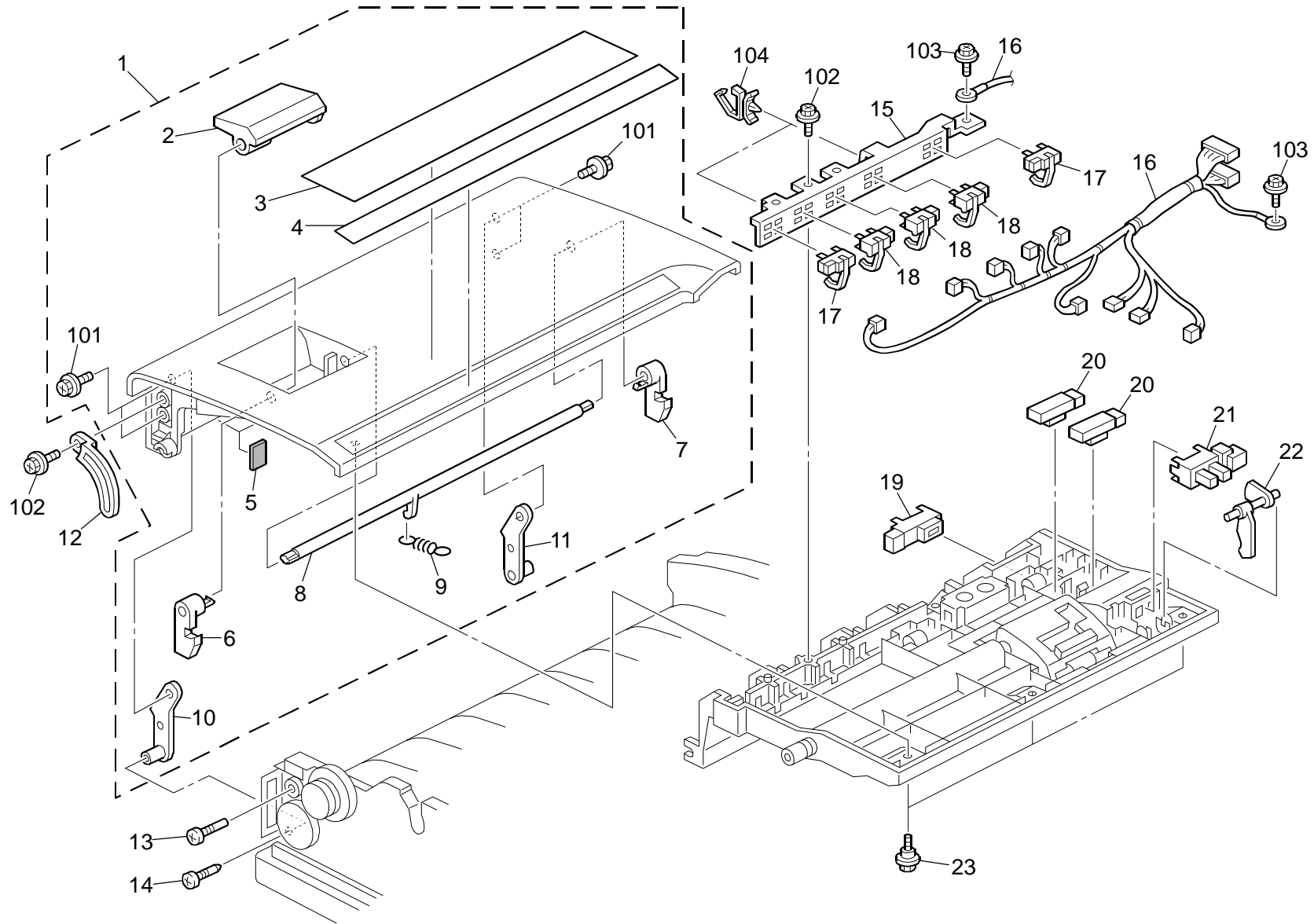


1.Exterior (B802)

Index No.	Part No.	Description	Q'ty Per Assembly
1	B652 2379	Decal:Caution:Original:5-Lang	1
2	A859 7211	Stepped Screw	2
3	B802 6121	Screw:Fix:Hinge	2
4	B802 4411	Cover:Front	1
5	B802 6013	Decal:Display:Misfeed Removal:P1	1
6	5215 2621	Snap Ring - M6	1
7	B802 4712	Sound Proofing Material:Cover:Rear	3
8	B802 4511	Cover:Rear	1
9	B802 2551	Stay:Original Table:Contact Point	1
10	B802 2581	Stopper:Original Table	1
11	B802 2526	Side Fence	1
12	B789 6031	Decal - Original Table	1
13	B802 2522	Original Table:Face Front	1
14	B802 2536	Slider:Side Fence	1
15	B802 2532	Spring Plate:Side Fence	1
16	B802 6011	Decal:Side Fence	1
17	B802 2571	Spring Plate:0.2t	3
18	A858 4676	Spring Plate - Pressure Roller	1
19	A858 4671	Roller Driven	4
20	GW01 0007	Photo Refiection Sensor:Exit	1
21	B802 2541	Guide:Original Insert	1
22	B802 5750	Harness:Original Table	1
23	AW01 0129	Photo Refiection Sensor	3
24	B802 2562	Plate:Contact Point	1
25	B802 2512	Original Table	1
26	AG07 0513	Magnet Catch	1
27	H511 5007	Stamp	1

Index No.	Part No.	Description	Q'ty Per Assembly
101	0451 3006N	Tapping Screw - 3x6	
102	0450 3008N	Tapping Screw - M3x8	

2.Original Feed 1 (B802)

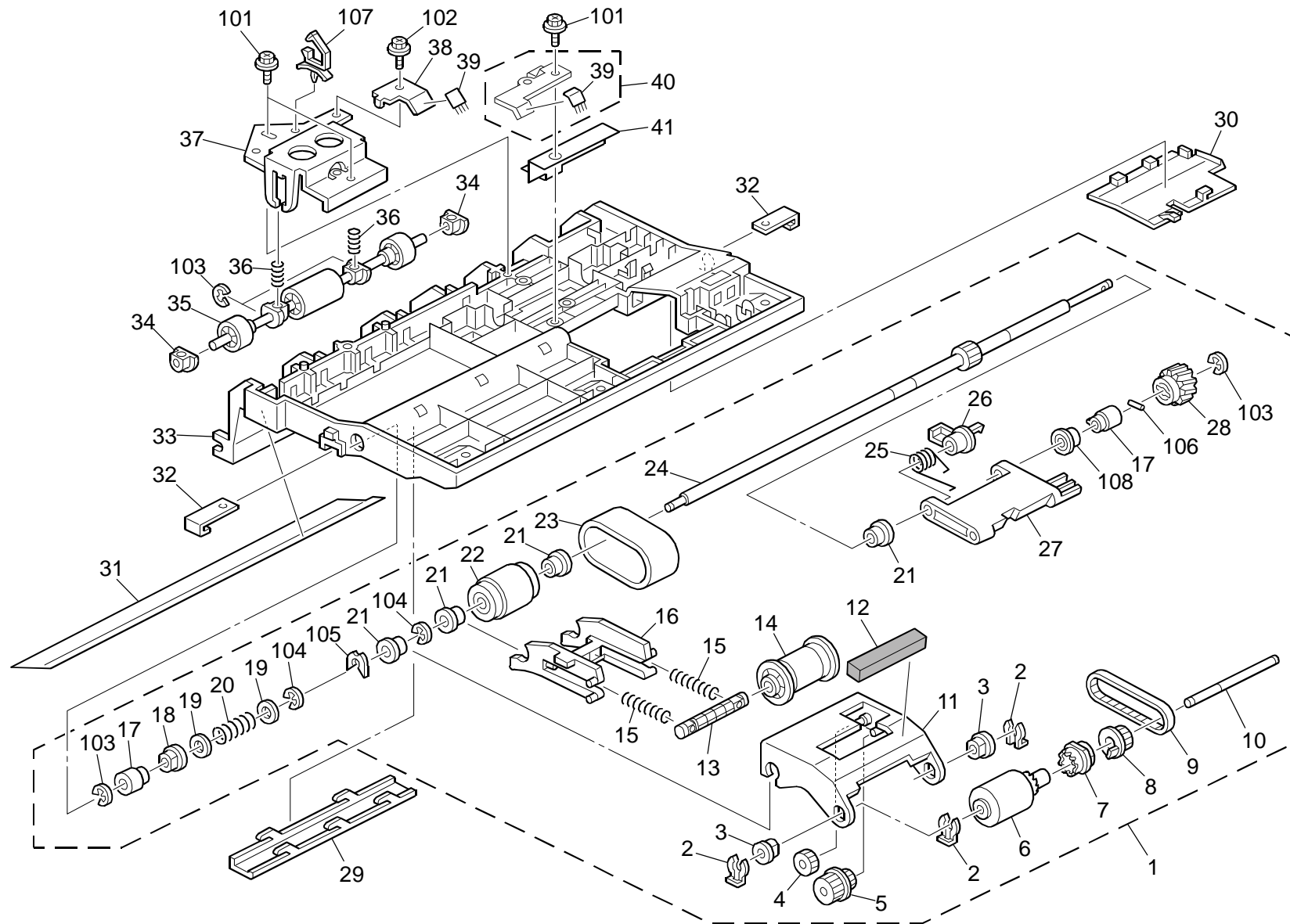


2.Original Feed 1 (B802)

Index No.	Part No.	Description	Q'ty Per Assembly
1	B802 4121	Cover:Paper Feed	1
2	B802 4152	Grip:Cover	1
3	B802 6012	Decal:Misfeed Removal:Original	1
4	B652 1807	Decal:Size:Original	1
5	B802 4711	Sound Proofing Material	5
6	B802 4154	Hook:Grip:Cover:Front	1
7	B802 4155	Hook:Grip:Cover:Inner Back	1
8	B802 4158	Shaft:Grip:Cover	1
9	AA06 2262	Tension Spring	1
10	B802 4241	Bracket:Cover:Front	1
11	B802 4231	Bracket:Cover:Inner Back	1
12	B802 4162	Stopper:Cover	1
13	AA14 3789	Shaft:Cleaner	1
14	AA14 3788	Pin:Guide Plate:Paper Feed	1
15	B802 4252	Bracket:Paper Size Sensor	1
16	B802 5840	Harness:Paper Feed	1
17	AW02 0154	Photointerruptor:Entrance	2
18	AW02 0155	Photointerruptor:Paper Size Sensor	3
19	GW01 0007	Photo Refiection Sensor:Exit	1
20	AW01 0091	Photo Reflection Sensor	1
21	GW02 0020	Photointerruptor:Lg248n1	1
22	B802 4263	Feeler:Original Sensor	1
23	GA14 3003	Screw:Mm5:2.5MM	3

Index No.	Part No.	Description	Q'ty Per Assembly
101	0451 3010N	Tapping Screw:3x10	
102	0450 3008N	Tapping Screw - M3x8	
103	0451 3006N	Tapping Screw - 3x6	
104	1105 0516	Clamp	

3.Original Feed 2 (B802)

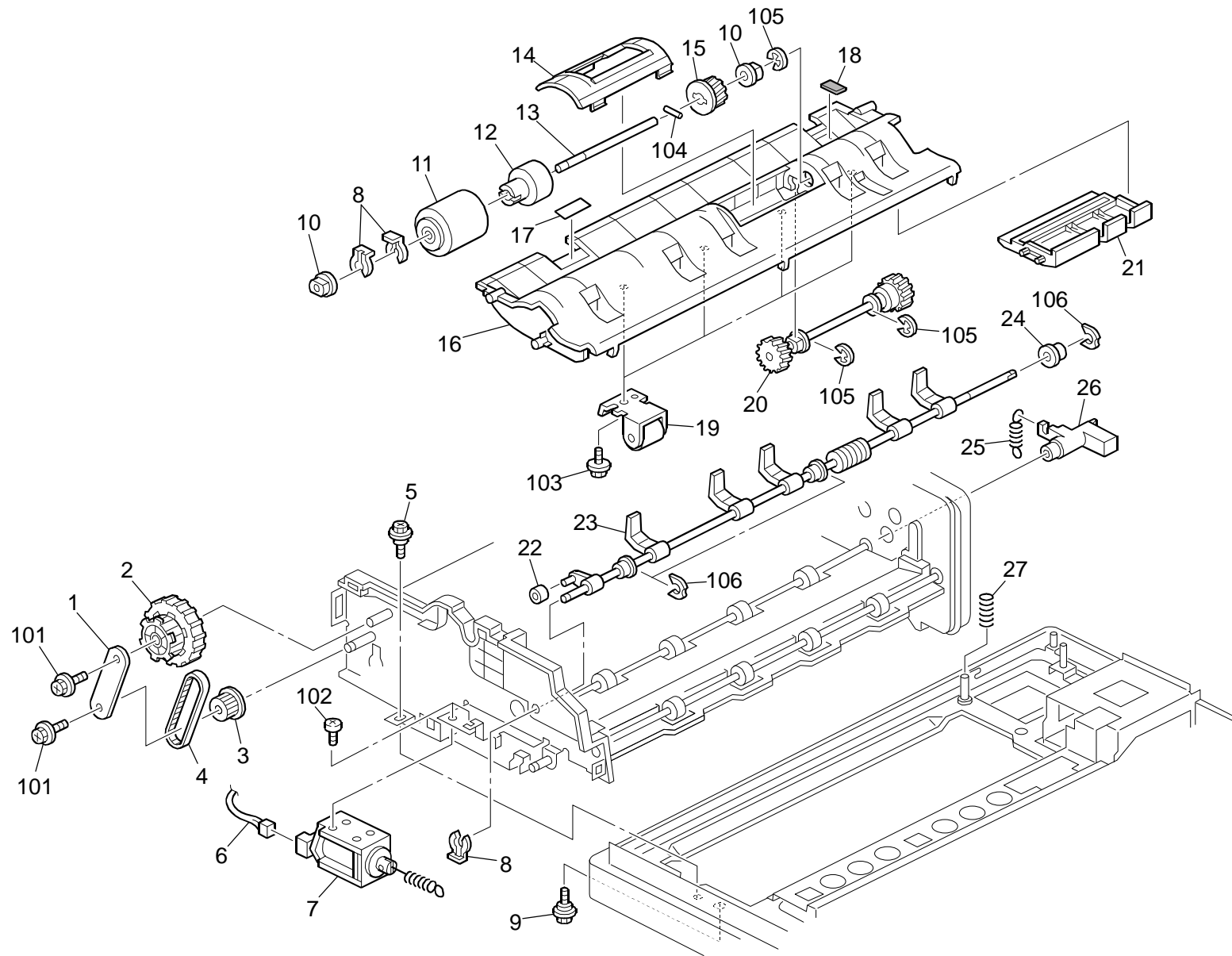


3.Original Feed 2 (B802)

Index No.	Part No.	Description	Q'ty Per Assembly
1	B802 4311	Paper Feed:Unit	1
2	5447 2681	Snap Ring	3
3	AA08 2101	Bushing - 6x10x6	2
4	B802 4357	Gear:Z19	1
5	B802 4358	Timing Pulley:Gear:T19/Z22	1
6	B802 4361	Roller:Pickup	1
7	B387 2163	Pickup Collar	1
8	B802 4372	Timing Pulley:T21	1
9	AA04 3328	Timing Belt:40S2M130	1
10	B802 4352	Shaft:Pickup	1
11	B802 4355	Bracket:Pickup	1
12	B802 4359	Cushion:Pickup	1
13	A859 2112	Drive Shaft - Paper Feed Belt	1
14	B387 2113	Roller - Paper Feed Belt	1
15	B386 3320	Spring:Belt:Paper Feed:8N	2
16	B802 4333	Bracket:Paper Feed Belt	1
17	B802 4326	Collar:Shaft	2
18	AA08 2104	Bushing - 8x12x7	1
19	AA13 2013	Spacer	2
20	AA06 3435	Compression Spring:Paper Feed:Joint	1
21	A628 1225	Bushing - 8mm	4
22	B789 2114	Paper Feed Belt Roller	1
23	A806 1295	Feed Belt	1
24	B802 4322	Shaft:Drive	1
25	AA06 6376	Torsion Spring:Pickup:Pressure	1
26	B802 4323	Holder	1
27	B802 4325	Lever:Pickup:Release	1
28	B802 4328	Gear:Z20	1
29	B802 4228	Drum Stay:Upper:Front	1
30	B802 4227	Drum Stay:Upper:Inner Back	1
31	B802 4229	Sheet:Guide:Upper	1
32	B802 4224	Spring Plate:Upper	2
33	B802 4222	Guide:Upper	1
34	AA08 0288	Bushing:DIA6	2
35	B802 4295	Driven Roller:Pull Out	1

Index No.	Part No.	Description	Q'ty Per Assembly
36	AA06 3441	Compression Spring	2
37	B802 4282	Bracket:Driven Roller:Pull Out	1
38	B802 4292	Ground Plate:Driven Roller:Pull Out	1
39	G052 4892	Discharge Brush:Exit:Small	2
40	B802 4265	Ground Plate	1
41	B802 4225	Sheet:Driven Roller:Pull Out	1
101	0450 3008N	Tapping Screw - M3x8	
102	0451 3006N	Tapping Screw - 3x6	
103	0720 0040E	Retaining Ring - M4	
104	0720 0060E	Retaining Ring - M6	
105	0805 0088	Retaining Ring - M6	
106	0632 0100G	Pin - 2x10mm	
107	1105 0516	Clamp	
108	0741 3506	Ball Bearing - 6x12x4 MM	

4.Original Feed 3 (B802)

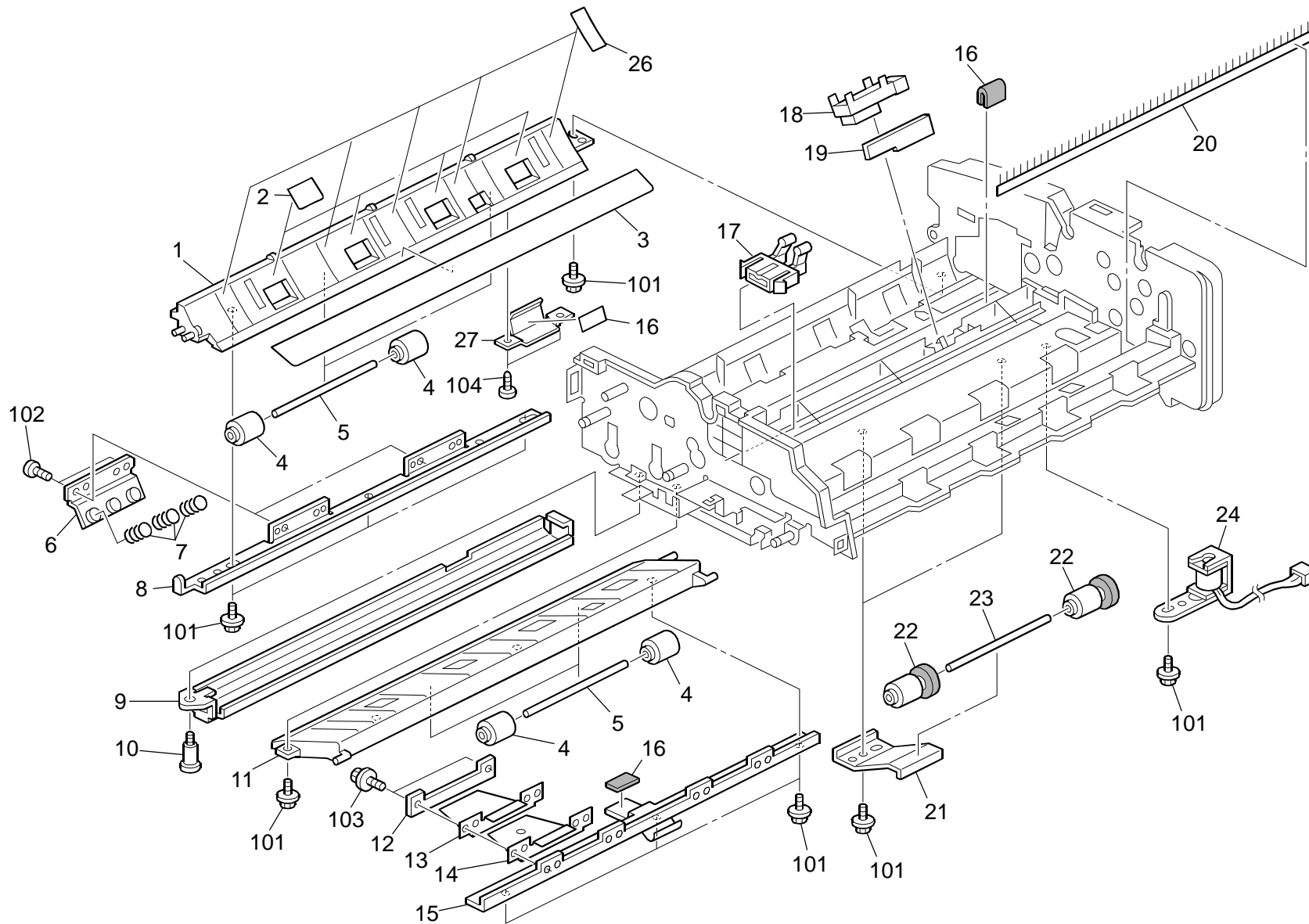


4.Original Feed 3 (B802)

Index No.	Part No.	Description	Q'ty Per Assembly
1	B802 1773	Bracket:Shaft:Side Plate:Front	1
2	B802 1777	Knob:Misfeed Removal:T27	1
3	B312 1615	Tension Roller	1
4	B802 1772	Timing Belt:40S3M189	1
5	AA14 3823	Tapping Screw	1
6	B802 5790	Harness:Solenoid	1
7	B802 3811	DC Solenoid:24V	1
8	5447 2681	Snap Ring	3
9	AA06 3919	Spring:Pressure	1
10	AA08 2101	Bushing - 6x10x6	2
11	A859 2241	Reverse Roller	1
12	A294 6700	Torque Limiter - 53mnm	1
13	B802 2252	Shaft:Roller:Reverse	1
14	B802 2225	Drum Stay:Guide:Reverse	1
15	B802 2253	Gear:Z20	1
16	B802 2222	Guide:Reverse:Open And Close	1
17	B802 6014	Decal:Display:Misfeed Removal:P2	1
18	A422 1063	Seal - 0.7x13x20	1
19	B802 2285	Roller:Reverse Exit:Driven	4
20	B802 2231	Shaft:Reverse:Drive:Press Fit	1
21	B802 2227	Guide:Reverse:Open And Close:Behind	1
22	A458 2251	Cushion - Bin Solenoid Lever	1
23	B802 2111	Stopper Pawl:Paper Feed	1
24	AA08 0265	Bushing:6x8x5	1
25	AA06 0843	Tension Spring	1
26	B802 2115	Lever:Stopper Pawl	1

Index No.	Part No.	Description	Q'ty Per Assembly
101	0451 3006N	Tapping Screw - 3x6	
102	0353 0040N	Screw - M3x4	
103	0450 3008N	Tapping Screw - M3x8	
104	0632 0120G	Parallel Pin - 2x12	
105	0720 0040E	Retaining Ring - M4	
106	0805 0089	Retaining Ring - M4	

5.Original Transfer 1 (B802)

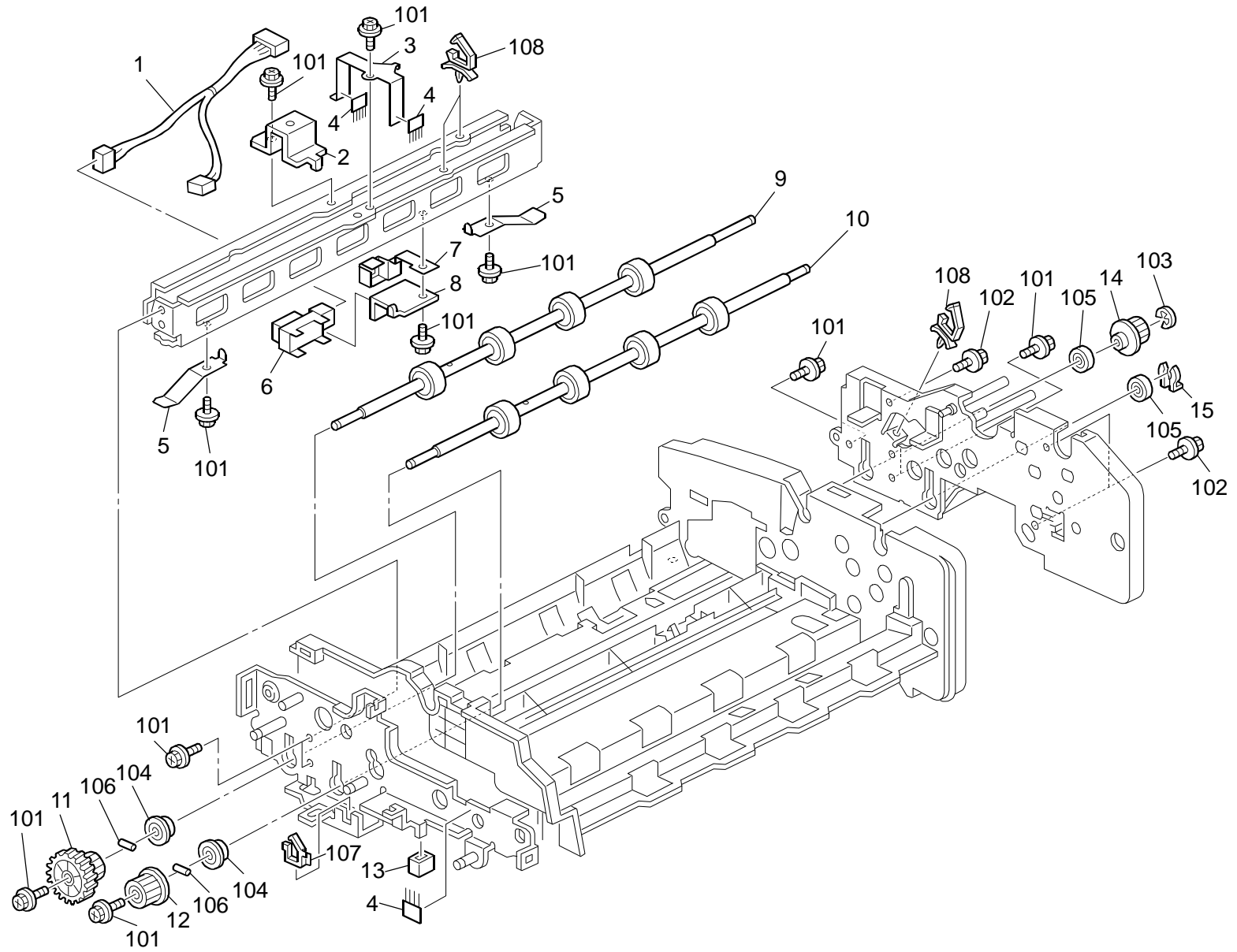


5.Original Transfer 1 (B802)

Index No.	Part No.	Description	Q'ty Per Assembly
1	B802 3415	Guide:Scanning:Entrance:Lower	1
2	B802 3413	Sheet:Roller:Scanning:Entrance	4
3	B802 3414	Sheet:Scanning:Entrance	1
4	B802 3471	Roller:Scanning:Driven	8
5	B802 3592	Shaft:Driven:Exit	2
6	B802 3431	Bracket:Entrance:Pressure:Ass'y	2
7	B802 3435	Compression Spring:3.3n	6
8	B802 3422	Stay:Scanning:Entrance:Lower	1
9	B802 3511	Guide Plate:Scanning	1
10	AA14 3569	Screw	1
11	B802 3553	Guide:Scanning:Exit:Lower	1
12	B802 3566	Plate:Exit:Pressure:Auxiliary	2
13	B802 3567	Spring Plate:Scanning:Exit:Driven:Upper	2
14	B802 3569	Spring Plate:Scanning:Exit:Driven:Lower	2
15	B802 3561	Stay:Scanning:Exit:Lower	1
16	A422 1063	Seal - 0.7x13x20	1
17	B802 2291	Stopper:Guide:Reverse	1
18	GW01 0007	Photo Refiection Sensor:Exit	1
19	B802 3851	Bracket:Sensor:Scanning:Exit	1
20	B802 3755	Discharge Brush:Reverse	1
21	B802 3711	Spring Plate	2
22	B789 3712	Exit Driven Roller	4
23	B789 3491	Scanning Driven Shaft	2
24	B714 5006	DC Solenoid:Transmitted Rubber Stamp	1
25	B802 3492	Shaft:Driven:Entrance	1
26	B802 3417	Sheet:Auxiliary:Scanning:Entrance	5
27	B802 3442	Sensor Barcket	1

Index No.	Part No.	Description	Q'ty Per Assembly
101	0450 3008N	Tapping Screw - M3x8	
102	0453 3006N	Tapping Screw - M3x6	
103	0451 3006N	Tapping Screw - 3x6	
104	0452 3006N	Binding Self-tapping Screw:3x6	

6.Original Transfer 2 (B802)

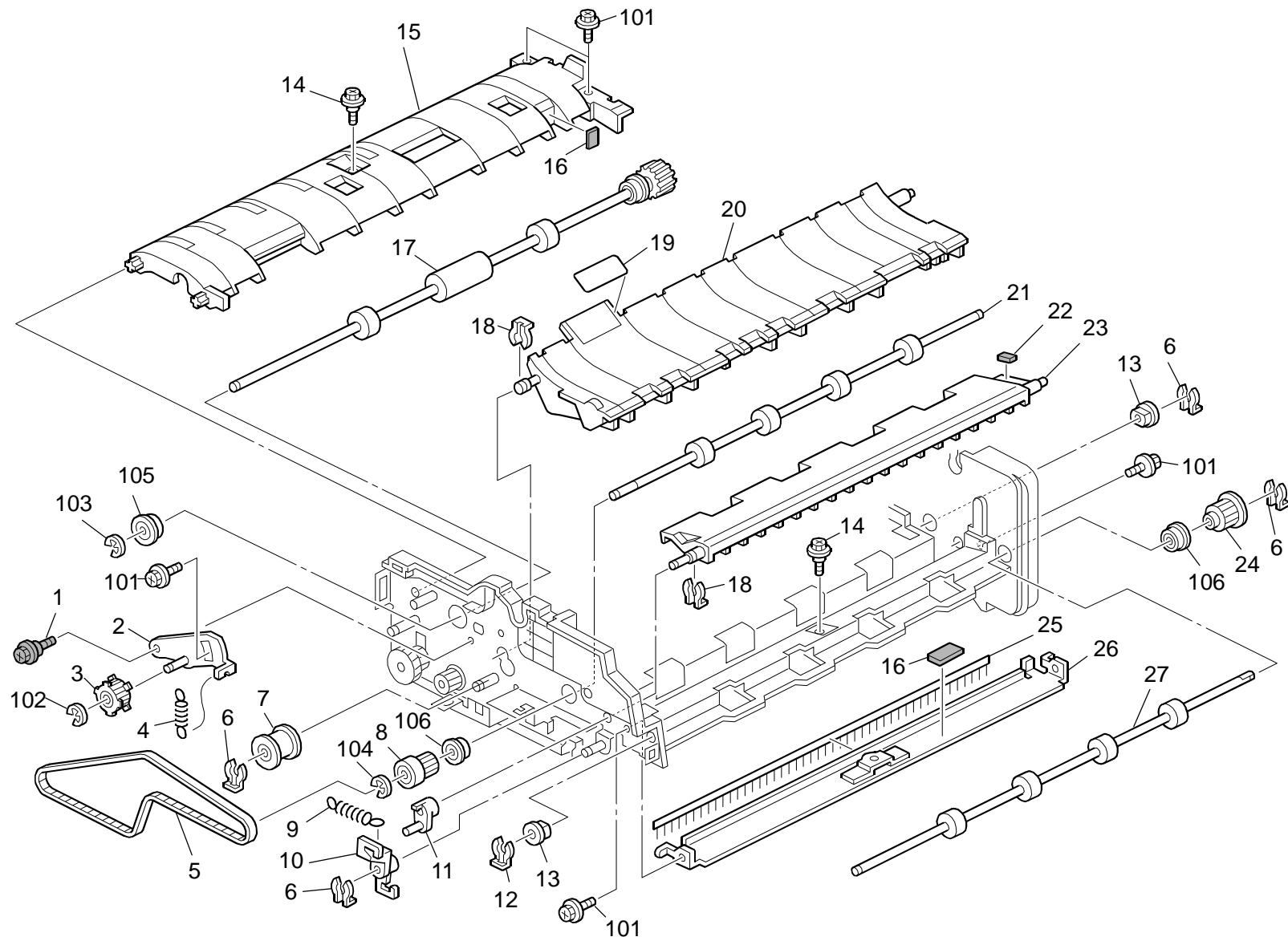


6.Original Transfer 2 (B802)

Index No.	Part No.	Description	Q'ty Per Assembly
1	B802 5810	Harness:Registration Sensor	1
2	B802 3381	Bracket:Guide:Paper Feed:Lower	1
3	B802 3147	Ground Plate:Roller:Scanning	1
4	G052 4892	Discharge Brush:Exit:Small	2
5	B802 3145	Spring Plate	2
6	GW01 0007	Photo Refiection Sensor:Exit	1
7	B802 3833	Shielding Plate:Sensor	1
8	B802 3834	Bracket:Registration Sensor	1
9	B802 3231	Roller:Scanning:Entrance	1
10	B802 3251	Roller:Scanning:Exit	1
11	B802 3234	Timing Pulley:T33/T24	1
12	B802 3252	Timing Pulley:T33	1
13	A697 2102	Damper - Junction Gate Solenoid	1
14	B802 3233	Timing Pulley:T33	1
15	5447 2681	Snap Ring	1

Index No.	Part No.	Description	Q'ty Per Assembly
101	0451 3006N	Tapping Screw - 3x6	
102	0450 3008N	Tapping Screw - M3x8	
103	0720 0040E	Retaining Ring - M4	
104	0741 3506	Ball Bearing - 6x12x4 MM	
105	0740 3506	Ball Bearimg - 6x12x4 MM	
106	0632 0100G	Pin - 2x10mm	
107	1105 0514	Edge Saddle - EDS-0607I	
108	1105 0511	Harness Clamp - LWS-0306ZC	

7.Original Transfer 3 (B802)

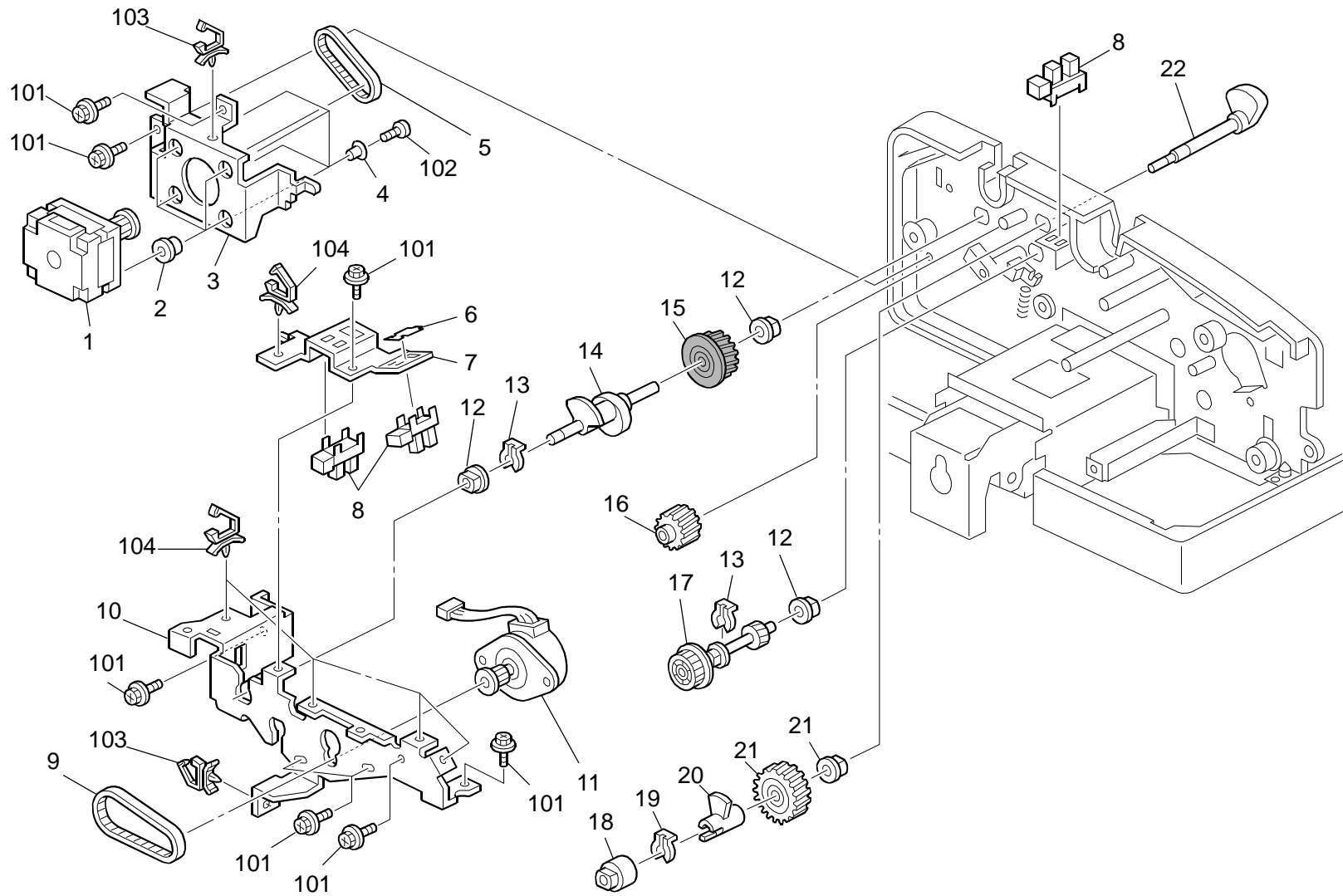


7.Original Transfer 3 (B802)

Index No.	Part No.	Description	Q'ty Per Assembly
1	B238 4483	Screw	1
2	B802 1755	Bracket:Tension	1
3	B802 1762	Timing Pulley:T31	1
4	AA06 0842	Tension Spring	1
5	AA04 3321	Timing Belt:40S1.5M378	1
6	5447 2681	Snap Ring	2
7	B802 1767	Pulley:Idler:DIA16	1
8	B802 3312	Timing Pulley:T26	1
9	AA06 2260	Tension Spring	1
10	B802 3631	Link:Solenoid	1
11	B802 3615	Lever:Exchange Powl:Reverse	1
12	G020 1160	Snap Ring	1
13	AA08 2101	Bushing - 6x10x6	2
14	AA14 3790	Screw:Contact Point	2
15	B802 3351	Guide:Paper Feed:Lower	1
16	A422 1063	Seal - 0.7x13x20	1
17	B802 3211	Roller:Pull Out	1
18	5215 2621	Snap Ring - M6	1
19	B802 6015	Decal:Display:Misfeed Removal:P3	1
20	B802 3651	Guide:Exit:Upper	1
21	B802 3311	Roller:Exit	1
22	B802 3612	Cushion:Exchange Powl	1
23	B802 3611	Exchange Powl:Reverse	1
24	B802 3332	Timing Pulley:T23	1
25	B802 3756	Discharge Brush:Exit	1
26	B802 3751	Stay:Reverse	1
27	B802 3331	Roller:Reverse	1

Index No.	Part No.	Description	Q'ty Per Assembly
101	0451 3006N	Tapping Screw - 3x6	
102	0720 0040E	Retaining Ring - M4	
103	0720 0060E	Retaining Ring - M6	
104	0720 0030E	Retaining Ring - M3	
105	0742 3808	Ball Bearing - 8x16x5	
106	0741 3506	Ball Bearing - 6x12x4 MM	

8. Drive Section 1 (B802)

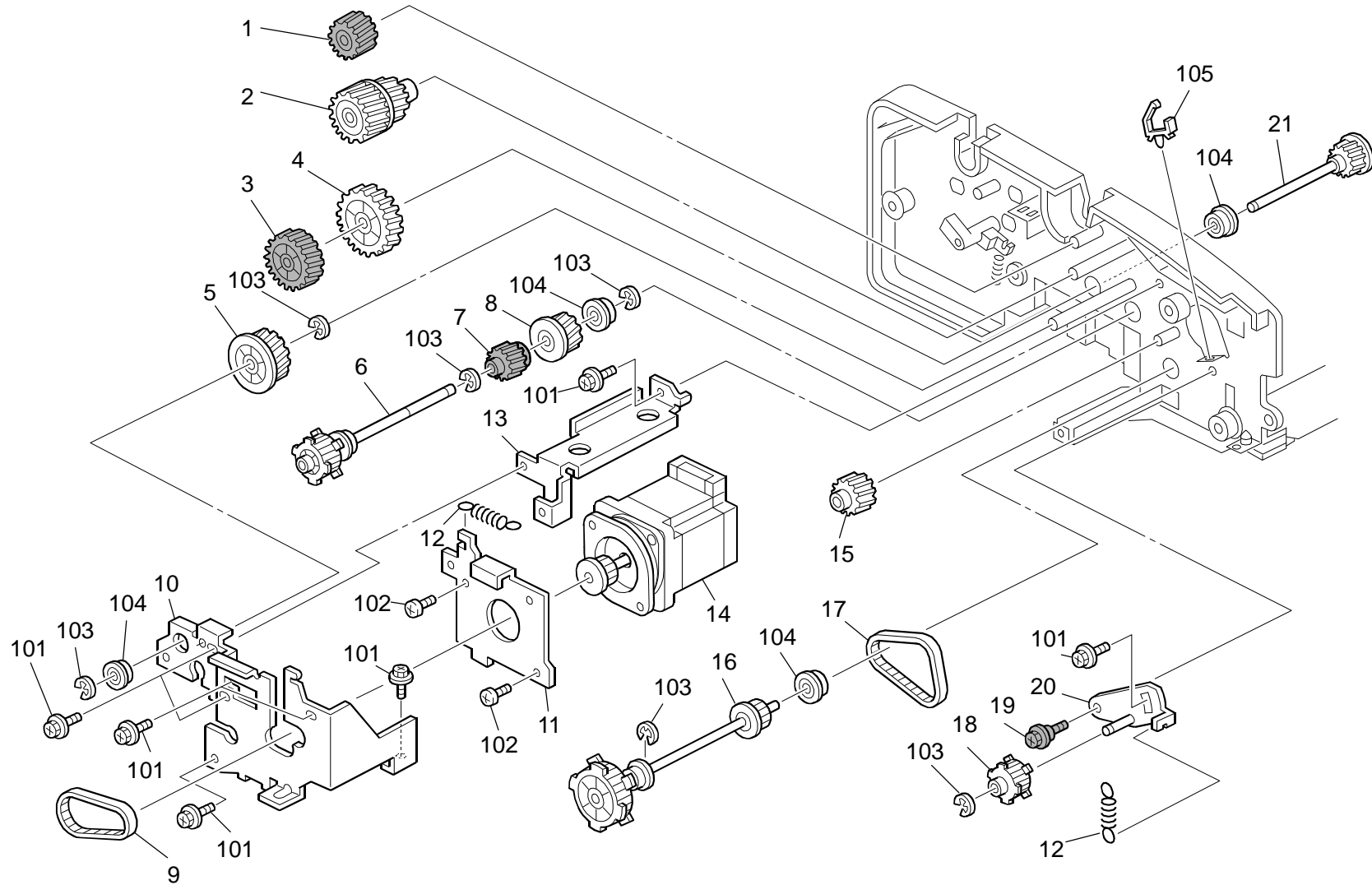


8.Drive Section 1 (B802)

Index No.	Part No.	Description	Q'ty Per Assembly
1	B802 1812	Stepper Motor:DC4.08V 2.4W	1
2	AA10 1021	Rubber Bushing - 6 45HS	4
3	B802 1815	Bracket:Reverse:Drive	1
4	B044 1825	Collar	4
5	J503 3116	Timing Belt:40S2M128	1
6	G570 1225	Sensor Shielding Plate	1
7	B802 1985	Bracket:Sensor:Pickup	1
8	GW02 0020	Photointerruptor:LG248NL1	3
9	AA04 3323	Timing Belt:40S2M120	1
10	B802 1925	Bracket:Pickup:Drive	1
11	B700 5805	Stepper Motor:Pm:S2m:T15:Ass'y	1
12	AA08 2101	Bushing - 6x10x6	3
13	5447 2681	Snap Ring	1
14	B802 1951	Cam:Stopper Pawl	1
15	B351 1791	Gear - 25Z	1
16	B351 1781	Gear - 18Z	1
17	B802 1931	Timing Pulley:T33-Z17	1
18	B802 1942	Stopper:Cam:Pickup	1
19	5206 2686	Snap Ring	1
20	B802 1943	Feeler:Cam:Pickup	1
21	A680 2261	Gear - 24Z	1
22	B802 1941	Cam:Pickup	1

Index No.	Part No.	Description	Q'ty Per Assembly
101	0451 3006N	Tapping Screw - 3x6	
102	0353 0060N	Bind Screw - M3x6	
103	1105 0511	Harness Clamp - LWS-0306ZC	
104	1105 0516	Clamp	

9. Drive Section 2 (B802)

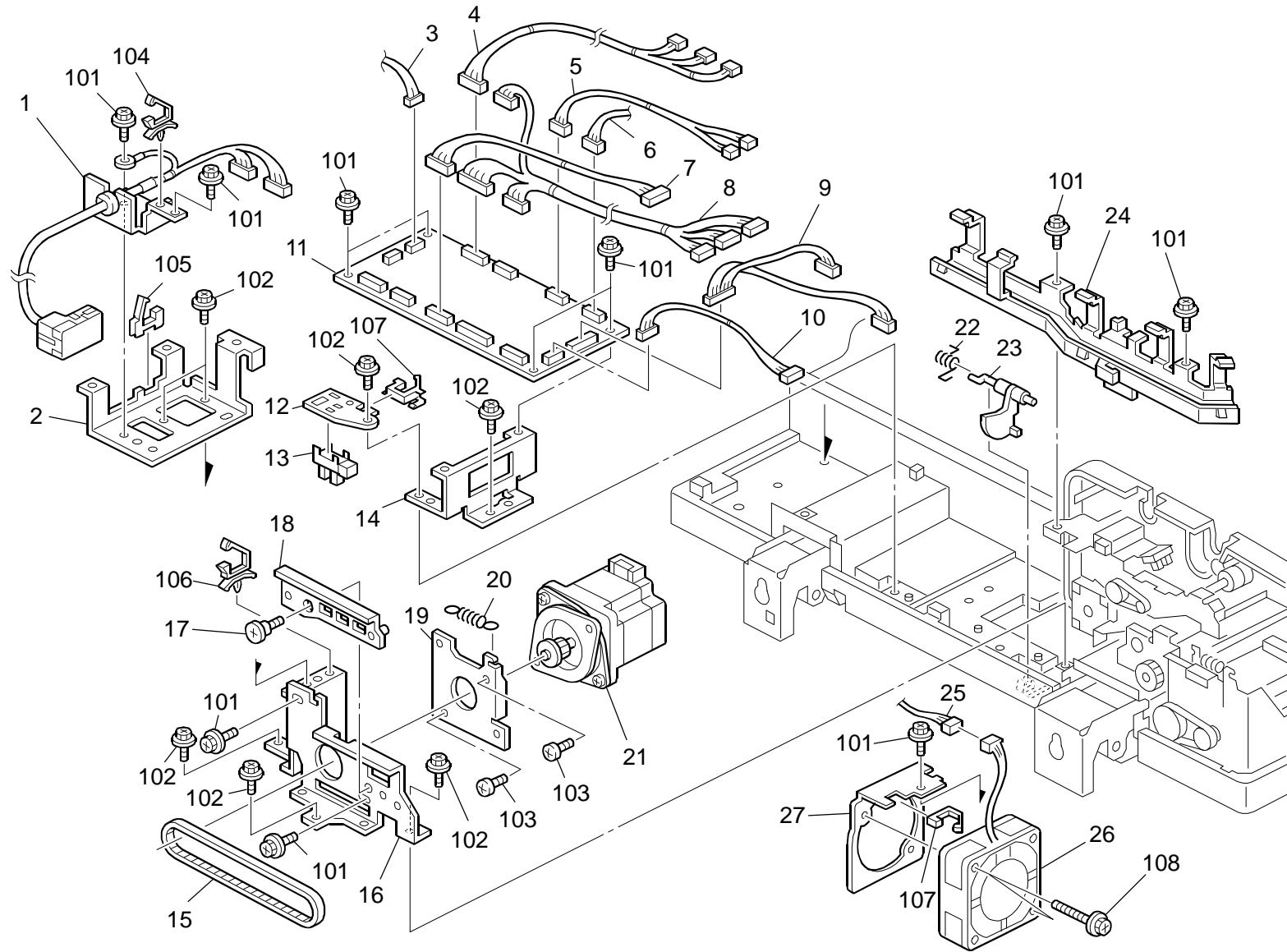


9. Drive Section 2 (B802)

Index No.	Part No.	Description	Q'ty Per Assembly
1	B802 1671	Gear:Z17	1
2	B802 1661	Gear:Z21/Z23	1
3	B802 1642	Gear:Z37	1
4	B802 1643	Gear:Z26	1
5	B802 1651	Gear:Z25	1
6	B802 1631	Timing Pulley:T31	1
7	B802 1632	Gear:Z18	1
8	B802 1633	Gear:Z19	1
9	AA04 3320	Timing Belt:40S1.5M150	1
10	B802 1715	Bracket:Stepper Motor	1
11	B802 1731	Stay:Motor:Scanning	1
12	AA06 0842	Tension Spring	2
13	B802 1736	Bracket:Protect:Drive	1
14	B802 1721	Stepper Motor:DC1.76V 3.7W	1
15	B802 1681	Gear:Z18	1
16	B802 1741	Timing Pulley:T31/T61	1
17	AA04 3322	Timing Belt:40S1.5M157.5	1
18	B802 1762	Timing Pulley:T31	1
19	B238 4483	Screw	1
20	B802 1755	Bracket:Tension	1
21	B802 1641	Gear:Z18	1

Index No.	Part No.	Description	Q'ty Per Assembly
101	0451 3006N	Tapping Screw - 3x6	
102	0453 4006N	Binding Self Tapping Screw:4x6	
103	0720 0040E	Retaining Ring - M4	
104	0741 3506	Ball Bearing - 6x12x4 MM	
105	1105 0511	Harness Clamp - LWS-0306ZC	

10. Electrical Sectio (B802)

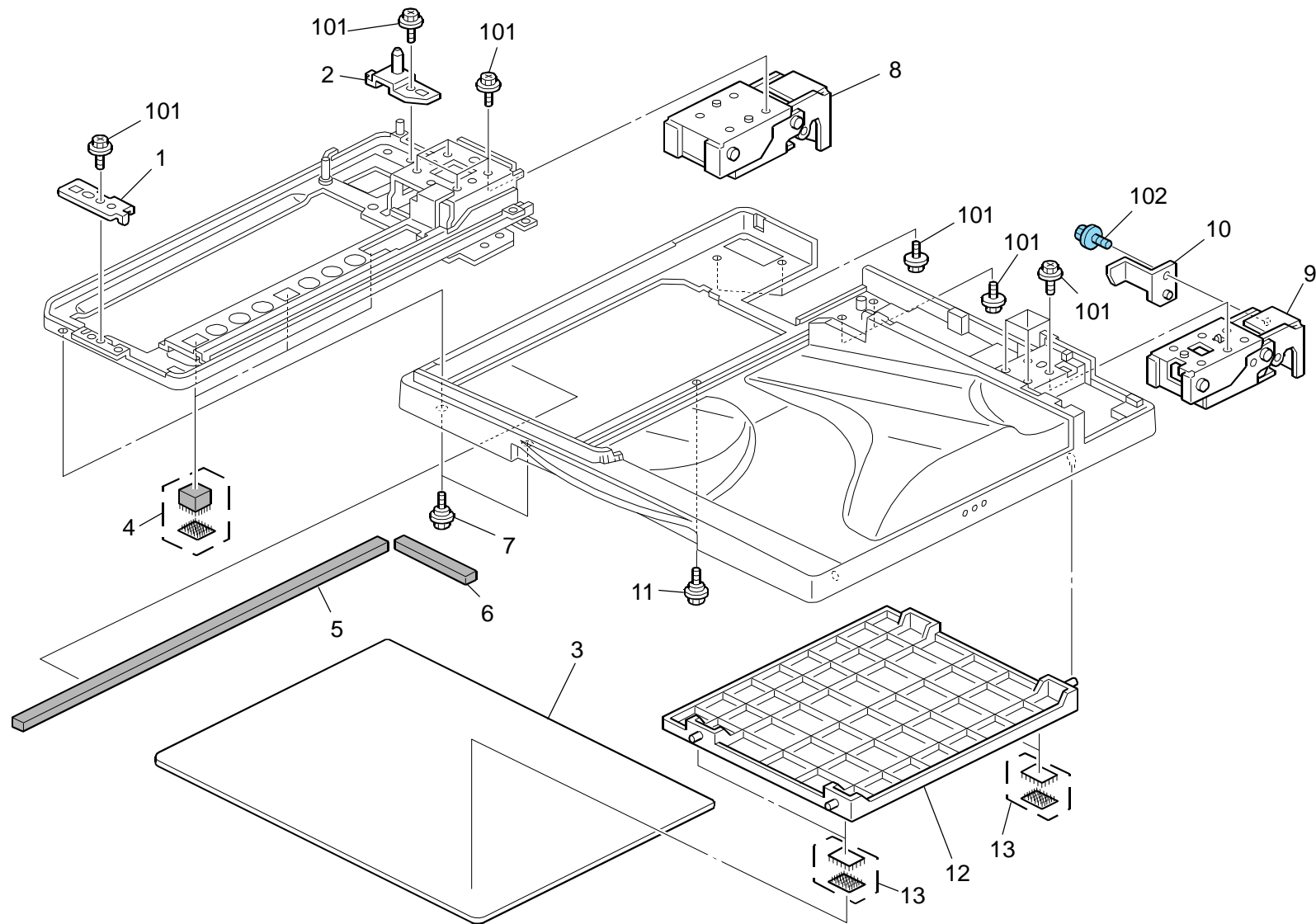


10.Electrical Sectio (B802)

Index No.	Part No.	Description	Q'ty Per Assembly
1	B802 5710	Harness:Interface	1
2	B802 1231	Bracket:PCB:Right	1
3	B802 5780	Harness:Lift_Up	1
4	B802 5730	Harness:Paper Feed	1
5	B802 5800	Harness:Solenoid	1
6	B802 5770	Harness:Motor:Reverse	1
7	B802 5740	Harness:Original Table	1
8	B802 5830	Harness:Guide	1
9	B802 5760	Harness:Motor:Paper Feed	1
10	B802 5820	Harness:Motor:Pick Up	1
11	B802 5501	Adfmain Board	1
12	B802 1246	Bracket:On Off Detector	1
13	GW02 0020	Photointerruptor:LG248NL1	1
14	B802 1236	Bracket:PCB:Left	1
15	B703 1165	Timing Belt:B40S2M390	1
16	B802 1612	Bracket:Motor	1
17	AA14 3802	Screw:6X1.7	1
18	B802 1624	Bracket:Coupling	1
19	B802 1616	Stay:Motor	1
20	AA06 0842	Tension Spring	1
21	B802 1621	Stepper Motor:DC24V 4.8W	1
22	B387 1951	Spring - Paper Size Sensor	1
23	B802 1252	Feeler:Paper Size Sensor	1
24	B802 1412	Plate:Harness:Guide	1
25	B802 5850	Interfaceharness - Fan	1
26	GX64 0028	Fan Motor DC24V 1.92W	1
27	B802 1629	Cooling Fan Bracket	1

Index No.	Part No.	Description	Q'ty Per Assembly
101	0451 3006N	Tapping Screw - 3x6	
102	0450 3008N	Tapping Screw - M3x8	
103	0453 4006N	Binding Self Tapping Screw:4x6	
104	1105 0511	Harness Clamp - LWS-0306ZC	
105	1105 0522	Edge Saddle - LES0510	
106	1105 0487	Harness Clamp	
107	1105 0514	Edge Saddle - EDS-0607I	
108	0451 3020N	Tapping Screw:3x20	

11.Frame Section (B802)



11.Frame Section (B802)

Index No.	Part No.	Description	Q'ty Per Assembly
1	B802 1121	Positioning Plate:Front	1
2	B802 1131	Positioning Plate:Rear	1
3	B802 4611	Pressure Plate	1
4	B802 4631	Cushion:Left	3
5	B802 4713	Cushion:Left	1
6	B802 4714	Cushion:Inner Back	1
7	AA14 3790	Screw:Contact Point	2
8	B802 1312	Lefthinge	1
9	B802 1351	Hinge:Right	1
10	A859 1841	Filter - DF Open Sensor	1
11	AA14 3520	Shoulder Screw - M3	1
12	B802 4621	Drum Stay:Pressure Plate	1
13	B477 2715	Pressure Plate Tape	4

Index No.	Part No.	Description	Q'ty Per Assembly
101	0451 3006N	Tapping Screw - 3x6	
102	0454 3006Q	Tapping Screw - M3x6	

12.Decals and Documents (B802)

<p>1</p>	<p>5</p>	<p>6</p>
<p>2</p>		<p>7</p>
<p>3</p>		<p>8</p>
<p>4</p>		

12.Decals and Documents (B802)

Index No.	Part No.	Description	Q'ty Per Assembly
1	B652 1807	Decal:Size:Original	1
2	B652 2379	Decal:Caution:Original:5-Lang	1
3	B789 6031	Decal - Original Table	1
4	B802 6011	Decal:Side Fence	1
5	B802 6012	Decal:Misfeed Removal:Original	1
6	B802 6013	Decal:Display:Misfeed Removal:P1	1
7	B802 6014	Decal:Display:Misfeed Removal:P2	1
8	B802 6015	Decal:Display:Misfeed Removal:P3	1

Index No.	Part No.	Description	Q'ty Per Assembly

Parts Index

Parts Index

Part No.	Description	Page and Index No.
B802 1121	Positioning Plate:Front	23 - 1
B802 1131	Positioning Plate:Rear	23 - 2
B802 1231	Bracket:PCB:Right	21 - 2
B802 1236	Bracket:PCB:Left	21 - 14
B802 1246	Bracket:On Off Detector	21 - 12
B802 1252	Feeler:Paper Size Sensor	21 - 23
B802 1312	Lefthinge	23 - 8
B802 1351	Hinge:Right	23 - 9
B802 1412	Plate:Harness:Guide	21 - 24
B802 1612	Bracket:Motor	21 - 16
B802 1616	Stay:Motor	21 - 19
B802 1621	Stepper Motor:DC24V 4.8W	21 - 21
B802 1624	Bracket:Coupling	21 - 18
B802 1629	Cooling Fan Bracket	21 - 27
B802 1631	Timing Pulley:T31	19 - 6
B802 1632	Gear:Z18	19 - 7
B802 1633	Gear:Z19	19 - 8
B802 1641	Gear:Z18	19 - 21
B802 1642	Gear:Z37	19 - 3
B802 1643	Gear:Z26	19 - 4
B802 1651	Gear:Z25	19 - 5
B802 1661	Gear:Z21/Z23	19 - 2
B802 1671	Gear:Z17	19 - 1
B802 1681	Gear:Z18	19 - 15
B802 1715	Bracket:Stepper Motor	19 - 10
B802 1721	Stepper Motor:DC1.76V 3.7W	19 - 14
B802 1731	Stay:Motor:Scanning	19 - 11
B802 1736	Bracket:Protect:Drive	19 - 13
B802 1741	Timing Pulley:T31/T61	19 - 16
B802 1755	Bracket:Tension	15 - 2
B802 1755	Bracket:Tension	19 - 20
B802 1762	Timing Pulley:T31	15 - 3
B802 1762	Timing Pulley:T31	19 - 18
B802 1767	Pulley:Idler:DIA16	15 - 7
B802 1772	Timing Belt:40S3M189	9 - 4

Part No.	Description	Page and Index No.
B802 1773	Bracket:Shaft:Side Plate:Front	9 - 1
B802 1777	Knob:Misfeed Removal:T27	9 - 2
B802 1812	Stepper Motor:DC4.08V 2.4W	17 - 1
B802 1815	Bracket:Reverse:Drive	17 - 3
B802 1925	Bracket:Pickup:Drive	17 - 10
B802 1931	Timing Pulley:T33-Z17	17 - 17
B802 1941	Cam:Pickup	17 - 22
B802 1942	Stopper:Cam:Pickup	17 - 18
B802 1943	Feeler:Cam:Pickup	17 - 20
B802 1951	Cam:Stopper Pawl	17 - 14
B802 1985	Bracket:Sensor:Pickup	17 - 7
B802 2111	Stopper Pawl:Paper Feed	9 - 23
B802 2115	Lever:Stopper Pawl	9 - 26
B802 2222	Guide:Reverse:Open And Close	9 - 16
B802 2225	Drum Stay:Guide:Reverse	9 - 14
B802 2227	Guide:Reverse:Open And Close:Behind	9 - 21
B802 2231	Shaft:Reverse:Drive:Press Fit	9 - 20
B802 2252	Shaft:Roller:Reverse	9 - 13
B802 2253	Gear:Z20	9 - 15
B802 2285	Roller:Reverse Exit:Driven	9 - 19
B802 2291	Stopper:Guide:Reverse	11 - 17
B802 2512	Original Table	3 - 25
B802 2522	Original Table:Face Front	3 - 13
B802 2526	Side Fence	3 - 11
B802 2532	Spring Plate:Side Fence	3 - 15
B802 2536	Slider:Side Fence	3 - 14
B802 2541	Guide:Original Insert	3 - 21
B802 2551	Stay:Original Table>Contact Point	3 - 9
B802 2562	Plate>Contact Point	3 - 24
B802 2571	Spring Plate:0.2t	3 - 17
B802 2581	Stopper:Original Table	3 - 10
B802 3145	Spring Plate	13 - 5
B802 3147	Ground Plate:Roller:Scanning	13 - 3
B802 3211	Roller:Pull Out	15 - 17
B802 3231	Roller:Scanning:Entrance	13 - 9

Part No.	Description	Page and Index No.
B802 3233	Timing Pulley:T33	13 - 14
B802 3234	Timing Pulley:T33/T24	13 - 11
B802 3251	Roller:Scanning:Exit	13 - 10
B802 3252	Timing Pulley:T33	13 - 12
B802 3311	Roller:Exit	15 - 21
B802 3312	Timing Pulley:T26	15 - 8
B802 3331	Roller:Reverse	15 - 27
B802 3332	Timing Pulley:T23	15 - 24
B802 3351	Guide:Paper Feed:Lower	15 - 15
B802 3381	Bracket:Guide:Paper Feed:Lower	13 - 2
B802 3413	Sheet:Roller:Scanning:Entrance	11 - 2
B802 3414	Sheet:Scanning:Entrance	11 - 3
B802 3415	Guide:Scanning:Entrance:Lower	11 - 1
B802 3417	Sheet:Auxiliary:Scanning:Entrance	11 - 26
B802 3422	Stay:Scanning:Entrance:Lower	11 - 8
B802 3431	Bracket:Entrance:Pressure:Ass'y	11 - 6
B802 3435	Compression Spring:3.3n	11 - 7
B802 3442	Sensor Barcket	11 - 27
B802 3471	Roller:Scanning:Driven	11 - 4
B802 3492	Shaft:Driven:Entrance	11 - 25
B802 3511	Guide Plate:Scanning	11 - 9
B802 3553	Guide:Scanning:Exit:Lower	11 - 11
B802 3561	Stay:Scanning:Exit:Lower	11 - 15
B802 3566	Plate:Exit:Pressure:Auxiliary	11 - 12
B802 3567	Spring Plate:Scanning:Exit:Driven:Upper	11 - 13
B802 3569	Spring Plate:Scanning:Exit:Driven:Lower	11 - 14
B802 3592	Shaft:Driven:Exit	11 - 5
B802 3611	Exchange Powl:Reverse	15 - 23
B802 3612	Cushion:Exchange Powl	15 - 22
B802 3615	Lever:Exchange Powl:Reverse	15 - 11
B802 3631	Link:Solenoid	15 - 10
B802 3651	Guide:Exit:Upper	15 - 20
B802 3711	Spring Plate	11 - 21
B802 3751	Stay:Reverse	15 - 26
B802 3755	Discharge Brush:Reverse	11 - 20

Part No.	Description	Page and Index No.
B802 3756	Discharge Brush:Exit	15 - 25
B802 3811	DC Solenoid:24V	9 - 7
B802 3833	Shielding Plate:Sensor	13 - 7
B802 3834	Bracket:Registration Sensor	13 - 8
B802 3851	Bracket:Sensor:Scanning:Exit	11 - 19
B802 4121	Cover:Paper Feed	5 - 1
B802 4152	Grip:Cover	5 - 2
B802 4154	Hook:Grip:Cover:Front	5 - 6
B802 4155	Hook:Grip:Cover:Inner Back	5 - 7
B802 4158	Shaft:Grip:Cover	5 - 8
B802 4162	Stopper:Cover	5 - 12
B802 4222	Guide:Upper	7 - 33
B802 4224	Spring Plate:Upper	7 - 32
B802 4225	Sheet:Driven Roller:Pull Out	7 - 41
B802 4227	Drum Stay:Upper:Inner Back	7 - 30
B802 4228	Drum Stay:Upper:Front	7 - 29
B802 4229	Sheet:Guide:Upper	7 - 31
B802 4231	Bracket:Cover:Inner Back	5 - 11
B802 4241	Bracket:Cover:Front	5 - 10
B802 4252	Bracket:Paper Size Sensor	5 - 15
B802 4263	Feeler:Original Sensor	5 - 22
B802 4265	Ground Plate	7 - 40
B802 4282	Bracket:Driven Roller:Pull Out	7 - 37
B802 4292	Ground Plate:Driven Roller:Pull Out	7 - 38
B802 4295	Driven Roller:Pull Out	7 - 35
B802 4311	Paper Feed:Unit	7 - 1
B802 4322	Shaft:Drive	7 - 24
B802 4323	Holder	7 - 26
B802 4325	Lever:Pickup:Release	7 - 27
B802 4326	Collar:Shaft	7 - 17
B802 4328	Gear:Z20	7 - 28
B802 4333	Bracket:Paper Feed Belt	7 - 16
B802 4352	Shaft:Pickup	7 - 10
B802 4355	Bracket:Pickup	7 - 11
B802 4357	Gear:Z19	7 - 4

Part No.	Description	Page and Index No.
B802 4358	Timing Pulley:Gear:T19/Z22	7 - 5
B802 4359	Cushion:Pickup	7 - 12
B802 4361	Roller:Pickup	7 - 6
B802 4372	Timing Pulley:T21	7 - 8
B802 4411	Cover:Front	3 - 4
B802 4511	Cover:Rear	3 - 8
B802 4611	Pressure Plate	23 - 3
B802 4621	Drum Stay:Pressure Plate	23 - 12
B802 4631	Cushion:Left	23 - 4
B802 4711	Sound Proofing Material	5 - 5
B802 4712	Sound Proofing Material:Cover:Rear	3 - 7
B802 4713	Cushion:Left	23 - 5
B802 4714	Cushion:Inner Back	23 - 6
B802 5501	Adfmain Board	21 - 11
B802 5710	Harness:Interface	21 - 1
B802 5730	Harness:Paper Feed	21 - 4
B802 5740	Harness:Original Table	21 - 7
B802 5750	Harness:Original Table	3 - 22
B802 5760	Harness:Motor:Paper Feed	21 - 9
B802 5770	Harness:Motor:Reverse	21 - 6
B802 5780	Harness:Lift_Up	21 - 3
B802 5790	Harness:Solenoid	9 - 6
B802 5800	Harness:Solenoid	21 - 5
B802 5810	Harness:Registration Sensor	13 - 1
B802 5820	Harness:Motor:Pick Up	21 - 10
B802 5830	Harness:Guide	21 - 8
B802 5840	Harness:Paper Feed	5 - 16
B802 5850	Interfaceharness - Fan	21 - 25
B802 6011	Decal:Side Fence	3 - 16
B802 6011	Decal:Side Fence	25 - 4
B802 6012	Decal:Misfeed Removal:Original	25 - 5
B802 6012	Decal:Misfeed Removal:Original	5 - 3
B802 6013	Decal:Display:Misfeed Removal:P1	3 - 5
B802 6013	Decal:Display:Misfeed Removal:P1	25 - 6
B802 6014	Decal:Display:Misfeed Removal:P2	25 - 7

Part No.	Description	Page and Index No.
B802 6014	Decal:Display:Misfeed Removal:P2	9 - 17
B802 6015	Decal:Display:Misfeed Removal:P3	25 - 8
B802 6015	Decal:Display:Misfeed Removal:P3	15 - 19
B802 6121	Screw:Fix:Hinge	3 - 3

Part No.	Description	Page and Index No.
A294 6700	Torque Limiter - 53mnm	9 - 12
A422 1063	Seal - 0.7x13x20	15 - 16
A422 1063	Seal - 0.7x13x20	11 - 16
A422 1063	Seal - 0.7x13x20	9 - 18
A458 2251	Cushion - Bin Solenoid Lever	9 - 22
A628 1225	Bushing - 8mm	7 - 21
A680 2261	Gear - 24Z	17 - 21
A697 2102	Damper - Junction Gate Solenoid	13 - 13
A806 1295	Feed Belt	7 - 23
A858 4671	Roller Driven	3 - 19
A858 4676	Spring Plate - Pressure Roller	3 - 18
A859 1841	Filter - DF Open Sensor	23 - 10
A859 2112	Drive Shaft - Paper Feed Belt	7 - 13
A859 2241	Reverse Roller	9 - 11
A859 7211	Stepped Screw	3 - 2
B044 1825	Collar	17 - 4
B238 4483	Screw	19 - 19
B238 4483	Screw	15 - 1
B312 1615	Tension Roller	9 - 3
B351 1781	Gear - 18Z	17 - 16
B351 1791	Gear - 25Z	17 - 15
B386 3320	Spring:Belt:Paper Feed:8N	7 - 15
B387 1951	Spring - Paper Size Sensor	21 - 22
B387 2113	Roller - Paper Feed Belt	7 - 14
B387 2163	Pickup Collar	7 - 7
B477 2715	Pressure Plate Tape	23 - 13
B652 1807	Decal:Size:Original	25 - 1
B652 1807	Decal:Size:Original	5 - 4
B652 2379	Decal:Caution:Original:5-Lang	3 - 1
B652 2379	Decal:Caution:Original:5-Lang	25 - 2
B700 5805	Stepper Motor:Pm:S2m:T15:Ass'y	17 - 11
B703 1165	Timing Belt:B40S2M390	21 - 15
B714 5006	DC Solenoid:Transmitted Rubber Stamp	11 - 24
B789 2114	Paper Feed Belt Roller	7 - 22
B789 3491	Scanning Driven Shaft	11 - 23

Part No.	Description	Page and Index No.
B789 3712	Exit Driven Roller	11 - 22
B789 6031	Decal - Original Table	3 - 12
B789 6031	Decal - Original Table	25 - 3
G020 1160	Snap Ring	15 - 12
G052 4892	Discharge Brush:Exit:Small	13 - 4
G052 4892	Discharge Brush:Exit:Small	7 - 39
G570 1225	Sensor Shielding Plate	17 - 6
H511 5007	Stamp	3 - 27
J503 3116	Timing Belt:40S2M128	17 - 5

Part No.	Description	Page and Index No.
AA04 3320	Timing Belt:40S1.5M150	19 - 9
AA04 3321	Timing Belt:40S1.5M378	15 - 5
AA04 3322	Timing Belt:40S1.5M157.5	19 - 17
AA04 3323	Timing Belt:40S2M120	17 - 9
AA04 3328	Timing Belt:40S2M130	7 - 9
AA06 0842	Tension Spring	21 - 20
AA06 0842	Tension Spring	15 - 4
AA06 0842	Tension Spring	19 - 12
AA06 0843	Tension Spring	9 - 25
AA06 2260	Tension Spring	15 - 9
AA06 2262	Tension Spring	5 - 9
AA06 3435	Compression Spring:Paper Feed:Joint	7 - 20
AA06 3441	Compression Spring	7 - 36
AA06 3919	Spring:Pressure	9 - 9
AA06 6376	Torsion Spring:Pickup:Pressure	7 - 25
AA08 0265	Bushing:6x8x5	9 - 24
AA08 0288	Bushing:DIA6	7 - 34
AA08 2101	Bushing - 6x10x6	15 - 13
AA08 2101	Bushing - 6x10x6	7 - 3
AA08 2101	Bushing - 6x10x6	17 - 12
AA08 2101	Bushing - 6x10x6	9 - 10
AA08 2104	Bushing - 8x12x7	7 - 18
AA10 1021	Rubber Bushing - 6 45HS	17 - 2
AA13 2013	Spacer	7 - 19
AA14 3520	Shoulder Screw - M3	23 - 11
AA14 3569	Screw	11 - 10
AA14 3788	Pin:Guide Plate:Paper Feed	5 - 14
AA14 3789	Shaft:Cleaner	5 - 13
AA14 3790	Screw:Contact Point	23 - 7
AA14 3790	Screw:Contact Point	15 - 14
AA14 3802	Screw:6X1.7	21 - 17
AA14 3823	Tapping Screw	9 - 5
AG07 0513	Magnet Catch	3 - 26
AW01 0091	Photo Reflection Sensor	5 - 20
AW01 0129	Photo Refiection Sensor	3 - 23

Part No.	Description	Page and Index No.
AW02 0154	Photointerruptor:Entrance	5 - 17
AW02 0155	Photointerruptor:Paper Size Sensor	5 - 18
GA14 3003	Screw:Mm5:2.5MM	5 - 23
GW01 0007	Photo Refiection Sensor:Exit	5 - 19
GW01 0007	Photo Refiection Sensor:Exit	13 - 6
GW01 0007	Photo Refiection Sensor:Exit	11 - 18
GW01 0007	Photo Refiection Sensor:Exit	3 - 20
GW02 0020	Photointerruptor:LG248NL1	17 - 8
GW02 0020	Photointerruptor:Lg248nl1	5 - 21
GW02 0020	Photointerruptor:LG248NL1	21 - 13
GX64 0028	Fan Motor DC24V 1.92W	21 - 26

Part No.	Description	Page and Index No.
0353 0040N	Screw - M3x4	9 - 102
0353 0060N	Bind Screw - M3x6	17 - 102
0450 3008N	Tapping Screw - M3x8	3 - 102
0450 3008N	Tapping Screw - M3x8	5 - 102
0450 3008N	Tapping Screw - M3x8	11 - 101
0450 3008N	Tapping Screw - M3x8	7 - 101
0450 3008N	Tapping Screw - M3x8	21 - 102
0450 3008N	Tapping Screw - M3x8	9 - 103
0450 3008N	Tapping Screw - M3x8	13 - 102
0451 3006N	Tapping Screw - 3x6	9 - 101
0451 3006N	Tapping Screw - 3x6	13 - 101
0451 3006N	Tapping Screw - 3x6	11 - 103
0451 3006N	Tapping Screw - 3x6	15 - 101
0451 3006N	Tapping Screw - 3x6	17 - 101
0451 3006N	Tapping Screw - 3x6	3 - 101
0451 3006N	Tapping Screw - 3x6	19 - 101
0451 3006N	Tapping Screw - 3x6	21 - 101
0451 3006N	Tapping Screw - 3x6	7 - 102
0451 3006N	Tapping Screw - 3x6	23 - 101
0451 3006N	Tapping Screw - 3x6	5 - 103
0451 3010N	Tapping Screw:3x10	5 - 101
0451 3020N	Tapping Screw:3x20	21 - 108
0452 3006N	Binding Self-tapping Screw:3x6	11 - 104
0453 3006N	Tapping Screw - M3x6	11 - 102
0453 4006N	Binding Self Tapping Screw:4x6	21 - 103
0453 4006N	Binding Self Tapping Screw:4x6	19 - 102
0454 3006Q	Tapping Screw - M3x6	23 - 102
0632 0100G	Pin - 2x10mm	13 - 106
0632 0100G	Pin - 2x10mm	7 - 106
0632 0120G	Parallel Pin - 2x12	9 - 104
0720 0030E	Retaining Ring - M3	15 - 104
0720 0040E	Retaining Ring - M4	13 - 103
0720 0040E	Retaining Ring - M4	7 - 103
0720 0040E	Retaining Ring - M4	15 - 102
0720 0040E	Retaining Ring - M4	19 - 103

Part No.	Description	Page and Index No.
0720 0040E	Retaining Ring - M4	9 - 105
0720 0060E	Retaining Ring - M6	7 - 104
0720 0060E	Retaining Ring - M6	15 - 103
0740 3506	Ball Bearing - 6x12x4 MM	13 - 105
0741 3506	Ball Bearing - 6x12x4 MM	19 - 104
0741 3506	Ball Bearing - 6x12x4 MM	7 - 108
0741 3506	Ball Bearing - 6x12x4 MM	13 - 104
0741 3506	Ball Bearing - 6x12x4 MM	15 - 106
0742 3808	Ball Bearing - 8x16x5	15 - 105
0805 0088	Retaining Ring - M6	7 - 105
0805 0089	Retaining Ring - M4	9 - 106
1105 0487	Harness Clamp	21 - 106
1105 0511	Harness Clamp - LWS-0306ZC	17 - 103
1105 0511	Harness Clamp - LWS-0306ZC	19 - 105
1105 0511	Harness Clamp - LWS-0306ZC	13 - 108
1105 0511	Harness Clamp - LWS-0306ZC	21 - 104
1105 0514	Edge Saddle - EDS-0607I	21 - 107
1105 0514	Edge Saddle - EDS-0607I	13 - 107
1105 0516	Clamp	7 - 107
1105 0516	Clamp	5 - 104
1105 0516	Clamp	17 - 104
1105 0522	Edge Saddle - LES0510	21 - 105

Part No.	Description	Page and Index No.
5206 2686	Snap Ring	17 - 19
5215 2621	Snap Ring - M6	3 - 6
5215 2621	Snap Ring - M6	15 - 18
5447 2681	Snap Ring	7 - 2
5447 2681	Snap Ring	9 - 8
5447 2681	Snap Ring	13 - 15
5447 2681	Snap Ring	15 - 6
5447 2681	Snap Ring	17 - 13

Part No.	Description	Page and Index No.
----------	-------------	--------------------