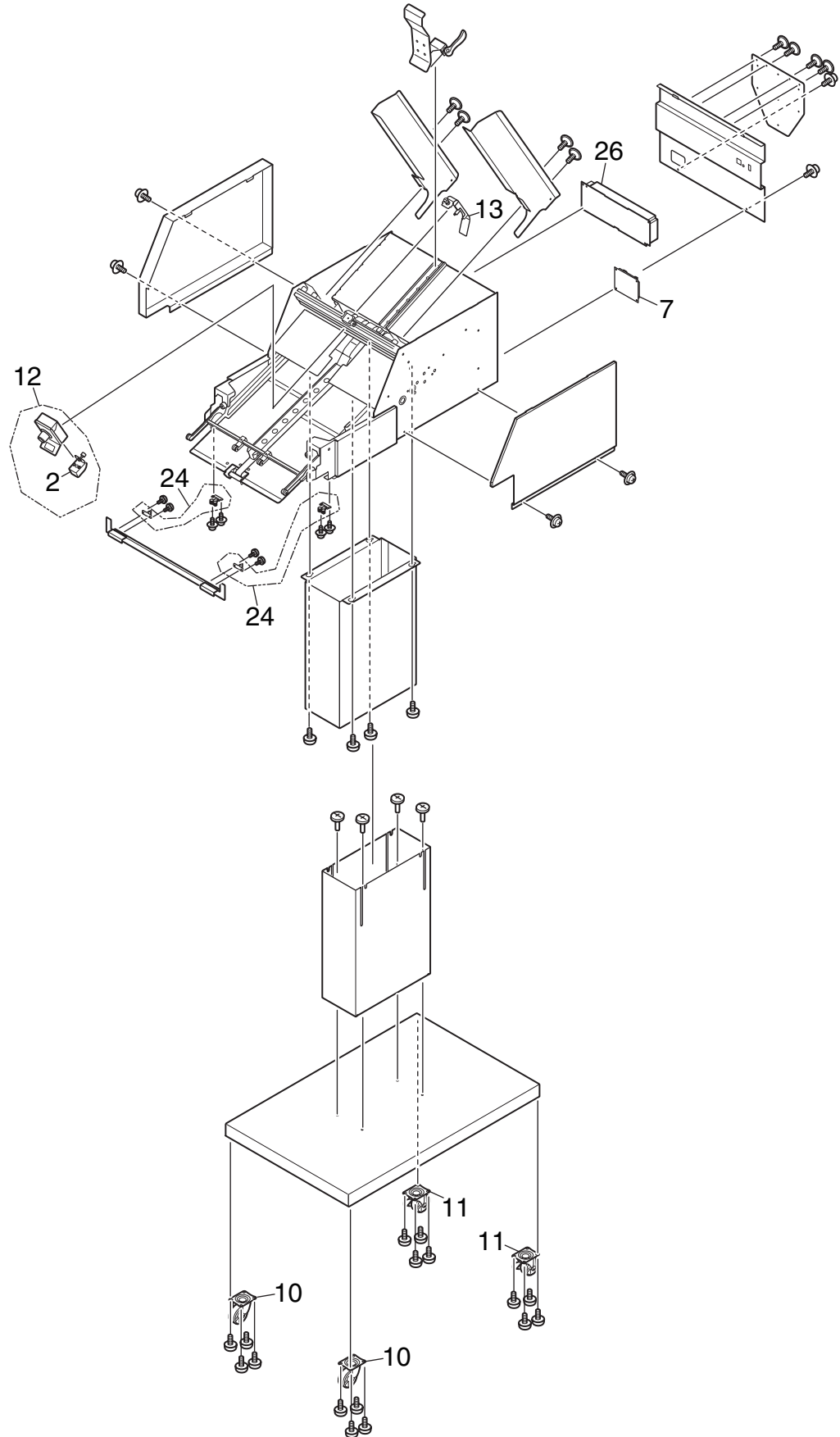


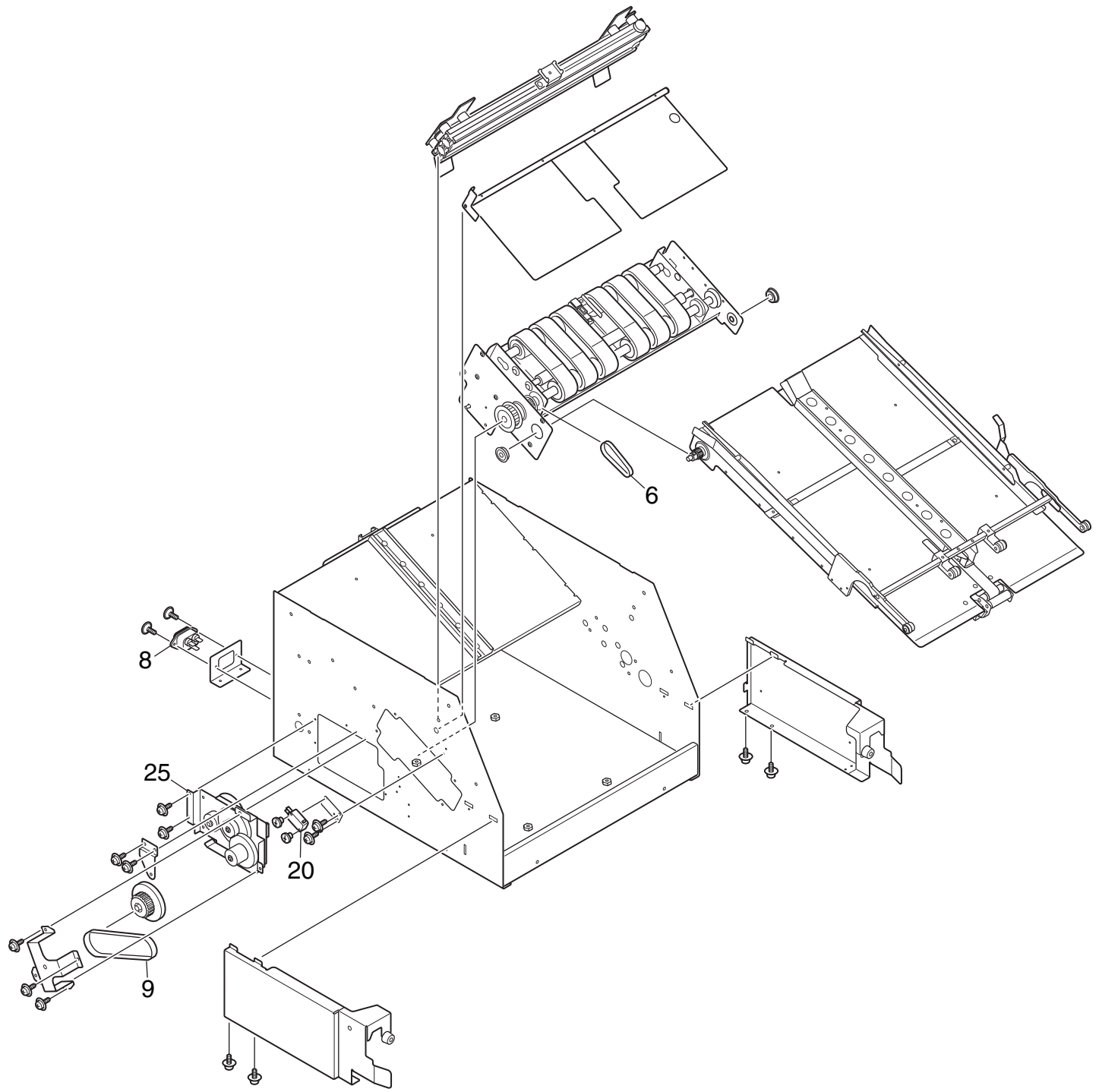
UCOS Feeder Illustrated Spare Parts Manual

012417A

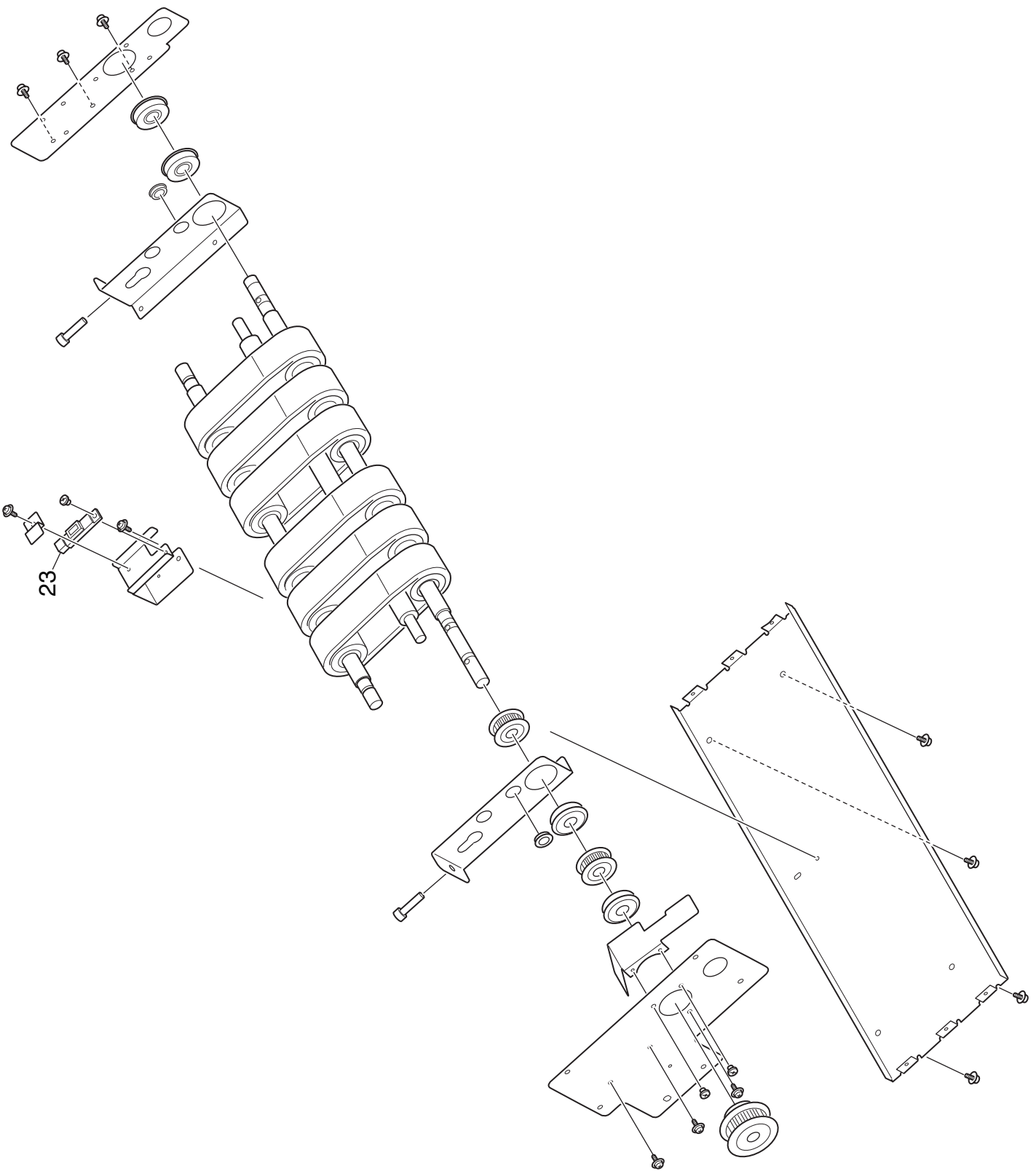
Feeder-Assy



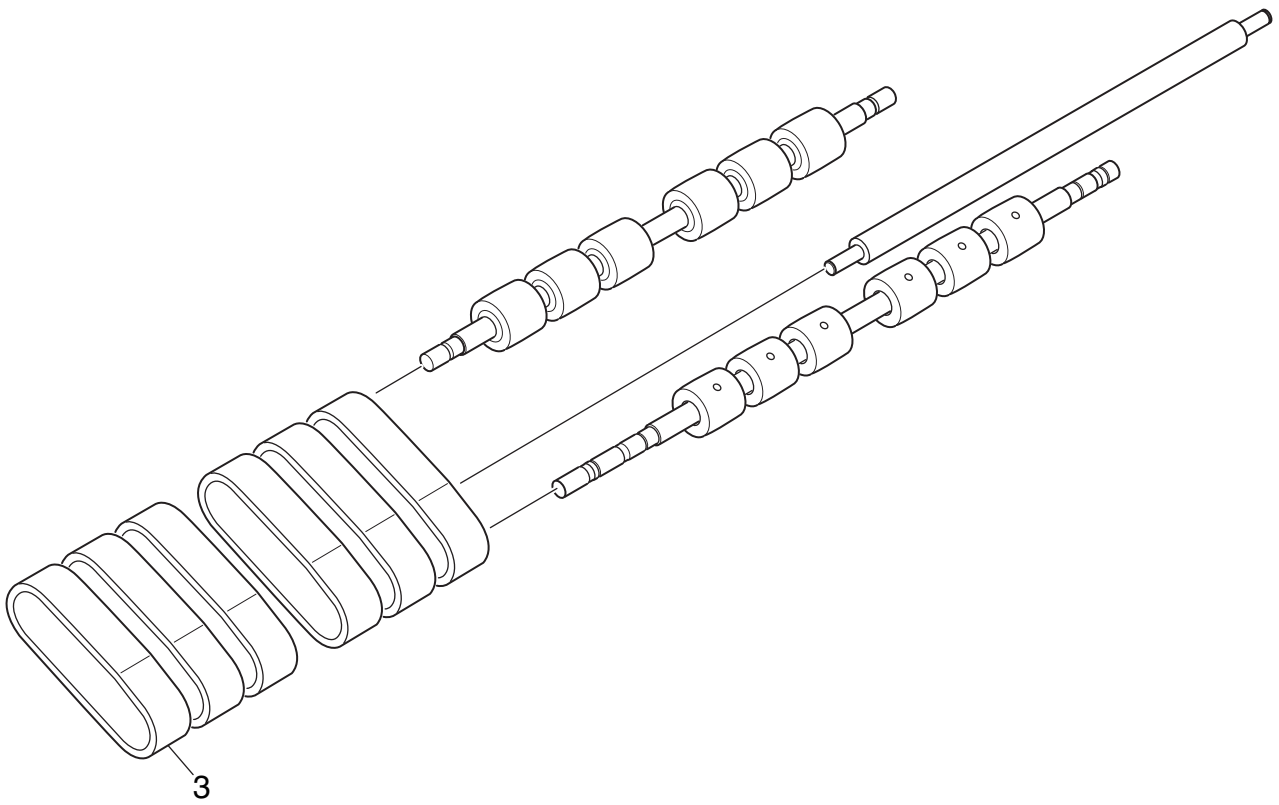
Feeder-Main-Body



Feeder-Belt-Assy_1



Feeder-Belt-Assy_2



Bridge

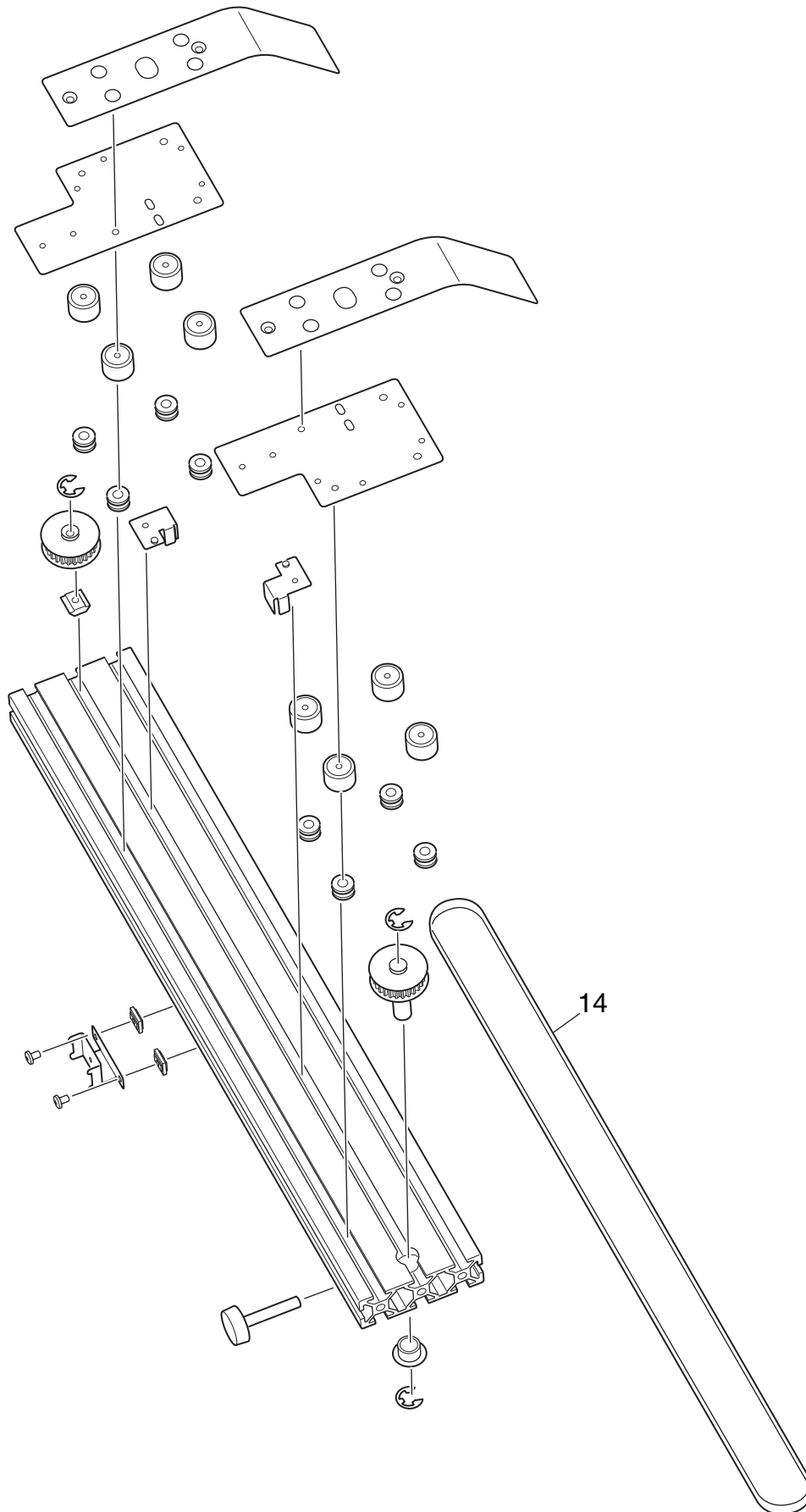


Table-1

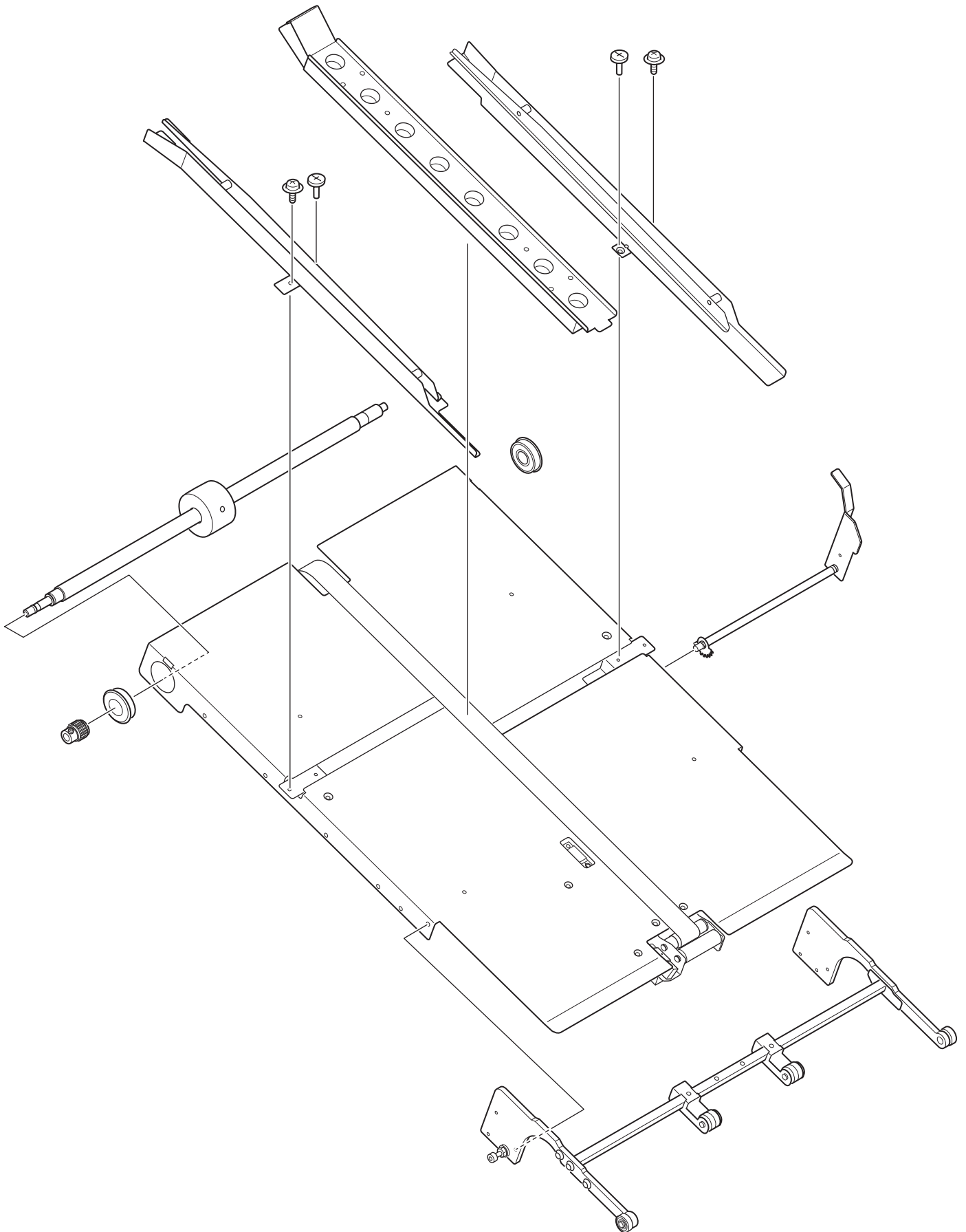
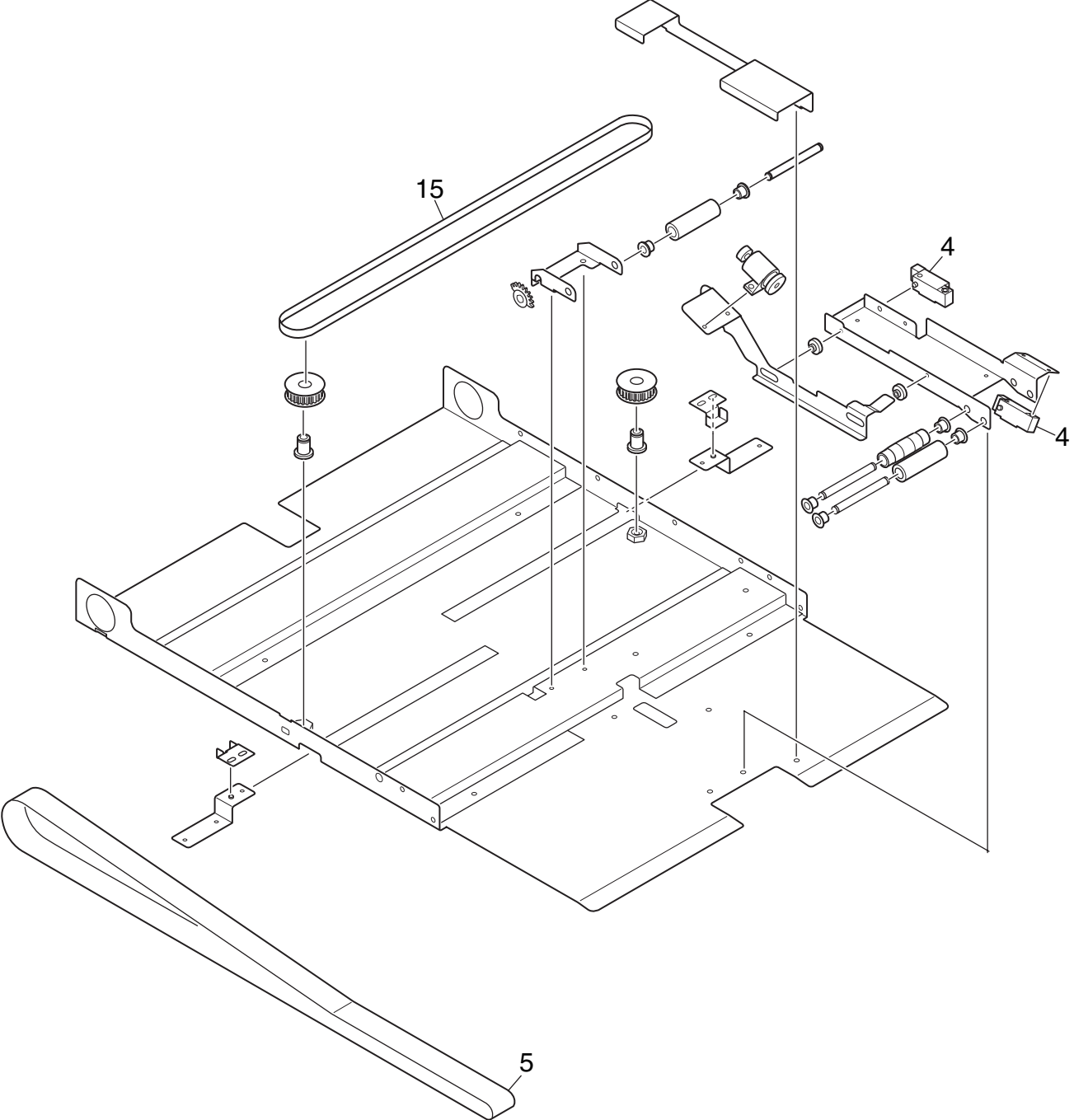


Table-2



No.	Part No.	Part Name	Q'ty /Unit	commended Q'ty/Y			Comments
				per 50	per 100	per 200	
2	46564302	Separator	1	1	2	4	
3	46564303	Feed-Belt	6	6	12	24	
4	46564304	Paper-Sensor	2	2	4	8	
5	46564305	Discharge-Belt	1	1	2	4	
6		Belt-MiniPitch(MXL)-Table	1	1	2	4	
7	46564307	Board-Feeder-UCOS	1	1	2	4	
8		Inlet-AC	1	1	2	4	
9	46564309	Belt-MiniPitch(XL)-Feed	1	1	2	4	
10		Caster	2	2	4	8	
11		Caster-Lock	2	2	4	8	
12	46564315	Separator-Assy	1	1	2	4	
13	46564316	Gate-Assy	1	1	2	4	
14	46564317	Belt-MiniPitch(S3M)-Set-Guide	1	1	2	4	
15	46564318	Belt-MiniPitch(S3M)-Paper-Guide	1	1	2	4	
16		Conn Cord-Paper-SNS	1	1	2	4	
17		Conn Cord-PE-SNS(PE)	1	1	2	4	
18		Conn Cord-Power-Control	1	1	2	4	
19		Conn Cord-Power-Inlet	1	1	2	4	
20	46564326	Interlock-SW	1	1	2	4	
21		Conn Cord-Interlock	1	1	2	4	
22		Label-Warning	1	1	2	4	
23	46564329	Paper-End-Sensor	1	1	2	4	
24	46564330	Rock-Parts-Assy	2	2	4	8	
25	45192101	Fuser-Drive-Assy	1	1	2	4	
26	45762701	OR-Board-30L	1	1	2	4	
27		AC Cord B	1	1	2	4	
28	46315901	Roller-Assy-Retard(200)	1	1	2	4	
29		Stand-Spacer-12345	2	2	4	8	
30		Stand-Spacer-6	2	2	4	8	