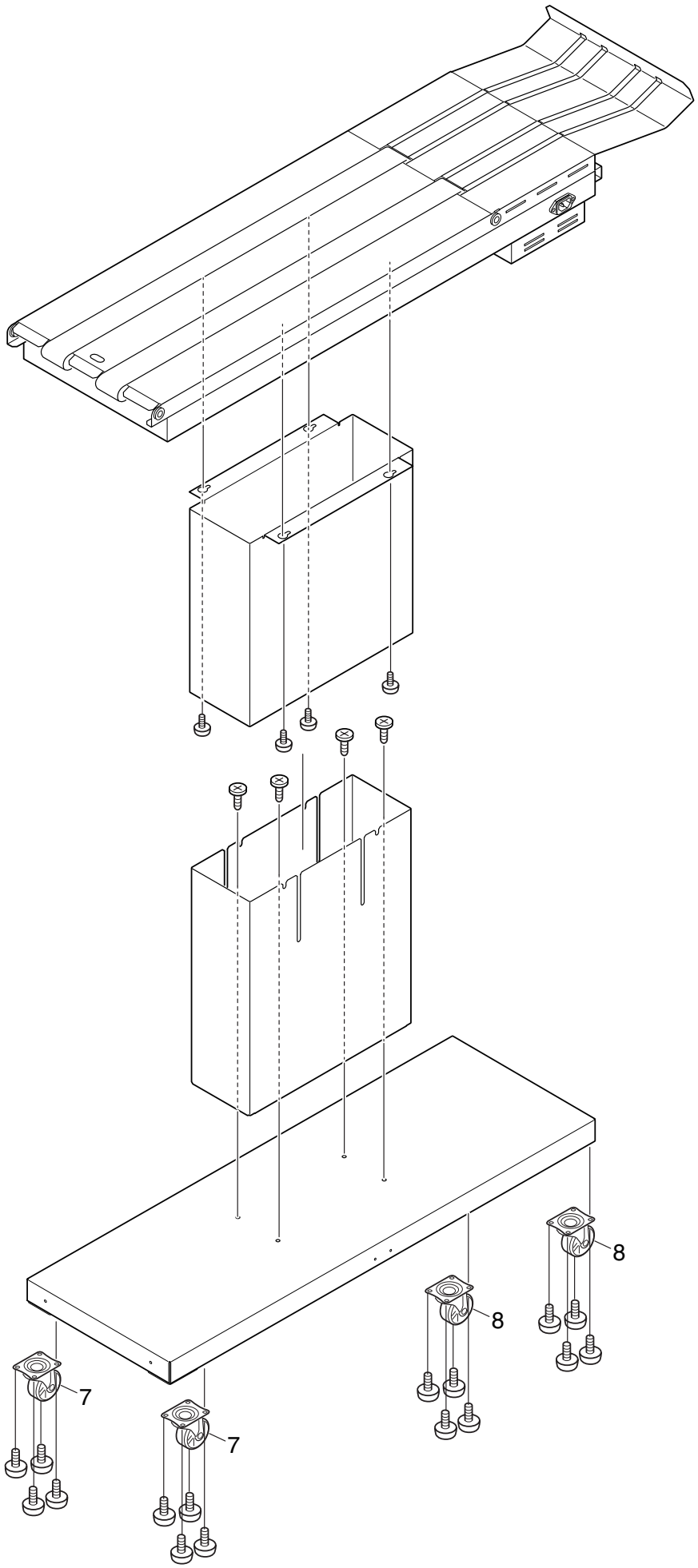


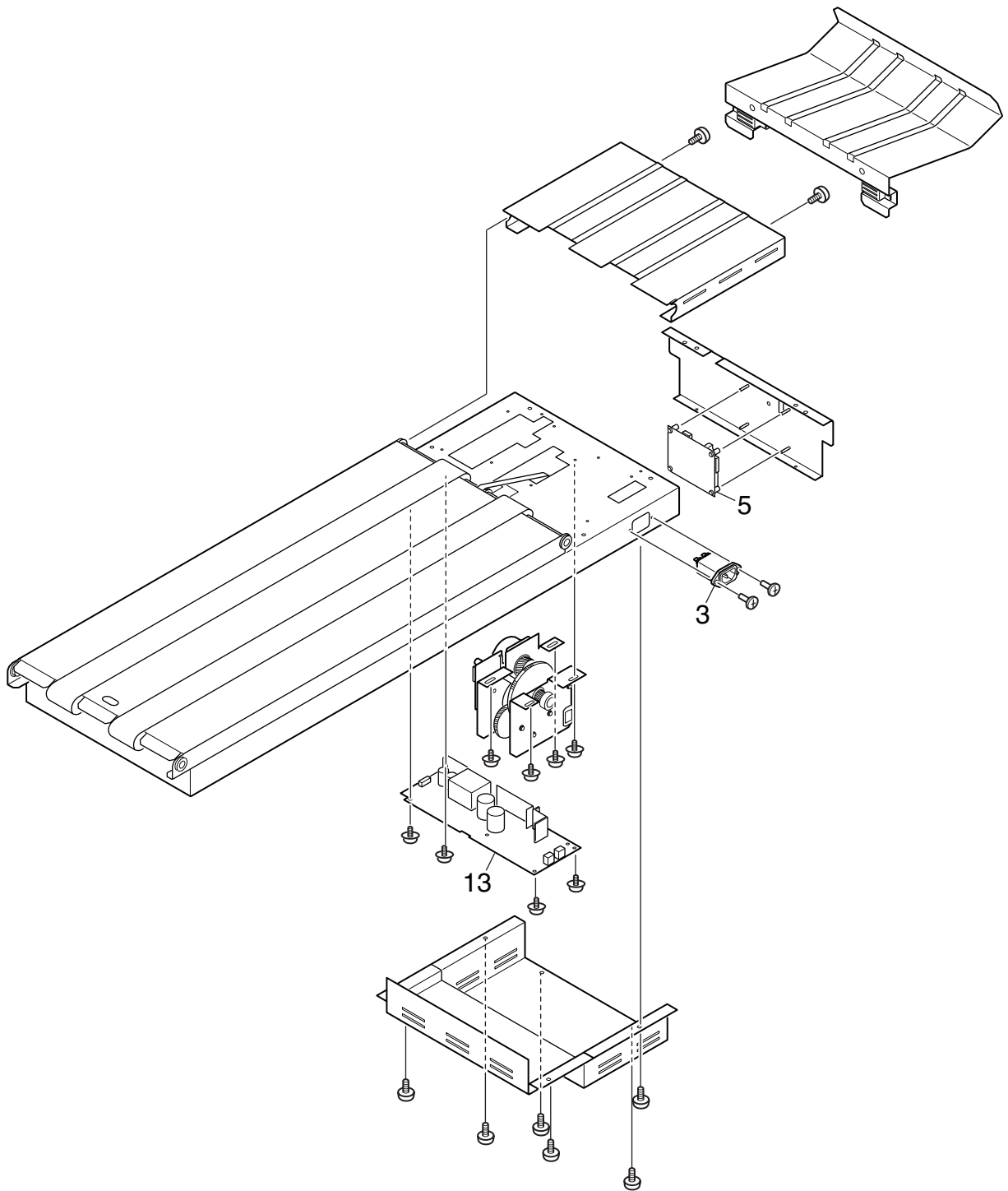
# **UCOS Conveyor Illustrated Spare Parts Manual**

012417A

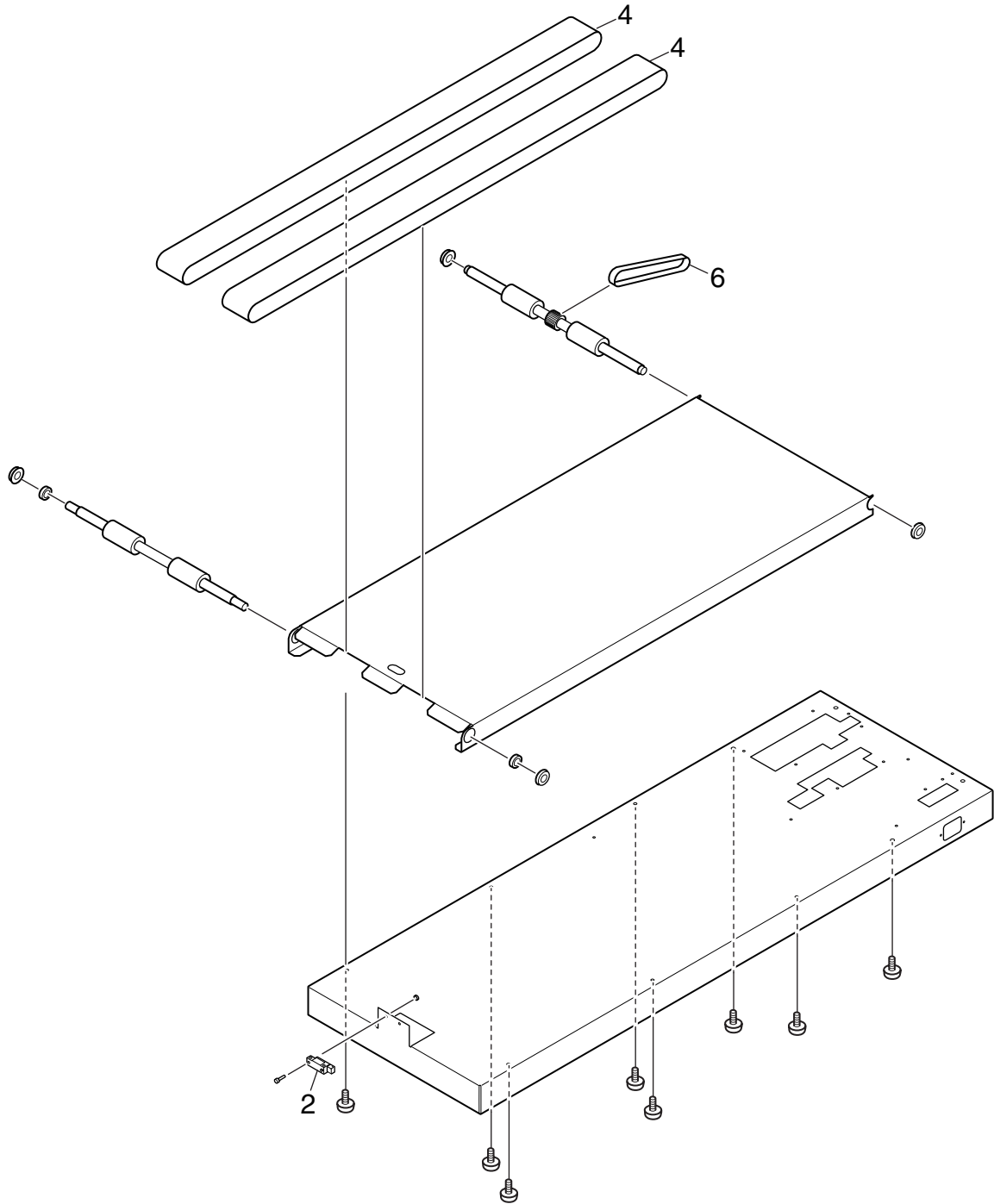
# Conveyor



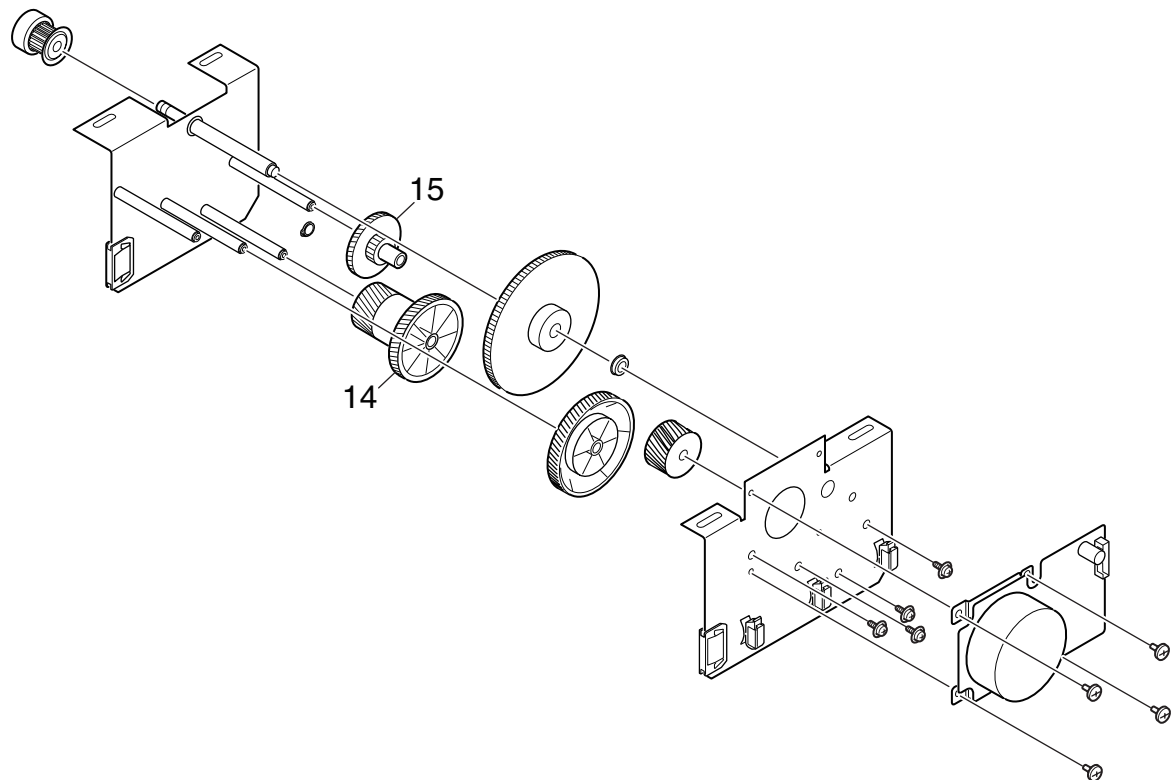
# Conveyor



# Conveyor



# Motor-Drive-Assy



No.	Part No.	Part Name	Q'ty /Unit	Recommended Q'ty/Year			Comments
				per 50	per 100	per 200	
2	46564304	Paper-Sensor	1	1	2	4	
3		Inlet-AC	1	1	2	4	
4		Belt-Conveyor	2	2	4	8	
5	46564311	Board-Conveyor-UCOS	1	1	2	4	
6	46564312	Belt-MiniPitch(S2M)-Conveyor	1	1	2	4	
7		Caster	2	2	4	8	
8		Caster-Lock	2	2	4	8	
9		Conn Cord-Paper-SNS(Conveyor)	1	1	2	4	
10		Conn Cord-Power-Control	1	1	2	4	
11		Conn Cord-Power-Inlet	1	1	2	4	
12	45192101	Fuser-Drive-Assy	1	1	2	4	
13	45762701	OR-Board-30L	1	1	2	4	
14	44696901	Gear-Hopping-B	1	1	2	4	
15	44696001	Gear-Liftup-A	1	1	2	4	
16		AC Cord B	1	1	2	4	