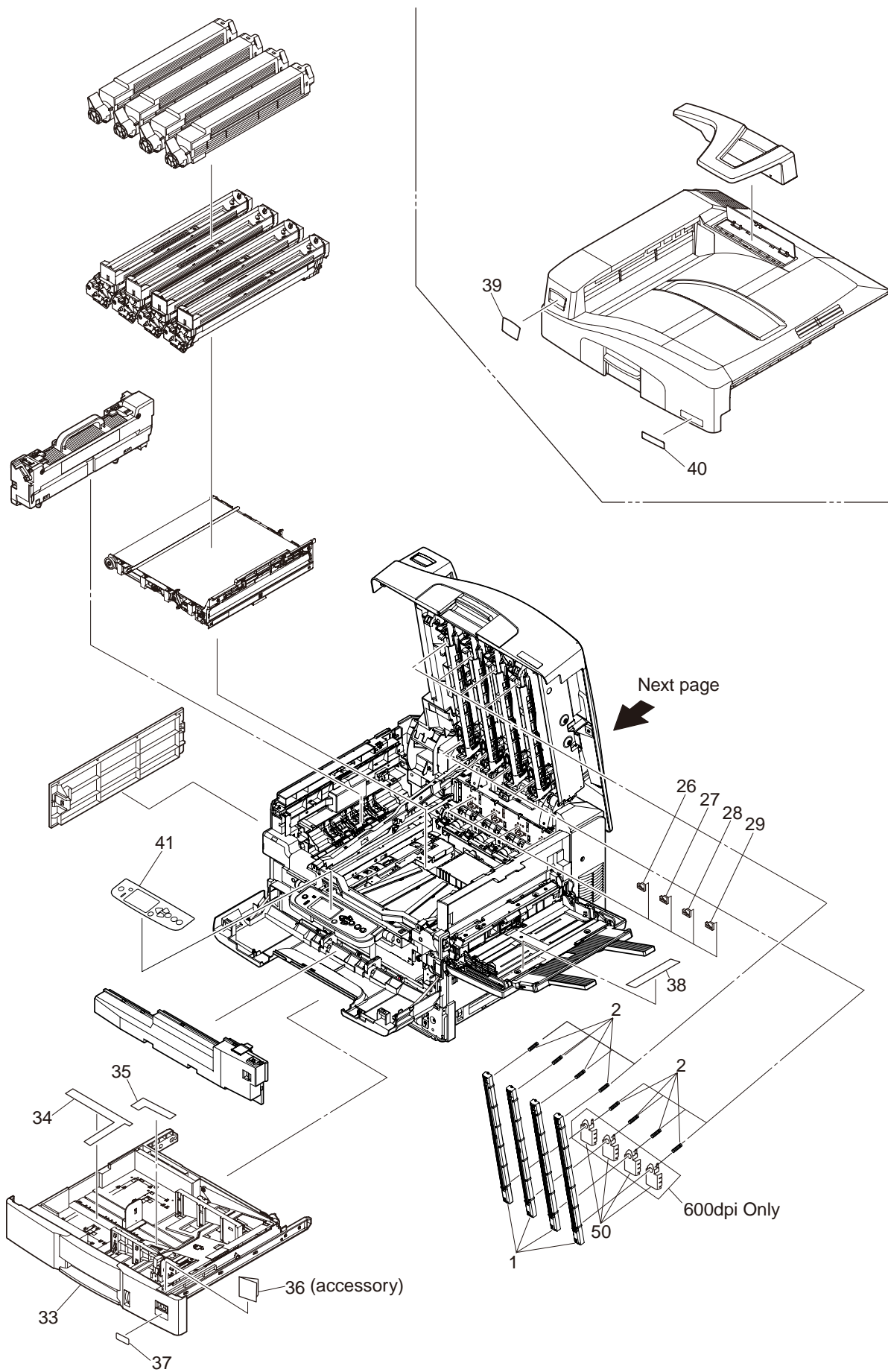


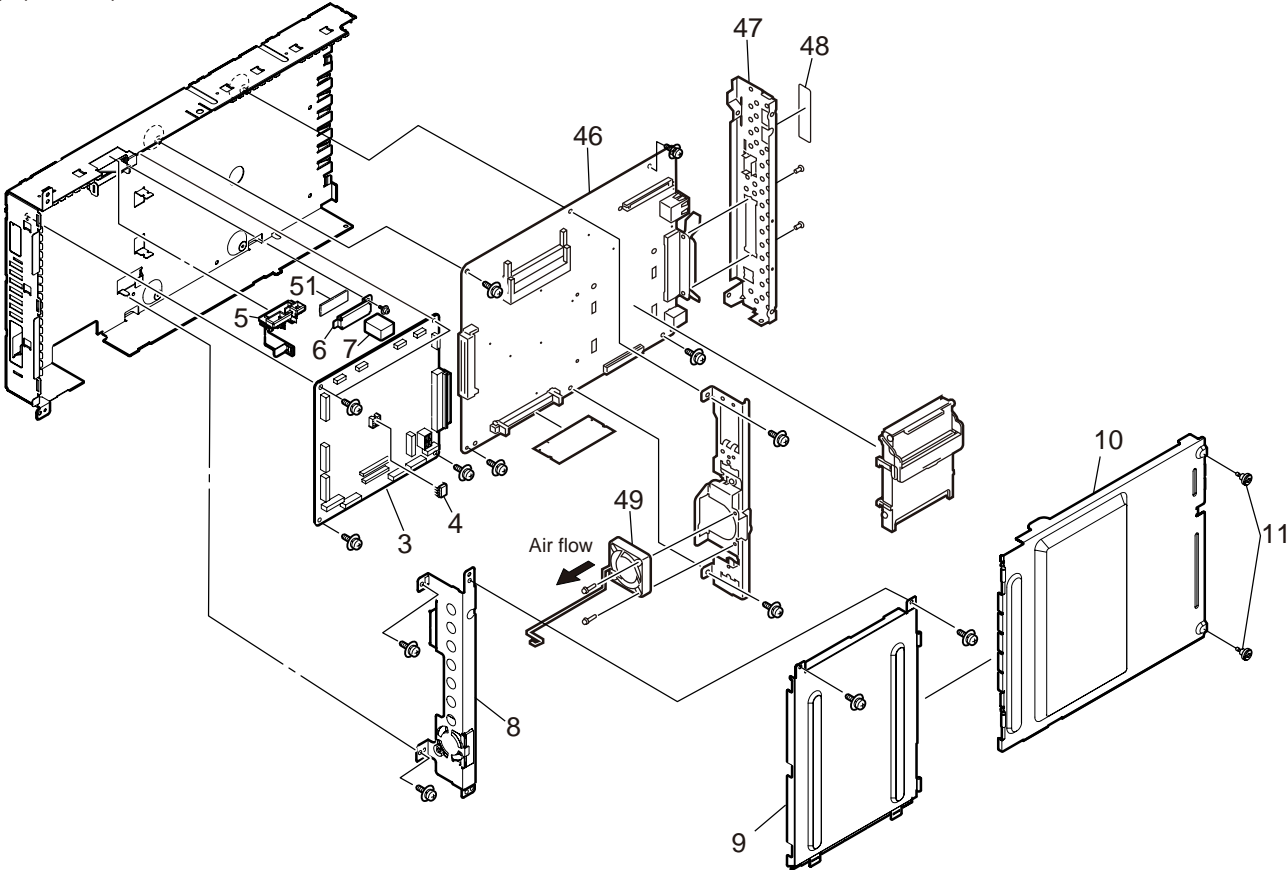
proColor C910/C930  
pro900/pro905/pro910WT  
510DW / 511DW  
Illustrated Parts Manual

100114F

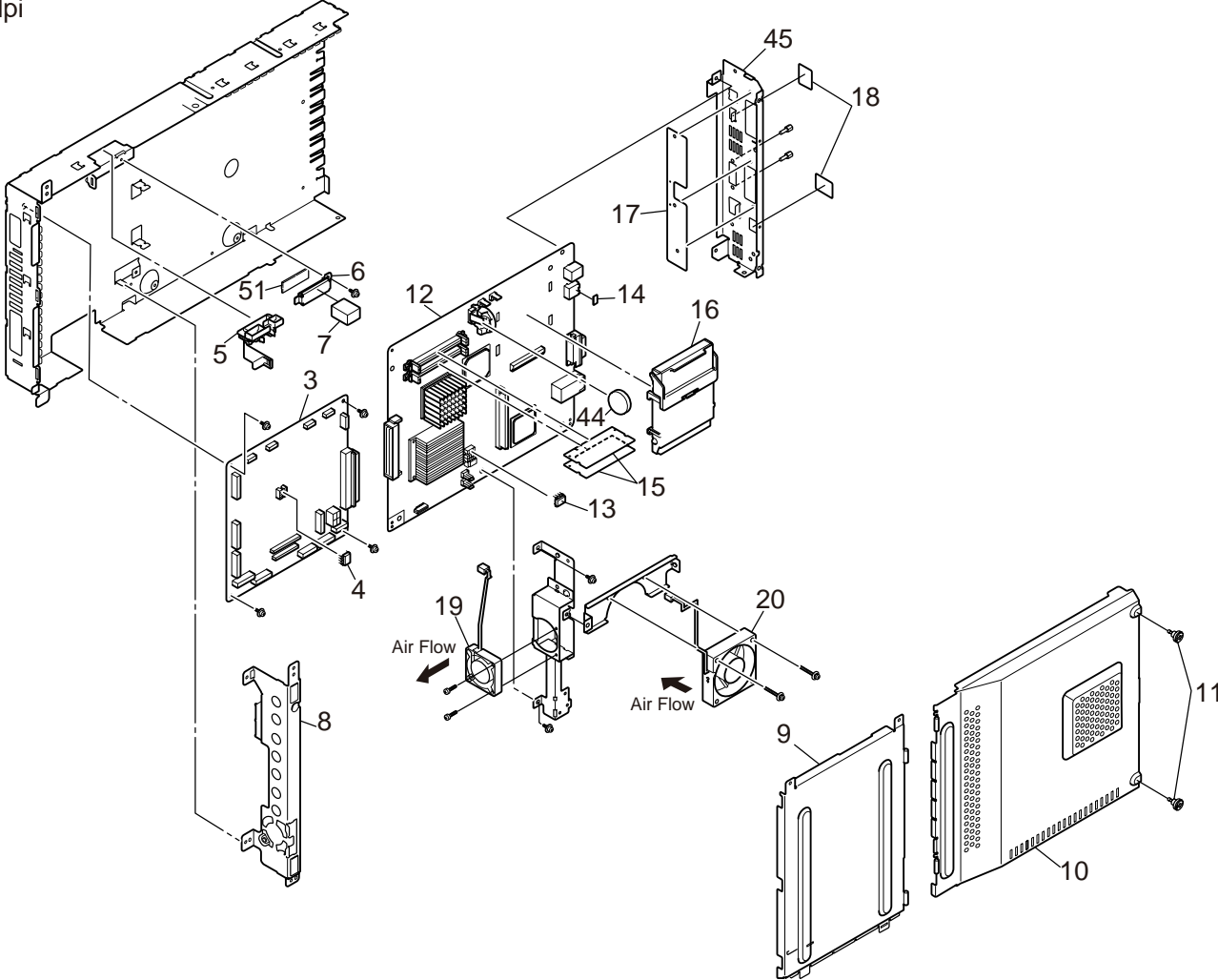
MAIN



600dpi(Printer)

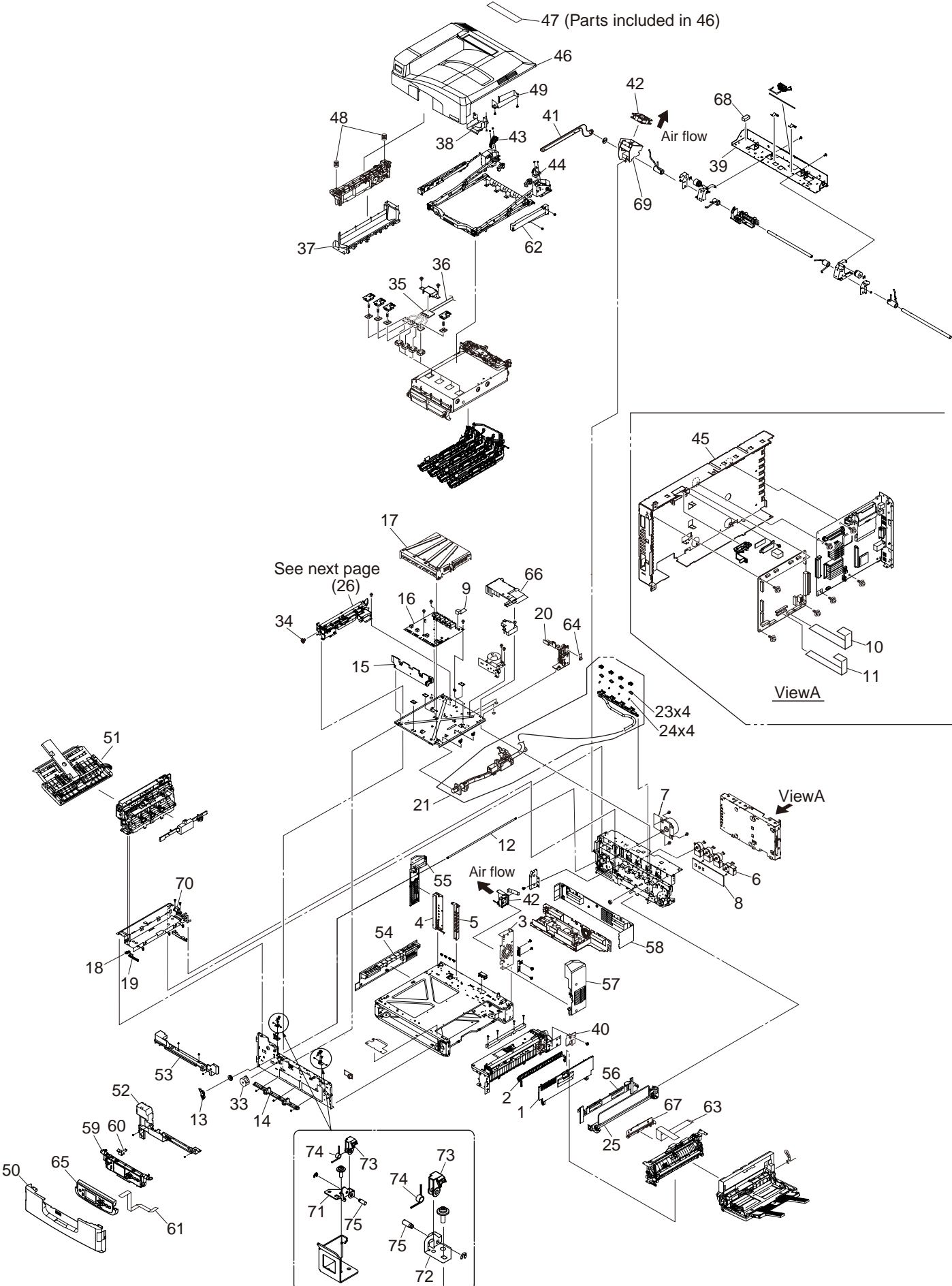


1200dpi

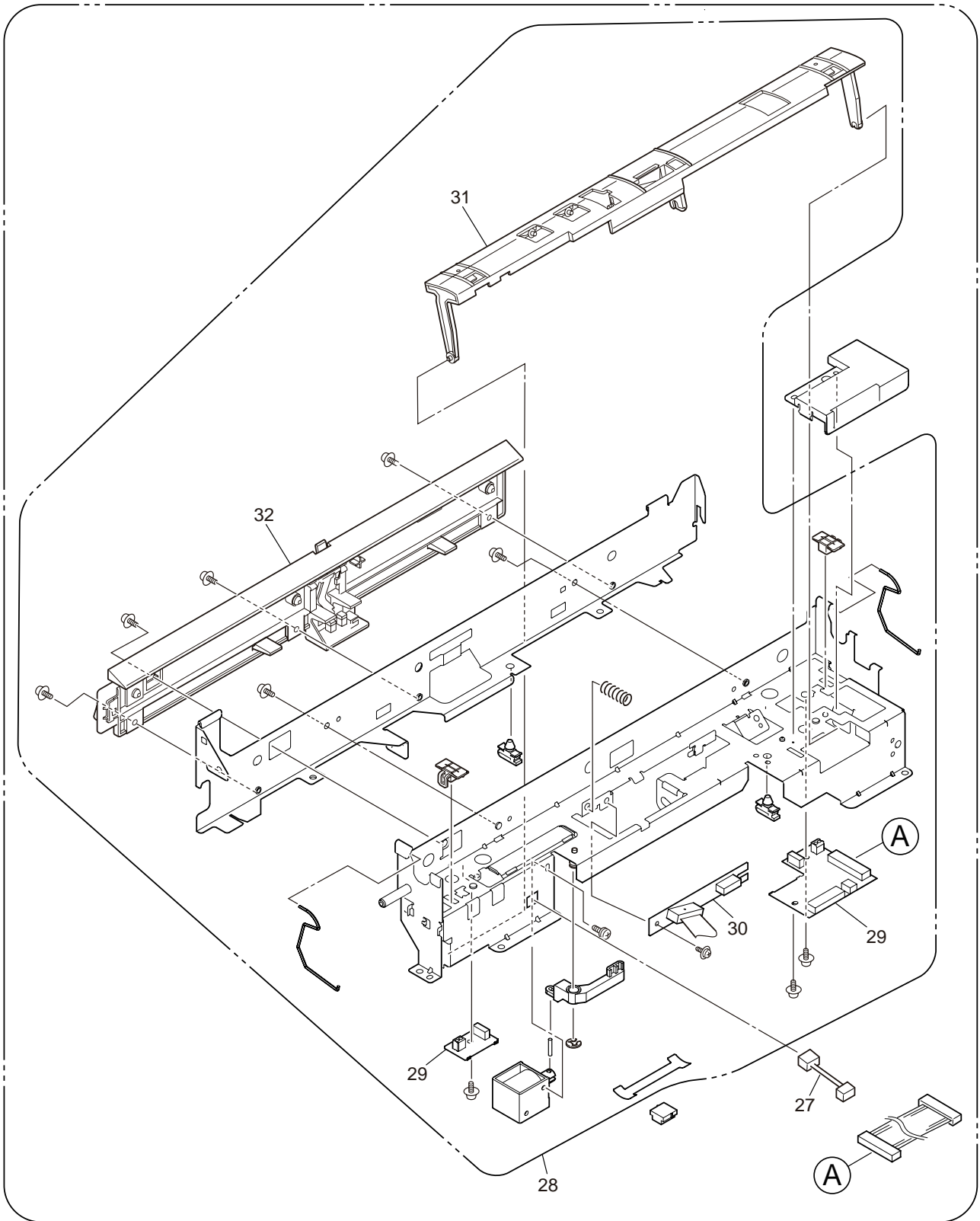


No.	Part No.	Part Name	Q'ty/ Unit	Recommended Q'ty/Year			Remarks
				per 500	per 1000	per 2000	
1	43798001	LED Head Unit	4	12	24	48	C910, 510DW, pro905
1	42579001	LED Head-Unit	4	12	24	48	C930, pro900
2	42764301	Spring-Head	8	24	48	96	
3	43819412	OR-S2X	1	3	6	12	C9650 / pro905DP
3	44487006	OR-S2X	1	3	6	12	600dpi PU PCB: pro 920WT
3	43819413	OR-S2X	1	3	6	12	600dpi PU PCB: pro 910
3	42868053	OR-S2V	1	3	6	12	1200dpi PU PCB: pro 930
3	55117001	OR-S2X	1	3	6	12	600dpi PU PCB 510DW
3	42868031	OR-S2V	1	3	6	12	1200dpi PU PCB pro900DP
4	42821801	OR-Memory-MOSEEPR -	1	3	6	12	EEPROM(PU)
5	42780701	Code-Clump	1	3	6	12	
6	42859101	Plate-Clump-HCB	1	3	6	12	
6		Plate-Assy-HCB	1	3	6	12	
7	43051901	Gasket-HCB	1	3	6	12	
8	42781301	Plate-Beam	1	3	6	12	
9		Plate-Shield	1	3	6	12	
10		Plate-Cover	1	3	6	12	C910, 510DW, pro905
10	43647401	Plate-Cover-AS3	1	3	6	12	C930, pro900
12	43545701	Board-AS3 for maintenance	1	3	6	12	
13		AT24C256-10PU-2.7	1	3	6	12	
14		Gasket-Interface-USB-H	1	3	6	12	
15		DDR SODIMM 512MB	2	6	12	24	DDR-SO DIMM
16		HDD Assy	1	3	6	12	
17		Plate-Blind-BYN	1	3	6	12	
18		Film-Blind	2	6	12	24	
19	43679001	Motor-Fan_40mm (for AS3)	1	3	6	12	C930, pro900
20	43657801	Motor-Fan_60mm (for AS3)	1	3	6	12	C930, pro900
26		Block-Lockout-723-4	1	3	6	12	
27		Block-Lockout-723-5	1	3	6	12	
28		Block-Lockout-723-6	1	3	6	12	
29		Block-Lockout-723-7	1	3	6	12	
33	42703601	Case-Cassette-Assy.	1	3	6	12	
34		Label-Tray-A	1	3	6	12	
35		Label-Tray-B	1	3	6	12	
36		Indicator-Paper-Size(OKI)	1	3	6	12	
37		Label-Tray-No.(OKI)	1	3	6	12	
38		Label-Tray-MPT-O	1	3	6	12	
39		Plate-Logo	1	3	6	12	
40		Plate-Name	1	3	6	12	C930
40		Plate-Name	1	3	6	12	C910
41		Film-OP panel	1	3	6	12	C910
41		Film-OP panel	1	3	6	12	C930
44		CR-2450/B	1	3	6	12	C930
45		Plate-Interface-AS3-Caulking	1	3	6	12	C930
46	43883301	Board-TBX maintenance	1	3	6	12	C9650
46	43883306	Board-TBX2 maintenance	1	3	6	12	C910
46	43883315	Board-TBX2 maintenance	1	3	6	12	C920WT
46	55119301	Board-CU	1	3	6	12	pro900DP
46	55119302	Board-CU	1	3	6	12	pro905
46	55119303	Board-CU	1	3	6	12	pro930
47		Plate-Interface-TBX_Caulking	1	3	6	12	600dpi
48		Film-Blind	1	3	6	12	600dpi
49	42861201	Motor-Fan(CU)	1	3	6	12	600dpi
50		Plate-FG-STF	4	12	24	48	600dpi
51		Gasket-HCB	1	3	6	12	
52		M24C32-WBN6P	1	3	6	12	

Printer-Unit 1/2



Printer-Unit 2/2

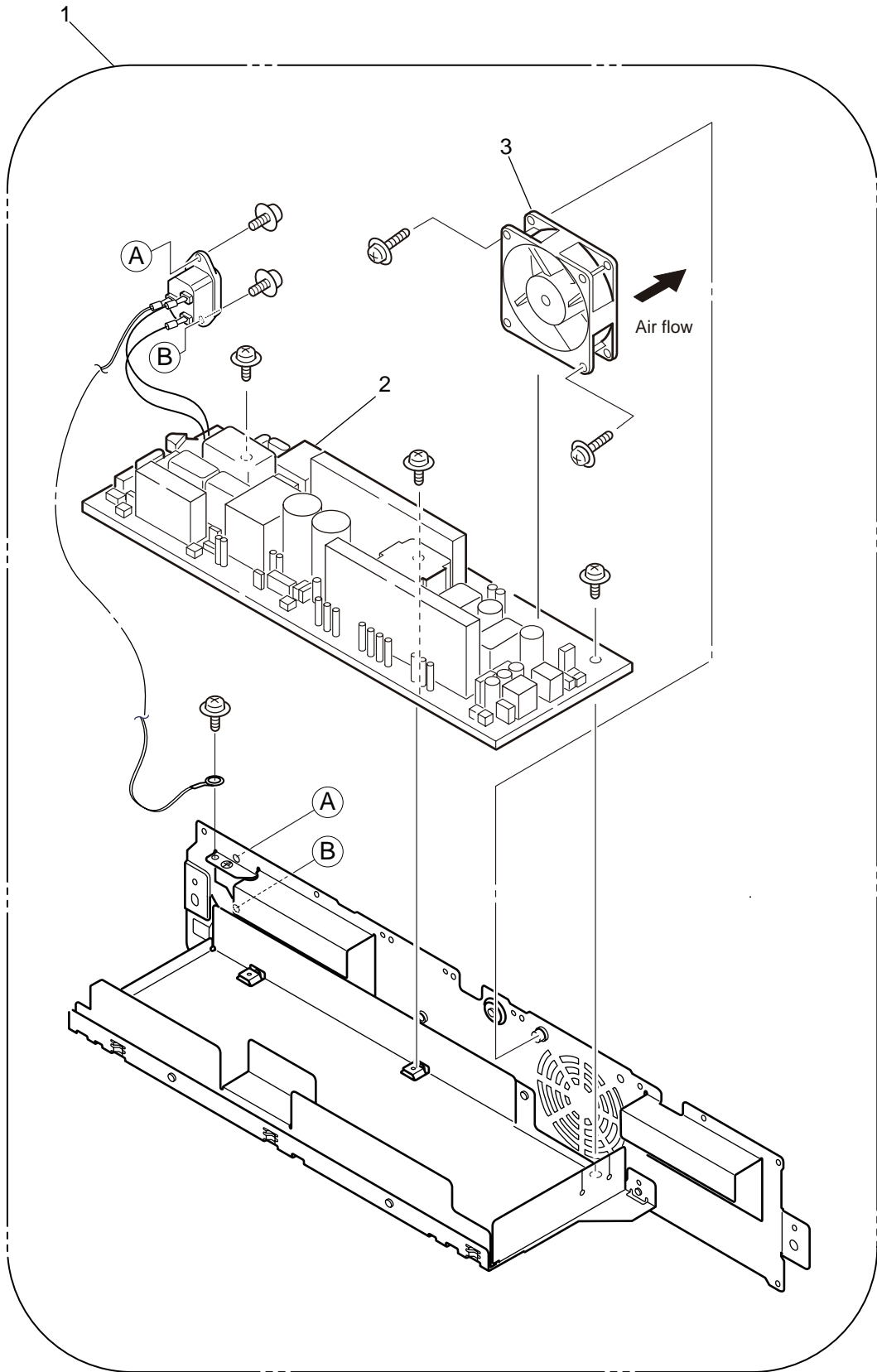


No.	Part No.	Part Name	Q'ty /Unit	Recommended Q'ty/Year			Remarks
				per 500	per 1000	per 2000	
1	42702301	Cover-Guide-1st-Assy.	1	3	6	12	
2	42702701	Guide-Paper	1	3	6	12	
3		Plate-Support-A	1	3	6	12	
4		Plate-Support-B-Assy	1	3	6	12	
5		Plate-Support-C	1	3	6	12	
6	42985001	Motor-DC(ID)	4	12	24	48	
7	42864302	Motor-DC(FUSER)	1	3	6	12	
8	43800112	OR-S2P	1	3	6	12	
9		TW-VF-16-0.1X0.8-420	1	3	6	12	
10		SMCD-40-160BD(1.0)	1	3	6	12	
11		SMCD-30-160BD(1.0)	1	3	6	12	
12	42736301	Shaft-LiftUp	1	3	6	12	
13	42736101	Planet Assy.-F	1	3	6	12	
14	42705901	Frame-Holder	1	3	6	12	
15	42737101	Bracket-HV-Assy	1	3	6	12	
16	43130502	PWR unit-(High Voltage)-2	1	3	6	12	
17	42737601	Cover-HV- Assy.-	1	3	6	12	
18	40135301	Photo-Interrupter	1	3	6	12	
19		Cover-Cable-Heat A	1	3	6	12	
20	42738501	Gear-Duct-ID- Assy.	1	3	6	12	
21	42967302	Duct-Gear-Assy-N	1	3	6	12	Assy(Include:No.22-24)
22	42773201	Sponge-Cap	4	12	24	48	
23	42773401	Spring-Cap	4	12	24	48	
24	42749802	Plate Assy.-MPT Lock	1	3	6	12	
25	42754701	Sensor-Regist- Assy.	1	3	6	12	Assy(Include:No.27-28)
26	42646501	CONN Cord-AMP2P-AMP2P	1	3	6	12	
27	42978901	Sensor-Regist-Sub-Assy	1	3	6	12	Assy(Include:No.29-32)
28	42888701	OR-S2Z	1	3	6	12	
29		GP2TC2J0000F	1	3	6	12	
30	42755401	Shutter- Assy.-	1	3	6	12	
31	42811301	TARUMI-Sensor Assy.-	1	3	6	12	
32	42756901	Motor-Pulse-Belt	1	3	6	12	
33		Gear-Idle-Belt	1	3	6	12	
34		OR-RFID read writer system	1	3	6	12	
35		SMCD-9-560BD(1.0)	1	3	6	12	
36	43465402	Job-Offset(Maintenance)	1	3	6	12	Cover Assy.-Top(Sub) for maintenance
37		Cover-Duct(L)	1	3	6	12	
38	42733401	Plate-Shaft-Base	1	3	6	12	
39	42703101	Cover-SNS	1	3	6	12	
40	42707401	Plate-Support(Top)	1	3	6	12	
41	42781701	Motor-Fan	2	6	12	24	
42	42894101	Gear-BKL2	1	3	6	12	
43	42894201	Gear-BKR2	1	3	6	12	
44		Plate-Shield-Box- Assy.	1	3	6	12	
45	42708001	Cover Assy.-Top	1	3	6	12	Assy(Include No.47)
46	42967801	Cover-Blank(Top)	1	3	6	12	
47	42708401	Spring-Comp(Joboff)	2	6	12	24	
48		Cover-Duct(R)	1	3	6	12	
49	42708601	Cover Assy.-Front	1	3	6	12	
50	42709001	Cover Assy.-FU	1	3	6	12	
51	42709401	Cover-Guard(L)	1	3	6	12	
52	42709501	Cover-Guard(Front)	1	3	6	12	
53	42709701	Cover-Side(L)	1	3	6	12	

No.	Part No.	Part Name	Q'ty /Unit	Recommended Q'ty/Year			Remarks
				per 500	per 1000	per 2000	
55	42709801	Cover-Side(L)Rear	1	3	6	12	
56	42709901	Cover-Side(R)	1	3	6	12	
57	42710001	Cover-Side(R)Rear	1	3	6	12	
58	42710101	Cover-Rear	1	3	6	12	
59	42706001	Cover Assy.-OP Panel	1	3	6	12	
60	42706701	Film-FG	1	3	6	12	
61		TW-VF-6-0.1X0.8-930	1	3	6	12	
62	42919201	Guard-R	1	3	6	12	
63		SMCD-20-370-AD-P1.0	1	3	6	12	
64	42970901	OR-HAL	2	6	12	24	
65	42706101	Cover-OP Panel	1	3	6	12	
66	42914601	Cover-Middle	1	3	6	12	
67	42744001	Cover-Snsor(S2S)	1	3	6	12	
68		Shield-Gasket	1	3	6	12	
69	42707601	Frame-Duct	1	3	6	12	
70		CONN Cord-JST4P-JST4P	1	3	6	12	
71		Plate-Holder-Detent-L	1	3	6	12	
72		Plate-Holder-Detent-R	1	3	6	12	
73		Lever-Detent	2	6	12	24	
74		Spring-Detent	2	6	12	24	
75		Post-Detent	2	6	12	24	

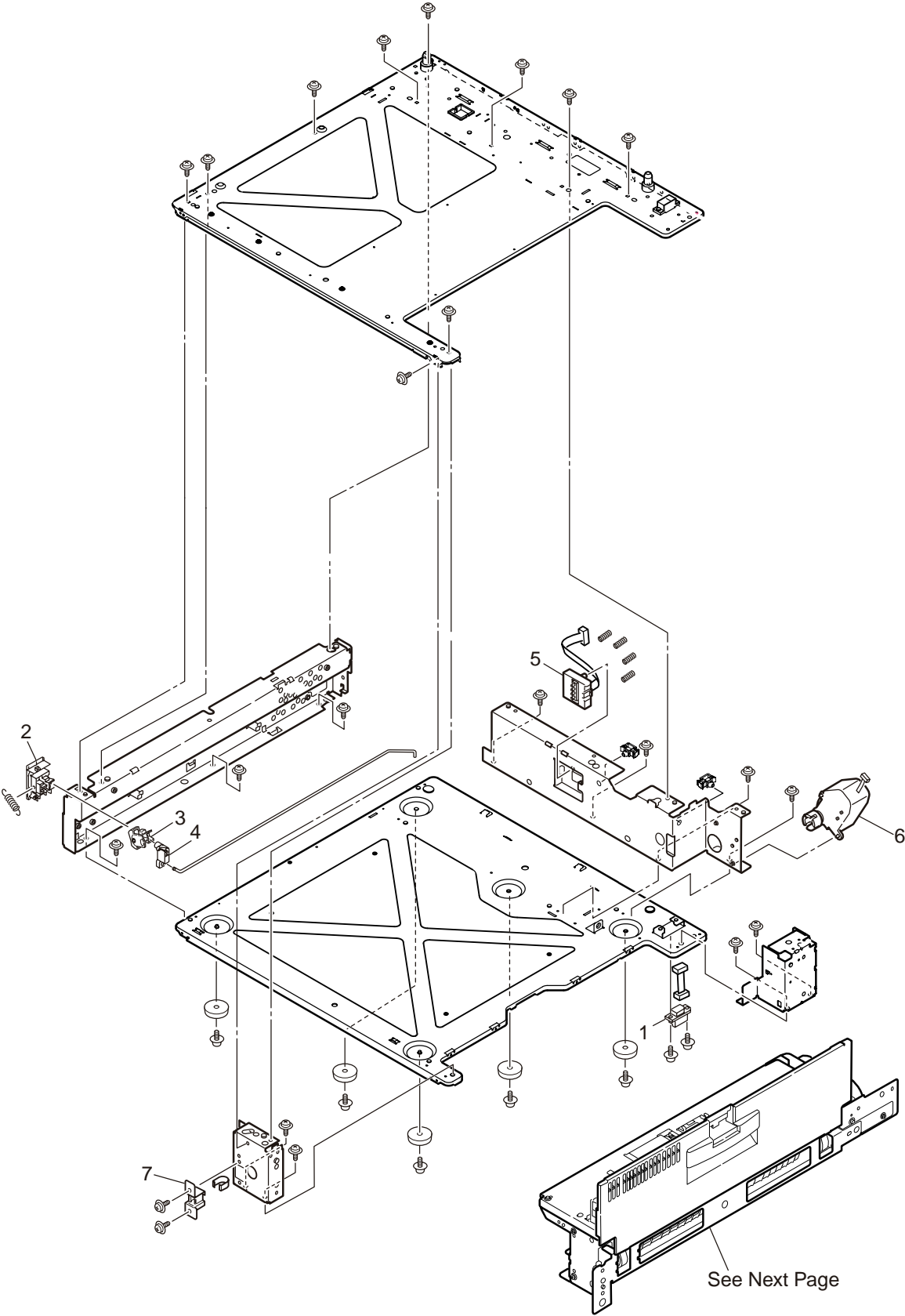


Plate-Assy-Power

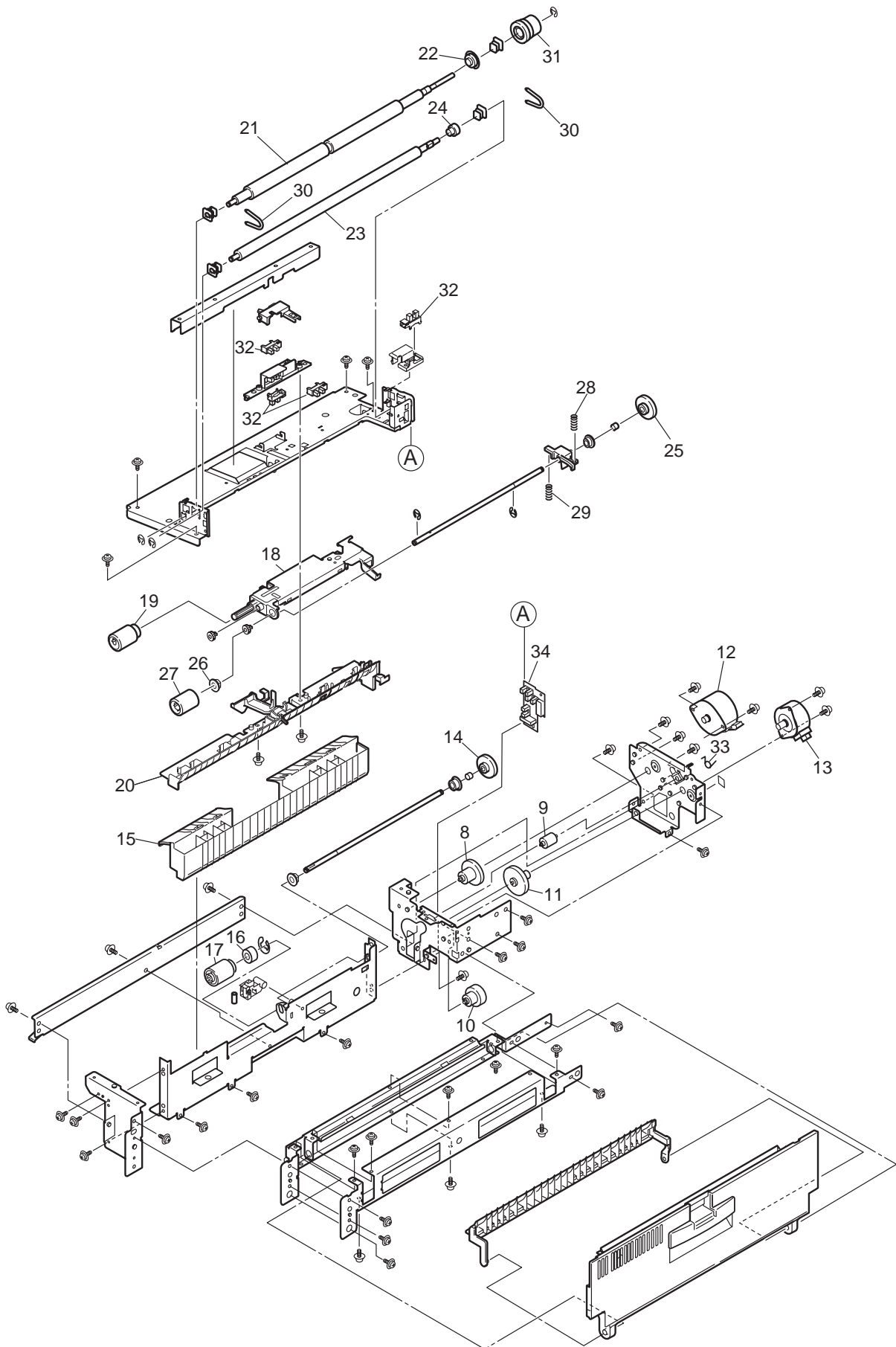


No.	Part No.	Part Name	Q'ty /Unit	Recommended Q'ty/Year			Remarks
				per 500	per 1000	per 2000	
1	42703203	Plate-Assy-Power	1	3	6	12	120V
2	42463102	PWR unit-ACDC Switch-2	1	3	6	12	
3	42703401	Motor-Fan	1	3	6	12	

Base-Assy (42692601) 1/2

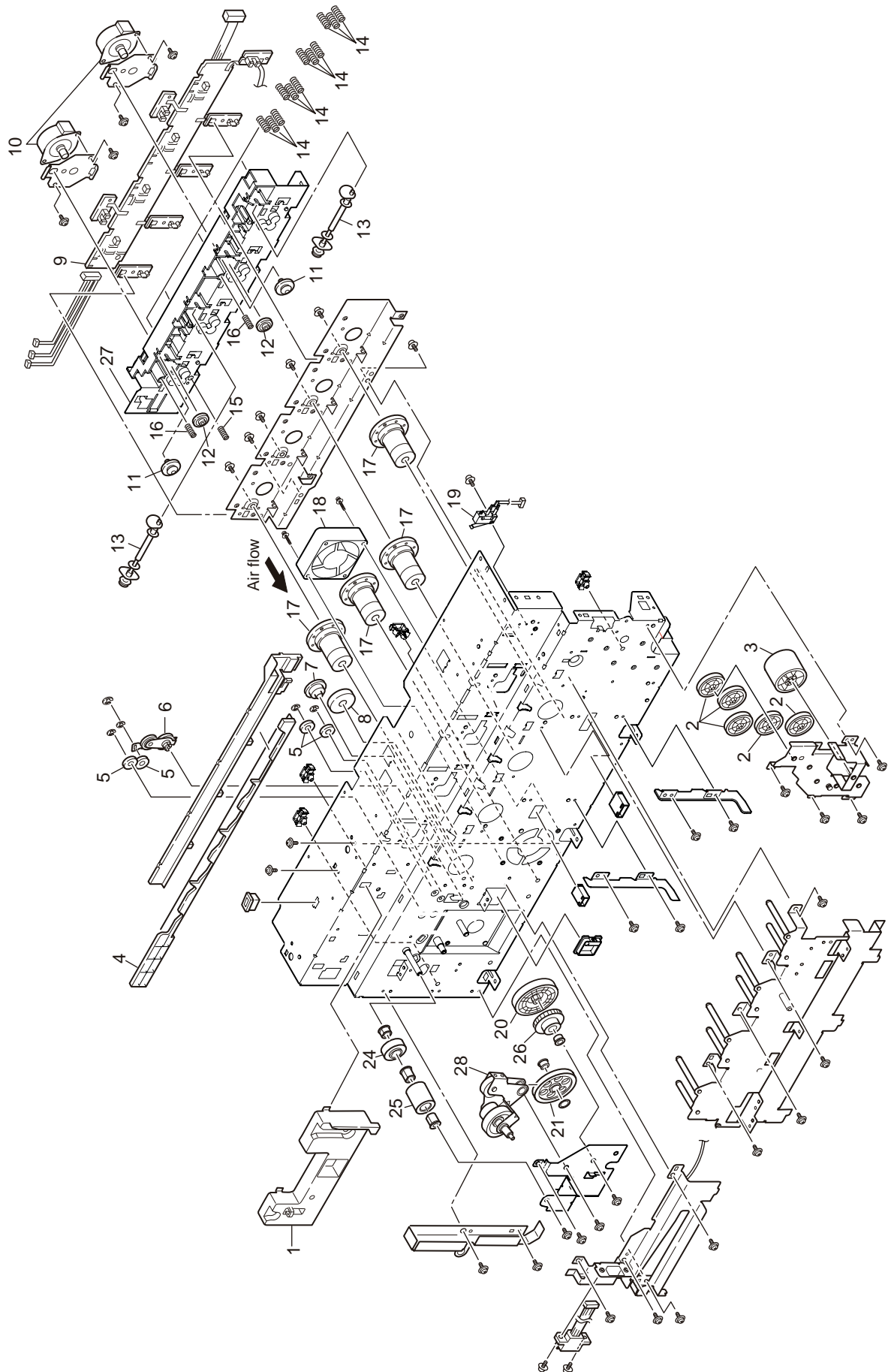


Base-Assy (42692601) 2/2



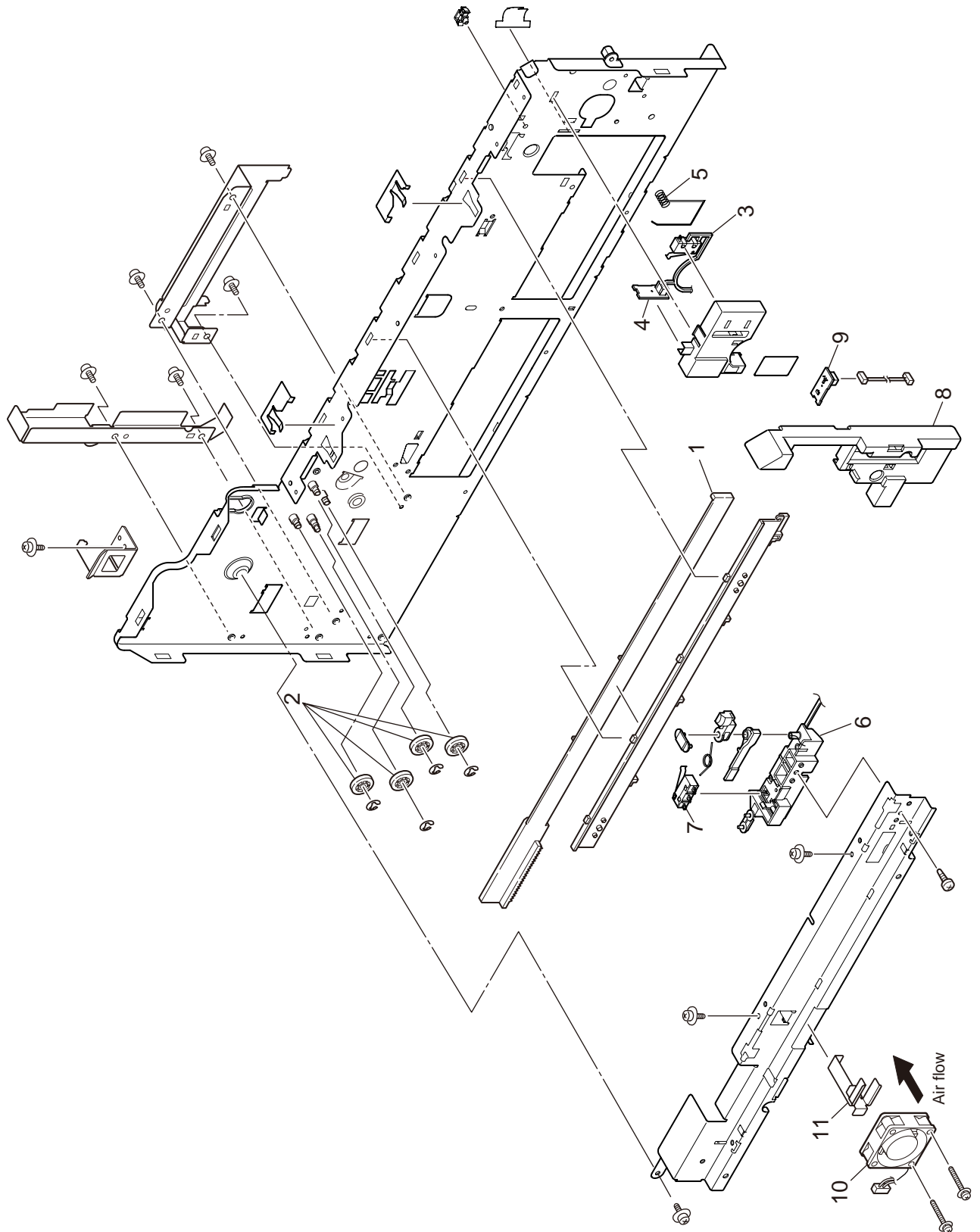
No.	Part No.	Part Name	Q'ty /Unit	Recommended Q'ty/Year			Remarks
				per 500	per 1000	per 2000	
1		9714N-14Z02-G4C	1	3	6	12	
2	42693501	Cover-switch	1	3	6	12	
3	42693701	Switch-AC	1	3	6	12	
4	42693801	Link-Switch	1	3	6	12	
5	42694101	Sensor Assy.-	1	3	6	12	
6	42694601	Geard-Motor(1st)	1	3	6	12	
7	42695101	Lock-Cassette	1	3	6	12	
8	42695701	Gear-Hopping-Z68-19	1	3	6	12	
9	42695801	Gear-Idle-Retard	1	3	6	12	
10	42695901	Gear-Feed-Z53-18	1	3	6	12	
11	42696001	Gear-Idle-Z48	1	3	6	12	
12	42629401	Motor-Pulse-Fuser	1	3	6	12	
13	42890201	Motor-Pulse-Regist	1	3	6	12	
14	42698001	Gear-Z38(oneway)	1	3	6	12	
15	42698201	Guide-Paper-Lower	1	3	6	12	
16	42988601	Torque-Limiter-OTLV	1	3	6	12	
17	41766501	Roller-Feed	1	3	6	12	
18	42699001	Roller Assy.-Pick-Up	1	3	6	12	Assy(Include:No.19)
19	42699401	Roller-Pick-Up	1	3	6	12	
20	42699601	Frame Assy.-Feed	1	3	6	12	
21	42700601	Roller-Regist1	1	3	6	12	
22	40301801	Gear-Regist	1	3	6	12	
23	42700801	Roller-Pressure1	1	3	6	12	
24	41066801	Gear-PRB	1	3	6	12	
25	42698001	Gear-Z38(oneway)	1	3	6	12	
26	42701201	Gear-Feed	1	3	6	12	
27	43000601	Roller-Feed-NOW	1	3	6	12	
28	42701501	Spring-PickUp	1	3	6	12	
29	42701601	Spring-Release	1	3	6	12	
30	42701801	Spring-Regist	2	6	12	24	
31	42863401	Gear-Assy-Clutch	1	3	6	12	
32	40135301	Photo-Interrupter	4	12	24	48	
33	42999001	Spring-FG-CL1	1	3	6	12	
34	42868401	OR-S2C	1	3	6	12	

Side-R-Assy



No.	Part No.	Part Name	Q'ty /Unit	Recommended Q'ty/Year			Remarks
				per 500	per 1000	per 2000	
1	42839601	Guide-Bracket-FU	1	3	6	12	
2	42724601	Gear-idle(Z39)	5	15	30	60	
3	42724801	Gear-Idle(Z44)	1	3	6	12	
4	42729901	Slider-Liftup-R	1	3	6	12	
5	42730101	Gear-Idle-Link	4	12	24	48	
6	42730301	Planet Assy.-R	1	3	6	12	
7	42828301	Gear-Idle-Liftup-Z20-30	1	3	6	12	
8	42730701	Gear-Idle-Lift-UP-Z37	1	3	6	12	
9	42868301	OR-SGG	1	3	6	12	
10	42863901	Motor-Pulse(Toner-Shutter)	2	3	6	12	
11	42732601	Gear-Z14-42	2	6	12	24	
12	42732701	Gear-Z14-35	2	6	12	24	
13	42732801	Camshat	2	6	12	24	
14	42732901	Spring-ID-Fuse	12	36	72	144	
15	42733001	Spring-FG	1	3	6	12	
16	43027601	Spring-Press-FG	2	6	12	24	
17		Gear-Idle-Drum_J	4	12	24	48	
17	42960701	Gear-Idle-Drum	4	12	24	48	
18	42743801	Motor-Fan	1	3	6	12	
19	42983401	CONN Cord-JST5P-SW	1	3	6	12	
20	43049801	Gear-Z77-FU	1	3	6	12	
21	43049901	Gear-Z47-FU	1	3	6	12	
24	43050201	Gear-Z20-FU	1	3	6	12	
25	43050301	Gear-Z17-FU	1	3	6	12	
26	43050401	Gear-Z16-FU	1	3	6	12	
27		Guide-Rear	1	3	6	12	
28	43972101	Plate-Planet-Assy	1	3	6	12	

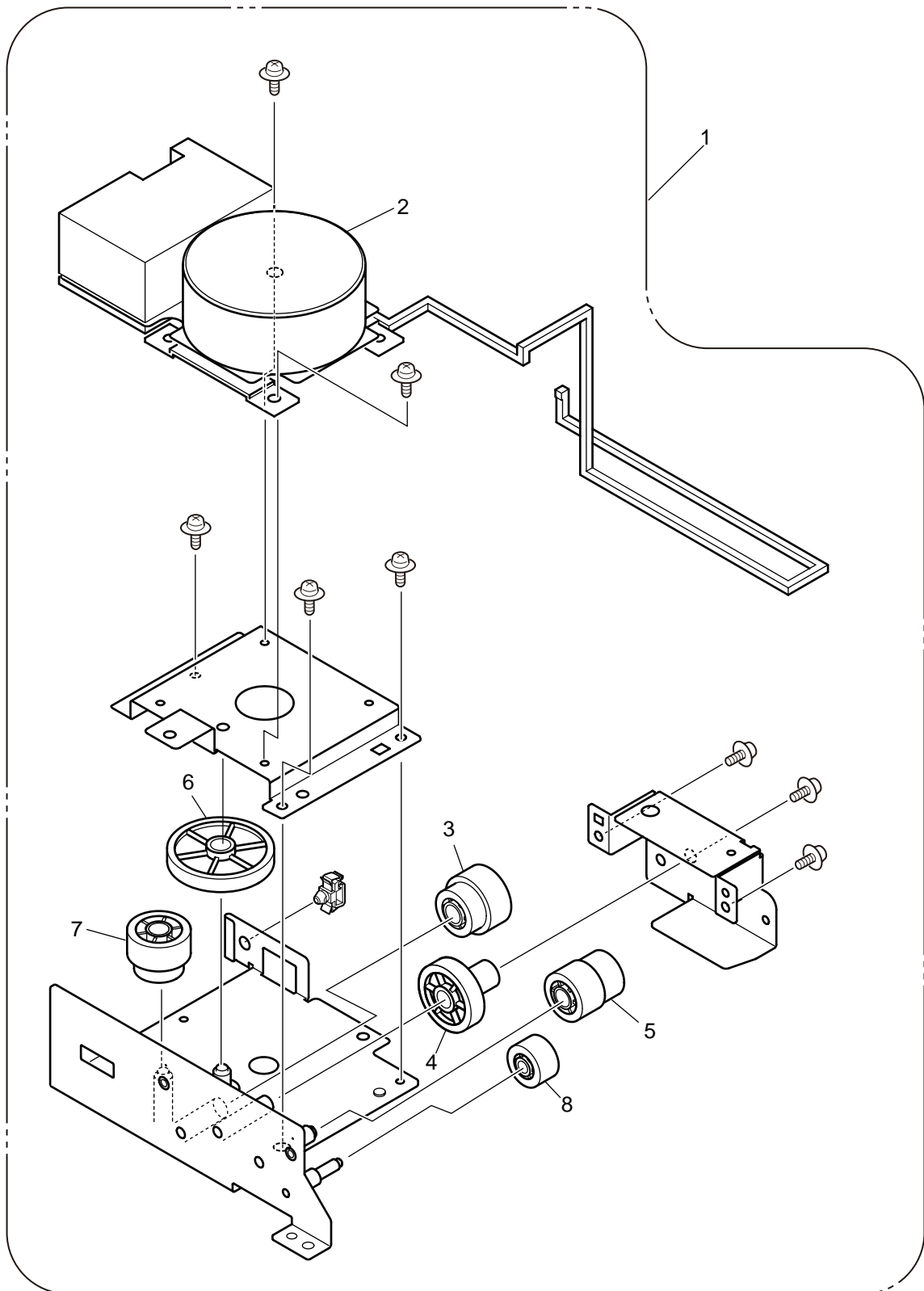
Side-F-Assy





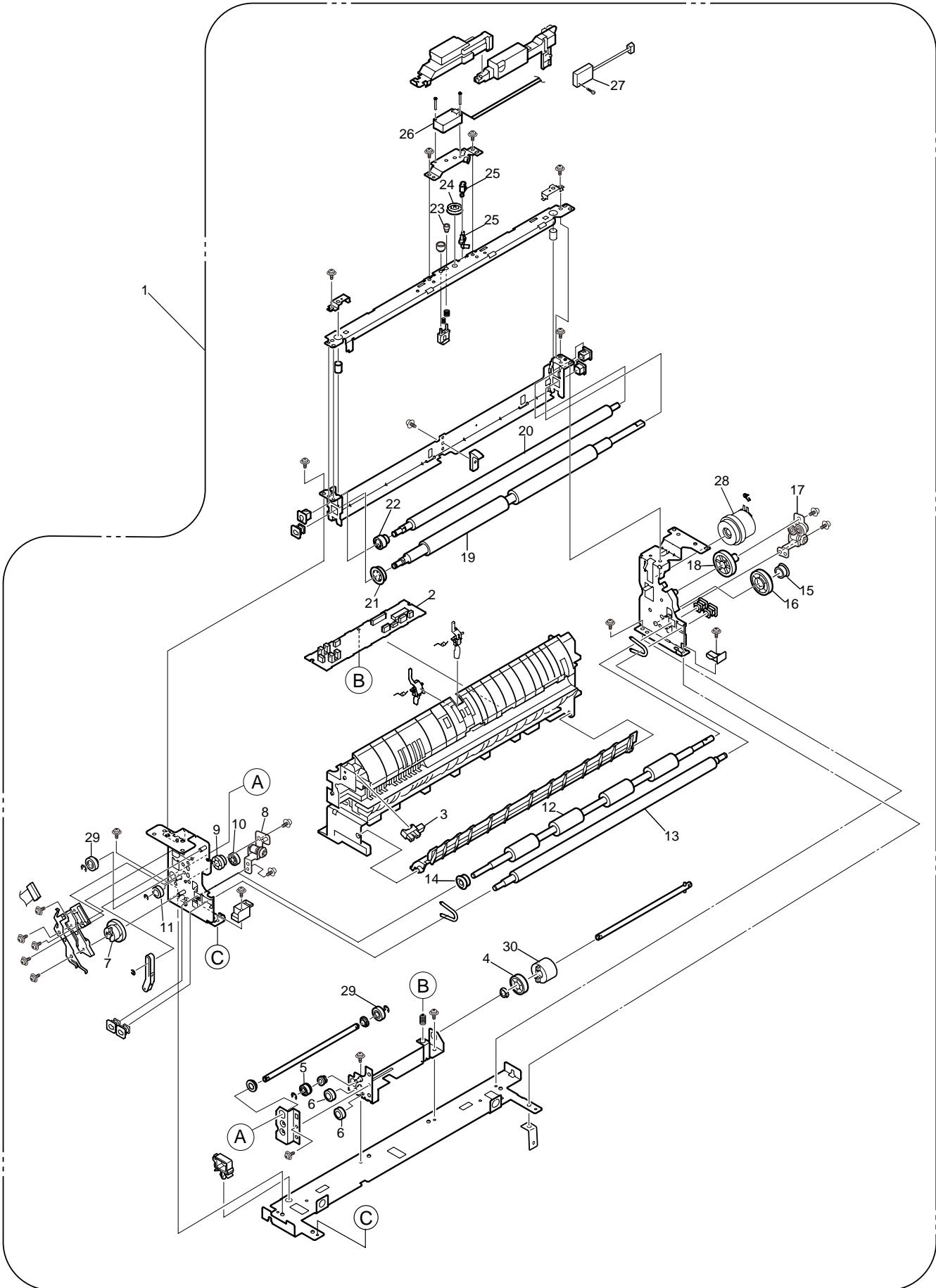
No.	Part No.	Part Name	Q'ty /Unit	Recommended Q'ty/Year			Remarks
				per 500	per 1000	per 2000	
1	42735701	Slider-LiftUP-F	1	3	6	12	
2	42730101	Gear-Idle-Link	4	12	24	48	
3	42650501	CONN Cord-AMP2P-SW	1	3	6	12	
4	42970901	OR-HAL	1	3	6	12	
5	43056301	Spring-FG-SW-F	1	3	6	12	
6	42736601	Holder-Cover-Open-SW	1	3	6	12	
7	42538001	CONN Cord-JST2P-SW	1	3	6	12	
8	42709601	Cover-Guard(R)	1	3	6	12	
9	42970901	OR-HAL	1	3	6	12	
10	42763302	Motor-Fan	1	3	6	12	
11		Plate-FG-OP	1	3	6	12	

Duct-Drive-Assy



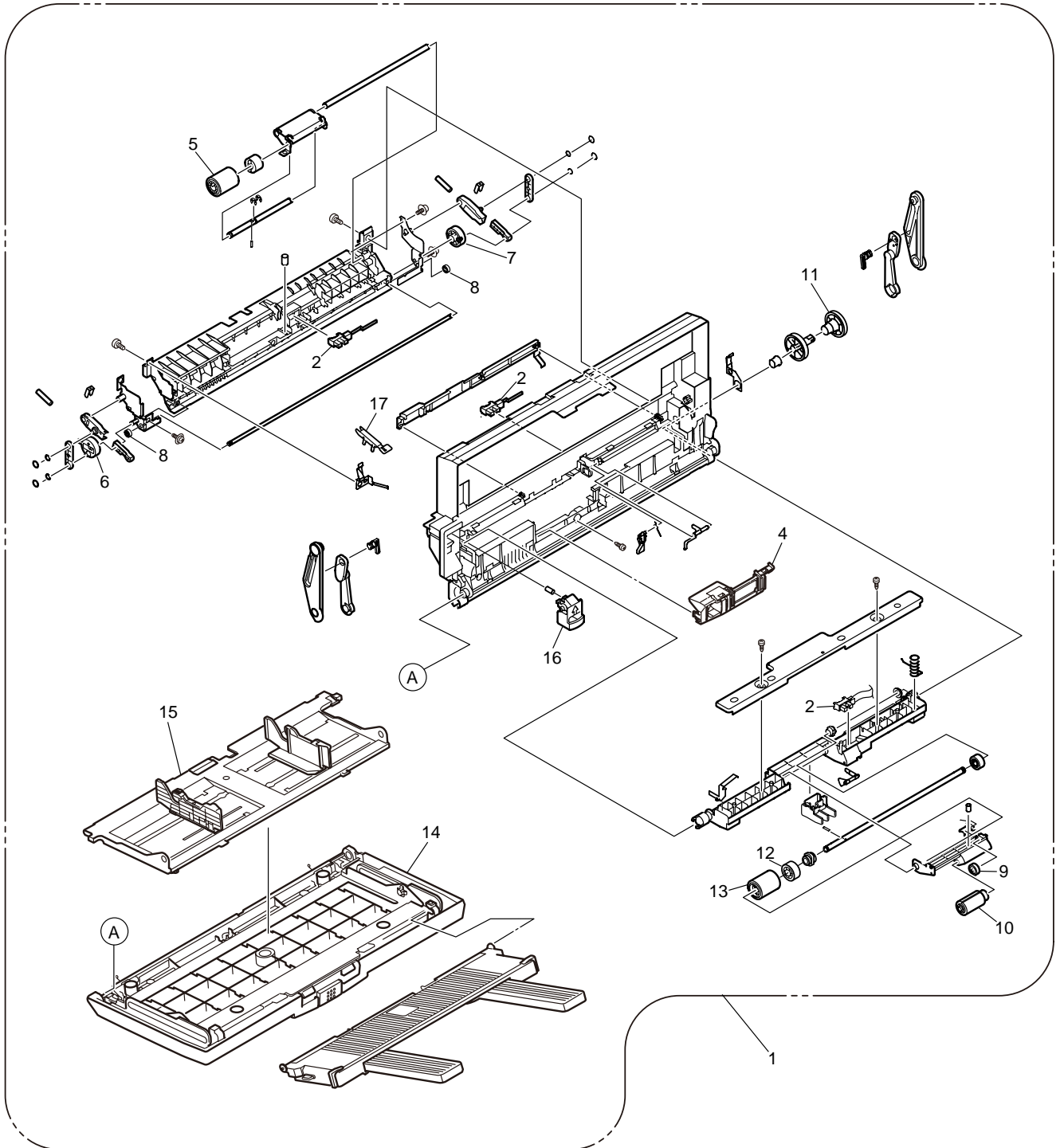
No.	Part No.	Part Name	Q'ty /Unit	Recommended Q'ty/Year			Remarks
				per 500	per 1000	per 2000	
1	42740001	Duct-Drive- Assy.	1	3	6	12	
2	42892401	Motor-DC(DISTONER)	1	3	6	12	
3	42913701	Gear-WT-Z18-Z20	1	3	6	12	
4	42978701	Gear-WT-Z30	1	3	6	12	
5	42913901	Gear-WT-Z15-Z21	1	3	6	12	
6	42914301	Gear-WT-Z56	1	3	6	12	
7	42914401	Gear-WT-Z18-Z25	1	3	6	12	
8	42967201	Gear-WT-Z14	1	3	6	12	

FDR-Unit-Regist



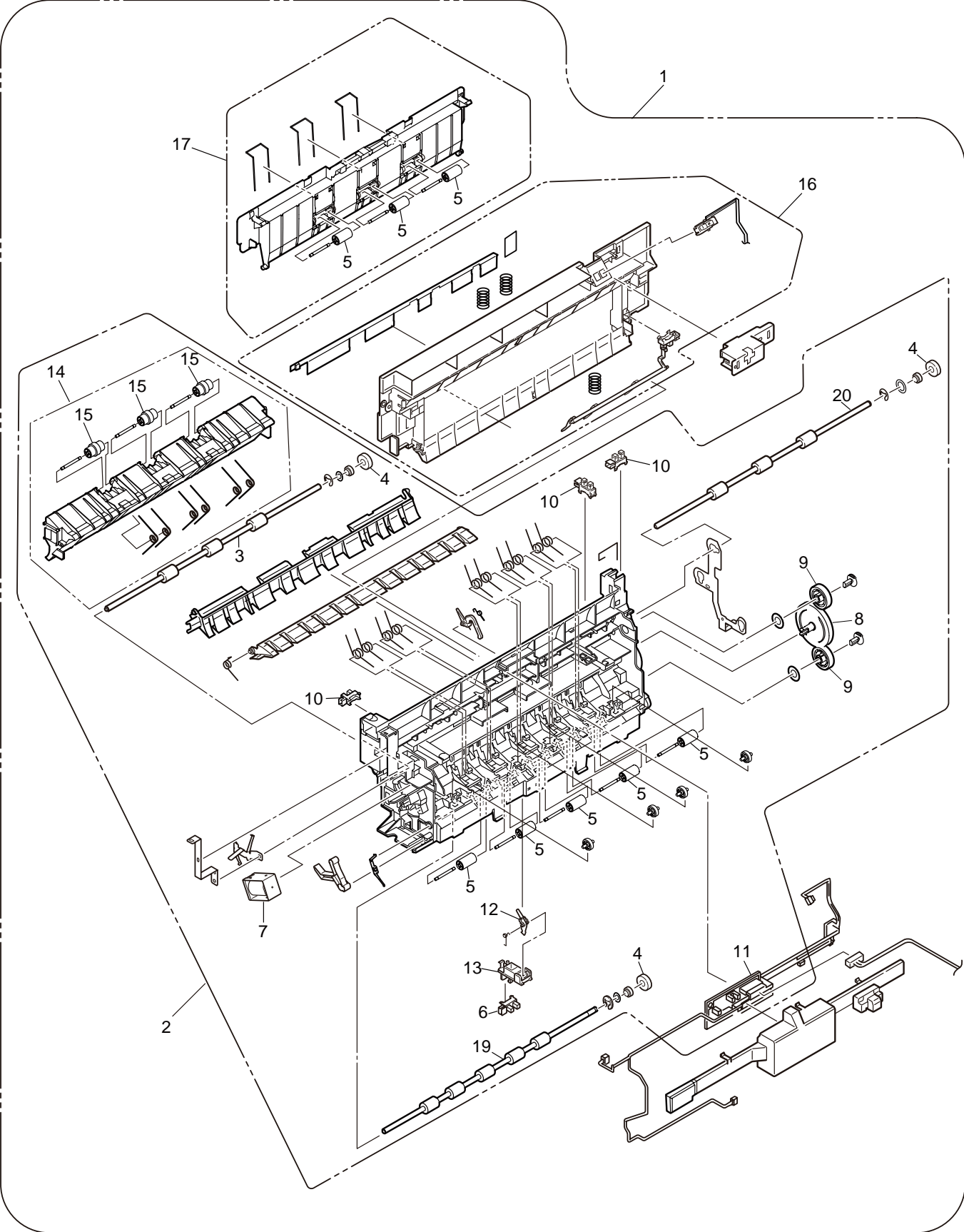
No.	Part No.	Part Name	Q'ty /Unit	Recommended Q'ty/Year			Remarks
				per 500	per 1000	per 2000	
1	42743001	FDR Unit-Regist	1	3	6	12	
2	42868201	OR-S2S	1	3	6	12	
3	40135301	Photo-Interrupter	1	3	6	12	
4	42978801	Gear-Connection-Z21	1	3	6	12	
5	42913101	Gear-Connection-Z14	1	3	6	12	
6	42739201	Gear-Idle-D	2	6	12	24	
7	43589701	Gear-Coupling-A-Kit	1	3	6	12	Kit for maintenance.
8	42973101	Plate Assy.-Link(Front)	1	3	6	12	
9	42745001	Gear-Wheel(Z30)-Front	1	3	6	12	
10	42746301	Gear-Idle(Z16)	1	3	6	12	
11	42739201	Gear-Idle-D	1	3	6	12	
12	42747201	Roller-Feed(M)	1	3	6	12	
13	42747301	Roller-Pressure(M)	1	3	6	12	
14	42747401	Gear-OnewayBevel(Z20)	1	3	6	12	
15	42747402	Gear-OnewayBevel(Z20)	1	3	6	12	
16	42747601	Gear-Feed-Z36	1	3	6	12	
17	42973701	Plate Assy.-Link(Rear)	1	3	6	12	
18	42745801	Gear-Idle(Z37)	1	3	6	12	
19	42747901	Roller-Regist(2)	1	3	6	12	
20	42748001	Roller-Pressure(2)	1	3	6	12	
21	40301801	Gear-Regist	1	3	6	12	
22	41066801	Gear-PRB	1	3	6	12	
23	42748801	Gear-SH1	1	3	6	12	
24	42748901	Gear-SH2	1	3	6	12	
25	42749001	Gear-SH3	2	6	12	24	
26		D6E-110-K	1	3	6	12	
27		HSU-06A1T1	1	3	6	12	
28	43003201	Gear Assy.-CL(Reg2)	1	3	6	12	
29	42913401	Gear-Connection-Z18	2	6	12	24	
30	43437501	Limit-Torque-500	1	3	6	12	

FDR-Unit-MPT-HM



No.	Part No.	Part Name	Q'ty /Unit	Recommended Q'ty/Year			Remarks
				per 500	per 1000	per 2000	
1	42750404	FDR Unit-MPT-HM	1	3	6	12	
2	40135301	Photo-Interrupter	3	9	18	36	
4	43012703	Guide Assy.-Friction-HM	1	3	6	12	
5	43013001	Roller-Feed	1	3	6	12	
6	42745201	Gear-Link(Z27)Front	1	3	6	12	
7	42810001	Gear-Link(Z27)Rear	1	3	6	12	
8	42961501	Gear-Link-Z12	2	6	12	24	
9	42052001	Gear-Planet(Z20)-HP	1	3	6	12	
10	42954401	Roller Assy.-Pickup	1	3	6	12	
11	42752801	Gear-Oneway(Z38/Z53)	1	3	6	12	
12	42752901	Gear-Feed(Z25)	1	3	6	12	
13	42701302	Roller-Feed(OW)	1	3	6	12	
14	42753701	Hopper Assy.-MPT	1	3	6	12	Assy(Include:No.15)
15	42934701	Sheet-Recieve-Assy.	1	3	6	12	
16		Lever-Handle-MPT	1	3	6	12	
17		Guide-Cable	1	1	2	4	

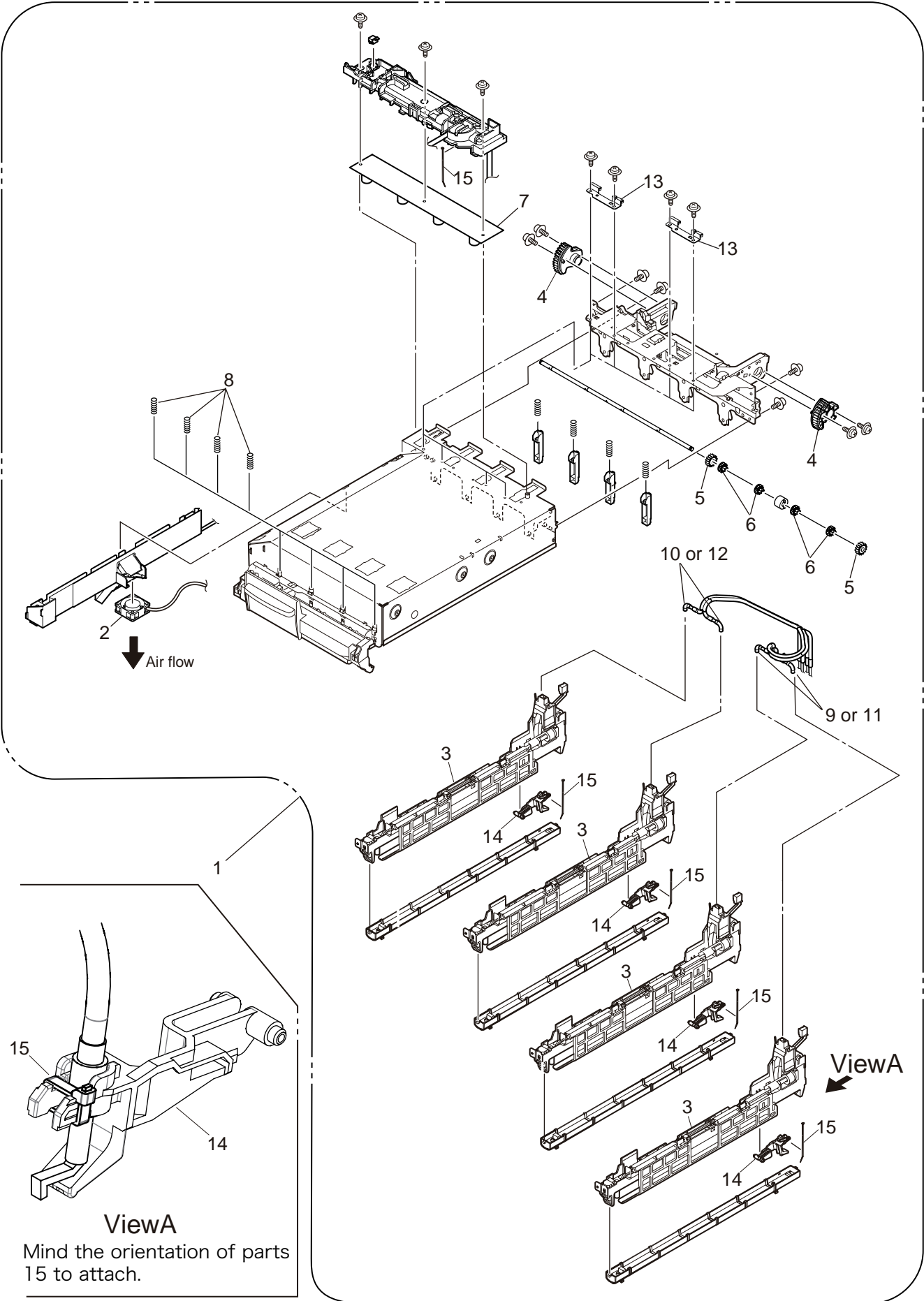
Ejest-Assy-HM





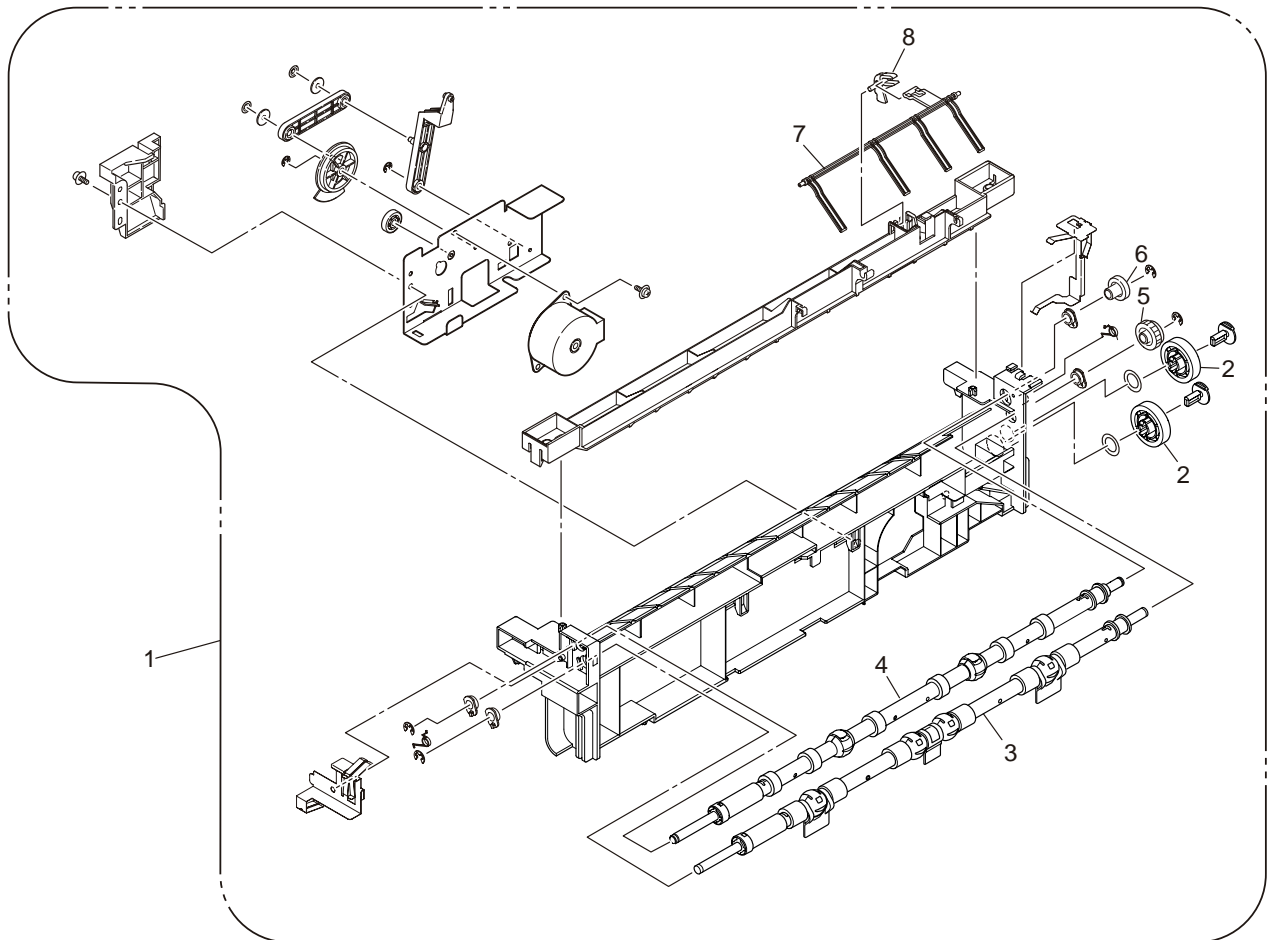
No.	Part No.	Part Name	Q'ty /Unit	Recommended Q'ty/Year			Remarks
				per 500	per 1000	per 2000	
1	42757103	Eject-Unit-HM	1	3	6	12	
2	42757505	Guide-Eject-Assy-HM	1	3	6	12	
3	42757401	Roller-Eject	1	3	6	12	
4	42757801	Gear-Eject_Z17	3	9	18	36	
5	42757901	Roller-Pinch-Eject	8	24	48	96	
6	40135301	Photo-Interrupter	1	3	6	12	
7	42758801	DC-Solenoid-10SL	1	3	6	12	
8	42760201	Gear-Idle-Eject-Z54	1	3	6	12	
9	42760301	GEAR-IDLE-Eject_Z27	2	6	12	24	
10	40135301	Photo-Interrupter	3	9	18	36	
11	42868501	OR-S2R	1	3	6	12	
12	42759301	Lever-Exit_Sensor	1	3	6	12	
13	42758301	Holder-Lever	1	3	6	12	
14	42758901	Guide-Sheet-FU-Assy	1	3	6	12	Assy(Include:No.15)
15	42759101	Roller Assy.-FU	3	9	18	36	
16		Guide-Eject-Outer-Assy-HM	1	3	6	12	
17	42760801	Cover-Eject-Auter-Assy	1	3	6	12	Assy(Include:No.18)
19	43691401	Roller-Eject-HM	1	3	6	12	
20		Roller-Eject	1	3	6	12	

Plate-Top-Assy



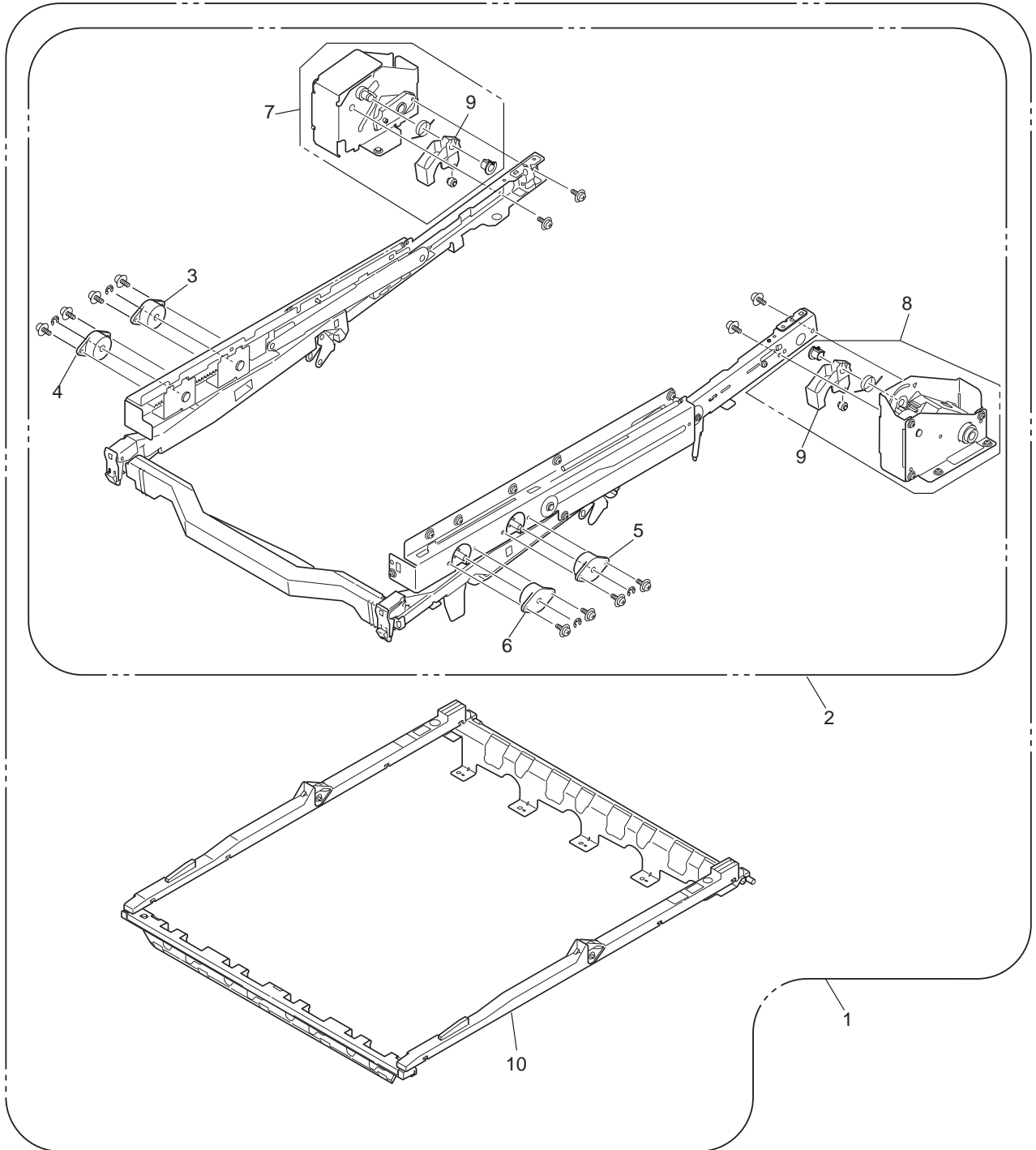
No.	Part No.	Part Name	Q'ty /Unit	Recommended Q'ty/Year			Remarks
				per 500	per 1000	per 2000	
1	42761401	Plate-Top- Assy.-	1	3	6	12	
1		Plate-Top-Assy-MXF2	1	3	6	12	C930
1		Plate-Top-Assy-STF2	1	3	6	12	C910
2	42763301	Motor-Fan	1	3	6	12	
3	42763801	Holder-Head- Assy.-	4	12	24	48	
4	42762201	Gear-Damper-TOP	2	6	12	24	
5	42857301	Gear-LED2	2	6	12	24	
6	42857401	Gear-LED3	4	12	24	48	
7	42868601	OR-S2H	1	3	6	12	
8		Spring-Tension-F	4	12	24	48	
9	42834501	CONN Cord-JST10P-JST10P	2	6	12	24	For K/Y Head 1200dpi
10	42834502	CONN Cord-JST10P-JST10P	2	6	12	24	For M/C Head 1200dpi
11	42834503	CONN Cord-JST10P-JST10P	2	6	12	24	For K/Y Head 600dpi
12	42834504	CONN Cord-JST10P-JST10P	2	6	12	24	For M/C Head 600dpi
13		Plate-Assy-HCT	2	6	12	24	
14		Clump-Cable-Head	4	12	24	48	
15		TYING CORD	5	15	30	60	

# Job-Offset-Assy



No.	Part No.	Part Name	Q'ty /Unit	Recommended Q'ty/Year			Remarks
				per 500	per 1000	per 2000	
1		Job-Offset-Assy.-723-2	1	3	6	12	
2	42760301	GEAR-IDLE-Eject_Z27	2	6	12	24	
3	42809002	Pipe-Assy-Drive_723-2	1	3	6	12	
4	42765802	Pipe-Assy-Driven_723-2	1	3	6	12	
5	43034301	Gear-Drive	1	3	6	12	
6	41351101	Gear-Driven	1	3	6	12	
7	42767501	Lever-Stacker-Full-FD	1	3	6	12	
8	42767601	Lever-Stacker-Full-Sub	1	3	6	12	

# Basket-Assy



No.	Part No.	Part Name	Q'ty /Unit	Recommended Q'ty/Year			Remarks
				per 500	per 1000	per 2000	
1	42768901	Basket-Assy	1	3	6	12	
2	42769001	Basket-Main-Assy	1	3	6	12	Assy(Include:No.2-8)
3	42919302	One-Way-Hinge-L	1	3	6	12	3.0kg
4	42919303	One-Way-Hinge-L	1	3	6	12	4.0kg
5	42919402	One-Way-Hinge-R	1	3	6	12	3.0kg
6	42919403	One-Way-Hinge-R	1	3	6	12	4.0kg
7	42774401	Gear Assy.-L	1	3	6	12	Assy(Include:No.9)
8	42777401	Gear Assy.-R	1	3	6	12	Assy(Include:No.9)
9	42918301	Plate-Limiter	2	6	12	24	
10	42771801	Basket-Inner- Assy.-	1	3	6	12	